

CDX-GT25MPW/GT30MP/GT250MP/ GT257ME/GT300MP/GT303MP

SERVICE MANUAL

Ver. 1.2 2012.07



Photo: CDX-GT250MP

US Model
CDX-GT25MPW/GT250MP
Canadian Model
CDX-GT250MP
E Model
CDX-GT300MP
Russian Model
CDX-GT250MP/GT257ME
Indian Model
CDX-GT30MP/GT303MP

- The tuner and CD sections have no adjustments.

| | |
|------------------------------------|-------------|
| Model Name Using Similar Mechanism | NEW |
| CD Drive Mechanism Type | MG-101X-188 |
| Optical Pick-up Name | DAX-25A |

SPECIFICATIONS

Tuner section

FM

Tuning range:

CDX-GT25MPW/GT250MP: US, Canadian models:

87.5 – 107.9 MHz

CDX-GT30MP/GT300MP: E, Argentina, Mexican models/
GT303MP:

87.5 – 108.0 MHz (at 50 kHz step)

87.5 – 108.0 MHz (at 100 kHz step)

87.5 – 107.9 MHz (at 200 kHz step)

CDX-GT250MP: Russian model/GT300MP: Saudi
Arabia model:

87.5 – 108.0 MHz

CDX-GT257ME:

FM1/FM2: 87.5 – 108.0 MHz (at 50 kHz)

FM3: 65 – 74 MHz (at 30 kHz)

FM Tuning step:

CDX-GT30MP/GT300MP: E, Argentina, Mexican models/
GT303MP:

50 kHz/100 kHz/200 kHz switchable

Antenna (aerial) terminal:

External antenna (aerial) connector

Intermediate frequency: 150 kHz

Usable sensitivity: 10 dBf

Selectivity: 75 dB at 400 kHz

Signal-to-noise ratio: 70 dB (mono)

Separation: 40 dB at 1 kHz

Frequency response: 20 – 15,000 Hz

AM

CDX-GT25MPW/GT250MP: US, Canadian models:

Tuning range:

530 – 1,710 kHz

Antenna (aerial) terminal:

External antenna (aerial) connector

Intermediate frequency: 25 kHz

Sensitivity: 26 μ V

– Continued on next page –

CDX-GT25MPW/GT250MP: US, Canadian model
FM/AM COMPACT DISC PLAYER

CDX-GT250MP: Russian model/GT257ME
FM/MW/LW COMPACT DISC PLAYER
CDX-GT30MP/GT300MP/GT303MP
FM/MW/SW COMPACT DISC PLAYER

9-889-931-03

2012G33-1

© 2012.07

Sony Corporation

Published by Sony Techno Create Corporation

SONY[®]

CDX-GT25MPW/GT30MP/GT250MP/GT257ME/GT300MP/GT303MP

MW

CDX-GT30MP/GT300MP/GT303MP:

Tuning range:

CDX-GT30MP/GT300MP: E, Argentina, Mexican models/GT303MP:
531 – 1,602 kHz (at 9 kHz step)
530 – 1,710 kHz (at 10 kHz step)
CDX-GT300MP: Saudi Arabia model:
531 – 1,602 kHz

MW Tuning step:

CDX-GT30MP/GT300MP: E, Argentina, Mexican models/GT303MP:
9 kHz/10kHz switchable

Antenna (aerial) terminal:

External antenna (aerial) connector

Intermediate frequency: 25 kHz

Sensitivity: 26 μ V

SW

CDX-GT30MP/GT300MP/GT303MP:

Tuning range:

SW1: 2,940 – 7,735 kHz
SW2: 9,500 – 18,135 kHz
(except for 10,140 – 11,575 kHz)

Antenna (aerial) terminal:

External antenna (aerial) connector

Intermediate frequency: 25 kHz

Sensitivity: 30 μ V

MW/LW

CDX-GT250MP: Russian model/GT257ME:

Tuning range:

MW: 531 – 1,602 kHz
LW: 153 – 279 kHz

Antenna (aerial) terminal:

External antenna (aerial) connector

Intermediate frequency: 25 kHz

Sensitivity:

MW: 26 μ V, LW: 45 μ V

CD player section

Signal-to-noise ratio: 120 dB

Frequency response: 10 – 20,000 Hz

Wow and flutter: Below measurable limit

Power amplifier section

Output: Speaker outputs

Speaker impedance: 4 – 8 ohms

Maximum power output:

CDX-GT25MPW/GT30MP/GT250MP: US, Canadian models/
GT300MP/GT303MP: 52 W \times 4 (at 4 ohms)
CDX-GT250MP: Russian model/GT257ME: 45 W \times 4 (at 4 ohms)

General

Outputs:

Audio outputs terminal
(sub/rear switchable)
Power antenna (aerial) relay control terminal
Power amplifier control terminal

Inputs:

Remote controller input terminal
Antenna (aerial) input terminal
AUX input jack (stereo mini jack)

Tone controls:

Low: \pm 10 dB at 60 Hz (XPLOD)
Mid: \pm 10 dB at 1 kHz (XPLOD)
High: \pm 10 dB at 10 kHz (XPLOD)

Power requirements: 12 V DC car battery
(negative ground (earth))

Dimensions: Approx. 178 \times 50 \times 179 mm
(7 $\frac{1}{8}$ \times 2 \times 7 $\frac{1}{8}$ in.) (w/h/d)

Mounting dimensions:

Approx. 182 \times 53 \times 162 mm
(7 $\frac{1}{4}$ \times 2 $\frac{1}{8}$ \times 6 $\frac{1}{2}$ in.) (w/h/d)

Mass: Approx. 1.2 kg (2 lb. 11 oz.)

Supplied accessories:

Card remote commander: RM-X151
Parts for installation and connections (1 set)

Design and specifications are subject to change without notice.

SAFETY-RELATED COMPONENT WARNING!

COMPONENTS IDENTIFIED BY MARK \triangle OR DOTTED LINE WITH MARK \triangle ON THE SCHEMATIC DIAGRAMS AND IN THE PARTS LIST ARE CRITICAL TO SAFE OPERATION. REPLACE THESE COMPONENTS WITH SONY PARTS WHOSE PART NUMBERS APPEAR AS SHOWN IN THIS MANUAL OR IN SUPPLEMENTS PUBLISHED BY SONY.

ATTENTION AU COMPOSANT AYANT RAPPORT À LA SÉCURITÉ!

LES COMPOSANTS IDENTIFIÉS PAR UNE MARQUE \triangle SUR LES DIAGRAMMES SCHÉMATIQUES ET LA LISTE DES PIÈCES SONT CRITIQUES POUR LA SÉCURITÉ DE FONCTIONNEMENT. NE REMPLACER CES COMPOSANTS QUE PAR DES PIÈCES SONY DONT LES NUMÉROS SONT DONNÉS DANS CE MANUEL OU DANS LES SUPPLÉMENTS PUBLIÉS PAR SONY.

NOTES ON HANDLING THE OPTICAL PICK-UP BLOCK OR BASE UNIT

The laser diode in the optical pick-up block may suffer electrostatic break-down because of the potential difference generated by the charged electrostatic load, etc. on clothing and the human body. During repair, pay attention to electrostatic break-down and also use the procedure in the printed matter which is included in the repair parts.

The flexible board is easily damaged and should be handled with care.

NOTES ON LASER DIODE EMISSION CHECK

The laser beam on this model is concentrated so as to be focused on the disc reflective surface by the objective lens in the optical pickup block. Therefore, when checking the laser diode emission, observe from more than 30 cm away from the objective lens.

NOTES ON CHIP COMPONENT REPLACEMENT

- Never reuse a disconnected chip component.
- Notice that the minus side of a tantalum capacitor may be damaged by heat.

TEST DISCS

Please use the following test discs for the check on the CD section.

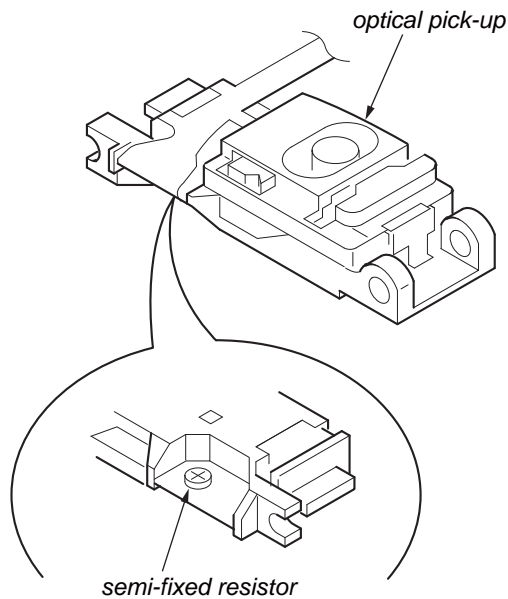
- YEDS-18 (Part No. 3-702-101-01)
- PATD-012 (Part No. 4-225-203-01)

CAUTION

Use of controls or adjustments or performance of procedures other than those specified herein may result in hazardous radiation exposure.

If the optical pick-up block is defective, please replace the whole optical pick-up block.

Never turn the semi-fixed resistor located at the side of optical pick-up block.



CDX-GT30MP/GT250MP: Russian model/
GT257ME/GT300MP/GT303MP:

This compact disc player is classified as a CLASS 1 LASER product. The CLASS 1 LASER PRODUCT label is located on the exterior.



This label is located on the bottom of the chassis.

UNLEADED SOLDER

Boards requiring use of unleaded solder are printed with the lead-free mark (LF) indicating the solder contains no lead.

(Caution: Some printed circuit boards may not come printed with the lead free mark due to their particular size)

LF : LEAD FREE MARK

Unleaded solder has the following characteristics.

- Unleaded solder melts at a temperature about 40 °C higher than ordinary solder.

Ordinary soldering irons can be used but the iron tip has to be applied to the solder joint for a slightly longer time.

Soldering irons using a temperature regulator should be set to about 350 °C.

Caution: The printed pattern (copper foil) may peel away if the heated tip is applied for too long, so be careful!

- Strong viscosity
Unleaded solder is more viscous (sticky, less prone to flow) than ordinary solder so use caution not to let solder bridges occur such as on IC pins, etc.
- Usable with ordinary solder
It is best to use only unleaded solder but unleaded solder may also be added to ordinary solder.

TABLE OF CONTENTS

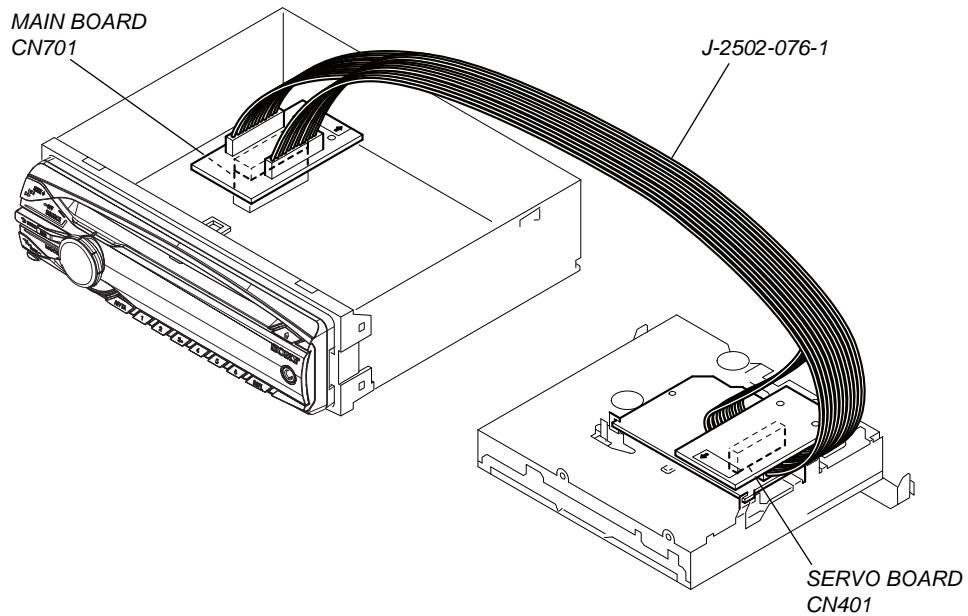
| | |
|--|----|
| 1. SERVICE NOTE | 5 |
| 2. GENERAL | |
| Connections | 6 |
| 3. DISASSEMBLY | |
| 3-1. Sub Panel Assy | 9 |
| 3-2. CD Mechanism Block..... | 9 |
| 3-3. Main Board | 10 |
| 3-4. Servo Board | 10 |
| 3-5. Chassis (T) Sub Assy | 11 |
| 3-6. Roller Arm Assy..... | 11 |
| 3-7. Chassis (OP) Assy..... | 12 |
| 3-8. Chucking Arm Sub Assy..... | 12 |
| 3-9. Sled Motor Assy..... | 13 |
| 3-10. Optical Pick-up Section | 14 |
| 3-11. Optical Pick-up | 14 |
| 4. DIAGRAMS | |
| 4-1. Block Diagram –Main Section– | 15 |
| 4-2. Block Diagram –Display Section– | 16 |
| 4-3. Printed Wiring Board –Main Section–..... | 18 |
| 4-4. Schematic Diagram –Main Section (1/3)–..... | 19 |
| 4-5. Schematic Diagram –Main Section (2/3)–..... | 20 |
| 4-6. Schematic Diagram –Main Section (3/3)–..... | 21 |
| 4-7. Printed Wiring Board –Key Section– | 22 |
| 4-8. Schematic Diagram –Key Section– | 23 |
| 5. EXPLODED VIEWS | |
| 5-1. Main Section | 28 |
| 5-2. Front Panel Section..... | 29 |
| 5-3. CD Mechanism Section (MG-101X-188)..... | 30 |
| 6. ELECTRICAL PARTS LIST | 31 |

SECTION 1 SERVICE NOTE

EXTENSION CABLE AND SERVICE POSITION

When repairing or servicing this set, connect the jig (extension cable) as shown below.

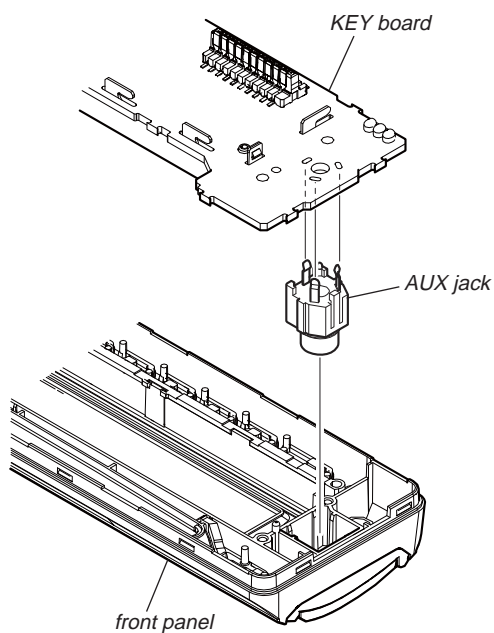
- Connect the MAIN board (CN701) and the SERVO board (CN401) with the extension cable (Part No. J-2502-076-1).



NOTE FOR REPLACEMENT OF THE AUX JACK (J901)

To replace the AUX jack requires alignment.

1. Insert the AUX jack into the KEY board.
2. Place the KEY board on the front panel.
3. Solder the three terminals of the jack.



NOTE FOR REPLACEMENT OF THE SERVO BOARD

When repairing, the complete SERVO board (Part No. A-1768-003-A) should be replaced since any parts in the SERVO board cannot be repaired.

NOTE FOR THE 15-PIN CONNECTOR (CN001)

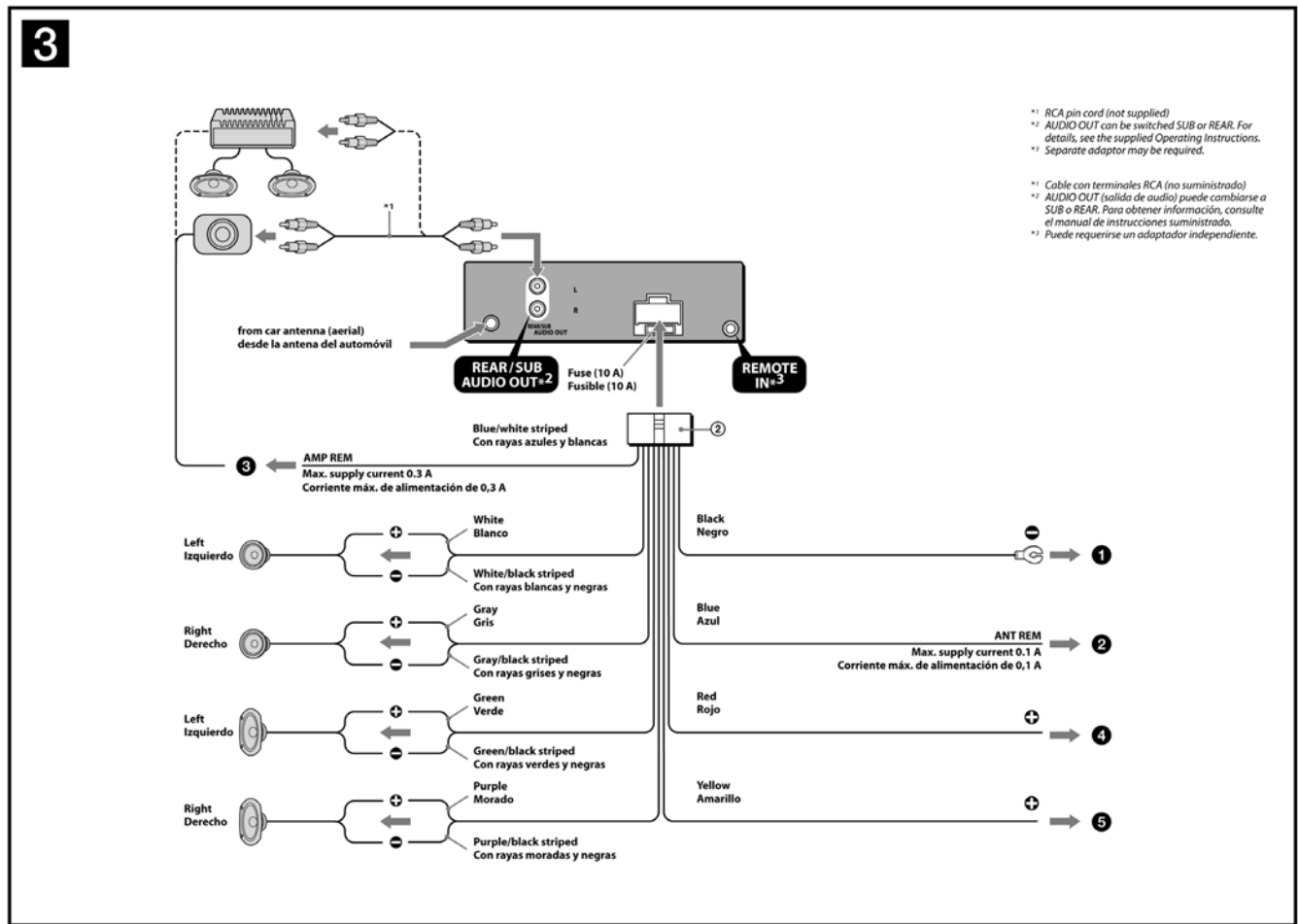
Do not use alcohol to clean the 15-pin connector (CN001) connecting the front panel with the main body.

Do not touch the connector directly with your bare hand. Poor contact may be caused.

This section is extracted from instruction manual.

• CONNECTIONS

CDX-GT25MPW/GT30MP/GT250MP: US, Canadian models/GT300MP: E, Saudi Arabia, Mexican models/GT303MP



¹ RCA pin cord (not supplied)
² AUDIO OUT can be switched SUB or REAR. For details, see the supplied Operating Instructions.
³ Separate adaptor may be required.

¹ Cable con terminales RCA (no suministrado)
² AUDIO OUT (salida de audio) puede cambiarse a SUB o REAR. Para obtener información, consulte el manual de instrucciones suministrado.
³ Puede requerirse un adaptador independiente.

Connection diagram 3

- To a metal surface of the car**
First connect the black ground (earth) lead, then connect the yellow and red power supply leads.
- To the power antenna (aerial) control lead or power supply lead of antenna (aerial) booster**
Notes
• It is not necessary to connect this lead if there is no power antenna (aerial) or antenna (aerial) booster, or with a manually-operated telescopic antenna (aerial).
• When your car has a built-in FM/AM antenna (aerial) in the rear/side glass, see "Notes on the control and power supply leads."
- To AMP REMOTE IN of an optional power amplifier**
This connection is only for amplifiers. Connecting any other system may damage the unit.
- To the +12 V power terminal which is energized in the accessory position of the ignition switch**
Notes
• If there is no accessory position, connect to the +12 V power (battery) terminal which is energized at all times.
• Be sure to connect the black ground (earth) lead to a metal surface of the car first.
• When your car has a built-in FM/AM antenna (aerial) in the rear/side glass, see "Notes on the control and power supply leads."
- To the +12 V power terminal which is energized at all times**
Be sure to connect the black ground (earth) lead to a metal surface of the car first.

Notes on the control and power supply leads

- The power antenna (aerial) control lead (blue) supplies +12 V DC when you turn on the tuner.
- When your car has built-in FM/AM antenna (aerial) in the rear/side glass, connect the power antenna (aerial) control lead (blue) or the accessory power supply lead (red) to the power terminal of the existing antenna (aerial) booster. For details, consult your dealer.
- A power antenna (aerial) without a relay box cannot be used with this unit.

Memory hold connection
When the yellow power supply lead is connected, power will always be supplied to the memory circuit even when the ignition switch is turned off.

Notes on speaker connection

- Before connecting the speakers, turn the unit off.
- Use speakers with an impedance of 4 to 8 ohms, and with adequate power handling capacities to avoid its damage.
- Do not connect the speaker terminals to the car chassis, or connect the terminals of the right speakers with those of the left speaker.
- Do not connect the ground (earth) lead of this unit to the negative (-) terminal of the speaker.
- Do not attempt to connect the speakers in parallel.
- Connect only passive speakers. Connecting active speakers (with built-in amplifiers) to the speaker terminals may damage the unit.
- To avoid a malfunction, do not use the built-in speaker leads installed in your car if the unit shares a common negative (-) lead for the right and left speakers.
- Do not connect the unit's speaker leads to each other.

Note on connection
If speaker and amplifier are not connected correctly, "FAILURE" appears in the display. In this case, make sure the speaker and amplifier are connected correctly.

Diagrama de conexión 3

- A una superficie metálica del automóvil**
Conecte primero el cable de conexión a masa negro, y después los cables amarillo y rojo de fuente de alimentación.
- Al cable de control de la antena motorizada o al cable de fuente de alimentación del amplificador de señal de la antena**
Notes
• Si no se dispone de antena motorizada ni de amplificador de antena, o se utiliza una antena telescópica accionada manualmente, no será necesario conectar este cable.
• Si el automóvil incorpora una antena de FM/AM en el cristal trasero o lateral, consulte "Notas sobre los cables de control y de fuente de alimentación."
- A AMP REMOTE IN de un amplificador de potencia opcional**
Esta conexión es sólo para amplificadores. La conexión de cualquier otro sistema puede dañar la unidad.
- Al terminal de alimentación de +12 V que recibe energía en la posición de accesorio del interruptor de encendido**
Notes
• Si no hay posición de accesorio, conéctelo al terminal de alimentación (batería) de +12 V que recibe energía sin interrupción.
• Asegúrese de conectar primero el cable de conexión a masa negro a una superficie metálica del automóvil.
• Si el automóvil incorpora una antena de FM/AM en el cristal trasero o lateral, consulte "Notas sobre los cables de control y de fuente de alimentación."
- Al terminal de alimentación de +12 V que recibe energía sin interrupción**
Asegúrese de conectar primero el cable de conexión a masa negro a una superficie metálica del automóvil.

Notas sobre los cables de control y de fuente de alimentación

- El cable de control de la antena motorizada (azul) suministra cc de +12 V cuando conecte la alimentación del sintonizador.
- Si el automóvil dispone de una antena de FM/AM incorporada en el cristal trasero o lateral, conecte el cable de control de antena motorizada (azul) o el cable de fuente de alimentación auxiliar (rojo) al terminal de alimentación del amplificador de antena existente. Para obtener más información, consulte a su distribuidor.
- Con esta unidad no es posible utilizar una antena motorizada sin caja de relé.

Conexión para protección de la memoria
Si conecta el cable de fuente de alimentación amarillo, el circuito de la memoria recibirá siempre alimentación, aunque apague el interruptor de encendido.

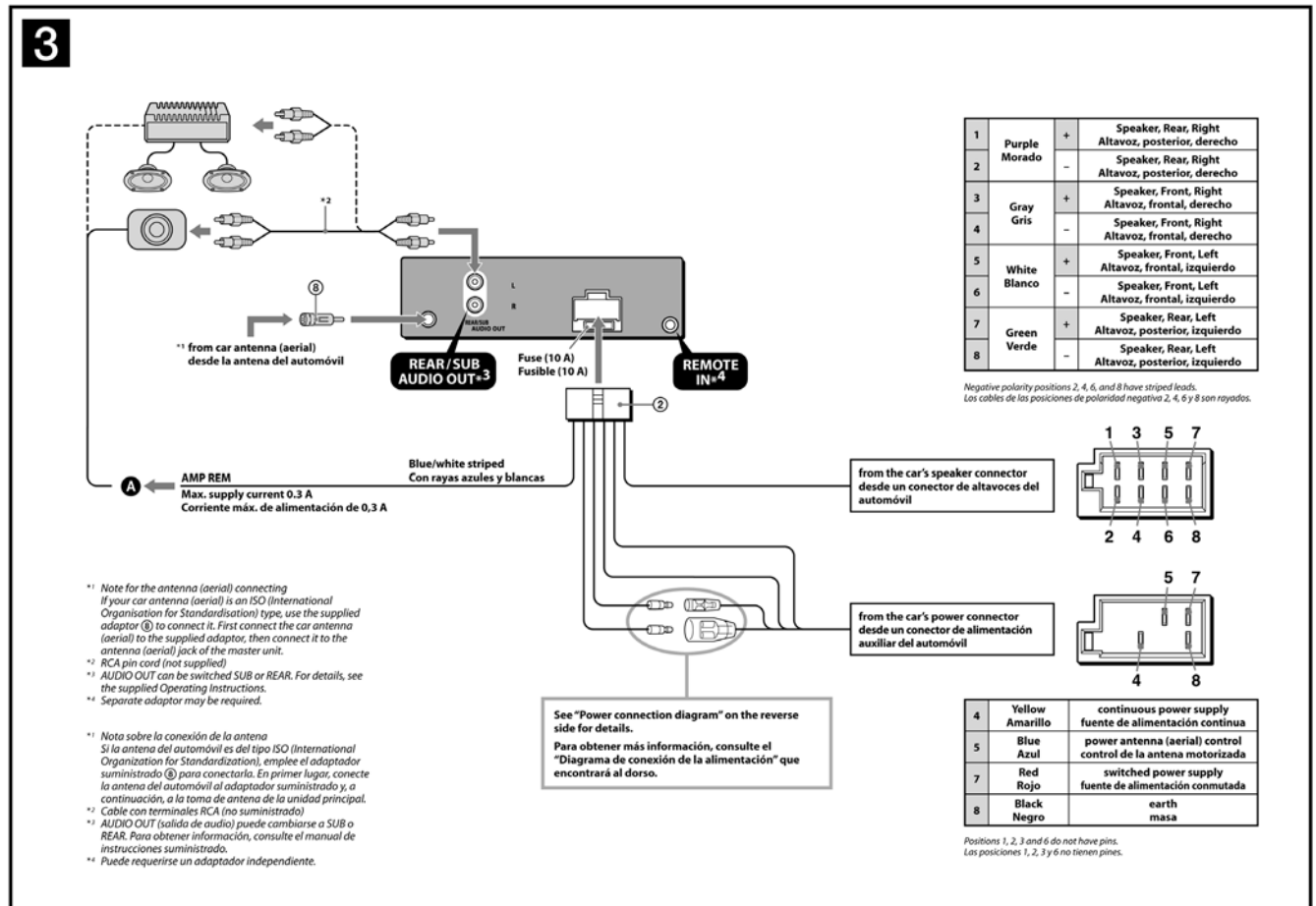
Notas sobre la conexión de los altavoces

- Antes de conectar los altavoces, desconecte la alimentación de la unidad.
- Utilice altavoces con una impedancia de 4 a 8 Ω con la capacidad de potencia adecuada para evitar que se dañen.
- No conecte los terminales de altavoz al chasis del automóvil, ni conecte los terminales del altavoz derecho con los del izquierdo.
- No conecte el cable de conexión a masa de esta unidad al terminal negativo (-) del altavoz.
- No intente conectar los altavoces en paralelo.
- Conecte solamente altavoces pasivos. Si conecta altavoces activos (con amplificadores incorporados) a los terminales de altavoz, puede dañar la unidad.
- Para evitar fallos de funcionamiento, no utilice los cables de altavoz incorporados instalados en el automóvil si la unidad comparte un cable negativo común (-) para los altavoces derecho e izquierdo.
- No conecte los cables de altavoz de la unidad entre sí.

Nota sobre la conexión
Si el altavoz y el amplificador no están conectados correctamente, aparecerá "FAILURE" en la pantalla. Si es así, compruebe la conexión de ambos dispositivos.

• CONNECTIONS

CDX-GT250MP: Russian model/GT257ME/GT300MP:Argentina model



Connection diagram 3

A To AMP REMOTE IN of an optional power amplifier
This connection is only for amplifiers. Connecting any other system may damage the unit.

Warning

If you have a power antenna (aerial) without a relay box, connecting this unit with the supplied power connecting lead (2) may damage the antenna (aerial).

Notes on the control and power supply leads

- The power antenna (aerial) control lead (blue) supplies +12 V DC when you turn on the tuner.
- When your car has built-in FM/MW/SW antenna (aerial) in the rear/side glass, connect the power antenna (aerial) control lead (blue) or the accessory power supply lead (red) to the power terminal of the existing antenna (aerial) booster. For details, consult your dealer.
- A power antenna (aerial) without a relay box cannot be used with this unit.

Memory hold connection
When the yellow power input lead is connected, power will always be supplied to the memory circuit even when the ignition switch is turned off.

Notes on speaker connection

- Before connecting the speakers, turn the unit off.
- Use speakers with an impedance of 4 to 8 ohms, and with adequate power handling capacities to avoid its damage.
- Do not connect the speaker terminals to the car chassis, or connect the terminals of the right speakers with those of the left speaker.
- Do not connect the ground (earth) lead of this unit to the negative (-) terminal of the speaker.
- Do not attempt to connect the speakers in parallel.
- Connect only passive speakers. Connecting active speakers (with built-in amplifiers) to the speaker terminals may damage the unit.
- To avoid a malfunction, do not use the built-in speaker leads installed in your car if the unit shares a common negative (-) lead for the right and left speakers.
- Do not connect the unit's speaker leads to each other.

Note on connection
If speaker and amplifier are not connected correctly, "FAILURE" appears in the display. In this case, make sure the speaker and amplifier are connected correctly.

Diagrama de conexión 3

A A AMP REMOTE IN de un amplificador de potencia opcional
Esta conexión es sólo para amplificadores. La conexión de cualquier otro sistema puede dañar la unidad.

Advertencia

Si la antena motorizada no dispone de caja de relé, es posible que la conexión de esta unidad mediante el cable de alimentación suministrado (2) provoque daños en la antena.

Notas sobre los cables de control y de fuente de alimentación

- El cable de control de la antena motorizada (azul) suministrará cc de +12 V cuando conecte la alimentación del sintonizador.
- Si el automóvil dispone de una antena de FM/MW/SW incorporada en el cristal trasero o lateral, conecte el cable de control de antena motorizada (azul) o el cable de fuente de alimentación auxiliar (rojo) al terminal de alimentación del amplificador de antena existente. Para obtener más información, consulte a su distribuidor.
- Con esta unidad no es posible utilizar una antena motorizada sin caja de relé.

Conexión para protección de la memoria
Si conecta el cable de fuente de alimentación amarillo, el circuito de la memoria recibirá siempre alimentación, aunque apague el interruptor de encendido.

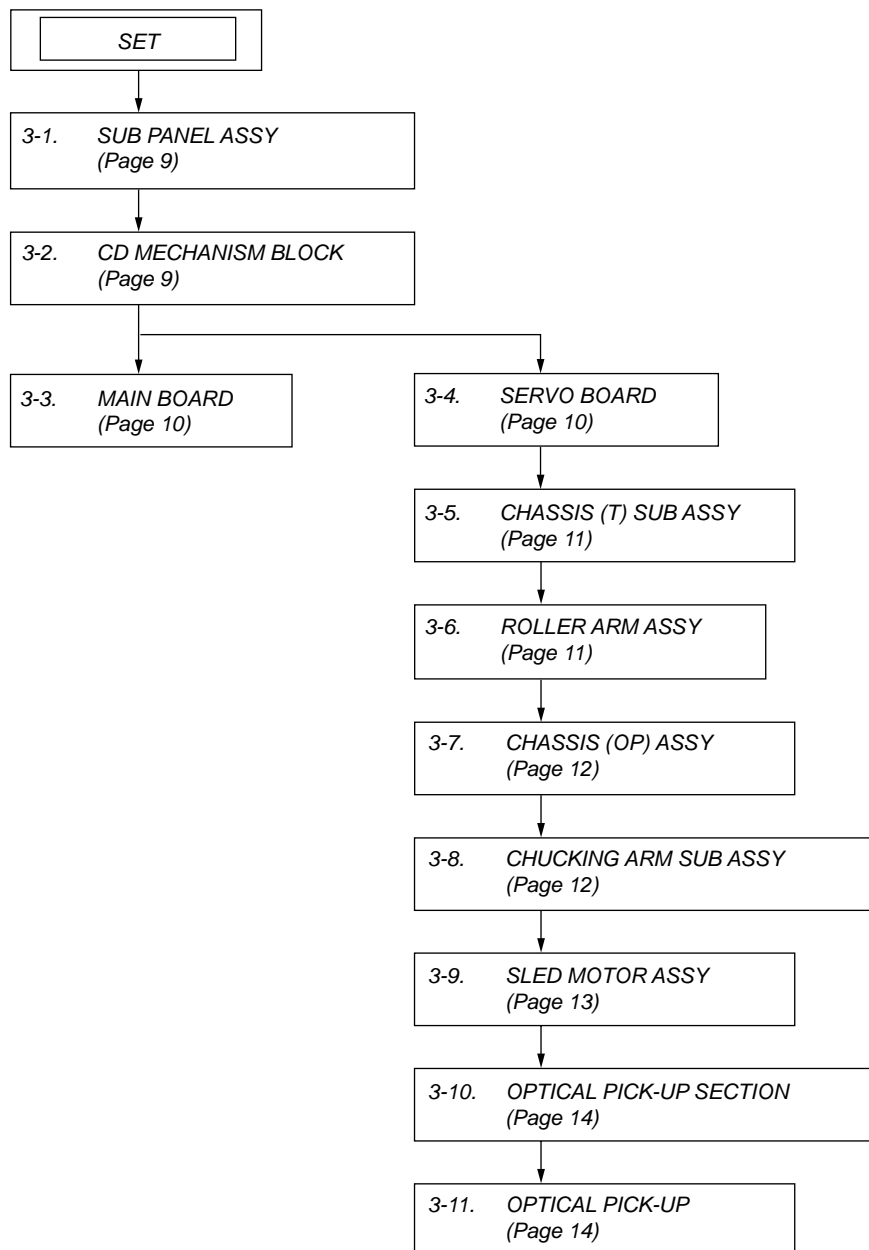
Notas sobre la conexión de los altavoces

- Antes de conectar los altavoces, desconecte la alimentación de la unidad.
- Utilice altavoces con una impedancia de 4 a 8 Ω con la capacidad de potencia adecuada para evitar que se dañen.
- No conecte los terminales de altavoz al chasis del automóvil, ni conecte los terminales del altavoz derecho con los del izquierdo.
- No conecte el cable de conexión a masa de esta unidad al terminal negativo (-) del altavoz.
- No intente conectar los altavoces en paralelo.
- Conecte solamente altavoces pasivos. Si conecta altavoces activos (con amplificadores incorporados) a los terminales de altavoz, puede dañar la unidad.
- Para evitar fallas de funcionamiento, no utilice los cables de altavoz incorporados instalados en el automóvil si la unidad comparte un cable negativo común (-) para los altavoces derecho e izquierdo.
- No conecte los cables de altavoz de la unidad entre sí.

Nota sobre la conexión
Si el altavoz y el amplificador no están conectados correctamente, aparecerá "FAILURE" en la pantalla. Si es así, compruebe la conexión de ambos dispositivos.

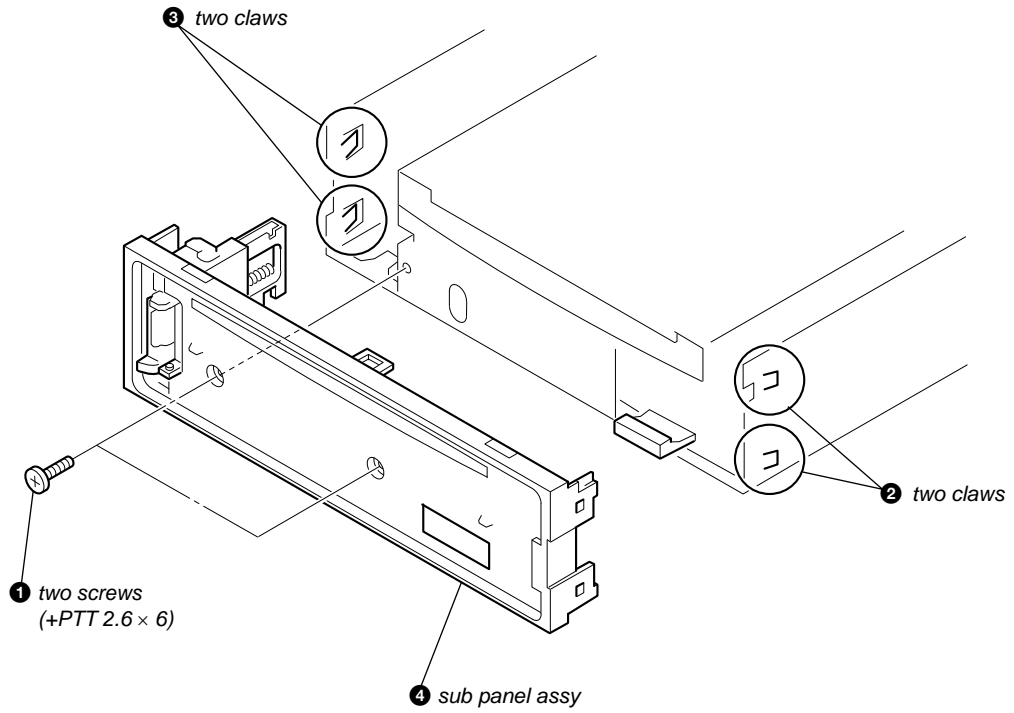
SECTION 3
DISASSEMBLY

- This set can be disassembled in the order shown below.

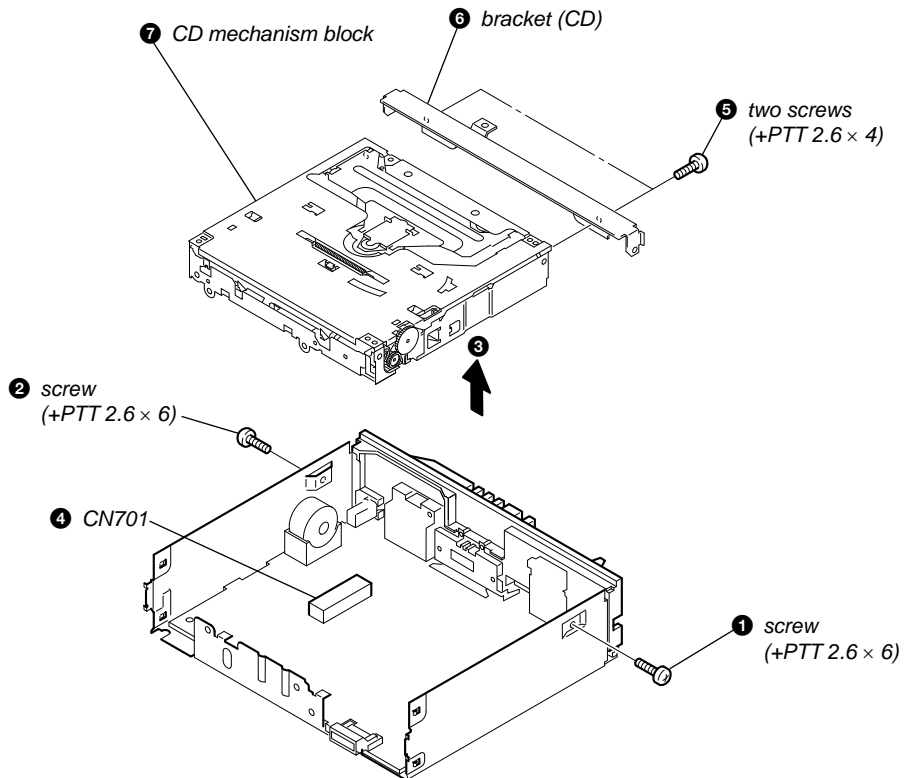


Note: Follow the disassembly procedure in the numerical order given.

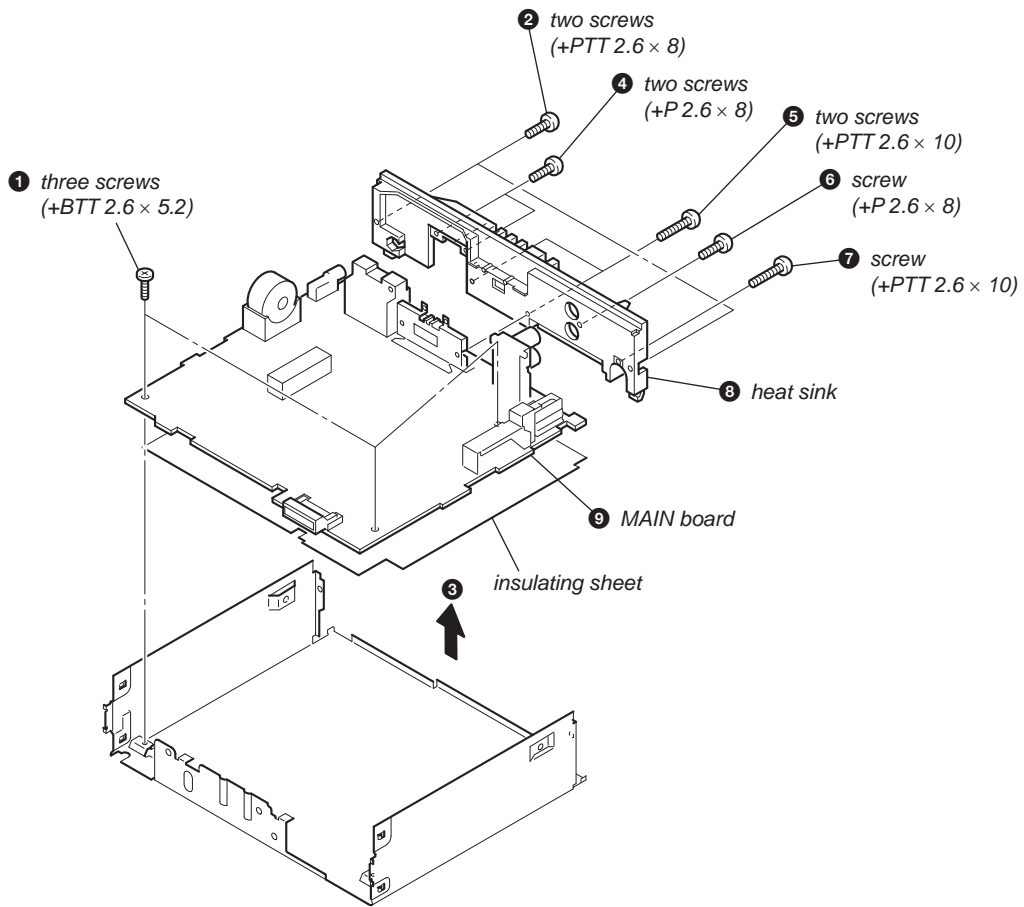
3-1. SUB PANEL ASSY



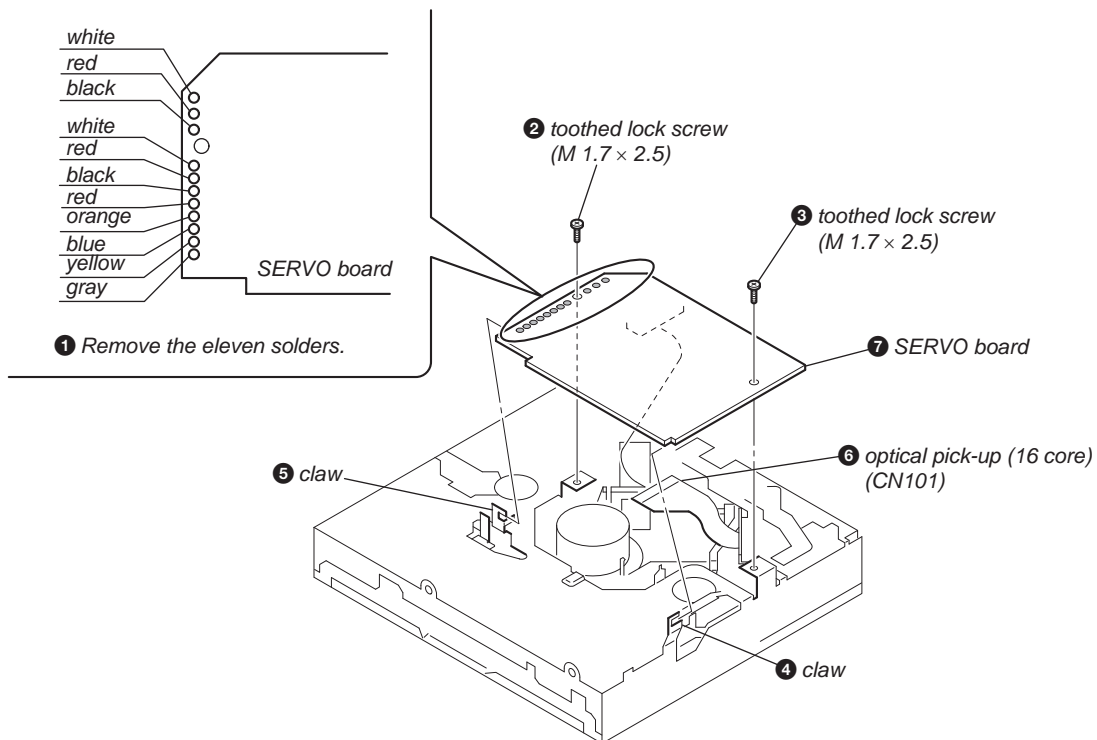
3-2. CD MECHANISM BLOCK



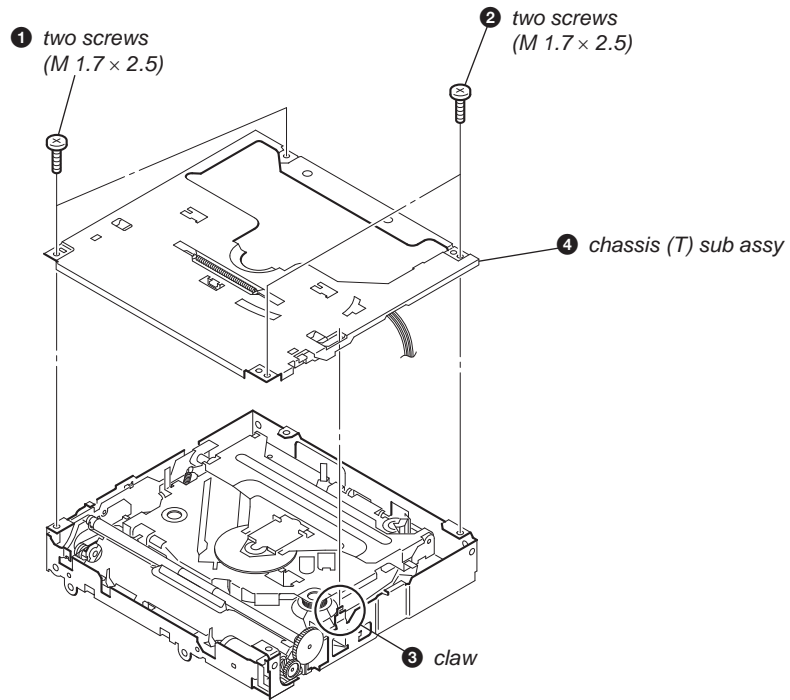
3-3. MAIN BOARD



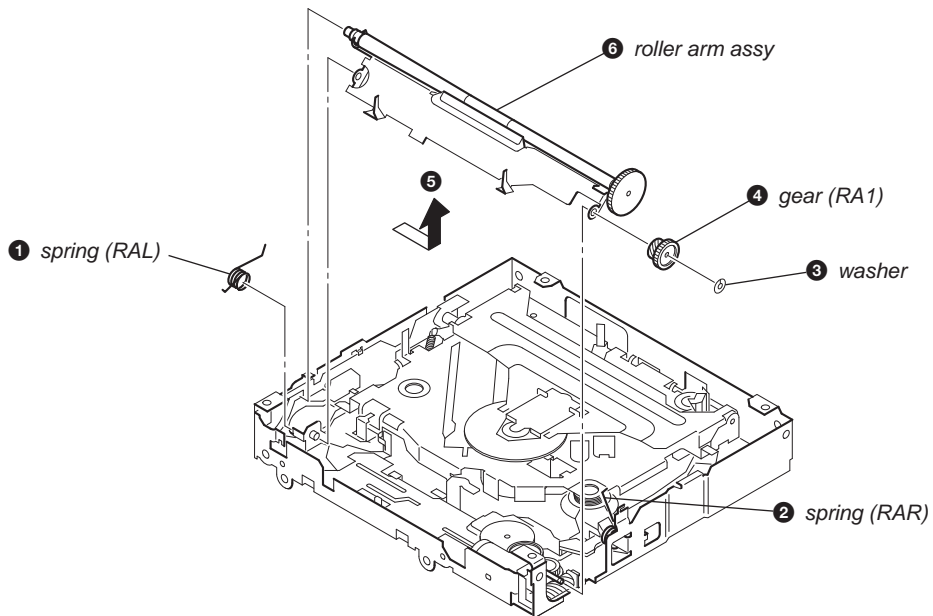
3-4. SERVO BOARD



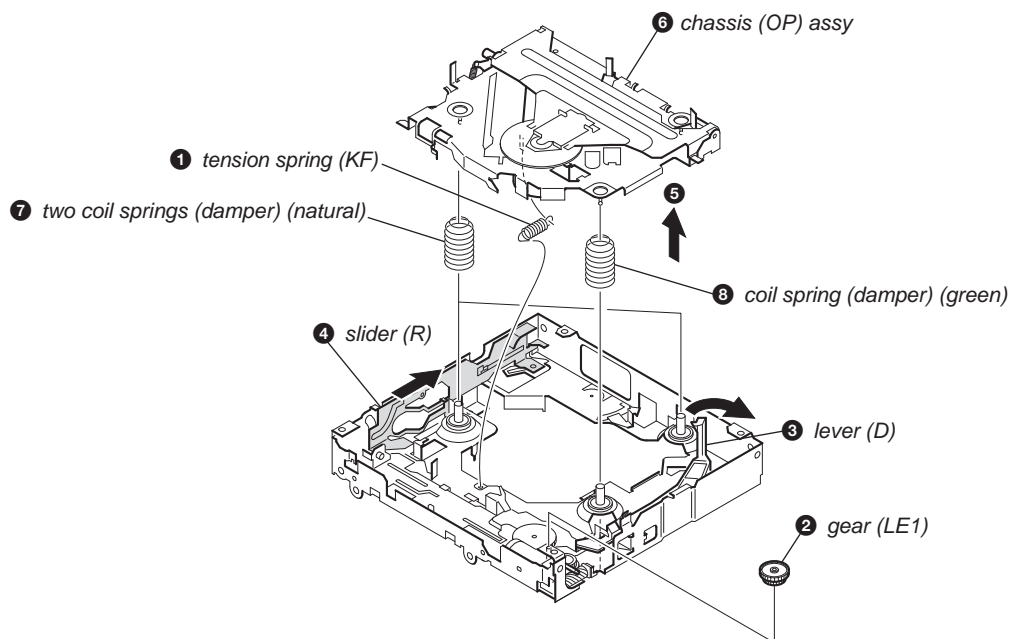
3-5. CHASSIS (T) SUB ASSY



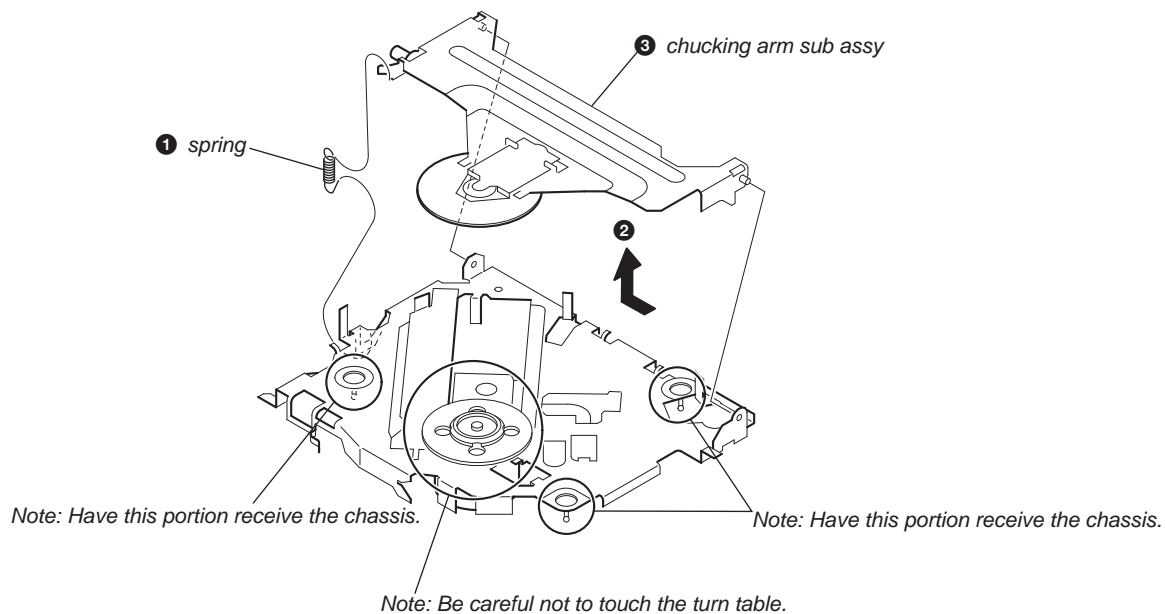
3-6. ROLLER ARM ASSY



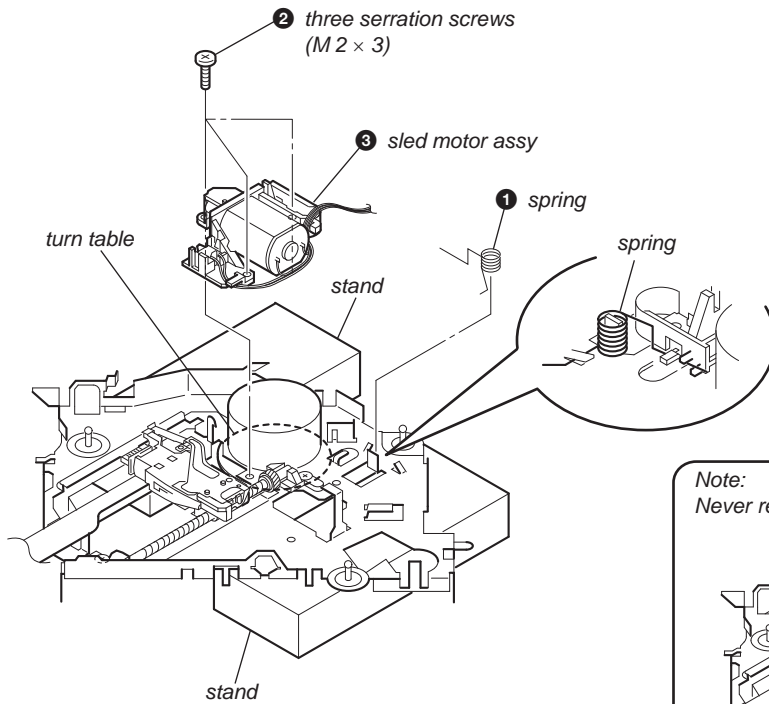
3-7. CHASSIS (OP) ASSY



3-8. CHUCKING ARM SUB ASSY

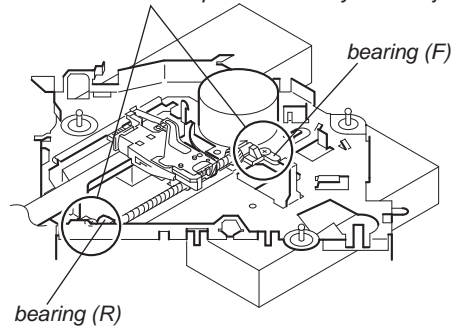


3-9. SLED MOTOR ASSY

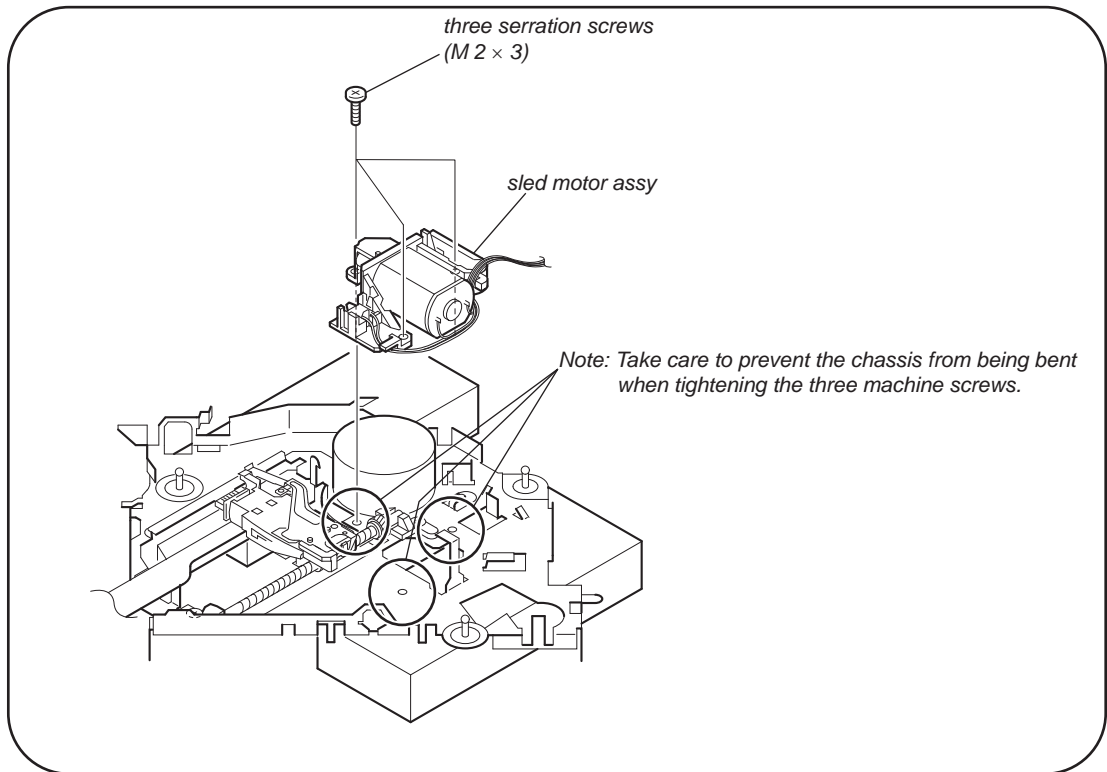


Note: Place the stand with care not to touch the turn table.

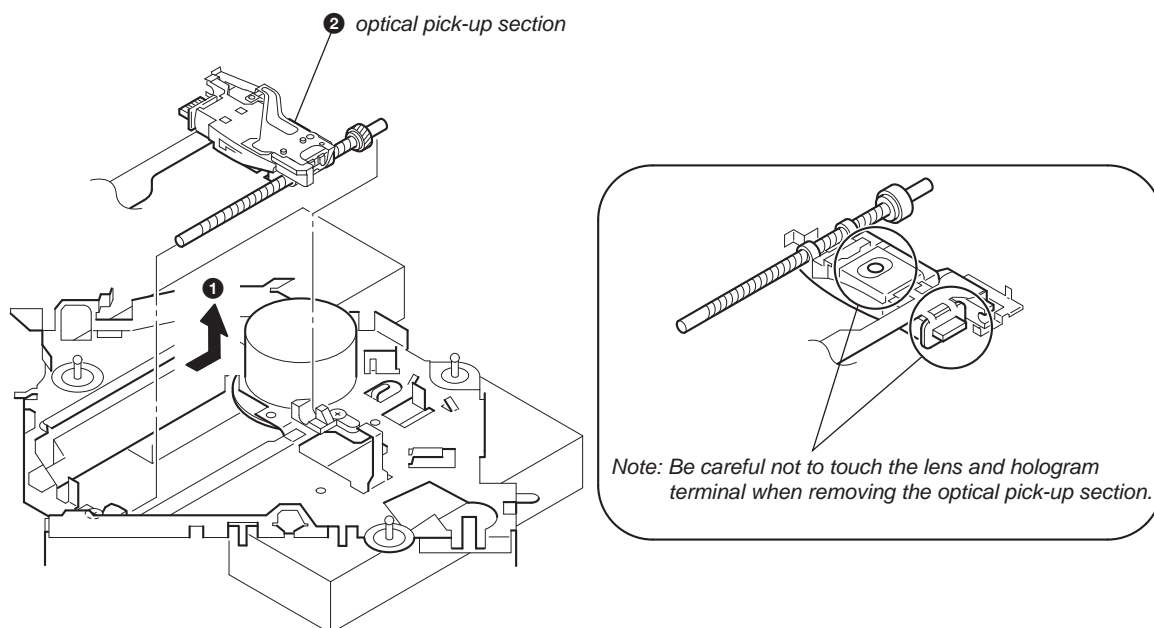
Note:
Never remove these parts since they were adjusted.



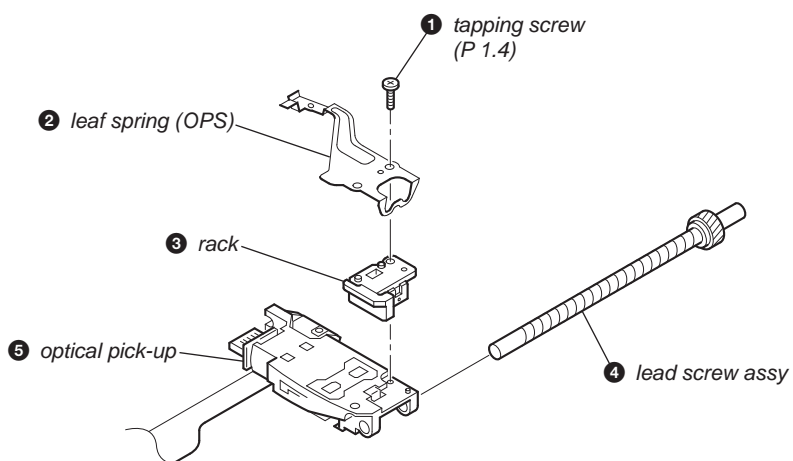
Note for Assembly



3-10. OPTICAL PICK-UP SECTION

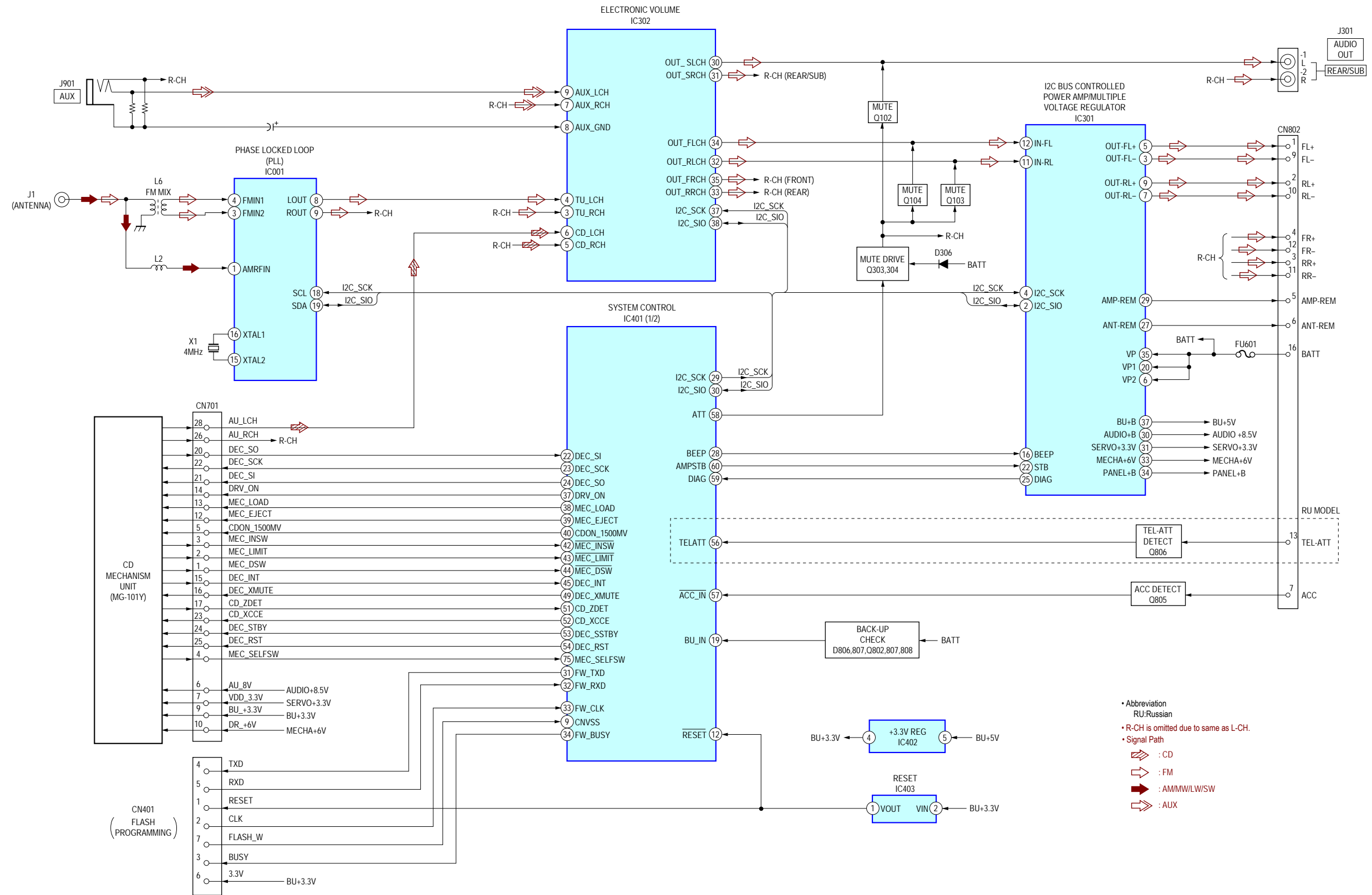


3-11. OPTICAL PICK-UP

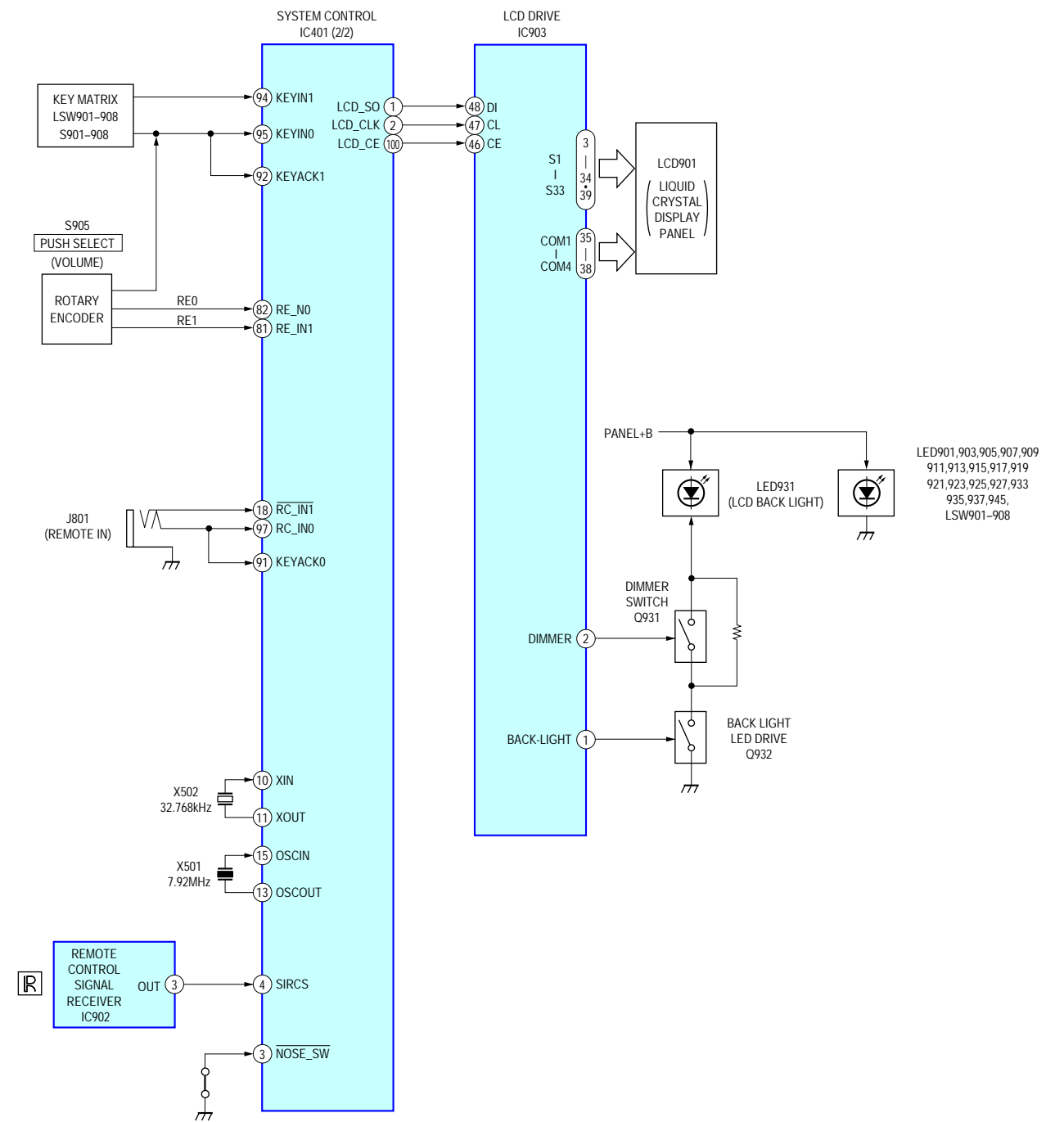


SECTION 4
DIAGRAMS

4-1. BLOCK DIAGRAM – MAIN Section –



4-2. BLOCK DIAGRAM – DISPLAY Section –



THIS NOTE IS COMMON FOR PRINTED WIRING BOARDS AND SCHEMATIC DIAGRAMS.
(In addition to this, the necessary note is printed in each block.)

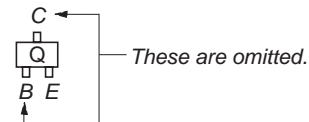
For Printed Wiring Boards:

- Note:**
- : Parts extracted from the component side.
 - : Parts extracted from the conductor side.
 - : Through hole.
 - : Pattern from the side which enables seeing.
 (The other layers' patterns are not indicated.)

Caution:

Pattern face side: Parts on the pattern face side seen from the pattern face are indicated. (SIDE B)
 Parts face side: Parts on the parts face side seen from the parts face are indicated. (SIDE A)

- Indication of transistor.



• Abbreviation

- AR : Argentina model
- CND : Canadian model
- EA : Saudi Arabia model
- IND : Indian model
- MX : Mexican model
- RU : Russian model

For Schematic Diagrams:

- Note:**
- All capacitors are in μF unless otherwise noted. (p: pF) 50 WV or less are not indicated except for electrolytics and tantalums.
 - All resistors are in Ω and $1/4\text{ W}$ or less unless otherwise specified.
 - Δ : Internal component.
 - □ : Panel designation.

Note:

The components identified by mark Δ or dotted line with mark Δ are critical for safety. Replace only with part number specified.

Note:

Les composants identifiés par une marque Δ sont critiques pour la sécurité. Ne les remplacer que par une pièce portant le numéro spécifié.

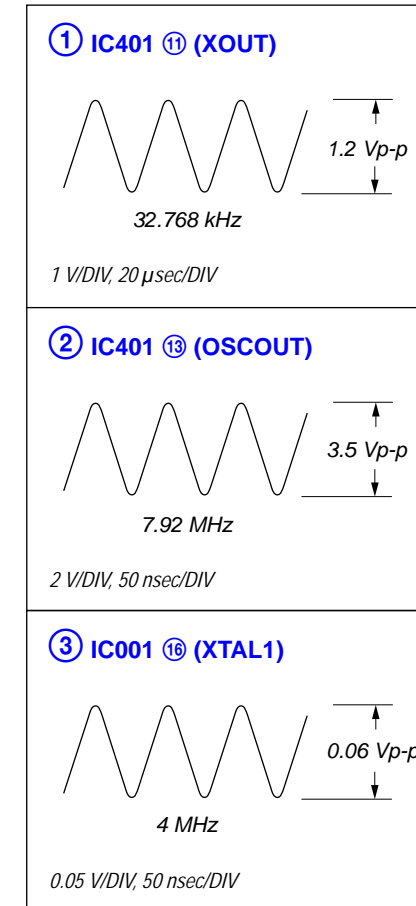
- — : B+ Line.
- Voltages and waveforms are dc with respect to ground under no-signal (detuned) conditions.
 no mark : FM
 () : AM/MW/LW/SW
 < > : CD PLAY
 * : Impossible to measure
- Voltages are taken with a VOM (Input impedance 10 M Ω). Voltage variations may be noted due to normal production tolerances.
- Waveforms are taken with a oscilloscope. Voltage variations may be noted due to normal production tolerances.
- Circled numbers refer to waveforms.
- Signal path.
 \Rightarrow : CD
 \Rightarrow : FM
 \Rightarrow : AM/MW/LW/SW
 \Rightarrow : AUX

• Abbreviation

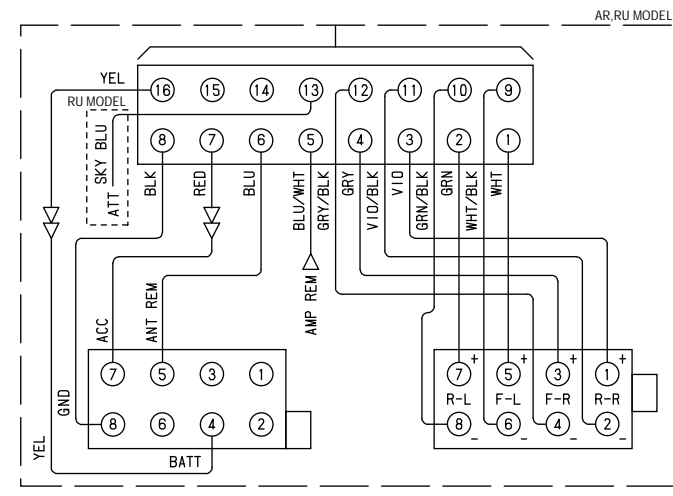
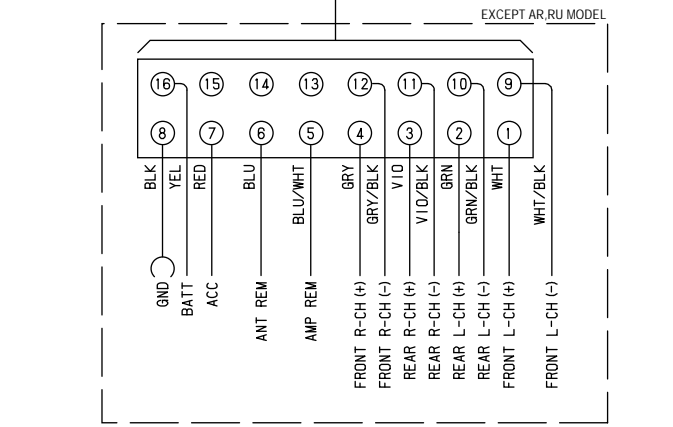
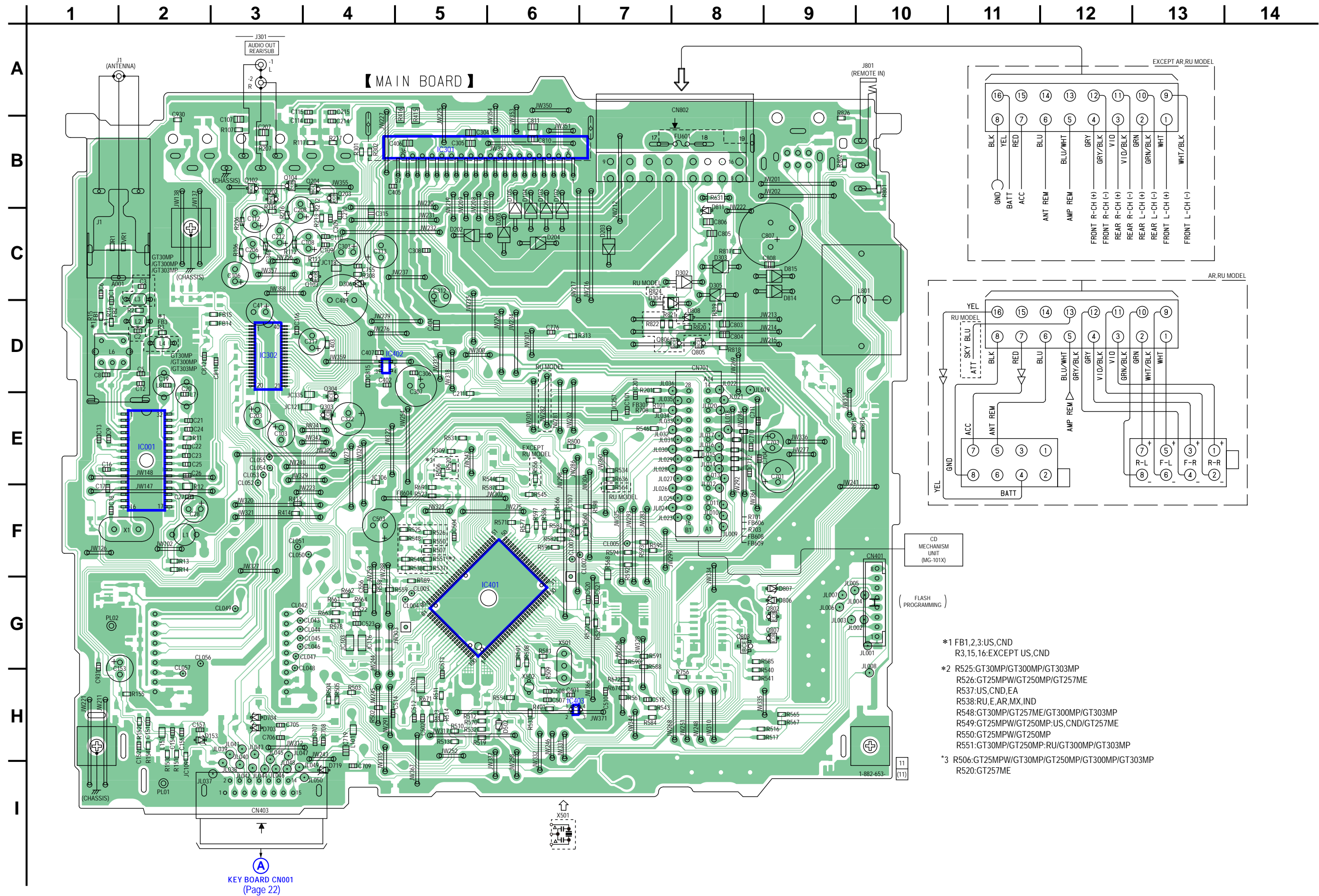
- AR : Argentina model
- CND : Canadian model
- EA : Saudi Arabia model
- IND : Indian model
- MX : Mexican model
- RU : Russian model

• Waveforms

– MAIN Board –

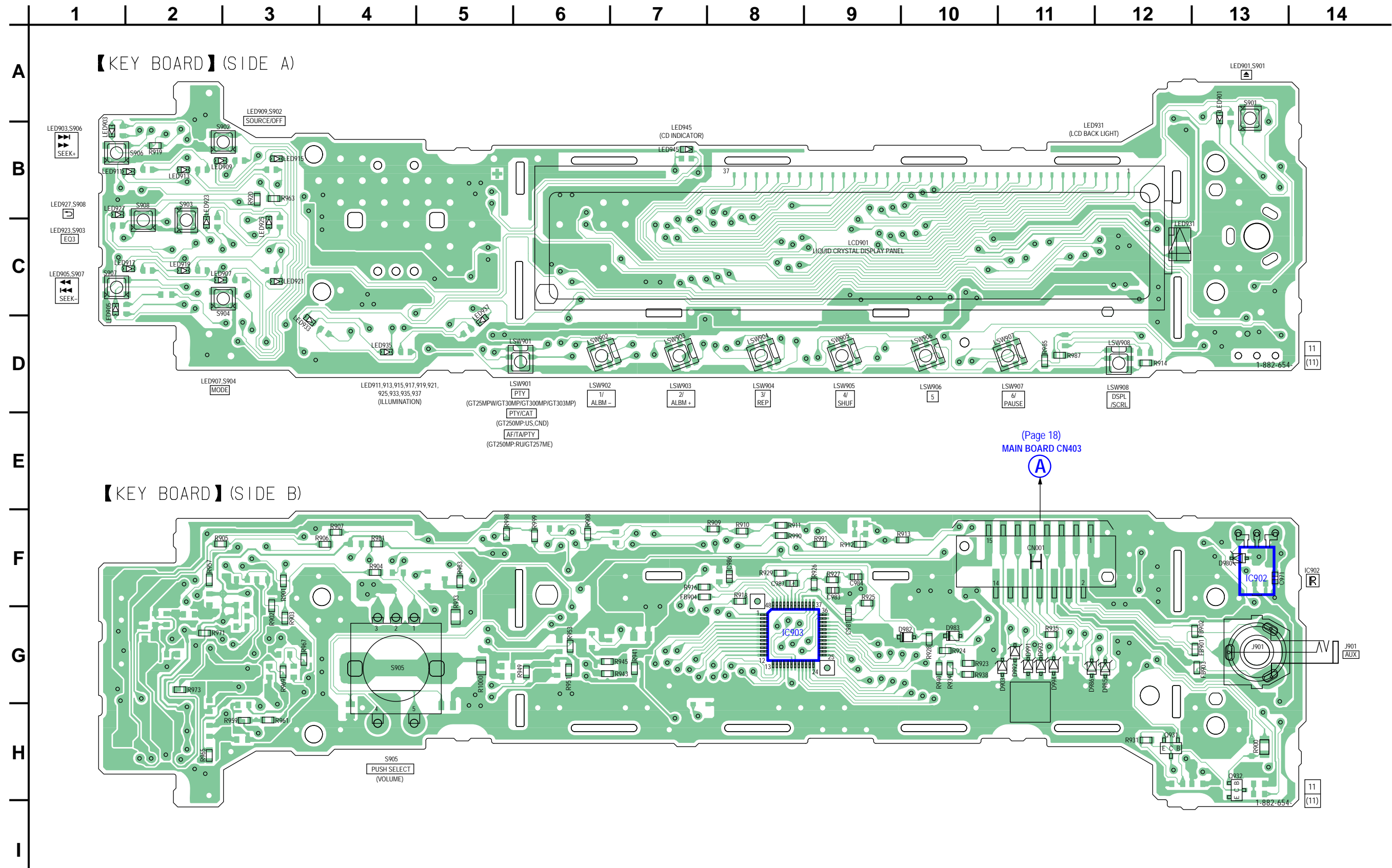


4-3. PRINTED WIRING BOARD – MAIN Section –  : Uses unleaded solder.



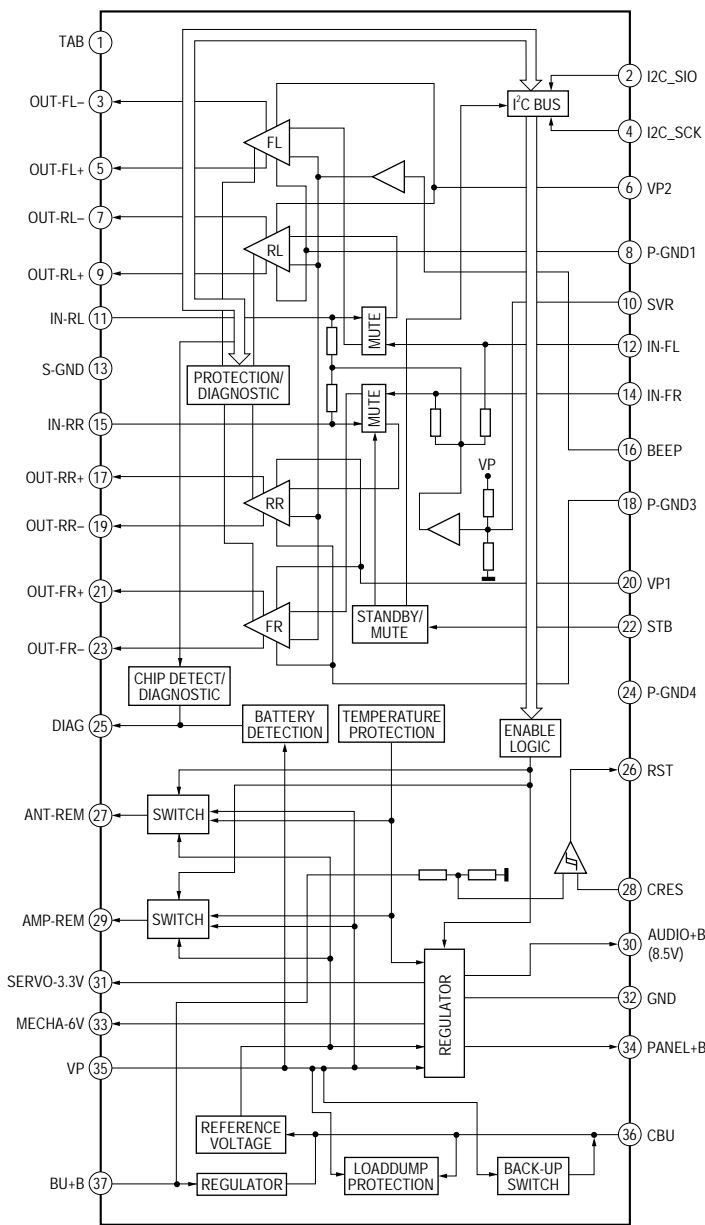
- *1 FB1,2,3:US,CND
R3,15,16:EXCEPT US,CND
- *2 R525:GT30MP/GT300MP/GT303MP
R526:GT25MPW/GT250MP/GT257ME
R537:US,CND,EA
R538:RU,E,AR,MX,IND
R548:GT30MP/GT257ME/GT300MP/GT303MP
R549:GT25MPW/GT250MP:US,CND/GT257ME
R550:GT25MPW/GT250MP
R551:GT30MP/GT250MP:RU/GT300MP/GT303MP
- *3 R506:GT25MPW/GT30MP/GT250MP/GT300MP/GT303MP
R520:GT257ME

4-7. PRINTED WIRING BOARD – KEY Section –  : Uses unleaded solder.

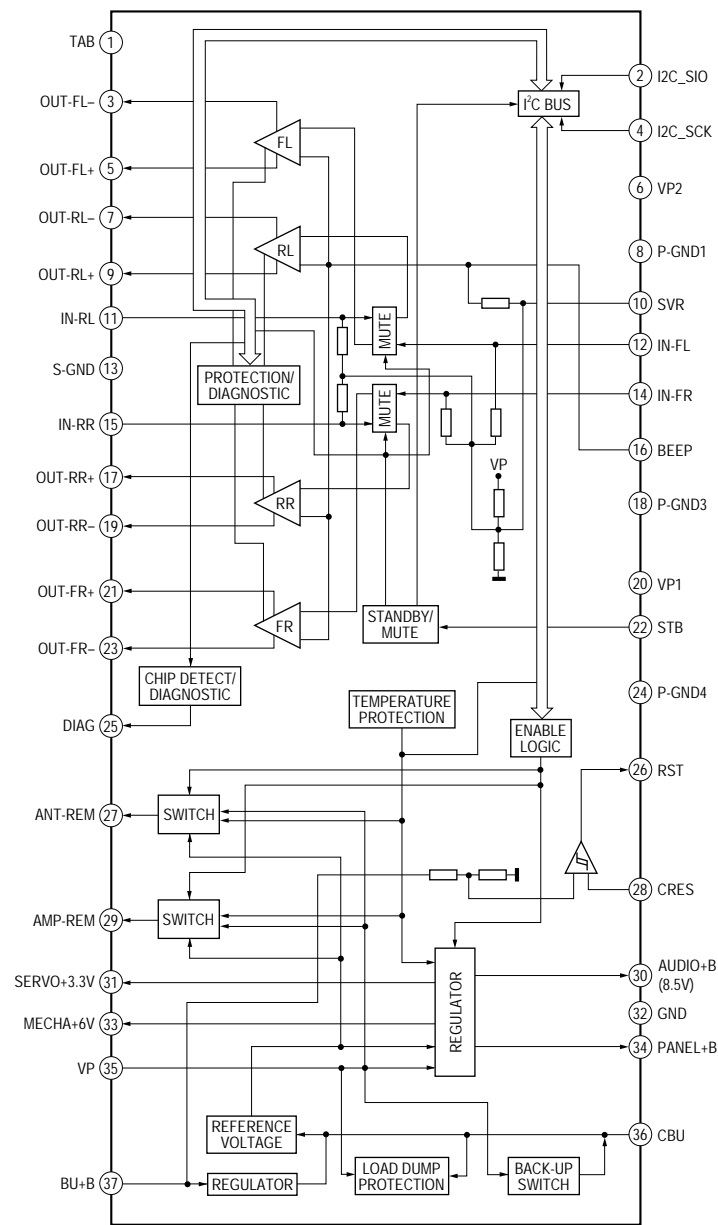


• IC Block Diagrams

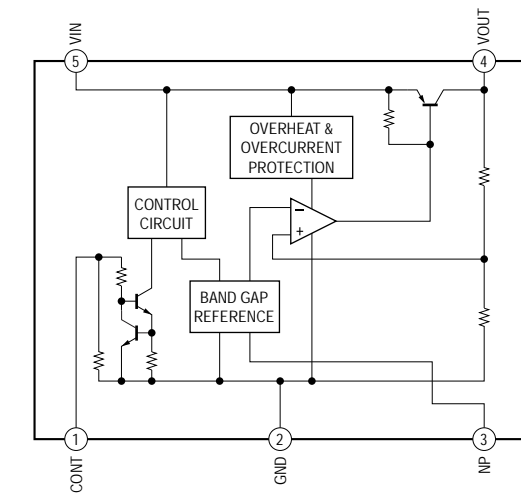
IC301 TDF8554AJ/N1 (MAIN Board (1/3))
(Russian model)



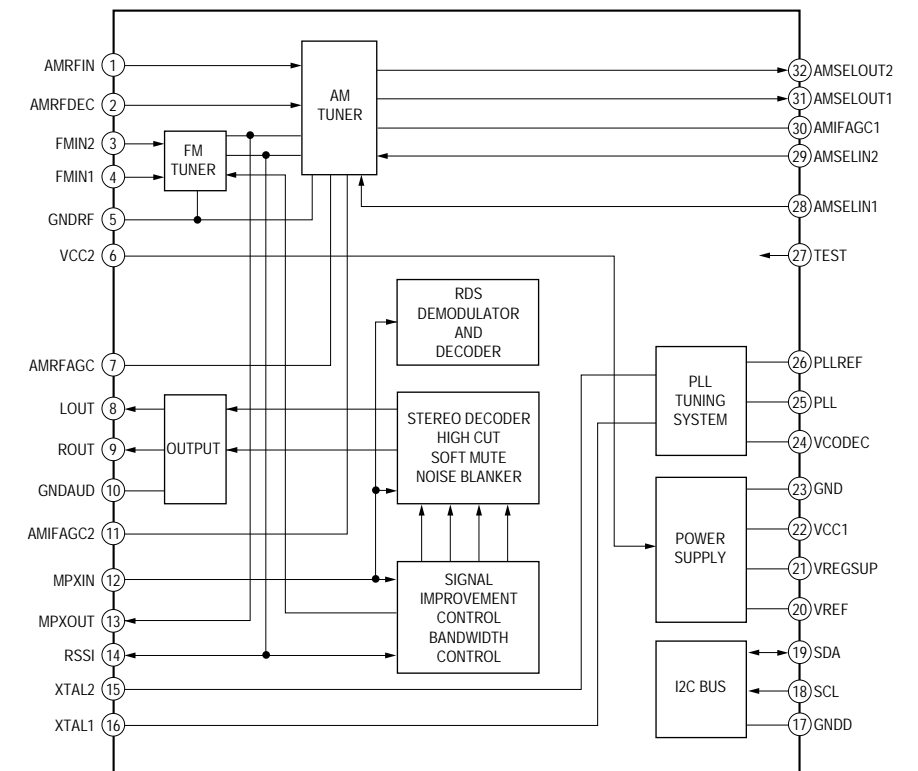
IC301 TDF8556AJ/N1 (MAIN Board (1/3))
(Except Russian model)



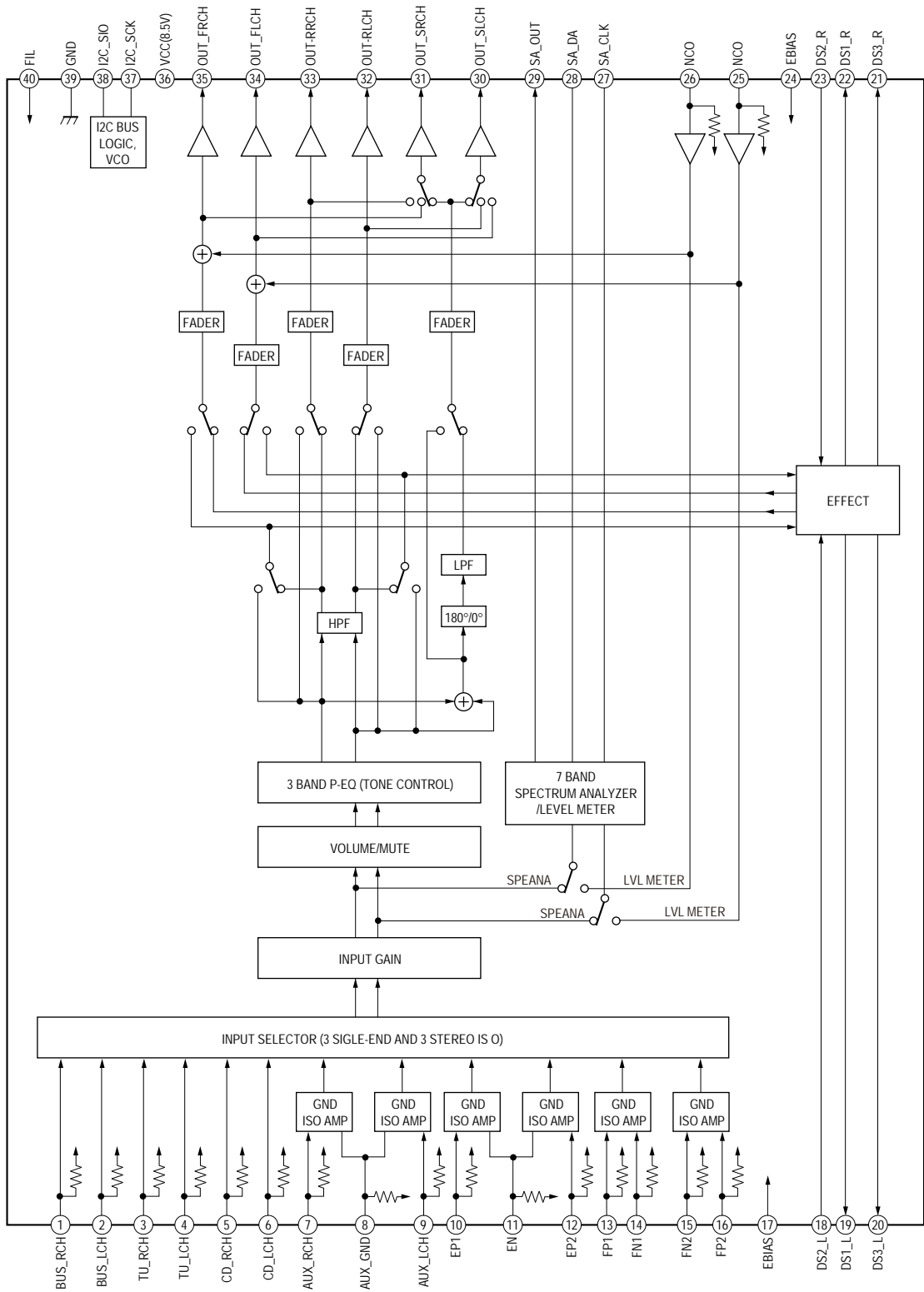
IC402 TK11133CSCL-G (MAIN Board (1/3))



IC001 TEF6617T/V1/S470, 518 (MAIN Board (3/3))



IC302 BD3447AFV-E2 (MAIN Board (3/3))



• IC Pin Function Description

MAIN BOARD (2/3) IC401 R5F3650KBDZ98FA (SYSTEM CONTROL)

| Pin No. | Pin Name | I/O | Description |
|----------|-------------|-----|--|
| 1 | LCD_SO | O | Serial data signal output to LCD driver |
| 2 | LCD_CLK | O | Serial clock signal output to LCD driver |
| 3 | NOSE_SW | I | Front-panel detach/attach detect signal input/output"L":with Panel,"H":without Panel |
| 4 | SIRCS | I | Remote-control signal (infrared) input |
| 5 | UNISO | O | SONY-BUS data output |
| 6 | UNISI | I | SONY-BUS data input |
| 7 | UNISCK | O | SONY-BUS clock output |
| 8 | BYTE | I | MCU setting terminal |
| 9 | CNVSS | I | Input pin to switch U-com mode |
| 10 | XIN | I | Low-speed clock input (32.768kHz) |
| 11 | XOUT | O | Low-speed clock output (32.768kHz) |
| 12 | RESET | I | U-com reset signal input |
| 13 | OSCOU | O | High-speed clock output (11.06MHz) |
| 14 | VSS | — | Ground pin |
| 15 | OSCIN | I | High-speed clock input (11.06MHz) |
| 16 | VCC1 | — | Power supply pin (+3.3 V) |
| 17 | NMI | I | MCU setting terminal |
| 18 | RC_IN1 | I | Rotary commander SHIFT key signal input |
| 19 | BUIN | I | Backup power detect signal input |
| 20 | SYSRST | O | SYSTEM RESET signal output Not used.(Open) |
| 21 | BUSON | O | VBUS power control signal output Not used.(Open) |
| 22 | DEC_SI | I | Decoder data signal input |
| 23 | DEC_SCK | O | Decoder clock signal output |
| 24 | DEC_SO | O | Decoder data signal output |
| 25 to 27 | NCO | O | Not used. (Open) |
| 28 | BEEP | O | BEEP signal output to power amplifier |
| 29 | I2C_SCK | O | IIC bus serial clock output |
| 30 | I2C_SIO | I/O | IIC bus serial data input/output |
| 31 | FW_TXD | O | Flash software (Serial data output) /System monitor signal output |
| 32 | FW_RXD | I | Flash software (Serial data input) |
| 33 | FW_CLK | I | Serial clock input for synchronous writing |
| 34 | FW_BUSY | O | Busy signal output for synchronous flashing |
| 35 | BT_API_TX | O | Not used. (Open) |
| 36 | BT_API_RX | O | Not used. (Open) |
| 37 | DRV_ON | O | Driver control signal output |
| 38 | MEC_LOAD | O | CD mechadeck moter (Load) signal output |
| 39 | MEC_EJECT | O | CD mechadeck moter (Eject) signal output |
| 40 | CDON_1500MV | O | Servo power control signal output |
| 41 | EPM | O | EPM signal output |
| 42 | MEC_INSW | I | Mechadeck in_switch signal input |
| 43 | MEC_LIMIT | I | Mechadeck (OP) limit_switch signal input |
| 44 | MEC_DSW | I | Mechadeck D_switch signal input |
| 45 | DEC_INT | I | Decoder request signal input |
| 46 | CE | O | Chip enable signal output |
| 47, 48 | NCO | O | Not used. (Open) |
| 49 | DEC_XMUTE | O | Decoder mute signal output |
| 50 | NCO | O | Not used. (Open) |
| 51 | CD_ZDET | I | CD zero detect signal input |
| 52 | CD_XCCE | O | CD servo/decoder chip enable signal output |
| 53 | DEC_SSTBY | O | Decoder SRAM Standby signal output |
| 54 | DEC_RST | O | Decoder Reset signal output |
| 55 | BT_ATT_XEN | O | CD mute signal output Not used.(Open) |
| 56 | TELATT | I | TELEPHON ATT detect signal input |
| 57 | ACC_IN | I | Accessory power detect signal input |
| 58 | ATT | O | Audio mute control signal output |
| 59 | DIAG | I | POWER amplifier status signal input |

| Pin No. | Pin Name | I/O | Description |
|---------|-------------|-----|--|
| 60 | AMPSTB | O | POWER_REG_IC standby signal output |
| 61 | CYRIL_SEL | I | Cyrillic display support selection signal input |
| 62 | VCC2 | — | Power supply pin (+3.3 V) |
| 63 | NCO | O | Not used. (Open) |
| 64 | VSS | — | Ground pin |
| 65 | ILLUMI_SEL | I | Illumination voltage selection setting signal input |
| 66 | COLSW_SEL | I | Illumination color change function signal input |
| 67 | BT_MUTE | O | BT mute signal output Not used.(Open) |
| 68 | B-OUT_SEL | I | Black out function select signal input |
| 69 | NCO | O | Not used. |
| 70 | AREASEL2 | I | Destination setting terminal 2 |
| 71 | AREASEL1 | I | Destination setting terminal 1 |
| 72 | AREASEL0 | I | Destination setting terminal 0 |
| 73 | DIM_SEL | I | Dimmer function selection setting signal input |
| 74 | NCO | O | Not used.(Oprn) |
| 75 | MEC_SELFSW | I | Mechadeck self_switch signal input |
| 76 | EQ_TYPE_SEL | I | EQ type selection signal input for SP package |
| 77 | BT_TX | O | BT_TX signal output Not used.(Open) |
| 78 | BT_RX | O | BT_RX signal output Not used.(Open) |
| 79 | DEBUG_1 | O | Not used. (Open) |
| 80 | DEBUG_2 | O | Not used. (Open) |
| 81 | RE-IN1 | I | Rotary encoder signal input 1 |
| 82 | RE-IN0 | I | Rotary encoder signal input 0 |
| 83 | SAIN | O | Spectrum analyzer serial data output Not used.(Open) |
| 84 | BT_RTS | O | BT_RTS signal output Not used.(Open) |
| 85 | BT_CTS | O | BT_CTS signal output Not used.(Open) |
| 86 | BT_RESET | O | BT_RESET signal output Not used.(Open) |
| 87 | BT_POWER | O | BT_POWER signal output Not used.(Open) |
| 88 | NCO | O | Not used. (Open) |
| 89 | SADATA | O | Spectrum analyzer serial data output Not used.(Open) |
| 90 | SACLK | O | Spectrum analyzer serial clock output Not used.(Open) |
| 91 | KEYACK0 | I | Key acknowledge detect signal input (Rotary commander) |
| 92 | KEYACK1 | I | Key acknowledge detect signal input (Front-panel) |
| 93 | VSM | O | S meter voltage detect signal output Not used.(Open) |
| 94 | KEYIN1 | I | Key signal input 1 |
| 95 | KEYIN0 | I | Key signal input 0 |
| 96 | AVSS | — | A/D converter ground pin |
| 97 | RC_IN0 | I | Rotary commander key signal input 0 |
| 98 | AVRH | — | A/D converter external standard power supply pin (+3.3V) |
| 99 | AVDD | — | A/D converter power supply pin (+3.3V) |
| 100 | LCD_CE | O | LCD driver Chip-enable signal output |

CDX-GT25MPW/GT30MP/GT250MP/GT257ME/GT300MP/GT303MP

SECTION 5 EXPLODED VIEWS

Note:

- -XX and -X mean standardized parts, so they may have some difference from the original one.
- Items marked "*" are not stocked since they are seldom required for routine service. Some delay should be anticipated when ordering these items.
- The mechanical parts with no reference number in the exploded views are not supplied.

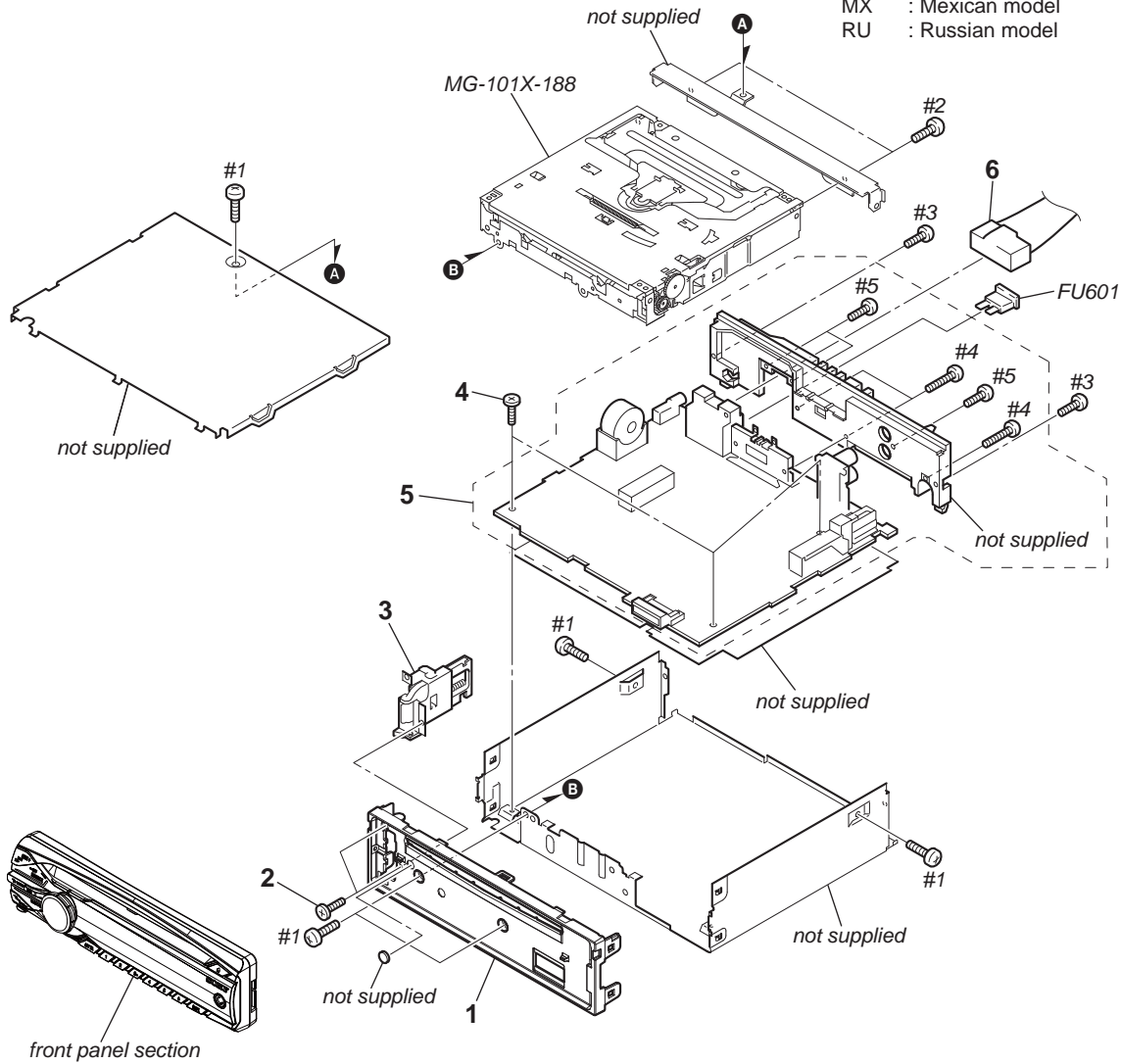
- Color Indication of Appearance Parts Example:
KNOB, BALANCE (WHITE) . . . (RED)
↑ ↑
Parts Color Cabinet's Color
- Accessories are given in the last of the electrical parts list.

The components identified by mark Δ or dotted line with mark Δ are critical for safety.
Replace only with part number specified.

Les composants identifiés par une marque Δ sont critiques pour la sécurité.
Ne les remplacer que par une pièce portant le numéro spécifié.

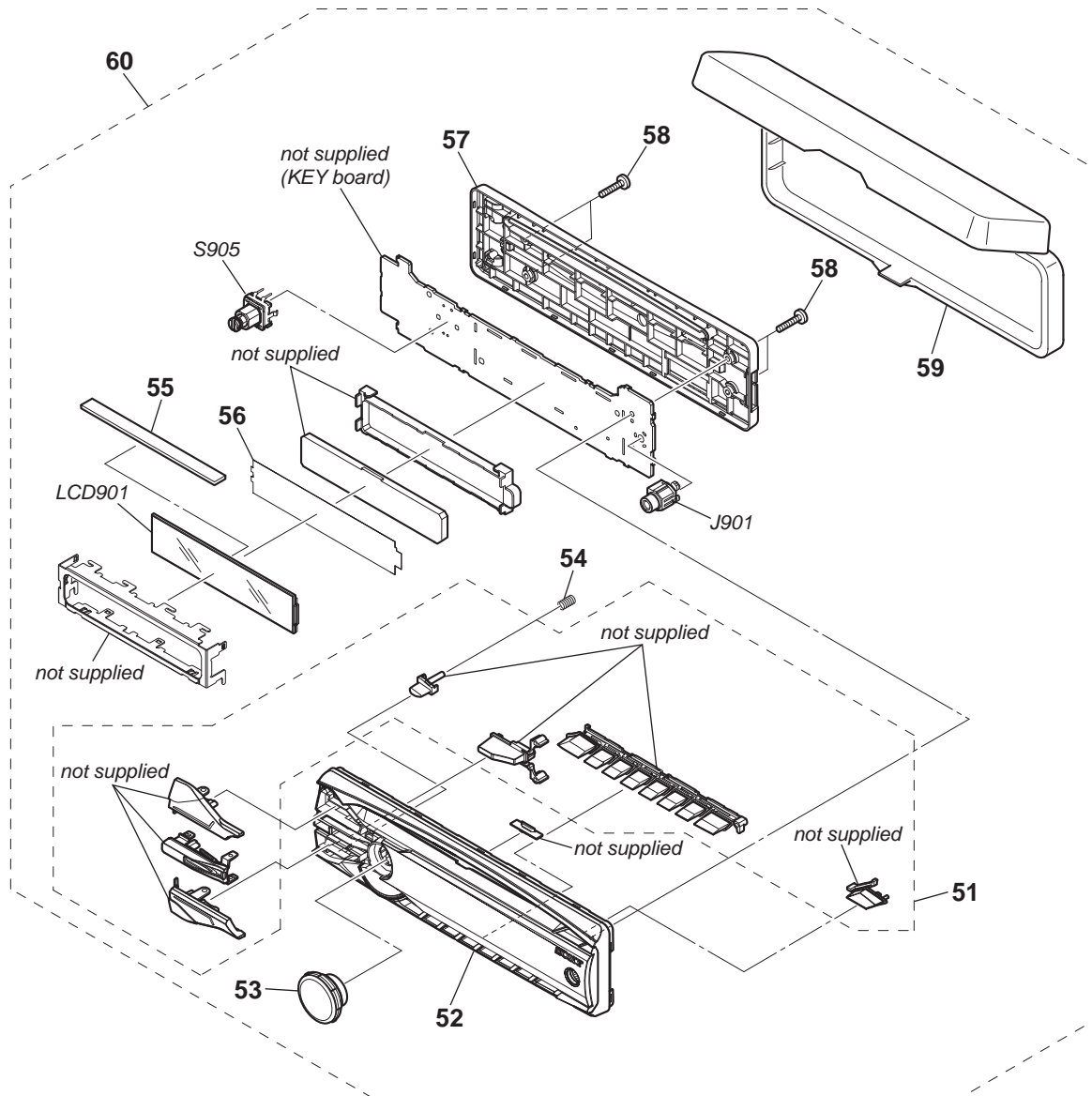
- Abbreviation
AR : Argentina model
CND : Canadian model
EA : Saudi Arabia model
IND : Indian model
MX : Mexican model
RU : Russian model

5-1. MAIN SECTION



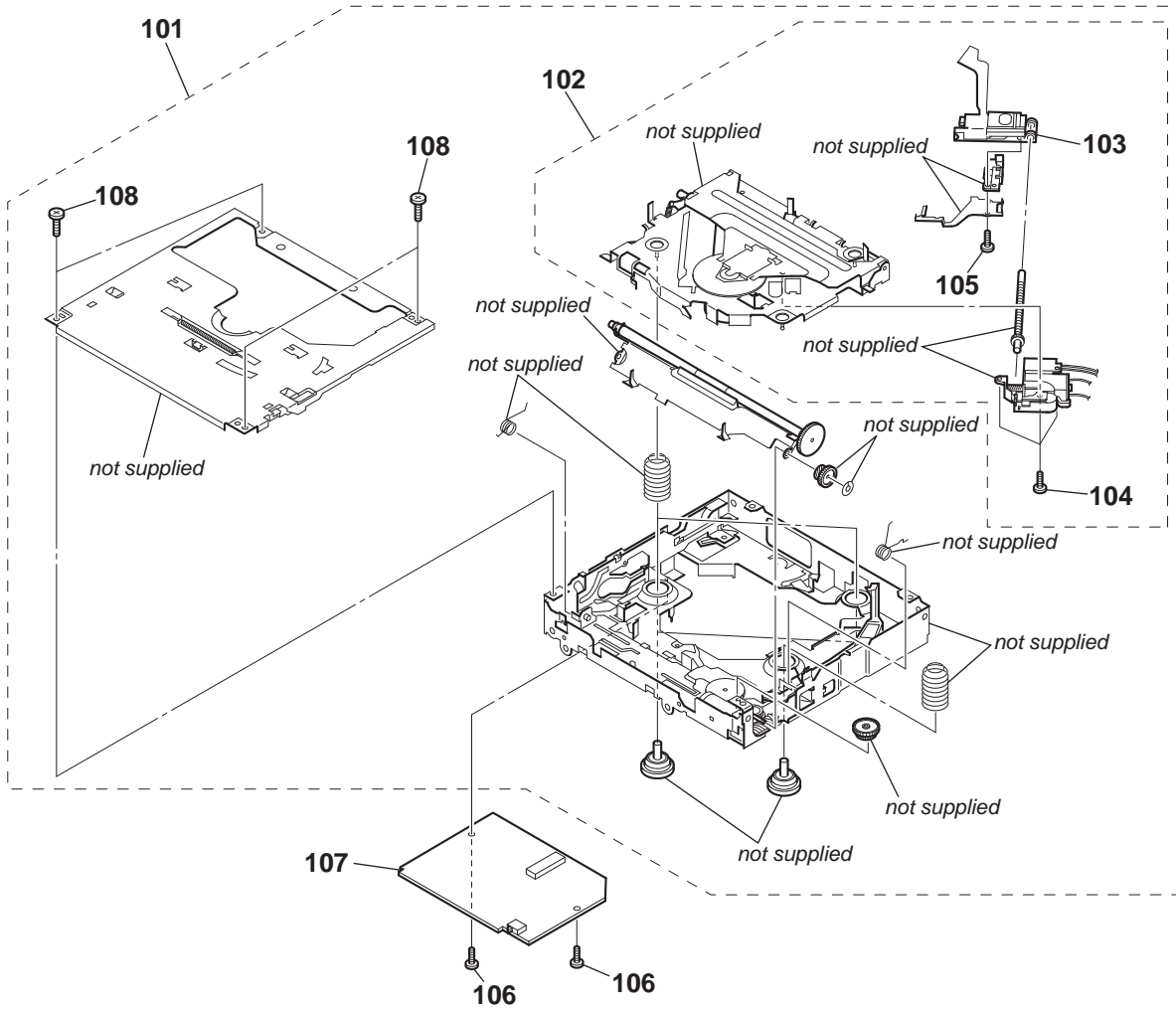
| Ref. No. | Part No. | Description | Remark | Ref. No. | Part No. | Description | Remark |
|----------|--------------|--|--------|----------|--------------|--|--------|
| 1 | X-2547-882-1 | PANEL ASSY, SUB | | 6 | 1-833-762-11 | CONNECTION CORD FOR AUTOMOBILE (POWER) (for Maruti Suzuki:Gasoline car) (GT30MP) | |
| 2 | 3-042-244-11 | SCREW (T) | | 6 | 1-833-974-21 | CONNECTION CORD FOR AUTOMOBILE (POWER) (EXCEPT RU,AR/GT30MP) | |
| 3 | X-2547-583-1 | LOCK ASSY (T) | | 6 | 1-834-307-11 | CONNECTION CORD FOR AUTOMOBILE (POWER) (for Maruti Suzuki:Diesel car) (GT30MP) | |
| 4 | 2-050-124-02 | SCREW +BTT 2.6X5.2 | | FU601 | 1-532-877-11 | FUSE (BLADE TYPE) (AUTO FUSE) 10A | |
| 5 | A-1779-491-A | MAIN BOARD, COMPLETE (US,CND) | | #1 | 7-685-792-09 | SCREW +PTT 2.6X6 (S) | |
| 5 | A-1779-493-A | MAIN BOARD, COMPLETE (GT250MP:RU) | | #2 | 7-685-790-01 | SCREW +PTT 2.6X4 (S) | |
| 5 | A-1779-494-A | MAIN BOARD, COMPLETE (GT257ME) | | #3 | 7-685-793-09 | SCREW +PTT 2.6X8 (S) | |
| 5 | A-1779-495-A | MAIN BOARD, COMPLETE (E,AR,MX,IND) | | #4 | 7-685-794-09 | SCREW +PTT 2.6X10 (S) | |
| 5 | A-1779-496-A | MAIN BOARD, COMPLETE (EA) | | #5 | 7-685-134-19 | SCREW +P 2.6X8 TYPE2 NON-SLIT | |
| 6 | 1-776-527-11 | CORD (WITH CONNECTOR) (ISO) (POWER) (AR) | | | | | |
| 6 | 1-831-838-11 | CORD (WITH CONNECTOR) (ISO) (POWER) (RU) | | | | | |

5-2. FRONT PANEL SECTION



| Ref. No. | Part No. | Description | Remark | Ref. No. | Part No. | Description | Remark |
|----------|--------------|---|--------|----------|--------------|--------------------------------------|--------|
| 51 | X-2548-419-1 | BUTTON ASSY (S) (EXCEPT RU) | | 59 | X-2187-544-3 | CASE ASSY (for FRONT PANEL) | |
| 51 | X-2548-420-1 | BUTTON ASSY (S) (RU) | | | | (GT30MP/GT300MP/GT303MP) | |
| 52 | X-2548-423-1 | PANEL (SV) ASSY, FRONT (GT25MPW) | | 60 | A-1781-147-A | PANEL COMPLETE ASSY, FRONT (GT25MPW) | |
| 52 | X-2548-424-1 | PANEL (SV) ASSY, FRONT (GT250MP:US,CND) | | 60 | A-1781-148-A | PANEL COMPLETE ASSY, FRONT | |
| 52 | X-2548-425-1 | PANEL (SV) ASSY, FRONT (GT250MP:RU) | | | | (GT250MP:US,CND) | |
| 52 | X-2548-427-1 | PANEL (SV) ASSY, FRONT (GT257ME) | | 60 | A-1781-149-A | PANEL COMPLETE ASSY, FRONT | |
| 52 | X-2548-428-1 | PANEL (SV) ASSY, FRONT (GT300MP) | | | | (GT250MP:RU) | |
| 52 | X-2548-429-1 | PANEL (SV) ASSY, FRONT (GT303MP) | | 60 | A-1781-151-A | PANEL COMPLETE ASSY, FRONT (GT257ME) | |
| 52 | X-2549-870-1 | PANEL (SV) ASSY, FRONT (GT30MP) | | 60 | A-1781-152-A | PANEL COMPLETE ASSY, FRONT | |
| 53 | X-2548-418-1 | KNOB (VOL) (SV) ASSY | | | | (GT300MP:E,EA,MX) | |
| 54 | 2-639-881-01 | SPRING (RELEASE) | | 60 | A-1781-153-A | PANEL COMPLETE ASSY, FRONT | |
| 55 | 1-780-789-12 | CONDUCTIVE BOARD, CONNECTION | | | | (GT300MP:AR) | |
| 56 | 4-183-279-01 | ILLUMINATOR (LCD) | | 60 | A-1781-154-A | PANEL COMPLETE ASSY, FRONT (GT303MP) | |
| 57 | 4-183-264-01 | PANEL, BACK | | 60 | A-1794-449-A | PANEL COMPLETE ASSY, FRONT (GT30MP) | |
| 58 | 3-250-543-21 | SCREW (+B P-TITE M2) | | J901 | 1-822-148-11 | SMALL TYPE JACK (VERTICAL) (AUX) | |
| | | | | LCD901 | 1-811-221-11 | DISPLAY PANEL, LIQUID CRYSTAL | |
| | | | | S905 | 1-479-902-41 | ENCODER, ROTARY (PUSH SELECT,VOLUME) | |

5-3. CD MECHANISM SECTION
(MG-101X-188)



| Ref. No. | Part No. | Description | Remark | Ref. No. | Part No. | Description | Remark |
|----------|--------------|------------------------------|--------|----------|--------------|--------------------------------|--------|
| 101 | A-1539-598-A | MECHANICAL BLOCK ASSY (08TC) | | 105 | 3-686-458-21 | SCREW (P1.4), TAPPING | |
| 102 | A-1284-705-A | DAXEV08/Q | | 106 | 3-352-758-31 | SCREW (M1.7X2.5), TOOTHED LOCK | |
| △ 103 | X-2149-672-1 | SERVICE ASSY, OP (DAX-25A) | | 107 | A-1768-003-A | SERVO BOARD, COMPLETE | |
| 104 | 2-626-869-31 | SCREW (M2X3), SERRATION | | 108 | 2-134-636-71 | SCREW (M1.7X2.5) | |

SECTION 6
ELECTRICAL PARTS LIST

KEY

Note:

- Due to standardization, replacements in the parts list may be different from the parts specified in the diagrams or the components used on the set.
- -XX and -X mean standardized parts, so they may have some difference from the original one.
- Items marked "*" are not stocked since they are seldom required for routine service. Some delay should be anticipated when ordering these items.
- CAPACITORS
uF: μF
- COILS
uH: μH

- RESISTORS
All resistors are in ohms.
METAL: Metal-film resistor.
METAL OXIDE: Metal oxide-film resistor.
F: nonflammable
- SEMICONDUCTORS
In each case, u: μ, for example:
uA. . . : μA. . . , uPA. . . , μPA. . . ,
uPB. . . : μPB. . . , uPC. . . , μPC. . . ,
uPD. . . : μPD. . .
- Abbreviation
AR : Argentina model
CND : Canadian model
EA : Saudi Arabia model
IND : Indian model
MX : Mexican model
RU : Russian model

When indicating parts by reference number, please include the board name.

The components identified by mark \triangle or dotted line with mark \triangle are critical for safety.
Replace only with part number specified.

Les composants identifiés par une marque \triangle sont critiques pour la sécurité.
Ne les remplacer que par une pièce portant le numéro spécifié.

| Ref. No. | Part No. | Description | Remark | Ref. No. | Part No. | Description | Remark |
|----------|--------------|----------------------------------|--------|----------|--------------|---|--------|
| | | KEY BOARD ***** | | | | < DIODE > | |
| | 1-780-789-12 | CONDUCTIVE BOARD, CONNECTION | | LED901 | 6-502-193-01 | LED SML-D12V8WT86SN (\triangle) (EXCEPT GT30MP/GT257ME/GT300MP:AR) | |
| | 4-183-279-01 | ILLUMINATOR (LCD) | | LED901 | 6-502-195-01 | LED SML-D12D8WT86SQ (\triangle) (GT300MP:AR) | |
| | | < CAPACITOR > | | LED901 | 6-502-196-01 | LED SML-D12Y8WT86SP (\triangle) (GT30MP) | |
| C971 | 1-107-826-11 | CERAMIC CHIP 0.1uF 10% 16V | | LED901 | 6-502-325-01 | LED SML-D12P8WT86SJ (\triangle) (GT257ME) | |
| C981 | 1-107-826-11 | CERAMIC CHIP 0.1uF 10% 16V | | LED903 | 6-502-193-01 | LED SML-D12V8WT86SN ($\triangleright\triangleright\triangleright\triangleright$ SEEK+) (EXCEPT GT30MP/GT257ME/GT300MP:AR) | |
| C983 | 1-107-826-11 | CERAMIC CHIP 0.1uF 10% 16V | | LED903 | 6-502-195-01 | LED SML-D12D8WT86SQ ($\triangleright\triangleright\triangleright\triangleright$ SEEK+) (GT300MP:AR) | |
| C984 | 1-107-826-11 | CERAMIC CHIP 0.1uF 10% 16V | | LED903 | 6-502-196-01 | LED SML-D12Y8WT86SP ($\triangleright\triangleright\triangleright\triangleright$ SEEK+) (GT30MP) | |
| C986 | 1-125-891-11 | CERAMIC CHIP 0.47uF 10% 10V | | LED903 | 6-502-325-01 | LED SML-D12P8WT86SJ ($\triangleright\triangleright\triangleright\triangleright$ SEEK+) (GT257ME) | |
| C987 | 1-162-964-11 | CERAMIC CHIP 0.001uF 10% 50V | | LED905 | 6-502-193-01 | LED SML-D12V8WT86SN ($\triangleleft\triangleleft\triangleleft\triangleleft$ SEEK-) (EXCEPT GT30MP/GT257ME/GT300MP:AR) | |
| | | < CONNECTOR > | | LED905 | 6-502-195-01 | LED SML-D12D8WT86SQ ($\triangleleft\triangleleft\triangleleft\triangleleft$ SEEK-) (GT300MP:AR) | |
| CN001 | 1-842-257-11 | PLUG, CONNECTOR 15P | | LED905 | 6-502-196-01 | LED SML-D12Y8WT86SP ($\triangleleft\triangleleft\triangleleft\triangleleft$ SEEK-) (GT30MP) | |
| | | < DIODE > | | LED905 | 6-502-325-01 | LED SML-D12P8WT86SJ ($\triangleleft\triangleleft\triangleleft\triangleleft$ SEEK-) (GT257ME) | |
| D903 | 6-503-213-01 | DIODE RKZ18B2KGP1 | | LED907 | 6-502-193-01 | LED SML-D12V8WT86SN (MODE) (EXCEPT GT30MP/GT257ME/GT300MP:AR) | |
| D980 | 6-503-205-01 | DIODE RKZ6.8B2KGP1 | | LED907 | 6-502-195-01 | LED SML-D12D8WT86SQ (MODE) (GT300MP:AR) | |
| D982 | 6-501-817-01 | DIODE MA2J1110GLS0 | | LED907 | 6-502-196-01 | LED SML-D12Y8WT86SP (MODE) (GT30MP) | |
| D983 | 6-503-202-01 | DIODE RKZ5.1B2KGP1 | | LED907 | 6-502-325-01 | LED SML-D12P8WT86SJ (MODE) (GT257ME) | |
| D985 | 6-503-205-01 | DIODE RKZ6.8B2KGP1 | | LED909 | 6-502-193-01 | LED SML-D12V8WT86SN (SOURCE/OFF) (EXCEPT GT30MP/GT257ME/GT300MP:AR) | |
| D986 | 6-503-205-01 | DIODE RKZ6.8B2KGP1 | | LED909 | 6-502-195-01 | LED SML-D12D8WT86SQ (SOURCE/OFF) (GT300MP:AR) | |
| D991 | 6-503-205-01 | DIODE RKZ6.8B2KGP1 | | LED909 | 6-502-196-01 | LED SML-D12Y8WT86SP (SOURCE/OFF) (GT30MP) | |
| D992 | 6-503-205-01 | DIODE RKZ6.8B2KGP1 | | LED909 | 6-502-325-01 | LED SML-D12P8WT86SJ (SOURCE/OFF) (GT257ME) | |
| D993 | 6-503-205-01 | DIODE RKZ6.8B2KGP1 | | LED911 | 6-502-193-01 | LED SML-D12V8WT86SN (ILLUMINATION) (EXCEPT GT30MP/GT257ME/GT300MP:AR) | |
| D994 | 6-503-205-01 | DIODE RKZ6.8B2KGP1 | | LED911 | 6-502-195-01 | LED SML-D12D8WT86SQ (ILLUMINATION) (GT300MP:AR) | |
| | | < FERRITE BEAD > | | LED911 | 6-502-196-01 | LED SML-D12Y8WT86SP (ILLUMINATION) (GT30MP) | |
| FB901 | 1-500-329-21 | INDUCTOR, FERRITE BEAD | | LED911 | 6-502-325-01 | LED SML-D12P8WT86SJ (ILLUMINATION) (GT257ME) | |
| FB902 | 1-500-329-21 | INDUCTOR, FERRITE BEAD | | LED913 | 6-502-193-01 | LED SML-D12V8WT86SN (ILLUMINATION) (EXCEPT GT30MP/GT257ME/GT300MP:AR) | |
| FB903 | 1-500-329-21 | INDUCTOR, FERRITE BEAD | | LED913 | 6-502-195-01 | LED SML-D12D8WT86SQ (ILLUMINATION) (GT300MP:AR) | |
| FB904 | 1-414-228-11 | INDUCTOR, FERRITE BEAD | | LED913 | 6-502-196-01 | LED SML-D12Y8WT86SP (ILLUMINATION) (GT30MP) | |
| | | < IC > | | LED913 | 6-502-325-01 | LED SML-D12P8WT86SJ (ILLUMINATION) (GT257ME) | |
| IC902 | 6-600-764-01 | IC PNA4813M01S0 (IR) | | LED913 | 6-502-193-01 | LED SML-D12V8WT86SN (ILLUMINATION) (EXCEPT GT30MP/GT257ME/GT300MP:AR) | |
| IC903 | 6-715-736-01 | IC PT6586-LQ | | LED913 | 6-502-195-01 | LED SML-D12D8WT86SQ (ILLUMINATION) (GT300MP:AR) | |
| | | < JACK > | | LED913 | 6-502-196-01 | LED SML-D12Y8WT86SP (ILLUMINATION) (GT30MP) | |
| J901 | 1-822-148-11 | SMALL TYPE JACK (VERTICAL) (AUX) | | LED913 | 6-502-325-01 | LED SML-D12P8WT86SJ (ILLUMINATION) (GT257ME) | |
| | | < LIQUID CRYSTAL DISPLAY > | | LED913 | 6-502-193-01 | LED SML-D12V8WT86SN (ILLUMINATION) (EXCEPT GT30MP/GT257ME/GT300MP:AR) | |
| LCD901 | 1-811-221-11 | DISPLAY PANEL, LIQUID CRYSTAL | | LED913 | 6-502-195-01 | LED SML-D12D8WT86SQ (ILLUMINATION) (GT300MP:AR) | |

CDX-GT25MPW/GT30MP/GT250MP/GT257ME/GT300MP/GT303MP

Ver. 1.1

KEY

| Ref. No. | Part No. | Description | Remark | Ref. No. | Part No. | Description | Remark |
|----------|--------------|--|------------------------------------|----------|--------------|---|------------------------------------|
| LED913 | 6-502-196-01 | LED SML-D12Y8WT86SP (ILLUMINATION) | (GT30MP) | LED935 | 6-502-195-01 | LED SML-D12D8WT86SQ (ILLUMINATION) | (GT300MP:AR) |
| LED913 | 6-502-325-01 | LED SML-D12P8WT86SJ (ILLUMINATION) | (GT257ME) | LED935 | 6-502-196-01 | LED SML-D12Y8WT86SP (ILLUMINATION) | (GT30MP) |
| LED915 | 6-502-193-01 | LED SML-D12V8WT86SN (ILLUMINATION) | (EXCEPT GT30MP/GT257ME/GT300MP:AR) | LED935 | 6-502-325-01 | LED SML-D12P8WT86SJ (ILLUMINATION) | (GT257ME) |
| LED915 | 6-502-195-01 | LED SML-D12D8WT86SQ (ILLUMINATION) | (GT300MP:AR) | LED937 | 6-502-193-01 | LED SML-D12V8WT86SN (ILLUMINATION) | (EXCEPT GT30MP/GT257ME/GT300MP:AR) |
| LED915 | 6-502-196-01 | LED SML-D12Y8WT86SP (ILLUMINATION) | (GT30MP) | LED937 | 6-502-195-01 | LED SML-D12D8WT86SQ (ILLUMINATION) | (GT300MP:AR) |
| LED915 | 6-502-325-01 | LED SML-D12P8WT86SJ (ILLUMINATION) | (GT257ME) | LED937 | 6-502-196-01 | LED SML-D12Y8WT86SP (ILLUMINATION) | (GT30MP) |
| LED917 | 6-502-193-01 | LED SML-D12V8WT86SN (ILLUMINATION) | (EXCEPT GT30MP/GT257ME/GT300MP:AR) | LED937 | 6-502-325-01 | LED SML-D12P8WT86SJ (ILLUMINATION) | (GT257ME) |
| LED917 | 6-502-195-01 | LED SML-D12D8WT86SQ (ILLUMINATION) | (GT300MP:AR) | LED945 | 6-502-193-01 | LED SML-D12V8WT86SN (CD INDICATOR) | (EXCEPT GT30MP/GT257ME/GT300MP:AR) |
| LED917 | 6-502-196-01 | LED SML-D12Y8WT86SP (ILLUMINATION) | (GT30MP) | LED945 | 6-502-195-01 | LED SML-D12D8WT86SQ (CD INDICATOR) | (GT300MP:AR) |
| LED917 | 6-502-325-01 | LED SML-D12P8WT86SJ (ILLUMINATION) | (GT257ME) | LED945 | 6-502-196-01 | LED SML-D12Y8WT86SP (CD INDICATOR) | (GT30MP) |
| LED919 | 6-502-193-01 | LED SML-D12V8WT86SN (ILLUMINATION) | (EXCEPT GT30MP/GT257ME/GT300MP:AR) | LED945 | 6-502-325-01 | LED SML-D12P8WT86SJ (CD INDICATOR) | (GT257ME) |
| LED919 | 6-502-195-01 | LED SML-D12D8WT86SQ (ILLUMINATION) | (GT300MP:AR) | | | < SWITCH > | |
| LED919 | 6-502-196-01 | LED SML-D12Y8WT86SP (ILLUMINATION) | (GT30MP) | LSW901 | 1-798-282-11 | SWITCH, TACTILE (WITH LED) (PTY) | (GT300MP:AR) |
| LED919 | 6-502-325-01 | LED SML-D12P8WT86SJ (ILLUMINATION) | (GT257ME) | LSW901 | 1-798-283-11 | SWITCH, TACTILE (WITH LED) (AF/TA/PTY) | (GT257ME) |
| LED921 | 6-502-193-01 | LED SML-D12V8WT86SN (ILLUMINATION) | (EXCEPT GT30MP/GT257ME/GT300MP:AR) | LSW901 | 1-798-287-11 | SWITCH, TACTILE (WITH LED) (PTY) | (GT25MPW/GT300MP:E,EA,MX/GT303MP) |
| LED921 | 6-502-195-01 | LED SML-D12D8WT86SQ (ILLUMINATION) | (GT300MP:AR) | LSW901 | 1-798-287-11 | SWITCH, TACTILE (WITH LED) (PTY/CAT) | (GT250MP:US,CND) |
| LED921 | 6-502-196-01 | LED SML-D12Y8WT86SP (ILLUMINATION) | (GT30MP) | LSW901 | 1-798-287-11 | SWITCH, TACTILE (WITH LED) (AF/TA/PTY) | (GT250MP:RU) |
| LED921 | 6-502-325-01 | LED SML-D12P8WT86SJ (ILLUMINATION) | (GT257ME) | LSW901 | 1-798-356-11 | SWITCH, TACTILE (WITH LED) (PTY) (GT30MP) | |
| LED923 | 6-502-193-01 | LED SML-D12V8WT86SN (EQ3) | (EXCEPT GT30MP/GT257ME/GT300MP:AR) | LSW902 | 1-798-282-11 | SWITCH, TACTILE (WITH LED) (1/ALBUM -) | (GT300MP:AR) |
| LED923 | 6-502-195-01 | LED SML-D12D8WT86SQ (EQ3) (GT300MP:AR) | | LSW902 | 1-798-283-11 | SWITCH, TACTILE (WITH LED) (1/ALBUM -) | (GT257ME) |
| LED923 | 6-502-196-01 | LED SML-D12Y8WT86SP (EQ3) (GT30MP) | | LSW902 | 1-798-287-11 | SWITCH, TACTILE (WITH LED) (1/ALBUM -) | (EXCEPT GT30MP/GT257ME/GT300MP:AR) |
| LED923 | 6-502-325-01 | LED SML-D12P8WT86SJ (EQ3) (GT257ME) | | LSW902 | 1-798-356-11 | SWITCH, TACTILE (WITH LED) (1/ALBUM -) | (GT30MP) |
| LED925 | 6-502-193-01 | LED SML-D12V8WT86SN (ILLUMINATION) | (EXCEPT GT30MP/GT257ME/GT300MP:AR) | LSW903 | 1-798-282-11 | SWITCH, TACTILE (WITH LED) (2/ALBUM +) | (GT300MP:AR) |
| LED925 | 6-502-195-01 | LED SML-D12D8WT86SQ (ILLUMINATION) | (GT300MP:AR) | LSW903 | 1-798-283-11 | SWITCH, TACTILE (WITH LED) (2/ALBUM +) | (GT257ME) |
| LED925 | 6-502-196-01 | LED SML-D12Y8WT86SP (ILLUMINATION) | (GT30MP) | LSW903 | 1-798-287-11 | SWITCH, TACTILE (WITH LED) (2/ALBUM +) | (EXCEPT GT30MP/GT257ME/GT300MP:AR) |
| LED925 | 6-502-325-01 | LED SML-D12P8WT86SJ (ILLUMINATION) | (GT257ME) | LSW903 | 1-798-356-11 | SWITCH, TACTILE (WITH LED) (2/ALBUM +) | (GT30MP) |
| LED927 | 6-502-193-01 | LED SML-D12V8WT86SN (☞) | (EXCEPT GT30MP/GT257ME/GT300MP:AR) | LSW904 | 1-798-282-11 | SWITCH, TACTILE (WITH LED) (3/REP) | (GT300MP:AR) |
| LED927 | 6-502-195-01 | LED SML-D12D8WT86SQ (☞) (GT300MP:AR) | | LSW904 | 1-798-283-11 | SWITCH, TACTILE (WITH LED) (3/REP) | (GT257ME) |
| LED927 | 6-502-196-01 | LED SML-D12Y8WT86SP (☞) (GT30MP) | | LSW904 | 1-798-287-11 | SWITCH, TACTILE (WITH LED) (3/REP) | (EXCEPT GT30MP/GT257ME/GT300MP:AR) |
| LED927 | 6-502-325-01 | LED SML-D12P8WT86SJ (☞) (GT257ME) | | LSW904 | 1-798-356-11 | SWITCH, TACTILE (WITH LED) (3/REP) (GT30MP) | |
| LED931 | 6-503-227-01 | LED NESW505DT-A0-UV (LCD BACK LIGHT) | | LSW905 | 1-798-282-11 | SWITCH, TACTILE (WITH LED) (4/SHUF) | (GT300MP:AR) |
| LED933 | 6-502-193-01 | LED SML-D12V8WT86SN (ILLUMINATION) | (EXCEPT GT30MP/GT257ME/GT300MP:AR) | LSW905 | 1-798-283-11 | SWITCH, TACTILE (WITH LED) (4/SHUF) | (GT257ME) |
| LED933 | 6-502-195-01 | LED SML-D12D8WT86SQ (ILLUMINATION) | (GT300MP:AR) | LSW905 | 1-798-287-11 | SWITCH, TACTILE (WITH LED) (4/SHUF) | (EXCEPT GT30MP/GT257ME/GT300MP:AR) |
| LED933 | 6-502-196-01 | LED SML-D12Y8WT86SP (ILLUMINATION) | (GT30MP) | | | | |
| LED933 | 6-502-325-01 | LED SML-D12P8WT86SJ (ILLUMINATION) | (GT257ME) | | | | |
| LED935 | 6-502-193-01 | LED SML-D12V8WT86SN (ILLUMINATION) | (EXCEPT GT30MP/GT257ME/GT300MP:AR) | | | | |

| Ref. No. | Part No. | Description | Remark | Ref. No. | Part No. | Description | Remark |
|----------------|--------------|--|--------------------------------------|----------|--------------|--------------------|---|
| LSW905 | 1-798-356-11 | SWITCH, TACTILE (WITH LED) (4/SHUF) (GT30MP) | | R935 | 1-216-809-11 | METAL CHIP 100 5% | 1/10W |
| LSW906 | 1-798-282-11 | SWITCH, TACTILE (WITH LED) (5) (GT300MP:AR) | | R938 | 1-216-810-11 | METAL CHIP 120 5% | 1/10W |
| LSW906 | 1-798-283-11 | SWITCH, TACTILE (WITH LED) (5) (GT257ME) | | R939 | 1-216-810-11 | METAL CHIP 120 5% | 1/10W |
| LSW906 | 1-798-287-11 | SWITCH, TACTILE (WITH LED) (5) (EXCEPT GT30MP/GT257ME/GT300MP:AR) | | R940 | 1-216-810-11 | METAL CHIP 120 5% | 1/10W |
| LSW906 | 1-798-356-11 | SWITCH, TACTILE (WITH LED) (5) (GT30MP) | | R941 | 1-216-814-11 | METAL CHIP 270 5% | 1/10W (GT257ME) |
| LSW907 | 1-798-282-11 | SWITCH, TACTILE (WITH LED) (6/PAUSE) (GT300MP:AR) | | R941 | 1-216-822-11 | METAL CHIP 1.2K 5% | 1/10W (EXCEPT GT30MP/GT257ME/GT300MP:AR) |
| LSW907 | 1-798-283-11 | SWITCH, TACTILE (WITH LED) (6/PAUSE) (GT257ME) | | R941 | 1-216-823-11 | METAL CHIP 1.5K 5% | 1/10W (GT30MP/GT300MP:AR) |
| LSW907 | 1-798-287-11 | SWITCH, TACTILE (WITH LED) (6/PAUSE) (EXCEPT GT30MP/GT257ME/GT300MP:AR) | | R943 | 1-216-814-11 | METAL CHIP 270 5% | 1/10W (GT257ME) |
| LSW907 | 1-798-356-11 | SWITCH, TACTILE (WITH LED) (6/PAUSE) (GT30MP) | | R943 | 1-216-819-11 | METAL CHIP 680 5% | 1/10W (GT30MP) |
| LSW908 | 1-798-282-11 | SWITCH, TACTILE (WITH LED) (DSPL/SCRL) (GT300MP:AR) | | R943 | 1-216-821-11 | METAL CHIP 1K 5% | 1/10W (EXCEPT GT30MP/GT257ME/GT300MP:AR) |
| LSW908 | 1-798-283-11 | SWITCH, TACTILE (WITH LED) (DSPL/SCRL) (GT257ME) | | R943 | 1-216-823-11 | METAL CHIP 1.5K 5% | 1/10W (GT300MP:AR) |
| LSW908 | 1-798-287-11 | SWITCH, TACTILE (WITH LED) (DSPL/SCRL) (EXCEPT GT30MP/GT257ME/GT300MP:AR) | | R945 | 1-216-814-11 | METAL CHIP 270 5% | 1/10W (GT257ME) |
| LSW908 | 1-798-356-11 | SWITCH, TACTILE (WITH LED) (DSPL/SCRL) (GT30MP) | | R945 | 1-216-819-11 | METAL CHIP 680 5% | 1/10W (GT30MP) |
| < TRANSISTOR > | | | | R945 | 1-216-821-11 | METAL CHIP 1K 5% | 1/10W (EXCEPT GT30MP/GT257ME/GT300MP:AR) |
| Q931 | 8-729-038-22 | TRANSISTOR RT1N140C-TP-1 | | R945 | 1-216-822-11 | METAL CHIP 1.2K 5% | 1/10W (GT300MP:AR) |
| Q932 | 6-551-444-01 | TRANSISTOR RT1N436C-TP-1 | | R949 | 1-216-820-11 | METAL CHIP 820 5% | 1/10W (GT257ME) |
| < RESISTOR > | | | | R949 | 1-216-822-11 | METAL CHIP 1.2K 5% | 1/10W (GT30MP) |
| R900 | 1-216-295-91 | SHORT CHIP 0 | | R949 | 1-216-825-11 | METAL CHIP 2.2K 5% | 1/10W (EXCEPT GT30MP/GT257ME) |
| R901 | 1-216-820-11 | METAL CHIP 820 5% | 1/10W | R951 | 1-216-820-11 | METAL CHIP 820 5% | 1/10W (GT257ME) |
| R902 | 1-216-821-11 | METAL CHIP 1K 5% | 1/10W | R951 | 1-216-822-11 | METAL CHIP 1.2K 5% | 1/10W (GT30MP) |
| R903 | 1-216-821-11 | METAL CHIP 1K 5% | 1/10W | R951 | 1-216-822-11 | METAL CHIP 1.2K 5% | 1/10W (GT30MP) |
| R904 | 1-216-822-11 | METAL CHIP 1.2K 5% | 1/10W | R951 | 1-216-824-11 | METAL CHIP 1.8K 5% | 1/10W (EXCEPT GT30MP/GT257ME) |
| R905 | 1-216-820-11 | METAL CHIP 820 5% | 1/10W | R953 | 1-216-820-11 | METAL CHIP 820 5% | 1/10W (GT257ME) |
| R906 | 1-216-821-11 | METAL CHIP 1K 5% | 1/10W | R953 | 1-216-822-11 | METAL CHIP 1.2K 5% | 1/10W (GT30MP) |
| R907 | 1-216-821-11 | METAL CHIP 1K 5% | 1/10W | R953 | 1-216-824-11 | METAL CHIP 1.8K 5% | 1/10W (EXCEPT GT30MP/GT257ME) |
| R908 | 1-216-822-11 | METAL CHIP 1.2K 5% | 1/10W | R957 | 1-216-813-11 | METAL CHIP 220 5% | 1/10W (GT257ME) |
| R909 | 1-216-823-11 | METAL CHIP 1.5K 5% | 1/10W | R957 | 1-216-819-11 | METAL CHIP 680 5% | 1/10W (GT30MP) |
| R910 | 1-216-824-11 | METAL CHIP 1.8K 5% | 1/10W | R957 | 1-216-820-11 | METAL CHIP 820 5% | 1/10W (EXCEPT GT30MP/GT257ME/GT300MP:AR) |
| R911 | 1-216-825-11 | METAL CHIP 2.2K 5% | 1/10W | R957 | 1-216-822-11 | METAL CHIP 1.2K 5% | 1/10W (GT300MP:AR) |
| R912 | 1-216-827-11 | METAL CHIP 3.3K 5% | 1/10W | R959 | 1-216-815-11 | METAL CHIP 330 5% | 1/10W (GT257ME) |
| R913 | 1-216-828-11 | METAL CHIP 3.9K 5% | 1/10W | R959 | 1-216-821-11 | METAL CHIP 1K 5% | 1/10W (GT30MP) |
| R914 | 1-218-867-11 | METAL CHIP 6.8K 0.5% | 1/10W | R959 | 1-216-822-11 | METAL CHIP 1.2K 5% | 1/10W (EXCEPT GT30MP/GT257ME/GT300MP:AR) |
| R916 | 1-216-809-11 | METAL CHIP 100 5% | 1/10W | R959 | 1-216-824-11 | METAL CHIP 1.8K 5% | 1/10W (GT300MP:AR) |
| R918 | 1-216-809-11 | METAL CHIP 100 5% | 1/10W | R961 | 1-216-815-11 | METAL CHIP 330 5% | 1/10W (GT257ME) |
| R919 | 1-216-864-11 | SHORT CHIP 0 | | R961 | 1-216-821-11 | METAL CHIP 1K 5% | 1/10W (EXCEPT GT257ME/GT300MP:AR) |
| R920 | 1-216-813-11 | METAL CHIP 220 5% | 1/10W (GT257ME) | R961 | 1-216-823-11 | METAL CHIP 1.5K 5% | 1/10W (GT300MP:AR) |
| R920 | 1-216-820-11 | METAL CHIP 820 5% | 1/10W (EXCEPT GT257ME/GT300MP:AR) | | | | |
| R920 | 1-216-822-11 | METAL CHIP 1.2K 5% | 1/10W (GT300MP:AR) | | | | |
| R923 | 1-216-811-11 | METAL CHIP 150 5% | 1/10W | | | | |
| R924 | 1-216-811-11 | METAL CHIP 150 5% | 1/10W | | | | |
| R925 | 1-216-821-11 | METAL CHIP 1K 5% | 1/10W | | | | |
| R926 | 1-216-821-11 | METAL CHIP 1K 5% | 1/10W | | | | |
| R927 | 1-216-821-11 | METAL CHIP 1K 5% | 1/10W | | | | |
| R928 | 1-216-857-11 | METAL CHIP 1M 5% | 1/10W | | | | |
| R929 | 1-216-840-11 | METAL CHIP 39K 5% | 1/10W | | | | |
| R931 | 1-216-823-11 | METAL CHIP 1.5K 5% | 1/10W | | | | |
| R933 | 1-216-295-91 | SHORT CHIP 0 | | | | | |

CDX-GT25MPW/GT30MP/GT250MP/GT257ME/GT300MP/GT303MP

Ver. 1.1

KEY **MAIN**

| Ref. No. | Part No. | Description | Remark |
|----------|--------------|--------------------|---|
| R963 | 1-216-813-11 | METAL CHIP 220 5% | 1/10W (GT257ME) |
| R963 | 1-216-820-11 | METAL CHIP 820 5% | 1/10W (EXCEPT GT257ME/GT300MP:AR) |
| R963 | 1-216-822-11 | METAL CHIP 1.2K 5% | 1/10W (GT300MP:AR) |
| R965 | 1-216-813-11 | METAL CHIP 220 5% | 1/10W (GT257ME) |
| R965 | 1-216-819-11 | METAL CHIP 680 5% | 1/10W (GT30MP) |
| R965 | 1-216-820-11 | METAL CHIP 820 5% | 1/10W (EXCEPT GT30MP/GT257ME/GT300MP:AR) |
| R965 | 1-216-822-11 | METAL CHIP 1.2K 5% | 1/10W (GT300MP:AR) |
| R967 | 1-216-813-11 | METAL CHIP 220 5% | 1/10W (GT257ME) |
| R967 | 1-216-820-11 | METAL CHIP 820 5% | 1/10W (EXCEPT GT257ME/GT300MP:AR) |
| R967 | 1-216-822-11 | METAL CHIP 1.2K 5% | 1/10W (GT300MP:AR) |
| R969 | 1-216-813-11 | METAL CHIP 220 5% | 1/10W (GT257ME) |
| R969 | 1-216-819-11 | METAL CHIP 680 5% | 1/10W (GT30MP) |
| R969 | 1-216-820-11 | METAL CHIP 820 5% | 1/10W (EXCEPT GT30MP/GT257ME/GT300MP:AR) |
| R969 | 1-216-822-11 | METAL CHIP 1.2K 5% | 1/10W (GT300MP:AR) |
| R971 | 1-216-815-11 | METAL CHIP 330 5% | 1/10W (GT257ME) |
| R971 | 1-216-821-11 | METAL CHIP 1K 5% | 1/10W (GT30MP) |
| R971 | 1-216-822-11 | METAL CHIP 1.2K 5% | 1/10W (EXCEPT GT30MP/GT257ME/GT300MP:AR) |
| R971 | 1-216-824-11 | METAL CHIP 1.8K 5% | 1/10W (GT300MP:AR) |
| R973 | 1-216-815-11 | METAL CHIP 330 5% | 1/10W (GT257ME) |
| R973 | 1-216-821-11 | METAL CHIP 1K 5% | 1/10W (GT30MP) |
| R973 | 1-216-822-11 | METAL CHIP 1.2K 5% | 1/10W (EXCEPT GT30MP/GT257ME/GT300MP:AR) |
| R973 | 1-216-823-11 | METAL CHIP 1.5K 5% | 1/10W (GT300MP:AR) |
| R981 | 1-216-813-11 | METAL CHIP 220 5% | 1/10W (GT257ME) |
| R981 | 1-216-820-11 | METAL CHIP 820 5% | 1/10W (EXCEPT GT257ME/GT300MP:AR) |
| R981 | 1-216-822-11 | METAL CHIP 1.2K 5% | 1/10W (GT300MP:AR) |
| R983 | 1-216-812-11 | METAL CHIP 180 5% | 1/10W (GT257ME) |
| R983 | 1-216-819-11 | METAL CHIP 680 5% | 1/10W (GT30MP) |
| R983 | 1-216-820-11 | METAL CHIP 820 5% | 1/10W (EXCEPT GT30MP/GT257ME/GT300MP:AR) |
| R983 | 1-216-822-11 | METAL CHIP 1.2K 5% | 1/10W (GT300MP:AR) |
| R985 | 1-216-812-11 | METAL CHIP 180 5% | 1/10W (GT257ME) |
| R985 | 1-216-813-11 | METAL CHIP 220 5% | 1/10W (EXCEPT GT257ME) |
| R987 | 1-216-811-11 | METAL CHIP 150 5% | 1/10W (GT257ME) |
| R987 | 1-216-813-11 | METAL CHIP 220 5% | 1/10W (EXCEPT GT257ME) |

| Ref. No. | Part No. | Description | Remark |
|--------------|--------------|---|---------------------------|
| R990 | 1-216-809-11 | METAL CHIP 100 5% | 1/10W (GT257ME) |
| R990 | 1-216-811-11 | METAL CHIP 150 5% | 1/10W (EXCEPT GT257ME) |
| R991 | 1-216-809-11 | METAL CHIP 100 5% | 1/10W (GT257ME) |
| R991 | 1-216-811-11 | METAL CHIP 150 5% | 1/10W (EXCEPT GT257ME) |
| R998 | 1-216-809-11 | METAL CHIP 100 5% | 1/10W (GT257ME) |
| R998 | 1-216-811-11 | METAL CHIP 150 5% | 1/10W (EXCEPT GT257ME) |
| R999 | 1-216-809-11 | METAL CHIP 100 5% | 1/10W (GT257ME) |
| R999 | 1-216-811-11 | METAL CHIP 150 5% | 1/10W (EXCEPT GT257ME) |
| R1000 | 1-216-295-91 | SHORT CHIP 0 | |
| | | < SWITCH > | |
| S901 | 1-798-284-11 | SWITCH, TACTILE (▲) | |
| S902 | 1-798-284-11 | SWITCH, TACTILE (SOURCE/OFF) | |
| S903 | 1-798-284-11 | SWITCH, TACTILE (EQ3) | |
| S904 | 1-798-284-11 | SWITCH, TACTILE (MODE) | |
| S905 | 1-479-902-41 | ENCODER, ROTARY (PUSH SELECT,VOLUME) | |
| S906 | 1-798-284-11 | SWITCH, TACTILE (▶▶▶▶ SEEK+) | |
| S907 | 1-798-284-11 | SWITCH, TACTILE (◀◀◀◀ SEEK-) | |
| S908 | 1-798-284-11 | SWITCH, TACTILE (↻) | |
| ***** | | | |
| A-1779-491-A | | MAIN BOARD, COMPLETE (US,CND) | |
| A-1779-493-A | | MAIN BOARD, COMPLETE (GT250MP:RU) | |
| A-1779-494-A | | MAIN BOARD, COMPLETE (GT257ME) | |
| A-1779-495-A | | MAIN BOARD, COMPLETE (E.AR,MX,IND) | |
| A-1779-496-A | | MAIN BOARD, COMPLETE (EA) | |
| ***** | | | |
| 7-685-134-19 | | SCREW +P 2.6X8 TYPE2 NON-SLIT | |
| 7-685-794-09 | | SCREW +PTT 2.6X10 (S) | |
| | | < CAPACITOR > | |
| C1 | 1-162-964-11 | CERAMIC CHIP 0.001uF 10% 50V | |
| C2 | 1-162-907-11 | CERAMIC CHIP 2PF 0.25PF 50V (GT30MP/GT300MP/GT303MP) | |
| C3 | 1-162-909-11 | CERAMIC CHIP 4PF 0.25PF 50V (GT30MP/GT300MP/GT303MP) | |
| C5 | 1-162-964-11 | CERAMIC CHIP 0.001uF 10% 50V | |
| C6 | 1-162-917-11 | CERAMIC CHIP 15PF 5% 50V | |
| C8 | 1-162-921-11 | CERAMIC CHIP 33PF 5% 50V | |
| C9 | 1-107-826-11 | CERAMIC CHIP 0.1uF 10% 16V | |
| C12 | 1-127-715-11 | CERAMIC CHIP 0.22uF 10% 16V | |
| C13 | 1-100-742-91 | CERAMIC CHIP 2.2uF 20% 10V | |
| C16 | 1-125-891-11 | CERAMIC CHIP 0.47uF 10% 10V | |
| C17 | 1-107-826-11 | CERAMIC CHIP 0.1uF 10% 16V | |
| C18 | 1-162-916-11 | CERAMIC CHIP 12PF 5% 50V | |
| C19 | 1-162-970-11 | CERAMIC CHIP 0.01uF 10% 25V | |
| C20 | 1-162-970-11 | CERAMIC CHIP 0.01uF 10% 25V | |
| C21 | 1-165-908-11 | CERAMIC CHIP 1uF 10% 10V | |
| C22 | 1-162-970-11 | CERAMIC CHIP 0.01uF 10% 25V | |
| C23 | 1-162-970-11 | CERAMIC CHIP 0.01uF 10% 25V | |
| C24 | 1-107-826-11 | CERAMIC CHIP 0.1uF 10% 16V | |
| C25 | 1-107-826-11 | CERAMIC CHIP 0.1uF 10% 16V | |
| C26 | 1-107-826-11 | CERAMIC CHIP 0.1uF 10% 16V | |
| C27 | 1-107-826-11 | CERAMIC CHIP 0.1uF 10% 16V | |
| C28 | 1-126-947-11 | ELECT 47uF 20% 35V | |

| Ref. No. | Part No. | Description | Remark | Ref. No. | Part No. | Description | Remark |
|----------|--------------|--------------|------------------|----------|--------------|--------------------------------|--------|
| C41 | 1-126-964-11 | ELECT | 10uF 20% 50V | C523 | 1-162-970-11 | CERAMIC CHIP 0.01uF 10% 25V | |
| C101 | 1-164-739-11 | CERAMIC CHIP | 560PF 5% 50V | C556 | 1-162-970-11 | CERAMIC CHIP 0.01uF 10% 25V | |
| C103 | 1-126-960-11 | ELECT | 1uF 20% 50V | C701 | 1-124-584-00 | ELECT 100uF 20% 10V | |
| C106 | 1-126-964-11 | ELECT | 10uF 20% 50V | C703 | 1-124-233-11 | ELECT 10uF 20% 16V | |
| C107 | 1-163-251-11 | CERAMIC CHIP | 100PF 5% 50V | C704 | 1-162-970-11 | CERAMIC CHIP 0.01uF 10% 25V | |
| C108 | 1-126-964-11 | ELECT | 10uF 20% 50V | C705 | 1-162-918-11 | CERAMIC CHIP 18PF 5% 50V | |
| C109 | 1-165-908-11 | CERAMIC CHIP | 1uF 10% 10V | C706 | 1-162-918-11 | CERAMIC CHIP 18PF 5% 50V | |
| C110 | 1-165-908-11 | CERAMIC CHIP | 1uF 10% 10V | C707 | 1-162-918-11 | CERAMIC CHIP 18PF 5% 50V | |
| C112 | 1-126-964-11 | ELECT | 10uF 20% 50V | C708 | 1-162-918-11 | CERAMIC CHIP 18PF 5% 50V | |
| C114 | 1-165-908-11 | CERAMIC CHIP | 1uF 10% 10V | C709 | 1-162-964-11 | CERAMIC CHIP 0.001uF 10% 50V | |
| C115 | 1-165-908-11 | CERAMIC CHIP | 1uF 10% 10V | C710 | 1-162-970-11 | CERAMIC CHIP 0.01uF 10% 25V | |
| C151 | 1-165-908-11 | CERAMIC CHIP | 1uF 10% 10V | C711 | 1-162-970-11 | CERAMIC CHIP 0.01uF 10% 25V | |
| C152 | 1-165-908-11 | CERAMIC CHIP | 1uF 10% 10V | C712 | 1-162-970-11 | CERAMIC CHIP 0.01uF 10% 25V | |
| C153 | 1-126-961-11 | ELECT | 2.2uF 20% 50V | C719 | 1-163-009-91 | CERAMIC CHIP 0.001uF 10% 50V | |
| C154 | 1-162-927-11 | CERAMIC CHIP | 100PF 5% 50V | C755 | 1-162-964-11 | CERAMIC CHIP 0.001uF 10% 50V | |
| C155 | 1-162-927-11 | CERAMIC CHIP | 100PF 5% 50V | C776 | 1-162-964-11 | CERAMIC CHIP 0.001uF 10% 50V | |
| C157 | 1-162-964-11 | CERAMIC CHIP | 0.001uF 10% 50V | C803 | 1-107-823-11 | CERAMIC CHIP 0.47uF 10% 16V | |
| C201 | 1-164-739-11 | CERAMIC CHIP | 560PF 5% 50V | C804 | 1-107-823-11 | CERAMIC CHIP 0.47uF 10% 16V | |
| C203 | 1-126-960-11 | ELECT | 1uF 20% 50V | C805 | 1-163-009-91 | CERAMIC CHIP 0.001uF 10% 50V | |
| C206 | 1-126-964-11 | ELECT | 10uF 20% 50V | C806 | 1-163-009-91 | CERAMIC CHIP 0.001uF 10% 50V | |
| C207 | 1-163-251-11 | CERAMIC CHIP | 100PF 5% 50V | C807 | 1-112-302-11 | ELECT 3300uF 20% 16V | |
| C208 | 1-126-964-11 | ELECT | 10uF 20% 50V | C808 | 1-165-319-11 | CERAMIC CHIP 0.1uF 50V | |
| C209 | 1-165-908-11 | CERAMIC CHIP | 1uF 10% 10V | C810 | 1-115-340-11 | CERAMIC CHIP 0.22uF 10% 25V | |
| C210 | 1-165-908-11 | CERAMIC CHIP | 1uF 10% 10V | C811 | 1-115-340-11 | CERAMIC CHIP 0.22uF 10% 25V | |
| C211 | 1-216-841-11 | METAL CHIP | 47K 5% 1/10W | C812 | 1-165-908-11 | CERAMIC CHIP 1uF 10% 10V | |
| C212 | 1-126-964-11 | ELECT | 10uF 20% 50V | C813 | 1-165-908-11 | CERAMIC CHIP 1uF 10% 10V | |
| C214 | 1-165-908-11 | CERAMIC CHIP | 1uF 10% 10V | C815 | 1-162-964-11 | CERAMIC CHIP 0.001uF 10% 50V | |
| C215 | 1-165-908-11 | CERAMIC CHIP | 1uF 10% 10V | C930 | 1-216-864-11 | SHORT CHIP 0 | |
| C303 | 1-128-551-11 | ELECT | 22uF 20% 63V | C931 | 1-162-964-11 | CERAMIC CHIP 0.001uF 10% 50V | |
| C304 | 1-115-340-11 | CERAMIC CHIP | 0.22uF 10% 25V | | | < CONNECTOR > | |
| C305 | 1-115-340-11 | CERAMIC CHIP | 0.22uF 10% 25V | * CN401 | 1-564-710-11 | PIN, CONNECTOR (SMALL TYPE) 8P | |
| C306 | 1-165-908-11 | CERAMIC CHIP | 1uF 10% 10V | CN403 | 1-842-256-11 | SOCKET, CONNECTOR 15P | |
| C307 | 1-126-176-11 | ELECT | 220uF 20% 10V | CN701 | 1-820-611-11 | CONNECTOR, BOARD TO BOARD 28P | |
| C308 | 1-127-715-11 | CERAMIC CHIP | 0.22uF 10% 16V | CN802 | 1-774-701-21 | PIN, CONNECTOR 16P | |
| C312 | 1-124-233-11 | ELECT | 10uF 20% 16V | | | < DIODE > | |
| C313 | 1-126-947-11 | ELECT | 47uF 20% 35V | D102 | 6-502-643-01 | DIODE 1A4-A2 | |
| C315 | 1-125-889-11 | CERAMIC CHIP | 2.2uF 10% 10V | D103 | 6-502-643-01 | DIODE 1A4-A2 | |
| C316 | 1-107-826-11 | CERAMIC CHIP | 0.1uF 10% 16V | D104 | 6-502-643-01 | DIODE 1A4-A2 | |
| C317 | 1-126-934-11 | ELECT | 220uF 20% 16V | D105 | 6-502-643-01 | DIODE 1A4-A2 | |
| C322 | 1-124-589-11 | ELECT | 47uF 20% 16V | D153 | 8-719-069-57 | DIODE UDZSUSTE-176.8B | |
| C401 | 1-107-826-11 | CERAMIC CHIP | 0.1uF 10% 16V | D202 | 6-502-643-01 | DIODE 1A4-A2 | |
| C402 | 1-107-826-11 | CERAMIC CHIP | 0.1uF 10% 16V | D203 | 6-502-643-01 | DIODE 1A4-A2 | |
| C404 | 1-115-340-11 | CERAMIC CHIP | 0.22uF 10% 25V | D204 | 6-502-643-01 | DIODE 1A4-A2 | |
| C405 | 1-127-715-11 | CERAMIC CHIP | 0.22uF 10% 16V | D205 | 6-502-643-01 | DIODE 1A4-A2 | |
| C406 | 1-115-340-11 | CERAMIC CHIP | 0.22uF 10% 25V | D302 | 6-502-643-01 | DIODE 1A4-A2 | |
| C407 | 1-107-826-11 | CERAMIC CHIP | 0.1uF 10% 16V | D303 | 6-502-643-01 | DIODE 1A4-A2 | |
| C409 | 1-126-926-11 | ELECT | 1000uF 20% 10V | D304 | 6-502-643-01 | DIODE 1A4-A2 | |
| C502 | 1-162-964-11 | CERAMIC CHIP | 0.001uF 10% 50V | D305 | 6-502-643-01 | DIODE 1A4-A2 | |
| C503 | 1-124-584-00 | ELECT | 100uF 20% 10V | D306 | 6-501-817-01 | DIODE MA2J1110GLS0 | |
| C504 | 1-162-970-11 | CERAMIC CHIP | 0.01uF 10% 25V | D502 | 6-502-131-01 | DIODE LRB751V-40T1G | |
| C507 | 1-162-918-11 | CERAMIC CHIP | 18PF 5% 50V | D703 | 6-503-205-01 | DIODE RKZ6.8B2KGP1 | |
| C508 | 1-162-918-11 | CERAMIC CHIP | 18PF 5% 50V | D704 | 6-503-205-01 | DIODE RKZ6.8B2KGP1 | |
| C510 | 1-162-970-11 | CERAMIC CHIP | 0.01uF 10% 25V | D719 | 6-503-213-01 | DIODE RKZ18B2KGP1 | |
| C512 | 1-162-964-11 | CERAMIC CHIP | 0.001uF 10% 50V | D806 | 6-503-206-01 | DIODE RKZ7.5B2KGP1 | |
| C513 | 1-162-970-11 | CERAMIC CHIP | 0.01uF 10% 25V | D807 | 6-503-213-01 | DIODE RKZ18B2KGP1 | |
| C514 | 1-162-964-11 | CERAMIC CHIP | 0.001uF 10% 50V | D808 | 6-503-213-01 | DIODE RKZ18B2KGP1 (RU) | |
| C515 | 1-162-966-11 | CERAMIC CHIP | 0.0022uF 10% 50V | D811 | 6-503-213-01 | DIODE RKZ18B2KGP1 | |
| C520 | 1-162-923-11 | CERAMIC CHIP | 47PF 5% 50V | D814 | 6-502-643-01 | DIODE 1A4-A2 | |
| C521 | 1-162-923-11 | CERAMIC CHIP | 47PF 5% 50V | D815 | 6-502-643-01 | DIODE 1A4-A2 | |
| C522 | 1-162-970-11 | CERAMIC CHIP | 0.01uF 10% 25V | | | | |

CDX-GT25MPW/GT30MP/GT250MP/GT257ME/GT300MP/GT303MP

Ver. 1.1

MAIN

| Ref. No. | Part No. | Description | Remark | Ref. No. | Part No. | Description | Remark |
|---------------------|--------------|------------------------------------|---------------------------|--------------|--------------|-------------------------------|--------|
| < FERRITE BEAD > | | | | | | | |
| FB1 | 1-400-334-21 | FERRITE, EMI (SMD) (1608) (US,CND) | | Q202 | 6-551-677-01 | TRANSISTOR RTAN140M-T111-1 | |
| FB2 | 1-400-334-21 | FERRITE, EMI (SMD) (1608) (US,CND) | | Q203 | 6-552-431-01 | TRANSISTOR DRC5114T0L | |
| FB3 | 1-400-334-21 | FERRITE, EMI (SMD) (1608) (US,CND) | | Q204 | 6-552-431-01 | TRANSISTOR DRC5114T0L | |
| FB14 | 1-400-334-21 | FERRITE, EMI (SMD) (1608) | | Q303 | 6-552-430-01 | TRANSISTOR DRC5114E0L | |
| FB15 | 1-400-334-21 | FERRITE, EMI (SMD) (1608) | | Q304 | 6-552-410-01 | TRANSISTOR DRA5114E0L | |
| FB604 | 1-216-295-91 | SHORT CHIP 0 | | Q802 | 6-552-430-01 | TRANSISTOR DRC5114E0L | |
| FB606 | 1-500-329-21 | INDUCTOR, FERRITE BEAD | | Q805 | 8-729-620-13 | TRANSISTOR 2SC4154TP-1EF | |
| FB608 | 1-500-329-21 | INDUCTOR, FERRITE BEAD | | Q806 | 8-729-620-13 | TRANSISTOR 2SC4154TP-1EF (RU) | |
| FB609 | 1-500-329-21 | INDUCTOR, FERRITE BEAD | | Q807 | 6-552-444-01 | TRANSISTOR DRC5144E0L | |
| | | | | Q808 | 8-729-620-07 | TRANSISTOR 2SC3052EF-T1-LEF | |
| < IC > | | | | < RESISTOR > | | | |
| IC001 | 6-714-162-01 | IC TEF6617T/V1/S470,518 | | R1 | 1-216-853-11 | METAL CHIP 470K 5% 1/10W | |
| IC301 | 6-715-847-11 | IC TDF8554AJ/N1 (RU) | | R2 | 1-216-853-11 | METAL CHIP 470K 5% 1/10W | |
| IC301 | 6-715-848-01 | IC TDF8556AJ/N1 (EXCEPT RU) | | R3 | 1-216-809-11 | METAL CHIP 100 5% 1/10W | |
| IC302 | 6-713-080-11 | IC BD3447AFV-E2 | | | | (GT30MP/GT300MP/GT303MP) | |
| IC401 | 6-716-673-01 | IC R5F3650KBDZ98FA (for SERVICE) | | R3 | 1-216-864-11 | SHORT CHIP 0 (RU) | |
| IC402 | 6-702-302-01 | IC TK11133CSCL-G | | R11 | 1-216-829-11 | METAL CHIP 4.7K 5% 1/10W | |
| IC403 | 6-712-776-01 | IC PST8228UL | | R12 | 1-216-009-91 | METAL CHIP 22 5% 1/10W | |
| | | | | R13 | 1-216-809-11 | METAL CHIP 100 5% 1/10W | |
| < JACK > | | | | | | | |
| J1 | 1-822-949-21 | JACK (ANTENNA) | | R14 | 1-216-809-11 | METAL CHIP 100 5% 1/10W | |
| J301 | 1-822-713-11 | JACK, PIN 2P (REAR/SUB AUDIO OUT) | | R15 | 1-216-864-11 | SHORT CHIP 0 (EXCEPT US,CND) | |
| J801 | 1-566-822-81 | JACK (REMOTE IN) | | R16 | 1-216-864-11 | SHORT CHIP 0 (EXCEPT US,CND) | |
| < JUMPER RESISTOR > | | | | | | | |
| JC103 | 1-216-296-11 | SHORT CHIP 0 | | R101 | 1-216-821-11 | METAL CHIP 1K 5% 1/10W | |
| JC104 | 1-216-296-11 | SHORT CHIP 0 | | R106 | 1-216-813-11 | METAL CHIP 220 5% 1/10W | |
| JC106 | 1-216-864-11 | SHORT CHIP 0 | | R107 | 1-216-833-11 | METAL CHIP 10K 5% 1/10W | |
| JC107 | 1-216-295-91 | SHORT CHIP 0 | | R112 | 1-216-821-11 | METAL CHIP 1K 5% 1/10W | |
| JC109 | 1-216-864-11 | SHORT CHIP 0 | | R113 | 1-216-833-11 | METAL CHIP 10K 5% 1/10W | |
| JC116 | 1-216-296-11 | SHORT CHIP 0 | | R116 | 1-216-821-11 | METAL CHIP 1K 5% 1/10W | |
| JC118 | 1-216-295-91 | SHORT CHIP 0 | | R117 | 1-216-833-11 | METAL CHIP 10K 5% 1/10W | |
| JC121 | 1-216-295-91 | SHORT CHIP 0 | | R151 | 1-216-817-11 | METAL CHIP 470 5% 1/10W | |
| JC257 | 1-216-295-91 | SHORT CHIP 0 | | R152 | 1-216-817-11 | METAL CHIP 470 5% 1/10W | |
| JC335 | 1-216-295-91 | SHORT CHIP 0 | | R153 | 1-216-834-11 | METAL CHIP 12K 5% 1/10W | |
| JC346 | 1-216-864-11 | SHORT CHIP 0 | | R154 | 1-216-834-11 | METAL CHIP 12K 5% 1/10W | |
| < COIL > | | | | | | | |
| L1 | 1-414-180-51 | INDUCTOR 3.3uH | | R155 | 1-216-825-11 | METAL CHIP 2.2K 5% 1/10W | |
| L2 | 1-410-501-61 | INDUCTOR 2.2uH | | R201 | 1-216-821-11 | METAL CHIP 1K 5% 1/10W | |
| | | | (GT25MPW/GT250MP/GT257ME) | R206 | 1-216-813-11 | METAL CHIP 220 5% 1/10W | |
| L2 | 1-414-142-11 | INDUCTOR 1uH | | R207 | 1-216-833-11 | METAL CHIP 10K 5% 1/10W | |
| | | | (GT30MP/GT300MP/GT303MP) | R212 | 1-216-821-11 | METAL CHIP 1K 5% 1/10W | |
| L3 | 1-412-698-61 | INDUCTOR 0.47uH | | R213 | 1-216-833-11 | METAL CHIP 10K 5% 1/10W | |
| | | | (GT30MP/GT300MP/GT303MP) | R216 | 1-216-821-11 | METAL CHIP 1K 5% 1/10W | |
| L4 | 1-410-503-11 | INDUCTOR 3.3uH | | R217 | 1-216-833-11 | METAL CHIP 10K 5% 1/10W | |
| | | | (GT30MP/GT300MP/GT303MP) | R301 | 1-216-809-11 | METAL CHIP 100 5% 1/10W | |
| L6 | 1-457-817-11 | COIL (FM MIX) | | R302 | 1-216-809-11 | METAL CHIP 100 5% 1/10W | |
| L7 | 1-481-285-51 | INDUCTOR 560uH | | R308 | 1-216-811-11 | METAL CHIP 150 5% 1/10W | |
| L8 | 1-481-285-51 | INDUCTOR 560uH | | R309 | 1-216-864-11 | SHORT CHIP 0 | |
| L101 | 1-414-235-22 | INDUCTOR, FERRITE BEAD | | R313 | 1-216-801-11 | METAL CHIP 22 5% 1/10W | |
| L151 | 1-216-295-91 | SHORT CHIP 0 | | R401 | 1-216-845-11 | METAL CHIP 100K 5% 1/10W | |
| L403 | 1-216-864-11 | SHORT CHIP 0 | | R413 | 1-216-864-11 | SHORT CHIP 0 | |
| L801 | 1-456-617-11 | COIL, CHOKE | | R414 | 1-216-864-11 | SHORT CHIP 0 | |
| < TRANSISTOR > | | | | | | | |
| Q102 | 6-551-677-01 | TRANSISTOR RTAN140M-T111-1 | | R415 | 1-216-182-00 | METAL CHIP 220 5% 1/8W | |
| Q103 | 6-552-431-01 | TRANSISTOR DRC5114T0L | | R416 | 1-216-182-00 | METAL CHIP 220 5% 1/8W | |
| Q104 | 6-552-431-01 | TRANSISTOR DRC5114T0L | | R500 | 1-216-833-11 | METAL CHIP 10K 5% 1/10W | |
| | | | | R501 | 1-219-570-11 | METAL CHIP 10M 5% 1/10W | |
| | | | | R502 | 1-216-809-11 | METAL CHIP 100 5% 1/10W | |
| | | | | R503 | 1-216-809-11 | METAL CHIP 100 5% 1/10W | |
| | | | | R504 | 1-218-871-11 | METAL CHIP 10K 0.5% 1/10W | |
| | | | | R505 | 1-218-871-11 | METAL CHIP 10K 0.5% 1/10W | |
| | | | | R506 | 1-216-845-11 | METAL CHIP 100K 5% 1/10W | |
| | | | | | | (EXCEPT GT257ME) | |
| | | | | R507 | 1-216-845-11 | METAL CHIP 100K 5% 1/10W | |

CDX-GT25MPW/GT30MP/GT250MP/GT257ME/GT300MP/GT303MP

Ver. 1.1

MAIN **SERVO**

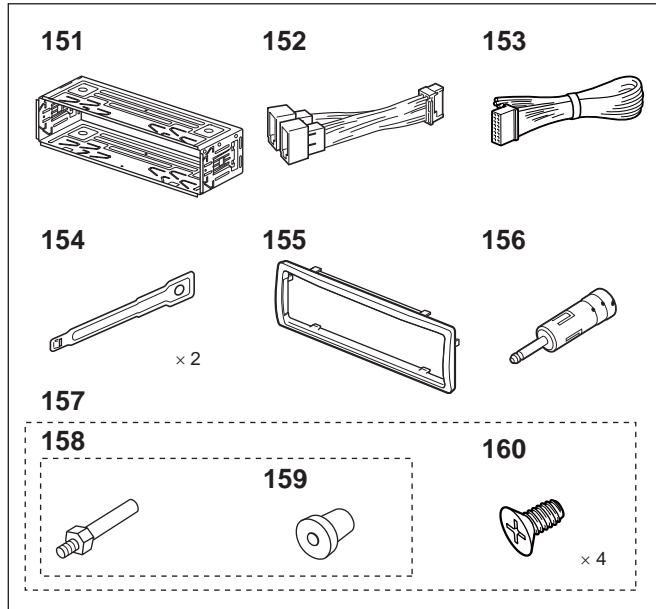
| Ref. No. | Part No. | Description | Remark | Ref. No. | Part No. | Description | Remark |
|----------|--------------|-------------|---------|--|--------------|-----------------------|-------------------------------|
| R508 | 1-216-847-11 | METAL CHIP | 150K 5% | 1/10W | R585 | 1-216-849-11 | METAL CHIP 220K 5% 1/10W |
| R509 | 1-216-864-11 | SHORT CHIP | 0 | | R586 | 1-216-821-11 | METAL CHIP 1K 5% 1/10W |
| R510 | 1-216-821-11 | METAL CHIP | 1K 5% | 1/10W | R587 | 1-216-821-11 | METAL CHIP 1K 5% 1/10W |
| R511 | 1-216-821-11 | METAL CHIP | 1K 5% | 1/10W | R588 | 1-216-809-11 | METAL CHIP 100 5% 1/10W |
| R512 | 1-216-821-11 | METAL CHIP | 1K 5% | 1/10W | R589 | 1-216-821-11 | METAL CHIP 1K 5% 1/10W |
| R513 | 1-216-845-11 | METAL CHIP | 100K 5% | 1/10W | R590 | 1-216-809-11 | METAL CHIP 100 5% 1/10W |
| R514 | 1-216-845-11 | METAL CHIP | 100K 5% | 1/10W | R591 | 1-216-809-11 | METAL CHIP 100 5% 1/10W |
| R516 | 1-216-864-11 | SHORT CHIP | 0 | | R592 | 1-216-809-11 | METAL CHIP 100 5% 1/10W |
| R517 | 1-216-864-11 | SHORT CHIP | 0 | | R593 | 1-216-809-11 | METAL CHIP 100 5% 1/10W |
| R519 | 1-216-845-11 | METAL CHIP | 100K 5% | 1/10W | R594 | 1-216-809-11 | METAL CHIP 100 5% 1/10W |
| R520 | 1-216-845-11 | METAL CHIP | 100K 5% | 1/10W (GT257ME) | R595 | 1-216-809-11 | METAL CHIP 100 5% 1/10W |
| R521 | 1-216-825-11 | METAL CHIP | 2.2K 5% | 1/10W | R596 | 1-216-809-11 | METAL CHIP 100 5% 1/10W |
| R522 | 1-216-825-11 | METAL CHIP | 2.2K 5% | 1/10W | R597 | 1-216-809-11 | METAL CHIP 100 5% 1/10W |
| R523 | 1-216-845-11 | METAL CHIP | 100K 5% | 1/10W | R598 | 1-216-809-11 | METAL CHIP 100 5% 1/10W |
| R525 | 1-216-845-11 | METAL CHIP | 100K 5% | 1/10W (GT30MP/GT300MP/GT303MP) | R631 | 1-249-425-11 | CARBON 4.7K 5% 1/4W |
| R526 | 1-216-845-11 | METAL CHIP | 100K 5% | 1/10W (GT25MPW/GT250MP/GT257ME) | R636 | 1-216-845-11 | METAL CHIP 100K 5% 1/10W |
| R531 | 1-216-845-11 | METAL CHIP | 100K 5% | 1/10W | R661 | 1-216-821-11 | METAL CHIP 1K 5% 1/10W |
| R532 | 1-216-845-11 | METAL CHIP | 100K 5% | 1/10W | R662 | 1-216-833-11 | METAL CHIP 10K 5% 1/10W |
| R533 | 1-216-845-11 | METAL CHIP | 100K 5% | 1/10W | R663 | 1-216-821-11 | METAL CHIP 1K 5% 1/10W |
| R534 | 1-216-833-11 | METAL CHIP | 10K 5% | 1/10W | R664 | 1-216-833-11 | METAL CHIP 10K 5% 1/10W |
| R537 | 1-216-845-11 | METAL CHIP | 100K 5% | 1/10W (US,CND,EA) | R671 | 1-216-809-11 | METAL CHIP 100 5% 1/10W |
| R538 | 1-216-845-11 | METAL CHIP | 100K 5% | 1/10W (RU,E,AR,MX,IND) | R672 | 1-216-809-11 | METAL CHIP 100 5% 1/10W |
| R540 | 1-216-845-11 | METAL CHIP | 100K 5% | 1/10W | R673 | 1-218-871-11 | METAL CHIP 10K 0.5% 1/10W |
| R541 | 1-216-845-11 | METAL CHIP | 100K 5% | 1/10W | R674 | 1-216-845-11 | METAL CHIP 100K 5% 1/10W |
| R543 | 1-216-821-11 | METAL CHIP | 1K 5% | 1/10W | R691 | 1-216-845-11 | METAL CHIP 100K 5% 1/10W |
| R544 | 1-216-809-11 | METAL CHIP | 100 5% | 1/10W | R701 | 1-216-864-11 | SHORT CHIP 0 |
| R545 | 1-216-809-11 | METAL CHIP | 100 5% | 1/10W | R703 | 1-216-864-11 | SHORT CHIP 0 |
| R546 | 1-216-809-11 | METAL CHIP | 100 5% | 1/10W | R708 | 1-216-864-11 | SHORT CHIP 0 |
| R548 | 1-216-845-11 | METAL CHIP | 100K 5% | 1/10W (GT30MP/GT257ME/GT300MP/GT303MP) | R756 | 1-216-864-11 | SHORT CHIP 0 |
| R549 | 1-216-845-11 | METAL CHIP | 100K 5% | 1/10W (GT25MPW/GT250MP:US,CND/GT257ME) | R801 | 1-469-777-21 | INDUCTOR, FERRITE BEAD |
| R550 | 1-216-845-11 | METAL CHIP | 100K 5% | 1/10W (GT25MPW/GT250MP) | R802 | 1-469-777-21 | INDUCTOR, FERRITE BEAD |
| R551 | 1-216-845-11 | METAL CHIP | 100K 5% | 1/10W (GT30MP/GT250MP:RU/GT300MP/GT303MP) | R815 | 1-216-821-11 | METAL CHIP 1K 5% 1/10W |
| R554 | 1-216-845-11 | METAL CHIP | 100K 5% | 1/10W | R816 | 1-216-821-11 | METAL CHIP 1K 5% 1/10W |
| R556 | 1-216-845-11 | METAL CHIP | 100K 5% | 1/10W (EXCEPT RU) | R817 | 1-216-841-11 | METAL CHIP 47K 5% 1/10W |
| R558 | 1-216-845-11 | METAL CHIP | 100K 5% | 1/10W | R818 | 1-216-829-11 | METAL CHIP 4.7K 5% 1/10W |
| R559 | 1-216-833-11 | METAL CHIP | 10K 5% | 1/10W | R819 | 1-216-841-11 | METAL CHIP 47K 5% 1/10W |
| R560 | 1-216-833-11 | METAL CHIP | 10K 5% | 1/10W | R820 | 1-216-833-11 | METAL CHIP 10K 5% 1/10W (RU) |
| R561 | 1-216-845-11 | METAL CHIP | 100K 5% | 1/10W | R821 | 1-216-833-11 | METAL CHIP 10K 5% 1/10W (RU) |
| R562 | 1-216-839-11 | METAL CHIP | 33K 5% | 1/10W | R822 | 1-216-841-11 | METAL CHIP 47K 5% 1/10W (RU) |
| R564 | 1-216-845-11 | METAL CHIP | 100K 5% | 1/10W (RU) | R824 | 1-216-049-11 | METAL CHIP 1K 5% 1/10W (RU) |
| R565 | 1-216-845-11 | METAL CHIP | 100K 5% | 1/10W | R826 | 1-469-777-21 | INDUCTOR, FERRITE BEAD |
| R566 | 1-216-839-11 | METAL CHIP | 33K 5% | 1/10W | | | < SURGE ABSORBER > |
| R567 | 1-216-845-11 | METAL CHIP | 100K 5% | 1/10W | VR1 | 1-805-043-11 | ABSORBER, CHIP SURGE |
| R568 | 1-216-097-11 | METAL CHIP | 100K 5% | 1/10W | | | < VIBRATOR > |
| R570 | 1-216-817-11 | METAL CHIP | 470 5% | 1/10W | X1 | 1-814-302-11 | QUARTZ CRYSTAL UNIT (4MHz) |
| R571 | 1-216-845-11 | METAL CHIP | 100K 5% | 1/10W | X501 | 1-814-207-21 | VIBRATOR, CERAMIC (7.92MHz) |
| R577 | 1-216-845-11 | METAL CHIP | 100K 5% | 1/10W | X502 | 1-813-202-11 | VIBRATOR, CRYSTAL (32.768kHz) |
| R581 | 1-216-857-11 | METAL CHIP | 1M 5% | 1/10W | ***** | | |
| R582 | 1-216-821-11 | METAL CHIP | 1K 5% | 1/10W | A-1768-003-A | SERVO BOARD, COMPLETE | |
| R583 | 1-216-821-11 | METAL CHIP | 1K 5% | 1/10W | ***** | | |
| R584 | 1-216-849-11 | METAL CHIP | 220K 5% | 1/10W | ***** | | |

CDX-GT25MPW/GT30MP/GT250MP/GT257ME/GT300MP/GT303MP

Ver. 1.1

| Ref. No. | Part No. | Description | Remark |
|----------|--------------|--|--------|
| | | MISCELLANEOUS ***** | |
| 6 | 1-776-527-11 | CORD (WITH CONNECTOR) (ISO) (POWER) (AR) | |
| 6 | 1-831-838-11 | CORD (WITH CONNECTOR) (ISO) (POWER) (RU) | |
| 6 | 1-833-762-11 | CONNECTION CORD FOR AUTOMOBILE (POWER) (for Maruti Suzuki:Gasoline car) (GT30MP) | |
| 6 | 1-833-974-21 | CONNECTION CORD FOR AUTOMOBILE (POWER) (EXCEPT RU,AR/GT30MP) | |
| 6 | 1-834-307-11 | CONNECTION CORD FOR AUTOMOBILE (POWER) (for Maruti Suzuki:Diesel car) (GT30MP) | |
| △ 103 | X-2149-672-1 | SERVICE ASSY, OP (DAX-25A) | |
| FU601 | 1-532-877-11 | FUSE (BLADE TYPE) (AUTO FUSE) 10A | |
| ***** | | | |
| | | ACCESSORIES ***** | |
| | 1-479-077-14 | REMOTE COMMANDER (RM-X151) (EXCEPT RU) | |
| | 2-548-729-01 | LID, BATTERY CASE (for RM-X151) (EXCEPT RU) | |
| | 4-191-888-12 | MANUAL, INSTRUCTION (ENGLISH,SPANISH) (GT25MPW) | |
| | 4-191-888-21 | MANUAL, INSTRUCTION (ENGLISH,FRENCH) (GT250MP:US,CND) | |
| | 4-191-888-41 | MANUAL, INSTRUCTION (RUSSIAN,UKRAINIAN) (RU) | |
| | 4-191-888-51 | MANUAL, INSTRUCTION (ENGLISH,SPANISH) (E,AR,MX,IND) | |
| | 4-191-888-61 | MANUAL, INSTRUCTION (ENGLISH,PERSIAN, ARABIC) (EA) | |
| | 4-192-043-12 | MANUAL, INSTRUCTION, INSTALL (ENGLISH, SPANISH) (GT25MPW) | |
| | 4-192-043-22 | MANUAL, INSTRUCTION, INSTALL (ENGLISH, FRENCH) (GT250MP:US,CND) | |
| | 4-192-043-41 | MANUAL, INSTRUCTION, INSTALL (RUSSIAN, UKRAINIAN) (RU) | |
| | 4-192-043-51 | MANUAL, INSTRUCTION, INSTALL (ENGLISH, SPANISH) (E,MX,IND) | |
| | 4-192-043-61 | MANUAL, INSTRUCTION, INSTALL (ENGLISH, SPANISH) (AR) | |
| | 4-192-043-71 | MANUAL, INSTRUCTION, INSTALL (ENGLISH, PERSIAN,ARABIC) (EA) | |
| | X-2187-544-3 | CASE ASSY (for FRONT PANEL) (GT30MP/GT300MP/GT303MP) | |
| ***** | | | |

| Ref. No. | Part No. | Description | Remark |
|----------|--------------|--|--------|
| | | PARTS FOR INSTALLATION AND CONNECTIONS ***** | |
| 151 | X-2548-065-1 | FRAME ASSY, FITTING | |
| 152 | 1-776-527-11 | CORD (WITH CONNECTOR) (ISO) (POWER) (AR) | |
| 152 | 1-831-838-11 | CORD (WITH CONNECTOR) (ISO) (POWER) (RU) | |
| 153 | 1-833-762-11 | CONNECTION CORD FOR AUTOMOBILE (POWER) (for Maruti Suzuki:Gasoline car) (GT30MP) | |
| 153 | 1-833-974-21 | CONNECTION CORD FOR AUTOMOBILE (POWER) (EXCEPT RU,AR/GT30MP) | |
| 153 | 1-834-307-11 | CONNECTION CORD FOR AUTOMOBILE (POWER) (for Maruti Suzuki:Diesel car) (GT30MP) | |
| 154 | 3-876-675-01 | KEY (FRAME) | |
| 155 | 3-255-785-02 | COLLAR (1 DIN) (GT30MP) | |
| 155 | 4-183-280-01 | COLLAR | |
| 156 | 1-465-459-41 | ADAPTOR, ANTENNA (RU,AR) | |
| 157 | X-3381-154-1 | SCREW ASSY (BS4), FITTING (GT30MP/GT300MP/GT303MP) | |
| 158 | X-3382-926-1 | SCREW ASSY (BS), FITTING (RU) | |
| 159 | 3-349-410-11 | BUSHING (EXCEPT US,CND) | |
| 160 | 3-934-325-01 | SCREW, +K (5X8) TAPPING (EXCEPT RU) | |



CDX-GT25MPW/GT30MP/GT250MP/ GT257ME/GT300MP/GT303MP

SONY

SERVICE MANUAL

Ver. 1.2 2012.07

US Model
CDX-GT25MPW/GT250MP
Canadian Model
CDX-GT250MP
E Model
CDX-GT300MP
Russian Model
CDX-GT250MP/GT257ME
Indian Model
CDX-GT30MP/GT303MP

SUPPLEMENT-1

File this supplement with the service manual.

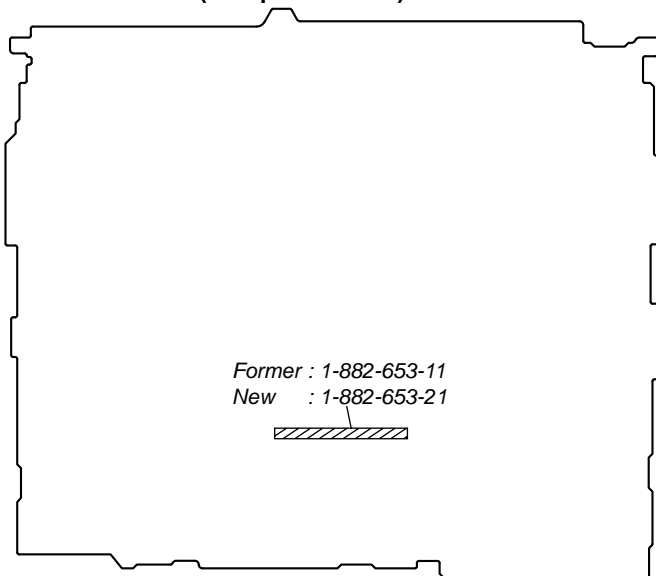
Subject: Change of MAIN board (Suffix-21)

In this unit, MAIN board has been changed in the midway of production. Discrimination, printed wiring board, schematic diagram and electrical parts list of new type are described in this supplement-1. Refer to original service manual for other information.

1. NEW/FORMER DISCRIMINATION

Distinguish by the part number of the silk print.

– MAIN Board (Component Side) –







2. DIAGRAMS

THIS NOTE IS COMMON FOR PRINTED WIRING BOARDS AND SCHEMATIC DIAGRAMS.
(In addition to this, the necessary note is printed in each block.)








For Printed Wiring Boards.

Note:

-  : Parts extracted from the component side.
-  : Parts extracted from the conductor side.
-  : Internal component.
-  : Pattern from the side which enables seeing.
(The other layers' patterns are not indicated.)
- Abbreviation
 - AR : Argentina model
 - CND : Canadian model
 - EA : Saudi Arabia model
 - IND : Indian model
 - MX : Mexican model
 - RU : Russian model

For Schematic Diagrams.

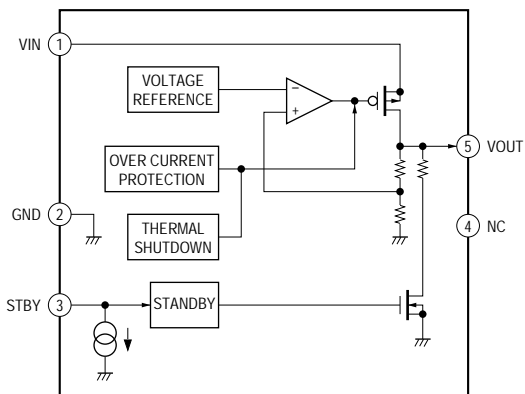
Note:

- All capacitors are in μF unless otherwise noted. (p: pF) 50 WV or less are not indicated except for electrolytics and tantalums.
- All resistors are in Ω and 1/4 W or less unless otherwise specified.
-  : Internal component.
-  : Panel designation.
-  : B+ Line.
- Voltages are dc with respect to ground under no-signal (detuned) conditions.
no mark : FM
() : AM/MW/LW/SW
< > : CD PLAY
- Voltages are taken with VOM (Input impedance 10 M Ω).
Voltage variations may be noted due to normal production tolerances.
- Signal path.
 -  : CD
 -  : FM
 -  : AM/MW/LW/SW
 -  : AUX
- Abbreviation
 - AR : Argentina model
 - CND : Canadian model
 - EA : Saudi Arabia model
 - IND : Indian model
 - MX : Mexican model
 - RU : Russian model

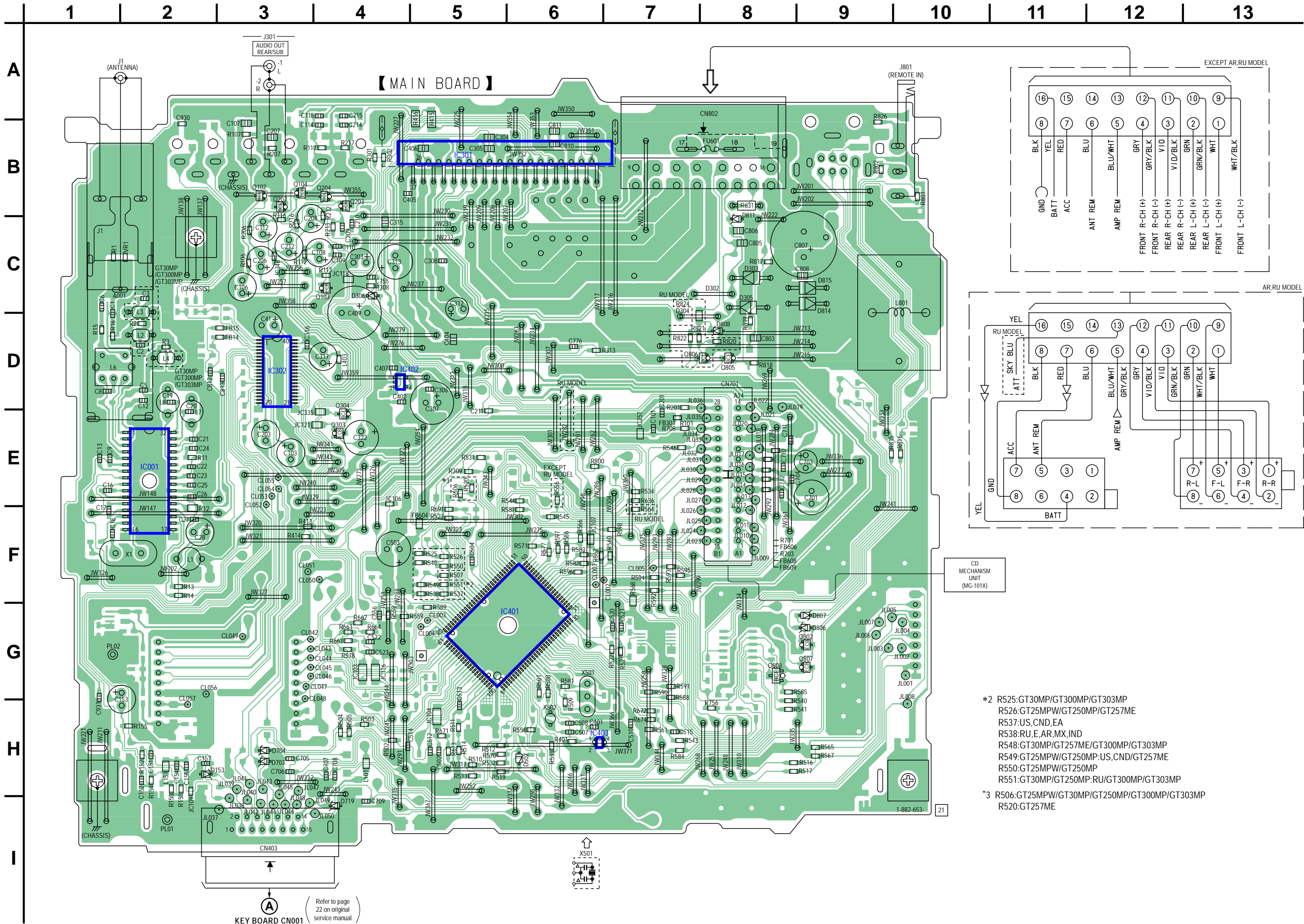
• IC Block Diagram

– MAIN Board –

IC402 BU33TD3WG-TR

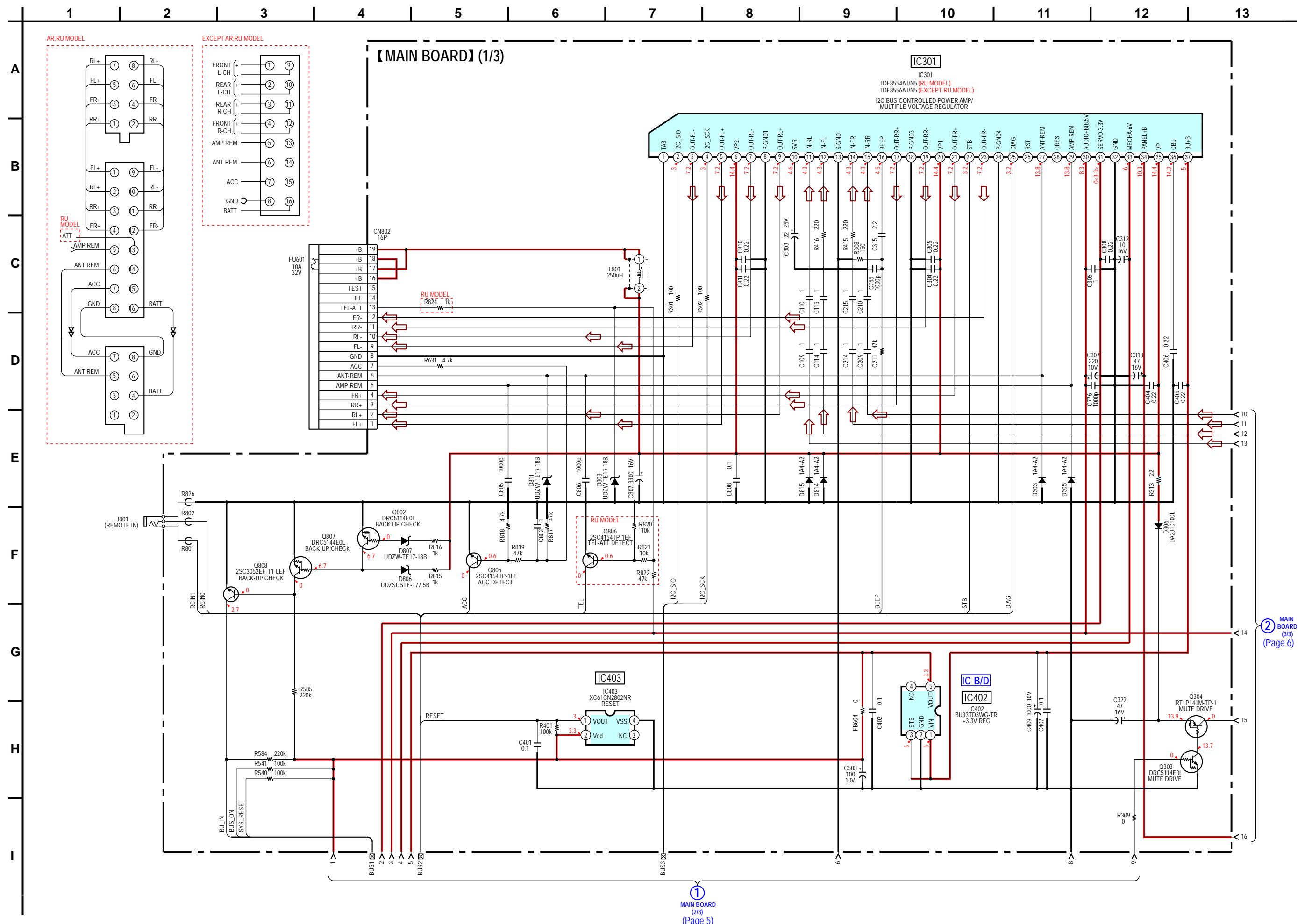


2-1. PRINTED WIRING BOARD - MAIN Section - : Uses unleaded solder.



- *2 R525:GT30MP/GT300MP/GT303MP
- R526:GT25MPW/GT250MP/GT257ME
- R537:US,CND,EA
- R538:RU,E,AR,MX,IND
- R548:GT30MP/GT257ME/GT300MP/GT303MP
- R549:GT25MPW/GT250MP:US,CND/GT257ME
- R550:GT25MPW/GT250MP
- R551:GT30MP/GT250MP:RU/GT300MP/GT303MP
- *3 R506:GT25MPW/GT30MP/GT250MP/GT300MP/GT303MP
- R520:GT257ME

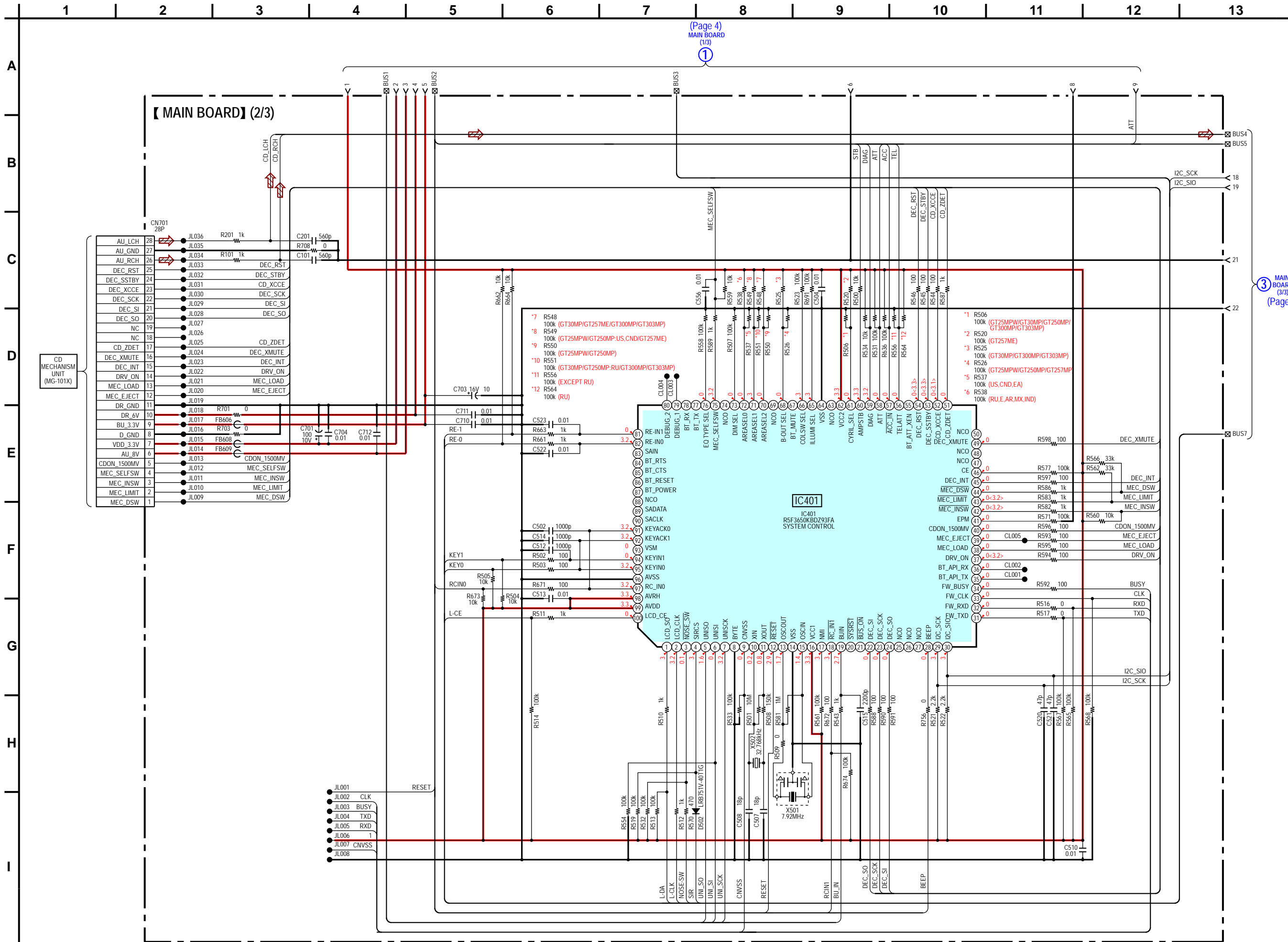
2-2. SCHEMATIC DIAGRAM - MAIN Section (1/3) - • See page 2 for IC Block Diagram.



② MAIN BOARD (3/3) (Page 6)

① MAIN BOARD (2/3) (Page 5)

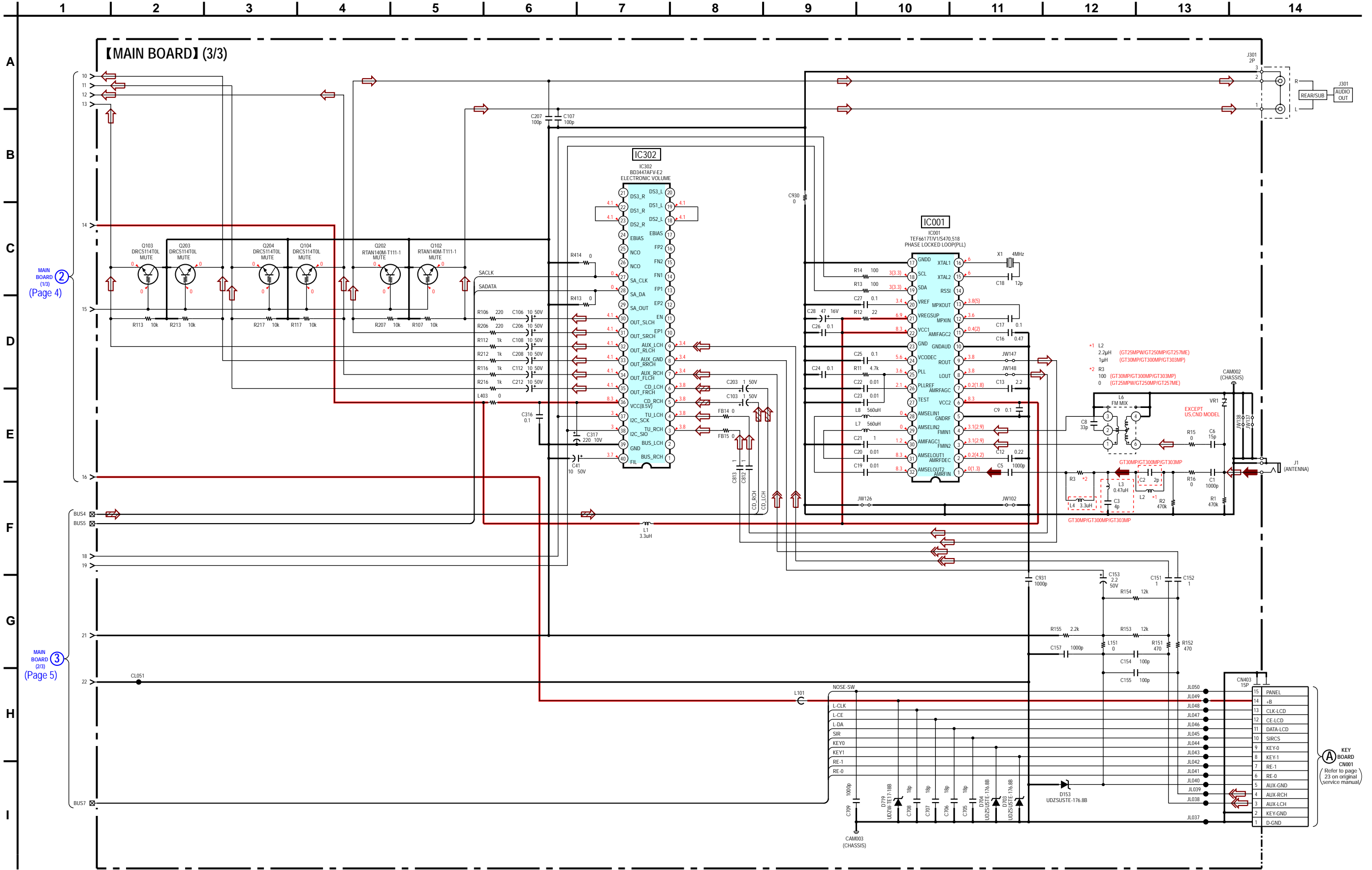
2-3. SCHEMATIC DIAGRAM - MAIN Section (2/3) -



(Page 4)
MAIN BOARD
(1/3)

3
MAIN BOARD
(3/3)
(Page 6)

2-4. SCHEMATIC DIAGRAM - MAIN Section (3/3) -



MAIN BOARD (1/3) (Page 4)

MAIN BOARD (2/3) (Page 5)

KEY BOARD CN001 (Refer to page 23 on original service manual)

3. ELECTRICAL PARTS LIST

Note:

- Due to standardization, replacements in the parts list may be different from the parts specified in the diagrams or the components used on the set.
- -XX and -X mean standardized parts, so they may have some difference from the original one.
- Items marked "*" are not stocked since they are seldom required for routine service. Some delay should be anticipated when ordering these items.
- RESISTORS
All resistors are in ohms.
METAL: Metal-film resistor.
METAL OXIDE: Metal oxide-film resistor.
F: nonflammable

- CAPACITORS
uF: μF
uH: μH
- COILS
uH: μH
- SEMICONDUCTORS
In each case, u: μ, for example:
uA. . . : μA. . . , uPA. . . , μPA. . . ,
uPB. . . : μPB. . . , uPC. . . , μPC. . . ,
uPD. . . : μPD. . .
- Abbreviation
AR : Argentina model
CND : Canadian model
EA : Saudi Arabia model
IND : Indian model
MX : Mexican model
RU : Russian model

When indicating parts by reference number, please include the board name.

| Ref. No. | Part No. | Description | Remark | Ref. No. | Part No. | Description | Remark |
|----------|--------------|---------------------------------------|--------|----------|--------------|-------------------------------|--------|
| | A-1779-491-A | MAIN BOARD, COMPLETE (US, CND) | | C152 | 1-165-908-11 | CERAMIC CHIP 1uF 10% 10V | |
| | A-1779-493-A | MAIN BOARD, COMPLETE (GT250MP: RU) | | C153 | 1-126-961-11 | ELECT 2.2uF 20% 50V | |
| | A-1779-494-A | MAIN BOARD, COMPLETE (GT257ME) | | C154 | 1-162-927-11 | CERAMIC CHIP 100PF 5% 50V | |
| | A-1779-495-A | MAIN BOARD, COMPLETE (E, AR, MX, IND) | | C155 | 1-162-927-11 | CERAMIC CHIP 100PF 5% 50V | |
| | A-1779-496-A | MAIN BOARD, COMPLETE (EA) | | C157 | 1-162-964-11 | CERAMIC CHIP 0.001uF 10% 50V | |
| | | ***** | | C201 | 1-164-739-11 | CERAMIC CHIP 560PF 5% 50V | |
| | 7-685-134-19 | SCREW +P 2.6X8 TYPE2 NON-SLIT | | | | | |
| | 7-685-794-01 | SCREW +PTT 2.6X10 (S) | | C203 | 1-126-960-11 | ELECT 1uF 20% 50V | |
| | | < CAPACITOR/JUMPER RESISTOR > | | C206 | 1-126-964-11 | ELECT 10uF 20% 50V | |
| C1 | 1-162-964-11 | CERAMIC CHIP 0.001uF 10% 50V | | C207 | 1-163-251-11 | CERAMIC CHIP 100PF 5% 50V | |
| C2 | 1-162-907-11 | CERAMIC CHIP 2PF 0.25PF 50V | | C208 | 1-126-964-11 | ELECT 10uF 20% 50V | |
| | | (GT30MP/GT300MP/GT303MP) | | C209 | 1-165-908-11 | CERAMIC CHIP 1uF 10% 10V | |
| C3 | 1-162-909-11 | CERAMIC CHIP 4PF 0.25PF 50V | | C210 | 1-165-908-11 | CERAMIC CHIP 1uF 10% 10V | |
| | | (GT30MP/GT300MP/GT303MP) | | C211 | 1-216-841-11 | METAL CHIP 47K 5% 1/10W | |
| C5 | 1-162-964-11 | CERAMIC CHIP 0.001uF 10% 50V | | C212 | 1-126-964-11 | ELECT 10uF 20% 50V | |
| C6 | 1-162-917-11 | CERAMIC CHIP 15PF 5% 50V | | C214 | 1-165-908-11 | CERAMIC CHIP 1uF 10% 10V | |
| | | | | C215 | 1-165-908-11 | CERAMIC CHIP 1uF 10% 10V | |
| C8 | 1-162-921-11 | CERAMIC CHIP 33PF 5% 50V | | C303 | 1-128-551-11 | ELECT 22uF 20% 63V | |
| C9 | 1-107-826-11 | CERAMIC CHIP 0.1uF 10% 16V | | C304 | 1-115-340-11 | CERAMIC CHIP 0.22uF 10% 25V | |
| C12 | 1-127-715-11 | CERAMIC CHIP 0.22uF 10% 16V | | C305 | 1-115-340-11 | CERAMIC CHIP 0.22uF 10% 25V | |
| C13 | 1-100-742-91 | CERAMIC CHIP 2.2uF 20% 10V | | C306 | 1-165-908-11 | CERAMIC CHIP 1uF 10% 10V | |
| C16 | 1-125-891-11 | CERAMIC CHIP 0.47uF 10% 10V | | C307 | 1-126-176-11 | ELECT 220uF 20% 10V | |
| C17 | 1-107-826-11 | CERAMIC CHIP 0.1uF 10% 16V | | C308 | 1-127-715-11 | CERAMIC CHIP 0.22uF 10% 16V | |
| C18 | 1-162-916-11 | CERAMIC CHIP 12PF 5% 50V | | C312 | 1-124-233-11 | ELECT 10uF 20% 16V | |
| C19 | 1-162-970-11 | CERAMIC CHIP 0.01uF 10% 25V | | C313 | 1-126-947-11 | ELECT 47uF 20% 35V | |
| C20 | 1-162-970-11 | CERAMIC CHIP 0.01uF 10% 25V | | C315 | 1-125-889-11 | CERAMIC CHIP 2.2uF 10% 10V | |
| C21 | 1-165-908-11 | CERAMIC CHIP 1uF 10% 10V | | C316 | 1-107-826-11 | CERAMIC CHIP 0.1uF 10% 16V | |
| C22 | 1-162-970-11 | CERAMIC CHIP 0.01uF 10% 25V | | C317 | 1-126-934-11 | ELECT 220uF 20% 16V | |
| C23 | 1-162-970-11 | CERAMIC CHIP 0.01uF 10% 25V | | C322 | 1-124-589-11 | ELECT 47uF 20% 16V | |
| C24 | 1-107-826-11 | CERAMIC CHIP 0.1uF 10% 16V | | C401 | 1-107-826-11 | CERAMIC CHIP 0.1uF 10% 16V | |
| C25 | 1-107-826-11 | CERAMIC CHIP 0.1uF 10% 16V | | C402 | 1-107-826-11 | CERAMIC CHIP 0.1uF 10% 16V | |
| C26 | 1-107-826-11 | CERAMIC CHIP 0.1uF 10% 16V | | C404 | 1-115-340-11 | CERAMIC CHIP 0.22uF 10% 25V | |
| C27 | 1-107-826-11 | CERAMIC CHIP 0.1uF 10% 16V | | C405 | 1-127-715-11 | CERAMIC CHIP 0.22uF 10% 16V | |
| C28 | 1-126-947-11 | ELECT 47uF 20% 35V | | C406 | 1-115-340-11 | CERAMIC CHIP 0.22uF 10% 25V | |
| C41 | 1-126-964-11 | ELECT 10uF 20% 50V | | C407 | 1-107-826-11 | CERAMIC CHIP 0.1uF 10% 16V | |
| C101 | 1-164-739-11 | CERAMIC CHIP 560PF 5% 50V | | C409 | 1-126-926-11 | ELECT 1000uF 20% 10V | |
| C103 | 1-126-960-11 | ELECT 1uF 20% 50V | | C502 | 1-162-964-11 | CERAMIC CHIP 0.001uF 10% 50V | |
| C106 | 1-126-964-11 | ELECT 10uF 20% 50V | | C503 | 1-124-584-00 | ELECT 100uF 20% 10V | |
| C107 | 1-163-251-11 | CERAMIC CHIP 100PF 5% 50V | | C504 | 1-162-970-11 | CERAMIC CHIP 0.01uF 10% 25V | |
| C108 | 1-126-964-11 | ELECT 10uF 20% 50V | | C507 | 1-162-918-11 | CERAMIC CHIP 18PF 5% 50V | |
| C109 | 1-165-908-11 | CERAMIC CHIP 1uF 10% 10V | | C508 | 1-162-918-11 | CERAMIC CHIP 18PF 5% 50V | |
| C110 | 1-165-908-11 | CERAMIC CHIP 1uF 10% 10V | | C510 | 1-162-970-11 | CERAMIC CHIP 0.01uF 10% 25V | |
| C112 | 1-126-964-11 | ELECT 10uF 20% 50V | | C512 | 1-162-964-11 | CERAMIC CHIP 0.001uF 10% 50V | |
| C114 | 1-165-908-11 | CERAMIC CHIP 1uF 10% 10V | | C513 | 1-162-970-11 | CERAMIC CHIP 0.01uF 10% 25V | |
| C115 | 1-165-908-11 | CERAMIC CHIP 1uF 10% 10V | | C514 | 1-162-964-11 | CERAMIC CHIP 0.001uF 10% 50V | |
| C151 | 1-165-908-11 | CERAMIC CHIP 1uF 10% 10V | | C515 | 1-162-966-11 | CERAMIC CHIP 0.0022uF 10% 50V | |

CDX-GT25MPW/GT30MP/GT250MP/GT257ME/GT300MP/GT303MP

MAIN

| Ref. No. | Part No. | Description | Remark | Ref. No. | Part No. | Description | Remark |
|----------|--------------|----------------------------------|--------|----------|--------------|--|---------------------------|
| C520 | 1-162-923-11 | CERAMIC CHIP 47PF 5% | 50V | | | < IC > | |
| C521 | 1-162-923-11 | CERAMIC CHIP 47PF 5% | 50V | IC001 | 6-714-162-01 | IC TEF6617TV1/S470, 518 | |
| C522 | 1-162-970-11 | CERAMIC CHIP 0.01uF 10% | 25V | IC301 | 6-715-847-21 | IC TDF8554AJ/N5 (RU) | |
| C523 | 1-162-970-11 | CERAMIC CHIP 0.01uF 10% | 25V | IC301 | 6-715-848-21 | IC TDF8556AJ/N5 (EXCEPT RU) | |
| C556 | 1-162-970-11 | CERAMIC CHIP 0.01uF 10% | 25V | IC302 | 6-713-080-11 | IC BD3447AFV-E2 | |
| C701 | 1-124-584-00 | ELECT 100uF 20% | 10V | IC401 | 6-716-673-01 | IC R5F3650KBDZ93FA (for SERVICE) | |
| C703 | 1-124-233-11 | ELECT 10uF 20% | 16V | IC402 | 6-717-694-01 | IC BU33TD3WG-TR | |
| C704 | 1-162-970-11 | CERAMIC CHIP 0.01uF 10% | 25V | IC403 | 6-709-458-01 | IC XC61CN2802NR | |
| C705 | 1-162-918-11 | CERAMIC CHIP 18PF 5% | 50V | | | < JACK > | |
| C706 | 1-162-918-11 | CERAMIC CHIP 18PF 5% | 50V | | | | |
| C707 | 1-162-918-11 | CERAMIC CHIP 18PF 5% | 50V | | | | |
| C708 | 1-162-918-11 | CERAMIC CHIP 18PF 5% | 50V | J1 | 1-822-949-21 | JACK (ANT) (ANTENNA) (US, CND, RU, EA) | |
| C709 | 1-162-964-11 | CERAMIC CHIP 0.001uF 10% | 50V | J1 | 1-843-172-11 | JACK (ANT) (ANTENNA) (E, AR, MX, IND) | |
| C710 | 1-162-970-11 | CERAMIC CHIP 0.01uF 10% | 25V | J301 | 1-822-713-11 | JACK, PIN 2P (REAR/SUB AUDIO OUT) | |
| C711 | 1-162-970-11 | CERAMIC CHIP 0.01uF 10% | 25V | J801 | 1-566-822-81 | JACK (REMOTE IN) | |
| C712 | 1-162-970-11 | CERAMIC CHIP 0.01uF 10% | 25V | | | < JUMPER RESISTOR > | |
| C755 | 1-162-964-11 | CERAMIC CHIP 0.001uF 10% | 50V | JC103 | 1-216-296-11 | SHORT CHIP 0 | |
| C776 | 1-162-964-11 | CERAMIC CHIP 0.001uF 10% | 50V | JC104 | 1-216-296-11 | SHORT CHIP 0 | |
| C803 | 1-127-573-11 | CERAMIC CHIP 1uF 10% | 16V | JC106 | 1-216-864-11 | SHORT CHIP 0 | |
| C805 | 1-163-009-91 | CERAMIC CHIP 0.001uF 10% | 50V | JC107 | 1-216-295-91 | SHORT CHIP 0 | |
| C806 | 1-163-009-91 | CERAMIC CHIP 0.001uF 10% | 50V | JC109 | 1-216-864-11 | SHORT CHIP 0 | |
| C807 | 1-116-894-11 | ELECT 3300uF 20% | 16V | JC116 | 1-216-296-11 | SHORT CHIP 0 | |
| C808 | 1-165-319-11 | CERAMIC CHIP 0.1uF 50V | | JC118 | 1-216-295-91 | SHORT CHIP 0 | |
| C810 | 1-115-340-11 | CERAMIC CHIP 0.22uF 10% | 25V | JC121 | 1-216-295-91 | SHORT CHIP 0 | |
| C811 | 1-115-340-11 | CERAMIC CHIP 0.22uF 10% | 25V | JC257 | 1-216-295-91 | SHORT CHIP 0 | |
| C812 | 1-165-908-11 | CERAMIC CHIP 1uF 10% | 10V | JC335 | 1-216-295-91 | SHORT CHIP 0 | |
| C813 | 1-165-908-11 | CERAMIC CHIP 1uF 10% | 10V | JC346 | 1-216-864-11 | SHORT CHIP 0 | |
| C930 | 1-216-864-11 | SHORT CHIP 0 | | | | < COIL/JUMPER RESISTOR > | |
| C931 | 1-162-964-11 | CERAMIC CHIP 0.001uF 10% | 50V | | | | |
| | | < CONNECTOR > | | L1 | 1-414-180-51 | INDUCTOR 3.3uH | |
| CN403 | 1-842-256-22 | SOCKET, CONNECTOR 15P | | L2 | 1-410-501-61 | INDUCTOR 2.2uH | (GT25MPW/GT250MP/GT257ME) |
| CN701 | 1-842-487-12 | CONNECTOR, BOARD TO BOARD 28P | | | | 1uH | (GT30MP/GT300MP/GT303MP) |
| CN802 | 1-843-352-11 | PIN, CONNECTOR 16P | | L2 | 1-414-142-11 | INDUCTOR 0.47uH | (GT30MP/GT300MP/GT303MP) |
| | | < DIODE > | | L3 | 1-412-698-61 | INDUCTOR 3.3uH | (GT30MP/GT300MP/GT303MP) |
| D153 | 8-719-069-57 | DIODE UDZSUSTE-176.8B | | L4 | 1-410-503-11 | INDUCTOR 3.3uH | (GT30MP/GT300MP/GT303MP) |
| D303 | 6-502-643-01 | DIODE 1A4-A2 | | | | | |
| D305 | 6-502-643-01 | DIODE 1A4-A2 | | L6 | 1-457-817-11 | COIL (FM MIX) | |
| D306 | 6-502-961-01 | DIODE DA2J10100L | | L7 | 1-481-285-51 | INDUCTOR 560uH | |
| D502 | 6-502-131-01 | DIODE LRB751V-40T1G | | L8 | 1-481-285-51 | INDUCTOR 560uH | |
| D703 | 8-719-069-57 | DIODE UDZSUSTE-176.8B | | L101 | 1-414-235-22 | INDUCTOR, FERRITE BEAD | |
| D704 | 8-719-069-57 | DIODE UDZSUSTE-176.8B | | L151 | 1-216-295-91 | SHORT CHIP 0 | |
| D719 | 6-501-180-01 | DIODE UDZW-TE17-18B | | L403 | 1-216-864-11 | SHORT CHIP 0 | |
| D806 | 8-719-056-84 | DIODE UDZ-TE-17-7.5B | | L801 | 1-456-617-11 | COIL, CHOKE | |
| D807 | 6-501-180-01 | DIODE UDZW-TE17-18B | | | | < TRANSISTOR > | |
| D808 | 6-501-180-01 | DIODE UDZW-TE17-18B (RU) | | Q102 | 6-551-677-01 | TRANSISTOR RTAN140M-T111-1 | |
| D811 | 6-501-180-01 | DIODE UDZW-TE17-18B | | Q103 | 6-552-431-01 | TRANSISTOR DRC5114T0L | |
| D814 | 6-502-643-01 | DIODE 1A4-A2 | | Q104 | 6-552-431-01 | TRANSISTOR DRC5114T0L | |
| D815 | 6-502-643-01 | DIODE 1A4-A2 | | Q202 | 6-551-677-01 | TRANSISTOR RTAN140M-T111-1 | |
| | | < JUMPER RESISTOR/FERRITE BEAD > | | Q203 | 6-552-431-01 | TRANSISTOR DRC5114T0L | |
| FB14 | 1-216-864-11 | SHORT CHIP 0 | | Q204 | 6-552-431-01 | TRANSISTOR DRC5114T0L | |
| FB15 | 1-216-864-11 | SHORT CHIP 0 | | Q303 | 6-552-430-01 | TRANSISTOR DRC5114E0L | |
| FB604 | 1-216-295-91 | SHORT CHIP 0 | | Q304 | 8-729-038-30 | TRANSISTOR RT1P141M-TP-1 | |
| FB606 | 1-500-329-21 | INDUCTOR, FERRITE BEAD | | Q802 | 6-552-430-01 | TRANSISTOR DRC5114E0L | |
| FB608 | 1-500-329-21 | INDUCTOR, FERRITE BEAD | | Q805 | 8-729-620-13 | TRANSISTOR 2SC4154TP-1EF | |
| FB609 | 1-500-329-21 | INDUCTOR, FERRITE BEAD | | Q806 | 8-729-620-13 | TRANSISTOR 2SC4154TP-1EF (RU) | |
| | | | | Q807 | 6-552-444-01 | TRANSISTOR DRC5144E0L | |
| | | | | Q808 | 8-729-620-07 | TRANSISTOR 2SC3052EF-T1-LEF | |

CDX-GT25MPW/GT30MP/GT250MP/GT257ME/GT300MP/GT303MP

MAIN

| Ref. No. | Part No. | Description | Remark | | | Ref. No. | Part No. | Description | Remark | | |
|----------|--------------|---------------------------|--------|------|---|----------|--------------|-------------|--------|----|---|
| | | < RESISTOR/FERRITE BEAD > | | | | | | | | | |
| R1 | 1-216-853-11 | METAL CHIP | 470K | 5% | 1/10W | R517 | 1-216-864-11 | SHORT CHIP | 0 | | |
| R2 | 1-216-853-11 | METAL CHIP | 470K | 5% | 1/10W | R519 | 1-216-845-11 | METAL CHIP | 100K | 5% | 1/10W |
| R3 | 1-216-809-11 | METAL CHIP | 100 | 5% | 1/10W (GT30MP/GT300MP/GT303MP) | R520 | 1-216-845-11 | METAL CHIP | 100K | 5% | 1/10W (GT257ME) |
| R3 | 1-216-864-11 | SHORT CHIP | 0 | | | R521 | 1-216-825-11 | METAL CHIP | 2.2K | 5% | 1/10W |
| | | | | | | R522 | 1-216-825-11 | METAL CHIP | 2.2K | 5% | 1/10W |
| R11 | 1-216-829-11 | METAL CHIP | 4.7K | 5% | 1/10W (GT25MPW/GT250MP/GT257ME) | R523 | 1-216-845-11 | METAL CHIP | 100K | 5% | 1/10W |
| R12 | 1-216-009-91 | METAL CHIP | 22 | 5% | 1/10W | R525 | 1-216-845-11 | METAL CHIP | 100K | 5% | 1/10W (GT30MP/GT300MP/GT303MP) |
| R13 | 1-216-809-11 | METAL CHIP | 100 | 5% | 1/10W | R526 | 1-216-845-11 | METAL CHIP | 100K | 5% | 1/10W (GT25MPW/GT250MP/GT257ME) |
| R14 | 1-216-809-11 | METAL CHIP | 100 | 5% | 1/10W | R531 | 1-216-845-11 | METAL CHIP | 100K | 5% | 1/10W |
| R15 | 1-216-864-11 | SHORT CHIP | 0 | | | R532 | 1-216-845-11 | METAL CHIP | 100K | 5% | 1/10W |
| R16 | 1-216-864-11 | SHORT CHIP | 0 | | | | | | | | |
| R101 | 1-216-821-11 | METAL CHIP | 1K | 5% | 1/10W | R533 | 1-216-845-11 | METAL CHIP | 100K | 5% | 1/10W |
| R106 | 1-216-813-11 | METAL CHIP | 220 | 5% | 1/10W | R534 | 1-216-833-11 | METAL CHIP | 10K | 5% | 1/10W |
| R107 | 1-216-833-11 | METAL CHIP | 10K | 5% | 1/10W | R537 | 1-216-845-11 | METAL CHIP | 100K | 5% | 1/10W (US, CND, EA) |
| R112 | 1-216-821-11 | METAL CHIP | 1K | 5% | 1/10W | R538 | 1-216-845-11 | METAL CHIP | 100K | 5% | 1/10W (RU, E, AR, MX, IND) |
| R113 | 1-216-833-11 | METAL CHIP | 10K | 5% | 1/10W | R540 | 1-216-845-11 | METAL CHIP | 100K | 5% | 1/10W |
| R116 | 1-216-821-11 | METAL CHIP | 1K | 5% | 1/10W | | | | | | |
| R117 | 1-216-833-11 | METAL CHIP | 10K | 5% | 1/10W | R541 | 1-216-845-11 | METAL CHIP | 100K | 5% | 1/10W |
| R151 | 1-216-817-11 | METAL CHIP | 470 | 5% | 1/10W | R543 | 1-216-821-11 | METAL CHIP | 1K | 5% | 1/10W |
| R152 | 1-216-817-11 | METAL CHIP | 470 | 5% | 1/10W | R544 | 1-216-809-11 | METAL CHIP | 100 | 5% | 1/10W |
| R153 | 1-216-834-11 | METAL CHIP | 12K | 5% | 1/10W | R545 | 1-216-809-11 | METAL CHIP | 100 | 5% | 1/10W |
| | | | | | | R546 | 1-216-809-11 | METAL CHIP | 100 | 5% | 1/10W |
| R154 | 1-216-834-11 | METAL CHIP | 12K | 5% | 1/10W | | | | | | |
| R155 | 1-216-825-11 | METAL CHIP | 2.2K | 5% | 1/10W | R548 | 1-216-845-11 | METAL CHIP | 100K | 5% | 1/10W (GT30MP/GT257ME/GT300MP/GT303MP) |
| R201 | 1-216-821-11 | METAL CHIP | 1K | 5% | 1/10W | R549 | 1-216-845-11 | METAL CHIP | 100K | 5% | 1/10W (GT25MPW/GT250MP: USCND/GT257ME) |
| R206 | 1-216-813-11 | METAL CHIP | 220 | 5% | 1/10W | | | | | | |
| R207 | 1-216-833-11 | METAL CHIP | 10K | 5% | 1/10W | R550 | 1-216-845-11 | METAL CHIP | 100K | 5% | 1/10W (GT25MPW/GT250MP) |
| R212 | 1-216-821-11 | METAL CHIP | 1K | 5% | 1/10W | | | | | | |
| R213 | 1-216-833-11 | METAL CHIP | 10K | 5% | 1/10W | R551 | 1-216-845-11 | METAL CHIP | 100K | 5% | 1/10W (GT30MP/GT250MP: RU/GT300MP/GT303MP) |
| R216 | 1-216-821-11 | METAL CHIP | 1K | 5% | 1/10W | R554 | 1-216-845-11 | METAL CHIP | 100K | 5% | 1/10W |
| R217 | 1-216-833-11 | METAL CHIP | 10K | 5% | 1/10W | | | | | | |
| R301 | 1-216-809-11 | METAL CHIP | 100 | 5% | 1/10W | R556 | 1-216-845-11 | METAL CHIP | 100K | 5% | 1/10W (EXCEPT RU) |
| R302 | 1-216-809-11 | METAL CHIP | 100 | 5% | 1/10W | R558 | 1-216-845-11 | METAL CHIP | 100K | 5% | 1/10W |
| R308 | 1-216-811-11 | METAL CHIP | 150 | 5% | 1/10W | R559 | 1-216-833-11 | METAL CHIP | 10K | 5% | 1/10W |
| R309 | 1-216-864-11 | SHORT CHIP | 0 | | | R560 | 1-216-833-11 | METAL CHIP | 10K | 5% | 1/10W |
| R313 | 1-216-801-11 | METAL CHIP | 22 | 5% | 1/10W | R561 | 1-216-845-11 | METAL CHIP | 100K | 5% | 1/10W |
| R401 | 1-216-845-11 | METAL CHIP | 100K | 5% | 1/10W | | | | | | |
| R413 | 1-216-864-11 | SHORT CHIP | 0 | | | R562 | 1-216-839-11 | METAL CHIP | 33K | 5% | 1/10W |
| R414 | 1-216-864-11 | SHORT CHIP | 0 | | | R564 | 1-216-845-11 | METAL CHIP | 100K | 5% | 1/10W (RU) |
| R415 | 1-216-182-00 | METAL CHIP | 220 | 5% | 1/8W | | | | | | |
| R416 | 1-216-182-00 | METAL CHIP | 220 | 5% | 1/8W | R565 | 1-216-845-11 | METAL CHIP | 100K | 5% | 1/10W |
| R500 | 1-216-833-11 | METAL CHIP | 10K | 5% | 1/10W | R566 | 1-216-839-11 | METAL CHIP | 33K | 5% | 1/10W |
| | | | | | | R567 | 1-216-845-11 | METAL CHIP | 100K | 5% | 1/10W |
| R501 | 1-219-570-11 | METAL CHIP | 10M | 5% | 1/10W | | | | | | |
| R502 | 1-216-809-11 | METAL CHIP | 100 | 5% | 1/10W | R568 | 1-216-097-11 | METAL CHIP | 100K | 5% | 1/10W |
| R503 | 1-216-809-11 | METAL CHIP | 100 | 5% | 1/10W | R570 | 1-216-817-11 | METAL CHIP | 470 | 5% | 1/10W |
| R504 | 1-218-871-11 | METAL CHIP | 10K | 0.5% | 1/10W | R571 | 1-216-845-11 | METAL CHIP | 100K | 5% | 1/10W |
| R505 | 1-218-871-11 | METAL CHIP | 10K | 0.5% | 1/10W | R577 | 1-216-845-11 | METAL CHIP | 100K | 5% | 1/10W |
| | | | | | | R581 | 1-216-857-11 | METAL CHIP | 1M | 5% | 1/10W |
| R506 | 1-216-845-11 | METAL CHIP | 100K | 5% | 1/10W (GT25MPW/GT30MP/GT250MP/ GT300MP/GT303MP) | R582 | 1-216-821-11 | METAL CHIP | 1K | 5% | 1/10W |
| R507 | 1-216-845-11 | METAL CHIP | 100K | 5% | 1/10W | R583 | 1-216-821-11 | METAL CHIP | 1K | 5% | 1/10W |
| R508 | 1-216-847-11 | METAL CHIP | 150K | 5% | 1/10W | R584 | 1-216-849-11 | METAL CHIP | 220K | 5% | 1/10W |
| R509 | 1-216-864-11 | SHORT CHIP | 0 | | | R585 | 1-216-849-11 | METAL CHIP | 220K | 5% | 1/10W |
| R510 | 1-216-821-11 | METAL CHIP | 1K | 5% | 1/10W | R586 | 1-216-821-11 | METAL CHIP | 1K | 5% | 1/10W |
| | | | | | | | | | | | |
| R511 | 1-216-821-11 | METAL CHIP | 1K | 5% | 1/10W | R587 | 1-216-821-11 | METAL CHIP | 1K | 5% | 1/10W |
| R512 | 1-216-821-11 | METAL CHIP | 1K | 5% | 1/10W | R588 | 1-216-809-11 | METAL CHIP | 100 | 5% | 1/10W |
| R513 | 1-216-845-11 | METAL CHIP | 100K | 5% | 1/10W | R589 | 1-216-821-11 | METAL CHIP | 1K | 5% | 1/10W |
| R514 | 1-216-845-11 | METAL CHIP | 100K | 5% | 1/10W | R590 | 1-216-809-11 | METAL CHIP | 100 | 5% | 1/10W |
| R516 | 1-216-864-11 | SHORT CHIP | 0 | | | R591 | 1-216-809-11 | METAL CHIP | 100 | 5% | 1/10W |
| | | | | | | | | | | | |
| | | | | | | R592 | 1-216-809-11 | METAL CHIP | 100 | 5% | 1/10W |

CDX-GT25MPW/GT30MP/GT250MP/GT257ME/GT300MP/GT303MP

MAIN

| Ref. No. | Part No. | Description | | | Remark |
|----------|--------------|--------------------------------|------|------|--------|
| R593 | 1-216-809-11 | METAL CHIP | 100 | 5% | 1/10W |
| R594 | 1-216-809-11 | METAL CHIP | 100 | 5% | 1/10W |
| R595 | 1-216-809-11 | METAL CHIP | 100 | 5% | 1/10W |
| R596 | 1-216-809-11 | METAL CHIP | 100 | 5% | 1/10W |
| R597 | 1-216-809-11 | METAL CHIP | 100 | 5% | 1/10W |
| R598 | 1-216-809-11 | METAL CHIP | 100 | 5% | 1/10W |
| R631 | 1-249-425-11 | CARBON | 4.7K | 5% | 1/4W |
| R636 | 1-216-845-11 | METAL CHIP | 100K | 5% | 1/10W |
| R661 | 1-216-821-11 | METAL CHIP | 1K | 5% | 1/10W |
| R662 | 1-216-833-11 | METAL CHIP | 10K | 5% | 1/10W |
| R663 | 1-216-821-11 | METAL CHIP | 1K | 5% | 1/10W |
| R664 | 1-216-833-11 | METAL CHIP | 10K | 5% | 1/10W |
| R671 | 1-216-809-11 | METAL CHIP | 100 | 5% | 1/10W |
| R672 | 1-216-809-11 | METAL CHIP | 100 | 5% | 1/10W |
| R673 | 1-218-871-11 | METAL CHIP | 10K | 0.5% | 1/10W |
| R674 | 1-216-845-11 | METAL CHIP | 100K | 5% | 1/10W |
| R691 | 1-216-845-11 | METAL CHIP | 100K | 5% | 1/10W |
| R701 | 1-216-864-11 | SHORT CHIP | 0 | | |
| R703 | 1-216-864-11 | SHORT CHIP | 0 | | |
| R708 | 1-216-864-11 | SHORT CHIP | 0 | | |
| R756 | 1-216-864-11 | SHORT CHIP | 0 | | |
| R801 | 1-469-777-21 | INDUCTOR, FERRITE BEAD | | | |
| R802 | 1-469-777-21 | INDUCTOR, FERRITE BEAD | | | |
| R815 | 1-216-821-11 | METAL CHIP | 1K | 5% | 1/10W |
| R816 | 1-216-821-11 | METAL CHIP | 1K | 5% | 1/10W |
| R817 | 1-216-841-11 | METAL CHIP | 47K | 5% | 1/10W |
| R818 | 1-216-829-11 | METAL CHIP | 4.7K | 5% | 1/10W |
| R819 | 1-216-841-11 | METAL CHIP | 47K | 5% | 1/10W |
| R820 | 1-216-833-11 | METAL CHIP | 10K | 5% | 1/10W |
| | | | | | (RU) |
| R821 | 1-216-833-11 | METAL CHIP | 10K | 5% | 1/10W |
| | | | | | (RU) |
| R822 | 1-216-841-11 | METAL CHIP | 47K | 5% | 1/10W |
| | | | | | (RU) |
| R824 | 1-216-049-11 | METAL CHIP | 1K | 5% | 1/10W |
| | | | | | (RU) |
| R826 | 1-469-777-21 | INDUCTOR, FERRITE BEAD | | | |
| | | < SURGE ABSORBER > | | | |
| VR1 | 1-805-043-11 | ABSORBER, CHIP SURGE | | | |
| | | < VIBRATOR > | | | |
| X1 | 1-814-302-11 | QUARTZ CRYSTAL UNIT (4 MHz) | | | |
| X501 | 1-814-207-21 | VIBRATOR, CERAMIC (7.92 MHz) | | | |
| X502 | 1-813-202-11 | VIBRATOR, CRYSTAL (32.768 kHz) | | | |

MEMO

