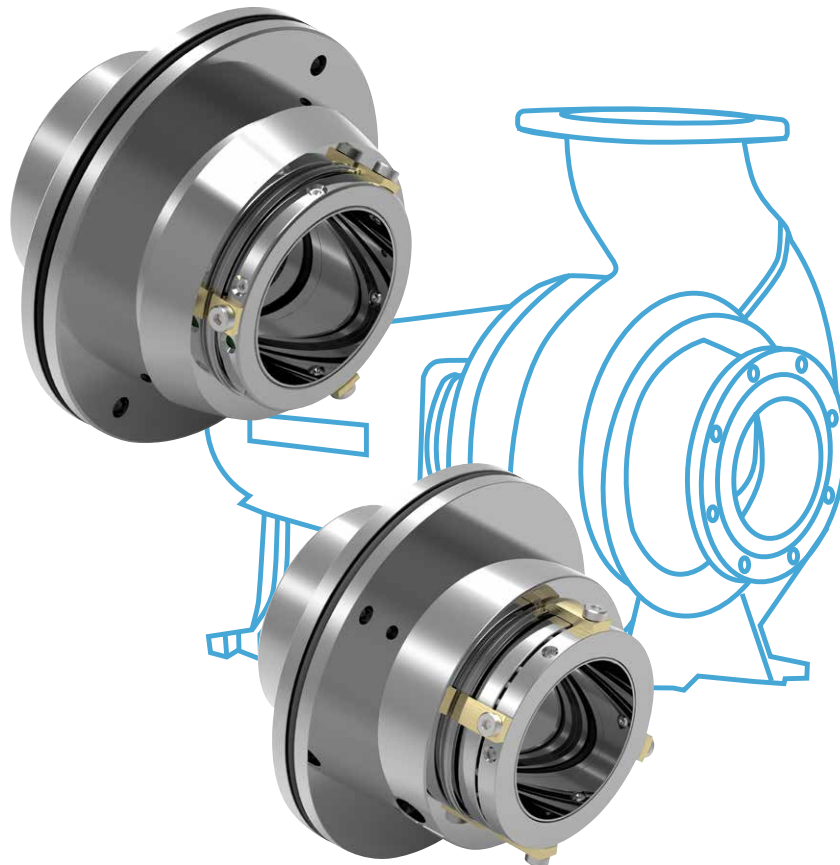


# Seal Conversions

Mechanical Seal Conversions for the Andritz ACP  
Range of Centrifugal Pumps



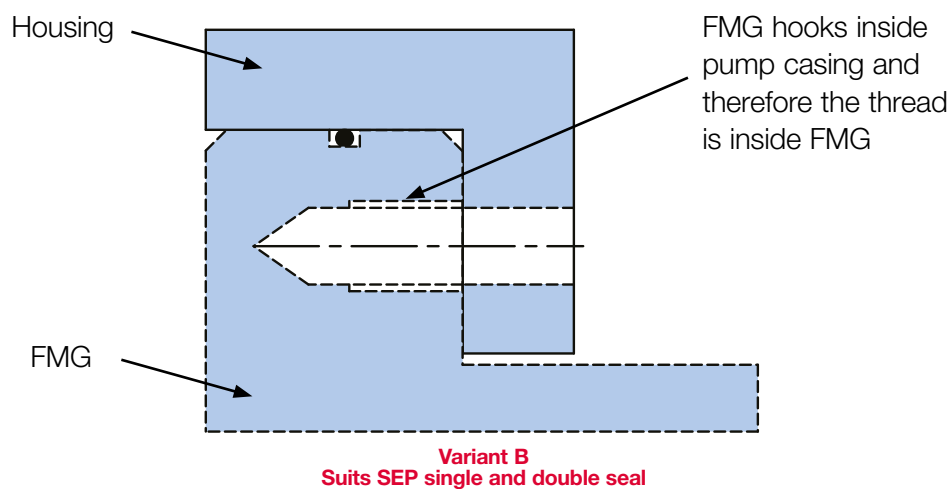
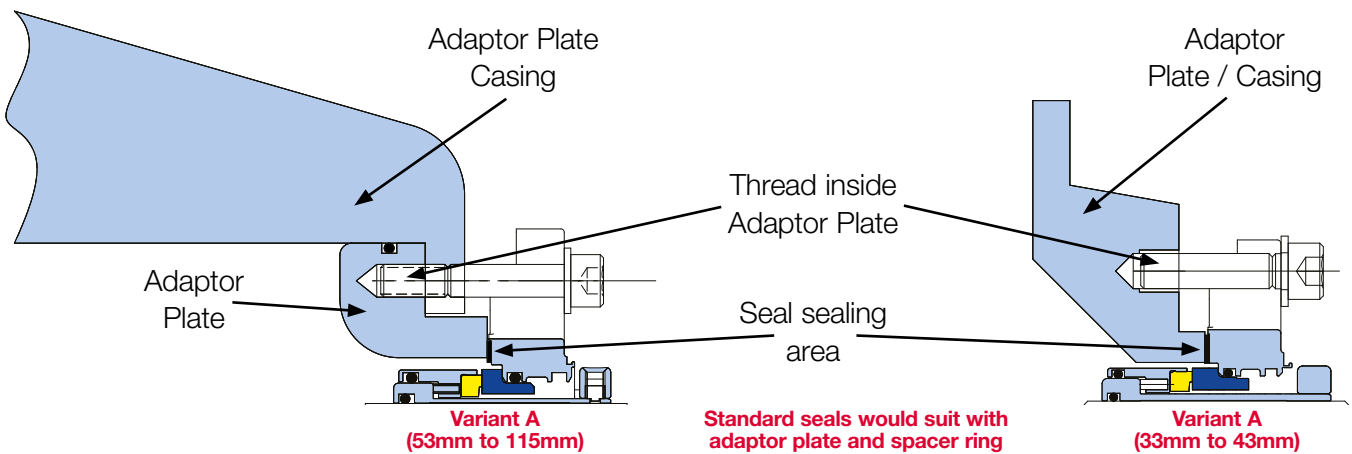
- Bespoke designs
- Modular construction
- Ease of installation
- Ease of selection
- Self-aligning seal faces
- Cartridge design
- Pre-set unit for reliable installation

# Seal conversions for the Andritz ACP range of centrifugal pumps

## Optimum seal performance

Designed for optimum seal environment.

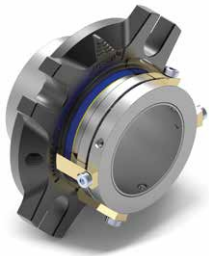
There are two main sealing options for the Andritz ACP: Variant A and Variant B (shown below). Selecting the most suitable option will depend on the pump layout. The seals detailed in this brochure will suit the layout as shown in Variant A. This is the standard engineered product sealing solution, where a hooked sleeve and FMG are used. The standard AESSEAL® seals will suit the Variant B where an adaptor plate and spacer ring are necessary, though these additional items are not supplied by AESSEAL®. Anything outside of material certification such as 3.1 or Zone-0 variants/features, or materials or size options that deviate from the standard offering, are to be considered special and will not benefit from the cost and lead time benefits associated with a standardized range. In such cases, please contact the Technical Department.



Variant A pages 3, 4 and 5

Variant B pages 6, 7 and 8

# Andritz ACP conversions:

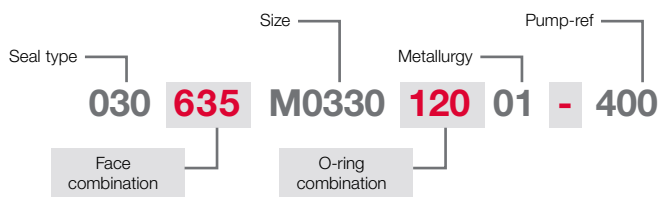


## Andritz ACP Dual (variant A)

- Modular range of cartridge double mechanical seals for general applications
- Supplied with Quench, Flush and Drain ports as standard
- Hydraulically balanced seal-face technology for reduced power consumption
- Non-shaft-fretting sleeve elastomer and positive set screw shaft drive
- Independant seal face design to enhance safe containment of process fluid in the event of damage to any individual sealing element
- Multiple spring seal face loading

Seal Type - ACPD (030)				
Face Combination	Seal Size	O-ring combination	Metallurgy	Pump Ref.
TC/TC/TC/TC (635)	33mm (M0330)	FKM (120)	316L SS (01)	BS42 (400)
TC/TC/TC/CB (631)	43mm (M0430)	TFE/P (001)		BS48 (401)
SiC/SiC/SiC/SiC (541)	53mm (M0530)	EPR (017)		BS60 (402)
SiC/SiC/SiC/CB (538)	60mm (M0600)	AES-ELAST (179)		BS75 (403)
SiC/CB/SiC/CB (514)	70mm (M0700)	FFKM-A (173)		BS100 (404)
TC/CB/TC/CB (576)	85mm (M0850)	FFKM-A/FKM (178)		
	115mm (M1150)	FFKM-A/EPR (229)		
		FFKM-A/TFE/P (215)		
		AES-ELAST/FKM (189)		
		AES-ELAST/EPR (200)		
		AES-ELAST/TFE/P (196)		
		TFE/P/FKM (003)		
		TFE/P/EPR (002)		

EG. 33mm ACPD TC/TC/TC/TC



ENVIRONMENTAL TECHNOLOGY

# Andritz ACP conversions:

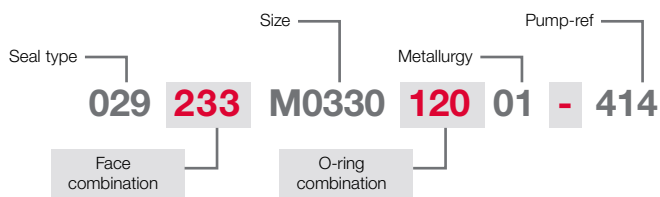


## Andritz ACP Single (variant A)

- Multi-spring design – Alloy 276 helical coil springs ensure accurate uniform seal face loading throughout seal life
- Reliable drive – Drive screws clamp directly on to shaft or sleeve to minimise drive loss
- Modular seal face design – Hydraulically-balanced seal face design ensures optimum fluid film during process fluctuations
- Captured rotary O-ring – Captured O-ring design prevents extrusion under vacuum conditions

Seal Type - ACPS (029)				
Face Combination	Seal Size	O-ring combination	Metallurgy	Pump Ref.
TC/TC (233)	33mm (M0330)	FKM (120)	316L SS (01)	BS24 (414)
C/TC (205)	43mm (M0430)	TFE/P (001)		BS32 (415)
SiC/SiC (226)	53mm (M0530)	EPR (017)		BS42 (400)
C/SiC (204)	60mm (M0600)	AES-ELAST (179)		BS48 (401)
	70mm (M0700)	FFKM-A (173)		BS60 (402)
	85mm (M0850)			BS75 (403)
	115mm (M1150)			BS100 (404)

EG. 33mm ACPS TC/TC



Standard CURCs and FIDC options are also available;  
BS24 and BS32 the FIDC requires sized up componentry  
see table on page 5



ENVIRONMENTAL TECHNOLOGY

# Andritz ACP



- BS and GR are different references for the same pump models in English and German, respectively.
- Shaft gasket in customer scope of supply.
- 316L SS designs are configured standard and are on inventory, subject to AESSEAL® Customer Service Promise.
- Check dimensions before placing order.

BS24	BS32	BS42	BS48	BS60	BS75	BS100
ACP32-125	ACP40-250	ACP80-315	ACP125-400	ACP100-500	ACP150-500	ACP200-625
ACP65-125	ACP50-250	ACP150-250	ACP150-400	ACP200-400	ACP200-500	ACP400-700
ACP25-160	ACP65-250	ACP80-400	ACP100-480	ACP150-480	ACP125-625	ACP300-700
ACP32-160	ACP50-315	ACP100-400	ACP100-315HD	ACP200-480	ACP250-625	ACP500-650
ACP32-200	ACP65-160	ACP125-315	ACP125-315HD	ACP250-480	ACP300-500	ACP600-625
ACP32-200CL	ACP65-200	ACP250-315		ACP300-400	ACP350-480	ACP600-730
ACP40-125	ACP65-200CL	ACP400-330		ACP450-410	ACP350-650	ACP700-640
ACP40-160	ACP65-330	ACP65-315		ACP600-505	ACP450-550	ACP800-730
ACP40-200	ACP80-160	ACP100-250		ACP150-315HD	ACP600-565	ACP900-800
ACP40-200CL	ACP80-200	ACP100-315			ACP500-455	
ACP50-125	ACP80-250	ACP125-250			ACP600-555	
ACP50-160	ACP100-200	ACP150-315				
ACP50-200	ACP100-265					
	ACP100-330					
	ACP125-265					

\*Standard CURCs and FIDC options are also available;  
BS24 and BS32 the FIDC requires sized up componentry\*

- Should you require the spacer ring please source this from Andritz, alternatively an AESSEAL equivalent can be ordered using the following SAP codes.

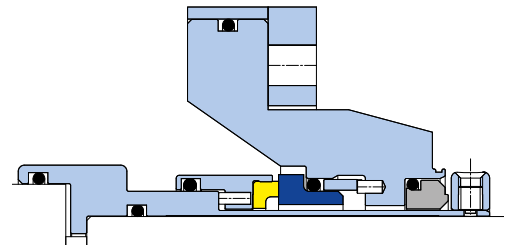
ACP pump size	316L SS SPACER RING Legacy code
BS24	SZT35812/066/01/--
BS32	SZT35810/066/01/--
BS42	SZT35809/066/01/--
BS48	SZT35808/066/01/--
BS60	SZT35806/066/01/--
BS75	SZT35804/066/01/--
BS100	SZT33584/066/01/--

# Andritz ACP conversions:



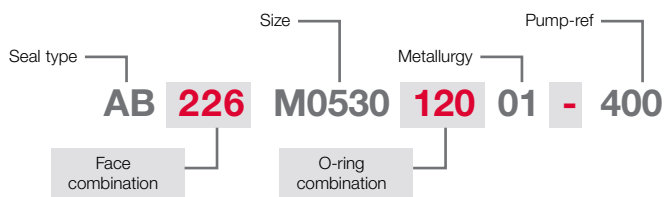
## CURC™ (variant B)

- Self-aligning seal faces
- Cartridge design
- Pre-set unit for reliable installation
- Carbon restriction bushing
- Flush, quench and drain ports
- No shaft fretting
- Balanced seal faces
- Non-clogging internal rotary
- Exotic Super Duplex version available to resist corrosion and erosion



Seal Type - CURC (AB-)				
Face Combination	Seal Size	O-ring combination	Metallurgy	Pump Ref.
TC/TC (233)	53mm (M0530)	FKM (120)	316L SS (01)	BS42 (400)
C/TC (205)	60mm (M0600)	TFE/P (001)	Super Duplex (57)	BS48 (401)
SiC/SiC (226)	70mm (M0700)	EPR (017)		BS60 (402)
C/SiC (204)	85mm (M0850)	AES-ELAST (179)		BS75 (403)
	115mm (M1150)	FFKM-A (173)		BS100 (404)
		FFKM-A/FKM (178)		
		FFKM-A/EPR (229)		
		FFKM-A/TFE/P (215)		
		AES-ELAST/FKM (189)		
		AES-ELAST/EPR (200)		
		AES-ELAST/TFE/P (196)		
		TFE/P/FKM (003)		
		TFE/P/EPR (002)		

EG. 53mm CURC SiC/SiC VTN



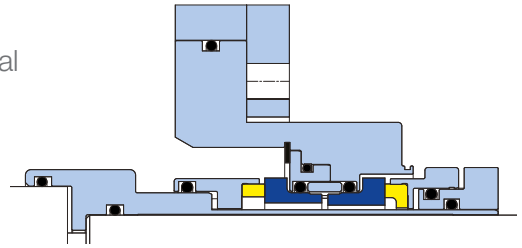
ENVIRONMENTAL TECHNOLOGY

# Andritz ACP conversions:



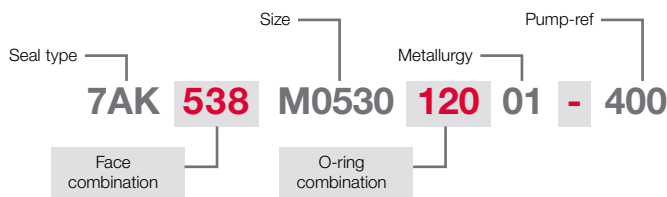
## FIDC™ (variant B)

- No requirement for external flushes
- Incorporates a patented bi-directional flow inducer
- Cartridge design
- Pre-set unit for reliable installation
- Self-aligning seal faces inboard and outboard
- No shaft fretting
- Non-clogging internal rotary
- Exotic Super Duplex version available to resist corrosion and erosion



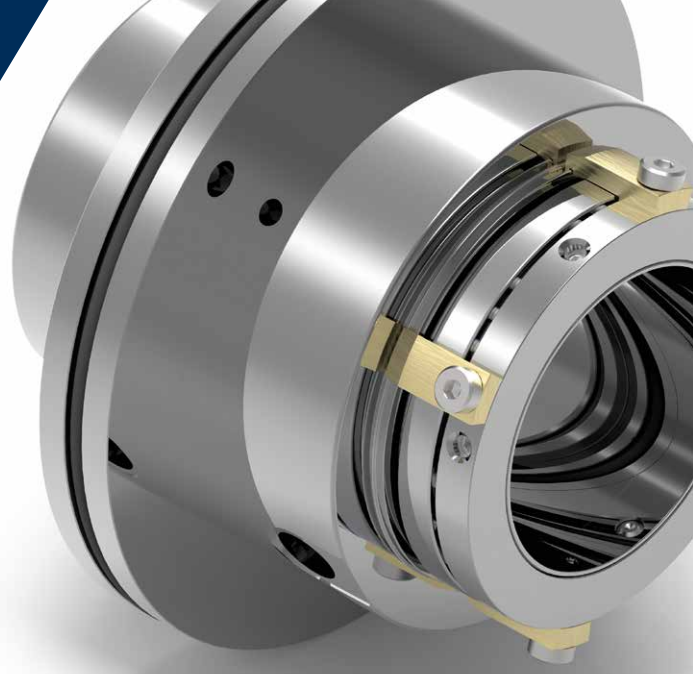
Seal Type - FIDC (7AK)				
Face Combination	Seal Size	O-ring Combination	Metallurgy	Pump Ref.
TC/TC/TC/TC (635)	53mm (M0530)	FKM (120)	316L SS (01)	BS42 (400)
TC/TC/TC/CB (631)	60mm (M0600)	TFE/P (001)	Super Duplex (57)	BS48 (401)
SiC/SiC/SiC/SiC (541)	70mm (M0700)	EPR (017)		BS60 (402)
SiC/SiC/SiC/CB (538)	85mm (M0850)	AES-ELAST (179)		BS75 (403)
SiC/CB/SiC/CB (514)	115mm (M1150)	FFKM-A (173)		BS100 (404)
TC/CB/TC/CB (576)		FFKM-A/FKM (178)		
		FFKM-A/EPR (229)		
		FFKM-A/TFE/P (215)		
		AES-ELAST/FKM (189)		
		AES-ELAST/EPR (200)		
		AES-ELAST/TFE/P (196)		
		TFE/P/FKM (003)		
		TFE/P/EPR (002)		

EG. 53mm FIDC SiC/SiC/SiC/CB VTN



ENVIRONMENTAL TECHNOLOGY

# Andritz ACP



- Specially-designed hooked sleeve and FMG design bolted in place through Andritz ACP BS/GR pump casing.
- BS and GR are different references for the same pump models in English and German, respectively.
- Shaft gasket in customer scope of supply.
- 316L SS designs are configured standard and are on inventory, subject to AESSEAL® Customer Service Promise.
- Check dimensions before placing order.

BS42	BS48	BS60	BS75	BS100
ACP80-315	ACP125-400	ACP100-500	ACP150-500	ACP200-625
ACP150-250	ACP150-400	ACP200-400	ACP200-500	ACP400-700
ACP80-400	ACP100-480	ACP150-480	ACP125-625	ACP300-700
ACP100-400	ACP100-315HD	ACP200-480	ACP250-625	ACP500-650
ACP125-315	ACP125-315HD	ACP250-480	ACP300-500	ACP600-625
ACP250-315		ACP300-400	ACP350-480	ACP600-730
ACP400-330		ACP450-410	ACP350-650	ACP700-640
ACP65-315		ACP600-505	ACP450-550	ACP800-730
ACP100-250		ACP150-315HD	ACP600-565	ACP900-800
ACP100-315			ACP500-455	
ACP125-250			ACP600-555	
ACP150-315				

This brochure is fully recyclable. When laminated, a sustainable, biodegradable and recyclable lamination is used.

For further information and safe operating limits contact our technical specialists at the locations below.



#### UK Sales & Technical advice:

AESSEAL plc  
 Mill Close  
 Bradmarsh Business Park  
 Rotherham,  
 S60 1BZ, UK  
 Tel: +44 (0) 1709 369966  
 E-mail: [enquiries@aesseal.info](mailto:enquiries@aesseal.info)  
[www.aesseal.com](http://www.aesseal.com)

#### AESSEAL plc is certified to:

ISO 9001, ISO 14001, ISO/IEC 20000, ISO/IEC 27001,  
 ISO/TS 29001, ISO 37001, ISO 45001 & ISO 50001



Net Zero champions globally



Use double mechanical seals with hazardous products.

Always take safety precautions:

- Guard your equipment
- Wear protective clothing



#### USA Sales & Technical advice:

AESSEAL Inc.  
 355 Dunavant Drive  
 Rockford,  
 TN. 37853,  
 USA  
 Tel: +1 865 531 0192  
 E-mail: [usa@aesseal.com](mailto:usa@aesseal.com)  
[www.aesseal.com](http://www.aesseal.com)

**Important:** Since the conditions and methods of use of this product are beyond our control, AESSEAL plc expressly disclaims any and all liability resulting or arising from any use of this product or reliance on any information contained in this document - AESSEAL plc standard conditions of sale apply. All sizes are subject to manufacturing tolerances. We reserve the right to modify specifications at any time. AESSEAL® is a Registered Trademark of AES Engineering Ltd, AESSEAL plc recognizes all trademarks and trademark names as the property of their owners.