

Boarding Gate

Swing gate for ticket inspection



For rapid and secure ticket inspection

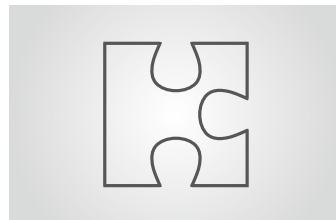
The inspection of boarding passes at the entrance to the security area ensures that only passengers who have a valid ticket can access the security area and the departure gates. A second inspection before entering the airplane offers operators an uncomplicated opportunity to check who is already on board, and provides an alarm if passengers want to board at the wrong gate. The Magnetic Boarding Gate guarantees a simple identification by placing the boarding pass on the reading device. We have developed our automated boarding system in order to accelerate

the path of passengers from the terminal to the airplane via the security area and the departure gate. The automatic checking of boarding passes also relieves security staff of routine tasks so that they have more time for passengers who really need assistance. The low impact forces and sensitive sensors of the barrier elements ensure maximum safety for users. The low-maintenance and energy-efficient drive unit keeps costs down in the long term. Scanners for boarding passes, smartphones and other control media can be individually integrated as required.



Readout of boarding cards

Numerous reading devices for printed boarding passes and digital codes on smartphones can be integrated. A display guides users through the boarding process step-by-step.



Simple integration

Boarding Gates from Magnetic can be equipped with all common reading devices and interfaces. Thus integration in existing data processing and security architectures is particularly simple.



Rapid inspections

The passenger lays the boarding pass, or the smartphone with the boarding code, on the integrated scanner. The gate permits passage if the data comparison is successful. Large numbers of passengers can therefore be checked within a short time.



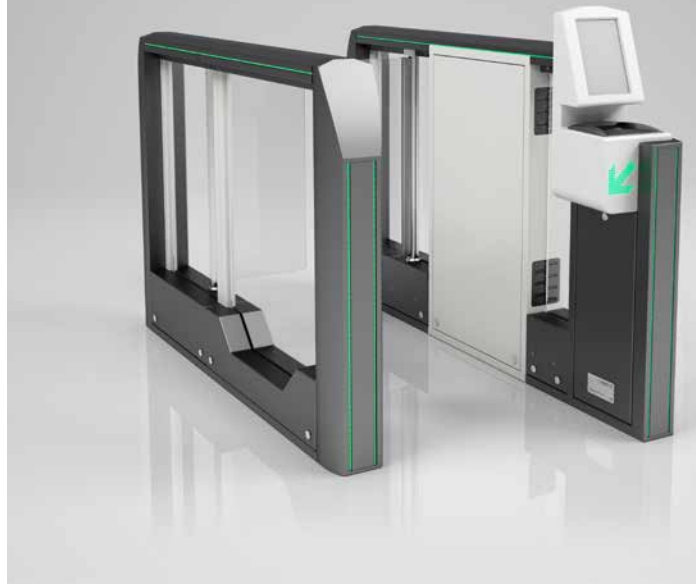
Innovative drive technology

The Boarding Gate's drive unit is low-maintenance and operates particularly energy-efficiently and quietly. The sensitive impact detection system ensures maximum safety.

Boarding Gate

Swing gate for ticket inspection

- > Acceleration of the boarding process with reduced personnel
- > Reliable detection of access authority via the boarding pass
- > Rapid user-friendly throughflow for passengers
- > Simple integration in the airport's data processing system
- > Permanent low costs through efficient low-maintenance technology

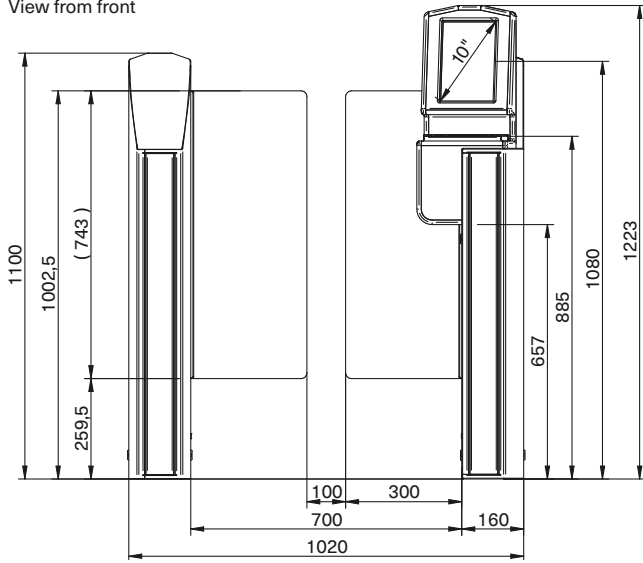


Technical data	Boarding Gate
Passage width	700 mm
Opening/closing time	> 0.6 s
Drive technology	MHTM™
Voltage	110 – 240 VAC, 50/60 Hz
Power consumption	Maximum 120 W
Duty cycle	100 %
Housing dimensions (L x W x H)	1750 x 150 x 1045 mm
Housing material	Stainless steel, stainless steel powder coated
Enclosure rating	IP 32
Temperature range	-25 to +45 °C

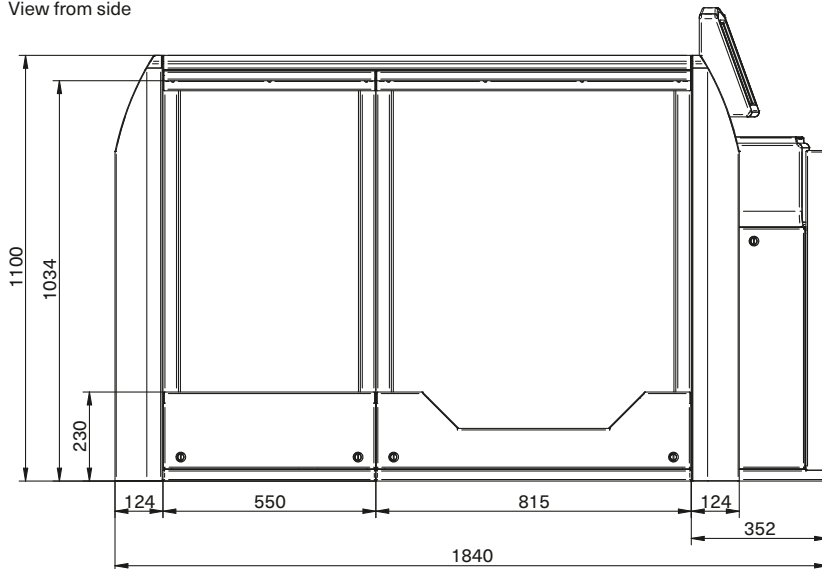
Options	
Barrier elements	Acrylic glass or hardened safety glass
Attachments	Customer-specific components as boarding pass readers, printer, displays and biometric devices

Potential applications	
	

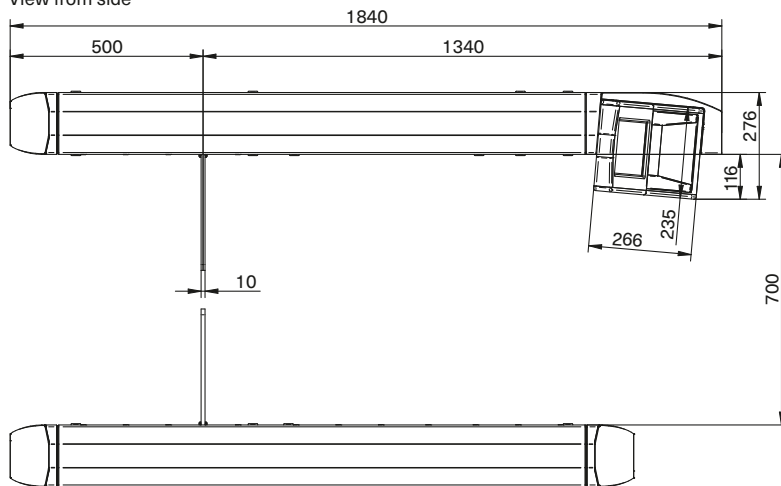
Boarding Gate
View from front



Boarding Gate
View from side



Boarding Gate
View from side



Access to Progress

Magnetic stands for pioneering products – in every way. Our access control systems for vehicles or pedestrians clear the way for thousands of people every day – at car parks, toll gates, stations, airports and in buildings. Our technology is also pioneering, however: with innovative drives, intelligent control systems and well thought-out details it provides maximum safety and longevity. Are you also on the path to Magnetic?



Vehicle barriers

Access barriers
Parking barriers
Toll barriers
Special barriers



Pedestrian gates

Turnstiles
Swing gates
Tripod gates
Retractable gates
Wing gates



Terminals

Cars
Trucks

Germany
MAGNETIC AUTOCONTROL GMBH
Grienmatt 20
79650 Schopfheim
Phone +49 7622 695-5
Fax +49 7622 695-800
E-mail info@magnetic-germany.com

Australia
MAGNETIC AUTOMATION PTY LTD
38 Metrolink Circuit
Campbellfield, VIC 3061
Phone +61 3 9339 2900
E-mail info@magnetic-oz.com

Brazil
MAGNETIC AUTOCONTROL LTDA
Av. Salim Antônio Curiati, 136
04690-050 – São Paulo
Phone +55 11 5660 8500
E-mail info@magnetic-br.com

China
MAGNETIC CONTROL SYSTEMS CO., LTD
No. 3 Building, No. 51
Lane 1159, Kang Qiao (East) Road
Kang Qiao Industrial Zone, Shanghai
Phone +86 21 68182970
E-mail info@magnetic-cn.com

France
FAAC FRANCE
377 Rue Ferdinand Perrier
69808 St Priest Cedex
Phone +33 4 72 21 86 89
E-mail info@magnetic-fr.com

India
MAGNETIC AUTOCONTROL PVT LTD.
PRS Centre
Plot No. 373 to 376, 2nd Floor (West Wing)
1st Cross Street, Nehru Nagar
Old Mahabalipuram Road
Kottivakkam (Opp Rayala Technopark, Perungudi)
Chennai 600041
Phone +91 44 421 23297
E-mail info@magnetic-india.com

Middle East
FAAC MIDDLE EAST FZE
Dubai Silicon Oasis
PO Box 54886
Dubai
United Arab Emirates
Phone +971 4 3724193
E-mail info@magnetic-uae.com

N. and S. America (excl. Brazil)
FAAC INTERNATIONAL, INC
3160 Murell Road
Rockledge, FL 32955
USA
Phone +1 321 635 8585
E-mail info@magnetic-usa.com

Scandinavia
FAAC NORDIC AB
Box 125
284 22 Perstorp
Sweden
Phone +46 435 77 95 03
E-mail info@magnetic-nordic.com

Southeast Asia
MAGNETIC CONTROL SYSTEMS SDN. BHD
No. 17, Jalan Anggerik Mokara 31/54
Taman Perindustrian Kota Kemuning
40460 Shah Alam
Selangor Darul Ehsan
Malaysia
Phone +60 3 5123 0033
E-mail info@magnetic-malaysia.com