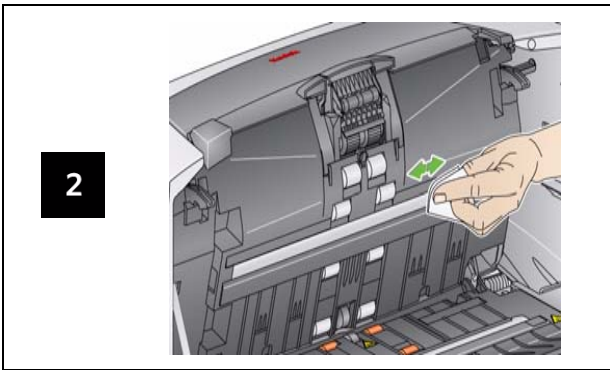


Cleaning the imaging area



Indicator Lights and Error Codes

When an error occurs, the red indicator will blink and one of these codes will be displayed.

Code	Problem	Remedy
E 0	USB cable is not connected	Be sure the USB cable is securely connected to the scanner and PC.
E 1 - E 5 E 7; E 8	Scanner failure	Turn the scanner off, then on again. Restart the scanning application and try again. If the problem persists, contact Kodak Service.
E 6	Scanner cover open	Close the scanner cover.
E 9	Document jam	Open the scanner and remove any paper in the paper path.

Supplies and Accessories

CAT No.	Description
124 10664	Kodak Feeder Consumables Kit
821 5808	Kodak Extra-Large Feeder Consumables kit
197 8253	Kodak Imaging Guide Set
135 5155	Document Printer: Printer Ink Cartridges (10)
840 5425	Document Printer: Ink Blotters (60)
826 7586	Document Printer: Ink Cartridge Carrier
818 3386	Enhanced Printer: Black Ink Cartridges
159 6832	Enhanced Printer: Red Ink Cartridges
113 3842	Enhanced Printer: Ink Cartridge Carrier
853 5981	Kodak Roller Cleaning Pads
169 0783	Kodak Transport Cleaning Sheets
896 5519	Staticide Wipes for Kodak Scanners
892 7717	Kodak White Background Accessory
179 6747	Kodak A3 Flatbed Accessory



i1400 Series Scanners



Reference Guide

Kodak Service & Support

www.kodak.com/go/disupport

1.800.822.1414

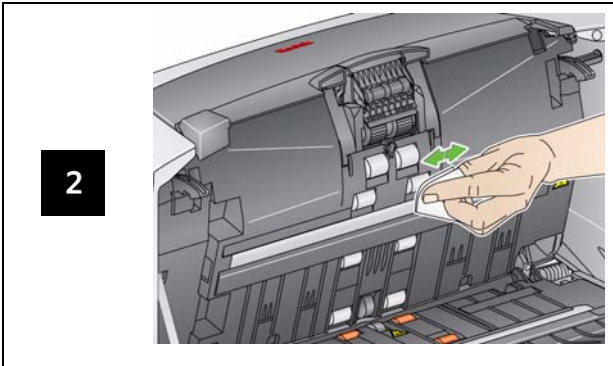
(US&C only; all other regions, contact your local Kodak Support Center)

When contacting support, have the following available:

- A description of your problem
- Scanner model and serial number
- Computer configuration
- Software application you are using

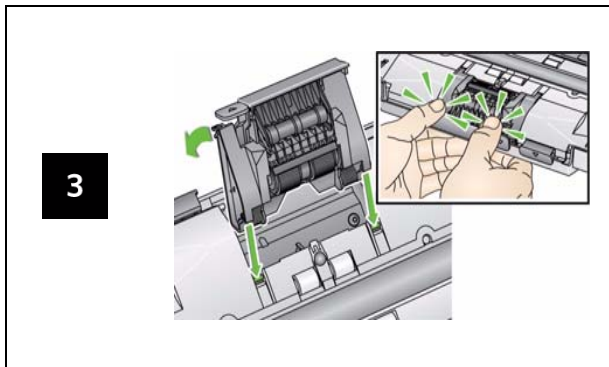
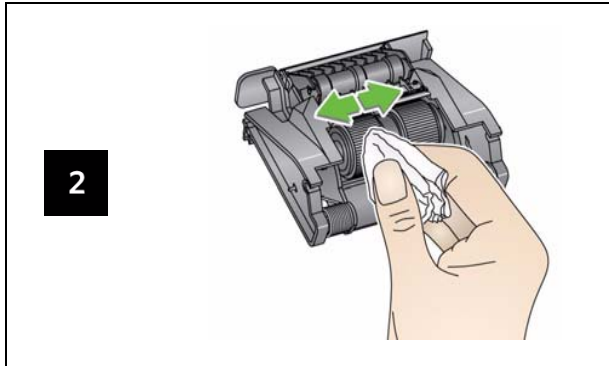
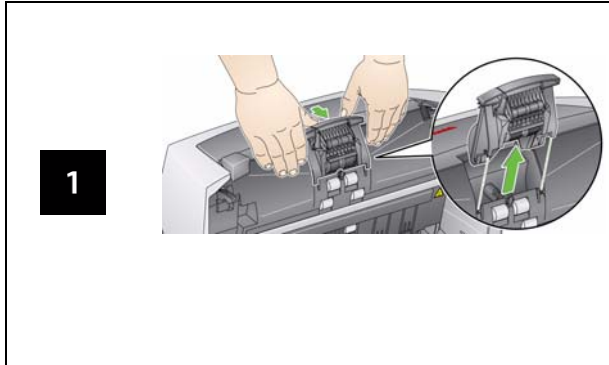
EASTMAN KODAK COMPANY
343 State Street
Rochester, New York 14650 U.S.A.
A-61637 / Part #8F7954 January, 2010
© Eastman Kodak Company, 2008
TM: Kodak

Cleaning the rollers



IMPORTANT: The Roller Cleaning Pad contains sodium lauryl ether sulfate which can cause eye irritation. Refer to the MSDS for more information.

Cleaning and replacing the separation module



Cleaning and replacing the feed module

