

Installation Instructions for the *Kodak* Enhanced Printer Accessory for use with *Kodak* i4000 Series Scanners

Following are instructions for installing the *Kodak* Enhanced Printer Accessory for the i4000 Series Scanners. See the User's Guide for procedures on how to use this accessory.

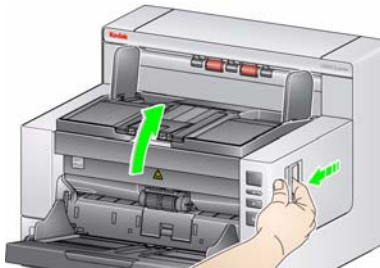
The *Kodak* Enhanced Printer Accessory includes:

- 1 Upper imaging guide
- 1 Upper flippable background accessory
- 1 Enhanced Printer carrier
- 1 Enhanced Printer Black Ink Cartridge
- 4 Ink blotters

NOTE: Additional ink colors and replacement ink cartridges can be purchased online at: scannerstore.Kodak.com.

Before you begin be sure the scanner is turned off.

1. Open the scanner cover.

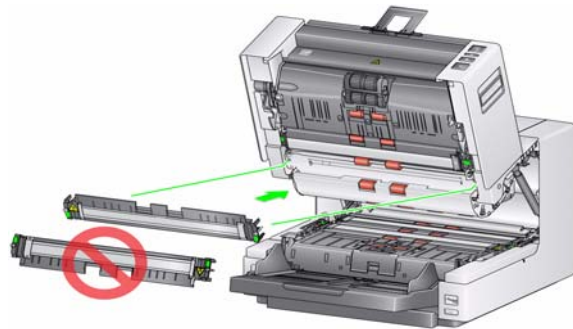


2. Loosen the screws on each end of the upper imaging guide and remove it from its position

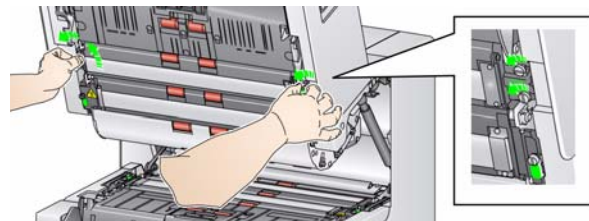


3. Install the Enhanced Printer imaging guide and tighten the screws to secure the imaging guide. *Do not over-tighten.*

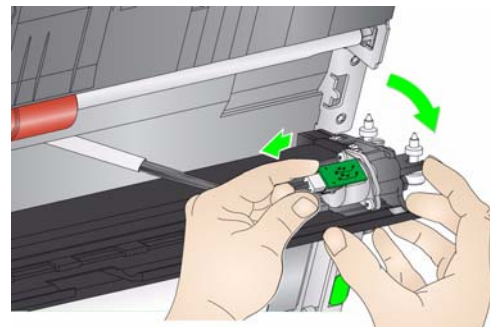
NOTE: Be sure to install the upper imaging guide in the correct orientation.



4. Loosen the upper flippable background accessory. Use a screwdriver to loosen all four screws.

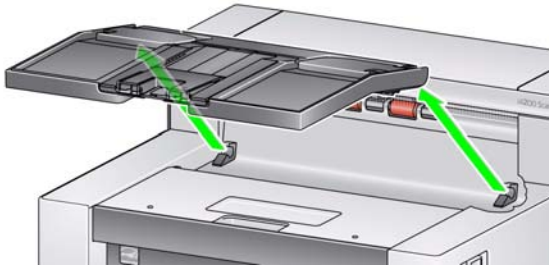


5. Unplug the connector to release and remove the flippable background.

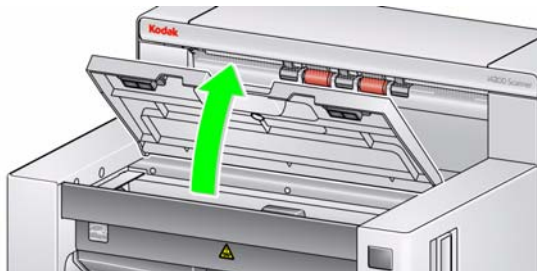


6. Install the flippable background by connecting the cable and aligning and tightening the screws in place. *Do not over-tighten.*
7. Install the ink blotters. See the User's Guide, *Chapter 4, Document Printing*, for instructions for installing and replacing ink blotter strips.

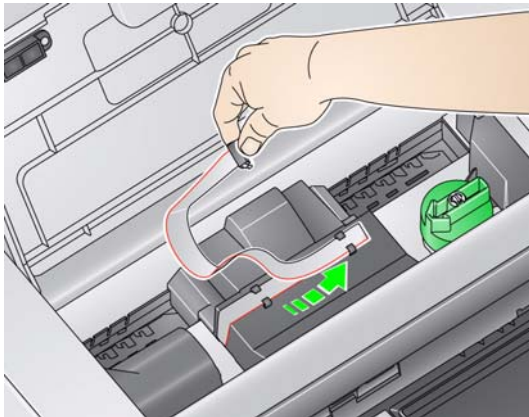
8. Close the scanner cover and remove the output tray.



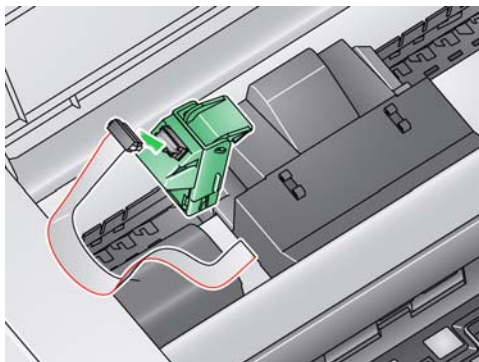
9. Open the printer access cover.



10. Release the printer ribbon cable from the holding clips.

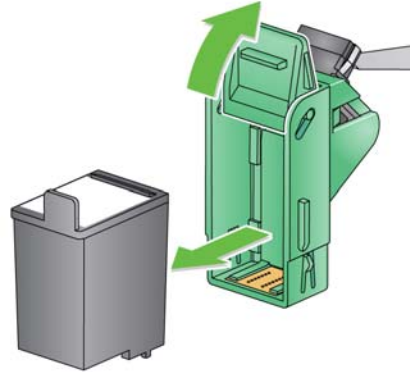


11. Push the connector on the printer cable firmly into the printer carrier.



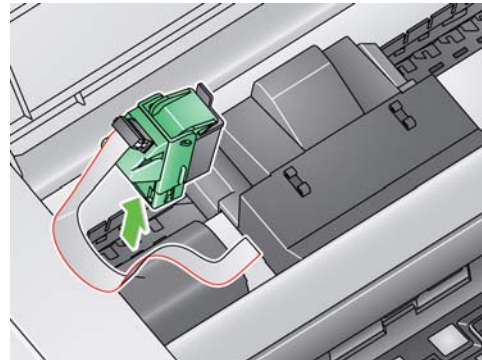
12. Open the ink cartridge package and remove the tab from the new ink cartridge.

13. Lift the green tab on the printer carrier and slide the new ink cartridge in the printer carrier and close the tab.



NOTE: Ink cartridge disposal: consult the Hewlett-Packard website for recycling printing supplies or disposing of the ink cartridges according to local regulations.

14. Slide the printer carrier into the desired print position. See the User's Guide, *Chapter 4, Document Printing*, for information on changing the print positions.



15. Close the printer access cover and reinstall the output tray.