

GT™ SERIES

GT5-402

GT5-502

GT5-652

GT5-803

GT5-963

GT5-500C

GT5-650C

**car audio multielement
owner's manual**

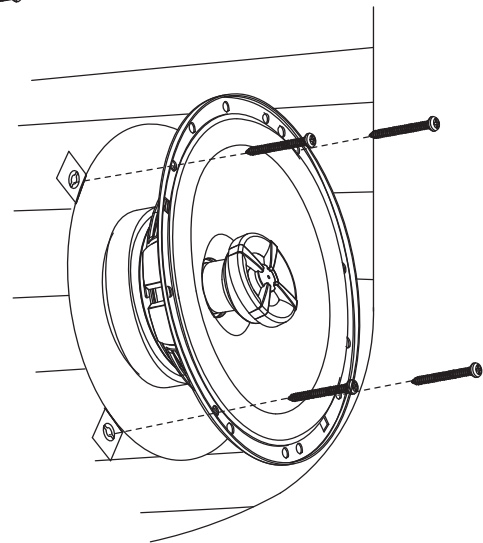
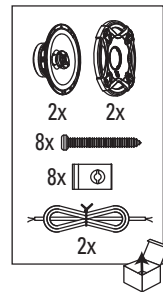
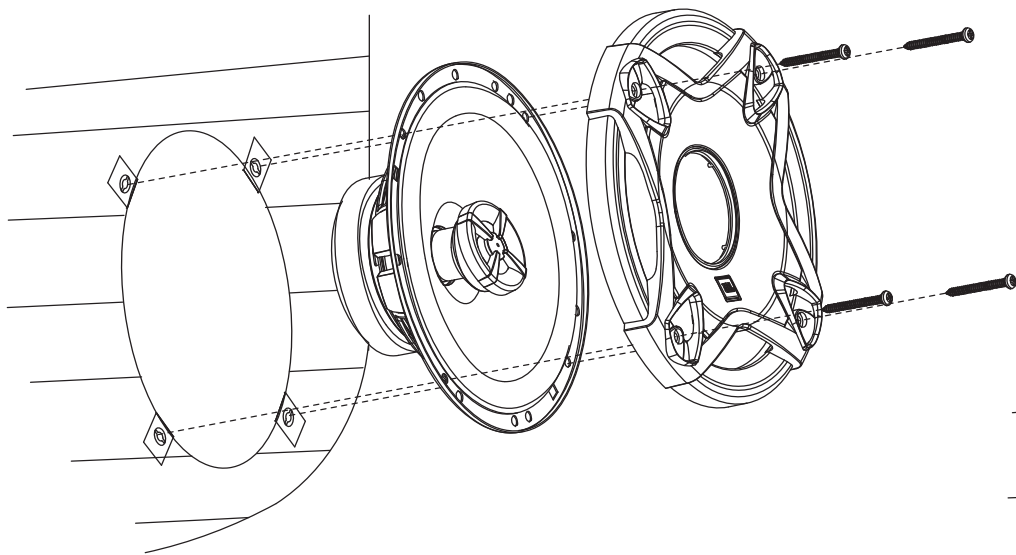


JBL

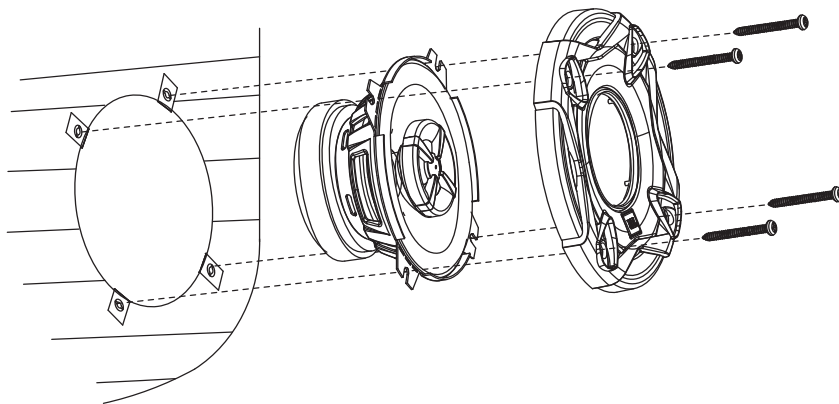
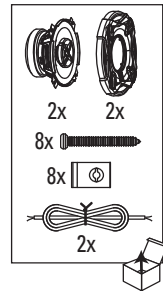
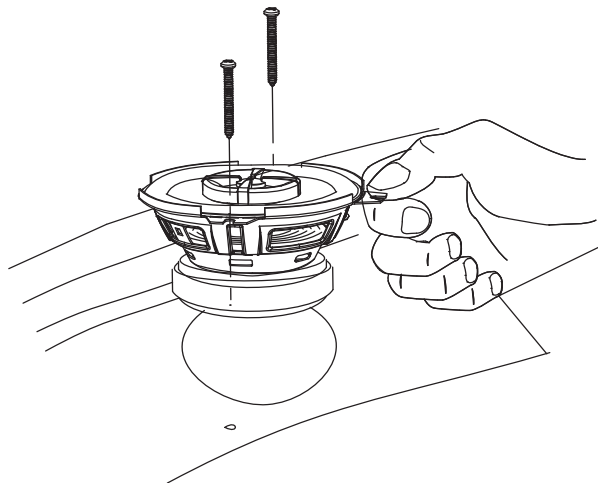
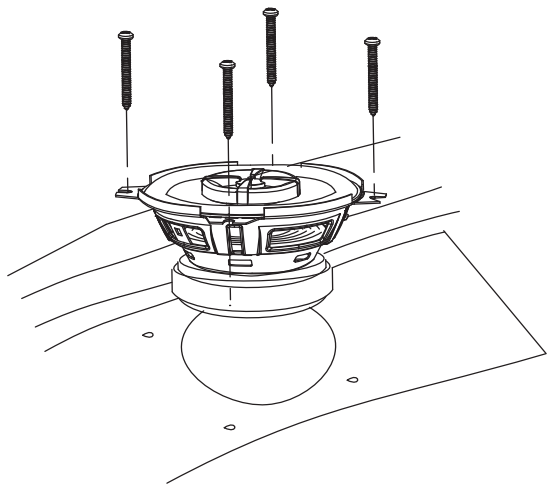
®

Designed and Engineered
in the USA

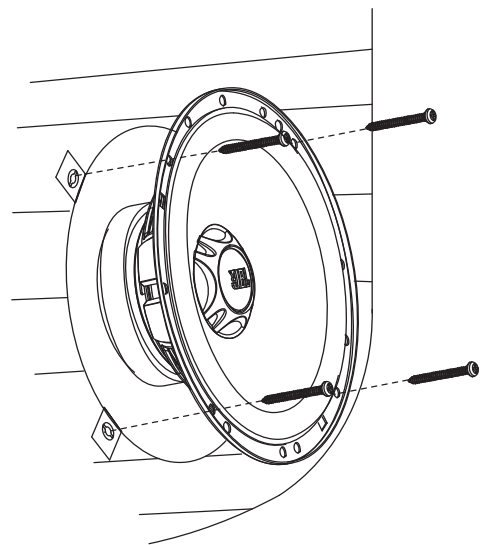
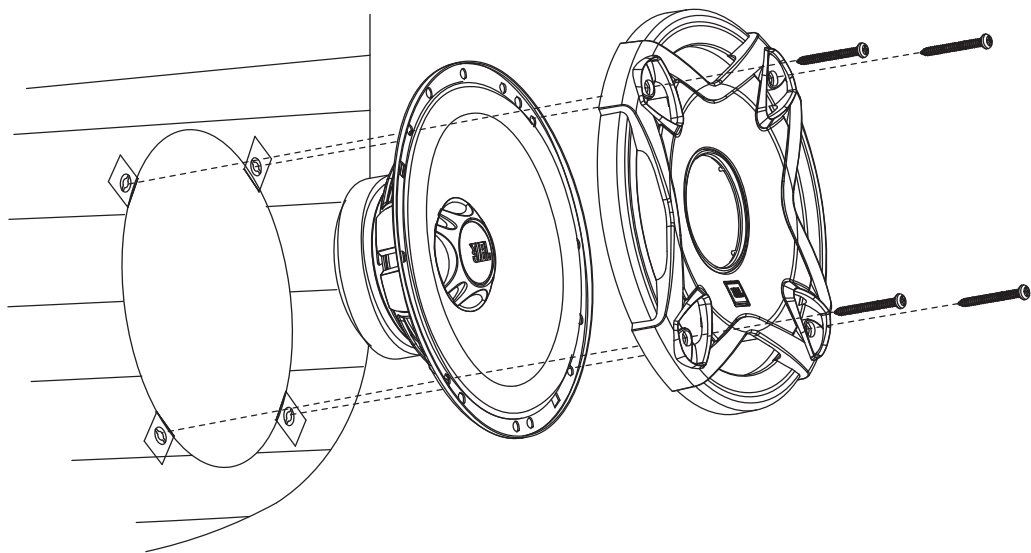
GT5-502, GT5-652, GT5-803, GT5-963



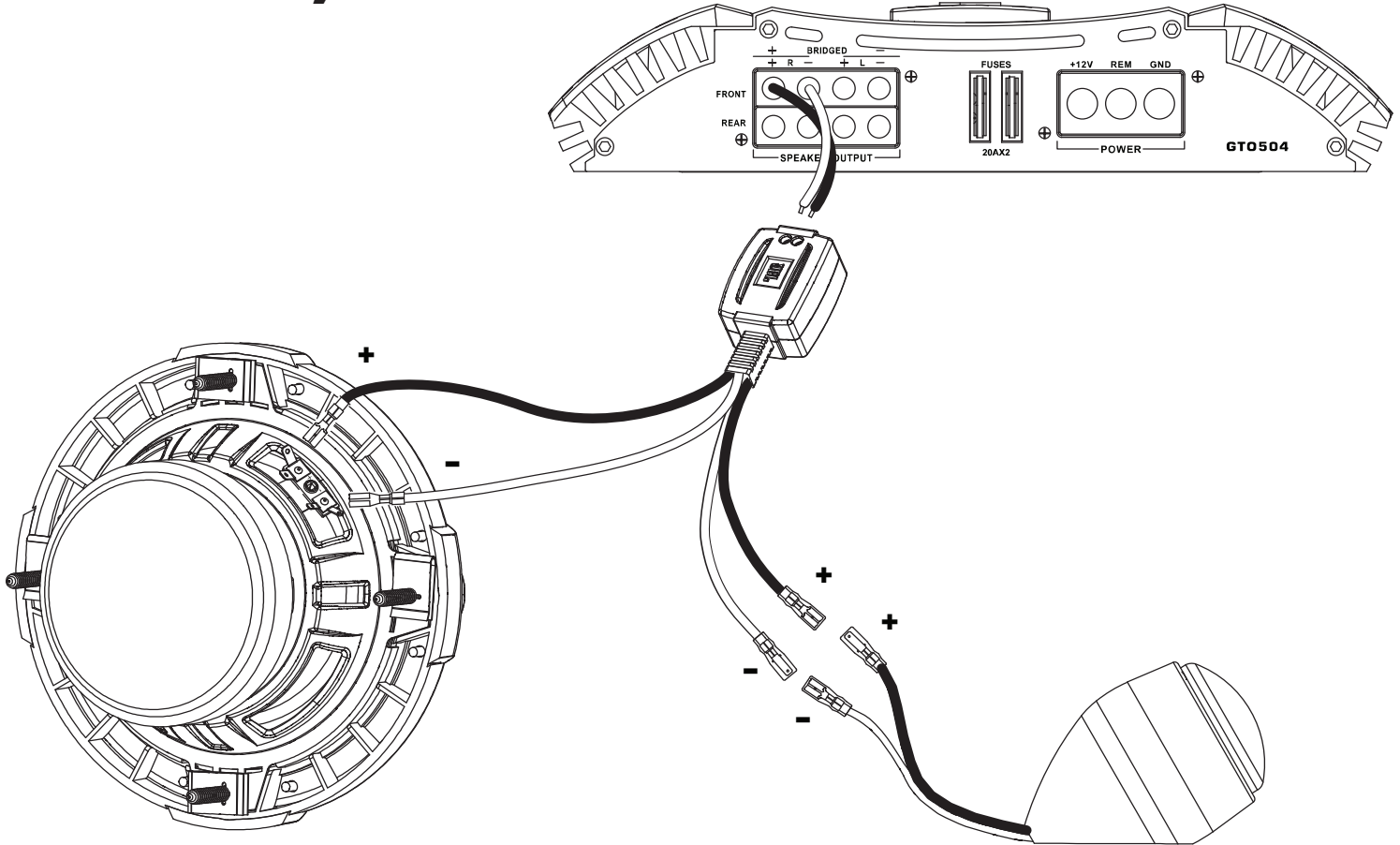
GT5-402



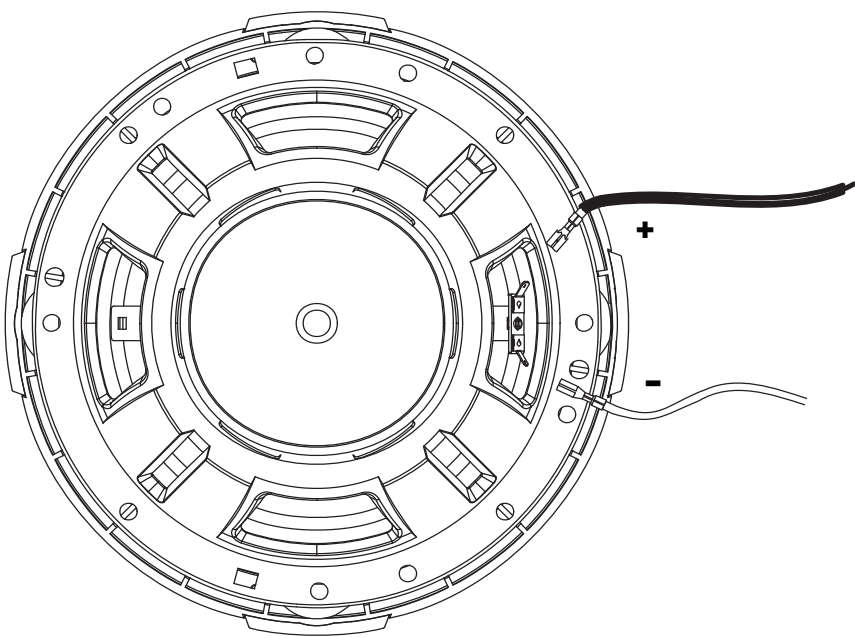
GT5-500C, GT5-650C



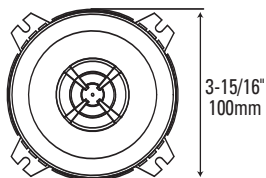
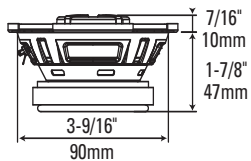
GT5-500C, GT5-650C



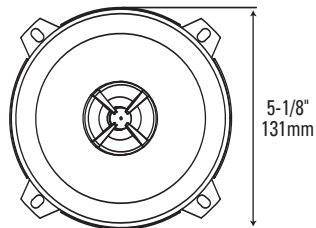
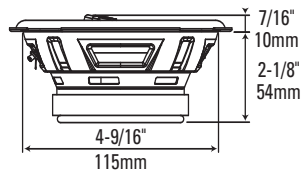
**GT5-402, GT5-502, GT5-652, GT5-803,
GT5-963, GT5-500C, GT5-650C**



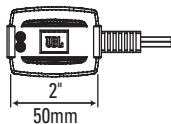
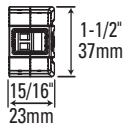
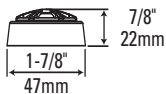
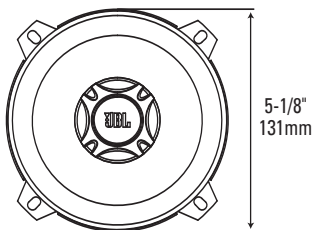
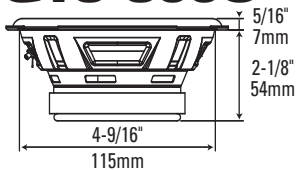
GT5-402



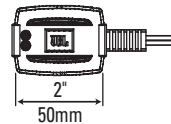
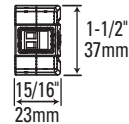
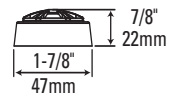
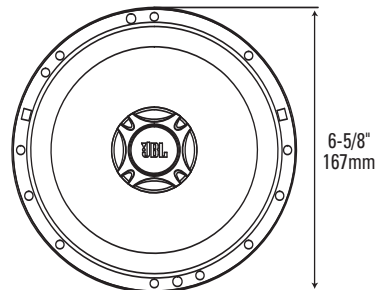
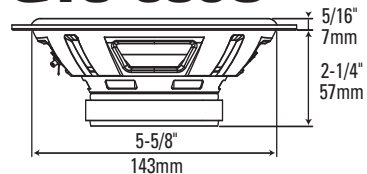
GT5-502



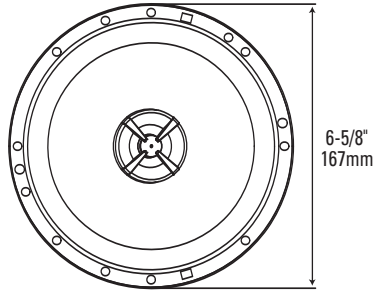
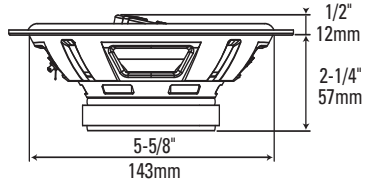
GT5-500C



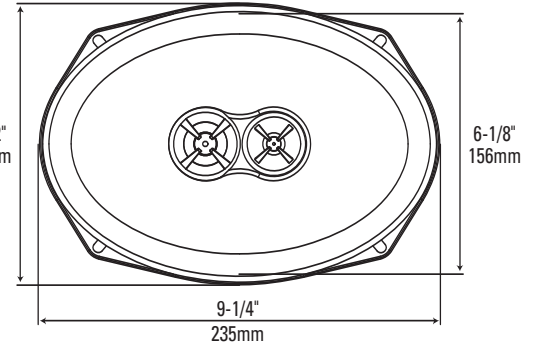
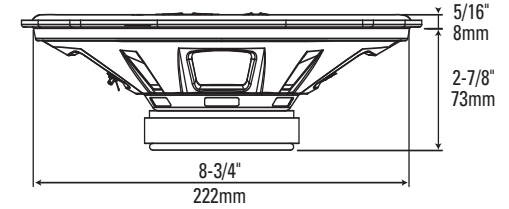
GT5-650C



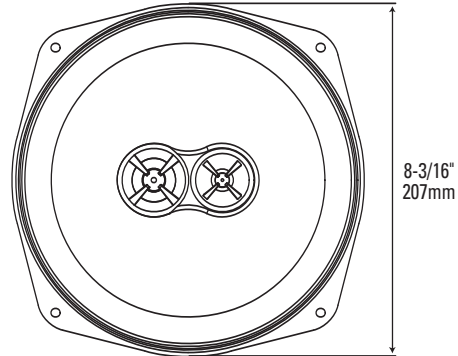
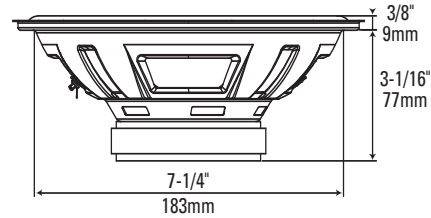
GT5-652



GT5-963



GT5-803



	GT5-402	GT5-502	GT5-652	GT5-803	GT5-963	GT5-500C	GT5-650C
BL (T-m)	3.500	4.230	4.060	6.53	6.79	4.110	4.160
DCR (ohms)	3.530	3.570	3.700	3.99	4.03	3.510	3.700
Mms (g)	5.840	8.860	11.550	23.38	26.45	11.340	15.720
Sd (sq cm)	56.750	95.030	138.930	226.980	241.900	95.030	138.930
Cms (µm/N)	252.000	272.000	283.000	373.000	372.000	339.000	274.000
Vas (l)	1.140	3.450	7.670	26.96	26.9	4.300	7.420
Fs (Hz)	131.200	102.480	88.020	53.92	54.1	81.180	76.750
Qes	1.170	0.970	1.220	0.64	0.69	1.020	1.380
Qms	9.810	10.400	11.620	14.77	8.43	10.530	12.580
Qt	1.050	0.880	1.110	0.61	0.63	0.930	1.240
SPL 2.83V	89.500	91.900	92.200	93.7	92.200	89.700	89.800

SPECIFICATIONS	GT5-402	GT5-502	GT5-652	GT5-803	GT5-963	GT5-500C	GT5-650C
Type:	4" 2-Way	5-1/4" 2-Way	165mm 2-Way	8" 3-Way	6" x 9" 3-Way	5-1/4" 2-Way Component System	165mm 2-Way Component System
Nominal Impedance:	4 Ohms	4 Ohms	4 Ohms	4 Ohms	4 Ohms	4 Ohms	4 Ohms
Power Handling, RMS:	30W	35W	45W	70W	70W	40W	50W
Power Handling, Peak:	90W	105W	135W	210W	210W	120W	150W
Frequency Response:	75Hz – 20kHz	70Hz – 20kHz	55Hz – 20kHz	40Hz – 20kHz	50Hz – 20kHz	70Hz – 20kHz	55Hz – 20kHz
Sensitivity (2.83V, 1m):	91dB	93dB	93dB	92dB	91dB	91dB	91dB

GENERAL CARE: The loudspeaker grilles may be cleaned with a damp cloth. Do not use any cleaners or solvents on the grilles or the speaker cones.

WARRANTY: GT Series speakers are warranted against defects. The duration of the speaker's warranty depends on the laws in the country in which it was purchased. Your local JBL car audio retailer can help you determine the length of your warranty. To register your product, please visit us at www.jbl.com.

A valid serial number is required for warranty coverage.

Features, specifications and appearance are subject to change without notice.

These products are designed for mobile applications and are not intended for connection to the mains.

Harman Consumer Group, Inc. • 250 Crossways Park Drive, Woodbury, NY 11797 USA • www.jbl.com

© 2007 Harman International Industries, Incorporated. All rights reserved. Part No. GT5MEOM7/07

JBL is a trademark of Harman International Industries, Incorporated, registered in the United States and/or other countries. GT Series is a trademark of Harman International Industries, Incorporated.

H A Harman International Company



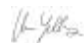
Declaration of Conformity



We, Harman Consumer Group, Inc.
2, route de Tours
72500 Château du Loir
France

declare in own responsibility that the products described in this owner's manual are in compliance with technical standards:

EN 61000-6-3:2001
EN 61000-6-1:2001


Klaus Leberher
Harman Consumer Group, Inc.
Château du Loir, France 7/07

JBL

www.jbl.com