


Feature Articles


Bluetooth digital measuring instruments

High quality measurement system without cable and adapter by built-in Bluetooth wireless communication.

Thickness measurem



Data send button



Play measurement scene movie

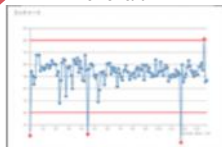
Data transmission and save

| No. | Lot No | A(mm) | Timestamp |
|-----|---------|---------|---------------------|
| 1 | A000001 | +003.93 | 2020/10/15 19:18:53 |
| 2 | A000001 | +004.02 | 2020/10/15 19:18:59 |
| 3 | | | |

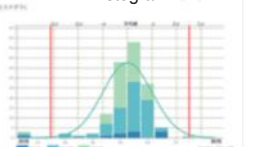
Timestamped measurement data

Charts display

runchart



histogram

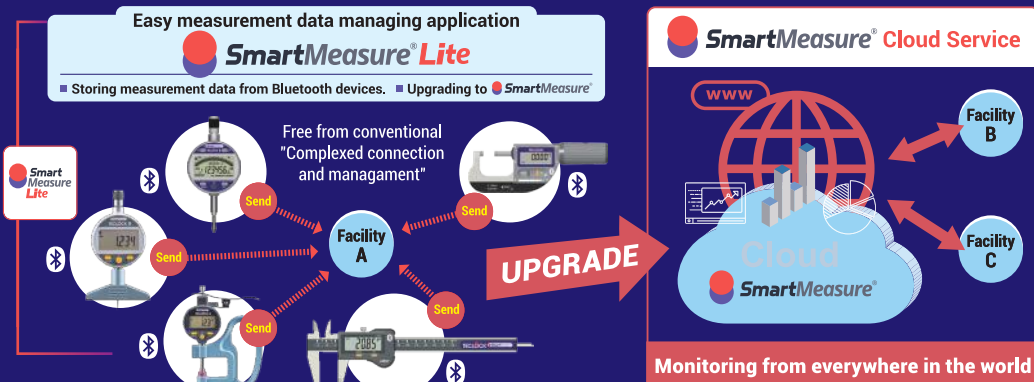


Easy measurement data managing application

SmartMeasure® Lite

- Storing measurement data from Bluetooth devices.
- Upgrading to SmartMeasure®

Free from conventional "Complexed connection and management"



UPGRADE

SmartMeasure® Cloud Service

Monitoring from everywhere in the world

■ Rich Lineups

- Easy wireless connection
- Easy data management
- Easy to upgrade

Caliper, Micrometer, Indicator, Test Indicator, Thickness Gauge, Depth Gauge, Height Gauge, Caliper Gauge, Bore Gauge

One-touch data sending to PC, Tablet or Smartphone by built-in Bluetooth

Data Management by SmartMeasure@Lite (free)

Data migration and upgrade to IoT cloud measurement System SmartMeasurer®(paid)

Bluetooth Digital Indicator ----- 18-19

Bluetooth Digital Test Indicator ----- 20

Bluetooth Digital Caliper ----- 21

Bluetooth Digital Pitch Caliper ----- 22

Bluetooth Digital Thickness Gauge ----- 23-24

Bluetooth Digital Constant Pressured Thickness Gauge ----- 25

Bluetooth Digital Depth Gauge ----- 26-29

Bluetooth Digital Micrometer ----- 30

Bluetooth Digital Inner Caliper Gauge ----- 31

Bluetooth Digital External Caliper Gauge ----- 32

Bluetooth Digital Bore Gauge ----- 33-34

Bluetooth Digital Height Gauge ----- 35

Interesting Measurement ex. of usual one ----- 36

Bluetooth Digital Indicator NEW

1/1000mm Standard Series

Features

- Line up for measuring range, 12.5-100mm.
- IP54.
- One-touch data sending to PC by built-in Bluetooth.
- Data management by SmartMeasure® Lite (free).



SSI-550
-Measuring Range:12.5mm



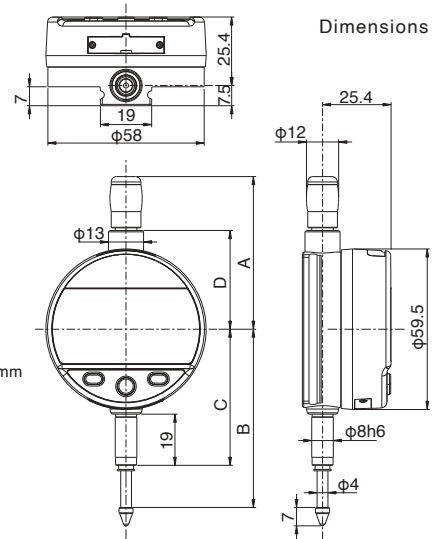
SSI-560
-Measuring Range:25mm



SSI-570
-Measuring Range:50mm



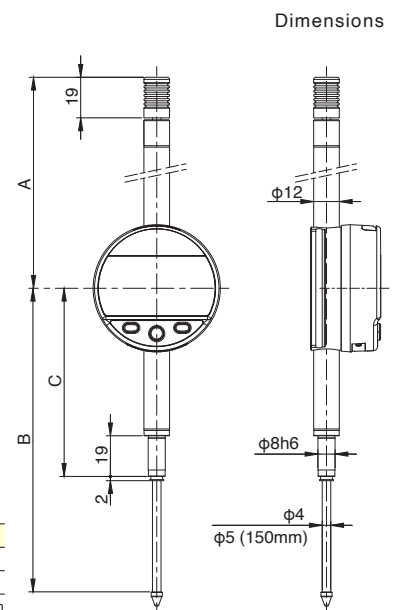
SSI-580
-Measuring Range:100mm



Specifications

| Model | A | B | C | D |
|---------|------|------|------|------|
| SSI-550 | 56.7 | 66.1 | 50.5 | 36.6 |
| SSI-560 | 69.4 | 78.5 | 50.5 | 49.4 |

unit : mm



Specifications

| Model | A | B | C |
|---------|-----|-----|-----|
| SSI-570 | 121 | 142 | 88 |
| SSI-580 | 172 | 244 | 139 |

unit : mm

Specifications

| Model | Resolution (mm) | Measuring range(mm) | Indication Error(μm) | Repeatability (μm) | Measuring Force(N) | Standard Contact Point (mm) | Clamping (mm) | IP Rating | Battery | Weight (g) | Suggested List Price |
|---------|-----------------|---------------------|----------------------|--------------------|--------------------|-----------------------------|---------------|-----------|---------|------------|----------------------|
| SSI-550 | 0.001 | 12.5 | 3 | 2 | 0.65-0.9 | φ2 Ball | φ8/h6 | IP54 | CR2032 | 119 | 97,100 JPY |
| SSI-560 | 0.001 | 25 | 4 | 2 | 0.65-1.15 | φ2 Ball | φ8/h6 | IP54 | CR2032 | 123 | 138,600 JPY |
| SSI-570 | 0.001 | 50 | 5 | 2 | 1.1-2.6 | φ2 Ball | φ8/h6 | IP54 | CR2032 | 161 | 242,600 JPY |
| SSI-580 | 0.001 | 100 | 6 | 2 | 1.8-3.8 | φ2 Ball | φ8/h6 | IP54 | CR2032 | 208 | 311,900 JPY |

1/10000mm Standard Type

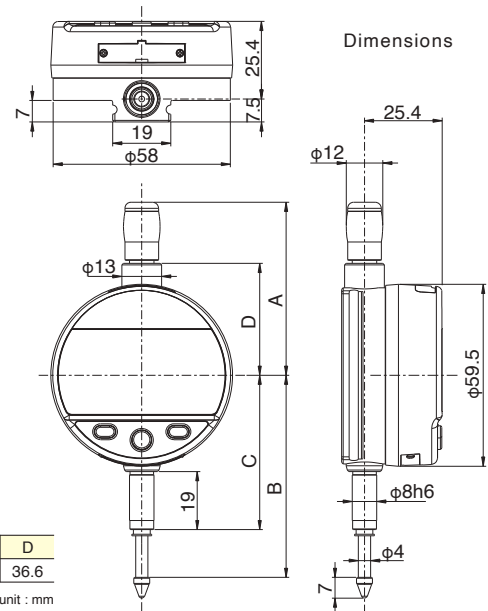
Features

- 1/10000mm Ultra High precision.
- High-definition Analog Display.
- One-touch data sending to PC by built-in Bluetooth.
- Data management by SmartMeasure® Lite (free).



SSI-650

·Measuring Range:12.5mm



Specifications

| Model | A | B | C | D |
|---------|------|------|------|------|
| SSI-650 | 56.7 | 66.1 | 50.5 | 36.6 |

unit : mm

Specifications

| Model | Resolution (mm) | Measuring range(mm) | Indication Error(μm) | Repeatability (μm) | Measuring Force(N) | Standard Contact Point (mm) | Clamping (mm) | IP Rating | Battery | Weight (g) | Suggested List Price |
|---------|-----------------|---------------------|----------------------|--------------------|--------------------|-----------------------------|---------------|-----------|---------|------------|----------------------|
| SSI-650 | 0.0001 | 12.5 | 1.8 | 0.5 | 0.65-0.9 | φ2 Ball | φ8/h6 | IP54 | CR2032 | 119 | 152,500 JPY |

1/1000mm Mini Type

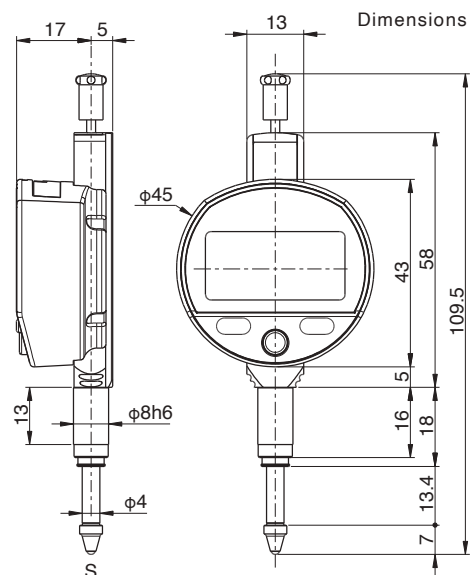
Features

- 1/1000mm Ultra Light Compact 75g φ45mm.
- Analog Display.
- One-touch data sending to PC by built-in Bluetooth.
- Data management by SmartMeasure® Lite (free).



SSI-250

·Measuring Range:12.5mm
·IP67



Specifications

| Model | Resolution (mm) | Measuring range(mm) | Indication Error(μm) | Repeatability (μm) | Measuring Force(N) | Standard Contact Point (mm) | Clamping (mm) | IP Rating | Battery | Weight (g) | Suggested List Price |
|---------|-----------------|---------------------|----------------------|--------------------|--------------------|-----------------------------|---------------|-----------|---------|------------|----------------------|
| SSI-250 | 0.001 | 12.5 | 4 | 2 | 0.5-0.9 | φ2 Ball | φ8/h6 | IP67 | CR2032 | 75 | 96,800 JPY |

Bluetooth Digital Test Indicator NEW

1/1000mm High-precision Mini Series

Features

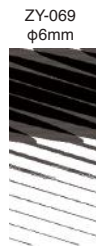
- Line up for measuring range, 0.8/2.0mm.
- Analog Display.
- IP54.
- Ultra Light 70g.
- SSL-350 spec. is changeable stylus type.
- Continuous outputting Sampling measuring value.
- One-touch data sending to PC by built-in Bluetooth.
- Data management by SmartMeasure® Lite (free).



SSL-250
 · Measuring Range 0.8mm
 · Stylus length : 12.5mm



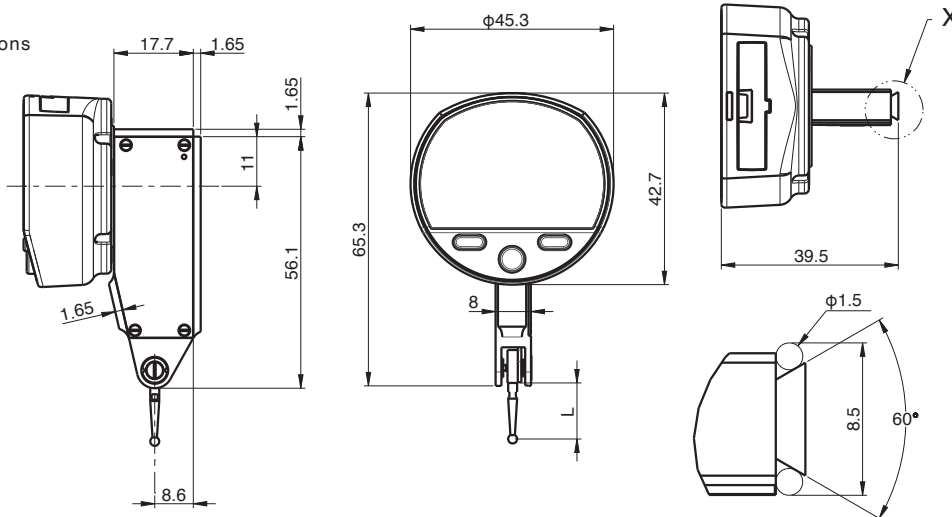
SSL-260
 · Measuring Range 2.0mm
 · Stylus length : 36.5mm



Stem with Dovetail slot

| Style | Type | Stem Diameter |
|----------|--------|---------------|
| Standard | | 8mm |
| Option | ZY-069 | 6mm |

Dimensions



Specifications

| Model | L |
|---------|------|
| SSL-250 | 12.5 |
| SSL-260 | 36.5 |

unit : mm

Specifications

| Model | Resolution (mm) | Measuring Range (mm) | Adjacent Error (μm) | Repeatability (μm) | Hysteresis (μm) | Min/Max/Delta | Measuring Force (N) | Stylus Length (mm) | Standard Contact Point | IP Rating | Battery | Weight (g) | Suggested List Price |
|---------|---|----------------------|---------------------|--------------------|-----------------|---------------|---------------------|--------------------|------------------------|-----------|---------|------------|----------------------|
| SSL-250 | 0.001 | 0.8 | 3 | 1 | 2 | ✓ | 0.15N±20% | 12.5 | φ2 Ball | IP54 | CR2032 | 70 | 91,300 JPY |
| SSL-260 | 0.001 | 2.0 | 8 | 1 | 3 | ✓ | 0.06N±20% | 36.5 | φ2 Ball | IP54 | CR2032 | 70 | 102,800 JPY |
| SSL-350 | Same spec. as SSL-250 or SSL-260 by changeable stylus | | | | | | | | | | | | 113,200 JPY |

Bluetooth Digital Caliper

NEW



Standard Series

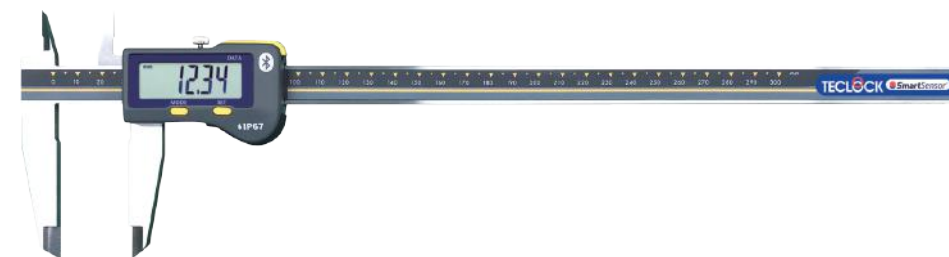
- Lineups for three sizes.
- IP67.
- One-touch data sending to PC or smartphone by built-in Bluetooth.
- Data management by SmartMeasure® Lite (free).



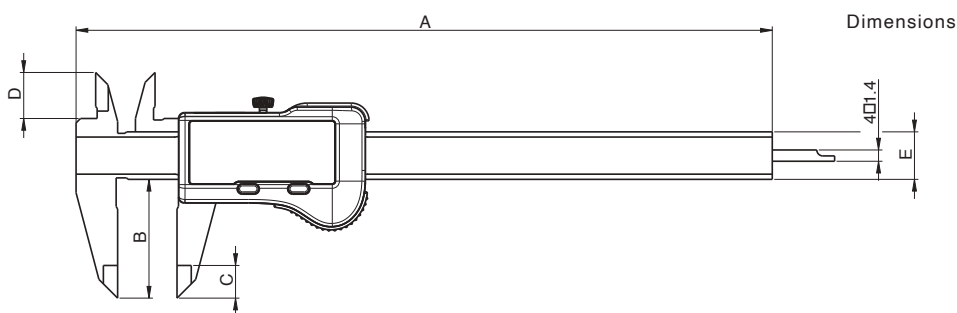
SSC-650
·Measuring Range 0-150mm



SSC-750
·Measuring Range 0-200mm



SSC-850
·Measuring Range 0-300mm



| | A | B | C | D | E | Depth rod |
|---------|-------|----|----|----|--------|-----------|
| SSC-650 | 234.5 | 40 | 11 | 16 | 16□3.5 | 4□1.4 |
| SSC-750 | 290.5 | 50 | 14 | 19 | 16□3.5 | 4□1.4 |
| SSC-850 | 388.0 | 64 | 14 | 19 | 16□4.0 | — |

unit : mm

Specifications

| Model | Resolution (mm) | Measuring Range (mm) | Indication Error (mm) | IP Rating | Battery | Weight (g) | Suggested List Price |
|---------|-----------------|----------------------|------------------------------------|-----------|---------|------------|----------------------|
| SSC-650 | 0.01 | 0-150 | ±0.02(0-100mm) ±0.03(100-150mm) | IP67 | CR2032 | 175 | 48,600 JPY |
| SSC-750 | 0.01 | 0-200 | ±0.02(0-100mm) ±0.03(100-200mm) | IP67 | CR2032 | 205 | 78,600 JPY |
| SSC-850 | 0.01 | 0-300 | ±0.02(0-100mm) ±0.03(100-300mm) | IP67 | CR2032 | 275 | 94,800 JPY |

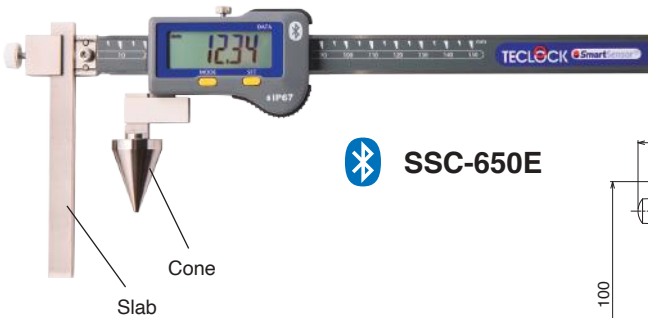
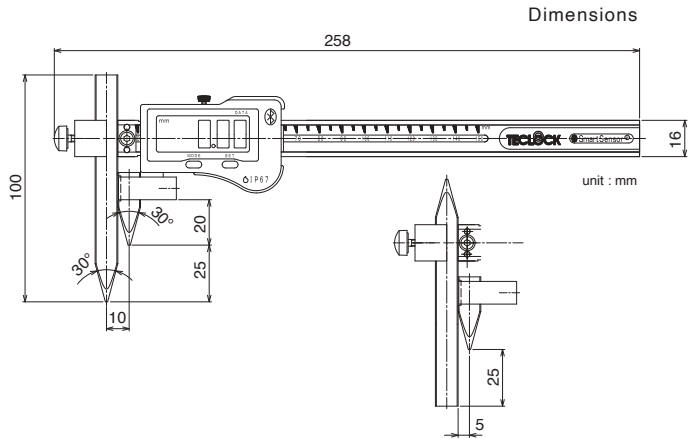
Bluetooth Digital Pitch Caliper NEW



SSC-650P

Planar Cone

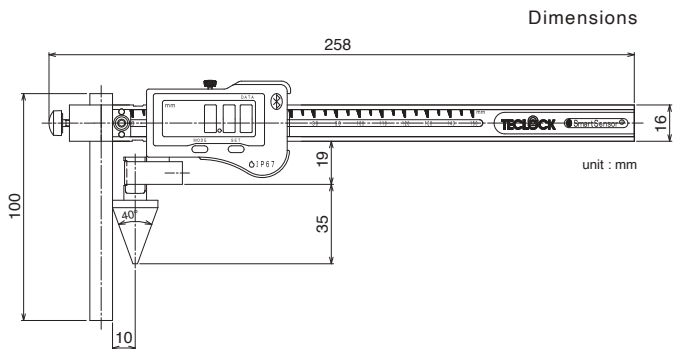
- Measuring pitch from hole to hole and from end face to hole



SSC-650E

Slab
Cone

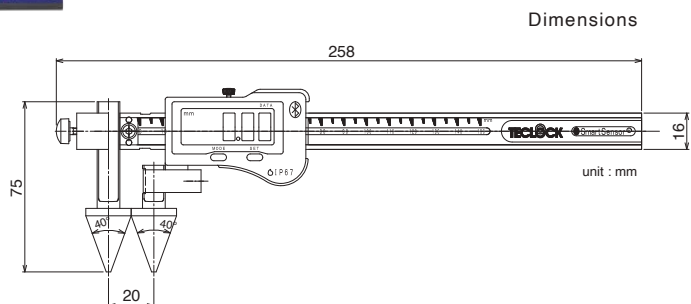
- Measuring pitch from end-face to hole



SSC-650C

Cone

- Measuring pitch from hole to hole



Specifications

| Model | Measuring Range(mm) | Resolution (mm) | Indication Error(mm) | Full length (mm) | Fixed Jaw | Slider Jaw | Battery | Weight (g) | Suggested List Price |
|----------|---------------------|-----------------|----------------------|------------------|-------------|-------------|---------|------------|----------------------|
| SSC-650P | 5-150/10-150 | 0.01 | ±0.03 | 258 | Planar Cone | Planar Cone | CR2032 | 235 | 139,500 JPY |
| SSC-650E | 10-150 | 0.01 | ±0.03 | 258 | Slab | Cone | CR2032 | 265 | 159,300 JPY |
| SSC-650C | 20-150 | 0.01 | ±0.03 | 258 | Cone | Cone | CR2032 | 300 | 191,200 JPY |

Bluetooth Digital Thickness Gauge

NEW



Ultra Light Compact Series

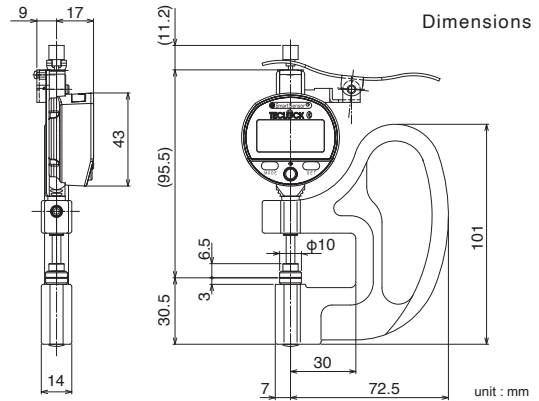
Features

- High precision measurement for papers, films and parts thickness.
- $\phi 45\text{mm}$ Mini-Indicator.
- IP67.
- One-touch data sending to PC by built-in Bluetooth.
- Data management by SmartMeasure® Lite (free).



Ultra Light 176g

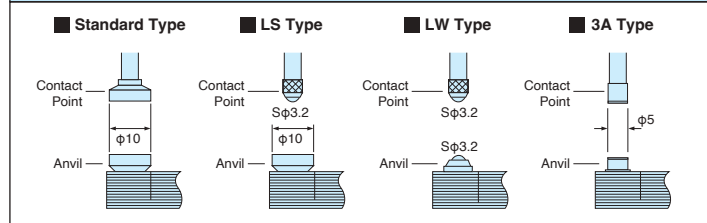
SSS-540



Specifications

| Model | Resolution (mm) | Measuring Range(mm) | Indication Error(μm) | Measuring Force(N) | Standard Contact Point(mm) | Anvil Form (mm) | Insertion Depth(mm) | Weight (g) | Suggested List Price |
|------------|-----------------|---------------------|-----------------------------------|--------------------|----------------------------|-----------------|---------------------|------------|----------------------|
| SSS-540 | 0.01 | 12 | ± 20 | 1.2 or less | $\phi 10$ Flat | $\phi 10$ Flat | 30 | 176 | 87,800 JPY |
| SSS-540-LS | 0.01 | 12 | ± 20 | 1.2 or less | $\phi 3.2$ Ball | $\phi 10$ Flat | 30 | 176 | 87,800 JPY |
| SSS-540-LW | 0.01 | 12 | ± 20 | 1.2 or less | $\phi 3.2$ Ball | $\phi 3.2$ Ball | 30 | 176 | 87,800 JPY |
| SSS-540-3A | 0.01 | 12 | ± 20 | 1.2 or less | $\phi 5$ Flat | $\phi 5$ Flat | 30 | 176 | 87,800 JPY |

Contact point and Anvil for Thickness Gauge

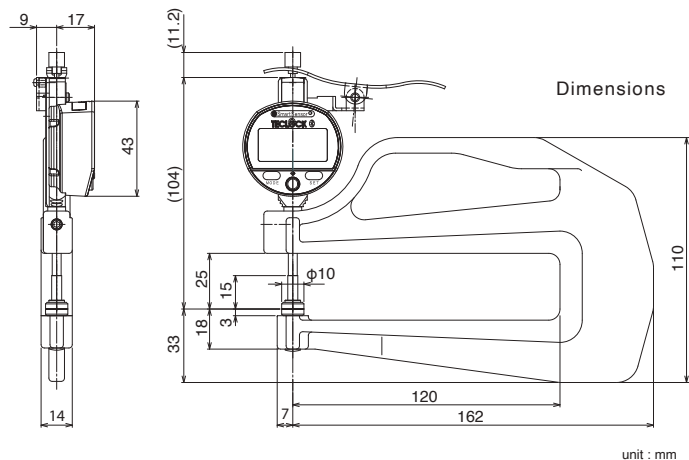


$\phi 10$ Flat : Ceramic $\phi 3.2$ Ball : Ball $\phi 5$ Flat : SK4 Hardened



Insertion Depth 120mm

SSS-550



Specifications

| Model | Resolution (mm) | Measuring Range(mm) | Indication Error(μm) | Measuring Force(N) | Standard Contact Point(mm) | Anvil Form(mm) | Insertion Depth(mm) | Weight (g) | Suggested List Price |
|------------|-----------------|---------------------|-----------------------------------|--------------------|----------------------------|-----------------|---------------------|------------|----------------------|
| SSS-550 | 0.01 | 12 | ± 20 | 1.2 or less | $\phi 10$ Flat | $\phi 10$ Flat | 120 | 344 | 90,100 JPY |
| SSS-550-LS | 0.01 | 12 | ± 20 | 1.2 or less | $\phi 3.2$ Ball | $\phi 10$ Flat | 120 | 344 | 90,100 JPY |
| SSS-550-LW | 0.01 | 12 | ± 20 | 1.2 or less | $\phi 3.2$ Ball | $\phi 3.2$ Ball | 120 | 344 | 90,100 JPY |
| SSS-550-3A | 0.01 | 12 | ± 20 | 1.2 or less | $\phi 5$ Flat | $\phi 5$ Flat | 120 | 344 | 90,100 JPY |

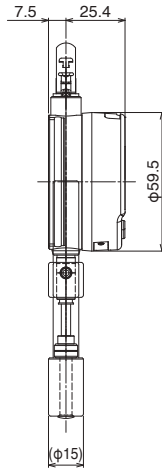
Standard Series

Features

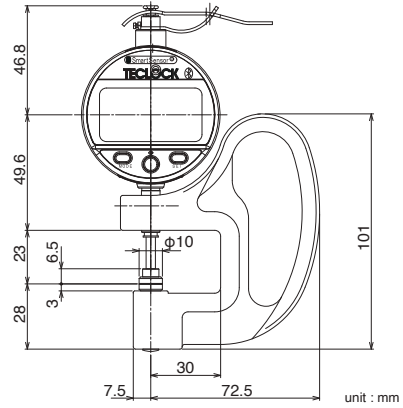
- High precision measurement for papers, films and parts thickness.
- High resolution 1/1000mm.
- IP54.
- One-touch data sending to PC by built-in Bluetooth.
- Data management by SmartMeasure® Lite (free).



 **SSS-5650**



Dimensions



Specifications

| Model | Resolution (mm) | Measuring Range(mm) | Indication Error(μm) | Measuring Force(N) | Standard Contact Point(mm) | Anvil Form (mm) | Insertion Depth(mm) | Weight (g) | Suggested List Price |
|----------|-----------------|---------------------|----------------------|--------------------|----------------------------|-----------------|---------------------|------------|----------------------|
| SSS-5650 | 0.001 | 12 | ±3 | 1.2 or less | φ10 Flat | φ10 Flat | 30 | 380 | 102,800 JPY |

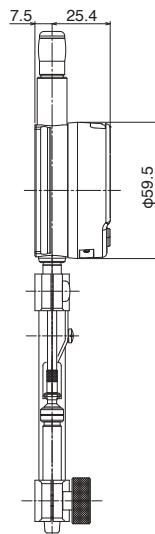
Long Stroke Model

Features

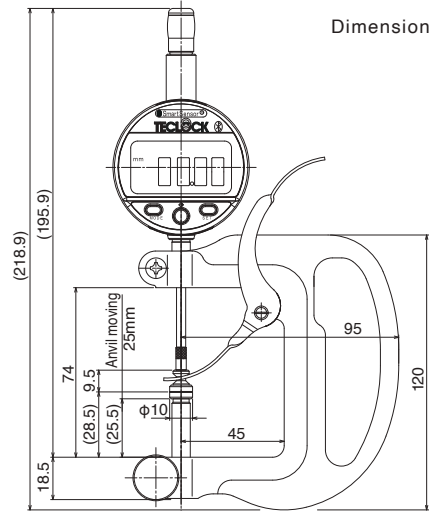
- High precision measurement for papers, films and parts thickness.
- Measuring Range 50mm , Indication Range 25mm(Lifting of anvil).
- IP54.
- One-touch data sending to PC by built-in Bluetooth.
- Data management by SmartMeasure® Lite (free).



 **SSS-130**



Dimensions



unit : mm

Specifications

*Measuring Range : Indicating value in () is a measuring range of digital sensor.

| Model | Resolution (mm) | Measuring Range(mm) | Indication Error(μm) | Measuring Force(N) | Standard Contact Point(mm) | Anvil Form (mm) | Insertion Depth(mm) | Weight (g) | Suggested List Price |
|---------|-----------------|---------------------|----------------------|--------------------|----------------------------|-----------------|---------------------|------------|----------------------|
| SSS-130 | 0.01 | 50(25) | ±20 | 1.2 or less | φ10 Flat | φ10 Flat | 45 | 543 | 153,100 JPY |

Bluetooth Digital Constant Pressured Thickness Gauge



NEW

Standard Model

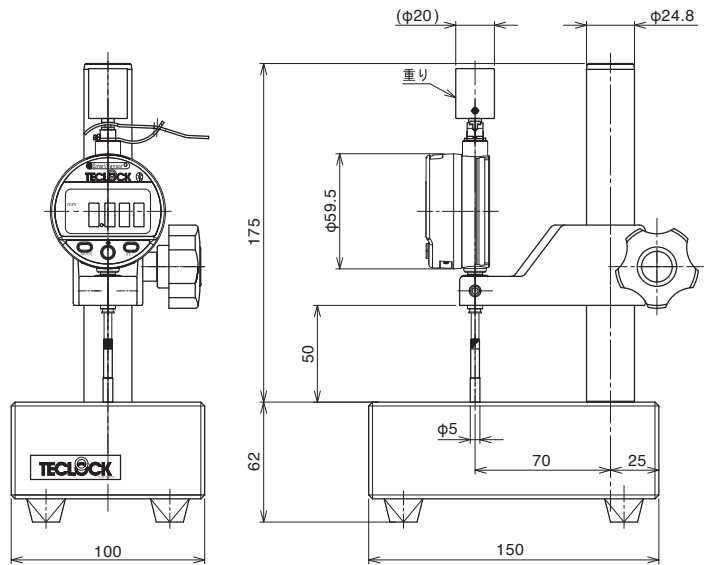
Features

- Wide range of line-up by JIS or ISO.
- High accuracy digital type with weight type for stable static load.
- Uses micro-granite which is superior for abrasion resistance, chemical resistance and impact resistance in addition to high unstriated.
- Stainless steel is used for Contact point and Anvil.
- One-touch data sending to PC by built-in Bluetooth.
- Data management by SmartMeasure® Lite (free).



SSPG-01

Dimensions



unit : mm

Specifications

| Model | Reference Standard | | Resolution (Mm) | Measuring Range (Mm) | Load (Measuring Force) | Contact Point φd (Mm) | Measured Pressure | Suggested List Price |
|---------|--------------------|--|-----------------|----------------------|----------------------------|-----------------------|---|----------------------|
| | JIS | Measured Item | | | | | | |
| SSPG-01 | K6732-1996 | Poly vinyl chloride films for agriculture | 0.001 | 12 | 0.8N(80±5gf) | φ5 | | 153,700 JPY |
| SSPG-02 | K6783-1994 | Ethylene / vinyl acetate copolymer films for agriculture | 0.001 | 12 | 1.22±0.14 (125±15gf) | φ5 | | 153,700 JPY |
| | Z1702-1994 | Polyethylene film for packaging | | | 1226±147mN (125±15gf) | | | |
| | Z1709-1995 | Heat shrinkable plastic films for packaging | | | | | | |
| SSPG-11 | K6400-1-2004 | Flexible polyurethane foam | 0.01 | 12 | 0.363N(37gf) | φ35.7 | 0.363kPa(3.7gf/cm ²) | 153,700 JPY |
| | K6402-1976 | Flexible polyurethane foam for garments | | | | | | |
| SSPG-12 | K6301-1995 | Vulcanized rubber | 0.01 | 12 | 0.785N(80gf) | φ5 | | 153,700 JPY |
| SSPG-13 | K6404-2-3-1999 | Rubber or plastics coated fabrics | 0.01 | 12 | 0.785N(80gf) | φ10 | 10±1kPa | 153,700 JPY |
| | K6328-1999 | Rubber coated fabrics | | | | | 10±2kPa | |
| | K6250-2006 | Rubber A method(less than 35 IRHD) | | | | | | |
| SSPG-14 | L1086-2007 | Fusible interlining fabrics (Nonwoven textile) | 0.01 | 12 | 0.394N(40gf) | φ16 | 2kPa | 153,700 JPY |
| SSPG-15 | L1086-2007 | Fusible interlining fabrics (Ordinary textile) | 0.01 | 12 | 2.35N(240gf) | φ11.3 | 23.6kPa | 165,900 JPY |
| | L1096-1999 | Woven fabrics (Ordinary textile) | | | | | 23.5kPa(240gf/cm ²) | |
| | L1018-1999 | Knitted fabrics (Ordinary knit) | | | | | | |
| SSPG-16 | L1086-2007 | Fusible interlining fabrics (Ordinary knitting fabric) | 0.01 | 12 | 0.343N(35gf) | φ25.2 | 0.7kPa | 153,700 JPY |
| | L1096-1999 | Woven fabrics (Crinose textile) | | | | | 0.7kPa(7gf/cm ²) | |
| | | | | | | | | |
| SSPG-17 | K6505-1995 | Man-made upper material of shoes | 0.01 | 12 | 3.854±0.098N (393±10gf) | φ10 | 49.03±1.177kPa (500±12gf/cm ²) | 165,900 JPY |
| | K6550-1994 | Leathers | | | 3.85±0.1N (390±10gf) | | | |
| SSPG-18 | K6250-2006 | Rubber A method (35 IRHD or more) | 0.01 | 13 | 0.431N(44±10gf) | φ5 | (35 IRHD and over) 22±5kPa(2.24±0.51gf/mm ²) | 153,700 JPY |

*) Product Weight = nealy 3.7 kg (Stand and Indicator etc. weight) + weight for Load

Bluetooth Digital Depth Gauge

NEW

Compact Series

Features

- Easy measurement of depth and steps in a work piece.
- Compact model with Mini indicator.
- IP67.
- One-touch data sending to PC by built-in Bluetooth.
- Data management by SmartMeasure® Lite (free).



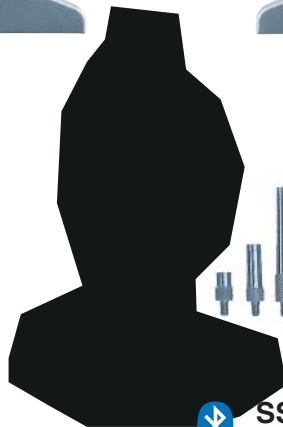
SSD-210
Needle Contact Point



SSD-211
φ2 Flat Needle Contact Point



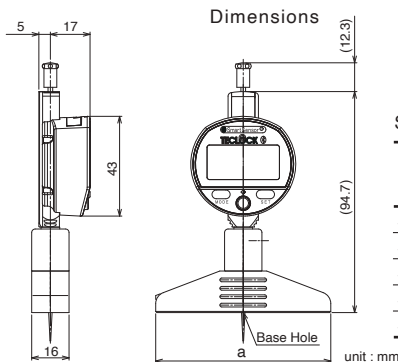
SSD-213
φ3.2 Steel Ball Contact Point



SSD-214
With 5-Extension rods



SSD-215
Large Base · With Extension rods



Specifications *Measuring Range:()value is Range by using 5pcs extension rods.

| Model | Resolution (mm) | Measuring Range (mm) | Indication Error (μm) | Contact Point Form(mm) | Extension rods | Base Shape (mm) | Base Hole Diameter (mm) | Weight (g) | Suggested List Price |
|---------|-----------------|----------------------|-----------------------|------------------------|----------------|-----------------|-------------------------|------------|----------------------|
| SSD-210 | 0.01 | 12 | ±20 | Needle | — | 75□16 | φ2.5 | 214 | 82,100 JPY |
| SSD-211 | 0.01 | 12 | ±20 | φ2Flat | — | 75□16 | φ5.2 | 214 | 82,100 JPY |
| SSD-213 | 0.01 | 12 | ±20 | φ3.2 Steel Ball | — | 75□16 | φ5.2 | 214 | 82,100 JPY |
| SSD-214 | 0.01 | 12(220) | ±20 | φ3.2 Steel Ball | 5 | 75□16 | φ5.2 | 239 | 84,400 JPY |
| SSD-215 | 0.01 | 12(220) | ±20 | φ3.2 Steel Ball | 5 | 100□16 | φ5.2 | 279 | 84,400 JPY |

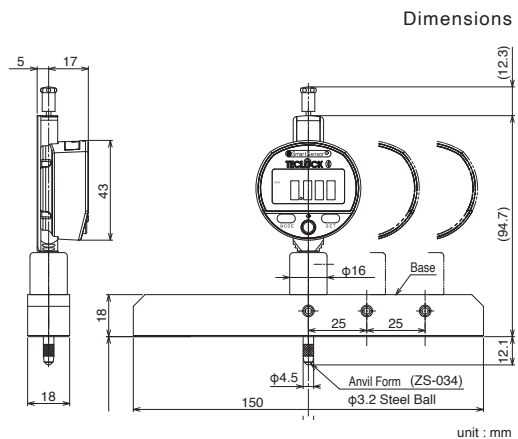
Gauge Slide type

Features

- Easy measurement of depth and steps in a work piece.
- Can be moved to 3 positions.
- IP67.
- One-touch data sending to PC by built-in Bluetooth.
- Data management by SmartMeasure® Lite (free).



SSD-293
Base Length 150mm
With 5-Extension rods



Specifications *Measuring Range:()value is Range by using 5pcs extension rods.

| Model | Resolution (mm) | Measuring Range (mm) | Indication Error (μm) | Contact Point Form(mm) | Extension rods | Base Shape (mm) | Base Hole Diameter (mm) | Weight (g) | Suggested List Price |
|---------|-----------------|----------------------|-----------------------|------------------------|----------------|-----------------|-------------------------|------------|----------------------|
| SSD-293 | 0.01 | 12(220) | ±20 | φ3.2 Steel Ball | 5 | 150□18 | φ11.0 | 450 | 113,200 JPY |

Small Base type Compact Series

Features

- Easy measurement of depth and steps in a work piece.
- Measurement for printed circuit board.
- Compact model with Mini indicator.
- IP67.
- One-touch data sending to PC by built-in Bluetooth.
- Data management by SmartMeasure® Lite (free).



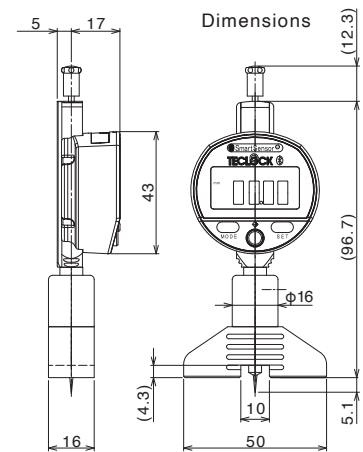
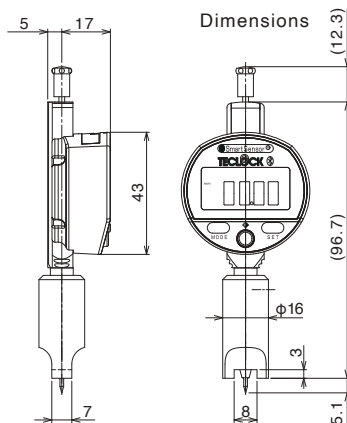
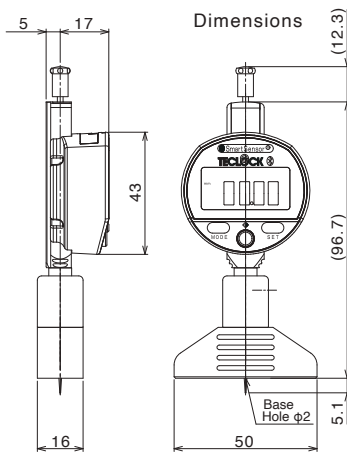
SSD-250
Needle Contact Point



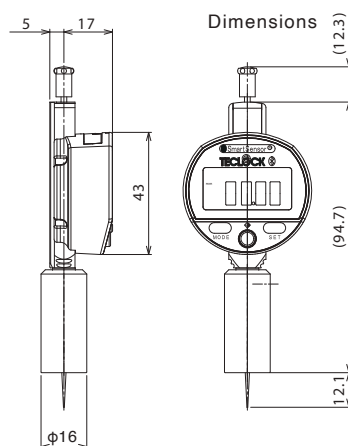
SSD-251
V-groove of print circuit board



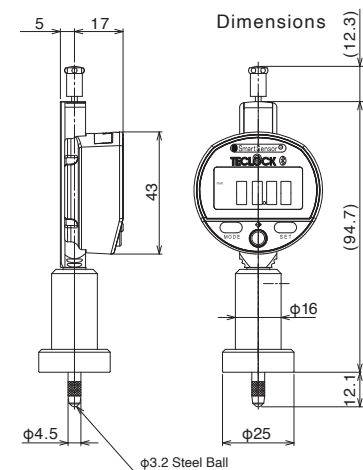
SSD-252
Measurement for Convex-concave surface



SSD-280
Round Base type
·Base form $\phi 16$ mm



SSD-283
Round Base type
·Base form $\phi 25$ mm



unit : mm

Specifications

| Model | Resolution (mm) | Measuring Range(mm) | Indication Error(μ m) | Contact Point Form(mm) | Extension rods | Base Shape(mm) | Base Hole Diameter (mm) | Weight (g) | Suggested List Price |
|---------|-----------------|---------------------|----------------------------|------------------------|----------------|----------------------------|-------------------------|------------|----------------------|
| SSD-250 | 0.01 | 5 | ± 20 | Needle | — | 50x16 | $\phi 2.0$ | 160 | 85,200 JPY |
| SSD-251 | 0.01 | 5 | ± 20 | Special Needle | — | Special $\phi 16$ Cylinder | Special | 130 | 104,300 JPY |
| SSD-252 | 0.01 | Concave 5, Convex 4 | ± 20 | Needle | — | 50x16 | Special | 160 | 85,700 JPY |
| SSD-280 | 0.01 | 12 | ± 20 | Needle | — | $\phi 16$ Cylinder | $\phi 3.0$ | 140 | 83,800 JPY |
| SSD-283 | 0.01 | 12 | ± 20 | $\phi 3.2$ Steel Ball | — | $\phi 25$ Cylinder | $\phi 8.0$ | 150 | 84,400 JPY |

1/1000mm High-precision Compact Series

Features

- Easy measurement of depth and steps in a work piece.
- Compact model with Mini indicator.
- IP67.
- One-touch data sending to PC by built-in Bluetooth.
- Data management by SmartMeasure® Lite (free).



 **SSD-2100M**
Needle



 **SSD-2110M**
φ2 Needle



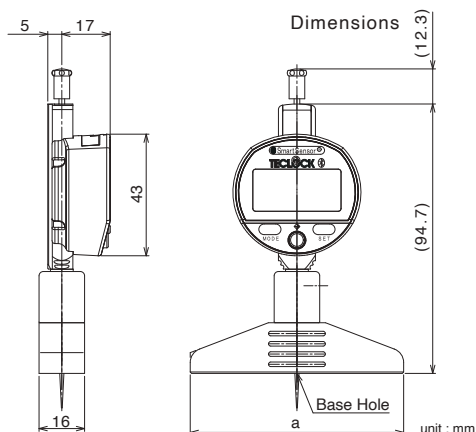
 **SSD-2130M**
φ3.2 Steel Ball



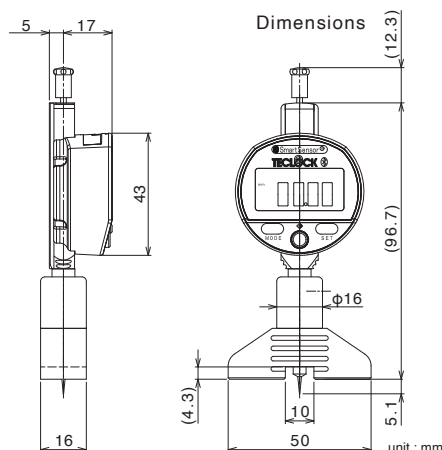
 **SSD-2500M**
Needle



 **SSD-2520M**
Measurement for
Convex-concave
surface



SSD-2100M, SSD-2110M, SSD-2130M, SSD-2500M



SSD-2520M

Specifications

| Model | Resolution (mm) | Measuring Range(mm) | Indication Error(μm) | Contact Point Form(mm) | Extension rods | Base Shape(mm) | Base Hole Diameter (mm) | Weight (g) | Suggested List Price |
|-----------|-----------------|---------------------|----------------------|------------------------|----------------|----------------|-------------------------|------------|----------------------|
| SSD-2100M | 0.001 | 12 | ±6 | Needle | — | 75□16 | φ2.5 | 214 | 107,500 JPY |
| SSD-2110M | 0.001 | 12 | ±6 | φ2 Flat | — | 75□16 | φ5.2 | 214 | 107,500 JPY |
| SSD-2130M | 0.001 | 12 | ±6 | φ3.2 Steel Ball | — | 75□16 | φ5.2 | 214 | 107,500 JPY |
| SSD-2500M | 0.001 | 5 | ±6 | Needle | — | 50□16 | φ2.0 | 149 | 108,000 JPY |
| SSD-2520M | 0.001 | Concave 5, Convex 4 | ±6 | Needle | — | 50□16 | φ8.0 | 144 | 113,100 JPY |

1/1000mm High-precision Standard Series

Features

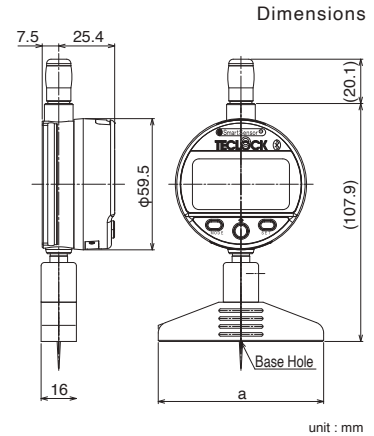
- Easy measurement of depth and steps in a work piece.
- 1/1000mm High-precision model.
- One-touch data sending to PC by built-in Bluetooth.
- Data management by SmartMeasure® Lite (free).



SSD-2100
Needle



SSD-2150
Large Base
With Extension rods



Specifications ※Measuring Range:()value is Range by using 5pcs extension rods.

| Model | Resolution (mm) | Measuring Range(mm) | Indication Error(μm) | Contact Point Form(mm) | Extension rods | Base Shape(mm) | Base Hole Diameter (mm) | Weight (g) | Suggested List Price |
|----------|-----------------|---------------------|----------------------|------------------------|----------------|----------------|-------------------------|------------|----------------------|
| SSD-2100 | 0.001 | 12 | ±5 | Needle | — | 75□16 | φ2.5 | 262 | 108,600 JPY |
| SSD-2150 | 0.001 | 12(220) | ±5 | φ3.2 Steel Ball | 5 | 100□16 | φ5.2 | 323 | 111,800 JPY |

25mm Long Stroke Type

Features

- Easy measurement of depth and steps in a work piece.
- Compact and Long stroke type.
- 1/1000mm High-precision model.
- One-touch data sending to PC by built-in Bluetooth.
- Data management by SmartMeasure® Lite (free).

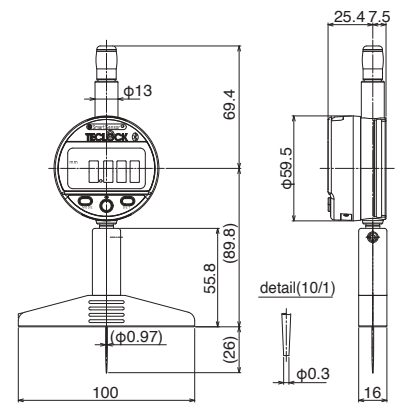


SSD-2400
Needle

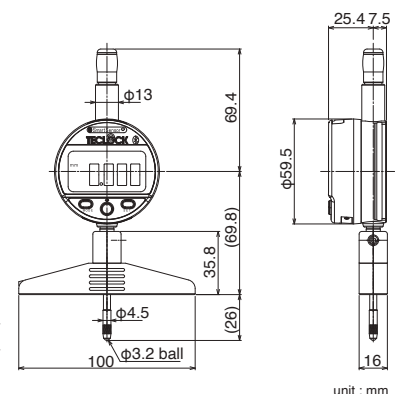


SSD-2410
φ3.2 Steel Ball

Dimensions : SSD-2400



Dimensions : SSD-2410



Specifications

| Model | Resolution (mm) | Measuring Range(mm) | Indication Error(μm) | Contact Point Form(mm) | Extension rods | Base Shape(mm) | Base Hole Diameter (mm) | Weight (g) | Suggested List Price |
|----------|-----------------|---------------------|----------------------|------------------------|----------------|----------------|-------------------------|------------|----------------------|
| SSD-2400 | 0.001 | 25 | ±6 | Needle | — | 100□16 | φ2.5 | 327 | 156,000 JPY |
| SSD-2410 | 0.001 | 25 | ±6 | φ3.2 Steel Ball | — | 100□16 | φ5.2 | 307 | 156,000 JPY |

Bluetooth Digital Micrometer NEW

High Precision Standard Series

- Line up for two sizes.
- High speed ratchet mechanism.
- IP67.
- One-touch data sending to PC or smartphone by built-in Bluetooth.
- Data management by SmartMeasure® Lite (free).

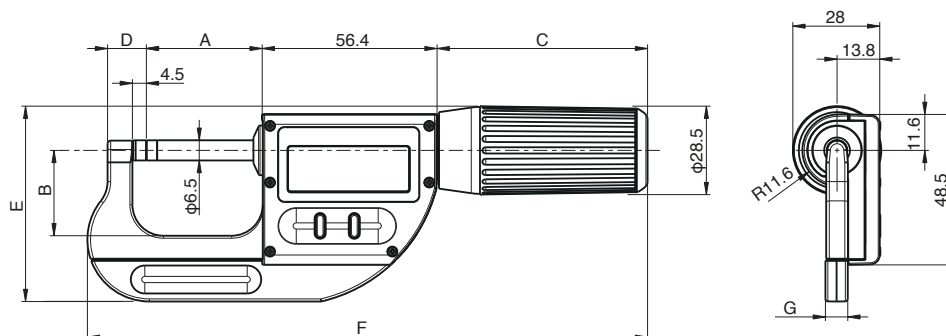


SSM-750
·Measuring Range 0-30mm



SSM-850
·Measuring Range 30-66mm

Dimensions



| | A | B | C | D | E | F | G |
|------------------|------|------|----|------|----|-----|-----|
| SSM-750(0-30mm) | 37.3 | 27.5 | 68 | 12.5 | 63 | 181 | 7.2 |
| SSM-850(30-66mm) | 73.3 | 43.0 | 74 | 13.5 | 86 | 230 | 9.0 |

unit : mm

Specifications

| Model | Measuring Range (mm) | Resolution (mm) | Indication Error(μm) | Measuring Force(N) | Travel(mm)/Rotation | IP Rating | Battery | Weight (g) | Suggested List Price |
|---------|----------------------|-----------------|----------------------|--------------------|---------------------|-----------|---------|------------|----------------------|
| SSM-750 | 0-30 | 0.001 | ±2 | 5 or 10 | 10 | IP67 | CR2032 | 270 | 94,800 JPY |
| SSM-850 | 30-66 | 0.001 | ±2 | 10 | 10 | IP67 | CR2032 | 425 | 138,600 JPY |

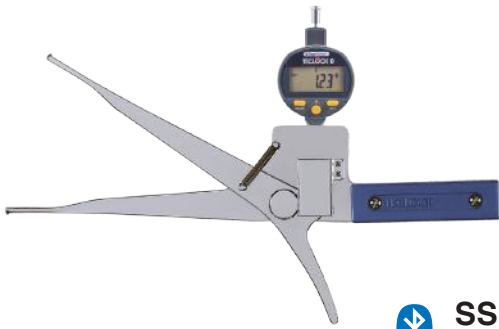
Bluetooth Digital Internal Caliper Gauge (Fixed Contact point)



NEW

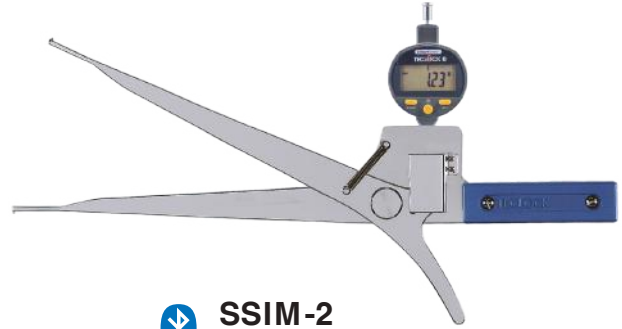
Features

- Measuring internal diameter for deep positions.
- Fixed Contact point type.
- Easy Searching Minimum value of internal diameter by Peak hold mode(MIN mode).
- One-touch data sending to PC by built-in Bluetooth.
- Data management by SmartMeasure® Lite (free).



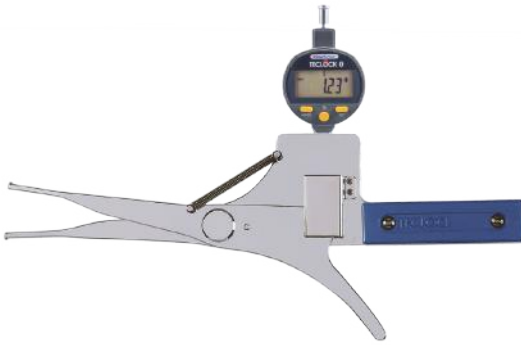
SSIM-1

- Maximum Measuring Depth 130mm
- Measuring Range 10-100mm



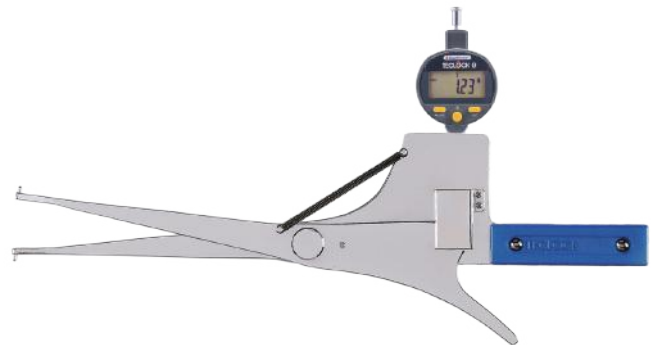
SSIM-2

- Maximum Measuring Depth 180mm
- Measuring Range 10-100mm



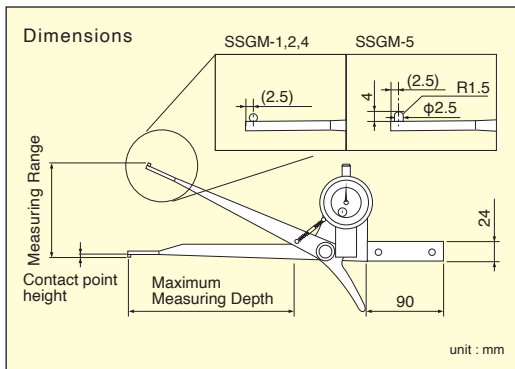
SSIM-4

- Maximum Measuring Depth 100mm
- Measuring Range 10-30mm

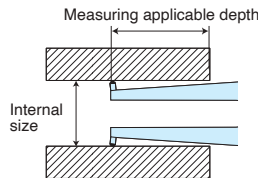


SSIM-5

- Maximum Measuring Depth 150mm
- Measuring Range 20-40mm



Internal size of workpiece is 10mm, 15mm, 20mm and 30mm or over against measuring applicable depth.



| Model | Internal Size | | | |
|--------|---------------|----|-----|-----|
| | 10 | 15 | 20 | 30~ |
| SSIM-1 | 35 | 50 | 80 | 130 |
| SSIM-2 | 35 | 50 | 80 | 180 |
| SSIM-4 | 35 | 50 | 80 | 100 |
| SSIM-5 | - | - | 140 | 150 |

unit : mm

Inside of workpiece should be straight or round shape without step etc.

Specifications

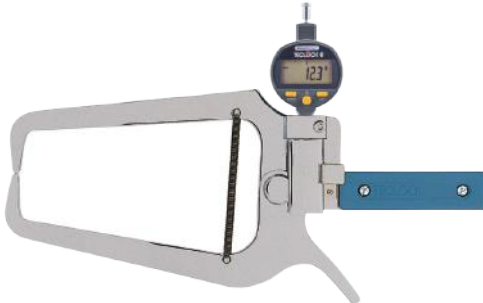
| Model | Resolution (mm) | Measuring Range(mm) | Indication Error(mm) | Maximum Measuring Depth(mm) | Contact Point Height(mm) | Contact Point Shape(mm) | Measuring Force(N) | IP Rating | Battery | Weight (g) | Suggested List Price |
|--------|-----------------|---------------------|----------------------|-----------------------------|--------------------------|-------------------------|--------------------|-----------|---------|------------|----------------------|
| SSIM-1 | 0.1 | 10-100 | ±0.1 | 130 | 2 | φ2.0 | 5 or less | IP67 | CR2032 | 465 | 116,500 JPY |
| SSIM-2 | 0.1 | 10-100 | ±0.1 | 180 | 2 | φ2.0 | 5 or less | | | 585 | 122,500 JPY |
| SSIM-4 | 0.01 | 10-30 | ±0.02 | 100 | 2 | φ2.0 | 5 or less | | | 465 | 122,500 JPY |
| SSIM-5 | 0.01 | 20-40 | ±0.02 | 150 | 4 | R1.5/φ2.5 | 5 or less | | | 565 | 124,800 JPY |

Bluetooth Digital External Caliper Gauge

NEW

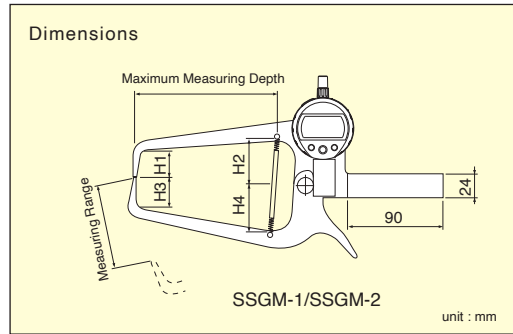
Features

- Measuring thickness of deep position and long distance position where measurement is difficult, for a big size work.
- Resolution 0.1mm model.
- Easy Searching Minimum value of thickness by Peak.
- hold mode(MIN mode).
- One-touch data sending to PC by built-in Bluetooth
- Data management by SmartMeasure@Lite (free).



SSGM-1

- Maximum measuring depth 125mm
- Measuring Range 90mm



Dimensions Table

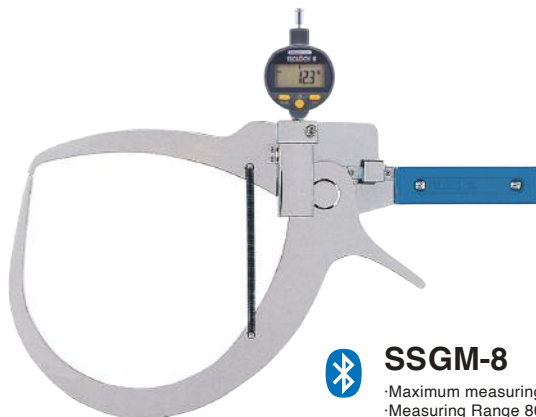
| Model | H ₁ | H ₂ | H ₃ | H ₄ |
|--------|----------------|----------------|----------------|----------------|
| SSGM-1 | 25 | 40 | 25 | 40 |
| SSGM-2 | 50 | 60 | 50 | 60 |

unit : mm



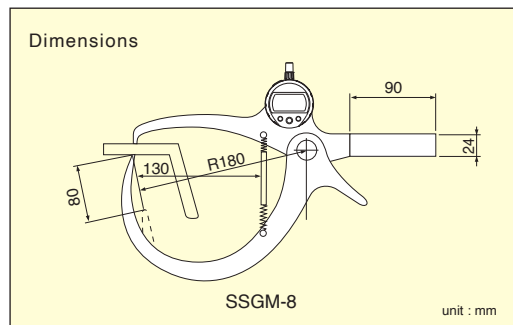
SSGM-2

- Maximum measuring depth 250mm
- Measuring Range 90mm



SSGM-8

- Maximum measuring depth 130mm
- Measuring Range 80mm



Specifications

| Model | Resolution (mm) | Measuring Range(mm) | Indication Error(mm) | Maximum Measuring Depth (mm) | Measuring Force(N) | IP Rating | Battery | Weight (g) | Suggested List Price |
|--------|-----------------|---------------------|----------------------|------------------------------|--------------------|-----------|---------|------------|----------------------|
| SSGM-1 | 0.1 | 0-90 | ±0.1 | 125 | 5 or less | IP67 | CR2032 | 465 | 127,100 JPY |
| SSGM-2 | 0.1 | 0-90 | ±0.1 | 250 | 5 or less | | | 735 | 144,400 JPY |
| SSGM-8 | 0.1 | 0-80 | ±0.1 | 130 | 5 or less | | | 485 | 152,500 JPY |

Bluetooth Digital Bore Gauge (with Digital Indicator)

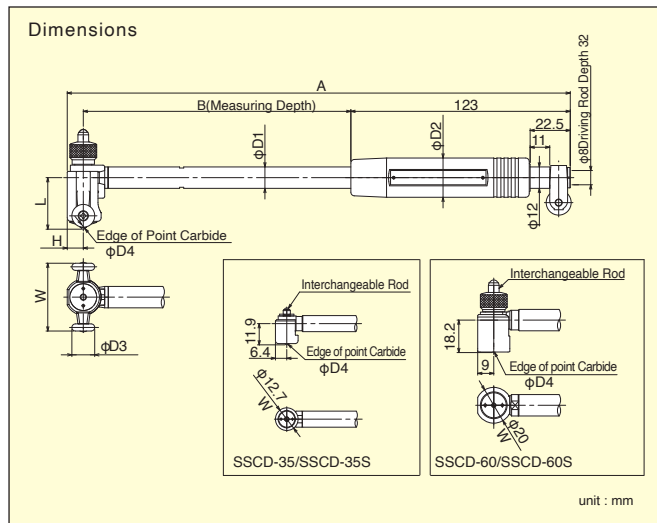


NEW

Bore Gauge (CD Type) +1/1000mm Mini Indicator

Features

- High precision measurement of Internal diameter.
- With Mini Indicator SSI-250 ⇒1/1000mm, Φ45mm, 75g.
- Easy comparison Measurement by Analog Display.
- Easy Searching Minimum value of Internal diameter by Peak hold mode(MIN mode).
- Compliance with JIS B 7515A.
- One-touch data sending to PC by built-in Bluetooth.
- Data management by SmartMeasure@Lite (free).



Dimension Table : Long Size

| Model | A | B | L | H | W | φD1 | φD2 | φD3 | φD4 |
|----------|-------|-----|-------|-----|-------|-----|-----|------|-----|
| SSCD-35 | 229.4 | 100 | 11.9 | 6.4 | φ12.7 | 9 | 22 | — | 1.5 |
| SSCD-60 | 282 | 150 | 18.2 | 9 | φ20 | 12 | 22 | — | 1.5 |
| SSCD-150 | 282 | 150 | 28.9 | 9 | 38 | 12 | 22 | 12.8 | 2 |
| SSCD-160 | 282 | 150 | 28.9 | 9 | 50 | 12 | 22 | 12.8 | 2 |
| SSCD-250 | 385 | 250 | 100.9 | 12 | 90 | 15 | 25 | 19.8 | 3 |
| SSCD-400 | 385 | 250 | 100.9 | 12 | 90 | 15 | 25 | 19.8 | 3 |

unit : mm

Dimension Table : Short Size

| Model | A | B | L | H | W | φD1 | φD2 | φD3 | φD4 |
|-----------|-------|-----|-------|-----|-------|-----|-----|------|-----|
| SSCD-35S | 179.4 | 50 | 11.9 | 6.4 | φ12.7 | 9 | 22 | — | 1.5 |
| SSCD-60S | 182 | 50 | 18.2 | 9 | φ20 | 12 | 22 | — | 1.5 |
| SSCD-150S | 182 | 50 | 28.9 | 9 | 38 | 12 | 22 | 12.8 | 2 |
| SSCD-160S | 182 | 50 | 28.9 | 9 | 50 | 12 | 22 | 12.8 | 2 |
| SSCD-250S | 285 | 150 | 100.9 | 12 | 90 | 15 | 25 | 19.8 | 3 |
| SSCD-400S | 285 | 150 | 100.9 | 12 | 90 | 15 | 25 | 19.8 | 3 |

unit : mm

•The Anvils and the Contact points are using the carbide ball.

•The Probe depth can be extend using the option extension rod to measure a deep hole. (without Short size)

•IP Rating : IP67

•Battery CR2032

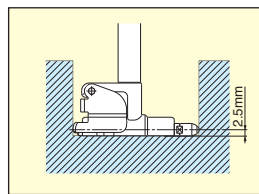
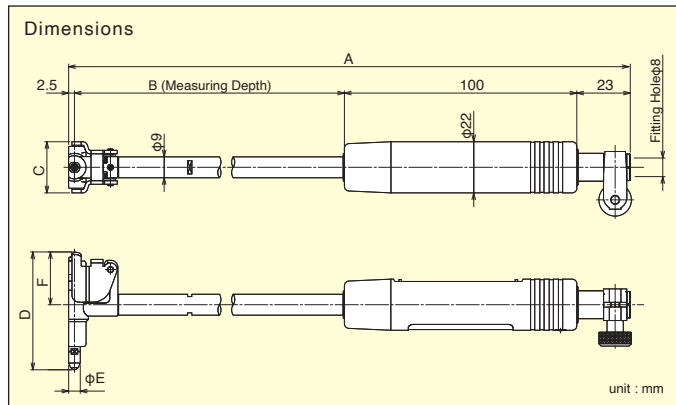
Specifications

| | Model | Resolution (mm) | Measuring Range (mm) | Probe Depth (mm) | Effective Measuring Range(mm) | Indication Error (μm) | Repeatability (μm) | Measuring Force (N) | Guide Support Force(N) | Number of Rods | Interchangeable Washers | Extension Rod | Weight (g) | Suggested List Price |
|------------|-----------|-----------------|----------------------|------------------|-------------------------------|-----------------------|--------------------|---------------------|------------------------|----------------|-------------------------|---------------|------------|----------------------|
| Long Size | SSCD-35 | 0.001 | 18-35 | 100 | 1.2 | 6 | 2.5 | 4.9 or less | 6 or less | 9pcs./2mm | 0.5-1mm | | 235 | 117,700 JPY |
| | SSCD-60 | 0.001 | 35-60 | 150 | 1.2 | 6 | 2.5 | 4.9 or less | 6 or less | 6pcs./2mm | 0.5-1-2-3mm | | 305 | 118,800 JPY |
| | SSCD-150 | 0.001 | 50-150 | 150 | 1.6 | 6 | 2.5 | 5.9 or less | 10 or less | 11pcs./5mm | 0.5-1-2-3mm | 50mmx1 | 325 | 119,900 JPY |
| | SSCD-160 | 0.001 | 100-160 | 150 | 1.6 | 6 | 2.5 | 5.9 or less | 10 or less | 13pcs./5mm | 0.5-1-2-3mm | | 385 | 132,000 JPY |
| | SSCD-250 | 0.001 | 160-250 | 250 | 1.6 | 6 | 2.5 | 6.9 or less | 15 or less | 6pcs./5mm | 0.5-1-2-3-4-5-6mm | | 815 | 146,300 JPY |
| | SSCD-400 | 0.001 | 250-400 | 250 | 1.6 | 6 | 2.5 | 6.9 or less | 15 or less | 5pcs./15mm | 0.5-1-2-3-4-5-6mm | 75mmx1 | 1,035 | 157,300 JPY |
| Short Size | SSCD-35S | 0.001 | 18-35 | 50 | 1.2 | 6 | 2.5 | 4.9 or less | 6 or less | 9pcs./15mm | 0.5-1mm | | 225 | 117,700 JPY |
| | SSCD-60S | 0.001 | 35-60 | 50 | 1.2 | 6 | 2.5 | 4.9 or less | 6 or less | 6pcs./2mm | 0.5-1-2-3mm | | 285 | 118,800 JPY |
| | SSCD-150S | 0.001 | 50-150 | 50 | 1.6 | 6 | 2.5 | 5.9 or less | 10 or less | 11pcs./5mm | 0.5-1-2-3mm | 50mmx1 | 305 | 119,900 JPY |
| | SSCD-160S | 0.001 | 100-160 | 50 | 1.6 | 6 | 2.5 | 5.9 or less | 10 or less | 15pcs./5mm | 0.5-1-2-3mm | | 365 | 132,000 JPY |
| | SSCD-250S | 0.001 | 160-250 | 150 | 1.6 | 6 | 2.5 | 6.9 or less | 15 or less | 6pcs./5mm | 0.5-1-2-3-4-5-6mm | | 705 | 151,800 JPY |
| | SSCD-400S | 0.001 | 250-400 | 150 | 1.6 | 6 | 2.5 | 6.9 or less | 15 or less | 5pcs./15mm | 0.5-1-2-3-4-5-6mm | 75mmx1 | 795 | 165,000 JPY |

■ Bore Gauge (CD Type) for shallow hole +1/1000mm Mini Indicator Features

Features

- Easy measurement of Internal diameter for shallow hole
- High precision measurement of Internal diameter
- With Mini Indicator SSI-250
⇒1/1000mm, Φ45mm, 75g
- Easy comparison Measurement by Analog Display
- Easy Searching Minimum value of Internal diameter by Peak hold mode(MIN mode)
- Compliance with JIS B 7515A
- One-touch data sending to PC by built-in Bluetooth
- Data management by SmartMeasure®Lite (free)



Internal measurement is possible at the position from shallow hole bottom by 2.5mm.

Dimension Table

| Model | A | B | C | D | E | F |
|------------|-------|-----|------|------|---|------|
| SSCD-35F | 275.5 | 150 | 10.6 | 15.7 | 5 | 10 |
| SSCD-60F | 275.5 | 150 | 18 | 35.7 | 5 | 14.3 |
| SSCD-150F | 275.5 | 150 | 22 | 50.7 | 5 | 22.7 |
| SSCD-35FS | 175.5 | 50 | 10.6 | 15.7 | 5 | 10 |
| SSCD-60FS | 175.5 | 50 | 18 | 35.7 | 5 | 14.3 |
| SSCD-150FS | 175.5 | 50 | 22 | 50.7 | 5 | 22.7 |

unit : mm

·IP Rating : IP67

·Battery : CR2032

Specifications

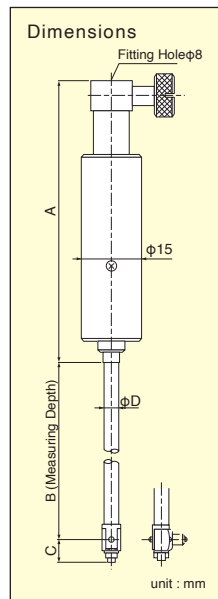
| Model | Resolution (mm) | Measuring Range(mm) | Effective Measuring Range(mm) | Indication Error(μm) | Repeatability (μm) | Measuring Force(N) | Guide Support Force(N) | Number of Rods | Weight (g) | Suggested List Price |
|------------|-----------------|---------------------|-------------------------------|----------------------|--------------------|--------------------|------------------------|----------------|------------|----------------------|
| SSCD-35F | 0.001 | 15~35 | 1.2 | 8 | 3 | 4.9 or less | 6 or less | 11 | 255 | 128,700 JPY |
| SSCD-60F | 0.001 | 35~60 | 1.2 | 8 | 3 | 4.9 or less | 6 or less | 6 | 275 | 128,700 JPY |
| SSCD-150F | 0.001 | 50~150 | 1.2 | 8 | 3 | 5.9 or less | 10 or less | 11 | 285 | 134,200 JPY |
| SSCD-35FS | 0.001 | 15~35 | 1.2 | 8 | 3 | 4.9 or less | 6 or less | 11 | 215 | 138,600 JPY |
| SSCD-60FS | 0.001 | 35~60 | 1.2 | 8 | 3 | 4.9 or less | 6 or less | 6 | 235 | 140,800 JPY |
| SSCD-150FS | 0.001 | 50~150 | 1.2 | 8 | 3 | 5.9 or less | 10 or less | 11 | 245 | 145,200 JPY |

✦ SSCD-60F

■ Bore Gauge (CN Type) for small hole +1/1000mm Mini Indicator Features

Features

- Easy measurement of Internal diameter for small hole(18.5mm or less)
- High precision measurement of Internal diameter
- With Mini Indicator SSI-250
⇒1/1000mm, Φ45mm, 75g
- Easy comparison Measurement by Analog Display
- Easy Searching Minimum value of Internal diameter by Peak hold mode(MIN mode)
- Compliance with JIS B 7515A
- One-touch data sending to PC by built-in Bluetooth
- Data management by SmartMeasure®Lite (free)



Dimension Table

| Model | A | B | C | D |
|---------|----|-----|-----|---|
| SSCN-10 | 80 | 49 | 5.4 | 4 |
| SSCN-18 | 80 | 100 | 8.5 | 6 |

unit : mm

·IP Rating : IP67

·Battery : CR2032

Specifications

| Model | Resolution (mm) | Measuring Range(mm) | Probe Depth (mm) | Effective Measuring Range(mm) | Indication Error(μm) | Repeatability (μm) | Measuring Force(N) | Guide Support Force(N) | Weight (g) | Suggested List Price |
|---------|-----------------|---------------------|------------------|-------------------------------|----------------------|--------------------|--------------------|------------------------|------------|----------------------|
| SSCN-10 | 0.001 | 6~10 | 49 | 0.5 | 9 | 4 | 2.9 or less | — | 145 | 127,600 JPY |
| SSCN-18 | 0.001 | 10~18.5 | 100 | 0.6 | 9 | 4 | 2.9 or less | 6 or less | 160 | 123,200 JPY |

✦ SSCN-10

✦ SSCN-18

Bluetooth Digital Height Gauge

NEW



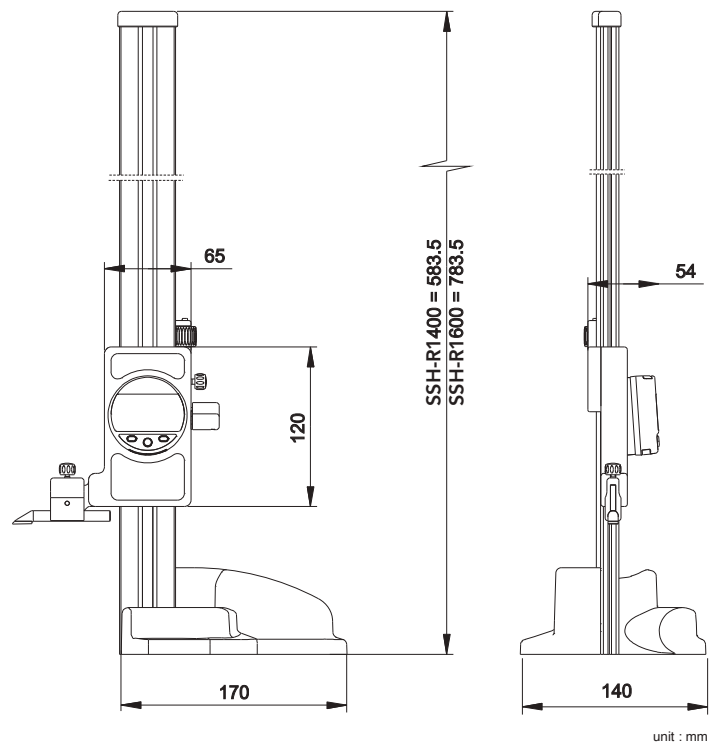
Regular Series

Features

- Lineups by two sizes.
- One-touch data sending to PC by built-in Bluetooth.
- Data management by SmartMeasure®Lite (free).



Dimensions



Specifications

| Series | Model | Measuring Range(mm) | Resolution (mm) | Indication Error(μm) | Repeatability (μm) | Height (mm) | Battery | Weight (kg) | Interface | | | Data Capture | | Suggested List Price |
|--------|-----------|---------------------|-----------------|----------------------|--------------------|-------------|---------|-------------|-----------|-------|-----|--------------------|---------------|----------------------|
| | | | | | | | | | Bluetooth | RS232 | USB | SmartMeasure® Lite | SmartMeasure® | |
| R1 | SSH-R1400 | 400 | 0.01 | ±40 | 10 | 584 | CR2032 | 4.97 | ✓ | ✓ | ✓ | ✓ | ✓ | 229,700 JPY |
| | SSH-R1600 | 600 | | ±50 | 10 | 784 | CR2032 | 5.23 | ✓ | ✓ | ✓ | ✓ | ✓ | 254,700 JPY |

Accessory

| | Model | Description |
|--|-------------|---|
| | ZS-840.9002 | Tracing probe ·Measuring Height ·for Scribing |

Option

| | Model | Description |
|--|-------------|---|
| | ZS-840.9001 | Ball probe Ø8mm ·Measuring Height ·Measuring Diameter |
| | ZY-905.2247 | Clamping stem ·Clamping Test Indicator |

Interesting Measurement ex. of usual one

Hardness of Konjac



Hardness measurement of Konjac. Durometer : GS-744G

Durometer is an instrument which measures hardness of rubber and plastic. In other case, it can measure soft foods, for example, pudding, jelly, caramel, chocolate, cheese, gum, cake, bread, noodles and pizza etc..

Thickness of Hair



Thickness Gauge : SM-112

Thickness Gauge is an instrument which measures thickness of anyone. In case of this person, the thickness of hair is 0.07mm.



Dimension of deep part in long thin tube

The measurement instrument with long arms is suitable for measuring dimensions of deep part.



The wall thickness of deep part is 2.1mm.
Outer Caliper Gauge : GM-21



The bore diameter of deep part is 13.5mm.
Inner Caliper Gauge : IM-2



The inner depth is 180.94mm.
The length of stylus is extended by the extension rods.
Depth Gauge : SSD-214

- Durometer P135
- Caliper Gauge P99
- Depth Gauge P79