

TRITON® **20**
years







CONTENTS

History, production	4
Variability	10
Free-standing cabinets.....	11
RMA – for maximum user’s comfort	13
RZA – demountable	23
RDA – server cabinet with loading capacity 1300 kg.....	31
RDE – with IP54 and loading capacity 1300 kg	35
RIE – protection against dust and humidity (IP54)	39
RPE, RPA – for industrial applications.....	43
ROA – with a rotating inner frame.....	47
RSX – 19” open frames.....	51
Datacenter’s.....	55
What is it Datacenter?	57
Datacenter cooling.....	59
Power distribution	60
RDA for datacenter	61
Accessories for datacenter.....	65
Hot/cold aisle.....	69
Raised floor	70
References	72
Wall-mounted cabinets	79
RBA – one sectioned, a classic for medium size installations.....	81
RBA – two-sectioned, an easy access to the rear section	85
RUA – with removable side panels	91
RXA – „Flat-Pack” conception	95
RKA – Compact 10” and 19” cabinet	99
RBA – 10” cabinet for smaller projects	103
Special cabinets	107
RCA – cabinet under the work desk.....	109
RFA – wall mounted server cabinet - NEW	113
Swing – free standing cabinet with integral swing-frame - NEW	117
Accessories	121
Active cooling	123
Cable management systems	131
Other accessories	137
Technical support	156
Partnumbering system, configurator	158
Certification	160
Packaging, transportation, warranty	163
Marketing - Exhibitions	164
Showroom Triton	166
Marketing - mobile presentation	167
Power distribution cabinets	168
Clothes lockers and cloak room equipment	170





PRODUCTION – MANUFACTURING PROGRAM

Triton Pardubice Ltd. belongs to the world leaders in the development and manufacture of 19" data and telecommunication cabinets.

History of the company began in 1993 and currently resides near city Pardubice, in the Starý Mateřov,

where is built brand new manufacturing plant covering an area 10.000 m².

Triton is a long standing and important regional employer and today has more than 130 workers.



2000 Tritón – Starý Mateřov

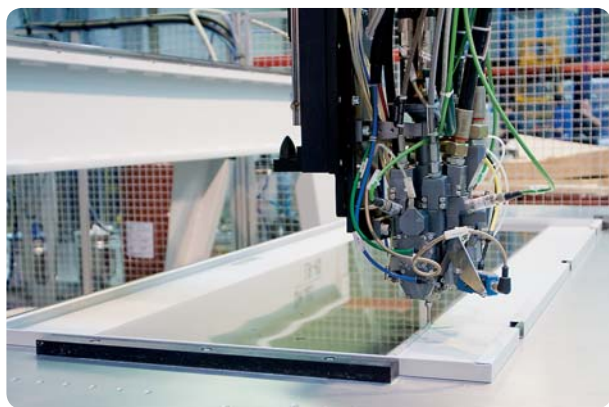
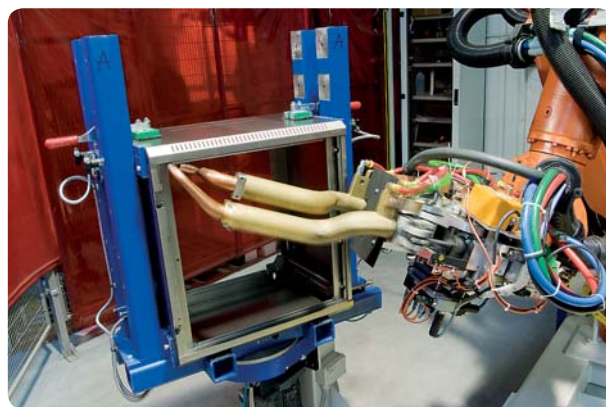
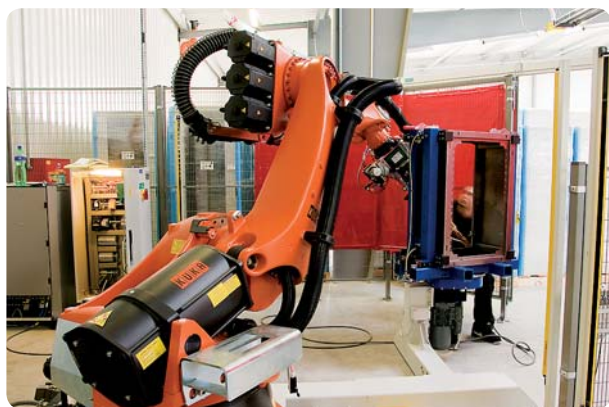


2011 Tritón – Starý Mateřov

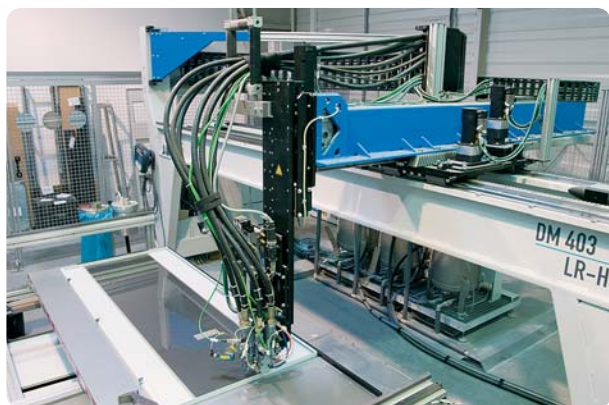


2004 Tritón – Starý Mateřov











VARIABILITY

DOOR OPTIONS



› Hardened smoked glass door



› Perforated door



› Solid steel door



› Special door

METHOD OF THE GLUING

We have put into action a fully automated line for glass gluing and door sealing. We use the CNC system for the polyurethane compound application. This system has a three axes motion and the mixture is applied evenly by a nozzle. This new professional method of gluing increases bond strength between glass and the steel frame.

PERFORATED DOOR

Perforated metal door is used to support cooling of installed equipment. We produce them by perforating one piece of material. Hand in hand with a coherent construction of reinforcements gives door extra strength while air permeability remain 80%.

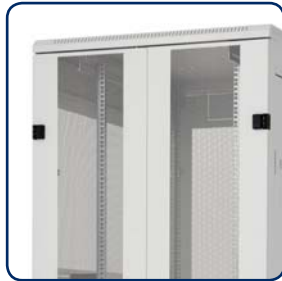
Special door suitable for mounting of standard horizontal fan units (for most of the free-standing cabinets)

Further informations are available in section Active cooling.

DOUBLE WING DOOR



› Hardened smoked glass door



› Perforated door



› Solid steel door

COLOUR VARIETY OF THE CABINETS



RAL 7035



RAL 9005

STANDARD COLOURS

Standard colours are RAL 7035 (light grey) and RAL 9005 (black). When agreed, it is possible to use any colour from the RAL sampler on various cabinet parts and thereby to create an original design in accordance with a client's or architect's conception.

The colour has a good resistance to chemical and mechanical damages.



Free-Standing Cabinets





FREE-STANDING CABINETS – OVERVIEW



RMA

for maximum user's comfort - welded cabinet with demountable side and back panels, IP20

13



RZA

demountable cabinet welded parts assembled by screws, IP20

23



RDA

with loading capacity 1300 kg welded server cabinet with high loading capacity, IP20

31



RDE

with high ingress protection, loading capacity 1300 kg welded cabinet, ready for air conditioning unit, IP54

35



RIE

protection against dust and water - welded cabinet with demountable panels, ready for air conditioning unit, IP54

39



RPE, RPA

for industrial applications - separate sections for the screen, keyboard and computer, RPA - IP20, RPE - IP54

43



ROA

with a rotating inner frame - a unique construction of octagonal design cabinet, IP20

47



RSX

19" open frames for installation in protected area

51



RMA



0000011001000111101

10101111

RMA >

Universal cabinet for data and telecommunication purposes. Sufficient capacity for common applications, a large selection of sizes and options together with a wide range of accessories and perfect processing make it the best selling cabinet in our offer.



■ HIGH RIGIDITY CONSTRUCTION

RMA has a robust welded construction. High quality processing and the newest technologies ensure a perfect look of the cabinet.



■ FLEXIBLE DOOR OPENING

The hinge system enables almost 180° wide opening of the door. The door can be easily removed and mounted for a change of the door opening direction.



■ TRITON HANDLES

For several years, Triton has been making its own handles for free-standing cabinets. PATENT: PUV 2009-22086



■ ADJUSTABLE VERTICAL RAILS

Vertical 19" rails can be adjusted freely in any depth of the cabinet. This simplifies mounting of the device and configuration of connecting cables.



■ REMOVABLE SIDE PANELS AND A REAR COVER

RMA is a cabinet with welded frame and removable side panels. These are standardly fixed to the frame using a lock with a same key as the front door and rear cover.



■ DOOR FOR FAN UNITS

With this cabinet type, it is possible to order a special metal door with a preparation for mounting of RAX-CH-X0x-X3 fan units. Further informations are available in section Active cooling.



■ DETAIL OF FIXTURE OF THE CABINET REMOVABLE REAR COVER

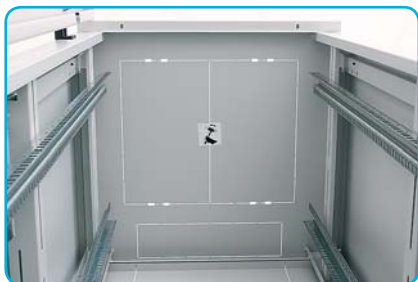


■ DETAIL OF THE REMOVABLE SIDE PANEL LOCK



■ BREAK-OUT BLANKING PANELS

Entry openings for cables in the rear part of the cabinet are covered with breakout-type blanking panels. It is possible to use a blanking panel with a brush in cable opening to avoid dust penetration. The plastic frame serves to protect cables from damage (both are parts of the cabinet supply).

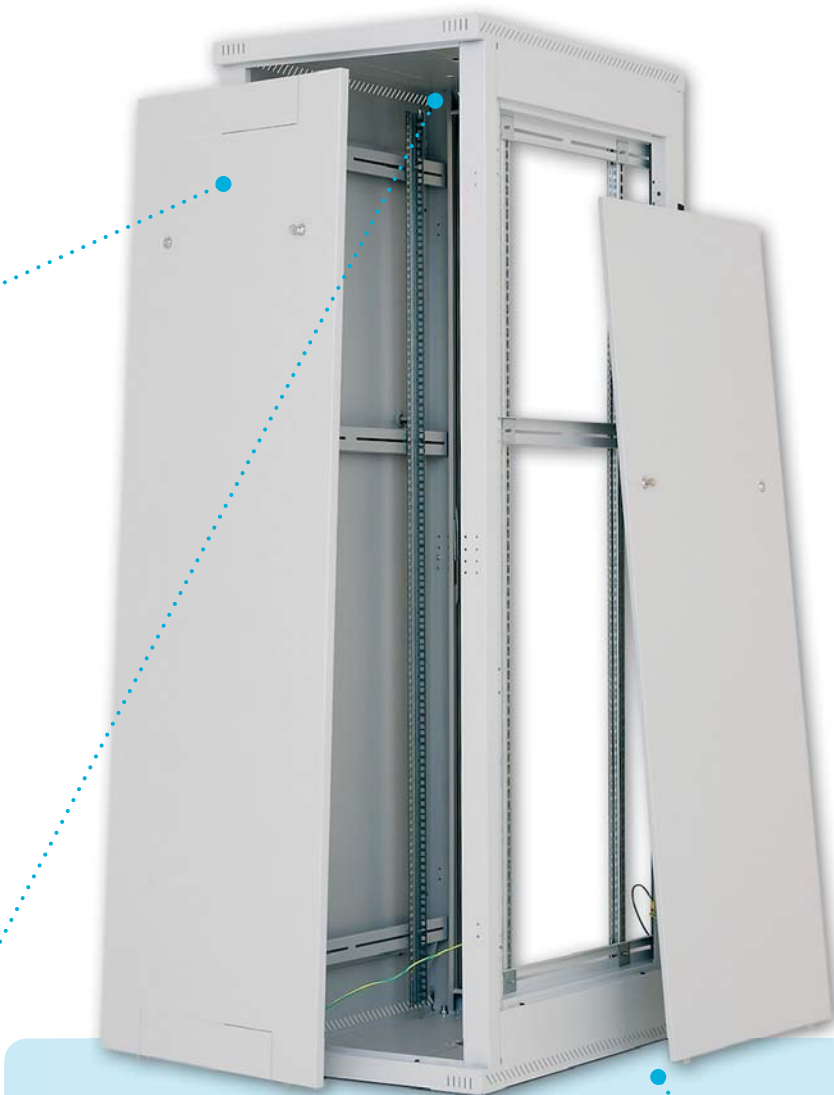


■ OPENING FOR A FAN UNIT

A large opening covered with a breakout-type blanking panel enables mounting and removal of the Triton fan unit from outside of the cabinet without a need of using screws.

■ CASTORS, NIVELATION FEET

Preparation for mounting of castors and nivelation feet.



■ THE BACK SIDE OF THE CABINET

On the rear cover of the cabinet are two cable openings covered with breakout panels. One is at the top and one at the bottom of the rear cover. Other cable entries are on the ceiling and the base of the cabinet.





■ SKELETON PERFORATION

The RMA cabinets has perforated skeleton to ensure the cooling air access to the installed technology. Cooling is possible to support by installation of the fan units.



■ EARTHING

All removable parts are interconnected and earthed according to the relevant standards.



■ FLEX FRAME

(for cabinet width 800 mm)

The system enables sliding vertical rails installation in a span of 19", 21" and 23" exactly up to requirements of the applied technology.



RMA 800 x 1000 mm

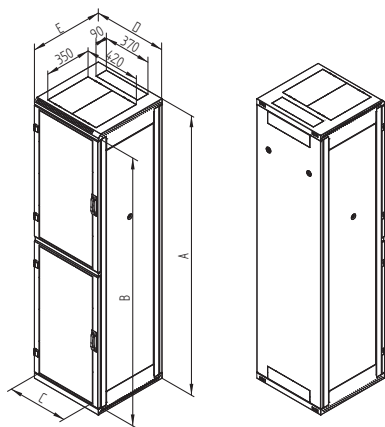
■ MIDDLE PAIR OF VERTICAL RAILS

For cabinets deeper than 800mm the third pair of vertical rails is supplied. The middle rails due its open profile do not limit installation of deeper devices.



RMA 800 x 800 mm double box

RMA 800 x 800 mm



RMA 600 x 800 mm

RMA 800 x 800 mm

■ RMA CABINET VARIANTS

Full range on demand - please contact your supplier.

RMA 42U - double box (21U + 22U)

TYPE	A	B	C	D	E	Openings for fan*	Weight gross (kg)	Weight net (kg)	Maximal recommended load (kg)
	(mm)								
RMA-42-A66-CAX-A12BAA	1970	1868	487	600	600	2	84,90	77,80	400
RMA-42-A68-CAX-A12BAA	1970	1868	487	600	800	2	97,50	89,20	
RMA-42-A69-CAX-A12BAA	1970	1868	487	600	900	2	104,80	94,60	
RMA-42-A61-CAX-A12BAA	1970	1868	487	600	1000	2	111,90	101,10	
RMA-42-A86-CAX-A12BAA	1970	1868	687	800	600	2	100,00	91,30	
RMA-42-A88-CAX-A12BAA	1970	1868	687	800	800	2	114,10	104,50	
RMA-42-A89-CAX-A12BAA	1970	1868	687	800	900	2	126,00	113,10	
RMA-42-A81-CAX-A12BAA	1970	1868	687	800	1000	2	133,90	120,50	

RMA 45U - double box (22U + 22U)

TYPE	A	B	C	D	E	Openings for fan*	Weight gross (kg)	Weight net (kg)	Maximal recommended load (kg)
	(mm)								
RMA-45-A66-CAX-A12BAA	2105	2003	487	600	600	2	89,10	82,00	400
RMA-45-A68-CAX-A12BAA	2105	2003	487	600	800	2	103,40	95,00	
RMA-45-A69-CAX-A12BAA	2105	2003	487	600	900	2	110,90	100,70	
RMA-45-A61-CAX-A12BAA	2105	2003	487	600	1000	2	116,20	105,40	
RMA-45-A86-CAX-A12BAA	2105	2003	687	800	600	2	105,50	96,80	
RMA-45-A88-CAX-A12BAA	2105	2003	687	800	800	2	120,80	110,90	
RMA-45-A89-CAX-A12BAA	2105	2003	687	800	900	2	130,40	117,40	
RMA-45-A81-CAX-A12BAA	2105	2003	687	800	1000	2	137,30	124,10	

* Solid steel door with a preparation for fan units mounting.

RMA 600 x 600

TYPE	A	B	C	D	E	Openings for fan*	Weight gross (kg)	Weight net (kg)	Maximal recommended load (kg)
	(mm)								
RMA-15-A66-CAX-A1	770	668	487	600	600	1	40,3	33,5	300
RMA-18-A66-CAX-A1	900	798	487	600	600	1	44,1	37,3	
RMA-22-A66-CAX-A1	1080	978	487	600	600	2	49,3	42,5	
RMA-27-A66-CAX-A1	1300	1198	487	600	600	2	58,3	51,4	400
RMA-32-A66-CAX-A1	1525	1423	487	600	600	3	65,1	58,1	
RMA-37-A66-CAX-A1	1750	1648	487	600	600	3	72,2	65,0	
RMA-42-A66-CAX-A1	1970	1868	487	600	600	3	78,8	71,7	
RMA-45-A66-CAX-A1	2105	2003	487	600	600	3	83,0	75,8	
RMA-47-A66-CAX-A1	2194	2092	487	600	600	3	85,6	78,4	

RMA 600 x 800

TYPE	A	B	C	D	E	Openings for fan*	Weight gross (kg)	Weight net (kg)	Maximal recommended load (kg)
	(mm)								
RMA-15-A68-CAX-A1	770	668	487	600	800	1	46,1	39,1	300
RMA-18-A68-CAX-A1	900	798	487	600	800	1	50,4	43,3	
RMA-22-A68-CAX-A1	1080	978	487	600	800	2	56,1	49,1	
RMA-27-A68-CAX-A1	1300	1198	487	600	800	2	66,1	58,9	400
RMA-32-A68-CAX-A1	1525	1423	487	600	800	3	73,7	66,4	
RMA-37-A68-CAX-A1	1750	1648	487	600	800	3	81,5	74,1	
RMA-42-A68-CAX-A1	1970	1868	487	600	800	3	88,9	81,5	
RMA-45-A68-CAX-A1	2105	2003	487	600	800	3	93,5	86,0	
RMA-47-A68-CAX-A1	2194	2092	487	600	800	3	96,4	88,9	

RMA 600 x 900

TYPE	A	B	C	D	E	Openings for fan*	Weight gross (kg)	Weight net (kg)	Maximal recommended load (kg)
	(mm)								
RMA-15-A69-CAX-A1	770	668	487	600	900	1	49,7	42,9	300
RMA-18-A69-CAX-A1	900	798	487	600	900	1	54,4	47,5	
RMA-22-A69-CAX-A1	1080	978	487	600	900	2	60,8	53,8	
RMA-27-A69-CAX-A1	1300	1198	487	600	900	2	72,7	65,6	400
RMA-32-A69-CAX-A1	1525	1423	487	600	900	3	81,1	73,9	
RMA-37-A69-CAX-A1	1750	1648	487	600	900	3	89,7	82,5	
RMA-42-A69-CAX-A1	1970	1868	487	600	900	3	98,0	90,8	
RMA-45-A69-CAX-A1	2105	2003	487	600	900	3	103,1	98,5	
RMA-47-A69-CAX-A1	2194	2092	487	600	900	3	106,8	99,5	

RMA 600 x 1000

TYPE	A	B	C	D	E	Openings for fan*	Weight gross (kg)	Weight net (kg)	Maximal recommended load (kg)
	(mm)								
RMA-15-A61-CAX-A1	770	668	487	600	1000	1	52,5	45,6	300
RMA-18-A61-CAX-A1	900	798	487	600	1000	1	57,5	50,5	
RMA-22-A61-CAX-A1	1080	978	487	600	1000	2	64,1	57,1	
RMA-27-A61-CAX-A1	1300	1198	487	600	1000	2	76,4	69,2	400
RMA-32-A61-CAX-A1	1525	1423	487	600	1000	3	85,2	78,0	
RMA-37-A61-CAX-A1	1750	1648	487	600	1000	3	94,3	86,9	
RMA-42-A61-CAX-A1	1970	1868	487	600	1000	3	102,9	95,6	
RMA-45-A61-CAX-A1	2105	2003	487	600	1000	3	108,3	100,9	
RMA-47-A61-CAX-A1	2194	2092	487	600	1000	3	111,8	104,4	

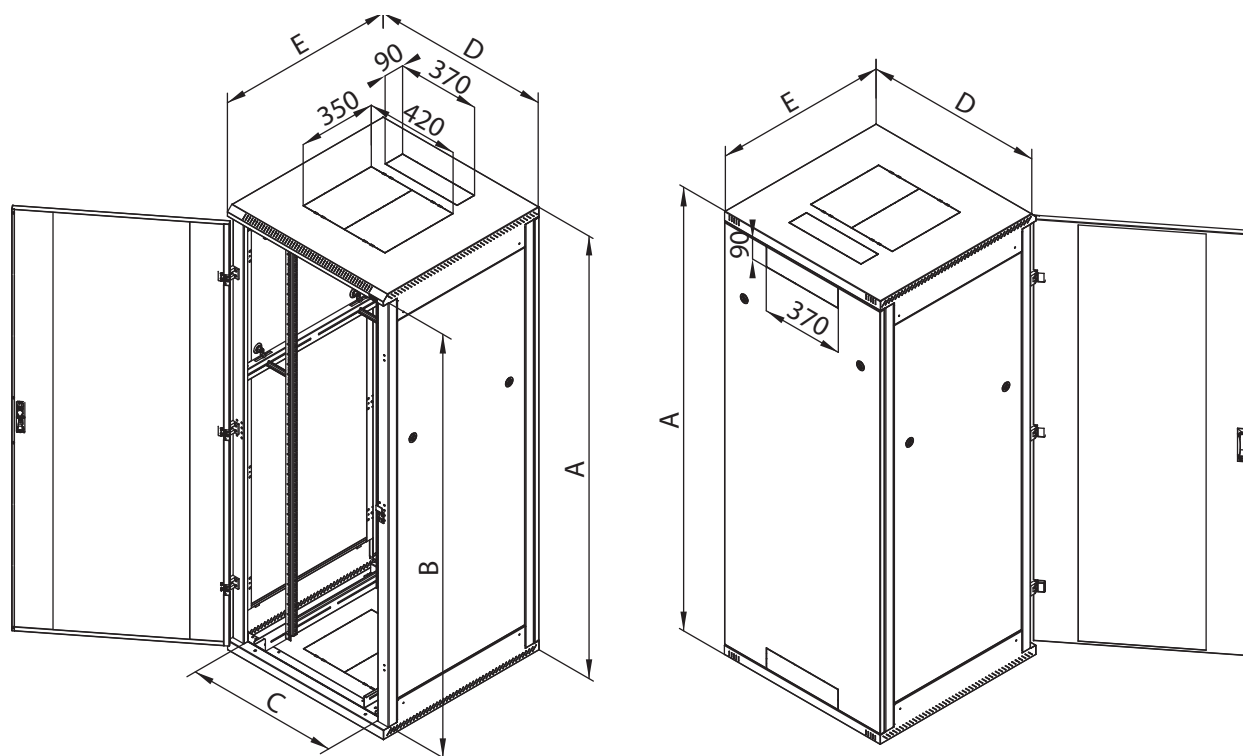
RMA 600 x 1100

TYPE	A	B	C	D	E	Openings for fan*	Weight gross (kg)	Weight net (kg)	Maximal recommended load (kg)
	(mm)								
RMA-15-A60-CAX-A1	770	668	487	600	1100	1	61,0	49,5	300
RMA-18-A60-CAX-A1	900	798	487	600	1100	1	67,6	54,7	
RMA-22-A60-CAX-A1	1080	978	487	600	1100	2	74,8	61,9	
RMA-27-A60-CAX-A1	1300	1198	487	600	1100	2	84,0	70,9	400
RMA-32-A60-CAX-A1	1525	1423	487	600	1100	3	93,0	79,9	
RMA-37-A60-CAX-A1	1750	1648	487	600	1100	3	102,2	89,0	
RMA-42-A60-CAX-A1	1970	1868	487	600	1100	3	111,1	97,8	
RMA-45-A60-CAX-A1	2105	2003	487	600	1100	3	116,6	103,3	
RMA-47-A60-CAX-A1	2194	2092	487	600	1100	3	119,8	106,5	

RMA 600 x 1200

TYPE	A	B	C	D	E	Openings for fan*	Weight gross (kg)	Weight net (kg)	Maximal recommended load (kg)
	(mm)								
RMA-15-A62-CAX-A1	770	668	487	600	1200	1	64,0	52,4	300
RMA-18-A62-CAX-A1	900	798	487	600	1200	1	69,4	57,8	
RMA-22-A62-CAX-A1	1080	978	487	600	1200	2	76,9	65,3	
RMA-27-A62-CAX-A1	1300	1198	487	600	1200	2	86,4	74,6	400
RMA-32-A62-CAX-A1	1525	1423	487	600	1200	3	95,8	84,0	
RMA-37-A62-CAX-A1	1750	1648	487	600	1200	3	103,5	91,5	
RMA-42-A62-CAX-A1	1970	1868	487	600	1200	3	114,7	102,7	
RMA-45-A62-CAX-A1	2105	2003	487	600	1200	3	120,3	108,3	
RMA-47-A62-CAX-A1	2194	2092	487	600	1200	3	123,7	111,7	

* Solid steel door with a preparation for fan units mounting.



RMA 800 x 600

TYPE	A	B	C	D	E	Openings for fan*	Weight gross (kg)	Weight net (kg)	Maximal recommended load (kg)
	(mm)								
RMA-15-A86-CAX-A1	770	668	687	800	600	1	50,8	40,7	300
RMA-18-A86-CAX-A1	900	798	687	800	600	1	55,1	44,9	
RMA-22-A86-CAX-A1	1080	978	687	800	600	2	60,9	50,6	
RMA-27-A86-CAX-A1	1300	1198	687	800	600	2	70,5	60,1	400
RMA-32-A86-CAX-A1	1525	1423	687	800	600	3	78,2	67,7	
RMA-37-A86-CAX-A1	1750	1648	687	800	600	3	86,0	75,3	
RMA-42-A86-CAX-A1	1970	1868	687	800	600	3	93,5	82,8	
RMA-45-A86-CAX-A1	2105	2003	687	800	600	3	98,0	87,3	
RMA-47-A86-CAX-A1	2194	2092	687	800	600	3	101,0	90,2	

RMA 800 x 800

TYPE	A	B	C	D	E	Openings for fan*	Weight gross (kg)	Weight net (kg)	Maximal recommended load (kg)
	(mm)								
RMA-15-A88-CAX-A1	770	668	687	800	800	1	58,5	48,3	300
RMA-18-A88-CAX-A1	900	798	687	800	800	1	63,2	53,0	
RMA-22-A88-CAX-A1	1080	978	687	800	800	2	69,6	59,3	
RMA-27-A88-CAX-A1	1300	1198	687	800	800	2	80,3	69,9	400
RMA-32-A88-CAX-A1	1525	1423	687	800	800	3	88,6	78,2	
RMA-37-A88-CAX-A1	1750	1648	687	800	800	3	97,2	86,6	
RMA-42-A88-CAX-A1	1970	1868	687	800	800	3	105,4	94,7	
RMA-45-A88-CAX-A1	2105	2003	687	800	800	3	110,4	99,7	
RMA-47-A88-CAX-A1	2194	2092	687	800	800	3	113,7	103,0	

RMA 800 x 900

TYPE	A	B	C	D	E	Openings for fan*	Weight gross (kg)	Weight net (kg)	Maximal recommended load (kg)
	(mm)								
RMA-15-A89-CAX-A1	770	668	687	800	900	1	63,1	52,7	300
RMA-18-A89-CAX-A1	900	798	687	800	900	1	68,2	57,8	
RMA-22-A89-CAX-A1	1080	978	687	800	900	2	75,2	64,7	
RMA-27-A89-CAX-A1	1300	1198	687	800	900	2	87,6	77,0	400
RMA-32-A89-CAX-A1	1525	1423	687	800	900	3	96,9	86,2	
RMA-37-A89-CAX-A1	1750	1648	687	800	900	3	106,3	95,5	
RMA-42-A89-CAX-A1	1970	1868	687	800	900	3	115,4	104,5	
RMA-45-A89-CAX-A1	2105	2003	687	800	900	3	121,0	110,0	
RMA-47-A89-CAX-A1	2194	2092	687	800	900	3	124,9	113,9	

RMA 800 x 1000

TYPE	A	B	C	D	E	Openings for fan*	Weight gross (kg)	Weight net (kg)	Maximal recommended load (kg)
	(mm)								
RMA-15-A81-CAX-A1	770	668	687	800	1000	1	66,3	55,9	300
RMA-18-A81-CAX-A1	900	798	687	800	1000	1	71,7	61,2	
RMA-22-A81-CAX-A1	1080	978	687	800	1000	2	78,9	68,4	
RMA-27-A81-CAX-A1	1300	1198	687	800	1000	2	91,9	81,2	400
RMA-32-A81-CAX-A1	1525	1423	687	800	1000	3	101,5	90,8	
RMA-37-A81-CAX-A1	1750	1648	687	800	1000	3	111,3	100,4	
RMA-42-A81-CAX-A1	1970	1868	687	800	1000	3	120,9	110,0	
RMA-45-A81-CAX-A1	2105	2003	687	800	1000	3	126,6	115,6	
RMA-47-A81-CAX-A1	2194	2092	687	800	1000	3	130,5	119,5	

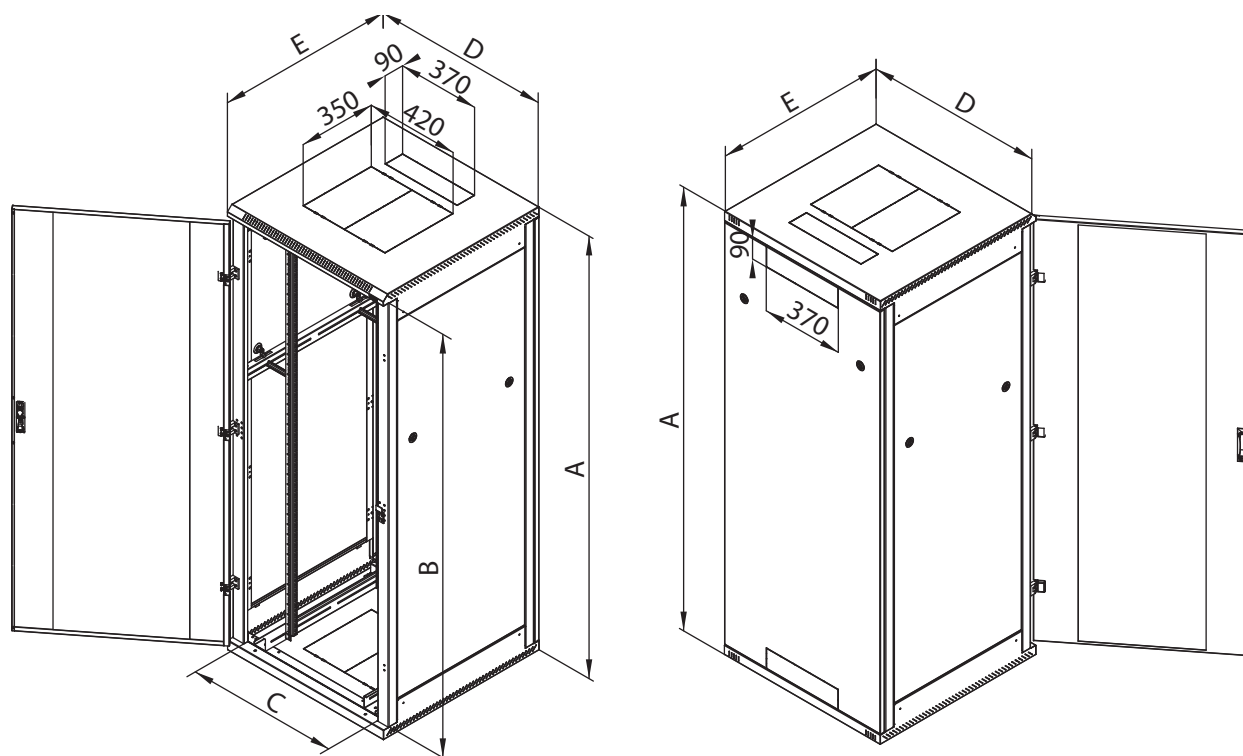
RMA 800 x 1100

TYPE	A	B	C	D	E	Openings for fan*	Weight gross (kg)	Weight net (kg)	Maximal recommended load (kg)
	(mm)								
RMA-15-A80-CAX-A1	770	668	687	800	1100	1	77,6	63,8	300
RMA-18-A80-CAX-A1	900	798	687	800	1100	1	83,4	69,5	
RMA-22-A80-CAX-A1	1080	978	687	800	1100	2	91,2	77,3	
RMA-27-A80-CAX-A1	1300	1198	687	800	1100	2	100,9	86,9	400
RMA-32-A80-CAX-A1	1525	1423	687	800	1100	3	110,8	96,7	
RMA-37-A80-CAX-A1	1750	1648	687	800	1100	3	120,8	106,5	
RMA-42-A80-CAX-A1	1970	1868	687	800	1100	3	130,5	116,1	
RMA-45-A80-CAX-A1	2105	2003	687	800	1100	3	136,4	122,0	
RMA-47-A80-CAX-A1	2194	2092	687	800	1100	3	140,0	125,6	

RMA 800 x 1200

TYPE	A	B	C	D	E	Openings for fan*	Weight gross (kg)	Weight net (kg)	Maximal recommended load (kg)
	(mm)								
RMA-15-A82-CAX-A1	770	668	687	800	1200	1	81,3	67,5	300
RMA-18-A82-CAX-A1	900	798	687	800	1200	1	86,8	73,0	
RMA-22-A82-CAX-A1	1080	978	687	800	1200	2	95,2	81,3	
RMA-27-A82-CAX-A1	1300	1198	687	800	1200	2	105,3	91,3	400
RMA-32-A82-CAX-A1	1525	1423	687	800	1200	3	115,5	101,4	
RMA-37-A82-CAX-A1	1750	1648	687	800	1200	3	123,9	109,7	
RMA-42-A82-CAX-A1	1970	1868	687	800	1200	3	136,0	121,6	
RMA-45-A82-CAX-A1	2105	2003	687	800	1200	3	142,1	127,7	
RMA-47-A82-CAX-A1	2194	2092	687	800	1200	3	145,8	131,4	

* Solid steel door with a preparation for fan units mounting.





RMA FREE-STANDING CABINET

■ DESCRIPTION, PURPOSE OF USE

- 19" free-standing cabinet with IP20 protection.
- Cabinet includes 4 sliding vertical rails for device mounting (6 rails for cabinets deeper than 800 mm).
- Cabinet construction:
 - Welded steel frame with removable side panels.
 - Single or double doors in variants fully-metal, perforated (80% air permeability) or glazed with safety tempered glass 4mm. They can be on the front or back of the cabinet.
- Max. permissible load of the door is 20 kg.
- Min. thickness of the surface finish is 65 µm.
- These cabinets are intended for installation data and telecommunication devices and their distribution systems.
- The frame of the cabinet and all the removable parts (side and rear covers, doors...) are connected with earthing cables that have to be properly fixed and inserted into connectors during all the time when using the cabinet.
- There is one M8 screw placed on the bottom part of the cabinet as an earthing main point.
- Cable openings covered with breakout-type blanking panels are placed in the top and the bottom part of the cabinet.

■ OPERATION CONDITIONS

- Operation environment:
 - Office.
 - The cabinet is not intended for outdoor installations and for installations in environment that can influence negatively the functionality of the cabinet and the mounted devices (e.g. environment with danger of explosion or humid and wet surroundings).
- Must be protected against:
 - Mechanical damage.
 - Improper manipulation.
 - A different usage than the cabinet is intended for.
- Improper manipulation is especially:
 - Overloading (maximum recommended load exceeding).
 - Device installation that can influence negatively operation and function of the cabinet or the installed equipment.
 - Change of the construction or design of the cabinet.

■ INSTALLATION OF THE CABINET

- To ensure the maximal recommended load, it is necessary to distribute the load equally.
- Place the cabinet on a flat floor and compensate an eventual small roughness with the nivelation feet.
- To avoid dust penetration in a case where cables lead through some of the cable openings, it is possible to seal it with a blanking panel with a brush or secure by plastic frame (both are part of the cabinet supply).

■ ENVIRONMENT PROTECTION

- All parts are made of recyclable materials and after its discard, it is necessary to dispose the cabinet according to valid regulations.

■ CERTIFICATE AND CONFORMITY

- This product is certified by ITI TÜV, certification number 06.140.501/r1, date 03/01/2013 and is fully in conformity with ČSN EN 62208 ed.2:2012(EN 62208:2011).



RZA



RZA >

Big rack and tight door of the room - that's exactly the situation addressed for RZA cabinet. Thanks to the design of individual parts and sophisticated way to assembly by Tap-Tide screws maintain high capacity and stability same as for welded version.



■ HIGH RIGIDITY CONSTRUCTION

RZA has a robust screwed construction. High quality processing and the up-to-date technology ensure a perfect look of the cabinet.



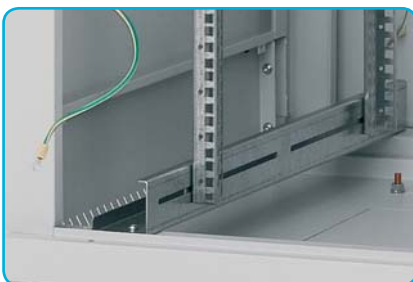
■ FLEXIBLE DOOR OPENING

The hinge system enables almost 180° wide opening of the door. The door can be easily removed and mounted for a change of the door opening direction.



■ TRITON HANDLES

For several years, Triton has been making its own handles for free-standing cabinets. PATENT: PUV 2009-22086



■ FLEX FRAME

(for cabinet width 800 mm) The system enables sliding vertical rails installation in a span of 19", 21" and 23" exactly up to requirements of the applied technology.

■ BREAKOUT-TYPE BLANKING PANELS

Entry openings for cables (370 x 90 mm) in the rear part of the cabinet are covered with breakout-type blanking panels. To avoid dust penetration, it is possible to seal the cables at the entry opening by a brush strip, eventually just secure by a plastic protective frame (both supplied with the cabinet).

A large opening in the top covered with a breakout-type blanking panel enables mounting and removal of a Triton fan unit from outside of the cabinet without a need of using screws.

RZA 800 x 800 mm



■ REMOVABLE SIDE PANELS AND A REAR COVER

RZA is a cabinet with a screwed frame and removable side panels. These are fixed to the frame using a lock, standardly with a same key as the front door and rear cover.



■ DEMOUNTABILITY

Individual RZA parts are joined together by a system of bolted joints to a compact unit with the same maximal loading capacity as a welded cabinet. Most of the parts are joined by Tap-Tite technology thread-forming screws. This ensures a very high rigidity of a screwed connection even after a number of demounting. The product is supplied assembled and it is possible to be moved to difficult to reach places after partial or complete dismantling.



■ CASTORS, NIVELATION FEET

Preparation for mounting of castors and nivelation feet.



■ DOOR FOR FAN UNITS

With this cabinet type, it is possible to order a special metal door with a preparation for mounting of RAX-CH-X0x-X3 fan units. Further informations are available in section Active cooling.

RZA 600 x 600

TYPE	A	B	C	D	E	Openings for fan*	Weight gross (kg)	Weight net (kg)	Maximal recommended load (kg)
	(mm)								
RZA-15-A66-CAX-A1	770	668	487	600	600	1	42,5	35,7	300
RZA-18-A66-CAX-A1	900	798	487	600	600	1	46,3	39,5	
RZA-22-A66-CAX-A1	1080	978	487	600	600	2	51,5	44,6	
RZA-27-A66-CAX-A1	1300	1198	487	600	600	2	59,8	52,8	400
RZA-32-A66-CAX-A1	1525	1423	487	600	600	3	66,6	59,6	
RZA-37-A66-CAX-A1	1750	1648	487	600	600	3	73,7	66,5	
RZA-42-A66-CAX-A1	1970	1868	487	600	600	3	80,3	73,2	
RZA-45-A66-CAX-A1	2105	2003	487	600	600	3	84,4	77,3	
RZA-47-A66-CAX-A1	2194	2092	487	600	600	3	87,0	79,9	

RZA 600 x 800

TYPE	A	B	C	D	E	Openings for fan*	Weight gross (kg)	Weight net (kg)	Maximal recommended load (kg)
	(mm)								
RZA-15-A68-CAX-A1	770	668	487	600	800	1	48,5	41,5	300
RZA-18-A68-CAX-A1	900	798	487	600	800	1	52,8	45,7	
RZA-22-A68-CAX-A1	1080	978	487	600	800	2	58,5	51,5	
RZA-27-A68-CAX-A1	1300	1198	487	600	800	2	67,6	60,4	400
RZA-32-A68-CAX-A1	1525	1423	487	600	800	3	75,2	67,9	
RZA-37-A68-CAX-A1	1750	1648	487	600	800	3	83,0	75,6	
RZA-42-A68-CAX-A1	1970	1868	487	600	800	3	90,4	83,0	
RZA-45-A68-CAX-A1	2105	2003	487	600	800	3	95,0	87,5	
RZA-47-A68-CAX-A1	2194	2092	487	600	800	3	97,9	90,5	

RZA 600 x 900

TYPE	A	B	C	D	E	Openings for fan*	Weight gross (kg)	Weight net (kg)	Maximal recommended load (kg)
	(mm)								
RZA-15-A69-CAX-A1	770	668	487	600	900	1	52,3	45,4	300
RZA-18-A69-CAX-A1	900	798	487	600	900	1	57,0	50,1	
RZA-22-A69-CAX-A1	1080	978	487	600	900	2	63,3	56,4	
RZA-27-A69-CAX-A1	1300	1198	487	600	900	2	74,1	67,0	400
RZA-32-A69-CAX-A1	1525	1423	487	600	900	3	82,6	75,5	
RZA-37-A69-CAX-A1	1750	1648	487	600	900	3	91,3	84,0	
RZA-42-A69-CAX-A1	1970	1868	487	600	900	3	99,5	92,3	
RZA-45-A69-CAX-A1	2105	2003	487	600	900	3	104,6	97,4	
RZA-47-A69-CAX-A1	2194	2092	487	600	900	3	108,2	100,9	

RZA 600 x 1000

TYPE	A	B	C	D	E	Openings for fan*	Weight gross (kg)	Weight net (kg)	Maximal recommended load (kg)
	(mm)								
RZA-15-A61-CAX-A1	770	668	487	600	1000	1	55,2	48,3	300
RZA-18-A61-CAX-A1	900	798	487	600	1000	1	60,1	53,2	
RZA-22-A61-CAX-A1	1080	978	487	600	1000	2	66,8	59,8	
RZA-27-A61-CAX-A1	1300	1198	487	600	1000	2	77,9	70,8	400
RZA-32-A61-CAX-A1	1525	1423	487	600	1000	3	86,8	79,6	
RZA-37-A61-CAX-A1	1750	1648	487	600	1000	3	95,8	88,5	
RZA-42-A61-CAX-A1	1970	1868	487	600	1000	3	104,5	97,1	
RZA-45-A61-CAX-A1	2105	2003	487	600	1000	3	109,8	102,5	
RZA-47-A61-CAX-A1	2194	2092	487	600	1000	3	113,4	106,0	

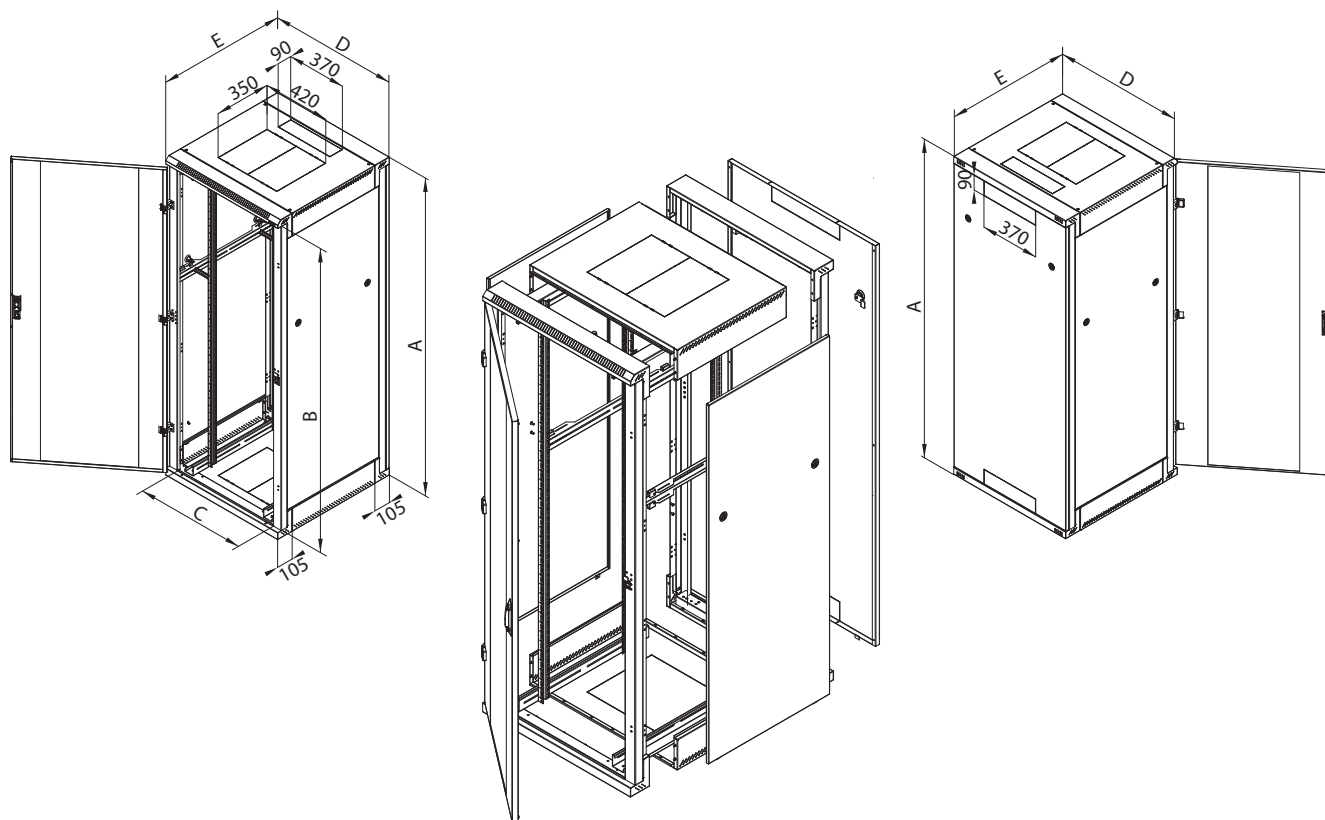
RZA 600 x 1100

TYPE	A	B	C	D	E	Openings for fan*	Weight gross (kg)	Weight net (kg)	Maximal recommended load (kg)
	(mm)								
RZA-15-A60-CAX-A1	770	668	487	600	1100	1	61,0	49,5	300
RZA-18-A60-CAX-A1	900	798	487	600	1100	1	67,6	54,7	
RZA-22-A60-CAX-A1	1080	978	487	600	1100	2	74,8	61,9	
RZA-27-A60-CAX-A1	1300	1198	487	600	1100	2	84,0	70,9	400
RZA-32-A60-CAX-A1	1525	1423	487	600	1100	3	93,0	79,9	
RZA-37-A60-CAX-A1	1750	1648	487	600	1100	3	102,2	89,0	
RZA-42-A60-CAX-A1	1970	1868	487	600	1100	3	111,1	97,8	
RZA-45-A60-CAX-A1	2105	2003	487	600	1100	3	116,6	103,3	
RZA-47-A60-CAX-A1	2194	2092	487	600	1100	3	119,8	106,5	

RZA 600 x 1200

TYPE	A	B	C	D	E	Openings for fan*	Weight gross (kg)	Weight net (kg)	Maximal recommended load (kg)
	(mm)								
RZA-15-A62-CAX-A1	770	668	487	600	1200	1	64,0	52,4	300
RZA-18-A62-CAX-A1	900	798	487	600	1200	1	69,4	57,8	
RZA-22-A62-CAX-A1	1080	978	487	600	1200	2	76,9	65,3	
RZA-27-A62-CAX-A1	1300	1198	487	600	1200	2	86,4	74,6	400
RZA-32-A62-CAX-A1	1525	1423	487	600	1200	3	95,8	84,0	
RZA-37-A62-CAX-A1	1750	1648	487	600	1200	3	103,5	91,5	
RZA-42-A62-CAX-A1	1970	1868	487	600	1200	3	114,7	102,7	
RZA-45-A62-CAX-A1	2105	2003	487	600	1200	3	120,3	108,3	
RZA-47-A62-CAX-A1	2194	2092	487	600	1200	3	123,7	111,7	

* Solid steel door with a preparation for fan units mounting.



RZA 800 x 600

TYPE	A	B	C	D	E	Openings for fan*	Weight gross (kg)	Weight net (kg)	Maximal recommended load (kg)
	(mm)								
RZA-15-A86-CAX-A1	770	668	687	800	600	1	53,3	43,2	300
RZA-18-A86-CAX-A1	900	798	687	800	600	1	57,6	47,4	
RZA-22-A86-CAX-A1	1080	978	687	800	600	2	63,4	53,1	
RZA-27-A86-CAX-A1	1300	1198	687	800	600	2	72,5	62,1	400
RZA-32-A86-CAX-A1	1525	1423	687	800	600	3	80,1	69,6	
RZA-37-A86-CAX-A1	1750	1648	687	800	600	3	87,9	77,2	
RZA-42-A86-CAX-A1	1970	1868	687	800	600	3	95,4	84,7	
RZA-45-A86-CAX-A1	2105	2003	687	800	600	3	99,9	89,2	
RZA-47-A86-CAX-A1	2194	2092	687	800	600	3	102,9	92,2	

RZA 800 x 800

TYPE	A	B	C	D	E	Openings for fan*	Weight gross (kg)	Weight net (kg)	Maximal recommended load (kg)
	(mm)								
RZA-15-A88-CAX-A1	770	668	687	800	800	1	60,2	50,0	300
RZA-18-A88-CAX-A1	900	798	687	800	800	1	64,9	54,7	
RZA-22-A88-CAX-A1	1080	978	687	800	800	2	71,3	61,1	
RZA-27-A88-CAX-A1	1300	1198	687	800	800	2	81,1	70,7	400
RZA-32-A88-CAX-A1	1525	1423	687	800	800	3	89,5	79,0	
RZA-37-A88-CAX-A1	1750	1648	687	800	800	3	98,0	87,4	
RZA-42-A88-CAX-A1	1970	1868	687	800	800	3	106,3	95,6	
RZA-45-A88-CAX-A1	2105	2003	687	800	800	3	111,3	100,6	
RZA-47-A88-CAX-A1	2194	2092	687	800	800	3	114,6	103,8	

RZA 800 x 900

TYPE	A	B	C	D	E	Openings for fan*	Weight gross (kg)	Weight net (kg)	Maximal recommended load (kg)
	(mm)								
RZA-15-A89-CAX-A1	770	668	687	800	900	1	64,9	54,5	300
RZA-18-A89-CAX-A1	900	798	687	800	900	1	70,1	59,6	
RZA-22-A89-CAX-A1	1080	978	687	800	900	2	77,0	66,5	
RZA-27-A89-CAX-A1	1300	1198	687	800	900	2	88,6	77,9	400
RZA-32-A89-CAX-A1	1525	1423	687	800	900	3	97,8	87,1	
RZA-37-A89-CAX-A1	1750	1648	687	800	900	3	107,2	96,4	
RZA-42-A89-CAX-A1	1970	1868	687	800	900	3	116,4	105,4	
RZA-45-A89-CAX-A1	2105	2003	687	800	900	3	121,9	111,0	
RZA-47-A89-CAX-A1	2194	2092	687	800	900	3	125,8	114,8	

RZA 800 x 1000

TYPE	A	B	C	D	E	Openings for fan*	Weight gross (kg)	Weight net (kg)	Maximal recommended load (kg)
	(mm)								
RZA-15-A81-CAX-A1	770	668	687	800	1000	1	68,4	57,9	300
RZA-18-A81-CAX-A1	900	798	687	800	1000	1	73,7	63,3	
RZA-22-A81-CAX-A1	1080	978	687	800	1000	2	81,0	70,5	
RZA-27-A81-CAX-A1	1300	1198	687	800	1000	2	92,9	82,2	400
RZA-32-A81-CAX-A1	1525	1423	687	800	1000	3	102,5	91,8	
RZA-37-A81-CAX-A1	1750	1648	687	800	1000	3	112,3	101,4	
RZA-42-A81-CAX-A1	1970	1868	687	800	1000	3	121,8	110,8	
RZA-45-A81-CAX-A1	2105	2003	687	800	1000	3	127,6	116,6	
RZA-47-A81-CAX-A1	2194	2092	687	800	1000	3	131,5	120,5	

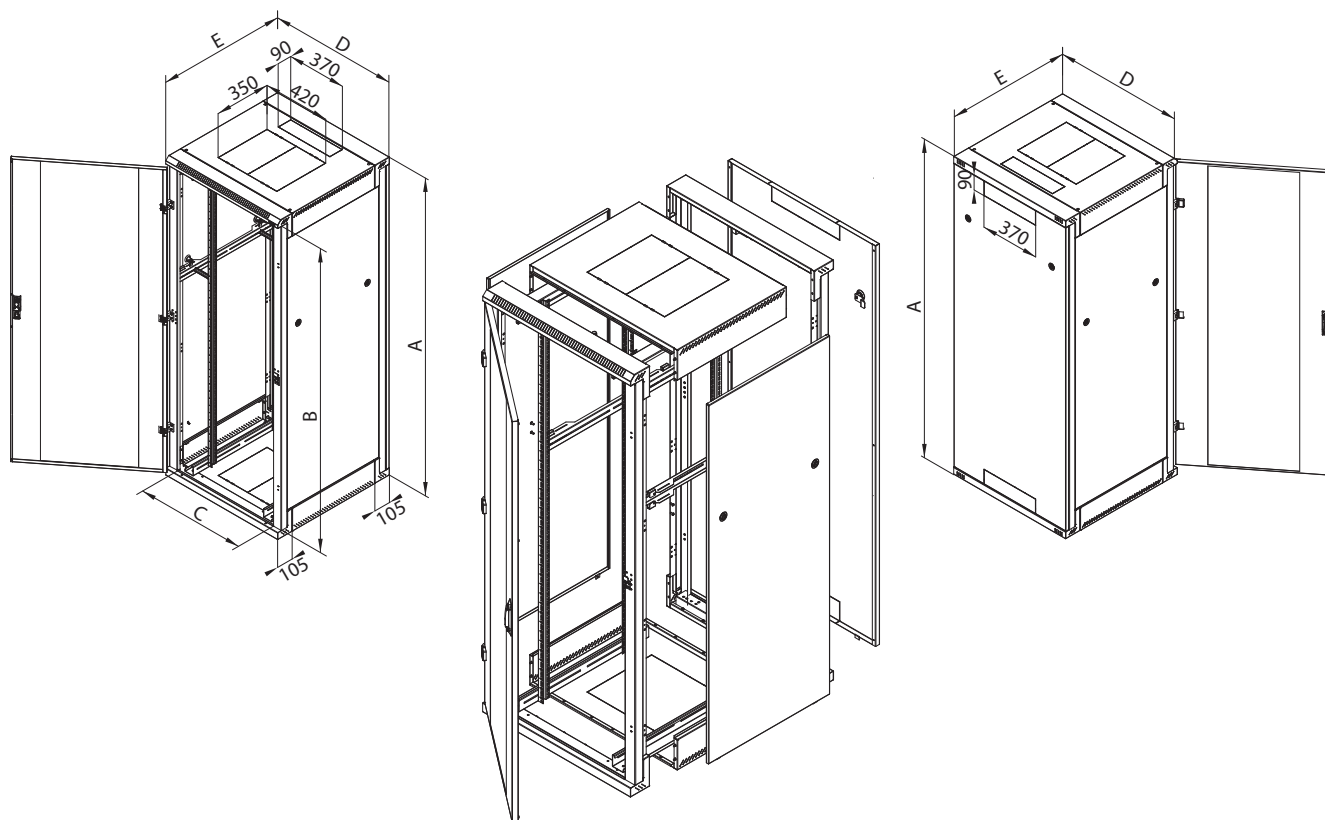
RZA 800 x 1100

TYPE	A	B	C	D	E	Openings for fan*	Weight gross (kg)	Weight net (kg)	Maximal recommended load (kg)
	(mm)								
RZA-15-A80-CAX-A1	770	668	687	800	1100	1	79,7	65,8	300
RZA-18-A80-CAX-A1	900	798	687	800	1100	1	85,4	71,6	
RZA-22-A80-CAX-A1	1080	978	687	800	1100	2	93,3	79,4	
RZA-27-A80-CAX-A1	1300	1198	687	800	1100	2	101,9	87,9	400
RZA-32-A80-CAX-A1	1525	1423	687	800	1100	3	111,8	97,7	
RZA-37-A80-CAX-A1	1750	1648	687	800	1100	3	121,8	107,5	
RZA-42-A80-CAX-A1	1970	1868	687	800	1100	3	131,4	116,9	
RZA-45-A80-CAX-A1	2105	2003	687	800	1100	3	137,4	123,0	
RZA-47-A80-CAX-A1	2194	2092	687	800	1100	3	141,0	126,6	

RZA 800 x 1200

TYPE	A	B	C	D	E	Openings for fan*	Weight gross (kg)	Weight net (kg)	Maximal recommended load (kg)
	(mm)								
RZA-15-A82-CAX-A1	770	668	687	800	1200	1	83,4	69,5	300
RZA-18-A82-CAX-A1	900	798	687	800	1200	1	88,8	75,1	
RZA-22-A82-CAX-A1	1080	978	687	800	1200	2	97,3	83,4	
RZA-27-A82-CAX-A1	1300	1198	687	800	1200	2	106,3	92,3	400
RZA-32-A82-CAX-A1	1525	1423	687	800	1200	3	116,5	102,4	
RZA-37-A82-CAX-A1	1750	1648	687	800	1200	3	124,9	110,7	
RZA-42-A82-CAX-A1	1970	1868	687	800	1200	3	136,9	122,4	
RZA-45-A82-CAX-A1	2105	2003	687	800	1200	3	143,1	128,7	
RZA-47-A82-CAX-A1	2194	2092	687	800	1200	3	146,8	132,4	

* Solid steel door with a preparation for fan units mounting.





RZA FREE-STANDING CABINET

■ DESCRIPTION, PURPOSE OF USE

- 19" free-standing cabinet with IP20 protection
- Cabinet includes 4 sliding vertical rails for device mounting (6 rails for cabinets deeper than 800 mm).
- Cabinet construction:
 - Steel frame joined by bolts from welded parts, with removable side panels
 - Single or double doors in variants fully-metal, perforated (80% air permeability) or glazed with safety tempered glass 4mm. They can be on the front or back of the cabinet.
- Max. permissible load of the door is 20 kg.
- Min. thickness of the surface finish is 65 µm.
- These cabinets are intended for installation of data and telecommunication devices and their distribution systems.
- The frame of the cabinet and all the removable parts (side and rear covers, doors...) are connected with earthing cables that have to be properly fixed and inserted into connectors during all the time when using the cabinet.
- There is one M8 screw placed on the bottom part of the cabinet as an earthing main point.
- Cable openings covered with breakout-type blanking panels are placed in the top and the bottom part of the cabinet.

■ OPERATION CONDITIONS

- Operation environment:
 - Office
 - The cabinet is not intended for outdoor installations and for installations in environment that can influence negatively the functionality of the cabinet and the mounted devices (e.g. environment with danger of explosion or humid and wet surroundings)
- Must be protected against:
 - Mechanical damage
 - Improper manipulation
 - A different usage than the cabinet is intended for
- Improper manipulation is especially:
 - Overloading (maximum recommended load exceeding)
 - Device installation that can influence negatively operation and function of the cabinet or the installed equipment
 - Change of the construction or design of the cabinet

■ INSTALLATION OF THE CABINET

- To ensure the maximal recommended load, it is necessary to distribute the load equally.
- Place the cabinet on a flat floor and compensate an eventual small roughness with the nivelation feet.
- To avoid dust penetration in a case where cables lead through some of the cable openings, it is possible to seal it using a blanking panel with a brush or secure by a protective plastic frame (both are a part of the cabinet supply).

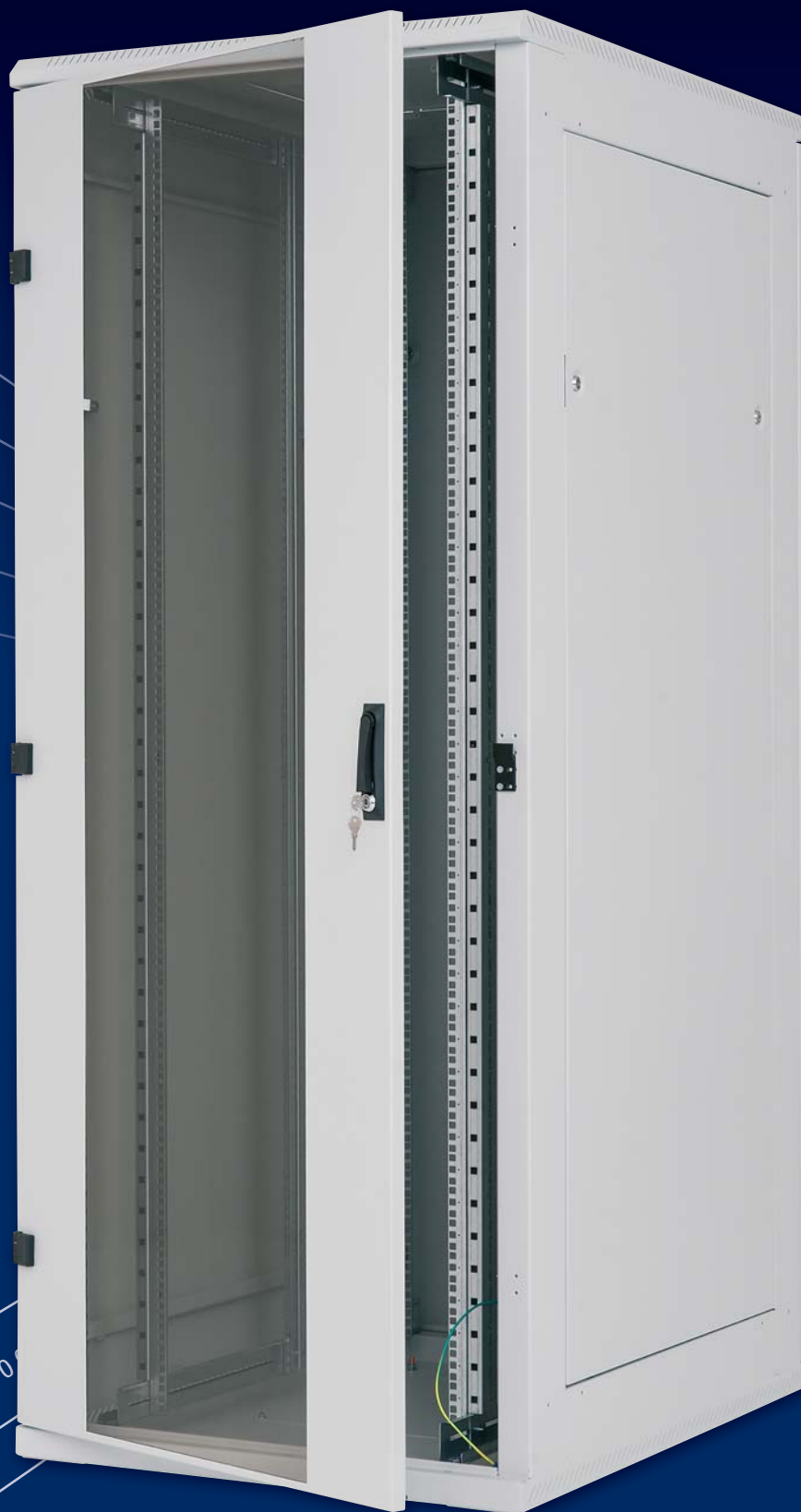
■ ENVIRONMENT PROTECTION

- All parts are made of recyclable materials and after its discard, it is necessary to dispose the cabinet according to valid regulations.

■ CERTIFICATE AND CONFORMITY

- This product is certified with ITI TÜV, number of certificate 06.140.502/r1, date 03/01/2013 and is fully in accordance with ČSN EN 62208 ed.2:2012(EN 62208:2011).





RDA

RDA - the server cabinet

Cabinet with a capacity of 1300 kg intended for servers and other components of computer networks. Its welded skeleton adapted for use cable patching and PDU panels ensure trouble-free operation of critical network elements.



■ LOADING CAPACITY 1300 KG

The RDA data cabinet has a reinforced construction and it is made of thicker material. Also 19" vertical rails are designed for a higher loading capacity. A version with depth over 800mm has a central pair of vertical rails as a standard solution.



■ HOOK-ON HINGES

Our standard door hinges can be replaced by its new put-in alternative. Door can be taken off, which allow an easy installation and configuration of all installed equipment. These hinges are fully compatible with previous versions. Please refer to section „Accessories“.



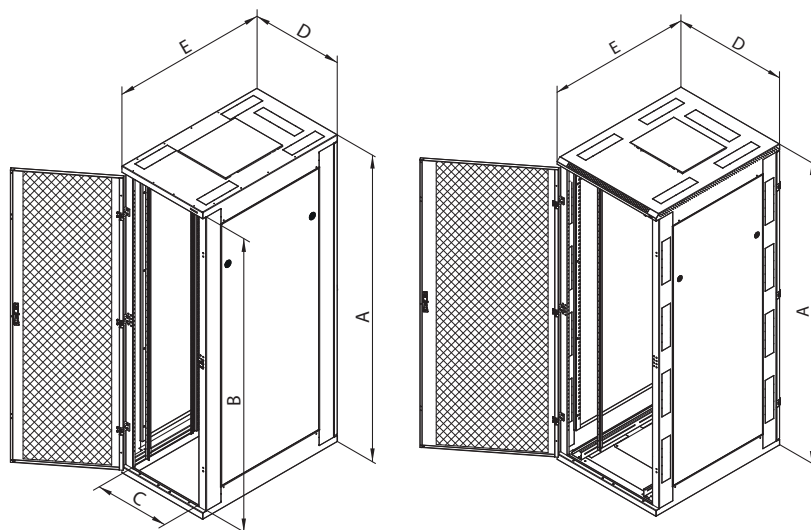
■ TRITON HANDLES

Triton has been producing own handles for free-standing cabinets several years already. PATENT: PUV 2009-22086



■ WIDER BODY RAILS

Wider rails in the body of a cabinet are intended for an additional installation of 19" power management panels, which afterwards do not occupy space within the cabinet. Thanks to this smart solution of gripping, it does not block sliding servers even for the 600mm cabinet type. In addition to this solution the A5 version (at the end of the cabinet code) is characterized by break-out blanking panels for possible cable input and management in between neighbouring cabinets.



■ RDA DATA CABINET

The RDA data cabinet is intended for servers and active equipment for computer networks. It is usually supplied with a perforated door to provide maximal cooling. It is possible to enforce cooling by an installation of ventilation units to the ceiling or to the base section of the RDA cabinet. Cable entries above 19" vertical rails are covered with break-out blanking panels and also provide with an easy connection of installed technologies into a larger unit. A little different version is developed for „Data centers“ (see page 61).

RDA – free standing server cabinets model A1 and A5

TYPE	A	B	C	D	E	Weight gross (kg)	Weight net (kg)	Maximal recommended load (kg)
	(mm)							
RDA-37-L68-CAX-Ax-GDA	1750	1648	487	600	800	104,27	95,95	1300
RDA-42-L68-CAX-Ax-GDA	1970	1868	487	600	800	113,34	104,75	
RDA-45-L68-CAX-Ax-GDA	2105	2003	487	600	800	118,75	110,13	
RDA-47-L68-CAX-Ax-GDA	2194	2092	487	600	800	121,62	112,98	
RDA-37-L61-CAX-Ax-GDA	1750	1648	487	600	1000	121,84	110,86	
RDA-42-L61-CAX-Ax-GDA	1970	1868	487	600	1000	131,74	120,72	
RDA-45-L61-CAX-Ax-GDA	2105	2003	487	600	1000	137,82	126,77	
RDA-47-L61-CAX-Ax-GDA	2194	2092	487	600	1000	141,13	130,06	
RDA-37-L60-CAX-Ax-GDA	1750	1648	487	800	1100	129,84	116,87	
RDA-42-L60-CAX-Ax-GDA	1970	1868	687	800	1100	140,13	127,11	
RDA-45-L60-CAX-Ax-GDA	2105	2003	687	800	1100	146,41	133,36	
RDA-47-L60-CAX-Ax-GDA	2194	2092	687	800	1100	149,85	136,79	
RDA-37-L62-CAX-Ax-GDA	1750	1648	487	800	1200	133,28	121,10	
RDA-42-L62-CAX-Ax-GDA	1970	1868	487	600	1200	145,85	133,63	
RDA-45-L62-CAX-Ax-GDA	2105	2003	487	600	1200	152,37	140,11	
RDA-47-L62-CAX-Ax-GDA	2194	2092	487	600	1200	154,94	142,69	
RDA-37-L88-CAX-Ax-GDA	1750	1648	487	800	800	153,84	139,38	
RDA-42-L88-CAX-Ax-GDA	1970	1868	487	800	800	129,94	120,05	
RDA-45-L88-CAX-Ax-GDA	2105	2003	487	800	800	135,52	125,60	
RDA-47-L88-CAX-Ax-GDA	2194	2092	487	800	800	135,52	125,60	
RDA-37-L81-CAX-Ax-GDA	1750	1648	487	800	800	138,66	128,71	
RDA-42-L81-CAX-Ax-GDA	1970	1868	487	800	1000	141,06	137,60	
RDA-45-L81-CAX-Ax-GDA	2105	2003	487	800	1000	157,47	143,82	
RDA-47-L81-CAX-Ax-GDA	2194	2092	487	800	1000	161,04	147,37	
RDA-37-L80-CAX-Ax-GDA	1750	1648	487	800	1100	147,59	134,61	
RDA-42-L80-CAX-Ax-GDA	1970	1868	487	800	1100	158,17	145,14	
RDA-45-L80-CAX-Ax-GDA	2105	2003	487	800	1100	164,62	151,57	
RDA-47-L80-CAX-Ax-GDA	2194	2092	487	800	1100	169,72	155,06	
RDA-37-L82-CAX-Ax-GDA	1750	1648	487	800	1200	153,84	139,38	
RDA-42-L82-CAX-Ax-GDA	1970	1868	487	800	1200	166,79	152,17	
RDA-45-L82-CAX-Ax-GDA	2105	2003	487	800	1200	173,48	158,82	
RDA-47-L82-CAX-Ax-GDA	2194	2092	487	800	1200	177,32	162,54	

With exact configuration will help you program on our website <http://www.triton.cz/en/konfigurator>.



SERVER CABINET RDA

■ DESCRIPTION, PURPOSE OF USE

- 19" free-standing cabinet with IP20 protection
- Cabinet includes 4 sliding vertical rails for device mounting (6 rails for cabinets deeper than 800 mm).
- Cabinet construction:
 - Welded steel frame with removable side panels fixed by locks
 - Single or double doors in variants fully-metal, perforated (80% air permeability) or glazed with safety tempered glass 4mm. They can be on the front or back of the cabinet.
 - Preparation for installation of power distribution units to the skeleton
 - Preparation for joining the cabinets together
 - A5 version has a breakout cable entries in the skeleton for the cabling between cabinets
- The maximum recommended load of cabinet is 1300 kg, maximum load of the door is 20 kg.
- Min. thickness of the surface finish is 65 µm.
- The racks are designed for installation of data and telecommunication equipment and distribution systems.
- Frame of the cabinet and all detachable parts are connected by grounding cables that must be properly fitted and inserted into the connectors when using the cabinet.
- There is one M8 screw placed on the bottom part of the cabinet as an earthing main point.
- Can be mounted on castors and leveling feet.
- Cable openings covered with breakout-type blanking panels are placed in the top and the bottom part of the cabinet.

■ OPERATION CONDITIONS

- Operation environment:
 - Office
 - The cabinet is not intended for outdoor installations and for installations in environment that can influence negatively the functionality of the cabinet and the mounted devices (e.g. environment with danger of explosion)
- Must be protected against:
 - Mechanical damage
 - Improper manipulation
 - A different usage than the cabinet is intended for
- Improper manipulation is especially:
 - Overloading (maximum recommended load exceeding)
 - Device installation that can influence negatively operation and function of the cabinet or the installed equipment
 - Change of the construction or design of the cabinet

■ INSTALLATION OF THE CABINET

- To ensure the maximal recommended load, it is necessary to distribute the load equally.
- Place the cabinet on a flat floor and compensate an eventual small roughness with the nivelation feet.
- To avoid dust penetration in a case where cables lead through some of the cable openings, it is possible to seal it using a blanking panel with a brush or secure by plastic frame (both are part of the cabinet supply).

■ ENVIRONMENT PROTECTION

- All parts are made of recyclable materials and after its discard, it is necessary to dispose the cabinet according to valid regulations.

■ CERTIFICATE AND CONFORMITY

- This product is fully in accordance with ČSN EN 62208 ed 2:2012.



RDE



RDE >

Cabinet RDE with loading capacity of 1300 kg and IP54 is designed for installation of air conditioning or for dusty environment. Wide range of dimensions allows you to select cabinet according to the application needs.



■ LOADING CAPACITY 1300 kg

The RDA data cabinet has a reinforced construction and it is made of thicker material. Also 19" vertical rails are designed for a higher loading capacity. A version with depth over 800mm has a central pair of vertical rails as a standard solution.



■ PROTECTION AGAINST DUST AND HUMIDITY IP54

All the doors and covers are equipped with a sealing that ensures protection against dust penetration and humidity. The protection is lowered to IP20 in case of the cooling unit installation.



■ WIDER BODY RAILS

Wider rails in the body of a cabinet are intended for an additional installation of 19" power management panels that afterwards do not occupy space within the cabinet. Thanks to this smart solution it does not block sliding servers even within the 600 mm cabinet type.



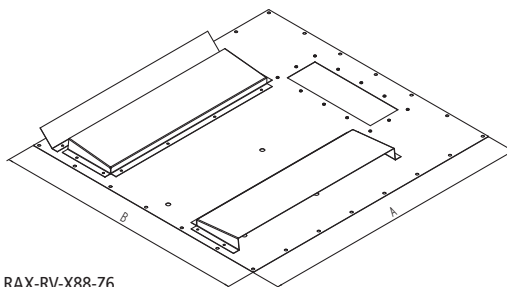
■ SERVER CABINET WITH AN IP54 PROTECTION

The RDE cabinets are primarily intended for an installation of servers and active devices parallelly with a Triton A/C units. Air conditioning unit is necessary to install only to data cabinets with a high IP protection for a correct function.



A/C UNITS

It is possible to install the roof A/C unit model ETE on the RDE data cabinet to manage the temperature inside of the cabinet. For such installation a special adapter is required. Adapter must correspond with an A/C unit type and also with requested air flow direction (along side panels or front/rear). A proper A/C unit must be selected by following information about thermal heat output of installed equipment, surrounding temperature with respect to humidity inside of the data cabinet. Our specialists are at your disposal. When A/C unit is installed the IP protection rating lower down to IP20.

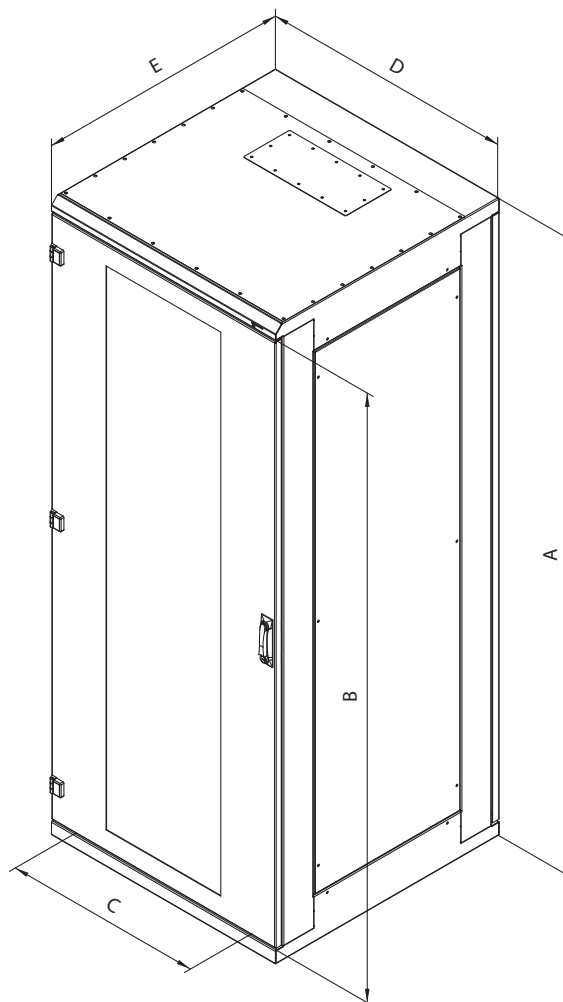


RAX-RV-X88-Z6



CABLE ENTRIES

All cable entries must be properly sealed especially against the dust and humidity, which could in air-conditioned area start condensing and could also damage installed equipment. Furthermore it could start freezing inside of the A/C unit which can lead to its break down. A blanking panel with sealed cable grommets is part of the cabinet supply.



RDE								
TYPE	A	B	C	D	E	Weight gross (kg)	Weight net (kg)	Maximal recommended load (kg)
	(mm)							
RDE-42-A68-XCX-A1	1970	1868	487	600	800	127,0	118,7	1300
RDE-45-A68-XCX-A1	2105	2003	487	600	800	132,8	124,4	
RDE-42-A61-XCX-A1	1970	1868	487	600	1000	144,7	133,9	
RDE-45-A61-XCX-A1	2105	2003	487	600	1000	151,1	140,3	
RDE-42-A62-XCX-A1	1970	1868	487	600	1200	160,5	147,2	
RDE-45-A62-XCX-A1	2105	2003	487	600	1200	164,9	154,1	
RDE-42-A88-XCX-A1	1970	1868	687	800	800	157,0	147,4	1300
RDE-45-A88-XCX-A1	2105	2003	687	800	800	163,7	154,0	
RDE-42-A81-XCX-A1	1970	1868	687	800	1000	177,8	164,4	
RDE-45-A81-XCX-A1	2105	2003	687	800	1000	184,9	171,4	
RDE-42-A82-XCX-A1	1970	1868	687	800	1200	195,2	179,2	
RDE-45-A82-XCX-A1	2105	2003	687	800	1200	201,4	185,2	



SERVER CABINET RDE

■ DESCRIPTION, PURPOSE OF USE

- 19" free-standing cabinet with IP54 protection
- Cabinet includes 4 sliding vertical rails for device mounting (6 rails for cabinets deeper than 800 mm).
- Cabinet construction:
 - Welded steel frame with removable side panels fixed by screws
 - Single or double doors sealed by foam gasket in variants fully-metal or glazed with safety tempered glass 4mm. They can be on the front or back of the cabinet. To achieve needed protection the doors with 3-point locking system are standard for this model.
- Max. permissible load of the door is 20 kg.
- Min. thickness of the surface finish is 65 µm.
- These cabinets are intended for installation of data and telecommunication devices and their distribution systems.
- The frame of the cabinet and all the removable parts (side and rear covers, doors...) are connected with earthing cables that have to be properly fixed and inserted into connectors during all the time when using the cabinet.
- There is one M8 screw placed on the bottom part of the cabinet as an earthing main point.
- Cable openings placed in the top and bottom part of the cabinet are secured by dismountable blanking panels.

■ OPERATION CONDITIONS

- Operation environment:
 - Industrial, office
 - The cabinet is not intended for outdoor installations and for installations in environment that can influence negatively the functionality of the cabinet and the mounted devices (e.g. environment with danger of explosion)
- Must be protected against:
 - Mechanical damage
 - Improper manipulation
 - A different usage than the cabinet is intended for
- Improper manipulation is especially:
 - Overloading (maximum recommended load exceeding)
 - Device installation that can influence negatively operation and function of the cabinet or the installed equipment
 - Change of the construction or design of the cabinet

■ INSTALLATION OF THE CABINET

- To ensure the maximal recommended load, it is necessary to distribute the load equally.
- Place the cabinet on a flat floor and compensate an eventual small roughness with the nivelation feet.
- In case that cables lead through some of the cable openings, it is necessary to seal it by a blanking panel with sealed cable grommets (is part of the cabinet supply).

■ ENVIRONMENT PROTECTION

- All parts are made of recyclable materials and after its discard, it is necessary to dispose the cabinet according to valid regulations.

■ CERTIFICATE AND CONFORMITY

- This product is fully in accordance with ČSN EN 62208 ed 2:2012.



RIE



RIE >

Data cabinet RIE with higher protection is designed to protect equipment especially against harmful effects of water and dust. It is ready for installation of Triton air conditioning unit.



■ CABLE ENTRIES

Cable entry (300 x 100 mm) at cabinet ceiling and at bottom part is sealed by blanking panel.



■ HIGHER PROTECTION

Data cabinets RIE with a higher protection are designed to protect the equipment especially against harmful effects of water and dust. By installation of A/C unit the protective rating of the assembly lower down to IP20.



■ FOAM SEALING

We use the CNC system for foam gasket application. This system has a three axes motion and the compound is applied evenly by a nozzle.



■ SIDE PANELS FIXING

Side panels are sealed by foam gasket and fixed to the cabinet skeleton by screws.



■ ADJUSTABLE VERTICAL RAILS

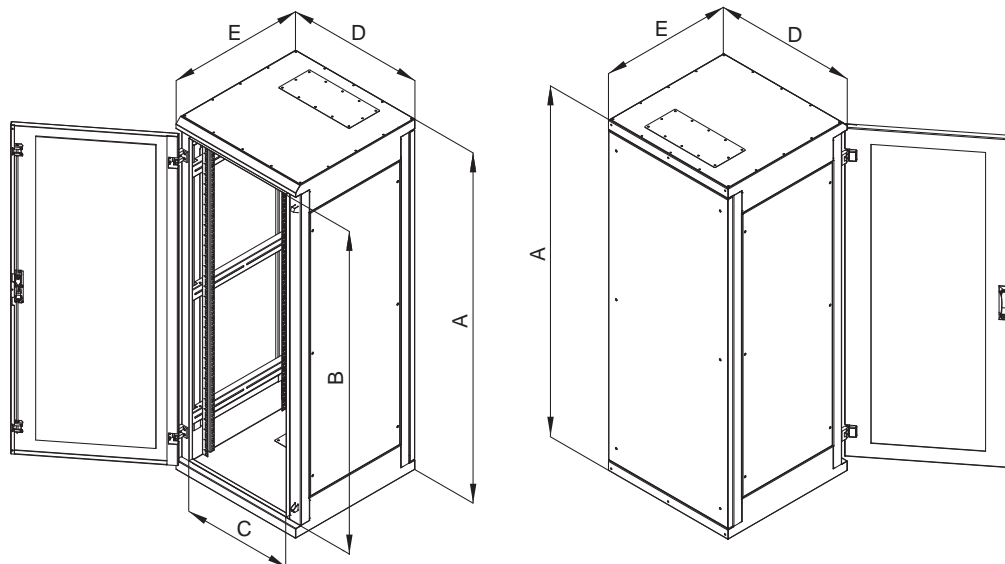
Vertical 19" rails can be adjusted freely in any depth of the cabinet. A version deeper than 800mm has a central pair of vertical rails.



■ CASTORS, NIVELATION FEET

Preparation for mounting of castors and nivelation feet.





RIE 600 x 600

TYPE	A	B	C	D	E	Weight gross (kg)	Weight net (kg)	Maximal recommended load (kg)
	(mm)							
RIE-27-A66-CCX-A1	1300	1176	487	600	600	66,8	59,9	400
RIE-32-A66-CCX-A1	1525	1401	487	600	600	73,8	66,9	
RIE-37-A66-CCX-A1	1750	1626	487	600	600	82,0	75,0	
RIE-42-A66-CCX-A1	1970	1846	487	600	600	89,6	82,5	

RIE 600 x 800

TYPE	A	B	C	D	E	Weight gross (kg)	Weight net (kg)	Maximal recommended load (kg)
	(mm)							
RIE-27-A68-CCX-A1	1300	1176	487	600	800	76,1	68,0	400
RIE-32-A68-CCX-A1	1525	1401	487	600	800	83,9	75,7	
RIE-37-A68-CCX-A1	1750	1626	487	600	800	92,9	84,6	
RIE-42-A68-CCX-A1	1970	1846	487	600	800	101,2	92,8	

RIE 600 x 1000

TYPE	A	B	C	D	E	Weight gross (kg)	Weight net (kg)	Maximal recommended load (kg)
	(mm)							
RIE-27-A61-CCX-A1	1300	1176	487	600	1000	89,7	79,2	400
RIE-32-A61-CCX-A1	1525	1401	487	600	1000	98,6	88,0	
RIE-37-A61-CCX-A1	1750	1626	487	600	1000	108,7	97,9	
RIE-42-A61-CCX-A1	1970	1846	487	600	1000	118,0	107,2	

RIE 800 x 800

TYPE	A	B	C	D	E	Weight gross (kg)	Weight net (kg)	Maximal recommended load (kg)
	(mm)							
RIE-27-A88-CCX-A1	1300	1176	687	800	800	95,2	85,9	400
RIE-32-A88-CCX-A1	1525	1401	687	800	800	104,6	95,2	
RIE-37-A88-CCX-A1	1750	1626	687	800	800	114,2	104,6	
RIE-42-A88-CCX-A1	1970	1846	687	800	800	123,6	113,9	

RIE 800 x 1000

TYPE	A	B	C	D	E	Weight gross (kg)	Weight net (kg)	Maximal recommended load (kg)
	(mm)							
RIE-27-A81-CCX-A1	1300	1176	687	800	1000	110,1	97,1	400
RIE-32-A81-CCX-A1	1525	1401	687	800	1000	120,6	107,5	
RIE-37-A81-CCX-A1	1750	1626	687	800	1000	131,2	118,0	
RIE-42-A81-CCX-A1	1970	1846	687	800	1000	141,7	128,4	



RIE FREE-STANDING CABINET

■ DESCRIPTION, PURPOSE OF USE

- 19" free-standing cabinet with IP54 protection
- Cabinet includes 4 sliding vertical rails for device mounting (6 rails for cabinets deeper than 800 mm).
- Cabinet construction:
 - Welded steel frame with removable side panels fixed by screws
 - Single or double doors sealed by foam gasket in variants fully-metal or glazed with safety tempered glass 4mm. They can be on the front or back of the cabinet. To achieve needed protection the doors with 3-point locking system are standard for this model.
- Max. permissible load of the door is 20 kg.
- Min. thickness of the surface finish is 65 µm.
- These cabinets are intended for installation of data and telecommunication devices and their distribution systems.
- The frame of the cabinet and all the removable parts (side and rear covers, doors...) are connected with earthing cables that have to be properly fixed and inserted into connectors during all the time when using the cabinet.
- There is one M8 screw placed on the bottom part of the cabinet as an earthing main point.
- Cable openings placed in the top and bottom part of the cabinet are secured by dismountable blanking panels.

■ OPERATION CONDITIONS

- Operation environment:
 - Industrial, office.
 - The cabinet is not intended for outdoor installations and for installations in environment that can influence negatively the functionality of the cabinet and the mounted devices (e.g. environment with danger of explosion).
- Must be protected against:
 - Mechanical damage.
 - Improper manipulation.
 - A different usage than the cabinet is intended for.
- Improper manipulation is especially:
 - Overloading (maximum recommended load exceeding).
 - Device installation that can influence negatively operation and function of the cabinet or the installed equipment
 - Change of the construction or design of the cabinet.

■ INSTALLATION OF THE CABINET

- To ensure the maximal recommended load, it is necessary to distribute the load equally.
- Place the cabinet on a flat floor and compensate an eventual small roughness with the nivelation feet.
- In case that cables lead through some of the cable openings, it is necessary to seal it by a blanking panel with sealed cable grommets (is part of the cabinet supply).

■ ENVIRONMENT PROTECTION

- All parts are made of recyclable materials and after its discard, it is necessary to dispose the cabinet according to valid regulations.

■ CERTIFICATE AND CONFORMITY

- This product is fully in accordance with ČSN EN 62208 ed 2:2012.





RPE, RPA

RPE, RPA >

RPE – IP54, RPA – IP20
Cabinet for industrial environment intended for installation of computers
or control components of technological units.



■ PROTECTION AGAINST DUST AND HUMIDITY

The RPE cabinet is without a perforation, all the doors and covers are equipped with a sealing that ensures protection against dust penetration and humidity.



■ FLEXIBLE DOOR OPENING

The hinge system enables almost 180° wide opening of the door. The door can be easily removed and mounted for a change of the door opening direction.



■ TRITON HANDLES

For several years, Triton has been making its own handles for free-standing cabinets. PATENT: PUV 2009-22086



■ ADJUSTABLE VERTICAL RAILS

Vertical 19" rails can be adjusted freely in any depth of the cabinet. This simplifies mounting of the device and configuration of connecting cables.

■ WE PRODUCE THE CABINET IN TWO MODIFICATIONS

RPE with IP54 protection suitable especially for dusty environment. RPA with IP20 protection has a perforation in the base and top part including cable entries and preparations for fan units.

RPE 600 x 600 mm



■ THREE INDEPENDENTLY LOCKABLE SECTIONS

RPA/RPE cabinet has three independently lockable sections. The upper and bottom section are locked by a Triton handle-lock; the slide-out middle section, intended for a keyboard and a mouse, has a single point lock. All sections in the standard version are operated by the same key.

RPE, RPA

TYPE	A	C	D	E	Weight gross (kg)	Weight net (kg)	Maximal recommended load (kg)	IP protection
	(mm)							
RPA-37-A66-CAX-A1	1750	487	600	600	75,60	68,50	400	20
RPA-37-A68-CAX-A1	1750	487	600	600	83,62	77,77	400	20
RPE-37-A66-CAX-A1	1750	487	600	600	91,80	84,70	400	54
RPE-37-A68-CAX-A1	1750	487	600	800	102,67	96,82	400	54



RPA

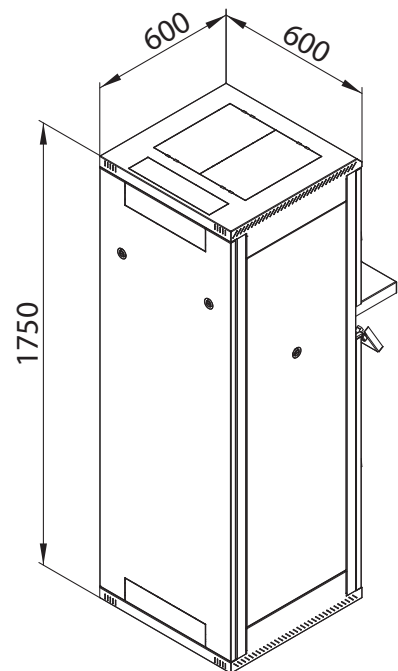
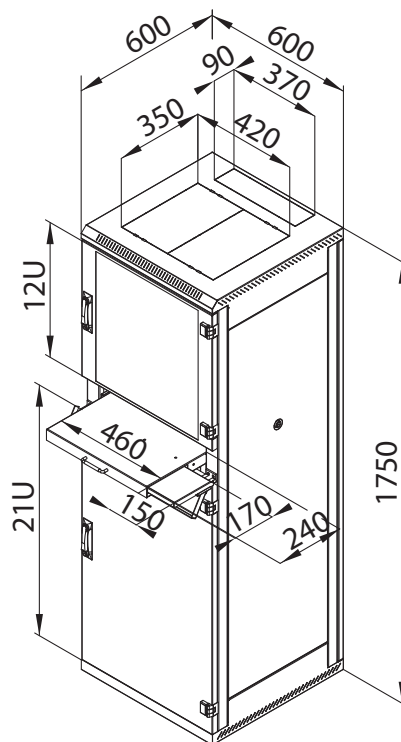
RPA



■ SLIDE-OUT SECTION FOR A KEYBOARD AND A MOUSE



■ CASTORS, NIVELATION FEET
Preparation for mounting of castors and nivelevation feet.





FREE-STANDING CABINET RPE, RPA

■ DESCRIPTION, PURPOSE OF USE

- 19" free-standing cabinet with protection IP54 (RPE), IP20 (RPA)
- Cabinet includes 4 sliding vertical rails for installing the device
- Cabinet construction:
 - Welded steel frame with removable side panels
 - Single doors in variants fully-metal or glazed with safety tempered glass 4mm are mounted on the front of cabinet. Model RPE has doors sealed by foam gasketed and fixed by 3-point locking system.
- Max. permissible load of the door is 20 kg.
- Min. thickness of the surface finish is 65 µm.
- These cabinets are intended for installation of data and telecommunication devices and their distribution systems and control elements of technological units
- The frame of the cabinet and all the removable parts (side and rear covers, doors...) are connected with earthing cables that have to be properly fixed and inserted into connectors during all the time when using the cabinet.
- There is one M8 screw placed on the bottom part of the cabinet as an earthing main point.
- RPE - cable entry openings placed in the top and in the bottom part of the cabinet are secured by demountable blanking panels.
- RPA - cable entry openings covered with breakout-type blanking panels are placed in the top and the bottom part of the cabinet.

■ OPERATION CONDITIONS

- Operation environment:
 - Industrial (RPE), office (RPA)
 - The cabinet is not intended for outdoor installations and for installations in environment that can influence negatively the functionality of the cabinet and the mounted devices (e.g. environment with danger of explosion or humid and wet surroundings)
- Must be protected against:
 - Mechanical damage
 - Improper manipulation
 - A different usage than the cabinet is intended for
- Improper manipulation is especially:
 - Overloading (maximum recommended load exceeding)
 - Device installation that can influence negatively operation and function of the cabinet or the installed equipment
 - Change of the construction or design of the cabinet

■ INSTALLATION OF THE CABINET

- To ensure the maximal recommended load, it is necessary to distribute the load equally.
- Place the cabinet on a flat floor and compensate an eventual small roughness with the nivelation feet.
- RPE – In case that cables lead through some of the cable openings, it is necessary to seal it by a blanking panel with sealed cable grommets (is part of the cabinet supply).
- RPA – To avoid dust penetration in a case where cables lead through some of the cable openings, it is possible to seal it using a blanking panel with a brush or secure by plastic frame (both are part of the cabinet supply).

■ ENVIRONMENT PROTECTION

- All parts are made of recyclable materials and after its discard, it is necessary to dispose the cabinet according to valid regulations.

■ CERTIFICATE AND CONFORMITY

- This product is fully in accordance with ČSN EN 62208 ed 2:2012.



ROA



ROA >

ROA is a unique in the field of data cabinets not only by design, but also by functionality. Octagonal shape brings unexpected opportunities.



■ CABLE ENTRIES

Cable entries are ready at the sides of top and bottom part of the cabinet. Protection of cables in their inputs to the central area ensures solid wire basket.



■ FLEXIBLE DOOR OPENING

The hinges enable 180° wide opening or easy door removal.



■ SWING-HANDLE LOCK

Half-cylindrical type of this handle offering higher safety is also available.



■ ADJUSTABLE VERTICAL RAILS

At the both sides of the frame are two 19" fixing rails which can be adjusted 40mm back and forth.



■ REMOVABLE SIDE PANELS AND A REAR COVER

Convenient access to installed equipment allow removable side and rear covers fixed by locks, in standard with the same key as the front door.

ROA 800 x 800

TYPE	A	B	C	D	E	Weight gross (kg)	Weight net (kg)	Maximal recommended load (kg)
	(mm)							
ROA-27-A88-CAX-A1	1628	1373	580	800	800	153,8	143,3	250
ROA-32-A88-CAX-A1	1850	1595	580	800	800	164,6	154,1	
ROA-37-A88-CAX-A1	2072	1817	580	800	800	175,5	164,9	
ROA-42-A88-CAX-A1	2294	2039	580	800	800	186,2	175,5	

ROA 900 x 900

TYPE	A	B	C	D	E	Weight gross (kg)	Weight net (kg)	Maximal recommended load (kg)
	(mm)							
ROA-27-A99-CAX-A1	1628	1373	680	900	900	213,1	202,7	250
ROA-32-A99-CAX-A1	1850	1595	680	900	900	225,1	214,5	
ROA-37-A99-CAX-A1	2072	1817	680	900	900	238,5	227,7	
ROA-42-A99-CAX-A1	2294	2039	680	900	900	250,6	239,7	

TWO MAIN CONSTRUCTION INNOVATION

1. Rotating 19" rack frame provides convenient access to all installed components
2. Interesting styling of an octagonal shape.

The rotating 19" frame is a unique patented solution which allows mounting of common components in the 19" frame and passing all cables through the top or bottom of the frame.

A large opening in the cabinet base allows bundle of cables to pass through the centre of the frame.

It is provided by the design that the frame is possible to rotate to both sides for 180° only. Then, the access to all sides of the frame is guaranteed and the cables are protected from a damage.

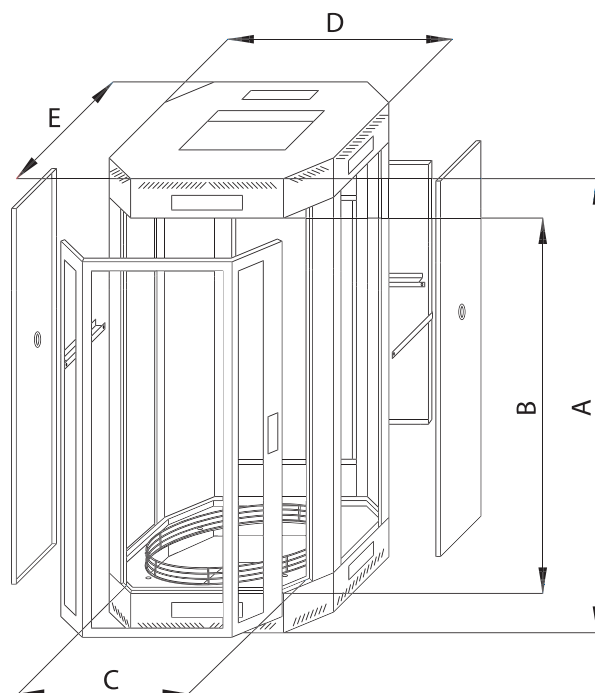
BENEFITS

1. Even when the cabinet is close at the wall or between other cabinets, the full access to the components is still possible.
2. Active components can be accessed easily with no need to remove them from the cabinet or even disconnect them.
3. Even heavy components can be accessed without affecting the stability of the cabinet. The Octagon frame has the storage capacity of a typical 600 mm square cabinet. Octagon can stand fully separately with no need to fix it to a wall or floor even with full load. The Octagon is based on an 800 mm x 800 mm and 900 x 900 mm cabinet with the corners removed.

The attractive look is highlighted by a door with three sections of glass that is a part of the standard supply. This type of door offers a really good view on the installed equipment, which allows this cabinet to be used for show purposes.

OTHER FEATURES

- Lockable three side front door with a glass panel. Glass may be replaced with solid or perforated steel as required.
- Openings for fan units are provided in the top and bottom of cabinet.
- A brush strip in cable entry openings prevent dust penetration into the cabinet.
- The base involves nivelation feet with adjustable height for floor roughness compensation.
- Perforation in the top and the bottom sections ensures natural convective ventilation.





ROA FREE-STANDING CABINET

■ DESCRIPTION, PURPOSE OF USE

- 19" free-standing cabinet with IP20 protection
- Cabinet construction:
 - Welded steel frame with removable side panels
 - Door glass: safety hardened, thickness 4 mm
- Max. permissible load of the door is 20 kg.
- Min. thickness of the surface finish is 65 µm.
- These cabinets are intended for installation of data and telecommunication devices and their distribution systems.
- There is a rotating 19" frame inside of the cabinet, which serves for installation of components and two position adjustable vertical rails. The frame can be rotated up to 180° in both directions.
- The frame of the cabinet and all the removable parts (side and rear covers, doors...) are connected with earthing cables that have to be properly fixed and inserted into connectors during all the time when using the cabinet.
- There is one M8 screw placed on the bottom part of the cabinet as an earthing main point.
- Cable openings covered with breakout-type blanking panels are placed in the top and the bottom part of the cabinet.

■ OPERATION CONDITIONS

- Operation environment:
 - Office
 - The cabinet is not intended for outdoor installations and for installations in environment that can influence negatively the functionality of the cabinet and the mounted devices (e.g. environment with danger of explosion or humid and wet surroundings)
- Must be protected against:
 - Mechanical damage
 - Improper manipulation
 - A different usage than the cabinet is intended for
- Improper manipulation is especially:
 - Overloading (maximum recommended load exceeding)
 - Device installation that can influence negatively operation and function of the cabinet or the installed equipment
 - Change of the construction or design of the cabinet

■ INSTALLATION OF THE CABINET

- To ensure the maximal recommended load, it is necessary to distribute the load equally.
- Place the cabinet on a flat floor and compensate an eventual small roughness with the nivelation feet.
- It is possible to lead the cabling only through the top and the bottom opening in the rotation frame. It is not recommended to lead the cabling any other way!
- The cables entering the rotation frame must be tied up into a bundle of 14 mm minimal diameter. This ensures protection against damages caused by the rotation frame. Cables with a smaller diameter must be protected with a moveable cover with minimal diameter of 14 mm.
- To avoid dust penetration in a case where cables lead through some of the cable openings, you can seal it using a blanking panel with a brush or secure by plastic frame (both are part of the cabinet supply).

■ ENVIRONMENT PROTECTION

- All parts are made of recyclable materials and after its discard, it is necessary to dispose the cabinet according to valid regulations.

■ CERTIFICATE AND CONFORMITY

- This product is fully in accordance with ČSN EN 62208 ed 2:2012.
- EUROPEAN PATENT 0346006.8-2207/1345301

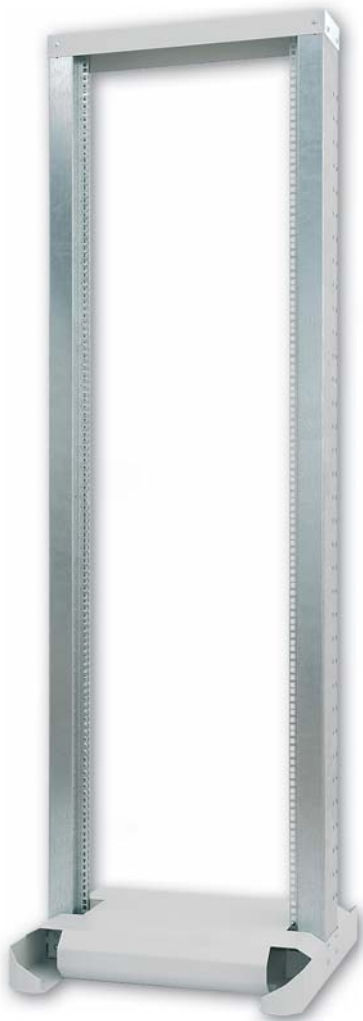


RSX



RSX >

Single section and double section RSX open frames are suitable for installation in protected areas. They offer easy installation and administration along with a very attractive price.



Single section frame



Double section frame

■ SINGLE SECTION FRAMES

We recommend the single section open frames for simple installations without heavy components.



■ HIGH RIGIDITY CONSTRUCTION

Vertical profile rails provide a high maximal loading capacity and a rigidity of an open frame.



■ CASTORS, NIVELATION FEET

Preparation for mounting of castors and nivelation feet.

■ DOUBLE SECTION FRAMES

The double section 19" open frame is more suitable for installation of heavier and larger devices. During the development, we have focused on construction simplicity, easy installation and maintenance.

SINGLE SECTION 600 x 600

TYPE	A	B	D	E	Weight gross (kg)	Weight net (kg)	Maximal recommended load (kg)
	(mm)						
RSX-27-XS6-CXX-A3	1365		616	600	34,3	27,5	150
RSX-32-XS6-CXX-A3	1587		616	600	36,4	29,6	
RSX-37-XS6-CXX-A3	1809		616	600	38,4	31,7	
RSX-42-XS6-CXX-A3	2031		616	600	40,5	33,7	
RSX-45-XS6-CXX-A3	2165		616	600	41,7	35,0	

DOUBLE SECTION 600 x 600

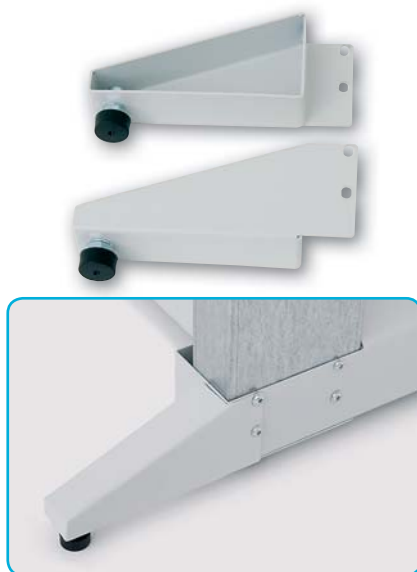
TYPE	A	B	D	E	Weight gross (kg)	Weight net (kg)	Maximal recommended load (kg)
	(mm)						
RSX-27-XD6-CXX-A3	1365	460	616	600	51,4	43,4	400
RSX-32-XD6-CXX-A3	1587	460	616	600	55,5	47,5	
RSX-37-XD6-CXX-A3	1809	460	616	600	59,7	51,6	
RSX-42-XD6-CXX-A3	2031	460	616	600	63,8	55,7	
RSX-45-XD6-CXX-A3	2165	460	616	600	66,3	58,2	

DOUBLE SECTION 600 x 700

TYPE	A	B	D	E	Weight gross (kg)	Weight net (kg)	Maximal recommended load (kg)
	(mm)						
RSX-27-XD7-CXX-A3	1365	560	616	700	53,2	45,1	400
RSX-32-XD7-CXX-A3	1587	560	616	700	57,3	49,3	
RSX-37-XD7-CXX-A3	1809	560	616	700	61,4	53,4	
RSX-42-XD7-CXX-A3	2031	560	616	700	65,5	57,5	
RSX-45-XD7-CXX-A3	2165	560	616	700	68,0	60,0	

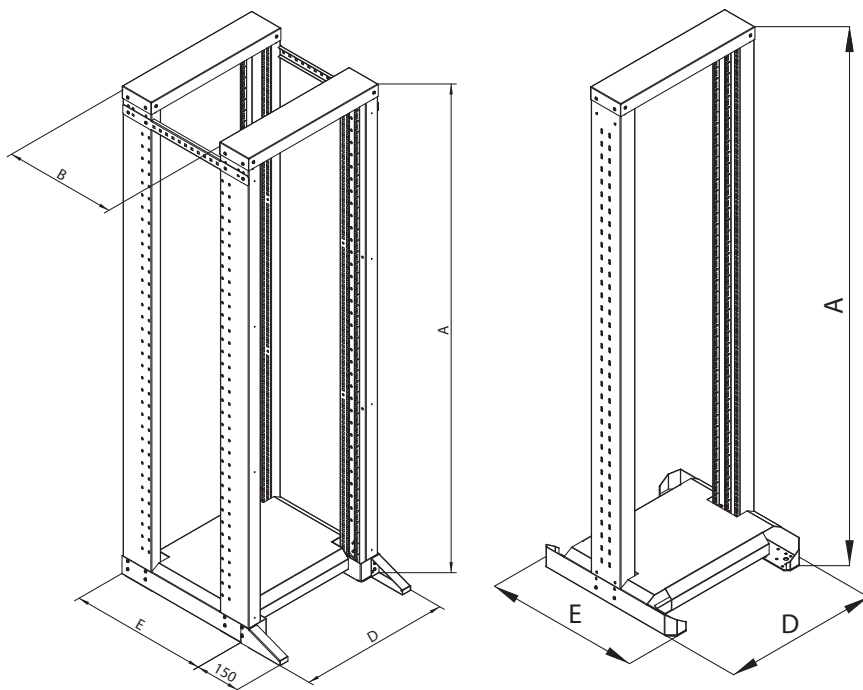
DOUBLE SECTION 600 x 800

TYPE	A	B	D	E	Weight gross (kg)	Weight net (kg)	Maximal recommended load (kg)
	(mm)						
RSX-27-XD8-CXX-A3	1365	660	616	800	54,9	46,9	400
RSX-32-XD8-CXX-A3	1587	660	616	800	59,0	51,0	
RSX-37-XD8-CXX-A3	1809	660	616	800	63,2	55,1	
RSX-42-XD8-CXX-A3	2031	660	616	800	67,3	59,2	
RSX-45-XD8-CXX-A3	2165	660	616	800	69,8	61,7	



■ STABILIZATION SET

It is mounted additionally on the base of the double section frame and increases stability of the whole set in case of installation of slide-out devices, e.g. servers.





RSX 19" OPEN FRAMES

■ DESCRIPTION, PURPOSE OF USE

- 19" open frames are used for installations of devices in predetermined rooms.
- Frames are produced single sectioned and double sectioned.
- For better stability it is advisable to use a double section frame.
- Frame construction:
 - Demountable
 - Steel parts joined by screws
 - 19" profile frame is suitable for placing directly on the floor using nivelation feet or castors (castors are not a part of the supply)
- Min. thickness of the surface finish is 65 µm.

■ OPERATION CONDITIONS

- Operation environment:
 - Office
 - The frame is not intended for outdoor installations and for installations in environment that can influence negatively the functionality of the cabinet and the mounted devices (e.g. environment with danger of explosion or humid and wet surroundings)
- Must be protected against:
 - Mechanical damage
 - Improper manipulation
 - A different usage than the cabinet is intended for
- Improper manipulation is especially:
 - Overloading (maximum recommended load exceeding)
 - Device installation that can influence negatively operation and function of the cabinet or the installed equipment
 - Change of the construction or design of the cabinet

■ MOUNTING OF THE FRAME

- To ensure the maximal recommended load, it is necessary to distribute the load equally. It is necessary to prevent one-side or one-point loading of the frame.
- Place the frame on a flat floor and compensate an eventual small roughness with nivelation feet.

■ ENVIRONMENT PROTECTION

- All parts are made of recyclable materials and it is necessary to dispose them according to valid regulations after discard.

■ CERTIFICATE AND CONFORMITY

- This product is fully in accordance with ČSN EN 62208 ed 2:2012.





Data Centers





DATA CENTERS - OVERVIEW

What's a data center

Introduction into data centers

57

Cooling

Principles and offer of data centers cooling

59

Power distribution

Power distribution units with management and environment monitoring

60

RDA - for data centers

Cabinet with a high loading capacity for data centers

61

Accessories

Directing of the cooling air, cable management ...

65

Hot/cold aisle

Modular system for the construction of hot/cold aisle

69

Raised floors

Raised floors systems for data centers

70

References

Some of our already installed datacentres

72





Data centers

000001100

Touch of the theory >

The perspective way to centralize servers and other active elements requested change in method of cooling and protection of these equipments. The solution is - data center.



WHAT IS IT A DATA CENTER?

Modern data centers are significantly different from early versions of this method of installation of servers and other technologies. Original data centers were founded on the backbone of Internet connections from the 90's of last century. Large data halls were built primarily as a space perfectly protected in terms of security, uninterrupted power supply and with adequate capacity of communication lines, mostly optical. Cabinets in the halls were then leased to users for their technology and Internet applications. These centers had almost every time raised floor with high load, beneath which were placed all cabling and cooling connections. Cooling was mostly centralized so whole room was air conditioned regardless of the distribution of thermal load and without the ability to effectively regulate cooling for each cabinet or the data hall.

With the development of telecommunications, with new protocols and increase of the transmission lines capacity has become available high-speed connection without need to place the device directly to the backbone connections.

Parallely the revolution took place on another front - the front of processing power and storage capacity. Processor performance growth dramatically, appeared multi-core processors and new operating systems. Hard drives and other storage media multiply its capacity.

Server operating systems have begun to use available resources for sharing of multiple, simultaneously running applications and there was only a small step to share one physical computer for running multiple operating systems simultaneously - to virtualization.

Majority of companies now run their applications either on their own servers dedicated to specific applications either uses the services of the ever popular virtualization and cloud-hosting. Both of these methods require a high density of installed computing power. Because it is a critical application for running businesses and institutions it require power-fail safety, physical protection and also controlled cooling. All these aspects are covered by the concept of data center.

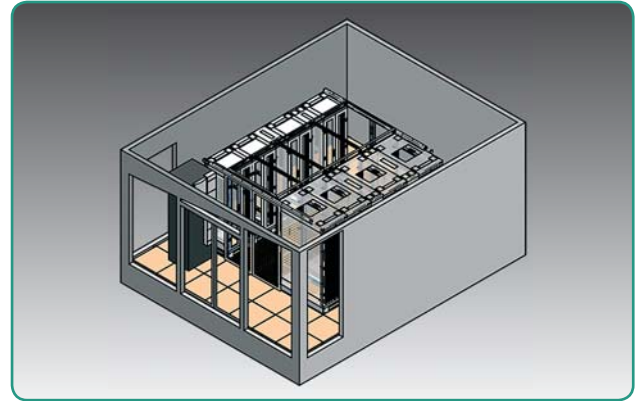
Over time the standard was set for the design and construction of data centers. Cabinets are placed in groups, usually in the form of two rows spaced 1.200 mm (two standard raised floor tile). Aisle between the cabinet is then roofed and closed at the ends by sliding doors. For really large data centers can be found dividing doors also within these units, which split them down into smaller parts.

The main product of our company's data center solution is RDA cabinet with a load capacity of 1,300 kg in a version adapted for the construction of data centers. Other necessary components such as ceiling panels of various types, including the sliding doors, as alternative self-closing etc., make a complete modular system.

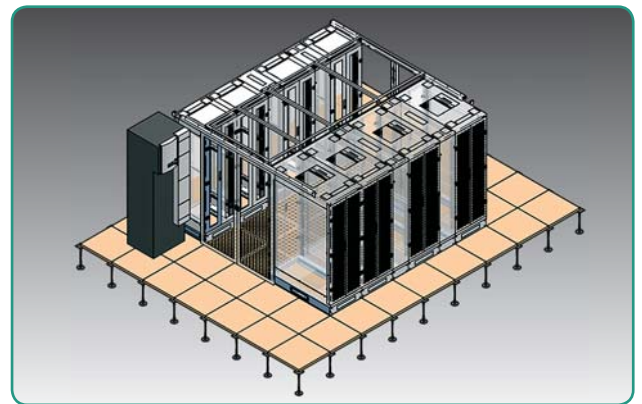
We also offer a complete range of raised floors for installations that allow their use. Particularly is critical floor load in the rooms of the future data center. In case when is not possible to use the raised floor (low room height, lack of permissible floor load and so on) we can offer an alternative, in the form of In-Row cooling units with top media inlet and condensate pump. This advanced solution offers extra large installed cooling capacity in a small footprint.

Combining multiple cabinets in a data center will arise the need to optimize cooling. Uncontrolled air flow is costly and inefficient.

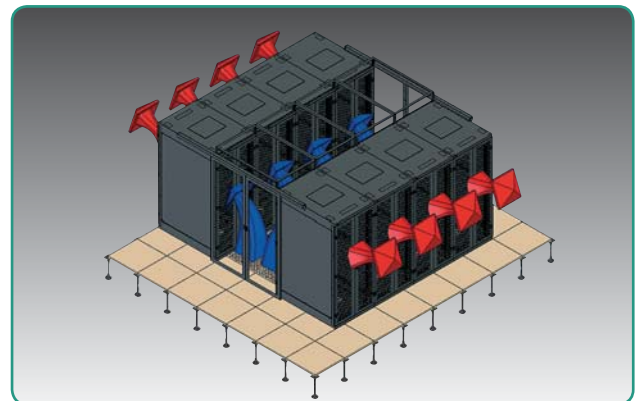
Using RDA cabinets and components designed for the data center can be easily and efficiently build a complete data center. The most commonly used solution in terms of cooling:



Reference data center TRITÓN



Data center with centralized air conditioning



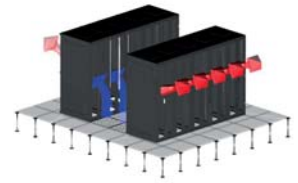
Scheme of data center cooling



DATACENTER COOLING PRINCIPLES

Hot / cold aisle

Arrangement into hot / cold aisles is one of the standard solution for data centers. Cabinets are oriented face to face, while cold air is supplied through perforated tiles in raised double floor. Standard ANSI/TIA/EIA-942-A recommended cold aisle width of 1.2 meters. This is the size of two double floor tiles. Via perforated tiles at front of cabinets is supplied cold air which is sucked by installed technology to each of them. Cold air is supplied to active elements via doors with 80% perforation. In this case, the double floor is used for delivery of cold and is necessary that all other openings in the floor, such as the cables entries are covered. The reason is to maintain static air pressure in double floor and to minimize cold air loss.



Contained cold aisle

Solution of open hot / cold aisle offers possible shortage in recirculation of heated air and therefore risk of creating so called hot-spots - locally overheated areas. The solution is contained cold aisle. This is a closed modular expandable system which physically separates the cold air from the exhalation of hot air. Actually, it creates a separate area for hot and cold air and eliminates mixing of them. Cool air is fed into the closed aisle through perforated tiles of raised floors or locally using the side cooling units, which are mounted directly in line between the cabinet. Standard width contained cold aisle is 1.2 meters (two floor tiles) or 1.8 m (three tile floor). At the ends the aisle is also equipped with a glass sliding doors. The use of this solution is becoming new standard and is especially recommended for its cooling capacity and efficiency to achieve the lowest energy consumption of the data center.



Closed modular solution

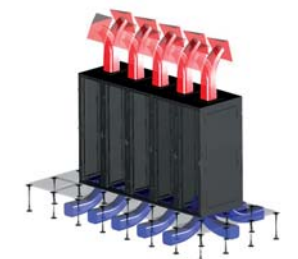
Closed modular solution enables maximum energy efficiency and scalability for focus for long-term development of a data center. This solution can be designed and manufactured tailored to customer needs. In one room can be zones not only with different operating temperatures, but also with different density of the thermal load. Solution is characterized by a high-IP cabinet. This also provides protection installed components from dust and moisture. Side cooling units are attached directly with the racks to make a closed module with internal cold zone at the front part of the cabinet and hot zone at the rear of the cabinet. This solution allows you to combine any number of racks and cooling units in the module. Our specialists will prepare a proposal for the project to ensure the space capacity required for technology installation and the corresponding power conditioning, including any needed redundancy.



Floor feed

This method increases the use efficiency of cold air through the delivery from double floor to the installed technology. The cabinet is installed on the opening in the double floor. Deflector, located at the bottom of the cabinet, directs cool air to its front section. Cold air in this case is further directed in the front section of the cabinet by door without perforations, these may be of glazed or metal. The hot air is extracted either from the rack by doors with 80% perforation or ceiling of cabinet.

By installing cool air supply regulator to the bottom of the cabinet may be adjusted the amount of air, or delivery can completely discontinued when the cabinet is not in use. The advantage of this cooling method is great flexibility in planning of the room usage. Cabinets installation to hot and cold aisle is not required if the hot and cold air is separated inside the cabinet. To achieve this is needed to install separating frame inside of cabinets for a strict separation of cold and hot air.

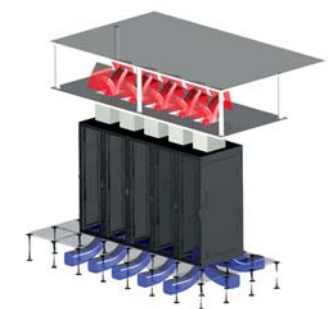


Floor feed with plenum return

Possible disadvantages of cold aisle and cooling supply from the floor and return to the room is that the hot air is brought into the surroundings of switchboards. This do not cause a complication when it is considered already in the datacenter design stage. In certain cases can be a solution to completely separate the warm air in areas with high thermal loads due to the concentration of the installed equipment.

The solution is supply cooling air from the room or raised floors and returning to the ceiling. This is the solution when the hot air do not return into the hall, but it is fed to the ceiling or double ceiling. Rear deflector located in the upper part of the cabinet helps to optimize the flow of hot air into the chimney extension. Large gauge of adapter allows the passage of large quantities of air at the relatively low speed.

Cold air intake is done on the front door or cabinet, and hot air is discharged through the chimney extensions to the ceiling / double ceiling above devices. Air conditioning units takes hot air from the ceiling, cool it down and deliver back under the raised floor. The air coling circuit is closed. This solution provides high efficiency cooling for very large volume of hot air. Some research indicates that this solution can be used to cool up to 30kW per rack.



Our specialists will be glad to help you to choose the optimum solution for your needs.

Selecting the right type of cabinet and accessories, you can save significant money spent on the operation of your technology.



■ DATA CENTER DESIGN

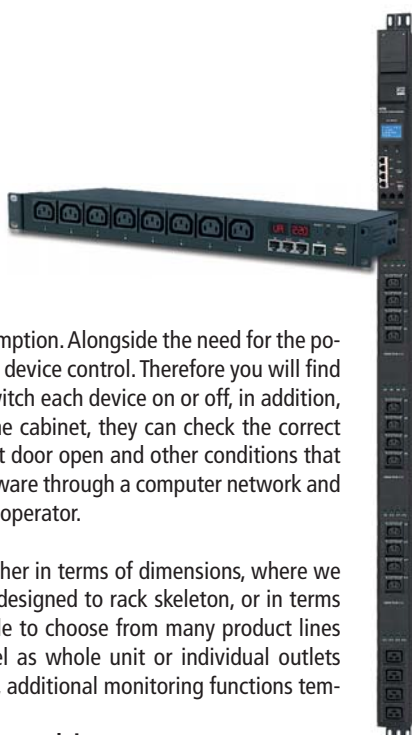
This critical stage of the data center building has a no definite solution. It depends on the cabinet arrangement, distribution of heat load and its size, the choice of thermal scheme (hot / cold aisle, zonal distribution of cold etc.) and many other aspects. When selecting the most suitable arrangement is necessary to take into account the type of cooling system (under-floor cooling, the In-Row cooling units ...) and with regard to the used coolant also select the outer part of the system.

Choice of the cooling medium must be done with respect to outdoor climatic conditions, the distance of data center from the external units and the elevation between them. Depend conditions we can choose the water cooling with appropriate addition of antifreeze, or system operating with liquid refrigerant gas. With regard to safety and redundancy required for service operations is necessary to design the complete system properly, it means inside the data center and on the side of chillers or condensers.

Furthermore, it is necessary to think about the requirements of humidity controll. Humidity less than 30% carries the risk of damage to the installed technologies by static electricity surge, too high humidity can lead to condensation.

In our portfolio you found the cooling systems of leading manufacturers active in this highly specialized field of datacenters and telecommunication technologies cooling for many years. Thanks to close cooperation and support of their development teams, we can offer proven and guaranteed solutions.

Design of functional, reliable, financially and operationally economical cooling system for the data center is not an easy matter and our specialists, who will recommend the optimum solution in terms of investment and operating costs, are fully available.



■ POWER DISTRIBUTION UNITS

Technology installed in data centers often have very high power consumption. Alongside the need for the power supply it brings also question of the need for metering and remote device control. Therefore you will find in our offer power distribution panels, which not only allows you to switch each device on or off, in addition, it also provide information about the temperature and humidity in the cabinet, they can check the correct function of the condensate drain of the cooling unit, alarm the cabinet door open and other conditions that you define. Any change then can be reported using the integrated software through a computer network and allow to oversee the data center without the physical presence of the operator.

Distribution panels with the management exists a lot of models. Whether in terms of dimensions, where we offer solutions from the standard 19" panels to large vertical panels designed to rack skeleton, or in terms of different inputs (16A-64A, single-phase / three-phase). It is possible to choose from many product lines according to the required panel functionality (measurement of panel as whole unit or individual outlets measurement, control panel at once or the individual outlet switching, additional monitoring functions temperature / humidity / door contact / water flood sensor).

When choosing the most appropriate solution we will be happy to advise you.



RDA

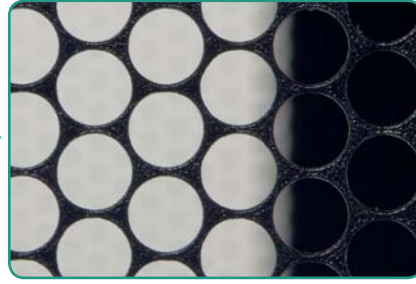
RDA for data center

Datacenter version of RDA cabinets combines high loading capacity with the requirements specific to this type of installation. Cabinets are ready for assembly into larger units and to install roofing to made hot / cold aisles.



■ READY FOR ROOF INSTALATION

For mounting the hot or cold aisle roof has datacenter version of RDA modified front side without skew typical for Triton cabinets. Models designed for data centers are labeled A3 and A7. Model A7 also has cable entries in skeleton for patching cables between racks secured by blanking panels on screws.



■ 80% DOOR PERFORATION

RDA is a cabinet designed for mounting servers and other active elements that require good cooling. Therefore, it is most often supplied with a perforated front door. The rear doors are usually also perforated and double wing. Their withdrawal from its hinges obtain comfortable access for installation and maintenance of installed equipment. PATENT: PUV 2012-26481.



■ CABLE ENTRIES AT THE VERTICALS IN THE ROOF

The additional cable entry to the installed equipment is available over each of the outer vertical. Openings are covered with panels on screws.



■ HOOK-ON HINGES

Our standard door hinges can be replaced by its new put-in alternative. Door can be taken off, which allow an easy installation and configuration of all installed equipment. These hinges are fully compatible with previous versions. Please refer to section „Accessories“.



■ MULTIPOINT LOCKS

Multi-point lock mechanisms Triton together with side panels fixed by screws increase safety of installed equipment.



RDA 800 x 1000 mm

■ LOADING CAPACITY 1300 kg

The RDA data cabinet has a reinforced construction and it is made of thicker material. Also 19" vertical rails are designed for a higher loading capacity. A version with depth over 800 mm has a central pair of vertical rails as a standard solution.

■ JOINING OF CABINETS

RDA cabinet is equipped with mounting holes for easy joining. Can be combined with standard rack Triton (RMA, RZA).



■ POWER DISTRIBUTION UNIT INSIDE OF CABINET SKELETON

19" power distribution units Triton can be mounted using the supplied brackets into the space inside the skeleton, so does not occupy valuable space for technology.



■ COOLING AIR INTAKE

In the bottom of the cabinet is large opening for cable entry and the cooling air from beneath the raised floor. These models RDA (A3 and A7) are built directly on the floor without nivelation feet.

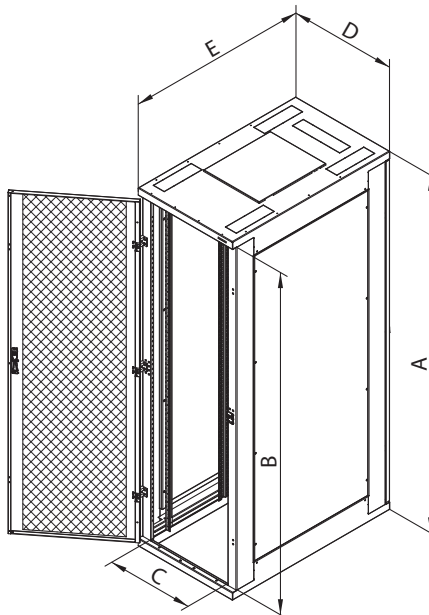


■ 19" VERTICAL RAILS

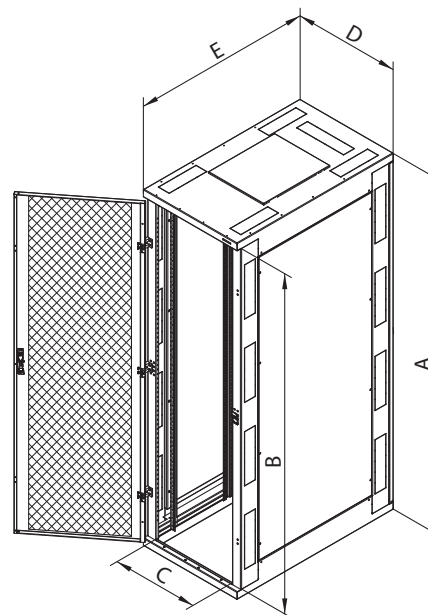
19" vertical rails designed for equipment installation are freely adjustable in whole depth of cabinet. A cabinets deeper than 800mm has a additional central pair of vertical rails as a standard solution.



RDA 600 x 1000 mm



RDA-42-X61-CAX-A3-GDA



RDA-42-X61-CAX-A7-GDA

RDA FOR DATA CENTRES

TYPE	A	B	C	D	E	Weight gross (kg)	Weight net (kg)	Maximal recommended load (kg)
	(mm)							
RDA-42-L68-CAX-Ax-GDA	1970	1868	487	600	800	116,29	110,16	1300
RDA-45-L68-CAX-Ax-GDA	2105	2003	487	600	800	122,42	116,27	
RDA-47-L68-CAX-Ax-GDA	2194	2092	487	600	800	125,78	119,61	
RDA-42-L61-CAX-Ax-GDA	1970	1868	487	600	1000	131,25	124,83	
RDA-45-L61-CAX-Ax-GDA	2105	2003	487	600	1000	138,05	131,60	
RDA-47-L61-CAX-Ax-GDA	2194	2092	487	600	1000	141,85	135,38	
RDA-42-L60-CAX-Ax-GDA	1970	1868	687	800	1100	137,85	130,57	
RDA-45-L60-CAX-Ax-GDA	2105	2003	687	800	1100	144,86	137,55	
RDA-47-L60-CAX-Ax-GDA	2194	2092	687	800	1100	149,10	141,47	
RDA-42-L62-CAX-Ax-GDA	1970	1868	487	600	1200	143,96	136,37	
RDA-45-L62-CAX-Ax-GDA	2105	2003	487	600	1200	151,19	143,57	
RDA-47-L62-CAX-Ax-GDA	2194	2092	487	600	1200	155,26	147,65	
RDA-42-L88-CAX-Ax-GDA	1970	1868	487	800	800	131,54	124,35	
RDA-45-L88-CAX-Ax-GDA	2105	2003	487	800	800	137,84	130,63	
RDA-47-L88-CAX-Ax-GDA	2194	2092	487	800	800	141,32	134,09	
RDA-42-L81-CAX-Ax-GDA	1970	1868	487	800	1000	147,80	139,80	
RDA-45-L81-CAX-Ax-GDA	2105	2003	487	800	1000	154,77	146,74	
RDA-47-L81-CAX-Ax-GDA	2194	2092	487	800	1000	158,70	150,64	
RDA-42-L80-CAX-Ax-GDA	1970	1868	487	800	1100	153,82	146,10	
RDA-45-L80-CAX-Ax-GDA	2105	2003	487	800	1100	161,01	153,25	
RDA-47-L80-CAX-Ax-GDA	2194	2092	487	800	1100	165,17	157,30	
RDA-42-L82-CAX-Ax-GDA	1970	1868	487	800	1200	159,99	152,17	
RDA-45-L82-CAX-Ax-GDA	2105	2003	487	800	1200	167,39	159,54	
RDA-47-L82-CAX-Ax-GDA	2194	2092	487	800	1200	171,71	163,73	



RDA - Datacenter models A3 and A7

■ DESCRIPTION, PURPOSE OF USE

- 19" free-standing cabinet with IP20 protection
- Cabinet includes 4 sliding vertical rails for device mounting (6 rails for cabinets deeper than 800 mm).
- Cabinet construction:
 - Welded steel frame with removable side panels fixed by screws
 - Single or double doors in variants fully-metal, perforated (80% air permeability) or glazed with safety tempered glass 4mm. They can be on the front or back of the cabinet.
 - Preparation for installation of 19" power distribution units to the skeleton
 - Preparation for joining the cabinets together
 - Preparation for hot / cold aisle roof and sliding door installation
- The maximum recommended load of cabinet is 1300 kg, maximum load of the door is 20 kg.
- Finishing of polyester powder coating, min. coating thickness of 65 µm.
- The racks are designed for installation of data and telecommunication equipment and distribution systems.
- Frame of the cabinet and all detachable parts are connected by grounding cables that must be properly fitted and inserted into the connectors when using the cabinet.
- At the bottom of the rack is positioned a screw M8 as major earthing point.
- Cable entries covered by blanking panels secured by screws are located above each of the vertical rail, at the top and bottom of the cabinet. A7 version has a breakout cable entries also in the skeleton for the patching between cabinets. Opening for installation of ventilation units in the roof, bottom is wide open for cooling air input.

■ OPERATION CONDITIONS

- Operation environment:
 - Office
 - The cabinet is not intended for outdoor installations and for installations in environment that can influence negatively the functionality of the cabinet and the mounted devices (e.g. environment with danger of explosion)
- Must be protected against:
 - Mechanical damage
 - Improper manipulation
 - A different usage than the cabinet is intended for
- Improper manipulation is especially:
 - Overloading (maximum recommended load exceeding)
 - Device installation that can influence negatively operation and function of the cabinet or the installed equipment
 - Change of the construction or design of the cabinet

■ INSTALLATION OF THE CABINET

- To ensure the maximal recommended load, it is necessary to distribute the load equally.
- Place the cabinet on a flat floor without the nivelation feet.
- To avoid dust penetration in a case where cables lead through some of the cable openings, it is possible to seal it using a blanking panel with a brush or secure by plastic frame (both are part of the cabinet supply).

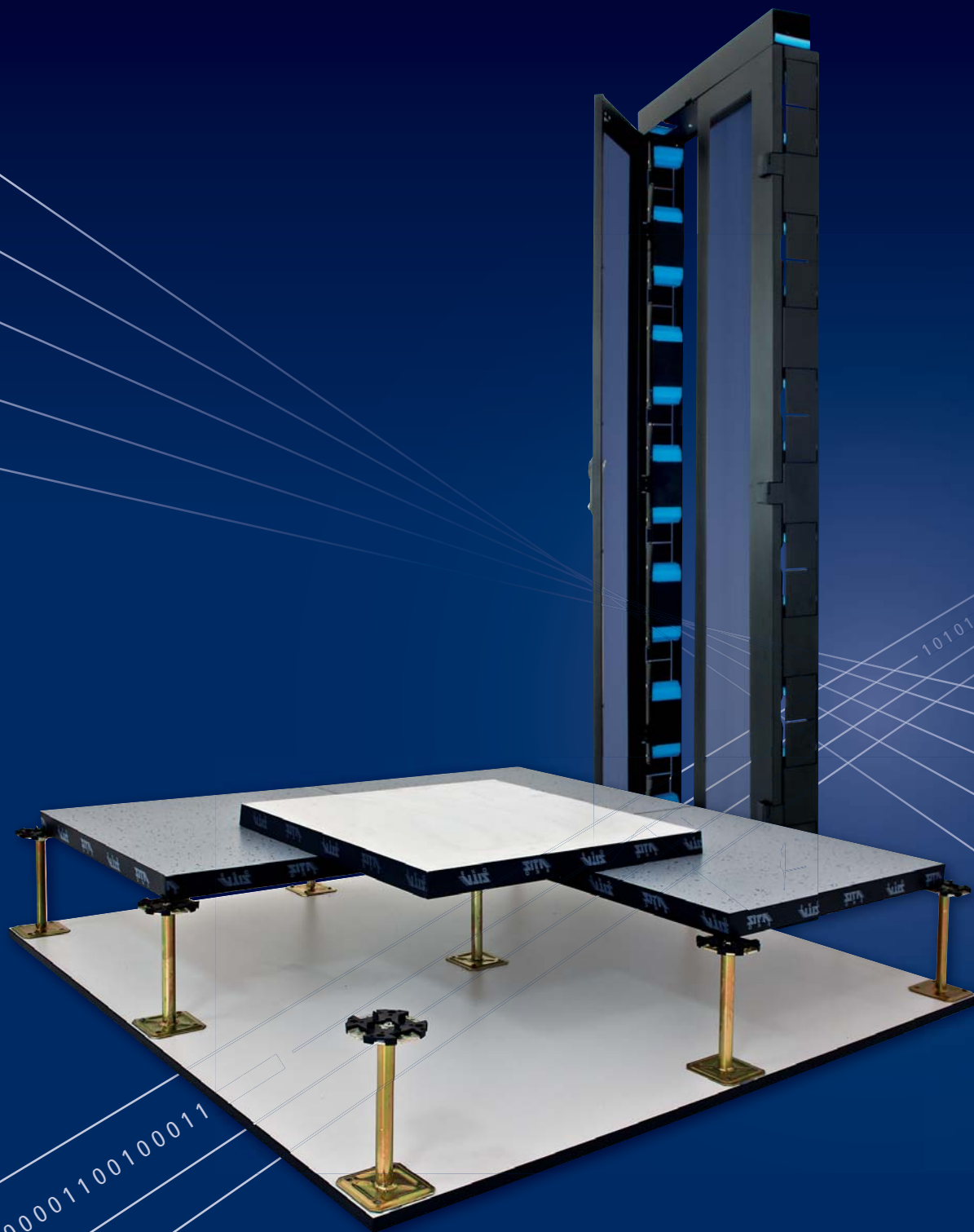
■ ENVIRONMENT PROTECTION

- All parts are made of recyclable materials and after its discard, it is necessary to dispose the cabinet according to valid regulations.

■ CERTIFICATE AND CONFORMITY

- This product is fully in accordance with ČSN EN 62208 ed 2:2012.





Data center - accessories

Specifics of data center requires unique equipment that ensures maximum efficiency in installation, ease of operation and particular control of equipment cooling.



PATCH FRAME

How to connect devices in two adjacent racks? The usual method, the cable pulling through entry holes in the roof or in the base of each rack, is laborious, time-consuming and capacity of these passages is often insufficient. Triton has developed for their cabinets unique patented solutions - the patch frame. After installing on the adjacent cabinet it replace the doors and greatly increases the capacity and convenience for cable patching between racks.



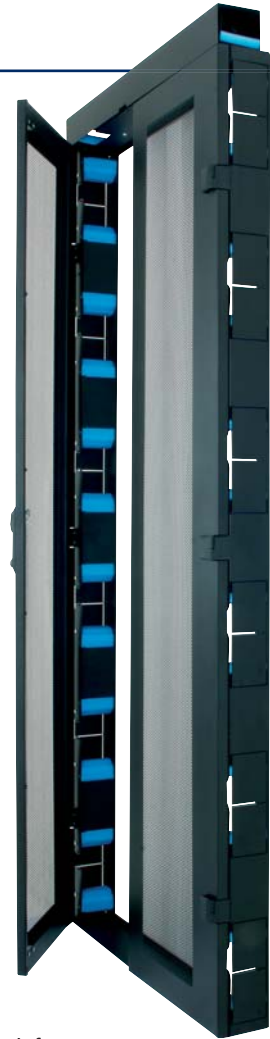
CABLE TRAY

Need to connect equipment in cabinets, that are not directly adjacent? Nor is this a problem with patch frame. Just install on top of the cable tray and you can easily bypass several cabinets exactly as needed. After closing the covers and doors and lock all of them the cables are protected from unauthorized access.



LARGE CAPACITY

We supply patch frames for the selected rack heights in two versions. 75 mm deep version offers cable entries with dimensions 109 x 40 mm, 150 mm version then even 109 x 80 mm. The most common patch frame for 42U high cabinet have on each side has 6 of these cable entries ...



Patch frame
PATENT: PUV 2012-26482.

EASY ADMINISTRATION

The frame is supplied as standard with double wingdoors of all types - glazed, fully metal and perforated. After hooking-off the door from its hinges's administration of cabling between cabinet become to be a toy, only inserting cables into the prepared openings without pulling.

Cable tray	Width (mm)	Depth (mm)
RAX-RA-X06-X1	600	75
RAX-RA-X06-Y1	600	115
RAX-RA-X08-X1	800	75
RAX-RA-X08-Y1	800	115

SOLUTION FOR CABINETS ON DUTY

Patch frame can be installed on cabinet already crowded by technology on the front and back of the cabinet, and thus greatly simplify their administration.



CABLE ENTRIES

Cable entries are covered with break-out plugs. At the point where you need to pull cables, plugs can be easily removed and frame construction guarantee the protection of cables, including compliance with the bending radius of optical cables.

Patch frame	Height (U)	Width (mm)	Depth (mm)	Double wing door
RAX-RA-426-X1	42	600	75	Glazed
RAX-RA-426-X2	42	600	75	Fully metal
RAX-RA-426-X3	42	600	75	Perforated (air permeability 80%)
RAX-RA-426-Y1	42	600	115	Glazed
RAX-RA-426-Y2	42	600	115	Fully metal
RAX-RA-426-Y3	42	600	115	Perforated (air permeability 80%)
RAX-RA-428-X1	42	800	75	Glazed
RAX-RA-428-X2	42	800	75	Fully metal
RAX-RA-428-X3	42	800	75	Perforated (air permeability 80%)
RAX-RA-428-Y1	42	800	115	Glazed
RAX-RA-428-Y2	42	800	115	Fully metal
RAX-RA-428-Y3	42	800	115	Perforated (air permeability 80%)
RAX-RA-456-X1	45	600	75	Glazed
RAX-RA-456-X2	45	600	75	Fully metal
RAX-RA-456-X3	45	600	75	Perforated (air permeability 80%)
RAX-RA-456-Y1	45	600	115	Glazed
RAX-RA-456-Y2	45	600	115	Fully metal
RAX-RA-456-Y3	45	600	115	Perforated (air permeability 80%)
RAX-RA-458-X1	45	800	75	Glazed
RAX-RA-458-X2	45	800	75	Fully metal
RAX-RA-458-X3	45	800	75	Perforated (air permeability 80%)
RAX-RA-458-Y1	45	800	115	Glazed
RAX-RA-458-Y2	45	800	115	Fully metal
RAX-RA-458-Y3	45	800	115	Perforated (air permeability 80%)

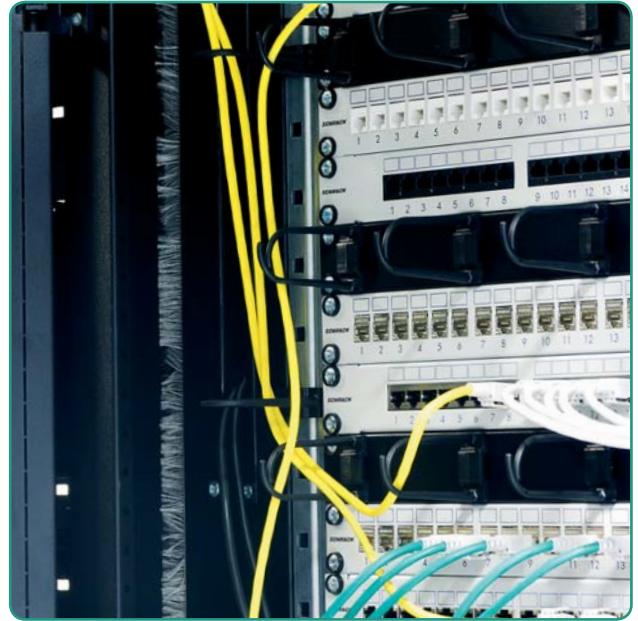


SEPARATION FRAME



SEPARATION FRAME WITHOUT OPENINGS

Especially for 800 mm wide cabinets is important to point cooling air efficiently through the door to the installed equipment. The flow between side panels and the vertical rails prevents separation frame. Mounted between vertical and skeleton of cabinet secure perfectly this area thanks used brush seal. Frame is moving with vertical, which still can be attached in any depth of cabinet, so usage of frame do not restrict the user in selecting technology.



SEPARATION FRAME WITH OPENINGS

Version with additional 19" positions increases the cabinet installation capacity by 6 positions 1U and allows passage of cabling through the separation frame to the back of cabinet.

DELIVERY AND INSTALLATION

Set of separation frame contains all the necessary components and assembly materials. Individual parts of the frame are mounted on the outside of the vertical rails using thread forming Tap-Tite screws. Frame with additional 19" positions is supplied with easy to install blanking panels fixed by plastic locks.

Type	Width (mm)	Heights (U)	19" positions
RAX-DT-R42-X6	600	42	NO
RAX-DT-R45-X6	600	45	NO
RAX-DT-R47-X6	600	47	NO
RAX-DT-R42-X8	800	42	NO
RAX-DT-R45-X8	800	45	NO
RAX-DT-R47-X8	800	47	NO
RAX-DT-R42-A8	800	42	YES
RAX-DT-R45-A8	800	45	YES
RAX-DT-R47-A8	800	47	YES





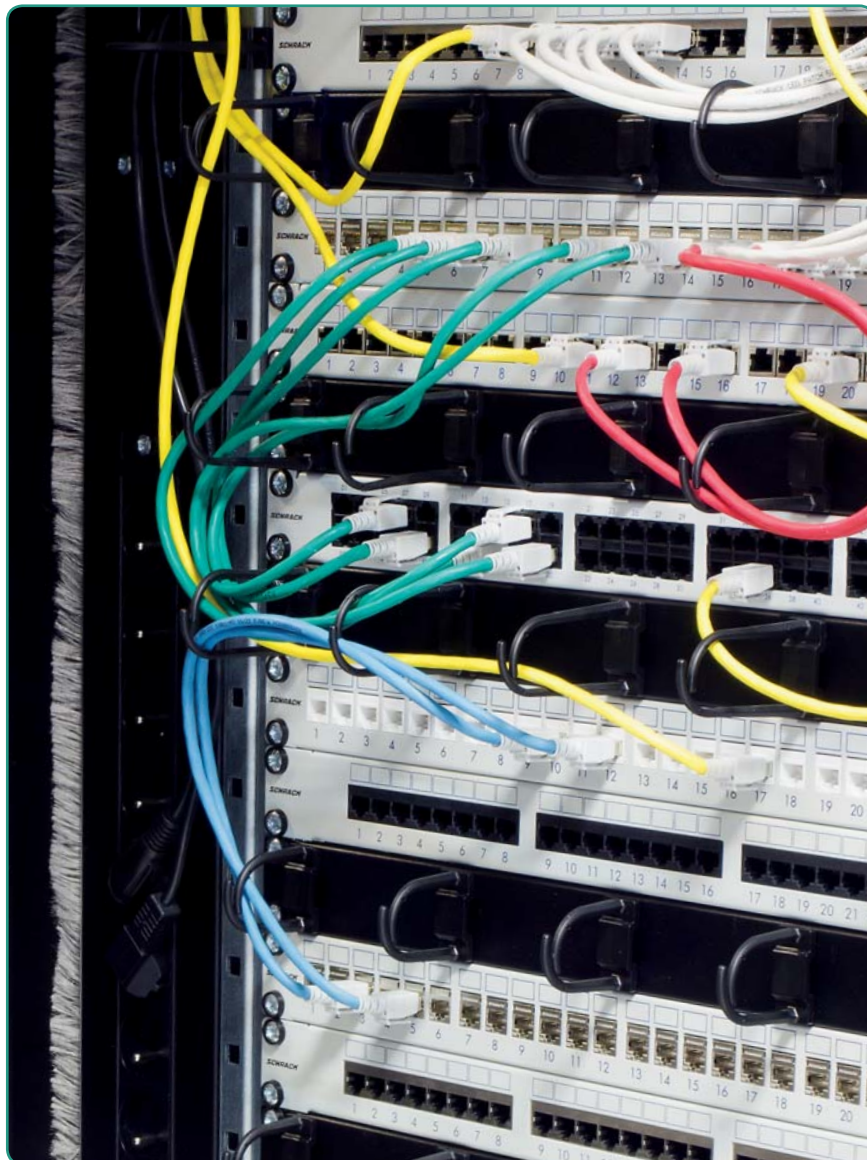
■ EASY-CLIP BLANKING PANEL

Blanking panel is frequently detached accessory in data centers for access to installed equipment. Therefore we offer a version with tool-less plastic locks, which can be quickly removed as well as installed to its place (see page 144, RAB-ZP-X92-A1).



■ PLASTIC MANAGEMENT RING

Verticals of RDA racks are designed for installation of plastic rings. These are in the area next to the vertical and do not affect the 19" installation. Their installation and removal is easy and fast and allows you to adjust the organization of cables each time you change the installation (see page 132, RAB-MS-X21-X1).



■ POWER DISTRIBUTION PANELS

Power distribution panels can be installed directly into the rack skeleton, saving valuable installation space. Distribution panels thanks to thoughtful cabinet design do not disturb slide out servers even in cabinets 600 mm wide.

■ RAX-ZV-X03-X1

Connector for wire cable trays



■ ADAPTER 23"/21" A 21"/19"

Cabinets Triton 800 mm wide allows to install vertical rails not only in 19" span but also in 21" and even 23". In this case for use of conventional 19" equipment is required this adapter (see page 141, RAX-RV-X01-X2).

■ RAX-ZV-X02-X1

Cabling between data center cabinets - this is another part of the complete solution. We offer a proven system of wire cable trays. Their high capacity, easy installation and large shape variability predetermine it for such applications. (RAX-ZV-X02-X1)

■ RAX-ZV-X04-X1

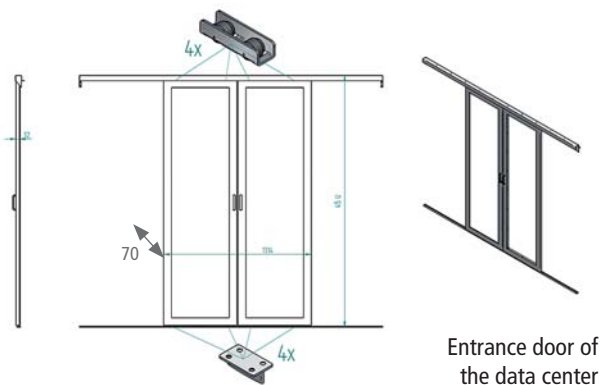
For attaching wire cable tray on cabinet is designed this holder. Screwed to the roof of the cabinet it provides not only the necessary load for cable trays but also the distance from the roof of cabinet to ensure needed cable bending radius. (RAX-ZV-X04-X1)



DATA CENTER – HOT / COLD AISLE

Once several cabinets are connected together, it is necessary to optimize cooling of all installed equipment. Uncontrolled air flow is very expensive and inefficient. There is a concept of „cold and hot aisles“ to prevent from such situations, which leads to controlling over the cold air flow and also which leads to prevention from mixing cold and hot air together. It is one of the most popular solution to cover all cabinets and separate them from outside with a sliding door system. Such solution

will allow cold air input in between cabinet rows and all hot air goes away into the surrounding (hot air is cooled down with an A/C unit and returns back in cold aisle among cabinets). This solution is called „a cold aisle“. The hot aisle solution has an opposite system of the air flow. All cold air is around data cabinets and the hot air is collected in between cabinet rows. For both „aisle“ solutions we can provide you with standard components. Atypical solutions are subject to an individual offer.



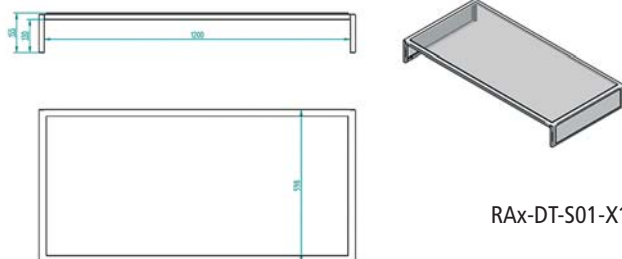
Entrance door of the data center

■ RAX-DT-Dxx-Xx

Sliding double-wing doors which are intended for data centers have a safety clear glass filling. A standard version is suitable for 1200 mm wide aisle for 42, 45 and 47 Units.

There is also a version of the self-closing (with gas spring), electrical (opens by motion sensor) and other solutions. Request a quote as per your needs.

Type	Height (U)
RAX-DT-D42-X1	42
RAX-DT-D45-X1	45
RAX-DT-D47-X1	47
RAX-DT-D42-X3 - self-closing (gas spring)	42
RAX-DT-D45-X3 - self-closing (gas spring)	45
RAX-DT-D47-X3 - self-closing (gas spring)	47



RAX-DT-S01-X1

Data center's roof panel

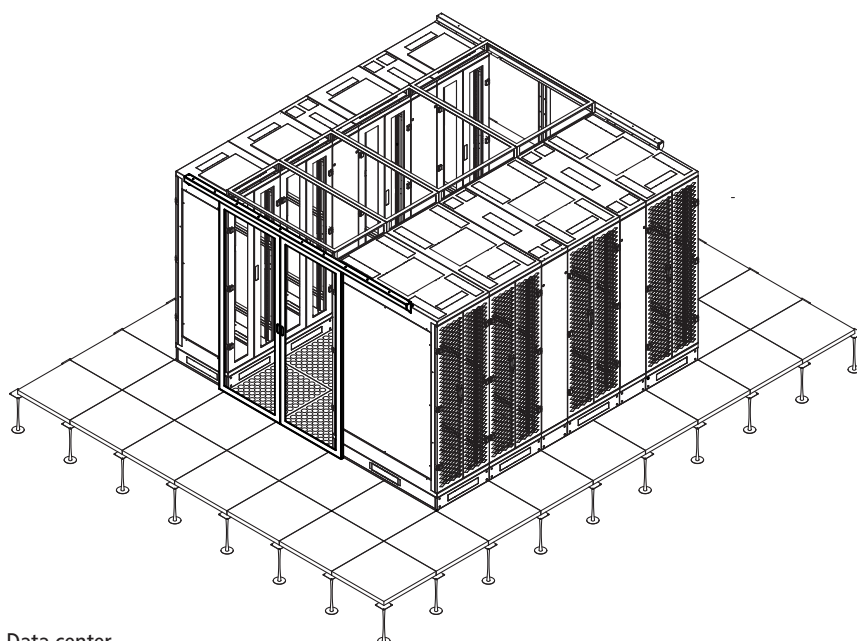
■ RAX-DT-Sxx-X1

An aisle roof is made of a clear safety glass in a metallic frame. A ceiling shape allows an air to flow easily. Macrolon filling of the metallic frame is a subject to an individual offer.

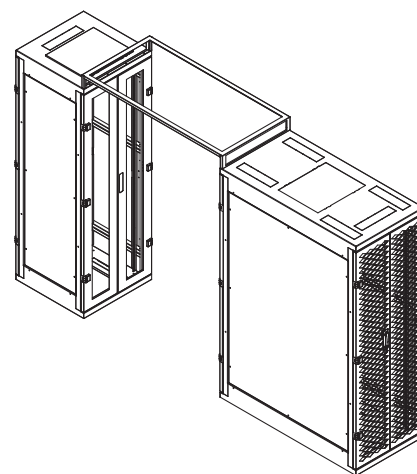
We offer 1200 mm roofing of an aisle as a standard for cabinet width from 300 mm to 800 mm.

News in our offer are sliding roofs, providing access to cable trays and self-opening roofs, which in case of a fire in a flash expose extinguishing gas access to datacenter aisle.

Type	Width of roof panel
RAX-DT-S04-X1	300 mm
RAX-DT-S03-X1	400 mm
RAX-DT-S01-X1	600 mm
RAX-DT-S02-X1	800 mm



Data center



Data center's roof panel



RAISED FLOORS

Raised floors are in most cases an integral part of the data center. Suppliers of materials for raised floors in our offer are ATIZ Company and MERO. We work closely with the manufacturer or, in the case of floors Mero, with the exclusive distributor for Czech. We offer a complete supply therefore both materials and installation.

Raised floor is made from stepping plates size 600 x 600 mm made of special chipboard with high density and thickness of 38 mm. The side edges are covered with a plastic strip to protect against damage and moisture. To achieve a seamless surface plates have edges angled by 4°.

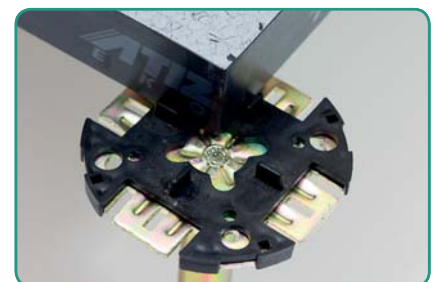
The bottom side is provided with aluminum foil or galvanized steel sheet. The plates are carried by steel, height-adjustable struts with anti-corrosion finish yellow chromate that sticks elastic sealant on a primer soaked concrete floor. Contact of plates with struts is made by electrostatically conductive plastic washer which works also as sound insulation. On request, electrostatically conductive plate may be supplied include issue of electrical revision.

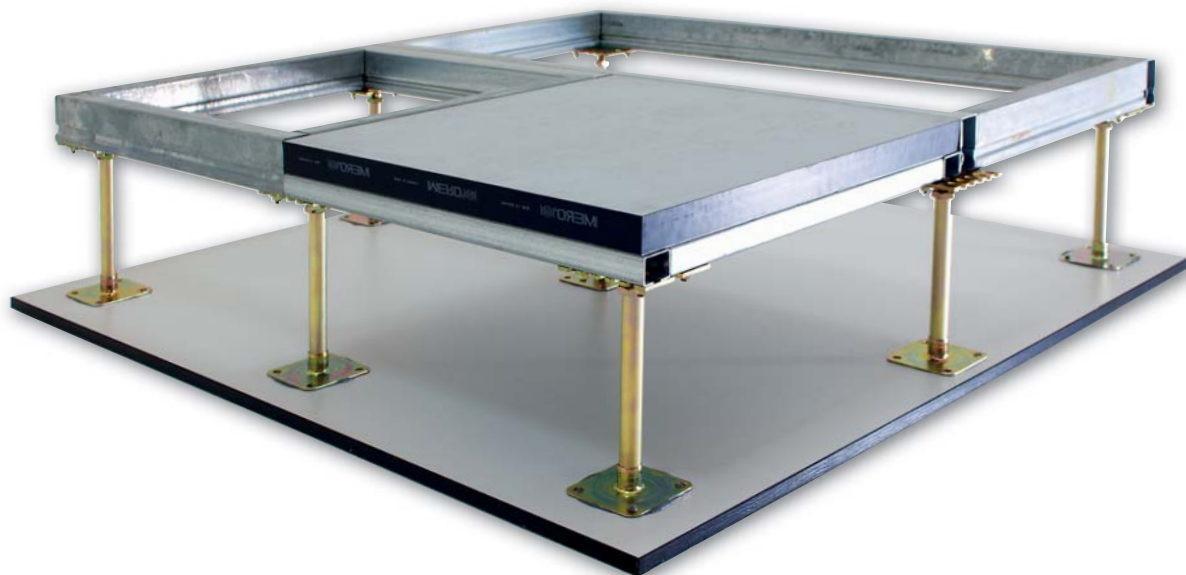


ATIZ	
Type	Tile (finishing)
ADS 40	ADS 40/T-500 600 x 600 PVC Dynamic
ADS 40	ADS 40/T-500 600 x 600 without finishing
ADS 40	ADS 40/T-500 600 x 600 PVC Dynamic electrostatic
ADS 40	ADS 40/T-1000 600 x 600 PVC Dynamic
ADS 40	ADS 40/T-1000 600 x 600 without finishing
ADS 40	ADS 40/T-1000 600 x 600 PVC Dynamic electrostatic

■ Raised floor ATIZ

The manufacturer of this type of floor is a Czech company using materials from proven suppliers. Preferred supplier of surfaces in this case is a traditional Czech manufacturer Fatra as. Indisputable benefit is a very good price / performance ratio.





■ Raised floor MERO

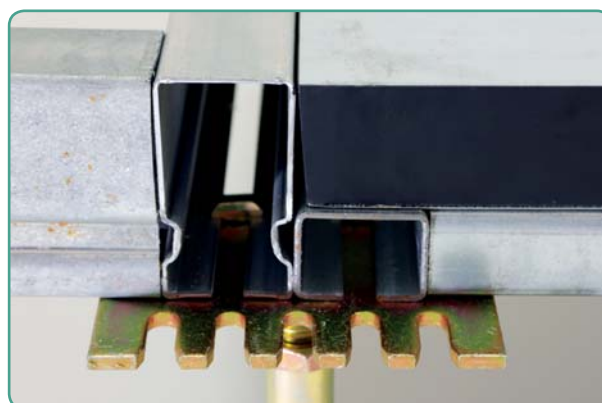
One of the best systems of the rised floors from point of view of quality and portfolio range are products of the German company MERO Systeme GmbH. Our company offers types of rised floors designed for installation in data ceters also as in the enego and technological centers.

Raised floor MERO typ 5

The panel is made of high dense chipboard, facing side has a selected surface (PVC, linoleum, aluminum foil, etc.), back side is covered with galvanized sheet 0.5 mm. Sides of panels are covered with plastic tape, which ensures maximum dimensional tolerance, moisture protection and tightness of the system. Panels are freely placed on adjustable struts, glued to the building structure.

Raised floor MERO typ 2

Special technological frame based raised floor suitable for electro distribution rooms and similar technological centers. Panels (depending on desired fire protection of system) are freely placed on the frame sub-structure of C-profiles, bolted to adjustable struts. Span of struts can be made in multiples of panel sizes 600 x 600 mm or 600 x 1200 mm. Anywhere in floor area can create free or covered, dimensionally adjustable, reinforced frames under technology (cabinets, distributors etc.).



MERO	
Type	Tile (finishing)
5	5GB 38 600x600 PVC MERO ELAST 3000 steel
5	5GA 38 600x600 PVC MERO ELAST 2000 ALU foil
5	5GAA 38 600x600 ALU foil 3000 ALU foil
5	5GBA 38 600x600 without finishing 3000 ALU foil

Building height of the raised floor can be achieved in the range from 65 to 2500 mm, this parameter must be adapted to the type of flooring and struts design.

For design and calculation of raised floor the **project documentation** is needed, this will be **free of charge** prepared by our specialists.

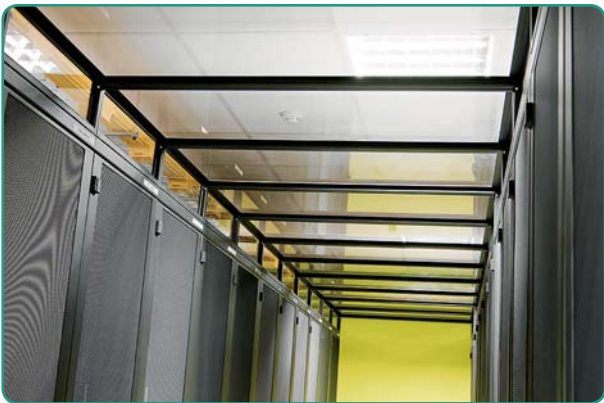


REFERENCES



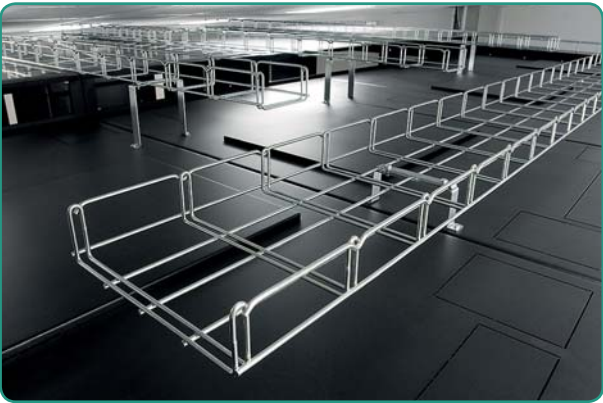


REFERENCES



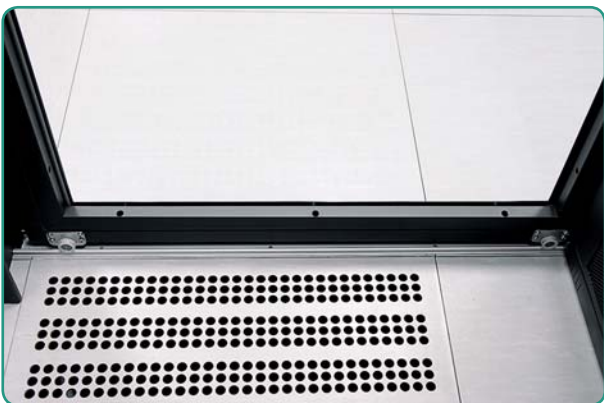
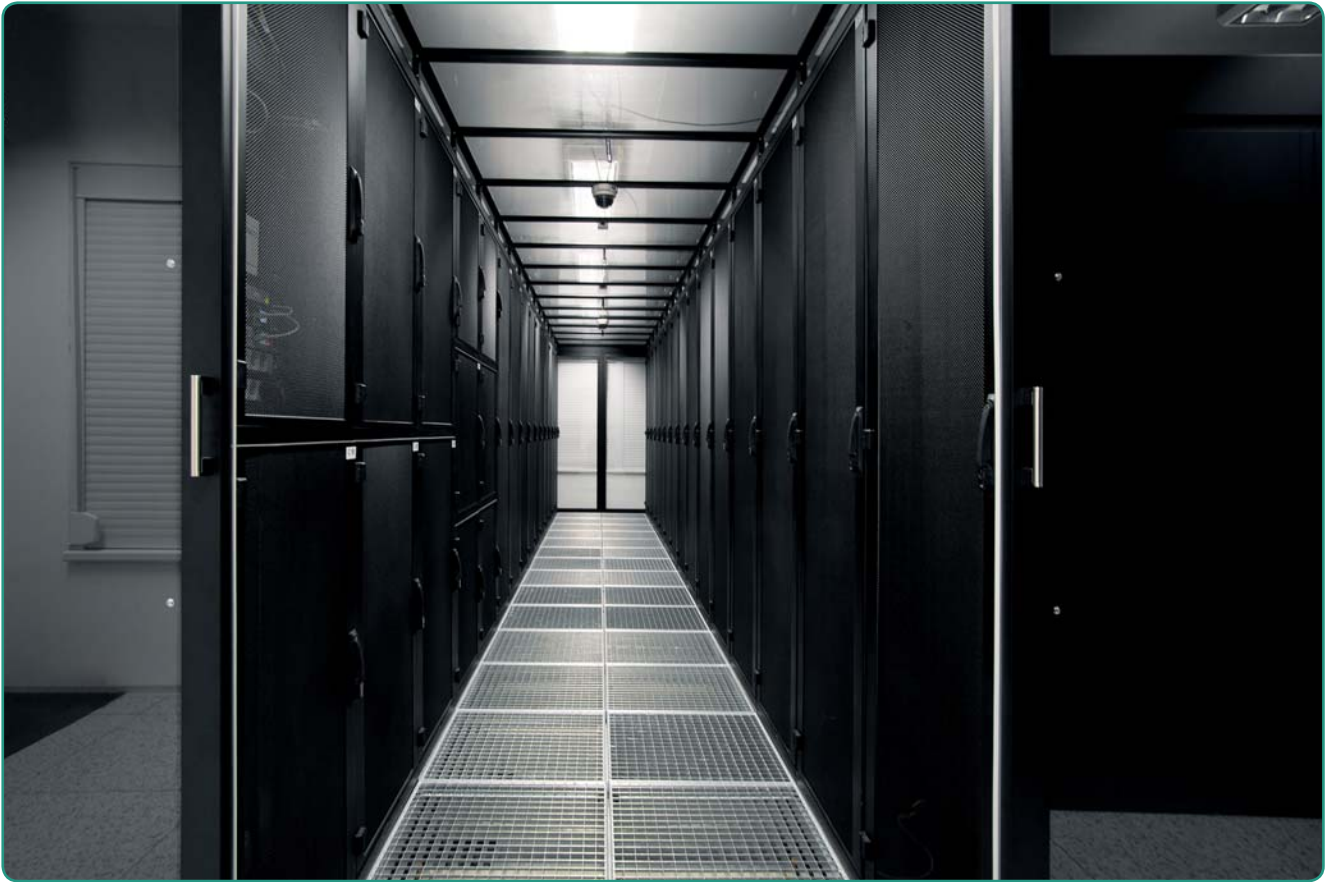


REFERENCES





REFERENCES





REFERENCES





REFERENCES





REFERENCES





Wall-Mounted Cabinets





WALL-MOUNTED CABINETS – OVERVIEW



RBA – one-sectioned
a classic for medium size installations

81



RBA – two-sectioned
an easy access to the rear section

85



RUA
with removable side panels

91



RXA
„Flat-Pack“ conception

95



RKA – 10" and 19"
Compact 10" and 19" cabinet

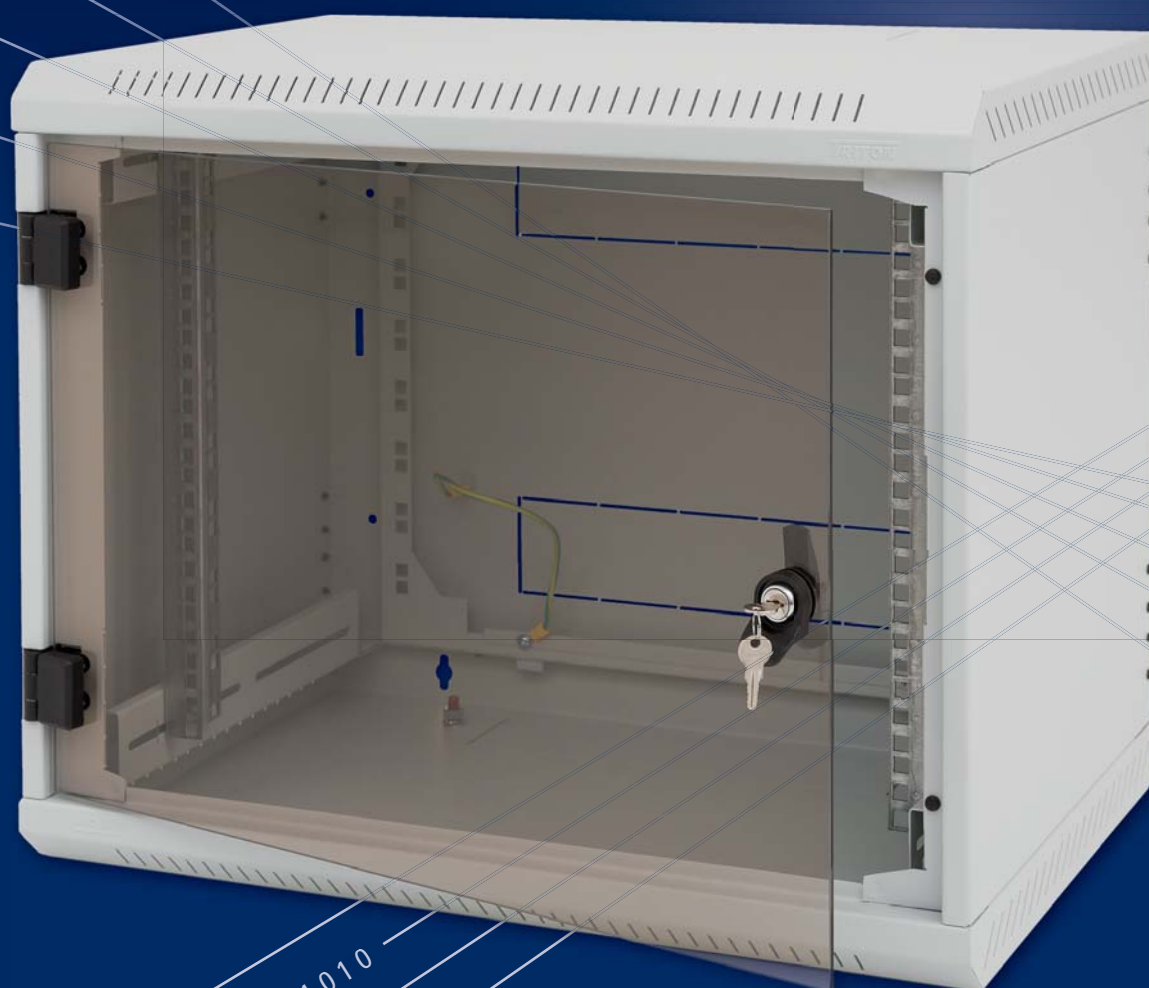
99



RBA – 10"
for smaller projects

103





RBA - one-sectioned

The fully welded wall-mounted cabinet is a classic for medium size installations. It is well-proven by thousands of successful installations. High quality processing ensures an excellent look and a high utility value.



HIGH RIGIDITY CONSTRUCTION

Cabinet has a robust welded construction. High quality processing and the up-to-date technology ensure a perfect look of the cabinet.



FLEXIBLE DOOR OPENING

The hinge system enables almost 180° wide opening of the door. Doors can be easily removed.



DOOR LOCK

It enables an easy and quick access into the cabinet.

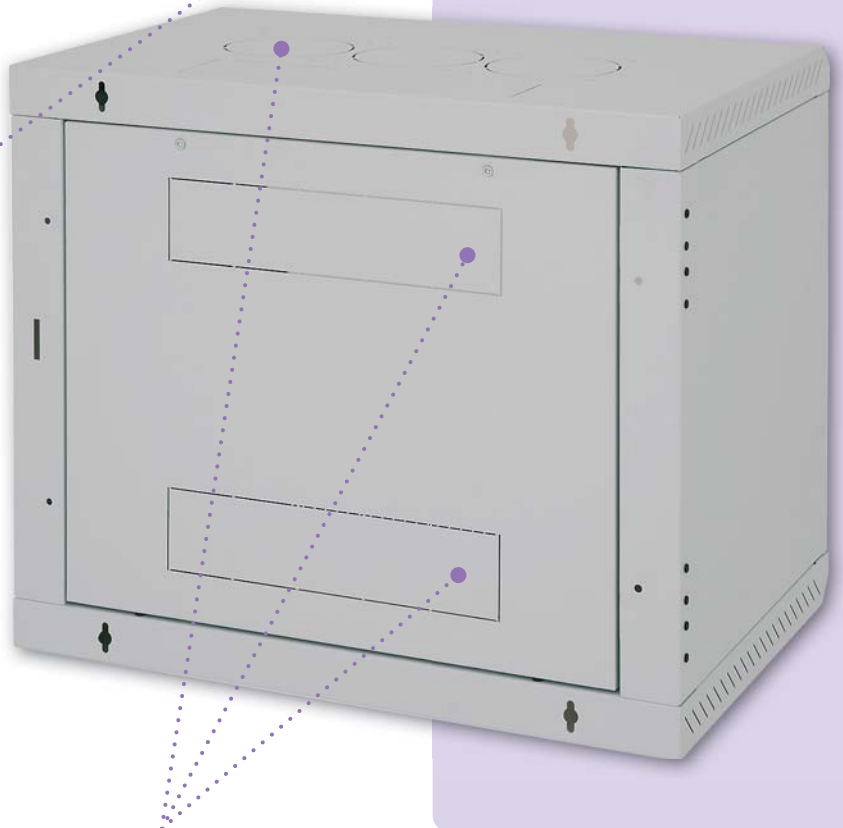


ADJUSTABLE VERTICAL RAILS

One pair of vertical 19" rails is freely adjustable in any depth of the cabinet. This simplifies mounting of the device and organisation of connecting cables.

DOOR

The cabinet has fully glass door in standard. It can be steel or perforated if required.



BREAKOUT-TYPE BLANKING PANELS

Cable openings covered with breakout-type blanking panels are ready in the top, bottom and rear part of the cabinet. Use a plastic frame and a blanking panel with a brush, that are parts of the cabinet supply, to seal the cabinet opening against dust penetration.

RBA (DELTA B 4S)

TYPE	A	B	C	D	E	R1	R2	Weight gross (kg)	Weight net (kg)	Maximal recommended load (kg)
	(mm)									
RBA-04-AS4-CAX-A1	280	175	516	600	395	234	420	12,7	12,4	30
RBA-06-AS4-CAX-A1	370	265	516	600	395	324	420	14,8	14,5	
RBA-09-AS4-CAX-A1	500	395	516	600	395	454	420	17,8	17,4	
RBA-12-AS4-CAX-A1	635	530	516	600	395	589	420	20,9	20,5	
RBA-15-AS4-CAX-A1	770	665	516	600	395	724	420	24,0	23,6	
RBA-18-AS4-CAX-A1	900	795	516	600	395	854	420	27,0	26,6	

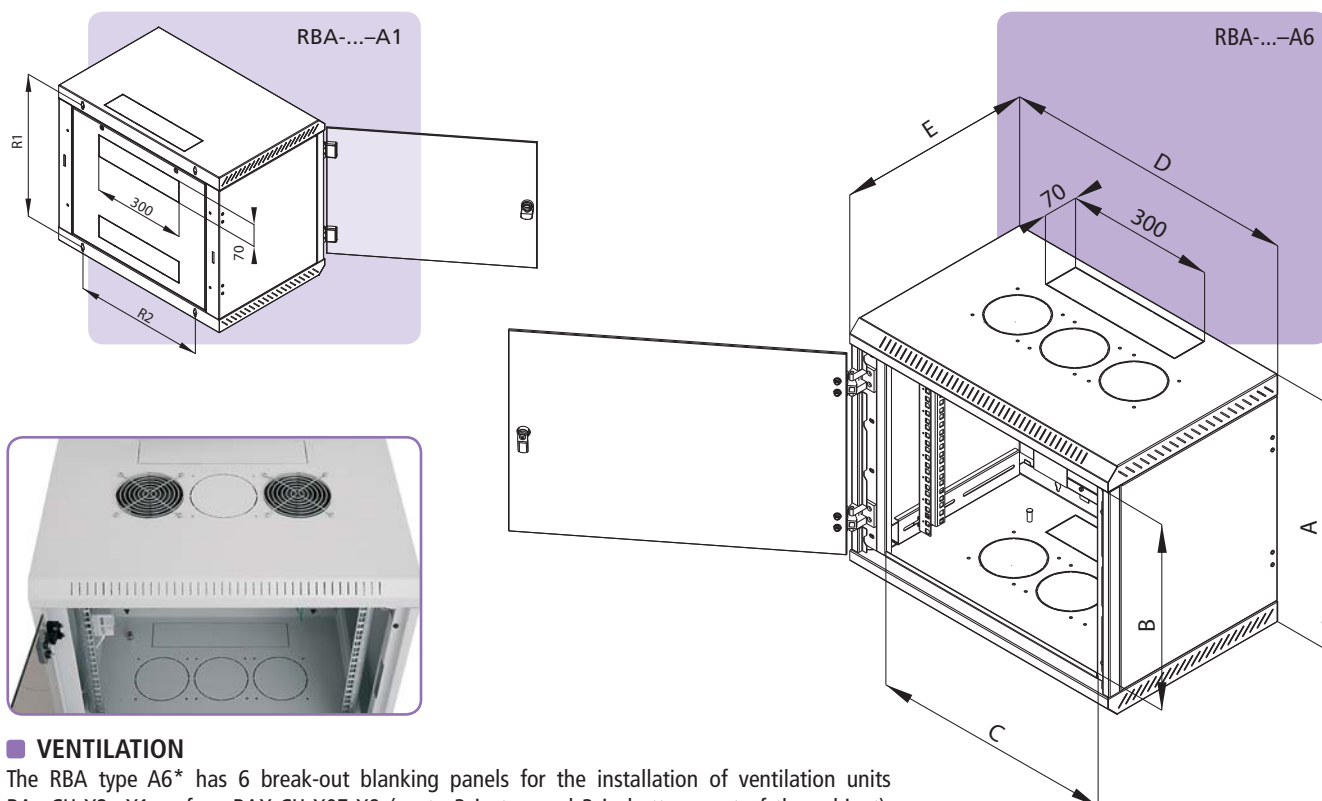
RBA (DELTA B 5S)

TYPE	A	B	C	D	E	R1	R2	Weight gross (kg)	Weight net (kg)	Maximal recommended load (kg)
	(mm)									
RBA-04-AS5-CAX-A1	280	175	516	600	495	234	420	14,5	14,2	30
RBA-06-AS5-CAX-A1	370	265	516	600	495	324	420	16,9	16,5	
RBA-09-AS5-CAX-A1	500	395	516	600	495	454	420	20,1	19,7	
RBA-12-AS5-CAX-A1	635	530	516	600	495	589	420	23,4	23,0	
RBA-15-AS5-CAX-A1	770	665	516	600	495	724	420	26,7	26,3	
RBA-18-AS5-CAX-A1	900	795	516	600	495	854	420	29,9	29,5	

RBA (DELTA B 6S)

TYPE	A	B	C	D	E	R1	R2	Weight gross (kg)	Weight net (kg)	Maximal recommended load (kg)
	(mm)									
RBA-04-AS6-CAX-A1	280	175	516	600	595	234	420	16,5	16,3	30
RBA-06-AS6-CAX-A1	370	265	516	600	595	324	420	18,9	18,6	
RBA-09-AS6-CAX-A1	500	395	516	600	595	454	420	22,3	22,0	
RBA-12-AS6-CAX-A1	635	530	516	600	595	589	420	25,8	25,5	
RBA-15-AS6-CAX-A1	770	665	516	600	595	724	420	29,3	28,9	
RBA-18-AS6-CAX-A1	900	795	516	600	595	854	420	32,8	32,4	

* For purchase of data cabinet ready for fans it is necessary to specify ...-A6 at the end of product code.



VENTILATION

The RBA type A6* has 6 break-out blanking panels for the installation of ventilation units RAX-CH-X2x-X1 or fans RAX-CH-X07-X9 (up to 3 in top and 3 in bottom part of the cabinet). The RBA cabinet provides with a possibility to install an equipment, which has never been cooled enough before. Such equipment could be only installed into free standing cabinets before.



WALL-MOUNTED CABINET RBA – one-sectioned

■ DESCRIPTION, PURPOSE OF USE

- 19" one-sectioned wall-mounted cabinet with IP30 protection
- Cabinet is to be hanged right on the wall.
- Cabinet includes two sliding vertical rails.
- Cabinet construction:
 - Compact welded cabinet
 - Safety hardened glass door, thickness 4 mm. On demand may be metal or perforated.
- Max. permissible load of the door is 10 kg.
- Min. thickness of the surface finish is 65 µm.
- Cabinets are intended for installation of data and telecommunication devices and their distribution systems.
- The frame of the cabinet and all the removable parts are connected with earthing cables that have to be properly fixed and inserted into connectors during all the time when using the cabinet.
- There is one M8 screw placed on the bottom part of the cabinet as an earthing main point.
- Cable openings covered with breakout-type blanking panels are placed in the top and the bottom part of the cabinet rear side, others are in the top and the bottom side of cabinet.
- An A6 version has several openings in the top and bottom part of the cabinet which allow to install ventilation units and which are covered with break-out blanking panels.

■ OPERATION CONDITIONS

- Operation environment:
 - Office
 - The cabinet is not intended for outdoor installations and for installations in environment that can influence negatively the functionality of the cabinet and the mounted devices (e.g. environment with danger of explosion or humid and wet surroundings)
- Must be protected against:
 - Mechanical damage
 - Improper manipulation
 - A different usage than the cabinet is intended for
- Improper manipulation is especially:
 - Overloading (maximum recommended load exceeding)
 - Device installation that can influence negatively operation and function of the cabinet or the installed equipment
 - Change of the construction or design of the cabinet

■ INSTALLATION OF THE CABINET

- This type of cabinet is to be hanged right on the wall using screws, wall plugs and washers (included in the supply). Spacing of mounting holes is showed and indicated as „R" in the cabinet scheme.
- To secure the maximum recommended load, it is necessary to fix the cabinet on the wall with an appropriate carrying capacity (brick, concrete or similar) and to distribute the installed loading equally.
- To avoid dust penetration in a case where cables lead through some of the cable openings, you can seal it using a blanking panel with a brush or secure by plastic frame (both are part of the cabinet supply).

■ ENVIRONMENT PROTECTION

- All parts are made of recyclable materials and after its discard, it is necessary to dispose the cabinet according to valid regulations.

■ CERTIFICATE AND CONFORMITY

- This product is certified by ITI TÜV, certification number 06.140.498/r1, date 03/01/2012 and is fully in accordance with ČSN EN 62208 ed.2:2012(EN 62208:2011).



RBA - TWO-SECTIONED

The data and telecommunication cabinet is a very successful version of two-sectioned cabinets. Opening parts of the cabinet enable an easy access to the rear cabinet section.



HIGH RIGIDITY CONSTRUCTION

Cabinet has a robust welded construction. High quality processing and the up-to-date technology ensure a perfect look of the cabinet.



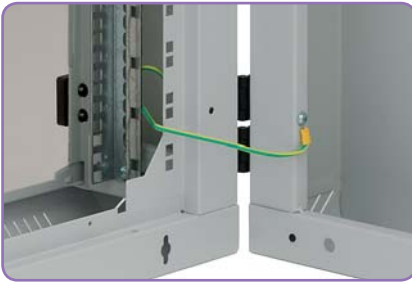
FLEXIBLE DOOR OPENING

The hinge system enables almost 180° wide opening of the door. The door can be easily removed.



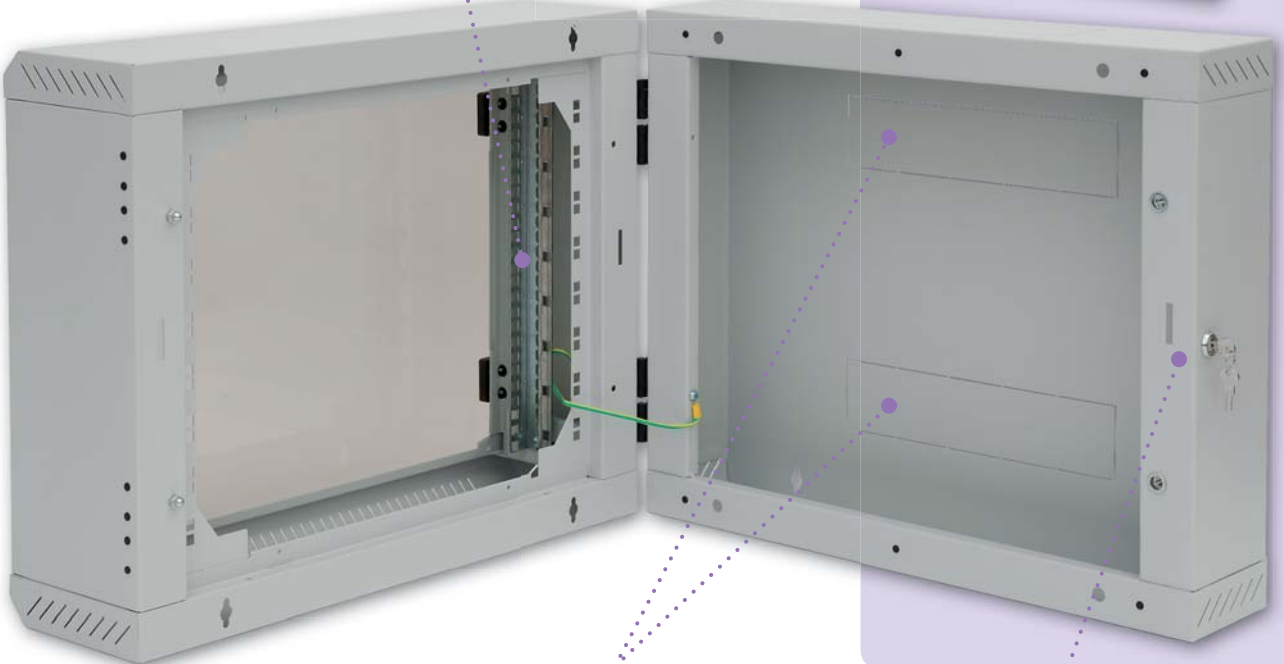
LOCKS

Door lock and back hinged section have in the standard version the same key.



ADJUSTABLE VERTICAL RAILS

One pair of vertical 19" rails is freely adjustable in any depth of the cabinet. This simplifies mounting of the device and organisation of connecting cables.



DOOR

The cabinet has fully glass door in standard. It can be steel or perforated if required.

BREAKOUT-TYPE BLANKING PANELS

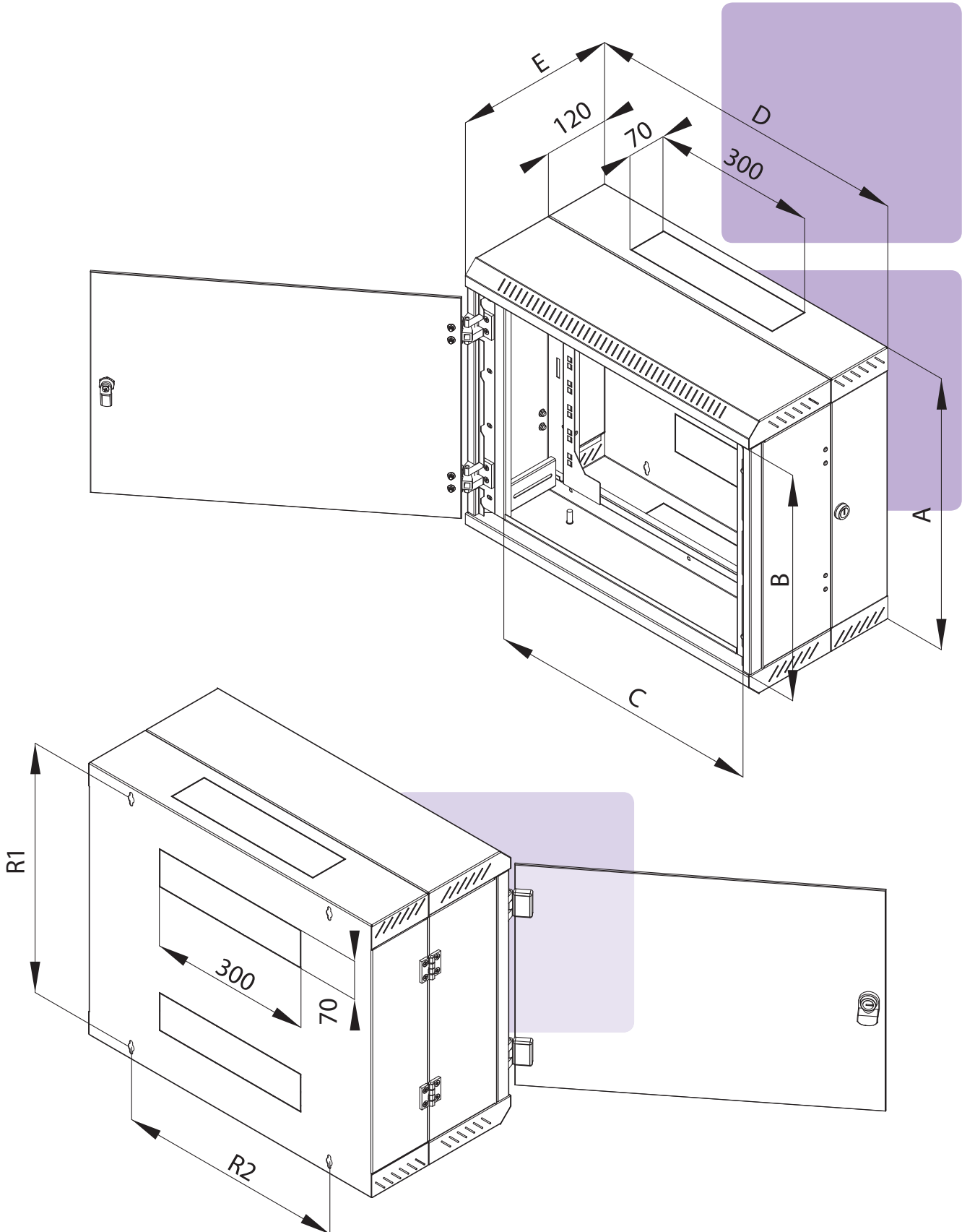
Cable openings covered with breakout-type blanking panels are ready in the top, bottom and rear part of the cabinet. Use a plastic frame and a blanking panel with a brush, that are parts of the cabinet supply, to seal the cabinet opening against dust penetration.

EASY ACCESS

Construction of the cabinet enable an easy access to the rear cabinet section. You can easily open the front part of the cabinet after unlocking side lock. All parts are interconnected and earthed.

RBA (DELTA B 2D)

TYPE	A	B	C	D	E	R1	R2	Weight gross (kg)	Weight net (kg)	Maximal recommended load (kg)
	(mm)									
RBA-04-AD2-CAX-A1	280	175	516	600	295	234	420	11,9	11,6	30
RBA-06-AD2-CAX-A1	370	265	516	600	295	324	420	13,7	13,4	
RBA-09-AD2-CAX-A1	500	395	516	600	295	454	420	16,8	16,5	





HIGH RIGIDITY CONSTRUCTION

Cabinet has a robust welded construction. High quality processing and the up-to-date technology ensure a perfect look of the cabinet.



FLEXIBLE DOOR OPENING

The hinge system enables almost 180° wide opening of the door. The door can be easily removed.



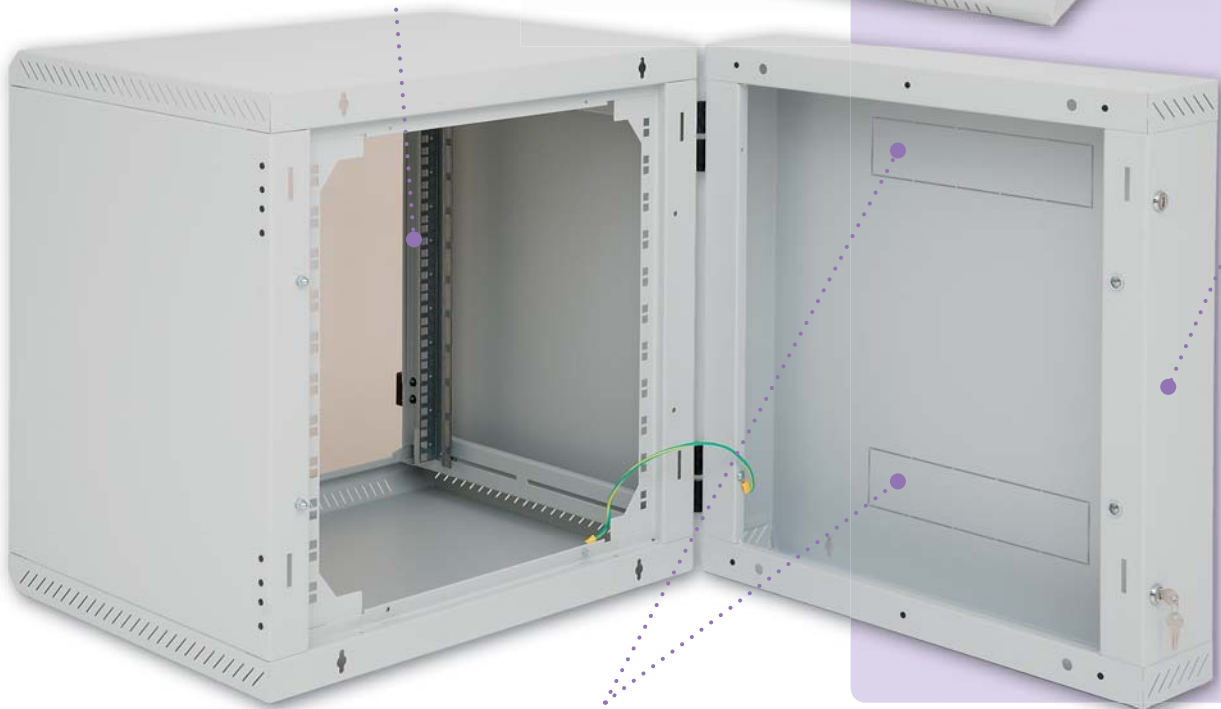
LOCKS

Door lock and back section have the same key.



ADJUSTABLE VERTICAL RAILS

One pair of vertical 19" rails is freely adjustable in any depth of the cabinet. This simplifies mounting of the device and organisation of connecting cables.



DOOR

The cabinet has fully glass door in standard. It can be steel or perforated if required.

BREAKOUT-TYPE BLANKING PANELS

Cable openings covered with breakout-type blanking panels are ready in the top, bottom and rear part of the cabinet. Use a plastic frame and a blanking panel with a brush, that are parts of the cabinet supply, to seal the cabinet opening against dust penetration.

RBA (DELTA B 5D)

TYPE	A	B	C	D	E	R1	R2	Weight gross (kg)	Weight net (kg)	Maximal recommended load (kg)
	(mm)									
RBA-04-AD5-CAX-A1	280	175	516	600	515	234	420	16,2	15,9	20
RBA-06-AD5-CAX-A1	370	265	516	600	515	324	420	18,3	17,9	20
RBA-09-AD5-CAX-A1	500	395	516	600	515	454	420	21,7	21,4	25
RBA-12-AD5-CAX-A1	635	530	516	600	515	589	420	25,4	25,1	25
RBA-15-AD5-CAX-A1	770	665	516	600	515	724	420	29,1	28,7	30
RBA-18-AD5-CAX-A1	900	795	516	600	515	854	420	32,5	32,1	30

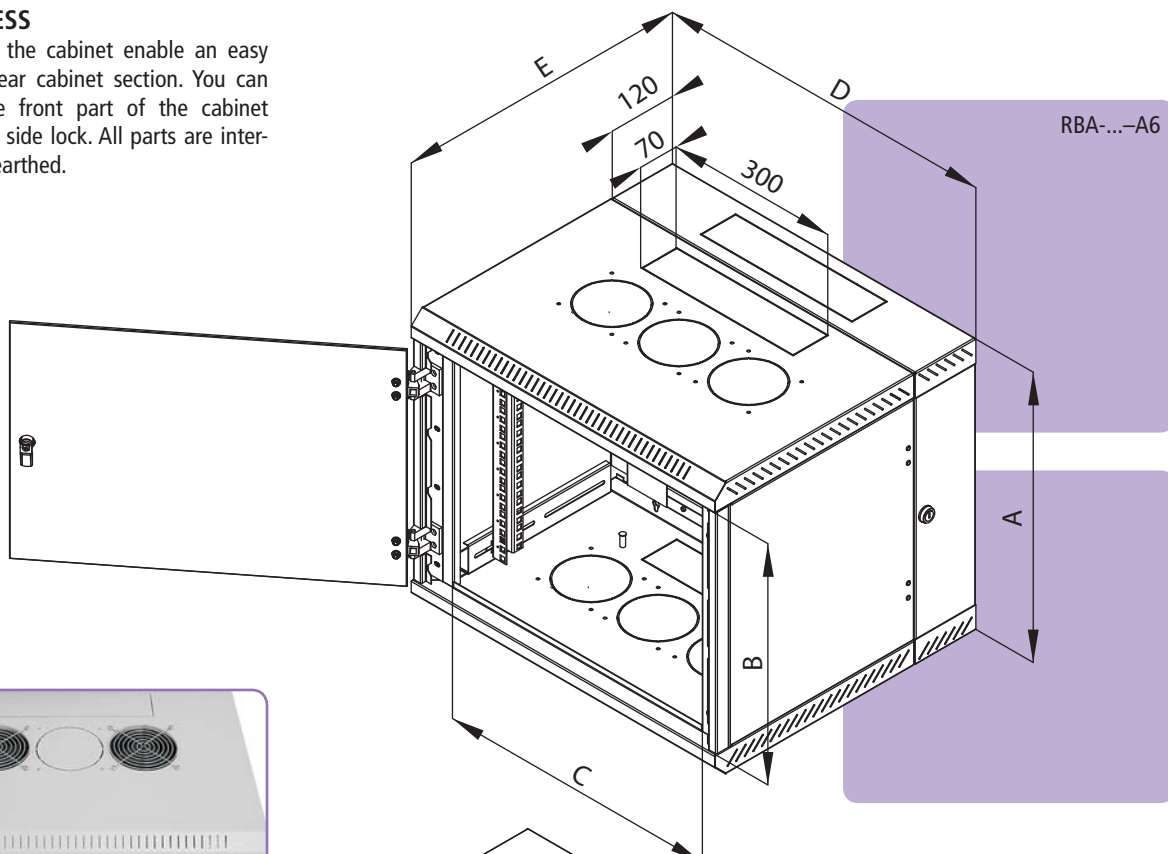
RBA (DELTA B 6D)

TYPE	A	B	C	D	E	R1	R2	Weight gross (kg)	Weight net (kg)	Maximal recommended load (kg)
	(mm)									
RBA-04-AD6-CAX-A1	280	175	516	600	615	234	420	18,0	17,7	20
RBA-06-AD6-CAX-A1	370	265	516	600	615	324	420	20,5	20,1	20
RBA-09-AD6-CAX-A1	500	395	516	600	615	454	420	24,2	23,9	25
RBA-12-AD6-CAX-A1	635	530	516	600	615	589	420	28,2	27,8	25
RBA-15-AD6-CAX-A1	770	665	516	600	615	724	420	32,1	31,7	30
RBA-18-AD6-CAX-A1	900	795	516	600	615	854	420	35,9	35,4	30

* For purchase of data cabinet ready for fans it is necessary to specify ...-A6 at the end of product code.

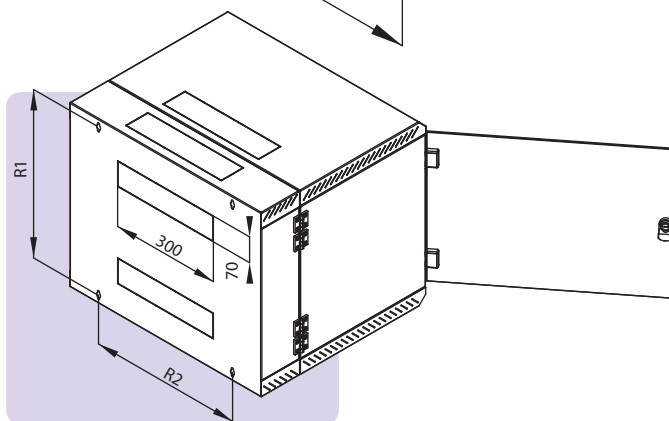
EASY ACCESS

Construction of the cabinet enable an easy access to the rear cabinet section. You can easily open the front part of the cabinet after unlocking side lock. All parts are interconnected and earthed.



VENTILATION

The RBA type A6* has 6 break-out blanking panels for the installation of ventilation units RAX-CH-X2x-X1 or fans RAX-CH-X07-X9 (up to 3 in top and 3 in bottom part of the cabinet). The RBA cabinet provides with a possibility to install an equipment, which has never been cooled enough before. Such equipment could be only installed into free standing cabinets before.





RBA WALL-MOUNTED CABINET – two-sectioned

■ DESCRIPTION, PURPOSE OF USE

- 19" two-sectioned wall-mounted cabinet with IP30 protection
- Cabinet is to be hanged right on the wall.
- Cabinet includes two sliding vertical rails.
- Cabinet construction:
 - Compact welded cabinet
 - Safety hardened glass door, thickness 4 mm. On demand may be metal or perforated.
- Max. permissible load of the door is 10 kg.
- Min. thickness of the surface finish is 65 µm.
- Cabinets are intended for installation of data and telecommunication devices and their distribution systems..
- The frame of the cabinet and all the removable parts are connected with earthing cables that have to be properly fixed and inserted into connectors during all the time when using the cabinet.
- There is one M8 screw placed on the bottom part of the cabinet as an earthing main point.
- Cable openings covered with breakout-type blanking panels are placed in the top and the bottom part of the cabinet rear side, others are in the top and the bottom side of cabinet.
- An A6 version has several openings in the top and bottom part of the cabinet which allow to install ventilation units and which are covered with break-out blanking panels.

■ OPERATION CONDITIONS

- Operation environment:
 - Office
 - The cabinet is not intended for outdoor installations and for installations in environment that can influence negatively the functionality of the cabinet and the mounted devices (e.g. environment with danger of explosion or humid and wet surroundings)
- Must be protected against:
 - Mechanical damage
 - Improper manipulation
 - A different usage than the cabinet is intended for
- Improper manipulation is especially:
 - Overloading (maximum recommended load exceeding)
 - Device installation that can influence negatively operation and function of the cabinet or the installed equipment
 - Change of the construction or design of the cabinet

■ INSTALLATION OF THE CABINET

- This type of cabinet is to be hanged right on the wall using screws, wall plugs and washers (included in the supply). Spacing of mounting holes is showed and indicated as „R“ in the cabinet scheme.
- To secure the maximum recommended load, it is necessary to fix the cabinet on the wall with an appropriate carrying capacity (brick, concrete or similar) and to distribute the installed loading equally.
- To avoid dust penetration in a case where cables lead through some of the cable openings, you can seal it using a blanking panel with a brush or secure by plastic frame (both are part of the cabinet supply).
- Both cabinet sections are joined with a lock accessible from the side of the cabinet.

■ ENVIRONMENT PROTECTION

- All parts are made of recyclable materials and after its discard, it is necessary to dispose the cabinet according to valid regulations.

■ CERTIFICATE AND CONFORMITY

- This product is certified by ITI TÜV, certification number 06.140.499/r1, date 03/01/2012 and is fully in accordance with ČSN EN 62208 ed.2:2012(EN 62208:2011).

**RUA** >

RUA wall-mounted cabinet is one of the one-sectioned wall-mounted cabinets. Thanks to removable side panels, installed devices are very easily accessible.



■ HIGH RIGIDITY CONSTRUCTION

Cabinet has a robust welded construction. High quality processing and the up-to-date technology ensure a perfect look of the cabinet and maximal loading capacity of 30 kg.



■ FLEXIBLE DOOR OPENING

The hinge system enables almost 180° wide opening of the door. Doors can be easily removed.



■ DOOR LOCK

It enables an easy and quick access into the cabinet.

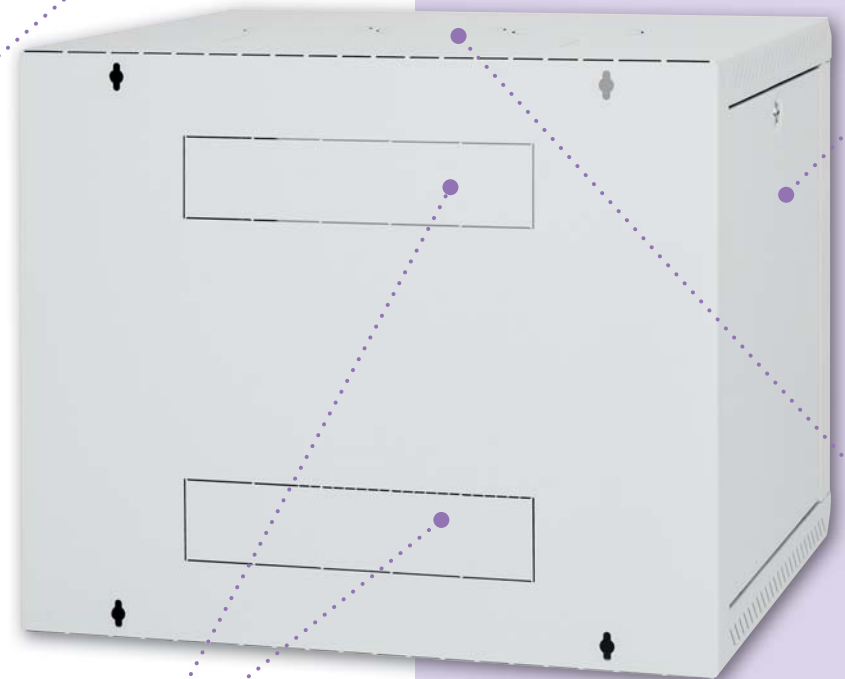


■ ADJUSTABLE VERTICAL RAILS

One pair of vertical 19" rails is freely adjustable in any depth of the cabinet. This simplifies mounting of the device and organisation of connecting cables.

■ DOOR

The cabinet has fully glass door in standard. It can be steel or perforated if required.



■ BREAKOUT-TYPE BLANKING PANELS

Cable openings covered with breakout-type blanking panels are ready in the top, bottom and rear part of the cabinet. Use a plastic frame and a blanking panel with a brush, that are parts of the cabinet supply, to seal the cabinet opening against dust penetration.

RUA (DELTA U AS4)

TYPE	A	B	C	D	E	R1	R2	Weight gross (kg)	Weight net (kg)	Maximal recommended load (kg)
	(mm)									
RUA-06-AS4-CAX-A1	370	265	530	600	395	324	420	15,4	15,1	30
RUA-09-AS4-CAX-A1	500	395	530	600	395	454	420	18,5	18,2	
RUA-12-AS4-CAX-A1	635	530	530	600	395	589	420	21,7	21,3	
RUA-15-AS4-CAX-A1	770	665	530	600	395	724	420	24,1	23,8	
RUA-18-AS4-CAX-A1	900	795	530	600	395	854	420	27,2	26,8	

RUA (DELTA U AS5)

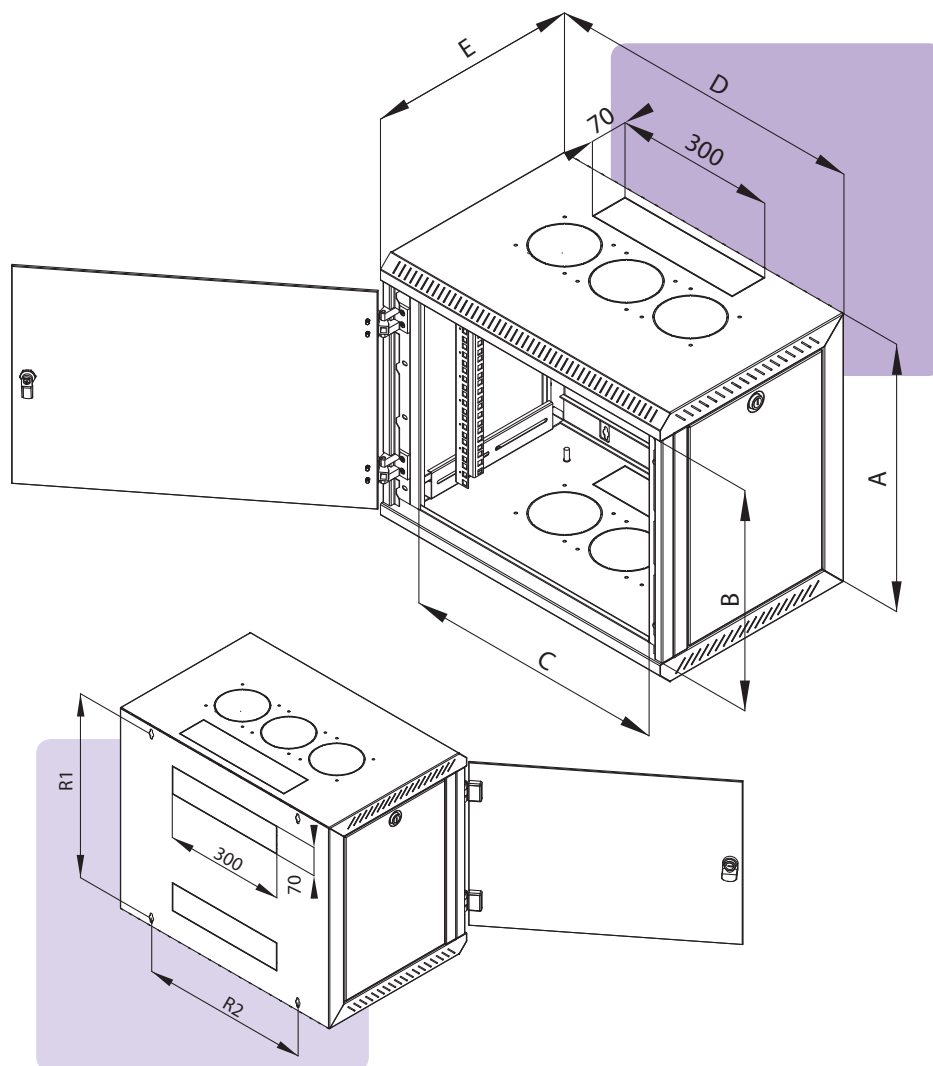
TYPE	A	B	C	D	E	R1	R2	Weight gross (kg)	Weight net (kg)	Maximal recommended load (kg)
	(mm)									
RUA-06-AS5-CAX-A1	370	265	530	600	495	324	420	17,3	17,0	30
RUA-09-AS5-CAX-A1	500	395	530	600	495	454	420	20,6	20,3	
RUA-12-AS5-CAX-A1	635	530	530	600	495	589	420	24,0	23,7	
RUA-15-AS5-CAX-A1	770	665	530	600	495	724	420	27,4	27,1	
RUA-18-AS5-CAX-A1	900	795	530	600	495	854	420	30,7	30,3	

RUA (DELTA U AS6)

TYPE	A	B	C	D	E	R1	R2	Weight gross (kg)	Weight net (kg)	Maximal recommended load (kg)
	(mm)									
RUA-06-AS6-CAX-A1	370	265	530	600	595	324	420	19,2	18,9	30
RUA-09-AS6-CAX-A1	500	395	530	600	595	454	420	22,7	22,4	
RUA-12-AS6-CAX-A1	635	530	530	600	595	589	420	26,3	26,0	
RUA-15-AS6-CAX-A1	770	665	530	600	595	724	420	30,0	29,6	

REMOVABLE SIDE PANELS

Removable side panels enables an easy access to the installed devices from the side.



VENTILATION

The RUA type has 6 break-out blanking panels for the installation of ventilation units RAX-CH-X2x-X1 or fans RAX-CH-X07-X9 (up to 3 in top and 3 in bottom part of the cabinet). RUA therefore enables installation of devices that in the past could not be cooled sufficiently in wall-mounted cabinets and had to be installed into free-standing cabinets only.





RUA WALL-MOUNTED CABINET

■ DESCRIPTION, PURPOSE OF USE

- 19" one-sectioned wall-mounted cabinet with IP30 protection
- Removable side panels secured by locks.
- Cabinet is to be hanged right on the wall.
- Cabinet includes two sliding vertical rails.
- Cabinet construction:
 - Welded frame with removable side panels secured by locks
 - Safety hardened glass door, thickness 4 mm. On demand may be metal or perforated.
- Max. permissible load of the door is 10 kg.
- Min. thickness of the surface finish is 65 µm.
- Cabinets are intended for installation of data and telecommunication devices and their distribution systems.
- The frame of the cabinet and all the removable parts are connected with earthing cables that have to be properly fixed and inserted into connectors during all the time when using the cabinet.
- There is one M8 screw placed on the bottom part of the cabinet as an earthing main point.
- Cable openings covered with breakout-type blanking panels are placed in the top and the bottom part of the cabinet rear side, others are in the top and the bottom side of cabinet.
- There are several openings in the top and bottom part of the cabinet which allow to install ventilation units and which are covered with break-out blanking panels.

■ OPERATION CONDITIONS

- Operation environment:
 - Office
 - The cabinet is not intended for outdoor installations and for installations in environment that can influence negatively the functionality of the cabinet and the mounted devices (e.g. environment with danger of explosion or humid and wet surroundings)
- Must be protected against:
 - Mechanical damage
 - Improper manipulation
 - A different usage than the cabinet is intended for
- Improper manipulation is especially:
 - Overloading (maximum recommended load exceeding)
 - Device installation that can influence negatively operation and function of the cabinet or the installed equipment
 - Change of the construction or design of the cabinet

■ INSTALLATION OF THE CABINET

- This type of cabinet is to be hanged right on the wall using screws, wall plugs and washers (included in the supply). Spacing of mounting holes is showed and indicated as „R“ in the cabinet scheme.
- To secure the maximum recommended load, it is necessary to fix the cabinet on the wall with an appropriate carrying capacity (brick, concrete or similar) and to distribute the installed loading equally.
- To avoid dust penetration in a case where cables lead through some of the cable openings, you can seal it using a blanking panel with a brush or secure by plastic frame (both are part of the cabinet supply).

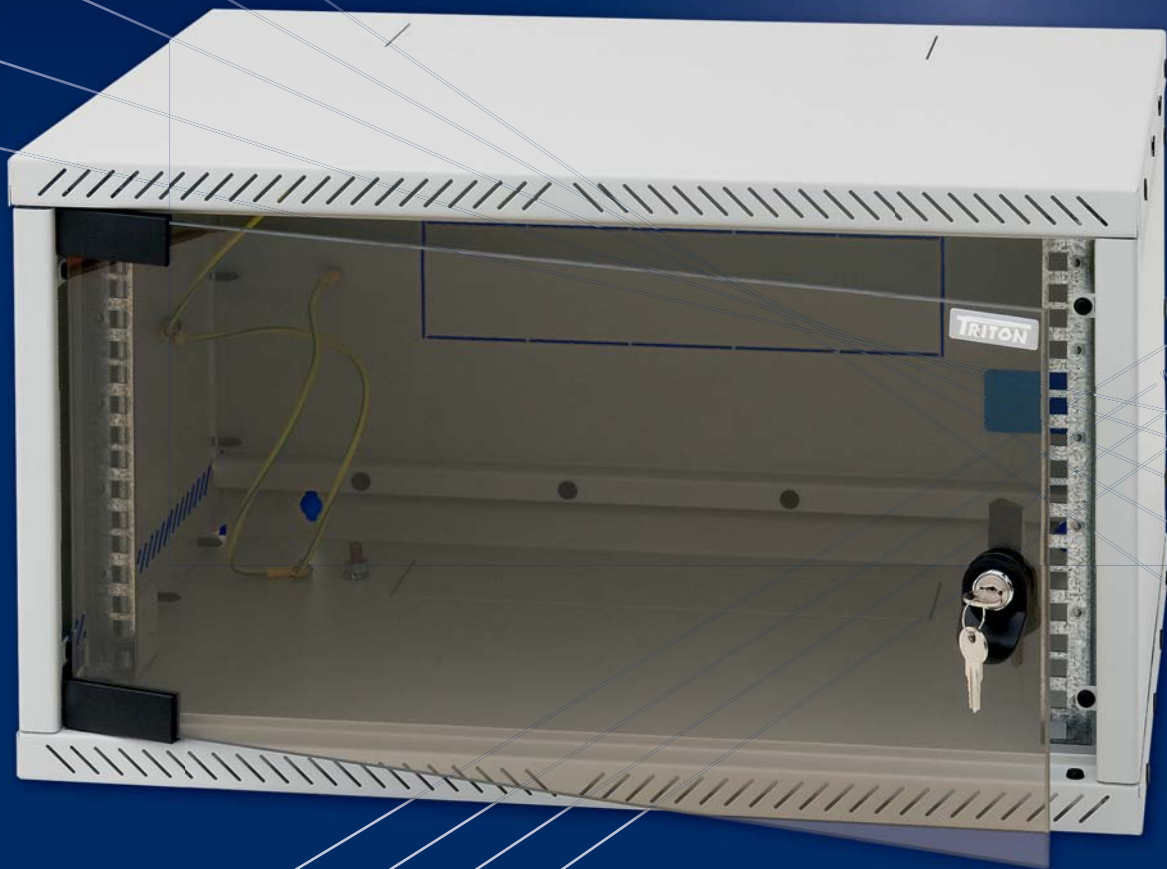
■ ENVIRONMENT PROTECTION

- All parts are made of recyclable materials and after its discard, it is necessary to dispose the cabinet according to valid regulations.

■ CERTIFICATE AND CONFORMITY

- This product is fully in accordance with ČSN EN 62208 ed 2:2012.





00000110010001111010

10101111

RXA >

RXA wall-mounted cabinet represents the conception of „flat pack“, which means a demountable cabinet that is supplied disassembled.



FLAT-PACK'S CONCEPTION

Reduces cost of transportation and storage. Together with a unique construction, it contributes to the attractive price while keeping all functional characteristics.



FLEXIBLE DOOR OPENING

The hinge system enables a comfortable access.



DOOR LOCK

Locks safely the cabinet and protects the installed devices.

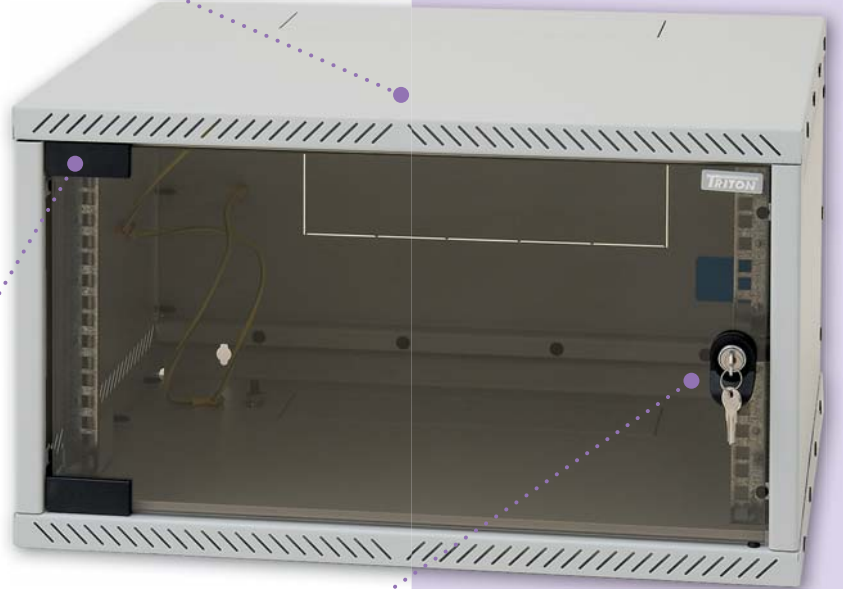


ADJUSTABLE VERTICAL RAILS

One pair of vertical 19" rails is step-adjustable in the front cabinet part. This simplifies mounting of the device and organisation of connecting cables.

DOOR

These cabinets are supplied only with a glass door with a lock.



BREAKOUT-TYPE BLANKING PANELS

Cable openings covered with breakout-type blanking panels are ready in the top, bottom and rear part of the cabinet.

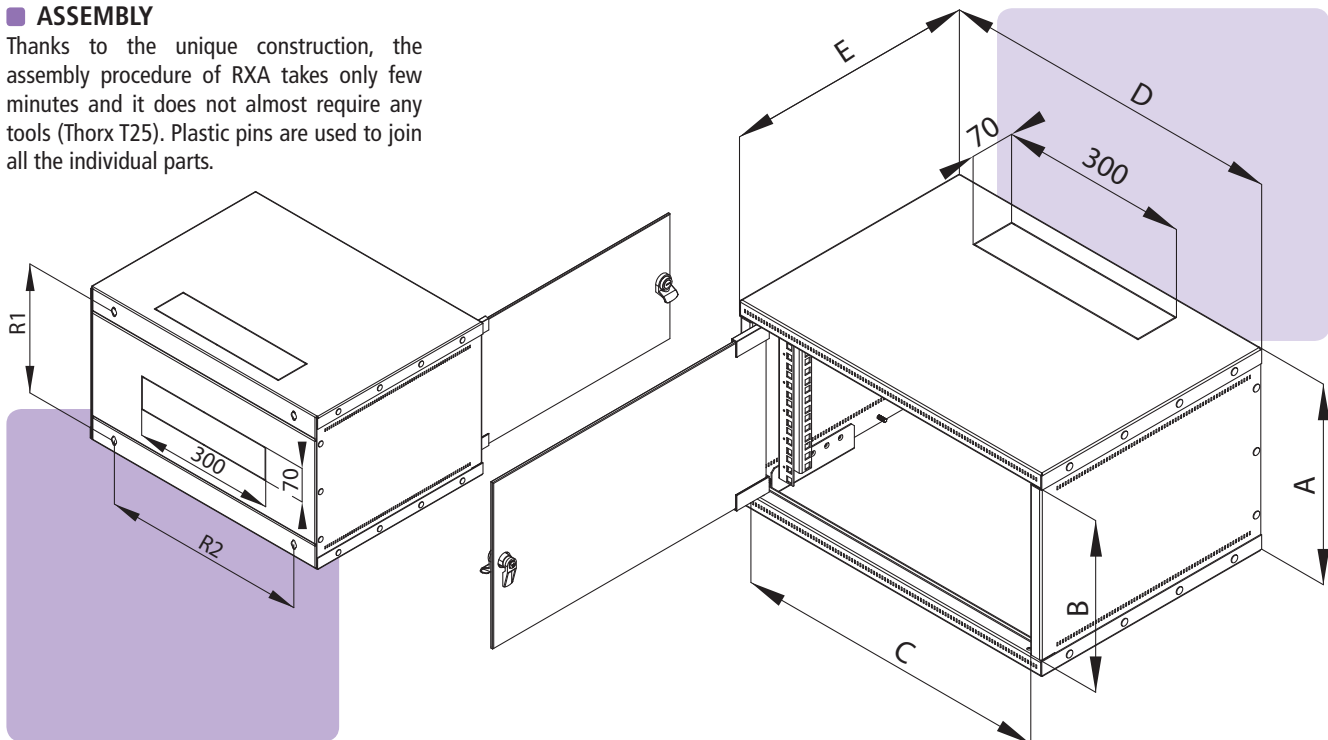
RXA (DELTA X AS4)

TYPE	A	B	C	D	E	R1	R2	Weight gross (kg)	Weight net (kg)	Maximal recommended load (kg)
	(mm)									
RXA-04-AS4-CAX-A1	230	180	505	550	400	180	435	11,2	11,0	25
RXA-06-AS4-CAX-A1	320	270	505	550	400	270	435	13,3	13,0	
RXA-09-AS4-CAX-A1	463	412	505	550	400	412	435	15,4	15,1	
RXA-12-AS4-CAX-A1	580	530	505	550	400	530	435	18,7	18,4	



ASSEMBLY

Thanks to the unique construction, the assembly procedure of RXA takes only few minutes and it does not almost require any tools (Thorx T25). Plastic pins are used to join all the individual parts.





RXA WALL-MOUNTED CABINET

■ DESCRIPTION, PURPOSE OF USE

- Demountable 19" wall mounted cabinet with IP30 protection, supplied disassembled
- Cabinet is to be hanged right on the wall.
- Cabinet includes two adjustable vertical rails.
- Cabinet construction:
 - Cabinet is made from parts joined by plastic pins
 - Glass door: safety hardened glass, thickness 4 mm
- Max. permissible load of the door is 10 kg.
- Min. thickness of the surface finish is 65 µm.
- Cabinets are intended for installation of data and telecommunication devices and their distribution systems.
- All parts are connected with earthing cables that have to be properly fixed and inserted into connectors during all the time when using the cabinet.
- There is one M8 screw placed on the bottom part of the cabinet as an earthing main point.
- Cable openings covered with breakout-type blanking panels are placed in the top and the bottom part of the cabinet rear side, others are in the top and the bottom side of cabinet.

■ OPERATION CONDITIONS

- Operation environment:
 - Office
 - The cabinet is not intended for outdoor installations and for installations in environment that can influence negatively the functionality of the cabinet and the mounted devices (e.g. environment with danger of explosion or humid and wet surroundings)
- Must be protected against:
 - Mechanical damage
 - Improper manipulation
 - A different usage than the cabinet is intended for
- Improper manipulation is especially:
 - Overloading (maximum recommended load exceeding)
 - Device installation that can influence negatively operation and function of the cabinet or the installed equipment
 - Change of the construction or design of the cabinet

■ INSTALLATION OF THE CABINET

- It is necessary to assemble all single cabinet parts and to join them with delivered plastic pins. See the enclosed manual for the detailed assembly procedure.
- This type of cabinet is to be hanged right on the wall using screws, wall plugs and washers. Spacing of mounting holes is indicated as „R“ in the cabinet scheme.
- To secure the maximum recommended load, it is necessary to fix the cabinet on the wall with an appropriate carrying capacity (brick, concrete or similar) and to distribute the installed loading equally.
- To avoid dust penetration in case that cables lead through some of the cable openings, you can seal it with the use of a blanking panel with a brush.

■ ENVIRONMENT PROTECTION

- All parts are made of recyclable materials and after its discard, it is necessary to dispose the cabinet according to valid regulations.

■ CERTIFICATE AND CONFORMITY

- This product is certified by ITI TÜV, certification number 01.064.846/09/07/02/0, date 10/12/2009 and is fully in accordance with ČSN EN 62208, ČSN 73 1401+Z1 a Z2, ČSN 73 0035.



RKA - 10"/19"

The RKA type combines a possibility to install both 10" or 19" equipment. A conversion from one standard to another is possible without replacement of a cabinet and cables.



■ HIGH RIGIDITY CONSTRUCTION

Cabinet has a robust welded construction. High quality processing and the up-to-date technology ensure a perfect look of the cabinet.



■ FLEXIBLE DOOR OPENING

The hinge system enables a comfortable access.



■ DOOR LOCK

Locks safely the cabinet and protects the installed devices.



■ ADJUSTABLE ASSEMBLY FRAME

The installation 10"/19" frame can be adjusted within the inside of the cabinet and can be fitted into pre-arranged positions.

■ DOOR

The cabinet has fully glass door in standard. It can be steel or perforated if required.



■ BREAKOUT-TYPE BLANKING PANELS

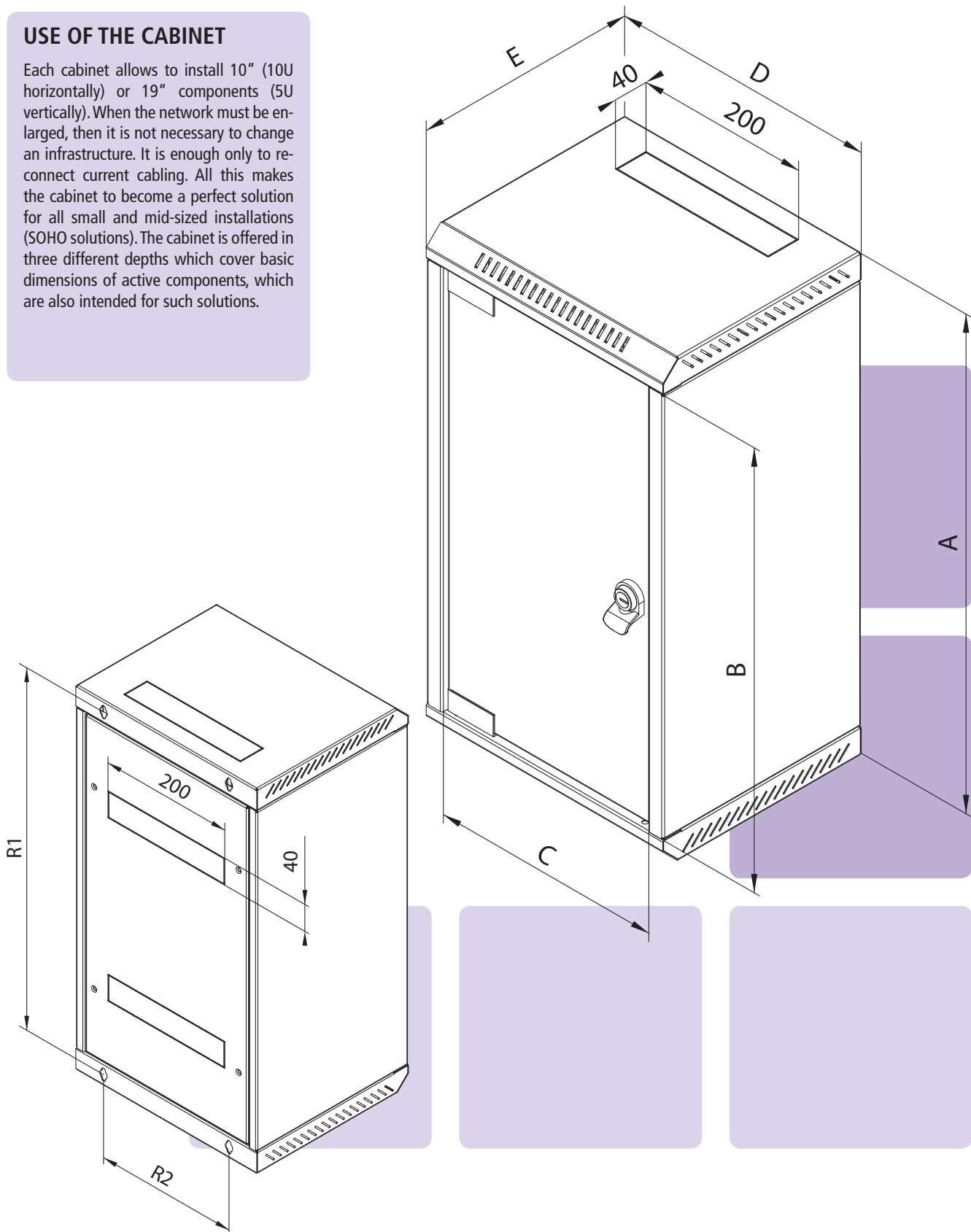
Cable openings covered with breakout-type blanking panels are located at the top, bottom and rear part of the cabinet.

RKA 10"/19"

TYPE	A	B	C	D	E	R1	R2	Weight gross (kg)	Weight net (kg)	Maximal recommended load (kg)
	(mm)									
RKA-10-AS3-CAX-X1	570	505	270	310	260	538	212	11,4	11,1	20
RKA-10-AS4-CAX-X1	570	505	270	310	360	538	212	13,0	12,7	
RKA-10-AS5-CAX-X1	570	505	270	310	460	538	212	14,7	14,4	

USE OF THE CABINET

Each cabinet allows to install 10" (10U horizontally) or 19" components (5U vertically). When the network must be enlarged, then it is not necessary to change an infrastructure. It is enough only to re-connect current cabling. All this makes the cabinet to become a perfect solution for all small and mid-sized installations (SOHO solutions). The cabinet is offered in three different depths which cover basic dimensions of active components, which are also intended for such solutions.





RKA WALL-MOUNTED CABINET – 10"/19"

■ DESCRIPTION, PURPOSE OF USE

- 10" / 19" wall mounted cabinet with IP30 protection
- Cabinet is to be hanged right on the wall.
- Cabinet includes adjustable frame for device installation.
- Cabinet construction:
 - Compact welded cabinet
 - Safety hardened glass door, thickness 4 mm. On demand may be metal or perforated.
- Max. permissible load of the door is 10 kg.
- Min. thickness of the surface finish is 65 µm.
- Cabinets are intended for installation of data and telecommunication devices and their distribution systems.
- All parts are connected with earthing cables that have to be properly fixed and inserted into connectors during all the time when using the cabinet.
- There is one M8 screw placed at the side wall of the cabinet as an earthing main point.
- Cable openings covered with breakout-type blanking panels are placed in the top and the bottom part of the cabinet rear side, others are in the top and the bottom side of cabinet.

■ OPERATION CONDITIONS

- Operation environment:
 - Office
 - The cabinet is not intended for outdoor installations and for installations in environment that can influence negatively the functionality of the cabinet and the mounted devices (e.g. environment with danger of explosion or humid and wet surroundings)
- Must be protected against:
 - Mechanical damage
 - Improper manipulation
 - A different usage than the cabinet is intended for
- Improper manipulation is especially:
 - Overloading (maximum recommended load exceeding)
 - Device installation that can influence negatively operation and function of the cabinet or the installed equipment
 - Change of the construction or design of the cabinet

■ INSTALLATION OF THE CABINET

- This type of cabinet is to be hanged right on the wall using screws, wall plugs and washers. Spacing of mounting holes is indicated as „R“ in the cabinet scheme.
- To secure the maximum recommended load, it is necessary to fix the cabinet on the wall with an appropriate carrying capacity (brick, concrete or similar) and to distribute the installed loading equally.

■ ENVIRONMENT PROTECTION

- All parts are made of recyclable materials and after its discard, it is necessary to dispose the cabinet according to valid regulations.

■ CERTIFICATE AND CONFORMITY

- This product is fully in accordance with ČSN EN 62208 ed 2:2012.



RBA - 10"



RBA - 10"

The cabinet is often used for the realization of small projects such as home networks or small company networks (SOHO).



■ HIGH RIGIDITY CONSTRUCTION

Cabinet has a robust welded construction. High quality processing and the up-to-date technology ensure a perfect look of the cabinet.



■ FLEXIBLE DOOR OPENING

The hinge system enables a comfortable access.



■ DOOR LOCK

Locks safely the cabinet and protects the installed devices.



■ ADJUSTABLE VERTICAL RAILS

10" rails are adjustably attached to the cabinet construction in predefined positions.

■ DOOR

The cabinet has fully glass door in standard. It can be steel or perforated if required.



■ BREAKOUT-TYPE BLANKING PANELS

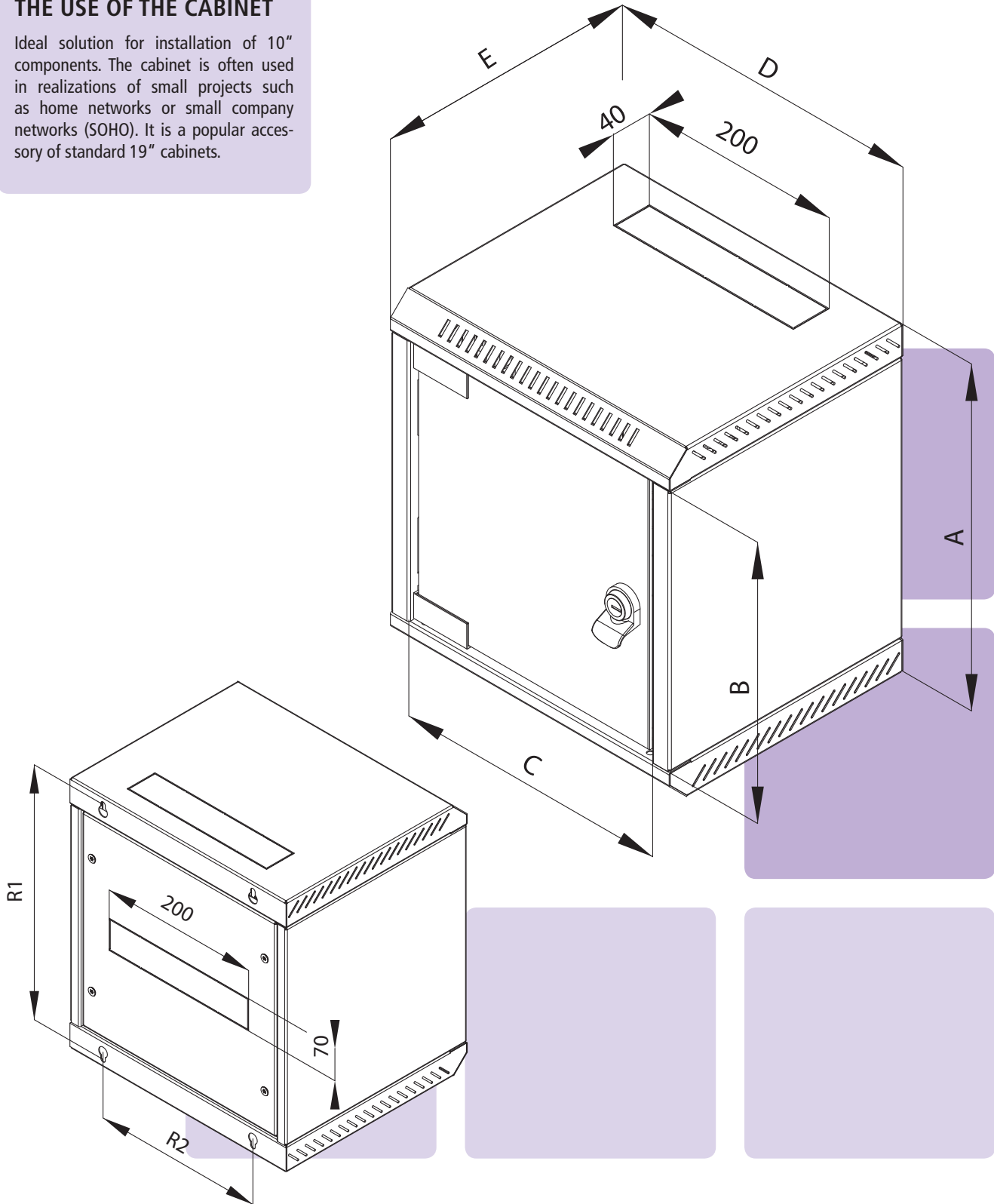
Cable openings covered with breakout-type blanking panels are located in the top, bottom and rear part of the cabinet.

RBA (DELTA 10")

TYPE	A	B	C	D	E	R1	R2	Weight gross (kg)	Weight net (kg)	Maximal recommended load (kg)
	(mm)									
RBA-04-AS3-CAX-C1	248	169	255	310	260	212	212	5,5	5,4	20
RBA-06-AS3-CAX-C1	337	258	255	310	260	301	212	6,9	6,9	
RBA-09-AS3-CAX-C1	470	391	255	310	260	434	212	8,3	8,2	

THE USE OF THE CABINET

Ideal solution for installation of 10" components. The cabinet is often used in realizations of small projects such as home networks or small company networks (SOHO). It is a popular accessory of standard 19" cabinets.





RBA – 10" WALL-MOUNTED CABINET

■ DESCRIPTION, PURPOSE OF USE

- 10" wall-mounted cabinet with IP30 protection
- Cabinet is to be hanged right on the wall.
- Cabinet includes two adjustable vertical rails.
- Cabinet construction:
 - Compact welded cabinet
 - Safety hardened glass door, thickness 4 mm. On demand may be metal or perforated.
- Max. permissible load of the door is 10 kg.
- Min. thickness of the surface finish is 65 µm.
- Cabinets are intended for installation of data and telecommunication devices and their distribution systems.
- The frame of the cabinet and all the removable parts are connected with earthing cables that have to be properly fixed and inserted into connectors during all the time when using the cabinet.
- There is one M8 screw placed on the bottom part of the cabinet as an earthing main point.
- Cable openings covered with breakout-type blanking panels are placed in the top and the bottom part of the cabinet rear side, others are in the top and the bottom side of cabinet.

■ OPERATION CONDITIONS

- Operation environment:
 - Office
 - The cabinet is not intended for outdoor installations and for installations in environment that can influence negatively the functionality of the cabinet and the mounted devices (e.g. environment with danger of explosion or humid and wet surroundings)
- Must be protected against:
 - Mechanical damage
 - Improper manipulation
 - A different usage than the cabinet is intended for
- Improper manipulation is especially:
 - Overloading (maximum recommended load exceeding)
 - Device installation that can influence negatively operation and function of the cabinet or the installed equipment
 - Change of the construction or design of the cabinet

■ INSTALLATION OF THE CABINET

- This type of cabinet is to be hanged right on the wall using screws, wall plugs and washers (included in the supply). Spacing of mounting holes is showed and indicated as „R“ in the cabinet scheme.
- To secure the maximum recommended load, it is necessary to fix the cabinet on the wall with an appropriate carrying capacity (brick, concrete or similar) and to distribute the installed loading equally.

■ ENVIRONMENT PROTECTION

- All parts are made of recyclable materials and after its discard, it is necessary to dispose the cabinet according to valid regulations.

■ CERTIFICATE AND CONFORMITY

- This product is certified by ITI TÜV, certification number 06.140.500/r1, date 03/01/2012 and is fully in accordance with ČSN EN 62208 ed.2:2012(EN 62208:2011).





Special Cabinets





SPECIAL CABINETS – OVERVIEW



RCA

Cabinet under the work desk

109



RFA

Wall-mounting server cabinet



113



Swing

Free standing cabinet with integral swing frame



117



RCA



RCA >

RCA represents one of the non-standard data cabinet solutions. Its' construction is right from the beginning designed to concentrate an office network infrastructure under one of the office tables.



■ HIGH RIGIDITY CONSTRUCTION

Cabinet has a robust welded construction. High quality processing and the up-to-date technology ensure a perfect look of the cabinet.



■ FLEXIBLE DOOR OPENING

The hinge system enables almost 180° wide opening of the door. Doors can be easily removed.



■ DOOR LOCK

It enables an easy and quick access into the cabinet.



■ ADJUSTABLE VERTICAL RAILS

Cabinet contains two pairs of freely adjustable 19" rails. Versions deeper than 800 mm are delivered with one additional pair of the middle vertical rails.



■ CASTORS

This type of cabinet is installed on castors (included in the supply). Two of them are with a brake.



■ BREAKOUT-TYPE BLANKING PANELS

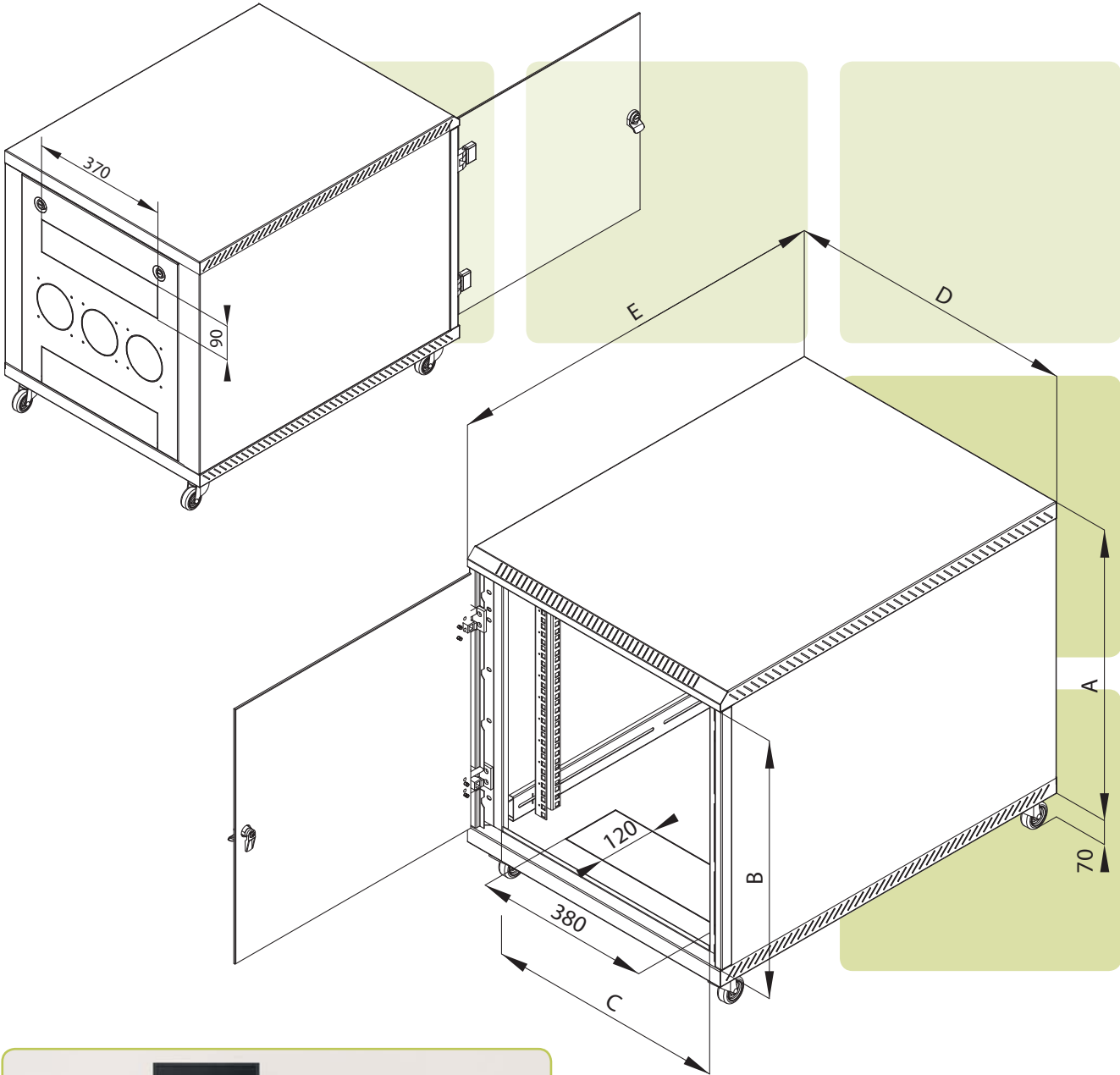
Cable openings covered with breakout-type blanking panels are located in the bottom and rear part of the cabinet.

■ DOOR

The cabinet has fully glass door in standard. It can be steel or perforated if required.

RCA (DELTA C)

TYPE	A	B	C	D	E	Weight gross (kg)	Weight net (kg)	Maximal recommended load (kg)
	(mm)							
RCA-12-A68-CAX-A1	620	515	490	600	800	48,0	40,1	200
RCA-12-A69-CAX-A1	620	515	490	600	900	53,2	43,4	
RCA-12-A61-CAX-A1	620	515	490	600	1000	56,3	45,9	



FAN UNIT INSTALLATION

On the back wall is the preparation in form of break-out openings for the installation of fan units RAX-CH-X2x-X1 or fans RAX-CH-X07-X9 for wall mounting cabinet to support cooling of installed equipment (see Active cooling).

SUPPLY

Key for the front door 2x
 Castors without a brake 2x
 Castors with a brake 2x



RCA CONTAINER CABINET

■ DESCRIPTION, PURPOSE OF USE

- 19" container cabinet with IP30 protection
- Cabinet is intended to be placed on castors under a work desk.
- The cabinet includes two pairs of vertical rails (three pairs at cabinets deeper than 800 mm).
- Cabinet construction:
 - Compact welded cabinet
 - Safety hardened glass door, thickness 4 mm. On demand may be metal or perforated.
- Max. permissible load of the door is 10 kg.
- Min. thickness of the surface finish is 65 µm.
- Cabinets are intended for installation of data and telecommunication devices and their distribution systems.
- The frame of the cabinet and all the removable parts are connected with earthing cables that have to be properly fixed and inserted into connectors during all the time when using the cabinet.
- There is one M8 screw placed on the bottom part of the cabinet as an earthing main point.
- Cable openings covered with breakout-type blanking panels are placed in the top and the bottom part of the cabinet rear side, others are in the bottom side of the cabinet.

■ OPERATION CONDITIONS

- Operation environment:
 - Office
 - The cabinet is not intended for outdoor installations and for installations in environment that can influence negatively the functionality of the cabinet and the mounted devices (e.g. environment with danger of explosion or humid and wet surroundings)
- Must be protected against:
 - Mechanical damage
 - Improper manipulation
 - A different usage than the cabinet is intended for
- Improper manipulation is especially:
 - Overloading (maximum recommended load exceeding)
 - Device installation that can influence negatively operation and function of the cabinet or the installed equipment
 - Change of the construction or design of the cabinet

■ INSTALLATION OF THE CABINET

- This type of cabinet is installed on castors (included in supply). Two of them are with brake.

■ ENVIRONMENT PROTECTION

- All parts are made of recyclable materials and after its discard, it is necessary to dispose the cabinet according to valid regulations.

■ CERTIFICATE AND CONFORMITY

- This product is fully in accordance with ČSN EN 62208 ed 2:2012.



NEW

RFA



RFA >

RFA - a unique solution for small and medium businesses.
Allows you to install a very large device into the wall cabinet.



■ FLEXIBLE DOOR OPENING

The hinge system enables almost 180° wide opening of the door.



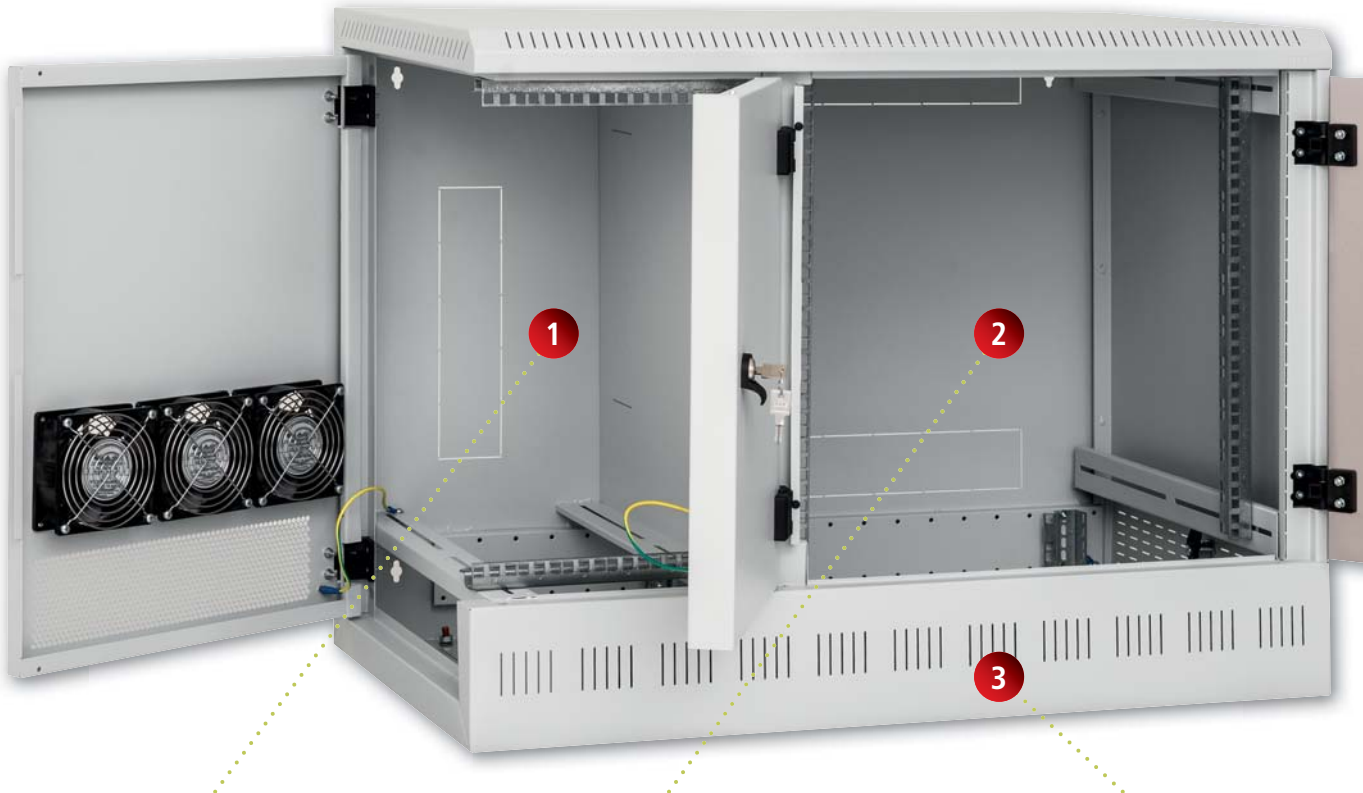
■ ADJUSTABLE VERTICAL RAILS

One pair of vertical 19" rails is freely-adjustable within the cabinet depth. This simplifies mounting of the device and organisation of connecting cables.



■ HIGH RIGIDITY CONSTRUCTION

Cabinet has a robust welded construction. High quality processing and the up-to-date technology ensure a perfect look of the cabinet..



1. SECTION

The first section allows installing of 19" equipment with a maximum height of 6U and depth of 450 mm. The device is positioned vertically and 19" rails are infinitely adjustable over the full depth of the cabinet. On the back wall is cable entry as well as at the top and bottom of cabinet. Cable connection between sections allow the opening at central divider. All cable entries has break-out covers..

2. SECTION

The second section offers mounting width 19", height 12U and depth 450 mm. Mounting rails are infinitely adjustable within whole depth. This section is usually used for structured cabling and active elements of the network. Here are individual services connected to the work places. The recommended capacity is up to 48 work places (2 ports per work place according to standards).

3. SECTION

The third section occupy whole bottom area of the wall cabinet. There is space for a device with a maximum depth of 800 mm, width 19" and height depend the model of the cabinet from 2 to 7 Units. Access to this section is by a door on the right side of the cabinet. Beside rack must be kept sufficient space for the device installation and maintenance.

RFA

TYPE	A (mm)	Max server height	Weight gross (kg)	Weight net (kg)	Maximal recommended load (kg)
RFA-12-A95-CAX-A12	700	2U	38,98	38,44	50
RFA-12-A95-CAX-A13	745	3U	41,54	41,00	50
RFA-12-A95-CAX-A14	790	4U	43,52	42,98	50
RFA-12-A95-CAX-A15	835	5U	45,50	44,96	50
RFA-12-A95-CAX-A16	880	6U	47,48	46,94	50
RFA-12-A95-CAX-A17	925	7U	50,01	49,47	50



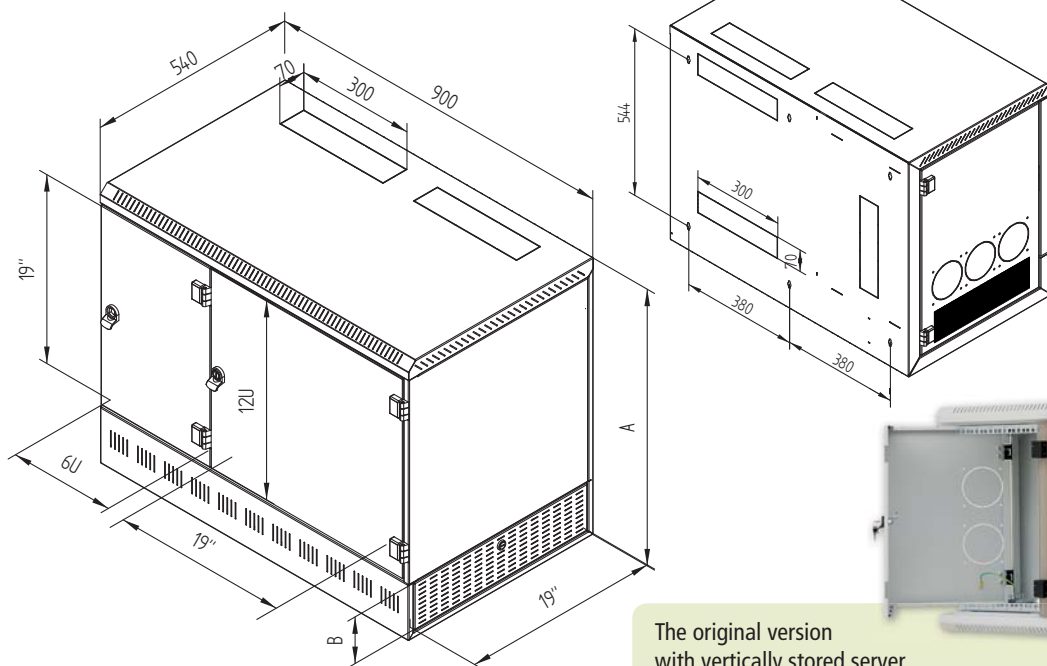
■ BOTTOM SECTION FOR SERVERS
 19" section in the lower part of the cabinet is designed for installation of servers and other devices on sliding rails. It may have a capacity of 2 to 7 Unit. Each section of cabinet is closed by lock, on request with a unique key.



■ SERVER INSTALLATION
 Rack-mount servers or similar devices with a depth of up to 800 mm are mounted into cabinet using special telescopic rails, which are specific to each device and are not part of the cabinet.



■ COOLING OF INSTALLED EQUIPMENT
 Cooling by air flow through perforation of the skeleton and side door can be supported by installation of fans for wall-mounted cabinets (RAX-CH-X07-X9 see. Page 127)



The original version with vertically stored server 2U is still available on request.



RFA WALL-MOUNTED CABINET

■ DESCRIPTION, PURPOSE OF USE

- 19" wall-mounted cabinet with IP20 protection
- Three separate 19" sections
- Cabinet is to be hanged right on the wall.
- Cabinet includes two adjustable vertical rails in each section.
- Cabinet construction:
 - Welded frame
 - Doors - a combination for different sections: safety hardened glass, thickness 4 mm (can be fully metal or perforated) solid steel and perforated
- Max. permissible load of the door is 10 kg.
- Min. thickness of the surface finish is 65 µm.
- Cabinets are intended for installation of data and telecommunication devices and their distribution systems.
- The frame of the cabinet and all the removable parts are connected with earthing cables that have to be properly fixed and inserted into connectors during all the time when using the cabinet.
- There is one M8 screw placed on the bottom part of the cabinet as an earthing main point.
- Cable openings covered with breakout-type blanking panels are placed in the top and the bottom part of the cabinet rear side, others are in the top and the bottom side of cabinet..
- Openings covered by break-out blanking panels, prepared for installation of cooling ventilators, are placed in the metal door of the first section.

■ OPERATION CONDITIONS

- Operation environment:
 - Office
 - The cabinet is not intended for outdoor installations and for installations in environment that can influence negatively the functionality of the cabinet and the mounted devices (e.g. environment with danger of explosion or humid and wet surroundings)
- Must be protected against:
 - Mechanical damage
 - Improper manipulation
 - A different usage than the cabinet is intended for
- Improper manipulation is especially:
 - Overloading (maximum recommended load exceeding)
 - Device installation that can influence negatively operation and function of the cabinet or the installed equipment
 - Change of the construction or design of the cabine

■ INSTALLATION OF THE CABINET

- Cabinet is to be hanged on the wall using the screws, dowels and washers (part of a supply). Spacing of holes designed for hanging is shown in the scheme.
- To secure the maximum recommended load, it is necessary to fix the cabinet on the wall with an appropriate carrying capacity (brick, concrete or similar) and to distribute the installed loading equally.
- To avoid dust penetration in a case where cables lead through some of the cable openings, you can seal it using a blanking panel with a brush or secure by plastic frame (both are part of the cabinet supply).

■ ENVIRONMENT PROTECTION

- All parts are made of recyclable materials and after its discard, it is necessary to dispose the cabinet according to valid regulations.

■ CERTIFICATE AND CONFORMITY

- This product is fully in accordance with ČSN EN 62208 ed 2:2012.





Swing

NEW

Swing >

Cabinet with swing frame for high loads. So it is possible to briefly describe this unique product designed especially for the installation of audio and video equipment with all the specifics.



■ TRITON HANDLES

Triton has been producing own handles for free-standing cabinets several years already. PATENT: PUV 2009-22086



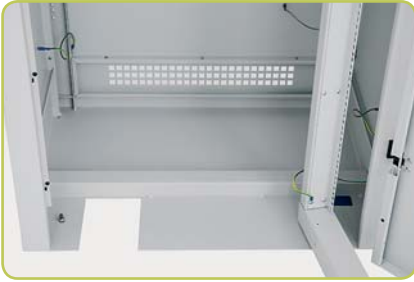
■ FLEXIBLE FRAME OPENING

Swing frame opening system allows its opening angle of 135°. The maximum depth of the installed equipment is 400mm.



■ VENTILATION

The interior of the cabinet is effectively cooled by air flowing by two large perforated openings in the rear wall of the cabinet covered by filter. Triton ventilation unit, for which is prepared hole in the ceiling, is ready to further extend cooling.



■ MAX LOAD 300 KG

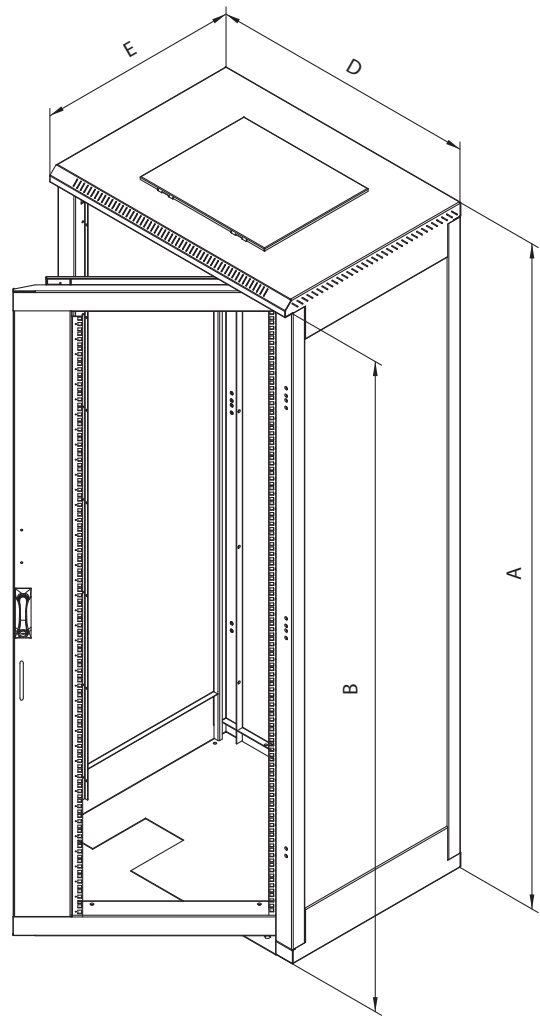
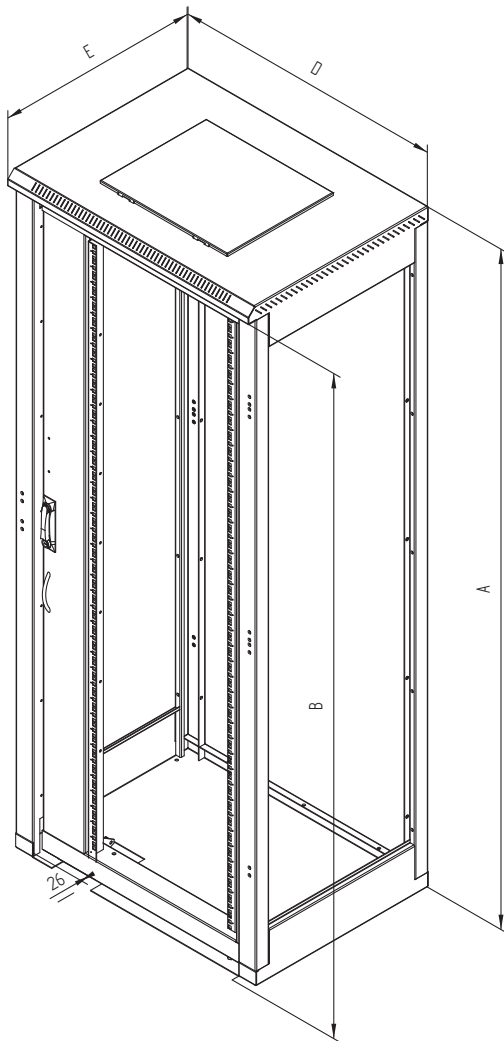
Swing frame can be loaded with up to 300 kg, thanks to heavy-duty wheel positioned against the rotation axis of the frame.



DELTA S/800 x 600 with swing frame

TYPE	Usable height (U)	Height (mm)	Width (mm)	Depth (mm)	Frame opening	Type of vertical	Door
VDA-27-X86-CXX-A1	24	1300	800	600	right	L	without
VDA-27-B86-CAX-A1	24	1300	800	600	right	L	right
VCA-27-X86-CXX-A1	24	1300	800	600	left	L	without
VFA-27-X86-CXX-A1	24	1300	800	600	right	U	without
VFA-27-B86-CAX-A1	24	1300	800	600	right	U	right
VDA-32-X86-CXX-A1	30	1525	800	600	right	L	without
VDA-32-B86-CAX-A1	30	1525	800	600	right	L	right
VCA-32-X86-CXX-A1	30	1525	800	600	left	L	without
VFA-32-X86-CXX-A1	30	1525	800	600	right	U	without
VFA-32-B86-CAX-A1	30	1525	800	600	right	U	right
VDA-42-X86-CXX-A1	40	1970	800	600	right	L	without
VDA-42-B86-CAX-A1	40	1970	800	600	right	L	right
VCA-42-X86-CXX-A1	40	1970	800	600	left	L	without
VFA-42-X86-CXX-A1	40	1970	800	600	right	U	without
VFA-42-B86-CAX-A1	40	1970	800	600	right	U	right
VCA-42-A86-CAX-A1	40	1970	800	600	left	L	left

Other dimensions on demand.





SWING - CABINET WITH SWING FRAME

■ DESCRIPTION, PURPOSE OF USE

- 19" free-standing cabinet with IP20 protection
- Cabinet construction:
 - Welded steel frame with removable side panels fixed by screws from inside of the cabinet. Above and below back panel are ventilation grids covered by filter.
 - 19" swing frame in front of the cabinet is supported by heavy-duty wheel, load capacity of the frame is 300 kg. Maximum depth of the device that can be installed in swing frame is 400 mm.
 - Single door in variants fully-metal, perforated (80% air permeability) or glazed with safety tempered glass 4mm can be only at the front of the cabinet.
 - Door and 19" swing frame has independent locking systems, on request with a different keys.
- Max. permissible load of the door is 10 kg.
- Min. thickness of the surface finish is 65 µm.
- The racks are designed for installation of data and telecommunication equipment and distribution systems, audio-video system or similar equipment.
- Frame of the cabinet and all detachable parts are connected by grounding cables that must be properly fitted and inserted into the connectors when using the cabinet.
- At the bottom of the rack is positioned as a screw M8 as major earthing point.
- As optional accessory is available mounting plate on the rear wall for installation technologies. Code on request.

■ OPERATION CONDITIONS

- Operation environment:
 - Office
 - The cabinet is not intended for outdoor installations and for installations in environment that can influence negatively the functionality of the cabinet and the mounted devices (e.g. environment with danger of explosion)
- Must be protected against:
 - Mechanical damage
 - Improper manipulation
 - A different usage than the cabinet is intended for
- Improper manipulation is especially:
 - Overloading (maximum recommended load exceeding)
 - Device installation that can influence negatively operation and function of the cabinet or the installed equipment
 - Change of the construction or design of the cabinet

■ INSTALLATION OF THE CABINET

- To ensure the maximal recommended load, it is necessary to distribute the load equally.
- Place the cabinet on a flat floor with hard surface suitable for wheel utilization.

■ ENVIRONMENT PROTECTION

- All parts are made of recyclable materials and after its discard, it is necessary to dispose the cabinet according to valid regulations.

■ CERTIFICATE AND CONFORMITY

- This product is fully in accordance with ČSN EN 62208 ed 2:2012.





Accessories





ACCESSORIES – OVERVIEW



Active cooling

Fan units, cooling units with static evaporator

123



Cable organization systems

A cable management system for fiber optic and copper data cables

131



Othes accessories

Accessories

137





Active cooling

Active cooling >

Fan units, Air conditioning units with static evaporator



ACTIVE COOLING



RAC-DV-A07-X1

■ RAC-DV-Axx-X1, RAC-DV-Axx-X1

Into our offer we include a special sheet-metal door with a preparation for the installation of the RAX-CH-X0x-X3 ventilation units (two, four or six fans in the ventilating unit) designated for the most of the TRITON free standing cabinets. Each ventilation unit has its own separate thermostat which enables a better regulation of the excess heat dissipation.

Assembly of the ventilating units to the door is similar to the installation into a ceiling or into a base of the cabinet. The door is equipped with an opening which you can fit the ventilating unit into and then fasten it simply in four points. Moreover, the unit is secured by four self-tapping screws which strengthen the mounting and the door gains the required toughness this way.

The number of the assembly holes is given by the door's height. Therefore, one for 15U and 18U, two for 22U and 27U and three assembly holes for 32U, 37U, 42U and 45U. You can order the door with the assembly holes for fan units by entering letter I for the left and J for the right door on the sixth position of the order code, e.g. RMA-15-I66-CAX-A1.

The active door provides colder air supply to the device. For the maximum ventilation effectivity it is necessary to fit the rear part of the cabinet with the perforated door, e.g. RMA-15-I66-CAX-A1-MA.

TYPE	Unit	A (mm)	B (mm)	Openings*
RAX-DV-A01-X1	15	675	600	1
RAX-DV-A02-X1	18	807	600	1
RAX-DV-A03-X1	22	985	600	2
RAX-DV-A04-X1	27	1205	600	2
RAX-DV-A05-X1	32	1430	600	3
RAX-DV-A06-X1	37	1655	600	3
RAX-DV-A07-X1	42	1875	600	3
RAX-DV-A08-X1	45	2010	600	3
RAX-DV-A09-X1	15	675	800	1
RAX-DV-A10-X1	18	807	800	1
RAX-DV-A11-X1	22	985	800	2
RAX-DV-A12-X1	27	1205	800	2
RAX-DV-A13-X1	32	1430	800	3
RAX-DV-A14-X1	37	1655	800	3
RAX-DV-A15-X1	42	1875	800	3
RAX-DV-A16-X1	45	2010	800	3

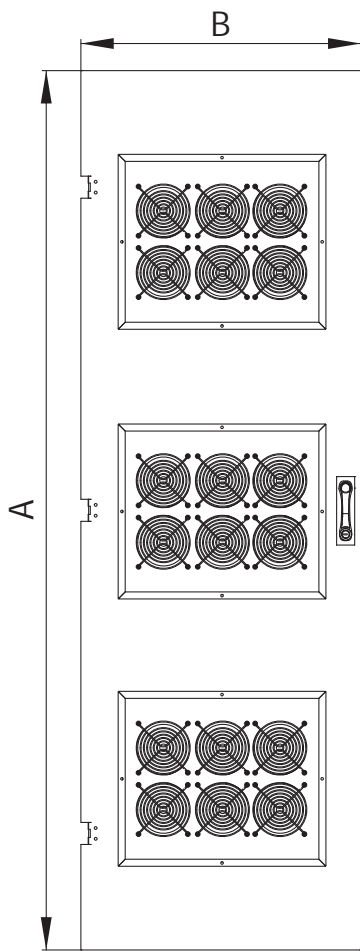
* Openings for a fan



RAC-ZP-X21-X1

■ RAB-ZP-X21-X1, RAC-ZP-X21-X1

Blanking panel for doors with ventilation units





STANDARD FAN UNITS



RAB-CH-X04-X3

RAB-CH-Xxx-xx, RAC-CH-Xxx-xx

These fan units are made especially for free-standing cabinets. They are installed into the base, top cover or door of the cabinet as required.

A fan unit for free-standing cabinets – it is installed into the top cover from outside of the cabinet, into the bottom from inside of the cabinet. It is necessary to use the installation frame of the bottom fan unit when installing into the base of the cabinet – RAX-CH-XXX-X1 which is mounted using a two-sided gluing tape.

Ventilation unit for free-standing cabinets				
Product code	Input (W)	Number of ventilators	Extension of temperatures adjustment	Specified voltage (V/Hz)
RAX-CH-X03-X3	30	2	bimetallic thermostat	230/50-60
RAX-CH-X04-X3	60	4	bimetallic thermostat	230/50-60
RAX-CH-X05-X3	90	6	bimetallic thermostat	230/50-60



RAC-CH-X26-X1

RAB-CH-Xxx-X1, RAC-CH-Xxx-X1

ventilation unit for wall-mounted cabinets

Ventilation unit for wall-mounted cabinets				
Product code	Input (W)	Number of ventilators	Extension of temperatures adjustment	Specified voltage (V/Hz)
RAX-CH-X24-X1	15	1	bimetallic thermostat	230/50-60
RAX-CH-X25-X1	30	2	bimetallic thermostat	230/50-60
RAX-CH-X26-X1	45	3	bimetallic thermostat	230/50-60



RAB-CH-X01-A1

RAB-CH-X01-A1, RAC-CH-X01-A1

19" horizontal fan unit, 2 fans, 2U, 220 V / 30 W, a thermostat

Supply

- Screw M6 x 10 4x
- Plastic washer 4x
- Captive nut M6 4x



RAC-CH-X02-A1

RAB-CH-X02-A1, RAC-CH-X02-A1

19" horizontal fan unit, 4 fans, 2U, 220 V / 60 W, a thermostat

Supply

- Screw M6 x 10 4x
- Plastic washer 4x
- Captive nut M6 4x



RAB-CH-X21-A1

RAB-CH-X21-A1, RAC-CH-X21-A1

19" horizontal fan unit, 2 fans, 4U, 220 V / 30 W, a thermostat

Supply

- Screw M6 x 10 4x
- Plastic washer 4x
- Captive nut M6 4x



RAX-CH-X01-X9

RAX-CH-X01-X9

Thermostat – adjustable switching temperature range from 0 °C up to +60 °C



RAX-CH-X02-X9

RAX-CH-X02-X9

Plastic frame 120 x 120 mm with a filter



RAX-CH-X03-X9

RAX-CH-X03-X9

Metal frame 120 x 120 mm without a filter



RAX-CH-X06-X9

RAX-CH-X06-X9

Fan – 230 V / 15 W, 50 Hz / 0.09 A, 160 m³/h, 120 x 120 mm



RAX-CH-X07-X9

RAX-CH-X07-X9

Fan unit for RFA, RUA cabinet 230 V, 50 Hz, 0.09 A, 15 W, 160 m³/h



RAC-CH-XXX-X1

RAB-CH-XXX-X1, RAC-CH-XXX-X1

Bottom fixing frame for fan unit



ACTIVE COOLING – AIR CONDITIONERS

For an active temperature management we offer high quality STULZ-Cosmotec A/C units under Triton brand. Compact A/C ETE units are designed for cooling of equipment in every single data cabinet (RDA cabinets and RIE cabinets with IP54 protection). These A/C units are intended for both industrial and office surroundings thanks to its RPM management of a cooling ventilator in compressor circuit. The A/C unit adjusts the RPM speed of the ventilator, which is a major cause of a noise. The A/C RPM adjustment is based on a current use of the cooling output inside of the cabinet. It has a very positive affect on the noise reduction of the unit when maximal output capacity is not needed.

The A/C unit has two separate circuits for an air circulation:

1. Inside circuit, which cools down all installed equipment and enters the A/C unit, where the hot air is transferred into a cooling medium
2. Cooling circuit controlled by the compressor, which is cooled by an air stream that cools the cooling medium

Thank's to its arrangement the air from the outside is not mixed with the air from the inside of the cabinet. So humidity inside of the cabinet is not increasing. Improper humidity can condense on the

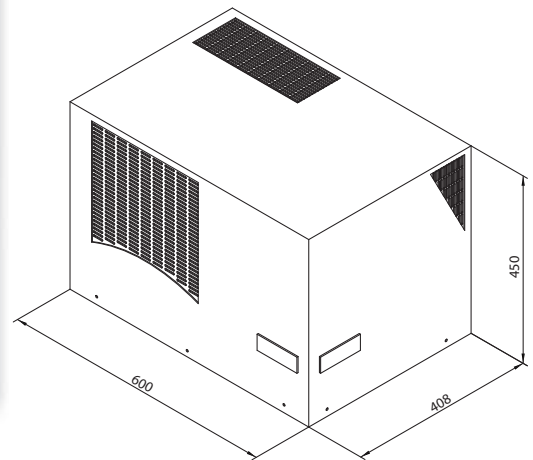
equipment or can freeze inside of cooling unit which can lead to its damage. It is very important to set up the A/C unit correctly and consider the surrounding temperature and humidity. It is also possible to equip our data cabinet with a door sensor, which shuts the compressor automatically down when the door is opened.

The A/C unit has a possibility of the controlling electric unit installation, which includes thermostat in two different part of the cover. There are several possibilities how to install such A/C unit. The A/C unit can suck the hot air and blow the cold air along the side panels of the cabinet or it can be installed to the front/rear side according to the exact requirements.

For a proper function of the A/C unit is necessary to provide with sufficient air circulation and its appropriate temperature. The unit has special sensors which control a sufficient space from surrounding objects. For more information please refer to the manual of each A/C unit.



RAC-KL-ETE-X1



RAB-KL-ETE-XX, RAC-KL-ETE-XX

Roof cooling unit ETE. Specially designed for the installation to the top of the cabinet.

Cooling units 800 mm wide are possible to mount on cabinets 800 mm wide only.

Cooling units 600 mm wide are possible to mount on cabinets 600 mm and 800 mm wide.

Roof cooling unit ETE										
Part number	Coolant type	Cooling capacity (W)	External dimensions	Intended for cabinets wide	Temperature range set up	Power supply (V/Hz)	Air flow (m³/h)	Electric input (W)	Noise level (dB)	Weight (kg)
RAx-KL-ETE-X1	R134a	1400	450 x 600 x 408	600 and 800	electrical thermostat	230/50-60	575	840	65	45
RAx-KL-ETE-X2	R134a	2000	450 x 600 x 408	600 and 800	electrical thermostat	230/50-60	860	950	67	45
RAx-KL-ETE-X3	R134a	2800	485 x 800 x 465	only 800	electrical thermostat	230/50-60	860	1350	67	47
RAx-KL-ETE-X4	R134a	4100	485 x 800 x 465	only 800	electrical thermostat	230/50-60	1450	1700	75	47

Operation conditions:

The ETE A/C unit is designed for a function in horizontal position as roof units for free-standing cabinets. It is also necessary to transport unit in horizontal position and install it accordingly. We offer adapters for an installation on to RDE and RIE data cabinets, which seal the A/C unit at the cabinet body and which also would point direction of the cold air flow inside of cabinet.

The units contain a drip tray, which collect condensate air humidity from the cooled space, which is in the following evaporating tray exhaled in the environment. In case of increased condenser formation (which can happen by higher air humidity, lowered temperature inside the cabinet, the door left open...) it's necessary to install safety condensate draining pipe and follow the mounting instructions described in the attached manual.

Operation environment:

Min. ambient temperature in the working condition: +20 °C

Max. ambient temperature in the working condition: +50 °C

Adjustable temperature range: 25 – 45 °C

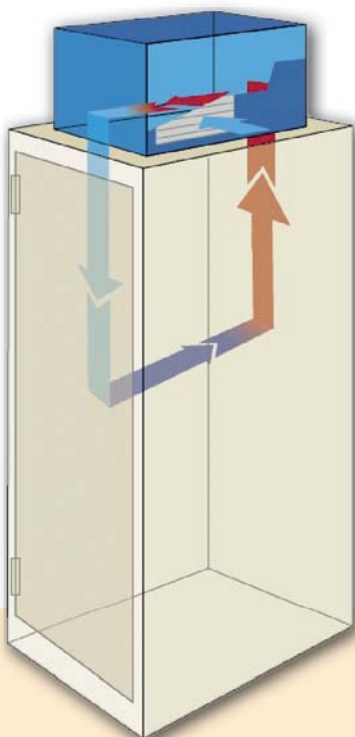
Recommendation:

With regard to the demand of a maximal life-time of the unit's equipment, those are the recommended parameters of the inner environment of the cabinet.

Temperature limits: from +10 till + 40 °C

Relative humidity: 30 – 90 %

Surface temperature of the inner equipment of the cabinet should not fall below the dewpoint temperature.

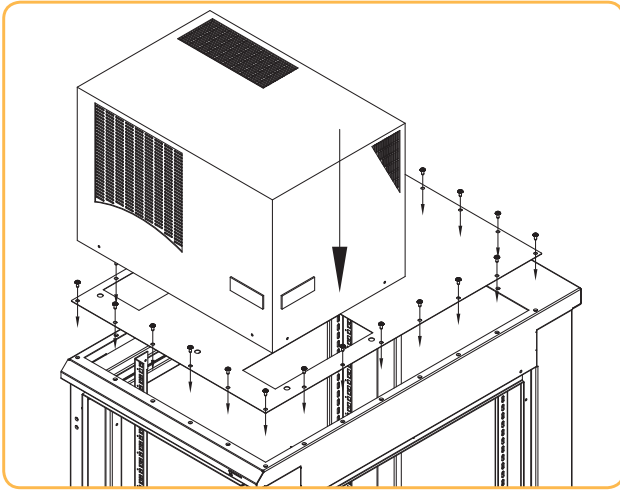


The A/C unit can be installed on cabinet in the way that reaches all needs of a cold air demanded by used equipment.

There is an opening located at the top of the RIE and RDE cabinet, which requires an installation of an adapter. An appropriate reduction can set the right direction of the A/C unit and it also sets the stream of the hot/cold air along the sides or along the front/rear sides of the cabinet.



ADAPTER FOR THE A/C UNITS

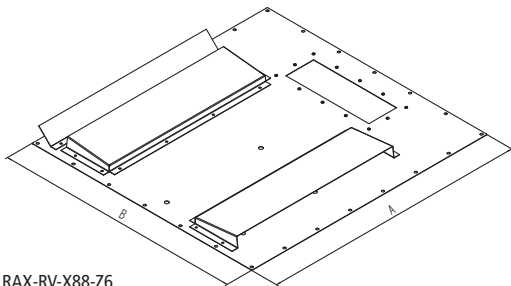


A/C INSTALLATION

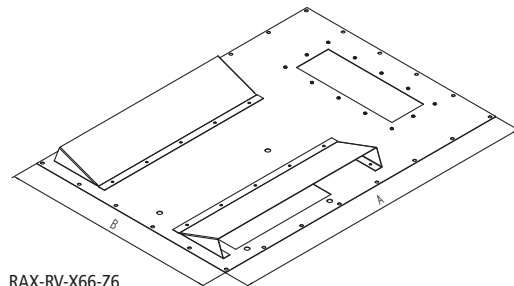
In order to utilize the maximal potential of A/C units with cooling air direction right according to all equipment needs, we supply for RDE and RIE cabinets an installation adapters. It is a metallic panel which ties with screws to the large-sized opening at the top of the cabinet where the installation of A/C is required. Adapters are symmetric which means that rotating is simple. All sizes of adapters are shown in table below. For an easy access to the controlling panel it is possible to install it in two positions with a simple plugging into the connector (see installation manual).

Cooling units 800 mm wide are possible to mount on cabinets 800 mm wide only.

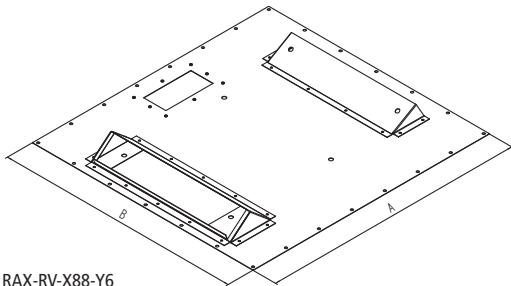
Cooling units 600 mm wide are possible to mount on cabinets 600 mm and 800 mm wide.



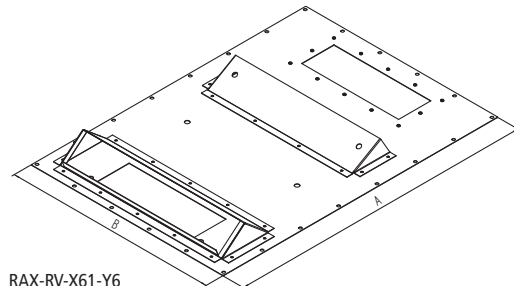
RAX-RV-X88-Z6



RAX-RV-X66-Z6



RAX-RV-X88-Y6



RAX-RV-X61-Y6

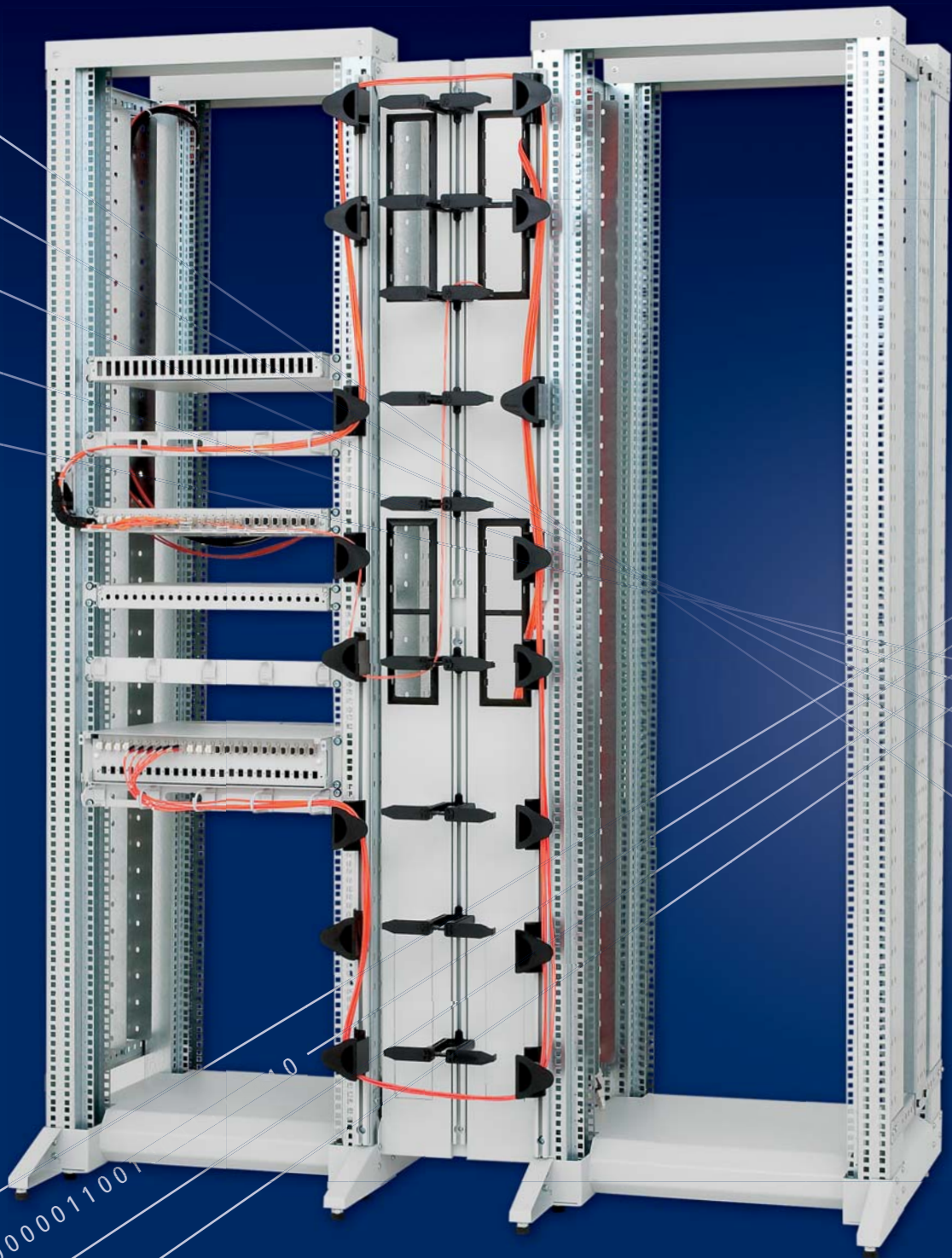
Types and dimensions of A/C adapters

TYPE		A (mm) cabinet depths	B (mm) cabinet width	A/C unit type	Direction of A/C installation	Assem- bly set
RAX-RV-X66-Z6	A/C unit adapter X1, X2 into the cabinet width 600 x 600	600	600	X1, X2	into the cabinet width	A
RAX-RV-X68-Y6	A/C unit adapter X1, X2 into the cabinet depth 800 x 600	800	600	X1, X2	into the cabinet depth	A
RAX-RV-X68-Z6	A/C unit adapter X1, X2 into the cabinet width 800 x 600	800	600	X1, X2	into the cabinet width	A
RAX-RV-X61-Y6	A/C unit adapter X1, X2 into the cabinet depth 1000 x 600	1000	600	X1, X2	into the cabinet depth	C
RAX-RV-X61-Z6	A/C unit adapter X1, X2 into the cabinet width 1000 x 600	1000	600	X1, X2	into the cabinet width	C
RAX-RV-X61-Y8	A/C unit adapter X3, X4 into the cabinet depth 1000 x 600	1000	600	X3, X4	into the cabinet depth	C
RAX-RV-X88-Y6	A/C unit adapter X1, X2 into the cabinet depth 800 x 800	800	800	X1, X2	into the cabinet depth	B
RAX-RV-X88-Z6	A/C unit adapter X1, X2 into the cabinet width 800 x 800	800	800	X1, X2	into the cabinet width	B
RAX-RV-X88-Z8	A/C unit adapter X3, X4 into the cabinet width 800 x 800	800	800	X3, X4	into the cabinet width	B
RAX-RV-X81-Y6	A/C unit adapter X1, X2 into the cabinet depth 1000 x 800	1000	800	X1, X2	into the cabinet depth	D
RAX-RV-X81-Z6	A/C unit adapter X1, X2 into the cabinet width 1000 x 800	1000	800	X1, X2	into the cabinet width	D
RAX-RV-X81-Y8	A/C unit adapter X3, X4 into the cabinet depth 1000 x 800	1000	800	X3, X4	into the cabinet depth	D
RAX-RV-X81-Z8	A/C unit adapter X3, X4 into the cabinet width 1000 x 800	1000	800	X3, X4	into the cabinet width	D

Supply:

A = 24 ks M5x12 ; 24 ks rubber sealing
B = 30 ks M5x12 ; 30 ks rubber sealing

C = 30 ks M5x12 ; 30 ks rubber sealing
D = 38 ks M5x12 ; 38 ks rubber sealing



Cable management

Cable management >

Complex organization system for optical and metallic data cables



CABLE ORGANIZATION SYSTEMS



RAB-MS-X02-X1

RAB-MS-X02-X1

Plastic cable guide (mandrel) MP318 – with radius R30 it ensures optimal optics cable management

For mounting on C-profile RAX-CP-Xxx-X1 only.



RAB-MS-X03-X1, RAB-MS-X04-X1

RAB-MS-X03-X1, RAB-MS-X04-X1

Side plastic cable guide (mandrel) MP317 – side design with radius R30 ensures optimal optics cable management

RAB-MS-X03-X1 – Adjustable plastic cable guide (mandrel) R30 – left
RAB-MS-X04-X1 – Adjustable plastic cable guide (mandrel) R30 – right
For mounting on C-profile RAX-CP-Xxx-X1 only.



RAB-MS-X01-X1

RAB-MS-X01-X1

Sliding plastic cable guide MP319 (double transfer ring 'fork') – for optics cable management

For mounting on C-profile RAX-CP-Xxx-X1 only.



RAB-MS-X21-X1, RAB-MS-X23-X1

RAB-MS-X21-X1, RAC-MS-X21-X1, RAB-MS-X23-X1, RAC-MS-X23-X1

Big plastic cable management ring for cables with inner diameter 60 x 30 mm, designed for installation into steel parts with square-shaped opening 9 x 9 mm



RAB-PR-X01-X1

RAB-PR-Xxx-X1, RAC-PR-Xxx-X1

Plastic energy chain – for optics cable management

- simple cables placing
- 4 pcs of links with end piece and metal piece for mounting

Supply

Screw M6 x 10	1x
Plastic washer	1x
Captive nut M6	1x

Type	Inner diameter
RAX-PR-X01-X1	30
RAX-PR-X02-X1	40
RAX-PR-X03-X1	50



RAX-VP-X71-X1

RAX-VP-X7x-X1

Installation cable management bar for cabinet width 800 mm.

Type	Cabinet depth (mm)
RAX-VP-X70-X1	600
RAX-VP-X71-X1	800
RAX-VP-X72-X1	900
RAX-VP-X73-X1	1000
RAX-VP-X74-X1	1100
RAX-VP-X75-X1	1200



RAX-CP-Xxx-X1

■ RAX-CP-Xxx-X1

C alu-profile for cable management components – clamping of the plastic components by pressing into the profile only

Type	C-profile for cable management components
RAX-CP-X27-X1	for RSX 27U
RAX-CP-X32-X1	for RSX 32U
RAX-CP-X37-X1	for RSX 37U
RAX-CP-X42-X1	for RSX 42U
RAX-CP-X45-X1	for RSX 45U

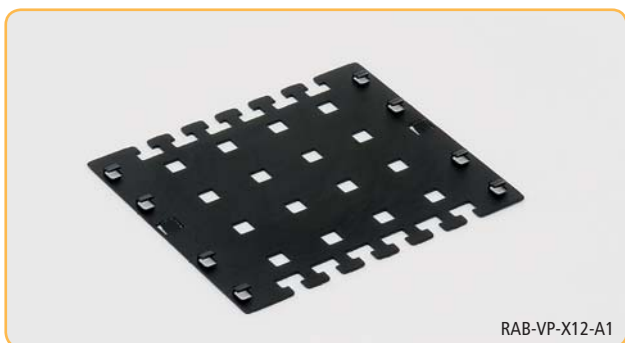
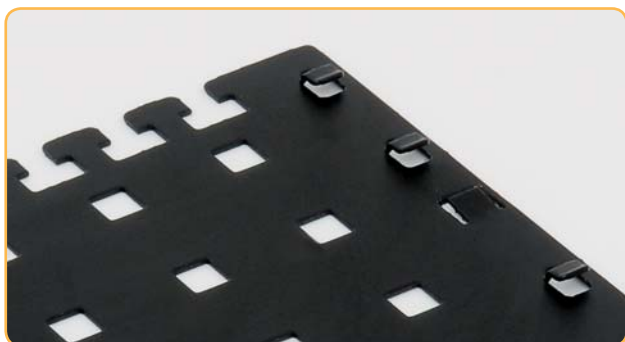


RAC-SM-Xxx-X1

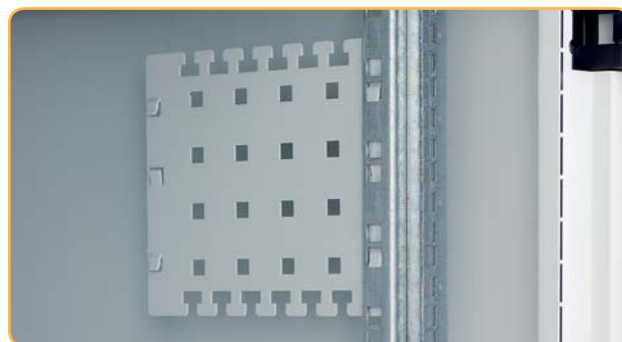
■ RAB-SM-Xxx-X1, RAC-SM-Xxx-X1

Connecting module RSX – Designed for connecting two RSX open frames with a possibility of cable management. It can be used as a side module as well.

Type	Connecting module for
RAX-SM-X27-X1	RSX 27U
RAX-SM-X32-X1	RSX 32U
RAX-SM-X37-X1	RSX 37U
RAX-SM-X42-X1	RSX 42U
RAX-SM-X45-X1	RSX 45U



RAB-VP-X12-A1



■ RAB-VP-X12-X1, RAC-VP-X12-X1

Special cable management panel

Special cable management panel is intended for installation on cabinet's vertical rails. It is also possible to be used for installation on vertical perforation in the rear section of wall-mounted cabinets. Cable management rings (RAB-MS-X21-X1) can be installed on the management panel for better organisation of cables. They are not included in the supply.

The easy fixing system consists in hanging on the vertical rail. A contra directional safety pin prevents an undesirable release.



RAB-VP-X02-A1

RAB-VP-X02-A1, RAC-VP-X02-A1

19" 1U panel with cable trunking, one side plastic rail

Supply

Screw M6 x 10	4x
Plastic washer	4x
Captive nut M6	4x



RAB-VP-X03-A1

RAB-VP-X03-A1, RAC-VP-X03-A1

19" 1U panel with cable trunking, two-sided plastic rail

Supply

Screw M6 x 10	4x
Plastic washer	4x
Captive nut M6	4x



RAB-VP-X04-A1

RAB-VP-X04-A1, RAC-VP-X04-A1

19" 2U panel with cable trunking, one side plastic rail

Supply

Screw M6 x 10	4x
Plastic washer	4x
Captive nut M6	4x



RAB-VP-X05-A1

RAB-VP-X05-A1, RAC-VP-X05-A1

19" 2U panel with cable trunking, two-sided plastic rail

Supply

Screw M6 x 10	4x
Plastic washer	4x
Captive nut M6	4x



RAC-VP-X11-A1

RAB-VP-X11-A1, RAC-VP-X11-A1

19" 1U panel with 5x big cable management rings

Supply

Screw M6 x 10	4x
Plastic washer	4x
Captive nut M6	4x



RAB-VP-X13-A1

RAB-VP-X13-A1, RAC-VP-X13-A1

19" 1U panel with 5x small cable management rings

Supply

Screw M6 x 10	4x
Plastic washer	4x
Captive nut M6	4x



RAB-VP-X16-A1

RAB-VP-X16-A1, RAC-VP-X16-A1

19" cable management panel 1U, 5 x big click-in ring, oval holes

Supply

Screw M6 x 10	4x
Plastic washer	4x
Captive nut M6	4x



RAC-VP-X51-X1

RAB-VP-X5x-X1, RAC-VP-X5x-X1

Cable management rail for a body RMA, RZA

Type	Height (mm)
RAX-VP-X50-X1	600
RAX-VP-X51-X1	800
RAX-VP-X52-X1	900
RAX-VP-X53-X1	1000
RAX-VP-X54-X1	1100
RAX-VP-X55-X1	1200



RAX-VP-Xxx-X2

RAX-VP-Xxx-X2 - one piece

RAX-VP-Xxx-X1 - set of 4 pieces

Vertical cable canal 14-45U for RMA and RZA of 800 mm width and for open frames RSX.

It is made of 1,5 mm thick galvanized steel and designed for installations on vertical rails to the cabinet side panel area.

Cable management rings can be installed on the cable canal for a better organisation of cables. They are not included in the supply.

Supply (per piece)

Screw M5 with integrated washer	3x
Enlarged washer 5,3	7x
Nut beneath vertical rail	1x
Screw M5 x 12	4x

Type	Height (U)
RAX-VP-X15-Xx	15
RAX-VP-X18-Xx	18
RAX-VP-X22-Xx	22
RAX-VP-X27-Xx	27
RAX-VP-X32-Xx	32
RAX-VP-X37-Xx	37
RAX-VP-X42-Xx	42
RAX-VP-X45-Xx	45
RAX-VP-X47-Xx	47



RAX-VC-X42-X2

RAX-VC-Xxx-X2 - one piece

RAX-VC-Xxx-X1 - set of 4 pieces

Vertical cable canal 14-45U for RMA and RZA of 800 mm width and for open frames RSX. C-shape with additional 19" installation openings 1U.

It is made of 1,5 mm thick galvanized steel and designed for installations on vertical rails to the cabinet side panel area. At the front are additional 19" installation openings 1U high that increase overall capacity of the cabinet.

Supply (per piece)

Screw M5 with integrated washer	3x
Enlarged washer 5,3	7x
Nut beneath vertical rail	1x
Screw M5 x 12	4x

Type	Height (U)
RAX-VC-X15-Xx	15
RAX-VC-X18-Xx	18
RAX-VC-X22-Xx	22
RAX-VC-X27-Xx	27
RAX-VC-X32-Xx	32
RAX-VC-X37-Xx	37
RAX-VC-X42-Xx	42
RAX-VC-X45-Xx	45
RAX-VC-X47-Xx	47



RAX-D1-X88-X3



RAX-D1-X48-X3

RAX-D1-Xxx-X3

Steel cable management rings

Supply

- Screw M6 x 10 2x
- Plastic washer 2x
- Captive nut M6 2x

Type D1	A (mm)	B (mm)
RAX-D1-X44-X3	40	40
RAX-D1-X48-X3	40	80
RAX-D1-X88-X3	80	80



RAX-D2-X88-X3



RAX-D2-X48-X3

RAX-D2-Xxx-X3

Steel cable management rings

Supply

- Screw M6 x 10 2x
- Plastic washer 2x
- Captive nut M6 2x

Type D2	A (mm)	B (mm)
RAX-D2-X44-X3	40	40
RAX-D2-X48-X3	40	80
RAX-D2-X88-X3	80	80



RAX-D3-X88-X3



RAX-D3-X48-X3

RAX-D3-Xxx-X3

Steel cable management rings

Supply

- Screw M6 x 10 2x
- Plastic washer 2x
- Captive nut M6 2x

Type D3	A (mm)	B (mm)
RAX-D3-X44-X3	40	40
RAX-D3-X48-X3	40	80
RAX-D3-X88-X3	80	80



0000011001000111

10101111

Other accessories >

Accessories



FIBRE OPTIC



RAB-FO-X57-A1

RAB-FO-X57-A1, RAC-FO-X57-A1

19" Fixed FO panel 1U

Supply

Screw M6 x 10	4x
Plastic washer	4x
Captive nut M6	4x



RAB-FO-X60-A1

RAB-FO-X60-A1, RAC-FO-X60-A1

19" Fixed FO panel 2U

Supply

Screw M6 x 10	4x
Plastic washer	4x
Captive nut M6	4x



RAC-FO-X64-A1

RAB-FO-X64-A1, RAC-FO-X64-A1

19" Sliding FO panel 1U

Supply

Screw M6 x 10	4x
Plastic washer	4x
Captive nut M6	4x



RAC-FO-X65-A1

RAB-FO-X65-A1, RAC-FO-X65-A1

19" Sliding FO panel 2U

Supply

Screw M6 x 10	4x
Plastic washer	4x
Captive nut M6	4x



RAB-FO-X58-A1

RAB-FO-X58-A1, RAC-FO-X58-A1

19" Front plate 1U 24 ST

Supply

Screw M6 x 10	4x
---------------------	----



RAC-FO-X59-A1

RAB-FO-X59-A1, RAC-FO-X59-A1

19" Front plate 1U 24 SC

Supply

Screw M6 x 10	4x
---------------------	----



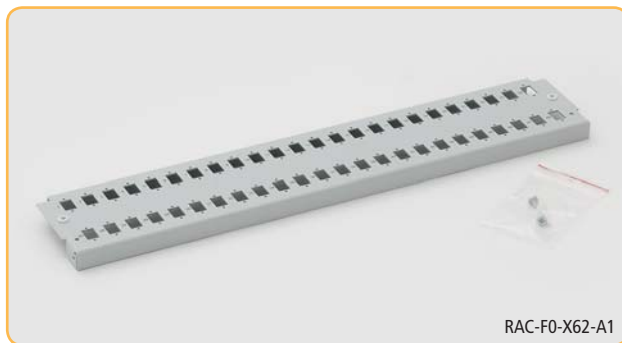
RAB-FO-X61-A1

RAB-FO-X61-A1, RAC-FO-X61-A1

19" Front plate 2U 48 ST

Supply

Screw M4 x 6 4x



RAC-FO-X62-A1

RAB-FO-X62-A1, RAC-FO-X62-A1

19" Front plate 2U 48 SC

Supply

Screw M4 x 6 2x



RAC-FO-X63-A1

RAB-FO-X63-A1, RAC-FO-X63-A1

19" Front plate 1U 24 SC DUPLEX

Supply

Screw M4 x 6 4x



RAC-FO-A07-X1

RAB-FO-A07-X1, RAC-FO-A07-X1

Wall-mounted fibre optic box 24 x ST, 24 x SC single, 16 x SC duplex

Supply

Screw 4 x 30 4x

Washer 4,2 4x

Wall plug 8 4x



RAC-VP-X14-X1

RAB-VP-X14-X1, RAC-VP-X14-X1

FO cable organizer 1U

Supply

Screw M4 x 6 2x



FTK-X01-H1

FTK-X01-H1

Splice cassette with a cover



SHELVES



RAB-UP-X40-A1

RAB-UP-X40-A1, RAC-UP-X40-A1

19" sliding / rotary shelf for keyboard and mouse

Supply

- Screw M6 x 10 8x
- Plastic washer 8x
- Captive nut M6 8x



RAC-UP-X29-A1

RAB-UP-X29-A1, RAC-UP-X29-A1

19" Sliding lockable shelf 2U for keyboard and mouse

Supply

- Screw M6 x 10 8x
- Plastic washer 8x
- Captive nut M6 8x



RAB-UP-X09-A1

RAB-UP-X09-A1, RAC-UP-X09-A1

19" Drop-down shelf for keyboard, maximal loading capacity 15 kg

Supply

- Screw M6 x 10 4x
- Plastic washer 4x
- Captive nut M6 4x



RAC-UP-X31-A1

RAB-UP-Xxx-A1, RAC-UP-Xxx-A1

19" sliding shelf - height 45 mm

Type	Depth (mm)	Max. loading capacity (kg)
RAx-UP-X30-A1	350	30
RAx-UP-X31-A1	450	30
RAx-UP-X20-A1	550	45
RAx-UP-X19-A1	650	45

Supply

- Screw M6 x 10 8x
- Plastic washer 8x
- Captive nut M6 8x



RAC-UP-450-A4

RAB-UP-xxx-A4, RAC-UP-xxx-A4

19" Shelf with perforation 1U. PATENT: PUV 2012-25430.

Type	Depth (mm)	Max. loading capacity(kg)
RAx-UP-150-A4	150	15
RAx-UP-250-A4	250	20
RAx-UP-350-A4	350	50
RAx-UP-450-A4	450	80
RAx-UP-550-A4	550	80
RAx-UP-650-A4	650	80
RAx-UP-750-A4	750	80
RAx-UP-850-A4	850	80
RAx-UP-950-A4	950	80

Supply

- Screw M6 x 10 (dimensions 150 and 250 mm – 4x) 8x
- Plastic washer (dimensions 150 and 250 mm – 4x) 8x
- Captive nut M6 (dimensions 150 and 250 mm – 4x) 8x
- Screw M5 x 12 Thorx (dimensions 150 and 250 mm – 2x)..... 8x



RAB-UP-550-A1

RAB-UP-XXX-A1, RAC-UP-XXX-A1

Shelf with perforation 1U

Type	Depth (mm)	Max. loading capacity(kg)
RAX-UP-150-A1	150	15
RAX-UP-250-A1	250	20
RAX-UP-350-A1	350	40
RAX-UP-450-A1	450	40
RAX-UP-550-A1	550	40
RAX-UP-650-A1	650	40
RAX-UP-750-A1	750	40

Supply

- Screw M6 x 10 (dimensions 150 and 250 mm – 4x) 8x
- Plastic washer (dimensions 150 and 250 mm – 4x) 8x
- Captive nut M6 (dimensions 150 and 250 mm – 4x) 8x
- Screw M5 x 12 Thorx (dimensions only 350 mm and larger) 4x
- Back holder (dimensions only 350 mm and larger) 2x



RAC-UP-650-H4

RAB-UP-xxx-H4, RAC-UP-xxx-H4

19" Heavy duty shelf

Type	Depth (mm)	Max. loading capacity(kg)
RAX-UP-450-H4	450	150
RAX-UP-550-H4	550	150
RAX-UP-650-H4	650	150
RAX-UP-750-H4	750	150
RAX-UP-850-H4	850	150
RAX-UP-950-H4	950	150

Supply

- Screw M6 x 10 8x
- Plastic washer 8x
- Captive nut M6 8x
- Screw M5 x 12 Thorx 4x



RAX-DR-X02-X1

RAX-DR-X01-X1

Shelf holders for middle vertical rail of free-standing cabinets deeper than 800 mm – a pair.



RAX-DR-X03-X1

RAX-DR-X03-X1

Adapter for the middle vertical rail of free-standing cabinets. Allows installation of standard 19" equipment.

Supply

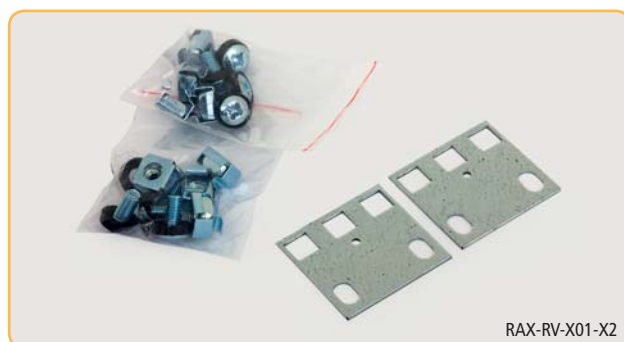
- Screw M6 x 10 4x
- Plastic washer 4x
- Captive nut M6 4x



RAX-DR-X01-X1

RAX-DR-X01-X1

Rear holder of shelves for RBA wall mounted cabinets – a pair.



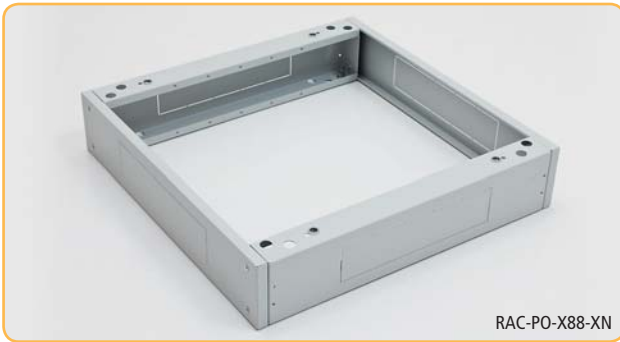
RAX-RV-X01-X2

RAX-RV-X01-X2

Adapter 23"/21" and 21"/19" universal for 1U - a pair.



BASES, FILTERS



RAC-PO-X88-XN

RAB-PO-Xxx-XN, RAC-PO-Xxx-XN RAB-PO-Xxx-XD, RAC-PO-Xxx-XD

The base is fully universal, this means that it is usable for all types of free-standing racks except ROA and RSX. The construction of the base is formed of two side profiles which correspond to the depth of the cabinet, and two cover panels (front and back) with a corresponding width. Bases XN series have a load capacity of 400 kg, bases XD series have a load capacity 1300 kg.

SUPPLY INCLUDES

- 2 x side base profile with a cable entry (with breakout-type blanking panels)
- 2 x cover with cable openings (with breakout-type blanking panels)
- 1 x cover with a filter
- 1 x anti-dust brush
- fasteners

The bases are delivered dismantled. The second dust filter for the second cover replacing can be easily ordered later. The base always exactly copies the ground plan of the cabinet regardless of installation of filter. The bases are standardly supplied in widths of 600 and 800 mm and depths from 600 to 1200 mm. All the bases are 120 mm high.

TIP: The base is prepared for installation of stabilisers, which are highly recommended to use on cabinets with sliding servers.



Type XN	Dimensions (mm)	Maximal recommended load (kg)
RAX-PO-X66-XN	600 x 600	400
RAX-PO-X68-XN	600 x 800	400
RAX-PO-X69-XN	600 x 900	400
RAX-PO-X61-XN	600 x 1000	400
RAX-PO-X60-XN	600 x 1100	400
RAX-PO-X62-XN	600 x 1200	400
RAX-PO-X86-XN	800 x 600	400
RAX-PO-X88-XN	800 x 800	400
RAX-PO-X89-XN	800 x 900	400
RAX-PO-X81-XN	800 x 1000	400
RAX-PO-X80-XN	800 x 1100	400
RAX-PO-X82-XN	800 x 1200	400
Type XD	Dimensions (mm)	Maximal recommended load (kg)
RAX-PO-X68-XD	600 x 800	1300
RAX-PO-X61-XD	600 x 1000	1300
RAX-PO-X60-XD	600 x 1100	1300
RAX-PO-X62-XD	600 x 1200	1300
RAX-PO-X88-XD	800 x 800	1300
RAX-PO-X81-XD	800 x 1000	1300
RAX-PO-X80-XD	800 x 1100	1300
RAX-PO-X82-XD	800 x 1200	1300



RAC-PO-XF2-X1

RAB-PO-XFx-X1, RAC-PO-XFx-X1

Filter for bases

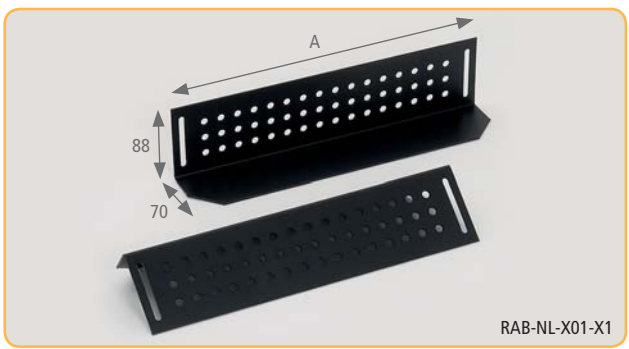
Type	Dimensions – w * h (mm)
RAX-PO-XF1-X1	600 x 120
RAX-PO-XF2-X1	800 x 120

Supply

Screw M5 x 30 4x



MOUNTING ANGLES, CASTORS, FEET, STABILIZERS



RAB-NL-X01-X1

RAB-NL-X0x-X1, RAC-NL-X0x-X1

Pair of mounting angles.

Type	A (mm)
RAX-NL-X01-X1	380
RAX-NL-X05-X1	480
RAX-NL-X02-X1	580
RAX-NL-X03-X1	680
RAX-NL-X04-X1	780



RAX-MS-X81-X1

RAX-MS-X81-X1

Castors with maximal loading capacity of 4 castors 800 kg.

- Set**
- Castors with a brake 2x
 - Castors without a brake 2x
 - Screw M5 x 12 Thorx 16x
 - Enlarged washer 5,5 16x



RAC-SS-X01-X1

RAB-SS-X01-X1, RAC-SS-X01-X1

Stabilizers for free-standing cabinets.

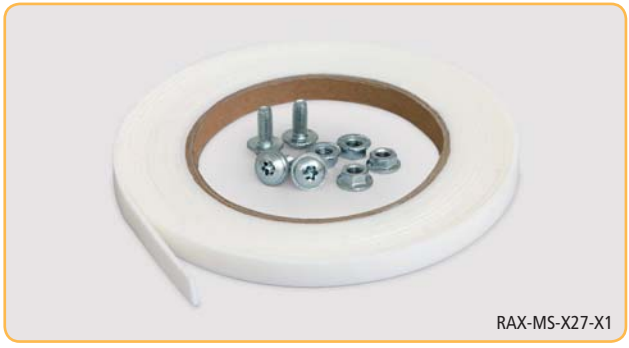
- Supply**
- Screw M5 x 12 4x



RAX-MS-X06-X1

RAX-MS-X06-X1

Set of adjustable feet for free-standing cabinets.



RAX-MS-X27-X1

RAX-MS-X27-X1

Joining kit for free standing cabinets - with sealing tape.



RAX-MS-X28-X1

RAX-MS-X28-X1

Joining kit for free standing cabinets - without sealing tape.



BLANKING PANELS, CABLE ENTRY PANELS



RAB-ZP-X03-A1

RAB-ZP-X03-A1, RAC-ZP-X03-A1

19" 1U Cable entry panel

Supply

- Screw M6 x 10 4x
- Plastic washer 4x
- Captive nut M6 4x



RAB-ZP-X03-A2

RAB-ZP-X03-A2, RAC-ZP-X03-A2

19" 1U Cable entry panel with brush strip

Supply

- Screw M6 x 10 4x
- Plastic washer 4x
- Captive nut M6 4x



RAB-ZP-X02-A1

RAB-ZP-X0x-A1, RAC-ZP-X0x-A1

19" Blanking panel

Type	Height (mm)	Height (U)
RAx-ZP-X01-A1	44	1
RAx-ZP-X02-A1	88	2
RAx-ZP-X04-A1	133	3
RAx-ZP-X05-A1	177	4

Supply

- Screw M6 x 10 4x
- Plastic washer 4x
- Captive nut M6 4x



RAC-ZP-X32-A1

RAB-ZP-X3x-A1, RAC-ZP-X3x-A1

19" Blanking panel 1U with plastic pins

RAB-ZP-X9x-A1, RAC-ZP-X9x-A1

19" Blanking panel 1U with plastic pins - logo Tritn

Type	Height (U)	Plastic pins
RAx-ZP-Xx1-A1	1	2
RAx-ZP-Xx2-A1	2	4
RAx-ZP-Xx3-A1	3	4
RAx-ZP-Xx4-A1	4	4
RAx-ZP-Xx5-A1	5	4

Supply

- for 1U plastic pins 2x
- for 2U and further plastic pins 4x



RAC-ZP-X41-A1

RAB-ZP-X4x-A1, RAC-ZP-X4x-A1

19" perforated blanking panel

Type	Height (U)	Plastic pins
RAx-ZP-X41-A1	1	2
RAx-ZP-X42-A1	2	4
RAx-ZP-X43-A1	3	4
RAx-ZP-X44-A1	4	4
RAx-ZP-X45-A1	5	4



CABLE ORGANISERS



RAC-PP-X10-A1

■ RAB-PP-X10-A1, RAC-PP-X10-A1

19" modular patch panel for max. 24 Keystone modules

Supply

Screw M6 x 10	4x
Plastic washer	4x
Captive nut M6	4x



RAX-MS-X18-X1, RAX-MS-X17-X1

■ RAX-MS-X17-X1, RAX-MS-X18-X1

RAX-MS-X17-X1

– plastic frame for a breakout-type blanking panel
300 x 70 mm

RAX-MS-X18-X1

– plastic frame for a breakout-type blanking panel
370 x 90 mm



RAX-MS-X15-X1, RAX-MS-X16-X1

■ RAX-MS-X15-X1, RAX-MS-X16-X1

RAX-MS-X15-X1

– blanking panel with a brush, 370 x 90 mm

RAX-MS-X16-X1

– blanking panel with a brush, 300 x 70 mm

Openings with breakout-type blanking panels fixed with several bonds are intended for cables entering into a cabinet. After breaking-out the blanking panel, sharp edges sometimes remain. They can damage a cable or injure the operator. To eliminate this imperfection, we have developed a plastic frame.

The frame is to be fixed into the breakout by a simple click and it is included in every 19" cabinet supply.

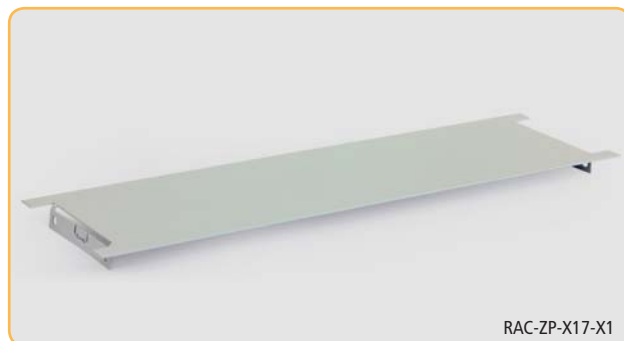
We make the frames in two sizes – for wall-mounted and free-standing cabinets.



RAX-ZP-X19-X1

■ RAX-ZP-X19-X1

Blanking panel for top roof fan unit opening.



RAX-ZP-X17-X1

■ RAX-ZP-X17-X1

Clip-in blanking panel for cable entry 300x70 mm

■ RAX-ZP-X18-X1

Clip-in blanking panel for cable entry 370x90 mm

■ RAX-ZP-X20-X1

Clip-in blanking panel for cable entry at the bottom of RCA cabinet



POWER DISTRIBUTION 230 V – OVERVIEW

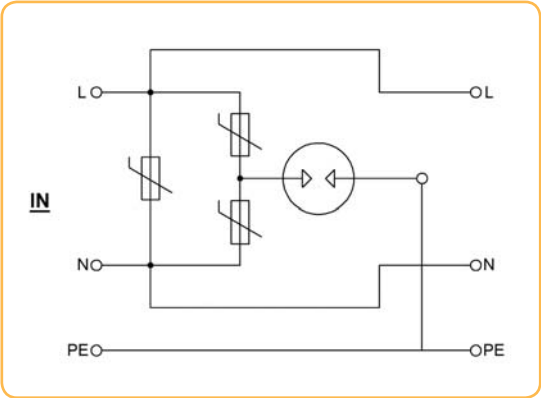
Part no	Height	Width	Depth	Socket				Power input		Switch	Power indicator	Varistor surge protection	Circuit breaker 2 x 16 A	Note
				ČSN 16 A	DE 16 A	IEC320 C13 10 A	IEC320 C19 16 A	Cable	Plug					
RAB-PD-X01-A1	1U	19"	1U	8 x				2 m 3 x 1,5 mm	CZ-DE Universal					
RAB-PD-X03-A1	1U	19"	1U	8 x				2m 3 x 1,5 mm	CZ-DE Universal					
RAB-PD-X05-A1	1U	19"	1U	8 x				2 m 3 x 1,5 mm	CZ-DE Universal					
RAB-PD-X07-A1	1U	19"	1U	8 x				2 m 3 x 1,5 mm	CZ-DE Universal					
RAB-PD-X11-A1	1U	19"	1U	7 x				2 m 3 x 1,5 mm	CZ-DE Universal					
RAB-PD-X02-A1	1U	19"	1U		8 x			2 m 3 x 1,5 mm	CZ-DE Universal					
RAB-PD-X04-A1	1U	19"	1U		8 x			2 m 3 x 1,5 mm	CZ-DE Universal					
RAB-PD-X06-A1	1U	19"	1U		8 x			2 m 3 x 1,5 mm	CZ-DE Universal					
RAB-PD-X08-A1	1U	19"	1U		8 x			2 m 3 x 1,5 mm	CZ-DE Universal					
RAB-PD-X12-A1	1U	19"	1U		7 x			2 m 3 x 1,5 mm	CZ-DE Universal					
RAB-PD-X09-A1	1U	19"	1U			14 x		2 m 3 x 1,5 mm	IEC320 C14					
RAB-PD-X10-A1	1U	19"	1U			14 x			IEC320 C14					Plug IEC320 C14 is on the PDU, w/o cable
RAB-PD-X51-X1	1274 mm	1U	1U	24x				2 m 3 x 2,5 mm	IEC 60309 16A					
RAB-PD-X52-X1	1281 mm	1U	1U			20 x	4 x	3 m 3 x 6,0 mm	IEC 60309 32A					Each circuit breaker protects one group covering 10 x IEC320 C13 + 4 x IEC320 C19
RAB-PD-X53-X1	1281 mm	1U	1U			20 x	4 x	3 m 3 x 6,0 mm	IEC 60309 32A					Each circuit breaker protects one group covering 10 x IEC320 C13 /anti-fall model/ + 4x IEC320 C19
RAB-PD-X90-C1	1U	10"	1U	4 x				2 m 3 x 1,5 mm	CZ-DE Universal					
RAB-PD-X91-C1	1U	10"	1U		4 x			2 m 3 x 1,5 mm	CZ-DE Universal					

Surge protection – Varistor protection against pulse overvoltage

Classification in compliance with norms: ČSN EN 61643-11 type 3
IEC 61643-1 class II
VDE 0675-6 class D

Surge protection protects the connected devices against pulse overvoltage using varistors, which resistance falls with increasing voltage.

Rating voltage	250 V AC 50/60 Hz
Maximum persist working voltage	300 V AC
Standard discharge current (8/20µs)	5 kA
Nominal discharge current (8/20 µs)	10 kA
Residual voltage (8/20 µs)	< 1000 V
Response time	< 25 ns
Maximum working current	16 A





POWER DISTRIBUTION 230 V



RAB-PD-X01-A1

■ RAB-PD-X01-A1

19" distribution panel 1U, 8 sockets ČSN standard, max. 16 A, cable 3 x 1.5 mm x 2 m long, DIN49441 16 A plug, RAL 9005

Supply

Screw M6 x 16 with washer 2x
Captive nut M6 2x



RAB-PD-X02-A1

■ RAB-PD-X02-A1

19" distribution panel 1U, 8 sockets DIN standard, max. 16 A, cable 3 x 1.5 mm x 2 m long, DIN49441 16 A plug, RAL 9005

Supply

Screw M6 x 16 with washer 2x
Captive nut M6 2x



RAB-PD-X03-A1

■ RAB-PD-X03-A1

19" distribution panel 1U, 8 sockets ČSN standard, max. 16 A, cable 3 x 1.5 mm x 2 m long, DIN49441 16 A plug, lighted master switch, RAL 9005

Supply

Screw M6 x 16 with washer 2x
Captive nut M6 2x



RAB-PD-X04-A1

■ RAB-PD-X04-A1

19" distribution panel 1U, 8 sockets DIN standard, max. 16 A, cable 3 x 1.5 mm x 2 m long, DIN49441 16 A plug, lighted master switch, RAL 9005

Supply

Screw M6 x 16 with washer 2x
Captive nut M6 2x



RAB-PD-X05-A1

■ RAB-PD-X05-A1

19" distribution panel 1U, 8 sockets ČSN standard, max. 16 A, cable 3 x 1.5 mm x 2 m long, DIN49441 16 A plug, power indicator, RAL 9005

Supply

Screw M6 x 16 with washer 2x
Captive nut M6 2x



RAB-PD-X06-A1

■ RAB-PD-X06-A1

19" distribution panel 1U, 8 sockets DIN standard, max. 16 A, cable 3 x 1.5 mm x 2 m long, DIN49441 16 A plug, power indicator, RAL 9005

Supply

Screw M6 x 16 with washer 2x
Captive nut M6 2x



RAB-PD-X07-A1

RAB-PD-X07-A1

19" distribution panel 1U, 8 sockets ČSN standard, max. 16 A, cable 3 x 1.5 mm x 2 m long, DIN49441 16 A plug, Varistor surge protection, RAL 9005

Supply

Screw M6 x 16 with washer 2x
 Captive nut M6 2x



RAB-PD-X08-A1

RAB-PD-X08-A1

19" distribution panel 1U, 8 sockets DIN standard, max. 16 A, cable 3 x 1.5 mm x 2 m long, DIN49441 16 A plug, Varistor surge protection, RAL 9005

Supply

Screw M6 x 16 with washer 2x
 Captive nut M6 2x



RAB-PD-X09-A1

RAB-PD-X09-A1

19" distribution panel 1U, 14 sockets IEC320, max. 10 A, cable 3 x 1.5 mm x 2 m long, IEC320 C14 10 A plug, power indicator, RAL 9005

Supply

Screw M6 x 16 with washer 2x
 Captive nut M6 2x



RAB-PD-X10-A1

RAB-PD-X10-A1

19" distribution panel 1U, 14 sockets IEC320, max. 10 A, w/o cable, IEC320 C14 input, RAL 9005

Supply

Screw M6 x 16 with washer 2x
 Captive nut M6 2x



RAB-PD-X11-A1

RAB-PD-X11-A1

19" distribution panel 1U, 7 sockets ČSN standard, max. 16 A switch, surge protection, cable 3 x 1.5 mm x 2m, DIN49441 16A plug, FLEX, lighted switch, RAL 9005

Supply

Screw M6 x 16 with washer 2x
 Captive nut M6 2x



RAB-PD-X12-A1

RAB-PD-X12-A1

19" distribution panel 1U, 7 sockets DIN standard, max. 16 A switch, surge protection, cable 3 x 1,5mm x 2 m, DIN49441 16 A plug, FLEX, lighted switch, RAL 9005

Supply

Screw M6 x 16 with washer 2x
 Captive nut M6 2x



RAB-PD-X51-X1

■ RAB-PD-X51-X1

Vertical distribution panel, 24 sockets ČSN standard, max. 16 A, cable 3 x 1.5 mm x 2 m long, IEC60309 plug, surge protection, Varistor surge protection, RAL 9005

Supply

Screw M6 x 16 with washer 2x
 Captive nut M6 2x



RAB-PD-X52-X1

■ RAB-PD-X52-X1

Vertical distribution panel, 20 sockets IEC320 C13, 4 sockets IEC320 C 19. 2 x 16 A master air circuit breaker, max. 32 A, cable 3 x 6.0 mm x 3 m long, IEC60309 plug, RAL 9005

Supply

Screw M6 x 16 with washer 2x
 Captive nut M6 2x



RAB-PD-X53-X1

■ RAB-PD-X53-X1

Vertical distribution panel, 20 sockets IEC320 C13 (anti-fall), 4 sockets IEC320 C 19. 2 x 16 A master air circuit breaker, max. 32A, cable 3 x 6.0 mm x 3 m long, IEC60309 plug, RAL 9005

Supply

Screw M6 x 16 with washer 2x
 Captive nut M6 2x



RAB-PD-X90-C1

■ RAB-PD-X90-C1

10" distribution panel, 4 sockets ČSN standard, max. 16 A, cable 3 x 1.5 mm x 2 m long, DIN49441 16 A plug, RAL 9005

Supply

Screw M6 x 16 with washer 2x
 Captive nut M6 2x



RAB-PD-X91-C1

■ RAB-PD-X91-C1

10" distribution panel, 4 sockets DIN standard, max. 16 A, cable 3 x 1.5 mm x 2 m long, DIN49441 16 A plug, indicator light, RAL 9005

Supply

Screw M6 x 16 with washer 2x
 Captive nut M6 2x

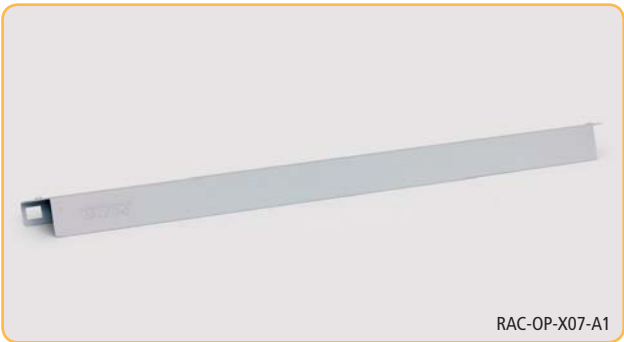
LIGHTING UNIT



RAX-OJ-X07-X1

RAX-OJ-X07-X1

LED-diode lighting unit with magnet 1/2U with possibility of fixing on the vertical 19" rails., external power supply 230 V.



RAC-OP-X07-A1

RAB-OP-X07-A1, RAC-OP-X07-A1

19" cover/holder for LED-diode lighting unit RAX-OJ-X07-X1



RAC-OJ-X01-A1

RAB-OJ-X01-A1, RAC-OJ-X01-A1

19" lighting unit 1U

Supply

- Screw M6 x 10 4x
- Plastic washer 4x
- Captive nut M6 4x

BREAKER HOLDER



RAC-JL-X01-A1

RAB-JL-X01-A1, RAC-JL-X01-A1

19" rail 3U for circuit breakers with cover, demountable, DIN



RAC-JL-X01-C1

RAB-JL-X01-C1, RAC-JL-X01-C1

10" rail 3U for circuit breakers with cover, demountable, DIN



RAC-JL-X02-A1

RAB-JL-X02-A1, RAC-JL-X02-A1

19" rail 3U for circuit breakers with cover, DIN



EARTHING, MOUNTING PACKETS



RAX-ZL-X15-X1

RAX-ZL-Xxx-X1

Earthing rail vertical, solid copper 5 x 20 mm

Type	Height (U)	Height (mm)
RAX-ZL-X15-X1	15	667
RAX-ZL-X18-X1	18	800
RAX-ZL-X22-X1	22	978
RAX-ZL-X27-X1	27	1200
RAX-ZL-X32-X1	32	1422
RAX-ZL-X37-X1	37	1645
RAX-ZL-X42-X1	42	1867
RAX-ZL-X45-X1	45	2000

Supply

Screw M5 x 18 Thorx 2x
 Enlarged washer 2x
 Nut 2x



RAX-MO-X09-X1

RAX-MX-XXX-X1

Installation kit

RAX-MO-X03-X1

– Basic packet of components for fixing of device into a cabinet or a frame. It contains a captive nut – 50x, a screw – 50x, plastic washer – 50x.

RAX-MO-X09-X1

– Basic packet of components for fixing of device into a cabinet or a frame. It contains a captive nut – 20x, a screw – 20x, plastic washer – 20x.

RAX-MS-X19-X1

– Basic packet of components for fixing of device into a cabinet or a frame. It contains a captive nut – 4x, a screw – 4x, plastic washer – 4x.



RAX-ZL-X02-A1

RAX-ZL-X02-A1

19" earthing rail horizontal, solid copper 5 x 20 mm

Supply

Screw M6 x 12 Thorx 2x
 Plastic pad 2x
 Captive nut M6 2x



RAX-SV-X01-X1

RAX-SV-X01-X1

Earthing clamp



RAX-MS-X84-X1

RAX-MS-X84-X1

Earthing module on DIN rail designed for mounting on a 19" vertical, 36 earthing connections



10" ACCESSORIES



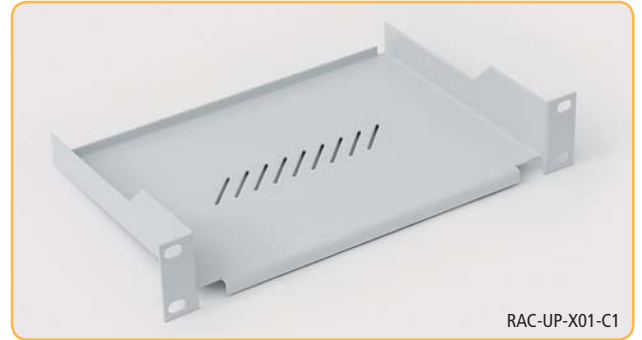
RAB-PP-X03-C1

RAB-PP-X03-C1, RAC-PP-X03-C1

10" modular patch panel for max. 10 keystone modules

Supply

Screw M6 x 10	4x
Plastic washer	4x
Captive nut M6	4x



RAC-UP-X01-C1

RAB-UP-X01-C1, RAC-UP-X01-C1

10" shelf

Supply

Screw M6 x 10	4x
Plastic washer	4x
Captive nut M6	4x



RAC-FO-X01-C1

RAB-FO-X01-C1, RAC-FO-X01-C1

10" fibre optic box 1U, 8 ST connectors

Supply

Screw M6 x 10	4x
Plastic washer	4x
Captive nut M6	4x



RAC-FO-X01-C2

RAB-FO-X01-C2, RAC-FO-X01-C2

10" fibre optic box 1U, 8 SC connectors

Supply

Screw M6 x 10	4x
Plastic washer	4x
Captive nut M6	4x



RAB-ZP-X01-C1

RAB-ZP-X01-C1, RAC-ZP-X01-C1

10" blanking panel 1U

Supply

Screw M6 x 10	4x
Plastic washer	4x
Captive nut M6	4x



RAB-VP-X02-C1

RAB-VP-X02-C1, RAC-VP-X02-C1

10" cable management panel 1U, a small ring 3x

Supply

Screw M6 x 10	4x
Plastic washer	4x
Captive nut M6	4x



LOCKS



RAX-MS-X07-X1

■ RAX-MS-X07-X1

Key lock for wall-mounted rack, universal key



RAX-MS-X09-X1

■ RAX-MS-X09-X1

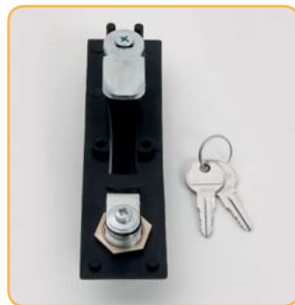
Key lock for side panels of free-standing racks



RAX-MS-X10-X1

■ RAX-MS-X10-X1

Standard keys for the front doors of wall-mounted and free-standing cabinets



■ RAX-MS-X08-X1

Plastic swing handle Triton with lock for cabinet offers in its standard version comfortable, reliable and esthetic locking solution for cabinet. It is usually fitted with a lock with universal key.



■ RAX-MS-X65-X1

Half-cylindric version of plastic swing handle Triton offers a higher level of security along with the ability to use the general key systems. It is compatible with a locking inserts various manufacturers.

PATENT: PUV 2009-22086



TRITÓN® LOCKING SYSTEM



The new version of the plastic swing handle Triton brings revolutionary innovation. Just by replacing the plastic inlet you can choose classic or half-cylindrical lock. Even while in use, on fully equipped cabinet you can easily switch simply by changing a few parts at a higher security level or the general key systems.

The handle is not compatible with the older model.



■ MULTI POINT LOCKING SYSTEMS

These systems we supply for a many years and in especially cabinets with a high IP rating could not exist without them. With the new handle comes also the ability to use a wider range of lever and sliding multipoint locking systems from reputable manufacturers.



RAX-MS-X96-X1

■ RAX-MS-X96-X1

The new locking system has compatible handles with other manufacturers. Racks Triton thus have many new possibilities in the field of locking techniques. Offer is extended, for example, by handles with a mechanical combination lock.



DOOR HINGES



RAX-MS-X12-X1

RAX-MS-X12-X1

Door hinge for wall-mounted fibre optic boxes



RAX-MS-X13-X1

RAX-MS-X13-X1

Door hinge for free-standing and wall-mounted cabinets. Max. loading capacity of 1 piece is 15 kg

Supply

- Screw M5 x 12 2x
- Nut M5 2x



RAX-MS-X14-X1

RAX-MS-X14-X1

Side hinge for double sectioned wall-mounted cabinets

Supply

- Screw M5 x 12 4x
- Nut M5 4x



RAX-MS-X20-X1

RAX-MS-X20-X1

Triton plastic hinge for FlatPack, RKA and 10" cabinets



RAX-MS-X22-X1

RAX-MS-X21-X1, RAX-MS-X22-X1

Hook-on door hinge for free standing cabinets. Loading capacity of one hinge is 15kg.

Type	Hinge orientation
RAX-MS-X21-A1	left
RAX-MS-X22-A1	right

Assembly set

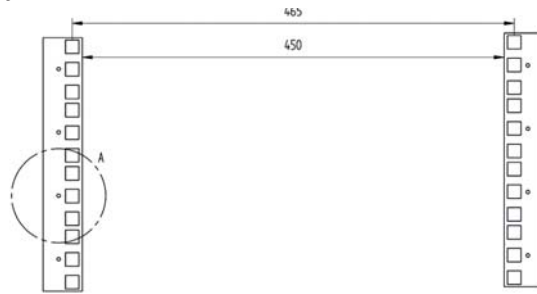
- Screw M5 x 12 2x
- Nut M5 2x



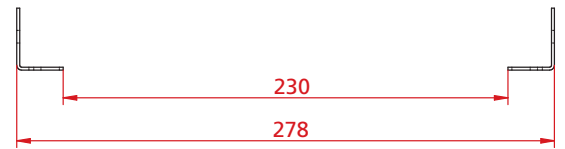
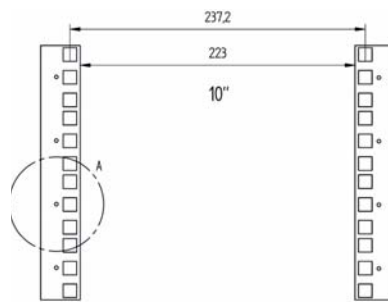
▶ TECHNICAL SUPPORT

1. Clear span between vertical rails

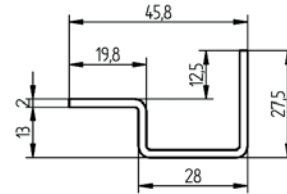
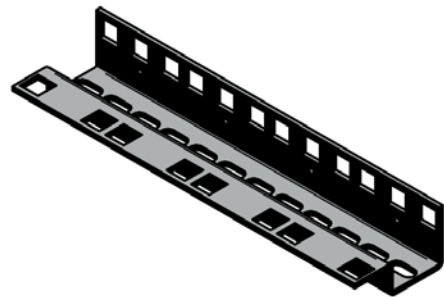
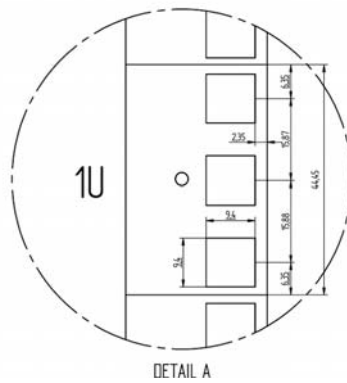
19" system



10" system



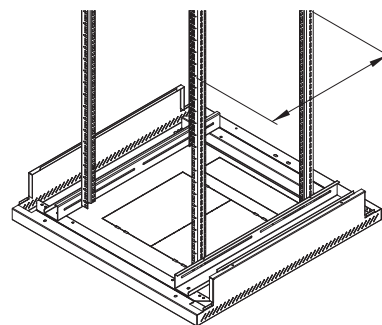
2. Vertical rail



3. Maximal spacing of vertical rails at free-standing cabinets

- 800 x 600 – 470 mm
- 800 x 800 – 670 mm
- 800 x 900 – 770 mm
- 800 x 1000 – 870 mm

- 600 x 600 – 510 mm
- 600 x 800 – 710 mm
- 600 x 900 – 810 mm
- 600 x 1000 – 910 mm



4. Maximal available depths in free-standing and wall-mounted cabinets

Free-standing cabinets

800 x 600 – 575 mm
800 x 800 – 775 mm
800 x 900 – 875 mm
800 x 1000 – 975 mm

600 x 600 – 575 mm
600 x 800 – 775 mm
600 x 900 – 875 mm
600 x 1000 – 975 mm

Wall-mounted cabinets

AS4 – 360 mm
AS5 – 460 mm
AS6 – 560 mm
AD2 – 260 mm
AD5 – 480 mm
AD6 – 580 mm

5. Spacing between the front vertical rail and the door glass at the maximal span

600 x – 35 mm
800 x – 50 mm

6. Spacing between the rear vertical rail and the rear cover at the maximal span

600 x – 37 mm
800 x – 55 mm

7. Units of measurements (unit/inch)

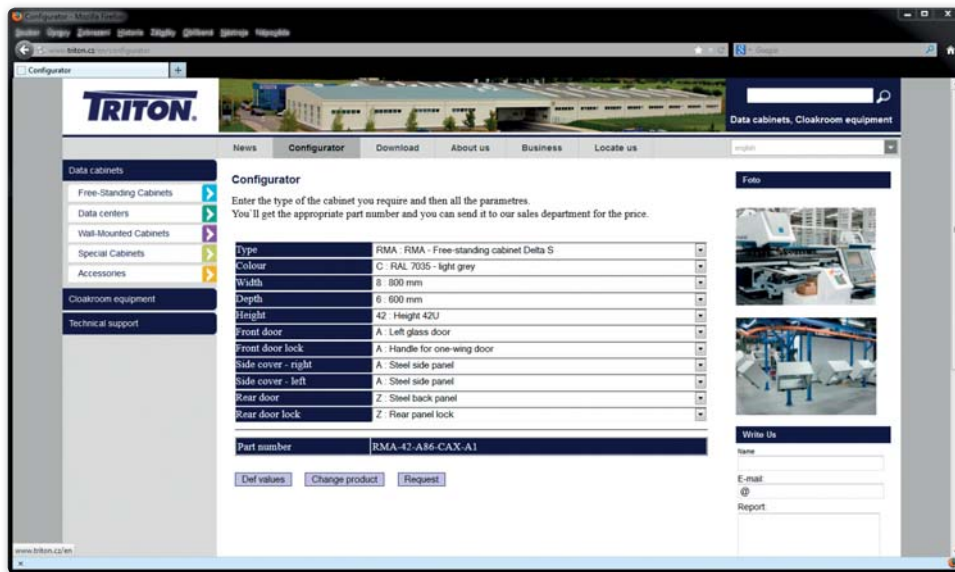
unit = 44.45 mm
inch = 25.4 mm
unit = 1.75 inch

8. Basic dimensions of a universal feet of a free standing cabinet:

Screw: M10
Uplift: 6 mm



CONFIGURATOR

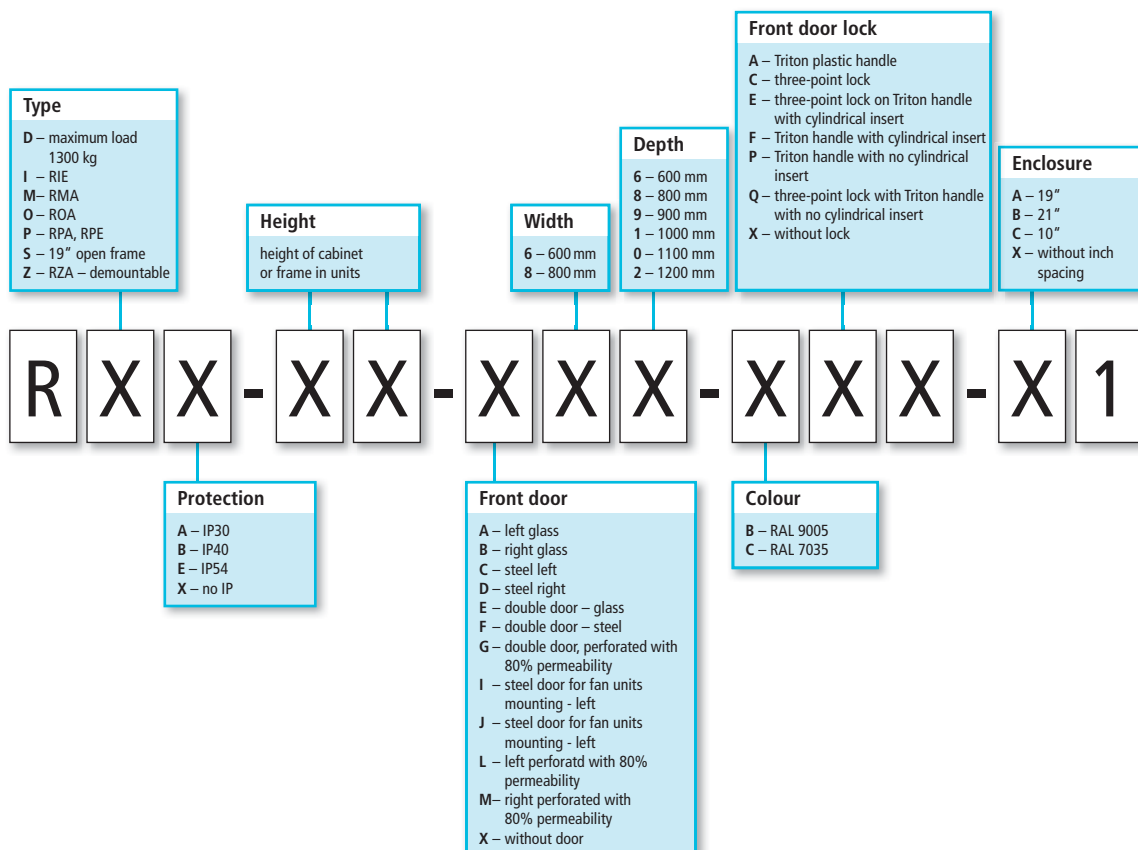


To help you with selecting the right type of product for your needs we have prepared a configurator of Triton products. **Create a product code** of cabinet as per your needs.

Exact specification of free-standing cabinets can be found in our configurator on web page <http://www.triton.cz/en/konfigurator>

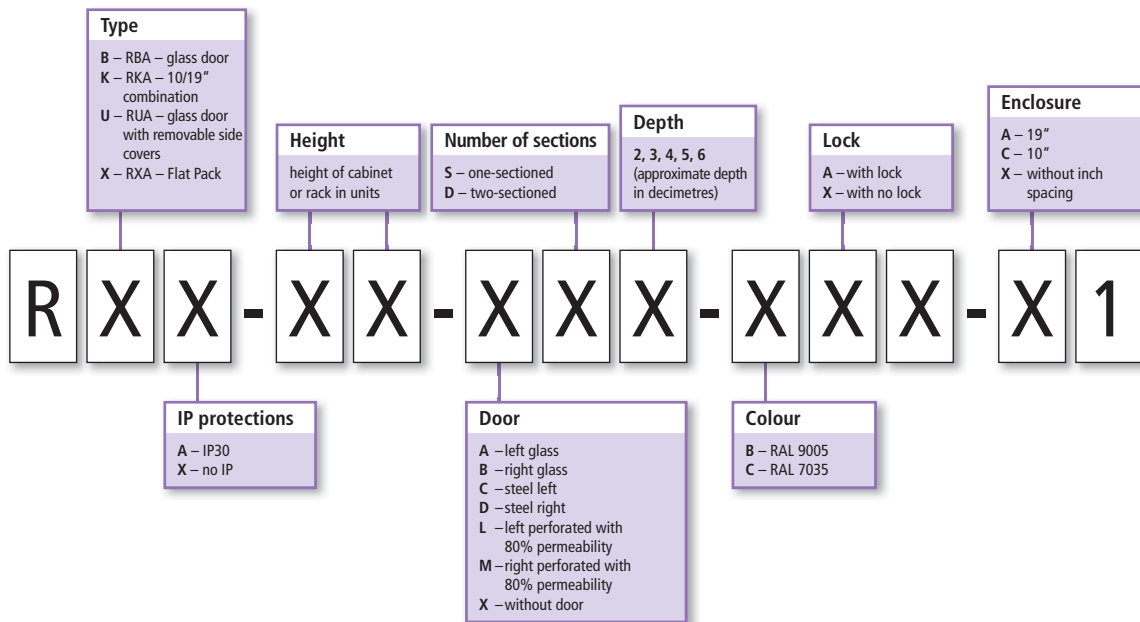


PART NUMBERING OF FREE-STANDING CABINETS

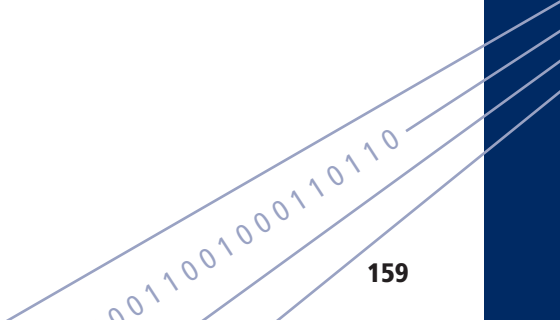
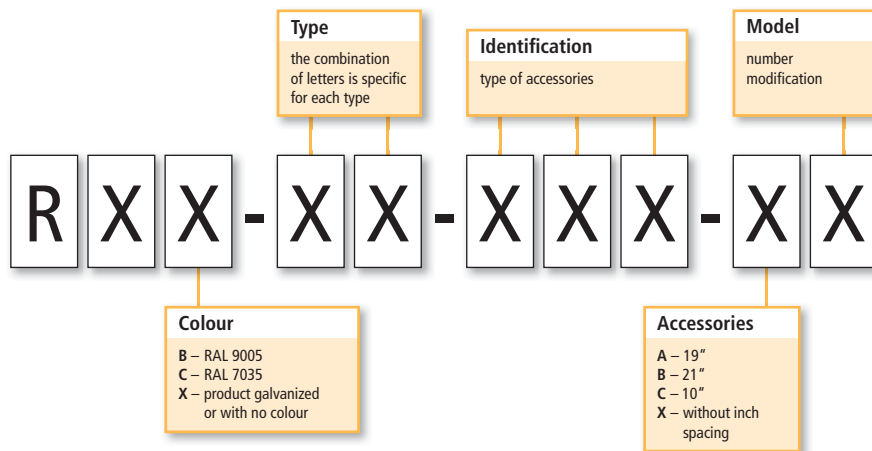




PART NUMBERING OF WALL-MOUNTED CABINETS



PART NUMBERING OF ACCESSORIES





CERTIFICATION



■ ISO 9001-2009



■ ISO 14001-2005



■ OHSAS 18001-2008



■ RIE



■ RMA



■ RZA



■ RPA



■ RXA



■ RBA - one-sectioned 19"



RBA - two-sectioned 19"



RBA - one-sectioned 10"



RUA



RCA



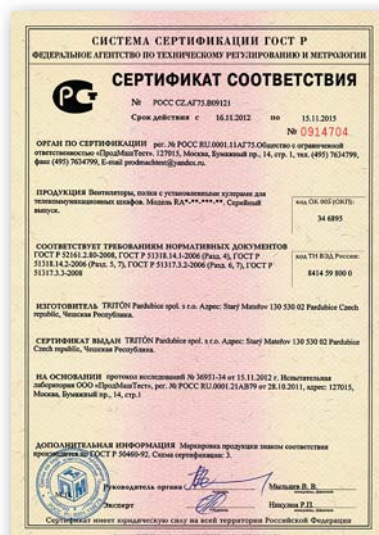
Accessories



Accessories



Accessories



Ventilation units



Power distribution



■ Castors, assembly material



■ Base filters



■ Panels and accessories



■ 19" Cabinets and open frames



■ Blanking panels, fan units, bases



■ Earthing rails



Actual certificate versions are at your disposal here:
<http://www.triton.cz/en/download/certificates>



PACKING, TRANSPORTATION, WARRANTY

Packing

We deliver our products in new packing. We have fully replaced packing into polystyrene and bubble foil. Edges are protected by a highly resistant polyurethane foam and the whole cabinet is protected with shrink-wrap against dust and scratching during transportation. Free standing cabinets are distributed on wooden pallets.

Transportation

The transportation is provided via our contract carriers.

Warranty

Triton focuses maximally on the quality of its products. In the exceptional case of a problem with defective material or function it is the subject of the guarantee. Most products have a guarantee of 24 months, except for the air conditioning unit which has warranty for one year. Warranty begins upon dispatch from our central warehouse. If air conditioning units are installed and started in operation by our certified technician, then the warranty period started from the time of initial launch. If necessary, please contact your supplier who will arrange all the necessary information to deal with the situation.





MARKETING – TRADE FAIRS

Company Triton focus for a marketing of its products. We place emphasis on personal contact with the customer. Present the products we manufacture personally to customer is a little complicated for their size and weight. Therefore, we focus on exhibitions, where we regularly invite our partners and customers. Our first major exhibition was INVEX in 1995, we have completed four times in a row. With the growth of the company and its success abroad was necessary to present our products on the European market. Since 1998 we regularly and continuously participate in CeBIT,

the Europe’s largest IT fair in Hanover, Germany. From this year dates the rocket growth and European wide success of our solutions. Participation in exhibitions is an opportunity for us to introduce to our partners and wide auditory new and innovative products, we show here also the original solutions and future development directions.

At the same time we receive from our customers a very important feedback, comments and suggestions for changes or improvements.





Not only the cabinet market but of course also exhibitions are changing. In particular, mainly the influence of the Internet information highway is gaining importance of smaller exhibitions, that are accessible for busy people. Therefore it is possible to found our exposition beside major exhibitions at many smaller, regional presentations. Needless to say that we support also our partners in these activities. Our cabinet you can find for example in the Eliaden exhibition in the Norwegian Lillestrom or EnergoTab exhibition in Poland, but you can meet our with our products at the exhibitions throughout Europe. Besides exhibitions we attend various conferences, seminars and panel discussions where we see the development of requirements for cabinets and other products from our portfolio.





SHOWROOM TRITÓN

There is no better argument than the demonstration of a particular sample. For this purpose, we have prepared a presentation center with samples of our cabinets, with a data center and other products. Here you can after agreement show to your customers all the benefits of different models during a personal visit.

If interested in a personal visit with us please do not hesitate to arrange a date.





MARKETING – SHOW TRUCK

In order to improve our support, we have purchased a mobile presentation workplace which is ready to go out to your current important or potential clients and to present the TRITON company products. Hereby we want to support your sales activities which we highly appreciate.

The van in the photographs is equipped with an up-to-date presentation technology, samples of the TRITON products, a bar and a place for making refreshments. When necessary, even a power unit can be connected, thus we are not dependent on power supply in the presentation place.

You can order **an attendance of our presentation van** including a trained lector on: Phone: +420 467 401 111, Or by email: sale@triton.cz





POWER DISTRIBUTION CABINETS

Within March 2013 we will launch a new series for TRITON cabinets developed for power distribution.



Power distributor system SAF

Cabinets for distribution, installation or control racks.
Can be used as stand-alone or mounted in groups.





Power distributor IP65 SAC

Distributors with high protection IP65. Primarily used for industrial installation and applications.



Power distributor installation SIA

Cabinets for flat, house and other power distribution. Version for flush or wall mounting.



Power distributor power-metering SEA

Cabinets for power metering equipment. Flush mounted design available in two sizes, for one or two electricity meters.



CLOTHES LOCKERS AND CLOAK ROOM EQUIPMENT

Due to the development of our factory building and modernization of our production process we succeeded in assortment extension of products intended for cloakroom, workshop and office equipment in 2008. To all our customers we offer a personal attitude and complete services from project draft to the final realisation. The high level of our services is confirmed by many satisfied customers who contact us again and again. Also the share of new customers is not to be overlooked, who contact us on the basis of current customers' recommendation.

Our main target is not only the top quality of final product, but also its exclusive design.

Our product line includes:

- Clothes lockers and compartment lockers in combination of steel and laminated chipboard
- Steel clothes lockers and compartment lockers
- Exclusive lockers
- Design lockers
- Key lockers
- Shoe lockers under the clothes lockers
- Cloakroom benches and seats
- Golf lockers
- Fire lockers and lockers for rescue services

We deliver these products to **hospitals, schools, retirement homes, fitness facilities, companies, aqua parks, fire and rescue brigades and golf clubs.**

More information

tel.: +420 467 401 111, e-mail: info@satniskrinky.cz

www.clotheslockers.eu





Tritón Pardubice, spol. s r. o.

Starý Mateřov 130, 530 02 Starý Mateřov, Czech Republic

GPS: 50°0'4.624"N, 15°43'28.292"E

Tel.: +420 467 401 111, Fax: +420 467 401 130

E-mail: sale@triton.cz

www.triton.cz

www.clotheslockers.eu

Triton Chemnitz GmbH

Wolgograder Allee 24, 09123 Chemnitz, BRD

Tel.: +49 371 5202271, +49 371 2621192

Fax: +49 371 5202272

E-mail: info@triton-racks.de

www.triton-racks.de

www.garderobenspinde.de