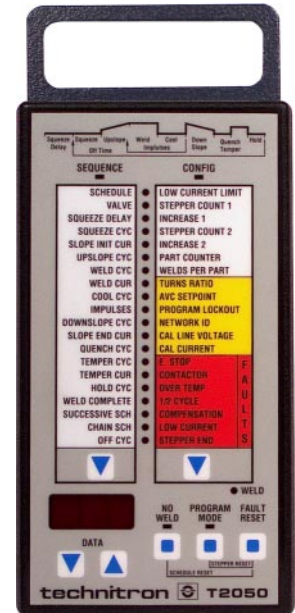




Fixed Format Standard Heat (%), Primary Constant Current Control, or Secondary Constant Current Control

The T2050 resistance weld control is a compact All-In-One weld control. Combining years of research and development of high-end resistance weld control technology; the T2050 is an easy to use, reliable, compact, and durable control.

- A 16-bit processor operating at 16MHz executing over 4,000,000 instructions per second. This cutting edge technology provides the ability to operate in AVC (% Heat), Primary Constant Current, or Secondary Constant Current with only the “flip” of a switch. This control runs a sophisticated algorithm that is extremely accurate and stable over a wide range of welding conditions
- A choice of four enclosure styles and a retrofit package are available. Each unit is built on a common platform, which makes standardization and interchangeability a reality.
- The All-In-One concept also includes networking capability. This optional feature provides for upload/download of weld schedules, data collection, and data backup from any weld control on the network. Individual controls can be connected to a Laptop or PC and perform the same functions.
- The T2050 is High End technology in a small cost effective package.



Key Features

- Primary or secondary constant current
- Chain or successive sequences
- Four available linear steppers
- DEP can be front, side or remote mounted
- Parts counter
- Primary or secondary weld monitoring
- 60 available schedules
- Seven error fault indicators

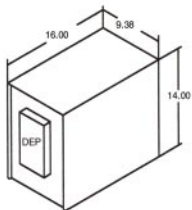


Standard Features

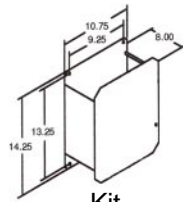
- Constant current control or % of available current
- Primary or secondary current monitoring
- Low current limit
- Automatic voltage compensation (AVC) with % available current
- Seam mode (intermittent or continuous)
- Seven faults (E-Stop, Contactor Shorted, Over Temp, ½ Cycle, Compensation, Low Current, and Stepper End)
- Steppers (four, two-segment linear steppers)
- Successive weld sequences (multiple pilot)
- Chain multiple sequence (single pilot)
- Pressure switch or second stage operation
- External pilots (discrete or binary)
- RS-485 Port
- Upload / Download
- External E-Stop and No Weld inputs
- Program lockout - four different security levels
- Repeat or Non-Repeat
- Pressure Control via binary outputs
- Weld counter / Parts counter
- Diagnostic faults

Options

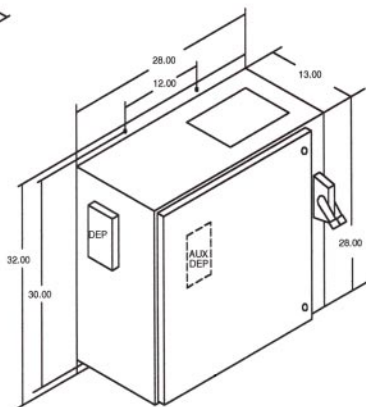
- Secondary current coil
- Network Software
 - Network up to 15 timers
 - Statistical process control (SPC)
 - Program uploading and downloading
 - Last weld data
 - Fault history
- Anti-Tie down Anti Repeat ("SL", "ST" and "ML" enclosures)
- Weld indicator light ("SL", "ST" and "ML" enclosures)
- Integral gun kit with quick disconnect connector ("ST" and "ML" enclosures)
- Lockout switch
- Retraction ("ST" or "ML" enclosures)
- Schedule select box



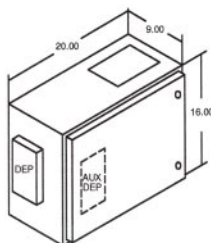
Bench



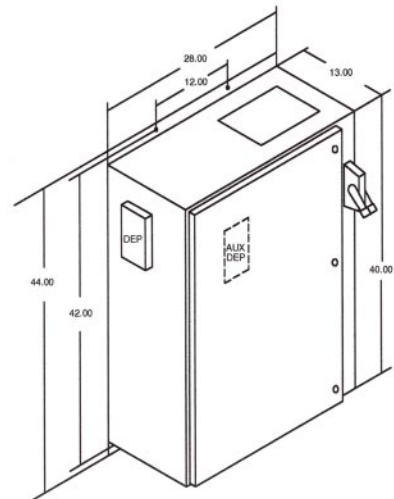
Kit



"ST" Enclosure



"SL" Enclosure



"ML" Enclosure

