



**INCLUDES NEW
2010 PRODUCT LIST!**

CATALOG 2010

www.uninetimaging.com

TABLE OF CONTENTS

COMPANY PROFILE

About UniNet	3
Worldwide Locations	4
Company History	5
Sales and Distribution	9
R&D and Technical Support	10
Environmental Consciousness	11
Social Consciousness	12
Product Brands	16

TECHNICAL GUIDES

Common Cartridge Failures	23
Cartridge Printing Theory	25
Cartridge Cleaning Methods	45
Chemical Solvent Table	46
Black Laser Repetitive Defect Chart	47
Color Laser Repetitive Defect Chart	51

CLIENT FORMS

Terms & Conditions/How to Place an Order	53
Credit Card Authorization	55
Telecheck Request Form	56
Client Survey	57

PRODUCT CATALOG

New Product List 2010	59
Catalog by Engine	78

COMPANY PROFILE



MISSION STATEMENT

“At UniNet, we Guide, Protect and Care for our clients.”

We **Guide** our clients by showing them our strategic steps of success through our dedicated sales team providing personalized relationships.

We **Care** about fulfilling our client's needs by improving their profitability, consistently delivering superior service, premium quality, innovative solutions, and the most complete range of products with fast and efficient delivery.

We **Protect** our clients by being a pro-recycling, pro-environment and socially responsible company that gives back to developing communities of the world.



UniNet President Nestor Saporiti

ABOUT UNINET

UniNet Imaging Inc. is a worldwide quality manufacturer and solutions provider to OEMs and remanufacturers, as well as a distributor of printer toner, smartchips and cartridge recycling components. UniNet offers a wide and complete selection of its brand name products consisting of Absolute COLOR™ toners, Absolute Black® toners, Unichips™, ASiC Smartchips™ and Universal Superchips™ powered by UniNet Innovative Technologies, Unidrums™ and Unirollers™. UniNet's product line includes wiper blades, PCRs, MAG rollers and doctor blades among others.



Pictured (clockwise from top left): Corporate Account Mgr. Randall Lane, Technical Director Neil Robinson, Purchasing Mgr. Pam Santiago, COO Cameron E. Hill, VP of Accounting Claudia Saporiti, UniNet President Nestor Saporiti, and Marketing Mgr. Marcela Gasanz

BUSINESS MODEL

We view our clients, employees and suppliers as Business Partners. Our team thrives in helping our clients develop and grow their business.



WORLDWIDE LOCATIONS



UNINET WEST COAST

3232 West El Segundo Blvd.
Hawthorne, California 90250, USA
Ph + 1-424-675-3300 • Fx + 1-424-675-3400
www.uninetimaging.com

David Giannamore • davidg@uninetimaging.com



UNINET EAST COAST

95 Orville Drive
Bohemia, New York 11716, USA
Ph + 1-631-590-1040 • Fx + 1-888-791-9188
www.uninetimaging.com

Craig Spooner • craigs@uninetimaging.com



UNINET INNOVATIVE TECHNOLOGIES

3720 W. Oquendo Rd.
Suite 103
Las Vegas, NV 89118, USA
Ph + 1-702-454-6638 • Fx + 1-702-454-6614

Joe Cachia • joc@uninetimaging.com



UNINET IMAGING CANADA INC.

369 Bering Avenue
Toronto, Ontario M8Z 3B1, Canada
Ph + 1-866-935-8101 • Fx + 1-866-935-8120

Jesse Hudson • jesseh@uninetimaging.com



UNINET IMAGING EUROPE S.L.

C/ De La Resequidora, 52
08302, Mataro, Barcelona, Spain
Ph + 34-902-196-170 • Fx + 34-93-741-4166

Hector Aguirre • haguirre@uninetimaging.es



UNINET IMAGING EUROPE UK LTD.

Unit 7 The Rutherford Centre
Rutherford Road, Basingstoke
Hampshire RG24 8PB, England, United Kingdom
Ph + 44 (0) 1256-814440 • Fx + 44 (0) 1256-814445

Jose Alfonso • jalfonso@uninetimaging.es



UNINET IMAGING AFRICA (PTY) LTD.

Unit 2, 3 Drakensberger Drive
Longmeadow Business Park West
Edenvale, South Africa
Ph + 2711-608-0103 • Fx + 2711-608-0476

Glen Lailvaux • glen@uninetimaging.es



UNINET JAPAN

Minato-Ku
Tokyo 108-0074 Japan
Ph + 1-424-675-3300 x 1128 • Fx + 1-424-675-3404
www.uninetimaging.com

Yuki Shimotakahara • yukis@uninetimaging.com



UNINET ARGENTINA

Gral. Artigas 5030
Capital Federal, Buenos Aires, Argentina
Ph + 54-11-4571-2388 • Fx + 54-11-4574-3706
www.uninetargentina.com.ar

Sergio Aldegheri • sergioa@uninetargentina.com.ar



SUMMIT ARGENTINA S.A.

Gral. Artigas 5030
Capital Federal, Buenos Aires, Argentina
Ph + 54-11-4573-3323 x 123
www.summitargentina.com.ar

Paula Fernandez Heck • paula@summitargentina.com.ar



UNINET DO BRASIL LTDA.

Av. Vereador Aroldo Neves, 900
Ribeirão Pires, Sao Paulo, CEP: 09445-400 Brazil
Ph + 55-11-4822-3930 • Fx + 55-11-4822-3353
www.uninetbrasil.com.br

Vanessa Marfil • vanessa.marfil@uninetbrasil.com.br



SUMMIT TECHNOLOGIES DO BRASIL

Av. Vereador Aroldo Alves Neves, 930 Soma
Ribeirão Pires, Sao Paulo, CEP: 09445-400 Brazil
Ph + 55-11-4823-9777 • Fx + 55-11-4822-9770
www.summitdobrasil.com.br

Angela Façanha • angela@summitdobrasil.com.br



UNINET MEXICO S.A. DE C.V.

Av. Alfonso Gómez No. 100, Nave 3
Parque Industrial Exportec II
Col. San Pedro Totoltepec, Toluca CP 50200 Mexico
Ph + 52-722-319-4790 • Fx + 52-722-319-4791
www.uninetmexico.com.mx

Jose Domingo Aguilar • josed@uninetmexico.com.mx



UNINET VENEZUELA C.A.

Av. Andres Eloy Blanco CC Eurocenter Local 2PB
Valencia, Carabobo, Venezuela
Ph + 58-241-8268189 • Fx + 58-241-824244
www.uninet.com.ve

Daniela Garcia • danielag@uninet.com.ve



UNINET IMAGING COLOMBIA LTDA.

Carrera 97 # 24 C-23, Bodega 20
Bogotá, Colombia
Ph + 57-1-4189356 • Fx + 57-1-4185094
www.uninetcolombia.com

Jose Enrique Carmagnola • uninet@uninet.com.co



UNINET PERU SAC

Avenida Salaverry 1059
Jesus Maria, Lima, Peru
Ph + 51 1 472-8989 • Fx + 51 1 471-9272
www.uninet.com.pe

Jose Agüero • josea@uninet.com.pe



COMPANY HISTORY



1995
1998
2001
2004
2007
2010
2011

A TIMELINE OF NOTABLE EVENTS
THAT HAVE HELPED CONTRIBUTE
TO THE SHAPING OF UNINET'S
GLOBAL PRESENCE...

1995

UniNet headquarters is founded in Los Angeles, California on the commitment of supplying consistent high quality toners and components for the aftermarket and OEMs.

1999

UniNet launches an affiliate sales office in Tokyo, Japan.

2001

UniNet Imaging Europe S.L. opens in Barcelona, Spain.

2003

UniNet purchases a warehouse facility near the Los Angeles International Airport to reduce air freight costs to international clients.

The Brazilian UniNet do Brasil Ltda. opens in Sao Paulo.

2004

UniNet Argentina opens in Buenos Aires.





2005

UniNet expands its sales and distribution capabilities throughout Asia, Latin America and Caribbean.



2006

UniNet Venezuela C.A. is established in Valencia of the State of Carabobo.



2007

UniNet expands its capabilities through the acquisition of Summit Technologies, with east coast sales and distribution offices located in Bohemia, New York and chip manufacturing facilities in Las Vegas, Nevada.



UniNet Mexico S.A. de C.V. opens in Toluca of the State of Mexico.



UniNet Imaging Africa (PTY) opens in Gauteng, South Africa.



UniNet Imaging Europe UK Ltd. opens to facilitate the growing demand of UniNet solutions in the United Kingdom and Republic of Ireland.



2008

UniNet expands its R&D, warehouse and production capabilities adjacent to its existing facility near Los Angeles International Airport.



UniNet further expands its reach in Latin America with the opening of UniNet Imaging Colombia Ltda. in Bogota.



UniNet announces the relocation and expansion of the company's headquarter office adjacent to its existing distribution warehouse and R&D facility near Los Angeles International Airport.

2009

UniNet expands its North American capabilities with the opening of UniNet Imaging Canada Inc. in Toronto, Ontario.

UniNet further expands its reach in Latin America with the opening of UniNet Peru SAC in Lima.

Increased technical road shows worldwide.

Increased customer satisfaction.

Increased investment in social causes which include: PROSIP - a Social Professional Reintegration Program in Brazil, the Association of Santa Ana Orphanage in Brazil, and UNICEF.

More than 500 new products created including Universal Superchips™ and ASiC™ Smartchips.

UniNet wins “Best Marketing Campaign” Award and five additional nominations for “Quality leader: supplies,” “Best new product or service,” Best customer support,” “Best article,” and “Best website.”

SUCCESS

WITHIN YOUR REACH



UniNet[®]
has me covered!



- Best quality products
- Latest product releases
- Profitable, hard-to-find and specialty solutions
- Friendly and knowledgeable Sales force
- U.S.A. Chip manufacturing
- Permanent stock
- Fast and efficient delivery
- Free and easy-to-use website
- Free STMC certification
- Free Award-winning Technical Support
- Free technical seminars
- Free online instructions
- Over 500 employees providing personalized service

Are **YOU** covered?

www.uninetimaging.com

UniNet[®]
Delivering Quality Worldwide[®]

SALES • DISTRIBUTION



GLOBAL SALES TEAM

UniNet Sales is dedicated to provide a personal relationship to its clients. Each client is assigned a seasoned Sales Associate trained to identify customer needs, to maximize the quality and efficiency of personalized care, to discuss client issues, and to provide product information and technical support. In addition to its sales service, UniNet provides custom pricing and fast efficient delivery worldwide within three days at low freight cost.

WORLDWIDE DISTRIBUTION

UniNet has a worldwide distribution capability through its network of owned subsidiaries with more than 15,000 products in stock, experienced top quality sales and technical support teams, and over 15 years of unprecedented growth.



R&D • TECHNICAL SUPPORT



UniNet Technical Director Neil Robinson (left) and R&D Manager Javier Gonzalez perform STMC testing on UniNet manufactured products

AWARD-WINNING TECHNICAL SUPPORT

UniNet offers its clients comprehensive Technical Support Services and expanding worldwide technical road shows to provide the industry with educational and hands-on training. We pass this benefit onto our clients so they can gain, not only in terms of product education, but also in terms of the opportunity to work with the best qualified and dedicated technical support team.

UniNet provides the most extensive color cartridge recycling instructions available through our company website at www.uninetimaging.com.

UNINET R&D

UniNet is comprised with a vast industry experience to offer fast and efficient custom product development to cater to our clients' requirements.

Our expert R&D teams keep abreast with the latest industry dominating technology, so we can offer the best customized services to our clients.

Our state of the art automated production facility incorporates optimal methods and cutting edge manufacturing technology to provide premium quality control and supreme manufacturing efficiency.

Our team of expert technicians bring into line the entire process to guarantee consistent and accurate quality, along with efficient production and timely output.



(left to right) Technical Director Enrique Stura (Latin America), Joe Cachia (Chip Manufacturing) and Mike Josiah (UniNet East Coast)



ENVIRONMENTAL CONSCIOUSNESS



Lake and park at the UniNet Brazil facility in Sao Paulo

UniNet has made environmental and recycling awareness its business, and strives to contribute to the savings of more than 40,000 tons of plastic waste per year by its worldwide sales of recycling components. We also conduct our practices in accordance with safety measures and environmental protection guidelines from the communities and environments in which we operate.

UniNet believes in promoting the recycling and reusing of packaging materials, as well as suitable disposal, refurbishing of drum and imaging unit cartridges, and recycling of used products in compliance with local environmental waste rules and regulations.

For safety reasons, as well as to protect our product handling process, UniNet products are shipped without batteries to void by all means spill of corrosive materials and hazardous substances.

We have incorporated environmental protection measures into all our operations and endeavors, and we are working together with our key suppliers and partners to ensure and support our environmental procedures. Our recycling facilities are ISO 14001 certified (Brazil), and we are in compliance with RoHS and WEEE directives.



We are also in the process of working to obtain the Nordic Swan Label (KoM), the Blue Angel Mark (BAM), and REACH certifications for UniNet's product line.

For further information on environmental certifications, forms and UniNet's compliance with directives, visit our website at www.uninetimaging.com.



SOCIAL CONSCIOUSNESS

Uninet is a supporter of humanitarian initiatives that affect the health, welfare, education and sustainability of both our business and the global communities in which we operate.



Uninet President Nestor Saporiti with orphanage program kids

In 2005, Uninet established an orphanage initiative called **The Association of Santa Ana's Children of Ribeirao Pires** in conjunction with the Valdir and Miriam Rigout Foundation. This social program shelters and serves the needs of more than 40 kids of all ages, and is located at Ribeirao Pires, a municipality in the state of Sao Paulo, Brazil.

The Association of Santa Ana's Children of Ribeirao Pires project consists of three houses to serve the orphanage's purposes: the first property houses children from the ages of 0 to 12 years old and provides caring and devoted 24-hour assistance to the "living orphans" - children abandoned by parents who were unable to care for, or raise them. The second facility houses girls from 13 to 17 years old, and the third shelters boys from 13 to 17 year old; most of them have suffered from serious social, health, and emotional gaps. This initiative involves a support team that assists in providing the girls and the boys with a normative, family atmosphere for a healthier upbringing as well as to prepare them for a future adult life, career advancement, and to become self-sufficient. UniNet allocates a percentage of its global income to support and improve the quality of care for each and every child at The Association of Santa Ana's Children of Ribeirao Pires; those funds also serve to aid other social initiatives as well.



PROSIP is a Social Professional Reintegration program at UniNet Brazil

UniNet empowers **PROSIP** beneficiaries by reintegrating them into the society with education, life and work skills that will promise them a better future; as a result, today more than 10 kids have been already integrated into the Brazilian job market; and some are procuring promising careers at UniNet Brazil. One of many beneficiaries of this program is Evandro Silva who has been brought up in a municipal orphanage. He now works as a UniNet do Brasil production technician for more than four years.

UniNet clients can learn how their continued support has contributed significantly to its charitable ventures worldwide by viewing our Social Consciousness web page at **www.uninetimaging.com**. UniNet President Nestor Saporiti comments, "This part of our website was designed to let our clients learn how their purchases make a difference to the betterment of underprivileged children, exceeding the experience of buying recycling products. It is also helping us improve the lives of kids around the world."



PROSIP beneficiary Evandro Silva, a UniNet Brazil Production Technician



Absolute COLOR[®]

- High Density Color Toners
- Consistent Quality
- Vibrant Colors
- Bulk or Bottled Refills
- Remanufacturing Instructions



www.uninetimaging.com


Delivering Quality Worldwide[®]



PREMIUM QUALITY CHEMICAL TONERS!

- Formulated to Match or Exceed OEM Quality & Performance.
- Higher Page Yield.
- Higher Density.
- Darker Prints.
- Glossier Finish.
- Average Particle Size: 6.5 - 6.9 Microns.
- Matched to Affordable Unidrum™, Unichips™, Uniblades™, DVR Sleeve, PCR & More!
- Compatible with All OEM Components.



www.uninetimaging.com

 **UniNet**[®]
Delivering Quality Worldwide[®]

Absolute[®] BLACK

- Highest Quality Density in Black Toners
- Darker Black Solids
- Consistent Shades
- Blended™ Toner Technology
- Available in Magnetic, Non-magnetic, Dual Component, Positive, Negative, and Polyester Formulations!



www.uninetimaging.com


Delivering Quality Worldwide[®]

© 2010 UniNet Imaging Inc. All trademark names and artworks are property of their respective owners. Brand names mentioned are intended to show compatibility only.

PRODUCT BRANDS



UniNet premium quality **X Generation® Toner** is the latest innovation in chemical toner technology providing stronger solids, brighter OEM style colors, and higher page yield with a glossy finish that is hard to duplicate with conventional toners.



UniNet high quality **Absolute Color® Toners** offer the best in high density color toners with consistent and vibrant quality.



UniNet high quality **Absolute Black® Toner** offers the highest quality density in black toners, and its **Blended™ Toner** Technology provides darker black solids, consistent shades, and up to 30% higher page yield in select brand engine cartridges. Available in magnetic, non-magnetic, dual component, positive, negative, and polyester formulations.



UniNet premium quality **Absolute MICR™ Toner** (Magnetic Ink Character Recognition) is exclusively formulated for printing checks and guarantees trouble-free performance, meeting banking industry check clearing systems and standards. Our Absolute MICR™ Toner also follows both ANSI and ABA specifications.



Absolute Color® Inks offer superior quality and vivid colors for remanufacturing Ink Jet cartridges. Available in five-gallon bulk or convenient one-liter bottle supplies, and UV proof packaging.

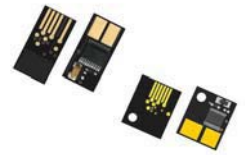




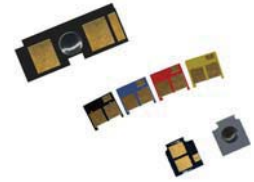
Unichips™ offer a wide selection of custom quality smartchip solutions, powered by UniNet Innovative Technologies, for remanufacturing color, monochrome, multifunction (MFP) and copier printer cartridges. Varieties include Radio Frequency (RF), Small Format, Round Contact, L-Shape, and XTra Slimboard™ Technology, varying on engine manufacture specification. Unichips™ are lead free, RoHS compliant, stealthware protected, IP assured, manufactured in the USA, and offer total emulation at a low failure rate.



Universal Superchips™ are a breed of Super universal, multi-engine, multi-brand, multi-model, multi-yield chips that enable recyclers to transform regular cartridges into true Super Cartridges™



ASiC Smartchips™ (Application Specific Integrated Circuit) use NO emulation. They actually use the same technology and hardware found on OEM chips. Our cutting edge ASiC Chip Technology has taken our industry to OEM standards while offering a GREEN breed of chips that can be redeemed and re-used.



Smartcard™ is UniNet Innovative Technologies' first security cards solution to low end multifunction printers and fax machines.



Smartercard™ is the latest and most innovative solution for the high level security cards currently found in the latest OEM models of MFP and fax machines. Smartercard™ is not a card, but a custom designed, microcontroller circuit with patent-pending technology, that fully emulates and is equivalent to OEM high security cards.



SUMMIT OPC Drums™

UniNet premium quality **SuMMIT OPC Drums™** is THE solution for TRUE remanufacturers, made with multi-cycle coating technology, and STMC tested.



Unidrums™

UniNet high quality **Unidrums™** are available in three different coatings for efficient system matching: Blue, Green and OEM-Style, depending on engine manufacturer specification.



Uniblades™

Uniblades™ are a wide selection of doctor blades made of polyurethane, stainless steel, and copper. Also available are wiper blades, recovery blades, and sealing blades.



Unirollers™

Unirollers™ come in a choice of aluminum or stainless steel magnetic roller sleeves, rubber or silicone developer rollers, hard or soft PCR, adder rollers, and more.



Uniparts™

Uniparts™ are a variety of high quality plastic cartridge parts that include waste hopper conversion kits, Clearseal™ adhesives, foams, felts, pins, end caps, gears, shutters, and more.



Unicoatings™

Unicoatings™ and chemical solutions for MAG, PCR and OPC's, bring the best out of your components.





Absolute MICA™

- Exclusively Formulated for Printing Checks.
- Trouble-free Performance.
- Meets Banking Industry Check Clearing Systems and Standards.
- Follows both ANSI & ABA Specifications.



www.uninetimaging.com


Delivering Quality Worldwide®



Absolute **COLOR**[®]

INNOVATIVE **INK** SOLUTIONS



- In Convenient 1-Litre Bottles
- UV-Proof Packaging
- Satisfaction Guaranteed

www.uninetimaging.com


Delivering Quality Worldwide[®]

Universal superchips™

POWERED BY U.I. Technologies

Our **Universal superchip™** works in 100's of select
Lexmark, Dell, and other printer engine families!

- Multi-Engine
- Multi-Brand
- Multi-Model
- Multi-Region
- Multi-Application™
- Cross-Functional Yield™
- Works with All Encoder Wheels
- Gold-Plated Technology™
- Patented Technology
- Total Emulation



Contact your Sales Advisor
for further information!

www.uninetimaging.com


Delivering Quality Worldwide®

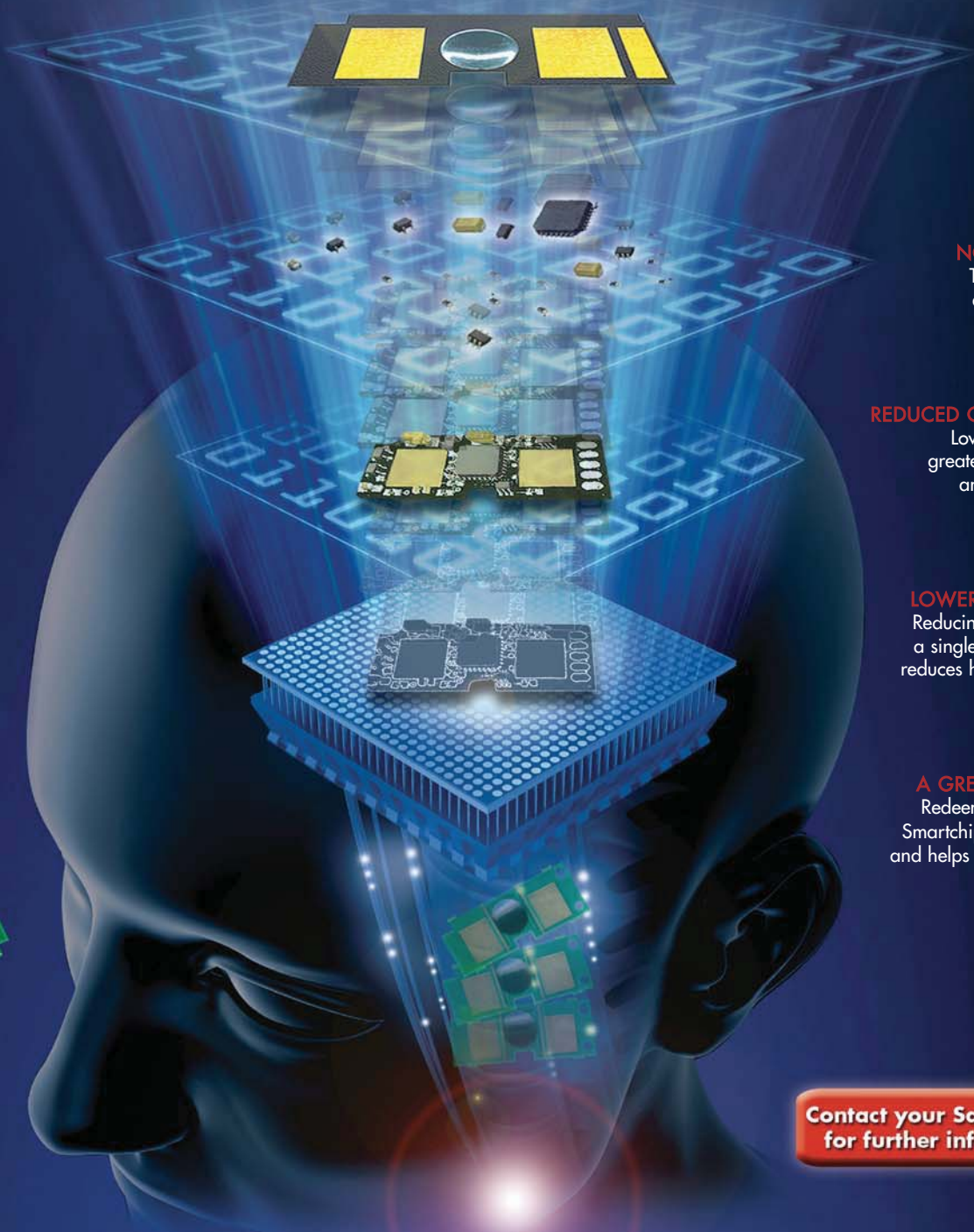
© 2010 UniNet Imaging Inc. All trademark names and artworks are property of their respective owners. Brand names mentioned are intended to show compatibility only.
Protected by U.S. Patents: 7,187,874 / 7,221,886 / 7,286,774 / 7,356,279 / 7,088,928 / 7,254,346 / 7,551,859. Other U.S. and patents outside the U.S. pending.

*The OEM yield is 2.5K, this chip has a 6K yield.

ASiC Smartchips™

POWERED BY U.I. Technologies

TRANSCENDING OEM TECHNOLOGY



NO EMULATION
True OEM cutting edge technology.

REDUCED OVERALL COST
Lower costs provide greater value solutions and higher profits.

LOWER DEFECT RATE
Reducing components to a single protected wafer reduces hardware failure.

A GREEN SOLUTION
Redeeming your ASiC™ Smartchips™ saves money and helps the environment.

Contact your Sales Advisor for further information!

www.uninetimaging.com


Delivering Quality Worldwide®

COMMON CARTRIDGE FAILURES

By Mike Josiah and the Technical Staff at UniNet

Common failures usually involve the primary components of a cartridge: **OPC Drum, Wiper Blade, Magnetic Roller, Doctor Blade** and **PCR**. Other failures involve the recovery blade, electrical contacts, assembly pins, bushings, drum shutters and the housing itself. This is a generic listing of common problems, and does not specifically relate to any particular cartridge. See the individual instructions for specific cartridge problems.

OPC DRUM

The most common cartridge failure is due to the drum. The drum has the wiper blade scraping any excess toner off it as well as the paper rubbing against it as it prints. Common failures are:

- | | |
|--|--|
| Perfectly straight and very thin line: | Indicates a scratched drum. |
| Dots that repeat down the page: | Indicates a chip in the drum surface. The distance between the dots is dependent on the circumference of the drum. |
| Gray smears of toner across page: | Caused by a light damaged drum (sunlight). The distance between the smears is dependent on the circumference of the drum. |
| Gray "tire tracks" on right or left side of page: | This failure is also sometimes described as wind blown sand. It is caused by a worn out drum. |
| A gray thin line down the page: | This is caused by a cut or worn blade. |
| Gray page with toner visible on drum: | Caused by a very old wiper blade that has gotten stiff. Blades will usually have turned yellow in the process. Yellow blades should never be used. |
| Poorly lubricated blade: | A poorly lubricated blade will flip and usually damage the drum. It should be replaced. Blade can also stick to the drum if the cartridge is inactive for a while. |
| In all the above cases: | The drum should be replaced. There is no reliable way to fix a damaged drum. |

WIPER BLADE

Wiper blades clean any remaining toner from the drum. Common wiper blade failures are:

- | | |
|----------------------------------|--|
| Light print: | Worn out magnetic rollers is the largest cause of a light printing cartridge. There is a black conductive coating that wears off the sleeve over time. If in a visual inspection of the roller, you can see the silver tube, the coating is worn out, and the sleeve should be replaced. This failure will show up more on solid black areas and gray scales. Normal text will most times print just fine. |
| White voids in the print: | This is caused by scratches in the coating. Normally one or two scratches will not cause a problem, but when there are more than that voids will occur. This is especially true when the scratches are all in the same general location. |

MAGNETIC ROLLER

The Magnetic Roller is a coated aluminum roller that carries the toner from the supply chamber to the drum. Most failures are usually due to excessive wear and scratches. All toners are abrasive, that when combined with the pressure of the doctor blade pressing the toner against the roller causes wear.

Light and dark banding across page:

This is caused by a bent or warped magnetic roller. This normally happens when a hub (especially the metal ones) is pressed into the sleeve at an angle. Metal hubs should be removed and replaced with a special press.

Intermittent printing:

A bad magnetic roller contact can print either light or blank pages.

Thick gray smears that repeat at the circumference of the sleeve:

This is normally caused by a static charge on the sleeve. Vacuuming the toner off a sleeve when the humidity is less than 40% RH will cause a static charge. The best way to get rid of it is to clean the roller with a dedicated magnetic roller cleaner.

PCR

The PCR places the initial charge on the drum, as well as erases the residual charge at the end of the cycle. Because of this dual role, there are some very severe failures from them. Most of the failures will show up more in the winter where the humidity is low than in the summer when it is high. Common PCR failures are:

Ghosting:

Where an image that was printed on the top of the page is repeated lightly at the bottom. This happens when the outer coating of the PCR is worn out, or when too much cleaning fluid is used, and not all is wiped off.

Gray background over the entire page:

This again is caused by the outer coating on the PCR being worn.

A cut in the PCR:

Results in a repeating black mark at the circumference of the roller.

Random dots across the page:

These can be either black, or white in black areas.
This is caused by excess padding powder sticking to the PCR.

DOCTOR BLADE

The doctor blade controls the amount of toner on the magnetic roller. A worn doctor blade will cause light prints. It can also cut grooves into the mag surface resulting in a line of missing toner (white voids) down the printed page.

MAGNETIC ROLLER BUSHINGS

Magnetic roller bushings keep a specific gap from the magnetic roller to the drum. The edges of the drum ride directly on these bushings. Cracked, worn, missing or toner filled bushings will physically tear the coating off an OPC drum. These bushings should be inspected every time the cartridge is rebuilt.

RECOVERY BLADES

The recovery blade guides the toner that the wiper blade removed from the drum into the waste chamber. A damaged recovery blade will cause random dots all over the page. This will get worse as more printing is done. The most common damage to a blade is that it gets bent down during remanufacturing. The toner will then accumulate on top of the blade and start to drop off. The more printing is done, the more will accumulate and drop off. If a cartridge is returned to you for this problem, it must be carefully taken apart and the recovery blade inspected. Most times the toner on top of the blade will have fallen inside the waste chamber during shipping or the transportation from the customer to you. So a test in your printer will probably not repeat the problem unless a few hundred pages are run.

CARTRIDGE PRINTING THEORY

By Mike Josiah and the Technical Staff at UniNet

Over the years we have compiled quite a bit of information on cartridge printing theory from a number of sources; OEM service manuals, patents, and OEM training manuals to name a few. Much of this has been included in various cartridge articles, but much was also left out, or never written about at all. While knowing cartridge theory is not really necessary to remanufacture a cartridge, it is really helpful when trying to troubleshoot a problem. The ability to troubleshoot a cartridge that is new to your production line fast and correctly is, as the saying goes, “priceless.” We have broken down the various cartridge types into six separate categories:

- | | |
|--|---|
| 1. MAGNETIC TONER | (Monochrome HP LaserJet) |
| 2. NON-MAGNETIC TONER | (Monochrome Lexmark & Samsung) |
| 3. NON-MAGNETIC SINGLE-PASS COLOR TONER | (HP Color LaserJet 4600) |
| 4. NON-MAGNETIC CAROUSEL COLOR TONER | (HP Color LaserJet 1500/2500) |
| 5. BROTHER HL-1240 TONER | (Brother HL-1240) |
| 6. DUAL COMPONENT SYSTEMS | (Analog Sharp Copiers) |

Some of the sections are specific to a single cartridge, and some are very broad. In either case, the information will hopefully help the next time you have a problem you may not have seen before. While technology is improving cartridge components and their printers at a very fast rate, the basis that they work on has changed very little. The biggest change I have seen was when HP and Canon moved from Corona Wires to Charge rollers. Other than that, toner particle size has gotten smaller, melt points are lower, the charges needed are less, and of course chips have been added but the cartridges all basically work the same as they did when their basic style was first released. While it is impossible to see what will happen in the future, from the patents I have seen, this trend will continue for a while longer.

1. MAGNETIC TONER (MONOCHROME HP LASERJET)

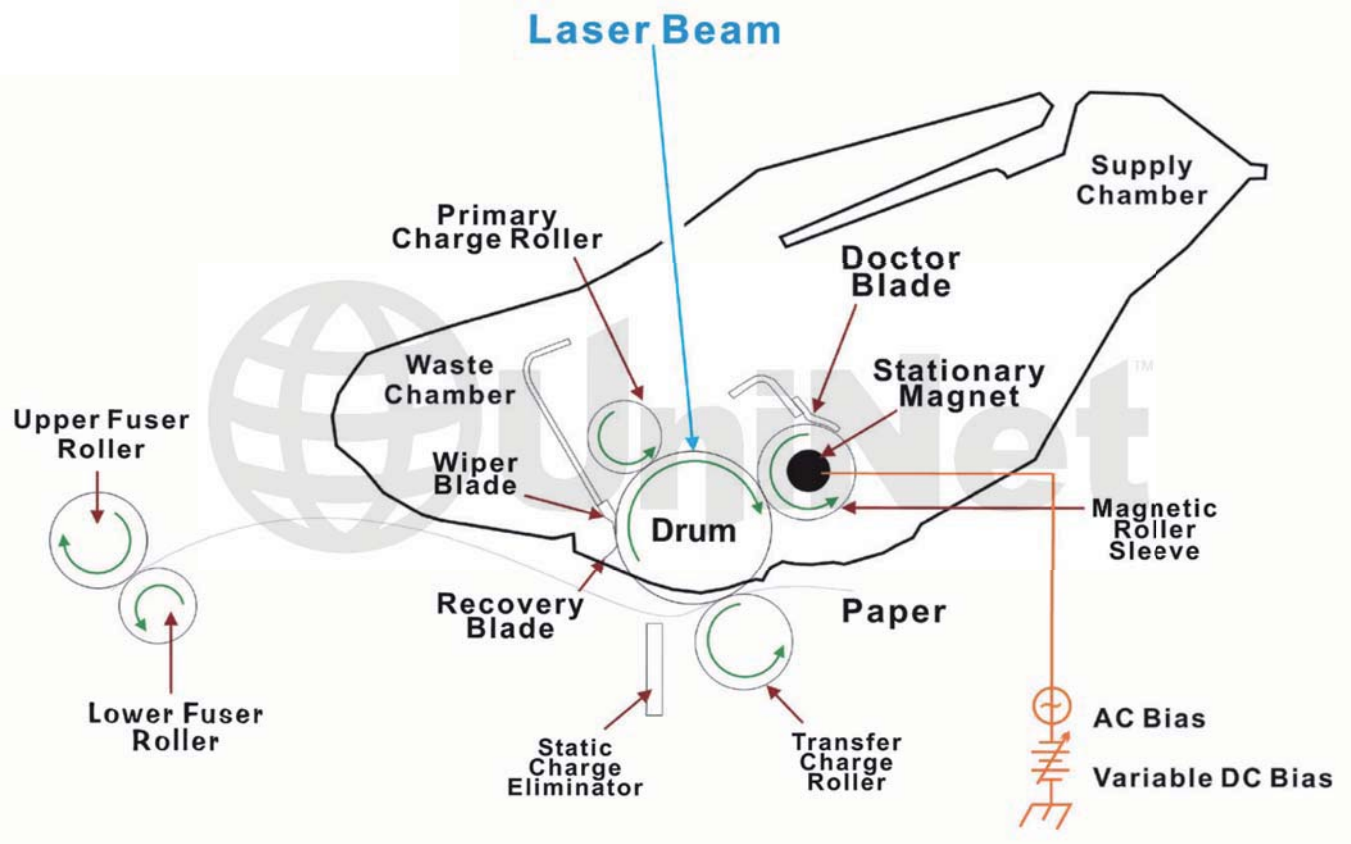
The magnetic toner cartridge printing process is best explained as a series of steps or stages:

In the **First Stage**, the Primary Charge roller (PCR) places a uniform negative DC Bias voltage on the OPC drum surface. The amount of the negative DC Bias placed on the drum is controlled by the printer’s intensity setting. This process is called Conditioning.

In the **Second Stage** (also called the Imaging Section), the laser beam is fired onto a rotating mirror (called the scanner). As the mirror rotates, the beam reflects into a set of focusing lenses. The beam then strikes the OPC’s surface, leaving a latent electrostatic image on the drum. In most cartridges, the OPC drum makes approximately three revolutions for each 11-inch printed page.

The **Third Stage** (Developing Stage) is where the toner image is developed on the drum by the developing section, (or supply chamber), which contains the toner particles. The toner is held to the magnetic roller sleeve by the stationary magnet inside the sleeve, and a DC bias voltage supplied by the high-voltage power supply. This DC bias voltage is controlled by the printer’s intensity setting, and causes either more or less toner to be attracted to the drum. This in turn will either increase or decrease the print density. Both the Primary Charge roller and magnetic roller DC Bias voltages are controlled by the printer’s intensity setting. The amount of toner on the magnetic roller sleeve is controlled by the rubber Doctor Blade, which uses pressure to keep the amount of toner on the magnetic roller sleeve constant. This blade also causes a static charge to build up on the toner, which helps keep the coating of toner even, and allows easy transfer to the OPC drum. At the same time an AC signal is also placed on the magnetic roller sleeve. This signal decreases the attraction of the toner to the Magnetic Roller sleeve, and increases the repelling action of toner against the areas of the drum that was not exposed to the laser beam. This AC potential improves the density, and contrast of the toner on the printed page. As the laser exposed areas of the OPC drum approach the magnetic roller, the toner particles are attracted to the drums surface due to the opposite voltage potentials of the toner, and laser exposed surface of the OPC drum.

HP 4100 CARTRIDGE:



In the **Fourth Stage** (Transfer Stage), the toner image is then transferred to the paper as it passes below the drum by the transfer charge roller, which places a positive charge on the back of the paper. This positive charge causes the negatively charged toner on the drum's surface to be attracted to the page. The small diameter of the drum, combined with the stiffness of the paper causes the paper to peel away from the drum.

In the **Fifth Stage** (Separation Stage), the paper separates from the drum. The static charge eliminator weakens the attractive forces between the negatively charged drum surface, and the positively charged paper. This prevents toner dropouts onto the paper at low temperatures and humidity and also prevents paper from wrapping around the drum.

In the **Sixth Stage** (Fusing Stage), the image is then fused on to the paper by the fuser assembly, which is comprised of the upper and lower fuser rollers. The paper passes between a heated upper fusing element and a soft lower rubber roller that presses the page up into the upper roller. The upper heated element then melts the toner into the paper. The upper roller can be either a hard Teflon-coated heated roller with a halogen lamp inside, or a Teflon sleeve with a ceramic heating element inside. The newer machines all have the ceramic heaters because they use less energy, and are instant-on which allows faster printing.

In the **Seventh Stage** (Drum Cleaning Stage), the OPC drum is cleaned. On average, approximately 95% of the toner is transferred to the paper during the print cycle. As the drum rotates during printing, the remaining 5% of the toner that is on the OPC drum is cleaned off the drum by the wiper blade. It is then guided into the waste chamber by the recovery blade, and stored in the waste chamber. Once the print cycle has been completed, the Primary Charge Roller will then place an AC voltage across the drum surface that erases any residual charges left on the drum surface. The OPC drum is now ready to be conditioned by the Primary Charge Roller using the negative DC bias voltage, and start the print cycle again. In older systems, the PCR and transfer roller are replaced by a primary corona wire, and a transfer corona wire. These wires do the same job, but demand much more power to do it. The advantages of the Primary Charge Roller systems are that they: operate at a lower voltage than the old style corona wire, do not generate ozone, and replace the erase lamps that were present in the older style laser printers.

MAGNETIC TONER STYLE CARTRIDGE COMPONENTS

- Magnetic Toner:** A combination of carbon, powdered iron, and other additives which control the flow and charge of the toner. Magnetic toner is used in all HP/Canon laser printers.
- Magnetic Roller:** This is the most important component for producing solid print density. As the magnetic roller rotates it attracts toner to it by a permanent magnetic axle which is fitted inside the sleeve, and electrical signals from the high-voltage power supply in the printer.
- Doctor Blade:** Physically regulates the amount of toner on the magnetic roller by using pressure from its silicon rubber blade rubbing against the magnetic roller sleeve. This friction also helps statically charge the toner so that an even layer of toner is on the magnetic roller sleeve.
- Primary Charge Roller:** The Primary Charge Roller (PCR) has two functions. The first is to apply a DC signal to the surface of the drum so that the laser from the printer can write to it. The second is where an AC signal is applied to the drum to help erase any residual charges left on the drum surface after printing.
- Drum:** Drums used in disposable cartridges are OPC or “Organic Photoconductors” that refer to the type of chemicals used to coat the aluminum tube that is the drum base. All drums are light sensitive. There are normally three different layers of chemicals used to make the drum. The first is an insulator, the second is the reactive layer that reacts to light, and the third is a protective layer. It is this protective layer that determines how long a drum will last.
- Wiper Blade:** The rubber edge of a wiper blade cleans the drum of any toner that was not transferred to the paper. The blade rides directly on the drum, and is one of the main causes of drum wear.
- Recovery Blade:** The recovery blade is a very thin Mylar blade that guides toner that was wiped off the drum by the wiper blade into the waste chamber. If this blade were not present, or damaged, toner would drop from the cartridge onto the printed pages.
- Waste Chamber:** Collects and holds all the waste toner. It also usually contains the drum, PCR, recovery blade and wiper blade.
- Supply Chamber:** Contains all the new un-used toner, the magnetic roller assembly and the doctor blade.

2. NON-MAGNETIC TONER (MONOCHROME LEXMARK & SAMSUNG)

The Non-Magnetic Toner cartridge printing process is best explained as a series of steps or stages.

The **First Stage** in the printing process is the Conditioning Stage. The Primary Charge Roller places a uniform negative DC voltage on the OPC drum surface. The amount of the negative DC voltage placed on the drum is controlled by the printer’s intensity setting.

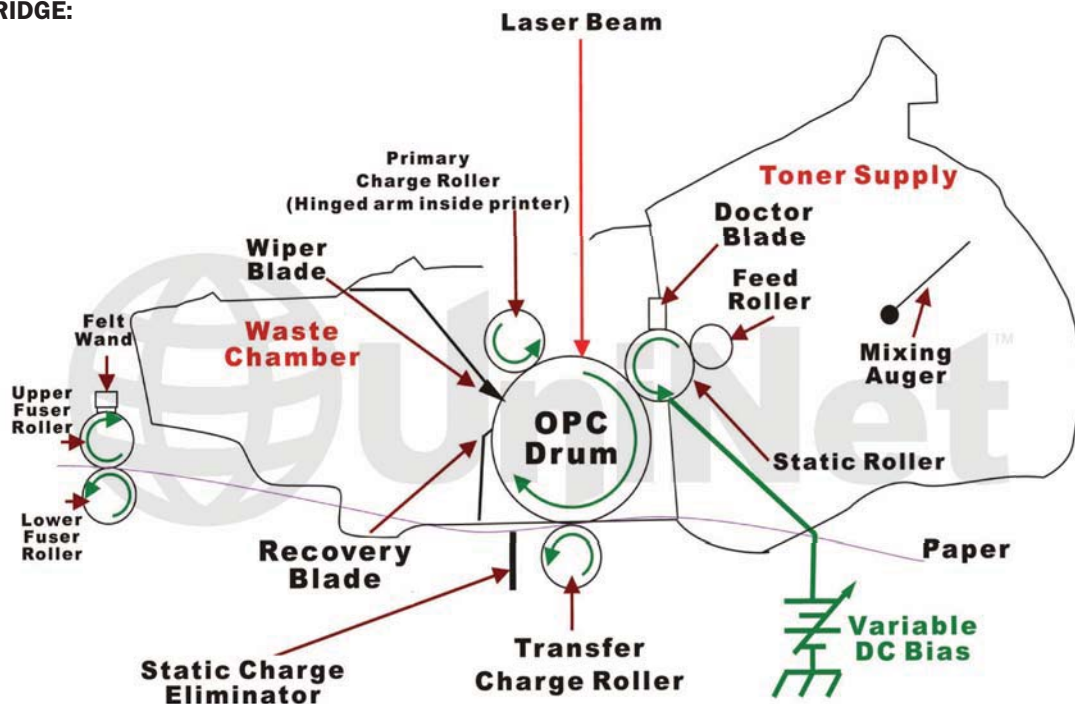
In the **Second Stage** (also called the Imaging Section), the laser beam is fired onto a rotating mirror (called the scanner). As the mirror rotates, the beam is reflected into a set of focusing lens. The beam then strikes the OPC’s surface, leaving a latent electrostatic image on the drum. In most cartridges, the OPC drum makes approximately three revolutions for each 11-inch page.

The **Third Stage** (Developing Stage) is where the toner is developed on the drum by the developing section (or supply chamber) which contains the toner particles. The toner is held to the developer roller by a DC voltage supplied by the high-voltage power supply. This voltage is controlled by the printer's intensity setting, and causes either more or less toner to be attracted by the developer roller. This in turn will either increase or decrease the print density. The toner is first fed to the developer roller by the feed mechanism, which is usually an open-cell foam roller. The amount of toner on the developer roller is controlled by the metal doctor blade, which uses pressure to keep the amount of toner on the roller constant. As the laser exposed areas of the OPC Drum approach the developer roller, the toner particles are attracted to the drum's surface due to the opposite voltage potentials of the toner, and laser exposed areas of the OPC drum. This image is then transferred to the paper as it passes below the drum by the transfer charge roller, which places a positive charge on the back of the paper. This positive charge causes the negatively charged toner on the drum's surface to be attracted to the page. The small diameter of the drum, combined with the stiffness of the paper causes the paper to peel away from the drum. The static charge eliminator weakens the attractive forces between the negatively charged drum surface and the positively charged paper. Without this help, thin paper may wrap itself around the drum. The image is then fused on to the paper by the fuser assembly, which is comprised of the upper and lower fuser rollers. The lower rubber roller presses the page up into the upper roller which then melts the toner into the paper. The upper roller is a hard Teflon-coated heated roller which is kept clean by a felt wand.

The **Fourth Stage** is where the OPC drum is cleaned. On average, approximately 90% of the toner is transferred to the paper during the print cycle. The remaining 10% remains on the OPC drum that is cleaned off by the wiper blade, guided into the waste chamber by the recovery blade and stored into the waste chamber by the recovery blade and stored into the waste chamber.

The **Final Stage** is completed by the primary charge roller. This roller now places an AC signal across the OPC drum surface, which will erase any residual charges left on the OPC drum surface. The OPC drum is now ready to be conditioned by the PCRs DC signal and start the printing process all over again.

OPTRA S CARTRIDGE:



NON-MAGNETIC TONER STYLE CARTRIDGE COMPONENTS

- Non-Magnetic Toner:** Used in non-magnetic single-component systems. Either very small amounts or none at all of powdered iron are used in these toners. Most Lexmark printers use non-magnetic toner systems. The advantage of non-magnetic toner is yield. 500g of non-magnetic toner can yield as much as 20,000 pages, where 500g of magnetic toner will yield at most 10,000 pages.
- Developer Roller:** The developer roller consists of a metal shaft with molded rubber around it and a conductive sleeve on the outside. Toner is attracted to the roller by electrical signals from the high-voltage power supply in the printer. No magnets or anything else is used to attract the toner.
- Doctor Blade:** Physically regulates the amount of toner on the developer roller by using pressure from its metal blade rubbing against the developer roller surface. This friction also helps statically charge the toner so that an even layer of toner is on the magnetic roller sleeve. Non-magnetic toner cartridges will almost always have a metal doctor blade.
- Primary Charge Roller:** The Primary Charge Roller (PCR) has two functions. The first is to apply a DC signal to the surface of the drum so that the laser from the printer can write to it. The second is where an AC signal is applied to the drum to help erase any residual charges left on the drum surface after printing. For many non-magnetic cartridge machines, the PCR is actually installed in the printer, not the cartridge.
- Drum:** Drums used in disposable cartridges are OPC or “Organic Photoconductors” that refer to the type of chemicals used to coat the aluminum tube that is the drum base. All drums are light sensitive. There are normally three different layers of chemicals used to make the drum. The first is an insulator, the second is the reactive layer that reacts to light, and the third is a protective layer. It is this protective layer that determines how long a drum will last.

3. NON-MAGNETIC SINGLE-PASS COLOR TONER (HP COLOR LASERJET 4600)

Single-pass color printing is where the paper runs by each color cartridge one time, and the cartridges are all lined up in a row. This is a much faster and more accurate system as opposed to a carousel style system. It also tends to be used only in the more expensive machines. The single-pass color toner cartridge printing process is best explained as a series of stages or steps:

The **First Stage** in the printing process is the Primary Exposure stage. Light from the Primary Exposure LED (which is located inside the cartridge), strikes the drum. This eliminates any residual charges on the drum surface, and ensures a consistent charge density.

In the **Second Stage**, the Primary Charge Roller (PCR) places a uniform negative DC voltage on the OPC drum surface. The amount of the negative DC voltage placed on the drum is controlled by the printer’s intensity setting.

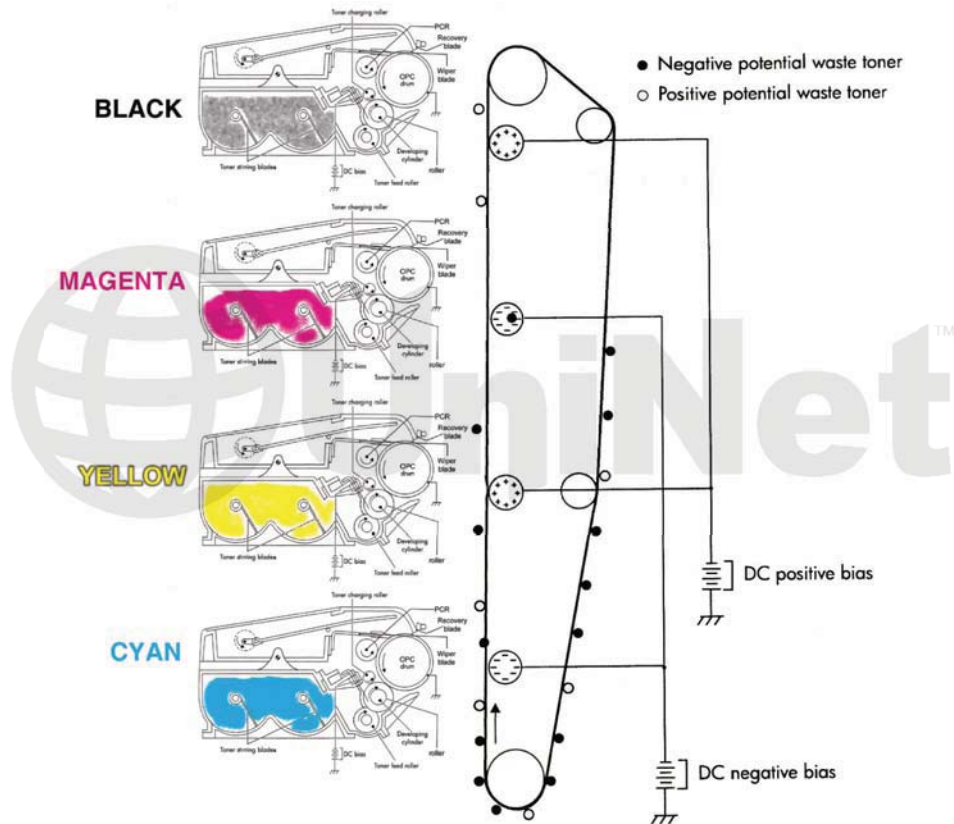
In the **Third Stage**, the laser beam is fired onto a rotating mirror (called the scanner). As the mirror rotates, the beam is reflected into a set of focusing lenses. The beam then strikes the drums surface, neutralizing the negative charge and leaving a latent electrostatic image on the drum. The areas where the laser did not strike the drum will retain the negative charge. Each color cartridge has its own laser and scanner units.

The **Fourth Stage** (Developing Stage) is where the toner is developed on the drum by the developing section (or supply chamber) which contains the toner particles. The Development Stage is actually made up of two steps: Toner Charging and the actual Development. In the Toner Charging Stage, the toner stirring blade turns inside the hopper. As it turns, friction causes a negative potential to develop on the toner. In addition, a toner charging roller also places a negative voltage on the toner. These two charges ensure a uniform charge on the toner. Once the toner is properly charged, the toner will coat the developer roller. The toner will also be held onto the developer roller by another negative DC bias voltage. This voltage is controlled by the printer's intensity setting, and causes either more or less toner to be attracted by the developer roller. This in turn will either increase or decrease the print density. The toner is first fed to the developer roller by the feed mechanism, which in this case is an open-cell foam roller. The amount of toner on the developer roller is controlled by the doctor blade, which uses pressure to keep the amount of toner on the roller constant. As the laser exposed areas of the OPC Drum approach the developer roller, the toner particles are attracted to the drum's surface due to the opposite voltage potentials of the toner, and laser exposed areas of the OPC drum.

The **Fifth Stage** is the Transfer Block. This is where there are some large differences from monochrome printers. The first step in the Transfer Block is where the attaching roller places a positive charge on the paper. The attaching roller sits just after the paper pick up roller. The attaching roller also pushes the paper up against the electrostatic transfer/transport belt or ETB. A positive DC bias voltage is placed on the transfer charging roller which is located directly opposite the OPC drum, and on the back side of the ETB. Each toner cartridge has a separate transfer roller. As the ETB passes the transfer charging roller, the positive charge is picked up, and draws the negatively charged toner off the drum onto the paper. This process is repeated for each color cartridge. As the toner piles onto the paper, the positive charge on the paper weakens as the paper runs through each cartridge. For this reason, the charge is increased on the transfer charging roller for each successive color. The paper separates from the ETB belt as the belt reaches the top of its path and turns back down to start the process again.

In the **Sixth Stage**, the image is then fused onto the paper by the fuser assembly. The fuser Assembly is comprised of the upper heating assembly and lower pressure roller. The lower pressure roller presses the page up into the upper heating assembly which then melts the toner into the paper. The upper heating assembly consists of a flexible sleeve with an induction type heating coil inside. This type of fuser affords instant-on fusing with little to no wait time, and low power consumption.

The **Final Stages** are where the ETB Belt and Drum are cleaned.



ETB Cleaning

The ETB Belt is cleaned whenever the printer is turned on, when the printer's covers are closed, at the start of a print job, and after a specific number of pages. Both positive and negative bias voltages are applied to the transfer charge rollers. These voltages repel any residual toner off the ETB and onto the OPC drum where it is cleaned off by the wiper blade. After a print cycle, there is toner with both a negative potential, as well as toner with a positive potential left on the ETB. This is why both voltages are needed. Since the developer roller is always in contact with the OPC drum, precautions are needed in order to make sure that the toner supply chambers are not contaminated with old toner. During ETB cleaning as well as pure monochrome printing, the developer roller should not be in contact with the drum. To accomplish this, the bottom half of the cartridge has been designed to pivot so that the developer roller is moved away from the drum. A small block is located under the back edge of each cartridge that pushes up to disengage the developer roller.

OPC Drum Cleaning

The Drum is cleaned after the image is transferred to the paper by the wiper blade. This part is fairly standard; the wiper blade scrapes the toner off the drum, and the recovery blade guides it into the waste chamber. The waste toner is then moved to the back of the waste chamber by the waste toner transfer plate. The difference here is that other rollers need to be cleaned as well. During normal printing, toner will stick to the PCR and the toner charging roller. Negative DC bias voltages are applied in varying values to both rollers so that the toner moves from the rollers onto the drum, where the wiper blade will remove it. The PCR and toner charging roller cleaning process occurs whenever the printer is turned on, when the printer's covers are closed, at the start of a print job, and after a specific number of pages.

Printer Calibration

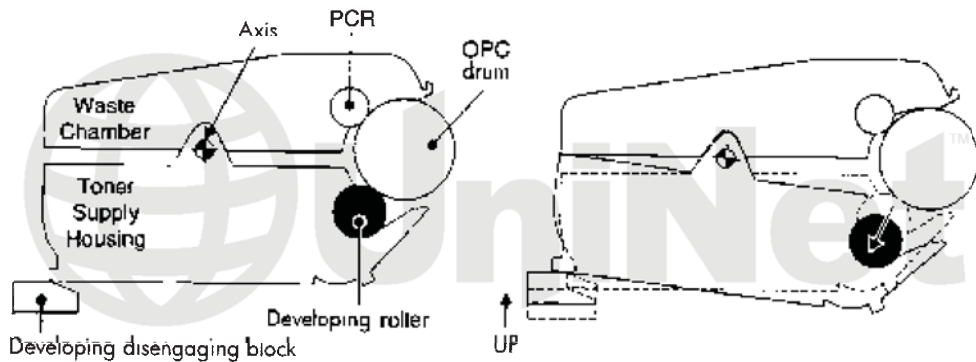
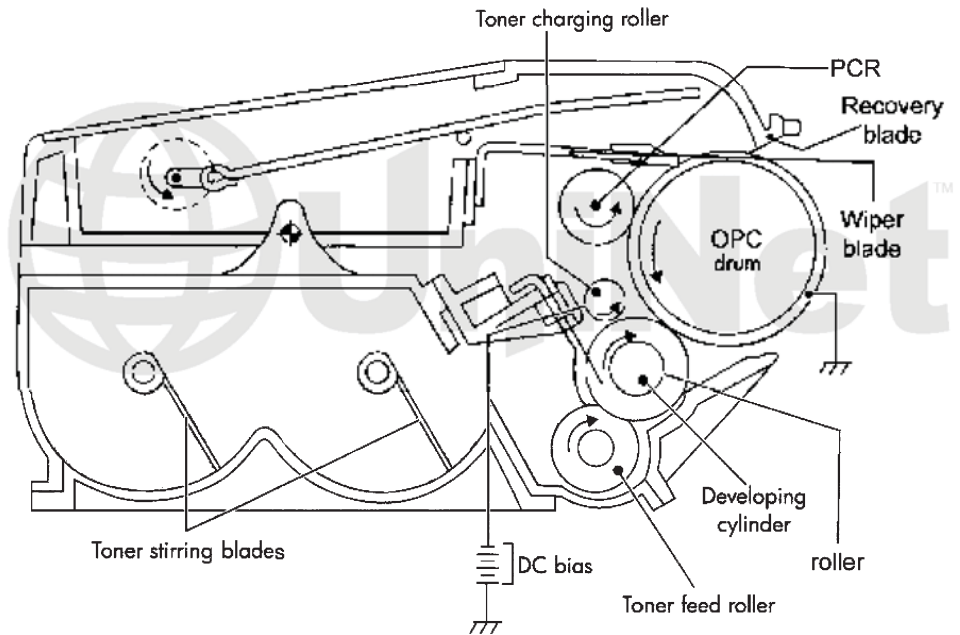
At the start of all this is the calibration cycle. The printer will calibrate itself whenever the printer is turned on, when a new toner cartridge is installed, after 8 hours of run time, and at specific page intervals. Calibration consists of a solid block and halftone of each color being printed to the ETB. As the printed areas get to the top of the belt, a sensor will detect them, measure the density, and adjust the printer accordingly. There are also physical calibrations of the gear train, and various rollers.

COLOR NON-MAGNETIC TONER STYLE CARTRIDGE COMPONENTS

- Non-Magnetic Color Toner:** Used in all the newer HP Color Systems. Unlike traditional pulverized toner, these color toners are polymerized toner or chemically grown. Polymerized toners have extremely uniform round particles that cause less wear, and allow for a more accurate color calibration. Either very small amounts or none at all of powdered iron are used in these toners.
- Developer Roller:** The developer roller consists of a metal shaft with molded rubber around it, and a conductive sleeve on the outside. Toner is attracted to the roller by electrical signals from the high-voltage power supply in the printer. No magnets or anything else is used to attract the toner.
- Toner Charge Roller:** The toner charge roller actually imparts a charge into the toner as it is fed from the feed roller to the developer roller. This extra charge ensures a more uniform charge on the developer roller, giving more accurate color prints.
- Doctor Blade:** Physically regulates the amount of toner on the developer roller by using pressure from its metal blade rubbing against the developer roller surface. This friction also helps statically charge the toner so that an even layer of toner is on the magnetic roller sleeve. Color toner cartridges will almost always have a metal doctor blade.
- Primary Charge Roller:** The Primary Charge Roller (PCR) has two functions. The first is to apply a DC signal to the surface of the drum so that the laser from the printer can write to it. The second is where an AC signal is applied to the drum to help erase any residual charges left on the drum surface after printing.

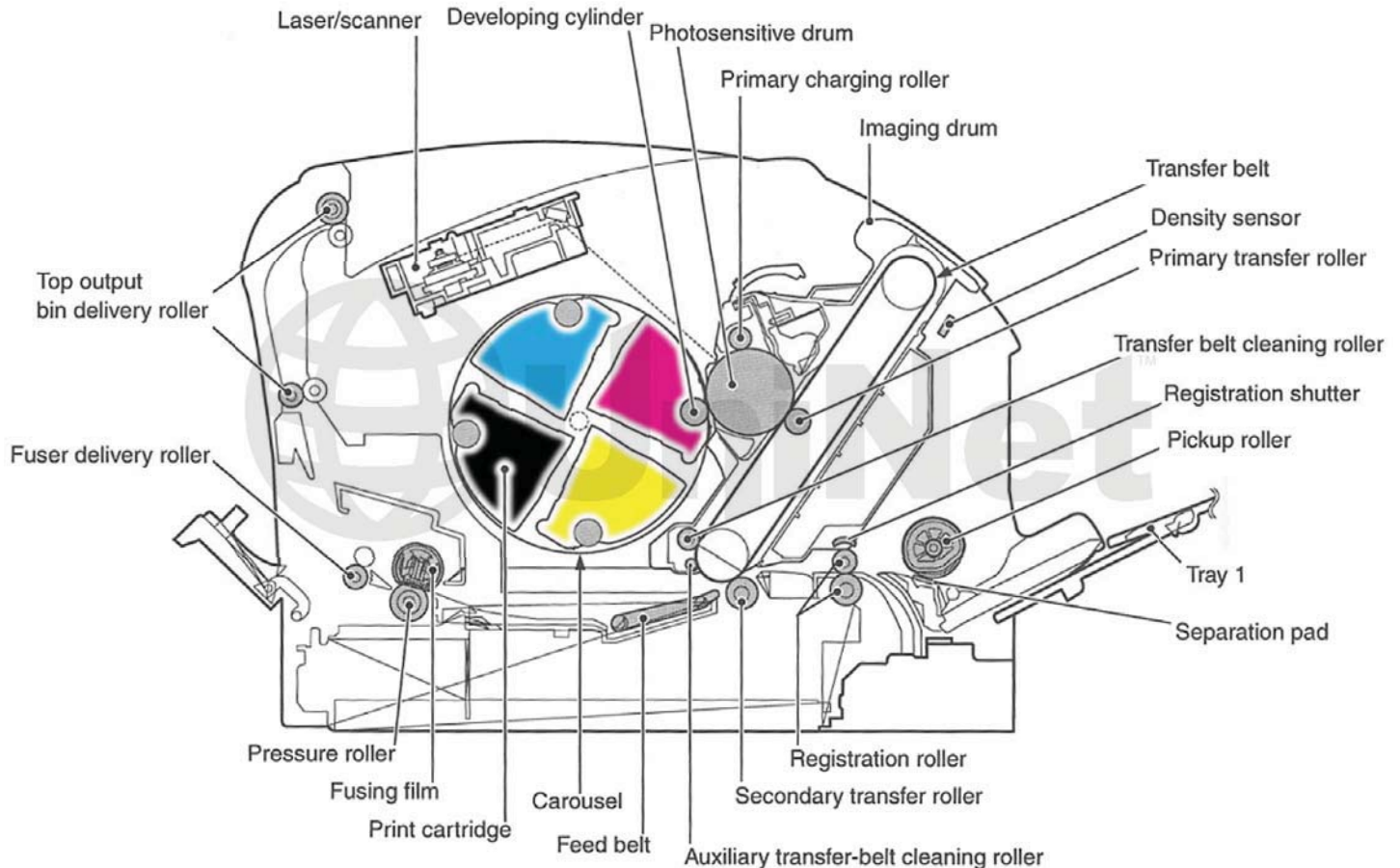
- Drum:** Drums used in disposable cartridges are OPC or “Organic Photoconductors” that refer to the type of chemicals used to coat the aluminum tube that is the drum base. All drums are light sensitive. There are normally three different layers of chemicals used to make the drum. The first is an insulator, the second is the reactive layer that reacts to light, and the third is a protective layer. It is this protective layer that determines how long a drum will last.
- Wiper Blade:** The rubber edge of a wiper blade cleans the drum of any toner that was not transferred to the paper. The blade rides directly on the drum, and is one of the main causes of drum wear.
- Recovery Blade:** The recovery blade is a very thin Mylar blade that guides toner that was wiped off the drum by the wiper blade into the waste chamber. If this blade were not present, or damaged, toner would drop from the cartridge onto the printed pages.
- Waste Chamber:** Collects and holds all the waste toner. It also usually contains the drum, PCR, recovery blade and wiper blade. In the case of the HP 4600 it also contains the Primary Exposure LED bar.
- Supply Chamber:** Contains all the new unused toner, developer roller assembly, toner charge roller and doctor blade.

COLOR HP COLOR LASERJET 4600 CARTRIDGE:



4. NON-MAGNETIC CAROUSEL COLOR TONER (HP COLOR LASERJET 1500/2500)

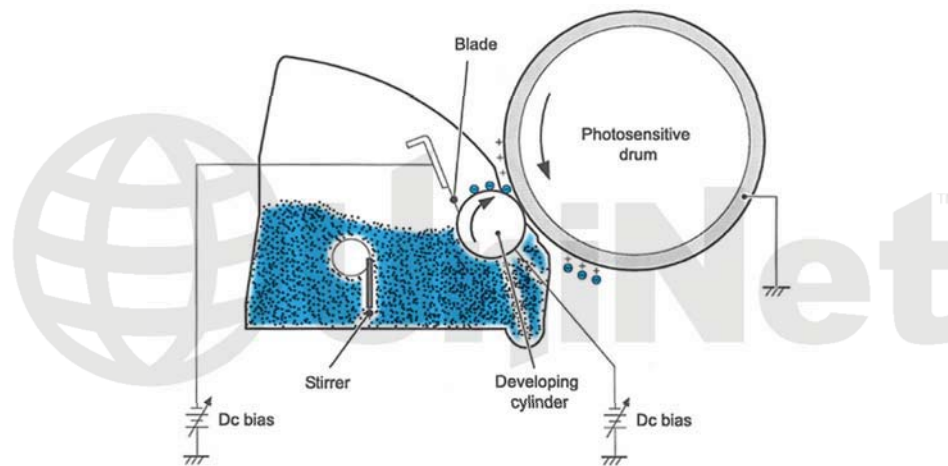
Another type of color printing engine other than the single-pass type (HP CLJ 4600) is the Carousel Type. The carousel system is much less expensive to manufacture than the single-pass systems. Probably one of the main reasons for this is that the single-pass systems have a separate laser-scanner unit and all the associated circuitry for each color cartridge. The carousel system has one for all of them. While this system is not as complicated as a single-pass, there is still quite a bit going on that has to happen in a very precise way. The carousel hold all four cartridges and rotates as each cartridge is needed. As technology improves, this type of system tends to be used in the less expensive machines. The HP CLJ 1500/2500 system is similar to the HP CLJ 4500, but much more advanced.



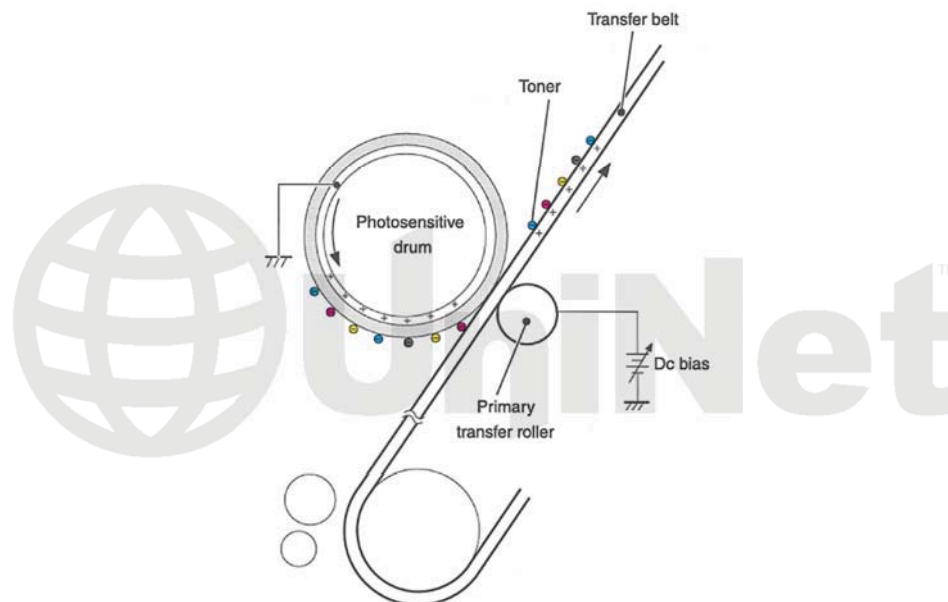
The HP CLJ 2500 color printing process is best explained as a series of stages:

In the **First Stage**, the Primary Charge Roller (PCR) places a uniform negative DC voltage on the OPC drum surface. The amount of the negative DC voltage placed on the drum is controlled by the printer's intensity setting.

In the **Second Stage**, the laser beam is fired onto a rotating mirror (called the scanner). As the mirror rotates, the beam is reflected into a set of focusing lenses. The beam then strikes the drums surface, neutralizing the negative charge and leaving a latent electrostatic image on the drum. The areas where the laser did not strike the drum will retain the negative charge.



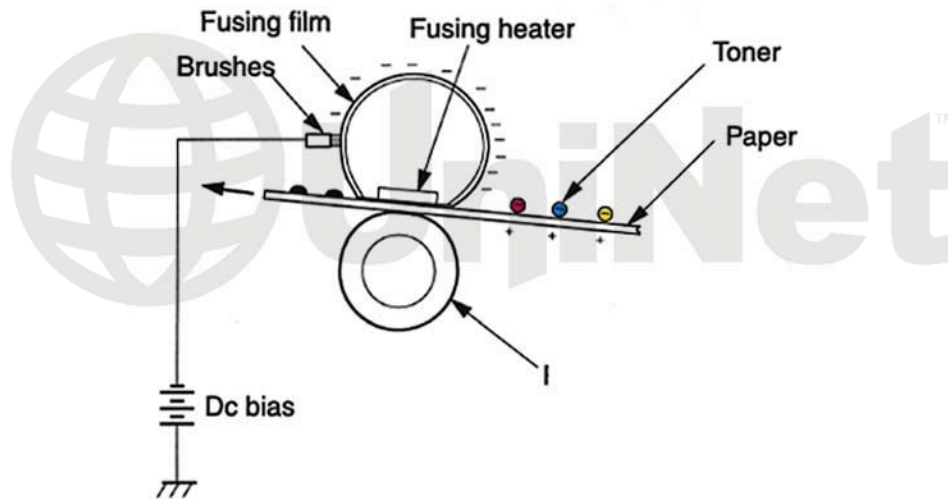
The **Third Stage** or Developing Stage (above illustration) is where the toner is developed on the drum by the developing section (or supply chamber) which contains the toner particles. As the toner stirring blade turns inside the hopper it pushes the toner towards the develop roller. The friction from this process causes a negative potential to develop on the toner. The toner will start to coat the developer roller. At the same time, a negative DC bias voltage is applied to the developer roller. This voltage is controlled by the printer's intensity setting, and causes either more or less toner to be attracted by the developer roller. This in turn will either increase or decrease the print density. The final amount of toner on the developer roller is controlled by the doctor blade, which uses pressure and a second DC bias voltage to keep the amount of toner on the roller constant. As the laser exposed areas of the OPC Drum approach the developer roller, the toner particles are attracted to the drum's surface due to the opposite voltage potentials of the toner, and laser exposed areas of the OPC drum.



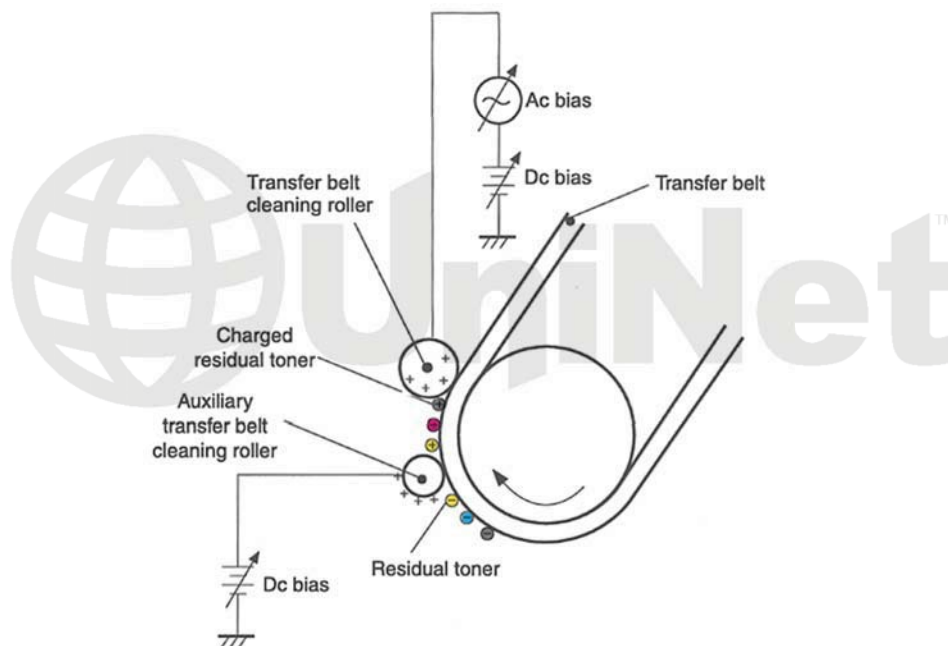
The **Fourth Stage** is the Primary Transfer Stage. This is where there are some large differences from monochrome printers and even the HP 4600. The first step in the Primary Transfer Stage is where the transfer roller places a positive charge on the back side of the transfer belt. The negatively charged toner on the drum is then transferred to the positively charged transfer belt. This process is repeated for each color. The positive DC bias voltage is increased for each successive color to make sure that all the toners stay in place on the belt.

The **Fifth Stage** is the Secondary Transfer stage. As the paper reaches the transfer belt, it also runs by the secondary transfer roller. This roller places a positive charge to the paper which causes the toner to transfer from the belt to the paper. After the transfer process is complete, another DC bias voltage is placed on the secondary transfer roller to prevent any toner from sticking to it. The paper separates from the transfer belt with the help of the static charge eliminator and the stiffness of the paper.

The **Fifth Stage** is the Secondary Transfer stage. As the paper reaches the transfer belt, it also runs by the secondary transfer roller. This roller places a positive charge to the paper which causes the toner to transfer from the belt to the paper. After the transfer process is complete, another DC bias voltage is placed on the secondary transfer roller to prevent any toner from sticking to it. The paper separates from the transfer belt with the help of the static charge eliminator and the stiffness of the paper.

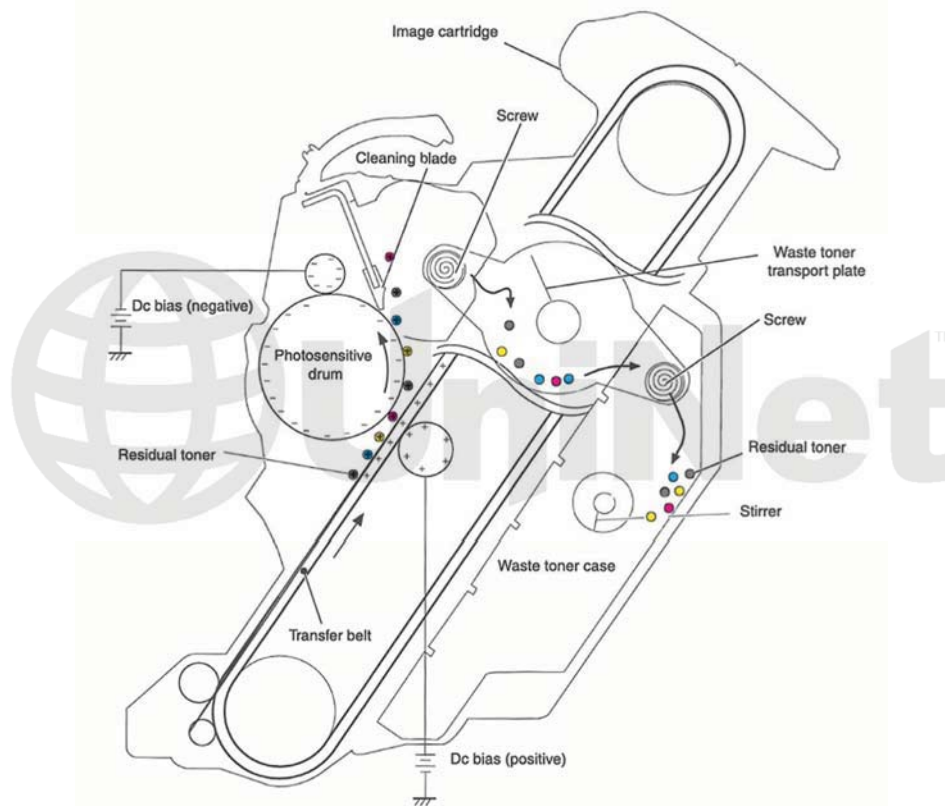


In the **Sixth Stage** (above illustration), the image is then fused onto the paper by the fuser assembly. The Fuser Assembly is comprised of the upper heating assembly and lower pressure roller. The lower pressure roller presses the page up into the upper heating assembly which then melts the toner into the paper. The upper heating assembly consists of a flexible sleeve with an induction type heating coil inside. This type of fuser affords instant-on fusing with little to no wait time, and low power consumption. This sleeve also has a DC bias voltage on it to help hold the toner to the paper, and prevent it from scattering.



The **Seventh Stage** is where the Transfer Belt is cleaned. The Transfer Belt is cleaned whenever the printer is turned on, when the printer's covers are closed, at the start of a print job, and after a specific number of pages. The auxiliary transfer belt cleaning roller has a positive DC bias voltage placed on it. This voltage actually keeps the toner on the transfer belt to prevent toner from falling off into the printer.

At this point, another DC Bias voltage is placed on the transfer belt cleaning roller. These charges are stronger than the charge previously applied by the auxiliary transfer belt cleaning roller, so the earlier charge now behaves like a negative charge. Another DC bias voltage is placed on the transfer belt by the transfer roller to produce a difference between the belt and OPC drum. Another DC bias voltage is placed on the OPC drum cleaning roller. This causes the transfer of the residual toner to the drum.



The **Last Stage** is the Drum Cleaning Stage (above illustration). The drum is cleaned after all the above takes place by the wiper blade. This part is fairly standard; the wiper blade scrapes the toner off the drum, and the recovery blade guides it into the waste chamber. The difference here is the movement of the waste toner to the waste toner case. The waste toner is picked up from the drum unit by an auger or waste toner screw as HP calls it. The toner moves across the waste toner transport plate to another auger which moves it finally to the waste toner case. This waste toner case is part of the transfer belt.

As you can see, the DC power supply (DC bias voltages) is extremely busy during the entire printing process. Although these machines have proved very reliable, it is possible to see where even a small deviation from this power supply can cause major issues.

Printer Calibration

At the start of all this is the calibration cycle, The printer will calibrate itself whenever the printer is turned on, when a new toner or drum cartridge is installed, and at specific page intervals determined by the total number of pages printed. Calibration consists of a solid block and halftone of each color being printed to the transfer belt. As the printed areas get to the top of the belt, a sensor will detect them, measure the density, and adjust the printer accordingly.

Reset Chips

Reset Chips (or “Memory Tags” as HP tends to refer to them as) function the same as other HP chips. They control the TONER LOW, TONER OUT and REPLACE (COLOR) CARTRIDGE messages. Each color cartridge has a specific chip. Be careful not to mix them up. As stated earlier, the chips do not need to be replaced for the cartridge to function, but all the TONER LOW functions will be disabled if not. When a used chip is utilized, the CANCEL button must be pressed to clear it. At this point a NON-HP PRINT CARTRIDGE message will appear. This message appears for the first time only. The SUPPLIES STATUS page will print, but no cartridge information will be listed.

COLOR NON-MAGNETIC TONER STYLE CARTRIDGE COMPONENTS

- Non-Magnetic Color Toner:** Used in all the newer HP Color systems. Unlike traditional pulverized toner, these color toners are polymerized toner or chemically grown. Polymerized toners have extremely uniform round particles that cause less wear, and allow for a more accurate color calibration. Either very small amounts or none at all of powdered iron are used in these toners.
- Developer Roller:** The developer roller consists of a metal shaft with molded rubber around it, and a conductive sleeve on the outside. Toner is attracted to the roller by electrical signals from the high-voltage power supply in the printer. No magnets or anything else is used to attract the toner.
- Toner Charge Roller:** The toner charge roller actually imparts a charge into the toner as it is fed from the feed roller to the developer roller. This extra charge ensures a more uniform charge on the developer roller, giving more accurate color prints.
- Doctor Blade:** Physically regulates the amount of toner on the developer roller by using pressure from its metal blade rubbing against the developer roller surface. This friction also helps statically charge the toner so that an even layer of toner is on the magnetic roller sleeve. Color toner cartridges will almost always have a metal doctor blade.
- Primary Charge Roller:** The Primary Charge Roller (PCR) has two functions. The first is to apply a DC signal to the surface of the drum so that the laser from the printer can write to it. The second is where an AC signal is applied to the drum to help erase any residual charges left on the drum surface after printing.
- Drum:** Drums used in disposable cartridges are OPC drums or “Organic Photoconductors” that refer to the type of chemicals used to coat the aluminum tube that is the drum base. All drums are light sensitive. There are normally three different layers of chemicals used to make the drum. The first is an insulator, the second is the reactive layer that reacts to light, and the third is a protective layer. It is this protective layer that determines how long a drum will last.
- Wiper Blade:** The rubber edge of a wiper blade cleans the drum of any toner that was not transferred to the paper. The blade rides directly on the drum, and is one of the main causes of drum wear.
- Recovery Blade:** The recovery blade is a very thin Mylar blade that guides toner that was wiped off the drum by the wiper blade into the waste chamber. If this blade were not present or damaged, toner would drop from the cartridge onto the printed pages.
- Waste Chamber:** Collects and holds all the waste toner. It also usually contains the drum, PCR, recovery blade and wiper blade. In the case of the HP 4600 it also contains the Primary Exposure LED bar.
- Supply Chamber:** Contains all the new un-used toner, the developer roller assembly, toner charge roller, and the doctor blade.

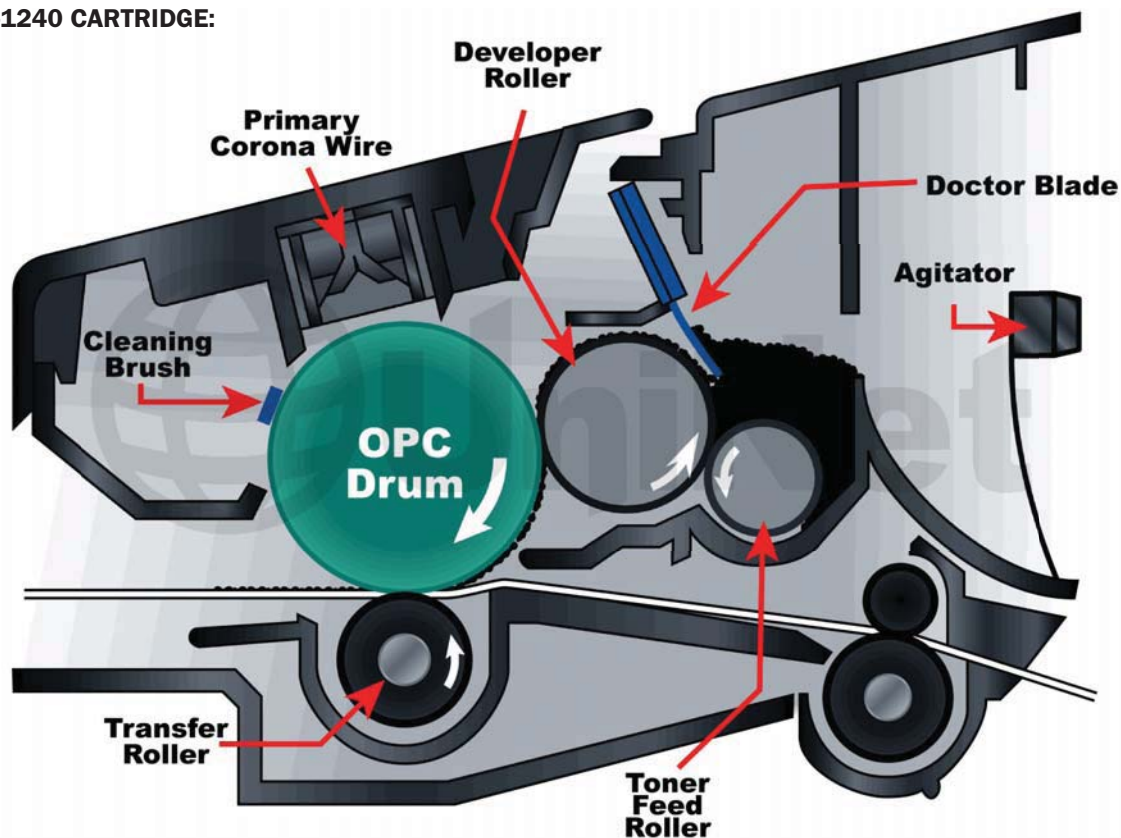
5. BROTHER HL-1240 TONER

This section is based on the Brother TN-460 (TN-6600), but also covers the TN-350 (TN-2000), TN-360 (TN-2120, TN-2150), TN-560 (TN-7600), TN-570 (TN-3060), TN-670 (TN-4100), TN-750 (TN-5500), TN-580 (TN-3160/TN-3185) and their associated drum cartridges. The Brother toner is non-magnetic, but the operating principles are so unique, we feel it deserves a special section here. Because of the uniqueness of these cartridges, we have also included general troubleshooting tips. Please note that while the theory for all the above cartridges is basically the same, the toners are not. In fact the toner used from one cartridge model to the next can be very different. Always check to make sure you have the proper toner for your cartridge.

This cartridge system is unique in a number of ways; the waste toner from the drum cartridge is recycled back into the toner supply chamber, the drum cartridge uses a cleaning felt (or brush) instead of a wiper blade or roller, and it also has both a Primary Corona Wire and Transfer Roller. This is the first cartridge we have seen with both a wire and a roller for charging/transferring. The Primary Corona Wire has a built in cleaner that should be on the left side of the cartridge when not in use (the home position for the cleaner).

This engine is also unique in the sense that the developer roller in the toner cartridge actually touches the drum. There is not an air gap as in other cartridges. In other words, this engine does not use what is commonly known as "jumping technology" to transfer the image from the developer roller to the drum. This unusual fact doesn't change how the cartridge is recycled, but can lead to some interesting problems if BOTH the Toner and OPC cartridges are not cleaned properly. If you are to do these cartridges successfully, throw out any pre-conceived notions you may have based on other cartridges, and read the following carefully. The diagram below will also help show how these cartridges work.

BROTHER HL-1240 CARTRIDGE:



When an "empty" cartridge is returned for remanufacturing, the remaining toner (80g or so) must be completely removed from the supply chamber before adding new toner. Failure to do this will cause backgrounding. In addition to contaminating the toner cartridge, this will also contaminate the cleaning section of the drum cartridge, which in turn will contaminate the toner cartridge again (a vicious cycle)! The remaining 80g of toner is actually the waste toner and a small amount of new toner combined. There is not enough new toner to work or "charge up" left. Not cleaning this toner out completely is the largest cause of cartridge failure.

The cleaning section of the drum cartridge consists of a "cleaning brush" and a recovery blade. The cleaning brush has two opposite charges placed on it during the print cycle. The first attracts any remaining toner off the drum. The second repels the toner off the brush back onto the drum where it then transfers back into the toner cartridge. This is all done in a timing sequence that does not interfere with the printing process. If the cleaning brush becomes contaminated with bad toner that will not accept the proper charge, the brush will not be able to clean itself, and backgrounding will occur. It seems to be the nature of contaminated toner that it will accept most of the charge to be cleaned off the drum, but it will not accept the charge that would allow the brush to clean itself off at all. A properly working cleaning brush will at any given time have only a small amount of toner on it. Once contaminated, toner will accumulate, which will only cause the problems to get worse. The drum cartridge does not have a waste chamber; all the waste toner is recycled back into the toner cartridge.

Since the developer roller actually contacts the drum, the waste toner is transferred back into the supply of the toner cartridge. As stated above, once you print with a bad toner cartridge the drum unit will become contaminated. Even when you change out the toner with a good properly recycled or new OEM cartridge, the drum unit will transfer some of the bad toner back into the good toner cartridge, which will again cause backgrounding. Both cartridges will be contaminated again. Basically, once you have backgrounding, both cartridges need to be cleaned out.

The remaining 80g or so of "toner" in the toner cartridge is just below the bare minimum that can maintain the proper charge level. When the change toner light comes on, the toner will not charge up to the proper level and will cause the backgrounding. As the toner cartridge reaches the end of its useful life, the printer senses the low charge level in the toner supply and will try to keep the charge level up. This constant charging keeps an almost "empty" cartridge from backgrounding. Once the printer cannot get the remaining toner up to the minimum charge, the change toner light comes on. The cartridge at this point will still be printing properly. If you were to take that same cartridge out of the machine for a few days, and then put it back in the printer with out doing anything to it, the cartridge will background. This will happen because the charge level that the printer was trying so hard to keep up has dissipated out and the materials left can no longer accept a proper charge.

WHAT DOES THIS ALL MEAN?

1. Make sure that your cartridge technicians thoroughly clean out the supply chamber of the toner cartridge. Dry and clean compressed air is the best method.
2. In the event that they forget, and you have a backgrounding cartridge. The toner must be completely cleaned out again (do not use the toner over) and new fresh toner must be installed. At this point, the drum unit has to be taken apart and cleaned out with emphasis on the cleaning brush area. This is a very simple process but very necessary once contaminated.
3. Only fully tested, dedicated chemicals should be used to clean the developer roller in these cartridges. The blue-white film that builds up on the roller should be removed for proper printing. Never use anything except a dedicated fully tested brother developer roller cleaner. Other chemicals may seem like they cleaned the roller, but will cause a chemical reaction that may not happen right away and can potentially cause damage to the cartridge/machine when used.
4. When rebuilding the drum unit, alcohol can be used to clean the drum, but no other chemicals anywhere else. This is especially true of the cleaning brush. This brush has a conductive coating on it that will be removed if any solvents get on it. Once the conductive coating is gone, the cartridge is useless.

CARTRIDGE TROUBLESHOOTING

- Backgrounding:** Toner Cartridge and Drum Cartridge. By far the most common problem with these cartridges. There are three common causes:
1. The first is contaminated toner. If the old toner in the toner cartridge was not fully cleaned out, a shaded background will result usually over the entire page. Can also be caused by a contaminated cleaning brush in the drum cartridge, which is directly related to a bad toner cartridge.
 2. If the developer roller in the toner cartridge is worn, it will tend to pull too much toner, and backgrounding will result. This normally happens only on cartridges that have been recycled a few times. A normal roller will have a somewhat mottled look, and the texture should be smooth. If the roller has lines, small cracks, or just doesn't look right, don't use it.
 3. Another backgrounding issue can result from the toner being used. Not all aftermarket toners will work together. This is because there is always a small amount of toner left on the drum cartridge cleaning brush. Most aftermarket toners will work over the OEM, but not all will work over another aftermarket toner. If your cartridges work in house but background out in the field, it can be that the drum unit has failed, or that another aftermarket toner was used previous to yours. Check with your vendor to make sure that your toner will work on top of another (all) aftermarket brand(s).
- Clicking:** Toner Cartridge. On the left side of the cartridge there is a series of gears with very fine teeth. If any toner gets on these teeth during the cleaning process, and is not cleaned off, the toner can cause a tooth to break, and clicking will result. We have found it easy to keep one hand over the gear train when blowing the cartridge out and when filling it, that way the gears stay clean. If they do get toner on them, clean the gears and the shafts with alcohol, and lubricate with fine grease. Both the shafts and teeth need to be lubricated. Clicking gears can also result from toner not specifically designed for the TN-460 being used. If the toner particles are not uniform, the toner will not flow easily, and the mixing auger inside the toner cartridge can bind, causing a tooth to break.
- Vertical speckled toner pattern on right side of page:** Toner Cartridge. This is a common problem. There is a small plastic clip on the right side of the developer roller that is held on only by double sided tape. It is very common for it to fall off. In fact we have seen as much as 35% of the cores come in with out these clips. The purpose of the clip is to keep the toner from building up on the edge of the developer roller. If it is missing, the toner will build up and eventually start to fall off and cause a speckled vertical streak. The left side of the cartridge also has a clip, but it is permanent and does not fall off. New clips are available.
- Dark black vertical streaks:** Drum Cartridge. This is normally caused by either a dirty primary corona wire, or the blue corona wire cleaner is not in its "home" position on the left side of the cartridge.
- Gray vertical streaks down side of page:** Toner Cartridge. This is normally caused by a groove in the developer roller. When this happens, the roller should either be replaced with a new one or repaired and recoated. Both solutions are available.
- Light print:** Drum Cartridge. Can be caused by a dirty or worn Transfer Roller. These rollers are located inside the cartridge. In our tests, they should last at least 2 to 3 cycles.

Black or white horizontal lines: Toner Cartridge & Drum Cartridge. Black lines normally appear when there is a build up of toner. White lines appear when there is a dead spot, or contamination of the roller. If the lines repeat every 94.1mm (approx. 3 3/4"), the drum is bad, or dirty. If they appear every 39mm (approx. 1 9/16"), the developer roller in the toner cartridge is bad or dirty.

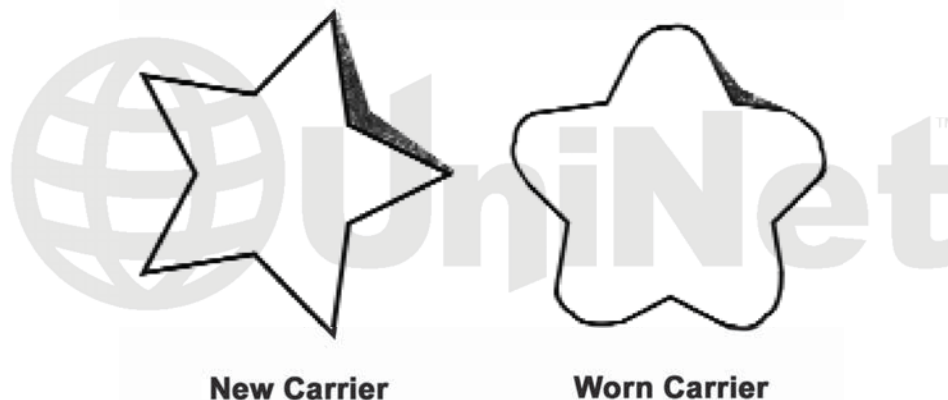
Solid black pages: Drum Cartridge. Bad drum ground contact, probably from the drum axle shaft to the contact gear inside the drum.

Perfectly straight thin black lines down page: Drum Cartridge. Scratched drum.

Black dots that repeat every 94.1mm (3 3/4"): Drum Cartridge. Bad drum, or something is stuck to the drum surface.

6. DUAL COMPONENT SYSTEMS (ANALOG SHARP COPIERS)

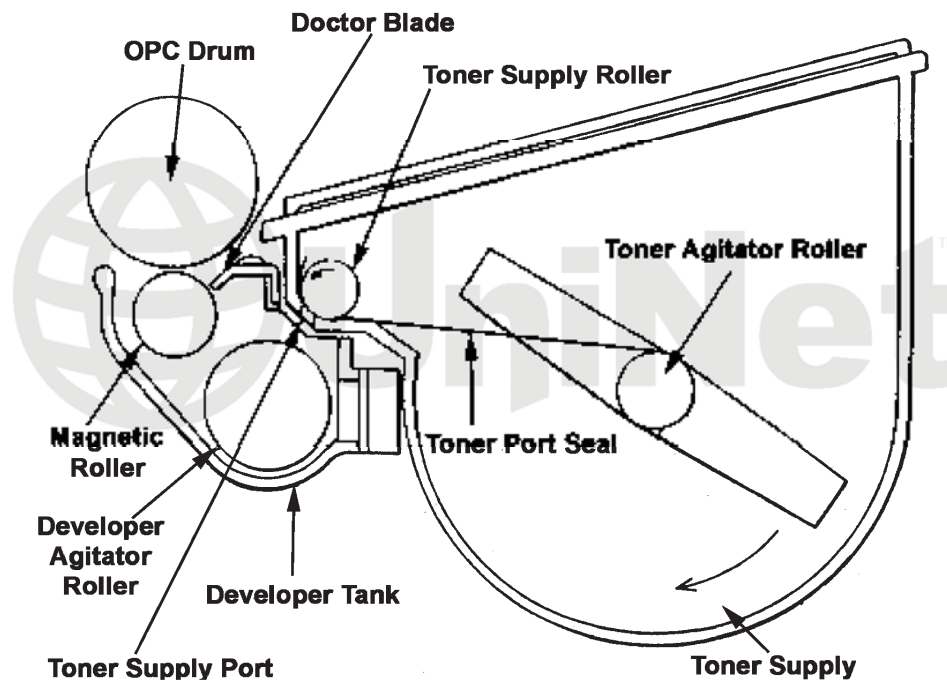
This section is loosely based on the Sharp Z Series of copiers. Dual component machines are usually analog copiers that use an exposure lamp as a source of light. The cartridges used in this type of machine can come in two styles. One is where they have both developer and toner in a single cartridge (Z Series), and the other is where the toner is in one cartridge (or tube) and the developer is in another. In both cases the drum cartridge is separate. As this technology has been around for quite a while, there are many versions in the field. The theory however is basically the same for all. Developer is actually made up of two components: metal filings (carrier) and toner. When developer is manufactured, the correct toner is mixed with the carrier at a specific percentage. As long as everything is running correctly, developer never actually leaves the cartridge. It picks up the toner from the supply chamber, brings it out to be transferred to the drum, and returns to the developer section where it will pick up more toner and start over again. The mixture of the toner and developer is controlled by a sensor which is normally located in the toner/developer cartridge. This sensor looks for a specific mixture. When it does not see the proper mix, it will cause the machine to cycle, and bring more toner into the developer section until it does. That is why when a new cartridge is installed in a Sharp machine, it will cycle for a while before the ready light comes on. The best explanation I have ever heard on why developer must be replaced is this: Think of a single metal filing as having the shape of a five-point star (it doesn't, but it makes it easier to explain). When the developer is new, the points of the star are sharp and there is a considerable amount of surface area between the points for the toner to sit. As copies are run, the friction of the toner and the magnetic roller will start to wear the points down. As the points get dull, the surface area for the toner to sit in is less. This will cause light prints and if let go long enough, the toner low sensor will never see the correct mixture and will not allow the machine to go to the ready state. The Sharp Z series of machines use developer that normally lasts at most two cycles. Other machines can have developer that last longer, it depends on the toughness of the carrier.



The **First Stage** in the copy process starts when you press the start button. At that point the scanner starts to move across the glass and the exposure lamp lights up. The OPC drum gets charged from the primary corona wire which has about 5000 VDC on it (actual charge is roughly 800VDC when it gets to the drum). The light from the exposure lamp is reflected off the paper to be copied, and is reflected through a series of mirrors and lenses (or fiber optics in some machines) to the OPC drum. In the normal copy mode, the speed of the scanner and the drum are locked together so that they move in a 1:1 ratio. As the reflected light strikes the drum, it discharges the blank (white) areas of the copy. No light was reflected from the printed areas, so these areas remain charged. The charged area is actually a mirror image of the original copy and is known as a latent image. Some people call this a “write white system.” HP lasers can be considered a “write black system.” NOTE: This process is the opposite of what happens in a digital copier or laser printer. In most of those machines the image is drawn on the drum by a laser. This is the discharged part of the image. The non-printed or white areas of the image remain charged. This is also why most analog dual component machines use a positive toner system, and lasers use a negative toner system.

In the **Second Stage**, as the drum turns, the magnetic roller in the toner/developer cartridge is also turning. The developer has a full load of toner which is attracted to the charged areas of the drum. The attraction is enough to draw off the toner, but not the developer. The new toner is fed to the developer section by the toner agitator which pushes the toner up under the toner port seal and to the toner supply roller. The supply roller pushes the toner out the toner feed port, where it mixes with the developer. When the developer mixture sensor senses the proper mixture, it sends a signal to stop the agitator and supply rollers from turning.

DUAL COMPONENT STYLE CARTRIDGE:



As all this is happening, the paper has been picked up, and is now coming to meet the drum. The transfer corona wire places another 5000V DC charge on the paper, and the image is transferred from the drum to the paper. The residual charge on the drum is enough to cause the paper to wrap around it, so there is usually some type of separation belt. This can be in the machine or on the drum cartridge. The transfer of the image to the paper is the **Third Stage**. The image is then fused on to the paper by the fuser assembly, which is comprised of the upper and lower fuser rollers. The lower rubber roller presses the page up into the upper roller which then melts the toner into the paper. The upper roller is a hard Teflon-coated heated roller which is kept clean by a felt wand. The roller is usually heated by a high wattage halogen lamp.

The **Fourth Stage** is where the OPC drum is cleaned. On average, approximately 90% of the toner is transferred to the paper during the print cycle. The remaining 10% remains on the OPC drum and is cleaned off the Drum by the wiper blade, guided into the waste chamber by the recovery blade, and stored in the waste chamber. The Sharp Z drum cartridges do not have a waste storage area. They have a series of augers that move the waste toner away from the wiper blade, and into the waste chamber located on the toner cartridge.

The **Final Stage** is completed by the erase lamps in the machine. These lamps bathe the drum in a red light that neutralizes the residual electrical charges left on the OPC drum surface. The OPC drum is now ready to be conditioned by the primary corona wire start the printing process all over again. If one of these red lights is not functioning, you will get what looks like a bad wiper blade problem gray vertical streaks down the page. In the first stage we talked about the drum and scanner being locked in a 1:1 ratio. In reduction and enlargement modes, the speed of the scanner is changed, and the image is run through a different set of lenses to produce the desired result.

DUAL COMPONENT STYLE CARTRIDGE COMPONENTS

- Developer:** Developer is metal filings precisely mixed with toner. The developer carries the toner out to the drum and returns back to the supply section to pick up more toner. The developer never leaves the unit, it just wears out over time.
- Magnetic Roller:** This is the most important component for producing solid print density. As the magnetic roller rotates it attracts the developer/toner mixture to it by a permanent magnetic axle which is fitted inside the sleeve and electrical signals from the high-voltage power supply in the printer.
- Toner Low Sensor:** This sensor is usually located in the toner cartridge. This sensor looks for a specific mixture of toner to developer. When it does not see the proper mix, it will cause the machine to cycle, and bring more toner into the developer section until it does. That is why when a new cartridge is installed in a Sharp machine, it will cycle for a while before the READY light comes on. These sensors are easily damaged by static charges. Care should be taken if vacuuming the cartridge clean, to avoid damaging this sensor. We recommend that the cartridge be dumped out, and blown clean with compressed air to help avoid these issues.
- Toner Supply Port:** A damaged sensor can cause overtoneing. Overtoneing is too much toner on the developer, and is another way of saying, "backgrounding." A severely damaged sensor will cause the machine to continuously cycle, and never get to READY.
- Doctor Blade:** This port is a small slot that only allows a regulated amount of toner into the developer section. Toner is fed to this port by the toner agitator roller, and the toner supply roller. When the toner low sensor detects the proper mixture of toner and developer, a signal is sent to the machine that stops the toner agitator and feed rollers from turning. The toner port seal then effectively closes off the port to prevent extra toner from falling into the developer area.
- Primary Corona Wire:** Physically regulates the amount of toner on the magnetic roller by using a metal blade at a fixed distance from the magnetic roller sleeve.
- Transfer Corona Wire:** The Primary Corona Wire applies approximately a 5000V DC signal to the surface of the drum so that the reflected light from the exposure lamp can discharge the non printed areas of the copy. The Transfer Corona Wire applies approximately a 5000V DC signal to the surface of the paper so that the latent image on the drum is drawn to the paper as it passes underneath. This image is held on the paper by a static charge until it is melted into the paper by the fuser assembly.

- Drum:** Drums used in disposable cartridges are mostly OPC drums or “Organic Photoconductors” that refer to the type of chemicals used to coat the aluminum tube that is the drum base. All drums are light sensitive. There are normally three different layers of chemicals used to make the drum. The first is an insulator, the second is the reactive layer that reacts to light, and the third is a protective layer. It is this protective layer that determines how long a drum will last.
- Wiper Blade:** The rubber edge of a wiper blade cleans the drum of any toner that was not transferred to the paper. The blade rides directly on the drum, and is one of the main causes of drum wear.
- Recovery Blade:** The recovery blade is a very thin Mylar blade that guides toner that was wiped off the drum by the wiper blade into the waste chamber. If this blade were not present, or damaged, toner would drop from the cartridge onto the printed pages
- Waste Chamber:** Collects and holds all the waste toner. It can be located in the drum cartridge, as a separate chamber on the toner/developer cartridge, or as a separate replaceable chamber in the machine.
- Supply Chamber:** Contains the developer, all the new un-used toner, the magnetic roller assembly, miscellaneous feed rollers and the doctor blade.

CARTRIDGE CLEANING METHODS

By Mike Josiah and the Technical Staff at UniNet

COMPONENT	TYPICAL USE IN	RECOMMENDED METHOD	NOT RECOMMENDED
OPC DRUM (OEM/AFTERMARKET)	ALL	Lint free cloth with 99% pure isopropyl alcohol.	Any other type of alcohol or liquid cleaner, charge enhancing creams, yellow toner cloths.
MAGNETIC ROLLER (METAL)	HP/Canon Engines	Lint free synthetic cloth with dedicated magnetic roller cleaner.	99% isopropyl alcohol, yellow toner cloths.
DEVELOPER ROLLER (URETHANE)	Lexmark, IBM, Brother, Samsung Cartridges	Lint free synthetic cloth with dedicated magnetic roller cleaner.	99% isopropyl alcohol, charge enhancing creams, yellow toner cloths.
OEM PCR	ALL	UniNet PCR cleaner, distilled water.	99% Isopropyl alcohol, charge enhancing creams, yellow toner cloths.
UNINET/SUMMIT PCR	ALL	Lint free cloth with 99% pure isopropyl alcohol.	Nu Finish car polish, charge enhancing creams, yellow toner cloths.
CORONA WIRES	ALL	Scotch Brite cleaning pad with 99% isopropyl alcohol/ultrasonic bath.	Water/creams, yellow toner cloths.
WIPER/DOCTOR BLADES	HP/Canon Engines	Lint free synthetic cloth.	Any chemicals, yellow toner cloths.
DOCTOR BLADES (METAL)	Lexmark, IBM, Brother, Samsung Cartridges	Scotch Brite cleaning pad with 99% isopropyl alcohol. Acetone for select cartridges only. See individual instructions.	Any chemicals other than those mentioned, yellow toner cloths. Any type petroleum cleaner. Check individual instructions for acetone use.
FELT SEALS	ALL	Compressed Air/Vacuum.	Any chemicals.
MAGNETIC SEALS	HP/Canon Engines	Compressed Air/Vacuum.	Any chemicals, yellow toner cloths.
PLASTIC PARTS	ALL	Compressed Air/Vacuum, yellow toner cloths on outside parts only.	Any chemicals, yellow toner cloths on internal parts.
ELECTRICAL CONTACTS	ALL	Lint free cotton swab with 99% isopropyl alcohol. After cleaning, use small amount conductive grease on the contact.	Yellow toner cloths.

CARTRIDGE SOLVENT TABLE

By Mike Josiah and the Technical Staff at UniNet

	OPC	Metal Magnetic Roller	Urethane Dev Roller	OEM	UniNet/Summit PCR	Wiper Blade	Urethane Doctor Blade	Metal Doctor Blade	Corona Wire	External Plastic Parts	Internal Plastic Parts
99% ISOPROPYL ALCOHOL	YES	NO	NO	NO	YES	NO	NO	YES	YES	YES	YES
ACETONE	NO	NO	NO	NO	NO	NO	NO	YES	YES	NO	NO
UNINET PCR CLEANER	NO	NO	NO	YES	NO	NO	NO	NO	NO	NO	NO
MAGNETIC ROLLER CLEANER	NO	YES	NO	NO	NO	NO	NO	NO	NO	NO	NO
DEVELOPER ROLLER CLEANER	NO	NO	YES	NO	NO	NO	NO	NO	NO	NO	NO
RUBBER ROLLER CLEANER	NO	NO	NO	NO	NO	NO	NO	NO	NO	NO	NO
COMPRESSED AIR	NO	YES	YES	YES	YES	YES	YES	YES	YES	YES	YES
DISTILLED WATER	NO	NO	NO	YES	YES	NO	NO	NO	NO	NO	NO
PETROLEUM SOLVENTS	NO	NO	NO	NO	NO	NO	NO	NO	NO	NO	NO
FEDRON	NO	NO	NO	NO	NO	NO	NO	NO	NO	NO	NO
YELLOW TONER CLOTHS	NO	NO	NO	NO	NO	NO	NO	NO	NO	YES	NO
LIQUID SOAP	NO	NO	NO	NO	NO	NO	NO	NO	NO	NO	NO

REASONS FOR NOT USING CERTAIN CLEANING PRODUCTS

YELLOW TONER CLOTHS	Sold under a variety of names, these cloths are impregnated with a clear oil. This oil, if used on any internal cartridge parts, will cause the toner to stick to those parts.
CHARGE ENHANCING CREAMS	Aftermarket drums, toners, and parts are designed to work together within certain parameters to form a balanced system. Using a charge enhancing cream will destroy this balance, and will have unknown effects.
PETROLEUM BASED CLEANERS	Petroleum based cleaners such as kerosene, paint thinner, etc can react with toner, and change the charge characteristics. Depending on the cartridge, this can cause backgrounding, print voids, drum damage, magnetic/developer roller damage or PCR damage.
99% ISOPROPYL ALCOHOL	99% Isopropyl alcohol unless specified should never be used on rubber rollers. Rubber rollers when cleaned with alcohol will dry out and crack.
FEDRON/CITRUS BASED RUBBER ROLLER CLEANERS	These cleaners should never be used on any internal cartridge rubber type rollers. They will leave a residue that will cause toner to stick to the parts cleaned. They should only be used to clean paper path rollers in the machine itself.

BLACK LASER REPETITIVE DEFECT CHART

By Mike Josiah and the Technical Staff at UniNet



	Drum (F)	Mag/Developer (F)	PCR (F)	Upper Fuser (F)	Lower Fuser (B)	Upper Registration (F)	Lower Registration (B)	Transfer (B)	Paper Feed (F)	Delivery (B)	Fuser Guide	UP Div/Exit	Toner Charge Roller	Toner Feed Roller
Brother HL-1240 (TN460)	94.1	39.0		78.5	78.5			47.7	44.0					
Brother HL-1560 (TN560)	94.1	39.0		78.5	78.5			47.7	44.0					
Brother HL-2040 (TN350)	94.1	39.0												
Brother HL-2170 (TN360)	75.0	41.0		78.5	78.5									
Brother HL-5150 (TN570)	94.1	39.0												
Brother HL-5200 (TN580)	94.2	42.7		78.5	78.5			48.2	44.0					
Brother HL-5300 (TN650)	94.2	42.5		78.5	78.5									
Brother HL-6050 (TN670)	94.1	39.0				44.0								
Canon imageClass MF6530	76.0	38.0	36.0											
Canon imageClass MF7280	95.0	63.0	45.0											
Canon LaserClass 810, 830i FX-11	76.0	38.0	36.0											
Canon PC A15/30	94.0	51.0		76.0	63.0	39.0	43.0		26.0					
Canon "P" Style	94.0	63.0	44.0											
Dell 1815N	75.5	35.2	37.7	77.8	75.4			47.1						
Epson 1500	94.0	79.0		63.0	63.0	111.0		51.0	40(B)					
Fuji/Xerox XP 5/10	94.0	47.0	38.0	62.0	57.0			51.0						
Fuji/Xerox XP 15/20	126.0	53.0		74.0	74.0									
HP 5L,6L (AX)	76.0	31.0	38.0	76.0	63.0			48.0		44.0				
HP 4V (BX)	94.0	63.0	43.0	88.0	85.0	51.0	45.0	61.0			37.0			
HP Laserjet (CX)	189.0	66.0		130.0	75.0	38.0				58.0				
HP 4, 5 (EX)	94.0	51.0	38.0	63.0	63.0			54.0						
HP IIP, IIIP (LX)	94.0	51.0	38.0	63.0	54.0			52.0	49.0					
HP 3Si, 4Si (NX)	94.0	51.0	38.0	94.0	94.0	44.0		63.0						
HP 4L, 4P (PX)	75.0	38.0	38.0	75.0	47.0			44.0		37.0				
HP II, III (SX)	94.0	51.0		80.0	65.0	38.0	44.0	13.0						
HP 5P, 6P (VX)	75.0	38.0	38.0	75.0	47.0			44.0		37.0				
HP 5Si, 8000 (WX)	94.0	53.0	43.0	125.0	94.0	43.0		58.0				47.0		
HP 1000 (1200)	75.0	37.0	37.0	56.0	62.0			45.0						
HP 1010, 1012, 1015, 1020	76.3	37.7	30.8	56.5	41.0				55.2					
HP 1100	75.0	32.0	38.0	76.0	64.0			46.0		38.0				
HP 1150	75.0	37.0	37.0	56.0	62.0			45.0						
HP 1160/1320	76.0	46.0	39.0											
HP 1200/1220	75.0	37.0	37.0	56.0	62.0			45.0						
HP 1300	75.0	37.0	37.0	56.0	62.0			45.0						
HP 2100/2200	94.0	50.0	38.0	75.0	63.0	44.0		46.0	42.0					
HP 2300	95.0	47.0	38.0	75.0	63.0			44.0						

Millimeters

(F) = Front of page • (B) = Back of page

*This chart is used for locating the cause of images, which repeat at equal intervals. These intervals may not appear at the same place on each page. Once you have located the repeating defects, then locate the number under the corresponding cause. Many defects repeat several times per page. **While the actual magnetic roller circumference is 62.8mm, because of the way it is geared, any defects will likely have an interval of 54mm.



	Drum (F)	Mag/Developer (F)	PCR (F)	Upper Fuser (F)	Lower Fuser (B)	Upper Registration (F)	Lower Registration (B)	Transfer (B)	Paper Feed (F)	Delivery (B)	Fuser Guide	UP Div/Exit	Toner Charge Roller	Toner Feed Roller
HP 2400	94.0	47.0	38.0											
HP 3015, 3020, 3030	76.3	37.7	30.8	56.5	41.0				55.2					
HP 3100, 3150	95.0	32.0	38.0	76.0	64.0			48.0		44.0				
HP 3200	75.0	32.0	38.0	76.0	64.0			46.0		38.0				
HP 3300/3380	75.0	37.0	37.0	56.0	62.0									
HP 4000, 4050	94.0	51.0	38.0	75.0	64.0			48.0						
HP 4100	94.0	38.0	38.0	75.0	63.0	50.0		47.0						
HP 4200	94.2	54**	37.7	75.0										
HP 4250/4350	94.0	55.0	38.0											
HP 4300	94.2	54**	37.7	94.0										
HP 4345	94	54**	37.7	94				47						
HP 4350 MFP	94.0	55.0	38.0											
HP 5000, 5100	94.0	53.0	44.0	75.0	79.0	50.0		58.0						
HP 5200	94.0	58.0	44.0											
HP 8100, 8150	94.0	53.0	44.0	141.0	100.0	44.0		54.0		47.0				
HP M5025	96.0	58.0	44.0	94.0	75.0									
HP P1006	75.0	31.0	27.0											
HP P1102/1102W	75.0	34.0	27.0	57.0	56.0			39.0						
HP P1505	75.0	31.0	27.0											
HP P1606/1566	75.0	34.0	27.0	57.0	56.0			39.0						
HP P2015	75.4	44.0	37.7	56.5	69.0	43.0		46.2						
HP P2030, P2050 Series	75.0	42.0	38.0	57.0	63.0	43.0		39.0						
HP P3005	96.0	47.0	38.0	76.0	62.0			43.6						
HP P3015	95.0	50.0	38.0	76.0	79.0			43.6						
HP P4014,P4015, P4515	94.0	63.0	37.7	94.0	94.0	79.0		47.0	79.0					
IBM/Lexmark 4019	129.0	62.0		67.0	69.0					39.0		51.0		
IBM/Lexmark 4039/4049	129.0	62.0	38.0	67.0	69.0					39.0		51.0		
Lexmark E120	74.1	36.1	29.0	62.2	17.8			48.1	56.2			30.4		17.8
Lexmark E220	96.7	47.8	38.2	79.8	95.5			51.7						
Lexmark E230/330	94.0	54.0	38.0											
Lexmark E240/340	94.0	54.0	38.0											
Lexmark E250/450	96.7	47.8	38.2	79.8	95.5			51.7						
Lexmark E260/360/460	98.3	48.3	38.8	80.0				52.4						
Lexmark E320/322														
Lexmark E321/323														
Lexmark Optra S	94.0	62.0	38.0											

Millimeters

(F) = Front of page • (B) = Back of page

*This chart is used for locating the cause of images, which repeat at equal intervals. These intervals may not appear at the same place on each page. Once you have located the repeating defects, then locate the number under the corresponding cause. Many defects repeat several times per page. **While the actual magnetic roller circumference is 62.8mm, because of the way it is geared, any defects will likely have an interval of 54mm.



	Drum (F)	Mag/Developer (F)	PCR (F)	Upper Fuser (F)	Lower Fuser (B)	Upper Registration (F)	Lower Registration (B)	Transfer (B)	Paper Feed (F)	Delivery (B)	Fuser Guide	UP Div/Exit	Toner Charge Roller	Toner Feed Roller
Lexmark Optra SE	94.0	62.0	38.0											
Lexmark Optra T	94.0	62.0	38.0											
Lexmark T420														
Lexmark T430														
Lexmark T520	94.0	62.0	38.0											
Lexmark T620	94.0	62.0	38.0											
Lexmark T630	94.0	62.0	38.0											
Lexmark T640	94.0	62.0	38.0											
Lexmark T650														
Lexmark W812	94.0	52.0	36.0											
Lexmark X215	78.0	45.0	40.0											
Lexmark X422														
Minolta SP-101	94.0	79.0		63.0	63.0	111.0		51.0	40(B)					
Okidata 400E	94.0	58.0	40.0	63.0	69.0			51.0						
Samsung ML-1210	75.0	32.0	37.0	58.0	60.0			47.0						
Samsung ML-1610	75.0	44.0	38.0											
Samsung ML-1630/1631	62.8	35.2	26.7	77.1	75.4			47.1						
Samsung ML-2010	75.0	44.0	38.0											
Samsung ML-1710/1750	78.0	45.0	40.0											
Samsung ML-2150		42.0												
Samsung ML-2250	76.0	44.0	38.0											
Samsung ML-2851	75.5	35.2	26.7		62.8			47.0						47.1
Samsung ML-3050	75.5	35.2	37.7	77.8	75.4			47.1						44.9
Samsung ML-3471	75.5	35.2	37.7		92.0			47.1						44.9
Samsung ML-3650	95.0	43.0	38.0	126.0	126.0			55.0						45.0
Samsung ML-4550/4551	95.0	45.0	38.0					55.0						
Samsung ML-6000	94.2		37.7											
Samsung ML-6060														
Samsung ML-7000														
Samsung SCX-4200	78.0	45.0	40.0											
Samsung SCX-4216	78.0	45.0	40.0											
Samsung SCX-4300	78.0	45.0	40.0											
Samsung SCX-4725	75.5	35.2	37.7	63.9	75.4			46.2						47.5
Samsung SCX-5530	75.5	35.2	37.7	77.8	75.4			47.1						44.9
Samsung SCX-6230	94.3	54.3	38.3	83.6	91.0			56.6						43.8
Samsung SF-5000 (P8e)	97.0	58.0	38.0											41.0

Millimeters

(F) = Front of page • (B) = Back of page

*This chart is used for locating the cause of images, which repeat at equal intervals. These intervals may not appear at the same place on each page. Once you have located the repeating defects, then locate the number under the corresponding cause. Many defects repeat several times per page. **While the actual magnetic roller circumference is 62.8mm, because of the way it is geared, any defects will likely have an interval of 54mm.

TECHNICAL GUIDES • BLACK LASER REPETITIVE DEFECT CHART



	Drum (F)	Mag/Developer (F)	PCR (F)	Upper Fuser (F)	Lower Fuser (B)	Upper Registration (F)	Lower Registration (B)	Transfer (B)	Paper Feed (F)	Delivery (B)	Fuser Guide	UP Div/Exit	Toner Charge Roller	Toner Feed Roller
Samsung SF-5100	75.0	32.0	37.0	58.0	60.0			47.0						
Samsung SF-555P	75.0	32.0	37.0	58.0	60.0			47.0						
Samsung SF-560R/PR	78.0	45.0	40.0											
Samsung SF-830	94.3	57.8	37.7	82.5	69.1			57.8					37.7	35.8
Xerox 4525	95.0	56.0	44.0											
Xerox FaxCentre 2121	94.2	51.8			75.3									
Xerox Phaser 3100 MFP	75.0	50.0	29.0											
Xerox Phaser 3250	75.5	35.2	26.7	77.6	62.8			47.0						47.1
Xerox Phaser 3300	75.5	39.2	37.7	88.9	101.3			47.1						53.2
Xerox Phaser 3600	94.0	50.0	38.0	126.0	126.0			56.0						42.0
Xerox Phaser 3635 MFP	75.5	35.2	37.7											44.9
Xerox Phaser 4510	94.4	52.0	38.0	94.2	94.2			51.0						
Xerox Phaser 5400	95.0	58.0	45.0											
Xerox Phaser 5500	94.2	56.5	44.0	78.5				58.7						
Xerox WorkCentre M118/128	94.2	56.5	44.0	78.5				58.7						

Millimeters

(F) = Front of page • (B) = Back of page

*This chart is used for locating the cause of images, which repeat at equal intervals. These intervals may not appear at the same place on each page. Once you have located the repeating defects, then locate the number under the corresponding cause. Many defects repeat several times per page. **While the actual magnetic roller circumference is 62.8mm, because of the way it is geared, any defects will likely have an interval of 54mm.



COLOR LASER REPETITIVE DEFECT CHART

By Mike Josiah and the Technical Staff at UniNet



Drum (F) Black Mag/Developer (F) Color Mag/Developer (F) PCR (F) Upper Fuser (F) Lower Fuser (B) Transfer / T1 Transfer (B) T2 Transfer ITB Cleaning Roller Toner Feed Roller Media Attaching Roller Transfer Belt Transfer Belt Drive Roller Toner Charge Roller Registration Roller 1 Registration Roller 2

Brother HL2700CN/TN04	380.0	56.52	56.52		125.6		62.80		56.52		379.94		42.39	
Brother HL4040/TN110/115	75.0	37.4	37.4		78.5	78.5								
Dell 3110	75.4	27.9	27.9	28.3	82.7	94.2	31.4	56.9						
HP Color LaserJet 1500	148.0	34.0	34.0	40.0	76.0	67.0	44.0	57.0				89.0	89.0	
HP Color LaserJet 2500	148.0	34.0	34.0	40.0	76.0	67.0	44.0	57.0				89.0	89.0	
HP Color LaserJet 2550	148.0	34.0	34.0	40.0	76.0	67.0	44.0	57.0				89.0	89.0	
HP Color LaserJet 2600	75.4	24.7	24.7	26.7	56.6	62.8	37.7			32.9			54.5	
HP Color LaserJet 2820	148.0	34.0	34.0	40.0	76.0	67.0	44.0	57.0				89.0	89.0	
HP Color LaserJet 3000	76.0	27.0	27.0	27.0	75.0	79.0	44.0							35.0 36.0
HP Color LaserJet 3500	77.0	38.0	38.0	26.0	75.0	41.0								44.0 41.0
HP Color LaserJet 3550	77.0	38.0	38.0	26.0	75.0	41.0								44.0 41.0
HP Color LaserJet 3600	76.0	27.0	27.0	27.0	75.0	79.0	44.0							35.0 36.0
HP Color LaserJet 3700	77.0	38.0	38.0	26.0	75.0	41.0								44.0 41.0
HP Color LaserJet 3750	77.0	38.0	38.0	26.0	75.0	41.0								44.0 41.0
HP Color LaserJet 3800	76.0	27.0	27.0	27.0	75.0	79.0	44.0							35.0 36.0
HP Color LaserJet 4500	152.0	38.0	30.0	40.0	132.0		53.0		40.0					
HP Color LaserJet 4550	152.0	38.0	30.0	40.0	132.0		53.0		40.0					
HP Color LaserJet 4600	94.0	33.0	33.0	38.0	107.0	63.0	75.0			38.0	38.0		14.0	
HP Color LaserJet 4610n	94.0	33.0	33.0	38.0	107.0	63.0	75.0			38.0	38.0		14.0	
HP Color LaserJet 4650	94.0	33.0	33.0	38.0	107.0	63.0	75.0			38.0	38.0		14.0	
HP Color LaserJet 4700/4730	94.2	34.3	38.5	37.7	76.0	81.0	37.7			42.7	75.0			47.0 55.0
HP Color LaserJet 5500	94.0	50.0	50.0	38.0	107.0	63.0	82.0			43.0	38.0		14.0	
HP Color LaserJet 5550	94.0	50.0	50.0	38.0	107.0	63.0	82.0			43.0	38.0		14.0	
HP Color LaserJet 8500	195.0	52.0	38.0	44.0	151.0		66.0		56.0			222.0		
HP Color LaserJet 8550	195.0	52.0	38.0	44.0	151.0		66.0		56.0			222.0		
HP Color LaserJet 9500	98.0	27.0	30.0	45.0	148.0	140.0	52.0	71.0	100.0					
HP Color LaserJet CM1015	75.4	24.7	24.7	26.7	56.6	62.8	37.7				32.9		54.5	
HP Color LaserJet CM1017	75.4	24.7	24.7	26.7	56.6	62.8	37.7				32.9		54.5	
HP Color LaserJet CP1215	75.8	22.3	22.3	26.7	56.5	56.8	57.0			28.5		633.6		44.0
HP Color LaserJet CP1518	75.8	22.3	22.3	26.7	56.5	56.8	57.0			28.5		633.6		44.0
HP Color LaserJet CP2020	75.0	22.0	22.0	38.0	58.0	63.0	58.0	78.0						
HP Color LaserJet CP3505	76.0	27.0	27.0	27.0	75.0	79.0	44.0							35.0 36.0
HP Color LaserJet CP3525	75.5	32.0	32.0	27.0	77.0	78.0	44.0	50.0	76.0	49.0				63.0
HP Color LaserJet CP4005	94.2	34.3	38.5	37.7	76.0	81.0	37.7			42.7	75.0			47.0 55.0
HP Color LaserJet CP4520	76.0	32.0	32.0	27.0	76.0	80.0	51.0	44.0		48.0				
HP Color LaserJet CP6015	94.0	36.0	36.0	40.0	148.0	144.0	50.0	71.0				82.0		

Millimeters

(F) = Front of page • (B) = Back of page

*This chart is used for locating the cause of images, which repeat at equal intervals. These intervals may not appear at the same place on each page. Once you have located the repeating defects, measure the distance between them. Then locate the number under the corresponding cause. Many defects repeat several times.



	Drum (F)	Black Mag/Developer (F)	Color Mag/Developer (F)	PCR (F)	Upper Fuser (F)	Lower Fuser (B)	Transfer / T1 Transfer (B)	T2 Transfer	ITB Cleaning Roller	Toner Feed Roller	Media Attaching Roller	Transfer Belt	Transfer Belt Drive Roller	Toner Charge Roller	Registration Roller 1	Registration Roller 2
--	----------	-------------------------	-------------------------	---------	-----------------	-----------------	----------------------------	-------------	---------------------	-------------------	------------------------	---------------	----------------------------	---------------------	-----------------------	-----------------------

Samsung CLP-300																
Samsung CLP-315	188.5	26.0	26.0	37.7	86.4	50.3	43.8	54.6		32.7						
Samsung CLP-350																
Samsung CLP-500/550	**	29.3						75.4				**				
Samsung CLP-510	**	35.3	35.3	44.0	109.9		75.4					**				
Samsung CLP-600	**	27.0	27.0					75.4				**				
Samsung CLP-610/CLX6200	75.4	32.5	30.6	26.7	125.6		45.0			40.8	43.0					
QMS Magicolor 2400																
Xerox Phaser 6180	75.4	27.9	27.9	28.3	82.7	94.2	31.4	56.9								
Xerox Phaser 6280	75.4	27.9	27.9	28.3	82.7	94.2	31.4	56.9								
Xerox Phaser 7400	94.0	49.0	49.0	37.4	124.0	87.3	106.0		102.0							

Millimeters

(F) = Front of page • (B) = Back of page

*This chart is used for locating the cause of images, which repeat at equal intervals. These intervals may not appear at the same place on each page. Once you have located the repeating defects, measure the distance between them. Then locate the number under the corresponding cause. Many defects repeat several times.



TERMS & CONDITIONS

HOW TO PLACE AN ORDER

By Fax: Order by fax through the desired UniNet Regional Sales Office.

By Internet: Order online via our company website at: www.uninetimaging.com

By Email: Submit your order via email to: sales@uninetimaging.com

Upon receiving your order, a UniNet Sales Representative will send to you, via fax or email, a Pro-Forma Invoice with product and shipping cost, and will await payment confirmation. PLEASE NOTE: If your company has a credit card on file or credit payment terms with UniNet Imaging Inc., your order will be shipped automatically. You will automatically receive an email or fax message confirming that we have received the order and invoice with shipping information.

SHIPPING METHODS

We generally ship orders via UPS or FEDEX at discounted rates. International orders are shipped by Air and usually take between 3 to 5 business days to arrive at your office. Most orders can be shipped within 24 to 72 hours after payment confirmation is received. NOTE: If your company has an email address our computer system will automatically send you an email message confirming shipping date with UPS or FEDEX tracking numbers. Other available shipping methods include:

FEDEX: Economy Standard

UPS: Ground, Red 1-Day, Blue 2-Day, 3-Day Select, Standard to Canada

Freight: Most Recognized Trucking/Freight Companies

PAYMENT METHODS

Wire Transfer: For orders over \$2,000

Credit Card: Visa, American Express, MasterCard and Discover payment with approved UniNet Credit Card Authorization. Credit card payments acceptable only for orders not shipped on terms.

Credit Account: Requires approved UniNet Credit Application for orders of \$1,000.00 USD or higher.

COD: For UPS shipments only. Company check required.

Cashiers Check: Cashiers check or money order must be in U.S. Dollars only.

Processing Fee: Orders below \$100.00 will be subject to a \$15.00 handling fee.

PRODUCT RETURNS

No returns will be accepted without prior approval. Your return RMA number must appear on the outside of the returned package. Authorized returns will be subject to a \$20 or 20% restocking charge whichever is higher. Only undamaged current products will be considered for return. Credit will be issued only after approval and our inspection of the product. No cash refunds are processed. We reserve the right to refuse any unauthorized product return. Under certain conditions the 20% restocking fee can be avoided.

STORAGE, LOSS AND DAMAGE

Keep all packaging materials for carrier inspection. Notify UniNet Imaging immediately upon receipt of goods. We will only consider shortage, loss and damage claims if notified within 2 days of receipt of goods. For outgoing shipments and returns, always insure your shipments and package toner cartridges in the original boxes whenever possible.

SALES TAX

Customers in California must provide a signed sales tax exemption form in order to avoid paying sales tax.

TERMS OF SALE

1. **Price:** Price is as listed on invoice.
2. **Shipment:** Shipment is described as F.O.B. Los Angeles, California unless otherwise noted on the invoice.
3. **Terms of Payment:** All sums invoiced shall be paid in accordance with the terms described on the invoice. Any outstanding balance not paid on time shall bear interest at the rate of 2% per month, compounded daily.
4. **Delays:** Seller will not be liable for any delay in the performance of orders or contracts, delivery or shipment of goods, or for any loss or damage suffered by the Buyer for any reason by reason of such delay, whether or not the delay is the result of the Seller's negligence.
5. **Limitations on Damages:** Seller has made an effort to determine that the materials shipped are of good commercial quality. In the event any material is defective due to faults in the manufacture or packaging or through any fault of the Seller, Buyer shall notify Seller immediately, stating full particulars in support of his claim, and Seller will either replace the goods upon return of the defective or unsatisfactory material, or Seller shall credit Buyer's account with the cost of such goods. Under no circumstances shall Seller be liable for consequential or other damages, loss or expenses in connection with, or by reason of, the use or the inability to use materials purchased from the Seller for any reason.
6. **Warranty:** The advice of the Seller's technical staff is available to the trade, but the Seller does not control or supervise the subsequent use of such advice or the installation of its products or the use of its products for sale, and therefore does not warrant or guarantee such advice. All products are warranted to be free from manufacturing defect for a period of 90 days.

NO OTHER WARRANTY OR GUARANTEE, EXPRESS OR IMPLIED, INCLUDING WARRANTY AS TO THE MERCHANTABILITY OR FITNESS FOR ANY PURPOSE, IS MADE UNLESS THE SAME IS SPECIFICALLY SET FORTH ON THE INVOICE, BUT IN ANY SUCH CASE, SUCH WARRANTY OR GUARANTEE IS LIMITED AS DESCRIBED IN PARAGRAPH 5 ABOVE.
7. **Special Orders:** If any material shall be manufactured and/or sold by the Seller to meet Buyer's particular specifications or requirements and is not part of Seller's standard line offered by it to the trade generally in the usual specifications or requirements and is not part of Seller's standard line offered by it to the trade generally in the usual equity and from any damages, claims for actual or alleged infringement of any United States or foreign patent, and shall defend any suit or action which may be brought against Seller for any alleged infringement because of the manufacture and or sale of the material covered thereby.
8. **Contract:** This is the entire contract between the parties.
9. **Collection Expenses:** In the event Buyer fails to pay Seller in a timely fashion and Seller initiates collection action, Buyer agrees to pay Seller's collection expenses, including attorney's fees.
10. **Choice of Law and Venue:** The laws of the State of California shall apply to and have control of the interpretation and validity of this agreement. Any dispute over the terms of this agreement or arising out of this agreement shall be litigated in the Federal and State general courts in and for Los Angeles County, California.
11. **UniNet Imaging Inc. Standard Guarantee:** UniNet Imaging Inc. makes every effort to determine if its materials shipped are of good commercial quality. In the event any material we ship is defective due to faults in manufacture, packaging, or through some other fault of UniNet Imaging Inc. and its vendors, then UniNet Imaging Inc. will replace the defective material at no additional cost to the customer. This is the Buyer's only remedy under this guarantee.

CREDIT CARD AUTHORIZATION FORM

Please complete and fax this form directly to our head office for processing at: + 1 (424) 675-3400.

Yes, I authorize UniNet Imaging Inc. to charge all orders shipped to the address listed on this application to my credit card:

Credit Card Account #: _____ Exp. Date: _____

Select Type: Visa MasterCard American Express Discover Card Security Code*: _____

(*Enter 3-digit code printed on back of credit card, or the 4-digit code printed on the front of an American Express card.)

Cardholder Information

Must be filled completely in order to process your order

Name (as it appears on credit card): _____

Billing Street Address: _____

City: _____ State or Province: _____

Postal Code: _____ Country: _____

Credit Limit: _____

Company Information

Company Name: _____ UniNet Customer ID #: _____

Contact Person: _____

Telephone (Important): _____ Fax (Important): _____

Ship to Street Address: _____

City: _____ State or Province: _____

Postal Code: _____ Country: _____

I will be purchasing computer, copier, laser parts, and printing supplies from UniNet Imaging Inc. under the business terms published.

Cardholder Signature _____ **Date** _____

NOTE: All Credit Card Authorization forms must be received by our accounting office during normal business hours no later than 2:00 pm pacific standard time. Forms received after 2:00 pm will be processed on the following business day.

All accounts on net terms are to be paid with company check, money order, bank deposit, or wire transfer. Please note that this type of account will be assessed a 3% convenience fee when paid by credit card at end of term.

We will continue accepting credit card payments for pre-paid orders and the convenience fee does not apply.

TELECHECK® SERVICE REQUEST FORM

Please complete and fax this form to the desired UniNet Regional Sales Office below.

Today's Date: _____

CUSTOMER INFORMATION

Company Name: _____ UniNet Customer ID #: _____

Contact Name: _____

Telephone (Important): _____ Fax (Important): _____

Street Address: _____

City: _____ State or Province: _____

Postal Code: _____ Country: _____

CHECKHOLDER INFORMATION

Amount of Order: _____

MICR Line (Routing and Account number shown at bottom of check): _____

Type of Check: () Personal () Company Check: Check #: _____

Tax ID Number: _____

For personal checks, you may use your complete driver license number as the Tax ID number.

NOTE: A 2% charge will be applied if order is paid for by Telecheck®

UNINET SALES & DISTRIBUTION OFFICE FAX NUMBERS

U.S. WEST COAST
Fax + 1-424-675-3400

CANADA
Fax + 1-866-935-8120

SOUTH AFRICA
Fax + 2711-608-0476

MEXICO
Fax + 52-722-319-4791

PERU
Fax + 51-1-471-9272

U.S. EAST COAST
Fax + 1-888-791-9188

EUROPE
Fax + 34-93-741-4166

ARGENTINA
Fax + 54-11-4574-3706

COLOMBIA
Fax + 57-1-4185094

INTERNATIONAL
Fax + 1-424-675-3404

UNITED KINGDOM
Fax + 44 (0) 1256-814445

BRAZIL
Fax + 55-11-4822-3353

VENEZUELA
Fax + 58-241-824244

CLIENT SURVEY

Thank you for considering UniNet as your aftermarket solutions provider.
Please help us to better serve you in establishing an account by filling in this Client Survey.

Company Name _____ Contact _____
Address _____ City _____ State or Province _____
Postal Code _____ Country _____
Phone _____ Fax _____ Email _____

Activities:

Do you recycle toner cartridges? () yes () no Quantity: _____ How Often? _____ per month
Do you recycle COLOR toner cartridges? () yes () no _____ per month
Do you recycle ink cartridges? () yes () no _____ per month
Do you sell compatible ink jet cartridges? () yes () no _____ per month
Do you sell compatible copier cartridges? () yes () no _____ per month
Any other activity or specialty? _____

What are the five (5) top-selling cartridges?

1st Model: _____ Quantity: _____ How Often? _____ per month
2nd Model: _____ _____ per month
3rd Model: _____ _____ per month
4th Model: _____ _____ per month
5th Model: _____ _____ per month

What are your three (3) top-selling Lexmark cartridges?

1st Model: _____ Quantity: _____ How Often? _____ per month
2nd Model: _____ _____ per month
3rd Model: _____ _____ per month

What are your three (3) top-selling Xerox cartridges?

1st Model: _____ Quantity: _____ How Often? _____ per month
2nd Model: _____ _____ per month
3rd Model: _____ _____ per month

What are your three (3) top-selling Color cartridges?

1st Model: _____ Quantity: _____ How Often? _____ per month
2nd Model: _____ _____ per month
3rd Model: _____ _____ per month

What products do you have under development?

1st Product: _____ Quantity: _____ How Often? _____ per month
2nd Product: _____ _____ per month
3rd Product: _____ _____ per month

Any quality issues or problems with any parts that you buy now?

Parts: _____

Suppliers: _____

What type of Toner do you prefer? ()OEM ()Darker ()High-Yield ()Good Grayscale ()Lowest Price

How often (% of company time) do you replace:

OPC Drums ()Never ()30% ()50% ()80%
Blades ()Never ()30% ()50% ()80%
PCR Rollers ()Never ()10% ()20% ()30% ()50%
MAG Rollers ()Never ()10% ()20% ()30% ()50%
SmartChips ()Never ()25% ()50% ()100%

Brands: _____

What types of Seals do you use?

()None ()OEM ()Clear ()Aluminum ()Gold ()Ribbon

Brands: _____

What types of Replacement Parts do you use?

()Coating Creams ()OPC Drum ()PCR ()Mag Roller ()Bushings
()Mag Felts ()Contacts ()Bearings ()Stabilizers ()Plastic Plugs
()Pins ()End Caps ()End Pieces ()Actuator Arms
Jumbo Hoppers: ()HP 1200 ()2100 ()4000 ()4100 ()EX ()WX

Brands: _____

I would like information about your ordering schedule, freight and payment terms:

How often are orders placed on a weekly basis? ()Once ()Twice ()3 Days ()4 Days ()5 Days
Order average in USD \$ _____ Payment Terms _____
Who are your main vendors? _____

How did you find out about UniNet? ()Magazine ()Internet ()Trade Show ()Other

What do you like the most about UniNet? ()Selection ()Quality ()Service ()Price

Comments: _____

Thank you!

A UniNet Sales Representative will send you a proposal with any sample items that you requested.

NEW PRODUCT LIST 2010

Brother®

Brother® DR 8000, TN 8000

14646 "S" Drum vertical gears for use in Brother® DR 8000, TN 8000 (special order)

Brother® HL 2040, 2070, TN 350, 2000, 2025

14599 Absolute Black™ toner, 1kg for use in Brother® HL 2040, 2070, TN 350, 2000, 2025 (special order)

Brother® HL 2140, 2170, TN 330

14377 X Generation™ toner 22lb (10kg) bag for use in Brother® HL 2140, 2170, TN 330

Brother® HL 3040, 3050, 3070, TN 210

14468 Absolute Yellow™ toner (1,400 pages) for use in Brother® HL 3040, 3050, 3070, TN 210 (under development)
 14467 Absolute Magenta™ toner (1,400 pages) for use in Brother® HL 3040, 3050, 3070, TN 210 (under development)
 14466 Absolute Cyan™ toner (1,400 pages) for use in Brother® HL 3040, 3050, 3070, TN 210 (under development)
 14465 Absolute Black™ toner (2,200 pages) for use in Brother® HL 3040, 3050, 3070, TN 210 (under development)
 14554 Name plate cover, 10 pack for use in Brother® HL 3040, 3050, 3070, TN 210
 14553 Developer roller cover, 10 pack for use in Brother® HL 3040, 3050, 3070, TN 210

Brother® HL 4040, 4050, 4070, TN 110, 115

14748 X Generation™ Yellow toner 145g (4,000 pages) for use in Brother® HL 4040, 4050, 4070, TN 110, 115
 14747 X Generation™ Magenta toner 140g (4,000 pages) for use in Brother® HL 4040, 4050, 4070, TN 110, 115
 14746 X Generation™ Cyan toner 135g (4,000 pages) for use in Brother® HL 4040, 4050, 4070, TN 110, 115
 14745 X Generation™ Black toner 170g (5,000 pages) for use in Brother® HL 4040, 4050, 4070, TN 110, 115
 14744 X Generation™ Yellow toner 22 lb (10 kg) bag for use in Brother® HL 4040, 4050, 4070, TN 110, 115
 14743 X Generation™ Magenta toner 22 lb (10 kg) bag for use in Brother® HL 4040, 4050, 4070, TN 110, 115
 14742 X Generation™ Cyan toner 22 lb (10 kg) bag for use in Brother® HL 4040, 4050, 4070, TN 110, 115
 14741 X Generation™ Black toner 22 lb (10 kg) bag for use in Brother® HL 4040, 4050, 4070, TN 110, 115
 14449 Developer roller, 10 pack for use in Brother® HL 4040, 4050, 4070, TN 110, 115 (under development)
 14844 End felts (for developer roller), 50 sets for use in Brother® HL 4040, 4050, 4070, TN 110, 115

Brother® HL 5340, 5350, 5370, 5380, TN 650, 3280

14750 Absolute Black™ toner 22lb (10kg) bag for use in Brother® HL 5340, 5350, 5370, 5380, TN 650, 3280

Brother® HL 7050, TN 700

14500 Absolute Black™ toner 22lb (10kg) bag for use in Brother® HL 7050, TN 700

Canon®

Canon® EP 104, MF 4150, 4270, 4350, 4370, 4380, 4690

14213 Canon® EP 104, MF 4150, 4270, 4350, 4370, 4380, 4690 (uses all HP® 1010 supplies)

Canon® EX

14736 Seal pull tab, 50 pack for use in Canon® EX (special order)

Canon® Imageclass D 1120

14488 Smartchip™, 10 pack (26171B001AA)(5,000 pages) for use in Canon® Imageclass D 1120

Canon® Imageclass D 1120, 1150, 1170, 1180

14816 PCR roller, 10 pack for use in Canon® Imageclass D 1120, 1150, 1170, 1180
 14815 Wiper blade, 10 pack for use in Canon® Imageclass D 1120, 1150, 1170, 1180
 14814 Unidrum™ with contact hub and drive gear insert for use in Canon® Imageclass D 1120, 1150, 1180
 14813 Doctor blade, 10 pack for use in Canon® Imageclass D 1120, 1150, 1170, 1180
 14812 Absolute Black™ toner 230g (5,000 pages) for use in Canon® Imageclass D 1120, 1150, 1170, 1180

Canon® Imageclass MF 8450

14362 Smartchip™ Yellow (4,000 pages) for use in Canon® Imageclass MF 8450 (under development)
 14361 Smartchip™ Magenta (4,000 pages) for use in Canon® Imageclass MF 8450 (under development)
 14360 Smartchip™ Cyan (4,000 pages) for use in Canon® Imageclass MF 8450 (under development)
 14359 Smartchip™ Black (6,000 pages) for use in Canon® Imageclass MF 8450 (under development)

Canon® Imagerunner 330, 400

14593 Wiper blade for use in Canon® Imagerunner 330, 400 (special order)

As of June 2010

Canon® Imagerunner 2230, 2270, 2830, 2870, 3530, 3570, 4570

14866 Absolute Black™ toner, 1219g for use in Canon® Imagerunner 2230, 2270, 2830, 2870, 3530, 3570, 4570

Canon® Imagerunner C 4580, 4080

14448 Smartchip™ Yellow toner (0259B001AA)(30K pages) for use in Canon® Imagerunner C 4580, 4080 (special order)
 14447 Smartchip™ Magenta toner (0260B001AA)(30K page) for use in Canon® Imagerunner C 4580, 4080 (special order)
 14446 Smartchip™ Cyan toner (0261B001AA)(30K pages) for use in Canon® Imagerunner C 4580, 4080 (special order)
 14445 Smartchip™ Black toner (0262B001AA)(26K pages) for use in Canon® Imagerunner C 4580, 4080 (special order)

Canon® Imagerunner C 5180, 5185

14477 Smartchip™ Magenta toner (1067B001AA)(36K pages) for use in Canon® Imagerunner C 5180, 5185 (special order)
 14478 Smartchip™ Yellow toner (1066B001AA)(36K pages) for use in Canon® Imagerunner C 5180, 5185 (special order)
 14476 Smartchip™ Cyan toner (1068B001AA)(36K pages) for use in Canon® Imagerunner C 5180, 5185 (special order)
 14475 Smartchip™ Black toner (1069B001AA)(27K pages) for use in Canon® Imagerunner C 5180, 5185 (special order)

Dell®**Dell® 2335 Cn**

14807 Absolute Black™ toner TBAg (3,000 pages) for use in Dell® 2335 Cn
 14803 Absolute Black™ toner 175g (6,000 pages) for use in Dell® 2335 Cn

Dell® 2335 MFP

14810 SuMMiT™ OPC drum with gears for use in Dell® 2335 MFP
 14809 Unidrum™ with gears for use in Dell® 2335 MFP
 14793 Smartchip™ (330-2208) (3,000 pages) for use in Dell® 2335 MFP
 14710 Smartchip™ (330-2209) (6,000 pages) for use in Dell® 2335 MFP

Dell® 7330

14587 Developer unit seal, 50 pack for use in Dell® 7330

Dell® C 3130 cn

14370 Smartchip™ Yellow (9,000 pages) for use in Dell® C 3130 cn
 14368 Smartchip™ Cyan (9,000 pages) for use in Dell® C 3130 cn
 14369 Smartchip™ Magenta (9,000 pages) for use in Dell® C 3130 cn
 14367 Smartchip™ Black (9,000 pages) for use in Dell® C 3130 cn

Dell® C 5100

14541 X Generation™ Black, Cyan, Magenta, Yellow carrier 22lb (10kg) bag for use in Dell® C 5100
 14539 X Generation™ Magenta Toner, 22lb (10kg) bag (special order) for use in Dell® C 5100
 14540 X Generation™ Yellow Toner, 22lb (10kg) bag (special order) for use in Dell® C 5100
 14538 X Generation™ Cyan Toner, 22lb (10kg) bag (special order) for use in Dell® C 5100
 14537 X Generation™ Black Toner, 22lb (10kg) bag (special order) for use in Dell® C 5100

Epson®**Epson® Aculaser C 2600**

14308 Developer roller cover, 10 pack for use in Epson® Aculaser C 2600 (special order)

Epson® Aculaser C 2800

14117 SuMMiT™ OPC with gears for use in Epson® Aculaser C 2800

Epson® Aculaser C 3800

14048 SuMMiT™ OPC drum with gears for use in Epson® Aculaser C 3800

Epson® Aculaser M 1200

14781 Smartchip™ Black toner (3,200 pages) for use in Epson® Aculaser M 1200 (under development)
 14780 Unidrum™ with gears for use in Epson® Aculaser M 1200
 14779 Absolute Black™ toner TBAg (3,200 pages) for use in Epson® Aculaser M 1200
 14508 Absolute Black™ toner 22 lb (10 kg) bag for use in Epson® Aculaser M 2000

Epson® Aculaser M 4000

14783 Absolute Black™ toner TBAg (20,000 pages) for use in Epson® Aculaser M 4000 (under development)
 14784 SuMMiT™ OPC drum with gears for use in Epson® Aculaser M 4000 (under development)
 14782 Smartchip™ Black toner (20,000 pages) for use in Epson® Aculaser M 4000 (under development)
 14785 Clearseal™ Adhesive, 50 pack for use in Epson® Aculaser M 4000 (under development)

Epson® Claria R260, R270, R280

14880 Absolute Light Magenta™ ink, 1 liter (1kg) Dye for use in Epson® Claria R260, R270, R280
 14879 Absolute Light Cyan™ ink, 1 liter (1kg) Dye for use in Epson® Claria R260, R270, R280
 14877 Absolute Magenta™ ink, 1 liter (1kg) Dye for use in Epson® Claria R260, R270, R280

As of June 2010

- 14878 Absolute Yellow™ ink, 1 liter (1kg) Dye for use in Epson® Claria R260, R270, R280
 14876 Absolute Cyan™ ink, 1 liter (1kg) Dye for use in Epson® Claria R260, R270, R280
 14875 Absolute Black™ ink, 1 liter (1kg) Dye for use in Epson® Claria R260, R270, R280

Epson® EPL 6200

- 14567 Absolute Black™ toner 1kg for use in Epson® EPL 6200 (special order)

Epson® EPL N 3000

- 14728 Absolute Black™ toner, 22lb (10kg) bag for use in Epson® EPL N 3000

Epson® Stylus Color 400, S020089

- 14870 Absolute Yellow™ ink, 1 liter (1kg) dye for use in Epson® Stylus Color 400, S020089
 14869 Absolute Magenta™ ink, 1 liter (1kg) dye for use in Epson® Stylus Color 400, S020089
 14868 Absolute Cyan™ ink, 1 liter (1kg) dye for use in Epson® Stylus Color 400, S020089

Epson® Stylus CX 70, 80, 82

- 14872 Absolute Cyan™ ink, 1 liter (1kg) Pigmented, for use in Epson® Stylus CX 70, 80, 82 (Durabrite)
 14874 Absolute Yellow™ ink, 1 liter (1kg) Pigmented, for use in Epson® Stylus CX 70, 80, 82 (Durabrite)
 14873 Absolute Magenta™ ink, 1 liter (1kg) Pigmented, for use in Epson® Stylus CX 70, 80, 82 (Durabrite)
 14871 Absolute Black™ ink, 1 liter (1kg) Pigmented, for use in Epson® Stylus CX 70, 80, 82 (Durabrite)

Epson® Stylus Photo 2100 T0341

- 14085 Absolute Matte Black™ ink, 1 liter (1kg) Pigmented base for use in Epson® Stylus Photo 2100 T0341
 14084 Absolute Light Magenta™ ink, 1 liter (1kg) Pigmented base for use in Epson® Stylus Photo 2100 T0341
 14083 Absolute Light Cyan™ ink, 1 liter (1kg) Pigmented base for use in Epson® Stylus Photo 2100 T0341
 14082 Absolute Light Black™ ink, 1 liter (1kg) Pigmented base for use in Epson® Stylus Photo 2100 T0341
 14081 Absolute Yellow™ ink, 1 liter (1kg) Pigmented base for use in Epson® Stylus Photo 2100 T0341
 14080 Absolute Magenta™ ink 1 liter (1kg) Pigmented base for use in Epson® Stylus Photo 2100 T0341
 14079 Absolute Cyan™ ink, 1 liter (1kg) Pigmented base for use in Epson® Stylus Photo 2100 T0341
 14078 Absolute Photo Black™ ink, 1 liter (1kg) Pigmented base for use in Epson® Stylus Photo 2100 T0341

HP®**HP® 1010, 1015, 1020, 1022, EP 106, FX-11**

- 14759 Mag roller bushing, 100 pack for use in HP® 1010, 1015, 1020, 1022, EP 106, FX-11 (new formulation 4/2010)

HP® 1300

- 14134 ASiC Smartchip™ Low Yield, 10 pack (2,500 pages) for use in HP® 1300
 14133 ASiC Smartchip™ High Yield, 10 pack (4,000 pages) for use in HP® 1300

HP® 1320, 1160

- 14145 ASiC Smartchip™ High Yield, 10 pack (6,000 pages) for use in HP® 1320, 1160
 14143 ASiC Smartchip™ Low Yield, 10 pack (2,500 pages) for use in HP® 1320, 1160

HP® 1320, P 2015, 2035, 2055

- 14376 Recovery blade, 50 pack for use in HP® 1320, P 2015, 2035, 2055

HP® 2100, 2200

- 14709 MICR™ (for checks) toner 22 lb (10 kg) for use in HP® 2100, 2200

HP® 2300

- 14598 Absolute Black™ toner 1kg for use in HP® 2300 (special order)
 14135 ASiC Smartchip™, 10 pack (6,000 pages) for use in HP® 2300

HP® 2400, 2430

- 14137 ASiC Smartchip™ Low yield, 10 pack (6,000 pages) for use in HP® 2400, 2430
 14136 ASiC Smartchip™ High yield, 10 pack (12,000 pages) for use in HP® 2400, 2430

HP® 2500, 1500

- 14149 ASiC Smartchip™ Black (5,000 pages) for use in HP® 2500, 1500
 14152 ASiC Smartchip™ Cyan (4,000 pages) for use in HP® 2500, 1500
 14153 ASiC Smartchip™ Magenta (4,000 pages) for use in HP® 2500, 1500
 14154 ASiC Smartchip™ Yellow (4,000 pages) for use in HP® 2500, 1500
 14648 ASiC Smartchip™ Black (5,000 pages) 10 pack for use in HP® 2500, 1500
 14649 ASiC Smartchip™ Cyan (4,000 pages) 10 pack for use in HP® 2500, 1500
 14650 ASiC Smartchip™ Magenta (4,000 pages) 10 pack for use in HP® 2500, 1500
 14651 ASiC Smartchip™ Yellow (4,000 pages) 10 pack for use in HP® 2500, 1500
 14734 ASiC Smartchip™ Drum cartridge, 10 pack for use in HP® 2500, 1500

HP® 2550, 2820, 2840

14164 ASiC Smartchip™ Black (5,000 pages) for use in HP® 2550, 2820, 2840
 14165 ASiC Smartchip™ Cyan (4,000 pages) for use in HP® 2550, 2820, 2840
 14166 ASiC Smartchip™ Magenta (4,000 pages) for use in HP® 2550, 2820, 2840
 14167 ASiC Smartchip™ Yellow (4,000 pages) for use in HP® 2550, 2820, 2840
 14706 ASiC Smartchip™ Black (5,000 pages) 10 pack for use in HP® 2550, 2820, 2840
 14656 ASiC Smartchip™ Cyan (4,000 pages) 10 pack for use in HP® 2550, 2820, 2840
 14657 ASiC Smartchip™ Magenta (4,000 pages) 10 pack for use in HP® 2550, 2820, 2840
 14658 ASiC Smartchip™ Yellow (4,000 pages) 10 pack for use in HP® 2550, 2820, 2840
 14733 ASiC Smartchip™ Drum cartridge, 10 pack for use in HP® 2550, 2820, 2840

HP® 2600

14197 ASiC Smartchip™ Black (2,500 pages) for use in HP® 2600
 14198 ASiC Smartchip™ Cyan (2,000 pages) for use in HP® 2600
 14199 ASiC Smartchip™ Magenta (2,000 pages) for use in HP® 2600
 14200 ASiC Smartchip™ Yellow (2,000 pages) for use in HP® 2600
 14659 ASiC Smartchip™ Black (2,500 pages) 10 pack for use in HP® 2600
 14660 ASiC Smartchip™ Cyan (2,000 pages) 10 pack for use in HP® 2600
 14661 ASiC Smartchip™ Magenta (2,000 pages) 10 pack for use in HP® 2600
 14662 ASiC Smartchip™ Yellow (2,000 pages) 10 pack for use in HP® 2600

HP® 3000, 2700

14236 ASiC Smartchip™ Black (6,500 pages) for use in HP® 3000, 2700
 14237 ASiC Smartchip™ Cyan (3,500 pages) for use in HP® 3000, 2700
 14238 ASiC Smartchip™ Magenta (3,500 pages) for use in HP® 3000, 2700
 14239 ASiC Smartchip™ Yellow (3,500 pages) for use in HP® 3000, 2700
 14663 ASiC Smartchip™ Black (6,500 pages) 10 pack for use in HP® 3000, 2700
 14664 ASiC Smartchip™ Cyan (3,500 pages) 10 pack for use in HP® 3000, 2700
 14665 ASiC Smartchip™ Magenta (3,500 pages) 10 pack for use in HP® 3000, 2700
 14666 ASiC Smartchip™ Yellow (3,500 pages) 10 pack for use in HP® 3000, 2700

HP® 3500, 3550

14373 ASiC Smartchip™ Cyan (4,000 pages) for use in HP® 3500, 3550
 14172 ASiC Smartchip™ Magenta (4,000 pages) for use in HP® 3500, 3550
 14173 ASiC Smartchip™ Yellow (4,000 pages) for use in HP® 3500, 3550
 14668 ASiC Smartchip™ Cyan (4,000 pages) 10 pack for use in HP® 3500, 3550
 14669 ASiC Smartchip™ Magenta (4,000 pages) 10 pack for use in HP® 3500, 3550
 14670 ASiC Smartchip™ Yellow (4,000 pages) 10 pack for use in HP® 3500, 3550

HP® 3500, 3550, 3700, 3750

14170 ASiC Smartchip™ Black (6,000 pages) for use in HP® 3500, 3550, 3700, 3750
 14667 ASiC Smartchip™ Black (6,000 pages) 10 pack for use in HP® 3500, 3550, 3700, 3750

HP® 3600

14202 ASiC Smartchip™ Cyan (4,000 pages) for use in HP® 3600
 14203 ASiC Smartchip™ Magenta (4,000 pages) for use in HP® 3600
 14204 ASiC Smartchip™ Yellow (4,000 pages) for use in HP® 3600
 14675 ASiC Smartchip™ Cyan (4,000 pages) 10 pack for use in HP® 3600
 14676 ASiC Smartchip™ Magenta (4,000 pages) 10 pack for use in HP® 3600
 14677 ASiC Smartchip™ Yellow (4,000 pages) 10 pack for use in HP® 3600

HP® 3700

14175 ASiC Smartchip™ Cyan (6,000 pages) for use in HP® 3700
 14374 ASiC Smartchip™ Magenta (6,000 pages) for use in HP® 3700
 14177 ASiC Smartchip™ Yellow (6,000 pages) for use in HP® 3700
 14673 ASiC Smartchip™ Yellow (6,000 pages) 10 pack for use in HP® 3700
 14672 ASiC Smartchip™ Magenta (6,000 pages) 10 pack for use in HP® 3700
 14671 ASiC Smartchip™ Cyan (6,000 pages) 10 pack for use in HP® 3700

HP® 3800, 3600, 3505

14205 ASiC Smartchip™ Black (6,000 pages) for use in HP® 3800, 3600, 3505
 14674 ASiC Smartchip™ Black (6,000 pages) 10 pack for use in HP® 3800, 3600, 3505

HP® 3800

14206 ASiC Smartchip™ Cyan (6,000 pages) for use in HP® 3800
 14207 ASiC Smartchip™ Magenta (6,000 pages) for use in HP® 3800
 14208 ASiC Smartchip™ Yellow (6,000 pages) for use in HP® 3800
 14678 ASiC Smartchip™ Cyan (6,000 pages) 10 pack for use in HP® 3800
 14679 ASiC Smartchip™ Magenta (6,000 pages) 10 pack for use in HP® 3800
 14680 ASiC Smartchip™ Yellow (6,000 pages) 10 pack for use in HP® 3800

As of June 2010

HP® 4000, 4100, 2100

14640 Doctor blade, 10 pack (poly urethane) 10 pack for use in HP® 4000, 4100, 2100 (new formulation 3/2010)

HP® 4200

14138 ASiC Smartchip™ Low Yield, 10 pack (12,000 pages) for use in HP® 4200

HP® 4200, 4300

14891 Mag roller Press hub for use in HP® 4200, 4300 (special order)

HP® 4200, 4250, 4300, 4350, 4345

14737 Black Mag roller sleeve (no hub and coating), 10 pack (special order) for use in HP® 4200, 4250, 4300, 4350, 4345

HP® 4250

14380 MICR™ toner, 510g for use in HP® 4250 (special order)

HP® 4250, 4350

14140 ASiC Smartchip™ Low Yield (10,000 pages), 10 pack for use in HP® 4250, 4350

14139 ASiC Smartchip™ High Yield (20,000 pages), 10 pack for use in HP® 4250, 4350

HP® 4250, 4350, 4345 MFP

14146 Jumbo Hopper, 1530g (sold 12/box) for use in HP® 4250, 4350, 4345 MFP (special order)

HP® 4300

14141 ASiC Smartchip™ High Yield (18,000 pages), 10 pack for use in HP® 4300

HP® 4345

14142 ASiC Smartchip™ Low Yield, 10 pack (18,000 pages) for use in HP® 4345

HP® 4700

14395 ASiC Smartchip™ Black (sold 5/pack) (11,000 pages) for use in HP® 4700

14394 ASiC Smartchip™ Cyan (sold 5/pack) (10,000 pages) for use in HP® 4700

14396 ASiC Smartchip™ Magenta (sold 5/pack) (11,000 pages) for use in HP® 4700

14397 ASiC Smartchip™ Yellow (sold 5/pack) (10,000 pages) for use in HP® 4700

14681 ASiC Smartchip™ Black (11,000 pages) 10 pack for use in HP® 4700

14682 ASiC Smartchip™ Cyan (10,000 pages) 10 pack for use in HP® 4700

14683 ASiC Smartchip™ Magenta (10,000 pages) 10 pack for use in HP® 4700

14684 ASiC Smartchip™ Yellow (10,000 pages) 10 pack for use in HP® 4700

HP® 4730

14171 ASiC Smartchip™ Black (12,000 pages) for use in HP® 4730

14176 ASiC Smartchip™ Cyan (12,000 pages) for use in HP® 4730

14398 ASiC Smartchip™ Magenta (12,000 pages) for use in HP® 4730

14399 ASiC Smartchip™ Yellow (12,000 pages) for use in HP® 4730

14685 ASiC Smartchip™ Black (12,000 pages) 10 pack for use in HP® 4730

14686 ASiC Smartchip™ Cyan (12,000 pages) 10 pack for use in HP® 4730

14687 ASiC Smartchip™ Magenta (12,000 pages) 10 pack for use in HP® 4730

14688 ASiC Smartchip™ Yellow (12,000 pages) 10 pack for use in HP® 4730

HP® 5200

14144 ASiC Smartchip™, 10 pack (12,000 pages) for use in HP® 5200

HP® 8100

14890 Mag roller Press hub for use in HP® 8100 (special order)

HP® 9000, 9040, 9050

14860 Absolute Black™ toner 220lb (100 kg) barrel for use in HP® 9000, 9040, 9050

HP® 9500

14624 Smartchip™ Black drum unit for use in HP® 9500

14626 Smartchip™ Cyan drum unit for use in HP® 9500

14628 Smartchip™ Magenta drum unit for use in HP® 9500

14629 Smartchip™ Yellow drum unit for use in HP® 9500

HP® CP 1215, 1518, CM 1312 MFP

14148 ASiC Smartchip™ Black (2,200 pages) for use in HP® CP 1215, 1518, CM 1312 MFP

14150 ASiC Smartchip™ Cyan (1,400 pages) for use in HP® CP 1215, 1518, CM 1312 MFP

14151 ASiC Smartchip™ Magenta (1,400 pages) for use in HP® CP 1215, 1518, CM 1312 MFP

14155 ASiC Smartchip™ Yellow (1,400 pages) for use in HP® CP 1215, 1518, CM 1312 MFP

14077 Supply roller, 10 pack for use in HP® CP 1215, 1518, CM 1312 MFP (under development)

As of June 2010

HP® CP 2020, 2025, CM 2320 MFP

- 14156 ASiC Smartchip™ Black (3,500 pages) for use in HP® CP 2020, 2025, CM 2320 MFP
- 14157 ASiC Smartchip™ Cyan (2,800 pages) for use in HP® CP 2020, 2025, CM 2320 MFP
- 14159 ASiC Smartchip™ Magenta (2,800 pages) for use in HP® CP 2020, 2025, CM 2320 MFP
- 14160 ASiC Smartchip™ Yellow (2,800 pages) for use in HP® CP 2020, 2025, CM 2320 MFP

HP® CP 2025, CM 2320 MFP

- 14738 Jumbo hopper (85 gram load fill, unsealed) (sold 24/box) for use in HP® CP 2025, CM 2320 MFP
- 14739 Waste section (sold 24/box) for use in HP® CP 2025, CM 2320 MFP

HP® CP 3525, CM 3530 MFP

- 14795 X Generation™ Black toner 22lb (10kg) bag for use in HP® CP 3525, CM 3530 MFP
- 14796 X Generation™ Cyan toner 22lb (10kg) bag for use in HP® CP 3525, CM 3530 MFP
- 14797 X Generation™ Magenta toner 22lb (10kg) bag for use in HP® CP 3525, CM 3530 MFP
- 14798 X Generation™ Yellow toner 22lb (10kg) bag for use in HP® CP 3525, CM 3530 MFP
- 14480 ASiC Smartchip™ Black (CE250X) (10,500 pages) for use in HP® CP 3525, CM 3530 MFP
- 14182 ASiC Smartchip™ Black (CE250A) (5,000 pages) for use in HP® CP 3525, CM 3530 MFP
- 14183 ASiC Smartchip™ Cyan (CE251A) (7,000 pages) for use in HP® CP 3525, CM 3530 MFP
- 14184 ASiC Smartchip™ Magenta (CE253A) (7,000 pages) for use in HP® CP 3525, CM 3530 MFP
- 14185 ASiC Smartchip™ Yellow, (CE252A) (7,000 pages) for use in HP® CP 3525, CM 3530 MFP
- 14503 Wiper blade, 10 pack for use in HP® CP 3525, CM 3530 MFP (under development)
- 14282 Cover shipping protector, 10 pack for use in HP® CP 3525, CM 3530 MFP

HP® CP 4005

- 14420 X Generation™ Black toner 22lb (10kg) bag for use in HP® CP 4005
- 14421 X Generation™ Cyan toner 22lb (10kg) bag for use in HP® CP 4005
- 14422 X Generation™ Magenta toner 22lb (10kg) bag for use in HP® CP 4005
- 14423 X Generation™ Yellow toner 22lb(10kgs) bag for use in HP® CP 4005
- 14240 ASiC Smartchip™ Black (7,500 pages) for use in HP® CP 4005
- 14241 ASiC Smartchip™ Cyan (7,500 pages) for use in HP® CP 4005
- 14242 ASiC Smartchip™ Magenta (7,500 pages) for use in HP® CP 4005
- 14243 ASiC Smartchip™ Yellow (7,500 pages) for use in HP® CP 4005

HP® M 5035, 5025

- 14799 ASiC Smartchip™ (15,000 pages), 10 pack for use in HP® M 5035, 5025

HP® P 1005, 1006

- 14233 ASiC Smartchip™, 10 pack (1,500 pages) for use in HP® P 1005, 1006

HP® P 1005, 1006, 1007

- 14707 X Generation™ toner 1kg for use in HP® P 1005, 1006, 1007 (special order)

HP® P 1007, 1008

- 14163 ASiC Smartchip™, 10 pack (1,500 pages) for use in HP® P 1007, 1008

HP® P 1005, 1006,1007, 1505

- 14364 Absolute Black™ toner 1 kg bottle for use in HP® P 1005, 1006,1007, 1505

HP® P 1102, M 1212

- 14837 Absolute Black™ toner 85g (1,600 pages) for use in HP® P 1102, M 1212
- 14836 ASiC Smartchip™(CE285A) (1,600 pages) 10 pack for use in HP® P 1102, M 1212

HP® P 1500, 1505

- 14894 Absolute MICR™ toner TBAg (2,000 pages) for use in HP® P 1500, 1505
- 14893 Absolute MICR™ toner 22lb (10kg) bag for use in HP® P 1500, 1505

HP® P 1505, M 1522

- 14168 ASiC Smartchip™ 10 pack (2,000 pages) for use in HP® P 1505, M 1522

HP® P 1606, 1566

- 14839 Absolute Black™ toner 110g (2,100 pages) for use in HP® P 1606, 1566
- 14838 ASiC Smartchip™ (CE278A) (2,100 pages) 10 pack for use in HP® P 1606, 1566

HP® P 2015

- 14732 Absolute Black™ toner 220 lb (100 kg) barrel for use in HP® P 2015 (03-2010 new formulation)
- 14162 Absolute Black™ toner 22 lb (10 kg) bag for use in HP® P 2015 (03-2010 new formulation)
- 14730 Absolute Black™ toner 320g (7,000 pages) for use in HP® P 2015 (03-2010 new formulation)
- 14729 Absolute Black™ toner 140g (3,000 pages) for use in HP® P 2015 (03-2010 new formulation)

HP® P 2015, M 2727

- 14169 ASiC Smartchip™ High Yield, 10 pack (7,000 pages) for use in HP® P 2015, M 2727
 14174 ASiC Smartchip™ Low Yield, 10 pack (3,000 pages) for use in HP® P 2015, M 2727

HP® P 2035, 2055

- 14385 Absolute Black™ toner 100g (2,300 pages) for use in HP® P 2035, 2055 (09/2009 formula)
 14113 Absolute MICR™ toner 121 lb (55kg) barrel for use in HP® P 2035, 2055 (special order)
 14281 Absolute MICR™ toner 22 lb (10 kg) bag for use in HP® P 2035, 2055 (special order)
 14112 Absolute MICR™ toner 330g (6,500 pages) for use in HP® P 2035, 2055
 14111 Absolute MICR™ toner 130g (2,300 pages) for use in HP® P 2035, 2055
 14104 Absolute Black™ toner 22 lb (10 kg) for use in HP® P 2035, 2055 (09/2009 formula)
 14234 ASiC Smartchip™ Low Yield, 10 pack (2,300 pages) for use in HP® P 2035, 2055
 14371 Mag roller sealing blade, 50 pack for use in HP® P 2035, 2055

HP® P 2055

- 14235 ASiC Smartchip™ High yield, 10 pack (6,500 pages) for use in HP® P 2055

HP® P 3005

- 14179 ASiC Smartchip™ Low Yield (6,500 pages), 10 pack for use in HP® P 3005
 14178 ASiC Smartchip™ High Yield (13,000 pages), 10 pack for use in HP® P 3005

HP® P 3015

- 14643 Absolute MICR™ toner, 22lb (10kg) bag for use in HP® P 3015
 14644 Absolute MICR™ toner, 590g for use in HP® P 3015
 14645 Absolute MICR™ toner 325g for use in HP® P 3015
 14438 Absolute Black™ toner 22 lb (10 kg) bag for use in HP® P 3015
 14440 Absolute Black™ toner 220 lb (100 kg) barrel for use in HP® P 3015
 14434 Absolute Black™ toner 295g (6,000 pages) for use in HP® P 3015
 14435 Absolute Black™ toner 590g (12,500 pages) for use in HP® P 3015
 14436 ASiC Smartchip™ (12,500 pages), 10 pack for use in HP® P 3015
 14437 ASiC Smartchip™ (6,000 pages), 10 pack for use in HP® P 3015
 14451 SuMMiT™ OPC drum (sold 5/pack) for use in HP® P 3015
 14450 Unidrum™ OPC drum for use in HP® P 3015 (under development)
 14562 Jumbo Hopper with seal (sold 24/box) (end cap w/gear required) for use in HP® P 3015
 14563 Right End cap with gear, 10 pack for use in HP® P 3015

HP® P 4014, 4015, 4515, 4100

- 14115 Wiper blade, 10 pack for use in HP® P 4014, 4015, 4515, 4100 (8/2009 formulation)

HP® P 4014, 4015, 4515

- 14181 ASiC Smartchip™ Low Yield, 10 pack (10,000 pages) for use in HP® P 4014, 4015, 4515

HP® P 4015, 4515

- 14180 ASiC Smartchip™ High Yield, 10 pack (24,000 pages) for use in HP® P 4015, 4515

IBM®**IBM® Infoprint 1585**

- 14469 Absolute Black™ toner 650g for use in IBM® Infoprint 1585
 14473 Absolute Black™ developer for drum unit (75P6878) (60,000 pages) for use in IBM® Infoprint 1585
 14472 Unidrum™ OPC with gears (75P6878) (60,000 pages) for use in IBM® Infoprint 1585
 14471 Smartchip™ drum unit (75P6878) (60,000 pages) for use in IBM® Infoprint 1585 (under final test)
 14470 Smartchip™ toner (75P6877) (30,000 pages) for use in IBM® Infoprint 1585
 14557 Developer unit seal, 50 pack for use in IBM® Infoprint 1585
 14474 Wiper blade, 10 pack (75P6878) (60,000 pages) for use in IBM® Infoprint 1585

IBM® Infoprint Color 534, 1614, 1634

- 14068 IBM® Infoprint Color 534, 1614, 1634 (see Lexmark® C 520, 522, 530, 532, 534)

Konica Minolta®**Konica Minolta® Magicolor 4650, 4690, 4695**

- 14603 Absolute Black™ toner 22lb (10kg) bag for use in Konica Minolta® Magicolor 4650, 4690, 4695
 14604 Absolute Cyan™ toner 22lb (10kg) bag for use in Konica Minolta® Magicolor 4650, 4690, 4695
 14605 Absolute Magenta™ toner 22lb (10kg) bag for use in Konica Minolta® Magicolor 4650, 4690, 4695
 14606 Absolute Yellow™ toner 22lb (10kg) bag for use in Konica Minolta® Magicolor 4650, 4690, 4695
 14086 Absolute Black™ toner (8,000 pages) for use in Konica Minolta® Magicolor 4650, 4690, 4695
 14546 Absolute Cyan™ toner (8,000 pages) for use in Konica Minolta® Magicolor 4650, 4690, 4695
 14087 Absolute Cyan™ toner 120g (4,000 pages) for use in Konica Minolta® Magicolor 4650, 4690, 4695
 14547 Absolute Magenta™ toner (8,000 pages) for use in Konica Minolta® Magicolor 4650, 4690, 4695

As of June 2010

14088 Absolute Magenta™ toner 120g (4,000 pages) for use in Konica Minolta® Magicolor 4650, 4690, 4695
 14548 Absolute Yellow™ toner (8,000 pages) for use in Konica Minolta® Magicolor 4650, 4690, 4695
 14089 Absolute Yellow™ toner 120g (4,000 pages) for use in Konica Minolta® Magicolor 4650, 4690, 4695
 14069 Smartchip™ Black (A0DK132) (USA) (8,000 pages) for use in Konica Minolta® Magicolor 4650, 4690, 4695
 14070 Smartchip™ Cyan (A0DK432) (USA) (8,000 pages) for use in Konica Minolta® Magicolor 4650, 4690, 4695
 14071 Smartchip™ Magenta (A0DK332) (USA) (8,000 pages) for use in Konica Minolta® Magicolor 4650, 4690, 4695
 14072 Smartchip™ Yellow (A0DK232) (USA) (8,000 pages) for use in Konica Minolta® Magicolor 4650, 4690, 4695
 14381 Smartchip™ Black (A0DK152) (Europe) (8,000 pages) for use in Konica Minolta® Magicolor 4650, 4690, 4695
 14382 Smartchip™ Cyan (A0DK432) (Europe) (8,000 pages) for use in Konica Minolta® Magicolor 4650, 4690, 4695
 14383 Smartchip™ Magenta (A0DK352) (Europe) (8,000 pages) for use in Konica Minolta® Magicolor 4650, 4690, 4695
 14384 Smartchip™ Yellow (A0DK252) (Europe) (8,000 pages) for use in Konica Minolta® Magicolor 4650, 4690, 4695
 14555 End cap, 10 pack for use in Konica Minolta® Magicolor 4650, 4690, 4695

Konica Minolta® Magicolor 8650

14096 Smartchip™ Black (A0D7133) (USA) (26,000 pages) for use in Konica Minolta® Magicolor 8650 (under development)
 14097 Smartchip™ Cyan (A0D7433) (USA) (20,000 pages) for use in Konica Minolta® Magicolor 8650 (under development)
 14098 Smartchip™ Magenta (A0D7333) (USA) (20,000 pages) for use in Konica Minolta® Magicolor 8650 (under development)
 14099 Smartchip™ Yellow (A0D7233) (USA) (20,000 pages) for use in Konica Minolta® Magicolor 8650 (under development)

Minolta® MC 1600, 1650, 1680 MF, 1690 MF

14244 Absolute Black™ toner TBAg (2,500 pages) for use in Minolta® MC 1600, 1650, 1680 MF, 1690 MF (under development)
 14245 Absolute Cyan™ toner TBAg (2,500 pages) for use in Minolta® MC 1600, 1650, 1680 MF, 1690 MF (under development)
 14246 Absolute Magenta™ toner TBAg (2,500 pages) for use in Minolta® MC 1600, 1650, 1680 MF, 1690 MF (under development)
 14247 Absolute Yellow™ toner TBAg (2,500 pages) for use in Minolta® MC 1600, 1650, 1680 MF, 1690 MF (under development)
 14248 Smartchip™ Black (A0V301F) (2,500 pages) (US) for use in Minolta® MC 1600, 1650, 1680 MF, 1690 MF
 14249 Smartchip™ Cyan (A0V30HF) (2,500 pages) (US) for use in Minolta® MC 1600, 1650, 1680 MF, 1690 MF
 14250 Smartchip™ Magenta (A0V30CF) (2,500 pages) (US) for use in Minolta® MC 1600, 1650, 1680 MF, 1690 MF
 14251 Smartchip™ Yellow (A0V306F) (2,500 pages) (US) for use in Minolta® MC 1600, 1650, 1680 MF, 1690 MF
 14252 Smartchip™ Black (A0V301H) (2,500 pages) (Europe) for use in Minolta® MC 1600, 1650, 1680 MF, 1690 MF
 14253 Smartchip™ Cyan (A0V30HH) (2,500 pages) (Europe) for use in Minolta® MC 1600, 1650, 1680 MF, 1690 MF
 14254 Smartchip™ Magenta (A0V30CH) (2,500 pages) (Europe) for use in Minolta® MC 1600, 1650, 1680 MF, 1690 MF
 14255 Smartchip™ Yellow (A0V306H) (2,500 pages) (Europe) for use in Minolta® MC 1600, 1650, 1680 MF, 1690 MF
 14552 Developer roller cover, 10 pack for use in Minolta® MC 1600, 1650, 1680 MF, 1690 MF

Minolta® MC 2400, 2430, 2450, 2480

14482 Absolute Black™ toner 100g for use in Minolta® MC 2400, 2430, 2450, 2480 (special order)
 14483 Absolute Cyan™ toner 100g for use in Minolta® MC 2400, 2430, 2450, 2480 (special order)
 14484 Absolute Magenta™ toner 100g for use in Minolta® MC 2400, 2430, 2450, 2480 (special order)
 14485 Absolute Yellow™ toner 100g for use in Minolta® MC 2400, 2430, 2450, 2480 (special order)

Konica Minolta® Pagepro 4650 EN

14100 Absolute Black™ toner 780g (18,000 pages) for use in Konica Minolta® Pagepro 4650 EN
 14318 Unidrum™ OPC with gears for use in Konica Minolta® Pagepro 4650 EN
 14319 Doctor blade, 10 pack for use in Konica Minolta® Pagepro 4650 EN
 14320 Wiper blade, 10 pack for use in Konica Minolta® Pagepro 4650 EN
 14322 Smartchip™ (A0FN012) (18,000 pages) for use in Konica Minolta® Pagepro 4650 EN
 14323 PCR (recoated) roller, 10 pack for use in Konica Minolta® Pagepro 4650 EN (special order)

Konica Minolta® Pagepro 4650, 5650 EN

14324 Clearseal™ adhesive, 50 pack for use in Konica Minolta® Pagepro 4650, 5650 EN

Konica Minolta® Pagepro 5650 EN

14325 Absolute Black™ toner 820g (19,000 pages) for use in Konica Minolta® Pagepro 5650 EN
 14620 SuMMiT™ drum with gears and insert (sold 50/box) for use in Konica Minolta® Pagepro 5650 EN
 14326 Unidrum™ 1 gear only for use in Konica Minolta® Pagepro 5650 EN (special order)
 14327 Smartchip™ (A0FP012) (19,000 pages) for use in Konica Minolta® Pagepro 5650 EN

Kyocera®**Kyocera® TK 18 H, FS 1020**

14114 Drum gearless for use in Kyocera® TK 18 H, FS 1020 (special order)

Kyocera® TK 130 FS 1300

14366 Compatible toner cartridge (7,200 pages) (sold 10/box) for use in Kyocera® TK 130 FS 1300

Kyocera® TK 140, 142 FS 1100

14103 Compatible toner cartridge (4,000 pages) (sold 10/box) for use in Kyocera® TK 140, 142 FS 1100

Kyocera® TK 150, FS C 1020 MFP

14755 Smartchip™ Black toner (EU) (6,500 page) for use in Kyocera® TK 150, FS C 1020 MFP (Beta samples)

As of June 2010

- 14756 Smartchip™ Cyan toner (EU) (6,000 pages) for use in Kyocera® TK 150, FS C 1020 MFP (Beta samples)
 14757 Smartchip™ Magenta toner (EU) (6,000 pag) for use in Kyocera® TK 150, FS C 1020 MFP (Beta samples)
 14758 Smartchip™ Yellow toner (EU) (6,000 page) for use in Kyocera® TK 150, FS C 1020 MFP (Beta samples)

Kyocera® TK 152, 150, FS C 1020 MFP

- 14760 Absolute Black™ toner 200g (6,500 pages) for use in Kyocera® TK 152, 150, FS C 1020 MFP
 14761 Absolute Cyan™ toner 200g (6,000 pages) for use in Kyocera® TK 152, 150, FS C 1020 MFP
 14762 Absolute Magenta™ toner 200g (6,000 pages) for use in Kyocera® TK 152, 150, FS C 1020 MFP
 14763 Absolute Yellow™ toner 200g (6,000 pages) for use in Kyocera® TK 152, 150, FS C 1020 MFP
 14774 Unidrum™ gearless for use in Kyocera® TK 152, 150, FS C 1020 MFP
 14751 Smartchip™ Black toner (US) (6,500 pages) for use in Kyocera® TK 152, FS C 1020 MFP
 14752 Smartchip™ Cyan toner (US) (6,000 pages) for use in Kyocera® TK 152, FS C 1020 MFP
 14753 Smartchip™ Magenta toner (US) (6,000 pages) for use in Kyocera® TK 152, FS C 1020 MFP
 14754 Smartchip™ Yellow toner (US) (6,000 pages) for use in Kyocera® TK 152, FS C 1020 MFP

Kyocera® TK 332, 330, FS 4000

- 14058 Absolute Black™ toner 465g for use in Kyocera® TK 332, 330, FS 4000 (special order, K customer)

Kyocera® TK 340, 342, FS 2020

- 14585 Absolute Black™ toner 450g for use in Kyocera® TK 340, 342, FS 2020

Kyocera® TK 350, 352, FS 3920

- 14808 Absolute Black™ toner 22lb (10kg) bag for use in Kyocera® TK 350, 352, FS 3920
 14586 Absolute Black™ toner 560g for use in Kyocera® TK 350, 352, FS 3920

Kyocera® TK 360, FS 4020

- 14802 Compatible toner cartridge for use in Kyocera® TK 360, FS 4020 (special order)
 14522 Smartchip (20,000 pages) for use in Kyocera® TK 360, FS 4020

Kyocera® TK 360, 362, 364, FS 4020

- 14641 Absolute Black™ toner 22 lb (10kg) bag for use in Kyocera® TK 360, 362, 364, FS 4020
 14536 Absolute Black™ toner 760g for use in Kyocera® TK 360, 362, 364, FS 4020
 14735 Empty toner cartridge for use in Kyocera® TK 360, 362, 364, FS 4020 (special order)

Kyocera® TK 712, FS 9530, 9130

- 14432 Smartchip™ for use in Kyocera® TK 712, FS 9530, 9130 (special order)

Lexmark®**Lexmark 4059, Optra S**

- 14906 Absolute MICR™ (for checks) toner 121 lb (55 kg) barrel for use in Lexmark 4059, Optra S (special order)

Lexmark® C 520, 522, 524, 530, 532, 534

- 14424 X Generation™ Black™ toner (8,000 pages) for use in Lexmark® C 520, 522, 524, 530, 532, 534
 14120 Developer roller cover, 10 pack for use in Lexmark® C 520, 522, 524, 530, 532, 534

Lexmark® C 752, 760, 780, 782, X 782

- 14642 Shipping lock set, 10 sets for use in Lexmark® C 752, 760, 780, 782, X 782

Lexmark® C 770, 772, 780, 782

- 14515 Absolute Black™ toner 22lb (10kg) bag for use in Lexmark® C 770, 772, 780, 782
 14516 Absolute Cyan™ toner 22lb (10kg) bag for use in Lexmark® C 770, 772, 780, 782
 14517 Absolute Magenta™ toner 22lb (10kg) bag for use in Lexmark® C 770, 772, 780, 782
 14518 Absolute Yellow™ toner 22lb (10kg) bag for use in Lexmark® C 770, 772, 780, 782
 14053 Smartchip™ Black (10,000 pages) for use in Lexmark® C 770, 772, 780, 782 (under development)
 14054 Smartchip™ Cyan (10,000 pages) for use in Lexmark® C 770, 772, 780, 782 (under development)
 14055 Smartchip™ Magenta (10,000 pages) for use in Lexmark® C 770, 772, 780, 782 (under development)
 14056 Smartchip™ Yellow (10,000 pages) for use in Lexmark® C 770, 772, 780, 782 (under development)

Lexmark® C 772, 780, 782

- 14059 Absolute Black™ toner (16,500 pages) for use in Lexmark® C 772, 780, 782
 14057 Absolute Cyan™ toner (16,500 pages) for use in Lexmark® C 772, 780, 782
 14060 Absolute Magenta™ toner (16,500 pages) for use in Lexmark® C 772, 780, 782
 14061 Absolute Yellow™ toner (16,500 pages) for use in Lexmark® C 772, 780, 782

Lexmark® C 780, 782, X 782

- 14062 Smartchip™ Black (16,500 pages) for use in Lexmark® C 780, 782, X 782
 14063 Smartchip™ Cyan (16,500 pages) for use in Lexmark® C 780, 782, X 782
 14064 Smartchip™ Magenta (16,500 pages) for use in Lexmark® C 780, 782, X 782
 14065 Smartchip™ Yellow (16,500 pages) for use in Lexmark® C 780, 782, X 782

As of June 2010

Lexmark® C 935, 930

- 14441 Smartchip™ Cyan drum unit for use in Lexmark® C 935, 930
 14442 Smartchip™ Magenta drum unit for use in Lexmark® C 935, 930
 14443 Smartchip™ Yellow drum unit for use in Lexmark® C 935, 930

Lexmark® E 120

- 14549 Superchip™ Low Yield® (2,000 pages) (Worldwide) for use in Lexmark® E 120

Lexmark® E 330, 340

- 14132 Smartchip™ MICR (4,700 pages) (Worldwide) for use in Lexmark® E 330, 340

Lexmark® E 360

- 14043 Absolute Black™ toner 250g (9,000 pages) for use in Lexmark® E 360
 14044 Smartchip™ toner (9,000 pages) for use in Lexmark® E 360 (under development)

Lexmark® E 450, 350, 250

- 14126 Superchip™ Universal (9,000 pages) (Worldwide) for use in Lexmark® E 450, 350, 250
 14127 Superchip™ Universal (6,000 pages) (Worldwide) for use in Lexmark® E 450, 350, 250
 14128 Superchip™ Universal (3,500 pages) (Worldwide) for use in Lexmark® E 450, 350, 250
 14845 Superchip™ Universal (11,000 pages) (Europe, Middle East & Africa) for use in Lexmark® E 450, 350, 250
 14851 Superchip™ Universal (9,000 pages) (Europe, Middle East & Africa) for use in Lexmark® E 450, 350, 250
 14854 Superchip™ Universal (6,000 pages) (Europe, Middle East & Africa) for use in Lexmark® E 450, 350, 250
 14848 Superchip™ Universal (3,500 pages) (Europe, Middle East & Africa) for use in Lexmark® E 450, 350, 250
 14846 Superchip™ Universal (11,000 pages) (Latin America) for use in Lexmark® E 450, 350, 250
 14852 Superchip™ Universal (9,000 pages) (Latin America) for use in Lexmark® E 450, 350, 250
 14855 Superchip™ Universal (6,000 pages) (Latin America) for use in Lexmark® E 450, 350, 250
 14849 Superchip™ Universal (3,500 pages) (Latin America) for use in Lexmark® E 450, 350, 250
 14847 Superchip™ Universal (11,000 pages) (Asia Pacific) for use in Lexmark® E 450, 350, 250
 14853 Superchip™ Universal (9,000 pages) (Asia Pacific) for use in Lexmark® E 450, 350, 250
 14856 Superchip™ Universal (6,000 pages) (Asia Pacific) for use in Lexmark® E 450, 350, 250
 14850 Superchip™ Universal (3,500 pages) (Asia Pacific) for use in Lexmark® E 450, 350, 250

Lexmark® E 460, 360, 260

- 14045 Absolute Black™ toner 95g (3,500 pages) for use in Lexmark® E 460, 360, 260
 14046 Superchip™ Universal (3,500 pages) for use in Lexmark® E 460, 360, 260 (under development)
 14041 Doctor bar, 10 pack for use in Lexmark® E 460, 360, 260 (under development)
 14042 Smartchip™ toner (15,000 pages) for use in Lexmark® E 460 (under development)

Lexmark® E/X 230, 232, 240, 330, 332, 340, 342, 203, 204

- 14857 Superchip™ (2,500 pages) (Europe, ME & Africa) for use in Lexmark® E/X 230, 232, 240, 330, 332, 340, 342, 203, 204
 14858 Superchip™ (2,500 pages) (Latin America) for use in Lexmark® E/X 230, 232, 240, 330, 332, 340, 342, 203, 204
 14859 Superchip™ (2,500 pages) (Asia Pacific) for use in Lexmark® E/X 230, 232, 240, 330, 332, 340, 342, 203, 204

Lexmark® E/X 330, 332, 340, 342, 203, 204

- 14841 Superchip™ Universal (6,000 pages) (Europe, ME & Africa) for use in Lexmark® E/X 330, 332, 340, 342, 203, 204
 14842 Superchip™ Universal (6,000 pages) (Latin America) for use in Lexmark® E/X 330, 332, 340, 342, 203, 204
 14843 Superchip™ Universal (6,000 pages) (Asia Pacific) for use in Lexmark® E/X 330, 332, 340, 342, 203, 204

Lexmark® Optra E 321

- 14129 Smartchip™ MICR (3,250 pages) (Worldwide) for use in Lexmark® Optra E 321

Lexmark® Optra T 610, 611, 612, 614, 616, SE

- 14711 Superchip™ (25,000 pages) for use in Lexmark® Optra T 610, 611, 612, 614, 616, SE

Lexmark® Optra W 840

- 14559 Developer unit seal, 50 pack for use in Lexmark® Optra W 840

Lexmark® T 430

- 14131 Smartchip™ MICR (8,000 pages) (Worldwide) for use in Lexmark® T 430

Lexmark® T 520, 522

- 14118 Smartchip™ MICR (15,000 pages) (Worldwide) for use in Lexmark® T 520, 522

Lexmark® T 630, 632, 634

- 14827 Smartchip™ 10 pack for use in Lexmark® T 630, 632, 634 (Dell 5200, 5300, IBM® 1332, 1352, 1372 engine)
 14828 Smartchip™ 21,000 pages (Europe, Middle East & Africa) for use in Lexmark® T 630, 632, 634

Lexmark® T 640, 642, 644

- 14903 X Generation™ Black™ toner 154 lb (70 kg) barrel for use in Lexmark® T 640, 642, 644
 14566 Absolute Black™ toner 1kg for use in Lexmark® T 640, 642, 644 (special order)

As of June 2010

- 14119 Absolute MICR™ toner 22lb (10kg) bag for use in Lexmark® T 640, 642, 644 (special order)
 14824 Smartchip™ Jumbo (60,000 pages) (Worldwide) for use in Lexmark® T 640, 642, 644
 14825 Smartchip™ (32,000 pages) (Europe) for use in Lexmark® T 640, 642, 644
 14826 Smartchip™ (32,000 pages) (Latin America) for use in Lexmark® T 640, 642, 644

Lexmark® T 650, 652, 654

- 14303 Shipping lock, 10 pack for use in Lexmark® T 650, 652, 654

Lexmark® T/X 646, 640, 630, 620, 520

- 14829 Smartchip™ Universal High Yield (Europe, Middle East & Africa) for use in Lexmark® T/X 646, 640, 630, 620, 520
 14830 Smartchip™ Universal High Yield (Latin America) for use in Lexmark® T/X 646, 640, 630, 620, 520
 14831 Smartchip™ Universal High Yield (Asia Pacific) for use in Lexmark® T/X 646, 640, 630, 620, 520

Lexmark® T/X 646, 640, 630

- 14832 Smartchip™ Universal Extra High Yield (Europe, Middle East & Africa) for use in Lexmark® T/X 646, 640, 630
 14833 Smartchip™ Universal Extra High Yield (Latin America) for use in Lexmark® T/X 646, 640, 630
 14834 Smartchip™ Universal Extra High Yield (Asia Pacific) for use in Lexmark® T/X 646, 640, 630

Lexmark® W 840

- 14265 Developer for drum unit for use in Lexmark® W 840 (special order)

Lexmark® W 850dn

- 14590 Developer unit seal, 50 pack for use in Lexmark® W 850dn

Lexmark® X 560n

- 14049 SuMMiT™ OPC drum with gears for use in Lexmark® X 560n
 14125 OPC drum cover, 10 pack for use in Lexmark® X 560n

Lexmark® X 850, 852, 854

- 14592 Developer unit seal, 50 pack for use in Lexmark® X 850, 852, 854

Muratec®**Muratec® MFX C 2500**

- 14270 Absolute Black™ toner 165g (5,500 pages) for use in Muratec® MFX C 2500
 14272 Absolute Cyan™ toner 165g (5,000 pages) for use in Muratec® MFX C 2500
 14273 Absolute Magenta™ toner 165g (5,000 pages) for use in Muratec® MFX C 2500
 14274 Absolute Yellow™ toner 165g (5,000 pages) for use in Muratec® MFX C 2500
 14279 Unidrum™ OPC gearless for use in Muratec® MFX C 2500
 14275 Smartchip™ Black (5,500 pages) for use in Muratec® MFX C 2500 (under development)
 14276 Smartchip™ Cyan (5,000 pages) for use in Muratec® MFX C 2500 (under development)
 14277 Smartchip™ Magenta (5,000 pages) for use in Muratec® MFX C 2500 (under development)
 14278 Smartchip™ Yellow (5,000 pages) for use in Muratec® MFX C 2500 (under development)
 14280 PCR roller, 9 pack for use in Muratec® MFX C 2500

Muratec® MFX C 3400

- 14328 Absolute Black™ toner TBAg (9,500 pages) for use in Muratec® MFX C 3400 (under development)
 14329 Absolute Cyan™ toner TBAg (10,000 pages) for use in Muratec® MFX C 3400 (under development)
 14330 Absolute Magenta™ toner TBAg (10,000 pages) for use in Muratec® MFX C 3400 (under development)
 14331 Absolute Yellow™ toner TBAg (10,000 pages) for use in Muratec® MFX C 3400 (under development)
 14332 Smartchip™ Black toner (TS3499K) (9,500 pages) for use in Muratec® MFX C 3400 (under development)
 14333 Smartchip™ Cyan toner (TS3400C) (10,000 pages) for use in Muratec® MFX C 3400 (under development)
 14334 Smartchip™ Magenta toner (TS3400M) (10,000 pages) for use in Muratec® MFX C 3400 (under development)
 14335 Smartchip™ Yellow toner (TS3400Y) (10,000 pages) (under development) for use in Muratec® MFX C 3400

Okidata®**Okidata® B 410, 420, 430**

- 14905 Absolute Black™ toner 22lb (10kg) bag for use in Okidata® B 410, 420, 430
 14283 Absolute Black™ toner 75g (3,500 pages) for use in Okidata® B 410, 420, 430
 14284 Unidrum™ OPC (25,000 pages) for use in Okidata® B 410, 420, 430 (under development)
 14286 Smartchip™ (3,500 pages) (43979101) (USA) for use in Okidata® B 410, 420, 430
 14388 Smartchip™ (3,500 pages) (43979102) (Europe) for use in Okidata® B 410, 420, 430

Okidata® B 420

- 14387 Absolute Black™ toner 210g (10,000 pages) (see instructions) for use in Okidata® B 420
 14391 Smartchip™ (10,000 pages) (43979206) (USA) for use in Okidata® B 420
 14392 Smartchip™ (10,000 pages) (43979207) (Europe)(43979206) (USA) for use in Okidata® B 420

Okidata® B 420 dn

14285 Absolute Black™ toner 210g (10,000 pages) (duplicate) for use in Okidata® B 420 dn

Okidata® B 420, 430

14386 Absolute Black™ toner 145g (7,000 pages) (see instructions) for use in Okidata® B 420, 430
 14389 Smartchip™ (7,000 pages) (43979201) (USA) for use in Okidata® B 420, 430
 14390 Smartchip™ (7,000 pages) (43979202) (Europe) for use in Okidata® B 420, 430
 14287 Smartchip™ (7,000 pages) for use in Okidata® B 420, 430 (under development)

Okidata® B 2500, 2520, 2540

14489 Absolute Black™ toner 22lb (10kg) bag for use in Okidata® B 2500, 2520, 2540

Okidata® B 4300, 4250, 4200, 4100, 4000

14299 Drum unit toner sealing cover, 10 pack for use in Okidata® B 4300, 4250, 4200, 4100, 4000

Okidata® B 4545 MFP

14727 Smartchip™ toner reset card (52116101) 6,000 pages (U.S.) for use in Okidata® B 4545 MFP

Okidata® B 4600, 4500, 4400

14792 Smartchip™ toner (OEM 43502003) (3,000 pages) (Australia) for use in Okidata® B 4600, 4500, 4400

Okidata® C 3600, 3400, 3300, MC 360

14306 Drum unit toner sealing cover, 10 pack for use in Okidata® C 3600, 3400, 3300, MC 360 (under development)

Okidata® C 3600, 3530, 3400, 3450, 3300, MC 360

14496 Absolute Black™ glossy toner 22lb (10kgs) bag for use in Okidata® C 3600, 3530, 3400, 3450, 3300, MC 360
 14497 Absolute Cyan™ glossy toner 22lb (10kgs) bag for use in Okidata® C 3600, 3530, 3400, 3450, 3300, MC 360
 14498 Absolute Magenta™ glossy toner 22lb (10kg) bag for use in Okidata® C 3600, 3530, 3400, 3450, 3300, MC 360
 14499 Absolute Yellow™ glossy toner 22lb (10kg) bag for use in Okidata® C 3600, 3530, 3400, 3450, 3300, MC 360

Okidata® C 5100, 5200, 5250 5300, 5400, 5450

14301 Drum unit toner sealing cover, 10 pack for use in Okidata® C 5100, 5200, 5250 5300, 5400, 5450

Okidata® C 6050, 6051, 6150, CX 2033 MFP

14220 Absolute Black™ toner (8,000 pages) for use in Okidata® C 6050, 6051, 6150, CX 2033 MFP
 14221 Absolute Cyan™ toner (6,000 pages) for use in Okidata® C 6050, 6051, 6150, CX 2033 MFP
 14222 Absolute Magenta™ toner (6,000 pages) for use in Okidata® C 6050, 6051, 6150, CX 2033 MFP
 14223 Absolute Yellow™ toner (6,000 pages) for use in Okidata® C 6050, 6051, 6150, CX 2033 MFP

Okidata® C 7000, 7300, 7500

14296 Drum unit toner sealing cover, 10 pack for use in Okidata® C 7000, 7300, 7500

Okidata® C 9000, 9100, 9200, 9300, 9400, 9500

14564 Drum cover, 10 pack for use in Okidata® C 9000, 9100, 9200, 9300, 9400, 9500

Okidata® C 9600, 9800

14576 Absolute Black™ glossy toner 1kg for use in Okidata® C 9600, 9800 (special order)
 14582 Absolute Cyan™ glossy toner 1kg for use in Okidata® C 9600, 9800 (special order)
 14578 Absolute Magenta™ glossy toner 1kg for use in Okidata® C 9600, 9800 (special order)
 14579 Absolute Yellow™ glossy toner 1kg for use in Okidata® C 9600, 9800 (special order)
 14307 Drum unit toner sealing cover, 10 pack for use in Okidata® C 9600, 9800 (under development) (special order)

Okidata® CX 2032

14215 Smartchip™ Black toner (43324477) (6,000 pages) (US region) for use in Okidata® CX 2032
 14216 Smartchip™ Cyan toner (43324476) (5,000 pages) (US region) for use in Okidata® CX 2032
 14217 Smartchip™ Magenta toner (43324475) (5,000 pages) (US region) for use in Okidata® CX 2032
 14218 Smartchip™ Yellow toner (43324474) (5,000 pages) (US region) for use in Okidata® CX 2032

Okidata® CX 2033 MFP

14224 Smartchip™ Black toner (43865768) (8,000 pages) (US region) for use in Okidata® CX 2033 MFP
 14225 Smartchip™ Cyan toner (43865719) (6,000 pages) (US region) for use in Okidata® CX 2033 MFP
 14226 Smartchip™ Magenta toner (43865718) (6,000 pages) (US region) for use in Okidata® CX 2033 MFP
 14227 Smartchip™ Yellow toner (43865717) (6,000 pages) (US region) for use in Okidata® CX 2033 MFP
 14228 Smartchip™ Black drum (56121104) (20,000 pages) (US region) for use in Okidata® CX 2033 MFP (under development)
 14229 Smartchip™ Cyan drum (56121103) (20,000 pages) (US region) for use in Okidata® CX 2033 MFP (under development)
 14230 Smartchip™ Magenta drum (56121102) (20,000 pages) (US region) for use in Okidata® CX 2033 MFP (under development)
 14231 Smartchip™ Yellow drum (56121103) (20,000 pages) (US region) for use in Okidata® CX 2033 MFP (under development)
 14232 Unidrum™ with gears (20,000 pages) for use in Okidata® CX 2033 MFP (under development)

Okidata® CX 2366

- 14336 Absolute Black™ toner TBAg (9,000 pages) for use in Okidata® CX 2366 (under development)
- 14337 Absolute Cyan™ toner TBAg (9,000 pages) for use in Okidata® CX 2366 (under development)
- 14338 Absolute Magenta™ toner TBAg (9,000 pages) for use in Okidata® CX 2366 (under development)
- 14339 Absolute Yellow™ toner TBAg (9,000 pages) for use in Okidata® CX 2366 (under development)
- 14340 Smartchip™ Black toner (44059236) (9,000 pages) for use in Okidata® CX 2366 (under development)
- 14341 Smartchip™ Cyan toner (44059235) (9,000 pages) for use in Okidata® CX 2366 (under development)
- 14342 Smartchip™ Magenta toner (44059234) (9,000 pages) for use in Okidata® CX 2366 (under development)
- 14343 Smartchip™ Yellow toner (44059233) (9,000 pages) for use in Okidata® CX 2366 (under development)

Okidata® MB 260, 280, 290

- 14601 Absolute black toner 175g for use in Okidata® MB 260, 280, 290
- 14602 Unidrum™ gearless for use in Okidata® MB 260, 280, 290 (special order)

Okidata® MB 260, 280, 290 MFP

- 14289 Absolute Black™ toner TBAg (3,000 pages) for use in Okidata® MB 260, 280, 290 MFP (under development)
- 14600 Smartercard™ reset smartchip (5,500 pages) for use in Okidata® MB 260, 280, 290 MFP
- 14288 Smartchip™ reset card (56123401) 3,000 pages (US) for use in Okidata® MB 260, 280, 290 MFP (under development)

Okidata® MC 160 MFP

- 14568 Absolute Black™ toner TBAg (2,500 pages) for use in Okidata® MC 160 MFP (under development)
- 14569 Absolute Cyan™ toner TBAg (2,500 pages) for use in Okidata® MC 160 MFP (under development)
- 14570 Absolute Magenta™ toner TBAg (2,500 pages) for use in Okidata® MC 160 MFP (under development)
- 14571 Absolute Yellow™ toner TBAg (2,500 pages) for use in Okidata® MC 160 MFP (under development)
- 14572 Smartchip™ Black (44250716) (2,500 pages) (US) for use in Okidata® MC 160 MFP
- 14573 Smartchip™ Cyan (44250715) (2,500 pages) (US) for use in Okidata® MC 160 MFP
- 14574 Smartchip™ Magenta (44250714) (2,500 pages) (US) for use in Okidata® MC 160 MFP
- 14575 Smartchip™ Yellow (44250713) (2,500 pages) (US) for use in Okidata® MC 160 MFP
- 14581 Developer roller cover, 10 pack for use in Okidata® MC 160 MFP

Okidata® MC 860

- 14310 Absolute Black™ toner TBAg (9,500 pages) for use in Okidata® MC 860 (under development)
- 14311 Absolute Cyan™ toner TBAg (10,000 pages) for use in Okidata® MC 860 (under development)
- 14312 Absolute Magenta™ toner TBAg (10,000 pages) for use in Okidata® MC 860 (under development)
- 14313 Absolute Yellow™ toner TBAg (10,000 pages) for use in Okidata® MC 860 (under development)
- 14314 Smartchip™ Black toner (44059216) (9,500 pages) for use in Okidata® MC 860 (under development)
- 14315 Smartchip™ Cyan toner (44059215) (10,000 pages) for use in Okidata® MC 860 (under development)
- 14316 Smartchip™ Magenta toner (44059214) (10,000 pages) for use in Okidata® MC 860 (under development)
- 14317 Smartchip™ Yellow toner (44059213) (10,000 pages) for use in Okidata® MC 860 (under development)

Panasonic®**Panasonic® KX CL 500, 510, 550**

- 14525 Absolute Black™ toner 22lb (10kg) bag for use in Panasonic® KX CL 500, 510, 550
- 14526 Absolute Cyan™ toner 22lb (10kg) bag for use in Panasonic® KX CL 500, 510, 550
- 14527 Absolute Magenta™ toner 22lb (10kg) bag for use in Panasonic® KX CL 500, 510, 550
- 14528 Absolute Yellow™ toner 22lb (10kg) bag for use in Panasonic® KX CL 500, 510, 550

Panasonic® UF 9000, 8000, 7000, UG 5530, 5540

- 14731 Common top for use in Panasonic® UF 9000, 8000, 7000, UG 5530, 5540 (special order)

Philips®**Philips® LaserFax MFD 6020, 6050, 6080**

- 14481 Absolute Black™ toner 175g (5,500 pages) for use in Philips® LaserFax MFD 6020, 6050, 6080
- 14892 Smartercard™ toner (PFA821) (3,000 pages) for use in Philips® Laserfax MFD 6020, 6050, 6080
- 14535 Smartercard™ reset smartchip (PFA822) (5,500 pages) for use in Philips® Laserfax MFD 6020, 6050, 6080 (special order)

Philips® Magic 3

- 14714 Smartercard™ reset smartchip (140 pages) for use in Philips® Magic 3

Philips® Magic 5

- 14822 Smartercard™ reset smartchip (140 pages) for use in Philips® Magic 5

Ricoh®**Ricoh Aficio® 1022, 2022, 2032, 3025, 3030**

- 14052 Compatible toner cartridge 360g, 6 pack for use in Ricoh Aficio® 1022, 2022, 2032, 3025, 3030 (special order)

Ricoh Aficio® 2035, 2045

14195 Wiper blade for use in Ricoh Aficio® 2035, 2045 (under development)

Ricoh Aficio® CL 4000, SPC 410, 411, Type 145

14594 Smartchip™ Black (Europe) for use in Ricoh Aficio® CL 4000, SPC 410, 411, Type 145
 14595 Smartchip™ Cyan (Europe) Ricoh Aficio® CL 4000, SPC 410, 411, Type 145
 14596 Smartchip™ Magenta (Europe) for use in Ricoh Aficio® CL 4000, SPC 410, 411, Type 145
 14597 Smartchip™ Yellow (Europe) for use in Ricoh Aficio® CL 4000, SPC 410, 411, Type 145

Ricoh Aficio® MP C 2000, 2500, 3000

14636 Absolute Cyan™ toner, 22lb (10kg) bag for use in Ricoh Aficio® MP C 2000, 2500, 3000

Ricoh Aficio® MP C 2000, 2500, 3000, 3500, 4500

14635 Absolute Black™ toner, 22lb (10kg) bag for use in Ricoh Aficio® MP C 2000, 2500, 3000, 3500, 4500
 14638 Absolute Magenta™ toner, 22lb (10kg) bag for use in Ricoh Aficio® MP C 2000, 2500, 3000 3500, 4500
 14639 Absolute Yellow™ toner, 22lb (10kg) bag for use in Ricoh Aficio® MP C 2000, 2500, 3000 3500, 4500
 14712 Absolute Cyan™ compatible toner cartridge (special order) for use in Ricoh Aficio® MP C 3500, 4500
 14637 Absolute Cyan™ toner, 22lb (10kg) bag for use in Ricoh Aficio® MP C 3500, 4500
 14630 Absolute Cyan™ toner 400g for use in Ricoh Aficio® MP C 3500, 4500
 14631 Smartchip™ Black (23,000 pages) for use in Ricoh Aficio® MP C 3500, 4500
 14632 Smartchip™ Cyan (17,000 pages) for use in Ricoh Aficio® MP C 3500, 4500
 14633 Smartchip™ Magenta (17,000 pages) for use in Ricoh Aficio® MP C 3500, 4500
 14634 Smartchip™ Yellow (17,000 pages) for use in Ricoh Aficio® MP C 3500, 4500

Ricoh Aficio® SP 3300

14817 Absolute Black™ toner 145g (5,000 pages) for use in Ricoh Aficio® SP 3300
 14818 Smartchip™ (406212) (US) (5,000 pages) for use in Ricoh Aficio® SP 3300 (under development)
 14819 Unidrum™ with gears for use in Ricoh Aficio® SP 3300
 14820 Wiper blade for use in Ricoh Aficio® SP 3300, 10 pack
 14821 PCR roller for use in Ricoh Aficio® SP 3300, 10 pack

Ricoh Aficio® SP C 310, 311, 312

14765 Absolute Black™ toner 200g (6,500 pages) for use in Ricoh Aficio® SP C 310, 311, 312
 14766 Absolute Cyan™ toner 200g (6,000 pages) for use in Ricoh Aficio® SP C 310, 311, 312
 14767 Absolute Magenta™ toner 200g (6,000 pages) for use in Ricoh Aficio® SP C 310, 311, 312
 14768 Absolute Yellow™ toner 200g (6,000 pages) for use in Ricoh Aficio® SP C 310, 311, 312
 14769 Smartchip™ Black toner (US) (6,500 pages) for use in Ricoh Aficio® SP C 310, 311, 312
 14770 Smartchip™ Cyan toner (US) (6,000 pages) for use in Ricoh Aficio® SP C 310, 311, 312
 14771 Smartchip™ Magenta toner (US) (6,000 pages) for use in Ricoh Aficio® SP C 310, 311, 312
 14772 Smartchip™ Yellow toner (US) (6,000 pages) for use in Ricoh Aficio® SP C 310, 311, 312
 14773 Unidrum™ gearless for use in Ricoh Aficio® SP C 310, 311, 312

Ricoh SP 1000 SF, 1180

14490 Absolute Black™ toner 22lb (10kg) bag for use in Ricoh SP 1000 SF, 1180
 14426 Unidrum™ gearless (special order) for use in Ricoh SP 1000 SF, 1180

Samsung®**Samsung® CLP 350**

14504 Absolute Black™ toner 22lb (10kgs) bag for use in Samsung® CLP 350
 14506 Absolute Magenta™ toner 22lb (10kg) bag for use in Samsung® CLP 350
 14505 Absolute Cyan™ toner 22lb (10kg) bag for use in Samsung® CLP 350
 14507 Absolute Yellow™ toner 22lb (10kg) bag for use in Samsung® CLP 350
 14454 Black compatible toner cartridge for use in Samsung® CLP 350
 14455 Cyan compatible toner cartridge for use in Samsung® CLP 350
 14456 Magenta compatible toner cartridge for use in Samsung® CLP 350
 14457 Yellow compatible toner cartridge for use in Samsung® CLP 350

Samsung® CLP 610, 660, CLX 6200, 6210, 6240

14462 Unidrum™ with gears for use in Samsung® CLP 610, 660, CLX 6200, 6210, 6240
 14214 CLP 610, 660, CLX 6200, 6210, 6240 PCR roller, 9 pack for use in Samsung® (special order)

Samsung® CLP 770 dn

14290 Absolute Black™ toner TBAg (7,000 pages) for use in Samsung® CLP 770 dn (under development)
 14291 Absolute Cyan™ toner TBAg (7,000 pages) for use in Samsung® CLP 770 dn (under development)
 14292 Absolute Magenta™ toner TBAg (7,000 pages) for use in Samsung® CLP 770 dn (under development)
 14293 Absolute Yellow™ toner TBAg (7,000 pages) for use in Samsung® CLP 770 dn (under development)
 14294 Smartchip™ Black toner (CLT-K609S) (7,000 pages) for use in Samsung® CLP 770 dn (under development)
 14295 Smartchip™ Cyan toner (CLT-C609S) (7,000 pages) for use in Samsung® CLP 770 dn (under development)
 14297 Smartchip™ Magenta toner (CLT-M609S) (7,000 pages) for use in Samsung® CLP 770 dn (under development)

As of June 2010

- 14298 Smartchip™ Yellow toner (CLT-Y609S) (7,000 pages) for use in Samsung® CLP 770 dn (under development)
 14300 Unidrum™ with gears (for use in Samsung® CLP 770 dn under development)

Samsung® ML 1640, 2240

- 14344 Smartchip™ toner (MLT1082S/ELS) (1,500 pages) (Europe) for use in Samsung® ML 1640, 2240 (under development)
 14365 Smartchip™ toner (MLT1082S/XAA) (1,500 pages) (Latin America) for use in Samsung® ML 1640, 2240
 14425 Conversion kit (sold 24/box) for use in Samsung® ML 1640, 2240, SCX 4725

Samsung® ML 2450, 2850, 2851, SCX 4824, 4828

- 14501 Doctor blade sealing foam, 10 pack for use in Samsung® ML 2450, 2850, 2851, SCX 4824, 4828
 14074 Doctor blade, 10 pack for use in Samsung® ML 2450, 2850, 2851, SCX 4824, 4828
 14073 Developer roller, 10 pack for use in Samsung® ML 2450, 2850, 2851, SCX 4824, 4828

Samsung® ML 2570, 2510, 2010, 1610

- 14565 Absolute Black™ toner 1 kg bottle for use in Samsung® ML 2570, 2510, 2010, 1610 (special order)

Samsung® SCX 5835, 5635 MFP

- 14904 Absolute Black™ toner 22lb (10kg) bag for use in Samsung® SCX 5835, 5635 MFP

Samsung® SCX 6345

- 14584 Clear adhesive seal, 50 pack for use in Samsung® SCX 6345

Samsung® SCX 6555

- 14094 Smartchip™ toner (25,000 pages) for use in Samsung® SCX 6555 (under development)
 14093 Absolute Black™ toner TBAg for use in Samsung® SCX 6555 (under development)

Samsung® SF 5100

- 14067 Smartchip™ fuse, 10 pack (type B) for use in Samsung® SF 5100

Sharp®**Sharp® AR 351, 355, 451, 455**

- 14372 Compatible toner cartridge, 814g for use in Sharp® AR 351, 355, 451, 455 (special order)

Sharp® AR 455 DR

- 14212 Unidrum™ OPC for use in Sharp® AR 455 DR (under development)

Sharp® AR 455 MD

- 14550 Absolute Black™ developer 55lbs (25kg) bag for use in Sharp® AR 455 MD
 14211 Absolute Black™ developer carrier 400g (75,000 pages) for use in Sharp® AR 455 MD

Sharp® AR 455 NT/T

- 14583 Absolute Black™ toner 220lbs (100kg) barrel for use in Sharp® AR 455 NT/T
 14209 Absolute Black™ toner 800g (25,000 pages) for use in Sharp® AR 455 NT/T

Sharp® AR 650, AR 800

- 14219 Developer 1,500g for use in Sharp® AR 650, AR 800 (special order)

Sharp® AR 5020, 5220, 5316, 5320

- 14502 Absolute Black™ developer 400g for use in Sharp® AR 5020, 5220, 5316, 5320

Sharp® DX B 350 P

- 14348 X Generation™ toner 790g (18,000 pages) for use in Sharp® DX B 350 P
 14349 Smartchip™ (DX-B35DTH) (18,000 pages) for use in Sharp® DX B 350 P (under development)
 14350 Unidrum™ with gears for use in Sharp® DX B 350 P (under development)
 14354 Doctor blade, 10 pack for use in Sharp® DX B 350 P
 14351 Wiper blade, 10 pack for use in Sharp® DX B 350 P
 14352 PCR (recosted) roller, 10 pack for use in Sharp® DX B 350 P (special order)
 14353 Clearseal™ adhesive, 50 pack for use in Sharp® DX B 350 P

Sharp® DX B 450 P

- 14356 Absolute Black™ toner TBAg (21,000 pages) for use in Sharp® DX B 450 P (under development)
 14357 Smartchip™ (DX-B45DTH) (21,000 pages) for use in Sharp® DX B 450 P (under development)
 14358 Unidrum™ with gears for use in Sharp® DX B 450 P (under development)

Sharp® MX 2300, 2700

- 14715 Black compatible toner cartridge (18,000 pages) (USA) for use in Sharp® MX 2300, 2700
 14716 Cyan compatible toner cartridge (15,000 pages) (USA) for use in Sharp® MX 2300, 2700
 14717 Magenta compatible toner cartridge (15,000 pages) (USA) for use in Sharp® MX 2300, 2700
 14718 Yellow compatible toner cartridge (15,000 pages) (USA) for use in Sharp® MX 2300, 2700

As of June 2010

- 14719 Black compatible toner cartridge (18,000 pages) (Europe) for use in Sharp® MX 2300, 2700
 14720 Cyan compatible toner cartridge (15,000 pages) (Europe) for use in Sharp® MX 2300, 2700
 14721 Magenta compatible toner cartridge (15,000 pages) (Europe) for use in Sharp® MX 2300, 2700
 14722 Yellow compatible toner cartridge (15,000 pages) (Europe) for use in Sharp® MX 2300, 2700

Sharp® MX 2300N, 2700N, 3500N, 3501N, 4501

- 14487 Smartchip™ Black (MX45NTBA) (36,000 pages) (USA) for use in Sharp® MX 2300N, 2700N, 3500N, 3501N, 4501
 14486 Smartchip™ Black (MX45GTBA) (36,000 pages) (Europe) for use in Sharp® MX 2300N, 2700N, 3500N, 3501N, 4501

Sharp® MX 3501, 4501

- 14723 Black compatible toner cartridge for use in Sharp® MX 3501, 4501 (under development)
 14724 Cyan compatible toner cartridge for use in Sharp® MX 3501, 4501 (under development)
 14725 Magenta compatible toner cartridge for use in Sharp® MX 3501, 4501 (under development)
 14726 Yellow compatible toner cartridge for use in Sharp® MX 3501, 4501 (under development)

Source Technologies®**Source Technologies® 9512**

- 14801 Smartchip™ MICR for use in Source Technologies® 9512

Tally Genicom®**Tally Genicom® 9330**

- 14346 Absolute Black™ toner 220g (8,000 pages) for use in Tally Genicom® 9330
 14347 Unidrum™ with gears for use in Tally Genicom® 9330
 14345 Smartchip™ (043872) (8,000 pages) for use in Tally Genicom® 9330 (under development)

Toshiba e Studio®**Toshiba e Studio® CP 220, 205**

- 14066 Toshiba e Studio® CP 220, 205 (see Lexmark® C 520, 522, 530, 532, 534)

Xerox®**Xerox® DC C 240, 320 400**

- 14542 Absolute Black™ toner 920g for use in Xerox® DC C 240, 320 400
 14543 Absolute Cyan™ toner 865g for use in Xerox® DC C 240, 320 400
 14544 Absolute Magenta™ toner 865g for use in Xerox® DC C 240, 320 400
 14545 Absolute Yellow™ toner 865g for use in Xerox® DC C 240, 320 400

Xerox® Document Centre 156, 186

- 14806 Absolute Black™ developer 30 kg for use in Xerox® Document Centre 156, 186 (special order)

Xerox® Document Centre 236, 286

- 14561 Developer unit seal, 50 pack for use in Xerox® Document Centre 236, 286

Xerox® DocuPrint 1110

- 14775 X Generation™ Black toner 22lb (10kg) bag for use in Xerox® DocuPrint 1110
 14776 X Generation™ Cyan toner 22lb (10kg) bag for use in Xerox® DocuPrint 1110
 14777 X Generation™ Magenta toner 22lb (10kg) bag for use in Xerox® DocuPrint 1110
 14778 X Generation™ Yellow toner 22lb (10kg) bag for use in Xerox® DocuPrint 1110
 14510 X Generation™ Black toner 30g (2,000 pages) for use in Xerox® DocuPrint 1110
 14512 X Generation™ Cyan toner 30g (2,000 pages) for use in Xerox® DocuPrint 1110
 14513 X Generation™ Magenta toner 30g (2,000 pages) for use in Xerox® DocuPrint 1110
 14514 X Generation™ Yellow toner 30g (2,000 pages) for use in Xerox® DocuPrint 1110

Xerox® Docuprint C 1190 FS

- 14899 X Generation™ Black toner 50g, (3,000 pages) (CT201260) for use in Xerox® Docuprint C 1190 FS
 14900 X Generation™ Cyan toner 50g, (3,000 pages) (CT201261) for use in Xerox® Docuprint C 1190 FS
 14901 X Generation™ Magenta toner 50g, (3,000 pages) (CT201262) for use in Xerox® Docuprint C 1190 FS
 14902 X Generation™ Yellow toner 50g, (3,000 pages) (CT201263) for use in Xerox® Docuprint C 1190 FS
 14895 Smartchip™ Black (3,000 pages) (CT201260) for use in Xerox® Docuprint C 1190 FS
 14896 Smartchip™ Cyan (3,000 pages) (CT201261) for use in Xerox® Docuprint C 1190 FS
 14897 Smartchip™ Magenta (3,000 pages) (CT201262) for use in Xerox® Docuprint C 1190 FS
 14898 Smartchip™ Yellow (3,000 pages) (CT201263) for use in Xerox® Docuprint C 1190 FS

Xerox® DocuPrint C 3210, 2100

- 14861 Absolute Black™ toner 22lb (10kg) Black toner for use in Xerox® DocuPrint C 3210, 2100
 14862 Absolute Cyan™ toner 22lb (10kg) toner for use in Xerox® DocuPrint C 3210, 2100 (special order)
 14863 Absolute Magenta™ toner 22lb (10kg) toner for use in Xerox® DocuPrint C 3210, 2100 (special order)

As of June 2010

- 14864 Absolute Yellow™ toner 22lb (10kg) toner for use in Xerox® DocuPrint C 3210, 2100 (special order)
- 14865 Black, Cyan, Magenta, Yellow carrier 110 lb (50 kg) barrel for use in Xerox® DocuPrint C 3210, 2100
- 14050 SuMMiT™ OPC drum with gears for use in Xerox® DocuPrint C 3210, 2100

Xerox® Phaser 3100

- 14533 Smartercard™ high yield reset smartchip (4,000 pages) (106R01379) for use in Xerox® Phaser 3100
- 14534 Smartercard™ low yield reset smartchip (2,200 pages) (106R01378) for use in Xerox® Phaser 3100

Xerox® Phaser 3100 MFP

- 14444 Smartchip™ interface (106R01379) (4,000 pages) for use in Xerox® Phaser 3100 MFP
- 14655 Unidrum™ gearless for use in Xerox® Phaser 3100 MFP
- 14653 Drum unit cover, 10 pack for use in Xerox® Phaser 3100 MFP

Xerox® Phaser 3250

- 14122 Doctor blade, 10 pack for use in Xerox® Phaser 3250
- 14121 Developer roller, 10 pack for use in Xerox® Phaser 3250

Xerox® Phaser 3300

- 14495 Absolute Black™ toner 22lb (10kg) bag for use in Xerox® Phaser 3300

Xerox® Phaser 3600

- 14519 Absolute Black™ toner 22lb (10kg) bag for use in Xerox® Phaser 3600
- 14867 Shipping lock, 10 pack for use in Xerox® Phaser 3600

Xerox® Phaser 4500

- 14355 X Generation™ toner 780g (18,000 pages) for use in Xerox® Phaser 4500
- 14047 Absolute Black™ toner 785g for use in Xerox® Phaser 4500
- 14791 MICR™ toner 820g, for use in Xerox® Phaser 4500 (under final test)

Xerox® Phaser 4510

- 14524 SuMMiT™ drum with gears and insert (sold 50/box) for use in Xerox® Phaser 4510
- 14800 Unidrum™ with gears for use in Xerox® Phaser 4510 (special order)
- 14520 Clear adhesive seal, 50 pack for use in Xerox® Phaser 4510

Xerox® Phaser 5500, 5550

- 14363 Developer for drum unit, 30 kg (special order) for use in Xerox® Phaser 5500, 5550
- 14556 Developer unit seal, 50 pack for use in Xerox® Phaser 5500, 5550

Xerox® Phaser 5550

- 14811 Absolute Black™ toner 22 lb (10 kg) bag for use in Xerox® Phaser 5550

Xerox® Phaser 6110

- 14410 Absolute Black™ toner 22lb (10kgs) bag for use in Xerox® Phaser 6110
- 14411 Absolute Cyan™ toner 22lb (10kgs) bag for use in Xerox® Phaser 6110
- 14412 Absolute Magenta™ toner 22lb (10kgs) for use in bag Xerox® Phaser 6110
- 14414 Absolute Yellow™ toner 22lb (10kgs) bag for use in Xerox® Phaser 6110

Xerox® Phaser 6120, 6115

- 14415 Absolute Black™ toner 22lb (10kgs) bag for use in Xerox® Phaser 6120, 6115
- 14417 Absolute Cyan™ toner 22lb (10kgs) bag for use in Xerox® Phaser 6120, 6115
- 14418 Absolute Magenta™ toner 22lb (10kg) bag for use in Xerox® Phaser 6120, 6115
- 14419 Absolute Yellow™ toner 22lb (10kg) bag for use in Xerox® Phaser 6120, 6115

Xerox® Phaser 6125

- 14401 Absolute Black™ toner, 22lb (10 kgs) bag for use in Xerox® Phaser 6125
- 14402 Absolute Cyan™ toner 22lb (10kgs) bag for use in Xerox® Phaser 6125
- 14403 Absolute Magenta™ toner, 22lb (10kgs) bag for use in Xerox® Phaser 6125
- 14404 Absolute Yellow™ toner 22lb (10kgs) bag for use in Xerox® Phaser 6125
- 14529 Smartchip™ Black toner cartridge (106R01338) (2,000 pages) (Argentina) for use in Xerox® Phaser 6125
- 14530 Smartchip™ Cyan toner cartridge (106R01335) (1,000 pages) (Argentina) for use in Xerox® Phaser 6125
- 14531 Smartchip™ Magenta toner cartridge (106R01336) (1,000 pages) (Argentina) for use in Xerox® Phaser 6125
- 14532 Smartchip™ Yellow toner cartridge (106R01337) (1,000 pages) (Argentina) for use in Xerox® Phaser 6125

Xerox® Phaser 6128 MFP

- 14405 X Generation™ Black toner 22lb (10kg) bag for use in Xerox® Phaser 6128 MFP
- 14406 X Generation™ Cyan toner 22lb (10kgs) bag for use in Xerox® Phaser 6128 MFP
- 14407 X Generation™ Magenta toner 22lb (10kgs) bag for use in Xerox® Phaser 6128 MFP
- 14409 X Generation™ Yellow toner 22lb (10kgs) bag for use in Xerox® Phaser 6128 MFP
- 14256 X Generation™ Black toner 40g (3,100 pages) for use in Xerox® Phaser 6128 MFP
- 14257 X Generation™ Cyan toner 40g (2,500 pages) for use in Xerox® Phaser 6128 MFP

As of June 2010

- 14258 X Generation™ Magenta toner 40g (2,500 pages) for use in Xerox® Phaser 6128 MFP
- 14259 X Generation™ Yellow toner 40g (2,500 pages) for use in Xerox® Phaser 6128 MFP
- 14261 Smartchip™ Black (106R01455) (3,100 pages) for use in Xerox® Phaser 6128 MFP
- 14262 Smartchip™ Cyan (106R01452) (2,500 pages) for use in Xerox® Phaser 6128 MFP
- 14263 Smartchip™ Magenta (106R01453) (2,500 pages) for use in Xerox® Phaser 6128 MFP
- 14264 Smartchip™ Yellow (106R01454) (2,500 pages) for use in Xerox® Phaser 6128 MFP

Xerox® Phaser 6140

- 14460 Smartchip™ Black (106R01480) (2,500 pages) for use in Xerox® Phaser 6140
- 14461 Smartchip™ Cyan (106R01477) (2,000 pages) for use in Xerox® Phaser 6140
- 14463 Smartchip™ Magenta (106R01478) (2,000 pages) for use in Xerox® Phaser 6140
- 14464 Smartchip™ Yellow (106R01479) (2,000 pages) for use in Xerox® Phaser 6140

Xerox® Phaser 6180, 6280, 6180 MFP

- 14051 SuMMiT™ drum with gears for use in Xerox® Phaser 6180, 6280, 6180 MFP

Xerox® Phaser 6280

- 14427 Black Smartchip™ (7,000 pages) for use in Xerox® Phaser 6280
- 14428 Cyan Smartchip™ (5,900 pages) for use in Xerox® Phaser 6280
- 14429 Magenta Smartchip™ (5,900 pages) for use in Xerox® Phaser 6280
- 14430 Yellow Smartchip™ (5,900 pages) for use in Xerox® Phaser 6280

Xerox® Phaser 6360

- 14491 Absolute Black™ compatible toner cartridge (18,000 pages) for use in Xerox® Phaser 6360 (special order)
- 14493 Absolute Magenta™ compatible toner cartridge (12,000 pages) for use in Xerox® Phaser 6360 (special order)
- 14492 Absolute Cyan™ compatible toner cartridge (12,000 pages) for use in Xerox® Phaser 6360 (special order)
- 14494 Absolute Yellow™ compatible toner cartridge (12,000 pages) for use in Xerox® Phaser 6360 (special order)

Xerox® Phaser 7400

- 14787 Absolute Black™ glossy toner 22lb(10) kgs for use in Xerox® Phaser 7400
- 14788 Absolute Cyan™ glossy toner 22lb(10) kgs for use in Xerox® Phaser 7400
- 14789 Absolute Magenta™ glossy toner 22lb (10) kgs for use in Xerox® Phaser 7400
- 14790 Absolute Yellow™ glossy toner 22lb (10) kgs for use in Xerox® Phaser 7400
- 14609 Absolute Black™ toner 22lb (10kg) bag for use in Xerox® Phaser 7400
- 14610 Absolute Cyan™ toner 22lb (10kg) bag for use in Xerox® Phaser 7400
- 14611 Absolute Magenta™ toner 22lb (10kg) bag for use in Xerox® Phaser 7400
- 14612 Absolute Yellow™ toner 22lb (10kg) bag for use in Xerox® Phaser 7400

Xerox® Phaser 7760

- 14881 X Generation™ Black toner 22lb (10kg) bag for use in Xerox® Phaser 7760
- 14882 X Generation™ Cyan toner 22lb (10kg) bag for use in Xerox® Phaser 7760
- 14883 X Generation™ Magenta toner 22lb (10kg) bag for use in Xerox® Phaser 7760
- 14884 X Generation™ Yellow toner 22lb (10kg) bag for use in Xerox® Phaser 7760
- 14886 X Generation™ Black toner 700g (32,000 pages) for use in Xerox® Phaser 7760
- 14887 X Generation™ Cyan toner 500g (25,000 pages) for use in Xerox® Phaser 7760
- 14888 X Generation™ Magenta toner 500g (25,000 pages) for use in Xerox® Phaser 7760
- 14889 X Generation™ Yellow toner 500g (25,000 pages) for use in Xerox® Phaser 7760
- 14885 X Generation™ KCMY Carrier 22lb (10kg) bag for use in Xerox® Phaser 7760
- 14309 Wiper blade, 10 pack for use in Xerox® Phaser 7760 (special order)
- 14124 PCR roller, 10 pack special order) for use in Xerox® Phaser 7760 (under development)

Xerox® WorkCentre 4150

- 14452 Smartchip™ toner cartridge (6R01276) (Latin America, Asia, India, Africa) for use in Xerox® WorkCentre 4150

Xerox® WorkCentre 5222, 5225, 5230

- 14105 Absolute Black™ toner 650g for use in Xerox® WorkCentre 5222, 5225, 5230
- 14106 Smartchip™ toner (113R1306) (30,000 pages) for use in Xerox® WorkCentre 5222, 5225, 5230 (under development)
- 14109 Smartchip™ drum unit for use in Xerox® WorkCentre 5222, 5225, 5230 (under development)
- 14107 Unidrum™ OPC with gears for use in Xerox® WorkCentre 5222, 5225, 5230 (under development)
- 14108 Wiper blade, 10 pack for use in Xerox® WorkCentre 5222, 5225, 5230 (under development)

Xerox® WorkCentre M 20, C 20

- 14186 Absolute Black™ toner 22lb (10kg) bag Xerox® WorkCentre M 20, C 20

Xerox® WorkCentre M 118, C 118, 123, 128,133

- 14266 Developer for drum unit (60,000 pages) for use in Xerox® WorkCentre M 118, C 118, 123, 128,133 (special order)
- 14560 Developer unit seal, 50 pack for use in Xerox® WorkCentre M 118, C 118, 123, 128, 133

Coatings & Chemicals

- 14621 Mag Roller Cleaning solution-128oz (special order)
- 14623 OPC drum Cleaning solution 128oz (special order)
- 14393 OPC drum Coating cream, bulk
- 14794 Developer roller cleaning solution 2oz

Tools & Machines

- 14708 Atrix HCTV5 vacuum 5 gallon (18.9 l) capacity, power cord (110v)
- 14453 Toner grabber (statically charged cloth to clean toner), 400 pack (11/2009 formulation)

As of June 2010

CATALOG BY ENGINE 2010

ADP® Laserstation 152, 300, 4000, 4520, 4520-220

Part # Description

5110 Lexmark T/X 646, 640, 630 Superchip® Universal Extra High Yield (Worldwide)

Apple® LW 12/640

Part # Description

6436 Apple LW 12/640 Uni Drum ® drum with gears

4893 Apple LW 12/640 Absolute Black® toner 280g

5323 Apple LW 12/640 PCR roller 10 pack

5325 Apple LW 12/640 wiper blade

Apple® LW 8500

Part # Description

7413 Apple LW 8500 Absolute Black® toner 22 lb (10 kg) bag

5328 Apple LW 8500 Absolute Black® toner 280g (use 2 per cartridge)

5195 Apple LW 8500 BLACK Mag roller sleeve, 10 pack

6157 Apple LW 8500 Clear Seal ® adhesive, 10 pack

8309 Apple LW 8500 Clear Seal ® adhesive, 50 pack

5327 Apple LW 8500 Uni drum® with gears

6241 Apple LW 8500 wiper blade, 10 pack

Apple® LW Select 300, 310, 360, 610

Part # Description

4970 Apple LW 300, 310, 360, 610 Absolute Black® toner 200g

5795 Apple LW 300, 310, 360, 610 doctor blade

5794 Apple LW 300, 310, 360, 610 wiper blade (sold 10 pack) (special order)

Avision® MFP AM 3100, 3130, 3130L, 3200, 3230

Part # Description

12600 Avision MFP AM 3100, 3130, 3200, 3230 doctor blade, 10 pack

12642 Avision MFP AM 3100, 3130, 3200, 3230 Absolute Black® toner 22 lb (10 kg) (special order)

12598 Avision MFP AM 3100, 3130, 3200, 3230 Smartchip ® (6,000 pages)

12599 Avision MFP AM 3100, 3130, 3200, 3230 Uni Drum ® drum with gears

Brother® TN 01, HL-2400 CN

Part # Description

6928 Brother HL 2400 C Absolute Black ® toner 310g

6929 Brother HL 2400 C Absolute Cyan ® toner 200g

6930 Brother HL 2400 C Absolute Magenta ® toner 200g

6931 Brother HL 2400 C Absolute Yellow ® toner 200g

11378 Brother HL 2700, 2400 CN, MFC 9420 CN developer seal cover, 10 pack (special order)

Brother® TN 02, HL-3400, 3450CN

Part #	Description
5130	Brother HL 3400, 3450 CN Absolute Black ® toner 400g
5131	Brother HL 3400, 3450 CN Absolute Cyan toner 285g
5133	Brother HL 3400, 3450 CN Absolute Magenta toner 285g
5132	Brother HL 3400, 3450 CN Absolute Yellow toner 285g

Brother® TN 03, HL-2600 CN

Part #	Description
9654	Brother HL 2600 C Absolute Black ® toner 320g
9655	Brother HL 2600 C Absolute Cyan ® toner 275g
9656	Brother HL 2600 C Absolute Magenta ® toner 275g
9657	Brother HL 2600 C Absolute Yellow ® toner 275g

Brother® TN 04, HL-2700 CN

Part #	Description
11771	Brother HL 2700 CN, MFC 9420 CN Absolute Black ® toner 22 lb (10 kg) bag
5660	Brother HL 2700 CN, MFC 9420 CN Absolute Black ® toner 310g (10,000 pages)
5661	Brother HL 2700 CN, MFC 9420 CN Absolute Cyan ® toner 210g (6,600 pages)
11772	Brother HL 2700 CN, MFC 9420 CN Absolute Cyan ® toner 22 lb (10 kg) bag
5662	Brother HL 2700 CN, MFC 9420 CN Absolute Magenta ® toner 210g (6,600 pages)
11773	Brother HL 2700 CN, MFC 9420 CN Absolute Magenta ® toner 22 lb (10 kg) bag
5663	Brother HL 2700 CN, MFC 9420 CN Absolute Yellow ® toner 210g (6,600 pages)
11774	Brother HL 2700 CN, MFC 9420 CN Absolute Yellow ® toner 22 lb (10 kg) bag
11378	Brother HL 2700, 2400 CN, MFC 9420 CN developer seal cover, 10 pack (special order)

Brother® TN 11, HL-4000 CN

Part #	Description
9830	Brother HL 4000 CN Absolute Black ® toner 220g
9831	Brother HL 4000 CN Absolute Cyan ® toner 200g
9832	Brother HL 4000 CN Absolute Magenta ® toner 200g
9833	Brother HL 4000 CN Absolute Yellow ® toner 200g
9692	Brother HL 4000 CN Uni Drum ® gearless (special order)

Brother® TN 110, 115, 130, 135, 150, 155, 170, 175, HL-4040, 4050, 4070

Part #	Description
14449	Brother HL 4040, 4050, 4070, TN 110, 115 developer roller, 10 pack (under development)
11984	Brother HL 4040, 4050, 4070, TN 110, 115 developer seal cover, 10 pack
13243	Brother HL 4040, 4050, 4070, TN 110, 115 reset lever (flag gear), 10 pack
14745	Brother HL 4040, 4050, 4070, TN 110, 115 X-Generation ® Black toner 170g (5,000 pages)
14741	Brother HL 4040, 4050, 4070, TN 110, 115 X-Generation ® Black toner 22 lb (10 kg) bag
14746	Brother HL 4040, 4050, 4070, TN 110, 115 X-Generation ® Cyan toner 135g (4,000 pages)
14742	Brother HL 4040, 4050, 4070, TN 110, 115 X-Generation ® Cyan toner 22 lb (10 kg) bag
14747	Brother HL 4040, 4050, 4070, TN 110, 115 X-Generation ® Magenta toner 140g (4,000 pages)

14743	Brother HL 4040, 4050, 4070, TN 110, 115 X-Generation ® Magenta toner 22 lb (10 kg) bag
14748	Brother HL 4040, 4050, 4070, TN 110, 115 X-Generation ® Yellow toner 145g (4,000 pages)
14744	Brother HL 4040, 4050, 4070, TN 110, 115 X-Generation ® Yellow toner 22 lb (10 kg) bag

Brother® TN 12, HL-4200 CN

Part #	Description
5124	Brother HL 4200 CN Absolute Black ® toner 190g (needs carrier)
5125	Brother HL 4200 CN Absolute Cyan ® toner 180g (needs carrier)
5127	Brother HL 4200 CN Absolute Magenta ® toner 180g (needs carrier)
5126	Brother HL 4200 CN Absolute Yellow ® toner 180g (needs carrier)
6096	Brother HL 4200 CN Black, Cyan, Magenta, Yellow toner carrier
10472	Brother HL 4200 CN Smartchip ® Black (worldwide)
10473	Brother HL 4200 CN Smartchip ® Cyan (worldwide)
10474	Brother HL 4200 CN Smartchip ® Magenta (worldwide)
10475	Brother HL 4200 CN Smartchip ® Yellow (worldwide)
9596	Brother HL 4200 CN Uni Drum ® gearless (special order)
10356	Brother HL 4200, 4000 CN Clear Seal ® adhesive, 50 pack

Brother® TN 210, HL-3040, 3050, 3070

Part #	Description
14465	Brother HL 3040, 3050, 3070, TN 210 Absolute Black ® toner (2,200 pages)(under development)
14466	Brother HL 3040, 3050, 3070, TN 210 Absolute Cyan ® toner (1,400 pages)(under development)
14467	Brother HL 3040, 3050, 3070, TN 210 Absolute Magenta ® toner (1,400 pages)(under development)
14468	Brother HL 3040, 3050, 3070, TN 210 Absolute Yellow ® toner (1,400 pages)(under development)
14553	Brother HL 3040, 3050, 3070, TN 210 developer roller cover, 10 pack
14554	Brother HL 3040, 3050, 3070, TN 210 name plate cover, 10 pack

Brother® TN 25J, DR-20J, HL-2040

Part #	Description
9700	Brother TN 25 J, HL 2040, 2070 Absolute Black® toner 90g
10655	Brother TN 25 J, HL 2040, 2070 doctor blade, 5 pack
10656	Brother TN 25 J, HL 2040, 2070 reset lever (flag gear), 10 pack
9701	Brother TN 25 J, HL 2040, 2070 Uni Drum ® with gears
7344	Brother TN 350, 430, 460, 2000, 5500, 6600 Universal seal cover, 100 pack

Brother® TN 37J, 35J, DR-31J, HL-5240, 5270, 5280

Part #	Description
11115	Brother DR 31J, HL 5240, 5270DW, 5280DN Uni Drum ® HELICAL gears
10319	Brother DR 31J, HL 5240, 5270DW, 5280DN Uni Drum ®VERTICAL gears
10318	Brother TN 37J HL 5240, 5270, 5280 Absolute Black® toner 255g (7,000 pages)
10447	Brother TN 37J HL 5240, 5270, 5280 Absolute Black® toner, 22 lb (10kg) bag (special order_

Brother® TN 620, 650, HL-5340, 5350, 5370 , 5380

Part #	Description
13915	Brother DR 620, 3200, HL 5340, 5370 Uni Drum ® with gears (under development)
13914	Brother TN 620, 3220, HL 5340, 5350, 5370, 5380 Absolute Black® toner 115g (3,000 pages)

13913	Brother TN 650, 3280, HL 5340, 5350, 5370, 5380 Absolute Black® toner 200g (8,000 pages)
14750	Brother TN 650, 3280, HL 5340, 5350, 5370, 5380 Absolute Black® toner 22lb(10kg) bag
13916	Brother TN 650, 3280, HL 5340, 5350, 5370, 5380 reset lever (flag gear)10 pack

Brother® TN-100, DR-100, HL 600, 630, 645

Part #	Description
58	Brother TN 100, HL 630 Absolute Black® toner 160g
5928	Brother TN 100, HL 630 Absolute Black® toner, 22 lb (10 kg) bag
5376	Brother TN 100, HL 630 toner cartridge (special order)

Brother® TN-10J, DR-10J, DCP-1000

Part #	Description
9696	Brother TN 10 J, DCP 1000 Absolute Black® toner 85g
9697	Brother TN 10 J, DCP 1000, DR 10 J Uni Drum ® with gears

Brother® TN-1200, DR-1200, HL-3260

Part #	Description
5291	Brother TN 1200, DR 1200, HL 3260 Absolute Black ® toner TBAg (under development)

Brother® TN-1700, HL-8050

Part #	Description
5286	Brother TN 1700, HL 8050 Absolute Black ® toner 22 lb (10 kg) bag
9732	Brother TN 1700, HL 8050 Absolute Black® toner 800g (17,000 pages)
5409	Brother TN 1700, HL 8050 Clear Seal ® adhesive, 50 pack
5798	Brother TN 1700, HL 8050 doctor blade, 10 pack
5799	Brother TN 1700, HL 8050 Smartchip ® (17,000 pages) (worldwide)
9733	Brother TN 1700, HL 8050 Uni Drum ® with gears
5797	Brother TN 1700, HL 8050 wiper blade, 10 pack

Brother® TN-200, DR-200, HL 700, 720

Part #	Description
9178	Brother TN 200, DR 200, DR 300 doctor blade, 10 pack (special order)
11768	Brother TN 200, DR 200, DR 300, 8000 reset sheet, 100 pack, (special order)
5766	Brother TN 200, HL 720 Absolute Black® toner 22 lb. (10 kg) bag
4962	Brother TN 200, HL 720 Absolute Black® toner 85g
61	Brother TN 200, HL 720 compatible toner cartridge (special order)
6563	Brother TN 200, HL 720, DR 200 Uni Drum ® HELICAL gears
10187	Brother TN 200, HL 720, DR 200 Uni Drum ® VERTICAL gears (special order)

Brother® TN-2000, DR-2000, HL-2030, 2040

Part #	Description
14599	Brother TN 350, 2000, 2025, HL 2040, 2070 Absolute Black® toner 1kg (special order)
9653	Brother TN 350, 2000, 2025, HL 2040, 2070 Absolute Black® toner 22 lb (10 kg) bag
9652	Brother TN 350, 2000, 2025, HL 2040, 2070 Absolute Black® toner 90g (under final test)
11435	Brother TN 350, 2000, 2025, HL 2040, 2070 X-Generation ® Graphic toner 22 lb (10 kg) bag

11476	Brother TN 350, 2000, 2025, HL 2040, 2070 X-Generation® Graphic toner 90g (recommended)
7344	Brother TN 350, 430, 460, 2000, 5500, 6600 Universal seal cover, 100 pack
9658	Brother TN 350, DR 350, 2000, HL 2040, 2070 Uni Drum ® VERTICAL gears
13087	Brother TN 350, HL 2040, 2070 compatible toner cartridge (Brasil, special order)(under development)
11239	Brother TN 350, HL 2040, 2070 compatible toner cartridge (special order)
10277	Brother TN 350, TN 2000, HL 2040, 2070 Doctor blade, 10 pack (special order)
10274	Brother TN 350, TN 2000, HL 2040, 2070 reset lever (flag gear), 10 pack

Brother® TN-250, DR-250, MFC-2800, 3800

Part # Description

9948	Brother TN 250, MFC 3800, 4800, 6800 Absolute Black® toner 22 lb (10 kg) bag
9285	Brother TN 250, MFC 3800, 4800, 6800 Absolute Black® toner 85g
7557	Brother TN 250, MFC 3800, 4800, 6800 compatible toner cartridge (special order)
9288	Brother TN 250, MFC 3800, 4800, 6800, DR 250 Uni Drum ® OPC with helical gears
10188	Brother TN 250, MFC 3800, 4800, 6800, DR 250 Uni Drum ® VERTICAL gears (special order)

Brother® TN-300, DR-300, HL 820, 1040

Part # Description

9178	Brother TN 200, DR 200, DR 300 doctor blade, 10 pack (special order)
11768	Brother TN 200, DR 200, DR 300, 8000 reset sheet, 100 pack, (special order)
6130	Brother TN 300, HL 820, 1040 Absolute Black® toner 85g
7060	Brother TN 300, HL 820, 1040 compatible toner cartridge (special order)

Brother® TN-33 J, DR-30 J, HL 5040, 5070

Part # Description

9594	Brother TN 36J, TN 33 J, DR 30 J Uni Drum ® with gears (new formulation)
------	--

Brother® TN-330, TN-360 DR-360, HL-2140, 2170

Part # Description

14012	Brother TN 330, 360, 2120, HL 2140, 2170 X-Generation® Graphic oner 22 lb (10 kg) bag
12230	Brother TN 330, 360, 2120, 2110, HL 2140, 2170 reset lever (flag gear), 10 pack
12229	Brother TN 330, 360, DR 360, 2100, HL 2140, 2170 SuMMiT® with gears
12227	Brother TN 330, HL 2140, 2170 X-Generation® Graphic toner 65g
13863	Brother TN 360, 2120, HL 2140, 2170 name plate cover, 100 pack (special order)
12228	Brother TN 360, 2120, HL 2140, 2170 X-Generation® Graphics toner 90g
8438	Brother TN 360, 350, 460, 560, 570, 670, 700, 3060, 6600 hopper fill plug (cap), 100 pack

Brother® TN-350, DR-350, HL-2030, 2040, 2070

Part # Description

14040	Brother TN 350 name plate cover, 100 pack (special order)
14599	Brother TN 350, 2000, 2025, HL 2040, 2070 Absolute Black® toner 1kg (special order)
9653	Brother TN 350, 2000, 2025, HL 2040, 2070 Absolute Black® toner 22 lb (10 kg) bag
9652	Brother TN 350, 2000, 2025, HL 2040, 2070 Absolute Black® toner 90g (under final test)
11435	Brother TN 350, 2000, 2025, HL 2040, 2070 X-Generation ® Graphic toner 22 lb (10 kg) bag
11476	Brother TN 350, 2000, 2025, HL 2040, 2070 X-Generation® Graphic toner 90g (recommended)
7344	Brother TN 350, 430, 460, 2000, 5500, 6600 Universal seal cover, 100 pack

12268	Brother TN 350, DR 350, 2000, HL 2040, 2070 SuMMiT® drum VERTICAL gears
9658	Brother TN 350, DR 350, 2000, HL 2040, 2070 Uni Drum® VERTICAL gears
13087	Brother TN 350, HL 2040, 2070 compatible toner cartridge (Brasil, special order)(under development)
11239	Brother TN 350, HL 2040, 2070 compatible toner cartridge (special order)
10277	Brother TN 350, TN 2000, HL 2040, 2070 Doctor blade, 10 pack (special order)
10274	Brother TN 350, TN 2000, HL 2040, 2070 reset lever (flag gear), 10 pack
11269	Brother TN 350, TN 2000, HL 2040, 2070 sealing blade 50 pack (under final test)
8438	Brother TN 360, 350, 460, 560, 570, 670, 700, 3060, 6600 hopper fill plug (cap), 100 pack

Brother® TN-36 J, DR-30 J, HL 5040, 5070

Part #	Description
9594	Brother TN 36J, TN 33 J, DR 30 J Uni Drum® with gears (new formulation)

Brother® TN-430, DR-400

Part #	Description
7344	Brother TN 350, 430, 460, 2000, 5500, 6600 Universal seal cover, 100 pack
8438	Brother TN 360, 350, 460, 560, 570, 670, 700, 3060, 6600 hopper fill plug (cap), 100 pack
6656	Brother TN 430, 460, 6300 Absolute Black® toner 105g (3,000 pages)
13937	Brother TN 430, 460, 6600 Absolute Black® toner 176 lb (80 kg) barrel
6654	Brother TN 430, 460, 6600 Absolute Black® toner 22 lb (10 kg) bag
7769	Brother TN 460, 430, 560, 530, 6600, 6300 Developer roller, 10 pack
5020	Brother TN 460, 430, 560, 530, 6600, 6300 doctor blade, 5 pack (special order)
11158	Brother TN 460, 560, 570, 670, 700, 3060, 6600 recovery blade, 100 pack (under development)
11157	Brother TN 460, 560, 570, 670, 700, 3060, 6600 sealing blade, 50 pack
11362	Brother TN 460, 6600, DR 400, 6000 transfer roller gear (vertical), 10 pack
6127	Brother TN 460, 6600, DR 400, 6000 Uni Drum® HELICAL gears (new formulation)
9586	Brother TN 460, 6600, DR 400, 6000 Uni Drum® VERTICAL gears (new formulation)

Brother® TN-460, DR-400

Part #	Description
7344	Brother TN 350, 430, 460, 2000, 5500, 6600 Universal seal cover, 100 pack
8438	Brother TN 360, 350, 460, 560, 570, 670, 700, 3060, 6600 hopper fill plug (cap), 100 pack
11961	Brother TN 430, 460, 6300, 6600 developer roller end felt and foan set, XX pack (under development)
13937	Brother TN 430, 460, 6600 Absolute Black® toner 176 lb (80 kg) barrel
6657	Brother TN 430, 460, 6600 Absolute Black® toner 210g (6,000 pages)
6654	Brother TN 430, 460, 6600 Absolute Black® toner 22 lb (10 kg) bag
13862	Brother TN 460 name place cover, 100 pack (special order)
7769	Brother TN 460, 430, 560, 530, 6600, 6300 Developer roller, 10 pack
5020	Brother TN 460, 430, 560, 530, 6600, 6300 doctor blade, 5 pack (special order)
11158	Brother TN 460, 560, 570, 670, 700, 3060, 6600 recovery blade, 100 pack (under development)
11157	Brother TN 460, 560, 570, 670, 700, 3060, 6600 sealing blade, 50 pack
5021	Brother TN 460, 6600 compatible toner cartridge (special order) (sold 4/box)
12264	Brother TN 460, 6600, DR 400, 6000 SuMMiT® drum HELICAL gears
12265	Brother TN 460, 6600, DR 400, 6000 SuMMiT® drum VERTICAL gears
11599	Brother TN 460, 6600, DR 400, 6000 transfer roller gear (helical), 10 pack
11362	Brother TN 460, 6600, DR 400, 6000 transfer roller gear (vertical), 10 pack
6127	Brother TN 460, 6600, DR 400, 6000 Uni Drum® HELICAL gears (new formulation)
9586	Brother TN 460, 6600, DR 400, 6000 Uni Drum® VERTICAL gears (new formulation)

Brother® TN-47J, DR-40J, HL-6050

Part #	Description
9698	Brother TN 47 J, DR 40 J, HL 6050 Absolute Black® toner 260g
7185	Brother TN 47 J, DR 40 J, HL 6050 developer roller, 10 pack
7073	Brother TN 47 J, DR 40 J, HL 6050 doctor blade (sold in 10 pack)
10654	Brother TN 47 J, DR 40 J, HL 6050 reset lever (flag gear), 10 pack
9699	Brother TN 47 J, DR 40 J, HL 6050 Uni Drum ® with gears (special order)

Brother® TN-5000

Part #	Description
7556	Brother TN 5000 PF compatible toner cartridge (sold 6/case) (special order)

Brother® TN-540, DR-510, HL-5140

Part #	Description
7344	Brother TN 350, 430, 460, 2000, 5500, 6600 Universal seal cover, 100 pack
8438	Brother TN 360, 350, 460, 560, 570, 670, 700, 3060, 6600 hopper fill plug (cap), 100 pack
11158	Brother TN 460, 560, 570, 670, 700, 3060, 6600 recovery blade, 100 pack (under development)
11157	Brother TN 460, 560, 570, 670, 700, 3060, 6600 sealing blade, 50 pack
6064	Brother TN 570, 540, 3030, 3060 developer roller, 10 pack
5513	Brother TN 570, 540, 3030, 3060 doctor blade, 5 pack (special order)

Brother® TN-550, 580, 3170, 3130, DR-520, 3100, HL-5250

Part #	Description
7344	Brother TN 350, 430, 460, 2000, 5500, 6600 Universal seal cover, 100 pack
8438	Brother TN 360, 350, 460, 560, 570, 670, 700, 3060, 6600 hopper fill plug (cap), 100 pack
11478	Brother TN 550, 3130, HL 5250 Absolute Black® toner 120g (3,500 pages)
10639	Brother TN 550, 3145, 3130, HL 5250 reset lever (flag gear), 10 pack
11051	Brother TN 550, 580, 3170, 3130, HL 5250 Absolute Black® toner 22 lb (10 kg) bag
10109	Brother TN 550, 580, 3170, 3130, HL 5250 Absolute Black® toner 250g (7,000 pages)
13086	Brother TN 550, 580, 3170, 3130, HL 5250 compatible toner cartridge (Brasil, special order)
11050	Brother TN 550, 580, 3170, 3130, HL 5250 compatible toner cartridge (special order)
10111	Brother TN 550, 580, 3170, 3130, HL 5250 developer roller, 10 pack
11058	Brother TN 550, 580, 3170, 3130, HL 5250 doctor blade, 5 pack (special order)
12267	Brother TN 550, 580, HL 5240, 5250, DR 520, 3100 SuMMiT® drum VERTICAL gears
10110	Brother TN 550, 580, HL 5240, 5250, DR 520, 3100 Uni Drum ® VERTICAL gears (new formulation)
11054	Brother TN 580, 3170, 3185, 3130 reset lever (flag gear) with spring, 10 pack

Brother® TN-560, DR-500, HL-1650

Part #	Description
7344	Brother TN 350, 430, 460, 2000, 5500, 6600 Universal seal cover, 100 pack
8438	Brother TN 360, 350, 460, 560, 570, 670, 700, 3060, 6600 hopper fill plug (cap), 100 pack
5020	Brother TN 460, 430, 560, 530, 6600, 6300 doctor blade, 5 pack (special order)
11158	Brother TN 460, 560, 570, 670, 700, 3060, 6600 recovery blade, 100 pack (under development)
11157	Brother TN 460, 560, 570, 670, 700, 3060, 6600 sealing blade, 50 pack
9788	Brother TN 560, 530 Absolute Black® toner 22 lb (10 kg) bag

9995	Brother TN 560, 530, 460, 430, 6300, 6600 Absolute Black® toner 176 lb (80 kg) barrel
5030	Brother TN 560, 530, HL 1650 Absolute Black® toner 115g (3,300 pages)
5049	Brother TN 560, 530, HL 1650 Absolute Black® toner 240g (6,500 pages)
11037	Brother TN 560, 530, HL 1650 compatible toner cartridge (special order)
6478	Brother TN 560, 530, HL 1650 developer roller, 10 pack
6125	Brother TN 560, 530, HL 1650, DR 500 Uni Drum ® HELICAL gears (new formulation)
11456	Brother TN 560, 530, HL 1650, DR 500 Uni Drum ® VERTICAL gears (new formulation)

Brother® TN-570, DR-510, HL-3030, HL-3060

Part #	Description
8438	Brother TN 360, 350, 460, 560, 570, 670, 700, 3060, 6600 hopper fill plug (cap), 100 pack
11158	Brother TN 460, 560, 570, 670, 700, 3060, 6600 recovery blade, 100 pack (under development)
11157	Brother TN 460, 560, 570, 670, 700, 3060, 6600 sealing blade, 50 pack
11707	Brother TN 570, DR 510, DR 3000 Uni Drum ® with gears (special order)
5331	Brother TN 570, 540, 3030, 3060 Absolute Black ® toner 22 lb (10 kg) bag
5329	Brother TN 570, 540, 3030, 3060 Absolute Black ® toner 220g (6,700 pages)
5647	Brother TN 570, 540, 3030, 3060 Absolute Black® toner 115g (3,000 pages)
11059	Brother TN 570, 540, 3030, 3060 compatible toner cartridge (special order)
6064	Brother TN 570, 540, 3030, 3060 developer roller, 10 pack
5513	Brother TN 570, 540, 3030, 3060 doctor blade, 5 pack (special order)
5330	Brother TN 570, 540, 3030, 3060, DR 510, 3000 Uni Drum ® VERTICAL gears (new formulation)

Brother® TN-6300, DR-6000, HL-1240, 1440

Part #	Description
7344	Brother TN 350, 430, 460, 2000, 5500, 6600 Universal seal cover, 100 pack
8438	Brother TN 360, 350, 460, 560, 570, 670, 700, 3060, 6600 hopper fill plug (cap), 100 pack
7769	Brother TN 460, 430, 560, 530, 6600, 6300 Developer roller, 10 pack
5020	Brother TN 460, 430, 560, 530, 6600, 6300 doctor blade, 5 pack (special order)
11158	Brother TN 460, 560, 570, 670, 700, 3060, 6600 recovery blade, 100 pack (under development)
11157	Brother TN 460, 560, 570, 670, 700, 3060, 6600 sealing blade, 50 pack
11362	Brother TN 460, 6600, DR 400, 6000 transfer roller gear (vertical), 10 pack
6127	Brother TN 460, 6600, DR 400, 6000 Uni Drum ® HELICAL gears (new formulation)
9586	Brother TN 460, 6600, DR 400, 6000 Uni Drum ® VERTICAL gears (new formulation)

Brother® TN-6600, DR-6000, HL-1240, 1440

Part #	Description
7344	Brother TN 350, 430, 460, 2000, 5500, 6600 Universal seal cover, 100 pack
8438	Brother TN 360, 350, 460, 560, 570, 670, 700, 3060, 6600 hopper fill plug (cap), 100 pack
7769	Brother TN 460, 430, 560, 530, 6600, 6300 Developer roller, 10 pack
11158	Brother TN 460, 560, 570, 670, 700, 3060, 6600 recovery blade, 100 pack (under development)
11157	Brother TN 460, 560, 570, 670, 700, 3060, 6600 sealing blade, 50 pack
5021	Brother TN 460, 6600 compatible toner cartridge (special order) (sold 4/box)
11362	Brother TN 460, 6600, DR 400, 6000 transfer roller gear (vertical), 10 pack
6127	Brother TN 460, 6600, DR 400, 6000 Uni Drum ® HELICAL gears (new formulation)
9586	Brother TN 460, 6600, DR 400, 6000 Uni Drum ® VERTICAL gears (new formulation)

Brother® TN-670, DR-600, HL 6050

Part #	Description
7344	Brother TN 350, 430, 460, 2000, 5500, 6600 Universal seal cover, 100 pack
11791	Brother TN 670, 4100, DR 600, HL 6050 Absolute Black® toner 22lb (10kg) bag
5090	Brother TN 670, 4100, DR 600, HL 6050 Absolute Black® toner 240g (7,500 pages)
5142	Brother TN 670, 4100, DR 600, HL 6050 developer roller, 10 pk (under final test)
5143	Brother TN 670, 4100, DR 600, HL 6050 doctor blade, 5 pack (special order)
10653	Brother TN 670, 4100, DR 600, HL 6050 reset lever (flag gear), 10 pack
5140	Brother TN 670, 4100, HL 6050, DR 600, 4000 Uni Drum ® VERTICAL gears (special order)

Brother® TN-700, DR-700, HL 7050

Part #	Description
7344	Brother TN 350, 430, 460, 2000, 5500, 6600 Universal seal cover, 100 pack
8438	Brother TN 360, 350, 460, 560, 570, 670, 700, 3060, 6600 hopper fill plug (cap), 100 pack
11158	Brother TN 460, 560, 570, 670, 700, 3060, 6600 recovery blade, 100 pack (under development)
11157	Brother TN 460, 560, 570, 670, 700, 3060, 6600 sealing blade, 50 pack
14500	Brother TN 700, HL 7050 Absolute Black® toner 22lb(10kg) bag
6036	Brother TN 700, HL 7050 Absolute Black® toner 400g
6139	Brother TN 700, HL 7050 doctor blade, 5 pack (special order)
10292	Brother TN 700, HL 7050 Smartchip ® fuse, 10 pack
12045	Brother TN 700, HL 7050, DR 700 Uni Drum ® with gears (vertical gear type)(special order)
6199	Brother TN 700, HL 7050, DR 700, 5500 Uni Drum ® HELICAL gears (special order)

Brother® TN-7300, DR-7000, HL-1670, 1870

Part #	Description
8683	Brother TN 7600, 7300 Absolute Black® toner 240g (6,500 pages)
6777	Brother TN 7600, 7300, DR 7000 developer roller, 10 pack
7346	Brother TN 7600, 7300, DR 7000 doctor blade, 5 pack (special order)

Brother® TN-7600, DR-7000, HL-1670, 1870

Part #	Description
8683	Brother TN 7600, 7300 Absolute Black® toner 240g (6,500 pages)
6777	Brother TN 7600, 7300, DR 7000 developer roller, 10 pack
7346	Brother TN 7600, 7300, DR 7000 doctor blade, 5 pack (special order)
8816	Brother TN 7600, 7300, DR 7000 Uni Drum ® HELICAL gears (new formulation)

Brother® TN-8000, DR-8000, MFC-9180

Part #	Description
11768	Brother TN 200, DR 200, DR 300, 8000 reset sheet, 100 pack, (special order)
14646	Brother TN 8000, DR 8000 "S" Drum ® VERTICAL gears (special order)
6359	Brother TN 8000, DR 8000 Absolute Black toner ®, 22 lb (10 Kg) bag (special order)
7937	Brother TN 8000, DR 8000 Absolute Black® toner 90g
5618	Brother TN 8000, DR 8000 Uni Drum ® VERTICAL gears

Canon Imagerunner 5055,5065, 5075

Part #	Description
13691	Canon Imagerunner 5055, 5065, 5075 compatible toner cartridge, 2,200g (sold 4/bx)(special order)

Canon Imagerunner 7086

Part #	Description
13714	Canon Imagerunner 7086, 7090, 7095, 7105 compatible toner cartridge, 2,000g (special order)

Canon® AX, FX-3

Part #	Description
5858	AX, FX 3, HP 1100 drum helical gear axle pin, 100 pack (special order)
6120	AX, FX 3, HP 1100 OPC drum hub disk axle pin, 100 pack (special order)
9169	AX, FX 3, HP 1100 universal pull tab, 100 pack
34	AX, HP 1100 recovery blade, 25 pack
6671	AX, HP 1100 Uni Drum ® "F" gearless (sold 50/box)(special order)
4997	AX, HP 1100 Uni Drum ® "F" w/gears (sold 50 p/box)
35	AX, HP 1100 Uni Drum ® Green with gears
6005	AX, HP 1100, FX 3 Clear Seal ® OEM type w/adhesive, 50 pack
11470	AX, HP 1100, FX 3 doctor blade with sealing adhesive, 10 pack (special order)
7728	AX, HP 1100, FX 3 doctor blade, 10 pack
37	AX, HP 1100, FX 3 wiper blade, 10 pack
12011	HP 1100, AX SuMMiT® drum w/gears, 5 pack
5728	HP 1100, AX Absolute Black® toner 22 lb (10 Kg) bag
6307	HP 1100, AX MICR ® (for checks) toner 140g
6519	HP 1100, AX MICR ® (for checks) toner 22 lb (10 kg) bag
5896	HP 1200, 1100, AX, FX 8 Seal exit port plug, 100 pack
8168	HP 1300, 1200, 1150, 1100, 1010, AX, FX 8 Mag roller felt, 100 pack
7096	HP 1300, 1200, 1150, 1100, AX BLACK Mag roller sleeve, 10 pack
8214	HP 1300, 1200, 1150, 1100, AX cartridge screws, 100 pack (special order)
6382	HP 1300, 1200, 1150, 1100, AX Mag roller contact TEFLON w/spring, 100 pack
4917	HP 1300, 1200, 1150, 1100, AX, FX 8 cartridge pin, 100 pack

Canon® BC-03

Part #	Description
12792	Canon BC 03, BX 3, Absolute Black® ink 1 liter (1kg) dye
12849	Canon BC 03, BX 3, Absolute Black® ink 10 liter (10kg) dye

Canon® BC-05

Part #	Description
6049	Canon BC 02, BC 20, BC 05 Seal Tape for Printhead 100' feet
12899	Canon BC 05 Absolute Cyan® ink 1 liter (1kg) dye
6641	Canon BC 05 Absolute Cyan® ink 5 Gallons (18.9 L)(TO DISCONTINUE)
6642	Canon BC 05 Absolute Magenta ink, 5 Gallons (18.9 L)(TO DISCONTINUE)
12900	Canon BC 05 Absolute Magenta® ink 1 liter (1kg) dye
6643	Canon BC 05 Absolute Yellow ink, 5 Gallons (18.9 L)(TO DISCONTINUE)
12902	Canon BC 05 Absolute Yellow® ink 1 liter (1kg) dye

Canon® BC-20

Part #	Description
--------	-------------

12769	Canon BC 01, 02, 10, 20, BCI, 10, Absolute Black® ink 1liter (1kg) dye
12770	Canon BC 01, 02, 10, 20, BCI, 10, Absolute Black® ink 10 liter (10kg) dye
6049	Canon BC 02, BC 20, BC 05 Seal Tape for Printhead 100' feet

Canon® BC-21

Part #	Description
12884	Canon BC 21, Absolute Black ink, 1liter (1kg)dye
12885	Canon BC 21, Absolute Cyan ink, 1liter (1kg)dye
12886	Canon BC 21, Absolute Magenta ink, 1liter (1kg)dye
12887	Canon BC 21, Absolute Yellow ink, 1liter (1kg)dye
6848	Canon BC 21, BJ 4000 Absolute Yellow ink, 5 gallons (18.9 liters)(TO DISCONTINUE)

Canon® BCI-3

Part #	Description
12782	Canon BCI-3 Absolute Black® ink 1 liter (1kg) dye
12781	Canon BCI-3 Absolute Black® ink 1 liter (1kg) pigmented
12839	Canon BCI-3 Absolute Black® ink 10 liter (10kg) dye
12838	Canon BCI-3 Absolute Black® ink 10 liter (10kg) pigmented
12783	Canon BCI-3 Absolute Cyan® ink 1 liter (1kg) dye
12840	Canon BCI-3 Absolute Cyan® ink 10 liter (10kg) dye
12786	Canon BCI-3 Absolute Light Cyan® ink 1 liter (1kg) dye
12843	Canon BCI-3 Absolute Light Cyan® ink 10 liter (10kg) dye
12787	Canon BCI-3 Absolute Light Magenta® ink 1 liter (1kg) dye
12844	Canon BCI-3 Absolute Light Magenta® ink 10 liter (10kg) dye
12784	Canon BCI-3 Absolute Magenta® ink 1 liter (1kg) dye
12841	Canon BCI-3 Absolute Magenta® ink 10 liter (10kg) dye
12785	Canon BCI-3 Absolute Yellow® ink 1 liter (1kg) dye
12842	Canon BCI-3 Absolute Yellow® ink 10 liter (10kg) dye

Canon® BCI-5

Part #	Description
12796	Canon BCI 5 Absolute Cyan® ink 1 liter (1kg) dye
12797	Canon BCI 5 Absolute Magenta® ink 1 liter (1kg) dye
12798	Canon BCI 5 Absolute Yellow® ink 1 liter (1kg) dye
12836	Canon BCI-5 Absolute Cyan® ink 10 liter (10kg) dye
12837	Canon BCI-5 Absolute Magenta® ink 10 liter (10kg) dye
12850	Canon BCI-5 Absolute Yellow® ink 10 liter (10kg) dye

Canon® BJ 4000

Part #	Description
12884	Canon BC 21, Absolute Black ink, 1liter (1kg)dye
12885	Canon BC 21, Absolute Cyan ink, 1liter (1kg)dye
12886	Canon BC 21, Absolute Magenta ink, 1liter (1kg)dye
12887	Canon BC 21, Absolute Yellow ink, 1liter (1kg)dye
6850	Canon BC 21, BJ 4000 Absolute Cyan ink, 1 Gallon (3.78 liter)(TO DISCONTINUE)
6851	Canon BC 21, BJ 4000 Absolute Magenta ink, 1 Gallon (3.78 liter)(TO DISCONTINUE)
6852	Canon BC 21, BJ 4000 Absolute Yellow ink, 1 Gallon (3.78 liter)(TO DISCONTINUE)

- 6848 Canon BC 21, BJ 4000 Absolute Yellow ink, 5 gallons (18.9 liters)(TO DISCONTINUE)
- 43 Canon BJ 4000, S 200 compatible black ink tank, BCI 21 (sold 300/case)(TO DISCONTINUE)

Canon® BJ 600

- | Part # | Description |
|---------------|--|
| 5474 | Canon BJ 600 Absolute Black ink, 5 gallons (18.9 liters)(TO DISCONTINUE) |
| 5478 | Canon BJ 600 Absolute Cyan ink, 5 gallons (18.9 liters)(TO DISCONTINUE) |

Canon® BJC 20

- | Part # | Description |
|---------------|---|
| 12793 | Canon BJC 10, 20, 200, 210SP, 230 Absolute Cyan® ink 1 liter (1kg) dye |
| 12794 | Canon BJC 10, 20, 200, 210SP, 230 Absolute Magenta® ink 1 liter (1kg) dye |
| 12795 | Canon BJC 10, 20, 200, 210SP, 230 Absolute Yellow® ink 1 liter (1kg) dye |

Canon® BJC-6000, BCI-3

- | Part # | Description |
|---------------|---|
| 6264 | Canon BJC 6000, S 4500 Cyan compatible ink cartridge, BCI 3 C (sold 300/case) (TO DISCONTINUE) |
| 6265 | Canon BJC 6000, S 4500 Magenta compatible ink cartridge, BCI 3 M (sold 300/case) (TO DISCONTINUE) |
| 6266 | Canon BJC 6000, S 4500 Yellow compatible ink cartridge, BCI 3 Y (sold 300/case) (TO DISCONTINUE) |

Canon® BJC-700, BCI-61, BCI-62

- | Part # | Description |
|---------------|---|
| 6267 | Canon BJC 700 3 Color ink cartridge compatible, BCI 61 (sold 200/case) (TO DISCONTINUE) |
| 6268 | Canon BJC 700 6 Color ink cartridge compatible, BCI 62 (sold 200/case)(TO DISCONTINUE) |

Canon® BJC-8200, BCI-5

- | Part # | Description |
|---------------|---|
| 6702 | Canon BJC 8200 Black compatible ink cartridge, BCI 5/6 BK (special order)(TO DISCONTINUE) |
| 6703 | Canon BJC 8200 Cyan compatible ink cartridge, BCI 5/6 C (sold 300/case)(TO DISCONTINUE) |
| 6704 | Canon BJC 8200 Magenta compatible ink cartridge, BCI 5/6 M (sold 300/case)(TO DISCONTINUE) |
| 6706 | Canon BJC 8200 PHOTO Cyan compatible ink cartridge, BCI 5 PC (sold 300/case)(TO DISCONTINUE) |
| 6707 | Canon BJC 8200 PHOTO Magenta compatible ink cartridge, BCI 5 PM (sold 300/case)(TO DISCONTINUE) |
| 6705 | Canon BJC 8200 Yellow compatible ink cartridge, BCI 5/6 Y (sold 300/case)(TO DISCONTINUE) |

Canon® BX

- | Part # | Description |
|---------------|--|
| 5007 | BX "F" drum w/gears (sold 50 p/box) |
| 5215 | BX Absolute Black® toner 310g |
| 5604 | BX Absolute Black® toner 500g |
| 5517 | BX Absolute Black® toner, 22 lb (10 kg) bag |
| 6011 | BX Absolute Black® toner, 220 lb (100 Kg) barrel (special order) |
| 7102 | BX BLACK Mag roller sleeve, 10 pack |
| 77 | BX doctor blade (sold in 10 pack) (special order) |
| 6308 | BX MICR® (for checks) toner 500g |
| 90 | BX wiper blade, 10 pack |

4926	BX, JX Mag roller coating solution 4 oz (for 130 rollers) use Mag cleaning first
5942	HP 5000, 5200, 8000, 8100, 9000, BX, JX, WX OPC shutter door felt, 100 pack (special order)
6732	Mag roller tray long (BX, WX, JX)

Canon® C 160, 200

Part #	Description
5578	Canon NP 6016, 6218, 6521, 6621, C 160, 200 Uni Drum with gears (special order)
5579	Canon NP 6016, 6521, C 160, 200 Absolute Black® toner 400g (under final test)

Canon® Cartridge B copier

Part #	Description
677	Canon B, SX, TX, PC A30, 3, 5, 7 cartridge pin, 100 pack (special order)
8488	Canon Cartridge B Absolute Black® toner 22 lb (10 kg) bag (sold 2/box)
7009	Canon Cartridge B Absolute Black® toner 500g (sold 25/box)
7172	Canon Cartridge B drum with gears (sold 20 pack) (special order)

Canon® Cartridge E copier

Part #	Description
7559	Canon Cartridge E "F" drum with gears
7558	Canon Cartridge E Absolute Black® toner 150g
7561	Canon Cartridge E Clear Seal® OEM style adhesive, 100 pack
8534	Canon Cartridge E Uni Drum® with gears
7560	Canon Cartridge E wiper blade, 10 pack
5589	Canon E 16, 20, 31, 40, PC 720, 940 Absolute Black® toner, 22 lb (10 kg) bag
547	Canon E 16, 20, 31, PC 720 Absolute Black® toner 120g (3,000 pages)
545	Canon PC E 16, E 31, E 40, 310, 330, 720, 740, 940 Uni Drum® w/gears
544	Canon PC E 16, E 31, E 40, 310, 330, 740, 940 "F" drum w/gear (sold 50 p/box)
12047	Canon PC E16, 31,40,310,330, 720,740,940 SuMMIT® drum w/gear (sold 5/box)
584	PX, VX, PC 720, 940, E 31, E 40 wiper blade, 10 pack

Canon® Cartridge U

Part #	Description
8736	Canon MF 5750, 5730, 3310 Cartridge U Absolute Black® toner 150g

Canon® Cartridge W

Part #	Description
9877	Canon D 350, 300, cartridge W Absolute Black® toner 225g

Canon® CLC 1100, 1120, 1150, 1180

Part #	Description
10911	Canon CLC 1100, 1120 wiper blade, 10 pack (special order)
7721	Canon CLC 700, 800, 900, 1100 Absolute Cyan® toner 22 lb (10 kg) bag(TO DISCONTINUE)
7722	Canon CLC 700, 800, 900, 1100 Absolute Magenta® toner 22 lb (10 kg) bag(TO DISCONTINUE)

Canon® CLC 700, 800, 900

Part # Description

5727	Canon CLC 700 wiper blade, 10 pack (special order)
215	Canon CLC 700, 800, 900 BLACK compatible toner cartridge, 345g (special order)
216	Canon CLC 700, 800, 900 CYAN compatible toner cartridge 345g (special order)
217	Canon CLC 700, 800, 900 MAGENTA compatible toner cartridge 345g (special order)
7721	Canon CLC 700, 800, 900, 1100 Absolute Cyan ® toner 22 lb (10 kg) bag(TO DISCONTINUE)
7722	Canon CLC 700, 800, 900, 1100 Absolute Magenta ® toner 22 lb (10 kg) bag(TO DISCONTINUE)

Canon® CX

Part # Description

5467	Canon PC A 20, CX recovery blade, 25 pack (special order)
------	---

Canon® EP-104,106, 306, 706

Part # Description

11280	Canon EP 106, 306, 706, MF 6500, 6530, 6550 Absolute Black® toner 230g
9951	HP 1010, 1015, 1020, 1022, EP 104, 106, FX-11 OPC drum tension spring, 100 pack
11998	HP 1010, 1015, 1020, 1022, EP 104, 106, FX-11 SuMMiT® drum w/gears, 5 pack
10017	HP 1010, 1015, 1020, 1022, EP 104, 106, FX-11 Uni Drum ® "F" with gears (sold 50/box)
10385	HP 1010, 1015, 1020, 1022, EP 106 Mag roller sleeve w/ contact TEFLON w/spring, 10pk(special order)
13098	HP 1010, 1015, 1020, 1022, EP 106, FX-11 recovery blade, 50 pack (special order)

Canon® EP-105

Part # Description

11592	Canon EP 105, MF 7280, 7270, 7260, 7240 Uni Drum ® with gears (under development)
11591	Canon EP 105, MF 7280, 7460, 7470, 7480 Absolute Black® toner 22 lb (10 kg) bag
11590	Canon EP 105, MF 7280, 7460, 7470, 7480 Absolute Black® toner 500g
11595	Canon EP 105, MF 7280, 7460, 7470, 7480 Clear Seal ® adhesive with foam (sold 10 pack)
11596	Canon EP 105, MF 7280, 7460, 7470, 7480 Mag roller, 10 pack (special order) (sold 20 pack/case)
11593	Canon EP 105, MF 7280, 7460, 7470, 7480 wiper blade, 10 pack

Canon® EP-27, 26, LBP 3200

Part # Description

10250	Canon EP 27, 26, X 25, LBP 3200 Absolute Black® toner 150g
10576	Canon EP 27, 26, X 25, LBP 3200 conversion kit from HP 1200, (sold 24/box) (special order)
10252	Canon EP 27, 26, X 25, LBP 3200 Mag roller sleeve, 10 pack
10254	Canon EP 27, 26, X 25, LBP 3200 PCR roller, 10 pack
10255	Canon EP 27, 26, X 25, LBP 3200 Silver Seal ® adhesive, 50 pack
10251	Canon EP 27, 26, X 25, LBP 3200 Uni Drum ® with gears & insert

Canon® EP-303, LBP 3000

Part # Description

10231	Canon EP 303, LB 3000 Absolute Black® toner 100g
10749	Canon EP 303, LB 3000 Absolute Black® toner 22 lb (10 kg) bag
11722	Canon EP 303, LB 3000 Black mag roller sleeve w/ contact TEFLON w/ spring, 10 pack
10753	Canon EP 303, LB 3000 Black mag roller sleeve, 10 pack

10752	Canon EP 303, LB 3000 doctor blade (w/ adhesive sealing), 10 pack
10754	Canon EP 303, LB 3000 PCR "Soft" roller, 10 pack
10750	Canon EP 303, LB 3000 Uni Drum ® with gears
10751	Canon EP 303, LB 3000 wiper blade, 10 pack

Canon® EP-307, LBP 5000

Part #	Description
10706	Canon EP 307, LBP 5000 Smartchip ® Black (2,500 pages)
10707	Canon EP 307, LBP 5000 Smartchip ® Cyan (2,000 pages)
10708	Canon EP 307, LBP 5000 Smartchip ® Magenta (2,000 pages)
10709	Canon EP 307, LBP 5000 Smartchip ® Yellow (2,000 pages)
13626	HP 2600, EP 307 Absolute Black ® toner (2,500 pages)(new formulation)
13627	HP 2600, EP 307 Absolute Black ® toner 22 lb (10 kg) bag (new formulation)
9998	HP 2600, EP 307 Absolute Cyan ® toner (2,000 pages)
10826	HP 2600, EP 307 Absolute Cyan ® toner 22 lb (10 kg) bag
10000	HP 2600, EP 307 Absolute Yellow ® toner (2,000 pages)
10828	HP 2600, EP 307 Absolute Yellow ® toner 22 lb (10 kg) bag
10004	HP 2600, EP 307 Black cartridge DVR roller sleeve, 10 pack
10003	HP 2600, EP 307 Clear Seal ® adhesive, 50 pack
11962	HP 2600, EP 307 Color C/M/Y cartridge DVR roller sleeve, 10 pack (under development)
10259	HP 2600, EP 307 developer roller end felt (Left & Right), 50 sets
11988	HP 2600, EP 307 drum shutter and shutter hinge, 10 sets (special order)
10852	HP 2600, EP 307 foam hopper cap, x0 pack (special order)
11351	HP 2600, EP 307 Mag developer roller bushing spacer (Left & Right), 10 sets
10851	HP 2600, EP 307 metal cartridge pin, 50 pack
10262	HP 2600, EP 307 O-ring foam washer, 50 pack
11017	HP 2600, EP 307 PCR roller, 9 pack (special order)
10886	HP 2600, EP 307 plastic cartridge pin, 50 pack
11060	HP 2600, EP 307 Quick Seal ® adhesive, 50 pack (recommended)
10945	HP 2600, EP 307 Quick Seal ® foam adhesive, 50 pack
11849	HP 2600, EP 307 recovery blade, 100 pack (
11624	HP 2600, EP 307 seal toner hopper fill plug, 100 pack
10260	HP 2600, EP 307 wiper blade end felt (Left & Right), 50 sets
10261	HP 2600, EP 307 wiper blade end foam (Left & Right), 50 sets
10853	HP 2600, EP 307 wiper blade, 10 pack
10001	HP 2600, EP307 Uni Drum ® solution with special gears

Canon® EP-311, LBP 5400, 5300

Part #	Description
10921	Canon EP 311, LBP 5400, 5300 Absolute Black ® toner (6,000 pages)
10922	Canon EP 311, LBP 5400, 5300 Absolute Cyan ® toner (6,000 pages)
10923	Canon EP 311, LBP 5400, 5300 Absolute Magenta ® toner (6,000 pages)
10924	Canon EP 311, LBP 5400, 5300 Absolute Yellow ® toner (6,000 pages)
10925	Canon EP 311, LBP 5400, 5300 Smartchip ® Black (under development)
10926	Canon EP 311, LBP 5400, 5300 Smartchip ® Cyan (6,000 pages)
10927	Canon EP 311, LBP 5400, 5300 Smartchip ® Magenta (6,000 pages)
10928	Canon EP 311, LBP 5400, 5300 Smartchip ® Yellow (6,000 pages)
10929	Canon EP 311, LBP 5400, 5300 wiper blade, 10 pack

Canon® EP-502, LBP 5600, 5900

Part #	Description
6751	Canon EP 502, LBP 5600, 5900 Absolute Black ® toner 22 lb (10 kg) bag
6335	Canon EP 502, LBP 5600, 5900 Absolute Black ® toner 270g
6756	Canon EP 502, LBP 5600, 5900 Absolute Color ® toner carrier 22 lb (10 kg) bag
6749	Canon EP 502, LBP 5600, 5900 Absolute Color ® toner carrier TBA (under development)
6336	Canon EP 502, LBP 5600, 5900 Absolute Cyan ® toner 155g
6752	Canon EP 502, LBP 5600, 5900 Absolute Cyan ® toner 22 lb (10 kg) bag
6337	Canon EP 502, LBP 5600, 5900 Absolute Magenta ® toner 155g
6753	Canon EP 502, LBP 5600, 5900 Absolute Magenta ® toner 22 lb (10 kg) bag
6338	Canon EP 502, LBP 5600, 5900 Absolute Yellow ® toner 155g
6754	Canon EP 502, LBP 5600, 5900 Absolute Yellow ® toner 22 lb (10 kg) bag
10423	Canon EP 502, LBP 5600, 5900 Smartchip ® drum unit BK/C/M/Y
6540	Canon EP 502, LBP 5600, 5900 Uni Drum ® with gears (under final test)
6748	Canon EP 502, LBP 5600, 5900 wiper blade, 10 pack (under development)

Canon® EP-508, LBP 3300

Part #	Description
10730	Canon EP 508, LBP 3300 Absolute Black ® toner 22 lb (10 kg) bag
10729	Canon EP 508, LBP 3300 Absolute Black ® toner 255g (6,000 pages)
10742	Canon EP-508, LBP 3300 cartridge pin, 100 pack
10743	Canon EP-508, LBP 3300 Clear Seal ® adhesive, 50 pack
10741	Canon EP-508, LBP 3300 Doctor Blade stabilizer, 10 pack
10732	Canon EP-508, LBP 3300 doctor blade, 10 pack
10739	Canon EP-508, LBP 3300 drum shutter door, 10 pack
10736	Canon EP-508, LBP 3300 Mag roller bushing set, 10 pack
10744	Canon EP-508, LBP 3300 Mag roller contact TEFLON with spring, 100 pack
10738	Canon EP-508, LBP 3300 Mag roller sealing blade, 100 pack
10734	Canon EP-508, LBP 3300 Mag roller sleeve, 10 pack
10740	Canon EP-508, LBP 3300 Mag roller stabilizer, 10 pack
10735	Canon EP-508, LBP 3300 Mag roller wipers (left & right), 10 sets
10746	Canon EP-508, LBP 3300 PCR roller contact cover, holder & spring set, 10 pack
10737	Canon EP-508, LBP 3300 PCR roller, 10 pack
10748	Canon EP-508, LBP 3300 Right end cap, 10 pack
10745	Canon EP-508, LBP 3300 Seal exit port plug, 100 pack
12657	Canon EP-508, LBP 3300 Smartchip ® (2,500 pages)
10728	Canon EP-508, LBP 3300 Smartchip ® (6,000 pages)
10731	Canon EP-508, LBP 3300 Uni Drum ® with gears
10747	Canon EP-508, LBP 3300 Waste bin bearing plate & screw set, 10 pack
10733	Canon EP-508, LBP 3300 wiper blade, 10 pack

Canon® EP-509, LBP 3500, 3900, 3950

Part #	Description
10574	Canon EP 509, LBP 3500, 3900, 3950 Absolute Black® toner 22 lb (10 kg) bag
10573	Canon EP 509, LBP 3500, 3900, 3950 Absolute Black® toner 600g
10935	Canon EP-509, LBP 3500, 3900, 3950 Clear Seal ® adhesive, 50 pack
10936	Canon EP-509, LBP 3500, 3900, 3950 Clear Seal ® foam adhesive, 50 pack (special order)
11073	Canon EP-509, LBP 3500, 3900, 3950 doctor blade, 10 pack
11153	Canon EP-509, LBP 3500, 3900, 3950 mag roller bushing set, 10 sets
11089	Canon EP-509, LBP 3500, 3900, 3950 Mag roller wipers (left & right), 10 sets

10575	Canon EP-509, LBP 3500, 3900, 3950 Smartchip ®
4934	HP 5000, 5200, 8100, EP 62, 72, 509, M 5035, 5025 wiper blade, 10 pack
11629	HP 5200, EP 509, LBP 3500, 3900 mag roller housing end plate, 10 pack
11124	HP 5200, EP 509, LBP 3500, 3900, 3950 Left end cap, 10 pack
11350	HP 5200, EP 509, LBP 3500, 3900, 3950 Seal pull tab, 10 pack
11123	HP 5200, EP-509, LBP 3500, 3900, 3950 Right end cap, 10 pack
11122	HP 5200, EP-509, LBP-3500, 3900, 3950 Hopper JUMBO® toner capacity (special order)(sold 12/pk)

Canon® EP-510, LBP 3410

Part #	Description
10771	Canon EP 510, LBP 3410 Absolute Black® toner 22 lb (10 kg) bag
10775	Canon EP 510, LBP 3410 Absolute Black® toner 300g (6,000 pages)
10770	Canon EP 510, LBP 3410 Absolute Black® toner 600g (12,000 pages) (under dev't)
10774	Canon EP 510, LBP 3410 Smartchip ® (under final test)
10772	Canon EP 510, LBP 3410 Uni Drum ® "F" with gears
10773	Canon EP 510, LBP 3410 Uni Drum ® Green with gears

Canon® EP-62, LBP 1820

Part #	Description
4914	HP 5000, 5100, EP 62 Absolute Black® toner 500g
5865	HP 5000, 5100, EP 62 Absolute Black® toner, 22 lb (10 Kg) bag
6662	HP 5000, 5100, EP 62 Doctor Blade End pieces (left & right) 100 sets
6630	HP 5000, 5100, EP 62 Doctor Blade Shim, 100 pack (special order)
5964	HP 5000, 5100, EP 62 doctor blade, 10 pack
7034	HP 5000, 5100, EP 62 hopper compression spring, 100 pack (special order)
6663	HP 5000, 5100, EP 62 Mag roller bushing LONG, 100 pack
6844	HP 5000, 5100, EP 62 Mag roller coating solution for 130 rollers (use Mag cleaning first)
12644	HP 5000, 5100, EP 62 Mag roller contact NEW style, 100 pack (special order)
7002	HP 5000, 5100, EP 62 Mag roller contact NEW style, 100 pack (special order)
7318	HP 5000, 5100, EP 62 Mag roller felt, 100 pack
8444	HP 5000, 5100, EP 62 Mag roller wipers (left & right), 100 sets
7888	HP 5000, 5100, EP 62 seal plastic locking rail 340 mm, 100 pack
6131	HP 5000, 5100, EP 62 Uni Drum ® "F" with gears (sold 50 p/box)
4887	HP 5000, 5100, EP 62 Uni Drum ® Green with gears
4961	HP 5000, 5100, EP 62 waste hopper recovery (retaining) blade, 25 pack
6143	HP 5000, 5100, EX, NX, SX, WX hopper plug (cap), 100 pack
7001	HP 5000, 5100, RP 62 Mag roller bushing SHORT, 100 pack
6833	HP 5000, 5100, EP 62 cartridge pin, 50 pack (double head easy to pull)
5942	HP 5000, 5200, 8000, 8100, 9000, BX, JX, WX OPC shutter door felt, 100 pack (special order)
4934	HP 5000, 5200, 8100, EP 62, 72, 509, M 5035, 5025 wiper blade, 10 pack

Canon® EP-65, LBP-1420

Part #	Description
7520	Canon EP 65 Absolute Black® toner 510g (sold 25 p/box)
7076	Canon EP 65 Ecographics ® toner 500g
8751	Canon EP 65 Black Mag roller sleeve, 10 pack
9821	Canon EP 65 Clear Seal ® adhesive, 50 pack
8003	Canon EP 65 Ecographics ® toner 22 lb (10 kg) bag

7431	Canon EP 65 Uni Drum ® with gears & insert
7078	Canon EP 65, EP 66 wiper blade, 10 pack

Canon® EP-66, LBP 3800, 3600

Part #	Description
9222	Canon EP 66 Absolute Black® toner 22 lb (10 kg) bag (under final test)
9220	Canon EP 66 Absolute Black® toner 480g (under final test)
9221	Canon EP 66 Ecographics® toner 500g
9225	Canon EP 66 foam adhesive seal
8366	Canon EP 66 Uni Drum ® with gears

Canon® EP-86, LBP 5800, 5700

Part #	Description
9151	HP 5500, EP 86 developer roller end felt (Left & Right), 50 sets
11341	HP 5500, EP 86 long metal pin, 50 pack
11340	HP 5500, EP 86 short metal pin, 50 pack
9808	HP 5500, EP 86 Wiper blade end felt, (Left & Right) 100 sets
5925	HP 5500, EP 86 Wiper blade end foams, 50 pack

Canon® EP-87, LBP 5200, 2410

Part #	Description
9148	HP 2500, 2550, 1500, EP 87 Absolute Black ® toner 160g
8581	HP 2500, 2550, 1500, EP 87 Absolute Black ® toner 22 lb (10 kg) bag
8085	HP 2500, 2550, 1500, EP 87 Absolute Cyan ® toner 150g
9138	HP 2500, 2550, 1500, EP 87 Absolute Cyan ® toner 22 lb (10 kg) bag
8087	HP 2500, 2550, 1500, EP 87 Absolute Magenta ® toner 150g
9139	HP 2500, 2550, 1500, EP 87 Absolute Magenta ® toner 22 lb (10 kg) bag
8086	HP 2500, 2550, 1500, EP 87 Absolute Yellow ® toner 150g
9140	HP 2500, 2550, 1500, EP 87 Absolute Yellow ® toner 22 lb (10 kg) bag
8297	HP 2500, 2550, 1500, EP 87 adder roller spacer foam washer, 100 pack
9792	HP 2500, 2550, 1500, EP 87 developer roller, 10 pack
11628	HP 2500, 2550, 1500, EP 87 drum unit shipping lock set, 10 pack
7407	HP 2500, 2550, 1500, EP 87 O-ring adder roller felt washer, 100 pack
9611	HP 2500, 2550, 1500, EP 87 seal exit port plug, 100 pack
13097	HP 2500, 2550, 1500, EP 87 shipping lock (with clear mylar & foam), 10 pack(special order)
8268	HP 2500, 2550, 1500, EP 87 shipping lock, 10 pack
10185	HP 2500, 2550, 1500, EP 87 Uni Drum ® "F"with gears (special order)
8089	HP 2500, 2550, 1500, EP 87 Uni Drum ® with gears (special order)
8090	HP 2500, 2550, 1500, EP 87 wiper blade, 10 pack
11759	HP 2500, 2550, 1500, EP 87 X-Generation Black ® toner 140g
11755	HP 2500, 2550, 1500, EP 87 X-Generation Black ® toner 22 lb (10 kg) bag
11760	HP 2500, 2550, 1500, EP 87 X-Generation Cyan ® toner 130g
11756	HP 2500, 2550, 1500, EP 87 X-Generation Cyan ® toner 22 lb (10 kg) bag
11761	HP 2500, 2550, 1500, EP 87 X-Generation Magenta ® toner 130g
11757	HP 2500, 2550, 1500, EP 87 X-Generation Magenta ® toner 22 lb (10 kg) bag
11762	HP 2500, 2550, 1500, EP 87 X-Generation Yellow ® toner 130g
11758	HP 2500, 2550, 1500, EP 87 X-Generation Yellow ® toner 22 lb (10 kg) bag

Canon® EP-H

Part #	Description
121	Canon EP H Absolute Black ® toner 150g
6313	Canon EP H adhesive seal, 10 pack (special order)
6181	Canon EP H doctor blade (sold in 10 pack) (special order)

Canon® EX

Part #	Description
175	EX "F" drum w/gears (sold 50 p/box)
190	EX Absolute Black® toner 330g
191	EX Absolute Black® toner, 22 lb (10 kg) bag
7103	EX BLACK Mag roller sleeve, 10 pack
174	EX doctor blade, 10 pack
180	EX Mag roller coating solution (for 150 rollers) use Mag cleaning first
5204	EX Mag roller contact spring, 50 pack (special order)
181	EX MAG roller felt, 100 pack
6862	EX MICR ® (for checks) toner 22 lb (10 kg) bag (sold 2 per box)
183	EX MICR ® (for checks) toner 330g
185	EX PCR roller recoated, 10 pack
188	EX Plastic seal clip (locking rail) 243 mm, 100 pack (sold 2 per box)
14736	EX Seal pull tab, 50 pack (special order)
12869	EX Sealing Channel rail foam, 100 pack
5891	EX Soft PCR roller (new) , 10 pack
12012	EX SuMMiT® drum with gears, 5 pack
5011	EX Uni Drum ® Green with gears
784	EX Uni Drum ® Green with gears & insert
192	EX wiper blade, 10 pack
4959	EX, NX, SX Mag roller universal bushing, 100 pack (special order)
4904	HP 4000, P 3015, SX, EX universal metal cartridge clip 4 mm, 1000 pack
6143	HP 5000, 5100, EX, NX, SX, WX hopper plug (cap), 100 pack

Canon® FX-10, FX-9

Part #	Description
10152	Canon FX 10, 4120, 4150 conversion kit (from HP 1010 cartridge) 10 pack (special order)

Canon® FX-11

Part #	Description
9951	HP 1010, 1015, 1020, 1022, EP 104, 106, FX-11 OPC drum tension spring, 100 pack
11998	HP 1010, 1015, 1020, 1022, EP 104, 106, FX-11 SuMMiT® drum w/gears, 5 pack
10017	HP 1010, 1015, 1020, 1022, EP 104, 106, FX-11 Uni Drum ® "F" with gears (sold 50/box)
9196	HP 1010, 1015, 1020, 1022, EP 106, 306, 706, FX-11 Black Mag roller sleeve, 10 pack
14759	HP 1010, 1015, 1020, 1022, EP 106, FX-11 Mag roller bushing , 100 pack (new formulation 4/2010)
9952	HP 1010, 1015, 1020, 1022, EP 106, FX-11 Mag roller contact spring, 100 pack
9968	HP 1010, 1015, 1020, 1022, EP 106, FX-11 Mag roller sealing blade, 100 pack
9950	HP 1010, 1015, 1020, 1022, EP 106, FX-11 Mag roller wipers (left & right), 10 sets
9728	HP 1010, 1015, 1020, 1022, EP 106, FX-11 recovery blade, 100 pack
13098	HP 1010, 1015, 1020, 1022, EP 106, FX-11 recovery blade, 50 pack (special order)

- 8858 HP 1010, 1015, 1020, 1022, EP 106, FX-11 Silver Seal ® OEM style adhesive, 50 pack
- 8846 HP 1010, 1015, 1020, 1022, EP 106, FX-11 wiper blade, 10 pack

Canon® FX-6

Part # Description

- 8717 Canon FX 6, HP 4100 waste hopper section (converts 4000 to 4100 & FX 6) (sold 24 per box)(special or

Canon® FX-7, L 50

Part # Description

- 11866 Canon FX 7 waste conversion kit for HP 2100, 2300 (sold 24 pack)(special order)
- 7618 Canon L 50, FX 7 tab repair bracket (to convert HP 2100 to L 50 Fax), 10 pack
- 8447 Canon L 50, FX 7 toner low bar (to convert HP 2100 to L 50 Fax), 10 pack (special order)
- 6222 HP 2100, 2200 Uni Drum ® Green w/gears & insert
- 7727 HP 2100, 2200, 2300, 2400, 2420, P 3005, 3015, M 3035, 3027 wiper blade, 10 pack
- 12633 HP 2300, 2100, FX7 recovery blade, 50 pack (special order)

Canon® FX-8

Part # Description

- 8439 Canon FX 8, T drum shutter, 10 pack (special order)
- 7045 Canon ImageClass 320, 340, S 35, FX 8 Absolute Black® toner 165g
- 7962 Canon ImageClass 320, 340, S 35, FX 8 Uni Drum ® with gears
- 7960 Canon ImageClass 320, 340, S 35, FX 8 wiper blade, 10 pack (under final test)
- 8169 HP 1300, 1200, 1150, 1100, 1010, FX 8 Mag roller sealing foam, 100 pack (special order)
- 8213 HP 1300, 1200, 1150, FX 8 Mag roller bushing set short & long, 100 pack
- 5765 HP 1300, 1200, 1150, FX 8 recovery blade, 25 pack
- 7329 HP 1300, 1200, 1150, FX 8 Silver Seal ® OEM style adhesive, 50 pack
- 7521 HP 1300, 1200, 1150, FX 8 Uni Drum ® "F" w/gears (sold 50 p/box)

Canon® GP 605

Part # Description

- 10067 Canon GP 605 Absolute Black ® toner 22 lb (10 kg) bag (special order)

Canon® GP-200

Part # Description

- 7411 Canon GP 200 "F" drum (sold 50 pack special order)
- 12895 Canon GP 200 "S" drum (sold 50 pack special order)
- 12889 Canon GP 200 compatible toner cartridge, 530g (sold 10/box)(special order)
- 12897 Canon GP 200 wiper blade (sold in 10 pack) (special order)

Canon® GP-30, GP-55

Part # Description

- 7502 Canon GP 30, 55 compatible cartridge 400g (sold 10/box)(special order)

Canon® GP-40

Part #	Description
7235	Canon GP 40 Absolute Black® toner 22 lb (10 kg) (sold 2/box)
7179	Canon GP 40 compatible cartridge 530g (sold 10/box)(special order)
7181	Canon GP 40 drum with gears (sold 50/box)

Canon® i70

Part #	Description
8748	Canon i70 compatible black ink tank, 2 pack (sold 480/case)(TO DISCONTINUE)
8749	Canon i70 compatible tri color ink tank, 2 pack (sold 320/case)(TO DISCONTINUE)

Canon® ImageClass 2300, Cartridge P

Part #	Description
11611	Canon ImageClass 2300, Cartridge P Absolute Black ® toner 22 lb (10 kg) bag
11610	Canon ImageClass 2300, Cartridge P Absolute Black ® toner 470g
11635	Canon ImageClass 2300, Cartridge P Clear Seal ® adhesive, 50 pack
11632	Canon ImageClass 2300, Cartridge P doctor blade, 10 pack (under development)
11633	Canon ImageClass 2300, Cartridge P Mag roller sleeve, 10 pack (under development)
11634	Canon ImageClass 2300, Cartridge P PCR roller, 10 pack (under development)
11612	Canon ImageClass 2300, Cartridge P Uni Drum ® with gears & insert
11631	Canon ImageClass 2300, Cartridge P wiper blade, 10 pack (under development)

Canon® ImageClass 3110, 3240, 5550, 5650, X 25

Part #	Description
10250	Canon EP 27, 26, X 25, LBP 3200 Absolute Black® toner 150g
10576	Canon EP 27, 26, X 25, LBP 3200 conversion kit from HP 1200, (sold 24/box) (special order)
10252	Canon EP 27, 26, X 25, LBP 3200 Mag roller sleeve, 10 pack
10254	Canon EP 27, 26, X 25, LBP 3200 PCR roller, 10 pack
10255	Canon EP 27, 26, X 25, LBP 3200 Silver Seal ® adhesive, 50 pack
10251	Canon EP 27, 26, X 25, LBP 3200 Uni Drum ® with gears & insert

Canon® ImageClass 320, 340, S 35

Part #	Description
7045	Canon ImageClass 320, 340, S 35, FX 8 Absolute Black® toner 165g
8231	Canon ImageClass 320, 340, S 35, FX 8 doctor blade, 10 pack
7962	Canon ImageClass 320, 340, S 35, FX 8 Uni Drum ® with gears
7960	Canon ImageClass 320, 340, S 35, FX 8 wiper blade, 10 pack (under final test)
8213	HP 1300, 1200, 1150, FX 8 Mag roller bushing set short & long, 100 pack
5765	HP 1300, 1200, 1150, FX 8 recovery blade, 25 pack
7329	HP 1300, 1200, 1150, FX 8 Silver Seal ® OEM style adhesive, 50 pack
7521	HP 1300, 1200, 1150, FX 8 Uni Drum ® "F" w/gears (sold 50 p/box)

Canon® Imageclass D 1120, 1150, 1170, 1180

Part #	Description
14812	Absolute Black® toner 230g (5,000 pages) for use in Canon Imageclass D 1120, 1150, 1170, 1180
14813	Doctor blade for use in Canon Imageclass D 1120, 1150, 1170, 1180, 10 pack
14816	PCR roller for use in Canon Imageclass D 1120, 1150, 1170, 1180, 10 pack

- 14488 Smartchip® for use in Canon Imageclass D 1120, 10 pack (26171B001AA)(5,000 pages)
- 14814 Uni Drum® with contact hub and drive gear insert for use in Canon Imageclass D 1120, 1150, 1180
- 14815 Wiper blade for use in Canon Imageclass D 1120, 1150, 1170, 1180, 10 pack

Canon® ImageClass D 660, 680, 760, 780, 880, L 50

Part # Description

- 7618 Canon L 50, FX 7 tab repair bracket (to convert HP 2100 to L 50 Fax), 10 pack
- 8447 Canon L 50, FX 7 toner low bar (to convert HP 2100 to L 50 Fax), 10 pack (special order)
- 5713 HP 2100, 2200 Absolute Black® toner 230g
- 7727 HP 2100, 2200, 2300, 2400, 2420, P 3005, 3015, M 3035, 3027 wiper blade, 10 pack

Canon® ImageClass MF 4150

Part # Description

- 11457 Canon ImageClass MF 4150 Absolute Black® toner 100g
- 10017 HP 1010, 1015, 1020, 1022, EP 104, 106, FX-11 Uni Drum ® "F" with gears (sold 50/box)

Canon® Imageclass MF 4150, 4270,,4350, 4370, 4380, 4690

Part # Description

- 14213 Canon EP 104, MF 4150, 4270,,4350, 4370, 4380, 4690 (uses all HP 1010 supplies)

Canon® ImageClass MF 6500, 6530, 6550, 6560, 6580

Part # Description

- 11280 Canon EP 106, 306, 706, MF 6500, 6530, 6550 Absolute Black® toner 230g
- 13098 HP 1010, 1015, 1020, 1022, EP 106, FX-11 recovery blade, 50 pack (special order)

Canon® ImageClass MF 7280

Part # Description

- 11592 Canon EP 105, MF 7280, 7270, 7260, 7240 Uni Drum ® with gears (under development)
- 11591 Canon EP 105, MF 7280, 7460, 7470, 7480 Absolute Black® toner 22 lb (10 kg) bag
- 11590 Canon EP 105, MF 7280, 7460, 7470, 7480 Absolute Black® toner 500g
- 11595 Canon EP 105, MF 7280, 7460, 7470, 7480 Clear Seal ® adhesive with foam (sold 10 pack)
- 11596 Canon EP 105, MF 7280, 7460, 7470, 7480 Mag roller, 10 pack (special order) (sold 20 pack/case)
- 11593 Canon EP 105, MF 7280, 7460, 7470, 7480 wiper blade, 10 pack

Canon® ImagePROGRAF W8200Pg, W8400

Part # Description

- 12447 Canon imagePROGRAF W8200Pg, W8400 Black Inkjet Smartchip® (under development)
- 12448 Canon imagePROGRAF W8200Pg, W8400 Cyan Inkjet Smartchip® (under development)
- 12449 Canon imagePROGRAF W8200Pg, W8400 Light Cyan Inkjet Smartchip® (under development)
- 12450 Canon imagePROGRAF W8200Pg, W8400 Light Magenta Inkjet Smartchip® (under development)
- 12451 Canon imagePROGRAF W8200Pg, W8400 Magenta Inkjet Smartchip® (under development)
- 12452 Canon imagePROGRAF W8200Pg, W8400 Yellow Inkjet Smartchip® (under development)
- 9163 Toshiba e Studio 220 (see Lexmark T 420)

Canon® Imagerunner 1019, 1023

Part # Description

12888	Canon® Imagerunner 1018, 1019, 1022, 1023 compatible toner cartridge, 465g (sold 10/box)
12894	Canon® IR 1018, 1019, 1022, 1023 "S" drum with gears (sold 50/box) (special order)

Canon® Imagerunner 1300, 1310, 1330, 1370, 1670

Part # Description

11745	Canon IR 1210, 1300, 1310, 1370, 1630, 1670 Absolute Black® toner 300g
7057	Canon IR 1210, 1300, 1310, 1370, 1630, 1670 Uni Drum® "F" with gears (special order)
12710	Canon IR 1210, 1300, 1310, 1370, 1630, 1670 Uni Drum® with gears (special order)
12573	Canon IR 1210, 1300, 1310, 1370, 1630, 1670 wiper blade 5 pack (special order)
5613	Canon IR 1210, 1300, 1310, 1370, 1630, 1670, GPR 10 compatible toner cartridge (10 p/box)

Canon® Imagerunner 1600, 2000, 2010

Part # Description

6027	Canon IR 1600, 2000, 2010 Absolute Black® toner 440g (under final test)
7161	Canon IR 1600, 2000, 2010 Black Mag roller sleeve, 10 pack (under final test)
6949	Canon IR 1600, 2000, 2010 Clear Seal® adhesive, 50 pack (under final test)
213	Canon IR 1600, 2000, 2010 compatible toner cartridge 440g (10 pack)(special order)
6495	Canon IR 1600, 2000, 2010 Uni Drum® with gears & insert (under final test)
12716	Canon IR 1600, 2000, 2010 Uni Drum® with gears (special order)
6500	Canon IR 1600, 2000, 2010 wiper blade, 10 pack

Canon® Imagerunner 200

Part # Description

7498	Canon IR 200, 330, 400 compatible cartridge (sold 10/box)(special order)
------	--

Canon® Imagerunner 2016, 2020

Part # Description

12890	Canon® IR 2016, 2020 compatible toner cartridge, 460g (sold 10/box)(8,300 pages)
12892	Canon® IR 2016, 2020 UniDrum with gears (special order)
12898	Canon® IR 2016, 2020 wiper blade (special order)

Canon® Imagerunner 2200, 2800, 3300

Part # Description

7118	Canon IR 2200, 2800, 3300 Absolute Black® toner 220 lb (100 kg) barrel (special order)
7068	Canon IR 2200, 2800, 3300 compatible toner cartridge (sold 10/box)(special order)
12715	Canon IR 2200, 2800, 3300 drum with gears (special order)
12596	Canon IR 2200, 2800, 3300 ni Drum® with gears (special order)
7056	Canon IR 2200, 2800, 3300 Uni Drum "F" with gears
10068	Canon IR 2200, 2800, 3300 wiper blade, 10 pack

Canon® Imagerunner 2230, 2270, 2830, 2870, 3530, 3570, 4570

Part # Description

14866	Absolute Black® toner, 1219g for use in Canon IR 2230, 2270, 2830, 2870, 3530, 3570, 4570
-------	---

12626	Canon IR 2230, 2270, 2830, 2870, 3530, 3570, 4570 Absolute Black® toner 264 lb (120 kg) barrel
11883	Canon IR 2230, 2270, 2830, 2870, 3530, 3570, 4570 drum with gears (special order)
12714	Canon IR 2230, 2270, 2830, 2870, 3530, 3570, 4570 Uni drum with gears (special order)
12893	Canon® IR 2230, 2270, 2830, 2870, 3530, 3570, 4570 compatible drum cartridge (sold 50/box)
11717	Canon® IR 2230, 2270, 2830, 2870, 3530, 3570, 4570 compatible toner cartridge (sold 6/box)

Canon® Imagerunner 330, 400

Part #	Description
14593	Canon Imagerunner 330, 400 wiper blade (special order)
7498	Canon IR 200, 330, 400 compatible cartridge (sold 10/box)(special order)
7316	Canon IR 330, 400 "F" drum with gears (sold 50/box)
12896	Canon IR 330, 400 "S" drum with gears (sold 50/box) (special order)

Canon® Imagerunner 5000, 6000

Part #	Description
11038	Canon IR 6000, 5000 Absolute Black® toner 22 lb (10 kg) bag (special order)(under final tes
7549	Canon IR 6000, 5000, GPR 4 compatible toner cartridge (sold 10/box)(special order)

Canon® Imagerunner 5570, 6570

Part #	Description
11718	Canon IR 5570, 6570, GPR 17 compatible cartridge (sold 4/box) (special order)

Canon® Imagerunner 600

Part #	Description
7497	Canon IR 550, 600 compatible cartridge 1650g (sold 3/box)(special order)

Canon® Imagerunner C 3100, 3170

Part #	Description
11106	Canon IR C 3100, 3170 Black compatible toner cartridge (special order)
11110	Canon IR C 3100, 3170 Black toner 510g
11107	Canon IR C 3100, 3170 Cyan compatible toner cartridge (special order)
11111	Canon IR C 3100, 3170 Cyan toner 180g
11108	Canon IR C 3100, 3170 Magenta compatible toner cartridge (special order)
11112	Canon IR C 3100, 3170 Magenta toner 180g
11109	Canon IR C 3100, 3170 Yellow compatible toner cartridge (special order)
11113	Canon IR C 3100, 3170 Yellow toner 180g

Canon® Imagerunner C 3220, 2620

Part #	Description
13182	Canon IR C 3200, 3220, 2620 Absolute Black ® toner 22 lb (10 kg) bag (special order)
10044	Canon IR C 3200, 3220, 2620 Absolute Black ® toner 530g (special order)
13183	Canon IR C 3200, 3220, 2620 Absolute Cyan ® toner 22 lb (10 kg) (special order)
10045	Canon IR C 3200, 3220, 2620 Absolute Cyan ® toner 470g (special order)
13184	Canon IR C 3200, 3220, 2620 Absolute Magenta ® toner 22 lb (10 kg) bag (special order)
10046	Canon IR C 3200, 3220, 2620 Absolute Magenta ® toner 470g (special order)

13185	Canon IR C 3200, 3220, 2620 Absolute Yellow ® toner 22 lb (10 kg) bag (special order)
10047	Canon IR C 3200, 3220, 2620 Absolute Yellow ® toner 470g (special order)
13633	Canon IR C 3200, 3220, 2620 Smartchip ® Black drum unit (40,000 pages)
10098	Canon IR C 3200, 3220, 2620 Smartchip ® Black toner (25,000 pages)
13634	Canon IR C 3200, 3220, 2620 Smartchip ® Cyan drum unit (40,000 pages)
10099	Canon IR C 3200, 3220, 2620 Smartchip ® Cyan toner (25,000 pages)
13635	Canon IR C 3200, 3220, 2620 Smartchip ® Magenta drum unit (40,000 pages)
10100	Canon IR C 3200, 3220, 2620 Smartchip ® Magenta toner (25,000 pages)
13636	Canon IR C 3200, 3220, 2620 Smartchip ® Yellow drum unit (40,000 pages)
10101	Canon IR C 3200, 3220, 2620 Smartchip ® Yellow toner (25,000 pages)
10039	Canon IR C 3200, 3220, 2620 Uni Drum ® with gears
10855	Canon IR C 3200, 3220, 2620 Uni Drum ® with gears & insert

Canon® Imagerunner C 3380, 2880, 2550, 3480

Part #	Description
13003	Canon IR C 3380, 2880, 2550, 3480 Absolute Black ® toner 575g (special order)(under development)
13004	Canon IR C 3380, 2880, 2550, 3480 Absolute Cyan ® toner 260g (special order)(under development)
13005	Canon IR C 3380, 2880, 2550, 3480 Absolute Magenta ® toner 260g (special order)(under development)
13006	Canon IR C 3380, 2880, 2550, 3480 Absolute Yellow ® toner 260g (special order)(under development)
12749	Canon IR C 3380, 2880, 2550, 3480 Black compatible toner cartridge (sold 10/box) (special order)
12750	Canon IR C 3380, 2880, 2550, 3480 Cyan compatible toner cartridge (sold 4/box) (special order)
12751	Canon IR C 3380, 2880, 2550, 3480 Magenta compatible toner cartridge (special order) (sold 4/box)
12752	Canon IR C 3380, 2880, 2550, 3480 Yellow compatible toner cartridge (sold 4/box) (special order)

Canon® Imagerunner C 4580, 4080

Part #	Description
12753	Canon IR C 4580, 4080 Black compatible toner cartridge (special order)
12754	Canon IR C 4580, 4080 Cyan compatible toner cartridge (special order)
12755	Canon IR C 4580, 4080 Magenta compatible toner cartridge (special order)
14446	Canon IR C 4580, 4080 Smartchip® Cyan toner (0261B001AA)(30K pages)(special order)
14447	Canon IR C 4580, 4080 Smartchip® Magenta toner (0260B001AA)(30K page)(special order)
14448	Canon IR C 4580, 4080 Smartchip® Yellow toner (0259B001AA)(30K pages)(special order)
12756	Canon IR C 4580, 4080 Yellow compatible toner cartridge (special order)
14445	Canon IR C 4580, 4080, Smartchip® Black toner (0262B001AA)(26K pages)(special order)

Canon® Imagerunner C 5180, 5185

Part #	Description
13000	Canon IR C 5180, 5185 Black compatible toner cartridge (special order)
13015	Canon IR C 5180, 5185 Cyan compatible toner cartridge (special order)
13016	Canon IR C 5180, 5185 Magenta compatible toner cartridge (special order)
14475	Canon IR C 5180, 5185 Smartchip® Black toner (1069B001AA)(27K pages)(special order)
14476	Canon IR C 5180, 5185 Smartchip® Cyan toner (1068B001AA)(36K pages)(special order)
14477	Canon IR C 5180, 5185 Smartchip® Magenta toner (1067B001AA)(36K pages)(special order)
14478	Canon IR C 5180, 5185 Smartchip® Yellow toner (1066B001AA)(36K pages)(special order)
13017	Canon IR C 5180, 5185 Yellow compatible toner cartridge (special order)

Canon® JX, EP-J

Part #	Description
5942	HP 5000, 5200, 8000, 8100, 9000, BX, JX, WX OPC shutter door felt, 100 pack (special order)
5683	JX "F" drum w/gears (sold 50 p/box)
6121	JX Ecographics® toner 22 lb (10 kg) bag
352	JX EcoGraphics® toner 310g
5516	JX Ecographics® toner 500g
6434	JX PCR "SOFT" recoated roller, 10 pack
6618	JX PCR (NEW) roller, 10 pack
8572	JX Uni Drum ® BLUE with gears
356	JX wiper blade (sold 10 pack)
6732	Mag roller tray long (BX, WX, JX)

Canon® KX, FX-V

Part #	Description
425	KX cartridge pin, 100 pack
359	KX, FX V Absolute Black® toner 350g
5345	KX, FX V PCR roller, 10 pack (special order)
363	KX, FX V wiper blade (sold 10 pack) (special order)

Canon® LX, FX-1

Part #	Description
4998	LX, FX 1 "F" drum w/gears
400	LX, FX 1 doctor blade, 10 pack (special order)
4924	LX, FX 1 Mag roller coating solution (for 150 rollers) use Mag cleaning first
406	LX, FX 1 MAG roller sleeve, 10 pack
410	LX, FX 1 PCR roller recoated, 10 pack
411	LX, FX 1 recovery blade, 25 pack
414	LX, FX 1 wiper blade (sold 10 pack)

Canon® MP-10, Microfiche PC 70

Part #	Description
6194	Canon Microfiche MP 10, PC 70 (NO 01) Absolute Black® toner 200g
6193	Canon Microfiche MP 10, PC 70 (PO 01) Absolute Black® toner 200g

Canon® MP-20, Microfiche PC 50, 60, 90

Part #	Description
6191	Canon Microfiche MP 20, PC 60 (NO 01) Absolute Black® toner 240g
6192	Canon Microfiche MP 20, PC 60 (PO 01) Absolute Black® toner 200g

Canon® N1000, N2000

Part #	Description
12419	Canon N 1000, N 2000 Black Inkjet Smartchip® (under development)
12420	Canon N1000, N 2000 Cyan Inkjet Smartchip® (under development)
12421	Canon N1000, N 2000 Magenta Inkjet Smartchip® (under development)
12422	Canon N1000, N2000 Yellow Inkjet Smartchip® (under development)

Canon® NP 1010, 1020

Part #	Description
101	Canon NP 1010, 1020 compatible toner cartridge 2 x 105g pack (10 p/box)(special order)
7237	Canon NP 1010, 1020 drum with gears
7238	Canon NP 1010, 1020 wiper blade, 10 pack

Canon® NP 1215, 1520, 1820, 2020, 2120, 6116, 6221, 6317

Part #	Description
9212	Canon NP 1215 drum unit compatible cartridge (special order)
457	Canon NP 1215, 2020, 2120 NPG 1 copier comp. toner cartridge, 4 pack (special order)
102	Canon NP 1215, 2020, 2120 Uni Drum ® "S" w/gears
12539	Canon NP 1215, 2020, 2120 Uni Drum® w/gears (special order)

Canon® NP 1500

Part #	Description
6972	Canon NP 1500, 1515 Uni Drum ® "S" w/gears (sold 50 p/box)
105	Canon NP 1510, 1215, 2020, 2120 wiper blade (sold in 10 pack) (special order)
4900	Canon NP 1510, 1215, 2120 Absolute Black® toner 22 Lb. (10 kg) bag
104	Canon NP 1510, 1215, 2120 Absolute Black® toner 500g

Canon® NP 3020, NPG 8

Part #	Description
7410	Canon NP 3020 drum with gears, 20 pack

Canon® NP 3025, 3525

Part #	Description
7408	Canon NP 3025, 3000 drum (sold 10 pack) (special order)

Canon® NP 3030, 3050, C 300, NPG 5

Part #	Description
5275	Canon NP 3030, 3050, C 300, NPG 5 compatible toner cartridge 680g (sold in 10 pack) (special order)

Canon® NP 3325, 3825

Part #	Description
7141	Canon NP 3325, 3030, 4050, 4835 wiper blade, 10 pack
5825	Canon NP 3825, 3325 drum with gears (sold 10 pack)

Canon® NP 4030, 4050, 4080, C 400, NPG 4

Part #	Description
5274	Canon NP 4050, 4080, 4145, C 400, NPG 4, comp. toner cartridge 750g (sold 10/box)(special order)

Canon® NP 4335, 4835

Part #	Description
7231	Canon NP 4335, 4835 compatible toner cartridge, 2 x 420g pack (special order)

Canon® NP 6012, 6118, 6412, 7120, 7130, C 120, 130

Part #	Description
11397	Canon NP 6012, 6014 Uni Drum "F" with gears (sold 50 p/box)(special order)
12540	Canon NP 6012, 6014 Uni Drum "S" with gears (sold 50 p/box) (special order)
8764	Canon NP 6012, 6118, 6412, 7120, 7130, C 120, 130 wiper blade, 10 pack (special order)
6354	Canon NP 6012, 6118, 6412, 7120, 7130, C 120, 130, NPG 11 comp. toner cartridge, 280g (sold 10/box)

Canon® NP 6016, 6218, 6521, 6621, NPG-9

Part #	Description
5578	Canon NP 6016, 6218, 6521, 6621, C 160, 200 Uni Drum with gears (special order)
5579	Canon NP 6016, 6521, C 160, 200 Absolute Black® toner 400g (under final test)

Canon® NP 6030, 6025, 8025

Part #	Description
7409	Canon NP 6030, 6025, 6330 Uni Drum "F" with gears (sold 20 p/box)
8545	Canon NP 6030, 6025, 6330 Uni Drum ® "S" drum (sold 20 pack special order)
4933	Canon NP 6030, 6025, 6330 wiper blade, 10 pack (special order)
8295	Canon NP 6030, 6025, 6330, NPG 7 Absolute Black® toner, 22 lb (10 kg) bag (special order)
5824	Canon NP 6030, 6025, 6330, NPG 7 comatible toner cartridge 500g (sold 10/box)(special order)

Canon® NP 6035

Part #	Description
7551	Canon NP 6035 compatible toner cartridge 540g (sold 10 p/box)(special order)

Canon® NP 6045, 6050, 6060, 6085

Part #	Description
7142	Canon NP 5020, 5060, 6060 wiper blade, 10 pack
11746	Canon NP 6045, 6050, 6060, 6085 Absolute Black® toner 1,500g refill pouches (special order)
8629	Canon NP 6045, 6050, 6060, 6085 Absolute Black® toner 22 lb (10 kg) bag (special order)
7548	Canon NP 6045, 6545, 6551, 6560, NPG 14 compatible toner cartridge 1500g (sold 10/box)
6973	Canon NP 6050, NPG 10 compatible toner cartridge 1500g (sold 8 p/box)(special order)
8628	Canon NP 6650, 6050, 7050 Absolute Black® toner 22 lb (10 kg) bag (sold 2/box)(special order)

Canon® NP 6080, 6150, 6080

Part #	Description
107	Canon NP 6080, 6150, 6080, 6650, 7000, 7050, 8070, 8530, 8570 compatible toner cartridge 1500g

Canon® NP 6085, 6285, NPG 12

Part #	Description
7550	Canon NP 6085, 6285, NPG 12 compatible toner cartridge 1650g (sold 10/box)(special order)

Canon® NP 7160, 7161, 7164, 7210, 7214, NPG-15

Part #	Description
8546	Canon NP 7160 Uni Drum ® with gears (special order)

Canon® NX

Part #	Description
4959	EX, NX, SX Mag roller universal bushing, 100 pack (special order)
5006	NX "F" drum w/gears (sold 50 p/box)
471	NX Absolute Black® toner 500g
5529	NX Absolute Black® toner, 22 lb (10 kg) bag
460	NX doctor blade (sold 10 pack)
466	NX MICR ® (for checks) toner 500g
468	NX PCR roller recoated, 10 pack
472	NX wiper blade, 10 pack
464	SX, NX Mag roller felt, 100 pack

Canon® PC 1060, 1080, L 50

Part #	Description
9760	Canon PC 1060, 1080, L 50 Absolute Black® toner 22lb (10kg) bag
8053	Canon PC 1060, 1080, L 50 Absolute Black® toner 230g
8054	Canon PC 1060, 1080, L 50 Uni Drum ® drum with gears
5713	HP 2100, 2200 Absolute Black® toner 230g
6222	HP 2100, 2200 Uni Drum ® Green w/gears & insert
7727	HP 2100, 2200, 2300, 2400, 2420, P 3005, 3015, M 3035, 3027 wiper blade, 10 pack

Canon® PC 310, 330, E-16

Part #	Description
7037	Canon E 16, 20, 31, 40, PC 720, 940 PCR roller recoated, 10 pack
540	Canon E 16, 20, PC 310, 330 Absolute Black® toner 80g (2,000 pages)
545	Canon PC E 16, E 31, E 40, 310, 330, 720, 740, 940 Uni Drum ® w/gears
544	Canon PC E 16, E 31, E 40, 310, 330, 740, 940 "F" drum w/gear (sold 50 p/box)
12047	Canon PC E16, 31,40,310,330, 720,740,940 SuMMiT® drum w/gear (sold 5/box)
584	PX, VX, PC 720, 940, E 31, E 40 wiper blade, 10 pack
6111	PX, VX, PC 720, PC E 31, 40 Clear Seal ® OEM type adhesive, 100 pack

Canon® PC 700, 900, E-31, 40

Part #	Description
5589	Canon E 16, 20, 31, 40, PC 720, 940 Absolute Black® toner, 22 lb (10 kg) bag
547	Canon E 16, 20, 31, PC 720 Absolute Black® toner 120g (3,000 pages)
5588	Canon E 31, 40, PC 720, 940 Absolute Black® toner 160g (4,000 pages)
4896	Canon E 31, 40, PC 720, 940 Absolute Black® toner 180g
545	Canon PC E 16, E 31, E 40, 310, 330, 720, 740, 940 Uni Drum ® w/gears
544	Canon PC E 16, E 31, E 40, 310, 330, 740, 940 "F" drum w/gear (sold 50 p/box)
12047	Canon PC E16, 31,40,310,330, 720,740,940 SuMMiT® drum w/gear (sold 5/box)
584	PX, VX, PC 720, 940, E 31, E 40 wiper blade, 10 pack

6111 PX, VX, PC 720, PC E 31, 40 Clear Seal ® OEM type adhesive, 100 pack

Canon® PC 850, FN-100

Part #	Description
108	Canon PC 850 Absolute Black® toner 400g
4901	Canon PC 850 Absolute Black® toner, 22 lb (10 kg) bag
5680	Canon PC 850, F 100 Uni Drum ® w/gears (special order)

Canon® PC A20

Part #	Description
4897	Canon PC A 20 Absolute Black® toner 150g
5467	Canon PC A 20, CX recovery blade, 25 pack (special order)
553	Canon PC A 20, CX wiper blade (special order)
6437	Canon PC A20 felt, 100 pack (special order)

Canon® PC A30

Part #	Description
677	Canon B, SX, TX, PC A30, 3, 5, 7 cartridge pin, 100 pack (special order)
556	Canon PC 3, 5,7, A 30 Uni Drum ® "S" w/gears
561	Canon PC A 30, FC, 3, 5, 7 Absolute Black® toner 180g
560	Canon PC A 30, FC, 3, 5, 7 Absolute Black® toner 160g (4,000 pages)
4895	Canon PC A 30, FC, 3, 5, 7 Absolute Black® toner, 22 lb (10 Kg) bag
676	SX, PC A 30, 3, 5, 7 wiper blade, 10 pack (special order)

Canon® Pixma 8500, 9500, 9900

Part #	Description
12775	Canon Pixma 8500, 9500, 9900 Absolute Black® ink 1 liter (1kg) dye
12776	Canon Pixma 8500, 9500, 9900 Absolute Cyan® ink 1 liter (1kg) dye
12779	Canon Pixma 8500, 9500, 9900 Absolute Light Cyan® ink 1 liter (1kg) dye
12780	Canon Pixma 8500, 9500, 9900 Absolute Light Magenta® ink 1 liter (1kg) dye
12777	Canon Pixma 8500, 9500, 9900 Absolute Magenta® ink 1 liter (1kg) dye
12778	Canon Pixma 8500, 9500, 9900 Absolute Yellow® ink 1 liter (1kg) dye

Canon® Pixma IP 1200, 1600, 2200

Part #	Description
12788	Canon Pixma IP 1200, 1600, 2200 Absolute Black® ink 1 liter (1kg) pigmented
12845	Canon Pixma IP 1200, 1600, 2200 Absolute Black® ink 10 liter (10kg) pigmented
12789	Canon Pixma IP 1200, 1600, 2200 Absolute Cyan® ink 1 liter (1kg) dye
12846	Canon Pixma IP 1200, 1600, 2200 Absolute Cyan® ink 10 liter (10kg) dye
12790	Canon Pixma IP 1200, 1600, 2200 Absolute Magenta® ink 1 liter (1kg) dye
12847	Canon Pixma IP 1200, 1600, 2200 Absolute Magenta® ink 10 liter (10kg) dye
12791	Canon Pixma IP 1200, 1600, 2200 Absolute Yellow® ink 1 liter (1kg) dye
12848	Canon Pixma IP 1200, 1600, 2200 Absolute Yellow® ink 10 liter (10kg) dye

Canon® Pixma iP 4200, 5200

Part #	Description
12771	Canon Pixma IP 4200, 5200, 6600D Absolute Black® ink 1 liter (1kg) dye
12799	Canon Pixma IP 4200, 5200, 6600D Absolute Black® ink 1 liter (1kg)pigmented
12822	Canon Pixma IP 4200, 5200, 6600D Absolute Black® ink 10 liters (10kg)pigmented
12772	Canon Pixma IP 4200, 5200, 6600D Absolute Cyan® ink 1 liter (1kg) dye
12773	Canon Pixma IP 4200, 5200, 6600D Absolute Magenta® ink 1 liter (1kg) dye
12774	Canon Pixma IP 4200, 5200, 6600D Absolute Yellow® ink 1 liter (1kg) dye

Canon® PX, FX-2

Part #	Description
577	PX Absolute Black® toner 160g
5603	PX Absolute Black® toner, 22 lb (10 Kg) bag
572	PX BLACK Mag roller sleeve, 10 pack
573	PX MICR ® (for checks) toner 160g
575	PX PCR roller recoated, 10 pack
5004	PX, FX 2 "F" drum w/gear (sold 50 p/box)
580	PX, FX 2 doctor blade, 5 pack
576	PX, FX 2 Uni Drum ® Green w/gear
6306	PX, VX, PC 720, 940, E 31, E 40 waste hopper recovery blade, 25 pack
584	PX, VX, PC 720, 940, E 31, E 40 wiper blade, 10 pack
6111	PX, VX, PC 720, PC E 31, 40 Clear Seal ® OEM type adhesive, 100 pack
570	PX, VX, PC 720, PC E 31, E 40 adhesive seal, 50 pack
712	VX, PX Mag roller contact spring, 50 pack (special order)

Canon® S300, BCI-24, BCI-24C

Part #	Description
7707	Canon S300 compatible COLOR ink tank, BCI 24 C (sold 230/case)(TO DISCONTINUE)

Canon® S800, BCI-6

Part #	Description
7708	Canon S800 compatible BLACK ink tank, BCI 6 (sold 180/case)(TO DISCONTINUE)
7709	Canon S800 compatible CYAN ink tank, BCI 6 (sold 180/case)(TO DISCONTINUE)
7711	Canon S800 compatible MAGENTA ink tank, BCI 6 (sold 300/case)(TO DISCONTINUE)
7712	Canon S800 compatible PHOTO CYAN ink tank, BCI 6 (sold 180/case)(TO DISCONTINUE)
7713	Canon S800 compatible PHOTO MAGENTA ink tank, BCI 6 (sold 180/case)(TO DISCONTINUE)
7710	Canon S800 compatible YELLOW ink tank, BCI 6 (sold 180/case)(TO DISCONTINUE)

Canon® SX

Part #	Description
677	Canon B, SX, TX, PC A30, 3, 5, 7 cartridge pin, 100 pack (special order)
4959	EX, NX, SX Mag roller universal bushing, 100 pack (special order)
808	SX Absolute Black® toner 200g (special order)
671	SX Absolute Black® toner 275g
659	SX felt, 100 pack (special order)
663	SX MICR ® toner (for checks) 230g
5716	SX wand, 10 pack
672	SX wand, 100 pack

464	SX, NX Mag roller felt, 100 pack
676	SX, PC A 30, 3, 5, 7 wiper blade, 10 pack (special order)

Canon® TX

Part #	Description
677	Canon B, SX, TX, PC A30, 3, 5, 7 cartridge pin, 100 pack (special order)
697	TX Absolute Black® toner 350g (special order)

Canon® VX

Part #	Description
6306	PX, VX, PC 720, 940, E 31, E 40 waste hopper recovery blade, 25 pack
584	PX, VX, PC 720, 940, E 31, E 40 wiper blade, 10 pack
6111	PX, VX, PC 720, PC E 31, 40 Clear Seal ® OEM type adhesive, 100 pack
7846	Screw 2.6 x 6 mm, 1000 pack (special order)
7847	Screw 3 x 8 mm, 1000 pack (special order)
5015	VX "F" drum w/gears (sold 50 p/box)
715	VX Absolute Black® toner 220g
5488	VX Absolute Black® toner, 22 lb (10 Kg) bag
7098	VX BLACK Mag roller sleeve, 10 pack
706	VX Doctor blade, 10 pack (special order)
710	VX MICR ® (for checks) toner 220g
713	VX PCR roller (new), 10 pack
12205	VX SuMMiT® drum with gears, 5 pack
714	VX Uni Drum ® Green w/gears
712	VX, PX Mag roller contact spring, 50 pack (special order)

Canon® W2200

Part #	Description
12423	Canon imagePROGRAF W2200 Black Inkjet Smartchip® (under development)
12424	Canon imagePROGRAF W2200 Cyan Inkjet Smartchip® (under development)
12425	Canon imagePROGRAF W2200 Light Cyan Inkjet Smartchip® (under development)
12426	Canon imagePROGRAF W2200 Light Magenta Inkjet Smartchip® (under development)
12427	Canon imagePROGRAF W2200 Magenta Inkjet Smartchip® (under development)
12428	Canon imagePROGRAF W2200 Yellow Inkjet Smartchip® (under development)

Canon® W6200

Part #	Description
12441	Canon imagePROGRAF W6200 Black Inkjet Smartchip® (under development)
12442	Canon imagePROGRAF W6200 Cyan Inkjet Smartchip® (under development)
12443	Canon imagePROGRAF W6200 Light Cyan Inkjet Smartchip® (under development)
12444	Canon imagePROGRAF W6200 Light Magenta Inkjet Smartchip® (under development)
12445	Canon imagePROGRAF W6200 Magenta Inkjet Smartchip® (under development)
12446	Canon imagePROGRAF W6200 Yellow Inkjet Smartchip® (under development)

Canon® W7200, W8200

Part #	Description
--------	-------------

12429	Canon imagePROGRAF W7200, W8200 Black Inkjet Smartchip® (under development)
12430	Canon imagePROGRAF W7200, W8200 Cyan Inkjet Smartchip® (under development)
12431	Canon imagePROGRAF W7200, W8200 Light Cyan Inkjet Smartchip® (under development)
12432	Canon imagePROGRAF W7200, W8200 Light Magenta Inkjet Smartchip® (under development)
12433	Canon imagePROGRAF W7200, W8200 Magenta Inkjet Smartchip® (under development)
12434	Canon imagePROGRAF W7200, W8200 Yellow Inkjet Smartchip® (under development)

Canon® W7250

Part #	Description
12435	Canon imagePROGRAF W7250 Black Inkjet Smartchip® (under development)
12436	Canon imagePROGRAF W7250 Cyan Inkjet Smartchip® (under development)
12437	Canon imagePROGRAF W7250 Light Cyan Inkjet Smartchip® (under development)
12438	Canon imagePROGRAF W7250 Light Magenta Inkjet Smartchip® (under development)
12439	Canon imagePROGRAF W7250 Magenta Inkjet Smartchip® (under development)
12440	Canon imagePROGRAF W7250 Yellow Inkjet Smartchip® (under development)

Canon® WX

Part #	Description
6143	HP 5000, 5100, EX, NX, SX, WX hopper plug (cap), 100 pack
5942	HP 5000, 5200, 8000, 8100, 9000, BX, JX, WX OPC shutter door felt, 100 pack (special order)
6619	HP 8000, WX "Hard" PCR roller (new), 10 pack
12632	HP 8000, WX recovery blade, 50 pack (special order)
733	HP 8000, WX "Soft" PCR roller recoated, 10 pack (special order)
5605	HP 8000, WX Absolute Black® (for vegetal paper) toner, 22 lb (10 Kg) bag(special order)
726	HP 8000, WX Absolute Black® toner 820g
9393	HP 8000, WX Absolute Black® toner, 22 lb (10 kg) bag
6006	HP 8000, WX Absolute Black® toner, 220 lb (100 Kg) barrel (special order)
7100	HP 8000, WX BLACK Mag roller sleeve, 10 pack
7741	HP 8000, WX doctor blade, 10 pack
728	HP 8000, WX Mag roller bushing, 100 pack (50 sets)
11156	HP 8000, WX Mag roller drive gear, 10 pack
729	HP 8000, WX Mag roller felt, 100 pack
8596	HP 8000, WX mag roller sealing blade (SOFT STYLE), 100 pack
5937	HP 8000, WX Mag roller sealing blade, 50 pack
6668	HP 8000, WX Mag roller stabilizer (left), 100 pack
10207	HP 8000, WX Mag roller wipers (left & right), 10 sets
6863	HP 8000, WX MICR ® (for checks) toner 500g (use 2 p/cartridge)
8497	HP 8000, WX MICR ® (for checks) toner, 22 lb (10 kg) bag
7106	HP 8000, WX NEW Style cartridge CLIP (pin), 100 box (2 per cartridge)
722	HP 8000, WX OLD STYLE cartridge CLIP (pin), 100 box (special order)
6101	HP 8000, WX Spring for cartridge pin, 1000 box (2 per cartridge)
5008	HP 8000, WX Uni Drum ® "F" w/gears (sold 50 p/box)
9794	HP 8000, WX Uni Drum ® Green w/gears & insert
734	HP 8000, WX Waste hopper recovery blade, 25 pack (special order)
5939	HP 8000, WX Wiper blade end felt (right), 100 pack (special order)
738	HP 8000, WX wiper blade, 10 pack
6003	HP 8000, WX MICR ® toner (for checks) 900g
13178	HP 8100, WX Sealing Channel rail foam, 100 pack (new formulation)
6732	Mag roller tray long (BX, WX, JX)
5941	WX Drum axle O ring, 100 pack (special order)

- 5144 WX Metal seal clip (locking rail) 16 mm, 500 pack
- 6708 WX Plastic seal clip (locking rail) 340 mm, 100 pack (sold 2 per box)

Career Opportunities

- | Part # | Description |
|---------------|---|
| 287 | Area Sales Manager, Copier Supplies |
| 281 | Cartridge Recycling Technician-Location: Hawthorne, CA-USA |
| 110 | Customer Service Call Center Representatives for the toner supply industry |
| 151 | Sales Executives in our USA and international sales group for the MPS and copier supplies |
| 38 | US East Coast Customer Care Representative- Location: Bohemia, NY, USA |
| 195 | US East Coast Sales Executives – Location: Bohemia, NY, USA |
| 148 | US West Coast and International Sales Executives – Location: Hawthorne, CA, USA |

Career Opportunities-Overseas

- | Part # | Description |
|---------------|---|
| 247 | French Speaking Sales Executive- Location: Barcelona, Spain |

Casio® CP TS-3, LCS-24, 224, 240, 240W

- | Part # | Description |
|---------------|---|
| 8686 | Casio TS 3, LCS-24, 224, 240, 240W Absolute Black® developer 190g |
| 8685 | Casio TS 3, LCS-24, 224, 240, 240W Absolute Black® toner 220g |

Casio® CP-3800

- | Part # | Description |
|---------------|--|
| 6772 | Casio CP 3800 Absolute Black® toner 22 lb (10 kg) bag (sold 2/box) |
| 6767 | Casio CP 3800 Absolute Black® toner 510g |
| 6771 | Casio CP 3800 Clear Seal ® adhesive, 10 pack |
| 6768 | Casio CP 3800 Uni Drum ® "S" with gears |
| 6769 | Casio CP 3800 wiper blade, 10 pack |

Casio® Speedia N 5

- | Part # | Description |
|---------------|---|
| 13641 | Casio N 5 Absolute Black ® toner 22lb(10kg) bag (special order) |
| 8765 | Casio N 5 Absolute Black ® toner 240g (7,500 pages) |
| 9471 | Casio N 5 Absolute Black ® toner 460g (15,000 pages) |
| 13642 | Casio N 5 Absolute Cyan ® toner 22lb(10kg) bag (special order) |
| 6980 | Casio N 5 Absolute Cyan ® toner 240g (7,500 pages) |
| 9472 | Casio N 5 Absolute Cyan ® toner 460g (15,000 pages) |
| 13643 | Casio N 5 Absolute Magenta ® toner 22lb(10kg) bag (special order) |
| 6639 | Casio N 5 Absolute Magenta ® toner 240g (7,500 pages) |
| 9473 | Casio N 5 Absolute Magenta ® toner 460g (15,000 pages) |
| 13644 | Casio N 5 Absolute Yellow ® toner 22lb(10kg) bag (special order) |
| 6640 | Casio N 5 Absolute Yellow ® toner 240g (7,500 pages) |
| 9474 | Casio N 5 Absolute Yellow ® toner 460g (15,000 pages) |
| 9649 | Casio N 5 SmartChip ® fuse for drum unit, 10 pack |
| 9475 | Casio N 5 Uni Drum ® OEM style gearless (special order) |

Casio® Speedia N-4, N-4-612, N-4-614

Part #	Description
5999	Casio N 4, 612, 614 Absolute Black ® toner 240g (6,500 pages)
7628	Casio N 4, 612, 614 Absolute Black ® toner 280g (7,500 pages)
6000	Casio N 4, 612, 614 Absolute Cyan ® toner 240g (6,500 pages)
7629	Casio N 4, 612, 614 Absolute Cyan ® toner 280g (7,500 pages)
6001	Casio N 4, 612, 614 Absolute Magenta ® toner 240g (6,500 pages)
7630	Casio N 4, 612, 614 Absolute Magenta ® toner 280g (7,500 pages)
6002	Casio N 4, 612, 614 Absolute Yellow ® toner 240g (6,500 pages)
7631	Casio N 4, 612, 614 Absolute Yellow ® toner 280g (7,500 pages)
7046	Casio N 4, 612, 614 Uni Drum ® "S" drum with gears

Casio® Speedia V-1

Part #	Description
9480	Casio V 1 Absolute Black ® toner 200g
9481	Casio V 1 Absolute Cyan ® toner 200g
9482	Casio V 1 Absolute Magenta ® toner 200g
9483	Casio V 1 Absolute Yellow ® toner 200g

Casio® Speedia V-2

Part #	Description
9476	Casio V 2 Absolute Black ® toner 320g (10,000 pages)
9477	Casio V 2 Absolute Cyan ® toner 320g (10,000 pages)
9478	Casio V 2 Absolute Magenta ® toner 320g (10,000 pages)
9479	Casio V 2 Absolute Yellow ® toner 380g (10,000 pages)

Compaq LN-32

Part #	Description
5910	Compaq LN 32 PCR roller, 10 pack

Compaq® LN 16

Part #	Description
6905	Compaq LN 16 Absolute Black® toner 170g
6906	Compaq LN 16 Uni Drum ® "S" with gears

DataProducts® DDS 12/40

Part #	Description
12597	Avision MFP AM 3100, 3130, 3200, 3230 Absolute Black® toner 200g (6,000 pages)

Dataproducts® LZR 1560, XP-15/20

Part #	Description
802	Dataproducts 1560, XP 15/20 wiper blade (sold in 10 pack) (special order)

DELL® 1100, 1110

Part #	Description
9981	Dell 1100 Absolute Black® toner 70g (2,000 pages)
10119	Dell 1100 developer roller, 10 pack
6062	Dell 1100 doctor blade, 10 pack
10120	Dell 1100 PCR roller, 10 pack
9982	Dell 1100 Smartchip® fuse, 10 pack (2,000 pages)
10121	Dell 1100 supply roller, 10 pack
10933	Dell 1100 toner hopper plug, 100 pack
8648	Dell 1100 Uni Drum ® with gears
6205	Dell 1100 wiper blade, 10 pack

DELL® 1125

Part #	Description
11888	Dell 1125 Absolute Black® toner 68g
11891	Dell 1125 cartridge blue handle, 10 pack
11889	Dell 1125 doctor blade, 10 pack (under final test)
13171	Dell 1125 Smartchip ® (1,000 pages)
13172	Dell 1125 Smartchip ® (2,000 pages)
11892	Dell 1125 Uni Drum ® with gears

DELL® 1320 Cn

Part #	Description
11713	Dell 1320 Cn Absolute Black ® toner 50g (2,000 pages)
11714	Dell 1320 Cn Absolute Cyan ® toner 50g (2,000 pages)
11715	Dell 1320 Cn Absolute Magenta ® toner 50g (2,000 pages)
11716	Dell 1320 Cn Absolute Yellow ® toner 50g (2,000 pages)
11763	Dell 1320 Cn Smartchip ® Black (2,000 pages)
11764	Dell 1320 Cn Smartchip ® Cyan (2,000 pages)
11765	Dell 1320 Cn Smartchip ® Magenta (2,000 pages)
11766	Dell 1320 Cn Smartchip ® Yellow (2,000 pages)
14018	Dell 1320 Cn X-Generation ® Black toner 30g (2,000 pages)
14019	Dell 1320 Cn X-Generation ® Cyan toner 30g (2,000 pages)
14020	Dell 1320 Cn X-Generation ® Magenta toner 30g (2,000 pages)
14021	Dell 1320 Cn X-Generation ® Yellow toner 30g (2,000 pages)
14027	Dell 1320, 2130, 2135 Cn X-Generation ® Black toner 22 lb (10 kg) bag
14028	Dell 1320, 2130, 2135 Cn X-Generation ® Cyan toner 22 lb (10 kg) bag
14029	Dell 1320, 2130, 2135 Cn X-Generation ® Magenta toner 22 lb (10 kg) bag
14030	Dell 1320, 2130, 2135 Cn X-Generation ® Yellow toner 22 lb (10 kg) bag

DELL® 1600

Part #	Description
5332	Dell 1600 doctor blade, 10 pack
5077	Dell 1600 Absolute Black® toner 150g (5,000 pages)
5076	Dell 1600 Absolute Black® toner 85g (3,000 pages)
5073	Dell 1600 PCR roller, 10 pack
11477	Dell 1600 Smartchip ® (3,000 pages)

8155	Dell 1600 Smartchip ® (5,000 pages)
6367	Dell 1600 supply roller, 10 pack
5078	Dell 1600 Uni Drum ® OEM style with gears
6348	Dell 1600 wiper blade, 10 pack
6298	Samsung ML 2250, 2251, 2252, SCX 4720, 4520, Dell 1600 universal cover top (special order)

DELL® 1720

Part #	Description
11657	Dell 1720 Absolute Black® toner 185g (6,000 pages)
11656	Dell 1720 Absolute Black® toner 95g (3,000 pages)
11663	Dell 1720 developer roller, 10 pack
11662	Dell 1720 doctor bar sealing foam, 100 pack (under development)
11661	Dell 1720 doctor bar, 10 pack
11664	Dell 1720 PCR roller, 10 pack
11660	Dell 1720 Uni Drum ® with gears
13457	Lexmark E 450, 350, 250 Superchip ® Universal (11,000 pages) (Worldwide)
14128	Lexmark E 450, 350, 250 Superchip ® Universal (3,500 pages) (Worldwide)
14127	Lexmark E 450, 350, 250 Superchip ® Universal (6,000 pages) (Worldwide)
14126	Lexmark E 450, 350, 250 Superchip ® Universal (9,000 pages) (Worldwide)

DELL® 1815

Part #	Description
10964	Dell 1815 Absolute Black® toner 155g (5,000 pages)
11792	Dell 1815 Absolute Black® toner 22 lb (10kg) bag
10998	Dell 1815 developer roller, 10 pack
11001	Dell 1815 doctor blade, 10 pack
10999	Dell 1815 PCR roller, 10 pack
12052	Dell 1815 Smartchip ® (3,000 pages) (USA region)
10965	Dell 1815 Smartchip ® (5,000 pages) (USA, EU region)
12213	Dell 1815 SuMMiT® drum with gears
10997	Dell 1815 Uni Drum ® with gears
11000	Dell 1815 wiper blade, 10 pack

DELL® 2130, 2135 Cn

Part #	Description
14027	Dell 1320, 2130, 2135 Cn X-Generation ® Black toner 22 lb (10 kg) bag
14028	Dell 1320, 2130, 2135 Cn X-Generation ® Cyan toner 22 lb (10 kg) bag
14029	Dell 1320, 2130, 2135 Cn X-Generation ® Magenta toner 22 lb (10 kg) bag
14030	Dell 1320, 2130, 2135 Cn X-Generation ® Yellow toner 22 lb (10 kg) bag
13111	Dell 2130, 2135 Cn Absolute Black ® toner 60g (2,500 pages)
13112	Dell 2130, 2135 Cn Absolute Cyan ® toner 60g (2,500 pages)
13113	Dell 2130, 2135 Cn Absolute Magenta ® toner 60g (2,500 pages)
13114	Dell 2130, 2135 Cn Absolute Yellow ® toner 60g (2,500 pages)
13167	Dell 2130, 2135 Cn Smartchip ® Black toner (1,000 pages)
13115	Dell 2130, 2135 Cn Smartchip ® Black toner (2,500 pages)
13168	Dell 2130, 2135 Cn Smartchip ® Cyan toner (1,000 pages)
13116	Dell 2130, 2135 Cn Smartchip ® Cyan toner (2,500 pages)
13169	Dell 2130, 2135 Cn Smartchip ® Magenta toner (1,000 pages)

13117	Dell 2130, 2135 Cn Smartchip ® Magenta toner (2,500 pages)
13170	Dell 2130, 2135 Cn Smartchip ® Yellow toner (1,000 pages)
13118	Dell 2130, 2135 Cn Smartchip ® Yellow toner (2,500 pages)
14031	Dell 2130, 2135 Cn X-Generation ® Black toner 40g (2,500 pages)
14032	Dell 2130, 2135 Cn X-Generation ® Cyan toner 40g (2,500 pages)
14033	Dell 2130, 2135 Cn X-Generation ® Magenta toner 40g (2,500 pages)
14034	Dell 2130, 2135 Cn X-Generation ® Yellow toner 40g (2,500 pages)

DELL® 2145 Cn

Part # Description

13921	Dell 2145 Cn Absolute Black ® toner TBAg (5,500 pages)(under development)
13922	Dell 2145 Cn Absolute Cyan ® toner TBAg (5,000 pages)(under development)
13923	Dell 2145 Cn Absolute Magenta ® toner TBAg (5,000 pages)(under development)
13924	Dell 2145 Cn Absolute Yellow ® toner TBAg (5,000 pages)(under development)
13925	Dell 2145 Cn Smartchip ® Black toner (330-3789, K442N)(5,500 pages)(under development)
13926	Dell 2145 Cn Smartchip ® Cyan toner (330-3792, J394N)(5,000 pages)(under development)
13927	Dell 2145 Cn Smartchip ® Magenta toner (330-3791, G537N)(5,000 pages)(under development)
13928	Dell 2145 Cn Smartchip ® Yellow toner (330-3790, F935N)(5,000 pages)(under development)

Dell® 2335 MFP

Part # Description

14803	Absolute Black ® toner 175g (6,000 pages) for use in DELL® 2335 Cn
14807	Absolute Black ® toner 90g (3,000 pages) for use in DELL® 2335 Cn
14793	Smartchip® for use in Dell 2335 MFP (330-2208)(3,000 pages)
14710	Smartchip® for use in Dell 2335 MFP (330-2209)(6,000 pages)
14810	SuMMiT ® drum with gears for use in Dell 2335 MFP
14809	Uni Drum ® with gears for use in Dell 2335 MFP
14915	Wiper Blade, 10 pack for use in Dell 2335 MFP

DELL® 3000 Cn

Part # Description

10715	Dell 3010, 3000 Cn Smartchip ® Black, Cyan, Magenta & Yellow (2,000 pages)
-------	--

DELL® 3000, 3100

Part # Description

10476	Dell 3000 (Black), 3100 Cn Smartchip ® Black, Cyan, Magenta, Yellow (4K pages)
5068	Dell 3000, 3100 Cn Absolute Black ® toner 120g (needs carrier 5265) (4,000 pages)
5069	Dell 3000, 3100 Cn Absolute Cyan ® toner 120g (needs carrier 5265) (4,000 pages)
5071	Dell 3000, 3100 Cn Absolute Magenta ® toner 120g (needs carrier 5265) (4,000 pages)
5070	Dell 3000, 3100 Cn Absolute Yellow ® toner 120g (needs carrier 5265) (4,000 pages)
12823	Dell 3000, 3100 Cn Black compatible toner cartridge (4,000 pages)(special order)
5265	Dell 3000, 3100 Cn Black, Cyan, Magenta, Yellow ® toner carrier (4,000 pages)
10792	Dell 3000, 3100 Cn Clear Seal ® adhesive, 50 pack
12824	Dell 3000, 3100 Cn Cyan compatible toner cartridge 4,000 pages)(special order)
12825	Dell 3000, 3100 Cn Magenta compatible toner cartridge(4,000 pages)(special order)
10477	Dell 3000, 3100 Cn Smartchip ® OPC drum unit
10859	Dell 3000, 3100 Cn Uni Drum ® with gears

11410	Dell 3000, 3100 Cn wiper blade, 10 pack
12826	Dell 3000, 3100 Cn Yellow compatible toner cartridge(4,000 pages)
11344	Dell 3100, 3010, 3000 Cn Black sponge, 100 pack
11346	Dell 3100, 3010, 3000 Cn white sealing foam sponge, 100 pack

DELL® 3010 Cn

Part #	Description
12827	Dell 3010 Cn Black compatible toner cartridge (sold 24 p/box) (4,000 pages)(special order)
12828	Dell 3010 Cn Cyan compatible toner cartridge (sold 24 p/box) (4,000 pages)(special order)
12829	Dell 3010 Cn Magenta compatible toner cartridge (sold 24 p/box) (4,000 pages)(special order)
10719	Dell 3010 Cn Smartchip ® OPC drum unit
10863	Dell 3010 Cn Uni Drum ® with gears
12830	Dell 3010 Cn Yellow compatible toner cartridge (sold 24 p/box) (4,000 pages)(special order)
10711	Dell 3010, 3000 Cn Absolute Black ® toner 65g (needs carrier 5055) (2,000 pages)
10712	Dell 3010, 3000 Cn Absolute Cyan ® toner 65g (needs carrier 5055) (2,000 pages)
10713	Dell 3010, 3000 Cn Absolute Magenta ® toner 65g (needs carrier 5055) (2,000 pages)
10714	Dell 3010, 3000 Cn Absolute Yellow ® toner 65g (needs carrier 5055) (2,000 pages)
5055	Dell 3010, 3000 Cn Black, Cyan, Magenta, Yellow toner carrier (2,000 pages)
10715	Dell 3010, 3000 Cn Smartchip ® Black, Cyan, Magenta & Yellow (2,000 pages)
11344	Dell 3100, 3010, 3000 Cn Black sponge, 100 pack
11346	Dell 3100, 3010, 3000 Cn white sealing foam sponge, 100 pack

DELL® 3110 Cn

Part #	Description
13151	Dell 3110, 3115 cn Absolute Black ® toner (5,000 pages)
10687	Dell 3110, 3115 cn Absolute Black ® toner (8,000 pages)
13152	Dell 3110, 3115 cn Absolute Cyan ® toner (4,000 pages)
10688	Dell 3110, 3115 cn Absolute Cyan ® toner (8,000 pages)
13153	Dell 3110, 3115 cn Absolute Magenta ® toner (4,000 pages)
10689	Dell 3110, 3115 cn Absolute Magenta ® toner (8,000 pages)
13154	Dell 3110, 3115 cn Absolute Yellow ® toner (4,000 pages)
10690	Dell 3110, 3115 cn Absolute Yellow ® toner (8,000 pages)
13156	Dell 3110, 3115 cn Smartchip ® Black (5,000 pages)
10691	Dell 3110, 3115 cn Smartchip ® Black (8,000 pages)
13157	Dell 3110, 3115 cn Smartchip ® Cyan (4,000 pages)
10692	Dell 3110, 3115 cn Smartchip ® Cyan (8,000 pages)
13159	Dell 3110, 3115 cn Smartchip ® Magenta (4,000 pages)
10693	Dell 3110, 3115 cn Smartchip ® Magenta (8,000 pages)
13160	Dell 3110, 3115 cn Smartchip ® Yellow (4,000 pages)
10694	Dell 3110, 3115 cn Smartchip ® Yellow (8,000 pages)
10696	Dell 3110, 3115 cn Uni Drum ® with gears
13155	Dell 3110, 3115, 3130 cn Absolute Black ® toner developer 70g
13349	Dell 3110, 3115, 3130 cn Absolute Cyan ® toner developer 70g
13350	Dell 3110, 3115, 3130 cn Absolute Magenta ® toner developer 70g
13351	Dell 3110, 3115, 3130 cn Absolute Yellow ® toner developer 70g
10699	Dell 3110, 3115, 3130 cn Clear Seal ® adhesive, 50 pack (under development)
11241	Dell 3110, 3115, 3130 cn OPC drum cover, 10 pack
13804	Dell 3110, 3115, 3130 cn SuMMit ® drum with gears
11070	Dell 3110, 3115, 3130 cn toner fill hole plastic seal, 100 pack
11069	Dell 3110, 3115, 3130 developer chamber plastic seal, 100 pack

DELL® 3115cn

Part #	Description
13151	Dell 3110, 3115 cn Absolute Black ® toner (5,000 pages)
10687	Dell 3110, 3115 cn Absolute Black ® toner (8,000 pages)
13152	Dell 3110, 3115 cn Absolute Cyan ® toner (4,000 pages)
10688	Dell 3110, 3115 cn Absolute Cyan ® toner (8,000 pages)
13153	Dell 3110, 3115 cn Absolute Magenta ® toner (4,000 pages)
10689	Dell 3110, 3115 cn Absolute Magenta ® toner (8,000 pages)
13154	Dell 3110, 3115 cn Absolute Yellow ® toner (4,000 pages)
10690	Dell 3110, 3115 cn Absolute Yellow ® toner (8,000 pages)
13156	Dell 3110, 3115 cn Smartchip ® Black (5,000 pages)
10691	Dell 3110, 3115 cn Smartchip ® Black (8,000 pages)
13157	Dell 3110, 3115 cn Smartchip ® Cyan (4,000 pages)
10692	Dell 3110, 3115 cn Smartchip ® Cyan (8,000 pages)
13159	Dell 3110, 3115 cn Smartchip ® Magenta (4,000 pages)
10693	Dell 3110, 3115 cn Smartchip ® Magenta (8,000 pages)
13160	Dell 3110, 3115 cn Smartchip ® Yellow (4,000 pages)
10694	Dell 3110, 3115 cn Smartchip ® Yellow (8,000 pages)
10696	Dell 3110, 3115 cn Uni Drum ® with gears
13155	Dell 3110, 3115, 3130 cn Absolute Black ® toner developer 70g
13349	Dell 3110, 3115, 3130 cn Absolute Cyan ® toner developer 70g
13350	Dell 3110, 3115, 3130 cn Absolute Magenta ® toner developer 70g
13351	Dell 3110, 3115, 3130 cn Absolute Yellow ® toner developer 70g
10699	Dell 3110, 3115, 3130 cn Clear Seal ® adhesive, 50 pack (under development)
11241	Dell 3110, 3115, 3130 cn OPC drum cover, 10 pack
13804	Dell 3110, 3115, 3130 cn SuMMit ® drum with gears
11070	Dell 3110, 3115, 3130 cn toner fill hole plastic seal, 100 pack
11069	Dell 3110, 3115, 3130 developer chamber plastic seal, 100 pack

DELL® 3130cn

Part #	Description
13155	Dell 3110, 3115, 3130 cn Absolute Black ® toner developer 70g
13349	Dell 3110, 3115, 3130 cn Absolute Cyan ® toner developer 70g
13350	Dell 3110, 3115, 3130 cn Absolute Magenta ® toner developer 70g
13351	Dell 3110, 3115, 3130 cn Absolute Yellow ® toner developer 70g
11241	Dell 3110, 3115, 3130 cn OPC drum cover, 10 pack
13804	Dell 3110, 3115, 3130 cn SuMMit ® drum with gears
11070	Dell 3110, 3115, 3130 cn toner fill hole plastic seal, 100 pack
11069	Dell 3110, 3115, 3130 developer chamber plastic seal, 100 pack
13545	Dell 3130 cn Absolute Black ® toner (9,000 pages)
13546	Dell 3130 cn Absolute Cyan ® toner (9,000 pages)
13547	Dell 3130 cn Absolute Magenta ® toner (9,000 pages)
13548	Dell 3130 cn Absolute Yellow ® toner (9,000 pages)
14367	Dell C 3130 cn Smartchip® Black (9,000 pages)
14368	Dell C 3130 cn Smartchip® Cyan (9,000 pages)
14369	Dell C 3130 cn Smartchip® Magenta (9,000 pages)
14370	Dell C 3130 cn Smartchip® Yellow (9,000 pages)

DELL® 5100 Cn

Part #	Description
12223	Dell C 5100 Absolute Black ® toner (9,000 pages)
12224	Dell C 5100 Absolute Cyan ® toner (8,000 pages)
12225	Dell C 5100 Absolute Magenta ® toner (8,000 pages)
12226	Dell C 5100 Absolute Yellow ® toner (8,000 pages)
10353	Dell C 5100 Clear Seal ® adhesive, 50 pack
10505	Dell C 5100 Smartchip ® Black
10506	Dell C 5100 Smartchip ® Cyan
9485	Dell C 5100 Smartchip ® for OPC drum unit (under development)
10507	Dell C 5100 Smartchip ® Magenta
10508	Dell C 5100 Smartchip ® Yellow
9484	Dell C 5100 Uni Drum ® gearless (under development)

DELL® 5110 Cn

Part #	Description
12241	Dell C 5110 Absolute Black ® toner (10,000 pages)
12245	Dell C 5110 Absolute Black ® toner (18,000 pages)
12246	Dell C 5110 Absolute Cyan ® toner (12,000 pages)
12242	Dell C 5110 Absolute Cyan ® toner (8,000 pages)
12247	Dell C 5110 Absolute Magenta ® toner (12,000 pages)
12243	Dell C 5110 Absolute Magenta ® toner (8,000 pages)
12248	Dell C 5110 Absolute Yellow ® toner (12,000 pages)
12244	Dell C 5110 Absolute Yellow ® toner (8,000 pages)
13314	Dell C 5110 Clear Seal ® adhesive, 50 pack (high yield)
12362	Dell C 5110 Clear Seal ® adhesive, 50 pack (standard yield)
10683	Dell C 5110 Smartchip ® Black (18,000 pages)
10684	Dell C 5110 Smartchip ® Cyan (12,000 pages)
10685	Dell C 5110 Smartchip ® Magenta (12,000 pages)
10686	Dell C 5110 Smartchip ® Yellow (12,000 pages)
13984	Dell C 5110 X-Generation Black ® toner (10,000 pages) (do not mix with Absolute Black toner)
13985	Dell C 5110 X-Generation Black ® toner (18,000 pages) (under development)
13986	Dell C 5110 X-Generation Cyan ® toner (12,000 pages)(under development)
13987	Dell C 5110 X-Generation Magenta ® toner (12,000 pages) (under development)
13988	Dell C 5110 X-generation Yellow ® toner (12,000 pages)(under development)

DELL® 5200, 5300

Part #	Description
9765	Lexmark T 630, 620, 610, 520, 4059 wiper blade w/ PCR cleaning (Plastic), 10 pack
9744	Lexmark T 630, 632, 634 Absolute MICR ® toner 410g (use 2 p/cartridge)
14828	Lexmark T 630, 632, 634 Smartchip ® 21,000 pages (Europe, Middle East & Africa)
5110	Lexmark T/X 646, 640, 630 Superchip® Universal Extra High Yield (Worldwide)
5109	Lexmark T/X 646, 640, 630, 620, 520 Superchip® Universal High Yield (Worldwide)

DELL® 5310, 5210

Part #	Description
11552	Dell 5310, 5210 Absolute Black® toner (see Lexmark T 640)
11674	Dell 5310, 5210 Smartchip ® Europe region (32,000 pages) (under final test)

8191	Lexmark Optra E 320, M 410, T 420, 520, 620, 630, 640 drum cover, 10 pack
5685	Lexmark T 640, 630, 620, 610, 520, 4059 "F" drum w/gears
5675	Lexmark T 640, 630, 620, 610, 520, 4059 Uni Drum ® Green with gears
7747	Lexmark T 640, 630, 620, 610, 520, 4059, Optra S wiper blade, 10 pack
14566	Lexmark T 640, 642, 644 Absolute Black® toner 1kg (special order)
8465	Lexmark T 640, 642, 644 Absolute Black® toner 22 lb (10 kg) bag
7430	Lexmark T 640, 642, 644 Absolute Black® toner 610g (21,000 pages)
8464	Lexmark T 640, 642, 644 Absolute Black® toner 920g (32,000 pages)
12342	Lexmark T 640, 642, 644 developer roller cover, 10 pack
7000	Lexmark T 640, 642, 644 developer roller, 10 pack
10216	Lexmark T 640, 642, 644 doctor bar, 10 pack
10079	Lexmark T 640, 642, 644 shipping lock, 10 pack
9247	Lexmark T 640, 642, 644 wiper blade, 10 pack
13855	Lexmark T 640, 642, 644 X-Generation Black® toner 22 lb (10 kg) bag
13853	Lexmark T 640, 642, 644 X-Generation Black® toner 610g (21,000 pages)
13854	Lexmark T 640, 642, 644 X-Generation Black® toner 920g (32,000 pages)
13211	Lexmark T 640, 644 SuMMiT® drum w/gears, 5 pack
5110	Lexmark T/X 646, 640, 630 Superchip® Universal Extra High Yield (Worldwide)
5109	Lexmark T/X 646, 640, 630, 620, 520 Superchip® Universal High Yield (Worldwide)

DELL® 5330

Part # Description

13935	Dell 5330 dn Smartchip ® (330-2044,TR393)(10,000 pages)(under development)
13936	Dell 5330 dn Smartchip ® (330-2045, HW307)(20,000 pages)(under development)

Dell® 7330

Part # Description

14587	Dell® 7330 developer unit seal, 50 pack
-------	---

DELL® P 1500

Part # Description

9899	Lexmark Optra E 220, 320, 321, 322, 323 Doctor bar, 10 pack
7912	Lexmark Optra E 220, 320, 321, 322, 323 Uni Drum ® OEM style with gears
8255	Lexmark Optra E 320, 321, 322, 323, 220 shipping lock, 10 pack
8569	Lexmark Optra E 321, 323 Absolute Black® toner 155g (6,000 pages)
8568	Lexmark Optra E 321, 323 Absolute Black® toner 22 lb (10 kg) bag
8571	Lexmark Optra E 321, 323 wiper blade, 10 pack
13445	Lexmark Optra E 321, 323, 220 Superchip ® Universal (6,000 pages) (Worldwide)

DELL® P 1700, 1710

Part # Description

9898	Lexmark E 230, 232, 238, 250, 260, 330, 332, 340, 350, 360, 450, 460 wiper blade, 10 pack
9621	Lexmark E 230, 232, 238, 250, 330, 332, 340, 350, 450 Developer roller, 10 pack
9897	Lexmark E 230, 232, 238, 250, 330, 332, 340, 350, 450 Doctor bar, 10 pack (Dell 1700)
5922	Lexmark E 230, 232, 238, 250, 330, 332, 340, 350, 450 PCR, 10 pack (Dell 1700, IBM 1412)
9616	Lexmark E 230, 232, 238, 250, 330, 332, 340, 350, 450 shipping lock, 10 pack (Dell 1700, IBM 1412)
12021	Lexmark E 230, 232, 238, 250, 330, 332, 340, 350, 450 SuMMiT®, 5 pack drum w/gears (Dell 1700)

10392	Lexmark E 230, 232, 238, 250, 330, 332, 340, 350, 450 supply roller, 20 pack (Dell P 1700)
9255	Lexmark E 230, 232, 238, 250, 330, 332, 340, 350, 450 Uni Drum ® "F" w/gears (Dell 1700)
5563	Lexmark E 230, 232, 238, 250, 330, 332, 340, 350, 450 Uni Drum ® Green w/gears (Dell 1700)
9254	Lexmark E 230, 232, 238, 330, 332, 340 Absolute Black® toner 22 lb (10 kg) bag
9253	Lexmark E 230, 232, 238, 330, 332, 340 Absolute Black® toner 75g (2,500 pages)
9295	Lexmark E 230, 232, 238, 330, 332, 340, Dell 1700 Absolute Black® toner 185g (6,000 pages)
11356	Lexmark E 330, (Dell 1700) recovery blade, 100 pack (special order)
13435	Lexmark E/X 230, 232, 240, 330, 332, 340, 342, 203, 204 Superchip Universal (2,500 pages)(Worldwide)
13450	Lexmark E/X 330, 332, 340, 342, 203, 204 Superchip ® Universal (6,000 pages) (Worldwide)

DELL® S 2500

Part # Description

13453	Lexmark T 420 Superchip® Universal (10,000 pages)(Worldwide)
11857	Lexmark T 420, 430, X 422 developer roller, 10 pack (under final test)(special order)
9395	Lexmark T 420, 430, X 422, IBM 1422 Uni Drum ® Green with gears
8396	Lexmark T 420, 430, X 422, IBM 1422 wiper blade, 10 pack
8394	Lexmark T 420, X 422 Absolute Black® toner 22 lb (10 kg) bag
8393	Lexmark T 420, X 422 Absolute Black® toner 255g (10,000 pages)
6008	Lexmark T 420, X 422 shipping lock, 10 pack

Epson Stylus Photo 2100

Part # Description

14079	Epson Stylus Photo 2100 T0341 Absolute Cyan® ink1 liter (1kg) Pigmented base
14082	Epson Stylus Photo 2100 T0341 Absolute Light Black® ink1 liter (1kg) Pigmented base
14083	Epson Stylus Photo 2100 T0341 Absolute Light Cyan® ink1 liter (1kg) Pigmented base
14084	Epson Stylus Photo 2100 T0341 Absolute Light Magenta® ink1 liter (1kg) Pigmented base
14080	Epson Stylus Photo 2100 T0341 Absolute Magenta® ink1 liter (1kg) Pigmented base
14085	Epson Stylus Photo 2100 T0341 Absolute Matte Black® ink1 liter (1kg) Pigmented base
14078	Epson Stylus Photo 2100 T0341 Absolute Photo Black® ink1 liter (1kg) Pigmented base
14081	Epson Stylus Photo 2100 T0341 Absolute Yellow® ink1 liter (1kg) Pigmented base

Epson® Actionlaser 1100, 1400

Part # Description

126	Epson AL 1100, 1400 Absolute Black® toner 170g
6312	Epson AL 1100, 1400 Absolute Black® toner 22 lb (10 Kg) bag
125	Epson AL 1100, 1400 Uni Drum ® "S" gearless (special order)

Epson® Actionlaser 1500, 5000

Part # Description

132	Epson AL 1500, 5000 Absolute Black® toner 200g
5956	Epson AL 1500, 5000 Absolute Black® toner, 22 lb (10 kg) bag
6110	Epson AL 1500, 5000 Uni Drum ® "S" with gears
137	Epson AL 1500, 5000 wiper blade (sold in 10 pack)(special order)
134	Epson AL 1500, 5000, 5200, 5600 Uni Drum ® gearless (special order)

Epson® Actionlaser 7000, 7500

Part #	Description
5159	Epson EPL 7000, 7050, 7100, 8000 Absolute Black® toner 320g
5163	Epson EPL 7000, 7050, 7100, 8000 wiper blade (sold in 10 pack)

Epson® Aculaser C 1100

Part #	Description
9514	Epson Aculaser C 1100, CX 11 Absolute Black ® toner 120g (add 9515 carrier)
9588	Epson Aculaser C 1100, CX 11 Absolute Black ® toner 22 lb (10kg) bag (no carrier)
9516	Epson Aculaser C 1100, CX 11 Absolute Cyan ® toner 120g (add 9515 carrier)
9590	Epson Aculaser C 1100, CX 11 Absolute Cyan ® toner 22 lb (10 kg) bag (no carrier)
9517	Epson Aculaser C 1100, CX 11 Absolute Magenta ® toner 120g (add 9515 carrier)
9591	Epson Aculaser C 1100, CX 11 Absolute Magenta ® toner 22 lb (10kg) bag (no carrier)
9518	Epson Aculaser C 1100, CX 11 Absolute Yellow ® toner 120g (add 9515 carrier)
9592	Epson Aculaser C 1100, CX 11 Absolute Yellow ® toner 22 lb (10kg) bag (no carrier)
11343	Epson Aculaser C 1100, CX 11 Black sponge, 100 pack (special order)
9589	Epson Aculaser C 1100, CX 11 Black, Cyan, Magenta, Yellow ® 22 lb (10 kg) carrier for toner
9515	Epson Aculaser C 1100, CX 11 Black, Cyan, Magenta, Yellow ® carrier for toner
10793	Epson Aculaser C 1100, CX 11 Clear Seal ® adhesive, 50 pack
10280	Epson Aculaser C 1100, CX 11 Smartchip ® Black, Cyan Magenta, Yellow
10486	Epson Aculaser C 1100, CX 11 Smartchip ® drum unit
10858	Epson Aculaser C 1100, CX 11 Uni Drum ® with gears
11345	Epson Aculaser C 1100, CX 11 white sealing foam sponge, 100 pack (special order)
11411	Epson Aculaser C 1100, CX 11 wiper blade, 10 pack

Epson® Aculaser C 2000 , C 1000

Part #	Description
5113	Epson Aculaser C 900, 1000, 1900, 2000 toner hopper plug (cap), 100 pack
9142	Epson Aculaser C 2000, 1000 Absolute Black ® toner 22 lb (10 kg) bag
7750	Epson Aculaser C 2000, 1000 Absolute Black ® toner 240g
9143	Epson Aculaser C 2000, 1000 Absolute Cyan ® toner 22 lb (10 kg) bag
7751	Epson Aculaser C 2000, 1000 Absolute Cyan ® toner 235g
9144	Epson Aculaser C 2000, 1000 Absolute Magenta ® toner 22 lb (10 kg) bag
7753	Epson Aculaser C 2000, 1000 Absolute Magenta ® toner 235g
9145	Epson Aculaser C 2000, 1000 Absolute Yellow ® toner 22 lb (10 kg) bag
7752	Epson Aculaser C 2000, 1000 Absolute Yellow ® toner 235g
8948	Epson Aculaser C 2000, 1000 seal developer roller cover, 10 pack
5111	Epson Aculaser C 2000, 1000 Smartchip fuse, 10 pack
8346	Epson Aculaser C 2000, 1000 Uni Drum ® "S" with gears

Epson® Aculaser C 2600

Part #	Description
9900	Epson Aculaser C 2600 Absolute Black ® toner 155g
13079	Epson Aculaser C 2600 Absolute Black ® toner 22 lb (10 kg) bag
9901	Epson Aculaser C 2600 Absolute Cyan ® toner 155g
13080	Epson Aculaser C 2600 Absolute Cyan ® toner 22 lb (10 kg) bag
9902	Epson Aculaser C 2600 Absolute Magenta ® toner 155g
13081	Epson Aculaser C 2600 Absolute Magenta ® toner 22 lb (10 kg) bag
9903	Epson Aculaser C 2600 Absolute Yellow ® toner 155g

13082	Epson Aculaser C 2600 Absolute Yellow ® toner 22 lb (10 kg) bag
14308	Epson Aculaser C 2600 developer roller cover, 10 pack (special order)
10551	Epson Aculaser C 2600 Smartchip ® Black (sold 10/pack) (special order)
10552	Epson Aculaser C 2600 Smartchip ® Cyan (sold 10/pack) (special order)
10553	Epson Aculaser C 2600 Smartchip ® Magenta (sold 10/pack) (special order)
10554	Epson Aculaser C 2600 Smartchip ® Yellow (sold 10/pack) (special order)

Epson® Aculaser C 2800

Part #	Description
13404	Epson Aculaser C 2800 Absolute Black ® toner (3,000 pages)
13396	Epson Aculaser C 2800 Absolute Black ® toner (8,000 pages)
13400	Epson Aculaser C 2800 Absolute Black ® toner developer 70g
13397	Epson Aculaser C 2800 Absolute Cyan ® toner (6,000 pages)
13401	Epson Aculaser C 2800 Absolute Cyan ® toner developer 70g
13398	Epson Aculaser C 2800 Absolute Magenta ® toner (6,000 pages)
13402	Epson Aculaser C 2800 Absolute Magenta ® toner developer 70g
13399	Epson Aculaser C 2800 Absolute Yellow ® toner (6,000 pages)
13403	Epson Aculaser C 2800 Absolute Yellow ® toner developer 70g
13408	Epson Aculaser C 2800 Smartchip ® Black (C13S051161) (8,000 pages) (special order)
13409	Epson Aculaser C 2800 Smartchip ® Cyan (C13S051160) (6,000 pages) (special order)
13410	Epson Aculaser C 2800 Smartchip ® Magenta (C13S051159) (6,000 pages)(special order)
13411	Epson Aculaser C 2800 Smartchip ® Yellow (C13S051158) (6,000 pages) (special order)
14117	Epson Aculaser C 2800 SuMMit ® drum with gears

Epson® Aculaser C 3000

Part #	Description
5136	Epson Aculaser C 3000 Absolute Black ® toner 75g (needs carrier N 5300)
5137	Epson Aculaser C 3000 Absolute Cyan ® toner 75g (needs carrier N 5300)
5139	Epson Aculaser C 3000 Absolute Magenta ® toner 75g (needs carrier N 5300)
5138	Epson Aculaser C 3000 Absolute Yellow ® toner (needs carrier N 5300)
5300	Epson Aculaser C 3000 Black, Cyan, Magenta, Yellow ® toner carrier
10555	Epson Aculaser C 3000 Smartchip ® Black (see notes)
10556	Epson Aculaser C 3000 Smartchip ® Cyan (see notes)
10557	Epson Aculaser C 3000 Smartchip ® Magenta (see notes)
10558	Epson Aculaser C 3000 Smartchip ® Yellow (see notes)
9109	Epson Aculaser C 4200, 4100, 4000, 3000 Clear Seal ® adhesive, 50 pack

Epson® Aculaser C 3800

Part #	Description
11197	Epson Aculaser C 3800 Absolute Black ® toner (9,500 pages)
13392	Epson Aculaser C 3800 Absolute Black ® toner developer 70g
13553	Epson Aculaser C 3800 Absolute Cyan ® toner (5,000 pages)
11198	Epson Aculaser C 3800 Absolute Cyan ® toner (9,000 pages)
13393	Epson Aculaser C 3800 Absolute Cyan ® toner developer 70g
13554	Epson Aculaser C 3800 Absolute Magenta ® toner (5,000 pages)
11199	Epson Aculaser C 3800 Absolute Magenta ® toner (9,000 pages)
13394	Epson Aculaser C 3800 Absolute Magenta ® toner developer 70g
13555	Epson Aculaser C 3800 Absolute Yellow ® toner (5,000 pages)

11200	Epson Aculaser C 3800 Absolute Yellow ® toner (9,000 pages)
13395	Epson Aculaser C 3800 Absolute Yellow ® toner developer 70g
11217	Epson Aculaser C 3800 developer carrier chamber seal, 100 pack
13328	Epson Aculaser C 3800 OPC drum cover, 10 pack
11212	Epson Aculaser C 3800 Smartchip ® Black (9,500 pages) (special order)
13019	Epson Aculaser C 3800 Smartchip ® Cyan (5,000 pages) (special order)
11213	Epson Aculaser C 3800 Smartchip ® Cyan (9,000 pages) (special order)
13020	Epson Aculaser C 3800 Smartchip ® Magenta (5,000 pages) (special order)
11214	Epson Aculaser C 3800 Smartchip ® Magenta (9,000 pages) (special order)
13021	Epson Aculaser C 3800 Smartchip ® Yellow (5,000 pages) (special order)
11215	Epson Aculaser C 3800 Smartchip ® Yellow (9,000 pages) (special order)
14048	Epson Aculaser C 3800 SuMMit® Drum with gears
11220	Epson Aculaser C 3800 toner hopper fill hole plug seal, 100 pack
11205	Epson Aculaser C 3800 Uni Drum ® with gears
11216	Epson Aculaser C 3800 wiper blade, 10 pack (under development) ETA 06/10

Epson® Aculaser C 4000

Part #	Description
8521	Epson Aculaser C 4000 Absolute Black ® toner 230g
8942	Epson Aculaser C 4000 Absolute Cyan ® toner 180g
8943	Epson Aculaser C 4000 Absolute Magenta ® toner 180g
8944	Epson Aculaser C 4000 Absolute Yellow ® toner 180g
9109	Epson Aculaser C 4200, 4100, 4000, 3000 Clear Seal ® adhesive, 50 pack

Epson® Aculaser C 4100

Part #	Description
8504	Epson Aculaser C 4100 Absolute Black ® toner 190g (needs carrier)
8505	Epson Aculaser C 4100 Absolute Cyan ® toner 180g (needs carrier)
8507	Epson Aculaser C 4100 Absolute Magenta ® toner 180g (needs carrier)
8506	Epson Aculaser C 4100 Absolute Yellow ® toner 180g (needs carrier)
9397	Epson Aculaser C 4100 Black, Cyan, Magenta, Yellow toner carrier
10427	Epson Aculaser C 4100 Smartchip ® Black
10428	Epson Aculaser C 4100 Smartchip ® Cyan
10429	Epson Aculaser C 4100 Smartchip ® Magenta
10430	Epson Aculaser C 4100 Smartchip ® Yellow
9109	Epson Aculaser C 4200, 4100, 4000, 3000 Clear Seal ® adhesive, 50 pack

Epson® Aculaser C 4200

Part #	Description
9498	Epson Aculaser C 4200 Absolute Black ® toner 190g (needs N 9804 carrier)
9852	Epson Aculaser C 4200 Absolute Cyan ® toner 180g (needs N 9804 carrier)
9853	Epson Aculaser C 4200 Absolute Magenta ® toner 180g (needs N 9804 carrier)
9854	Epson Aculaser C 4200 Absolute Yellow ® toner 180g (needs N 9804 carrier)
9804	Epson Aculaser C 4200 Black, Cyan, Magenta, Yellow, toner carrier
10501	Epson Aculaser C 4200 Smartchip ® Black (C13S050245)(under final test)
10502	Epson Aculaser C 4200 Smartchip ® Cyan (C13S050243)under final test)
10503	Epson Aculaser C 4200 Smartchip ® Magenta (C13S050244)under final test)
10504	Epson Aculaser C 4200 Smartchip ® Yellow (C13S050242)(under final test)

9109 Epson Aculaser C 4200, 4100, 4000, 3000 Clear Seal ® adhesive, 50 pack

Epson® Aculaser C 8600, C 8500

Part # Description

8516 Epson Aculaser C 8600, 8500, 7000 Absolute Black ® toner 200g w/carrier
 8522 Epson Aculaser C 8600, 8500, 7000 Absolute Cyan ® toner 200g w/carrier
 8523 Epson Aculaser C 8600, 8500, 7000 Absolute Magenta ® toner 200g w/carrier
 8524 Epson Aculaser C 8600, 8500, 7000 Absolute Yellow ® toner 200g w/carrier

Epson® Aculaser C 900, C 1900

Part # Description

5113 Epson Aculaser C 900, 1000, 1900, 2000 toner hopper plug (cap), 100 pack
 8500 Epson Aculaser C 900, 1900 Absolute Black ® toner 150g
 8872 Epson Aculaser C 900, 1900 Absolute Black ® toner 22 lb (10 kg) bag
 8501 Epson Aculaser C 900, 1900 Absolute Cyan ® toner 150g
 8873 Epson Aculaser C 900, 1900 Absolute Cyan ® toner 22 lb (10 kg) bag
 8503 Epson Aculaser C 900, 1900 Absolute Magenta ® toner 150g
 8874 Epson Aculaser C 900, 1900 Absolute Magenta ® toner 22 lb (10 kg) bag
 8502 Epson Aculaser C 900, 1900 Absolute Yellow ® toner 150g
 8875 Epson Aculaser C 900, 1900 Absolute Yellow ® toner 22 lb (10 kg) bag
 10779 Epson Aculaser C 900, 1900 developer roller, 10 pack
 8946 Epson Aculaser C 900, 1900 seal developer roller cover, 10 pack
 5239 Epson Aculaser C 900, 1900 Smartchip drum unit fuse, 10 pack
 5481 Epson Aculaser C 900, 1900 supply roller, 10 pack
 7848 Epson Aculaser C 900, 1900 Uni Drum ® with gears

Epson® Aculaser C 9100

Part # Description

9823 Epson Aculaser C 9100 Absolute Black ® toner 250g
 9824 Epson Aculaser C 9100 Absolute Cyan ® toner 220g
 9825 Epson Aculaser C 9100 Absolute Magenta ® toner 220g
 9826 Epson Aculaser C 9100 Absolute Yellow ® toner 220g
 9827 Epson Aculaser C 9100 Uni Drum ® with gears (under final test)

Epson® Aculaser CX 11 N, NF

Part # Description

9514 Epson Aculaser C 1100, CX 11 Absolute Black ® toner 120g (add 9515 carrier)
 9588 Epson Aculaser C 1100, CX 11 Absolute Black ® toner 22 lb (10kg) bag (no carrier)
 9516 Epson Aculaser C 1100, CX 11 Absolute Cyan ® toner 120g (add 9515 carrier)
 9590 Epson Aculaser C 1100, CX 11 Absolute Cyan ® toner 22 lb (10 kg) bag (no carrier)
 9517 Epson Aculaser C 1100, CX 11 Absolute Magenta ® toner 120g (add 9515 carrier)
 9591 Epson Aculaser C 1100, CX 11 Absolute Magenta ® toner 22 lb (10kg) bag (no carrier)
 9518 Epson Aculaser C 1100, CX 11 Absolute Yellow ® toner 120g (add 9515 carrier)
 9592 Epson Aculaser C 1100, CX 11 Absolute Yellow ® toner 22 lb (10kg) bag (no carrier)
 11343 Epson Aculaser C 1100, CX 11 Black sponge, 100 pack (special order)
 9589 Epson Aculaser C 1100, CX 11 Black, Cyan, Magenta, Yellow ® 22 lb (10 kg) carrier for toner
 9515 Epson Aculaser C 1100, CX 11 Black, Cyan, Magenta, Yellow ® carrier for toner

10793	Epson Aculaser C 1100, CX 11 Clear Seal ® adhesive, 50 pack
10280	Epson Aculaser C 1100, CX 11 Smartchip ® Black, Cyan Magenta, Yellow
10486	Epson Aculaser C 1100, CX 11 Smartchip ® drum unit
10858	Epson Aculaser C 1100, CX 11 Uni Drum ® with gears
11345	Epson Aculaser C 1100, CX 11 white sealing foam sponge, 100 pack (special order)
11411	Epson Aculaser C 1100, CX 11 wiper blade, 10 pack

Epson® Aculaser M 1200

Part #	Description
14779	Absolute Black ® toner TBAg (3,200 pages) for use in Epson Aculaser M 1200
14781	Smartchip® for use in Epson Aculaser M 1200 Black toner (3,200 pages)(under development)
14780	Uni Drum® with gears for use in Epson Aculaser M 1200

Epson® Aculaser M 2000

Part #	Description
12515	Epson Aculaser M 2000 Absolute Black ® toner 160g (3,500 pages)
14508	Epson Aculaser M 2000 Absolute Black ® toner 22 lb (10 kg) bag
12514	Epson Aculaser M 2000 Absolute Black ® toner 220g (8,000 pages)
13742	Epson Aculaser M 2000 Smartchip ® toner (C13S050435/C13S050437)(8,000 pages)
13737	Epson Aculaser M 2000 Smartchip ® toner (C13S050436/C13S050438)(3,500 pages)(under development)

Epson® Aculaser M 4000

Part #	Description
14783	Absolute Black ® toner TBAg (20,000 pages) for use in Epson Aculaser M 4000 (under development)
14785	Clear Seal ® Adhesive, 50 pack for use in Epson Aculaser M 4000 (under development)
14782	Smartchip® for use in Epson Aculaser M 4000 Black toner (20,000 pages)(under development)
14784	SuMMiT ® drum with gears for use in Epson Aculaser M 4000 (under development)

Epson® C67, C87

Part #	Description
12520	Epson® Stylus C87, C67 inkjet smartchip (under development)

Epson® EPL 2180

Part #	Description
5347	Epson EPL 2180 Absolute Black ® toner 22 lb (10 kg) bag
5346	Epson EPL 2180 Absolute Black ® toner 320g
5348	Epson EPL 2180 Uni Drum ® with gears

Epson® EPL 3000

Part #	Description
5152	Epson EPL 3000 Absolute Black® toner 170g
5151	Epson EPL 3000 Uni Drum® gearless (special order)

Epson® EPL 5200, 5600

Part # Description

6693	Epson AL 5200, 5600 Uni Drum ® "S" with gears
5116	Epson EPL 5200, 5500, 5700, 5800, 5900, 6100, 6200 toner hopper plug (cap), 100 pack
5149	Epson EPL 5200, 5600 Absolute Black® toner 200g
6580	Epson EPL 5200, 5600 Absolute Black® toner, 22 lb (10 kg) bag
141	Epson EPL 5200, 5600 wiper blade (sold in 10 pack)

Epson® EPL 5500

Part # Description

5116	Epson EPL 5200, 5500, 5700, 5800, 5900, 6100, 6200 toner hopper plug (cap), 100 pack
5053	Epson EPL 5500, 5700, 5800, 5900, 6100 Absolute Black® toner 22 lb (10 kg) bag
5340	Epson EPL 5500, 5700, 5800, 5900, 6100 Absolute Black® toner 90g (3,000 pages)
8916	Epson EPL 5500, 5700, 5800, 5900, 6100 doctor blade, 10 pack
5343	Epson EPL 5500, 5700, 5800, 5900, 6100, 6200 Uni Drum ® gearless (special order)
5343	Epson EPL 5500, 5700, 5800, 5900, 6100, 6200 Uni Drum ® gearless (special order)
6644	Epson EPL 5500, 5700, 5800, 5900, 6100, 6200 Uni Drum ® w/ gears
6644	Epson EPL 5500, 5700, 5800, 5900, 6100, 6200 Uni Drum ® w/ gears

Epson® EPL 5700, 5800

Part # Description

5116	Epson EPL 5200, 5500, 5700, 5800, 5900, 6100, 6200 toner hopper plug (cap), 100 pack
5053	Epson EPL 5500, 5700, 5800, 5900, 6100 Absolute Black® toner 22 lb (10 kg) bag
5340	Epson EPL 5500, 5700, 5800, 5900, 6100 Absolute Black® toner 90g (3,000 pages)
5343	Epson EPL 5500, 5700, 5800, 5900, 6100, 6200 Uni Drum ® gearless (special order)
6644	Epson EPL 5500, 5700, 5800, 5900, 6100, 6200 Uni Drum ® w/ gears
8456	Epson EPL 5700, 5800 Absolute Black® toner 165g
8682	Epson EPL 5900, 6100 Absolute Black® toner 22 lb (10 kg) bag
8952	Epson EPL 6200 Absolute Black® toner 200g (6,000 pages)
9460	Epson EPL 6200 doctor blade, 10 pack
10889	Epson EPL 6200, 6100, 5900 blue cartridge handle, 10 pack

Epson® EPL 5900, 6100

Part # Description

5116	Epson EPL 5200, 5500, 5700, 5800, 5900, 6100, 6200 toner hopper plug (cap), 100 pack
5053	Epson EPL 5500, 5700, 5800, 5900, 6100 Absolute Black® toner 22 lb (10 kg) bag
5340	Epson EPL 5500, 5700, 5800, 5900, 6100 Absolute Black® toner 90g (3,000 pages)
5343	Epson EPL 5500, 5700, 5800, 5900, 6100, 6200 Uni Drum ® gearless (special order)
6644	Epson EPL 5500, 5700, 5800, 5900, 6100, 6200 Uni Drum ® w/ gears
7153	Epson EPL 5900, 6100 Absolute Black® toner 200g
10889	Epson EPL 6200, 6100, 5900 blue cartridge handle, 10 pack
7152	Epson EPL 6200, 6100, 5900 developer roller cover, 10 pack (special order)

Epson® EPL 6200, 6200L

Part # Description

5116	Epson EPL 5200, 5500, 5700, 5800, 5900, 6100, 6200 toner hopper plug (cap), 100 pack
5343	Epson EPL 5500, 5700, 5800, 5900, 6100, 6200 Uni Drum ® gearless (special order)
6644	Epson EPL 5500, 5700, 5800, 5900, 6100, 6200 Uni Drum ® w/ gears

5250	Epson EPL 6200 Absolute Black® toner 100g (3,000 pages)
5831	Epson EPL 6200 Absolute Black® toner 22 lb (10 kg) bag
10889	Epson EPL 6200, 6100, 5900 blue cartridge handle, 10 pack
7152	Epson EPL 6200, 6100, 5900 developer roller cover, 10 pack (special order)
6196	Epson EPL 6200, 6200N Smartchip ® (6,000 pages)
6132	Epson EPL 6200, 6200N, 6200L Smartchip ® (3,000 pages)

Epson® EPL N 2050

Part #	Description
7988	Epson EPL N 2000, 2050 Smartchip ® fuse, 10 pack
5029	Epson EPL N 2050 Absolute Black® 22 lb (10 kg) bag
9761	Epson EPL N 2050 Absolute Black® toner 22lb (10kg) bag
7925	Epson EPL N 2050 Absolute Black® toner 400g (10,000 pages)
8630	Epson EPL N 2050 Absolute Black® toner 510g (15,000 pages)
9064	Epson EPL N 2050 doctor blade, 10 pack
7938	Epson EPL N 2050 drum with insert & gears
9067	Epson EPL N 2050 PCR roller, 10 pack
8002	Epson EPL N 2050 wiper blade, 10 pack

Epson® EPL-5200, 5600

Part #	Description
5116	Epson EPL 5200, 5500, 5700, 5800, 5900, 6100, 6200 toner hopper plug (cap), 100 pack

Epson® EPL-N 1200

Part #	Description
5156	Epson EPL N 1200 Absolute Black® toner 200g
5162	Epson EPL N 1200 recovery blade, 25 pack
5157	Epson EPL N 1200 Uni Drum ® gearless (special order)

Epson® EPL-N 1600

Part #	Description
5732	Epson EPL N 1600 Absolute Black® toner 285g
5205	Epson EPL N 1600 cartridge pin, 100 pack (double head easy to pull)
5730	Epson EPL N 1600 Clear Seal ® OEM style adhesive, 10 pack
5735	Epson EPL N 1600 doctor blade, 10 pack
5214	Epson EPL N 1600 Mag roller felt, 100 pack
5584	Epson EPL N 1600 recovery blade, 25 pack
5733	Epson EPL N 1600 Uni Drum ® gearless (special order)
5734	Epson EPL N 1600 wiper blade (sold 10/pack)

Epson® EPL-N 1610

Part #	Description
9005	Epson EPL N 1610 Absolute Black® toner 22 lb (10 kg) bag
6762	Epson EPL N 1610 Absolute Black® toner 280g
6763	Epson EPL N 1610 Adhesive Seal, 10 pack
7380	Epson EPL N 1610 PCR roller, 10 pack

6765 Epson EPL N 1610 wiper blade (sold 10 p/box)

Epson® EPL-N 2000, 2050

Part #	Description
5206	Epson LP 9200, EPL N 2000 Absolute Black® toner 310g
5670	Epson LP 9200, EPL N 2000 Absolute Black® toner, 22 lb (10 Kg) bag
5843	Epson LP 9200, EPL N 2000 Doctor blade (under final test)
6405	Epson LP 9200, EPL N 2000 drum w/gears (K product) (special order)
5848	Epson LP 9200, EPL N 2000 Uni Drum ® Green w/gears
7749	Epson LP 9200, EPL N 2000 wiper blade, 10 pack
4994	Epson LP 9200, N 2000, QMS 2060 Clear Seal ® adhesive, 50 pack

Epson® EPL-N 2120

Part #	Description
8479	Epson EPL N 2120 Absolute Black® toner 22 lb (10 kg) bag
8478	Epson EPL N 2120 Absolute Black® toner 270g (6,000 pages)
8082	Epson EPL N 2120 Absolute Black® toner 400g (10,000 pages)
8482	Epson EPL N 2120 doctor blade, 10 pack
8477	Epson EPL N 2120 Mag roller sleeve, 10 pack
11385	Epson EPL N 2120 Smartchip ®
8480	Epson EPL N 2120 Uni Drum ® with gears (under final test)
8481	Epson EPL N 2120 wiper blade, 10 pack

Epson® EPL-N 2500

Part #	Description
9026	Epson EPL N 2500, 2020 doctor blade, 10 pack
5810	Epson EPL N 2500, 2020 Smartchip ® (10,000 pages) (under final test)
7044	Epson EPL N 2500, 2020 Uni Drum ® Green with gears (under final test)
9025	Epson EPL N 2500, 2020 wiper blade, 10 pack
9024	Epson EPL N 2500, 2020, 3000 Clear Seal ® adhesive, 50 pack (under final test)

Epson® EPL-N 2700, 2750

Part #	Description
8069	Epson EPL N 2700, 2750 Absolute Black toner 22 lb (10 kg) bag
8041	Epson EPL N 2700, 2750 Absolute Black® toner 500g
8363	Epson EPL N 2700, 2750 Smartchip ® fuse, 10 pack (under final test)
7570	Epson EPL N 2700, 2750 toner hopper plug, 100 pack
8660	Epson EPL N 2700, 2750 Uni Drum ® Green with gears
8071	Epson EPL N 2700, 2750 wiper blade, 10 pack

Epson® EPL-N 3000

Part #	Description
9024	Epson EPL N 2500, 2020, 3000 Clear Seal ® adhesive, 50 pack (under final test)
8949	Epson EPL N 3000 Absolute Black ® toner 800g
14728	Epson EPL N 3000 Absolute Black ® toner, 22lb(10kg) bag
6145	Epson EPL N 3000 cartridge pin, 50 pack

5461	Epson EPL N 3000 Clear Seal ® adhesive, 50 pack
9181	Epson EPL N 3000 doctor blade, 10 pack
5220	Epson EPL N 3000 Smartchip ® 17,000 pages (C13S051111)
11826	Epson EPL N 3000 Smartchip ® 6,000 pages
8947	Epson EPL N 3000 Uni Drum ® with gears
9180	Epson EPL N 3000 wiper blade, 10 pack

Epson® EPL-N 4000

Part #	Description
6536	Epson EPL N 4000 Smartchip ® with housing, 10 pack (with housing)

Epson® EPL-N 7000

Part #	Description
9021	Epson EPL N 7000 Absolute Black ® recovery blade, 100 pack
8950	Epson EPL N 7000 Absolute Black ® toner 500g (under final test)
8951	Epson EPL N 7000 Uni Drum ® BLUE with gears (under final test)
9020	Epson EPL N 7000 wiper blade, 10 pack (under final test)

Epson® EPL-N 8100

Part #	Description
8065	Epson EPL N 8100 Absolute Black® toner 310g
8068	Epson EPL N 8100 doctor blade, 10 pack
8066	Epson EPL N 8100 Uni Drum ®"S" with gears
8067	Epson EPL N 8100 wiper blade, 10 pack

Epson® EPL-N 9000

Part #	Description
5147	Epson EPL 9000 Absolute Black® toner 280g
6646	Epson EPL 9000 Black Mag roller sleeve, 10 pack
6577	Epson EPL 9000 PCR roller, 10 pack
6067	Epson EPL 9000 Uni Drum ® "S" w/gears
5927	Epson EPL 9000 wiper blade, 10 pack

Epson® LP-1200, 1300

Part #	Description
8917	Epson LP 1200 Absolute Black® toner 280g
9068	Epson LP 1200 adhesive seal, 50 pack
8919	Epson LP 1200 doctor blade, 10 pack
9035	Epson LP 1200 Uni Drum ® with gears

Epson® LP-1400

Part #	Description
9032	Epson LP 1400 Absolute Black® toner 100g
9034	Epson LP 1400 doctor blade, 10 pack (under final test)
8918	Epson LP 1400 Uni Drum ® with gears

9033	Epson LP 2400, 2500 Uni Drum ® with gears
9461	Epson LP 2400, 2500, 1400 developer roller cover, 10 pack (special order)
9036	Epson LP 2400, 2500, 1400 doctor blade, 10 pack
9464	Epson LP 2400, 2500, 1400 toner hopper plug, 100 pack

Epson® LP-1500C

Part #	Description
8468	Epson LP 1500C Absolute Black ® toner 150g
8673	Epson LP 1500C Absolute Black ® toner 22 lb (10 kg) bag
8469	Epson LP 1500C Absolute Cyan ® toner 150g
8674	Epson LP 1500C Absolute Cyan ® toner 22 lb (10 kg) bag
8471	Epson LP 1500C Absolute Magenta ® toner 150g
8675	Epson LP 1500C Absolute Magenta ® toner 22 lb (10 kg) bag
8470	Epson LP 1500C Absolute Yellow ® toner 150g
8676	Epson LP 1500C Absolute Yellow ® toner 22 lb (10 kg) bag
5118	Epson LP 1500C developer roller, 1 pack
9587	Epson LP 1500C developer roller, 10 pack
8261	Epson LP 1500C drum with gears
8710	Epson LP 1500C seal developer roller cover, 10 pack (special order)
5117	Epson LP 1500C Smartchip ® drum unit fuse, 10 pack
5119	Epson LP 1500C, 2000C, 3000C toner hopper plug (cap), 100 pack

Epson® LP-1700

Part #	Description
7446	Epson LP 1700 Absolute Black® toner 22 lb (10 kg) bag

Epson® LP-1900

Part #	Description
7156	Epson LP 1900 Absolute Black® toner 150g

Epson® LP-2000C, 3000C

Part #	Description
5119	Epson LP 1500C, 2000C, 3000C toner hopper plug (cap), 100 pack
9499	Epson LP 2000C, 3000C Absolute Black ® toner 205g
9500	Epson LP 2000C, 3000C Absolute Cyan ® toner 235g
9501	Epson LP 2000C, 3000C Absolute Magenta ® toner 235g
9502	Epson LP 2000C, 3000C Absolute Yellow ® toner 235g
9504	Epson LP 2000C, 3000C Uni Drum ® drum with gears
9505	Epson LP 2000C, 3000C developer roller cover, 10 pack (special order)
9506	Epson LP 2000C, 3000C Smartchip ® drum unit fuse, 10 pack

Epson® LP-2400, 2500

Part #	Description
9028	Epson LP 2400, 2500 Absolute Black® toner 200g
9033	Epson LP 2400, 2500 Uni Drum ® with gears
9461	Epson LP 2400, 2500, 1400 developer roller cover, 10 pack (special order)

- 9036 Epson LP 2400, 2500, 1400 doctor blade, 10 pack
- 9464 Epson LP 2400, 2500, 1400 toner hopper plug, 100 pack

Epson® LP-6100, 7900, 9100

- | Part # | Description |
|---------------|--|
| 8964 | Epson LP 6100, 7900, 9100 Clear Seal® adhesive, 50 pack |
| 9085 | Epson LP 6100, 7900, 9100 "Black" Mag roller sleeve, 10 pack |
| 8896 | Epson LP 6100, 7900, 9100 Absolute Black® toner 22 lb (10 kg) bag |
| 8895 | Epson LP 6100, 7900, 9100 Absolute Black® toner 400g |
| 9007 | Epson LP 6100, 7900, 9100 doctor blade, 10 pack |
| 8899 | Epson LP 6100, 7900, 9100 Smartchip® (10,000 pages) (under final test) |
| 9261 | Epson LP 6100, 7900, 9100 Uni Drum® Green with gears |
| 9008 | Epson LP 6100, 7900, 9100 wiper blade, 10 pack |

Epson® LP-8000C, 8200C

- | Part # | Description |
|---------------|---|
| 6255 | Epson LP 8000C Absolute Black® toner 200g (needs carrier) |
| 6515 | Epson LP 8000C Absolute Black® toner 22 lb (10 kg) (needs carrier) |
| 8788 | Epson LP 8000C Absolute Black, Cyan, Magenta, Yellow® carrier 22 lb (10 kg) for toner |
| 8789 | Epson LP 8000C Absolute Black, Cyan, Magenta, Yellow® carrier 65g for toner (special order) |
| 6256 | Epson LP 8000C Absolute Cyan® toner 200g (needs carrier) |
| 6516 | Epson LP 8000C Absolute Cyan® toner 22 lb (10 kg) (needs carrier) |
| 6257 | Epson LP 8000C Absolute Magenta® toner 200g (needs carrier) |
| 6517 | Epson LP 8000C Absolute Magenta® toner 22 lb (10 kg) (needs carrier) |
| 6258 | Epson LP 8000C Absolute Yellow® toner 200g (needs carrier) |
| 6518 | Epson LP 8000C Absolute Yellow® toner 22 lb (10 kg) (needs carrier) |

Epson® LP-8200, 8300

- | Part # | Description |
|---------------|---|
| 9009 | Epson LP 8200, 8300 Black Mag roller sleeve, 10 pack (special order) |
| 9006 | Epson LP 8500 "Black" Mag roller sleeve, 10 pack (special order) |
| 6576 | Epson LP 8500, 8200 PCR roller, 10 pack |
| 157 | Epson LP 8500, 8400, 8200 Absolute Black® toner 280g |
| 8316 | Epson LP 8500, 8400, 8200 mag roller bushing, 100 pack (under final test) |

Epson® LP-8400

- | Part # | Description |
|---------------|--|
| 6584 | Epson LP 8400 "Black" Mag roller sleeve, 10 pack |
| 7487 | Epson LP 8400 Clear Seal® adhesive, 50 pack |
| 6275 | Epson LP 8400 drum with gears & insert |
| 6688 | Epson LP 8400 PCR roller, 10 pack |
| 6528 | Epson LP 8500, 8400 Absolute Black® toner 310g |
| 4898 | Epson LP 8500, 8400 Eco Graphic® toner 22 lb (10 Kg) bag |
| 5497 | Epson LP 8500, 8400 Mag roller coating solution 4 oz. (use Mag cleaning first) |
| 157 | Epson LP 8500, 8400, 8200 Absolute Black® toner 280g |
| 8316 | Epson LP 8500, 8400, 8200 mag roller bushing, 100 pack (under final test) |

Epson® LP-8500

Part #	Description
9006	Epson LP 8500 "Black" Mag roller sleeve, 10 pack (special order)
6066	Epson LP 8500, 8000 SX drum with gears & silencer
156	Epson LP 8500, 8000 SX recovery blade, 25 pack
158	Epson LP 8500, 8000 SX wiper blade, 10 pack
6576	Epson LP 8500, 8200 PCR roller, 10 pack
6528	Epson LP 8500, 8400 Absolute Black® toner 310g
4898	Epson LP 8500, 8400 Eco Graphic® toner 22 lb (10 Kg) bag
5497	Epson LP 8500, 8400 Mag roller coating solution 4 oz. (use Mag cleaning first)
157	Epson LP 8500, 8400, 8200 Absolute Black® toner 280g
8316	Epson LP 8500, 8400, 8200 mag roller bushing, 100 pack (under final test)

Epson® LP-8700

Part #	Description
7865	Epson LP 8700 Absolute Black® toner 22 lb (10 kg) bag
7108	Epson LP 8700 Absolute Black® toner 320g
10796	Epson LP 8700 Clear Seal® adhesive, 50 pack
7642	Epson LP 8700 doctor blade, 10 pack
8752	Epson LP 8700 Black Mag roller sleeve, 10 pack
7127	Epson LP 8700 Mag roller coating solution 2 oz. (use Mag cleaning first)
9223	Epson LP 8700 Smartchip® (special order)
7584	Epson LP 8700 Uni Drum® with gears
7075	Epson LP 8700 wiper blade, 10 pack

Epson® LP-8800C, 8500C, 8300C

Part #	Description
8617	Epson LP 8800C Absolute Black® toner (no carrier) 22 lb (10 kg) bag
8321	Epson LP 8800C Absolute Black® toner 200g (with carrier)
9430	Epson LP 8800C Absolute Black® toner w/carrier 200g (2005 formula)
8800	Epson LP 8800C Absolute Color® toner carrier 22 lb (10 kg) bag
8618	Epson LP 8800C Absolute Cyan® toner (no carrier) 22 lb (10 kg) bag
8011	Epson LP 8800C Absolute Cyan® toner 200g (with carrier)
9431	Epson LP 8800C Absolute Cyan® toner w/ carrier 200g (2005 formula)
8619	Epson LP 8800C Absolute Magenta® toner (no carrier) 22 lb (10 kg) bag
8012	Epson LP 8800C Absolute Magenta® toner 200g (with carrier)
9432	Epson LP 8800C Absolute Magenta® toner w/carrier 200g (2005 formula)
8620	Epson LP 8800C Absolute Yellow® toner (no carrier) 22 lb (10 kg) bag
8013	Epson LP 8800C Absolute Yellow® toner 200g (with carrier)
9433	Epson LP 8800C Absolute Yellow® toner w/carrier 200g (2005 formula)

Epson® LP-8900, 7700, 7500

Part #	Description
11386	Epson LP 8900, 7700, 7500 Smartchip® (special order)

Epson® LP-9200

Part #	Description
5206	Epson LP 9200, EPL N 2000 Absolute Black® toner 310g
5670	Epson LP 9200, EPL N 2000 Absolute Black® toner, 22 lb (10 Kg) bag
5843	Epson LP 9200, EPL N 2000 Doctor blade (under final test)
6405	Epson LP 9200, EPL N 2000 drum w/gears (K product) (special order)
5848	Epson LP 9200, EPL N 2000 Uni Drum ® Green w/gears
7749	Epson LP 9200, EPL N 2000 wiper blade, 10 pack
4994	Epson LP 9200, N 2000, QMS 2060 Clear Seal ® adhesive, 50 pack
5114	Epson LP 9400, 9300, 9200 toner hopper plug (cap), 100 pack

Epson® LP-9200C, 9000C, 7000C

Part #	Description
9338	Epson LP 9000C Absolute Black ® Chemical toner 180g
8921	Epson LP 9000C Absolute Black ® Chemical toner 22 lb (10 kg) bag
9339	Epson LP 9000C Absolute Cyan ® Chemical toner 180g
8922	Epson LP 9000C Absolute Cyan ® Chemical toner 22 lb (10 kg) bag
9340	Epson LP 9000C Absolute Magenta ® Chemical toner 180g
9218	Epson LP 9000C Absolute Magenta ® Chemical toner 22 lb (10 kg) bag
9341	Epson LP 9000C Absolute Yellow ® Chemical toner 180g
8923	Epson LP 9000C Absolute Yellow ® Chemical toner 22 lb (10 kg) bag
9206	Epson LP 9000C doctor blade, 10 pack (special order)
9234	Epson LP 9000C Mag roller sleeve, 1 pack (special order)
4965	Epson LP 9000C, 7000C drum with gears & insert

Epson® LP-9300

Part #	Description
6471	Epson LP 9300 Absolute Black® toner 310g (sold 25 p/box)
6701	Epson LP 9300 Absolute Black® toner, 22 lb (10 kg) (sold 2 p/box)
6690	Epson LP 9300 Uni Drum ® Green with gears
5114	Epson LP 9400, 9300, 9200 toner hopper plug (cap), 100 pack

Epson® LP-9400

Part #	Description
8474	Epson LP 9400 "F" drum with gears (sold p/50 box) (special order)
6937	Epson LP 9400 Absolute Black® toner 22 lb (10 kg) bag
7456	Epson LP 9400 Absolute Black® toner 500g
8200	Epson LP 9400 recovery blade, 100 pack
9513	Epson LP 9400 Smartchip ®
7900	Epson LP 9400 Uni Drum ® with gears
7641	Epson LP 9400 wiper blade, 10 pack
5114	Epson LP 9400, 9300, 9200 toner hopper plug (cap), 100 pack

Epson® LP-9500C

Part #	Description
5648	Epson LP 9500C Smartchip ® toner BK/C/Y/M fuse, 10 pack
8924	Epson LP 9500C Uni Drum ® with gear
9174	Epson LP 9500C wiper blade, 10 pack

Epson® LP-9600

Part #	Description
6218	Epson LP 9600 "F" drum with gears & insert (sold 50 p/box)
6950	Epson LP 9600 Absolute Black® toner 22 lb (40 PPM formula)
6655	Epson LP 9600 Absolute Black® toner 500g (40 PPM formula)
8251	Epson LP 9600 Clear Seal® adhesive, 50 pack
5921	Epson LP 9600 doctor blade (special order)
6675	Epson LP 9600 Mag roller sleeve, 10 pack
6323	Epson LP 9600 PCR roller, 10 pack
5769	Epson LP 9600 wiper blade, 10 pack

Epson® LP-9800C

Part #	Description
9448	Epson LP 9800C Absolute Black® toner 250g (under final test)
9449	Epson LP 9800C Absolute Cyan® toner 225g (under final test)
9450	Epson LP 9800C Absolute Magenta® toner 225g (under final test)
9451	Epson LP 9800C Absolute Yellow® toner 225g (under final test)
9562	Epson LP 9800C drum with gear (under final test)

Epson® LP-S 5000

Part #	Description
11870	Epson LP S 5000 Absolute Black® toner TBAg (under development)
11871	Epson LP S 5000 Absolute Cyan® toner TBAg (under development)
11872	Epson LP S 5000 Absolute Magenta® toner TBAg (under development)
11873	Epson LP S 5000 Absolute Yellow® toner TBAg (under development)
13703	Epson LP S 5000 Clear Seal® adhesive, 50 pack (under development)(special order)
13696	Epson LP S 5000 Smartchip® Black (LPCA3T12K) (6,500 pages)
13700	Epson LP S 5000 Smartchip® Cyan (LPCA3T11C) (3,000 pages) (under development)
13697	Epson LP S 5000 Smartchip® Cyan (LPCA3T12C) (6,500 pages)
13704	Epson LP S 5000 Smartchip® drum (LPCA3K9) (24,000 pages)(under development)
13701	Epson LP S 5000 Smartchip® Magenta (LPCA3T11M) (3,000 pages) (under development)
13698	Epson LP S 5000 Smartchip® Magenta (LPCA3T12M) (6,500 pages)
13702	Epson LP S 5000 Smartchip® Yellow (LPCA3T11Y) (3,000 pages) (under development)
13699	Epson LP S 5000 Smartchip® Yellow (LPCA3T12Y) (6,500 pages)
11874	Epson LP S 5000 Uni Drum® gearless (under development)(special order)
13705	Epson LP S 5000 wiper blade, 10 pack (under development)

Epson® LP-S 6000

Part #	Description
11875	Epson LP S 6000 Absolute Black® toner TBAg (under development)
11876	Epson LP S 6000 Absolute Cyan® toner TBAg (under development)
11877	Epson LP S 6000 Absolute Magenta® toner TBAg (under development)
11878	Epson LP S 6000 Absolute Yellow® toner TBAg (under development)

Epson® LP-S 7000

Part # Description

10161	Epson LP S 7000 Absolute Black ® toner 250g
10162	Epson LP S 7000 Absolute Cyan ® toner 210g
10163	Epson LP S 7000 Absolute Magenta ® toner 210g
10164	Epson LP S 7000 Absolute Yellow ® toner 210g
11952	Epson LP S 7000 Smartchip ® Black drum unit (LPCA3KUT7K) (50,000 pages)
10633	Epson LP S 7000 Smartchip ® Black toner (LPCA3ETC9K) (15,000 pages)
13805	Epson LP S 7000 Smartchip ® Cyan drum unit (LPCA3KUT7C) (30,000 pages)
10634	Epson LP S 7000 Smartchip ® Cyan toner (LPCA3ETC9C) (12,000 pages)
13806	Epson LP S 7000 Smartchip ® Magenta drum unit (LPCA3KUT7M) (30,000 pages)
10635	Epson LP S 7000 Smartchip ® Magenta toner (LPCA3ETC9M) (12,000 lages)
13807	Epson LP S 7000 Smartchip ® Yellow drum unit (LPCA3KUT7Y) (30,000 pages)
10636	Epson LP S 7000 Smartchip ® Yellow toner (LPCA3ETC9Y) (12,000 pages)
10165	Epson LP S 7000 Uni Drum ® with gears

Epson® LP-V 1000

Part # Description

9911	Epson LP V 1000 Absolute Black® toner 22 lb (10 kg) bag
9910	Epson LP V 1000 Absolute Black® toner 320g (10,000 pages)
9912	Epson LP V 1000 Uni Drum ® with gears

Epson® LP-V 500

Part # Description

9550	Epson LP V 500, A 500 Absolute Black ® toner 120g (needs 9554 carrier)
9551	Epson LP V 500, A 500 Absolute Cyan ® toner 120g (needs 9554 carrier)
9552	Epson LP V 500, A 500 Absolute Magenta ® toner 120g (needs 9554 carrier)
9553	Epson LP V 500, A 500 Absolute Yellow ® toner 120g (needs 9554 carrier)
9554	Epson LP V 500, A 500 Black, Cyan, Magenta, Yellwo ® carrier 36g for toner
10794	Epson LP V 500, A 500 Clear Seal ® adhesive, 50 pack
10720	Epson LP V 500, A 500 Smartchip ® Black, Cyan, Magenta & Yellow
10860	Epson LP V 500, A 500 Smartchip ® drum
10861	Epson LP V 500, A 500 Uni Drum ® with gears
11412	Epson LP V 500, A 500 wiper blade, 10 pack

Epson® ME200, ME2, C58

Part # Description

12524	Epson® ME200, ME2, C58 inkjet smartchip (under development)
-------	---

Epson® Stylus 400

Part # Description

14868	Absolute Cyan® ink, 1 liter (1kg) dye for use in Epson Stylus Color 400, S020089
14869	Absolute Magenta® ink, 1 liter (1kg) dye for use in Epson Stylus Color 400, S020089
14870	Absolute Yellow® ink, 1 liter (1kg) dye for use in Epson Stylus Color 400, S020089
5447	Epson Stylus Color 400, S020089 Absolute Magenta ink, 1 Gallon (3.78 liter)(TO DISCONTINUE)
5448	Epson Stylus Color 400, S020089 Absolute Yellow ink, 1 Gallon (3.78 liter)(TO DISCONTINUE)
11032	Epson Stylus Color 400, S020093, S0200108 Absolute Black ink, 1 Gallons (3.78 liters)

Epson® Stylus C-63, C-83

Part #	Description
12532	Epson® Stylus C63, C65, C83, C85 inkjet smartchip (under development)

Epson® Stylus C42, C44, C46

Part #	Description
12526	Epson® Stylus C42, C44, C46 inkjet smartchip (under development)

Epson® Stylus C48

Part #	Description
12521	Epson® Stylus C48 inkjet smartchip (under development)

Epson® Stylus C59, CX2900, CX2905

Part #	Description
12523	Epson® Stylus C59, CX2900, CX2905 inkjet smartchip (under development)

Epson® Stylus C64, C66, T0441

Part #	Description
12531	Epson® Stylus C64, C66, C84 inkjet smartchip (under development)

Epson® Stylus C88

Part #	Description
12518	Epson® Stylus C88 inkjet smartchip (under development)

Epson® Stylus Color C-41, T038, T 039

Part #	Description
12529	Epson® Stylus Color C41, C43, C45 inkjet smartchip (under development)

Epson® Stylus Color C-42, T036, T037

Part #	Description
12528	Epson® Stylus Color C42, C44, C46 inkjet smartchip (under development)

Epson® Stylus Color C-62, T040, T041

Part #	Description
12530	Epson® Stylus Color C62, CX 3200 inkjet smartchip (under development)

Epson® Stylus CX 70, 80, 82

Part #	Description
14871	Absolute® Black ink, 1 liter(1kg) Pigmented, for use in Epson Stylus CX 70, 80, 82 (Durabrite)
14872	Absolute® Cyan ink, 1 liter(1kg) Pigmented, for use in Epson Stylus CX 70, 80, 82 (Durabrite)

- 14873 Absolute® Magenta ink, 1 liter(1kg) Pigmented, for use in Epson Stylus CX 70, 80, 82 (Durabrite)
- 14874 Absolute® Yellow ink, 1 liter(1kg) Pigmented, for use in Epson Stylus CX 70, 80, 82 (Durabrite)

Epson® Stylus D88, D68

- | Part # | Description |
|---------------|---|
| 12519 | Epson® Stylus D88, D68 inkjet smartchip (under development) |

Epson® Stylus Photo 20

- | Part # | Description |
|---------------|---|
| 12522 | Epson® Stylus Photo 20 inkjet smartchip (under development) |

Epson® Stylus Photo 700

- | Part # | Description |
|---------------|---|
| 13247 | Epson Stylus Photo 700, 710, 720, S020110 Absolute Black ink, 1 liter (1kg) DYE |
| 13248 | Epson Stylus Photo 700, 710, 720, S020110 Absolute Cyan ink, 1 liter (1kg) DYE |
| 13252 | Epson Stylus Photo 700, 710, 720, S020110 Absolute Light Magenta ink, 1 liter (1kg) DYE |
| 13249 | Epson Stylus Photo 700, 710, 720, S020110 Absolute Magenta ink, 1 liter (1kg) DYE |
| 13250 | Epson Stylus Photo 700, 710, 720, S020110 Absolute Yellow ink, 1 liter (1kg) DYE |
| 13251 | Epson Stylus Photo 700,710, 720, S020110 Absolute Light Cyan ink, 1 liter (1kg) DYE |
| 6226 | Epson Stylus Photo, S020110 Absolute Dark Cyan ink, 1 Gallon (3.78 liter) |
| 6228 | Epson Stylus Photo, S020110 Absolute Yellow ink, 1 Gallon (3.78 liter) |
| 6229 | Epson Stylus Photo, S020110 Light Cyan ink, 1 Gallon (3.78 liter) |
| 6230 | Epson Stylus Photo, S020110 Light Magenta ink, 1 Gallon (3.78 liter) |

Epson® Stylus Photo 810, 820

- | Part # | Description |
|---------------|--|
| 12525 | Epson® Stylus Photo 810, 820, 830, 925, 935 inkjet smartchip (under development) |

Epson® Stylus Photo 950

- | Part # | Description |
|---------------|---|
| 12527 | Epson® Stylus Photo 950, 960 inkjet smartchip (under development) |

Epson® Stylus Photo R 200, 600

- | Part # | Description |
|---------------|--|
| 12874 | Epson Stylus Photo R 200, 600 Absolute Black ink, 1liter (1kg) dye |
| 12875 | Epson Stylus Photo R 200, 600 Absolute Cyan ink, 1liter (1kg) dye |
| 12878 | Epson Stylus Photo R 200, 600 Absolute Light Cyan ink, 1liter (1kg) dye |
| 12879 | Epson Stylus Photo R 200, 600 Absolute Light Magenta ink, 1liter (1kg) dye |
| 12876 | Epson Stylus Photo R 200, 600 Absolute Magenta ink, 1liter (1kg) dye |
| 12877 | Epson Stylus Photo R 200, 600 Absolute Yellow ink, 1liter (1kg) dye |

Epson® Stylus Photo R2400

- | Part # | Description |
|---------------|--|
| 12517 | Epson® Stylus Photo R2400 inkjet smartchip (under development) |

Epson® Stylus Photo RX 420, 425

Part # Description

12535 Epson® Stylus Photo RX 520, 425, 420, 240 inkjet smartchip (under development)

Epson® Stylus Photo RX 530, 430

Part # Description

12537 Epson® Stylus Photo RX 530, 430, R250 inkjet smartchip (under development)

Epson® Stylus Photo RX 600, 500, 300, 200

Part # Description

12533 Epson® Stylus Photo RX 600, 500, 300, 200 inkjet smartchip (under development)

Epson® Stylus Photo RX 630, 530, 210

Part # Description

12534 Epson® Stylus Photo RX 630, 510, 310, 210 inkjet smartchip (under development)

Epson® Stylus Photo RX 700

Part # Description

12536 Epson® Stylus Photo RX 700 inkjet smartchip (under development)

EpsonEpson® Claria R260, R270, R280

Part # Description

14875 Absolute® Black ink, 1 liter(1kg) Dye for use in Epson Claria R260, R270, R280
 14876 Absolute® Cyan ink, 1 liter(1kg) Dye for use in Epson Claria R260, R270, R280
 14879 Absolute® Light Cyan ink, 1 liter(1kg) Dye for use in Epson Claria R260, R270, R280
 14880 Absolute® Light Magenta ink, 1 liter(1kg) Dye for use in Epson Claria R260, R270, R280
 14877 Absolute® Magenta ink, 1 liter(1kg) Dye for use in Epson Claria R260, R270, R280
 14878 Absolute® Yellow ink, 1 liter(1kg) Dye for use in Epson Claria R260, R270, R280

Fujitsu® DEX 625

Part # Description

5092 Fujitsu, DEX 625 Uni Drum ® "S" w/gears

Fujitsu® LB-103

Part # Description

6625 Fujitsu LB 103, F 20W Absolute Black® toner 170g
 6626 Fujitsu LB 103, F 20W Absolute Black® toner, 22 lb (10 kg) bag

Fujitsu® LB-105, 106

Part # Description

8691 Fujitsu LB 105, 106 Absolute Black® toner 105g (under final test)

Fujitsu® LB-306, XC 580

Part # Description

5902 Fujitsu LB 303, 306 A, X 580 Smartchip with housing, 10 pack

Fujitsu® LB-309, XC 525

Part # Description

5975 Fujitsu LB 309 doctor blade, 10 pack

5201 Fujitsu LB 309 Mag roller sleeve, 10 pack

6322 Fujitsu LB 309 wiper blade, 10 pack

Fujitsu® Printpartner 10/14

Part # Description

8744 Fujitsu Printpartner 10, 12, 14, 16 V Absolute Black® developer 185g

6579 Fujitsu Printpartner 10, 12, 14, 16 V Absolute Black® toner 170g

6391 Fujitsu Printpartner 10, 12, 14, 16 V Absolute Black® toner 22 lb (10 kg)

4938 Fujitsu Printpartner 10, 12, 14, 16 V Clear seal, 50 pack

8867 Fujitsu Printpartner 10, 12, 14, 16 V wiper blade, 10 pack

GCC® Elite 408/608/616/808/1208

Part # Description

6020 GCC Elite XL 408/608/616/808/1208 Absolute Black® toner 300g

6019 GCC Elite XL 408/608/616/808/1208 drum w/gears

6021 GCC Elite XL 408/608/616/808/1208 seal, 10 pack

6018 GCC Elite XL 408/608/616/808/1208 Uni Drum ® gearless (special order)

6022 GCC Elite XL 408/608/616/808/1208 wiper blade 10 pack (special order)

Gestetner® C 7010

Part # Description

9659 Ricoh CL 5000 Black ® compatible toner cartridge (special order)

9660 Ricoh CL 5000 Cyan ® compatible toner cartridge (special order)

9661 Ricoh CL 5000 Magenta ® compatible toner cartridge (special order)

9662 Ricoh CL 5000 Yellow ® compatible toner cartridge (special order)

Gestetner® DSc 224, 232

Part # Description

9563 Ricoh Aficio 1224 C, 1232 C Black toner cartridge (sold 4/box)(special order)

9564 Ricoh Aficio 1224 C, 1232 C Cyan toner cartridge (sold 4/box)(special order)

9565 Ricoh Aficio 1224 C, 1232 C Magenta toner cartridge (sold 4/box)(special order)

9566 Ricoh Aficio 1224 C, 1232 C Yellow toner cartridge (special order)

Gestetner® DSc 332, 338

Part # Description

9567	Ricoh Aficio 2232 C, 2238 C Black toner cartridge (sold 10/box)(special order)
9568	Ricoh Aficio 2232 C, 2238 C Cyan toner cartridge (sold 4/box)(special order)
9569	Ricoh Aficio 2232 C, 2238 C Magenta toner cartridge (sold 4/box)(special order)
9570	Ricoh Aficio 2232 C, 2238 C Yellow toner cartridge (sold 4/box)(special order)

Gestetner® DSc 38, 38S

Part #	Description
8139	Ricoh Aficio 3800 Cyan compatible toner cartridge, 4 pack (special order)
9917	Ricoh Aficio 3800 Cyan toner 22 lb (10 kg) bag
8135	Ricoh Aficio 3800 Cyan toner 275g
9694	Ricoh Aficio 3800 drum with gears (special order)
8140	Ricoh Aficio 3800 Magenta compatible toner cartridge, 4 pack (special order)
8137	Ricoh Aficio 3800 Magenta toner 275g
8141	Ricoh Aficio 3800 Yellow compatible toner cartridge, 4 pack (special order)
8136	Ricoh Aficio 3800 Yellow toner 275g
8138	Ricoh Aficio 3800, 3850 Black compatible toner cartridge 550g, 10 pack (special order)
8134	Ricoh Aficio 3800, 3850 Black toner 520g

Gestetner® P 6216

Part #	Description
9899	Lexmark Optra E 220, 320, 321, 322, 323 Doctor bar, 10 pack
7912	Lexmark Optra E 220, 320, 321, 322, 323 Uni Drum ® OEM style with gears
5017	Lexmark Optra E 220, 320, 322 wiper blade, 10 pack
10839	Lexmark Optra E 320, 321, 322 developer roller, 10 pack (special order)
7910	Lexmark Optra E 320, 322 Absolute Black® toner 165g (6,000 pages)(special order)
8166	Lexmark Optra E 320, 322 Absolute Black® toner 22 lb (10 kg) bag
7909	Lexmark Optra E 320, 322 Absolute Black® toner 85g (3,000 pages)

HP® 93A, C8765, 9362, 9364

Part #	Description
12859	HP 93A Absolute Black ® ink for vivera C8765, 9362, 9364 1 liter (1 kg)
12860	HP 93A Absolute Cyan ® ink for vivera C8765, 9362, 9364 1 liter (1 kg)
12861	HP 93A Absolute Magenta ® ink for vivera C8765, 9362, 9364 1 liter (1 kg)
12862	HP 93A Absolute Yellow® ink for vivera C8765, 9362, 9364 1 liter (1 kg)

HP® 02

Part #	Description
12474	HP® 02 Black inkjet smartchip for C8721W (under development)
12475	HP® 02 Cyan inkjet smartchip for C8771W (under development)
12478	HP® 02 Light Cyan inkjet smartchip for C8774W (under development)
12479	HP® 02 Light Magenta inkjet smartchip for C8775W (under development)
12476	HP® 02 Magenta inkjet smartchip for C8772W (under development)
12477	HP® 02 Yellow inkjet smartchip for C8773W (under development)

HP® 10

Part #	Description
--------	-------------

12369	HP® 10 Black inkjet smartchip for C4840A (under development)
12373	HP® 10 Black inkjet smartchip for C4844A (under development)
12370	HP® 10 Cyan inkjet smartchip for C4841A (under development)
12371	HP® 10 Magenta inkjet smartchip for C4843A (under development)
12372	HP® 10 Yellow inkjet smartchip for C4842A (under development)

HP® 1010, 1012, 1015, 1018, 1020, 1022

Part #	Description
10152	Canon FX 10, 4120, 4150 conversion kit (from HP 1010 cartridge) 10 pack (special order)
8842	HP 1010, 1012, 1015, 1018 Absolute Black® toner 22 lb (10kg) bag
9964	HP 1010, 1015, 1020, 1022 spring between waste & feed section, 100 set pack
9346	HP 1010, 1015, 1020, 1022, 1100 End cap hopper compression spring set, 100 pack (special order)
9951	HP 1010, 1015, 1020, 1022, EP 104, 106, FX-11 OPC drum tension spring, 100 pack
11998	HP 1010, 1015, 1020, 1022, EP 104, 106, FX-11 SuMMiT® drum w/gears, 5 pack
10017	HP 1010, 1015, 1020, 1022, EP 104, 106, FX-11 Uni Drum ® "F" with gears (sold 50/box)
8262	HP 1010, 1015, 1020, 1022, EP 104, 106, FX-11 Uni Drum ® Green with gears
14913	HP 1010, 1015, 1020, 1022, EP 104, 106, FX-11 Uni Drum ® Green with gears (6/2010 formulation)
9132	HP 1010, 1015, 1020, 1022, EP 106 Doctor Blade End Foam set, 500 pack (special order)
6164	HP 1010, 1015, 1020, 1022, EP 106 hopper (fill plug) cap, 100 pack
10385	HP 1010, 1015, 1020, 1022, EP 106 Mag roller sleeve w/ contact TEFLON w/spring, 10pk(special order)
9196	HP 1010, 1015, 1020, 1022, EP 106, 306, 706, FX-11 Black Mag roller sleeve, 10 pack
14759	HP 1010, 1015, 1020, 1022, EP 106, FX-11 Mag roller bushing , 100 pack (new formulation 4/2010)
9952	HP 1010, 1015, 1020, 1022, EP 106, FX-11 Mag roller contact spring, 100 pack
9968	HP 1010, 1015, 1020, 1022, EP 106, FX-11 Mag roller sealing blade, 100 pack
9950	HP 1010, 1015, 1020, 1022, EP 106, FX-11 Mag roller wipers (left & right), 10 sets
9728	HP 1010, 1015, 1020, 1022, EP 106, FX-11 recovery blade, 100 pack
13098	HP 1010, 1015, 1020, 1022, EP 106, FX-11 recovery blade, 50 pack (special order)
8858	HP 1010, 1015, 1020, 1022, EP 106, FX-11 Silver Seal ® OEM style adhesive, 50 pack
8846	HP 1010, 1015, 1020, 1022, EP 106, FX-11 wiper blade, 10 pack
7258	HP 1300, 1200, 1150, 1010, 1015 doctor blade, 10 pack
10460	HP 1300, 1200, 1150, 1010, 1015 doctor blade, 10 pack (with adhesive sealing
6057	HP 1300, 1200, 1150, 1100, 1010, AX OPC shutter door felt, 100 pack
8168	HP 1300, 1200, 1150, 1100, 1010, AX, FX 8 Mag roller felt, 100 pack
8533	HP 1300, 1200, 1150, 1100, 1010, AX, VX Mag roller coating solution 4 oz
8169	HP 1300, 1200, 1150, 1100, 1010, FX 8 Mag roller sealing foam, 100 pack (special order)
8214	HP 1300, 1200, 1150, 1100, AX cartridge screws, 100 pack (special order)
10894	HP 1320, 1160, 1022, 1020, 1010 Absolute Black® toner 100g
5084	HP 1320, 1160, 1022, 1020, 1010 Absolute Black® toner 22 lb (10 kg) bag
6730	Mag roller tray small (AX, EX, PX, VX, HP-1100, 1200, 4000, 4100)

HP® 11

Part #	Description
12374	HP® 11 Cyan inkjet smartchip for C4836A (under development)
12375	HP® 11 Magenta inkjet smartchip for C4837A (under development)
12376	HP® 11 Yellow inkjet smartchip for C4838A (under development)

HP® 1100, MFP 3100, 3150

Part #	Description
---------------	--------------------

5858	AX, FX 3, HP 1100 drum helical gear axle pin, 100 pack (special order)
6120	AX, FX 3, HP 1100 OPC drum hub disk axle pin, 100 pack (special order)
9169	AX, FX 3, HP 1100 universal pull tab, 100 pack
7004	AX, FX 3, HP 1100, VX, PX OEM Sleeve Spacer, 100 pack (eta 30 days)
34	AX, HP 1100 recovery blade, 25 pack
6671	AX, HP 1100 Uni Drum ® "F" gearless (sold 50/box)(special order)
4997	AX, HP 1100 Uni Drum ® "F" w/gears (sold 50 p/box)
35	AX, HP 1100 Uni Drum ® Green with gears
6005	AX, HP 1100, FX 3 Clear Seal ® OEM type w/adhesive, 50 pack
11470	AX, HP 1100, FX 3 doctor blade with sealing adhesive, 10 pack (special order)
7728	AX, HP 1100, FX 3 doctor blade, 10 pack
37	AX, HP 1100, FX 3 wiper blade, 10 pack
9346	HP 1010, 1015, 1020, 1022, 1100 End cap hopper compression spring set, 100 pack (special order)
12011	HP 1100, AX SuMMiT® drum w/gears, 5 pack
5656	HP 1100, AX Absolute Black® toner 140g
5728	HP 1100, AX Absolute Black® toner 22 lb (10 Kg) bag
5829	HP 1100, AX Mag roller bushing set (left & right), 100 sets
13477	HP 1100, AX Mag roller sealing blade, 50 pack (special order)
6307	HP 1100, AX MICR ® (for checks) toner 140g
6519	HP 1100, AX MICR ® (for checks) toner 22 lb (10 kg) bag
7061	HP 1100, AX Silver Seal ® OEM style adhesive, 50 pack
5859	HP 1100, HP 1200, AX, FX 8 Fill plug (cap), 100 pack (special order)
5896	HP 1200, 1100, AX, FX 8 Seal exit port plug, 100 pack
6057	HP 1300, 1200, 1150, 1100, 1010, AX OPC shutter door felt, 100 pack
8168	HP 1300, 1200, 1150, 1100, 1010, AX, FX 8 Mag roller felt, 100 pack
8533	HP 1300, 1200, 1150, 1100, 1010, AX, VX Mag roller coating solution 4 oz
8169	HP 1300, 1200, 1150, 1100, 1010, FX 8 Mag roller sealing foam, 100 pack (special order)
7096	HP 1300, 1200, 1150, 1100, AX BLACK Mag roller sleeve, 10 pack
8214	HP 1300, 1200, 1150, 1100, AX cartridge screws, 100 pack (special order)
6382	HP 1300, 1200, 1150, 1100, AX Mag roller contact TEFLON w/spring, 100 pack
4917	HP 1300, 1200, 1150, 1100, AX, FX 8 cartridge pin, 100 pack
7080	HP 1320, 1300, 1200, 1160, 1100, 1010, 1020, P 2015, 2035, 2055 "Soft" PCR roller, 10 pl
6730	Mag roller tray small (AX, EX, PX, VX, HP-1100, 1200, 4000, 4100)

HP® 1150

Part #	Description
8371	HP 1300, 1150 Absolute Black® toner 150g
8378	HP 1300, 1150 MICR ® toner (for checks) 145g
8379	HP 1300, 1150 MICR ® toner (for checks) 22 lb (10 kg) (sold 2/box)
9332	HP 1300, 1200, 1150 End cap hopper compression spring set, 100 pack (special order)
6681	HP 1300, 1200, 1150 OPC drum hub disk axle pin, 100 pack (special order)
12635	HP 1300, 1200, 1150, recovery blade, 50 pack (special order)
7258	HP 1300, 1200, 1150, 1010, 1015 doctor blade, 10 pack
10460	HP 1300, 1200, 1150, 1010, 1015 doctor blade, 10 pack (with adhesive sealing)
8168	HP 1300, 1200, 1150, 1100, 1010, AX, FX 8 Mag roller felt, 100 pack
8533	HP 1300, 1200, 1150, 1100, 1010, AX, VX Mag roller coating solution 4 oz
8169	HP 1300, 1200, 1150, 1100, 1010, FX 8 Mag roller sealing foam, 100 pack (special order)
7096	HP 1300, 1200, 1150, 1100, AX BLACK Mag roller sleeve, 10 pack
8214	HP 1300, 1200, 1150, 1100, AX cartridge screws, 100 pack (special order)
6382	HP 1300, 1200, 1150, 1100, AX Mag roller contact TEFLON w/spring, 100 pack
4917	HP 1300, 1200, 1150, 1100, AX, FX 8 cartridge pin, 100 pack

8213	HP 1300, 1200, 1150, FX 8 Mag roller bushing set short & long, 100 pack
5765	HP 1300, 1200, 1150, FX 8 recovery blade, 25 pack
7329	HP 1300, 1200, 1150, FX 8 Silver Seal ® OEM style adhesive, 50 pack
12006	HP 1300, 1200, 1150, FX 8 SuMMiT® drum w/gears & insert, 5 pack
7521	HP 1300, 1200, 1150, FX 8 Uni Drum ® "F" w/gears (sold 50 p/box)
5364	HP 1300, 1200, 1150, FX 8 Uni Drum ® Green with gear & insert
7080	HP 1320, 1300, 1200, 1160, 1100, 1010, 1020, P 2015, 2035, 2055 "Soft" PCR roller, 10 pk
6730	Mag roller tray small (AX, EX, PX, VX, HP-1100, 1200, 4000, 4100)

HP® 12

Part #	Description
12377	HP® 12 Cyan inkjet smartchip for C4804A (under development)
12378	HP® 12 Magenta inkjet smartchip for C4805A (under development)
12379	HP® 12 Yellow inkjet smartchip for C4806A (under development)

HP® 1200

Part #	Description
5858	AX, FX 3, HP 1100 drum helical gear axle pin, 100 pack (special order)
6120	AX, FX 3, HP 1100 OPC drum hub disk axle pin, 100 pack (special order)
10455	HP 1100, 1150, 1200, 1300 Black flat head pin, 100 pack (special order)
5859	HP 1100, HP 1200, AX , FX 8 Fill plug (cap), 100 pack (special order)
7091	HP 1200 Absolute Black® toner 150g
8404	HP 1200 Absolute Black® toner 190g
7605	HP 1200 BLACK Left end cap with spring, 10 pack (special order)
7604	HP 1200 BLACK Right end cap with spring, 10 pack (special order)
8212	HP 1200 Electrical contact stabilizer plate, 100 pack (special order)
7719	HP 1200 end cap tension spring, 100 sets (special order)
8209	HP 1200 End plate drive gear set, 100 pack (special order)
7845	HP 1200 Hopper 350g JUMBO® toner capacity (sold 24 box)(special order)
8210	HP 1200 Mag roller drive gear, 100 pack (special order)
13489	HP 1200 Mag roller sealing blade, 50 pack
8211	HP 1200 Mag roller stabilizer plate with bearing, 100 pack (special order)
7147	HP 1200 MICR ® toner (for checks) 145g
7986	HP 1200 MICR ® toner (for checks) 22 lb (10 kg) bag
5896	HP 1200, 1100, AX, FX 8 Seal exit port plug, 100 pack
6942	HP 1300, 1200, 1150 Absolute Black® toner, 22 lb (10 kg) bag
9332	HP 1300, 1200, 1150 End cap hopper compression spring set, 100 pack (special order)
6681	HP 1300, 1200, 1150 OPC drum hub disk axle pin, 100 pack (special order)
12635	HP 1300, 1200, 1150, recovery blade, 50 pack (special order)
7258	HP 1300, 1200, 1150, 1010, 1015 doctor blade, 10 pack
10460	HP 1300, 1200, 1150, 1010, 1015 doctor blade, 10 pack (with adhesive sealing)
6057	HP 1300, 1200, 1150, 1100, 1010, AX OPC shutter door felt, 100 pack
8168	HP 1300, 1200, 1150, 1100, 1010, AX, FX 8 Mag roller felt, 100 pack
8533	HP 1300, 1200, 1150, 1100, 1010, AX, VX Mag roller coating solution 4 oz
8169	HP 1300, 1200, 1150, 1100, 1010, FX 8 Mag roller sealing foam, 100 pack (special order)
7096	HP 1300, 1200, 1150, 1100, AX BLACK Mag roller sleeve, 10 pack
8214	HP 1300, 1200, 1150, 1100, AX cartridge screws, 100 pack (special order)
6382	HP 1300, 1200, 1150, 1100, AX Mag roller contact TEFLON w/spring, 100 pack
4917	HP 1300, 1200, 1150, 1100, AX, FX 8 cartridge pin, 100 pack
8213	HP 1300, 1200, 1150, FX 8 Mag roller bushing set short & long, 100 pack

5765	HP 1300, 1200, 1150, FX 8 recovery blade, 25 pack
7329	HP 1300, 1200, 1150, FX 8 Silver Seal ® OEM style adhesive, 50 pack
12006	HP 1300, 1200, 1150, FX 8 SuMMiT® drum w/gears & insert, 5 pack
11999	HP 1300, 1200, 1150, FX 8 SuMMiT® drum w/gears, 5 pack
7521	HP 1300, 1200, 1150, FX 8 Uni Drum ® "F" w/gears (sold 50 p/box)
5364	HP 1300, 1200, 1150, FX 8 Uni Drum ® Green with gear & insert
7545	HP 1300, 1200, 1150, FX 8 Uni Drum ® Green with gears
7080	HP 1320, 1300, 1200, 1160, 1100, 1010, 1020, P 2015, 2035, 2055 "Soft" PCR roller, 10 pk
7094	HP 1320, 1300, 1200, 1160, P 2015 wiper blade, 10 pack
6730	Mag roller tray small (AX, EX, PX, VX, HP-1100, 1200, 4000, 4100)

HP® 13

Part #	Description
12381	HP® 13 Black inkjet smartchip for C4814A (under development)
12382	HP® 13 Cyan inkjet smartchip for C4815A (under development)
12383	HP® 13 Magenta inkjet smartchip for C4816A (under development)
12384	HP® 13 Yellow inkjet smartchip for C4817A (under development)

HP® 1300

Part #	Description
14149	ASiC Smartchip® for use in HP 2500, 1500, Canon 2410, EP87 (5,000 pages)
5859	HP 1100, HP 1200, AX, FX 8 Fill plug (cap), 100 pack (special order)
14133	HP 1300 ASiC Smartchip ® High Yield, 10 pack (4,000 pages)
14134	HP 1300 ASiC Smartchip ® Low Yield, 10 pack (2,500 pages)
8371	HP 1300, 1150 Absolute Black® toner 150g
8378	HP 1300, 1150 MICR ® toner (for checks) 145g
8379	HP 1300, 1150 MICR ® toner (for checks) 22 lb (10 kg) (sold 2/box)
6942	HP 1300, 1200, 1150 Absolute Black® toner, 22 lb (10 kg) bag
9332	HP 1300, 1200, 1150 End cap hopper compression spring set, 100 pack (special order)
6681	HP 1300, 1200, 1150 OPC drum hub disk axle pin, 100 pack (special order)
12635	HP 1300, 1200, 1150, recovery blade, 50 pack (special order)
7258	HP 1300, 1200, 1150, 1010, 1015 doctor blade, 10 pack
10460	HP 1300, 1200, 1150, 1010, 1015 doctor blade, 10 pack (with adhesive sealing)
6057	HP 1300, 1200, 1150, 1100, 1010, AX OPC shutter door felt, 100 pack
8168	HP 1300, 1200, 1150, 1100, 1010, AX, FX 8 Mag roller felt, 100 pack
8533	HP 1300, 1200, 1150, 1100, 1010, AX, VX Mag roller coating solution 4 oz
8169	HP 1300, 1200, 1150, 1100, 1010, FX 8 Mag roller sealing foam, 100 pack (special order)
7096	HP 1300, 1200, 1150, 1100, AX BLACK Mag roller sleeve, 10 pack
8214	HP 1300, 1200, 1150, 1100, AX cartridge screws, 100 pack (special order)
6382	HP 1300, 1200, 1150, 1100, AX Mag roller contact TEFLON w/spring, 100 pack
4917	HP 1300, 1200, 1150, 1100, AX, FX 8 cartridge pin, 100 pack
8213	HP 1300, 1200, 1150, FX 8 Mag roller bushing set short & long, 100 pack
5765	HP 1300, 1200, 1150, FX 8 recovery blade, 25 pack
7329	HP 1300, 1200, 1150, FX 8 Silver Seal ® OEM style adhesive, 50 pack
12006	HP 1300, 1200, 1150, FX 8 SuMMiT® drum w/gears & insert, 5 pack
7521	HP 1300, 1200, 1150, FX 8 Uni Drum ® "F" w/gears (sold 50 p/box)
5364	HP 1300, 1200, 1150, FX 8 Uni Drum ® Green with gear & insert
7080	HP 1320, 1300, 1200, 1160, 1100, 1010, 1020, P 2015, 2035, 2055 "Soft" PCR roller, 10 pk
7094	HP 1320, 1300, 1200, 1160, P 2015 wiper blade, 10 pack
6730	Mag roller tray small (AX, EX, PX, VX, HP-1100, 1200, 4000, 4100)

HP® 1320, 1160, MFP 3390, 3392

Part #	Description
14145	ASiC Smartchip® for use in HP 1320, 1160, Canon 3300, 3360 High yield, 10 pack (6,000 pages)
10885	HP 1320 Complete waste hopper (special order)(sold 24/ctn)
10640	HP 1320 drive gears set, 10 pack (special order)
7735	HP 1320 Hopper 350g JUMBO® toner capacity w/o seal (special order)(sold 24/ctn)
10641	HP 1320 Mag roller stabilizers (Left & Right) set, 10 pack
12326	HP 1320, 1160 MICR ® toner 22 lb (10 kg) bag (special order)
11078	HP 1320, 1160 MICR ® toner 280g (special order)
5080	HP 1320, 1160 Absolute Black® toner 110g (2,500 pages)
5081	HP 1320, 1160 Absolute Black® toner 255g (6,000 pages)
14143	HP 1320, 1160 ASiC Smartchip ® Low Yield, 10 pack (2,500 pages)
9961	HP 1320, 1160 cartridge pin, 100 pack
9959	HP 1320, 1160 Doctor blade stabilizer, 10 pack
7714	HP 1320, 1160 end cap tension springs, 100 sets (special order)
9962	HP 1320, 1160 Left end cap, 10 pack
9958	HP 1320, 1160 Mag roller bushing set, 10 pack
10384	HP 1320, 1160 Mag roller contact TEFLON w/spring, 100 pack (special order)
9967	HP 1320, 1160 Mag roller sealing blade, 100 pack
9960	HP 1320, 1160 Mag roller wipers (left & right), 10 sets
9956	HP 1320, 1160 OPC drum shutter, 10 pack
9953	HP 1320, 1160 PCR roller contact cover, holder & spring set, 10 pack
9963	HP 1320, 1160 Right end cap, 10 pack
9957	HP 1320, 1160 Seal exit port plug, 100 pack
9955	HP 1320, 1160 Seal pull tab, 100 pack
10018	HP 1320, 1160 Uni Drum ® "F" with gears (sold 50/box)
9954	HP 1320, 1160 Waste bin bearing plate & screw set, 10 pack
10894	HP 1320, 1160, 1022, 1020, 1010 Absolute Black® toner 100g
5084	HP 1320, 1160, 1022, 1020, 1010 Absolute Black® toner 22 lb (10 kg) bag
13861	HP 1320, 1160, 1022, 1020, 1010 Absolute Black® toner 220 lb (100 kg) barrel (special order)
5086	HP 1320, 1160, 2015 Uni Drum ® Green with gears
7400	HP 1320, 1160, P 2015 Clear Seal ® adhesive, 50 pack
12013	HP 1320, 1160, P 2015 SuMMiT® drum w/gears, 5 pack
5088	HP 1320, 1160, P 2015, 2035, 2055 Doctor blade, 10 pack
5089	HP 1320, 1160, P 2015, 2035, 2055 Mag roller sleeve, 10 pack
7094	HP 1320, 1300, 1200, 1160, P 2015 wiper blade, 10 pack
14376	HP 1320, P 2015, 2035, 2055 recovery blade, 50 pack
11151	HP 1320/ P 2015 "X" conversion hopper (special order)(sold 24/pack)

HP® 14

Part #	Description
12385	HP® 14 Black inkjet smartchip for C5010A (under development)
12387	HP® 14 Black inkjet smartchip for C5010D (under development)
12386	HP® 14 C, M, Y inkjet smartchip for C5011A (under development)
12388	HP® 14 C,M,Y inkjet smartchip for C5011D (under development)

HP® 14A, 14D, C6614A, C6614D

Part #	Description
6025	HP 14A, 26A, 29A, 25A, 49A Box blister clear, 645 case (special order)
10757	HP 29A, 14A, 56A, 27A Absolute Black ® ink, 1 liter (1 kg) pigmented
10758	HP 29A, 14A, 56A, 27A Absolute Black ® ink, 10 liters (10 kg) pigmented
8123	Universal "Clear Seal" Tape Lid with silicone padding, 1,000 pack

HP® 15A, 15D, C6615A, C6615D

Part #	Description
12803	HP 15A Absolute Black ink, 1 liter (1kg) pigmented (under final test)
12804	HP 15A Absolute Cyan ink, 1 liter (1kg) pigmented (under final test)
12805	HP 15A Absolute Magenta ink, 1 liter (1kg) pigmented (under final test)
12806	HP 15A Absolute Yellow ink, 1 liter (1kg) pigmented (under final test)
6026	HP 15A, 45A, 23A, 40,A, 44A, 50A Box blister clear, 420 cases (special order)
10757	HP 29A, 14A, 56A, 27A Absolute Black ® ink, 1 liter (1 kg) pigmented
10758	HP 29A, 14A, 56A, 27A Absolute Black ® ink, 10 liters (10 kg) pigmented
8123	Universal "Clear Seal" Tape Lid with silicone padding, 1,000 pack

HP® 177

Part #	Description
12492	HP® 177 Black inkjet smartchip for C8721h (under development)
12494	HP® 177 Cyan inkjet smartchip for C8771h (under development)
12493	HP® 177 Cyan inkjet smartchip for C8771h (under development)
12497	HP® 177 Light Cyan inkjet smartchip for C8774h (under development)
12498	HP® 177 Light Magenta inkjet smartchip for C8775h (under development)
12495	HP® 177 Magenta inkjet smartchip for C8772h (under development)
12496	HP® 177 Yellow inkjet smartchip for C8773h (under development)

HP® 2000C, C4844A/41A/43A/42A

Part #	Description
6802	HP 2000C, C4843A "Absolute Magenta" ink, 1 Gallon (3.78 liter)
6801	HP 2000C, C4844A "Absolute Yellow" ink, 1 Gallon (3.78 liter)

HP® 2100, 2200

Part #	Description
11866	Canon FX 7 waste conversion kit for HP 2100, 2300 (sold 24 pack)(special order)
7618	Canon L 50, FX 7 tab repair bracket (to convert HP 2100 to L 50 Fax), 10 pack
8447	Canon L 50, FX 7 toner low bar (to convert HP 2100 to L 50 Fax), 10 pack (special order)
10258	Drive Belt Split All hopper splitting machine, for 110v & 220 v (special order)
6834	HP 2100 cartridge pin, 50 pack (double head easy to pull)
5840	HP 2100 Hopper 500g JUMBO® toner capacity (sold 24 pack)(special order)
8442	HP 2100 Mag roller wipers (with foam) (left & right), 100 sets (special order)
6838	HP 2100 Metal seal clip short (locking rail), 100 pack
6849	HP 2100 OEM hopper cap (fill plug), 100 pack
5713	HP 2100, 2200 Absolute Black® toner 230g
5827	HP 2100, 2200 Absolute Black® toner 265g
5729	HP 2100, 2200 Absolute Black® toner, 22 lb (10 Kg) bag
14709	HP 2100, 2200 MICR ® (for checks) toner 22 lb (10 kg)

7660	HP 2100, 2200 MICR ® (for checks) toner 230g
12000	HP 2100, 2200 SuMMiT® drum w/gears & insert, 5 pack
5930	HP 2100, 2200 Uni Drum ® "F" with gears (sold 50/pack)
6222	HP 2100, 2200 Uni Drum ® Green w/gears & insert
7727	HP 2100, 2200, 2300, 2400, 2420, P 3005, 3015, M 3035, 3027 wiper blade, 10 pack
12633	HP 2300, 2100, FX7 recovery blade, 50 pack (special order)
12640	HP 2300, 2100, Mag roller sealing blade, 50 pack (special order) (under development)
5366	HP 4000, 2100 Drum shutter actuator arm, 10 pack (special order)
6666	HP 4000, 2200, 2100 Doctor Blade End piece set, 100 pack (special order)
6661	HP 4000, 2200, 2100 Doctor Blade Shim, 100 pack
5221	HP 4000, 2300, 2100, EX Toner hopper sealing blade, 25 pack
186	HP 4000, 2300, 2100, EX waste hopper recovery blade, 25 pack
14640	HP 4000, 4100, 2100 doctor blade, 10 pack (poly urethane)(new formulation 3/2010)10 pack
257	HP 4000, 4100, 2100 doctor blade, 10 pack (silicone)
6631	HP 4000, 4100, 2100 Mag roller "C" bearing (Right), 100 pack
262	HP 4000, 4100, 2100, 2300 Clear Seal ® white foam adhesive, 10 pack
6664	HP 4000, 4100, 2100, 2300 Mag roller stabilizer, 100 pack (special order)
13026	HP 4000, 4100, 2100, Doctor blade sealing foam, 100 pack (special order)
13687	HP 4000, 4100, 2300, 2100 BLACK Mag roller sleeve, 10 pack (High yield coating)
7097	HP 4000, 4100, 2300, 2100, P 3015 BLACK Mag roller sleeve, 10 pack (High density coating)
9348	HP 4000, 4100, 2420, 2300, 2100 Mag roller bushing (long), 100pcs
9349	HP 4000, 4100, 2420, 2300, 2100 Mag roller bushing (short), 100pcs
6845	HP 4000, 4100, 2420, 2300, 2100 Mag roller coating solution 4 oz (use Mag cleaning first)
6585	HP 4000, 4100, 2420, 2300, 2100 Mag roller felt, 100 pack
12695	HP 4000, 4100, 2420, 2300, 2100 Sealing Channel rail foam, 50 pack(special order)
6059	HP 4000, 4100, 2420, 2300, 2100, EX OPC shutter door felt, 100 pack
5898	HP 4000, 4100, 2420, 2400, 2300, 2100, P 3015 Mag roller bushing (left & right), 100 sets
6497	HP 4000, 4100, 4200, 4300, 2100, 2300, 2400, P 3005, 3015, 4014, 4515 "Soft" PCR roller, 10 pack
5270	HP 4000, 4100, 4200, 4300, 2300, 2100 "Hard" PCR roller, 10 pk (special order)
6730	Mag roller tray small (AX, EX, PX, VX, HP-1100, 1200, 4000, 4100)

HP® 2300

Part #	Description
11866	Canon FX 7 waste conversion kit for HP 2100, 2300 (sold 24 pack)(special order)
7727	HP 2100, 2200, 2300, 2400, 2420, P 3005, 3015, M 3035, 3027 wiper blade, 10 pack
7253	HP 2300 "Soft" PCR roller (new), 10 pack
8642	HP 2300 Absolute Black® toner 22 lb (10 kg) bag
13831	HP 2300 Absolute Black® toner 220 lb (100 kg) barrel (special order)
8641	HP 2300 Absolute Black® toner 300g
7698	HP 2300 Absolute Black® toner, 220 lb (100 kg) barrel (special order)
13497	HP 2300 Absolute MICR ® (for checks) toner 10 kg (22 lb) bag (special order)
14039	HP 2300 Absolute MICR ® (for checks) toner, 350g (special order)
14135	HP 2300 ASiC Smartchip®, 10 pack (6,000 pages)
9063	HP 2300 doctor blade, 10 pack
8666	HP 2300 Hopper 550g JUMBO® toner capacity (sold 24 pack)(special order)
7676	HP 2300 mag roller housing tension spring 100 sets (special order)
12001	HP 2300 SuMMiT® drum w/gears & insert, 5 pack
8291	HP 2300 Uni Drum ® "F" drum w/gears (sold 50/box)
5231	HP 2300 Uni Drum ® Green w/gears & insert
12633	HP 2300, 2100, FX7 recovery blade, 50 pack (special order)
12640	HP 2300, 2100, Mag roller sealing blade, 50 pack (special order) (under development)

13027	HP 2300, Doctor blade sealing foam, 100 pack (special order)
5221	HP 4000, 2300, 2100, EX Toner hopper sealing blade, 25 pack
186	HP 4000, 2300, 2100, EX waste hopper recovery blade, 25 pack
6664	HP 4000, 4100, 2100, 2300 Mag roller stabilizer, 100 pack (special order)
9348	HP 4000, 4100, 2420, 2300, 2100 Mag roller bushing (long), 100pcs
9349	HP 4000, 4100, 2420, 2300, 2100 Mag roller bushing (short), 100pcs
6845	HP 4000, 4100, 2420, 2300, 2100 Mag roller coating solution 4 oz (use Mag cleaning first)
6585	HP 4000, 4100, 2420, 2300, 2100 Mag roller felt, 100 pack
12695	HP 4000, 4100, 2420, 2300, 2100 Sealing Channel rail foam, 50 pack (special order)
6059	HP 4000, 4100, 2420, 2300, 2100, EX OPC shutter door felt, 100 pack
5898	HP 4000, 4100, 2420, 2400, 2300, 2100, P 3015 Mag roller bushing (left & right), 100 sets
6497	HP 4000, 4100, 4200, 4300, 2100, 2300, 2400, P 3005, 3015, 4014, 4515 "Soft" PCR roller, 10 pack
5270	HP 4000, 4100, 4200, 4300, 2300, 2100 "Hard" PCR roller, 10 pk (special order)
6730	Mag roller tray small (AX, EX, PX, VX, HP-1100, 1200, 4000, 4100)

HP® 23A, 23D, C1823A, C8123D

Part # Description

6026	HP 15A, 45A, 23A, 40A, 44A, 50A Box blister clear, 420 cases (special order)
5876	HP 23A "Absolute Yellow" ink, 5 gallons (18.90 L)
7994	HP 23A, 41A, 78A Blue photo box, 100 pack
7697	HP 41A, 23A, 78A, 25A ventilation screw, 1,000 pack
5486	HP 41A, 23A, C3844A, C3845A BLACK "U" ink cartridge holder 100 pack
7688	HP 41A, 23A, C3844A, C3845A White plain box, 100 pack
8123	Universal "Clear Seal" Tape Lid with silicone padding, 1,000 pack

HP® 2400

Part # Description

10064	HP 4000, 4100, 2400, 2300, P 3015 mag roller contact hub 100 pack (special order)
-------	---

HP® 2400, 2420, 2430

Part # Description

14136	HP 2400, 2430 ASiC Smartchip® High yield, 10 pack (12,000 pages)
14137	ASiC Smartchip® for use in HP 2400, 2430, Canon 3410, 3460 Low yield, 10 pack (6,000 pages)
7727	HP 2100, 2200, 2300, 2400, 2420, P 3005, 3015, M 3035, 3027 wiper blade, 10 pack
5644	HP 2400, 2420, 2430 Absolute Black® toner 22 lb (10 kg) bag
5643	HP 2400, 2420, 2430 Absolute Black® toner 290g (6,000 pages)
8344	HP 2400, 2420, 2430 Absolute Black® toner 500g (special order)
5655	HP 2400, 2420, 2430 Absolute Black® toner 590g (12,000 pages)
12367	HP 2400, 2420, 2430 BLACK Mag roller sleeve, 10 pack (under development)
10202	HP 2400, 2420, 2430 bottom waste hopper clip, 500 pack (special order)
11036	HP 2400, 2420, 2430 drum shutter arm with spring, 10 pack (special order)
10786	HP 2400, 2420, 2430 drum shutter spring, 100 pack (special order)
10201	HP 2400, 2420, 2430 Left end cap & screws, 10 pack
10471	HP 2400, 2420, 2430 MICR Absolute Black® toner 22 lb (10 kg) (special order)
5377	HP 2400, 2420, 2430 MICR Absolute Black® toner 325g (special order)
5375	HP 2400, 2420, 2430 MICR Absolute Black® toner 565g (special order)
10200	HP 2400, 2420, 2430 Right end cap & gears, 10 pack
9753	HP 2400, 2420, 2430 Uni Drum® "F" drum with gears

10199	HP 2400, 2420, 2430 waste toner hopper (sold 24 pack)(special order)
9141	HP 2400, 2420, 2430, P 3005 Hopper 500g toner capacity (sold 24 pack)(special order)
9246	HP 2400, 2420, 2430, P 3005 Hopper 800g Jumbo® toner capacity (sold 24 pack)(special order)
10189	HP 2400, 2420, 2430, P 3005, 3015, M 3035, 3027 doctor blade, 10 pack
12002	HP 2400, 2420, 2430, P 3005, 3027, 3035 SuMMiT® drum w/gears, 5 pack
8981	HP 2400, 2420, 2430, P 3005, 3027, 3035 Uni Drum ® Green with gears
11358	HP 2400, 2420, 2430, P 3015 Mag roller sealing blade, 100 pack
11339	HP 2400, 2420, 2430, P 3015 Mag roller wipers (Left & Right), 10 sets
4979	HP 2400, 2420, 2430, P 3015 universal seal clip, 100 pack
9754	HP 2400, 2420, 3005, P 3015 Clear Seal ® adhesive, 50 pack
13534	HP 2420 recovery blade, 50 pack
9348	HP 4000, 4100, 2420, 2300, 2100 Mag roller bushing (long), 100pcs
9349	HP 4000, 4100, 2420, 2300, 2100 Mag roller bushing (short), 100pcs
6845	HP 4000, 4100, 2420, 2300, 2100 Mag roller coating solution 4 oz (use Mag cleaning first)
6585	HP 4000, 4100, 2420, 2300, 2100 Mag roller felt, 100 pack
12695	HP 4000, 4100, 2420, 2300, 2100 Sealing Channel rail foam, 50 pack(special order)
6059	HP 4000, 4100, 2420, 2300, 2100, EX OPC shutter door felt, 100 pack
5898	HP 4000, 4100, 2420, 2400, 2300, 2100, P 3015 Mag roller bushing (left & right), 100 sets
6497	HP 4000, 4100, 4200, 4300, 2100, 2300, 2400, P 3005, 3015, 4014, 4515 "Soft" PCR roller, 10 pack
6730	Mag roller tray small (AX, EX, PX, VX, HP-1100, 1200, 4000, 4100)

HP® 2500, 2550, 1500, EP-87

Part #	Description
14164	ASiC Smartchip® for use in HP 2550, 2820, 2840, Canon 5200 Black (5,000 pages)
14165	ASiC Smartchip® for use in HP 2550, 2820, 2840, Canon 5200 Cyan (4,000 pages)
14166	ASiC Smartchip® for use in HP 2550, 2820, 2840, Canon 5200 Magenta (4,000 pages)
14167	ASiC Smartchip® for use in HP 2550, 2820, 2840, Canon 5200 Yellow (4,000 pages)
14648	HP 2500, 1500 ASiC Smartchip ® Black (5,000 pages) 10 pack
14152	HP 2500, 1500 ASiC Smartchip ® Cyan (4,000 pages)
14649	HP 2500, 1500 ASiC Smartchip ® Cyan (4,000 pages) 10 pack
14153	HP 2500, 1500 ASiC Smartchip ® Magenta (4,000 pages)
14650	HP 2500, 1500 ASiC Smartchip ® Magenta (4,000 pages) 10 pack
14154	HP 2500, 1500 ASiC Smartchip ® Yellow (4,000 pages)
14651	HP 2500, 1500 ASiC Smartchip ® Yellow (4,000 pages) 10 pack
7819	HP 2500, 2550 recovery blade, 100 pack (special order)
8582	HP 2500, 2550, 1500 Clear Seal ® adhesive, 50 pack
9949	HP 2500, 2550, 1500 doctor blade sealing foam, 10 pack
8091	HP 2500, 2550, 1500 doctor blade, 10 pack
9195	HP 2500, 2550, 1500 Hopper fill plug (cap), 100 pack
6460	HP 2500, 2550, 1500 pull tab, 10 pack
9148	HP 2500, 2550, 1500, EP 87 Absolute Black ® toner 160g
8581	HP 2500, 2550, 1500, EP 87 Absolute Black ® toner 22 lb (10 kg) bag
8085	HP 2500, 2550, 1500, EP 87 Absolute Cyan ® toner 150g
9138	HP 2500, 2550, 1500, EP 87 Absolute Cyan ® toner 22 lb (10 kg) bag
8087	HP 2500, 2550, 1500, EP 87 Absolute Magenta ® toner 150g
9139	HP 2500, 2550, 1500, EP 87 Absolute Magenta ® toner 22 lb (10 kg) bag
8086	HP 2500, 2550, 1500, EP 87 Absolute Yellow ® toner 150g
9140	HP 2500, 2550, 1500, EP 87 Absolute Yellow ® toner 22 lb (10 kg) bag
8297	HP 2500, 2550, 1500, EP 87 adder roller spacer foam washer, 100 pack
9792	HP 2500, 2550, 1500, EP 87 developer roller, 10 pack
11628	HP 2500, 2550, 1500, EP 87 drum unit shipping lock set, 10 pack

7407	HP 2500, 2550, 1500, EP 87 O-ring adder roller felt washer, 100 pack
9611	HP 2500, 2550, 1500, EP 87 seal exit port plug, 100 pack
13097	HP 2500, 2550, 1500, EP 87 shipping lock (with clear mylar & foam), 10 pack(special order)
8268	HP 2500, 2550, 1500, EP 87 shipping lock, 10 pack
10185	HP 2500, 2550, 1500, EP 87 Uni Drum ® "F"with gears (special order)
8089	HP 2500, 2550, 1500, EP 87 Uni Drum ® with gears (special order)
8090	HP 2500, 2550, 1500, EP 87 wiper blade, 10 pack
11759	HP 2500, 2550, 1500, EP 87 X-Generation Black ® toner 140g
11755	HP 2500, 2550, 1500, EP 87 X-Generation Black ® toner 22 lb (10 kg) bag
11760	HP 2500, 2550, 1500, EP 87 X-Generation Cyan ® toner 130g
11756	HP 2500, 2550, 1500, EP 87 X-Generation Cyan ® toner 22 lb (10 kg) bag
11761	HP 2500, 2550, 1500, EP 87 X-Generation Magenta ® toner 130g
11757	HP 2500, 2550, 1500, EP 87 X-Generation Magenta ® toner 22 lb (10 kg) bag
11762	HP 2500, 2550, 1500, EP 87 X-Generation Yellow ® toner 130g
11758	HP 2500, 2550, 1500, EP 87 X-Generation Yellow ® toner 22 lb (10 kg) bag
14734	HP 2500,1500 ASiC Smartchip ® Drum cartridge, 10 pack
9614	HP 2550 LEFT end cap (conversion from HP 2500), 10 pack
9615	HP 2550 RIGHT end cap (conversion from HP 2500), 10 pack
14706	HP 2550, 2820, 2840 ASiC Smartchip ® Black (5,000 pages) 10 pack
14656	HP 2550, 2820, 2840 ASiC Smartchip ® Cyan (4,000 pages) 10 pack
14657	HP 2550, 2820, 2840 ASiC Smartchip ® Magenta (4,000 pages) 10 pack
14658	HP 2550, 2820, 2840 ASiC Smartchip ® Yellow(4,000 pages) 10 pack
14733	HP 2840, 2820, 2550 ASiC Smartchip® Drum cartridge, 10 pack

HP® 25A, 51625A

Part #	Description
6025	HP 14A, 26A, 29A, 25A, 49A Box blister clear, 645 case (special order)
7814	HP 25A, 49A PT brand box 4 color red logo, 100 pack
5218	HP 25A, 500 Cyan ink, 1 gallon (3.78 liters)
7166	HP 49A, 25A replacement sponge retainer screen, 100 pack
8123	Universal "Clear Seal" Tape Lid with silicone padding, 1,000 pack

HP® 25A, C6625A

Part #	Description
6340	HP 840, C 6625A "Absolute Magenta" ink, 1 Gallon (3.78L)
6341	HP 840, C 6625A "Absolute Yellow" ink, 1 Gallon (3.78l)

HP® 2600, 2605, 1600

Part #	Description
14197	HP 2600 ASiC Smartchip ® Black (2,500 pages)
14659	HP 2600 ASiC Smartchip ® Black (2,500 pages) 10 pack
14198	HP 2600 ASiC Smartchip ® Cyan (2,000 pages)
14660	HP 2600 ASiC Smartchip ® Cyan (2,000 pages) 10 pack
14199	HP 2600 ASiC Smartchip ® Magenta (2,000 pages)
14661	HP 2600 ASiC Smartchip ® Magenta(2,000 pages) 10 pack
14200	HP 2600 ASiC Smartchip ® Yellow (2,000 pages)
14662	HP 2600 ASiC Smartchip ® Yellow(2,000 pages) 10 pack
13626	HP 2600, EP 307 Absolute Black ® toner (2,500 pages)(new formulation)

13627	HP 2600, EP 307 Absolute Black ® toner 22 lb (10 kg) bag (new formulation)
9998	HP 2600, EP 307 Absolute Cyan ® toner (2,000 pages)
10826	HP 2600, EP 307 Absolute Cyan ® toner 22 lb (10 kg) bag
9999	HP 2600, EP 307 Absolute Magenta ® toner (2,000 pages)
9999	HP 2600, EP 307 Absolute Magenta ® toner (2,000 pages)
10827	HP 2600, EP 307 Absolute Magenta ® toner 22 lb (10 kg) bag
10827	HP 2600, EP 307 Absolute Magenta ® toner 22 lb (10 kg) bag
10000	HP 2600, EP 307 Absolute Yellow ® toner (2,000 pages)
10828	HP 2600, EP 307 Absolute Yellow ® toner 22 lb (10 kg) bag
10004	HP 2600, EP 307 Black cartridge DVR roller sleeve, 10 pack
10003	HP 2600, EP 307 Clear Seal ® adhesive, 50 pack
11962	HP 2600, EP 307 Color C/M/Y cartridge DVR roller sleeve, 10 pack (under development)
10259	HP 2600, EP 307 developer roller end felt (Left & Right), 50 sets
11988	HP 2600, EP 307 drum shutter and shutter hinge, 10 sets (special order)
10852	HP 2600, EP 307 foam hopper cap, x0 pack (special order)
11351	HP 2600, EP 307 Mag developer roller bushing spacer (Left & Right), 10 sets
10851	HP 2600, EP 307 metal cartridge pin, 50 pack
10262	HP 2600, EP 307 O-ring foam washer, 50 pack
11017	HP 2600, EP 307 PCR roller, 9 pack (special order)
10886	HP 2600, EP 307 plastic cartridge pin, 50 pack
11060	HP 2600, EP 307 Quick Seal ® adhesive, 50 pack (recommended)
10945	HP 2600, EP 307 Quick Seal ® foam adhesive, 50 pack
11849	HP 2600, EP 307 recovery blade, 100 pack (
11624	HP 2600, EP 307 seal toner hopper fill plug, 100 pack
12236	HP 2600, EP 307 waste section kit (sold 24/box) (special order)
10260	HP 2600, EP 307 wiper blade end felt (Left & Right), 50 sets
10261	HP 2600, EP 307 wiper blade end foam (Left & Right), 50 sets
10853	HP 2600, EP 307 wiper blade, 10 pack
10001	HP 2600, EP307 Uni Drum ® solution with special gears
12124	HP 2600N OEM ETB unit (special order)

HP® 26A, 51626A

Part #	Description
6025	HP 14A, 26A, 29A, 25A, 49A Box blister clear, 645 case (special order)
289	HP 26A, 25A, 29A black ink cartridge holder, 100 pack
7124	HP 26A, 29A BLACK ink cartridge holder, 200 pack (sold 10 p/case)
7111	HP 26A, 29A ink cartridge shell cover, 500 pack
6392	HP 26A, 29A Printhead Blue Seal Tape (no adhesive) 330 feet 100m (special order)
8123	Universal "Clear Seal" Tape Lid with silicone padding, 1,000 pack

HP® 27A, 28A, C8727A, C8728A

Part #	Description
10757	HP 29A, 14A, 56A, 27A Absolute Black ® ink, 1 liter (1 kg) pigmented
10758	HP 29A, 14A, 56A, 27A Absolute Black ® ink, 10 liters (10 kg) pigmented
8466	HP 56A, 57A, 58A, 27A, 28A ink jet cartridge holder, 100 pack
10798	HP 57A, 28A Absolute Cyan ® ink, 1 liter (1 kg)
10799	HP 57A, 28A Absolute Magenta ® ink, 1 liter (1 kg)
10800	HP 57A, 28A Absolute Yellow ® ink, 1 liter (1 kg)

HP® 29A, 51629A

Part #	Description
6025	HP 14A, 26A, 29A, 25A, 49A Box blister clear, 645 case (special order)
289	HP 26A, 25A, 29A black ink cartridge holder, 100 pack
7124	HP 26A, 29A BLACK ink cartridge holder, 200 pack (sold 10 p/case)
7111	HP 26A, 29A ink cartridge shell cover, 500 pack
10757	HP 29A, 14A, 56A, 27A Absolute Black ® ink, 1 liter (1 kg) pigmented
10758	HP 29A, 14A, 56A, 27A Absolute Black ® ink, 10 liters (10 kg) pigmented
8123	Universal "Clear Seal" Tape Lid with silicone padding, 1,000 pack

HP® 3000 Colour Series

Part #	Description
13429	HP 3000 color series "Absolute Black" ink, 1 liter (1kg) Dye
12863	HP 3000 color series "Absolute Black" ink, 1 liter (1kg) pigmented
12864	HP 3000 color series "Absolute Cyan" ink, 1 liter (1kg) dye
12867	HP 3000 color series "Absolute Light Cyan" ink, 1 liter (1kg) dye
12868	HP 3000 color series "Absolute Light Magenta" ink, 1 liter (1kg) dye
12865	HP 3000 color series "Absolute Magenta" ink, 1 liter (1kg) dye
12866	HP 3000 color series "Absolute Yellow" ink, 1 liter (1kg) dye

HP® 3000, 2700

Part #	Description
10060	HP 3000, 2700 Absolute Black ® X-Generation toner 175g (6,500 pages)
14236	HP 3000, 2700 ASiC Smartchip® Black (6,500 pages)
14663	HP 3000, 2700 ASiC Smartchip® Black (6,500 pages) 10 pack
14237	HP 3000, 2700 ASiC Smartchip® Cyan (3,500 pages)
14664	HP 3000, 2700 ASiC Smartchip® Cyan (3,500 pages) 10 pack
14238	HP 3000, 2700 ASiC Smartchip® Magenta (3,500 pages)
14665	HP 3000, 2700 ASiC Smartchip® Magenta (3,500 pages) 10 pack
14239	HP 3000, 2700 ASiC Smartchip® Yellow (3,500 pages)
14666	HP 3000, 2700 ASiC Smartchip® Yellow(3,500 pages) 10 pack
10271	HP 3000, 2700 Smartchip® Black (6,500 pages)
10284	HP 3000, 2700 Smartchip® Cyan (3,500 pages)
10285	HP 3000, 2700 Smartchip® Magenta (3,500 pages)
10286	HP 3000, 2700 Smartchip® Yellow (3,500 pages)
10061	HP 3000, 2700 X-Generation ® Cyan toner 120g (3,500 pages)
10062	HP 3000, 2700 X-Generation ® Magenta toner 120g (3,500 pages)
10063	HP 3000, 2700 X-Generation ® Yellow toner 120g (3,500 pages)
10768	HP 3800, 3600, 3000 Clear Seal ® adhesive, 50 pack
11850	HP 3800, 3600, 3000 doctor blade sealing foam, 100 pack (special order)
11845	HP 3800, 3600, 3000 drum shutter door spring, 100 pack
10769	HP 3800, 3600, 3000 O-ring foam washer, 50 pack
10946	HP 3800, 3600, 3000 Quick Seal ® foam adhesive, 50 pack
10525	HP 3800, 3600, 3000 shipping lock (left & right), 10 sets
12208	HP 3800, 3600, 3000 Uni Drum ® with gears
10059	HP 3800, 3600, 3000 Uni Drum ® with gears (Type A)
11783	HP 3800, 3600, 3000, 2700 blue cartridge handles (left), 10 pack
10055	HP 3800, 3600, 3000, CP 3505 X-Generation ® Black toner 22 lb (10 kg) bag
10056	HP 3800, 3600, 3000, CP 3505 X-Generation ® Cyan toner 22 lb (10 kg) bag
10057	HP 3800, 3600, 3000, CP 3505 X-Generation ® Magenta toner 22 lb (10 kg) bag

- 10058 HP 3800, 3600, 3000, CP 3505 X-Generation ® Yellow toner 22 lb (10 kg) bag
- 9176 HP 3800, 3700, 3600, 3500, 3000 wiper blade, 10 pack

HP® 3500, 3550, 3700, 3750

Part #	Description
8931	HP 3500 Absolute Cyan ® toner 150g
9309	HP 3500 Absolute Cyan ® toner 22 lb (10 kg) bag
8932	HP 3500 Absolute Magenta ® toner 150g
9310	HP 3500 Absolute Magenta ® toner 22 lb (10 kg) bag
8933	HP 3500 Absolute Yellow ® toner 150g
9311	HP 3500 Absolute Yellow ® toner 22 lb (10 kg) bag
10307	HP 3500 X-Generation ® Cyan toner (4,000 pages)
10308	HP 3500 X-Generation ® Magenta toner (4,000 pages)
10309	HP 3500 X-Generation ® Yellow toner (4,000 pages)
14373	HP 3500, 3550 ASiC Smartchip ® Cyan (4,000 pages)
14668	HP 3500, 3550 ASiC Smartchip ® Cyan (4,000 pages) 10 pack
14172	HP 3500, 3550 ASiC Smartchip ® Magenta (4,000 pages)
14669	HP 3500, 3550 ASiC Smartchip ® Magenta(4,000 pages) 10 pack
14173	HP 3500, 3550 ASiC Smartchip ® Yellow (4,000 pages)
14670	HP 3500, 3550 ASiC Smartchip ® Yellow(4,000 pages) 10 pack
14170	HP 3500, 3550, 3700, 3750 ASiC Smartchip ® Black (6,000 pages)
14667	HP 3500, 3550, 3700, 3750 ASiC Smartchip ® Black (6,000 pages) 10 pack
7516	HP 3500, 3700 Blue cartridge handle, 10 pack (special order)
5792	HP 3500, 3700 Clear Seal ® adhesive, 50 pack
7460	HP 3500, 3700 Clear Seal ® foam adhesive, 50 pack
9177	HP 3500, 3700 doctor blade, 10 pack
9237	HP 3500, 3700 drum with gears
11068	HP 3500, 3700 exit port plug, 10 pack
10905	HP 3500, 3700 PCR roller, 10 pack (special order)
9327	HP 3500, 3700 shipping lock (Left & right), 10 sets (special order)
8934	HP 3500, 3700 Uni Drum ® Blue Green with gears
9764	HP 3500, 3700 X-Generation doctor blade, 10 pack (with chemical coating)
14175	HP 3700 ASiC Smartchip ® Cyan (6,000 pages)
14671	HP 3700 ASiC Smartchip ® Cyan (6,000 pages) 10 pack
14374	HP 3700 ASiC Smartchip ® Magenta (6,000 pages)
14672	HP 3700 ASiC Smartchip ® Magenta (6,000 pages) 10 pack
14177	HP 3700 ASiC Smartchip ® Yellow (6,000 pages)
14673	HP 3700 ASiC Smartchip ® Yellow (6,000 pages) 10 pack
10304	HP 3700 X-Generation ® Cyan toner (6,000 pages)
10305	HP 3700 X-Generation ® Magenta toner (6,000 pages)
10306	HP 3700 X-Generation ® Yellow toner (6,000 pages)
8930	HP 3700, 3500 Absolute Black ® toner 215g
9315	HP 3700, 3500 Absolute Black ® toner 22 lb (10 kg) bag
5946	HP 3700, 3500 developer roller end felt (Left & Right), 50 sets
5958	HP 3700, 3500 developer roller sealing blade, 25 pack
9119	HP 3700, 3500 doctor blade sealing foam, 25 pack
11337	HP 3700, 3500 long metal pin, 50 pack
5352	HP 3700, 3500 recovery blade, 25 pack
11336	HP 3700, 3500 short metal pin, 50 pack
5895	HP 3700, 3500 sponge supply roller, 10 pack (under development) (special order)
5094	HP 3700, 3500 toner adder roller felt washer, 50 pack

5847	HP 3700, 3500 wiper blade end felt (Left & Right), 50 sets
5912	HP 3700, 3500 wiper blade end foam, 50 pack
10303	HP 3700, 3500 X-Generation ® Black toner (6,000 pages)
10310	HP 3700, 3500 X-Generation ® Black toner 22 lb (10 kg) bag
10311	HP 3700, 3500 X-Generation ® Cyan toner 22 lb (10 kg) bag
10312	HP 3700, 3500 X-Generation ® Magenta toner 22 lb (10 kg) bag
10313	HP 3700, 3500 X-Generation ® Yellow toner 22 lb (10 kg) bag
9176	HP 3800, 3700, 3600, 3500, 3000 wiper blade, 10 pack

HP® 3600, 3800

Part #	Description
14675	HP 3600 ASiC Smartchip ® Cyan(4,000 pages) 10 pack
14677	HP 3600 ASiC Smartchip ® Yellow(4,000 pages) 10 pack
10265	HP 3600 Smartchip ® Cyan cartridge (4,000 pages)
10049	HP 3600 X-Generation ® Cyan toner 130g (4,000 pages)
10050	HP 3600 X-Generation ® Magenta toner 130g (4,000 pages)
10051	HP 3600 X-Generation ® Yellow toner 130g (4,000 pages)
14678	HP 3800 ASiC Smartchip ® Cyan (6,000 pages)10pack
14679	HP 3800 ASiC Smartchip ® Magenta (6,000 pages)10 pack
14680	HP 3800 ASiC Smartchip ® Yellow (6,000 pages)10 pack
10150	HP 3800, 3600 developer roller end felt (Left & Right), 50 sets
10153	HP 3800, 3600 doctor blade, 10 pack (under development)
11335	HP 3800, 3600 long metal pin, 50 pack
11767	HP 3800, 3600 recovery blade 50 pack (special order)
11334	HP 3800, 3600 short metal pin, 50 pack
10151	HP 3800, 3600 wiper blade end felt (Left & Right), 50 sets
10768	HP 3800, 3600, 3000 Clear Seal ® adhesive, 50 pack
11850	HP 3800, 3600, 3000 doctor blade sealing foam, 100 pack (special order)
11845	HP 3800, 3600, 3000 drum shutter door spring, 100 pack
10769	HP 3800, 3600, 3000 O-ring foam washer, 50 pack
10946	HP 3800, 3600, 3000 Quick Seal ® foam adhesive, 50 pack
10525	HP 3800, 3600, 3000 shipping lock (left & right), 10 sets
12208	HP 3800, 3600, 3000 Uni Drum ® with gears
10059	HP 3800, 3600, 3000 Uni Drum ® with gears (Type A)
11783	HP 3800, 3600, 3000, 2700 blue cartridge handles (left), 10 pack
10897	HP 3800, 3600, 3000, 2700 blue cartridge handles (right), 10 pack
10055	HP 3800, 3600, 3000, CP 3505 X-Generation ® Black toner 22 lb (10 kg) bag
10056	HP 3800, 3600, 3000, CP 3505 X-Generation ® Cyan toner 22 lb (10 kg) bag
10057	HP 3800, 3600, 3000, CP 3505 X-Generation ® Magenta toner 22 lb (10 kg) bag
10058	HP 3800, 3600, 3000, CP 3505 X-Generation ® Yellow toner 22 lb (10 kg) bag
14674	HP 3800, 3600, 3505 ASiC Smartchip ® Black (6,000 pages) 10 pack
10048	HP 3800, 3600, CP 3505 X-Generation ® Black toner 175g (6,000 pages)
9176	HP 3800, 3700, 3600, 3500, 3000 wiper blade, 10 pack
10052	HP 3800, CP 3505 X-Generation ® Cyan toner 175g (6,000 pages)
10053	HP 3800, CP 3505 X-Generation ® Magenta toner 175g (6,000 pages)
10054	HP 3800, CP 3505 X-Generation ® Yellow toner 175g (6,000 pages)
14676	HP3600 ASiC Smartchip ® Magenta (4,000 pages) 10 pack

HP® 363

Part #	Description
--------	-------------

12486	HP® 363 Black inkjet smartchip for C8721e (under development)
12487	HP® 363 Cyan inkjet smartchip for C8771e (under development)
12490	HP® 363 Light Cyan inkjet smartchip for C8774e (under development)
12491	HP® 363 Light Magenta inkjet smartchip for C8775e (under development)
12488	HP® 363 Magenta inkjet smartchip for C8772e (under development)
12489	HP® 363 Yellow inkjet smartchip for C8773e (under development)

HP® 4000, 4050, EP-52

Part #	Description
10258	Drive Belt Split All hopper splitting machine, for 110v & 220 v (special order)
10258	Drive Belt Split All hopper splitting machine, for 110v & 220 v (special order)
5372	HP 4000 Absolute Black® toner 300g
5374	HP 4000 Absolute Black® toner 500g
11067	HP 4000 Absolute Black® toner 600g (special order)
5601	HP 4000 Absolute Black® toner, 22 lb (10 Kg) bag
6007	HP 4000 Absolute Black® toner, 220 lb (100 Kg) barrel (special order)
8792	HP 4000 Absolute MICR ® (for checks) toner 100 kg (220 lb) barrel
5580	HP 4000 Drum axle spacer, 100 pack
5169	HP 4000 Hopper 500g capacity w/o seal, 10 pack (special order)
5839	HP 4000 Hopper 750g JUMBO® toner capacity w/o seal (sold in 24 pack)(special order)
7035	HP 4000 Hopper compression spring, 100 pack (special order)
5581	HP 4000 Hopper fill plug (cap), 100 pack
7135	HP 4000 Left end cap, 10 pack
5755	HP 4000 Long cartridge pin, 25 pack (special order)
7042	HP 4000 mag roller contact hub 100 pack (special order)
8441	HP 4000 Mag roller wipers (left & right), 100 sets (special order)
6880	HP 4000 MICR ® (for checks) toner 22 lb (10 kg)
6004	HP 4000 MICR ® (for checks) toner 500g
6840	HP 4000 Right end cap, 10 pack
12004	HP 4000 SuMMiT® drum w/gears & insert, 5 pack
12003	HP 4000 SuMMiT® drum w/gears, 5 pack
5945	HP 4000 Uni Drum ® "F" drum gearless (special order)
5677	HP 4000 Uni Drum ® "F" w/gears & insert (sold 50 p/box)
8225	HP 4000 Uni Drum ® Green w/gears
261	HP 4000 Uni Drum ® Green w/gears & insert
265	HP 4000 wiper blade, 10 pack
5366	HP 4000, 2100 Drum shutter actuator arm, 10 pack (special order)
6666	HP 4000, 2200, 2100 Doctor Blade End piece set, 100 pack (special order)
6661	HP 4000, 2200, 2100 Doctor Blade Shim, 100 pack
5221	HP 4000, 2300, 2100, EX Toner hopper sealing blade, 25 pack
186	HP 4000, 2300, 2100, EX waste hopper recovery blade, 25 pack
14640	HP 4000, 4100, 2100 doctor blade, 10 pack (poly urethane)(new formulation 3/2010)10 pack
257	HP 4000, 4100, 2100 doctor blade, 10 pack (silicone)
6118	HP 4000, 4100, 2100 Long plastic seal rail (locking) 243 mm, 100 pack (sold 2/box)
6631	HP 4000, 4100, 2100 Mag roller "C" bearing (Right), 100 pack
262	HP 4000, 4100, 2100, 2300 Clear Seal ® white foam adhesive, 10 pack
6664	HP 4000, 4100, 2100, 2300 Mag roller stabilizer, 100 pack (special order)
13026	HP 4000, 4100, 2100, Doctor blade sealing foam, 100 pack (special order)
13687	HP 4000, 4100, 2300, 2100 BLACK Mag roller sleeve, 10 pack (High yield coating)
7097	HP 4000, 4100, 2300, 2100, P 3015 BLACK Mag roller sleeve, 10 pack (High density coating)
9348	HP 4000, 4100, 2420, 2300, 2100 Mag roller bushing (long), 100pcs

9349	HP 4000, 4100, 2420, 2300, 2100 Mag roller bushing (short), 100pcs
6845	HP 4000, 4100, 2420, 2300, 2100 Mag roller coating solution 4 oz (use Mag cleaning first)
6585	HP 4000, 4100, 2420, 2300, 2100 Mag roller felt, 100 pack
12695	HP 4000, 4100, 2420, 2300, 2100 Sealing Channel rail foam, 50 pack(special order)
6059	HP 4000, 4100, 2420, 2300, 2100, EX OPC shutter door felt, 100 pack
5898	HP 4000, 4100, 2420, 2400, 2300, 2100, P 3015 Mag roller bushing (left & right), 100 sets
6497	HP 4000, 4100, 4200, 4300, 2100, 2300, 2400, P 3005, 3015, 4014, 4515 "Soft" PCR roller, 10 pack
5270	HP 4000, 4100, 4200, 4300, 2300, 2100 "Hard" PCR roller, 10 pk (special order)
4904	HP 4000, P 3015, SX, EX universal metal cartridge clip 4 mm, 1000 pack
6835	HP 4100, 4000 cartridge pin (universal), 100 pack
6730	Mag roller tray small (AX, EX, PX, VX, HP-1100, 1200, 4000, 4100)
7846	Screw 2.6 x 6 mm, 1000 pack (special order)
7847	Screw 3 x 8 mm, 1000 pack (special order)

HP® 40A, C/M/Y, 51640A/C/M/Y

Part # Description

5509	HP 45A, 40A, 40C/Y/M Box plain white, 100 pack
------	--

HP® 4100, MFP 4100

Part # Description

8717	Canon FX 6, HP 4100 waste hopper section (converts 4000 to 4100 & FX 6) (sold 24 per box)(special or
9121	HP 4000, 4100 Mag roller sealing blade, 100 pack (special order)
12634	HP 4000, 4100 recovery blade, 50 pack (special order)
257	HP 4000, 4100, 2100 doctor blade, 10 pack (silicone)
13026	HP 4000, 4100, 2100, Doctor blade sealing foam, 100 pack (special order)
13687	HP 4000, 4100, 2300, 2100 BLACK Mag roller sleeve, 10 pack (High yield coating)
7097	HP 4000, 4100, 2300, 2100, P 3015 BLACK Mag roller sleeve, 10 pack (High density coating)
10064	HP 4000, 4100, 2400, 2300, P 3015 mag roller contact hub 100 pack (special order)
6845	HP 4000, 4100, 2420, 2300, 2100 Mag roller coating solution 4 oz (use Mag cleaning first)
6585	HP 4000, 4100, 2420, 2300, 2100 Mag roller felt, 100 pack
6059	HP 4000, 4100, 2420, 2300, 2100, EX OPC shutter door felt, 100 pack
6497	HP 4000, 4100, 4200, 4300, 2100, 2300, 2400, P 3005, 3015, 4014, 4515 "Soft" PCR roller, 10 pack
5270	HP 4000, 4100, 4200, 4300, 2300, 2100 "Hard" PCR roller, 10 pk (special order)
7085	HP 4100 Absolute Black® toner 22 lb (10 kg) bag
13677	HP 4100 Absolute Black® toner 22 lb (10 kg) bag (formulation as #7079)
7079	HP 4100 Absolute Black® toner 500g
8437	HP 4100 doctor blade shim, 100 pack (special order)
8445	HP 4100 Hopper 750g JUMBO® toner capacity (sold 24 p/pack) (special order)
7443	HP 4100 Hopper fill plug (cap), 100 pack
8280	HP 4100 locking clip for split cartridge, 100 pack (special order)
8440	HP 4100 Mag roller wipers (left & right), 100 sets (special order)
7149	HP 4100 MICR ® toner 22 lb (10 kg) bag
7148	HP 4100 MICR ® toner 500g
8496	HP 4100 Smartchip ® high yield with cover
12005	HP 4100 SuMMiT® drum with gears & insert, 5 pack
7844	HP 4100 toner waste hopper section 500g (converts 4000 to 4100) (sold 24 per box)(special order)
7840	HP 4100 Uni Drum ® "F" with gears
8573	HP 4100 Uni Drum ® with gears & insert
7083	HP 4100 wiper blade, 10 pack
6609	HP 4100, 4000 cartridge pin (universal) "K" (special order), 100 pack

- 6835 HP 4100, 4000 cartridge pin (universal), 100 pack
- 6730 Mag roller tray small (AX, EX, PX, VX, HP-1100, 1200, 4000, 4100)

HP® 41A, 51641A

- | Part # | Description |
|--------|--|
| 7994 | HP 23A, 41A, 78A Blue photo box, 100 pack |
| 7817 | HP 23A, 41A, 78A PT brand box 4 color Blue logo, 100 pack (special order) |
| 7815 | HP 23A, 41A, 78A PT brand box 4 color red logo, 100 pack |
| 7134 | HP 45A, 41A, 78A Printhead Blue Seal Tape (no adhesive) 330 feet 100 m (special order) |
| 8123 | Universal "Clear Seal" Tape Lid with silicone padding, 1,000 pack |

HP® 4200

- | Part # | Description |
|--------|--|
| 6497 | HP 4000, 4100, 4200, 4300, 2100, 2300, 2400, P 3005, 3015, 4014, 4515 "Soft" PCR roller, 10 pack |
| 5270 | HP 4000, 4100, 4200, 4300, 2300, 2100 "Hard" PCR roller, 10 pk (special order) |
| 8715 | HP 4014, 4015, 4200, 4250, 4300, 4345, 4350, 4515, 9000 fill plug cap, 10 pack |
| 8179 | HP 4200 Absolute Black® toner 520g |
| 8181 | HP 4200 Absolute Black® toner 700g (recommended) |
| 14138 | HP 4200 ASiC Smartchip ® Low Yield, 10 pack (12,000 pages) |
| 8713 | HP 4200 drum shutter arm, 10 pack (special order) |
| 8667 | HP 4200 Hopper 1,100g JUMBO® toner capacity w/o seal (sold in 24 pack) (special order) |
| 12355 | HP 4200 MICR ® toner 22 lb (10kg) (special order) |
| 8377 | HP 4200 MICR ® toner 510g |
| 11459 | HP 4200, 4300 Drum Bearing Plate, 100 pack (special order) |
| 11049 | HP 4200, 4300 Mag roller Contact & Insert 50 pack |
| 11048 | HP 4200, 4300 Mag roller Contact (metal only) 50 pack |
| 9613 | HP 4200, 4250, 4300, 4350 universal LEFT end cap, 10 pack |
| 9612 | HP 4200, 4250, 4300, 4350 universal RIGHT end cap, 10 pack |
| 11788 | HP 4200, 4250, 4300, 4350 universal waste hopper (sold 24/box) (special order) |
| 8750 | HP 4200, 4250, 4300, 4350, 4345 BLACK Mag roller sleeve, 10 pack |
| 8173 | HP 4200, 4250, 4300, 4350, 4345 doctor blade, 10 pack |
| 13645 | HP 4200, 4250, 4300, 4350, 4345 doctor blade, 10 pack (special order, K customer) |
| 11846 | HP 4200, 4250, 4300, 4350, 4345 hopper pin, 100 pack |
| 8714 | HP 4200, 4250, 4300, 4350, 4345 Mag roller bushing set, 10 pack |
| 9969 | HP 4200, 4250, 4300, 4350, 4345 Mag roller sealing blade, 100 pack |
| 8587 | HP 4200, 4250, 4300, 4350, 4345 Silver Seal ® adhesive, 50 pack |
| 12007 | HP 4200, 4250, 4300, 4350, 4345 SuMMiT® drum w/gears & insert, 5 pack |
| 8326 | HP 4200, 4250, 4300, 4350, 4345 Uni Drum ® "F" with gears |
| 8216 | HP 4200, 4250, 4300, 4350, 4345 Uni Drum ® with gears & insert |
| 8174 | HP 4200, 4250, 4300, 4350, 4345 wiper blade, 10 pack |
| 11077 | HP 4200, 4250, 4300, 4350, 4345, P 3005 wiper blade sealing foam, 100 pack |
| 12360 | HP 4200, 4300 recovery blade, 50 pack (special order)(9mm) |
| 10891 | HP 4200, 4300 doctor blade shim (left & right), 100 sets (special order) |
| 10892 | HP 4200, 4300 electrical toner sensor error contact "A & B", 100 pack (special order) |
| 12736 | HP 4200, 4300 foam seal , 10 pack (special order) |
| 14891 | HP 4200, 4300 Mag roller Press hub (special order) |
| 10383 | HP 4200, 4300 Mag roller stabilizer bearing, 50 sets (special order) |
| 9331 | HP 4200, 4300 Mag roller wipers (left & right), 100 sets (special order) |
| 8859 | HP 4200, 4300 rail foam, 500 pack |
| 8146 | HP 4200, 4300 Rail sealing foam with double sided adhesive, 100 pack |

9062	HP 4200, 4300 waste hopper recovery blade, 25 pack
8318	HP 4200, 4300, 4345 Absolute Black® toner 22 lb (10 kg) bag
13575	HP 4200, 4300, 4345 Absolute Black® toner, 220 lb (100 kg) barrel (special order)

HP® 4300

Part #	Description
6497	HP 4000, 4100, 4200, 4300, 2100, 2300, 2400, P 3005, 3015, 4014, 4515 "Soft" PCR roller, 10 pack
5270	HP 4000, 4100, 4200, 4300, 2300, 2100 "Hard" PCR roller, 10 pk (special order)
8715	HP 4014, 4015, 4200, 4250, 4300, 4345, 4350, 4515, 9000 fill plug cap, 10 pack
12355	HP 4200 MICR ® toner 22 lb (10kg) (special order)
8377	HP 4200 MICR ® toner 510g
11459	HP 4200, 4300 Drum Bearing Plate, 100 pack (special order)
11049	HP 4200, 4300 Mag roller Contact & Insert 50 pack
11048	HP 4200, 4300 Mag roller Contact (metal only) 50 pack
9613	HP 4200, 4250, 4300, 4350 universal LEFT end cap, 10 pack
9612	HP 4200, 4250, 4300, 4350 universal RIGHT end cap, 10 pack
11788	HP 4200, 4250, 4300, 4350 universal waste hopper (sold 24/box) (special order)
8173	HP 4200, 4250, 4300, 4350, 4345 doctor blade, 10 pack
13645	HP 4200, 4250, 4300, 4350, 4345 doctor blade, 10 pack (special order, K customer)
11846	HP 4200, 4250, 4300, 4350, 4345 hopper pin, 100 pack
8714	HP 4200, 4250, 4300, 4350, 4345 Mag roller bushing set, 10 pack
9969	HP 4200, 4250, 4300, 4350, 4345 Mag roller sealing blade, 100 pack
8587	HP 4200, 4250, 4300, 4350, 4345 Silver Seal ® adhesive, 50 pack
12007	HP 4200, 4250, 4300, 4350, 4345 SuMMiT® drum w/gears & insert, 5 pack
8326	HP 4200, 4250, 4300, 4350, 4345 Uni Drum ® "F" with gears
8216	HP 4200, 4250, 4300, 4350, 4345 Uni Drum ® with gears & insert
8174	HP 4200, 4250, 4300, 4350, 4345 wiper blade, 10 pack
11077	HP 4200, 4250, 4300, 4350, 4345, P 3005 wiper blade sealing foam, 100 pack
12360	HP 4200, 4300 recovery blade, 50 pack (special order)(9mm)
10891	HP 4200, 4300 doctor blade shim (left & right), 100 sets (special order)
10892	HP 4200, 4300 electrical toner sensor error contact "A & B", 100 pack (special order)
12736	HP 4200, 4300 foam seal , 10 pack (special order)
14891	HP 4200, 4300 Mag roller Press hub (special order)
10383	HP 4200, 4300 Mag roller stabilizer bearing, 50 sets (special order)
9331	HP 4200, 4300 Mag roller wipers (left & right), 100 sets (special order)
8859	HP 4200, 4300 rail foam, 500 pack
8146	HP 4200, 4300 Rail sealing foam with double sided adhesive, 100 pack
9062	HP 4200, 4300 waste hopper recovery blade, 25 pack
8318	HP 4200, 4300, 4345 Absolute Black® toner 22 lb (10 kg) bag
13575	HP 4200, 4300, 4345 Absolute Black® toner, 220 lb (100 kg) barrel (special order)
14141	HP 4300 ASiC Smartchip ® High Yield (18, 000 pages), 10 pack
8384	HP 4300, 4345 Absolute Black® toner 920g
6872	HP 4300, 4345, 4250, 4350 Absolute MICR ® toner 920g

HP® 4350, 4250, 4345

Part #	Description
8715	HP 4014, 4015, 4200, 4250, 4300, 4345, 4350, 4515, 9000 fill plug cap, 10 pack
11459	HP 4200, 4300 Drum Bearing Plate, 100 pack (special order)
11049	HP 4200, 4300 Mag roller Contact & Insert 50 pack
11048	HP 4200, 4300 Mag roller Contact (metal only) 50 pack

9613	HP 4200, 4250, 4300, 4350 universal LEFT end cap, 10 pack
9612	HP 4200, 4250, 4300, 4350 universal RIGHT end cap, 10 pack
11788	HP 4200, 4250, 4300, 4350 universal waste hopper (sold 24/box) (special order)
8173	HP 4200, 4250, 4300, 4350, 4345 doctor blade, 10 pack
13645	HP 4200, 4250, 4300, 4350, 4345 doctor blade, 10 pack (special order, K customer)
11846	HP 4200, 4250, 4300, 4350, 4345 hopper pin, 100 pack
8714	HP 4200, 4250, 4300, 4350, 4345 Mag roller bushing set, 10 pack
9969	HP 4200, 4250, 4300, 4350, 4345 Mag roller sealing blade, 100 pack
8587	HP 4200, 4250, 4300, 4350, 4345 Silver Seal ® adhesive, 50 pack
12007	HP 4200, 4250, 4300, 4350, 4345 SuMMiT® drum w/gears & insert, 5 pack
8216	HP 4200, 4250, 4300, 4350, 4345 Uni Drum ® with gears & insert
11077	HP 4200, 4250, 4300, 4350, 4345, P 3005 wiper blade sealing foam, 100 pack
10891	HP 4200, 4300 doctor blade shim (left & right), 100 sets (special order)
9331	HP 4200, 4300 Mag roller wipers (left & right), 100 sets (special order)
14380	HP 4250 MICR ® toner, 510g (special order)
5671	HP 4250, 4350 Absolute Black® toner 22 lb (10 kg) bag
7154	HP 4250, 4350 Absolute Black® toner 475g (10,000 pages)
7155	HP 4250, 4350 Absolute Black® toner 950g (20,000 pages)
14139	HP 4250, 4350 ASiC Smartchip ® High Yield (20, 000 pages), 10 pack
14140	HP 4250, 4350 ASiC Smartchip ® Low Yield (10, 000 pages), 10 pack
13874	HP 4250, 4350 Mag roller wipers, 10 sets
6872	HP 4300, 4345, 4250,4350 Absolute MICR ® toner 920g
14142	HP 4345 ASiC Smartchip ® Low Yield, 10 pack (18, 000 pages)
7350	HP 4345 Blue Handle, 10 pack (to convert 4350)
14146	HP4250, 4350, 4345 MFP Jumbo Hopper, 1530g (sold 12/box) (special order)

HP® 44A, C/M/Y, 51644A/C/M/Y

Part # Description

6026	HP 15A, 45A, 23A, 40,A, 44A, 50A Box blister clear, 420 cases (special order)
------	---

HP® 4500, 4550, EP-83

Part # Description

8050	HP 4500 Absolute Black ® toner 22 lb (10 kg) bag (special order)
6509	HP 4500 Absolute Black ® toner 345g
7307	HP 4500 Absolute Cyan ® toner 215g
7737	HP 4500 Absolute Cyan ® toner 22 lb (10 kg) bag
7308	HP 4500 Absolute Magenta ® toner 215g
7736	HP 4500 Absolute Magenta ® toner 22 lb (10 kg) bag
7309	HP 4500 Absolute Yellow ® toner 215g
7738	HP 4500 Absolute Yellow ® toner 22 lb (10 kg) bag
6919	HP 4500 BLACK cartridge Black mag roller sleeve, 10 pack
8220	HP 4500 COLOR cartridge Black Mag roller sleeve, 10 pack
7428	HP 4500 COLOR sponge toner adder supply roller, 10 pack
7833	HP 4500 Doctor blade for Black cartridge, 10 pack
7834	HP 4500 Doctor blade for Color cartridge, 10 pack
7733	HP 4500 drum unit wiper blade, 10 pack
6837	HP 4500 Metal seal clip (locking rail), 100 pack (special order)
7955	HP 4500 recovery blade for black cartridge, 25 pack (to discontinue)
7958	HP 4500 recovery blade for COLOR cartridges, 25 pack(to discontinue)
6877	HP 4500 Smartchip ® (sold 10 pack)

6384 HP 4500 Uni Drum ® with gears (special order)

HP® 45A, 51645A

Part # Description

6026 HP 15A, 45A, 23A, 40,A, 44A, 50A Box blister clear, 420 cases (special order)
 13210 HP 45A, 15A Absolute Black ink, 1 liter (1kg), pigmented
 13852 HP 45A, 15A Absolute Black ink, 10 liter (10kg), pigmented
 7134 HP 45A, 41A, 78A Printhead Blue Seal Tape (no adhesive) 330 feet 100 m (special order)
 8123 Universal "Clear Seal" Tape Lid with silicone padding, 1,000 pack

HP® 4600, 4650, EP-85

Part # Description

8327 HP 4600 Uni Drum ® "F" with gears (special order)
 8454 HP 4600 Absolute Black ® toner 22 lb (10 kg) bag
 9010 HP 4600 Absolute Black ® toner 220g
 9011 HP 4600 Absolute Cyan ® toner 210g
 8719 HP 4600 Absolute Cyan ® toner 22 lb (10 kg) bag
 9012 HP 4600 Absolute Magenta ® toner 210g
 8720 HP 4600 Absolute Magenta ® toner 22 lb (10 kg) bag
 9013 HP 4600 Absolute Yellow ® toner 210g
 8721 HP 4600 Absolute Yellow ® toner 22 lb (10 kg) bag
 5524 HP 4600 blue cartridge installation handle (left), 10 pack (special order)
 5526 HP 4600 blue cartridge installation handles (right), 10 pack (special order)
 5512 HP 4600 Clear Seal ® OEM style adhesive (no foam), 50 pack
 5511 HP 4600 Clear Seal ® OEM style adhesive with foam, 50 pack (special order)
 9790 HP 4600 developer roller, 10 pack (not for use with Chemical toner)
 8767 HP 4600 developer sponge supply roller, 10 pack (special order)
 9965 HP 4600 Doctor blade sealing foam (2 mm), 10 pack
 9966 HP 4600 Doctor blade sealing foam (3 mm), 10 pack
 8743 HP 4600 doctor blade, 10 pack
 8563 HP 4600 doctor blade, 10 pack (with chemical coating)
 9329 HP 4600 fill plug cap, 100 pack
 9125 HP 4600 long pin, 50 pack (special order)
 9123 HP 4600 metal clip 14 mm, 100 pack (special order)
 9122 HP 4600 metal clip 35 mm, 100 pack (special order)
 10802 HP 4600 PCR "Soft" roller, 10 pack
 11139 HP 4600 Quick Seal ® clear adhesive, 50 pack
 10287 HP 4600 Quick Seal ® T shape, 50 pack (special order)
 5158 HP 4600 Seal exit port plug, 10 pack (special order)
 8711 HP 4600 shipping lock, 10 pack
 9124 HP 4600 short pin, 50 pack (special order)
 12017 HP 4600 SuMMiT® drum w/gears (sold in 5/pack)
 5959 HP 4600 toner adder roller felt washer, 50 pack
 9396 HP 4600 Uni Drum ® Green with gears
 5460 HP 4600 wiper blade sealing foam, 50 pack
 10324 HP 4600 X-Generation ® Black toner 22 lb (10 kg) bag (2009 glossy formula)
 10314 HP 4600 X-Generation ® Black toner 220g (9,000 pages)
 14001 HP 4600 X-Generation ® Black toner 220g (9,000 pages) (2009 glossy formula)
 10315 HP 4600 X-Generation ® Cyan toner 190g (8,000 pages)
 14002 HP 4600 X-Generation ® Cyan toner 190g (8,000 pages) (2009 glossy formula)

10325	HP 4600 X-Generation ® Cyan toner 22 lb (10 kg) bag (2009 glossy formula)
10326	HP 4600 X-Generation ® Magenta toner 190g (8,000 pages)
14003	HP 4600 X-Generation ® Magenta toner 190g (8,000 pages) (2009 glossy formula)
10316	HP 4600 X-Generation ® Magenta toner 22 lb (10 kg) bag (2009 glossy formula)
10317	HP 4600 X-Generation ® Yellow toner 190g (8,000 pages)
14004	HP 4600 X-Generation ® Yellow toner 190g (8,000 pages) (2009 glossy formula)
10327	HP 4600 X-Generation ® Yellow toner 22 lb (10 kg) bag (2009 glossy formula)
10256	HP 4600 X-Generation doctor blade, 10 pack (with chemical coating) New type
6366	HP 4600, 4650 developer roller end felt (Left & Right), 50 sets
4953	HP 4600, 4650 developer roller sealing blade end felt (right & left), 25 sets
8356	HP 4600, 4650 Smartchip ® Black cartridge
8357	HP 4600, 4650 Smartchip ® Cyan cartridge
8359	HP 4600, 4650 Smartchip ® Magenta cartridge
8358	HP 4600, 4650 Smartchip ® Yellow cartridge
5361	HP 4600, 4650 wiper blade end felt (Left & Right), 50 sets
11052	HP 4600, Sealing Channel rail foam, 500 pack
8097	HP 4700, 4730, 4600, 4650, CP 4005 wiper blade, 10 pack
9618	HP 5500, 4600 drum axle retaining ring, 100 pack
9118	HP 5500, 4600 pull tab, 10 pack

HP® 4700, 4730

Part #	Description
10070	HP 4700 Absolute Black ® X-Generation toner 275g (11,000 pages)
10071	HP 4700 Absolute Cyan ® X-Generation toner 240g (10,000 pages)
10072	HP 4700 Absolute Magenta ® X-Generation toner 240g (10,000 pages)
10073	HP 4700 Absolute Yellow ® X-Generation toner 240g (10,000 pages)
14681	HP 4700 ASiC Smartchip ® Black (11,000 pages) 10 pack
14395	HP 4700 ASiC Smartchip ® Black (sold 5/pack) (11,000 pages)
14682	HP 4700 ASiC Smartchip ® Cyan (10, 000 pages) 10 pack
14394	HP 4700 ASiC Smartchip ® Cyan (sold 5/pack) (10, 000 pages)
14683	HP 4700 ASiC Smartchip ® Magenta (10, 000 pages) 10 pack
14396	HP 4700 ASiC Smartchip ® Magenta (sold 5/pack) (11,000 pages)
14397	HP 4700 ASiC Smartchip ® Yellow (sold 5/pack) (10,000 pages)
14684	HP 4700 ASiC Smartchip ®Yellow(10, 000 pages) 10 pack
10123	HP 4700 Smartchip ® Black cartridge (11,000 pages)
10124	HP 4700 Smartchip ® Cyan cartridge (10,000 pages)
10125	HP 4700 Smartchip ® Magenta cartridge (10,000 pages)
10126	HP 4700 Smartchip ® Yellow cartridge (10,000 pages)
10074	HP 4700, 4730 Absolute Black ® X-Generation toner 22 lb (10 kg) bag
10075	HP 4700, 4730 Absolute Cyan ® X-Generation toner 22 lb (10 kg) bag
10076	HP 4700, 4730 Absolute Magenta ® X-Generation toner 22 lb (10 kg) bag
10077	HP 4700, 4730 Absolute Yellow ® X-Generation toner 22 lb (10 kg) bag
11854	HP 4700, 4730 Doctor blade sealing foam, 10 pack (under final test)
10069	HP 4700, 4730 Left end cap with pull seal opening, 10 pack
8097	HP 4700, 4730, 4600, 4650, CP 4005 wiper blade, 10 pack
10154	HP 4700, 4730, CP 4005 doctor blade, 10 pack (under development)
11474	HP 4700, 4730, CP 4005 Quick Seal ®, 50 pack
12018	HP 4700, 4730, CP 4005 SuMMiT® drum w/gears (sold in 5/pack)
10078	HP 4700, 4730, CP 4005 Uni Drum ® "F" with gears
10206	HP 4700, 4730, CP 4005 Uni Drum ® with gears
10336	HP 4730 Absolute Black ® X-Generation toner 312g (12,000 pages)

10337	HP 4730 Absolute Cyan ® X-Generation toner 312g (12,000 pages)
10338	HP 4730 Absolute Magenta ® X-Generation toner 312g (12,000 pages)
10339	HP 4730 Absolute Yellow ® X-Generation toner 312g (12,000 pages)
14171	HP 4730 ASiC Smartchip ® Black (12,000 pages)
14685	HP 4730 ASiC Smartchip ® Black (12,000 pages) 10 pack
14176	HP 4730 ASiC Smartchip ® Cyan (12,000 pages)
14686	HP 4730 ASiC Smartchip ® Cyan (12,000 pages) 10 pack
14398	HP 4730 ASiC Smartchip ® Magenta (12,000 pages)
14687	HP 4730 ASiC Smartchip ® Magenta(12,000 pages) 10 pack
14399	HP 4730 ASiC Smartchip ® Yellow (12,000 pages)
14688	HP 4730 ASiC Smartchip ® Yellow(12,000 pages) 10 pack
10340	HP 4730 Smartchip ® Black
10341	HP 4730 Smartchip ® Cyan
10342	HP 4730 Smartchip ® Magenta
10343	HP 4730 Smartchip ® Yellow

HP® 49A, 51649A

Part # Description

6025	HP 14A, 26A, 29A, 25A, 49A Box blister clear, 645 case (special order)
7814	HP 25A, 49A PT brand box 4 color red logo, 100 pack
7167	HP 49A BLUE color replacement cap, 100 pack
7166	HP 49A, 25A replacement sponge retainer screen, 100 pack
8123	Universal "Clear Seal" Tape Lid with silicone padding, 1,000 pack

HP® 50 C/Y/M

Part # Description

6026	HP 15A, 45A, 23A, 40,A, 44A, 50A Box blister clear, 420 cases (special order)
------	---

HP® 5000 C 30

Part # Description

12214	HP 5000 Black ink, 1 gallon (3.78L) (special order)(TO DISCONTINUE)
12215	HP 5000 Cyan ink, 1 gallon (3.78L) (special order)(TO DISCONTINUE)
12220	HP 5000 Magenta ink, 5 gallon (18.9 L) (special order)(TO DISCONTINUE)
12217	HP 5000 Yellow ink, 1 gallon (3.78L) (special order)(TO DISCONTINUE)
12221	HP 5000 Yellow ink, 5 gallon (18.9 L) (special order)(TO DISCONTINUE)

HP® 5000, 5100, EP-62

Part # Description

4914	HP 5000, 5100, EP 62 Absolute Black® toner 500g
5865	HP 5000, 5100, EP 62 Absolute Black® toner, 22 lb (10 Kg) bag
6662	HP 5000, 5100, EP 62 Doctor Blade End pieces (left & right) 100 sets
6630	HP 5000, 5100, EP 62 Doctor Blade Shim, 100 pack (special order)
5964	HP 5000, 5100, EP 62 doctor blade, 10 pack
7034	HP 5000, 5100, EP 62 hopper compression spring, 100 pack (special order)
7058	HP 5000, 5100, EP 62 Long metal rail (Black),100 pack
6663	HP 5000, 5100, EP 62 Mag roller bushing LONG, 100 pack
6844	HP 5000, 5100, EP 62 Mag roller coating solution for 130 rollers (use Mag cleaning first)

12644	HP 5000, 5100, EP 62 Mag roller contact NEW style, 100 pack (special order)
7002	HP 5000, 5100, EP 62 Mag roller contact NEW style, 100 pack (special order)
7318	HP 5000, 5100, EP 62 Mag roller felt, 100 pack
8444	HP 5000, 5100, EP 62 Mag roller wipers (left & right), 100 sets
12638	HP 5000, 5100, EP 62 recovery blade, 50 pack
7888	HP 5000, 5100, EP 62 seal plastic locking rail 340 mm, 100 pack
6131	HP 5000, 5100, EP 62 Uni Drum ® "F" with gears (sold 50 p/box)
4887	HP 5000, 5100, EP 62 Uni Drum ® Green with gears
4961	HP 5000, 5100, EP 62 waste hopper recovery (retaining) blade, 25 pack
7001	HP 5000, 5100, RP 62 Mag roller bushing SHORT, 100 pack
6833	HP 5000, 5100, EP 62 cartridge pin, 50 pack (double head easy to pull)
5942	HP 5000, 5200, 8000, 8100, 9000, BX, JX, WX OPC shutter door felt, 100 pack (special order)
4934	HP 5000, 5200, 8100, EP 62, 72, 509, M 5035, 5025 wiper blade, 10 pack
5933	HP 8100, 8150, 5000, 5100 "Hard" PCR roller (new), 10 pack
9229	HP 8100, 8150, 5000, 5100 "Soft" PCR roller (new), 10 pack

HP® 5200

Part #	Description
5942	HP 5000, 5200, 8000, 8100, 9000, BX, JX, WX OPC shutter door felt, 100 pack (special order)
4934	HP 5000, 5200, 8100, EP 62, 72, 509, M 5035, 5025 wiper blade, 10 pack
10721	HP 5200 Absolute Black® toner 580g (12,000 pages)(02-2010 formulation)
14144	HP 5200 ASiC Smartchip ®, 10 pack (12,000 pages)
11629	HP 5200, EP 509, LBP 3500, 3900 mag roller housing end plate, 10 pack
11124	HP 5200, EP 509, LBP 3500, 3900, 3950 Left end cap, 10 pack
11350	HP 5200, EP 509, LBP 3500, 3900, 3950 Seal pull tab, 10 pack
11123	HP 5200, EP-509, LBP 3500, 3900, 3950 Right end cap, 10 pack
11122	HP 5200, EP-509, LBP-3500, 3900, 3950 Hopper JUMBO® toner capacity (special order)(sold 12/pk)
10722	HP 5200, M 5035, 5025 Absolute Black® toner 22 lb (10 kg) bag(02-2010 formulation)
10727	HP 5200, M 5035, 5025 Clear Seal ® adhesive, 50 pack (special order)
10934	HP 5200, M 5035, 5025 Clear Seal ® foam adhesive, 50 pack
10726	HP 5200, M 5035, 5025 doctor blade, 10 pack
11152	HP 5200, M 5035, 5025 mag roller bushing set, 10 sets
11061	HP 5200, M 5035, 5025 Mag roller wipers (left & right), 10 sets
11347	HP 5200, M 5035, 5025 metal pin, 50 pack
10724	HP 5200, M 5035, 5025 Uni Drum ® with gears

HP® 5500, 5550, EP-86

Part #	Description
5698	HP 5500 wiper blade sealing foam, 25 pack
9618	HP 5500, 4600 drum axle retaining ring, 100 pack
9118	HP 5500, 4600 pull tab, 10 pack
8419	HP 5500, 5550, EP 86 Smartchip ® Black cartridge
8420	HP 5500, 5550, EP 86 Smartchip ® Cyan cartridge
8421	HP 5500, 5550, EP 86 Smartchip ® Magenta cartridge
8422	HP 5500, 5550, EP 86 Smartchip ® Yellow cartridge
10328	HP 5500, EP 86 Absolute Black ® X-Generation toner (13,000 pages)
10331	HP 5500, EP 86 Absolute Black ® X-Generation toner 22 lb (10 kg) bag
10334	HP 5500, EP 86 Absolute Cyan ® X-Generation toner (12,000 pages)
10335	HP 5500, EP 86 Absolute Cyan ® X-Generation toner 22 lb (10 kg) bag
10329	HP 5500, EP 86 Absolute Magenta ® X-Generation toner (12,000 pages)

10332	HP 5500, EP 86 Absolute Magenta ® X-Generation toner 22 lb (10 kg) bag
10330	HP 5500, EP 86 Absolute Yellow ® X-Generation toner (12,000 pages)
10333	HP 5500, EP 86 Absolute Yellow ® X-Generation toner 22 lb (10 kg) bag
8584	HP 5500, EP 86 Clear Seal ® adhesive, 50 pack
9151	HP 5500, EP 86 developer roller end felt (Left & Right), 50 sets
8278	HP 5500, EP 86 developer roller sealing blade & end felts, 25 pack
6063	HP 5500, EP 86 doctor blade sealing foam, 25 pack
11341	HP 5500, EP 86 long metal pin, 50 pack
9443	HP 5500, EP 86 PCR roller, 10 pack (under final test)
11140	HP 5500, EP 86 Quick Seal ® adhesive , 50 pack
9117	HP 5500, EP 86 shipping lock, 10 pack
11340	HP 5500, EP 86 short metal pin, 50 pack
8096	HP 5500, EP 86 Uni Drum ® "F" with gears (sold 50/box)
7342	HP 5500, EP 86 Uni Drum ® Blue Green with gears (New formula)
9808	HP 5500, EP 86 Wiper blade end felt, (Left & Right) 100 sets
5925	HP 5500, EP 86 Wiper blade end foams, 50 pack
8269	HP 5500, EP 86 wiper blade, 10 pack
13089	HP 5500, EP 86 wiper blade, 10 pack (special order, K product)
11053	HP 5500, Sealing Channel rail foam, 500 pack

HP® 56A, 57A, 58A, C6656A, C6657A, C6658A

Part #	Description
10757	HP 29A, 14A, 56A, 27A Absolute Black ® ink, 1 liter (1 kg) pigmented
10758	HP 29A, 14A, 56A, 27A Absolute Black ® ink, 10 liters (10 kg) pigmented
8466	HP 56A, 57A, 58A, 27A, 28A ink jet cartridge holder, 100 pack
10798	HP 57A, 28A Absolute Cyan ® ink, 1 liter (1 kg)
10799	HP 57A, 28A Absolute Magenta ® ink, 1 liter (1 kg)
10800	HP 57A, 28A Absolute Yellow ® ink, 1 liter (1 kg)

HP® 78A, C6578A

Part #	Description
7994	HP 23A, 41A, 78A Blue photo box, 100 pack
12800	HP 78A "Absolute Cyan" ink, 1liter (1kg) dye (under final test)
12801	HP 78A "Absolute Magenta" ink, 1liter (1kg) dye (under final test)
12802	HP 78A "Absolute Yellow" ink, 1liter (1kg) dye (under final test)
8123	Universal "Clear Seal" Tape Lid with silicone padding, 1,000 pack

HP® 80

Part #	Description
12389	HP® 80 Black inkjet smartchip for C4871A (under development)
12393	HP® 80 Cyan inkjet smartchip for C4846A (under development)
12390	HP® 80 Cyan inkjet smartchip for C4872A (under development)
12391	HP® 80 Magenta inkjet smartchip for C4874A (under development)
12394	HP® 80 Magenta inkjet smartchip for C4847A (under development)
12395	HP® 80 Yellow inkjet smartchip for C4848A (under development)
12392	HP® 80 Yellow inkjet smartchip for C4873A (under development)

HP® 800, 600

Part #	Description
12870	HP 800, 600 color series "Absolute Black" ink, 1 liter (1kg) pigmented
12871	HP 800, 600 color series "Absolute Cyan" ink, 1 liter (1kg) dye
12872	HP 800, 600 color series "Absolute Magenta" ink, 1 liter (1kg) dye
12873	HP 800, 600 color series "Absolute Yellow" ink, 1 liter (1kg) dye

HP® 8000

Part #	Description
9393	HP 8000, WX Absolute Black® toner, 22 lb (10 kg) bag

HP® 801

Part #	Description
12480	HP® 801 Black inkjet smartchip for C8721z (under development)
12481	HP® 801 Cyan inkjet smartchip for C8771z (under development)
12484	HP® 801 Light Cyan inkjet smartchip for C8774z (under development)
12485	HP® 801 Light Magenta inkjet smartchip for C8775z (under development)
12482	HP® 801 Magenta inkjet smartchip for C8772z (under development)
12483	HP® 801 Yellow inkjet smartchip for C8773z (under development)

HP® 81

Part #	Description
12396	HP® 80 Black inkjet smartchip for C4930A (under development)
12397	HP® 80 Cyan inkjet smartchip for C4931A (under development)
12400	HP® 80 Light Cyan inkjet smartchip for C4934A (under development)
12401	HP® 80 Light Magenta inkjet smartchip for C4935A (under development)
12398	HP® 80 Magenta inkjet smartchip for C4932A (under development)
12399	HP® 80 Yellow inkjet smartchip for C4933A (under development)

HP® 8100, 8150, EP-72

Part #	Description
5942	HP 5000, 5200, 8000, 8100, 9000, BX, JX, WX OPC shutter door felt, 100 pack (special order)
4934	HP 5000, 5200, 8100, EP 62, 72, 509, M 5035, 5025 wiper blade, 10 pack
13871	HP 8100 Mag roller drive gear, 10 pack
14890	HP 8100 Mag roller Press hub (special order)
7101	HP 8100, 8150 BLACK Mag roller sleeve, 10 pack
6415	HP 8100, 8150 Clear Seal ® foam adhesive seal, 10 pack
7742	HP 8100, 8150 doctor blade, 10 pack
10778	HP 8100, 8150 Hinge pin with thread (LEFT), 50 pack (special order)
10893	HP 8100, 8150 Hinge pin with thread (RIGHT), 50 pack (special order)
6629	HP 8100, 8150 Mag roller bearing (left), 100 pack
6628	HP 8100, 8150 Mag roller bearing (right), 100 pack
6388	HP 8100, 8150 Mag roller felt, 100 pack
12636	HP 8100, 8150 mag roller sealing blade, 50 pack (special order)
6154	HP 8100, 8150 Mag Roller Stabilizer (left & right), 10 sets
11047	HP 8100, 8150 Mag roller wipers (left & right), 10 sets
8302	HP 8100, 8150 PCR saddle reinforcement brace, 50 pack (special order)

12637	HP 8100, 8150 recovery blade, 50 pack
7606	HP 8100, 8150 recovery blade, 25 pack (special order)
5915	HP 8100, 8150 Right cartridge clip, 100 pack
7889	HP 8100, 8150 seal plastic locking rail (under side) 340 mm, 100 pack
12010	HP 8100, 8150 SuMMiT® drum w/gears & insert, 5 pack
5916	HP 8100, 8150 Uni Drum ® "F" with gears (sold 50 p/box)
5612	HP 8100, 8150 Uni Drum ® Green w/gears
7616	HP 8100, 8150 Uni Drum ® Green w/gears & insert
5861	HP 8100, 8150 waste hopper recovery (retaining) blade, 25 pack
5933	HP 8100, 8150, 5000, 5100 "Hard" PCR roller (new), 10 pack
9229	HP 8100, 8150, 5000, 5100 "Soft" PCR roller (new), 10 pack
6669	HP 8100, 8150, 8000 Actuator arm (with spring), 100 pack
7146	HP 8100, 8150, 8000, WX Mag roller coating solution 4 oz.
6153	HP 8100, 8150, EP 72 Absolute Black® toner 22 lb (10 kg) bag
5657	HP 8100, 8150, EP 72 Absolute Black® toner 510g (use 2 per cartridge)
8347	HP 8100, 8150, EP 72 Absolute Black® toner 920g
6861	HP 8100, 8150, EP 72 MICR ® (for checks) toner 500g (use 2 per cartridge)
8376	HP 8100, 8150, EP 72 MICR ® (for checks) toner 920g
8415	HP 8100, 8150, EP 72 OEM Black® (for vegetal paper) toner 22 lb (10 kg) bag
8405	HP 8100, 8150, EP 72 OEM Black® (for vegetal paper) toner 520g
13178	HP 8100, WX Sealing Channel rail foam, 100 pack (new formulation)

HP® 82

Part #	Description
12402	HP® 82 Cyan inkjet smartchip for C4911A (under development)
12403	HP® 82 Magenta inkjet smartchip for C4912A (under development)
12404	HP® 82 Yellow inkjet smartchip for C4913A (under development)

HP® 83

Part #	Description
12405	HP® 83 Black inkjet smartchip for C4940A (under development)
12406	HP® 83 Cyan inkjet smartchip for C4941A (under development)
12409	HP® 83 Light Cyan inkjet smartchip for C4944A (under development)
12410	HP® 83 Light Magenta inkjet smartchip for C4945A (under development)
12407	HP® 83 Magenta inkjet smartchip for C4942A (under development)
12408	HP® 83 Yellow inkjet smartchip for C4943A (under development)

HP® 84

Part #	Description
12411	HP® 84 Black inkjet smartchip for C5016A (under development)
12413	HP® 84 Ligh Magenta inkjet smartchip for C5018A (under development)
12412	HP® 84 Light Cyan inkjet smartchip for C5017A (under development)

HP® 85

Part #	Description
12414	HP® 85 Cyan inkjet smartchip for C9425A (under development)
12417	HP® 85 Light Cyan inkjet smartchip for C9428A (under development)

12418	HP® 85 Light Magenta inkjet smartchip for C9429A (under development)
12415	HP® 85 Magenta inkjet smartchip for C9426A (under development)
12416	HP® 85 Yellow inkjet smartchip for C9427A (under development)

HP® 8500, 8550, EP-82

Part #	Description
5942	HP 5000, 5200, 8000, 8100, 9000, BX, JX, WX OPC shutter door felt, 100 pack (special order)
7249	HP 8500, EP 82 Absolute Black ® toner 22 lb (10 kg) (sold 2/box)
6610	HP 8500, EP 82 Absolute Black ® toner 310g (use 2 per cartridge)
7248	HP 8500, EP 82 Absolute Black ® toner 520g
7647	HP 8500, EP 82 Absolute Cyan ® toner 22 lb (10 kg) (2nd generation)
7830	HP 8500, EP 82 Absolute Cyan ® toner 340g (2nd generation)
7648	HP 8500, EP 82 Absolute Magenta ® toner 22 lb (10 kg) (2nd generation)
7831	HP 8500, EP 82 Absolute Magenta ® toner 340g (2nd generation)
7649	HP 8500, EP 82 Absolute Yellow ® toner 22 lb (10 kg) (2nd generation)
7832	HP 8500, EP 82 Absolute Yellow ® toner 340g (2nd generation)
7328	HP 8500, EP 82 adhesive seal, 25 pack
7036	HP 8500, EP 82 Black cartridge doctor blade, 10 pack
7077	HP 8500, EP 82 BLACK cartridge mag roller sleeve, 10 pack (special order)
7743	HP 8500, EP 82 COLOR cartridge doctor blade, 10 pack
6128	HP 8500, EP 82 COLOR cartridge mag roller sleeve, 10 pack (special order)
8098	HP 8500, EP 82 seal long locking rails, 100 pack
6878	HP 8500, EP 82 Smartchip ® (sold 10 pack)
6776	HP 8500, EP 82 Uni Drum ® "S" with gears (special order)
7140	HP 8500, EP 82 wiper blade, 10 pack

HP® 88, C 9396, 9391, 9392, 9393

Part #	Description
11421	HP 88, K 550 Absolute Black ® ink for vivera C 9396, 1 liter (1 kg)
11425	HP 88, K 550 Absolute Black ® ink for vivera C 9396, 10 liter (10 kg) (special order)
11422	HP 88, K 550 Absolute Cyan ® ink for vivera C 9391, 1 liter (1 kg)
11423	HP 88, K 550 Absolute Magenta ® ink for vivera C 9392, 1 liter (1 kg)
11424	HP 88, K 550 Absolute Yellow ® ink for vivera C 9393, 1 liter (1 kg)
12459	HP® 88 Magenta inkjet smartchip for C9392A (under development)
12460	HP® 88 Yellow inkjet smartchip for C9393A (under development)

HP® 90

Part #	Description
12461	HP® 90 Black inkjet smartchip for C5058A (under development)
12462	HP® 90 Cyan inkjet smartchip for C5061A (under development)
12463	HP® 90 Magenta inkjet smartchip for C5063A (under development)
12464	HP® 90 Yellow inkjet smartchip for C5065A (under development)

HP® 9000, 9050

Part #	Description
8715	HP 4014, 4015, 4200, 4250, 4300, 4345, 4350, 4515, 9000 fill plug cap, 10 pack
5942	HP 5000, 5200, 8000, 8100, 9000, BX, JX, WX OPC shutter door felt, 100 pack (special order)

7851	HP 9000, 9040, 9050 Absolute Black® toner 22 lb (10 kg) bag
14860	HP 9000, 9040, 9050 Absolute Black® toner 220lb (100 kg) barrel
8397	HP 9000, 9040, 9050 Absolute Black® toner 780g (use 2 per cartridge)
8449	HP 9000, 9040, 9050 BLACK Mag roller sleeve, 10 pack
7568	HP 9000, 9040, 9050 doctor blade, 10 pack
11355	HP 9000, 9040, 9050 Mag roller air gap roller, 100 pack (special order)
13873	HP 9000, 9040, 9050 Mag roller contact plate (new for old style end cap), 10 pack
11363	HP 9000, 9040, 9050 Mag roller contact plate (new style), 10 pack (special order)
11357	HP 9000, 9040, 9050 Mag roller sealing blade, 100 pack (special order)
11338	HP 9000, 9040, 9050 Mag roller wipers (Left & Right), 10 sets (special order)
13319	HP 9000, 9040, 9050 MICR ® (for checks) toner 1,200g (special order)(sold 6/box)
8616	HP 9000, 9040, 9050 MICR ® (for checks) toner 22 lb (10 kg) bag (special order)
8615	HP 9000, 9040, 9050 MICR ® (for checks) toner 750g (use 2 per cartridge)
13781	HP 9000, 9040, 9050 MICR Premium toner® 121 lb (55 kg) barrel (special order)
12639	HP 9000, 9040, 9050 MICR Premium toner® 825g (special order)
8398	HP 9000, 9040, 9050 PCR "Soft" roller (recoated), 10 pack
11851	HP 9000, 9040, 9050 recovery blade, 50 pack (special order)
10454	HP 9000, 9040, 9050 seal clip, 100 pack (special order)
5911	HP 9000, 9040, 9050 Silver Seal ® OEM style adhesive w/ gasket foam (double sided) 25 pack
8083	HP 9000, 9040, 9050 Smartchip ®
8538	HP 9000, 9040, 9050 Uni Drum ® with gears
7914	HP 9000, 9040, 9050 wiper blade, 10 pack
8672	HP 9000, 9050 Absolute Black® compatible toner cartridge

HP® 9500

Part #	Description
14624	HP 9500 Smartchip ® Black drum unit
10035	HP 9500 Smartchip ® Black toner cartridge
14626	HP 9500 Smartchip ® Cyan drum unit
10036	HP 9500 Smartchip ® Cyan toner cartridge
14628	HP 9500 Smartchip ® Magenta drum unit
10037	HP 9500 Smartchip ® Magenta toner cartridge
14629	HP 9500 Smartchip ® Yellow drum unit
10038	HP 9500 Smartchip ® Yellow toner cartridge
9726	HP 9500 Uni Drum ® with gears (special order)
10854	HP 9500 Uni Drum ® with gears & insert

HP® CP 1215, 1518, CM 1312 MFP

Part #	Description
14148	ASiC Smartchip® for use in HP 1215, 1518, CM 1312 MFP , Canon 5050 Black (2,200 pages)
14150	ASiC Smartchip® for use in HP CP 1215, 1518, CM 1312 MFP , Canon 5050 Cyan (1,400 pages)
13896	HP CP 1215, 1515, 1518 Jumbo® hopper (with seal)(special order)
12611	HP CP 1215, 1518, 2020, 2025 CM 1312, 2320 MFP wiper blade, 10 pack
13220	HP CP 1215, 1518, 2020, 2025 CM 1312, 2320 MFP X-Generation® drum with gears
13620	HP CP 1215, 1518, 2020, 2025 CM 1312, 2320 MFP Doctor Blade shims 100 pack
12613	HP CP 1215, 1518, 2020, 2025, CM 1312, 2320 MFP Clear Seal ® adhesive, 50 pack
13078	HP CP 1215, 1518, 2020, 2025, CM 1312, 2320 MFP doctor blade, 10 pack (under development)
13938	HP CP 1215, 1518, CM 1312 MFP Absolute Black® toner 22lb (10kg) bag
12602	HP CP 1215, 1518, CM 1312 MFP Absolute Black® toner 55g (2,200 pages)
13939	HP CP 1215, 1518, CM 1312 MFP Absolute Cyan® toner 22 lb (10kg) bag

12603	HP CP 1215, 1518, CM 1312 MFP Absolute Cyan® toner 45g (1,400 pages)
13940	HP CP 1215, 1518, CM 1312 MFP Absolute Magenta® toner 22 lb (10kg) bag
12604	HP CP 1215, 1518, CM 1312 MFP Absolute Magenta® toner 45g (1,400 pages)
13941	HP CP 1215, 1518, CM 1312 MFP Absolute Yellow® toner 22lb (10kg) bag
12605	HP CP 1215, 1518, CM 1312 MFP Absolute Yellow® toner 45g (1,400 pages)
14689	HP CP 1215, 1518, CM 1312 MFP ASiC Smartchip® Black (2,200 pages) 10 pack
14690	HP CP 1215, 1518, CM 1312 MFP ASiC Smartchip® Cyan (1,400 pages) 10 pack
14151	HP CP 1215, 1518, CM 1312 MFP ASiC Smartchip® Magenta (1,400 pages)
14691	HP CP 1215, 1518, CM 1312 MFP ASiC Smartchip® Magenta (1,400 pages) 10 pack
14155	HP CP 1215, 1518, CM 1312 MFP ASiC Smartchip® Yellow (1,400 pages)
14692	HP CP 1215, 1518, CM 1312 MFP ASiC Smartchip® Yellow (1,400 pages) 10 pack
13943	HP CP 1215, 1518, CM 1312 MFP developer roller, 10 pack (under development)
12612	HP CP 1215, 1518, CM 1312 MFP PCR roller, 10 pack (under development)
13022	HP CP 1215, 1518, CM 1312 MFP pull tab, 10 pack
13025	HP CP 1215, 1518, CM 1312 MFP shipping cover lock, 10 pack
14077	HP CP 1215, 1518, CM 1312 MFP supply roller, 10 pack (under development)
12610	HP CP 1215, 1518, CM 1312 MFP Uni Drum® with gears (under development)
13538	HP CP 1215, 1518, CM 1312 MFP X-Generation ® Black toner 22 lb (10 kg) bag
13537	HP CP 1215, 1518, CM 1312 MFP X-Generation ® Black toner 55g (2,200 pages)
13540	HP CP 1215, 1518, CM 1312 MFP X-Generation ® Cyan toner 22 lb (10 kg) bag
13539	HP CP 1215, 1518, CM 1312 MFP X-Generation ® Cyan toner 45g (1,400 pages)
13542	HP CP 1215, 1518, CM 1312 MFP X-Generation ® Magenta toner 22 lb (10 kg) bag
13541	HP CP 1215, 1518, CM 1312 MFP X-Generation ® Magenta toner 45g (1,400 pages)
13544	HP CP 1215, 1518, CM 1312 MFP X-Generation ® Yellow toner 22 lb (10 kg) bag
13543	HP CP 1215, 1518, CM 1312 MFP X-Generation ® Yellow toner 45g (1,400 pages)

HP® CP 2020, 2025, CM 2320 MFP

Part #	Description
13620	HP CP 1215, 1518, 2020, 2025 CM 1312, 2320 MFP Doctor Blade shims 100 pack
12613	HP CP 1215, 1518, 2020, 2025, CM 1312, 2320 MFP Clear Seal ® adhesive, 50 pack
14156	HP CP 2020, 2025, CM 2320 MFP ASiC Smartchip® Black (3,500 pages)
14693	HP CP 2020, 2025, CM 2320 MFP ASiC Smartchip® Black (3,500 pages) 10 pack
14157	HP CP 2020, 2025, CM 2320 MFP ASiC Smartchip® Cyan (2,800 pages)
14694	HP CP 2020, 2025, CM 2320 MFP ASiC Smartchip® Cyan (2,800 pages) 10 pack
14159	HP CP 2020, 2025, CM 2320 MFP ASiC Smartchip® Magenta (2,800 pages)
14160	HP CP 2020, 2025, CM 2320 MFP ASiC Smartchip® Yellow (2,800 pages)
14696	HP CP 2020, 2025, CM 2320 MFP ASiC Smartchip® Yellow(2,800 pages) 10 pack
14695	HP CP 2020, 2025, CM 2320 MFP ASiC Smartchip®Magenta (2,800 pages) 10 pack
13897	HP CP 2020, 2025, CM 2320 MFP drum cover, 10 pack
13850	HP CP 2020, 2025, CM 2320 MFP pull tab, 10 pack
13271	HP CP 2020, 2025, CM 2320 MFP X-Generation Black® toner 100g (3,500 pages)
13277	HP CP 2020, 2025, CM 2320 MFP X-Generation Black® toner 22 lb (10 kg) bag
13275	HP CP 2020, 2025, CM 2320 MFP X-Generation Cyan® toner 22 lb (10 kg) bag
13272	HP CP 2020, 2025, CM 2320 MFP X-Generation Cyan® toner 75g (2,800 pages)
13276	HP CP 2020, 2025, CM 2320 MFP X-Generation Magenta® toner 22 lb (10 kg) bag
13273	HP CP 2020, 2025, CM 2320 MFP X-Generation Magenta® toner 75g (2,800 pages)
13282	HP CP 2020, 2025, CM 2320 MFP X-Generation Yellow® toner 22 lb (10 kg) bag
13274	HP CP 2020, 2025, CM 2320 MFP X-Generation Yellow® toner 75g (2,800 pages)
14647	HP CP 2025, CM 2320 MFP Jumbo hopper, (105gram load fill, unsealed)(sold 24/box)
14738	HP CP 2025, CM 2320 MFP Jumbo hopper, (85 gram load fill, unsealed)(sold 24/box)
14739	HP CP 2025, CM 2320 MFP waste section,(sold 24/box)

HP® CP 3505

Part #	Description
10055	HP 3800, 3600, 3000, CP 3505 X-Generation® Black toner 22 lb (10 kg) bag
10056	HP 3800, 3600, 3000, CP 3505 X-Generation® Cyan toner 22 lb (10 kg) bag
10057	HP 3800, 3600, 3000, CP 3505 X-Generation® Magenta toner 22 lb (10 kg) bag
10058	HP 3800, 3600, 3000, CP 3505 X-Generation® Yellow toner 22 lb (10 kg) bag
10052	HP 3800, CP 3505 X-Generation® Cyan toner 175g (6,000 pages)
10053	HP 3800, CP 3505 X-Generation® Magenta toner 175g (6,000 pages)
10054	HP 3800, CP 3505 X-Generation® Yellow toner 175g (6,000 pages)
11784	HP CP 3505 ASiC Smartchip® Black cartridge (6,000 pages) (under development)
11785	HP CP 3505 ASiC Smartchip® Cyan cartridge (6,000 pages) (under development)
11786	HP CP 3505 ASiC Smartchip® Magenta cartridge (6,000 pages) (under development)
11787	HP CP 3505 ASiC Smartchip® Yellow cartridge (6,000 pages) (under development)

HP® CP 3525, CM 3530

Part #	Description
14795	X-Generation Black® toner 22lb(10kg) bag for use in HP CP 3525, CM 3530 MFP
14798	X-Generation Yellow® toner 22lb(10kg) bag for use in HP CP 3525, CM 3530 MFP
14182	HP CP 3525, CM 3530 MFP ASiC Smartchip® Black (CE250A) (5,000 pages)
14702	HP CP 3525, CM 3530 MFP ASiC Smartchip® Black (CE250A) (5,000 pages) 10 pack
14480	HP CP 3525, CM 3530 MFP ASiC Smartchip® Black (CE250X) (10,500 pages)
14701	HP CP 3525, CM 3530 MFP ASiC Smartchip® Black (CE250X) (10,500 pages) 10 pack
14183	HP CP 3525, CM 3530 MFP ASiC Smartchip® Cyan (CE251A) (7,000 pages)
14703	HP CP 3525, CM 3530 MFP ASiC Smartchip® Cyan, (CE251A) (7,000 pages) 10 pack
14184	HP CP 3525, CM 3530 MFP ASiC Smartchip® Magenta (CE253A) (7,000 pages)
14704	HP CP 3525, CM 3530 MFP ASiC Smartchip® Magenta (CE253A) (7,000 pages) 10 pack
14705	HP CP 3525, CM 3530 MFP ASiC Smartchip® Yellow (CE252A) (7,000 pages) 10 pack
14185	HP CP 3525, CM 3530 MFP ASiC Smartchip® Yellow, (CE252A) (7,000 pages)
13656	HP CP 3525, CM 3530 MFP Clear Seal® adhesive, 50 pack
14282	HP CP 3525, CM 3530 MFP cover shipping protector, 10 pack
13934	HP CP 3525, CM 3530 MFP SuMMit® drum with gears
13655	HP CP 3525, CM 3530 MFP Uni Drum® with gears (under development)
14503	HP CP 3525, CM 3530 MFP wiper blade, 10 pack (under development)
13650	HP CP 3525, CM 3530 MFP X-Generation Black® toner 140g
13654	HP CP 3525, CM 3530 MFP X-Generation Black® toner 230g
13651	HP CP 3525, CM 3530 MFP X-Generation Cyan® toner 145g
13652	HP CP 3525, CM 3530 MFP X-Generation Magenta® toner 145g
13653	HP CP 3525, CM 3530 MFP X-Generation Yellow® toner 145g
14796	X-Generation Cyan® toner 22lb(10kg) bag for use in HP CP 3525, CM 3530 MFP
14797	X-Generation Magenta® toner 22lb(10kg) bag for use in HP CP 3525, CM 3530 MFP

HP® CP 4005

Part #	Description
8097	HP 4700, 4730, 4600, 4650, CP 4005 wiper blade, 10 pack
10154	HP 4700, 4730, CP 4005 doctor blade, 10 pack (under development)
11474	HP 4700, 4730, CP 4005 Quick Seal®, 50 pack
12018	HP 4700, 4730, CP 4005 SuMMiT® drum w/gears (sold in 5/pack)

10078	HP 4700, 4730, CP 4005 Uni Drum ® "F" with gears
10206	HP 4700, 4730, CP 4005 Uni Drum ® with gears
14700	HP CP 4005 ASiC Smartchip ® Yellow (7,500 pages)10 pack
14240	HP CP 4005 ASiC Smartchip ® Black (7,500 pages)
14697	HP CP 4005 ASiC Smartchip ® Black (7,500 pages)10 pack
14241	HP CP 4005 ASiC Smartchip ® Cyan (7,500 pages)
14242	HP CP 4005 ASiC Smartchip ® Magenta (7,500 pages)
14699	HP CP 4005 ASiC Smartchip ® Magenta(7,500 pages)10 pack
14243	HP CP 4005 ASiC Smartchip ® Yellow (7,500 pages)
14698	HP CP 4005 ASiC Smartchip ®Cyan (7,500 pages)10 pack
11024	HP CP 4005 X-Generation ® Black toner 200g (7,500 pages)
14420	HP CP 4005 X-Generation ® Black toner 22lb(10kg) bag
11025	HP CP 4005 X-Generation ® Cyan toner 200g (7,500 pages)
14421	HP CP 4005 X-Generation ® Cyan toner 22lb(10kg) bag
11026	HP CP 4005 X-Generation ® Magenta toner 200g (7,500 pages)
14422	HP CP 4005 X-Generation ® Magenta toner 22lb(10kg) bag
11027	HP CP 4005 X-Generation ® Yellow toner 200g (7,500 pages)
14423	HP CP 4005 X-Generation ® Yellow toner 22lb(10kgs) bag

HP® CP 6015

Part # Description

13294	HP CP 6015, CM 6030, 6040 Absolute Black® toner 22 lb (10 kg) (under development)
13295	HP CP 6015, CM 6030, 6040 Absolute Cyan® toner 22 lb (10 kg) bag (under development)
13296	HP CP 6015, CM 6030, 6040 Absolute Magenta® toner 22 lb (10 kg) bag (under development)
13297	HP CP 6015, CM 6030, 6040 Absolute Yellow® toner 22 lb (10 kg) bag (under development)
13765	HP CP 6015, CM 6030, 6040 Smartchip® Black drum (CB384A) (35,000 pages)
13300	HP CP 6015, CM 6030, 6040 Smartchip® Magenta toner (CB383A) (21,000 pages) (under development)
13301	HP CP 6015, CM 6030, 6040 Smartchip® Yellow toner (CB382A) (21,000 pages) (under development)

HP® Laserjet Color 5

Part # Description

6864	HP Color 5 Absolute Black ® toner 140g
6865	HP Color 5 Absolute Cyan ® toner 135g
6866	HP Color 5 Absolute Magenta ® toner 135g
6867	HP Color 5 Absolute Yellow ® toner 135g

HP® M 5035, M 5025

Part # Description

14799	ASiC Smartchip ® (15,000 pages) , 10 pack for use in HP M 5035, 5025
11629	HP 5200, EP 509, LBP 3500, 3900 mag roller housing end plate, 10 pack
10722	HP 5200, M 5035, 5025 Absolute Black® toner 22 lb (10 kg) bag(02-2010 formulation)
10727	HP 5200, M 5035, 5025 Clear Seal ® adhesive, 50 pack (special order)
10934	HP 5200, M 5035, 5025 Clear Seal ® foam adhesive, 50 pack
10726	HP 5200, M 5035, 5025 doctor blade, 10 pack
11152	HP 5200, M 5035, 5025 mag roller bushing set, 10 sets
11061	HP 5200, M 5035, 5025 Mag roller wipers (left & right), 10 sets
11347	HP 5200, M 5035, 5025 metal pin, 50 pack
10724	HP 5200, M 5035, 5025 Uni Drum ® with gears

- 11181 HP M 5035, 5025 Absolute Black® toner 750g (15,000 pages)
- 11182 HP M 5035, 5025 Smartchip ® (15,000 pages)

HP® MFC 3050, 3052, 3055

- | Part # | Description |
|--------|--|
| 10894 | HP 1320, 1160, 1022, 1020, 1010 Absolute Black® toner 100g |

HP® Officejet Pro K550 (Vivera)

- | Part # | Description |
|--------|---|
| 11421 | HP 88, K 550 Absolute Black ® ink for vivera C 9396, 1 liter (1 kg) |
| 11425 | HP 88, K 550 Absolute Black ® ink for vivera C 9396, 10 liter (10 kg) (special order) |
| 11422 | HP 88, K 550 Absolute Cyan ® ink for vivera C 9391, 1 liter (1 kg) |
| 11423 | HP 88, K 550 Absolute Magenta ® ink for vivera C 9392, 1 liter (1 kg) |
| 11424 | HP 88, K 550 Absolute Yellow ® ink for vivera C 9393, 1 liter (1 kg) |

HP® P 1005, 1006, 1007, 1008

- | Part # | Description |
|--------|---|
| 14233 | ASiC Smartchip® for use in HP P 1005, 1006, Canon 3018 (1,500 pages) |
| 14168 | ASiC Smartchip® for use in HP P 1505, M 1522, Canon 3250 (2,000 pages) |
| 12516 | HP P 1005, 1006 MICR ® toner TBAg (1,500 pages) No ETA (under development) |
| 13387 | HP P 1005, 1006, 1007 X-Generation® toner 80g (1,500 pages) |
| 12096 | HP P 1005, 1006, 1007 Absolute Black® toner 65g (starter cartridge) |
| 12097 | HP P 1005, 1006, 1007 Absolute Black® toner 80g (1,500 pages) |
| 12180 | HP P 1005, 1006, 1007, 1102, 1505, 1606 Mag foam, 1000 pack |
| 12338 | HP P 1005, 1006, 1007, 1102, 1505, 1606 doctor blade, 10 pack |
| 12641 | HP P 1005, 1006, 1007, 1102, 1505, 1606 Mag roller bushing-stepless, 10 sets (left & right) |
| 12630 | HP P 1005, 1006, 1007, 1102, 1505, 1606 Mag roller sealing blade, 50 pack |
| 12629 | HP P 1005, 1006, 1007, 1102, 1505, 1606 Mag roller wipers (left & right), 10 sets |
| 12704 | HP P 1005, 1006, 1007, 1102, 1505, 1606 recovery blade, 50 pack (special order) |
| 12339 | HP P 1005, 1006, 1007, 1102, 1505, 1606 wiper blade, 10 pack |
| 12179 | HP P 1005, 1006, 1007, 1102,1505, 1606 recovery blade, 100 pack |
| 12102 | HP P 1005, 1006, 1007, 1505 PCR roller, 10 pack |
| 12740 | HP P 1005, 1006, 1007, 1505, 1102, 1606 SuMMiT® drum with gears |
| 12181 | HP P 1005, 1006, 1007,1505 Mag end foam set (left & right), 500 set |
| 12099 | HP P 1005, 1006, 1007,1505 Uni Drum® drum with gears |
| 14914 | HP P 1005, 1006, 1007,1505 Uni Drum® drum with gears (6/2010 formulation) |
| 13339 | HP P 1005, 1006, 1007,1505 X-Generation® toner 22 lb (10 kg) bag |
| 14707 | HP P 1005, 1006,1007 X-Generation® toner 1kg (special order) |
| 13386 | HP P 1005, 1006,1007 X-Generation® toner 65g (starter cartridge) |
| 12631 | HP P 1005, 1006,1007, 1102, 1505, 1606 IC Clip cover, 10 pack |
| 12098 | HP P 1005, 1006,1007, 1102, 1505, 1606 Absolute Black® toner 22 lb (10 kg) bag |
| 12103 | HP P 1005, 1006,1007, 1102, 1505, 1606 Mag roller sleeve, 10 pack |
| 12628 | HP P 1005, 1006,1007, 1102,1505, 1606 exit port plug, 100 pack |
| 14364 | HP P 1005, 1006,1007, 1505 Absolute Black® toner 1 kg bottle |
| 12101 | HP P 1005, 1006,1007,1102, 1505, 1606 Clear Seal ® adhesive, 50 pack |
| 14163 | HP P 1007, 1008 ASiC Smartchip ®, 10 pack (1,500 pages) |

HP® P 1102, M 1212

Part #	Description
14837	Absolute Black ® toner 85g (1,600 pages) for use in HP P 1102, M 1212
14836	ASiC Smartchip® for use in HP P 1102, M 1212 (CE285A)(1,600 pages) 10 Pack
12180	HP P 1005, 1006, 1007, 1102, 1505, 1606 Mag foam, 1000 pack
12338	HP P 1005, 1006, 1007, 1102, 1505, 1606 doctor blade, 10 pack
12641	HP P 1005, 1006, 1007, 1102, 1505, 1606 Mag roller bushing-stepless, 10 sets (left & right)
12630	HP P 1005, 1006, 1007, 1102, 1505, 1606 Mag roller sealing blade, 50 pack
12629	HP P 1005, 1006, 1007, 1102, 1505, 1606 Mag roller wipers (left & right), 10 sets
12704	HP P 1005, 1006, 1007, 1102, 1505, 1606 recovery blade, 50 pack (special order)
12339	HP P 1005, 1006, 1007, 1102, 1505, 1606 wiper blade, 10 pack
12179	HP P 1005, 1006, 1007, 1102, 1505, 1606 recovery blade, 100 pack
12740	HP P 1005, 1006, 1007, 1505, 1102, 1606 SuMMiT® drum with gears
12631	HP P 1005, 1006, 1007, 1102, 1505, 1606 IC Clip cover, 10 pack
12098	HP P 1005, 1006, 1007, 1102, 1505, 1606 Absolute Black® toner 22 lb (10 kg) bag
12103	HP P 1005, 1006, 1007, 1102, 1505, 1606 Mag roller sleeve, 10 pack
12628	HP P 1005, 1006, 1007, 1102, 1505, 1606 exit port plug, 100 pack
12101	HP P 1005, 1006, 1007, 1102, 1505, 1606 Clear Seal ® adhesive, 50 pack

HP® P 1500, 1505

Part #	Description
14893	Absolute MICR ® toner 22lb (10kg) bag for use in HP P 1500, 1505
14894	Absolute MICR ® toner TBAg (2,000 pages) for use in HP P 1500, 1505
14168	ASiC Smartchip® for use in HP P 1505, M 1522, Canon 3250 (2,000 pages)
12180	HP P 1005, 1006, 1007, 1102, 1505, 1606 Mag foam, 1000 pack
12338	HP P 1005, 1006, 1007, 1102, 1505, 1606 doctor blade, 10 pack
12641	HP P 1005, 1006, 1007, 1102, 1505, 1606 Mag roller bushing-stepless, 10 sets (left & right)
12630	HP P 1005, 1006, 1007, 1102, 1505, 1606 Mag roller sealing blade, 50 pack
12629	HP P 1005, 1006, 1007, 1102, 1505, 1606 Mag roller wipers (left & right), 10 sets
12704	HP P 1005, 1006, 1007, 1102, 1505, 1606 recovery blade, 50 pack (special order)
12339	HP P 1005, 1006, 1007, 1102, 1505, 1606 wiper blade, 10 pack
12179	HP P 1005, 1006, 1007, 1102, 1505, 1606 recovery blade, 100 pack
12102	HP P 1005, 1006, 1007, 1505 PCR roller, 10 pack
12740	HP P 1005, 1006, 1007, 1505, 1102, 1606 SuMMiT® drum with gears
12181	HP P 1005, 1006, 1007, 1505 Mag end foam set (left & right), 500 set
12099	HP P 1005, 1006, 1007, 1505 Uni Drum® drum with gears
14914	HP P 1005, 1006, 1007, 1505 Uni Drum® drum with gears (6/2010 formulation)
12631	HP P 1005, 1006, 1007, 1102, 1505, 1606 IC Clip cover, 10 pack
12098	HP P 1005, 1006, 1007, 1102, 1505, 1606 Absolute Black® toner 22 lb (10 kg) bag
12103	HP P 1005, 1006, 1007, 1102, 1505, 1606 Mag roller sleeve, 10 pack
12628	HP P 1005, 1006, 1007, 1102, 1505, 1606 exit port plug, 100 pack
12101	HP P 1005, 1006, 1007, 1102, 1505, 1606 Clear Seal ® adhesive, 50 pack
12104	HP P 1500, 1505 Absolute Black® toner 100g (2,000 pages)
13388	HP P 1500, 1505 X-Generation® toner 100g (2,000 pages)
12705	HP P 1505 Jumbo® Hopper, xkg (special order)(under development)
12706	HP P 1505 waste section, (special order)(under development)

HP® P 1606, 1566

Part #	Description
14839	Absolute Black ® toner 110g (2,100 pages) for use in HP P 1606, 1566

14838	ASiC Smartchip® for use in HP P 1606, 1566 (CE278A)(2,100 pages) 10 Pack
12180	HP P 1005, 1006, 1007, 1102, 1505, 1606 Mag foam, 1000 pack
12338	HP P 1005, 1006, 1007, 1102, 1505, 1606 doctor blade, 10 pack
12641	HP P 1005, 1006, 1007, 1102, 1505, 1606 Mag roller bushing-stepless, 10 sets (left & right)
12630	HP P 1005, 1006, 1007, 1102, 1505, 1606 Mag roller sealing blade, 50 pack
12629	HP P 1005, 1006, 1007, 1102, 1505, 1606 Mag roller wipers (left & right), 10 sets
12704	HP P 1005, 1006, 1007, 1102, 1505, 1606 recovery blade, 50 pack (special order)
12339	HP P 1005, 1006, 1007, 1102, 1505, 1606 wiper blade, 10 pack
12179	HP P 1005, 1006, 1007, 1102,1505, 1606 recovery blade, 100 pack
12740	HP P 1005, 1006, 1007, 1505, 1102, 1606 SuMMiT® drum with gears
12631	HP P 1005, 1006,1007, 1102, 1505, 1606 IC Clip cover, 10 pack
12098	HP P 1005, 1006,1007, 1102, 1505, 1606 Absolute Black® toner 22 lb (10 kg) bag
12103	HP P 1005, 1006,1007, 1102, 1505, 1606 Mag roller sleeve, 10 pack
12628	HP P 1005, 1006,1007, 1102,1505, 1606 exit port plug, 100 pack
12101	HP P 1005, 1006,1007,1102, 1505, 1606 Clear Seal ® adhesive, 50 pack

HP® P 2015

Part #	Description
5086	HP 1320, 1160, 2015 Uni Drum ® Green with gears
7400	HP 1320, 1160, P 2015 Clear Seal ® adhesive, 50 pack
12013	HP 1320, 1160, P 2015 SuMMiT® drum w/gears, 5 pack
5088	HP 1320, 1160, P 2015, 2035, 2055 Doctor blade, 10 pack
5089	HP 1320, 1160, P 2015, 2035, 2055 Mag roller sleeve, 10 pack
7080	HP 1320, 1300, 1200, 1160, 1100, 1010, 1020, P 2015, 2035, 2055 "Soft" PCR roller, 10 pk
7094	HP 1320, 1300, 1200, 1160, P 2015 wiper blade, 10 pack
14376	HP 1320, P 2015, 2035, 2055 recovery blade, 50 pack
11151	HP 1320/ P 2015 "X" conversion hopper (special order)(sold 24/pack)
11080	HP P 2015 "Soft" PCR roller (new), 10 pack (use product # 7080)
11794	HP P 2015 Absolute Black ® toner 22 lb (10 kg) bag
11062	HP P 2015 Absolute Black® toner 140g (3,000 pages)
14729	HP P 2015 Absolute Black® toner 140g (3,000 pages)(03-2010 new formulation)
14162	HP P 2015 Absolute Black® toner 22 lb (10 kg) bag (03-2010 new formulation)
14732	HP P 2015 Absolute Black® toner 220 lb (100 kg) barrel (03-2010 new formulation)
11023	HP P 2015 Absolute Black® toner 320g (7,000 pages)
14730	HP P 2015 Absolute Black® toner 320g (7,000 pages)(03-2010 new formulation)
11114	HP P 2015 conversion kit (special order) (sold 24/pack)
11348	HP P 2015 drum bearing plate, 10 pack
11454	HP P 2015 MICR® toner 120g (special order)
12325	HP P 2015 MICR® toner 22 lb (10 kg) bag (special order)
12682	HP P 2015 MICR® toner 320g (special order)
11079	HP P 2015 Uni Drum ® Green with gears
14169	HP P 2015, M 2727 ASiC Smartchip ® High Yield, 10 pack (7,000 pages)
14174	HP P 2015, M 2727 ASiC Smartchip ® Low Yield, 10 pack (3,000 pages)

HP® P 2035, 2055

Part #	Description
14234	ASiC Smartchip® for use in HP P 2035, 2055, Canon 6300 Low yield, 10 pack (2,300 pages)
14235	ASiC Smartchip® for use in HP P 2055, Canon 6300 High yield, 10 pack (6,500 pages)
5088	HP 1320, 1160, P 2015, 2035, 2055 Doctor blade, 10 pack
5089	HP 1320, 1160, P 2015, 2035, 2055 Mag roller sleeve, 10 pack

7080	HP 1320, 1300, 1200, 1160, 1100, 1010, 1020, P 2015, 2035, 2055 "Soft" PCR roller, 10 pk
14376	HP 1320, P 2015, 2035, 2055 recovery blade, 50 pack
14015	HP P 2035, 2055 Absolute Black ® toner 120g (2,300 pages) (09/2009 formula)
14016	HP P 2035, 2055 Absolute Black ® toner 176 lb (80 kg) (09/2009 formula)
14104	HP P 2035, 2055 Absolute Black ® toner 22 lb (10 kg) (09/2009 formula)
14014	HP P 2035, 2055 Absolute Black ® toner 290g (6,500 pages) (09/2009 formula)
14111	HP P 2035, 2055 Absolute MICR ® toner 130g (2,300 pages)
14112	HP P 2035, 2055 Absolute MICR ® toner 330g (6,500 pages)
13908	HP P 2035, 2055 left end cap, 10 pack (special order)
14371	HP P 2035, 2055 Mag roller sealing blade, 50 pack
13909	HP P 2035, 2055 right end cap, 10 pack (special order)
13827	HP P 2035, 2055 SuMMit® drum with contact hub (sold 5/box)
14013	HP P 2035, 2055 SuMMit® drum with contact hub and drive gear insert (sold 5/box)
13535	HP P 2035, 2055 Uni Drum® with contact hub and drive gear insert (sold 5/box)
13373	HP P 2035, 2055 wiper blade, 10 pack
13910	HP P 2055 'X' version high yield toner hopper (unsealed) (24/pack) (special order)
13911	HP P 2055 'X' version high yield toner hopper (with seal) (24/pack) (special order)
13906	HP P 2055 Jumbo® hopper (unseal) (sold 24/box) (special order)
13907	HP P 2055 Jumbo® hopper (with seal) (special order)

HP® P 3005, M 3027, M 3035

Part #	Description
7727	HP 2100, 2200, 2300, 2400, 2420, P 3005, 3015, M 3035, 3027 wiper blade, 10 pack
9141	HP 2400, 2420, 2430, P 3005 Hopper 500g toner capacity (sold 24 pack)(special order)
9246	HP 2400, 2420, 2430, P 3005 Hopper 800g Jumbo® toner capacity (sold 24 pack)(special order)
10189	HP 2400, 2420, 2430, P 3005, 3015, M 3035, 3027 doctor blade, 10 pack
12002	HP 2400, 2420, 2430, P 3005, 3027, 3035 SuMMit® drum w/gears, 5 pack
8981	HP 2400, 2420, 2430, P 3005, 3027, 3035 Uni Drum ® Green with gears
9754	HP 2400, 2420, 3005, P 3015 Clear Seal ® adhesive, 50 pack
6497	HP 4000, 4100, 4200, 4300, 2100, 2300, 2400, P 3005, 3015, 4014, 4515 "Soft" PCR roller, 10 pack
11077	HP 4200, 4250, 4300, 4350, 4345, P 3005 wiper blade sealing foam, 100 pack
14178	HP P 3005 ASiC Smartchip ® High Yield (13, 000 pages), 10 pack
14179	HP P 3005 ASiC Smartchip ® Low Yield (6, 500 pages), 10 pack
11455	HP P 3005 MICR ® toner 350g (special order)
11367	HP P 3005, M 3027, 3035 Absolute Black® toner 22 lb (10 kg) bag
13568	HP P 3005, M 3027, 3035 Absolute Black® toner 220 lb (100 kg) barrel
11020	HP P 3005, M 3027, 3035 Absolute Black® toner 305g (6,500 pages)
11021	HP P 3005, M 3027, 3035 Absolute Black® toner 610g (13,000 pages)
11074	HP P 3005, M 3027, 3035 from HP 2420 conversion kit waste hopper (sold 24/pack)(special order)
11602	HP P 3005, M 3027, 3035 MICR ® toner 22 lb (10 kg) bag (special order)
11603	HP P 3005, M 3027, 3035 MICR ® toner 600g (13,000 pages)

HP® P 3015, 3016

Part #	Description
7727	HP 2100, 2200, 2300, 2400, 2420, P 3005, 3015, M 3035, 3027 wiper blade, 10 pack
10189	HP 2400, 2420, 2430, P 3005, 3015, M 3035, 3027 doctor blade, 10 pack
11358	HP 2400, 2420, 2430, P 3015 Mag roller sealing blade, 100 pack
11339	HP 2400, 2420, 2430, P 3015 Mag roller wipers (Left & Right), 10 sets
4979	HP 2400, 2420, 2430, P 3015 universal seal clip, 100 pack
9754	HP 2400, 2420, 3005, P 3015 Clear Seal ® adhesive, 50 pack

7097	HP 4000, 4100, 2300, 2100, P 3015 BLACK Mag roller sleeve, 10 pack (High density coating)
10064	HP 4000, 4100, 2400, 2300, P 3015 mag roller contact hub 100 pack (special order)
5898	HP 4000, 4100, 2420, 2400, 2300, 2100, P 3015 Mag roller bushing (left & right), 100 sets
6497	HP 4000, 4100, 4200, 4300, 2100, 2300, 2400, P 3005, 3015, 4014, 4515 "Soft" PCR roller, 10 pack
4904	HP 4000, P 3015, SX, EX universal metal cartridge clip 4 mm, 1000 pack
14645	HP P 3015 Absolute MICR® toner 325g
14643	HP P 3015 Absolute MICR® toner, 22lb(10kg) bag
14644	HP P 3015 Absolute MICR® toner, 590g
14438	HP P 3015 Absolute Black® toner 22 lb (10 kg) bag
14440	HP P 3015 Absolute Black® toner 220 lb (100 kg) barrel
14434	HP P 3015 Absolute Black® toner 295g (6,000 pages)
14435	HP P 3015 Absolute Black® toner 590g (12,500 pages)
14436	HP P 3015 ASiC Smartchip® (12,500 pages), 10 pack
14437	HP P 3015 ASiC Smartchip® (6,000 pages), 10 pack
14562	HP P 3015 Jumbo Hopper with seal (sold 24/box)(END CAP w/gear required)
14563	HP P 3015 Right End cap with gear, 10 pack
14451	HP P 3015 SuMMiT® OPC drum (sold 5/pack)
14450	HP P 3015 Uni Drum® OPC drum (under development)

HP® P 4014, 4015, 4515

Part #	Description
6497	HP 4000, 4100, 4200, 4300, 2100, 2300, 2400, P 3005, 3015, 4014, 4515 "Soft" PCR roller, 10 pack
8715	HP 4014, 4015, 4200, 4250, 4300, 4345, 4350, 4515, 9000 fill plug cap, 10 pack
13692	HP P 4014, 4015, 4515 "F" OPC drum with gears (sold 50/box)(special order)
13899	HP P 4014, 4015, 4515 'X' version high yield toner hopper (with seal) (sold 24/pack)
13898	HP P 4014, 4015, 4515 'X' version high yield toner hopper, unsealed (sold 24 p/pack)
13142	HP P 4014, 4015, 4515 Absolute Black® toner 22 lb (10 kg) bag (9/09 formulation)
13632	HP P 4014, 4015, 4515 Absolute Black® toner 220 lb (100 kg) barrel (09/09 formulation)
13721	HP P 4014, 4015, 4515 Absolute Black® toner 465g (09/09 formulation)
13720	HP P 4014, 4015, 4515 Absolute Black® toner 760g (09/09 formulation)
14181	HP P 4014, 4015, 4515 ASiC Smartchip® Low Yield, 10 pack (10,000 pages)
13901	HP P 4014, 4015, 4515 bottom metal clip, 100 pack (special order)
13260	HP P 4014, 4015, 4515 doctor blade, 10 pack
13902	HP P 4014, 4015, 4515 Jumbo® toner hopper top (sold 24 p/pack) (special order)
13075	HP P 4014, 4015, 4515 mag roller sealing blade 50 pack
13143	HP P 4014, 4015, 4515 Mag roller sleeve (NO HUB), 10 pack (special order)
13146	HP P 4014, 4015, 4515 Mag roller wipers, 10 sets
13507	HP P 4014, 4015, 4515 MICR® toner 1100g
13506	HP P 4014, 4015, 4515 MICR® toner 22 lb (10 kg) bag (special order)
13505	HP P 4014, 4015, 4515 MICR® toner 550g
13259	HP P 4014, 4015, 4515 plastic seal, 50 pack (with double sided tape)
13074	HP P 4014, 4015, 4515 recovery blade 50 pack
13076	HP P 4014, 4015, 4515 retaining blade 50 pack
13177	HP P 4014, 4015, 4515 shipping lock, 10 pack
13145	HP P 4014, 4015, 4515 SuMMiT® OPC drum with gears, 5 pack
13900	HP P 4014, 4015, 4515 top metal clip, 100 pack
13144	HP P 4014, 4015, 4515 UniDrum® OPC drum with gears
14115	HP P 4014, 4015, 4515, 4100 wiper blade, 10 pack (8/2009 formulation)
13771	HP P 4015, 4515 Absolute Black® toner 1065g (09/09 formulation)
14180	HP P 4015, 4515 ASiC Smartchip® High Yield, 10 pack (24,000 pages)
13905	HP P 4015, 4515 Jumbo® toner hopper (sealed) (special order)

- 13904 HP P 4015, 4515 Jumbo® toner hopper (unsealed) (special order)
- 13903 HP P 4015, 4515 Jumbo® toner hopper top (special order)

IBM® 3130

- | Part # | Description |
|---------------|--|
| 6028 | IBM 3130 Absolute Black® toner 22 lb (10 kg) bag |

IBM® 3930

- | Part # | Description |
|---------------|--|
| 7587 | IBM 3900 developer 2 x 7.7 lb compatible cartridge (special order) |

IBM® 4000

- | Part # | Description |
|---------------|---|
| 7589 | Samsung ML 1750, 1740, 1710 doctor blade w/ sponge, 10 pack |

IBM® 4019, 4029

- | Part # | Description |
|---------------|---|
| 300 | IBM 4019 Absolute Black® toner 300g |
| 301 | IBM 4019 Absolute Black® toner 400g |
| 5533 | IBM 4019 Absolute Black® toner, 22 lb. (10 kg) bag |
| 304 | IBM 4019 Uni Drum ® "S" w/gear (special order) |
| 305 | IBM 4019 wand, 10 pack |
| 310 | IBM 4019, 4029, Lexmark 4039, 4049 wiper blade, 10 pack |
| 303 | IBM 4019, 4039 MICR ® (for checks) toner 300g |
| 6058 | IBM 4019, 4039, 4037, 4312, 4317 OPC shutter door felt, 100 pack |
| 309 | Lexmark 4019, 4039, 4049 Inner & Outer retaining blade set, 50 set pack |
| 8219 | Lexmark 4059, Optra T 420, 520, 610, 620, 630 Doctor Bar, 10 pack |
| 6140 | Lexmark 4059, T 420, 430, 520, 610, 620, 630 Shim washer, 100 pack |

IBM® 4312

- | Part # | Description |
|---------------|--|
| 6058 | IBM 4019, 4039, 4037, 4312, 4317 OPC shutter door felt, 100 pack |
| 334 | IBM 4312 Absolute Black® toner 280g |
| 8250 | IBM 4312 Clear Seal ® OEM style adhesive, 50 pack |
| 7744 | IBM 4312 Doctor blade, 10 pack |
| 4884 | IBM 4312 Mag roller felt, 100 pack |
| 4881 | IBM 4312 recovery blade, 25 pack (special order) |
| 336 | IBM 4312 Uni Drum ® "S" w/gears |
| 338 | IBM 4312 wiper blade (sold in 10 pack) |

IBM® 4317

- | Part # | Description |
|---------------|--|
| 6058 | IBM 4019, 4039, 4037, 4312, 4317 OPC shutter door felt, 100 pack |
| 339 | IBM 4317 Absolute Black® toner 400g |
| 340 | IBM 4317 Absolute Black® toner, 22 lb (10 kg) bag (sold 2/box) |

7745	IBM 4317 Doctor blade, 10 pack
7477	IBM 4317 Mag roller felt, 100 pack
342	IBM 4317 PCR (recoated) roller, 10 pack
6100	IBM 4317 Uni Drum ® "S" with gears & insert
7746	IBM 4317 wiper blade, 10 pack

IBM® 4320

Part #	Description
6325	IBM 4320 Absolute Black® toner 22 lb (10 kg) bag (min. order 2)
5562	IBM 4320 Absolute Black® toner 280g (use 2 per cartridge)
7479	IBM 4320 Clear Seal ® adhesive, 10 pack
7480	IBM 4320 wiper blade, 10 pack

IBM® Infoprint 1116

Part #	Description
11034	IBM Infoprint 1116 Smartchip ®
9899	Lexmark Optra E 220, 320, 321, 322, 323 Doctor bar, 10 pack
7912	Lexmark Optra E 220, 320, 321, 322, 323 Uni Drum ® OEM style with gears
5017	Lexmark Optra E 220, 320, 322 wiper blade, 10 pack
10839	Lexmark Optra E 320, 321, 322 developer roller, 10 pack (special order)
8255	Lexmark Optra E 320, 321, 322, 323, 220 shipping lock, 10 pack
7910	Lexmark Optra E 320, 322 Absolute Black® toner 165g (6,000 pages)(special order)
8166	Lexmark Optra E 320, 322 Absolute Black® toner 22 lb (10 kg) bag
7909	Lexmark Optra E 320, 322 Absolute Black® toner 85g (3,000 pages)
8610	Lexmark Optra E 320, 322 MICR ® (for checks) toner 150g (under development)

IBM® Infoprint 1120, 1125, 1130, 1140

Part #	Description
5110	Lexmark T/X 646, 640, 630 Superchip® Universal Extra High Yield (Worldwide)
5109	Lexmark T/X 646, 640, 630, 620, 520 Superchip® Universal High Yield (Worldwide)
5318	Source Technologies IBM 1125, 1120 Smartchip MICR (15,000 pages) (Worldwide)
5060	Source Technologies IBM 1130, 1140 MICR Smartchip ® (special order)

IBM® Infoprint 1145

Part #	Description
12261	IBM Infoprint 1145 Absolute Black ® toner 1025g
12263	IBM Infoprint 1145 Absolute Black ® toner 22 lb (10 kg) bag
12277	IBM Infoprint 1145 drum with gears & insert
8277	IBM Infoprint 1145 Smartchip ® with housing

IBM® Infoprint 12

Part #	Description
7685	IBM Infoprint 12 Absolute Black® toner 200g
7686	IBM Infoprint 12 Absolute Black® toner, 22 lb (10 kg) bag (sold 2/box)
8854	IBM Infoprint 12 Clear Seal adhesive, 50 pack
7687	IBM Infoprint 12 Uni Drum ® "S" with gears

8869 IBM Infoprint 12 wiper blade, 10 pack

IBM® Infoprint 1222

Part # Description

5211 Lexmark T 420 Smartchip® MICR (8,000 pages) (Worldwide)
 13453 Lexmark T 420 Superchip® Universal (10,000 pages)(Worldwide)
 11857 Lexmark T 420, 430, X 422 developer roller, 10 pack (under final test)(special order)
 9395 Lexmark T 420, 430, X 422, IBM 1422 Uni Drum® Green with gears
 8396 Lexmark T 420, 430, X 422, IBM 1422 wiper blade, 10 pack
 8394 Lexmark T 420, X 422 Absolute Black® toner 22 lb (10 kg) bag
 8393 Lexmark T 420, X 422 Absolute Black® toner 255g (10,000 pages)
 6008 Lexmark T 420, X 422 shipping lock, 10 pack

IBM® Infoprint 1226

Part # Description

9154 IBM Infoprint 1226 Absolute Black® toner 500g
 11899 IBM Infoprint 1226 Clear Seal® adhesive, 50 pack
 11897 IBM Infoprint 1226 doctor blade, 10 pack
 11898 IBM Infoprint 1226 Mag roller sleeve, 10 pack
 11088 IBM Infoprint 1226 Smartchip® (under development)
 11895 IBM Infoprint 1226 Uni Drum® with gears
 11896 IBM Infoprint 1226 wiper blade, 10 pack

IBM® Infoprint 1228, 1357

Part # Description

10657 IBM Infoprint 1228, 1357 (see Lexmark Optra C 910)

IBM® Infoprint 1312

Part # Description

14129 Lexmark Optra E 321 Smartchip® MICR (3,250 pages) (Worldwide)

IBM® Infoprint 1332, 1352, 1372

Part # Description

9744 Lexmark T 630, 632, 634 Absolute MICR® toner 410g (use 2 p/cartridge)
 5110 Lexmark T/X 646, 640, 630 Superchip® Universal Extra High Yield (Worldwide)
 5109 Lexmark T/X 646, 640, 630, 620, 520 Superchip® Universal High Yield (Worldwide)
 5067 Source Tech 9325, 9335, 9340, T 630, 632, 634 Smartchip® MICR (15,000 pages) (Worldwide)

IBM® Infoprint 1410

Part # Description

7536 Lexmark X 422 Superchip® Universal (12,000 pages) (Worldwide)

IBM® Infoprint 1412, 1512

Part # Description

9898	Lexmark E 230, 232, 238, 250, 260, 330, 332, 340, 350, 360, 450, 460 wiper blade, 10 pack
9621	Lexmark E 230, 232, 238, 250, 330, 332, 340, 350, 450 Developer roller, 10 pack
9897	Lexmark E 230, 232, 238, 250, 330, 332, 340, 350, 450 Doctor bar, 10 pack (Dell 1700)
5922	Lexmark E 230, 232, 238, 250, 330, 332, 340, 350, 450 PCR, 10 pack (Dell 1700, IBM 1412)
9616	Lexmark E 230, 232, 238, 250, 330, 332, 340, 350, 450 shipping lock, 10 pack (Dell 1700, IBM 1412)
12021	Lexmark E 230, 232, 238, 250, 330, 332, 340, 350, 450 SuMMiT®, 5 pack drum w/gears (Dell 1700)
10392	Lexmark E 230, 232, 238, 250, 330, 332, 340, 350, 450 supply roller, 20 pack (Dell P 1700)
9255	Lexmark E 230, 232, 238, 250, 330, 332, 340, 350, 450 Uni Drum ® "F" w/gears (Dell 1700)
5563	Lexmark E 230, 232, 238, 250, 330, 332, 340, 350, 450 Uni Drum ® Green w/gears (Dell 1700)
9254	Lexmark E 230, 232, 238, 330, 332, 340 Absolute Black® toner 22 lb (10 kg) bag
9253	Lexmark E 230, 232, 238, 330, 332, 340 Absolute Black® toner 75g (2,500 pages)
9295	Lexmark E 230, 232, 238, 330, 332, 340, Dell 1700 Absolute Black® toner 185g (6,000 pages)
11356	Lexmark E 330, (Dell 1700) recovery blade, 100 pack (special order)
14132	Lexmark E 330, 340 Smartchip ® MICR (4,700 pages) (Worldwide)
13435	Lexmark E/X 230, 232, 240, 330, 332, 340, 342, 203, 204 Superchip Universal (2,500 pages)(Worldwide)

IBM® Infoprint 1422

Part # Description

9395	Lexmark T 420, 430, X 422, IBM 1422 Uni Drum ® Green with gears
8396	Lexmark T 420, 430, X 422, IBM 1422 wiper blade, 10 pack
13456	Lexmark T 430 Superchip ® Universal (12,000 pages) (Worldwide)
9625	Lexmark T 430, X 422, IBM 1422 Absolute Black® toner 155g (6,000 pages)
10780	Lexmark T 430, X 422, IBM 1422 Absolute Black® toner 22 lb (10kg) bag
9623	Lexmark T 430, X 422, IBM 1422 Absolute Black® toner 325g (12,000 pages)

IBM® Infoprint 1532, 1552

Part # Description

9765	Lexmark T 630, 620, 610, 520, 4059 wiper blade w/ PCR cleaning (Plastic), 10 pack
7747	Lexmark T 640, 630, 620, 610, 520, 4059, Optra S wiper blade, 10 pack
14566	Lexmark T 640, 642, 644 Absolute Black® toner 1kg (special order)
8465	Lexmark T 640, 642, 644 Absolute Black® toner 22 lb (10 kg) bag
7430	Lexmark T 640, 642, 644 Absolute Black® toner 610g (21,000 pages)
8464	Lexmark T 640, 642, 644 Absolute Black® toner 920g (32,000 pages)
12342	Lexmark T 640, 642, 644 developer roller cover, 10 pack
7000	Lexmark T 640, 642, 644 developer roller, 10 pack
10216	Lexmark T 640, 642, 644 doctor bar, 10 pack
10079	Lexmark T 640, 642, 644 shipping lock, 10 pack
9247	Lexmark T 640, 642, 644 wiper blade, 10 pack
13855	Lexmark T 640, 642, 644 X-Generation Black® toner 22 lb (10 kg) bag
13853	Lexmark T 640, 642, 644 X-Generation Black® toner 610g (21,000 pages)
13854	Lexmark T 640, 642, 644 X-Generation Black® toner 920g (32,000 pages)
5109	Lexmark T/X 646, 640, 630, 620, 520 Superchip® Universal High Yield (Worldwide)

IBM® Infoprint 1532, 1552, 1572

Part # Description

5110	Lexmark T/X 646, 640, 630 Superchip® Universal Extra High Yield (Worldwide)
------	---

IBM® Infoprint 1567

Part #	Description
10665	IBM Infoprint 1567 (see Lexmark Optra C 920)

IBM® Infoprint 1570, 1572, 1650

Part #	Description
5110	Lexmark T/X 646, 640, 630 Superchip® Universal Extra High Yield (Worldwide)
5109	Lexmark T/X 646, 640, 630, 620, 520 Superchip® Universal High Yield (Worldwide)

IBM® Infoprint 1585

Part #	Description
14473	IBM Infoprint 1585 Absolute Black® developer for drum unit (75P6878) (60,000 pages)
14469	IBM Infoprint 1585 Absolute Black® toner 650g
14557	IBM Infoprint 1585 developer unit seal, 50 pack
14471	IBM Infoprint 1585 Smartchip® drum unit (75P6878) (60,000 pages)(under final test)
14470	IBM Infoprint 1585 Smartchip® toner (75P6877) (30,000 pages)
14472	IBM Infoprint 1585 Uni Drum® OPC with gears (75P6878) (60,000 pages)
14474	IBM Infoprint 1585 wiper blade, 10 pack (75P6878) (60,000 pages)

IBM® Infoprint 1601, 1602, 1612, 1622

Part #	Description
13457	Lexmark E 450, 350, 250 Superchip ® Universal (11,000 pages) (Worldwide)
14128	Lexmark E 450, 350, 250 Superchip ® Universal (3,500 pages) (Worldwide)
14127	Lexmark E 450, 350, 250 Superchip ® Universal (6,000 pages) (Worldwide)
14126	Lexmark E 450, 350, 250 Superchip ® Universal (9,000 pages) (Worldwide)

IBM® Infoprint 1620, 1612

Part #	Description
11126	Lexmark E 250, 350, 352 Absolute Black® toner 22 lb (10 kg) bag
11125	Lexmark E 250, 350, 352 Absolute Black® toner 95g (3,500 pages)
11143	Lexmark E 250, 350, 352 developer roller, 10 pack
11145	Lexmark E 250, 350, 352 doctor bar sealing, 10 pack (under development)
11144	Lexmark E 250, 350, 352 doctor bar, 10 pack
11142	Lexmark E 250, 350, 352 PCR "soft" roller, 10 pack
11127	Lexmark E 250, 350, 352 Uni Drum ® with gears
11128	Lexmark E 350, 352 Absolute Black® toner 230g (9,000 pages)

IBM® Infoprint 20, 24

Part #	Description
5355	IBM Infoprint 20 Absolute Black® toner 290g (use 2 per cartridge)
6081	IBM Infoprint 20 Absolute Black® toner, 22 lb (10 Kg) bag
8279	IBM Infoprint 20 BLACK Mag roller sleeve, 10 pack
8310	IBM Infoprint 20 Clear Seal ® adhesive, 50 pack
6468	IBM Infoprint 20 Uni Drum ® with gears (special order)
6343	IBM Infoprint 20 wiper blade, 10 pack

IBM® Infoprint 21

Part #	Description
7012	IBM Infoprint 21 Absolute Black® toner 400g
7488	IBM Infoprint 21 drum with insert & gears
7579	IBM Infoprint 21 MICR® toner 300g
6637	IBM Infoprint 21 wiper blade, 10 pack

IBM® Infoprint 22

Part #	Description
6105	IBM Infoprint 22 toner 500g (under development)

IBM® Infoprint 32

Part #	Description
5776	IBM Infoprint 24, 32, 40, 4332 Smartchip® with housing, 10 pack
5354	IBM Infoprint 32 Absolute Black® toner 1025g
6176	IBM Infoprint 32 doctor blade, 10 pack
6178	IBM Infoprint 32 Uni Drum® "F" with gears & insert
6177	IBM Infoprint 32 wiper blade, 10 pack
5821	IBM Infoprint N 24, N 32, N40 Absolue Black® toner, 22lb (10 Kg) bag
5908	IBM InfoPrint N 32 PCR roller (new), 10 pack
6355	IBM Infoprint N 32 MICR® (for checks) toner 500g

IBM® Infoprint Color 1534, 1614, 1634

Part #	Description
14068	IBM Infoprint Color 534, 1614, 1634 (see Lexmark C 520, 522, 530, 532, 534)
10171	Lexmark C 520, 522, 524, 530, 532, 534 Absolute Black® toner 155g (4,000 pages)
13011	Lexmark C 520, 522, 524, 530, 532, 534 Absolute Black® toner 22 lb (10 kg) bag
10585	Lexmark C 520, 522, 524, 530, 532, 534 Absolute Black® toner 310g (8,000 pages)
10172	Lexmark C 520, 522, 524, 530, 532, 534 Absolute Cyan® toner 120g (3,000 pages)
10586	Lexmark C 520, 522, 524, 530, 532, 534 Absolute Cyan® toner 205g (5,000 pages)
13012	Lexmark C 520, 522, 524, 530, 532, 534 Absolute Cyan® toner 22 lb (10 kg) bag
10173	Lexmark C 520, 522, 524, 530, 532, 534 Absolute Magenta® toner 120g (3,000 pages)
10587	Lexmark C 520, 522, 524, 530, 532, 534 Absolute Magenta® toner 205g (5,000 pages)
13013	Lexmark C 520, 522, 524, 530, 532, 534 Absolute Magenta® toner 22 lb (10 kg) bag
10174	Lexmark C 520, 522, 524, 530, 532, 534 Absolute Yellow® toner 120g (3,000 pages)
10588	Lexmark C 520, 522, 524, 530, 532, 534 Absolute Yellow® toner 205g (5,000 pages)
13014	Lexmark C 520, 522, 524, 530, 532, 534 Absolute Yellow® toner 22 lb (10 kg) bag
14120	Lexmark C 520, 522, 524, 530, 532, 534 developer roller cover, 10 pack
11626	Lexmark C 520, 522, 524, 530, 532, 534 seal toner hopper fill plug, 100 pack
11807	Lexmark C 520, 522, 524, 530, 532, 534 Smartchip® Black (4,000 pages)
10985	Lexmark C 520, 522, 524, 530, 532, 534 Smartchip® Black (8,000 pages)
11808	Lexmark C 520, 522, 524, 530, 532, 534 Smartchip® Cyan (3,000 pages)
10986	Lexmark C 520, 522, 524, 530, 532, 534 Smartchip® Cyan (5,000 pages)
11309	Lexmark C 520, 522, 524, 530, 532, 534 Smartchip® Cyan (7,000 pages)
11809	Lexmark C 520, 522, 524, 530, 532, 534 Smartchip® Magenta (3,000 pages)
10987	Lexmark C 520, 522, 524, 530, 532, 534 Smartchip® Magenta (5,000 pages)
11310	Lexmark C 520, 522, 524, 530, 532, 534 Smartchip® Magenta (7,000 pages)

11810	Lexmark C 520, 522, 524, 530, 532, 534 Smartchip ® Yellow (3,000 pages)
10988	Lexmark C 520, 522, 524, 530, 532, 534 Smartchip ® Yellow (5,000 pages)
11311	Lexmark C 520, 522, 524, 530, 532, 534 Smartchip ® Yellow (7,000 pages)
10175	Lexmark C 520, 522, 524, 530, 532, 534 Uni Drum ® gearless (under development)(special order)
12725	Lexmark C 520, 522, 524, 530, 532, 534 X-Generation ® Black toner 22 lb (10 kg) bag
12726	Lexmark C 520, 522, 524, 530, 532, 534 X-Generation ® Cyan toner 22 lb (10kg) bag
12727	Lexmark C 520, 522, 524, 530, 532, 534 X-Generation ® Magenta toner 22 lb (10 kg) bag
12728	Lexmark C 520, 522, 524, 530, 532, 534 X-Generation ® Yellow toner 22 lb (10kg) bag
11302	Lexmark C 520, 530 Smartchip ® Black (1,500 pages) (No toner low reading)
11303	Lexmark C 520, 530 Smartchip ® Cyan (1,500 pages) (No toner low reading)
11304	Lexmark C 520, 530 Smartchip ® Magenta (1,500 pages) (No toner low reading)
11305	Lexmark C 520, 530 Smartchip ® Yellow (1,500 pages) (No toner low reading)

Konica® 7040, 7045

Part # Description

12301	Konica® 7040,7045 Absolute Black toner, 22lbs(10kgs) bag (special order)
-------	--

Konica® 7050, 7060, 7150, 7160

Part # Description

12300	Konica® 7055, 7060, 7065, 7150 Absolute Black toner, 22lbs (10kg) bag (special order)
-------	---

Konica® 7415

Part # Description

11637	Minolta Di 151, 7415 Absolute Black® toner 245g (under final test)
11638	Minolta Di 151, 7415 Uni Drum ® with gears (under final test)

Konica® 7416

Part # Description

10939	Minolta Di 1610 Smartchip ® (special order)
10938	Minolta Di 1610, 7416 Absolute Black® toner 150g (5,000 pages)
10940	Minolta Di 1610, 7416 Uni Drum ® with gears

Konica® Bizhub 360, 420, 500

Part # Description

11619	Minolta Bizhub 420, 500 Absolute Black ® compatible toner cartridge 676g (special order)
-------	--

Konica® Bizhub 600, 750

Part # Description

13094	Minolta Bizhub 600, 750 Absolute Black ® compatible toner cartridge 1160g (sold 8/box)
11620	Minolta Bizhub 600, 750 Absolute Black ® compatible toner cartridge 1360g (special order)

Konica® Bizhub 920

Part # Description

11621	Minolta Bizhub 920 Absolute Black ® compatible toner cartridge 1570g (special order)
-------	--

Kyocera Mita® TK 675, 677, KM-2540,2560,3040,3060

Part #	Description
13533	Kyocera® KM 2540,2560,3040,3060 compatible toner cartridge, 1170g (special order)

Kyocera® FS-4020, TK 360, 362, 364

Part #	Description
14641	Kyocera TK 360, 362, 364, FS 4020 Absolute Black toner® 22 lb (10kg) bag
14536	Kyocera TK 360, 362, 364, FS 4020 Absolute Black toner® 760g
14735	Kyocera TK 360, 362, 364, FS 4020 empty toner cartridge (special order)
14802	Kyocera TK 360, FS 4020 compatible toner cartridge (special order)
14522	Kyocera TK 360, FS 4020 Smartchip (20, 000 pages)

Kyocera® KM 3050, 4050, 5050

Part #	Description
13092	Kyocera KM 3050, 4050, 5050, TK 717 compatible toner cartridge (USA) (special order)

Kyocera® KM F1060, TD 47

Part #	Description
13375	Kyocera KM F 1060, TD-47 Absolute Black® toner 170g (5,000 pages)
13376	Kyocera KM F 1060, TD-47 hopper fill plug, 100 pack
13377	Kyocera KM F 1060, TD-47 Uni Drum ® with gears

Kyocera® KM-1505, 1510, 1810

Part #	Description
13519	Kyocera KM 1505, 1510, 1810 Absolute Black ® toner 22lb(10kg) bag (special order)
11650	Kyocera KM 1505, 1510, 1810 Absolute Black ® toner 300g
5249	Kyocera KM 1505, 1510, 1810 compatible toner cartridge (sold 10/box)(special order)

Kyocera® KM-1525, 1530, 2030

Part #	Description
11651	Kyocera KM 1525, 1530, 1570, 2030, 2070 Absolute Black® toner 450g (special order)
5074	Kyocera KM 1525, 1530, 1570, 2030, 2070 compatible toner cartridge (sold 24/box)(special order)
10257	Kyocera KM 1525, 1530, 1570, 2030, 2070 toner 22 lb (10 kg) bag (special order)
12358	Kyocera KM 1525, 1530, 1570, 2030, 2070 Uni Drum ® with gears (special order)

Kyocera® KM-Ai 2310

Part #	Description
11653	Kyocera KM Ai 2310, 3010 Absolute Black® toner 315g
5079	Kyocera KM Ai 2310, 3010 compatible toner cartridge (special order)

Kyocera® KM-Ai 6060

Part #	Description
--------	-------------

10009 Kyocera KM Ai 6060, 5555 compatible toner cartridge , 4 pack (special order)

Kyocera® KM-C 2230

Part # Description

9795 Kyocera KM C 2230 Black compatible toner cartridge (special order)
 9796 Kyocera KM C 2230 Cyan compatible toner cartridge (special order)
 9797 Kyocera KM C 2230 Magenta compatible toner cartridge (special order)
 9798 Kyocera KM C 2230 Yellow compatible toner cartridge (special order)

Kyocera® TK 350, 352, 354, FS 3920

Part # Description

14808 Absolute Black toner® 22lb(10kg) bag for use in Kyocera TK 350, 352, FS 3920
 14586 Kyocera TK 350, 352, FS 3920 Absolute Black toner® 560g

Kyocera® TK 420, 421, KM 2550

Part # Description

10300 Kyocera TK 420, 421, 410, 411, KM 1620, 1650, 2020, 2050 compatible toner cartridge (special order)
 11770 Kyocera TK 420, 421, KM 2550 Absolute Black® toner 870g

Kyocera® TK-100, KM-1500, 1815

Part # Description

7047 Kyocera TK 100, KM 1500, 1815 compatible toner cartridge (special order)
 12049 Kyocera® Mita KM 1500, 1815, drum gearless (special order)
 8287 Kyocera® TK 100, KM 1500, 1815 Absolute Black® toner 22 lb (10 kg) bag
 8075 Kyocera® TK 100, KM 1500, 1815 Absolute Black® toner 295g

Kyocera® TK-112, 110, FS 720, 820

Part # Description

9115 Kyocera TK 112, 110, FS 720, 820, 1016 Absolute Black® toner 115g (3,000 pages)
 9976 Kyocera TK 112, 110, FS 720, 820, 1016 Absolute Black® toner 22 lb (10 kg) bag
 9975 Kyocera TK 112, 110, FS 720, 820, 1016 Absolute Black® toner 225g (6,000 pages)
 9630 Kyocera TK 112, 110, FS 720, 820, 1016 compatible toner cartridge (6,000 pages)(special order)

Kyocera® TK-122, 120, FS 1030

Part # Description

10290 Kyocera TK 122, 120 FS 1030 Absolute Black® toner 22 lb (10 kg) bag
 10289 Kyocera TK 122, 120 FS 1030 Absolute Black® toner 300g
 10420 Kyocera TK 122, 120 FS 1030 compatible toner cartridge (special order)

Kyocera® TK-132, 130, FS 1300

Part # Description

14366 Kyocera TK 130 FS 1300, compatible toner cartridge (7,200 pages) (sold 10/box)
 12686 Kyocera TK 130, FS 1300 Smartchip® (7,200 pages) (Europe) (special order)
 12616 Kyocera TK 132, 130 FS 1300, 1350 Absolute Black® toner 310g (7,200 pages)

12617 Kyocera TK 132, 130, 140, 142, FS 1100, 1300, 1350 Absolute Black® toner 22 lb (10 kg) bag

Kyocera® TK-142, 140, FS 1100

Part # Description

12617 Kyocera TK 132, 130, 140, 142, FS 1100, 1300, 1350 Absolute Black® toner 22 lb (10 kg) bag
 12687 Kyocera TK 140 FS 1100 Smartchip® (4,000 pages) (Europe) (special order)
 14103 Kyocera TK 140, 142 FS 1100 compatible toner cartridge (4,000 pages) (sold 10/box)
 12614 Kyocera TK 142, 140 FS 1100 Absolute Black® toner 170g (4,000 pages)

Kyocera® TK-152, 150, FS-C1020MFP

Part # Description

14760 Absolute Black® toner 200g (6,500 pages) for use in Kyocera TK 152, 150, FS C 1020 MFP
 14761 Absolute Cyan® toner 200g (6,000 pages) for use in Kyocera TK 152, 150, FS C 1020 MFP
 14762 Absolute Magenta® toner 200g (6,000 pages) for use in Kyocera TK 152, 150, FS C 1020 MFP
 14763 Absolute Yellow ® toner 200g (6,000 pages) for use in Kyocera TK 152, 150, FS C 1020 MFP
 14755 Smartchip ® for use in Kyocera TK 150, FS C 1020 MFP Black toner (EU)(6,500 page)(Beta samples)
 14756 Smartchip ® for use in Kyocera TK 150, FS C 1020 MFP Cyan toner (EU)(6,000 pages)(Beta samples)
 14757 Smartchip ® for use in Kyocera TK 150, FS C 1020 MFP Magenta toner (EU)(6,000 pag)(Beta samples)
 14758 Smartchip ® for use in Kyocera TK 150, FS C 1020 MFP Yellow toner (EU)(6,000 page)(Beta samples)
 14751 Smartchip ® for use in Kyocera TK 152, FS C 1020 MFP Black toner (US)(6,500 pages)
 14752 Smartchip ® for use in Kyocera TK 152, FS C 1020 MFP Cyan toner (US)(6,000 pages)
 14753 Smartchip ® for use in Kyocera TK 152, FS C 1020 MFP Magenta toner (US)(6,000 pages)
 14754 Smartchip ® for use in Kyocera TK 152, FS C 1020 MFP Yellow toner (US)(6,000 pages)
 14774 Uni Drum® gearless for use in Kyocera TK 152, 150, FS C 1020 MFP

Kyocera® TK-17, FS 1010

Part # Description

788 Kyocera TK 17 H, FS 1000 Absolute Black® toner 176 lb (80 kg) barrel
 7158 Kyocera TK 17 H, FS 1000 Absolute Black® toner 22 lb (10 kg) bag
 8694 Kyocera TK 17 H, FS 1000 Absolute Black® toner 235g
 9817 Kyocera TK 17 H, FS 1000 compatible toner cartridge (6,000 pages)(special order)
 9972 Kyocera TK 17, FS 1000, TK 18, FS 1020 toner hopper fill plug, 100 pack
 12357 Kyocera® Mita KM 1500, TK 17 LA drum gearless (special order)

Kyocera® TK-17LA, KM-1500LA

Part # Description

5931 Kyocera TK 17 LA, KM 1500 LA compatible toner cartridge (special order)
 12309 Kyocera TK 17 LA, KM 1500 LA Unidrum with gears (special order) (under development)
 13158 Kyocera® KM 1500 wiper blade, 10 pack (special order)
 12357 Kyocera® Mita KM 1500, TK 17 LA drum gearless (special order)

Kyocera® TK-18, FS-1020

Part # Description

9972 Kyocera TK 17, FS 1000, TK 18, FS 1020 toner hopper fill plug, 100 pack
 14114 Kyocera TK 18 H, FS 1020 drum gearless (special order)
 9787 Kyocera TK 18 H, FS 1020, 1118 Absolute Black® toner 22 lb (10 kg) bag

- 8881 Kyocera TK 18 H, FS 1020, 1118 Absolute Black® toner 295g
- 8664 Kyocera TK 18 H, FS 1020, 1118 compatible toner cartridge (special order)

Kyocera® TK-20, FS-1700

- | Part # | Description |
|---------------|--|
| 6074 | Kyocera TK 20 H, FS 1700 Absolute Black® toner (NEW) 22 lb (10 kg) bag |
| 8341 | Kyocera TK 20 H, FS 1700 Absolute Black® toner (NEW) 650g (20,000 pages) |
| 7612 | Kyocera TK 20 H, FS 1700 compatible toner cartridge (20,000 pages) (special order) |
| 7315 | Kyocera TK 20 H, FS 1700 waste hopper bottle 10 pack (special order) |
| 6106 | Kyocera TK 20, 25, 50, 55, 57, 60, 61, 65, 67, 70 grid cleaner, 10 pack |

Kyocera® TK-25

- | Part # | Description |
|---------------|---|
| 6106 | Kyocera TK 20, 25, 50, 55, 57, 60, 61, 65, 67, 70 grid cleaner, 10 pack |

Kyocera® TK-2530, KM 2530, 3035, 3530,4030, 4035, 5035

- | Part # | Description |
|---------------|---|
| 11287 | Kyocera 2530, 3035, 3530, 4030, 4035, 5035 Absolute Black® toner kit, 3 pack(special order) |
| 11319 | Kyocera KM 2530, 3035, 3530, 4030, 4035, 5035 Euro compatible toner cartridge (sold 4/box) |
| 5251 | Kyocera KM 2530, 3035, 3530, 4030, 4035, 5035 USA compatible toner cartridge (sold 4/box) |
| 10422 | Kyocera KM 2530, 3035, 3530, 4030, 4035, 5035 waste hopper bottle, 10 pack (special order) |
| 11383 | Kyocera TK 50, 55, 57, 60, 61, 65, 67, 70, 710, 712 fill plug (cap), 100 pack |

Kyocera® TK-30, FS-7000

- | Part # | Description |
|---------------|--|
| 5491 | Kyocera TK 30 H, FS 7000 Absolute Black® toner 1040g (New formula) |
| 8129 | Kyocera TK 30 H, FS 7000 Absolute Black® toner 22 lb (10 kg) bag (New formula) |

Kyocera® TK-312, 310, FS-2000

- | Part # | Description |
|---------------|---|
| 12683 | Kyocera TK 310, FS 2000 Smartchip ® (12,000 pages)(Europe) (special order) |
| 10982 | Kyocera TK 312, 310, FS 2000 Absolute Black® toner 385g (12,000 pages) |
| 11117 | Kyocera TK 312, 310, FS 2000 compatible toner cartridge (special order) |
| 11545 | Kyocera TK 312, FS 2000 Smartchip ® (12,000 pages) (USA) |
| 13035 | Kyocera TK 332, 330, 322, 320, 312, 310 X-Generation ® Black toner 22 lb (10 kg) bag |
| 10981 | Kyocera TK 332, 330, 322, 320, 312, 310 Absolute Black® toner 22 lb (10 kg) bag |
| 12359 | Kyocera TK 332, 330, 322, 320, 312, 310 filler cap, 50 pack |
| 13331 | Kyocera TK 332, 330, 322, 320, 312, 310 X-Generation® Black toner 650g (20,000 pages) |
| 11116 | Kyocera TK 440, 342, 340, 332, 330, 322, 320, 312, 310 waste toner bottle, 10 pack |

Kyocera® TK-322, 320, FS-3900

- | Part # | Description |
|---------------|---|
| 12684 | Kyocera TK 320, FS 3900 Smartchip ® (15,000 pages) (Europe)(special order) |
| 10979 | Kyocera TK 322, 320, FS 3900 Absolute Black® toner 465g (15,000 pages) |
| 11118 | Kyocera TK 322, 320, FS 3900 compatible toner cartridge (under final test)(special order) |

11546	Kyocera TK 322, FS 3900 Smartchip ® (15,000 pages)(USA)(special order)
13035	Kyocera TK 332, 330, 322, 320, 312, 310 X-Generation ® Black toner 22 lb (10 kg) bag
10981	Kyocera TK 332, 330, 322, 320, 312, 310 Absolute Black® toner 22 lb (10 kg) bag
12359	Kyocera TK 332, 330, 322, 320, 312, 310 filler cap, 50 pack
13331	Kyocera TK 332, 330, 322, 320, 312, 310 X-Generation® Black toner 650g (20,000 pages)
11116	Kyocera TK 440, 342, 340, 332, 330, 322, 320, 312, 310 waste toner bottle, 10 pack

Kyocera® TK-332, 330, FS-4000

Part # Description

11547	Kyocera TK 312, 322, 332 FS 4000 Smartchip ® (20,000 pages)
10979	Kyocera TK 322, 320, FS 3900 Absolute Black® toner 465g (15,000 pages)
11118	Kyocera TK 322, 320, FS 3900 compatible toner cartridge (under final test)(special order)
12685	Kyocera TK 330, FS 4000 Smartchip ® (20,000 pages)(Europe)(special order)
13035	Kyocera TK 332, 330, 322, 320, 312, 310 X-Generation ® Black toner 22 lb (10 kg) bag
10981	Kyocera TK 332, 330, 322, 320, 312, 310 Absolute Black® toner 22 lb (10 kg) bag
12359	Kyocera TK 332, 330, 322, 320, 312, 310 filler cap, 50 pack
13331	Kyocera TK 332, 330, 322, 320, 312, 310 X-Generation® Black toner 650g (20,000 pages)
10978	Kyocera TK 332, 330, FS 4000 Absolute Black® toner 650g (20,000 pages)
11119	Kyocera TK 332, 330, FS 4000 compatible toner cartridge (special order)
11116	Kyocera TK 440, 342, 340, 332, 330, 322, 320, 312, 310 waste toner bottle, 10 pack

Kyocera® TK-342, 340, FS 2020

Part # Description

14585	Kyocera TK 340, 342, FS 2020 Absolute Black toner® 450g
11116	Kyocera TK 440, 342, 340, 332, 330, 322, 320, 312, 310 waste toner bottle, 10 pack

Kyocera® TK-40, KM F-650

Part # Description

5316	Kyocera TK 40, KM F 650 Absolute Black® toner 240g
8311	Kyocera TK 40, KM F 650 doctor blade, 10 pack
5385	Kyocera TK 40, KM F 650 wiper blade

Kyocera® TK-400, FS-6020

Part # Description

10291	Kyocera TK 400, FS 6020 Absolute Black® toner 325g
-------	--

Kyocera® TK-410, 411, KM 1620, 1650, 2020, 2050

Part # Description

10299	Kyocera TK 410, 411, KM 1620, 1650, 2020, 2050 Absolute Black® toner 22 lb (10 kg) bag
10298	Kyocera TK 410, 411, KM 1620, 1650, 2020, 2050 Absolute Black® toner 480g
11033	Kyocera TK 410, 411, KM 1620, 1650, 2020, 2050 Absolute Black® toner 870g
13002	Kyocera TK 410, 411, KM 1620, 1650, 2020, 2050 Uni drum with gears(special order)(under development)
10417	Kyocera TK 410, 411, KM 1620, 1650, 2020, 2050 waste toner bottle, 10 pack(special order)
10761	Kyocera TK 410, 411, KM 1620, 1650, 2020, 2050 wiper blade, 10 pack
10300	Kyocera TK 420, 421, 410, 411, KM 1620, 1650, 2020, 2050 compatible toner cartridge (special order)

Kyocera® TK-442, 440, FS-6950

Part #	Description
11116	Kyocera TK 440, 342, 340, 332, 330, 322, 320, 312, 310 waste toner bottle, 10 pack
13221	Kyocera TK 440, FS 6950DN Smartchip® (15,000 pages) (special order)
13640	Kyocera TK 442, 440, FS 6950 Absolute Black® toner 22 lb (10 kg) bag
10980	Kyocera TK 442, 440, FS 6950 Absolute Black® toner 520g (15,000 pages)

Kyocera® TK-45, KM F-1050

Part #	Description
9807	Kyocera TK 45, KM F 1050 Absolute Black® compatible cartridge (special order)
9806	Kyocera TK 45, KM F 1050 doctor blade, 10 pack
9805	Kyocera TK 45, KM F 1050 Uni Drum ® with gears

Kyocera® TK-47, FS 1060

Part #	Description
11655	Kyocera KM FS 1060 , TK 47 wiper blade, 10 pack

Kyocera® TK-50, FS 1900

Part #	Description
6106	Kyocera TK 20, 25, 50, 55, 57, 60, 61, 65, 67, 70 grid cleaner, 10 pack
8877	Kyocera TK 50 , FS 1900 Absolute Black® toner 320g
9607	Kyocera TK 50 , FS 1900 compatible toner cartridge (10,000 pages)(special order)
13501	Kyocera TK 50 , FS 1900 compatible toner cartridge (15,000 pages)(special order)
9597	Kyocera TK 50 H, FS 1900 Absolute Black® toner 22 lb (10 kg) toner
12287	Kyocera TK 50 H, FS 1900 Absolute Black® toner 480g
6009	Kyocera TK 50, 55, 57, 60, 61, 65, 67 waste toner bottle, 10 pack
11383	Kyocera TK 50, 55, 57, 60, 61, 65, 67, 70, 710, 712 fill plug (cap), 100 pack

Kyocera® TK-502, FS-5016

Part #	Description
10412	Kyocera TK 502, FS 5016 waste toner bottle (under development)

Kyocera® TK-512, FS-5020

Part #	Description
11853	Kyocera TK 510, 512, FS 5020, 5030 waste toner bottle, 10 pack (special order)

Kyocera® TK-57, 55, FS 1920

Part #	Description
6106	Kyocera TK 20, 25, 50, 55, 57, 60, 61, 65, 67, 70 grid cleaner, 10 pack
6009	Kyocera TK 50, 55, 57, 60, 61, 65, 67 waste toner bottle, 10 pack
11383	Kyocera TK 50, 55, 57, 60, 61, 65, 67, 70, 710, 712 fill plug (cap), 100 pack
5308	Kyocera TK 57 H, 55 H, FS 1920 Absolute Black® toner 22 lb (10 kg) bag
6444	Kyocera TK 57 H, 55 H, FS 1920 Absolute Black® toner 520g
6809	Kyocera TK 57 H, 55 H, FS 1920 compatible toner cartridge (15,000 pages)(special order)

Kyocera® TK-60, 61, FS-9500

Part #	Description
6106	Kyocera TK 20, 25, 50, 55, 57, 60, 61, 65, 67, 70 grid cleaner, 10 pack
6009	Kyocera TK 50, 55, 57, 60, 61, 65, 67 waste toner bottle, 10 pack
11383	Kyocera TK 50, 55, 57, 60, 61, 65, 67, 70, 710, 712 fill plug (cap), 100 pack
6171	Kyocera TK 60 H, FS 3800 Absolute Black® toner (NEW) 22 lb (10 kg) bag
8342	Kyocera TK 60 H, FS 3800 Absolute Black® toner (NEW) 675g
9608	Kyocera TK 60 H, FS 3800 compatible toner cartridge (20,000 pages)(special order)

Kyocera® TK-601, KM-4530, 5530, 6330, 7530

Part #	Description
5075	Kyocera KM 4530, 5530, 6330, 7530 compatible toner cartridge (sold 10/box)(special order)

Kyocera® TK-621, KM-C 2030, 3130

Part #	Description
9799	Kyocera KM C 2030, 3130, TK 621 Black compatible toner cartridge (special order)
9800	Kyocera KM C 2030, 3130, TK 621 Cyan compatible toner cartridge (special order)
9801	Kyocera KM C 2030, 3130, TK 621 Magenta compatible toner cartridge (special order)
9802	Kyocera KM C 2030, 3130, TK 621 Yellow compatible toner cartridge (special order)

Kyocera® TK-623, KM-6230

Part #	Description
9980	Kyocera KM 6230, TK 623 compatible toner cartridge (US) (sold 10/box)(special order)

Kyocera® TK-631, KM 8530

Part #	Description
11639	Kyocera KM 8530, TK 631 compatible toner cartridge (sold 6/box) (special order)

Kyocera® TK-67, 65, FS-3820

Part #	Description
6106	Kyocera TK 20, 25, 50, 55, 57, 60, 61, 65, 67, 70 grid cleaner, 10 pack
6009	Kyocera TK 50, 55, 57, 60, 61, 65, 67 waste toner bottle, 10 pack
11383	Kyocera TK 50, 55, 57, 60, 61, 65, 67, 70, 710, 712 fill plug (cap), 100 pack
5254	Kyocera TK 67, 65, FS 3820 Absolute Black® toner 22 lb (10 kg) bag
13663	Kyocera TK 67, 65, FS 3820 Absolute Black® toner 580g (special order)
5253	Kyocera TK 67, 65, FS 3820 Absolute Black® toner 680g
6810	Kyocera TK 67, 65, FS 3820 compatible toner cartridge (20,000 pages)(special order)

Kyocera® TK-70, FS-9100

Part #	Description
6106	Kyocera TK 20, 25, 50, 55, 57, 60, 61, 65, 67, 70 grid cleaner, 10 pack
11383	Kyocera TK 50, 55, 57, 60, 61, 65, 67, 70, 710, 712 fill plug (cap), 100 pack
13726	Kyocera TK 70 H, FS 9100, 9500 Absolute Black® toner 1350g (special order)

8966	Kyocera TK 70 H, FS 9100, 9500 Absolute Black® toner 22 lb (10 kg) bag
7599	Kyocera TK 70 H, FS 9100, 9500 Absolute Black® toner 675g (use 2 per cartridge) (special order)
9606	Kyocera TK 70 H, FS 9100, 9500 waste toner bottle, 10 pack

Kyocera® TK-712, 710, FS-9530, 9130

Part #	Description
11383	Kyocera TK 50, 55, 57, 60, 61, 65, 67, 70, 710, 712 fill plug (cap), 100 pack
13382	Kyocera TK 712, 710, FS 9530, 9130 Absolute Black® toner 22 lb (10 kg) bag
10983	Kyocera TK 712, 710, FS 9530, 9130 Absolute Black® toner 675g (use 2 per cartridge)
11372	Kyocera TK 712, FS 9530, 9130 compatible toner cartridge 1,350g (special order)
14432	Kyocera TK 712, FS 9530, 9130 Smartchip ® (special order)

Kyocera® TK-717, 715, KM 3050, 4050, 5050

Part #	Description
11383	Kyocera TK 50, 55, 57, 60, 61, 65, 67, 70, 710, 712 fill plug (cap), 100 pack

Lanier® 7213, 7313

Part #	Description
13930	Toshiba T 1340, 1350 Lanier 7213, 7313 Absolute Black® toner, 22lb(10kg) bag (special order)
13103	Toshiba T 1340, 1350 Lanier 7213, 7313 Absolute Black® toner, 300g (special order)
7965	Toshiba T 1340, 1350 Lanier 7213, 7313 Absolute Black® toner, 90 kg (special order)
4907	Toshiba T 1340, 1350, 1370 Lanier 7213 compatible toner cartridge, 4 pack (special order)

Lanier® 7335, 7345

Part #	Description
5980	Toshiba T 3560, 4560 Lanier 7335, 7345 toner cartridge comp. 4 x 500g (special order)

Lanier® 7355, 7365

Part #	Description
5981	Toshiba T 5560, 6560, Lanier 7355, 7365 toner cartridge comp. 4 x 1350g (special order)

Lanier® LD 024, 032

Part #	Description
9563	Ricoh Aficio 1224 C, 1232 C Black toner cartridge (sold 4/box)(special order)
9564	Ricoh Aficio 1224 C, 1232 C Cyan toner cartridge (sold 4/box)(special order)
9565	Ricoh Aficio 1224 C, 1232 C Magenta toner cartridge (sold 4/box)(special order)
9566	Ricoh Aficio 1224 C, 1232 C Yellow toner cartridge (special order)

Lanier® LD 232c, 238c

Part #	Description
9567	Ricoh Aficio 2232 C, 2238 C Black toner cartridge (sold 10/box)(special order)
9568	Ricoh Aficio 2232 C, 2238 C Cyan toner cartridge (sold 4/box)(special order)
9569	Ricoh Aficio 2232 C, 2238 C Magenta toner cartridge (sold 4/box)(special order)
9570	Ricoh Aficio 2232 C, 2238 C Yellow toner cartridge (sold 4/box)(special order)

Lanier® LP 036c

Part #	Description
9659	Ricoh CL 5000 Black ® compatible toner cartridge (special order)
9660	Ricoh CL 5000 Cyan ® compatible toner cartridge (special order)
9661	Ricoh CL 5000 Magenta ® compatible toner cartridge (special order)
9662	Ricoh CL 5000 Yellow ® compatible toner cartridge (special order)

Lexmark 800, 1000, 1100, 1200, 1500

Part #	Description
13508	Lexmark 800,1000,1100,1200,1500 Absolute Black ink®, 1 liter (1kg)

Lexmark® X 560n

Part #	Description
13412	Lexmark X 560n Absolute Black ® toner (10,000 pages)
13424	Lexmark X 560n Absolute Black ® toner developer 70g
13413	Lexmark X 560n Absolute Cyan ® toner (10,000 pages)
13425	Lexmark X 560n Absolute Cyan ® toner developer 70g
13414	Lexmark X 560n Absolute Magenta ® toner (10,000 pages)
13426	Lexmark X 560n Absolute Magenta ® toner developer 70g
13416	Lexmark X 560n Absolute Yellow ® toner (10,000 pages)
13427	Lexmark X 560n Absolute Yellow ® toner developer 70g
13797	Lexmark X 560n Clear seal® adhesive, 50 pack (under development)
13799	Lexmark X 560n developer chamber plastic seal, 100 pack
14125	Lexmark X 560n OPC drum cover, 10 pack
13420	Lexmark X 560n Smartchip ® Black (10,000 pages)
13421	Lexmark X 560n Smartchip ® Cyan (10,000 pages)
13793	Lexmark X 560n Smartchip ® Cyan (4,000 pages)
13422	Lexmark X 560n Smartchip ® Magenta (10,000 pages)
13794	Lexmark X 560n Smartchip ® Magenta (4,000 pages)
13423	Lexmark X 560n Smartchip ® Yellow (10,000 pages)
13795	Lexmark X 560n Smartchip ® Yellow (4,000 pages)
14049	Lexmark X 560n SuMMit® Drum with gears
13798	Lexmark X 560n toner fill hole plastic seal, 100 pack
13796	Lexmark X 560n Uni Drum® with gears

Lexmark® 10N0016, 10N0026

Part #	Description
8457	Lexmark 10N0016, 10N0026 holder, 100 pack
8460	Lexmark 10N0026 sponge screen retainer, 100 pack
13205	Lexmark Z 13, 23, 33, 10N0016 Absolute Black ink, 1 liter (1kg) pigmented
13206	Lexmark Z 13, 23, 33, 10N0026 Absolute Cyan ink, 1 liter (1kg) dye
13207	Lexmark Z 13, 23, 33, 10N0026 Absolute Magenta ink, 1 liter (1kg) dye
13208	Lexmark Z 13, 23, 33, 10N0026 Absolute Yellow ink, 1 liter (1kg) dye

Lexmark® 12A1970, 3200, 5000

Part #	Description
6903	Lexmark 12A1970, 3200, 5000 Absolute Black ink, 5 Gallons (18.90 L)(TO DISCONTINUE)
7125	Lexmark 1970, 1980 ink cartridge BLACK holder 100 pack

Lexmark® 1380620, 4076

Part #	Description
6050	Lexmark 4076, 12 A1970 Blue Seal Tape for Printhead 330 feet 100m
12807	Lexmark 4076, 1380619 "Absolute Black ink, 1liter (1kg) Dye (under final test)
12808	Lexmark 4076, 1380619 "Absolute Cyan" ink, 1liter (1kg) Dye (under final test)
12809	Lexmark 4076, 1380619 "Absolute Magenta" ink, 1liter (1kg) Dye (under final test)
12810	Lexmark 4076, 1380619 "Absolute Yellow" ink, 1liter (1kg) Dye (under final test)
7985	Lexmark COLOR ink jet sponge retainer, 100 pack (special order)

Lexmark® 15M0120

Part #	Description
7297	Lexmark Z 52, X 83, 15M0120 Absolute Cyan ink, 1 Gallon (3.78 L)(TO DISCONTINUE)
7298	Lexmark Z 52, X 83, 15M0120 Absolute Magenta ink, 1 Gallon (3.78 L)(TO DISCONTINUE)
7299	Lexmark Z 52, X 83, 15M0120 Absolute Yellow ink, 1 Gallon (3.78 L)(TO DISCONTINUE)

Lexmark® 4037

Part #	Description
315	Lexmark 4037 Absolute Black® toner 300g
6488	Lexmark 4037 Absolute Black® toner, 22 lb (10 Kg) bag

Lexmark® 4039

Part #	Description
310	IBM 4019, 4029, Lexmark 4039, 4049 wiper blade, 10 pack
5521	IBM 4039, 4049 PCR roller, 10 pack (special order) (sold 30 pack/case)
9082	Lexmark 4019, 4039, 4049 developer roller, 10 pack
324	Lexmark 4039 Absolute Black® toner 300g
6016	Lexmark 4039 Absolute Black® toner 480g
5540	Lexmark 4039 Absolute Black® toner, 22 lb. (10 kg) bag
326	Lexmark 4039 wiper blade, 10 pack
5209	Lexmark 4039, 4049 "F" drum w/gears
6989	Lexmark 4039, 4049 (New) PCR roller, 10 pack
318	Lexmark 4039, 4049 felt, 100 pack (special order)
9762	Lexmark 4039, 4049 MICR ® (for checks) toner 22 lb (10 kg) bag (special order)
6310	Lexmark 4039, 4049 MICR ® (for checks) toner 480g
325	Lexmark 4039, 4049 wand, 10 pack
8219	Lexmark 4059, Optra T 420, 520, 610, 620, 630 Doctor Bar, 10 pack
6140	Lexmark 4059, T 420, 430, 520, 610, 620, 630 Shim washer, 100 pack

Lexmark® 4049, Optra R

Part #	Description
310	IBM 4019, 4029, Lexmark 4039, 4049 wiper blade, 10 pack
5521	IBM 4039, 4049 PCR roller, 10 pack (special order) (sold 30 pack/case)

9082	Lexmark 4019, 4039, 4049 developer roller, 10 pack
6989	Lexmark 4039, 4049 (New) PCR roller, 10 pack
6310	Lexmark 4039, 4049 MICR ® (for checks) toner 480g
6102	Lexmark 4049, Optra R Absolute Black® toner 480g
6103	Lexmark 4049, Optra R Absolute Black® toner, 22 lb. (10 kg) bag
4931	Lexmark 4049, Optra R wiper blade, 10 pack
8219	Lexmark 4059, Optra T 420, 520, 610, 620, 630 Doctor Bar, 10 pack
6140	Lexmark 4059, T 420, 430, 520, 610, 620, 630 Shim washer, 100 pack

Lexmark® 4059, Optra S

Part #	Description
392	Lexmark 4059, Optra S Absolute Black® toner 22 lb (10 kg) bag
390	Lexmark 4059, Optra S Absolute Black® toner 300g
5167	Lexmark 4059, Optra S Absolute Black® toner 480g
6438	Lexmark 4059, Optra S Absolute MICR ® (for checks) toner 22 lb (10 kg) bag (special order)
6223	Lexmark 4059, Optra S MICR ® (for checks) toner 480g (special order)
5752	Lexmark 4059, Optra S Plastic High Yield wheel, 100 pack (special order)
9131	Lexmark 4059, Optra S wand (dry style), 10 pack
396	Lexmark 4059, Optra S wand (oily style), 10 pack
8976	Lexmark 4059, Optra S, T 520, 610, 616, 620 SE 3455 developer roller, 10 pack
11852	Lexmark 4059, Optra S, T 610, 520, 620, 630 cleaning wand, 10 pack (special order)
8219	Lexmark 4059, Optra T 420, 520, 610, 620, 630 Doctor Bar, 10 pack
5749	Lexmark 4059, Optra T 610, 520, 620, 630 shipping lock, 25 pack
502	Lexmark 4059, Optra T 610, 520, 620, 630 waste recovery blade, 100 pack
6140	Lexmark 4059, T 420, 430, 520, 610, 620, 630 Shim washer, 100 pack
7003	Lexmark 4059, T 420, 430, 520, 610, 620, 630 Shim washer, 100 pack(K product) (special order item)
12019	Lexmark 4059, T 520, 610, 620, 630 SuMMiT® drum w/gears, 5 pack
8191	Lexmark Optra E 320, M 410, T 420, 520, 620, 630, 640 drum cover, 10 pack
12140	Lexmark Optra S, T Maintenance parts (special order)(TO DISCONTINUE)
5938	Lexmark Optra T 610, 520, 620, 630 Inner & outer retaining blade, 50 sets
4883	Lexmark T 630, 620, 610, 520, 4059 wiper blade w/ PCR cleaning (Metal), 10 pack
9765	Lexmark T 630, 620, 610, 520, 4059 wiper blade w/ PCR cleaning (Plastic), 10 pack
5685	Lexmark T 640, 630, 620, 610, 520, 4059 "F" drum w/gears
5675	Lexmark T 640, 630, 620, 610, 520, 4059 Uni Drum ® Green with gears
5096	Lexmark T 640, 630, 620, 610, 520, 4059 wiper blade end foam, 50 pack (special order)
7747	Lexmark T 640, 630, 620, 610, 520, 4059, Optra S wiper blade, 10 pack

Lexmark® Colorjet 3200/7200

Part #	Description
12811	Lexmark 12A1970, Colorjet 3200, 7200 Absolute Black ink, 1 liter (1kg) pigmented (under final test)
12812	Lexmark 12A1980, Colorjet 3200, 5000 Absolute Cyan ink, 1 liter (1kg) dye (under final test)
12813	Lexmark 12A1980, Colorjet 3200, 5000 Absolute Magenta ink, 1 liter (1kg) dye (under final test)
12814	Lexmark 12A1980, Colorjet 3200, 5000 Absolute Yellow ink, 1 liter (1kg) dye (under final test)

Lexmark® E-120

Part #	Description
10387	Lexmark E 120 Absolute Black® toner 22 lb (10 kg) bag
10386	Lexmark E 120 Absolute Black® toner 65g (2,000 pages)

12327	Lexmark E 120 developer roller retaining blade, 50 pack
10391	Lexmark E 120 developer roller, 10 pack
10531	Lexmark E 120 locking clip for drive gear, ,XX pack
11066	Lexmark E 120 PCR roller, 10 pack (special order) (sold 10/case)
11019	Lexmark E 120 shipping lock with instructions 10 pack
13431	Lexmark E 120 Superchip ® Jumbo Yield® (4,000 pages) (Worldwide)
14549	Lexmark E 120 Superchip ® Low Yield® (2,000 pages) (Worldwide)
595	Lexmark E 120 Uni Drum ® drum gearless (special order)
10389	Lexmark E 120 Uni Drum ® with gears
10390	Lexmark E 120 wiper blade, 10 pack

Lexmark® E-250, 350, 352

Part #	Description
9898	Lexmark E 230, 232, 238, 250, 260, 330, 332, 340, 350, 360, 450, 460 wiper blade, 10 pack
9621	Lexmark E 230, 232, 238, 250, 330, 332, 340, 350, 450 Developer roller, 10 pack
9616	Lexmark E 230, 232, 238, 250, 330, 332, 340, 350, 450 shipping lock, 10 pack (Dell 1700, IBM 1412)
12021	Lexmark E 230, 232, 238, 250, 330, 332, 340, 350, 450 SuMMiT®, 5 pack drum w/gears (Dell 1700)
9255	Lexmark E 230, 232, 238, 250, 330, 332, 340, 350, 450 Uni Drum ® "F" w/gears (Dell 1700)
5563	Lexmark E 230, 232, 238, 250, 330, 332, 340, 350, 450 Uni Drum ® Green w/gears (Dell 1700)
11126	Lexmark E 250, 350, 352 Absolute Black® toner 22 lb (10 kg) bag
11125	Lexmark E 250, 350, 352 Absolute Black® toner 95g (3,500 pages)
11143	Lexmark E 250, 350, 352 developer roller, 10 pack
11145	Lexmark E 250, 350, 352 doctor bar sealing, 10 pack (under development)
11144	Lexmark E 250, 350, 352 doctor bar, 10 pack
11142	Lexmark E 250, 350, 352 PCR "soft" roller, 10 pack
11127	Lexmark E 250, 350, 352 Uni Drum ® with gears
11128	Lexmark E 350, 352 Absolute Black® toner 230g (9,000 pages)
14007	Lexmark E 450 X-Generation Black® toner 190g (6,000 pages)
14006	Lexmark E 450 X-Generation Black® toner 335g (11,000 pages)
13457	Lexmark E 450, 350, 250 Superchip ® Universal (11,000 pages) (Worldwide)
14128	Lexmark E 450, 350, 250 Superchip ® Universal (3,500 pages) (Worldwide)
14127	Lexmark E 450, 350, 250 Superchip ® Universal (6,000 pages) (Worldwide)
14126	Lexmark E 450, 350, 250 Superchip ® Universal (9,000 pages) (Worldwide)

Lexmark® E-450

Part #	Description
9898	Lexmark E 230, 232, 238, 250, 260, 330, 332, 340, 350, 360, 450, 460 wiper blade, 10 pack
9621	Lexmark E 230, 232, 238, 250, 330, 332, 340, 350, 450 Developer roller, 10 pack
9616	Lexmark E 230, 232, 238, 250, 330, 332, 340, 350, 450 shipping lock, 10 pack (Dell 1700, IBM 1412)
12021	Lexmark E 230, 232, 238, 250, 330, 332, 340, 350, 450 SuMMiT®, 5 pack drum w/gears (Dell 1700)
9255	Lexmark E 230, 232, 238, 250, 330, 332, 340, 350, 450 Uni Drum ® "F" w/gears (Dell 1700)
5563	Lexmark E 230, 232, 238, 250, 330, 332, 340, 350, 450 Uni Drum ® Green w/gears (Dell 1700)
11125	Lexmark E 250, 350, 352 Absolute Black® toner 95g (3,500 pages)
11128	Lexmark E 350, 352 Absolute Black® toner 230g (9,000 pages)
14007	Lexmark E 450 X-Generation Black® toner 190g (6,000 pages)
14006	Lexmark E 450 X-Generation Black® toner 335g (11,000 pages)
13457	Lexmark E 450, 350, 250 Superchip ® Universal (11,000 pages) (Worldwide)
14128	Lexmark E 450, 350, 250 Superchip ® Universal (3,500 pages) (Worldwide)
14127	Lexmark E 450, 350, 250 Superchip ® Universal (6,000 pages) (Worldwide)
14126	Lexmark E 450, 350, 250 Superchip ® Universal (9,000 pages) (Worldwide)

14008 Lexmark E 450, 350, 250 X-Generation Black® toner 22 lb (10 kg) bag

Lexmark® E-460, 360, 260

Part #	Description
9898	Lexmark E 230, 232, 238, 250, 260, 330, 332, 340, 350, 360, 450, 460 wiper blade, 10 pack
14043	Lexmark E 360 Absolute Black® toner 250g (9,000 pages)
14044	Lexmark E 360 Smartchip® toner (9,000 pages) (under development)
14000	Lexmark E 460 Absolute Black® toner 420g
14042	Lexmark E 460 Smartchip ® toner (15,000 pages)(under development)
14022	Lexmark E 460, 360, 260 Absolute Black® toner 22 lb (10 kg) bag
14045	Lexmark E 460, 360, 260 Absolute Black® toner 95g (3,500 pages)
14026	Lexmark E 460, 360, 260 developer roller, 10 pack (under development)
14041	Lexmark E 460, 360, 260 doctor bar, 10 pack (under development)
14023	Lexmark E 460, 360, 260 SuMMiT® OPC drum with gears (under development)
14046	Lexmark E 460, 360, 260 Superchip ® Universal (3,500 pages) (under development)
14024	Lexmark E 460, 360, 260 Uni Drum® OPC with gears
14025	Lexmark E 460, 360, 260 wiper blade, 10 pack
10659	Lexmark T 640, 630, 620, 610, 520, E 460, 360, 260 developer roller end seal (left & right) 100 sets

Lexmark® Optra C

Part #	Description
5812	Lexmark Optra C Absolute Black ® toner 150g
5814	Lexmark Optra C Absolute Magenta ® toner 135g
6314	Lexmark Optra C adhesive seal, 10 pack
6180	Lexmark Optra C doctor blade (sold 10 pack)
7139	Lexmark Optra C wiper blade, 10 pack

Lexmark® Optra C-1200

Part #	Description
6868	Lexmark Optra C 1200 Absolute Black ® toner 165g
9278	Lexmark Optra C 1200 Absolute Black ® toner 22 lb (10 kg) bag
6869	Lexmark Optra C 1200 Absolute Cyan ® toner 165g
9279	Lexmark Optra C 1200 Absolute Cyan ® toner 22 lb (10 kg) bag
6870	Lexmark Optra C 1200 Absolute Magenta ® toner 165g
9280	Lexmark Optra C 1200 Absolute Magenta ® toner 22 lb (10 kg) bag
6871	Lexmark Optra C 1200 Absolute Yellow ® toner 165g
9281	Lexmark Optra C 1200 Absolute Yellow ® toner 22 lb (10 kg) bag
6209	Lexmark Optra C 1200 Uni Drum ® with gears

Lexmark® Optra C-500, X 500, 502

Part #	Description
10644	Lexmark C 500, X 500, 502 Absolute Black ® toner 165g (5,000 pages)
11330	Lexmark C 500, X 500, 502 Absolute Black ® toner 22 lb (10 kg) bag
10645	Lexmark C 500, X 500, 502 Absolute Cyan ® toner 120g (3,000 pages)
11331	Lexmark C 500, X 500, 502 Absolute Cyan ® toner 22 lb (10 kg) bag
10646	Lexmark C 500, X 500, 502 Absolute Magenta ® toner 120g (3,000 pages)
11332	Lexmark C 500, X 500, 502 Absolute Magenta ® toner 22 lb (10 kg) bag

10647	Lexmark C 500, X 500, 502 Absolute Yellow ® toner 120g (3,000 pages)
11333	Lexmark C 500, X 500, 502 Absolute Yellow ® toner 22 lb (10 kg) bag
11352	Lexmark Optra C 500, 510 developer roller seal cover, 10 pack (special order)
11623	Lexmark Optra C 500, 510 seal toner hopper fill plug, 10 pack

Lexmark® Optra C-510

Part #	Description
11352	Lexmark Optra C 500, 510 developer roller seal cover, 10 pack (special order)
11623	Lexmark Optra C 500, 510 seal toner hopper fill plug, 10 pack
5311	Lexmark Optra C 510 Absolute Black ® toner 22 lb (10 kg) bag
9333	Lexmark Optra C 510 Absolute Black ® toner 310g
9334	Lexmark Optra C 510 Absolute Cyan ® toner 210g
5312	Lexmark Optra C 510 Absolute Cyan ® toner 22 lb (10 kg) bag
9335	Lexmark Optra C 510 Absolute Magenta ® toner 210g
5313	Lexmark Optra C 510 Absolute Magenta ® toner 22 lb (10 kg) bag
9336	Lexmark Optra C 510 Absolute Yellow ® toner 210g
5314	Lexmark Optra C 510 Absolute Yellow ® toner 22 lb (10 kg) bag

Lexmark® Optra C-520, 530

Part #	Description
14120	Lexmark C 520, 522, 524, 530, 532, 534 developer roller cover, 10 pack
11626	Lexmark C 520, 522, 524, 530, 532, 534 seal toner hopper fill plug, 100 pack
11807	Lexmark C 520, 522, 524, 530, 532, 534 Smartchip ® Black (4,000 pages)
10985	Lexmark C 520, 522, 524, 530, 532, 534 Smartchip ® Black (8,000 pages)
11808	Lexmark C 520, 522, 524, 530, 532, 534 Smartchip ® Cyan (3,000 pages)
10986	Lexmark C 520, 522, 524, 530, 532, 534 Smartchip ® Cyan (5,000 pages)
11309	Lexmark C 520, 522, 524, 530, 532, 534 Smartchip ® Cyan (7,000 pages)
11809	Lexmark C 520, 522, 524, 530, 532, 534 Smartchip ® Magenta (3,000 pages)
10987	Lexmark C 520, 522, 524, 530, 532, 534 Smartchip ® Magenta (5,000 pages)
11310	Lexmark C 520, 522, 524, 530, 532, 534 Smartchip ® Magenta (7,000 pages)
11810	Lexmark C 520, 522, 524, 530, 532, 534 Smartchip ® Yellow (3,000 pages)
10988	Lexmark C 520, 522, 524, 530, 532, 534 Smartchip ® Yellow (5,000 pages)
11311	Lexmark C 520, 522, 524, 530, 532, 534 Smartchip ® Yellow (7,000 pages)
10175	Lexmark C 520, 522, 524, 530, 532, 534 Uni Drum ® gearless (under development)(special order)
12725	Lexmark C 520, 522, 524, 530, 532, 534 X-Generation ® Black toner 22 lb (10 kg) bag
12726	Lexmark C 520, 522, 524, 530, 532, 534 X-Generation ® Cyan toner 22 lb (10kg) bag
12727	Lexmark C 520, 522, 524, 530, 532, 534 X-Generation ® Magenta toner 22 lb (10 kg) bag
12728	Lexmark C 520, 522, 524, 530, 532, 534 X-Generation ® Yellow toner 22 lb (10kg) bag
11298	Lexmark C 520, 530 Absolute Black ® toner 65g (1,500 pages)
11299	Lexmark C 520, 530 Absolute Cyan ® toner 65g (1,500 pages)
11300	Lexmark C 520, 530 Absolute Magenta ® toner 65g (1,500 pages)
11301	Lexmark C 520, 530 Absolute Yellow ® toner 65g (1,500 pages)
11302	Lexmark C 520, 530 Smartchip ® Black (1,500 pages) (No toner low reading)
11303	Lexmark C 520, 530 Smartchip ® Cyan (1,500 pages) (No toner low reading)
11304	Lexmark C 520, 530 Smartchip ® Magenta (1,500 pages) (No toner low reading)
11305	Lexmark C 520, 530 Smartchip ® Yellow (1,500 pages) (No toner low reading)

Lexmark® Optra C-522, 524

Part #	Description
10171	Lexmark C 520, 522, 524, 530, 532, 534 Absolute Black ® toner 155g (4,000 pages)
13011	Lexmark C 520, 522, 524, 530, 532, 534 Absolute Black ® toner 22 lb (10 kg) bag
10585	Lexmark C 520, 522, 524, 530, 532, 534 Absolute Black ® toner 310g (8,000 pages)
10172	Lexmark C 520, 522, 524, 530, 532, 534 Absolute Cyan ® toner 120g (3,000 pages)
10586	Lexmark C 520, 522, 524, 530, 532, 534 Absolute Cyan ® toner 205g (5,000 pages)
13012	Lexmark C 520, 522, 524, 530, 532, 534 Absolute Cyan ® toner 22 lb (10 kg) bag
10173	Lexmark C 520, 522, 524, 530, 532, 534 Absolute Magenta ® toner 120g (3,000 pages)
10587	Lexmark C 520, 522, 524, 530, 532, 534 Absolute Magenta ® toner 205g (5,000 pages)
13013	Lexmark C 520, 522, 524, 530, 532, 534 Absolute Magenta ® toner 22 lb (10 kg) bag
10174	Lexmark C 520, 522, 524, 530, 532, 534 Absolute Yellow ® toner 120g (3,000 pages)
10588	Lexmark C 520, 522, 524, 530, 532, 534 Absolute Yellow ® toner 205g (5,000 pages)
13014	Lexmark C 520, 522, 524, 530, 532, 534 Absolute Yellow ® toner 22 lb (10 kg) bag
14120	Lexmark C 520, 522, 524, 530, 532, 534 developer roller cover, 10 pack
11626	Lexmark C 520, 522, 524, 530, 532, 534 seal toner hopper fill plug, 100 pack
11807	Lexmark C 520, 522, 524, 530, 532, 534 Smartchip ® Black (4,000 pages)
10985	Lexmark C 520, 522, 524, 530, 532, 534 Smartchip ® Black (8,000 pages)
11808	Lexmark C 520, 522, 524, 530, 532, 534 Smartchip ® Cyan (3,000 pages)
10986	Lexmark C 520, 522, 524, 530, 532, 534 Smartchip ® Cyan (5,000 pages)
11309	Lexmark C 520, 522, 524, 530, 532, 534 Smartchip ® Cyan (7,000 pages)
11809	Lexmark C 520, 522, 524, 530, 532, 534 Smartchip ® Magenta (3,000 pages)
10987	Lexmark C 520, 522, 524, 530, 532, 534 Smartchip ® Magenta (5,000 pages)
11810	Lexmark C 520, 522, 524, 530, 532, 534 Smartchip ® Yellow (3,000 pages)
10988	Lexmark C 520, 522, 524, 530, 532, 534 Smartchip ® Yellow (5,000 pages)
10175	Lexmark C 520, 522, 524, 530, 532, 534 Uni Drum ® gearless (under development)(special order)
14424	Lexmark C 520, 522, 524, 530, 532, 534 X Generation Black ® toner (8,000 pages)
12726	Lexmark C 520, 522, 524, 530, 532, 534 X-Generation ® Cyan toner 22 lb (10kg) bag
12727	Lexmark C 520, 522, 524, 530, 532, 534 X-Generation ® Magenta toner 22 lb (10 kg) bag
12728	Lexmark C 520, 522, 524, 530, 532, 534 X-Generation ® Yellow toner 22 lb (10kg) bag
12742	Lexmark C 520, 522, 524, 530, 532, 534 X-Generation Black ® toner (4,000 pages)
12743	Lexmark C 520, 522, 524, 530, 532, 534 X-Generation Cyan ® toner (3,000 pages)
12744	Lexmark C 520, 522, 524, 530, 532, 534 X-Generation Magenta ® toner (3,000 pages)
12745	Lexmark C 520, 522, 524, 530, 532, 534 X-Generation Yellow ® toner (3,000 pages)

Lexmark® Optra C-532, 534

Part #	Description
10171	Lexmark C 520, 522, 524, 530, 532, 534 Absolute Black ® toner 155g (4,000 pages)
13011	Lexmark C 520, 522, 524, 530, 532, 534 Absolute Black ® toner 22 lb (10 kg) bag
10585	Lexmark C 520, 522, 524, 530, 532, 534 Absolute Black ® toner 310g (8,000 pages)
10172	Lexmark C 520, 522, 524, 530, 532, 534 Absolute Cyan ® toner 120g (3,000 pages)
10586	Lexmark C 520, 522, 524, 530, 532, 534 Absolute Cyan ® toner 205g (5,000 pages)
13012	Lexmark C 520, 522, 524, 530, 532, 534 Absolute Cyan ® toner 22 lb (10 kg) bag
10173	Lexmark C 520, 522, 524, 530, 532, 534 Absolute Magenta ® toner 120g (3,000 pages)
10587	Lexmark C 520, 522, 524, 530, 532, 534 Absolute Magenta ® toner 205g (5,000 pages)
13013	Lexmark C 520, 522, 524, 530, 532, 534 Absolute Magenta ® toner 22 lb (10 kg) bag
10174	Lexmark C 520, 522, 524, 530, 532, 534 Absolute Yellow ® toner 120g (3,000 pages)
10588	Lexmark C 520, 522, 524, 530, 532, 534 Absolute Yellow ® toner 205g (5,000 pages)
13014	Lexmark C 520, 522, 524, 530, 532, 534 Absolute Yellow ® toner 22 lb (10 kg) bag
14120	Lexmark C 520, 522, 524, 530, 532, 534 developer roller cover, 10 pack
11626	Lexmark C 520, 522, 524, 530, 532, 534 seal toner hopper fill plug, 100 pack
11807	Lexmark C 520, 522, 524, 530, 532, 534 Smartchip ® Black (4,000 pages)

10985	Lexmark C 520, 522, 524, 530, 532, 534 Smartchip ® Black (8,000 pages)
11808	Lexmark C 520, 522, 524, 530, 532, 534 Smartchip ® Cyan (3,000 pages)
10986	Lexmark C 520, 522, 524, 530, 532, 534 Smartchip ® Cyan (5,000 pages)
11309	Lexmark C 520, 522, 524, 530, 532, 534 Smartchip ® Cyan (7,000 pages)
11809	Lexmark C 520, 522, 524, 530, 532, 534 Smartchip ® Magenta (3,000 pages)
10987	Lexmark C 520, 522, 524, 530, 532, 534 Smartchip ® Magenta (5,000 pages)
11310	Lexmark C 520, 522, 524, 530, 532, 534 Smartchip ® Magenta (7,000 pages)
11810	Lexmark C 520, 522, 524, 530, 532, 534 Smartchip ® Yellow (3,000 pages)
10988	Lexmark C 520, 522, 524, 530, 532, 534 Smartchip ® Yellow (5,000 pages)
11311	Lexmark C 520, 522, 524, 530, 532, 534 Smartchip ® Yellow (7,000 pages)
10175	Lexmark C 520, 522, 524, 530, 532, 534 Uni Drum ® gearless (under development)(special order)
14424	Lexmark C 520, 522, 524, 530, 532, 534 X Generation Black ® toner (8,000 pages)
11306	Lexmark C 520, 522, 524, 530, 532, 534 X Generation Cyan ® toner (7,000 pages)
11307	Lexmark C 520, 522, 524, 530, 532, 534 X Generation Magenta ® toner (7,000 pages)
11308	Lexmark C 520, 522, 524, 530, 532, 534 X Generation Yellow ® toner (7,000 pages)
12725	Lexmark C 520, 522, 524, 530, 532, 534 X-Generation ® Black toner 22 lb (10 kg) bag
12742	Lexmark C 520, 522, 524, 530, 532, 534 X-Generation Black ® toner (4,000 pages)
12743	Lexmark C 520, 522, 524, 530, 532, 534 X-Generation Cyan ® toner (3,000 pages)
12744	Lexmark C 520, 522, 524, 530, 532, 534 X-Generation Magenta ® toner (3,000 pages)
12745	Lexmark C 520, 522, 524, 530, 532, 534 X-Generation Yellow ® toner (3,000 pages)

Lexmark® Optra C-540, 543, 544

Part #	Description
13841	Lexmark C 540, 543, 544 Absolute Black ® toner TBAg (2,500 pages)(under development)
13842	Lexmark C 540, 543, 544 Absolute Cyan ® toner TBAg (2,000 pages)(under development)
13843	Lexmark C 540, 543, 544 Absolute Magenta ® toner TBAg (2,000 pages)(under development)
13844	Lexmark C 540, 543, 544 Absolute Yellow ® toner TBAg (2,000 pages)(under development)
13845	Lexmark C 540, 543, 544 Smartchip ® black toner (C544H2KG)(2,500 pages)(under development)
13846	Lexmark C 540, 543, 544 Smartchip ® cyan toner (C544H2CG)(2,000 pages)(under development)
13847	Lexmark C 540, 543, 544 Smartchip ® magenta toner (C544H2MG)(2,000 pages)(under development)
13848	Lexmark C 540, 543, 544 Smartchip ® yellow toner (C544H2YG)(2,000 pages)(under development)
13833	Lexmark C 544 Absolute Black ® toner TBAg (6,000 pages)(under development)
13834	Lexmark C 544 Absolute Cyan ® toner TBAg (4,000 pages)(under development)
13835	Lexmark C 544 Absolute Magenta ® toner TBAg (4,000 pages)(under development)
13836	Lexmark C 544 Absolute Yellow ® toner TBAg (4,000 pages)(under development)
13837	Lexmark C 544 Smartchip ® black toner (C544X2KG)(6,000 pages)(under development)
13838	Lexmark C 544 Smartchip ® cyan toner (C544X2CG)(4,000 pages)(under development)
13839	Lexmark C 544 Smartchip ® magenta toner (C544X2MG)(4,000 pages)(under development)
13840	Lexmark C 544 Smartchip ® yellow toner (C544X2YG)(4,000 pages)(under development)

Lexmark® Optra C-710, 710n, 710dn

Part #	Description
5569	Lexmark Optra C 710 (Test 1) drum gearless (under final test)(special order)
5044	Lexmark Optra C 710 Absolute Black ® toner 180g (6,500 pages)
8511	Lexmark Optra C 710 Absolute Black ® toner 265g (10,000 pages)
5045	Lexmark Optra C 710 Absolute Cyan ® toner 205g (6,000 pages)
7825	Lexmark Optra C 710 Absolute Cyan ® toner 22 lb (10kg) bag
5047	Lexmark Optra C 710 Absolute Magenta ® toner 205g (6,000 pages)
7826	Lexmark Optra C 710 Absolute Magenta ® toner 22 lb (10 kg) bag
5046	Lexmark Optra C 710 Absolute Yellow ® toner 205g (6,000 pages)

7827 Lexmark Optra C 710 Absolute Yellow ® toner 22 lb (10 kg) bag

Lexmark® Optra C-720

Part #	Description
7189	Lexmark Optra C 720 Absolute Black ® toner 22 lb (10 kg) bag
9418	Lexmark Optra C 720 Absolute Black ® toner 310g
8552	Lexmark Optra C 720 Absolute Cyan ® toner 210g
7183	Lexmark Optra C 720 Absolute Cyan ® toner 22 lb (10 kg) bag
8553	Lexmark Optra C 720 Absolute Magenta ® toner 210g
7184	Lexmark Optra C 720 Absolute Magenta ® toner 22 lb (10 kg) bag
8554	Lexmark Optra C 720 Absolute Yellow ® toner 210g
7197	Lexmark Optra C 720 Absolute Yellow ® toner 22 lb (10 kg) bag

Lexmark® Optra C-750,752, 760, 762

Part #	Description
10597	Lexmark C 750, 752, 760, 762 Smartchip ® Black (6,000 pages)
10598	Lexmark C 750, 752, 760, 762 Smartchip ® Cyan (6,000 pages)
10599	Lexmark C 750, 752, 760, 762 Smartchip ® Magenta (6,000 pages)
10600	Lexmark C 750, 752, 760, 762 Smartchip ® Yellow (6,000 pages)
11985	Lexmark C 750, 752, 760, 762, 770 drum cover, 10 pack
11487	Lexmark C 750, 752, 762 Smartchip ® Black (15,000 pages) (not for use in C 760)
11488	Lexmark C 750, 752, 762 Smartchip ® Cyan (15,000 pages) (not for use in C 760)
11489	Lexmark C 750, 752, 762 Smartchip ® Magenta (15,000 pages) (not for use in C 760)
11490	Lexmark C 750, 752, 762 Smartchip ® Yellow (15,000 pages) (not for use in C 760)
7366	Lexmark C 750,752, 760, 762 Absolute Black ® toner 210g (6,000 pages)
10817	Lexmark C 750,752, 760, 762 Absolute Black ® toner 22 lb (10kg) bag
11577	Lexmark C 750,752, 760, 762 Absolute Black ® toner 500g (15,000 pages)
7422	Lexmark C 750,752, 760, 762 Absolute Cyan ® toner 210g (6,000 pages)
10818	Lexmark C 750,752, 760, 762 Absolute Cyan ® toner 22 lb (10kg) bag
11578	Lexmark C 750,752, 760, 762 Absolute Cyan ® toner 500g (15,000 pages)
7426	Lexmark C 750,752, 760, 762 Absolute Magenta ® toner 210g (6,000 pages)
10819	Lexmark C 750,752, 760, 762 Absolute Magenta ® toner 22 lb (10kg) bag
11579	Lexmark C 750,752, 760, 762 Absolute Magenta ® toner 500g (15,000 pages)
7528	Lexmark C 750,752, 760, 762 Absolute Yellow ® toner 210g (6,000 pages)
10820	Lexmark C 750,752, 760, 762 Absolute Yellow ® toner 22 lb (10kg) bag
11580	Lexmark C 750,752, 760, 762 Absolute Yellow ® toner 500g (15,000 pages)
7467	Lexmark C 750,752, 760, 762 doctor bar, 10 pack (under final test)
8315	Lexmark C 750,752, 760, 762 Uni Drum ® gearless (special order)
11406	Lexmark C 750,752, 760, 762 wiper blade, 10 pack
14642	Lexmark® C752, 760, 780, 782, X 782 Shipping lock set, 10 sets

Lexmark® Optra C-770, 772

Part #	Description
11985	Lexmark C 750, 752, 760, 762, 770 drum cover, 10 pack
11904	Lexmark C 770, 772, 780, 782 Absolute Black ® toner (10,000 pages)
14515	Lexmark C 770, 772, 780, 782 Absolute Black ® toner 22lb (10kg) bag
11905	Lexmark C 770, 772, 780, 782 Absolute Cyan ® toner (10,000 pages)
14516	Lexmark C 770, 772, 780, 782 Absolute Cyan ® toner 22lb(10kg) bag

11906	Lexmark C 770, 772, 780, 782 Absolute Magenta ® toner (10,000 pages)
14517	Lexmark C 770, 772, 780, 782 Absolute Magenta ® toner 22lb(10kg) bag
11907	Lexmark C 770, 772, 780, 782 Absolute Yellow ® toner (10,000 pages)
14518	Lexmark C 770, 772, 780, 782 Absolute Yellow ® toner 22lb(10kg) bag
14053	Lexmark C 770, 772, 780, 782 Smartchip ® Black (10,000 pages)(under development)
14054	Lexmark C 770, 772, 780, 782 Smartchip ® Cyan (10,000 pages)(under development)
14055	Lexmark C 770, 772, 780, 782 Smartchip ® Magenta (10,000 pages)(under development)
14056	Lexmark C 770, 772, 780, 782 Smartchip ® Yellow (10,000 pages)(under development)
14059	Lexmark C 772, 780, 782 Absolute Black ® toner (16,500 pages)
14057	Lexmark C 772, 780, 782 Absolute Cyan ® toner (16,500 pages)
14060	Lexmark C 772, 780, 782 Absolute Magenta ® toner (16,500 pages)
14061	Lexmark C 772, 780, 782 Absolute Yellow ® toner (16,500 pages)
14065	Lexmark C 780, 782, X 782 Smartchip ® Yellow (16,500 pages)
14642	Lexmark® C752, 760, 780, 782, X 782 Shipping lock set, 10 sets

Lexmark® Optra C-780, 782

Part #	Description
11904	Lexmark C 770, 772, 780, 782 Absolute Black ® toner (10,000 pages)
14515	Lexmark C 770, 772, 780, 782 Absolute Black ® toner 22lb (10kg) bag
11905	Lexmark C 770, 772, 780, 782 Absolute Cyan ® toner (10,000 pages)
14516	Lexmark C 770, 772, 780, 782 Absolute Cyan ® toner 22lb(10kg) bag
11906	Lexmark C 770, 772, 780, 782 Absolute Magenta ® toner (10,000 pages)
14517	Lexmark C 770, 772, 780, 782 Absolute Magenta ® toner 22lb(10kg) bag
11907	Lexmark C 770, 772, 780, 782 Absolute Yellow ® toner (10,000 pages)
14518	Lexmark C 770, 772, 780, 782 Absolute Yellow ® toner 22lb(10kg) bag
14053	Lexmark C 770, 772, 780, 782 Smartchip ® Black (10,000 pages)(under development)
14054	Lexmark C 770, 772, 780, 782 Smartchip ® Cyan (10,000 pages)(under development)
14055	Lexmark C 770, 772, 780, 782 Smartchip ® Magenta (10,000 pages)(under development)
14056	Lexmark C 770, 772, 780, 782 Smartchip ® Yellow (10,000 pages)(under development)
14059	Lexmark C 772, 780, 782 Absolute Black ® toner (16,500 pages)
14057	Lexmark C 772, 780, 782 Absolute Cyan ® toner (16,500 pages)
14060	Lexmark C 772, 780, 782 Absolute Magenta ® toner (16,500 pages)
14061	Lexmark C 772, 780, 782 Absolute Yellow ® toner (16,500 pages)
14062	Lexmark C 780, 782, X 782 Smartchip ® Black (16,500 pages)
14063	Lexmark C 780, 782, X 782 Smartchip ® Cyan (16,500 pages)
14064	Lexmark C 780, 782, X 782 Smartchip ® Magenta (16,500 pages)
14065	Lexmark C 780, 782, X 782 Smartchip ® Yellow (16,500 pages)
14642	Lexmark® C752, 760, 780, 782, X 782 Shipping lock set, 10 sets

Lexmark® Optra C-910, 912, 920

Part #	Description
9675	Lexmark Optra C 910, 912, 920 Absolute Black ® toner 22 lb (10 kg) bag
9046	Lexmark Optra C 910, 912, 920 Absolute Black ® toner 400g
9676	Lexmark Optra C 910, 912, 920 Absolute Cyan ® toner 22 lb (10 kg) bag
9047	Lexmark Optra C 910, 912, 920 Absolute Cyan ® toner 375g
9677	Lexmark Optra C 910, 912, 920 Absolute Magenta ® toner 22 lb (10 kg) bag
9049	Lexmark Optra C 910, 912, 920 Absolute Magenta ® toner 375g
9678	Lexmark Optra C 910, 912, 920 Absolute Yellow ® toner 22 lb (10 kg) bag
9048	Lexmark Optra C 910, 912, 920 Absolute Yellow ® toner 375g
11035	Lexmark Optra C 910, 912, 920 Smartchip ® fuse for drum unit

9548 Lexmark Optra C 910, 912, 920 Uni Drum ® gearless (under final test)(special order)

Lexmark® Optra C-935, 930

Part #	Description
11912	Lexmark C 935, 930 Absolute Black ® toner TBAg (38,000 pages) (under development)
11913	Lexmark C 935, 930 Absolute Cyan ® toner TBAg (24,000 pages) (under development)
11914	Lexmark C 935, 930 Absolute Magenta ® toner TBAg (24,000 pages) (under development)
11915	Lexmark C 935, 930 Absolute Yellow ® toner TBAg (24,000 pages) (under development)
11968	Lexmark C 935, 930 PCR roller, 10 pack (under development)
11965	Lexmark C 935, 930 Smartchip ® Black toner (special order)
11971	Lexmark C 935, 930 Smartchip ® CMYK drum unit
11966	Lexmark C 935, 930 Smartchip ® Cyan toner (special order)
11967	Lexmark C 935, 930 Smartchip ® Magenta toner (special order)
11969	Lexmark C 935, 930 Smartchip ® Yellow toner (special order)
11970	Lexmark C 935, 930 Uni Drum ® gearless with insert (special order)

Lexmark® Optra E

Part #	Description
343	Lexmark Optra E, SP 302 Absolute Black® toner 90g
344	Lexmark Optra E, SP 302 Absolute Black® toner, 22 lb. (10 kg) bag (sold 2/box)
7567	Lexmark Optra E, SP 302 doctor blade, 10 pack
5404	Lexmark Optra E, SP 302 Uni Drum ® with gear (new formula)

Lexmark® Optra E-210

Part #	Description
5539	Lexmark Optra E 210 Absolute Black toner 65g (2,000 page yield)
7562	Lexmark Optra E 210 Absolute Black® toner 100g (Jumbo® 3,200 page yield)
8177	Lexmark Optra E 210 Absolute Black® toner 22 lb (10 kg) bag (sold 2/box)
8224	Lexmark Optra E 210 developer roller, 9 pack
8107	Lexmark Optra E 210 doctor blade, 10 pack
8230	Lexmark Optra E 210 PCR roller, 9 pack
9387	Lexmark Optra E 210 Uni Drum ® OEM style with gears
9619	Lexmark Optra E 210 universal cover, 10 pack (special order)
7975	Lexmark Optra E 210 wiper blade, 10 pack

Lexmark® Optra E-220

Part #	Description
9897	Lexmark E 230, 232, 238, 250, 330, 332, 340, 350, 450 Doctor bar, 10 pack (Dell 1700)
12021	Lexmark E 230, 232, 238, 250, 330, 332, 340, 350, 450 SuMMiT®, 5 pack drum w/gears (Dell 1700)
5563	Lexmark E 230, 232, 238, 250, 330, 332, 340, 350, 450 Uni Drum ® Green w/gears (Dell 1700)
11356	Lexmark E 330, (Dell 1700) recovery blade, 100 pack (special order)
10272	Lexmark Optra E 220 Absolute Black® toner 22 lb (10 kg) bag
9170	Lexmark Optra E 220 Absolute Black® toner 95g
9899	Lexmark Optra E 220, 320, 321, 322, 323 Doctor bar, 10 pack
7912	Lexmark Optra E 220, 320, 321, 322, 323 Uni Drum ® OEM style with gears
5017	Lexmark Optra E 220, 320, 322 wiper blade, 10 pack
13445	Lexmark Optra E 321, 323, 220 Superchip ® Universal (6,000 pages) (Worldwide)

Lexmark® Optra E-230, 232

Part #	Description
12040	Lexmark E 230, 232, 234, 330, 332 recovery blade, 50 pack (thickness 0.05mm) (special order)
9898	Lexmark E 230, 232, 238, 250, 260, 330, 332, 340, 350, 360, 450, 460 wiper blade, 10 pack
9621	Lexmark E 230, 232, 238, 250, 330, 332, 340, 350, 450 Developer roller, 10 pack
9897	Lexmark E 230, 232, 238, 250, 330, 332, 340, 350, 450 Doctor bar, 10 pack (Dell 1700)
5922	Lexmark E 230, 232, 238, 250, 330, 332, 340, 350, 450 PCR, 10 pack (Dell 1700, IBM 1412)
9616	Lexmark E 230, 232, 238, 250, 330, 332, 340, 350, 450 shipping lock, 10 pack (Dell 1700, IBM 1412)
12021	Lexmark E 230, 232, 238, 250, 330, 332, 340, 350, 450 SuMMiT®, 5 pack drum w/gears (Dell 1700)
10392	Lexmark E 230, 232, 238, 250, 330, 332, 340, 350, 450 supply roller, 20 pack (Dell P 1700)
9255	Lexmark E 230, 232, 238, 250, 330, 332, 340, 350, 450 Uni Drum ® "F" w/gears (Dell 1700)
5563	Lexmark E 230, 232, 238, 250, 330, 332, 340, 350, 450 Uni Drum ® Green w/gears (Dell 1700)
9254	Lexmark E 230, 232, 238, 330, 332, 340 Absolute Black® toner 22 lb (10 kg) bag
9253	Lexmark E 230, 232, 238, 330, 332, 340 Absolute Black® toner 75g (2,500 pages)
9295	Lexmark E 230, 232, 238, 330, 332, 340, Dell 1700 Absolute Black® toner 185g (6,000 pages)
11356	Lexmark E 330, (Dell 1700) recovery blade, 100 pack (special order)
13435	Lexmark E/X 230, 232, 240, 330, 332, 340, 342, 203, 204 Superchip Universal (2,500 pages)(Worldwide)
13450	Lexmark E/X 330, 332, 340, 342, 203, 204 Superchip ® Universal (6,000 pages) (Worldwide)

Lexmark® Optra E-238, 240, 340, 342

Part #	Description
9898	Lexmark E 230, 232, 238, 250, 260, 330, 332, 340, 350, 360, 450, 460 wiper blade, 10 pack
9621	Lexmark E 230, 232, 238, 250, 330, 332, 340, 350, 450 Developer roller, 10 pack
9897	Lexmark E 230, 232, 238, 250, 330, 332, 340, 350, 450 Doctor bar, 10 pack (Dell 1700)
5922	Lexmark E 230, 232, 238, 250, 330, 332, 340, 350, 450 PCR, 10 pack (Dell 1700, IBM 1412)
9616	Lexmark E 230, 232, 238, 250, 330, 332, 340, 350, 450 shipping lock, 10 pack (Dell 1700, IBM 1412)
12021	Lexmark E 230, 232, 238, 250, 330, 332, 340, 350, 450 SuMMiT®, 5 pack drum w/gears (Dell 1700)
10392	Lexmark E 230, 232, 238, 250, 330, 332, 340, 350, 450 supply roller, 20 pack (Dell P 1700)
9255	Lexmark E 230, 232, 238, 250, 330, 332, 340, 350, 450 Uni Drum ® "F" w/gears (Dell 1700)
5563	Lexmark E 230, 232, 238, 250, 330, 332, 340, 350, 450 Uni Drum ® Green w/gears (Dell 1700)
9254	Lexmark E 230, 232, 238, 330, 332, 340 Absolute Black® toner 22 lb (10 kg) bag
9295	Lexmark E 230, 232, 238, 330, 332, 340, Dell 1700 Absolute Black® toner 185g (6,000 pages)
11356	Lexmark E 330, (Dell 1700) recovery blade, 100 pack (special order)
14132	Lexmark E 330, 340 Smartchip ® MICR (4,700 pages) (Worldwide)
13435	Lexmark E/X 230, 232, 240, 330, 332, 340, 342, 203, 204 Superchip Universal (2,500 pages)(Worldwide)
13450	Lexmark E/X 330, 332, 340, 342, 203, 204 Superchip ® Universal (6,000 pages) (Worldwide)

Lexmark® Optra E-310, 312

Part #	Description
6413	Lexmark Optra E 310 Absolute Black® toner 150g
7453	Lexmark Optra E 310 Absolute Black® toner 22 lb (10 kg) (sold 2 p/box)
6421	Lexmark Optra E 310 Clear Seal ® OEM style, 50 pack
9193	Lexmark Optra E 310 developer roller, 9 pack (special order)
5642	Lexmark Optra E 310 Doctor blade, "K", 10 pack
6857	Lexmark Optra E 310 Doctor blade, 10 pack
7452	Lexmark Optra E 310 MICR ® toner 150g
9194	Lexmark Optra E 310 PCR roller, 9 pack

11654	Lexmark Optra E 310 Smartchip ® fuse, 10 pack
7454	Lexmark Optra E 310 Uni Drum ® OEM style with gears
6653	Lexmark Optra E 310 wiper blade, 10 pack
4967	Lexmark Optra E 310, 312 Doctor Bar Sponge set, 10 pack (100 strips L-size)

Lexmark® Optra E-320, 322

Part #	Description
9899	Lexmark Optra E 220, 320, 321, 322, 323 Doctor bar, 10 pack
7912	Lexmark Optra E 220, 320, 321, 322, 323 Uni Drum ® OEM style with gears
5017	Lexmark Optra E 220, 320, 322 wiper blade, 10 pack
10839	Lexmark Optra E 320, 321, 322 developer roller, 10 pack (special order)
8255	Lexmark Optra E 320, 321, 322, 323, 220 shipping lock, 10 pack
7910	Lexmark Optra E 320, 322 Absolute Black® toner 165g (6,000 pages)(special order)
8166	Lexmark Optra E 320, 322 Absolute Black® toner 22 lb (10 kg) bag
7909	Lexmark Optra E 320, 322 Absolute Black® toner 85g (3,000 pages)
8610	Lexmark Optra E 320, 322 MICR ® (for checks) toner 150g (under development)
8191	Lexmark Optra E 320, M 410, T 420, 520, 620, 630, 640 drum cover, 10 pack

Lexmark® Optra E-321, 323

Part #	Description
9899	Lexmark Optra E 220, 320, 321, 322, 323 Doctor bar, 10 pack
7912	Lexmark Optra E 220, 320, 321, 322, 323 Uni Drum ® OEM style with gears
8255	Lexmark Optra E 320, 321, 322, 323, 220 shipping lock, 10 pack
8191	Lexmark Optra E 320, M 410, T 420, 520, 620, 630, 640 drum cover, 10 pack
14129	Lexmark Optra E 321 Smartchip ® MICR (3,250 pages) (Worldwide)
6775	Lexmark Optra E 321, 323 Absolute Black ® toner 80g (3,000 pages)
8569	Lexmark Optra E 321, 323 Absolute Black® toner 155g (6,000 pages)
8568	Lexmark Optra E 321, 323 Absolute Black® toner 22 lb (10 kg) bag
8571	Lexmark Optra E 321, 323 wiper blade, 10 pack
13442	Lexmark Optra E 321, 323, 220 Superchip ® Universal (2,500 pages) (Worldwide)
13445	Lexmark Optra E 321, 323, 220 Superchip ® Universal (6,000 pages) (Worldwide)

Lexmark® Optra E-330, 332

Part #	Description
12040	Lexmark E 230, 232, 234, 330, 332 recovery blade, 50 pack (thickness 0.05mm) (special order)
9898	Lexmark E 230, 232, 238, 250, 260, 330, 332, 340, 350, 360, 450, 460 wiper blade, 10 pack
9621	Lexmark E 230, 232, 238, 250, 330, 332, 340, 350, 450 Developer roller, 10 pack
9897	Lexmark E 230, 232, 238, 250, 330, 332, 340, 350, 450 Doctor bar, 10 pack (Dell 1700)
5922	Lexmark E 230, 232, 238, 250, 330, 332, 340, 350, 450 PCR, 10 pack (Dell 1700, IBM 1412)
9616	Lexmark E 230, 232, 238, 250, 330, 332, 340, 350, 450 shipping lock, 10 pack (Dell 1700, IBM 1412)
12021	Lexmark E 230, 232, 238, 250, 330, 332, 340, 350, 450 SuMMiT®, 5 pack drum w/gears (Dell 1700)
10392	Lexmark E 230, 232, 238, 250, 330, 332, 340, 350, 450 supply roller, 20 pack (Dell P 1700)
9255	Lexmark E 230, 232, 238, 250, 330, 332, 340, 350, 450 Uni Drum ® "F" w/gears (Dell 1700)
5563	Lexmark E 230, 232, 238, 250, 330, 332, 340, 350, 450 Uni Drum ® Green w/gears (Dell 1700)
9254	Lexmark E 230, 232, 238, 330, 332, 340 Absolute Black® toner 22 lb (10 kg) bag
9253	Lexmark E 230, 232, 238, 330, 332, 340 Absolute Black® toner 75g (2,500 pages)
9295	Lexmark E 230, 232, 238, 330, 332, 340, Dell 1700 Absolute Black® toner 185g (6,000 pages)
11356	Lexmark E 330, (Dell 1700) recovery blade, 100 pack (special order)

14132	Lexmark E 330, 340 Smartchip ® MICR (4,700 pages) (Worldwide)
13435	Lexmark E/X 230, 232, 240, 330, 332, 340, 342, 203, 204 Superchip Universal (2,500 pages)(Worldwide)
13450	Lexmark E/X 330, 332, 340, 342, 203, 204 Superchip ® Universal (6,000 pages) (Worldwide)

Lexmark® Optra K

Part #	Description
8639	Lexmark Optra K 1220 Absolute Black® developer 185g
8638	Lexmark Optra K 1220 Absolute Black® toner 170g (NEW FORMULA)
6104	Lexmark Optra K 1220 Absolute Black® toner, 22 lb (10 kg) bag (sold 2/box)
8866	Lexmark Optra K wiper blade, 10 pack

Lexmark® Optra M-410, 412

Part #	Description
8191	Lexmark Optra E 320, M 410, T 420, 520, 620, 630, 640 drum cover, 10 pack
7247	Lexmark Optra M 410, 412 "F" drum with gears
6581	Lexmark Optra M 410, 412 Absolute Black® toner 300g (10,000 pages)
6582	Lexmark Optra M 410, 412 Absolute Black® toner, 22 lb (10 kg) bag
9128	Lexmark Optra M 410, 412 Doctor Bar, 10 pack
6971	Lexmark Optra M 410, 412 felt, 100 pack
7576	Lexmark Optra M 410, 412 MICR ® (for checks) toner 300g
7532	Lexmark Optra M 410, 412 replacement tab LEFT
7533	Lexmark Optra M 410, 412 replacement tab RIGHT
7019	Lexmark Optra M 410, 412 shipping lock, 10 pack
9394	Lexmark Optra M 410, 412 Uni Drum ® Green with gear
7542	Lexmark Optra M 410, 412 wand (sold 100 pack)(special order)
5064	Lexmark Optra M 410, 412 wiper blade, 10 pack

Lexmark® Optra SC-1275

Part #	Description
5953	Lexmark Optra SC 1275 Smartchip ® reset fuse, 10 pack (special order)
5948	Lexmark Optra SC 1275 Absolute Black ® toner 145g
5949	Lexmark Optra SC 1275 Absolute Cyan ® toner 115g
5950	Lexmark Optra SC 1275 Absolute Magenta ® toner 115g
5951	Lexmark Optra SC 1275 Absolute Yellow ® toner 115g
6651	Lexmark Optra SC 1275 wiper blade, 10 pack (special order)

Lexmark® Optra SE-3455

Part #	Description
8976	Lexmark 4059, Optra S, T 520, 610, 616, 620 SE 3455 developer roller, 10 pack
8191	Lexmark Optra E 320, M 410, T 420, 520, 620, 630, 640 drum cover, 10 pack
14711	Lexmark Optra T 610, 611, 612, 614, 616, SE Superchip ® (25,000 pages)
6677	Lexmark Optra T 610, SE 3455 Absolute Black® toner 300g (10,000 pages)
6940	Lexmark Optra T 610, SE 3455 Absolute Black® toner 480g
5685	Lexmark T 640, 630, 620, 610, 520, 4059 "F" drum w/gears

Lexmark® Optra T-610, 612, 614, 616

Part #	Description
8976	Lexmark 4059, Optra S, T 520, 610, 616, 620 SE 3455 developer roller, 10 pack
11852	Lexmark 4059, Optra S, T 610, 520, 620, 630 cleaning wand, 10 pack (special order)
8219	Lexmark 4059, Optra T 420, 520, 610, 620, 630 Doctor Bar, 10 pack
7136	Lexmark 4059, Optra T 610, 520, 620, 630 shipping lock instruction, 100 pack
5749	Lexmark 4059, Optra T 610, 520, 620, 630 shipping lock, 25 pack
502	Lexmark 4059, Optra T 610, 520, 620, 630 waste recovery blade, 100 pack
6140	Lexmark 4059, T 420, 430, 520, 610, 620, 630 Shim washer, 100 pack
7003	Lexmark 4059, T 420, 430, 520, 610, 620, 630 Shim washer, 100 pack(K product) (special order item)
12019	Lexmark 4059, T 520, 610, 620, 630 SuMMiT® drum w/gears, 5 pack
8191	Lexmark Optra E 320, M 410, T 420, 520, 620, 630, 640 drum cover, 10 pack
8191	Lexmark Optra E 320, M 410, T 420, 520, 620, 630, 640 drum cover, 10 pack
5938	Lexmark Optra T 610, 520, 620, 630 Inner & outer retaining blade, 50 sets
7168	Lexmark Optra T 610, 611, 612, 614, 616, SE Smartchip ® (25,000 pages)
13480	Lexmark Optra T 610, 611, 612, 614, 616, SE Smartchip ® (25,000 pages) (special order)
14711	Lexmark Optra T 610, 611, 612, 614, 616, SE Superchip ® (25,000 pages)
8498	Lexmark Optra T 610, 620, 520 High Yield NON-prebate wheel, 100 pack (special order)
6677	Lexmark Optra T 610, SE 3455 Absolute Black® toner 300g (10,000 pages)
6940	Lexmark Optra T 610, SE 3455 Absolute Black® toner 480g
6678	Lexmark Optra T 610, SE 3455 Absolute Black® toner, 22 lb (10 kg) bag
7180	Lexmark Optra T 610, SE 3455 MICR ® (for checks) toner 480g
5685	Lexmark T 640, 630, 620, 610, 520, 4059 "F" drum w/gears
5096	Lexmark T 640, 630, 620, 610, 520, 4059 wiper blade end foam, 50 pack (special order)
10659	Lexmark T 640, 630, 620, 610, 520, E 460, 360, 260 developer roller end seal (left & right) 100 sets

Lexmark® T-420

Part #	Description
8219	Lexmark 4059, Optra T 420, 520, 610, 620, 630 Doctor Bar, 10 pack
6140	Lexmark 4059, T 420, 430, 520, 610, 620, 630 Shim washer, 100 pack
7003	Lexmark 4059, T 420, 430, 520, 610, 620, 630 Shim washer, 100 pack(K product) (special order item)
8191	Lexmark Optra E 320, M 410, T 420, 520, 620, 630, 640 drum cover, 10 pack
5211	Lexmark T 420 Smartchip ® MICR (8,000 pages) (Worldwide)
13453	Lexmark T 420 Superchip® Universal (10,000 pages)(Worldwide)
12340	Lexmark T 420, 430 recovery blade, 25 pack (special order)(under development)
6297	Lexmark T 420, 430 universal waste hopper (special order)
11857	Lexmark T 420, 430, X 422 developer roller, 10 pack (under final test)(special order)
9395	Lexmark T 420, 430, X 422, IBM 1422 Uni Drum ® Green with gears
8396	Lexmark T 420, 430, X 422, IBM 1422 wiper blade, 10 pack
5212	Lexmark T 420, Source Tech 9222 MICR ® toner (for checks) 300g
8394	Lexmark T 420, X 422 Absolute Black® toner 22 lb (10 kg) bag
8393	Lexmark T 420, X 422 Absolute Black® toner 255g (10,000 pages)
6008	Lexmark T 420, X 422 shipping lock, 10 pack
12048	Lexmark T 640, 630, 620, 610, 520, 430. 420 supply roller, 10 pack (special order)

Lexmark® T-430

Part #	Description
6140	Lexmark 4059, T 420, 430, 520, 610, 620, 630 Shim washer, 100 pack
7003	Lexmark 4059, T 420, 430, 520, 610, 620, 630 Shim washer, 100 pack(K product) (special order item)
7003	Lexmark 4059, T 420, 430, 520, 610, 620, 630 Shim washer, 100 pack(K product) (special order item)
12340	Lexmark T 420, 430 recovery blade, 25 pack (special order)(under development)

6297	Lexmark T 420, 430 universal waste hopper (special order)
11857	Lexmark T 420, 430, X 422 developer roller, 10 pack (under final test)(special order)
9395	Lexmark T 420, 430, X 422, IBM 1422 Uni Drum ® Green with gears
8396	Lexmark T 420, 430, X 422, IBM 1422 wiper blade, 10 pack
14131	Lexmark T 430 Smartchip ® MICR (8,000 pages) (Worldwide)
13456	Lexmark T 430 Superchip ® Universal (12,000 pages) (Worldwide)
9625	Lexmark T 430, X 422, IBM 1422 Absolute Black® toner 155g (6,000 pages)
10780	Lexmark T 430, X 422, IBM 1422 Absolute Black® toner 22 lb (10kg) bag
9623	Lexmark T 430, X 422, IBM 1422 Absolute Black® toner 325g (12,000 pages)
12048	Lexmark T 640, 630, 620, 610, 520, 430. 420 supply roller, 10 pack (special order)

Lexmark® T-520, 522

Part #	Description
11852	Lexmark 4059, Optra S, T 610, 520, 620, 630 cleaning wand, 10 pack (special order)
8219	Lexmark 4059, Optra T 420, 520, 610, 620, 630 Doctor Bar, 10 pack
7136	Lexmark 4059, Optra T 610, 520, 620, 630 shipping lock instruction, 100 pack
5749	Lexmark 4059, Optra T 610, 520, 620, 630 shipping lock, 25 pack
502	Lexmark 4059, Optra T 610, 520, 620, 630 waste recovery blade, 100 pack
6140	Lexmark 4059, T 420, 430, 520, 610, 620, 630 Shim washer, 100 pack
7003	Lexmark 4059, T 420, 430, 520, 610, 620, 630 Shim washer, 100 pack(K product) (special order item)
12019	Lexmark 4059, T 520, 610, 620, 630 SuMMiT® drum w/gears, 5 pack
8191	Lexmark Optra E 320, M 410, T 420, 520, 620, 630, 640 drum cover, 10 pack
5938	Lexmark Optra T 610, 520, 620, 630 Inner & outer retaining blade, 50 sets
9081	Lexmark Optra T 610, SE 3455 Absolute Black® toner 615g
7983	Lexmark T 520 Absolute Black® toner 22 lb (10 kg) bag
7907	Lexmark T 520 Absolute Black® toner 300g (10,000 pages)
9060	Lexmark T 520 Absolute Black® toner 615g (20,000 pages)
11364	Lexmark T 520 conversion recess insert, 10 pack (special order)
8489	Lexmark T 520 MICR ® (for checks) toner 490g
14118	Lexmark T 520, 522 SmartChip ® MICR (15,000 pages) (Worldwide)
4883	Lexmark T 630, 620, 610, 520, 4059 wiper blade w/ PCR cleaning (Metal), 10 pack
5685	Lexmark T 640, 630, 620, 610, 520, 4059 "F" drum w/gears
5675	Lexmark T 640, 630, 620, 610, 520, 4059 Uni Drum ® Green with gears
5096	Lexmark T 640, 630, 620, 610, 520, 4059 wiper blade end foam, 50 pack (special order)
10659	Lexmark T 640, 630, 620, 610, 520, E 460, 360, 260 developer roller end seal (left & right) 100 sets
5110	Lexmark T/X 646, 640, 630 Superchip® Universal Extra High Yield (Worldwide)
5109	Lexmark T/X 646, 640, 630, 620, 520 Superchip® Universal High Yield (Worldwide)

Lexmark® T-620, 622

Part #	Description
11852	Lexmark 4059, Optra S, T 610, 520, 620, 630 cleaning wand, 10 pack (special order)
8219	Lexmark 4059, Optra T 420, 520, 610, 620, 630 Doctor Bar, 10 pack
7136	Lexmark 4059, Optra T 610, 520, 620, 630 shipping lock instruction, 100 pack
5749	Lexmark 4059, Optra T 610, 520, 620, 630 shipping lock, 25 pack
502	Lexmark 4059, Optra T 610, 520, 620, 630 waste recovery blade, 100 pack
6140	Lexmark 4059, T 420, 430, 520, 610, 620, 630 Shim washer, 100 pack
7003	Lexmark 4059, T 420, 430, 520, 610, 620, 630 Shim washer, 100 pack(K product) (special order item)
12019	Lexmark 4059, T 520, 610, 620, 630 SuMMiT® drum w/gears, 5 pack
8191	Lexmark Optra E 320, M 410, T 420, 520, 620, 630, 640 drum cover, 10 pack
5938	Lexmark Optra T 610, 520, 620, 630 Inner & outer retaining blade, 50 sets

6821	Lexmark T 620 Absolute Black® toner 22 lb (10 Kg) bag
9059	Lexmark T 620 Absolute Black® toner 825g
8490	Lexmark T 620 MICR ® toner 410g (use 2 for High Yield)
4883	Lexmark T 630, 620, 610, 520, 4059 wiper blade w/ PCR cleaning (Metal), 10 pack
5685	Lexmark T 640, 630, 620, 610, 520, 4059 "F" drum w/gears
5675	Lexmark T 640, 630, 620, 610, 520, 4059 Uni Drum ® Green with gears
5096	Lexmark T 640, 630, 620, 610, 520, 4059 wiper blade end foam, 50 pack (special order)
10659	Lexmark T 640, 630, 620, 610, 520, E 460, 360, 260 developer roller end seal (left & right) 100 sets
5110	Lexmark T/X 646, 640, 630 Superchip® Universal Extra High Yield (Worldwide)
5109	Lexmark T/X 646, 640, 630, 620, 520 Superchip® Universal High Yield (Worldwide)

Lexmark® T-630, 632, 634

Part #	Description
11852	Lexmark 4059, Optra S, T 610, 520, 620, 630 cleaning wand, 10 pack (special order)
8219	Lexmark 4059, Optra T 420, 520, 610, 620, 630 Doctor Bar, 10 pack
7136	Lexmark 4059, Optra T 610, 520, 620, 630 shipping lock instruction, 100 pack
5749	Lexmark 4059, Optra T 610, 520, 620, 630 shipping lock, 25 pack
502	Lexmark 4059, Optra T 610, 520, 620, 630 waste recovery blade, 100 pack
6140	Lexmark 4059, T 420, 430, 520, 610, 620, 630 Shim washer, 100 pack
7003	Lexmark 4059, T 420, 430, 520, 610, 620, 630 Shim washer, 100 pack(K product) (special order item)
12019	Lexmark 4059, T 520, 610, 620, 630 SuMMiT® drum w/gears, 5 pack
8191	Lexmark Optra E 320, M 410, T 420, 520, 620, 630, 640 drum cover, 10 pack
5938	Lexmark Optra T 610, 520, 620, 630 Inner & outer retaining blade, 50 sets
9789	Lexmark T 630 developer roller, 10 pack
4883	Lexmark T 630, 620, 610, 520, 4059 wiper blade w/ PCR cleaning (Metal), 10 pack
9765	Lexmark T 630, 620, 610, 520, 4059 wiper blade w/ PCR cleaning (Plastic), 10 pack
9102	Lexmark T 630, 632, 634 Absolute Black® toner 22 lb (10 Kg) bag
10755	Lexmark T 630, 632, 634 Absolute Black® toner 575g (21,000 pages)
8414	Lexmark T 630, 632, 634 Absolute Black® toner 650g (25,000 pages) (special order)
8983	Lexmark T 630, 632, 634 Absolute Black® toner 840g (32,000 pages)
9744	Lexmark T 630, 632, 634 Absolute MICR ® toner 410g (use 2 p/cartridge)
14828	Lexmark T 630, 632, 634 Smartchip ® 21,000 pages (Europe, Middle East & Africa)
9219	Lexmark T 640, 630, 620, 610, 520 Absolute Black® toner 187 lb (85 Kg) barrel (special order)
5685	Lexmark T 640, 630, 620, 610, 520, 4059 "F" drum w/gears
5675	Lexmark T 640, 630, 620, 610, 520, 4059 Uni Drum ® Green with gears
10659	Lexmark T 640, 630, 620, 610, 520, E 460, 360, 260 developer roller end seal (left & right) 100 sets
5110	Lexmark T/X 646, 640, 630 Superchip® Universal Extra High Yield (Worldwide)
5109	Lexmark T/X 646, 640, 630, 620, 520 Superchip® Universal High Yield (Worldwide)
5067	Source Tech 9325, 9335, 9340, T 630, 632, 634 Smartchip ® MICR (15,000 pages) (Worldwide)
5066	Source Technologies ST 9335, 9340, Lexmark T 632, 634 MICR Smartchip ® (Worldwide)

Lexmark® T-640, 642, 644

Part #	Description
8191	Lexmark Optra E 320, M 410, T 420, 520, 620, 630, 640 drum cover, 10 pack
4883	Lexmark T 630, 620, 610, 520, 4059 wiper blade w/ PCR cleaning (Metal), 10 pack
12709	Lexmark T 640 cleaning wand (special order)
5685	Lexmark T 640, 630, 620, 610, 520, 4059 "F" drum w/gears
5675	Lexmark T 640, 630, 620, 610, 520, 4059 Uni Drum ® Green with gears
7747	Lexmark T 640, 630, 620, 610, 520, 4059, Optra S wiper blade, 10 pack
10659	Lexmark T 640, 630, 620, 610, 520, E 460, 360, 260 developer roller end seal (left & right) 100 sets

14566	Lexmark T 640, 642, 644 Absolute Black® toner 1kg (special order)
8465	Lexmark T 640, 642, 644 Absolute Black® toner 22 lb (10 kg) bag
7430	Lexmark T 640, 642, 644 Absolute Black® toner 610g (21,000 pages)
8464	Lexmark T 640, 642, 644 Absolute Black® toner 920g (32,000 pages)
11434	Lexmark T 640, 642, 644 Absolute MICR ® toner 650g
12342	Lexmark T 640, 642, 644 developer roller cover, 10 pack
7000	Lexmark T 640, 642, 644 developer roller, 10 pack
10216	Lexmark T 640, 642, 644 doctor bar, 10 pack
11150	Lexmark T 640, 642, 644 FIN (left trigger plate) , 10 pack
12143	Lexmark T 640, 642, 644 Maintenance parts (special order)
10079	Lexmark T 640, 642, 644 shipping lock, 10 pack
12702	Lexmark T 640, 642, 644 Smartchip ® (21,000 pages) Australia (special order)
9247	Lexmark T 640, 642, 644 wiper blade, 10 pack
14903	Lexmark T 640, 642, 644 X-Generation Black® toner 154 lb (70 kg) barrel
13855	Lexmark T 640, 642, 644 X-Generation Black® toner 22 lb (10 kg) bag
13853	Lexmark T 640, 642, 644 X-Generation Black® toner 610g (21,000 pages)
13854	Lexmark T 640, 642, 644 X-Generation Black® toner 920g (32,000 pages)
13211	Lexmark T 640, 644 SuMMiT® drum w/gears, 5 pack
5110	Lexmark T/X 646, 640, 630 Superchip® Universal Extra High Yield (Worldwide)
5109	Lexmark T/X 646, 640, 630, 620, 520 Superchip® Universal High Yield (Worldwide)
11171	Toshiba e-Studio 500 P uses Lexmark T 640, 642, 644 engine

Lexmark® T-650, 652, 654

Part # Description

14303	Lexmark T 650, 652, 654 shipping lock, 10 pack
-------	--

Lexmark® W 850

Part # Description

14590	Lexmark® W 850dn developer unit seal, 50 pack
-------	---

Lexmark® W-810

Part # Description

11704	Lexmark W 810 Absolute Black® drum unit developer carrier 200g (under development)
8187	Lexmark W 810 Absolute Black® toner 22 lb (10 kg) bag
10159	Lexmark W 810 Absolute Black® toner 625g (20,000 pages)
11703	Lexmark W 810 Smartchip ® drum unit (under development) ETA 05/10
10160	Lexmark W 810 Smartchip ® toner fuse, 10 pack
8593	Lexmark W 810 Uni Drum ® BLUE with gears

Lexmark® W-812

Part # Description

9915	Lexmark W 812 Absolute Black® toner 22 lb (10 kg) bag
8811	Lexmark W 812 Absolute Black® toner 500g
9328	Lexmark W 812 Clear Seal ® adhesive, 50 pack
8813	Lexmark W 812 doctor blade, 10 pack
8814	Lexmark W 812 Mag roller sleeve, 10 pack
8815	Lexmark W 812 Smartchip ® (special order)

11433	Lexmark W 812 Smartchip ® with housing (special order)(under development)
6685	Lexmark W 812 Uni Drum with gears
8812	Lexmark W 812 wiper blade, 10 pack

Lexmark® W-820

Part #	Description
7701	Lexmark W 820 Smartchip ® with housing, 10 pack
5353	Lexmark W 820, X 830, 832 Absolute Black® toner 1025g
9217	Lexmark W 820, X 830, 832 Absolute Black® toner 22 lb (10 kg) bag
6216	Lexmark W 820, X 830, 832 doctor blade, 10 pack
8102	Lexmark W 820, X 830, 832 Mag roller sleeve, 10 pack
8103	Lexmark W 820, X 830, 832 PCR roller, 10 pack
6224	Lexmark W 820, X 830, 832 Uni Drum ® "S" gearless (special order)
6561	Lexmark W 820, X 830, 832 wiper blade, 10 pack

Lexmark® W-840

Part #	Description
10139	Lexmark Optra W 840 Absolute Black ® toner 22 lb (10 kg) bag
10138	Lexmark Optra W 840 Absolute Black ® toner 650g (30,000 pages)
14559	Lexmark Optra W 840 Developer unit seal, 50 pack
10141	Lexmark Optra W 840 Smartchip ® toner cartridge (W84020H) (30,000 pages)
10140	Lexmark Optra W 840 Uni Drum ® with gears
14009	Lexmark Optra W 840 wiper blade, 10 pack
14265	Lexmark W 840 developer for drum unit (special order)

Lexmark® X 203,204

Part #	Description
13435	Lexmark E/X 230, 232, 240, 330, 332, 340, 342, 203, 204 Superchip Universal (2,500 pages)(Worldwide)

Lexmark® X 264, 363, 364

Part #	Description
14921	Smartchip™ toner (3,500 pages) for use in Lexmark X 264, 363, 364
14922	Smartchip™ toner (9,000 pages) for use in Lexmark X 264, 363, 364

Lexmark® X-215 MFP

Part #	Description
9166	Lexmark X 215 Absolute Black ® toner 100g
9264	Lexmark X 215 developer roller, 9 pack
7027	Lexmark X 215 PCR roller, 10 pack
7372	Lexmark X 215 Smartchip ® fuse for toner cartridge, 10 pack
9820	Lexmark X 215 Uni Drum ® "S"OEM style with gears
7424	Lexmark X 215 wiper blade, 10 pack

Lexmark® X-340, 342 MFP

Part #	Description
--------	-------------

13674	Lexmark X 340, 342 waste recovery blade, 100 pack
9898	Lexmark E 230, 232, 238, 250, 260, 330, 332, 340, 350, 360, 450, 460 wiper blade, 10 pack
9621	Lexmark E 230, 232, 238, 250, 330, 332, 340, 350, 450 Developer roller, 10 pack
9897	Lexmark E 230, 232, 238, 250, 330, 332, 340, 350, 450 Doctor bar, 10 pack (Dell 1700)
5922	Lexmark E 230, 232, 238, 250, 330, 332, 340, 350, 450 PCR, 10 pack (Dell 1700, IBM 1412)
9616	Lexmark E 230, 232, 238, 250, 330, 332, 340, 350, 450 shipping lock, 10 pack (Dell 1700, IBM 1412)
12021	Lexmark E 230, 232, 238, 250, 330, 332, 340, 350, 450 SuMMiT®, 5 pack drum w/gears (Dell 1700)
10392	Lexmark E 230, 232, 238, 250, 330, 332, 340, 350, 450 supply roller, 20 pack (Dell P 1700)
9255	Lexmark E 230, 232, 238, 250, 330, 332, 340, 350, 450 Uni Drum ® "F" w/gears (Dell 1700)
5563	Lexmark E 230, 232, 238, 250, 330, 332, 340, 350, 450 Uni Drum ® Green w/gears (Dell 1700)
9254	Lexmark E 230, 232, 238, 330, 332, 340 Absolute Black® toner 22 lb (10 kg) bag
9253	Lexmark E 230, 232, 238, 330, 332, 340 Absolute Black® toner 75g (2,500 pages)
9295	Lexmark E 230, 232, 238, 330, 332, 340, Dell 1700 Absolute Black® toner 185g (6,000 pages)
11356	Lexmark E 330, (Dell 1700) recovery blade, 100 pack (special order)

Lexmark® X-422 MFP

Part # Description

6140	Lexmark 4059, T 420, 430, 520, 610, 620, 630 Shim washer, 100 pack
7003	Lexmark 4059, T 420, 430, 520, 610, 620, 630 Shim washer, 100 pack(K product) (special order item)
9395	Lexmark T 420, 430, X 422, IBM 1422 Uni Drum ® Green with gears
8396	Lexmark T 420, 430, X 422, IBM 1422 wiper blade, 10 pack
9625	Lexmark T 430, X 422, IBM 1422 Absolute Black® toner 155g (6,000 pages)
10780	Lexmark T 430, X 422, IBM 1422 Absolute Black® toner 22 lb (10kg) bag
9623	Lexmark T 430, X 422, IBM 1422 Absolute Black® toner 325g (12,000 pages)
7536	Lexmark X 422 Superchip ® Universal (12,000 pages) (Worldwide)

Lexmark® X-520, 522

Part # Description

5110	Lexmark T/X 646, 640, 630 Superchip® Universal Extra High Yield (Worldwide)
5109	Lexmark T/X 646, 640, 630, 620, 520 Superchip® Universal High Yield (Worldwide)

Lexmark® X-620

Part # Description

5110	Lexmark T/X 646, 640, 630 Superchip® Universal Extra High Yield (Worldwide)
------	---

Lexmark® X-630, 632, 634

Part # Description

5110	Lexmark T/X 646, 640, 630 Superchip® Universal Extra High Yield (Worldwide)
5109	Lexmark T/X 646, 640, 630, 620, 520 Superchip® Universal High Yield (Worldwide)

Lexmark® X-642, 644, 646

Part # Description

8414	Lexmark T 630, 632, 634 Absolute Black® toner 650g (25,000 pages) (special order)
14566	Lexmark T 640, 642, 644 Absolute Black® toner 1kg (special order)
7430	Lexmark T 640, 642, 644 Absolute Black® toner 610g (21,000 pages)
8464	Lexmark T 640, 642, 644 Absolute Black® toner 920g (32,000 pages)

11434	Lexmark T 640, 642, 644 Absolute MICR ® toner 650g
12342	Lexmark T 640, 642, 644 developer roller cover, 10 pack
7000	Lexmark T 640, 642, 644 developer roller, 10 pack
10216	Lexmark T 640, 642, 644 doctor bar, 10 pack
10079	Lexmark T 640, 642, 644 shipping lock, 10 pack
13853	Lexmark T 640, 642, 644 X-Generation Black® toner 610g (21,000 pages)
13854	Lexmark T 640, 642, 644 X-Generation Black® toner 920g (32,000 pages)
5110	Lexmark T/X 646, 640, 630 Superchip® Universal Extra High Yield (Worldwide)
5109	Lexmark T/X 646, 640, 630, 620, 520 Superchip® Universal High Yield (Worldwide)

Minolta® Bizhub 160, 161

Part #	Description
11146	Minolta Bizhub 160, 161 Absolute Black ® toner 200g (6,000 pages)
11148	Minolta Bizhub 160, 161 doctor blade, 10 pack
11149	Minolta Bizhub 160, 161 Uni Drum ® with gears

Minolta® Bizhub 162, 180, 210

Part #	Description
11617	Minolta Bizhub 152, 162, 180,181 210 compatible toner cartridge 413g, 2 pk (Europe)(special order)
11618	Minolta Bizhub 152, 162, 180,181 210 compatible toner cartridge 413g, 2 pk (USA)(special order)

Minolta® Bizhub 200, 250

Part #	Description
11616	Minolta Bizhub 200, 250 Absolute Black ® compatible toner cartridge 413g (USA)(special order)
11614	Minolta Bizhub 200, 250 Absolute Black ® toner cartridge comp. 413g (Europe)(special order)

Minolta® Bizhub 350

Part #	Description
11615	Minolta 350 Absolute Black ® compatible toner cartridge 360g (Europe)(sold 6/box)(special order)
11613	Minolta 350 Absolute Black ® compatible toner cartridge 360g (USA)(sold 6/box)(special order)

Minolta® Bizhub 40P

Part #	Description
13826	Konica Minolta Bizhub 40P Absolute Black® toner 22 lb (10 kg) bag
13775	Konica Minolta Bizhub 40P Absolute Black® toner 820g
13625	Konica Minolta Bizhub 40P Smartchip® toner (AOFPP013) 19,000 pages
13787	Konica Minolta Bizhub 40P, 40X Uni Drum ® one gear (under development)(special order)

Minolta® Bizhub 420, 500

Part #	Description
11619	Minolta Bizhub 420, 500 Absolute Black ® compatible toner cartridge 676g (special order)

Minolta® Bizhub 600, 750

Part #	Description
--------	-------------

- 13094 Minolta Bizhub 600, 750 Absolute Black ® compatible toner cartridge 1160g (sold 8/box)
- 11620 Minolta Bizhub 600, 750 Absolute Black ® compatible toner cartridge 1360g (special order)

Minolta® Bizhub 920

Part # Description

- 11621 Minolta Bizhub 920 Absolute Black ® compatible toner cartridge 1570g (special order)

Minolta® Bizhub C-250, 252

Part # Description

- 11098 Minolta C 250 Absolute Black ® compatible toner cartridge (special order)
- 12053 Minolta C 250 Absolute Black ® toner 22l b (10 kg) (special order)
- 10876 Minolta C 250 Absolute Black ® toner 410g
- 11099 Minolta C 250 Absolute Cyan ® compatible toner cartridge (special order)
- 12054 Minolta C 250 Absolute Cyan ® toner 22 lb (10 kg) (special order)
- 10877 Minolta C 250 Absolute Cyan ® toner 260g
- 11100 Minolta C 250 Absolute Magenta ® compatible toner cartridge (special order)
- 12055 Minolta C 250 Absolute Magenta ® toner 22 lb (10 kg) (special order)
- 10878 Minolta C 250 Absolute Magenta ® toner 260g
- 11101 Minolta C 250 Absolute Yellow ® compatible toner cartridge (special order)
- 12056 Minolta C 250 Absolute Yellow ® toner 22 lb (10 kg) (special order)
- 10879 Minolta C 250 Absolute Yellow ® toner 260g
- 10880 Minolta C 250 Smartchip ® Black toner (Europe)
- 11528 Minolta C 250 Smartchip ® Black toner (USA)
- 11398 Minolta C 250, 252 Smartchip ® Black drum unit (Europe, Australia)
- 11532 Minolta C 250, 252 Smartchip ® Black drum unit (USA)
- 11399 Minolta C 250, 252 Smartchip ® Cyan drum unit (Europe, Australia)
- 11533 Minolta C 250, 252 Smartchip ® Cyan drum unit (USA)
- 10881 Minolta C 250, 252 Smartchip ® Cyan toner (Europe)
- 11529 Minolta C 250, 252 Smartchip ® Cyan toner (USA)
- 11400 Minolta C 250, 252 Smartchip ® Magenta drum unit (Europe, Australia)
- 11534 Minolta C 250, 252 Smartchip ® Magenta drum unit (USA)
- 10882 Minolta C 250, 252 Smartchip ® Magenta toner (Europe)
- 11530 Minolta C 250, 252 Smartchip ® Magenta toner (USA)
- 11401 Minolta C 250, 252 Smartchip ® Yellow drum unit (Europe, Australia)
- 11535 Minolta C 250, 252 Smartchip ® Yellow drum unit (USA)
- 10883 Minolta C 250, 252 Smartchip ® Yellow toner (Europe)
- 11531 Minolta C 250, 252 Smartchip ® Yellow toner (USA)
- 11221 Minolta C 250, 252 Uni Drum ® with gears (special order)

Minolta® Bizhub C-300, 352

Part # Description

- 12057 Minolta C 300, 352 Absolute Black ® toner 22lb (10kg) (special order) (under development)
- 11102 Minolta C 300, 352 Absolute Black ® toner 410g (under development)
- 12058 Minolta C 300, 352 Absolute Cyan ® toner 22lb (10kg) (special order) (under development)
- 11103 Minolta C 300, 352 Absolute Cyan ® toner 260g (under development)
- 12059 Minolta C 300, 352 Absolute Magenta ® toner 22lb (10kg) (special order) (under development)
- 11104 Minolta C 300, 352 Absolute Magenta ® toner 260g (under development)
- 12060 Minolta C 300, 352 Absolute Yellow ® toner 22lb (10kg) (special order) (under development)

11105	Minolta C 300, 352 Absolute Yellow ® toner 260g (under development)
11094	Minolta C 300, 352 Black compatible toner cartridge (special order)
11095	Minolta C 300, 352 Cyan compatible toner cartridge (special order)
11096	Minolta C 300, 352 Magenta compatible toner cartridge (special order)
11537	Minolta C 300, 352 Smartchip ® Black drum unit (Europe) (under final test)
11541	Minolta C 300, 352 Smartchip ® Black drum unit (USA) (under final test)
11538	Minolta C 300, 352 Smartchip ® Cyan drum unit (Europe) (under final test)
11542	Minolta C 300, 352 Smartchip ® Cyan drum unit (USA) (under final test)
11539	Minolta C 300, 352 Smartchip ® Magenta drum unit (Europe) (under final test)
11543	Minolta C 300, 352 Smartchip ® Magenta drum unit (USA) (under final test)
11540	Minolta C 300, 352 Smartchip ® Yellow drum unit (Europe) (under final test)
11544	Minolta C 300, 352 Smartchip ® Yellow drum unit (USA) (under final test)
11536	Minolta C 300, 352 Uni Drum ® with gears
11097	Minolta C 300, 352 Yellow compatible toner cartridge (special order)

Minolta® Bizhub C-350, 351, 450

Part # Description

9749	Minolta C 350, 450 Absolute Black ® compatible toner cartridge (special order)
9750	Minolta C 350, 450 Absolute Cyan ® compatible toner cartridge (special order)
9751	Minolta C 350, 450 Absolute Magenta ® compatible toner cartridge (special order)
9752	Minolta C 350, 450 Absolute Yellow ® compatible toner cartridge (special order)
10875	Minolta C 350, 450 Smartchip ® drum (under development)
10227	Minolta C 350, 450 Uni Drum ® with gears (special order)

Minolta® Bizhub C-500

Part # Description

11741	Minolta C 500 Absolute Black ® compatible toner cartridge (under development)(special order)
11723	Minolta C 500 Absolute Black ® toner TBAg (under development)
11742	Minolta C 500 Absolute Cyan ® compatible toner cartridge (under final test) (special order)
11724	Minolta C 500 Absolute Cyan ® toner TBAg (under development)
11743	Minolta C 500 Absolute Magenta ® compatible toner cartridge (under final test) (special order)
11725	Minolta C 500 Absolute Magenta ® toner TBAg (under development)
11744	Minolta C 500 Absolute Yellow ® compatible toner cartridge (under final test) (special order)
11726	Minolta C 500 Absolute Yellow ® toner TBAg (under development)

Minolta® CF-2002, 3102

Part # Description

9745	Minolta CF 2002, 3102 Black compatible toner cartridge (special order)
9746	Minolta CF 2002, 3102 Cyan compatible toner cartridge (special order)
9747	Minolta CF 2002, 3102 Magenta compatible toner cartridge (special order)
11963	Minolta CF 2002, 3102 Uni Drum ® gearless (special order)
9748	Minolta CF 2002, 3102 Yellow compatible toner cartridge (special order)

Minolta® Color Pageworks

Part # Description

5853	Minolta Color PagePro Absolute Black ® toner 160g
6632	Minolta Color PagePro Absolute Black ® toner, 22 lb (10 kg) bag

5852	Minolta Color PagePro Absolute Cyan ® toner 150g
6633	Minolta Color PagePro Absolute Cyan ® toner 22 lb (10 kg) bag
5855	Minolta Color PagePro Absolute Magenta ® toner 150g
6634	Minolta Color PagePro Absolute Magenta ® toner 22 lb (10 kg) bag
5854	Minolta Color PagePro Absolute Yellow ® toner 150g
6635	Minolta Color PagePro Absolute Yellow ® toner 22 lb (10 kg) bag
5856	Minolta Color Pageworks Smartchip ® reset fuse, 10 pack (special order)

Minolta® Di 151

Part #	Description
11637	Minolta Di 151, 7415 Absolute Black® toner 245g (under final test)
11638	Minolta Di 151, 7415 Uni Drum ® with gears (under final test)

Minolta® Di 152, 181, 183, 1611, 1811, 2011

Part #	Description
11237	Minolta Di 152, 183 Uni Drum ® with gears (special order)
11238	Minolta Di 152, 183 wiper blade (special order)
5200	Minolta Di 181, 350 Absolute Black toner, 22 lb (10 kg) bag

Minolta® Di Alta 1610

Part #	Description
10939	Minolta Di 1610 Smartchip ® (special order)
10938	Minolta Di 1610, 7416 Absolute Black® toner 150g (5,000 pages)
10940	Minolta Di 1610, 7416 Uni Drum ® with gears

Minolta® Di Alta 1810, 2010, 3010

Part #	Description
9979	Minolta Di 1810, 2010, 2510, 3010, 3510 compatible toner cartridge 2 x 420g (USA)(special order)

Minolta® Di Alta 200, 250, 251, 350, 351

Part #	Description
5200	Minolta Di 181, 350 Absolute Black toner, 22 lb (10 kg) bag
12671	Minolta Di 200, 250 Uni drum with gears (special order)(sold 50/box) (special order)
12670	Minolta Di 200, 250 wiper blade (special order)
9126	Minolta Di 200, 250, 350 Absolute Black® toner 220 lb (100 kg) (under final test)
8968	Minolta Di 200, 250, 350 Absolute Black® toner 400g (under final test)
8969	Minolta Di 200, 250, 350 compatible toner cartridge 413g (sold 12/box) (special order)
12574	Minolta Di 250, 350 wiper blade (special order)

Minolta® Di Alta 2510, 3510

Part #	Description
9979	Minolta Di 1810, 2010, 2510, 3010, 3510 compatible toner cartridge 2 x 420g (USA)(special order)

Minolta® Di Alta 450, 470, 550

Part # Description

- 12541 Minolta DI 450, 470, 550 "F" drum with gears (special order)
- 9977 Minolta Di 450, 470, 550 compatible toner cartridge 1100g (sold 6/box)(special order)
- 12572 Minolta DI 450, 470, 550 wiper blade (special order)

Minolta® Di Alta 520, 620

Part # Description

- 12544 Minolta Di 520, 620 wiper blade (special order)
- 12542 Minolta Di 520, 620 "F" drum with gears (special order)(sold 6/box)
- 11636 Minolta Di 520, 620 compatible toner cartridge 1600g (Europe) (sold 6/box)(special order)
- 9978 Minolta Di 520, 620 compatible toner cartridge 1600g (USA) (sold 6 p/box)(special order)

Minolta® Di Alta 551, 650, 5510, 7210

Part # Description

- 9974 Minolta Di 551, 650, 5510, 7210 compatible toner cartridge 1040g (special order)
- 12543 Minolta Di 551, 650, 5510, 7210 wiper blade (special order)

Minolta® Di Alta 750

Part # Description

- 10225 Minolta Di 750 Absolute Black ® toner 22 lb (10 kg) bag (special order)

Minolta® Di Alta 850

Part # Description

- 10230 Minolta Di 850 Absolute Black ® compatible toner cartridge (special order)
- 10228 Minolta Di 850 Absolute Black ® toner 22 lb (10 kg) bag (under development)

Minolta® EP 1050

Part # Description

- 12546 Minolta EP 1050, 1052, 1054, 1080, 1082, 1083, 2010 "F" drum w/ gears (special order)(sold 20/bx)
- 12547 Minolta EP 1050, 1052, 1054, 1080, 1082, 1083, 2010 wiper blade (special order)

Minolta® EP 2050

Part # Description

- 12674 Minolta EP 2050 "F" drum with gears, 10 pack (special order)

Minolta® EP 4050

Part # Description

- 12676 Minolta EP 4050 "F" drum with gears, 10 pack (special order)

Minolta® EP-1030, 1031, 1053

Part # Description

- 8492 Minolta EP 1030, 1031, 1050 Absolute Black® toner, 220 lb (100 kg) barrel

7684	Minolta EP 1030, 1031, 1050 compat. toner cartridge 55g, 4 pack (special order)
9002	Minolta EP 1030, 1031, 1053 drum with gears (sold 50 pack) (special order)
12545	Minolta EP 1030, 1031, 1053 wiper blade (special order)

Minolta® EP-1080

Part #	Description
12546	Minolta EP 1050, 1052, 1054, 1080, 1082, 1083, 2010 "F" drum w/ gears (special order)(sold 20/bx)
12547	Minolta EP 1050, 1052, 1054, 1080, 1082, 1083, 2010 wiper blade (special order)

Minolta® EP-2010

Part #	Description
12546	Minolta EP 1050, 1052, 1054, 1080, 1082, 1083, 2010 "F" drum w/ gears (special order)(sold 20/bx)
12547	Minolta EP 1050, 1052, 1054, 1080, 1082, 1083, 2010 wiper blade (special order)
8157	Minolta EP 2010 compatible toner bottle 240g, 2 pack

Minolta® EP-2080

Part #	Description
8158	Minolta EP 2080 compatible toner cartridge, 2x360g pack (special order)

Minolta® EP-2120

Part #	Description
5689	Minolta EP 2120 Uni Drum ® "S" with gears
7905	Minolta EP 2120, 2130, 2150 compatible toner cartridge 50g, 4 pack (special order)

Minolta® EP-3050

Part #	Description
12666	Minolta EP 2050, 3050, 4050 wiper blade (special order)
12675	Minolta EP 3050 "F" drum with gears, (special order)
8159	Minolta EP 3050, 4050 compatible toner bottle, 650g (sold 16 p/box)(special order)

Minolta® EP-4000

Part #	Description
8319	Minolta EP 4000 Absolute Black® toner, 220 lb (100 kg) barrel (special order)
11705	Minolta EP 4000, 5000 compaible toner cartridge 600g, 4 pack (special order)
8160	Minolta EP 4000, 5000 compatible toner bottle, 650g

Minolta® EP-470, 4702, 4230

Part #	Description
5315	Minolta EP 470, 4230, 4232, 4233, 4250 compatible toner cartridge (sold 4/box) (special order)

Minolta® EP-6000

Part #	Description
8161	Minolta EP 6000 compatible toner bottle, 1750g

9001	Minolta EP 6000 drum with gears, 6 pack
11880	Minolta EP 6000 wiper blade, 10 pack
12302	Minolta® EP 8015, 6001, 6000, 5050 Absolute Black toner, 22lbs (10kgs) bag (special order)

Minolta® EP-8015

Part #	Description
8162	Minolta EP 8015, 6001, 6000, 5050 compatible toner cartridge 1750g (sold 10 p/box)(special order)
12302	Minolta® EP 8015, 6001, 6000, 5050 Absolute Black toner, 22lbs (10kgs) bag (special order)

Minolta® F 3900, 2900

Part #	Description
10239	Minolta Fax 3900, 2900 Absolute Black toner 200g (6,000 pages)
10240	Minolta Fax 3900, 2900 Uni Drum ® drum with gears

Minolta® KL-7812

Part #	Description
7193	Minolta 7812 Absolute Black ® toner 325g
10212	Minolta 7812 Absolute Cyan ® toner 325g
10213	Minolta 7812 Absolute Magenta ® toner 325g
10214	Minolta 7812 Absolute Yellow ® toner 325g

Minolta® KL-7830, 7821

Part #	Description
9465	Minolta KL 7830, 7821 Absolute Black ® toner 465g
9466	Minolta KL 7830, 7821 Absolute Cyan ® toner 460g
9467	Minolta KL 7830, 7821 Absolute Magenta ® toner 460g
9468	Minolta KL 7830, 7821 Absolute Yellow ® toner 460g
9674	Minolta KL 7830, 7821 Smartchip ® fuse for drum unit, 10 pack
9673	Minolta KL 7830, 7821 Uni Drum ® drum with gears

Minolta® Magicolor 1600, 1650, 1680, 1690

Part #	Description
14244	Minolta MC 1600, 1650, 1680 MF, 1690 MF Absolute Black ® toner TBAg (2,500 pages)(under dev't)
14245	Minolta MC 1600, 1650, 1680 MF, 1690 MF Absolute Cyan ® toner TBAg (2,500 pages)(under dev't)
14246	Minolta MC 1600, 1650, 1680 MF, 1690 MF Absolute Magenta ® toner TBAg (2,500 pages)(under dev't)
14247	Minolta MC 1600, 1650, 1680 MF, 1690 MF Absolute Yellow ® toner TBAg (2,500 pages)(under dev't)
14552	Minolta MC 1600, 1650, 1680 MF, 1690 MF developer roller cover, 10 pack
14248	Minolta MC 1600, 1650, 1680 MF, 1690 MF Smartchip ® Black (A0V301F)(2,500 pages) (US)
14252	Minolta MC 1600, 1650, 1680 MF, 1690 MF Smartchip ® Black (A0V301H)(2,500 pages)(Europe)
14249	Minolta MC 1600, 1650, 1680 MF, 1690 MF Smartchip ® Cyan (A0V30HF)(2,500 pages) (US)
14253	Minolta MC 1600, 1650, 1680 MF, 1690 MF Smartchip ® Cyan (A0V30HH)(2,500 pages) (Europe)
14250	Minolta MC 1600, 1650, 1680 MF, 1690 MF Smartchip ® Magenta (A0V30CF)(2,500 pages) (US)
14254	Minolta MC 1600, 1650, 1680 MF, 1690 MF Smartchip ® Magenta (A0V30CH)(2,500 pages)(Europe)
14251	Minolta MC 1600, 1650, 1680 MF, 1690 MF Smartchip ® Yellow (A0V306F)(2,500 pages) (US)
14255	Minolta MC 1600, 1650, 1680 MF, 1690 MF Smartchip ® Yellow (A0V306H)(2,500 pages)(Europe)

Minolta® Magicolor 2300, 2350

Part #	Description
5112	QMS Magicolor 2200, 2300, 2350, 2400 toner hopper plug (cap), 100 pack
8233	QMS Magicolor 2300 Absolute Black ® toner 150g
8529	QMS Magicolor 2300 Absolute Black ® toner 22 lb (10 kg) bag
8234	QMS Magicolor 2300 Absolute Cyan ® toner 150g
8530	QMS Magicolor 2300 Absolute Cyan ® toner 22 lb (10 kg) bag
8236	QMS Magicolor 2300 Absolute Magenta ® toner 150g
8532	QMS Magicolor 2300 Absolute Magenta ® toner 22 lb (10 kg) bag
8235	QMS Magicolor 2300 Absolute Yellow ® toner 150g
8531	QMS Magicolor 2300 Absolute Yellow ® toner 22 lb (10 kg) bag
8709	QMS Magicolor 2300 seal developer roller cover, 10 pack
4968	QMS Magicolor 2300 Smartchip ® drum unit fuse, 10 pack
9365	QMS Magicolor 2300 supply roller, 10 pack
6854	QMS Magicolor 2300 Uni Drum ® with gears

Minolta® Magicolor 2400, 2430, 2450, 2480, 2490

Part #	Description
13315	Minolta 2400, 2500, 2550 Black smartchip® (4,500 pages)(US version)
13316	Minolta 2400, 2500, 2550 Cyan smartchip® (4,500 pages)(US version)
13317	Minolta 2400, 2500, 2550 Magenta smartchip® (4,500 pages)(US version)
13318	Minolta 2400, 2500, 2550 Yellow smartchip® (4,500 pages)(US version)
9377	Minolta MC 2400, 2430, 2450 Smartchip ® Black 1710587-004 (US)
11227	Minolta MC 2400, 2430, 2450 Smartchip ® Black 1710588-004 (Japan) (under dev't)
10128	Minolta MC 2400, 2430, 2450 Smartchip ® Black 1710589-004 (Europe)
10176	Minolta MC 2400, 2430, 2450 Smartchip ® Black 1710590-004 (Asia)
10803	Minolta MC 2400, 2430, 2450 Smartchip ® Black 1710590-004 (Australia)
9378	Minolta MC 2400, 2430, 2450 Smartchip ® Cyan 1710587-007 (US)
11228	Minolta MC 2400, 2430, 2450 Smartchip ® Cyan 1710588-007 (Japan)(under dev't)
10129	Minolta MC 2400, 2430, 2450 Smartchip ® Cyan 1710589-007 (Europe)
10177	Minolta MC 2400, 2430, 2450 Smartchip ® Cyan 1710590-007 (Asia)
10804	Minolta MC 2400, 2430, 2450 Smartchip ® Cyan 1710590-007 (Australia)
9381	Minolta MC 2400, 2430, 2450 Smartchip ® Drum unit fuse, 10 pack
9379	Minolta MC 2400, 2430, 2450 Smartchip ® Magenta 1710587-006 (US)
11229	Minolta MC 2400, 2430, 2450 Smartchip ® Magenta 1710588-006 (Japan)(under dev't)
10130	Minolta MC 2400, 2430, 2450 Smartchip ® Magenta 1710589-006 (Europe)
10178	Minolta MC 2400, 2430, 2450 Smartchip ® Magenta 1710590-006 (Asia)
10805	Minolta MC 2400, 2430, 2450 Smartchip ® Magenta 1710590-006 (Australia)
9380	Minolta MC 2400, 2430, 2450 Smartchip ® Yellow 1710587-005 (US)
11230	Minolta MC 2400, 2430, 2450 Smartchip ® Yellow 1710588-005 (Japan)(under dev't)
10131	Minolta MC 2400, 2430, 2450 Smartchip ® Yellow 1710589-005 (Europe)
10179	Minolta MC 2400, 2430, 2450 Smartchip ® Yellow 1710590-005 (Asia)
10806	Minolta MC 2400, 2430, 2450 Smartchip ® Yellow 1710590-005 (Australia)
5257	Minolta MC 2400, 2430, 2450, 2480 Absolute Black ® toner 150g
10821	Minolta MC 2400, 2430, 2450, 2480 Absolute Black ® toner 22 lb (10 kg) bag
5258	Minolta MC 2400, 2430, 2450, 2480 Absolute Cyan ® toner 150g
10822	Minolta MC 2400, 2430, 2450, 2480 Absolute Cyan ® toner 22 lb (10 kg) bag
5259	Minolta MC 2400, 2430, 2450, 2480 Absolute Magenta ® toner 150g
10823	Minolta MC 2400, 2430, 2450, 2480 Absolute Magenta ® toner 22 lb (10 kg) bag
5260	Minolta MC 2400, 2430, 2450, 2480 Absolute Yellow ® toner 150g

10824	Minolta MC 2400, 2430, 2450, 2480 Absolute Yellow ® toner 22 lb (10 kg) bag
7122	Minolta MC 2400, 2430, 2450, 2480, 2500 developer roller cover, 10 pack
9350	Minolta MC 2400, 2430, 2450, 2480, 2500, 2530, 2550 Uni Drum ® OEM style with gears

Minolta® Magicolor 2500, 2530, 2550

Part #	Description
13315	Minolta 2400, 2500, 2550 Black smartchip® (4,500 pages)(US version)
13316	Minolta 2400, 2500, 2550 Cyan smartchip® (4,500 pages)(US version)
13317	Minolta 2400, 2500, 2550 Magenta smartchip® (4,500 pages)(US version)
13318	Minolta 2400, 2500, 2550 Yellow smartchip® (4,500 pages)(US version)
5257	Minolta MC 2400, 2430, 2450, 2480 Absolute Black ® toner 150g
10821	Minolta MC 2400, 2430, 2450, 2480 Absolute Black ® toner 22 lb (10 kg) bag
5258	Minolta MC 2400, 2430, 2450, 2480 Absolute Cyan ® toner 150g
10822	Minolta MC 2400, 2430, 2450, 2480 Absolute Cyan ® toner 22 lb (10 kg) bag
5259	Minolta MC 2400, 2430, 2450, 2480 Absolute Magenta ® toner 150g
10823	Minolta MC 2400, 2430, 2450, 2480 Absolute Magenta ® toner 22 lb (10 kg) bag
5260	Minolta MC 2400, 2430, 2450, 2480 Absolute Yellow ® toner 150g
10824	Minolta MC 2400, 2430, 2450, 2480 Absolute Yellow ® toner 22 lb (10 kg) bag
7122	Minolta MC 2400, 2430, 2450, 2480, 2500 developer roller cover, 10 pack
9350	Minolta MC 2400, 2430, 2450, 2480, 2500, 2530, 2550 Uni Drum ® OEM style with gears
11391	Minolta MC 2500, 2530, 2550 Absolute Black ® toner 150g
11387	Minolta MC 2500, 2530, 2550 Absolute Black ® toner 22 lb (10 kg) bag
11392	Minolta MC 2500, 2530, 2550 Absolute Cyan ® toner 150g
11388	Minolta MC 2500, 2530, 2550 Absolute Cyan ® toner 22 lb (10 kg) bag
11393	Minolta MC 2500, 2530, 2550 Absolute Magenta ® toner 150g
11389	Minolta MC 2500, 2530, 2550 Absolute Magenta ® toner 22 lb (10 kg) bag
11394	Minolta MC 2500, 2530, 2550 Absolute Yellow ® toner 150g
11390	Minolta MC 2500, 2530, 2550 Absolute Yellow ® toner 22 lb (10 kg) bag
11479	Minolta MC 2500, 2530, 2550 Smartchip ® Black 1710587-004 (US, Brasil)
11483	Minolta MC 2500, 2530, 2550 Smartchip ® Black 1710589-004 (Europe)
11953	Minolta MC 2500, 2530, 2550 Smartchip ® Black 1710590-004 (Australia)
11480	Minolta MC 2500, 2530, 2550 Smartchip ® Cyan 1710587-007 (US, Brasil)
11484	Minolta MC 2500, 2530, 2550 Smartchip ® Cyan 1710589-007 (Europe)
11954	Minolta MC 2500, 2530, 2550 Smartchip ® Cyan 1710590-007 (Australia)
11481	Minolta MC 2500, 2530, 2550 Smartchip ® Magenta 1710587-006 (US, Brasil)
11485	Minolta MC 2500, 2530, 2550 Smartchip ® Magenta 1710589-006 (Europe)
11955	Minolta MC 2500, 2530, 2550 Smartchip ® Magenta 1710590-006 (Australia)
11482	Minolta MC 2500, 2530, 2550 Smartchip ® Yellow 1710587-005 (US, Brasil)
11486	Minolta MC 2500, 2530, 2550 Smartchip ® Yellow 1710589-005 (Europe)
11956	Minolta MC 2500, 2530, 2550 Smartchip ® Yellow 1710590-005 (Australia)

Minolta® Magicolor 3300

Part #	Description
6510	QMS Magicolor 3300 Absolute Cyan ® toner 150g (needs carrier N 6999) (new formulation)
6511	QMS Magicolor 3300 Absolute Magenta ® toner 150g (needs carrier N 6999) (new formulation)
6512	QMS Magicolor 3300 Absolute Yellow ® toner 150g (needs carrier N 6999) (new formulation)
6999	QMS Magicolor 3300 Black, Cyan, Magenta & Yellow toner carrier (new formulation)
10489	QMS Magicolor 3300 Smartchip ® Black
10490	QMS Magicolor 3300 Smartchip ® Cyan
10491	QMS Magicolor 3300 Smartchip ® Magenta

10492	QMS Magicolor 3300 Smartchip ® Yellow
7530	QMS Magicolor 3300, 3100 Clear Seal ® adhesive, 50 pack
6796	QMS Magicolor 3300, 3100 Uni Drum ® gearless (special order)

Minolta® Magicolor 4650, 4690, 4695

Part #	Description
14086	Konica Minolta Magicolor 4650, 4690, 4695 Absolute Black® toner (8,000 pages)
14603	Konica Minolta Magicolor 4650, 4690, 4695 Absolute Black® toner 22lb(10kg) bag
14546	Konica Minolta Magicolor 4650, 4690, 4695 Absolute Cyan® toner (8,000 pages)
14604	Konica Minolta Magicolor 4650, 4690, 4695 Absolute Cyan® toner 22lb(10kg) bag
14547	Konica Minolta Magicolor 4650, 4690, 4695 Absolute Magenta® toner (8,000 pages)
14605	Konica Minolta Magicolor 4650, 4690, 4695 Absolute Magenta® toner 22lb(10kg) bag
14548	Konica Minolta Magicolor 4650, 4690, 4695 Absolute Yellow® toner (8,000 pages)
14606	Konica Minolta Magicolor 4650, 4690, 4695 Absolute Yellow® toner 22lb(10kg) bag
14555	Konica Minolta Magicolor 4650, 4690, 4695 End cap, 10 pack
14069	Konica Minolta Magicolor 4650, 4690, 4695 Smartchip® Black (A0DK132) (USA) (8,000 pages)
14381	Konica Minolta Magicolor 4650, 4690, 4695 Smartchip® Black (A0DK152) (Europe) (8,000 pages)
14070	Konica Minolta Magicolor 4650, 4690, 4695 Smartchip® Cyan (A0DK432) (USA) (8,000 pages)
14382	Konica Minolta Magicolor 4650, 4690, 4695 Smartchip® Cyan (A0DK452) (Europe) (8,000 pages)
14071	Konica Minolta Magicolor 4650, 4690, 4695 Smartchip® Magenta (A0DK332) (USA) (8,000 pages)
14383	Konica Minolta Magicolor 4650, 4690, 4695 Smartchip® Magenta (A0DK352) (Europe) (8,000 pages)
14072	Konica Minolta Magicolor 4650, 4690, 4695 Smartchip® Yellow (A0DK232) (USA) (8,000 pages)
14384	Konica Minolta Magicolor 4650, 4690, 4695 Smartchip® Yellow (A0DK252) (Europe) (8,000 pages)

Minolta® Magicolor 5430, 5440, 5450

Part #	Description
10509	Minolta MC 5430 Smartchip ® Black cartridge (ASIA-6,000 pages)
10517	Minolta MC 5430 Smartchip ® Black cartridge (EURO-6,000 pages)
7212	Minolta MC 5430 Smartchip ® Black cartridge (USA-6,000 pages)
10510	Minolta MC 5430 Smartchip ® Cyan cartridge (ASIA-6,000 pages)
10518	Minolta MC 5430 Smartchip ® Cyan cartridge (EURO-6,000 pages)
7213	Minolta MC 5430 Smartchip ® Cyan cartridge (USA-6,000 pages)
10511	Minolta MC 5430 Smartchip ® Magenta cartridge (ASIA-6,000 pages)
10519	Minolta MC 5430 Smartchip ® Magenta cartridge (EURO-6,000 pages)
7377	Minolta MC 5430 Smartchip ® Magenta cartridge (USA-6,000 pages)
10512	Minolta MC 5430 Smartchip ® Yellow cartridge (ASIA-6,000 pages)
10520	Minolta MC 5430 Smartchip ® Yellow cartridge (EURO-6,000 pages)
7378	Minolta MC 5430 Smartchip ® Yellow cartridge (USA-6,000 pages)
5736	Minolta MC 5430, 5440, 5450 Absolute Black ® toner 200g
9425	Minolta MC 5430, 5440, 5450 Absolute Black ® toner 22 lb (10 kg) bag
5738	Minolta MC 5430, 5440, 5450 Absolute Cyan ® toner 200g
9426	Minolta MC 5430, 5440, 5450 Absolute Cyan ® toner 22 lb (10 kg) bag
5737	Minolta MC 5430, 5440, 5450 Absolute Magenta ® toner 200g
9427	Minolta MC 5430, 5440, 5450 Absolute Magenta ® toner 22 lb (10 kg) bag
5739	Minolta MC 5430, 5440, 5450 Absolute Yellow ® toner 200g
9428	Minolta MC 5430, 5440, 5450 Absolute Yellow ® toner 22 lb (10 kg) bag
11360	Minolta MC 5430, 5440, 5450 drum sealing blade, 25 pack (special order)
10638	Minolta MC 5430, 5440, 5450 drum shipping protector cover, 10 pack
7373	Minolta MC 5430, 5440, 5450 Uni Drum ® gearless (special order)(under development)
10482	Minolta MC 5440, 5450 Absolute Black ® toner 400g (12,000 pages)

10483	Minolta MC 5440, 5450 Absolute Cyan ® toner 400g (12,000 pages)
10484	Minolta MC 5440, 5450 Absolute Magenta ® toner 400g (12,000 pages)
10485	Minolta MC 5440, 5450 Absolute Yellow ® toner 400g (12,000 pages)
10513	Minolta MC 5440, 5450 Smartchip ® Black (ASIA-12,000 pages) (under final test)
10521	Minolta MC 5440, 5450 Smartchip ® Black (EURO-12,000 pages)
10478	Minolta MC 5440, 5450 Smartchip ® Black (USA-12,000 pages)
10514	Minolta MC 5440, 5450 Smartchip ® Cyan (ASIA-12,000 pages) (under final test)
10522	Minolta MC 5440, 5450 Smartchip ® Cyan (EURO-12,000 pages)
10479	Minolta MC 5440, 5450 Smartchip ® Cyan (USA-12,000 pages)
10515	Minolta MC 5440, 5450 Smartchip ® Magenta (ASIA-12,000 pages) (under final test)
10523	Minolta MC 5440, 5450 Smartchip ® Magenta (EURO-12,000 pages)
10480	Minolta MC 5440, 5450 Smartchip ® Magenta (USA-12,000 pages)
10516	Minolta MC 5440, 5450 Smartchip ® Yellow (ASIA-12,000 pages) (under development)
10524	Minolta MC 5440, 5450 Smartchip ® Yellow (EURO-12,000 pages)
10481	Minolta MC 5440, 5450 Smartchip ® Yellow (USA-12,000 pages)

Minolta® Magicolor 5550, 5570

Part #	Description
11518	Minolta MC 5550, 5570 Absolute Black ® toner 200g (6,000 pages) (under development)
11522	Minolta MC 5550, 5570 Absolute Black ® toner TBAg (12,000 pages) (under development)
11519	Minolta MC 5550, 5570 Absolute Cyan ® toner 200g (6,000 pages) (under development)
11523	Minolta MC 5550, 5570 Absolute Cyan ® toner TBAg (12,000 pages) (under development)
11520	Minolta MC 5550, 5570 Absolute Magenta ® toner 200g (6,000 pages) (under development)
11524	Minolta MC 5550, 5570 Absolute Magenta ® toner TBAg (12,000 pages) (under development)
11521	Minolta MC 5550, 5570 Absolute Yellow ® toner 200g (6,000 pages) (under development)
11525	Minolta MC 5550, 5570 Absolute Yellow ® toner TBAg (12,000 pages) (under development)
11882	Minolta MC 5550, 5570 Clear Seal ® adhesive, 50 pack
11527	Minolta MC 5550, 5570 drum shipping protector cover, 10 pack
11526	Minolta MC 5550, 5570 Uni Drum ® gearless (special order)

Minolta® Magicolor 7300

Part #	Description
11921	Minolta Magicolor 7300 Smartchip ® drum unit (special order)(under development)
5649	Minolta Magicolor 7300 Smartchip ® toner BK/C/Y/M fuse, 10 pack
5654	Minolta Magicolor 7300 Uni Drum ® with gears
5693	Minolta Magicolor 7300 wiper blade, 10 pack

Minolta® Magicolor 7450

Part #	Description
10532	Minolta MC 7450 Absolute Black ® toner 400g
10533	Minolta MC 7450 Absolute Cyan ® toner 345g
10534	Minolta MC 7450 Absolute Magenta ® toner 345g
10535	Minolta MC 7450 Absolute Yellow ® toner 345g
13736	Minolta MC 7450 Smartchip ® Black drum 4062-214 (Asia-Pacific)(50,000 pages)
11948	Minolta MC 7450 Smartchip ® Black drum 4062211 (USA/LA)(50,000 pages)
13746	Minolta MC 7450 Smartchip ® Black drum 4062212 (Japan)(50,000 pages)
13732	Minolta MC 7450 Smartchip ® Black drum 4062213 (Europe)(50,000 pages)
10536	Minolta MC 7450 Smartchip ® Black toner 8938-613 (USA/LA)(15,000 pages)

10540	Minolta MC 7450 Smartchip ® Black toner 8938-621 (Europe)(15,000 pages)
11222	Minolta MC 7450 Smartchip ® Black toner 8938-629 (Asia Pacific)(15,000 pages)
13741	Minolta MC 7450 Smartchip ® Black toner 89386-45 (Japan)(15,000 pages)
13738	Minolta MC 7450 Smartchip ® Cyan drum 4062-514 (Asia-Pacific)(30,000 pages)
11949	Minolta MC 7450 Smartchip ® Cyan drum 4062511 (USA/LA)(30,000 pages)
13747	Minolta MC 7450 Smartchip ® Cyan drum 4062512 (Japan)(30,000 pages)
13733	Minolta MC 7450 Smartchip ® Cyan drum 4062513 (Europe)(30,000 pages)
10541	Minolta MC 7450 Smartchip ® Cyan toner 8938-624 (Europe)(12,000 pages)
11223	Minolta MC 7450 Smartchip ® Cyan toner 8938-632 (Asia Pacific)(12,000 pages)
10537	Minolta MC 7450 Smartchip ® Cyan toner 89386-16 (USA/LA)(12,000 pages)
13743	Minolta MC 7450 Smartchip ® Cyan toner 89386-48 (Japan)(12,000 pages)
13739	Minolta MC 7450 Smartchip ® Magenta drum 4062-414 (Asia-Pacific)(30,000 pages)
11950	Minolta MC 7450 Smartchip ® Magenta drum 4062411 (USA/LA)(30,000 pages)
13748	Minolta MC 7450 Smartchip ® Magenta drum 4062412 (Japan)(30,000 pages)
13734	Minolta MC 7450 Smartchip ® Magenta drum 4062413 (Europe)(30,000 pages)
10538	Minolta MC 7450 Smartchip ® Magenta toner 8938-615 (USA/LA)(12,000 pages)
10542	Minolta MC 7450 Smartchip ® Magenta toner 8938-623 (Europe)(12,000 pages)
11224	Minolta MC 7450 Smartchip ® Magenta toner 8938-631 (Asia Pacific)(12,000 pages)
13744	Minolta MC 7450 Smartchip ® Magenta toner 89386-47 (Japan)(12,000 pages)
13740	Minolta MC 7450 Smartchip ® Yellow drum 4062-314 (Asia-Pacific)(30,000 pages)
11951	Minolta MC 7450 Smartchip ® Yellow drum 4062311 (USA/LA)(30,000 pages)
13749	Minolta MC 7450 Smartchip ® Yellow drum 4062312 (Japan)(30,000 pages)
13735	Minolta MC 7450 Smartchip ® Yellow drum 4062313 (Europe)(30,000 pages)
10543	Minolta MC 7450 Smartchip ® Yellow toner 8938-622 (Europe)(12,000 pages)
11225	Minolta MC 7450 Smartchip ® Yellow toner 8938-630 (Asia Pacific)(12,000 pages)
10539	Minolta MC 7450 Smartchip ® Yellow toner 89386-14 (USA/LA)(12,000 pages)
13745	Minolta MC 7450 Smartchip ® Yellow toner 89386-46 (Japan)(12,000 pages)
11226	Minolta MC 7450 Uni Drum ® with gears

Minolta® Magicolor 8650

Part # Description

14096	Konica Minolta Magicolor 8650 Smartchip® Black (A0D7133) (USA) (26,000 pages) (development)
14097	Konica Minolta Magicolor 8650 Smartchip® Cyan (A0D7433) (USA) (20,000 pages) (development)
14098	Konica Minolta Magicolor 8650 Smartchip® Magenta (A0D7333) (USA) (20,000 pages) (development)
14099	Konica Minolta Magicolor 8650 Smartchip® Yellow (A0D7233) (USA) (20,000 pages) (development)

Minolta® Pagepro 12

Part # Description

5115	Minolta 6, 8, 18, 1250, 1350, 1400, 4500, 4100, 9100 toner hopper plug, 100 pack
------	--

Minolta® Pagepro 1200, 1250

Part # Description

10890	Minolta 1300, 1350, 1380, 1390, 1250 blue cartridge handle, 10 pack
5115	Minolta 6, 8, 18, 1250, 1350, 1400, 4500, 4100, 9100 toner hopper plug, 100 pack
8963	Minolta PagePro 1200, 1250 doctor blade, 10 pack
8962	Minolta PagePro 1200, 1250 Uni Drum ® with gears (new formula)
8540	Minolta PagePro 1200, 1250, 1600 Absolute Black® toner 150g
6954	Minolta PagePro 1200, 1250, 1600 Absolute Black® toner 22 lb (10kg) bag

Minolta® Pagepro 1350

Part #	Description
5787	Minolta 1300, 1350, 1380, 1390 Absolute Black® toner 100g (3,000 pages)
5788	Minolta 1300, 1350, 1380, 1390 Absolute Black® toner 200g (6,000 pages)
5789	Minolta 1300, 1350, 1380, 1390 Absolute Black® toner 22 lb (10 kg) bag
5721	Minolta 1300, 1350, 1380, 1390 doctor blade, 10 pack
5628	Minolta 1300, 1350, 1380, 1390 Smartchip ® (6,000 pages)
6108	Minolta 1300, 1350, 1380, 1390 Uni Drum ® drum with gears
10890	Minolta 1300, 1350, 1380, 1390, 1250 blue cartridge handle, 10 pack
5115	Minolta 6, 8, 18, 1250, 1350, 1400, 4500, 4100, 9100 toner hopper plug, 100 pack

Minolta® Pagepro 1400

Part #	Description
5115	Minolta 6, 8, 18, 1250, 1350, 1400, 4500, 4100, 9100 toner hopper plug, 100 pack
6638	Minolta PagePro 1400 doctor blade, 10 pack
6357	Minolta PagePro 1400 Uni Drum ® with gears
7222	Minolta Pagepro 1400 W Absolute Black® toner 22 lb (10 kg) bag
7209	Minolta Pagepro 1400 W Absolute Black® toner 70g
7474	Minolta Pagepro 1400 W Smartchip ® 9J04202 (Europe)
7224	Minolta Pagepro 1400 W Smartchip ® 9J04203 (US)

Minolta® Pagepro 18, 4100, 4110

Part #	Description
5115	Minolta 6, 8, 18, 1250, 1350, 1400, 4500, 4100, 9100 toner hopper plug, 100 pack
8064	Minolta Pagepro 18, 4100, 4110 Absolute Black® toner 245g
8961	Minolta Pagepro 18, 4100, 4110 drum gearless (special order)

Minolta® Pagepro 25

Part #	Description
8360	Minolta Pageworks 25 Absolute Black® toner 500g
8361	Minolta Pageworks 25 smartchip ® fuse, 10 pack
8461	Minolta Pageworks 25 Uni Drum ® "S" with gears
8462	Minolta Pageworks 25 wiper blade, 10 pack (under final test)

Minolta® Pagepro 4650

Part #	Description
14100	Konica Minolta Pagepro 4650 EN Absolute Black® toner 780g (18,000 pages)
14319	Konica Minolta Pagepro 4650 EN doctor blade, 10 pack
14323	Konica Minolta Pagepro 4650 EN PCR (recoated) roller, 10 pack (special order)
14322	Konica Minolta Pagepro 4650 EN Smartchip® (A0FN012)(18,000 pages)
14318	Konica Minolta Pagepro 4650 EN Uni Drum® OPC with gears
14320	Konica Minolta Pagepro 4650 EN wiper blade, 10 pack
14324	Konica Minolta Pagepro 4650, 5650 EN Clear Seal® adhesive, 50 pack

Minolta® Pagepro 5650

Part #	Description
14324	Konica Minolta Pagepro 4650, 5650 EN Clear Seal® adhesive, 50 pack
14325	Konica Minolta Pagepro 5650 EN Absolute Black® toner 820g (19,000 pages)
14327	Konica Minolta Pagepro 5650 EN Smartchip® (A0FP012)(19,000 pages)
14620	Konica Minolta Pagepro 5650 EN SuMMit drum with gears and insert (sold 50/box)
14326	Konica Minolta Pagepro 5650 EN Uni Drum® 1 gear only (special order)

Minolta® Pagepro 6

Part #	Description
5607	Minolta Pagepro 6 Absolute Black® toner 22 lb (10 kg) bag (sold 2/box)
7133	Minolta Pagepro 6 Absolute Black® toner 90g
8283	Minolta Pagepro 6 Uni Drum ® drum gearless (special order)
8282	Minolta Pagepro 6 Uni Drum ® drum with gears

Minolta® Pagepro 8

Part #	Description
6911	Minolta Pagepro 8 Absolute Black® toner 150g
9622	Minolta Pagepro 8 Absolute Black® toner, 22lb (10kg) bag
8960	Minolta Pagepro 8 doctor blade, 10 pack (under final test)
6912	Minolta Pagepro 8 Uni Drum ® with gears

Minolta® Pagepro 9100

Part #	Description
5115	Minolta 6, 8, 18, 1250, 1350, 1400, 4500, 4100, 9100 toner hopper plug, 100 pack
7617	Minolta PagePro 9100 Absolute Black® toner 22 lb (10kg) bag
8073	Minolta PagePro 9100 Absolute Black® toner 500g
4974	Minolta PagePro 9100 recovery blade, 100 pack
9226	Minolta PagePro 9100 Smartchip ®
7171	Minolta PagePro 9100 Uni Drum ® with gears
8076	Minolta PagePro 9100 wiper blade, 10 pack

Minolta® Pageworks 20

Part #	Description
8659	Minolta Pagework 20 QMS 2060 Uni Drum ® "OEM style" w/gears
7473	Minolta Pagework 20, QMS 2060 doctor blade (special order)
5256	Minolta Pagework 20, QMS 2060 wiper blade, 10 pack
4889	Minolta Pagework 20, QMS 2060 Absolute Black® toner 310g
5559	Minolta Pagework 20, QMS 2060 Absolute Black® toner, 22 lb (10Kg)
5190	Minolta Pagework 20, QMS 2060 adhesive seal 10 pack

Minolta® SP 101

Part #	Description
424	Minolta SP 101 Absolute Black® toner 310g
5543	Minolta SP 101 Absolute Black® toner, 22 lb. (10 Kg) bag (sold 2/box)
654	Minolta SP 101 Uni Drum ® "S" gearless (special order)

656 Minolta SP 101 wiper blade (sold in 10 pack) (special order)

Minolta® SP 4X

Part #	Description
6729	Minolta SP 4X Absolute Black® toner 160g

Minolta® SP 6X

Part #	Description
7182	Minolta SP 6X Absolute Black® toner 200g
7482	Minolta SP 6X Absolute Black® toner 22 lb (10 kg) (sold 2/box)

Mita CC 10, 20

Part #	Description
433	Mita CC 10/20 toner 100g

Mita CC-30

Part #	Description
6358	Mita CC 30 Absolute Black® toner 45g

Mita CC-50

Part #	Description
6040	Mita CC 50 Absolute Black® toner 105g

Mita DC 1460

Part #	Description
8293	Mita DC 1460 Absolute Black® toner 22 lb (10 kg) bag (sold 2 p/box) (special order)

Mita DC 2255

Part #	Description
6075	Mita DC 2255 copier compat. toner cartridge, 2 p/box (min. order 12 boxes)(special order)

Mita DC 3555, 3585

Part #	Description
5273	Mita DC 3555, 3585,4585 copier compatible toner cartridge 440g (special order)

Mita DC-1205

Part #	Description
426	Mita DC 1205, 1255, 1415 copier compatible toner cartridge 65g ea. (special order)

Mita DC-1560

Part # Description

- 8292 Mita DC 1560, 1860, 2360 Absolute Black® toner 22 lb (10 kg) bag (sold 2 p/box) (special order)
- 7913 Mita DC 1560, 1860, 2360 compatible toner cartridge 205g, 2 pack (special order)

Mita DC-1605

Part # Description

- 675 Mita 1656, 1605, 1685, 18855, 2155 wiper blade, 10 pack (special order)
- 6458 Mita DC 1605 toner cartridge 250g, 2 pack

Mita LDC 550

Part # Description

- 7319 Mita LDC 550 wand, 10 pack (special order)

Mita LDC 700, 720, 750, 770, 780, 790

Part # Description

- 5717 Mita LDC 700, 750, 790 compatible toner cartridge 80g (special order)

Mita LP-2080

Part # Description

- 5816 Mita LP 2080 Absolute Black® toner 360g

Muratec L 400, 410

Part # Description

- 9235 Muratec L 400, 410 Uni Drum ® drum with gears

Muratec® MFX C 2500

Part # Description

- 14270 Muratec MFX C 2500 Absolute Black® toner 165g (5,500 pages)
- 14272 Muratec MFX C 2500 Absolute Cyan® toner 165g (5,000 pages)
- 14273 Muratec MFX C 2500 Absolute Magenta® toner 165g (5,000 pages)
- 14274 Muratec MFX C 2500 Absolute Yellow® toner 165g (5,000 pages)
- 14280 Muratec MFX C 2500 PCR roller, 9 pack
- 14275 Muratec MFX C 2500 Smartchip® Black (5,500 pages) (under development)
- 14276 Muratec MFX C 2500 Smartchip® Cyan (5,000 pages) (under development)
- 14277 Muratec MFX C 2500 Smartchip® Magenta (5,000 pages) (under development)
- 14278 Muratec MFX C 2500 Smartchip® Yellow (5,000 pages) (under development)
- 14279 Muratec MFX C 2500 Uni Drum ® OPC gearless

Muratec® V-930

Part # Description

- 9829 Muratec V 650, 660, 730, 850, 930, 940, 970 Uni Drum ® with gears
- 7115 Muratec V 930 "Test 1" toner 100g (under final test)

Nashuatec® 6220, 6225

Part #	Description
5110	Lexmark T/X 646, 640, 630 Superchip® Universal Extra High Yield (Worldwide)

Nashuatec® 6230, 6240

Part #	Description
5110	Lexmark T/X 646, 640, 630 Superchip® Universal Extra High Yield (Worldwide)

Nashuatec® C-7435, 7428

Part #	Description
8139	Ricoh Aficio 3800 Cyan compatible toner cartridge, 4 pack (special order)
9917	Ricoh Aficio 3800 Cyan toner 22 lb (10 kg) bag
8135	Ricoh Aficio 3800 Cyan toner 275g
8140	Ricoh Aficio 3800 Magenta compatible toner cartridge, 4 pack (special order)
9244	Ricoh Aficio 3800 Magenta toner 22 lb (10 kg) bag
8137	Ricoh Aficio 3800 Magenta toner 275g
9245	Ricoh Aficio 3800 Yellow toner 22 lb (10 kg) bag
8141	Ricoh Aficio 3800 Yellow compatible toner cartridge, 4 pack (special order)
8136	Ricoh Aficio 3800 Yellow toner 275g
8138	Ricoh Aficio 3800, 3850 Black compatible toner cartridge 550g, 10 pack (special order)
6328	Ricoh Aficio 3800, 3850 Black toner 22 lb (10 kg) bag
8134	Ricoh Aficio 3800, 3850 Black toner 520g

Nashuatec® C-7521

Part #	Description
11813	Nashuatec C 7521 Absolute Black ® toner 170g
11814	Nashuatec C 7521 Absolute Cyan ® toner 165g
11815	Nashuatec C 7521 Absolute Magenta ® toner 165g
11816	Nashuatec C 7521 Absolute Yellow ® toner 165g

Nashuatec® P-7535

Part #	Description
11812	Nashuatec P 7535 Absolute Black ® developer 55g (special order)
11811	Nashuatec P 7535 Absolute Black ® toner 550g

NEC® 1400

Part #	Description
7170	NEC 1400 wiper blade (sold in 10 pack)

NEC® 2000, EF-3889

Part #	Description
5299	NEC 2000, EF 3885, 3889 Absolute Black® toner 310g
5611	NEC 2000, EF 3885, 3889 Absolute Black® toner, 22 lb (10 Kg) bag

NEC® Color MultiWriter 1700C

Part # Description

5437	NEC Color MultiWriter 1700C Absolute Black® toner 118g (needs 35g of carrier)
5438	NEC Color MultiWriter 1700C Absolute Cyan ® toner 118g (needs 35g of carrier)
5439	NEC Color MultiWriter 1700C Absolute Magenta ® toner 118g (needs 35g of carrier)
5425	NEC Color MultiWriter 1700C Absolute Yellow ® toner 118g (needs 35g of carrier)
5430	NEC Color MultiWriter 1700C Black, Cyan, Magenta, Yellow carrier 35g for toner

NEC® Color MultiWriter 9250C

Part # Description

5440	NEC Color MultiWriter 9250C Absolute Black® toner 200g
5441	NEC Color MultiWriter 9250C Absolute Cyan ® toner 200g
5442	NEC Color MultiWriter 9250C Absolute Magenta ® toner 200g
5443	NEC Color MultiWriter 9250C Absolute Yellow ® toner 200g

NEC® Color MultiWriter 9700C

Part # Description

5416	NEC Color MultiWriter 9700C Absolute Black® toner 245g (7,500 pages)
5417	NEC Color MultiWriter 9700C Absolute Cyan ® toner 220g (6,000 pages)
5418	NEC Color MultiWriter 9700C Absolute Magenta ® toner 220g (6,000 pages)
5419	NEC Color MultiWriter 9700C Absolute Yellow ® toner 220g (6,000 pages)
6542	NEC Color MultiWriter 9700C Uni Drum ® with gears

NEC® Color MultiWriter 9800C, 9900C

Part # Description

5420	NEC Color MultiWriter 9900C, 9800C Absolute Black® toner 200g
5421	NEC Color MultiWriter 9900C, 9800C Absolute Cyan ® toner 200g
5422	NEC Color MultiWriter 9900C, 9800C Absolute Magenta ® toner 200g
5423	NEC Color MultiWriter 9900C, 9800C Absolute Yellow ® toner 200g

NEC® Fax 790

Part # Description

7715	NEC Fax 790 Absolute Black ® toner 200g
7574	NEC Fax 790 wiper blade

NEC® MultiWriter 1200

Part # Description

5444	NEC MultiWriter 1200 Absolute Black® toner 110g (3,300 pages)
5445	NEC MultiWriter 1200 Absolute Black® toner 215g (6,500 pages)
5449	NEC MultiWriter 1200 Uni Drum ® with gears

NEC® MultiWriter 1500

Part # Description

5471	NEC MultiWriter 1500 Uni Drum ® with gears (special order)
------	--

NEC® MultiWriter 2200W

Part #	Description
5863	NEC MultiWriter 2200 Absolute Black® toner 310g
7112	NEC MultiWriter 2200 Absolute Black® toner 500g
6099	NEC MultiWriter 2200 Absolute Black® toner, 22 lb (10 kg) bag
8249	NEC MultiWriter 2200 Clear Seal ® adhesive, 50 pack
7049	NEC MultiWriter 2200 Uni Drum ® w/new style gear (special order)
8865	NEC MultiWriter 2200 wiper blade (new style), 10 pack
7259	NEC MultiWriter 2200 wiper blade, 10 pack

NEC® MultiWriter 2300

Part #	Description
7071	NEC MultiWriter 2300 Absolute Black® toner 320g
9200	NEC MultiWriter 2300 Black® Mag roller sleeve, 10 pack
8959	NEC MultiWriter 2300 Clear Seal ® adhesive, 50 pack
7254	NEC MultiWriter 2300 doctor blade, 10 pack
6985	NEC MultiWriter 2300 drum with gears (special order)
7245	NEC MultiWriter 2300 Uni Drum ® "S" with gears
7252	NEC MultiWriter 2300 wiper blade, 10 pack
7162	NEC MultiWriter 2300, 2200, 2000 Mag roller coating solution 4 oz
5722	NEC MultiWriter 2300, 2800 Absolute Black® toner 22 lb (10kg) bag

NEC® MultiWriter 2650

Part #	Description
6672	NEC MultiWriter 2650 Absolute Black® toner 600g
6760	NEC MultiWriter 2650 Absolute Black® toner, 22 lb (10 kg) bag
6814	NEC MultiWriter 2650 Uni Drum ® "S" with gears

NEC® MultiWriter 3300

Part #	Description
5704	NEC MultiWriter 3300 Absolute Black® toner 280g (6,000 pages)
5706	NEC MultiWriter 3300 Absolute Black® toner 800g (15,000 pages)

NEC® MultiWriter 3650

Part #	Description
5450	NEC MultiWriter 3650 Absolute Black® toner 400g (10,000 pages)
5455	NEC MultiWriter 3650 Clear Seal ® adhesive, 50 pack

NEC® MW 1100 U Japanese

Part #	Description
8693	NEC MW 1100 U Absolute Black® toner 110g

NEC® Nefax 671, 691

Part #	Description
--------	-------------

- 5154 NEC Nefax 671, 691 Absolute Black® toner 200g
- 5107 NEC Nefax 671, 691 Uni Drum® with gears

NEC® PR 1000E/4-11

- | Part # | Description |
|---------------|--|
| 7449 | NEC PR 1000 E/4 11 Absolute Black® toner 200g |
| 7450 | NEC PR 1000 E/4 11 Absolute Black® toner, 22 lb (10 Kg) (sold 2 per box) |
| 7451 | NEC PR 1000 E/4 11 Uni Drum® with gears |

NEC® Superscript 1260

- | Part # | Description |
|---------------|--|
| 5566 | NEC Superscript 1260 EcoGraphics® toner 300g |

NEC® Superscript 1450

- | Part # | Description |
|---------------|---|
| 6683 | NEC Superscript 1400, 1450 Uni Drum "S" drum with gears |
| 6957 | NEC Superscript 1450 Absolute Black® toner 200g |
| 7007 | NEC Superscript 1450 drum gearless (special order) |

NEC® Superscript 1800

- | Part # | Description |
|---------------|---|
| 8785 | NEC Superscript 1800 Absolute Black® 22 lb (10 kg) bag |
| 8023 | NEC Superscript 1800 Absolute Black® toner 300g |
| 8024 | NEC Superscript 1800 Uni Drum® "S" with gears (special order) |

NEC® Superscript 610, 640, 660i

- | Part # | Description |
|---------------|--|
| 5885 | NEC Superscript 610, 640, 660i Absolute Black® toner 150g |
| 5268 | NEC Superscript 610, 640, 660i Absolute Black® toner 22 lb (10 Kg) |

NEC® Superscript 660 Plus

- | Part # | Description |
|---------------|---|
| 449 | NEC Superscript 610, 640, 660i Uni Drum® gearless (special order) |
| 7448 | NEC Superscript 660+ Plus Uni Drum® with gears |

NEC® Superscript 860

- | Part # | Description |
|---------------|--|
| 455 | NEC Superscript 860 Absolute Black® toner 200g |
| 5269 | NEC Superscript 860 Absolute Black® toner, 22 lb (10 kg) bag |
| 8026 | NEC Superscript 860 Uni Drum® gearless (special order) |

NEC® Superscript 870

- | Part # | Description |
|---------------|--------------------|
|---------------|--------------------|

- 8025 NEC Superscript 870 Absolute Black® toner 100g
- 7286 NEC Superscript 870 Uni Drum ® "S" with gears

NEC® Superscript Color 4200, 4400

- | Part # | Description |
|---------------|---|
| 6377 | NEC Superscript Color 4200, 4400 Black toner 200g |
| 6378 | NEC Superscript Color 4200, 4400 Cyan toner 200g |
| 6379 | NEC Superscript Color 4200, 4400 Magenta toner 200g |
| 6380 | NEC Superscript Color 4200, 4400 Yellow toner 200g |

Okidata® 10 EX, 10 L, 10LM

- | Part # | Description |
|---------------|--|
| 6453 | Okidata 10ex, 10i, 10iM, Type 5 Absolute Black® toner 65g |
| 7442 | Okidata 10ex, 10i, 10iM, Type 5 Absolute Black® toner, 22 lb (10 Kg) bag |
| 7032 | Okidata 10ex, 10i, 10iM, Type 5 toner cartridge, compatible (sold 25 box) (special order) ETA 45days |
| 5645 | Okidata 10ex, 10i, 12, 12i, 14, 14 ex Uni Drum with gears (special order) |

Okidata® 12i-N

- | Part # | Description |
|---------------|---|
| 5645 | Okidata 10ex, 10i, 12, 12i, 14, 14 ex Uni Drum with gears (special order) |
| 6452 | Okidata 12i, 12i/n Absolute Black® toner 65g |
| 7439 | Okidata 12i, 12i/n Absolute Black® toner, 22 lb (10 kg) bag |

Okidata® 14, 14ex, 14im

- | Part # | Description |
|---------------|--|
| 5645 | Okidata 10ex, 10i, 12, 12i, 14, 14 ex Uni Drum with gears (special order) |
| 7923 | Okidata 14, 14ex, 14i, Type 8 Absolute Black® toner 100g |
| 7924 | Okidata 14, 14ex, 14i, Type 8 Absolute Black® toner, 22 lb (10 Kg) bag |
| 8894 | Okidata 14, 14ex, 14i, Type 8 compatible toner cartridge (sold 500 per pack) (special order) |

Okidata® 20i, 20-iM

- | Part # | Description |
|---------------|---|
| 6454 | Okidata 18, 20 i, 20 iM, 24 Absolute Black® toner 150g |
| 7959 | Okidata 18, 20 i, 20 iM, 24 Absolute Black® toner 22 lb (10 kg) bag |
| 9337 | Okidata 18, 20 i, 20 iM, 24 Uni Drum ® gearless (special order) |
| 8266 | Okidata 18, 20 i, 20 iM, 24 Uni Drum ® with gears (special order) |

Okidata® 4W

- | Part # | Description |
|---------------|--|
| 478 | Okidata 4W Absolute Black® toner 35g |
| 5381 | Okidata 4W Absolute Black® toner, 22 lb (10 kg) bag |
| 477 | Okidata 4W compatible toner cartridge, 35g (sold 25 pack)(special order) |

Okidata® 6050, 6150

Part # Description

13586	Okidata C 6050, 6051, 6150 Smartchip ® Black (43865720) (8,000 pages) (US region)
13587	Okidata C 6050, 6051, 6150 Smartchip ® Cyan (43865719) (6,000 pages) (US region)
13588	Okidata C 6050, 6051, 6150 Smartchip ® Magenta (43865718) (6,000 pages) (US region)
13589	Okidata C 6050, 6051, 6150 Smartchip ® Yellow (43865717) (6,000 pages) (US region)
14220	Okidata C 6050, 6051, 6150, CX 2033 MFP Absolute Black ® toner (8,000 pages)
14221	Okidata C 6050, 6051, 6150, CX 2033 MFP Absolute Cyan ® toner (6,000 pages)
14222	Okidata C 6050, 6051, 6150, CX 2033 MFP Absolute Magenta ® toner (6,000 pages)
14223	Okidata C 6050, 6051, 6150, CX 2033 MFP Absolute Yellow ® toner (6,000 pages)

Okidata® 8i, 8iM

Part # Description

6451	Okidata 8i, 8iM toner 60g (test type 0012)
------	--

Okidata® 8W, 6W

Part # Description

6042	Okidata 8W, 6W Absolute Black® toner 60g
6043	Okidata 8W, 6W Absolute Black® toner, 22 lb (10 kg) bag
7033	Okidata 8W, 6W toner cartridge, compatible 60g (sold 25/box)(special order)ETA 45 days

Okidata® B 2400, 2200

Part # Description

11868	Okidata B 2400, 2200 Absolute Black® toner 62g (2,000 pages)
11894	Okidata B 2400, 2200 Smartchip ® toner (2,000 pages) (USA)

Okidata® B 2500, 2520, 2540

Part # Description

11515	Okidata B 2500, 2520, 2540 Absolute Black® toner 145g (4,000 pages)
14489	Okidata B 2500, 2520, 2540 Absolute Black® toner 22lb (10kg) bag
11987	Okidata B 2500, 2520, 2540 drum unit cover, 10 pack
11712	Okidata B 2500, 2520, 2540 Smartchip ® reset card (09004391) 4,000 pages (Europe)(under development)
11711	Okidata B 2500, 2520, 2540 Smartchip ® reset card (4,000 pages) (AUS) (under development)
13688	Okidata B 2500, 2520, 2540 Smartchip ® reset card (56120401) 4,000 pages (U.S.)
11706	Okidata B 2500, 2520, 2540 Uni Drum ® gearless (special order)
13777	Okidata B 2520, 2540 MFP Smartchip ® toner reset card (43796201) 4,000 pages (Aus)(under dev't)

Okidata® B 410, 420, 430

Part # Description

14905	Okidata® B 410, 420, 430 Absolute Black® toner 22lb(10kg) bag
14283	Okidata® B 410, 420, 430 Absolute Black® toner 75g (3,500 pages)
14286	Okidata® B 410, 420, 430 Smartchip® (3,500 pages) (43979101) (USA)
14388	Okidata® B 410, 420, 430 Smartchip® (3,500 pages) (43979102) (Europe)
14284	Okidata® B 410, 420, 430 Uni Drum®OPC (25,000 pages)(under development)
14387	Okidata® B 420 Absolute Black® toner 210g (10,000 pages) (see instructions)
14392	Okidata® B 420 Smartchip® (10,000 pages) (43979207) (Europe)(43979206) (USA)
14386	Okidata® B 420, 430 Absolute Black® toner 145g (7,000 pages) (see instructions)

- 14389 Okidata® B 420, 430 Smartchip® (7,000 pages) (43979201) (USA)
- 14390 Okidata® B 420, 430 Smartchip® (7,000 pages) (43979202) (Europe)

Okidata® B 4200, 4300

Part # Description

- 8655 Okidata B 4200, 4300 Absolute Black® toner 90g (3,000 pages)
- 11855 Okidata B 4200, 4300 developer roller, 10 pack
- 5558 Okidata B 4200, 4300 Absolute Black® toner 180g (6,000 pages)
- 5616 Okidata B 4200, 4300 Absolute Black® toner 22 lb (10 kg) bag
- 8668 Okidata B 4200, 4300 Uni Drum ® with gears
- 14299 Okidata B 4300, 4250, 4200, 4100, 4000 drum unit toner sealing cover, 10 pack
- 4941 Okidata B 4300, 4350 compatible toner cartridge (6,000 pages) (special order)

Okidata® B 4400, 4500, 4600

Part # Description

- 12202 Okidata B 4600 Smartchip ® toner (7,000 pages)
- 13083 Okidata B 4600, 4500, 4400 Smartchip ® toner (3,000 pages)
- 13166 Okidata B 4600, 4500, 4550, 4400 Absolute Black® toner 22 lb (10 kg) bag
- 12199 Okidata B 4600, 4500, 4550, 4400 Absolute Black® toner 70g (3,000 pages)
- 12201 Okidata B 4600, 4500, 4550, 4400 Uni Drum ® with gears (under development)
- 12200 Okidata B 4600, 4550 Absolute Black® toner 150g (7,000 pages)
- 14792 Smartchip ® toner for use in Okidata B 4600, 4500, 4400 (3,000 pages) (OEM 43502003)(Australia)

Okidata® B 4500 MFP

Part # Description

- 11702 Okidata B 4520, 4525, 4540, 4545 MFP Smartchip ® toner reset card (09004168) 6,000 pages (EU)

Okidata® B 4520, 4525, 4540, 4545 MFP

Part # Description

- 10235 Okidata B 4500 MFP, 4520, 4525, 4540, 4545 Absolute Black® toner 155g (6,000 pages)
- 10236 Okidata B 4500 MFP, 4520, 4525, 4540, 4545 Absolute Black® toner 310g (12,000 pages)
- 10238 Okidata B 4500 MFP, 4520, 4525, 4540, 4545 doctor blade, 10 pack
- 10237 Okidata B 4500 MFP, 4520, 4525, 4540, 4545 Uni Drum ® with gears
- 11702 Okidata B 4520, 4525, 4540, 4545 MFP Smartchip ® toner reset card (09004168) 6,000 pages (EU)
- 13776 Okidata B 4545 MFP Smartchip ® toner reset card (3,000 pages) (U.S.)
- 14727 Okidata B 4545 MFP Smartchip ® toner reset card (52116101) 6,000 pages (U.S.)

Okidata® B 6100

Part # Description

- 8364 Okidata B 6100 Absolute Black® toner 510 grams
- 8365 Okidata B 6100 Absolute MICR ® toner 480g (under final test)
- 8367 Okidata B 6100 doctor blade, 10 pack
- 8890 Okidata B 6100 PCR roller, 10 pack
- 8891 Okidata B 6100 Seal adhesive, 50 pack
- 8861 Okidata B 6100 Uni Drum ® with gears
- 8862 Okidata B 6100 wiper blade, 10 pack

Okidata® B 6200

Part #	Description
9918	Okidata B 6200, 6300 Absolute Black® toner 410 grams (10,000 pages)
9921	Okidata B 6200, 6300 doctor blade, 10 pack
9922	Okidata B 6200, 6300 Smartchip ® (10,000 pages)
9919	Okidata B 6200, 6300 Uni Drum ® with gears
9920	Okidata B 6200, 6300 wiper blade, 10 pack
6792	Okidata B 6200, 6300, 6500 cartridge pin, 50 pack
7208	Okidata B 6200, 6300, 6500 Clear Seal ® adhesive, 50 pack
11989	Okidata B 6500, 6300, 6200 drum shutter spring, 100 pack (special order)

Okidata® B 6300

Part #	Description
9918	Okidata B 6200, 6300 Absolute Black® toner 410 grams (10,000 pages)
9921	Okidata B 6200, 6300 doctor blade, 10 pack
9919	Okidata B 6200, 6300 Uni Drum ® with gears
9920	Okidata B 6200, 6300 wiper blade, 10 pack
6792	Okidata B 6200, 6300, 6500 cartridge pin, 50 pack
7208	Okidata B 6200, 6300, 6500 Clear Seal ® adhesive, 50 pack
10275	Okidata B 6300 Absolute Black® toner 22 lb (10 kg) bag
9923	Okidata B 6300 Absolute Black® toner 800g (17,000 pages)
11796	Okidata B 6300 PCR (recoated) roller, 10 pack (special order)
9924	Okidata B 6300 Smartchip (17,000 pages)
11989	Okidata B 6500, 6300, 6200 drum shutter spring, 100 pack (special order)

Okidata® B 6500

Part #	Description
11708	Okidata B 6500 Uni Drum ® with 1 gear only (special order)
6792	Okidata B 6200, 6300, 6500 cartridge pin, 50 pack
13309	Okidata B 6500 Absolute Black® toner 1010g (22,000 pages)
11232	Okidata B 6500 Absolute Black® toner 520g (11,000 pages) (USA)
13308	Okidata B 6500 Absolute Black® toner 620g(13,000 pages) (EURO)
11231	Okidata B 6500 Absolute Black® toner 820g (18,000 pages) (USA)
11710	Okidata B 6500 doctor blade, 10 pack
11234	Okidata B 6500 Smartchip ® (18,000 pages) (USA)
11233	Okidata B 6500 Smartchip® (11,000 pages) (USA) (under development)
11709	Okidata B 6500 wiper blade, 10 pack
11989	Okidata B 6500, 6300, 6200 drum shutter spring, 100 pack (special order)

Okidata® B 8300

Part #	Description
11937	Okidata B 8300 Absolute Black ® developer carrier 390g
9092	Okidata B 8300 Absolute Black® toner 810 grams
11936	Okidata B 8300 Smartchip ® (under development)
11938	Okidata B 8300 Uni Drum ® gearless (under final test)(special order)

Okidata® B 930

Part #	Description
13036	Okidata B 930 Absolute Black® toner 650g (52117101) (33,000 pages)
13037	Okidata B 930 developer carrier for drum unit (under development)
13038	Okidata B 930 Smartchip® Drum (under development)
13040	Okidata B 930 Uni Drum® with gears (special order) (under final test)
13041	Okidata B 930 wiper blade, 10 pack

Okidata® C 110, 130

Part #	Description
14916	Smartchip™ Black (2,500 pages)for use in Okidata C 110, 130 (44250724)(Europe)
14917	Smartchip™ Cyan (2,500 pages)for use in Okidata C 110, 130 (44250723)(Europe)
14918	Smartchip™ Magenta (2,500 pages)for use in Okidata C 110, 130 (44250722)(Europe)
14919	Smartchip™ Yellow (2,500 pages)for use in Okidata C 110, 130 (44250721)(Europe)

Okidata® C 3000, 3100, 3200

Part #	Description
9321	Okidata C 3000, 3100, 3200 Absolute Black® toner 110g (3,000 pages)
10208	Okidata C 3000, 3100, 3200 Absolute Black® toner 22 lb (10 kg) bag
9322	Okidata C 3000, 3100, 3200 Absolute Cyan® toner 110g (3,000 pages)
10209	Okidata C 3000, 3100, 3200 Absolute Cyan® toner 22 lb (10 kg) bag
9323	Okidata C 3000, 3100, 3200 Absolute Magenta® toner 110g (3,000 pages)
10210	Okidata C 3000, 3100, 3200 Absolute Magenta® toner 22 lb (10 kg) bag
9324	Okidata C 3000, 3100, 3200 Absolute Yellow® toner 110g (3,000 pages)
10211	Okidata C 3000, 3100, 3200 Absolute Yellow® toner 22 lb (10 kg) bag
11314	Okidata C 3000, 3100, 3200 drum unit wiper blade, 10 pack
11313	Okidata C 3000, 3100, 3200 Smartchip® drum unit fuse, 10 pack
11312	Okidata C 3000, 3100, 3200 Uni Drum® with gears

Okidata® C 3010

Part #	Description
8926	Okidata C 3010 Absolute Black® toner 22 lb (10 kg) bag
8927	Okidata C 3010 Absolute Cyan® toner 22 lb (10 kg) bag
8928	Okidata C 3010 Absolute Magenta® toner 22 lb (10 kg) bag
8929	Okidata C 3010 Absolute Yellow® toner 22 lb (10 kg) bag

Okidata® C 3400, 3600

Part #	Description
12855	Okidata C 3400, 3530, 3600 MFP Black compatible cartridge (US version)
12856	Okidata C 3400, 3530, 3600 MFP Cyan compatible cartridge (US version)
12857	Okidata C 3400, 3530, 3600 MFP Magenta compatible cartridge ,US version
12858	Okidata C 3400, 3530, 3600 MFP Yellow compatible cartridge (US version)
14306	Okidata C 3600, 3400, 3300, MC 360 drum unit toner sealing cover, 10 pack (under development)
10838	Okidata C 3600, 3400, 3300, MC 360 Smartchip® fuse drum unit, 10 pack
10837	Okidata C 3600, 3400, 3300, MC 360 Uni Drum® OPC with gears
10833	Okidata C 3600, 3530, 3400, 3300 Smartchip® Black (2,500 pages)

10834	Okidata C 3600, 3530, 3400, 3300 Smartchip ® Cyan (2,000 pages)
10835	Okidata C 3600, 3530, 3400, 3300 Smartchip ® Magenta (2,000 pages)
10836	Okidata C 3600, 3530, 3400, 3300 Smartchip ® Yellow (2,000 pages)
10829	Okidata C 3600, 3530, 3400, 3450, 3300, MC 360 Absolute Black ® glossy toner (2,500 pages)
14496	Okidata C 3600, 3530, 3400, 3450, 3300, MC 360 Absolute Black ® glossy toner 22lb(10kgs) bag
10830	Okidata C 3600, 3530, 3400, 3450, 3300, MC 360 Absolute Cyan ® glossy toner (2,500 pages)
14497	Okidata C 3600, 3530, 3400, 3450, 3300, MC 360 Absolute Cyan ® glossy toner 22lb(10kgs) bag
10831	Okidata C 3600, 3530, 3400, 3450, 3300, MC 360 Absolute Magenta ® glossy toner (2,500 pages)
14498	Okidata C 3600, 3530, 3400, 3450, 3300, MC 360 Absolute Magenta ® glossy toner 22lb(10kg) bag
10832	Okidata C 3600, 3530, 3400, 3450, 3300, MC 360 Absolute Yellow ® glossy toner (2,500 pages)
14499	Okidata C 3600, 3530, 3400, 3450, 3300, MC 360 Absolute Yellow ® glossy toner 22lb(10kg) bag

Okidata® C 3450

Part # Description

13608	Okidata C 3450 Smartchip® Black toner (1,500 pages)(Europe region)
13612	Okidata C 3450 Smartchip® Black toner (2,500 pages)(Europe region)
13609	Okidata C 3450 Smartchip® Cyan toner (1,500 pages)(Europe region)
13613	Okidata C 3450 Smartchip® Cyan toner (2,500 pages)(Europe region)
13610	Okidata C 3450 Smartchip® Magenta toner (1,500 pages)(Europe region)
13614	Okidata C 3450 Smartchip® Magenta toner (2,500 pages)(Europe region)
13611	Okidata C 3450 Smartchip® Yellow toner (1,500 pages)(Europe region)
13615	Okidata C 3450 Smartchip® Yellow toner (2,500 pages)(Europe region)
14306	Okidata C 3600, 3400, 3300, MC 360 drum unit toner sealing cover, 10 pack (under development)
10829	Okidata C 3600, 3530, 3400, 3450, 3300, MC 360 Absolute Black ® glossy toner (2,500 pages)
14496	Okidata C 3600, 3530, 3400, 3450, 3300, MC 360 Absolute Black ® glossy toner 22lb(10kgs) bag
10830	Okidata C 3600, 3530, 3400, 3450, 3300, MC 360 Absolute Cyan ® glossy toner (2,500 pages)
14497	Okidata C 3600, 3530, 3400, 3450, 3300, MC 360 Absolute Cyan ® glossy toner 22lb(10kgs) bag
10831	Okidata C 3600, 3530, 3400, 3450, 3300, MC 360 Absolute Magenta ® glossy toner (2,500 pages)
14498	Okidata C 3600, 3530, 3400, 3450, 3300, MC 360 Absolute Magenta ® glossy toner 22lb(10kg) bag
10832	Okidata C 3600, 3530, 3400, 3450, 3300, MC 360 Absolute Yellow ® glossy toner (2,500 pages)
14499	Okidata C 3600, 3530, 3400, 3450, 3300, MC 360 Absolute Yellow ® glossy toner 22lb(10kg) bag

Okidata® C 3520, 3530 MFP

Part # Description

12855	Okidata C 3400, 3530, 3600 MFP Black compatible cartridge (US version)
12856	Okidata C 3400, 3530, 3600 MFP Cyan compatible cartridge (US version)
12857	Okidata C 3400, 3530, 3600 MFP Magenta compatible cartridge ,US version
12858	Okidata C 3400, 3530, 3600 MFP Yellow compatible cartridge (US version)
14306	Okidata C 3600, 3400, 3300, MC 360 drum unit toner sealing cover, 10 pack (under development)
10838	Okidata C 3600, 3400, 3300, MC 360 Smartchip ® fuse drum unit,10 pack
10837	Okidata C 3600, 3400, 3300, MC 360 Uni Drum ® OPC with gears
10833	Okidata C 3600, 3530, 3400, 3300 Smartchip ® Black (2,500 pages)
10834	Okidata C 3600, 3530, 3400, 3300 Smartchip ® Cyan (2,000 pages)
10835	Okidata C 3600, 3530, 3400, 3300 Smartchip ® Magenta (2,000 pages)
10836	Okidata C 3600, 3530, 3400, 3300 Smartchip ® Yellow (2,000 pages)
10829	Okidata C 3600, 3530, 3400, 3450, 3300, MC 360 Absolute Black ® glossy toner (2,500 pages)
14496	Okidata C 3600, 3530, 3400, 3450, 3300, MC 360 Absolute Black ® glossy toner 22lb(10kgs) bag
10830	Okidata C 3600, 3530, 3400, 3450, 3300, MC 360 Absolute Cyan ® glossy toner (2,500 pages)
14497	Okidata C 3600, 3530, 3400, 3450, 3300, MC 360 Absolute Cyan ® glossy toner 22lb(10kgs) bag
10831	Okidata C 3600, 3530, 3400, 3450, 3300, MC 360 Absolute Magenta ® glossy toner (2,500 pages)

14498	Okidata C 3600, 3530, 3400, 3450, 3300, MC 360 Absolute Magenta ® glossy toner 22lb(10kg) bag
10832	Okidata C 3600, 3530, 3400, 3450, 3300, MC 360 Absolute Yellow ® glossy toner (2,500 pages)
14499	Okidata C 3600, 3530, 3400, 3450, 3300, MC 360 Absolute Yellow ® glossy toner 22lb(10kg) bag

Okidata® C 5100, 5150, 5200, 5300, 5400

Part #	Description
10217	Okidata C 5100 Absolute Black ® compatible toner cartridge (special order)
10433	Okidata C 5100 Absolute Black ® Glossy compatible toner cartridge (special order)
10190	Okidata C 5100 Absolute Black ® Glossy toner 155g
10349	Okidata C 5100 Absolute Black ® Glossy toner 22 lb (10 kg) bag
9934	Okidata C 5100 Absolute Black ® toner 160g (5,000 pages)
8801	Okidata C 5100 Absolute Black ® toner 22 lb (10 kg) bag
10218	Okidata C 5100 Absolute Cyan ® compatible toner cartridge (special order)
10434	Okidata C 5100 Absolute Cyan ® Glossy compatible toner cartridge (special order)
10191	Okidata C 5100 Absolute Cyan ® Glossy toner 155g
10350	Okidata C 5100 Absolute Cyan ® Glossy toner 22 lb (10 kg) bag
9935	Okidata C 5100 Absolute Cyan ® toner 160g (5,000 pages)
8802	Okidata C 5100 Absolute Cyan ® toner 22 lb (10 kg) bag
10219	Okidata C 5100 Absolute Magenta ® compatible toner cartridge (special order)
10435	Okidata C 5100 Absolute Magenta ® Glossy compatible toner cartridge (special order)
10192	Okidata C 5100 Absolute Magenta ® Glossy toner 155g
10351	Okidata C 5100 Absolute Magenta ® Glossy toner 22 lb (10 kg) bag
9936	Okidata C 5100 Absolute Magenta ® toner 160g (5,000 pages)
8803	Okidata C 5100 Absolute Magenta ® toner 22 lb (10 kg) bag
10220	Okidata C 5100 Absolute Yellow ® compatible toner cartridge (special order)
10436	Okidata C 5100 Absolute Yellow ® Glossy compatible toner cartridge (special order)
10193	Okidata C 5100 Absolute Yellow ® Glossy toner 155g
10352	Okidata C 5100 Absolute Yellow ® Glossy toner 22 lb (10 kg) bag
9937	Okidata C 5100 Absolute Yellow ® toner 160g (5,000 pages)
8804	Okidata C 5100 Absolute Yellow ® toner 22 lb (10 kg) bag
14301	Okidata C 5100, 5200, 5250 5300, 5400, 5450 drum unit toner sealing cover, 10 pack
9884	Okidata C 5100, 5200, 5250 5300, 5400, 5450 drum unit wiper blade, 10 pack
9362	Okidata C 5100, 5200, 5250 5300, 5400, 5450 SmartChip ® fuse for drum unit, 10 pack
8912	Okidata C 5100, 5200, 5250 5300, 5400, 5450 Uni Drum ® OEM style with gears

Okidata® C 5650

Part #	Description
13600	Okidata C 5650 Smartchip® Black toner (8,000 pages)(Europe region)
13601	Okidata C 5650 Smartchip® Cyan toner (2,000 pages)(Europe region)
13602	Okidata C 5650 Smartchip® Magenta toner (2,000 pages)(Europe region)
13603	Okidata C 5650 Smartchip® Yellow toner (2,000 pages)(Europe region)
11162	Okidata C 5700, 5750, 5600, 5650 Absolute Cyan ® Glossy toner (2,000 pages)
11163	Okidata C 5700, 5750, 5600, 5650 Absolute Magenta ® Glossy toner (2,000 pages)
11164	Okidata C 5700, 5750, 5600, 5650 Absolute Yellow ® Glossy toner (2,000 pages)
12308	Okidata C 5750, 5650 Absolute Black ® Glossy toner (8,000 pages)

Okidata® C 5700, 5600

Part #	Description
--------	-------------

11161	Okidata C 5700, 5600 Absolute Black ® Glossy toner (6,000 pages)
11165	Okidata C 5700, 5600 Smartchip ® Black (6,000 pages)
11166	Okidata C 5700, 5600 Smartchip ® Cyan (2,000 pages)
11414	Okidata C 5700, 5600 Smartchip ® fuse for OPC drum unit, 10 pack
11167	Okidata C 5700, 5600 Smartchip ® Magenta (2,000 pages)
11168	Okidata C 5700, 5600 Smartchip ® Yellow (2,000 pages)
11162	Okidata C 5700, 5750, 5600, 5650 Absolute Cyan ® Glossy toner (2,000 pages)
11163	Okidata C 5700, 5750, 5600, 5650 Absolute Magenta ® Glossy toner (2,000 pages)
11164	Okidata C 5700, 5750, 5600, 5650 Absolute Yellow ® Glossy toner (2,000 pages)

Okidata® C 5800, 5500

Part #	Description
11751	Okidata C 5800, 5500 Smartchip ® Black toner (2,000 pages) (US region)
10762	Okidata C 5800, 5500 Smartchip ® Black toner (5,000 pages) (US Region)
11752	Okidata C 5800, 5500 Smartchip ® Cyan toner (2,000 pages) (US region)
10763	Okidata C 5800, 5500 Smartchip ® Cyan toner (5,000 pages) (US region)
11753	Okidata C 5800, 5500 Smartchip ® Magenta toner (2,000 pages) (US region)
10764	Okidata C 5800, 5500 Smartchip ® Magenta toner (5,000 pages) (US region)
11754	Okidata C 5800, 5500 Smartchip ® Yellow toner (2,000 pages) (US region)
10765	Okidata C 5800, 5500 Smartchip ® Yellow toner (5,000 pages) (US region)
11747	Okidata C 5900, 5800, 5500 Absolute Black ® Glossy toner (2,000 pages)
11748	Okidata C 5900, 5800, 5500 Absolute Cyan ® Glossy toner (2,000 pages)
11749	Okidata C 5900, 5800, 5500 Absolute Magenta ® Glossy toner (2,000 pages)
11750	Okidata C 5900, 5800, 5500 Absolute Yellow ® Glossy toner (2,000 pages)
10695	Okidata C 5900, 5800, 5500 Smartchip ® fuse for drum unit, 10 pack
10612	Okidata C 5900, 5800, 5500, CX 2032 Absolute Black ® Glossy toner (6,000 pages)
10616	Okidata C 5900, 5800, 5500, CX 2032 Absolute Black ® Glossy toner 22 lb (10 kg) bag
10613	Okidata C 5900, 5800, 5500, CX 2032 Absolute Cyan ® Glossy toner (5,000 pages)
10617	Okidata C 5900, 5800, 5500, CX 2032 Absolute Cyan ® Glossy toner 22 lb (10 kg) bag
10614	Okidata C 5900, 5800, 5500, CX 2032 Absolute Magenta ® Glossy toner (5,000 pages)
10618	Okidata C 5900, 5800, 5500, CX 2032 Absolute Magenta ® Glossy toner 22 lb (10 kg) bag
10615	Okidata C 5900, 5800, 5500, CX 2032 Absolute Yellow ® Glossy toner (5,000 pages)
10619	Okidata C 5900, 5800, 5500, CX 2032 Absolute Yellow ® Glossy toner 22 lb (10 kg) bag
11957	Okidata C 5900, 5800, 5550 Smartchip ® Black Toner (6,000 pages) (Europe/Asia Region)
11958	Okidata C 5900, 5800, 5550 Smartchip ® Cyan Toner (5,000 pages) (Europe/Asia Region)
11959	Okidata C 5900, 5800, 5550 Smartchip ® Magenta Toner (5,000 pages) (Europe/Asia Region)
11960	Okidata C 5900, 5800, 5550 Smartchip ® Yellow Toner (5,000 pages) (Europe/Asia Region)
10620	Okidata C 6100, 6000, 5900, 5800, 5500 Uni Drum ® drum with gears

Okidata® C 5850

Part #	Description
13604	Okidata C 5850 Smartchip® Black toner (8,000 pages)(Europe region)
13605	Okidata C 5850 Smartchip® Cyan toner (6,000 pages)(Europe region)
13606	Okidata C 5850 Smartchip® Magenta toner (6,000 pages)(Europe region)
13607	Okidata C 5850 Smartchip® Yellow toner (6,000 pages)(Europe region)

Okidata® C 6000

Part #	Description
--------	-------------

11832	Okidata C 6000 Smartchip ® Black (5,000 pages)
11833	Okidata C 6000 Smartchip ® Cyan (4,000 pages)
11834	Okidata C 6000 Smartchip ® Magenta (4,000 pages)
11837	Okidata C 6000 Smartchip ® OPC drum unit fuse, 10 pack
11835	Okidata C 6000 Smartchip ® Yellow (4,000 pages)
11828	Okidata C 6000, 6050 Absolute Black ® glossy toner (5,000 pages)
11829	Okidata C 6000, 6050 Absolute Cyan ® glossy toner (4,000 pages)
11830	Okidata C 6000, 6050 Absolute Magenta ® glossy toner (4,000 pages)
11831	Okidata C 6000, 6050 Absolute Yellow ® glossy toner (4,000 pages)
11836	Okidata C 6100, 6000, 5900, 5800, 5500 drum unit toner sealing cover, 10 pack (under development)
10620	Okidata C 6100, 6000, 5900, 5800, 5500 Uni Drum ® drum with gears

Okidata® C 6100, 5550 MFP

Part #	Description
10629	Okidata C 6100, 5550 MFP Absolute Black ® glossy toner (6,000 pages)
10630	Okidata C 6100, 5550 MFP Absolute Cyan ® glossy toner (5,000 pages)
10631	Okidata C 6100, 5550 MFP Absolute Magenta ® glossy toner (5,000 pages)
10632	Okidata C 6100, 5550 MFP Absolute Yellow ® glossy toner (5,000 pages)
11402	Okidata C 6100, 5550 MFP Smartchip ® Black (6,000 pages) US version
11403	Okidata C 6100, 5550 MFP Smartchip ® Cyan (5,000 pages) US version
11404	Okidata C 6100, 5550 MFP Smartchip ® Magenta (5,000 pages) US version
11405	Okidata C 6100, 5550 MFP Smartchip ® Yellow (5,000 pages) US version
10620	Okidata C 6100, 6000, 5900, 5800, 5500 Uni Drum ® drum with gears

Okidata® C 7000, 7200, 7300

Part #	Description
11039	Okidata C 7000, 7300, 7400, 7500 Absolute Black ® glossy toner 22 lb (10 kg) bag (special order)
11043	Okidata C 7000, 7300, 7400, 7500 Absolute Black ® glossy toner 320g (10,000 pages)(special order)
8370	Okidata C 7000, 7300, 7400, 7500 Absolute Black ® toner 22 lb (10 kg) bag
8385	Okidata C 7000, 7300, 7400, 7500 Absolute Black ® toner 320g (10,000 pages)
11040	Okidata C 7000, 7300, 7400, 7500 Absolute Cyan ® glossy toner 22 lb (10 kg) bag (special order)
11044	Okidata C 7000, 7300, 7400, 7500 Absolute Cyan ® glossy toner 320g (10,000 pages)(special order)
8597	Okidata C 7000, 7300, 7400, 7500 Absolute Cyan ® toner 22 lb (10 kg) bag
8386	Okidata C 7000, 7300, 7400, 7500 Absolute Cyan ® toner 320g (10,000 pages)
11041	Okidata C 7000, 7300, 7400, 7500 Absolute Magenta ® glossy toner 22 lb (10 kg) bag (special order)
11045	Okidata C 7000, 7300, 7400, 7500 Absolute Magenta ® glossy toner 320g (10,000 pages)(special order)
8598	Okidata C 7000, 7300, 7400, 7500 Absolute Magenta ® toner 22 lb (10 kg) bag
8387	Okidata C 7000, 7300, 7400, 7500 Absolute Magenta ® toner 320g (10,000 pages)
11042	Okidata C 7000, 7300, 7400, 7500 Absolute Yellow ® glossy toner 22 lb (10 kg) bag (special order)
11046	Okidata C 7000, 7300, 7400, 7500 Absolute Yellow ® glossy toner 320g (10,000 pages)(special order)
8599	Okidata C 7000, 7300, 7400, 7500 Absolute Yellow ® toner 22 lb (10 kg) bag
8388	Okidata C 7000, 7300, 7400, 7500 Absolute Yellow ® toner 320g (10,000 pages)
10844	Okidata C 7000, 7300, 7500 Black compatible glossy toner cartridge (special order)
10845	Okidata C 7000, 7300, 7500 Cyan compatible glossy toner cartridge (special order)
14296	Okidata C 7000, 7300, 7500 drum unit toner sealing cover, 10 pack
10846	Okidata C 7000, 7300, 7500 Magenta compatible glossy toner cartridge (special order)
9992	Okidata C 7000, 7300, 7500 SmartChip ® fuse for OPC drum unit, 10 pack
8913	Okidata C 7000, 7300, 7500 Uni Drum ® with gear
10847	Okidata C 7000, 7300, 7500 Yellow compatible glossy toner cartridge (special order)

Okidata® C 710

Part # Description

13042	Okidata C 710 Absolute Black ® Glossy toner (11,000 pages) (under development)
13043	Okidata C 710 Absolute Cyan ® Glossy toner (11,500 pages)(under development)
13044	Okidata C 710 Absolute Magenta ® Glossy toner (11,500 pages)(under development)
13045	Okidata C 710 Absolute Yellow ® Glossy toner (11,500 pages)(under development)

Okidata® C 8600, 8800

Part # Description

11928	Okidata C 8600, 8800 Absolute Black ® glossy toner (6,000 pages)
11929	Okidata C 8600, 8800 Absolute Cyan ® glossy toner (6,000 pages)
11930	Okidata C 8600, 8800 Absolute Magenta ® glossy toner (6,000 pages)
11931	Okidata C 8600, 8800 Absolute Yellow ® glossy toner (6,000 pages)
11932	Okidata C 8600, 8800 Smartchip ® Black toner (6,000 pages)
11933	Okidata C 8600, 8800 Smartchip ® Cyan toner (6,000 pages)
11934	Okidata C 8600, 8800 Smartchip ® Magenta toner (6,000 pages)
13028	Okidata C 8600, 8800 Smartchip ® OPC drum unit fuse, 10 pack
11935	Okidata C 8600, 8800 Smartchip ® Yellow toner (6,000 pages)
13329	Okidata C 8600, 8800 Uni Drum ® with gears
13105	Okidata C 8600, 8800 X-generation ® Black toner (6,000 pages)
12721	Okidata C 8600, 8800 X-generation ® black toner 22 lb (10kg) bag
13106	Okidata C 8600, 8800 X-generation ® Cyan toner (6,000 pages)
12722	Okidata C 8600, 8800 X-generation ® cyan toner 22 lb (10 kg) bag
13107	Okidata C 8600, 8800 X-generation ® Magenta toner (6,000 pages)
12723	Okidata C 8600, 8800 X-generation ® magenta toner 22 lb (10kg) bag
12724	Okidata C 8600, 8800 X-generation ® yellow toner 22 lb (10 kg) bag
13108	Okidata C 8600, 8800 X-generation® Yellow toner (6,000 pages)

Okidata® C 9000, 9200, 9300, 9400, 9500

Part # Description

10221	Okidata C 9000 Absolute Black ® compatible glossy toner cartridge (special order)
11900	Okidata C 9000 Absolute Black ® glossy toner 22 lb (10 kg) bag (special order)
8993	Okidata C 9000 Absolute Black ® toner 22 lb (10 kg) bag
8389	Okidata C 9000 Absolute Black ® toner 460g (15,000 pages)
8796	Okidata C 9000 Absolute Black ® toner 500g (16,500 pages)
10222	Okidata C 9000 Absolute Cyan ® compatible glossy toner cartridge (special order)
8994	Okidata C 9000 Absolute Cyan ® toner 22 lb (10 kg) bag
8390	Okidata C 9000 Absolute Cyan ® toner 460g (15,000 pages)
10223	Okidata C 9000 Absolute Magenta ® compatible glossy toner cartridge (special order)
8995	Okidata C 9000 Absolute Magenta ® toner 22 lb (10 kg) bag
8391	Okidata C 9000 Absolute Magenta ® toner 460g (15,000 pages)
10224	Okidata C 9000 Absolute Yellow ® compatible glossy toner cartridge (special order)
8996	Okidata C 9000 Absolute Yellow ® toner 22 lb (10 kg) bag
8392	Okidata C 9000 Absolute Yellow ® toner 460g (15,000 pages)
9885	Okidata C 9000 drum unit wiper blade (under development)
9648	Okidata C 9000 SmartChip ® fuse for OPC drum unit, 10 pack
7522	Okidata C 9000 Uni Drum ® with gears
14564	Okidata C9000, 9100, 9200, 9300, 9400, 9500 drum cover, 10 pack

Okidata® C 9600, 9800

Part #	Description
10621	Okidata C 9600, 9800 Absolute Black ® glossy toner (15,000 pages)
11315	Okidata C 9600, 9800 Absolute Black ® glossy toner 22 lb (10 kg) bag
10622	Okidata C 9600, 9800 Absolute Cyan ® glossy toner (15,000 pages)
11316	Okidata C 9600, 9800 Absolute Cyan ® glossy toner 22 lb (10 kg) bag
10623	Okidata C 9600, 9800 Absolute Magenta ® glossy toner (15,000 pages)
11317	Okidata C 9600, 9800 Absolute Magenta ® glossy toner 22 lb (10 kg) bag
10624	Okidata C 9600, 9800 Absolute Yellow ® glossy toner (15,000 pages)
11318	Okidata C 9600, 9800 Absolute Yellow ® glossy toner 22 lb (10 kg) bag
14307	Okidata C 9600, 9800 drum unit toner sealing cover, 10 pack (under development) (special order)
10625	Okidata C 9600, 9800 Smartchip ® Black
10626	Okidata C 9600, 9800 Smartchip ® Cyan
10627	Okidata C 9600, 9800 Smartchip ® Magenta
10849	Okidata C 9600, 9800 Smartchip ® OPC drum unit fuse, 10 pack
10628	Okidata C 9600, 9800 Smartchip ® Yellow
10850	Okidata C 9600, 9800 Uni Drum ® drum with gears

Okidata® C 9650

Part #	Description
13619	Okidata C 9650 Absolute Yellow ® glossy toner (16,500 pages) (under development)
12290	Okidata C 9650 Absolute Black ® glossy toner (18,500 pages) (under development)
13617	Okidata C 9650 Absolute Cyan ® glossy toner (16,500 pages) (under development)
13618	Okidata C 9650 Absolute Magenta ® glossy toner (16,500 pages) (under development)

Okidata® CX 2032

Part #	Description
10612	Okidata C 5900, 5800, 5500, CX 2032 Absolute Black ® Glossy toner (6,000 pages)
10613	Okidata C 5900, 5800, 5500, CX 2032 Absolute Cyan ® Glossy toner (5,000 pages)
10614	Okidata C 5900, 5800, 5500, CX 2032 Absolute Magenta ® Glossy toner (5,000 pages)
10615	Okidata C 5900, 5800, 5500, CX 2032 Absolute Yellow ® Glossy toner (5,000 pages)
14215	Okidata CX 2032 Smartchip ® Black toner (43324477) (6,000 pages) (US region)
14216	Okidata CX 2032 Smartchip ® Cyan toner (43324476) (5,000 pages) (US region)
14217	Okidata CX 2032 Smartchip ® Magenta toner (43324475) (5,000 pages) (US region)
14218	Okidata CX 2032 Smartchip ® Yellow toner (43324474) (5,000 pages) (US region)

Okidata® CX 2033

Part #	Description
14220	Okidata C 6050, 6051, 6150, CX 2033 MFP Absolute Black ® toner (8,000 pages)
14221	Okidata C 6050, 6051, 6150, CX 2033 MFP Absolute Cyan ® toner (6,000 pages)
14223	Okidata C 6050, 6051, 6150, CX 2033 MFP Absolute Yellow ® toner (6,000 pages)
14228	Okidata CX 2033 MFP Smartchip ® Black drum (56121104) (20,000 pages) (US region) (under development)
14224	Okidata CX 2033 MFP Smartchip ® Black toner (43865768) (8,000 pages) (US region)
14229	Okidata CX 2033 MFP Smartchip ® Cyan drum (56121103) (20,000 pages) (US region) (under development)
14225	Okidata CX 2033 MFP Smartchip ® Cyan toner (43865719) (6,000 pages) (US region)
14230	Okidata CX 2033 MFP Smartchip ® Magenta drum (56121102) (20,000 pages) (US region) (development)

14226	Okidata CX 2033 MFP Smartchip ® Magenta toner (43865718) (6,000 pages) (US region)
14231	Okidata CX 2033 MFP Smartchip ® Yellow drum (56121103) (20,000 pages) (US region) (development)
14227	Okidata CX 2033 MFP Smartchip ® Yellow toner (43865717) (6,000 pages) (US region)
14232	Okidata CX 2033 MFP Uni Drum ® with gears (20,000 pages) (under development)

Okidata® ES 2426, 2024

Part #	Description
11039	Okidata C 7000, 7300, 7400, 7500 Absolute Black ® glossy toner 22 lb (10 kg) bag (special order)
11043	Okidata C 7000, 7300, 7400, 7500 Absolute Black ® glossy toner 320g (10,000 pages)(special order)
8370	Okidata C 7000, 7300, 7400, 7500 Absolute Black ® toner 22 lb (10 kg) bag
8385	Okidata C 7000, 7300, 7400, 7500 Absolute Black ® toner 320g (10,000 pages)
11040	Okidata C 7000, 7300, 7400, 7500 Absolute Cyan ® glossy toner 22 lb (10 kg) bag (special order)
11044	Okidata C 7000, 7300, 7400, 7500 Absolute Cyan ® glossy toner 320g (10,000 pages)(special order)
11041	Okidata C 7000, 7300, 7400, 7500 Absolute Magenta ® glossy toner 22 lb (10 kg) bag (special order)
11045	Okidata C 7000, 7300, 7400, 7500 Absolute Magenta ® glossy toner 320g (10,000 pages)(special order)
11042	Okidata C 7000, 7300, 7400, 7500 Absolute Yellow ® glossy toner 22 lb (10 kg) bag (special order)
11046	Okidata C 7000, 7300, 7400, 7500 Absolute Yellow ® glossy toner 320g (10,000 pages)(special order)
10844	Okidata C 7000, 7300, 7500 Black compatible glossy toner cartridge (special order)
10845	Okidata C 7000, 7300, 7500 Cyan compatible glossy toner cartridge (special order)
14296	Okidata C 7000, 7300, 7500 drum unit toner sealing cover, 10 pack
10846	Okidata C 7000, 7300, 7500 Magenta compatible glossy toner cartridge (special order)
9992	Okidata C 7000, 7300, 7500 SmartChip ® fuse for OPC drum unit, 10 pack
8913	Okidata C 7000, 7300, 7500 Uni Drum ® with gear
10847	Okidata C 7000, 7300, 7500 Yellow compatible glossy toner cartridge (special order)

Okidata® ES3640

Part #	Description
10621	Okidata C 9600, 9800 Absolute Black ® glossy toner (15,000 pages)
11315	Okidata C 9600, 9800 Absolute Black ® glossy toner 22 lb (10 kg) bag
10622	Okidata C 9600, 9800 Absolute Cyan ® glossy toner (15,000 pages)
11316	Okidata C 9600, 9800 Absolute Cyan ® glossy toner 22 lb (10 kg) bag
10623	Okidata C 9600, 9800 Absolute Magenta ® glossy toner (15,000 pages)
11317	Okidata C 9600, 9800 Absolute Magenta ® glossy toner 22 lb (10 kg) bag
10624	Okidata C 9600, 9800 Absolute Yellow ® glossy toner (15,000 pages)
11318	Okidata C 9600, 9800 Absolute Yellow ® glossy toner 22 lb (10 kg) bag
14307	Okidata C 9600, 9800 drum unit toner sealing cover, 10 pack (under development) (special order)
10849	Okidata C 9600, 9800 Smartchip ® OPC drum unit fuse, 10 pack
10850	Okidata C 9600, 9800 Uni Drum ® drum with gears

Okidata® Fax 5900, 5780, 5750, 5700

Part #	Description
5636	Okidata 5900, 5780, 5750, 5700, 5680, 4515 Absolute Black® toner 100g

Okidata® MB 260, 280, 290

Part #	Description
14601	Okidata MB 260, 280, 290 Absolute black toner® 175g
14602	Okidata MB 260, 280, 290 Uni Drum ® gearless (special order)

14600 Okidata MB 260, 280, 290 MFP Smartercard® reset smartchip (5,500 pages)

Okidata® MC 160 MFP

Part # Description

14581 Okidata MC 160 MFP developer roller cover, 10 pack
 14572 Okidata MC 160 MFP Smartchip ® Black (44250716)(2,500 pages) (US)
 14573 Okidata MC 160 MFP Smartchip ® Cyan (44250715)(2,500 pages) (US)
 14574 Okidata MC 160 MFP Smartchip ® Magenta (44250714)(2,500 pages) (US)
 14575 Okidata MC 160 MFP Smartchip ® Yellow (44250713)(2,500 pages) (US)

Okidata® MC 360

Part # Description

14306 Okidata C 3600, 3400, 3300, MC 360 drum unit toner sealing cover, 10 pack (under development)
 10838 Okidata C 3600, 3400, 3300, MC 360 Smartchip ® fuse drum unit, 10 pack
 10837 Okidata C 3600, 3400, 3300, MC 360 Uni Drum ® OPC with gears
 10829 Okidata C 3600, 3530, 3400, 3450, 3300, MC 360 Absolute Black ® glossy toner (2,500 pages)
 14496 Okidata C 3600, 3530, 3400, 3450, 3300, MC 360 Absolute Black ® glossy toner 22lb(10kgs) bag
 10830 Okidata C 3600, 3530, 3400, 3450, 3300, MC 360 Absolute Cyan ® glossy toner (2,500 pages)
 14497 Okidata C 3600, 3530, 3400, 3450, 3300, MC 360 Absolute Cyan ® glossy toner 22lb(10kgs) bag
 10831 Okidata C 3600, 3530, 3400, 3450, 3300, MC 360 Absolute Magenta ® glossy toner (2,500 pages)
 14498 Okidata C 3600, 3530, 3400, 3450, 3300, MC 360 Absolute Magenta ® glossy toner 22lb(10kg) bag
 10832 Okidata C 3600, 3530, 3400, 3450, 3300, MC 360 Absolute Yellow ® glossy toner (2,500 pages)
 14499 Okidata C 3600, 3530, 3400, 3450, 3300, MC 360 Absolute Yellow ® glossy toner 22lb(10kg) bag

Okidata® Microline 1035, 1050, 2030

Part # Description

7067 Okidata Microline 1035, 1050, 2030 Uni Drum ® gearless (special order)

Okidata® Microline 12, 14 Japan

Part # Description

8196 Okidata Microline 12, 14, 640 Japan Absolute Black® toner 66g
 8197 Okidata Microline 12, 14, 640 Japan compatible toner cartridge 66g (special order)

Okidata® Microline 18 Japan

Part # Description

9337 Okidata 18, 20 i, 20 iM, 24 Uni Drum ® gearless (special order)
 8266 Okidata 18, 20 i, 20 iM, 24 Uni Drum ® with gears (special order)

Okidata® Microline 24 Japan

Part # Description

9337 Okidata 18, 20 i, 20 iM, 24 Uni Drum ® gearless (special order)
 8266 Okidata 18, 20 i, 20 iM, 24 Uni Drum ® with gears (special order)

Okidata® Microline 3010, 3020

Part # Description

9053	Okidata Microline 3020, 3050, 9055 Absolute Black ® toner 465g
9054	Okidata Microline 3020, 3050, 9055 Absolute Cyan ® toner 465g
9055	Okidata Microline 3020, 3050, 9055 Absolute Magenta ® toner 465g
9056	Okidata Microline 3020, 3050, 9055 Absolute Yellow ® toner 465g
9357	Okidata Microline 3020, 3050, 9055 Uni Drum ® gearless (special order)

Okidata® Microline 803, 802**Part # Description**

6823	Okidata 803, 802 AB-2 toner 175g (under final test)
6219	Okidata 803, 802 Absolute Black® toner 150g
7275	Okidata 803, 802 Absolute Black® toner 22 lb (10 kg) bag

Okidata® Microline 9300, 9500**Part # Description**

9456	Okidata Microline 9300, 9500 Absolute Black ® toner 460g
9457	Okidata Microline 9300, 9500 Absolute Cyan ® toner 460g
9458	Okidata Microline 9300, 9500 Absolute Magenta ® toner 460g
9459	Okidata Microline 9300, 9500 Absolute Yellow ® toner 460g
9672	Okidata Microline 9300, 9500 Smartchip ® fuse for OPC drum unit, 10 pack
9671	Okidata Microline 9300, 9500 Uni Drum ® with gears (under final test)

Okidata® OkiFax 4515**Part # Description**

13772	Okidata OkiFax 4515 Absolute Black® toner 110g
13774	Okidata OkiFax 4515 Smartchip ® reset card (09004245) (3,300 pages)

Okidata® OL 1200, 16N**Part # Description**

8317	Okidata OL 1200 Uni Drum ® gearless (special order)
487	Okidata OL 1200, 16 n Absolute Black® toner 150g
4902	Okidata OL 1200, 16 n Absolute Black® toner, 22lb (10kg) bag
7016	Okidata OL 1200, 16 n MICR ® toner 22 lb (10 kg) (sold 2/box)

Okidata® OL 400, 800**Part # Description**

491	Okidata OL 400 Absolute Black® toner 90g
4903	Okidata OL 400 Absolute Black® toner, 22 lb. (10kg) bag
483	Okidata OL 400 felt, 100 pack (special order)
486	Okidata OL 400 wiper blade (special order)
482	Okidata OL 400, 800 Uni Drum ® "S" with gears (special order)

Okidata® OL 400e, 600, 610**Part # Description**

497	Okidata OL 400e Absolute Black® toner 60g
-----	---

4946	Okidata OL 400e Absolute Black® toner, 22 lb (10 kg) bag
492	Okidata OL 400e comp. toner cartridge 60g (special order)
496	Okidata OL 400e, 610 Uni Drum ® w/gears (special order)

Olivetti® d-Color MF22

Part #	Description
7240	Olivetti Color MF 22 Absolute Black ® toner 270g
7241	Olivetti Color MF 22 Absolute Cyan ® toner 160g
7242	Olivetti Color MF 22 Absolute Magenta ® toner 160g
7244	Olivetti Color MF 22 Absolute Yellow ® toner 160g

Olivetti® d-Color P160, P160W

Part #	Description
9582	Olivetti Color P 160, 160W Absolute Black ® toner 165g
9583	Olivetti Color P 160, 160W Absolute Cyan® toner 165g
9584	Olivetti Color P 160, 160W Absolute Magenta ® toner 165g
9585	Olivetti Color P 160, 160W Absolute Yellow ® toner 165g

Olivetti® d-Color P24

Part #	Description
9578	Olivetti Color P 24 Absolute Black ® toner 325g
9579	Olivetti Color P 24 Absolute Cyan ® toner 325g
9580	Olivetti Color P 24 Absolute Magenta ® toner 325g
9581	Olivetti Color P 24 Absolute Yellow ® toner 325g

Olivetti® d-Copia 16W, 20W

Part #	Description
11825	Olivetti d Copia 16 W Absolute Black® developer 400g
11824	Olivetti d Copia 16 W Absolute Black® toner 525g
11827	Olivetti d Copia 16 W Smartchip ® (under development)

Olivetti® PG L12L

Part #	Description
6442	Olivetti PG L 12L Absolute Black® toner 200g
6441	Olivetti PG L 12L adhesive seal, 10 pack
6443	Olivetti PG L 12L Uni Drum ® w/gears

Olivetti® PG L22

Part #	Description
6514	Olivetti PG L 22 Absolute Black® compatible toner cartridge (6,000 pages) (special order)
6914	Olivetti PG L 22 Absolute Black® toner 190g (6,000 pages)

Olivetti® PG L8L

Part #	Description
--------	-------------

7624	Olivetti PG L8L Uni Drum ® with gears
6439	Olivetti PG L8L Absolute Black® toner 150g
5185	Olivetti PG L8L Absolute Black® toner 22 lb (10 kg) (sold 2/box)
6440	Olivetti PG L8L Clear Seal ® OEM style adhesive, 50 pack
8756	Olivetti PG L8L Clear Seal adhesive, 50 pack
7842	Olivetti PG L8L developer roller (sold 9 pack)
6858	Olivetti PG L8L Doctor blade, 10 pack
7843	Olivetti PG L8L PCR roller (sold 100 pack)
7120	Olivetti PG L8L Smartchip ® fuse, 10 pack
6152	Olivetti PG L8L wiper blade, 10 pack

Others

Part #	Description
7261	Canon NP 270, 210, 300, 4035, 4540 wiper blade, 10 pack (special order)
4940	CX Absolute Black® toner 200g (special order)
7623	Epson 1000, 1500 drum shutter, 10 pack (without spring)
5278	Ricoh 4080, 4150 compatible toner cartridge, 2 x150g (special order)
5403	Xerox 5050 Absolute Black® toner 454g , 4 per box

Panafax® A-80

Part #	Description
5164	Panasonic DE 1004, A 80 wiper blade (special order)

Panafax® UF-490, 4000, UG 3221, 3222

Part #	Description
11720	Panafax UF 490, 4000, UG 3221, 3222 compatible toner cartridge (sold 10/box)(special order)

Panafax® UF-550, 770, 880, UG 3313

Part #	Description
5400	Panafax UF 550, 770, 880, UG 3313 Absolute Black® toner 22 lb (10 kg) bag
5399	Panafax UF 550, 770, 880, UG 3313 Absolute Black® toner 315g
9175	Panafax UF 550, 770, 880, UG 3313 doctor blade, 10 pack
4958	Panafax UF 550, 770, 880, UG 3313 mag roller felt set, 50 pack
5845	Panafax UF 550, 770, 880, UG 3313 PCR roller (recotaed), 10 pack
6383	Panafax UF 550, 770, 880, UG 3313 Uni Drum ® w/gear (special order)
5573	Panafax UF 550, 770, 880, UG 3313 wiper blade (sold 10 pack)
5019	Panafax UF 550, 770, 880, UG 3313 wiper blade end felt and foams, 10 sets

Panafax® UF-585, UG 3350

Part #	Description
8795	Panafax UF 585, UG 3350 Clear Seal ® adhesive, 50 pack
6474	Panafax UF 585, UG 3350 Absolute Black® toner 240g
6475	Panafax UF 585, UG 3350 Absolute Black® toner, 22 lb (10 kg) bag
7973	Panafax UF 585, UG 3350 doctor blade, 10 pack (pack size changed)
7406	Panafax UF 585, UG 3350 Mag roller bushing (left & right), 100 sets
6129	Panafax UF 585, UG 3350 Uni Drum ® "S" with gears

6479 Panafax UF 585, UG 3350 wiper blade (sold 12/pack)

Panafax® UF-744, UF-788, UG 3309

Part #	Description
7765	Panafax UF 744, 788, UG 3309 Absolute Black® toner 22 lb (10 kg) bag
508	Panafax UF 744, 788, UG 3309 Absolute Black® toner 335g
5577	Panafax UF 744, 788, UG 3309 PCR Roller 10 pack
8766	Panafax UF 744, 788, UG 3309 Uni Drum ® "S" w/ gears detached from drum
506	Panafax UF 744, 788, UG 3309 Uni Drum ® "S" w/gears
510	Panafax UF 744, 788, UG 3309 wiper blade (sold 10 p/pack)

Panafax® UF-755

Part #	Description
7766	Panafax UF 755 Absolute Black® toner 22 lb (10 kg) bag
7829	Panafax UF 755 Absolute Black® toner 225g

Panafax® UF-790, UG 5510

Part #	Description
5871	Panafax UF 790, 780, 800, 6000, UG 5510 Absolute Black® toner 240g (under final test)
7343	Panafax UF 790, 780, 800, 6000, UG 5510 doctor blade, 10 pack (under final test)
6156	Panafax UF 790, 780, 800, 6000, UG 5510 wiper blade (sold 10 pack) (under final test)

Panafax® UF-8100, 7100, UG 5535

Part #	Description
11288	Panasonic UF 8100, 7100, UG 5535 Absolute Black® toner 160g (5,000 pages)
11289	Panasonic UF 8100, 7100, UG 5535 Uni Drum ® (under development)

Panafax® UF-890, UG 5520

Part #	Description
5401	Panafax UF 890, 990, UG 5520, PB 9900 Absolute Black® toner 325g
6566	Panafax UF 890, 990, UG 5520, PB 9900 adhesive seal, 10 pack (special order)
7993	Panafax UF 890, 990, UG 5520, PB 9900 doctor blade, 10 pack
6888	Panafax UF 890, 990, UG 5520, PB 9900 Mag roller sleeve (with hub), 10 pack (special order)
5576	Panafax UF 890, 990, UG 5520, PB 9900 PCR Roller, 10 pack
4956	Panafax UF 890, 990, UG 5520, PB 9900 Uni Drum ® "F" with gears (special order)
5575	Panafax UF 890, 990, UG 5520, PB 9900 Uni Drum ® gearless (special order)
5574	Panafax UF 890, 990, UG 5520, PB 9900 wiper blade

Panafax® UF-9000, 8000, UG-5530, 5540

Part #	Description
10293	Panasonic UF 9000, 8000, 7000, UG 5530 Absolute Black® toner 160g (5,000 pages)
11409	Panasonic UF 9000, 8000, 7000, UG 5530 wiper blade, 10 pack (special order)
11169	Panasonic UF 9000, 8000, 7000, UG 5530, 5540 developer roller cover, 100 pack
11087	Panasonic UF 9000, 8000, 7000, UG 5530, 5540 developer roller, 10 pack (under development)
10718	Panasonic UF 9000, 8000, 7000, UG 5530, 5540 hopper fill plug, 100 pack

11281	Panasonic UF 9000, 8000, 7000, UG 5530, 5540 Uni Drum ® gearless (special order)
10294	Panasonic UF 9000, 8000, 7000, UG 5530, 5540 Uni Drum ® with gears (special order)
13340	Panasonic UF 9000, 8000, 7000, UG 5540 Absolute Black® toner 210g (special order)
11170	Panasonic UF 9000, 8000, 7000, UG 5540 Absolute Black® toner 320g (10,000 pages)

Panasonic ® UF 550

Part #	Description
11600	Panasonic ® UF 550 Mag roller sleeve, 10 pack (special order)

Panasonic FP7728, 7735, 7742, 7750, 7830, 7835, 7845, 7850

Part #	Description
13321	Panasonic FP7728, 7735, 7742, 7750, 7830, 7835, 7845, 7850 compatible toner cartridge® 660g, 6 pack

Panasonic® DE-1004

Part #	Description
7505	Panasonic DE 1004 Absolute Black ® toner 22 lb (10 kg) bag (under final test)
7114	Panasonic DE 1004 Absolute Black ® toner 500g (under final test)
7126	Panasonic DE 1004 PCR (recoated), 10 pack
7128	Panasonic DE 1004, 1005 Mag roller coating solution 2 oz.
8188	Panasonic DE 1004, 1005 Mag roller coating solution 4 oz.
5164	Panasonic DE 1004, A 80 wiper blade (special order)

Panasonic® DE-1005

Part #	Description
7128	Panasonic DE 1004, 1005 Mag roller coating solution 2 oz.
8188	Panasonic DE 1004, 1005 Mag roller coating solution 4 oz.
9157	Panasonic DE 1005 Uni Drum ® with gears (special order)
9179	Panasonic DE 1005 wiper blade, 10 pack

Panasonic® DE-3350

Part #	Description
9713	Panasonic DE 3350 Absolute Black® toner 230g
9717	Panasonic DE 3350 Clear Seal ® adhesive, 50 pack
9716	Panasonic DE 3350 doctor blade 10 pack
9718	Panasonic DE 3350 PCR roller, 10 pack (new formula)
9714	Panasonic DE 3350 Uni Drum ® with gears
9715	Panasonic DE 3350 wiper blade (sold in 10 pack)

Panasonic® FP 7718

Part #	Description
11838	Panasonic FP 7718, 7760 compatible toner cartridge, 1650g (special order)

Panasonic® FP-7113, 7115, 7713, 7715, FQ-TF15

Part #	Description
--------	-------------

7138 Panasonic 7113, 7118, 7713 compatible toner cartridge, 2 pack (special order)

Panasonic® KX-CL 500, 510, 550

Part #	Description
9856	Panasonic KX CL 500, 510, 550 Absolute Black® toner 160g (6,000 pages)
14525	Panasonic KX CL 500, 510, 550 Absolute Black® toner 22lb(10kg) bag
9857	Panasonic KX CL 500, 510, 550 Absolute Cyan ® toner 160g (6,000 pages)
14526	Panasonic KX CL 500, 510, 550 Absolute Cyan ® toner 22lb(10kg) bag
9858	Panasonic KX CL 500, 510, 550 Absolute Magenta ® toner (6,000 pages)
14527	Panasonic KX CL 500, 510, 550 Absolute Magenta ® toner 22lb(10kg) bag
9859	Panasonic KX CL 500, 510, 550 Absolute Yellow ® toner 160g (6,000 pages)
14528	Panasonic KX CL 500, 510, 550 Absolute Yellow ® toner 22lb (10)kg bag
9860	Panasonic KX CL 500, 510, 550 Uni Drum ® gearless (special order)

Panasonic® KX-FA 75, KX-FLM 600, 650

Part #	Description
6984	Panasonic KX FA 75, FLM 600, 650 Absolute Back® toner 100g
9828	Panasonic KX FA 75, FLM 600, 650 Uni Drum ® gearless (special order)

Panasonic® KX-FA 76, KX-FA 77, 78, KX-FL501, 521, 551

Part #	Description
7992	Panasonic KX FA 76, FL 501, 521, 551 compatible toner cartridge (sold 10/box)(special order)
8051	Panasonic KX FA 76, FL 501, 521, 551 toner 22 lb (10 kg) bag
5514	Panasonic KX FA 76, FL 501, 521, 551 toner 50g
9224	Panasonic KX FA 77, 78, FL 501, 521, 551 developer roller, 10 pack (special order)(under dev't)
9719	Panasonic KX FA 77, 78, FL 501, 521, 551 drum with gears (special order)

Panasonic® KX-FA 83, KX-FA 84, KX-FL 511, 541

Part #	Description
11395	Panasonic KX FA 83, 84, FL 511, 541, 611 Absolute Black® toner 22 lb (10 kg) bag
9626	Panasonic KX FA 83, 84, FL 511, 541, 611 Absolute Black® toner 85g
11719	Panasonic KX FA 83, 84, FL 511, 541, 611 compatible toner cartridge (sold 10/box)(special order)
11847	Panasonic KX FA 83, 84, FL 511, 541, 611 developer roller, XX pack (under final test)
12046	Panasonic KX FA 83, 84, FL 511, 541, 611 Uni Drum ® gearless (under development) (special order)

Panasonic® KX-FA 85, KX-FA 86, KX-FL 801, 811, 851

Part #	Description
12354	Panasonic KX FA 85, 86, FLB 801, 811, 851 Absolute Black® toner 22lb (10kg)
11731	Panasonic KX FA 85, 86, FLB 801, 811, 851 Absolute Black® toner 85g
11732	Panasonic KX FA 85, 86, FLB 801, 811, 851 Uni Drum ® gearless (under development)(special order)

Panasonic® KX-P 4400, 5400

Part #	Description
514	Panasonic KX P 4400, 5400 Graphics toner 85g (special order)

Panasonic® KX-P 4420

Part #	Description
527	Panasonic KX P 4420 comp. toner cartridge (sold 12 p/box)(special order)

Panasonic® KX-PS 8000, 8100, 8410, 8420, 8475

Part #	Description
6370	Panasonic KX PS 8000, 8410 Black toner 240g (ets 15 days)

Panasonic® UG-3303

Part #	Description
6874	Panasonic UG 3303 felt, 100 pack (special order)
5786	Panasonic UG 3303 Uni Drum ® gearless (special order)

Panasonic® UG-3317

Part #	Description
6826	Panasonic UG 3317 Absolute Black® toner 340g
6932	Panasonic UG 3317 Absolute Black® toner, 22 lb (10 kg) bag
6827	Panasonic UG 3317 adhesive seal, 10 pack
6830	Panasonic UG 3317 felt, 100 pack (special order)
6828	Panasonic UG 3317 PCR, 10 pack
6825	Panasonic UG 3317 wiper blade (sold 10 box)
6815	Panasonic UG 550, 3317 Uni Drum ® "S" with gear
5784	Panasonic UG 550, 3317 Uni Drum ® DETACHED gears

Panasonic® Workio DP-150

Part #	Description
9164	Panasonic Workio 150 Uni Drum ® "S" with gears (special order)

Panasonic® Workio DP-1510, 1810, 2010

Part #	Description
11681	Panasonic DP 1510, 1810, 2010 compatible toner cartridge, 6 pack (special order)

Panasonic® Workio DP-1520, 1820

Part #	Description
11680	Panasonic DP 1520, 1820 compatible toner cartridge, 6 pack (special order)

Panasonic® Workio DP-180, 190

Part #	Description
12306	Panasonic Workio DP 180, 190 Absolute Black toner, 320g (10,000 pages)
12305	Panasonic Workio DP 180, 190 developer roller cover, 100 pack
12307	Panasonic Workio DP 180, 190 hopper fill plug, 100 pack
10295	Panasonic Workio DP 180, 190 Uni Drum ® drum with gears

Panasonic® Workio DP-2000, 2500, 3000

Part # Description

- 13912 Panasonic DP 2000, 2500, 3000 Absolute Black® toner 22lb(10kg)
- 11678 Panasonic DP 2000, 2500, 3000 Absolute Black® toner 585g kit, 6 pack (special order)

Panasonic® Workio DP-2310, 2330, 3010, 3030

Part # Description

- 11679 Panasonic DP 2310, 2330, 3010, 3030 compatible toner cartridge, 6 pack (special order)
- 10297 Panasonic Workio DP 2310, 2330, 3010, 3030 Uni Drum ® drum with gears

Panasonic® Workio DP-3510, 3520, 3530, 4510, 4520, 4530

Part # Description

- 11684 Panasonic DP 3510, 4510 compatible toner cartridge 878g, 6 pack (special order)

Panasonic® Workio DP-6010, 6020, 6030

Part # Description

- 11683 Panasonic DP 6010, 6020, 6030 compatible toner cartridge 1,230g, 6 pack (special order)

Panasonic® Workio DP-6530, 8130

Part # Description

- 11685 Panasonic DP 6530, 8130 compatible toner cartridge 1,350g (sold 4 p/box)(special order)

Panasonic® Workio DP-C 106

Part # Description

- 9844 Panasonic Workio DPC 106 Absolute Black® toner 200g
- 9845 Panasonic Workio DPC 106 Absolute Cyan® toner 200g
- 9846 Panasonic Workio DPC 106 Absolute Magenta ® toner 200g
- 9847 Panasonic Workio DPC 106 Absolute Yellow ® toner 200g

Panasonic® Workio DP-C 321, 401

Part # Description

- 9848 Panasonic Workio DPC 321, 401 Absolute Black ® toner 200g
- 9849 Panasonic Workio DPC 321, 401 Absolute Cyan ® toner 200g
- 9850 Panasonic Workio DPC 321, 401 Absolute Magenta ® toner 200g
- 9851 Panasonic Workio DPC 321, 401 Absolute Yellow ® toner 200g
- 9709 Xerox DocuColor C 3535, 2240, 1632 Absolute Black ® toner 200g
- 9710 Xerox DocuColor C 3535, 2240, 1632 Absolute Cyan ® toner 200g
- 9711 Xerox DocuColor C 3535, 2240, 1632 Absolute Magenta ® toner 200g
- 9712 Xerox DocuColor C 3535, 2240, 1632 Absolute Yellow ® toner 200g
- 11884 Xerox DocuColor C 3535, 2240, 1632 Uni Drum ® gearless (under final test)(special order)
- 11885 Xerox DocuColor C 3535, 2240, 1632 wiper blade, 10 pack (under development)

Panasonic® Workio DP-C 354, 264

Part # Description

11733	Panasonic Workio DPC 354, 323, 264, 263 Absolute Black ® toner TBAg (under development)
11734	Panasonic Workio DPC 354, 323, 264, 263 Absolute Cyan ® toner TBAg (under development)
11735	Panasonic Workio DPC 354, 323, 264, 263 Absolute Magenta ® toner 200g (under development)
11736	Panasonic Workio DPC 354, 323, 264, 263 Absolute Yellow ® toner 200g (under development)

Panasonic® Workio DP-CL 16

Part # Description

10229	Panasonic Workio DC CL 16 Absolute Black® toner 245g
-------	--

Panasonic® Workio DP-CL 21

Part # Description

9861	Panasonic Workio DP CL 21 Absolute Black® toner 160g (6,000 pages)
9862	Panasonic Workio DP CL 21 Absolute Cyan ® toner 160g (6,000 pages)
9863	Panasonic Workio DP CL 21 Absolute Magenta ® toner 160g (6,000 pages)
9864	Panasonic Workio DP CL 21 Absolute Yellow ® toner (6,000 pages)
8528	Panasonic Workio DP CL 21 Uni Drum ® gearless (special order)

Panasonic® Workio DP-CL 22

Part # Description

11282	Panasonic Workio DP CL 22, 18, KX CL 400 Absolute Black ® toner 165g (6,000 pages)
11283	Panasonic Workio DP CL 22, 18, KX CL 400 Absolute Cyan ® toner 165g (6,000 pages)
11284	Panasonic Workio DP CL 22, 18, KX CL 400 Absolute Magenta ® toner 165g (6,000 pages)
11285	Panasonic Workio DP CL 22, 18, KX CL 400 Absolute Yellow ® toner 165g (6,000 pages)

Pentax® 240

Part # Description

4987	Pentax 240 Absolute Black ® toner 150g (under final test)
4899	Pentax 240 Absolute Black ® toner, 22 lb (10 kg) bag (under final test)

Philips® Magic 5

Part # Description

14822	Philips Magic 5 Smartercard® reset smartchip (140 pages)
-------	--

Philips® LaserFax LFF 6080, 6050

Part # Description

14481	Absolute Black ® toner 175g (5,500 pages) for use in Philips LaserFax MFD 6020, 6050, 6080
14535	Smartercard™ reset smartchip for use in Philips MFD 6020, 6050, 6080 (PFA822)(5,500 pages)(special)

Philips® LaserFax LPF 820, 825

Part # Description

13782	Philips LaserFax LPF 820, 825 Smartchip ® reset card (PFA731) (5,000 pages) (special order)
-------	---

Philips® Laserfax MFD 6020, 6050, 6080

Part # Description

- 14481 Absolute Black ® toner 175g (5,500 pages) for use in Philips LaserFax MFD 6020, 6050, 6080
- 14535 Smartercard™ reset smartchip for use in Philips MFD 6020, 6050, 6080 (PFA822)(5,500 pages)(special)
- 14892 Smartercard® reset smartchip (3,000 pages) for use in Philips Laserfax MFD 6020, 6050, 6080 PFA821

Pitney Bowes® 9800

Part # Description

- 6735 Pitney Bowes 9800 Absolute Black toner 335g
- 5571 Pitney Bowes 9800 adhesive seal 10 pack
- 4957 Pitney Bowes 9800 Uni Drum ® "S" w/gears
- 5184 Pitney Bowes 9800 wiper blade (special oder)

Pitney Bowes® 9900

Part # Description

- 5401 Panafax UF 890, 990, UG 5520, PB 9900 Absolute Black® toner 325g
- 6566 Panafax UF 890, 990, UG 5520, PB 9900 adhesive seal, 10 pack (special order)
- 7993 Panafax UF 890, 990, UG 5520, PB 9900 doctor blade, 10 pack
- 6888 Panafax UF 890, 990, UG 5520, PB 9900 Mag roller sleeve (with hub), 10 pack (special order)
- 5576 Panafax UF 890, 990, UG 5520, PB 9900 PCR Roller, 10 pack
- 4956 Panafax UF 890, 990, UG 5520, PB 9900 Uni Drum ® "F" with gears (special order)
- 5575 Panafax UF 890, 990, UG 5520, PB 9900 Uni Drum ® gearless (special order)
- 5574 Panafax UF 890, 990, UG 5520, PB 9900 wiper blade
- 7779 Pitney Bowes 9900 Uni Drum ® w/gears (special order)

QMS® 2060

Part # Description

- 4994 Epson LP 9200, N 2000, QMS 2060 Clear Seal ® adhesive, 50 pack
- 8659 Minolta Pagework 20 QMS 2060 Uni Drum ® "OEM style" w/gears
- 4889 Minolta Pagework 20, QMS 2060 Absolute Black® toner 310g
- 5559 Minolta Pagework 20, QMS 2060 Absolute Black® toner, 22 lb (10Kg)

QMS® 2560

Part # Description

- 7809 QMS 2560 Absolute Black® toner 500g
- 7810 QMS 2560 drum with gears
- 6048 QMS 2560 Smartchip ® fuse, 10 pack
- 7812 QMS 2560 wiper blade, 10 pack

QMS® Magicolor 2

Part # Description

- 6047 QMS Magicolor 2 Absolute Black ® toner 200g
- 6520 QMS Magicolor 2 Absolute Black ® toner 22 lb (10 kg) bag
- 6046 QMS Magicolor 2 Absolute Cyan ® toner 200g
- 6521 QMS Magicolor 2 Absolute Cyan ® toner 22 lb (10 kg) bag
- 6044 QMS Magicolor 2 Absolute Magenta ® toner 200g

6523	QMS Magicolor 2 Absolute Magenta ® toner 22 lb (10 kg) bag
6045	QMS Magicolor 2 Absolute Yellow ® toner 200g
6522	QMS Magicolor 2 Absolute Yellow ® toner 22 lb (10 kg) bag
7444	QMS Magicolor 2 seal developer roller cover, 10 pack (special order)

QMS® Magicolor 2200

Part #	Description
8953	QMS Magicolor 2200 Absolute Black ® toner 200g (HY new formula 2004)
8328	QMS Magicolor 2200 Absolute Black ® toner 22 lb (10 kg) bag
5025	QMS Magicolor 2200 Absolute Black ® toner 240g
7694	QMS Magicolor 2200 Absolute Cyan ® toner 22 lb (10 kg) bag
5026	QMS Magicolor 2200 Absolute Cyan ® toner 235g
7695	QMS Magicolor 2200 Absolute Magenta ® toner 22 lb (10 kg) bag
5027	QMS Magicolor 2200 Absolute Magenta ® toner 235g
7696	QMS Magicolor 2200 Absolute Yellow ® toner 22 lb (10 kg) bag
5028	QMS Magicolor 2200 Absolute Yellow ® toner 235g
8708	QMS Magicolor 2200 seal developer roller cover, 10 pack
7841	QMS Magicolor 2200 Smartchip ® fuse, 10 pack
6279	QMS Magicolor 2200 Uni Drum ® with gears
5112	QMS Magicolor 2200, 2300, 2350, 2400 toner hopper plug (cap), 100 pack

QMS® Magicolor 2300

Part #	Description
5112	QMS Magicolor 2200, 2300, 2350, 2400 toner hopper plug (cap), 100 pack
8233	QMS Magicolor 2300 Absolute Black ® toner 150g
8529	QMS Magicolor 2300 Absolute Black ® toner 22 lb (10 kg) bag
8234	QMS Magicolor 2300 Absolute Cyan ® toner 150g
8530	QMS Magicolor 2300 Absolute Cyan ® toner 22 lb (10 kg) bag
8236	QMS Magicolor 2300 Absolute Magenta ® toner 150g
8532	QMS Magicolor 2300 Absolute Magenta ® toner 22 lb (10 kg) bag
8235	QMS Magicolor 2300 Absolute Yellow ® toner 150g
8531	QMS Magicolor 2300 Absolute Yellow ® toner 22 lb (10 kg) bag
10777	QMS Magicolor 2300 developer roller, 10 pack (special order)
8709	QMS Magicolor 2300 seal developer roller cover, 10 pack
4968	QMS Magicolor 2300 Smartchip ® drum unit fuse, 10 pack
9365	QMS Magicolor 2300 supply roller, 10 pack
6854	QMS Magicolor 2300 Uni Drum ® with gears

QMS® Magicolor 3100

Part #	Description
9240	QMS Magicolor 3100 Absolute Black ® toner 230g
9241	QMS Magicolor 3100 Absolute Cyan ® toner 205g
9242	QMS Magicolor 3100 Absolute Magenta ® toner 205g
9243	QMS Magicolor 3100 Absolute Yellow ® toner 205g

QMS® Magicolor 330

Part #	Description
--------	-------------

6251	QMS Magicolor 330 Absolute Black ® toner 200g (no carrier)
6252	QMS Magicolor 330 Absolute Cyan ® toner 200g (no carrier)
6253	QMS Magicolor 330 Absolute Magenta ® toner 200g (no carrier)
6254	QMS Magicolor 330 Absolute Yellow ® toner 200g (no carrier)
8808	QMS Magicolor 330 developer carrier toner 60g (special order)

QMS® Magicolor 3300

Part #	Description
6512	QMS Magicolor 3300 Absolute Yellow ® toner 150g (needs carrier N 6999) (new formulation)
10489	QMS Magicolor 3300 Smartchip ® Black
10492	QMS Magicolor 3300 Smartchip ® Yellow
6796	QMS Magicolor 3300, 3100 Uni Drum ® gearless (special order)

QMS® Magicolor 6100

Part #	Description
7324	QMS Magicolor 6100 Absolute Black ® toner 310g
7325	QMS Magicolor 6100 Absolute Cyan ® toner 290g
7326	QMS Magicolor 6100 Absolute Magenta ® toner 290g
7327	QMS Magicolor 6100 Absolute Yellow ® toner 290g

Ricoh ® FT 5500, 6645, 7650

Part #	Description
12720	Ricoh FT 5500, 6645, 7650 "S" drum with gears (special order)
11844	Ricoh FT 5500, 6645, 7650 refill toner 570g , 2 pack (special order)
12578	Ricoh FT 5500, 6645, 7650 wiper blade (special order)

Ricoh® AC 104, Type

Part #	Description
5525	Ricoh AC 104, 2210, 1170, Type Absolute Black® toner 80g
5546	Ricoh AC 104, 2210, 1170, Type Uni Drum ® with gears

Ricoh® AC 204, Type 1180

Part #	Description
9925	Ricoh AC 204, Type 1180 Absolute Black® toner 200g
9929	Ricoh AC 204, Type 1180 developer roller, 9 pack (special order)
9928	Ricoh AC 204, Type 1180 doctor blade, 10 pack
9926	Ricoh AC 204, Type 1180 Uni Drum ® OEM style with gears
9927	Ricoh AC 204, Type 1180 wiper blade, 10 pack

Ricoh® AC 205, Type

Part #	Description
10670	Ricoh AC 205, FX 200 Type 2185, 2285 Smartchip ® (5,000 pages)
5700	Ricoh AC 205, Type 2185 Absolute Black® toner 140g
10675	Ricoh AC 205, Type 2185 doctor blade, 10 pack
10674	Ricoh AC 205, Type 2185 PCR roller, 10 pack

10672	Ricoh AC 205, type 2185 Uni Drum ® with gears
10673	Ricoh AC 205, Type 2185 wiper blade, 10 pack

Ricoh® Aficio 1013, Type 1250**Part # Description**

8491	Ricoh Aficio 1013, 1013F Uni Drum with gears (sold 50 p/pack)
5894	Ricoh Aficio 1013, 1013F, Type 1150 compatible toner cartridge 230g, 6 pack (special order)

Ricoh® Aficio 1015, 1018, Type 1220**Part # Description**

5246	Ricoh Aficio 1015, 1018, 1113 compatible toner cartridge 260g, 6 pack (special order)
12712	Ricoh Aficio 1015, 1018, 1113 drum with gears (special order)
12550	Ricoh Aficio 1015, 1018, wiper blade (special order) (under development)
12711	Ricoh Aficio 220, 270 drum with gears (special order)
8542	Ricoh Aficio 220, 270 "S" drum with gears (special order)
8541	Ricoh Aficio 220, 270 Uni Drum ® with gears (special order)

Ricoh® Aficio 1022, 1027, 2022, 2027. Type 2220**Part # Description**

12713	Ricoh Aficio 1022, 1027, 2022 drum with gears (special order)
14052	Ricoh Aficio 1022, 2022, 2032, 3025, 3030 compatible toner cartridge 360g, 6 pack (special order)
5247	Ricoh Aficio 1022, 2022, 2032, 3030 compatible toner cartridge 360g, 6 pack (special order)
12711	Ricoh Aficio 220, 270 drum with gears (special order)
12552	Ricoh Aficio 220, 270 wiper blade (special order)
8542	Ricoh Aficio 220, 270 "S" drum with gears (special order)
8541	Ricoh Aficio 220, 270 Uni Drum ® with gears (special order)

Ricoh® Aficio 1035, 1045, Type 3205**Part # Description**

8738	Ricoh Aficio 1035, 1045 Absolute Black® toner per kg (sold 20 kg per box)(special order)
12718	Ricoh Aficio 1035, 1045, 4510 "F" drum with gears (special order)
12717	Ricoh Aficio 1035, 1045, 4510 "S" drum with gears (special order)
8828	Ricoh Aficio 1035, 1045, 4510 compatible toner cartridge 550g, 4 pack (special order)
12719	Ricoh Aficio 1035, 1045, 4510 wiper blade (special order)
7271	Ricoh Aficio 340, 350, 450 "S" drum with gears (special order)
12575	Ricoh Aficio 350, 450 wiper blade (special order)

Ricoh® Aficio 1060, 1075, Type 3205**Part # Description**

12299	Ricoh Aficio 1060, 1075, 2051, 2060 Absolute Black toner 22lb (10kg) bag (special order)
12235	Ricoh Aficio 1060, 1075, 2051, 2060 compatible toner cartridge, 1100g (sold 4/box)(special order)
7270	Ricoh Aficio 550, 650 "F" drum with gears (sold 6/box) (special order)
8547	Ricoh Aficio 550, 650, 850 "S" drum with gears (sold 8/box) (special order)
12553	Ricoh Aficio 550, 650, 850 wiper blade (special order)

Ricoh® Aficio 1085, 1105, Type 8205

Part # Description

8830 Ricoh Aficio 1085, 1105, 2090, 2105, Type 8105 compatible toner cartridge 4x1430g (special order)

Ricoh® Aficio 1224 C, 1232 C, Type M2

Part # Description

9563 Ricoh Aficio 1224 C, 1232 C Black toner cartridge (sold 4/box)(special order)
 9564 Ricoh Aficio 1224 C, 1232 C Cyan toner cartridge (sold 4/box)(special order)
 9565 Ricoh Aficio 1224 C, 1232 C Magenta toner cartridge (sold 4/box)(special order)
 9566 Ricoh Aficio 1224 C, 1232 C Yellow toner cartridge (special order)

Ricoh® Aficio 1515,

Part # Description

12234 Ricoh Aficio 1515 (Type 1170D) compatible toner cartridge, 6 x 230g (special order)

Ricoh® Aficio 180

Part # Description

6670 Ricoh Aficio 180 Absolute Black® toner 500g
 6783 Ricoh Aficio 180 wiper blade, 10 pack (under final test)

Ricoh® Aficio 200, 250

Part # Description

7272 Ricoh Aficio 200, 250 "F" drum with gears (sold 50/box)
 8548 Ricoh Aficio 200, 250 "S" drum with gears (sold 50/box) (special order)
 9470 Ricoh Aficio 200, 250 Absolute Black® toner 22 lb (10 kg) bag
 8735 Ricoh Aficio 200, 250 Absolute Black® toner 360g
 7552 Ricoh Aficio 200, 250 copier toner cartridge, compatible 6x216g (special order)
 8793 Ricoh Aficio 200, 250 developer 22 lb (10 kg) bag (sold 5 box)(special order)
 8794 Ricoh Aficio 200, 250 developer 345g
 5148 Ricoh Aficio 200, 250 wiper blade, 10 pack (special order)

Ricoh® Aficio 2020, 2016

Part # Description

12233 Ricoh Aficio 2015, 2018 (Type 1130D/1230D) compatible toner cartridge, 6 x 260g (special order)

Ricoh® Aficio 2032, 3025, 3030

Part # Description

14052 Ricoh Aficio 1022, 2022, 2032, 3025, 3030 compatible toner cartridge 360g, 6 pack (special order)

Ricoh® Aficio 2035, 2045

Part # Description

12717 Ricoh Aficio 1035, 1045, 4510 "S" drum with gears (special order)
 12719 Ricoh Aficio 1035, 1045, 4510 wiper blade (special order)
 11843 Ricoh Aficio 2035, 2045 compatible toner cartridge 550g, 4 pack (special order)

14195	Ricoh Aficio 2035, 2045 wiper blade (under development)
7271	Ricoh Aficio 340, 350, 450 "S" drum with gears (special order)
12575	Ricoh Aficio 350, 450 wiper blade (special order)

Ricoh® Aficio 220, 270

Part #	Description
12711	Ricoh Aficio 220, 270 drum with gears (special order)
12552	Ricoh Aficio 220, 270 wiper blade (special order)
8542	Ricoh Aficio 220, 270 "S" drum with gears (special order)
7553	Ricoh Aficio 220, 270 copier toner cartridge, compatible 6x360g (special order)
8541	Ricoh Aficio 220, 270 Uni Drum ® with gears (special order)

Ricoh® Aficio 2232 C, 2238 C, Type P2

Part #	Description
9567	Ricoh Aficio 2232 C, 2238 C Black toner cartridge (sold 10/box)(special order)
9568	Ricoh Aficio 2232 C, 2238 C Cyan toner cartridge (sold 4/box)(special order)
9569	Ricoh Aficio 2232 C, 2238 C Magenta toner cartridge (sold 4/box)(special order)
9570	Ricoh Aficio 2232 C, 2238 C Yellow toner cartridge (sold 4/box)(special order)

Ricoh® Aficio 3006, 3506, 4006, 4106, Type K1

Part #	Description
5266	Ricoh Aficio 3006, 3506, 4006 Absolute Cyan ® toner 345g
5267	Ricoh Aficio 3006, 3506, 4006 Absolute Magenta ® toner 345g
5309	Ricoh Aficio 3006, 3506, 4006 Absolute Yellow ® toner 345g
7053	Ricoh Aficio 3006, 3506, 4006 Uni Drum ® with gears (under development)

Ricoh® Aficio 3228 C, 3235 C, 3245 C

Part #	Description
10019	Ricoh Aficio 3228, 3235 3245 C Absolute Black ® toner 495g (under final test)
10020	Ricoh Aficio 3228, 3235 3245 C Absolute Cyan ® toner 215g (under final test)
10021	Ricoh Aficio 3228, 3235 3245 C Absolute Magenta ® toner 215g (under final test)
10022	Ricoh Aficio 3228, 3235 3245 C Absolute Yellow ® toner 215g (under final test)

Ricoh® Aficio 350, 450

Part #	Description
7271	Ricoh Aficio 340, 350, 450 "S" drum with gears (special order)
7412	Ricoh Aficio 350, 450 "F" drum with gears (sold 20/box)(special order)
6953	Ricoh Aficio 350, 450 Absolute Black ® toner, 220 lb (100 kg)
8734	Ricoh Aficio 350, 450 Absolute Black® toner 700g (special order)
9469	Ricoh Aficio 350, 450 Absolute Black® toner, 22 lb (10 kg) bag
7554	Ricoh Aficio 350, 450 copier toner cartridge, compatible 700g, 4 pack, (special order)
12575	Ricoh Aficio 350, 450 wiper blade (special order)

Ricoh® Aficio 3800 C, 3850C, Type 105

Part #	Description
--------	-------------

8139	Ricoh Aficio 3800 Cyan compatible toner cartridge, 4 pack (special order)
9917	Ricoh Aficio 3800 Cyan toner 22 lb (10 kg) bag
8135	Ricoh Aficio 3800 Cyan toner 275g
9694	Ricoh Aficio 3800 drum with gears (special order)
8140	Ricoh Aficio 3800 Magenta compatible toner cartridge, 4 pack (special order)
9244	Ricoh Aficio 3800 Magenta toner 22 lb (10 kg) bag
8137	Ricoh Aficio 3800 Magenta toner 275g
9245	Ricoh Aficio 3800 Yellow toner 22 lb (10 kg) bag
8141	Ricoh Aficio 3800 Yellow compatible toner cartridge, 4 pack (special order)
8136	Ricoh Aficio 3800 Yellow toner 275g
8138	Ricoh Aficio 3800, 3850 Black compatible toner cartridge 550g, 10 pack (special order)
6328	Ricoh Aficio 3800, 3850 Black toner 22 lb (10 kg) bag
8134	Ricoh Aficio 3800, 3850 Black toner 520g

Ricoh® Aficio 400, 401, 500

Part # Description

11842	Ricoh Aficio 400, 401, 500 copier toner cartridge, compatible 700g, 4 pack (special order)
-------	--

Ricoh® Aficio 550, 650

Part # Description

7270	Ricoh Aficio 550, 650 "F" drum with gears (sold 6/box) (special order)
7555	Ricoh Aficio 550, 650 copier toner cartridge, compatible 1,220g, 4 pack (special order)
8547	Ricoh Aficio 550, 650, 850 "S" drum with gears (sold 8/box) (special order)
12553	Ricoh Aficio 550, 650, 850 wiper blade (special order)

Ricoh® Aficio 551, 700

Part # Description

7270	Ricoh Aficio 550, 650 "F" drum with gears (sold 6/box) (special order)
8547	Ricoh Aficio 550, 650, 850 "S" drum with gears (sold 8/box) (special order)
12553	Ricoh Aficio 550, 650, 850 wiper blade (special order)
11769	Ricoh Aficio 551, 700, Type 5105 copier toner 198 lb (90 kg) barrel (special order)
8827	Ricoh Aficio 551, 700, Type 5105 copier toner cartridge, compatible 4x1220g (special order)

Ricoh® Aficio 850, 1050

Part # Description

8829	Ricoh Aficio 850, 1050 compatible toner cartridge 1450g, 4 pack (special order)
------	---

Ricoh® Aficio BP 20

Part # Description

5658	Ricoh BP 20 Absolute Black® toner 140g
10760	Ricoh BP 20 Smartchip® (5,000 pages)
10405	Ricoh BP 20 Uni Drum® OEM style with gears
10406	Ricoh BP 20 wiper blade, 10 pack

Ricoh® Aficio CL 1000, 800, CP 210 SF, Type 140

Part # Description

5120	Ricoh CL 1000, 800, SP 210, Type 140 Absolute Black ® toner 310g
5121	Ricoh CL 1000, 800, SP 210, Type 140 Absolute Cyan ® toner 215g
5123	Ricoh CL 1000, 800, SP 210, Type 140 Absolute Magenta ® toner 215g
5122	Ricoh CL 1000, 800, SP 210, Type 140 Absolute Yellow ® toner 215g
11379	Ricoh CL 1000, 800, SP 210, Type 140 developer roller seal cover, 10 pack (special order)

Ricoh® Aficio CL 3000, 2000, Type 125

Part # Description

6339	Ricoh CL 3000, 2000 Uni Drum ® gearless (special order)
12334	Ricoh CL 3000, 2000, Type 125 Absolute Black ® toner 22lb (10kgs) bag (special order)
10155	Ricoh CL 3000, 2000, Type 125 Absolute Black ® toner 160g
12335	Ricoh CL 3000, 2000, Type 125 Absolute Cyan ® toner 22lb (10kgs) bag (special order)
10156	Ricoh CL 3000, 2000, Type 125 Absolute Cyan ® toner 160g
12336	Ricoh CL 3000, 2000, Type 125 Absolute Magenta ® toner 22lb (10kgs) bag (special order)
10157	Ricoh CL 3000, 2000, Type 125 Absolute Magenta ® toner 160g
12337	Ricoh CL 3000, 2000, Type 125 Absolute Yellow ® toner 22lb (10kgs) bag (special order)
10158	Ricoh CL 3000, 2000, Type 125 Absolute Yellow ® toner 160g

Ricoh® Aficio CL 3500, Type 165

Part # Description

10660	Ricoh CL 3500, Type 165 Absolute Black ® toner 170g
12658	Ricoh CL 3500, Type 165 Absolute Black ® toner 22lb (10kgs) bag (special order)
10661	Ricoh CL 3500, Type 165 Absolute Cyan ® toner 165g
12659	Ricoh CL 3500, Type 165 Absolute Cyan ® toner 22lb (10kgs) bag (special order)
10662	Ricoh CL 3500, Type 165 Absolute Magenta ® toner 165g
12660	Ricoh CL 3500, Type 165 Absolute Magenta ® toner 22lb(10kgs) bag (special order)
10663	Ricoh CL 3500, Type 165 Absolute Yellow ® toner 165g
12661	Ricoh CL 3500, Type 165 Absolute Yellow ® toner 22lb (10kgs)bag (special order)
10664	Ricoh CL 3500, Type 165 Uni Drum ® gearless (special order)

Ricoh® Aficio CL 4000, Type 145

Part # Description

12330	Ricoh CL 4000, SPC 410, 411, Type 145 Absolute Black ® toner 22lb (10kg) bag (special order)
7302	Ricoh CL 4000, SPC 410, 411, Type 145 Absolute Black ® toner 360g
12331	Ricoh CL 4000, SPC 410, 411, Type 145 Absolute Cyan ® toner 22lb (10kg) bag (special order)
7303	Ricoh CL 4000, SPC 410, 411, Type 145 Absolute Cyan ® toner 360g
12332	Ricoh CL 4000, SPC 410, 411, Type 145 Absolute Magenta ® toner 22lb (10kgs) bag (special order)
7323	Ricoh CL 4000, SPC 410, 411, Type 145 Absolute Magenta ® toner 360g
12333	Ricoh CL 4000, SPC 410, 411, Type 145 Absolute Yellow ® toner 22lb (10kg) bag (special order)
7352	Ricoh CL 4000, SPC 410, 411, Type 145 Absolute Yellow ® toner 360g
14594	Ricoh CL 4000, SPC 410, 411, Type 145 Smartchip ® Black (Europe)
11737	Ricoh CL 4000, SPC 410, 411, Type 145 Smartchip ® Black (USA)
14595	Ricoh CL 4000, SPC 410, 411, Type 145 Smartchip ® Cyan (Europe)
11738	Ricoh CL 4000, SPC 410, 411, Type 145 Smartchip ® Cyan (USA)
14596	Ricoh CL 4000, SPC 410, 411, Type 145 Smartchip ® Magenta (Europe)
11739	Ricoh CL 4000, SPC 410, 411, Type 145 Smartchip ® Magenta (USA)
14597	Ricoh CL 4000, SPC 410, 411, Type 145 Smartchip ® Yellow (Europe)

11740 Ricoh CL 4000, SPC 410, 411, Type 145 Smartchip ® Yellow (USA)

Ricoh® Aficio CL 5000, Type 110

Part # Description

9659 Ricoh CL 5000 Black ® compatible toner cartridge (special order)
 9660 Ricoh CL 5000 Cyan ® compatible toner cartridge (special order)
 9661 Ricoh CL 5000 Magenta ® compatible toner cartridge (special order)
 9662 Ricoh CL 5000 Yellow ® compatible toner cartridge (special order)

Ricoh® Aficio CL 7000

Part # Description

8837 Ricoh CL 7000 Black compatible toner cartridge toner 550g, 10 pack (special order)
 8833 Ricoh CL 7000 Black toner 510g (under final test)
 8838 Ricoh CL 7000 Cyan compatible toner cartridge, 4 pack (special order)
 8834 Ricoh CL 7000 Cyan toner 275g (under final test)
 9695 Ricoh CL 7000 drum with gears (special order)
 8839 Ricoh CL 7000 Magenta compatible toner cartridge, 4 pack (special order)
 8835 Ricoh CL 7000 Magenta toner 275g (under final test)
 8840 Ricoh CL 7000 Yellow compatible toner cartridge, 4 pack (special order)
 8836 Ricoh CL 7000 Yellow toner 275g (under final test)
 10382 Ricoh CL 7000, 7100 Black toner 480g (special order)

Ricoh® Aficio CL 7200, 7300

Part # Description

11426 Ricoh CL 7200, 7300 Absolute Black ® toner 22 lb (10kg) bag (special order)
 10023 Ricoh CL 7200, 7300 Absolute Black ® toner 485g
 10024 Ricoh CL 7200, 7300 Absolute Cyan ® toner 210g
 11427 Ricoh CL 7200, 7300 Absolute Cyan ® toner 22 lb (10kg) bag (special order)
 10025 Ricoh CL 7200, 7300 Absolute Magenta ® toner 210g
 11428 Ricoh CL 7200, 7300 Absolute Magenta ® toner 22 lb (10kg) bag (special order)
 10026 Ricoh CL 7200, 7300 Absolute Yellow ® toner 210g
 11429 Ricoh CL 7200, 7300 Absolute Yellow ® toner 22 lb (10kg) bag (special order)

Ricoh® Aficio FX-10, Type 1210

Part # Description

7716 Ricoh FX 10, Type 1210 Absolute Black toner 200g

Ricoh® Aficio FX-200, Type 2285

Part # Description

10670 Ricoh AC 205, FX 200 Type 2185, 2285 Smartchip ® (5,000 pages)
 11321 Ricoh Aficio FX 200, Type 2285 Absolute Black® toner 140g
 11326 Ricoh Aficio FX 200, Type 2285 doctor blade sealing foam, 100 pack (under development)
 11325 Ricoh Aficio FX 200, Type 2285 doctor blade, 10 pack
 11328 Ricoh Aficio FX 200, Type 2285 PCR roller, 10 pack
 11322 Ricoh Aficio FX 200, Type 2285 Smartchip ®
 11329 Ricoh Aficio FX 200, Type 2285 supply roller, 10 pack

- 11323 Ricoh Aficio FX 200, Type 2285 Uni Drum ® OEM style with gears
- 11324 Ricoh Aficio FX 200, Type 2285 wiper blade, 10 pack

Ricoh® Aficio MP 2500

- | Part # | Description |
|---------------|---|
| 13381 | Ricoh Aficio MP 2500 Absolute Black compatible toner cartridge® 310g , 6 pack (special order) |

Ricoh® Aficio MP C 3000, 2500, 2000

- | Part # | Description |
|---------------|--|
| 12760 | Ricoh Aficio MP C 2000, 2500, 3000 Absolute Black® compatible toner cartridge (special order) |
| 13173 | Ricoh Aficio MP C 2000, 2500, 3000 Absolute Black® toner 400g |
| 12761 | Ricoh Aficio MP C 2000, 2500, 3000 Absolute Cyan ® compatible toner cartridge (special order) |
| 13174 | Ricoh Aficio MP C 2000, 2500, 3000 Absolute Cyan ® toner 360g |
| 12762 | Ricoh Aficio MP C 2000, 2500, 3000 Absolute Magenta ® compatible toner cartridge (special order) |
| 13175 | Ricoh Aficio MP C 2000, 2500, 3000 Absolute Magenta ® toner 360g |
| 12763 | Ricoh Aficio MP C 2000, 2500, 3000 Absolute Yellow ® compatible toner cartridge (special order) |
| 13176 | Ricoh Aficio MP C 2000, 2500, 3000 Absolute Yellow ® toner 360g |
| 14635 | Ricoh Aficio® MP C 2000, 2500, 3000, 3500, 4500 Absolute Black® toner, 22lb(10kg) bag |
| 14636 | Ricoh Aficio® MP C 2000, 2500, 3000, Absolute Cyan® toner, 22lb(10kg) bag |

Ricoh® Aficio MP C 3500, 4500

- | Part # | Description |
|---------------|---|
| 12757 | Ricoh Aficio MP C 3500, 4500 Absolute Black® compatible toner cartridge (special order) |
| 12558 | Ricoh Aficio MP C 3500, 4500 Absolute Black® toner 510g |
| 12559 | Ricoh Aficio MP C 3500, 4500 Absolute Cyan® compatible toner (special order) |
| 14712 | Ricoh Aficio MP C 3500, 4500 Absolute Cyan® compatible toner cartridge (special order) |
| 14630 | Ricoh Aficio MP C 3500, 4500 Absolute Cyan® toner 400g |
| 12758 | Ricoh Aficio MP C 3500, 4500 Absolute Magenta® compatible toner cartridge (special order) |
| 12560 | Ricoh Aficio MP C 3500, 4500 Absolute Magenta® toner 400g |
| 12759 | Ricoh Aficio MP C 3500, 4500 Absolute Yellow® compatible toner cartridge (special order) |
| 12561 | Ricoh Aficio MP C 3500, 4500 Absolute Yellow® toner 400g |
| 14631 | Ricoh Aficio MP C 3500, 4500 Smartchip® Black (23,000 pages) |
| 14632 | Ricoh Aficio MP C 3500, 4500 Smartchip® Cyan (17,000 pages) |
| 14633 | Ricoh Aficio MP C 3500, 4500 Smartchip® Magenta (17,000 pages) |
| 14634 | Ricoh Aficio MP C 3500, 4500 Smartchip® Yellow (17,000 pages) |
| 14638 | Ricoh Aficio® MP C 2000, 2500, 3000 3500, 4500 Absolute Magenta® toner, 22lb(10kg) bag |
| 14639 | Ricoh Aficio® MP C 2000, 2500, 3000 3500, 4500 Absolute Yellow® toner, 22lb(10kg) bag |
| 14635 | Ricoh Aficio® MP C 2000, 2500, 3000, 3500, 4500 Absolute Black® toner, 22lb(10kg) bag |
| 14637 | Ricoh Aficio® MP C 3500, 4500 Absolute Cyan® toner, 22lb(10kg) bag |

Ricoh® Aficio SP 3200, 3200SF

- | Part # | Description |
|---------------|---|
| 12465 | Ricoh Aficio SP 3200, 3200SF Absolute Black® toner 215g (8,000 pages) |
| 12466 | Ricoh Aficio SP 3200, 3200SF developer roller, 10 pack |
| 12471 | Ricoh Aficio SP 3200, 3200SF doctor blade, 10 pack |
| 12472 | Ricoh Aficio SP 3200, 3200SF PCR roller, 10 pack |
| 12468 | Ricoh Aficio SP 3200, 3200SF Smartchip ® (8,000 pages) |

- 12467 Ricoh Aficio SP 3200, 3200SF Uni Drum ® with gears
- 12469 Ricoh Aficio SP 3200, 3200SF wiper blade, 10 pack

Ricoh® Aficio SP 3300

- | Part # | Description |
|---------------|---|
| 14817 | Absolute Black ® toner 145g (5,000 pages) for use in Ricoh Aficio SP 3300 |
| 14821 | PCR roller for use in Ricoh Aficio SP 3300, 10 pack |
| 14818 | Smartchip ® for use in Ricoh Aficio SP 3300 (406212)(US)(5,000 pages) |
| 14819 | Uni Drum ® with gears for use in Ricoh Aficio SP 3300 |
| 14820 | Wiper blade for use in Ricoh Aficio SP 3300, 10 pack |

Ricoh® Aficio SP 4100, 4110, 4210

- | Part # | Description |
|---------------|---|
| 13313 | Ricoh SP 4100, 4100KP, 4110, 4210 Smartchip ® toner (15,000 pages) |
| 11576 | Ricoh SP 4100, 4110, 4210 Absolute Black ® toner 405g |
| 12258 | Ricoh SP 4100, 4110, 4210 Absolute Black ® toner developer carrier 45g |
| 12260 | Ricoh SP 4100, 4110, 4210 Clear Seal ® adhesive for carrier hopper, 50 pack |
| 12259 | Ricoh SP 4100, 4110, 4210 Clear Seal ® adhesive for toner hopper, 50 pack |

Ricoh® Aficio SP 5100

- | Part # | Description |
|---------------|--|
| 11575 | Ricoh Aficio SP 5100, Type 2285 Absolute Black® toner TBAg (under development) |

Ricoh® Aficio SP C 210

- | Part # | Description |
|---------------|---|
| 11562 | Ricoh Aficio SP C 210 Absolute Black ® toner 310g |
| 11563 | Ricoh Aficio SP C 210 Absolute Cyan ® toner 210g |
| 11564 | Ricoh Aficio SP C 210 Absolute Magenta ® toner 210g |
| 11565 | Ricoh Aficio SP C 210 Absolute Yellow ® toner 210g |

Ricoh® Aficio SP C 220, 221, 222

- | Part # | Description |
|---------------|--|
| 12310 | Ricoh Aficio SP C 220, 221, 222 Absolute Black ® toner 185g |
| 12311 | Ricoh Aficio SP C 220, 221, 222 Absolute Cyan ® toner 185g |
| 12312 | Ricoh Aficio SP C 220, 221, 222 Absolute Magenta ® toner 185g |
| 12313 | Ricoh Aficio SP C 220, 221, 222 Absolute Yellow ® toner 185g |
| 13064 | Ricoh Aficio SP C 220, 221, 222 Smartchip ® Black toner (Europe) |
| 13126 | Ricoh Aficio SP C 220, 221, 222 Smartchip ® Black toner (USA) |
| 13065 | Ricoh Aficio SP C 220, 221, 222 Smartchip ® Cyan toner (Europe) |
| 13127 | Ricoh Aficio SP C 220, 221, 222 Smartchip ® Cyan toner (USA) |
| 13066 | Ricoh Aficio SP C 220, 221, 222 Smartchip ® Magenta toner (Europe) |
| 13128 | Ricoh Aficio SP C 220, 221, 222 Smartchip ® Magenta toner (USA) |
| 13067 | Ricoh Aficio SP C 220, 221, 222 Smartchip ® Yellow toner (Europe) |
| 13129 | Ricoh Aficio SP C 220, 221, 222 Smartchip® Yellow toner (USA) |

Ricoh® Aficio SP C 310, 311, 312

Part # Description

14765	Absolute Black® toner 200g (6,500 pages) for use in Ricoh Aficio SP C 310, 311, 312
14766	Absolute Cyan® toner 200g (6,000 pages) for use in Ricoh Aficio SP C 310, 311, 312
14767	Absolute Magenta® toner 200g (6,000 pages) for use in Ricoh Aficio SP C 310, 311, 312
14768	Absolute Yellow® toner 200g (6,000 pages) for use in Ricoh Aficio SP C 310, 311, 312
14769	Smartchip® for use in Ricoh Aficio SP C 310, 311, 312 Black toner (US)(6,500 pages)
14770	Smartchip® for use in Ricoh Aficio SP C 310, 311, 312 Cyan toner (US)(6,000 pages)
14771	Smartchip® for use in Ricoh Aficio SP C 310, 311, 312 Magenta toner (US)(6,000 pages)
14772	Smartchip® for use in Ricoh Aficio SP C 310, 311, 312 Yellow toner (US)(6,000 pages)
14773	Uni Drum® gearless for use in Ricoh Aficio SP C 310, 311, 312

Ricoh® Aficio SP C 811

Part # Description

13729	Ricoh Aficio SPC 811 Smartchip® Magenta (820016)(15,000 pages)(under development)
13730	Ricoh Aficio SPC 811 Smartchip® Yellow (820008)(15,000 pages)(under development)
12566	Ricoh Ipsio SPC 810, Aficio SPC 811 Absolute Black® toner TBAg (under development)
12567	Ricoh Ipsio SPC 810, Aficio SPC 811 Absolute Cyan® toner TBAg (under development)
12568	Ricoh Ipsio SPC 810, Aficio SPC 811 Absolute Magenta® toner TBAg (under development)
12569	Ricoh Ipsio SPC 810, Aficio SPC 811 Absolute Yellow® toner TBAg (under development)

Ricoh® AP-1400, 1600

Part # Description

9344	Ricoh AP 1400, 1600 Absolute Black® toner 22 lb (10 kg) bag (under final test)
5128	Ricoh AP 1400, 1600 Absolute Black® toner 285g (under final test)
6779	Ricoh AP 1400, 1600 Uni Drum® with gears (under final test)

Ricoh® AP-1610

Part # Description

9899	Lexmark Optra E 220, 320, 321, 322, 323 Doctor bar, 10 pack
7912	Lexmark Optra E 220, 320, 321, 322, 323 Uni Drum® OEM style with gears
5017	Lexmark Optra E 220, 320, 322 wiper blade, 10 pack
10839	Lexmark Optra E 320, 321, 322 developer roller, 10 pack (special order)
7910	Lexmark Optra E 320, 322 Absolute Black® toner 165g (6,000 pages)(special order)
8166	Lexmark Optra E 320, 322 Absolute Black® toner 22 lb (10 kg) bag
7909	Lexmark Optra E 320, 322 Absolute Black® toner 85g (3,000 pages)

Ricoh® AP-2000, 2100

Part # Description

6533	Ricoh AP 2000, 2100 Absolute Black® toner 280g (use 2 per cartridge)
8974	Ricoh AP 2000, 2100 doctor blade, 10 pack
8975	Ricoh AP 2000, 2100 Mag roller sleeve, 10 pack

Ricoh® AP-206, Type 206

Part # Description

5646	Ricoh AP 206 Absolute Black® toner 320g
------	---

10457	Ricoh AP 206 Absolute Cyan ® toner 215g
10458	Ricoh AP 206 Absolute Magenta ® toner 215g
10459	Ricoh AP 206 Absolute Yellow ® toner 215g

Ricoh® AP-2600, 2610, Type 2600

Part #	Description
5134	Ricoh AP 600, 610, 2600, 2610 Absolute Black ® toner 550g
9774	Ricoh AP 600, 610, 2600, 2610 Absolute Black ® toner carrier 55g
9776	Ricoh AP 600, 610, 2600, 2610 Clear Seal ® adhesive for carrier hopper, 50 pack
9775	Ricoh AP 600, 610, 2600, 2610 Clear Seal ® adhesive for toner hopper, 50 pack
9778	Ricoh AP 600, 610, 2600, 2610 Uni Drum ® with gears (under final test)
9777	Ricoh AP 600, 610, 2600, 2610 wiper blade, 10 pack

Ricoh® AP-400, 410, Type 220

Part #	Description
5129	Ricoh AP 400, 410 Absolute Black ® toner 400g (needs carrier 9767)
9767	Ricoh AP 400, 410 Absolute Black ® toner developer carrier 40g
9773	Ricoh AP 400, 410 Clear Seal ® adhesive for carrier hopper, 50 pack
9772	Ricoh AP 400, 410 Clear Seal ® adhesive for toner hopper, 50 pack
9768	Ricoh AP 400, 410 Uni Drum ® with gears
11775	Ricoh AP 400, 410 wiper blade, 4 pack
12175	Ricoh AP 400, Smartchip ®

Ricoh® AP-600, 610

Part #	Description
5134	Ricoh AP 600, 610, 2600, 2610 Absolute Black ® toner 550g
9774	Ricoh AP 600, 610, 2600, 2610 Absolute Black ® toner carrier 55g
9776	Ricoh AP 600, 610, 2600, 2610 Clear Seal ® adhesive for carrier hopper, 50 pack
9775	Ricoh AP 600, 610, 2600, 2610 Clear Seal ® adhesive for toner hopper, 50 pack
12110	Ricoh AP 600, 610, 2600, 2610 Uni Drum ® gearless (special order) (sold in 100 p/box)
9778	Ricoh AP 600, 610, 2600, 2610 Uni Drum ® with gears (under final test)
9777	Ricoh AP 600, 610, 2600, 2610 wiper blade, 10 pack

Ricoh® FT 4118, 3813

Part #	Description
5245	Ricoh FT 4118, 3813 compatible toner cartridge, 6 x 215g (special order)

Ricoh® FT-4415, 4418, Type 410

Part #	Description
7860	Ricoh FT 4215, 4415, 4418, 4421, Type 410 compatible toner cartridge 370g (sold 4/box)

Ricoh® FT-6645, Type 610

Part #	Description
12296	Ricoh FT 5500, 6645, 7650, Absolute Black toner, 220lbs (100kgs) (special order)

Ricoh® Imagio CA, CF, DA, Type 1

Part #	Description
8151	Ricoh Imagio CA, CF, DA Series, Type 1 Absolute Black toner 350g (special order)

Ricoh® Imagio DA 505, Type 4

Part #	Description
8148	Ricoh Imagio Type 4 Absolute Black toner 700g (under final test)

Ricoh® Imagio MF 200, Type 2

Part #	Description
8147	Ricoh Imagio MF 200, Type 2 copier toner cartridge, compatible 6x216g (under final test)
8149	Ricoh Imagio MF 250, Type 5 copier toner cartridge, compatible 6x216g (under final test)

Ricoh® Imagio Type 15

Part #	Description
8740	Ricoh Imagio Type 15 Absolute Black® toner 600g (use 2 per cartridge) (under final test)

Ricoh® Imagio Type 18

Part #	Description
8731	Ricoh Imagio Type 18 Absolute Black® toner 220 lb (100 kg) barrel (special order)
8730	Ricoh Imagio Type 18 Absolute Black® toner 490g (special order)

Ricoh® Imagio Type 2 P

Part #	Description
8706	Ricoh Imagio P Type 2 copier toner cartridge, compatible 4x1220g (special order)
8707	Ricoh Imagio P Type 2 Uni Drum "S" drum with gears (sold 20/box) (under final test)(special order)

Ricoh® Imagio Type 20

Part #	Description
8704	Ricoh Imagio Type 20 toner cartridge, compatible 6x360g (under final test)

Ricoh® Imagio Type 7

Part #	Description
8733	Ricoh Imagio Type 7 Absolute Black® toner 220 lb (100kg) barrel (special order)
8732	Ricoh Imagio Type 7 Absolute Black® toner 630g (special order)

Ricoh® Ipsio 1500, 1510, 2100

Part #	Description
9452	Ricoh Ipsio CX 1500, 2100 Absolute Black ® toner 310g
9453	Ricoh Ipsio CX 1500, 2100 Absolute Cyan ® toner 200g
9454	Ricoh Ipsio CX 1500, 2100 Absolute Magenta ® toner 200g

9455 Ricoh Ipsio CX 1500, 2100 Absolute Yellow ® toner 200g

Ricoh® Ipsio 900

Part # Description

8696 Ricoh Ipsio NX 900 Absolute Black toner 22 lb (10 kg) bag (sold 2/box)
8697 Ricoh Ipsio NX 900 Absolute Black® toner 220 lb (100 kg)

Ricoh® Ipsio CX 2500

Part # Description

6331 Ricoh Ipsio CX 2500 Absolute Black ® toner 22 lb (10 kg) bag
9486 Ricoh Ipsio CX 2500 Absolute Black ® toner 290g
9487 Ricoh Ipsio CX 2500 Absolute Cyan ® toner 215g
6332 Ricoh Ipsio CX 2500 Absolute Cyan ® toner 22 lb (10 kg) bag
9488 Ricoh Ipsio CX 2500 Absolute Magenta ® toner 215g
6333 Ricoh Ipsio CX 2500 Absolute Magenta ® toner 22 lb (10 kg) bag
9489 Ricoh Ipsio CX 2500 Absolute Yellow ® toner 215g
6334 Ricoh Ipsio CX 2500 Absolute Yellow ® toner 22 lb (10 kg) bag

Ricoh® Ipsio CX 3000

Part # Description

9739 Ricoh Ipsio CX 3000 Absolute Black ® toner 165g
13302 Ricoh Ipsio CX 3000 Absolute Black ® toner 22lb (10kg) bag (special order)
9740 Ricoh Ipsio CX 3000 Absolute Cyan ® toner 165g
13303 Ricoh Ipsio CX 3000 Absolute Cyan ® toner 22lb (10kg) bag (special order)
9741 Ricoh Ipsio CX 3000 Absolute Magenta ® toner 165g
13304 Ricoh Ipsio CX 3000 Absolute Magenta ® toner 22lb (10kg) bag (special order)
9742 Ricoh Ipsio CX 3000 Absolute Yellow ® toner 165g
13306 Ricoh Ipsio CX 3000 Absolute Yellow ® toner 22lb (10kg) bag (special order)
6368 Ricoh Ipsio CX 3000 Uni Drum ® gearless (special order)

Ricoh® Ipsio CX 3500

Part # Description

10320 Ricoh Ipsio CX 3500 Absolute Black ® toner 195g
10321 Ricoh Ipsio CX 3500 Absolute Cyan ® toner 195g
10322 Ricoh Ipsio CX 3500 Absolute Magenta ® toner 195g
10323 Ricoh Ipsio CX 3500 Absolute Yellow ® toner 195g

Ricoh® Ipsio CX 400

Part # Description

7501 Ricoh Ipsio CX 400 Absolute Black ® toner 22 lb (10 kg) bag
7537 Ricoh Ipsio CX 400 Absolute Black ® toner 360g
7517 Ricoh Ipsio CX 400 Absolute Cyan ® toner 22 lb (10 kg) bag
7538 Ricoh Ipsio CX 400 Absolute Cyan ® toner 360g
7518 Ricoh Ipsio CX 400 Absolute Magenta ® toner 22 lb (10 kg) bag
7539 Ricoh Ipsio CX 400 Absolute Magenta ® toner 360g
7519 Ricoh Ipsio CX 400 Absolute Yellow ® toner 22 lb (10 kg) bag

7540 Ricoh Ipsio CX 400 Absolute Yellow ® toner 360g

Ricoh® Ipsio CX 4100

Part # Description

9070 Ricoh Ipsio CX 4100 Absolute Black ® toner 22 lb (10 kg) bag
 5557 Ricoh Ipsio CX 4100 Absolute Black ® toner 400g
 9071 Ricoh Ipsio CX 4100 Absolute Cyan ® toner 22 lb (10 kg) bag
 5705 Ricoh Ipsio CX 4100 Absolute Cyan ® toner 345g
 9072 Ricoh Ipsio CX 4100 Absolute Magenta ® toner 22 lb (10 kg) bag
 5751 Ricoh Ipsio CX 4100 Absolute Magenta ® toner 345g
 9073 Ricoh Ipsio CX 4100 Absolute Yellow ® toner 22 lb (10 kg) bag
 5869 Ricoh Ipsio CX 4100 Absolute Yellow ® toner 345g

Ricoh® Ipsio CX 6600, 6100, 6000

Part # Description

9663 Ricoh Ipsio CX 6000, 6100, 6600 Black ® compatible toner cartridge (special order)
 9664 Ricoh Ipsio CX 6000, 6100, 6600 Cyan ® compatible toner cartridge (special order)
 9665 Ricoh Ipsio CX 6000, 6100, 6600 Magenta ® compatible toner cartridge (special order)
 9666 Ricoh Ipsio CX 6000, 6100, 6600 Yellow ® compatible toner cartridge (special order)

Ricoh® Ipsio CX 7100, 7500, 8000, 8100, 8200, 9000

Part # Description

5801 Ricoh Ipsio CX 7100, 7500, 8100, 8200, 9000 Absolute Black ® toner 22 lb (10 kg) bag
 5802 Ricoh Ipsio CX 7100, 7500, 8100, 8200, 9000 Absolute Cyan ® toner 22 lb (10 kg) bag
 5803 Ricoh Ipsio CX 7100, 7500, 8100, 8200, 9000 Absolute Magenta ® toner 22 lb (10 kg) bag
 5806 Ricoh Ipsio CX 7100, 7500, 8100, 8200, 9000 Absolute Yellow ® toner 22 lb (10 kg) bag
 8274 Ricoh Ipsio CX 7100, 7500, 8100, 8200, 9000 Black compatible toner cartridge toner, 10 pack
 8273 Ricoh Ipsio CX 7100, 7500, 8100, 8200, 9000 Cyan compatible toner cartridge, 4 pack (special order)
 9270 Ricoh Ipsio CX 7100, 7500, 8100, 8200, 9000 drum w/gears
 8275 Ricoh Ipsio CX 7100, 7500, 8100, 8200, 9000 Magenta compatible toner cartridge, 4 pack
 8276 Ricoh Ipsio CX 7100, 7500, 8100, 8200, 9000 Yellow compatible toner cartridge, 4 pack

Ricoh® Ipsio CX 9800, 8800

Part # Description

7391 Ricoh Ipsio CX 9800, 8800 Absolute Black ® toner 490g
 7394 Ricoh Ipsio CX 9800, 8800 Absolute Cyan ® toner 210g
 7395 Ricoh Ipsio CX 9800, 8800 Absolute Magenta ® toner 210g
 7396 Ricoh Ipsio CX 9800, 8800 Absolute Yellow ® toner 210g

Ricoh® Ipsio NX 920

Part # Description

8739 Ricoh Imagio NX 920 Absolute Black® toner per kg (sold 20 kg per box)

Ricoh® Ipsio SP C 210

Part # Description

11562	Ricoh Aficio SP C 210 Absolute Black ® toner 310g
11563	Ricoh Aficio SP C 210 Absolute Cyan ® toner 210g
11564	Ricoh Aficio SP C 210 Absolute Magenta ® toner 210g
11565	Ricoh Aficio SP C 210 Absolute Yellow ® toner 210g

Ricoh® Ipsio SP C 710

Part #	Description
11727	Ricoh Ipsio SP C 710, 711 Absolute Black ® glossy toner (6,000 pages)
12729	Ricoh Ipsio SP C 710, 711 Absolute Black ® glossy toner 22 lb (10kg) bag
11728	Ricoh Ipsio SP C 710, 711 Absolute Cyan ® glossy toner (6,000 pages)
12730	Ricoh Ipsio SP C 710, 711 Absolute Cyan ® glossy toner 22 lb (10kg) bag
11729	Ricoh Ipsio SP C 710, 711 Absolute Magenta ® glossy toner (6,000 pages)
12731	Ricoh Ipsio SP C 710, 711 Absolute Magenta ® glossy toner 22 lb (10kg) bag
11730	Ricoh Ipsio SP C 710, 711 Absolute Yellow ® glossy toner (6,000 pages)
12732	Ricoh Ipsio SP C 710, 711 Absolute Yellow ® glossy toner 22 lb (10kg) bag
13264	Ricoh Ipsio SP C 710, 711 Smartchip ® Black toner (6,000 pages)(special order)
13267	Ricoh Ipsio SP C 710, 711 Smartchip ® Cyan toner (6,000 pages) (special order)
13268	Ricoh Ipsio SP C 710, 711 Smartchip ® Magenta toner (6,000 pages)(special order)
13270	Ricoh Ipsio SP C 710, 711 Smartchip ® Yellow toner (6,000 pages)(special order)

Ricoh® Ipsio SP C 810

Part #	Description
13722	Ricoh Ipsio SPC 810 Smartchip ® Black (635008)(20,000 pages)(under development)
13723	Ricoh Ipsio SPC 810 Smartchip ® Cyan (635011)(15,000 pages)(under development)
13724	Ricoh Ipsio SPC 810 Smartchip ® Magenta (635010)(15,000 pages)(under development)
13725	Ricoh Ipsio SPC 810 Smartchip ® Yellow (635009)(15,000 pages)(under development)
12562	Ricoh Ipsio SPC 810, Aficio SPC 811 Absolute Black® toner 22 lb (10 kg) bag
12566	Ricoh Ipsio SPC 810, Aficio SPC 811 Absolute Black® toner TBAg (under development)
12563	Ricoh Ipsio SPC 810, Aficio SPC 811 Absolute Cyan® toner 22 lb (10 kg) bag
12567	Ricoh Ipsio SPC 810, Aficio SPC 811 Absolute Cyan® toner TBAg (under development)
12564	Ricoh Ipsio SPC 810, Aficio SPC 811 Absolute Magenta® toner 22 lb (10 kg) bag
12568	Ricoh Ipsio SPC 810, Aficio SPC 811 Absolute Magenta® toner TBAg (under development)
12565	Ricoh Ipsio SPC 810, Aficio SPC 811 Absolute Yellow® toner 22 lb (10 kg) bag
12569	Ricoh Ipsio SPC 810, Aficio SPC 811 Absolute Yellow® toner TBAg (under development)

Ricoh® Laserfax 1000, 4000, 7000

Part #	Description
590	Ricoh 1000, 4000, 7000 compatible toner cartridge (special order)

Ricoh® Laserfax 1120L, 1160L, Type 1165

Part #	Description
803	Ricoh 1160L, 1120L, Type 1165 Absolute Black® toner 110g
9609	Ricoh 1160L, 1120L, Type 1165 Absolute Black® toner 22 lb (10 kg) bag
5397	Ricoh 1160L, 1120L, Type 1165 drum with gears

Ricoh® Laserfax 1750L, 1700L, Type 70

Part # Description

9784	Ricoh 1750L, 1700L, Type 70 Absolute Black® toner 95g
9786	Ricoh 1750L, 1700L, Type 70 doctor blade , 10 pack
9785	Ricoh 1750L, 1700L, Type 70 Uni Drum ® with gears

Ricoh® Laserfax 2210L, 1170L, Type 1175, 1275

Part # Description

9490	Ricoh 2210L, 1170L, Type 1175, 1275 Absolute Black® toner 105g
8626	Ricoh 2210L, 1170L, Type 1175, 1275 Absolute Black® toner 22lb (10kgs) bag (special order)
8624	Ricoh 2210L, 1170L, Type 1175, 1275 Absolute Black® toner 22lb(10kg) bag (special order)
9491	Ricoh 2210L, 1170L, Type 1175, 1275 Uni Drum ® OEM style with gears

Ricoh® Laserfax 2400L, Type 100

Part # Description

598	Ricoh 2400L, Type 100 Absolute Black® toner 175g
-----	--

Ricoh® Laserfax 3000L, Type 30

Part # Description

585	Ricoh 3000L, Type 30 Absolute Black® toner 170g
5866	Ricoh 3000L, Type 30 Absolute Black® toner, 22 lb (10 Kg) bag
5952	Ricoh 3000L, Type 30 Hopper cap plug, 100 pack

Ricoh® Laserfax 3900L, 2900L, 2000L, 1900L, Type 1135, 1435

Part # Description

6429	Ricoh 2000L, 2900L, 3900L, Type 1135, 1435 Absolute Black® toner 22 lb (10 kg) bag (special order)
6412	Ricoh 2000L, 2900L, 3900L, Type 1135, 1435 Absolute Black® toner 270g
10456	Ricoh 2000L, 2900L, 3900L, Type 1135, 1435 cleaning wand, 100 pack
7313	Ricoh 2000L, 2900L, 3900L, Type 1135, 1435 felt, 100 pack (special order)
8723	Ricoh 2000L, 2900L, 3900L, Type 1135, 1435 hopper cap, 100 pack (special order)
7284	Ricoh 2000L, 2900L, 3900L, Type 1135, 1435 SuMMiT ® OPC drum with gears (sold 5/box)
10888	Ricoh 2000L, 2900L, 3900L, Type 1135, 1435 trigger arm B, 10 pack (special order)
7991	Ricoh 2000L, 2900L, 3900L, Type 1135, 1435 Uni Drum ® with gears
7976	Ricoh 2000L, 2900L, 3900L, Type 1135, 1435 wiper blade, 10 pack

Ricoh® Laserfax 4800L, 4700L, 3700L, 2700L, 2400L, Type 150

Part # Description

10456	Ricoh 2000L, 2900L, 3900L, Type 1135, 1435 cleaning wand, 100 pack
7313	Ricoh 2000L, 2900L, 3900L, Type 1135, 1435 felt, 100 pack (special order)
8723	Ricoh 2000L, 2900L, 3900L, Type 1135, 1435 hopper cap, 100 pack (special order)
10888	Ricoh 2000L, 2900L, 3900L, Type 1135, 1435 trigger arm B, 10 pack (special order)
5495	Ricoh 4700, 2700L, LF 1800, Type 150 Absolute Black® toner 22 lb (10 Kg) bag
603	Ricoh 4700, 2700L, LF 1800, Type 150 Absolute Black® toner 270g
602	Ricoh 4700, 2700L, LF 1800, Type 150, 100 seal, 10 pack (special order)
7982	Ricoh 4700, 2700L, LF 1800, Type 150, LF 1800 wiper blade, 10 pack

Ricoh® NX-500

Part # Description

6923	Ricoh NX 500 Absolute Black® toner 22 lb (10 kg) (sold 2/box)
5063	Ricoh NX 500 Absolute Black® toner 280g (use 2 per cartridge)
8754	Ricoh NX 500 BLACK Mag roller sleeve, 10 pack
8308	Ricoh NX 500, Fujitsu 307 Clear Seal® adhesive, 50 pack
6466	Ricoh NX 500, Fujitsu 307 Uni Drum® w/gears (special order)

Ricoh® NX-70

Part # Description

6982	Ricoh NX 70 Absolute Black® toner 400g (under development)
6981	Ricoh NX 70 Absolute Black® toner developer carrier (under development)
7043	Ricoh NX 70 B Uni Drum® "S" with gears
9770	Ricoh NX 70 Clear Seal® adhesive for carrier hopper, 50 pack (under development)
9769	Ricoh NX 70 Clear Seal® adhesive for toner hopper, 50 pack (under development)

Ricoh® NX-700

Part # Description

6924	Ricoh NX 700 Absolute Black® toner 22 lb (10 kg) (sold 2/box)
6469	Ricoh NX 700 Absolute Black® toner 280g (use 2 per cartridge)
7169	Ricoh NX 700 Absolute Black® toner 500g
8753	Ricoh NX 700 Black Mag roller sleeve, 10 pack
7250	Ricoh NX 700 doctor blade, 10 pack

Ricoh® NX-720, 620

Part # Description

6966	Ricoh NX 720 Absolute Black® toner 550g (needs carrier 6968)
7072	Ricoh NX 720 Absolute Black® toner 22 lb (10 kg) (sold 2 p/box)
6968	Ricoh NX 720 developer 55g (special order)
7961	Ricoh NX 720 developer, 55 lb (25 kg) bag
621	Ricoh NX 720 Uni Drum® "S" gearless (special order)
7274	Ricoh NX 720 Uni Drum® "S" with gears (under final test)
7643	Ricoh NX 720 wiper blade, 10 pack
9771	Ricoh NX 720, 620 Clear Seal® adhesive for carrier hopper, 50 pack
8239	Ricoh NX 720, 620 Clear Seal® adhesive for toner hopper, 50 pack
8248	Ricoh NX 720, 620 Silver Seal® adhesive for toner hopper, 50 pack
9779	Ricoh NX 720, 620 Smartchip® (special order)(under development)

Ricoh® NX-800

Part # Description

9679	Ricoh NX 800 Uni Drum® drum with gears (under final test)
------	---

Ricoh® NX-85

Part # Description

6039	Ricoh NX 85 Uni Drum with gears
------	---------------------------------

Ricoh® NX-900

Part #	Description
6757	Ricoh IpsiX NX 900 Absolute Black® toner 700g (under final test)
6623	Ricoh NX 900 EC® toner (under final test)

Ricoh® SP 1000 SF

Part #	Description
13933	Ricoh SP 1000 SF, 1180 Absolute Black® toner 145g (4000 pages)
14490	Ricoh SP 1000 SF, 1180 Absolute Black® toner 22lb(10kg) bag
14017	Ricoh SP 1000 SF, 1180 Smartchip ® reset card Europe (413196) (4,000 pages)
13946	Ricoh SP 1000 SF, 1180 Smartchip ® reset card USA (413460) (4,000 pages)
14426	Ricoh SP 1000 SF, 1180 Uni Drum ® gearless (special order)

Ricoh® Type 310

Part #	Description
6456	Ricoh Type 310 compatible toner cartridge 300g, 4 pack (special order)

Ricoh® Type 40

Part #	Description
605	Ricoh Type 40 Absolute Black® toner, 22 lb (10 Kg) bag (ets 15 days)

Ricoh® Type 900

Part #	Description
6758	Ricoh Imagio Type 900 Absolute Black® toner 22 lb (10 kg) (sold 2/box)
6624	Ricoh Imagio Type 900 Absolute Black® toner 310g (under final test)

Sagem® Fax MF 3720, 3750

Part #	Description
13786	Sagem Fax MF 3720, 3750 Smartchip ® toner reset card (CTR150) 15,000 pages (EU)(special order)

Sagem® MF 3420, 3480, 3680, 3665

Part #	Description
13791	Sagem MF 3420, 3480, 3620 Absolute Black® toner TBAg (10,000 pages) (under development)
13785	Sagem MF 3420, 3480, 3620 Smartchip ® toner reset card (TNR736) 10,000 pages (EU)(special order)

Sagem® MF 4461, 5401, 5461, 5481

Part #	Description
13790	Sagem MF 4461, 5461, 5481n Absolute Black ® toner 150g (4,000 pages)
13784	Sagem MF 4461, 5461, 5481n Smartchip ® reset card (CTR365) 4,000 pages (EU) (special order)

Sagem® MF 4640, 4690, 5660, 5680, 5690

Part #	Description
13789	Sagem MF 4640, 5660, 5690 Absolute Black ® toner 150g (6,000 pages)
13783	Sagem MF 4640, 5660, 5690 Smartchip ® toner reset card (TNR370) 6,000 pages (EU)(special order)

Samsung ® CLX 3160, 2160

Part #	Description
11803	Samsung CLP 300, CLX 3160 FN Absolute Black ® toner 22 lb (10 kg) bag
10167	Samsung CLP 300, CLX 3160 FN Absolute Black ® toner 90g (2,000 pages)
11804	Samsung CLP 300, CLX 3160 FN Absolute Cyan ® toner 22 lb (10 kg) bag
10168	Samsung CLP 300, CLX 3160 FN Absolute Cyan ® toner 48g (1,000 pages)
11805	Samsung CLP 300, CLX 3160 FN Absolute Magenta ® toner 22 lb (10 kg) bag
10169	Samsung CLP 300, CLX 3160 FN Absolute Magenta ® toner 48g (1,000 pages)
11806	Samsung CLP 300, CLX 3160 FN Absolute Yellow ® toner 22 lb (10kg) bag
10170	Samsung CLP 300, CLX 3160 FN Absolute Yellow ® toner 48g (1,000 pages)
12677	Samsung CLP 300, CLX 3160 FN Black compatible toner cartridge (2,000 pages)(USA & S. America)
12678	Samsung CLP 300, CLX 3160 FN Cyan compatible toner cartridge(1,000 pages)(USA & S. America)
12679	Samsung CLP 300, CLX 3160 FN Magenta compatible toner cartridge (1,000 pages)(USA & S. America)
12329	Samsung CLP 300, CLX 3160 FN PCR roller, 10 Pack (under development)
11625	Samsung CLP 300, CLX 3160 FN seal toner hopper fill plug, 100 pack
11646	Samsung CLP 300, CLX 3160 FN Smartchip ® Black (China)(under final test)
13490	Samsung CLP 300, CLX 3160 FN Smartchip ® Black (Europe)(X-tra slim board)
11571	Samsung CLP 300, CLX 3160 FN Smartchip ® Black (Korea) (under final test)
10907	Samsung CLP 300, CLX 3160 FN Smartchip ® Black (USA) (X-tra slim board)
11647	Samsung CLP 300, CLX 3160 FN Smartchip ® Cyan (China)(under final test)
13491	Samsung CLP 300, CLX 3160 FN Smartchip ® Cyan (Europe)(X-tra slim board)
11572	Samsung CLP 300, CLX 3160 FN Smartchip ® Cyan (Korea) (under final test)
10908	Samsung CLP 300, CLX 3160 FN Smartchip ® Cyan (USA) (X-tra slim board)
11648	Samsung CLP 300, CLX 3160 FN Smartchip ® Magenta (China)(under final test)
13492	Samsung CLP 300, CLX 3160 FN Smartchip ® Magenta (Europe)(X-tra slim board)
11573	Samsung CLP 300, CLX 3160 FN Smartchip ® Magenta (Korea) (under final test)
10909	Samsung CLP 300, CLX 3160 FN Smartchip ® Magenta (USA) (X-tra slim board)
11649	Samsung CLP 300, CLX 3160 FN Smartchip ® Yellow (China)(under final test)
13493	Samsung CLP 300, CLX 3160 FN Smartchip ® Yellow (Europe)(X-tra slim board)
11574	Samsung CLP 300, CLX 3160 FN Smartchip ® Yellow (Korea) (under final test)
10910	Samsung CLP 300, CLX 3160 FN Smartchip ® Yellow (USA) (X-tra slim board)
12680	Samsung CLP 300, CLX 3160 FN Yellow compatible toner cartridge (1,000 pages)(USA & S. America)

Samsung ® ML 4050, 4550, 4551

Part #	Description
13179	Samsung ML 4050, 4550, 4551 Absolute Black ® toner 22 lb (10 kg) bag
11776	Samsung ML 4050, 4550, 4551 Absolute Black ® toner 300g (10,000 pages)
11777	Samsung ML 4050, 4550, 4551 Absolute Black ® toner 600g (20,000 pages)
11780	Samsung ML 4050, 4550, 4551 Clear Seal ® foam adhesive, 50 pack
11779	Samsung ML 4050, 4550, 4551 Shipping lock, 10 pack
11781	Samsung ML 4050, 4550, 4551 Smartchip (10,000 pages)
11782	Samsung ML 4050, 4550, 4551 Smartchip (20,000 pages)
11778	Samsung ML 4050, 4550, 4551 Uni Drum ® with gears

Samsung® CLP 300

Part #	Description
11803	Samsung CLP 300, CLX 3160 FN Absolute Black ® toner 22 lb (10 kg) bag
10167	Samsung CLP 300, CLX 3160 FN Absolute Black ® toner 90g (2,000 pages)
11804	Samsung CLP 300, CLX 3160 FN Absolute Cyan ® toner 22 lb (10 kg) bag
10168	Samsung CLP 300, CLX 3160 FN Absolute Cyan ® toner 48g (1,000 pages)
11805	Samsung CLP 300, CLX 3160 FN Absolute Magenta ® toner 22 lb (10 kg) bag
10169	Samsung CLP 300, CLX 3160 FN Absolute Magenta ® toner 48g (1,000 pages)
11806	Samsung CLP 300, CLX 3160 FN Absolute Yellow ® toner 22 lb (10kg) bag
10170	Samsung CLP 300, CLX 3160 FN Absolute Yellow ® toner 48g (1,000 pages)
12677	Samsung CLP 300, CLX 3160 FN Black compatible toner cartridge (2,000 pages)(USA & S. America)
12678	Samsung CLP 300, CLX 3160 FN Cyan compatible toner cartridge(1,000 pages)(USA & S. America)
12679	Samsung CLP 300, CLX 3160 FN Magenta compatible toner cartridge (1,000 pages)(USA & S. America)
12329	Samsung CLP 300, CLX 3160 FN PCR roller, 10 Pack (under development)
11625	Samsung CLP 300, CLX 3160 FN seal toner hopper fill plug, 100 pack
11646	Samsung CLP 300, CLX 3160 FN Smartchip ® Black (China)(under final test)
13490	Samsung CLP 300, CLX 3160 FN Smartchip ® Black (Europe)(X-tra slim board)
11571	Samsung CLP 300, CLX 3160 FN Smartchip ® Black (Korea) (under final test)
10907	Samsung CLP 300, CLX 3160 FN Smartchip ® Black (USA) (X-tra slim board)
11647	Samsung CLP 300, CLX 3160 FN Smartchip ® Cyan (China)(under final test)
13491	Samsung CLP 300, CLX 3160 FN Smartchip ® Cyan (Europe)(X-tra slim board)
11572	Samsung CLP 300, CLX 3160 FN Smartchip ® Cyan (Korea) (under final test)
10908	Samsung CLP 300, CLX 3160 FN Smartchip ® Cyan (USA) (X-tra slim board)
11648	Samsung CLP 300, CLX 3160 FN Smartchip ® Magenta (China)(under final test)
13492	Samsung CLP 300, CLX 3160 FN Smartchip ® Magenta (Europe)(X-tra slim board)
11573	Samsung CLP 300, CLX 3160 FN Smartchip ® Magenta (Korea) (under final test)
10909	Samsung CLP 300, CLX 3160 FN Smartchip ® Magenta (USA) (X-tra slim board)
11649	Samsung CLP 300, CLX 3160 FN Smartchip ® Yellow (China)(under final test)
13493	Samsung CLP 300, CLX 3160 FN Smartchip ® Yellow (Europe)(X-tra slim board)
11574	Samsung CLP 300, CLX 3160 FN Smartchip ® Yellow (Korea) (under final test)
10910	Samsung CLP 300, CLX 3160 FN Smartchip ® Yellow (USA) (X-tra slim board)
12680	Samsung CLP 300, CLX 3160 FN Yellow compatible toner cartridge (1,000 pages)(USA & S. America)

Samsung® CLP 310, 315

Part #	Description
13229	Samsung CLP 310, 315, CLX 3170, 3175 Absolute Black ® toner 22 lb (10 kg) bag
13225	Samsung CLP 310, 315, CLX 3170, 3175 Absolute Black ® toner 68g (1,500 pages)
13230	Samsung CLP 310, 315, CLX 3170, 3175 Absolute Cyan ® toner 22 lb (10 kg) bag
13226	Samsung CLP 310, 315, CLX 3170, 3175 Absolute Cyan ® toner 45g (1,000 pages)
13227	Samsung CLP 310, 315, CLX 3170, 3175 Absolute Magenta ® toner 22 lb (10 kg) bag
13238	Samsung CLP 310, 315, CLX 3170, 3175 Absolute Magenta ® toner 45g (1,000 pages)
13231	Samsung CLP 310, 315, CLX 3170, 3175 Absolute Yellow ® toner 22 lb (10 kg) bag
13228	Samsung CLP 310, 315, CLX 3170, 3175 Absolute Yellow ® toner 45g (1,000)
13261	Samsung CLP 310, 315, CLX 3170, 3175 Smartchip® Black (1,500 pages) ETA 7/2010 (under development)
13263	Samsung CLP 310, 315, CLX 3170, 3175 Smartchip® Cyan (1,000 pages) ETA 7/2010 (under development)
13265	Samsung CLP 310, 315, CLX 3170, 3175 Smartchip® Magenta (1,000 pages) ETA 7/2010 (under development)
13266	Samsung CLP 310, 315, CLX 3170, 3175 Smartchip® Yellow (1,000pages) ETA 7/2010 (under development)

Samsung® CLP 350

Part #	Description
--------	-------------

13237	Samsung CLP 350 Absolute Black ® toner 190g (4,000 pages)
14504	Samsung CLP 350 Absolute Black ® toner 22lb (10kgs) bag
14505	Samsung CLP 350 Absolute Cyan ® toner 22lb (10kg) bag
13240	Samsung CLP 350 Absolute Cyan ® toner 90g (2,000 pages)
14506	Samsung CLP 350 Absolute Magenta ® toner 22lb(10kg) bag
13241	Samsung CLP 350 Absolute Magenta ® toner 90g (2,000 pages)
14507	Samsung CLP 350 Absolute Yellow ® toner 22lb(10kg) bag
13242	Samsung CLP 350 Absolute Yellow ® toner 90g (2,000 pages)
13706	Samsung CLP 350 Smartchip ® Black (4,000 pages) (China) (X-tra slim board)
13646	Samsung CLP 350 Smartchip ® Black (4,000 pages) (Europe) (X-tra slim board)
13710	Samsung CLP 350 Smartchip ® Black (4,000 pages) (Korea) (X-tra slim board)
13522	Samsung CLP 350 Smartchip ® Black (4,000 pages) (USA) (X-tra slim board)
13707	Samsung CLP 350 Smartchip ® Cyan (2,000 pages) (China) (X-tra slim board)
13647	Samsung CLP 350 Smartchip ® Cyan (2,000 pages) (Europe) (X-tra slim board)
13711	Samsung CLP 350 Smartchip ® Cyan (2,000 pages) (Korea) (X-tra slim board)
13523	Samsung CLP 350 Smartchip ® Cyan (2,000 pages) (USA) (X-tra slim board)
13708	Samsung CLP 350 Smartchip ® Magenta (2,000 pages) (China) (X-tra slim board)
13648	Samsung CLP 350 Smartchip ® Magenta (2,000 pages) (Europe) (X-tra slim board)
13712	Samsung CLP 350 Smartchip ® Magenta (2,000 pages) (Korea) (X-tra slim board)
13524	Samsung CLP 350 Smartchip ® Magenta (2,000 pages) (USA) (X-tra slim board)
13709	Samsung CLP 350 Smartchip ® Yellow (2,000 pages) (China) (X-tra slim board)
13649	Samsung CLP 350 Smartchip ® Yellow (2,000 pages) (Europe) (X-tra slim board)
13713	Samsung CLP 350 Smartchip ® Yellow (2,000 pages) (Korea) (X-tra slim board)
13525	Samsung CLP 350 Smartchip ® Yellow (2,000 pages) (USA) (X-tra slim board)
14454	Samsung® CLP 350 Black compatible toner cartridge
14455	Samsung® CLP 350 Cyan compatible toner cartridge
14456	Samsung® CLP 350 Magenta compatible toner cartridge
14457	Samsung® CLP 350 Yellow compatible toner cartridge

Samsung® CLP 500, 550

Part #	Description
5469	Samsung CLP 500, 510, 550, 600 BK/C/M/Y universal hopper plug, 100 pack
5261	Samsung CLP 500, 550 Absolute Black ® toner 22 lb (10 kg) bag
9304	Samsung CLP 500, 550 Absolute Black ® toner 240g
9305	Samsung CLP 500, 550 Absolute Cyan ® toner 215g
5262	Samsung CLP 500, 550 Absolute Cyan ® toner 22 lb (10 kg) bag
9306	Samsung CLP 500, 550 Absolute Magenta ® toner 215g
5263	Samsung CLP 500, 550 Absolute Magenta ® toner 22 lb (10 kg) bag
9307	Samsung CLP 500, 550 Absolute Yellow ® toner 215g
5264	Samsung CLP 500, 550 Absolute Yellow® toner 22 lb (10 kg) bag
11407	Samsung CLP 500, 550 Black cartridge doctor blade, 10 pack (special order) (under development)
12831	Samsung CLP 500, 550 Black compatible toner cartridge (sold 8 p/box) (7,000 pages)(special order)
11408	Samsung CLP 500, 550 C/M/Y cartridges doctor blade, 10 pack (special order) (under development)
12832	Samsung CLP 500, 550 Cyan compatible toner cartridge (sold 8 p/box) (5,000 pages)(special order)
5405	Samsung CLP 500, 550 developer roller, 10 pack
12833	Samsung CLP 500, 550 Magenta compatible toner cartridge (sold 8 p/box) (5,000 pages)(special order)
8172	Samsung CLP 500, 550 Smartchip ® BK/C/M/Y fuse, 10 pack (requires welding)
10117	Samsung CLP 500, 550 supply roller, 10 pack (special order)
12834	Samsung CLP 500, 550 Yellow compatible toner cartridge (sold 8 p/box) (5,000 pages)(special order)

Samsung® CLP 510

Part #	Description
5469	Samsung CLP 500, 510, 550, 600 BK/C/M/Y universal hopper plug, 100 pack
10245	Samsung CLP 510 Absolute Black ® toner 22 lb (10 kg) bag
9300	Samsung CLP 510 Absolute Black ® toner 240g
9301	Samsung CLP 510 Absolute Cyan ® toner 210g
10246	Samsung CLP 510 Absolute Cyan ® toner 22 lb (10 kg) bag
9302	Samsung CLP 510 Absolute Magenta ® toner 210g
10247	Samsung CLP 510 Absolute Magenta ® toner 22 lb (10 kg) bag
9303	Samsung CLP 510 Absolute Yellow ® toner 210g
10248	Samsung CLP 510 Absolute Yellow® toner 22 lb (10 kg) bag
12851	Samsung CLP 510 Black compatible toner cartridge (sold 8 p/box) (7,000 pages)(special order)
12852	Samsung CLP 510 Cyan compatible toner cartridge (sold 8 p/box)(5,000 pages)(special order)
12853	Samsung CLP 510 Magenta compatible toner cartridge (sold 8 p/box)(5,000 pages)(special order)
10180	Samsung CLP 510 Smartchip ® Black
10181	Samsung CLP 510 Smartchip ® Cyan
10182	Samsung CLP 510 Smartchip ® Magenta
10183	Samsung CLP 510 Smartchip ® Yellow
12854	Samsung CLP 510 Yellow compatible toner cartridge (sold 8 p/box)(5,000 pages)(special order)

Samsung® CLP 600, 650

Part #	Description
11028	Samsung CLP 600, 650 Hinge pin with thread (LONG), 50 pack (special order)
11029	Samsung CLP 600, 650 Hinge pin with thread (SHORT), 50 pack (special order)
10361	Samsung CLP 600, 650 Absolute Black ® toner 175g
10362	Samsung CLP 600, 650 Absolute Black ® toner 22 lb (10 kg) bag
10363	Samsung CLP 600, 650 Absolute Cyan ® toner 150g
10364	Samsung CLP 600, 650 Absolute Cyan ® toner 22 lb (10 kg) bag
10365	Samsung CLP 600, 650 Absolute Magenta ® toner 150g
10366	Samsung CLP 600, 650 Absolute Magenta ® toner 22 lb (10 kg) bag
10367	Samsung CLP 600, 650 Absolute Yellow ® toner 150g
10368	Samsung CLP 600, 650 Absolute Yellow ® toner 22 lb (10 kg) bag
11926	Samsung CLP 600, 650 developer roller, 10 pack (under development)
10374	Samsung CLP 600, 650 doctor blade, 10 pack (under development)
11927	Samsung CLP 600, 650 PCR roller, 9 pack (under development)
11030	Samsung CLP 600, 650 pin extractor tool (sold 10/pack)
10369	Samsung CLP 600, 650 Smartchip ® Black
10370	Samsung CLP 600, 650 Smartchip ® Cyan
10371	Samsung CLP 600, 650 Smartchip ® Magenta
10372	Samsung CLP 600, 650 Smartchip ® Yellow
10373	Samsung CLP 600, 650 Uni Drum ® with gears
10759	Samsung CLP 600, 650 wiper blade, 10 pack

Samsung® CLP 610, 660

Part #	Description
12502	Samsung CLP 610, 660, CLX 6200, 6210, 6240 Absolute Black® toner 165g (5,500 pages)
13099	Samsung CLP 610, 660, CLX 6200, 6210, 6240 Absolute Black® toner 22 lb (10 kg) bag
12473	Samsung CLP 610, 660, CLX 6200, 6210, 6240 Absolute Black® toner 75g (2,500 pages)
12503	Samsung CLP 610, 660, CLX 6200, 6210, 6240 Absolute Cyan® toner 165g (5,000 pages)
13100	Samsung CLP 610, 660, CLX 6200, 6210, 6240 Absolute Cyan® toner 22 lb (10 kg) bag

12499	Samsung CLP 610, 660, CLX 6200, 6210, 6240 Absolute Cyan® toner 65g (2,000 pages)
12504	Samsung CLP 610, 660, CLX 6200, 6210, 6240 Absolute Magenta® toner 165g (5,000 pages)
13101	Samsung CLP 610, 660, CLX 6200, 6210, 6240 Absolute Magenta® toner 22 lb (10 kg) bag
12500	Samsung CLP 610, 660, CLX 6200, 6210, 6240 Absolute Magenta® toner 65g (2,000 pages)
12505	Samsung CLP 610, 660, CLX 6200, 6210, 6240 Absolute Yellow® toner 165g (5,000 pages)
13102	Samsung CLP 610, 660, CLX 6200, 6210, 6240 Absolute Yellow® toner 22 lb (10 kg) bag
12501	Samsung CLP 610, 660, CLX 6200, 6210, 6240 Absolute Yellow® toner 65g (2,000 pages)
14214	Samsung CLP 610, 660, CLX 6200, 6210, 6240 PCR roller, 9 pack (special order)
12506	Samsung CLP 610, 660, CLX 6200, 6210, 6240 Smartchip® Black (2,500 pages)
12510	Samsung CLP 610, 660, CLX 6200, 6210, 6240 Smartchip® Black (5,500 pages)
13813	Samsung CLP 610, 660, CLX 6200, 6210, 6240 Smartchip® Black (Europe)(2,500 pages)
13817	Samsung CLP 610, 660, CLX 6200, 6210, 6240 Smartchip® Black (Europe)(5,500 pages)
12507	Samsung CLP 610, 660, CLX 6200, 6210, 6240 Smartchip® Cyan (2,000 pages)
12511	Samsung CLP 610, 660, CLX 6200, 6210, 6240 Smartchip® Cyan (5,000 pages)
13814	Samsung CLP 610, 660, CLX 6200, 6210, 6240 Smartchip® Cyan (Europe)(2,000 pages)
13818	Samsung CLP 610, 660, CLX 6200, 6210, 6240 Smartchip® Cyan (Europe)(5,000 pages)
12508	Samsung CLP 610, 660, CLX 6200, 6210, 6240 Smartchip® Magenta (2,000 pages)
12512	Samsung CLP 610, 660, CLX 6200, 6210, 6240 Smartchip® Magenta (5,000 pages)
13815	Samsung CLP 610, 660, CLX 6200, 6210, 6240 Smartchip® Magenta (Europe)(2,000pages)
13819	Samsung CLP 610, 660, CLX 6200, 6210, 6240 Smartchip® Magenta (Europe)(5,000 pages)
12509	Samsung CLP 610, 660, CLX 6200, 6210, 6240 Smartchip® Yellow (2,000 pages)
12513	Samsung CLP 610, 660, CLX 6200, 6210, 6240 Smartchip® Yellow (5,000 pages)
13816	Samsung CLP 610, 660, CLX 6200, 6210, 6240 Smartchip® Yellow (Europe)(2,000 pages)
13820	Samsung CLP 610, 660, CLX 6200, 6210, 6240 Smartchip® Yellow (Europe)(5,000 pages)
14462	Samsung CLP 610, 660, CLX 6200, 6210, 6240 Uni Drum ® with gears

Samsung® CLX 3170, 3175

Part #	Description
13229	Samsung CLP 310, 315, CLX 3170, 3175 Absolute Black ® toner 22 lb (10 kg) bag
13225	Samsung CLP 310, 315, CLX 3170, 3175 Absolute Black ® toner 68g (1,500 pages)
13230	Samsung CLP 310, 315, CLX 3170, 3175 Absolute Cyan ® toner 22 lb (10 kg) bag
13226	Samsung CLP 310, 315, CLX 3170, 3175 Absolute Cyan ® toner 45g (1,000 pages)
13227	Samsung CLP 310, 315, CLX 3170, 3175 Absolute Magenta ® toner 22 lb (10 kg) bag
13238	Samsung CLP 310, 315, CLX 3170, 3175 Absolute Magenta ® toner 45g (1,000 pages)
13231	Samsung CLP 310, 315, CLX 3170, 3175 Absolute Yellow ® toner 22 lb (10 kg) bag
13228	Samsung CLP 310, 315, CLX 3170, 3175 Absolute Yellow ® toner 45g (1,000)
13261	Samsung CLP 310, 315, CLX 3170, 3175 Smartchip® Black (1,500 pages) ETA 7/2010 (under development)
13263	Samsung CLP 310, 315, CLX 3170, 3175 Smartchip® Cyan (1,000 pages) ETA 7/2010 (under development)
13265	Samsung CLP 310, 315, CLX 3170, 3175 Smartchip® Magenta (1,000 pages) ETA 7/2010 (under development)
13266	Samsung CLP 310, 315, CLX 3170, 3175 Smartchip® Yellow (1,000pages) ETA 7/2010 (under development)

Samsung® CLX 6200, 6210, 6240

Part #	Description
12502	Samsung CLP 610, 660, CLX 6200, 6210, 6240 Absolute Black® toner 165g (5,500 pages)
13099	Samsung CLP 610, 660, CLX 6200, 6210, 6240 Absolute Black® toner 22 lb (10 kg) bag
12473	Samsung CLP 610, 660, CLX 6200, 6210, 6240 Absolute Black® toner 75g (2,500 pages)
12503	Samsung CLP 610, 660, CLX 6200, 6210, 6240 Absolute Cyan® toner 165g (5,000 pages)
13100	Samsung CLP 610, 660, CLX 6200, 6210, 6240 Absolute Cyan® toner 22 lb (10 kg) bag
12499	Samsung CLP 610, 660, CLX 6200, 6210, 6240 Absolute Cyan® toner 65g (2,000 pages)
12504	Samsung CLP 610, 660, CLX 6200, 6210, 6240 Absolute Magenta® toner 165g (5,000 pages)

13101	Samsung CLP 610, 660, CLX 6200, 6210, 6240 Absolute Magenta® toner 22 lb (10 kg) bag
12500	Samsung CLP 610, 660, CLX 6200, 6210, 6240 Absolute Magenta® toner 65g (2,000 pages)
12505	Samsung CLP 610, 660, CLX 6200, 6210, 6240 Absolute Yellow® toner 165g (5,000 pages)
13102	Samsung CLP 610, 660, CLX 6200, 6210, 6240 Absolute Yellow® toner 22 lb (10 kg) bag
12501	Samsung CLP 610, 660, CLX 6200, 6210, 6240 Absolute Yellow® toner 65g (2,000 pages)
12506	Samsung CLP 610, 660, CLX 6200, 6210, 6240 Smartchip® Black (2,500 pages)
12510	Samsung CLP 610, 660, CLX 6200, 6210, 6240 Smartchip® Black (5,500 pages)
13813	Samsung CLP 610, 660, CLX 6200, 6210, 6240 Smartchip® Black (Europe)(2,500 pages)
13817	Samsung CLP 610, 660, CLX 6200, 6210, 6240 Smartchip® Black (Europe)(5,500 pages)
12507	Samsung CLP 610, 660, CLX 6200, 6210, 6240 Smartchip® Cyan (2,000 pages)
12511	Samsung CLP 610, 660, CLX 6200, 6210, 6240 Smartchip® Cyan (5,000 pages)
13814	Samsung CLP 610, 660, CLX 6200, 6210, 6240 Smartchip® Cyan (Europe)(2,000 pages)
13818	Samsung CLP 610, 660, CLX 6200, 6210, 6240 Smartchip® Cyan (Europe)(5,000 pages)
12508	Samsung CLP 610, 660, CLX 6200, 6210, 6240 Smartchip® Magenta (2,000 pages)
12512	Samsung CLP 610, 660, CLX 6200, 6210, 6240 Smartchip® Magenta (5,000 pages)
13815	Samsung CLP 610, 660, CLX 6200, 6210, 6240 Smartchip® Magenta (Europe)(2,000pages)
13819	Samsung CLP 610, 660, CLX 6200, 6210, 6240 Smartchip® Magenta (Europe)(5,000 pages)
12509	Samsung CLP 610, 660, CLX 6200, 6210, 6240 Smartchip® Yellow (2,000 pages)
12513	Samsung CLP 610, 660, CLX 6200, 6210, 6240 Smartchip® Yellow (5,000 pages)
13816	Samsung CLP 610, 660, CLX 6200, 6210, 6240 Smartchip® Yellow (Europe)(2,000 pages)
13820	Samsung CLP 610, 660, CLX 6200, 6210, 6240 Smartchip® Yellow (Europe)(5,000 pages)

Samsung® ML 1210, 1010

Part # Description

7622	Samsung ML 1210, 1010 Absolute Black® toner 100g
7837	Samsung ML 1210, 1010 Absolute Black® toner 22 lb (10 kg) bag (sold 2/box)
8163	Samsung ML 1210, 1010 developer roller, 9 pack
8221	Samsung ML 1210, 1010 PCR roller, 9 pack
6822	Samsung ML 1210, 1010 Uni Drum ® with gears
9284	Samsung ML 1210, 1250 doctor blade, 10 pack
8428	Samsung ML 1210, 1250 wiper blade, 10 pack

Samsung® ML 1440, 1450, 1451

Part # Description

8164	Samsung ML 1440, 1450 Absolute Black® toner 200g
9183	Samsung ML 1440, 1450, 1650 Clear Seal adhesive, 50 pack
9120	Samsung ML 1440, 1450, 1650 developer roller, 9 pack
9184	Samsung ML 1440, 1450, 1650 wiper blade, 10 pack

Samsung® ML 1520, 1515

Part # Description

9632	Samsung ML 1520, 1515 Absolute Black® toner 22 lb (10 kg) bag
8631	Samsung ML 1520, 1515 Absolute Black® toner 85g (3,000 pages)
9635	Samsung ML 1520, 1515 doctor blade, 10 pack
9633	Samsung ML 1520, 1515 Uni Drum ® OEM style with gears
9634	Samsung ML 1520, 1515 wiper blade, 10 pack
9638	Samsung ML 1520, 1515 developer roller, 9 pack
5758	Samsung ML 1610, 1750, 2010, 2150, 2250, 2550 toner hopper plug, 100 pack

Samsung® ML 1630, 1631

Part #	Description
13868	Samsung ML 1630, 1631, SCX 4500 Absolute Black® toner 22lb (10kg) bag
11939	Samsung ML 1630, 1631, SCX 4500 Absolute Black® toner 40g (2,000 pages)
13009	Samsung ML 1630, 1631, SCX 4500 Developer Roller End Felt, 10 sets (under development)
12733	Samsung ML 1630, 1631, SCX 4500 developer roller, 10 pack
12351	Samsung ML 1630, 1631, SCX 4500 doctor blade, 10 pack (under development)
12189	Samsung ML 1630, 1631, SCX 4500 Fill plug, 100 pack (special order)
12734	Samsung ML 1630, 1631, SCX 4500 PCR roller, 10 pack
11940	Samsung ML 1630, 1631, SCX 4500 Smartchip ®
12735	Samsung ML 1630, 1631, SCX 4500 supply roller, 10 pack
13010	Samsung ML 1630, 1631, SCX 4500 Toner Adder Roller End Foam, 10 sets (under development)
12203	Samsung ML 1630, 1631, SCX 4500 Uni Drum ® with gears
12352	Samsung ML 1630, 1631, SCX 4500 wiper blade, 10 pack

Samsung® ML 1650

Part #	Description
9183	Samsung ML 1440, 1450, 1650 Clear Seal adhesive, 50 pack
9120	Samsung ML 1440, 1450, 1650 developer roller, 9 pack
9184	Samsung ML 1440, 1450, 1650 wiper blade, 10 pack
5867	Samsung ML 1650 High Yield® Absolute Black® toner 315g
8101	Samsung ML 1650 Low Yield® Absolute Black® toner 150g

Samsung® ML 1750, 1740, 1710, 1520, 1510

Part #	Description
5758	Samsung ML 1610, 1750, 2010, 2150, 2250, 2550 toner hopper plug, 100 pack
9407	Samsung ML 1710 Universal top cover (sold 24/box) (special order)
13054	Samsung ML 1750, 1740, 1710 compatible toner cartridge (Brasil, special order)
10642	Samsung ML 1750, 1740, 1710 recovery blade, 100 pack
8612	Samsung ML 1750, 1740, 1710, 1510 Absolute Black® toner 100g (Jumbo® load)
9149	Samsung ML 1750, 1740, 1710, 1510 Absolute Black® toner 22 lb (10 kg) bag
4963	Samsung ML 1750, 1740, 1710, 1510 Absolute Black® toner 72g (3,000 pages)
9198	Samsung ML 1750, 1740, 1710, 1510 developer roller, 9 pack
9262	Samsung ML 1750, 1740, 1710, 1510 PCR roller, 10 pack
12026	Samsung ML 1750, 1740, 1710, 1510 SuMMiT® drum w/gears, 5 pack
9651	Samsung ML 1750, 1740, 1710, 1510 supply roller, 10 pack (special order)
6035	Samsung ML 1750, 1740, 1710, 1510 Uni Drum ® OEM style with gears
9273	Samsung ML 1750, 1740, 1710, 1510 wiper blade, 10 pack
11361	Samsung ML 1750, 1740, 1710, 2250 PCR saddle & contact, 10 pack

Samsung® ML 2150, 2151, 2152

Part #	Description
5758	Samsung ML 1610, 1750, 2010, 2150, 2250, 2550 toner hopper plug, 100 pack
9277	Samsung ML 2150, 2151, 2152 Absolute Black® toner 22 lb (10 kg) bag
9083	Samsung ML 2150, 2151, 2152 Absolute Black® toner 240g (8,000 pages)
11376	Samsung ML 2150, 2151, 2152 Cleaning roller, 10 pack (special order)

5479	Samsung ML 2150, 2151, 2152 developer roller, 9 pack (special order)
6893	Samsung ML 2150, 2151, 2152 doctor blade, 10 pack
5796	Samsung ML 2150, 2151, 2152 PCR roller, 10 pack (special order)
9272	Samsung ML 2150, 2151, 2152 Seal adhesive, 50 pack
9283	Samsung ML 2150, 2151, 2152 Smartchip ®
10118	Samsung ML 2150, 2151, 2152 supply roller, 10 pack(special order)
9084	Samsung ML 2150, 2151, 2152 Uni Drum ® OEM style with gears
5223	Samsung ML 2150, 2151, 2152 wiper blade, 10 pack

Samsung® ML 2250, 2251, 2252

Part #	Description
5758	Samsung ML 1610, 1750, 2010, 2150, 2250, 2550 toner hopper plug, 100 pack
10643	Samsung ML 2250 recovery blade, 100 pack
9521	Samsung ML 2250, 2251, 2252 Absolute Black® toner 135g (5,000 pages)
9522	Samsung ML 2250, 2251, 2252 Absolute Black® toner 22 lb (10 kg) bag
9524	Samsung ML 2250, 2251, 2252 developer roller, 10 pack
11075	Samsung ML 2250, 2251, 2252 doctor blade sealing foam, 10 pack (under development)
9669	Samsung ML 2250, 2251, 2252 doctor blade, 10 pack (sealing foam sold separately)
9667	Samsung ML 2250, 2251, 2252 PCR roller, 10 pack
9819	Samsung ML 2250, 2251, 2252 Smartchip ® (5,000 pages)
9627	Samsung ML 2250, 2251, 2252 sponge supply roller, 10 pack (special order)
12028	Samsung ML 2250, 2251, 2252 SuMMiT® drum w/gears
9523	Samsung ML 2250, 2251, 2252 Uni Drum ® OEM style with gears
9668	Samsung ML 2250, 2251, 2252 wiper blade, 10 pack
6298	Samsung ML 2250, 2251, 2252, SCX 4720, 4520, Dell 1600 universal cover top (special order)

Samsung® ML 2550, 2551, 2552

Part #	Description
5758	Samsung ML 1610, 1750, 2010, 2150, 2250, 2550 toner hopper plug, 100 pack
4990	Samsung ML 2550, 2551, 2152 doctor blade, 10 pack
5100	Samsung ML 2550, 2551, 2552 Absolute Black toner 145g (5,000 pages)
4991	Samsung ML 2550, 2551, 2552 Absolute Black toner 22 lb (10 kg) bag
4985	Samsung ML 2550, 2551, 2552 Absolute Black toner 285g (10,000 pages)
11377	Samsung ML 2550, 2551, 2552 Cleaner roller, 10 pack(special order)(under dev't)
4993	Samsung ML 2550, 2551, 2552 Clear Seal OEM style, 50 pack
5480	Samsung ML 2550, 2551, 2552 developer roller, 9 pack (special order)
5720	Samsung ML 2550, 2551, 2552 PCR roller, 10 pack (special order)
4986	Samsung ML 2550, 2551, 2552 Smartchip ® (10,000 Pages)
11235	Samsung ML 2550, 2551, 2552 Supply roller, 10 pack(special order)
4988	Samsung ML 2550, 2551, 2552 Uni Drum ® OEM style with gears
4989	Samsung ML 2550, 2551, 2552 wiper blade, 10 pack

Samsung® ML 2570, 2510, 2010, 1610, 1615, 1620

Part #	Description
5758	Samsung ML 1610, 1750, 2010, 2150, 2250, 2550 toner hopper plug, 100 pack
10006	Samsung ML 2570, 2510, 2010, 1610 Absolute Black® toner 22 lb (10 kg) bag
10005	Samsung ML 2570, 2510, 2010, 1610 Absolute Black® toner 95g (3,000 pages)
9793	Samsung ML 2570, 2510, 2010, 1610 developer roller, 10 pack

10112	Samsung ML 2570, 2510, 2010, 1610 PCR roller, 10 pack
10302	Samsung ML 2570, 2510, 2010, 1610 Smartchip® fuse, 10 pack
12030	Samsung ML 2570, 2510, 2010, 1610 SuMMiT® drum w/gears, 5 pack
10113	Samsung ML 2570, 2510, 2010, 1610 supply roller, 10 pack
8264	Samsung ML 2570, 2510, 2010, 1610 Uni Drum® OEM style w/ gears
11072	Samsung ML 2570, 2510, 2010, 1610 waste bin universal top (sold 24/box) (special order)
10452	Samsung ML 2570, 2510, 2010, 1610 wiper blade end felt set, 50 pack (under development)
10453	Samsung ML 2570, 2510, 2010, 1610 wiper blade end foam, 100 pack (under development)
10008	Samsung ML 2570, 2510, 2010, 1610 wiper blade, 10 pack
9869	Samsung ML 2570, 2510, 2010, 1640, 1610 doctor blade, 10 pack

Samsung® ML 2850, 2851, 2855, SCX 4824, 4826, 4828

Part #	Description
12105	Samsung ML 2450, 2850, 2851 Smartchip® toner (2,000 pages)
13639	Samsung ML 2450, 2850, 2851 Smartchip® toner (2,000 pages) (Europe)
12108	Samsung ML 2450, 2850, 2851 Smartchip® toner (5,000 pages)
13262	Samsung ML 2450, 2850, 2851 Smartchip® toner (5,000 pages) (Europe)
12109	Samsung ML 2450, 2850, 2851, SCX 4824, 4828 Absolute Black® toner 145g (5,000 pages)
12107	Samsung ML 2450, 2850, 2851, SCX 4824, 4828 Absolute Black® toner 22 lb (10 kg) bag
12106	Samsung ML 2450, 2850, 2851, SCX 4824, 4828 Absolute Black® toner 65g (2,000 pages)
13007	Samsung ML 2450, 2850, 2851, SCX 4824, 4828 developer roller sealing blade, 50 pack
14073	Samsung ML 2450, 2850, 2851, SCX 4824, 4828 developer roller, 10 pack
14501	Samsung ML 2450, 2850, 2851, SCX 4824, 4828 doctor blade sealing foam, 10 pack
14074	Samsung ML 2450, 2850, 2851, SCX 4824, 4828 doctor blade, 10 pack
13488	Samsung ML 2450, 2850, 2851, SCX 4824, 4828 PCR roller, 9 pack (special order)
13008	Samsung ML 2450, 2850, 2851, SCX 4824, 4828 recovery blade, 50 pack
13330	Samsung ML 2450, 2850, 2851, SCX 4824, 4828 SuMMiT® drum with gears
12556	Samsung ML 2450, 2850, 2851, SCX 4824, 4828 Uni Drum® with gears
12557	Samsung ML 2450, 2850, 2851, SCX 4824, 4828 wiper blade, 10 pack
13859	Samsung SCX 4824, 4826, 4828 Smartchip® toner (MLT-D2092L)(5,000 pages)(under dev't) EUR
13860	Samsung SCX 4824, 4826, 4828 Smartchip® toner (MLT-D2092S)(2,000 pages)(under dev't) EUF
13857	Samsung SCX 4824, 4826, 4828 Smartchip® toner (MLT-D209L)(5,000 pages)(under dev't) US
13858	Samsung SCX 4824, 4826, 4828 Smartchip® toner (MLT-D209S)(2,000 pages)(under dev't) US

Samsung® ML 3050, 3051

Part #	Description
10807	Samsung ML 3050, 3051 Absolute Black® toner 110g (4,000 pages)
10808	Samsung ML 3050, 3051 Absolute Black® toner 215g (8,000 pages)
10816	Samsung ML 3050, 3051 Absolute Black® toner 22 lb (10 kg) bag
10814	Samsung ML 3050, 3051 developer roller, 10 pack
10813	Samsung ML 3050, 3051 doctor blade, 10 pack
10815	Samsung ML 3050, 3051 PCR roller, 10 pack
10811	Samsung ML 3050, 3051 Smartchip® (4,000 pages) (USA, EU region)
10810	Samsung ML 3050, 3051 Smartchip® (8,000 pages) (USA, EU region)
12031	Samsung ML 3050, 3051 SuMMiT® drum w/gears
10809	Samsung ML 3050, 3051 Uni Drum® with gears
10812	Samsung ML 3050, 3051 wiper blade, 10 pack

Samsung® ML 3470, 3471

Part #	Description
11941	Samsung ML 3470, 3471 Absolute Black® toner 110g (4,000 pages)
11942	Samsung ML 3470, 3471 Absolute Black® toner 22 lb (10 kg) toner
11943	Samsung ML 3470, 3471 Absolute Black® toner 285g (10,000 pages)
12353	Samsung ML 3470, 3471 developer roller, 10 pack
12470	Samsung ML 3470, 3471 doctor blade, 10 pack
11944	Samsung ML 3470, 3471 Smartchip ® (10,000 pages)
12341	Samsung ML 3470, 3471 Smartchip ® (4,000 pages)
11945	Samsung ML 3470, 3471 Uni Drum ® with gears

Samsung® ML 3560, 3561, 3562

Part #	Description
13222	Samsung ML 3560, 3561 Absolute Black ® toner 175g (6,000 pages)
10103	Samsung ML 3560, 3561 Absolute Black ® toner 22 lb (10 kg) bag
10102	Samsung ML 3560, 3561 Absolute Black ® toner 350g (12,000 pages)
10797	Samsung ML 3560, 3561 Clear Seal ® foam adhesive, 50 pack
10106	Samsung ML 3560, 3561 developer roller, 5 pack
10108	Samsung ML 3560, 3561 doctor blade, 10 pack
10114	Samsung ML 3560, 3561 PCR roller, 10 pack
10601	Samsung ML 3560, 3561 shipping lock, 10 pack
10105	Samsung ML 3560, 3561 Smartchip ® (12,000 pages)
12255	Samsung ML 3560, 3561 Smartchip ® (6,000 pages)
10115	Samsung ML 3560, 3561 supply roller, 10 pack (under development)
10104	Samsung ML 3560, 3561 Uni Drum ® with gears
10107	Samsung ML 3560, 3561 wiper blade 10 pack

Samsung® ML 4300, 4500, 4600

Part #	Description
7130	Samsung ML 4500, 4600 Absolute Black® toner 105g (3,200 page yield)
9087	Samsung ML 4500, 4600 Absolute Black® toner 65g (2,000 page yield)
7132	Samsung ML 4500, 4600 Absolute Black® toner, 22 lb (10 kg) bag
8042	Samsung ML 4500, 4600 doctor blade, 10 pack
5106	Samsung ML 4500, 4600 Uni Drum ® OEM style with gears
7977	Samsung ML 4500, 4600 wiper blade, 10 pack (under development)
9620	Samsung ML 4500, SF 5100 universal cover, (sold 24/pack) (special order)

Samsung® ML 4550, 4551

Part #	Description
13179	Samsung ML 4050, 4550, 4551 Absolute Black ® toner 22 lb (10 kg) bag
11776	Samsung ML 4050, 4550, 4551 Absolute Black ® toner 300g (10,000 pages)
11777	Samsung ML 4050, 4550, 4551 Absolute Black ® toner 600g (20,000 pages)
11780	Samsung ML 4050, 4550, 4551 Clear Seal ® foam adhesive, 50 pack
13503	Samsung ML 4050, 4550, 4551 doctor blade, 10 pack
11779	Samsung ML 4050, 4550, 4551 Shipping lock, 10 pack
11781	Samsung ML 4050, 4550, 4551 Smartchip (10,000 pages)
11782	Samsung ML 4050, 4550, 4551 Smartchip (20,000 pages)
11778	Samsung ML 4050, 4550, 4551 Uni Drum ® with gears
13504	Samsung ML 4050, 4550, 4551 wiper blade, 10 pack

Samsung® ML 5000, 5050, 5100

Part #	Description
4964	Samsung ML 5000 Doctor Bar Sponge set, 10 pack (100 strips-L size)
6286	Samsung ML 5000, 5050 Absolute Black® toner 200g (5,000 pages)
6411	Samsung ML 5000, 5050 Absolute Black® toner, 22 lb (10 kg) bag
6503	Samsung ML 5000, 5050 Clear Seal ® adhesive, 50 pack
7823	Samsung ML 5000, 5050 developer roller, 9 pack (special order)
6214	Samsung ML 5000, 5050 Doctor Blade "K", 10 pack
7824	Samsung ML 5000, 5050 PCR roller, 9 pack (special order)
7121	Samsung ML 5000, 5050 Smartchip ® fuse, 10 pack
6276	Samsung ML 5000, 5050 Uni Drum ® OEM style w/gears
6652	Samsung ML 5000, 5050 wiper blade, 10 pack

Samsung® ML 6000

Part #	Description
6448	Xerox P 1202 Absolute Black® toner 200g (Samsung ML 6000/6100)
9238	Xerox P 1202 adhesive seal, 50 pack (Samsung ML 6000/6100)
9211	Xerox P 1202 developer roller, 9 pack (Samsung ML 6000/6100)
9376	Xerox P 1202 Uni Drum ® OEM style w/gears (Samsung ML 6000/6100)

Samsung® ML 6060, 6040

Part #	Description
7565	Samsung ML 6060, 6040 Absolute Black® toner 200g (6,000 pages)
6967	Samsung ML 6060, 6040 Absolute Black® toner 22 lb (10 kg) bag
8585	Samsung ML 6060, 6040 Clear adhesive seal, 50 pack
9355	Samsung ML 6060, 6040 Clear Seal ® adhesive, 1 pack
8193	Samsung ML 6060, 6040 developer roller, 9 pack (special order)
7849	Samsung ML 6060, 6040 Uni Drum ® OEM style with 1 gear

Samsung® ML 7000, 7050, 7100

Part #	Description
6285	Samsung ML 7000, 7100, 7300 Absolute Black® toner 22 lb (10 kg) bag
6288	Samsung ML 7000, 7100, 7300 Absolute Black® toner 300g
6282	Samsung ML 7000, 7100, 7300 Uni Drum ® with gears (special order)

Samsung® ML 80

Part #	Description
5280	Samsung ML 80 Uni Drum ® OEM style with gears
5498	Samsung ML 80 adhesive seal, 50 pack
5483	Samsung ML 80, 800 Absolute Black® toner 310g
5944	Samsung ML 80, 800 Absolute Black® toner, 22 lb (10 Kg) bag

Samsung® ML 8000

Part #	Description
---------------	--------------------

5961	Samsung ML 8000 Absolute Black® toner 310g
5962	Samsung ML 8000 Absolute Black® toner, 22 lb (10 Kg) bag
7673	Samsung ML 8000 adhesive seal, 50 pack
8055	Samsung ML 8000 Uni Drum ® with (new style) gears (special order)
8056	Samsung ML 8000 wiper blade, 10 pack

Samsung® ML 8200

Part #	Description
8062	Samsung ML 8200 Absolute Black® toner 22 lb (10 kg) bag
8061	Samsung ML 8200 Absolute Black® toner 310g
8060	Samsung ML 8200 doctor blade, 10 pack
8063	Samsung ML 8200 Uni Drum with gears & insert
8059	Samsung ML 8200 wiper blade, 10 pack

Samsung® Msys 830, 835P

Part #	Description
8256	Samsung Msys 830, 835 P Absolute Black® toner 220g
8257	Samsung Msys 830, 835 P developer roller, 9 pack (special order)
5615	Samsung Msys 830, 835 P doctor blade, 10 pack (under final test)
8258	Samsung Msys 830, 835 P Uni Drum ® with 1 gear
6943	Samsung Msys 830, 835 P wiper blade, 10 pack

Samsung® SCX 4016, 4116, 4216F

Part #	Description
9168	Samsung SCX 4016, 4216, SF 560, 755 Absolute Black ® toner 105g
9610	Samsung SCX 4016, 4216, SF 560, 755 Absolute Black ® toner 22 lb (10 kg) bag
5292	Samsung SCX 4016, 4216, SF 560, 755 developer roller, 9 pack
5293	Samsung SCX 4016, 4216, SF 560, 755 PCR roller, 10 pack
10203	Samsung SCX 4016, 4216, SF 560, 755 Smartchip ® fuse, 10 pack
9492	Samsung SCX 4016, 4216, SF 560, 755 Uni Drum ® OEM style with gears
4948	Samsung SCX 4016, 4216, SF 560, 755 wiper blade, 10 pack

Samsung® SCX 4100

Part #	Description
9640	Samsung SCX 4100, 4116 Absolute Black® toner 22 lb (10 kg) bag
9639	Samsung SCX 4100, 4116 Absolute Black® toner 75g (3,000 pages)
9896	Samsung SCX 4100, 4116 doctor blade w/sponge, 10 pack
9641	Samsung SCX 4100, 4116 Uni Drum ® OEM style with gears
9895	Samsung SCX 4100, 4116 wiper blade, 10 pack

Samsung® SCX 4300

Part #	Description
13324	Samsung SCX 4300 Uni Drum® with gears
13323	Samsung SCX 4300 Absolute Black® toner 75g
13325	Samsung SCX 4300 PCR roller, 10 pack (under development)

Samsung® SCX-4200

Part #	Description
10546	Samsung SCX 4200 Absolute Black® toner 22 lb (10 kg) bag
10545	Samsung SCX 4200 Absolute Black® toner 75g (3,000 pages)
10550	Samsung SCX 4200 doctor blade w/ sponge, 10 pack
10548	Samsung SCX 4200 Smartchip ®
11465	Samsung SCX 4200 top cover (special order) (sold 24/carton)
10547	Samsung SCX 4200 Uni Drum ® with gears
10549	Samsung SCX 4200 wiper blade, 10 pack

Samsung® SCX-4500, 4501

Part #	Description
13868	Samsung ML 1630, 1631, SCX 4500 Absolute Black® toner 22lb (10kg) bag
11939	Samsung ML 1630, 1631, SCX 4500 Absolute Black® toner 40g (2,000 pages)
13009	Samsung ML 1630, 1631, SCX 4500 Developer Roller End Felt, 10 sets (under development)
12733	Samsung ML 1630, 1631, SCX 4500 developer roller, 10 pack
12351	Samsung ML 1630, 1631, SCX 4500 doctor blade, 10 pack (under development)
12189	Samsung ML 1630, 1631, SCX 4500 Fill plug, 100 pack (special order)
12734	Samsung ML 1630, 1631, SCX 4500 PCR roller, 10 pack
11940	Samsung ML 1630, 1631, SCX 4500 Smartchip ®
12735	Samsung ML 1630, 1631, SCX 4500 supply roller, 10 pack
13010	Samsung ML 1630, 1631, SCX 4500 Toner Adder Roller End Foam, 10 sets (under development)
12203	Samsung ML 1630, 1631, SCX 4500 Uni Drum ® with gears
12352	Samsung ML 1630, 1631, SCX 4500 wiper blade, 10 pack

Samsung® SCX-4521, 4321

Part #	Description
10439	Samsung SCX 4521, 4321 Absolute Black® toner 22 1b (10 kg) bag
10438	Samsung SCX 4521, 4321 Absolute Black® toner 90g (3,000 pages)
10443	Samsung SCX 4521, 4321 developer roller, 10 pack
10442	Samsung SCX 4521, 4321 doctor blade, 10 pack
10444	Samsung SCX 4521, 4321 PCR roller, 10 pack
10446	Samsung SCX 4521, 4321 Smartchip ® fuse, 10 pack
10445	Samsung SCX 4521, 4321 supply roller, 10 pack
10440	Samsung SCX 4521, 4321 Uni Drum ® OEM Style with gears
10441	Samsung SCX 4521, 4321 wiper balde, 10 pack

Samsung® SCX-4720

Part #	Description
6298	Samsung ML 2250, 2251, 2252, SCX 4720, 4520, Dell 1600 universal cover top (special order)
9529	Samsung SCX 4720, 4520 Absolute Black ® toner 100g (3,00 pages)
9530	Samsung SCX 4720, 4520 Absolute Black ® toner 22 lb (10 kg) bag
9528	Samsung SCX 4720, 4520 Absolute Black toner, 150g
9536	Samsung SCX 4720, 4520 doctor blade, 10 pack
8349	Samsung SCX 4720, 4520 Drum ® with gears 100 pack (NY special order)
9534	Samsung SCX 4720, 4520 PCR roller, 10 pack
12256	Samsung SCX 4720, 4520 Smartchip® (3,000 pages)

9537	Samsung SCX 4720, 4520 Smartchip® (5,000 pages)
12036	Samsung SCX 4720, 4520 SuMMiT® drum w/gears
9531	Samsung SCX 4720, 4520 Uni Drum ® OEM style with gears
9535	Samsung SCX 4720, 4520 wiper blade, 10 pack

Samsung® SCX-4725

Part #	Description
11666	Samsung SCX 4725 Absolute Black® toner 22 lb (10 kg) bag
11665	Samsung SCX 4725 Absolute Black® toner 90g (3,000 pages)
13070	Samsung SCX 4725 compatible toner cartridge (3,000 pages) (Brasil, special order)
11671	Samsung SCX 4725 developer roller, 10 pack
11670	Samsung SCX 4725 doctor blade, 10 pack
11672	Samsung SCX 4725 PCR roller, 10 pack
11667	Samsung SCX 4725 Smartchip ® (3,000 pages)
11668	Samsung SCX 4725 Uni Drum ® OEM style with gears
11669	Samsung SCX 4725 wiper blade, 10 pack

Samsung® SCX-5112, 5115, 5312F

Part #	Description
8977	Samsung SCX 5112, 5312, 5315 Absolute Black® toner 200g
5472	Samsung SCX 5112, 5312, 5315 Absolute Black® toner 22 lb (10 kg) bag
5180	Samsung SCX 5112, 5312, 5315 developer roller, 9 pack (special order)
8979	Samsung SCX 5112, 5312, 5315 doctor blade, 10 pack
5083	Samsung SCX 5112, 5312, 5315 Smartchip ® drum unit fuse, 10 pack
12038	Samsung SCX 5112, 5312, 5315 SuMMiT® drum w/gears (sold in 5/pack)
5141	Samsung SCX 5112, 5312, 5315 Uni Drum ® OEM style with gears
8978	Samsung SCX 5112, 5312, 5315 wiper blade, 10 pack

Samsung® SCX-5530, 5330

Part #	Description
11947	Samsung SCX 5530, 5330 Absolute Black® toner 110g (4,000 pages)
10960	Samsung SCX 5530, 5330 Absolute Black® toner 215g (8,000 pages)
10961	Samsung SCX 5530, 5330 Absolute Black® toner 22 lb (10 kg) bag
10993	Samsung SCX 5530, 5330 developer roller, 10 pack
10996	Samsung SCX 5530, 5330 doctor blade, 10 pack
10994	Samsung SCX 5530, 5330 PCR roller, 10 pack
11946	Samsung SCX 5530, 5330 Smartchip ® (4,000 pages) (USA region)
10963	Samsung SCX 5530, 5330 Smartchip ® (8,000 pages) (USA, EUR region)
12039	Samsung SCX 5530, 5330 SuMMiT® drum w/gears
10962	Samsung SCX 5530, 5330 Uni Drum ® with gears
10995	Samsung SCX 5530, 5330 wiper blade, 10 pack

Samsung® SCX-5835 MFP

Part #	Description
13880	Samsung SCX 5835, 5635 MFP Absolute Black ® toner 110g (4,000 pages)
14904	Samsung SCX 5835, 5635 MFP Absolute Black ® toner 22lb(10kg) bag
13878	Samsung SCX 5835, 5635 MFP Absolute Black ® toner 280g (10,000 pages)

13882	Samsung SCX 5835, 5635 MFP Smartchip ® toner (MLT-D208L)(10,000 pages)
13881	Samsung SCX 5835, 5635 MFP Smartchip ® toner (MLT-D208S)(4,000 pages)
13885	Samsung SCX 5835, 5635 MFP SuMMiT® drum with gears
13883	Samsung SCX 5835, 5635 MFP Uni drum® with gears

Samsung® SCX-6320, 6322, 6220, 6120, 6520

Part #	Description
13780	Samsung SCX 6320 Reset tool (special order)
10263	Samsung SCX 6320, 6220, 6120, 6520 Absolute Black® toner 22 lb (10 kg)
9557	Samsung SCX 6320, 6220, 6120, 6520 Absolute Black® toner 22 lb (10 kg) (dark version)
9555	Samsung SCX 6320, 6220, 6120, 6520 Absolute Black® toner 250g
9556	Samsung SCX 6320, 6220, 6120, 6520 Absolute Black® toner 250g (dark version)
11553	Samsung SCX 6320, 6220, 6120, 6520 doctor blade, 10 pack
9866	Samsung SCX 6320, 6220, 6120, 6520 Smartchip ® drum unit fuse, 10 pack
9867	Samsung SCX 6320, 6220, 6120, 6520 Smartchip ® toner (8,000 pages)
10431	Samsung SCX 6320, 6220, 6120, 6520 Uni Drum ® with gears
9561	Samsung SCX 6320, 6220, 6120, 6520 wiper blade, 10 pack

Samsung® SCX-6345

Part #	Description
11645	Samsung SCX 6345 Absolute Black® developer carrier for drum unit 340g (under development)
11416	Samsung SCX 6345 Absolute Black® toner 22 lb (10 kg) bag
11415	Samsung SCX 6345 Absolute Black® toner 560g
14584	Samsung SCX 6345 Clear adhesive seal, 50 pack
11418	Samsung SCX 6345 doctor blade, 10 pack (under development)
11473	Samsung SCX 6345 Mag Roller Sleeve, 10 pack (under development)
11475	Samsung SCX 6345 PCR roller, 10 pack (under development)
13478	Samsung SCX 6345 Smartchip ® drum unit
11417	Samsung SCX 6345 Smartchip ® toner cartridge (special order)
11420	Samsung SCX 6345 wiper blade, 10 pack (under development)

Samsung® SCX-6555, 6545

Part #	Description
14093	Samsung SCX 6555 Absolute Black® toner TBAg (under development)
14094	Samsung SCX 6555 Smartchip ® toner (25,000 pages) (under development)

Samsung® SCX-7128, 7135, 7145

Part #	Description
5285	Samsung SCX 7128, 7135, 7145 Absolute Black toner 176 lb (80 kg)
5287	Samsung SCX 7128, 7135, 7145 Absolute Black toner 480g
5289	Samsung SCX 7128, 7135, 7145 Ecographics toner 220 lb (100 kg) (under final test)
5924	Samsung SCX 7128, 7135, 7145 Ecographics toner 320g (under final test)

Samsung® SF 560R

Part #	Description
13109	Samsung SF 560R Smartchip ® (3,000 pages)

Samsung® SF-5100

Part #	Description
9620	Samsung ML 4500, SF 5100 universal cover, (sold 24/pack) (special order)
8355	Samsung SF 5100 Absolute Black® toner 22 lb (10 kg) bag
7543	Samsung SF 5100 Absolute Black® toner 95g
8272	Samsung SF 5100 Developer roller, 9 pack
8271	Samsung SF 5100 PCR roller, 9 pack
9442	Samsung SF 5100 Smartchip ® fuse, 10 pack
5145	Samsung SF 5100 Uni Drum ® OEM style with gears

Samsung® SF-5500

Part #	Description
610	Samsung SF 5500, 5600 Uni Drum ® OEM style with gears (special order)

Samsung® SF-6750, 6800, 6900

Part #	Description
7739	Samsung SF 6800, 6900 Absolute Black® toner 150g
7740	Samsung SF 6800, 6900 Uni Drum ® with gears

Savin® 2235, 2238, 2245, 2535,2545

Part #	Description
13802	Savin 2235, 2238, 2245, 2535, 2545 (see Ricoh Aficio 1035, 1045)

Savin® C 2408, 3210

Part #	Description
9563	Ricoh Aficio 1224 C, 1232 C Black toner cartridge (sold 4/box)(special order)
9564	Ricoh Aficio 1224 C, 1232 C Cyan toner cartridge (sold 4/box)(special order)
9565	Ricoh Aficio 1224 C, 1232 C Magenta toner cartridge (sold 4/box)(special order)
9566	Ricoh Aficio 1224 C, 1232 C Yellow toner cartridge (special order)

Savin® C 3224, 3828

Part #	Description
9569	Ricoh Aficio 2232 C, 2238 C Magenta toner cartridge (sold 4/box)(special order)
9570	Ricoh Aficio 2232 C, 2238 C Yellow toner cartridge (sold 4/box)(special order)

Savin® CLP 1036

Part #	Description
9659	Ricoh CL 5000 Black ® compatible toner cartridge (special order)
9660	Ricoh CL 5000 Cyan ® compatible toner cartridge (special order)
9661	Ricoh CL 5000 Magenta ® compatible toner cartridge (special order)
9662	Ricoh CL 5000 Yellow ® compatible toner cartridge (special order)

Sharp® AL 2080

Part # Description

10637	Sharp AL 2080 Smartchip ® (USA) (under development)
10346	Sharp AR 5020, 5220, 5316, 5320 Absolute Black® developer 275g (special order)
14502	Sharp AR 5020, 5220, 5316, 5320 Absolute Black® developer 400g
10345	Sharp AR 5020, 5220, 5316, 5320 Absolute Black® toner 22 lb (10 kg) bag
10344	Sharp AR 5020, 5220, 5316, 5320 Absolute Black® toner 320g

Sharp® AL 800, 840

Part # Description

8343	Sharp AL 800, 840 Absolute Black® toner 220 lb (100 kg) barrel
6918	Sharp AL 800, 840 Absolute Black® toner 80g
6917	Sharp AL 800, 840 Uni Drum ® with gears (special order)

Sharp® AM 400, 300

Part # Description

4976	Sharp AM 400, 300 Absolute Black ® toner 22 lb (10 kg) bag
4975	Sharp AM 400, 300 Absolute Black ® toner 95g
5971	Sharp AM 400, 300 Uni Drum ® "F" gearless (special order)
4992	Sharp AM 400, 300 Uni Drum ® Green gearless (special order)

Sharp® AM 900

Part # Description

7217	Sharp AM 900 Absolute Black® toner 22 lb (10kg) bag
7216	Sharp AM 900 Absolute Black® toner 95g
7588	Sharp AM 900 Uni Drum ® gearless (special order)

Sharp® AR 016T, 016FT

Part # Description

13947	Sharp AR 016 FT, Smartchip® (Middle East, Africa, Philippines)
13918	Sharp AR 016 T, Smartchip® (Europe, Africa, S. America)

Sharp® AR 100, AL 1000

Part # Description

6032	Sharp AL 1000 Absolute Black® developer 190g
8128	Sharp AL 1000 Absolute Black® toner 22 lb (10 kg) bag
6430	Sharp AL 1000 Absolute Black® toner 220 lb (100 kg) barrel
6031	Sharp AL 1000 Absolute Black® toner 220g
6975	Sharp AL 1000 developer 175g
5620	Sharp AL 1000 developer, 55 lb (25 kg)
6532	Sharp AL 1000 Seal shipping protector, 100 pack
12708	Sharp AL 1000 SuMMIT® drum with gears, 5 pack
6530	Sharp AL 1000 Uni Drum ® wiith gears
6015	Sharp AL 1000 wiper blade, 10 pack

Sharp® AR 150, 151, 155, 156, 157

Part #	Description
12672	Sharp AR 150, 151, 152, 155, 156 Uni drum with gears (special order)
12667	Sharp AR 150, 151, 152, 155, 156 wiper blade (special order)
7615	Sharp AR 150, 151, 155 Smartchip ®, 10 pack
10464	Sharp AR 151, 152, 153, 156, 157, 168 Smartchip ®

Sharp® AR 152 T, 152 NT

Part #	Description
6606	Sharp AR 152 T, 152 NT Smartchip ® (same as #7700)
7700	Sharp AR 152 T, 152 NT Smartchip ®, 10 pack

Sharp® AR 160, 161, 200, 205, AL 1600, 2000

Part #	Description
6659	Sharp AL 2000, AR 200, 205 Absolute Black® toner 22 lb (10 kg) bag
6658	Sharp AL 2000, AR 200, 205 Absolute Black® toner 310g (use 2 per cartridge)
6660	Sharp AL 2000, AR 200, 205 Absolute Black® developer 395g
6481	Sharp AR 160, 161, 200, 205, AL 1600 Absolute Black® toner 320g (use 2 per cartridge)
9384	Sharp AR 160, 161, 200, 205, AL 1600 Absolute Black® toner 640g
6482	Sharp AR 160, 161, 200, 205, AL 1600 Absolute Black® toner, 22 lb (10 kg) bag
6483	Sharp AR 160, 161, 200, 205, AL 1600 Absolute Black® developer 390g
11472	Sharp AR 160, 161, 200, 205, AL 1600 Absolute Black® developer 55lb (25kg)bag
6485	Sharp AR 160, 161, 200, 205, AL 1600 seal cover, 10 pack (special order)
6484	Sharp AR 160, 161, 200, 205, AL 1600 Uni Drum ® with gears
5974	Sharp AR 160, 161, 200, 205, AL 1600 wiper blade, 10 pack
6365	Sharp AR 200 recovery blade, 25 pack (special order)

Sharp® AR 162, 163, 164

Part #	Description
13832	Sharp AR 162, 162s, 163, 164 Smartchip® w/ housing (USA)

Sharp® AR 162, 163, 201, 206, 207, M 160, 165, 205, 207

Part #	Description
8281	Sharp AR 162, 163, 164, 201, 202, 206, 207 Absolute Black ® developer 400g
8353	Sharp AR 162, 163, 164, 201, 202, 206, 207 Absolute Black ® toner 525g
11384	Sharp AR 162,162s, 163, 164, 201, 202, 207 T Smartchip ® w/housing (Europe)
10465	Sharp AR 201, 202, 207 NT Smartchip ® w/housing (USA)

Sharp® AR 235, 237, 275, 277

Part #	Description
9094	Sharp AR 270 ND Absolute Black® toner 740g
8820	Sharp AR 270 ND developer 400g
10296	Sharp AR 270 ND Uni Drum ® with gears (special order)

Sharp® AR 235, 275, M208, 237

Part # Description

- 13186 Sharp® AR 235, 275, M 208, 237 "F" drum with gears (sold 50/box) (special order)
- 13188 Sharp® AR 235, 275, M 208, 237 wiper blade (special order)(under development)

Sharp® AR 250, 280, 285, 286,287,335,336,337,405,407

Part # Description

- 12668 Sharp AR 250, 280, 285, 286, 287, 335, 336, 337, 405, 501, 505 wiper blade (special order)
- 8819 Sharp AR 330, 400 NT Absolute Black® toner 22 lb (10 kg) bag
- 8818 Sharp AR 330, 400 NT Absolute Black® toner 720g

Sharp® AR 286, 287, 336, 337

Part # Description

- 13187 Sharp® AR 286, 287, 336, 337 "F"drum with gears (sold 50/box)(special order) (No ETA)

Sharp® AR 300, 350, 450

Part # Description

- 13949 Sharp AR 350, 450 NT Smartchip® (US, Canada, Mexico)
- 13919 Sharp AR 350, 450 T Smartchip® (Europe)
- 7417 Sharp AR 450, 350 NT Uni Drum® gearless (under final test) (special order)
- 7436 Sharp AR 450, 350 NT Uni Drum® with gears (special order)
- 10954 Sharp AR 450, 350, 280 Absolute Black® developer carrier 390g
- 8817 Sharp AR 450, 350, 280 Absolute Black® toner 22 lb (10 kg) bag
- 7090 Sharp AR 450, 350, 280 Absolute Black® toner 810g
- 10950 Sharp AR 450, 350, 280 Smartchip® toner (under development)

Sharp® AR 310, 270

Part # Description

- 12696 Sharp AR 270, 310 NT Smartchip® (under final test)(USA, Mexico)
- 13948 Sharp AR 310 T Smartchip® (Europe)
- 13952 Sharp AR M 256, 317, 270, 310 NT Smartchip® (US, Canada, Mexico)

Sharp® AR 330, 400 NT

Part # Description

- 8819 Sharp AR 330, 400 NT Absolute Black® toner 22 lb (10 kg) bag
- 8818 Sharp AR 330, 400 NT Absolute Black® toner 720g

Sharp® AR 355, 455

Part # Description

- 14212 Sharp AR 455 DR Uni Drum® OPC (under development)
- 14550 Sharp AR 455 MD Absolute Black® developer 55lbs(25kg) bag
- 14211 Sharp AR 455 MD Absolute Black® developer carrier 400g (75,000 pages)
- 13950 Sharp AR 455 NT Smartchip® (US, Canada, Mexico)
- 14583 Sharp AR 455 NT/T Absolute Black® toner 220lbs(100kg) barrel
- 14209 Sharp AR 455 NT/T Absolute Black® toner 800g (25,000 pages)
- 13920 Sharp AR 455 T Smartchip® (Europe)

14372 Sharp® AR 351, 355, 451, 455 compatible toner cartridge, 814g (special order)

Sharp® AR 500, 501, 505, 507

Part # Description

9093 Sharp AR 500, 501, 505, 507 Absolute Black® toner 700g (under final test)

Sharp® AR 5015, 5020, 5120, 5220, 5316, 5320

Part # Description

6484 Sharp AR 160, 161, 200, 205, AL 1600 Uni Drum® with gears
 5974 Sharp AR 160, 161, 200, 205, AL 1600 wiper blade, 10 pack
 10346 Sharp AR 5020, 5220, 5316, 5320 Absolute Black® developer 275g (special order)
 14502 Sharp AR 5020, 5220, 5316, 5320 Absolute Black® developer 400g
 10345 Sharp AR 5020, 5220, 5316, 5320 Absolute Black® toner 22 lb (10 kg) bag
 10344 Sharp AR 5020, 5220, 5316, 5320 Absolute Black® toner 320g
 10951 Sharp AR 5020, 5220, 5316, 5320 Smartchip® AR-016FT (Africa, Middle East & Philipines)
 10952 Sharp AR 5020, 5220, 5316, 5320 Smartchip® AR-016LT (Other regions)(under development)
 10544 Sharp AR 5020, 5220, 5316, 5320 Smartchip® AR-016T (Europe & Mexico)
 10466 Sharp AR 5020, 5220, 5316, 5320 Smartchip® AR-016TD (USA)
 10347 Sharp AR 5020, 5220, 5316, 5320 Uni Drum® with gears
 10348 Sharp AR 5020, 5220, 5316, 5320 wiper blade, 10 pack (under development)

Sharp® AR 650

Part # Description

11641 Sharp AR 650 compatible toner cartridge 1500g (sold 4/box)(special order)
 14219 Sharp AR 650, AR 800 developer 1,500g (special order)

Sharp® AR 651, 810

Part # Description

11642 Sharp AR 651, 810 compatible toner cartridge 1350g (sold 4/box)(special order)

Sharp® AR C 200P, 220P, 240P

Part # Description

10132 Sharp AR C 200, 220, 240 P Absolute Black® toner 325g
 10133 Sharp AR C 200, 220, 240 P Absolute Cyan® toner 325g
 10134 Sharp AR C 200, 220, 240 P Absolute Magenta® toner 325g
 10135 Sharp AR C 200, 220, 240 P Absolute Yellow® toner 325g
 10137 Sharp AR C 200, 220, 240 P Smartchip® fuse for drum unit, 10 pack
 10136 Sharp AR C 200, 220, 240 P Uni Drum® with gears

Sharp® AR M 160, 162, 205, 207

Part # Description

13320 Sharp AR-M 162, 163, 164, 201 compatible toner cartridge® 537g (sold 10/box)(special order)
 13322 Sharp AR-M 162, 163, 164, 201 refill toner bottle® 475g (special order)

Sharp® AR M 256, 317

Part #	Description
13952	Sharp AR M 256, 317, 270, 310 NT Smartchip ® (US, Canada, Mexico)

Sharp® DX B350P

Part #	Description
14353	Sharp DX B 350 P Clear Seal® adhesive, 50 pack
14354	Sharp DX B 350 P doctor blade, 10 pack
14352	Sharp DX B 350 P PCR (recosted) roller, 10 pack (special order)
14349	Sharp DX B 350 P Smartchip® (DX-B35DTH)(18,000 pages)(under development)
14350	Sharp DX B 350 P Uni Drum® with gears (under development)
14351	Sharp DX B 350 P wiper blade, 10 pack
14348	Sharp DX B 350 P X-Generation® toner 790g (18,000 pages)

Sharp® DX B450P

Part #	Description
14356	Sharp DX B 450 P Absolute Black® toner TBAg (21,000 pages)(under development)
14357	Sharp DX B 450 P Smartchip® (DX-B45DTH)(21,000 pages)(under development)
14358	Sharp DX B 450 P Uni Drum® with gears (under development)

Sharp® FO 47 ND, 4700

Part #	Description
7157	Sharp FO 47 ND, 4700 Absolute Black® toner 22 lb (10kg)

Sharp® FO-2600, 2700, FO-26 DR

Part #	Description
6428	Sharp FO 26 ND, 2600, 3800 Absolute Black® toner 22 lb (10 kg)
5621	Sharp FO 26 ND, 2600, 3800 Absolute Black® toner 80g (2,000 pages)
6936	Sharp FO 26 ND, 2600, 3800 Uni Drum ® with gears

Sharp® FO-2800, FO-28 ND, DR

Part #	Description
6270	Sharp FO 28 ND Absolute Black® toner 85g
6273	Sharp FO 28 ND Uni Drum ® "S" gearless (special order)

Sharp® FO-2950, 2970, 3800, FO 29-ND

Part #	Description
10215	Sharp FO 29 ND, 3800, 3150, 2950 Absolute Black® toner 100g (3,000 pages)

Sharp® FO-3350, FO-35TD

Part #	Description
5587	Sharp FO 35 ND, 3350 Absolute Black® toner 250g

Sharp® FO-3450, 4800, 5400, FO-48DR, 48ND

Part # Description

5627	Sharp Fax FO 3450,4800, 5400, FO 48ND reset fuse (2 per cartridge)
5624	Sharp FO 3450, 4800, 5400, FO 48 DR Uni Drum ® "S" gearless (special order)
5625	Sharp FO 3450, 4800, 5400, FO 48 DR wiper blade (sold in 10 pack)
5622	Sharp FO 48 ND, 3450, 4800, 5400 Absolute Black® toner 320g
5623	Sharp FO 48 ND, 3450, 4800, 5400 Developer 180g

Sharp® FO-4400, 4450, DC-550**Part # Description**

10462	Sharp FO 55 ND, 4400, 4450, DC 550 Absolute Black® toner 150g
10463	Sharp FO 55 ND, 4400, 4450, DC 550 Smartchip ®
10461	Sharp FO 55 ND, 4400, 4450, DC 550 Uni Drum ® with gear

Sharp® FO-4500, 5500, 5600, 6550, 7500**Part # Description**

6269	Sharp FO 45 ND, 4500, 5500, 6550, 7500 Absolute Black® toner 90g
------	--

Sharp® FO-4700, 4650, 4970, 5550, 5700, 5800**Part # Description**

7717	Sharp FO 47 ND, 4700 Absolute Black® toner 200g
12627	Sharp FO 47 ND, 4700 Uni Drum ® w/ gears

Sharp® FO-4900, 5200, 6000, 6100**Part # Description**

6272	Sharp FO 52 ND, 4900, 5200, 5300, 6000, 6100 Uni Drum ® "S" gearless (special order)
------	--

Sharp® JX 9200**Part # Description**

617	Sharp JX 9200 Absolute Black® toner 82g
6098	Sharp JX 9200 Absolute Black® toner, 22 lb (10 kg) bag (sold 2/box)
6935	Sharp JX 9200 Uni Drum ® "S" with gears (special order)

Sharp® JX 9500**Part # Description**

623	Sharp JX 9500 Uni Drum ® "S" gearless (special order)
626	Sharp JX 9500 wiper blade (special order)

Sharp® JX 9600, 9400, 9450**Part # Description**

620	Sharp JX 9600, 9400 Absolute Black® toner 310g
5382	Sharp JX 9600, 9400 Absolute Black® toner, 22b (10kg) bag (sold 2/box)
628	Sharp JX 9600, 9400 developer 175g
630	Sharp JX 9600, 9400 felt 10 pack

633	Sharp JX 9600, 9400 reset fuse, each (2 per cartridge)
632	Sharp JX 9600, 9400 Uni Drum ® "S" gearless (special order)
7771	Sharp JX 9600, 9400 wand, 10 pack
5846	Sharp JX 9600, 9400 wand, 100 pack
8351	Sharp JX 9600, 9400 wiper blade, 10 pack
619	Xerox 4512, Sharp JX 9600, 9400 recovery blade 25 pack

Sharp® MX 2300N, 2700N

Part #	Description
13753	Sharp MX 2300N, 2700N, 3500N, 3501N, 4501 Absolute Black® toner TBAg (18,000 pages)
13754	Sharp MX 2300N, 2700N, 3500N, 3501N, 4501 Absolute Cyan® toner TBAg (15,000 pages)
13755	Sharp MX 2300N, 2700N, 3500N, 3501N, 4501 Absolute Magenta® toner TBAg (15,000 pages)
13756	Sharp MX 2300N, 2700N, 3500N, 3501N, 4501 Absolute Yellow® toner TBAg (15,000 pages)
13758	Sharp MX 2300N, 2700N, 3500N, 3501N, 4501 Smartchip® Black (MX27GTBA) (Europe) (18,000 pages)
13757	Sharp MX 2300N, 2700N, 3500N, 3501N, 4501 Smartchip® Black (MX27NTBA) (USA) (18,000 pages)
14486	Sharp MX 2300N, 2700N, 3500N, 3501N, 4501 Smartchip® Black (MX45GTBA) (Europe) (36,000 pages)
14487	Sharp MX 2300N, 2700N, 3500N, 3501N, 4501 Smartchip® Black (USA)(MX45NTBA) (36,000 pages)
13762	Sharp MX 2300N, 2700N, 3500N, 3501N, 4501 Smartchip® Cyan (MX27GTCA) (Europe) (15,000 pages)
13759	Sharp MX 2300N, 2700N, 3500N, 3501N, 4501 Smartchip® Cyan (MX27NTCA) (USA) (15,000 pages)
13763	Sharp MX 2300N, 2700N, 3500N, 3501N, 4501 Smartchip® Magenta (MX27GTMA) (Europe) (15,000 pages)
13760	Sharp MX 2300N, 2700N, 3500N, 3501N, 4501 Smartchip® Magenta (MX27NTMA) (USA) (15,000 pages)
13764	Sharp MX 2300N, 2700N, 3500N, 3501N, 4501 Smartchip® Yellow (MX27GYA) (Europe) (15,000 pages)
13761	Sharp MX 2300N, 2700N, 3500N, 3501N, 4501 Smartchip® Yellow (MX27NTYA) (USA) (15,000 pages)
14719	Sharp® MX 2300, 2700 Black compatible toner cartridge (18,000 pages)(Europe)
14715	Sharp® MX 2300, 2700 Black compatible toner cartridge (18,000 pages)(USA)
14720	Sharp® MX 2300, 2700 Cyan compatible toner cartridge (15,000 pages)(Europe)
14716	Sharp® MX 2300, 2700 Cyan compatible toner cartridge (15,000 pages)(USA)
14721	Sharp® MX 2300, 2700 Magenta compatible toner cartridge (15,000 pages)(Europe)
14717	Sharp® MX 2300, 2700 Magenta compatible toner cartridge (15,000 pages)(USA)
14722	Sharp® MX 2300, 2700 Yellow compatible toner cartridge (15,000 pages)(Europe)
14718	Sharp® MX 2300, 2700 Yellow compatible toner cartridge (15,000 pages)(USA)

Sharp® MX 3500N, 3501N, 4501

Part #	Description
13753	Sharp MX 2300N, 2700N, 3500N, 3501N, 4501 Absolute Black® toner TBAg (18,000 pages)
13754	Sharp MX 2300N, 2700N, 3500N, 3501N, 4501 Absolute Cyan® toner TBAg (15,000 pages)
13755	Sharp MX 2300N, 2700N, 3500N, 3501N, 4501 Absolute Magenta® toner TBAg (15,000 pages)
13756	Sharp MX 2300N, 2700N, 3500N, 3501N, 4501 Absolute Yellow® toner TBAg (15,000 pages)
13758	Sharp MX 2300N, 2700N, 3500N, 3501N, 4501 Smartchip® Black (MX27GTBA) (Europe) (18,000 pages)
13757	Sharp MX 2300N, 2700N, 3500N, 3501N, 4501 Smartchip® Black (MX27NTBA) (USA) (18,000 pages)
14486	Sharp MX 2300N, 2700N, 3500N, 3501N, 4501 Smartchip® Black (MX45GTBA) (Europe) (36,000 pages)
14487	Sharp MX 2300N, 2700N, 3500N, 3501N, 4501 Smartchip® Black (USA)(MX45NTBA) (36,000 pages)
13762	Sharp MX 2300N, 2700N, 3500N, 3501N, 4501 Smartchip® Cyan (MX27GTCA) (Europe) (15,000 pages)
13759	Sharp MX 2300N, 2700N, 3500N, 3501N, 4501 Smartchip® Cyan (MX27NTCA) (USA) (15,000 pages)
13763	Sharp MX 2300N, 2700N, 3500N, 3501N, 4501 Smartchip® Magenta (MX27GTMA) (Europe) (15,000 pages)
13760	Sharp MX 2300N, 2700N, 3500N, 3501N, 4501 Smartchip® Magenta (MX27NTMA) (USA) (15,000 pages)
13764	Sharp MX 2300N, 2700N, 3500N, 3501N, 4501 Smartchip® Yellow (MX27GYA) (Europe) (15,000 pages)
13761	Sharp MX 2300N, 2700N, 3500N, 3501N, 4501 Smartchip® Yellow (MX27NTYA) (USA) (15,000 pages)
13752	Sharp MX 3500N, 3501N, 4501 Absolute Black® toner TBAg (36,000 pages) (under development)
13751	Sharp MX 3500N, 3501N, 4501 Smartchip® Black (MX45GTBA) (Europe) 36,000 pages

13750	Sharp MX 3500N, 3501N, 4501 Smartchip® Black (MX45NTBA) (USA) 36,000 pages
14723	Sharp® MX 3501, 4501 Black compatible toner cartridge (under development)
14724	Sharp® MX 3501, 4501 Cyan compatible toner cartridge (under development)
14725	Sharp® MX 3501, 4501 Magenta compatible toner cartridge (under development)
14726	Sharp® MX 3501, 4501 Yellow compatible toner cartridge (under development)

Sharp® MX M450, M350

Part #	Description
14212	Sharp AR 455 DR Uni Drum® OPC (under development)
14550	Sharp AR 455 MD Absolute Black® developer 55lbs(25kg) bag
14211	Sharp AR 455 MD Absolute Black® developer carrier 400g (75,000 pages)
13950	Sharp AR 455 NT Smartchip® (US, Canada, Mexico)
14583	Sharp AR 455 NT/T Absolute Black ® toner 220lbs(100kg) barrel
14209	Sharp AR 455 NT/T Absolute Black ® toner 800g (25,000 pages)
13920	Sharp AR 455 T Smartchip® (Europe)
14372	Sharp® AR 351, 355, 451, 455 compatible toner cartridge, 814g (special order)

Sharp® SF 2022, 2027, 2035

Part #	Description
5977	Sharp SF 2022, 2027, 2035 compatible toner cartridge (320gram)(special order)

Sharp® SF 2030, 2025

Part #	Description
8984	Sharp SF 2025,2030,2530,2040,2540 compatible toner cartridge 600g (sold 10 p/box)

Sharp® SF 2050, 2052, 2060, 3062, 2260

Part #	Description
12881	Sharp® SF 2050, 2052, 2060, 3062, 2260 compatible toner cartridge, 930g (sold 10/box)(special order)

Sharp® SF 2216, 2220

Part #	Description
7662	Sharp SF 2216, 2220 compatible toner cartridge 240g, 10 pack(special order)

Sharp® SF-7300

Part #	Description
11839	Sharp SF 7300, 7320, 7350, 7370 compatible toner cartridge 260g (sold 10 p/box)(special order)

Sharp® SF-7800, 7850, 7855

Part #	Description
5830	Sharp SF 7800, 7850, 7855 "F" drum (sold 50 pack) (special order)

Sharp® Z 20

Part #	Description
--------	-------------

- 5740 Sharp Z 20 Absolute Black® toner 80g
- 5741 Sharp Z 20 Absolute Black® developer 140g

Sharp® Z 30

- | Part # | Description |
|---------------|--|
| 637 | Sharp Z 30 Absolute Black® developer 140g |
| 638 | Sharp Z 30 Absolute Black® toner 80g |
| 6137 | Sharp Z 30 Absolute Black® toner, 22 lb (10 kg) bag (sold 2/box) |
| 5682 | Sharp Z 30 Uni Drum ® "S" w/gears |

Sharp® Z 50

- | Part # | Description |
|---------------|--|
| 640 | Sharp Z 50 Absolute Black® developer 170g |
| 647 | Sharp Z 50 Absolute Black® toner 130g |
| 5609 | Sharp Z 50 Absolute Black® toner, 22 lb (10 Kg) bag |
| 6024 | Sharp Z 50 developer, 22 lb (10 kg) bag (sold 5/box) |
| 645 | Sharp Z 50 recovery blade, 25 pack (special order) |
| 648 | Sharp Z 50 wiper blade (sold in 10 pack) |

Sharp® Z 835

- | Part # | Description |
|---------------|--|
| 5052 | Sharp Z 835, Z 81 Absolute Black® toner 170g |
| 5731 | Sharp Z 835, Z 81 Absolute Black® developer 170g |
| 8195 | Sharp Z 835, Z 81 doctor blade, 10 pack |
| 5363 | Sharp Z 835, Z 81 wiper blade, 10 pack (under development) |

Sindo Ricoh® LF-1200

- | Part # | Description |
|---------------|--|
| 8227 | Sindo Ricoh LF 1200 Absolute Black® toner 175g |
| 8229 | Sindo Ricoh LF 1200 Uni Drum ® w/gears |
| 8228 | Sindo Ricoh LF 1200 wiper blade, 10 pack |

Sindo Ricoh® LP-1600

- | Part # | Description |
|---------------|---|
| 6952 | Sindo Ricoh LP 1600 Absolute Black® toner 150g |
| 5203 | Sindo Ricoh LP 1600 Smartchip ® (special order) |
| 8057 | Sindo Ricoh LP 1600 Uni Drum OEM style with gears |
| 8058 | Sindo Ricoh LP 1600 wiper blade, 10 pack |

Sindo Ricoh® LP-1800

- | Part # | Description |
|---------------|---|
| 13445 | Lexmark Optra E 321, 323, 220 Superchip ® Universal (6,000 pages) (Worldwide) |
| 5368 | Sindo Ricoh LP 1800 Smartchip ® (special order) |
| 5617 | Sindo Ricoh LP 1900, 1800 Absolute Black® toner 200g |
| 5790 | Sindo Ricoh LP 1900, 1800 Uni Drum OEM style with gears |

5791 Sindo Ricoh LP 1900, 1800 wiper blade, 10 pack

Sindo Ricoh® LP-1900

Part # Description

13445 Lexmark Optra E 321, 323, 220 Superchip® Universal (6,000 pages) (Worldwide)
 5198 Sindo Ricoh LP 1900 Smartchip® (special order)
 5617 Sindo Ricoh LP 1900, 1800 Absolute Black® toner 200g
 5790 Sindo Ricoh LP 1900, 1800 Uni Drum OEM style with gears
 5791 Sindo Ricoh LP 1900, 1800 wiper blade, 10 pack

Sindo Ricoh® LP-2200

Part # Description

5818 Sindo Ricoh LP 2200 Absolute Black® toner 300g
 5061 Sindo Ricoh LP 2200 Smartchip (special order)
 5187 Sindo Ricoh LP 2200 Uni Drum® with gears
 5817 Sindo Ricoh LP 2200 wiper blade, 10 pack

Sindo Ricoh® LP-2250

Part # Description

9782 Sindo Ricoh LP 2250 Clear Seal® adhesive for carrier hopper, 50 pack
 9781 Sindo Ricoh LP 2250 Clear Seal® adhesive for toner hopper, 50 pack
 8622 Sindo Ricoh LP 2250 Uni Drum® with gears (special order)

Sindo Ricoh® LP-3232

Part # Description

9395 Lexmark T 420, 430, X 422, IBM 1422 Uni Drum® Green with gears
 13456 Lexmark T 430 Superchip® Universal (12,000 pages) (Worldwide)
 9623 Lexmark T 430, X 422, IBM 1422 Absolute Black® toner 325g (12,000 pages)

Sindo Ricoh® LP-3320

Part # Description

8077 Sindo Ricoh LP 3320 Absolute Black® toner 550g
 8907 Sindo Ricoh LP 3320 Absolute Black® toner 22 lb (10 kg) bag
 8079 Sindo Ricoh LP 3320 developer 55 lb (25 kg) barrel
 8904 Sindo Ricoh LP 3320 drum with gears (special order)
 8078 Sindo Ricoh LP 3320 toner developer 55g
 8906 Sindo Ricoh LP 3320 Clear Seal® adhesive for toner hopper, 50 pack
 9780 Sindo Ricoh LP 3320 Silver Seal® adhesive, 50 pack
 8905 Sindo Ricoh LP 3320 wiper blade, 10 pack

Sindo Ricoh® LP-4500

Part # Description

5110 Lexmark T/X 646, 640, 630 Superchip® Universal Extra High Yield (Worldwide)

Sindo Ricoh® MF 2200

Part #	Description
7536	Lexmark X 422 Superchip ® Universal (12,000 pages) (Worldwide)

Source Technologies 9512

Part #	Description
14801	Smartchip ® MICR for use in Source Technologies 9512

Source Technologies® 1120, 1125

Part #	Description
5110	Lexmark T/X 646, 640, 630 Superchip® Universal Extra High Yield (Worldwide)
5318	Source Technologies IBM 1125, 1120 Smartchip MICR (15,000 pages) (Worldwide)

Source Technologies® 1130, 1140

Part #	Description
5110	Lexmark T/X 646, 640, 630 Superchip® Universal Extra High Yield (Worldwide)

Source Technologies® 1332, 1352

Part #	Description
5110	Lexmark T/X 646, 640, 630 Superchip® Universal Extra High Yield (Worldwide)

Source Technologies® 9120, 9125

Part #	Description
14118	Lexmark T 520, 522 SmartChip ® MICR (15,000 pages) (Worldwide)
5110	Lexmark T/X 646, 640, 630 Superchip® Universal Extra High Yield (Worldwide)

Source Technologies® 9130, 9140

Part #	Description
5110	Lexmark T/X 646, 640, 630 Superchip® Universal Extra High Yield (Worldwide)

Source Technologies® 9216

Part #	Description
14129	Lexmark Optra E 321 Smartchip ® MICR (3,250 pages) (Worldwide)

Source Technologies® 9222

Part #	Description
5211	Lexmark T 420 Smartchip ® MICR (8,000 pages) (Worldwide)
5212	Lexmark T 420, Source Tech 9222 MICR ® toner (for checks) 300g

Source Technologies® 9325, 9335, 9340

Part #	Description
---------------	--------------------

- 5110 Lexmark T/X 646, 640, 630 Superchip® Universal Extra High Yield (Worldwide)
- 5067 Source Tech 9325, 9335, 9340, T 630, 632, 634 Smartchip ® MICR (15,000 pages) (Worldwide)

Source Technologies® ST 9420 MICR

- | Part # | Description |
|---------------|--|
| 14131 | Lexmark T 430 Smartchip ® MICR (8,000 pages) (Worldwide) |

Source Technologies® ST 9510, 9410 MICR

- | Part # | Description |
|---------------|--|
| 14132 | Lexmark E 330, 340 Smartchip ® MICR (4,700 pages) (Worldwide) |
| 14912 | Source Technologies® ST 9510, 9410 MICR (Look for Lexmark E 330, 340 supplies) |

Standard Register® PL 4820, 4825

- | Part # | Description |
|---------------|---|
| 5110 | Lexmark T/X 646, 640, 630 Superchip® Universal Extra High Yield (Worldwide) |

Standard Register® PL 4830, 4840

- | Part # | Description |
|---------------|---|
| 5110 | Lexmark T/X 646, 640, 630 Superchip® Universal Extra High Yield (Worldwide) |

Standard Register® PL 4935, 4940, 4945

- | Part # | Description |
|---------------|---|
| 5110 | Lexmark T/X 646, 640, 630 Superchip® Universal Extra High Yield (Worldwide) |

Tally® Genicom® 9330

- | Part # | Description |
|---------------|---|
| 14346 | Tally Genicom 9330 Absolute Black® toner 220g (8,000 pages) |
| 14345 | Tally Genicom 9330 Smartchip® (043872)(8,000 pages)(under dvelopment) |
| 14347 | Tally Genicom 9330 Uni Drum® with gears |

Tally® Genicom® T-8008

- | Part # | Description |
|---------------|--|
| 9983 | Tally T 8008 Absolute Black ® toner 310g |
| 9984 | Tally T 8008 Absolute Cyan ® toner 215g |
| 9985 | Tally T 8008 Absolute Magenta ® toner 215g |
| 9986 | Tally T 8008 Absolute Yellow ® toner 215g |

Tally® Genicom® T-8124

- | Part # | Description |
|---------------|--|
| 5503 | Tally T 8124 Absolute Black ® toner 250g (7,500 pages) |
| 5504 | Tally T 8124 Absolute Cyan ® toner 220g (6,000 pages) |
| 5505 | Tally T 8124 Absolute Magenta ® toner 220g (6,000 pages) |
| 5506 | Tally T 8124 Absolute Yellow ® toner 220g (6,000 pages) |

5507 Tally T 8124 Uni Drum ® with gears

Tally® Genicom® T-8406, 8306

Part # Description

6555 Tally T 8406, 8306 Absolute Black ® toner 310g
 6556 Tally T 8406, 8306 Absolute Cyan ® toner 290g
 6557 Tally T 8406, 8306 Absolute Magenta ® toner 290g
 6541 Tally T 8406, 8306 Absolute Yellow ® toner 290g

Tally® Genicom® T-9022

Part # Description

5757 Tally T 9022 Absolute Black ® toner 135g (5,000 pages)
 5807 Tally T 9022 doctor blade, 10 pack
 9527 Tally T 9022 Smartchip ® (5,000 pages)
 5759 Tally T 9022 Uni Drum ® with gears
 5548 Tally T 9022 wiper blade, 10 pack

Tally® Genicom® T-9025

Part # Description

5424 Tally T 9025 Absolute Black ® toner 245g (10,000 pages)
 6410 Tally T 9025 doctor blade, 10 pack
 5105 Tally T 9025 Smartchip ® (10,000 pages)
 5477 Tally T 9025 Uni Drum ® with gears
 5194 Tally T 9025 wiper blade, 10 pack

Tally® Genicom® T-9035

Part # Description

6381 Tally T 9035 Absolute Black® toner 800g (17,000 pages)
 6726 Tally T 9035 Clear Seal ® adhesive, 50 pack
 6682 Tally T 9035 doctor blade, 10 pack
 6457 Tally T 9035 Smartchip ® (17,000 pages) (special order) (sold 10/box)
 6696 Tally T 9035 Uni Drum ® with gears
 6473 Tally T 9035 wiper blade, 10 pack

Tally® Genicom® T-9104

Part # Description

7024 Tally T 9014 Absolute Black® toner 170g
 6327 Tally T 9104 Absolute Black® toner 30g

Tally® Genicom® T-9114

Part # Description

6149 Tally T 9114 Absolute Black® toner 200g
 6184 Tally T 9114 Uni Drum ® OEM style with gears
 6351 Tally T 9114 wiper blade, 10 pack

Tally® Genicom® T-9220

Part #	Description
6798	Tally T 9220 Smartchip ®

Tally® Genicom® T-9314

Part #	Description
5216	Tally T 9314 Absolute Black® toner 480g
6309	Tally T 9314 MICR ® (for checks) toner 22 lb (10 kg) bag (special order)
8108	Tally T 9314 MICR ® toner 480g (for checks) (under final test)

Tally® Genicom® T-9412

Part #	Description
5632	Tally T 9412 Absolute Black® toner 200g

TEC LB 1305/06/21/23

Part #	Description
5568	TEC 1305, 1306, 1321, 1323 Uni Drum ® "S" gearless (special order)
683	TEC 1305, 1306,1321,1323 wiper blade (special order)

Tektronix® Phaser 540, 550, 740

Part #	Description
6369	Tektronix 540, 560, 740, 750 Black toner 200g
7513	Tektronix 540, 560, 740, 750 Black toner 22 lb (10 kg)
6374	Tektronix 540, 560, 740, 750 Cyan toner 160g
5022	Tektronix 540, 560, 740, 750 Cyan toner 22 lb (10 kg) bag
6375	Tektronix 540, 560, 740, 750 Magenta toner 160g
5023	Tektronix 540, 560, 740, 750 Magenta toner 22 lb (10 kg) bag
6376	Tektronix 540, 560, 740, 750 Yellow toner 160g
5024	Tektronix 540, 560, 740, 750 Yellow toner 22 lb (10 kg) bag

Tektronix® Phaser 780, 780+

Part #	Description
6262	Tektronix Phaser 780 Absolute Black ® toner 200g (needs carrier)
6261	Tektronix Phaser 780 Absolute Cyan ® toner 200g (needs carrier)
6260	Tektronix Phaser 780 Absolute Magenta ® toner 200g (needs carrier)
6259	Tektronix Phaser 780 Absolute Yellow ® toner 200g (needs carrier)
8809	Tektronix Phaser 780 developer carrier toner 60g (special order)

Tektronix® Phaser 840, 850

Part #	Description
5002	Tektronix Phaser 840, 850 Smartchip ® for drum unit

Telecom C-501

Part #	Description
6295	Telecom C 501 felt, 100 pack

Toshiba® e-Studio 202, 203

Part #	Description
13953	Toshiba e-Studio 202 MFP, 203 MFP, 203D MFP compatible toner cartridge, 238g,

Toshiba® BD-6650, 5540

Part #	Description
5238	Toshiba BD 6550, 5540 Absolute Black toner 220 lb (100 kg) (special order)

Toshiba® DP-1250, 1450

Part #	Description
6983	Xerox DC 212, 214 Absolute Black® toner 800g
8757	Xerox DC 212, 214 Absolute Black® toner 820g (special order)
6791	Xerox DC 212, 214 Absolute Black® toner 410g (use 2 for 20K cartridges)
7906	Xerox DC 212, 214 doctor blade, 10 pack
9368	Xerox DC 212, 214 mag roller bushing (long), 100 pack
7904	Xerox DC 212, 214 mag roller bushing (short), 100 pack
8245	Xerox DC 212, 214 Uni Drum ® with gears
7903	Xerox DC 212, 214 wiper blade, 10 pack

Toshiba® DP-80, 85

Part #	Description
7718	Toshiba DP 80 , 85 Absolute Black® toner 150g (New Formula)

Toshiba® e-Studio 12, 15, 120, 150

Part #	Description
11509	Toshiba e Studio 12, 15, 120, 150 Absolute Black® toner 238g
13430	Toshiba e Studio 12, 15, 120, 150 compatible toner cartridge 210g (special order)
11511	Toshiba e Studio 12, 15, 120, 150 Uni Drum ® with gears
11512	Toshiba e Studio 12, 15, 120, 150 wiper blade, 10 pack
11510	Toshiba e-Studio 12, 15, 120, 150 developer 175g

Toshiba® e-Studio 16, 20, 25

Part #	Description
8832	Toshiba e Studio 16, 160, T 1600 comp. toner cartridge 335g, 2 pack (special order)
8687	Toshiba e Studio 16, 20, 25 Absolute Black® toner 220 lb (100 kg) barrel (special order)
8543	Toshiba e Studio 16, 20, 25, 160, 200, 250 Uni Drum ® with gears (special order)
8822	Toshiba e Studio 16, 20, 25, 250 Absolute Black® toner 335g (special order)
6274	Toshiba e Studio 20 P, 25 P Smartchip ® (special order)
8989	Toshiba e Studio 20, 25, T 2500 comp. toner cartridge 500g, 2 pack (special order)

Toshiba® e-Studio 161, T-1620

Part # Description

11568	Toshiba e Studio 161, T 1620 Absolute Black® compatible developer 390g
11567	Toshiba e Studio 161, T 1620 Absolute Black® toner 537g
11689	Toshiba e Studio 161, T 1620 compatible toner cartridge 537g (sold 10/box) (special order)
11569	Toshiba e Studio 161, T 1620 Uni Drum ® with gears
11570	Toshiba e Studio 161, T 1620 wiper blade, 10 pack

Toshiba® e-Studio 163, 165, 203, 205, T-1640

Part # Description

11514	Toshiba e Studio 163, 165, 203, 205 Absolute Black® drum unit carrier developer 480g (special order)
11700	Toshiba e Studio 163, 165, 203, 205, T 1640 Absolute Black® toner 22 lb (10 kg) bag
11513	Toshiba e Studio 163, 165, 203, 205, T 1640 Absolute Black® toner 675g
11566	Toshiba e Studio 163, 165, 203, 205, T 1640 compatible toner cartridge (sold 4/box)(special order)
11701	Toshiba e Studio 163, 165, 203, 205, T 1640 Smartchip ® (special order)

Toshiba® e-studio 168, 208, 258

Part # Description

12673	Toshiba e Studio 168, 208, 258 Uni Drum ® with gears (special order)
12669	Toshiba e-studio 168, 208, 258 wiper blade (special order)

Toshiba® e-Studio 170 F

Part # Description

11817	Toshiba e Studio 170 F Absolute Black® toner 200g (6,000 pages)
12050	Toshiba e Studio 170 F Smartchip ® (6,000 pages) (under development) (US version)
11819	Toshiba e Studio 170 F Uni Drum ® with gears

Toshiba® e-Studio 180 CP

Part # Description

9905	Toshiba e Studio 180 CP Absolute Black ® toner 310g
9906	Toshiba e Studio 180 CP Absolute Cyan ® toner 215g
9907	Toshiba e Studio 180 CP Absolute Magenta ® toner 215g
9908	Toshiba e Studio 180 CP Absolute Yellow ® toner 215g

Toshiba® e-Studio 190 P

Part # Description

9899	Lexmark Optra E 220, 320, 321, 322, 323 Doctor bar, 10 pack
7912	Lexmark Optra E 220, 320, 321, 322, 323 Uni Drum ® OEM style with gears
8569	Lexmark Optra E 321, 323 Absolute Black® toner 155g (6,000 pages)
8568	Lexmark Optra E 321, 323 Absolute Black® toner 22 lb (10 kg) bag
8571	Lexmark Optra E 321, 323 wiper blade, 10 pack
13445	Lexmark Optra E 321, 323, 220 Superchip ® Universal (6,000 pages) (Worldwide)
5659	Toshiba e Studio 190 P (see Lexmark Optra E 321)

Toshiba® e-Studio 20 CP

Part # Description

10581	Toshiba e Studio 20 CP Absolute Black ® toner 340g
10582	Toshiba e Studio 20 CP Absolute Cyan ® toner 340g
10583	Toshiba e Studio 20 CP Absolute Magenta ® toner 340g
10584	Toshiba e Studio 20 CP Absolute Yellow ® toner 340g

Toshiba® e-Studio 20 P, 25 P

Part #	Description
8219	Lexmark 4059, Optra T 420, 520, 610, 620, 630 Doctor Bar, 10 pack
5749	Lexmark 4059, Optra T 610, 520, 620, 630 shipping lock, 25 pack
502	Lexmark 4059, Optra T 610, 520, 620, 630 waste recovery blade, 100 pack
6140	Lexmark 4059, T 420, 430, 520, 610, 620, 630 Shim washer, 100 pack
8191	Lexmark Optra E 320, M 410, T 420, 520, 620, 630, 640 drum cover, 10 pack
5938	Lexmark Optra T 610, 520, 620, 630 Inner & outer retaining blade, 50 sets
7983	Lexmark T 520 Absolute Black® toner 22 lb (10 kg) bag
7907	Lexmark T 520 Absolute Black® toner 300g (10,000 pages)
9060	Lexmark T 520 Absolute Black® toner 615g (20,000 pages)
11364	Lexmark T 520 conversion recess insert, 10 pack (special order)
5096	Lexmark T 640, 630, 620, 610, 520, 4059 wiper blade end foam, 50 pack (special order)
10659	Lexmark T 640, 630, 620, 610, 520, E 460, 360, 260 developer roller end seal (left & right) 100 sets
5110	Lexmark T/X 646, 640, 630 Superchip® Universal Extra High Yield (Worldwide)
10579	Toshiba e Studio 20 P, 25 P (see Lexmark T 520, 522)

Toshiba® e-Studio 20, 25 C

Part #	Description
7136	Lexmark 4059, Optra T 610, 520, 620, 630 shipping lock instruction, 100 pack
8489	Lexmark T 520 MICR ® (for checks) toner 490g

Toshiba® e-Studio 200 CP

Part #	Description
10142	Toshiba e Studio 200 CP Absolute Black ® toner 270g (12,000 pages) (under development)
10143	Toshiba e Studio 200 CP Absolute Cyan ® toner 270g (12,000 pages)
10144	Toshiba e Studio 200 CP Absolute Magenta ® toner 270g (12,000 pages)
10145	Toshiba e Studio 200 CP Absolute Yellow ® toner 270g (12,000 pages)

Toshiba® e-Studio 200, 202, 230, 232, 280, 282

Part #	Description
11688	Toshiba e Studio 200L, 202L, 230, 232, 280, 282 compatible toner cartridge (special order)

Toshiba® e-Studio 205 CP

Part #	Description
11691	Toshiba e Studio 205 CP Absolute Black ® toner 310g (8,000 pages)
11692	Toshiba e Studio 205 CP Absolute Cyan ® toner 205g (5,000 pages)
11693	Toshiba e Studio 205 CP Absolute Magenta ® toner 205g (5,000 pages)
11694	Toshiba e Studio 205 CP Absolute Yellow ® toner 205g (5,000 pages)
11695	Toshiba e Studio 205 CP Smartchip ® Black (8,000 pages) (under development)
11696	Toshiba e Studio 205 CP Smartchip ® Cyan (5,000 pages) (under development)

- 11697 Toshiba e Studio 205 CP Smartchip ® Magenta (5,000 pages) (under development)
- 11698 Toshiba e Studio 205 CP Smartchip ® Yellow (5,000 pages) (under development)

Toshiba® e-Studio 220 CP

Part #	Description
10171	Lexmark C 520, 522, 524, 530, 532, 534 Absolute Black ® toner 155g (4,000 pages)
13011	Lexmark C 520, 522, 524, 530, 532, 534 Absolute Black ® toner 22 lb (10 kg) bag
10585	Lexmark C 520, 522, 524, 530, 532, 534 Absolute Black ® toner 310g (8,000 pages)
10172	Lexmark C 520, 522, 524, 530, 532, 534 Absolute Cyan ® toner 120g (3,000 pages)
10586	Lexmark C 520, 522, 524, 530, 532, 534 Absolute Cyan ® toner 205g (5,000 pages)
13012	Lexmark C 520, 522, 524, 530, 532, 534 Absolute Cyan ® toner 22 lb (10 kg) bag
10173	Lexmark C 520, 522, 524, 530, 532, 534 Absolute Magenta ® toner 120g (3,000 pages)
10587	Lexmark C 520, 522, 524, 530, 532, 534 Absolute Magenta ® toner 205g (5,000 pages)
13013	Lexmark C 520, 522, 524, 530, 532, 534 Absolute Magenta ® toner 22 lb (10 kg) bag
10174	Lexmark C 520, 522, 524, 530, 532, 534 Absolute Yellow ® toner 120g (3,000 pages)
10588	Lexmark C 520, 522, 524, 530, 532, 534 Absolute Yellow ® toner 205g (5,000 pages)
13014	Lexmark C 520, 522, 524, 530, 532, 534 Absolute Yellow ® toner 22 lb (10 kg) bag
11807	Lexmark C 520, 522, 524, 530, 532, 534 Smartchip ® Black (4,000 pages)
10985	Lexmark C 520, 522, 524, 530, 532, 534 Smartchip ® Black (8,000 pages)
11808	Lexmark C 520, 522, 524, 530, 532, 534 Smartchip ® Cyan (3,000 pages)
10986	Lexmark C 520, 522, 524, 530, 532, 534 Smartchip ® Cyan (5,000 pages)
11309	Lexmark C 520, 522, 524, 530, 532, 534 Smartchip ® Cyan (7,000 pages)
11809	Lexmark C 520, 522, 524, 530, 532, 534 Smartchip ® Magenta (3,000 pages)
10987	Lexmark C 520, 522, 524, 530, 532, 534 Smartchip ® Magenta (5,000 pages)
11310	Lexmark C 520, 522, 524, 530, 532, 534 Smartchip ® Magenta (7,000 pages)
11810	Lexmark C 520, 522, 524, 530, 532, 534 Smartchip ® Yellow (3,000 pages)
10988	Lexmark C 520, 522, 524, 530, 532, 534 Smartchip ® Yellow (5,000 pages)
11311	Lexmark C 520, 522, 524, 530, 532, 534 Smartchip ® Yellow (7,000 pages)
11302	Lexmark C 520, 530 Smartchip ® Black (1,500 pages) (No toner low reading)
11303	Lexmark C 520, 530 Smartchip ® Cyan (1,500 pages) (No toner low reading)
11304	Lexmark C 520, 530 Smartchip ® Magenta (1,500 pages) (No toner low reading)
11305	Lexmark C 520, 530 Smartchip ® Yellow (1,500 pages) (No toner low reading)
14066	Toshiba e Studio CP 220, 205 (see Lexmark C 520, 522, 530, 532, 534)

Toshiba® e-Studio 220 P

Part #	Description
13453	Lexmark T 420 Superchip® Universal (10,000 pages)(Worldwide)
11857	Lexmark T 420, 430, X 422 developer roller, 10 pack (under final test)(special order)
9395	Lexmark T 420, 430, X 422, IBM 1422 Uni Drum ® Green with gears
8396	Lexmark T 420, 430, X 422, IBM 1422 wiper blade, 10 pack
8394	Lexmark T 420, X 422 Absolute Black® toner 22 lb (10 kg) bag
8393	Lexmark T 420, X 422 Absolute Black® toner 255g (10,000 pages)
6008	Lexmark T 420, X 422 shipping lock, 10 pack
9163	Toshiba e Studio 220 (see Lexmark T 420)

Toshiba® e-Studio 250 CP

Part #	Description
8822	Toshiba e Studio 16, 20, 25, 250 Absolute Black® toner 335g (special order)

6713 Toshiba e Studio 250 CP Smartchip for toner cartridge (under development)

Toshiba® e-Studio 2500C, 3500C, 3510C

Part #	Description
12622	Toshiba e Studio 2500C, 3500C, 3510C Absolute Black® toner 22 lb (10 kg) bag (under development)
12593	Toshiba e Studio 2500C, 3500C, 3510C Absolute Black® toner 600g (under development)
12623	Toshiba e Studio 2500C, 3500C, 3510C Absolute Cyan® toner 22 lb (10 kg) bag (under development)
12618	Toshiba e Studio 2500C, 3500C, 3510C Absolute Cyan® toner 590g (under development)
12624	Toshiba e Studio 2500C, 3500C, 3510C Absolute Magenta® toner 22 lb (10 kg) bag (under development)
12619	Toshiba e Studio 2500C, 3500C, 3510C Absolute Magenta® toner 590g (under development)
12625	Toshiba e Studio 2500C, 3500C, 3510C Absolute Yellow® toner 22 lb (10 kg) bag (under development)
12621	Toshiba e Studio 2500C, 3500C, 3510C Absolute Yellow® toner 590g (under development)

Toshiba® e-Studio 270 P

Part #	Description
9898	Lexmark E 230, 232, 238, 250, 260, 330, 332, 340, 350, 360, 450, 460 wiper blade, 10 pack
9621	Lexmark E 230, 232, 238, 250, 330, 332, 340, 350, 450 Developer roller, 10 pack
9621	Lexmark E 230, 232, 238, 250, 330, 332, 340, 350, 450 Developer roller, 10 pack
9897	Lexmark E 230, 232, 238, 250, 330, 332, 340, 350, 450 Doctor bar, 10 pack (Dell 1700)
5922	Lexmark E 230, 232, 238, 250, 330, 332, 340, 350, 450 PCR, 10 pack (Dell 1700, IBM 1412)
9616	Lexmark E 230, 232, 238, 250, 330, 332, 340, 350, 450 shipping lock, 10 pack (Dell 1700, IBM 1412)
12021	Lexmark E 230, 232, 238, 250, 330, 332, 340, 350, 450 SuMMiT®, 5 pack drum w/gears (Dell 1700)
10392	Lexmark E 230, 232, 238, 250, 330, 332, 340, 350, 450 supply roller, 20 pack (Dell P 1700)
9255	Lexmark E 230, 232, 238, 250, 330, 332, 340, 350, 450 Uni Drum ® "F" w/gears (Dell 1700)
5563	Lexmark E 230, 232, 238, 250, 330, 332, 340, 350, 450 Uni Drum ® Green w/gears (Dell 1700)
9254	Lexmark E 230, 232, 238, 330, 332, 340 Absolute Black® toner 22 lb (10 kg) bag
9295	Lexmark E 230, 232, 238, 330, 332, 340, Dell 1700 Absolute Black® toner 185g (6,000 pages)
11356	Lexmark E 330, (Dell 1700) recovery blade, 100 pack (special order)
13435	Lexmark E/X 230, 232, 240, 330, 332, 340, 342, 203, 204 Superchip Universal (2,500 pages)(Worldwide)
13450	Lexmark E/X 330, 332, 340, 342, 203, 204 Superchip ® Universal (6,000 pages) (Worldwide)
11699	Toshiba e-Studio 270 P, 300 P (use 13435 Lexamrk E/X 240, 340 Super Universal® chip)

Toshiba® e-Studio 28, 35, 45

Part #	Description
8991	Toshiba e Studio 28, 35, 45, 350, 450 Uni Drum with gears (sold 20/box)
12583	Toshiba e Studio 28, 35, 45, 350, 450 wiper blade (special order)
11841	Toshiba e Studio 28, 35, 45, T 3500 (Europe) compatible toner cartridge 450g, 4 pack (special order)
8688	Toshiba e Studio 28, 35, 45, T 3500 Absolute Black® toner 176 lb (80 kg) barrel
8823	Toshiba e Studio 28, 35, 45, T 3500 Absolute Black® toner 450g (special order)
8831	Toshiba e Studio 28, 35, 45, T 3500 USA compatible toner cartridge 450g, 4 pack (special order)

Toshiba® e-Studio 280 CP

Part #	Description
10146	Toshiba e Studio 280 CP Absolute Black ® toner 380g
10147	Toshiba e Studio 280 CP Absolute Cyan ® toner 380g
10148	Toshiba e Studio 280 CP Absolute Magenta ® toner 380g
10149	Toshiba e Studio 280 CP Absolute Yellow ® toner 380g

Toshiba® e-Studio 30 P, 40 P

Part #	Description
8219	Lexmark 4059, Optra T 420, 520, 610, 620, 630 Doctor Bar, 10 pack
7136	Lexmark 4059, Optra T 610, 520, 620, 630 shipping lock instruction, 100 pack
5749	Lexmark 4059, Optra T 610, 520, 620, 630 shipping lock, 25 pack
502	Lexmark 4059, Optra T 610, 520, 620, 630 waste recovery blade, 100 pack
6140	Lexmark 4059, T 420, 430, 520, 610, 620, 630 Shim washer, 100 pack
8191	Lexmark Optra E 320, M 410, T 420, 520, 620, 630, 640 drum cover, 10 pack
5938	Lexmark Optra T 610, 520, 620, 630 Inner & outer retaining blade, 50 sets
6821	Lexmark T 620 Absolute Black® toner 22 lb (10 Kg) bag
9059	Lexmark T 620 Absolute Black® toner 825g
8490	Lexmark T 620 MICR® toner 410g (use 2 for High Yield)
5096	Lexmark T 640, 630, 620, 610, 520, 4059 wiper blade end foam, 50 pack (special order)
10659	Lexmark T 640, 630, 620, 610, 520, E 460, 360, 260 developer roller end seal (left & right) 100 sets
5110	Lexmark T/X 646, 640, 630 Superchip® Universal Extra High Yield (Worldwide)
10578	Toshiba e Studio 30 P, 40 P (see Lexmark T 620, 622)

Toshiba® e-Studio 300 P

Part #	Description
13435	Lexmark E/X 230, 232, 240, 330, 332, 340, 342, 203, 204 Superchip Universal (2,500 pages)(Worldwide)
13450	Lexmark E/X 330, 332, 340, 342, 203, 204 Superchip® Universal (6,000 pages) (Worldwide)
11699	Toshiba e-Studio 270 P, 300 P (use 13435 Lexamrk E/X 240, 340 Super Universal® chip)

Toshiba® e-Studio 320 P

Part #	Description
9395	Lexmark T 420, 430, X 422, IBM 1422 Uni Drum® Green with gears
8396	Lexmark T 420, 430, X 422, IBM 1422 wiper blade, 10 pack
13456	Lexmark T 430 Superchip® Universal (12,000 pages) (Worldwide)
9623	Lexmark T 430, X 422, IBM 1422 Absolute Black® toner 325g (12,000 pages)
10577	Toshiba e Studio 320 P (see Lexmark T 430)

Toshiba® e-Studio 350 P

Part #	Description
13457	Lexmark E 450, 350, 250 Superchip® Universal (11,000 pages) (Worldwide)
14128	Lexmark E 450, 350, 250 Superchip® Universal (3,500 pages) (Worldwide)
14127	Lexmark E 450, 350, 250 Superchip® Universal (6,000 pages) (Worldwide)
14126	Lexmark E 450, 350, 250 Superchip® Universal (9,000 pages) (Worldwide)

Toshiba® e-Studio 350, 352, 450, 452

Part #	Description
11686	Toshiba e Studio 350, 352, 450, 452 compatible toner cartridge 675g, 4 pack (special order)

Toshiba® e-Studio 400 P

Part #	Description
--------	-------------

502	Lexmark 4059, Optra T 610, 520, 620, 630 waste recovery blade, 100 pack
6140	Lexmark 4059, T 420, 430, 520, 610, 620, 630 Shim washer, 100 pack
8191	Lexmark Optra E 320, M 410, T 420, 520, 620, 630, 640 drum cover, 10 pack
5938	Lexmark Optra T 610, 520, 620, 630 Inner & outer retaining blade, 50 sets
9789	Lexmark T 630 developer roller, 10 pack
9102	Lexmark T 630, 632, 634 Absolute Black® toner 22 lb (10 Kg) bag
8983	Lexmark T 630, 632, 634 Absolute Black® toner 840g (32,000 pages)
14828	Lexmark T 630, 632, 634 Smartchip ® 21,000 pages (Europe, Middle East & Africa)
5685	Lexmark T 640, 630, 620, 610, 520, 4059 "F" drum w/gears
10659	Lexmark T 640, 630, 620, 610, 520, E 460, 360, 260 developer roller end seal (left & right) 100 sets
5110	Lexmark T/X 646, 640, 630 Superchip® Universal Extra High Yield (Worldwide)
10580	Toshiba e Studio 400 P (see Lexmark T 630, 632, 634)

Toshiba® e-Studio 500 P

Part #	Description
14566	Lexmark T 640, 642, 644 Absolute Black® toner 1kg (special order)
8465	Lexmark T 640, 642, 644 Absolute Black® toner 22 lb (10 kg) bag
7430	Lexmark T 640, 642, 644 Absolute Black® toner 610g (21,000 pages)
8464	Lexmark T 640, 642, 644 Absolute Black® toner 920g (32,000 pages)
12342	Lexmark T 640, 642, 644 developer roller cover, 10 pack
7000	Lexmark T 640, 642, 644 developer roller, 10 pack
10216	Lexmark T 640, 642, 644 doctor bar, 10 pack
11150	Lexmark T 640, 642, 644 FIN (left trigger plate) , 10 pack
10079	Lexmark T 640, 642, 644 shipping lock, 10 pack
9247	Lexmark T 640, 642, 644 wiper blade, 10 pack
13855	Lexmark T 640, 642, 644 X-Generation Black® toner 22 lb (10 kg) bag
13853	Lexmark T 640, 642, 644 X-Generation Black® toner 610g (21,000 pages)
13854	Lexmark T 640, 642, 644 X-Generation Black® toner 920g (32,000 pages)
5110	Lexmark T/X 646, 640, 630 Superchip® Universal Extra High Yield (Worldwide)
11154	Toshiba e-Studio 500 P Smartchip ® (under development)
11171	Toshiba e-Studio 500 P uses Lexmark T 640, 642, 644 engine

Toshiba® e-Studio 520, 600, 720, 850

Part #	Description
11687	Toshiba e Studio 620, 600, 720, 850 compatible toner cartridge 1,370g (sold 4/pack) (special order)

Toshiba® e-Studio 55, 65, 80

Part #	Description
8992	Toshiba e Studio 55, 65, 80 Uni Drum with gears (sold 6/box)
11690	Toshiba e Studio 55, 65, 80, T 6570 Europe compatible toner cartridge 1500g, 4 pack (special order)
8990	Toshiba e Studio 55, 65, 80, T 6570 US compatible toner cartridge 1500g, 4 pack (special order)

Toshiba® e-Studio 550, 650, 810

Part #	Description
9973	Toshiba e Studio 550, 650, 810 compatible toner cartridge 1,350g (sold 4/box)(special order)
5161	Toshiba e Studio 550, 650, 810 Uni Drum with gears (sold 6/box)

Toshiba® e-Studio 6 CP

Part #	Description
10467	Toshiba e Studio 6 CP Absolute Black ® toner 320g
10468	Toshiba e Studio 6 CP Absolute Cyan ® toner 340g
10469	Toshiba e Studio 6 CP Absolute Magenta ® toner 340g
10470	Toshiba e Studio 6 CP Absolute Yellow ® toner 340g

Toshiba® e-StudioT 203L, 233, 283

Part #	Description
12595	Toshiba E Studio T 203L, 233, 283 compatible toner cartridge, 675grams (special order)

Toshiba® T-120

Part #	Description
8048	Toshiba T 120 copier toner cartridges, 10 pack (special order)

Toshiba® T-1650, 1710, 2050, 2500, 2310, 2540

Part #	Description
7967	Toshiba T 1650, 1710, 2050, 2500 toner cartridge comp. 300g, 4 pack (special order)
7968	Toshiba T 1650, 1710, 2050, 2500, 2310, 2540 Absolute Black® toner, 90 kg (special order)

Toshiba® T-2060, 2860, 2870 (T-2060)

Part #	Description
12582	Toshiba T 2060, 2860, 2870 wiper blade (special order)
9004	Toshiba T 2060, 2860, 2870 "F" drum with gears, 20 pack
7970	Toshiba T 2060, 2860, 2870 Absolute Black® toner, 100 kg
7969	Toshiba T 2060, 2860, 2870 comp. toner cartridge 300g, 4 pack (special order)

Toshiba® T-2460, 2570

Part #	Description
8047	Toshiba T 2460, 2570 toner cartridge comp., 4 x 300g pack

Toshiba® T-3550, 4550

Part #	Description
7972	Toshiba T 3550, 4550 Absolute Black® toner, 100 kg
7971	Toshiba T 3550, 4550 toner cartridge comp. 4 x 550g pack(special order)

Toshiba® T-3560, 4560

Part #	Description
5980	Toshiba T 3560, 4560 Lanier 7335, 7345 toner cartridge comp. 4 x 500g (special order)

Toshiba® T-5560, 6560

Part # Description

5981 Toshiba T 5560, 6560, Lanier 7355, 7365 toner cartridge comp. 4 x 1350g (special order)

Toshiba® TF 1350

Part # Description

9000 Toshiba BD 1340, 1350, 1370 drum with gears (sold 50 pack) (special order)
 12581 Toshiba BD 1340, 1350, 1370 wiper blade (special order)
 13930 Toshiba T 1340, 1350 Lanier 7213, 7313 Absolute Black® toner, 22lb(10kg) bag (special order)
 13103 Toshiba T 1340, 1350 Lanier 7213, 7313 Absolute Black® toner, 300g (special order)
 7965 Toshiba T 1340, 1350 Lanier 7213, 7313 Absolute Black® toner, 90 kg (special order)
 4907 Toshiba T 1340, 1350, 1370 Lanier 7213 compatible toner cartridge, 4 pack (special order)

Toshiba® TF-521, 531, 551, TK-02 (TK-05)

Part # Description

8590 Toshiba TF 521, 531, 551, TK 02 (TK 05) Absolute Black toner 150g
 688 Toshiba TF 521, 531, 551, TK 02 (TK 05) compatible toner cartridge 150g (sold10/box)(special order)

Toshiba® TF-541

Part # Description

690 Toshiba TF 541, TK 01 fax toner cartridge, compatible 200g (special order)

Toshiba® TF-621

Part # Description

691 Toshiba TF 621, TK 05 (TK 02) fax toner cartridge, compatible(special order)

Triumph Adler® DC 2016, 2216, 2120, 2125

Part # Description

10966 Triumph Adler DC 2016, 2116, 2120, 2125 Absolute Black® toner 480g

Triumph Adler® DC 2018

Part # Description

10968 Triumph Adler DC 2018, 2315 Absolute Black® toner 295g

Triumph Adler® DC 2130, 2140, 2150

Part # Description

10969 Triumph Adler DC 2130, 2140, 2150, 2230, 2240, 2250 Absolute Black® toner 22 lb (10 kg) bag

Triumph Adler® DC 2230, 2240, 2250

Part # Description

10969 Triumph Adler DC 2130, 2140, 2150, 2230, 2240, 2250 Absolute Black® toner 22 lb (10 kg) bag

Triumph Adler® DC 2315

Part # Description
 10968 Triumph Adler DC 2018, 2315 Absolute Black® toner 295g

Triumph Adler® FAX 941

Part # Description
 10977 Triumph Adler FAX 941 Absolute Black® toner 95g

Triumph Adler® Fax 980

Part # Description
 10984 Triumph Adler FAX 980 Absolute Black® toner 85g

Triumph Adler® LP 4022

Part # Description
 10971 Triumph Adler LP 4022 Absolute Black® toner 295g

Triumph Adler® LP 4028

Part # Description
 10972 Triumph Adler LP 4028 Absolute Black® toner 320g

Triumph Adler® LP 4030

Part # Description
 10973 Triumph Adler LP 4030 Absolute Black® toner 375g (under development)

Triumph Adler® LP 4035, 4045

Part # Description
 10974 Triumph Adler LP 4035 Absolute Black® toner 515g
 10975 Triumph Adler LP 4045 Absolute Black® toner 675g

Triumph Adler® LP 4118

Part # Description
 10970 Triumph Adler LP 4118 Absolute Black® toner 115g

Triumph Adler® LP 4140, 4151

Part # Description
 10976 Triumph Adler LP 4140, 4151 Absolute Black® toner 660g (20,000 pages)

Unisys® UDS 123

Part # Description
 13445 Lexmark Optra E 321, 323, 220 Superchip © Universal (6,000 pages) (Worldwide)

Unisys® UDS 131

Part #	Description
13453	Lexmark T 420 Superchip® Universal (10,000 pages)(Worldwide)

Unisys® UDS 134, 136

Part #	Description
5110	Lexmark T/X 646, 640, 630 Superchip® Universal Extra High Yield (Worldwide)

Unisys® UDS 140, 142, 144

Part #	Description
5110	Lexmark T/X 646, 640, 630 Superchip® Universal Extra High Yield (Worldwide)

Unisys® UDS 423

Part #	Description
13435	Lexmark E/X 230, 232, 240, 330, 332, 340, 342, 203, 204 Superchip Universal (2,500 pages)(Worldwide)
13450	Lexmark E/X 330, 332, 340, 342, 203, 204 Superchip ® Universal (6,000 pages) (Worldwide)

Unisys® UDS 540, 544

Part #	Description
5110	Lexmark T/X 646, 640, 630 Superchip® Universal Extra High Yield (Worldwide)

Veritek SF-3300

Part #	Description
13453	Lexmark T 420 Superchip® Universal (10,000 pages)(Worldwide)

Veritek SF-4450

Part #	Description
5110	Lexmark T/X 646, 640, 630 Superchip® Universal Extra High Yield (Worldwide)

Veritek SF-4610, 4640

Part #	Description
5110	Lexmark T/X 646, 640, 630 Superchip® Universal Extra High Yield (Worldwide)

Xante® CL 30

Part #	Description
11798	Xante Illumina, CL 30 Absolute Black ® toner (15,000 pages)
13670	Xante Illumina, CL 30 Absolute Black ® toner 22lb(10kg) bag (special order)
11799	Xante Illumina, CL 30 Absolute Cyan ® toner (15,000 pages)
13671	Xante Illumina, CL 30 Absolute Cyan ® toner 22lb(10kg) bag (special order)
11800	Xante Illumina, CL 30 Absolute Magenta ® toner (15,000 pages)
13672	Xante Illumina, CL 30 Absolute Magenta ® toner 22lb(10kg) bag (special order)

11801	Xante Illumina, CL 30 Absolute Yellow ® toner (15,000 pages)
13673	Xante Illumina, CL 30 Absolute Yellow ® toner 22lb(10kg) bag (special order)
11823	Xante Illumina, CL 30 Smartchip ® fuse for drum unit, 10 pack
11821	Xante Illumina, CL 30 Uni Drum ® with gears

Xante® Illumina

Part #	Description
11972	Xante Illumina Digital Color Press Absolute Black ® toner (15,000 pages)
13665	Xante Illumina Digital Color Press Absolute Black ® toner 22lb(10kg) bag (special order)
11973	Xante Illumina Digital Color Press Absolute Cyan ® toner (15,000 pages)
13666	Xante Illumina Digital Color Press Absolute Cyan ® toner 22lb(10kg) bag (special order)
11974	Xante Illumina Digital Color Press Absolute Magenta ® toner (15,000 pages)
13668	Xante Illumina Digital Color Press Absolute Magenta ® toner 22lb(10kg) bag (special order)
11975	Xante Illumina Digital Color Press Absolute Yellow ® toner (15,000 pages)
13669	Xante Illumina Digital Color Press Absolute Yellow ® toner 22lb(10kg) bag (special order)
11976	Xante Illumina Digital Color Press Smartchip ® Black (special order)
11977	Xante Illumina Digital Color Press Smartchip ® Cyan (special order)
11980	Xante Illumina Digital Color Press Smartchip ® drum unit fuse, 10 pack
11978	Xante Illumina Digital Color Press Smartchip ® Magenta (special order)
11979	Xante Illumina Digital Color Press Smartchip ® Yellow (special order)

Xerox Docuprint C 1190

Part #	Description
14895	Smartchip® Black(3,000 pages) (CT201260) for use in Xerox Docuprint C 1190 FS
14896	Smartchip® Cyan (3,000 pages)(CT201261) for use in Xerox Docuprint C 1190 FS
14897	Smartchip® Magenta (3,000 pages)(CT201262) for use in Xerox Docuprint C 1190 FS
14898	Smartchip® Yellow (3,000 pages)(CT201263) for use in Xerox Docuprint C 1190 FS
14899	X-Generation® Black toner 50g,(3,000 pages) (CT201260) for use in Xerox Docuprint C 1190 FS
14900	X-Generation® Cyan toner 50g,(3,000 pages) (CT201261) for use in Xerox Docuprint C 1190 FS
14901	X-Generation® Magenta toner 50g,(3,000 pages) (CT201262) for use in Xerox Docuprint C 1190 FS
14902	X-Generation® Yellow toner 50g,(3,000 pages) (CT201263) for use in Xerox Docuprint C 1190 FS

Xerox® 1012

Part #	Description
741	Xerox 1012 copier toner cartridge, 2x400g/box (special order)
6012	Xerox 1012, 5011 Absolute Black® toner 400g (special order)
743	Xerox 1012, 5011 Absolute Black® toner, 22 lb (10 Kg) (special order)

Xerox® 1025

Part #	Description
8015	Xerox 1025, 1038, 5416 Absolute Black® toner 22 lb (10 kg) bag
744	Xerox 1025, 1038, 5416 toner 227g (special order)

Xerox® 1035

Part #	Description
745	Xerox 1035/2830 toner 4/box

Xerox® 1050, 1052, 5052

Part # Description

9347 Xerox 1050, 1052, 5052 Absolute Black® toner 22 lb (10 kg) bag (special order)

Xerox® 3002, 3003, 3004,4004

Part # Description

5494 Xerox 3002, 3003, 3004, 4004 Black ink, 1 gallon (3.78 liters)

Xerox® 4025

Part # Description

8183 Xerox Docuprint N 4025, 3225 Smartchip ® with housing

Xerox® 4197

Part # Description

7461 Xerox 4197 Uni Drum ® "S" with gears

Xerox® 5009, 5240, 5310

Part # Description

7946 Xerox 5008, 5009, 5240, 5307 wiper blade
 5333 Xerox 5009, 5240, 5310 Absolute Black® developer 175g
 5334 Xerox 5009, 5240, 5310 Absolute Black® toner 135g
 5691 Xerox 5009, 5240, 5310 Absolute Black® toner 22 lb (10 kg) (sold 2/box)

Xerox® 5017

Part # Description

7573 Xerox 5016, 5017, Vivace 160 wiper blade, 1 pack (special order)

Xerox® 5018, 5028, 5034

Part # Description

779 Xerox 5018, 5028 wiper blade (old style) (special order)
 8509 Xerox 5018, 5028, 5034, 5328 Absolute Black toner/carrier kit 64 lb (makes 55 bottles)
 777 Xerox 5018, 5028, 5034, 5328 Absolute Black® toner 535g
 778 Xerox 5018, 5028, 5034, 5328 comaptible toner cartridge, 2 pack (special order)

Xerox® 5201, 5203, 5305

Part # Description

780 Xerox 5201, 5203, 5305, XC 355, 356 Absolute Black® toner 80g
 5742 Xerox 5201, 5203, 5305, XC 355, 356 Absolute Black® toner, 22lb
 5743 Xerox 5201, 5203, 5305, XC 355, 356 Absolute Black® developer 140g

Xerox® 5210, 5220, 5222

Part # Description

5973	Xerox 5205, 5210, 5220, 5222 Uni Drum ® "S" w/gears
5335	Xerox 5210, 5220, 5222 Absolute Black® developer 140g
5337	Xerox 5210, 5220, 5222 Absolute Black® toner 80g

Xerox® 5312, 5314

Part # Description

4973	Xerox 5312, 5314 copier toner cartridge compat. 2x380g/box (special order)
781	Xerox 5312, 5314 Absolute Black® toner 22 lb (10 kg) (sold 2 p/box)(special order)
4972	Xerox 5312, 5314 Absolute Black® toner 380g 2 pack (includes 2 seals)

Xerox® 5318, 5320

Part # Description

782	Xerox 5318, 5320 Absolute Black® toner 460g, 2 pack (special order)
5892	Xerox 5318, 5320, 5322 Smartchip ® reset fuse, 10 pack

Xerox® 5340, Vivace 400, 500

Part # Description

7260	Xerox 5340, Vivace 200, 300, 500 wiper blade, 10 pack
5979	Xerox 5340, Vivace 400, 500 Absolute Black® toner 700g (special order)
6889	Xerox 5340, Vivace 400, 500 Absolute Black® toner, 22 lb (10 kg) bag (special order)

Xerox® 5614 / 5614Z / 5614ZSD (6R752)

Part # Description

8621	Xerox 5614, 5114, 5113 Absolute Black ® toner 198lb (90 kg) barrel (special order)
7472	Xerox 5614, 5114, 5113 Absolute Black ® toner 240g (special order)
7724	Xerox 5614, 5114, 5113 compatible toner cartridge 232g (10 p/box)(special order)
7725	Xerox 5614, 5114, 5113 Smartchip ® (18,000 page yield) with housing
7726	Xerox 5614, 5114, 5113 Smartchip ® (36,000 page yield) with housing

Xerox® 610

Part # Description

5746	Xerox Docucentre Pro 610 Uni Drum ® "S" with gears
------	--

Xerox® CopyCentre C 123, 128

Part # Description

13662	Xerox WC 123, 128, 133 Absolute Black® toner 22 lb (10 kg) bag
9810	Xerox WC 123, 128, 133 Absolute Black® toner 500g (2 per cartridge)
10668	Xerox WC 123, 128, 133 Smartchip ® drum unit (013R00589)
10395	Xerox WC M 118, C 118 Absolute Black® toner 22 lb (10 kg) bag
10394	Xerox WC M 118, C 118 Absolute Black® toner 335g
14560	Xerox WC M 118, C 118, 123, 128, 133 Developer unit seal, 50 pack
10404	Xerox WC M 118, C 118, 123, 128, 133 PCR roller, 10 pack
10398	Xerox WC M 118, C 118, 123, 128, 133 Uni Drum ® with gears

10399	Xerox WC M 118, C 118, 123, 128, 133 wiper blade, 10 pack
14266	Xerox WC M 118, C 118, 123, 128,133 developer for drum unit (60,000 pages) (special order)

Xerox® CopyCentre C 2128, 2636, 3545

Part #	Description
10956	Xerox Work Centre Pro C 3545, 2636, 2128 Absolute Black ® toner 590g
10957	Xerox Work Centre Pro C 3545, 2636, 2128 Absolute Cyan ® toner 380g
10958	Xerox Work Centre Pro C 3545, 2636, 2128 Absolute Magenta ® toner 380g
10959	Xerox Work Centre Pro C 3545, 2636, 2128 Absolute Yellow ® toner 380g

Xerox® CopyCentre C 32, 40 Color

Part #	Description
9709	Xerox DocuColor C 3535, 2240, 1632 Absolute Black ® toner 200g
9710	Xerox DocuColor C 3535, 2240, 1632 Absolute Cyan ® toner 200g
9711	Xerox DocuColor C 3535, 2240, 1632 Absolute Magenta ® toner 200g
9712	Xerox DocuColor C 3535, 2240, 1632 Absolute Yellow ® toner 200g
11884	Xerox DocuColor C 3535, 2240, 1632 Uni Drum ® gearless (under final test)(special order)
11885	Xerox DocuColor C 3535, 2240, 1632 wiper blade, 10 pack (under development)
9813	Xerox WorkCentre Pro C 32, 40 Absolute Black ® toner 200g
9814	Xerox WorkCentre Pro C 32, 40 Absolute Cyan ® toner 200g
9815	Xerox WorkCentre Pro C 32, 40 Absolute Magenta ® toner 200g
9816	Xerox WorkCentre Pro C 32, 40 Absolute Yellow ® toner 200g
11886	Xerox WorkCentre Pro C 32, 40 Uni Drum ® gearless (special order)

Xerox® DC 156, 186

Part #	Description
9410	Xerox Document Centre 156, 186 Absolute Black® developer 235g (55,000 pages)
14806	Xerox Document Centre 156, 186 Absolute Black® developer 30 kg (special order)
9408	Xerox Document Centre 156, 186 Absolute Black® toner TBA (XX,000 pages) (under final test)
9409	Xerox Document Centre 156, 186, 236, 286 Absolute Black® toner 22 lb (10 kg) bag

Xerox® DC 212, 214

Part #	Description
6983	Xerox DC 212, 214 Absolute Black® toner 800g
8757	Xerox DC 212, 214 Absolute Black® toner 820g (special order)
7634	Xerox DC 212, 214 Absolute Black® toner 22 lb (10 kg) bag
6791	Xerox DC 212, 214 Absolute Black® toner 410g (use 2 for 20K cartridges)
5373	Xerox DC 212, 214 Clear Seal ® OEM style adhesive, 50 pack
7906	Xerox DC 212, 214 doctor blade, 10 pack
9368	Xerox DC 212, 214 mag roller bushing (long), 100 pack
7904	Xerox DC 212, 214 mag roller bushing (short), 100 pack
6728	Xerox DC 212, 214 Smartchip ® w/connector (European) (special order)
6727	Xerox DC 212, 214 Smartchip ® w/connector (US region)
8245	Xerox DC 212, 214 Uni Drum ® with gears
7903	Xerox DC 212, 214 wiper blade, 10 pack

Xerox® DC 220, 230, 240

Part # Description

5774	Xerox DC 220, 230, 420 Smartchip ® w/housing, 10 pack
9103	Xerox DC 220, 230, 420, 113R00275 Smartchip ® w/housing, 10 pack
8768	Xerox DC 220, 230, 420, 113R00276 Smartchip ® w/housing, 10 pack
8171	Xerox DC 220, 230, 420, 113R00278 Smartchip ® with housing, 10 pack
5782	Xerox DC 220, 230, 420, 113R00313 Smartchip ® w/housing, 10 pack (Canada)
8769	Xerox DC 220, 230, 420, 113R00318 Smartchip ® w/housing, 10 pack
9104	Xerox DC 220, 230, 420, 113R00483 Smartchip ® w/housing , 10 pack
5773	Xerox DC 220, 230, 420, 113R00484 Smartchip ® w/housing , 10 pack (Latin America)

Xerox® DC 220, 230, 240, 332, 340, 425, 432, 440

Part # Description

5271	Xerox DC 220, 230, 240, 332, 340, 425, 440 Absolute Black® toner 1025g
8508	Xerox DC 220, 230, 240, 332, 340, 425, 440 Absolute Black® toner 22 lb (10 kg) bag
7011	Xerox DC 220, 230, 240, 332, 340, 425, 440 doctor blade, 10 pack
5639	Xerox DC 220, 230, 240, 332, 340, 425, 440 drum with gears
5909	Xerox DC 220, 230, 240, 332, 340, 425, 440 PCR roller, 10 pack
5640	Xerox DC 220, 230, 240, 332, 340, 425, 440 wiper blade, 10 pack

Xerox® DC 236, 286

Part # Description

9409	Xerox Document Centre 156, 186, 236, 286 Absolute Black® toner 22 lb (10 kg) bag
13023	Xerox Document Centre 236, 286 Smartchip ® toner
9413	Xerox Document Centre 236, 286 Absolute Black® developer 400g (under development)
9412	Xerox Document Centre 236, 286 Absolute Black® toner 22 Lb (10 kg) bag
9411	Xerox Document Centre 236, 286 Absolute Black® toner 600g (25,000 pages) (08/09 formula)
14561	Xerox Document Centre 236, 286 Developer unit seal, 50 pack
13024	Xerox Document Centre 236, 286 Smartchip ® for drum unit (under final test) (special order)
9414	Xerox Document Centre 236, 286 Uni Drum ® with gears
9415	Xerox Document Centre 236, 286 wiper blade, 10 pack

Xerox® DC 285

Part # Description

8857	Xerox DC 235, 285 Absolute Black® toner 525g (under final test)
8856	Xerox DC 235, 285 Clear Seal ® OEM style adhesive, 10 pack
8330	Xerox DC 235, 285 drum with gears & insert

Xerox® DC 332, 340, 425, 432, 440

Part # Description

9259	Xerox DC 332, 340, 425, 432, 440 Smartchip ® (for 113R321)
5781	Xerox DC 332, 340, 425, 432, 440 Smartchip ® w/housing (113R307) (under final test)
7693	Xerox DC 332, 340, 425, 432, 440 Smartchip ®, 10 pack (113R315 or 317)
7699	Xerox DC 332, 340, 425, 432, 440 Smartchip ®, 10 pack (for 113R316)

Xerox® DocuColor 12 LP

Part # Description

8333	Xerox Docucolor 12, 1256, 50 Absolute Black ® toner 22 lb bag
10648	Xerox Docucolor 12, 1256, 50 Absolute Black ® toner 380g (11,000 pages)
9089	Xerox Docucolor 12, 1256, 50 Absolute Cyan ® toner 22 lb bag
10649	Xerox Docucolor 12, 1256, 50 Absolute Cyan ® toner 380g (11,000 pages)
9090	Xerox Docucolor 12, 1256, 50 Absolute Magenta ® toner 22 lb bag
10650	Xerox Docucolor 12, 1256, 50 Absolute Magenta ® toner 380g (11,000 pages)
9091	Xerox Docucolor 12, 1256, 50 Absolute Yellow ® toner 22 lb bag
10651	Xerox Docucolor 12, 1256, 50 Absolute Yellow ® toner 380g (11,000 pages)
11604	Xerox Docucolor 12, 1256, 50 doctor blade, 10 pack (special order)
9088	Xerox Docucolor 12, 1256, 50 universal toner carrier 22 lb (10 kg) bag
10652	Xerox Docucolor 12, 1256, 50 universal toner carrier K/C/M/Y carrier 120g (11,000 pages)
11605	Xerox Docucolor 12, 1256, 50 wiper blade, 10 pack (special order)

Xerox® DocuColor 2045, 2240, 2060, 5252, 6060

Part # Description

8337	Xerox Docucolor 2045, 2060, 5252, 6060 Absolute Black ® toner 1620g (under final test)
8338	Xerox Docucolor 2045, 2060, 5252, 6060 Absolute Cyan ® toner 1620g (under final test)
8339	Xerox Docucolor 2045, 2060, 5252, 6060 Absolute Magenta ® toner 1620g (under final test)
8340	Xerox Docucolor 2045, 2060, 5252, 6060 Absolute Yellow ® toner 1620g (under final test)
8299	Xerox Docucolor 2045, 2060, 5252, 6060 universal toner carrier K/C/M/Y 320g (under final test)

Xerox® DocuColor 30, 40 Pro

Part # Description

9709	Xerox DocuColor C 3535, 2240, 1632 Absolute Black ® toner 200g
9710	Xerox DocuColor C 3535, 2240, 1632 Absolute Cyan ® toner 200g
9711	Xerox DocuColor C 3535, 2240, 1632 Absolute Magenta ® toner 200g
9712	Xerox DocuColor C 3535, 2240, 1632 Absolute Yellow ® toner 200g
11884	Xerox DocuColor C 3535, 2240, 1632 Uni Drum ® gearless (under final test)(special order)
11885	Xerox DocuColor C 3535, 2240, 1632 wiper blade, 10 pack (under development)

Xerox® DocuColor 4 LP

Part # Description

8043	Xerox Docucolor 4 LP Absolute Black ® toner 200g
8044	Xerox Docucolor 4 LP Absolute Cyan ® toner 200g
8046	Xerox Docucolor 4 LP Absolute Magenta ® toner 200g
8045	Xerox Docucolor 4 LP Absolute Yellow ® toner 200g
9057	Xerox Docucolor 4 LP universal toner carrier 60g

Xerox® DocuColor 50

Part # Description

8333	Xerox Docucolor 12, 1256, 50 Absolute Black ® toner 22 lb bag
10648	Xerox Docucolor 12, 1256, 50 Absolute Black ® toner 380g (11,000 pages)
9089	Xerox Docucolor 12, 1256, 50 Absolute Cyan ® toner 22 lb bag
10649	Xerox Docucolor 12, 1256, 50 Absolute Cyan ® toner 380g (11,000 pages)
9090	Xerox Docucolor 12, 1256, 50 Absolute Magenta ® toner 22 lb bag
10650	Xerox Docucolor 12, 1256, 50 Absolute Magenta ® toner 380g (11,000 pages)

9091	Xerox Docucolor 12, 1256, 50 Absolute Yellow ® toner 22 lb bag
10651	Xerox Docucolor 12, 1256, 50 Absolute Yellow ® toner 380g (11,000 pages)
11604	Xerox Docucolor 12, 1256, 50 doctor blade, 10 pack (special order)
9088	Xerox Docucolor 12, 1256, 50 universal toner carrier 22 lb (10 kg) bag
10652	Xerox Docucolor 12, 1256, 50 universal toner carrier K/C/M/Y carrier 120g (11,000 pages)
11605	Xerox Docucolor 12, 1256, 50 wiper blade, 10 pack (special order)

Xerox® DocuColor C 3535, 2240, 1632

Part #	Description
9709	Xerox DocuColor C 3535, 2240, 1632 Absolute Black ® toner 200g
9710	Xerox DocuColor C 3535, 2240, 1632 Absolute Cyan ® toner 200g
9711	Xerox DocuColor C 3535, 2240, 1632 Absolute Magenta ® toner 200g
9712	Xerox DocuColor C 3535, 2240, 1632 Absolute Yellow ® toner 200g
11884	Xerox DocuColor C 3535, 2240, 1632 Uni Drum ® gearless (under final test)(special order)
11885	Xerox DocuColor C 3535, 2240, 1632 wiper blade, 10 pack (under development)

Xerox® Document Centre 420

Part #	Description
6480	Xerox DC 420 Smartchip ® with housing, 10 pack

Xerox® Document Centre C 240, 320, 400

Part #	Description
8925	Xerox DC C 240, 320 400 Absolute Black ® toner 200g
14542	Xerox DC C 240, 320 400 Absolute Black ® toner 920g
9404	Xerox DC C 240, 320 400 Absolute Cyan ® toner 200g
14543	Xerox DC C 240, 320 400 Absolute Cyan® toner 865g
9405	Xerox DC C 240, 320 400 Absolute Magenta ® toner 200g
14544	Xerox DC C 240, 320 400 Absolute Magenta ® toner 865g
9406	Xerox DC C 240, 320 400 Absolute Yellow ® toner 200g
14545	Xerox DC C 240, 320 400 Absolute Yellow ® toner 865g

Xerox® Document Centre C 250, 350, 450

Part #	Description
10031	Xerox Document Centre C 250, 350, 450 Absolute Black ® toner 200g
10032	Xerox Document Centre C 250, 350, 450 Absolute Cyan ® toner 200g
10033	Xerox Document Centre C 250, 350, 450 Absolute Magenta ® toner 200g
10034	Xerox Document Centre C 250, 350, 450 Absolute Yellow ® toner 200g

Xerox® DocuPrint 160, 200, 201

Part #	Description
5870	Xerox DocuPrint 160, 200, 201 Uni Drum ® with gears & insert

Xerox® DocuPrint 180, 181, 210, 211

Part #	Description
7421	Xerox DocuPrint 180, 181, 210, 211 Uni Drum with gears

Xerox® DocuPrint 203A, 204A

Part #	Description
10233	Xerox Docuprint 203, 204 Absolute Black® toner 22 lb (10 kg) bag
10232	Xerox Docuprint 203, 204 Absolute Black® toner 90g
11396	Xerox Docuprint 203, 204 reset lever (flag gear), 10 pack (under final test)
10234	Xerox Docuprint 203, 204 Uni Drum® with gears

Xerox® DocuPrint 205, 255, 305

Part #	Description
9703	Xerox Docuprint 205, 255, 305 Absolute Black® toner 400g (under final test)
9708	Xerox Docuprint 205, 255, 305 Black Mag roller sleeve, 10 pack
9705	Xerox Docuprint 205, 255, 305 Clear Seal® adhesive, 50 pack
9707	Xerox Docuprint 205, 255, 305 doctor blade, 10 pack
5196	Xerox Docuprint 205, 255, 305 Smartchip® (10,000 pages)
9704	Xerox Docuprint 205, 255, 305 Uni Drum® with gears
9706	Xerox Docuprint 205, 255, 305 wiper blade, 10 pack

Xerox® DocuPrint 2050

Part #	Description
11290	Xerox DocuPrint 2050 Absolute Black® toner 320g (10,000 pages)
11293	Xerox DocuPrint 2050 doctor blade, 10 pack (under development)
11291	Xerox DocuPrint 2050 Uni Drum® with gears
11292	Xerox DocuPrint 2050 wiper blade, 10 pack (under development)

Xerox® DocuPrint 2125

Part #	Description
7893	Xerox 2125 Absolute Black® toner 22 lb (10 kg) bag (High Yield)
6907	Xerox 2125 Absolute Black® toner 400g
6135	Xerox 2125 Absolute Black® toner 400g (High Yield)
9693	Xerox 2125 cartridge pin, 100 pack (double head easy to pull)
8892	Xerox 2125 Clear Seal adhesive, 50 pack
8020	Xerox 2125 Doctor blade, 10 pack
7489	Xerox 2125 drum with insert & gears
8021	Xerox 2125 Mag roller felt, 100 pack
9737	Xerox 2125 mag roller sealing blade (SOFT STYLE), 100 pack
7578	Xerox 2125 MICR® toner 300g (under final test)
6124	Xerox 2125 PCR roller (recoated), 10 pack
7974	Xerox 2125 wiper blade, 10 pack

Xerox® DocuPrint 240, 340

Part #	Description
9720	Xerox Docuprint 240 A, 340 A Absolute Black® toner 410g (10,000 pages)
9721	Xerox Docuprint 240 A, 340 A Absolute Black® toner 800g (17,000 pages)
7199	Xerox Docuprint 240 A, 340 A Clear Seal® adhesive, 50 pack
8915	Xerox Docuprint 240 A, 340 A doctor blade, 10 pack

5778	Xerox Docuprint 240 A, 340 A Smartchip ® (10,000 pages)
5182	Xerox Docuprint 240 A, 340 A Smartchip ® (17,000 pages)
9722	Xerox Docuprint 240 A, 340 A Uni Drum ® with gears
8980	Xerox Docuprint 240 A, 340 A wiper blade, 10 pack

Xerox® DocuPrint 360

Part #	Description
10562	Xerox Docuprint 360 Absolute Black® toner 22 lb (10 kg) bag
10561	Xerox Docuprint 360 Absolute Black® toner 820g
10567	Xerox Docuprint 360 doctor blade, 10 pack
10565	Xerox Docuprint 360 Mag roller sleeve, 10 pack
10568	Xerox Docuprint 360 PCR roller, 10 pack
10564	Xerox Docuprint 360 Smartchip ® (under development)
10563	Xerox Docuprint 360 Uni Drum ® with gears
10566	Xerox Docuprint 360 wiper blade, 10 pack

Xerox® DocuPrint 4010

Part #	Description
6724	Xerox 4010 reset counter (special order ets 15 days)
6759	Xerox 4010 Uni Drum ® "S" gearless (special order)
6723	Xerox 4010 wiper blade (sold in 10 pack)

Xerox® DocuPrint 405, 505

Part #	Description
14910	Xerox Docuprint 405, 505 Absolute Black® toner 22lb(10kg) bag
10904	Xerox Docuprint 405, 505 Absolute Black® toner 650g (30,000 pages) (CT200425)
11016	Xerox Docuprint 405, 505 developer for drum unit (special order)
11015	Xerox Docuprint 405, 505 Smartchip ® for drum unit
10991	Xerox Docuprint 405, 505 Smartchip ® toner (CT200425)
14011	Xerox Docuprint 405, 505 Uni Drum® OPC with gears
10992	Xerox Docuprint 405, 505 wiper blade, 10 pack

Xerox® DocuPrint 4504

Part #	Description
6691	Xerox 4504 Absolute Black® toner 170g
6710	Xerox 4504 Absolute Black® toner, 22 lb (10 kg) (sold 2 p/box)
6692	Xerox 4504 Uni Drum ® "S" gearless (sold 10 p/box)(special order)

Xerox® DocuPrint 4508

Part #	Description
759	Xerox 4508 Absolute Black® toner 200g
5692	Xerox 4508 Absolute Black® toner, 22 lb (10 Kg) (sold 2/box)
5530	Xerox 4508 adhesive seal, 50 pack
9190	Xerox 4508 Developer rubber roller, 9 pack
9069	Xerox 4508 PCR roller, 9 pack
4885	Xerox 4508 Uni Drum ® OEM style w/gears

Xerox® DocuPrint 4510

Part #	Description
763	Xerox 4510, 4505, XP 5/10 Absolute Black® toner 200g
762	Xerox 4510, 4505, XP 5/10 doctor blade (sold 10 pack) (special order)
5849	Xerox 4510, 4505, XP 5/10 Mag roller sleeve, 10 pack
766	Xerox 4510, 4505, XP 5/10 PCR roller recoated, 10 pack (special order)
769	Xerox 4510, 4505, XP 5/10 wiper blade (sold in 10 pack)

Xerox® DocuPrint 4512, 4512N, 4512M

Part #	Description
5591	Xerox 4512, 4512N, 4512M Absolute Black® toner 320g
5592	Xerox 4512, 4512N, 4512M Uni Drum ® "S" gearless (special order)
7820	Xerox 4512, 4512N, 4512M wand, 100 pack (special order)
7251	Xerox 4512, 4512N, 4512M wiper blade, 10 pack
5596	Xerox 4512, 4512N, 4512M, reset fuse (needs 2 per cartridge)
6092	Xerox 4512, 4512N/M Absolute Black® toner, 22 lb (10 Kg) bag
619	Xerox 4512, Sharp JX 9600, 9400 recovery blade 25 pack

Xerox® DocuPrint 4517

Part #	Description
649	Xerox 4517 cartridge pin 100 pack
6344	Xerox 4517 Clear Seal ® adhesive, 50 pack
6362	Xerox 4517 Doctor blade, 10 pack
7478	Xerox 4517 Mag roller felt, 100 pack
8018	Xerox 4517 MICR ® toner 300g
8204	Xerox 4517 PCR roller (recoated), 10 pack
6404	Xerox 4517 Uni Drum ® "S" with gears & insert
773	Xerox 4517 wiper blade, 10 pack
4892	Xerox 4517, N 17 Absolute Black® toner 22 lb. (10 Kg) bag (sold 2/box)
772	Xerox 4517, N 17 Absolute Black® toner 400g

Xerox® DocuPrint C 1110

Part #	Description
14775	X-Generation ® Black toner 22lb(10kg) bag for use in Xerox DocuPrint 1110
14776	X-Generation ® Cyan toner 22lb(10kg) bag for use in Xerox DocuPrint 1110
14777	X-Generation ® Magenta toner 22lb(10kg) bag for use in Xerox DocuPrint 1110
14778	X-Generation ® Yellow toner 22lb(10kg) bag for use in Xerox DocuPrint 1110
12318	Xerox DocuPrint 1110 Absolute Black ® toner 22 lb (10 kg) bag
12314	Xerox DocuPrint 1110 Absolute Black ® toner 50g (2,000 pages)
12319	Xerox DocuPrint 1110 Absolute Cyan ® toner 22 lb (10 kg) bag
12315	Xerox DocuPrint 1110 Absolute Cyan ® toner 50g (2,000 pages)
12320	Xerox DocuPrint 1110 Absolute Magenta ® toner 22 lb (10 kg) bag
12316	Xerox DocuPrint 1110 Absolute Magenta ® toner 50g (2,000 pages)
12363	Xerox DocuPrint 1110 Absolute Yellow ® toner 22lb (10kg) bag
12317	Xerox DocuPrint 1110 Absolute Yellow ® toner 50g (2,000 pages)
12321	Xerox DocuPrint 1110 Smartchip ® Black toner (2,000 pages) (Asia & Australia)

12322	Xerox DocuPrint 1110 Smartchip ® Cyan toner (2,000 pages) (Asia & Australia)
12323	Xerox DocuPrint 1110 Smartchip ® Magenta toner (2,000 pages) (Asia & Australia)
12324	Xerox DocuPrint 1110 Smartchip ® Yellow toner (2,000 pages) (Asia & Australia)
14510	Xerox DocuPrint 1110 X-Generation ® Black toner 30g (2,000 pages)
14512	Xerox DocuPrint 1110 X-Generation ® Cyan toner 30g (2,000 pages)
14513	Xerox DocuPrint 1110 X-Generation ® Magenta toner 30g (2,000 pages)
14514	Xerox DocuPrint 1110 X-Generation ® Yellow toner 30g (2,000 pages)

Xerox® DocuPrint C 1616, 1618

Part # Description

5306	Xerox Docuprint C 1616, 1618 Absolute Black ® toner 230g (under final test)
5307	Xerox Docuprint C 1616, 1618 Absolute Cyan ® toner 205g ((under final test)
5600	Xerox Docuprint C 1616, 1618 Absolute Magenta ® toner 205g (under final test)
5598	Xerox Docuprint C 1616, 1618 Absolute Yellow ® toner 205g (under final test)
4977	Xerox Docuprint C 1616, 1618 Uni Drum ® gearless (special order)

Xerox® DocuPrint C 2220, 2240, 2248, 3535

Part # Description

5302	Xerox Docuprint C 2220, 2240, 2248, 3535 Absolute Black ® toner 220g
5303	Xerox Docuprint C 2220, 2240, 2248, 3535 Absolute Cyan ® toner 200g
5304	Xerox Docuprint C 2220, 2240, 2248, 3535 Absolute Magenta ® toner 200g
5305	Xerox Docuprint C 2220, 2240, 2248, 3535 Absolute Yellow ® toner 200g

Xerox® DocuPrint C 2428, 2426, 2424

Part # Description

9930	Xerox DocuPrint C 2428, 2426, 2424 Absolute Black ® toner 255g
9931	Xerox DocuPrint C 2428, 2426, 2424 Absolute Cyan ® toner 230g
9932	Xerox DocuPrint C 2428, 2426, 2424 Absolute Magenta ® toner 230g
9933	Xerox DocuPrint C 2428, 2426, 2424 Absolute Yellow ® toner 230g
9970	Xerox DocuPrint C 2428, 2426, 2424 Uni Drum ® with gears (under final test)

Xerox® DocuPrint C 2535 A

Part # Description

9886	Xerox Docuprint C 2535 Absolute Black ® toner 185g (needs carrier 10358)
9887	Xerox Docuprint C 2535 Absolute Cyan ® toner 180g (needs carrier 10358)
9888	Xerox Docuprint C 2535 Absolute Magenta ® toner 180g (needs carrier 10358)
9889	Xerox Docuprint C 2535 Absolute Yellow ® toner 180g (needs carrier 10358)
10358	Xerox Docuprint C 2535 Black, Cyan, Magenta Yellow ® toner carrier
10355	Xerox Docuprint C 2535 Clear Seal ® adhesive, 50 pack
10526	Xerox Docuprint C 2535 Smartchip ® Black (CT200655) (Asia) (sold 10/box)
10527	Xerox Docuprint C 2535 Smartchip ® Cyan (CT200656) (Asia) (sold 10/box)
10528	Xerox Docuprint C 2535 Smartchip ® Magenta (CT200657) (Asia) (sold 10/box)
10529	Xerox Docuprint C 2535 Smartchip ® Yellow (CT200658) (Asia) (sold 10/box)

Xerox® DocuPrint C 3055

Part # Description

11294	Xerox DocuPrint C 3055 Absolute Black ® toner 180g (under development)
11295	Xerox DocuPrint C 3055 Absolute Cyan ® toner 180g (under development)
11296	Xerox DocuPrint C 3055 Absolute Magenta ® toner 180g (under development)
11297	Xerox DocuPrint C 3055 Absolute Yellow ® toner 180g (under development)
13864	Xerox DocuPrint C 3055 Smartchip ® Black (CT200805)(6,500 pages)(under development)
13865	Xerox DocuPrint C 3055 Smartchip ® Cyan (CT200806)(6,500 pages)(under development)
13866	Xerox DocuPrint C 3055 Smartchip ® Magenta (CT200807)(6,500 pages)(under development)
13867	Xerox DocuPrint C 3055 Smartchip ® Yellow (CT200808)(6,500 pages)(under development)

Xerox® DocuPrint C 3200

Part # Description

9600	Xerox DocuPrint C 3200 Absolute Black ® toner 310g (under development)
9601	Xerox DocuPrint C 3200 Absolute Cyan ® toner 280g (under development)
9602	Xerox DocuPrint C 3200 Absolute Magenta ® toner 280g (under development)
9603	Xerox DocuPrint C 3200 Absolute Yellow ® toner 280g (under development)
9604	Xerox DocuPrint C 3200 Uni Drum ® gearless (under final test)(special order)

Xerox® DocuPrint C 3210, 2100

Part # Description

14862	Absolute Cyan ® toner 22lb(10kg) toner for use in Xerox DocuPrint C 3210, 2100 (special order)
14863	Absolute Magenta ® toner 22lb(10kg) toner for use in Xerox DocuPrint C 3210, 2100 (special order)
14864	Absolute Yellow ® toner 22lb(10kg) toner for use in Xerox DocuPrint C 3210, 2100 (special order)
11201	Xerox DocuPrint C 3210, 2100 Absolute Black ® toner (8,000 pages)
13559	Xerox DocuPrint C 3210, 2100 Absolute Black ® toner developer 70g
11202	Xerox DocuPrint C 3210, 2100 Absolute Cyan ® toner (6,000 pages)
13560	Xerox DocuPrint C 3210, 2100 Absolute Cyan ® toner developer 70g
11203	Xerox DocuPrint C 3210, 2100 Absolute Magenta ® toner (6,000 pages)
13564	Xerox DocuPrint C 3210, 2100 Absolute Magenta ® toner developer 70g
11204	Xerox DocuPrint C 3210, 2100 Absolute Yellow ® toner (6,000 pages)
13584	Xerox DocuPrint C 3210, 2100 Absolute Yellow ® toner developer 70g
11242	Xerox DocuPrint C 3210, 2100 drum cover, 10 pack
11208	Xerox DocuPrint C 3210, 2100 Smartchip ® Black (8,000 pages) (sold 10/pack) (special order)
11209	Xerox DocuPrint C 3210, 2100 Smartchip ® Cyan (6,000 pages) (sold 10/pack) (special order)
11210	Xerox DocuPrint C 3210, 2100 Smartchip ® Magenta (6,000 pages) (sold 10/pack) (special order)
11211	Xerox DocuPrint C 3210, 2100 Smartchip ® Yellow (6,000 pages) (sold 10/pack) (special order)
14050	Xerox DocuPrint C 3210, 2100 SuMMit® Drum with gears
8300	Xerox DocuPrint C 3210, 2100 toner fill hole plastic seal, 100 pack
11206	Xerox DocuPrint C 3210, 2100 Uni Drum® with gears
11207	Xerox DocuPrint C 3210, 2100 wiper blade, 10 pack (under development)

Xerox® DocuPrint C 3290 SF

Part # Description

13955	Xerox DocuPrint C 3290 SF Absolute Black ® toner (8,000 pages)
13965	Xerox DocuPrint C 3290 SF Absolute Black ® toner developer 72g
13956	Xerox DocuPrint C 3290 SF Absolute Cyan ® toner (6,000 pages)
13966	Xerox DocuPrint C 3290 SF Absolute Cyan ® toner developer 72g
13957	Xerox DocuPrint C 3290 SF Absolute Magenta ® toner (6,000 pages)
13967	Xerox DocuPrint C 3290 SF Absolute Magenta ® toner developer 72g

13958	Xerox Docuprint C 3290 SF Absolute Yellow ® toner (6,000 pages)
13968	Xerox Docuprint C 3290 SF Absolute Yellow ® toner developer 72g
13969	Xerox Docuprint C 3290 SF drum cover, 10 pack
13959	Xerox Docuprint C 3290 SF Smartchip ® Black (CT350567)(8,000 pages)
13960	Xerox Docuprint C 3290 SF Smartchip ® Cyan (CT350568)(6,000 pages)
13961	Xerox Docuprint C 3290 SF Smartchip ® Magenta (CT350569)(6,000 pages)
13962	Xerox Docuprint C 3290 SF Smartchip ® Yellow (CT350570)(6,000 pages)
13971	Xerox Docuprint C 3290 SF SuMMIT® drum with gears

Xerox® DocuPrint C 3540, 3140

Part #	Description
9940	Xerox DocuPrint C 3540, 3140 Absolute Black ® toner 210g (8,500 pages)
11191	Xerox DocuPrint C 3540, 3140 Absolute Black ® toner 22 lb (10 kg) bag (needs carrier)
9941	Xerox DocuPrint C 3540, 3140 Absolute Cyan ® toner 200g (7,500 pages)
11192	Xerox DocuPrint C 3540, 3140 Absolute Cyan ® toner 22 lb (10 kg) bag (needs carrier)
9942	Xerox DocuPrint C 3540, 3140 Absolute Magenta ® toner 200g (7,500 pages)
11193	Xerox DocuPrint C 3540, 3140 Absolute Magenta ® toner 22 lb (10 kg) bag (needs carrier)
9943	Xerox DocuPrint C 3540, 3140 Absolute Yellow ® toner 200g (7,500 pages)
11194	Xerox DocuPrint C 3540, 3140 Absolute Yellow ® toner 22 lb (10 kg) bag (needs carrier)
10725	Xerox DocuPrint C 3540, 3140 K/C/M/Y toner carrier 10 kg (sold w/bulk toner only)

Xerox® DocuPrint C 4350

Part #	Description
10569	Xerox Docuprint C 4350 Absolute Black ® toner XXXg (under development)
10570	Xerox Docuprint C 4350 Absolute Cyan ® toner XXXg (under development)
10571	Xerox Docuprint C 4350 Absolute Magenta ® toner XXXg (under development)
10572	Xerox Docuprint C 4350 Absolute Yellow ® toner XXXg (under development)
13001	Xerox Docuprint C 4350 Uni Drum ® drum gearless with insert (under development)

Xerox® DocuPrint C 525 A, 2090

Part #	Description
11582	Xerox DocuPrint C 525, 2090 Absolute Black ® toner 120g (needs carrier 9893)
9893	Xerox DocuPrint C 525, 2090 Absolute Black, Cyan, Magenta, Yellow ® toner carrier 36g
11583	Xerox DocuPrint C 525, 2090 Absolute Cyan ® toner 120g (needs carrier 9893)
11584	Xerox DocuPrint C 525, 2090 Absolute Magenta ® toner 120g (needs carrier 9893)
11585	Xerox DocuPrint C 525, 2090 Absolute Yellow ® toner 120g (needs carrier 9893)
10795	Xerox DocuPrint C 525, 2090 Clear Seal ® adhesive, 50 pack
10487	Xerox DocuPrint C 525, 2090 Smartchip ® Black, Cyan, Magenta, Yellow
10488	Xerox DocuPrint C 525, 2090 Smartchip ® drum unit
10862	Xerox DocuPrint C 525, 2090 Uni Drum ® drum with gears
11413	Xerox DocuPrint C 525, 2090 wiper blade, 10 pack

Xerox® DocuPrint C 55

Part #	Description
6076	Xerox Docuprint C 55 Absolute Black ® toner 160g
6077	Xerox Docuprint C 55 Absolute Cyan ® toner 160g
6078	Xerox Docuprint C 55 Absolute Magenta ® toner 160g

6079 Xerox Docuprint C 55 Absolute Yellow ® toner 160g

Xerox® DocuPrint C 631, 831

Part #	Description
10027	Xerox DocuPrint C 631, 831 Absolute Black ® toner 200g
10028	Xerox DocuPrint C 631, 831 Absolute Cyan ® toner 200g
10029	Xerox DocuPrint C 631, 831 Absolute Magenta ® toner 200g
10030	Xerox DocuPrint C 631, 831 Absolute Yellow ® toner 200g

Xerox® DocuPrint N-2025, 2085

Part #	Description
7464	Xerox N 2025, 2825 Absolute Black® toner 310g (use 2 per cartridge)
5166	Xerox N 2025, 2825 Absolute Black® toner 650g
5407	Xerox N 2025, 2825 Uni Drum ® with gears & insert
6122	Xerox N 2025, 2825 Absolute Black® toner, 22 lb (10 kg) bag
6571	Xerox N 2025, 2825 Clear Seal ® adhesive, 50 pack
8427	Xerox N 2025, 2825 doctor blade, 10 pack
9086	Xerox N 2025, 2825 Mag roller sleeve, 10 pack
7577	Xerox N 2025, 2825 MICR ® toner 300g (special order)
5901	Xerox N 2025, 2825 PCR roller, 10 pack
7465	Xerox N 2025, 2825 wiper blade, 10 pack
7463	Xerox N 2025, 2825 with gears & insert

Xerox® DocuPrint N-24, 32, 40

Part #	Description
6324	Xerox N 24, 32, 40 PCR roller, 10 pack
8999	Xerox N 24, 32, 40 Absolute Black ® toner 1025g
5864	Xerox N 24, 32, 40 Absolute Black® toner 510g (use 2 per cartridge)
5585	Xerox N 24, 32, 40 Absolute Black® toner, 22 lb (10 kg) bag
6674	Xerox N 24, 32, 40 Black Mag roller sleeve, 10 pack (ALUMINUM ENDS)
9727	Xerox N 24, 32, 40 Black Mag roller sleeve, 10 pack (STAINLESS ENDS)
6770	Xerox N 24, 32, 40 Clear Seal ® adhesive, 50 pack
7748	Xerox N 24, 32, 40 doctor blade, 10 pack
6608	Xerox N 24, 32, 40 Mag roller bushing, 50 pack (special order)
6356	Xerox N 24, 32, 40 MICR ® toner 22 lb (10 kg) bag
6289	Xerox N 24, 32, 40 MICR ® toner 500g (use 2 per cartridge)
7953	Xerox N 24, 32, 40 MICR ® toner lb barrel
13232	Xerox N 24, 32, 40 Silver Seal ® adhesive, 50 pack (special order)
5009	Xerox N 24, 32, 40 Smartchip ® 113R00184 (special order)
5780	Xerox N 24, 32, 40 Smartchip ® with housing, 10 pack (ECC region)
5771	Xerox N 24, 32, 40 Smartchip ® with housing, 10 pack (Latin America)
5694	Xerox N 24, 32, 40 Uni Drum ® "F" with gears & insert
5549	Xerox N 24, 32, 40 wiper blade, 10 pack
5586	Xerox N 24, 32,40 Smartchip ® with housing, 10 pack (USA)
6583	Xerox N 32 recovery blade, 50 pack

Xerox® DocuPrint N-4025

Part #	Description
8601	Xerox Docuprint N 4025 "F" drum with gears & insert
8602	Xerox Docuprint N 4025 Absolute Black® toner 510 g (use 2/cartridge)
8607	Xerox Docuprint N 4025 doctor blade, 10 pack
8608	Xerox Docuprint N 4025 Mag roller bushing, 100 pack
8603	Xerox Docuprint N 4025 Mag roller sleeve, 10 pack
8604	Xerox Docuprint N 4025 PCR roller, 10 pack
8606	Xerox Docuprint N 4025 wiper blade, 10 pack

Xerox® DocuPrint N-4525

Part #	Description
9061	Xerox Docuprint N 4525 Absolute Black® toner 1025g
5279	Xerox Docuprint N 4525 Absolute Black® toner 22 lb (10 kg) bag
5832	Xerox Docuprint N 4525 doctor blade, 10 pack
9495	Xerox Docuprint N 4525 drum with gears & insert
5213	Xerox Docuprint N 4525 Mag roller sleeve, 10 pack
5062	Xerox Docuprint N 4525 PCR roller, 10 pack
8199	Xerox Docuprint N 4525 recovery blade, 50 pack
5762	Xerox Docuprint N 4525 Smartchip ® with housing
5146	Xerox Docuprint N 4525 Uni Drum ® Green with gears & insert
7954	Xerox Docuprint N 4525 wiper blade, 10 pack

Xerox® DocuPrint P-1202

Part #	Description
6448	Xerox P 1202 Absolute Black® toner 200g (Samsung ML 6000/6100)
9238	Xerox P 1202 adhesive seal, 50 pack (Samsung ML 6000/6100)
9239	Xerox P 1202 Clear Seal ® OEM style adhesive, 50 pack
9211	Xerox P 1202 developer roller, 9 pack (Samsung ML 6000/6100)
9376	Xerox P 1202 Uni Drum ® OEM style w/gears (Samsung ML 6000/6100)

Xerox® DocuPrint P-1210

Part #	Description
8104	Xerox P 1210 Absolute Black® toner 200g
8105	Xerox P 1210 Absolute Black® toner 22 lb (10 kg) bag (sold 2/box)
8908	Xerox P 1210 Clear Seal adhesive seal, 50 pack
7089	Xerox P 1210 developer roller, 9 pack
8246	Xerox P 1210 MICR ® toner 160g (under final test) (special order)
8910	Xerox P 1210 wiper blade, 10 pack (under final test)

Xerox® DocuPrint P-8

Part #	Description
5913	Xerox P 8 Absolute Black® toner 90g
6097	Xerox P 8 Absolute Black® toner, 22lb (10 kg) bag (sold 2/box)

Xerox® DocuPrint P-8e, P-8ex

Part #	Description
--------	-------------

6302	Xerox P 8e, 8ex Absolute Black® toner 150g
6303	Xerox P 8e, 8ex Absolute Black® toner, 22 lb (10 kg) bag
6491	Xerox P 8e, 8ex Clear Seal ® OEM style adhesive, 50 pack
7885	Xerox P 8e, 8ex Gold color adhesive seal, 50 pack (special order)
7119	Xerox P 8e, 8ex Smartchip ® fuse, 10 pack
6493	Xerox P 8e, 8ex Uni Drum ® OEM style with gears
9189	Xerox P 8e, P 8ex developer roller, 9 pack (special order)
6172	Xerox P 8e, P 8ex Doctor Bar Sponge set, 10 pack
9188	Xerox P 8e, P 8ex PCR roller, 9 pack
6648	Xerox P 8e, P 8ex wiper blade, 10 pack

Xerox® FaxCentre F-110

Part #	Description
10407	Xerox FaxCentre F 110 Absolute Black® toner 110g
11863	Xerox FaxCentre F 110 Smartchip ® reset card (013R00599) 3,000 pages

Xerox® FaxCentre F-116, 1012

Part #	Description
9811	Xerox FaxCentre F 116, 1012 Absolute Black® toner 90g
10424	Xerox FaxCentre F 116, 1012 doctor blade, 10 pack
9812	Xerox FaxCentre F 116, 1020 Uni Drum ® with gears

Xerox® FaxCentre F-12

Part #	Description
8844	Xerox WorkCentre Pro 412, 312, M 15 AB-3 ® toner 200g (recommended)
9030	Xerox WorkCentre Pro 412, 312, M 15 Absolute Black® toner 200g
9074	Xerox WorkCentre Pro 412, 312, M 15 Absolute Black® toner 22 lb (10 kg) bag
9191	Xerox WorkCentre Pro 412, 312, M 15 developer roller, 9 pack (special order)
9269	Xerox WorkCentre Pro 412, 312, M 15 doctor blade, 10 pack
8154	Xerox WorkCentre Pro 412, 312, M 15 Uni Drum ® "S" with 1 gear
4912	Xerox WorkCentre Pro 412, 312, M 15 Uni Drum ® OEM style drum with gears
8525	Xerox WorkCentre Pro 412, 312, M 15 wiper blade, 10 pack

Xerox® FaxCentre F-2121

Part #	Description
11606	Xerox FaxCentre F 2121 Absolute Black® toner 200g (6,000 pages)
11607	Xerox FaxCentre F 2121 doctor blade, 10 pack
11608	Xerox FaxCentre F 2121 Smartchip ® reset card (006R01297) (6,000 pages)
11609	Xerox FaxCentre F 2121 Uni Drum ® with gears

Xerox® Phaser 1235

Part #	Description
9042	Xerox Phaser 1235 Absolute Black ® toner 325g
9230	Xerox Phaser 1235 Absolute Cyan ® toner 22 lb bag (10kg) bag
9043	Xerox Phaser 1235 Absolute Cyan ® toner 325g
9231	Xerox Phaser 1235 Absolute Magenta ® toner 22 lb bag (10kg) bag

9045	Xerox Phaser 1235 Absolute Magenta ® toner 325g
9232	Xerox Phaser 1235 Absolute Yellow ® toner 22 lb bag (10kg) bag
9044	Xerox Phaser 1235 Absolute Yellow ® toner 325g
9993	Xerox Phaser 1235 SmartChip ® fuse for drum unit, 10 pack
7190	Xerox Phaser 1235 Uni Drum ® with gear

Xerox® Phaser 2135

Part #	Description
9038	Xerox Phaser 2135 Absolute Black ® toner 460g (15,000 pages)
9039	Xerox Phaser 2135 Absolute Cyan ® toner 460g (15,000 pages)
9041	Xerox Phaser 2135 Absolute Magenta ® toner 460g (15,000 pages)
9040	Xerox Phaser 2135 Absolute Yellow ® toner 460g (15,000 pages)
9650	Xerox Phaser 2135 SmartChip ® fuse for drum unit, 10 pack
9520	Xerox Phaser 2135 Uni Drum ® OEM style with gears

Xerox® Phaser 3100MFP

Part #	Description
13973	Xerox Phaser 3100 MFP Absolute Black® toner 150g (4,000 pages)
14653	Xerox Phaser 3100 MFP drum unit cover, 10 pack
14909	Xerox Phaser 3100 Smartrcard® Super high yield reset smartchip(5,500 pages)
14533	Xerox Phaser 3100 Smartrcard® high yield reset smartchip(4,000 pages)(106R01379)
14534	Xerox Phaser 3100 Smartrcard® low yield reset smartchip (2,200 pages) 106R01378

Xerox® Phaser 3110, 3210

Part #	Description
8939	Xerox Phaser 3110, 3210 Absolute Black® toner 22 lb (10 kg) bag
5527	Xerox Phaser 3110, 3210 Absolute Black® toner 100g
8972	Xerox Phaser 3110, 3210 Developer roller, 9 pack
8941	Xerox Phaser 3110, 3210 PCR roller, 9 pack
9372	Xerox Phaser 3110, 3210 Uni Drum ® OEM style with gears
8110	Xerox Phaser 3110, 3210 wiper blade, 10 pack

Xerox® Phaser 3116, 3121

Part #	Description
11063	Xerox Phaser 3116, 3121 Smartchip ® fuse, 10 pack
5085	Xerox Phaser 3116, 3120, 3121, 3130, PE 16 universal hopper plug, 100 pack
9841	Xerox Phaser 3116, 3121 Absolute Black® toner 22 lb (10 kg) bag
9840	Xerox Phaser 3116, 3121 Absolute Black® toner 95g
7256	Xerox Phaser 3116, 3121 doctor blade, 10 pack
9842	Xerox Phaser 3116, 3121 Uni Drum ® OEM style drum with gears
7243	Xerox Phaser 3116, 3121 wiper blade, 10 pack
7225	Xerox Phaser 3116, 3121 developer roller, 9 pack

Xerox® Phaser 3117, 3122, 3124, 3125

Part #	Description
11240	Xerox Phaser 3117, 3122, 3124, 3125 Absolute Black® toner 22 lb (10kg) bag

10375	Xerox Phaser 3117, 3122, 3124, 3125 Absolute Black® toner 75g (special order)
13077	Xerox Phaser 3117, 3122, 3124, 3125 Absolute Black® toner 95g
13085	Xerox Phaser 3117, 3122, 3124, 3125 comaptible toner cartridge (Brasil, special order)
10377	Xerox Phaser 3117, 3122, 3124, 3125 developer roller, 10 pack
10381	Xerox Phaser 3117, 3122, 3124, 3125 doctor blade, 10 pack
10378	Xerox Phaser 3117, 3122, 3124, 3125 PCR roller, 10 pack
10437	Xerox Phaser 3117, 3122, 3124, 3125 Smartchip® fuse, 10 pack
10379	Xerox Phaser 3117, 3122, 3124, 3125 supply roller, 10 pack
10376	Xerox Phaser 3117, 3122, 3124, 3125 Uni Drum ® with gears
10380	Xerox Phaser 3117, 3122, 3124, 3125 wiper blade, 10 pack
10932	Xerox Phaser 3450 , 3420, 3400, 3150, 3117 toner hopper plug, 100 pack

Xerox® Phaser 3130, 3120

Part #	Description
5085	Xerox Phaser 3116, 3120, 3121, 3130, PE 16 universal hopper plug, 100 pack
9160	Xerox Phaser 3130, 3120 Absolute Black® toner 100g (Jumbo® Load) (4,200 pages)
6053	Xerox Phaser 3130, 3120 Absolute Black® toner 70g (3,000 pages)
5186	Xerox Phaser 3130, 3120 developer roller, 9 pack
5197	Xerox Phaser 3130, 3120 doctor blade (w/ sponge), 10 pack
9266	Xerox Phaser 3130, 3120 PCR roller, 10 pack
9373	Xerox Phaser 3130, 3120 Uni Drum ® OEM style with gears
5222	Xerox Phaser 3130, 3120 wiper blade, 10 pack

Xerox® Phaser 3150

Part #	Description
9670	Xerox Phaser 3150 Absolute Black® toner 135g (5,000 pages)
6988	Xerox Phaser 3150 Absolute Black® toner 22 lb (10 kg) bag
6986	Xerox Phaser 3150 Absolute Black® toner 90g (3,500 pages)
6987	Xerox Phaser 3150 Black® toner 155g (5,000 pages)
6947	Xerox Phaser 3150 doctor blade, 10 pack
7405	Xerox Phaser 3150 PCR roller, 10 pack
6489	Xerox Phaser 3150 Smartchip ® (3,000 pages)
7311	Xerox Phaser 3150 Smartchip ® (5,000 pages)
7427	Xerox Phaser 3150 sponge supply roller, 10 pack
9374	Xerox Phaser 3150 Uni Drum ® OEM style with gears
6948	Xerox Phaser 3150 wiper blade, 10 pack
10932	Xerox Phaser 3450 , 3420, 3400, 3150, 3117 toner hopper plug, 100 pack

Xerox® Phaser 3200

Part #	Description
11924	Xerox Phaser 3200 Absolute Black® toner 22 lb (10 kg) bag
11923	Xerox Phaser 3200 Absolute Black® toner 90g (3,000 pages)
13684	Xerox Phaser 3200 developer roller, 10 pack
13685	Xerox Phaser 3200 doctor blade, 10 pack
13681	Xerox Phaser 3200 PCR roller, 10 pack
11925	Xerox Phaser 3200 Smartchip ® (3,000 pages)
13682	Xerox Phaser 3200 SuMMiT® drum w/gears, 5 pack
13683	Xerox Phaser 3200 Uni Drum ® OEM style with gears

13686 Xerox Phaser 3200 wiper blade, 10 pack

Xerox® Phaser 3250

Part #	Description
13341	Xerox Phaser 3250 Absolute Black® toner 100g (3,500 pages)
13342	Xerox Phaser 3250 Absolute Black® toner 150g (5,000 pages)
14121	Xerox Phaser 3250 Developer roller, 10 pack
14122	Xerox Phaser 3250 doctor blade, 10 pack
13496	Xerox Phaser 3250 PCR roller, 9 pack (special order)
13343	Xerox Phaser 3250 Smartchip® toner (3,500 pages)
13344	Xerox Phaser 3250 Smartchip® toner (5,000 pages)
13499	Xerox Phaser 3250 SuMMiT® drum with gears
13379	Xerox Phaser 3250 Uni Drum ® with gears
13380	Xerox Phaser 3250 wiper blade, 10 pack

Xerox® Phaser 3300

Part #	Description
13597	Xerox Phaser 3300 Absolute Black® toner 110g (4,000 pages)
13599	Xerox Phaser 3300 Absolute Black® toner 215g (8,000 pages)
14495	Xerox Phaser 3300 Absolute Black® toner 22lb (10kg) bag
13822	Xerox Phaser 3300 PCR roller, 10 pack
13595	Xerox Phaser 3300 Smartchip® (4,000 pages)
13598	Xerox Phaser 3300 Smartchip® (8,000 pages)
13596	Xerox Phaser 3300 Uni Drum® with gears

Xerox® Phaser 3310

Part #	Description
5104	Xerox Phaser 3310 Absolute Black ® toner 22 lb (10 kg) bag
4978	Xerox Phaser 3310 Absolute Black® toner 200g
9419	Xerox Phaser 3310 Clear Seal ® adhesive, 50 pack (under final test)
9420	Xerox Phaser 3310 developer roller, 9 pack
9369	Xerox Phaser 3310 Uni drum OEM style with gears
9370	Xerox Phaser 3310 wiper blade, 10 pack

Xerox® Phaser 3400

Part #	Description
7838	Xerox Phaser 3400 Absolute Black® toner 150g (5,000 pages)
7839	Xerox Phaser 3400 Absolute Black® toner 22 lb (10 kg) bag (sold 2/box)
8623	Xerox Phaser 3400 Absolute Black® toner 240g (8,000 pages)
8855	Xerox Phaser 3400 Clear Seal ® adhesive, 50 pack
9268	Xerox Phaser 3400 Developer roller, 9 pack (under final test)
8019	Xerox Phaser 3400 MICR ® toner 160 grams (under final test)
8851	Xerox Phaser 3400 Uni Drum ® OEM style with 1 gear
8870	Xerox Phaser 3400 wiper blade, 10 pack
10932	Xerox Phaser 3450 , 3420, 3400, 3150, 3117 toner hopper plug, 100 pack

Xerox® Phaser 3428

Part # Description

11173	Xerox Phaser 3428 Absolute Black® toner 110g (4,000 pages)
11172	Xerox Phaser 3428 Absolute Black® toner 215g (8,000 pages)
12688	Xerox Phaser 3428 Absolute Black® toner 22lb (10kgs) bag
13073	Xerox Phaser 3428 compatible toner cartridge (8,000 pages) (Brasil, special order)
11177	Xerox Phaser 3428 developer roller, 10 pack
11180	Xerox Phaser 3428 doctor blade, 10 pack
11176	Xerox Phaser 3428 PCR roller, 10 pack
11174	Xerox Phaser 3428 Smartchip ® (4,000 pages)
11175	Xerox Phaser 3428 Smartchip ® (8,000 pages)
11178	Xerox Phaser 3428 Uni Drum ® with gears
11179	Xerox Phaser 3428 wiper blade, 10 pack

Xerox® Phaser 3450, 3420

Part # Description

9526	Xerox Phaser 3420 Smartchip ® (not for use in 3450)
9158	Xerox Phaser 3450 , 3420 Uni Drum ® OEM style with gears
10932	Xerox Phaser 3450 , 3420, 3400, 3150, 3117 toner hopper plug, 100 pack
9293	Xerox Phaser 3450 Smartchip ® (not for use in 3420)
9525	Xerox Phaser 3450, 3420 Absolute Black ® toner 145g (5,000 pages)
8646	Xerox Phaser 3450, 3420 Absolute Black ® toner 22 lb (10 kg) bag
9159	Xerox Phaser 3450, 3420 Absolute Black ® toner 285g (10,000 pages)
12196	Xerox Phaser 3450, 3420 Cleaning roller, 10 pack (special order)
9325	Xerox Phaser 3450, 3420 Clear Seal ® adhesive, 50 pack
5476	Xerox Phaser 3450, 3420 developer roller, 9 pack (special order)
7285	Xerox Phaser 3450, 3420 doctor blade, 10 pack
9258	Xerox Phaser 3450, 3420 MICR ® toner 410 grams (under development)
8455	Xerox Phaser 3450, 3420 PCR roller, 10 pack (special order)
5003	Xerox Phaser 3450, 3420 wiper blade, 10 pack

Xerox® Phaser 3500

Part # Description

10767	Xerox Phaser 3500 Absolute Black ® toner 175g (6,000 pages)
10603	Xerox Phaser 3500 Absolute Black ® toner 22 lb (10 kg) bag
10602	Xerox Phaser 3500 Absolute Black ® toner 350g (12,000 pages)
10609	Xerox Phaser 3500 Clear Seal ® foam adhesive, 50 pack
10607	Xerox Phaser 3500 developer roller, 5 pack
10606	Xerox Phaser 3500 doctor blade, 10 pack
10608	Xerox Phaser 3500 PCR roller, 10 pack
10611	Xerox Phaser 3500 shipping lock, 10 pack
10766	Xerox Phaser 3500 Smartchip ® (12,000 pages)
10610	Xerox Phaser 3500 Smartchip ® (6,000 pages)
10604	Xerox Phaser 3500 Uni Drum ® OEM style with gears
10605	Xerox Phaser 3500 wiper blade, 10 pack

Xerox® Phaser 3600

Part # Description

14867	Shipping lock, 10 pack for use in Xerox Phaser 3600
14519	Xerox Phaser 3600 Absolute Black ® toner 22lb(10kg) bag
13526	Xerox Phaser 3600 Absolute Black ® toner 240g (7,000 pages)
13527	Xerox Phaser 3600 Absolute Black ® toner 400g (14,000 pages)
13717	Xerox Phaser 3600 Clear Seal® foam adhesive, 50 pack (under development)
13718	Xerox Phaser 3600 developer roller, 5 pack
13531	Xerox Phaser 3600 doctor blade, 10 pack
13719	Xerox Phaser 3600 PCR roller, 10 pack
13528	Xerox Phaser 3600 Smartchip ® (106R01370) (7,000 pages)
13529	Xerox Phaser 3600 Smartchip ® (106R01371) (14,000 pages)
13716	Xerox Phaser 3600 Uni Drum® with gears
13532	Xerox Phaser 3600 wiper blade, 10 pack

Xerox® Phaser 3635 MFP

Part #	Description
13213	Xerox Phaser 3635 MFP Absolute Black toner® 290g (10, 000 pages)
13212	Xerox Phaser 3635 MFP Absolute Black toner® 135g (5,000 pages)
13214	Xerox Phaser 3635 MFP developer roller, 10 pack
13215	Xerox Phaser 3635 MFP doctor blade, 10 pack
13218	Xerox Phaser 3635 MFP Smartchip® (10, 000 pages)
13851	Xerox Phaser 3635 MFP SuMMiT® with gears
13219	Xerox Phaser 3635 MFP Uni drum® with gears
13216	Xerox Phaser 3635 MFP wiper blade, 10 pack

Xerox® Phaser 4400

Part #	Description
5750	Xerox Phaser 4400 Absolute Black® toner 22 lb (10 kg) bag
8207	Xerox Phaser 4400 Absolute Black® toner 400g (10,000 pages)
8206	Xerox Phaser 4400 Absolute MICR ® toner 300g (under final test)
11682	Xerox Phaser 4400 Absolute MICR ® toner 800g (special order)
8888	Xerox Phaser 4400 Clear Seal adhesive, 50 pack
8886	Xerox Phaser 4400 doctor blade, 10 pack
8860	Xerox Phaser 4400 drum with gears & insert
8887	Xerox Phaser 4400 mag roller bushing set, 100 pack
8889	Xerox Phaser 4400 mag roller felt, 100 sets(under final test)
8884	Xerox Phaser 4400 PCR roller (recoated), 10 pack
8885	Xerox Phaser 4400 wiper blade, 10 pack

Xerox® Phaser 4500

Part #	Description
14791	MICR ® toner 820g, for use in Xerox Phaser 4500 (under final test)
11508	Xerox Phaser 4500 Absolute Black® toner 395g (special order)
14047	Xerox Phaser 4500 Absolute Black® toner 785g
7206	Xerox Phaser 4500 Clear Seal ® adhesive, 50 pack
9724	Xerox Phaser 4500 doctor blade, 10 pack
9162	Xerox Phaser 4500 Eco graphic ® toner 22 lb (10 kg) bag
9161	Xerox Phaser 4500 Eco Graphic® toner 390g (10,000 pages)
11797	Xerox Phaser 4500 PCR (recoated) roller, 10 pack (special order)

10669	Xerox Phaser 4500 Smartchip ® (113R00657) (18,000 pages)
9996	Xerox Phaser 4500 Uni Drum ® with gears
9723	Xerox Phaser 4500 wiper blade, 10 pack
14355	Xerox Phaser 4500 X-Generation® toner 780g (18,000 pages)
9114	Xerox Phaser 4500, 4510 drum shutter spring, 100 pack (special order)
5012	Xerox Phaser 5400, 4500, 4510 cartridge pin, 50 pack (special order)

Xerox® Phaser 4510

Part #	Description
14800	Uni Drum ® with gears for use in Xerox Phaser 4510 (special order)
9114	Xerox Phaser 4500, 4510 drum shutter spring, 100 pack (special order)
13253	Xerox Phaser 4510 Absolute Black® toner 22 lb (10kg) bag
11505	Xerox Phaser 4510 Absolute Black® toner 410g (10,000 pages)
11504	Xerox Phaser 4510 Absolute Black® toner 820g (19,000 pages)
14520	Xerox Phaser 4510 Clear adhesvie seal, 50 pack
11506	Xerox Phaser 4510 Smartchip ® (10,000 pages) (under development)
11507	Xerox Phaser 4510 Smartchip® (19,000 pages)
14524	Xerox Phaser 4510 SuMMit drum with gears and insert (sold 50/box)
12356	Xerox Phaser 4510 Uni Drum ® 1 side gear only (special order)
14305	Xerox Phaser 4510 X-Generation® toner 820g (19,000 pages)
5012	Xerox Phaser 5400, 4500, 4510 cartridge pin, 50 pack (special order)

Xerox® Phaser 5400

Part #	Description
8368	Xerox Phaser 5400 Absolute Black® toner 22 lb (10 kg) bag
5395	Xerox Phaser 5400 Absolute Black® toner 820g (20,000 pages)
5367	Xerox Phaser 5400 Clear Seal ® adhesive, 50 pack
5199	Xerox Phaser 5400 doctor blade, 10 pack
5664	Xerox Phaser 5400 drum with gears & insert
5193	Xerox Phaser 5400 Mag roller sleeve, 10 pack
8205	Xerox Phaser 5400 MICR ® toner 300g
5210	Xerox Phaser 5400 PCR roller, 10 pack
9294	Xerox Phaser 5400 Smartchip ® (20,000 pages)
5160	Xerox Phaser 5400 wiper blade, 10 pack
5012	Xerox Phaser 5400, 4500, 4510 cartridge pin, 50 pack (special order)

Xerox® Phaser 5500

Part #	Description
13998	Xerox Phaser 5500 , 5500 Absolute Black® toner 22 lb (10 kg) bag
13997	Xerox Phaser 5500 Absolute Black® toner 650g
10989	Xerox Phaser 5500 Smartchip ® Drum 113R00670
9871	Xerox Phaser 5500 Smartchip ® toner 113R00668 (30,000 pages)
10990	Xerox Phaser 5500, 5550 developer for drum unit 230g (60,000 pages) (special order)
14363	Xerox Phaser 5500, 5550 developer for drum unit, 30 kg (special order)
14556	Xerox Phaser 5500, 5550 developer unit seal, 50 pack
7582	Xerox Phaser 5500, 5550 Uni Drum ® with gears
11986	Xerox Phaser 5500, 5550 wiper blade, 10 pack
13209	Xerox Phaser 5550 Smartchip ® toner (106R01294) (35,000 pages)

Xerox® Phaser 5550

Part #	Description
14811	Absolute Black® toner 22 lb (10 kg) bag for use in Xerox Phaser 5550
7582	Xerox Phaser 5500, 5550 Uni Drum ® with gears
13951	Xerox Phaser 5550 Absolute Black ® toner 650g 113R00668 (35,000 pages)

Xerox® Phaser 6100

Part #	Description
9133	Xerox Phaser 6100 Absolute Black ® toner 245g
9134	Xerox Phaser 6100 Absolute Cyan ® toner 215g
9136	Xerox Phaser 6100 Absolute Magenta ® toner 215g
9135	Xerox Phaser 6100 Absolute Yellow ® toner 215g
9296	Xerox Phaser 6100 Smartchip ® Black cartridge
9297	Xerox Phaser 6100 Smartchip ® Cyan cartridge
9298	Xerox Phaser 6100 Smartchip ® Magenta cartridge
9299	Xerox Phaser 6100 Smartchip ® Yellow cartridge

Xerox® Phaser 6110

Part #	Description
12764	Xerox Phaser 6110 Absolute Black ® compatible toner cartridge (2,000 pages)(special order)
14410	Xerox Phaser 6110 Absolute Black ® toner 22lb(10kgs) bag
11007	Xerox Phaser 6110 Absolute Black ® toner 90g (2,000 pages)
12768	Xerox Phaser 6110 Absolute Cyan ® compatible toner cartridge (1,000 pages)(special order)
14411	Xerox Phaser 6110 Absolute Cyan ® toner 22lb(10kgs) bag
11008	Xerox Phaser 6110 Absolute Cyan ® toner 48g (1,000 pages)
12765	Xerox Phaser 6110 Absolute Magenta ® compatible toner cartridge 1,000 pages)(special order)
14412	Xerox Phaser 6110 Absolute Magenta ® toner 22lbs(10kgs) bag
11009	Xerox Phaser 6110 Absolute Magenta ® toner 48g (1,000 pages)
12766	Xerox Phaser 6110 Absolute Yellow ® compatible toner cartridge (1,000 pages)(special order)
14414	Xerox Phaser 6110 Absolute Yellow ® toner 22lb (10kgs) bag
11010	Xerox Phaser 6110 Absolute Yellow ® toner 48g (1,000 pages)
11627	Xerox Phaser 6110 seal toner hopper fill plug, 100 pack
13121	Xerox Phaser 6110 Smartchip ® Black (2,000 pages) (Argentina region)
11011	Xerox Phaser 6110 Smartchip ® Black (2,000 pages) (USA, EUR region)
13122	Xerox Phaser 6110 Smartchip ® Cyan (1,000 pages)(Argentina region)
11012	Xerox Phaser 6110 Smartchip ® Cyan (1,000 pages)(USA, EUR region)
13123	Xerox Phaser 6110 Smartchip ® Magenta (1,000 pages)(Argentina region)
11013	Xerox Phaser 6110 Smartchip ® Magenta (1,000 pages)(USA, EUR region)
13124	Xerox Phaser 6110 Smartchip ® Yellow (1,000 pages)(Argentina region)
11014	Xerox Phaser 6110 Smartchip ® Yellow (1,000 pages)(USA, EUR region)

Xerox® Phaser 6120

Part #	Description
10080	Xerox Phaser 6120, 6115 Absolute Black ® toner 145g
14415	Xerox Phaser 6120, 6115 Absolute Black ® toner 22lb(10kgs) bag
10081	Xerox Phaser 6120, 6115 Absolute Cyan ® toner 145g

14417	Xerox Phaser 6120, 6115 Absolute Cyan ® toner 22lb(10kgs) bag
10082	Xerox Phaser 6120, 6115 Absolute Magenta ® toner 145g
14418	Xerox Phaser 6120, 6115 Absolute Magenta ® toner 22lb(10kg) bag
10083	Xerox Phaser 6120, 6115 Absolute Yellow ® toner 145g
14419	Xerox Phaser 6120, 6115 Absolute Yellow ® toner 22lb(10kg) bag
10086	Xerox Phaser 6120, 6115 Smartchip ® Black
10087	Xerox Phaser 6120, 6115 Smartchip ® Cyan
10088	Xerox Phaser 6120, 6115 Smartchip ® Magenta
10089	Xerox Phaser 6120, 6115 Smartchip ® Yellow
10085	Xerox Phaser 6120, 6115 Smartchip fuse ® for drum unit, 10 pack
10084	Xerox Phaser 6120, 6115 Uni Drum ® with gears

Xerox® Phaser 6125

Part #	Description
12343	Xerox Phaser 6125 Absolute Black ® toner 50g (2,000 pages)
14401	Xerox Phaser 6125 Absolute Black ® toner, 22lb (10 kgs) bag
14402	Xerox Phaser 6125 Absolute Cyan ® toner 22lb (10kgs) bag
12348	Xerox Phaser 6125 Absolute Cyan ® toner 30g (1,000 pages)
12349	Xerox Phaser 6125 Absolute Magenta ® toner 30g (1,000 pages)
14403	Xerox Phaser 6125 Absolute Magenta ® toner, 22lb (10kgs) bag
14404	Xerox Phaser 6125 Absolute Yellow ® toner 22lb(10kgs) bag
12350	Xerox Phaser 6125 Absolute Yellow ® toner 30g (1,000 pages)
14529	Xerox Phaser 6125 Smartchip ® Black toner cartridge (2,000 pages) Argentina (106R01338)
12344	Xerox Phaser 6125 Smartchip ® Black toner cartridge (2,000 pages) USA/Europe (106R01334)
14530	Xerox Phaser 6125 Smartchip ® Cyan toner cartridge (1,000 pages) Argentina (106R01335)
12345	Xerox Phaser 6125 Smartchip ® Cyan toner cartridge (1,000 pages) USA/Europe (106R01331)
14531	Xerox Phaser 6125 Smartchip ® Magenta toner cartridge (1,000 pages) Argentina(106R01336)
12346	Xerox Phaser 6125 Smartchip ® Magenta toner cartridge (1,000 pages) USA/Europe (106R01332)
14532	Xerox Phaser 6125 Smartchip ® Yellow toner cartridge (1,000 pages) Argentina (106R01337)
12347	Xerox Phaser 6125 Smartchip ® Yellow toner cartridge (1,000 pages) USA/Europe (106R01333)

Xerox® Phaser 6128MFP

Part #	Description
14261	Xerox Phaser 6128 MFP Smartchip ® Black (106R01455)(3,100 pages)
14262	Xerox Phaser 6128 MFP Smartchip ® Cyan (106R01452)(2,500 pages)
14263	Xerox Phaser 6128 MFP Smartchip ® Magenta (106R01453)(2,500 pages)
14264	Xerox Phaser 6128 MFP Smartchip ® Yellow (106R01454)(2,500 pages)
14405	Xerox Phaser 6128 MFP X-Generation ® Black toner 22lb(10kg) bag
14256	Xerox Phaser 6128 MFP X-Generation ® Black toner 40g (3,100 pages)
14406	Xerox Phaser 6128 MFP X-Generation ® Cyan toner 22lb(10kgs) bag
14257	Xerox Phaser 6128 MFP X-Generation ® Cyan toner 40g (2,500 pages)
14407	Xerox Phaser 6128 MFP X-Generation ® Magenta toner 22lb (10kgs) bag
14258	Xerox Phaser 6128 MFP X-Generation ® Magenta toner 40g (2,500 pages)
14409	Xerox Phaser 6128 MFP X-Generation ® Yellow toner 22lb(10kgs) bag
14259	Xerox Phaser 6128 MFP X-Generation ® Yellow toner 40g (2,500 pages)

Xerox® Phaser 6130

Part #	Description
--------	-------------

11990	Xerox Phaser 6130 Absolute Black ® toner 55g (2,500 pages)
11991	Xerox Phaser 6130 Absolute Cyan ® toner 50g (1,900 pages)
11992	Xerox Phaser 6130 Absolute Magenta ® toner 50g (1,900 pages)
11993	Xerox Phaser 6130 Absolute Yellow ® toner 50g (1,900 pages)
11994	Xerox Phaser 6130 Smartchip ® Black (2,500 pages)
11995	Xerox Phaser 6130 Smartchip ® Cyan (1,900 pages)
11996	Xerox Phaser 6130 Smartchip ® Magenta (1,900 pages)
11997	Xerox Phaser 6130 Smartchip ® Yellow (1,900 pages)
14035	Xerox Phaser 6130, 6140 X-Generation ® Black toner 45g (2,600 pages)
14036	Xerox Phaser 6130, 6140 X-Generation ® Cyan toner 35g (2,000 pages)
14037	Xerox Phaser 6130, 6140 X-Generation ® Magenta toner 35g (2,000 pages)
14038	Xerox Phaser 6130, 6140 X-Generation ® Yellow toner 35g (2,000 pages)
13621	Xerox Phaser 6130, 6140 X-Generation® Black toner 22 lb (10kg) bag
13622	Xerox Phaser 6130, 6140 X-Generation® Cyan toner 22 lb (10 kg) bag
13623	Xerox Phaser 6130, 6140 X-Generation® Magenta toner 22 lb (10 kg) bag
13624	Xerox Phaser 6130, 6140 X-Generation® Yellow toner 22 lb (10 kg)

Xerox® Phaser 6140

Part #	Description
14035	Xerox Phaser 6130, 6140 X-Generation ® Black toner 45g (2,600 pages)
14036	Xerox Phaser 6130, 6140 X-Generation ® Cyan toner 35g (2,000 pages)
14037	Xerox Phaser 6130, 6140 X-Generation ® Magenta toner 35g (2,000 pages)
14038	Xerox Phaser 6130, 6140 X-Generation ® Yellow toner 35g (2,000 pages)
13621	Xerox Phaser 6130, 6140 X-Generation® Black toner 22 lb (10kg) bag
13622	Xerox Phaser 6130, 6140 X-Generation® Cyan toner 22 lb (10 kg) bag
13623	Xerox Phaser 6130, 6140 X-Generation® Magenta toner 22 lb (10 kg) bag
13624	Xerox Phaser 6130, 6140 X-Generation® Yellow toner 22 lb (10 kg)
14460	Xerox Phaser 6140 Smartchip ® Black (106R01480)(2,500 pages)
14461	Xerox Phaser 6140 Smartchip ® Cyan (106R01477)(2,000 pages)
14463	Xerox Phaser 6140 Smartchip ® Magenta (106R01478)(2,000 pages)
14464	Xerox Phaser 6140 Smartchip ® Yellow (106R01479)(2,000 pages)

Xerox® Phaser 6180

Part #	Description
13161	Xerox Phaser 6180, 6180 MFP Absolute Black ® toner (3,000 pages)
11248	Xerox Phaser 6180, 6180 MFP Smartchip ® Black (113R00726) (8,000 pages)
13580	Xerox Phaser 6180, 6180 MFP Smartchip ® Black (3,000 pages)
11249	Xerox Phaser 6180, 6180 MFP Smartchip ® Cyan (113R00723) (6,000 pages)
13581	Xerox Phaser 6180, 6180 MFP Smartchip ® Cyan (2,000 pages)
11250	Xerox Phaser 6180, 6180 MFP Smartchip ® Magenta (113R00724) (6,000 pages)
13582	Xerox Phaser 6180, 6180 MFP Smartchip ® Magenta (2,000 pages)
11251	Xerox Phaser 6180, 6180 MFP Smartchip ® Yellow (113R00725) (6,000 pages)
13583	Xerox Phaser 6180, 6180 MFP Smartchip ® Yellow (2,000 pages)
13162	Xerox Phaser 6180, 6180MFP Absolute Cyan ® toner (2,000 pages)(under development)
13163	Xerox Phaser 6180, 6180MFP Absolute Magenta ® toner (2,000 pages)(under development)
13164	Xerox Phaser 6180, 6180MFP Absolute Yellow ® toner (2,000 pages) (under development)
11243	Xerox Phaser 6180, 6280, 6180 MFP Absolute Black ® toner (8,000 pages)
13165	Xerox Phaser 6180, 6280, 6180 MFP Absolute Black ® toner developer 68g
11244	Xerox Phaser 6180, 6280, 6180 MFP Absolute Cyan ® toner (6,000 pages)
13389	Xerox Phaser 6180, 6280, 6180 MFP Absolute Cyan ® toner developer 69g

11245	Xerox Phaser 6180, 6280, 6180 MFP Absolute Magenta ® toner (6,000 pages)
13390	Xerox Phaser 6180, 6280, 6180 MFP Absolute Magenta ® toner developer 68g
11246	Xerox Phaser 6180, 6280, 6180 MFP Absolute Yellow ® toner (6,000 pages)
13391	Xerox Phaser 6180, 6280, 6180 MFP Absolute Yellow ® toner developer 68g
11252	Xerox Phaser 6180, 6280, 6180 MFP drum cover, 10 pack
14051	Xerox Phaser 6180, 6280, 6180 MFP SuMMit® drum with gears
11247	Xerox Phaser 6180, 6280, 6180 MFP Uni drum ® with gears

Xerox® Phaser 6200

Part #	Description
9050	Xerox Phaser 6200 Absolute Cyan ® toner 150g (8,000 pages)
9052	Xerox Phaser 6200 Absolute Magenta ® toner 150g (8,000 pages)
9051	Xerox Phaser 6200 Absolute Yellow ® toner 150g (8,000 pages)
10354	Xerox Phaser 6250, 6200 Clear Seal ® adhesive, 50 pack
8535	Xerox Phaser 6250, 6200 drum gearless (special order)

Xerox® Phaser 6250

Part #	Description
10701	Xerox Phaser 6250 Absolute Black ® toner 150g (needs carrier 10705) (under development)
10702	Xerox Phaser 6250 Absolute Cyan ® toner 150g (needs carrier 10705)
10703	Xerox Phaser 6250 Absolute Magenta ® toner 150g (needs carrier 10705)
10704	Xerox Phaser 6250 Absolute Yellow ® toner 150g (needs carrier 10705)
10705	Xerox Phaser 6250 Black, Cyan, Magenta & Yellow toner carrier
5036	Xerox Phaser 6250 Smartchip ® Black cartridge (8,000 pages)
5037	Xerox Phaser 6250 Smartchip ® Cyan cartridge (8,000 pages)
5038	Xerox Phaser 6250 Smartchip ® Magenta cartridge (8,000 pages)
5039	Xerox Phaser 6250 Smartchip ® Yellow cartridge (8,000 pages)
10354	Xerox Phaser 6250, 6200 Clear Seal ® adhesive, 50 pack
8535	Xerox Phaser 6250, 6200 drum gearless (special order)

Xerox® Phaser 6280

Part #	Description
11243	Xerox Phaser 6180, 6280, 6180 MFP Absolute Black ® toner (8,000 pages)
13165	Xerox Phaser 6180, 6280, 6180 MFP Absolute Black ® toner developer 68g
11244	Xerox Phaser 6180, 6280, 6180 MFP Absolute Cyan ® toner (6,000 pages)
13389	Xerox Phaser 6180, 6280, 6180 MFP Absolute Cyan ® toner developer 69g
11245	Xerox Phaser 6180, 6280, 6180 MFP Absolute Magenta ® toner (6,000 pages)
13390	Xerox Phaser 6180, 6280, 6180 MFP Absolute Magenta ® toner developer 68g
11246	Xerox Phaser 6180, 6280, 6180 MFP Absolute Yellow ® toner (6,000 pages)
13391	Xerox Phaser 6180, 6280, 6180 MFP Absolute Yellow ® toner developer 68g
11252	Xerox Phaser 6180, 6280, 6180 MFP drum cover, 10 pack
14051	Xerox Phaser 6180, 6280, 6180 MFP SuMMit® drum with gears
11247	Xerox Phaser 6180, 6280, 6180 MFP Uni drum ® with gears
14427	Xerox Phaser 6280 Black Smartchip® (7,000 pages)
14428	Xerox Phaser 6280 Cyan Smartchip® (5,900 pages)
14429	Xerox Phaser 6280 Magenta Smartchip® (5,900 pages)
14430	Xerox Phaser 6280 Yellow Smartchip® (5,900 pages)

Xerox® Phaser 6300

Part #	Description
7367	Xerox Phaser 6300 Absolute Black ® toner 140g (needs carrier N 10359)
7368	Xerox Phaser 6300 Absolute Cyan ® toner 140g (needs carrier N 10359)
7369	Xerox Phaser 6300 Absolute Magenta ® toner 140g (needs carrier N 10359)
7370	Xerox Phaser 6300 Absolute Yellow ® toner 140g (needs carrier N 10359)
10359	Xerox Phaser 6300 Black, Cyan, Magenta, Yellow ® toner carrier (7,000 pages)
10493	Xerox Phaser 6300 Smartchip ® Black (7,000 pages)
10494	Xerox Phaser 6300 Smartchip ® Cyan (7,000 pages)
10495	Xerox Phaser 6300 Smartchip ® Magenta (7,000 pages)
10496	Xerox Phaser 6300 Smartchip ® Yellow (7,000 pages)
10357	Xerox Phaser 6360, 6350, 6300 Clear Seal ® adhesive, 50 pack (standard yield)

Xerox® Phaser 6350

Part #	Description
12249	Xerox Phaser 6350 Absolute Black ® toner (10,000)
12250	Xerox Phaser 6350 Absolute Cyan ® toner (10,000)
12253	Xerox Phaser 6350 Absolute Magenta ® toner (10,000)
12254	Xerox Phaser 6350 Absolute Yellow ® toner (10,000)
10497	Xerox Phaser 6350 Smartchip ® Black 106R01147 (10,000 pages)
10498	Xerox Phaser 6350 Smartchip ® Cyan 106R01144 (10,000 pages)
10499	Xerox Phaser 6350 Smartchip ® Magenta 106R01145 (10,000 pages)
10500	Xerox Phaser 6350 Smartchip ® Yellow 106R01146 (10,000 pages)
10357	Xerox Phaser 6360, 6350, 6300 Clear Seal ® adhesive, 50 pack (standard yield)

Xerox® Phaser 6360

Part #	Description
14491	Xerox Phaser 6360 Absolute Black ® compatible toner cartridge (18,000 pages)(special order)
11253	Xerox Phaser 6360 Absolute Black ® toner (18,000 pages)
11257	Xerox Phaser 6360 Absolute Black ® toner (9,000 pages)
14492	Xerox Phaser 6360 Absolute Cyan ® compatible toner cartridge (12,000 pages)(special order)
11254	Xerox Phaser 6360 Absolute Cyan ® toner (12,000 pages)
13383	Xerox Phaser 6360 Absolute Cyan ® toner (5,000 pages)
11255	Xerox Phaser 6360 Absolute Magenta ® toner (12,000 pages)
13384	Xerox Phaser 6360 Absolute Magenta ® toner (5,000 pages)
14493	Xerox Phaser 6360 Absolute Magenta® compatible toner cartridge (12,000 pages)(special order)
14494	Xerox Phaser 6360 Absolute Yellow ® compatible toner cartridge (12,000 pages)(special order)
11256	Xerox Phaser 6360 Absolute Yellow ® toner (12,000 pages)
13385	Xerox Phaser 6360 Absolute Yellow ® toner (5,000 pages)
11258	Xerox Phaser 6360 Clear Seal, 50 pack (high yield)
11260	Xerox Phaser 6360 Smartchip ® Black (18,000 pages)
11261	Xerox Phaser 6360 Smartchip ® Cyan (12,000 pages)
11262	Xerox Phaser 6360 Smartchip ® Magenta (12,000 pages)
11263	Xerox Phaser 6360 Smartchip ® Yellow (12,000 pages)
13989	Xerox Phaser 6360 X-generation Black ® toner (18,000 pages)(under development)
13990	Xerox Phaser 6360 X-generation Black ® toner (9,000 pages)(under development)
13991	Xerox Phaser 6360 X-generation Cyan ® toner (12,000 pages)(under development)
13992	Xerox Phaser 6360 X-generation Magenta ® toner (12,000 pages)(under development)
13996	Xerox Phaser 6360 X-generation Yellow ® toner (12,000 pages)(under development)

10357 Xerox Phaser 6360, 6350, 6300 Clear Seal ® adhesive, 50 pack (standard yield)

Xerox® Phaser 7300

Part #	Description
6085	Xerox Phaser 7300 Absolute Black ® toner 22 lb (10 kg) bag
9076	Xerox Phaser 7300 Absolute Black ® toner 460g
7021	Xerox Phaser 7300 Absolute Cyan ® toner 22 lb (10 kg) bag
9077	Xerox Phaser 7300 Absolute Cyan ® toner 460g
7022	Xerox Phaser 7300 Absolute Magenta ® toner 22 lb (10 kg) bag
9079	Xerox Phaser 7300 Absolute Magenta ® toner 460g
7023	Xerox Phaser 7300 Absolute Yellow ® toner 22 lb (10 kg) bag
9078	Xerox Phaser 7300 Absolute Yellow ® toner 460g
9702	Xerox Phaser 7300 Smartchip ® fuse for drum unit, 10 pack
9080	Xerox Phaser 7300 Uni Drum ® drum with gears

Xerox® Phaser 7400

Part #	Description
14787	Absolute Black glossy toner® 22lb(10) kgs for use in Xerox Phaser 7400
14789	Absolute Magenta glossy toner® 22lb(10) kgs for use in Xerox Phaser 7400
14788	Absolute Cyan glossy toner® 22lb(10) kgs for use in Xerox Phaser 7400
14790	Absolute Yellow glossy toner® 22lb(10) kgs for use in Xerox Phaser 7400
9436	Xerox Phaser 7400 Absolute Black ® toner (15,000 pages)
14609	Xerox Phaser 7400 Absolute Black ® toner 22lb(10kg)bag
13514	Xerox Phaser 7400 Absolute Black glossy toner® (15,000 pages)
9437	Xerox Phaser 7400 Absolute Cyan ® toner (18,000 pages)
14610	Xerox Phaser 7400 Absolute Cyan ® toner 22lb(10kg)bag
13515	Xerox Phaser 7400 Absolute Cyan glossy toner® (18,000 pages)
9438	Xerox Phaser 7400 Absolute Magenta ® toner (18,000 pages)
13516	Xerox Phaser 7400 Absolute Magenta glossy toner® (18,000 pages)
14611	Xerox Phaser 7400 Absolute Magenta® toner 22lb(10kg)bag
9439	Xerox Phaser 7400 Absolute Yellow ® toner (18,000 pages)
14612	Xerox Phaser 7400 Absolute Yellow ® toner 22lb(10kg)bag
13517	Xerox Phaser 7400 Absolute Yellow glossy toner® (18,000 pages)
10840	Xerox Phaser 7400 Smartchip ® Black (15,000 pages)
10841	Xerox Phaser 7400 Smartchip ® Cyan (18,000 pages)
10848	Xerox Phaser 7400 Smartchip ® drum unit fuse, 10 pack
10842	Xerox Phaser 7400 Smartchip ® Magenta (18,000 pages)
10843	Xerox Phaser 7400 Smartchip ® Yellow (18,000 pages)
9599	Xerox Phaser 7400 Uni Drum ® with gears

Xerox® Phaser 7700

Part #	Description
9444	Xerox Phaser 7700 Absolute Black ® toner 200g (2005 formula)
9445	Xerox Phaser 7700 Absolute Cyan ® toner 200g (2005 formula)
9446	Xerox Phaser 7700 Absolute Magenta ® toner 200g (2005 formula)
9447	Xerox Phaser 7700 Absolute Yellow ® toner 200g (2005 formula)
12185	Xerox Phaser 7700 wiper blade, 5 pack
9988	Xerox Phaser 7700, C 2220 Uni Drum ® gearless with insert (special order)

- 10900 Xerox Phaser 7700, C 2220, 7750 recovery blade, 100 pack
- 10948 Xerox Phaser 7750, 7700, C 2220 PCR roller, 10 pack

Xerox® Phaser 7750

- | Part # | Description |
|---------------|---|
| 11183 | Xerox Phaser 7750 Absolute Black ® toner 600g (32,000 pages) |
| 11184 | Xerox Phaser 7750 Absolute Cyan ® toner 400g (22,000 pages) |
| 11185 | Xerox Phaser 7750 Absolute Magenta ® toner 400g (22,000 pages) |
| 11186 | Xerox Phaser 7750 Absolute Yellow ® toner 400g (22,000 pages) |
| 11922 | Xerox Phaser 7750 Uni Drum ® gearless with insert (special order) |
| 10948 | Xerox Phaser 7750, 7700, C 2220 PCR roller, 10 pack |
| 11464 | Xerox Phaser 7750, C 2220 wiper blade, 10 pack |

Xerox® Phaser 7760

- | Part # | Description |
|---------------|--|
| 14886 | X-Generation ® Black toner 700g (32,000 pages) for use in Xerox Phaser 7760 |
| 14887 | X-Generation Cyan ® toner 500g (25,000 pages) for use in Xerox Phaser 7760 |
| 14888 | X-Generation Magenta ® toner 500g (25,000 pages)for use in Xerox Phaser 7760 |
| 14889 | X-Generation Yellow ® toner 500g (25,000 pages) for use in Xerox Phaser 7760 |
| 14881 | X-Generation® Black toner 22lb(10kg) bag for use in Xerox Phaser 7760 |
| 14882 | X-Generation® Cyan toner 22lb(10kg) bag for use in Xerox Phaser 7760 |
| 14885 | X-Generation® KCMY Carrier 22lb(10kg) bag for use in Xerox Phaser 7760 |
| 14883 | X-Generation® Magenta toner 22lb(10kg) bag for use in Xerox Phaser 7760 |
| 14884 | X-Generation® Yellow toner 22lb(10kg) bag for use in Xerox Phaser 7760 |
| 11187 | Xerox Phaser 7760 Absolute Black ® toner 580g (32,000 pages) (under development) |
| 11188 | Xerox Phaser 7760 Absolute Cyan ® toner 390g (25,000 pages) (under development) |
| 11189 | Xerox Phaser 7760 Absolute Magenta ® toner 390g (25,000 pages)(under development) |
| 11190 | Xerox Phaser 7760 Absolute Yellow ® toner 390g (25,000 pages) (under development) |
| 14124 | Xerox Phaser 7760 PCR roller, 10 pack pecial order)(under development) |
| 11271 | Xerox Phaser 7760 Smartchip ® Black toner 106R01163 (32,000 pages) |
| 11920 | Xerox Phaser 7760 Smartchip ® Black, Cyan, Magenta, Yellow drum unit (special order) |
| 11272 | Xerox Phaser 7760 Smartchip ® Cyan toner 106R01160 (25,000 pages) |
| 11273 | Xerox Phaser 7760 Smartchip ® Magenta toner 106R01161 (25,000 pages) |
| 11274 | Xerox Phaser 7760 Smartchip ® Yellow toner 106R01162 (25,000 pages) |
| 11887 | Xerox Phaser 7760 Uni Drum ® drum gearless with insert (special order) |
| 14309 | Xerox Phaser 7760 wiper blade, 10 pack (special order) |

Xerox® Phaser 790

- | Part # | Description |
|---------------|---|
| 9398 | Xerox Phaser 790 Absolute Black ® toner 200g |
| 7894 | Xerox Phaser 790 Absolute Black ® toner 22 lb (10 kg) bag |
| 7898 | Xerox Phaser 790 Absolute Color ® toner carrier 22 lb (10 kg) bag |
| 9399 | Xerox Phaser 790 Absolute Cyan ® toner 200g |
| 7895 | Xerox Phaser 790 Absolute Cyan ® toner 22 lb (10 kg) bag |
| 9400 | Xerox Phaser 790 Absolute Magenta ® toner 200g |
| 7896 | Xerox Phaser 790 Absolute Magenta ® toner 22 lb (10 kg) bag |
| 9401 | Xerox Phaser 790 Absolute Yellow ® toner 200g |

Xerox® Phaser 8200

Part #	Description
5281	Xerox Phaser 8200 Solid ink stick Black, 5 pack (special order)
5282	Xerox Phaser 8200 Solid ink stick Cyan, 5 pack (special order)
5283	Xerox Phaser 8200 Solid ink stick Magenta, 5 pack (special order)
5284	Xerox Phaser 8200 Solid ink stick Yellow, 5 pack (special order)

Xerox® Phaser 8400

Part #	Description
5087	Xerox Phaser 8400 Solid ink stick Black, 3 pack (special order)
7226	Xerox Phaser 8400 Solid ink stick Cyan, 3 pack (special order)
5059	Xerox Phaser 8400 Solid ink stick Magenta, 3 pack (special order)
5058	Xerox Phaser 8400 Solid ink stick Yellow, 3 pack (special order)

Xerox® Phaser 8500, 8550

Part #	Description
13197	Xerox Phaser 8500, 8550 (108R00668) Black solid ink stick, 4 pack (special order)
13198	Xerox Phaser 8500, 8550 (108R00669) Cyan solid ink stick, 4 pack (special order)
13199	Xerox Phaser 8500, 8550 (108R00670) Magenta solid ink stick, 4 pack (special order)
13200	Xerox Phaser 8500, 8550 (108R00671) Yellow solid ink stick, 4 pack (special order)

Xerox® Phaser 8560

Part #	Description
13202	Xerox Phaser 8560 (108R00723) Cyan solid ink stick, 4 pack (special order)
13203	Xerox Phaser 8560 (108R00724) Magenta solid ink stick, 4 pack (special order)
13204	Xerox Phaser 8560 (108R00725) Yellow solid ink stick, 4 pack (special order)
13201	Xerox Phaser 8560 (108R00726) Black solid ink stick, 4 pack (special order)

Xerox® Phaser 860

Part #	Description
11466	Xerox Phaser 860 Solid ink stick Black, 3 pack (special order)
11467	Xerox Phaser 860 Solid ink stick Cyan, 2 pack (special order)
11468	Xerox Phaser 860 Solid ink stick Magenta, 2 pack (special order)
11469	Xerox Phaser 860 Solid ink stick Yellow, 2 pack (special order)

Xerox® WorkCentre 16 FX, 16 P

Part #	Description
5531	Xerox WorkCentre Pro 16 FX Absolute Black ® developer 190g
5564	Xerox WorkCentre Pro 16 FX Absolute Black ® toner 220g
5772	Xerox WorkCentre Pro 16 FX, 16 P smartchip ®, 10 pack

Xerox® WorkCentre 215

Part #	Description
5753	Xerox WorkCentre 215 Smartchip ®

Xerox® WorkCentre 220, 222, 228

Part #	Description
11276	Xerox WorkCentre 220, 222, 228 Absolute Black® toner (12,000 pages)
11275	Xerox WorkCentre 220, 222, 228 Absolute Black® toner 150g (6,000 pages) (under final test)
11277	Xerox WorkCentre 220, 222, 228 Smartchip® reset card CWAA0646 (6,000 pages) (under development)
11278	Xerox WorkCentre 220, 222, 228 Smartchip® reset card CWAA0647 (12,000 pages)
11279	Xerox WorkCentre 220, 222, 228 Uni Drum® gearless (special order)

Xerox® WorkCentre 3119

Part #	Description
11795	Xerox WorkCentre 3119 Absolute Black® toner 22 lb (10kg) bag
10899	Xerox WorkCentre 3119 Absolute Black® toner 75g (3,000 pages)
13068	Xerox WorkCentre 3119 compatible toner cartridge (3,000 pages) (Fox Brasil special order)
11793	Xerox WorkCentre 3119 Smartchip® (013R00625) (Latin America & Europe)
11270	Xerox WorkCentre 3119 Uni Drum® OEM style with gears
11458	Xerox WorkCentre 3119 wiper blade, 10 pack

Xerox® WorkCentre 315, 320

Part #	Description
9878	Xerox WorkCentre Pro 320, 315 Smartchip® (106R00280) Asia (under development)
9027	Xerox WorkCentre Pro 320, 315 Smartchip® (113R70489) Brazil

Xerox® WorkCentre 320, 315

Part #	Description
9260	Xerox WorkCentre Pro 320, 315 Absolute Black® toner 22 lb (10 kg) bag
8329	Xerox WorkCentre Pro 320, 315 Absolute Black® toner 500g
9257	Xerox WorkCentre Pro 320, 315 doctor blade, 10 pack
8527	Xerox WorkCentre Pro 320, 315 Mag roller sleeve, 10 pack (special order)
8526	Xerox WorkCentre Pro 320, 315 wiper blade, 10 pack
10930	Xerox WorkCentre Pro 320, 315, 420, 415 Uni Drum® Blue gearless (sold 50 pack)(special order)
8536	Xerox WorkCentre Pro 320, 315, 420, 415 Uni Drum® Blue with gears (special order)
9730	Xerox WorkCentre Pro 320, 315, 420, 415 Uni Drum® Green w/gears
10937	Xerox WorkCentre Pro 320, 315, 420, 415 Uni Drum® Green w/gears & insert

Xerox® WorkCentre 3210, 3220

Part #	Description
13977	Xerox WorkCentre 3210, 3220 Absolute Black® toner 110g (4,100 pages)
13976	Xerox WorkCentre 3210, 3220 Absolute Black® toner 65g (2,000 pages)
13979	Xerox WorkCentre 3210, 3220 Smartchip® 106R01485 (2,000 pages) (under development)
13981	Xerox WorkCentre 3210, 3220 Smartchip® 106R01486 (4,100 pages) (under development)
13983	Xerox WorkCentre 3210, 3220 SuMMiT® OPC with gears
13982	Xerox WorkCentre 3210, 3220 Uni Drum® OPC with gears

Xerox® WorkCentre 385

Part #	Description
6305	Xerox WorkCentre 385, 390 Absolute Black® toner 100g
6492	Xerox WorkCentre 385, 390 Clear Seal ® adhesive, 50 pack

Xerox® WorkCentre 4118, FaxCentre 2218

Part #	Description
11802	Xerox WorkCentre 4118, FaxCentre 2218 Absolute Black® toner 22 lb (10 kg) bag
10666	Xerox WorkCentre 4118, FaxCentre 2218 Absolute Black® toner 255g
11588	Xerox WorkCentre 4118, FaxCentre 2218 developer roller, 9 pack
10873	Xerox WorkCentre 4118, FaxCentre 2218 doctor blade, 10 pack
10874	Xerox WorkCentre 4118, FaxCentre 2218 PCR roller, 9 pack
10667	Xerox WorkCentre 4118, FaxCentre 2218 Smartchip ® (8,000 pages)
11589	Xerox WorkCentre 4118, FaxCentre 2218 Smartchip ® drum unit fuse, 10 pack
11586	Xerox WorkCentre 4118, FaxCentre 2218 Uni Drum ® with gears
11587	Xerox WorkCentre 4118, FaxCentre 2218 wiper blade, 10 pack

Xerox® WorkCentre 4150

Part #	Description
11643	Xerox WorkCentre 4150 Absolute Black ® developer carrier for drum unit 338g (under development)
11555	Xerox WorkCentre 4150 Absolute Black® toner 22 lb (10 kg) bag
11554	Xerox WorkCentre 4150 Absolute Black® toner 560g
11560	Xerox WorkCentre 4150 developer roller, 10 pack (under development)
11557	Xerox WorkCentre 4150 doctor blade, 10 pack (under development)
11561	Xerox WorkCentre 4150 PCR roller, 10 pack (under development)
11644	Xerox WorkCentre 4150 Smartchip ® drum unit (013R0023) (US, Europe, Australia, NZ)
11556	Xerox WorkCentre 4150 Smartchip ® toner cartridge (6R01275) (US, Europe, Australia, NZ)
14452	Xerox WorkCentre 4150 Smartchip ® toner cartridge (6R01276)(Latin America, Asia, India, Africa)
11559	Xerox WorkCentre 4150 wiper blade, 10 pack (under development)

Xerox® WorkCentre 5222, 5225, 5340

Part #	Description
14105	Xerox WorkCentre 5222, 5225, 5230 Absolute Black® toner 650g
14109	Xerox WorkCentre 5222, 5225, 5230 Smartchip ® drum unit (under development)
14106	Xerox WorkCentre 5222, 5225, 5230 Smartchip® toner (113R1306) (30,000 pages)(under development)
14107	Xerox WorkCentre 5222, 5225, 5230 Uni Drum® OPC with gears (under development)
14108	Xerox WorkCentre 5222, 5225, 5230 wiper blade, 10 pack (under development)

Xerox® WorkCentre 535, 545

Part #	Description
6445	Xerox WorkCentre 535, 545 compatible toner cartridge 2x100g (sold 10/box)(special order)
6447	Xerox WorkCentre 535, 545 wiper blade (sold 10/box) (special order)

Xerox® WorkCentre 7132

Part #	Description
11264	Xerox WorkCentre 7132 Absolute Black ® toner TBAg (under development)
11265	Xerox WorkCentre 7132 Absolute Cyan ® toner TBAg (under development)

- 11266 Xerox WorkCentre 7132 Absolute Magenta ® toner TBAg (under development)
- 11267 Xerox WorkCentre 7132 Absolute Yellow ® toner TBAg (under development)

Xerox® WorkCentre 745, 735

- | Part # | Description |
|---------------|---|
| 8591 | Xerox WorkCentre Pro 745, 735 compatible toner cartridge 150g |

Xerox® WorkCentre M 118, C 118

- | Part # | Description |
|---------------|---|
| 10395 | Xerox WC M 118, C 118 Absolute Black® toner 22 lb (10 kg) bag |
| 10394 | Xerox WC M 118, C 118 Absolute Black® toner 335g |
| 14560 | Xerox WC M 118, C 118, 123, 128, 133 Developer unit seal, 50 pack |
| 10404 | Xerox WC M 118, C 118, 123, 128, 133 PCR roller, 10 pack |
| 10398 | Xerox WC M 118, C 118, 123, 128, 133 Uni Drum ® with gears |
| 10399 | Xerox WC M 118, C 118, 123, 128, 133 wiper blade, 10 pack |
| 14266 | Xerox WC M 118, C 118, 123, 128, 133 developer for drum unit (60,000 pages) (special order) |
| 12820 | Xerox WC M 118, C118 Smartchip ® toner (6R1179) (11,000 pages) |

Xerox® WorkCentre M 20, 20i, C-20

- | Part # | Description |
|---------------|---|
| 9509 | Xerox WorkCentre M 20, C 20 Absolute Black® toner 22 lb (10 kg) bag (recommended) |
| 5341 | Xerox WorkCentre M 20, C 20 Absolute Black® toner 245g (recommended) |
| 9507 | Xerox WorkCentre M 20, C 20 Absolute Black® toner 255g |
| 9508 | Xerox WorkCentre M 20, C 20 Absolute Black® toner 255g (dark version) |
| 11136 | Xerox WorkCentre M 20, C 20 developer roller, 9 pack |
| 10288 | Xerox WorkCentre M 20, C 20 doctor blade, 10 pack |
| 9512 | Xerox WorkCentre M 20, C 20 PCR roller, 9 pack |
| 9865 | Xerox WorkCentre M 20, C 20 Smartchip ® drum unit fuse, 10 pack |
| 9868 | Xerox WorkCentre M 20, C 20 Smartchip ® toner cartridge (8,000 pages) |
| 10559 | Xerox WorkCentre M 20, C 20 Uni Drum ® with gears |
| 9511 | Xerox WorkCentre M 20, C 20 wiper blade, 10 pack |

Xerox® WorkCentre M 24

- | Part # | Description |
|---------------|---|
| 9813 | Xerox WorkCentre Pro C 32, 40 Absolute Black ® toner 200g |
| 9814 | Xerox WorkCentre Pro C 32, 40 Absolute Cyan ® toner 200g |
| 9815 | Xerox WorkCentre Pro C 32, 40 Absolute Magenta ® toner 200g |
| 9816 | Xerox WorkCentre Pro C 32, 40 Absolute Yellow ® toner 200g |
| 11886 | Xerox WorkCentre Pro C 32, 40 Uni Drum ® gearless (special order) |

Xerox® WorkCentre PE 114

- | Part # | Description |
|---------------|---|
| 9874 | Xerox WorkCentre PE 114 Absolute Black® toner 82g (3,000 pages) |
| 9116 | Xerox WorkCentre PE 114 developer roller, 9 pack |
| 9152 | Xerox WorkCentre PE 114 PCR roller, 10 pack |
| 9875 | Xerox WorkCentre PE 114 Uni Drum ® OEM style with gears |

8852 Xerox WorkCentre PE 114 wiper blade, 10 pack

Xerox® WorkCentre PE 120

Part # Description

9546 Xerox WorkCentre PE 120 Absolute Black® toner 135g (5,000 pages)
 9540 Xerox WorkCentre PE 120 Absolute Black® toner 22 lb (10 kg) bag
 9538 Xerox WorkCentre PE 120 Absolute Black® toner 95g (3,500 pages)
 9539 Xerox WorkCentre PE 120 Black® toner 150g (5,000 pages)
 13071 Xerox WorkCentre PE 120 compatible toner cartridge (5,000 pages) (Brasil, special order)
 9543 Xerox WorkCentre PE 120 doctor blade, 10 pack
 9545 Xerox WorkCentre PE 120 PCR roller, 10 pack
 9547 Xerox WorkCentre PE 120 Smartchip® (5,000 pages)
 9541 Xerox WorkCentre PE 120 Uni Drum® OEM style with gears
 9542 Xerox WorkCentre PE 120 wiper blade, 10 pack

Xerox® WorkCentre PE 16

Part # Description

5085 Xerox Phaser 3116, 3120, 3121, 3130, PE 16 universal hopper plug, 100 pack
 8936 Xerox WorkCentre PE 16 Absolute Black® toner 105g
 9497 Xerox WorkCentre PE 16 Absolute Black® toner 22 lb (10kg) bag
 13072 Xerox WorkCentre PE 16 compatible toner cartridge (Brasil, special order)
 9263 Xerox WorkCentre PE 16 developer roller, 9 pack
 6208 Xerox WorkCentre PE 16 doctor blade, 10 pack
 8937 Xerox WorkCentre PE 16 drum with gears, 100 pack (NY, special order)
 9267 Xerox WorkCentre PE 16 PCR roller, 10 pack
 9265 Xerox WorkCentre PE 16 Smartchip® fuse, 10 pack
 9371 Xerox WorkCentre PE 16 Uni Drum® OEM style with gears
 8938 Xerox WorkCentre PE 16 wiper blade, 10 pack

Xerox® WorkCentre PE 220, 222, 228

Part # Description

13945 Xerox Workcentre PE 220 Reset tool (special order)
 10091 Xerox WorkCentre PE 220, 222, 228 Absolute Black® toner 22 lb (10 kg) bag
 10090 Xerox WorkCentre PE 220, 222, 228 Absolute Black® toner 85g (3,000 pages)
 13062 Xerox WorkCentre PE 220, 222, 228 compatible toner cartridge (Brasil, special order)
 10095 Xerox WorkCentre PE 220, 222, 228 developer roller, 10 pack
 10094 Xerox WorkCentre PE 220, 222, 228 doctor blade, 10 pack
 10096 Xerox WorkCentre PE 220, 222, 228 PCR roller, 10 pack
 13894 Xerox Workcentre PE 220, 222, 228 right end cap assembly for smartchip, 10 pack (special order)
 10560 Xerox WorkCentre PE 220, 222, 228 Smartchip® (3,000 pages)
 10092 Xerox WorkCentre PE 220, 222, 228 Uni Drum® with gears
 10093 Xerox WorkCentre PE 220, 222, 228 wiper blade, 10 pack

Xerox® Workcentre Pro 123, 128

Part # Description

13662 Xerox WC 123, 128, 133 Absolute Black® toner 22 lb (10 kg) bag
 9810 Xerox WC 123, 128, 133 Absolute Black® toner 500g (2 per cartridge)

12821	Xerox WC 123, 128, 133 Smartchip ® toner (6R1184) USA region (30,000 pages)
10668	Xerox WC 123, 128, 133 Smartchip ® drum unit (013R00589)
8237	Xerox WC 123, 128, 133 Uni Drum ® gearless (under final test)(special order)
10395	Xerox WC M 118, C 118 Absolute Black® toner 22 lb (10 kg) bag
10394	Xerox WC M 118, C 118 Absolute Black® toner 335g
14560	Xerox WC M 118, C 118, 123, 128, 133 Developer unit seal, 50 pack
10404	Xerox WC M 118, C 118, 123, 128, 133 PCR roller, 10 pack
10398	Xerox WC M 118, C 118, 123, 128, 133 Uni Drum ® with gears
10399	Xerox WC M 118, C 118, 123, 128, 133 wiper blade, 10 pack
14266	Xerox WC M 118, C 118, 123, 128,133 developer for drum unit (60,000 pages) (special order)
12819	Xerox WC M 123, 128, 133 Smartchip ® toner (6R1182) Europe region (30,000 page yield)

Xerox® WorkCentre Pro 32, 40 Color

Part #	Description
9709	Xerox DocuColor C 3535, 2240, 1632 Absolute Black ® toner 200g
9710	Xerox DocuColor C 3535, 2240, 1632 Absolute Cyan ® toner 200g
9711	Xerox DocuColor C 3535, 2240, 1632 Absolute Magenta ® toner 200g
9712	Xerox DocuColor C 3535, 2240, 1632 Absolute Yellow ® toner 200g
11884	Xerox DocuColor C 3535, 2240, 1632 Uni Drum ® gearless (under final test)(special order)
11885	Xerox DocuColor C 3535, 2240, 1632 wiper blade, 10 pack (under development)
9813	Xerox WorkCentre Pro C 32, 40 Absolute Black ® toner 200g
9814	Xerox WorkCentre Pro C 32, 40 Absolute Cyan ® toner 200g
9815	Xerox WorkCentre Pro C 32, 40 Absolute Magenta ® toner 200g
9816	Xerox WorkCentre Pro C 32, 40 Absolute Yellow ® toner 200g
13944	Xerox WorkCentre Pro C 32, 40 Smartchip with connector (under final test)
11886	Xerox WorkCentre Pro C 32, 40 Uni Drum ® gearless (special order)

Xerox® WorkCentre Pro 412, 312, M15

Part #	Description
8844	Xerox WorkCentre Pro 412, 312, M 15 AB-3 ® toner 200g (recommended)
5547	Xerox WorkCentre Pro 412, 312, M 15 AB-3 ® toner 22 lb (10 kg) bag (recommended)
9030	Xerox WorkCentre Pro 412, 312, M 15 Absolute Black® toner 200g
9074	Xerox WorkCentre Pro 412, 312, M 15 Absolute Black® toner 22 lb (10 kg) bag
9191	Xerox WorkCentre Pro 412, 312, M 15 developer roller, 9 pack (special order)
9269	Xerox WorkCentre Pro 412, 312, M 15 doctor blade, 10 pack
4954	Xerox WorkCentre Pro 412, 312, M 15 Smartchip ® drum unit fuse, 10 pack
8154	Xerox WorkCentre Pro 412, 312, M 15 Uni Drum ® "S" with 1 gear
4912	Xerox WorkCentre Pro 412, 312, M 15 Uni Drum ® OEM style drum with gears
8525	Xerox WorkCentre Pro 412, 312, M 15 wiper blade, 10 pack

Xerox® WorkCentre Pro 416, 421

Part #	Description
8826	Xerox WorkCentre Pro 416, 421 Uni Drum ® BLUE with gears (special order)
8825	Xerox WorkCentre Pro 421 compatible cartridge 500g, 2 pack (special order)
8824	Xerox WorkCentre Pro 421, 416 Absolute Black® toner 330g (special order)

Xerox® WorkCentre Pro 420, 415

Part #	Description
10930	Xerox WorkCentre Pro 320, 315, 420, 415 Uni Drum ® Blue gearless (sold 50 pack)(special order)
8536	Xerox WorkCentre Pro 320, 315, 420, 415 Uni Drum ® Blue with gears (special order)
9730	Xerox WorkCentre Pro 320, 315, 420, 415 Uni Drum ® Green w/gears
10937	Xerox WorkCentre Pro 320, 315, 420, 415 Uni Drum ® Green w/gears & insert
12361	Xerox WorkCentre Pro 420, 315 SuMMiT ® drum w/gears, 5 pack
8901	Xerox WorkCentre Pro 420, 415 Absolute Black® toner 500g
8902	Xerox WorkCentre Pro 420, 415 Absolute Black® toner, 22 lb (10 kg) bag
9256	Xerox WorkCentre Pro 420, 415 doctor blade, 10 pack
9037	Xerox WorkCentre Pro 420, 415 Mag roller bushing, 100 pack
8914	Xerox WorkCentre Pro 420, 415 Mag roller sleeve, 10 pack (special order)
9872	Xerox WorkCentre Pro 420, 415 Smartchip ® (101R70024) Brazil & Latin America (no connector)
8911	Xerox WorkCentre Pro 420, 415 wiper blade 10 pack

Xerox® WorkCentre Pro 423, 428

Part #	Description
10276	Xerox WorkCentre Pro 423, 428 Absolute Black® toner 1025g
9519	Xerox WorkCentre Pro 423, 428 Absolute Black® toner 22 lb (10 kg) bag
8900	Xerox WorkCentre Pro 423, 428 Clear Seal ® adhesive, 50 pack
9605	Xerox WorkCentre Pro 423, 428 doctor blade, 10 pack
6922	Xerox WorkCentre Pro 423, 428 Mag roller sleeve, 10 pack
8680	Xerox WorkCentre Pro 423, 428 PCR roller, 10 pack
9873	Xerox WorkCentre Pro 423, 428 Smartchip ® (113R00634) Latin America (under development)
9291	Xerox WorkCentre Pro 423, 428 Smartchip ® (113R00635) Brazil (special order)
6400	Xerox WorkCentre Pro 423, 428 Uni Drum ® BLUE with gear & insert
9691	Xerox WorkCentre Pro 423, 428 wiper blade, 10 pack

Xerox® WorkCentre Pro 580

Part #	Description
7899	Xerox Workcentre Pro 580 Absolute Black® toner 85g

Xerox® WorkCentre Pro C 2128, C 2636, C 3545

Part #	Description
10956	Xerox Work Centre Pro C 3545, 2636, 2128 Absolute Black ® toner 590g
10957	Xerox Work Centre Pro C 3545, 2636, 2128 Absolute Cyan ® toner 380g
10958	Xerox Work Centre Pro C 3545, 2636, 2128 Absolute Magenta ® toner 380g
10959	Xerox Work Centre Pro C 3545, 2636, 2128 Absolute Yellow ® toner 380g

Xerox® XC 351, 355, 356, 520, 540, 560, 580

Part #	Description
5207	Xerox XC 351, 355, 356, 520, 540, 560, 580 Absolute Black toner 80g
5208	Xerox XC 351, 355, 356, 520, 540, 560, 580 Absolute Black® developer 140g

Xerox® XC 520, 580

Part #	Description
5972	Xerox XC 520, 540, 560, 580 Uni Drum ® "S" drum w/gears

4945	Xerox XC 580 Absolute Black® developer 140g
5336	Xerox XC 580 Absolute Black® toner 80g
6094	Xerox XC 580 Absolute Black® toner, 22 lb (10 kg) bag (sold 2/box)

Xerox® XC 800, 835, 1000

Part #	Description
4944	Xerox XC 810, 1000 Absolute Black® developer 170g
4943	Xerox XC 810, 1000 Absolute Black® toner 130g
5018	Xerox XC 810, 1000 Absolute Black® toner 170g
6093	Xerox XC 810, 1000 Absolute Black® toner, 22 lb (10 kg) bag (sold 2/box)
7470	Xerox XC 810, 1000 series doctor blade, 10 pack
8194	Xerox XC 810, 1000 series wiper blade, 10 pack (under development)
6721	Xerox XC 830, 835 OEM style seal developer cover, 100 pack (special order)

Xerox® XD 100 Digital Copier

Part #	Description
6030	Xerox XD 100 Absolute Black® developer 190g
8121	Xerox XD 100 Absolute Black® developer 25 kg (55 lb) bag
6029	Xerox XD 100 Absolute Black® toner 220g
6107	Xerox XD 100 Absolute Black® toner, 22 lb (10 kg) bag
8986	Xerox XD 100 compatible drum unit cartridge (special order)
8985	Xerox XD 100 compatible toner cartridge (special order)
6531	Xerox XD 100 OEM style seal developer cover, 100 pack (special order)
12207	Xerox XD 100 SuMMiT® drum with gears, 5 pack
6529	Xerox XD 100 Uni Drum ® with gears
5718	Xerox XD 100 wiper blade, 10 pack

Xerox® XE-80

Part #	Description
6304	Xerox XE 80 Absolute Black® toner 100g
6897	Xerox XE 80 Absolute Black® toner 22 lb, (10 kg) bag
6345	Xerox XE 80 Uni Drum ® with gears (special order)

XX Coatings, Chemicals & Tools

Part #	Description
14621	Mag Roller Cleaning solution-128oz (Special Order)
6712	Angle Blade Knife tool (X-acto Knife)
13616	Atrix 16"ESD Safe Rubber Flex Neck (special order)
5551	Atrix AAA filter (special order)
11492	Atrix Express HEPA vacuum
12738	Atrix Express HEPA vacuum (220volts with European cord) (special order)
11369	Atrix Express HEPA vacuum toner & dust filter cartridge 1 quart (0.946l)
11368	Atrix Express HEPA vacuum with filter, 110 volts (uses filter #11369)
12739	Atrix Express HEPA vacuum with filter, 220 volts (uses filter #11369)(special order)
11493	Atrix Express vacuum 0.3 micron bags & 1 Shell filter
11495	Atrix Express vacuum HEPA cartridge filter 2 pack
11494	Atrix Express vacuum toner cartridge filter 2 pack

- 6507 Atrix HCTV5 vacuum 5 gallon (18.9 l) capacity, 110 volts (use filter #6158)
- 6506 Atrix HCTV5 vacuum 5 gallon (18.9 l) capacity, 220 volts (use filter #6158)
- 11497 Atrix HCTV5 vacuum 5 gallon (18.9 l) capacity, 220 volts(U.K) (use filter #6158)
- 6158 Atrix HCTV5 vacuum filter, 5 gallon, 25 lb capacity
- 5723 Atrix HCTV5 vacuum foot switch pedal
- 11382 Atrix High Capacity Vacuum 7 gallon (26.4l) capacity 220 volts (uses filter 11381)
- 11864 Atrix High Capacity Vacuum 7 gallon HEPA (26.4l) capacity 220v (uses filter 11349)
- 7813 Atrix motor brushes for 220 volt vacuum (special order)
- 11491 Atrix Omega Plus vacuum, 220 240 volts (no power cord)
- 10 Atrix Omega Supreme & 3M Type 2 universal filter (0.3 micron filter)
- 7593 Atrix Omega Supreme & 3M Type 2 universal HEPA filter (0.12 m filter)
- 7547 Atrix Omega Supreme European 6 ft power cord
- 5724 Atrix Omega Supreme Plus service vacuum with filter, 110 volts (uses filter #10)
- 5725 Atrix Omega Supreme Plus service vacuum, 220 volts (no power cord)
- 7546 Atrix Omega Supreme UK 6 ft power cord
- 7592 Atrix vacuum universal hose 6 feet (1.8 meter)
- 12767 Conductive Grease 28g (new formulation) (recommended)
- 5695 Cotton pads, OPC, PCR, Mag roller cleaning wipes 4x4" each 100 pack
- 5850 Densitometer, color digital spectrophotometer 115 V (special order)
- 14794 Developer roller cleaning solution 2oz
- 11879 Developer roller cleaning solution 8oz (sold 25/box)
- 10258 Drive Belt Split All hopper splitting machine, for 110v & 220 v (special order)
- 7908 Filter cartridges for mask 7581P100A 36 411044, 2 pack
- 6747 Final Hi Efficiency Minipleat for: Portable Dust Collector
- 6210 Krytox GPL 207 high temperature fuser grease, 1.1 lb (0.50 g)(special order)
- 4924 LX, FX 1 Mag roller coating solution (for 150 rollers) use Mag cleaning first
- 14005 Mag roller cleaning solution, 16 oz (new formulation)
- 6744 Mounting Bracket for: Portable Dust Collector
- 475 Oil lubricant for gears 3 oz
- 14623 OPC drum Cleaning solution 128oz (special order)
- 499 OPC drum Cleaning solution 8 oz. for 240 drums 9995 35
- 600 OPC drum Coating cream 16 oz. (New Eco formula) (454 ml)
- 608 OPC drum Coating cream 2 oz. (New Eco formula) (57 ml)
- 6299 PCR coating cream 16 oz., for 800 rollers
- 562 PCR coating cream 2oz., for 120 rollers
- 5745 PCR sealing cream 16oz, for 800 rollers
- 563 PCR sealing cream 2oz. 120 rollers
- 6731 PCR storage stand (for most models)
- 6300 Plastic equipment cleaner for cartridge parts & printers, 1 Gallon (3.78L) (special order)
- 5358 Plastic equipment cleaner for cartridge parts & printers, 16 oz
- 9434 Pre- filter Reticulated Foam For: Portable Dust Collector
- 607 Rubber rejuvenator 8oz. For rubber printer pick up rollers
- 6720 Safety plastic glass goggle, 1 pack
- 12366 SuMMiT "Master" OPC drum lubricating powder 250g
- 12365 SuMMiT "Master" OPC drum lubricating powder 50g
- 6278 Sure Lube 4 oz. (special order)
- 9729 Teflon drum padding powder, 55lb (25kgs)
- 8322 Toner bottle funnel 38 mm short type, 100 pack
- 11790 Toner Dust Collection System Blower Motor Assembly replacement (#6736), 230 volts 60 hz
- 6403 Toner grabber (statically charged cloth to clean toner), 2 pack
- 685 Toner grabber (statically charged cloth to clean toner), 40 pack
- 14453 Toner grabber (statically charged cloth to clean toner), 400 pack (11/2009 formulation)

6736	Toner Hopper Dust Collection System, 950 CFM 1 speed 220 volt (special order)
6739	Toner Hopper Dust Collection System, 950 CFM v speed 120 volt
6741	Toner Hopper Dust Collection, Defiant Final Filter
6740	Toner Hopper Dust Collection, Defiant Secondary Filter
6742	Toner Hopper Dust Collection, Regular Air Hose Assembly
6738	Toner Hopper Dust Collection, Reticulated Foam Pre filter
200	UniSmart™ Box test print generator (special order)
6038	White soft cotton cloth size 13.5" x15", 40 pack

XX Packaging

Part #	Description
193	Antistatic bag 10x18" for EX, HP 4000, 4100, 4200, 100 pack
75	Antistatic bag 11x18" for BX, KX, FX V, HP 5000, 8500, 100 pack
473	Antistatic bag 12x18" CX, PC A20, 100 pack (special order)
720	Antistatic bag 12x18" for NX, HP 4500, HP 4250, 4350, 100 pack
4947	Antistatic bag 14x18" NX, IBM 4019, 4039, 4049, Xerox 4517, 100 pack
7414	Antistatic bag 14x24" for HP 8100, 9000, LP-9400,N 32, 100 pack
579	Antistatic bag 8 x 16" AX, LX, PX, VX, XP 5/10, PC, E31 100 pack
7774	HP 23A, 41A, 78A antistatic humidity barrier bag 6"x 8", 100 pack
7773	HP 26A, 29A, 49A, 25A antistatic humidity barrier bag 3"x 5", 100 pack (special order)
7066	HP 45A, 40A, 15A antistatic humidity barrier bag 4"x 6", 100 pack
5800	Insert for Toner box 14 11/16 x 5 5/16 x 7 3/16 100 pack

