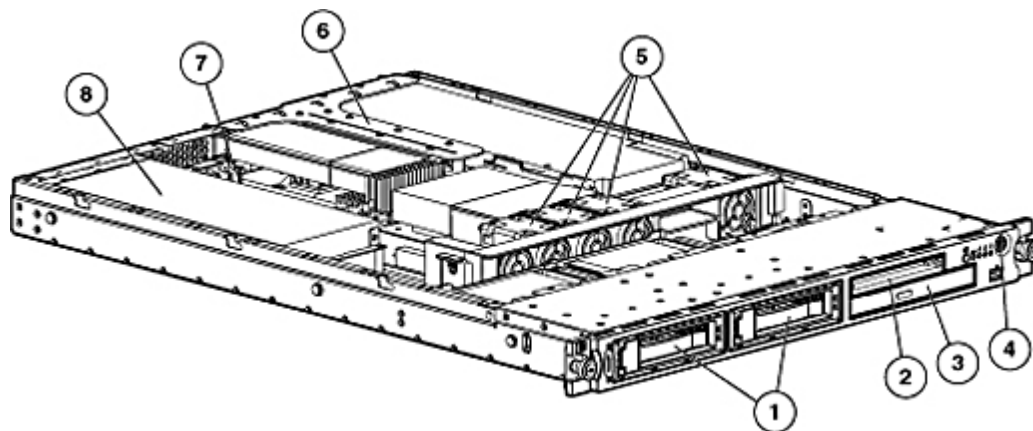


Overview



1. Support for up to two Hot Plug SATA or SAS hard drives
2. Optional 1.44MB Diskette Drive Assembly Option Kit
3. CD-ROM/DVD-ROM/DVD-RW Drive Assembly Option Kit (optional)
4. Front LED Indicators
5. Fan Assembly, 4 non hot-plug Dual Rotor Fans with N+1 Redundancy
6. Two PCI slots, PCI-Express x4 and x1 standard (x8 connectors)
7. Four PC2-4200 ECC DDR2 Memory Slots - 8 GB maximum
8. Power Supply (450 Watt)

What's New

- New Option: Dual Core Intel Pentium-D 950 processor (3.4GHz, 2 x 2MB Cache, 800MHz Front Side Bus)

At a Glance

The HP ProLiant DL320 G4 Server delivers Enterprise level features and performance at an entry level price. The Intel Dual Core processors and DDR2 Memory support put the finishing touches on this ultra-dense 1U solution for the savvy Enterprise and SMB customer.

The performance features of the ProLiant DL320 G4 include up to 8GB of PC2-4200 DDR2 memory and the new Intel Pentium D 900 series processors with 4 Megabytes of Level 2 cache. The ProLiant DL320 G4 also features iLO 2, the Next generation Lights-Out management delivering server remote control for any occasion. Dual PCI Express slots provide the ultimate in I/O serial performance and investment protection, while the optional PCI-X full length riser provides customers with legacy support. In addition to dual integrated gigabit NICs, the ProLiant DL320 G4 also supports SATA with RAID 0/1 standard, with Hot Plug SAS and SATA as an optional upgrade.

- **Processors:**
 - Dual-core Pentium D 900 series processors with 4M (2x2M) of L2 Cache
 - 3.4 GHz, 3.2 GHz, 3.0 GHz, and 2.8 GHz Dual-core Pentium D Processors with 4MB of L2 Cache (2x2MB)
 - Single core Pentium 4 600 series processors with 2MB of L2 cache
 - 3.6 GHz, 3.4 GHz, 3.0 GHz Single Core Pentium 4 Processors with 2MB of L2 Cache
 - Single core Celeron processors
 - 2.93 GHz Celeron D Processor with 256KB of L2 Cache
 - Intel E7230 Chipset with 800MHz Front Side Bus (533MHz for Celeron Processors)
 - Ability to purchase Microsoft Windows Server 2003 for Embedded Systems with Microsoft ISA Server 2004 Standard Edition configure to order from HP:
 - More details available at <http://www.hp.com/servers/DL320FW-VPN-Cache>

Overview

- **Memory:**
 - Up to 8 GB of PC2-4200 UB DDR2 SDRAM Memory
 - Standard configurations of 512 MB to 2 GB of memory
- **Storage Controller:**
 - HP embedded 2 Port SATA Controller with RAID 0/1 support
- **Internal Drive Support:**
 - Internal storage capacity of up to 1.5TB (2 x 750GB SATA hard drives) or 600GB (2 x 300GB SAS hard drives)
 - Optional CD,DVD, or DVD-RW drive and Floppy drive
- **Network Controller:**
 - Embedded NC324i PCI Express Dual Port Gigabit server adapter
- **Expansion Slots:**
 - Two total slots: (1) full length 64-bit/133 PCI Express x4 slot (x8 connector) (full-length PCI-X is available with optional PCI-X riser card for models containing the 900 series or 600 series processors); (1) half-length, low-profile PCI Express x1 slot (x8 connectors)
 - Standard Dual PCI Express slots offers high performance and investment protection for customers
- **USB 2.0 Ports:**
 - 4 Total: (1) front; (1) internal (2) rear accessible ports
 - Internal USB port for flexible storage, security, or USB drive key deployment
- **Redundancy:**
 - 4 dual rotor fans ship standard. 4 dual rotor fans total supported internally. N+1 (1 rotor only) redundancy.
- **Management:**
 - Embedded Integrated Lights Out 2 (iLO 2) Remote Management with full sideband (UMP) support
 - Integrated Remote Console
 - Virtual KVM technology
 - Automatic Server Recovery (ASR), ROM Based Setup Utility (RBSU), HP System Insight Manager, Status LEDs including system health and UID and SmartStart
- **Form Factor:**
 - 1U (1.70") Form Factor
- **Deployment/Serviceability:**
 - Standard spring-loaded Universal sliding rails for in rack servicing
- **Warranty:**
 - Protected by HP Services and a worldwide network of resellers and service providers. Three-year Next Business Day, on-site limited global warranty (three year parts, one year labor, one year on-site support). Certain restrictions and exclusions apply. Pre-Failure Notification on processors, memory, and SAS hard drives. SATA hard drives have a one-year warranty.

Standard Features

| | |
|---|---|
| Processor One of the following depending on Model | Intel Pentium D processor 950 with EM64T - 3.4 GHz |
| | Intel Pentium D processor 940 with EM64T - 3.2 GHz |
| | Intel Pentium D processor 930 with EM64T - 3.0 GHz |
| | Intel Pentium D processor 920 with EM64T - 2.8 GHz |
| | Intel Pentium 4 processor 660 with EM64T - 3.6 GHz |
| | Intel Pentium 4 processor 650 with EM64T - 3.4 GHz |
| | Intel Pentium 4 processor 630 with EM64T - 3.0 GHz |
| | Intel Celeron D processor 341 with EM64T - 2.93 GHz |

| | | |
|---|------------------|-----------------------------|
| Processor Cache One of the following depending on Model | Pentium D models | 4MB Level 2 Cache (2 x 2MB) |
| | Pentium 4 models | 2MB Level 2 Cache (2 x 1MB) |
| | Celeron D models | 256KB Level 2 Cache |

| | | |
|---|--------------------------------|--|
| Chipset One of the following depending on Model | Pentium D and Pentium 4 models | Intel E7230 chipset with 800MHz Front Side Bus |
| | Celeron D models | Intel E7230 chipset with 533MHz Front Side Bus |

| | |
|--------------------------|--------------|
| Memory Protection | Advanced ECC |
|--------------------------|--------------|

| | | |
|--|-----------------------------|------------------------|
| Memory One of the following depending on Model | Type | PC2-4200 UB DDR2 SDRAM |
| | Standard - Pentium D models | 1 GB (1x 1024 MB) |
| | Standard - Pentium D models | 2 GB (2 x 1024 MB) |
| | Standard - Celeron D model | 512 MB (1 x 512 MB) |
| | Maximum | 8 GB |

| | |
|---------------------------|--|
| Network Controller | Embedded NC324i PCI Express Dual Port Gigabit server adapter |
|---------------------------|--|

| Expansion Slots | Slot Number | Bus Speed | Height | Hot Plug | PCI Voltage |
|-------------------------------------|-------------|-------------------------------|--------|----------|-------------|
| PCI-Express Non Hot-Plug Riser | 1 | PCI Express x4 (x8 connector) | Full | no | |
| | 2 | PCI Express x1 (x8 connector) | Half | no | |
| PCI-X Non Hot-Plug Riser (Optional) | 1 | 64-bit/133 MHz PCI-X | Full | no | 3.3 Volt |
| | 2 | PCI Express x1 (x8 connector) | Half | no | |

Standard Features

Storage Controllers HP embedded 2 Port SATA Controller with RAID 0/1 support.
Hot Plug SAS and SATA controllers available via PCI card option.

| | | |
|----------------|---|---|
| Storage | Diskette Drive | Optional 1.44 MB Diskette Drive option kit is available |
| | Optical Drive | Optional CD-ROM, DVD-ROM, & DVD-RW option kits available |
| | Hard Drives One of the following: | None 80GB SATA HDD |

| | | | |
|--------------------------------------|------|-------|----------------|
| Maximum Internal Storage Type | SATA | 1.5TB | 2 x 750GB SATA |
| | SAS | 600GB | 2 x 300GB SAS |

| | | |
|-------------------|------------------------------|---|
| Interfaces | Serial | 1 |
| | USB 2.0 | 4 (1 front, 1 internal, 2 rear) NOTE: Please see the following URL for additional information regarding USB support: http://h18004.www1.hp.com/products/servers/platforms/usb-support.html |
| | Graphics | 1 |
| | Keyboard | 1 |
| | Mouse | 1 |
| | Network RJ-45 | 2 |
| | iLO 2 remote management port | 1 |

Graphics Integrated ATI ES1000 Video Controller with 16 MB SDRAM Video Memory

Form Factor Rack (1U), (1.70 in/4.45 cm)

Standard Features

ProLiant Essentials Foundation Pack Software

HP Systems Insight Manager

HP Systems Insight Manager (HP SIM) provides a unified, secure and extensible environment to centrally manage servers, storage and other infrastructure devices across multiple operating system platforms.

Through a single management view, HP SIM provides core management services that include device discovery and identification, event views, health monitoring, inventory data collection, software version control and reporting. HP SIM is built on industry standards and is extensible with value-added ProLiant Essentials, Integrity Essentials and Storage Essentials software to meet individual management needs. For more details on HP SIM visit <http://www.hp.com/go/hpsim>.

HP SIM provides organizations with the following benefits:

- Simplifies and consolidates infrastructure lifecycle management using task and query based functionality
- Provides the foundation for infrastructure automation and virtualization
- Enables IT management based on business processes not hardware platforms
- Lowers infrastructure maintenance cost and frees resources for innovation
- Maximizes resource utilization with virtualization technologies
- Provides a central point of integration between infrastructure and Enterprise management tools such as HP OpenView

SmartStart

SmartStart is a tool that simplifies server setup, providing a rapid way to deploy reliable and consistent server configurations. For more information, please visit the SmartStart Web site at <http://www.hp.com/servers/smartstart>. SmartStart version supported (minimum): SmartStart 7.4.

Insight Management Agents

Insight Management Agents should be installed on all HP servers to present system instrumentation, health and configuration information into HP Systems Insight Manager and the HP System Management Homepage. The HP System Management Homepage aggregates systems data from Insight Management Agents and other HP management tools, providing a consolidated browser-based interface for managing individual servers.

Insight Management Agents and The HP System Management Homepage are included on ProLiant Support Packs, and can also be installed using the server profiles provided with the ProLiant Essentials Rapid Deployment Pack. For additional information about the Management Agents and the HP System Management Homepage please visit the management Web site at <http://www.hp.com/servers/manage>.

Subscriber's Choice

Subscriber's Choice Driver and Support Alerts/Notifications is a web-based email subscription service that provides automatic delivery of software and driver change notifications for ProLiant products. Sign up at <http://www.hp.com/go/subscriberschoice> and customize your profile to receive various new alerts as they become available, on a weekly or monthly basis.

ROMPaq, support software, and configuration utilities

The latest software, drivers, and firmware fully optimized and tested for your ProLiant server and options available in SmartStart or downloadable from Software and Drivers download pages, linked from the SmartStart website at <http://www.hp.com/servers/smartstart>.

Standard Features

Survey Utility and diagnostics utilities

The most advanced configuration analysis, reporting and troubleshooting utilities used by HP and at your fingertips, available in SmartStart.

Optional ProLiant Essentials Value Packs

Optional software offerings that selectively extend the functionality of an Adaptive Infrastructure to address specific business problems and needs:

- Rapid Deployment Pack (RDP) is an automated deployment and provisioning solution for all ProLiant servers. RDP includes the ProLiant Integration Module featuring ProLiant server pre-configured events for OS installation, and optimized software drivers, firmware and management agents. Every RDP disc includes 10-node trial licenses for evaluation purposes. RDP requires a license for each server deployed and is available for purchase with HP servers. For more information, visit: <http://www.hp.com/servers/rdp>.
- Workload Management Pack - provides easier management of complex environments, improving overall server utilization and enabling Windows® 2000 customers for the first time to confidently deploy multiple applications on a single multiprocessor ProLiant Server.
- Performance Management Pack - a performance management solution that identifies and explains hardware performance bottlenecks on ProLiant servers and attached options enabling users to better utilize their valuable resources.
- Intelligent Networking Pack - detects and analyzes network bottlenecks or broken network linkages and steers traffic to the optimum route based on network conditions, plus it provides an extra layer of protection. The virus throttle feature of the solution slows the propagation of fast spreading virus.
- Vulnerability and Patch Management Pack - identifies and remediates software security vulnerabilities due to missing patches as well operating system configurations that can be exploited by viruses, worms, and other blended threats.
- Virtual Machine Management Pack - provides central management and control of virtual machines from Microsoft and VMware. Integrated approach provides the ability to manage both physical and virtual resources from a single management console.
- Server Migration Pack - The Server Migration Pack automates the manual processes required for migrating servers between physical or virtual platforms (P2V, V2P, and V2V)
- Integrated Lights-Out Advanced Pack - upgrades the Integrated Lights-Out processor to full virtual presence and control with graphical console and virtual media.

Optional Remote Management Packs

NOTE: Flexible and volume quantity license kits are available for ProLiant Essentials Value Packs. Refer to <http://www.hp.com/servers/proliantessentials> or the various ProLiant Essentials Value Pack product QuickSpecs for more information.

NOTE: For more information regarding ProLiant Essentials Software, please see the following URL: <http://www.hp.com/servers/proliantessentials>

Standard Features

Industry Standard Compliance

ACPI 2.0
PCI 3.0 Compliant
PXE Support
WOL Support
Microsoft® Logo certifications
USB 2.0

Intelligent Manageability

Automatic Server Recovery (ASR)
iLO Advanced Pack (optional)
HP Systems Insight Manager
Integrated Management Log
Drive Parameter Tracking (with Smart Array Controllers)
Dynamic Sector Repairing (with Smart Array Controllers)
Pre-Failure Warranty (covers processors, SAS hard drives, and memory)

Security

Power-on password
Keyboard password
Diskette drive control
Diskette boot control
USB Port control
Removable CD-ROM/Diskette Drive Assembly
Administrator's password

Server Power Cords

One 6' Lowline and one 6' Highline (IEC-IEC) power cord ships standard

Power Supply

Auto-sensing 450-Watt PFC Power Supply, CE Mark Compliant

UPS and PDU Power Cord Matrix

Please see the UPS and PDU cable matrix that lists cable descriptions, requirements, and specifications for UPS and PDU units:
<ftp://ftp.compaq.com/pub/products/servers/ProLiantstorage/power-protection/powercordmatrix.pdf>.

System Fans

4 dual rotor fans ship standard. 4 dual rotor fans total supported internally. N+1 (1 rotor only) Redundancy.

Ultra Thin Rack Deployment Overview

For the Ultra Thin Rack Deployment Overview, including best practices for the HP ProLiant DL320 G4, please see the following URL: <http://www.hp.com/products/servers/ProLiantdl320/>.

Required Cabling

For required cabling information, refer to the Web site at:
<http://www.hp.com/products/servers/ProLiantdl320/>.

Standard Features

OS Support

Microsoft Windows 2000 Server
Windows Server 2003 (web and standard editions; standard edition for 64-bit extensions)
Red Hat Enterprise Linux
SUSE Linux Enterprise Server
Microsoft Windows Server 2003 for Embedded Systems with Microsoft ISA Server 2004 Standard Edition

NOTE: Support differences will exist between the SATA and SAS configurations.

NOTE: For a more complete and up-to-date listing of supported OSs and versions, please visit our OS Support Matrix at: <http://www.hp.com/go/supportos>.

NOTE: For an up-to-date listing of the latest drivers available for the HP ProLiant DL320, please see: <http://h18023.www1.hp.com/support/files/server/us/index.html>.

NOTE: For more Linux OS support & certification information, please visit our the ProLiant & Bladesystem Server Linux matrix <http://h18004.www1.hp.com/products/servers/linux/hpLinuxcert.html>

NOTE: For more complete and up-to-date information on how to buy server operating systems from HP please visit the OS product site at: <http://h18004.www1.hp.com/products/servers/software/OEM.html>

NOTE: For more information on HP's Certified and Supported ProLiant Servers, please visit the VMware Server Support Matrix at:

<http://h18004.www1.hp.com/products/servers/software/vmware/hpvmwarecert.html>.

NOTE: For more information on Microsoft Windows Server 2003 Embedded Systems with Microsoft ISA Server 2004 Standard Edition, please visit the product site at:

<http://www.hp.com/servers/DL320FW-VPN-Cache>

Rack Airflow Requirements

Rack 10000 series Cabinets

The increasing power of new high-performance processor technology requires increased cooling efficiency for rack-mounted servers. The 10000 Series Racks provide enhanced airflow for maximum cooling, allowing these racks to be fully loaded with servers using the latest processors.

CAUTION: If a third-party rack is used, observe the following additional requirements to ensure adequate airflow and to prevent damage to the equipment:

- **Front and rear doors:** If your 42U server rack includes closing front and rear doors, you must allow 5,350 sq cm (830 square inches) of hole evenly distributed from top to bottom to permit adequate airflow (equivalent to the required 64 percent open area for ventilation).
- **Side:** The clearance between the installed rack component and the side panels of the rack must be a minimum of 7 cm (2.75 inches)

CAUTION: Always use blanking panels to fill all remaining empty front panel U-spaces in the rack. This arrangement ensures proper airflow. Using a rack without blanking panels results in improper cooling that can lead to thermal damage.

NOTE: For additional information, refer to the Setup and Installation Guide or the Documentation CD provided with the server, or to the server documentation located in the Support section at the following URL: <http://h18004.www1.hp.com/products/servers/proliantdl320/index.html>.

Standard Features

HP Factory Express Capabilities

HP Factory Express offers configuration, customization, integration and deployment services for HP servers and storage products. Customers can choose how their factory solutions are built, tested, integrated, shipped and deployed.

Factory Express offers service packages for simple configuration, racking, installation, complex configuration and design services as well as individual factory services, such as image loading, asset tagging, and custom packaging. HP products supported through Factory Express include a wide array of servers and storage: HP Integrity, HP ProLiant, HP ProLiant Server Blades, HP BladeSystem, HP 9000 servers as well as the MSA1000, VA7xxx, EVA, XP, rackable tape libraries and configurable network switches.

For more information on Factory Express services for your specific server model please contact your sales representative or go to <http://www.hp.com/go/factory-express>.

Service and Support

This product is covered by a global limited warranty and supported by HP Services and a worldwide network of resellers and service providers. Hardware diagnostic support and repair is available for three years from date of purchase. Support for software and initial setup is available for 90 days from date of purchase. Additional support may be covered under the warranty or available for an additional fee. Enhancements to warranty services are available through HP Care Pack services or customized service agreements.

NOTE: Server Warranty includes 3 year Parts, 1 year Labor, 1-year on-site support. Additional information regarding worldwide limited warranty and technical support is available at: <http://h18004.www1.hp.com/products/servers/platforms/warranty/index.html>

HP Care Pack services include coverage for the HP branded hardware options qualified for the server, purchased at the same time or afterward, internal to the enclosure, as well as 22" and smaller external monitors and tower UPS options up to 3kVA; these items will be covered at the same service level and for the same coverage period as the server. Coverage of UPS Battery is not included, standard warranty terms & conditions apply. For servers or storage systems installed within a rack, service also covers all HP qualified rack options installed within the same rack.

HP services provide continuous care and support expertise with committed response designed to meet your IT and business needs.

To fully capitalizing on your HP ProLiant servers' capabilities requires a service partner who thoroughly understands your server technology and systems environment. HP Services, an industry leader in provision of multi vender support solutions provides a range of support services designed to meet the varying needs of business. Whether an SMB or large global corporation HP has a ProLiant server support offer to help you speedily deploy and maximize system uptime.

Extended Care - Minimum recommended service support offer designed to ensure customers have access to expert assistance, whenever they need it.

- 4-Hour On-site Service, 7-Day x 24-Hour Coverage, 3 Years

Committed Care - Cost-effective service options designed to extend HP Services committed response and guaranteed fix times, designed to speed problem resolution.

- 6-Hour Call to Repair, On-site Service, 7-Day x 24-Hour Coverage, 3 Years

Committed Response - Highest HP Support service level recommend to help increase IT performance and availability with comprehensive, consistent hardware and software services

Standard Features

- Onsite HW support, 8am-9pm, M-F, 4hr response and Microsoft O/S SW Tech support offsite, onsite at HP's discretion, 8am-9pm, M-F 2hr response time excl. HP holidays

Deployment Services - HP Installation and Start Up services designed to take time, risk, and worry out of the deployment of ProLiant servers - and free customers people to focus on what they do best, their business.

- Installation & Start-Up of a ProLiant server and Microsoft or Linux O/S per the Customer Description and/or Data Sheet. To be delivered on a scheduled basis 8am-5pm, M-F, excl. HP holidays.

NOTE: For a complete listing of service offerings and information visit:

<http://www.hp.com/services/proliantservices>

<http://www.hp.com/go/proliant/carepack>

Models

| | | |
|--|---------------------------------|---|
| DL320R04 C2.93-256KB, 512MB 391655-001 | Processor(s) | Intel Celeron D Processor 341 with EM64T- 2.93 GHz |
| | Cache Memory | 256KB Level 2 cache |
| | Chipset | Intel E7230 chipset with 533MHz Front Side Bus |
| | Memory | 512 MB (Standard) to 8 GB (Maximum) of Advanced ECC PC2-4200 UB DDR2 SDRAM DIMM Memory |
| | Network Controller | Embedded NC324i PCI Express Dual Port Gigabit server adapter |
| | Storage Controller | Intel® 82801GR Integrated Serial ATA Host Controller |
| | Hard Drives | None ship standard |
| | Maximum Internal Storage | 1.5TB for SATA models, 600GB for SAS models |
| | Optical Drive | Optional |
| | Diskette Drive | Optional |
| | Form Factor | Rack (1U), (1.70 in/4.45 cm) |
| DL320G4 P920 A80 Svr 410785-001 | Processor(s) | Intel Pentium D Processor 920 with EM64T - 2.8 GHz |
| | Cache Memory | 4MB Level 2 Cache |
| | Chipset | Intel E7230 chipset with 800MHz Front Side Bus |
| | Memory | 1 GB (1 x 1 GB) Standard to 8 GB (Maximum) of Advanced ECC PC2-4200 UB DDR2 SDRAM DIMM Memory |
| | Network Controller | Embedded NC324i PCI Express Dual Port Gigabit server adapter |
| | Storage Controller | Intel® 82801GR Integrated Serial ATA Host Controller |
| | Hard Drives | 80GB SATA HDD |
| | Maximum Internal Storage | 1.5TB for SATA models, 600GB for SAS models |
| | Optical Drive | Optional |
| | Diskette Drive | Optional |
| | Form Factor | Rack (1U), (1.70 in/4.45 cm) |
| DL320G4 P930 A80 Svr 410786-001 | Processor(s) | Intel Pentium D Processor 930 with EM64T - 3.0 GHz |
| | Cache Memory | 4MB Level 2 Cache |
| | Chipset | Intel E7230 chipset with 800MHz Front Side Bus |
| | Memory | 1 GB (1 x 1 GB) Standard to 8 GB (Maximum) of Advanced ECC PC2-4200 UB DDR2 SDRAM DIMM Memory |
| | Network Controller | Embedded NC324i PCI Express Dual Port Gigabit server adapter |
| | Storage Controller | Intel® 82801GR Integrated Serial ATA Host Controller |
| | Hard Drives | 80GB SATA HDD |
| | Maximum Internal Storage | 1.5TB for SATA models, 600GB for SAS models |
| | Optical Drive | Optional |
| | Diskette Drive | Optional |
| | Form Factor | Rack (1U), (1.70 in/4.45 cm) |

Models

| | | |
|--|---------------------------------|---|
| DL320G4 P930 A1 Svr 410787-001 | Processor(s) | Intel Pentium D Processor 930 with EM64T - 3.0 GHz |
| | Cache Memory | 4MB Level 2 Cache |
| | Chipset | Intel E7230 chipset with 800MHz Front Side Bus |
| | Memory | 1 GB (1 x 1 GB) Standard to 8 GB (Maximum) of Advanced ECC PC2-4200 UB DDR2 SDRAM DIMM Memory |
| | Network Controller | Embedded NC324i PCI Express Dual Port Gigabit server adapter |
| | Storage Controller | Intel® 82801GR Integrated Serial ATA Host Controller |
| | Hard Drives | None ship standard |
| | Maximum Internal Storage | 1.5TB for SATA models, 600GB for SAS models |
| | Optical Drive | Optional |
| | Diskette Drive | Optional |
| | Form Factor | Rack (1U), (1.70 in/4.45 cm) |

| | | |
|--|---------------------------------|---|
| DL320G4 P950 A1 Svr 434769-001 | Processor(s) | Intel Pentium 4 Processor 950 with EM64T - 3.4 GHz |
| | Cache Memory | 2MB Level 2 Cache |
| | Chipset | Intel E7230 chipset with 800MHz Front Side Bus |
| | Memory | 1 GB (1 x 1 GB) Standard to 8 GB (Maximum) of Advanced ECC PC2-4200 UB DDR2 SDRAM DIMM Memory |
| | Network Controller | Embedded NC324i PCI Express Dual Port Gigabit server adapter |
| | Storage Controller | Intel® 82801GR Integrated Serial ATA Host Controller |
| | Hard Drives | None shipped standard |
| | Maximum Internal Storage | 1.5TB for SATA models, 600GB for SAS models |
| | Optical Drive | Optional |
| | Diskette Drive | Optional |
| | Form Factor | Rack (1U), (1.70 in/4.45 cm) |

| | | |
|---|---------------------------------|---|
| DL320G4 P950 A80 Svr 434770-001 | Processor(s) | Intel Pentium 4 Processor 950 with EM64T - 3.4 GHz |
| | Cache Memory | 2MB Level 2 Cache |
| | Chipset | Intel E7230 chipset with 800MHz Front Side Bus |
| | Memory | 1 GB (1 x 1 GB) Standard to 8 GB (Maximum) of Advanced ECC PC2-4200 UB DDR2 SDRAM DIMM Memory |
| | Network Controller | Embedded NC324i PCI Express Dual Port Gigabit server adapter |
| | Storage Controller | Intel® 82801GR Integrated Serial ATA Host Controller |
| | Hard Drives | 80GB SATA HDD |
| | Maximum Internal Storage | 1.5TB for SATA models, 600GB for SAS models |
| | Optical Drive | Optional |
| | Diskette Drive | Optional |
| | Form Factor | Rack (1U), (1.70 in/4.45 cm) |

Models

| | | |
|------------------------------------|---------------------------------|--|
| DL320G4 P650 A80 Svr 410788-001 | Processor(s) | Intel Pentium 4 Processor 650 with EM64T - 3.4 GHz |
| | Cache Memory | 2MB Level 2 Cache |
| | Chipset | Intel E7230 chipset with 800MHz Front Side Bus |
| | Memory | 1 GB (1 x 1 GB) Standard to 8 GB (Maximum) of Advanced ECC PC2-4200 UB DDR2 SDRAM DIMM Memory |
| | Network Controller | Embedded NC324i PCI Express Dual Port Gigabit server adapter |
| | Storage Controller | Intel® 82801GR Integrated Serial ATA Host Controller |
| | Hard Drives | 80GB SATA HDD |
| | Maximum Internal Storage | 1.5TB for SATA models, 600GB for SAS models |
| | Optical Drive | Optional |
| | Diskette Drive | Optional |
| | Form Factor | Rack (1U), (1.70 in/4.45 cm) |

Configuration Information - Factory Integrated Models

NOTE: HP does not allow factory integration of options into standard models listed above.

Configure-to-order servers must start with a CTO Chassis.

NOTE: This product offering does not support HP Factory Express Server Configuration Level 1.

NOTE: FIO indicates that this option only available as a Factory Installable Option.

Step 1: Base Configuration (choose one of the following configurable models)

| | | |
|--------|---|------------|
| Models | DL320G4 CTO Chassis | 414105-B21 |
| | Factory Integrated Model ships with: | |
| | Embedded NC324i PCI Express Dual Port Gigabit server adapter | |
| | 1 full length PCI Express x8 slot and 1 half length low profile PCI Express x8 slot | |
| | Integrated Lights-Out 2 (iLO 2) embedded | |
| | Intel® 82801GR Integrated Serial ATA Host Controller | |
| | Rack (1U) form factor, (1.70 in/4.45 cm) | |

Step 2: Choose Required Options (only one of the following from each list unless otherwise noted)

| | | |
|---------------|---|------------|
| Processors | HP C2.93/533-256K DL320G4 FIO Kit | 391701-L21 |
| | HP DL320G4 P930 FIO Kit (3.0GHz/2x2MB) | 411143-L21 |
| | HP DL320G4 P950 FIO Kit (3.4GHz/2x2MB) | 434772-L21 |
| | HP DL320G4 P650 FIO Kit (3.4GHz) | 411145-L21 |
| | HP DL320G4 P940 FIO Kit (3.2GHz/2x2MB) | 411147-L21 |
| | HP DL320G4 P630 FIO Kit (3.0GHz/2MB) | 411149-L21 |
| | HP DL320G4 P660 FIO Kit (3.6GHz/2MB) | 411151-L21 |
| Base Memory | 2 GB UB PC2-4200 1 x 2GB 2RANK ALL | 393354-B21 |
| | 1 GB UB PC2-4200 1 x 1GB 2RANK ALL | 390824-B21 |
| | 512 MB UB PC2-4200 1 x 512 MB 1RANK ALL | 390825-B21 |
| Optical Drive | HP DL320G4 DVD-RW DRIVE OPT ALL | 395498-B21 |
| | CD ROM Drive Option Assembly Option Kit | 372703-B21 |
| | DVD-ROM Drive Assembly Option Kit | 374303-B21 |
| | Floppy Drive Assembly Option kit | 372702-B21 |

Step 3: Choose Additional Factory Integratable Options

NOTE: For additional options, please refer to the "Options" section below.

Options

NOTE: Some options may not be factory integratable. Please contact your local sales representative for additional information.

ProLiant DL320 G4 Unique Options HP ProLiant DL320 G3/G4 PCI-X Option Kit 417135-B21
NOTE: The HP ProLiant DL320 G4 ships standard with a riser board assembly that has two connectors:

- Full-length PCI Express connector (x8 connector, x4 bus speed)
- Half-length / Half height PCI Express connector (x8 connector, x1 bus speed)

The DL320 G3/G4 PCI-X Option Kit replaces the Full-Length PCI Express connector with a full-length 64-bit / 133MHz PCI-X connector.

HP DL320G4 DVD-RW DRIVE OPT 395498-B21
 Floppy Drive Assembly Option Kit 372702-B21
 DVD-ROM Drive Assembly Option Kit 374303-B21
 CD ROM Drive Option Assembly Option Kit 372703-B21
 HP ProLiant DL320 G4 Security Server (pre-installed configure to order software only) 409564-B21

ProLiant Essentials Value Pack Software **ProLiant Essentials Intelligent Networking Pack**
 ProLiant Essentials Intelligent Networking Pack - Windows Edition, Single Server License 436225-B21

NOTE: For use with a single server. Contains one license with a unique license activation key and documentation.
NOTE: For additional ProLiant Intelligent Networking Pack License Kits please see the QuickSpecs at:

http://h18000.www1.hp.com/products/quickspecs/12062_na/12062_na.HTML
 ProLiant Essentials Intelligent Networking Pack - Linux Edition, Single Server License 436229-B21

NOTE: For additional ProLiant Intelligent Networking Pack - Linux License Kits please see the QuickSpecs at:
http://h18000.www1.hp.com/products/quickspecs/12327_na/12327_na.HTML

ProLiant Essentials Performance Management Pack
 ProLiant Essentials Performance Management Pack, Single-Server License 306696-B21

NOTE: For use with a single server. Contains one license with a unique license activation key, HP Management CD and documentation.

NOTE: The most recent version of the software can always be downloaded at <http://www.hp.com/products/pmp>.

NOTE: For additional ProLiant Performance Management Pack License Kits please see the QuickSpecs at:
http://h18000.www1.hp.com/products/quickspecs/11925_na/11925_na.HTML

ProLiant Essentials Rapid Deployment Pack Windows Edition
 Rapid Deployment Pack, Single-Server License 267196-B21

NOTE: This license allows 1 server to be deployed and managed via RDP.

ProLiant Essentials Rapid Deployment Pack - Physical Media Kit 434559-B21

ProLiant Essentials Rapid Deployment Pack Flatpack - single-server license 434560-B21

NOTE: For additional ProLiant Essentials Rapid Deployment Pack License Kits please see the QuickSpecs at:

http://h18000.www1.hp.com/products/quickspecs/11053_na/11053_na.HTML

ProLiant Essentials Workload Management Pack
 ProLiant Essentials Workload Management Pack, Single Server License 303284-B21

Options

NOTE: For additional ProLiant Workload Management Pack License Kits please see the QuickSpecs at:

http://h18000.www1.hp.com/products/quickspecs/11452_na/11452_na.HTML

ProLiant Essentials Vulnerability and Patch Management Pack

ProLiant Essentials Vulnerability and Patch Management Pack, Single-Server License 371645-B21

NOTE: For use with a single server. Contains one license with a unique license activation key and documentation.

NOTE: For additional ProLiant Vulnerability and Patch Management Pack License Kits, please see the QuickSpecs at:

http://h18000.www1.hp.com/products/quickspecs/12111_na/12111_na.HTML

NOTE: Flexible and volume quantity license kits are available for ProLiant Essentials Value Packs. Refer to <http://www.hp.com/servers/proliantessentials> or the various ProLiant Essentials Value Pack product QuickSpecs for more information.

NOTE: For more information regarding ProLiant Essentials Software, please see the following URL: <http://www.hp.com/servers/proliantessentials>.

Remote Management

Integrated Lights-Out Advanced Pack

Integrated Lights-Out Advanced Pack, 1 server 263825-B21

Featuring: Sophisticated virtual administration features for ultimate control of servers in the data centers and remote sites.

NOTE: For additional Integrated Light-Out Advanced Pack License Kits please see the QuickSpecs at:

http://h18000.www1.hp.com/products/quickspecs/11052_na/11052_na.HTML

Memory (DIMMs)

2 GB UB PC2-4200 1 x 2 GB 2RANK ALL 393354-B21

1 GB UB PC2-4200 1 x 1 GB 2RANK ALL 390824-B21

512 MB UB PC2-4200 1 x 512 MB 1RANK ALL 390825-B21

Internal Storage

HP DL320G4 DVD-RW DRIVE OPT ALL 395498-B21

CD-ROM Drive Assembly Option Kit 372703-B21

Floppy Drive Assembly Option Kit 372702-B21

DVD-ROM Drive Assembly Option Kit 374303-B21

Options

Hard Drives

Serial Attached SCSI (SAS)

| | |
|---------------------------------|------------|
| HP 300GB 3G SAS 15K 3.5" SP HDD | 431944-B21 |
| HP 146GB 3G SAS 15K 3.5" SP HDD | 375872-B21 |
| HP 72GB 3G SAS 15K 3.5" SP HDD | 375870-B21 |
| HP 36GB 3G SAS 15K 3.5" SP HDD | 375868-B21 |

NOTE: Serial Attached SCSI - SAS Hard Drives are only supported with optional SAS HBA or RAID cards.

NOTE: Please see the Hard Drive QuickSpecs for Technical Specifications such as capacity, height, width, interface, transfer rate, seek time, physical configuration, and operating temperature:

http://h18000.www1.hp.com/products/quickspecs/12244_na/12244_na.HTML

Serial ATA (SATA)

| | |
|----------------------------------|------------|
| HP 750GB 1.5G SATA 7.2K 3.5" HDD | 432341-B21 |
| HP 500GB 1.5G SATA 7.2K 3.5" HDD | 395473-B21 |
| HP 500GB 1.5G SATA 7.2K 3.5" HDD | 395473-B21 |
| HP 250GB 1.5G SATA 7.2K 3.5" HDD | 349239-B21 |
| HP 160GB 1.5G SATA 7.2K 3.5" HDD | 349238-B21 |
| HP 80GB 1.5G SATA 7.2K 3.5" HDD | 349237-B21 |

NOTE: Please note that Serial ATA hot-plug capability and drive LEDs are not supported by the embedded SATA storage controller.

NOTE: Please see the Hard Drive QuickSpecs for Technical Specifications such as capacity, height, width, interface, transfer rate, seek time, physical configuration, and operating temperature:

http://h18000.www1.hp.com/products/quickspecs/11940_na/11940_na.HTML

Storage Controllers

NOTE: For HP ProLiant DL320 G4 models purchased with Celeron or Pentium-D 800 Series processors, PCI-X is only supported as a Factory Integrated Option.

SAS Controllers

Smart Array E200 Controller

NOTE: The HP Smart Array E200 Controllers require the purchase of the DL320 SAS/SATA Hot Plug Cable option kit (398307-B21).

| | |
|--|------------|
| HP Smart Array E200/128 BBWC Controller | 411508-B21 |
| HP Smart Array E200/64MB Controller | 409180-B21 |
| 128-MB BBWC (Battery-Backed Write Cache) Enabler | 351580-B21 |

NOTE: Supports the Smart Array E200 Controller, Smart Array 641 Controller, Smart Array 642 Controller.

Smart Array P400 Controller

NOTE: The HP Smart Array P400 BBWC Controllers require the purchase of the DL320 SAS/SATA Hot Plug Cable option kit (398307-B21).

| | |
|---|------------|
| HP Smart Array P400/256MB Controller | 405132-B21 |
| HP Smart Array P400/512MB BBWC Controller | 411064-B21 |
| Smart Array P400 Battery Attach Kit | 417836-B21 |

NOTE: This option kit contains a 24" battery cable and adhesive material for installing a battery into the server if a Smart Array P400 is integrated outside of the factory. For all solutions, please refer to the server QuickSpecs and User's Manual for detailed installation instructions.

Options

| | |
|--|------------|
| Battery-backed write cache upgrade | 383280-B21 |
| NOTE: For Smart Array P400 Controller only. | |
| 512MB Battery-backed cache upgrade | 405148-B21 |
| NOTE: For Smart Array P400 Controller only. | |
| NOTE: Please see the following SAS Controller QuickSpecs for Technical Specifications such as PCI Bus, PCI Peak Data Transfer Rate, Protocols supported, Peak Data Transfer Rate, Channels, Ports, Drives supported, Cache, RAID support, and additional information: | |
| http://h18000.www1.hp.com/products/quickspecs/12460_na/12460_na.HTML (Smart Array E200 Controller) | |
| http://h18000.www1.hp.com/products/quickspecs/12400_na/12400_na.HTML (Smart Array P400 Controller) | |
| SAS HBA | |
| HP SC44Ge Host Bus Adapter | 416096-B21 |
| HP 8 Internal Port SAS HBA with RAID | 347786-B21 |
| NOTE: The HP 8 Internal Port SAS HBA with RAID requires the purchase of the DL320 SAS/SATA Hot Plug Cable option kit (398307-B21). | |
| HP SATA/SAS 1U Cable Kit | 398307-B21 |
| NOTE: This option is required for the HP 8 Internal Port SAS HBA with RAID, the HP Smart Array E200 Controller, and the HP Smart Array P400 Controller. | |
| NOTE: Please see the following QuickSpecs for additional information: | |
| http://h18004.www1.hp.com/products/quickspecs/12617_na/12617_na.html (SC44Ge HBA) | |
| http://h18004.www1.hp.com/products/quickspecs/12332_na/12332_na.html (SAS HBA) | |
| SCSI Controllers | |
| NOTE: The HP ProLiant DL320 G3/G4 PCI-X Option Kit is required for all PCI-X Controllers. | |
| Smart Array 6402/128 Controller | 273915-B21 |
| NOTE: For External drive support only | |
| Smart Array 642 Controller | 291967-B21 |
| NOTE: For External drive support only | |
| 128-MB BBWC (Battery-Backed Write Cache) Enabler | 351580-B21 |
| NOTE: This 128 MB BBWC supports the Smart Array 641 Controller and Smart Array 642 Controller. | |
| 64-Bit/133-MHz Single Channel Ultra320 SCSI HBA G2 | 374654-B21 |
| NOTE: For External drive support only | |
| SCSI HBA | |
| HP SC11Xe Host Bus Adapter | 412911-B21 |
| NOTE: Please see the following QuickSpecs for Technical Specifications and additional information: | |
| http://h18000.www1.hp.com/products/quickspecs/11587_na/11587_na.HTML (Smart Array 6400 Series) | |
| http://h18000.www1.hp.com/products/quickspecs/12069_na/12069_na.HTML (Smart Array 642) | |
| http://h18000.www1.hp.com/products/quickspecs/11943_na/11943_na.HTML (HP Single Channel Ultra320 SCSI HBA) | |
| http://h18000.www1.hp.com/products/quickspecs/12566_na/12566_na.HTML (SC11Xe HBA) | |

Options

Communications

NOTE: The HP ProLiant DL320 G3/G4 PCI-X Option Kit is required for all PCI-X NICs.

| | |
|---|------------|
| HP NC110T PCI Express Gigabit Server Adapter | 434905-B21 |
| HP NC150T PCI 4-port Gigabit 1000T Combo Switch Adapter | 367132-B21 |
| HP NC310F PCI-X 1000SX Gigabit Server Adapter | 368169-B21 |
| HP NC340T PCI-X 4-port 1000T Gigabit Server Adapter | 391661-B21 |
| HP NC360T PCI Express Dual Port Gigabit Server Adapter | 412648-B21 |
| HP NC373F PCI Express Multifunction Gigabit Server Adapter | 394793-B21 |
| HP NC370T PCI-X Multifunction 1000T Gigabit Server Adapter | 374191-B22 |
| HP NC380T PCI Express Dual Port Multifunction Gigabit Server Adapter | 394795-B21 |
| HP NC7771 PCI-X 1000T Gigabit Server Adapter | 290563-B21 |
| HP NC510F PCIe 10 Gigabit Server Adapter | 414126-B21 |
| NOTE: A minimum of 1 gigabyte (1 GB) of server memory is required per each NC510F adapter. | |
| HP NC510C PCIe 10 Gigabit Server Adapter | 414129-B21 |
| NOTE: A minimum of 1 gigabyte (1 GB) of server memory is required per each NC510C adapter. | |

Tape Drives

NOTE: For the complete listing of Tape Drive offerings for this server, please visit: <http://www.hp.com/products1/storage/compatibility/tapebackup/ISS/index.html>

For recommended tape drive offerings for this ProLiant server see the following:

USB Tape Drives

HP StorageWorks DAT 40 USB Internal Tape Drive (Carbonite) DW022A

NOTE: HP recommends combining this tape drive with the 1U USB Rack-Mount kit (A8007A) for a complete rack-mount solution.

HP StorageWorks DAT 72 USB Internal Tape Drive (Carbonite) DW026A

NOTE: HP recommends combining this tape drive with the 1U USB Rack-Mount kit (A8007A) for a complete rack-mount solution.

Ultrium Tape Drives

HP StorageWorks Ultrium 232 Internal Tape Drive (Carbonite) DW064A

NOTE: No internal tape drives fit inside this HP ProLiant server. The internal drive shown here is for the 1U and 3U Rack-mount Kit.

HP StorageWorks 3U SCSI Rack-mount kit with one Ultrium 460 (Carbon) 350546-B22

HP StorageWorks Ultrium 448 Rack-mount (Carbonite) - Single drive installed in a 1U rack-mount kit DW028B

NOTE: Please see the HP StorageWorks Ultrium Tape Drive QuickSpecs for additional options such as controllers, media, and other related items:

http://h18006.www1.hp.com/products/quickspecs/11739_na/11739_na.html

http://h18006.www1.hp.com/products/quickspecs/12128_na/12128_na.html

For an up-to-date listing of the latest O/S and software support details for HP Ultrium tape drives, please visit: <http://www.hp.com/go/connect>.

Rack-Mount Tape Drive Enclosures

Options

| | |
|---|------------|
| HP StorageWorks 1U SCSI Rack-Mount kit | A7445B |
| NOTE: The 1U Rack-Mount Kit can support up to (2) half-height tape drives and is compatible with multiple Single-Ended and LVD SCSI tape drives including the DAT 24, DAT 40, DAT 72, DLT VS80, DLT VS160, Ultrium 215, Ultrium 232, Ultrium 448 and Ultrium 920 tape drives. | |
| HP StorageWorks 1U USB Rack-Mount Kit | A8007A |
| NOTE: The 1U USB Rack-Mount Kit can support up to (2) half-height tape drives and is compatible with the DAT 24 USB, DAT 40 USB and DAT 72 USB tape drives. | |
| HP StorageWorks 1U SAS Rack-Mount Kit | AE459A |
| NOTE: The 1U SAS Rack-Mount Kit can support up to (2) half-height tape drives and is compatible with the Ultrium 448 SAS tape drive. | |
| HP StorageWorks 3U Rack-mount kit | 274338-B22 |
| NOTE: The 3U Rack-mount Kit can support up to (2) full-height or (4) half-height tape drives and compatible with multiple Single-Ended and LVD SCSI tape drives including DAT 24, DAT 40, DAT 72, DLT VS80, DLT VS160, SDLT 320, SDLT 600, Ultrium 215, Ultrium 230, Ultrium 232, Ultrium 460, Ultrium 448, Ultrium 920 and Ultrium 960 tape drives. | |
| NOTE: Please see the Rack-Mount Tape Drive Kits QuickSpecs for additional information regarding these kits: http://h18000.www1.hp.com/products/quickspecs/10854_na/10854_na.HTML | |

Tape Autoloaders

| | |
|--|--------|
| HP StorageWorks DAT Autoloader | |
| HP StorageWorks DAT 72x10 tape autoloader | AE313A |
| HP StorageWorks 1/8 Tape Autoloader | |
| HP StorageWorks 1/8 Ultrium 920 G2 Tape Autoloader | AH165A |
| HP StorageWorks 1/8 Ultrium 448 G2 Tape Autoloader | AH164A |
| HP StorageWorks 1/8 Ultrium 232 G2 Tape Autoloader | AH163A |
| HP StorageWorks 1/8 G2 Tape Autoloader Rack Kit | AH166A |
| NOTE: Required to install the 1/8 G2 Autoloaders in a standard 19-inch rack; includes rails and rackmount instructions | |
| NOTE: Please reference the Autoloader QuickSpecs at http://www.hp.com/go/automation for additional information needed to create a complete solution; reference current compatibility information at http://www.hp.com/go/ebs | |

Options

Tape Libraries

HP StorageWorks MSL2024 Tape Library

| | |
|--|--------|
| HP StorageWorks MSL2024 1 Ultrium 960 Drive Library | AG115A |
| HP StorageWorks MSL2024 1 Ultrium 960 4GB FC Drive Library | AG326B |
| HP StorageWorks MSL2024 1 Ultrium 920 Drive Library | AH169A |
| HP StorageWorks MSL2024 2 Ultrium 920 Drive Library | AH170A |
| HP StorageWorks MSL2024 1 Ultrium 448 Drive Library | AG116A |
| HP StorageWorks MSL2024 2 Ultrium 448 Drive Library | AG117A |

HP StorageWorks MSL4048 Tape Library

| | |
|--|--------|
| HP StorageWorks MSL4048 1 Ultrium 448 Drive Library | AG320A |
| HP StorageWorks MSL4048 2 Ultrium 448 Drive Library | AG321A |
| HP StorageWorks MSL4048 1 Ultrium 920 Drive Library | AH171A |
| HP StorageWorks MSL4048 2 Ultrium 920 Drive Library | AH172A |
| HP StorageWorks MSL4048 1 Ultrium 960 Drive Library | AG322A |
| HP StorageWorks MSL4048 1 Ultrium 960 4GB FC Drive Library | AG324B |
| HP StorageWorks MSL4048 2 Ultrium 960 Drive Library | AG323A |
| HP StorageWorks MSL4048 2 Ultrium 960 4GB FC Drive Library | AG325B |

HP StorageWorks MSL6000 Tape Library

Ultrium 960 technology

| | |
|---|--------|
| HP StorageWorks MSL6030 1 Ultrium 960 Dr LVDS Library | AD606B |
| HP StorageWorks MSL6030 1 Ultrium 960 Dr FC Library | AD608B |
| HP StorageWorks MSL6030 2 Ultrium 960 Dr LVDS Library | AD607B |
| HP StorageWorks MSL6030 2 Ultrium 960 Dr FC Library | AD609B |

Ultrium 460 technology

| | |
|---|--------|
| HP StorageWorks MSL6030 1 Ultrium 460 Dr LVDS Library | AD598B |
| HP StorageWorks MSL6030 1 Ultrium 460 Dr FC Library | AD600B |
| HP StorageWorks MSL6030 2 Ultrium 460 Dr LVDS Library | AD599B |
| HP StorageWorks MSL6030 2 Ultrium 460 Dr FC Library | AD601B |

NOTE: Please reference the [MSL2024](#) and [MSL6000](#) Tape Library QuickSpecs at <http://www.hp.com/go/automation> for additional information needed to create a complete solution; reference current compatibility information at <http://www.hp.com/go/ebs>

HP Data Protector Express Software

| | |
|---|---------|
| HP DP Express Backup Server Upgrade for ProLiant Software | BB117AP |
| HP DP Express Package for Microsoft Small Business Server | BB118AA |

NOTE: Please see the [HP Data Protector Express QuickSpecs](#) for additional information regarding the purchase of HP Data Protector Express software: http://h18000.www1.hp.com/products/quickspecs/12337_na/12337_na.html

NOTE: To obtain a free licensed copy of HP Data Protector Express for ProLiant edition software, please visit the "Protect Your Data" link accessible from your ProLiant server's System Management Homepage (SMH) software (SmartStart 7.5 or later).

Options

| | | |
|--|---|------------|
| HP StorageWorks Modular Smart Array 20 | HP StorageWorks Modular Smart Array 20 NOTE: Rack-mountable 12 (SATA) drive enclosure with U320 Host connectivity, redundant power supplies. | 335921-B21 |
| | HP StorageWorks Modular Smart Array 20 Starter Kit NOTE: Rack-mountable 12 (SATA) drive enclosure with U320 Host connectivity, redundant power supplies. Includes Smart Array 6402/128 Controller. NOTE: The Modular Smart Array Enclosure 20 Family supports the SATA 1.5Gb/s 3.5" Hot Plug Hard Drives. | 366172-B21 |
| HP StorageWorks Modular Smart Array 30 | HP StorageWorks Modular Smart Array 30 SB NOTE: Rack-mountable 14 drive enclosure with single bus, redundant power supplies | 302969-B21 |
| | HP StorageWorks Modular Smart Array 30 DB NOTE: Rack-mountable 14 drive enclosure with dual bus, redundant power supplies NOTE: The Modular Smart Array Enclosure 30 Family supports the Wide Ultra3, Ultra320 Hot Plug Hard Drives. | 302970-B21 |
| HP StorageWorks Modular Smart Array 500 | HP StorageWorks Modular Smart Array 500 Generation 2 NOTE: Please see the Modular Smart Array 500 Generation 2 QuickSpecs for additional information including configuration steps and additional options needed for a complete solution at: http://h18000.www1.hp.com/products/quickspecs/11956_na/11956_na.HTML | 335880-B21 |
| HP StorageWorks Modular Smart Array 1000 | HP StorageWorks Modular Smart Array 1000 NOTE: Please see the Modular Smart Array 1000 QuickSpecs for additional options and configuration information at http://h18000.www1.hp.com/products/quickspecs/11033_na/11033_na.HTML | 201723-B22 |
| HP StorageWorks Modular Smart Array 1500 cs | Modular Smart Array 1500 Controller Shelf NOTE: Please see the StorageWorks Modular SAN Array 1500 cs QuickSpecs for additional options and configuration information at: http://www.hp.com/go/MSA1500cs | AA986A |
| StorageWorks Options | NOTE: The following is a list of all Fibre Channel Host Bus Adapters for Windows and Linux. For detailed compatibility information please see: http://h18006.www1.hp.com/storage/saninfrastructure/hba.html | |
| | HP StorageWorks FC2142SR 4Gb PCI-e HBA | A8002A |
| | HP StorageWorks FC2242SR Dual Channel 4 Gb PCI-e HBA | A8003A |
| | HP StorageWorks FC1142SR 4Gb PCI-e HBA | AE311A |
| | HP StorageWorks FC1242SR Dual Channel 4 Gb PCI-e HBA | AE312A |
| | HP StorageWorks FC2143 4Gb PCI-X 2.0 -to-Fibre Channel HBA | AD167A |
| | HP StorageWorks FC2243 Dual Channel 4Gb PCI-X 2.0 HBA | AD168A |
| | HP StorageWorks FC1143 4Gb PCI-X 2.0 HBA | AB429A |
| | HP StorageWorks FC1243 Dual Channel 4Gb PCI-X 2.0 HBA | AE369A |

Options

| | | |
|--|--|--------|
| Uninterruptible Power Systems – Rack UPS | HP, R1.5kVA UPS, 1U | AF419A |
| | HP R3000 VA UPS, 2U, L5-30 | AF422A |
| | NOTE: Replaces non-RoHs compliant part number 192186-001. | |
| | HP R3000 VA UPS, 2U, L6-20 | AF423A |
| | NOTE: Replaces non-RoHs compliant part number 192186-002. | |
| | HP R3000 VA UPS, 2U, L6-20 | AF424A |
| | NOTE: Replaces non-RoHs compliant part number 192186-292. | |
| | HP R3000 VA UPS, 2U, L5-30 | AF425A |
| | NOTE: Replaces non-RoHs compliant part number 192186-291. | |
| | HP R5500 VA UPS | AF426A |
| | NOTE: Replaces non-RoHs compliant part number 326529-D71. | |

| | | |
|-------------|--|---------|
| USB Options | USB Optical Scroll Mouse (Carbonite) | DD441B |
| | USB 2.0 4-port HUB | DG954A |
| | HP 1GB Drive Key II- USB 2.0 Flash Drive | AG382AA |
| | HP 512MB DriveKey II- USB Flash Drive | ED516AA |
| | USB Floppy Drive | DC361B |

| | | |
|-----------------------------------|--|------------|
| ProLiant DL320 Deployment Options | 1U Cable Management Arm | 365403-B21 |
| | NOTE: Package contains two cable management arms. | |
| | NOTE: Telco Rack Support - Support for all 2-post Telco racks requires the use of the standard rack kit and an additional option kit from Rack Solutions: | |
| | http://www.racksolutions.com/hp | |

| | | |
|--|--|------------|
| HP Rack 5000 Series (Metallic Carbonite) | HP 5642 Rack-Unassembled | 358254-B21 |
| | NOTE: Please see the HP Rack 5642 QuickSpecs for additional part numbers and Technical Specifications such as height, width, depth, weight, and color: | |
| | http://h18000.www1.hp.com/products/quickspecs/12074_na/12074_na.HTML | |
| | NOTE: For additional information regarding Rack Cabinets, please see the following URL: http://www.hp.com/go/rackandpower . | |

Options

| | | |
|---|--|------------|
| HP Rack 10000 Series (Graphite Metallic) | 10642 (42U) Infrastructure Rack (Low Voltage) | 379006-001 |
| | 10642 (42U) Infrastructure Rack (High Voltage) | 379005-001 |
| | HP S10614 (14U) Rack Cabinet – Shock Pallet | 292302-B22 |
| | HP 10842 (42U, 800mm wide) Rack Cabinet – Pallet | 257415-B21 |
| | HP 10842 (42U, 800mm wide) Rack Cabinet – Shock Pallet | 257415-B22 |
| | HP 10647 (47U) Rack Cabinet – Pallet | 245160-B21 |
| | HP 10647 (47U) Rack Cabinet – Shock Pallet | 245160-B23 |
| | HP 10622 (22U) Rack Cabinet – Pallet | 245163-B21 |
| | HP 10622 (22U) Rack Cabinet – Shock Pallet | 245163-B22 |
| HP 10622 (22U) Rack Cabinet – Crated | 245163-B23 | |

NOTE: xxxxx-B21 (pallet) used to ship empty racks shipped on a truck. xxxxx-B22 (shock pallet) used to ship racks with equipment installed (by custom systems, VARs and Channels). xxxxx-B23 (crated) used for air shipments of empty racks.

NOTE: It is mandatory to use a shock pallet in order to ship racks with equipment installed.

NOTE: Please see the Rack 10000 QuickSpecs for additional part numbers and Technical Specifications such as height, width, depth, weight, and color:

http://h18000.www1.hp.com/products/quickspecs/10995_na/10995_na.HTML

NOTE: For additional information regarding Rack Cabinets, please see the following URL: <http://www.hp.com/go/rackandpower>.

| | | |
|---|--|------------|
| HP Rack 10000 Series (Graphite Metallic) | 10642 (42U) Infrastructure Rack (Low Voltage) | 379006-001 |
| | 10642 (42U) Infrastructure Rack (High Voltage) | 379005-001 |
| | HP S10614 (14U) Rack Cabinet – Shock Pallet | 292302-B22 |
| | HP 10842 (42U, 800mm wide) Rack Cabinet – Pallet | 257415-B21 |
| | HP 10842 (42U, 800mm wide) Rack Cabinet – Shock Pallet | 257415-B22 |
| | HP 10647 (47U) Rack Cabinet – Pallet | 245160-B21 |
| | HP 10647 (47U) Rack Cabinet – Shock Pallet | 245160-B23 |
| | HP 10622 (22U) Rack Cabinet – Pallet | 245163-B21 |
| | HP 10622 (22U) Rack Cabinet – Shock Pallet | 245163-B22 |
| HP 10622 (22U) Rack Cabinet – Crated | 245163-B23 | |

NOTE: xxxxx-B21 (pallet) used to ship empty racks shipped on a truck. xxxxx-B22 (shock pallet) used to ship racks with equipment installed (by custom systems, VARs and Channels). xxxxx-B23 (crated) used for air shipments of empty racks.

NOTE: It is mandatory to use a shock pallet in order to ship racks with equipment installed.

NOTE: Please see the Rack 10000 QuickSpecs for additional part numbers and Technical Specifications such as height, width, depth, weight, and color:

http://h18000.www1.hp.com/products/quickspecs/10995_na/10995_na.HTML

NOTE: For additional information regarding Rack Cabinets, please see the following URL: <http://www.hp.com/go/rackandpower>.

Options

| | | |
|-------------------------------|------------------------------------|------------|
| Monitors and Keyboards | TFT7210R Rack Mounted 17" Monitor | 348373-B21 |
| | TFT7600 Rackmount Keyboard Monitor | AG052A |
| | 1U Rackmount Keyboard with USB | AG072A |

NOTE: For additional information regarding Rack Options, please see the following URL: <http://www.hp.com/go/rackandpower>.

| | | |
|------------------------------|--|------------|
| HP KVM Switch Options | 2x1x16 IP Console Switch with Virtual Media | AF601A |
| | 4x1x16 IP Console Switch with Virtual Media | AF602A |
| | PS/2 Virtual Media Interface Adapter, 1 pack | AF604A |
| | NOTE: Requires PS/2 and one USB port on server. | |
| | Server Console Switch (KVM), 0 x 1 x 8 port | 336044-B21 |
| | Server Console Switch (KVM), 0 x 2 x 16 port | 336045-B21 |
| | PS/2 Interface Adapter, 1 pack | 262588-B21 |
| | PS/2 Interface Adapter, 8 pack | 262587-B21 |
| | USB Interface Adapter, 1 pack | 336047-B21 |
| | Serial Interface adapter - 1 Pack with power supply | 373035-B21 |

NOTE: Cat5e cables are required to connect Interface Adapters to Console Switches. Cat5e cables can be found at the following URL: <http://www.hp.com/go/kvm>.

| | |
|--|--------|
| HP 1x 4 Server Console Switch | AF611A |
| PS2 Server Console Cable, 6 ft, 2 pack | AF612A |
| USB Server Console Cable, 6 ft, 2 pack | AF613A |

NOTE: For additional information regarding KVM switches, Serial Console servers, rack mount monitors, keyboards and all related options please see the following URL: <http://www.hp.com/go/kvm>.

| | | |
|---|---|--------|
| HP Serial Console Server Options | HP 16 Port Serial Console Server | AF101A |
| | HP 48 Port Serial Console Server | AF102A |
| | Serial Adapter, RJ45-DB9 DCE Female, 1 Pack | AF103A |
| | Serial Adapter, RJ45-DB9 DCE Female, 8 Pack | AF110A |

NOTE: Cat5e cables are required to connect Serial Adapters to Serial Console Servers. Additional Serial Adapters and Cat5e cables can be found at the following URL: <http://www.hp.com/go/kvm>.

NOTE: For additional information regarding KVM switches, Serial Console servers, rack mount monitors, keyboards and all related options please see the following URL: <http://www.hp.com/go/kvm>.

Options

| | | |
|---|--|--------|
| Service and Support Offerings (HP Care Pack Services) | Hardware Services On-site Service | |
| | Next Business Day On-site Service, 5-Day x 9-Hour Coverage, 3 Years, Electronic | U4479E |
| | 4-Hour On-site Service, 5-Day x 13-Hour Coverage, 3 Years, Electronic | U4480E |
| | 4-Hour On-site Service, 7-Day x 24-Hour Coverage, 3 Years, Electronic | U4481E |
| | 6-Hour Call to Repair, On-site Service, 7-Day x 24-Hour Coverage, 3 Years, Electronic | U4482E |
| | Installation & Start-up Services | |
| | Hardware Installation, Electronic | U4490E |
| | Installation & Start-Up of a ProLiant server and Microsoft or Linux O/S per the Customer Description and/or Data Sheet. To be delivered on a scheduled basis 8am-5pm, M-F, excl. HP holidays, Electronic | U4491E |
| | Support Plus | |
| | Onsite HW support, 8am-9pm, M-F, 4hr response and Microsoft O/S SW Tech support offsite, onsite at HP's discretion, 8am-9pm, M-F 2hr response time excl. HP holidays, Electronic | U4492E |
| | Support Plus 24 | |
| | Onsite HW support 24x7, 4hr response and Microsoft O/S SW Tech support offsite, onsite at HP's discretion, 24x7 2hr response time incl. HP holidays, Electronic | U4493E |
| | Onsite HW support 24x7, 4hr response and SuSE Linux SW Tech support offsite, onsite at HP's discretion, 24x7 2hr response time incl. HP holidays, Electronic. | U6309E |
| Onsite HW support 24x7, 4hr response and Red Hat ES Linux SW Tech support offsite, onsite at HP's discretion, 24x7 2hr response time incl. HP holidays, Electronic. | U8331E | |

NOTE: For more information, customer/resellers can contact <http://www.hp.com/hps/>

Memory

HP ProLiant DL320 G4 All Models

NOTE: Memory configurations listed do not apply to "Factory Integrated Models".

Standard Memory

512 MB PC2-4200 ECC UB DDR2 SDRAM installed (1 x 512 MB SDRAM DIMM) on Celeron D model.

1 GB (1 x 1024 MB SDRAM DIMMs) on all Pentium D models.

Standard Memory Plus Optional Memory

Up to 8 GB memory is available with the optional installation of PC2-4200 ECC DDR2 SDRAM Memory kits.

NOTE: The chart below represents the Pentium D models with 1 GB standard memory, and does not represent all possible configurations. Memory can be populated in any order with any of the supported DIMMs listed. For optimal performance, the total amount of memory in slots 1A and 2A should equal to the total amount of memory in slots 3B and 4B.

| Memory | | Slot | | | |
|----------|------|---------|-------|-------|-------|
| | | 1A | 2A | 3B | 4B |
| Standard | 1 GB | 1024 MB | Empty | Empty | Empty |
| Optional | 4 GB | 2 GB | Empty | 2 GB | Empty |
| Maximum | 8 GB | 2 GB | 2 GB | 2 GB | 2 GB |

Following are memory options available from HP:

- 2 GB UB PC2-4200 1 x 2 GB 2RANK 393354-B21
- 1 GB UB PC2-4200 1 x 1 GB 2RANK 390824-B21
- 512 MB UB PC2-4200 1 x 512 MB 1RANK 390825-B21

Storage



- 1- 2 Two SATA or SAS drive bays
- A Removable 1.44 MB Diskette Drive Assembly Kit
- B Optional CD-ROM/DVD Drive Assembly Kit

Drive Support

| | Quantity Supported | Position Supported | Controller |
|---|--------------------|--------------------|------------------------|
| Removable Media | | | |
| 1.44-MB Diskette Drive | Up to 1 | A | Integrated |
| Low-profile IDE (ATAPI) CD-ROM Drive | Up to 1 | B | Integrated IDE (ATAPI) |
| Low-profile IDE DVD-ROM or DVD-RW Drive | Up to 1 | B | Integrated IDE |

SAS Hard Drives

| | Quantity Supported | Position Supported | Controller |
|--|--------------------|--------------------|---|
| 300GB 3G SAS 15K SP 146GB 3G SAS 15K SP 72GB 3G SAS 15K SP 36GB 3G SAS 15K SP | Up to 2 | 1-2 | HP 8 Internal Port SAS HBA with RAID HP Smart Array E200/64MB Controller HP Smart Array E200/128 BBWC Controller HP Smart Array P400/256MB Controller HP Smart Array P400/512MB BBWC Controller |

Serial ATA Hard Drives

| | Quantity Supported | Position Supported | Controller |
|---|--------------------|--------------------|---|
| 750GB 1.5G SATA 7.2K 500GB 1.5G SATA 7.2K 250GB 1.5G SATA 7.2K 160GB 1.5G SATA 7.2K 80GB 1.5G SATA 7.2K | Up to 2 | 1-2 | HP embedded 2 Port SATA Controller with RAID 0/1 support HP 8 Internal Port SAS HBA with RAID HP Smart Array E200/64MB Controller HP Smart Array E200/128 BBWC Controller HP Smart Array P400/256MB Controller HP Smart Array P400/512MB BBWC Controller |

Storage

External Storage

| | Quantity Supported | Position Supported | Host Controller or Adapter |
|---|--|--------------------|--|
| Modular Smart Array 20 | Please see the Modular Smart Array 20 QuickSpecs below to determine configuration requirements | External | Please see the Modular Smart Array 20 QuickSpecs below see the list of supported controllers |
| Modular Smart Array 30 Family | Up to 14 | External | Smart Array 6402/128 Controller Smart Array 642 Controller 64-Bit/133-MHz Single Channel Ultra320 SCSI HBA G2 |
| Modular Smart Array 500 G2 | 1 | External | Please see the Modular Smart Array 500 QuickSpecs for the latest list of supported HBAs: http://www.hp.com/go/msa500 |
| Modular Smart Array 1000 | Please see the Modular Smart Array 1000 QuickSpecs below to determine configuration requirements | External | Please see the Modular Smart Array 1000 QuickSpecs (URL below) for the latest list of supported HBAs |
| Modular Smart Array 1000: http://h18000.www1.hp.com/products/quickspecs/11033_na/11033_na.HTML | | | |

Maximum Storage Capacity - (SAS drives)

| | |
|----------|------------------------------------|
| Internal | 600GB (2 x 300GB SAS) |
| External | 4.20TB (1 x (14 x 300GB Ultra320)) |
| Total | 4.80TB |

NOTE: In order to implement integrated SATA RAID with Smart Start 7.4 on Windows 2000/2003, the use of a floppy drive is necessary.

Maximum Storage Capacity - (SATA Drives)

| | |
|----------|-------------------------------|
| Internal | 1.5TB (2 x 750GB SATA) |
| External | 9.0TB (1 x (12 x 750GB SATA)) |
| Total | 10.5TB |

NOTE: In order to implement integrated SATA RAID with Smart Start 7.4 on Windows 2000/2003, the use of a floppy drive is necessary.

NOTE: The External capacity section relates to the HP StorageWorks Modular Smart Array 20.

Tape Drives, Tape Autoloaders & Tape Libraries

Storage

NOTE: For an up-to-date listing of the latest O/S Support details for each of the Tape Drives listed below, please see the following:
http://h18000.www1.hp.com/products/quickspecs/North_America/10233.html

NOTE: For an up-to-date listing of the latest O/S Support details for each of the Tape Autoloaders & Tape Libraries listed below, please see the following:
http://h18000.www1.hp.com/products/quickspecs/North_America/10809.html

NOTE: For complete listing of tape drive offerings see
<http://www.hp.com/products1/storage/compatibility/tapebackup/ISS/index.html>

For details on connecting tape drives to this server, see the following:

| | Position Supported | Controller | Controller Part Number |
|--|--------------------|----------------------------|------------------------|
| HP StorageWorks Tape Drives, External DAT 24 USB DAT 40 USB DAT 72 USB | External | USB 2.0 Port | N/A |
| HP StorageWorks Tape Drives, External Ultrium 232 Ultrium 448 Ultrium 460 Ultrium 920 Ultrium 960 DAT 40 DAT 72 DLT VS160 SDLT 600 | External | HP SC11Xe Host Bus Adapter | 412911-B21 |
| HP StorageWorks Autoloaders, External DAT 72x10 Autoloader 1/8 G2 Tape Autoloader | External | HP SC11Xe Host Bus Adapter | 412911-B21 |
| HP StorageWorks SCSI Rack-Mount Tape Drive Enclosures 1U Rack-Mount Kit 3U Rack-Mount Kit | External | HP SC11Xe Host Bus Adapter | 412911-B21 |
| HP StorageWorks USB Rack-Mount Tape Drive Enclosures 1U Rack-Mount Kit | External | HP SC11Xe Host Bus Adapter | 412911-B21 |

Storage

HP StorageWorks Tape Libraries, External

MSL2024 (Ultrium 448, Ultrium 920 and 960-based)

MSL4048 (Ultrium 448, Ultrium 920 and 960-based)

MSL6000 (Ultrium 960 and 460-based)

MSL6000 (SDLT 600-based)

External

Please consult the EBS connectivity matrix at <http://www.hp.com/go/ebs> for detailed connectivity information.

N/A

Technical Specifications

| | | | |
|--------------------------------|---|--|--|
| System Unit | Dimensions (HxWxD) | 1.70 x 16.78 x 24.0 in (4.32 x 42.62 x 60.96 cm) | |
| | Weight (no drives installed) | 24.0 lb (10.91 kg) | |
| | Weight (fully configured with two hard drives, four DIMM modules, and a PCI expansion board) | 27.0 lb (12.27 kg) | |
| Input Requirements | Range Line Voltage | 90 to 264 VAC | |
| | Nominal Line Voltage | 100 to 120 VAC/220 to 240 VAC | |
| | Rated Input Current | 6 A (100 to 120 VAC) to 3 A (200 to 240 VAC) | |
| | Rated Input Frequency | 47 to 63 Hz | |
| | Rated Input Power | @ 115V input, Rated input power = 486W (assume output wattage=450W) @ 230V input, Rated input power = 479W (assume output wattage=450W) | |
| | Power Supply Output | Steady State Power | 450 W (rated) |
| | | NOTE: 1. +3.3V and +5V total O/P power 130W Maximum. 2. +3.3V, +5V and +12V total O/P power 324W Maximum. | |
| Environmental Operating | Operating | Ambient Temperature | 50° to 95° F (10° to 35° C) |
| | | Temperature Derating | 1.8° F per 1000 ft to 10,000 ft (1° C per 300 m to 3000 m) |
| | | Relative Humidity | 10% to 90% (non-condensing) |
| | | Maximum wet bulb temperature | 82° F (28° C) |
| Non-operating Storage | | Temperature | -22° to 140° F (-30 to 60° C) |
| | | Relative Humidity | 5% to 95% (non-condensing) |
| | | Maximum wet bulb temperature | 102° F (38.7° C) |
| Non-operating Shipping | | Temperature | -22° to 140° F (-30 to 60° C) |
| | | Relative Humidity | 5% to 95% (non-condensing) |
| | | Maximum wet bulb temperature | 102° F (38.7° C) |

Technical Specifications

| | | |
|----------------|---|------|
| Acoustic Noise | Idle at 23 degree C ambient (Fixed Disk Drives Spinning) | |
| | L WAd (BELS) | =6.4 |
| | Bystander L pAm (dBA) | =47 |
| | Operating (Random Seeks to Fixed Disks) | |
| | L WAd (BELS) | =6.4 |
| | Bystander L pAm (dBA) | =47 |

| | | | |
|------------------------|---|---|--|
| Serial ATA Hard Drives | HP 80GB 1.5G SATA 7.2K 3.5" HDD 349237-B21 | Capacity | 80,000 MB |
| | | Height | 1.028 in/2.611cm |
| | | Width | 4.0 in (10.16 cm) |
| | | Interface | Serial ATA |
| | | Transfer Rate Synchronous (Maximum) | 1.5 Gb/s |
| | | Seek Time (typical reads, including settling) | Single Track 0.9 ms Average 9.0 ms Full-Stroke 17.0 ms |
| | | Rotational Speed | 7,200 rpm |
| | | Physical Configuration | Bytes/Sector 512 Logical Blocks 156,301,488 |
| | | Operating Temperature | 41° to 131° F (5° to 55° C) |

| | | | |
|---------------|------------------------------------|---------------------|--|
| Power Supply | Input voltage specifications | Rated input voltage | 100 VAC to 240 VAC |
| | Input Specifications | Rated input line | 90 VAC to 264VAC |
| | | Frequency range | 47 to 63 Hz |
| | | Rated input power | @ 115V input, Rated input power = 486W (assume output wattage=450W) @ 230V input, Rated input power = 479W (assume output wattage=450W) |
| | | Rated input current | 6 A, 3 A (110 V, 220 V) |
| | | Steady state power | 450W (rated) |
| | BTU Rating | | 1710 BTU/hr |
| | Ambient temperature range | Operating | 50° to 118° F (10° to 48° C) |
| | | Non-operating | -40° to 158° F (-40° to 70° C) |
| | Relative humidity (non-condensing) | Operating | 55% to 85% |
| Non-operating | | 5% to 95% | |

Technical Specifications

| | | |
|-------------------------------------|-----------------|-----------------|
| Dielectric voltage withstand | Input to output | 1800 VAC/minute |
| | Input to ground | 1800 VAC/minute |
| Maximum Wet Bulb Temperature | 41.3C | |

| | | | | |
|--|------------------------------|--|--|--|
| Embedded NC324i PCI Express Dual Port NIC | Network Interface | 10Base-T/ 100Base-TX/ 1000Base-TX | | |
| | Compatibility | IEEE 802.3 10Base-T IEEE 802.3ab 1000Base-T IEEE 802.3u 100Base-TX | | |
| | Data Transfer Method | Four lane (x4), 100MHz PCI Express Reference Clock | | |
| | Network Transfer Rate | 10Base-T (Half-Duplex) | 10 Mb/s | |
| | | 10Base-T (Full-Duplex) | 20 Mb/s | |
| | | 100Base-TX (Half-Duplex) | 100 Mb/s | |
| | | 100Base-TX (Full-Duplex) | 200 Mb/s | |
| | | 1000Base-TX (Half and Full-Duplex) | 2000Mb/s | |
| | Connector | RJ-45 | | |
| | Cable Support | 10Base-T | Categories 3, 4 or 5 UTP; up to 328 ft (100 m) | |
| 10/100/1000Base-TX | | Category 5 UTP; up to 328 ft (100 m) | | |

| | | | |
|--|--|--|--|
| Integrated Dual Channel Serial ATA Controller | Simultaneous drive transfer channels | 2 channels | |
| | Transfer rate synchronous (maximum theoretical) | 150 MB/s per channel; 300MB/s in RAID 0 pair | |
| | Data transfer method | Intel® 82801FR Integrated Serial ATA Host Controller (non-RAID mode) Intel® 82801FR Integrated Serial ATA Host Controller (RAID Mode) | |
| | Drive support | Serial ATA | |
| | Data transfer modes | Legacy Mode | |
| | | Combined Mode | |
| | Protocol | Serial ATA | |
| | Feature | NCQ (Native Command Queuing);AHCI (Advanced Host Controller Interface) | |

Technical Specifications

| | | |
|---|--|---|
| Integrated Serial ATA Controller | Transfer rate synchronous (maximum) | 150 MB/s per channel; 300MB/s in RAID 0 pair |
| | Protocol | Serial ATA |
| | Drive support | HP Universal Serial ATA |
| | Data transfer modes | ATA data-transfer modes supported SATA 1.0, SATA II PIO modes 0-4 Multiword DMA modes 0-2 Ultra DMA modes 0-6 |
| RAID levels | | 0, 1 |
| Feature | | Supports Warranty of SATA Hard Drives Supports multiple logical volumes Setup through ROM based Array Configuration Utility Installation scripting support |
| OS Support | | Microsoft Windows 2000 Server Microsoft Windows Server 2003 NOTE: In order to implement integrated SATA RAID with Smart Start 7.4 on Windows 2000/2003, the use of a floppy drive is necessary Linux (Red Hat, SuSE, UnitedLinux) |

NOTE: This controller does not support LED functions
This controller does not support Hot Plug functions

© Copyright 2007 Hewlett-Packard Development Company, L.P.

The information contained herein is subject to change without notice.

Microsoft and Windows NT are US registered trademarks of Microsoft Corporation. Intel is a US registered trademark of Intel Corporation.

The only warranties for HP products and services are set forth in the express warranty statements accompanying such products and services. Nothing herein should be construed as constituting an additional warranty. HP shall not be liable for technical or editorial errors or omissions contained herein.

For hard drives, 1 GB = 1 billion bytes. Actual formatted capacity is less.