

we-ef

WE-EF Lighting USA

2018

CORE24



5 day dispatch from Pittsburgh
Guaranteed! Or get 25% off

Up to 10-year, all component warranty

V1.3-2018-02-01

5 day dispatch – Guaranteed! Or get 25% off

Up to 10-year, all component warranty

WE-EF USA's MARKET PROMISE

To offer our channel partners a competitive advantage on more lighting projects, WE-EF USA guarantees 5-day dispatch from our Pittsburgh facility on the core products outlined in this brochure. In the event the entire order does not ship within 5 business days (after receipt of a CLEAN ORDER), WE-EF USA will refund 25% of the order.

LEAD TIME GUARANTEE

A CLEAN ORDER received by 11am EST is guaranteed to be shipped within 5 business days, or WE-EF USA will refund 25% of the entire order. For orders received after the cutoff time of 11am EST, guaranteed dispatch time begins the following business day.

FREE SHIPPING

All orders will be delivered free of shipping charges via Ground Shipping. Express Shipping is also available for an additional charge.

QUANTITY LIMIT

Unless indicated, the order limit per part ID is 30 fixtures. Shipments for split orders with a total quantity greater than 30 fixtures per part ID are not guaranteed.

CLEAN ORDER

A CLEAN ORDER refers to standard, non-customized core luminaires as outlined in this brochure and must include all of the following:

- Delivery address
- Name of the job/project
- Product code(s)
- Voltage
- STANDARD FINISH (see below)
- Special requirements or requests - if approved by WE-EF USA
- Order shall state "CORE 24".

STANDARD FINISH

STANDARD FINISH colors are Black RAL9004, White RAL9016, Grey Metallic RAL9007, and Dark Bronze RAL8019. Other RAL colors are subject to surcharge and may incur longer lead times.

ACCELERATED PRODUCTION OPTION

Orders required to be shipped in less than 5 business days can be expedited on request and with an additional surcharge.

STANDARD WARRANTY

All WE-EF USA fixtures listed in this brochure come with a standard 5-year limited warranty, covering all mechanical and electrical components including drivers. All other Product warranty terms and information applicable to WE-EF USA products remain unchanged and can be found on the WE-EF USA website at www.we-ef.com.

EXTENDED WARRANTY

WE-EF USA offers an extended 10-year limited warranty for a 10% surcharge to the quoted price, covering all mechanical and electrical components including drivers. All other Product warranty terms and information applicable to WE-EF USA products remain unchanged and can be found on the WE-EF USA website at www.we-ef.com.

DISCLAIMER

WE-EF USA reserves the right to add, remove or modify items on this promotion without prior notice. WE-EF USA cannot be held accountable for delays due to shipping, freight, or for any other circumstances that are out of our control. Lead time guarantee based on product availability. All claims and statements made in this document are related only to the specific Core 24 offer and products contained in this offer and do not apply to other orders, shipments, or Terms & Conditions of WE-EF USA. Cannot be used with other offers, discounts or promo codes. Cannot be applied to past purchases. Other restrictions may apply.

TABLE OF CONTENTS

PRODUCTS

INGROUND UPLIGHTS

ETC110 pg 4	ETC120-GB pg 4	ETC130-GB pg 4	ETC140-GB pg 5	ETC330-GB pg 5	ETC320-FS pg 5	ETC330-FS pg 6	ETC340-FS pg 6

RECESSED WALL LUMINAIRES

STG209 pg 7	STG259 pg 7	STI259 pg 7	STI279 pg 7	STL209 pg 7	STL259 pg 7	STN204 pg 8	STN254 pg 8	STO209 pg 8	STO259 pg 8
STO279 pg 8	STP204 pg 8	STP254 pg 9	STX209 pg 9	STX259 pg 9	SVL259 pg 9	SVO259 pg 9	QRI354 pg 10	QRI374 pg 10	

SURFACE MOUNTED WALL LUMINAIRES

QLS410 pg 11	QLS420 pg 11	OLV330 pg 12	OLV334 pg 12	OLV340 pg 12	OLV344 pg 13	FLC122 pg 13

CEILING LUMINAIRES

DAC220 pg 14	DOC220 pg 14

STREET & AREA LIGHTING

VFL520 pg 15	VFL530 pg 15	VFL540 pg 16

SYMMETRICAL FLOODLIGHTS

FLC121 pg 18	FLC121 with Wall Bracket pg 18	FLC131 pg 19	FLC131 with Wall Bracket pg 19	FLC141 pg 20	FLC141 with Wall Bracket pg 20	FLD111 pg 21	FLC230 pg 21	FLC240 pg 22

PROJECTORS

FLC230 Profile Projector pg 23

PLANNING TOOLS

TRANSIT TIMES GUIDES	pg 24
WALL WASHING GUIDE	pg 25-30
FLAG LIGHTING GUIDE	pg 31-32

INGROUND UPLIGHTS

[Return to Table of Contents](#)

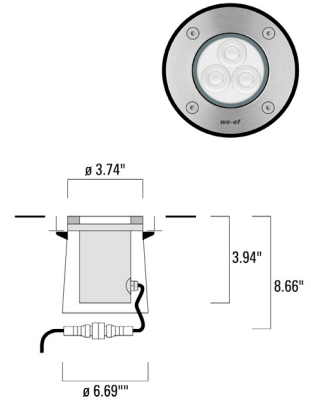
ETC110 AVAILABLE AS OF MARCH 1, 2018

IP67. 12 Volt AC. LED Inground uplight. Suitable for flush installation in concrete or earth. Special effects and distributions can be realized with linear lens.

ID	LIGHT SOURCE	VOLTAGE	KELVINS	OPTIC	LUMENS
611-1120	ETC110 [VNS] 3 LED/ 3W	12V	3000	12°	314
611-1121	ETC110 [VNS] 3 LED/ 3W	12V	4000	12°	314
611-1220	ETC110 [VN] 3 LED/ 3W	12V	3000	15°	314
611-1221	ETC110 [VN] 3 LED/ 3W	12V	4000	15°	314
611-1320	ETC110 [M] 3 LED/ 3W	12V	3000	42°	307
611-1321	ETC110 [M] 3 LED/ 3W	12V	4000	42°	307

Accessories

611-8116	IO-180 Linear spread lens
611-8110	Reduced depth installation blackout suitable for concrete pour applications
697-8060	Remote mounted transformer, 120 V-12V AC 24W max. Class 2. In exterior rated enclosure.
697-8061	Remote mounted transformer, 120 V-12V AC 96W max. Class 2. In exterior rated enclosure.
697-8062	Remote mounted transformer, 120 V-12V AC 240W max. Class 2. In exterior rated enclosure.



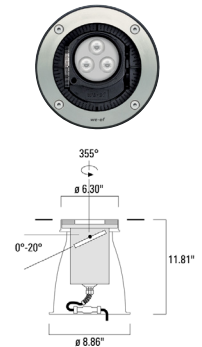
ETC120-GB AVAILABLE AS OF MARCH 1, 2018

IP67. Inground LED uplight. Suitable for flush installation in concrete or earth. Offset gimbal mounted LED module, with lockable aiming, 20° vertical tilt, and 360° horizontal rotation. Special effects can be realized with linear lens, flood lens, or color filters.

ID	LIGHT SOURCE	VOLTAGE	KELVIN	OPTIC	LUMENS
611-2224	ETC120-GB [VNS] 3 LED/ 6W	120-277V	3000	11°	594
611-2225	ETC120-GB [VNS] 3 LED/ 6W	120-277V	4000	11°	594
611-2222	ETC120-GB [VN] 3 LED/ 6W	120-277V	3000	15°	552
611-2223	ETC120-GB [VN] 3 LED/ 6W	120-277V	4000	15°	552
611-2220	ETC120-GB [M] 3 LED/ 6W	120-277V	3000	42°	591
611-2221	ETC120-GB [M] 3 LED/ 6W	120-277V	4000	42°	591

Accessories

611-8027	IO-360 Flood lens
611-8028	IO-180 Linear spread lens



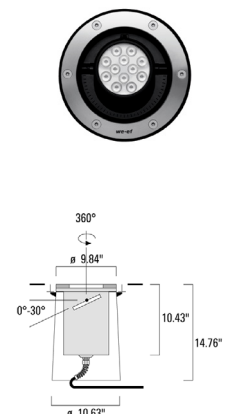
ETC130-GB

IP67. Inground LED uplight. Suitable for flush installation in concrete or earth. Offset gimbal mounted LED module, with lockable aiming, 30° vertical tilt, and 360° horizontal rotation. Special effects can be realized with linear lens, flood lens, or color filters.

ID	LIGHT SOURCE	VOLTAGE	KELVIN	OPTIC	LUMENS
611-3034	ETC130-GB [VNS] 12 LED/ 18W	120-277V	3000	11°	1932
611-3035	ETC130-GB [VNS] 12 LED/ 18W	120-277V	4000	11°	1932
611-3014	ETC130-GB [VN] 12 LED/ 18W	120-277V	3000	15°	1816
611-3015	ETC130-GB [VN] 12 LED/ 18W	120-277V	4000	15°	1816
611-3020	ETC130-GB [M] 12 LED/ 18W	120-277V	3000	32°	1924
611-3021	ETC130-GB [M] 12 LED/ 18W	120-277V	4000	32°	1924
611-3040	ETC130-GB [W] 12 LED/ 18W	120-277V	3000	49°	1676
611-3041	ETC130-GB [W] 12 LED/ 18W	120-277V	4000	49°	1676
611-3046	ETC130-GB [WW] 12 LED/ 18W	120-277V	3000	Wall Wash	1549
611-3047	ETC130-GB [WW] 12 LED/ 18W	120-277V	4000	Wall Wash	1549

Accessories

611-8036	IW Honeycomb louver (*not suitable for [W] beam distribution)
611-8037	IO-360 Flood lens
611-8038	IO-180 Linear spread lens



INGROUND UPLIGHTS Return to Table of Contents

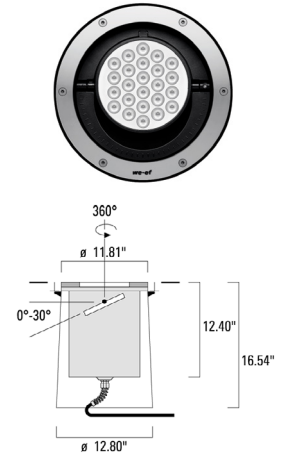
ETC140-GB

IP67. Inground LED uplight. Suitable for flush installation in concrete or earth. Offset gimbal mounted lamp module, with lockable aiming, 30° vertical tilt, and 360° horizontal rotation. Special effects can be realized with linear lens, flood lens, or color filters.

ID	LIGHT SOURCE	VOLTAGE	KELVIN	OPTIC	LUMENS
611-4004	ETC140-GB [VNS] 24 LED/ 24W	120-277V	3000	10°	3014
611-4005	ETC140-GB [VNS] 24 LED/ 24W	120-277V	4000	10°	3014
611-4014	ETC140-GB [VN] 24 LED/ 24W	120-277V	3000	15°	2777
611-4015	ETC140-GB [VN] 24 LED/ 24W	120-277V	4000	15°	2777
611-4020	ETC140-GB [M] 24 LED/ 24W	120-277V	3000	32°	2842
611-4021	ETC140-GB [M] 24 LED/ 24W	120-277V	4000	32°	2842
611-4034	ETC140-GB [W] 24 LED/ 24W	120-277V	3000	48°	2530
611-4035	ETC140-GB [W] 24 LED/ 24W	120-277V	4000	48°	2530

Accessories

611-8046	1W Honeycomb louver (*not suitable for [W] beam distribution)
611-8047	IO-360 Flood lens
611-8048	IO-180 Linear spread lens



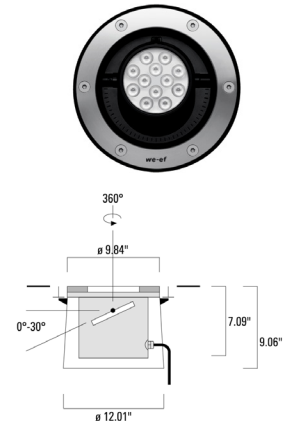
ETC330-GB (SHALLOW)

IP67. Inground LED uplight. Suitable for flush installation in concrete or earth. Offset gimbal mounted lamp module, with lockable aiming, 30° vertical tilt, and 360° horizontal rotation. Special effects can be realized with linear lens, flood lens, or color filters.

ID	LIGHT SOURCE	VOLTAGE	KELVIN	OPTIC	LUMENS
611-3240	ETC330-GB [VNS] 12 LED/ 12W	120-277V	3000	11°	1407
611-3241	ETC330-GB [VNS] 12 LED/ 12W	120-277V	4000	11°	1407
611-3220	ETC330-GB [VN] 12 LED/ 12W	120-277V	3000	15°	1322
611-3221	ETC330-GB [VN] 12 LED/ 12W	120-277V	4000	15°	1322
611-3226	ETC330-GB [M] 12 LED/ 12W	120-277V	3000	32°	1400
611-3227	ETC330-GB [M] 12 LED/ 12W	120-277V	4000	32°	1400
611-3246	ETC330-GB [W] 12 LED/ 12W	120-277V	3000	49°	1220
611-3247	ETC330-GB [W] 12 LED/ 12W	120-277V	4000	49°	1220

Accessories

611-8036	1W Honeycomb louver (*not suitable for [W] beam distribution)
611-8037	IO-360 Flood lens
611-8038	IO-180 Linear spread lens



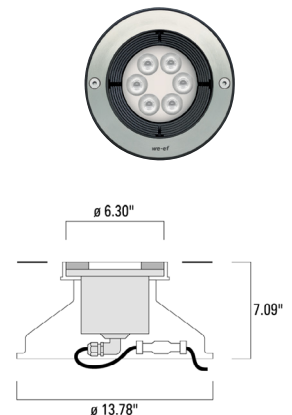
ETC320-FS

FACTORY SEALED. IP67. Inground uplight. Suitable for flush installation in concrete or earth. Special effects and distributions can be realized with linear lens, flood lens, 20° wall wash lens, or color filters.

ID	LIGHT SOURCE	VOLTAGE	KELVIN	OPTIC	LUMENS
611-2320	ETC320-FS [VNS] 6 LED/ 12W	120-277V	3000	10°	1378
611-2321	ETC320-FS [VNS] 6 LED/ 12W	120-277V	4000	10°	1378
611-2323	ETC320-FS [VN] 6 LED/ 12W	120-277V	3000	15°	1270
611-2324	ETC320-FS [VN] 6 LED/ 12W	120-277V	4000	15°	1270
611-2326	ETC320-FS [M] 6 LED/ 12W	120-277V	3000	32°	1299
611-2327	ETC320-FS [M] 6 LED/ 12W	120-277V	4000	32°	1299
611-2329	ETC320-FS [W] 6 LED/ 12W	120-277V	3000	48°	1157
611-2330	ETC320-FS [W] 6 LED/ 12W	120-277V	4000	48°	1157

Accessories

611-7202	Anti-Slip Coating
611-7205	IO-20 Wall Wash lens (only suitable with [M] beam distribution)
611-7208	IO-360 Flood lens
611-7211	IO-180 Linear spread lens



INGROUND UPLIGHTS

[Return to Table of Contents](#)

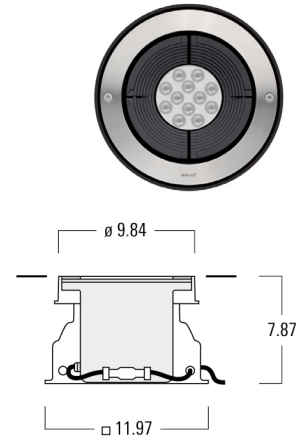
ETC330-FS

Factory sealed IP67. Inground uplight. Suitable for flush installation in concrete or earth. Special effects and distributions can be realized with linear lens, flood lens, 6° directional lens, 20° directional lens, or color filters. Product is never opened during installation.

ID	LIGHT SOURCE	VOLTAGE	KELVIN	OPTIC	LUMENS
611-3820	ETC330-FS [VNS] 12 LED/ 24W	120-277V	3000	10°	2572
611-3821	ETC330-FS [VNS] 12 LED/ 24W	120-277V	4000	10°	2572
611-3823	ETC330-FS [VN] 12 LED/ 24W	120-277V	3000	15°	2417
611-3824	ETC330-FS [VN] 12 LED/ 24W	120-277V	4000	15°	2417
611-3826	ETC330-FS [M] 12 LED/ 24W	120-277V	3000	29°	2561
611-3827	ETC330-FS [M] 12 LED/ 24W	120-277V	4000	29°	2561
611-3829	ETC330-FS [W] 12 LED/ 24W	120-277V	3000	49°	2231
611-3830	ETC330-FS [W] 12 LED/ 24W	120-277V	4000	49°	2231

Accessories

611-7203	Anti-Slip Coating
611-7206	IO-20 Wall Wash lens (only suitable with [M] beam distribution)
611-7212	IO-180 Linear spread lens



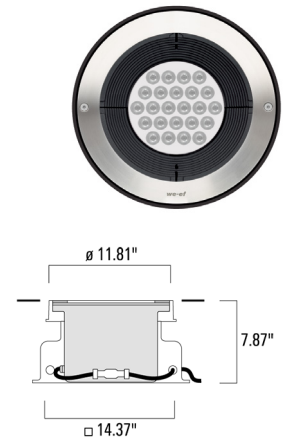
ETC340-FS

Factory sealed IP67. Inground uplight. Suitable for flush installation in concrete or earth. Special effects and distributions can be realized with linear lens, flood lens, 6° directional lens, 20° directional lens, or color filters. Product is never opened during installation.

ID	LIGHT SOURCE	VOLTAGE	KELVIN	OPTIC	LUMENS
611-4220	ETC340-FS [VNS] 24 LED/ 36W	120-277V	3000	10°	4141
611-4221	ETC340-FS [VNS] 24 LED/ 36W	120-277V	4000	10°	4141
611-4223	ETC340-FS [VN] 24 LED/ 36W	120-277V	3000	15°	3816
611-4224	ETC340-FS [VN] 24 LED/ 36W	120-277V	4000	15°	3816
611-4226	ETC340-FS [M] 24 LED/ 36W	120-277V	3000	29°	3904
611-4227	ETC340-FS [M] 24 LED/ 36W	120-277V	4000	29°	3904
611-4229	ETC340-FS [W] 24 LED/ 36W	120-277V	3000	49°	3475
611-4230	ETC340-FS [W] 24 LED/ 36W	120-277V	4000	49°	3475

Accessories

611-7204	Anti-Slip Coating
611-7207	IO-20 Wall Wash lens (only suitable with [M] beam distribution)
611-7213	IO-180 Linear spread lens



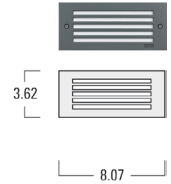
RECESSED WALL LUMINAIRES

[Return to Table of Contents](#)

IP55. Recessed LED steplight for orientation. Suitable for installation in cavity wall construction or concrete pour construction using optional installation blockout. Painted finish.

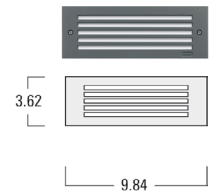
STG209

ID	LIGHT SOURCE	VOLTAGE	KELVIN	OPTIC	LUMENS
615-0221	STG209 painted 4 LED/ 4W	120-277V	3000	Diffused	65
615-0220	STG209 painted 4 LED/ 4W	120-277V	4000	Diffused	65
615-0227	STG209 stainless 4 LED/ 4W	120-277V	3000	Diffused	65
615-0226	STG209 stainless 4 LED/ 4W	120-277V	4000	Diffused	65
615-9320	Installation blockout for concrete pour applications				



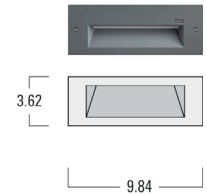
STG259

ID	LIGHT SOURCE	VOLTAGE	KELVIN	OPTIC	LUMENS
615-1221	STG259 painted 6 LED/ 6W	120-277V	3000	Diffused	82
615-1220	STG259 painted 6 LED/ 6W	120-277V	4000	Diffused	82
615-1227	STG259 stainless 6 LED/ 6W	120-277V	3000	Diffused	82
615-1226	STG259 stainless 6 LED/ 6W	120-277V	4000	Diffused	82
615-9325	Installation blockout for concrete pour applications				



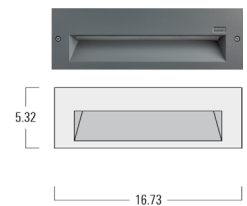
STI259

ID	LIGHT SOURCE	VOLTAGE	KELVIN	OPTIC	LUMENS
615-1321	STI259 painted 6 LED/ 6W	120-277V	3000	Forward-Throw	317
615-1320	STI259 painted 6 LED/ 6W	120-277V	4000	Forward-Throw	317
615-9325	Installation blockout for concrete pour applications				



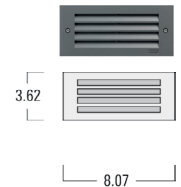
STI279

ID	LIGHT SOURCE	VOLTAGE	KELVIN	OPTIC	LUMENS
615-6321	STI279 painted 9 LED/ 9W	120-277V	3000	Forward-Throw	476
615-6320	STI279 painted 9 LED/ 9W	120-277V	4000	Forward-Throw	476
615-9327	Installation blockout for concrete pour applications				



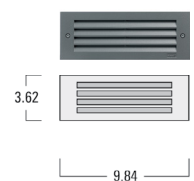
STL209

ID	LIGHT SOURCE	VOLTAGE	KELVIN	OPTIC	LUMENS
615-0421	STL209 painted 4 LED/ 4W	120-277V	3000	Diffused	15
615-0420	STL209 painted 4 LED/ 4W	120-277V	4000	Diffused	15
615-9320	Installation blockout for concrete pour applications				



STL259

ID	LIGHT SOURCE	VOLTAGE	KELVIN	OPTIC	LUMENS
615-1421	STL259 painted 6 LED/ 6W	120-277V	3000	Diffused	22
615-1420	STL259 painted 6 LED/ 6W	120-277V	4000	Diffused	22
615-9325	Installation blockout for concrete pour applications				

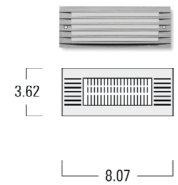


RECESSED WALL LUMINAIRES Return to Table of Contents

IP55. Recessed LED steplight for orientation. Suitable for installation in cavity wall construction or concrete pour construction using optional installation blackout. Painted finish.

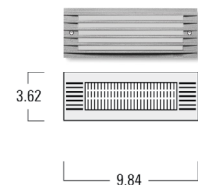
STN204

ID	LIGHT SOURCE	VOLTAGE	KELVIN	OPTIC	LUMENS
615-0521	STN204 painted 4 LED/ 4 W	120-277V	3000	Forward-throw	208
615-0520	STN204 painted 4 LED/ 4 W	120-277V	4000	Forward-throw	208
615-9320	Installation blackout for concrete pour applications				



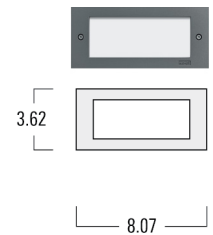
STN254

ID	LIGHT SOURCE	VOLTAGE	KELVIN	OPTIC	LUMENS
615-1521	STN254 painted 6 LED/ 6 W	120-277V	3000	Forward-throw	312
615-1520	STN254 painted 6 LED/ 6 W	120-277V	4000	Forward-throw	312
615-9325	Installation blackout for concrete pour applications				



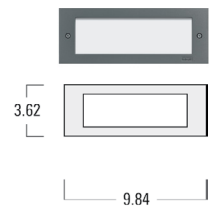
STO209

ID	LIGHT SOURCE	VOLTAGE	KELVIN	OPTIC	LUMENS
615-0621	STO209 painted 4 LED/ 4W	120-277V	3000	Diffused	127
615-0620	STO209 painted 4 LED/ 4W	120-277V	4000	Diffused	127
615-0627	STO209 stainless 4 LED/ 4W	120-277V	3000	Diffused	127
615-0626	STO209 stainless 4 LED/ 4W	120-277V	4000	Diffused	127
615-9320	Installation blackout for concrete pour applications				



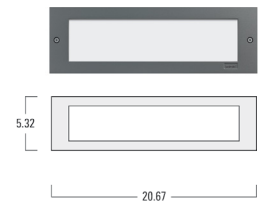
STO259

ID	LIGHT SOURCE	VOLTAGE	KELVIN	OPTIC	LUMENS
615-1621	STO259 painted 6 LED/ 6W	120-277V	3000	Diffused	190
615-1620	STO259 painted 6 LED/ 6W	120-277V	4000	Diffused	190
615-1627	STO259 stainless 6 LED/ 6W	120-277V	3000	Diffused	190
615-1626	STO259 stainless 6 LED/ 6W	120-277V	4000	Diffused	190
615-9325	Installation blackout for concrete pour applications				



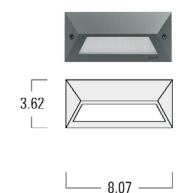
STO279

ID	LIGHT SOURCE	VOLTAGE	KELVIN	OPTIC	LUMENS
615-6621	STO279 painted 9 LED/ 9W	120-277V	3000	Diffused	333
615-6620	STO279 painted 9 LED/ 9W	120-277V	4000	Diffused	333
615-6627	STO279 stainless 9 LED/ 9W	120-277V	3000	Diffused	333
615-6626	STO279 stainless 9 LED/ 9W	120-277V	4000	Diffused	333
615-9327	Installation blackout for concrete pour applications				



STP204

ID	LIGHT SOURCE	VOLTAGE	KELVIN	OPTIC	LUMENS
615-0721	STP204 painted 4 LED/ 4W	120-277V	3000	Forward-throw	122
615-0720	STP204 painted 4 LED/ 4W	120-277V	4000	Forward-throw	122
615-9320	Installation blackout for concrete pour applications				



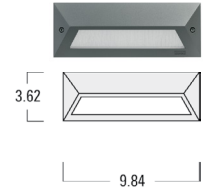
RECESSED WALL LUMINAIRES

[Return to Table of Contents](#)

IP55. Recessed LED steplight for orientation. Suitable for installation in cavity wall construction or concrete pour construction using optional installation blackout. Painted finish.

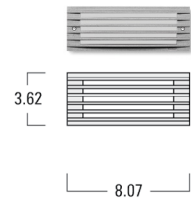
STP254

ID	LIGHT SOURCE	VOLTAGE	KELVIN	OPTIC	LUMENS
615-1721	STP254 painted 6 LED/ 6W	120-277V	3000	Forward-throw	184
615-1720	STP254 painted 6 LED/ 6W	120-277V	4000	Forward-throw	184
615-9325	Installation blackout for concrete pour applications				



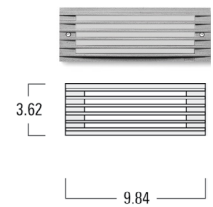
STX209

ID	LIGHT SOURCE	VOLTAGE	KELVIN	OPTIC	LUMENS
615-4222	STX209 painted 4 LED/ 4W	120-277V	3000	Diffused	65
615-4221	STX209 painted 4 LED/ 4W	120-277V	4000	Diffused	65
615-9320	Installation blackout for concrete pour applications				



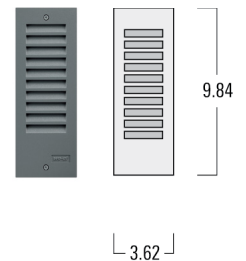
STX259

ID	LIGHT SOURCE	VOLTAGE	KELVIN	OPTIC	LUMENS
615-5221	STX259 painted 6 LED/ 6W	120-277V	3000	Diffused	98
615-5220	STX259 painted 6 LED/ 6W	120-277V	4000	Diffused	98
615-9325	Installation blackout for concrete pour applications				



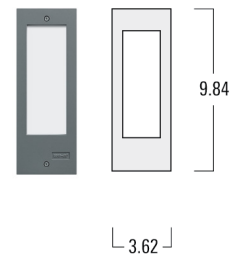
SVL259

ID	LIGHT SOURCE	VOLTAGE	KELVIN	OPTIC	LUMENS
615-3421	SVL259 painted 6 LED/ 6W	120-277V	3000	Shielded	33
615-3420	SVL259 painted 6 LED/ 6W	120-277V	4000	Shielded	33
615-9325	Installation blackout for concrete pour applications				



SVO259

ID	LIGHT SOURCE	VOLTAGE	KELVIN	OPTIC	LUMENS
615-3621	SVO259 painted 6 LED/ 6W	120-277V	3000	Diffused	190
615-3620	SVO259 painted 6 LED/ 6W	120-277V	4000	Diffused	190
615-3627	SVO259 stainless 6 LED/ 6W	120-277V	3000	Diffused	190
615-3626	SVO259 stainless 6 LED/ 6W	120-277V	4000	Diffused	190
615-9325	Installation blackout for concrete pour applications				

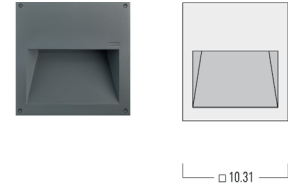


RECESSED WALL LUMINAIRES Return to Table of Contents

IP55. Recessed LED wall luminaire. Shielded light source. Suitable for installation in cavity wall construction or concrete pour construction using optional installation blackout.

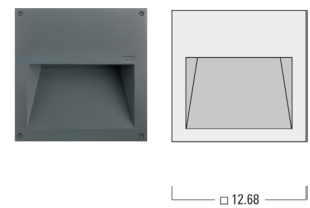
QRI354

ID	LIGHT SOURCE	VOLTAGE	KELVIN	OPTIC	LUMENS
616-1321	QRI354 6 LED/ 6W	120-277V	3000	Shielded	516
616-1320	QRI354 6 LED/ 6W	120-277V	4000	Shielded	516
616-9319	Installation blackout for concrete pour applications				



QRI374

ID	LIGHT SOURCE	VOLTAGE	KELVIN	OPTIC	LUMENS
616-2321	QRI374 14 LED/ 14W	120-277V	3000	Shielded	894
616-2320	QRI374 14 LED/ 14W	120-277V	4000	Shielded	894
616-9330	Installation blackout for concrete pour applications				

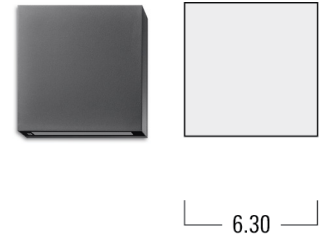


SURFACE MOUNTED WALL LUMINAIRES Return to Table of Contents

IP66. Surface mounted wall luminaire designed to install over a 4" recessed junction box.

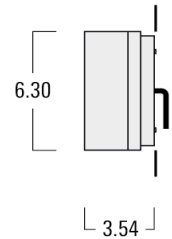
QLS410

ID	LIGHT SOURCE	VOLTAGE	KELVIN	OPTIC	LUMENS
620-2120	QLS410 [N] 3 LED/ 6W	120-277V	3000	14°	557
620-2121	QLS410 [N] 3 LED/ 6W	120-277V	4000	14°	557
620-2520	QLS410 [M] 3 LED/ 6W	120-277V	3000	33°	498
620-2521	QLS410 [M] 3 LED/ 6W	120-277V	4000	33°	498
620-2528	QLS410 [S] 3 LED/ 6W	120-277V	3000	58°	470
620-2529	QLS410 [S] 3 LED/ 6W	120-277V	4000	58°	470



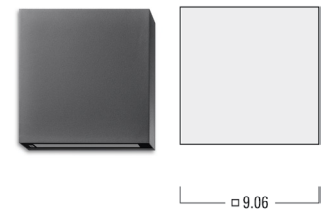
QLS410 UP/DOWN

ID	LIGHT SOURCE	VOLTAGE	KELVIN	OPTIC	LUMENS
620-2122	QLS410 [N]/[N] 6 LED/ 12W	120-277V	3000	14°/14°	1115
620-2123	QLS410 [N]/[N] 6 LED/ 12W	120-277V	4000	14°/14°	1115
620-2522	QLS410 [M]/[M] 6 LED/ 12W	120-277V	3000	33°/33°	995
620-2523	QLS410 [M]/[M] 6 LED/ 12W	120-277V	4000	33°/33°	995
620-2525	QLS410 [M]/[S] 6 LED/ 6W	120-277V	3000	33°/58°	967
620-2524	QLS410 [M]/[S] 6 LED/ 6W	120-277V	4000	33°/58°	967
620-2527	QLS410 [N]/[S] 6 LED/ 6W	120-277V	3000	14°/58°	1027
620-2526	QLS410 [N]/[S] 6 LED/ 6W	120-277V	4000	14°/58°	1027



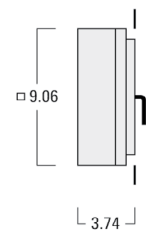
QLS420

ID	LIGHT SOURCE	VOLTAGE	KELVIN	OPTIC	LUMENS
620-3120	QLS420 [N] 6 LED/ 12W	120-277V	3000	14°	1115
620-3121	QLS420 [N] 6 LED/ 12W	120-277V	4000	14°	1115
620-3520	QLS420 [M] 6 LED/ 12W	120-277V	3000	33°	995
620-3521	QLS420 [M] 6 LED/ 12W	120-277V	4000	33°	995
620-3529	QLS420 [S] 6 LED/ 12W	120-277V	3000	58°	940
620-3528	QLS420 [S] 6 LED/ 12W	120-277V	4000	58°	940



QLS420 UP/DOWN

ID	LIGHT SOURCE	VOLTAGE	KELVIN	OPTIC	LUMENS
620-3122	QLS420 [N]/[N] 12 LED/ 24W	120-277V	3000	14°/14°	2229
620-3123	QLS420 [N]/[N] 12 LED/ 24W	120-277V	4000	14°/14°	2229
620-3522	QLS420 [M]/[M] 12 LED/ 24W	120-277V	3000	33°/33°	1990
620-3523	QLS420 [M]/[M] 12 LED/ 24W	120-277V	4000	33°/33°	1990
620-3525	QLS420 [M]/[S] 12 LED/ 12W	120-277V	3000	33°/58°	1935
620-3524	QLS420 [M]/[S] 12 LED/ 12W	120-277V	4000	33°/58°	1935
620-3527	QLS420 [N]/[S] 12 LED/ 12W	120-277V	3000	14°/58°	2054
620-3526	QLS420 [N]/[S] 12 LED/ 12W	120-277V	4000	14°/58°	2054



SURFACE MOUNTED WALL LUMINAIRES

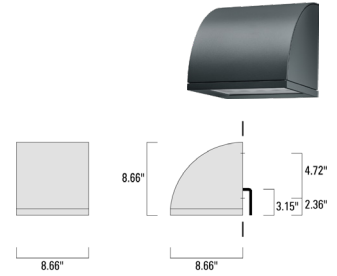
[Return to Table of Contents](#)

IP66. Surface mounted wall luminaire designed to install over a 4" recessed junction box.

OLV330

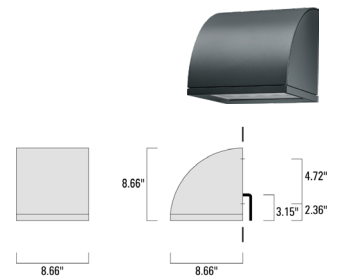
IP65. Surface mounted wall luminaire. Suitable for installation over 4" recessed junction box in uplight or downlight orientation.

ID	LIGHT SOURCE	VOLTAGE	KELVIN	OPTIC	LUMENS
622-6320	OLV330 [VNS] 12 LED/ 12W	120-277V	3000	10°	1428
622-6321	OLV330 [VNS] 12 LED/ 12W	120-277V	4000	10°	1428
622-6322	OLV330 [VNS] 12 LED/ 18W	120-277V	3000	10°	1961
622-6323	OLV330 [VNS] 12 LED/ 18W	120-277V	4000	10°	1961
622-6220	OLV330 [M] 12 LED/ 12W	120-277V	3000	31°	1391
622-6221	OLV330 [M] 12 LED/ 12W	120-277V	4000	31°	1391
622-6222	OLV330 [M] 12 LED/ 18W	120-277V	3000	31°	1910
622-6223	OLV330 [M] 12 LED/ 18W	120-277V	4000	31°	1910
622-9321	Surface collar to match luminaire housing. Surface j-box and conduit by others.				



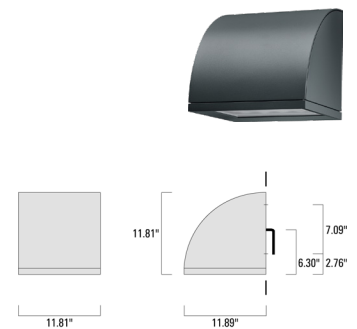
OLV334

ID	LIGHT SOURCE	VOLTAGE	KELVIN	OPTIC	LUMENS
622-6020	OLV334 [A60] 12 LED/ 12W	120-277V	3000	Type IV	1281
622-6021	OLV334 [A60] 12 LED/ 12W	120-277V	4000	Type IV	1281
622-6022	OLV334 [A60] 12 LED/ 24W	120-277V	3000	Type IV	2231
622-6023	OLV334 [A60] 12 LED/ 24W	120-277V	4000	Type IV	2231
622-6520	OLV334 [S70] 12 LED/ 12W	120-277V	3000	Type II	1344
622-6521	OLV334 [S70] 12 LED/ 12W	120-277V	4000	Type II	1344
622-6522	OLV334 [S70] 12 LED/ 24W	120-277V	3000	Type II	2341
622-6523	OLV334 [S70] 12 LED/ 24W	120-277V	4000	Type II	2341
622-6720	OLV334 [R65] 12 LED/ 12W	120-277V	3000	Type IV	1210
622-6721	OLV334 [R65] 12 LED/ 12W	120-277V	4000	Type IV WIDE	1210
622-6722	OLV334 [R65] 12 LED/ 24W	120-277V	3000	Type IV WIDE	2107
622-6723	OLV334 [R65] 12 LED/ 24W	120-277V	4000	Type IV WIDE	2107
622-9321	Surface collar to match luminaire housing. Surface j-box and conduit by others.				



OLV340

ID	LIGHT SOURCE	VOLTAGE	KELVIN	OPTIC	LUMENS
622-7320	OLV340 [VNS] 24 LED/ 24W	120-277V	3000	9°	2988
622-7321	OLV340 [VNS] 24 LED/ 24W	120-277V	4000	9°	2988
622-7322	OLV340 [VNS] 24 LED/ 36W	120-277V	3000	9°	4105
622-7323	OLV340 [VNS] 24 LED/ 36W	120-277V	4000	9°	4105
622-7220	OLV340 [M] 24 LED/ 24W	120-277V	3000	31°	2805
622-7221	OLV340 [M] 24 LED/ 24W	120-277V	4000	31°	2805
622-7222	OLV340 [M] 24 LED/ 36W	120-277V	3000	31°	3853
622-7223	OLV340 [M] 24 LED/ 36W	120-277V	4000	31°	3853
622-9330	Surface collar to match luminaire housing. Surface j-box and conduit by others.				

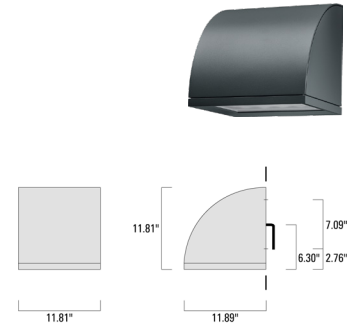


SURFACE MOUNTED WALL LUMINAIRES

[Return to Table of Contents](#)

OLV344

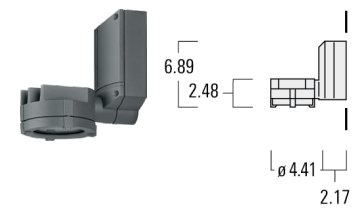
ID	LIGHT SOURCE	VOLTAGE	KELVIN	OPTIC	LUMENS
622-7020	OLV344 [A60] 24 LED/ 24W	120-277V	3000	Type IV	2562
622-7021	OLV344 [A60] 24 LED/ 24W	120-277V	4000	Type IV	2562
622-7022	OLV344 [A60] 24 LED/ 48W	120-277V	3000	Type IV	4462
622-7023	OLV344 [A60] 24 LED/ 48W	120-277V	4000	Type IV	4462
622-7520	OLV344 [S70] 24 LED/ 24W	120-277V	3000	Type II	2689
622-7521	OLV344 [S70] 24 LED/ 24W	120-277V	4000	Type II	2689
622-7522	OLV344 [S70] 24 LED/ 48W	120-277V	3000	Type II	4683
622-7523	OLV344 [S70] 24 LED/ 48W	120-277V	4000	Type II	4683
622-7720	OLV344 [R65] 24 LED/ 24W	120-277V	3000	Type IV WIDE	2420
622-7721	OLV344 [R65] 24 LED/ 24W	120-277V	4000	Type IV WIDE	2420
622-7722	OLV344 [R65] 24 LED/ 48W	120-277V	3000	Type IV WIDE	4215
622-7723	OLV344 [R65] 24 LED/ 48W	120-277V	4000	Type IV WIDE	4215
622-9330	Surface collar to match luminaire housing. Surface j-box and conduit by others.				



FLC122

IP55. Surface mounted wallwasher. Suitable for installation over 4" recessed junction box in uplight or downlight position.

ID	LIGHT SOURCE	VOLTAGE	KELVIN	OPTIC	LUMENS
663-2421	FLC122 [VNS] 6 LED/ 12W	120-277V	3000	9°	1366
663-2422	FLC122 [VNS] 6 LED/ 12W	120-277V	4000	9°	1366
663-2321	FLC122 [VN] 6 LED/ 12W	120-277V	3000	14°	1270
663-2324	FLC122 [VN] 6 LED/ 12W	120-277V	4000	14°	1270
663-2221	FLC122 [M] 6 LED/ 12W	120-277V	3000	31°	1282
663-2222	FLC122 [M] 6 LED/ 12W	120-277V	4000	31°	1282
663-2621	FLC122 [W] 6 LED/ 12W	120-277V	3000	50°	1143
663-2622	FLC122 [W] 6 LED/ 12W	120-277V	4000	50°	1143



Accessories

665-8129	IO-180 Linear spread lens
665-8130	IO-360 Flood lens
665-8222	IW Honeycomb louver (*not suitable for [W] beam distribution)
665-9222	ES Glare shield (matte black inside finish)
665-9224	ET Snoot (matte black inside finish)

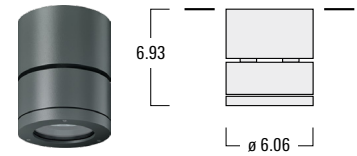
CEILING LUMINAIRES

[Return to Table of Contents](#)

DAC220

IP65. Surface mounted exterior downlight. Suitable for installation over recessed junction box. 0-10V dimmable driver.

ID	LIGHT SOURCE	VOLTAGE	KELVIN	OPTIC	LUMENS
630-1020	DAC220 [VNS] 12 LED/ 24W	120-277V	3000	10°	2610
630-1021	DAC220 [VNS] 12 LED/ 24W	120-277V	4000	10°	2610
630-1120	DAC220 [VN] 12 LED/ 24W	120-277V	3000	14°	2445
630-1121	DAC220 [VN] 12 LED/ 24W	120-277V	4000	14°	2445
630-1220	DAC220 [M] 12 LED/ 24W	120-277V	3000	32°	2543
630-1221	DAC220 [M] 12 LED/ 24W	120-277V	4000	32°	2543
630-1320	DAC220 [W] 12 LED/ 24W	120-277V	3000	51°	2297
630-1321	DAC220 [W] 12 LED/ 24W	120-277V	4000	51°	2297



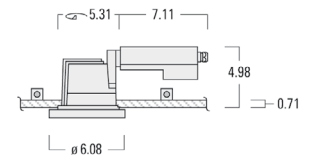
Accessories

630-8128	IO-180 Linear spread lens
630-8129	IO-360 Flood lens
630-8130	IO-20 Wall Wash lens (only suitable with [M] beam distribution)
630-8212	IW Honeycomb louver (*not suitable for [W] beam distribution)

DOC220

IP66. Recessed exterior downlight. Suitable for installation in non-insulated ceiling. 0-10V dimmable driver.

ID	LIGHT SOURCE	VOLTAGE	KELVIN	OPTIC	LUMENS
630-4024	DOC220 [VNS] painted 12 LED/ 24W	120-277V	3000	10°	2610
630-4026	DOC220 [VNS] painted 12 LED/ 24W	120-277V	4000	10°	2610
630-4126	DOC220 [VN] painted 12 LED/ 24W	120-277V	3000	14°	2445
630-4124	DOC220 [VN] painted 12 LED/ 24W	120-277V	4000	14°	2445
630-4226	DOC220 [M] painted 12 LED/ 24W	120-277V	3000	32°	2543
630-4224	DOC220 [M] painted 12 LED/ 24W	120-277V	4000	32°	2543
630-4354	DOC220 [W] painted 12 LED/ 24W	120-277V	3000	51°	2297
630-4356	DOC220 [W] painted 12 LED/ 24W	120-277V	4000	51°	2297



Accessories

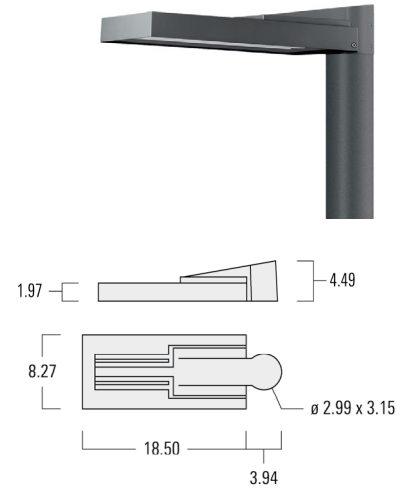
630-8128	IO-180 Linear spread lens
630-8129	IO-360 Flood lens
630-8130	IO-20 Wall Wash lens (only suitable with [M] beam distribution)
630-8212	IW Honeycomb louver (*not suitable for [W] beam distribution)
630-9312	Installation blackout for concrete pour applications

STREET & AREA LIGHTING Return to Table of Contents

VFL520

IP66. Pole mounted LED luminaire. Integrated heat sinks. Easy removal and replacement of LED board. CAD-optimized OLC® PMMA lens for multi-layer illumination and superior glare control.

ID	LIGHT SOURCE	VOLTAGE	KELVIN	OPTIC	LUMENS
661-7221	VFL520 [S70] 12 LED/ 12W/ 350mA	120-277V	3000	Type II	1488
661-7222	VFL520 [S70] 12 LED/ 12W/ 350mA	120-277V	4000	Type II	1488
661-7223	VFL520 [S70] 12 LED/ 24W/ 700mA	120-277V	3000	Type II	2655
661-7224	VFL520 [S70] 12 LED/ 24W/ 700mA	120-277V	4000	Type II	2655
661-7721	VFL520 [P65] 12 LED/ 12W/ 350mA	120-277V	3000	Type II Bike Path	1482
661-7722	VFL520 [P65] 12 LED/ 12W/ 350mA	120-277V	4000	Type II Bike Path	1482
661-7723	VFL520 [P65] 12 LED/ 24W/ 700mA	120-277V	3000	Type II Bike Path	2648
661-7724	VFL520 [P65] 12 LED/ 24W/ 700mA	120-277V	4000	Type II Bike Path	2648
661-7321	VFL520 [S60] 12 LED/ 12W/ 350mA	120-277V	3000	Type III	1495
661-7322	VFL520 [S60] 12 LED/ 12W/ 350mA	120-277V	4000	Type III	1495
661-7323	VFL520 [S60] 12 LED/ 24W/ 700mA	120-277V	3000	Type III	2674
661-7324	VFL520 [S60] 12 LED/ 24W/ 700mA	120-277V	4000	Type III	2674
661-7121	VFL520 [S65] 12 LED/ 12W/ 350mA	120-277V	3000	Type III Road	1514
661-7122	VFL520 [S65] 12 LED/ 12W/ 350mA	120-277V	4000	Type III Road	1514
661-7123	VFL520 [S65] 12 LED/ 24W/ 700mA	120-277V	3000	Type III Road	2723
661-7124	VFL520 [S65] 12 LED/ 24W/ 700mA	120-277V	4000	Type III Road	2723
661-7421	VFL520 [A60] 12 LED/ 12W/ 350mA	120-277V	3000	Type IV	1419
661-7422	VFL520 [A60] 12 LED/ 12W/ 350mA	120-277V	4000	Type IV	1419
661-7423	VFL520 [A60] 12 LED/ 24W/ 700mA	120-277V	3000	Type IV	2501
661-7424	VFL520 [A60] 12 LED/ 24W/ 700mA	120-277V	4000	Type IV	2501
661-7521	VFL520 [R65] 12 LED/ 12W/ 350mA	120-277V	3000	Type IV WIDE	1450
661-7522	VFL520 [R65] 12 LED/ 12W/ 350mA	120-277V	4000	Type IV WIDE	1450
661-7523	VFL520 [R65] 12 LED/ 24W/ 700mA	120-277V	3000	Type IV WIDE	2555
661-7524	VFL520 [R65] 12 LED/ 24W/ 700mA	120-277V	4000	Type IV WIDE	2555



Accessories

661-9360	RV0 wall bracket
661-9361	RV2 pole bracket for (2)
661-9362	RV5 lateral pole mounting bracket

VFL530

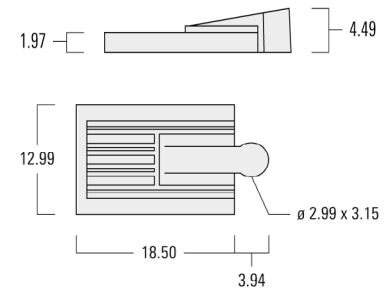
ID	LIGHT SOURCE	VOLTAGE	KELVIN	OPTIC	LUMENS
661-5230	VFL530 [S70] 12 LED/ 12W/ 350mA	120-277V	3000	Type II	1493
661-5224	VFL530 [S70] 12 LED/ 12W/ 350mA	120-277V	4000	Type II	1493
661-5227	VFL530 [S70] 12 LED/ 24W/ 700mA	120-277V	3000	Type II	2621
661-5221	VFL530 [S70] 12 LED/ 24W/ 700mA	120-277V	4000	Type II	2621
661-5231	VFL530 [S70] 24 LED/ 24W/ 350mA	120-277V	3000	Type II	2985
661-5225	VFL530 [S70] 24 LED/ 24W/ 350mA	120-277V	4000	Type II	2985
661-5228	VFL530 [S70] 24 LED/ 48W/ 700mA	120-277V	3000	Type II	5242
661-5222	VFL530 [S70] 24 LED/ 48W/ 700mA	120-277V	4000	Type II	5242
661-5730	VFL530 [P65] 12 LED/ 12W/ 350mA	120-277V	3000	Type II Bike Path	1482
661-5724	VFL530 [P65] 12 LED/ 12W/ 350mA	120-277V	4000	Type II Bike Path	1482
661-5727	VFL530 [P65] 12 LED/ 24W/ 700mA	120-277V	3000	Type II Bike Path	2648
661-5721	VFL530 [P65] 12 LED/ 24W/ 700mA	120-277V	4000	Type II Bike Path	2648
661-5731	VFL530 [P65] 24 LED/ 24W/ 350mA	120-277V	3000	Type II Bike Path	2965
661-5725	VFL530 [P65] 24 LED/ 24W/ 350mA	120-277V	4000	Type II Bike Path	2965
661-5728	VFL530 [P65] 24 LED/ 48W/ 700mA	120-277V	3000	Type II Bike Path	5296
661-5722	VFL530 [P65] 24 LED/ 48W/ 700mA	120-277V	4000	Type II Bike Path	5296



STREET & AREA LIGHTING

[Return to Table of Contents](#)

ID	LIGHT SOURCE	VOLTAGE	KELVIN	OPTIC	LUMENS
661-5330	VFL530 [S60] 12 LED/ 12W/ 350mA	120-277V	3000	Type III	1497
661-5324	VFL530 [S60] 12 LED/ 12W/ 350mA	120-277V	4000	Type III	1497
661-5327	VFL530 [S60] 12 LED/ 24W/ 700mA	120-277V	3000	Type III	2646
661-5321	VFL530 [S60] 12 LED/ 24W/ 700mA	120-277V	4000	Type III	2646
661-5331	VFL530 [S60] 24 LED/ 24W/ 350mA	120-277V	3000	Type III	2994
661-5325	VFL530 [S60] 24 LED/ 24W/ 350mA	120-277V	4000	Type III	2994
661-5328	VFL530 [S60] 24 LED/ 48W/ 700mA	120-277V	3000	Type III	5294
661-5322	VFL530 [S60] 24 LED/ 48W/ 700mA	120-277V	4000	Type III	5294
661-5130	VFL530 [S65] 12 LED/ 12W/ 350mA	120-277V	3000	Type III Road	1518
661-5124	VFL530 [S65] 12 LED/ 12W/ 350mA	120-277V	4000	Type III Road	1518
661-5127	VFL530 [S65] 12 LED/ 24W/ 700mA	120-277V	3000	Type III Road	2676
661-5121	VFL530 [S65] 12 LED/ 24W/ 700mA	120-277V	4000	Type III Road	2676
661-5131	VFL530 [S65] 24 LED/ 24W/ 350mA	120-277V	3000	Type III Road	3036
661-5125	VFL530 [S65] 24 LED/ 24W/ 350mA	120-277V	4000	Type III Road	3036
661-5128	VFL530 [S65] 24 LED/ 48W/ 700mA	120-277V	3000	Type III Road	5353
661-5122	VFL530 [S65] 24 LED/ 48W/ 700mA	120-277V	4000	Type III Road	5353
661-5430	VFL530 [A60] 12 LED/ 12W/ 350mA	120-277V	3000	Type IV	1411
661-5424	VFL530 [A60] 12 LED/ 12W/ 350mA	120-277V	4000	Type IV	1411
661-5427	VFL530 [A60] 12 LED/ 24W/ 700mA	120-277V	3000	Type IV	2448
661-5421	VFL530 [A60] 12 LED/ 24W/ 700mA	120-277V	4000	Type IV	2448
661-5431	VFL530 [A60] 24 LED/ 24W/ 350mA	120-277V	3000	Type IV	2822
661-5425	VFL530 [A60] 24 LED/ 24W/ 350mA	120-277V	4000	Type IV	2822
661-5428	VFL530 [A60] 24 LED/ 48W/ 700mA	120-277V	3000	Type IV	4898
661-5422	VFL530 [A60] 24 LED/ 48W/ 700mA	120-277V	4000	Type IV	4898
661-5530	VFL530 [R65] 12 LED/ 12W/ 350mA	120-277V	3000	Type IV WIDE	1451
661-5524	VFL530 [R65] 12 LED/ 12W/ 350mA	120-277V	4000	Type IV WIDE	1451
661-5527	VFL530 [R65] 12 LED/ 24W/ 700mA	120-277V	3000	Type IV WIDE	2482
661-5521	VFL530 [R65] 12 LED/ 24W/ 700mA	120-277V	4000	Type IV WIDE	2482
661-5531	VFL530 [R65] 24 LED/ 24W/ 350mA	120-277V	3000	Type IV WIDE	2902
661-5525	VFL530 [R65] 24 LED/ 24W/ 350mA	120-277V	4000	Type IV WIDE	2902
661-5528	VFL530 [R65] 24 LED/ 48W/ 700mA	120-277V	3000	Type IV WIDE	4965
661-5522	VFL530 [R65] 24 LED/ 48W/ 700mA	120-277V	4000	Type IV WIDE	4965

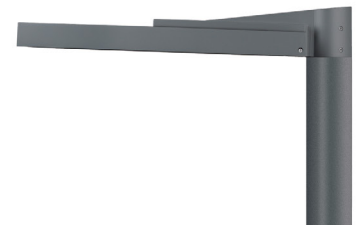


Accessories

661-9360	RV0 wall bracket
661-9361	RV2 pole bracket for (2)
661-9362	RV5 lateral pole mounting bracket

VFL540

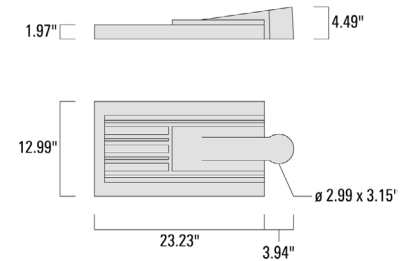
ID	LIGHT SOURCE	VOLTAGE	KELVIN	OPTIC	LUMENS
661-6231	VFL540 [S70] 24 LED/ 24W/ 350mA	120-277V	3000	Type II	2970
661-6225	VFL540 [S70] 24 LED/ 24W/ 350mA	120-277V	4000	Type II	2970
661-6228	VFL540 [S70] 24 LED/ 48W/ 700mA	120-277V	3000	Type II	5225
661-6222	VFL540 [S70] 24 LED/ 48W/ 700mA	120-277V	4000	Type II	5225
661-6232	VFL540 [S70] 36 LED/ 36W/ 350mA	120-277V	3000	Type II	4455
661-6226	VFL540 [S70] 36 LED/ 36W/ 350mA	120-277V	4000	Type II	4455
661-6229	VFL540 [S70] 36 LED/ 72W/ 700mA	120-277V	3000	Type II	7837
661-6223	VFL540 [S70] 36 LED/ 72W/ 700mA	120-277V	4000	Type II	7837
661-6236	VFL540 [S70] 42 LED/ 42W/ 350mA	120-277V	3000	Type II	5198
661-6235	VFL540 [S70] 42 LED/ 42W/ 350mA	120-277V	4000	Type II	5198
661-6234	VFL540 [S70] 42 LED/ 84W/ 700mA	120-277V	3000	Type II	9143
661-6233	VFL540 [S70] 42 LED/ 84W/ 700mA	120-277V	4000	Type II	9143



STREET & AREA LIGHTING

[Return to Table of Contents](#)

ID	LIGHT SOURCE	VOLTAGE	KELVIN	OPTIC	LUMENS
661-6331	VFL540 [S60] 24 LED/ 24W/ 350mA	120-277V	3000	Type III	3030
661-6325	VFL540 [S60] 24 LED/ 24W/ 350mA	120-277V	4000	Type III	3030
661-6328	VFL540 [S60] 24 LED/ 48W/ 700mA	120-277V	3000	Type III	5317
661-6322	VFL540 [S60] 24 LED/ 48W/ 700mA	120-277V	4000	Type III	5317
661-6332	VFL540 [S60] 36 LED/ 36W/ 350mA	120-277V	3000	Type III	4545
661-6326	VFL540 [S60] 36 LED/ 36W/ 350mA	120-277V	4000	Type III	4545
661-6329	VFL540 [S60] 36 LED/ 72W/ 700mA	120-277V	3000	Type III	7975
661-6323	VFL540 [S60] 36 LED/ 72W/ 700mA	120-277V	4000	Type III	7975
661-6336	VFL540 [S60] 42 LED/ 42W/ 350mA	120-277V	3000	Type III	5302
661-6335	VFL540 [S60] 42 LED/ 42W/ 350mA	120-277V	4000	Type III	5302
661-6334	VFL540 [S60] 42 LED/ 84W/ 700mA	120-277V	3000	Type III	9303
661-6333	VFL540 [S60] 42 LED/ 84W/ 700mA	120-277V	4000	Type III	9303
661-6131	VFL540 [S65] 24 LED/ 24W/ 350mA	120-277V	3000	Type III Road	3035
661-6125	VFL540 [S65] 24 LED/ 24W/ 350mA	120-277V	4000	Type III Road	3035
661-6128	VFL540 [S65] 24 LED/ 48W/ 700mA	120-277V	3000	Type III Road	5366
661-6122	VFL540 [S65] 24 LED/ 48W/ 700mA	120-277V	4000	Type III Road	5366
661-6132	VFL540 [S65] 36 LED/ 36W/ 350mA	120-277V	3000	Type III Road	4553
661-6126	VFL540 [S65] 36 LED/ 36W/ 350mA	120-277V	4000	Type III Road	4553
661-6129	VFL540 [S65] 36 LED/ 72W/ 700mA	120-277V	3000	Type III Road	8049
661-6123	VFL540 [S65] 36 LED/ 72W/ 700mA	120-277V	4000	Type III Road	8049
661-6136	VFL540 [S65] 42 LED/ 42W/ 350mA	120-277V	3000	Type III Road	5311
661-6135	VFL540 [S65] 42 LED/ 42W/ 350mA	120-277V	4000	Type III Road	5311
661-6134	VFL540 [S65] 42 LED/ 84W/ 700mA	120-277V	3000	Type III Road	9390
661-6133	VFL540 [S65] 42 LED/ 84W/ 700mA	120-277V	4000	Type III Road	9390
661-6431	VFL540 [A60] 24 LED/ 24W/ 350mA	120-277V	3000	Type IV	2821
661-6425	VFL540 [A60] 24 LED/ 24W/ 350mA	120-277V	4000	Type IV	2821
661-6428	VFL540 [A60] 24 LED/ 48W/ 700mA	120-277V	3000	Type IV	4876
661-6422	VFL540 [A60] 24 LED/ 48W/ 700mA	120-277V	4000	Type IV	4876
661-6432	VFL540 [A60] 36 LED/ 36W/ 350mA	120-277V	3000	Type IV	4232
661-6426	VFL540 [A60] 36 LED/ 36W/ 350mA	120-277V	4000	Type IV	4232
661-6436	VFL540 [A60] 42 LED/ 42W/ 350mA	120-277V	3000	Type IV	4938
661-6435	VFL540 [A60] 42 LED/ 42W/ 350mA	120-277V	4000	Type IV	4938
661-6429	VFL540 [A60] 36 LED/ 72W/ 700mA	120-277V	3000	Type IV	7314
661-6423	VFL540 [A60] 36 LED/ 72W/ 700mA	120-277V	4000	Type IV	7314
661-6434	VFL540 [A60] 42 LED/ 84W/ 700mA	120-277V	3000	Type IV	8532
661-6433	VFL540 [A60] 42 LED/ 84W/ 700mA	120-277V	4000	Type IV	8532
661-6531	VFL540 [R65] 24 LED/ 24W/ 350mA	120-277V	3000	Type IV WIDE	2883
661-6525	VFL540 [R65] 24 LED/ 24W/ 350mA	120-277V	4000	Type IV WIDE	2883
661-6528	VFL540 [R65] 24 LED/ 48W/ 700mA	120-277V	3000	Type IV WIDE	4995
661-6522	VFL540 [R65] 24 LED/ 48W/ 700mA	120-277V	4000	Type IV WIDE	4995
661-6532	VFL540 [R65] 36 LED/ 36W/ 350mA	120-277V	3000	Type IV WIDE	4324
661-6526	VFL540 [R65] 36 LED/ 36W/ 350mA	120-277V	4000	Type IV WIDE	4324
661-6529	VFL540 [R65] 36 LED/ 72W/ 700mA	120-277V	3000	Type IV WIDE	7492
661-6523	VFL540 [R65] 36 LED/ 72W/ 700mA	120-277V	4000	Type IV WIDE	7492
661-6536	VFL540 [R65] 42 LED/ 42W/ 350mA	120-277V	3000	Type IV WIDE	5045
661-6535	VFL540 [R65] 42 LED/ 42W/ 350mA	120-277V	4000	Type IV WIDE	5045
661-6534	VFL540 [R65] 42 LED/ 84W/ 700mA	120-277V	3000	Type IV WIDE	8740
661-6533	VFL540 [R65] 42 LED/ 84W/ 700mA	120-277V	4000	Type IV WIDE	8740



Accessories

661-9360	RV0 wall bracket
661-9361	RV2 pole bracket for (2)
661-9362	RV5 lateral pole mounting bracket

SYMMETRICAL FLOODLIGHTS Return to Table of Contents

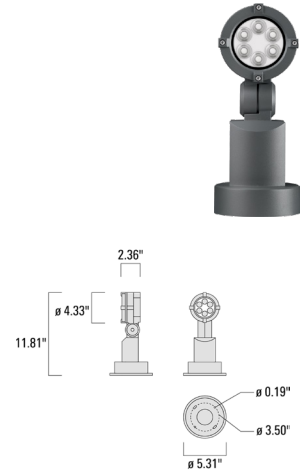
FLC121

IP66. Surface mounted LED floodlight. Integral control gear. Special effects can be realized with linear lens, or flood lens. 120-277V / 50-60 Hz. 0-10V dimmable driver.

ID	LIGHT SOURCE	VOLTAGE	KELVIN	OPTIC	LUMENS
665-0220	FLC121-T3 [VNS] 6 LED/ 12W	120-277V	3000	9°	1366
665-0221	FLC121-T3 [VNS] 6 LED/ 12W	120-277V	4000	9°	1366
665-0120	FLC121-T3 [VN] 6 LED/ 12W	120-277V	3000	14°	1269
665-0121	FLC121-T3 [VN] 6 LED/ 12W	120-277V	4000	14°	1269
665-0320	FLC121-T3 [M] 6 LED/ 12W	120-277V	3000	32°	1282
665-0321	FLC121-T3 [M] 6 LED/ 12W	120-277V	4000	32°	1282
665-0330	FLC121-T3 [W] 6 LED/ 12W	120-277V	3000	50°	1143
665-0331	FLC121-T3 [W] 6 LED/ 12W	120-277V	4000	50°	1143

Accessories

665-8120	IO-20 Wall Wash lens (only suitable with [M] beam distribution)
665-8129	IO-180 Linear spread lens
665-8130	IO-360 Flood lens
665-8222	IW Honeycomb louver (*not suitable for [W] beam distribution)
665-9222	ES Glare shield (matte black inside finish)
665-9224	ET Snoot (matte black inside finish)
665-9302	ESV Planted root
665-9311	SP1-2/M8 Pipe clamp for (1) floodlight (Ø1.5" – 2.36")
665-9312	SP2-2/M8 Pipe clamp for (2) floodlights (Ø1.5" – 2.36")
665-9321	SP1-2/M8 Pipe clamp for (1) floodlight (Ø3.0" – 3.50")
665-9322	SP2-2/M8 Pipe clamp for (2) floodlights (Ø3.0" – 3.50")
665-9331	JB-1-2/M8 Surface mounted junction box for (1) floodlight

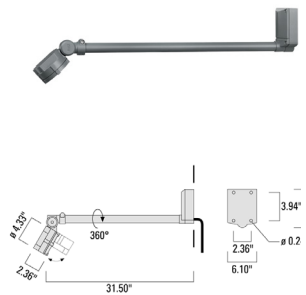


FLC121 with Wall Bracket

ID	LIGHT SOURCE	VOLTAGE	KELVIN	OPTIC	LUMENS
665-0424	FLC121-T4 [VNS] 6 LED/ 12W	120-277V	3000	9°	1366
665-0425	FLC121-T4 [VNS] 6 LED/ 12W	120-277V	4000	9°	1366
665-0414	FLC121-T4 [VN] 6 LED/ 12W	120-277V	3000	14°	1269
665-0415	FLC121-T4 [VN] 6 LED/ 12W	120-277V	4000	14°	1269
665-0434	FLC121-T4 [M] 6 LED/ 12W	120-277V	3000	32°	1282
665-0435	FLC121-T4 [M] 6 LED/ 12W	120-277V	4000	32°	1282
665-0444	FLC121-T4 [W] 6 LED/ 12W	120-277V	3000	50°	1143
665-0445	FLC121-T4 [W] 6 LED/ 12W	120-277V	4000	50°	1143

Accessories

665-8120	IO-20 Wall Wash lens (only suitable with [M] beam distribution)
665-8129	IO-180 Linear spread lens
665-8130	IO-360 Flood lens
665-8222	IW Honeycomb louver (*not suitable for [W] beam distribution)
665-9222	ES Glare shield (matte black inside finish)
665-9224	ET Snoot (matte black inside finish)



SYMMETRICAL FLOODLIGHTS Return to Table of Contents

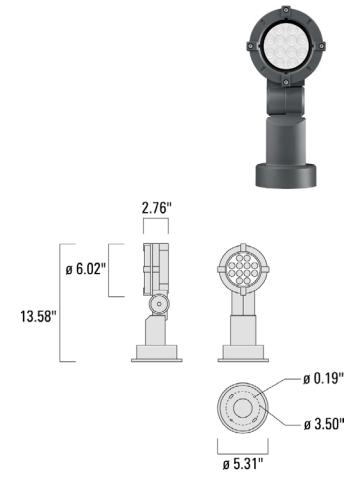
FLC131

IP66. Surface mounted LED floodlight. Integral control gear. Special effects can be realized with linear lens, or flood lens. 120-277V / 50-60 Hz. 0-10V dimmable driver.

ID	LIGHT SOURCE	VOLTAGE	KELVIN	OPTIC	LUMENS
665-3220	FLC131-T3 [VNS] 12 LED/ 24W	120-277V	3000	10°	2610
665-3221	FLC131-T3 [VNS] 12 LED/ 24W	120-277V	4000	10°	2610
665-3120	FLC131-T3 [VN] 12 LED/ 24W	120-277V	3000	14°	2445
665-3121	FLC131-T3 [VN] 12 LED/ 24W	120-277V	4000	14°	2445
665-3320	FLC131-T3 [M] 12 LED/ 24W	120-277V	3000	32°	2543
665-3321	FLC131-T3 [M] 12 LED/ 24W	120-277V	4000	32°	2543
665-3420	FLC131-T3 [W] 12 LED/ 24W	120-277V	3000	50°	2297
665-3421	FLC131-T3 [W] 12 LED/ 24W	120-277V	4000	50°	2297

Accessories

665-8135	IO-20 Wall Wash lens (only suitable with [M] beam distribution)
665-8139	IO-180 Linear spread lens
665-8140	IO-360 Flood lens
665-8232	IW Honeycomb louver (*not suitable for [W] beam distribution)
665-9232	ES Glare shield (matte black inside finish)
665-9234	ET Snoot (matte black inside finish)
665-9301	Short post
665-9302	ESV Planted root
665-9311	SP1-2/M8 Pipe clamp for (1) floodlight (Ø1.5" – 2.36")
665-9312	SP2-2/M8 Pipe clamp for (2) floodlights (Ø1.5" – 2.36")
665-9321	SP1-2/M8 Pipe clamp for (1) floodlight (Ø3.0" – 3.50")
665-9322	SP2-2/M8 Pipe clamp for (2) floodlights (Ø3.0" – 3.50")
665-9331	JB-1-2/M8 Surface mounted junction box for (1) floodlight

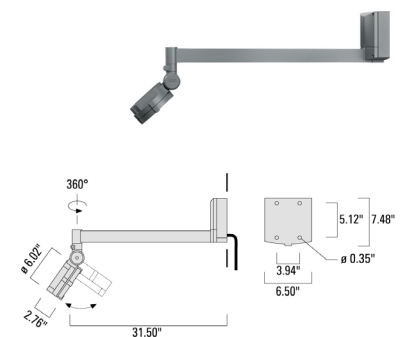


FLC131 with Wall Bracket

ID	LIGHT SOURCE	VOLTAGE	KELVIN	OPTIC	LUMENS
665-4220	FLC131-T4 [VNS] 12 LED/ 24W	120-277V	3000	10°	2610
665-4221	FLC131-T4 [VNS] 12 LED/ 24W	120-277V	4000	10°	2610
665-4120	FLC131-T4 [VN] 12 LED/ 24W	120-277V	3000	14°	2445
665-4121	FLC131-T4 [VN] 12 LED/ 24W	120-277V	4000	14°	2445
665-4320	FLC131-T4 [M] 12 LED/ 24W	120-277V	3000	32°	2543
665-4321	FLC131-T4 [M] 12 LED/ 24W	120-277V	4000	32°	2543
665-4420	FLC131-T4 [W] 12 LED/ 24W	120-277V	3000	50°	2297
665-4421	FLC131-T4 [W] 12 LED/ 24W	120-277V	4000	50°	2297

Accessories

665-8135	IO-20 Wall Wash lens (only suitable with [M] beam distribution)
665-8139	IO-180 Linear spread lens
665-8140	IO-360 Flood lens
665-8232	IW Honeycomb louver (*not suitable for [W] beam distribution)
665-9232	ES Glare shield (matte black inside finish)
665-9234	ET Snoot (matte black inside finish)



SYMMETRICAL FLOODLIGHTS Return to Table of Contents

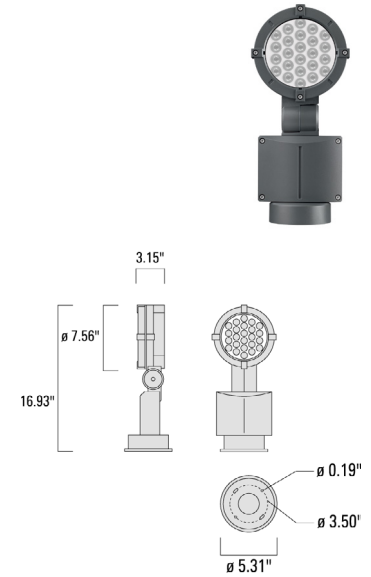
FLC141

IP66. Surface mounted LED floodlight. Integral control gear. Special effects can be realized with linear lens, or flood lens. 120-277V / 50-60 Hz. 0-10V dimmable driver.

ID	LIGHT SOURCE	VOLTAGE	KELVIN	OPTIC	LUMENS
665-7226	FLC141-T3 [VNS] 24 LED/ 48W	120-277V	3000	9°	5464
665-7227	FLC141-T3 [VNS] 24 LED/ 48W	120-277V	4000	9°	5464
665-7126	FLC141-T3 [VN] 24 LED/ 48W	120-277V	3000	14°	5077
665-7127	FLC141-T3 [VN] 24 LED/ 48W	120-277V	4000	14°	5077
665-7326	FLC141-T3 [M] 24 LED/ 48W	120-277V	3000	32°	5129
665-7327	FLC141-T3 [M] 24 LED/ 48W	120-277V	4000	32°	5129
665-7426	FLC141-T3 [W] 24 LED/ 48W	120-277V	3000	50°	4570
665-7427	FLC141-T3 [W] 24 LED/ 48W	120-277V	4000	50°	4570

Accessories

665-8152	IO-20 Wall Wash lens (only suitable with [M] beam distribution)
665-8149	IO-180 Linear spread lens
665-8145	IO-360 Flood lens
665-8242	IW Honeycomb louver (*not suitable for [W] beam distribution)
665-9242	ES Glare shield (matte black inside finish)
665-9244	ET Snoot (matte black inside finish)
665-9301	Short post
665-9302	ESV Planted root
665-9311	SP1-2/M8 Pipe clamp for (1) floodlight (Ø1.5" – 2.36")
665-9312	SP2-2/M8 Pipe clamp for (2) floodlights (Ø1.5" – 2.36")
665-9321	SP1-2/M8 Pipe clamp for (1) floodlight (Ø3.0" – 3.50")
665-9322	SP2-2/M8 Pipe clamp for (2) floodlights (Ø3.0" – 3.50")
665-9331	JB-1-2/M8 Surface mounted junction box for (1) floodlight

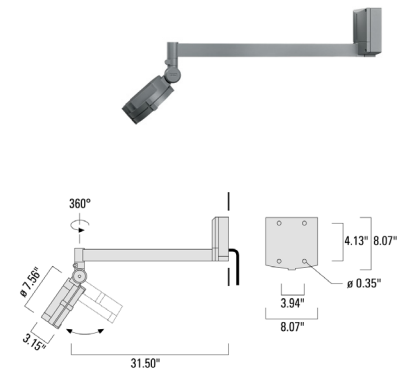


FLC141 with Wall Bracket

ID	LIGHT SOURCE	VOLTAGE	KELVIN	OPTIC	LUMENS
665-8276	FLC141-T4 [VNS] 24 LED/ 48W	120-277V	3000	9°	5464
665-8277	FLC141-T4 [VNS] 24 LED/ 48W	120-277V	4000	9°	5464
665-8176	FLC141-T4 [VN] 24 LED/ 48W	120-277V	3000	14°	5077
665-8177	FLC141-T4 [VN] 24 LED/ 48W	120-277V	4000	14°	5077
665-8376	FLC141-T4 [M] 24 LED/ 48W	120-277V	3000	32°	5129
665-8377	FLC141-T4 [M] 24 LED/ 48W	120-277V	4000	32°	5129
665-8476	FLC141-T4 [W] 24 LED/ 48W	120-277V	3000	50°	4570
665-8477	FLC141-T4 [W] 24 LED/ 48W	120-277V	4000	50°	4570

Accessories

665-8152	IO-20 Wall Wash lens (only suitable with [M] beam distribution)
665-8149	IO-180 Linear spread lens
665-8145	IO-360 Flood lens
665-8242	IW Honeycomb louver (*not suitable for [W] beam distribution)
665-9242	ES Glare shield (matte black inside finish)
665-9244	ET Snoot (matte black inside finish)

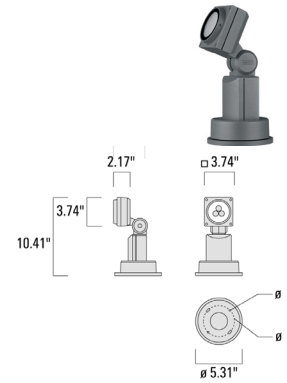


SYMMETRICAL FLOODLIGHTS Return to Table of Contents

FLD111

IP66, Class I, IK07. Marine-grade, die-cast aluminum alloy. 5CE superior corrosion protection including PCS hardware. Silicone CCG® Controlled Compression Gasket. Safety glass lens. PMMA-LED lens array.

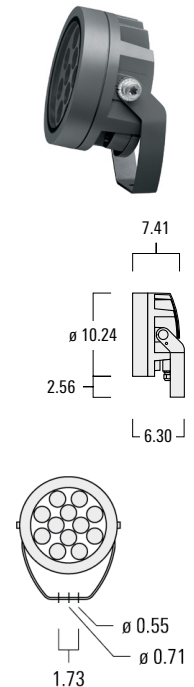
ID	LIGHT SOURCE	VOLTAGE	KELVIN	OPTIC	LUMENS
665-0020	FLD111 - T3 [VNS] 3LED/ 6W	120-277V	3000	11°	594
665-0021	FLD111 - T3 [VNS] 3LED/ 6W	120-277V	4000	11°	594
665-0022	FLD111 - T3 [VN] 3LED/ 6W	120-277V	3000	15°	552
665-0023	FLD111 - T3 [VN] 3LED/ 6W	120-277V	4000	15°	552
665-0024	FLD111 - T3 [M] 3LED/ 6W	120-277V	3000	42°	591
665-0025	FLD111 - T3 [M] 3LED/ 6W	120-277V	4000	42°	591
665-0026	FLD111- T3 [WW] 3LED/ 6W	120-277V	3000	Wall Wash	389
665-0027	FLD111 - T3 [WW] 3LED/ 6W	120-277V	4000	Wall Wash	389



FLC230 ORDER LIMIT OF 10 LUMINAIRES

IP66, IK07. Marine-grade, die-cast aluminum alloy. 5CE superior corrosion protection including PCS hardware. Silicone CCG Controlled Compression Gasket. Safety glass lens. One cable gland. Second gland for through wiring on request. Integral EC electronic converter, thermally separated. CAD-optimized optics for superior illumination and glare control. Factory installed LED circuit board. 120-277V / 50-60 Hz, 0-10 V dimmable driver.

ID	LIGHT SOURCE	VOLTAGE	KELVIN	OPTIC	LUMENS
667-3226	FLC230 LED [VNS] 12 LED/ 24W	120-277V	3000	5.8°	2463
667-3229	FLC230 LED [VNS] 12 LED/ 24W	120-277V	4000	5.8°	2762
667-3227	FLC230 LED [VNS] 12 LED/ 36W	120-277V	3000	5.8°	3539
667-3230	FLC230 LED [VNS] 12 LED/ 36W	120-277V	4000	5.8°	3968
667-3228	FLC230 LED [VNS] 12 LED/ 52W	120-277V	3000	5.8°	4391
667-3231	FLC230 LED [VNS] 12 LED/ 52W	120-277V	4000	5.8°	4923
667-3220	FLC230 LED [VN] 12 LED/ 24W	120-277V	3000	8°	2921
667-3223	FLC230 LED [VN] 12 LED/ 24W	120-277V	4000	8°	3370
667-3221	FLC230 LED [VN] 12 LED/ 36W	120-277V	3000	8°	4197
667-3224	FLC230 LED [VN] 12 LED/ 36W	120-277V	4000	8°	4197
667-3222	FLC230 LED [VN] 12 LED/ 52W	120-277V	3000	8°	5260
667-3225	FLC230 LED [VN] 12 LED/ 52W	120-277V	4000	8°	6070
667-3120	FLC230 LED [N] 12 LED/ 24W	120-277V	3000	15°	2775
667-3123	FLC230 LED [N] 12 LED/ 24W	120-277V	4000	15°	3202
667-3121	FLC230 LED [N] 12 LED/ 36W	120-277V	3000	15°	3988
667-3124	FLC230 LED [N] 12 LED/ 36W	120-277V	4000	15°	4602
667-3122	FLC230 LED [N] 12 LED/ 52W	120-277V	3000	15°	4909
667-3125	FLC230 LED [N] 12 LED/ 52W	120-277V	4000	15°	5664
667-3320	FLC230 LED [M] 12 LED/ 24W	120-277V	3000	34°	2934
667-3323	FLC230 LED [M] 12 LED/ 24W	120-277V	4000	34°	3385
667-3321	FLC230 LED [M] 12 LED/ 36W	120-277V	3000	34°	4215
667-3324	FLC230 LED [M] 12 LED/ 36W	120-277V	4000	34°	4864
667-3322	FLC230 LED [M] 12 LED/ 52W	120-277V	3000	34°	5230
667-3325	FLC230 LED [M] 12 LED/ 52W	120-277V	4000	34°	6035
667-3420	FLC230 LED [W] 12 LED/ 24W	120-277V	3000	64°	2693
667-3423	FLC230 LED [W] 12 LED/ 24W	120-277V	4000	64°	3107
667-3421	FLC230 LED [W] 12 LED/ 36W	120-277V	3000	64°	3869
667-3424	FLC230 LED [W] 12 LED/ 36W	120-277V	4000	64°	4465
667-3422	FLC230 LED [W] 12 LED/ 52W	120-277V	3000	64°	4801
667-3425	FLC230 LED [W] 12 LED/ 52W	120-277V	4000	64°	5540



SYMMETRICAL FLOODLIGHTS Return to Table of Contents

Accessories

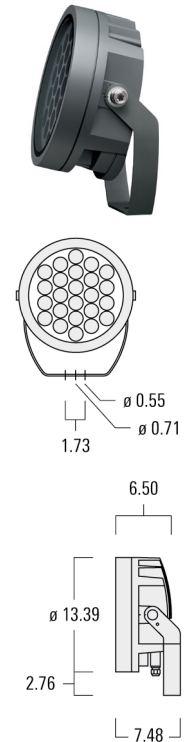
667-8118	IO-20 Wall Wash lens (only suitable with [M] beam distribution)
667-8119	IO-180 Linear spread lens
667-8120	IO-360 Flood lens
667-8210	IW Honeycomb louver (*not suitable for [W] beam distribution)
667-9221	ES Glare shield (matte black inside finish)
667-9222	ET Snoot (matte black inside finish)

FLC240 ORDER LIMIT OF 10 LUMINAIRES

ID	LIGHT SOURCE	VOLTAGE	KELVIN	OPTIC	LUMENS
667-4226	FLC240 LED [VNS] 24LED/48W	120-277V	3000	5.8°	4927
667-4229	FLC240 LED [VNS] 24LED/48W	120-277V	4000	5.8°	5524
667-4227	FLC240 LED [VNS] 24LED/72W	120-277V	3000	5.8°	7079
667-4230	FLC240 LED [VNS] 24LED/72W	120-277V	4000	5.8°	7937
667-4228	FLC240 LED [VNS] 24LED/104W	120-277V	3000	5.8°	8782
667-4231	FLC240 LED [VNS] 24LED/104W	120-277V	4000	5.8°	9847
667-4220	FLC240 LED [VN] 24LED/48W	120-277V	3000	8°	5842
667-4223	FLC240 LED [VN] 24LED/48W	120-277V	4000	8°	6740
667-4221	FLC240 LED [VN] 24LED/72W	120-277V	3000	8°	8393
667-4224	FLC240 LED [VN] 24LED/72W	120-277V	4000	8°	9684
667-4222	FLC240 LED [VN] 24LED/104W	120-277V	3000	8°	10520
667-4225	FLC240 LED [VN] 24LED/104W	120-277V	4000	8°	12139
667-4120	FLC240 LED [N] 24LED/48W	120-277V	3000	15°	5552
667-4123	FLC240 LED [N] 24LED/48W	120-277V	4000	15°	6406
667-4121	FLC240 LED [N] 24LED/72W	120-277V	3000	15°	7976
667-4124	FLC240 LED [N] 24LED/72W	120-277V	4000	15°	9203
667-4122	FLC240 LED [N] 24LED/104W	120-277V	3000	15°	9817
667-4125	FLC240 LED [N] 24LED/104W	120-277V	4000	15°	11327
667-4320	FLC240 LED [M] 24LED/48W	120-277V	3000	34°	5868
667-4323	FLC240 LED [M] 24LED/48W	120-277V	4000	34°	6771
667-4321	FLC240 LED [M] 24LED/72W	120-277V	3000	34°	8431
667-4324	FLC240 LED [M] 24LED/72W	120-277V	4000	34°	9728
667-4322	FLC240 LED [M] 24LED/104W	120-277V	3000	34°	10460
667-4325	FLC240 LED [M] 24LED/104W	120-277V	4000	34°	12069
667-4420	FLC240 LED [W] 24LED/48W	120-277V	3000	64°	5387
667-4423	FLC240 LED [W] 24LED/48W	120-277V	4000	64°	6215
667-4421	FLC240 LED [W] 24LED/72W	120-277	3000	64°	7739
667-4424	FLC240 LED [W] 24LED/72W	120-277V	4000	64°	9335
667-4422	FLC240 LED [W] 24LED/104W	120-277V	3000	64°	8929
667-4425	FLC240 LED [W] 24LED/104W	120-277V	4000	64°	11078

Accessories

667-8121	IO-20 Wallwash lens
667-8122	IO-180 Linear spread lens
667-8123	IO-360 Flood lens
667-8211	IW Honeycomb louver (*not suitable for [W] beam distribution)
667-9244	ES Glare shield (matte black inside finish)
667-9245	ET Snoot (matte black inside finish)



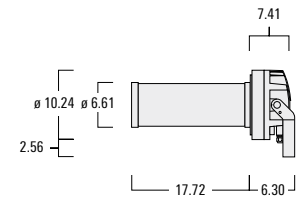
PROJECTORS

[Return to Table of Contents](#)

FLC230 Profile Projector **ORDER LIMIT OF 5 LUMINAIRES**

Profile Projector for zoom spot [ZP], projection of gobos on a surface [GB], or framing applications [FP], polygon shape. Spherical/triple flat convex lens system. IP66, Class I. IK07. Marine-grade, die-cast aluminum alloy. 5CE superior corrosion protection including PCS hardware. Silicone CCG® Controlled Compression Gasket. PMMA LED lens array. Factory installed LED circuit board. LED board can be removed for upgrading. Integral EC electronic converter, thermally separated.

ID	LIGHT SOURCE	VOLTAGE	KELVIN	OPTIC	LUMENS
667-3721	FLC230 [ZP] 12 LED/36W	120-277V	3000	ZOOM SPOT	2085
667-3724	FLC230 [ZP] 12 LED/36W	120-277V	4000	ZOOM SPOT	2406
667-3727	FLC230 [GP] 12 LED/36W	120-277V	3000	GOBO	1567
667-3730	FLC230 [GP] 12 LED/36W	120-277V	4000	GOBO	1808
667-3733	FLC230 [FP] 12 LED/36W	120-277V	3000	FRAMING	2085
667-3736	FLC230 [FP] 12 LED/36W	120-277V	4000	FRAMING	2406

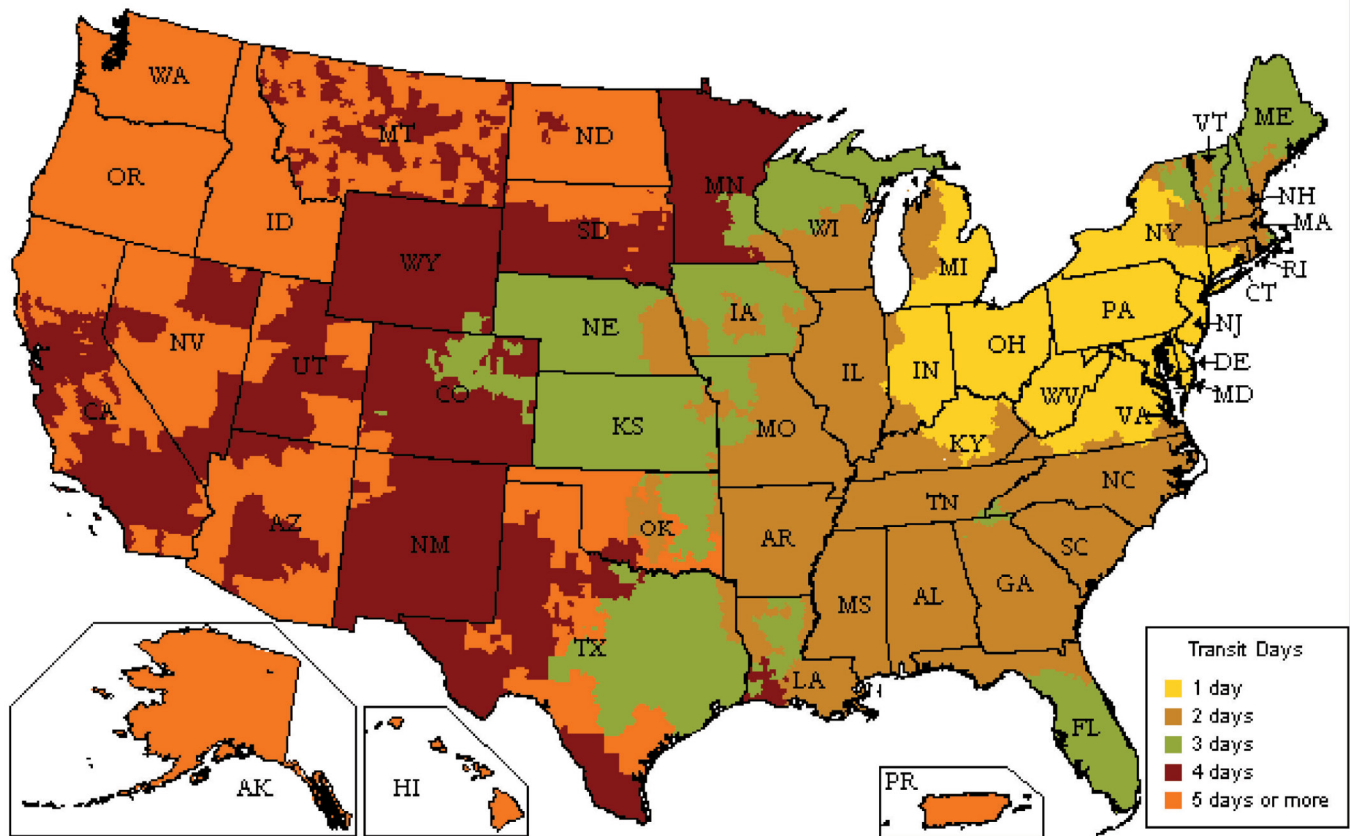


Time to Destination Transit Times

UPS TRANSIT TIMES

WE-EF USA ships via our partner United Parcel Service (UPS). For every shipment, you will receive an email notification which includes the date the order was shipped, scheduled delivery time and a real-time tracking link.

The shipping cost is determined by the weight of your order and the destination. The following map shows the estimated transit time across the United States when selecting UPS ground:



DISCLAIMER

Subject to the Tariff/Terms and Conditions of Service, UPS guarantees on-schedule delivery of packages, shipped via UPS's services, that are listed as guaranteed, or will refund your transportation charges. Guaranteed Service is not available in all areas and does not apply to shipments containing a package with an Additional Handling or Large Package surcharge. Scheduled business days and delivery schedules are revised occasionally due to changes in distribution and volume, especially during holiday periods. Service to some remote areas also may require additional delivery days. For current delivery schedules, service availability and information, and a description of the UPS service Guarantee, see the UPS Rate and Service Guide. The most up-to-date transit time details will be available at ups.com/ctc at the time of shipping. Certain commodities and high value shipments may require additional transit time for customs clearance.

WE-EF USA - WALL WASHER



These WE-EF wall washers were specifically developed for the lighting of architectural surfaces, in combination with WE-EF [M] symmetric medium beam LED optics.

Luminaires fitted with the IO-20 wallwash lens are typically positioned at 0.125 x height of the wall and spaced up to 1.75 x distance from the wall.

The IO-20 wall wash lens is capable of producing high performance wall washes with reduced scalloping and excellent coverage.

Product	Wattage	Façade Height	Distance from Wall	Space between Luminaires	Average ft/cd	Min ft/cd	Uniformity (Max/Min)
FLD111	6 W	10 ft	1.2 ft	2.1 ft	15	2.1	15
ETC320/FLC121	12 W	10 ft	1.2 ft	2.1 ft	30	4.2	15
ETC320/FLC121	12 W	15 ft	1.9 ft	3.3 ft	11	1.7	18
ETC330/FLC131/DAC220/DOC220	24 W	20 ft	2.4 ft	4.2 ft	15	2.1	18
ETC330/FLC131/DAC220/DOC220	24 W	25 ft	3.1 ft	5.4 ft	12	1.1	38
ETC340	36 W	30 ft	4.7 ft	8.2 ft	7	1.3	12
ETC340	36 W	40 ft	5.0 ft	8.8 ft	5	0.6	23
ETC340	36 W	50 ft	6.3 ft	11.0 ft	3	0.2	22
FLC141	48 W	70 ft	8.7 ft	15.2 ft	2	0.2	30
FLC230	52 W	70 ft	8.7 ft	15.2 ft	2.7	0.1	80

Distance from surface = 0.125 x height of wall

Spacing between luminaires = 1.75 x distance from wall

For your convenience, the IO-20 LED wallwash lens is factory-installed within the luminaire but can easily be maintained in the field.

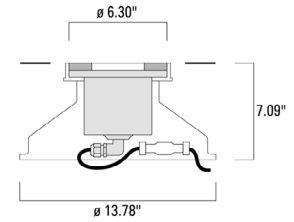
INGROUND LUMINAIRES Return to Table of Contents

ETC320-FS WALL WASH

FACTORY SEALED. IP67. Inground uplight. Suitable for flush installation in concrete or earth.

ID	DESCRIPTION	LUMENS
611-2326 + 611-7202	ETC320-FS [Wall Wash] 6 LED/ 12W 3000K 120-277V 3000	1001
611-2327 + 611-7202	ETC320-FS [Wall Wash] 6 LED/ 12W 4000K 120-277V 4000	1001

Recommended for facades up to 15 ft in height.

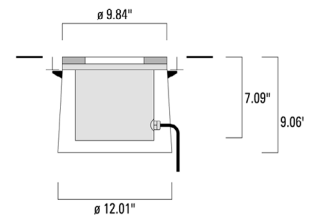


ETC330-FS WALL WASH

FACTORY SEALED. IP67. Inground uplight. Suitable for flush installation in concrete or earth.

ID	DESCRIPTION	LUMENS
611-3826 + 611-7206	ETC330-FS [Wall Wash] 12 LED/ 24W 3000K 120-277V	2062
611-3827 + 611-7206	ETC330-FS [Wall Wash] 12 LED/ 24W 4000K 120-277V	2062

Recommended for facades up to 25 ft in height.

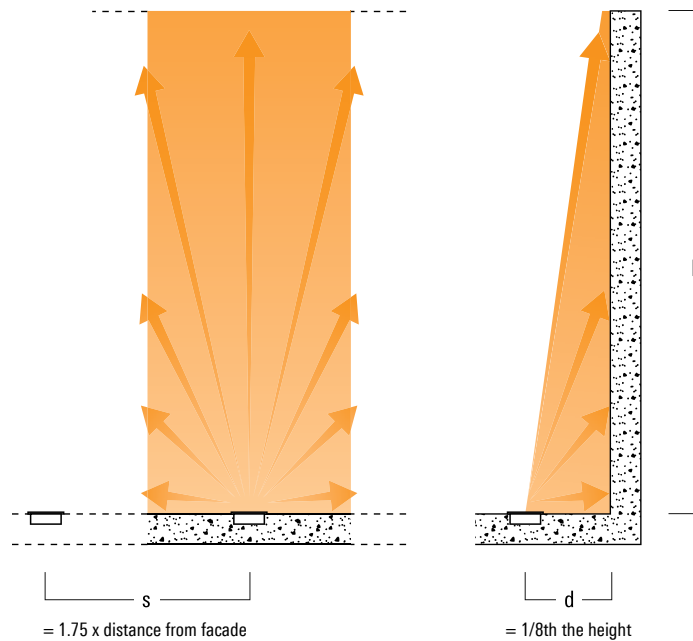
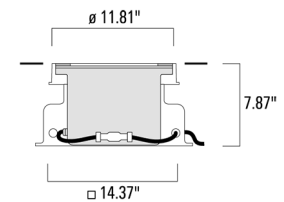


ETC340-FS WALL WASH

FACTORY SEALED. IP67. Inground uplight. Suitable for flush installation in concrete or earth.

ID	DESCRIPTION	LUMENS
611-4226 + 611-7207	ETC340-FS [Wall Wash] 24 LED/ 36W 3000K 120-277V	3006
611-4227 + 611-7207	ETC340-FS [Wall Wash] 24 LED/ 36W 4000K 120-277V	3006

Recommended for facades up to 40 ft in height.



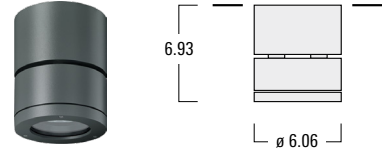
CEILING LUMINAIRES Return to Table of Contents

DAC220 WALL WASH

IP65. Surface mounted exterior downlight. Suitable for installation over recessed junction box.

ID	DESCRIPTION	LUMENS
630-1220 + 630-8130	DAC220 [Wall Wash] 12 LED/ 24W 3000K 120-277V	2040
630-1221 + 630-8130	DAC220 [Wall Wash] 12 LED/ 24W 4000K 120-277V	2040

Recommended for facades of up to 25 ft in height.

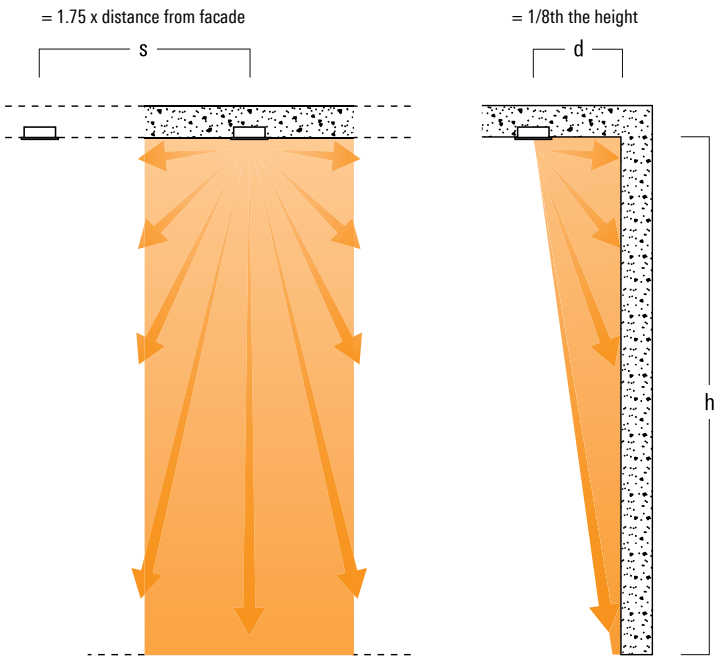
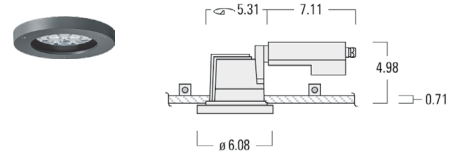


DOC220 WALL WASH

IP66. Recessed exterior downlight. Suitable for installation in non-insulated ceiling.

ID	DESCRIPTION	LUMENS
630-4226 + 630-8130	DOC220 [Wall Wash] 12 LED/ 24W 3000K 120-277V	2040
630-4224 + 630-8130	DOC220 [Wall Wash] 12 LED/ 24W 4000K 120-277V	2040

Recommended for facades of up to 25 ft in height.



WE-EF USA - WALL WASHER



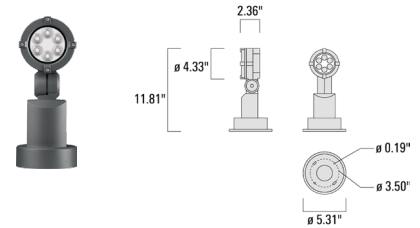
SYMMETRICAL FLOODLIGHTS Return to Table of Contents

FLC121 WALL WASH

IP66. Surface mounted LED floodlight. Thermally separated integral control gear. 120-277V / 0-10V dimmable driver.

ID	DESCRIPTION	LUMENS
665-0320 + 665-8120	FLC121-T3 [Wall Wash] 6 LED/ 12W 3000K 120-277V	1029
665-0321 + 665-8120	FLC121-T3 [Wall Wash] 6 LED/ 12W 4000K 120-277V	1029

Recommended for facades of up to 15 ft in height.

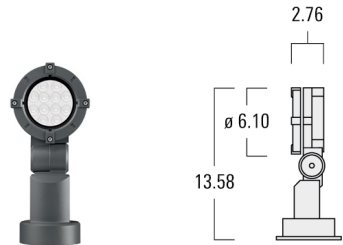


FLC131 WALL WASH

IP66. Surface mounted LED floodlight. Thermally separated integral control gear. 120-277V / 0-10V dimmable driver.

ID	DESCRIPTION	LUMENS
665-3320 + 665-8135	FLC131-T3 [Wall Wash] 12 LED/ 24W 3000K 120-277V	2040
665-3321 + 665-8135	FLC131-T3 [Wall Wash] 12 LED/ 24W 4000K 120-277V	2040

Recommended for facades of up to 25 ft in height.

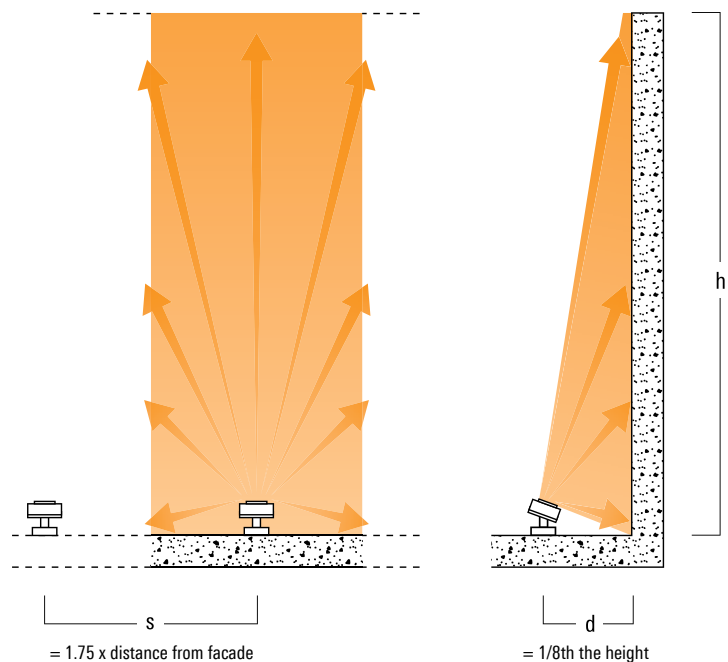
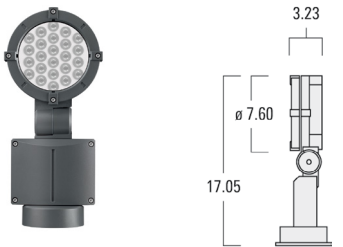


FLC141 WALL WASH

IP66. Surface mounted LED floodlight. Thermally separated integral control gear. 120-277V / 0-10V dimmable driver.

ID	DESCRIPTION	LUMENS
665-7326 + 665-8152	FLC141-T3 [Wall Wash] 24 LED/ 48W 3000K 120-277V	4115
665-7327 + 665-8152	FLC141-T3 [Wall Wash] 24 LED/ 48W 4000K 120-277V	4115

Recommended for facades of up to 70 ft in height.



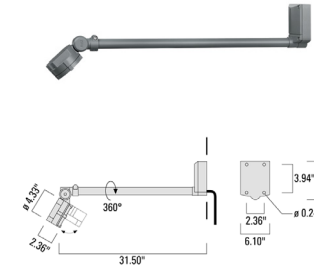
SYMMETRICAL FLOODLIGHTS Return to Table of Contents

FLC121 WALL WASH with Wall Bracket

IP55. Surface mounted LED floodlight with outreach. Thermally separated LED driver. 120-277V / 0-10V dimmable driver.

ID	DESCRIPTION	LUMENS
665-0434 + 665-8120	FLC121-T4 [Wall Wash] 6 LED/ 12W 3000K 120-277V	1029
665-0435 + 665-8120	FLC121-T4 [Wall Wash] 6 LED/ 12W 4000K 120-277V	1029

Recommended for facades of up to 15 ft in height.

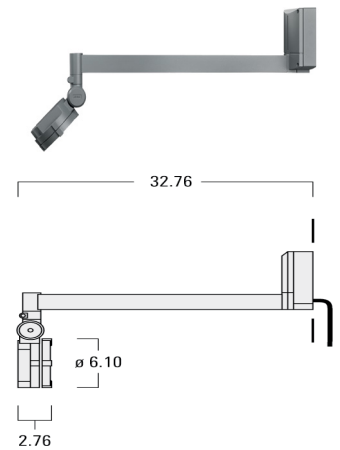


FLC131 WALL WASH with Wall Bracket

IP55. Surface mounted LED floodlight with outreach. Thermally separated LED driver. 120-277V / 0-10V dimmable driver.

ID	DESCRIPTION	LUMENS
665-4320 + 665-8135	FLC131-T4 [Wall Wash] 12 LED/ 24W 3000K 120-277V	2040
665-4321 + 665-8135	FLC131-T4 [Wall Wash] 12 LED/ 24W 4000K 120-277V	2040

Recommended for facades of up to 25 ft in height.

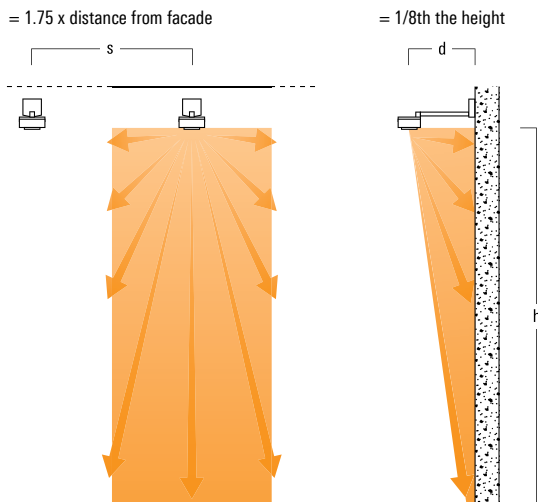
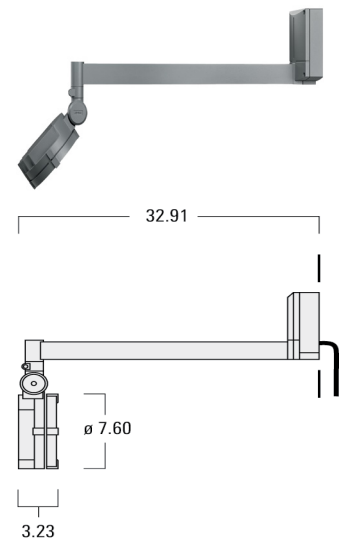


FLC141 WALL WASH with Wall Bracket

IP55. Surface mounted LED floodlight with outreach. Thermally separated LED driver. 120-277V / 0-10V dimmable driver.

ID	DESCRIPTION	LUMENS
665-8376 + 665-8152	FLC141-T4 [Wall Wash] 24 LED/ 48W 3000K 120-277V	4115
665-8377 + 665-8152	FLC141-T4 [Wall Wash] 24 LED/ 48W 4000K 120-277V	4115

Recommended for facades of up to 70 ft in height.



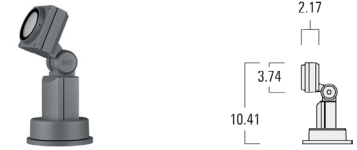
SYMMETRICAL FLOODLIGHTS Return to Table of Contents

FLC121 WALL WASH

Wet listed IP65. Small exterior rated high performance flood light perfect for small Architectural facades.

ID	DESCRIPTION	LUMENS
665-0026	FLD111-T3 [Wall Wash] 3LED/ 6W 3000K 120-277V	389
665-0027	FLD111-T3 [Wall Wash] 3LED/ 6W 4000K 120-277V	389

Recommended for facades of up to 10 ft in height.

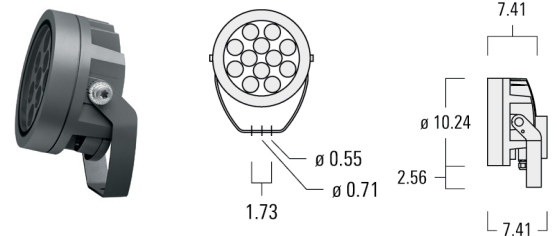


FLC230 WALL WASH

IP66, Class I. IK07. Integral EC electronic converter, thermally separated. CAD-optimized optics for superior illumination and glare control. 120-277V / 0-10 V dimmable driver.

ID	DESCRIPTION	LUMENS
667-3320 + 667-8118	FLC230 LED [Wall Wash] 12 LED/ 24W 3000K 120-277V	2450
667-3323 + 667-8118	FLC230 LED [Wall Wash] 12 LED/ 24W 4000K 120-277V	2827
667-3321 + 667-8118	FLC230 LED [Wall Wash] 12 LED/ 36W 3000K 120-277V	3520
667-3324 + 667-8118	FLC230 LED [Wall Wash] 12 LED/ 36W 4000K 120-277V	4062
667-3322 + 667-8118	FLC230 LED [Wall Wash] 12 LED/ 52W 3000K 120-277V	4330
667-3325 + 667-8118	FLC230 LED [Wall Wash] 12 LED/ 52W 4000K 120-277V	4996

Recommended for facades of up to 70 ft in height.

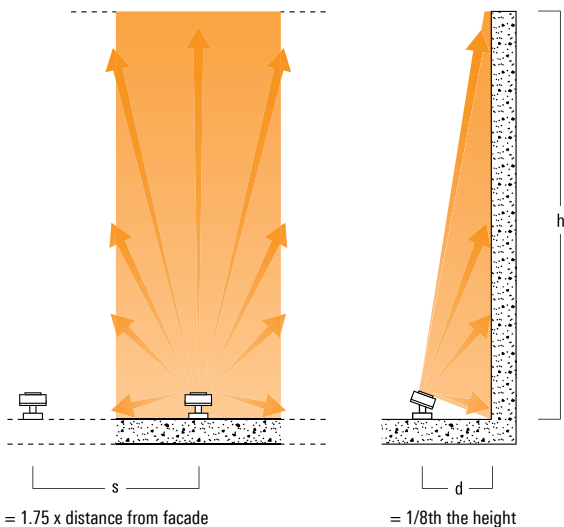
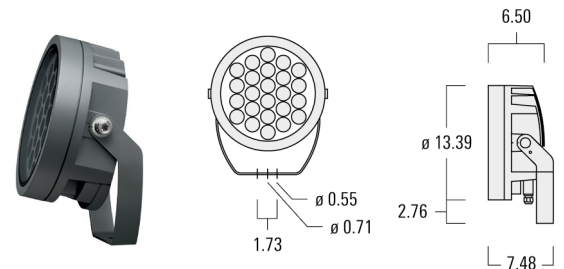


FLC240 WALL WASH

IP66, Class I. IK07. Integral EC electronic converter, thermally separated. CAD-optimized optics for superior illumination and glare control. 120-277V / 50-60 Hz, 0-10 V dimmable driver.

ID	DESCRIPTION	LUMENS
667-4320 + 667-8121	FLC240 LED [Wall Wash] 24LED/48W 3000K 120-277V	4901
667-4323 + 667-8121	FLC240 LED [Wall Wash] 24LED/48W 4000K 120-277V	5655
667-4321 + 667-8121	FLC240 LED [Wall Wash] 24LED/72W 3000K 120-277V	7041
667-4324 + 667-8121	FLC240 LED [Wall Wash] 24LED/72W 4000K 120-277V	8124
667-4322 + 667-8121	FLC240 LED [Wall Wash] 24LED/104W 3000K 120-277V	8659
667-4325 + 667-8121	FLC240 LED [Wall Wash] 24LED/104W 4000K 120-277V	9992

Recommended for facades of up to 100 ft in height.



WE-EF USA - FLAG LIGHTING



Effective flag lighting requires specific LENS technology to ensure an even distribution over the flag surface when at full extension.

This Flag lighting guide was developed with the aim of meeting the IESNA standards which recommends a minimum of 10 horizontal footcandles and 3 vertical footcandles in the area of the flag.

WE-EF offers both inground uplights and surface mounted floodlights suitable for this application. In both cases the optical system can be rotated and tilted to meet the needs of the flag lighting. In all cases, a WE-EF Very Narrow distribution is the ideal choice for lighting a flag.

Pole Height	15 feet	25 feet	30 feet	40 feet	50 feet	60 feet
Maximum Flag Size	4' x 6'	5' x 8'	6' x 10'	8' x 12'	10' x 15'	12' x 18'
Fixture Quantities	2 at 180°	3 at 120°	3 at 120°	3 at 120°	3 at 120°	3 at 120°
Setback and Tilt Angle	2ft at 5°	4ft at 4°	4ft at 5°	4ft at 5°	4ft at 4°	5ft at 5°
Inground Uplights - ETC100 Series	ETC130-GB	ETC130-GB	ETC130-GB	ETC140-GB	ETC140-GB	ETC140-GB
Illumination on Horizontal Plane (Fc)	21.0	17.6	15.6	11.8	7.1	4.8
Illuminance on Vertical Plane (Fc)	6.2	4.2	3.1	2.5	1.5	1.0
Flood Light - FLC100 Series	FLC121	FLC131	FLC141	FLC141	FLC141	FLC141
Illumination on Horizontal Plane (Fc)	13.5	23.4	20.1	20.3	12.4	8.3
Illuminance on Vertical Plane (Fc)	4.1	5.9	4.2	4.4	2.6	1.8
Flood Light - FLC200 Series (4000K)	FLC230	FLC230	FLC230	FLC230 [N]	FLC230 [N]	FLC230 [VN]
Illumination on Horizontal Plane (Fc)	-	-	-	21.8	16.5	15.1
Illuminance on Vertical Plane (Fc)	-	-	-	4.6	3.4	4.0

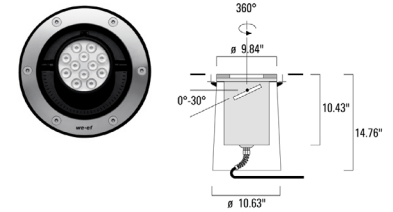
INGROUND LUMINAIRES Return to Table of Contents

IP67. Inground LED uplight. Suitable for flush installation in concrete or earth. Offset gimbal mounted lamp module, with lockable aiming, 30° vertical tilt, and 360° horizontal rotation. Special effects can be realized with linear lens, flood lens, or color filters.

ETC130-GB FLAG POLE

ID	LIGHT SOURCE	VOLTAGE	KELVIN	OPTIC	LUMENS
611-3014	ETC130-GB [VN] 12 LED/ 18W	120-277V	3000	15°	1816
611-3015	ETC130-GB [VN] 12 LED/ 18W	120-277V	4000	15°	1816

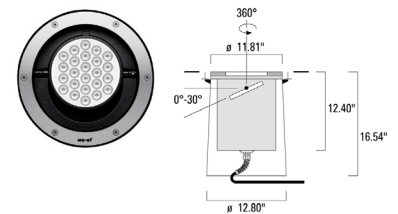
Recommended for flag poles up to 25 ft in height.



ETC140-GB FLAG POLE

ID	LIGHT SOURCE	VOLTAGE	KELVIN	OPTIC	LUMENS
611-4014	ETC140-GB [VN] 24 LED/ 24W	120-277V	3000	15°	2777
611-4015	ETC140-GB [VN] 24 LED/ 24W	120-277V	4000	15°	2777

Recommended for flag poles of up to 60 ft in height.



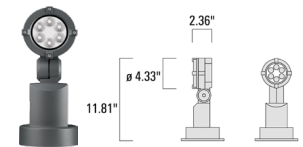
SYMMETRICAL FLOODLIGHTS

IP66. Surface mounted LED floodlight. Integral control gear. Special effects can be realized with linear lens, or flood lens. 120-277V / 50-60 Hz. 0-10V dimmable driver.

FLC121

ID	LIGHT SOURCE	VOLTAGE	KELVIN	OPTIC	LUMENS
665-0120	FLC121-T3 [VN] 6 LED/ 12W	120-277V	3000	14°	1269
665-0121	FLC121-T3 [VN] 6 LED/ 12W	120-277V	4000	14°	1269

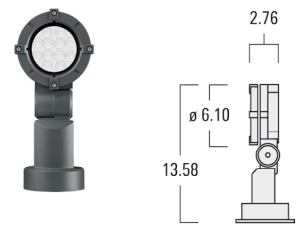
Recommended for flag poles of up to 15 ft in height.



FLC131

ID	LIGHT SOURCE	VOLTAGE	KELVIN	OPTIC	LUMENS
665-3120	FLC131-T3 [VN] 12 LED/ 24W	120-277V	3000	14°	2445
665-3121	FLC131-T3 [VN] 12 LED/ 24W	120-277V	4000	14°	2445

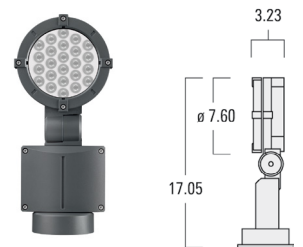
Recommended for flag poles of up to 25 ft in height.



FLC141

ID	LIGHT SOURCE	VOLTAGE	KELVIN	OPTIC	LUMENS
665-7126	FLC141-T3 [VN] 24 LED/ 48W	120-277V	3000	14°	5077
665-7127	FLC141-T3 [VN] 24 LED/ 48W	120-277V	4000	14°	5077

Recommended for flag poles of up to 60 ft in height.



SYMMETRICAL FLOODLIGHTS Return to Table of Contents

FLC230 ORDER LIMIT OF 10 LUMINAIRES

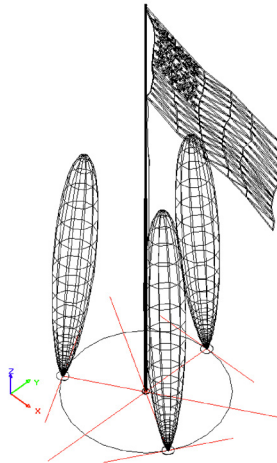
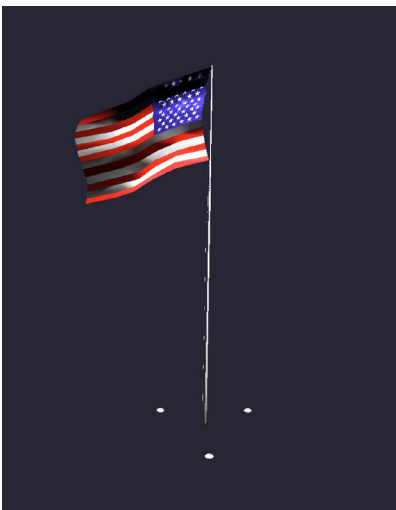
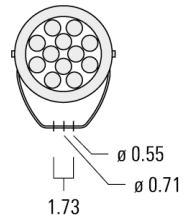
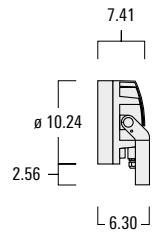
IP66, IK07. Marine-grade, die-cast aluminum alloy. 5CE superior corrosion protection including PCS hardware. Silicone CCG Controlled Compression Gasket. Safety glass lens. One cable gland. Second gland for through wiring on request. Integral EC electronic converter, thermally separated. CAD-optimized optics for superior illumination and glare control. Factory installed LED circuit board. 120-277V / 50-60 Hz, 0-10 V dimmable driver.

ID	LIGHT SOURCE	VOLTAGE	KELVIN	OPTIC	LUMENS
667-3122	FLC230 LED [N] 12 LED/ 52W	120-277V	3000	15°	4909
667-3125	FLC230 LED [N] 12 LED/ 52W	120-277V	4000	15°	5664

Recommended for flag poles of 40–50 ft in height.

ID	LIGHT SOURCE	VOLTAGE	KELVIN	OPTIC	LUMENS
667-3222	FLC230 LED [VN] 12 LED/ 52W	120-277V	3000	8°	5260
667-3225	FLC230 LED [VN] 12 LED/ 52W	120-277V	4000	8°	6070

Recommended for flag poles of 60 ft and over in height.



we-ef