

JUNE-AUGUST 1982

PRICE 60p

Electronics

THE MAPLIN MAGAZINE



SUPERB 25W PER CHANNEL RMS STEREO AMPLIFIER WITH RELIABLE MOSFET OUTPUT STAGE IS SO EASY TO BUILD



OUR ZX81 FULL SIZE, FULL TRAVEL KEYBOARD MAKES GRAPHICS, FUNCTION AND SHIFT LOCK SINGLE-KEY OPERATIONS FOR LESS THAN £20!

RADAR DOPPLER INTRUDER DETECTOR

Detection range adjustable from 2m to over 20m

MORE MODEL RAILWAY PROJECTS

Remote control and computer interface for our master Controller

MAKE YOUR OWN PRINTED CIRCUIT BOARDS

Complete how-to-do-it description of the methods available

LATEST MAPLIN PRICE LIST

And much, much more



DID YOU MISS ISSUE 1 OR 2?

Copies of issue 1 are still available for just 60p, and include all these interesting projects:

Universal Timer. A comprehensive programmable controller for up to 4 mains appliances. There is storage for up to 18 program times, ons or offs and relay outputs. Complete construction details.

Combo Amplifier. Superb 120W MOSFET power amp with low-noise BI-FET pre-amp having built-in flanger, inputs for guitars, keyboards or microphones, and five step equaliser. Complete construction details.

Temperature Gauge. Coloured LED indication of -10°C to 100°C . Complete construction details.

Pass The Bomb! Low-cost easy to build electronic version of pass-the-parcel — keeps the kids amused for hours!

Plus six easy to build projects on Veroboard: Car Battery Monitor — Colour Snap Game — CMOS Logic Probe — Peak Level Indicator — Games Timer — Multi-Colour Pendant.

Issue 1 also included features on Videotext and How To Solder and feature series, Basically BASIC, Starting Point and Circuit Maker.

All this for just 60p. Order As XA01B (Maplin Magazine Volume 1 No 1) Price 60pNV



Copies of issue 2 are also available for just 60p and include the following projects:

Digital Multi-Train Controller. Our superb digital train controller can control up to 14 locomotives individually on the same track. Any four loco's can be controlled simultaneously. The unit has automatic short-circuit protection and because it uses digital control a DC supply is present all the time for carriage lighting etc. The locomotive modules will fit in most modern 00-scale engines. Complete construction details.



Multi-Mode Digital Stopwatch. Here's an easy-to-build stopwatch with accuracy and display to a 100th of a second. There is a large 8-digit display so that times of up to 24 hours can be shown. The unit can be operated in one of four modes: standard, sequential, split and rally. Complete construction details.

Home Security System. Full construction details of our new home security system offering a high degree of protection for domestic or commercial premises coupled with excellent long-term reliability. The unit's features are: six independent channels, 2-wire or 4-wire operation, detects open or short circuit or just resistance change, tamper-proof main cabinet and external cabinet. The external cabinet has its own protection as well. There are presettable entry and exit delay timers. With the extra peripherals being added each issue, this is a really versatile system.



Digital M.P.G. Meter. An easy to build device that will help you to make your motoring more economical. The unit has a large easy to read LED display. Complete construction details.

Issue 2 also included features on CB Equipment, Working with Op-Amps Part 1 and our regular feature series: Basically BASIC, Starting Point and Circuit Maker, Plus news of the Atari computer and video games, a small feature on solar cells and lots more.

All this for just 60p. Order As XA02C (Maplin Magazine Volume 1 No 2). Price 60pNV

Electronics

THE MAPLIN MAGAZINE

INTEREST FREE CREDIT ON COMPUTER HARDWARE

In this issue we're pleased to announce details of an exciting new scheme. If you want to buy over £120-worth of computer hardware, we can now offer you nine months to pay — interest free! All you pay is 10% of the cash price when you collect the goods, then 10% a month for a further nine months. You end up having paid only what you'd have paid had you bought it cash, but with the payments spread over 9 months. Now you can afford today, the computer you always wanted, without having to pay crippling hire purchase charges. With our scheme there are no charges at all! At the present time we're planning to run the scheme until the end of August '82, but we will extend it if it is very successful.

Talking of success, we still can't believe how many subscriptions we've received for this magazine. Though I must apologise for disappointing you by having to hold over promised articles. Last time we didn't have space for the sequencer, so we've now published this as a leaflet (see page 5) and this time with much regret, we have to hold over the frequency counter, even though we are certain it will be very popular. Its unique digital switching system makes it unbelievably simple to use.

Finally, a plea to please keep your letters coming. In this issue we were able to print every letter received. Usually we are able to choose from about 50 or 60. It's hard to believe that we totally please our customers for every one of the 50,000-plus orders we despatch every quarter. So if you can think of ways we could improve our service then please do write. Even if we don't publish your letter, you can be sure that all the directors at Maplin read and take note of what you have to say. We may well not agree with what you say, but we're happy to throw open the discussion through these pages.

As usual, we're well-advanced with the projects for the next issue — some really interesting things too, as you'll see if you take a look at the inside rear cover. Many of the projects for issue 5 are also well-advanced and we're really excited about a unique new service we're hoping to launch with issue 5. The Maplin Magazine is always original and up-to-date. Don't miss it — send your subscription now!

June to August 1982 Vol. 1. No. 3

CONTENTS

Projects

	Page
Doppler Intruder Detector	6
<i>Radar frequency coverage of rooms up to 20m.</i>	
Doppler Control and Interface Unit	9
<i>Permits up to four Doppler units to be used.</i>	
Stereo 25W MOSFET Amplifier	38
<i>Superb quality, low-cost, easy-to-build design.</i>	
Train Controller Remote Control Facilities	16
<i>Radio, infra-red and wired units and computer interface.</i>	
ZX81 Keyboard	2
<i>Full-size, full travel keyboard with electronics.</i>	

Features

Basically BASIC	48
<i>Another slice from this popular computing series.</i>	
Making Your Own PCB's	46
<i>How to get professional results at home.</i>	
Starting Point	50
<i>More from our series for beginners.</i>	
VIC 20 Colour Computer	13
<i>We turn the VIC inside-out and tell you what's available.</i>	
Working With Op-Amps Part 2	56
<i>The second part of this useful introduction to op-amps.</i>	

News

Amendments to Catalogue	64
Atari Computer News	58
Atari Video Game	59
Back Issues	IFC
Classified Advertisements	63
Corrigenda	64
Interest Free Credit	62
Maplin News	5/61
MPG Meter	64
New Books	45
Next Issue	IBC
Price List of Catalogue Items	28
Price List of Items Since Catalogue	37
Price List of New Items in This Issue	15
Readers Letters	52
Special Offers	62
Subscriptions	64
Texas Instruments Data Library	53
Top Twenty Books	63

Editorial & Production

Editor	Doug Simmons
Production Manager	Ian Miller
Technical Editors	Robert Kirsch Dave Goodman
Art Editor	Peter Blackmore
Technical Artists	Roy Smith John Dudley Lesley Foster
Photography	Chris Barlow

Published by

Maplin Publications
282 London Road
Westcliff-on-Sea
Essex SS0 7JG

Printed by

Eden Fisher
(Southend) Limited
Quillset Typesetting
Spotlight Magazine
Distribution Limited
1-11 Benwell Road
London N7

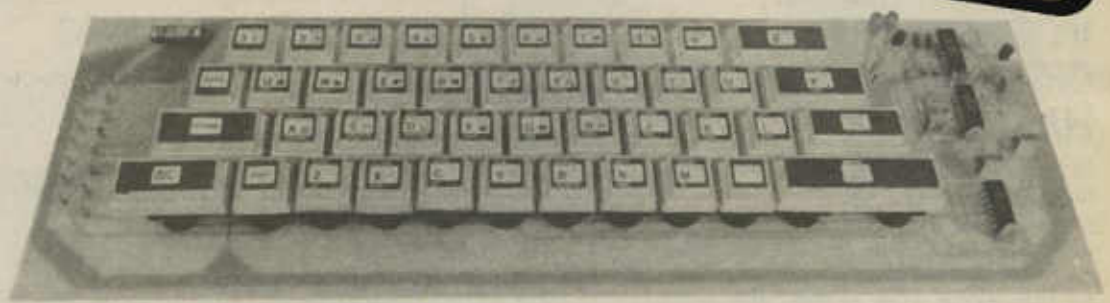
Typeset by Distributed by

Copyright: All material is subject to world wide Copyright protection, and reproduction or imitation in whole or part is expressly forbidden. All reasonable care is taken to ensure accuracy in preparation of the magazine but Maplin Publications cannot be held legally responsible for its contents. Where errors occur corrections will be published as soon as possible afterwards. Permission to reproduce printed circuit board layouts commercially or marketing of kits must be sought from the Publisher.
© Copyright 1982 Maplin Publications.

FULL~SIZE KEYBOARD

Complete
kit ONLY
£19.95
case extra

FOR ZX81
MICRO-
COMPUTER



by Dave Goodman

- ★ Single key selection of Graphic symbols, Function mode and Shift Lock
- ★ Full size, full travel, 43-key keyboard
- ★ Two-colour legend for keys is the same as the ZX81 keyboard
- ★ Faster, more reliable entry — use it once and you won't be able to do without it again!

S1 = 1	S15 = R	S29 = J
S2 = 2	S16 = T	S30 = K
S3 = 3	S17 = Y	S31 = L
S4 = 4	S18 = U	S32 = New Line
S5 = 5	S19 = I	S33 = Shift Lock
S6 = 6	S20 = O	S34 = Shift
S7 = 7	S21 = P	S35 = Z
S8 = 8	S22 = Func'	S36 = X
S9 = 9	S23 = A	S37 = C
S10 = 0	S24 = S	S38 = V
S11 = Grps 2	S25 = D	S39 = B
S12 = 0	S26 = F	S40 = N
S13 = W	S27 = G	S41 = M
S14 = E	S28 = H	S42 = .
		S43/44 = Space

Table 1. Key function chart.

Support systems for the Sinclair ZX81 are very much in demand at the moment and an add-on keyboard with full size keys can offer a great improvement over the existing unit. Operation becomes more positive, unlike the ZX81's touch-keyboard where the only way to be sure you've pressed the key correctly is to check on the screen. With this keyboard, the feel is similar to that of a typewriter and thus entry speed is far higher and much more reliable.

On the ZX81's touch-keyboard, to select a graphic symbol — first the "shift" key must be operated and held and then the "graphics" key operated, then the "shift" key held and the actual graphic symbol required pressed. On this keyboard simply press and release the "graphics 2" key. An LED gives an indication that the mode is selected and the screen cursor changes to [G] as normal. Now any desired graphics symbol may be selected directly without pressing or holding any additional keys. Press and release "graphics 2" key again to return to normal mode. The LED will extinguish and the screen cursor will return to [K or L].

On the ZX81's touch-keyboard selecting a function requires a similar operation to selecting a graphics symbol. On this keyboard simply press and release the "function" key. The screen cursor changes to [F] and an LED flashes once to indicate that this mode is selected. Now any of the operator keys may be selected directly without pressing or holding any additional keys. After selection the LED is extinguished and the screen cursor returns automatically for normal entry.

Finally, this keyboard has a "shift lock" key that electronically holds the keyboard in shift mode after that key is momentarily pressed. A second LED lights to indicate that this mode is selected. Pressing the "shift lock" key again, extinguishes the LED and returns the keyboard to normal entry mode.

Our own experiments have proved that this keyboard is invaluable. No-one who tried it wanted to go back to using the touch-keyboard. Relief from neck-ache was one often cited advantage! Users described how with the touch-keyboard one looks down to the left or right to read the program to be entered, then at the keyboard to select the key, then up at the TV to check the symbol has gone in, then often, back to the keyboard to roll the finger around a little more because the symbol hasn't been



entered (apparently a common occurrence), then up to the TV again, then back to the program. When entering with our keyboard, operators rarely needed to move at all.

Children who used it, found they could perform complicated operations easily — often they could not do the same thing on the touch-keyboard at all! Everyone agreed that there was no alternative on the market and almost lynched the author to get their hands on the prototype.

Construction

Begin by straightening and forming the wire links of which there are thirty. These must be fitted first. Then fit the six diodes, taking care to align the black band printed around the body with the white line printed on the pcb. Insert all the resistors. For those unfamiliar with the colour code, a chart is printed in the resistor section of our catalogue or you can use the Colour Wheel (XL05F).

Next fit the three iC's taking care to ensure that they are the right way round and that all the pins come through the pcb. Polycarbonate capacitors are easily recognised by their silver bodies. They fit directly on to the pcb, but if the legs have been bent, take care when straightening as they are easily broken. Fit the four little disc ceramic capacitors and then the axial electrolytic. With this component ensure that the indent around the body of the capacitor is at the same end as the '+' sign printed on the pcb. Finally fit the two transistors so that their 'D' shaped package aligns with the 'D' shape printed on the pcb. Push them down to about 0.5 to 1cm (1/4in) from the pcb surface.

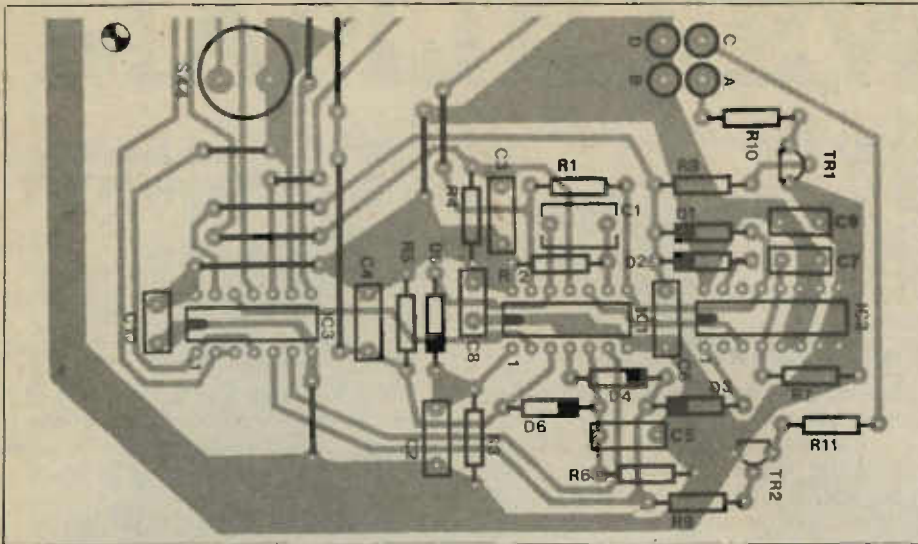


Figure 1. Component overlay of electronics section of pcb.

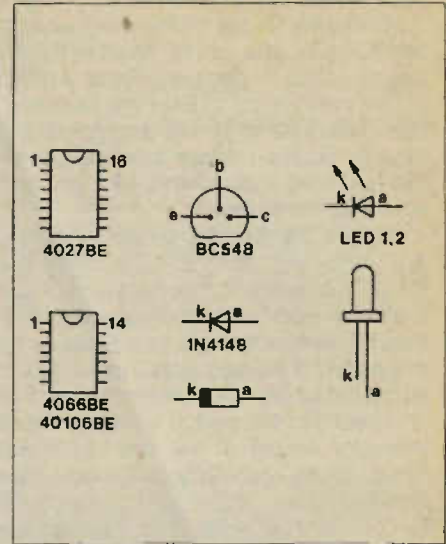


Figure 3. Pin-outs of components.

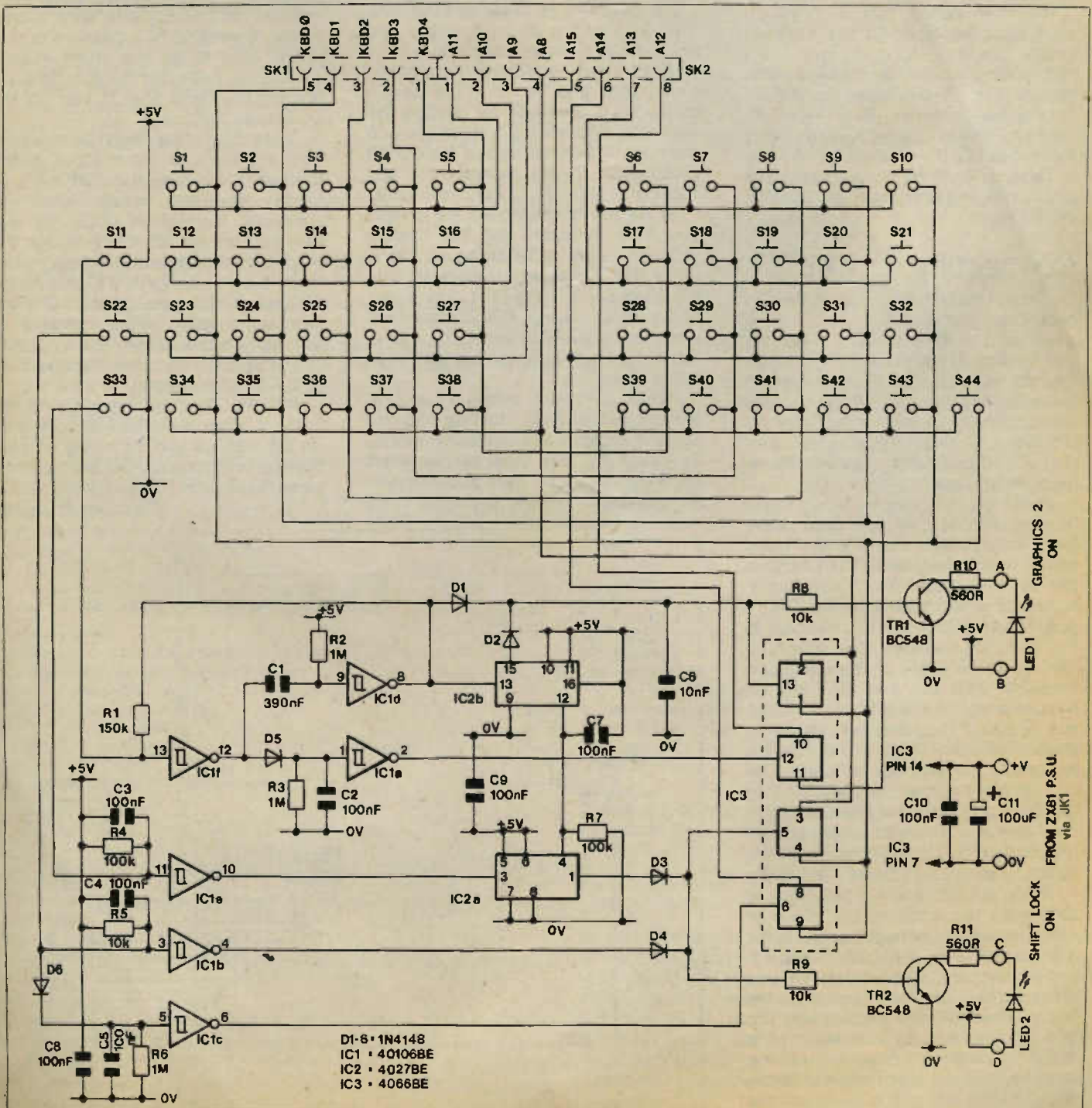


Figure 2. Circuit diagram.
June 1982 Maplin Magazine

ZX81 KEYBOARD

Carefully solder all the components and links inserted so far, then fit the 44 key-switches in position. Place a piece of stiff card on top of the keys, then turn the whole assembly over and solder the keys in position. Make sure that every key is seated right down on the pcb and re-solder if necessary.

Check the pcb for solder splashes, dry joints etc, then double-check the position of every component and check that the polarised components (C11 and all semiconductors) are correctly orientated. Fit and solder the two LED's either externally with two lengths of wire or directly to the pcb. If using our case then the height of the two LED's will have to be carefully adjusted. See Figure 3 for details of lead connections to the LED's. Finally fit and solder the two sockets to the edge of the pcb.

Fit the white plastic caps to the keyswitches noting that two-position caps must be fitted in the 'rubout', 'print', 'newline', 'function' and 'shift lock' positions, and the three-position cap must be fitted over the two keys in the 'space' position. See Figure 4. Carefully cut the printed legend and fit the pieces into the clear caps referring to Table 1. Then turn the transparent covers over and snap them into position on the keys.

Connecting To ZX81

Careful inspection of the two flexible cables will show that at each end a small strip of the insulating cover has been removed one side of the cable. Plug the two cables into the sockets on the keyboard pcb so that this uninsulated strip faces the pcb. Carefully remove the feet on the ZX81 and unscrew the screws beneath them. Remove the base from the ZX81.

Push the two new flexible cables through the slot in the ZX81 case immediately above the '9' and '0' keys on the touch-keyboard. Then remove the five-way cable (from the touch-keyboard to the socket on the ZX81's pcb) from the socket. With reference to Figure 6 plug the new 7-way cable in so that the black stripe on the cable corresponds with pin 1 of SK1 on the Keyboard pcb and KBD4 on the ZX81 pcb. Repeat this operation for the 8-way cable. The black stripe on the new 10-way cable corresponds with pin 1 of SK2 on the Keyboard pcb and A11 on the ZX81 pcb. Note that the new cables are 7-way and 10-way to ensure correct mechanical fit, though in each case the outer two wires are not used electrically.

Strip and tin (apply a thin layer of solder to) the ends of the piece of screened cable. Connect one end to the 3.5mm jack plug as shown in Figure 5 and connect the screen at the other end through the hole (from above) on the pcb marked '0V' and solder under the pcb. Connect a multimeter switched to 10mA DC range or thereabouts with the positive lead connected to the unterminated centre lead of the cable and the negative lead to the track on the pcb

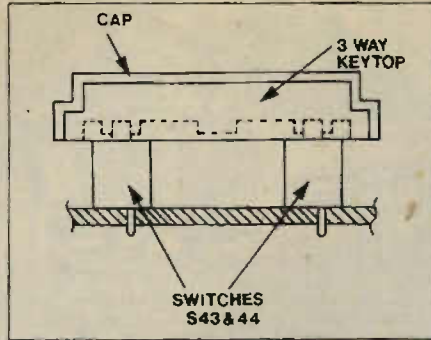


Figure 4. Fitting of 3-way key cap.

immediately beneath the hole marked '+V'.

Plug the adaptor into the ZX81 and plug the mains adaptor into one of the two sockets. Plug the keyboard into the other socket and switch on. LED1 should flash on and then off and the meter should then read less than 1mA. If the meter reads negative or greater than 1mA switch off immediately and re-check all your connections.

If all is well, switch off, remove the multimeter and connect the centre conductor to the pcb by passing the bare end through the hole in the pcb marked '+V' from above and soldering it underneath. Switch on again and test that the keyboard functions correctly.

If the wrong characters are printed you have probably got the flexible cables plugged in the wrong way. Don't worry, this can't do any damage. Unplug the 7-way cable in the ZX81, turn it over and plug it in again. If it still does not work do the same for the 10-way cable. If this does not work, reverse the 7-way cable again.

When all is well, switch off and re-assemble the ZX81, folding the old flexible cables back under the touch-keyboard so that they cannot short anything out on the ZX81 pcb. The new keyboard can now be mounted in its

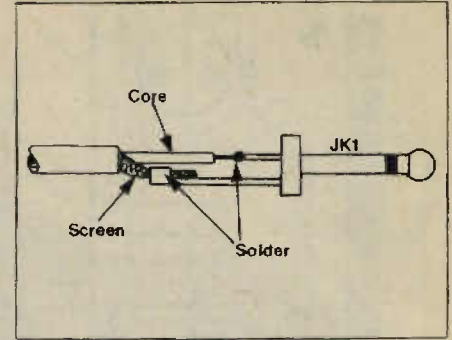


Figure 5. Wiring of 3.5mm jack plug.

box if required. Switch on again. LED1 will flash on and then off and the [K] cursor should appear on the TV screen as usual and you're ready to go.

Circuit Description

S11, the 'graphics 2' key is connected to a buffer/inverter IC1f which together with IC1d acts as a monostable. Operating S11 causes the output of IC1f to go low which in turn causes the output of IC1d to go high, holding the input of IC1f high for the period set by C1, R2.

The output of flip-flop IC2b now goes high and turns on the bilateral switch IC3a which operates the 'shift' function in the keyboard matrix. Also TR1 conducts, turning on LED1. C2 discharges through R3 which delays the output from IC1a from changing state. When it does change over IC1a operates IC3d which connects 'graphics 2' in the keyboard matrix. Further operation of S11 repeats this sequence except that this time IC2b switches low and IC3a and IC3d are released.

S22, the 'function' key is connected to IC1b. When operated, IC3b operates via D4 with C4 and R5 acting as anti-bounce components. D6 becomes reverse biased and C5 discharges via R6,

Continued on page 55

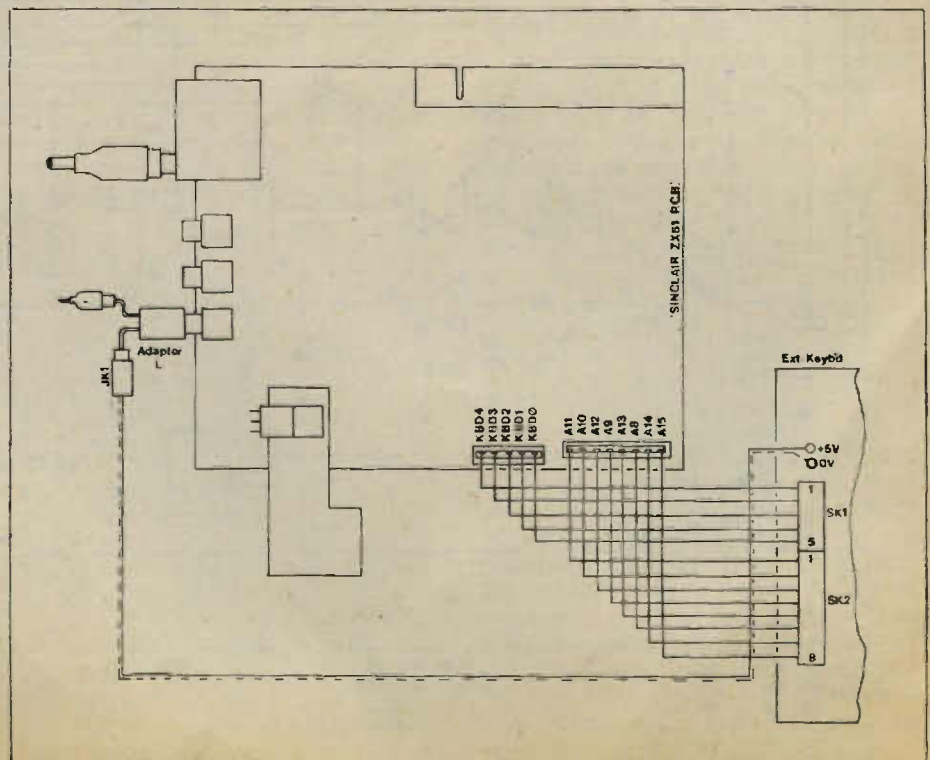


Figure 6. Interwiring.

MAPLIN NEWS

MAPLIN AT THE DAILY MAIL IDEAL HOME EXHIBITION



The "Daily Mail" Ideal Home Exhibition that was at Earls Court Exhibition Centre during March attracted over 3/4 million people. Many of them visited our stand where our organ was on demonstration. The Atari computers were also being demonstrated and many of our more popular lines were available for sale. Several thousand leaflets describing our new burglar alarm were taken by interested visitors.

BREADBOARD 1982

Last year's Breadboard exhibition was not as successful as we would have hoped. The gate was well down on the year before and the swingeing increase in the entrance fee upset many people who came onto our stand to complain. The organisers did almost nothing in our opinion to justify the visitors, the cost of the entrance fee. We therefore feel that we can no longer support this function and Maplin will not be exhibiting at Breadboard 1982.

At the present time we are negotiating with another organiser, a new and better hobby electronics show, with computing and amateur radio thrown in. If all goes well, the new show will happen in December this year. More news in our next issue.

SEQUENCER FOR 5600S & 3800 SYNTHESISERS

We regret that again there was insufficient space to include this project in the magazine. Therefore we are making it available on a leaflet which is available now.

Order As XH59P (Sequencer Leaflet) No charge

The complete kit will also be available shortly.
Order As LW66W (Sequencer Kit) Price £125

DIGITAL MULTIMETER

This incredibly low-priced meter is attractively styled in a two-tone brown plastic case with a tilt stand and front panel printed in five colours for easy function identification. The easy-to-use push-button range selectors permit one hand operation. Now just look at this incredible specification.

Specification:

General

Display: 3 1/2 digit LCD with auto-zero and auto-polarity.
Operating temperature: 0°C to 50°C
Storage temperature: -35°C to 65°C, battery removed
Low battery indicator: "LO BAT" appears on display during last 20% of battery life
Weight including battery: 400g
Size: 170 x 89 x 38mm.
Calibration adjustment: 3 readings per second.
Accuracies are \pm (% of reading + no. of digits).

DC Voltage

Ranges: 200mV, 2V, 20V, 200V, 1000V
Resolution: 100uV on 200mV range
Accuracy: 0.5% + 1 digit
Input impedance: 10M Ω
Normal mode rejection: $>$ 60dB at 50Hz
Common mode rejection: $>$ 100dB at DC and 50Hz
Response time: $<$ 1 second
Overload protection: 63mA fuse

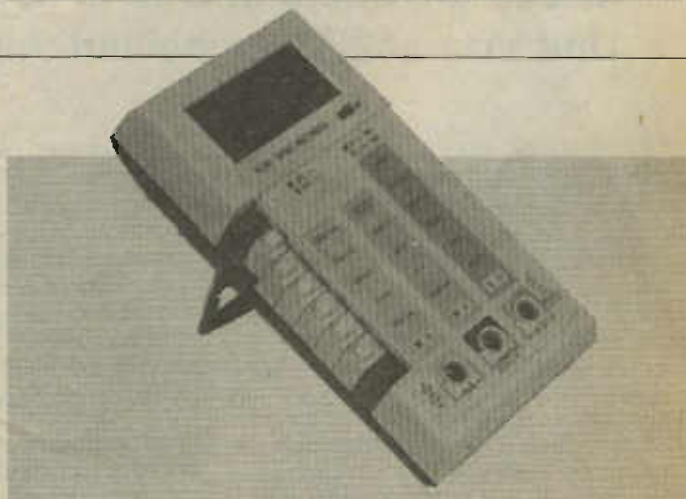
DC Current

Ranges: 200uA, 2mA, 20mA, 200mA, 2A
Resolution: 100nA on 200uA range
Accuracy: 1% + 1 digit on 200uA, 2mA and 20mA ranges, 2% + 2 digits on 200mA and 2A ranges
Burden voltage: 200mV max at full scale except 700mV on 2A range full scale
Response time: $<$ 1 second
Overload protection: A pair of fast switching, high current silicon diodes and a 2A fuse

AC Voltage

Ranges: 200mV, 2V, 20V, 200V, 750V
Resolution: 100uV on 200mV range
Accuracy: 45Hz to 400Hz 1% + 5 digits
Conversion type: Average sensing, calibrated to read RMS of sine wave
Input impedance: 10M Ω $<$ 100pF
Overload protection: 63mA fuse

June 1982 Maplin Magazine



AC Current

Ranges: 200uA, 2mA, 20mA, 200mA, 2A
Resolution: 100nA on 200uA range
Accuracy: 45Hz to 400Hz
3% + 5 digits on 200uA range
2% + 5 digits on 2mA range
3% + 2 digits on other ranges
Burden voltage: 250mV max at full scale, 700mV on 2A range full scale
Response time: $<$ 2 seconds
Overload protection: A pair of fast switching, high current silicon diodes and a 2A fuse

Resistance

Ranges: 200 Ω , 2k Ω , 20k Ω , 200k Ω , 2M Ω , 20M Ω
Resolution: 0.1 Ω on 200 Ω range
Accuracy: 0.5% + 1 digit on 200 Ω range, 0.5% + 2 digits on 2k to 2M ranges, 2% + 1 digit on 20M range
Open circuit voltage: Selectable - high $<$ 2.8V, low $<$ 0.54V
Overload protection: 63mA fuse

In addition to the various overload protection devices described above, the meter has transient protection on all voltage and resistance ranges up to 6kV. Also the input to the AC converter is protected against overvoltage. The meter requires a standard PP3 battery (not supplied), but there is a socket for connecting a 9V adaptor for mains operation and this input is protected against overvoltage.

The meter is supplied with a pair of test probes and a circuit diagram.

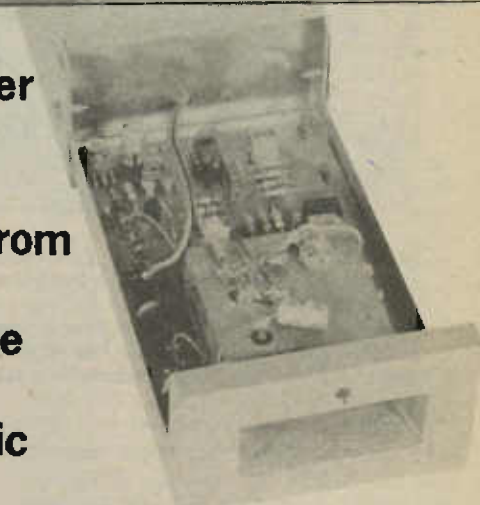
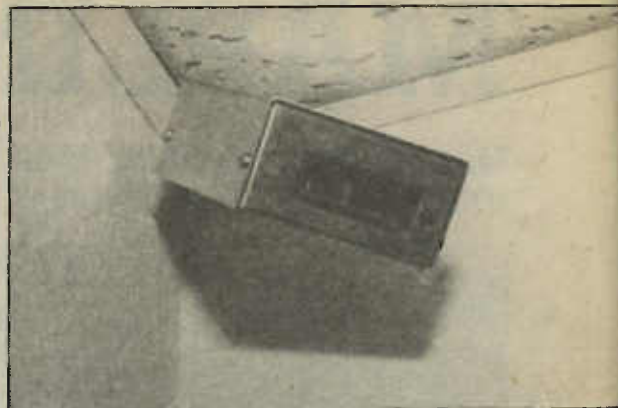
Order As YK32K (Multimeter DD601) Price £39.95

RADAR DOPPLER INTRUDER DETECTOR

THE MAPLIN RTX3

by Dave Goodman

- ★ Home Office type-approved microwave Doppler detection system with up to 20m range
- ★ Single unit covers a wide area
- ★ Not susceptible to instability or interference from sound or light
- ★ Complete unit in 133 x 70 x 38mm box can be placed anywhere in area to be scanned
- ★ Unit may be hidden behind thin card or plastic



The Maplin RTX3 movement detector utilises a specially manufactured microwave transceiver module, the CL8960. The module is assembled and preset to transmit at the required legal frequency of 10.687GHz \pm 12MHz (10,687,000,000Hz) with a peak transmission power of 10mW.

The extremely small wavelength (2.8cm) makes a very sensitive movement detector with coverage of quite a large area. In this design the range is adjustable from about 2m to 20m and the edge of the range is fairly well-defined wherever it is set.

The unit when triggered operates an internal LED and switches on a transis-

tor which could switch up to 15V at 1A, but does not latch. Normally the unit will be used with our controller unit to which up to four of the radar modules could be connected. This control unit can then be used to connect to our Home Security System via the standard Break Contact Module. The control interface is described later in this issue.

Circuit Description

The heart of the system is the CL8960 radar module which consists of two tuned cavities or waveguides and a separate antenna which when fixed to the module gives a gain of around 5dB. One waveguide contains a Gunn diode

which produces X-band microwave energy. This diode requires an extremely precise and stable power supply which should be 7V \pm 100mV at 160mA. This is derived from the 12V power supply by IC1, a precision voltage reference IC and two 1% resistors R3 and R4 that monitor the 7V rail. The current is supplied by TR1, an emitter follower driven by TR3. C1 decouples any hf component in the power supply.

The other waveguide contains a mixer diode which acts as a receiver. There is a small hole between the two waveguides so that some of the transmitted signal passes directly to the

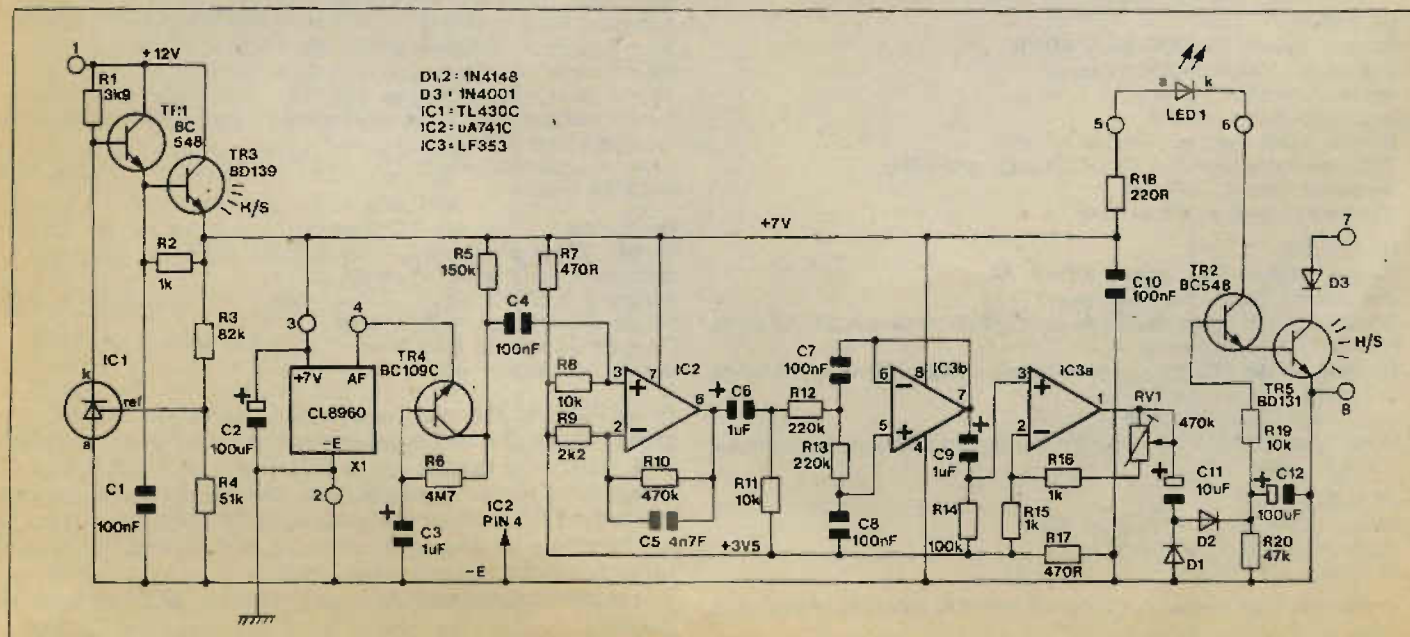


Figure 1. Circuit diagram of Doppler unit.

receiver. The reflected signals from the environment are at exactly the same frequency as the transmitted signal as one would expect. However, if an object moves within the sensitive area, the reflected frequency changes slightly due to the Doppler effect (see box). Even a small movement at this extremely high frequency can make changes of up to 50Hz (although of course this is only a minute change in percentage terms — less than 1 part in a hundred million). For example a movement of 1 metre per second will change the frequency by about 70Hz.

This slightly changed frequency will interfere with the transmitted frequency in the receiver cavity and produce a beat frequency equal to the change. This low frequency beat is output from the mixer diode at the terminal marked 'AF'. The mixer diode requires biasing at about 38uA with a low impedance (600Ω), therefore TR4 is required to be a common base amplifier with the bias current supplied by R5.

The AF signal is then AC coupled to IC2, a non-inverting amp and C5 ensures that only low frequencies are amplified. IC3b is a low-pass filter with a cut-off frequency around 40Hz. If higher frequencies are allowed to pass, the unit is prone to false triggering from for example mains-operated lighting, especially fluorescent lamps. The combined filtering in IC2 and IC3b eliminates this possibility.

IC3a is a variable gain amplifier which is preset by RV1 to allow you to adjust the overall receiver sensitivity so that areas from 2m to 20m can be covered reasonably accurately. C11 and 12 and D1 and 2 remove the AC component from the audio signal and provide a DC bias to switch TR2 and LED1. If no further movement is detected, LED1 turns off after about 3 to 4 seconds as set by R20.

Pins 7 and 8 will normally be left unconnected, but if the unit is not being used with our control interface then these two pins can be wired to an external switching system and an external power supply not exceeding 15V at 1A must be used. See Figure 5.

Construction

Insert the links and the 8 pins on the pcb, then taking care with the orientation of the diodes, IC's, transistors and C2, 3, 6, 9, 11 and 12 place the rest of the components except TR3 and TR5 and solder them all in position. Carefully align TR3 and TR5 above the holes in the pcb and then solder them in position, noting that no insulating washer is required. Drill the box and make the cut-out as shown in Figure 3, then place a 6BA ½in bolt in each of the four corner holes in the base and tighten a nut and washer on each bolt. Then sit the pcb on the nuts and fix with another nut and washer as shown in Figure 4.

Fix the antenna to the front plate of the box using two 6BA bolts. Now fix the

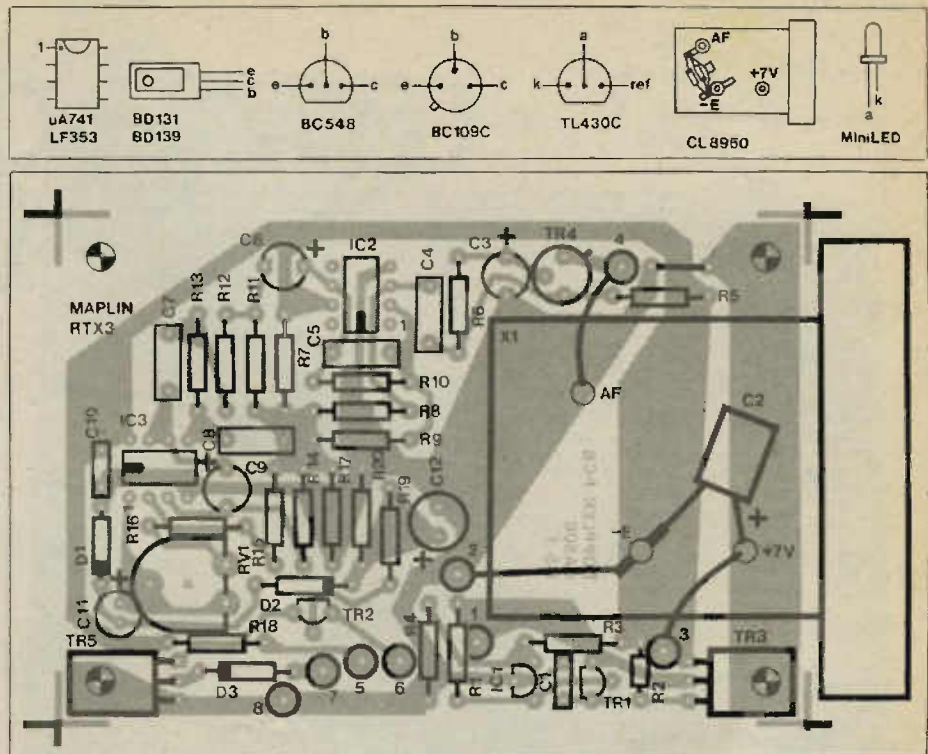


Figure 2. Component overlay of Doppler unit.

THE DOPPLER EFFECT

In 1842 an Austrian physicist, Christian Doppler discovered that the velocity of a sound source can change the frequency of that sound as perceived by an outside observer. For example if a car sounding its horn rapidly approaches an observer, the observer will note that as the car passes him the frequency of the horn drops. Although this is sound radiation, the same effect occurs with electro-magnetic radiation.

The reason for this is that for sound or electro-magnetic radiation, the speed of propagation (in the same medium) does not change. For electro-magnetic radiation this speed is about 300 million metres per second and generally denoted as 'c'. This speed remains the same regardless of the velocity of the source of the radiation relative to the observer.

Thus if a stationary source radiates for one second, the wave train produced will be 300 million metres long. Now imagine that the source moves away from the observer during the second when the radiation is emitted. The leading edge of the wave train will be 300 million metres from where the source was when the radiation started, but the end of the wave train will be where the source is at the end of the second.

So the length of the wave train is now 300 million metres plus the distance travelled by the source in that second. Since the transmitted frequency did not change, there must still be the same number of waves in this longer wave train as in the first one. If the observer now "listens" to this radiation for precisely one second, he will of course receive 300 million metres worth of both wave trains. The first wave train will contain all the waves transmitted, but the second wave train will not contain all the waves transmitted (because as we've seen there is actually more than 300 million metres worth of them). If there are fewer waves in the same distance then the distance between each wave must be greater. In other words the wavelength is longer and if the wavelength is longer then the frequency is lower.

In fact the observer would never know (unless he had other information) that it was not a stationary source that transmitted both signals. In the second case he would think that the source actually transmitted a lower frequency signal for a slightly longer time.

If the source had moved towards the observer during the transmission period, then the wave train would be shorter, the wavelength shorter and the frequency higher.

the box using two 6BA bolts. Now fix the CL8960 to this and tighten up. The CL8960 is supplied with two back-to-back diodes and a capacitor connected across the mixer diode for protection. These components must NOT be removed. Mount C2 from the +7V pin to the 0V pin as shown in Figure 2. Fix the LED either directly to pins 5 and 6 or to the hole marked 'A' in Figure 3. Connect the two wires between the pcb and the CL8960 as shown in Figure 2.

The 12V supply wires can now be connected; the positive to pin 1 and the negative to the CL8960 as shown in Figure 4. Make absolutely certain that you have connected the supply the right way round. Temporarily disconnect the wire from pin 3 on the pcb and connect

a voltmeter between that pin and the chassis (0V). Connect the power supply. The voltmeter should read within ±1% of 7V, but many lower cost multimeters have far less accuracy than TL430C and in fact if your multimeter reads within ½V of 7V then it is very unlikely that there is a fault in the circuit. If all is well, remove the power supply, reconnect the wire to pin 3 and switch on again. The unit is now functioning.

The completed module is ideally situated in the corner of a room, but could be placed almost anywhere and may be disguised by covering the front. Any such covering should be thin paper, card or polystyrene and must be positioned not less than 2.5cm (1in) from the front of the box.

DOPPLER RTX3

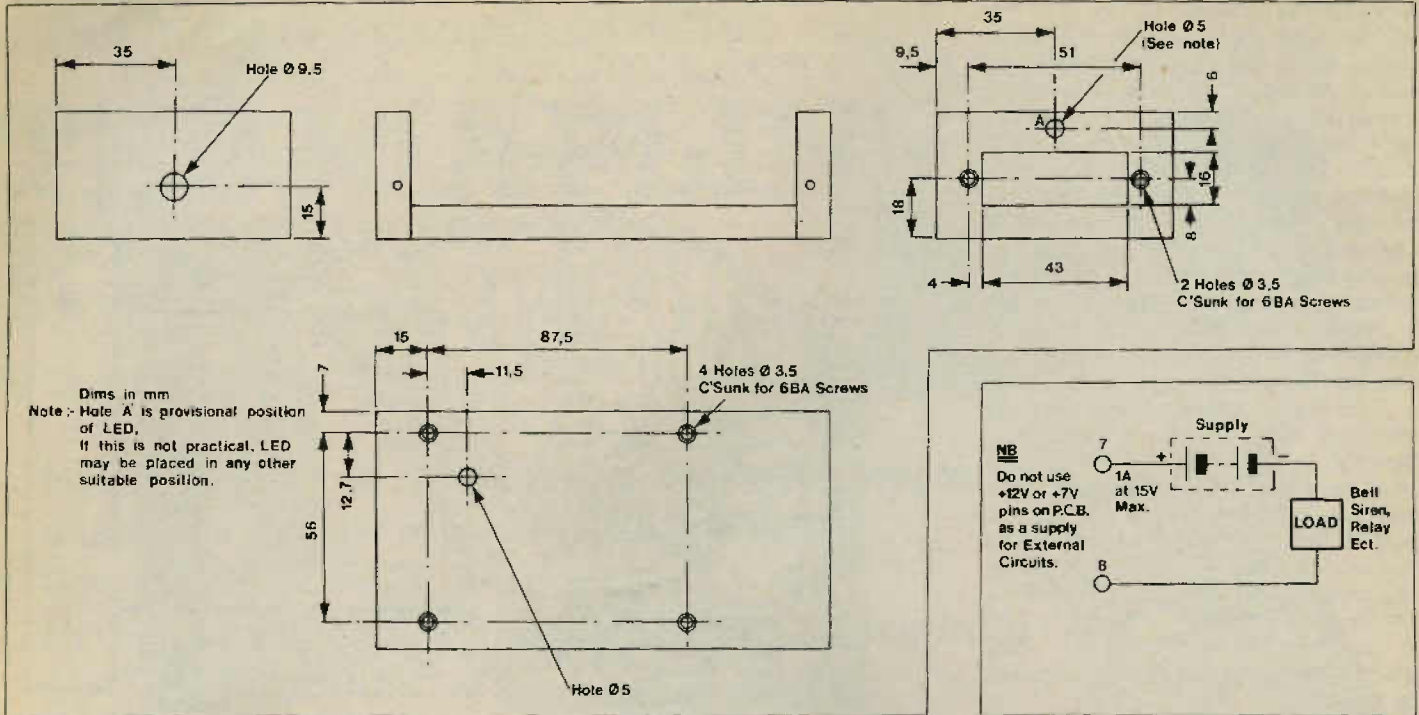


Figure 3. Box cut-out and drilling.

Figure 5. Wiring of external alarm if not used with control unit.

Licensing Requirements

The Maplin RTX3 radar intruder detector has been approved by the Home Office if built from our kit of parts. The licence will only be issued if the following requirements are met:

- i. The unit must be built from our kit and our construction details must be followed implicitly.
- ii. The equipment must be clearly and permanently marked "MAPLIN RTX3" and the kit includes the adhesive label required.
- iii. The equipment must only be used indoors.
- iv. The equipment must not be used for any purpose other than intruder detection within buildings.
- v. Any technical changes made to the design will render the equipment unacceptable for licensing.

Provided that the above conditions are met, the Home Office will issue a licence and the cost is only £3 for five years (at time of writing). You should note that it is illegal to operate the unit before you have a licence and to this end an application form is supplied with the kit. Otherwise application forms are available from:

Home Office,
Radio Regulatory Dept.,
R2 Division — Licensing Branch,
Waterloo Bridge House,
London SE1 8UA.
(Telephone 01-275 3058).

The application form must state that the equipment to be licensed is the MAPLIN RTX3 intruder detector otherwise a licence will not be issued.

We should like to thank those concerned at the Home Office for their assistance and for the prompt way in which our application for type-approval was dealt with. *Continued on page 62*

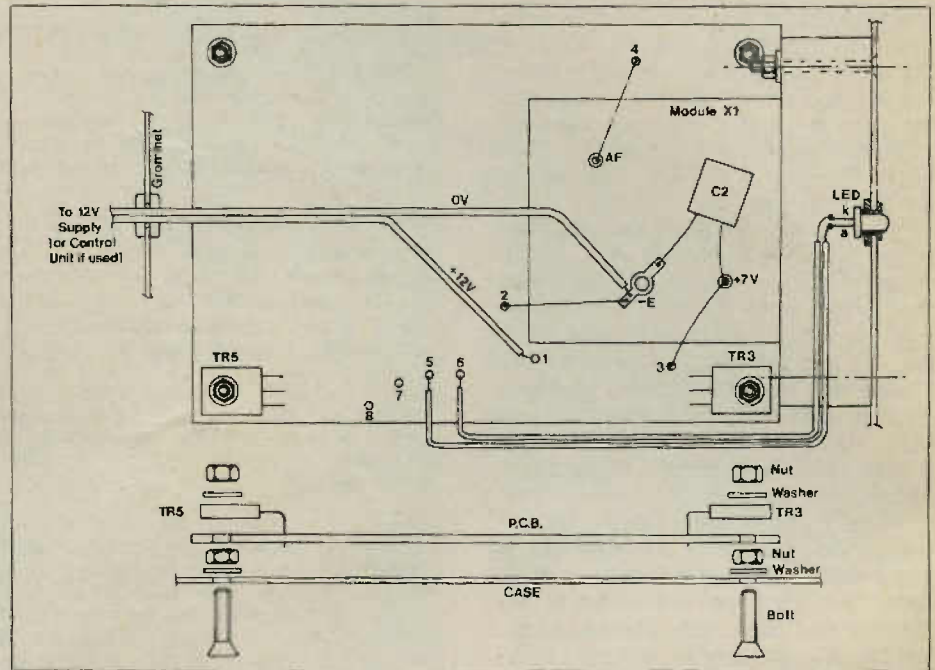
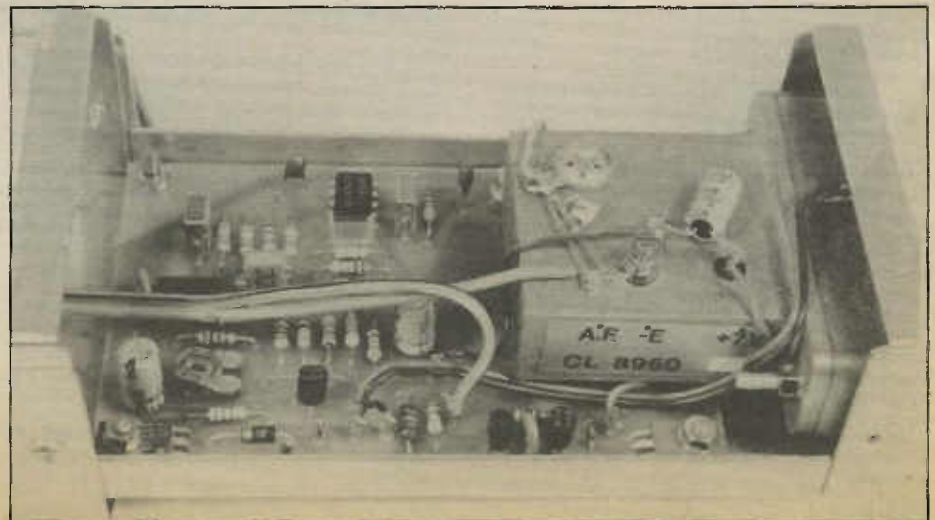


Figure 4. Assembly.



DOPPLER MODULE

CONTROL AND INTERFASE UNIT

by Dave Goodman

This unit provides a power supply for up to four radar modules and an interface for one radar module. Additional "extra channel" pcb's can simply be wired on to the side of the main pcb. Thus each interface module could be wired to individual channels on the Home Security System (described in issue 2) so that after triggering, the actual unit that fired would be indicated. Alternatively if that facility is not required then simply connect the relays in series as shown in Figure 1a and connect them to just one channel on the Home Security System.

The module provides the facility to connect a standby battery pack. Twelve nickel cadmium batteries are required and they are trickle-charged all the time mains is present. When mains fails, the batteries take-over without triggering the alarm. The size of battery used will depend on how many radar units are being used and how long you wish standby to last after mains fails.

The current drain from the battery for each radar module is 170mA. Thus with 12 fully charged 'C' cells (1800mAh types), four modules would

run for about three hours and a single module for about 12 hours. Alternatively, a single module would run from 12 'AA' cells (500mAh) for about 3 hours.

If standby batteries are not used then although when mains fails the radar units cease to function and the alarm is not triggered, when mains returns, the radar units, in taking a few seconds to settle, will trigger the alarm. So it is a considerable advantage to have standby batteries and avoid this kind of false triggering.

This unit could be used with any alarm system, but note that the relay contact does not latch. The maximum contact rating is 1A at 24V DC.

Circuit Description

The unit runs directly from 240V AC mains via a 15V 30VA toroidal transformer. The secondary voltage is half-wave rectified and smoothed by C1 producing about 24V off-load. TR1 forms a constant current charger for the standby battery with the current set to 6mA by R2. Diode D3 is reverse

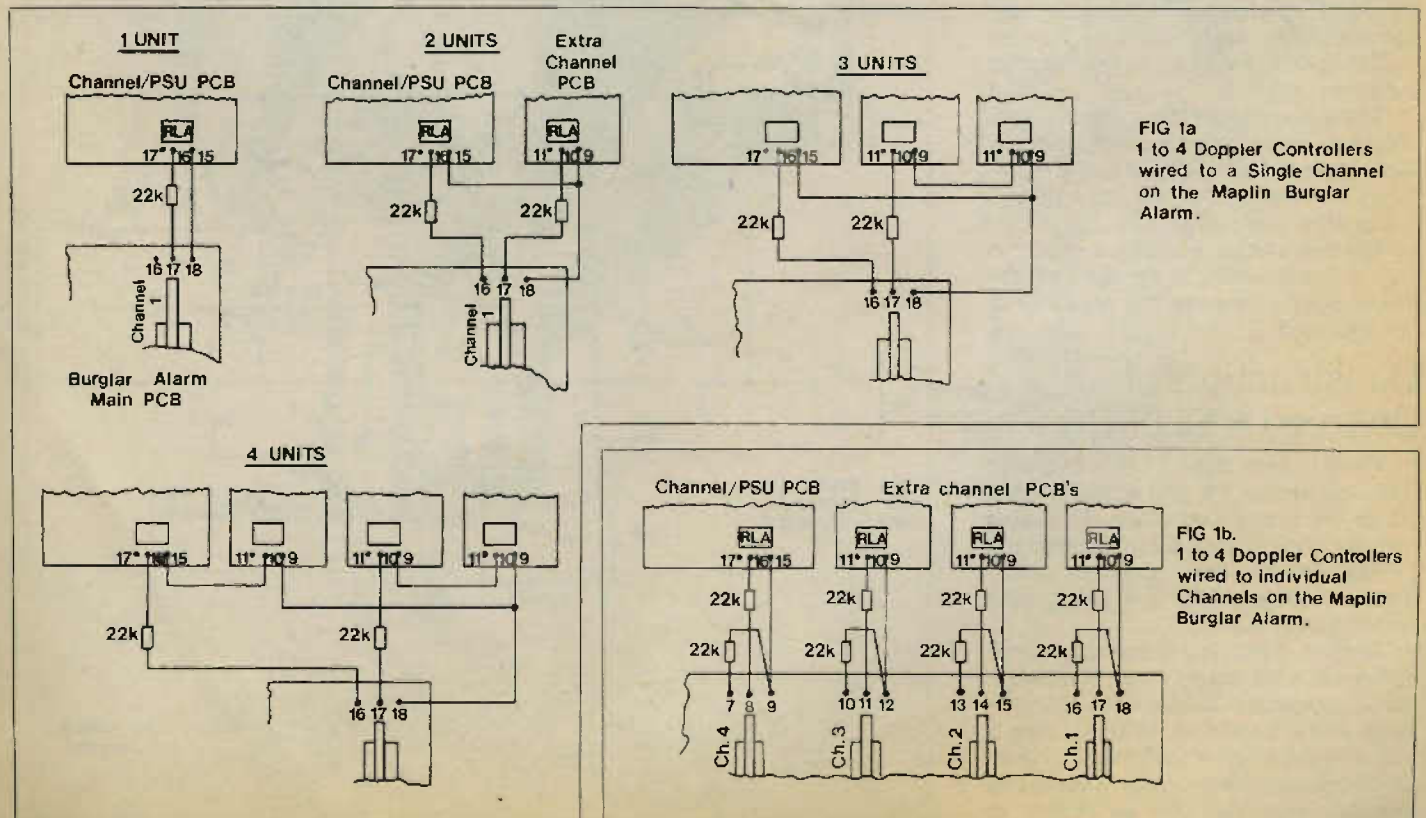


FIG 1a
1 to 4 Doppler Controllers
wired to a Single Channel
on the Maplin Burglar
Alarm.

FIG 1b.
1 to 4 Doppler Controllers
wired to individual
Channels on the Maplin
Burglar Alarm.

DOPPLER INTERFACE UNIT

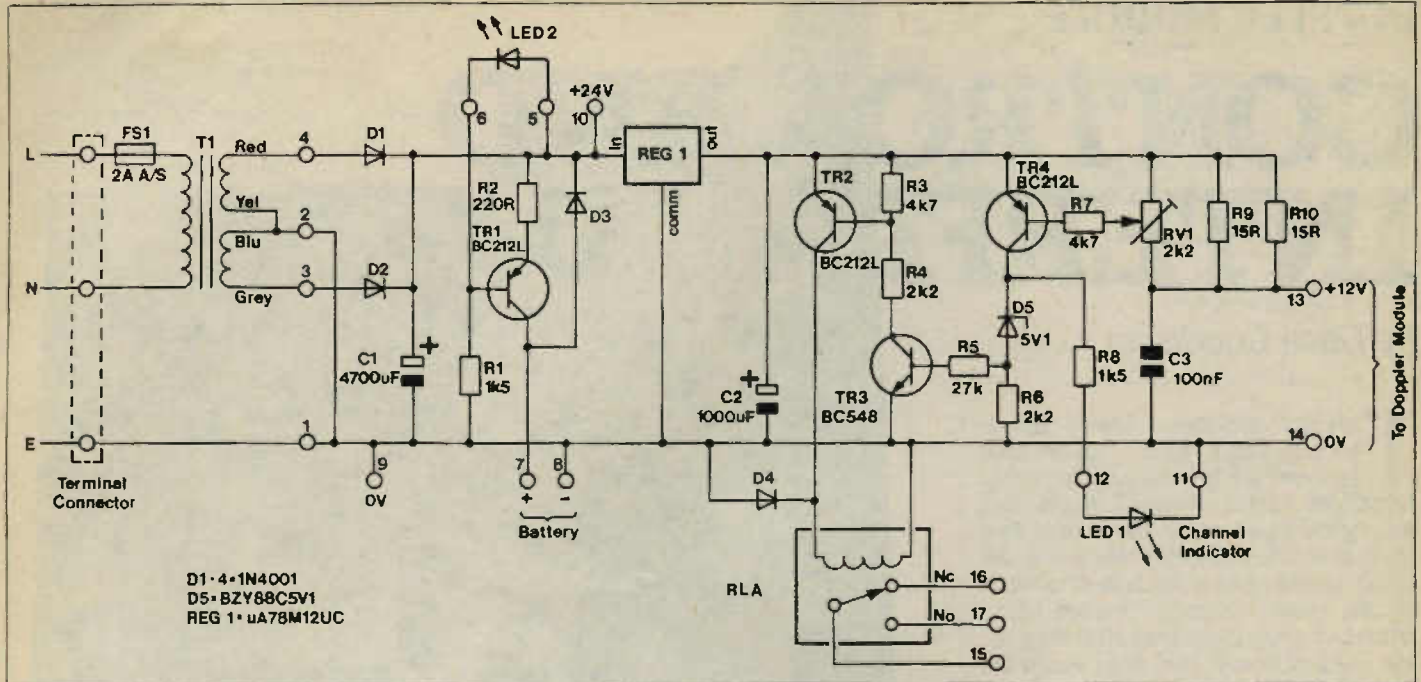


Figure 2. Circuit diagram of Channel/PSU PCB.

biased when mains and batteries are present, but when mains fails it becomes forward biased and the +24V rail drops to +15V. This is just sufficient to maintain the output of Reg 1 at 12V.

With a Doppler module connected to pins 13 and 14, the current through R9 and R10 in parallel provides a biasing voltage across RV1. With RV1 correctly adjusted, TR4 will be just turned on enough to light LED1, but not enough to operate TR3. TR2 will therefore not conduct and the relay will remain unoperated. If the Doppler module is triggered, the LED in the Doppler module lights and causes a tiny current change through R9 and R10. This change turns TR4 fully on and TR3 will turn on. This operates TR2 and the relay switches. The relay will only remain operated whilst the LED in the Doppler module is on.

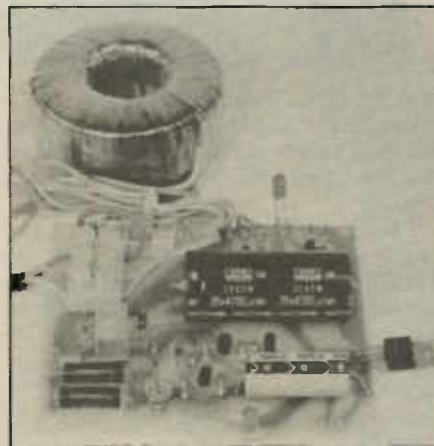
The advantage of this system is that only two wires are required and the wires themselves are constantly monitored. The alarm will fire if the wires are cut or short-circuited.

The extra channel pcb's as shown in Figure 3 are identical except that the power supply prior to the regulator is not included.

Construction of Channel/PSU PCB

Fit all the resistors, R1 to R10 and fit RV1 and solder. Fit and solder diodes D1 to D4 and Zener diode D5 taking care with orientation. Fit and solder the 17 Veropins and the disc capacitor C3, then C1, C2 and TR1 to 4 taking care with the orientation.

Relay RLA will only fit one way round, but be careful not to force the terminals, they should be carefully straightened and should then fit easily. Reg 1 can now be fitted below the pcb, then soldered and bent up so that it lies parallel with the pcb as shown in Figure 5.



Bolt the 3-way connector block to the pcb using two 6BA 1/2in bolts and nuts, then bolt the fuseholder to the pcb using a 6BA 1/2in bolt and nut. LED1 and LED2 can now be connected as shown in Figure 4. These can be mounted directly to the pcb or externally depending on your requirements. LED2 shows that power is on and must be included if standby batteries are used. LED1 is used during testing, but can be omitted in use. If fitted, it lights when a Doppler module is connected.

Wire up the six colour-coded leads from the transformer as shown in Figure 4. Cut 8cm (3in) off the piece of mains cable (note that this is not

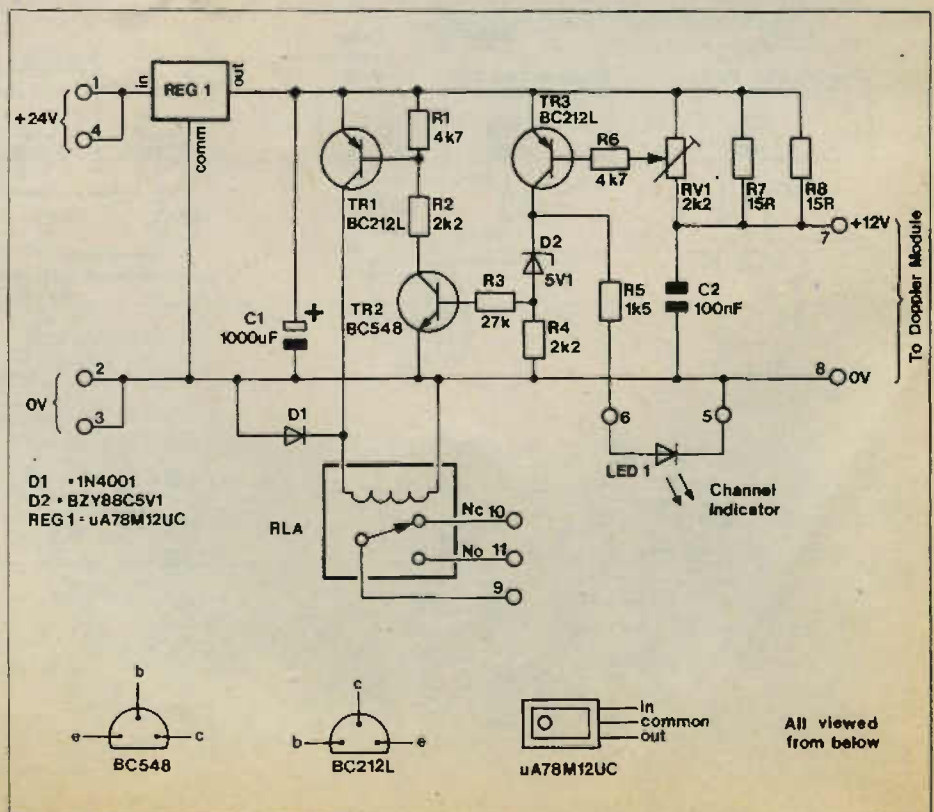
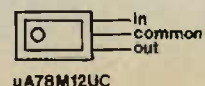
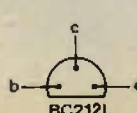
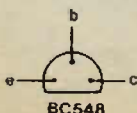
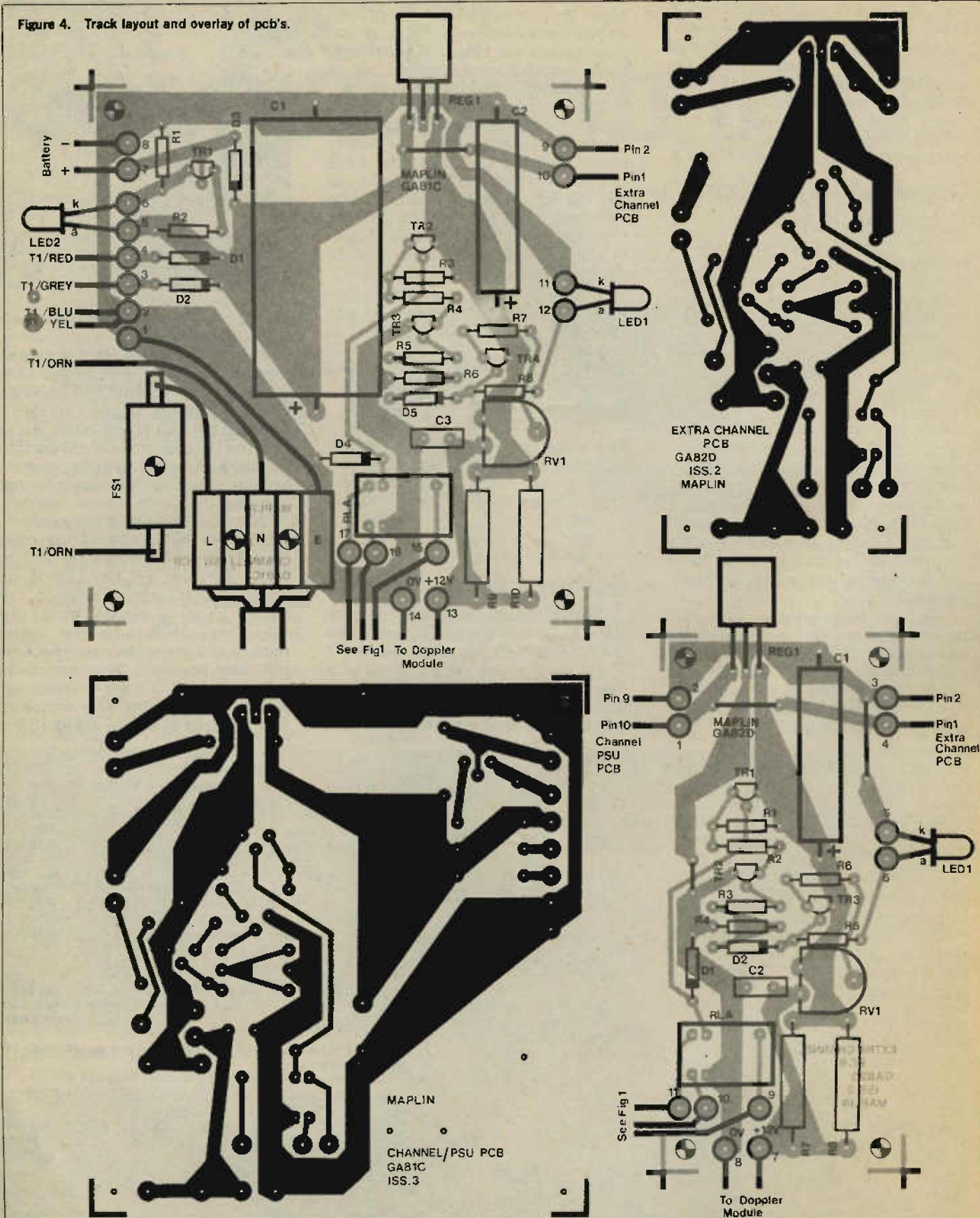


Figure 3. Circuit diagram of Extra Channel PCB.



All viewed from below

Figure 4. Track layout and overlay of pcb's.



Completed extra channel pcb.
June 1982 Maplin Magazine

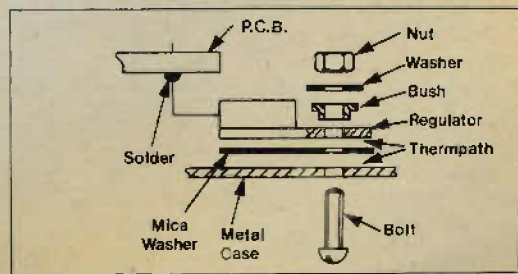


Figure 5. Mounting regulator 1.

DOPPLER INTERFACE UNIT

supplied in the kit) and use the piece of brown wire to connect from the terminal block live to FS1. Use the piece of green/yellow to connect from the terminal block earth to pin 1. These connections are shown in Figure 4. The mains cable itself can now be connected to the other side of the terminal block and this is also shown in Figure 4.

Construction of Extra Channel PCB's

Extra channel pcb's can now be constructed in the same way as the channel/psu pcb's, though of course there are less components. The LED on this board is exactly the same as LED1 on the channel/psu pcb and again although required during testing, it can thereafter be omitted if not required.

Assembly

Mount the transformer with the mounting kit supplied with the transformer and then fix the pcb's side-by-side (if extra channel pcb's are in use) so that pin 9 on the channel/psu pcb is adjacent to pin 2 on the extra channel pcb and, if further extra channel pcb's are in use, so that pin 3 on the left-hand one is adjacent to pin 2 on the right-hand one.

Fix the boards using four 1/2in spacers and four 6BA 1/2in nuts, bolts and washers. With reference to Figure 5, bolt the regulator to the metal box using the mounting kit smeared with silicone grease e.g. Thermath (not supplied in kit) and a 6BA 1/2in bolt, nut

and washer. The size of metal box in which the unit is mounted will depend on how many channels you require and whether you are having standby batteries, but whatever the size this will be a sufficient heatsink for the regulator.

When choosing a box, remember to leave room for the standby batteries. These can be fitted using our battery holders e.g. for 'C' cells use three HF95D or HF96E and for 'AA' cells use two HQ01B or YR62S. There may be sufficient room for everything in the main box of the Home Security System in which case the back of the box will form the heatsink for Reg 1.

If more than one channel is in use, then wire the pcb's together with strapping wire by linking the pins as follows:

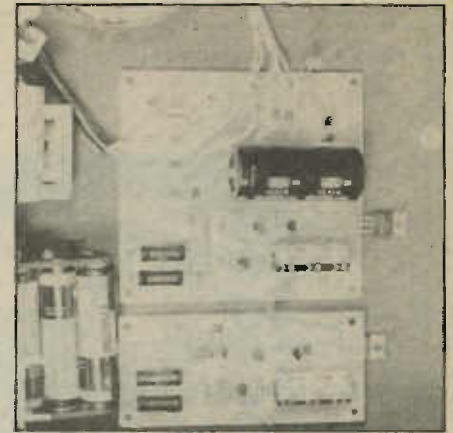
Channel/PSU PCB		Extra Channel PCB
pin 9	to	pin 2
pin 10	to	pin 1

The extra channel pcb can then be extended on again as follows:

1st or 2nd Extra Channel PCB		2nd or 3rd Extra Channel PCB
pin 3	to	pin 2
pin 4	to	pin 1

Setting-up

Switch the mains on and measure the voltage between pin 13 and 14 on the channel/psu pcb and between pin 7 and pin 8 on the extra channel pcb. The meter should read approximately 12V. Note that pins 14 (and 8) are 0V and the +12V should be on pins 13 (and



7). The pin numbers in brackets are for the extra channel pcb.

If all is well, connect a Doppler module to pins 13(7): +12V and 14(8): 0V. Adjust RV1 so that LED1 lights and check that if the Doppler module is removed the LED extinguishes. Reconnect the Doppler module and continue adjusting RV1 until the relay operates i.e. the LED and relay are now both operated.

Now turn the preset back until it is roughly in the middle of the region between the LED operating and the relay operating, i.e. the LED is now operated and the relay released. Connect a 2k to 3k resistor across pins 13(7) and 14(8) with the Doppler module still connected and check that the relay operates. Otherwise further adjustment of RV1 will be necessary. Remove the resistor. The output can now be wired as shown in Figure 1. ■

CHANNEL/PSU PARTS LIST

Resistors — all 1/4W 5% carbon unless specified

R1,8	1k5	2 off	(M1K5)
R2	220R		(M220R)
R3,7	4k7	2 off	(M4K7)
R4,6	2k2	2 off	(M2K2)
R5	27k		(M27K)
R9,10	15R (7W wirewound)	2 off	(L15R)
RV1	2k2 horizontal sub-min preset		(WR56L)

Capacitors

C1	4700uF 25V axial electrolytic		(FB90E)
C2	1000uF 16V axial electrolytic		(FB82D)
C3	100nF disc ceramic		(BX03D)

Semiconductors

D1,2,3,4	1N4001	4 off	(QL73Q)
D5	BZY86C5V1		(QH07H)
LED1,2	LED red	2 off	(WL27E)
TR1,2,4	BC212L	3 off	(QB60Q)
TR3	BC548		(QB73Q)
REG 1	uA78M12UC		(QL29G)

Miscellaneous

T1	Toroidaf 15V 30VA		(YK11M)
RLA	Ultra min relay SPDT		(YX94C)
FS1	20mm A/S fuse 2A		(WR20W)
	Chassis fuseholder 20mm		(RX49D)
	Mounting kit (P) plus		(WR23A)
	Channel/PSU pcb		(GAB1C)
	Terminal block (3 way)	part of	(HF01B)
	Veropin 2141	17 off	(FL21X)
	Bolt 6BA 1/2in	2 off	(BF05F)
	Bolt 6BA 1/2in	6 off	(BF06G)
	Spacer 6BA 1/2in	4 off	(FW34M)
	Washer 6BA	5 off	(BF22Y)
	Nut 6BA	8 off	(BF18U)
	Strapping wire 24SWG	1m	(BL15R)
	*Mains cable	as required	(XR01B)
	*Thermath	as required	(HQ00A)

A complete kit of parts containing all the above items except those marked * is available.

Order As LW74R (Radar Channel/PSU Module) Price £13.95

EXTRA CHANNEL PARTS LIST

Resistors — all 1/4W 5% carbon unless specified

R1,6	4k7	2 off	(M4K7)
R2,4	2k2	2 off	(M2K2)
R3	27k		(M27K)
R5	1k5		(M1K5)
R7,8	15R (7W wirewound)	2 off	(L15R)
RV1	2k2 horizontal sub-min preset		(WR56L)

Capacitors

C1	1000uF 16V axial electrolytic		(FB82D)
C2	100nF disc ceramic		(BX03D)

Semiconductors

D1	1N4001		(QL73Q)
D2	BZY86C5V1		(QH07H)
LED1	LED red		(WL27E)
TR1,3	BC212L	2 off	(QB60Q)

TR2	BC548		(QB73Q)
REG 1	uA78M12UC		(QL29G)

Miscellaneous

RLA	Ultra min relay SPDT		(YX94C)
	Mounting kit (P) plus		(WR23A)
	Extra channel pcb		(GAB2D)
	Veropin 2141	9 off	(FL21X)
	Bolt 6BA 1/2in	2 off	(BF05F)
	Bolt 6BA 1/2in	4 off	(BF06G)
	Spacer 6BA 1/2in	4 off	(FW34M)
	Washer 6BA	5 off	(BF22Y)
	Nut 6BA	5 off	(BF18U)
	*Thermath	as required	(HQ00A)

A complete kit of parts containing all the above parts except that marked * is available.

Order As LW755 (Radar Extra Channel Module) Price £4.50

THE VIC 20 COLOUR COMPUTER

by Chris Barlow

Commodore, the manufacturers of the VIC20 are already a well known name in the micro-computer world. Their PET micro-computer has sold more than 50,000 units in the UK, mostly to schools and businesses. Its popularity in schools is probably due to Commodore's excellent programming language PET BASIC which is one of the easiest computer languages to learn. This same BASIC is supplied with the VIC20. In fact all the best features of the PET have been included in the VIC, but because a monitor is not included, the price is much lower.

The VIC20 is a full-fledged computer and is truly expandable into a very sophisticated computer system. Although it doesn't have its own monitor like the PET, it can be used with any ordinary domestic television (625-line PAL) and simply plugs straight into the aerial socket like a video recorder or home games machine. With every computer there is a friendly guide called "Personal Computing On The VIC20" that explains to every owner, including the first-time user, exactly how to get good results from the VIC20.

The best way to get to know the VIC20 is to take a quick tour of the keyboard. The keyboard contains upper and lower case keys, numbers and symbols, just like a typewriter keyboard. In addition, there are special editing keys, and the famous "PET GRAPHICS" character set. Here then, is a brief "tour" of the VIC keyboard:

Graphics & the Commodore Key

When you turn on the VIC, you're automatically in "graphics" mode which means you can type upper case letters AND the more than 60 graphics you see on the keys. There are two graphics on each key. To get the graphic on the right side, simply hold down the SHIFT key and type the key with the graphic you want. To get the graphics on the left side, hold down the "COMMODORE" key (the little flag). In this way, you can type upper case letters and the full graphics set at the same time!

Upper/Lower Case & Graphics

To get into the "text" mode you simply press the SHIFT and COMMODORE keys together. This lets you use the VIC like an ordinary typewriter, with full upper and lower case letters, plus all the graphics on the LEFT side of the keys. These are the graphics which are most suited for charts, graphs and business forms.

Colour

You can change the colours of the characters you type by pressing the CTRL key and one of the 8 colour/number keys. The colours are black, white, red, cyan, purple, green, blue and yellow. You can set — and change — colours inside or outside a computer program. In addition to the eight character colours, you can also change the colours of the border and screen on your television set, by typing a special command called a "Poke". For example, if you type the



command Poke 36879, X where X is some number from 1 to 255, you can get up to 255 different combinations of screen and border colours, including 16 screen colours and 8 border colours.

Special Editing Keys

Here are some of the other special keys which make the VIC such a powerful micro-computer:

CTRL — used to set character colours, and, in conjunction with special programs such as wordprocessing, to execute special commands.

Software writers can select their own "Control" commands and incorporate them into their programs.

Run/Stop — The run/stop key lets you automatically load programs into the VIC's memory from a cassette tape. Hitting this key without shifting (i.e. Stop) interrupts a running program or listing. If you stop a program and want to resume it where you left off, you can type "cont" and the program will "continue".

Shift — The VIC has two shift keys and a shift lock key, just like a typewriter, for typing long strings of upper case letters or graphics.

RVS on and RVS off — These two keys let you type reverse characters on the screen (for instance white on black instead of black on white).

Joystick Demonstration Program

```
10 PRINT "J": X = 7680 : Z = 0 : V = 1 : POKE
37154, 127
20 FOR C = 38400 TO 38960 : POKE C, 6 :
NEXT C
30 A = PEEK (37151) : POKE X, 224
40 IF A = 122 THEN X = X - 22 : V = V - 1 :
IF V = 1 THEN X = X + 22 : V = 1
50 IF A = 118 THEN X = X + 22 : V = V + 2 :
IF V = 23 THEN X = X - 22 : V = V - 1
60 IF A = 110 THEN X = X - 1 : Z = Z - 1 :
IF Z = 0 THEN X = X + 1 : Z = Z + 1
70 IF PEEK (37152) = 119 THEN X = X + 1 :
Z = Z + 1 :
IF Z = 21 THEN X = X - 1 : Z = Z - 1
80 GOTO 30
```

CLR/Home — This key makes the cursor move to the "home" position at the top left hand corner of the screen. If you type shift and CLR/home you "clear" the screen of all the characters that were present.

Inst/Del — This is a super editing key which lets you insert or (shifted) delete characters. It's great for correcting mistakes and inserting extra information.

Restore — This is a "reset" key. If you type the run/stop key and the restore key together, you complete reset the computer as if you had just turned it on... with the benefit that any programs you had in the memory are retained and can be listed or run from the start.

Cursor Keys — Ability to move the screen cursor up and down and sideways by hitting single keys is a powerful feature of the VIC. Being able to move the cursor this easily is essential but not all computers include it as a feature.

Return — The return key is used primarily for entering commands and instructions to the computer.

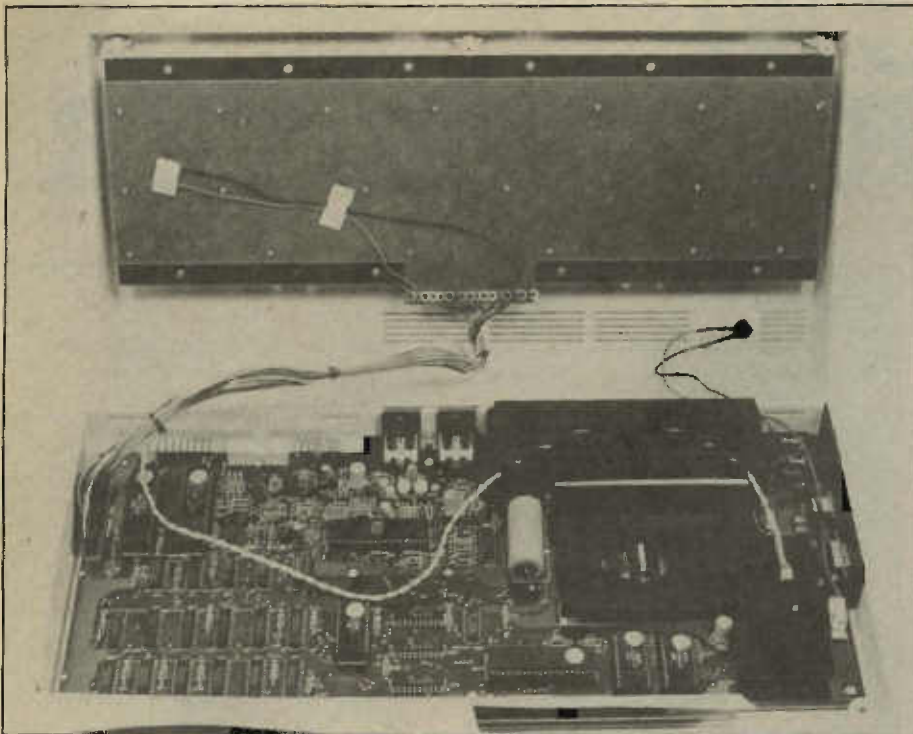
Programmable Function Keys

One of the most unique features on the VIC is that mysterious vertical row of "function" keys on the far right side of the keyboard. There are four keys and (if you shift them) a total of eight functions. These keys are not defined when you turn on the computer, but you may assign any BASIC command or instruction set to them, under program control.

Inside the VIC20

Inside the VIC20 there are some very powerful integrated circuits. The microprocessor chip itself is the 6502. The memory is divided into two parts. The first part is the ROM (read only memory) that stores the BASIC, the alpha-numeric characters and the graphics characters, input and output routines and the operating system "Kernal". The total amount of ROM supplied is 20K, but this can be increased to 32K, and addresses 40960 to 49151 are reserved for plug-in ROM such as VIC's game cartridges.

VIC20 COMPUTER



Colour Demonstration Program

```
10 PRINT "POKE 36879, 8
20 FOR D = 7680 TO 8185 : POKE D, 224 :
NEXT D
30 C = INT (RND(1)*506) + 38400
40 A = INT (RND(1)*8) : IF A = 1 THEN 40
50 POKE C, A : GOTO 30
```

The second part of the memory is RAM. The VIC20 contains 5K of static RAM (2114) and 3.58K of this is free space for your programs. More RAM can be added up to a total of 32K and addresses 8192 to 32767 are reserved for further expansion of RAM. The first part of RAM is allocated to BASIC working storage and tape buffer, screen storage etc.

The second important chip in the VIC is the one from which the name of the computer is derived. This chip, a 6561, is a video interface chip (VIC). It is a powerful colour graphics and sound generator and incorporates two 8-bit analogue to digital converters for two paddles for playing arcade-type games. The VIC also generates the video sync., luminance and colour information needed by a standard UK television to provide a full colour picture.

To produce programmable colour characters, VIC accesses three areas of memory — display characters, character pointers and colour pointers. Each character is stored in a cell of 8 x 8 bits and it is this data that makes up each of the characters stored in ROM. However, it is possible under software control to write your own character set in

RAM, remembering of course that a complete set will take up 4K in the memory.

Most computer games use re-defined characters to create the special symbols and objects such as those used in Commodore's Alien Invaders or Tank Command or Air Sea Battle, etc. Re-defined characters could also be used though to make musical notes or the characters for foreign languages or scientific symbols etc.

The video screen is stored in RAM locations 7680 for the top left-hand corner of the screen to 8186 for the bottom right-hand corner. The position of this RAM will move if more RAM is added to the VIC20. If there is more than 8K of RAM then the addresses change to 4096 to 4602.

Similarly the colour addresses for the screen display start at address 38400 for the top left-hand corner and go to 38906 for the bottom right-hand corner. The values stored in these addresses set the colour of the character displayed on the screen in each position. Again the addresses move if there is more than 8K of RAM fitted. The new addresses are 37888 to 38394. In the Colour Demonstration program shown in the panel, remember to change the addresses if you have more than 8K of RAM.

The VIC chip has many more functions, but we have quickly covered here some of the more useful ones.

The VIC20 Joystick

The VIC20 has provision for a joystick and this can be used in games or simulation programs. Inside the joystick are five switches. Four switches are for joystick movement and one is the 'fire' button. When the joystick is in a diagonal position, two of the four movement switches will be closed and this sets a particular value in the VIC20. These joystick position values are stored in addresses 37151 and 37152 as shown in the diagram.

The value in address 37151 changes when the joystick is moved to close the switches for up, down and left and it also changes when the fire button is pressed. If the joystick is central and therefore no switch is closed then the value in 37151 is set to 126. This changes to 94 if the fire button is pressed. If the joystick is moved to close the 'up' switch, the value changes to 122 or to 90 if the fire button is pressed and so on as shown in the diagram.

The fourth stick switch changes the value in location 37152, but this address is also used for keyboard scanning. To make this location 'see' the joystick, you have to POKE 127 at address 37154, not forgetting to return it to 255 when you want keyboard scanning to resume. Once 37154 is set to 127, location 37152 will contain the value 247 when the joystick right switch is open and 119 when the switch is closed. Clearly your program will need to contain a short algorithm to detect when the top right diagonal is called i.e. when top and right switches are closed, or when the bottom right diagonal is called. A short joystick demonstration program is shown in the panel.

The Actual Equipment

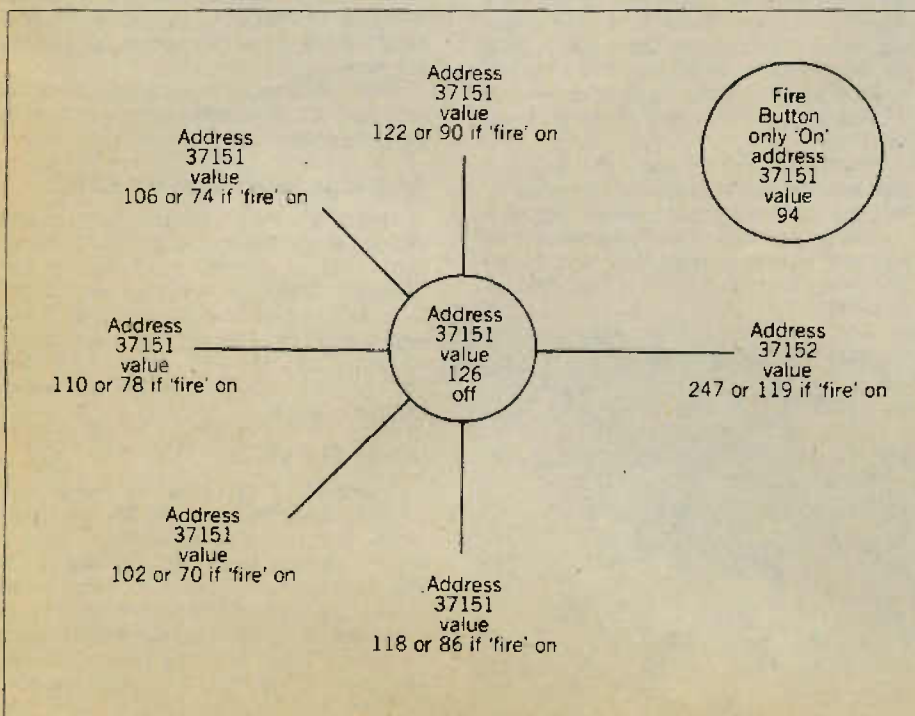
Here's a brief technical description of the computer itself and all the add-ons available at the moment.

The VIC20 Colour Computer

Specification

5K RAM expandable up to 29K (a further 3K could be added, but this would not be addressable from BASIC).

RS232C interface capability.



The VIC 20 Joystick.

8 border colours, 16 screen colours which can be mixed.

8 screen character colours generated directly from the keyboard.

3 audible tone generators, each of 3 octaves.

A white noise generator for sound effects.

22 characters wide by 23 lines deep screen display.

88 character program line length.

64 ASCII character set, upper and lower case alphabets plus numerics.

Full PET-type graphics character set generated directly from the keyboard.

High resolution graphics capability either directly from defined keyboard characters or via a high resolution graphics cartridge.

176 x 158 pixels (27,808 in total) maximum resolution.

8 programmable special functions accessed via 4 special function keyboard keys.

Automatic repeat on space bar, insert, delete and cursor control keys (other keys can be programmed to repeat).

The console comes complete with a power pack and modulator and the necessary connecting leads and a users' handbook.

Order As AF47B (VIC20 Colour Computer).
Price £199.99

VIC C2N Cassette Unit

This cassette unit plugs directly into the computer console and may be used to store your programs. It can also be used to run pre-recorded programs on cassette such as Commodore's 'Teach Yourself Programming.'

Order As AF48C (VIC20 Cassette C2N)
Price £44.95

VIC Printer

A tractor-feed 80 character-per-line, 30 characters-per-second printer that plugs directly into the VIC20 console or into the disk drive if that is in use.

Order As AF49D (VIC20 Printer)
Price £230.00

VIC Disk Drive

A disk drive that plugs directly into the VIC20 console. The drive may be used with standard single-sided, single density 5 1/4 inch floppy disks and about 170K bytes of storage is available.

Order As AF50E (VIC20 Disk Drive)
Price £396.00

Add-on RAM Cartridges

Any one of these add-on cartridges will plug directly into the VIC20 console. However, if a plug-in ROM cartridge is used, the memory would have to be removed. If you wish to use more than one RAM cartridge or you want to keep the RAM connected when running

games, then you will need the Memory Expansion Board described below. The add-on RAM is available in three sizes.

Order As AF51F (VIC 3K RAM) Price £29.95
AF52G (VIC 8K RAM) Price £44.95
AF53H (VIC 16K RAM) Price £74.95

VIC20 Memory Locations

0 to 1023 Working storage RAM (1K)
1024 to 4095 Expansion RAM (3K)
4096 to 7679 User RAM (3.5K)
7680 to 8191 Screen RAM (0.5K)
8192 to 16383 Expansion RAM/ROM (8K)
16384 to 24575 Expansion RAM/ROM (8K)
24576 to 32767 Expansion RAM/ROM (8K)
32768 to 36863 Character ROM (4K)
36864 to 37135 VIC address (0.27K)
37136 to 37887 I/O 1 (0.73K)
37888 to 38911 Colour RAM (1K)
38912 to 39935 I/O 2 (1K)
39936 to 40959 I/O 3 (1K)
40960 to 49151 Expansion ROM (8K)
49152 to 57343 BASIC ROM (8K)
57344 to 65535 Kernel ROM (8K)

Memory Expansion Board

This board plugs directly into the VIC20 console and has four input sockets. Up to four of the following items can be connected: 3K RAM, 8K RAM, 16K RAM, program cartridges, or any IEEE devices such as PET/CBM peripherals.

Order As AF54J (VIC Memory Expansion)
Price £125.95

Joysticks and Paddles

A pair of paddles or one joystick may be connected directly to the VIC20 console. (An expander will be available soon to allow two joysticks to be connected, however all the programs available at the moment that use joysticks, require only one). Most of the game cartridges require joysticks, except Super Slot where paddles are required.

Order As AC53H (Single Game Joystick)
Price £7.50

AC37S (Pair of Joysticks)
Price £13.95

AC45Y (Le Stick) Price £24.95

AC30H (Pair of Paddles)
Price £13.95

Programming Aid Cartridges

Three plug-in cartridges for the programmer. Super Expander contains 3K of RAM and enables high resolution graphics up to 176 x 158 pixels to be obtained. Programmers Aid contains additional commands, function key programming and much more. The third cartridge is a machine code monitor.

Order As AC54J (Super Expander)
Price £34.95

AC55K (Programmers Aid)
Price £34.95

AC56L (Machine Code Monitor)
Price £34.95

Introduction to BASIC

Two program cassettes with documentation to help you learn BASIC on the VIC.
Order As AC57M (Intro to BASIC Part 1)
Price £14.95

AC58N (Intro To BASIC Part 2)
Price £14.95

Game Programs

The following game programs are available on cartridge except for Blitz which is on cassette.

Order As AC59P (VIC Avenger Game)
Price £19.95

AC60Q (VIC Star Battle Game)
Price £19.95

AC61R (VIC Super Slot Game)
Price £19.95

AC62S (VIC Jelly Monsters Game)
Price £19.95

AC63T (VIC Alien Game)
Price £19.95

AC64U (VIC Super Lander Game)
Price £19.95

AC65V (VIC Road Race Game)
Price £19.95

AC66W (VIC Rat Race Game)
Price £19.95

AC67X (VIC Blitz Game)
Price £4.99

Books About VIC

Three books are available to help you really get to know the VIC computer.

Order As WA31J (Learn Programming On The VIC)
Price £2.50NV

WA32K (VIC Revealed)
Price £11.50NV

WA33L (VIC Programmers Reference Guide)
Price £16.50NV

The Future

In our next issue we shall be giving more details about the VIC software. Lots more software will become available later this year. Game programs to be released include Sargon II, Chess, Pinball, Cosmic Jailbreak, Omega Race and Gorf. Adventure programs coming soon include Adventure Land, Treasure Island, Mission Impossible, Voodoo Castle and The Count. Business programs to be released are Simplicial — a simplified version of Visicalc, Stock Control, File — a data-base handling program, and Letter Writer — a word processor. Also during this year 10 or 11 programs are being released on specific subjects to help with O-level and CSE revision.

NEW ITEMS USED IN PROJECTS IN THIS MAGAZINE

GA65V Sequencer PSU PCB Price £1.35
GA71N Stereo Amp PCB Price £4.60
GA78K Stereo Amp Switchboard Price 55p
GA81C Channel/PSU PCB Price £1.85
GA82D Extra Channel PCB Price £1.35
GA83E ZX81 Keyboard PCB Price £2.95
GA84F Remote Data Latch PCB Price £2.10
GA85G Data Encoder PCB Price £2.49
GA86T Data Decoder PCB Price £2.45
GA87U Infra-red Transmitter PCB Price £1.25
GA88V Infra-red Receiver PCB Price £1.25
GA89W 27MHz Transmitter PCB Price £1.50
LW66W Sequencer Kit Price £125.00
LW71N Stereo Amp Kit Price £49.95
LW72P ZX81 Keyboard Kit Price £19.95
LW73Q RTX3 Doppler Kit Price £39.95
LW74R Channel/PSU Kit Price £13.95
LW75S Extra Channel Kit Price £4.50

QY17T 2716/M3 Price £14.95
RK25C Stereo Amp Heatsink Price £1.25
RK26D Axial 4700uF 40V Price £1.40
RK27E Adaptor L Price 60p
RK28F RA Flexiconnector 5-way Price 20p
RK29G RA Flexiconnector 8-way Price 25p
RK30H Flexicable 7-way Price 54p
RK31J Flexicable 10-way Price 65p
RK32K Sequencer Key Print Price 65p
XH58N ZX81 Key Print Price 25p
XG15R Stereo Amp Chassis Price £5.95
XG16S Stereo Amp Woodwork Price £6.25
XG17T ZX81 Keyboard Case Price £4.95
YQ56L Sequencer PCB Price £4.75
YQ57M Sequencer Display PCB Price £1.65
YQ58N Sequencer Keyboard PCB Price £2.35
YQ59P Sequencer Interface PCB Price £2.10

REMOTE CONTROL

for Digital Multi-Train Controller by Robert Kirsch

- ★ Infra-red, radio and wire remote control systems described
- ★ Any 4 locomotives controlled simultaneously from remote controller

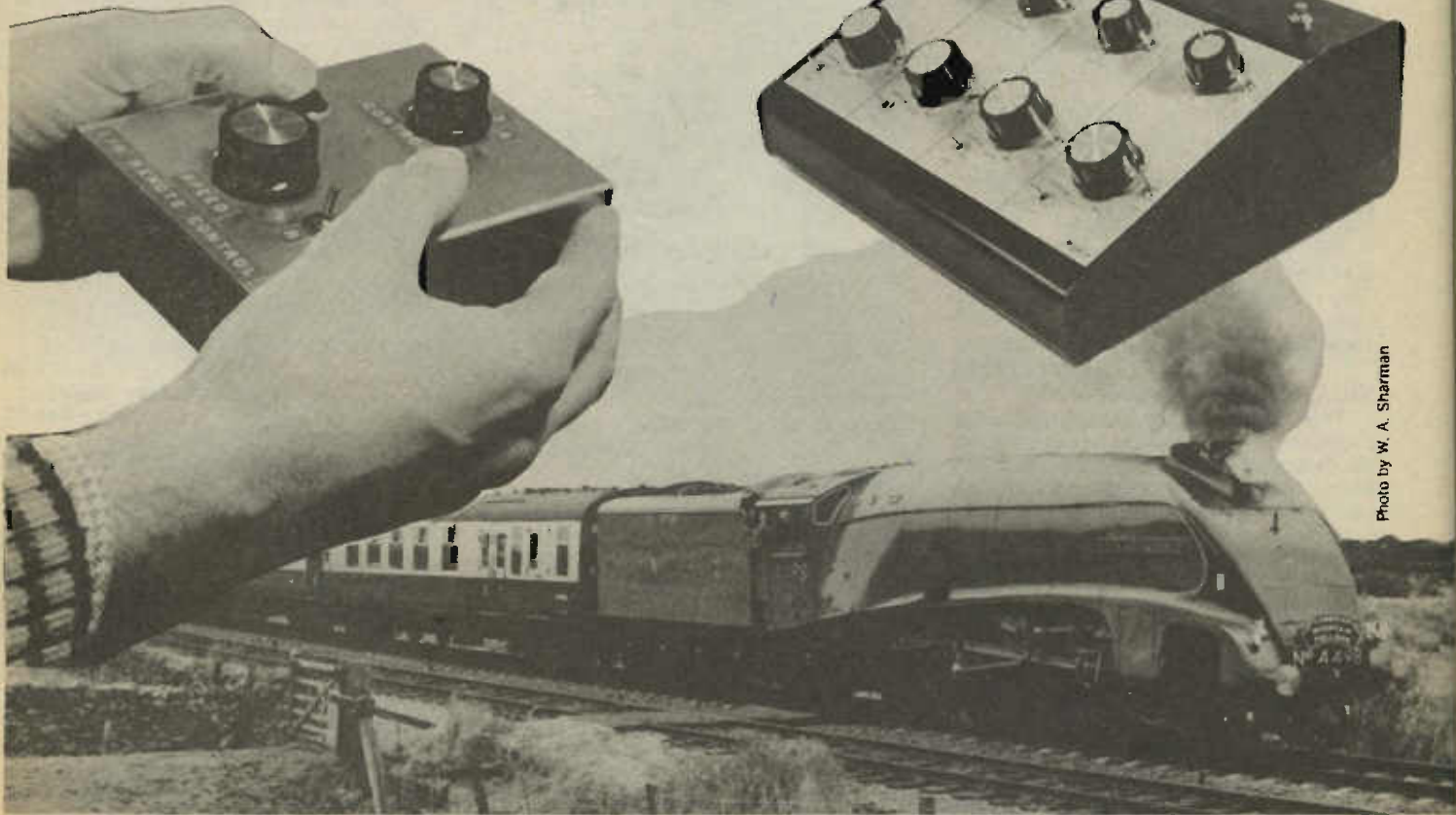


Photo by W. A. Sharman

The second in this series of articles on model railway projects describes the addition of remote control facilities to the train controller described in the previous issue. This addition enables any or all of the four control boards to be commanded by an 8-bit digital input either from the remote controller or a computer. The data for each controller is latched and thus one train can be set running and the command changed to another controller to enable up to four trains to be controlled simultaneously by the external input. Figure 1 shows the block schematic diagram of the remote control system.

Additions To Control Board Circuit

Figure 2 shows the complete circuit of the control board with the extra parts added. As described previously, the board works by allowing a group of TS pulses to be sent to the 6 common lines depending on the direction and train to be controlled. The length of this group of pulses determines the speed of the train; thus with no pulses the train is stationary and with a full ten pulses per group, the train is at maximum speed.

In the local mode, the number of pulses in the group is set by selecting one of the ten outputs from the 4017 decade counter (IC1) and using this to trip the output gate after the appropriate number of pulses have been sent. The same applies in the remote mode, except that in this case the

output gate is tripped when the output from the binary counter (IC101) is the same as the 4-bit input from the external source. This is detected by the 4-bit magnitude comparator (IC102). The direction in travel in the remote mode is controlled by simply gating the TS pulses fed to the appropriate line

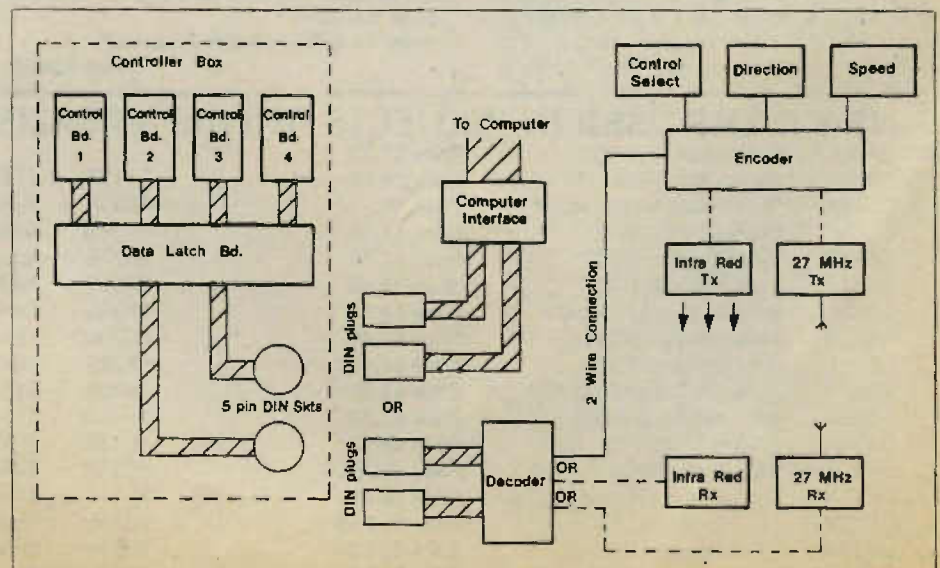


Figure 1. Block schematic showing all options.

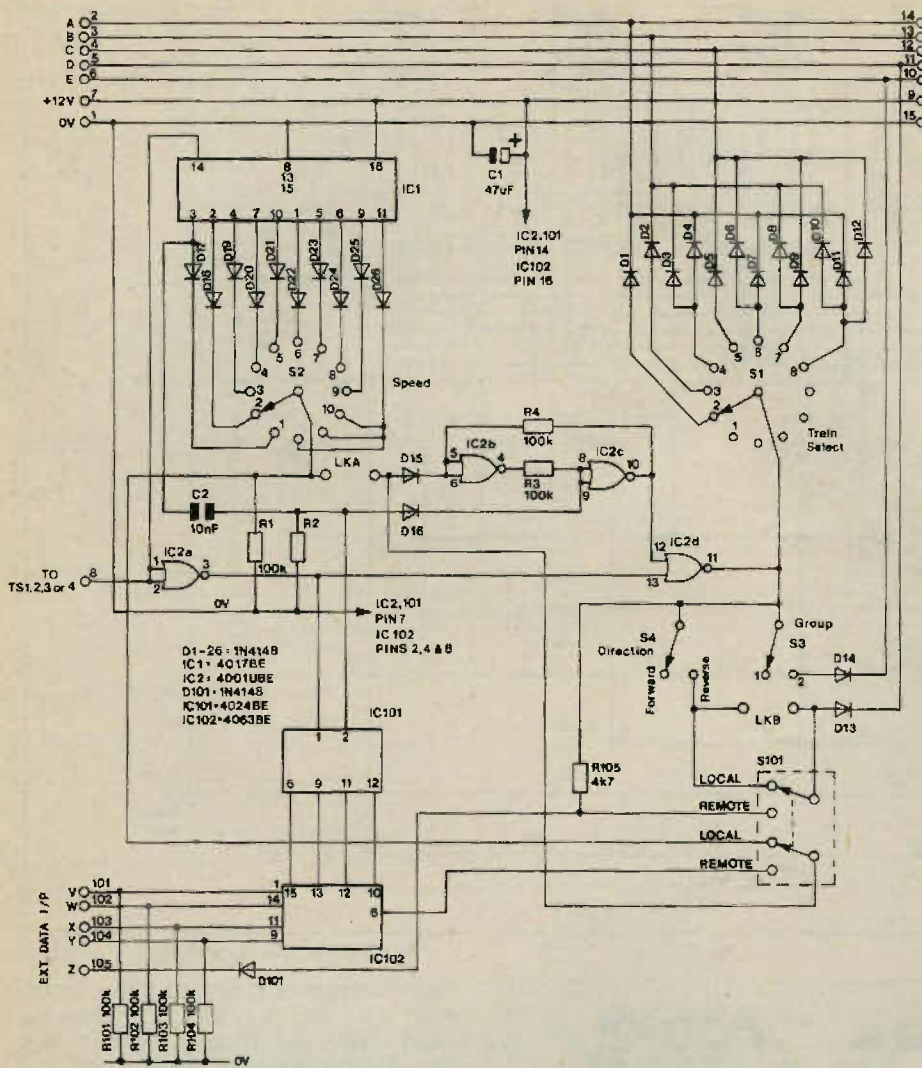


Figure 2a. Circuit diagram of complete Control board.

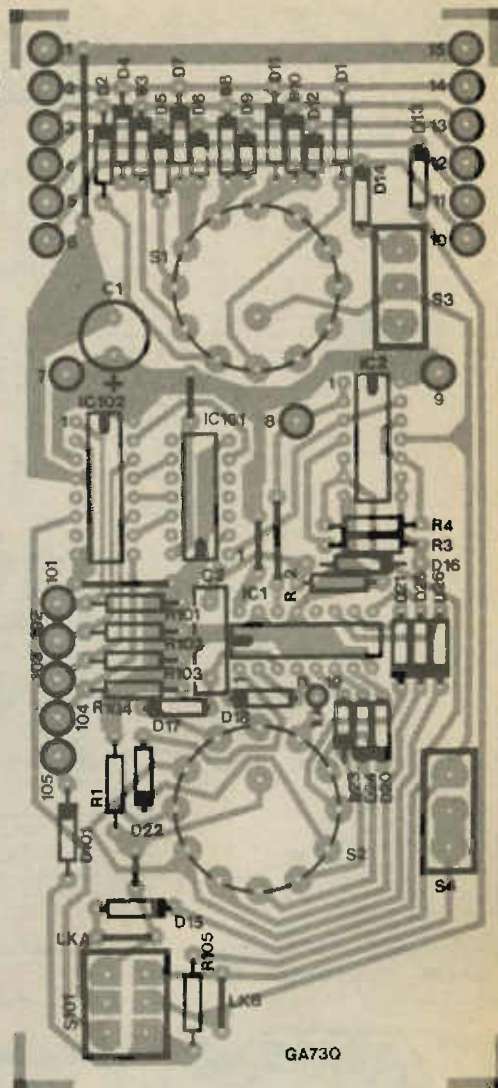
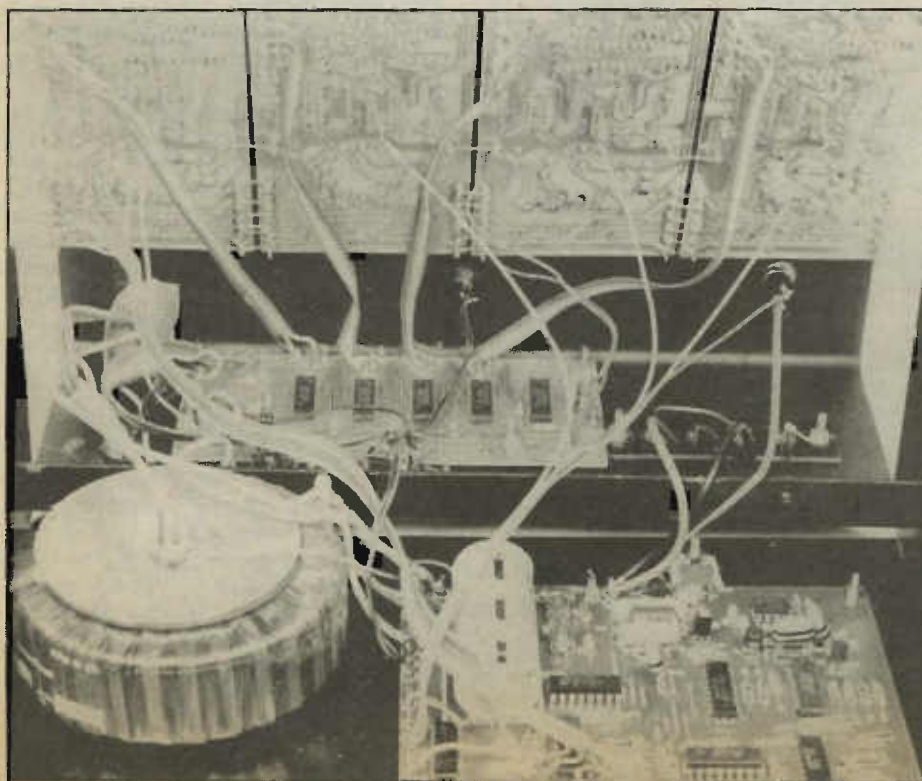


Figure 2b. Component layout of Control board.



Interior view of controller with Data Latch board fitted.
June 1982 Maplin Magazine

under control of the fifth bit of external data.

Remote Data Latch Board

The data for each of the four control boards is stored by one of the four latches (IC1 to 4); see Figure 3. The control board to be commanded is selected by the conditions applied to the input lines B5 and B6, and this is decoded by IC5 and the diodes D2 to D9 allowing the TS pulse to clock only the required latch.

The eighth bit of the control word may be used for any function required, but we have shown it connected to the power reset circuit. This requires an output only when the button on the remote controller is pressed, so no latch is needed.

Remote Control Data Encoder Board

This board enables any one of the four control boards to be selected and the speed and direction of the train selected by that board to be controlled.

TRAIN REMOTE CONTROL

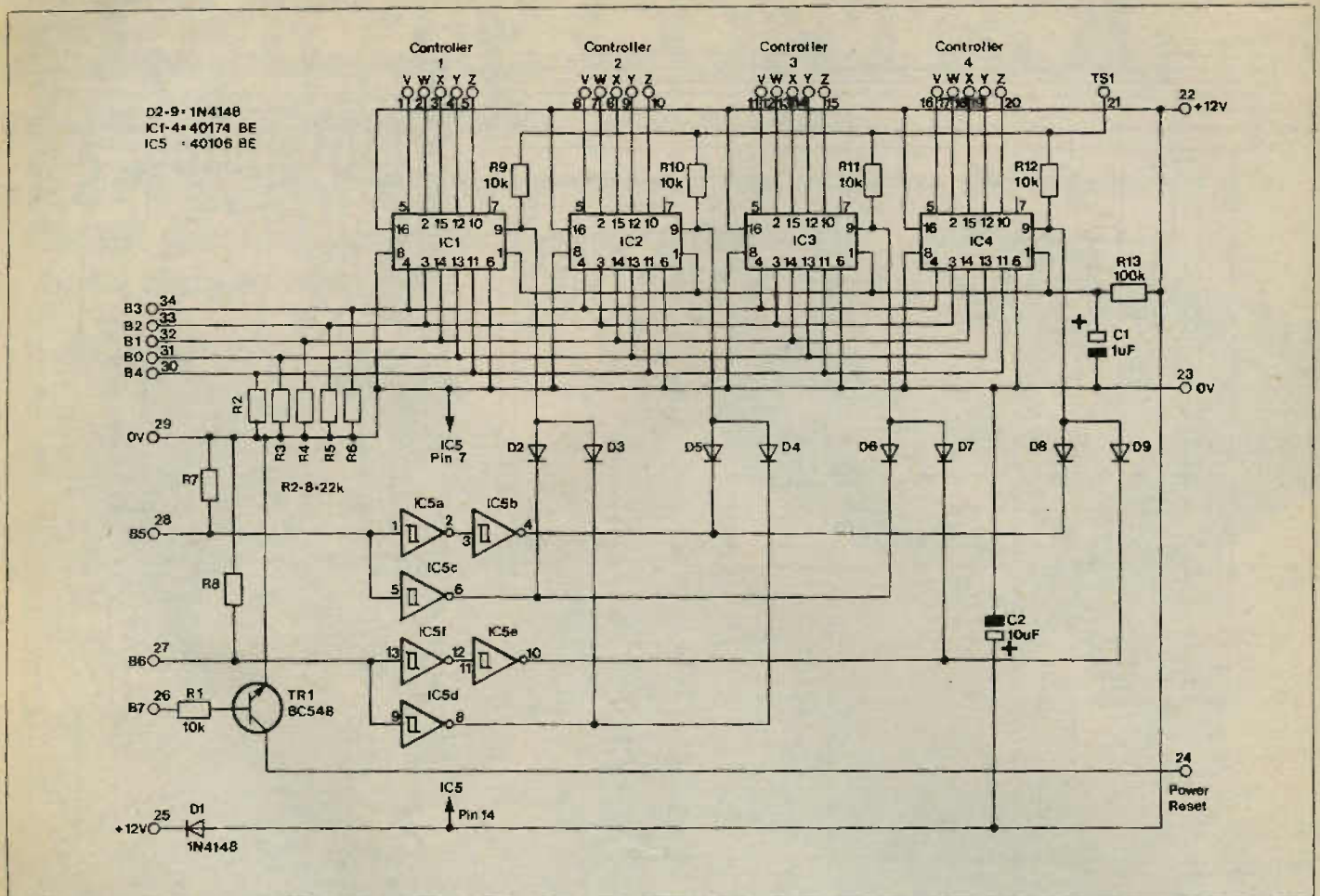


Figure 3a. Circuit diagram of Latch board.

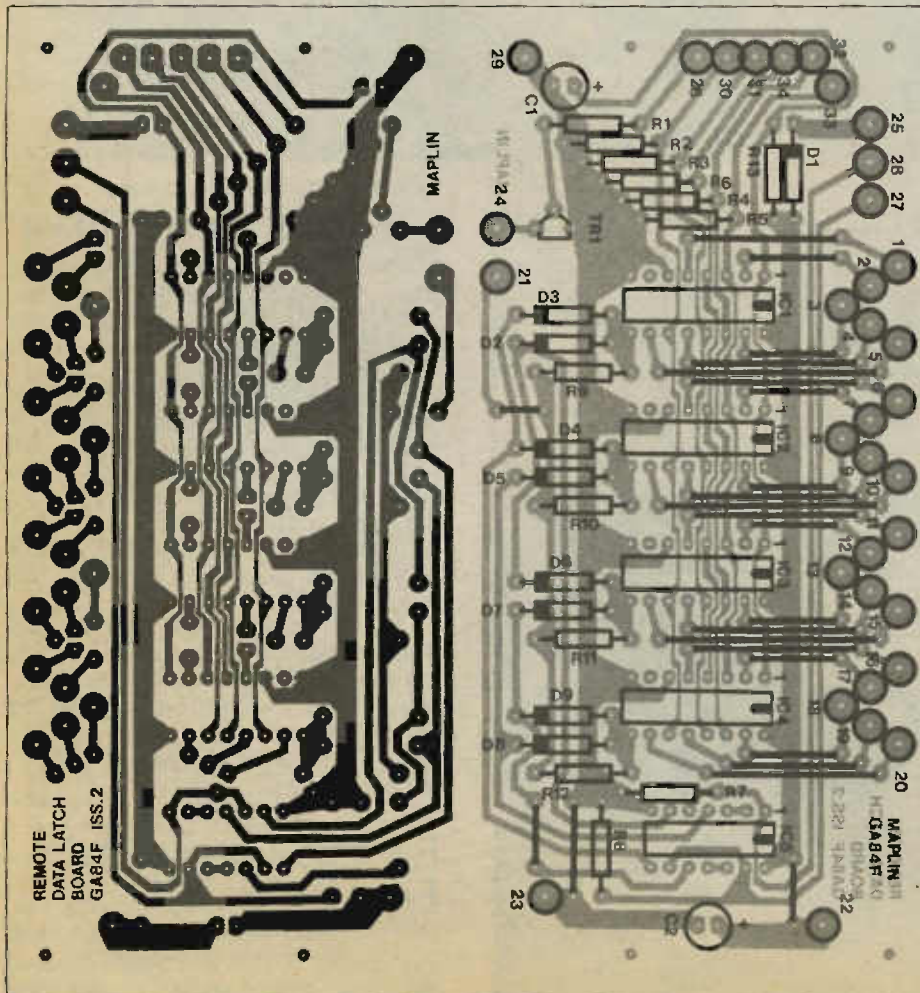


Figure 3b. Component layout of Latch board.

The information is turned into a serial 8-bit word and may be transmitted by radio, wire or infra-red link to the decoder at the train controller.

The serial data sent consists of one long sync pulse followed by eight pulses whose length is determined by whether the bit is at '1' or '0'. A short pulse is sent for 0 and a longer pulse for 1, but a gap is always left between bits to enable the counter in the decoder to step to the next bit.

All the pulses used in the encoder are derived from IC1 (Figure 4) whose mark/space ratio is set to give the critical 'on' period for data '1' transmissions. The output of this IC is fed to the decade counter (IC2) which serves two functions. The first is to select each one of the eight gates (IC3 and IC4) in their correct sequence and at the last two counts, send the sync pulse. The second function of IC2 is to provide sequential pulses to the speed control in decimal form at the same time as the binary counter (IC7) is counting up in binary.

When the decimal count reaches the selected speed, the binary data is clocked into the latch (IC6). The data held in this latch is sent at the appropriate time during the serial word's transmission. A simple diode encoder turns the information from the controller selector into the required two bits to be transmitted. Sync pulses and inter-word gaps are inserted by the gates (IC8) and the output is fed to the emitter follower (TR1).

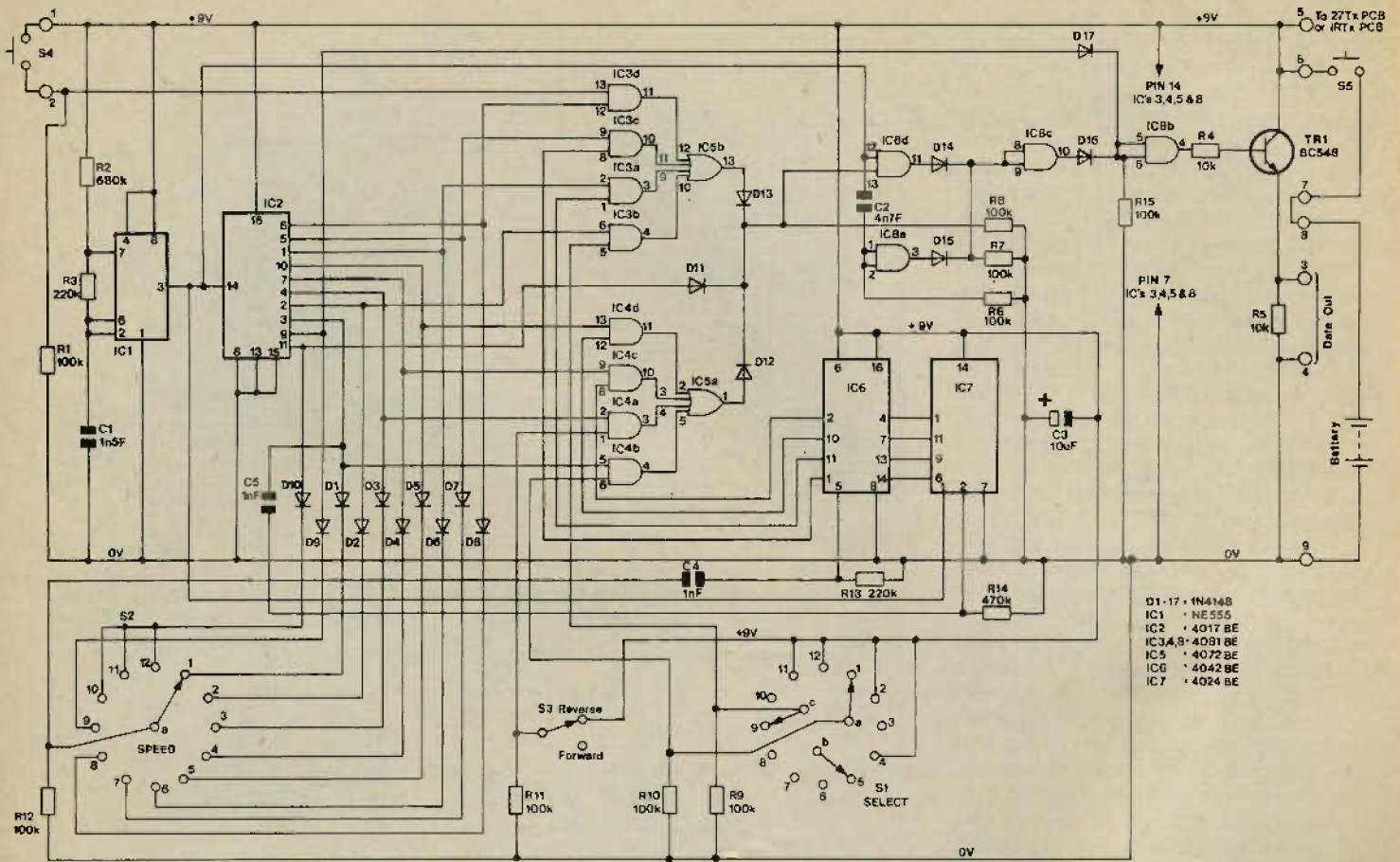


Figure 4a. Circuit diagram of Encoder board.

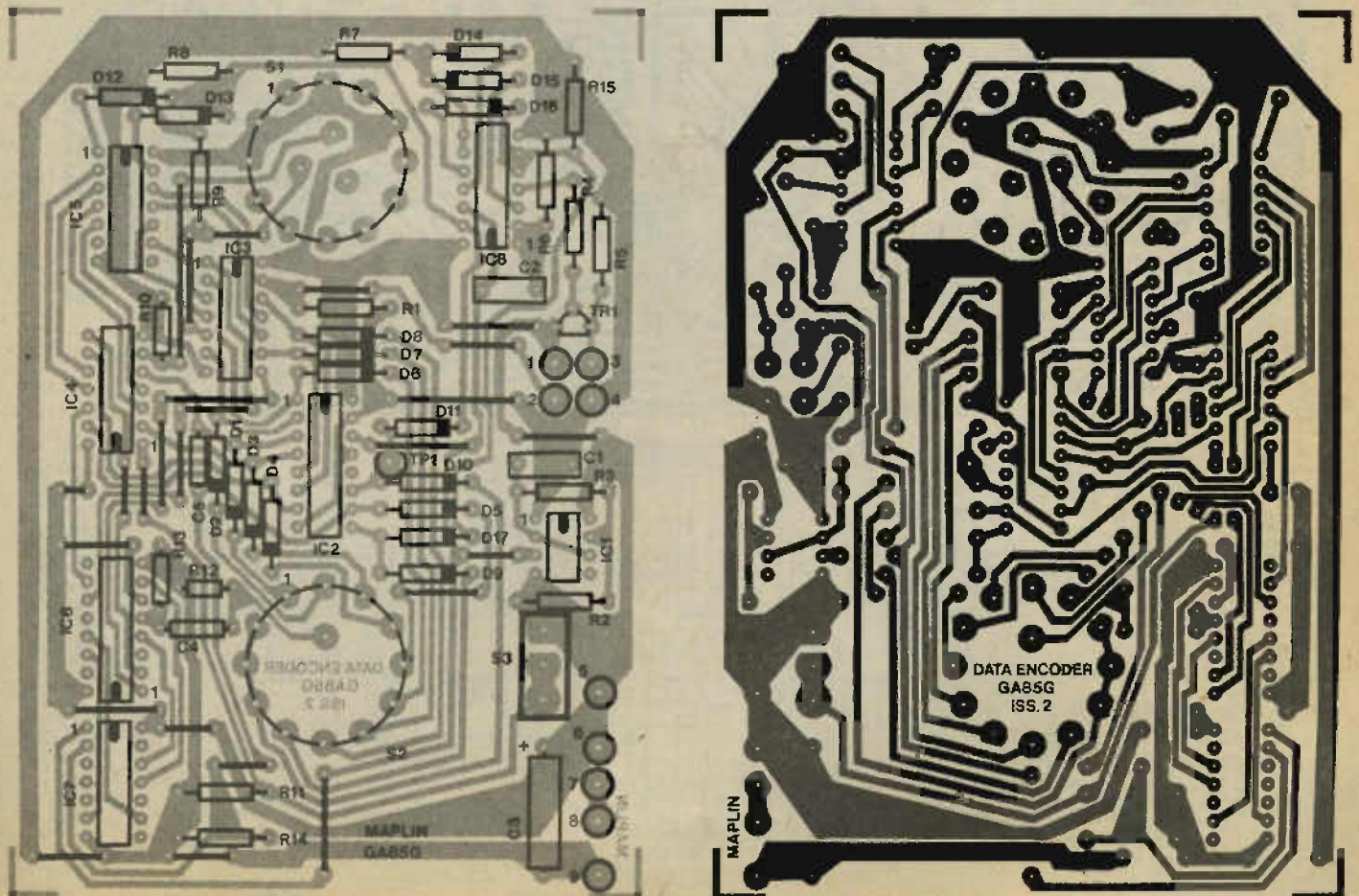


Figure 4b. Component layout of Encoder board.

TRAIN REMOTE CONTROL

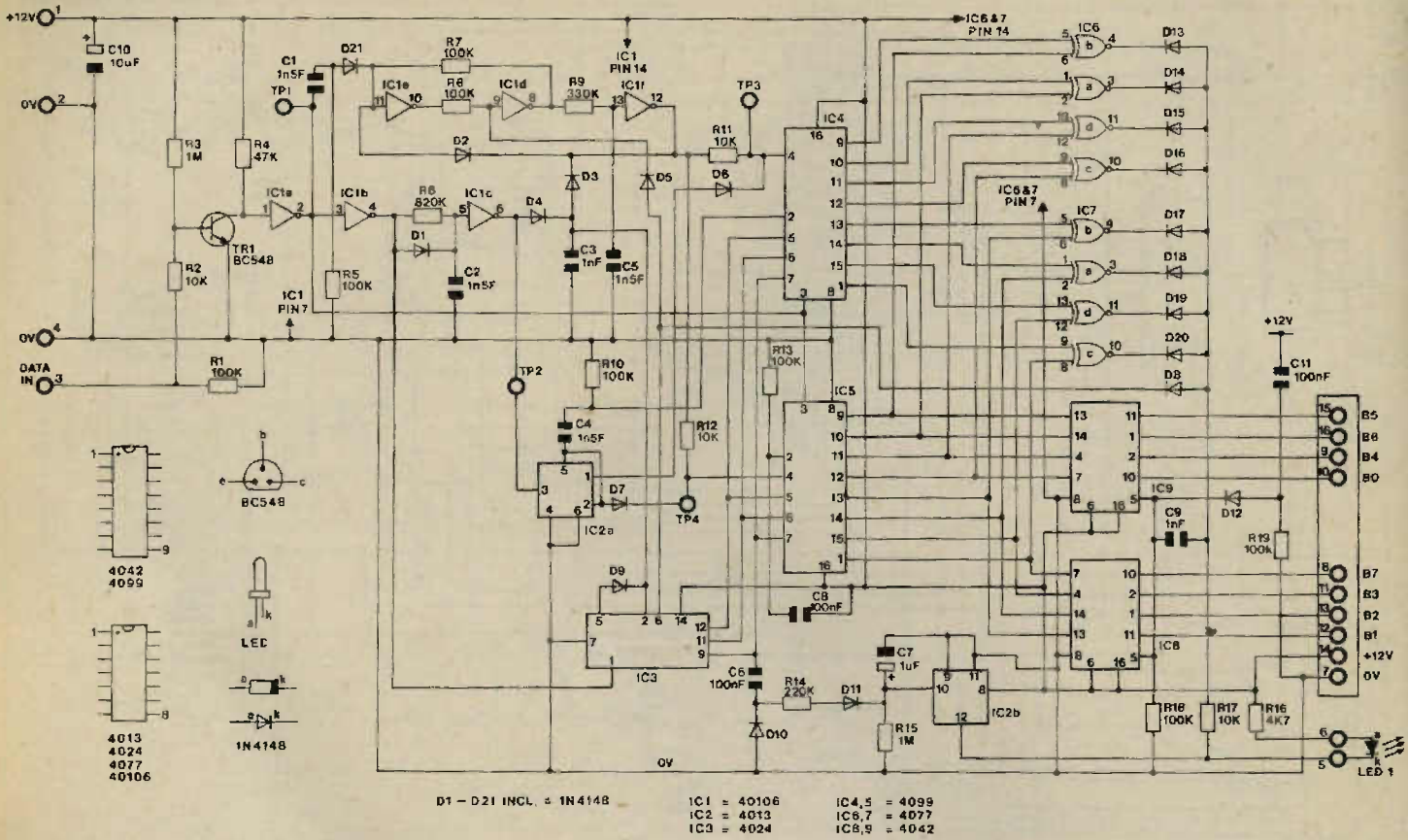


Figure 5a. Circuit diagram of Decoder board.

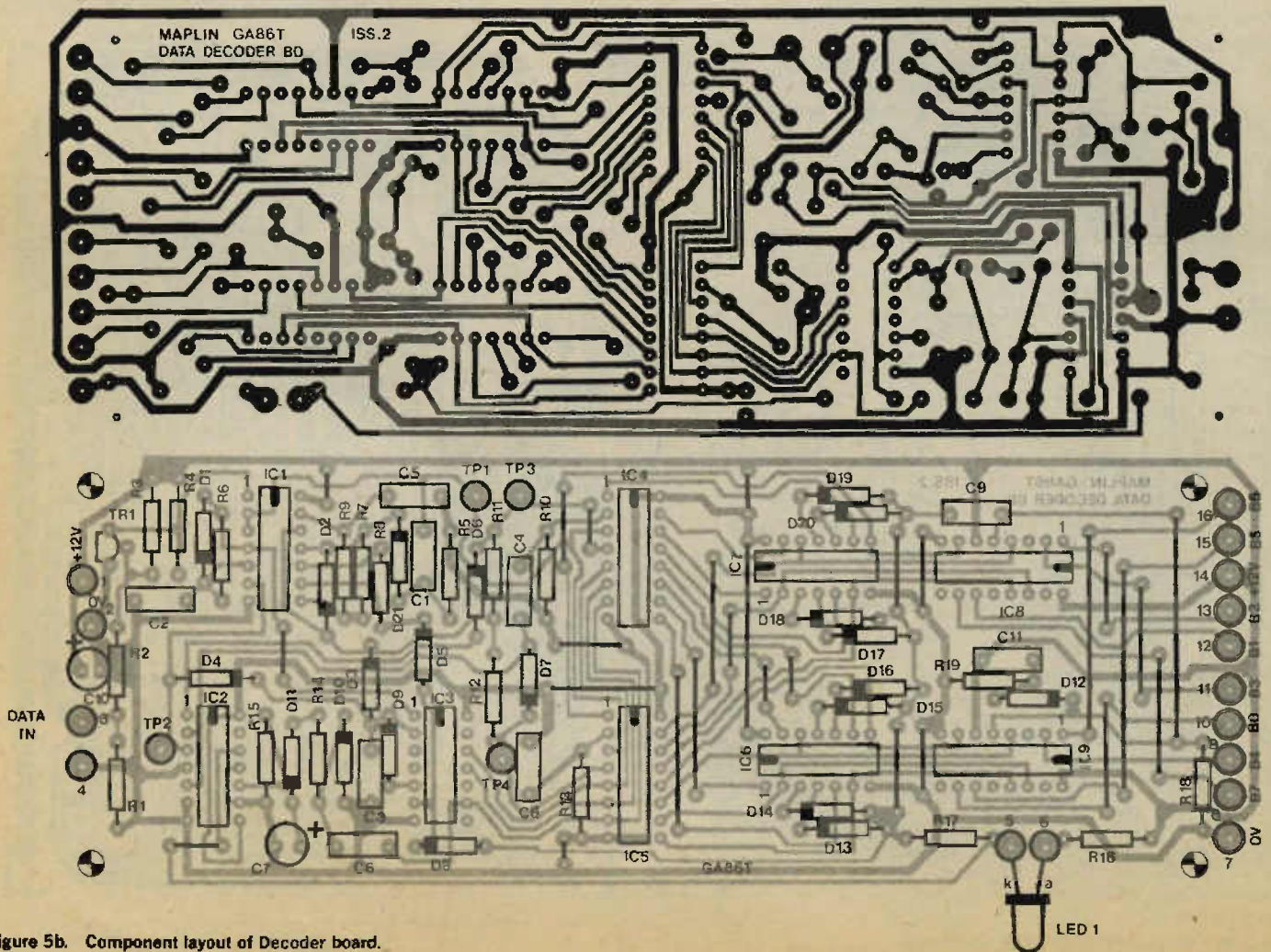
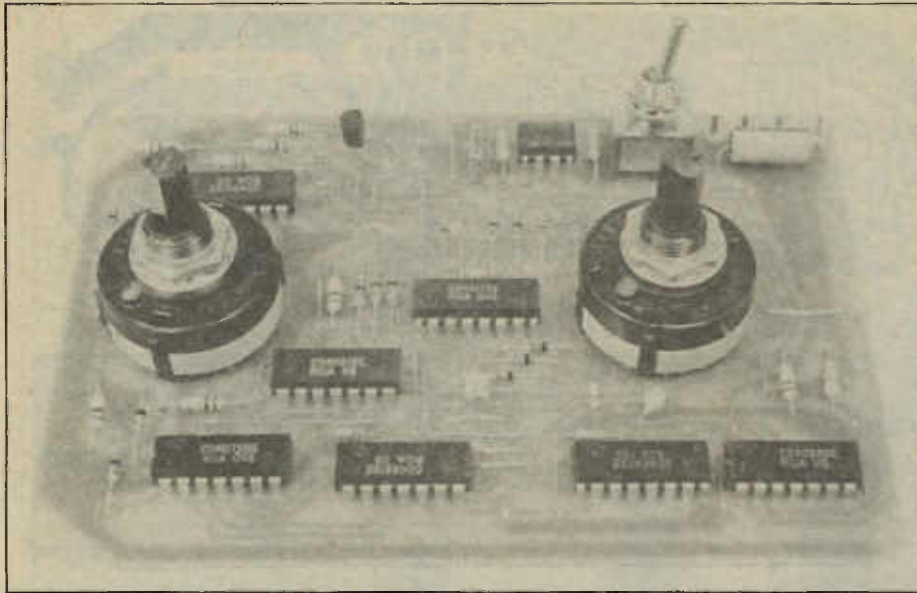
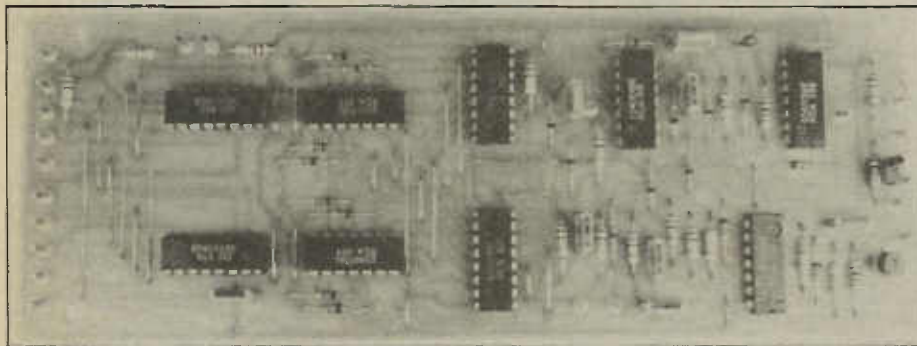


Figure 5b. Component layout of Decoder board.



Data Encoder board.



Data Decoder board.

Remote Control Data Decoder Board

The function of this board is to turn the serial information received from the encoder into a parallel 8-bit word. The system must check that the data received is correct and reject false signals caused by interference. This is done by comparing the data received in

one word with the data received in the next word and clocking this data into the output latch only if both words are the same. A detector also monitors the output of the counter and if these pulses are not of the correct timing, the output latches are inhibited and no data transfer can occur.

The incoming signal is first buffered and amplified by TR1 (Figure 5) and

then squared and inverted by the Schmitt trigger (IC1A). At this point, the signal should be the same as that leaving the remote encoder.

The signal is now split into three paths. The first is via IC1 B and C which forms a sync detecting unit, giving an output only after the incoming signal has remained at a high condition for the appropriate sync period. This sync pulse is used to reset the binary counter IC3 after it has completed its scan of the addressable latches. This binary counter is stepped by every positive transition of the input signal and its binary output is fed to the two addressable latches (IC4 and IC5); addressing each latch in the same sequence as the incoming bits of the serial signal.

The second path that the input signal can take is via C1. This produces a test pulse, a fixed time after each clocking pulse is received and this is used to enable the selected one of the two addressable latches which are also being fed with incoming data. If the input is high at the time of the test pulse, a '1' is clocked into the addressed latch and if the input is low, a '0' is clocked into the latch.

Each of the two latches is selected alternatively every frame and they are controlled by dividing the sync pulse rate by two in IC2 and using this to inhibit one or other of the latches. At the end of every two frames only one of the latches is cleared back to all low outputs.

The two sets of eight outputs from both latches are compared by the exclusive-NOR gates (IC6 and IC7) and when both latches contain the same data they allow a pulse to clock the data into the two 4-bit output latches (IC8 and IC9). This clock pulse is inhibited if the signal fail detection circuit sees an incorrect input pulse train.

Data Link

There are three methods of connecting the hand-held remote unit to the decoder located at the train controller. The simplest is to use a 2-wire cable which may be connected say, to several sockets located around the layout, to enable the remote unit to be plugged in wherever required.

The second method is by way of a 27MHz radio link and the third via an infra-red link.

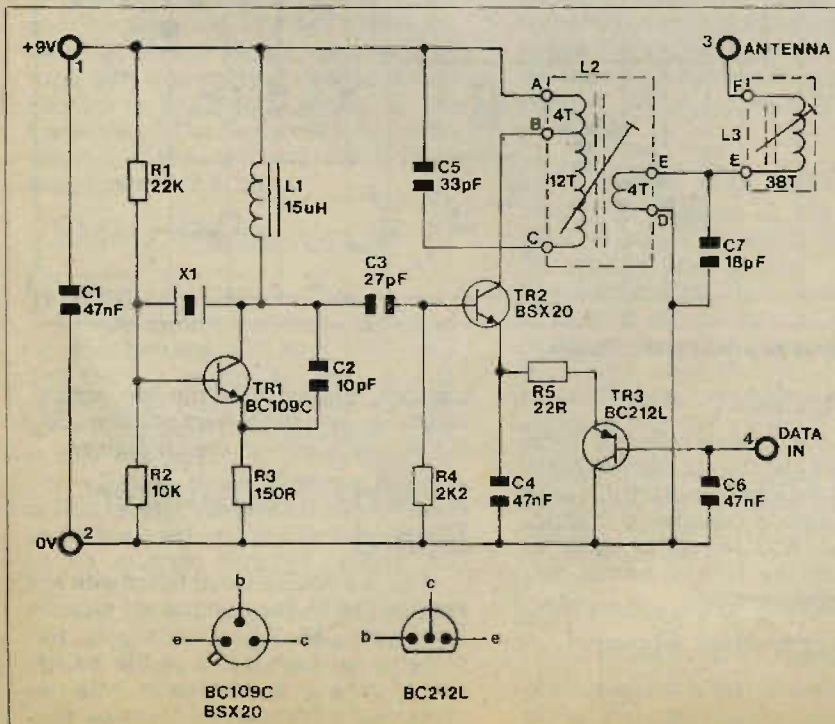


Figure 6a. Circuit diagram of 27MHz transmitter.

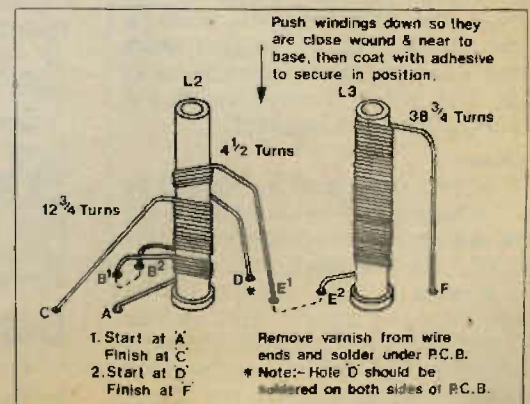


Figure 6b. Coll winding details for 27MHz transmitter.

TRAIN REMOTE CONTROL

27MHz Radio Data Link

Transmitter

The transmitter is a low-powered 27MHz crystal-controlled circuit of fairly conventional design. TR1 forms an untuned crystal oscillator which runs all the time that the controller is in operation. The output of this oscillator is fed to the base of TR2 which acts as an output amplifier and modulator. Incoming data is fed to the base of TR3 whose emitter is connected to the emitter of TR2. Thus, when the data is low, TR2 is turned on and passes the rf signal to its collector and the aerial circuit and when the data is high TR2 and TR3 turn off and little or no rf is transmitted.

Receiver

This is built on a standard board designed for model control purposes. Due to the relatively short range required for this application, the rf amplifier in the receiver is not used and is strapped out. This reduces the effect of high levels of external interference. The local oscillator is crystal controlled at 455kHz below the incoming rf frequency and fed to the mixer where it meets the incoming signal from the aerial tuned circuit L1. The 455kHz intermediate frequency is amplified and fed to the detector (D1) via two tuned circuits (IFT1 and IFT2). The signal at the output of the detector is fed via C16 to the data decoder and its DC level is used for controlling the receiver gain (agc).

Licensing Requirements

Please note that a licence is no longer required to transmit and receive signals in the 27MHz band being used for model control. Since the radio link described here meets all the requirements for transmitters and receivers in this band, it is perfectly legal to use it without a licence. Indeed, a licence for this use is simply not available any more.

Infra-Red Data Link

Transmitter

IC1 forms an oscillator running at about 30kHz with a very short, but high amplitude, pulsed output. This output is used to switch TR2 and thus pass high current pulses of about 1/2A through the four infra-red emitting diodes (D2 to D5) for a very short period. These pulses are turned on and off by TR1 which is controlled by the data input from the encoder.

Receiver

The infra-red signal is received by the diodes D3 and D4 and the 30kHz modulated pulses are amplified by TR1 and TR2. D1 and D2 form a detector and provide a signal relative to the modulation. This signal is amplified by TR3 and any 30kHz is filtered out by its feedback circuit. This signal now feeds TR4 which forms an inverter and output stage.

22

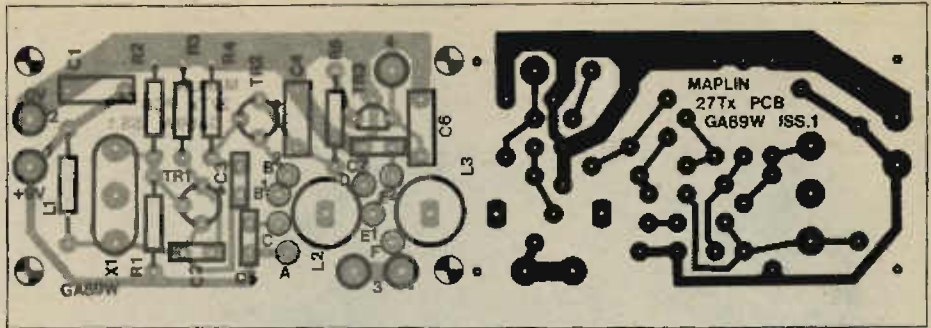
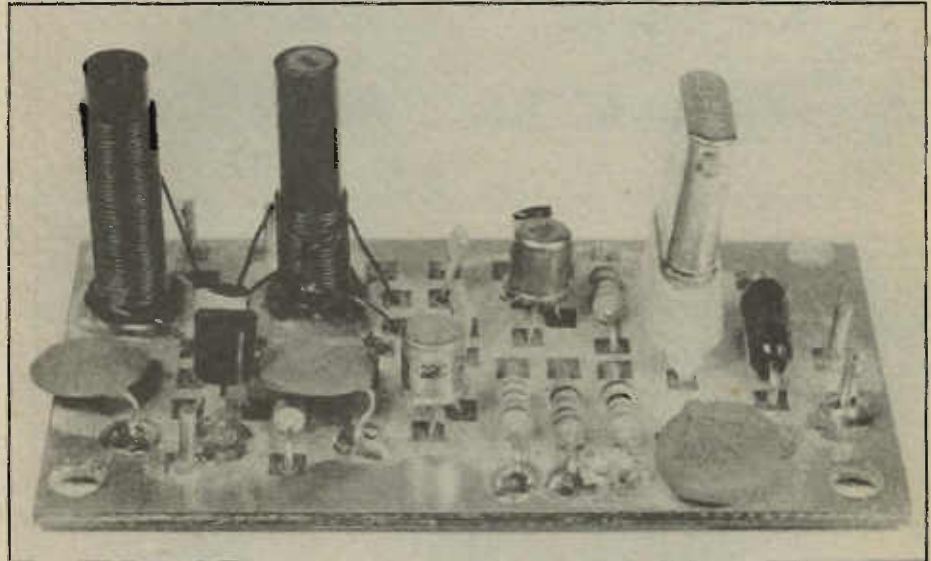


Figure 6c. Component layout of 27MHz transmitter board.



27MHz Transmitter board.

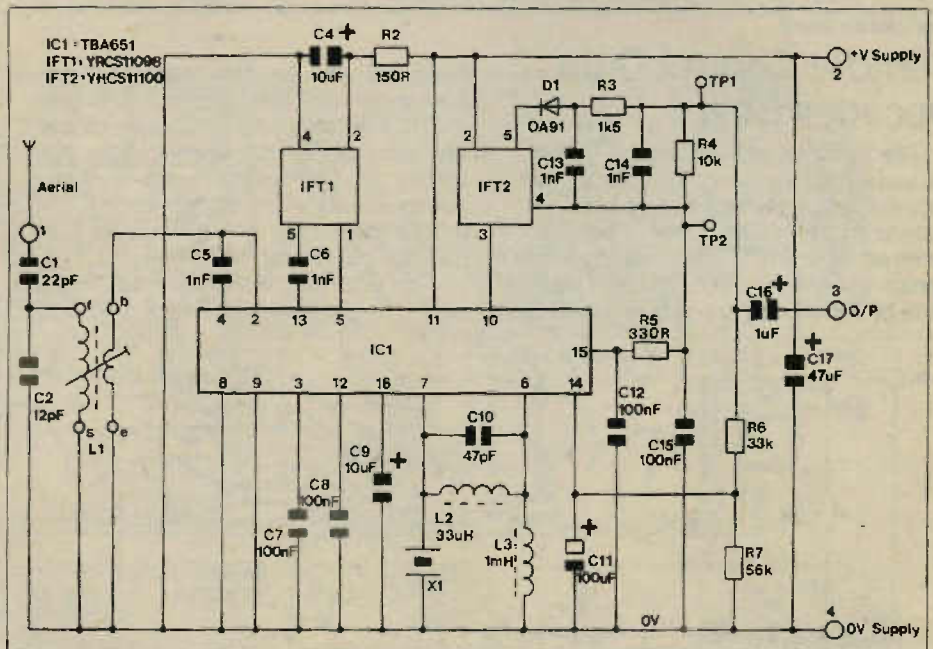


Figure 7a. Circuit diagram of 27MHz receiver.

Construction

Construct all boards referring to the board legend and the appropriate parts list, leaving the insertion of the IC's until last. Refer also to the special instructions below. Add the extra parts to whichever of the control boards you wish to control remotely.

Data Encoder Board

On this board, the Veropins have to be inserted from the component side to aid wiring when the board is mounted in

the box. Ensure that the two rotary switches are in the correct positions. S2 is the switch without the click-stops.

27MHz Transmitter Board

This is a double-sided board with an earth-plane on the component side of the board. All the wires should be soldered on both sides of the board except where a clearance hole is provided for component leads on the earth plane side. Insert and glue the two

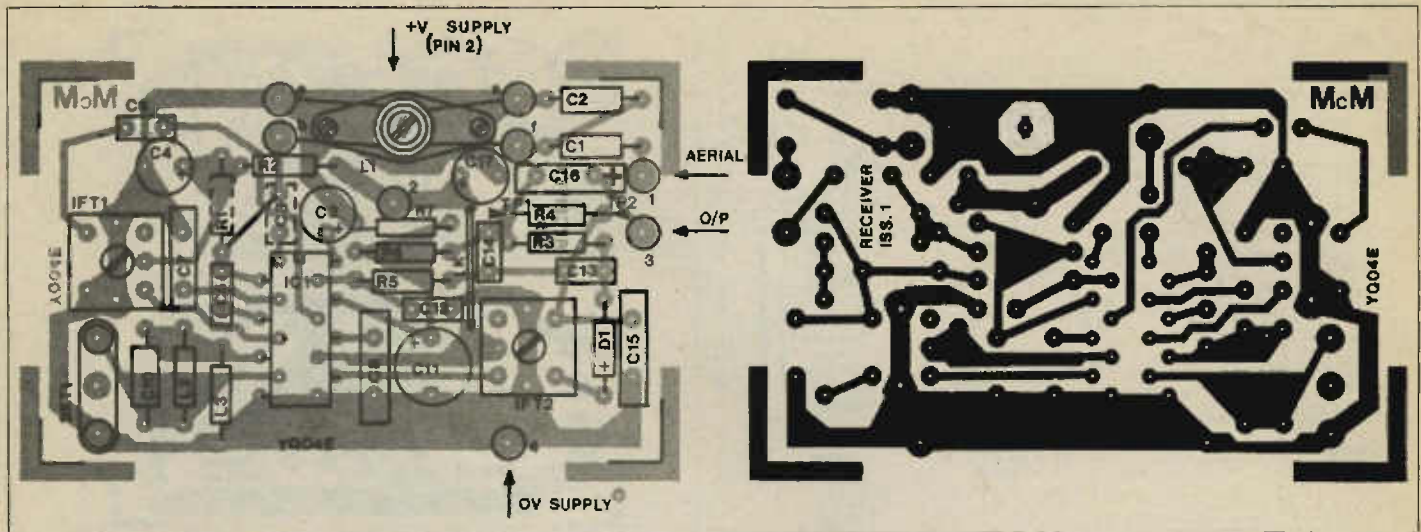
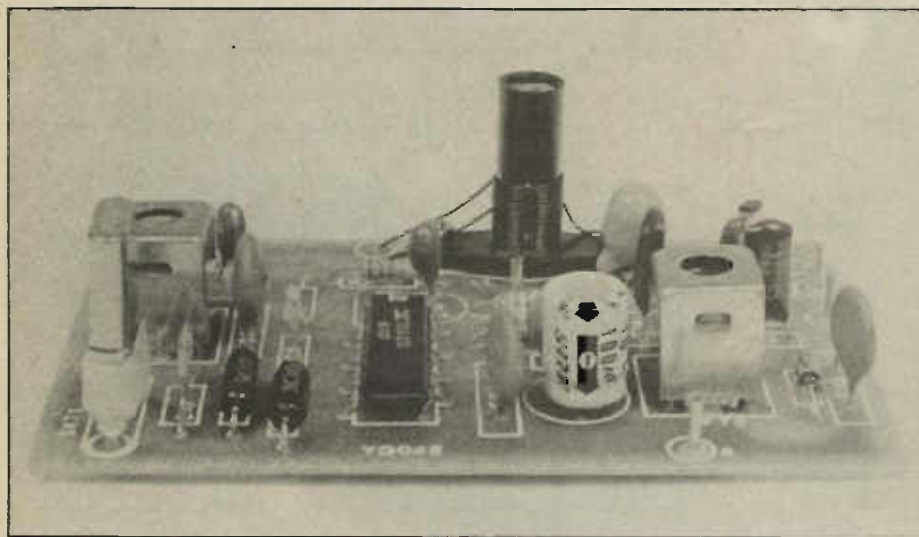


Figure 7b. Component layout of 27MHz receiver board.



27MHz Receiver board.

formers for L2 and L3 into the board and wind the coils using 28swg enamelled copper wire referring to Figure 6B.

Start the windings at points A and D and wind up the formers. When the windings are completed they should be fixed with cyanoacrylate adhesive and allowed to dry before setting up the transmitter. The aerial consists of a length of palladium wire about 45cm long connected to pins.

27MHz Receiver Board

Ensure correct positioning of the two i.f. transformers IFT1 and IFT2, and also the two chokes L2 and L3. The positive end of D1 is the end with the band. Note that R1 and C3 are not used in this application and are replaced with a link as shown in Figure 7B. An additional earth strap should be added under the board using a short length of tinned copper wire as shown in Figure 7C.

Wind the coil L1 referring to Figure 7D using 28swg enamelled copper wire. A length of tinned copper wire about 1.5cm long should be soldered to each end of R4 to form TP1 and TP2. The aerial is made from a length of

palladium wire about 45cm long connected to pin 1 on the receiver board. The crystals used in the transmitter and receiver must be a pair, though any colour will do. The crystal with the higher frequency is fitted in the transmitter. The receiver should be sited as far away from the layout as possible in order to reduce electrical interference problems.

Infra-red Receiver

The positioning of the infra-red receiver diodes will affect the range of the system. They should be shielded from direct light both artificial and sunlight. A simple reflector behind the diodes and a lens system will improve the range. Nevertheless, a range of about 6 metres can be expected with no additions with the transmitter pointing directly at the receiver diodes. The receiver must be mounted in a metal box with the box connected to 0V, otherwise the very sensitive circuit will pick up radio interference.

Setting-up 27MHz Transmitter & Receiver

Transmitter

Construct the rf monitor as shown in Figure 8a and connect to a suitable

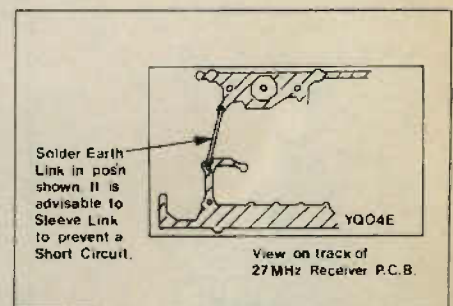


Figure 7c. Addition of earth link to 27MHz receiver board.

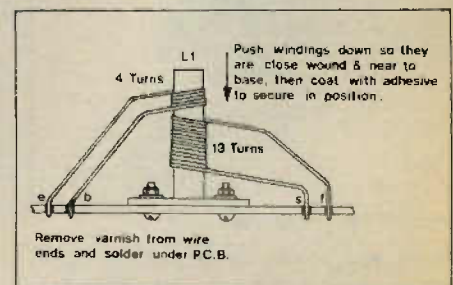


Figure 7d. Coil winding details for 27MHz receiver.

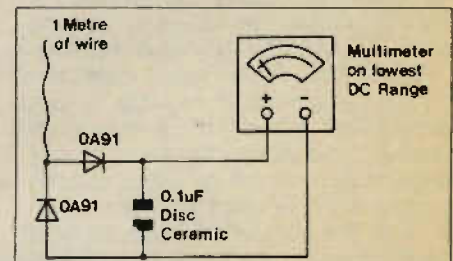


Figure 8a. RF monitor for transmitter alignment.

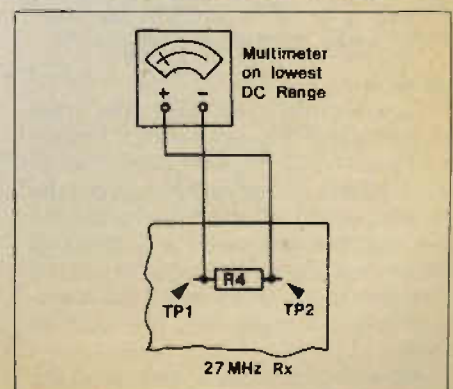


Figure 8b. Meter connections for receiver alignment.

TRAIN REMOTE CONTROL

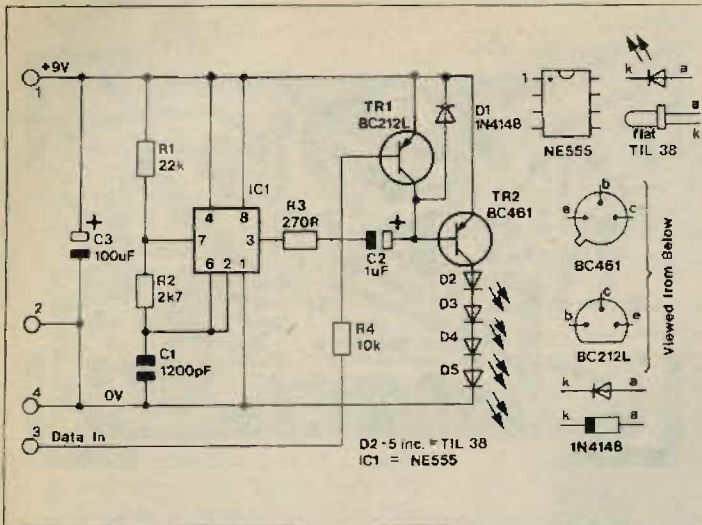


Figure 9a. Circuit diagram of Infra-red transmitter.

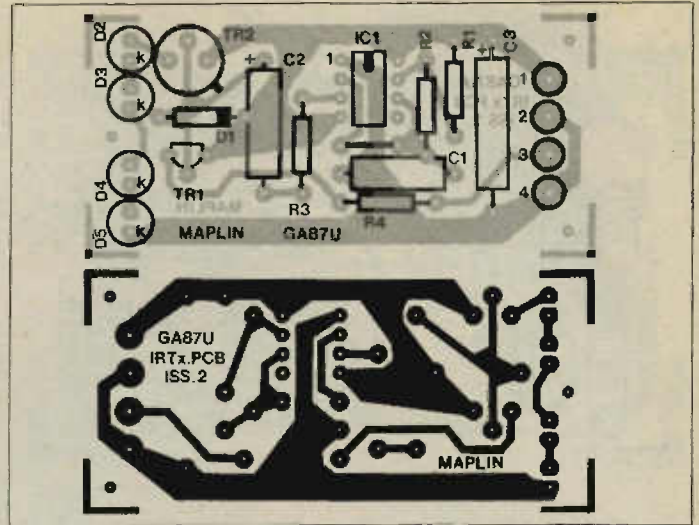
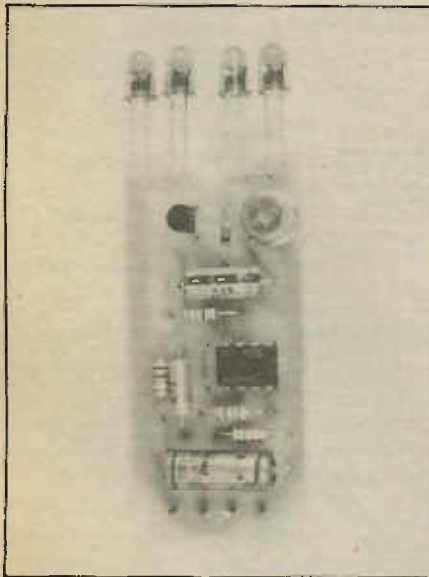


Figure 9b. Component layout of Infra-red transmitter board.



Infra-red Transmitter board.

meter. Install the battery in the hand-held controller and hold the aerial near the wire attached to the monitor. When the transmit button is pressed, a reading should be obtained on the meter. Adjust L2 for maximum reading.

Move the aerial away from the monitor wire until a reading is just present and adjust L3 for maximum reading. Keep moving the aerial further away until a peak setting is found at the greatest distance away from the monitor wire. The controller should be held in a position as near as possible to that in which it will be used during the setting up of L3 to obtain maximum output under working conditions.

Receiver

Connect the receiver to the train controller and connect a suitable meter to TP1 and TP2 (Figure 8b) on the receiver board. Temporarily short out the transmit push button on the hand-held unit in order to provide a continuous transmitted signal. A reading should be obtained on the meter when the hand-held unit is brought near the receiver aerial.

Move the transmitter away until the reading on the meter falls and then adjust L1, T1 and T2 in turn for

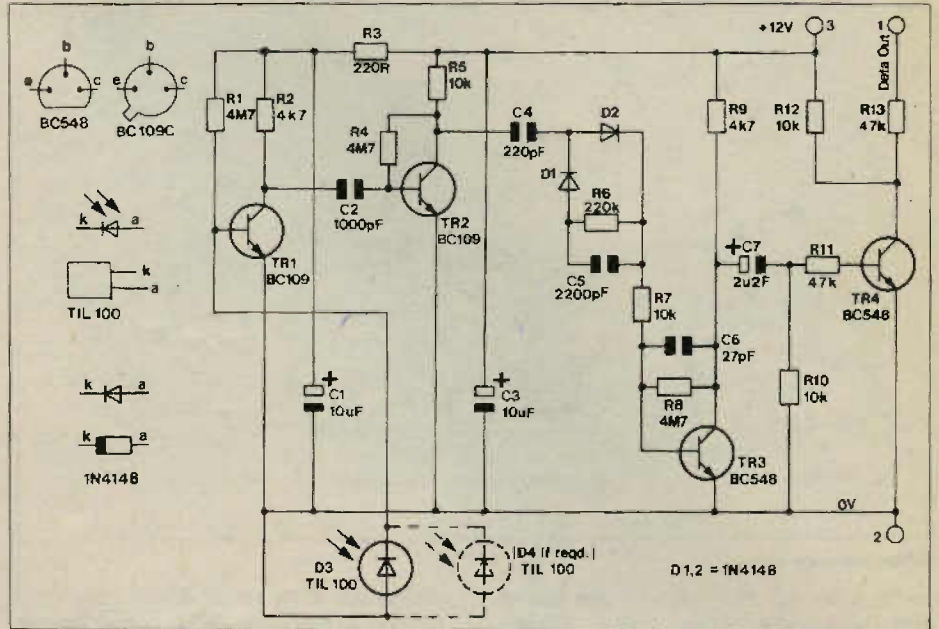


Figure 10a. Circuit diagram of Infra-red receiver.

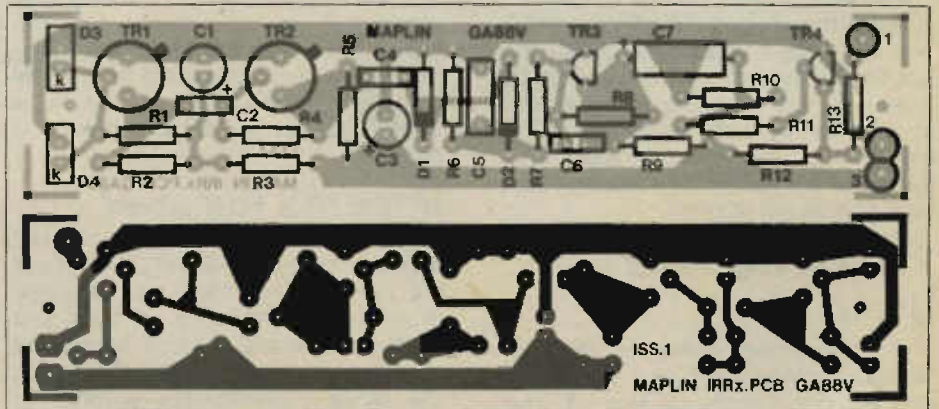
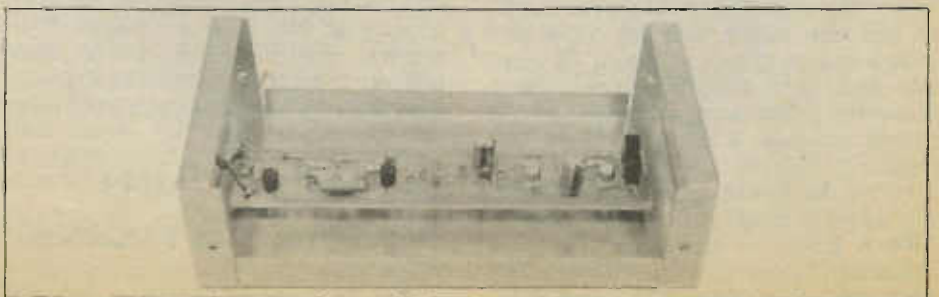
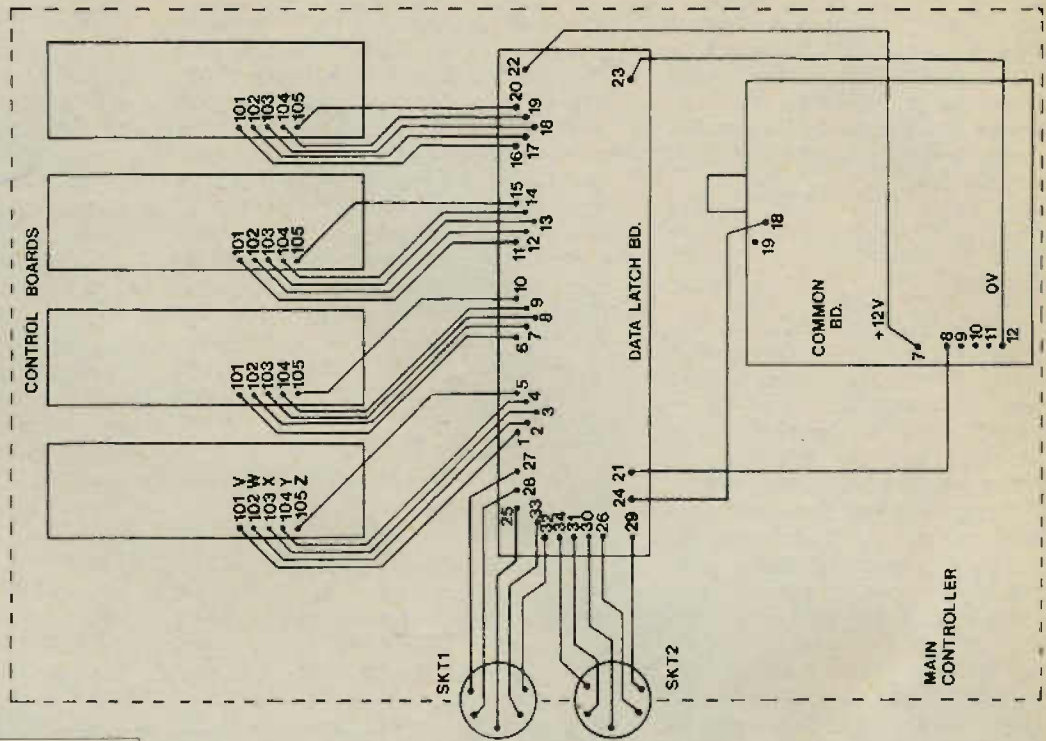


Figure 10b. Component layout of Infra-red receiver board.



Infra-red Receiver board.



CONTROL CODE CHART						
	SPEED	DIRECTION	Code No.	SPEED	DIRECTION	Code No.
DBL DASH ON	0	Forward	0	0	Forward	32
	10		10	42		
	0	Reverse	15	0	Reverse	48
	10		26	58		
DBL DASH OFF	0	Forward	64	0	Forward	98
	10		74	108		
	0	Reverse	80	0	Reverse	112
	10		90	122		

Figure 11. Table of decimal codes for control functions.

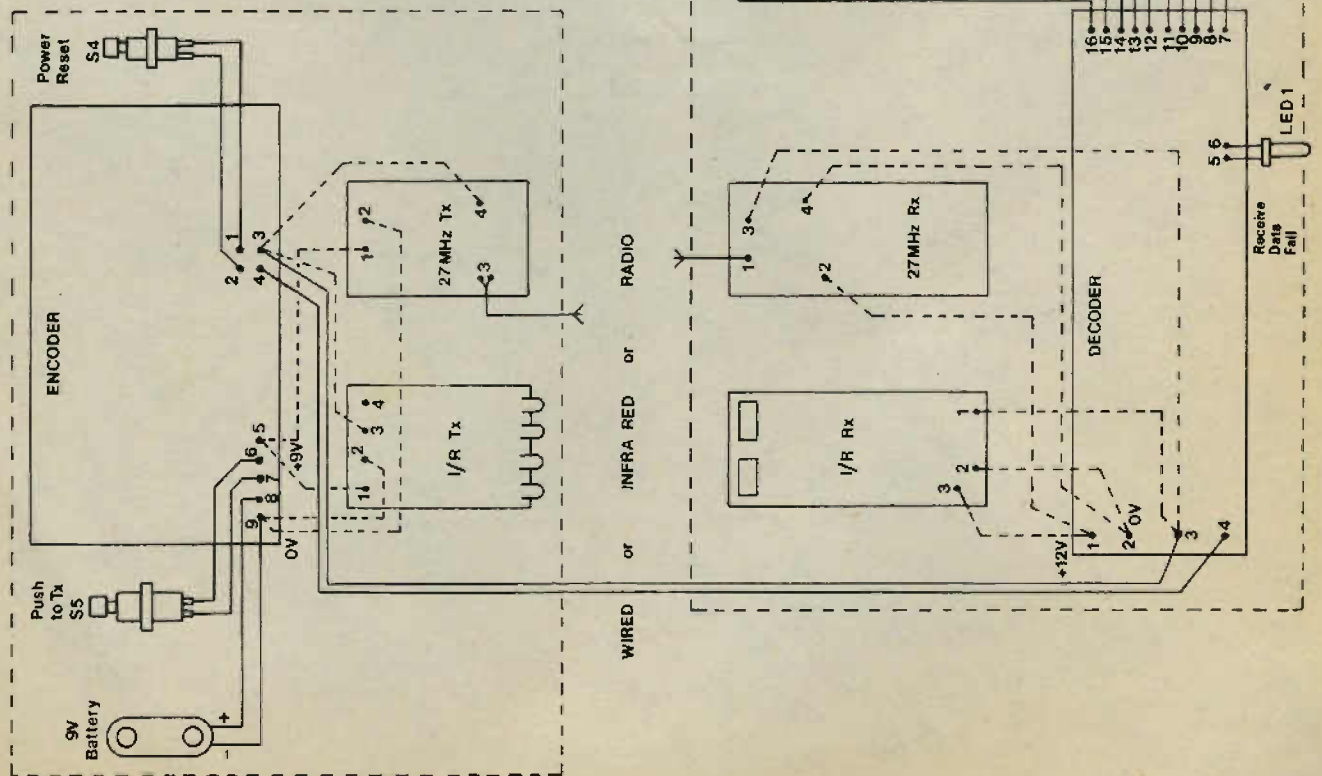


Figure 12. Interwiring diagram.
June 1982 Maplin Magazine

TRAIN REMOTE CONTROL

maximum reading. Keep moving the hand-held unit further away and retuning the receiver until a maximum reading is obtained at the greatest distance. A good reading should be obtained with the transmitter at least 7 metres away from the receiver. Disconnect the temporary link on the transmitter and the system should now be ready for use.

Remote Control Operation

Select the train or trains to be controlled on the train controller and switch the appropriate control boards to 'Remote'. The control board to be commanded may now be selected on the remote unit. Press the transmit button and set the speed and direction of the train as required. Note that there is a short delay of about 1 second before the decoder decides a valid signal is being received, but after this initial delay all information is transferred immediately.

The selected train may be left running and another controlled by first releasing the transmit button and then selecting the next train, pressing the transmit button and controlling the speed and direction of the new train.

This process can be repeated until all four control boards are in use.

In the event of the power protection circuit being tripped, it may be reset by first pressing the transmit button, then pressing the reset button on the hand-held unit. This facility may also be used as an emergency stop by releasing the transmit button before the reset button. The power will remain off until a new command is sent. Note that this condition overrides the manual reset control on the train controller, but it may be reset from that end by turning the mains switch off for about 10 seconds before re-applying power.

When using the 27MHz link it should be noted that there is a minimum distance of about 2 metres where the transmitter will overload the receiver and no data will be transferred.

Computer Control

The 8-bit digital input may be fed from any computer via a suitable interface unit. An interface for the ZX81 will be described in our next issue. If the binary word required to control the system is converted into decimal form, programming is accomplished as follows.

The starting number for each of the four control boards is:

0 for Control Board 1
32 for Control Board 2
64 for Control Board 3
and 96 for Control Board 4

To control the forward speed of each board, add a number from 0 to 10 inclusive to the starting number. Zero is minimum speed and 10 is maximum speed. For the reverse direction, add 16 to the starting number and then add a further 0 to 10 to control the speed.

Power reset or 'all stop' may be accomplished by using the number 128. Note that as each train is controlled, the last data sent for that train is held in the associated latch, so to stop all trains, it is necessary to enter the four numbers 0, 32, 64 and 96. It does not matter in which direction the trains are travelling at the time the command is given.

The inertia or speed-up and slow-down rate of each train may be written into the program by arranging for the time taken to step up from zero to the required speed and back to zero to be varied. By using the input ports, the train controller can be made to control the speed of the train dependent on its position on the layout. Future articles will describe suitable detectors and interfacing for this and computer control of signals and points.

PARTS LIST OF ADDITIONS TO CONTROL BOARD FOR REMOTE CONTROL OR COMPUTER CONTROL (1)

Resistors — all ½W 5% carbon			
R101 to 104	100k	4 off	(M100K)
R105	4k7		(M4K7)
Semiconductors			
D101	1N4148		(QL80B)
IC101	4024BE		(QX13P)
IC102	4063BE		(QW41U)

Miscellaneous			
S101	Sub-min toggle 2-pole Veropin 2141	5 off	(FH04C) (FL21X)

Note. Links 'A' and 'B' must be removed from pcb.

DATA LATCH PARTS LIST (2)

Resistors — all ½W 5% carbon			
R1, 9 to 12	10k	5 off	(M10K)
R2 to 8	22k	7 off	(M22K)
R13	100k		(M100K)

Capacitors			
C1	1uF 100V pc electrolytic		(FF01B)
C2	10uF 35V pc electrolytic		(FF04E)

Semiconductors			
D1 to 9	1N4148	9 off	(QL80B)
TR1	BC548		(QB73C)
IC1 to 4	40174BE		(QW73Q)
IC5	40106BE		(QW64U)

Miscellaneous			
SK1	DIN socket 5-pin A		(HH34M)
SK2	DIN socket 5-pin B		(HH35Q)
	Remote data latch pcb		(GA84F)
	Veropin 2141	34 off	(FL21X)

27MHz DATA RECEIVER PARTS LIST (8)

Resistors — all ½W 5% carbon			
R1	Not used		
R2	150R		(M150R)
R3	1k5		(M1K5)
R4	10k		(M10K)
R5	330R		(M330R)
R6	33k		(M33K)
R7	56k		(M56K)

Capacitors			
C1	22pF ceramic		(WX48C)
C2	12pF ceramic		(WX45Y)
C3	Not used		
C4, 9	10uF 16V tantalum	2 off	(WW68Y)
C5, 6	1nF ceramic	2 off	(WX68Y)
C7, 8, 12, 15	100nF disc ceramic	4 off	(BX03D)
C10	47pF ceramic		(WX52G)
C11	100uF 10V pc electrolytic		(FF10L)
C13, 14	1nF mylar	2 off	(WW15R)
C16	1uF 35V tantalum		(WW60Q)
C17	47uF 10V tantalum		(WW75S)

Semiconductors			
D1	CA91		(QH72P)
IC1	T8A651		(BL35Q)

Miscellaneous			
L1	Former 351 Dust core type 6 Enamelled copper wire 28swg		(LB17T) (LB42V) (BL39N)
L2	Choke 33uH		(WH38R)
L3	Choke 1mH		(WH47B)
IFT1	YRCS 11098		(HX42V)
IFT2	YHCS11100		(HX43W)
X1	Crystal		(see transmitter)
SK1	Crystal socket		(HX60Q)
	Bolt 8BA ¼in.	2 off	(BF08J)
	Nut 8BA	2 off	(BF19V)
	Washer 8BA	2 off	(BF23A)
	27MHz receiver pcb		(YQ04E)

DATA DECODER PARTS LIST (3)

Resistors — all 1/4W 5% carbon

R1,7,8,10,13,18,19	100k	7 off	(M100K)
R2,11,12,17	10k	4 off	(M10K)
R3,15	1M	2 off	(M1M)
R4,5	47k	2 off	(M47K)
R6	820k		(M820K)
R9	330k		(M330K)
R14	220k		(M220K)
R16	820R		(M820R)

Capacitors

C1,2,4,5	1.5nF polycarbonate	4 off	(WW23A)
C3,9	1nF polycarbonate	2 off	(WW22Y)
C6,8,11	100nF polycarbonate	3 off	(WW41U)
C7	1uF 35V tantalum		(WW60Q)
C10	10uF 35V pc electrolytic		(FF04E)

Semiconductors

D1 to 21	1N4148	21 off	(QL80B)
LED1	Red LED		(WL27E)
TR1	BC548		(QB73Q)
IC1	40106BE		(QW64U)
IC2	40138E		(QX07H)
IC3	4024BE		(QX13P)
IC4,5	4099BE	2 off	(QW57M)
IC6,7	4077BE	2 off	(QW47B)
IC8,9	4042BE	2 off	(QX19V)

Miscellaneous

PL1	DIN plug 5-pin A		(HH27E)
PL2	DIN plug 5-pin B		(HH28F)
	Data decoder pcb		(GA85T)
	Veropin 2141	20 off	(FL21X)

DATA ENCODER PARTS LIST (4)

Resistors — all 1/4W 5% carbon unless specified

R1,6,7,8,9,11,15	100k	7 off	(M100K)
R2	680k		(M680K)
R3	220k		(M220K)
R4,5*	10k	2 off	(M10K)
R10,12	100k (1/4W)	2 off	(U100K)
R13	220k (1/4W)		(U220K)
R14	470k		(M470K)

Capacitors

C1	1.5nF polycarbonate		(WW23A)
C2	4.7nF polycarbonate		(WW26D)
C3	10uF 25V axial electrolytic		(FB22Y)
C4,5	1nF ceramic	2 off	(WX68Y)

Semiconductors

D1 to 17	1N4148	17 off	(QL80B)
TR1	BC548		(QB73Q)
IC1	NE555		(QH65W)
IC2	4017BE		(QX09K)
IC3,4,8	4081BE	3 off	(QW48C)
IC5	4072BE		(QX27E)
IC6	4042BE		(QX19V)
IC7	4024BE		(QX13P)

Miscellaneous

S1	Rotary switch 3 pole 4 way		(FH44X)
S2	Switchpot 1 pole 12 way		(XK45Y)
S3	Sub-min toggle 'A'		(FH00A)
S4	Push switch		(FH59P)
S5	Press switch		(FH91Y)
	Knob K7B (for S1)		(YX02C)
	Knob K7C (for S2)		(YX03B)
	Battery clip		(HF28F)
	PP3 battery		—
	Data encoder pcb		(GA85G)
	Veropin 2141	10 off	(FL21X)

*If this is to be used with the 27MHz data link then make R5 a Min Res 1k even if you are using IR or wired links as well.

To make the function shown below, you will require all the parts shown in the parts list indicated.

- Computer interface : 1, 2.
- Wired remote control : 1, 2, 3, 4.
- Infra-red remote control : 1, 2, 3, 4, 5, 6.
- Radio remote control : 1, 2, 3, 4, 7, 8.

Note that parts list 1 will be required for each control board that you wish to modify.

As there are so many possible different combinations of these parts, it is not possible to offer kits.

INFRA-RED TRANSMITTER PARTS LIST (5)

Resistors — all 1/4W 5% carbon

R1	22k		(M22K)
R2	2k7		(M2K7)
R3	270R		(M270R)
R4	10k		(M10K)

Capacitors

C1	1200pF 1% polystyrene		(BX57M)
C2	1uF 63V axial electrolytic		(FB12N)
C3	100uF 10V axial electrolytic		(FB48C)

Semiconductors

D1	1N4148		(QL80B)
D2 to 5	TIL38	4 off	(YH70M)
TR1	BC212L		(QB60Q)
TR2	BC461		(QB72P)
IC1	NE555		(QH65W)

Miscellaneous

	Infra-red transmitter pcb		(GAB7U)
	Veropin 2141	4 off	(FL21X)

INFRA-RED RECEIVER PARTS LIST (6)

Resistors — all 1/4W 5% carbon

R1,4,8	4M7	3 off	(MM7)
R2,9	4k7	2 off	(M4K7)
R3	220R		(M220R)
R5,7,10,12	10k	4 off	(M10K)
R6	220k		(M220K)
R11,13	47k	2 off	(M47K)

Capacitors

C1,3	10uF 35V pc electrolytic	2 off	(FF04E)
C2	1000pF ceramic		(WX68Y)
C4	220pF ceramic		(WX60Q)
C5	2200pF polycarbonate		(WW24B)
C6	27pF ceramic		(WX49D)
C7	2.2uF 63V axial electrolytic		(FB15R)
C8	100nF 35V tantalum		(WW54J)

Semiconductors

D1,2	1N4148	2 off	(QL80B)
D3 (D4 if req'd)	TIL100		(YH71N)
TR1,2	BC109C	2 off	(QB33L)
TR3,4	BC548	2 off	(QB73Q)

Miscellaneous

	Infra-red receiver pcb		(GAB8V)
	Veropin 2141	3 off	(FL21X)

27MHz DATA TRANSMITTER PARTS LIST (7)

Resistors — all 1/4W 5% carbon

R1	22k		(M22K)
R2	10k		(M10K)
R3	150R		(M150R)
R4	2k2		(M2K2)
R5	22R		(M22R)

Capacitors

C1,4,6	47nF disc ceramic	3 off	(BX02C)
C2	10pF ceramic		(WX44X)
C3	27pF ceramic		(WX49D)
C5	33pF ceramic		(WX50E)
C7	18pF ceramic		(WX47B)

Semiconductors

TR1	BC109C		(QB33L)
TR2	BSX20		(QF32K)
TR3	BC212L		(QB60Q)

Miscellaneous

L1	Choke 15uH		(WH36P)
L2,3	Former 722/2	2 off	(LB20W)
	Dust Core	2 off	(LB41U)
	Enamelled copper wire 28swg	1m	(BL39N)
X1	Crystal (supplied in pairs) (any one of HX30H to HX35Q)		(HX60Q)
	Crystal socket		(HY60Q)
	27MHz transmitter pcb		(GAB9W)
	Veropin 2141	3 off	(FL21X)

PRICE LIST

All prices shown in this price list are valid from 17th May 1982 to 14th August 1982

Please note new telephone number for Sales Only (0702) 552911

Prices shown in this list include VAT at 15% where applicable. Items marked NV are rated at 0% and the price shown applies both to inland and export orders. Overseas customers should add up the total cost of all items except those marked NV and deduct 13% to arrive at the total price excluding VAT. Alternatively multiplying the total price (except NV items) by 0.87 will give the total price excluding VAT. Please add extra for carriage on all overseas orders. Carriage will be charged at cost.

Although postage charges to customers living in the Republic of Ireland and in the UK, but not on the UK mainland, are the same as to mainland addresses we regret that we must levy an additional charge of £5 on each order containing any items marked "Delivery by Carrier".

Will customers from the Republic of Ireland please add 40p and then 35% to the cost of their order now that the Irish pound is not equivalent to sterling, to cover the rate difference and negotiation fees. We will refund any difference; please state cheque or credit note. Alternatively if you pay by bank draft drawn in pounds sterling on a London bank, then you need add nothing extra. Bank drafts drawn in pounds sterling on a London bank should be readily available from your local bank.

All prices are for the unit quantity shown in the catalogue (unless shown otherwise on this list) i.e. each, per pack, per metre etc. All prices include

postage and packing. There is a 30p handling charge which must be paid on all orders having a total value of under £4.00.

The price list is intended for use with our 1981 catalogue and applies to all mail orders. Prices in our shop are generally lower on heavy items as mail order prices include postage and packing costs.

Copies of manufacturers' data sheets are available for most IC's — price 40p each.

- Notes:
- NYA Not yet available
 - NA Not available
 - DIS Discontinued
 - TEMP Temporarily out of stock
 - OOP Out of print
 - FEB Out of stock, new stock expected in month shown
 - † While stocks last
 - * Item is mentioned in "Amendments to Catalogue" elsewhere in this newsletter
 - NV Indicates that item is zero rated for VAT purposes
 - Price reduced

Prices charged will be those ruling on the day of despatch

1981 Catalogue Page No.	VAT inclusive PRICE	1981 Catalogue Page No.	VAT inclusive PRICE	1981 Catalogue Page No.	VAT inclusive PRICE	1981 Catalogue Page No.	VAT inclusive PRICE	1981 Catalogue Page No.	VAT inclusive PRICE
Page 11		Page 19		Page 24		Page 27		Page 31	
T10HJ Parts T-Shirt LC DIS £1.95		HXW7U Surface Co Ax Outlet 75p		XW00A Book FT882 £6.90NV		RB21X Book BP221 £1.45NV		XW92A Book W0YG £5.55NV	
T20K Parts T-Shirt S £1.95		BW144 Sine Split Co Ax Out £2.70		RL13P Book NB039 £2.55NV		RH29G Book BP36 £5.40NV		XW27E Book NB402 £5.25NV	
T31M Parts T-Shirt M £2.95		BW154 Push Co Ax Outlet 75p		XW21X Book NB344 £5.65NV		RR19V Book NB864 DIS		XW99H Book FT1054 £5.55NV	
XF30H Parts T-Shirt L £2.95		BW164 Push Co Ax Outlet £2.65		RL35Q Book NB190 DIS				RH47B Book BP215 DIS	
XF12N Maplin Poster £1.00NV		BW57M TV/FM Outlet £4.65		RF19V Book NB286 £4.20NV				RB22Y Book BP227 £1.45NV	
AERIALS								RB26D Book BP226 £1.50NV	
Page 15								RF18U Book BP43 £1.75NV	
XQ22Y Mushkiller FM224 £12.25								RW74R Book FT1120 OOP	
XQ23A Mushkiller FM234 £16.50								XW02C Book FT714 OOP	
XQ24B Mushkiller FM235T £17.60								RQ58N Book BP55 £2.00NV	
XQ25C Multifiler FM244T £17.60								XW43W Book NB467 £4.20NV	
XQ27E Mushkiller FM264T £24.50								XW91Y Book WRTV £10.85NV	
XQ28F Mushkiller FM284T £30.50								RL30L Book BP52 £2.25NV	
XQ29G Tricolour TC10 Grp A £10.50								RL49D Book FT999 DIS	
XQ30H Tricolour TC10 Grp B £9.40								XW96E Book FT933 £2.05NV	
XQ31J Tricolour TC10 Grp C/D £9.95								XW97F Book FT858 OOP	
XQ32K Tricolour TC13 Grp A £11.85									
XQ33L Tricolour TC13 Grp B £10.90									
XQ34M Tricolour TC18 Grp C/D £11.45									
XQ35Q Tricolour TC18 Grp A £13.95									
XQ36P Tricolour TC18 Grp B £13.85									
XQ37S Tricolour TC18 Grp C/D £13.25									
Page 16									
XQ38R Extragin XQ5 £16.50									
XQ39N Extragin XG8 GroupA £21.30									
XQ40T Extragin XG8 GroupB £21.50									
XQ41U Extragin XG8 Grp C/D £21.50									
XQ42V Extragin XG8 Wldnd £21.95									
XQ43W Extragin XG14 GroupA £35.30									
XQ44X Extragin XG14 GroupB £36.35									
XQ45Y Extragin XG18 Grp C/D £34.85									
XQ46A Extragin XG14 Wldnd £35.95									
XQ47B Extragin XG21 GroupA £47.90									
XQ48C Extragin XG21 GroupB £47.90									
XQ49D Extragin XG21 Grp C/D £48.95									
XQ50E Extragin XG21 Wldnd £49.75									
XQ51F Super-Sat Top £8.95									
XY30H Teletime £5.55									
XQ52G Clairtime CA7 £10.25									
Page 17									
BW42V Univ Clamp Type 1 £1.95									
BW43W Mast Bracket Type 2 £2.55									
XQ53H Mast Bracket Type 3 £8.90									
XQ54J Mast Bracket Type 8 £12.75									
BW44X Mast Bracket Type 14 £4.65									
BW45Y Loft Bracket EM4 £2.65									
XQ55K Lashing Kit Type 4 £9.95									
XQ56L Lashing Kit Type 6 £15.95									
XQ57M Lashing Kit Type 7 £14.90									
XQ58N Lashing Kit Type 9 £11.70									
XQ59P Mast C £3.95									
XQ60Q Mast D £3.75									
XQ61R Mast E £7.45									
XQ62S Mast G £15.95									
XQ63T Mast H £5.79									
XQ64U Mast R £9.45									
BW46A Masthead UP130/W £10.90									
BW47B Now Same As BW46A									
BW48C Now Same As BW46A									
BW49D Masthead UP130/V £10.95									
Page 18									
BW50E Power Unit PU1240 £14.65									
YQ22Y Xtra Set Amp £14.45									
YX70Q Multiplex Amp £15.80									
RW38P Multiplex 100 50p									
BW51F Diplexer U22 £5.95									
BW52G Splitter CS10 £8.95									
BW53H Splitter S4 Type 6 £15.95									
HX88V Aerial Splitter SR11 £3.20									
YQ23A Splitter CS200 £4.45									
Page 19									
HXW7U Surface Co Ax Outlet 75p									
BW144 Sine Split Co Ax Out £2.70									
BW154 Push Co Ax Outlet 75p									
BW164 Push Co Ax Outlet £2.65									
BW57M TV/FM Outlet £4.65									
BW184V Aerial Switch £4.35									
LB10K 75/300 Ohm £1.30									
BW58P Attenuator 50B £1.95									
BW194D Attenuator 12dB £1.95									
BW17E Attenuator 18dB £1.95									
LB11W FM Tape Aerial 60p									
YG20W Ferrite Rod 810 35p									
YG21X Ferrite Rod 814 46p									
YG22Y Ferrite Rod 101 45p									
YG23A Ferrite Rod 102 45p									
Page 20									
LB12N MW/LW Aerial £2.35									
LB10L Telecap Aerial 54m £3.30									
XG14J Aerial Rotator £59.90									
YB10A Low-Pass RF Filter £3.95									
YB11B RF Antenna Switch £6.34									
YG15R 2m Rubber Duck £4.75									
YG16S Mag Mount £8.50									
BATTERIES									
Page 21									
YG00A Ni-Cad AA £1.25									
LR74R Ni-Cad Fast AA £1.55									
YG01B Ni-Cad C £2.75									
YG02C Ni-Cad C £3.95									
YG03D Ni-Cad D £5.99									
WY22Y Ni-Cad Charger £7.85									
HF27E Clock P99 14p									
HF28P PPS Clip 9p									
Page 22									
YR59P 1.5V Batt Box 13p									
YR60Q 3V Batt Box 15p									
YR61R 4.5V Batt Box 30p									
HF29G 6V Batt Box 22p									
HF94C Long HP7 Batt Box 22p									
HQ01B 3V Batt Holder 30p									
YR62S Long 9V Batt Box 32p									
HF95D HP11 Batt Box 37p									
HF96E Long HP11 Batt Box 45p									
HF97F HP2 Batt Box 79p									
YB22Y AC Adapter 300 £4.45									
XQ09K AC Adapter BR300 £4.75									
YB23A AC Adapter MVA31 £9.95									
YB24B TV Game Mains Adap £8.25									
XQ33L PP3 Battery Holder £1.25									
YX92A Dummy Battery 20p									
Page 23									
RL27E Book NB147 £6.35NV									
RW64U Book NB87 £2.80NV									
RL31J Book NB157 £4.35NV									
RL29G Book NB159 £2.56NV									
RH24B Book BP31 DIS									
RQ22Y Book NB395 £4.65NV									
RQ22C Book NB205 £6.82NV									
YD12E Book FT832 £1.95NV									
YD11J Book MW639 £1.95NV									
YD12N Book NB386 £4.10NV									
RW15V Book NB043 £3.90NV									
Page 24									
RL06G Book NB0740 £4.25NV									
R-05F Book BP7 50pNV									
RL02C Book NB059 £5.15NV									
RH04E Book BP6 85pNV									
RQ23A Book BP53 £3.20NV									
RH21X Book BP27 65pNV									
RH32K Book BP196 OOP									
RH53H Book BP160 MAY 82									
XG10L Public Electronic Set £11.75NV									
XW53H Book NB454 £3.75NV									
XW53T Book MW671 £2.75NV									
RL19V Book NB126 £4.55NV									
RW64U Book NB443 £4.55NV									
RH06G Book NB209 £6.75NV									

1981 Catalogue Page No.	YAT inclusive PRICE	1981 Catalogue Page No.	YAT inclusive PRICE	1981 Catalogue Page No.	YAT inclusive PRICE	1981 Catalogue Page No.	YAT inclusive PRICE			
R079L Book FT546	£4.85V	H047B Tilt Leg Large	£1.50	FW38R Stick on Feet	18p	BL29G EC Wire 26 swg	£1.07	BH42V Systoflex 6mm Black	17p	
XW55K Book AG695	£5.15V	LH00A Verobox 101	£4.25	FW39N HD Feet	10p	BL33N EC Wire 28 swg	£1.07	BH43W Systoflex 10mm Black	24p	
XW68Y Book BP81	£2.06V	LH01B Verobox 102	£4.85	H423A Recess Plate	8p	BL40Y EC Wire 30 swg	£1.10	BL65V Lacing Cord	98p	
XW09K Book NB391	£3.55V	L006A Verobox 103	£5.95	YR51H Card Frame Brackets	50p	BL42V EC Wire 32 swg	£1.12	BL57M Sorawrap 1/8in	18p	
XW40T Book BP74	£2.05V	L010B Verobox 104	£13.95	YR56L Card Frame Heat Sink	£1.69	BL43W EC Wire 34 swg	£1.16	BL58W Sorawrap 1/4in	21p	
R078K Book FT503	00P	L020C Verobox 105	£6.39	YR95E Castors	£2.75	BL44X EC Wire 36 swg	£1.25	BL59P Sorawrap 1.2in	45p	
Page 34			L030D Verobox 106	£3.25	YR05F Castor Cup	49p	BL45W EC Wire 38 swg	£1.25	BP19Y Tie Wrap 92	2p
RH38R Book BP205	£1.15V	L040E Verobox 107	£3.55	YX31J Flano Legs	£24.50	BL60Q EC Wire 40 swg	£1.50	BF92A Tie Wrap 140	3p	
RF01B Book NB196	£12.35V	L055G Verobox 202	£6.75	Page 46			BL61R EC Wire 42 swg	£1.49	BF93B Tie Wrap 185	4p
RQ34M Book NB369	£4.15V	L070H Verobox 203	£5.50	FX06G Cool Grille	35p	BL62S EC Wire 44 swg	£2.20	BF94C Cable Tie Base	19p	
RF22Y Book HD942	£5.25V	L080J Verobox 211	£4.35	FW81C Handle	64p	BL63T EC Wire 46 swg	£4.95	BH26V Safe 8	9p	
RH26D Book BP33	£1.75V	L109K Verobox 212	£4.85	FW82C HD Strap Handle	£1.55	BL63T EC Wire 48 swg	£4.95	BH27E Safe 8	10p	
RF07H Book BP38	90pV	L110L Verobox 213	£4.85	FX00A Inst Handle Plastic	59p	BL63T EC Wire 48 swg	£4.95	BH28F Safe 12	13p	
RQ37S Book BP54	£1.65V	L007H Verobox 214	£5.25	FX01B Inst Handle Small	£2.68	BL63T EC Wire 48 swg	£4.95	Page 55		
XW95D Book FT1088	£6.45V	L008J Verobox 215	£5.95	FX02C Inst Handle Large	£2.75	BL63T EC Wire 48 swg	£4.95	LH44X Cable P Clip 3/16in	3p	
RQ35R Book NB359	£4.35V	L020B Verobox 216	£6.25	FX03A Inst Handle Small	£2.68	BL63T EC Wire 48 swg	£4.95	LH45Y Cable P Clip 1/4in	3p	
RH33L Book BP66	£2.95V	L111M Verobox 217	£5.95	FX04B Inst Handle Large	£2.75	BL63T EC Wire 48 swg	£4.95	LH46A Cable P Clip 5/16in	3p	
XW45Y Book SF72	£1.95V	LH21B Verobox 221	£3.75	FX05C Inst Handle Large	£2.75	BL63T EC Wire 48 swg	£4.95	LH47B Hiak Rd 2 3/4mm	21p	
RQ08J Book SF72	£1.95V	LH22E Verobox 222	£4.95	FX06G Inst Handle Small	£2.68	BL63T EC Wire 48 swg	£4.95	BH19V Hiatt Rd 3 1/2mm	24p	
XW25C Book NB414	£3.95V	LH26D Verobox 223	£4.65	FX07C Inst Handle Small	£2.68	BL63T EC Wire 48 swg	£4.95	BH20W Hiatt Rd 4mm	20p	
XW41U Book ITN1	£5.25V	L112N Verobox 301	68p	FX08B Inst Handle Large	£2.75	BL63T EC Wire 48 swg	£4.95	BH21X Hiatt Rd 5mm	24p	
RQ40T Book HD678	£9.74V	L113P Verobox 302	68p	FX09C Inst Handle Large	£2.75	BL63T EC Wire 48 swg	£4.95	BH22Y Hiatt Rd 6mm	25p	
Q001B Book Sydex C201	£12.75V	LH50E Verobox 303	£1.45	FX10B Inst Handle Large	£2.75	BL63T EC Wire 48 swg	£4.95	BH23A Hiatt Rd 7mm	28p	
XW14Q Book MM4	£5.75V	LH51F Verobox 305	£2.45	FX11B Inst Handle Large	£2.75	BL63T EC Wire 48 swg	£4.95	BH24B Hiatt Rd 8mm	29p	
RQ02A Book Sydex C200	£8.15V	LH52G Verobox 401	£1.10	FX12C Inst Handle Large	£2.75	BL63T EC Wire 48 swg	£4.95	BH25C Hiatt Rd 9mm	37p	
RQ12N Book Sydex M1	£7.75V	X888V Verobox 501	£15.95	FX13D Inst Handle Large	£2.75	BL63T EC Wire 48 swg	£4.95	BH26D Hiatt Rd 10mm	34p	
Page 35			X889W Verobox 502	£29.95	FX14E Inst Handle Large	£2.75	BL63T EC Wire 48 swg	£4.95	BH27E Hiatt Rd 14mm	40p
RQ13P Book Sydex M11	£11.35V	Y155R Verobox 503	£15.95	FX15F Inst Handle Large	£2.75	BL63T EC Wire 48 swg	£4.95	CAPACITORS		
RQ14Q Book Sydex M12	£7.05V	L003D Flip Top Box 601 Blk	£3.55	FX16G Inst Handle Large	£2.75	BL63T EC Wire 48 swg	£4.95	WX35Q Ceramic 1.8	6p	
XW98B Book FT107	£1.75V	L005F Flip Top Box 602 Blk	£5.25	FX17H Inst Handle Large	£2.75	BL63T EC Wire 48 swg	£4.95	WX36P Ceramic 2.2	6p	
RQ20C Book HD942	£14.25V	LH27E Verobox 701	£5.35	FX18J Inst Handle Large	£2.75	BL63T EC Wire 48 swg	£4.95	WX37S Ceramic 2.7	6p	
RQ49D M6800 Applications	00P	LH28F Verobox 702	£5.55	FX19K Inst Handle Large	£2.75	BL63T EC Wire 48 swg	£4.95	WX38R Ceramic 3.3	6p	
RQ48C R085 Systems Manual	DIS	LH29G Verobox 704	£8.25	FX20A Inst Handle Large	£2.75	BL63T EC Wire 48 swg	£4.95	WX39N Ceramic 3.9	6p	
RQ54J Z80 Data	£3.45V	LH30H Verobox 705	£8.25	FX21B Inst Handle Large	£2.75	BL63T EC Wire 48 swg	£4.95	WX40T Ceramic 4.7	6p	
XW65V Book BP78	£2.05V	LH31J Verobox 707	DIS	FX22C Inst Handle Large	£2.75	BL63T EC Wire 48 swg	£4.95	WX41U Ceramic 5.6	6p	
XW15R Book HD813	£3.75V	LH32K Verobox 708	DIS	FX23D Inst Handle Large	£2.75	BL63T EC Wire 48 swg	£4.95	WX42V Ceramic 6.8	6p	
RQ62S Book R3	DIS	LH33L Verobox 713	DIS	FX24E Inst Handle Large	£2.75	BL63T EC Wire 48 swg	£4.95	WX43W Ceramic 8.2	6p	
R060Q Book R1	£8.95V	LH34M Verobox 716	DIS	FX25F Inst Handle Large	£2.75	BL63T EC Wire 48 swg	£4.95	WX44X Ceramic 10	6p	
RQ61R Book R2	£8.95V	LH35Q Verobox 719	£9.65	FX26G Inst Handle Large	£2.75	BL63T EC Wire 48 swg	£4.95	WX45Y Ceramic 12	6p	
RQ64A R080 Assembler Manual	DIS	Page 42		FX27H Inst Handle Large	£2.75	BL63T EC Wire 48 swg	£4.95	WX46A Ceramic 15	6p	
XW67M Book HD177	£6.55V	LF08J Box AB7	£1.25	FX28J Inst Handle Large	£2.75	BL63T EC Wire 48 swg	£4.95	WX47B Ceramic 18	6p	
XW19V Book HD166	£7.75V	LF09K Box AB8	£1.25	FX29K Inst Handle Large	£2.75	BL63T EC Wire 48 swg	£4.95	WX48C Ceramic 22	6p	
XW03D Book FT574	00P	LF10L Box AB9	£1.15	FX30A Inst Handle Large	£2.75	BL63T EC Wire 48 swg	£4.95	WX49D Ceramic 27	6p	
XW79L Book C300	£12.45V	LF11Q Box AB10	£1.15	FX31B Inst Handle Large	£2.75	BL63T EC Wire 48 swg	£4.95	WX50E Ceramic 33	6p	
XW80B Book C202	£11.95V	LF12N Box AB11	£1.15	FX32C Inst Handle Large	£2.75	BL63T EC Wire 48 swg	£4.95	WX51F Ceramic 39	6p	
XW91C Book D302	£10.25V	LF13P Box AB12	90p	FX33D Inst Handle Large	£2.75	BL63T EC Wire 48 swg	£4.95	WX52G Ceramic 47	6p	
RQ56L M6800 Programming	DIS	LF14Q Box AB13	£1.65	FX34E Inst Handle Large	£2.75	BL63T EC Wire 48 swg	£4.95	WX53H Ceramic 56	6p	
Page 36			LF14Q Box AB14	£1.65	FX35F Inst Handle Large	£2.75	BL63T EC Wire 48 swg	£4.95	WX54J Ceramic 68	6p
XW70M Book M3	£12.75V	LF15R Box AB15	£3.25	FX36G Inst Handle Large	£2.75	BL63T EC Wire 48 swg	£4.95	WX55L Ceramic 82	6p	
RQ16S Book Sydex M14	00P	LF16F Box AB16	£1.75	FX37H Inst Handle Large	£2.75	BL63T EC Wire 48 swg	£4.95	WX56W Ceramic 100	6p	
RQ36G Book Sydex L7	£9.24V	LH10L Box AB21	£1.50	FX38J Inst Handle Large	£2.75	BL63T EC Wire 48 swg	£4.95	WX57M Ceramic 120	6p	
RQ46A R080 Assembler Manual	DIS	LH11Q Box AB22	£1.15	FX39K Inst Handle Large	£2.75	BL63T EC Wire 48 swg	£4.95	WX58P Ceramic 150	6p	
XW69A Book M2	£12.75V	LH12N Box AB23	£1.65	FX40A Inst Handle Large	£2.75	BL63T EC Wire 48 swg	£4.95	WX59P Ceramic 180	6p	
RQ15R Book Sydex M13	£6.95V	LF16F Box AB24	£1.75	FX41B Inst Handle Large	£2.75	BL63T EC Wire 48 swg	£4.95	WX60Q Ceramic 220	6p	
RQ07H Book Sydex L3	DIS	LH10L Box AB25	£1.50	FX42C Inst Handle Large	£2.75	BL63T EC Wire 48 swg	£4.95	WX61R Ceramic 270	6p	
RQ11M Book Sydex L7	00P	LH11Q Box AB26	£1.15	FX43D Inst Handle Large	£2.75	BL63T EC Wire 48 swg	£4.95	WX62S Ceramic 330	6p	
RQ10L Book Sydex L6	00P	LH12N Box AB27	£1.15	FX44E Inst Handle Large	£2.75	BL63T EC Wire 48 swg	£4.95	WX63T Ceramic 390	6p	
RQ09K Book Sydex L5	00P	LH13P Box AB28	£1.15	FX45F Inst Handle Large	£2.75	BL63T EC Wire 48 swg	£4.95	WX64U Ceramic 470	6p	
RL39N Book Sydex L8	£5.95V	LH14Q Box AB29	£1.65	FX46G Inst Handle Large	£2.75	BL63T EC Wire 48 swg	£4.95	WX65V Ceramic 560	6p	
XW71N Book M4	£13.25V	LH15R Box AB30	£3.25	FX47H Inst Handle Large	£2.75	BL63T EC Wire 48 swg	£4.95	WX66W Ceramic 680	6p	
RQ45X Book C290	£13.25V	LH16F Box AB31	£1.75	FX48J Inst Handle Large	£2.75	BL63T EC Wire 48 swg	£4.95	WX67X Ceramic 820	6p	
RQ17T Book Sydex M15	£7.35V	LH17B Box AB32	£3.25	FX49K Inst Handle Large	£2.75	BL63T EC Wire 48 swg	£4.95	WX68Y Ceramic 1000	6p	
XW78K Book C281	£11.70V	LH18A Box AB33	£4.20	FX50A Inst Handle Large	£2.75	BL63T EC Wire 48 swg	£4.95	WX69A Ceramic 1200	6p	
XW58N Book NB415	£4.95V	LH17B Box AB34	£3.25	FX51B Inst Handle Large	£2.75	BL63T EC Wire 48 swg	£4.95	WX70M Ceramic 1500	6p	
RQ41U Book NB523	£6.50V	LH18A Box AB35	£4.20	FX52C Inst Handle Large	£2.75	BL63T EC Wire 48 swg	£4.95	WX71N Ceramic 1800	6p	
XW16S Book FT952	£6.95V	LH19Q Box AB36	£4.20	FX53D Inst Handle Large	£2.75	BL63T EC Wire 48 swg	£4.95	WX72P Ceramic 2200	6p	
XW49D Book MM304	£3.35V	LH20A Box AB37	£4.20	FX54E Inst Handle Large	£2.75	BL63T EC Wire 48 swg	£4.95	WX73Q Ceramic 2700	6p	
XW50E Book MM306	£5.95V	LH21B Box AB38	£4.20	FX55F Inst Handle Large	£2.75	BL63T EC Wire 48 swg	£4.95	WX74R Ceramic 3300	6p	
RL45Y Book HD106	£10.45V	LH22E Box AB39	£4.20	FX56G Inst Handle Large	£2.75	BL63T EC Wire 48 swg	£4.95	WX75S Ceramic 3900	6p	
Page 37			LH23F Box AB40	£4.20	FX57H Inst Handle Large	£2.75	BL63T EC Wire 48 swg	£4.95	WX76T Ceramic 4700	6p
RQ42V Book HD85	£9.95V	LH24V Box AB41	£4.20	FX58J Inst Handle Large	£2.75	BL63T EC Wire 48 swg	£4.95	WX77J Ceramic 10000	6p	
XH04E Book FT1055	£3.85V	LH25V Box AB42	£4.20	FX59K Inst Handle Large	£2.75	BL63T EC Wire 48 swg	£4.95	WX78K Ceramic 22000	6p	
XW42V Book HD115	£5.25V	LH26D Box AB43	£4.20	FX60A Inst Handle Large	£2.75	BL63T EC Wire 48 swg	£4.95	YY24B Monocap 0.001uF	19p	
RQ43W Book HD662	£7.25V	LH27E Box AB44	£4.20	FX61B Inst Handle Large	£2.75	BL63T EC Wire 48 swg	£4.95	YY25E MonoCap 0.002uF	20p	
XW24B Book HD124	£7.65V	LH28F Box AB45	£4.20	FX62C Inst Handle Large	£2.75	BL63T EC Wire 48 swg	£4.95	YY26J MonoCap 0.01uF	21p	
XW59P Book HD154	£9.95V	LH29G Box AB46	£4.20	FX63D Inst Handle Large	£2.75	BL63T EC Wire 48 swg	£4.95	YY10L MonoCap 0.047uF	19p	
XW60Q Book HD762	£9.95V	LH30H Box AB47	£4.20	FX64E Inst Handle Large	£2.75	BL63T EC Wire 48 swg	£4.95	YY11M MonoCap 0.1uF	36p	
XW94C Book FT1095	£3.96V	LH31J Box AB48	£4.20	FX65F Inst Handle Large	£2.75	BL63T EC Wire 48 swg	£4.95	YY12N MonoCap 0.01uF	11p	
RQ64J Book Sydex P10	DIS	LH32K Box AB49	£4.20	FX66G Inst Handle Large	£2.75	BL63T EC Wire 48 swg	£4.95	YY13P MonoCap 0.047uF	7p	
RL48C Book HD112	£6.70V	LH33L Box AB50	£4.20	FX67H Inst Handle Large	£2.75	BL63T EC Wire 48 swg	£4.95	YY14R MonoCap 0.1uF	15p	
RQ63T Book R5	00P	LH34M Box AB51	£4.20	FX68J Inst Handle Large	£2.75	BL63T EC Wire 48 swg	£4.95	YY15S MonoCap 0.27uF	10p	
RQ21X Book Sydex R4	£6.95V	LH35Q Box AB52	£4.20	FX69K Inst Handle Large	£2.75	BL63T EC Wire 48 swg	£4.95	YY16T MonoCap 0.47uF	15p	
XW43C Book R6	£5.80V	LH36A Box AB53	£4.20	FX70A Inst Handle Large	£2.75	BL63T EC Wire 48 swg	£4.95	YY17U MonoCap 0.001uF	21p	
RL47B Book HD109	£7.45V	LH37C Box AB54	£4.20	FX71B Inst Handle Large	£2.75	BL63T EC Wire 48 swg	£4.95	YY18V MonoCap 0.002uF	20p	
XW18U Book HD127	£5.48V	LH38E Box AB55	£4.20	FX72C Inst Handle Large	£2.75	BL63T EC Wire 48 swg	£4.95	YY19W MonoCap 0.01uF	25p	
XW05F Book FT1085	£6.25V	LH39K Box AB56	£4.20	FX73D Inst Handle Large	£2.75	BL63T EC Wire 48 swg	£4.95	YY20X MonoCap 0.047uF	19p	
XW75S Book FT1062	£6.25V	LH40A Box AB57	£4.20	FX74E Inst Handle Large	£2.75	BL63T EC Wire 48 swg	£4.95	YY21Y MonoCap 0.1uF	7p	
XW61R Book HD160	£5.80V	LH41Q Box AB58	£4.20	FX75F Inst Handle Large	£2.75	BL63T EC Wire 48 swg	£4.95	YY22Z MonoCap 0.27uF	10p	
XW23A Book HD155	£14.75V	LH42V Box AB59	£4.20	FX76G Inst Handle Large	£2.75	BL63T EC Wire 48 swg	£4.95	YY23A MonoCap 0.47uF	15p	
RL37S Book Sydex L9	DIS	LH43W Box AB60	£4.20	FX77H Inst Handle Large	£2.75	BL63T EC Wire 48 swg	£4.95	YY24B MonoCap 0.001uF	19p	
XW82D Book G402	£11.35V	LH44X Box AB61	£4.20	FX78J Inst Handle Large						

1981 Catalogue Page No	VAT inclusive PRICE	1981 Catalogue Page No	VAT inclusive PRICE	1981 Catalogue Page No	VAT inclusive PRICE	1981 Catalogue Page No	VAT inclusive PRICE	1981 Catalogue Page No	VAT inclusive PRICE
YW95D IDC Car 3 way	20p	RW37S Dinkak 205	DIS	AC34M Hangman Game	£14.95	BF30H Pozz Screw M5 6mm	23p	KNOBBS	
YW96E IDC Car 4 way	26p	RW38E Pluggak 279	89p	AC35Q Video Checkers	£18.95	BF31J Pozz Screw M5 12mm	33p	Page 113	
YW97F IDC Car 6 way	38p	RW39E Pluggak 282	89p	AC36P Main On/Off	£24.95	BF32K Pozz Screw M5 25mm	33p	RW75S Knob R12	16p
YW98G IDC Car 8 way	50p	RW40F Pluggak 283	£1.85	AC36P Main On/Off	£24.95	BF33J Pozz Screw M4 4mm	25p	RW77J Knob R22	28p
YL49D IDC Insertion Tool	£1.98	RW41F Pluggak 284	£1.85	AC37S Video Game Paddles	£13.95	BF34M Pozz Screw M4 12mm	32p	RW78J Knob R24	28p
WL04E Watercon Plug 3 pin	12p	RW42K Pluggak T	DIS	AC37S Video Game Joysticks	£13.95	BF35Q Pozz Screw M4 25mm	27p	RW79J Knob R26	28p
WL05F Watercon Plug 4 pin	14p	RW43M Pluggak X	£2.48					RW80J Knob R28	45p
WL06G Watercon Plug 5 pin	19p	RW44M Pluggak X	£2.48	ELECTRICAL				RW81J Knob R30	58p
WL07H Watercon Plug 6 pin	19p	RW45M Pluggak HD Guitar	£4.45	Page 104				RW82J Knob R32	29p
WL08L Watercon Plug 12 pin	29p			HF01B Terminal Block 5A	33p			RW83J Knob R34	39p
Page 82		CONSUMER		HL54J Terminal Block 15A	69p			RW84J Knob R36	59p
HL09K Watercon Skt 3 way	11p	AF18U Canon LC31	£6.95	HL55K Terminal Block 30A	£1.10			RW85J Knob R38	45p
HL10L Watercon Skt 4 way	10p	AF19V Canon FC42	£13.95	HL56L Terminal Block Conn	£1.47			RW86J Knob R40	55p
HL11M Watercon Skt 6 way	16p			HL57M 5 Amp Plug	59p			RW87J Knob R42	55p
HL12N Watercon Skt 8 way	17p			RW67X 13 Amp Plug Nylon	79p			RW88J Knob R44	55p
HL13P Watercon Skt 12 way	25p			HL59P 15A Plug Nylon	99p			RW89J Knob R46	55p
HL14Q Watercon Terminal	3p			HL60Q Kettle Connector	£1.67			RW90J Knob R48	55p
YW32K Polaroid 0.2in	6p			HL61R Flex Connector	£1.40			RW91J Knob R50	55p
YW40T Compactboard	£13.50			HL62S Mains Adaptor 2-way	£2.20			RW92J Knob R52	55p
YW42Y CB Pin Blue	37p			HL63T Mains Adaptor 2-way	£2.95			RW93J Knob R54	55p
YW43A CB Pin White	37p			HL64U Shaver Adaptor	£1.15			RW94J Knob R56	55p
YW44Y CB Pin White	37p							RW95J Knob R58	55p
YW45Y CB Pin White	37p							RW96J Knob R60	55p
YW46Y CB Pin White	37p							RW97J Knob R62	55p
YW47Y CB Pin White	37p							RW98J Knob R64	55p
YW48Y CB Pin White	37p							RW99J Knob R66	55p
YW49Y CB Pin White	37p							RW00J Knob R68	55p
YW50Y CB Pin White	37p							RW01J Knob R70	55p
YW51Y CB Pin White	37p							RW02J Knob R72	55p
YW52Y CB Pin White	37p							RW03J Knob R74	55p
YW53Y CB Pin White	37p							RW04J Knob R76	55p
YW54Y CB Pin White	37p							RW05J Knob R78	55p
YW55Y CB Pin White	37p							RW06J Knob R80	55p
YW56Y CB Pin White	37p							RW07J Knob R82	55p
YW57Y CB Pin White	37p							RW08J Knob R84	55p
YW58Y CB Pin White	37p							RW09J Knob R86	55p
YW59Y CB Pin White	37p							RW10J Knob R88	55p
YW60Y CB Pin White	37p							RW11J Knob R90	55p
YW61Y CB Pin White	37p							RW12J Knob R92	55p
YW62Y CB Pin White	37p							RW13J Knob R94	55p
YW63Y CB Pin White	37p							RW14J Knob R96	55p
YW64Y CB Pin White	37p							RW15J Knob R98	55p
YW65Y CB Pin White	37p							RW16J Knob R100	55p
YW66Y CB Pin White	37p							RW17J Knob R102	55p
YW67Y CB Pin White	37p							RW18J Knob R104	55p
YW68Y CB Pin White	37p							RW19J Knob R106	55p
YW69Y CB Pin White	37p							RW20J Knob R108	55p
YW70Y CB Pin White	37p							RW21J Knob R110	55p
YW71Y CB Pin White	37p							RW22J Knob R112	55p
YW72Y CB Pin White	37p							RW23J Knob R114	55p
YW73Y CB Pin White	37p							RW24J Knob R116	55p
YW74Y CB Pin White	37p							RW25J Knob R118	55p
YW75Y CB Pin White	37p							RW26J Knob R120	55p
YW76Y CB Pin White	37p							RW27J Knob R122	55p
YW77Y CB Pin White	37p							RW28J Knob R124	55p
YW78Y CB Pin White	37p							RW29J Knob R126	55p
YW79Y CB Pin White	37p							RW30J Knob R128	55p
YW80Y CB Pin White	37p							RW31J Knob R130	55p
YW81Y CB Pin White	37p							RW32J Knob R132	55p
YW82Y CB Pin White	37p							RW33J Knob R134	55p
YW83Y CB Pin White	37p							RW34J Knob R136	55p
YW84Y CB Pin White	37p							RW35J Knob R138	55p
YW85Y CB Pin White	37p							RW36J Knob R140	55p
YW86Y CB Pin White	37p							RW37J Knob R142	55p
YW87Y CB Pin White	37p							RW38J Knob R144	55p
YW88Y CB Pin White	37p							RW39J Knob R146	55p
YW89Y CB Pin White	37p							RW40J Knob R148	55p
YW90Y CB Pin White	37p							RW41J Knob R150	55p
YW91Y CB Pin White	37p							RW42J Knob R152	55p
YW92Y CB Pin White	37p							RW43J Knob R154	55p
YW93Y CB Pin White	37p							RW44J Knob R156	55p
YW94Y CB Pin White	37p							RW45J Knob R158	55p
YW95Y CB Pin White	37p							RW46J Knob R160	55p
YW96Y CB Pin White	37p							RW47J Knob R162	55p
YW97Y CB Pin White	37p							RW48J Knob R164	55p
YW98Y CB Pin White	37p							RW49J Knob R166	55p
YW99Y CB Pin White	37p							RW50J Knob R168	55p
YW00Y CB Pin White	37p							RW51J Knob R170	55p
YW01Y CB Pin White	37p							RW52J Knob R172	55p
YW02Y CB Pin White	37p							RW53J Knob R174	55p
YW03Y CB Pin White	37p							RW54J Knob R176	55p
YW04Y CB Pin White	37p							RW55J Knob R178	55p
YW05Y CB Pin White	37p							RW56J Knob R180	55p
YW06Y CB Pin White	37p							RW57J Knob R182	55p
YW07Y CB Pin White	37p							RW58J Knob R184	55p
YW08Y CB Pin White	37p							RW59J Knob R186	55p
YW09Y CB Pin White	37p							RW60J Knob R188	55p
YW10Y CB Pin White	37p							RW61J Knob R190	55p
YW11Y CB Pin White	37p							RW62J Knob R192	55p
YW12Y CB Pin White	37p							RW63J Knob R194	55p
YW13Y CB Pin White	37p							RW64J Knob R196	55p
YW14Y CB Pin White	37p							RW65J Knob R198	55p
YW15Y CB Pin White	37p							RW66J Knob R200	55p
YW16Y CB Pin White	37p							RW67J Knob R202	55p
YW17Y CB Pin White	37p							RW68J Knob R204	55p
YW18Y CB Pin White	37p							RW69J Knob R206	55p
YW19Y CB Pin White	37p							RW70J Knob R208	55p
YW20Y CB Pin White	37p							RW71J Knob R210	55p
YW21Y CB Pin White	37p							RW72J Knob R212	55p
YW22Y CB Pin White	37p							RW73J Knob R214	55p
YW23Y CB Pin White	37p							RW74J Knob R216	55p
YW24Y CB Pin White	37p							RW75J Knob R218	55p
YW25Y CB Pin White	37p							RW76J Knob R220	55p
YW26Y CB Pin White	37p							RW77J Knob R222	55p
YW27Y CB Pin White	37p							RW78J Knob R224	55p
YW28Y CB Pin White	37p							RW79J Knob R226	55p
YW29Y CB Pin White	37p							RW80J Knob R228	55p
YW30Y CB Pin White	37p							RW81J Knob R230	55p
YW31Y CB Pin White	37p							RW82J Knob R232	55p
YW32Y CB Pin White	37p							RW83J Knob R234	55p
YW33Y CB Pin White	37p							RW84J Knob R236	55p
YW34Y CB Pin White	37p							RW85J Knob R238	55p
YW35Y CB Pin White	37p							RW86J Knob R240	55p
YW36Y CB Pin White	37p							RW87J Knob R242	55p
YW37Y CB Pin White	37p							RW88J Knob R244	55p
YW38Y CB Pin White	37p							RW89J Knob R246	55p
YW39Y CB Pin White	37p							RW90J Knob R248	55p
YW40Y CB Pin White	37p							RW91J Knob R250	55p
YW41Y CB Pin White	37p							RW92J Knob R252	55p
YW42Y CB Pin White	37p							RW93J Knob R254	55p
YW43Y CB Pin White	37p							RW94J Knob R256	55p
YW44Y CB Pin White	37p							RW95J Knob R258	55p
YW45Y CB Pin White	37p							RW96J Knob R260	55p
YW46Y CB Pin White	37p							RW97J Knob R262	55p
YW47Y CB Pin White	37p							RW98J Knob R264	55p
YW48Y CB Pin White	37p							RW99J Knob R266	55p
YW49Y CB Pin White	37p							RW00J Knob R268	55p
YW50Y CB Pin White	37p							RW01J Knob R270	55p
YW51Y CB Pin White	37p							RW02J Knob R272	55p
YW52Y CB Pin White	37p							RW03J Knob R274	55p
YW53Y CB Pin White	37p							RW04J Knob R276	55p
YW54Y CB Pin White	37p							RW05J Knob R278	55p
YW55Y CB Pin White	37p							RW06J Knob R280	55p
YW56Y CB Pin White	37p							RW07J Knob R282	55p
YW57Y CB Pin White	37p							RW08J Knob R284	55p
YW58Y CB Pin White	37p							RW09J Knob R286	55p
YW59Y CB Pin White	37p							RW10J Knob R288	55p
YW60Y CB Pin White	37p							RW11J Knob R290	55p
YW61Y CB Pin White	37p							RW12J Knob R292	55p
YW62Y CB Pin White	37p							RW13J Knob R294	55p
YW63Y CB Pin White	37								

1981 Catalogue
Page No.

VAT inclusive PRICE

YB36P Unisound Mic EM82D £19 17
YB37S Unisound Mic EM83D £20 85

Page 120

WY06G Super Cardoid Mic £23 55
WY07H Stereo Electret Mic £19 75
YB38R Unisound Mic DM1500D £36 45
LB94C Unisound S15 £56 58
LB95D Mic Unit U15 £10 75
LB350 Mic Windshield 45p
YB77Z Saneck Mic Stand Bin £19 99
LB88V Saneck Mic Stand 12in £22 99
WF26P Saneck Mic Stand 21in £24 45
YW73Q Plastic Saneck Base 65p
YW74R Metal Saneck Base £3 25
WF37S Bkt For Saneck Stand £1 95

Page 121

LD94E Table-Top Mic Stand £2 25
YW75S Desk Base Mic Stand £3 65
YW76H Extra Hgt Mic Stand £6 95
XB45Y 5-Foot Mic Stand £13 45
XB46A Boom Arm £12 65

MUSICAL

Page 122
LD95T Pre-Amp EQ2S £3 45
YB35N Pre Amp CS2 £24 43
XB30H Mono Mix Mixer £8 65
XB29G Stereo Mixer £22 88
LB66W Min Phasor £19 77
YB30H Fuzz Box £15 25

Page 123

XB41U 723 Wah Pedal £29 50
XB34M Viba Chorus £27 30
YB88V Mini Compressor £21 20
XB33L Echo Chamber £67 33
LB67X Echo Chamber Tape £4 99
XY80B BBD Echo Machine £72 50

Page 124

YB40T Cry Guitar Pick-Up £39 99
YB41U Nylon Mix Pick-Up £27 30
YB42V Steel Mag P.U. £8 45
YB43U Pickup Transl AJ21 £27 95
YB44U Pickup Transl AJ51 £19 95
YB45U Pickup Transl AJ15 DIS
YB46U Pickup Transl AJ15 DIS
YB47U Pickup Transl NY10 £18 85
YB48U Pickup Transl NY10 £18 85
YB49U Pickup Transl NY10 £18 85
YB50U Pickup Transl NY10 £18 85

OPTO

Page 125
RX66T MES Batten Hldr 21p
RX67M Holder MES Amber £1 45
RX68N Holder MES Blue DIS
RX69P Holder MES Clear £1 45
RX60Q Holder MES Green £1 45
RX61R Holder MES Red £1 45
RX62S Dmd LES Lhdtr Blue 35p
RX63T Dmd LES Lhdtr Green 35p
RX64U Dmd LES Lhdtr Red 35p
RX65V Dmd LES Lhdtr White 35p
RX66W Dmd LES Lhdtr Yellow 35p
RX67X Flt To LES Lhdtr Blue 35p
RX68Y Flt To LES Lhdtr Grn 35p
RX69A Flt To LES Lhdtr Red 35p
FF66W Fluted Lhdtr Amber 30p
FF67X Fluted Lhdtr Clear 30p
FF68Y Fluted Lhdtr Green 30p
FF69A Fluted Lhdtr Red 30p
YB00A LES Cover Amber 6p
YB01B LES Cover Blue 6p
YB02C LES Cover Green 6p
YB03D LES Cover Purple 6p
YB04E LES Cover Red 6p
YB05F LES Cover White 6p
YB06G LES Cover Yellow 6p
RX62D Pan Neon Amber 56p
RX63E Pan Neon Red 75p
RX64F Square Neon Red 33p
RX65G Square Neon Green 33p
RX66H Wire Neon 14p
WQ13P Wire Bulb 12V 30p
WL74R LES Bulb 12V 17p
WL75S LES Bulb 12V 15p
RX64F Neon Bulb 39p

Page 126

WL76H Bulb MES 3.5V 35p
WL77J Bulb MES 6V 0.24W 35p
WL78K Bulb MES 6.5V 33p
WL79L Bulb MES 6.5V 27p
WL80B Bulb MES 12V 1.2W 28p
WL81C Bulb MES 12V 2.2W 29p
WL82D Bulb MES 24V 36p
LQ10L Portable Lamp £6 95
XY71M Caravan Lamp £9 65
LQ11M 12V Tube £1 38
LL15R 240V Inspection Lamp £5 60
XQ15R Bulb Lamp £4 35
RX64J Festoon Cable DIS
YB45Y Festoon Lampholder DIS
HB52C Pygmy Bulb Blue 90p
HB53H Pygmy Bulb Green 90p
HB54J Pygmy Bulb Red 90p
HB55K Pygmy Bulb White 70p
HB56L Pygmy Bulb Yellow 90p
YB29Q Spot Holder £3 85

Page 127

XY00A 3-Bank Lampholder DIS
XB31J BC Clip On Hdr Sngl £4 99
XB32A BC Clip On Hdr Trn £6 95
WF25D Spot Lamp Blue £5 85
WF26D Spot Lamp Blue £5 85
WF27E Spot Lamp Clear £2 35
WF28F Spot Lamp Green £2 85
WF29G Spot Lamp Red £2 85
WF30H Spot Lamp Violet £2 85
WF22Z Goose-neck Lamp £5 32
WL32K Mini LED Red 10p
WL33L Mini LED Green 10p
WL34M Mini LED Orange 10p
YB38R Mini LED Yellow 10p
YB39N Mini LED Clip 10p
WL27E LED Red 12p
WL28F LED Green 10p

1981 Catalogue
Page No.

VAT inclusive PRICE

WL29G LED Orange 35p
WL30H LED Yellow 17p
YB40T LED Clip 27p
WY06E Square LED Red 36p
WY07H Square LED Green 36p
YB61R Square LED Yellow 40p
YB62S Square LED Clip 7p
YB41U Large LED Red £1 49
YB42V Large LED Clip 21p

Page 128

YB45H Shape LED R1 Red 20p
YB46A Shape LED R1 Green 25p
YB47B Shape LED R1 Orange 37p
YB48C Shape LED R1 Yellow 27p
YB49D Shape LED S2 Red 20p
YB50E Shape LED S2 Green 27p
YB51F Shape LED S2 Yellow 27p
YB52G Shape LED L3 Green 26p
YB53H Shape LED L3 Yellow 26p
YB54J Shape LED T4 Red 22p
YB55K Shape LED T4 Green 26p
YB56L Shape LED T4 Yellow 26p
YB57M Shape LED A5 Red 23p
YB58N Shape LED A5 Green 27p
YB59W Illuminator Orange NYA
YB44X Illuminator Yellow NYA
YB45H Clipite Amber 16p
YB46J Clipite Clear 16p
YB47K Clipite Green 16p
YB48L Clipite Red 16p
YB49M Clipite Yellow 16p
YB50N Multicolour LED 59p
YB51P Chrome LED Small 52p
YB52Q Chrome LED Large 54p
YB53V Red Bargraph Display £12 45
YB54W Green Bargraph Display £2 95
YB55M Orange Bargraph Display £2 95
YB56Y Yellow Bargraph Display £3 35

Page 129

FR36P 7-Seg Red Type 1 £1 07
FR37P 7-Seg Red Type 3 DIS
FR38R 7-Seg Red Type 4 £1 25
FR39N 1/2" Display Type 1 99p
FR40T 1/2" Display Type 3 DIS
FR41U 1/2" Display Type 4 £1 07
YB66W DD Display Type A £1 98
YB67X DD Display Type AF 50p
YB68Y DD Display Type C £1 98

Page 130

XD08J 4-Dig Dsply Cmn Cath £2 69
YB70M 4-Dig Dis Cmn Anode £1 50
XQ36P Mult Cmn Cath Dsply £3 45
FR32K Filter Amber 35p
FR33L Filter Green £1 20
FR34M Filter Red 85p
FR35Q Filter Yellow 65p
FR39W Lqd Crystal Display £5 50

Page 131

AL350 Quad Isolator 69p
YB62S Opto Isolator £1 31
YB63T Opto Iso Isolator £2 86
WQ70M Darlington Isolator 74p
YB64U SCR Isolator £2 12
QO10L Triac Isolator £1 55

Page 132

YB70M IR Emitter TL38 49p
YB71J Photodiode TL100 93p
YB65V Infra Red Source 38p
YB66W Infra Red Sensor 31p
LB23A MS4A £2 95
QF30H BPX25 £2 70

Page 133

H061R MEL 12 39p
YB62S Xenon Tube £2 40
YB63T Trigger Transmr 49p
XK856L 1mm Light Guide 67p
XL11M Laser Tube £124 00
HY19V 5KV Laser PCB £4 50
H063T Lens £2 15
H064J Lensholder 59p

ORGAN PARTS

Page 134
Q102C SAM77 £1 20

Page 135

XB10L DWO2 £14 82
XB11M DWO2T £16 82

Page 136

XL08J Short Spring Line 65 53
XB84F Long Spring Line £11 13
XB85G MES Onv Module £6 95
XB86T MES Onv Module £4 73
XB17T Mid-Mod 49-Note C.C. £20 87
XB13P KB Mounting Strip 39p

Page 137

XB14L Keyboard 48 Note £23 94
XB15R Keyboard 49-Note £23 95
XB16S Keyboard 61-Note £28 95
XB94C Contact Block 1WG 29p
XB01B Contact Block GJ 45p
XB02C Contact Block GB2 57p
XB03D Contact Block GC3 57p
XB04E Earth Bar 23p
XB00A Gold Wire £1 10
XB86T Spacesnd Mid Range £52 66

Page 138

XB87U Rotating Horns Unit £79 30
FL66W Stop Tab Blue 75p
FL67W Stop Tab Blue 75p
FL68Y Stop Tab Green 75p
FL69A Stop Tab Grey 75p
FL70M Stop Tab Ivory 75p
FL71N Stop Tab Veron 75p
FL72P Stop Tab Orange 75p
FL73Q Stop Tab Red 75p
FL74R Stop Tab White 75p

1981 Catalogue
Page No.

VAT inclusive PRICE

FL75S Stop Tab Yellow 75p
BR05F Stop Tab Acc Del Trem £1 10
BR47B Stop Tab Bass Guitar £1 10
BR67X Stop Tab Bourdon B £1 10
BR06G Stop Tab Cello 16' £1 10
BR07J Stop Tab Clarinet B £1 10
BR08H Stop Tab Clarion 4' £1 10
YB00A Stop Tab Clavichord £1 10
YB01B Stop Tab D/B to Rotor £1 10
YB02C Stop Tab Dly Vbrato Acc £1 10
YB03D Stop Tab Dly Vbrato Solo £1 10
H009K Stop Tab Diapason B £1 10
H010J Stop Tab Diapason 16' £1 10
BR10G Stop Tab Drawbars Acc £1 10
BR11M Stop Tab Drawbars Solo £1 10
BR12N Stop Tab Dulciana 8' £1 10
BR13P Stop Tab Flute 1' £1 10
BR14Q Stop Tab Flute 2' £1 10
BR15R Stop Tab Flute 2/3' £1 10
BR16S Stop Tab Flute 4' £1 10
BR17T Stop Tab Flute 5 1/3' £1 10
BR18U Stop Tab Flute 8' £1 10
BR19V Stop Tab Flute 16' £1 10
BR20W Stop Tab French Horn B' £1 10
BR21X Stop Tab Gedeckt 8' £1 10
YB05F Stop Tab Gedeckt 16' £1 10
H010G Stop Tab Horn 16' £1 10
BR22Y Stop Tab Horn 8' £1 10
YB07H Stop Tab Mixture 16' £1 10
BR23A Stop Tab Oboe 8' £1 10
BR24B Stop Tab Octave 4' £1 10
BR25C Stop Tab Pedal Sustain £1 10
YB08J Stop Tab Piano £1 10
YB09K Stop Tab Presets Cancel £1 10
BR10L Stop Tab Reverb Rotor £1 10
YB11M Stop Tab Reed 4' £1 10
BR26D Stop Tab Reverb 4' £1 10
YB12N Stop Tab Rotor Fast £1 10
YB13P Stop Tab Rotor To Main £1 10
BR27E Stop Tab Sallet 4' £1 10
BR28F Stop Tab Salletion B' £1 10
BR29G Stop Tab Saxophone 16' £1 10
BR30D Stop Tab Sax Del Trem £1 10
BR31J Stop Tab Sax 2/3' £1 10
BR32L Stop Tab String B' £1 10
BR33M Stop Tab String 16' £1 10
YB14Q Stop Tab Sustain Acc £1 10
YB15R Stop Tab Sustain Solo £1 10
BR34M Stop Tab Tremulant £1 10
BR35Q Stop Tab Trumpet 8' £1 10
BR36P Stop Tab Tube 16' £1 10
YB16S Stop Tab Vox Anglica B' £1 10
BR37S Stop Tab Vox Humana B' £1 10
BR38R Stop Tab Vox Horn 16' £1 10
YB17T Stop Tab Yob Cello 16' £3 45
YB18U Mar Key Tab Clar B £3 45
YB19V Mar Key Tab Clarion 4' £3 45
YB20W Mar Key Tab Clar 16' £3 45
YB21X Mar Key Tab Flute 2' £3 45
YB22Y Mar Key Tab Flute 4' £3 45
YB23A Mar Key Tab Flute 5 1/3' £3 45
YB24B Mar Key Tab Flute 8' £3 45
YB25C Mar Key Tab Flute 16' £3 45
YB26D Mar Key Tab Dbar Acc £3 45
YB27E Mar Key Tab Dbar Solo £3 45
YB28F Mar Key Tab Dule B' £3 45
YB29G Mar Key Tab Flute 1' £3 45
YB30H Mar Key Tab Flute 2' £3 45
YB31J Mar Key Tab Flute 2/3' £3 45
YB32K Mar Key Tab Flute 4' £3 45
YB33L Mar Key Tab Flute 5 1/3' £3 45
YB34M Mar Key Tab Flute 8' £3 45
YB35Q Mar Key Tab Flute 16' £3 45
YB36P Mar Key Tab French Horn B' £3 45
YB37S Mar Key Tab Gedeckt 8' £3 45
YB38R Mar Key Tab Gedeckt 16' £3 45
YB39W Mar Key Tab Hrnk Trk £3 45
YB40T Mar Key Tab Horn B' £3 45

Page 142

YG17T Meter MS45 100uA DIS
YB18U Meter MS45 1mA DIS
YB19V Meter MS45 10uA £4 48
RX54J Large Panel Meter £5 59
RX55K Illuminating Kit DIS
RX52A Meter M1 15V £6 95
RX87U Meter M1 60V £6 35
RX88V Meter M1 300V £7 96
RX89W Meter M1 1A £6 20
RX90X Meter M1 5A £6 95
RX91Y Meter M1 15A £7 65
RX93B Meter M1 25A £7 95

PCB EQUIPMENT

Page 143

FL01B SRBP 0.1in Type 2 DIS
FL02A SRBP 0.1in Type 3 99p
YB80B SRBP 0.1in Type 4 DIS
FL06G Vero 14354 25p
FL07H Vero 10345 £1 06
FL08J Vero 10346 89p
FL09K Vero 10347 £1 19
YB81C Vero 10348 £1 09
FL10L Vero 1002 £1 10
FL15H Vero 10401 £3 65
FL17T Verostrip 99p
FL19V DIP Board £4 35
H048C Vero Y.Q Board £1 95
FL25C Tool 2022 £1 45
FL26D Tool 2150 £1 95
FL27E Tool 2151 £1 95
FL20W Pin 2140 50p
YB81C Pin 2141 55p
FL23A Pin 2144 55p
FL24B Pin 2145 57p

Page 144

FL80B Pin 0266 Pk of 10 25p
FL81C Pin 1857 Pk of 10 35p
FL82D Track Pin 85p
FL28F 4-Way Tag 12p
FL29G Mounting Strip 32p
FL11M Tag Board 94p
YB11M Vero Plug/lock £4 95
YB83E Eurobreadboard £6 75
YB84F Prof Plug/lock £6 95

Page 145

YB85G Bus Strip Plugblock £2 95
YB86T Plugblock Cont Strip 28p
YB87U Plugblock PCB £1 85
YB88V Photo Etch System £6 99
X110L UV Exposure Box £41 32
YB19V Photo Etch PCB £2 95
YB20W Photo Etch Drift Pk £1 95

Page 146

X12N Etch Crystals £1 25
FL81C Pin 1857 Pk of 10 35p
H020C PCB Pen £1 35
H030D Resist Remover 88p
H000A PCB SRBP Small Single 48p
WF38R PCB SRBP Med Single 96p
WF39N PCB SRBP Lrg Single £1 25
H010B PCB F Glass Sm Sngl 85p
WF40T PCB F Glass Med Sngl £1 75
WF41U PCB F Glass Lrg Sngl £2 75
WF42V PCB F Glass Med Dble £1 39
RX90X Faircut £6 75
BW21X Track Tape 31 91p
BW22Y Track Tape 40 91p
BW23A Track Tape 50 91p
BW24B Track Tape 62 £1 32
BW25C Track Tape 80 £1 32
BW26D Track Tape 100 £1 32
BW27E Track Tape 125 £1 85
BW28F Track Tape 150 £1 85
BW29G Track Tape 200 £1 85
BW30H Pad 075 £1 55
BW31J Pad 100 £1 55
BW32K Pad 125 £1 12
BW33L Pad 150 £1 12
BW34M Pad 200 £1 50
BW35P Pad 300 £2 65
BW36T Pad 400 £2 65
BW37S Pad 500 £3 95
BW38R Pad 600 £5 25

Page 147

BK40T KC Pads 200 £4 65
BW41U Drafting Template 88p
HX45Y Transfer Sheet 1 42p
HX46A Transfer Sheet 2 42p
HX47B Transfer Sheet 3 42p
HX48C Transfer Sheet 4 42p
HX49D Transfer Sheet 5 42p
HX50E Transfer Sheet 6 42p
HX51F Transfer Sheet 7 42p
HX56V Transfer Sheet 8 42p
HX66W Transfer Sheet 9 42p
HX67X Transfer Sheet 10 42p
HX68Y Transfer Sheet 11 42p
HX69Z Transfer Sheet 12 42p
HX68F Transfer Sheet 13 42p
HX44X Transfer Kit £3 75

PROJECTS

Page 148

XF11M MES12 £2 00V
XK24B MES15 15pV
XK27E MES16 15pV
XK18U MES22 25pV
XK06G MES24 FREE
XK20W MES25 25pV
XF03D MES26 £1 20V
XK10D MES27 DIS
XK07H MES32 DIS
XK48C MES33 40pV
XK21X MES37 25pV

1981 Catalogue
Page No.

VAT inclusive PRICE

RW94C 2in Pan Meter 1mA £6 45
RW95D 2in Pan Meter 5mA £6 45
RW96E 2in Pan Meter 10mA £6 45
RX32K 2in Pan Meter 50mA £6 65
RX13L 2in Pan Meter 100mA £5 55
RX34M 2in Pan Meter 500mA £6 45
RX35Q 2in Pan Meter 1A £5 85
RX36P 2in Pan Meter 50V £6 65
RX37S 2in Pan Meter 300V £5 90
RX52G 2in Pan Meter S £6 65
RX53H 2in Pan Meter VU £6 65

Page 142

YG17T Meter MS45 100uA DIS
YB18U Meter MS45 1mA DIS
YB19V Meter MS45 10uA £4 48
RX54J Large Panel Meter £5 59
RX55K Illuminating Kit DIS
RX52A Meter M1 15V £6 95
RX87U Meter M1 60V £6 35
RX88V Meter M1 300V £7 96
RX89W Meter M1 1A £6 20
RX90X Meter M1 5A £6 95
RX91Y Meter M1 15A £7 65
RX93B Meter M1 25A £7 95

PCB EQUIPMENT

Page 143

FL01B SRBP 0.1in Type 2 DIS
FL02A SRBP 0.1in Type 3 99p
YB80B SRBP 0.1in Type 4 DIS
FL06G Vero 14354 25p
FL07H Vero 10345 £1 06
FL08J Vero 10346 89p
FL09K Vero 10347 £1 19
YB81C Vero 10348 £1 09
FL10L Vero 1002 £1 10
FL15H Vero 10401 £3 65
FL17T Verostrip 99p
FL19V DIP Board £4 35
H048C Vero Y.Q Board £1 95
FL25C Tool 2022 £1 45
FL26D Tool 2150 £1 95
FL27E Tool 2151 £1 95
FL20W Pin 2140 50p
YB81C Pin 2141 55p
FL23A Pin 2144 55p
FL24B Pin 2145 57p

Page 144

FL80B Pin 0266 Pk of 10 25p
FL81C Pin 1857 Pk of 10 35p
FL82D Track Pin 85p
FL28F 4-Way Tag 12p
FL29G Mounting Strip 32p
FL11M Tag Board 94p
YB11M Vero Plug/lock £4 95
YB83E Eurobreadboard £6 75
YB84F Prof Plug/lock £6 95

Page 145

YB85G Bus Strip Plugblock £2 95
YB86T Plugblock Cont Strip 28p
YB87U Plugblock PCB £1 85
YB88V Photo Etch System £6 99
X110L UV Exposure Box £41 32
YB19V Photo Etch PCB £2 95
YB20W Photo Etch Drift Pk £1 95

Page 146

X12N Etch Crystals £1 25
FL81C Pin 1857 Pk of 10 35p
H020C PCB Pen £1 35
H030D Resist Remover 88p
H000A PCB SRBP Small Single 48p
WF38R PCB SRBP Med Single 96p
WF39N PCB SRBP Lrg Single £1 25
H010B PCB F Glass Sm Sngl 85p
WF40T PCB F Glass Med Sngl £1 75
WF41U PCB F Glass Lrg Sngl £2 75
WF42V PCB F Glass Med Dble £1 39
RX90X Faircut £6 75
BW21X Track Tape 31 91p
BW22Y Track Tape 40 91p
BW23A Track Tape 50 91p
BW24B Track Tape 62 £1 32
BW25C Track Tape 80 £1 32
BW26D Track Tape 100 £1 32
BW27E Track Tape 125 £1 85
BW28F Track Tape 150 £1 85
BW29G Track Tape 200 £1 85
BW30H Pad 075 £1 55
BW31J Pad 100 £1 55
BW32K Pad 125 £1 12
BW33L Pad 150 £1 12
BW34M Pad 200 £1 50
BW35P Pad 300 £2 65
BW36T Pad 400 £2 65
BW37S Pad 500 £3 95
BW38R Pad 600 £5 25

Page 147

BK40T KC Pads 200 £4 65
BW41U Drafting Template 88p
HX45Y Transfer Sheet 1 42p
HX46A Transfer Sheet 2 42p
HX47B Transfer Sheet 3 42p
HX48C Transfer Sheet 4 42p
HX49D Transfer Sheet 5 42p
HX50E Transfer Sheet 6 42p
HX51F Transfer Sheet 7 42p
HX56V Transfer Sheet 8 42p
HX66W Transfer Sheet 9 42p
HX67X Transfer Sheet 10 42p
HX68Y Transfer Sheet 11 42p
HX69Z Transfer Sheet 12 42p
HX68F Transfer Sheet 13 42p
HX44X Transfer Kit £3 75

PROJECTS

Page 148

XF11M MES12 £2 00V
XK24B MES15 15pV
XK27E MES16 15pV
XK18U MES22 25pV
XK06G MES24 FREE
XK20W MES25 25pV
XF03D MES26 £1 20V
XK10D MES27 DIS
XK07H MES32 DIS
XK48C MES33 40pV
XK21X MES37 25pV

1981 Catalogue
Page No.

VAT inclusive PRICE

XF04E MES41 40pV
XH23A MES42 25pV
YB48D MES43 DIS
XK13V MES49 DIS
XK10A MES51 15pV
XH02C MES52 15pV
XK10E MES53 35pV
XK31J MES54 30pV
XK33L MES55 30pV
XK35Q MES56 NVA
XK26D MES57 30pV
XK50E MES58 DIS
XK36P B1 Mapin Catalogue £1 25V
XF08J MEI120 FREE
LW50E Electronics For All £29 95

Page 150

BR45Y AS314 33p
BR88V Mk/Space Adptr Kit £3 95
YL20W Mstr Tuning Module £19 87
BR00A Mstr Board A £4 35
BR01B Mstr Board B £3 20
BR02C Tone Board A' £4 45
BR03D Tone Board B' £1 98
BR07H Control Board A' £4 25
BR08J Control Board B' £2 98
BR09K Sawtooth Board A' £4 25
BR10L Sawtooth Board B' £4 85
BR1

1981 Catalogue Page No.	VAT inclusive PRICE	1981 Catalogue Page No.	VAT inclusive PRICE	1981 Catalogue Page No.	VAT inclusive PRICE	1981 Catalogue Page No.	VAT inclusive PRICE	1981 Catalogue Page No.	VAT inclusive PRICE					
YQ19V LM380 Amp PCB	£1.25	XH49D MES47	DIS	HR11M Ctdg Sono 9TACH	£5.93	LX17T Splicing Tape	65p	FW01B Pot Lin 4k7	37p					
YQ20W 20W Amp PCB	£1.50	YQ25Q Ultrason Tx PCB	DIS	HR12N Ctdg Sono 3509	£4.95	R030D Cassette Case	23p	FW02C Pot Lin 10k	37p					
YQ18U Tone Con PCB	£1.55	YQ33H Ultrasonic Rx PCB	DIS	HR13P Ctdg Sono 3549	£5.95	R600Q Index Cards	£1.40	FW03D Pot Lin 22k	37p					
YQ21X Snd/Light Conv PCB	£2.10	BV92A Burglar Alarm PCB	DIS	HR14Q Ctdg Sono 3559	£5.25	R018B Cassette Fast Winder	£2.75	FW04E Pot Lin 47k	37p					
Page 156				HR17T Ctdg Sono V100	£5.98	FR59P Text Cassette 53	£4.98	FW05F Pot Lin 100k	37p					
XM20W MES25	25pNV	BV93B External Alarm PCB	DIS	YK81C Cartridge QLM30	£9.55	YQ25C Cassette Tape C60	61p	FW06G Pot Lin 220k	37p					
BB16S Driver/Glar Bass PCB	£10.50	BV95D External Alarm Box	DIS	YK82C Cartridge QLM36	£9.55	YQ26D Cassette Tape C90	61p	FW07H Pot Lin 470k	37p					
XK19W MES49	DIS	YV13P Burglar Alarm Box	DIS	HR15R Ctdg Goldring 6850	£5.70			FW08K Pot Lin 2M	37p					
XL13P Drumssette Kit	DIS	BB72P Sine/Sawtooth Gen PCB	£2.95	HR16S Ctdg Goldring 6860	£7.40	Page 187								
XK16S Drumssette 1 PCB	DIS	BB73Q Audio Osc Frit Panel	£1.74						RB05F Cassette Tray 52A	£1.87				
XK17T Drumssette 2 PCB	DIS	XH24B MES15	15pNV						RB07H Rota-Rack	£2.45				
LY01B Drumssette Fmt Panel	DIS	XH27E MES16	15pNV						LR91Y Cassettebox	£4.65				
LY02C Drumssette Rear Panel	DIS	XX40T Ignition PCB	£1.30						LR92A Videocassettebox	£9.68				
HY02C Drumssette Bkt Set	DIS	XX41U Ign Mig Plate	£1.28						LR93T GF Cassette Head	£12.80				
XK96G Drumssette Cabinet	DIS	Page 174								FQ64U Mono Cassette Head	£4.55			
				XH26D MES71	30pNV						FQ65W Cassette Erase Head	£2.55		
				BBE2D Keyboard PCB	£7.35						FQ65V Stereo Cassette Head	£4.75		
				BBE3E VDU Logic PCB	£9.50						FQ67X Tape Hd Two-Track RP	£15.50		
				BB96G VDU PSU PCB	£2.98						Page 188			
				YV12N VDU Front Panel	£7.90						FQ68Y Tpe Hd Two Trck Eras	69.95		
				XX05F UHF Mod No 1	£4.99						FQ69A Tpe Hd Four Trck RP	£15.25		
				XX06M Magnum Booklet	50pNV						FQ70M Tpe Hd Four Trk Eras	£8.85		
				YQ44X Magnum PCB	£2.95						FQ71N 2-Head Bracket	£4.65		
				YQ45Y Magnum 2 PCB	£2.95						FQ72P 3-Head Bracket	£5.39		
PROTECTION														
Page 175				HR29C Stylus GP9150 DD	£1.85	Page 189				FW41U Sw Pot Lin 417	95p			
RX96E Safesholder 20	45p	HR29F Stylus GP93 DD	£1.85	FQ69Y Tpe Hd Two Trck Eras	69.95	FW42V Sw Pot Lin 10k	95p	FW43W Sw Pot Lin 20k	95p					
RR97F Safesholder 1.1/4in	75p	HR65V Stylus GP95 DD	£1.85	FQ70M Tpe Hd Four Trk Eras	£8.85	FW44X Sw Pot Lin 47k	95p	FW45Y Sw Pot Lin 100k	95p					
RK49D Chassis F/H 20mm	11p	HR81J Stylus GP104 DD	£1.85	FQ71N 2-Head Bracket	£4.65	FW46A Sw Pot Lin 220k	95p	FW47B Sw Pot Lin 470k	95p					
RK60E Chassis F/H 1.1/4 in	17p	HR65W Stylus Acos SM6	£4.95	FQ72P 3-Head Bracket	£5.39	FW48C Sw Pot Lin 1M	95p	FW49D Sw Pot Lin 2M2	95p					
WR49D Fuse Clip	3p	YK05F Stylus ADCR8X	£5.82	RESISTORS						FW62S Sw Pot Log 4k7	95p			
RK51F F/H Car	10p	YK06G Stylus ADC RSQ30	£7.07	Page 189						FW63T Sw Pot Log 10k	95p			
WR93R Fuse 20mm 50mA	6p	YK07H Stylus ADC RSQ36	£12.35	U Micro Res	3p	FW64U Sw Pot Log 10k	95p	FW65V Sw Pot Log 47k	95p					
WR00A Fuse 20mm 100mA	6p	YK08J Stylus A16	£4.95	M 1/2W Res	3p	FW66W Sw Pot Log 100k	95p	FW67X Sw Pot Log 220k	95p					
WR34C Fuse 20mm 150mA	6p	YK09K Stylus A170	£4.95	S 3/4W Res	5p	FW68Y Sw Pot Log 470k	95p	FW69A Sw Pot Log 1M	95p					
WR01B Fuse 20mm 250mA	6p	YK10L Stylus ATS11E	£5.50	C 1W Res	5p	FW70M Sw Pot Log 2M2	95p	FW71N Sw Pot Log 100k	95p					
WR02C Fuse 20mm 500mA	6p	HR65Y Stylus YMB	£2.50	X T Oxide	5p	FW72V W/W Pot 20R	£1.99	FW73W W/W Pot 50R	£1.99					
WR03D Fuse 20mm 1A	8p	HR47B Stylus BSK ST17 DD	£1.85	X1 Res	5p	FW74U W/W Pot 100R	£2.55	FW75W W/W Pot 200R	£2.55					
WR04E Fuse 20mm 1.5A	8p	HR79L Stylus Hitch ST103	£4.95	X2 Res	5p	FW76W W/W Pot 500R	£1.85	FW77C W/W Pot 100k	£1.85					
WR05F Fuse 20mm 2A	8p	HR77J Stylus D110E	£2.95	X3 Res	5p	FW78W W/W Pot 2k	£1.85	FW79D W/W Pot 50k	£2.79					
WR06G Fuse 20mm 3A	8p	HR48C Stylus D110SR	£1.95	X4 Res	5p	FW80W W/W Pot 10k	£1.99	FW81C W/W Pot 2k	£1.99					
WR07H Fuse 20mm 5A	7p	HR49D Stylus D120SR	£2.45	X5 Res	5p	FW82W W/W Pot 10k	£2.29	FW83C W/W Pot 50k	£2.79					
WR18U Fuse A/5 500mA	12p	HR78K Stylus Hitch ST101	£4.95	X6 Res	5p	FW84U W/W Pot 10k	£2.29	FW85C W/W Pot 2k	£1.99					
WR19V Fuse A/5 1A	12p	YK13P Stylus Hitch ST104	£4.95	X7 Res	5p	FW86W W/W Pot 10k	£2.29	FW87C W/W Pot 50k	£2.79					
WR20W Fuse A/5 2A	12p	*YK14Q Stylus JVC DT21S	£4.35	X8 Res	5p	FW88W W/W Pot 10k	£2.29	FW89C W/W Pot 2k	£1.99					
WR95D Fuse 1.1/4 50mA	4p	FQ54J Stylus Victor DT33	£4.95	X9 Res	5p	FW90W W/W Pot 10k	£2.29	FW91C W/W Pot 50k	£2.79					
WR08B Fuse 1.1/4 15A	6p	*YK15R Stylus JVC DT36	£4.35	X10 Res	5p	FW92W W/W Pot 10k	£2.29	FW93C W/W Pot 2k	£1.99					
WR09E Fuse 1.1/4 150mA	6p	HR81G Stylus LV65977D	£1.25	X11 Res	5p	FW94U W/W Pot 10k	£2.29	FW95C W/W Pot 50k	£2.79					
WR10A Fuse 1.1/4 250mA	6p	HR83E Stylus NP EP356	£2.50	X12 Res	5p	FW96W W/W Pot 10k	£2.29	FW97C W/W Pot 2k	£1.99					
WR11L Fuse 1.1/4 500mA	6p	HR84F Stylus NP EP352	£4.95	X13 Res	5p	FW98W W/W Pot 10k	£2.29	FW99C W/W Pot 50k	£2.79					
WR11M Fuse 1.1/4 1A	8p	YK16S Stylus NP EP353	£5.50	X14 Res	5p	FW00W W/W Pot 10k	£2.29	FW01C W/W Pot 2k	£1.99					
WR12N Fuse 1.1/4 1.5A	8p	YK17T Stylus Philp AG3306	£1.85	X15 Res	5p	FW02W W/W Pot 10k	£2.29	FW03C W/W Pot 50k	£2.79					
WR13P Fuse 1.1/4 2A	8p	HR87U Sty Philips GP200DD	£1.85	X16 Res	5p	FW04U W/W Pot 10k	£2.29	FW05C W/W Pot 2k	£1.99					
WR14Q Fuse 1.1/4 3A	9p	HR89W Stylus Philips GP205	£1.25	X17 Res	5p	FW06W W/W Pot 10k	£2.29	FW07C W/W Pot 50k	£2.79					
WR15R Fuse 1.1/4 5A	9p	YK18U Stylus Philips GP213	£1.85	X18 Res	5p	FW08W W/W Pot 10k	£2.29	FW09C W/W Pot 2k	£1.99					
WR16S Fuse 1.1/4 10A	8p	HR90A Sty Philips GP400	£4.35	X19 Res	5p	FW10W W/W Pot 10k	£2.29	FW11C W/W Pot 50k	£2.79					
WR17T Fuse 1.1/4 15A	12p	YK19P Sty Philips GP400Mk2	£4.95	X20 Res	5p	FW12W W/W Pot 10k	£2.29	FW13C W/W Pot 2k	£1.99					
HQ331 Plug Fuse 2A	15p	YK20W Sty Philips GP401Mk2	£6.75	X21 Res	5p	FW14W W/W Pot 10k	£2.29	FW15C W/W Pot 50k	£2.79					
HQ32K Plug Fuse 3A	14p	Page 183					FW16W W/W Pot 10k	£2.29	FW17C W/W Pot 2k	£1.99				
HQ33L Plug Fuse 3A	15p	HR93B Stylus RIG 25B DD	£1.85	FW18W W/W Pot 10k	£2.29	FW18W W/W Pot 10k	£2.29	FW19C W/W Pot 50k	£2.79					
HQ34M Plug Fuse 13A	14p	HR95E Stylus BF400	£1.85	FW19W W/W Pot 10k	£2.29	FW20W W/W Pot 10k	£2.29	FW21C W/W Pot 2k	£1.99					
HB51F Fuse Wire	30p	HR96E Stylus DM500/7	£4.95	FW20W W/W Pot 10k	£2.29	FW21C W/W Pot 2k	£1.99	FW22C W/W Pot 50k	£2.79					
HW04E RF Supp Choke 1A	29p	YK22Y Stylus Sanyo ST10J	£4.95	FW21C W/W Pot 2k	£1.99	FW22C W/W Pot 50k	£2.79	FW23C W/W Pot 10k	£2.29					
HW03F RF Supp Choke 2A	29p	HR95D Stylus Sanyo	£4.95	FW22C W/W Pot 50k	£2.79	FW23C W/W Pot 10k	£2.29	FW24C W/W Pot 2k	£1.99					
HW06G RF Supp Choke 3A	39p	YK23A Stylus Sanyo SN41	£4.95	FW23C W/W Pot 10k	£2.29	FW24C W/W Pot 2k	£1.99	FW25C W/W Pot 50k	£2.79					
REC'D AND TAPE														
Page 176				YK24B Stylus Sanyo ST7D	£4.95	Page 192				WR78K Hor Skeleton 100R	14p			
HW13P Mains Trans Supp	65p	HR97F Stylus Sanyo 2611	£4.95	WR79L Hor Skeleton 220R	14p	WR79L Hor Skeleton 220R	14p	WR80C Hor Skeleton 470R	26p					
HW07H Della Cap	97p	YK25C Stylus Sanyo ND128	£2.20	WR81C Hor Skeleton 1k	26p	WR81C Hor Skeleton 1k	26p	WR82D Hor Skeleton 2k2	26p					
YR93R R/C Network	£1.49	YK26C Stylus Sharp 101	£4.95	WR83R Hor Skeleton 4k7	26p	WR83R Hor Skeleton 4k7	26p	WR84F Hor Skeleton 10k	26p					
YR96A Contact Reed	£1.49	HR98G Stylus Sharp 706	£4.95	WR85V Hor Skeleton 22k	26p	WR85V Hor Skeleton 22k	26p	WR86T Hor Skeleton 47k	26p					
YR95D Window Foil	£1.25	HR99H Stylus Sharp 717	£4.95	WR87W Hor Skeleton 100k	26p	WR87W Hor Skeleton 100k	26p	WR88J Hor Skeleton 200k	26p					
YR97E Foil Terminals	65p	HR00Q Stylus 9TACH DD	£1.85	WR89V Hor Skeleton 470k	26p	WR89V Hor Skeleton 470k	26p	WR90W Hor Skeleton 1M	26p					
YR98W Surface BA Reed	£1.95	HR61R Stylus Sanotone V100	£4.95	WR91W Hor Skeleton 2k	26p	WR91W Hor Skeleton 2k	26p	WR92A Hor Skeleton 4M7	26p					
YR99C Door Loop	£1.75	YK20D Stylus Sanotone V101	£4.95	WR93W Hor Skeleton 20k	26p	WR93W Hor Skeleton 20k	26p	WR94W Hor Skeleton 40k	26p					
YR00B BA Junction Box	59p	FQ45Y Stylus 2509	£1.85	WR95W Hor Skeleton 70k	26p	WR95W Hor Skeleton 70k	26p	WR96W Hor Skeleton 140k	26p					
YR01V Pressure Mat	£3.55	HR97F Stylus 252 DD	£1.85	WR97W Hor Skeleton 220k	26p	WR97W Hor Skeleton 220k	26p	WR98W Hor Skeleton 470k	26p					
YX33L Smoke Detector Type 1	£12.75	HR93H Stylus KS40A DD	£1.85	WR99W Hor Skeleton 1M	26p	WR99W Hor Skeleton 1M	26p	WR00W Hor Skeleton 2M	26p					
Page 177														
XQ03A Autochanger	£22.50	HR95K Stylus KS41B DD	£1.85	WR01W Hor Skeleton 4M7	26p	WR01W Hor Skeleton 4M7	26p	WR02W Hor Skeleton 9M7	26p					
XQ02A Drive Turntable	£29.90	HR95M Stylus KS41C DD	£1.85	WR03W Hor Skeleton 20k	26p	WR03W Hor Skeleton 20k	26p	WR04W Hor Skeleton 40k	26p					
*XK25C Belt Drive Turntable	£34.50	YK27E Stylus Sony XL15	£4.35	WR05W Hor Skeleton 70k	26p	WR05W Hor Skeleton 70k	26p	WR06W Hor Skeleton 140k	26p					
Page 178														
FQ17T Cartridge Slide MP60	£2.68	YK25F Stylus Sony ND126	£4.95	WR07W Hor Skeleton 220k	26p	WR07W Hor Skeleton 220k	26p	WR08W Hor Skeleton 470k	26p					
FQ18U Cartridge Slide 710	DIS	FQ49D Stylus Sony ND133	£5.50	WR09W Hor Skeleton 1M	26p	WR09W Hor Skeleton 1M	26p	WR10W Hor Skeleton 2M	26p					
FQ19A Cartridge Slide B095	DIS	FQ50E Stylus Sony ND134	£5.50	WR11W Hor Skeleton 4M7	26p	WR11W Hor Skeleton 4M7	26p	WR12W Hor Skeleton 9M7	26p					
L875S Drive Wheel	£1.55	FQ51F 3M Turntable	£2.95	WR13W Hor Skeleton 20k	26p	WR13W Hor Skeleton 20k	26p	WR14W Hor Skeleton 40k	26p					
FQ20W Spindle Auto BSR	£4.40	YK29G Styl Tenorel N2001DD	£2.95	WR15W Hor Skeleton 70k	26p	WR15W Hor Skeleton 70k	26p	WR16W Hor Skeleton 140k	26p					
FQ21X Spindle Manual BSR	56p	YK29C Styl Tenorel N2001E	£6.75	WR17W Hor Skeleton 220k	26p	WR17W Hor Skeleton 220k	26p	WR18W Hor Skeleton 470k	26p					
YV58N BSR Drive Belt	£2.20	YK30H Stylus Tlrad 51	£2.20	WR19W Hor Skeleton 1M	26p	WR19W Hor Skeleton 1M	26p	WR20W Hor Skeleton 2M	26p					
FQ22Y Carrier Kit SL75K	£4.85	FQ53H Stylus Toshiba N3C	£2.25	WR21W Hor Skeleton 4M7	26p	WR21W Hor Skeleton 4M7	26p	WR22W Hor Skeleton 9M7	26p					
FQ23A Cartridge Carrier SL95	£3.95	YK31J Stylus Toshiba N55	£4.95	WR23W Hor Skeleton 20k	26p	WR23W Hor Skeleton 20k	26p	WR24W Hor Skeleton 40k	26p					
FQ24C Carrier Kit SL95A	£5.25	YK32K Stylus Toshiba N58	£4.95	WR25W Hor Skeleton 70k	26p	WR25W Hor Skeleton 70k	26p	WR26W Hor Skeleton 140k	26p					
FQ25C Cartridge Car SP251	£4.45	YK31X Stylus Toshiba N55A	£4.95	WR27W Hor Skeleton 220k	26p	WR27W Hor Skeleton 220k	26p	WR28W Hor Skeleton 470k	26p					
FQ26D Cartridge Carrier SP251	£4.45	Page 184					WR30W Hor Skeleton 1M	26p	WR31W Hor Skeleton 2M	26p				
FQ27E Cartridge Carrier SP25V	£4.25	RB47B Record Care Kit C106	£4.95	WR32W Hor Skeleton 4M7	26p	WR32W Hor Skeleton 4M7	26p	WR33W Hor Skeleton 9M7	26p					
FQ28F Cartridge Carrier SP25V	£4.25	LX03D Musicentre Kit C113	£6.45	WR34W Hor Skeleton 20k	26p	WR34W Hor Skeleton 20k	26p	WR35W Hor Skeleton 40k	26p					
FQ29G Cartridge Carrier SP25V	£5.95	LX06G Cleaning Arm C100	£3.25	WR36W Hor Skeleton 70k	26p	WR36W Hor Skeleton 70k	26p	WR37W Hor Skeleton 140k	26p					
LB76H Dr Wheel Garrard Lrg	£2.55	LR48W Cleaning Arm C108	£4.95	WR38W Hor Skeleton 220k	26p	WR38W Hor Skeleton 220k	26p	WR39W Hor Skeleton 470k	26p					
FQ30D Dr Wheel Garrard Sm	£2.85	FR44X Roller Pack C93	35p	WR40W Hor Skeleton 1M	26p	WR40W Hor Skeleton 1M	26p	WR41W Hor Skeleton 2M	26p					
FQ31J Spindle Man Short	72p	YK80E Roller Pack C96	48p	WR42W Hor Skeleton 4M7	26p	WR42W Hor Skeleton 4M7	26p	WR43W Hor Skeleton 9M7	26p					
FQ32L Spindle Man Long	£1.30													

1981 Catalogue Page No	VAT inclusive PRICE	1981 Catalogue Page No	VAT inclusive PRICE	1981 Catalogue Page No	VAT inclusive PRICE	1981 Catalogue Page No	VAT inclusive PRICE	1981 Catalogue Page No	VAT inclusive PRICE
Q000A ADC0804LCN	£4.45	Q000A BZY88C2V7	3p	Q061R MPS565	45p	Q066W ZTX530	23p	QX20W 4047BE	75p
Q019V AF139	6p	Q001B BZY88C3V0	6p	Q062S MP33638	16p	Q067X ZTX531	30p	QW33L 4048BE	60p
Q020W AF239	6p	Q002C BZY88C3V3	9p	Q063T MP33638A	18p	Q068Y ZTX541	31p	QX21K 4049UBE	30p
BR45Y AS31A	33p	Q003D BZY88C3V6	9p	EL23A MS4A	£2.95	Q169A ZTX542	31p	QX22Y 4050BE	30p
Q021X AY110212	£8.20	Q004E BZY88C3V9	9p	W033M MVAM115	£2.10	Q170M Z5J	£2.84	QW34M 4051BE	78p
H052G AY11320	£4.99	Q005F BZY88C4V7	9p	W054J NE531	£1.65	Q000A Z80 CPU	£7.95	QW350 4052BE	78p
H051F AY115050	£1.99	Q006P BZY88C5V1	9p	W055K NE544	£2.18	Q001B Z80 CTC	£4.50	QW36P 4053BE	78p
Y098G AY31270	£8.30	Q007H BZY88C5V6	9p	Q066W NE555	21p	Q003D Z80 PIC	£4.25	QW37S 4054BE	95p
Y098W AY31350	£5.95	Q008J BZY88C6V2	9p	Q056L NE565	£1.34	Q004E Z80 SIO	£19.00	QW38R 4055BE	85p
W017T AY31815	D1S	Q009L BZY88C6V8	9p	Q067Y NE566	£1.60	Q121N 1N914	4p	Page 198	
W018U AY51224	£5.98	Q010M BZY88C7V5	8p	Q068A NE567	£1.30	Q122P 1N916	5p	QX39N 4056BE	£1.12
Q025B AY51224	£5.27	Q011N BZY88C8V2	8p	*Y077U NE571	£4.77	Q123Q 1N4001	5p	QW40T 4060BE	£1.20
Q025C AY51220	£5.95	Q012N BZY88C8V2	9p	Y068Y NE5534A	£2.45	Q124R 1N4002	5p	QX23A 4066BE	36p
Q019V AY52476	£6.90	Q013P BZY88C9V1	9p	Y067X NE5539A	£7.85	Q125S 1N4003	6p	QW42V 4067BE	23p
Q026D AY54007D	£6.90	Q014Q BZY88C11	9p	Y067X NE5539A	£7.85	Q126T 1N4004	6p	QX24B 4068BE	£3.60
Q027E BA192B	29p	Q015R BZY88C12	9p	Y067X NE5539A	£7.85	Q127J 1N4005	6p	QX25C 4069UBE	26p
Q012N BA243	10p	Q016S BZY88C13	9p	Y067X NE5539A	£7.85	Q128K 1N4006	6p	QX26D 4070BE	20p
Q011P BAR28	15p	Q017T BZY88C13	9p	Y067X NE5539A	£7.85	Q129L 1N4007	6p	QW43W 4071BE	21p
Q028F BAX13	7p	Q018U BZY88C15	9p	Y067X NE5539A	£7.85	Q130M 1N4008	6p	QX27E 4072BE	21p
Q029G BAX16	7p	Q019V BZY88C16	9p	Y067X NE5539A	£7.85	Q131N 1N4009	6p	QW44X 4073BE	21p
Q030H BB110G	D1S	Q020W BZY88C18	9p	Y067X NE5539A	£7.85	Q132P 1N4010	6p	QW45Y 4075BE	20p
Q031J BC107B	14p	Q021X BZY88C22	9p	Y067X NE5539A	£7.85	Q133Q 1N4011	6p	QX28F 4078BE	26p
Q032K BC108C	14p	Q022C BZY88C24	9p	Y067X NE5539A	£7.85	Q134R 1N4012	6p	QW48C 4081BE	24p
Q033L BC109C	16p	Q023A BZY88C27	9p	Y067X NE5539A	£7.85	Q135S 1N4013	6p	QW49D 4082BE	21p
Q034M BC117	24p	Q024B BZY88C27	9p	Y067X NE5539A	£7.85	Q136T 1N4014	6p	QW50E 4085BE	65p
Q035Q BC119	29p	Q025C BZY88C30	9p	Y067X NE5539A	£7.85	Q137J 1N4015	6p	QW51F 4088BE	65p
Q036P BC139	40p	Q026D CA3046	72p	Y067X NE5539A	£7.85	Q138K 1N4016	6p	QW52G 4089BE	£1.40
Q037S BC140	34p	Q027E CA3046	87p	Y067X NE5539A	£7.85	Q139L 1N4017	6p	QW53H 4093BE	43p
Q038R BC141	37p	Q028F CA3046	87p	Y067X NE5539A	£7.85	Q140M 1N4018	6p	QW54J 4094BE	£1.20
Q039N BC142	34p	Q029G CA3046	87p	Y067X NE5539A	£7.85	Q141N 1N4019	6p	QW55K 4095BE	75p
Q040T BC143	34p	Q030H CA3046	87p	Y067X NE5539A	£7.85	Q142P 1N4020	6p	QW56L 4097BE	£3.20
Q041L BC164	43p	Q031J CA3046	87p	Y067X NE5539A	£7.85	Q143R 1N4021	6p	QX29G 4098BE	85p
Q042C BC165	43p	Q032K CA3046	87p	Y067X NE5539A	£7.85	Q144S 1N4022	6p	QW57M 4099BE	95p
Q043E BC166	43p	Q033L CA3046	87p	Y067X NE5539A	£7.85	Q145T 1N4023	6p	QW58N 4100BE	£1.49
Q044G BC167	20p	Q034M CA3046	87p	Y067X NE5539A	£7.85	Q146U 1N4024	6p	QW59P 4101BE	90p
Q045I BC168	20p	Q035Q CA3046	87p	Y067X NE5539A	£7.85	Q147V 1N4025	6p	QW60Q 4102BE	£1.50
Q046K BC169	20p	Q036P CA3046	87p	Y067X NE5539A	£7.85	Q148W 1N4026	6p	QW61R 4103BE	85p
Q047M BC184L	11p	Q037S CA3046	87p	Y067X NE5539A	£7.85	Q149X 1N4027	6p	QW62S 4104BE	85p
Q048N BC204	15p	Q038R CA3046	87p	Y067X NE5539A	£7.85	Q150Y 1N4028	6p	QW63T 4105BE	85p
Q049P BC205C	14p	Q039N CA3046	87p	Y067X NE5539A	£7.85	Q151Z 1N4029	6p	QW64U 4106BE	75p
Q050Q BC212L	11p	Q040T CA3046	87p	Y067X NE5539A	£7.85	Q152A 1N4030	6p	QW65V 4107BE	60p
Q051R BC213L	11p	Q041L CA3046	87p	Y067X NE5539A	£7.85	Q153B 1N4031	6p	QW66W 4108BE	£4.30
Q052S BC214L	10p	Q042C CA3046	87p	Y067X NE5539A	£7.85	Q154D 1N4032	6p	QW67X 4109BE	95p
Q053T BC301/5	40p	Q043E CA3046	87p	Y067X NE5539A	£7.85	Q155F 1N4033	6p	QW68Y 4110BE	£1.10
Q064U BC301/5/302/5MP	89p	Q044G CA3046	87p	Y067X NE5539A	£7.85	Q156G 1N4034	6p	QW69A 4110BE	£1.25
Q065V BC302/5	36p	Q045I CA3046	87p	Y067X NE5539A	£7.85	Q157H 1N4035	6p	QW70M 40161BE	£1.20
Q066W BC317	15p	Q046K CA3046	87p	Y067X NE5539A	£7.85	Q158J 1N4036	6p	QW71N 40162BE	85p
Q067X BC318	15p	Q047M CA3046	87p	Y067X NE5539A	£7.85	Q159L 1N4037	6p	QW72P 40163BE	£1.60
Q068Y BC337	15p	Q048N CA3046	87p	Y067X NE5539A	£7.85	Q160M 1N4038	6p	QW73Q 40174BE	85p
Q069A BC338	15p	Q049P CA3046	87p	Y067X NE5539A	£7.85	Q161N 1N4039	6p	QW74R 40175BE	95p
Q070M BC441	38p	Q050Q CA3046	87p	Y067X NE5539A	£7.85	Q162P 1N4040	6p	QW75S 40182BE	85p
Q071N BC441/461MP	79p	Q051R CA3046	87p	Y067X NE5539A	£7.85	Q163R 1N4041	6p	QW76H 40192BE	85p
Q072P BC461	43p	Q052S CA3046	87p	Y067X NE5539A	£7.85	Q164S 1N4042	6p	QW77J 40193BE	£1.20
Q014Q BC547	11p	Q053T CA3046	87p	Y067X NE5539A	£7.85	Q165T 1N4043	6p	QW78K 40194BE	85p
Q0730 BC548	14p	Q054I CA3046	87p	Y067X NE5539A	£7.85	Q166U 1N4044	6p	QW79L 40257BE	£1.10
Q074R BC549	14p	Q055Q CA3046	87p	Y067X NE5539A	£7.85	Q167V 1N4045	6p	QX34M 40673	£1.75
Q016S BC557	11p	Q056L CA3046	87p	Y067X NE5539A	£7.85	Q168W 1N4046	6p	QW93B 4116 250ms	£1.30
Q017T BC558	11p	Q057H CA3046	87p	Y067X NE5539A	£7.85	Q169X 1N4047	6p	Q005F 4118 250ms	£2.45
Q018U BC559	11p	Q058J CA3046	87p	Y067X NE5539A	£7.85	Q170Y 1N4048	6p	X01B 4135	75p
Q074R BC650	29p	Q059L CA3046	87p	Y067X NE5539A	£7.85	Q171Z 1N4049	6p	QW80B 4151	89p
Q070A BCY70	18p	Q060P CA3046	87p	Y067X NE5539A	£7.85	Q172A 1N4050	6p	X002C 4195	£1.45
Q070B BCY71	18p	Q061R CA3046	87p	Y067X NE5539A	£7.85	Q173B 1N4051	6p	Q039N 4412VP	£8.00
Q070C BCY72	18p	Q062S CA3046	87p	Y067X NE5539A	£7.85	Q174D 1N4052	6p	QX30H 4416BE	£1.92
Q070E BCY73/2MP	£1.19	Q063T CA3046	87p	Y067X NE5539A	£7.85	Q175F 1N4053	6p	Q0074 4459BE	£8.00
Q070F BD132	50p	Q064G CA3046	87p	Y067X NE5539A	£7.85	Q176G 1N4054	6p	Q008C 4502BE	£1.19
Q070G BD135	40p	Q065I CA3046	87p	Y067X NE5539A	£7.85	Q177H 1N4055	6p	Q001U 4503BE	95p
Q070H BD136	40p	Q066K CA3046	87p	Y067X NE5539A	£7.85	Q178J 1N4056	6p	Q001U 4503BE	95p
Q070I BD137	40p	Q067M CA3046	87p	Y067X NE5539A	£7.85	Q179L 1N4057	6p	Q001U 4503BE	95p
Q070J BD140	40p	Q068Y CA3046	87p	Y067X NE5539A	£7.85	Q180M 1N4058	6p	Q001U 4503BE	95p
WH15R BD711	68p	Q069A CA3046	87p	Y067X NE5539A	£7.85	Q181N 1N4059	6p	Q001U 4503BE	95p
WH16S BD712	68p	Q070M CA3046	87p	Y067X NE5539A	£7.85	Q182P 1N4060	6p	Q001U 4503BE	95p
Q070K BF115	38p	Q071N CA3046	87p	Y067X NE5539A	£7.85	Q183R 1N4061	6p	Q001U 4503BE	95p
Q070L BF167	38p	Q072P CA3046	87p	Y067X NE5539A	£7.85	Q184S 1N4062	6p	Q001U 4503BE	95p
Q070M BF180	38p	Q0730 CA3046	87p	Y067X NE5539A	£7.85	Q185T 1N4063	6p	Q001U 4503BE	95p
Q070N BF200	38p	Q074R CA3046	87p	Y067X NE5539A	£7.85	Q186U 1N4064	6p	Q001U 4503BE	95p
Q070O BF259	39p	Q075Y CA3046	87p	Y067X NE5539A	£7.85	Q187V 1N4065	6p	Q001U 4503BE	95p
Q070P BF317	39p	Q076X CA3046	87p	Y067X NE5539A	£7.85	Q188W 1N4066	6p	Q001U 4503BE	95p
Q070Q BF495	25p	Q077Z CA3046	87p	Y067X NE5539A	£7.85	Q189X 1N4067	6p	Q001U 4503BE	95p
Q070R BF710	42p	Q078A CA3046	87p	Y067X NE5539A	£7.85	Q190Y 1N4068	6p	Q001U 4503BE	95p
Q070S BF722	33p	Q079L CA3046	87p	Y067X NE5539A	£7.85	Q191Z 1N4069	6p	Q001U 4503BE	95p
Q070T BF730	33p	Q080P CA3046	87p	Y067X NE5539A	£7.85	Q192A 1N4070	6p	Q001U 4503BE	95p
Q070U BF740	33p	Q081R CA3046	87p	Y067X NE5539A	£7.85	Q193B 1N4071	6p	Q001U 4503BE	95p
Q070V BF750	33p	Q082S CA3046	87p	Y067X NE5539A	£7.85	Q194D 1N4072	6p	Q001U 4503BE	95p
Q070W BF760	33p	Q083T CA3046	87p	Y067X NE5539A	£7.85	Q195F 1N4073	6p	Q001U 4503BE	95p
Q070X BF770	33p	Q084G CA3046	87p	Y067X NE5539A	£7.85	Q196G 1N4074	6p	Q001U 4503BE	95p
Q070Y BF780	33p	Q085I CA3046	87p	Y067X NE5539A	£7.85	Q197H 1N4075	6p	Q001U 4503BE	95p
Q070Z BF790	33p	Q086K CA3046	87p	Y067X NE5539A	£7.85	Q198J 1N4076	6p	Q001U 4503BE	95p
Q071A BF800	33p	Q087M CA3046	87p	Y067X NE5539A	£7.85	Q199L 1N4077	6p	Q001U 4503BE	95p
Q071B BF810	33p	Q088Y CA3046	87p	Y067X NE5539A	£7.85	Q200M 1N4078	6p	Q001U 4503BE	

1981 Catalogue Page No.	VAT inclusive PRICE	1981 Catalogue Page No.	VAT inclusive PRICE	1981 Catalogue Page No.	VAT inclusive PRICE	1981 Catalogue Page No.	VAT inclusive PRICE
QX81C 7426	22p	YH04E 74LS293	96p	Page 234		YQ41U 0.5/1A Reg V PS PCB	85p
YF177 74LS26	22p	YH05F 74LS295	£2.35	HQ51F AY-1 5050	£1.99	YQ54A 0.5/1A Vares Pos PCB	85p
QK49D 7427	29p	YH06G 74LS298	£1.75	HQ53H Piano IC Kit	£38.44	YQ55K 0.5/1A Vares Neg PCB	85p
YF18U 74LS27	29p	YH07H 74LS299	£2.25	HQ52G AY 1 1320	£4.99	Y774R L2M0	£2.69
YF19V 74LS28	44p	YH08J 74LS323	£6.75	HQ71N M251	£12.20		
QX50E 7436	17p	YH09K 74LS363	£3.25	YQ64U M252	£8.95		
YF20W 74LS36	17p	YH10L 74LS364	N/A	YH21X M254	£7.49		
QX51F 7432	36p	YH11M 74LS365	39p	YH90X M108	£18.25		
YF21X 74LS32	21p	YH12N 74LS366	62p				
YF22Y 74LS33	40p	YH13P 74LS367	62p				
YF23A 74LS37	21p	YH14Q 74LS368	43p				
QK82D 7438	26p	YH15R 74LS373	£1.15	Page 235			
YF24B 74LS38	22p	YH16S 74LS374	£1.30	YH91Y M147	£6.51		
QX53H 7440	24p	YH17T 74LS375	£1.30	YH98W AY 3 1350	£6.75		
YF25C 74LS40	40p	YH18U 74LS377	£2.90	YH20W TDA1022	£6.75		
QX54 7442	48p	YH19V 74LS378	£1.40	YH33L 76489	£4.75		
YF26D 74LS42	36p	YH20W 74LS379	£2.40				
QX56K 7447A	55p	YH21X 74LS390	£1.45	Page 236			
QX52G 74LS47	65p	YH22Y 74LS393	£1.40	YH79L TCA3502	£3.95		
QO53H 74LS48	68p	YH23A 74LS395	£1.35	YH32K 76477	£3.45		
QX53E 7451	22p	YH25C 74LS396	£1.99	YQ42V Sound Effects PCB	£1.10		
YF27E 74LS51	17p	YH26D 74LS442	£6.50				
QX84F 7454	22p	QO58N 74LS443	£6.85	Page 238			
YF28F 74LS54	30p	YH27E 74LS490	£2.40	WQ51R SH120A	£6.65		
YF29G 74LS55	40p	YH28F 74LS569	N/A	QH27E TCA389E	£2.70		
QX56L 7470	36p	YH29P 7473	N/A	WQ20W CA3189E	£1.95		
QX57M 7472	35p	QO59P 7473	N/A				
QX58N 7473	35p	QO60Q 74LS606	£23.60				
YF30H 74LS73	25p	QO61R 74LS608	N/A	Page 239			
QX59P 7474	32p	QO62S 74LS610	N/A	WQ37S LM1820	£1.80		
YH3E 74LS74	£3.35	QO63T 74LS670	£1.46	BL35C TBA 651	£2.25		
YF31J 74LS74	26p	YH30H 74C917	£8.85	WQ41U TCA4500A	£3.35		
QX60Q 7475	45p	YH32K 76477	£3.45	QH45Y MC1310P	£2.30		
YF32K 74LS75	31p	YH33L 76489	£4.75	BR03D Decoder PCB	£1.72		
QX61R 7476	32p	YH34M 8T28	£3.40				
YF33L 74LS76	68p	YH35Q 8T97	£2.55	Page 240			
YF34M 74LS76	68p	YH36P 8T97-74LS367	63p	WQ17T AY-3-8115	DIS		
QK62S 7481	£1.75	YH37S 8T98	£2.35	QL41U ZN414	£1.25		
QX85G 7483	50p	YH38R 8038 CCPD	£4.69				
QK63T 7485	77p	YH39N 8069 DCC	£2.35	Page 241			
YF35D 74LS85	70p	YH40T 8080A	£4.95	C478B MC1496	89p		
QK64U 7486	28p	YH41U 8085A	£5.99	UQ66G SG1495D	£3.95		
YF36P 74LS86	36p	YH42B 8212	£4.60	UQ70H SG3402	£3.78		
QK65V 7489	£3.10	YH43Y 8216	£2.66	QF26D CA3046	72p		
QK66W 7490	32p	YH44C 8250	£9.95				
YF38R 74LS90	36p	YH49D 8251	£4.60	Page 242			
QK67A 7492	32p	YH50E 8255A	£4.40	YH66W ML490	£3.35		
YF39N 74LS92	36p	YH51F 8279	£9.95	YH67X ML922	£5.25		
QK68Y 7493	35p	YH52G 82S126M1	£3.49				
YF40T 74LS93	36p			Page 243			
QK69A 7494	39p			YH68Y ML928	£2.40		
QK70M 7495	48p			YH69A ML929	£2.40		
YF41U 74LS95	£1.20			YH71N LM1871	£5.60		
QK72U 7496	50p			YQ69A LM1871 Kmitter PCB	95p		
YF42V 74LS96	£1.69	Page 224					
QX71N 74107	26p	QH36P LM301A	27p				
YF43W 74LS107	41p	QH37S LM308	95p	Page 244			
QX89V 74109	53p			YH72P LM1872	£5.90		
YF44X 74LS109	34p			YQ70M LV1872 Receiver PCB	£2.10		
YF45Y 74LS112	34p	Page 225		WQ55K NE 544	23p		
YF46A 74LS113	40p	WQ54J NE531	£1.65	YQ71N Servo Driver PCB	89p		
YF47B 74LS114	39p	YH67E NE5534A	£2.45	WQ76H TL172C	78p		
QX72P 74118	£2.30	Q20W AY709C	75p				
QX73Q 74121	33p	QL22Y UA714C 8-pin DIL	78p	Page 245			
WH00A 74122	48p	QL23A UA714C 14-pin DIL	78p	WQ75S TL170C	55p		
QO54J 74LS122	62p	QL24B UA747C	75p	YQ37S CL8960	£29.95		
WH01B 74LS123	62p	QL25C UA748C	52p	YH99H LM1830	£2.65		
WH02C 74LS124	62p	YH44X I458C	45p	YH73C LM3352	£1.2		
YF49D 74LS125	33p	QH51F 3403	88p	WQ40T LM3911	£1.31		
YF50E 74LS126	33p	XO11B 4136	75p				
WH03D 74132	55p	QH28F CA1310T	£1.10	Page 246			
YF51F 74LS132	45p	QH29G CA1340T	99p	YH98G AY-3-1270	£8.30		
YF52G 74LS136	32p	WQ21X CA1340E	£1.38	WQ41U LM3914	£2.41		
QO55K 74LS137	£2.20			YH96E LM3915	£2.93		
YF53H 74LS138	38p	Page 226		YH97F LM3916	£3.46		
YF54J 74LS139	43p	QH35Q LH0042C	£4.30	WQ66W LM3914 PCB	85p		
WH05E 74141	78p	WQ30H LF301	56p				
WH06G 74145	67p	YH94X LF303	96p	Page 247			
YF65K 74LS145	£1.65	WQ29G LF347	£2.55	YH30H 74C917	£8.85		
QX89V 74150	80p	YH69A LF13741	55p	YH20D D1412	£6.45		
WH07H 74151	65p	YH58N CA3080E	87p	QB24B AY-5-1224	105		
YF56L 74LS151	43p	YH64U LM13600N	£1.39	BB55H 4-Dig Clock PCB A	£1.10		
YF57M 74LS153	49p	QH48C MC3302P	80p				
WH08J 74LS154	78p			Page 248			
YF58N 74LS154	58p			FY30X Crystal 6.5536MHz	£2.98		
YF59P 74LS155	37p	Page 227		YH93B ICM7045PI	£14.20		
YF60Q 74LS156	57p	QH50E MC3360P	DIS	QY25C AY-5-1230	£5.27		
YF61R 74LS157	35p	WQ53T TBA820M	70p	Page 249			
YF62S 74LS158	67p	QH38R LM377	£1.77	YH88W TMS1121	£8.95		
WH09K 74160	45p			YH92A MK50395	£10.50		
YF63T 74LS160	45p	Page 228		QB26D AY-5-4007D	£6.90		
YF64U 74LS161	45p	WQ36P LM389	£1.49				
YF65V 74LS162	53p	QH39N LM379S	£5.29	Page 250			
YF66W 74LS163	49p	QH40T LM380	75p	QH66W NE 555	21p		
WH10L 74164	64p			QH67 NE 556	60p		
YF67X 74LS164	55p	Page 229		QH68Y NE 566	£1.60		
YF68Y 74LS165	£1.40	WQ33L LM383	£1.61	WQ56L NE 565	£1.34		
YF69A 74LS166	£1.95	BY20D AY-5-4000 PCB	£2.60				
YF70M 74LS168	£1.20	LM386 8W Amp Kit	£4.45	Page 251			
YF71N 74LS169	38p	WQ34M LM384	£1.44	YH94C ICM7216DPI	£17.45		
YF72P 74LS170	£2.99	QL13P TBA810P	95p	YH95D ICM7226BPI	£21.90		
YF73Q 74LS173	65p	BR02C 5W Amp PCB	£1.45	YH63T ICM 7555	£1.25		
WH11M 74174	81p	YH70M TDA2005M	£8.25				
YF74R 74LS174	62p	Page 230		Page 252			
YF75S 74LS175	98p	WQ67X TDA2030	£1.95	QH59A NE 567	£1.30		
YF76H 74LS181	£2.95	YQ35W 15W Amp Kit	£6.45	QH59N LM3909	87p		
YF77J 74LS189	£4.95	YQ35U 15W Amp PCB	£2.25	YH76H TDA1024	£1.49		
YF78K 74LS190	58p	YQ36R 30/2 PSU PCB	£1.40	YH43W 8211 CPA	£3.25		
YF79L 74LS191	68p	YQ37S 15W Amp ModUl	£6.49	WQ32K LM334	£1.10		
WH12N 74192	70p			YH39N 8069 DCC	£2.35		
YF80B 74LS192	62p	Page 231		WQ62S TAA 550	35p		
QX90X 74193	96p	WQ66W TDA2006	£1.65				
YF81C 74LS193	65p	QH45X MC1303	DIS	Page 253			
WH13P 74194	59p	YH41U LM3103	£1.87	YH78K TL497A	£1.65		
YF82D 74LS194	65p	BR04E LM381 PCB	£2.15	YH77J TL430C	85p		
YF83E 74LS195	45p			YH75S UQ17660CPA	£3.24		
WH14Q 74196	65p	Page 232		XK02C 4195	£1.45		
YF84F 74LS196	61p	YH84F LM382	£1.31	YH93W 15W Supply PCB	75p		
YF85G 74LS197	88p	YH87U NE571	£1.77	BL22Y UA723C T099	85p		
YF86T 74LS221	63p	WQ35Q LM387	£1.25	QL21X UA723C 14-pin DIL	55p		
YF87U 74LS240	99p			Page 255			
YF88V 74LS241	99p			QO49N 0.1A Reg PSU PCB	£1.05		
YF89W 74LS242	99p			YQ49T 0.5/1A Reg V PS PCB	85p		
YF90X 74LS243	85p						
YF91Y 74LS245	£1.95						
YF92A 74LS251	59p	Page 233					
YF93B 74LS253	53p	QO49D MC3340P	£1.35				
YF94C 74LS256	£1.36	YH85U LM10212	£6.20				
YF95D 74LS257	52p	YH81C M083	£4.75				
YF96E 74LS258	55p	WH22Y M083	£6.95				
YF97F 74LS259	£1.40						
YF98G 74LS261	£2.25						
YF99H 74LS266	32p						
YH00A 74LS273	£1.50						
YH01B 74LS279	44p						
YH02C 74LS283	69p						
YH03D 74LS290	£1.30						

NEW ITEMS PRICE LIST

The following is a list of all items introduced prior to this price list, but since publication of our 1981/82 catalogue and includes all special items for projects that appeared in the March 1981 to May 1982 issues of Electronics & Music Maker

AERIALS, AMATEUR RADIO AND CB

AF46A CB FM Transceiver GT-868 Price £49.95
 HL94C 30W Dummy Load Price £6.75
 XG10L 12V 3A Power Unit Price £16.95
 XG13P 1.5m CB Aerial Price £13.95
 YG41U 27MHz Rubber Deck Price £4.75
 YK00A 2m Scanning Receiver Price £54.95
 YK29G Ext CB Speaker Price £7.45
 YK30H Noise Filter System Price £10.95
 YL42V Filter Choke Price £1.99
 YL43W TVI Filter Price £5.25
 YL44X CB Aerial Converter Price £7.25
 YQ73Q CB/Radio Aerial Coupler Price £5.49
 YQ74R CB Aerial Matcher Price £5.25

BATTERIES

HW31J Nicad PP3 Price £5.95
 HW32K PP3 Nicad Charger Price £6.95
 HY32K Large Battery Holder Price £1.85
 YK31J Universal Ni-Cad Charger Price £8.95

BOOKS, MAGAZINES AND LEAFLETS

GG24B Analog Subscription Price £9.00NV
 WG01B Practical Electronics Handbook by Ian Sinclair Price £4.70NV
 WG02C Newnes Book of Video by K. G. Jackson Price £6.90NV
 WG03D Introduction To Pascal by Rodney Zaks Price £10.75NV
 WG04E A Basic Approach to BASIC by Henry Mullish Price £9.85NV
 WG05F Atari BASIC by Albrecht Price £7.95NV

WG06G Consumers Guide To Personal Computing & Microcomputers by Freiburger Price £8.25NV
 WG07H Beat The Odds by Hans Sagan Price £7.00NV
 WG08J BASIC With Business Applications by Lot Price £9.89NV
 WG09K Introduction to Computer Music by Bateman Price £15.60NV
 WG10L Basic Electricity by C. Ryan Price £6.65NV

WG11M Electronics by H. Kybett Price £6.65NV
 WG12N BASIC by Albrecht Price £7.35NV
 WG13P BASIC for Home Computers by Albrecht Price £6.75NV
 WG14Q TRS80 BASIC by Albrecht Price £7.70NV

WG15R Using CP/M by Fernandez Price £6.65NV
 WG16S Flowcharting by N. Stern Price £6.85NV
 WG17T The S-100 Bus Handbook by D. Bursky Price £13.25NV

WG18U Telephone Accessories You Can Build by J. H. Gilder Price £6.45NV
 WG19V 60 Challenging Problems with BASIC Solutions by D. Spencer Price £5.75NV
 WG20W The Best Book On CB by F. Herbert Price £5.40NV

WG21X 780 & 8080 Assembly Language Programming by K. Spracklen Price £6.75NV
 WG22Y Intel Memory Book Price £19.35NV
 WG23A Intel 8080/8085 Book Price £16.95NV

WG24B 8086 Primer by S. Morse Price £7.65NV
 WG25C Writing Interactive Compilers & Interpreters by P. Brown Price £13.45NV
 WG26D Foundations of Programming with Pascal by L. Moore Price £6.24NV
 WG27E What To Do After You Hit Return by The Peoples Computer Company Price £13.45NV

WG28F VMOS Projects by R. A. Penfold Price £2.15NV
 WG29G Digital IC Projects by F. G. Rayer Price £2.15NV
 WG30H International Transistor Equivalents Guide by Adrian Michaels Price £3.25NV

WG31J Fifty BASIC Exercises by J. P. Lamollier Price £10.45NV
 WG32K The Pascal Handbook by Jacques Tiberghien Price £12.15NV
 WG33L Learning BASIC With Your Sinclair ZX80 by Robin Norman Price £4.75NV

WG34M Oscilloscopes: How To Use Them. How They Work by Ian Hickman Price £4.20NV
 WG35Q More Telephone Accessories You Can Build by Jules H. Gilder Price £5.46NV

WG36P The Joy Of Minis And Micros by Philip Stein and Howard Shapiro Price £7.55NV
 WG37S Problem Solving Principles For Programmers by William E. Lewis Price £8.85NV

WG38R Computer Programs That Work by J. D. Lee, G. Beech and T. D. Lee Price £4.75NV
 WG39N Successful Software For Small Computers by Graham Beech Price £7.00NV

WG40T Musical Applications of Microprocessors by Hal Chamberlin Price £2.65NV
 WG41U Apple II Users Guide by Lon Poole Price £13.95NV

WG42V An Introduction To BASIC Programming Techniques by S. Daly Price £2.15NV
 WG43W 50 Simple LED Circuits Book 2 by R. N. Soar Price £1.50NV
 WG44X Introducing Amateur Electronics by Ian R. Sinclair Price £3.95NV

WG45Y 33 Challenging Computer Games For TRS80/Apple/PET by David Chance Price £6.25NV
 WG46A Audio Projects by F. G. Rayer Price £2.15NV

WG47B Robot Intelligence With Experiments by David L. Heiserman Price £7.50NV
 WG48C BASIC Computer Programs For Business Vol 1 by Charles D. Sternberg Price £10.20NV

WG49D Inside BASIC Games by Richard Mateosian Price £12.35NV
 WG50E Electronic Projects In Photography by R. A. and J. W. Penfold Price £3.95NV
 WG51F More Electronic Projects In The Home by Andy Flind Price £3.95NV

WG52G Projects in Amateur Radio by F. G. Rayer Price £3.95NV
 WG53H Electronic Test Equipment Projects by Alan C. Ainslie Price £3.95NV
 WG54J Electronic Projects For Home Security by Owen Bishop Price £3.95NV

WG55K Atari Basic Learning By Using by Thomas E. Rowley Price £4.95NV
 WG56L Atari OPSYS Users Manual Price £16.95NV
 WG57M The Giant Handbook Of Electronic Circuits by Raymond A. Collins Price £12.99NV

WG58N The Master IC Cookbook by Clayton L. Hallmark Price £8.45NV
 WG59P An Introduction To Radio DXing by R. A. Penfold Price £2.15NV
 WG60Q Model Railway Projects by R. A. Penfold Price £2.15NV

WG61R Android Design by Martin Bradley Weinstein Price £9.99NV
 WG62S My Micro Speaks BAsEX (And Loves It) by Paul Warrne Price £8.85NV
 WG63T Programmer's Guide To The 8080 by Tom Swan Price £6.85NV

WG64U Programs For Beginners On The TRS80 by Fred Blechman Price £8.25NV
 WG65V Karel The Robot by Richard E. Pattis Price £5.75NV
 WG66W Introduction To 8080/8085 Assembly Language Programming by Fernandez/Ashley Price £7.45NV

WG67X Programming in Basic-Plus by Swatzky/Chen Price £11.75NV
 WG68Y Introducing Microprocessors by Ian R. Sinclair Price £4.95NV
 WG69A Public Address Handbook by Vivian Capel Price £8.75NV

WG70M The British CB Book by Peter Chippindale Price £4.45NV
 WG71N Electronic Projects For Cars And Boats by R. A. Penfold Price £2.10NV
 WG72P Electronic Timer Projects by F. G. Rayer Price £2.10NV

WG73Q CB Projects by R. A. Penfold Price £2.10NV
 WG74R ZX81 Basic Book by Robin Norman Price £5.95NV
 WG75S Understanding Your ZX81 ROM by Dr. Ian Logan Price £9.95NV

WG76H Questions & Answers On Personal Computing by Peter Lafferty Price £2.75NV
 WG77J Questions & Answers On Video by Steve Money Price £2.85NV
 WG78K Practical Microprocessor Systems by I. R. Sinclair Price £5.75NV

WG79L Microprocessors: Your Questions Answered by Alec Wood Price £5.75NV
 WG80B How To Tune The Secret Shortwave Spectrum by H. L. Helms Price £5.75NV
 WG81C Teaching Your Computer To Talk by E. R. Teis Price £6.95NV

WG82D Designing, Building & Testing Your Own Speaker System by D. B. Weems Price £6.45NV
 WG83E Byteing Deeper Into Your ZX81 by Mark Harrison Price £5.95NV
 WG84F Software Secrets by Graham Beech Price £6.95NV

WG85G Guide To Solar Electricity Price £4.95NV
 XA00A Maplin Magazine Subscription Price £2.40NV
 XA01B Maplin Magazine Vol. 1 No 1 Price 60pNV

XA02C Maplin Magazine Vol. 1 No 2 Price 60pNV
 XA03D Maplin Magazine Vol. 1 No 3 Price 60pNV
 XF45Y E&MM March 1981 Issue Price £1.00NV

XF46A E&MM April 1981 Issue Price £1.00NV
 XF47B E&MM May 1981 Issue Price £1.00NV
 XF48C E&MM June 1981 Issue Price £1.00NV

XF49D E&MM July 1981 Issue Price £1.00NV
 XF50E E&MM August 1981 Issue Price £1.00NV
 XF51F E&MM September 1981 Issue Price £1.00NV

XF52G E&MM October 1981 Issue Price £1.00NV
 XF53H E&MM November 1981 Issue Price £1.00NV
 XF54J E&MM December 1981 Issue Price £1.10NV

XF55K E&MM January 1982 Issue Price £1.10NV
 XF56L E&MM February 1982 Issue Price £1.10NV
 XF57M E&MM March 1982 Issue Price £1.10NV

XF58N E&MM April 1982 Issue Price £1.10NV
 XF59P E&MM May 1982 Issue Price £1.10NV
 XH52G Atari Software Leaflet (Issue 2) Free
 XH53M Matinee Component Identification Leaflet Price 40pNV

XH54J Atari Hardware Leaflet Free
 XH55K Matinee Organ Book Price £2.50NV
 XH56L Spectrum Synthesiser Book Price £1.00NV

BOXES
 HY25C Display Box Price 50p
 YK24B Calculator Style Verobox Price £4.45

CONNECTORS
 BH51R Minicon Latch Plug 17-Way Price 68p
 BH54U Minicon Plug 17-Way Price 46p
 BH65W Minicon Latch Housing 6-Way Price 13p
 BH66W Minicon Latch Housing 5-Way Price 11p

BH67X Right-Angle Minicon Plug 15-Way Price 65p
 BX96E Minicon Latch Plug 3-Way Price 23p
 BX97F Minicon Latch Housing 3-Way Price 11p
 BX98G Jumper Cable 17-Way Price £3.65

F899H Right-Angle Latch Minicon Plug 6-Way Price 40p
 FY91Y Right-Angle Latch Minicon Plug 4-Way Price 33p
 FY92A Right-Angle Latch Minicon Plug 2-Way Price 26p

FY93B Minicon Latch Plug 5-Way Price 26p
 FY94C Minicon Housing 10-Way Price 18p
 HB58N Minicon Latch Housing 4-Way Price 10p
 HB59P Minicon Latch Housing 2-Way Price 8p

HF98G Stereo Plastic 3.5mm Plug Price 25p
 HL95D RA PL259 Plug Price 85p
 HL96E Quick Connect PL259 Plug Price 99p

HQ85G Minicon Plug 10-Way Price 47p
 RK00A UHF Female T Adaptor Price £1.75
 RK01B UHF Adaptor FFLA Price £1.65
 RK02C UHF Adaptor FFLA Price £1.75
 YK06G Pedalboard Cableform Price £2.98

CONSUMER GOODS
 AC41U Othello Video Game Cartridge Price £18.95
 AC42Y Video Pinball Cartridge Price £24.95
 AC43W Asteroids Video Game Cartridge Price £29.95

AC44X War Lords Game Cartridge Price £29.95
 AC45Y Le Stick Price £24.95
 AC46A Missile Command Video Game Cartridge Price £29.95

AC47B Flag Capture Video Game Cartridge DIS Price £29.95
 AC48C Super Breakout Game Cartridge Price £29.95
 AC49D Kaboom! Game Cartridge Price £19.95

AC50E Laser Blast Game Cartridge Price £19.95
 AC51F Freeway Game Cartridge Price £19.95
 AC52G Dragster Game Cartridge Price £19.95

AF36P Atari 400 with 16K RAM Price £345.00
 AF37S Atari 400 with 32K RAM Price £395.00
 AF38R Epson MX80T Price £414.00

AF39N Epson MX80F/T Price £458.85
 AF40T Epson MX80F/T Mk II Price £516.35
 AF41U Centronics Interface for Atari 400 Price £49.95

AF42V Centronics Interface for Atari 800 Price £49.95
 AF43W Versawriter for Atari 400/800 Price £169.00
 AF44X 32K RAM Module Price £125.35

AF45Y 32K Upgrade for Atan 400 Price £95.00
 HY24B 2-Roll Pack of Paper for Printer 822 Price £4.95
 Software For Atari 400 and 800: See back cover. (Full details are on XH52G and XH54J both free.)

ELECTRICAL
 WY23A Timetouch Electronic Time Switch Price £24.80

HARDWARE
 HY30H Isobolt M3 x 9mm (pk of 10) Price 12p
 HY31J Steel Washer 4BA (pk of 10) Price 11p

KN08S
 QY00A LC Cap Black Price 5p
 QY01B LC Cap Blue Price 5p
 QY02C LC Cap Green Price 5p

QY03D LC Cap Grey Price 5p
 QY04E LC Cap Red Price 5p
 QY05F LC Cap White Price 5p
 QY06G LC Cap Yellow Price 5p

YG40T Low-Cost Collet Knob Price 27p
 MICROPHONES
 HY33L Crystal Mic Insert (metal body) Price 84p

RK03D Power Mic DM313P Price £11.75
 RK04E Power Mic DM311P Price £13.95
 XG11M Base Station Mic DX357 Price £33.50

XG12N Base Station Mic BSA610A Price £33.50
 OPTO-ELECTRICAL
 QR54J Rectangular Multicolour LED Price 75p

RK22Y Solar Panel 6V Price £7.95
 RK23A Solar Panel 9V Price £8.95
 RK24B Solar Panel 12V Price £8.95

ORGAN COMPONENTS
 BH49D Tablet Rocker Grey Price 96p
 BH50E Tablet Rocker Orange Price 96p
 BH51F Tablet Rocker Red Price 96p

BH62S Spacer Black Price 4p
 BH63T Keyboard Spacer Price 2p
 BR98G Drawbar Blue Price £1.55
 BR99H Drawbar Green £1.55

FB98G Rubber Coupling Price 66p
 YB95D Contact Springs Price 8p
 YB95D Organ Stool Price £29.50
 XG00A Roll Top Guides (pair) Price £2.50

XG01B Arise Stand Price £4.75
 XH98W Switched Swell Pedal Price £11.45
 XH92A Twin Keyboard and Frame Price £49.90*

XH97F Keyboard Separator Price £1.95*
 XH98G Swell Pedal Housing and Trim Price £19.50*

XH99H Roll Top PANEL METERS
 RK05F Quick-fit Meter 100.0-100µA Price £2.95

RK06G Quick-fit Meter 50µA Price £2.95
 RK07H Quick-fit Meter 100µA Price £2.95
 RK08J Quick-fit Meter 500µA Price £2.95

RK09K Quick-fit Meter 1mA Price £2.95
 RK10L Quick-fit Meter 5mA Price £2.95
 RK11M Quick-fit Meter 10mA Price £2.95
 RK12N Quick-fit Meter 50mA Price £2.95

RK13P Quick-fit Meter 100mA Price £2.95
 RK14Q Quick-fit Meter 500mA Price £2.95
 RK15R Quick-fit Meter 1A Price £2.95
 RK16S Quick-fit Meter 5A Price £2.95

RK17T Quick-fit Meter 25V Price £2.95
 RK18U Quick-fit Meter 100V Price £2.95
 RK19V Quick-fit Meter VU Price £2.95
 RK21X Quick-fit Meter 50.0-50µA Price £2.95

PCB EQUIPMENT
 HQ34F Verobloc Bracket Price 63p
 XH42V MP Urobroadboard Price £21.75

PROJECTS AND MODULES
 BH60Q Synform Front Panel Price £1.10
 BX99H Synwave Front Panel Price £1.10
 GA00A Direct Input PCB Price £1.10

GA01B Line Driver PCB Price £1.48
 GA02C Line Receiver PCB Price £1.51
 GA03D Spectrum PSU PCB Price £2.40
 GA04E Stopwatch PCB Price £2.95

GA05F System PCB Price £1.18
 GA06G PA Controller PSU PCB Price £3.70
 GA07H PA Controller Limiter PCB Price £2.85

GA08J Woofer PCB Price £2.00
 GA09K 24-Way Contact PCB Price £2.80
 GA10L 25-Way Contact PCB Price £2.87
 GA11M Continuity Tester PCB Price £1.32

GA12N Crosscover PCB Price £2.50
 GA13P Balanced Line Driver PCB Price £2.10
 GA14Q PA Controller Display Component PCB Price £1.25

GA15R PA Controller Display LED PCB Price £1.45
 GA18U Matinee PSU PCB Price £2.10
 GA19V Battery Monitor PCB Price £1.20

GA20W Workshop PSU PCB Price £4.30
 GA21X Workshop Control PCB Price £2.20
 GA22Y Stray Main PCB Price £2.20
 GA23A Strobe Hit PCB Price £1.20

GA24B Guitar Tuner PCB Price £1.65
 GA25C Power Control PCB Price £1.15
 GA26D Digital Tacho Main PCB Price £1.75
 GA27E Digital Tacho Display PCB Price £1.25

GA28F 75W Mosfet Amp PCB Price £1.80
 GA29G Mosfet Amp Mounting Bracket Price £1.15
 GA30H Noise Reduction Main PCB Price £3.20

GA31J Noise Reduction PSU PCB Price £1.60
 GA32K Hexadrum PCB Price £2.60
 GA33L Select-A-Match PCB Price £1.80

GA34M Powercomp Penipherals PSU PCB Price £3.95
 GA44X Burglar Alarm PSU PCB Price £2.40
 GA45Y Burglar Alarm Main PCB Price £6.75

GA46A Break Contact PCB Price £1.95
 GA47B External Horn PCB Price £1.60
 GA48C Harmony Generator PCB Price £2.25
 GA50E Effects Link PCB Price £2.20

GA51F Soundbooster PCB Price £1.85
 GA52G FX-Swell PCB Price £1.35
 GA53H Spectrum LFO PCB Price £2.50
 GA54J Synlock PCB Price £1.65

GA55K Spectrum Controller PCB Price £2.10
 GA56L MPC Board Price £5.75
 GA57M Spectrum VCF PCB Price £2.95
 GA58N The Bomb PCB Price £1.55

GA59P Spectrum Shaper PCB Price £2.95
 GA60Q Percussion Sound Gen PCB Price £4.72
 GA61R Timer Main PCB Price £2.80
 Continued on page 60

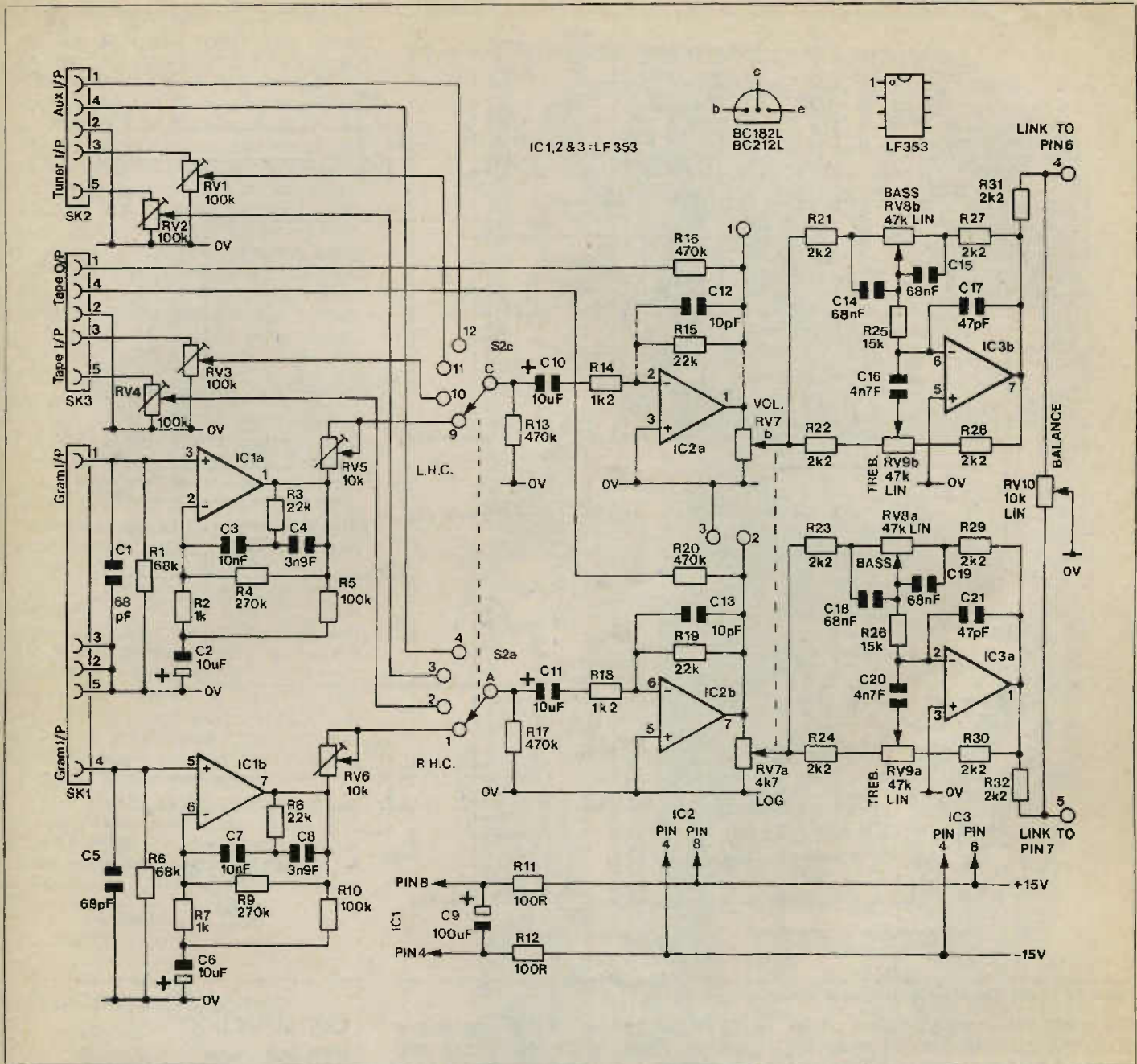


Figure 2. Circuit diagram of pre-amp and tone controls.

Specification of prototype

Input sensitivities for max. output (with preset adjusted for max. sensitivity):
 Magnetic pick-up input: 2mV at 47k Ω
 Tape input: 50mV at 100k Ω
 Tuner input: 50mV at 100k Ω
 Auxiliary input: 50mV at 470k Ω
 Magnetic pick-up input overload threshold: 40mV
 Tape output at rated input: 100mV into 100k Ω
 Power output: > 26W per channel rms into 8 Ω or 4 Ω continuous at 1kHz both channels driven.

Total harmonic distortion: Better than 0.075% at 1kHz at > 25W output.
 Frequency response: 20Hz to 40kHz ± 1 dB (from magnetic pick-up input ± 1 dB from RIAA)
 Signal to noise: Better than 60dB on magnetic pick-up input
 Better than 80dB on all other inputs
 Channel separation: Better than 40dB
 Bass control: ± 14 dB boost and cut at 100Hz
 Treble control: ± 8 dB boost and cut at 10kHz
 Balance control: -50dB to +1.5dB

also allows the cabinet to be low-profile and it has no open terminals making it intrinsically safer.

The transformer secondary is full-wave rectified by BR1 and smoothed by C36 and C37. The output via fuses FS2 and FS3 deliver ± 32 V to the MOSFET output stages only, whilst Zener diodes D5 and D6 and resistors R57 and R58

produce ± 15 V to drive the remainder of the circuitry in the amplifier. IC2 and IC3 are supplied directly from these rails, but IC1 has further decoupling provided by R11, R12 and C9.

IC1a and b is a dual bi-fet op-amp whose non-inverting inputs are suitably matched for use with magnetic cartridges. A degree of protection from

stray rf is also provided. The feedback circuitry about each input produces a response to within ± 1 dB of the recommended RIAA curve. This is achieved by using frequency selective feedback to boost the lower and cut the upper frequencies. Presets RV5 and RV6 control the gain of the pick-up input and allow fine adjustment of channel balance or reduction of volume of high output magnetic cartridges.

RV1 and RV2 perform the same function for the tuner input and RV3 and RV4 for the tape input. If not required simply turn them to the end that gives maximum volume. The auxiliary input level is not presettable, but is selected along with the other inputs by S2. IC2 is a mixer stage supplying the tape output and has an almost perfectly flat response over the audio spectrum.

The volume control, RV7, supplies the selected input signal to IC3 which looks after the tone compensation. RV8 gives boost or cut of the bass frequencies while RV9 controls the gain of

25W MOSFET AMPLIFIER

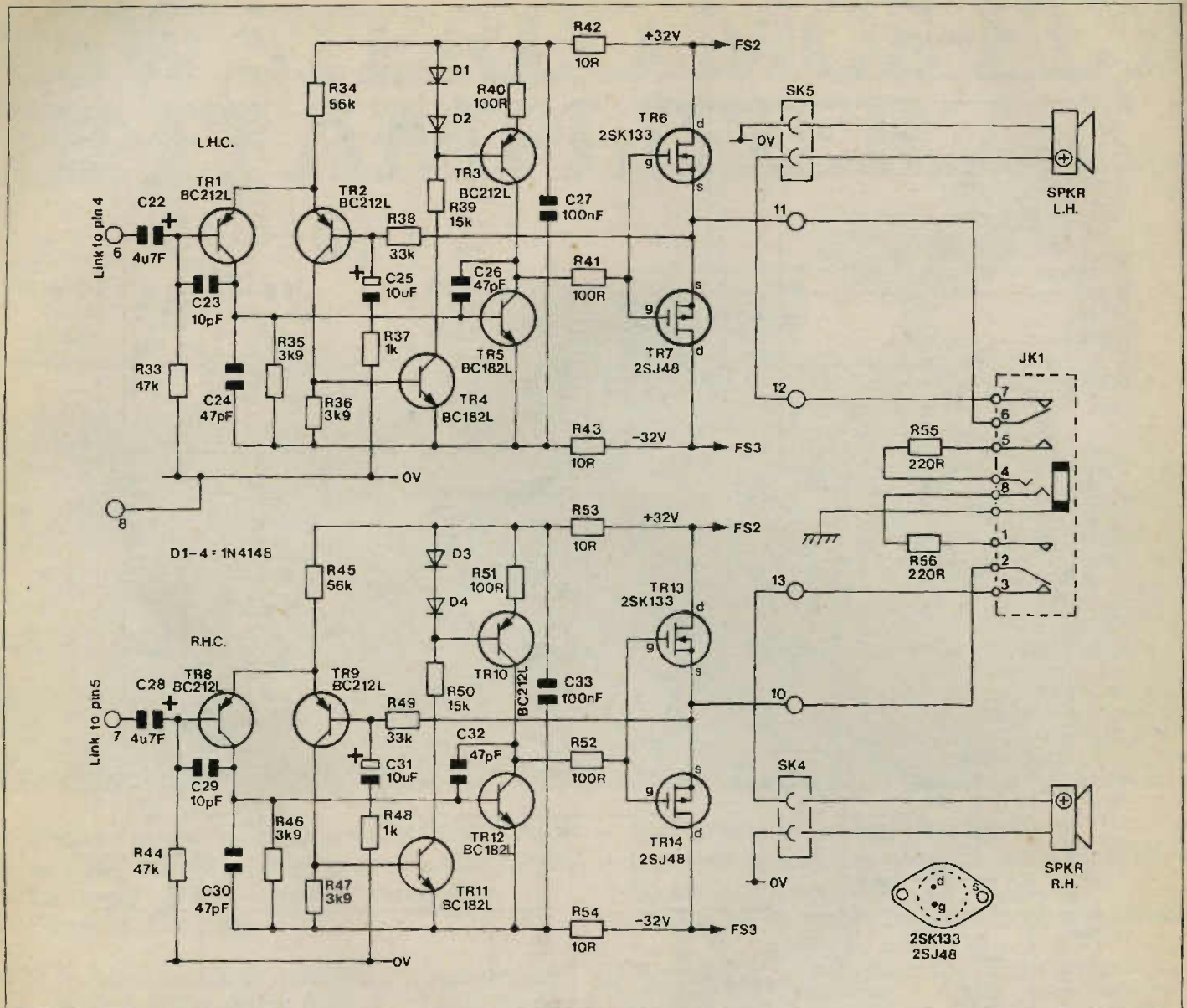


Figure 3. Circuit diagram of MOSFET power amp.

the treble frequencies. In their centre positions, this stage too has an almost perfectly flat response over the audio range. The balance control, RV10, simply shunts the audio signal to ground of the channel it is turned from.

Pins 4 and 5 are strapped to pins 6 and 7, but these straps can be removed if you wish to insert a graphic equaliser.

TR1 and 2 form a differential amplifier whose output is fed to TR5, a voltage amplifier/driver stage. TR3 is a constant current and impedance source which is controlled by TR4. The output of TR5 drives the power MOSFET's TR6 and TR7.

Power MOSFET's have a very low 'on' resistance and an extremely high 'off' resistance and display the characteristic channelling effect when driving into near short-circuits, since the forward resistance increases as the temperature of the device rises, unlike a bipolar transistor, where the opposite effect causes the destruction of the device. The effect allows circuit design to be simple and this in turn improves the distortion and noise figures.

Even further simplicity of design is achieved because the gates of MOS-

FET's having such a high impedance allows them to be connected and biased together without suffering from cross-over distortion. A small bias voltage is applied from a constant current set to around 20mA, though this is not critical and hence no setting-up is required.

The overall gain of the power amplifier is 33 as set by the ratio of R38 to R37. The power amp has a virtually perfectly flat response over the entire audio range with excellent stability and very fast switching or slew rate which gives an extremely wide power bandwidth, yet the damping factor is still very good.

The output of the power amp is fed to DIN sockets SK4 and SK5 which supply the external speakers, while JK1 disconnects this output and connects it via R55 and R56 to a stereo headphone when a plug is inserted.

The additional pins 1, 2 and 3 have been included so that a remote control unit for volume, bass, treble and balance may be added. Details of this easy-to-construct addition will be published shortly — hopefully in the next edition if space is available.

Construction

Main pcb

With reference to Figure 4 insert the 28 Veropins from the track side, then push them firmly home with the tip of a hot soldering iron and solder to the pcb. Fit the thirteen links using 24 swg tinned copper wire as shown in Figure 4. This Figure also shows how to fit and solder the two straps required between pins 4 and 6 and between pins 5 and 7 and again this should be done with the tinned copper wire and soldered.

Resistors R1 to R54 and R57 to R59 can now be fitted to the pcb. Bend the leads before insertion and push them down on to the pcb. If you cannot read the colour code directly, use the chart in the resistor section of our catalogue or the colour wheel (XL05F). Note that R3, 4, 8 and 9 must be 1% tolerance types and these are either marked 1% or they have a brown ring where the gold ring is found on 5% types.

Next insert the 1N4148 diodes, D1 to D4 and the two Zener diodes D5 and D6. These six diodes have a black band and must be placed on the pcb so that this band is at the same end as the white band printed on the pcb.

RV1 to RV6 are preset potentiometers. Carefully check the values stamped on the wiper: RV1 to RV4 are 100k and RV5 and RV6 are 10k. Fit these to the pcb. By now quite a jungle of leads will be forming beneath the pcb, so solder these in position and cut off all remaining ends close to the joint. It is advisable to check for shorts between tracks and soldered joints after each use of the soldering iron. Excess flux can be removed using cellulose paint thinner and a stiff paint brush, but use the thinners conservatively or a sticky deposit will be formed.

Next fit the ceramic plate capacitors. Their leads do not require bending and should fit straight in. Fit the tantalum bead capacitors C10, 11, 22 and 28 taking care that the '+' sign on the body of the capacitor lines up with the '+' sign printed on the pcb. The little box-shaped capacitors are the polycarbonates and should be fitted next, followed by the polystyrene capacitors whose leads should be pre-formed before fitting to the pcb.

This should also be done to the axial electrolytics C9, 34 and 35 which should be fitted next taking care that the '+' sign printed on the pcb is at the same end as the indentation that runs around the body of the capacitor. The vertically mounted electrolytics C2, 5, 25 and 31 are inserted straight into the pcb and again must be positioned so that the '+' signs are aligned.

Now solder all the components in position, trim the leads, clean and check the pcb as before then mount the three integrated circuits. The small dot

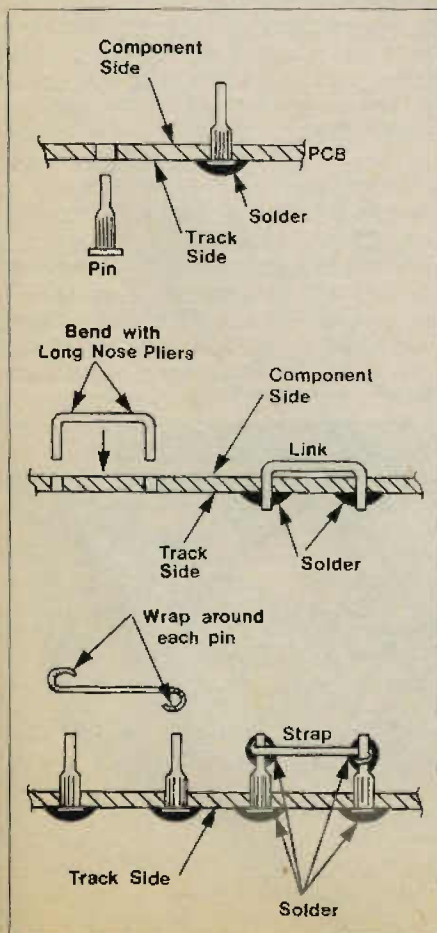
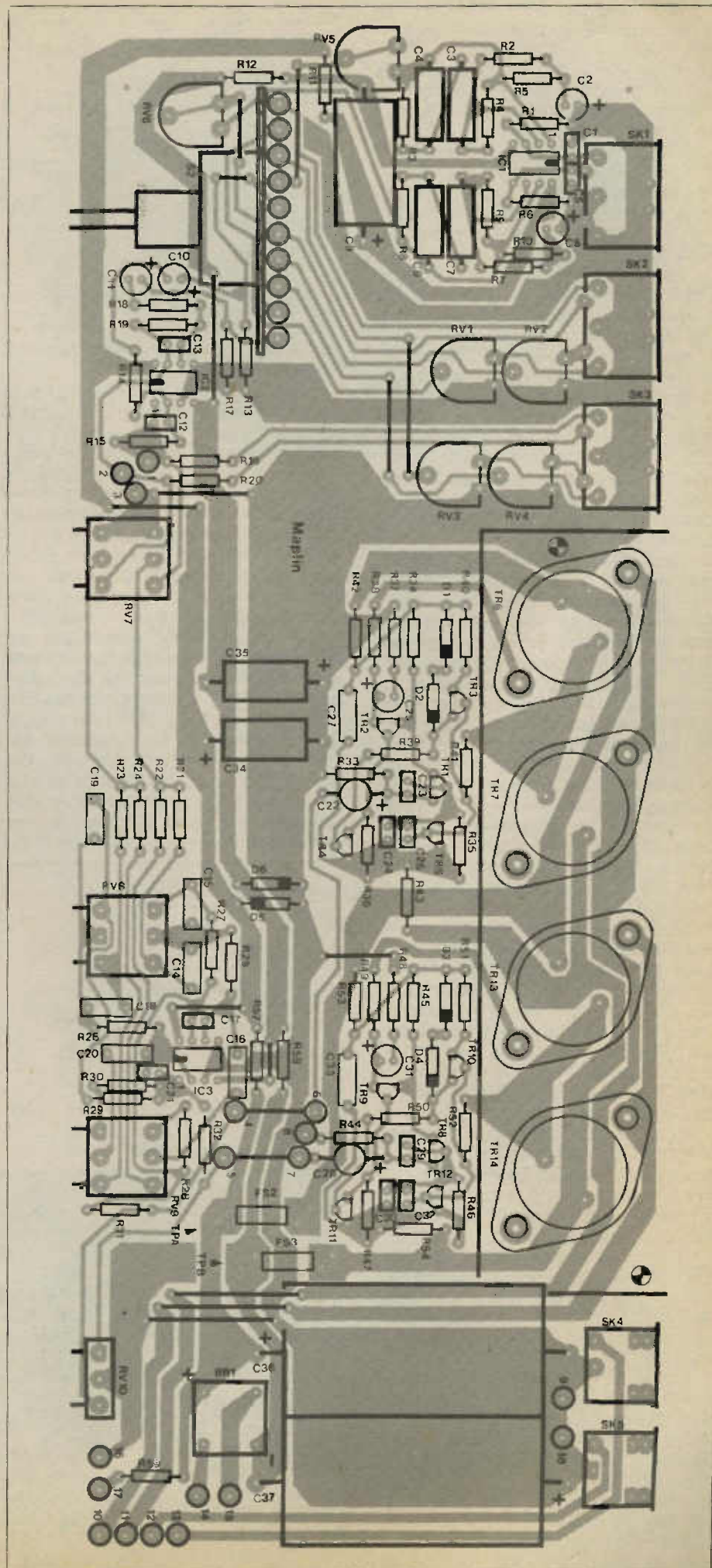


Figure 4. Insertion of pins and links in pcb.
June 1982 Maplin Magazine



Component overlay of main pcb shown less than full size.

25W MOSFET AMPLIFIER

on the top of the IC body indicates pin 1 and should be positioned so that it is at the same end as the 'D' shape formed on the pcb legend. Take care to ensure that all eight leads fit through the pcb on each IC.

Next, fit the bridge rectifier BR1. One edge of the plastic package has a '+' sign painted on it and as before this must be positioned to align with the '+' sign on the pcb. Push the plastic body right down onto the pcb.

Transistors TR1 to TR3 and TR8 to TR10 are type BC212L and their 'D' shaped package must line up with the pcb legend. The same applies to TR4, 5, 11 and 12 which are type BC182L. Push all these transistors down to about 0.5 to 1cm (1/4in) from the pcb otherwise they can be easily bent or broken. Fit the two polyester capacitors C27 and C33. These are usually colour coded and from the top the colours are brown, black, yellow, black or white, red or yellow. Now solder all these components as before.

Place the FET mounting bracket over the pcb on the component side and bolt in position with two nuts, washers and 6BA 1/4in bolts inserted from the track side. Ensure that the top of the bracket is perfectly smooth and clean. Carefully adjust the position of the bracket so that 16 holes (4 per FET) in the pcb are exactly centralised under the holes in the bracket, and then tighten the bolts. This operation is very important as misalignment will result in a short circuit between the FET and the bracket (OV). One bolt passes through a large area of track and to ensure that there is a good connection between this track (OV) and the bracket, solder the bolt head to the track.

Smear a thin layer of Thermpath over both sides of a mica insulator and place it on one of the power FET's then repeat with the other three. Place each FET with its insulator over the mounting bracket noting that the two leads on the 2SK133's are towards the rear of the pcb (the bracket itself is on the rear edge) and on the 2SJ48's they mount towards the front.

With reference to Figure 5 insert two 6BA 1/4in bolts from the track side up through each MOSFET and tighten up with 6BA washers and nuts. Solder the FET leads to the pcb and then solder all eight bolt heads to the pcb.

The four small fuseholder clips may now be fitted. The easiest way to do this is to clip a fuse between each pair and then place and solder the whole assembly to the pcb. Remove the fuses when this is completed.

Fit the three 5-pin DIN sockets, SK1 to SK3, ensuring that all seven pins (2 are securing pins) go through the pcb and none are left bent underneath. Sockets SK4 and SK5 should be fitted in the same way. The last two axial electrolytic capacitors C36 and C37 can now be fitted. They mount with polarities in opposite directions so take care to ensure that the indentation around the body is at the same end as

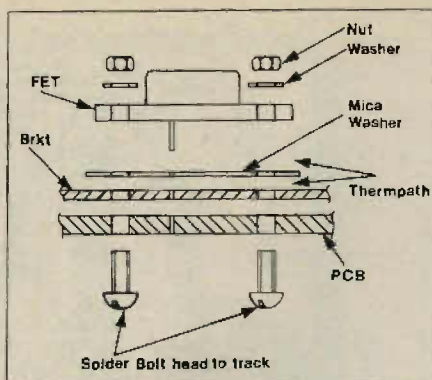


Figure 5. Mounting the MOSFET transistors.

the '+' sign on the pcb. Solder these last seven items to the pcb.

The four-way rotary switch S2 has to be prepared before it can be mounted. Firstly, straighten all fifteen tags on the back of the switch then cut off the tags marked B, 5, 6, 7 and 8 close to the plastic moulding. Secondly, cut off the loops on the ends of the remaining ten tags leaving as much straight pin as possible. Refer to Figure 6. The switch can now be fitted to the small pcb ensuring that all ten pins have come through and solder them in position.

On the main pcb there are ten Veropins situated near the front left side of the board. Lightly tin these pins with a soldering iron (i.e. cover each pin with a thin layer of solder). With reference to Figure 7, place S2 facing towards the front of the main pcb and offer the switch pcb up to the ten pins so that they align with the ten tracks on that pcb. Hold the board as upright as you can and solder one pin. Resolder if the

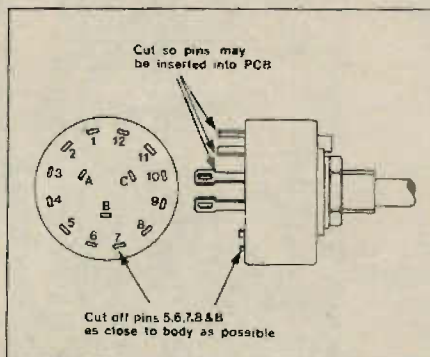


Figure 6. Preparing switch S2.

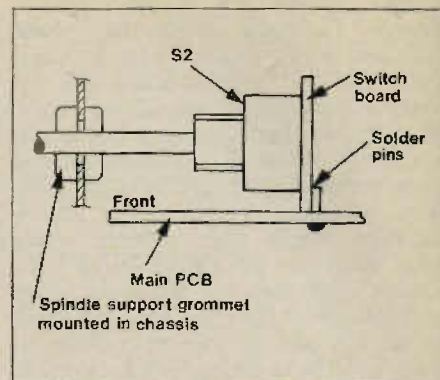


Figure 7. Mounting switch S2.

board is not perfectly upright, then when satisfied, solder the remaining nine pins.

Finally, mount the four rotary potentiometers on the pcb checking the resistance values against the RV numbers to ensure correct placement, before soldering. The pcb is now complete and should be cleaned up. Re-check all components for correct values and correct orientation of polarised components. Check for dry joints and short circuits and carefully resolder any suspect joints.

If you possess a multimeter, check for short circuits between the pins and case of the MOSFET transistors and the mounting bracket. Switch to ohms and with one lead on the bracket check each lead and case in turn. If there are any short circuits then you will have to strip down the mounting bracket to find out why, but careful construction should have prevented this.

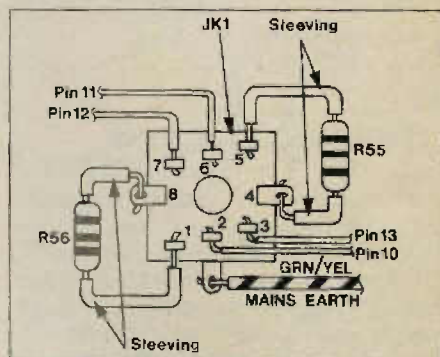
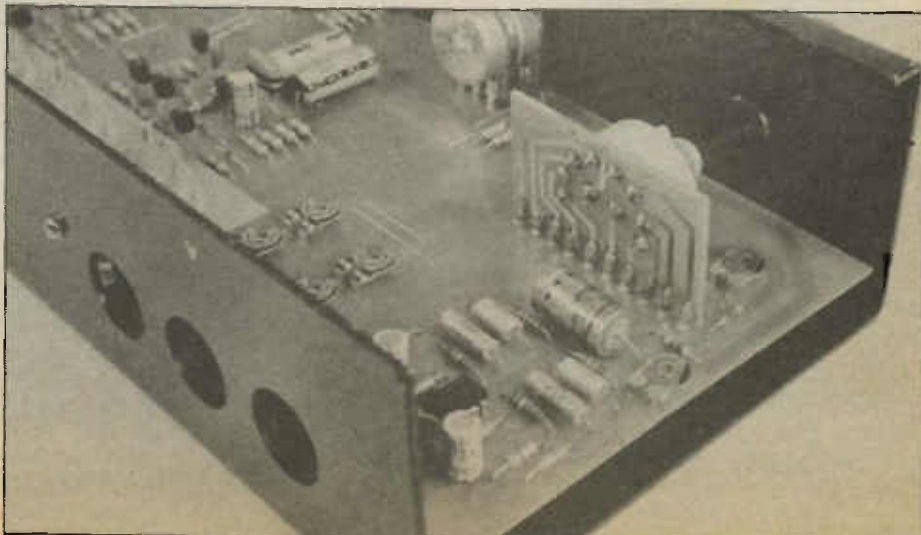


Figure 8. Jack socket wiring.



Mounting of switch pcb.

Assembly

Cut the four potentiometer spindles so that they are about 13mm (½in) long. Remove the nuts and washers from RV8 and RV9 but leave them on RV7 and RV10 and tighten up these two. Fit a grommet into the selector switch hole in the front panel, then slide the pcb into the chassis by guiding the control spindles in first, then lowering into position.

Bolt the mounting bracket to the back of the chassis using three 6BA ¼in bolts and nuts, two washers and a solder tag with the bolts inserted from the outside. The tag washer fits on the bolt nearest to the two 2-pin speaker sockets. The two remaining pot mounting washers and nuts fit onto RV7 and RV10 and tighten up on to the chassis. Make sure that all five DIN sockets line up with the holes in the chassis and readjust to suit.

With reference to Figure 8 slide a piece of sleeving over each wire on R55 and R56 then solder them between tags 4 and 5 and tags 1 and 8 of the jack socket. Cut four pieces of wire each 125mm long, and strip and tin a short length at each end of each piece. Solder these four wires to tags 2, 3, 6 and 7 on the jack socket. Fix the jack socket to the front panel then connect the four wires to the pcb as follows:

JK1 tag	to	pcb pin
2		10
3		13
6		11
7		12

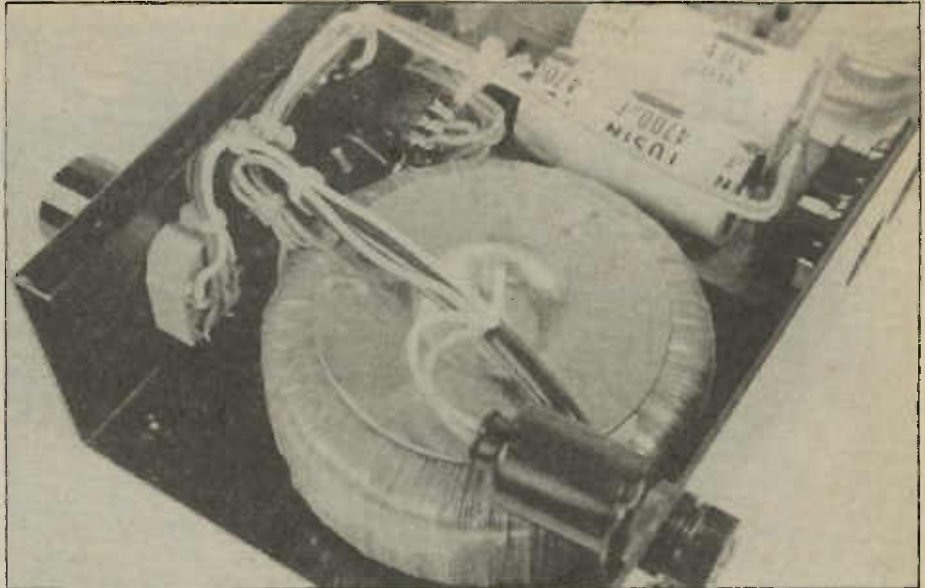
Keep all wiring as short as possible and neatly laid out. Thin wire or cable ties could be used to hold groups of wires together, but there is so little wiring in this project that it is not really necessary and no problems should be encountered. Figure 9 shows the complete wiring arrangements.

Cut two pieces of wire each 150mm long and strip and tin a short length at each end of each piece. Connect one wire to each lead on LED1. A tiny '+' and '-' sign is stamped into the plastic beside each lead, but for those who cannot see them the thicker lead is the negative and the thinner lead is the positive. See Figure 10. Fit the LED in the chassis next to the headphone socket and connect the two wires to the pcb as follows:

LED1	to	pcb pin
+	(thin)	17
-	(thick)	16

Now mount the toroidal transformer T1 as shown in Figure 11. Insert the bolt (supplied with the transformer) from under the chassis base through the hole in the indent. Place one of the two rubber washers over the bolt, then the transformer with the wires uppermost. Put the remaining rubber washer on top followed by the clamping plate. Tighten in position with the nut and washer supplied with the transformer.

Carefully scrape the enamel coating off a short length of the end of each of the transformer's six wires. This can be



Interwiring in chassis.

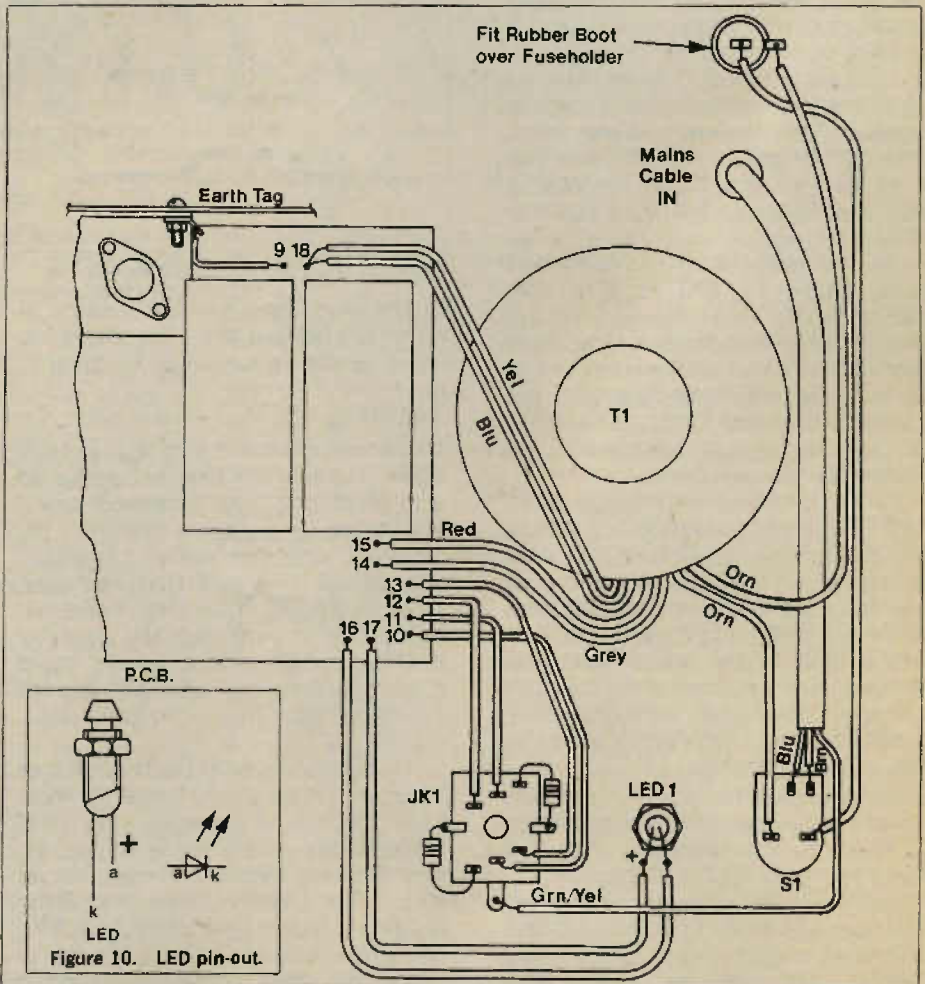
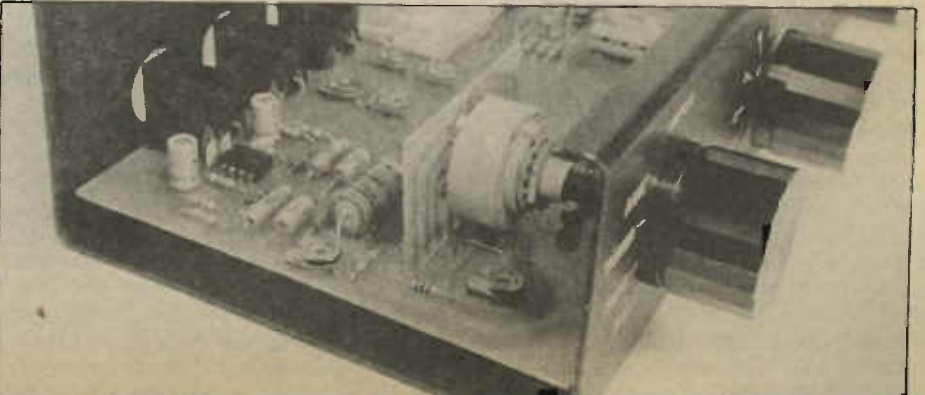
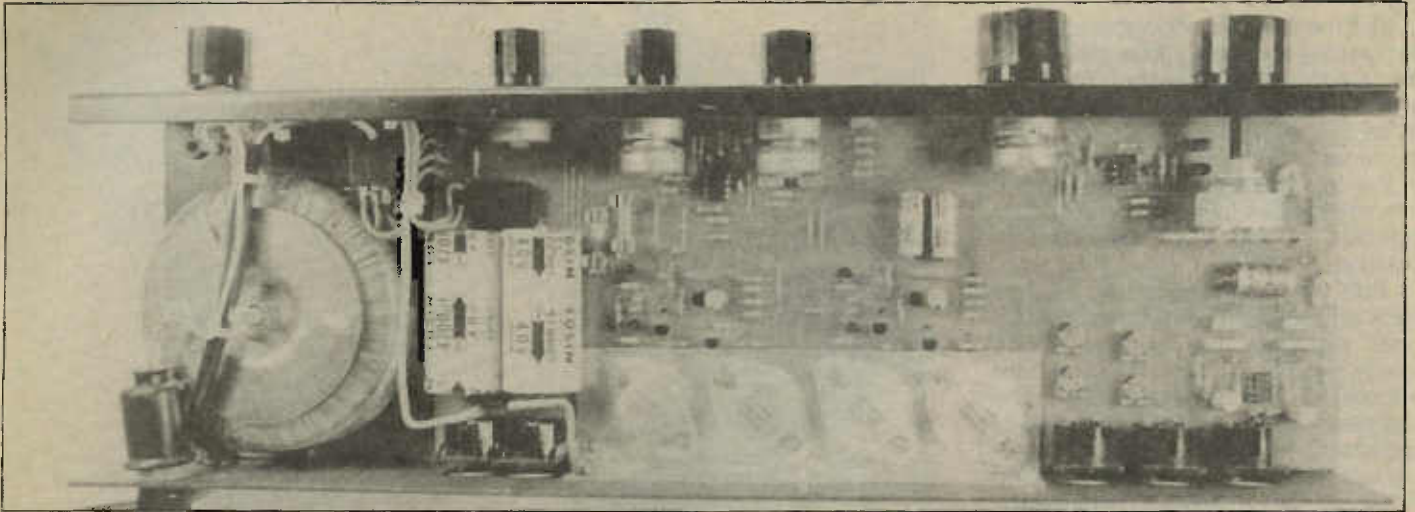


Figure 9. Interwiring.



Switch pcb front view.

25W MOSFET AMPLIFIER



Internal view of completed amplifier.

done with a sharp knife or a piece of fine emery cloth or wet and dry. Twist together the blue and yellow wires and connect both to pin 18 on the pcb. Connect a short length of wire between pin 9 and the earth tag as shown in Figure 9. Form the red and grey wires around to the bridge rectifier and solder on to pins 14 and 15 on the pcb. It makes no difference which wire goes to which pin.

Fix the chassis fuseholder to the rear panel above T1 and fit a rubber grommet in the hole beneath it. Fix the rotary mains switch S1 to the front panel taking care that the small spigot fits into the matching hole. Cut the spindle to the same length as the other spindles. Also trim the spindle on S2 to this length.

Connect one of the orange wires from T1 (it doesn't matter which one) to the side tag on the fuseholder FS1, after sliding the rubber boot over the wire first. Cut a piece of wire about 150mm (6in) long, strip and tin each end then pass it through the rubber boot and connect it to the rear tag on FS1. Solder both wires, then push the rubber boot forward so that it completely covers the body of the fuseholder.

Connect the other end of this wire to one of the top two terminals on switch S1. Then connect the other orange wire from T1 to the other top terminal on S1. Strip 80mm (3in) of the outer covering of the piece of mains lead and strip and tin a short length of each of the three internal wires. Put the mains lead through the grommet in the rear panel and terminate the blue wire to the tag on S1 immediately below the orange wire from T1 and terminate the brown wire to the tag on S1 immediately below the piece of wire from FS1.

The mains earth (green and yellow wire) should be connected to the earthing tag on the top of JK1. Ensure that all the connections you have made are properly soldered. Check carefully for dry joints and short circuits. Insert the 2A antisurge fuse into FS1 and ensure that the other two fuses are NOT inserted into their clips on the main pcb. Fit the control knobs on to the spindles as shown in the photographs.

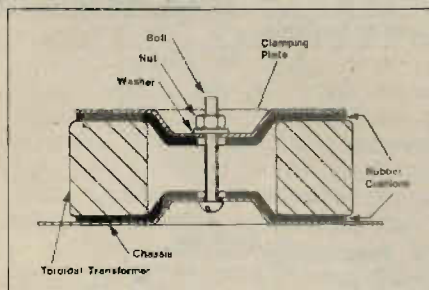


Figure 11. Mounting the toroidal transformer.

Finally check that the last section of wiring is identical to all the diagrams. The amplifier is now ready for testing.

Testing

Fit the 13A mains plug to the mains cable. The rear of S1 could be covered with insulating tape if desired and it would then be quite safe to work in the amplifier with the mains connected without risk of a shock. On no account, however, should children or untrained persons be allowed near the amplifier in this condition. Little fingers could easily unpeel your carefully applied insulating tape with potentially lethal results.

Do not connect any loudspeakers or inputs at this stage and fuses FS2 and 3 must not be fitted. Set all the front panel controls fully anticlockwise. Adjust presets RV5 and RV6 to half-way and set RV1, 2, 3 and 4 fully clockwise. Give the project a final visual inspection then connect the mains plug to the mains and switch the amplifier on by turning S1 clockwise.

LED1 should light up. If it does not switch off, remove the mains and check fuse FS1. If it is still intact, try reversing the wires on pins 16 and 17 on the pcb. Switch on again. If all is well switch a multimeter to 50V DC or 100V DC or thereabouts, connect the negative lead to the metal chassis or the tag on the top of JK1 and the positive lead to pin TPA on the pcb. The meter should read around +32V ($\pm 5V$). Now put the meter's positive lead to the chassis and connect the negative lead to pin TPB on the pcb. Again the meter should read the same voltage as before i.e. -32V ($\pm 5V$).

Switch off. If all is well the other two 2A fuses can now be fitted into the fuse clips on the pcb. If desired and you have sufficient knowledge, two further checks can be made. The +15V rails can be checked on D5 and D6 and you should obtain a reading of above 100mV DC between the cases of the four power MOSFET's and the chassis.

The treble, bass and balance controls can now be set centrally. Speakers may now be connected and inputs as required. The input connections are as follows:—

SK1 Magnetic pick-up input (5-pin DIN 180°)

Pin 1 Left channel input

Pin 4 Right channel input

Pins 2, 3, 5 Common (0V)

SK2 Tuner/Aux input (5-pin DIN 180°)

Pin 1 Auxiliary left channel input

Pin 4 Auxiliary right channel input

Pin 3 Tuner left channel input

Pin 5 Tuner right channel input

Pin 2 Common (0V)

SK3 Tape input/output (5-pin DIN 180°)

Pin 1 Tape left channel output

Pin 4 Tape right channel output

Pin 3 Tape left channel input

Pin 5 Tape right channel input

Pin 2 Common (0V)

If when any particular input is selected there is an obtrusive hum, try disconnecting the earth from the plug at one end of the interconnecting lead. Check out the remaining functions of the amplifier and adjust the six presets RV1 to 6 to suit your equipment if desired.

Carefully fold the wooden cabinet glueing the corners together with a PVA adhesive such as Evostik's "Resin W". Slide the chassis into the wooden sleeve when the glue is properly set, so that the four holes in the bottom line up with the four holes in the base of the chassis. Then bolt on the four rubber feet using the four 4BA $\frac{1}{4}$ in bolts supplied in the kit. If you have bought the parts separately, you will need to cut the excess length off the 4BA 1in bolts. The amplifier is now complete and its reliable, superb quality should give many years of listening pleasure.

Continued on page 55.

Maplin Magazine June 1982

NEW BOOKS



The Sinclair ZX81 (Programming For Real Applications)

by Randle Hurley

The ZX81 with its 16K RAM pack is quite a powerful computer. The aim of this book is to provide "serious" applications without using machine code. All the programming is easy to follow and fully explained. Discard the belief that the ZX81 is too small for real computing work — the flexible techniques described here are just the beginning.

1981. 176 pages. 228 x 152mm.
Order As WG99H (Book MM973)
Price £7.45NV

Peek, Poke, Byte & Ram!

by Ian Stewart and Robin Jones

A light-hearted yet serious-minded introduction to the basics of programming in BASIC for the owner of the Sinclair ZX81. Topics covered include setting up the hardware, graphics, looping and branching, logic, character manipulation, subroutines and getting the bugs out. In addition, there are over 50 programs to use with your 1K memory.

1982. 120 pages. 234 x 156mm. Illustrated.
Order As WA03D (Peek Poke Byte & Ram)
Price £6.25NV

The Softside Sampler

Edited by Joan Witham

Description and BASIC listing for TRS80 of 29 complex game programs. Titles include 'Around The Horn', 'Battle Royal', 'Drag Race', 'Goblins', 'Jigsaw', 'Magical Journey', 'Moving Maze', 'Sonic Torpedoes', 'Tenpin Bowling' and many more.

1982. 128 pages. 246 x 176mm. Illustrated.
Order As WA01B (Book HD496)
Price £8.25NV

The Giant Book Of Computer Software

by 73 Magazine

Here are hundreds of programs designed to help electronics hobbyists and radio amateurs. There are programs to help you design all kinds of filters. There's a reactance calculator, SWR calculator, antenna design aid, ground station antenna bearing calculator, SSTV pattern generator, RTTY filter design program, picture

titling, computerised antenna rotator and much, much more. American book.

1981. 504 pages. 208 x 130mm. Illustrated.
Order As WG90X (Book FT1369)
Price £10.50NV

The BASIC Conversions Handbook

by 'Brain Bank'

The book shows how to convert BASIC in Applesoft, PET or TRS80, into either of the other two, as well as variations for TRS80 model III and Apple Integer Basic. Variations in graphics capabilities, are also described as well as PEEK, POKE and CALL statements, cursor and control characters, memory locations and much more. American book.

1981. 88 pages. 228 x 146mm.
Order As WG98G (Book HD534)
Price £6.95NV

6502 Assembly Language Subroutines

by Lance A. Leventhal & Winthrop Saville

This book will help you learn 6502 assembly language quickly. It provides code for more than 40 common subroutines, including code conversion, string processing, array manipulation, bit manipulation, I/O and interrupts. The book tells you how to add instructions and addressing modes. You can use the routines shown to speed up a BASIC program and much more. American book.

1982. 560 pages. 234 x 186mm. Illustrated.
Order As WA05F (6502 Assembly Subs)
Price £12.45NV

The 6809 Companion

by M. James

Written for the average assembly language programmer, this is not a beginner's book. The TRS80 colour computer uses the 6809 and it is becoming a very popular microprocessor since it was designed specifically with ease of programming in mind. The book covers all aspects: registers, addressing modes, instruction set, interrupt handling, programming style and converting 6800 programs.

1982. 96 pages. 180 x 108mm.
Order As WG88V (Book BP102)
Price £1.95NV

68000 Assembly Language Programming

by Gerry Kane, Doug Hawkins and Lance Leventhal

This book provides the information you need to tap the full potential of the most powerful microprocessor yet: the 68000 with its highly-evolved architecture and impressive resources. Each of the 68000's instructions is fully explained and there is a wealth of practical programming examples. Assembler conventions, I/O device programming and interfacing methods are also included. American book.

1981. 624 pages. 234 x 164mm. Illustrated.
Order As WA04E (6800 Assembly Prog)
Price £14.95NV

Computers For People

by Jerry Willis and Merl Miller

If you're thinking of buying a computer for home use then this is the book to read first. All the points you need to consider in your choice are carefully explained. There is also a comprehensive comparison chart between Atari, Apple, TRS80, PET, VIC20 and Texas 99/4A. American book.

1982. 208 pages. 212 x 136mm. Illustrated in full colour.
Order As WA00A (Computers For People)
Price £8.25NV

Don't! (Or How To Care For Your Computer)

by Rodney Zaks

This book will show you the correct way to handle and care for all the elements of a computer system: the processor, CRT terminal printer, tape unit, floppy disks and hard disks. Software and documentation is also covered. American book.

1981. 240 pages. 228 x 152mm. Illustrated.
Order As WG96E (Book C400)
Price £11.45NV

How To Design and Build Your Own Custom Robot

by David L. Heiserman

All the procedures for planning, putting together and programming a custom-designed artificial intelligence machine are here in this detail-packed guide. Electrical and mech-

anical subsystems including driving and steering mechanisms are fully covered. There are lots of electronic circuits and working plans for three microprocessor systems are given along with flowcharts and listings for 8080A, 8085 and Z80 mnemonics. American book.

1981. 462 pages. 208 x 130mm. Illustrated.
Order As WG92A (Book FT1341)
Price £9.75NV

Data Converters

by G. B. Clayton

The book enables the reader to gain a thorough understanding of digital to analogue and analogue to digital converters. Principles of operation are explained in detail and considerations involved in connecting these devices to microprocessors are examined. Procedures for implementing practical applications are shown and the book shows how to interpret data sheet specifications. An excellent text on this important new area in electronics.

1982. 256 pages. 234 x 156mm. Illustrated.
Order As WA02C (Book MM495)
Price £9.75NV

How To Identify Unmarked IC's

by K. H. Recorr

The chart shows how to plot the "Signature" of an unmarked IC. This should then enable the IC to be identified with reference to manufacturers' or other data or to be used in a specific application, without actually assigning a type number.

1982. Fold-out sheet 640 x 450mm. Cover size 176 x 120mm.
Order As WG87U (Book BP101)
Price 65pNV

IC Projects For Beginners

by F. G. Rayer

A series of projects for the less experienced hobbyist. All use IC's and projects include power supplies, radio and audio projects including a solar radio. Other projects include an audio generator, interval timer, light relay, sensitive enlarging meter and many more.

1982. 112 pages. 176 x 110mm. Illustrated.
Order As WA30H (Book BP97)
Price £1.95

Continued on page 60.

MAKING YOUR OWN PCB'S

Printed circuit board construction is becoming increasingly necessary for many electronics projects, owing to circuit complexity and layout considerations. Whilst most magazines publish a printed circuit layout for some of their construction projects, this is of limited use to most constructors as they have no means of copying it. Of course, it is possible to trace the layout, but this is both untidy and time consuming, quite apart from being difficult and prone to errors. This article describes various ways in which the constructor, who has no previous photographic skill, can reproduce these layouts, and then make his own printed circuit boards (pcb's).

Large Scale PCB Production

Pcb's are produced professionally by making the artwork 2 x or 4 x size, and then reducing this to same size, in a large process camera. This increases the accuracy of the final copy by reducing any errors in the layout by a factor equal to the camera reduction. The resulting photographic negative (or positive) is used as a 'phototool' to produce a facsimile image of the layout on a copper-clad printed circuit board that has been coated with a light sensitive resist. When the board is etched, copper is removed from all those parts not protected by resist. This leaves a reproduction in copper of the circuit layout. Most published layouts are same size positives (i.e. the copper tracks are printed in black). These are quite easy to copy photographically without the use of a camera, or other expensive equipment. The principal used is that of reflex copying, and is illustrated in Figure 1.

Light passes through the photographic film or paper; it is reflected by the white areas and absorbed by the black areas. The photographic material therefore receives more exposure from the white parts of the copy than from the black. Processing the photographic material results in a same size copy of the artwork.

Two types of suitable photographic material are available; one is negative emulsion on paper and the other is a positive emulsion on film. The negative emulsion reproduces the artwork as printed, but laterally reversed. As all the photoresists available to the amateur at the moment are positive working (i.e. require a film positive of the artwork) it is much more economical in both time and materials to use the direct positive method.

The CM100 — Circuit Maker

In order to produce a high quality printed circuit board, the film positive must have dense black lines and a clear background. This quality is achieved using a high contrast film processed in a special developer. Unfortunately until now, these products have only been available to the professional large scale user. However, Electrolube Limited are now introducing a printed circuit

by Peter Taylor



kit (CM100 — Circuit Maker) which makes them available in quantities suited to the needs of the small scale user.

The film used in this kit has the advantage that no darkroom is needed; it can be handled quite safely in normal room lighting.

The steps necessary to make a film copy from a published artwork are simple. First of all a piece of film is cut slightly larger than the circuit being copied. This is then laid over the circuit layout with the emulsion of the film (i.e. the blue/grey side) in contact with the drawing. The two are sandwiched between a piece of clear glass, and a backing plate covered by foam rubber. The whole of this is then put under pressure, so that the film and the printing are held in even, close contact. Electrolube supply, with the CM100 — Circuit Maker, a frame that has been specially designed for this purpose.

The frame is placed two feet away from a high intensity photoflood lamp, and a series of stepped exposures is achieved by progressively covering the film with a piece of

card. These exposures should range between 2 and 5 mins. in 20 second intervals. The film is developed for 2½ mins. in special developer at 20°C, and then placed in a bath of photographic fixer for a minute or two. The processed film will show a series of steps going from very dark to quite light. It is helpful to remember when assessing the step wedge that the longer exposures produce the least density. One of these steps will have a nearly clear background with dense, sharp black lines. The exposure given to this step should be noted, and used to produce a complete copy of the original.

When the final copy has been made, you may find that the background is not completely clear; it may be slightly darker at the corners (due to 'fall-off' of light used to expose the film). This background may be cleaned by taking the film straight from the fixer bath and wiping over the emulsion side with a swab of cotton wool dipped in Electrolube film clearing solution. The film is then refixed for a minute and washed in running water before being hung up to dry.

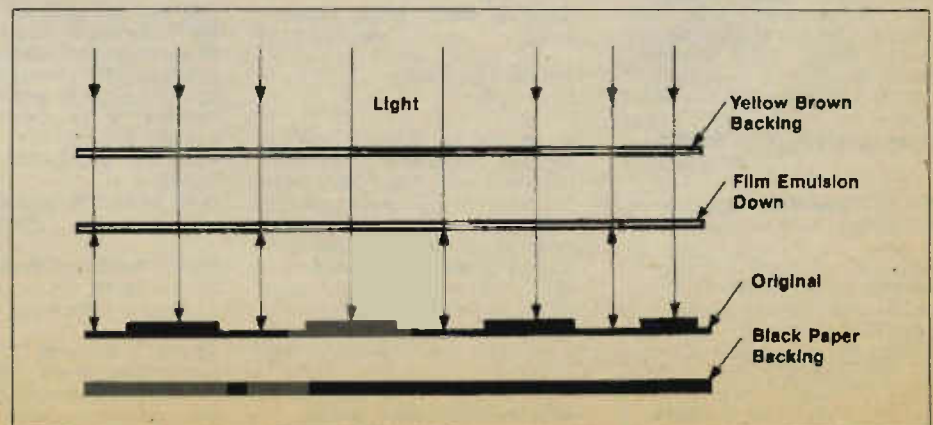


Figure 1. Principal of reflex copying.

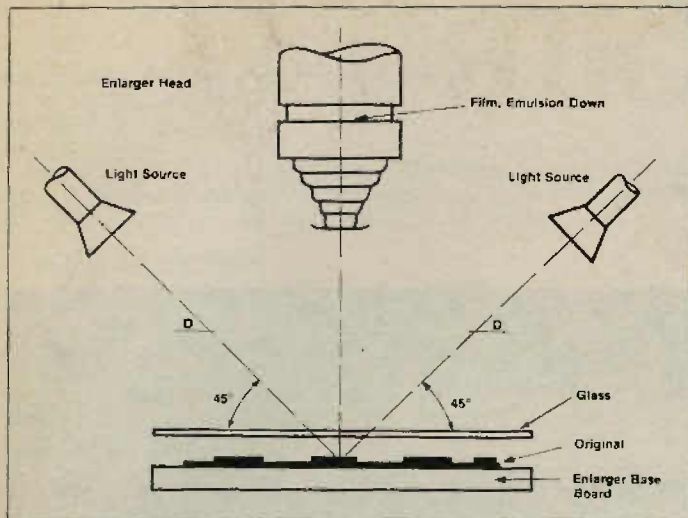


Figure 2. Copying using a photographic enlarger.

Alternative Method Using a Photographic Enlarger

Another method that can be used by constructors who have a photographic enlarger and a darkroom is to use the enlarger 'in reverse' as a camera. The enlarger will have been set up so that the lens and negative holder are parallel to the baseboard and is therefore ideal for producing accurate copies of the circuit layouts.

For this method, the circuit to be copied is placed under glass in the centre of the baseboard. A negative is then placed in the negative carrier, and the enlarger adjusted so that the image of this negative covers the artwork being copied and is sharply in focus on the page. The controls on the enlarger should then be locked in position, and the enlarger light turned off.

The artwork is illuminated by two lamps equally spaced from the centre of the copy and at 45° to it, as shown in Figure 2. The negative that was used for focussing should now be replaced by a piece of negative working photographic line or lith film, with its emulsion towards the enlarger lens, and a black cloth draped over the enlarger. The film is exposed by switching the two lamps that illuminate the baseboard. Correct exposure time is found by trial and error initially. Providing the lamps are always kept at the same distance, and the lens aperture is not changed, this time should remain the same for future use.

The negative will normally be smaller in size than the original. It is therefore necessary to enlarge this to the right scale by using the enlarger in the conventional mode. The same type of film that was used for the negative is suitable for making this final film positive.

Normally layouts are published as seen from the copper side. In order to make the film positive the right way round, the negative should be placed in the enlarger with its emulsion side towards the light (i.e. the opposite way round to normal).

Producing The Printed Circuit Board

First we will briefly consider some ways of producing pcb's without the use of photography.

The most well known of these involves tracing the track pattern directly on to the copper laminate using carbon paper, and then filling in the areas that are to remain as copper with an etch resist pen, or painting with an etch-resistant material such as nail varnish.

Although these both work well as etch resists, it is extremely difficult to produce clean accurate shapes (such as integrated circuit pads), or the fine, closely-spaced lines that are necessary in many circuits. Moreover, the pattern has to be redrawn for each board that is made; consequently modifications, etc become extremely tedious.

Some of the disadvantages discussed above can be overcome by using certain dry transfer symbols, but, of course, it is still necessary to redraw the artwork for each board or modification that is made.

Whichever of the above techniques is used, it is practically impossible to make a double-sided board, and very difficult to achieve any degree of accuracy.

Photographic methods overcome these problems easily and efficiently, as described below.

To begin with the copper laminate is coated with a light sensitive photoresist; this is then exposed through the photographic film copy ('phototool') to ultra violet (i.e. a UV lamp or daylight). Areas that are exposed sufficiently are removed during subsequent development of the resist, leaving an image of the circuit layout which can then be etched.

The copper laminate is first cleaned by rubbing with a fine abrasive pad (as used for washing up). It is best to wet the surface of the board thoroughly with warm water to which a little washing up liquid has been added. When the copper surface appears shiny, the board should be rinsed in running water. If the cleaning has been successful, the water will form an even film over the board surface. If it forms dry patches, cleaning should be repeated.

Wipe away surface moisture with a lint-free cloth and leave the board to dry. Now apply photoresist by aerosol, or by wiping on with a special applicator (as in the Electrolube CM100 — Circuit Maker). The board should be kept horizontal until the resist has dried, otherwise run marks will occur. After coating, put in a dark cupboard until dry. The board should be ready for exposure to the film master in about 45-60 mins. This is carried out in the same frame used to produce the film master. The film is laid on to the photoresist-covered board, and the two are clamped together. Exposure can be to daylight or to a UV lamp. Using the resist supplied with the Electrolube CM100 — Circuit Maker, exposures in the region of 10-30 mins. to daylight can be expected, depending on the strength of the light.

After exposure, the resist is developed in a weak solution of caustic soda. All the parts exposed through the clear areas of the film



The comprehensive Electrolube CM100 kit.

are removed, leaving a positive copy of the circuit in resist.

After a brief rinse the board can be etched straight away. Various substances can be used, the most common being ferric chloride. This is normally made into a solution containing 1lb of ferric chloride in 2 pints of water. Great care should be exercised when dissolving the ferric chloride — a lot of heat is generated and the reaction is quite violent. **On no account should water be added to ferric chloride — ALWAYS add the ferric chloride to the water.** If any solution should be splashed accidentally into the eyes or mouth, wash with plenty of water, and then seek medical attention.

The Electrolube CM100 — Circuit Maker makes use of a much safer process which is a buffered etchant supplied in a heavy duty polythene container. In this case water is added to the crystals in the bag and, when they are dissolved, etching can begin. The copper board is dropped into the bag, and the bag sealed with a special clip. It is then laid flat on the bench, and pressure is gently exerted with the palms of the hands alternately at each end. This agitates the solution sufficiently; the board should be etched completely in 10-15 mins.

The board is now rinsed thoroughly in running water. The residual photo-resist is stripped by immersing the board in about 2% caustic soda. After a further wash, surplus surface moisture is wiped away, and the board put to dry.

It is necessary to protect the copper surface from tarnishing by applying a flux lacquer to the copper side of the board. This allows the board to be stored; it also gives excellent solderability. The flux lacquer in the Electrolube CM100 — Circuit Maker is applied in a similar way to the photoresist.

Making professional-quality printed circuits at home is easy, providing it is tackled in a methodical way, and attention is paid to cleanliness throughout. The Electrolube CM100 — Circuit Maker, which is on special offer in this issue, facilitates this; it supplies everything necessary for the small scale user to make his own single or double-sided boards from his own or published artwork. Great care has been taken to make the kit complete. A feature that will prove invaluable to many constructors is that the specially designed frame can be used as an exposure frame for the photographic parts of the process, as well as a component assembly frame. The foam backing is of a special heat-resistant type which allows it to be used to clamp the components; this prevents the components dropping out of the board when it is turned over for lead cropping and soldering. ■

BASICALLY BASIC

Graham Hall, B.Sc.



BASIC Strings

A BASIC string is a sequence of one or more letters or symbols in any combination, enclosed within quotation marks. It is treated as a single collection of alphanumeric data which can be manipulated by means of string functions and assigned to string variables. The use of string variables, string assignment and string arrays has been described in previous parts of 'BASICALLY BASIC'. To understand how the computer represents alphanumeric data and can perform operations with strings, we need to look at the ASCII code (American Standard Code for Information Interchange).

ASCII Code

The ASCII code is a standard developed by the computer industry in which each symbol used in BASIC is assigned a unique binary digit pattern (bit pattern). When a symbol is typed on the keyboard, the terminal converts it to its binary code. For example, if you type the letter A on the keyboard, the terminal converts it to 01000001, which the computer recognises as A. Table 1 lists the set of ASCII character codes. The binary numbers have been converted to decimal numbers to make the assignments easier to understand.

The ASCII code is used to determine alphabetic precedence when alphanumeric data is compared with relational operators. This is described in the next section.

String Operators

A relational operator is a symbol used to compare the value of one variable or expression to another variable or expression within a BASIC program. The use of relational operators to determine numeric relationships has been described previously. Relational operators can also be used to compare alphanumeric data. The comparison is made in terms of the ASCII value of characters to establish alphabetical sequence. Consider the following program:

```
10 LET A$ = "BAS"  
20 LET B$ = "SIC"  
30 IF A$ < B$ THEN PRINT A$:GOTO 50  
40 PRINT B$  
50 END
```

Line 10 assigns the string BAS to the string variable called A\$.
Line 20 assigns the string SIC to the string variable called B\$.

Line 30 is a relational string expression. It compares string A\$ with B\$ to determine if A\$ occurs first in alphabetic sequence. The comparison is made character by character using the ASCII character code. In this case the first letter of the string A\$ is 'B' which precedes 'S', the first letter of the string B\$, in the ASCII table. Therefore string A\$ precedes B\$ in alphabetic sequence so the condition is true and the string A\$ is printed on the terminal. If the first two characters are the same the comparison proceeds to the second two characters, until a difference is found. For example, if A\$ was assigned to the string BAY and B\$ was assigned to the string BAT, the first character in each string match. The next two characters also match. Finally the last character of the string A\$ is compared with the last character of the string B\$. The ASCII code of Y (89) is greater than the ASCII code of T (84), hence the result of the comparison is false and line 40 prints the string B\$ on the terminal.

Table 2 lists the string relational operators available in BASIC and their meaning.

Note: it is not permissible to compare a numeric or integer expression to a string expression using a relational operator. If this is attempted an error message will be output by the computer.

String Functions

BASIC provides a set of string functions (similar to the math and print functions described last month) to enable certain operations to be performed on strings. The following descriptions are intended to be general since the functions may perform differently for different computer systems. You should refer to your systems Language Reference Manual for a complete list of functions available in your version of BASIC. The string function names ending with a dollar sign (\$) return a string value whereas function names not ending with a dollar sign return a numeric value.

ASCII Function

The ASCII function returns a numeric value that is the equivalent ASCII code for the first character in the string given as the argument to the function. The general format of the ASCII function is: ASC (string), where string is either a string constant or a string variable. For example, the command PRINT ASC ("P") will output 80, the decimal ASCII value of the character P, on the terminal. The following program uses the ASC

function with a string variable as an argument:

```
10 A$ = "BASICALLY"
20 PRINT ASC (A$)
30 END
```

When the program is run the ASCII function returns the decimal ASCII value of the first character in the string assigned to the string variable A\$, hence the decimal 66 will be output to the terminal.

CHR\$ Function

The CHR\$ (Character) function is the inverse of the ASCII function. It returns a single character string having an ASCII value of the numeric value specified as the argument to the function. The range of the ASCII codes is 0 to 127. If the value specified to the CHR\$ function is outside this range it is treated as modulo 127. This means that 128 is treated as 0, 129 as 1 and so on. A non-integer argument to the CHR\$ function will be truncated and the character returned will be that represented by the truncated number.

The following program demonstrates the use of the CHR\$ function with different arguments.

```
10 PRINT CHR$ (70)
20 PRINT CHR$ (198)
30 PRINT CHR$ (10)
40 PRINT CHR$ (60.1)
50 END
RUN
F
F
<
```

The output from the program is as shown.

Line 10 prints the character represented by the ASCII code 70 (an upper-case F).

Line 20 specifies an argument of 198. This is treated as modulo 127 (198 - 128 = 70) which is the ASCII code for an upper-case F.

Line 30 outputs a line feed character on the terminal causing a blank line of output. The decimal number specified as an argument to the CHR\$ function on line 40 is truncated to an integer. The truncated number (60) represents the character < (Characters may be different with your micro.)

The remaining BASIC string functions will be described in the next 'BASICALLY BASIC'.

Operator	Example	Meaning
=	X\$=Y\$	Strings X\$ and Y\$ are equivalent in characters after removing trailing blanks and nulls
<	X\$<Y\$	String X\$ occurs before string Y\$ in alphabetical sequence
< -or- <=	X\$<=Y\$	String X\$ is equivalent to or occurs before Y\$ in alphabetical sequence.
>	X\$>Y\$	String X\$ occurs after string Y\$ in alphabetical sequence.
> -or- >=	X\$>=Y\$	String X\$ is equivalent to or occurs after Y\$ in alphabetical sequence
<>	X\$<>Y\$	String X\$ is not equal to string Y\$
==	X\$==Y\$	Strings X\$ and Y\$ are identical in characters and length.

Table 1. ASCII character code.

Table 2. String relational operators.

Decimal	Character	Meaning	Decimal	Character	Decimal	Character
000	NUL	Null	043	+	086	v
001	SO11	Start of heading	044	,	087	w
002	STX	Start of text	045	-	088	x
003	ETX	End of text	046	.	089	y
004	EOT	End of transmission	047	/	090	z
005	ENQ	Enquiry	048	0	091	[
006	ACK	Acknowledge	049	1	092	\
007	BEL	Bell	050	2	093]
008	BS	Backspace	051	3	094	↑
009	HT	Horizontal tab	052	4	095	←
010	LF	Line feed	053	5	096	↘
011	VT	Vertical tab	054	6	097	a
012	FF	Form feed	055	7	098	b
013	CR	Carriage return	056	8	099	c
014	SO	Shift out	057	9	100	d
015	SI	Shift in	058	:	101	e
016	DLE	Data link escape	059	;	102	f
017	DC1	Device control 1	060	<	103	g
018	DC2	Device control 2	061	=	104	h
019	DC3	Device control 3	062	>	105	i
020	DC4	Device control 4	063	?	106	j
021	NAK	Negative acknowledge	064	@	107	k
022	SYN	Synchronous idle	065	A	108	l
023	ETB	End of transmission block	066	B	109	m
024	CAN	Cancel	067	C	110	n
025	EM	End of medium	068	D	111	o
026	SUB	Substitute	069	E	112	p
027	ESC	Escape	070	F	113	q
028	FS	File separator	071	G	114	r
029	GS	Group separator	072	H	115	s
030	RS	Record separator	073	I	116	t
031	US	Unit separator	074	J	117	u
032	SP	Space or blank	075	K	118	v
033	!	Exclamation mark	076	L	119	w
034	"		077	M	120	x
035	#	Number, sign	078	N	121	y
036	\$		079	O	122	z
037	%		080	P	123	
038	&		081	Q	124	
039	'		082	R	125	
040	(083	S	126	~
041)		084	T	127	DEL
042	*		085	U		

STARTING POINT

by Robert Penfold

Introducing the fundamentals of electronics for the constructor.

Classes of Amplification

The amplifiers considered so far in "Starting Point" have all been of the type where a transistor has been used in one of the three amplifying modes with a resistor as the collector or emitter load, as appropriate. A simple arrangement of this type is perfectly suitable for use in low level stages where powers of no more than a few milliwatts or so are involved, but the inefficiency of this class of amplifier is a severe drawback when an output power of a few hundred milliwatts or more is required.

For example, if we consider the simple output stage shown in Figure 1, this is a straightforward common emitter stage having R1 to provide base biasing, R2 as the collector load resistor, and input and output DC blocking provided by C1 and C2 respectively.

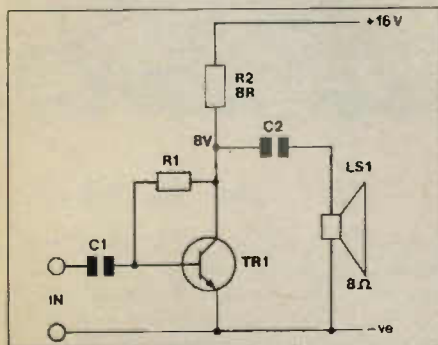


Figure 1. Simple Class A output stage.

As usual, the circuit is biased so that Tr1 has a collector potential of half the supply voltage, and with 8 volts across 8 ohm load resistor R2 there is obviously a current flow of 1 amp through R2 and Tr1. This gives an input power of 16 watts, with R1 and Tr1 each dissipating 8 watts.

The maximum output voltage from this stage is about 16 volts peak to peak, and will be a little less than this in practice since even with Tr1 switched fully on there is still likely to be a potential of about 1 volt at its collector. No practical transistor can produce a collector potential much below this figure when operating at a high collector current. We are also assuming that the circuit is driving an infinite load impedance, whereas it is in fact driving a load impedance of just 8 ohms. The load impedance is, in fact, equal to the 8 ohm output impedance of the amplifier, and this causes the output voltage to be loaded to just half the unloaded figure. In other words the maximum theoretical output voltage swing is only 8 volts peak to peak under load, and in practice would not even be as high as this. In terms of RMS output voltage this is only about 2.83 volts.

The output power of an amplifier is E^2/R where E is the RMS output voltage and R is the load impedance. In this example E^2 is equal to 8, and dividing this by the 8 ohm

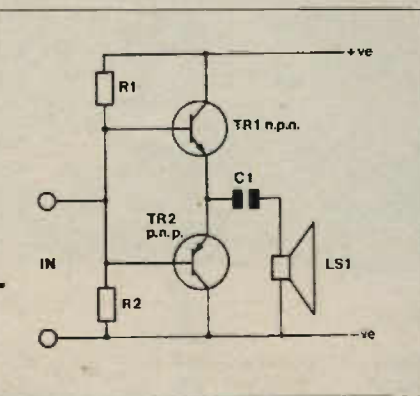


Figure 2a. Basic Class B (AC coupled) output stage.

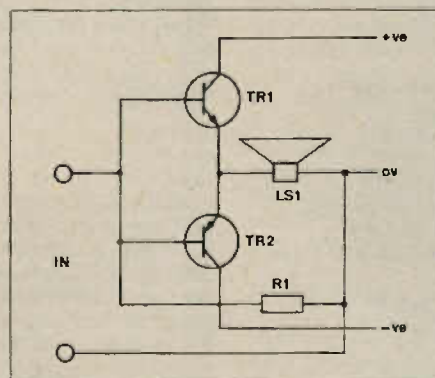


Figure 2b. Basic Class B (DC coupled) output stage.

load impedance obviously gives an output power of 1 watt RMS. In other words an input power of 16 watts is required to give a maximum output of only 1 watt RMS!

Higher output power can be obtained by reducing the value of R2 so that the output impedance of the amplifier is reduced, and the loaded output voltage is increased. However, this would cause the input current and power to rise, and would actually decrease efficiency. Increasing the value of R2 would reduce the input current and power, but would also give a lower loaded output voltage and maximum output power, and would again actually produce a reduction in efficiency.

There are a number of ways of improving the efficiency of simple amplifiers of this general type, which are known as 'Class A' amplifiers, but the efficiency of a true Class A stage is always rather low. The disadvantages of this low efficiency are the need for a substantial and expensive power supply to give even quite modest output powers, the need to use high power components in the output stage, and the generation of a substantial amount of heat. Battery operation also tends to be a little impractical using primary cells since the high current consumption results in expensive batteries becoming exhausted at an alarming rate.

Class B Operation

Virtually all audio power amplifiers use some form of Class B operation, and Figure 2 (a) shows the basic Class B output stage on which most modern designs are based. Figure 2 (b) shows the DC coupled output version, and operation of the two circuits is essentially the same. However, the DC coupled version is a little easier to understand and we will therefore consider the operation of this circuit.

The circuit has dual balanced supplies, and the loudspeaker connects between the output of the amplifier and the 0V rail. Tr1 and Tr2 are both emitter followers and therefore each provide approximately unity gain. R1 biases the input and output of the amplifier to the 0V rail potential, and under quiescent conditions there is thus no voltage present across LS1.

If a positive input signal is applied to the circuit Tr1's emitter goes positive and Tr1 supplies power to LS1. The output impedance of the circuit is very low and despite the low load impedance Tr1 can supply virtually the full positive supply potential to LS1. Tr2 is cut off and plays no active role with a positive input signal.

With a negative input signal Tr1 is cut off and it is Tr2 that supplies power to LS1. Once again the output impedance is very low, and almost the full negative supply voltage can be delivered to LS1.

This system gives much better efficiency

than a Class A circuit since the maximum peak to peak output voltage is virtually equal to the sum of the two supply voltages, and the supply current is equal to the output current. Thus the average supply current varies in sympathy with the output, and is zero under quiescent conditions. This avoids high current consumption and heat generation under stand-by or low volume conditions, and when the amplifier is fully driven it is possible to obtain an efficiency of over 70%. This contrasts with the high continuous current consumption and low efficiency of a Class A circuit.

Quiescent Bias

In practice the circuits of Figure 2 would give very poor results due to what is termed "crossover distortion". This comes about due to the base-emitter potential of about 0.6 volts that is needed before a silicon transistor begins to conduct. This makes it necessary to have an input signal of at least +0.6 volts before there is any output signal at all! Even with an output signal from the circuit there is severe distortion as the low voltage part of the waveform is absent. A triangular input waveform as shown in Figure 3(a) would emerge from the circuit as shown in Figure 3(b).

Crossover distortion is normally overcome by incorporating some additional components at the input of the output stage, as shown in the circuit of Figure 4. Here the driver and output stages are effectively merged together, and practical designs are invariably of this type. Tr1 is the driver stage and Tr2 plus Tr3 are the complementary emitter follower output stage. The amplifier is biased by R1 and R2, and the purpose of D1, D2 and RV1 is to give a quiescent bias voltage across the bases of Tr2 and Tr3.

RV1 is adjusted so that the bias fed to Tr2 and Tr3 is just sufficient to bring them to the threshold of conduction so that Tr2 is switched on if the drive voltage even marginally positive, and Tr3 is switched on as soon as the drive voltage from Tr1 starts to go negative. In practice it is usually necessary to use a slightly higher bias than this so that under quiescent conditions there is a small but significant current flowing through Tr2 and Tr3. This is necessary due to the comparatively low gain of practical transistors when they are only marginally above the threshold of conduction, and the relatively small but nevertheless significant amount of crossover distortion that this would produce. By biasing the output devices beyond this low gain part of their transfer characteristics this crossover distortion is avoided.

It may, in fact, be necessary to use quite a large quiescent bias current through the output transistors in order to produce really low crossover distortion. Circuits of this type are generally called Class AB amplifiers, and this is simply because at low and medium output powers one transistor acts as the amplifying device and the other output transistor acts as its emitter load. This is, in fact, a form of Class A operation, and it is only at high powers that one transistor is cut off while the other drives the load, and true Class B operation is obtained. It is from this mixture of Class A and Class B operation that the term Class AB is derived.

Most practical designs use only a low quiescent bias current through the output transistors, and this is quite understandable since Class AB working obviously partially loses the advantages of Class B operation. Also, although Class AB amplifiers avoid crossover distortion this advantage is offset by an increase in other types of distortion.

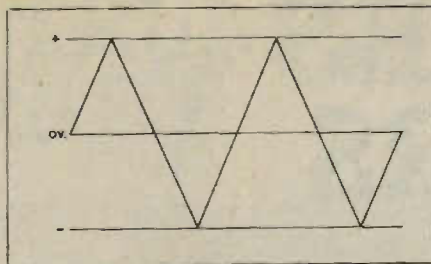


Figure 3a. Triangular input waveform.

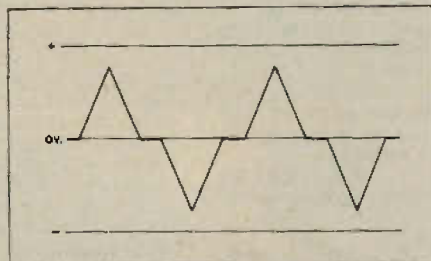


Figure 3b. Output waveform, showing crossover distortion.

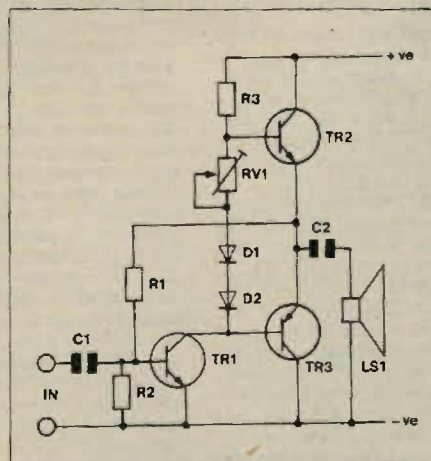


Figure 4. Practical Class B power amplifier configuration.

Practical audio power amplifiers almost invariably use a low quiescent bias plus a generous amount of negative feedback to reduce crossover distortion and other types of distortion.

Thermal Runaway

The bias voltage supplied across the bases of Tr2 and Tr3 is extremely critical, with a marginally low potential giving severe crossover distortion and a slightly high bias producing a very large quiescent current through the output transistors. The position is made worse by the heating that occurs in Tr2 and Tr3 when the amplifier has been in use for a short while. Bearing in mind that Tr2 and Tr3 will inevitably have to handle substantial power levels a significant amount of heat generation in these transistors is inevitable.

As Tr2 and Tr3 heat up, their base-emitter threshold voltage decreases, and the quiescent bias current increases. The increasing bias current produces further heating in the output devices which, in turn, gives an increase in the bias current, and this regenerative action continues until the output devices overheat and are destroyed unless suitable preventative measures are taken. This thermal feedback is called "thermal runaway".

D1 and D2 are used to prevent thermal runaway, and they achieve this by sensing the rise in temperature of the output transistors. They may actually be mounted on the same heatsink as the output transis-

tors in order to ensure that they rapidly and properly sense the temperature changes. The voltage developed across D1 and D2 varies with temperature, and decreases as temperature is increased. This gives a strong stabilising effect on the quiescent bias current with the bias voltage automatically decreasing as the output transistors heat up.

There are other ways of providing thermal stabilisation, such as using a transistor in the amplified diode configuration, or a negative temperature coefficient thermistor. Whatever method is used the circuit must be carefully designed as there is otherwise a likelihood of over-compensation and consequent crossover distortion when the output transistors heat up, or insufficient thermal stabilisation which would simply result in slower thermal runaway!

Most low and medium power audio amplifiers these days are based on an integrated circuit, and thermal stabilisation is not a problem here since the output transistors and the temperature sensing components are on the same chip. This enables very predictable results and very accurate stabilisation to be easily obtained.

Power MOSFETs are becoming increasingly popular for use in the output stages of high power audio amplifiers, and amongst other advantages they require no thermal stabilisation. These devices have a positive temperature coefficient, like bipolar transistors, at low operating currents. However, this changes to a negative temperature coefficient at currents of more than about 80mA. In other words, with a bias current of less than about 80mA an increase in temperature produces a small increase in the quiescent bias current, but at more than about 80mA an increase in temperature results in a decrease in bias current. The quiescent bias current therefore tends to be self-stabilising, and thermal runaway cannot occur.

Class C

Class C amplifiers are not often encountered, and are only applicable to radio frequency circuits. With this type of amplifier the amplifying device is reverse biased so that it only conducts during quite a small part of each output cycle. The load for the amplifying device must be a tuned circuit which "rings" at its resonant frequency and effectively fills-in the missing part of the output waveform. A mechanical analogy of this is the periodic striking of a bell to produce a continuous ringing sound.

The advantage of Class C operation is the very high level of efficiency that can be attained, but a lot of filtering is normally needed at the output to produce a really pure output signal.

There are other modes of operation, and Class D for example is a form of high efficiency audio power amplifier. However, these other modes of amplification tend to be quite complex and are mostly just variations on one of the operating modes already described. Class D for example, uses what is really just a Class B output stage, and it is the preceding and following circuitry that give the higher efficiency.

It is worth noting that although the circuits shown here use only a single device in the output stage, or a single device in each half of the output stage in the Class B designs, practical circuits often employ two devices in the Darlington Pair configuration or some similar arrangement. This is often necessary in order to produce a really low output impedance so that large output currents can be easily provided with only a modest drive current.

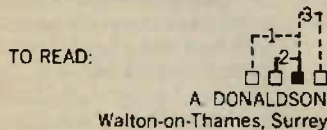
READERS LETTERS

4-Pole Slide Switch

Dear Maplin,
Please forgive me if I appear to be repeating myself, only I've just bought your new magazine 'Electronics' first issue and what a surprisingly good buy it is too!
Problem is, when I turned to page 63 'Amendments to Catalogue' there is no mention of the switch I mentioned a while back, and as my previous letter probably fell on stoney ground I shall briefly recap.

FH38R 4 POLE 3 POSN SLIDE
(PAGE 279)

Having used this switch once again am convinced at this error, rather annoying and repetitive.
Connection positions should be transposed as shown:



We reprinted the manufacturer's data, but unfortunately, not all of it. The missing piece of data shows the position of the knob for each number. We agree that without this vital piece of information, your drawing is more logical.

Removable Price List

Dear Sir,
I have only one criticism — hopefully constructive — to make about an otherwise excellent magazine: please arrange the pages so that the "Price List" can be removed without disrupting the magazine articles. Removing the latest Price List in its entirety takes Readers Letters and the first page of the Home Security System project. In the first issue, New Books and the first page of the Universal Timer project would go. In this particular case, perhaps you could have "surrounded" the Price List with the two pages of Maplin News (pps 63/4 Issue 1), much of which applies to the Catalogue anyway.

P. HUNT
Wimborne, Dorset

Whilst I have some sympathy with your suggestion, I have to balance this with the overall look of the magazine. Breaking up Maplin News and siting it either side of the Price List makes the magazine look scrappy. Also it does not allow us to have a double-page spread to give extra impact to the article following the Price List. I would be interested to hear other people's views, but at the moment I am not sufficiently persuaded to change the layout.

Countdown Timer Circuit Wanted

Dear Sir,
As a regular reader of your magazine(s) I write to ask if through the readers letters pages of your magazine any reader could help with the

source of a published circuit for a countdown timer. There does not seem to be a dedicated chip available for this purpose nor can I find details of a suitable circuit.
There must be many uses for such a device (sports, quiz games etc, etc) — perhaps you could consider developing such a device.

I. E. SHEPHERD
Johnstone, Renfrewshire

Any offers?

Additions To Burglar Alarm

Dear Sir,
I must say that I was impressed with the excellent specification on the Maplin Burglar Alarm in the latest edition of the Maplin Magazine. However, there are a few 'improvements' which, if they could be incorporated, would make for an even better security device.

1. PANIC SWITCHES with a latching operation that would operate the external alarm whether or not the main control was 'on' or 'off'.
2. AN AUTOMATIC RE-SET for the external alarm, that would shut the alarm off after, say, 20-25 minutes. The re-setting to take account of the 'new' condition, i.e. the 'offending' door or window remaining open etc.
3. RE-CHARGEABLE CELLS for the external alarm box, instead of dry batteries, linked to a remote battery condition monitor (i.e. LED's) that would indicate their state of charge at a glance, so that the cells could be charged before they became exhausted.

I realise that this is a tall order, but if any other reader is able to offer circuit modification to suit, I should like to hear from him/her.

M. MILLS
London SE26

If a panic switch is practicable, then details will be published in issue 4. The same goes for the alarm cut-off timer. The rechargeable cells are not practical, I'm afraid. In any case unless your alarm goes off when the mains is off you will only need to replace the batteries once every two or three years. So for the cost of a set of ni-cads, you will get ten years worth of dry cells. So we didn't think that the complication of charging cells in the external box was really worth the effort.

Ideas For The Mag

Dear Sir,
Here are a few suggestions for your new electronics magazine.

- (a) Simple 7 channel Citizens Band radio.
- (b) Inexpensive television space game unit featuring Invaders, UFOs, etc.
- (c) Mini pocket sized alarm clock.
- (d) Auto toaster cooking timer.
- (e) Adaption of RK22Y, 23A, and 24B (6, 9 and 12 volt output silicon solar panels) to AC converted stepped up voltages to result in 240 volts so that it could be used on mains equipment.

P.S.: I think your magazine is helpful and very enjoyable to read.

DOMINIC LOUGHLIN
(age 11)
Chorley, Lancs

Your first three ideas would, I agree, be very interesting, but to pay for the development costs, they would also have to be saleable and frankly, there is no way a kit of parts for any of these ideas could be assembled for less than the cost of a ready-made unit in the shops. Consequently, their sales potential would be very small. We do think a kitchen timer, possibly with an add-on mains controller (for toasters or whatever) would be an interesting little project.

Unfortunately your idea for the silicon cells is not practical at all. To gain a voltage increase there must be a similar decrease in current. With the 12V panel we would require a 20-times increase in voltage and there would then be a 20-times decrease in current. Because of the inefficiencies in this kind of circuit in practice, the current would actually be much lower than this. Then we would need to drive an oscillator of some sort to convert to AC. I would think you would be lucky to end up with 1mA at 240V AC. And there's not a lot you could do with that. For example a colour TV draws about 1A from the mains, so you'd need a thousand 12V panels to run one. Clearly, an expensive proposition.

Congratulations

Dear Sir,
Another electronics magazine? NO. Congratulations on entering the field late in the day and beating the opposition hands down!

I have been a satisfied mail order customer for some time and I still marvel at the speed with which you deliver the goods. I recently received my first copy of the Maplin Mag after long deliberation on whether to fork out on yet another electronics mag — your introductory offers tipped the balance — and I am delighted I enjoy the wide range of projects from the absolute beginner's cinche up to the more demanding Timer project. In addition your range of features has something for everybody. Keep up the good work — I can't wait for the next issue!

J. E. MABBOTT
Rhosneigr, Gwynedd

Thanks Mr Mabbott. Hope you enjoy this issue too.

What About MES56?

Dear Doug,
Thanks for the new magazine — a very useful addition to the Maplin catalogue. Could one suggest for future inclusion an article on the growing Maplin empire, and also adding to that empire with a Leeds or Manchester shop.
Normally I order from you by telephone and every time I get a reply paid envelope and order form which finish up in the rubbish bin. How about asking customers who tele-

phone if they require these and thereby saving on costs. Also I was sorry to see the discount voucher scheme discontinued but can understand that as it operated it could be costly to administer. Could I suggest a) A discount scheme for quantity orders of the same part; b) A discount for large orders say over £30. Maplin are very competitive, comorated with trade component suppliers, on a one-off basis but not on large quantities. One of my main interests in electronics is electronic organs. Some three years ago I started building an MES53 and have enjoyed this project but feel that further developments on this organ have been pushed to one side to develop the Matinee. However, when I heard the MES organ at Breadboard '80 it had certain extra effects so you must have come some way to developing MES56 and 57 mentioned in the last catalogue but not the most recent. When can I look forward to more developments on the MES organ? I look forward to hearing.

I. D. MANZIE
Skipton, N. Yorks

You will be pleased to hear that we are considering opening a Maplin store in Manchester, once our Birmingham shop (opening soon — the announcement will be in the Birmingham "Evening Mail") is open. Frankly, it's cheaper for us to have one pile of packs of order form and envelope and just put one in every order, than to have two piles, one without envelope, and sort the orders; bearing in mind that this part of the packing is done very quickly: on an average day the team of packers completes an order every 20 seconds.

We have on many occasions considered quantity discounts, but it is an added complication to our throughput which is now a very speedy and efficient animal. We may implement a discount scheme one day, but not until we are certain we can cope at our usual speed, with the extra business this would generate.

We are still hoping that we can fit MES56 into our schedule soon. Although most of the design work was completed a long time ago, there is a considerable amount of documentation still to be done. At the present time it seems unlikely that MES57 will be produced.

Ultrasonic Burglar Alarm

Dear Sir,
I enjoyed the first publication of your electronics magazine.
Could you inform me if you have any articles in future editions relating to the building of Ultrasonic Burglar Alarms, if not could you suggest any alternative reading matter on this subject.

M. J. ILSLEY
Bournemouth

Yes. You'll be pleased to hear that an ultrasonic intruder detector for use on its own or with our Home Security System will be featured in our next issue.

Continued on page 54.

TEXAS INSTRUMENTS DATA LIBRARY



The MOS Memory Data Book

Full data sheets for TI's range of dynamic and static RAM's and EPROM's. An interchangeability guide is included.
1980. 190 pages. 234 x 170mm. Illustrated.

Order As WA06G (TI MOS Memory Data) Price £4.95NV

The Bipolar Memory Data Book

Full data sheets for TI's range of bipolar PROM's and RAM's, and TI's bipolar FIFO and character generator. A cross-reference guide is included.
1981. 64 pages. 234 x 170mm. Illustrated.

Order As WA07H (TI Bipolar Memo Data) Price £1.45NV

The Optoelectronics Data Book

Full data sheets covering TI's complete range of opto products: photo-detectors, infrared emitters, opto-couplers, sensor/emitter arrays, LED's, displays, amplifiers for photodiodes, optical waveguide transmitter and plastic fibre-optic data links. Data sheets for TI's thermal print heads are also included. An interchangeability guide is included.
1979. 320 pages. 208 x 148mm. Illustrated.

Order As WA08J (TI Opto Data) Price £5.25NV

Optoelectronics Theory and Practice

A theoretical and practical introduction to many kinds of optoelectronic products. There is an abundance of practical hints and suggestions as well as the necessary theoretical background to enable users to develop their own circuits and applications.
1976. 456 pages. 208 x 148mm. Illustrated.

Order As WA09K (Opto Theory/Practice) Price £7.50NV

The Linear Control Circuits Data Book

Full data sheets covering TI's range of op-amps, comparators, timers, video and log amps, voltage level detectors, A to D converter components, analogue switches and Hall-effect devices. Also covered are TI's zero-crossing detector, doubly-balanced mixer, precision level detector, over-voltage sensing circuits and 3-channel stepper-motor controller. An interchangeability guide is included.
1980. 416 pages. 232 x 178mm. Illustrated.

Order As WA10L (TI Linear Control) Price £5.25NV

The Voltage Regulator Handbook

Full data sheets covering TI's complete range of voltage regulators. There is also a large section covering basic power supply design, external pass transistor considerations, input filter designs, voltage rectification techniques, and mounting and heat-sinking techniques.
1977. 208 pages. 232 x 172mm. Illustrated.

Order As WA11M (TI Voltage Regulator) Price £5.65NV

The Bipolar Microcomputer Components Data Book

Full data sheets covering TI's range of 4-bit-slice Schottky processors and PL microcomputer components. Also included are data sheets for TI's fibre-optic data link controllers, bipolar PROM's, RAM's and FIFO, some support functions and an 8-bit by 8-bit parallel byte multiplier.
1979. 368 pages. 232 x 176mm. Illustrated.

Order As WA12N (TI Bipolar Micro) Price £5.75NV

The Interface Circuits Data Book

Full data sheets for TI's range of peripheral drivers, line drivers, sense amplifiers, MOS drivers, memory drivers, display drivers and IC sockets. An interchangeability guide is included.
1981. 752 pages. 242 x 172mm. Illustrated.

Order As WA13P (TI Interface Data) Price £8.50NV

The TTL Data Book

Full data sheets covering TI's very large range of TTL IC's. An interchangeability guide is included.
1982. 1184 pages. 210 x 148mm. Illustrated.

Order As WA14Q (TI TTL Data) Price £10.00NV

The 9900 Family Data Book

Full data sheets covering TI's 9900 series microprocessors, I/O devices and memory support chips. A benchmark report is included.
1981. 776 pages. 208 x 148mm. Illustrated.

Order As WA15R (TI 9900 Data) Price £11.50NV

Software Development Handbook

by Geoff Vincent & Jim Gill
The book takes the reader through the elementary ideas behind software

development to a description of microprocessor Pascal, Power Basic and 9900 assembly language. The book's aim is to provide a text for the emerging discipline of software engineering for microprocessors incorporating all that will prove to be of lasting value.
1981. 456 pages. 276 x 214mm. Illustrated.

Order As WA16S (TI Software Develop) Price £14.40NV

Microsystems Designers Handbook

The book contains shortform data sheets of TI's range of single-chip microcomputers, microprocessors, microcomputer boards, speech synthesisers, development systems and software.
1981. 176 pages. 296 x 208mm. Illustrated.

Order As WA17T (TI Microsystems) Price £4.95NV

Digital Integrated Circuit Pocket Guide

A clearly arranged summary of TI's range of TTL IC's with brief data, logic and pin assignments.
1981. 352 pages. 184 x 106mm. Illustrated.

Order As WA18U (TI Digital IC Guide) Price £4.50NV

Linear Integrated Circuit Pocket Guide

A clearly arranged summary of TI's range of linear IC's with brief data and pin assignments.
1981. 256 pages. 184 x 106mm. Illustrated.

Order As WA19V (TI Linear IC Guide) Price £4.50NV

Understanding Solid-State Electronics

The book is designed for the reader who wants to understand electronics quickly without resorting to mathematics. The book teaches technical concepts in a way that makes it accessible to someone who would have trouble wiring a doorbell. Coverage runs from basic electricity to large scale integrated circuits.
1978. 280 pages. 208 x 132mm. Illustrated.

Order As WA20W (Understanding Electronics) Price £3.35NV

Understanding Digital Electronics by Gene McWhorter

For those who understand the concepts covered in 'Understanding Solid-State Electronics', this book will give you an understanding of the electronic circuitry in many types of digital electronics, from the basic idea of a transistor saying "yes" or "no", to entire digital systems made up of thousands of such circuits.
1978. 264 pages. 208 x 132mm. Illustrated.

Order As WA21X (Understanding Digital Electronics) Price £4.95NV

Understanding Microprocessors

by Don L. Cannon and Gerald Luecke
The book teaches how microprocessors work, and what they can do. The book covers fundamentals, system applications, programming concepts, an 8-bit and a 16-bit microprocessor application.
1979. 288 pages. 208 x 132mm. Illustrated.

Order As WA22Y (Understanding Micros) Price £4.95NV

Understanding Calculator Math

This book goes far beyond what you can find in your owner's manual. Whether you're good at figures or not, this book contains the basic information, formulae, facts and mathematical tools you need to unlock the real power of your calculator. With scores of keystroke by keystroke examples, the non-technical language will help you find solutions to problems you never imagined possible on your calculator.
1978. 224 pages. 208 x 132mm. Illustrated.

Order As WA23A (Understanding Calc Math) Price £4.95NV

Understanding Communications Systems

by Don L. Cannon and Gerald Luecke
An easy to understand look at the world of electronic communications. The book gives an overview of the types of systems, the basic concepts of their operation and how they send and receive information. There is an in-depth look at AM/FM radio, TV, telephones, computers and even satellite systems.
1980. 288 pages. 208 x 132mm. Illustrated.

Order As WA24B (Understanding Comms) Price £4.95NV

What About An Article On PCB's

Dear Sir,
I have just received the first two issues of your Maplin Mag with which I am greatly pleased. One main advantage to me is that most, if not all, of the components and hardware can be purchased through Maplin, whereas in some of the other electronics magazines you have to search to find catalogues that have maybe one small item that another catalogue has not got in stock.

As I am a bit of a newcomer to electronics I found your 'How To Solder' article in the first issue most useful. I would be pleased to see a similar article on how to make PCB's.

S. BURDEN
Leicester

By an amazing coincidence this month we have an article describing how to make PCB's and a special offer to go with it. How's about that then?

CB Article A Big Help

Dear Sir,
I would like to say that I think your March issue of the magazine was a big improvement over the first issue, much more interesting in every way. One particular item that really made my day was your comment on ground planes for CB. I found how difficult it was to obtain an antenna for loft installation (I don't know why dealers are not stocking this line, because we all do not have gardens to put up a mast). However, I purchased a "Big Chief" TBRI40 and put it out of a skylight but could not get the SWR down until I read your article. I purchased 10 metres from you of the 32/02 wire and threw two and a bit metres out from each corner of the skylight connected to the base of the antenna and I am pleased to say I got the SWR down to 1.2. Thanks a lot. I have since had 'copy' from here to Winter Hill, Liverpool, Southport and, believe it or not, Prestatyn, N. Wales. One other point I would like to mention is why do you not cater for items or kits printed in E.E. or P.W. magazines. Recently I wished to build a PSU but found I could not get half of the items from you, so I decided on buying the complete kit from another firm offering a speedy service. How

sorry I am. It was over three weeks for delivery, not counting telephone calls at standard rate, five items were missing, more phone calls and letters and then when assembling I found a couple of the items were of the incorrect value or type. These I am now ordering from you. I must say that you do give a wonderful service and for this I thank you very much.

T. E. FLINT
Skelmersdale, Lancs

It just isn't practical for us to stock all the parts needed for all the projects in all the magazines. Although we often notice magazines stating that such-and-such a part is only available from a particular supplier when in fact we sell it too; so it's always worth checking.

Interfacing Microprocessors

Dear Sir,
My compliments on a very interesting and well-balanced magazine. There may be nine others on the news stands but so far as I am concerned they will stay there!

My interest is mostly in digital electronics, and I would welcome projects relating to the interfacing of microprocessors to the "outside" world. I am sure that if you published a few well-chosen projects for, say, the ZX81 or the BBC micro (not to mention the Atari!) then sales would benefit and yet more readers would be made happy! Perhaps if you publish this letter this idea will be confirmed?

A. J. BYTHEWAY
Great Missenden, Bucks

Your comments are much appreciated by everyone here at Maplin. We agree that interfacing is a very interesting subject at the moment and we have several articles and projects along these lines lined-up for the future.

Four Questions

Dear Sir,
Would you please print this in the Maplin Mag:
Will Maplin be stocking the BBC Microcomputer System?
Why are there no blue LEDs?
Will Maplin please consider stocking.

Casio calculators and watches + batteries, TDK tapes and ready made hi-fi synthesiser equipment for those of us who aren't electronic geniuses? How about a review of the BBC Microcomputer System in the Maplin Mag?

J. G. ASHDOWN
Grays, Essex

1. We do not have any plans at present to sell the BBC micro. Truthfully, we are only interested in selling genuine home computers, not business machines. The BBC micro does not and will never have the kind of software backup being built up by Atari and Commodore and so in our opinion will never be a genuine home computer.

2. Blue LED's have been available for some years, but they are difficult to make and Siemens for example have been selling them for £80 each. Prices have recently fallen owing to use of a different material and within a few months we expect blue LED's to be available for about £5 each. Even at that price though, it's doubtful that we would consider stocking them.

3. We certainly could stock all the items you mention, but with postage costs we'd almost certainly be dearer than the electrical shop just down the road. The big chain stores buy so many units that their prices are very competitive and I don't think we could compete.

4. We are not planning a review of the BBC micro at the moment.

Maplin Mag Should Be Monthly

Dear Sir,
I would like to endorse C. W. Dudley of Kent, who mentioned it was a pity the Maplin Mag was not a monthly. Surely it would be possible to operate a monthly system, only entering the price list every three months. Also, I feel that the quality of the articles in this periodical are of a much higher standard than those of a large periodical such as Practical Electronics (who's mag I stopped buying in favour of Maplin!). Unfortunately, I note there is a series called "Basically BASIC", I have both the December and March issues, but did this series begin before, and if so, how could I obtain "back numbers" of the series only.

Carry on the good work, Maplin.
I. GREGORY
Hadfield, Cheshire

A magazine without advertising gets most of its revenue from subscriptions. Each issue costs a lot of money to produce and there's no way we could reduce the price from 60p a copy. There is no doubt that our level of subscriptions is as incredibly high as it is due to the fact that it costs only £2.40 a year. If we went monthly this would rise to £7.20 a year, and we fear that we would see a substantial decline in subscriptions at that level. So until we can think of some other way of financing the magazine I'm afraid we have to stay quarterly. Basically BASIC has been a very popular series. Parts 1 to 9 appeared in the March to November 1981 issues of "Electronics and Music Maker", back issues of which are still available. However, when the series is completed we hope to republish the whole thing in book form.

MES56 Again

Dear Sir,
Congratulations on your 1st and 2nd editions of your magazine. It was very nice to see an interest taken in the Matinee update, which must prove very useful to readers building that organ. Would it be possible to do the same thing with the MES50 series organ which seemed to come to an abrupt halt with MES55. There must be more people than just yours truly still trying to build this organ, or even current owners who would like the goodies promised in the yet to be published MES56, nor the apparently now still-born MES57. This is quite an expensive project for most of us (£1,200+) for it not to have a piano voice etc.
Or has some enterprising reader added this on and would like to tell us how he did it? Personally, I am still trying to work out what could go on the "Y" pins on the tone boards.
Good luck for the future and really keep the musical side going.

N. SYLVESTER
Bexhill-on-Sea, Sussex

See the answer to Mr Manzie's letter. The Y pins on the tone boards were provided in case they were needed for the couplers, but they are not required at this stage.

TEXAS INSTRUMENTS DATA LIBRARY

(continued from page 53)



Understanding Computer Science
by Roger S. Walker
Explains the science of how people use computers to solve problems. Covers the fundamentals of hardware, software and applications including program design, languages, data structures and resource management. Written in easy-to-understand language with basic concepts illustrated by practical applications. 1981. 278 pages. 208 x 132mm. Illustrated.
Order As WA25C (Underst Comp Science) Price £4.95NV



Understanding Optronics
by Larry B. Masten and Billy R. Masten
What is light and where does it come from? Starting with these questions the book goes on to explain why and how opto-electronic devices work. Such devices as LED's, liquid crystal displays, CRT's etc. Fibre optic links and lasers are also explained. 1981. 272 pages. 208 x 132mm. Illustrated.
Order As WA26D (Understanding Optronics) Price £4.95NV



Basic Electricity and DC Circuits
by Ralph A. Oliva and Charles W. Dale
A step by step approach for the beginning student. The book covers first concepts and terms, basic mathematics required in the study of basic electricity and direct current circuits. This is a comprehensive text including clearly stated objectives and exercises with answers and is ideal for self-paced individualised learning. 1979. 924 pages. 234 x 184mm. Illustrated.
Order As WA27E (Basic Elec & DC Ccts) Price £12.50NV

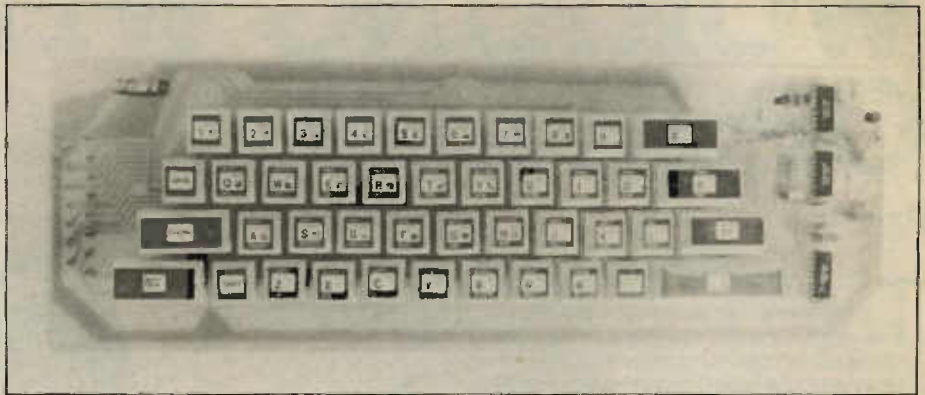


Basic AC Circuits
by Stanley R. Fulton and John Clayton Rawlins
Continuing the series begun in 'Basic Electricity and DC Circuits', this book goes on to explain simple and complex AC circuits. As with the first book, it is a very comprehensive text and each new concept is carefully explained as it is introduced. 1981. 560 pages. 234 x 184mm. Illustrated.
Order As WA28F (Basic AC Circuits) Price £10.95NV

ZX81 KEYBOARD Continued from page 4

delaying the operation of IC1c. When it finally operates, it turns on IC3c which connects 'function' in the keyboard matrix. These time delays are provided to ensure that the 'shift' connection occurs before the 'graphics' or 'function' connection as required by the ZX81.

When S33, the 'shift lock' key is operated, the output of IC1e goes high. C3 and R4 are anti-bounce components. IC2a now operates which switches on IC3b via D3 and TR2 which causes LED2 to light. Re-operating S33 causes IC2a output to go low which releases IC3b and extinguishes LED2. ■



PARTS LIST

Resistors — all 1/4W 5% carbon unless specified

R1	150k		(M150K)
R2,3,6	1M	3 off	(M1M)
R4,7	100k	2 off	(M100K)
R5,8,9	10k	3 off	(M10K)
R10,11	560R	2 off	(M560R)
Capacitors			
C1	390nF polycarbonate		(WW48C)
C2,3,4,5	100nF polycarbonate	4 off	(WW41U)
C6	10nF polycarbonate		(WW29G)
C7,8,9,10	100nF minidisc ceramic	4 off	(YR75S)
C11	100uF 25V axial electrolytic		(FB49D)
Semiconductors			
D1-6	1N4148	6 off	(QL80B)
LED1,2	LED red	2 off	(WL27E)
TR1,2	BC548	2 off	(QB73Q)
IC1	40106BE		(QW64U)
IC2	4027BE		(QX16S)
IC3	4066BE		(QX23A)

Miscellaneous

JK1	Plug 3.5mm plastic		(HF80B)
S1-44	Keyswitch	44 off	(FF61R)
	Keytop 1-position	37 off	(FF62S)
	Keytop 2-position	5 off	(FF63T)
	Keytop 3-position		(FF64U)
	Keytop print ZX81		(XH58N)
	ZX81 ext. keyboard pcb		(GA83E)
	Tinned copper wire 24 swg	2m	(BL15R)
	Adaptor L		(RK27E)
	RA flexconnector 5-way		(RK28F)
	RA flexconnector 8-way		(RK29G)
	Flexicable 7-way		(RK30H)
	Flexicable 10-way		(RK31J)
	Cable single black	1m	(XR12N)

A complete kit for this project excluding a case is available.

Order As LW72P (ZX81 Keyboard Kit) Price £19.95

A case is also available.

Order As XG17T (ZX81 Keyboard Case) Price £4.95

25W STEREO MOSFET AMP Continued from page 44

PARTS LIST

Resistors — all 1/4W 5% carbon unless specified

R1,6	68k	2 off	(M68K)
R2,7,37,48	1k	4 off	(M1K)
R3,8	22k (1%)	2 off	(T22K)
R4,9	270k (1%)	2 off	(T270K)
R5,10	100k	2 off	(M100K)
R11,12,40,41,51,52	100R	6 off	(M100R)
R13,16,17,20	470k	4 off	(M470K)
R14,18	1k	2 off	(M1K2)
R15,19	22k	2 off	(M22K)
R21,24,27,32	2k	10 off	(M2K2)
R25,26,39,50	15k	4 off	(M15K)
R33,44	47k	2 off	(M47K)
R34,45	56k	2 off	(M56K)
R35,36,46,47	3k	4 off	(M3K9)
R38,49	33k	2 off	(M33K)
R42,43,53,54	10R	4 off	(M10R)
R55,56	220R (1/4W)	2 off	(S220R)
R57,58	820R	2 off	(M820R)
R59	2k		(M2K7)
RV1-4	100k horizontal sub-min preset	4 off	(WR61R)
RV5,6	10k horizontal sub-min preset	2 off	(WR58N)
RV7	4k7 log dual pot		(FX08J)
RV8,9	47k lin dual pot	2 off	(FW87U)
RV10	10k lin pot		(FW02C)
Capacitors			
C1,5	68pF ceramic	2 off	(WX54J)
C2,6,25,31	10uF 35V PC electrolytic	4 off	(FF04E)
C3,7	10nF 1% polystyrene	2 off	(BX86T)
C4,8	3n9 1% polystyrene	2 off	(BX63T)
C9	100uF 40V axial electrolytic		(FB50E)
C10,11	10uF 16V tantalum	2 off	(WW68Y)
C12,13,23,29	10pF ceramic	4 off	(WX44X)
C14,15,18,19	68nF polycarbonate	4 off	(WW39N)
C16,20	4n7 polycarbonate	2 off	(WW26D)
C17,21,24,26,30,32	47pF ceramic	6 off	(WX52G)
C22,28	4uF 16V tantalum	2 off	(WW64U)
C27,33	100nF polyester	2 off	(BX76H)
C34,35	100uF 25V axial electrolytic	2 off	(FB49D)
C36,37	4700uF 40V axial electrolytic	2 off	(RK26D)

Semiconductors

D1-4	1N4148	4 off	(QL80B)
D5,6	BZY88C15V	2 off	(QH18U)
LED1	Chrome LED small		(YY59P)
BR1	Bridge S04		(QL10L)
TR1,2,3,8,9,10	BC212L	6 off	(QB60Q)
TR4,5,11,12	BC182L	4 off	(QB55K)
TR6,13	2SK133	2 off	(QQ36P)
TR7,14	2SJ48	2 off	(QQ34M)
IC1,2,3	LF353	3 off	(WQ31J)

Miscellaneous

S1	Rotary mains switch		(FH57M)
S2	Rotary 3-pole 4-way switch		(FH44X)
SK1,2,3	PC DIN socket 5-pin 'A'	3 off	(YX91Y)
SK4,5	PC DIN socket 2-pin	2 off	(YX90X)
JK1	DPDT jack socket		(BW80B)
T1	Toroidal transformer 22V 80VA		(YK18U)
FS1,2,3	2A antisurge fuse	3 off	(WR20W)
	Safuseholder 20mm		(RX96E)
	Rubber boot		(HL51F)
	Fuse clips	4 off	(WH49D)
	Mica insulator T03	4 off	(WR24B)
	Small thermopath		(HQ00A)
	Stereo amp heatsink		(RK25C)
	Stereo amp pcb		(GA71N)
	Stereo amp switch pcb		(GA78K)
	Stereo amp chassis		(XG15R)
	Stereo amp woodwork		(XG16S)
	Cabinet feet	1pk	(FW19V)
	Grommet small	2 off	(FW59P)
	Knob K44	3 off	(HB39N)
	Knob K45		(HB40T)
	Knob K46	2 off	(HB41U)
	Veropin 2141	28 off	(FL21X)
	Bolt 4BA 1in	4 off	(BF04E)
	Bolt 6BA 1in	5 off	(BF05F)
	Bolt 6BA 1/2in	8 off	(BF06G)
	Nut 6BA	13 off	(BF18U)
	Washer 6BA	12 off	(BF26D)
	Tag 6BA		(BF29G)
	13A mains plug		(PW67X)
	Min mains cable	2m	(XR01B)
	Hook-up wire yellow	1m	(BL10L)
	Tinned copper wire 24 swg	1m	(BL15R)
	Systolite 2mm black	10cm	(BH06G)

A complete kit of all the parts listed above is available.

Order As LW71N (25W Stereo MOSFET Amp Kit) Price £49.95

WORKING WITH OP-AMPS

by Graham Dixey C.Eng., M.I.E.R.E.

Part 2

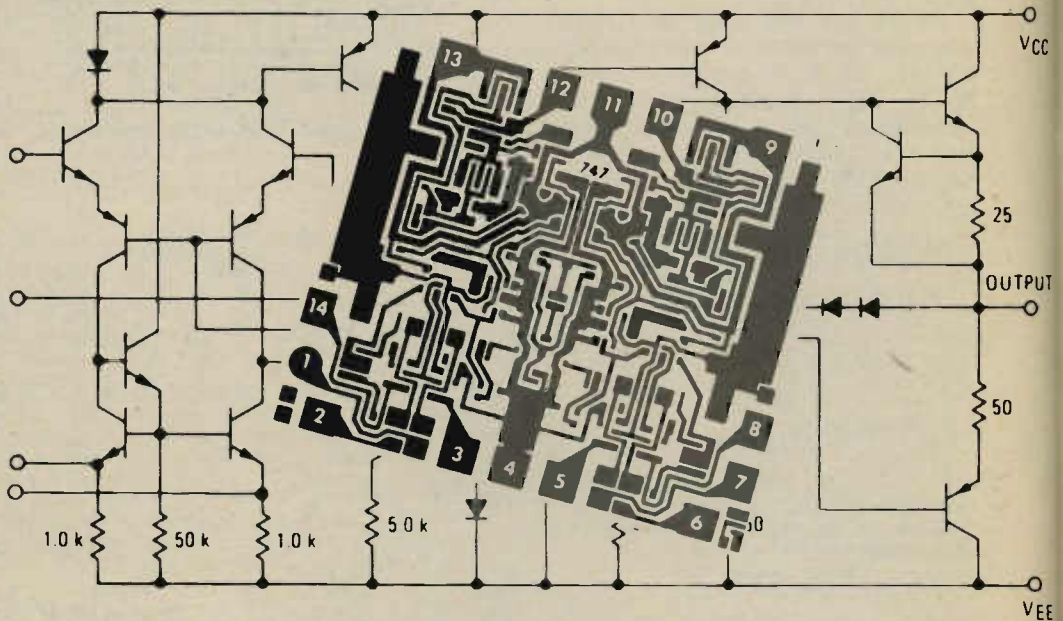
The first part of this series introduced the op-amp and gave an insight into its versatile nature. Now its specific role as a waveform generator will be illustrated. The most useful waveforms are undoubtedly the sine-wave, square-wave, triangle and sawtooth, all of which can be produced by this device. As a result, it will be appreciated that what is being demonstrated is not only its linear use for generating sine-waves but also its switching mode when giving a square-wave output.

The Astable Multivibrator

This circuit (Figure 1) looks unfamiliar when compared with the discrete component equivalent. One obvious difference is that there is only one RC 'timing' circuit (R1, C1). This saves components but means that the mark to space ratio of the square-wave output will always be 1:1. Adjusting either R1 or C1 only changes the frequency. The resistors R2 and R3 form a potential divider between the output and the 0V line so that, whatever level exists at the output (+Vs or -Vs), the non-inverting (+) input is always at a fixed proportion of it.

The clue to the mode of operation lies in this last statement. The non-inverting input is held at a fixed reference voltage, either positive or negative, while at the instant that power is applied to the circuit, the inverting input is at 0V since C1 is uncharged. As a result, the output goes to either +Vs or -Vs (it does not matter which, say +Vs), in which case the non-inverting input will be at a potential equal to +Vs [R3/(R2 + R3)]. Since there is zero phase-shift between this input and the output, the latter level is effectively 'latched' to +Vs. The circuit is now resting in one of its two 'quasi-stable' states and will do so until something upsets the equilibrium. This 'something' will occur when the exponentially rising voltage at the junction of R1 and C1 reaches the potential of the non-inverting input. Then, as this exponential voltage just becomes slightly more positive than the latter potential, the circuit will start to change state. The op-amp's very high gain ensures that the output switches rapidly from +Vs to -Vs and the potential at the non-inverting input will now reverse its polarity, latching the circuit into the new state.

The current flowing in R1 also changes direction so that the potential of the inverting input begins to fall exponentially from +Vs [R3/(R2 + R3)] towards -Vs. However, when it reaches -Vs [R3/(R2 + R3)], the



circuit switches back into its original state and the cycle repeats indefinitely.

The time for which the circuit remains in one state is governed by the time constant of R1 and C1 and the voltage at the junction of R2 and R3. Frequency can, therefore, be controlled in a number of ways: by using a potentiometer for R1 and/or switching the value of C1 to give several ranges, or using a resistor chain with a potentiometer instead of R2 and R3, so varying the point in time at which the circuit changes states.

With the exponential law of growth as a basis, it is a fairly easy matter to derive an expression for frequency in terms of R1, R2, R3 and C1, thus stating precisely how frequency depends upon these circuit constants.

The time between instants of switching is found to be given by:

$$t_s = C1 \cdot R1 \cdot \log_e [1 + (2R3/R2)]$$

$$\text{and } f = 1/(2t_s)$$

C1(nF)	Frequency (Hz)		Error
	Measured	Calculated	
10	1190	1371	-13%
47	290	292	-0.7%
100	143	137	+4.4%
220	65	62.3	+4.3%
470	30.8	29.2	+5.5%
1000(1u)	14.3	13.7	+4.4%

Table 1. Frequency vs. timing capacitor value for the circuit shown in Figure 1.

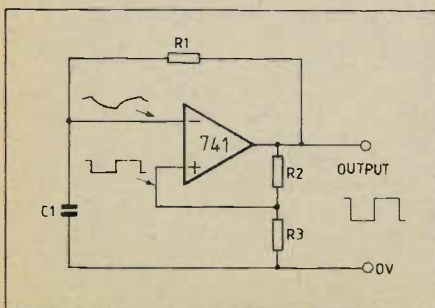


Figure 1. Op-amp astable circuit.

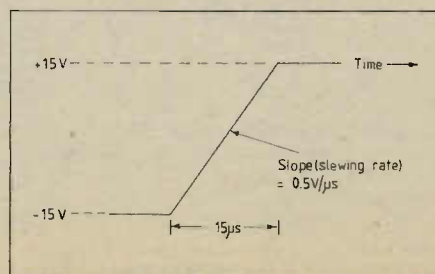


Figure 2. Illustrating 'stewing-rate'.

Having derived this expression for frequency, the next step was to verify it. Close tolerance resistors (5%) were used for R1, R2 and R3 and values of C1 were set on a decade capacitor box, so as to give the results some credibility. The values chosen for the resistors were R1 = R2 = 100k and R3 was 22k. The results obtained are shown in Table 1, which also includes the calculated values of frequency and the percentage errors. Except at the highest frequency, the errors are within acceptable limits. Therefore, for generators up to a few hundred Hertz, the formula can be used with confidence.

A limitation of the 741 is its inability to switch rapidly between opposite states. This limit is expressed in op-amps by the 'slewing rate', which is given in V/us. Figure 2 shows that slewing rate is simply the slope of voltage/time as the output tries to swing from one saturation level to the other. For the 741 the maximum slewing rate is usually quoted as 0.5V/us so that, with a ±15V supply, a complete transition from, say, -15V to +15V cannot be achieved in less than 30 x 0.5 = 15us, in the best case. Since switching circuits are being discussed, it is as well to be aware of possible limitations. For example, the astable circuit of Figure 1 while producing an acceptably square waveform at 1kHz, showed a marked slope on the leading and trailing edges at 5kHz.

Figure 3 shows a slightly modified form of

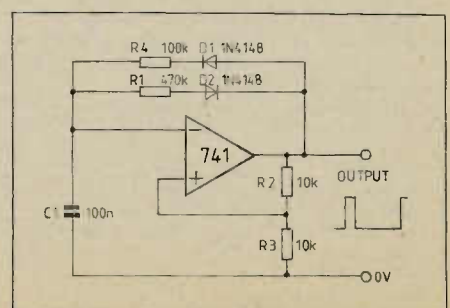


Figure 3. Non-symmetrical astable circuit.

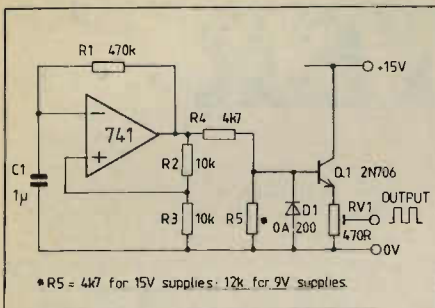


Figure 4. A 1Hz TTL generator.

the astable circuit, in which the restriction of a unity mark to space ratio has been lifted. This is achieved by placing diodes D1 and D2 in the feedback paths so that the polarity of the output voltage selects which of the feedback resistors is in circuit on a particular half-cycle. This gives two time constants which are quite independent of each other — R4, C1 on positive half-cycles and R1, C1 on negative half-cycles. With the values shown this gives a short mark and a long space of 11ms and 52ms respectively.

A 1Hz TTL Generator

For digital experiments a low frequency square-wave generator is very useful, for example, for testing counters and shift registers. An output at about 1Hz is slow enough to allow events to be observed with ease and, using the op-amp astable circuit, a frequency of this value is easily achieved without the need for excessively large capacitor values.

The design is straightforward. As a starting point, let $R2 = R3 = 10k$ (quite an arbitrary choice, which could be adjusted later if necessary). The only other components to be decided now are the timing components and it is convenient to choose a value of capacitance first, then work out the corresponding resistor value; this allows greater freedom of choice in component values. The largest value of non-electrolytic capacitor is about $1\mu F$, so this value is used with the previously derived formula to obtain the resistor value. The formula then looks like this:

$$t_s = 0.5 = 10^6 \times R1 \times \log_e \text{ (at } 1\text{Hz } t_s = 0.5 \text{ secs.)}$$

from which $R1 = 455k$

The nearest preferred value is 470k, which actually gives a frequency of 0.97Hz (neglecting component tolerances), which should certainly be close enough for most purposes. In fact, when the circuit was wired up, using 5% resistors and a 10% polyester capacitor, the error from the design value of 1Hz was too small to measure.

The next step, after getting the circuit to perform at the right frequency, is to make it TTL compatible, which means converting a $\pm 14V$ swing about 0V (the output does not quite reach 15V) into a wholly positive 5V square-wave. A few additional components lead to the final circuit of Figure 4, which shows the attenuation of the op-amp output (R4 and R5) to a total swing of about 6V, this then being 'clamped' to 0V by the action of Q1, which also 'buffers' the output to provide enough drive for a number of TTL circuits. Diode D1 also has a clamping action, but its true purpose is to protect the base-emitter diode of Q1 against excessive negative V_{BE} on negative going output swings of the op-amp. The emitter resistor of Q1 is a potentiometer (preset) so that the amplitude of the output can be adjusted to precisely 5V.

Obviously the generator could be made to produce a range of frequencies by switching different values of R1 or C1.

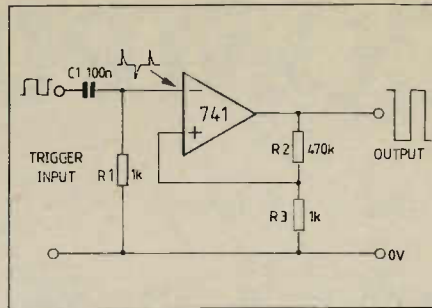


Figure 5. Op-amp bistable circuit.

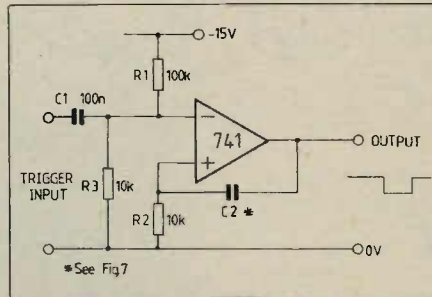


Figure 6. Op-amp monostable circuit.

The Bistable Multivibrator

Bistable action may not normally be associated with the op-amp, i.e. a circuit which is capable of resting indefinitely in one of two stable states. But, as was seen with the astable circuit, feedback from the output to the non-inverting input, will latch the circuit into a state of either positive or negative saturation. If, meanwhile, the inverting input is held at 0V, the circuit stays in this state until a trigger of some sort causes a change of state. This trigger is applied to the inverting input and the only stipulation is that its peak value must exceed the voltage at the non-inverting input; the circuit will even trigger on sine-wave inputs.

Figure 5 shows such a circuit. The inverting input is held at 0V by resistor R1 while the non-inverting input is taken back to the junction of the divider R2 and R3 across the output. Thus, depending upon the current state of the circuit, the bistable is latched into this state by a voltage at the non-inverting input equal to $\pm R3 / (R2 + R3) \times$ output voltage. For the values given and a $\pm 15V$ supply, this voltage is $(1/471) \times 14$, which is approximately 30mV, more than enough to take the circuit into saturation.

The trigger input is capacitively coupled to the inverting input by C1 which, with R1 differentiates the input if it is a pulse or square waveform. This action produces a series of alternate positive and negative trigger pulses which, coinciding as they do with the leading and trailing edges of the original square-wave input, mean that the output is at the same frequency as the input but reversed in phase and of larger amplitude. There is no 'divide-by-two' action and the circuit acts effectively as a 'pulse amplifier'.

This bistable circuit is not particularly fast; frequencies up to about 300Hz give a good square-wave output but, thereafter, the risetime suffers markedly.

Returning to the absence of an inherent divide-by-two action, this limitation can be removed if R2 is replaced by a parallel RC combination consisting of a 1M resistor and a 100nF capacitor, and R3 is replaced by a 470k resistor. The 100nF capacitor introduces a time constant whose purpose is to ensure that, when the circuit is initially switched, say, by the leading edge of a square pulse, it does not change state again on the trailing edge of that pulse but 'waits'

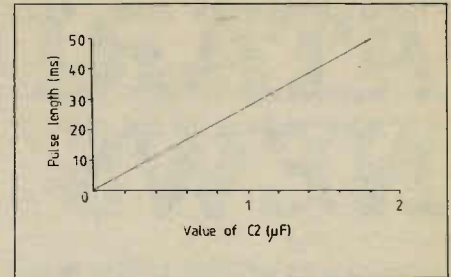


Figure 7. Pulse length graph for monostable circuit shown in Figure 6.

for the leading edge of the next pulse. The value of 100nF is large enough for pulses up to 50ms in length but needs to be increased for longer pulses.

The Monostable Multivibrator

This, the last of the 'trio' of multivibrator circuits, has one stable state (in which it rests until triggered) and one 'quasi-stable' state (in which, after triggering, it remains for a pre-determined time, decreed by circuit constants). Although monostables can be realised with discrete components or obtained in TTL integrated circuits, it may now be appreciated that this circuit can also be produced with the ubiquitous op-amp. In this form it appears in Figure 6.

For a monostable to exist in a stable state, there must be a bias holding the circuit in that state. This bias is provided by taking the inverting input to $-15V$ through resistor R1. The output of the op-amp is, therefore, normally in positive saturation. It is then triggered into the quasi-stable state by a square-wave or pulse input. This is differentiated by C1 and R3, only the positive pulses produced having any effect on the circuit. As a result, the circuit switches over to negative saturation where it is held by the large negative potential instantly coupled back to the non-inverting input by C2. Of course, this state cannot be sustained for long because, at this initial instant, the full negative supply voltage exists across R2 so that a charging current flows through R2 and the potential of the non-inverting input rises exponentially towards 0V. When it reaches the same value of negative voltage as at the inverting input (about $-1.4V$), the circuit switches back to positive saturation.

The time constant for the recovery is CR, R2 and it is possible to derive a formula for the length of the positive pulse produced at the output as a result of this action. However, in this circuit, unlike the astable, there is a linear relationship between pulse length and capacitance value so that a useful graph can be plotted between these two quantities (Figure 7). This covers a range of pulse lengths from 0 to 50ms, corresponding to values of C2 in the range 0 to 2µF. Obviously the range can be extended further by using higher values of C2 or a higher value of R2.

This type of circuit functions as a 'pulse-stretcher'; a short pulse is used to generate a much longer pulse. Or it can be used as a regenerator of pulses since the input waveform is not too critical provided that it can cause the required change of state, but the output pulse will always be of good square form.

As waveform generators, these multivibrators all generate square-waves in one way or another; each has its own use. Op-amps can also be used to generate 'derived' waveforms, such as the triangle and sawtooth; they can also be used in sine-wave oscillators. Generators of these types will be the subject of the next article. ■

ATARI COMPUTER NEWS

by Graham Daubney

This has been a very busy period for those of us involved in computers here at Maplin. I'm sure that most of you will have heard by now that Ingersoll are no longer handling Atari products in the U.K. and that all Atari products are now being distributed by Atari themselves.

The change-over has been in the air for some time and I first heard rumours on the grapevine just before Christmas. Obviously a major change of this nature took several months for the parties involved to negotiate and the news was made official during March.

We are pleased to see that the computer press are now taking the Atari seriously and there are many articles and features lined up for future issues.

The move made by Atari to distribute their own product means several things, firstly and most importantly, a number of facilities are being set up to support the machine both for hardware and software areas. This does not directly affect you as a customer, but indirectly it has a great bearing on the Atari's future in this country as it offers both software houses and developers assistance and better backup for the U.K. retailers.

You may have already noticed a new TV campaign on the VCS games console and due to start shortly is a large scale support program for the home computer system as well.

Atari Program Exchange software will be on sale in the U.K. by mid-May which is good news as although many of these titles are available from some locations in the U.K., the prices are at present a little inflated due to importation in small quantities.

I feel that the next quarter will see a maturing of the Atari market and from the discussions that we've had with Atari I can assure you that this move will be for your benefit and that Atari mean business.



Left to right: Jeff Burton, Assistant International Marketing Director of Atari; Roger Allen, Managing Director of Maplin; Graham Daubney, Computer Manager of Maplin; Fred Mitchell, International Sales Director of Atari pictured in Atari's spectacular headquarters at Sunnyvale, California.

Atari in California

Besides all the Ingersoll-Atari goings-on, this quarter has seen many other activities here at Maplin. In January I made a further trip to California to visit the C.E.S. show in Las Vegas and also to Sunnyvale the birth place of Atari. During this trip I found many new items of software both from Atari and third party software developers. Some of these we have added to our extensive list already, but many more are planned. At the C.E.S. show I was given a sneak preview of both Pac-Man and Centipedes cartridges that are to be launched by Atari in the second quarter (remember you have to add 3 months because Atari calculate their launch dates whilst sitting in a time slip!!!).



The Atari 800 training room at Sunnyvale, California.

Whilst at Sunnyvale I visited the International Marketing Division and discussed the needs of the U.K. market in some depth. Atari's offices have to be seen to be believed, with fountains galore and very pleasant settings to work in. Further to those meetings I was able to meet the User Group Support Division and register our Users Group.



Computer manager's office at Maplin.

Atari Users Group

February saw three of us here late in the evenings writing the first issue of the user group mag. We now have over 300 members and are getting some very valuable feedback as to what you want the user group to offer.

March saw the installation of a new member of staff in our sales office to deal with your machine enquiries and problems and the arrival of a VIC 20 in the office!



K-razy Shoot Out

Whilst in America, a new cartridge for the Atari computer systems was launched. The difference with this cartridge is that it was not developed by or manufactured by Atari. K-razy Shoot Out is the first third-party cartridge to be launched for the machine and won't be the last by all accounts. K-razy Shoot Out is a fast action game for one player. You are trapped in a series of rooms, with nasty little robots who shoot at you and converge on you. Points are scored by first staying alive (not easy I assure you) and secondly by shooting all the robots in the room. Problem is that when you have cleared a room and have run out, another room appears with more of the deadly assassins and, yes, you guessed it this time they shoot faster and move faster. If any of you get past the sixth room you will be doing very well! The graphics on this game are very good and

because each room is randomly generated it doesn't allow the development of a 'technique' and this leads to many frustrated hours of fun, but be warned this game is totally addictive.

Order As BQ63T (K-razy Shoot Out) Price £29.95
See outside back cover for details.



Ghost Hunter

Another game based on the ever popular maze game theme has been launched called Ghost Hunter. The main advantage of this version over previous maze chase games is that it gives you many options and choices. The layout of the maze is selectable and also you may have two players 'head to head' i.e. both in the maze together. This adds a lot of cunning and much hostility as you compete together against the marauding ghosts.

Order As BQ64U (Ghost Hunter) Price £24.50
See outside back cover for details.

ATARI VIDEO GAME

Latest Cartridge Details

This month, details of three new cartridges.

Warlords

For one to four players using paddles. Note that a second pair of paddles is needed for three or four players. The cartridge contains 23 games. You are one of four Warlords behind your castle wall. You must break down your opponents castles by firing fire-balls, then you can aim to hit the Warlord himself. There are four sets of five games. In each set, the first game is for one player, the second for two, third for three, fourth for four and the fifth game is for two players controlling two castles each.

In the first set of games, the ball speed is fast and the shields catch the balls, whilst in the second set the ball speed is slow. In the third set the ball speed is fast, but the balls ricochet off the shields and in the fourth set the ball speed is slow again. Games 21 to 23 are special versions for four, three or two children respectively. You will find that four-player games are terrific because the action is fierce and extremely competitive.

Order As AC44X (Warlords) Price £29.95

Pac-Man

For one or two players using joysticks, this game cartridge contains eight games. Pac-Man moves around a maze eating the video wafers. Four ghosts chase him and try to eat him up. However, located in the maze are four power pills, which when eaten by Pac-Man allow him to eat the ghosts.

In games 1, 2, 7 and 8 Pac-Man moves slowly

whilst in the remainder, he is fast-moving. In games 1 and 5 the ghosts move at jogging speed, in games 2 and 6 they move at running speed, in games 3 and 7 at crawling speed and in games 4 and 8 at walking speed. Games 3 and 7 are ideal for children, whilst game 6 is the most difficult variation.

Order As AC68Y (Pac-Man) Price £29.95

Haunted House

For one player using a joystick controller, this cartridge contains four different games. In this exciting game, players must search through a multi-storey, haunted mansion with many, many rooms to find pieces of long-lost treasure and get out again alive. There are giant tarantulas, vampire bats and a ghost to contend with and you need to keep lighting the match to see the objects you need. There are three pieces of a magic urn, a master key to move through doors and a silver cross to keep monsters at bay. And watch out for the secret passage, it could save your life.

Order As AC69A (Haunted House)
Price £18.95

ATARI VIDEO GAME COMING SOON

The following titles are due to be released during the life of this magazine. Full details in our next issue.

AC70M From Demons To Diamonds

	Price £18.95
AC71N Yar's Revenge	Price £29.95
AC72P Berzerk	Price £29.95
AC73Q Defender	Price £29.95
AC74R Adventure I	Price £24.95
AC75S Adventure II	Price £24.95
AC76H Raiders Of The Lost Ark	Price £29.95

ATARI COMPUTER NEWS *(continued from page 58)*

Coming Soon

Lastly, a few explanations are necessary. Firstly, where is Jumbo Jet Lander and Sub-Commander. You may well ask and I only wish I knew. It appears that both of these products were announced far too early to yourselves, the press and us and I must apologise for the delay, even though it's not our fault. The latest news is that both are now in a playable condition and they are still coming down the pipeline. Those of you who have placed orders will receive your software the minute it is available.

Where are the Tech User Notes? — a question I have been asking for several months. It appears that the Americans are not as inquisitive as us English types and rarely buy the things. Thus Atari were caught with their slacks down! However, with the advent of the U.K. Division of Atari

we have negotiated what I feel is an amicable solution and I hope you will agree. All those people waiting for Tech Notes will now receive De Re Atari. Although there is some information in the Tech Notes that is not in De Re Atari, the latter is a far better publication to learn from and offers very good explanations of a player missile graphics, scrolling, display list interrupts, vertical blank interrupts and the section on sounds has to be seen to be believed. I hope this arrangement will be acceptable to the majority of you and anyone who is unhappy at the prospect of receiving the world's most sought after Atari publication will of course be suitably reimbursed. I am still trying to locate Tech User Notes and we will do our best to come up with some news for the next Quarterly.

ATARI PRICE CHANGES

We regret that owing to Atari restructuring their price list after the cover of this magazine was printed, some of the prices on the back cover are incorrect.

Hardware

AF02C	The £599 price is strictly while stocks last, then the price will revert to:	£645
AF08J	64K RAM Module	£65.00
AF28F	Cassette Recorder	£50.00
AF36P	The £299 price is strictly while stocks last, then the price will revert to:	£345
AF41U	Printer Interface for 400	Price £59.95
AF42V	Printer Interface for 800	Price £59.95

Software

YG42V	Word Processor	Price £99.95
-------	----------------	--------------

YG43W	Invitation To Programming 1	Price £15.95
YG44X	Conversational French	Price £39.95
YG45Y	Conversational German	Price £39.95
YG46A	Conversational Spanish	Price £39.95
YG47B	Conversational Italian	Price £39.95
YG48C	Music Composer	Price £35.95
YG49D	Touch Typing	Price £15.95
YG51F	Graph-It	Price £13.95
YG52G	Statistics	Price £13.95
YG53H	Energy Czar	Price £9.95
YG54J	Hangman	Price £9.95
YG55K	Kingdom	Price £9.95
YG56L	States & Capitals	Price £9.95
YG57M	European Capitals	Price £9.95
YG58N	Scram	Price £17.50
YG59P	Telelink	Price £21.50
YG61R	Basketball	Price £24.50
YG62S	Blackjack	Price £9.95
YG63T	Chess	Price £24.50
YG67X	Super Breakout	Price £24.50
YG68Y	Assembler Editor	Price £39.95
YG69A	Pilot (Consumer)	Price £54.00
YG70M	Space Invaders	Price £29.95

NEW PROGRAMS FOR ATARI AVAILABLE SOON

BQ65V	Personal Financial Management	Price £49.00
BQ66W	Mortgage & Loan	Price £13.95
BQ67X	Invitation To Programming 2	Price £22.95
BQ68Y	Invitation To Programming 3	Price £22.95
BQ69A	Caverns Of Mars	Price £24.50
BQ70M	Centipede	Price £29.95
BQ71N	Pac-Man	Price £29.95
BQ72P	Video Easel	Price £24.50
BQ73Q	Macro Assembler	Price £59.95
BQ74R	Microsoft Basic	Price £59.95
BQ75S	Pilot (Educator)	Price £79.95

More details in our next issue or telephone our sales office.

NEW BOOKS (continued from page 45)



How to Use Op-Amps by E. A. Parr

This designers guide covering many operational amplifiers, serves as a source book of circuits and a reference book for design calculations. The book covers basic circuits, oscillators, audio circuits, filters, power supplies and a large selection of miscellaneous circuits. There is also a short section of constructional notes and fault finding details. 1982. 160 pages. 176 x 110mm. Illustrated.

Order As WA29G (Book BP88)
Price £2.25

Popular Electronic Circuits Book 2 by R. A. Penfold

A further 73 projects to build covering a wide range of subjects. Chapter headings are: audio circuits, test gear circuits, radio circuits, house and car circuits and miscellaneous circuits. The book is suitable for those capable of building projects from just a circuit diagram, although a description of how it works and any testing or setting-up information is given. 1982. 160 pages. 180 x 108mm. Illustrated.

Order As WG86T (Book BP98)
Price £2.25/NV

Microcomputers in Amateur Radio by Joe Kasser, G3ZCZ

The book describes how to use a computer as an accessory in an amateur radio station. Interfaces are described and programs are shown. Morse code generation and RTTY software are shown. The book is of interest to any amateur radio operator who wants to tune in to the latest technical innovations. American book.

1981. 308 pages. 208 x 130mm. Illustrated.
Order As WG95D (Book FT1305)
Price £7.45/NV

The SWL's Manual Of Non-Broadcast Stations by Harry L. Helms

From the basics of propagation to logging and verification this book shows you how to pick up non-broadcast stations all round the world. Listen to spy stations, standard time transmissions, aeronautical and space communications bands. An absolute wealth of information for SWL's. American book.

1981. 272 pages. 208 x 130mm. Illustrated.
Order As WG93B (Book FT1235)
Price £9.45/NV

Servicing Radio, Hi-Fi and TV Equipment by Gordon J. King

The book deals with servicing domestic electronic equipment with the emphasis on speedy fault diagnosis. Semiconductor principles and circuitry are described and fault diagnosis in various types of circuits is covered. The book contains much practical advice and is invaluable to the service engineer, students and the hobbyist presented with faulty equipment.

1982. 216 pages. 216 x 138mm. Illustrated.
Order As WG89W (Book NB132)
Price £7.95/NV

The Big Dummies Guide To British CB Radio

Contains the latest information about FM, AM, SSB, skip and DX ing. The book covers buying and installing a rig and antenna, troubleshooting, Home Office regulations, do-it-yourself antennae and emergency procedures. Included are new charts, codes, graphs and reference guides designed to help you get out.

1981. 160 pages. 216 x 134mm. Illustrated.
Order As WG97F (Book KN035)
Price £3.85/NV

How To Build A Lie Detector, Brain-Wave Monitor & Other Secret Parapsychological Electronic Projects by Mike and Ruth Wolverton

All of the projects in this unique and unusual book were taken from recent scientific research in the field of parapsychology. Full instructions are given, showing how to build a simple telepathic message receiver and an inexpensive brain-wave monitor. You can build biofeedback projects, control psychokinetic energy, perform electronic dowsing, in addition Kirlean photography is explained and details are given for building a UFO detector and communicator. American book.

1981. 308 pages. 208 x 130mm. Illustrated.
Order As WG94C (Book FT1349)
Price £9.45/NV

Secrets Of 123 Old-Time Science Tricks & Experiments by Edi Lanners

A unique and fascinating book that explains and shows you how to perform amazing feats. You won't need any fancy equipment; the book shows you how to set up the experiments and illusions using ordinary household objects. American book.

1981. 192 pages. 208 x 130mm. Illustrated.
Order As WG91Y (Book FT1261)
Price £5.45/NV

NEW ITEMS PRICE LIST (continued from page 37)

GA62S Timer Switch Board	Price £3.85	XG06G Burglar Alarm Box	Price £12.50	QY09K LM311N 8-pin	Price 62p	YK08J Toroidal 30VA 0-6, 0-6V	Price £6.80
GA63T Timer Relay PCB	Price £1.10	XG07H External Horn Box	Price £14.50	QY10L NE570	Price £4.28	YK09K Toroidal 30VA 0-9, 0-9V	Price £6.80
GA64U Timer Front Panel	Price £3.85	XG08J Spectrum Front Panel	Price £14.95	QY11M 2SC2547E	Price 38p	YK10L Toroidal 30VA 0-12, 0-12V	Price £6.80
GA66W Stereo Reverb PCB	Price £2.45	XG09K Train Control Case	Price £12.50	QY12N 2SA1085E	Price 34p	YK11M Toroidal 30VA 0-15, 0-15V	Price £6.80
GA67X Soft Distortion PCB	Price £1.95	XX43W Matinee Demonstration Cassette	Price £1.99	QY14Q UAA17CL	Price £2.50	YK12N Toroidal 30VA 0-18, 0-18V	Price £6.80
GA68Y Quadramix PCB	Price £1.15	XX44X Synclock Front Panel	Price £1.50	QY15R 2716/M2	Price £10.50	YK13P Toroidal 50VA 0-6, 0-6V	Price £7.46
GA72P Train Common PCB	Price £2.90	XX46A Spectrum Joystick Panel	Price £2.25	SPEAKERS		YK14Q Toroidal 50VA 0-9, 0-9V	Price £7.46
GA73Q Train Control PCB	Price £2.20			QY13P Piezo Transducer 27mm	Price 30p	YK15R Toroidal 50VA 0-12, 0-12V	Price £7.46
GA74R Train Receiver 1 PCB	Price £1.35			QY16S Rubber Disk 27mm	Price 5p	YK16S Toroidal 50VA 0-15, 0-15V	Price £7.46
GA75S Train Receiver 2 PCB	Price £1.35			XG02C Loudspeaker 12in. 30W TC30	Price £19.75	YK17T Toroidal 80VA 0-18, 0-18V	Price £8.35
GA76H MPG Meter Main PCB	Price £2.45				Price £19.95	YK18U Toroidal 80VA 0.22, 0-22V	Price £8.35
GA77J MPG Meter Display PCB	Price £1.75			XG14Q Electronic Siren		YK19V Toroidal 80VA 0-30, 0-30V	Price £8.35
LW51F 75W Wofset Amp Kit	Price £11.49	XY86T Matinee Main PCB	Price £50.00*	SWITCHES		YK20W Toroidal 120VA 0-30, 0-30V	Price £9.57
LW52G Wordmaker Kit	Price £99.95	XY88V Matinee Contact PCB	Price £7.30	BH58N Co-ax Switch SO239	Price £6.99	YK21X Toroidal 160VA 0-35, 0-35V	Price £12.28
LW53H 5600S Synthesiser Kit	Price £599.95	XY90X Spectrum Bus bar Set	Price £2.20	BH59P Co-ax Switch PL259	Price £6.99	YK22Y Toroidal 300VA 0-35, 0-35V	Price £16.41
	Carriage extra £20.00	XY91Y Matinee Organ Kit	Price £299.95	FH86T Reset Spring	Price 3p	YK23A Toroidal 500VA 0-35, 0-35V	Price £21.22
LW54J 3800 Synthesiser Kit	Price £336.75		Carriage extra £15.00	H860Q Latchbracket 5-Way	Price 27p	YK25C 12VA 15V Transformer (PCB mount)	Price £7.49
	Carriage extra £20.00	XY93B Matinee Cabinet Kit	Price £99.50	H860Q Latchbracket 16-Way	Price £3.25	YK28F Transformer 12V 8A	Price £4.25
LW55K Synclock Kit	Price £19.75		Carriage extra £20.00	HQ83E Foot Microswitch	Price 72p		
LW57M Burglar Alarm Kit	Price £44.95	XY94C Matinee Front Panel	£17.95*	HY27E Reset Bar 15 Way	Price 35p		
LW58N External Horn Kit	Price £29.95	XY95D Matinee Metalwork	Mounting Kit	HY28F Latchbracket 9-Way	Price 39p		
LW59P Break Contact Kit	Price £2.99		Price £9.50*	HY34M Click Key Black	Price 16p		
LW60Q Spectrum Synth Kit	Price £167.50	XY96E End Cheeks (set of 4)	Price £6.75	XX48Y Switchpot 1 pote 12 way	Price 24p		
LW61R Train PSU/Common Kit	Price £27.50	YK04E Matinee PSU Bracket	Price £1.60	YK26D Pedal Switch Box	Price £5.95		
LW62S Train Control Kit	Price £6.45	YK05F Matinee Pot Mounting Bracket	Price 79p	TEST GEAR			
LW63T Train Receiver 1-ML926 Kit	Price £5.95	YL26D Guitar Tuner Front Panel	Price £1.10	YK01B RF Frequency Meter	Price £69.95		
	Kit	YQ27P Magnum Mode Charge PCB	Price £1.15	TOOLS			
LW64U Train Receiver 2-ML926 Kit	Price £5.95			YK20W Punch for Quick-lit Meters	Price £5.65		
LW65V Stopwatch Kit	Price £34.95	RESISTORS		YK27E Chassis Punch Set	Price £13.45		
LW67X MPG Meter Kit	Price £44.95	FX87U Thermistor KR152CW	Price 73p	WOUND COMPONENTS			
LW68Y Train Receiver 1-ML927 Kit	Price £5.95	SEMICONDUCTORS		YK02C Transformer 2A 32-0-32V	Price £13.45		
LW69A Train Receiver 2-ML927 Kit	Price £5.95	QR55K 634SS2	Price £4.95	YK03D Matinee Transformer	Price £13.75		
XG03D Combo Amp Front Panel	Price £3.35	QR56L 2SA715	Price 45p	YK07H Transformer 4A 32-0-32V	Price £22.25		
XG05F Matinee Modular Organ Kit	Price £399.45	QR57M ML926	Price £2.45				
		QR58N ML927	Price £2.45				
		QR59P 2SC1162	Price 45p				
		QY08J 74C925	Price £5.95				

* These items are too large to be sent through the ordinary inland mail and they will therefore be despatched by carrier. Please add £6.00 towards the cost of carriage to any order containing one or more of these items.

MAPLIN NEWS

MATINEE ORGAN UPDATE

Following the 2-page section in our last issue we have now found three more possible problems. The page numbers refer to the construction book XH55K.

Page 27/28

24. If you wish the piano to re-trigger when an additional note is played, connect a 1uF 35V tantalum capacitor with its negative lead to the negative end of C179 and its positive lead via a length of wire to the unused pin 13 of IC44. See Figure 13 & 14.

Page 38

25. If your Matinée does not seem loud enough at full volume, change R582 to Min Res 220k. It is advisable only to make this change after all the modifications relating to noise previously described have been made.

26. Some constructors have noticed an audible click or thump when Wah is turned on for the first time. To eliminate this, add two resistors. One, a Min Res 470k should be connected under the pcb between the collector and emitter of TR51. See Figure 15. The second, a Min Res 100k, is connected on the top side of the pcb at S34, between the centre and back pins of the left side of section 'a'. See Figure 16.



Figure 13. Piano re-trigger modification (tantalum end).

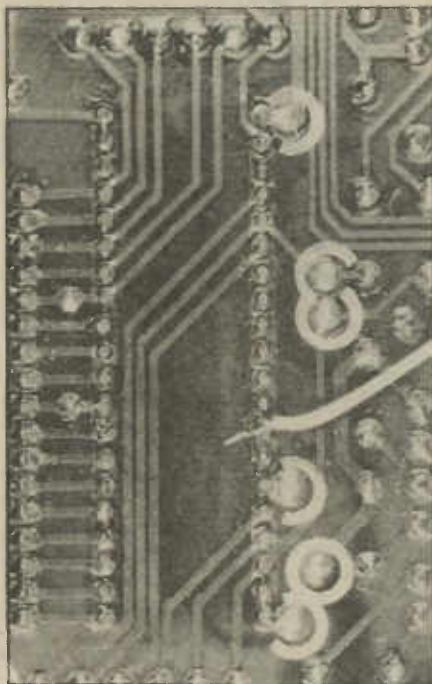


Figure 14. Piano re-trigger modification (M108 end).

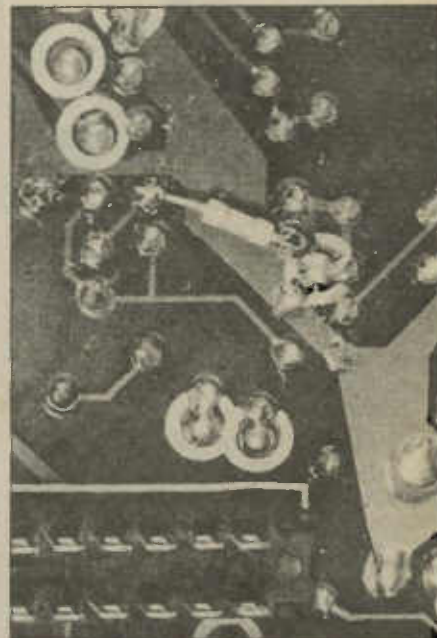


Figure 15. Elimination of click on Wah switch (underside).

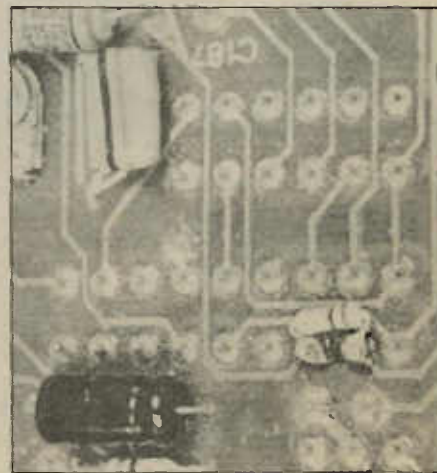


Figure 16. Elimination of click on Wah switch (topside).

QUICK-FIT METERS

Some of the technical details relating to these meters in our last issue were incorrect. The internal resistance of the following meters is as shown below:

10mA DC	5Ω
50mA DC	1.8Ω
100mA DC	0.8Ω
500mA DC	0.5Ω
1A DC	0.3Ω
5A DC	0.2Ω

Our apologies for this error.

TELEPHONE/BURGLAR ALARM CABLE

A high quality cable complying with British Telecom specification CW1293 for use in wiring telephones in customers' premises. It is also ideal for wiring contacts in burglar alarm systems. The cable contains four solid tinned annealed copper conductors each 0.5mm diameter insulated with PVC. Insulation colours are:

- a-wire : blue
- b-wire : orange
- c-wire : green
- d-wire : brown

Overall insulation is in cream PVC.

Nominal conductor area : 0.2mm²

Max working voltage : 80V

Max current per core : 0.25A

Overall diameter : 4mm

Sold per metre (max length in one piece: 250m).

Order As XR66W (4-Wire Phone Cable) Price 15p per metre

June 1982 Maplin Magazine

MAPLIN CATALOGUE PRICES OVERSEAS



Our current 1981/82 catalogue is available overseas by post at the following prices:

Europe surface mail £1.68

Europe air mail £2.75

Outside Europe surface mail £1.68

Outside Europe air mail

(depending on distance)

£3.26/£4.23/£4.88

For surface mail anywhere in the world you may send 12 International Reply Coupons.

SPECIAL OFFERS

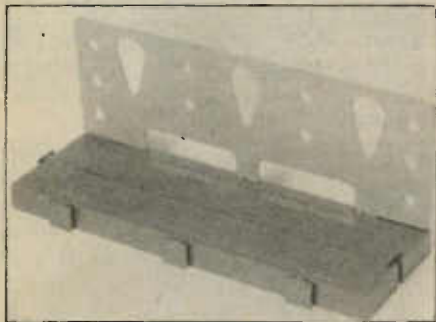


PACK OF 10 C90 CASSETTE TAPES

A good quality, low noise, high energy cassette tape in a library box. The C90 cassette gives 45 minutes recording time on each side. Incredible value. A pack of ten cassettes for only £4.95 including VAT.

Order As SP90X (Pack of 10 C90 Tapes)
Price £4.95

— OFFER CLOSES AUGUST 31ST, 1982 —



PROFESSIONAL PLUGBLOCK

Our professional plugblock described on page 144 of our current catalogue is offered until August at this big saving. Usual price £6.95. Save £2!

Order As SP91Y (Prof Plugblock) Price £4.95

— OFFER CLOSES AUGUST 31ST 1982 —



MAKE YOUR OWN PCB's KIT CM100

This superb kit contains everything you need to make your own pcb's starting from the artwork printed in the magazine or your own drawing.

Contents List

Special autospotting film
Photoflood bulb
Developer part A
Developer part B
Film fixer
Film clearing solution
3 photographic dishes
Lint-free cloth
2 pairs plastic gloves
Liquid measure
Liquid crystal thermometer
Cotton wool balls
Retouching pen
Film clips
Universal exposure and assembly frame
Photoresist
Applicator holder and foam strip
Photoresist developer concentrate crystals
6 double-sided circuit boards
Bag of copper etchant
Scouring pad
Solder flux/protective lacquer
2 1mm HSS drills
Etchant neutraliser

All the above items will be available separately later so that you can top up your kit.

As an introductory offer you can purchase the kit for £10 off our usual price.

Order As SP92A (CM100 PCB Kit)
Price £59.95

INTEREST FREE CREDIT FROM MAPLIN (APR = 0%)

Now you can get 9 months interest free credit on any order containing over £120 worth of computer hardware. Here's how it works.

In our shops:

1. Phone the branch of your choice and give them your order (must include at least £120 worth of computer hardware). We will also have to ask you some personal financial questions in order to fill up our credit application form.
2. We will phone you back within 48 hours to let you know whether your application has been approved.
3. Any time after this, you may visit the shop to collect the goods. You must bring with you some form of identification (e.g. driving licence, credit card) and sign the form that we filled in on your behalf. A deposit of 10% will be required.
4. A further 10% will be payable every month for a further 9 months equalling the total cash price for the goods.

By mail-order

1. Send your order to us (which must include at least £120 worth of computer hardware) and mark clearly on it "Interest Free Credit Terms". Enclose 10% of the value of the goods with your order.
2. We will send you by return of post, a credit application form.
3. Complete the form and post it in the stamped addressed envelope supplied.
4. When approved we immediately despatch your goods to you.
5. One month after goods despatched the first 10% payment becomes due, and thereafter a further 10% is due monthly for a further 8 months, equalling the total cash price for the goods.

Example

A VIC20 computer could be yours for just £19.99 down and £20 per month for nine months.

Don't delay

This incredible offer is only available until 31st August 1982.

MAPLIN RTX DOPPLER UNIT (continued from page 8)

DOPPLER MODULE PARTS LIST

Resistors — all 1/4W 5% carbon unless specified

R1	3k9	
R2	1k (1/4W)	
R3	82k (1%)	
R4	51k (1%)	
R5	150k	
R6	4M7	
R7,17	470R	2 off
R8,11,19	10k	3 off
R9	2k2	
R10	470k	
R12,13	220k	2 off
R14	100k	
R15,16	1k	2 off
R18	220R	
R20	47k	
RV1	470k horiz sub-min preset	

Capacitors

C1,10	100nF minidisc	2 off
C2,12	100uF 10V pc electrolytic	2 off
C3,6,9	1uF 35V tantalum	3 off
C4,7,8	100nF polycarbonate	3 off
C5	4n7 polycarbonate	
C11	10uF 35V pc electrolytic	

Semiconductors

D1,2	1N4148	2 off
D3	1N4001	
LED1	Mini LED red	
	Mini LED clip	
TR1,2	BC548	2 off
TR3	BD139	
TR4	BC109C	
TR5	BD131	
IC1	TL430C	
IC2	uA 741C (8 pin)	
IC3	LF353	
X1	Radar module	

Miscellaneous

Doppler PCB	
Veropin 2141	8 off
Box AB7	
Grommet small	
Label Maplin RTX3	
Countersunk bolt 6BA 1/2in	4 off
Countersunk bolt 6BA 1in	2 off
Washer 6BA	10 off
Nut 6BA	10 off
Hook-up wire	5m

See page 61 for details of interconnecting wire suitable for burglar alarms.

A complete kit is available of all the above items plus an application form for the required licence

Order As LW73Q (RTX3 Doppler Kit) Price £39.95

CLASSIFIED

MUSICAL FOR SALE

MAPLIN 5600 stereo synthesiser, professionally built in teak case with stand, foot switch and pedal fully assembled and tested. Excellent condition, £600. Paul Hughes, 32 Brookleigh Road, Street, Somerset.

COSMOS CUSTOM organ with all extras including large cabinet, sound computer, Wersi harp, pianos, double transposer, lights, bench etc. Total cost of kits £2,200. Professionally built and as new, £2,500. Organ, piano, car considered in part exchange. Smith, Paignton (Kent) 30921 after 7 p.m.

MES53 FULL scale organ not wired up. All parts to make a working instrument. Worth over £600. Will sell for £300. Phone Orpington (Kent) 30921 after 7 p.m.

3800/5600S BOARDS for sale. PSU (working), binary encoder (48 notes working), half completed keyboard controller, untested oscillator, 48 keyboard contacts, bus-bars etc. Newman, 3 Harvest Bank, Hyde Heath, Amersham, Bucks.

VORTEX KEYNOTE 600 rotary tone cabinet (Leslie type) 60 watt 2-speed. £70 o.n.o. Tel: 01-588 6107 evenings.

MATINEE ORGAN for sale. Fully built and working. £450 o.n.o. M. Nash, 33 Devon Road, Stowupland, Stowmarket. Phone Stowmarket 5487.

INTERNATIONAL 4600 synthesiser complete, tuned, all IC's in sockets. Offers to South Ockendon 853136 after 5 p.m.

ELECTRONIC PIANO — Jen J600 with sustain pedal, stand and carrying case £200 o.n.o. Tel: Derby 552776.

3800 SYNTH built and working, digital keyboard with 128-note sequencer in locking cabinet. £350 o.n.o. 22 x 22 patchboard (4600) with 60 pins £40. Ready-built modules: 2 VCO's, 2 VCA's, 2 VCF's, 1 Trans Gen, 1 Ext I/P, 1 mixer (4600), 1 joystick, all for £60 or £420 the lot. Tel: 01-679 7563.

POWERHOUSE RHYTHM unit complete with eight rhythm tapes and foot control pedal, music stand and carrying case. As new. Offers to Box No. 2, Maplin Mag, P.O. Box 3, Rayleigh, Essex SS6 8LR.

DRAWBARS WHITE. Seven 'old-type' white drawbars unused and in mint condition. £12. Phone 031-332 8377 after 6 p.m.

OFFER TO READERS constructing organs MES51 and 53 also MES55 auto organ. Complete MES53 in wooden shelves with 49-note sloped front keyboards with contacts and wired, swell and 13-note pedals, approx. 40 marbled effect keytabs, slider controls, reverb, drawbars. Constructed MES55 auto organ on shelf with switch banks, slider controls. Complete MES51 on shelf with Drumsette rhythm unit, reverb. To be sold complete or separate. MES53 & 55 — around £400. MES51 with Drumsette — around £75. Also quantity of Dressed Brazilian Mahogany to build 2 consoles. Can send. Enquiries Tel: 041-778 2555.

GUITAR ADAPTOR as in E.E. Dec. 81. £3.50 ready built & complete. See mag for details or send 25p extra for article. Reply to Dominic Loughlin, 87 Preston Road, Whittle-le-Woods, Chorley, Lancs PR6 7PG.

COMPUTERS FOR SALE

ZX81 USER-DEFINABLE graphics, create 128 extra characters (e.g. real 'Space Invaders'). Build it for under £10. Full construction and software details only £2. A. Pennell, 14 Swayn Road, Cliftonville, Kent.

ZX81 + 16K RAM Sinclair built + 2 tapes, 3 books as new £10. Video Genie EG3003 (16K RAM) + 3 books as new £120. Phone (0702) 43911.

CESIL INTERPRETOR for 8K or 16K PETS (state which) — saves programs! Cassette — £2.50. Listings — £1 s.a.e. 12 x 9 or 30p postage. N. Stokell, 4 Beachville Street, Sunderland. Tyne & Wear SR4 7NA.

ACORN ATOM. 12K RAM, 12K ROM, PSU, leads, manual etc. had full service for sale. Excellent working condition. £240. Tel: Ashford, Kent (0233) 23077.

NEED CHEAP hard copy for your micro? How about a teletype 32ASR 75 baud printer (10 characters/sec). Excellent condition — as new, £55. Basiidon 22254, around 6 p.m. best.

TELETYPE PRINTER mechanism 20mA 110 baud — noisy but working, £20. 041-942 2482.

ZX81 + 16K RAM. Sinclair tapes 1 and 4, ICL tape 5, book 30 progs, all leads and PSU. £120 o.n.o. Tel: Chelmsford (0245) 321606.

ZX81 QUALITY software — tape A: 10 1K games on cassette £2.50 or listings £3.00 includes: machine

If you would like to place an advertisement in this section then here's your chance to tell Maplin's 120,000 customers what you want to buy or sell, absolutely free of charge. We will publish as many advertisements as we have space for. To give everyone a fair share of the limited space, we will print 30 words free of charge. Thereafter the charge is 10p per word.

Please note that only private individuals will be permitted to advertise. Commercial or trade advertising is strictly prohibited in the Maplin Magazine.

Please print all advertisements in bold capital letters. Box numbers are available at £1.50 each. Please send your advertisement with any payment necessary to: Classifieds, Maplin Mag, P.O. Box 3, Rayleigh, Essex SS6 8LR.

For the next issue your advertisement must be in our hands by 7th July 1982.

code, canyon, asteroids, shuttle, galaxians, basic, invasion, simon, connection, hangman, defender, destroyer. S.a.e. for details of tapes B & C. C.W.O. to A. Laird, 9 Franklin Road, Saltcoats, Ayrshire KA21 5AT.

EPSON MX80F/T printer. Working order as new. No defects. Looking for offers in excess of £350. L. Kirby, Woolhampton Court, Woolhampton, Reading, Berks. Tel: Woolhampton 3399 on Sundays.

ZX81 SINCLAIR-built, as new, mains adaptor, leads, manual, original packaging, under guarantee, + games tape (Super Breakout). £50 o.n.o. Tel: 01-485 4326 evenings.

ZX81 + 16K RAM with PSU and all leads and assorted 1K and 16K RAM games tapes. £100. Tel: Milton Keynes (0908) 613919.

VARIOUS FOR SALE

SONY STEREO microphone, one point electret condenser type in brushed aluminium case, £25. Telefunken portable radio four-waveband teak, £28. Cullman camera tripod, £35. Marshfield (022124) 574 after 6 p.m.

MAPLIN DISCO uncompleted project, assembled pcb's, power supply, power amps and other parts. Offers around £50. Chris Gilles 041-334 4154 after 5 p.m.

HI-FI TURNTABLE unit: Thorens TD150/II AB plus MC150E cartridge and spare new stylus, £38. "Ryecroft", Richards Castle, Ludlow, Shropshire SY8 4EU.

POCKET SCANNER 10 channel. Frequency coverage 150-180MHz with ten 2m crystals, rechargeable batteries and charger, as new, £40. Tel: Staffordshire 632600.

MAPLIN DIGITAL thermometer module with LCD display, three 1kW sound to light module, £7.50 each. RTVC/ETI TV sound tuner kit, built but no case, £12.50 o.n.o. Eastbourne 31200.

COMPLETE SET of 'Practical Electronics', May 1980 to February 1982 inclusive. Excellent condition. Phone (08802) 238.

CLEARING WORKSHOP. Magazines, tools, lots of new full spec components. Send s.a.e. for list to R. Hutchinson, 12 Arthur Street, West Kilbride, Ayrshire KA23 9EN.

ROYAL ENFIELD turbo twin 250cc + "On Two Wheels" motorcycling encyclopaedia. Ring Bristol 792660 after 6 p.m. — Kim.

WANTED

JVC RS-7 RECEIVER. Must be in v.g.c. Cash waiting. Medway (0634) 70214.

BEGINNER WISHES to break into radio control. Any offers of cheap secondhand equipment to J. S. Drane, 75 Abingdon Road, Bramhall, Stockport SK7 3EZ.

MAPLIN'S TOP TWENTY BOOKS

- (1) Atari Basic Learning By Using by T. E. Rowley (WG55K) (See note).
 - (2) Z80 IC's Data Sheets (RQ54J) (Cat. P35).
 - (10) Towers' International Transistor Selector Update 2 by T. D. Towers (RR39N) (Cat. P25).
 - (9) How To Build Your Own Solid-State Oscilloscope by F. G. Rayer (XW07H) (Cat. P29).
 - (8) Power Supply Projects by R. A. Penfold (XW52G) (Cat. P29).
 - (16) Electronic Synthesiser Projects by M. K. Berry (XW68Y) (Cat. P33).
 - (15) Remote Control Projects by Owen Bishop (XW39N) (Cat. P29).
 - (14) Programming The 6502 by Rodnay Zaks (XW80B) (Cat. P35).
 - (5) Model Railway Projects by R. A. Penfold (WG60Q) (See note).
 - (3) How To Make Walkie-Talkies by F. G. Rayer (RF18U) (Cat. P30).
 - (-) Guide To Solar Electricity by Solarex Corp. (WG85G) (See note).
 - (6) IC555 Projects by E. A. Parr (LY04E) (Cat. P27).
 - (73) The Antenna Construction Handbook for Ham, CB and SWL by Rufus P. Turner (XW99H) (Cat. P30).
 - (7) CB Projects by R. A. Penfold (WG73Q) (See note).
 - (-) Byteing Deeper Into Your ZX81 by Mark Harrison (WG83E) (See note).
 - (-) Understanding Your ZX81 ROM by Dr Ian Logan (WG75S) (See note).
 - (-) ZX81 Basic Book by Robin Norman (WG74R) (See note).
 - (4) Adventures With Microelectronics by Tom Duncan (XW63T) (Cat. P24).
 - (11) Newnes Radio And Electronics Engineers' Pocket Book (RL06G) (Cat. P24).
 - (13) Programming The Z80 by Rodnay Zaks (XW72P) (Cat. P36).
- Note. For prices see page 37 of this magazine. Full details of books WG55K, WG60Q and WG73Q were published in issue 1 of this magazine while details of WG85G, WG83E, WG75S and WG74R were published in issue 2.
- These are our top twenty best-selling books based on mail-order and shop sales during February, March and April 1982. Our own publications and magazines are not included. We stock over 375 different books relating to electronics and the full range is shown in this magazine and on pages 23 to 37 of our 1981/2 catalogue.

AMENDMENTS TO CATALOGUE

Please amend your 1981 catalogue as follows

Page 17/18

BW46A, 47B and 48C are replaced by the UP1300/W which is a wideband amp covering the whole UHF band. The new amp gives a typical gain of 13dB and a much improved noise figure of typically 2.5dB

BW49D is replaced by the UP1300/V which has a typical gain of 19dB and a 2.5dB noise figure.

BW50E is replaced by the PU1240 which is electrically the same as the PU102, but is in a box like YQ22Y and has co-ax sockets for both sides of the aerial lead, instead of screw terminals, making connection simpler.

Page 20

Telescopic Aerial (LB10L) now only 4ft long and slightly thicker at base.

Page 22

Mains adaptor (YB22Y) and (XX09K) are now the same item and should be ordered as (XX09K). This new adaptor will deliver 300mA max and may be switched to any of the following voltages: 3V, 4.5V, 6V, 7.5V, 9V and 12V DC.

Page 47

XY17T and XY18U are now being supplied in a smaller size. New size is 33 x 12in (835 x 305mm)

Page 70

Electric pump XY74R is now supplied complete with a pressure gauge
Suppressor capacitor HW02C is 1uF

Page 93

Stereo headphone (LH85G) is now styled slightly differently from the one shown in the catalogue

Page 104

5A Plug (HL57M) is bakelite and not nylon.

Page 107

Touch Dimmer (FQ14Q) is 250W (not 630W)

Page 115

Order codes for Slotted Nuts are WL43W (Collet Rd Nut 1in) and WL44X (Collet Rd Nut 10mm)

RX38R, Ebonite Rod is now being supplied in nylon.

Page 120

The DM1500D microphone is now supplied without a jack plug connected to the 5m lead

Page 133

1mm light guide (XR56L) now being supplied with black protective sheath. Overall dia. 2.2mm.

Page 137

The spacesound units are now being supplied in slightly different sizes.

Page 154

BB67X (3600 VCF Mtg Bkt) should be included in the list under the heading 'Mounting Brackets'

Page 177

The belt-drive turntable XB25C is now being supplied without an on/off switch making it suitable only for use in disco's etc

Page 182

Please note picture of stylus 29 is incorrect. The shaft is round not square. The picture of stylus 31 is also incorrect.

Page 184

Musicentre kit C113 (LX03D) is supplied with one bottle of fluid only.

Page 186

Cassette Splicer (YW90X) is now being supplied with one reel of splicing tape.

Page 201

QH56K (MJE2955) is now being supplied as TIP2955 and QH56L (MJE3055) as TIP3055

Please note V_{BE} is now 100V V_{CE} is now 7V. I_B (max) is now 15A, and the pin out is now style P3.

Page 229

In suggested PSU for LM383, the top end of the Std Res 100R should be connected to the collector of Q1 NOT the emitter.

Page 232

The pin outs for the NE571 and TDA3410 are swapped over.

Page 235

The delay given by the TDA1022 is between 51.2us and 51.2ms and not as stated in line 2.

Page 243

In Parts List C11 is BX11M price 9p.

Page 245

The IC pin numbers in the right hand drawing under the heading LM3911 are incorrect. The left hand drawing is correct.

Page 255

The pin numbers on the IC package drawing under the heading L200 are in reverse order. They should be in sequence with 5 at the top and 1 at the bottom.

Page 258

QQ04E 6402 UART is now being supplied coded CDP1854ACE. These two parts are identical.

Page 266

Small Thermopath (HQ00A) is now supplied in 10g tubs.

Page 270

Crossover 2-Way (WF02C) is now physically slightly different, but it is electrically identical.

Page 276

Dial rocker neon (YR70M) requires a panel cut-out 29 x 22mm.

Page 282

Factswitch (LB64U) is supplied with a 2.5mm plug fitted to the lead.

Page 299

Crimp tool (FY31J) is improved with an additional 1mm stripper and crimpers for 1.5, 2.5, 4 and 6mm press terminals.

Page 301

Needle file set (YW63T) now contains only 10 files, there is one flat warding and one hand file, not two of each.

Page 319

The alphabetical order under S is incorrect. 'Semiconductor Finder' should come after 'Self Tappers' and 'Stand-offs' after 'SRBP'.

CORRIGENDA

The following errors in previous issues have come to our attention since the last issue was published. We offer our sincere apologies for any inconvenience caused.

Issue 1

Page 3

In Figure 1, R70, a Min Res 100k should be shown between the wiper of RV13 and IC12 pin 3/C38.

Page 4/5

The pcb legend and Figure 7 are incorrect. The resistor marked R33 that is next to R32 should be R31. And the resistor marked R25 that is next to R27 should be R26.

Issue 2

Page 7

On the Common pcb legend, the link next to R15 has been omitted.

Page 9

In Figure 10b, all the transistors shown, should be mounted with the metal insert upwards.

Page 12

In the Common/PSU parts list, R17 should be a Min Res 100k. This error also occurs in Figure 2 on page 4.

Page 18

In Figure 2 the battery connections should be red wire to S5, black wire to pin 2.

Pages 41/44/47

If the external horn is not loud enough make R5 on the External Horn pcb and R9 on the Main pcb into links.

Page 47

In the Main parts list, R30 should be a Min Res 100k. This error also occurs in Figure 1 on page 39.

SUBSCRIBE NOW!

For just £2.40 a year we'll deliver every issue of the Maplin Magazine to your door.

We've got dozens of exciting projects and features coming in the next four issues. And more amazing special offers like the ones in this issue. Plus, of course, all our new products and our complete price list.

All this for just £2.40 a year!

(Overseas: surface mail £2.76, airmail £5.88)

Don't delay — send your cheque or postal order now!

ISSUE FOUR ON SALE 13th AUGUST 1982

Send this coupon with your cheque/PO to:

Maplin Magazine Subscriptions Dept.,

Maplin Electronic Supplies Ltd.,

P.O. Box 3, Rayleigh, Essex SS6 8LR

I enclose £2.40 (plus post overseas) for 1 year's subscription to the Maplin Magazine.

Customer No. (if known)

Name

Address

Post Code

MPG METER: FURTHER NOTES

One or two constructors have written to us to ask for further explanation of the setting-up procedures for this project. Here, Mike Wharton explains in more detail.

Introduction

The basis of the MPG meter is to take two signals, one for fuel flow and one for speed or distance, and produce from them a digital display of 'miles per gallon'. In order to accommodate a wide variety of vehicles, the design includes a variable scaling factor. This is calculated for a particular vehicle and then set using links B1 to B8.

Calibration

To ensure that the display gives a true reading of mpg, it is obviously important that the scaling factor is correctly set and the article may not have made it entirely clear how this is achieved. The equation for calculating the factor 'n' is:—

$$n = \frac{8.5 \times 3000}{X \times Y}$$

The values which need to be known first are thus X and Y. The value of X is the division ratio of IC6, and is set by making only one of the links A1 to A7, each having the value shown in the table.

The value of '8' referred to in the article (p55) would thus be obtained by connecting Link A4.

The value of 'Y' can be obtained in one of two ways, either from the

vehicle manufacturers as the number of turns of the speedo cable per mile travelled, or by using the method explained in connection with Figure 5 of the article. If the "turns per mile" figure is known then an appropriate value of Y for the formula is:—

$$Y = \frac{\text{(Turns per mile)}}{12}$$

If the value of 'Y' is to be found using the meter itself, then Link A or IC6 is first omitted and Link B1 made temporarily. This will enable the required value of 'Y' to be found according to the method described in the article.

To complete the calibration, the value of 'X' may be chosen and then 'n' calculated. This is then set, as explained in the article, using Links B1-B8 (remembering to remove B1 if it is not needed).

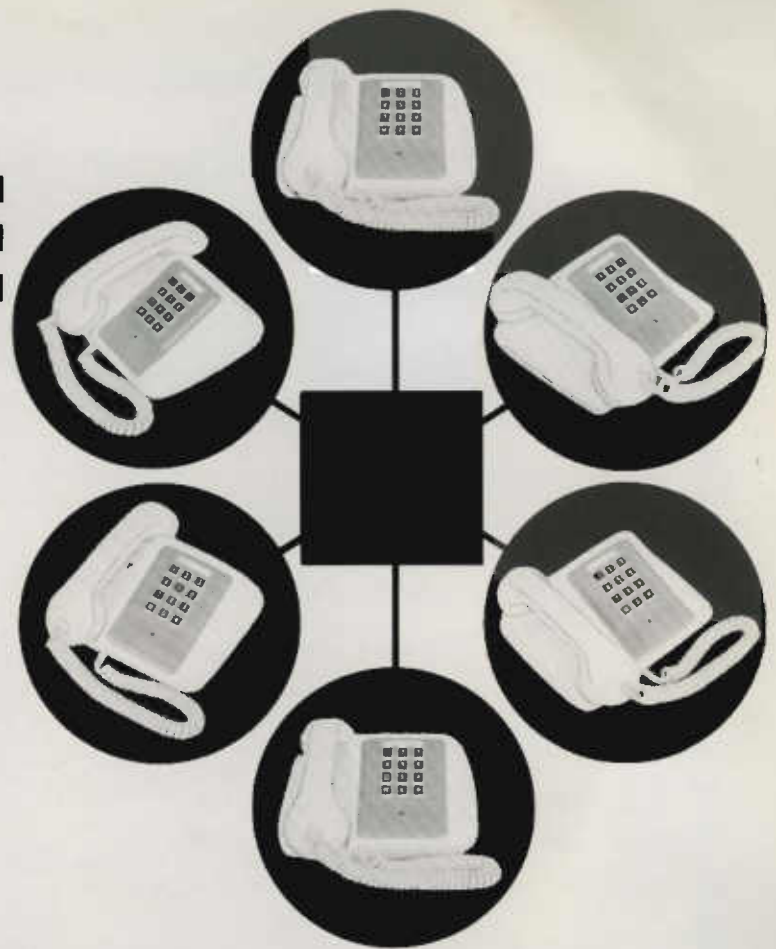
Naturally, changing the chosen value of 'X' will not affect the value of 'Y' (only changing the gearbox or back-axle will do that!) but will involve a re-calculation of 'n' and hence a resetting of Links B1 to B8).

Link	Value of 'X'
A1	1
A2	2
A3	4
A4	8
A5	16
A6	32
A7	64

A LOW COST HIGH-RELIABILITY TELEPHONE EXCHANGE

for your home, office or factory.

Expandable from 4 extensions up to 32 extensions, the exchange features electronic switching, very small size and silent operation. May be used with standard British Telecom phones or with our very low-cost push-button telephones. Standard 2-wire connection to telephones. All phones are powered from the 2-wire line; a mains connection is only required at the exchange. All the usual tones are generated: ringing, ring tone, dial tone, busy tone, unused number tone. Ringing is different from standard B.T. ring for ease of identification. No call can be interrupted or overheard by another caller. Up to 8 separate calls can be in progress at any one time (in full 32-extension system).



MORE ATTACHMENTS FOR OUR HOME SECURITY SYSTEM

Build our ultrasonic intruder detector. This low-cost easy to build unit will cover most domestic rooms with just the one unit. Simple 2 or 4-wire connection to main alarm box with monitoring of the cable. Also in our next issue an infra-red beam break detector.

FREQUENCY COUNTER

Range 10Hz to 650MHz with electronically switched ranges and high sensitivity input (approximately 10mV). Mains operation or 12V DC input. Complete kit available including front panel. (Held-over through lack of space.)



ZX81 PROJECTS

More exciting projects for your ZX81. Two novel projects in our next issue that allow your ZX81 to do even more for you.



AMPLIFIER REMOTE CONTROL UNIT

Build this remote control unit for use with the amplifier described in this issue. Infra-red control of volume, bass, treble and balance. Just sit back and adjust the sound!



MORE MODEL TRAIN PROJECTS

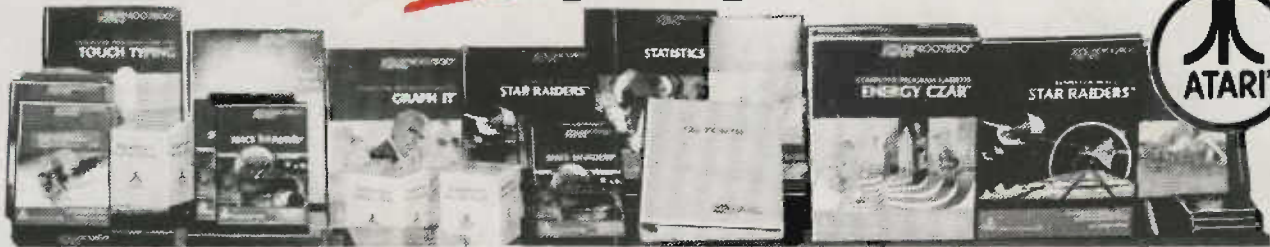
Part 3 of our model train controller shows how to effect point control and automatic loop switching. In addition we describe how to detect when a train is in a particular section.



PLUS all our regular features and articles.

**WATCH OUT FOR OUR NEXT
EXCITING ISSUE — DON'T MISS IT!
ON SALE 13th AUGUST 1982**

MAPLIN the people for Atari



3 Consoles available:

Atari 400 with 16K RAM (AF36P) £299

Atari 400 with 32K RAM (AF37S) £395

Atari 800 with 16K RAM (AF02C) £599

Lots of other hardware:

Cassette Recorder	(AF28F)	£55 00
Disk Drive	(AF06G)	£345 00
Thermal Printer	(AF04E)	£265 00
Printer Interface for 400	(AF41U)	£49 95
Printer Interface for 800	(AF42V)	£49 95
Interface Module	(AF29G)	£135 00
Versawriter	(AF43W)	£169 00

16K RAM Module	(AF08J)	£64 00
32K RAM Module	(AF44X)	£125 35
32K Upgrade for 400	(AF45Y)	£75 00
Floppy Disk	(YX87U)	£2 75
Le Stick	(AC45Y)	£24 95
Joystick Controllers	(AC37S)	£13 95

For full details ask for our hardware leaflet (XH54J) SAE appreciated



NOW YOU CAN JOIN THE U.K. ATARI COMPUTER OWNER'S CLUB. An independent user's group. Four issues of the club magazine for only £1.60! Address your subscription to Graham.

THE CHOICEST GEMS OF ATARI SOFTWARE FROM MAPLIN

Adventure Games

Star Warrior	-C-32K-(B024B)	£28 95
Pescue At Rigel	-C-32K-(B021X)	£22 45
Invasion Orion	-C-32K-(B023A)	£18 95
Dates of Ryn	-C-32K-(B022Y)	£14 95
Galactic Empire	-C-24K-(B0140)	£14 95
Hi-Res Adventure #2	-D-48K-(B025C)	£24 95
Analog Adventure	-D-32K-(B033L)	£24 95
Adventure Land	-C-24K-(B000A)	£14 95
Pirates Adventure	-C-24K-(B001B)	£14 95
Mission Impossible	-C-24K-(B002C)	£14 95
Yoodoo Castle	-C-24K-(B003D)	£14 95
The Count	-C-24K-(B004E)	£14 95
Strange Odyssey	-C-24K-(B005F)	£14 95
Mystery Fun House	-C-24K-(B006G)	£14 95
Pyramid of Doom	-C-24K-(B007H)	£14 95
Ghost Town	-C-24K-(B008J)	£14 95
Savage Island I	-C-24K-(B009K)	£14 95
Savage Island II	-C-24K-(B010L)	£14 95
Golden Voyage	-C-24K-(B011M)	£14 95
Energy Czar	-C-16K-(YG53H)	£8 95
Kingdom	-C-8K-(YG55K)	£8 95

Teach-Yourself Programs

Conversational French	-5C-16K-(YG44X)	£32 50
Conversational German	-5C-16K-(YG45Y)	£32 50
Conversational Spanish	-5C-16K-(YG46A)	£32 50
Conversational Italian	-5C-16K-(YG47B)	£32 50
Touch Typing	-2C-16K-(YG49D)	£14 95
States & Capitals	-C-24K-(YG56L)	£8 95
European Countries & Capitals	-C-16K-(YG57M)	£8 95

Learn Programming

Invitation to Programming	-C-8K-(YG43W)	£11 95
Basics of Animation	-D-32K-(B057M)	£9 95
Basics of Animation	-D-32K-(B058N)	£10 95
Player Missile Graphics	-C-16K-(B059P)	£16 95
Player Missile Graphics	-D-24K-(B060D)	£19 95
Display Lists	-C-16K-(B051F)	£9 95
Display Lists	-D-24K-(B052G)	£10 95
Horiz/Vertical Scroll	-C-16K-(B053H)	£9 95
Horiz/Vertical Scroll	-D-24K-(B054J)	£10 95

Page Flipping	-C-16K-(B055K)	£9 95
Page Flipping	-D-24K-(B056L)	£10 95
Master Memory Map	-Wallchart-(XH57M)	£4 00

Business Programs

Visicalc	-D-32K-(YL39N)	£119 95
Word Processor	-D-32K-(YG42V)	£85 00
Calculator	-D-24K-(YG50E)	£16 95
Graph—It	-C-16K-(YG51F)	£11 95
Statistics	-C-16K-(YG52G)	£11 95

Arcade Games

Star Raiders	-E-8K-(YG66W)	£29 95
Asteroids	-E-8K-(YG60D)	£29 95
Space Invaders	-E-8K-(YG70M)	£24 50
Missile Command	-E-8K-(YG64U)	£29 95
Super Breakout	-E-8K-(YG67X)	£29 95
Tari Trek	-C-24K-(YL36P)	£8 95
Tari Trek	-D-32K-(YL37S)	£11 95
Star Trek 3.5	-C-32K-(B015R)	£14 95
Race In Space	-C-16K-(B035D)	£14 95
Shooting Gallery	-C-16K-(B036P)	£14 95
Mountain Shoot	-C-16K-(B012N)	£10 95
Jawbreaker	-D-48K-(B026D)	£22 95
Basketball	-F-8K-(YG61R)	£9 95
Tank Trap	-C-16K-(YL34M)	£8 95
Tank Trap	-D-32K-(YL35D)	£11 95

Home Game Programs

Scram	-C-16/24K-(YG58N)	£12 95
Thunder Island	-C-16K-(B037S)	£10 95
Rotating Tilt	-C-16K-(B048C)	£14 95
Lunar Lander	-C-16K-(B016S)	£10 95
Jumbo Jet Lander	-C-16K-(B046A)	£29 95
Submarine Commander	-C-16K-(B047B)	£24 50
Sunday Golf	-C-16K-(B013P)	£10 95
Darts	-C-16K-(B042V)	£19 95
Tournament Pool	-C-16K-(B045V)	£19 95
Snooker & Billiards	-C-16K-(B044X)	£19 95
Chess	-E-8K-(YG63T)	£29 95
Microchess	-C-16K-(YL40T)	£15 95
Checker King	-C-16K-(YL41U)	£15 95
Cnbbage & Dominoes	-C-16K-(B043W)	£14 95

Poker Solitaire	-C-16K-(B017T)	£10 95
Blackjack	-C-8K-(YG62S)	£8 95
Fast Gammon	-C-8K-(YL33L)	£13 95
Reversi (Othello-type)	-C-16K-(B019V)	£14 95
Gomoko	-C-16K-(B018U)	£14 95
Hangman	-C-8K-(YG54J)	£8 95
Humpty Dumpty & Jack & Jill	-C-16K-(B038R)	£19 95
Hickory Dickory Dock	-C-16K-(B039N)	£19 95
British Heritage		
Jig-Saw Puzzles	-C-16K-(B040T)	£19 95
European Scene		
Jig-Saw Puzzles	-C-16K-(B041U)	£19 95
Atari Salam (25 Programs)	-C-16K-(B049D)	£18 95
Atari Safari (25 Programs)	-D-16K-(B050E)	£24 95
Mind Bogglers (3 Programs)	-C-16K-(YL38R)	£8 95

Music Programs

Music Composer	-E-8K-(YG48C)	£32 50
Movie Themes (use with Music Composer)	-C-16K-(B034M)	£9 95

Computer Languages

Basic A +	-D-48K-(B031J)	£52 50
Operating System A + Basic A + &	-D-48K-(B030H)	£52 50
Operating System A +	-D-48K-(B032K)	£99 50
OS Forth	-D-24K-(YL29G)	£49 95
Pilot	-E&2C-8K-(YG69A)	£49 50

Utilities

3D Super Graphics	-D-48K-(B028F)	£29 95
3D Super Graphics	-C-48K-(B029G)	£29 95
Atari World (Graphics)	-D-48K-(B027E)	£43 95
Assembler/Editor	-E-8K-(YG68Y)	£34 50
Assembler	-C-16K-(YL32K)	£16 95
8502 Disassembler	-C-8K-(YL30H)	£9 95
8502 Disassembler	-D-8K-(YL31J)	£11 95
Character Generator	-D-16K-(YL27E)	£9 97
Character Generator	-D-16K-(YL28F)	£12 50
Teletink	-E-8K-(YG59P)	£14 95

Key C=Cassette, D=Disk, E=Cartridge
2C=2 Cassettes etc 8K 16K etc shows minimum memory requirement

Send sae now for our new software leaflet with details of all the above programs. Order As XH52G — Issue 2.

NEW TITLES THIS MONTH — Arcade Games: K-RAZY SHOOT OUT—E—16K—(B063T) £29.95. GHOST HUNTER—C—16K—(B064U) £24.50.

Lots of exciting new software titles available soon. Keep in touch with Maplin!

Subscribe now to America's leading Atari-only magazine — Analog — 6 issues per year for just £9.00. Order as GG24B.

MAPLIN

Maplin Electronic Supplies Ltd
P.O. Box 3, Rayleigh, Essex.
Tel: Southend (0702)
552911/554155.

Demonstrations at our shops NOW
See the amazing Atari's in action at
159-161 King St., Hammersmith W6
Tel: 01-748 0926
or at 284 London Road,
Westcliff-on-Sea, Essex.
Tel: (0702) 554000

Note: Order codes shown in brackets. Prices include VAT and Postage and Packing