

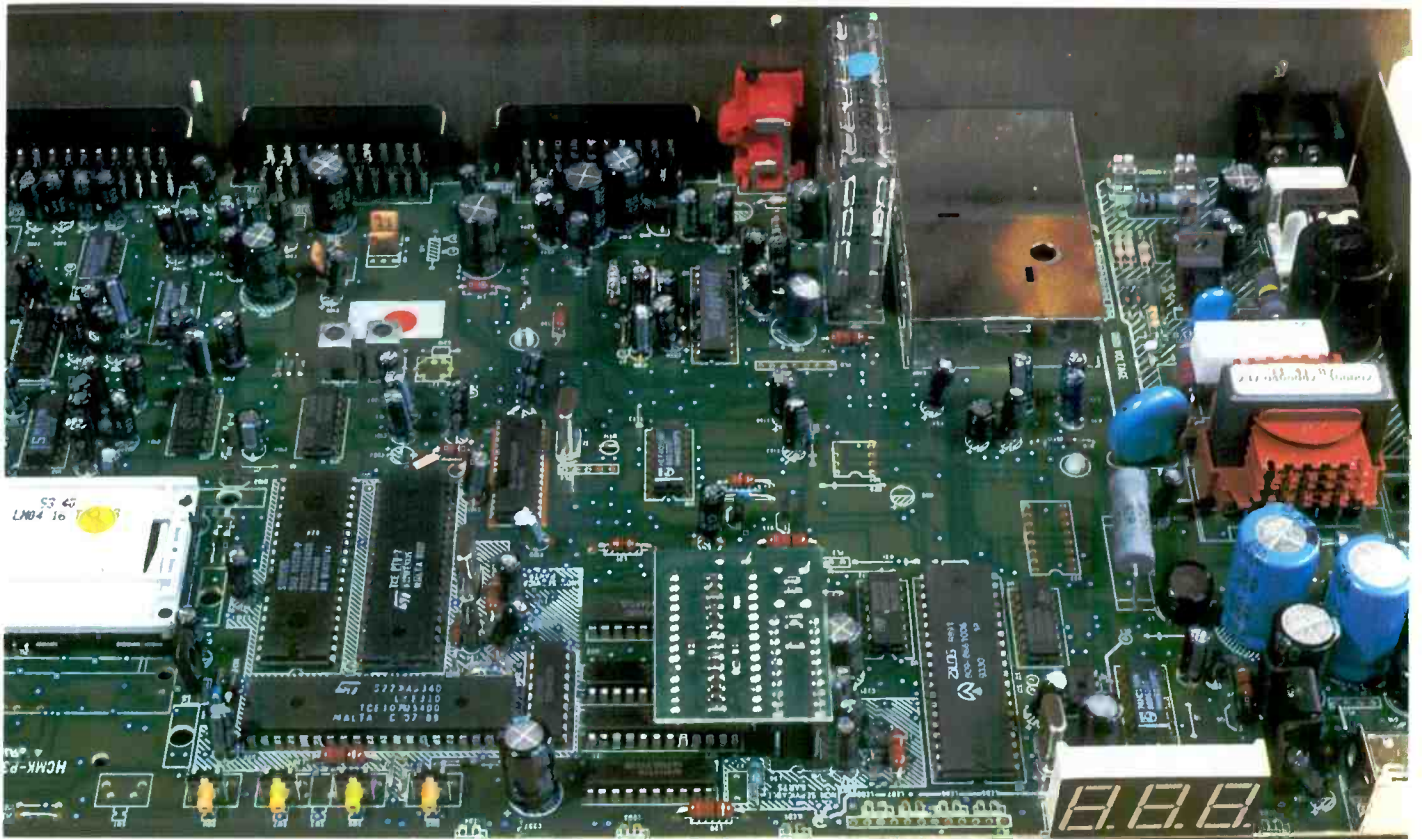
FEBRUARY 1994

£2.20

TELEVISION

SERVICING·VIDEO·SATELLITE·DEVELOPMENTS

FREE TV STANDARDS GUIDE



The Pace PRD800 Satellite Receiver

Introduction to Teletext Circuitry

The Dolby Surround Sound System

Notes on the Bush 2521T · DX-TV

Screen Entertainment 2000 Report

VCR Clinic · TV Fault Finding

A REED BUSINESS PUBLICATION



Tune to an exciting new range of Philex catalogues

VIDEO & TV CATALOGUE

A comprehensive cross reference, listing over 160 brands & thousands of (approx 4,000 to 5,000) Video models both UK & European

- ★ Illustrations and original part numbers.
- ★ Individual cross reference for video heads, video belts & TV line output transformers.

PRODUCTS FOR VIDEO INCLUDE:

- ★ An extensive range of heads, belts, idler tyres, pinch rollers, clutches, gears, idlers, pulleys, spools, switches, tension bands, motors, service kits.

PRODUCTS FOR TV INCLUDE:

- ★ An extensive range of line output transformers and mains switches.

REMOTE CONTROL CATALOGUE

124 replacement remote controls for TV, Video & Satellite contains:

- ★ A comprehensive cross reference listing 92 brands approx 6000 models, both UK and European.
- ★ Listings include model name and number, chassis numbers & original remote control type and number.
- ★ Line drawings of original remotes and the corresponding Philex replacement remotes.

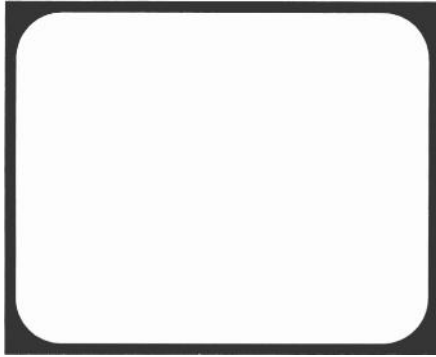


INDISPENSABLE REFERENCE BOOK FOR ANYONE CONNECTED WITH THE VIDEO/TV REPAIR BUSINESS

Phone or Fax us now for our latest catalogue for Retailers, Wholesalers and Distributors!
(to assist us please name your local Distributor)

PHILEX PLC

PHONE OR FAX NOW TO ORDER
TEL: 081 - 202 - 1717 / 1919
FAX: 081 - 202 - 0015 / 0014
Philex House . 110 - 124 The Broadway
West Hendon . London NW9 7BP



TELEVISION

February
1994

Vol. 44, No. 4
Issue 520

On sale January 19th

COPYRIGHT

© Reed Business Publishing Ltd., 1994. Copyright in all drawings, photographs and articles published in *Television* is fully protected and reproduction or imitation in whole or in part is expressly forbidden. All reasonable precautions are taken by *Television* to ensure that the advice and data given to readers are reliable. We cannot however guarantee it and we cannot accept legal responsibility for it.

CORRESPONDENCE

All correspondence regarding advertisements should be addressed to the Advertisement Manager, "Television", Quadrant House, The Quadrant, Sutton, Surrey SM2 5AS. Editorial correspondence should be addressed to "Television" Editorial Department, Reed Business Publishing, Quadrant House, The Quadrant, Sutton, Surrey SM2 5AS.

INDEXES AND BINDERS

Indexes for Vols. 38 to 42 are available at £3.50 each from Video Interface Products Ltd., who can also supply a five-year consolidated index on computer disk. For further details see page 279.

Binders that hold twelve issues of *Television* are available for £5 each from Television Binders, 78 Whalley Road, Wilpshire, Blackburn BB1 9LF. Make cheques payable to "Television Binders".

SUBSCRIPTIONS

An annual subscription costs £26 in the UK, £37 for Eire/Europe airmail (postage included for all rates) Rest of the world airmail available upon request). Send orders with payment to Quadrant Subscription Services Ltd., Oakfield House, Perrymount Road, Haywards Heath, Sussex, RH16 3DH.

Subscription hotline for 24-hour ordering with Credit Card telephone 0622 721666 quoting INJ.

BACK NUMBERS

Some back issues are available at £2.75 each from Television Back Issues, Room L323, Quadrant House, The Quadrant, Sutton, Surrey SM2 5AS. Make cheques/postal orders payable to Reed Business Publishing Ltd. See box on page 253.

ISSN 0032-647X

- 241 **Leader**
- 242 **Teletopics**
- 244 **VCR Clinic**
Reports from Eugene Trundle, Terry Lamoon, Brian Storm, Gerald Smith, Chris Watton, Michael Dranfield, Nick Beer, Simon Bodgett, J.K. Potts, Fauz Ahmed Sumar, John Edwards, John Hopkins and Bob McClenning.
- 248 **The Pace PRD800 Satellite Receiver** **J. LeJeune**
A look at the technical features and circuitry used in this satellite receiver.
- 252 **What a Life!** **Donald Bullock**
- 253 **Test Case 374**
- 254 **Dolby Surround Sound** **Ian Martin**
The techniques used to provide centre and surround sound channels in addition to the conventional stereo left and right and the way in which they are implemented.
- 258 **Help Wanted**
- 259 **Screen Entertainment 2000** **George Cole**
A look at what lies ahead in the video field.
- 262 **Modern TV Receiver Techniques: Teletext** **Eugene Trundle**
Basic principles of teletext transmission, reception and decoding.
- 267 **Next Month in Television**
- 270 **TV Fault Finding**
Reports from Philip Blundell, AMIEE, Brian Storm, Edward Joyce, J.G. Grieve, Michael Dranfield, John Edwards, Richard Flowerday, John Hepworth and Terry Lamoon.
- 273 **Camcorner**
Reports from David C. Woodnott and Keith T. Keeton.
- 274 **Long-distance Television** **Roger Bunney**
Reports on DX conditions and reception and news from abroad.
- 280 **Notes on the Bush 2521T** **Chris Watton**
The reprogramming procedure and general service notes.
- 281 **Back to Basics**
Chris Avis reports on the video courses run by Steve Beeching, T. Eng.
- 282 **Satellite Scene**
Modification and fault notes from David Finan, Steve Cannon, Chris Watton and Graham Rees.
- 283 **Letters**

OUR NEXT ISSUE DATED MARCH
WILL BE PUBLISHED ON FEBRUARY 16

BC107	8p	BD828	50p	R20088	100p	ZN6385	120p	EY86	70p	AN7145	150p	LA2000	150p	NE555	20p	STK4182H	800p	STR1090	500p	TD6230BAP	200p	TD43582A	350p
BC108	8p	BD897	50p	S2000	50p	3N143	85p	EY88	80p	AN7154	180p	LA2200	190p	NE565	110p	STK4191	850p	STR4441	650p	TD62382	200p	TD43640	350p
BC109	8p	BD899	50p	S2800M	72p	DIODES		PC37	80p	AN7156	240p	LA3160	120p	NE566	130p	STK4231H	990p	STR4511H	600p	TD62705	200p	TD43650	250p
BC140	10p	BD977	50p	T2800D	52p	PCF801	110p	PCF802	110p	AN7168	260p	LA3201	80p	NE567	115p	STK4272	720p	STR5020	550p	TD6304AP	500p	TD43653	150p
BC141	20p	BDX32	100p	TIP23M	120p	PCF805	80p	PCF806	115p	AN7170	275p	LA3212	100p	NE568	290p	STK4273	650p	STR5030	550p	TD6305P	500p	TD43657	150p
BC142	20p	BDX33	60p	TIP29	22p	PCF807	110p	PCF808	110p	AN7222	180p	LA3220	100p	NE592	85p	STK4301	700p	STR5050	600p	TD6350P	200p	TD43710	320p
BC143	20p	BDX65	80p	TIP29A	22p	PCF809	110p	PCF810	110p	AN7254	150p	LA3300	140p	NE5532P	140p	STK4311	800p	STR5103A	260p	TD6359P	300p	TD43730	550p
BC147	8p	BDW23	55p	TIP29C	25p	PCF806	115p	PCF806	115p	AN7256	250p	LA3301	110p	SA5560	110p	STK4332	410p	STR5104	650p	TD6359P	300p	TD43740	600p
BC148	8p	BDW24	55p	TIP30	25p	PCF806	115p	PCF806	115p	AN7256	250p	LA3301	110p	SA5560	110p	STK4332	410p	STR5104	650p	TD6359P	300p	TD43740	600p
BC149	8p	BDW93	50p	TIP30C	30p	PCF806	115p	PCF806	115p	AN7256	250p	LA3301	110p	SA5560	110p	STK4332	410p	STR5104	650p	TD6359P	300p	TD43740	600p
BC157	8p	BDW94	50p	TIP31A	22p	PCF806	115p	PCF806	115p	AN7256	250p	LA3301	110p	SA5560	110p	STK4332	410p	STR5104	650p	TD6359P	300p	TD43740	600p
BC159	8p	BDY92	100p	TIP31C	30p	PCF806	115p	PCF806	115p	AN7256	250p	LA3301	110p	SA5560	110p	STK4332	410p	STR5104	650p	TD6359P	300p	TD43740	600p
BC160	10p	BF167	30p	TIP32	24p	PCF806	115p	PCF806	115p	AN7256	250p	LA3301	110p	SA5560	110p	STK4332	410p	STR5104	650p	TD6359P	300p	TD43740	600p
BC171	10p	BF180	16p	TIP32A	21p	PCF806	115p	PCF806	115p	AN7256	250p	LA3301	110p	SA5560	110p	STK4332	410p	STR5104	650p	TD6359P	300p	TD43740	600p
BC172	10p	BF180	16p	TIP32C	21p	PCF806	115p	PCF806	115p	AN7256	250p	LA3301	110p	SA5560	110p	STK4332	410p	STR5104	650p	TD6359P	300p	TD43740	600p
BC177	14p	BF181	18p	TIP33	50p	PCF806	115p	PCF806	115p	AN7256	250p	LA3301	110p	SA5560	110p	STK4332	410p	STR5104	650p	TD6359P	300p	TD43740	600p
BC178	14p	BF195	18p	TIP33C	50p	PCF806	115p	PCF806	115p	AN7256	250p	LA3301	110p	SA5560	110p	STK4332	410p	STR5104	650p	TD6359P	300p	TD43740	600p
BC179	14p	BF195	18p	TIP34	50p	PCF806	115p	PCF806	115p	AN7256	250p	LA3301	110p	SA5560	110p	STK4332	410p	STR5104	650p	TD6359P	300p	TD43740	600p
BC182	7p	BF199	8p	TIP34C	60p	PCF806	115p	PCF806	115p	AN7256	250p	LA3301	110p	SA5560	110p	STK4332	410p	STR5104	650p	TD6359P	300p	TD43740	600p
BC182L	7p	BF200	16p	TIP35C	60p	PCF806	115p	PCF806	115p	AN7256	250p	LA3301	110p	SA5560	110p	STK4332	410p	STR5104	650p	TD6359P	300p	TD43740	600p
BC183	7p	BF225	30p	TIP36C	60p	PCF806	115p	PCF806	115p	AN7256	250p	LA3301	110p	SA5560	110p	STK4332	410p	STR5104	650p	TD6359P	300p	TD43740	600p
BC184	7p	BF248	15p	TIP41A	20p	PCF806	115p	PCF806	115p	AN7256	250p	LA3301	110p	SA5560	110p	STK4332	410p	STR5104	650p	TD6359P	300p	TD43740	600p
BC184L	7p	BF254	15p	TIP41C	22p	PCF806	115p	PCF806	115p	AN7256	250p	LA3301	110p	SA5560	110p	STK4332	410p	STR5104	650p	TD6359P	300p	TD43740	600p
BC184L	7p	BF254	15p	TIP42A	22p	PCF806	115p	PCF806	115p	AN7256	250p	LA3301	110p	SA5560	110p	STK4332	410p	STR5104	650p	TD6359P	300p	TD43740	600p
BC212	7p	BF255	12p	TIP42C	22p	PCF806	115p	PCF806	115p	AN7256	250p	LA3301	110p	SA5560	110p	STK4332	410p	STR5104	650p	TD6359P	300p	TD43740	600p
BC133L	7p	BF256	18p	TIP42A	22p	PCF806	115p	PCF806	115p	AN7256	250p	LA3301	110p	SA5560	110p	STK4332	410p	STR5104	650p	TD6359P	300p	TD43740	600p
BC213	7p	BF257	18p	TIP46	40p	PCF806	115p	PCF806	115p	AN7256	250p	LA3301	110p	SA5560	110p	STK4332	410p	STR5104	650p	TD6359P	300p	TD43740	600p
BC213L	7p	BF258	18p	TIP50	60p	PCF806	115p	PCF806	115p	AN7256	250p	LA3301	110p	SA5560	110p	STK4332	410p	STR5104	650p	TD6359P	300p	TD43740	600p
BC214	7p	BF259	18p	TIP51	120p	PCF806	115p	PCF806	115p	AN7256	250p	LA3301	110p	SA5560	110p	STK4332	410p	STR5104	650p	TD6359P	300p	TD43740	600p
BC141L	7p	BF262	14p	TIP52	120p	PCF806	115p	PCF806	115p	AN7256	250p	LA3301	110p	SA5560	110p	STK4332	410p	STR5104	650p	TD6359P	300p	TD43740	600p
BC237	7p	BF263	25p	TIP53	120p	PCF806	115p	PCF806	115p	AN7256	250p	LA3301	110p	SA5560	110p	STK4332	410p	STR5104	650p	TD6359P	300p	TD43740	600p
BC238	7p	BF270	18p	TIP54	150p	PCF806	115p	PCF806	115p	AN7256	250p	LA3301	110p	SA5560	110p	STK4332	410p	STR5104	650p	TD6359P	300p	TD43740	600p
BC239	7p	BF273	15p	TIP105	65p	PCF806	115p	PCF806	115p	AN7256	250p	LA3301	110p	SA5560	110p	STK4332	410p	STR5104	650p	TD6359P	300p	TD43740	600p
BC300	20p	BF301	20p	TIP106	65p	PCF806	115p	PCF806	115p	AN7256	250p	LA3301	110p	SA5560	110p	STK4332	410p	STR5104	650p	TD6359P	300p	TD43740	600p
BC301	20p	BF302	20p	TIP107	65p	PCF806	115p	PCF806	115p	AN7256	250p	LA3301	110p	SA5560	110p	STK4332	410p	STR5104	650p	TD6359P	300p	TD43740	600p
BC302	20p	BF303	20p	TIP110	40p	PCF806	115p	PCF806	115p	AN7256	250p	LA3301	110p	SA5560	110p	STK4332	410p	STR5104	650p	TD6359P	300p	TD43740	600p
BC303	20p	BF304	20p	TIP111	50p	PCF806	115p	PCF806	115p	AN7256	250p	LA3301	110p	SA5560	110p	STK4332	410p	STR5104	650p	TD6359P	300p	TD43740	600p
BC304	25p	BF305	30p	TIP112	50p	PCF806	115p	PCF806	115p	AN7256	250p	LA3301	110p	SA5560	110p	STK4332	410p	STR5104	650p	TD6359P	300p	TD43740	600p
BC327	7p	BF367	13p	TIP115	45p	PCF806	115p	PCF806	115p	AN7256	250p	LA3301	110p	SA5560	110p	STK4332	410p	STR5104	650p	TD6359P	300p	TD43740	600p
BC328	7p	BF371	17p	TIP116	45p	PCF806	115p	PCF806	115p	AN7256	250p	LA3301	110p	SA5560	110p	STK4332	410p	STR5104	650p	TD6359P	300p	TD43740	600p
BC337	7p	BF374	25p	TIP117	50p	PCF806	115p	PCF806	115p	AN7256	250p	LA3301	110p	SA5560	110p	STK4332	410p	STR5104	650p	TD6359P	300p	TD43740	600p
BC338	7p	BF375	25p	TIP118	50p	PCF806	115p	PCF806	115p	AN7256	250p	LA3301	110p	SA5560	110p	STK4332	410p	STR5104	650p	TD6359P	300p	TD43740	600p
BC441	20p	BF491	99p	TIP121	47p	PCF806	115p	PCF806	115p	AN7256	250p	LA3301	110p	SA5560	110p	STK4332	410p	STR5104	650p	TD6359P	300p	TD43740	600p
BC446	8p	BF473	40p	TIP122	47p	PCF806	115p	PCF806	115p	AN7256	250p	LA3301	110p	SA5560	110p	STK4332	410p	STR5104	650p	TD6359P	300p	TD43740	600p
BC449	15p	BF479	20p	TIP125	47p	PCF806	115p	PCF806	115p	AN7256	250p	LA3301	110p	SA5560	110p	STK4332	410p	STR5104	650p	TD6359P	300p	TD43740	600p
BC461	18p	BF485	20p	TIP126	50p	PCF806	115p	PCF806	115p	AN7256	250p	LA3301	110p	SA5560	110p	STK4332	410p	STR5104	650p	TD6359P	300p	TD43740	600p
BC478	18p	BF487	15p	TIP127	50p	PCF806	115p	PCF806	115p	AN7256	250p	LA3301	110p	SA5560	110p	STK4332	410p	STR5104	650p	TD6359P	300p	TD43740	600p
BC478	18p	BF487	15p	TIP130	30p	PCF806	115p	PCF806	115p	AN7256	250p	LA3301	110p	SA5560	110p	STK4332	410p	STR5104	650p	TD6359P	300p	TD43740	600p
BC516	22p	BF488	15p	TIP131	30p	PCF806	115p	PCF806	115p	AN7256	250p	LA3301	110p	SA5560	110p	STK4332	410p	STR5104	650p	TD6359P	300p	TD43740	600p
BC537	25p	BF489	60p	TIP132	30p	PCF806	115p	PCF806	115p	AN7256	250p	LA3301	110p	SA5560	110p	STK4332	410p	STR5104	650p	TD6359P	300p	TD43740	600p
BC546	8p	BF491	30p	TIP142	60p	PCF806	115p	PCF806	115p	AN7256	250p	LA3301	110p	SA5560	110p	STK4332	410p	STR5104	650p	TD6359P	300p	TD43740	600p
BC548	8p	BF492	30p	TIP146	90p	PCF806	115p	PCF806	115p	AN7256	250p	LA3301	110p	SA5560	110p	STK4332	410p	STR5104	650p	TD6359P	300p	TD43740	600p
BC549	8p	BF493	30p	TIP147	100p	PCF806	115p	PCF806	115p	AN7256	250p	LA3301	110p	SA5560	110p	STK4332	410p	STR5104	650p	TD6359P	300p	TD43740	600p
BC550	8p	BF494	30p	TIP150																			

UNEAR Cs	25A1162	300	25C536	20p	25C624	140p	25C2394	75p	25C3531	225p	25D786	100p	25D1400	280p	25K214	170p	COMPUTER ICs	8748	700p	
-Cont	25A1169	500p	25C558	275p	25C625	140p	25C2324	120p	25C3547	100p	25D787	100p	25D1402	280p	25K216	170p	2114	150p	8755	
UPC1363	300p	25A1170	500p	25C563	120p	25C626	75p	25C2329	480p	25C3548	200p	25D788	100p	25D1404	125p	25K217	150p	2532	200p	Z80ACPU
UPC1363C	190p	25A1175	400p	25C565	120p	25C627	60p	25C2330	480p	25C3549	200p	25D789	100p	25D1406	125p	25K218	150p	2532	200p	Z80BCPU
UPC1364C	350p	25A1180	500p	25C566	120p	25C628	60p	25C2331	480p	25C3550	200p	25D790	100p	25D1408	125p	25K219	150p	2532	200p	Z80DMA
UPC1365	250p	25A1186	500p	25C569	100p	25C630	50p	25C2332	240p	25C3551	170p	25D791	100p	25D1410	125p	25K220	150p	2532	200p	Z80DMA
UPC1365C	500p	25A1198	70p	25C641	80p	25C631	300p	25C2333	120p	25C3552	60p	25D792	100p	25D1412	125p	25K221	150p	2532	200p	Z80DMA
UPC1370C	300p	25A1206	100p	25C643	500p	25C632	100p	25C2334	150p	25C3553	200p	25D793	100p	25D1414	125p	25K222	150p	2532	200p	Z80DMA
UPC1373	80p	25A1207	200p	25C644	200p	25C633	200p	25C2335	150p	25C3554	200p	25D794	100p	25D1416	125p	25K223	150p	2532	200p	Z80DMA
UPC1377C	200p	25A1209	100p	25C647	300p	25C634	120p	25C2336	120p	25C3555	200p	25D795	100p	25D1418	125p	25K224	150p	2532	200p	Z80DMA
UPC1378	180p	25A1210	120p	25C681	140p	25C635	120p	25C2337	120p	25C3556	200p	25D796	100p	25D1420	125p	25K225	150p	2532	200p	Z80DMA
UPC1378C	110p	25A1215	600p	25C683	120p	25C636	100p	25C2338	120p	25C3557	200p	25D797	100p	25D1422	125p	25K226	150p	2532	200p	Z80DMA
UPC1384	420p	25A1216	400p	25C684	100p	25C637	100p	25C2339	120p	25C3558	200p	25D798	100p	25D1424	125p	25K227	150p	2532	200p	Z80DMA
UPC1387C	250p	25A1217	100p	25C710	20p	25C638	100p	25C2340	120p	25C3559	200p	25D799	100p	25D1426	125p	25K228	150p	2532	200p	Z80DMA
UPC1394	120p	25A1220	100p	25C711	40p	25C639	100p	25C2341	120p	25C3560	200p	25D800	100p	25D1428	125p	25K229	150p	2532	200p	Z80DMA
UPC1397	350p	25A1227	300p	25C717	50p	25C640	100p	25C2342	120p	25C3561	200p	25D801	100p	25D1430	125p	25K230	150p	2532	200p	Z80DMA
1403CA	650p	25A1242	80p	25C732	40p	25C641	40p	25C2343	120p	25C3562	200p	25D802	100p	25D1432	125p	25K231	150p	2532	200p	Z80DMA
UPC	25A1244	120p	25C733	25p	25C7140	40p	25C2344	120p	25C3563	200p	25D803	100p	25D1434	125p	25K232	150p	2532	200p	Z80DMA	
1420CA	450p	25A1246	80p	25C739	40p	25C7152	70p	25C2345	120p	25C3564	200p	25D804	100p	25D1436	125p	25K233	150p	2532	200p	Z80DMA
UPC	25A1252	250p	25C760	40p	25C7155	40p	25C2346	120p	25C3565	200p	25D805	100p	25D1438	125p	25K234	150p	2532	200p	Z80DMA	
1421CA	650p	25A1261	150p	25C739	150p	25C7156	40p	25C2347	120p	25C3566	200p	25D806	100p	25D1440	125p	25K235	150p	2532	200p	Z80DMA
UPC	25A1282	160p	25C761	150p	25C7157	30p	25C2348	120p	25C3567	200p	25D807	100p	25D1442	125p	25K236	150p	2532	200p	Z80DMA	
1423CA	560p	25A1283	280p	25C762	150p	25C7158	100p	25C2349	120p	25C3568	200p	25D808	100p	25D1444	125p	25K237	150p	2532	200p	Z80DMA
UPC1470	200p	25A1284	280p	25C784	150p	25C7175	40p	25C2350	120p	25C3569	200p	25D809	100p	25D1446	125p	25K238	150p	2532	200p	Z80DMA
UPC1504C	400p	25A1285	280p	25C790	80p	25C7181	50p	25C2351	120p	25C3570	200p	25D810	100p	25D1448	125p	25K239	150p	2532	200p	Z80DMA
UPC1505C	400p	25A1283	60p	25C792	380p	25C7180	100p	25C2352	120p	25C3571	200p	25D811	100p	25D1450	125p	25K240	150p	2532	200p	Z80DMA
UPC	25A1284	60p	25C806	225p	25C7189	40p	25C2353	120p	25C3572	200p	25D812	100p	25D1452	125p	25K241	150p	2532	200p	Z80DMA	
UPC	25A1285	60p	25C806	225p	25C7189	40p	25C2354	120p	25C3573	200p	25D813	100p	25D1454	125p	25K242	150p	2532	200p	Z80DMA	
UPC	25A1286	60p	25C806	225p	25C7189	40p	25C2355	120p	25C3574	200p	25D814	100p	25D1456	125p	25K243	150p	2532	200p	Z80DMA	
UPC	25A1287	60p	25C806	225p	25C7189	40p	25C2356	120p	25C3575	200p	25D815	100p	25D1458	125p	25K244	150p	2532	200p	Z80DMA	
UPC	25A1288	60p	25C806	225p	25C7189	40p	25C2357	120p	25C3576	200p	25D816	100p	25D1460	125p	25K245	150p	2532	200p	Z80DMA	
UPC	25A1289	60p	25C806	225p	25C7189	40p	25C2358	120p	25C3577	200p	25D817	100p	25D1462	125p	25K246	150p	2532	200p	Z80DMA	
UPC	25A1290	60p	25C806	225p	25C7189	40p	25C2359	120p	25C3578	200p	25D818	100p	25D1464	125p	25K247	150p	2532	200p	Z80DMA	
UPC	25A1291	60p	25C806	225p	25C7189	40p	25C2360	120p	25C3579	200p	25D819	100p	25D1466	125p	25K248	150p	2532	200p	Z80DMA	
UPC	25A1292	60p	25C806	225p	25C7189	40p	25C2361	120p	25C3580	200p	25D820	100p	25D1468	125p	25K249	150p	2532	200p	Z80DMA	
UPC	25A1293	60p	25C806	225p	25C7189	40p	25C2362	120p	25C3581	200p	25D821	100p	25D1470	125p	25K250	150p	2532	200p	Z80DMA	
UPC	25A1294	60p	25C806	225p	25C7189	40p	25C2363	120p	25C3582	200p	25D822	100p	25D1472	125p	25K251	150p	2532	200p	Z80DMA	
UPC	25A1295	60p	25C806	225p	25C7189	40p	25C2364	120p	25C3583	200p	25D823	100p	25D1474	125p	25K252	150p	2532	200p	Z80DMA	
UPC	25A1296	60p	25C806	225p	25C7189	40p	25C2365	120p	25C3584	200p	25D824	100p	25D1476	125p	25K253	150p	2532	200p	Z80DMA	
UPC	25A1297	60p	25C806	225p	25C7189	40p	25C2366	120p	25C3585	200p	25D825	100p	25D1478	125p	25K254	150p	2532	200p	Z80DMA	
UPC	25A1298	60p	25C806	225p	25C7189	40p	25C2367	120p	25C3586	200p	25D826	100p	25D1480	125p	25K255	150p	2532	200p	Z80DMA	
UPC	25A1299	60p	25C806	225p	25C7189	40p	25C2368	120p	25C3587	200p	25D827	100p	25D1482	125p	25K256	150p	2532	200p	Z80DMA	
UPC	25A1300	60p	25C806	225p	25C7189	40p	25C2369	120p	25C3588	200p	25D828	100p	25D1484	125p	25K257	150p	2532	200p	Z80DMA	
UPC	25A1301	60p	25C806	225p	25C7189	40p	25C2370	120p	25C3589	200p	25D829	100p	25D1486	125p	25K258	150p	2532	200p	Z80DMA	
UPC	25A1302	60p	25C806	225p	25C7189	40p	25C2371	120p	25C3590	200p	25D830	100p	25D1488	125p	25K259	150p	2532	200p	Z80DMA	
UPC	25A1303	60p	25C806	225p	25C7189	40p	25C2372	120p	25C3591	200p	25D831	100p	25D1490	125p	25K260	150p	2532	200p	Z80DMA	
UPC	25A1304	60p	25C806	225p	25C7189	40p	25C2373	120p	25C3592	200p	25D832	100p	25D1492	125p	25K261	150p	2532	200p	Z80DMA	
UPC	25A1305	60p	25C806	225p	25C7189	40p	25C2374	120p	25C3593	200p	25D833	100p	25D1494	125p	25K262	150p	2532	200p	Z80DMA	
UPC	25A1306	60p	25C806	225p	25C7189	40p	25C2375	120p	25C3594	200p	25D834	100p	25D1496	125p	25K263	150p	2532	200p	Z80DMA	
UPC	25A1307	60p	25C806	225p	25C7189	40p	25C2376	120p	25C3595	200p	25D835	100p	25D1498	125p	25K264	150p	2532	200p	Z80DMA	
UPC	25A1308	60p	25C806	225p	25C7189	40p	25C2377	120p	25C3596	200p	25D836	100p	25D1500	125p	25K265	150p	2532	200p	Z80DMA	
UPC	25A1309	60p	25C806	225p	25C7189	40p	25C2378	120p	25C3597	200p	25D837	100p	25D1502	125p	25K266	150p	2532	200p	Z80DMA	
UPC	25A1310	60p	25C806	225p	25C7189	40p	25C2379	120p	25C3598	200p	25D838	100p	25D1504	125p	25K267	150p	2532	200p	Z80DMA	
UPC	25A1311	60p	25C806	225p	25C7189	40p	25C2380	120p	25C3599	200p	25D839	100p	25D1506	125p	25K268	150p	2532	200p	Z80DMA	

SONY FLYBACK TRANSFORMERS

Part No.	Models	Price
1-439-216-00	KV-2002E, 2010E, 2200E, 2015, 1820E, 2010SE, KV-2012ME, 2016ME, 2015ME, 2010ME	£14.00
1-439-256-11	KV-2704EC, 2704UB, 2704ET, 2704EA, 2704E	£25.00
1-439-286-21	KV-2215UB, 2215UB, 2215SE, 2215FE, 2212EX, 2215ET	£30.50
1-439-285-21	KV-2705F, 2705FE, 2705UB, 2705E, 2706UB, 2720EC	£40.00
1-439-303-00	KV-2064EC, 2065P1, 2062ME7, 2056EC, 2060SA, KV-2062E(ESP)	£27.00
1-439-311-00	KV-1440AEC, 1440AS, 1440D, CPS-14CD3, CPV-14CD2, KTX-1350NF, KTX-1430UB	£20.00
1-439-332-21	KV-2756, 2730EC, 2730FE, 2784EC, 2752UB, 2752F, KV-1882EC, 1882UB, 1882F, 1882C, 1882AEB, 1882AM, KV-1882ME, 1882K, 1882AS, 1882AS, 1882EC, 1882E, 1770F	£38.00
1-439-333-00	KV-1882EC, 1882UB, 1882F, 1882C, 1882AEB, 1882AM, KV-1882ME, 1882K, 1882AS, 1882AS, 1882EC, 1882E, 1770F	£20.00
1-439-363-21	KV-19HT1A, 19FX1MT, 19G2, 1602W7, 1602GE, ADM-16E, KV-2092UB, 2096UB	£22.00

FLYBACK TRANSFORMERS

Part No.	Models	Price
FERGUSON 00D-4-208-001	TX9	£14.00
00D-4-208-002	TX9	£14.00
00D-4-235-002-01G	TX90	£14.00
00D-4-247-001	TX90	£14.00
00D-4-247-001-HT1	TX90	£14.00
06D-3-093-001	TX100	£14.00
0110106D-3-087-001	TX100	£14.00
0110106D-3-084-001	TX100	£14.00
06D-3-088-001	TX100	£14.00

Part No.	Models	Price
GRUNDIG 29201-019-05		£8.00
29201-024-11		£14.00
29201-024-04		£14.00

Part No.	Models	Price
PHILIPS PS 140-17112	G11	£14.00
PS 140-10306	G3AE	£11.50
PS 140-10353	G90B	£15.50
PS 140-10151	K12	£15.00
PS 140-10283	K30 K30111	£15.00
PS 140-10246	K40	£13.00
PS 140-10247	K74	£14.00
PS 140-10149	K72	£9.00
PS 140-10161	K73	£9.00
PS 140-17033	GB	£10.00
PS 140-17089	GB	£10.00
PS 140-10328	NCJ	£14.00

Part No.	Models	Price
ITT CVC20		£11.50
CVC25		£11.50
CVC30		£11.50

Part No.	Models	Price
HITACHI 2432961	CPT 1444	£15.00
2434274	CPT 2174, CPT2176	£14.00
	CPT 2178	£14.00
OUTPUT TV MODULE	HM6251 (REF 2370551)	£5.50
	HM6232	£8.00

IDLERS & PULLEYS REPLACEMENT

Part No.	Models	Price
AKAI VS1-2, VS4-5, VS15	FF-REW IDLER	M1327773 £4.50
VS1-6, 12, 58, 58, 59		
VS1-2, VS4-5, VS15	T-UP IDLER	BV327815 £6.00
VS1-6, 12, 58, 59		
V9700	IDLER	BV321979 £6.00
VS125, 126, 155	FF-REW ASSY	MZ368690J £11.00
VS165, 240, 244, 245, 247, 248, 250, 512, 515, 516		
VS22, 38, 105, 112, 115, 118, 205, 220		
VP7100, VS9300	T-UP IDLER	PU47752 £4.50
VS9500, VS9800		
VP7100, VS9300	UNLOADING IDLER	PU46381 £4.00
VS9500, VS9800		
VP7100, VS9300	REW IDLER	PU46380 £5.00
VS9500, VS9800		
VP77, VS10	REEL IDLER	BV327815 £6.00
VP88	IDLER	BV336067 £5.00
VS1-3, 4, 9, 12	REEL TABLE	BR347731 £5.50
VS15, 58		
VS23, 35, 37, 55, 55	CLUTCH	ML373043 £13.00
VS66, 75, VSA77		
VS9700	FF-REW IDLER	BV321761 £3.20
VS9700	REW IDLER	W321762 £4.25

Part No.	Models	Price
AMSTRAD VCR7000	IDLER	150280 £1.50
TVR1, VCR4500	CLUTCH	150873 £3.75
VCR4600, VCR5200, VCR9000		
TVR1, VCR4500	GEAR HOLDER	151284 £3.50
VCR4600, VCR6200, VCR9000		
TVR1, VCR4600	REF. CLUTCH	153202 £3.50
VCR5200		
VCR4600, VCR6100	CLUTCH	153202 £3.80
VCR4600, VCR9000	CLUTCH	153202 £3.80
VCR4600, VCR4600	MOD KIT	153202 £4.50
VCR4700		
MOD KIT TAPE CREAMING FOR AMSTRAD VCR4500, 4600, 4700		£3.00

Part No.	Models	Price
FERGUSON 3V00, 3V01, 3V16	T-UP IDLER	PU47752 £4.50
3V22, 3292, 8900, 8901, 8941, 8906		
3V16, 3V22	T-UP IDLER	PU49280 £5.50
8903, 8909, 8912, 8922		
3V23, 3V29, 3V30	REEL IDLER	PU48967 £2.50
3V31, 3V32, 3V35, 8923, 8924, 8928, 8930, 8931, 8940		
3V23, 3V31	ROLLER ASSY	PU490424 £14.00
3V29, 3V30, 3V31	T-UP IDLER	PU48967 £2.50
3V32, 3V35, 3V36, 3V38, 3V39, 3V49, 8930, 8931, 8940, 8941, 8942		
3V28, 3V30, 3V31	T-UP CLUTCH	PU51380 £2.25
3V32, 8930, 8931, 8940, 8941, 8942		
3V35, 3V36, 3V38	REEL IDLER	PU56374 £2.85
3V38, 3V49, 8943, 8944		
3V35, 3V36, 3V38	T-UP CLUTCH	PU56373 £2.25
3V38, 3V49, 8943, 8944		
3V38, 3V49, 3V64	IDLER ARM	PU58645 £2.00
3V65, FV10, FV11, FV12, FV13, FV14, FV20, FV21, FV22, FV26		
FV20, FV22, FV33, 8950, VCA1E		
3V42, 3V43	CLUTCH ASSY	PU55822 £13.50
3V43, 3V44, 3V45	CLUTCH ASSY	PU57658 £11.50
3V48, 3V53, 3V54, 3V55, 3V57, 8947, 8948		
3V42, 3V43, 3V44	T-UP CLUTCH	PU56043 1-4 £2.80
3V45, 3V48, 3V53, 3V54, 3V55, 3V56, 3V57, 8947, 8948		
3V42, 3V43, 3V44	SUPPORT CLUTCH	PU56044 1-5 £2.80
3V45, 3V48, 3V53, 3V54, 3V55, 3V56, 3V57, 8947, 8948		
3V00, 3V01, 3V16	LOADING IDLER	PU43681 £4.00
3292, 8900, 8901, 8904, 8906		
3V16, 3V22, 8902	IDLER	PU43680 £6.00
8909, 8912, 8922		
3V16, 3V22, 8902	IDLER	PU49281 £1.70
8909, 8912, 8922		
3V16, 3V22, 8902	IDLER	PU49283 £1.00
8909, 8912, 8922		

Part No.	Models	Price
FISHER FVHP420, 520, 530	FF-REW PULLEY	H1638531 £1.00
FVHP615, 618, 620	COMP. IDLER ASSY	F1430420400300 £3.30
FVHP622, 710, 711, FVHP720, 721, 722, FVHP725, 730, 830		
FVHP940, 925, 908, 243, GHV1242, 1246, GHV1247, 1248, 918, 919		
FVHP615, 618, 620	GEAR IDLER ASSY	F1430404009000 £4.50
FVHP622, 710, 711, FVHP720, 721, 722		
FVHP725, 730, 830, FVHP940		
FVHP915, 618, 620	REEL T-UP ASSY	F1430410400900 £5.50
FVHP661, 710, 711, FVHP720, 721, 722		
FVHP725, 730, 830, FVHP940		
FVHP915, 906, 908	GEAR IDLER ASSY	F1430404024000 £4.00
FVHP910, 911, 915, FVHP916, 918		
FVHP915, 916, 918	IDLER	F1430420400700 £4.50
FVHP909, 5000, 5005		
FVHP5006, 5075, 5100		
FVHP40, 58, 140	REEL DRIVE ROLLER	F12430510404200 £8.00
FVHP91, 10, 20		
FVHP975, 980, 990	GEAR CLUTCH	F12430510404200 £3.00
FVHP975, 980, 990	CLUTCH	F12430510404200 £3.00
FVHP420, 520, 530	IDLER	£2.80
FVHP420, 520, 530	TAKE UP IDLER	£2.50
FVHP990	LOADING GEAR	£2.00
VBS3500	REEL DRIVE PULLEY	£5.20
VBS3500	IDLER	£3.00
VBS7000	REW IDLER	£1.20

Part No.	Models	Price
GOLDSTAR GHV1221, 1232, 1240	CLUTCH GEAR	435038A £2.50
GHV1242, 1246, GHV1246, GHV1247, 1248, 8000, GHV1249, 1250, 1251, 1252, 1253, 1254, 1255, 1256, 1257, 1258, 1259, 1260, 1261, 1262, 1263, 1264, 1265, 1266, 1267, 1268, 1269, 1270, 1271, 1272, 1273, 1274, 1275, 1276, 1277, 1278, 1279, 1280, 1281, 1282, 1283, 1284, 1285, 1286, 1287, 1288, 1289, 1290, 1291, 1292, 1293, 1294, 1295, 1296, 1297, 1298, 1299, 1300, 1301, 1302, 1303, 1304, 1305, 1306, 1307, 1308, 1309, 1310, 1311, 1312, 1313, 1314, 1315, 1316, 1317, 1318, 1319, 1320, 1321, 1322, 1323, 1324, 1325, 1326, 1327, 1328, 1329, 1330, 1331, 1332, 1333, 1334, 1335, 1336, 1337, 1338, 1339, 1340, 1341, 1342, 1343, 1344, 1345, 1346, 1347, 1348, 1349, 1350, 1351, 1352, 1353, 1354, 1355, 1356, 1357, 1358, 1359, 1360, 1361, 1362, 1363, 1364, 1365, 1366, 1367, 1368, 1369, 1370, 1371, 1372, 1373, 1374, 1375, 1376, 1377, 1378, 1379, 1380, 1381, 1382, 1383, 1384, 1385, 1386, 1387, 1388, 1389, 1390, 1391, 1392, 1393, 1394, 1395, 1396, 1397, 1398, 1399, 1400, 1401, 1402, 1403, 1404, 1405, 1406, 1407, 1408, 1409, 1410, 1411, 1412, 1413, 1414, 1415, 1416, 1417, 1418, 1419, 1420, 1421, 1422, 1423, 1424, 1425, 1426, 1427, 1428, 1429, 1430, 1431, 1432, 1433, 1434, 1435, 1436, 1437, 1438, 1439, 1440, 1441, 1442, 1443, 1444, 1445, 1446, 1447, 1448, 1449, 1450, 1451, 1452, 1453, 1454, 1455, 1456, 1457, 1458, 1459, 1460, 1461, 1462, 1463, 1464, 1465, 1466, 1467, 1468, 1469, 1470, 1471, 1472, 1473, 1474, 1475, 1476, 1477, 1478, 1479, 1480, 1481, 1482, 1483, 1484, 1485, 1486, 1487, 1488, 1489, 1490, 1491, 1492, 1493, 1494, 1495, 1496, 1497, 1498, 1499, 1500, 1501, 1502, 1503, 1504, 1505, 1506, 1507, 1508, 1509, 1510, 1511, 1512, 1513, 1514, 1515, 1516, 1517, 1518, 1519, 1520, 1521, 1522, 1523, 1524, 1525, 1526, 1527, 1528, 1529, 1530, 1531, 1532, 1533, 1534, 1535, 1536, 1537, 1538, 1539, 1540, 1541, 1542, 1543, 1544, 1545, 1546, 1547, 1548, 1549, 1550, 1551, 1552, 1553, 1554, 1555, 1556, 1557, 1558, 1559, 1560, 1561, 1562, 1563, 1564, 1565, 1566, 1567, 1568, 1569, 1570, 1571, 1572, 1573, 1574, 1575, 1576, 1577, 1578, 1579, 1580, 1581, 1582, 1583, 1584, 1585, 1586, 1587, 1588, 1589, 1590, 1591, 1592, 1593, 1594, 1595, 1596, 1597, 1598, 1599, 1600, 1601, 1602, 1603, 1604, 1605, 1606, 1607, 1608, 1609, 1610, 1611, 1612, 1613, 1614, 1615, 1616, 1617, 1618, 1619, 1620, 1621, 1622, 1623, 1624, 1625, 1626, 1627, 1628, 1629, 1630, 1631, 1632, 1633, 1634, 1635, 1636, 1637, 1638, 1639, 1640, 1641, 1642, 1643, 1644, 1645, 1646, 1647, 1648, 1649, 1650, 1651, 1652, 1653, 1654, 1655, 1656, 1657, 1658, 1659, 1660, 1661, 1662, 1663, 1664, 1665, 1666, 1667, 1668, 1669, 1670, 1671, 1672, 1673, 1674, 1675, 1676, 1677, 1678, 1679, 1680, 1681, 1682, 1683, 1684, 1685, 1686, 1687, 1688, 1689, 1690, 1691, 1692, 1693, 1694, 1695, 1696, 1697, 1698, 1699, 1700, 1701, 1702, 1703, 1704, 1705, 1706, 1707, 1708, 1709, 1710, 1711, 1712, 1713, 1714, 1715, 1716, 1717, 1718, 1719, 1720, 1721, 1722, 1723, 1724, 1725, 1726, 1727, 1728, 1729, 1730, 1731, 1732, 1733, 1734, 1735, 1736, 1737, 1738, 1739, 1740, 1741, 1742, 1743, 1744, 1745, 1746, 1747, 1748, 1749, 1750, 1751, 1752, 1753, 1754, 1755, 1756, 1757, 1758, 1759, 1760, 1761, 1762, 1763, 1764, 1765, 1766, 1767, 1768, 1769, 1770, 1771, 1772, 1773, 1774, 1775, 1776, 1777, 1778, 1779, 1780, 1781, 1782, 1783, 1784, 1785, 1786, 1787, 1788, 1789, 1790, 1791, 1792, 1793, 1794, 1795, 1796, 1797, 1798, 1799, 1800, 1801, 1802, 1803, 1804, 1805, 1806, 1807, 1808, 1809, 1810, 1811, 1812, 1813, 1814, 1815, 1816, 1817, 1818, 1819, 1820, 1821, 1822, 1823, 1824, 1825, 1826, 1827, 1828, 1829, 1830, 1831, 1832, 1833, 1834, 1835, 1836, 1837, 1838, 1839, 1840, 1841, 1842, 1843, 1844, 1845, 1846, 1847, 1848, 1849, 1850, 1851, 1852, 1853, 1854, 1855, 1856, 1857, 1858, 1859, 1860, 1861, 1862, 1863, 1864, 1865, 1866, 1867, 1868, 1869, 1870, 1871, 1872, 1873, 1874, 1875, 1876, 1877, 1878, 1879, 1880, 1881, 1882, 1883, 1884, 1885, 1886, 1887, 1888, 1889, 1890, 1891, 1892, 1893, 1894, 1895, 1896, 1897, 1898, 1899, 1900, 1901, 1902, 1903, 1904, 1905, 1906, 1907, 1908, 1909, 1910, 1911, 1912, 1913, 1914, 1915, 1916, 1917, 1918, 1919, 1920, 1921, 1922, 1923, 1924, 19		

REMOTE CONTROLS

GRUNDIG

TP160E 1050P
 TP200, TP300 1000P
 TP400 850P
 TP590-600 1050P
 TP390, TP610 1050P
 TP621 1050P
 TP630, TP650 1000P
 TP660 1050P
 TP661 1050P

HITACHI

CLE800-CLE830 900P
 A617402/655602 1000P
 A512120/230 1000P
 A514790 1000P
 A5088470 1000P
 A518612 1000P
 SCL002 1000P
 C2096 1000P
 A511940 1000P
 655602H 1000P

ITT

IFB13, 14, 15 900P
 FS4 850P
 RG305 900P
 RG306 900P
 FS9/1-10/1 900P
 VS5 RUK 900P
 VS4-1 900P
 MULTICONTROL (17C20) 1000P

KORTING

18279, 18396, 18460, 18521 SE 1000P
 40540 VTS 1000P

LOEWE

DC11 1000P

MATSUI

010270601 1000P
 VX770 1000P

METZ

JAVA COLOR (6890) 1000P
 COLOR (7156) 1000P
 JAVA (7180) 1000P

MITSUBISHI

939P/03607, 939P/03609 900P

NOKIA

SATELLITE 1000P

NORDMENDE

TC2336 1050P
 CMC1, TC3519 1050P

OCEANIC

390C9500 1000P

ORION

RC53 1000P

PANASONIC

EUR51200 900P
 TC2200 900P
 VSQ0357/NV730 1050P
 TNQ1621 1000P

PHILCO

CARVEL, CONCORDE, MERCURY 1000P
 TELESTAR TC10 1000P

PHILIPS

RC5002, 5154 900P
 KT3 NON TEXT 900P
 69117032 1050P
 69117194 1050P
 RC5991 UNIV 850P
 RC3B 900P
 KT3 TEXT 900P
 RC5352 900P
 RC5375 900P
 RC5 STANDARD 900P
 RC5901 900P
 RC5903 900P

SABA

T6772 1000P
 TC319-320 1050P
 TC356 1050P
 TC358 1050P
 TC360 1000P
 TC365 1000P

SALORA

SERIES L 1000P
 86173 1000P

SANYO

RC218, RC222, RC228, RC238 900P
 JXGE 1000P
 JXDE 1000P
 VHR2300 1000P
 RC628 1000P

SHARP

G0121CESA, 123CESA, 204, 251 900P

SIEMENS

FC616 1000P
 FC631 1000P
 FC742 1000P

SONY

RM604, RM605, RM606 900P
 32 CHANNEL 900P
 RM613 900P
 RM632, RM636 900P

TATUNG

FXA 1000P
 RC70 900P
 FX70 FASTTEXT 850P

TELEFUNKEN

FB632 1000P
 FB639 1000P

THORN/FERGUSON

3V35-42 900P
 3V31-32 900P
 3V57-58 1050P
 TX10 TEXT 850P
 TX10 STEREO TEXT 850P
 TX9-90-100 850P
 3V55, FV11 1050P
 TX100 FASTTEXT 900P
 TX100 STEREO FASTTEXT 900P
 PROFESSIONAL 850P

TOSHIBA

CT937 1000P
 CT9117 1000P
 201R4B 1000P

UNIVERSAL PROGRAMMABLE REMOTE CONTROL

Controls up to 4 different devices which use infra red remote controls including TV, audio, VCR and satellite. (Need original remote control to program)
 Order code: IR100R Price: 1950P

We stock Remote Controls for over 5000 different models. Ring for further details on 081-900-2329.

BACKUP BATTERIES

REPLACEMENT PHILIPS NI-CAD BACKUP BATTERIES

Replaces Philips Part No's:
 138-10138, 138-10313. 1.2V - 90mAh 160P
 Replaces Philips Part No's:
 138-10229. 2.4V - 90mAh 240P

REPLACEMENT FERGUSON NI-CAD BACKUP BATTERIES

Replaces Ferguson Part No: 00E6-067-001. 1.2V
 Used on: TX10 150P
 Replaces Ferguson Part No's: 00E6-066-001. 2.4V
 Used on: 3V35, 3V56, 3V58, 3V65 280P

LINE OUTPUT TRANSFORMERS

Description	Price	Order Code
HITACHI 2433752	1500P	LOT01
ORION 3714002	1500P	LOT02
FIDELITY ZX300	1500P	LOT03
FE TX100 90 DEG	1500P	LOT04
SABA 490007182	1500P	LOT05
FE TX90 WHITE	1650P	LOT06
ITT D307/37 EQ	1600P	LOT07
BLAUPUNKT 210	1600P	LOT08
GRUNDIG 2922010	1600P	LOT09
ITT CVC800/1/3	1500P	LOT10
ITTD218/37 EQ	1600P	LOT11
NORMENDE 5255	1600P	LOT12
SABA 81000 200	1600P	LOT13
SALORA T236 EQ	1650P	LOT14
SABA 811-50.24	1600P	LOT15
SABA 770223500	1600P	LOT16
TELEFUNKEN AT1	1450P	LOT17
TELEFUNKEN EQ	1400P	LOT18
SALORA FM0218B	1600P	LOT19
NORMENDE 5255	1600P	LOT20
ITT CVC 1150/1	1500P	LOT21
ITT COMPACT 80	1500P	LOT22
FE TX100 GREEN	1450P	LOT23
HINARI CT4/5 5113	1500P	LOT24
SELECO 6320410	1600P	LOT25
BLAUPUNKT 8667	1600P	LOT26
ITT COMPACT B1	1450P	LOT27
ITT CT3326 MUL	1500P	LOT28
ITT D066/37 EQ	1600P	LOT29
ITT 3546 EQ	1500P	LOT30
LUXOR 5810110	1600P	LOT31
SABA 849380920	1600P	LOT32
HITACHI 2434141 CP	1450P	LOT33
FE TX100 110 D	1700P	LOT34
HANTAREX 28021	1600P	LOT35
SHARP C3700 EQ	1600P	LOT36
HITACHI 2432981 CP	1500P	LOT37

We stock line output transformers for over 100 different models. Please ring 081-900 2329 for more information.

FAULT FINDING GUIDE BOOK

Video Recorders Edition 2

Lists more than 2200 faults for 43 different brands

Price: £9 45p Only. No VAT
 Order Code: BOOK01

Television Edition 3

Lists more than 3500 faults for 50 different brands

Price: £9 45p Only. No VAT
 Order Code: BOOK02

VIDEO HEAD CLEANING STICKS



Order Code: SP14

Price: 17p Each
 15p Each Pack of 10pcs
 13p Each Pack of 25 pcs

FUSES

Value	TIME LAG (20mm)		QUICK BLOW (20mm)	
	Order Code	Price	Order Code	Price
160mA	FUSE01	75P	FUSE17	60P
250mA	FUSE02	75P	FUSE18	60P
315mA	FUSE03	75P	FUSE19	60P
400mA	FUSE04	75P	FUSE20	60P
500mA	FUSE05	75P	FUSE21	60P
630mA	FUSE06	75P	FUSE22	60P
800mA	FUSE07	60P	FUSE23	60P
1A	FUSE08	60P	FUSE24	60P
1.25A	FUSE09	60P	FUSE25	60P
1.6A	FUSE10	60P	FUSE26	60P
2A	FUSE11	50P	FUSE27	60P
2.5A	FUSE12	50P	FUSE28	60P
3.15A	FUSE13	55P	FUSE29	50P
4A	FUSE14	55P	FUSE30	50P
5A	FUSE15	60P	FUSE31	50P
6.3A	FUSE16	60P	FUSE32	50P

CERAMIC PLUG TOP

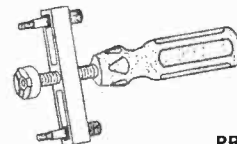
3A	FUSE33	100P
5A	FUSE34	100P
13A	FUSE35	100P

ALL THE ABOVE PRICES ARE FOR PACKS OF 10 FUSES

Solder Mop 1.2mm x 10 metres	300P
Tubed Silicon Grease 50 gram	200P
Tubed Heat Sink Compound 25 gram	150P

UNIVERSAL HEAD EXTRACTOR TOOL

Hand tool designed for extracting hard to remove heads without damage to either the head or the mounting assembly. Adjustable so as to suit various brand heads.



PRICE - £7

GRANDATA LTD

K. P. HOUSE, UNIT 15,
 POP IN COMMERCIAL CENTRE,
 SOUTHWAY, WEMBLEY,
 MIDDLESEX, ENGLAND HA9 0HB
 Tel: 081-900 2329 Fax: 081-903.6126

JUST ARRIVED

VIDEO HEADS

AKAI	
VSF600, VSF650	3800P
VP7100, VP7200, VP77	1500P
VS155, VS165	2600P
VS20, VS22, VS24, VS25, VS26, VS27, VS422, VS425, VS426, VS427, VSF10, VSP8, VSP9	1700P
VS240, VSP82, VS202	1500P
VS33	2600P
VSR9	1700P
AMSTRAD	
VCR8800, VCR8804, VCR9340	2400P
DD8900, DD8904, TVR4, VCR6200, VCR8600, VCR8602, VR8700	1300P
VCR8603, VCR8604, VCR8704, VCR8714	1350P
BAIRD	
VC14L	3000P
VHS82	7000P
BLAUPUNKT	
CR1000, CR1200, CR1500	4650P
CR1800	4100P
RTV321, RTV322	1700P
RTV330	2300P
RTV333	1000P
RTV338	2800P
RTV348	2700P
RTV404, RTV414	3000P
RTV635	3000P
RTV640	3000P
RTV750, RTV800, RTV900	3500P
RTV810	4400P
RTV910	4500P
JVC	
HRD330, HRD337, HRD440, HRD637, HRD641, HRD660, HRFC100	2200P
JVC AND FERGUSON	
8902/8903/8909/8912/8922	1000P
8923/8925/8929/8935	650P
8931/8933	750P
FV43H, HRD860	3800P
VC141L, HRD190, HRD610	3050P
FV44L	2200P
BR1600, HRD142, HRD156, HRD152	1550P
BR6200	720P
HRD154, HRD217, HRD321, HRD350, HRD521, HRD522, HRD525, HRD527, HRD550	1700P
HRD580, HRD620, HRD650	2900P
FIDELITY	
VR900, VR910	1600P
FISHER	
FVHD140, FVHD40, FVHP1, FVHP10, FVHP20	1600P
FVHP40, FVHS10	1600P
FVHP200, FVHP210, FVHP300, FVHP310	2100P
FVHP500, FVHP5100, FVHP730, FVHP830	1200P
FVHP980	2500P
FUNAI	
E1100, VIP5000	1200P
VCR5840, VCR8007, VIP2500A, VIP3000A, VIP6000, VIP150	2200P
VCR4530, VCR6000, VCR6100	1600P
VCR8103, VCR600, VCR6100	1600P
VCR8103, VCR8107	2200P
VIP300A MKII	1900P
GEC	
V4005H	2000P
GOLDSTAR	
GHV1232, 1233, 1241, 1242, 1243, 1244, 1290, 1291, 1295, 1296, 1891, VCP4130, 4300, 4301, 4305, 4306, 4310, 4311, 4315, 4316, 4320, 4321, 4326	1650P
GRUNDIG	
VS456	1700P
SE6110, SE9100, TVR4510, TVR5510, VS500, VS510, VS5180, VS6190, VS700, VS900	1800P
VS790, VS930, VS940	3800P
MVS660, SE6160, VERONA, VS660, VS6690	3500P
MVS710, MVS720, MVS910, SE9120, VS800, VSB10, VS910, VS920, SE7120, VS710, VS720	1800P
VS160, VS740	4400P
VS170	4600P
VS680	4600P
HINARI	
VCR34H, VTV200, VXL90	1850P
HITACHI	
VT15, VTP10, VTP30	1100P
VT16B, VT260, VT498	2700P
VT570, VT575, VT576, VT580, VT585, VT588	3400P
VT5600	1200P
VT60	1500P
VT660E	2600P
VT6700, VT6800	1200P
VTL30	2100P

VT522, VTM620, VTM622, VTM720, VTM722, VTM822	2000P
VTM725, VTM726, VTM72B	1600P
ITT	
VR3520, VR3701, VR3719, VR3720, VR3721, VR3759, VR9720	2000P
VR3730, VR3731, VR3749, VR3907, VR3908	1600P
VR3918, VR3919, VR3938	1800P
VR396B	7000P
VR3984	2300P
VR3958, VR4993	650P
VR4913, VRP3833	650P
LUXOR	
9245, 9251, 9254	1225P
9255, 9256	2150P
9270, 9271, 9273	1800P
9272, 928217	2700P
9252	2500P
928017, 928077, 928097, 929107, 929117	1700P
9253	2500P
9281	2700P
9284, 9295, VR3701, VR3721, VR3731, VR3761	2100P
MATSUI	
VX600	1100P
VX750	1500P
VX990	1600P
MITSUBISHI	
HSE12, HSE22, MX1	2400P
HS411EZ, HS411GZ	2900P
HS273	1700P
HSB10, HSB20, HSE10, HSE20, HSE21, HSE41	2200P
HSB11, HSB21	2200P
HSB30	2400P
HSE31, HSB31, HSE32	2800P
HSE50	3300P
NATIONAL	
NV8050, NV8051	2800P
AG1000, AG1050, NV260	1650P
AG6010, AG6015	2500P
AG6840	2400P
NV200	850P
NVD80	5000P
NVF65, NVH75	3400P
NVF51	4200P
NVG19	2300P
NVJ33, NVL21, NVJ30	1800P
NVJ35	3000P
NVM1, NVM3, NVM5	4200P
AG2100, AG2200	700P
NVF65	3200P
N.E.C.	
DX2000	3400P
DS6000	3500P
DX1000, DX1600, N9040, N9053, N9055	2000P
DX4000, N9610, DX3000	3200P
N9052, N9530	3400P
N9110, N9120, N914C	2700P
VCP1	1700P
PVC2300, PVC240, PVC740, PVC744, PVC760, PVC764	1600P
SAMSUNG	
VM1560, VN1561	2200P
SANYO	
VHR7900	3600P
SHARP	
VC585, VC685	2300P
VC90ET	3900P
VFH815	2800P
SONY	
SLV373UB	3000P
TOSHIBA	
V660	2350P
V880MS	2600P
V700G	3700P
V500G, V509G	2500P
V9680	2900P
V300G, V301, V305, V309G	2550P
V61, V63	1700P
V110, V120, V130, V140, V210, V220	1800P

TELEVISION ON/OFF MAINS SWITCHES

Baur, Normende, Nova, Pioneer, Quelle, Saba, Salora, TEC, Thomson & Vega 375P

VIDEO MOTORS

HITACHI	
VT11, VT14, VT15, VT16, VT17, VT19, VT35, VT39, VT57, VT88 (capstan motor)	3100P
BANG & OLUFSEN	
VHS65, VHS90 (capstan motor)	3100P

LOADING MOTOR UNITS

ITT	
VR3605, VR3905, VR3955, VR3985	1100P
VP2826, VR3906, V43926, VR3976	1250P
VP3946, VR3906, VR3948, VR3986, VR3995, VR6948	1500P
JVC	
HRD110, HRD111, HRD120, HRD121, HRD225	1100P
HRD140, HRD150, HRD157M, HRD158MS, HRD160, HRD250, HRD257MS, HRD566, HRP50	1250P
HRD455, HRD725, N895	1500P
SABA	
VR6005, VR6014, VR7004, VR7011, VR8011, VR8014	1100P
VR6006, VR6007, VR608, VR6009, VR6018, VR7007, VR7018, VR9006	1250P
VR6016, VR6038, VR7016	1500P
TELEFUNKEN	
VR1925, VR1930, VR1940, VR1950, VR925, VR930, VR940, VR950	1100P
A920, VR2920, VR12970, VR7921, VR7926, VR7931, VR7971, VR975	1250P
VR1970, VR1980, VR7970, VR7980, VR970, VR980	1500P
THOMSON	
V320, V321, V323, V326, V4200, V4300	1100P
V342, V343, V352, V353, V360, V4210, V4230, V4260	1250P
V364, V368, V4400, V6000	1500P
THORN-FERGUSON	
3V35, 3V36, 3V38, 3V39, 3V49, 8943, 8944	1100P
3V44, 3V45, 3V48, 3V54, 3V55, 3V57, 8947, 8947B, 8948	1250P
3V43, 9845	1500P
TOSHIBA	
V55, V57	1100P
V65, V66, V67	1250P
V61, V63	1500P

CASSETTE HOUSING

AKAI	
VS35, VS53, VS55, VS66, VS75	2600P
FERGUSON	
FV31R	4300P
JVC & FERGUSON	
HRD515, HRD520, HRD527, HRD540, HRD550, HRD580, HRD600, HRD610, HRD620, HRD660, HRD670, HRD830, HRD840, HRD850, HRD860, HRD4050, HRD6600 & FV37H	2400P

IC TRANSISTORS

M491BB1	500P
SAA5243PE	800P
TIP112H	50P
UPC1488H	150P
STR4090A	650P

IC AND TRANSISTORS

BU506DF	120P
BUZ11	200P
BUZ80	200P
M494B1	700P
SAA5231	300P
SAA1293	550P
S2000A3	175P
S2000AF	175P
S2055A	175P
S2000AF	200P
S2530A	100P
TEA201BA	200P
UC3844	100P
UPC1185H2	400P

REMOTE CONTROLS

AKAI	
RC-V10A	1000P
RCV37B	1000P
V25A	1000P
BUSH	
2020T, 2114T, 2321T, 2514T	1000P
2020, 2114, 2321, 2514	1000P
DECCA	
RC70	850P
FISHER	
RC905B	1000P
GRANADA/REDIFFUSION	
UNIVERSAL, 79500C, 986700	850P
SATELLITE	
MK4 TEXT, 70115G, 70133G, 70357E	850P
MK4A TEXT, 70375C	850P
95288E	1000P
94490D	1000P

VIDEO SERVICE KITS

AMSTRAD	
VCR700	
Contents	
BELT SET, PINCH ROLLER, REEL IDLER, VIDEO LAMP	£5.50
Order Code: SK41	
FERGUSON & JVC	
3V42/43	
HRD455/HRD725	
Contents	
BELT SET, PINCH ROLLER, CLUTCH MECHANISM, TENSION BAND	£17.50
Order Code: SK37	
Economy Kit Contents	
BELT SET, PINCH ROLLER, SUPPLY CLUTCH, TAKE UP CLUTCH	£9.50
Order Code: SK38	
3V58/59/64/65	
HRD170/180/210/230/300/320/370/400/430/530/700/750	
HRS5000	
Contents	
BELT SET, PINCH ROLLER, IDLER ARM, TENSION BAND	£8.50
Order Code: SK44	
3V29/3V30	
HR7200/7300/7350	
Contents	
BELT SET, PINCH ROLLER, TENSION BAND, IDLER TYRES	£6.00
Order Code: SK05	
3V35/36/38/39/49	
HRD110/111/120/225	
Contents	
BELT SET, PINCH ROLLER, TENSION BAND, IDLER TYRES	£5.50
Order Code: SK04	
3V31/3V42	
HR7600/7610/7650/7655	
Contents	
BELT SET, T.U. REEL TABLE TYRE, PINCH ROLLER, REEL IDLER, T.U. CLUTCH, T.U. IDLER, TENSION BAND, VIDEO LAMP	£12.00
Order Code: SK33	
Economy Kit Contents	
BELT SET, T.U. REEL TABLE TYRE, PINCH ROLLER, REEL IDLER TYRE, T.U. IDLER TYRE, T.U. CLUTCH	£5.50
Order Code: SK34	
3V35/36/38/39/49	
HRD110/111/120/121/225	
Contents	
BELT SET, T.U. REEL TABLE TYRE, SUPPLY REEL TABLE TYRE, PINCH ROLLER, T.U. CLUTCH, T.U. IDLER, REEL IDLER, TENSION BAND	£10.50
Order Code: SK35	
Economy Kit Contents	
BELT SET, T.U. REEL TABLE TYRE, SUPPLY REEL TABLE TYRE, PINCH ROLLER, T.U. CLUTCH, T.U. IDLER TYRE, REEL IDLER TYRE	£6.50
Order Code: SK36	
3V29/3V30	
HR7200/7300/7350	
Contents	
BELT SET, T.U. REEL TABLE TYRE, SUPPLY REEL TABLE TYRE, PINCH ROLLER, REEL IDLER, T.U. CLUTCH, T.U. IDLER, TENSION BAND, VIDEO LAMP	£11.50
Order Code: SK31	
Economy Kit Contents	
BELT SET, T.U. REEL IDLER TYRE, SUPPLY REEL TABLE TYRE, PINCH ROLLER, REEL IDLER TYRE, T.U. IDLER TYRE, T.U. CLUTCH	£5.60
Order Code: SK32	
3V44/45/48/53/54/55/57	
HRP50/HRD140/150/158/160	
HRD250/257/565/566/755	
Contents	
BELT SET, PINCH ROLLER, CLUTCH MECHANISM, TENSION BAND	£15.00
Order Code: SK39	
Economy Kit Contents	
BELT SET, PINCH ROLLER	£9.50
Order Code: SK40	
FISHER	
FVHP905/906/907/908/910/911/916/918	
Contents	
BELT SET, PINCH ROLLER, IDLER, GEAR IDLER UNIT, TENSION BAND	£13.00
Order Code: SK57	
Economy Kit Contents	
BELT SET, PINCH ROLLER, IDLER TYRE	£5.00
Order Code: SK58	
FVHP615/618/620/622/710/711/715/716/720/721/722/725/730/830/840	
Contents	
BELT SET, PINCH ROLLER, IDLER, GEAR IDLER UNIT, TENSION BAND	£12.50
Order Code: SK68	
Economy Kit Contents	
BELT SET, PINCH ROLLER, IDLER TYRE	£3.60
Order Code: SK69	
HITACHI	
VT11/VT33	
Contents	
BELT SET, PINCH ROLLER, TENSION BAND, IDLER TYRES	£6.00
Order Code: SK08	
VT11/VT33	
Contents	
BELT SET, T.U. REEL TABLE TYRE, SUPPLY REEL TABLE TYRE, PINCH ROLLER, FF/REW IDLER CLUTCH PLATE, TENSION BAND	£15.00
Order Code: SK45	
Economy Kit Contents	
BELT SET, PINCH ROLLER, FF/REW IDLER TYRE, T.U. REEL TABLE TYRE, SUPPLY REEL TABLE TYRE	£4.50
Order Code: SK46	

VIDEO SERVICE KITS (Cont.)

HITACHI	
VT52/61/62/63/64/65/85/86/640	
Contents	
BELT SET, PINCH ROLLER, FF/REW ARM, CLUTCH PLATE, TENSION BAND	£14.00
Order Code: SK49	
Economy Kit Contents	
BELT SET, PINCH ROLLER, FF/REW IDLER	£3.25
Order Code: SK50	
VT400/405/410/13/14/15/18/420/252/6/28/430/31/35/48/450/499/510/520/25/26/530/35/36/540/545/46/48/570/575/576/580/85/88	
Contents	
TIMING BELT, PINCH ROLLER, FF/REW ARM, CLUTCH BASE, TENSION BAND	£11.50
Order Code: SK52	
VT100/110/111/113/115/118/120/125/128/130/135/138/145/150/175/220/225/250/255/258/260/VTL30	
Contents	
BELT SET, PINCH ROLLER, FF/REW ARM, CLUTCH PLATE, TENSION BAND	£15.00
Order Code: SK51	
PANASONIC	
NV2000/NV2010	
Contents	
BELT SET, PINCH ROLLER, TENSION BAND, IDLER TYRES	£6.25
Order Code: SK03	
Economy Kit Contents	
NV7000/NV7200/NV7800	£5.50
Contents	
BELT SET, PINCH ROLLER, TENSION BAND, IDLER TYRES	£5.50
Order Code: SK02	
NV300/NV330/NV333/NV340/NV366	
Contents	
BELT SET, PINCH ROLLER, TENSION BAND, IDLER TYRE	£5.50
Order Code: SK01	
NV2000/NV2010	
Contents	
BELT SET, PINCH ROLLER, FF IDLER, PLAY IDLER, TENSION BAND, VIDEO LAMP	£9.50
Order Code: SK13	
Economy Kit Contents	
BELT SET, PINCH ROLLER, IDLER TYRE, PULLEY TYRE	£4.50
Order Code: SK14	
NV7000/NV7200/NV7800	
Contents	
BELT SET, PINCH ROLLER, IDLER UNIT, PLAY IDLER, TENSION BAND	£10.00
Order Code: SK11	
Economy Kit Contents	
BELT SET, PINCH ROLLER, IDLER TYRE, CLUTCH TYRE	£4.20
Order Code: SK12	
NV300/NV330/NV333/NV340/NV366	
Contents	
BELT SET, PINCH ROLLER, IDLER UNIT, PLAY IDLER, TENSION BAND	£8.00
Order Code: SK15	
Economy Kit Contents	
BELT SET, PINCH ROLLER, IDLER TYRE, PLAY IDLER TYRE	£4.00
Order Code: SK16	
NVG7/NVG9/NVG10/NVG11/NVG12/NVG14/NVG15/NVG16/NVG18/NVG30/NVG120/NVG130/NVG400/NVH65/PX/ACJ/AG1810(P/K)	
Contents	
LOADING BELT, CAPSTAN BELT, PINCH ROLLER, IDLER TENSION BAND	£8.50
Order Code: SK27	
Economy Kit Contents	
LOADING BELT, CAPSTAN BELT, PINCH ROLLER, IDLER TYRE	£4.50
Order Code: SK28	
NV332	
Contents	
BELT SET, PINCH ROLLER, PLAY IDLER, FF/REW IDLER, TENSION BAND, FF/REW TYRE	£13.00
Order Code: SK29	
Economy Kit Contents	
BELT SET, PINCH ROLLER, PLAY IDLER TYRE, FF/REW IDLER TYRE	£5.10
Order Code: SK30	
NV230/250/260/280/430/450/460/470/650/810/890/AG1200PK/AG1500PK	
Contents	
BELT SET, PINCH ROLLER, IDLER, TENSION BAND	£7.00
Order Code: SK23	
Economy Kit Contents	
BELT SET, PINCH ROLLER, IDLER TYRE	£3.50
Order Code: SK24	
NV600/NV688	
Contents	
BELT SET, PINCH ROLLER, PLAY IDLER, FF/REW IDLER, TENSION BAND	£13.00
Order Code: SK25	
Economy Kit Contents	
BELT SET, PINCH ROLLER, PLAY IDLER TYRE, FF/REW IDLER TYRE	£6.50
Order Code: SK26	
NV730/NV770	
Contents	
SLOT IN BELT, LOADING BELT, PINCH ROLLER, IDLER UNIT, TENSION BAND	£7.00
Order Code: SK19	
Economy Kit Contents	
SLOT IN BELT, LOADING BELT, PINCH ROLLER, IDLER TYRE	£4.30
Order Code: SK20	
NV370/NV380/480/630/780/830/850/AG2100PK/AG2200PK	
Contents	
BELT SET, PINCH ROLLER, IDLER, TENSION BAND	£7.00
Order Code: SK21	
Economy Kit Contents	
BELT SET, PINCH ROLLER, IDLER TYRE	£3.50
Order Code: SK22	
NV777/NV788	
Contents	
BELT SET, PINCH ROLLER, IDLER UNIT, TENSION BAND	£7.50
Order Code: SK17	
Economy Kit Contents	
BELT SET, PINCH ROLLER, IDLER TYRE	£4.00
Order Code: SK18	

VIDEO SERVICE KITS (Cont.)

SHARP	
VC381	
Contents	
BELT SET, PINCH ROLLER, REEL IDLER, TENSION BAND, VIDEO LAMP	£9.00
Order Code: SK47	
Economy Kit Contents	
BELT SET, PINCH ROLLER, REEL IDLER TYRE	£5.00
Order Code: SK48	
VC500/VC571/7/VC581/VC582/VC583/VC584/VC5F3	
Contents	
BELT SET, PINCH ROLLER, REEL IDLER, TENSION BAND	£9.50
Order Code: SK40	
Economy Kit Contents	
BELT SET, PINCH ROLLER, REEL IDLER	£6.50
Order Code: SK61	
VC791/VC791G/VC7822/VC785/VC786/VC793/VC800/VC190/VC102/VC104/VC202	
Contents	
BELT SET, PINCH ROLLER, REEL DRIVE UNIT, TENSION BAND	£13.50
Order Code: SK64	
Economy Kit Contents	
BELT SET, PINCH ROLLER, REEL DRIVE UNIT TYRE	£6.25
Order Code: SK65	
VC681/VC682/VC684/VC685/VC693/VC699/VC6F3/VC700	
Contents	
BELT SET, PINCH ROLLER, REEL DRIVE UNIT, TENSION BAND	£13.50
Order Code: SK62	
Economy Kit Contents	
BELT SET, PINCH ROLLER, REEL DRIVE UNIT TYRE	£6.25
Order Code: SK63	

THIS MONTH'S SPECIAL OFFERS

STK451	£6.00	STK7563F	£8.00
STK533Z	£1.80	STK73410	£3.50
STK533E	£5.50	TA8205AH	£2.50
STK542Z	£3.75	TA8210AH	£3.00
STK547E	£3.50	TA8215H	£3.00
STK730E	£3.50	TA8216H	£3.75
STK734E	£4.00	TIPL791A	£0.80
STK735E	£4.40		

SONY FUNCTION SWITCH (2 LEG) SPECIAL PRICE £0.50

VIDEO REEL MOTOR PU51381V	£15.00
3V29, 3V30, 3V31, 3V32, 3V39, 89C0, 89C1, 8941, 8942, HR7200, HR730C, HR7600, HR7610, HR766C, HR7655	
HITACHI VIDEO HEAD	£11.00
VT11, VT14, 16, 30, 33, 34, 330, 34C, 303, 640, 5030	
MITSUBISHI VIDEO HEAD	£16.00
HS30E, 304, 320, 700	
HS30E, 318, 710	£18.00
HS30E, 301, 302, 310	£17.00
HS33E, 337	£17.00
HITACHI TRANSFORMER 2434274	£14.00
OUTLET TV MODULE HM6251	£5.50

PHILIPS	
CASSETTE LIFT ASSEMBLY 69120366	£11.00
DV10E 194, 286, 471, 562, 761, VR6180, 6182, 6185, VR625, 6290, 6291, 6293, 6362, 6367, 6393, VR6467, 6468, 67C, 6E61, 6670, 6760, 6761, 687C, 6970	
REEL TO REEL ROLLER ASSEMBLY	£4.50
DV10E DV190, DV286, DV486, DV471, DV582, DV571, DV75, VR6180, VR6182, VR6185, VR6285, VR6290, VR631, VR6293, VR6362, VR6367, VR6390, VR6391, VR653, VR6467, VR6468, VR6470, VR6561, VR6570, VR6E1, VR6670, VR6676, VR6676, VR6761, VR6762, VR67C, VR6970, VR6975, VR68B1, 63SB7, 68SB4, 7 SE, 72B8, 92SB31	

I.C. PROTECTOR

ICPF10	ICPN5
ICPF15	ICPN10
ICPF20	ICPN15
ICPF25	ICPN20
ICPF38	ICPN25
ICPF50	ICPN38
ICPF75	ICPN50
	ICPN75

IMPORTANT NOTICE

Attention all customers who purchased the WOODEN HANDLE SOLDERING IRONS, BRAND MITSUKO - MODEL MX-34 (30, 40 AND 50 WATTS) from us.

Please DO NOT USE this tool. We would like you to return this item to us immediately and we will refund your money together with the postage.

We apologise for any inconvenience caused.

PRICE: ONLY 30p EACH

GRANDATA LTD

K.P. HOUSE, UNIT 15
POP IN COMMERCIAL CENTRE, SOUTHWAY
WEMBLEY, MIDDLESEX, ENGLAND HA9 0HB
Telephone: 081-900 2329 Fax: 081-903 6126

Access & Visa Card accepted.

Open Monday to Saturday.

WE WILL ONLY SUPPLY TOP QUALITY, BRANDED COMPONENTS. REPUTATION COUNTS WITH US

G.G.L. COMPONENTS

PO BOX 72, UNIT 7, SOUTH JOHN STREET, CARLISLE, CUMBRIA CA2 5AL.
TEL: (0228) 39693/20358 Fax: (0228) 515127.

BUY WITH



AERIAL ACCESSORIES

COAX PLUG.....	18
F CONNECTOR.....	20
FLY LEAD 2M.....	20
VIDEO LEAD 2M.....	75
4 WAY DISTRIBUTION.....	19.95
AMPLIFIER MAINS.....	21.75

BATTERIES

AA (pkt of 4).....	1.20
AAA (pkt of 4).....	1.20
FERGUSON 3V55.....	4.95
PHILIPS MEMORY 1V2.....	1.90
PHILIPS MEMORY 2V4.....	2.75

CAPACITORS

0 1f 5v (back-up).....	2.50
63v.....	
47uf at 63v.....	18
10uf at 63v.....	22
220uf at 63v.....	35
250v.....	
1uf at 250v.....	20
4 7uf at 250v.....	25
10uf at 250v.....	35
22uf at 250v.....	40
47uf at 250v.....	65
100uf at 250v.....	1.25
400v.....	
1uf at 400v.....	23
4 7uf at 400v.....	35
10uf at 400v.....	70
22uf at 400v.....	85
(ALL PCB MOUNTING).....	85

DIODES

R2M.....	95
BY133.....	15
BY227.....	20
BY299/800.....	35
IN4007.....	10
IN5408.....	20
BZ261C (pkt of 5) 6v 7v 12v.....	
15v 24v 33v 68v 120v 130v.....	
1 00.....	5.95

EHT TRAYS

CONTINENTAL 30AX FOCUS.....	8.95
DECCA 120/130.....	7.95
GRUNDIG CUC2410 14.....	15.75
GRUNDIG CUC2410 22.....	15.75
PHILIPS KT3.....	7.95
UNIVERSAL.....	5.95

FUSES

20mm A/S (PKTS OF 10).....	
250MA, 315MA, 500MA, 630MA.....	1.20
800MA, 1A, 1.6A, 2A, 2.5A, 3.15A.....	
20mm Q/B (PKTS OF 10).....	
500MA, 630MA, 800MA, 1A.....	
1.6A, 2A, 2.5A, 3.15A.....	80

I.C.'s

CNX62A.....	4.75
SA11293-02.....	5.95
SA11293-03.....	7.95
SA11293A-03.....	8.35
SL1432.....	1.95
STK5331.....	4.95
STK5332.....	4.95
STK5333.....	7.35
STK5421.....	4.95
STK5422.....	6.95
STK5481.....	6.95
STK5482.....	4.95
STK5490.....	7.95
STK7308.....	5.50
STK7348.....	5.50
STR4211.....	4.50
STR5412.....	4.95
STR50020.....	7.35
STR50103A.....	5.95
STR54041.....	6.95
STR58041.....	5.95
TD11170S.....	1.95
TD11770A.....	3.95
TD12030.....	1.95
TD12170.....	2.95
TD12270.....	2.75
TD12576A.....	5.95
TD12577A.....	3.50
TD12578A.....	2.95
TD12579.....	3.95
TD12581.....	4.50
TD12582.....	2.50
TD12600.....	5.50
TD12653AQ.....	2.95
TD13330.....	8.50
TD13560.....	4.95
TD13561A.....	4.95
TD13562A (TFK).....	4.95
TD13565.....	3.95
TD13571BQ.....	8.95
TD13576B.....	12.95
TD13650.....	8.95
TD13651/3.....	2.95
TD13651AQ.....	4.75
TD13653A.....	3.50
TD13654A.....	2.95
TD14500.....	4.50
TD14501.....	5.25

TD4503.....	4.95
TD4505E.....	5.45
TD4600/3.....	2.95
TD4600/2D.....	3.95
TD4601.....	2.95
TD4601 DIL.....	3.75
TEA1039.....	1.95
TEA2018A.....	2.50
TMP47C434N/3414.....	14.95
TMP47C434N/3415.....	14.95
TMP47C434N/3537.....	14.95
TMP47C434N/3555.....	15.55
TMP47C434N/3558.....	15.55
TMP47C434N/3559.....	14.95
CIRCUIT PROTECTORS.....	
N10,N20,N25 (each).....	50

LINE O/P TRANSFORMERS

FERGUSON TX90 20".....	15.95
FERGUSON TX95 5" P7.....	23.50
FERGUSON TX100 90D.....	18.25
FERGUSON TX100 10D.....	14.50
FERGUSON TX100 FST.....	17.75
FIDELITY ZX2000 + MOD.....	13.95
FIDELITY ZX3000.....	12.95
HINARI CT4/5.....	16.95
HITACHI CPT1474/1476.....	18.95
HITACHI CPT2174/75/78.....	17.95
HITACHI CPT2278/2278.....	17.50
HITACHI CPT2476/2478.....	18.95
ITT COMPACT 80.....	18.50
ITT CVC/200/1.....	19.95
ITT MONOPRINT (B/MN).....	18.85
MATSUI 1410/2040.....	18.95
PHILIPS CF1.....	23.50
PHILIPS CP90.....	17.95
PHILIPS CTX14/20".....	20.35
PHILIPS 2A.....	18.50

SERVICE MANUALS

AMSTRAD 4600.....	9.95
AMSTRAD 6000.....	9.95
AMSTRAD 7885.....	9.95
FERGUSON 3V59.....	13.95
FERGUSON 3V65.....	13.95
FERGUSON FV11.....	13.95

SWITCHES

FIDELITY CTV140.....	1.50
GRUNDIG CUC731.....	3.50
ITT TX SERIES.....	4.95
KT4/CTX REMOTE.....	1.75
TX9/10 STANDARD.....	1.00
TX9/10 REMOTE.....	1.75
TX90/100 STANDARD.....	1.50
TX90/100 REMOTE.....	1.75

TRANSISTORS

BC639.....	20
BC640.....	20
BF460.....	95
BU208D.....	1.95
BU426A.....	1.45
BU500.....	2.00
BU508A.....	1.50
BU508AF.....	1.95
BU508D.....	1.95
BU508DF.....	1.95
BU508F.....	2.50
BU807.....	1.75
BUT11AF.....	2.35
BUT56A.....	2.25
BUX84.....	80
R4050.....	2.95
T9053V/T9054V.....	3.50
T9064V.....	1.95
TIP29E (TO18BV).....	75
TIP41C.....	50
TIP42C.....	50
TIP112H (TO18EV).....	75
TIP1791A.....	1.95
2SD1497.....	3.95
2SD1497/02.....	4.25
TRANSISTOR EQUIVALENT BOOKS.....	
TVT A Z & 2N-2SD.....	28.45

NEW RANGE OF PANASONIC LOPTS ASK/RING FOR DETAILS

REMOTE CONTROLS

FERGUSON T725.....	9.75
FERGUSON T734.....	9.75
FERGUSON T742.....	9.75
FERGUSON T785 FAST TEXT11.95	
FERGUSON T789 FAST TEXT11.95	
FERGUSON TX100 NON TEXT11.50	
FERGUSON TX100 STEREO11.95	
FERGUSON TX100 TEXT10.95	
FERGUSON ICC5.....	17.95
FERGUSON SV1.....	13.50
FIDELITY CTV145.....	12.95
FIDELITY CTV227.....	12.75
FINLUX 1101 TO 228.....	11.50
GOODMANS TX1100/1200.....	18.95
GRANDAD UNIVERSAL.....	12.95
GRUNDIG TP400 TEXT.....	12.90
GRUNDIG TP650 TEXT.....	14.25
GRUNDIG TP660.....	11.45
HITACHI CPT144.....	13.95
HITACHI CPT2174.....	17.95

SHARP VIDEO SPARES

VC9300/381.....	2.50
PINCH ROLLER.....	3.95
REEL IDLER GENUINE.....	3.95
REEL MOTOR GENUINE.....	16.95
TENSION BAND.....	2.95
VC481/482.....	2.50
PINCH ROLLER.....	3.95
REEL IDLER GENUINE.....	3.95
REEL MOTOR GENUINE.....	4.30
VC581/582.....	2.50
PINCH ROLLER.....	3.95
REEL IDLER GENUINE.....	3.95
REEL ROLLER.....	3.95
VC681.....	2.50
PINCH ROLLER.....	3.95
REEL PULLEY GENUINE.....	7.95
VC140/VC172.....	2.95
PINCH ROLLER.....	3.95
REEL PULLEY GENUINE.....	7.95

SONY VIDEO SPARES

C5/6/7.....	2.50
BELT KIT C5/7.....	1.95
PINCH ROLLER.....	4.95
REWIND KIT C5/7.....	4.95
REWIND KIT C6.....	3.95
VIDEO LAMPS.....	
FERGUSON 3V00/22.....	50
FERGUSON 3V29.....	80
PANASONIC NV2000.....	95
SHARP 9300.....	150
UNIVERSAL.....	50

VIDEO LEADS

SCART LEAD FULLY WIRED.....	4.95
SCART LEAD TO 6 PHONO.....	4.95
SCART COPYING KIT.....	5.95
SCART TO 2 SCART SKT.....	5.95
SCART TO 5 SCART SKT.....	5.95
VIDEO COPYING KIT.....	5.95
VIDEO REPAIR KIT.....	
ALBA 4000.....	11.50
FERGUSON 3V23.....	15.95
FERGUSON 3V29/30.....	12.95
FERGUSON 3V35/39.....	12.95
FERGUSON 3V44/45.....	14.95
FERGUSON 3V64/65.....	11.95
FISHER FVH615/715.....	12.75
FISHER FVH905.....	12.95
HITACHI VT8000.....	12.95
HITACHI VT9300.....	12.95
HITACHI VT1133E.....	16.95
HITACHI VT1201/30E.....	16.95

HITACHI CPT2188.....	9.75
HITACHI CPT2246.....	14.50
ITT FS910 DIGIVISION.....	13.25
ITT RG305.....	13.25
ITT RG306.....	13.95
ITT VS4.....	13.25
ITT VS5 TEXT.....	13.25
MATSUI 1440.....	12.75
PACE 6000.....	13.95
PANASONIC TNQ141/1/2.....	14.95
PANASONIC TNQ141/9.....	13.95
PHILIPS G11 1/8 TEXT.....	13.95
PHILIPS KT30 NON TEXT.....	12.95
PHILIPS KT30 TEXT.....	12.50
PHILIPS RC5991.....	12.95
PHILIPS RC5903 GENUINE.....	12.95
PHILIPS MINIATURE.....	9.95
PHILIPS VR6462.....	12.25
PHILIPS VR6467.....	12.95
PROGRAMMABLE.....	22.50
REDIFFUSION MKIV.....	10.95
REDIFFUSION MKIVA.....	12.45
SAISHO CT142R.....	11.50
SAISHO CT149TX.....	12.95
SANYO VHR 1100/1200.....	14.25
SONY RM615/632/636.....	10.75
SONY RM670/672/676.....	10.75
TATUNG RC40/45.....	10.25
TATUNG RC70.....	10.25
TATUNG RC90.....	11.95
TOP TEL.....	24.95

VIDEO HEADS

AKAI VS1/5.....	8.50
ALBA 400X.....	16.95
AMSTRAD 4500/9000.....	14.70
AMSTRAD 4600/4700.....	14.50
AMSTRAD 6000.....	14.50
AMSTRAD 7000.....	17.95
FERGUSON 3V00/39.....	8.50
FERGUSON 3V42/55.....	17.25
FERGUSON 3V59/FV12.....	27.95
FERGUSON 3V65/FV11.....	17.95
FERGUSON FV121/32L.....	27.95
FERGUSON FV31.....	27.95
FISHER FVH615/910.....	16.50
FISHER FVH725.....	28.95
FISHER FVH906/916.....	18.50
GOLDSTAR V1221 1290.....	16.25
HITACHI 8000/9700.....	15.00
HITACHI VT11/330.....	15.70
HITACHI VT17/19.....	24.50
HITACHI VT63/64.....	19.25
HITACHI VT65.....	28.50
HITACHI VT120E/220E.....	21.25
HITACHI VT130E.....	27.50
HITACHI VT150E.....	36.50

PANASONIC G DECK (GEN).....	8.50
PANASONIC NV230 (GEN).....	14.50
PANASONIC NV333 (GEN).....	14.50
PANASONIC NV370 (GEN).....	14.50
PANASONIC NV430 (GEN).....	14.50
PANASONIC NV730 (GEN).....	13.95
PANASONIC NV777 (GEN).....	13.50
PANASONIC NV2000 (GEN).....	23.95
PANASONIC NV7000 (GEN).....	20.45
PANASONIC NVG10/12(GEN).....	12.95
PHILIPS VR6460.....	12.95
PHILIPS VR6462.....	12.50
PHILIPS VR6467.....	21.50
SONY C5/7.....	11.50
SONY C6.....	9.95

CELLULAR SPARES

3DB BODY MOUNT.....	14.25
3DB GLASS MOUNT.....	15.95
MOTOROLA T/P ORTA.....	19.95
MOTOROLA 8500X 1/4 WAVE.....	9.50
MOTOROLA 8500X BUTTON.....	9.50
MOTOROLA 8800X.....	9.95
MOTOROLA 9800X.....	19.95
PANASONIC H SERIES.....	14.95
NEC P3.....	9.95
NOKIA 101.....	14.95

BATTERIES

ERICSSON HOTLINE.....	23.50
MITSUBISHI MT3.....	24.50
MITSUBISHI MT5.....	24.50
MITSUBISHI MT7 700MAH.....	23.95
MOTOROLA 4500X.....	39.50
MOTOROLA 4800X SLIM.....	27.50
MOTOROLA 8000X.....	24.50
MOTOROLA 8500X 1000MAH.....	23.50
MOTOROLA 8500X 1500MAH.....	29.50
MOTOROLA 8800X 1000MAH.....	23.95
MOTOROLA 8800X 1500MAH.....	29.50
MOTOROLA PSNL SLIM.....	39.50
MOTOROLA 9800X 600MAH.....	19.50
MOTOROLA 9800X 700MAH.....	23.50
MOTOROLA 9800X SLIM.....	39.50
NEC P3 700MAH.....	23.50
NEC P4 700MAH.....	23.50
NOKIA 101 700MAH.....	24.50
NOKIA 190.....	23.50
NOKIA 1320 CITYMAN.....	29.95
PANASONIC E/H SERIES.....	32.50
PANASONIC F1 700MAH.....	23.50
PANASONIC I1 SERIES.....	25.50
SONY CMH1.....	24.95
SONY CMH-333.....	24.50
TECHNPHONE TP2.....	27.50
TECHNPHONE TP3.....	24.50
TECHNPHONE TP405 700MAH.....	23.50

P/P CHARGES:

COMPONENTS £1.00 PER ORDER UK
SERVICE MANUALS £1.25 EACH
CELLULAR TELEPHONES £5.00 PER ITEM
EXPORT ORDERS P/P CHARGED AT COST
WHEN ORDERING:
PLEASE ADD P/P VALUE TO ORDER TOTAL THEN ADD 17.5% VAT TO THIS TOTAL
DELIVERY BY RETURN ON ALL STOCK ITEMS
*** MINIMUM ORDER VALUE £5.00 ***

NEW LISTS NOW AVAILABLE. PLEASE REQUEST

ALBA VIDEO SPARES

VCR4000.....	
BELT KIT.....	1.95
CAPACITOR BACK-UP.....	1.85
PINCH ROLLER.....	3.95
REEL IDLER.....	3.95
REEL PULLEY.....	1.95

</



TECHNICAL BOOKS



A selection from our range of books for the repair trade



TELEVISION

CHASSIS GUIDE.

Full cross reference for all models
Order MP-18. £5.95.

TELEVISION EQUIVALENTS

Lists models which are the same
Order MP-150. £5.95.

FAULT LISTS FOR TELEVISIONS.

Hundreds of specific faults for dozens of different makes and models.

Order MP-205. £6.95.

TELETEXT REPAIR MANUAL.

Covers SAA range of boards.
Order MP-38. £6.95.

TELEVISION REMOTE CONTROL CIRCUITS.

Dozens of Diagrams on many remotes.

Order MP-167. £10.00.

TV POWER SUPPLY CIRCUITS.

Dozens of P.S. circuit stages.
Order MP-219. £10.00.

SCART EUROCONNECTOR SYSTEM.

Comprehensive details of the system.
Order MP-21. £3.00.

P.C. HARD DISC DRIVE REFERENCE MANUAL.

Comprehensive Drive Details.
Order MP-84. £5.00.

P.C. DIAGNOSTICS SOFTWARE.

Dozens of programs to aid you in diagnostics of PC's and Drives etc.
2 sets of 7 x 3.5" Discs per set.
Set 1. Order MP-250. £12.50.
Set 2. Order MP-251. £12.50.



VIDEO RECORDER AND CAMCORDER EQUIVALENTS.

Full Cross-reference guides.
Makes A-J. Order MP-217 £5.95.
Makes K-Z. Order MP-218 £5.95.

FAULT LISTINGS FOR VIDEO.

Lists Hundreds of Faults for dozens of makes and models.
Volume 1. MP-206. £6.95.
Volume 2. MP-228. £6.95.

VHS VIDEO RECORDER PRINCIPLES.

Detailed guide on how it works.
Order MP-58. £3.95.

VIDEO TEST JIG.

Special cassette lets you operate the machine in test mode.
Order VTJ. £15.00.

VIDEO HEAD CLEANING KIT.

Special kit with comprehensive instructions on how to service heads.
Order VHCK. £4.00.

VIDEO RECORDER FAULTS.

Unique repair guide for beginners.
Order MP-5. £3.95.

WIRE ANTENNAS FOR H.F. OPERATORS.

THE aerial book for Amateurs.
Order MP-243. £5.95

REEL TO REEL TAPE RECORDER SERVICING.

Theory and circuits for repairs.
Order MP-201. £5.00.

TRANSISTOR RADIO REPAIR GUIDE.

Comprehensive servicing charts.
Order MP-7. £2.50.

RECORD PLAYER SPEED DISC.

Get your phonograph up to speed.
Order MP-8. £1.00.

SWITCH MODE POWER SUPPLY I.C. TYPE TDA-4600.

Circuitry and operation explained.
Order MP-37. £6.00.

VOLTAGE REGULATORS, STABILISERS & POWER SUPPLIES.

Identification and specifications.
Order MP-9. £3.00.

CMOS DATABOOK.

Pinouts and circuits for 4000 series.
Order MP-10. £5.00.

TTL DATABOOK.

Pinouts and circuits for 7400 series.
Order MP-34. £5.00.

TRANSISTOR EQUIVALENTS.

Includes details on testing them.
Order MP-24. £3.00.

OFFICE EQUIPMENT EQUIVALENTS.

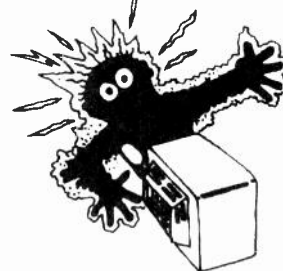
Photocopiers & Fax machines covered.
Order MP-200. £6.00.

TELEPHONE CODE LOCATION GUIDE.

Find the Town from the Phone Code.
Order MP-19. £4.00.

MANUFACTURERS EQUIVALENTS.

What makes are the same.
Order MP-220. £3.00.



SHOCKINGLY GOOD BOOKS

SERVICE MANUALS
available for most equipment.

Order TODAY using Access/Visa for immediate despatch.

All orders plus £2.35 Post and Packing. (Overseas £5.00)

The above selection are just a few of the Hundreds of Unique Repair and Data Guides shown in our FREE catalogue - Yours for the asking.

Sent FREE with all orders or send 2 x 1st class stamps for your copy TODAY!

MAURITRON TECHNICAL SERVICES (TV)

47A High Street, Chinnor, Oxfordshire, OX9 4DJ.

Tel:- 0844-351694. Fax:- 0844-352554.



TELEVISION

Japanese Sandman

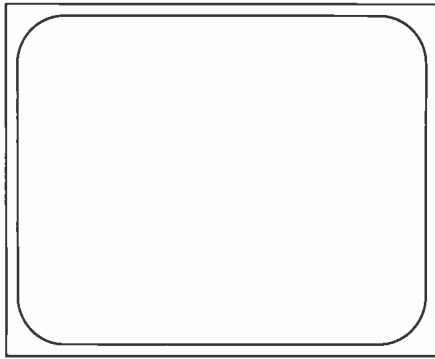
The Japanese economy is in a mess. Consider one or two facts. The recession has now lasted for over 32 months, the longest period of economic decline since World War II, and shows no signs of any improvement. With production falling, employment is decreasing and consumers are reluctant to spend. Even if they felt confident enough to borrow, the fact that there is at present a credit squeeze would block this possible means of improving the performance of the economy. There's a credit squeeze not for the usual reason, high interest rates because of economic overheating, but because Japan's banking system is suffering as a result of massive bad debts. There are times in economic life when nothing seems to go right. We've experienced this sort of thing often enough in the UK, though generally for rather different reasons. The Japanese economic boom of the Eighties led to asset overvaluation of a type that can be likened only to the Wall Street bubble of the late Twenties. In the Eighties Japanese share prices rose to astronomic levels that had little to do with the comparative economic performance of firms, the only realistic way of valuing them. This was observed in the West, but we tended to assume that the Japanese had their own ways of doing things and that somehow these gross overvaluations were acceptable. They weren't, of course: reality will intrude sooner or later. But the problem was that Japanese banks had over-invested in securities as prices rose. So had the firms to which they lent: during the boom years some major firms were making greater profits from share dealing than from their core activities. To make matters a great deal worse there was, again like the USA in the Twenties, a simultaneous property boom which the banks fuelled by lending to speculators.

The bubble bursts when an excessive rise in asset values is no longer sustainable and when confidence, which is all that underpins an asset-value boom, for one reason or another declines. Several scandals helped to start the collapse. And once a collapse starts you get the domino effect. The banks have been left with a mass of bad debts, hence the present credit squeeze. Unfortunately the bad debts are still building up faster than the banks are able to write them off. There are reputed to be something like £300bn of bad debts amongst the leading banks, and it's expected that this will affect their performance for the next five-ten years.

Under normal circumstances you can reverse a recession by lowering interest rates. But Japanese interest rates are already negligible – the official discount rate is 1.75 per cent. It's ironical that Japan's trade surplus continues unabated. Because of this the value of the yen can't be lowered to stimulate industry and interest rates can't be lowered – even if there was room for this. There are indeed times in economic affairs when it's difficult to know which way to turn. Generally one has to wait for economic conditions to sort themselves out naturally, which can be a painfully slow process.

Who would have imagined all this in the Seventies and Eighties, when the Japanese economy was forging ahead and taking over the role of the engine of world trade? There was talk of the 21st century being the century of Japanese world domination – that, anyhow, was how the chairmen of Sony and Matsushita saw things. For the West it was a worrying prospect. But at least the Japanese realised that they couldn't monopolise production, which in consequence was spread abroad. In a way it's reassuring to know that Japan is subject to the same economic laws as the rest of us. Now the worry is that the Japanese economy could tip from recession to a full-blown depression because of waning demand, over capacity and excessive stocks. Though their profitability has fallen dramatically, the major Japanese firms seem to be secure enough for the present: the pressure is being felt by the smaller firms and subcontractors, which are losing work as the major firms rely more on their own off-shore plants.

There's no solace to be gained from Japan's economic woes. But at least the threat of Japanese economic hegemony has been removed, for the present at any rate. It is now up to Western manufacturers to make the most of their opportunities. Unfortunately the problem of mature markets and a lack of new developments affects us all. Will the much-vaunted multimedia revolution and increasing opportunities in the service sector provide a way out?



EDITOR

John A. Reddihough

PRODUCTION EDITOR

Tessa Winford

EDITORIAL OFFICE

081 652 8120

Fax 081 652 8956

Note that we are unable to answer technical queries over the telephone and cannot provide information on spares other than that given in our Spares Guide.

ADVERTISEMENT MANAGER

Carol Nobbs

081 652 8327

FIELD SALES EXECUTIVE

Patrick Irwin

081 652 3732

SALES EXECUTIVE

Pat Bunce

081 652 8339

Fax 081 652 8931

ADVERTISING PRODUCTION

Brian Chapman

081 652 8681

Fax 081 652 8917

PUBLISHING DIRECTOR

Susan Downey

SUBSCRIPTION ENQUIRIES

0444 445 566

SUBSCRIPTION HOTLINE

24-hour subscription ordering with credit card number phone 0622 721 666 and quote reference INJ.

COVER PHOTO

This month's cover photograph shows an internal view of the Pace PRD800 satellite receiver. See article on pages 248-251.



**REED
BUSINESS
PUBLISHING**

Teletopics

EUROPEAN TV PRODUCTION EXPANDS

Several recent moves suggest that Europe is about to become an increasingly important base for the production of TV receivers. First Gooding Consumer Electronics (GCE), a Welsh firm, has acquired Grundig's factory at Creutzwald in north east France. GCE intends to increase production from the present capacity of 500,000 sets a year to a million within three years. As part of the agreement the factory will continue to produce sets for Grundig until the end of 1994. GCE will then switch to the production of 14, 20 and 21in. sets of its own design for the volume market. The company starts with the advantages of a high-quality, recently modernised factory and a trained workforce. At present, most smaller-screen sets sold in Europe are imported from east Asia. Alfred Gooding, joint owner of GCE with Koen van Driel, a former managing director of Grundig UK, says that with modern, sophisticated production equipment and a well-managed labour force it should be possible to compete with east Asia, which has the disadvantage of having to ship sets half way round the world. GCE has also bought the Minerva brand name from Grundig and the Continental Edison brand name from Thomson of France.

Alfred Gooding has other electronics interests, based in south Wales: Gooding Sanken, a jointly owned company that manufactures power supply units, and Race Electronics, a contract manufacturer that is at present manufacturing, amongst other things, 10,000 satellite TV receivers a week – customers include Dixons and Comet. The satellite receiver activity is significant since it will enable GCE to put together satellite/TV set packages. The group expects to achieve a turnover of £130m this year.

Meanwhile Daewoo has taken an interest in a TV plant at Pruszkow, near Warsaw, Poland. Production of Daewoo TV sets at a rate of 250,000 a year is due to start next month. Further investment over the next few years could boost output to 600,000 sets a year, eighty per cent of which would be exported, mainly to western Europe.

And as part of Samsung's plans to expand production in Europe the company has recently acquired an east German manufacturer of glass for colour TV tubes.

DEVELOPMENTS

Intel and General Instrument have jointly developed equipment to link personal computers to cable TV networks. The technology enables data to be transmitted a thousand times faster than using standard telephone lines. Two leading US cable TV operators are to field test the equipment later this year.

British Telecom is to carry out a field/commercial trial of its video-on-demand system later this year. It will involve some 2,500 houses in the Colchester, Essex area. BT has already demonstrated the transmission of good-quality TV pictures via ordinary telephone lines while these are also in use for ordinary telephone conversations. The aim is to offer subscribers a wide range of entertainment and information services from a central data base for a fee. In the USA Bell Atlantic plans to have a similar service in operation by the end of the year, covering a million households. The aim is to extend this to eight million households by the year 2000.

NTL and Pace Micro Technology Ltd. have formed a partnership to work together on digital TV reception equipment. NTL will be supplying the video compression technology and Pace the design, manufacturing and distribution. Initial production units should be available later this year. Satellite broadcasters plan to start direct-to-home digital services next year.

AT&T Microelectronics, LSI Logic and SGS-Thomson Microelectronics have all announced details of chip sets for MPEG-2 video decoders.

FIRST W-VHS VCR

JVC recently launched the world's first W-VHS VCR. The W-VHS format is designed to handle Japanese HiVision HDTV signals, using metal powder instead of the conventional ferric oxide tape. Model HR-W1 has several recording modes however. The HD mode is used for recording HiVision transmissions when connected to a HiVision TV receiver – the JVC HV-32Z3 TV set has an AV Compulink system for timer recordings. The SD mode is used for recording NTSC signals and is claimed to offer improved picture quality in comparison with a conventional VCR system. The HR-W1 can also record and playback in the S-VHS and VHS modes. It has newly-developed, five-layer Sendust heads and the hi-fi VHS audio system. Dimensions are 445 x 182 x 463mm, power consumption 84W and the price in Japan the equivalent of about £3,875. A three-hour W-VHS tape costs £37, a two-hour version £30. There are no plans at present for a European launch of the system.

DISC SYSTEMS

Kodak has developed an 80cm version of its Photo CD disc. The new disc holds up to 36 photographic images and is intended for use with notebook and laptop computers and personal digital assistants – the standard 120cm disc holds 100 images. The 80cm discs are compatible with CD-ROM, Photo CD and CD-i players, most of which have a disc tray slot for smaller discs. A plastic ring adaptor enables the miniature discs to be used with older machines. The new discs are expected to be available by the end of the year.

The Philips digital video cartridges that enable CD-i decks to play full-motion video titles are at present in short supply.

CONGRATULATIONS RICHARD!

Richard Flowerday, who contributes to our fault finding pages, has been named Sony European Video Technician of the Year. Richard runs Harborne TV Services, Birmingham which he set up after being made redundant in 1986. The award was won in Amsterdam after answering questions on video engineering and tracing three video faults in thirty seven minutes.

IN BRIEF

Philips' Voice Commander, a voice-operated remote control unit, has gone on sale in the UK at £99. . . A new conference entitled 'Television Distribution Technology' will run alongside the Cable and Satellite '94 Exhibition which is being held at Olympia on April 11-13th. . . Mauritron Technical Services, 47A High Street, Chinnor, Oxfordshire OX9 4DJ (0844 351 694) has issued a new technical publications catalogue (edition 18). It's full of items that should be of interest to readers.

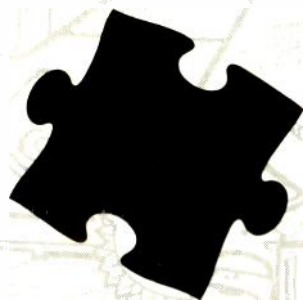
WILLOW VALE ELECTRONICS LIMITED

WVE

WVE

**the answer to the
spares puzzle**

Akai	Kamasa
Altai	Konig
Amstrad	Labgear
Antex	Leader
Antiference	Ledu
A.D.S.	Link Hamson
Aiphone	Microtec
Ambersil	Mitsubishi
Aiwa	Nikkai
Alba	Oryx
AWI	Pye
Baldwin Boxall	Philips
Bose	Portasol
BK Precision	Ross
Blackstar	Saisho
Celtel	Samsung
Celtek	Sansui
DNH	Satfinder
Electrolube	Seaward
ERL	Servisol
Ferguson	Sharp
Fidelity	Shure
G.E.C.	Sony
Goldstar	Thander
Grundig	Thompson
Hameg	Toshiba
Inkel	Trantec
J.V.C.	Weller



WILLOW VALE
ELECTRONICS LIMITED

'The Better Choice'

MANCHESTER BRANCH:

Unit 4 Enterprise Park, Reliance Street,
Manchester, M10 0AL.

Tel: 061-682 1415 Fax: 061-682 9031

HEAD OFFICE:

11 Arkwright Road, Reading, RG2 0LU.
Tel: 0734 876444 Fax: 0734 867188

ACCOUNTS DEPARTMENT:

Tel: 0734 860158

NOTTINGHAM BRANCH:

11 Marhill Road, Carlton,
Nottingham, NG4 3AJ.

Tel: 0602 870789 Fax: 0602 878772

VCR Clinic

Reports from Eugene Trundle, Terry Lamoon, Brian Storm, Gerald Smith, Chris Watton, Michael Dranfield, Nick Beer, Simon Bodgett, J.K. Potts, Fauz Ahmed Sumar, John Edwards, John Hopkins and Bob McClenning

Mitsubishi HSB21

The same deck is used in a wide range of Mitsubishi HSB models, so the following problem could probably happen with any of them. When the machine was set to play it would lace up then produce a broken-up still picture (tape stationary) before shutting down again. Sometimes the tape would struggle forwards, producing a very mistracked picture with no sound and no tape-counter action. It didn't touch the capstan or the audio-control head. The cause of all this was that the half-loading arm (C033 in the exploded diagram of the deck) didn't retract fully at eject, so that it was unable to catch and pull the tape when a cassette was next loaded. It was caught behind the take-up tension regulator arm (C031) which moved too far to the left because its brake pad had come adrift, allowing the metal shoe to bear on the rim of the take-up turntable. **E.T.**

Hitachi VTM820

A long search for the cause of a very intermittent squealing noise from this machine's deck, accompanied by a rippled picture, led us to the shaft of the white plastic impedance roller just upstream from the entry tape guide. Giving it a clean, a polish and a single tiny drop of light oil cured the problem. **E.T.**

JVC HRD520

This machine produced off-tape pictures that were marred by multiple thin mistracking bars spaced progressively closer towards the top of the screen. The cause was failure of the entry guide to go fully home – its base jammed in the plastic guide rails that had become distorted or warped. Some careful paring with a file or a very sharp knife gets things moving again. **E.T.**

Samsung SI/SX7220

It took us weeks to find the cause of this machine's very intermittent fault: the tape would run at very high speed to give a search-forward effect, with the sound still present – fast and high-pitched. A dry-joint in the capstan FG feed-back line on the 'deck-joint' PCB which sits behind the capstan motor was responsible. It wasn't obvious to the eye: re-make the joints between the board and motor connector CN213. **E.T.**

Hitachi VT63/64

Two other firms had attempted to repair this old-timer, which would sometimes fail to play or record when asked. Between them they had replaced all the belts, the reel idler, the capstan motor drive chip and the thermistor that feeds power to this chip. The real culprit was the capstan motor, which when put on test drew over 1A from a 4V supply! **E.T.**

Panasonic K Deck

The first machine fitted with this new deck came into the workshop recently. It was damaging tapes. When we opened

it up and watched the loading we saw that the loading arm pulled the tape up to the control head but didn't lock into place fully. On careful examination it could be seen that the arm was slightly bent over. Realigning it provided a complete cure. It wouldn't surprise us if this became a regular problem with the deck, especially if users try to retrieve tapes from semi-loaded machines as some do. The construction of this arm (P5) is not rigid. **T.L.**

JVC HRD860

The problem with this machine was no E-E sound while the recorded sound buzzed. I checked the sound along to IC6 where it disappeared. Further checks showed that the supply here was low at only 2V. Following this back I found that the full voltage appeared at the connector to the panel. The plug was covered with a gluey substance, presumably to stop it moving. When this had been cleaned off the fault was no longer present. What amazes me is how the machine could work for months before the substance decided to foul up the sound completely. Funny business! **T.L.**

Panasonic NVL20

There was a very poor picture in the review mode while, more seriously, the machine would sometimes throw out tape into the mechanism, much to the detriment of the tape. A careful check on the tape's progress along its path failed to reveal any obstructions or resistance: all the brakes and soft brakes were working faultlessly. The culprit was eventually found to be the head drum entry guide, which had seized. As the guide didn't rotate, the tape's progress was somewhat unstable as it stuck and jumped randomly over the guide. A replacement guide, part no. VXP0863, restored correct operation. **B.S.**

Panasonic NVJ40

This machine intermittently powered down when a tape was inserted. Preliminary checks showed that the head drum didn't start as the tape was loaded – in this machine the tape is fully loaded round the head in the stop mode. Inserting the tape a couple of times would get the machine to work.

As the condition and alignment of the mode switches seemed to be o.k. suspicion fell on the systems and servo control, in particular the microcontroller chip IC6001, but again the verdict was not guilty. I still felt that there had to be a problem with the mode switches. A look at the carriage mode switch, which I'd already replaced, showed that it seemed to be less securely mounted than usual. Holding it securely with my finger as I loaded a tape proved the point: the machine worked faultlessly. A replacement right side cassette housing, part no. VXA4468, cured the problem. The cause of the trouble was the excessive play in the mode switch mounting. **B.S.**

GoldStar GHV1244

This machine wouldn't accept tapes and kept going into the standby mode. An examination showed that the shaft-

connect cog on the right-hand side of the lift had a broken pin and spring. A replacement cog and spring assembly and alignment of the lift cogs cured the problem. **G.S.**

Nokia 3722/42

There were no functions and the machine wouldn't accept a tape or power up. The clock display showed four small zeros. A check showed that the back-up 5V supply was low. D7001 was found to be open-circuit while the back-up capacitor C7001 was gradually discharging and not being recharged via D7001. Replacing D7001 cured the problem. You get the same fault when C7001 is leaky. **G.S.**

JVC HRD400

There was no play, fast forward, rewind or eject, the machine going to standby after a few seconds. We found that the reel brakes were jammed on hard and the idler was jammed on the brake mechanism. The clutch spring, which is used along with the 'windmill' to release the reel brakes, was broken and when the mechanism had been stripped down I found that the main cam was also damaged. The slide encoder, the main cam and the clutch spring were replaced and after realignment of the mechanism everything worked correctly. **G.S.**

Nokia 3722/42

A fault we've had with a number of these machines is loops of tape left hanging out when the cassette is ejected. There are two common causes. First a stiff capstan motor. As a result there's no take-up on eject. The cure is to replace the capstan motor. The second cause is a faulty mode switch. This switch can also be responsible for erratic functions, failure to accept tapes and failure to eject them. **G.S.**

Sanyo VHR3100

The cassette would go in only about a quarter of an inch then come out again. On investigation we found that the capstan to idler belt had become very soggy: it had glued itself to the capstan pulley which couldn't turn. A good clean up and some new belts made the machine as good as new. **C.W.**

Ferguson 3V44/JVC HRD140/NordMende V1001

This machine was brought to us because of loss of colour. A tap on the top panel would restore it temporarily, but even after a mass soldering operation the colour was still tap-sensitive. So methodical checks had to be carried out. This brought me to filter BP301, which must have had a poor internal contact. Anyway a replacement restored reliable colour. **C.W.**

Sanyo VHR1100

For tracking errors check both the supply and take-up guide rollers which tend to become loose at the pole base. In the past we've tried to glue them back but this is not a good idea. Replacement of the pole base assemblies gives a reliable cure. **M.Dr.**

Akai VS967

If the capstan motor works in the fast forward and rewind

modes but won't turn in the play mode check the fusible resistor FR4 in the power supply. It will almost certainly be open-circuit. **M.Dr.**

Saisho VR3600/Matsui VX755

When this machine had been running for about an hour the capstan motor would momentarily stop for about a second then start to turn, repeating the sequence about every six revolutions to give a play/pause symptom. We've had this fault on many occasions, also with Sharp/Philips machines that use the same (M51782ASP) capstan motor drive chip. Cooling the chip will cure the fault for a while, but beware: on the first occasion we spent some £18 on a new chip only to find that the replacement didn't provide a cure – despite the fact that cooling it restored normal operation. We now replace the motor, which is not much dearer than the chip. **M.Dr.**

Samsung VI910

Field roll was the complaint with this playback-only machine. The cause was insufficient back tension because of sticky grease on the back-tension post bearing. Cleaning and relubrication provides a cure – the cleaning needs to be thorough. **N.B.**

Panasonic NVJ35B

This machine came in dead. That there was no operation on the primary side of the power supply was indicated by absence of the squeal at switch on. We found that diode D1104 (type AP01C) in the snubber network was short-circuit. **N.B.**

Sony SLC30

These machines now suffer from a common affliction that's often not mentioned by the customer. When the machine is repowered after being unplugged the E-E and playback vision are sometimes marred by severe diagonal patterning, at both r.f. and baseband, the latter usually being better. The cause is C319 (22µF, 16V) in the power supply. It goes low in value or open-circuit. **N.B.**

Philips VR6180/Pye DV186

There was no playback f.m., just noise. The cause of this was the fact that the lower drum earthing bracket's securing screw was very loose. When this was tightened there was a nice clean picture but no colour. Recordings were fine when played back on another machine. I found that the f.m. from the head amplifier was about fifty per cent down and rather noisy: this was triggering the colour killer, though the luminance seemed to be perfectly all right. After much searching around I found the cause of the problem. Someone had soldered the leads from pins 1 and 2 of L6 to the print side of the PCB. Fitting them to the connector itself restored the colour. Perhaps a previous attempt to cure the loss of f.m. had gone awry? **N.B.**

Toshiba V209

There was no mechanical action. Checks showed that the 9V output from the power supply was very low. Disconnecting this supply restored the voltage, but there was no excessive load. A replacement STK7253 multiregulator chip cured the fault. **N.B.**

Panasonic NVJ40/42/45/47

In this range of machines a drum motor that appears to be lazy or is mechanically noisy is rarely due to the drum itself. The cause of the fault usually lies in the drive circuit on the small PCB behind the mechanism. You will probably find that one of the three electrolytic capacitors C204/5/6 (0.1 μ F, 50V) is faulty. **N.B.**

JVC HRD820

This machine suffered from an intermittent loading fault: it would also stop dead in play for no obvious reason. We suspected the syscon sensors but it was the microcontroller chip itself that was faulty. **S.B.**

Panasonic NVJ40

This machine came in with a tape stuck inside. The cause of the trouble turned out to be the capstan motor. Tape loading was o.k., driven by the capstan motor, but once loading was complete and play commenced the motor wouldn't run at the slower speed. **S.B.**

Panasonic NVL25HQ

If there is no output from this machine's power supply it's as well to go straight to C9 (1 μ F, 350V). It's positioned between two high-wattage resistors that cook it gently, drying it out. **J.K.P.**

Hitachi VT410

There was sound but only a blank white raster. I inserted our colour-bar test tape and checked at the video output socket with a scope. Only a chroma signal was present. This was strange, as one would have expected to see flickering colour on the monitor's screen. The scope was next used to check the luminance signal path. The signal was present at pin 7 of the HT4848B chip IC202 but didn't emerge at pin 1. After confirming that its supply was present we replaced the chip. This restored normal operation. **F.A.S.**

Hitachi VT9500

Fast forward and rewind were o.k. but when play was selected the tape loaded to the heads then unloaded as there was no drum rotation. A check on the supply at pin 4 of the drum chip IC503 produced a reading of 0V instead of 9V. The cause of the fault was the STK5720 regulator chip IC901 on the syscon PCB. **F.A.S.**

JVC HRD211

There was a fast forward/rewind fault with this machine. These modes could be selected and worked, but when stop was selected the tape would thread to the drum and no tape end was sensed - the loading motor would start to screech, then the machine would switch off. The cure was to replace the M50731-626SP mechacon chip. **F.A.S.**

Ferguson FV12L/JVC HRD230

In the E-E and playback modes a single, large hum bar travelled from the bottom to the top of the display on the monitor's screen. A check on the switched 5V line showed that a distorted 500mV, 50Hz squarewave was present. We initially suspected C14 which decouples the switched 5V

output at pin 3 of the STK5481 chip IC1. It was o.k. however, the cause of the fault being the chip itself. **J.E.**

Panasonic NV830B

There were snowy E-E and loop-through pictures. This time the cause wasn't the r.f. booster module itself but absence of the 12V supply at its ANT BS input because the RD13EB3 zener diode D1110 was short-circuit. Note that there are two 12V supplies to the module, the always 12V supply and the ANT BS supply which is switched - this is why the fault didn't affect tape playback. **J.E.**

Sanyo VHR3100

The fault with this machine was no rewind. I tackled it the hard way. First I checked the idler assembly and all the parts around it, then I ordered the service manual. This isn't exactly comprehensive, so it took quite a lot of observation to discover what was wrong.

On the underside of the mechanism there's an assembly that consists of a main slide on top of which (with the unit upside down) there's a sub-slide. This has an elongated hole and is held in place by a pin, washer and plastic retaining clip. In the fault condition the sub-slide rode over the pin because the space between the washer and the sub-slide was too great. I carried out a temporary repair by fitting a compression spring between the washer and the plate to hold the sub-slide tighter against the main slide. This worked very well.

I then sent a fax to Sanyo to ask what I should have done. A short time later I received a phone call from Sanyo's Technical Department to tell me that the fault was not an unusual one and that all that was necessary was to push the retaining pin back against the sub-slide and fit a circlip on the other side of the deck to hold it in place. Many thanks Sanyo for a prompt, efficient and polite service. **J.H.**

Mitsubishi HS337

The customer's complaint was that while the sound was o.k. the picture had slowly "evaporated". There was no E-E or playback output though there was a signal at the scart connector. So we knew that the signal was there but wasn't getting to the modulator. The cause of the fault was C2E5 (100 μ F, 25V). Being close to a power transistor it had slowly and surely baked dry! **B.McC.**

Ferguson 3V48/JVC HRD565

The following fault caused us some sleepless nights. The machine came in with a damaged timer door and PCB. Putting this right was quite easy but when we tested the machine we found that while instant and normal recording worked fine all we got with a timer recording was garbage. The mechanism sprang into action correctly, and checks showed that all the record voltages were the same as with an instant or normal recording. A clue was that when coming out of the timer record mode the E-E display had swirling interference on it: this cleared when the machine was set for another function.

We eventually traced the cause of the fault to C10 which is connected to the switched 5V rail. It allowed parasitic oscillation to get into the f.m. modulator with a timed recording only, destroying any chance of a successful recording. The display gave the impression that there were the remnants of a picture behind the scrambled garbage. **B.McC.**

MANOR SUPPLIES

MKV PAL COLOUR TEST GENERATOR
FOR DOMESTIC TV & VCR.

TEST DEMONSTRATIONS AT 172 WEST END LANE



- ★ 40 different patterns and variations.
- ★ Fully interlaced sync pulses with correct picture blanking
- ★ EBU colour bars, BBC colour bars, whole rasters & split bars (specially useful for VCR service), white, yellow, cyan, green, magenta, red, blue and black
- ★ Chequerboard
- ★ Mono outputs with border castellations, cross hatch, grey scale, vertical lines, horizontal lines and dots. UHF modulator output plugs straight into receiver aerial socket.
- ★ Additional video output for CCTV & VCR.
- ★ Facilities for sound output.
- ★ Easy to build kit, standard parts. Only 2 adjustments. No special test equipment required.
- ★ Mains operated with stabilised power supply.
- ★ All kits fully guaranteed with back-up service.
- ★ Also available with VHF Modulator.

Price of Kit **£79.00**
Case (10"×6"×2 1/4") app **£19.00**
Optional Sound Module (6MHz or 5.5MHz) **£5.90**
Built & Tested in Case including Sound Module **£129.00**
Post/Packing £4.50
Add VAT 17.5% TO ALL PRICES

PAL COLOUR BAR GENERATOR (Mk4)

- ★ Output at UHF, applied to receiver aerial socket.
- ★ In addition to colour bars R-Y, B-Y etc.
- ★ Cross-hatch, grey scale, peak white and black level.
- ★ Push button controls, battery or mains operated.
- ★ Simple design, only five i.c.s on colour bar P.C.B.
- ★ Backup service available.

PRICE OF MK4 COLOUR BAR GENERATOR KIT **£39.00. CASE £5.80. BATT HOLDERS £4.20**

MAINS SUPPLY KIT **£5.80**
(Combined P&P £4.50)

VHF MODULATOR (CH 1 to 4) FOR OVERSEAS **£6.80.**
EASILY ADAPTED FOR VIDEO OUTPUT & C.C.T.V.

ADD VAT 17.5%

LINE OUTPUT TRANSFORMER TESTER

- ★ Service Aid.
- ★ Saves time and money.
- ★ Checks short turns.
- ★ Simple to use.
- ★ Reliable.
- ★ Battery operated.
- ★ Pocket size.

PRICE **£24.00**
POST/PACKING £2.50

ADD VAT 17.5%

INFRA RED REMOTE CONTROL TESTER

- ★ Pocket size.
- ★ LED + audible indication.
- ★ Simple to use.

PRICE **£20.00**
POST/PACKING £2.50

KITS AND PROJECTS

SAW IF AND TUNER UNIT complete and tested for video & audio outputs **£28.50** p.p. £1.80.

PAL DECODER KIT (Video to RGB) for Monitors **£27.00** p.p. £1.80.

PAL ENCODER KIT (RGB to Video) **£20.00** p.p. £1.80.

CRT TESTER & REACTIVATOR KIT For Colour & Mono complete with Case, Panel Meter Indicator - can be adapted for latest CRTs **£45.00** p.p. £4.50.

TV & VIDEO SPARES

REMOTE CONTROLS

Replacement for: Ferguson, Hitachi, Philips, Panasonic, Grundig, I.T.T., Sony, Saisho, Granada, Saisho + many others
Phone for make and model no.

PHILIPS SPARES

MANUALS CFI, CTX-E, CTX-S, CP90, CP110, GRIAX, G90AE, 2B, 3A, NC3-CR. G110 **£7.50** p.p. £1.80, 2A **£10.50** p.p. £1.80, BACK UP BATT. 2.4V **£3.80** 1.2V **£2.00** p.p. 90p K30, KT4, CTX-EHT Lead **£4.90** p.p. £1.00

THORN/FERGUSON SPARES

TX10 Focus control **£8.50** p.p. £1.80
TX9/10 Remote & tuning 151SN **£5.00** p.p. £1.80
TX10 Stereo Audio Board **£3.50** p.p. £2.50
TX100 Chopper TX **£15.80** p.p. £2.50

IC SELECTION

AN5521	£3.80	SAAS243	£23.50	TA7980AP	£5.80	TDA2600	£6.80	TDA4610	£6.80
AN5900	£2.20	SAB3035	£9.80	TA7981P	£7.80	TDA2611A	£1.90	TDA4950	£1.60
BA6209	£3.80	SAB3037	£8.80	TA7988P	£6.80	TDA2640	£3.20	TDA5510	£12.50
BA6219	£3.80	SAT1032	£4.50	TA8739P	£4.50	TDA2653A	£5.80	TDA5850	£2.80
BA6239	£3.80	SAT1039	£2.80	TDA1035	£1.50	TDA2654	£5.70	TDA7052	£2.50
BA6238A	£2.80	SL470/471	£4.00	TB-750	£2.20	TDA2655B	£16.60	TDA8153	£7.80
BA6239	£3.80	SL486	£3.20	TB-A920	£2.80	TDA2670	£3.20	TDA8170	£3.00
CCUFR007	£14.30	SL490	£3.80	TB-A950	£2.20	TDA2680	£3.80	TDA8180 K1	£7.50
CXK62	£4.80	SL1430	£1.80	TB-A2090	£2.80	TDA2690	£5.80	TDA8190	£3.80
HA11211	£2.80	SL1432	£2.40	TC-A800	£6.80	TDA2780	£6.80	TDA8305	£9.80
HA11423	£3.80	SN76226DN	£1.80	TDA1035T	£2.40	TDA3190	£4.20	TDA8341	£4.20
HA5138SP	£21.50	SN76705	£9.80	TDA1037	£1.90	TDA3301	£6.80	TDA9403	£3.80
LA4445	£3.80	STR5326	£6.80	TDA1060	£3.80	TDA3330	£12.50	TDA9503	£3.80
LA7800	£1.80	STR5332	£6.80	TDA1082	£4.80	TDA3500	£6.80	TDA9519	£4.80
LA7520	£2.80	STR5333	£6.80	TDA11705	£1.80	TDA3505	£4.50	TDA1011	£2.20
LA7801	£3.80	STR5338	£6.80	TDA1190Z	£2.20	TDA3540	£2.50	TDA1019	£2.80
LA7820	£3.80	STR5337	£7.00	TDA1432P	£5.70	TDA3541	£3.50	TLA2018A	£2.20
LA7830	£2.80	STR5339	£6.80	TDA1512	£3.20	TDA3561A	£5.80	TLA2029	£5.80
M104B1	£6.80	STR5342	£4.80	TDA1515	£4.50	TDA3562A	£5.80	TLA2164	£3.95
M293B1	£15.80	STR5341	£6.80	TDA1524	£6.80	TDA3565	£3.80	TLA2165A	£6.80
M491B1B1	£14.80	STR5422	£8.50	TDA1670A	£3.20	TDA3566	£5.80	TLA5115	£6.80
M494	£9.80	STR5471	£6.50	TDA1701	£3.80	TDA3571	£4.20	TMS100N21	£3.80
MCI3002P	£5.80	STR5481	£5.80	TDA1770A	£3.20	TDA3576B	£9.80	TMP47C-432AP	£21.95
MDA2062	£3.80	STR5482	£5.80	TDA1870	£6.80	TDA3640	£5.20	TMP47C-434N	£21.95
ML237	£3.80	STR5490	£7.80	TDA1872	£9.80	TDA3650	£9.80	TMP47C-434N	£21.95
ML926	£4.80	STR6962	£3.80	TDA1908	£2.80	TDA3651	£4.20	TMP47C-432AP	£21.95
MN15425	£15.80	STR7308	£6.80	TDA1940	£3.20	TDA3653A	£3.80	TMP47C-434N	£21.95
MAA1034	£5.80	STR7348	£10.80	TDA2050	£3.50	TDA3653B	£3.20	TMP47C-434N	£21.95
SA1124	£5.80	STRD4420	£4.80	TDA2064	£2.80	TDA3654	£3.20	TMP47C-434N	£21.95
SA1124	£5.80	STRJ125	£4.80	TDA2040	£2.80	TDA3810	£5.50	TMP47C-434N	£21.95
SA11250	£3.80	STR441	£15.80	TDA2150	£3.20	TDA4420	£2.20	TMP47C-434N	£21.95
SA11251	£8.40	STR450	£11.40	TDA2270	£2.80	TDA4426	£3.20	TMP47C-434N	£21.95
SA11293 02	£8.80	STR451	£14.80	TDA2540	£2.20	TDA4427	£3.20	TMP47C-434N	£21.95
SA11293 03	£8.80	STR454	£14.80	TDA2548	£5.80	TDA4442	£2.80	TMP47C-434N	£21.95
SA11293 04	£16.80	STR4211	£6.80	TDA2576A	£7.80	TDA4443	£7.80	TMP47C-434N	£21.95
SA11293 05	£16.80	STR4212	£6.80	TDA2577A	£7.80	TDA4444	£7.80	TMP47C-434N	£21.95
SA11293 06	£16.80	STR4213	£6.80	TDA2578	£3.80	TDA4501	£7.80	TMP47C-434N	£21.95
SA11293 07	£16.80	STR4214	£6.80	TDA2579	£3.80	TDA4502A	£13.50	TMP47C-434N	£21.95
SA11293 08	£16.80	STR4215	£6.80	TDA2581	£6.80	TDA4503	£5.80	TMP47C-434N	£21.95
SA11293 09	£16.80	STR4216	£6.80	TDA2582	£2.80	TDA4505	£5.80	TMP47C-434N	£21.95
SA11293 10	£16.80	STR4217	£6.80	TDA2593	£1.50	TDA4555	£9.80	TMP47C-434N	£21.95
SA11293 11	£16.80	STR4218	£6.80	TDA2594	£3.80	TDA4600	£3.85	TMP47C-434N	£21.95
SA11293 12	£16.80	STR4219	£6.80	TDA2595	£4.80	TDA4601	£2.80	TMP47C-434N	£21.95

LINE OUTPUT TRANSFORMERS p.p. £1.80

AMSTRAD 2200	£2.80	PANASONIC TLF 14586F	£29.00
B&O LX2500, 2800 AT207781	£28.80	PHILIPS KT3	£13.80
BUSH AT3079/10	£34.80	PHILIPS K30	£22.80
DECCA 100	£10.80	PHILIPS CTX-L5	£22.80
FIDELITY ZX2000	£15.50	PHILIPS KT4	£22.50
FIDELITY ZX3000	£14.50	PHILIPS 2A	£25.80
HINARI CT4	£24.80	PHILIPS K40	£27.50
HITACHI CPT1455, 1456, 1476, 1491	£19.50	PHILIPS K40	£23.80
HITACHI CPT1440/40 P/N2432981	£21.80	PHILIPS K40	£23.80
HITACHI CPT17476/78	£18.90	PHILIPS L50	£28.50
HITACHI P/N2433752	£21.80	PHILIPS P110	£29.80
ITT Compact 80, 110	£17.80	PHILIPS GRIAX	£25.90
ITT Compact 80, 90	£22.80	PHILIPS NC3	£22.50
ITT Compact 80, 110 FST	£18.80	SAISHO/MANITON P/N 14002	£24.80
ITT CVC 25	£9.80	SAISHO/MANITON P/N 3214009	£24.80
ITT CVC 25, 30, 32	£9.80	SANYO CPT2144, 2145, CPT6144	£28.80
ITT CVC 800, 801, 803	£28.80	SANYO CPT7132 80P Chassis	£39.80
ITT CVC1100, 1206, Picos	£22.50	SONY KV1412	£21.80
ITT CVC1150, 1175	£22.80	SONY KV1440, 1460/2	£21.80
ITT CVC1200, 1201, Mini 2	£19.50	SONY KV1882	£32.00
ITT CVC1204	£11.80	SONY KV2056, 2062, 66	£52.00
ITT CVC1210/1215/17	£19.80	SONY KV21XRTU	£29.00
ITT Digi 3, 110	£22.80	SONY KV2252/56, 2752/56, 2762/66 PL3	£29.00
ITT Core 100, 90	£9.95	SONY KV2704	£29.00
ITT Core 110 FS	£9.95	SONY KV27XRTU	£59.80
ITT TX3326/7	£22.80	THORN IC35 - 2 TYPES	£24.00
ITT TX3446	£21.80	THORN TX9	£23.50
ITT Core 110	£19.95	THORN TX10 (Chopper)	£19.80
ITT Core 110	£19.95	THORN TX85	£19.80
ITT Core 110	£19.95	THORN TX89	£23.50
January Special - Buy 10 get 15% discount on all marked items		THORN TX90 14"	£19.80
LOLWE Profit, Loss, Counter, etc (Quote model No.)	£33.00	THORN TX90 20"	£17.00
LUXOR P/N 1000 01	£33.00	THORN TX100, 110 Green Spot	£21.80
MATSUI 11450	£29.00	THORN TX100 90 LST Yellow Spot	£21.80
PANASONIC TLF14520UF, TLF14568F	£29.00	THORN TX100 LST Y60541	£21.80
PANASONIC TLF14521F, TLF14567F	£29.00	THORN TX100 Blue Spot	£21.80
PANASONIC TLF14584F	£29.00	THORN 51P7	£32.00

TRIPLERS EHT MULTIPLIERS p.p. £1.80

CONTINENTAL UNIVERSAL TVK & BG	£13.80	GRUNDIG BG 2077-642-1003/1004	£16.80
RANGE (Quote exact no.)	£13.80	GRUNDIG BG 2087-642-1001/1002/1006	£16.80
U.K. UNIVERSAL (best quality)	£7.80	THORN 9000	£9.80
DECCA/TATUNG BG 200/44 TYPE	£7.80		

MISCELLANEOUS p.p. £1.80

MAINS TRANSFORMERS: 6.3 Volts CRT boost	£6.80 p.p. £1.80	TV FAULT FINDING GUIDE	£14.80
£6.80 p.p. £1.80		VCR FAULT FINDING GUIDE	£14.80
Mains Isolating 500VA	£51.25 p.p. £5.25	HITACHI FRAME MODULE HM 6251	£14.80
455 CRYSTALS for handsets. 4 for £2.00 p.p. 80p		HM6232	£9.80
DEGAUSSING ROD	£33.75 p.p. £3.50	HITACHI THERMISTOR TH902	£2.40
TRANSPARENT VIDEO SERVICE CASSETTE			

HOW TO ORDER: ADD p&p TO ORDER + VAT 17.5% TO THE TOTAL
PRICES ARE SUBJECT TO CHANGE WITHOUT NOTICE

Telephone 071-794 8751/794 7346
Fax 071-431 5778



MANOR SUPPLIES

172 WEST END LANE, LONDON NW6 1SD

CALLERS WELCOME AT SHOP

Mon-Fri 9.30-6pm - Thurs 9.30-1pm - Sat 9.30-5pm

The Pace PRD800 Satellite Receiver

J. LeJeune

Over the years many TV receiver chassis have been described in these pages. We have not to date undertaken a similar exercise with a satellite receiver. The one selected as an introduction to satellite receiver technology is the Pace PRD800, an integrated receiver-decoder with true Wegener Panda-1 sound processing, 120-programme capability, three scart sockets, a tunable u.h.f. modulator, full satellite radio coverage, parental lock, a four-event 14-day VCR timer and remote control with a sophisticated menu-led system. It has been included in the ranges of several well-known setmakers. For the purposes of this article we examined a Ferguson SRD5.

The complete circuit diagram is quite daunting at first sight, so the general overview shown in Fig. 1 may help you to get a grip on things. Pace use the letter U for their i.c. circuit reference numbers and, in common with many other manufacturers, Q for transistors. Where to start? What better place than the usual one, the power supply circuit.

Chopper Power Supply

The power supply circuit is shown in Fig. 2. It's a conventional chopper arrangement that operates at about 26kHz and provides mains isolation. This is an important point with satellite receivers because of possible access to the outdoor unit and the desirability of having a direct video feed to the main TV set via a scart lead. The circuit operates with a.c. inputs over the range 198-264V, the receiver's

maximum power consumption being 35W.

T1 and C1 form a filter to prevent hash from the power supply being fed back into the mains. Diodes D1-4 form the usual bridge rectifier, charging the reservoir capacitor C2 to

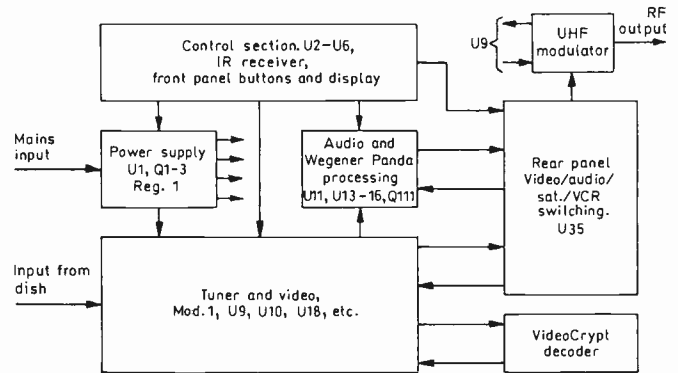
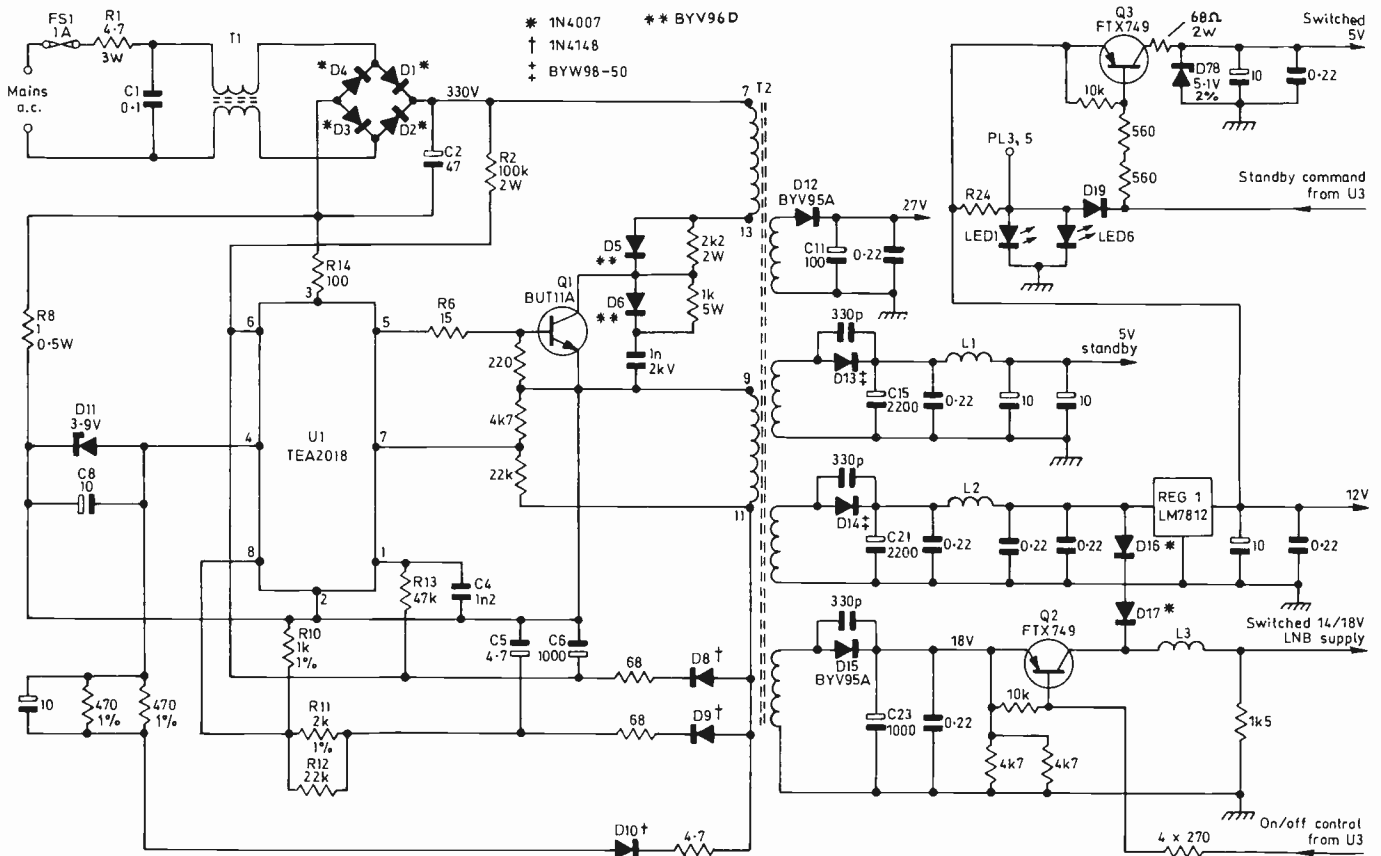


Fig. 1: Simple overview of the Pace PRD800 satellite receiver.

approximately 330V. R1 provides switch-on surge limiting. This mains rectified supply provides a feed for the chopper transformer T2's primary winding (pins 7-13) and a start-up feed via R2.

At switch on R2 charges C6 to establish a supply for the TEA2018 chopper control chip U1. This is fed to pin 6. As the voltage at pin 6 rises, U1 begins to supply drive pulses to



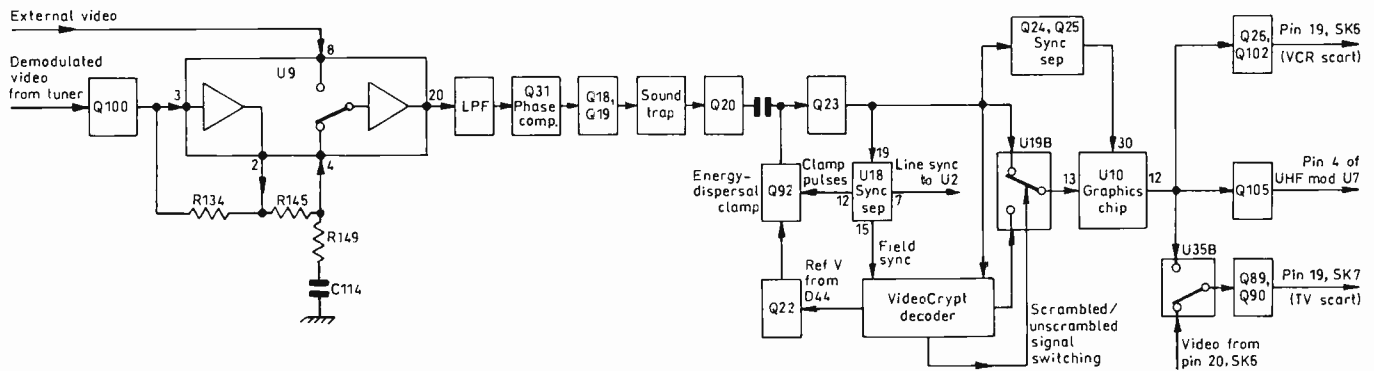


Fig. 3: Block diagram showing the post-demodulator video signal path.

the base of the BUT11A chopper transistor Q1. The capacitance value of C6 is sufficient to provide U1's current demand until the chopper circuit gets going, when D8 comes into operation to maintain the supply across C6 by rectifying the output from winding 9-11 on the transformer. The values of R13 and C4 determine the supply's basic operating frequency.

Two other rectifiers are connected to pin 11 of the transformer. D9 charges C5 which supplies pin 8 of U1 via the potential divider network R10/11/12. This is the voltage sensing pin for supply regulation. When the supply is running normally at full power the voltage at pin 8 is approximately 2.4V.

The chopper transistor Q1 is very effectively switched off by the negative voltage generated by D10 and C8, regulated by the 3.9V zener diode D11. This voltage is fed to pin 4 of the chip. Q1's base is driven from pin 5 via R6.

The low-value (1Ω) resistor R8 connected in series with Q1 generates a voltage proportional to Q1's current. This is fed via R14 to pin 3 of the chip to provide current limiting. The operating principle of this circuit is similar to that of a beam-current limiter. In the event of excess current flowing via R8, Q1 and the primary winding of T2, the rising negative voltage at pin 3 of U1 reduces the mark-space ratio of Q1's drive waveform so that Q1 conducts for a shorter time during each on/off cycle.

There are four rectifiers on the secondary side of the circuit, D12-D15. D13 produces a standby 5V supply across C15. D14 and C21 provide an input for the 12V regulator REG1. Q3 provides a switched 5V supply for the modulator. In the standby mode pin 15 of U3 in the control circuit goes high. This voltage is connected to the base of Q3 which, being a pnp device, switches off. As D19 is also switched off the supply to LED1 and LED6 is no longer shorted out and these diodes light to give the standby indication – note that the indicator circuit is present in some models and not others, including the PRD800. During full-power operation, when Q3 is conductive, zener diode D78 stabilises its collector voltage at 5V.

The 14/18V switched supply for the LNB comes via either D16/17 or Q2 depending on whether Q2 is switched on or off. Q2 is controlled by pin 16 of U3. When Q2 is switched on the LNB receives 18V from the rectifier circuit D15/C23, D16/17 then being biased off.

There are no adjustments, the operation of the circuit being preset by R10/11/12.

Control Circuit

The heart of the control circuit is the microcomputer chip U2 which is a Z8 family device. It runs at a clock frequency of 4MHz, controlled by crystal X1. There are four other chips in this section of the circuit. U3 and U4 are buffers that limit the

current drain on U2. U5 is a multiplexer for the front-panel character display while U6 is an EEPROM which stores the information set by the on-screen menus. There are also two transistors, Q96 and Q98, that act as inverters. Pin 6 is U2's reset pin, D20 and C31 giving the reset action. C31 is rapidly discharged by D20 at switch-off, charging slowly at power-up so that pin 6 is held low for a few milliseconds to reset U2.

Video Path

Frequency-synthesis tuning is used. The detected video passes from the tuner-demodulator block via the emitter-follower buffer transistor Q100 to pin 3 of U9, see Fig. 3. A video preamplifier within this chip raises the signal level, the amplified output emerging at pin 2. Video gain is set by the feedback resistor R134 while R145, R149 and C114 provide de-emphasis. The signal returns to U9 at pin 4, after which an internal switch selects either external or internal video. Further amplification is then provided, the video signal finally leaving U9 at pin 20. The following low-pass filter (L10/11, C103/4/5/6) has a 5.5MHz cut-off frequency. Correction for the group-delay effects (phase shift varying with frequency) introduced by this filter is provided by the circuitry around Q31. The circuitry associated with Q18/19 filters out the sound subcarriers.

Up to this point the video signal still has imposed on it the triangular 'energy-dispersal' signal that's added before transmission to prevent interference with other microwave services. If the 25Hz energy-dispersal waveform was not removed the picture would suffer from intolerable flicker – and VideoCrypt decoding would be impossible. Very tight video signal clamping to a stable d.c. level is carried out, line-by-line, by field-effect transistor Q92 in Q23's base circuit – Q23 is an emitter-follower buffer transistor. Fig. 4 illustrates the action of this clamp.

Clamping is done at the start of every line, during the back porch that carries the colour burst. A pulse from pin 12 of U18 switches Q92 on, setting Q23's base voltage at a d.c. level which is determined by D44 and Q22 – D44 is a 2.4V zener diode that's within the VideoCrypt decoder. The f.e.t. Q92 has a low on and a very high off resistance, so that once Q23's base voltage has been set Q92 will not leak away the clamp charge on the video coupling capacitors C132/C313. This circuit provides the accurate clamping required for the VideoCrypt decoder to produce noise-free, unscrambled pictures.

After clamping the video signal goes four ways. One path is to pin 19 of U18, which provides the gating pulses for the energy-dispersal clamp at pin 12, field sync pulses for the VideoCrypt decoder at pin 15, and at pin 7 line sync pulses for pin 39 of U2 which uses them to identify the presence of a station for muting purposes. A second feed goes to Q24/5 which form a sync separator circuit that feeds composite sync

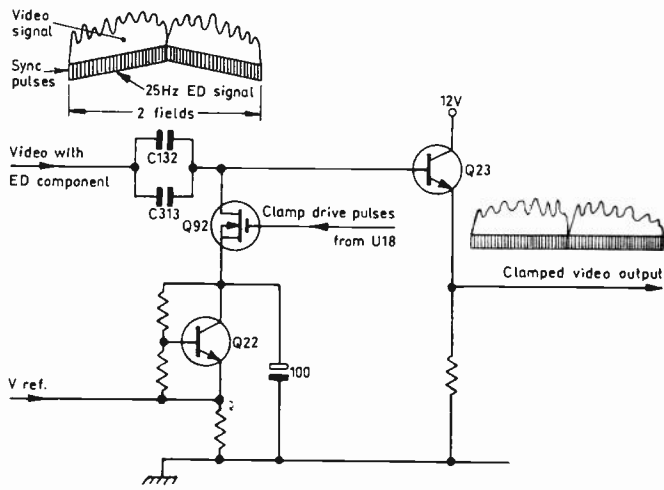


Fig. 4: Action of the clamp that removes the 25Hz energy-dispersal signal.

to pin 30 of U10, the graphics generator. The third and fourth feeds both end up at the switch in U19B, one feed going there directly while the other one goes via the VideoCrypt decoder. The output from U19B goes to pin 13 of the graphics generator chip U10 where the colour graphics are inserted into the picture or replace it. U10's output, at pin 12, is fed to pin 19 of the VCR scart socket SK6 via Q26 and Q103, to pin 4 of the modulator chip U7 via Q105, and to switch element U35B; this feed ends up, via Q90 and Q89, at pin 19 of the TV scart socket SK7.

The Modulator

The modulator module includes the r.f. bypass circuit for off-air signals passing through the receiver and the r.f. combiner circuit which adds the modulator's output to the off-air spectrum. A two-stage, broad-band circuit with a gain of about 3dB amplifies the off-air signals; this low gain is provided simply to compensate for the losses incurred in the

combining process.

The modulator itself is within U7. Fig. 5 shows a block diagram of this chip and the tuning system. Varicap diode D21 and its associated components tune the video carrier oscillator. D21's cathode is biased by a 0-24V supply from pin 14 of U9 via Q9/Q97. Prescaler U8 takes an output from video carrier oscillator, producing a divided-down output in the range 7-14MHz. This is fed to the phase-locked loop

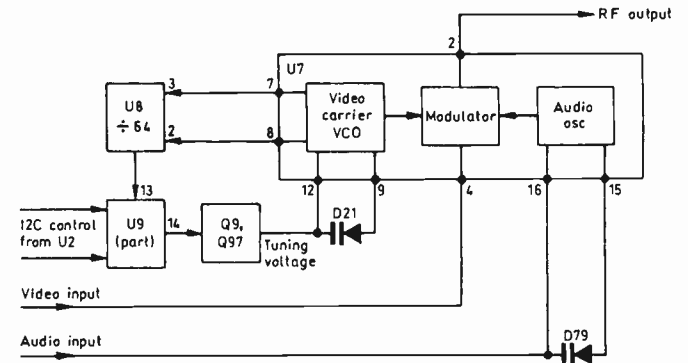


Fig. 5: Block diagram of the u.h.f. modulator and its tuning system.

tuning system in U9. The 4MHz clock signal from pin 29 of the microcomputer chip U2 provides the reference for the PLL system. Control of the PLL in U9 is from U2 via the I2C bus. The audio section is tuned and frequency modulated by varicap diode D79 and its associated components.

Colour Graphics

The colour graphics chip U10 is controlled by the microcomputer chip U2 via the I2C bus. Fig. 6 shows the circuitry in this area. The 17.734MHz crystal X2 is resonant at four times the colour subcarrier frequency. It uses a PLL to lock to the received colour burst. L12, C119 and C120 tune the character generator readout clock oscillator.

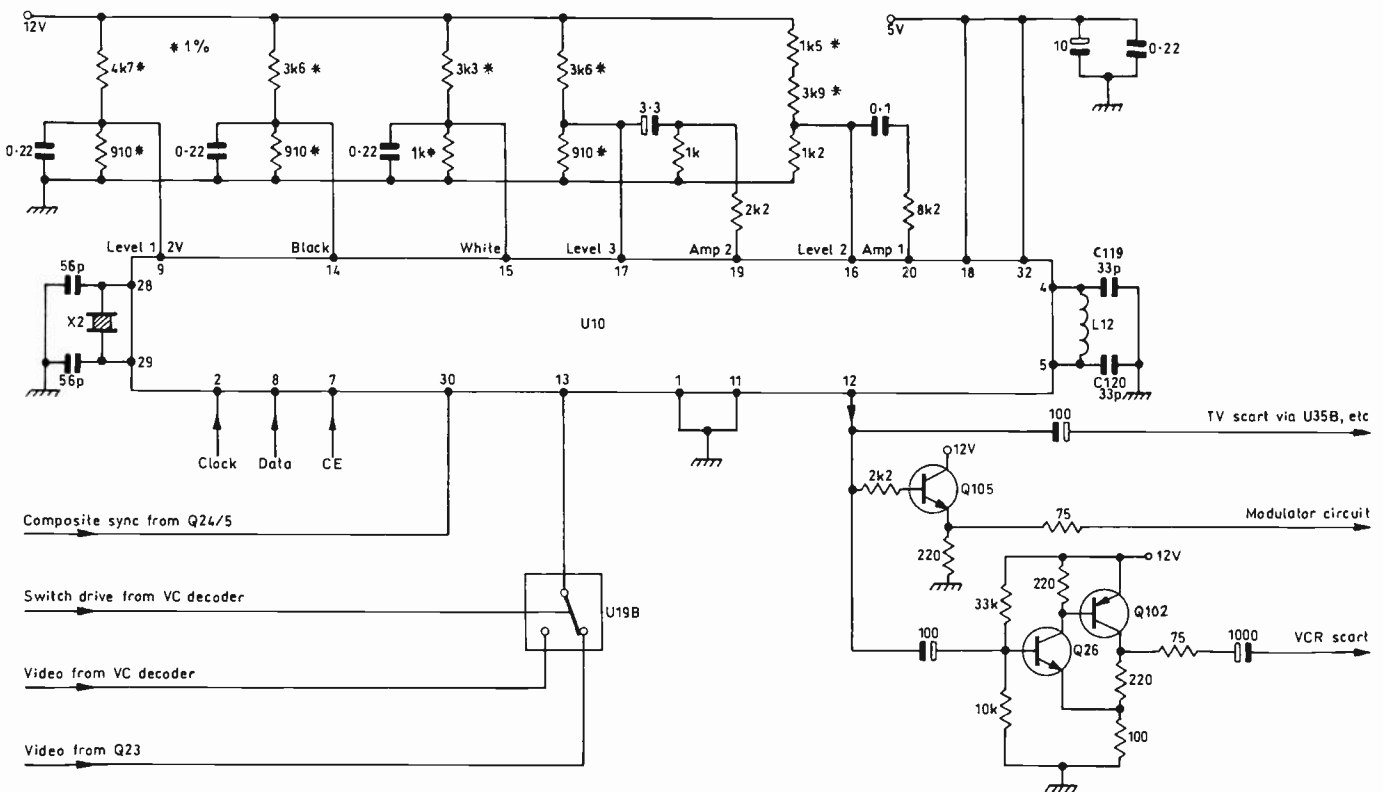


Fig. 6: The colour graphics chip circuitry.

What a Life!

Donald Bullock

Les Lawry-Johns' death was a great loss to us all. In a practical sense he was a technical wizard of his time. But the reason for his great popularity amongst readers – I suspect that most long-term readers turned to his article first when the latest magazine arrived – went deeper than this. He was one of us, a fellow sufferer at the hands of Joe Public. We knew those who caused him such trouble: thinly disguised, they circulate amongst us all. Like the rest of us, Les knew exactly what they were up to. Yet he continued to suffer because his tormentors – our tormentors – have no code of honour. Like us all he constantly resolved to harden, to make the most of his experience so that he would come off best in future. But he seldom did, and nor do we. It isn't in our stars. We're born losers.

Les's troubles were ours. But he was a bit more honest, a bit more vulnerable and a great deal more decent than most of us. His writing left us all richer. I, for one, am grateful to him.

Grundig Troubles

Kevin Bentun brought his Grundig colour set in the other day – a CUC2401 type. "It's gone mental" he announced. "All right at first, then the sound and picture fade, leaving the screen bright. After a while the picture comes back and flutters at me. Enough to get a chap's dander up, I can tell you." And off he minced.

Hoping to resolder a few dry-joints and make some quick money I got cracking. There would, I figured, probably be a line output transformer derived supply playing up. An hour later I'd got nowhere, so I decided to stop and try to think about it. Well, it could be the line output transformer. We had one like it in stock, so I fitted it. This made no difference. I next connected a voltmeter to the tuner's 12V supply. When the fault returned, the voltage swung about. On opening the tuner I saw several suspect joints, but resoldering them didn't help. As the supply remained stable when it was connected to a dummy load I carried out a more detailed examination of the tuner and soon found a 220 μ F, 10V electrolytic that had dried up. A replacement cured the trouble.

"Then, surprise, surprise, Mr. Fussie fidgeted in with another Grundig set that was just the same.

"It's never been right since you mended our wireless" he bickered. "I took it to Snoddies and they fitted some parts and charged me £40, but it's still the same."

"Why don't you take it back to them?"

"They recommended you."

As the fault was identical to the previous one I mended it in no time. He returned shortly after I'd phoned him with the news.

"What was it?" he moaned, looking at me as though I was a bad drain.

"A condenser" I said. "Twenty five pounds."

"How much was the part?" he asked.

"Tuppence" I replied.

"That's sixty five pounds in all" he whined, "Snoddies said you might be expensive. Can you guarantee that another part won't go? Could this have damaged anything else in the house?"

I gave him a deranged look and he departed, leaving me wondering why, all those years ago, my people put me in

this trade when the local paper beckoned me. The extra pound a week I suppose. Oh to start again!

Video Problems

Mrs. Tubby rolled in from the Forest of Dean with something in a plastic bin liner. "How much to mend this?" she asked, eyeing me as though I was a sneak thief.

"What is it?" I asked.

"Wonky" she said.

After a delay she extracted the item from its bag. It was a Philips/Pye DV286 VCR that was matted with greasy dust and had strands of tape hanging from its mouth.

"Help" I muttered as I waved her out. Then I called Steven in from the van. "Your job" I said.

"What's up with it?" he asked.

"Wonky" I replied. He gave me an odd look and took it over to his bench.

Having unloaded that one I pulled a Ferguson 3V47 portable VCR on to the bench. "Picture was intermittent, now gone. Sound o.k." said the card. The machine was full of dust and tape debris. So I gave it a thorough service and tried it again. It was no better. I took the video heads out and found that the leads hadn't taken to the solder when the machine was produced. They were held only by the resin. After resoldering them I tried the machine again. The results were excellent. As I was boxing it up I looked over at Steven. He'd finished the Philips video and was doing the bill.

"What was it?" I asked.

"A jammed Chinese cassette and a missing spring which should have held the back-tension arm by the tail. I found it in the works. It's o.k. now. What shall I charge?"

"Up to you" I said. "But you won't win. If you charge enough you'll be a rogue. If you make a small charge it was easy and you shouldn't have charged anything at all. And God help you if it goes wrong again or another of her Happy Friend tapes jams. And don't phone her yet, because that will mean that there couldn't have been anything much wrong with it."

"I wouldn't mind a cup of tea" said Steven. I got the message. Never mind. Who sits on pride after a forty year battering?

Miscellaneous Faults

As I set about making the tea Steven pulled a Panasonic TX5500 (U5 chassis) on to the bench. The card said "no brightness". He stood there pondering.

"IC601" I said.

"You see what?" he asked.

"It won't be a no brightness fault" I said. "Almost certainly it'll be no luminance because the TDA3562A chip IC601 on the upright panel to the right of the main chassis has failed. Don't forget the A" I added as he looked in the i.c. drawer. "You'll get nowhere if you fit one that doesn't have the A suffix."

So that's what he fitted, curing the trouble.

Then he pulled a Neff 6007 microwave oven on to his bench. When he operated it the counter worked but the rest didn't.

"What do you think's up with this?" he asked.

"Dunno" I said. "and when you find out, shield me from the answer."

A short while later he had it working. The switch at the top of the door had burnt out. Whilst at it he replaced them all.

As I was washing up he got busy with an Hitachi VT8300 that wouldn't accept a tape. It didn't take him long

to discover that the loading motor wasn't working. "There's 6V on the pink supply lead" he said "and only 0.4V on the white. I'll check around IC905 and 906."

"Check R081 while you're doing that" I said. It was open-circuit, a replacement restoring normal operation.

Visitors

Just then the door flew open and an RAF chappie from the nearby estate breezed in. He was carrying a cardboard box that contained a dismantled television set.

"Ah!" he said. "They tell me you're good with a screw-driver! I got this set for nothing in Germany. When I brought it back the sound needed twiddling. So I had a go and swapped some of those things with legs. Some smoke came out of there, where it's gone black. I don't mind letting you do it, but I don't want to spend. . ."

Test Case 374

In the early Eighties the Ferguson TX range of TV sets was all the rage: Sage still has a TX tie that was presented to him by a sales rep. or a TLO in those far-off days. It's a tribute to the design of these sets that many of them are still going strong. One, now well into its second decade of operation, found its way on to Dylan's bench the other day. It was a TX9 of the later sort, with a chopper power supply and PC1044 main panel.

The complaint was about 'green faces'. Sure enough Anne Diamond, who was on at the time, looked as though she had just crossed the North Sea in a force ten gale. Everyone else on the show had the same bilious look. This meant a lack of red in the set's display. As a check the output from a colour-bar generator was fed to the set. The red bar was very muted, and some of the other colours looked a bit strange: blue and green were bright and clear however, despite the fact that the tube was probably a bit tired.

Dylan thought that the tube was likely to be responsible for the lack of red in the display. Out came the wonderful tube tester and, after some rooting about in the box, a base to match the tube. On test the emission of all three guns was found to be a little low, but the red gun was the second best one. All three were brought up to scratch by using the tester/reactivator's 'clean-and balance' facility. When the set was tested the picture was a degree brighter but the low-red fault remained the same. A reasonable monochrome picture was present with the colour control turned to minimum but, as TV Ted said, red is the colour you miss least with a monochrome display.

Dylan switched on his scope and pulled his multimeter across the bench. The first check he made was at the tube's red cathode, where the voltage was rather higher than the 125V specified in the manual. He felt the red output transistor's collector load resistor R132 and found that it was cooler than those in the blue and green output stages. Dylan decided to check the resistor's value, which was correct at 12k Ω , so he went on to twiddle the red gain and background controls RV136 and RV138. The red in the colour-bar display changed a bit as these controls were wound from one end to the other, but at no point was it correct. Dylan began to suspect the BF460 red output transistor itself, TR56. As a check he swapped it over with the corresponding transistor in the blue channel, TR55. This made no difference at all, the transplanted transistor working perfectly well in its new position.

I opened the door and jerked my head. Off he went. I felt the need for some air and wandered out to have a word with Brian who does a bit of gardening for us. He always looks well and smart and as usual had a cigar wedged in his mouth. He was clipping at some bushes. A van spluttered up and out leapt this all-in wrestler with a Ferguson 3V00 video, also dismantled.

"Where's Mr. Bullock, mate?" he asked me thickly. Then he saw Brian and shot over to him.

"Ah Mr. Bullock. This thing's got a volt gone wrong. It isn't much and won't take long. Don't wanna spend much, see. . ."

I sauntered off and Steven appeared. Later I came in at the back of the workshop and found him putting it together. "What do you think of this trade?" I asked him.

"It's good fun" he replied.

That's what I used to think. What's gone wrong with me?

A scope check on the red output signal at pin 12 of the TDA3560 colour decoder chip IC52 was then carried out. For comparison purposes the green and blue output signals at pins 14 and 16 were also looked at. There was certainly something wrong with the red output: its amplitude was low, and the d.c. level was below the specified 3.8V. Could something external to the chip be loading down the red output? R113 and R107 in the feed to TR56 were checked and found to be o.k., as were all the components in the transistor's emitter circuit including the frequency-selective decoupler C95. What else was there to suspect other than the chip itself?

Dylan trotted off to the component store and came back with a pristine TDA3560. When he'd finished installing it he had no doubt in his mind that he'd cured the fault: the diagnosis had been thorough, and every other possible culprit had been eliminated, hadn't it? With a flourish he flung the old chip in the bin and switched the set on. There was Father Christmas on the screen, in a pale, luminous green coat. The fault was still there! Dylan hastily retrieved the TDA3560 chip, which was still warm, from the bin. If you can't work out what was the cause of the fault, turn to page 281.

BACK COPIES

We have available a limited stock of the following back issues of *Television*:

1992 February, April, May, July, August, September, October, November and December

1993 All issues currently available

1994 January
Copies are available at £2.75 each including postage. Send orders to:

Reed Business Publishing,
Television Back Issues,
Room L323,
Quadrant House,
The Quadrant,
Sutton,
Surrey SM2 5AS.

Make cheques/postal orders payable to Reed Business Publishing Ltd.

Dolby Surround Sound

Ian Martin

Several TV models equipped with Dolby Surround sound have been introduced during the last couple of years. This feature had previously been available only with professional cinema and audio products, such as the Pioneer AV amplifier reviewed in the August 1991 issue of *Television*. Widescreen video releases, Laserdiscs and large-screen TV sets have all stimulated interest in 'home cinema'. Toshiba and Hitachi at present have models with Dolby Surround and the more sophisticated Dolby Pro Logic Surround sound: other setmakers will doubtless follow

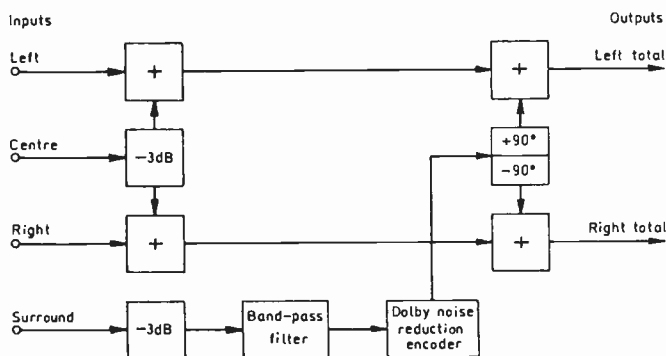


Fig. 1: Dolby Stereo Surround sound encoder block diagram.

suit. In addition Pace has a satellite receiver with VideoCrypt and Pro Logic decoders, aimed at the subscription movie channel market. And why not? What better way for viewers to get maximum value for money from their premium movie subscriptions?

It's not only consumer awareness that has led to the sale of the almost nine million Dolby Surround sound systems now in use worldwide (Dolby's figures). Advancing chip technology has also played a part. Just

two years ago a simple passive decoder such as that used in the Toshiba Models 2505DB and 2805DB needed several different chips for signal processing, noise reduction, memory and the control logic. Because active Pro Logic decoders require even more sophisticated electronics, their introduction in cost-efficient TV designs was held back pending the arrival of custom Dolby chips. Such devices are now available from several manufacturers, including Analogue Devices and Mitsubishi.

The situation has changed again over the past year or so as Digital Sound Processor chips (DSPs) have become more widely available. Initially they offered only acoustic and pre-programmed effects, but it was only a matter of time before a Dolby Pro Logic algorithm was incorporated and approved. Such devices, licensed by Dolby, are now available from Motorola and Yamaha amongst others. They can be easier and cheaper to produce than a bipolar ASIC (application specific integrated circuit) chip, as the Dolby processing is controlled by a program that's within the device.

Before we consider a typical decoder design we'll outline how the surround system works.

Dolby Stereo

The system stems from cinema requirements. In a cinema, traditional stereo sound is effective only for viewers sitting near the centre axis of the screen. For those seated off axis the output from one loudspeaker or the other will predominate, giving an unbalanced stereo image. The stereo sound 'sweet spot', i.e. the area in which a realistic, balanced effect is obtained, is in fact quite small. It was found that if a centre channel was added, primarily for dialogue, driving a loudspeaker mounted behind the screen speech was effectively fixed within the picture. This gave acceptable results even for viewers sat near the edges of the theatre. In other words the 'sweet spot' became much larger. The addition of a rear surround channel boosted the effect further by giving the sound a three-dimensional quality. Several surround speakers could be used for this purpose.

Although some film formats enable four or more sound channels to be used, for 35mm films with optical stereo-sound tracks it was necessary to devise a system that encoded four channels as two. The system that came into use was called Dolby Stereo. Fig. 1 shows a block diagram of the encoder. The left and right sound channel signals pass straight through, the centre and surround channel signals being added to them, the latter as phase-shifted signals. As the left and right channels produce the

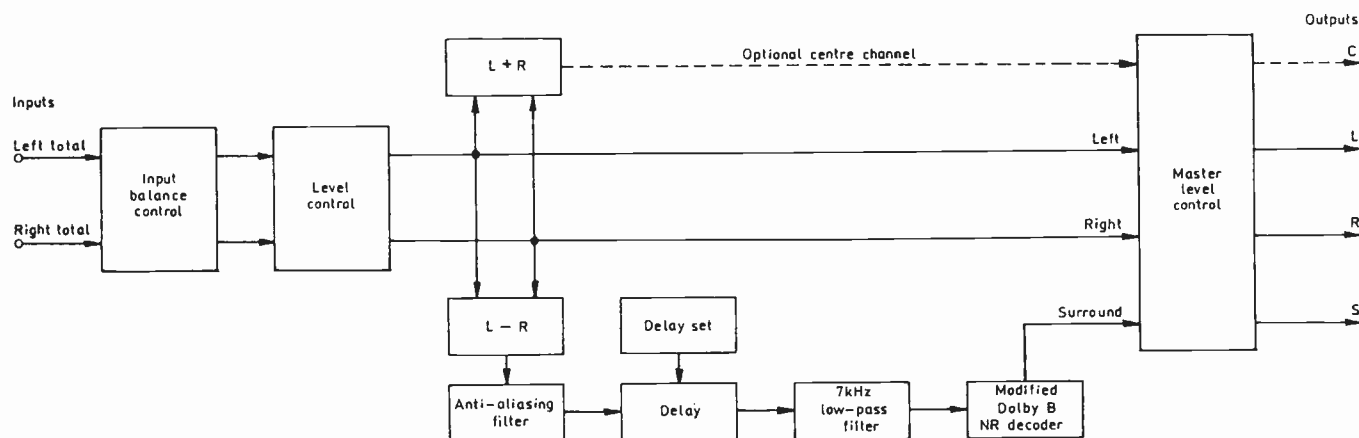


Fig. 2: Passive Surround sound decoder block diagram.

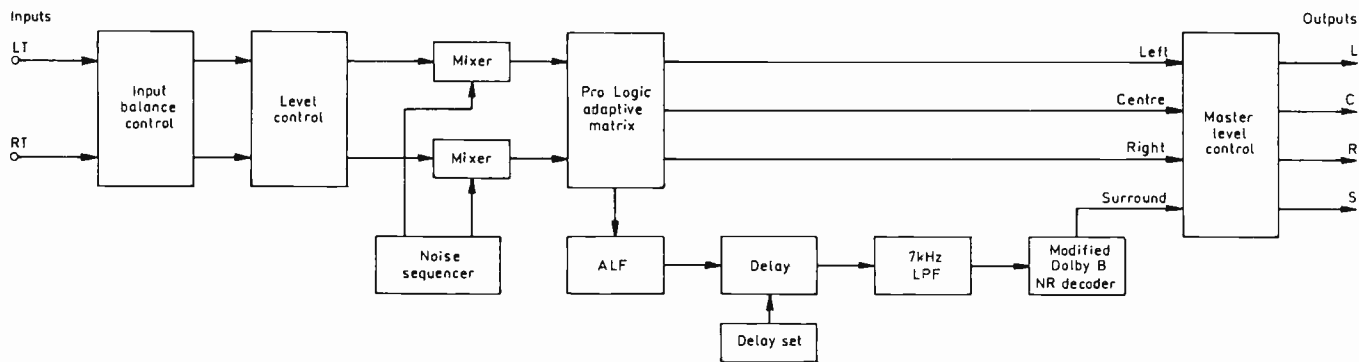


Fig. 3: Pro Logic decoder block diagram.

left total and right total outputs there's no reduction in the basic stereo channel separation.

Dolby Surround

In the decoder, see Fig. 2, the centre and surround channels are recovered by addition and subtraction. Provided the left total and right total signals remain balanced, crosstalk is kept at a minimum. Because the left total and right total channels also carry the centre channel information, for domestic use the centre channel was considered to be optional – the left and right speakers together create a 'phantom' centre channel. The enlarged 'sweet-spot' effect is reduced, but this is not as significant in the home as in an auditorium. This is the system that was used in the first Toshiba Dolby Surround TV models.

To reduce unwanted effects – sibilants could for example be decoded as surround information – filtering is used in the surround channel. For similar reasons a modified Dolby B noise-reduction circuit is used: this reduces hiss, which might otherwise be enhanced. An audio delay is also available. This introduces an artificial lag in the surround channel to give, in accordance with the Hass effect principle, the impression of a larger listening room. Dolby Laboratories recommend various delay times for differently sized rooms. For the average UK living room the delay is in the range 15-25msec.

Because this system uses a simple difference signal to produce the surround channel it's described as a 'passive' surround system.

Dolby Pro Logic

Dolby Pro Logic Surround is a second-generation

system that employs additional circuitry to enhance the spatial positioning of sound effects. This is done by continuously monitoring the encoded sound track and evaluating the direction and intensity of dominant sound effects, which are then enhanced in the same direction in proportion to the sound's dominance. To do this a 'signal dominance vector' that tells the decoder in which direction the current effect is positioned has to be generated.

Fig. 3 shows a block diagram of a Pro Logic decoder while Fig. 4 shows some of the elements of the adaptive matrix, which is the heart of Pro Logic processing. The relative intensities of the left, right, centre and surround signals are assessed in the adaptive matrix by first full-wave rectifying them then feeding the outputs to log difference amplifiers which compare these to provide left-right and centre-surround difference signals. Representations of the left-right and centre-surround axes are thus obtained. When a signal appears front left, the left-right and centre-surround difference signals both become positive. A vector is in this way produced, indicating the sound effect's direction and intensity. When an effect exceeds a certain intensity threshold the decoder switches to 'fast mode', in which polarity splitters convert the two dominance signals to four control voltages, EL, ER, EC and ES, that represent each of the primary directions. These drive four voltage-controlled amplifiers in each of the left and right channels. These eight VCA components and the two left and right components are then weighted and combined in a network. The result is an enhanced effect that remains directionally accurate. As the adaptive matrix contains active operational circuitry, Pro Logic is referred to as an 'active' surround system.

The rest of the Pro Logic decoder is similar to the

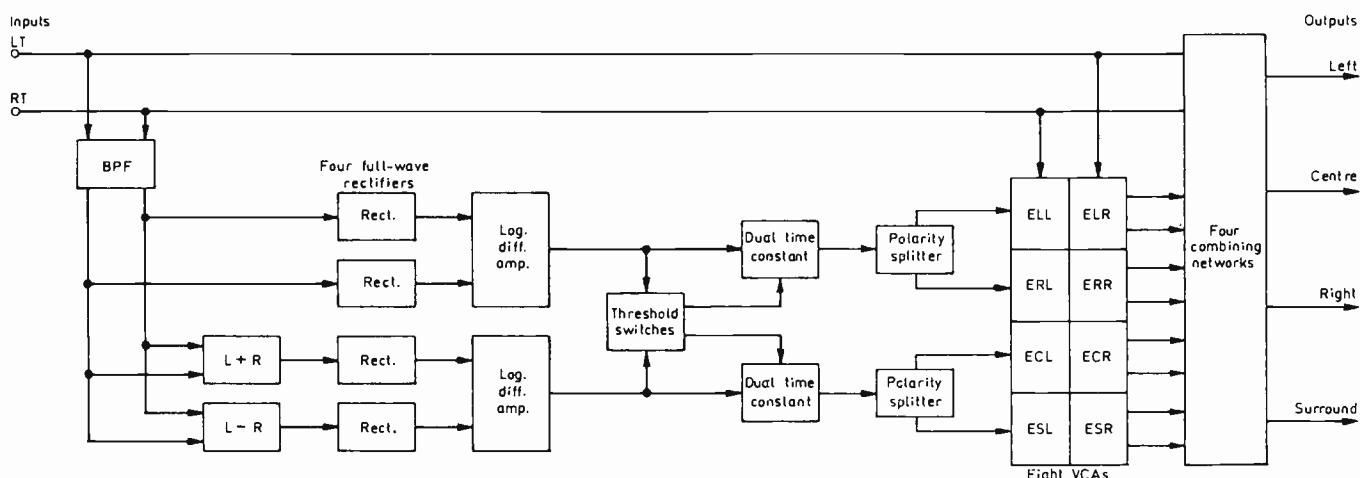


Fig. 4: Pro Logic adaptive matrix block diagram.

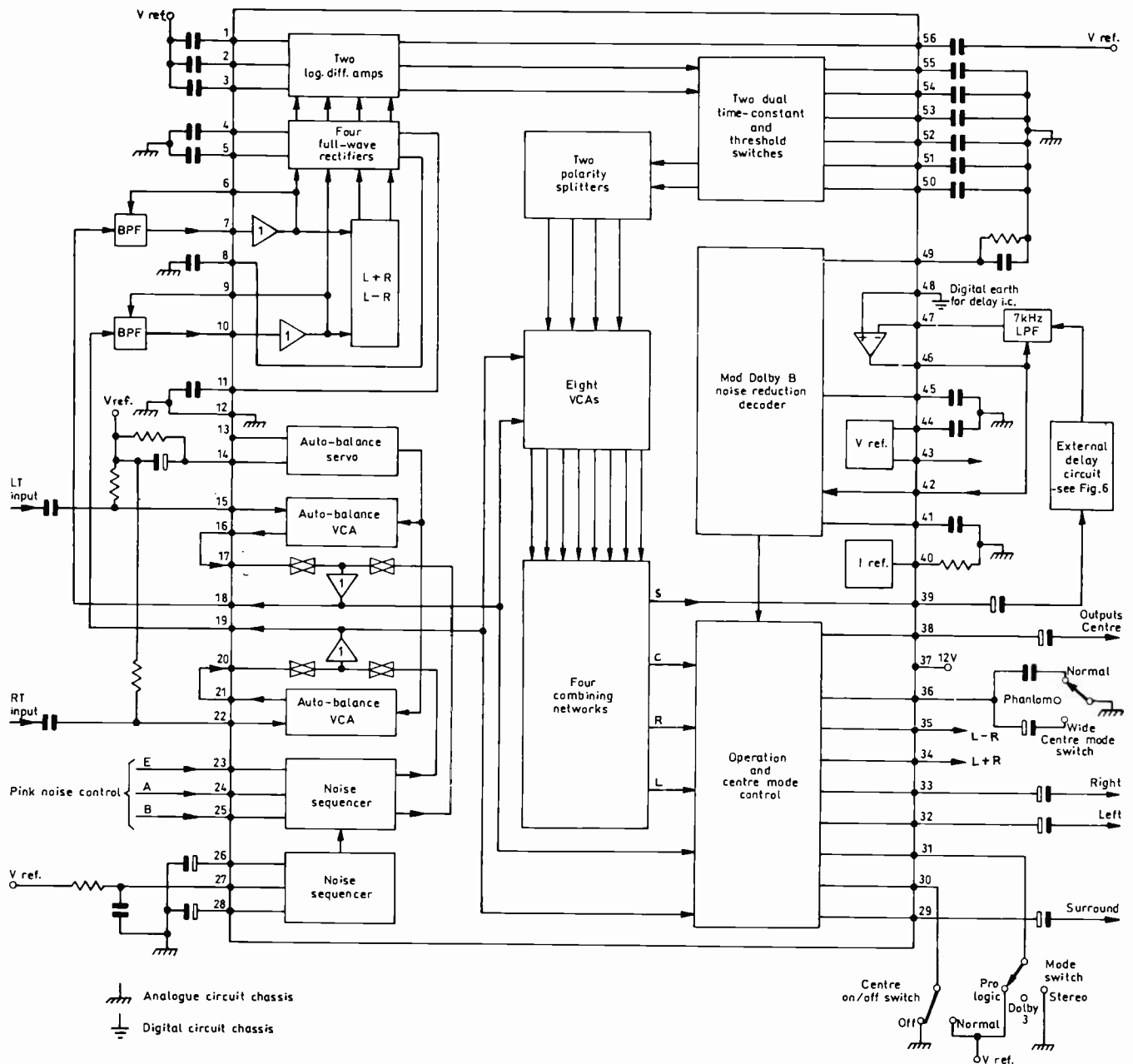


Fig. 5: Operation of the M69032P Dolby Pro Logic Surround processor.

simple passive type except that a noise sequencer is provided. This, when activated, sends pink noise sequentially to each of the channels so that the user can set up his system's balance controls. Pro Logic systems usually have automatic input balance circuits as well.

Centre and Surround Modes

A few options are available when a Dolby Surround sound system is being designed or set up. Most depend on loudspeaker availability.

A 'phantom' centre speaker arrangement was mentioned earlier. Best results will be achieved however if a separate centre speaker is used. As this channel carries mainly speech information, with a limited bandwidth, a low-cost speaker will suffice. Another centre channel mode, called 'wide', is provided for use with a high-quality, full-range centre speaker: this ensures that the high- and low-frequency signals are distributed across the left, right and centre channels.

The positioning of the centre speaker is one of the

biggest problems a TV receiver manufacturer faces when Dolby Surround sound is to be incorporated. Though a small, low-cost unit may suffice it will have to be mounted close to the screen, so magnetic shielding or cancellation must be provided. For this reason many models use the 'phantom' centre speaker arrangement, though provision may be made for the customer to connect an external centre speaker.

The Dolby 3 Stereo system is quite popular in North America. This has left, right and centre channel speakers installed in the receiver but no surround speakers. It gives the benefit, in comparison with normal stereo, that speech is always fixed close to the screen. Optional rear channel speakers can be added later and the set switched to surround operation.

A Practical Pro Logic Decoder

Designers of consumer electronics products have the choice previously mentioned: to use either a custom chip (ASIC) or a DSP. Digital sound processors are becoming

cheaper but are most suitable for use where the signals are already in digital form, e.g. from a CD, Laserdisc or a D2-MAC source. In most cases the DSP will also require a microcontroller chip and external memory. Thus as a stand-alone solution the simplest approach, which we'll describe here, is to use a custom chip.

One such device is the Mitsubishi M69032P, a custom Pro Logic decoder chip that, apart from the anti-alias filter and the delay, contains all the circuit blocks required in a single package. A separate CMOS chip that incorporates a 16Kbit static RAM, the Mitsubishi M65830P, provides the filter and delay features.

Figs. 5 and 6 show the system: the blocks can be compared with Figs. 3 and 4. Note that the M69032P provides L + R and L - R as well as L, R, C and S outputs: these are not necessary for the Pro Logic application but may be useful for other purposes. The recommended supply voltage for the M69032P is 12V, the chip generating a 4V reference voltage internally. Depending on function, many of the external components are connected to the reference voltage rather than chassis. In the interests of avoiding digital noise it's important to have separate analogue and digital chassis connections, linking them together at a single point.

The decoder options are set by connecting various control pins to the reference voltage or chassis. For example when pin 31 is connected to chassis the 'ordinary' stereo mode is obtained, when it's connected to the reference voltage the Surround mode is selected while leaving it open-circuit gives the Dolby 3 Stereo mode. Likewise pin 30 selects centre channel on/off while pin 36 selects the normal, phantom or wide centre channel mode.

Left total and right total inputs from a VCR, Nicam decoder etc. are fed to pins 15 and 22 respectively. After automatic balancing they are fed to unity-gain amplifiers where they are mixed with the signals from the noise sequencer (when this is selected). They next pass to the Pro Logic adaptive matrix. Here part of the signal goes to the voltage-controlled amplifier (VCA) and combining network blocks while another part is fed to the bandpass filters. These consist of external filter components and internal unity-gain amplifiers, connected at pins 7 and 10.

The rest of the adaptive matrix blocks are all internal.

The left, right and centre outputs from the combining network block go to the operation and centre mode control block before leaving the chip at pins 32, 33 and 38 respectively. The surround sound output from the combining block goes straight to pin 39 for application to an optional delay circuit to which we'll return in a moment. After passing through a 7kHz low-pass filter the surround sound signal re-enters the chip at pin 47, emerging again at pin 46 then returning at pin 42 to go to the modified Dolby B type noise reduction block. After this it passes to the operation and control section, finally leaving the chip at pin 29.

Delay Chip

The M65830P digital delay chip contains an input analogue-to-digital converter (ADC), a memory, delay control and an output digital-to-analogue converter (DAC). There's a serial port for delay adjustment - it's not used in this application. One-bit adaptive delta modulation (ADM) gives simple single-bit encoding. A 2MHz resonator connected to pins 2 and 3 provides the master clock frequency - ADM coding requires a much higher frequency than that of the analogue input signal.

The input to this chip enters at pin 23, with low-pass filtering via pin 22. The signal is then passed to the control block, where analogue-to-digital conversion takes place. Leaving pins 4, 5 and 6 open-circuit and earthing pin 7 sets the delay time. After digital-to-analogue conversion the delayed signal emerges from the control block and returns to the decoder chip via pin 13, with low-pass filtering via pin 14.

If delay is not required pins 39 and 42 of the decoder chip can be connected together, with the digital chip omitted.

With the delay chip included, the number of external components required with the M69032P decoder chip is approximately eighty. Most of these are small capacitors and resistors. Probably the most expensive items are the electrolytic capacitors that provide the coupling for the inputs and outputs.

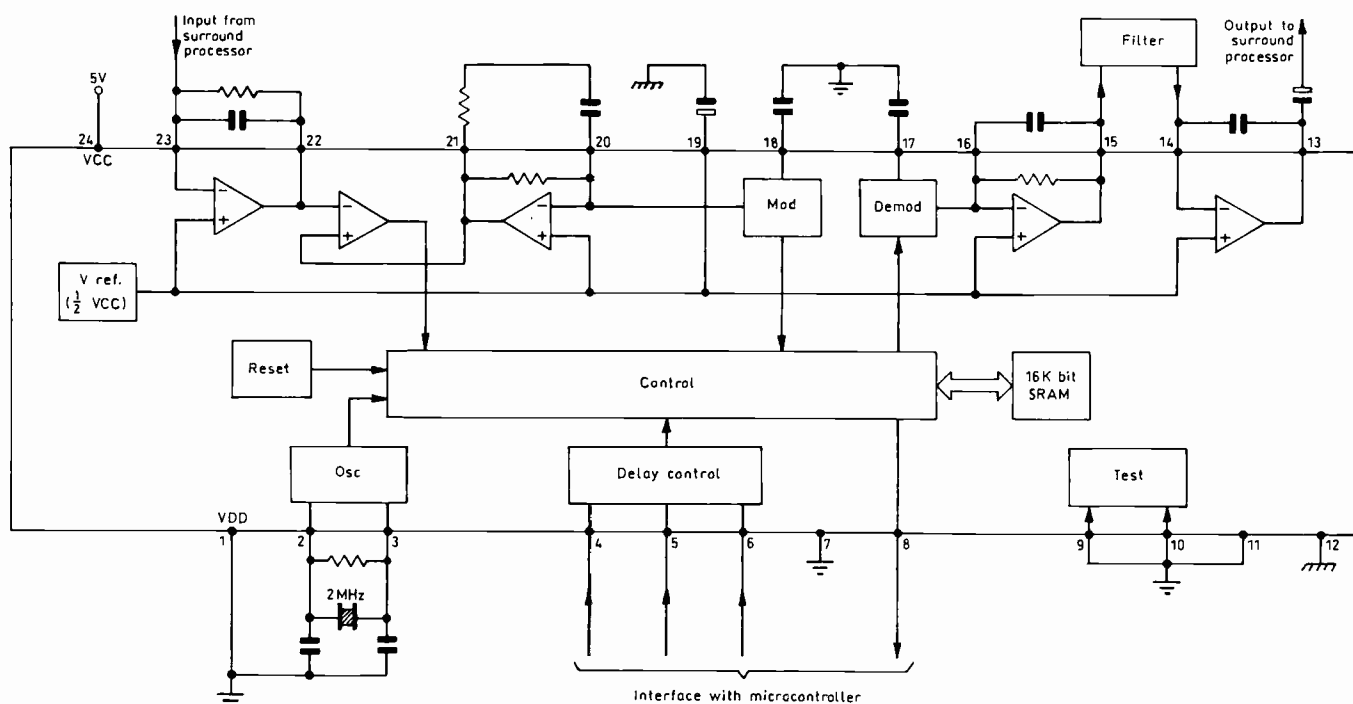


Fig. 6: Operation of the M65830P digital delay chip.

After testing an evaluation board that uses this circuit I must say that it works very well. The solutions offered by other chip makers differ in complexity or circuit configuration, but all must have the same basic functional blocks. This also applies with DSP systems, where the circuit operation is more difficult to see as it's achieved using software.

Surround Licensing

Dolby Laboratories protects its copyright by allowing the technology to be used only by companies that have signed a licence agreement. Even when a licence has been obtained all new products must be approved and their

performance checked for adherence to the specifications before they can be marketed bearing the Dolby logo. A fee has to be paid for each use of the copyright mark on the product and, via the supplier, on the relevant components inside. This ensures that only licensed companies with approved designs can obtain the necessary parts. It also means that it is difficult to obtain parts for home construction or experimental purposes.

Acknowledgements

My thanks to Dolby Laboratories Inc., Wootton Bassett and Mitsubishi Electric U.K. Ltd., Hatfield for supplying help and information.

HELP WANTED

Wanted: 250-0-250V, 370-0-370V and 425-0-425V 80-250mA Electrovoice, Osmabet etc. h.t. transformers. May buy batches for cash. M.J. Evans, 7 Shap Drive, Warndon, Worcester WR4 9NY.

Wanted: Four Hitachi 8611A E3AF 14A607C1A chips for a Ford car power amplifier type 86AB-18T805 used with the ECU2 tuner/cassette deck. Geoff Davies, 13 Bowen Road, Rugby CV22 5LF. 0788 574 774.

Wanted: A TDA1104SP and an AN247P chip. L. Mawdsley, One Way TV, 82 Sandhurst Road, Rainhill, Prescot, Merseyside L35 8NQ. 051 426 4152.

Wanted: Aerial/i.f. amplifier in screening cans for a Grundig VS510GB VCR. Ian Burnell, 88 Weaverham Road, Norton, Stockton on Tees, Cleveland TS20 1QL. 0642 554 690.

Wanted: Remote/tuning panel (part no. 3113 108 67260) on which the back-up battery sits for a Philips 20CT4626 TV set (KT4 chassis). Sarah Burton, Circuit Services (Lincs), 31a High Street North, Ruskington, Lincs NG34 9DY. 0526 833 023.

Wanted: TMS3529 chip or programme tuning module part no. 29502-003-21 for the Grundig GSC200 chassis or intact, non-working chassis for parts. H. Ben, 6 Talbot Road, East Ham, London E6 2RZ. 081 471 6348.

Wanted: TDA2653 i.c. for the Grundig Model B7681 (CUC740 chassis). G. Orchard, Orchard's Electrical, Whitstone, Holsworthy, Devon EX22 6TZ. 0288 84 522 or 0836 317 092.

Wanted: TDA2655 (not TDA2655B) for a Saba colour set. Gay Hannon, Moylena, Tullamore, Co. Offaly, Eire. 010 353 506 21407.

Wanted: Decoder and RGB panels for the Philips K35 chassis and the chopper transformer for the Fidelity ZX3000 chassis. J. Levy, 19 Totternhoe Close, Kenton, Harrow, Middx HA3 0HS. 081 907 3620.

Wanted: UE30-B22 tuner for a Goodmans R1400 portable TV set sold by Comet. R. Thomas, Thomas TV Video Repairs, 4 Jolly Road, Garnant, Ammanford, Dyfed SA18 1NE. 0269 823 711.

Wanted: New or used complete front PCB for a Panasonic NVG40 VCR. Also service information for the Toshiba V73DC VCR bought in Hong Kong. K.J. Woolley, 35 Wenthill Close, High Ackworth, Pontefract, W. Yorks. 0977 708 408.

Wanted: Service manual for the Sanyo VTC-NX100 VCR. And can anyone help with a Marconi TF144H/4 standard a.m. signal generator. R. Baker, 17 Chapel Lane, Upwey, Weymouth, Dorset DT3 5NA. 0305 208 815.

Wanted: Operating manual or any other information for the Telequipment DM53A scope. Can anyone date a Bush T76C valve TV set? Thomas McGhee, 86 Haldane Terrace, Dundee DD3 0JF. 0382 810 072.

Wanted: Manual or photocopy of one for the Amstrad TVR3. Bill Pattison, Glenmore TV, 42 John Greekie Road, Durban, 4001, Natal, RSA.

Wanted: Manuals/circuits for the Advance OS1000A and Scopex 4S6 scopes. Nicholas Arnold, Flat 190/31 Griffin Close, Bristol Road South, Northfield, Birmingham B31 2UT.

Wanted: Service manual for the ITT VR3919 VCR. Copy would do. John R. Taylor, 14 Lastigar, Westray, Orkney KW17 2DJ. 085 77 235.

Wanted: Service manuals for the Technicolor/Funai 212E VCR, the Telefunken FK500 video camera (or JVC equivalent) and the Philips VP700 laser disc player. T. Martini, 6 Levant House, Mile End Road, London E1 4RB. 071 790 6807.

Wanted: Service manual (loan or photocopy) for the JVC GXN5E video camera. Geoff Darby, 69 Churchill Road, Earls Barton, Northampton. 0604 811 438 (evenings).

Wanted: Philips laser disc players, working or not, condition not important but must have working laser. R. Lewis, 59 Lawfield Avenue, West Kilbride, Ayrshire KA23 9DH. 0294 823 550.

Wanted: Working main PCB for the Sony KVM2121U. Barry Tuttiatt, 28 Queen Street, Barwell, Leicester LE9 8EA. 0455 851 599.

Wanted: Secam/PAL transcoder, preferably in-line type, modulator not required. R. Lawrence, 31 Goldstone Road, Hove BN3 3RN.

See also page 267.

Screen Entertainment 2000

George Cole

What will television be like in the next century? At the end of October around 300 delegates gathered in London at the Screen Entertainment 2000 conference to hear the views of people involved in the electronics, consumer, broadcast and telecommunications industries. The common theme was 'convergence', the way in which these various industries are forming closer links with one another: the factor that's bringing them together is digital electronic technology.

Multimedia

Part of the first day was devoted to consumer multimedia systems. Philips' director of interactive media systems John Hawkins announced that some 100,000 CDi decks have now been sold world wide. The figure was expected to double by the end of the year and sales of a million decks were forecast by the end of 1994. CDi should be available at over 13,000 retail outlets by the end of 1993. Over 850 companies are now involved in CDi development, publishing, studio production and hardware manufacture. More than a hundred titles are now available and a further 250 are in the course of production.

Philips sees the new Video CD standard as a boost to CDi. At the recent Japan Electronics Show nine companies showed dedicated Video CD players: three Korean companies have also demonstrated machines. The digital video upgrade cartridge that enables a base type CDi deck to play full-motion video titles costs £150 and has been released in the USA, the UK, Japan, France and the Benelux countries. It will be available throughout Europe in 1994. Ten studios around the world are encoding digital video, and real-time encoders are expected to be in use in early 1994. When this happens, the CDi encoding price will be comparable with that of putting video on tape.

Hal Josephson of the 3DO company said that software licences have been taken out by over 340 companies and that 106 titles are in the production stage. Unfortunately a technical failure prevented the demonstration of 3DO software. It's understood that Panasonic intends to launch 3DO equipment in the UK during 1994.

Interactive TV

Bill Andrews of Interactive Network Ltd. said that interactive TV will offer a variety of services including entertainment (movies on demand and computer games for example), education, commercial (such as home shopping) and information (data downloading). They will arrive at homes via a variety of paths – cable (coaxial and fibre-optic), off-air (satellite and terrestrial), telephone and cellular.

MPEG

A close look at digital technology took up the second day. Ed Thomson from Compression Labs began by describing the MPEG standard for digital video. MPEG is concerned with three main areas. First the data bit stream: for MPEG-1 the top rate is 1.5Mbits/sec while MPEG-2 offers 2-15Mbits/sec. Secondly audio: MPEG offers two or

more near CD-quality sound channels. Thirdly broadcasting: MPEG is concerned with the integration of video and audio in a broadcast TV system, covering such things as synchronisation and multiplexing. MPEG does not however stipulate the type coding to be used, so companies can use their own compression algorithms. MPEG-1 has been optimised for storage media such as CD-ROMs while MPEG-2 is optimised for broadcasting – and is also 15 per cent more efficient than MPEG-1. Another group (MPEG-4) is looking at slower data rates for applications such as videophones. What about domestic MPEG encoding? Current MPEG encoders cost around £50,000-£100,000, but Dr. Alex Ballanski of C-Cube Microsystem thinks that the price will halve within a year and be as low as £10,000 in eighteen months. Home MPEG encoders won't be available for three-four years however.

Typical video system resolution figures, assuming the use of PAL, are 352 pixels x 288 lines for VHS, 480 pixels x 576 lines for TV display and 720 pixels x 576 lines for CCIR 601 studio quality. Examples of bit rates required are 10-64kbits/sec for a videophone, 1-2Mbits/sec for VHS movie quality, 3-8Mbits/sec for entertainment TV and 15-25Mbits/sec for HDTV. Ed Thomson suggested that the term 'compression ratio' is meaningless as the bit rate required depends on a number of factors including the resolution, whether the source is film or video (film is easier to compress) and programme content (a sports programme requires a faster rate than say a discussion programme). Compression Labs has developed a prototype MPEG decoder and is working on a number of digital TV projects with Thomson, Philips and Hughes – it's also part of the US digital HDTV project. The company thinks that DBS digital TV services will be available in the second quarter of 1994 (Hughes plans to launch its DirectTV satellite service in the USA during 1994, giving viewers hundreds of digital TV channels to choose from), that digital cable TV and video-on-demand (VOD) services will become available in late 1994, while digital HDTV services won't start before late 1996.

Digital Transmissions

Dr. John Forrest of NTL spoke on digital broadcasting. He began by pointing out that digital video compression isn't new – during the Seventies the IBA's engineering division (forerunner of NTL) had developed coders and decoders for inter-studio links and the satellite distribution of programmes in connection with the then only proposed fourth u.h.f. channel. The compression system was demonstrated at the 1980 IBC but wasn't adopted when Channel 4 started in 1982 as in those days satellite TV distribution was considered to be too risky.

Dr. Forrest then explained the principles of compression. A single PAL frame consists of around 700 x 570 pixels (400,000). This has to be tripled to include RGB information, giving a total of 1.2 million bits of information per frame. The image is compressed by breaking it into blocks of pixels, e.g. 8 x 8, and analysing these for regular patterns and colour and brightness levels. Because there is only one twenty-fifth of a second between each frame there is little

difference between one frame and the next: a subtraction system is used to find the differences and only these are transmitted, greatly reducing the data rate required. Compression systems also take advantage of the fact that the human eye is less sensitive to fine detail and colour variations. Most companies at work in the compression business are aiming for a data rate of around 8Mbits/sec, which gives studio quality pictures: acceptable broadcast picture quality can be achieved with a data rate as low as 2Mbits/sec.

Although Dr. Forrest's talk was mainly concerned with broadcast systems he also mentioned a system for transmitting digital video images via ordinary telephone lines. Known as Asymmetric Digital Subscriber Line (ADSL), it involves the transmission of high-quality (140Mbits/sec) video images after compression at the local telephone switching centre to 1.5Mbits/sec. ADSL would offer domestic users a very limited VOD service but the technology looks as if it has potential. Companies such as Bell Atlantic are carrying out ADSL trials.

Satellites currently use a 36MHz bandwidth transponder to transmit a single analogue channel: digital compression will enable such a transponder to carry 4-16 channels (depending on picture quality). Likewise a 30-channel cable system could use digital compression to increase the number of channels to 120.

The terrestrial u.h.f. system used in the UK requires around 4,000 transmitters to broadcast four national services. This involves the use of some forty channels. Digital TV would allow each channel to carry four programmes. The simultaneous transmission of analogue and digital services is possible, which would allow the PAL system to be phased out in the same way that the 405-line system was brought to an end. NTL's SPECTRE digital compression system has been developed for u.h.f. transmissions, but it will be up to the ITC to decide how the new services will operate.

All digital TV systems will use MPEG compression, but different modulation systems will be required for satellite, cable and terrestrial services. Dr. Forrest doesn't think we will see a standard conditional access system. Thus decoders will need to have several card slots. But a common coding system will be necessary to identify programmes and services. Likewise viewers will want to have a user-friendly system for navigation through the hundreds of channels. Dr. Forrest thinks that the TV receiver of the future will take on the appearance of a computer/terminal, be modular and upgradable.

AT&T Trials

Ken Trojniar of AT&T described several trials that have provided viewers with pay-per-view (PPV) and vision-on-demand (VOD) services. PPV enables viewers to select programmes from a schedule and pay for what they watch: VOD is more flexible, giving viewers greater choice and control over what they see and pay for. AT&T's first trial, using a system called viewer-controlled cable TV (VCTV), was carried out in Denver in 1991. AT&T and Telecommunications and US West offered viewers PPV and movies-on-demand services. A recent trial in Chicago linked the homes of fifty employees to a computer server in New York: the server provided programmes and services such as games, consumer reports, interactive sports programmes, home shopping and electronic mail. Later this year AT&T will start the Castro Valley trial, which will put Viacom's two-way cable system in 1,000 homes. Users will be able to stop, pause, rewind and fast-forward TV programmes, will

be able to browse through 'video catalogues', ordering products by using a remote control handset, and there will be full-motion video games.

There have been interesting results from the Chicago trial. It established that people like the idea of a 24-hour service that provides programmes on a PPV basis. Eighty per cent of the viewers used the service actively, with half the total group using the system to plan their viewing. Those with children tended to plan their viewing more than those without. It was also found that people prefer to use a remote control unit rather than having to call up programmes over the telephone. One result was that viewers spent less on other forms of entertainment, including video rental. Not surprisingly, films and games were the most popular items. Ken Trojniar admitted that it was early days for VOD, and that the system faces two big obstacles – the provision of broadband cable to a large enough number of homes, and whether consumers are prepared to pay for these extra services.

Astra

Marcus Bicknell of the Vision Consultancy Group surveyed the current Astra satellite plant. The present three satellites 1A, 1B and 1C at 19°E provide fifty transponders that are used for analogue channels (some are used for back-up purposes however). Astra 1D, to be launched in September 1994, will increase the number of transponders to 64: it could provide a mix of analogue and digital services. Astra currently uses the 10.7-11.7GHz FSS band, but space in the 11.7-12.5GHz BSS band could be used for an extra forty digital transponders. Astra's owner SES plans to have six co-located satellites by 1996. Depending on picture quality, a sixteen-transponder satellite using digital technology could provide 80-160 channels. Marcus Bicknell suggested that there could be around 3,500 digital satellite channels by the year 2004, and that by then satellite and cable systems could be in 110 million European homes.

Reception of digital satellite TV services will require new equipment. At present an LNB with a 750MHz bandwidth can be used for Astra 1A/B/C: the bandwidth will need to be increased to 1GHz to receive 1D. For reception of both analogue and digital services a switchable LNB with a 1GHz bandwidth will be required. A 'universal' LNB is under development and should be ready by 1995.

Astra is likely to face stiff competition from other companies offering digital services, for example Eutelsat, regional services such as Telecom and Tele-TV and international operators such as Intelsat. Marcus Bicknell added that while agreement has been reached on setting a common European digital transmission standard (by the Digital Video Group, see the Berlin report in the December issue) there is no agreement on conditional access. Will there be a single box that accepts smart cards from a number of programme providers or will viewers have to have lots of different decoder boxes next to their sets? One hopes that there will be a one-box solution.

3-D Systems

Toshio Motoki of NHK's science and technical research laboratories described two 3-D systems. The first uses two HDTV cameras to record left- and right-eye images which are recorded by two HDTV VCRs: the images are projected on to a 110in. screen and polarisation glasses are required to see the 3-D effect. The second system doesn't require the use of glasses. The 'auto-stereoscopic' display system is

Modern TV Receiver Techniques

Part 14: Teletext

Eugene Trundle

Teletext is the oldest form of digital broadcasting technology. It has now been in use in the UK for twenty years, during which period teletext decoders have steadily shrunk in size and cost and the service has been improved. Teletext uses spare capacity in the field blanking interval to transmit data in the form of pulses that provide 'typing instructions' for pages of text and graphics. A TV set that contains a teletext decoder extracts this data from the overall transmission and stores it so that, when requested by the viewer, page readouts appear on the screen.

There are five teletext 'levels' that offer progressively better presentation of text and graphics on the screen. The 'higher' the level, the larger the memory and the more sophisticated the decoder required. Perhaps because of lack of enthusiasm amongst viewers we have, in the UK, progressed barely further than level 1, which is the most basic form of broadcast text. Access time however has been reduced by transmitting more data per TV field, by clever arrangement of the transmitted page sequences and by increasing the receiver's memory capacity.

The Field Blanking Interval

In Part 10 we saw that the field blanking period, during which the beams return from the bottom of the screen to the top to start a new field scan, lasts for a period equivalent to

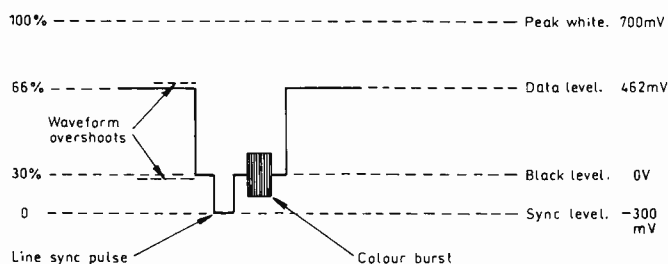


Fig. 1: Teletext data levels.

25 lines, i.e. 1.6msec. The field sync pulse group occupies 7.5 lines/480µsec of this space, leaving a period of 17.5 lines/1.12msec before the start of the video information for the first line of the next displayed TV field. This generous amount of time was originally allocated because early TV sets had a rather slow field flyback. Subsequently, with field timebases that had a faster flyback and advantages in technology at both ends of the transmission chain, it became possible to put some of these spare lines to good use: they were used to carry video insertion test signals (VITS) that provide signal identification, network switching and performance appraisal. The VITS occupy lines 19 and 20 in even fields and lines 332 and 333 in odd fields. The preceding twelve lines, 7-18 and 320-331, are used for text data.

Each text data line carries a colour burst to maintain the colour decoder subcarrier oscillator synchronisation and the usual line sync pulse. The text pulses occupy the rest of the line. This is the same period as the ordinary picture signal: 52µsec.

To prevent intercarrier buzz with f.m. sound systems the

amplitude of the text pulses is limited to 66 per cent of the peak white signal, see Fig. 1. Binary zero is represented by the text signal hitting black level, binary one by the signal rising to the 66 per cent level. This represents 462mV with a standard 1V peak-to-peak video signal. The pulses are not square: they are filtered before transmission and further rounded in the receiver's i.f. and demodulator circuits. Thus by the time they reach the text decoder they are of approximately sinusoidal shape. In addition the pulses are transmitted in NRZ (non return to zero) form. This means that the signal remains high to indicate a string of binary ones and low when a string of binary zeros is being transmitted.

Text Data Format

The text data rate is 6.9375Mbits per second, which is 444 times the 625-line scan frequency. The pulses are not necessarily locked to the scan rate however. A data train representing 01010101 etc. to the end of the line will thus give rise to a quasi-sinewave at 3.46875MHz. At this rate there's room for 360 data bits on each TV line used for the purpose. These 360 bits produce a single row of text characters or graphics in the teletext screen display.

The 360 bits per line are divided into 45 eight-bit bytes. The first five of these bytes synchronise the decoder and provide an 'address' that indicates where the row is to be located in the text display. The remaining 40 bytes determine the characters in the row, which can thus have a maximum of 40 letters, numbers or graphic blocks. Where there's to be a blank or gap in the display the code for a blank space is sent so that data is always present.

The text display has 23 rows: thus a maximum of 23 x 40 = 920 characters can be displayed on a single page to make up simple maps, diagrams and alphanumeric text. Upper- and lower-case letters can be produced as well as figures, symbols and 'building blocks' for graphics, in any of eight colours formed by the three primaries plus black and white.

Fig. 2 shows the code table. Starting at the top on the left-hand side the first four bits define the row number and the next three the column number. The codes are then used to determine the character so that capital A for example would be called up by byte 1000001 (bits 1-7) while byte 1111101 produces the symbol #. Notice that to change from a capital to a lower-case letter only bit six changes, and that the codes for numbers consist of their binary equivalents followed by the code 011.

The 32 codes in columns 0 and 1 are control codes that indicate whether the codes in the following columns represent alphanumeric characters or graphics and give some 'attribute', such as a colour, to the characters in the row. These control codes all have bits 6 and 7 at zero: they produce no display themselves, occupying a single blank space in the displayed row - usually in the background colour of the preceding character.

Protection

Because the data is subject to interference and noise during its journey from the transmitter to the decoder protection against data corruption is required. It's provided

b_7 b_6 b_5						0_0_0	0_0_1	0_1_0	0_1_1	1_0_0	1_0_1	1_1_0	1_1_1				
Bits	b_4	b_3	b_2	b_1	Row	0	1	2	2a	3	3a	4	5	6	6a	7	7a
0	0	0	0	0	0	NUL ^①	DLE ^①			0		@	P	—		p	
0	0	0	0	1	1	Alpha ⁿ Red	Graphics Red	!		1		A	Q	a		q	
0	0	0	1	0	2	Alpha ⁿ Green	Graphics Green	"		2		B	R	b		r	
0	0	1	1	1	3	Alpha ⁿ Yellow	Graphics Yellow	£		3		C	S	c		s	
0	1	0	0	0	4	Alpha ⁿ Blue	Graphics Blue	\$		4		D	T	d		t	
0	1	0	1	1	5	Alpha ⁿ Magenta	Graphics Magenta	%		5		E	U	e		u	
0	1	1	0	0	6	Alpha ⁿ Cyan	Graphics Cyan	&		6		F	V	f		v	
0	1	1	1	1	7	Alpha ⁿ ^② White	Graphics White	,		7		G	W	g		w	
1	0	0	0	0	8	Flash	Conceal Display	(8		H	X	h		x	
1	0	0	1	1	9	Steady ^②	Contiguous ^② Graphics)		9		I	Y	i		y	
1	0	1	0	0	10	End Box ^②	Separated Graphics	*		:		J	Z	j		z	
1	0	1	1	1	11	Start Box	ESC ^①	+		;		K	←	k		1 ₄	
1	1	0	0	0	12	Normal ^② Height	Black ^② Background	,		<		L	1 ₂	l			
1	1	0	1	1	13	Double Height	New Background	-		=		M	→	m		3 ₄	
1	1	1	0	0	14	SO ^①	Hold Graphics	.		>		N	↑	n		+	
1	1	1	1	1	15	SI ^①	Release ^② Graphics	/		?		O	#	o			

Fig. 2: ASCII codes used for teletext data transmission. Codes can be referred to by their column and row, e.g. 2/5 = %. Control characters marked (1) are reserved for compatibility with other data codes; those marked (2) are presumed before each row begins.

by adding an 'odd-parity bit' at the end of each of the seven-bit codes shown in Fig. 2 so that each becomes an eight-bit byte. The idea is that the parity bit added always results in an odd number of one bits in the byte. The decoder can then check whether any bytes with an even number of ones have been received and reject these as being corrupt. This simple system has two limitations: it doesn't work if an even number of bits in the byte are incorrect, and it doesn't provide data correction. Despite this it is adequate for use with text symbols, where a minor error often goes unnoticed, and is anyway corrected when the page is cyclically updated.

Some of the transmitted data requires greater protection however. If anything goes wrong with the data that determines the page number the wrong page could appear on the screen when it's called up by the viewer, while if the row address data is wrong the row will appear in the wrong place on the screen. To avoid this the bytes that provide this

information and the real-time clock data are heavily protected by means of a Hamming code, in which every alternate bit is a parity bit: bits 2, 4, 6 and 8 convey data while bits 1, 3, 5 and 7 provide protection – see Table 1. This enables single-bit errors to be detected and corrected by inversion. The penalty incurred is that the amount of information conveyed by the byte is reduced.

Row Coding

The first row of a transmitted page, row 0, is the most important one since it contains the magazine and page numbers, the service name, the date and time. It's called the header row. To capture a page for display the viewer keys in the magazine and page numbers: when this keyed-in data corresponds with the transmitted code the relevant page is selected and displayed on the screen.

The data format for the header row is shown towards the

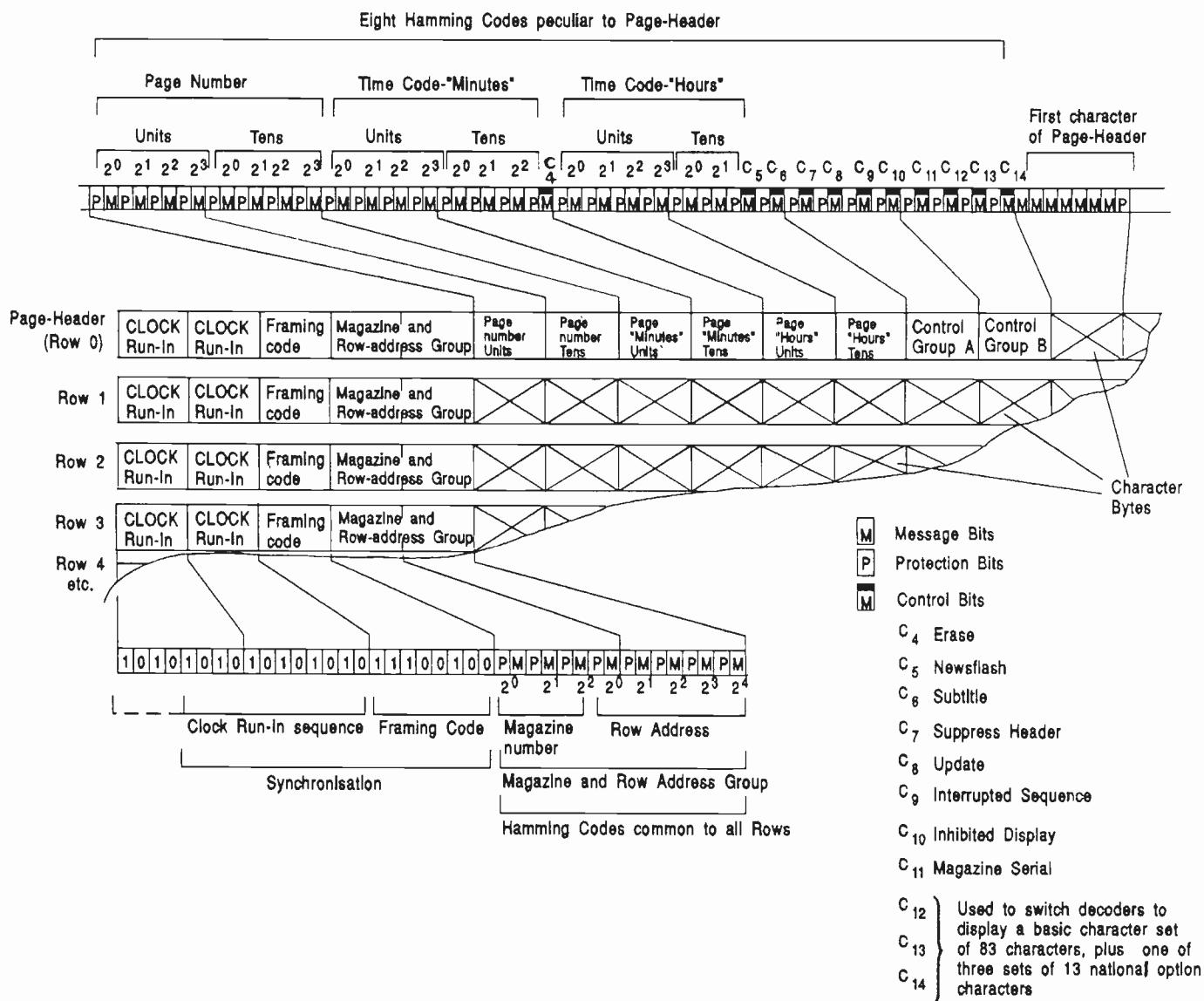


Fig. 3: Teletext row coding. The 'diamond-crossed' bytes carry display data, 32 characters in the header row and 40 in the others.

top in Fig. 3. There's first a clock run-in sequence that consists of two bytes carrying a series of ones and zeros – 101010 etc. This synchronises the decoder's bit-sampling clock oscillator. Next comes a framing code byte whose purpose is to identify the start of the data bytes in the following pulse train. Its pattern is 11100100, chosen to give a reliable reset signal to the rest of the decoder and to be amenable to correction by a circuit that's able to put right single-bit errors. Fig. 4 shows the principle of the framing code detector: when the and gate's output goes high it signals to the decoder that the next bit is the first one of the first data byte. Thereafter the circuit is reset at eight-bit intervals by a byte clock, thus individually partitioning off the bytes.

The next two bytes, which are Hamming-protected, provide the magazine and row-address information. In the header row this is followed by page number and time code (not necessarily real time) bytes to enable the viewer to select a particular page at a specified time. Two bytes that provide control information relating to the whole page follow – the codes that govern news flash, subtitle, update and similar functions, all with Hamming protection.

Eight data bytes of the header row have thus been used, leaving 32 for the display of characters. Except for the page number, the header row text is the same for all the pages of any one transmission: it shows the name of the service

(Ceefax, Skytext, etc.) and the day, date and real time in hours, minutes and seconds.

The following rows have the same clock run-in and framing codes as the header row. These are followed by individual magazine and row-address bytes, which are the only ones that have Hamming protection in an 'ordinary' row. Bytes 6 to 45 contain eight-bit codes for the text or graphics in the line. Each byte is transmitted with the LSB (least significant bit) first and the parity bit last.

Control Codes

Some further explanation is required for columns 0 and 1 in Fig. 2. At the beginning of each transmitted row the decoder assumes that what follows will be steady, normal-height white alphanumeric characters on a black background, also that any graphic blocks will be contiguous (joined together). Any change from this, at any point along the line, requires the insertion of a control byte to tell the decoder. Thus if the second half of a row is to be concealed (say it's a quizz answer), the 'question' text will be followed by the code 0001100 then the answer code. The answer will then be revealed only when the viewer keys 'reveal'. The next row will be reset automatically. Thus if this is to be concealed the first byte must again be 0001100. Similarly if one word in a row is to flash it must be

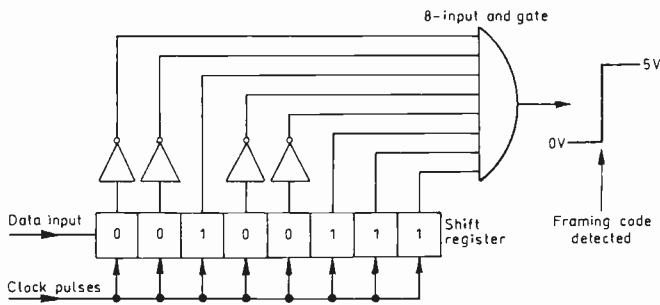


Fig. 4: Framing code detector: only the bit pattern 1100100 can open the and gate to produce a 0-5V transition. The clock pulses step the bits rightwards through the shift register.

preceded by code 0001100 then code 1001000.

Suppose that we want to transmit a row with red graphics at the left changing to green graphics half way across, perhaps as part of a map or diagram. After the row coding the first byte will be 1000100 to set the display mode followed by the graphics codes. Just before the transition to green point code 0100100 is sent to change the colour, followed by more graphics codes. There doesn't have to be a gap in the display where the control byte is inserted: in the graphics-hold mode (column 1, row 14, Fig. 2) the decoder repeats the previous graphic symbol in the control code space. This can't be done with alphanumeric characters, so the control byte in this case produces a gap in the display: it appears in the background colour.

Because bits 6 and 7 of these control codes are both at zero they are sent straight to the character generator at the output end of the decoder.

Page Transmission and Access Time

We've seen that each text line transmitted during the field blanking period can produce one row of text on the screen. So with 24 rows in the display 24 lines will be required. As the current rate is 12 teletext lines per field, it takes two fields to transmit a single teletext page. At a field rate of 50 per second, 25 pages a second can be transmitted - 1,500 pages a minute. Thus access time - the period between requesting a page and its appearance on the screen - largely depends on the number of pages being transmitted. If 750 pages are being transmitted the worst-case access time will be 30 seconds and the average wait 15 seconds - this is with the pages transmitted repeatedly in sequence.

To improve the system's 'user-friendliness' high-priority pages such as indexes and commonly-used pages are transmitted more often than others. Another time saver is the 'row-adaptive' feature, which enables the totally blank rows that occur in many text pages to be omitted from the data stream. It's also possible to interleave the text rows of several pages to give a perceived improvement in the access time: this is why each row has a magazine number (see Fig. 3). Subtitles (page 888) have the highest priority: they are transmitted on the first available line after the cueing point.

These techniques are limited in their effectiveness: in most cases they shorten the access time to some pages while lengthening the wait for others. From the user's point of view the most effective reduction in page access time comes from the use of the Fasttext system.

Memory Capacity and Fasttext

As the parity bits don't have to be stored the memory capacity required for a single page of text is 24 (rows) x 40

(characters) x 7 (bits), which comes out at 6,720 bits. This is the amount of memory that was provided in the earliest text decoders. Later types have a two-page memory (2K x 7 bits in practice) and automatically store the page following the one being displayed. Thus if you select page 100, page 101 will also be captured and held and can be called up for immediate display. This action prompts the decoder to search for, acquire and store the next page (102) in the now unused half of the memory, overwriting the stored page 100 with the page 102 data. Philips Components uses this system in the popular Euro-CCT (Computer Controlled Teletext) decoder.

A Fasttext decoder incorporates a larger memory that can hold the selected page and the next seven, which are automatically loaded in sequence by the decoder. This is based on the premise that viewers usually step through pages sequentially. As each page is discarded the next page in the sequence is loaded. Thus virtually instantaneous page display is achieved.

The broadcaster's text editor can assist with the Fasttext function by anticipating the user's requirements and sending additional instructions to the decoder, based on the current page and its contents, for extra page acquisition. This works as follows. The bottom row of the text page has four colour-coded prompts which may typically be news, sports, travel and financial information. The remote control handset has four buttons with corresponding colours. Pressing any one of these selects magazine and page numbers simultaneously, loading appropriate pages into the memory for instant selection. If travel is selected for example the coloured prompts may change to air, sea, road delays and continue, the latter providing an escape from the travel menu.

A 'packet' system, in which additional data rows are transmitted but not necessarily displayed on screen, is used for Fasttext data acquisition. The packets contain additional control data rather than characters and are sent before the teletext pages (which become packets 0 to 23) so that the control data arrives before the actual page. Packet 24, which is displayed as a row, is used for the Fasttext prompts while packet 27 provides the page-linking data.

There are eight packets in the text specification for various purposes that include extended character sets (primarily for other languages) and general-purpose data

Table 1: Hamming code protection.

Message	Hamming coded bits							
	1	2	3	4	5	6	7	8
0	1	0	1	0	1	0	0	0
1	0	1	0	0	0	0	0	0
2	1	0	0	1	0	0	1	0
3	0	1	1	1	1	0	1	0
4	0	0	1	0	0	1	0	0
5	1	1	0	0	1	1	1	0
6	0	0	0	1	1	1	0	0
7	1	1	1	1	0	1	0	0
8	0	0	0	0	1	0	1	1
9	1	1	1	0	0	0	1	1
10	0	1	1	0	0	0	1	1
11	1	1	0	1	1	0	0	1
12	1	0	0	0	0	1	0	1
13	0	1	0	1	1	0	1	1
14	1	0	1	1	1	1	1	1
15	0	1	0	1	0	1	1	1

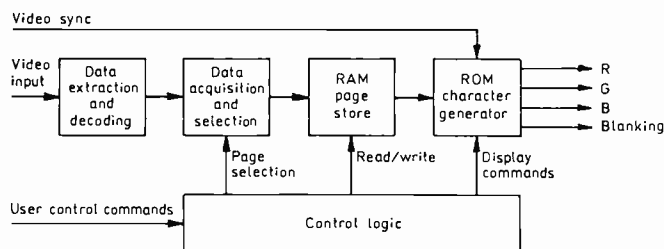


Fig. 5: Basic decoder block diagram to show the working principle.

transmission. Packet 30 is an interesting one, providing PDC (Programme Delivery Control) for VCRs. More on this later.

Decoder Overview

Fig. 5 shows a teletext decoder in the simplest possible block diagram form. The first block removes the data pulses from the video signal and decodes them. The next block selects the data requested by the viewer, according to instructions sent via the control logic block, and passes it to the page memory (RAM) whose write-in control signal also comes from the control block. Read-out from the RAM is again governed by the control block: it occurs at a slower rate, a complete field scan period being required for a page in the memory to be read out – it's written in during short 52µsec bursts at varied intervals. The data from the RAM is passed to a character-generator ROM which uses it to produce the characters, graphics and symbols shown in the body of Fig. 2 and to give them the colours and attributes dictated by the control

data stored with the character codes. The ROM chip's outputs consist of RGB signals in serial data form plus a blanking pulse train. They are all passed to an RGB signal processing chip of the type described in Parts 6 and 7 of this series, after which the RGB signals are applied to the picture tube.

Decoder Operation

Fig. 6 provides a more detailed idea of the internal workings of the decoder. A composite video signal (video plus sync) at about 2V peak-to-peak is fed in at the left-hand side. The sync pulses are stripped from it and fed to field sync and line divider stages. They are also passed to the set's timebase generators and continue (generated within the decoder) when there's no TV signal present so that stored pages can, if required, be viewed 'after hours'.

The two clock run-in bytes synchronise and phase lock the data clock, which supplies 6.9375MHz pulses to the data separator to enable it to make zero or one decisions with each received bit. An adaptive slicer is used here, like the one described on page 505 of the June 1993 issue. The serial pulse train produced in this way must next be converted to parallel form. This is done by clocking the pulses into an eight-bit shift register then stepping them out into an eight-line bus each time the clock divider is reset by the framing code detector shown in Fig. 4. The eight data bits in the byte thus captured are held in the data latch (centre of Fig. 6) ready for transfer into the memory.

The bytes are checked for corruption, one at a time, in the parity-check block which puts up an error-inhibit flag in the read/write control block when a byte with incorrect parity is detected.

The Hamming-coded bytes are similarly checked, and

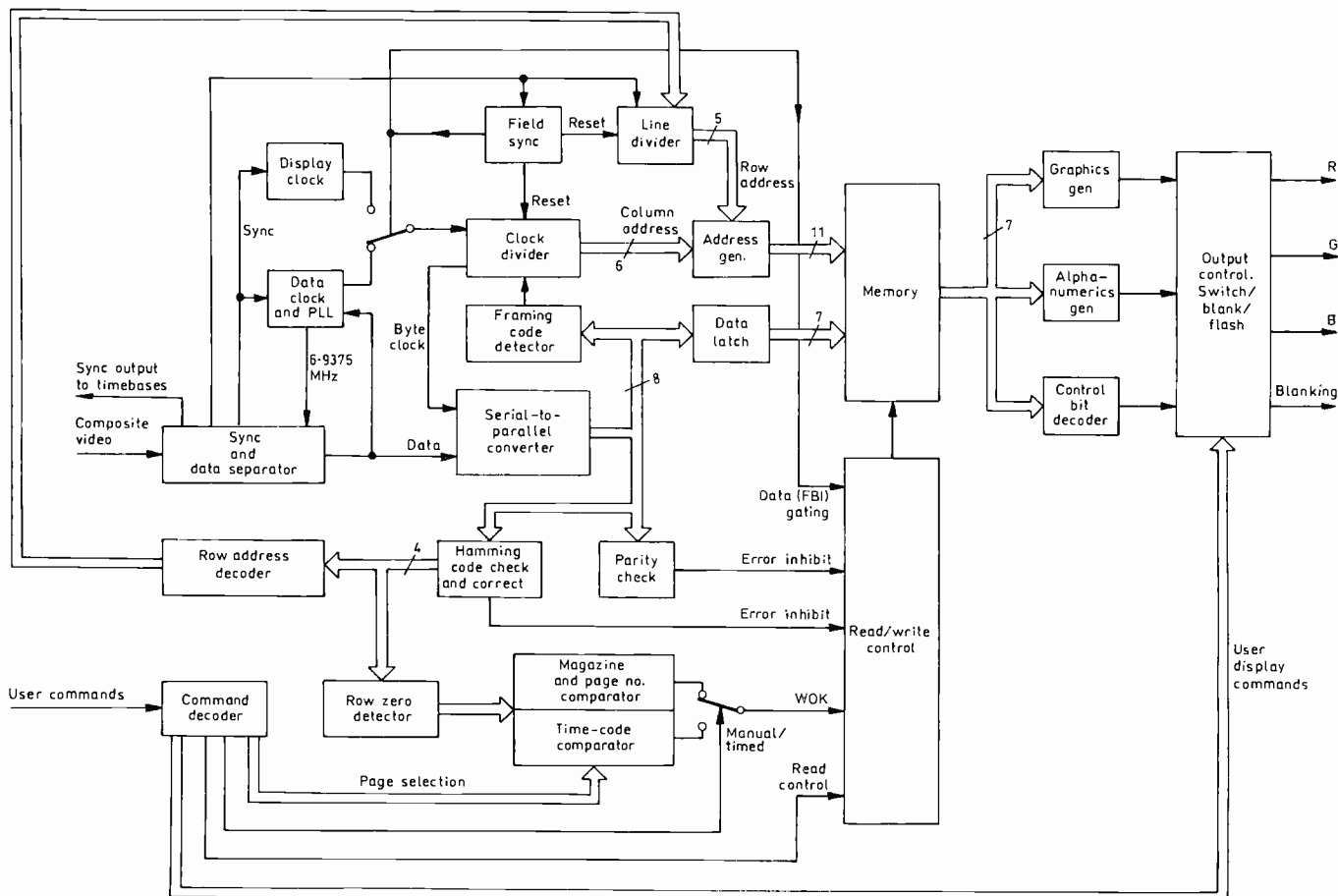


Fig. 6: A more detailed decoder block diagram to show the basic operation: practical processing arrangements are much more complex than this.

corrected if necessary, in the Hamming checker. This again inhibits the write-into-memory cycle should it detect an uncorrectable byte error. The data output from the Hamming block is in four-bit parallel form – four bits because, as we saw in Table 1 and Fig. 3, the other four bits in the byte are parity bits. It passes to the row address decoder which tells the memory, via the address generator, where the following 40 bytes of data are to be stored; and also to the row 0 detector which comes to life when it sees the row 0 code in the two bytes immediately after the framing code. The row 0 detector produces magazine, page and time-code data which are latched into comparators for updating each time a new header row is transmitted. The other input to each comparator consists of data entered by the viewer. When the magazine and page numbers at both sides of the comparator match exactly a WOK (Write OK) signal is passed to the read/write section, permitting data to be written into the memory from the seven-bit data latch. In the timed-page mode, transmitted and user-logged time codes are compared to produce the WOK command.

Thus the conditions required for a write-into-memory operation are: that the magazine and page numbers (and if required the time code) matches that requested by the viewer; that the data is complete and uncorrupted; and that the control bits in the header row are present and correct. When all these conditions have been satisfied the data is written into a memory address specified by the row and column address lines. In most decoders the memory has a two- or eight-page capacity that's automatically filled with data representing one or more linked pages as described earlier. Memory access time must be well under 1µsec, which is the nominal period between displayed characters.

Data from the viewer's infra-red remote control handset is fed into the command decoder in serial form, typically via an I2C bus. After serial-to-parallel conversion it's passed to the comparators and to the character output control section to operate such functions as reveal and superimpose.

Next Month

We've now seen how the text data is acquired and stored in memory: next month we'll look at readout and character generation, then relate all this to practical teletext decoders and the chips they use.

HELP WANTED

Wanted: Scan coils for the NEI Model 1451 and an M5142 audio demodulator/driver chip for the Sony Model KV1320. Jeff Smalley, EVA Services, 39b Rodmell Avenue, Saltdean, East Sussex BN2 8PG. 0273 301 514.

Wanted: Tuner for the Hitachi Model CNP190 (type ET512B B21-25 with connection to the contrast control and press-buttons). Also a BU508A transistor. Donald Bills, 69 Greenfields Road, Kingswinford DY6 8EG.

Wanted: RGB panel (part no. 29301-046-02) for the Grundig Model 8632 or a TDA2800 chip. Andy Rashid, 23 Crawley Road, Leyton, London E10 6RJ.

Wanted: BX3983 chip for a Sony SLC9UB VCR – a scrap machine, board or just the chip would do. Adrian Howman, 32 Dereham Road, Pudding Norton, Fakenham, Norfolk NR21 7NA. 0328 864 348.

Next Month in TELEVISION

SERVICING THE SONY TR55

Keith T. Keeton reports on his servicing/fault experiences with this palmcorder: introduced in 1989, this compact camcorder was remarkable in being the first full-feature machine to break through the 1kg barrier – with battery and tape it weighs 990g.

THE PANASONIC ALPHA 3 CHASSIS

The Alpha 3 was probably the most complex chassis produced by Panasonic at Cardiff. Its many features include black-level expansion, which stretches the contrast curve in the dark picture areas to reveal hidden detail, extensive on-screen displays and a self-test mode to help the service engineer. A new series will look at the chassis' features and circuitry.

AUTO GREY-SCALE FAULTS

Steve Beeching looks at the operation of a typical automatic grey-scale correction circuit and describes the fault conditions he has experienced.

CD PLAYER REPAIRS

Les Austin starts an occasional series on CD player servicing. Initial points dealt with include the cost of replacement laser units, the type of scope required and some fault notes.

TELETEXT – CONTINUED

In the concluding part of his account of teletext decoder operation Eugene Trundle describes the way in which the retrieved data stored in the page memory is read out and converted by the character generator ROM to form a screen display, some current decoder chip sets and a couple of related services including programme delivery control for VCR timer operation.

ORDER FORM

To.....
(Name of Newsagent)

Please reserve/deliver the March issue of TELEVISION (£2-20), on sale February 16th, and continue every month until further notice.

Name.....

Address.....

.....

ECONOMIC DEVICES 32 TEMPLE STREET, WOLVERHAMPTON, WV2 4AN

15/80H	3.83	ZSC1398	0.80	ZSD468C	0.00	BB105B	0.24	BD190	0.31	BF959	0.18	BYW56	0.26	M192B1	1.86	SG613	18.79	TA7176P	1.30	TDA1190Z	4.08	TEA1009	1.61
15/85R	3.84	ZSC1413A	1.30	ZSD476	0.97	BC107B	0.20	BD201	0.40	BF960	0.18	BYX55600	0.20	M21C	1.63	SGS1344	6.62	TA7193AP	3.36	TDA1200	0.91	TEA1014	1.87
17052	3.85	ZSC1509	0.51	ZSD525	1.27	BC108	0.15	BD203	0.46	BF966	0.61	CA1310E	0.78	M293	14.61	SKE4F104	0.97	TA7193P	7.09	TDA1270	1.79	TEA1039	2.15
17053	2.38	ZSC1520	0.54	ZSD551	5.81	BC109A	0.16	BD232	0.28	BF970	0.30	CA3094	3.06	M490	15.30	SKE4F210	0.87	TA7205AP	1.51	TDA1412	0.77	TEA2018A	1.49
17088	2.38	ZSC1573	0.36	ZSD613	0.63	BC109B	0.15	BD234	0.25	BF939	0.35	CD4001	0.14	M491	7.94	SKE5F310	1.68	TA7207P	1.68	TDA1506	4.59	TEA2164	2.68
17089	3.39	ZSC15730	0.26	ZSD636	0.14	BC117	0.14	BD237	0.30	BF941	0.44	CD4011	0.34	M50115AP	3.24	SL1430	1.41	TA7210P	1.50	TDA1510	2.54	TEA2165	6.26
17127	1.77	ZSC1675	0.09	ZSD637	0.12	BC139	0.33	BD238	0.11	BF990	0.61	CD4013	0.34	M51102P	1.77	SL1431	1.70	TA7214P	3.74	TDA1512	3.17	TC1060	0.55
1N4001	0.04	ZSC1685	0.17	ZSD667	0.26	BC140	0.21	BD239	0.29	BF990A	0.77	CD4016	0.14	M51231P	2.03	SL1432	2.10	TA7217AP	1.27	TDA1515A	2.54	TC1066M	0.75
1N4002	0.07	ZSC1740	0.12	ZSD669	0.63	BC141	0.34	BD241	0.41	BF991	0.43	CD4021	0.43	M51393AP	4.64	SL471	1.70	TA7222	1.24	TDA15160	3.56	TC45	0.59
1N4003	0.05	ZSC1741	0.17	ZSD699A	0.63	BC147A	0.05	BD243	0.39	BF996	0.53	CD4052	0.29	M51515L	2.01	SL490	2.31	TA7222P	1.27	TDA15180	3.32	TL1100	0.52
1N4004	0.07	ZSC1815	0.14	ZSD716	1.46	BC148	0.12	BD243A	0.43	BF992A	0.48	CD4053	0.20	M51521L	0.54	SN29764AN	1.99	TA7227P	2.29	TDA1670A	2.81	TLIP10	0.06
1N4005	0.06	ZSC1826	0.72	ZSD718	1.45	BC148A	0.06	BD243C	0.44	BF985	0.55	CD4066	0.30	M5218L	0.43	SN7230P	0.98	TA7230P	1.60	TDA1701	4.86	TLIP112	0.36
1N4006	0.05	ZSC1827	1.00	ZSD734	0.24	BC148B	0.04	BD244A	0.34	BF950	0.34	CD4069	0.17	M5231L	0.55	SN76013ND	7.99	TA7233P	1.95	TDA1870	1.37	TLIP12H	0.58
1N4007	0.06	ZSC1845	0.20	ZSD762	1.51	BC149	0.04	BD244C	0.42	BF951	0.34	CD4070	0.21	M53216P	1.40	SN76227N	1.07	TA7240P	2.46	TDA1900	3.21	TLIP120	0.57
1N4148	0.04	ZSC1846	0.51	ZSD774	0.43	BC149C	0.04	BD245C	0.72	BR100	1.10	CM62A	2.95	M54543L	1.67	SN76666N	1.26	TA7241	2.30	TDA1905	0.94	TLIP121	0.42
1N4448	0.06	ZSC1923	0.14	ZSD787E	0.36	BC157	0.13	BD246C	0.61	BR101	0.98	CR3CM	2.62	M54544L	1.87	SN76705AN	1.70	TA7250	4.03	TDA1908A	1.74	TLIP126	0.48
1N5061	0.38	ZSC1942	3.33	ZSD837	0.90	BC159	0.06	BD278A	0.56	BR103	0.53	CR202AM	2.17	M54548L	3.29	STA341M	2.54	TA7267P	2.02	TDA1940	2.17	TLIP132	0.46
1N5402	0.12	ZSC1959	0.11	ZSD841	1.34	BC161	0.27	BD317	0.87	BR303	1.22	CV12E	7.70	M54648L	3.39	STA401	2.46	TA7270	1.68	TDA1950	1.86	TLIP137	0.48
1N5404	0.13	ZSC1969	2.46	ZSD856	0.94	BC167	0.42	BD318	1.10	BRX44	1.02	CX109	2.05	M54648L	6.62	STA441C	2.80	TA7270P	1.73	TDA2002	0.85	TLIP295	0.83
1N5406	0.12	ZSC2001	1.78	ZSD859	3.28	BC171B	0.14	BD380	0.34	BRX55	0.43	DA124EF	0.13	M54898AP	20.45	STM0029	5.88	TA7271P	1.76	TDA2004	1.27	TLIP29C	0.46
1N5408	0.12	ZSC2001	1.14	ZSD870	3.81	BC177	0.14	BD433	0.29	BSS38	0.23	DA144EF	0.17	M58485P	5.95	STM0039	7.11	TA7273	3.21	TDA2005	1.36	TLIP29E	0.40
1N914	0.04	ZSC2073	0.51	ZSD871	5.08	BC178	0.11	BD434	0.34	BT120	1.28	ER1400	2.15	MB3730	2.33	STM0040	7.40	TA7274P	2.72	TDA2006	1.06	TLIP305	0.77
1S1555	0.22	ZSC2078	0.77	ZSD880	0.48	BC182L	0.06	BD435	0.38	BT129	3.26	HA11235	1.95	MB3731	2.20	STM0059	9.75	TA7280	2.11	TDA2009	2.29	TLIP30C	0.17
1S2076	0.29	ZSC2141	1.48	ZSD882	0.43	BC182LB	0.06	BD436	0.32	BT139600	1.14	HA11244	3.83	MB3732	2.80	STM025	9.61	TA7299	2.34	TDA2020	3.72	TLIP31A	0.32
2N2219A	0.27	ZSC2166	1.27	ZSD898B	4.23	BC184	0.09	BD437	0.32	BT151500R	1.10	HA1124A	1.21	MC13002P	5.74	STM3042	6.90	TA7313AP	0.62	TDA2030H	0.61	TLIP31B	0.30
2N2222	0.22	ZSC2168	0.85	ZSD904	5.95	BC184L	0.04	BD438	0.31	BT151800	1.15	HA11423	2.02	MC1310P	0.84	STM3062	8.88	TA7317P	0.93	TDA2030V	1.05	TLIP31C	0.44
2N2905	0.21	ZSC2236	0.25	ZSD973	0.38	BC184LC	0.10	BD441	0.34	BU205	1.07	HA11440	2.92	MC1327AP	1.62	STM4131	7.79	TA7325P	0.45	TDA2170	2.55	TLIP32A	0.39
2N2926G	0.37	ZSC2271	0.22	ZS000	0.21	BC204	0.14	BD442	0.29	BU208A	1.16	HA1166X	3.43	MC1330AP	1.26	STM4141	9.31	TA7343AP	0.72	TDA2270	1.68	TLIP32C	0.38
2N3053	0.36	ZSC2274	0.22	ZS000	0.28	BC207B	0.23	BD510	1.24	BU208D	1.53	HA11743	1.24	MC1350P	1.87	STM4142	8.21	TA7358P	0.78	TDA2530	3.76	TLIP33A	0.92
2N3054	0.98	ZSC2274K	0.22	ZS000	0.28	BC212B	0.06	BD529	0.97	BU326A	1.36	HA11741	6.77	MC1352P	1.45	STM4162M	9.51	TA7358P	0.68	TDA2540	0.88	TLIP33C	0.80
2N3055	0.77	ZSC2314	0.33	ZS000	0.30	BC212C	0.06	BD530	1.10	BU406	0.68	HA11745	5.10	MC1358P	1.59	STM4171	10.50	TA7370P	2.62	TDA2570	0.72	TLIP34	0.00
2N3442	1.00	ZSC2335	1.43	ZS000	0.30	BC213	0.11	BD535	0.43	BU406D	1.02	HA13001	1.72	MC145288CP	1.70	STM4181	12.85	TA7609P	1.95	TDA2560	4.46	TLIP34C	0.89
2N3402	0.11	ZSC2458	0.12	ZS000	0.18	BC214	0.09	BD536	0.48	BU407	0.53	HA13108	3.56	MDA2062	2.21	STM4181A	12.46	TA7630P	1.87	TDA2576A	5.95	TLIP41A	0.38
2N3704	0.14	ZSC2482	0.34	ZS000	0.34	BC237	0.10	BD675	0.30	BU407D	0.97	HA13118	1.87	MJ2955	0.97	STM4332	5.54	TA7640AP	0.98	TDA2577A	4.25	TLIP41C	0.39
2N3773	1.27	ZSC2547E	0.24	ZS000	0.43	BC237B	0.05	BD677	0.32	BU426A	0.96	HA13119	2.03	MJ802	2.37	STM4352	1.70	TA7676P	4.25	TDA2578A	2.55	TLIP42A	0.37
2N3819	0.34	ZSC2565	0.46	ZS000	0.36	BC238	0.11	BD707	0.51	BU426E	2.13	HA13403	4.66	MJE13005	0.85	STM437	8.30	TA7680AP	3.81	TDA2581	5.75	TLIP42C	0.37
2N3904	0.11	ZSC2570A	0.29	ZS000	0.13	BC238B	0.05	BD839	0.51	BU500	1.32	HA1377	2.42	MJE2955	0.68	STM4392	5.92	TA7688AP	5.93	TDA2581Q	10.15	TLIP47	0.51
2N4444	3.22	ZSC2577	1.46	ZS000	0.11	BC239	0.04	BD901	0.51	BU508A	0.95	HA1388	2.63	MJE3055	0.51	STM441	11.81	TA7705P	1.68	TDA2582	1.95	TLIP791A	1.24
2N6292	0.62	ZSC2581	3.05	ZS000	0.41	BC121K	0.46	BD902	0.51	BU508AF	1.27	HA1389	2.62	MJE340	0.58	STM449	11.17	TA7769P	1.43	TDA2591	1.15	TLIS43	0.66
2SA1015	0.10	ZSC2632	0.43	ZS000	0.30	BC300	0.48	BD911	0.65	BU508D	1.27	HA1392	1.61	MR923	14.26	STM461	10.49	TAB205	3.89	TDA2593	0.75	TL011CP	1.36
2SA1016	0.17	ZSC2655	0.25	ZS000	0.16	BC301	0.28	BD912	0.63	BU508DF	1.87	HA1397	2.63	MM1405VKF	11.06	STM4843	11.10	TAB210H	4.74	TDA2594	2.21	TL071CP	0.38
2SA1020	0.43	ZSC2671	0.68	ZS000	0.33	BC302	0.36	BD955B	1.16	BU508V	1.43	HA1398	2.33	MM1435VX	14.35	STM5211	15.78	TAB215	4.57	TDA2595	2.41	TL94A	1.61
2SA1020Y	0.43	ZSC2688	0.30	ZS000	0.36	BC303	0.22	BD984C	1.28	BU526	1.41	HA1452	4.86	MM1435VXB	10.66	STM5322	6.35	TAB691N	6.67	TDA2600	3.08	TMPTC432AP	11.24
2SA1095	7.44	ZSC2785	1.12	ZS000	0.82	BC307	0.06	BD993C	0.59	BU536	1.60	HM6232	10.36	MM650	2.50	STM5325	5.92	TAG626	1.05	TDA2611A	0.64	TMPTC43AN-3555	17.87
2SA1102	2.54	ZSC2791	5.44	ZS000	0.52	BC307A	0.06	BD994C	0.46	BU608	1.44	HM6251	9.52	MPS442	0.23	STM5326	6.20	TBA120	0.53	TDA2611AQ	2.03	UC3844	1.78
2SA1143	0.17	ZSC3150	1.44	ZS000	1.02	BC307B	0.06	BDX32	1.70	BU705	1.61	HM7103	14.07	MPS456	0.12	STM5331	3.02	TBA120AS	0.90	TDA2640	4.13	UPA81C	0.94

SPECIAL OFFERS - ENDS 28/02/94 OR WHILE STOCKS LAST

BU208A x 5	3.99	'F' CONNECTOR (SCREW TYPE) x 25	3.00
BU 426A x 5	3.50	TDA 2600 x 2	3.95
BU 508A x 5	3.60	TDA 2579A x 2	5.00
BU 508AF x 5	5.00	TDA 3562A x 2	3.99
BUT 11AF x 5	3.25	TDA 3654 x 2	2.20
TV FAULT FINDING GUIDE	9.99	TDA 4501H x 2	2.49
VIDEO FAULT FINDING GUIDE	9.99	TDA 4601 x 2	2.50
SATELLITE FAULT FINDING GUIDE	14.95	TDA 4601D x 2	2.95
CO AXIAL AERIAL PLUG x 25	3.75	STR 54041 x 2	7.50

2SA1175	0.25	ZSC3153	2.37	AD162	0.96	BC308	0.06	BDY20	2.13	BU806	0.82	ICH281	0.26	MPSA93	0.08	SK5332	2.74	TBA120S	0.89	TDA2652	14.32	UPC1181H	6.80
2SA1186	3.73	ZSC3156	4.22	AF124	0.77	BC308A	0.09	BF115	0.41	BU806A	0.80	KA2101	0.83	MR854	0.14	SK5333	4.28	TBA120T	0.51	TDA2653A	3.26	UPC1182H	5.95
2SA1208	0.34	ZSC3182	3.25	AF127	0.59	BC308C	0.06	BF179	0.31	BU807	0.51	KB108	0.47	MSV5840H	15.38	SK5372	3.40	TBA120U	0.39	TDA2680	5.10	UPC1185H	10.20
2SA1265	1.95	ZSC3225	0.50	AF139																			

TV Fault Finding

Reports from Philip Blundell, AMIEE, Brian Storm, Edward Joyce, J.G. Grieve, Michael Dranfield, John Edwards, Richard Flowerday, John Hepworth, and Terry Lamoon

Philips GR1-AX Chassis

With most Philips chassis the h.t. supply to the line output stage is removed when the scan coils plug is disconnected. Beware! On some versions of the GR1-AX chassis this is not the case. I was caught out by a set that was dead with a whistling noise coming from the power supply. A resistance check across the 95V supply reservoir capacitor C2660 produced a reading of 600Ω. I figured that removing the scan coils plug should have disconnected the line output stage so, as the leak was still there, I chased around the power supply for a while. Finally I resorted to following the 600Ω leak along the print and ended up at the line output transformer, not the scan coils plug as I would have expected. All that was wrong was a leaky BUT11AF line output transistor. Fitting a new one and attending to some dry-joints in the line driver stage got things working again. **P.B.**

Philips 2A Chassis

If the power supply is slow to start check whether R3670 still reads 33Ω. When its resistance value goes high the power supply takes a few seconds to start. **P.B.**

Grundig Cinema 9050

There was a fault with the screen drive motor in this projection set – in this model the screen rises up out of the cabinet like Reginald Dixon at the Tower Ballroom! Usually when you switch the set on the channel display appears, the screen rises then the line timebase starts up. With this set however the channel display appeared, the screen began to rise, then the display went to standby and the screen went down again. If you held the mains switch down the screen would move up jerkily with the channel display constantly going from 1 to standby.

The set has to be out of standby for the screen to rise. A check showed that the out-of-standby signal from the tuning board was pulsing when it should have been steady. The tuning board is powered by a mains transformer, rectifier and regulator. There was 1V of 50Hz ripple on the output from this arrangement. The regulator is on the Omniplate (convergence etc.) board. As the rectifier D6013 is a full-wave type there shouldn't have been a 50Hz ripple. Resistance checks on the transformer solved the problem: one half was open-circuit because of a dry-joint where the leads are soldered to the mains fuse board. **P.B.**

Panasonic TC1485 (Z3 Chassis)

Intermittently dead faults are not exactly my favourites. So it was with a heavy heart that I lifted this portable on to the work bench. To start with the set worked perfectly. Subsequently it lapsed into an inoperative state. A check showed that there was no power-on signal from the system micro-controller chip IC1101, but further checks in this area revived the set which continued to work faultlessly all day. Next day the set couldn't be prodded into life. Everything appeared to be fine except that IC1101's reset line seemed to be slightly lower than usual. Suspicion then fell on a

small yellow component, C1122 (0.01μF), which proved to be leaky. A replacement restored reliable operation. **B.S.**

Samsung CI5013T (P58SC Chassis)

If one of these sets won't start, with no standby light, or possibly trips check R811 (100kΩ) which tends to go high in value. It's connected to pin 8 of the TDA4601 chopper control chip. **E.J.**

Hitachi CPT2044/46/48

If the field size varies or there's field collapse, replace the 1μF capacitor C603 – it's a blue tantalum type! **E.J.**

Philips GR1-AX Chassis

A fault you sometimes get with these sets is no go with the standby LED flashing after a few seconds. If the cause is not the line output transistor it could be the 15V zener diode D6613. **E.J.**

Ferguson 59M5 (ICC5 Chassis)

The picture looked as though the tube's emission was low: it lacked blue until the brightness was turned up, when blue flared across the picture. We found that RV73 (47kΩ, 1W), the d.c. feedback resistor in the blue output stage, had risen to a very high value. **E.J.**

Ferguson B14C (TX90 Chassis)

No sound has become a common fault with these sets. Fusible resistor R509 (1.8Ω) goes open-circuit or high in value. Note that this is the Thomson, not the earlier TX90 chassis. **E.J.**

Panasonic TX21T1 (Alpha 2 Chassis)

The fault with one of these sets was that the picture went red after a short while in operation. We checked this and that and froze everything on the c.r.t. base panel, none of which helped. It turned out that a disc ceramic capacitor, C353 (220pF), was going leaky. It decouples the emitter of the red output transistor. **E.J.**

Ferguson ICC7 Chassis

If the set is dead but not tripping you'll probably find that RP62 (0.1Ω) is open-circuit and the BA157 rectifier diode DL09 short-circuit. DL09 takes its feed from the line output transformer, generating the 65V supply across CL09. RP62 is in the chopper circuit. **E.J.**

Philips CTX Chassis

There was an off-tune, slightly distorted picture with buzz on sound, higher channels being worse. Teletext consisted

of garbled gobbledegook. The scan tuning wouldn't lock, though you could use the fine tuning. The cause of the trouble on this occasion was a leaky capacitor within i.f. transformer 5158. It's best to replace the whole can. Don't be tempted to tweak cores: this may appear to help, but the teletext doesn't like the result. **J.G.G.**

Osaki P10R

This set was dead but there were no blown fuses. The cause of the fault was no output from the 12V regulator IC402, a big, square block. I fitted the Nikkai AL2711K and all was well during a long test run. The set is similar to the **Nikkai Baby 10**. **J.G.G.**

Sony KV2212

This set was permanently in the search tuning mode. When we removed the back we saw that the channel search button was stuck down. A call to our Sony dealer friend proved to be fruitful. He didn't have the switch but provided us with the part number and recommended replacement of all ten pushbuttons on this panel to prevent further trouble. When we removed the panel we found that six of the buttons were stuck down. The Sony part no. is 1-552-774-00. **M.Dr.**

NEI 2131

There was sound but no vision, just a blank raster. A scope check showed that the amplitude of the sandcastle pulse at pin 8 of the TDA3561A colour decoder chip was low. The cause was traced to the TDA3653 field output chip (pin 7). Replacing this restored the video information. **M.Dr.**

Toshiba 2100TBT

This set would develop a ripple on the picture. It got worse as the set warmed up. Many tins of freezer, much heating with a hairdryer and extensive component replacement failed to cure the problem. We eventually found that connecting a 2.2µF, 63V capacitor between the tuner's VT pin and chassis cleared the effect. Solder the capacitor as close to the VT pin as possible. **M.Dr.**

Osume CTV1486T

When it was warm this set would keep flicking between the picture and teletext. In addition text characters would intermittently flash up on the screen. We found that the expensive SAA5243P/E VIP chip on the teletext PCB was running very hot. As its supply voltage was correct we replaced the chip, curing the fault. **M.Dr.**

Philips CF1 Chassis

One of these sets had several fault symptoms – no line or field sync, no sound output and flyback lines across the entire screen. The culprit was the TDA2577A sync/timebase generator chip. We had a TDA2577 in stock but when this was fitted there was normal sound but field collapse, so the A suffix is obviously important. **J.E.**

Finlux 1632

There was excessive width, severe EW bowing and the EW amplitude and width controls had no effect. We found that inductor Lz4 was badly dry-jointed at one end, where there were burn marks on the PCB around the joint, Rz26 (10kΩ)

was open-circuit and the BD241A EW modulator driver transistor Tx4 was short-circuit base-to-emitter. **J.E.**

Hitachi CPT2278 (NP83CQ-2 Chassis)

One of these sets screamed at me until I disconnected pins 6 and 10 of the line output transformer. This stopped the screaming and restored the correct h.t. output from the power supply, thus proving that the transformer had failed. **J.E.**

Logik 4090/Ferguson TX90 Chassis

A corrugated ripple effect on all vertical contents of the picture could be reduced by lowering the brightness or contrast level, i.e. the beam current. The cause of the fault was C189 (22µF, 50V) which when checked measured only 0.5µF **J.E.**

Solavox 22R09/ITT CVC1215 Chassis

The job card said "bang then dead". When you get this look no farther than C701 (10µF, 350V) which explodes. It's quite a common fault. **J.E.**

Bush 2520

It took several attempts before this set would switch on. We found that the positive temperature coefficient thermistor R802 in the power supply was dry-jointed while R800 (820kΩ) read just under 2MΩ. When these components had been replaced the set started up with no further problems.

Another of these sets suffered from low-gain, noisy reception, as if the tuner had failed. The cause of the fault was the TDA4505 chip IC100 however. **J.E.**

Matsui 2180TT/Saisho FST212T

This set was dead. The mains bridge rectifier was providing a supply for the STR58041 chip in the power supply but the latter provided no output. A new chip plus mica washer and heatsink compound got the set going. **J.E.**

Goodmans 2043T

The power supply was working, providing the correct h.t. voltage at pin 17 of the chopper transformer, but the set remained lifeless because there was no h.t. at the B+ terminal of the line output transformer. Diode D8035 was open-circuit. **J.E.**

Panasonic TC21M1R (Z4 Chassis)

Intermittent field collapse was the fault with this set. It appeared at random and didn't seem to be affected by time or temperature. Must be a capacitor, we thought! When the fault was present the trigger input at pin 2 of the field output chip IC451 was missing. In addition the voltage at this pin rose to 5.8V.

Attention was turned to the field oscillator, which is part of the video processor chip IC601 on board C. Although the voltages here were correct there was no ramp waveform at pin 34, to which the oscillator's timing components are connected. The culprit was the 3.3µF tantalum capacitor C402. Remember – beware of blue tants! **R.F.**

Ferguson A51F (ICC7 Chassis)

One of these sets would very intermittently revert to the

standby mode. The customer said that "it went off every five minutes", but it took over a week of soak testing for the problem to show up in the workshop. When it did, we found that the line oscillator's supply at pin 40 of IV01 was missing, though the voltage at the power control pin of the microcontroller chip IR01 was low – the correct state for a running set. Attention was turned to the standby switching transistors TR16/17. The latter turned out to be open-circuit, though freezing it brought the set back to life. A replacement transistor cured what was an extremely vexing problem.

Incidentally TR18 is not to be found in the set though it's shown in the circuit diagram. **R.F.**

Akura CX26

Although this set would produce stereo sound with a Nicam broadcast there was no f.m. sound with video playback at r.f., nor from a test pattern generator. There was plenty of demodulated f.m. sound at pin 5 of the i.f. chip IC101, but this disappeared into the Nicam board, where all the audio switching takes place, and didn't come out again. Swapping parts with another set proved that the EEPROM chip IC002 was responsible, though we couldn't work out why! When changing this chip much time can be saved by first going into the service mode and noting the various adjustment levels. **R.F.**

Bush 2814T

I had no service manual for this Turkish manufactured set, which had no e.h.t. and no tube heater supply. Fortunately it didn't take long to establish that R603 (3.9k Ω , 5W) was open-circuit. It's in the h.t. feed to the line driver stage. Be warned: replacing the back on these sets would try the patience of a saint! **J.H.**

JVC CX500ME

This is a multi-standard 5in. colour set with a radio and a cassette player section. The radio and tape sections worked but the TV section was dead. When TV was selected the voltage from the power supply fell to 4V. Disconnecting various things proved to be fruitless. The cause of the fault was a high-resistance section of the function selector switch. **J.H.**

Hitachi C25-P819 (G7P Mk II Chassis)

These sets are in the Images range of FST models. Failure to start usually means that one or more of the following resistors has gone high in value or open-circuit: R931 (150k Ω), R932 (120k Ω), R919 and R920 (both 100k Ω). If one of them goes only 20-30k Ω high it can cause intermittent starting. These resistors are connected in series pairs to pins 4 and 5 of the TDA4601 chopper control chip. **J.H.**

Mitsubishi Euro 4 Chassis

This set's memory, which is an EAROM, wasn't working. Following the usual practice, the chip operates with a -30V supply. We found that this supply was missing because of an open-circuit winding on transformer T951 (pins 1 and 4). **J.H.**

Pioneer SV2102

This was the first Pioneer TV set I've come across. There

was e.h.t. but no sound or vision. The chassis is rather a daunting sight and the set weighed a ton. I decided to phone Pioneer for advice and was told to replace an i.c., type U4606 (they didn't give the circuit reference number, mind). Doing this cured the fault, but take note: if you order the chip from SEME you'll find that it is reasonably priced in the general spares list, but if you use the Pioneer part number you'll need a mortgage to pay for it. **J.H.**

Matsui 1455

The problem with this set was field collapse, though the output stage seemed to be working normally. Checks around the jungle chip were inconclusive and a replacement made no difference. So it was back to the driver and output stages. The power supply arrangement here is a bit unusual. By making cold checks I eventually found that the 10 Ω safety resistor R310, which acts as a surge limiter, was open-circuit. This stopped the driver stage working. **T.L.**

ITT TX3126 (Monoprint B Chassis)

At switch on this set would trip, with a momentary display. I decided to check the outputs from the power supply and found that the 16V line showed no signs of life at switch on. The reason for this was that the 1,000 μ F reservoir capacitor C715 was short-circuit. Make sure you use the correct capacitance value – if it's too high it will hold the set off after an initial switch on, as I found out. **T.L.**

Matsui 1466

There was no sound or vision with this portable set, though the channel indicator was working. I went straight to the regular culprit with this model, R502 (330k Ω) in the power supply. It goes high in value. Fitting a replacement restored normal operation. **T.L.**

Mitsubishi CT25M1TX

When this set was switched on there was virtually no contrast in the display and flyback lines were present. A check on the voltages around IC251 produced a reading of 1.2V instead of 2.9V at pin 7. On tracing the supply back to Q704 I found that the 12V line was very low. When tested Q704 turned out to be leaky, a replacement restoring a perfect display. **T.L.**

Matsui 2160

If the fault is no sound or picture with normal channel change lights, check the output from the STR58041 chopper chip IC501. If this is missing fit a replacement. **T.L.**

Ferguson 51P7 (TX98 Chassis)

This set was brought in with the complaint that the channels would change on their own, the sound would mute and the text would do odd things. We had it on test for several days without any fault putting in an appearance, but the customer insisted that it was faulty. So we phoned a Ferguson expert who suggested an answer. All you have to do is to cut the print at pin 11 of the infra-red preamplifier chip and add an 0.1 μ F capacitor across the cut. This was done and the set was sent back, never to return. So the modification worked. If it doesn't you replace the tube base. **T.L.**

Amstrad VMC100

For no colour check the 2SC3929 transistor Q517 on the camera PCB. It buffers the chroma signal feed to the deck section. **D.C.W.**

Ferguson FC07

This JVC-designed camcorder had no camera E-E picture. A common cause of this symptom (a blank white viewfinder screen) is lock-up of the microcontroller chip: removing then refitting the clock battery normally provides a cure. Not so this time! On inspection we found that the iris remained closed – pictures were obtained when the iris mechanism was manually operated. The cause of the fault was traced to D4 on the IMG SSG panel. It was open-circuit. In fact this glass-type diode was literally shattered. An interesting point is that it's shown in the manual as a chip component.

No cause for the failure of this component could be found and a replacement provided a complete cure. The diode's physical position on the PCB puts it in contact with the rear edge of the deck mechanism. It seems possible that a knock to the optical block could produce a mechanical shock that was transferred to the D4 area, cracking the glass. **D.C.W.**

Panasonic NVMS2

The problem with this camcorder was incorrect white balance. We traced the cause to poor soldering at P001 on the camera operation PCB. **D.C.W.**

Sony CCDF250

The reported fault was "viewfinder and E-E camera pictures disappear after a few minutes' use". Sure enough they did! We traced the camera picture signals, both Y and C, through to the output pins of the encoder chip IC606 on board CV9. At this point they are applied to a Y/C mixing and buffering circuit consisting of Q602, Q617 and Q619, a composite video signal appearing at the emitter of Q619. This signal disappeared intermittently, causing the fault symptom.

The Y/C mixer stages are direct coupled, and voltage checks here showed that the d.c. conditions varied wildly. Static checks and the replacement of several components in this area didn't help. The voltages at the pin connections varied even when the three transistors were removed from the board! Sabotage was suspected. . . The cause of the problem turned out to be a 120µF, 6.3V electrolytic capacitor (C704) that decouples the 5V rail. It had leaked over part of the print in the Y/C mixer section. I suppose the moral is that if odd symptoms that defy logic persist, look for a leaky capacitor. **D.C.W.**

Amstrad VMC100

The fault report with this point-and-shoot model said "no functions with the cassette housing open". We found that CP403 and the 9.6V regulator transistor Q402 on the main PCB were both open-circuit. We

checked for shorts then fitted replacement components. This provided a cure – until eject was pressed. CP403 then failed, but this time Q402 was all right. As no likely cause could be discovered CP403 was replaced, a tape was loaded and a recording was started. Everything was o.k., even when eject was pressed: the recordings were found to be o.k. when checked in a playback machine. But after much soak testing CP403 again failed while the machine was in the eject mode.

In sheer desperation I dismantled the unit once more and connected an analogue ammeter in series with CP403. Tape loading was achieved without mishap, but when the eject button was pressed the ammeter showed that there was an excessively heavy overload, far in excess of normal. The cause of the trouble was finally traced to the loading motor, which was going short-circuit to chassis intermittently, thus explaining why the fault occurred only in the eject mode. **D.C.W.**

Sony V900

These camcorders are very reliable and are easy to fix once they are opened up, but a very large number of patch leads are required. Once you are able to power the machine the assembly looks like spaghetti. Repair is not a job for the beginner. We've had the following faults:

(1) There was playback/recording for a few seconds, then a warning symbol appeared. We found that in fast forward the take-up reel didn't move while the clutch was slipping. A new take-up reel restored correct operation.

(2) There were horizontal stripes on the playback picture. We found that the tape path couldn't be adjusted. There was a faulty tape guide, a new roller assembly putting matters right.

(3) The LCD was o.k. but there was no power to the camera/VCR section, with the electronic viewfinder dead. Checks around IC101 on board FD10P showed that the 5V supply was present at pin 54, there was oscillation at pins 55/58 but the VTR power-on output didn't go low. IC101 was faulty, a replacement restoring normal operation. This is a fairly common fault. **K.T.K.**

Sony V700

Here are a couple of faults we've had with this model:

(1) There was no playback picture (black screen) and no sound. Checks showed that the 5V PB supply was low at 1.5V. The cause was transistor Q280 (type 2SC4081R, part no. 872990535).

(2) No playback picture (black screen) but this time the sound was o.k. Checks showed that there was an input signal at pin 41 of IC650, which turned out to be faulty. It's type CXA1207R (part no. 875203619). **K.T.K.**

Long-distance Television

Roger Bunney

This column first appeared over thirty years ago, when the magazine was called *Practical Television*. It was initially written by Charles Rafarel, who carried out much research on long-distance television reception techniques in the early days. When Charles died in 1971 I was asked to take over and have written the column ever since. The aim has been to carry on in the way that Charles would have approved – describing experimentation and innovation and providing news.

There have been rapid advances in reception technology over the last twenty years. These include solid-state receivers, the varicap tuner and improved ways of resolving weak signals. At the same time it has become much easier to obtain suitable equipment. Thus receiver modification, the norm in the Sixties, is no longer necessary. The ATS-6 SITE experiment in 1975/6 gave us the first chance to sample satellite TV reception: reports on the success of several enthusiasts in receiving these weak signals were reported in this column. V.H.F. TV in the UK is now but a memory: Bands I and III are at present wastelands of PMR, baby alarms and other 'officially sanctioned' intruders despite being allocated as broadcast bands in Europe. Along with these developments, DXing has also changed. We have to exploit new TV signal reception possibilities as they arise.

Satellite TV is now an established and growing consumer market. Satellites offer a mass of TV and radio programmes, video feeds of various sorts and news links that can be received using simple equipment and aerials. You don't need massive aerials on tall masts, simply a clear view of the sky from the south east through to the south west. Many DX enthusiasts are now monitoring the various satellite bands and birds. This may not be true DX, being line-of-sight rather than over-the-horizon, but there is much of a DX nature to see and with the weaker signals DX techniques still apply.

From next month I intend to include satellite loggings, with a view to encouraging readers to investigate the various signals that can be received; also to provide information on the equipment required, with the emphasis on practical and inexpensive ways of satellite DXing. Our terrestrial DX-TV coverage will of course continue, and readers letters will as always be welcome. If you do write to tell us about satellite

receptions, please mention the equipment being used.

November was a very quiet month for conventional DX reception. There were a few Sporadic E signals, a couple of auroral events and one day of exceptional tropospheric reception – and that was about it! No reports have come in of reception as a result of the Leonids meteor shower. The collated SpE log is as follows:

6/11/93	TVE (Spain) chs. E2, 3, 4; RAI (Italy) chs. IA, B; TVA (Italy) ch. IA.
7/11/93	+PTT (Switzerland) E2, 3, 4; RAI IA.
8/11/93	TVE E2, 3, 4.
13/11/93	DR (Denmark) E3; TVE E2.
15/11/93	DR E3; TVE E2.
20/11/93	NRK (Norway) E3.
27/11/93	TVE E2; RAI IA; +PTT E2.

Iain Manziès logged auroral events on the nights of the 14th and 19th, with signal 'manifestations' in Band I.

There was an excellent tropospheric lift on the 8th, with signals from ARD (Germany), DR/TV2 (Denmark) and SVT1/2/TV4 stations (Sweden) in Band III and at u.h.f. More exotic signals were logged by Simon Hamer in Powys, including TVP1 (Poland) ch. R8 and YLE (Finland) ch. E6. Two extremely good catches in an otherwise dull month.

My thanks to Iain Menziès (Aberdeen), Simon Hamer (Powys), Roger Fussell (Torpoint), Brian Williams (Penarth) and Peter Schubert (Rainham) for sending in reports.

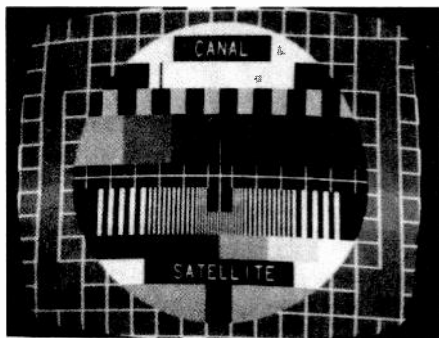
News Items

Ireland: A new Gaelic language TV channel, Telefis na Gaeilge, will come on air during 1994 with three hours of programmes a day to start with.

UK: The ITC is offering a local delivery licence, as the cable franchises are now called, for the west Kent area, including Tonbridge, Tunbridge Wells and Sevenoaks. Use of both cable and broadcast transmission is envisaged. For the latter a 40MHz bandwidth in the 40GHz band will be allocated – though no equipment for this is currently available.

India: Doordashan is currently transmitting five channels via Insat 2B, but most viewers remain tuned to Star TV from Hong Kong via AsiaSat 1. To encourage viewing the five-channel Doordashan service will be duplicated via terrestrial transmitters in the main urban areas: low-power transmitters are to be installed in Calcutta, Madras, Bombay and Delhi using channels E5, 7, 23, 26 and 29.

Zambia: Independent radio and TV transmission licences are to be issued – bids were to be received by the end of 1993. Radio stations will use Band II, with f.m.



Left: Canal Satellite from Telecom 2B at 5°W. Signals from this satellite are easy to receive in the southern UK with a 60-80cm dish. Centre: Nile TV, a new Egyptian channel transmitted via Eutelsat II F3 at 16°E. Reception by Andrew Sykes in Halifax, using a standard Pace receiver and an 80cm dish. Right: Another photograph from Andrew Sykes, showing a typical news feed menu transmitted by the EBU, usually via Eutelsat II F4 at 7°E. Items come from various European broadcasters.

Belgium: Because of severe financial problems RTBF is curtailing its contributions to the ARTE channel.

Malta: The authorities have made strong complaints about the use of their allocated u.h.f. channels, 21 and 29, by Italian stations. An unlicensed Maltese station, Super One Television, has been carrying out tests on ch. E43.

Poland: The satellite channel Polsat has been given a ten-year licence for terrestrial broadcasting throughout the country.

Transmitter Updates

Belgium: Liege ch. E39 e.r.p. increased to 315kW, ch. E42 reduced to 500kW.

France: The following stations are now in operation. Avignon TDF-3 ch. E33, TDF-6 ch. E36, both 55kW e.r.p.; Saint Raphael TDF-5 ch. E36 80kW e.r.p.; Caen TDF-6 ch. E61, TDF-5 ch. E64, both 100kW e.r.p. All with horizontal polarisation.

Belgium: ARTE-21 transmissions, Leglise ch. E11 10kW, Liege ch. E42 500kW, Profondeville ch. E49 200kW, Anderlues ch. E61 200kW. Sports-21 transmissions, Wavre ch. E28 500kW, Leglise ch. E60 200kW, Tournai ch. E63 20kW (vertical). AFN-TV transmissions, Everberg ch. E33 2kW, Casteau-Shape ch. E34 4.5kW (vertical). Canal Plus transmissions, Liege ch. E39 315kW, Wavre ch. E50 500kW, Anderlues ch. E58 200kW. ARTE-21 programmes are scrambled from 1900 local time. Canal Plus transmissions are scrambled all the time.

Our thanks to the EBU and the BDXC for the above information.

Meteor Showers 1994

Many thanks to Neil Bone, Director of the Meteor Section, the British Astronomical Association, for providing the dates of the main meteor showers during 1994 and the related notes as follows:

Lyrids shower April 19-25th, peaking on the 22nd.
 May Aquarids May 1st-20th, peaking on the 5th.
 Cetids May 7th-June 10th, peaking May 14-25th.
 Delta Aquarids July 15th-August 20th, peaking August 1st.
 Perseids July 25th-August 20th, peaking August 11-12th.
 Giacobinids – little activity expected this year.
 Orionids October 16-27th, peaking on the 20-22nd.
 Taurids November 1st-30th, peaking on the 3rd-8th.
 Leonids November 15-20th, peaking on the 17-18th.
 Geminids December 7-15th, peaking on the 13th.

The Quadrantids shower occurred in early January. The most active showers are the Quadrantids, Perseids and Geminids. In recent years the Perseids have provided a double peak (August 11-12 and 12-13th), associated with the return of the parent comet. Activity is moderate with the May Aquarids and Orionids. Leonids are uncertain: outbursts every 33 years suggest that 1998/9 will produce a major shower, with the preceding years showing enhanced activity. There is activity at six-yearly intervals with the Giacobinids, 1998 being the next date. The other showers listed produce low but steady activity.

Satellite TV

Once a sought after station TV Shqiptar, Albania will be an every-day signal now that the Albanians have signed a one-year lease for transponder facilities aboard Eutelsat II F3 at 16°E. Another new channel at 16°E is Quorum Satellite

NEW PRODUCTS




Kansai TVR51K 21" Multi-system Colour TV

Aerial Techniques brings you two new products to compliment our already extensive range.

- "Personal Preference" memory function – (Volume, Colour, Brightness, Contrast and Hue)
- S-System PAL-B/G, PAL-D/K, PAL-1, SECAM B/G, SECAM D/K and NTSC 3 58 4 43
- Infrared Remote Control
- 90 Preset Channels
- Automatic Tuning
- On Screen Display – Volume, Colour, Brightness, Contrast, Hue and Channel
- EURO-AV (SCART) Socket
- Sound Muting Function
- Presetable Off Timer (15-120 Minutes)
- Automatic Power Off Function – when no broadcasting signal is received within 10 minutes
- Full VHF/UHF Coverage
- Cable Tuner
- Single or Dual Digital Control

£269.00

AKAI VS X475EGN Multi-system VCR (new model with Digital Tracking)

Multi-system 10 standard compatibility Covers VHF (Bands 1, 2 and 3), UHF, plus in between cable channels. Records, plays back and receives PAL System 1 (for UK), PAL System B/G (for Europe), PAL System D (for China), SECAM System L (for France), SECAM D/K (Eastern Bloc), SECAM B/G (Middle East etc), also NTSC 3 58 and 4 43MHz

- > NTSC playback on PAL TV
- > Quick response system
- Quick start
- Quick index search
- Quick intro scan
- > IMS
- > DX 4 head
- > Long play
- > Remote handset
- > On-screen programming
- > Dual-mode digital tracking
- > Multi-speed play
- > 8 event – 1-year automatic timer
- > Next function memory
- > Auto voltage selector
- > 45-channel synthesizer tuner
- > Child-lock system
- > Various auto functions
- > Dimensions 425Wx92Hx315D mm

£499.00

(All prices are inclusive of Vat, Carriage & Insurance delivery £9.00 on large items) Our CATALOGUE at £1 samples some but not all that we can supply, send for your copy today. UK & overseas despatch normally ex stock within 24 hours, we'll accept the usual credit cards, cash, cheques, POs – as convenient. Ring daytime with your query or late on our 24 hr phone or send in your fax and we'll get back to you shortly.




11 Kent Road, Parkstone, Poole, Dorset BH12 2EH
Tel: 0202 738232 Fax: 0202 716951

Aerial Techniques

Network, which has been transmitting captions. Frequency is 11.163GHz with horizontal polarisation. This business programme is uplinked from London.

There have been suggestions of overheating problems with Astra 1A, leading to transponder allocation reshuffles and power reductions with some downlinks. There were stability problems with this satellite in the early days and it is possible that its estimated life will be shortened.

Singapore Television International has commenced operation in the Far East as a rival to Star TV.

Peace at last over the dispute about the satellite slot at 78.5°E. The Thaicom-1 satellite is to occupy this position while Asiasat-2 will be at 100.5°E. The back-up Thaicom-2 satellite will also be at 78.5°E.

Eutelsat II F5 should now be in orbit at 36°E with 16 Ku band transponders while the elderly Eutelsat I F1 is to be moved to either 36° or 50°E to give greater coverage of the Middle East and Central Russia.

An interesting fault condition has occurred on Intelsat 601 at 27.5°W. The C band Canal France International service for Africa is also present at 11.155GHz, the old CNNI transponder, presumably because of a defect in the cross-strapping circuitry. The signal is not strong but with care can be clearly seen.

TV wars are breaking out across France: in conjunction with Canal Plus, Tele Monte Carlo is offering a programme package to compete with the offerings of the RTL (CLT) group. The latter has wheeled out RTL-TV, RTL+ and RTL2/3/5 as complementary channels to compete with the TMC/Canal Plus package. Talks are understood to be in progress between the competing parties.

Finally NKM, a German company, has just introduced a



STICKING CD? EURAS SYSTEM IS THE COMPACT ANSWER

CD technology is changing fast. New models get introduced with alarming regularity, each with the latest enhancement. So it's not surprising to find models and faults you've not encountered before.

The problem is you can spend costly, unchargeable time searching for elusive faults, which is where Eurás System can help.

The Eurás System is Europe's largest repair tips database for Video, Television and CD.

With over 120,000 repair tips for 14,000 models from 270 manufacturers you are sure to find the solution quickly. And because it is frequently updated, it always covers the latest models.

For a FREE demonstration diskette to run on your PC or details of Eurás System in manual form, clip the coupon or phone 0272 860900.

EURAS INTERNATIONAL LTD
EURAS HOUSE, 51 BRISTOL ROAD,
KEYNSHAM, BRISTOL, BS18 2BA



EURAS

Solutions at your fingertips

PLEASE SEND ME A FREE DEMONSTRATION DISKETTE
PLEASE SEND ME DETAILS OF EURAS SYSTEM IN MANUAL FORM

NAME _____
TITLE _____
COMPANY _____
ADDRESS _____
POSTCODE _____

All the satellite information you'll ever need is through this window ...



The professional's satellite TV system analysis software by D J Stephenson

Satmaster Pro for Windows

- ✓ Allows you to design a system and test its performance before you install it!
- ✓ Generates tables of essential setup 'look angles' for fixed or motorised dishes at any location in the world for existing and future satellites!
- ✓ Calculates full link budgets using auto dish optimisation for best quality pictures, taking into account circular or linear polarisation!
- ✓ Work with multiple link budgets on screen simultaneously! Ideal for designing systems to work in a variety of widely spaced locations!
- ✓ Calculates Cross Polar Discrimination (XPD) and path dependent effects such as atmospheric absorption by water and oxygen!
- ✓ Display maps of magnetic variation, CCIR rain-climatic zones, water vapour densities and mean surface temperatures! Or add your own!
- ✓ Add worldwide satellite footprint graphics!
- ✓ Easy-to-use Windows interface makes tedious tasks simple and quick for everyone!
- ✓ Print professional looking reports, graphs and tables to any Windows compatible printer!
- ✓ Includes text editor so you can add your own project notes, equipment lists etc! Cut and paste information between MS-DOS and other Windows software!
- ✓ 20,000 word Hypertext technical guide with fault-finding, cable specs and site survey guide - you can even add your own notes!
- ✓ Display maps, graphs, tables and link budgets simultaneously - Includes footprint graphics for all popular satellites across Europe!
- ✓ Draws beamwidth and lobe patterns so you can judge potential interference from neighbouring satellites!
- ✓ Calculates accurate rain fade margins for any

requires IBM PC compatible 286/386/486 with MS-DOS, Windows 3.1 and 2MB hard disk space. Only £99 (plus post)

Be professional! ... order new Satmaster Pro for Windows today!

Swift Television Publications
17 Pittsfield, Cricklade, Wilts SN6 6AN England Tel 44 (0)793 750620 Fax 44 (0)793 752399

Please send me _____ copies of Satmaster Pro for Windows @ £99 each. Name: _____
Postage £1 in UK, Europe add £2, Rest of World £4. Address: _____
 I enclose cheque/PO for £ _____ payable to Swift Television Publications
 or please debit my Mastercard/Visa credit card
Number: _____
Expires: _____

PAYS-UT.V.

SUPPLIERS OF WORKING
USED TV'S, VIDEOS,
MICROWAVES,
FRIDGE FREEZERS,
COOKERS +
WASHING MACHINES

TEL: NOTTINGHAM 0602-500002

WE DELIVER ALL AREAS!



PHONE
FOR DETAILS



BELT KITS

A range of belt kits in stock from 60p to £2.40. Makes for most models available including Alba, Akai, Amstrad, Ferguson/JVC, Fisher, Funai, GEC, Goldstar, Granada, Grundig, Hinar, Hitachi, Mitsubishi, NEC, Orion, Panasonic, Philips, Saisho, Samsung, Sanyo, Schneider, Sharp, Sony, Tensai, etc - Please state model and make.

VIDEO MOTORS

A range of Reel Motors made by Ferguson, Hitachi, Sanyo, Sharp & Panasonic are available, please state model and make.

We stock capstan motors, makes include Ferguson/JVC, Hitachi and Sharp.

Also available are Ferguson Model Control Motors, please state make model.

Mode Motor Assembly 3V35-49 at £12.50

Sharp Reel Motor Pulley only £1.20

Replacement of plastic pulley on a number of Sharp Reel Motors with the above metal pulley gives better rewind/FF performance.

REMOTE CONTROLS

Bush, Ferguson, Grundig, I.T.T., Philips, Pyle, Sony, Hitachi, Matsui, Logik, Panasonic, Saisho, Satoru, Samsung, Tashiko, Tatung, Toshiba. Various models TV & Video. From £10.00

MANY HITACHI TV REMOTE CONTROLS NOW IN STOCK.

STATE MOTOR FOR PRICE

One for all MK 3, 4, 6. From £18.50. Topel Universal R/C £28.00. Fox £22.50

TRIPLERS

Universal Tripler £6.20. Universal Tripler with focus unit £9.50. Decca 120/130 series tripler £8.50. Thorn TX10 Focus Unit Kit £15.00. month only SPECIAL OFFER £5.00. Grundig Trips POA

MAINTENANCE KITS

Available for Alba Amstrad, Ferguson, Fisher, Goldstar, Goodmans, Granada, Hinar, Hitachi, JVC, Matsui, Mitsubishi, Nikka, Panasonic, Philips, Saisho, Salora, Schneider, Senta, Sharp, Sony, Tashiko, Toshiba.

LINE OUTPUT TRANSFORMERS

LOPT Hitachi 2174.76.78 £17.50. LOPT Hitachi OPT1476 £18.00. LOPT Hitachi OPT2276 etc £18.00. LOPT Matsui 1440 £22.00. LOPT Matsui 1450 £22.00. Decca 100 £9.50. I.T.T. CVC25/30/32 £9.50. I.T.T. Compact 80 Series 110 £16.75. I.T.T. Compact 80 Series 90 £19.75. I.T.T. CVC104 £11.50. I.T.T. CVC800/1/3 £21.50. I.T.T. CVC1100 £16.50. I.T.T. CVC1150/1175 £20.00.

Wide range of Panasonic LOBTS now available. Please ask for more details. Other I.T.T. transformers available. Fidelity all models up to 20" ZX3000 £15.50. Fidelity Panel for ZX2000 £1.00. Fidelity 22" ZX3000 £18.50. Hinar CT4.5 & TVA1 £17.50. Philips KT3 £12.95. Thorn TX100 Green Spot 110 £14.50. Thorn TX90 LOPT specify size screen £17.75. Sony - Please state model for price.

VIDEO HEADS

AMSTRAD, FERGUSON, HITACHI, PANASONIC, SANYO, SHARP, FISHER, HINARI, ALBA, MITSUBISHI, ORION, SAISHO, SAMSUNG, TOSHIBA. State Model No. Price from £7.50.

PINCH ROLLERS

A range of Pinch Rollers is in stock, most of them @ £2.80. Makes include Akai, Amstrad, Ferguson, Fisher, Funai, GEC, Goldstar, Grundig, Hinar, Hitachi, I.T.T. JVC, Marantz, Mitsubishi, NEC, Nordmende, Orion, Panasonic, Philips, Samsung, Sanyo, Schneider, Sharp, Sony, Tensai, Thomson, Toshiba etc. Please state model and make. Philips Pinch Roller for models VR1680, 6185, 6285, 6362, 6367, 6467, 6468, 6470, 6561, 6670, 6760, 6761, 6870 £6.00.

BACK-UP BATTERIES

Philips 1 2V Back up Battery £1.75. Philips 2 4V Back up Battery £2.80. Ferguson TX10 £2.00. Ferguson TX101 2 £2.10. Ferguson TX102 4 £3.58. 5 5V Back up Cap £1.85.

TV ON/OFF SWITCHES

I.T.T., Philips, Decca, Thorn, Fidelity, Grundig, Sony and Hitachi. State model for price.

SONY PUSH SWITCH 80p

Limiter Post Assembly £1.75. Makes & Models: Hinar VXL4, Matsui VX730,735,735A,755, 770,800A,810,820,880,990, Saisho VR1100,1200,1200HQ, 1600,2500,3200,3300,3300X, 3500,3600,3700

OTHER SPARES

Universal Video Copying Kit £4.25. Universal Copying Kit (Scart) £5.20. Universal Camcorder Kit £8.00. Video Cassette Lamps from £0.50. CRT Anode Caps £0.60. Video Tape Splicing Kit £8.00. Hitachi TV Frame Module HM6251 £8.00. Hitachi TV Frame Module HM6232 £10.50. Cassette Loading Roller Assembly 3V23.3V31.3V32 £4.50. Degaussing Postor Blue £4.00. Degaussing Postor White £1.30. Degaussing Postor Hitach £3.40. Degaussing Postor Philips £3.00. End Sensor for Hitachi VT63.64.65 (Pair) £2.75. Cassette LED Sensor for Panasonic etc £1.60. I.C. Circuit Protectors £0.60. Clear Service Cassette £5.90. Video Idlers Spring Kit £7.50. Video Washer & E Clip Kit £6.00. Universal Video head Puller £7.90. Akai VS22 Series Power Board £26.00. Multimer £9.50. Panasonic G Deck Technical Guide Video £14.50.

CASSETTE HOUSING

Philips Carriage 3V35 £25.50. Cass Carriage 3V42 £25.50. Cass Carriage 3V58, 59, FV11 £22.50. Cass Carriage HFD 500, 30, 700, FV10, 12 £21.50. Cass Carriage HIT VT 11 £15.00. Cass Carriage HIT VT 64 £19.50. Cass Carriage Philips VR6462 £16.85. Cass Carriage Philips VR6362 £11.00. Akai Carr. Kit £10.25.

MANY OTHER VIDEO AND TV SPARES IN STOCK

Back Tension Bands in Stock for Akai, Fisher, Hitachi, Ferguson, JVC, Mitsubishi, Panasonic, Sanyo and Sharp.

IDLER ASSEMBLY

FERGUSON, FISHER, HITACHI PHILIPS, PANASONIC, SANYO SHARP, AKAI, SAMSUNG, MITSUBISHI, NEC, In Stock. Price on Application Wide Range Available.

L18205... SCART SWITCHING UNIT.

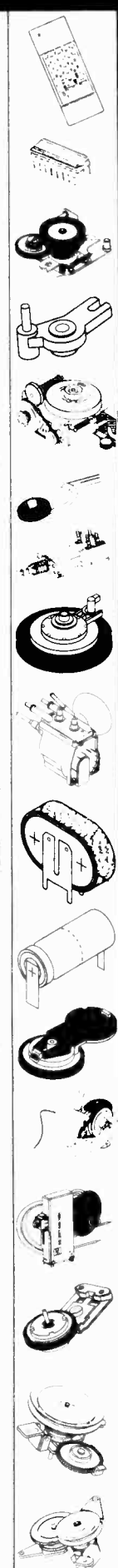
At the push of a button it is now possible to link your AV & audio systems together via the commonly used Scart sockets. No more unplugging, just a simple push-button operation allowing recording & playback of up to five different appliances. £14.50

SATELLITE SPARES

SATT DISHES, LNBs, CABLES, SATT FINDER KITS, INSTALLATION KITS, etc NOW IN STOCK at £39.50. Special Offer 1.2 DB £29.00. Dual LNB both outputs H/V. £52.00. 63cm Dish £19.75. 80cm Dish £39.50. 100cm Dish £69.00. Other items in stock. 35cm Sat. Dish pomp with wall mount brkt £19.95.

Prices subject to change without notice. Please add £1.25 per order for p&p and then add 17.5% VAT. POSTAGE VARIES ON HEAVY ITEMS. SEND A4 SAE FOR LIST

Table with multiple columns listing various electronic components such as integrated circuits, transistors, diodes, and resistors with their respective part numbers and prices.



Large vertical text 'AZEELE' on the right side of the page.

SEND FOR PRICE LIST Trade Counter now open Monday-Friday 9.00-5.30, Saturday 9.00-1.00. Closed between 1.30pm-3.00pm every Friday. Nearest Underground Station - Southfields District Line.

OMEGA ELECTRONICS

Compatible & Original Video Heads

PRICES CORRECT AT TIME OF GOING TO PRESS. PRICES EXCLUDE VAT AND CARRIAGE FOR MODELS NOT LISTED PLEASE CALL

AKAI	VS-100	13.53	VS-275	17.47	VS-312	17.06	FH-5000	13.43	VS-680	17.01	VH-30	23.21	VH-31	23.21	VH-32	23.21	VH-33	23.21	VH-34	23.21	VH-35	23.21	VH-36	23.21	VH-37	23.21	VH-38	23.21	VH-39	23.21	VH-40	23.21	VH-41	23.21	VH-42	23.21	VH-43	23.21	VH-44	23.21	VH-45	23.21	VH-46	23.21	VH-47	23.21	VH-48	23.21	VH-49	23.21	VH-50	23.21	VH-51	23.21	VH-52	23.21	VH-53	23.21	VH-54	23.21	VH-55	23.21	VH-56	23.21	VH-57	23.21	VH-58	23.21	VH-59	23.21	VH-60	23.21	VH-61	23.21	VH-62	23.21	VH-63	23.21	VH-64	23.21	VH-65	23.21	VH-66	23.21	VH-67	23.21	VH-68	23.21	VH-69	23.21	VH-70	23.21	VH-71	23.21	VH-72	23.21	VH-73	23.21	VH-74	23.21	VH-75	23.21	VH-76	23.21	VH-77	23.21	VH-78	23.21	VH-79	23.21	VH-80	23.21	VH-81	23.21	VH-82	23.21	VH-83	23.21	VH-84	23.21	VH-85	23.21	VH-86	23.21	VH-87	23.21	VH-88	23.21	VH-89	23.21	VH-90	23.21	VH-91	23.21	VH-92	23.21	VH-93	23.21	VH-94	23.21	VH-95	23.21	VH-96	23.21	VH-97	23.21	VH-98	23.21	VH-99	23.21	VH-100	23.21
-------------	--------	-------	--------	-------	--------	-------	---------	-------	--------	-------	-------	-------	-------	-------	-------	-------	-------	-------	-------	-------	-------	-------	-------	-------	-------	-------	-------	-------	-------	-------	-------	-------	-------	-------	-------	-------	-------	-------	-------	-------	-------	-------	-------	-------	-------	-------	-------	-------	-------	-------	-------	-------	-------	-------	-------	-------	-------	-------	-------	-------	-------	-------	-------	-------	-------	-------	-------	-------	-------	-------	-------	-------	-------	-------	-------	-------	-------	-------	-------	-------	-------	-------	-------	-------	-------	-------	-------	-------	-------	-------	-------	-------	-------	-------	-------	-------	-------	-------	-------	-------	-------	-------	-------	-------	-------	-------	-------	-------	-------	-------	-------	-------	-------	-------	-------	-------	-------	-------	-------	-------	-------	-------	-------	-------	-------	-------	-------	-------	-------	-------	-------	-------	-------	-------	-------	-------	-------	-------	-------	-------	-------	-------	-------	-------	-------	-------	-------	-------	-------	-------	--------	-------

TEL: 081-9617071 FAX: 081-9657813
 UNIT 19, CUMBERLAND BUSINESS PARK, CUMBERLAND AVENUE, PARK ROYAL, LONDON NW10 7RT.

special satellite receiver with a static threshold below 2.5dB. The SRX200E features digital signal processing and is intended as a monitoring or test receiver. Price is DM5,500, in Germany – carriage extra. For further information write to NKM-Eleektronik GmbH, PO box 1705, D-79507 Loerrach, Germany.

TV-DXing for Beginners

Last month we described suitable aeriols for Band I reception. The choice of aeriols for Band III and u.h.f. reception is perhaps more difficult. For Band III, various imported aeriols such as those in the Triax range are available while Jaybeam still produce Band III aeriols in the UK, mainly for the Irish market. An eight- or eleven-element aeriol is best for DXing, to provide adequate forward gain and directivity, minimising pick-up from Band III mobile radio services. The potential for Band III DX reception is high, particularly if you live in the east or north east where signals from Scandinavia, Germany, France and the Benelux countries are frequent when tropospheric conditions are suitable. Those to the west often receive signals from Spain, Portugal, France and Ireland.

U.H.F. aerial systems are more readily available. For maximum forward gain and directivity, to discriminate against local and often strong UK transmissions, a Yagi aerial with half-wave elements or multiple (X formation) directors is a good choice. Well-known systems include the Fuba XC391, the Triax Unix 92, the Antiference XG range and the Jaybeam full-wave system. An alternative approach is to use a stacked bow-tie array. This consists of a reflector panel with perhaps four full-wave dipoles in front. Examples include the Triax Grid and Wolsey Colour King range. The gain over the bandwidth is flatter with this type of aeriol.

There are locations where the chance of tropospheric DX reception in Band III and at u.h.f. is not good – where mountains, hills or heavily forested slopes obstruct likely signal paths for example. In such a situation it's best to devote whatever funds are available to an improved Band I installation – the alternative is satellite reception!

Band I reception is prone to interference – from thermostats, ignition, electric motors, CB harmonics, overloading etc. Because of this it's best to provide filtering before any amplification is added. Amplifiers should be installed indoors, adjacent to the receiver. High-gain Band III and

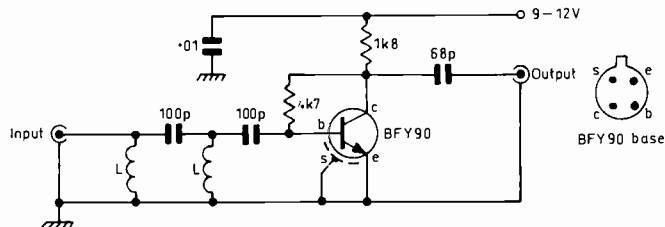


Fig. 1: A simple, easy-to-build v.h.f. amplifier. Typical voltage gain figures 16dB at 50MHz, 13dB at 100MHz, 11dB at 200MHz. The coils (L) consist of ten 1/8th inch diameter turns, close spaced, of 24 s.w.g. enamelled wire. The supply requirement is 9-12V at 5mA.

u.h.f. aerial systems usually have head amplifiers fitted, to overcome cable losses and improve the signal/noise performance. Note that a low noise figure is more important than maximum gain, i.e. an amplifier that provides a gain of 12dB with a 1.5dB noise figure will give better results than an amplifier with a gain of 40dB but a noise contribution of 5dB. Many Band III/u.h.f. amplifiers are available from specialist dealers. Manufacturers include Fringe, Triax, Labgear, Teldis and Antiference. Head amplifiers are normally powered via the coaxial download.

A few Band I amplifiers are available commercially. At these frequencies constructional techniques are less demanding than in Band III and at u.h.f. Fig. 1 shows a simple preamplifier circuit that will work throughout Bands I/III. Its cost to build is minimal. Use normal v.h.f. construction techniques, i.e. keep component leads short. There are no tuned circuits and provided care is taken with assembly the amplifier will work at up to 450MHz.

An aeriol used for the reception of weak signals should be mounted clear of obstructions and in the open. This may give rise to complaints from neighbours. Explain to them what the purpose is and that the aeriols won't cause interference or attract lightning. Most will be understanding. Council planning departments can be less tolerant.

An aeriol rotator system will generally be required. Radio dealers and specialist firms can supply them. Finally remember that each aeriol installation will be unique, to cater for the needs and possibilities at a particular location. We can only generalise here. If you have a specific problem, write in with a stamped-addressed envelope and we'll try to help.

TELEVISION INDEX & DIRECTORY and REPRINTS SERVICE



A computerised index to *TELEVISION* magazine covering volumes 38 to 42 (1988 – 1992) is now available. It contains over 3500 references to TV/VCR fault reports and articles, with synopses. It includes a TV/VCR spares guide, an advertisers list and a directory of trade & professional organisations. The software is easy to use and very quick. It runs on any IBM or compatible PC with 512K RAM and a hard disc.

Price: £30 (specify 5.25" or 3.5" format)

Reprints of articles from *TELEVISION* back to 1986 are also available: ordering information is provided with the index, or can be obtained from the address below. Hard copy indexes of *TELEVISION* are available for volumes 38 to 42 at £3.50 each.

Please allow up to 28 days for delivery. All the above prices include UK postage and VAT where applicable. Cheques should be made payable to Video Interface Products.

Video Interface Products Ltd., 1 Vineries Close, Cheltenham GL53 0NU, UK.

Notes on the Bush 2521T

Chris Watton

One of these teletext sets gave us some trouble recently. It worked fine in the TV mode but when it was put into the text mode there was no display. It had entered the text mode, because the programme buttons no longer changed the channels. Putting it in the mixed mode produced a picture with black text on it – no colours at all. The cause of the trouble was corrupt memory in the control section. It was giving the order to produce teletext with no contrast. You get a similar problem with some Hitachi sets that lose memory, the MDA2062 EEPROM becoming stupified. What you have to do is to reprogram the set. This involves using the buttons on the remote control handset to toggle various bits on or off. The sequence is as listed below. Figs. 1-7 show the relevant bits: the numbers shown against the segments are the handset button numbers that toggle them on or off.

Reprogramming

(1) You first have to fit a temporary press-button switch between pins 15 and 23 of the SAA1250 chip in the handset (connect it between pins 3 and 12 if an OSH2006P chip is used). The small switch from the front of an old VCR is ideal. Switch the set on and select channel 1. The set must be tuned to a station, and it must be in the TV mode.

(2) Press the 'service button' – the extra one added to the handset – and hold it until the display shows CH. Press again to get OP, then select option 1 by pressing the volume up button once. You should now have the display shown in Fig. 1. If any of the segments are incorrect, use buttons 1-8 on the handset to correct them. For example pressing button 1 will toggle the top, right-hand segment on or off.

(3) When the display is correct, press the memory button. Two brackets will appear, as shown in Fig. 2. Now press

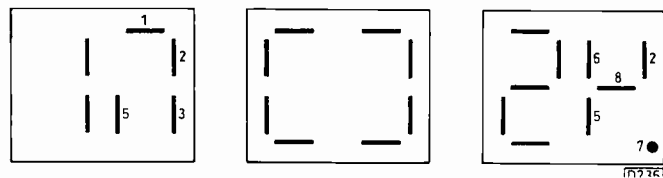


Fig. 1 (left): Option one. Fig. 2 (centre): Brackets (memory). Fig. 3 (right): Option two.

volume up to get to step two. The display should be as shown in Fig. 3. Use the handset buttons to make any corrections required. When the display is correct, press the memory button. The brackets will reappear.

(4) Press volume up again to get to option three, see Fig. 4. Correct any errors and press memory. The brackets will be back.

(5) Press volume up for option four. If the display is not as shown in Fig. 5 correct it with the buttons. Press the memory button then exit the service mode by pressing standby on the handset. This completes the basic programming.

(6) With teletext sets there are two more settings to be carried out before you leave the service mode. After memorising option 4, press the service button again. The display will be HP as shown in Fig. 6 and the set will go into the

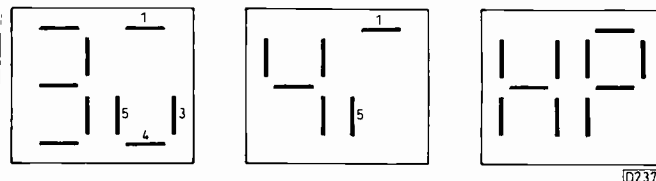


Fig. 4 (left): Option three. Fig. 5 (centre): Option four. Fig. 6 (right): Text position.

mixed (text and picture) mode. Using the volume buttons, centralise the text field at the top of the screen. When satisfactory, press the memory button.

(7) The last operation is text contrast. Press the service button; the display will be CO as shown in Fig. 7. Use the volume buttons to set the text contrast. Then press memory to get the brackets. Finally exit the service mode by pressing the handset's standby button. You may have to carry out the text contrast adjustment a couple of times as it's difficult to judge this with a mixed display.

When the set is switched on again all should be well. Test all functions with the remote control unit, including teletext. If any don't work properly, recheck the settings in the service mode. If some information hasn't been stored the MDA2062 memory chip may be faulty, but it's worth going through the reprogramming procedure a couple of times as the information doesn't always get written in.

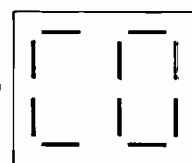


Fig. 7: Text contrast.

If you have an old ITT or Granada handset it may be worth fitting a switch to it to save having to take the customer's handset to pieces. Most remote control units that have an SAA1250 chip seem to be suitable.

General Service Notes

The h.t. should be set (R811) for 115V at TP13 (junction of C813/L803).

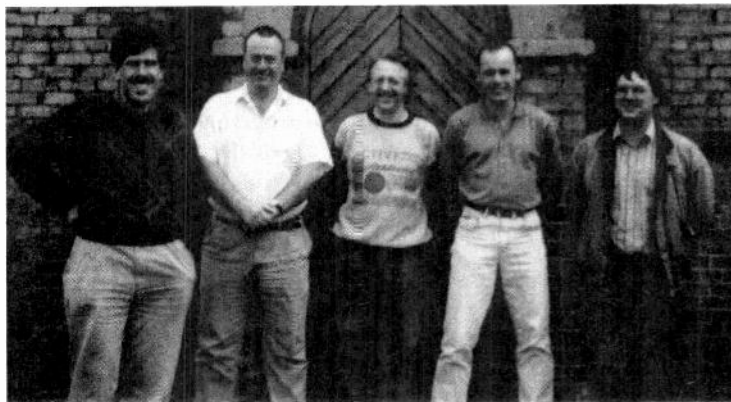
A chopper power supply with a TDA4601B control chip (IC800) is used. The usual cause of power supply failure where the BU508A chopper transistor Q800 has gone short-circuit is that R809 (270k Ω) has gone high in value or open-circuit. When Q800 goes short-circuit the 2.7 Ω , 4W surge limiter resistor R801 will almost certainly have gone open-circuit. As a matter of course we also replace the following electrolytic capacitors: C809 100 μ F, 25V; C810 100 μ F, upgrading it from 16V to 25V; C819 100 μ F, 16V; and C820 1 μ F, 100V.

The h.t. preset R811 (4.7k Ω) can cause width fluctuations. R605 (5.6k Ω , 4W) in the h.t. feed to the line driver stage can fail, giving the sound but no raster symptom. Dry-joints around the chopper and line output transformers are common.

The chassis used in this model is sometimes referred to

as the Indiana 100. It's used in a number of other sets including the Bush 2514, 2514T, 2515, 2515T, 2520, 2520T and 2521 (models with suffix T have teletext); the Alba CTV704, CTV744 and CTV752; the NEI 1451R, 1451TX, 1551TX, 2131R and 2131TX; and the Perdio P1408, P2004, P2005, P2101 and P2102.

Back to Basics



Steve (centre) with some of his recent weekend VCR servicing course students.

It's easy for those of us who spend many bench hours coping with Joe Public's assorted sick VCRs to mistake practical experience for basic knowledge – until we are confronted with a baffling fault symptom that calls for theoretical reasoning before we start on the practical repair.

That may sound a bit pompous, which Steve Beeching is not. Five of us discovered this in July when we attended a weekend VCR training course arranged and conducted by Steve near his home at Barnby in the Willows, Notts. Barnby boasts a phone box, a friendly inn called The Willow Tree and a village hall, once a schoolroom, where the course sessions were held. The accompanying photograph shows Andrew, Roy, Phil and Alan with Steve in the middle – now you know what he looks like. Me? – just behind the camera.

Packing video information on to a slow-moving tape is one thing, packing all that theory into a slow-moving brain like mine without head saturation is something else. But with Steve's expert and entertaining tuition we all managed to improve our grey cell tracking. The concentrated coverage included tape track patterns, f.m. and luminance

signal recording, colour recording/playback, servos, systems control, tape transport and hi-fi sound. This rich diet was washed down with welcome cups of coffee provided by Steve's wife Elaine, while lunch breaks were sandwiches at The Willow Tree.

Saturday evening was 'half term', when brain bashing was relieved by an excellent fine-weather barbecue provided by Steve and Elaine at Grove Farm. This included an opportunity to inspect the workshop where camcorders and VCRs surrender their faults.

We all have gaps in our knowledge – mine are chasms – and few would find that they had nothing to learn on Steve's courses. A customer complains about bent, wobbly pictures when he views hired tapes. Yes, he's not using his TV set's AV channel: but are you sure why a shorter line sync time-constant is necessary for VCR use, and why there is usually no problem with a machine's own recordings? These and many other mysteries were solved during the course. I now have a much lower IQ (Ignorance Quota).

A few hours spent with Steve is more profitable than weeks of inefficient bench work. At £50 the weekend was an excellent investment. I recommend it!

C.A.

Solution to Test Case 374

– see page 253 –

Nobody could accuse the Ferguson TX9 chassis of being complicated, certainly not in its colour output amplifier and tube drive department. The RGB outputs from the colour decoder chip are d.c.-coupled to simple class A output stages and then go via 2.7k Ω flashover protection resistors to the tube's cathodes. Dylan, by now thoroughly demoralised, was left wondering where he'd gone wrong in his diagnosis with this most basic of colour-tube drive circuits.

Perusal of the circuit diagram and the manual's parts list which, unusually and very helpfully, gives the functions of all the components finally provided the answer.

There are three video signal clamps within the TDA3560 chip, one each for the R, G and B channels. The clamp voltages are stored by separate 0.1 μ F capacitors, C68, C65 and C64 for R, G and B respectively. C68 was faulty of course, a replacement providing a complete cure – once the gain and background presets in all three channels had been set up.

Even then the long-suffering Dylan was not quite through. Now that the drives were present in full measure there was a distinct lack of contrast despite the tube rejuvenation. But we won't turn this into Test Case 374b. The cause of this symptom was R263 (820k Ω) in the beam-current limiter circuit – it had gone high in resistance value. By the time that Dylan had finished with the set the lovely Anne Diamond had long since departed from the screen. The early evening newsreader looked o.k. though.

Satellite Scene

Contributions from David Finan, Steve Cannon, Chris Watton and Graham Rees

Amstrad SRX200 Tuning Modifications

The following modification, which is made to the remote control unit and not the receiver itself, enables the Amstrad SRX200 to tune through all 48 channels. When the remote control unit is opened you'll see a D6121G502 chip as shown in Fig. 1(a). Solder leads to pins 4 and 14, and another one to the adjacent resistor R3, as shown. A suggested colour coding is also shown. Next drill two small holes in the base of the remote control unit and fit two small touch switches. I used two switches from an old Sony C5 VCR. Connect them to the

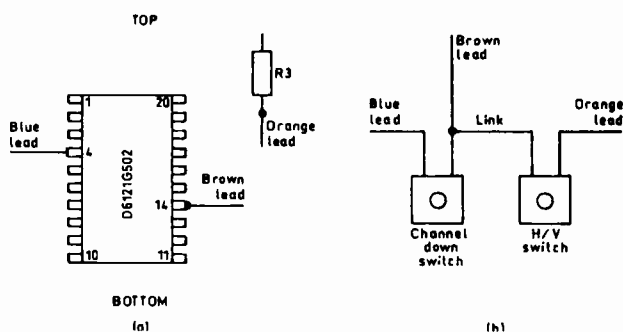


Fig. 1: Modification to the Amstrad SRX200's remote control unit to enable the receiver to tune through all 48 channels.

previously added leads as shown in Fig. 1(b).

Because of its original design, channels 17-48 are of opposite polarity to that selected automatically by the receiver. This is why the additional H/V button has to be pressed. You will find that channels 32 (1,685MHz) and 33 (965MHz) cannot be obtained: the receiver will pull these in however if the H/V button is not pressed. When this modification is carried out the channel frequency (less 10GHz) is displayed by the receiver.

It's also easy to modify these receivers to enable the 'out-of-band' channels 62 (RTL5) and 61 (Filmnet) to be selected. This is done by adding a switch and 47kΩ preset as shown in Fig. 2. When the switch contact is linked to R120 normal channel selection is obtained. With the switch in the other

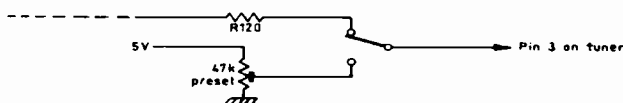


Fig. 2: Modification to enable the Amstrad SRX200 to select channels 61 and 62.

position, adjust the 47kΩ preset for an RTL5 picture (make sure that the H/V lamp is lit). A press on the H/V switch should then bring in Filmnet – scrambled of course, but you can hear the sound! **D.F.**

Fault Reports

Philips STU802: One of these receivers came to us because it was dead. On inspection we found that the power supply's 5V output was low at 3V. As all the other outputs were o.k. we came to the conclusion that something was loading the 5V line, but a 5V reading could be obtained only with no load at all connected. Although there was no ripple on the line we

replaced the 2,200µF smoothing capacitor C15. This provided a complete cure.

Another STU802 was sent to us with a report that there was "no picture and the power supply whined". Checks on the outputs at the secondary side of the power supply suggested that it was working all right, but the whining did seem to come from this area where quite a bit of work had been carried out. I thought it best to eliminate the whining first. After replacing D8 and D9 (both type 1N4148) the power supply worked without making any noise at all and, lo and behold, we had sound and a picture as well. These two diodes provide supplies for the power supply chip. They read o.k. out of circuit, but presumably one or other of them was breaking down under load and causing misoperation of the chip. **S.C.**

Amstrad SRD510: This dead IRD had a blown power supply. A fair crop of parts was required to put it right – IC600 (3284), C612 (220µF), C613 (1nF), C611 (1µF, 50V), TR600 (MJF18004), R610 (2.2Ω), R609 (4.7Ω), R604 (2.2Ω), R602 (47kΩ) and R601 (10Ω). Quite a bang, but the fuse hadn't blown. The joints around the chopper transformer didn't look too great: perhaps this was the reason for the mass destruction. **C.W.**

Pace SS9200: The customer's complaint was of poor video, with pulling and cogging. Scope checks showed that the video waveform was o.k. from the tuner to the emitter of Q29, but there was virtually no waveform at the modulator's video input. The only component between these two points is the 10µF electrolytic C163. Close examination showed that during manufacture it had been inserted the wrong way round. A replacement put matters right – the capacitor had taken eighteen months to break down. **G.R.**

Pace PRD800: This receiver wouldn't tune in any stations and had Sky One on every channel with vertical polarisation. As resetting the microcontroller chip didn't have any effect I monitored the voltage at pin 15 of the tuner (Mod 1) and found that it didn't vary when I scanned through the tuning. This tuning voltage comes from pin 16 of chip U9. A new chip cured the fault. **G.R.**

Amstrad SRD400: The customer complained that he couldn't store any of the new channels on the lower numbers. The channels could be tuned in, but not stored. As a first step I checked the supply at pin 8 of the SDA2516 channel memory chip IC104. There should be 5V here but the reading was zero. I then realised that the chip had been inserted the wrong way round during manufacture. Putting it in the right way round cured the fault. **G.R.**

Pace SS9200: The customer complained that there were "no pictures". A check on the outputs from the power supply showed that they were all about 30 per cent low. This suggested that there was a fault on the primary side of the supply, so I started to check the various components here. All but one read correctly. The reading I obtained with R13 was 0.8Ω, but as my meter is not too reliable at such a low value I didn't think much of it. After a lot of other component checks I rang Pace Technical who advised me to treble check R13. As I obtained a reading of 0.5Ω with a new component I replaced the resistor in the receiver. It then worked all right, with all the voltages correct. **G.R.**

Coventry in the late Fifties may have exposed her to asbestos. One of her jobs was TV receiver assembly. I am keen therefore to hear from any readers who are familiar with the internal construction of TV sets manufactured by GEC in Coventry between 1956 and 1960 and could possibly confirm whether or not the sets ever contained asbestos-based thermal or electrical insulating material and, if so, where such material was located. Both asbestos-based composites and woven or fibrous material are of interest. Another point of interest is whether any other ex-GEC, Coventry employees have been diagnosed as suffering from asbestos-related diseases. The cost of photostats of any relevant manuals, parts lists etc. would be refunded. I can be reached on 0742 586 899 (answer-phone) or the address below.

*Seb Schmoller, 312 Albert Road,
Sheffield S8 9RD.*

LES LAWRY-JOHNS

It was with incredulity that I read the obituary to Les Lawry-Johns in the December issue. Although I'd never seen, spoken or corresponded with him his death feels like that of a close acquaintance. His name first came to my attention when, as a young boy, I came across his book *Radio Repair: Questions and Answers* in my local Public Library. It was the first and, in my opinion, only book I've come across that provides a truly practical, down-to-earth treatment of the subject: its subtle humour brings the subject to life. I sensed in the author a kindred spirit, and saved over two months of my pocket money to buy myself a copy.

My interest in such matters was stirred and, nearly ten years later, as a medical student with a keen interest in audio-visual servicing I still use the book as a source of inspiration when my repair efforts come to a dead end. Although by the time I started to read *Television* Les no longer contributed regularly, imagine my delight when a friend lent me some back issues and I was able to read in his column about the day-to-day antics of this legendary figure of my childhood. His humorous, amiable character made a change from the 'we don't fix those any more' attitude that so often prevails today. He will be sorely missed, but his name and larger-than-life personality will undoubtedly live on.

*Edmond Aviglia,
Birmingham.*

Editorial note: We have received a number of letters from readers who found Les's articles a source of enlightenment, amusement and inspiration. He cheered us all up no end.

HAMEG REPAIRS

We feel that we must reply to the letter from Roger Burchett in your November issue. It gave a simplified account of what happened and was in places factually inaccurate. We also feel that it was unfairly critical of our practices.

The repair to which Mr. Burchett refers was sent to us back in June 1987. We advised him that an investigation

charge of £30 would be applied if he decided, following our fault investigation, not to have his oscilloscope repaired – such a charge simply reflects work already carried out. Our estimate consisted of £30 for parts, £30 for labour, £30 for a full calibration to manufacturer's specification plus £11 for return carriage. Mr. Burchett declined to go ahead and was charged only the £30 investigation charge, Hamig having waived the carriage and storage charges.

It is our policy to carry out complete recalibration after every repair. This ensures that the many thousands of satisfied Hameg scope users can depend on their equipment always meeting its full specification, our aim being to provide our customers with a quality service. Mr. Burchett's repair would not have included complete recalibration.

We hope that this letter will make our viewpoint clear to your readers.

*Hameg Instruments Ltd.,
Luton, Beds.*

CITY AND GUILDS REPLY

A recent letter from Darren Coyle of Derry, Northern Ireland made some critical comments about the City and Guilds Certificate in Electronics Servicing (224). According to Mr. Coyle he was told during an interview for a job that his City and Guilds qualifications were not recognised and were considered to be 'Micky Mouse' qualifications. At the same time he praised the college course he took as being one of the best he has come across – a curious contradiction. Mr. Coyle also suggested that City and Guilds needs to market its qualifications to employers more.

The City and Guilds Electronics Servicing certificate, which is available at three levels, was developed specifically for the electronics servicing industry and is widely recognised as being the most relevant qualification for those who want to make a career out of servicing radio, television and electronic equipment. Trainees from companies such as Mastercare and Homeserve, which provide servicing for major high street stores, are sent to colleges to gain this qualification. Having spoken to the personnel departments at several electronics firms, including one in Derry, Northern Ireland, I feel that the job Darren Coyle may have applied for required higher level qualifications than City and Guilds at Level 3 – maybe an HND or a Degree in Electronics. In this case his City and Guilds qualification would not have been appropriate. But to say that the qualifications are considered to be 'Micky Mouse' is an extremely sweeping statement: our research indicates exactly the opposite.

With respect to marketing, while we do market our qualifications to employers – market research indicates that there is almost 100 per cent awareness of City and Guilds amongst employers – inevitably we cannot reach everyone and some people may be misinformed about the range and quality of the qualifications we offer.

*Anne Nicholls,
Marketing and Public Relations Department,
City and Guilds.*

Published on the third Wednesday of each month by Reed Business Publishing Ltd, Quadrant House, The Quadrant, Sutton, Surrey SM2 5AS. Filmsetting by Marlin Graphics, 2-4 Powerscroft Road, Sidcup, Kent DA14 5DT. Printed in England by BPCC Magazines Division, Carlisle Web Offset, Cumbria. Distributed by IPC Marketforce, Kings Reach Tower, Stamford Street, London SE1 9LS (071 261 5000). Sole Agents for Australia and New Zealand, Gordon and Gotch (Asia) Ltd.; South Africa, Central News Agency Ltd. "Television" is sold subject to the following conditions, namely that it shall not, without the written consent of the Publishers first having been given, be lent, resold, hired out or otherwise disposed of by way of Trade at more than the recommended selling price shown on the cover, excluding Eire where the selling price is subject to currency exchange fluctuations and VAT, and that it shall not be lent, resold, hired or otherwise disposed of in a mutilated condition or in any unauthorised cover by way of Trade or affixed to or as part of any publication or advertising, literary or pictorial matter whatsoever.

OUT NOW!!

HENRY'S
NEW
1994
COLOUR
CATALOGUE
TRADE • EDUCATION
RETAIL • MAIL ORDER
EXPORT



Open 6 days a week - CALLERS WELCOME

HENRY'S

404 Edgware Road, London W2 1ED

Components
Telephone: 071-723 1008

Security • Communications
Telephone: 071-724 0323

Audio and Test Instruments
Telephone: 071-724 3564

Trade/Quantity
Telephone: 071-258 1831
Fax: 071 724 0322

RETAIL - MAIL ORDER VERSION

With price lists, special offers and purchase vouchers. Send PO/Cheque £4.00 (UK)

£6.00 (EC) £10.00 (Non EC) Callers £2.00.

Education, trade, quantity purchasers

Post or fax letterhead for **FREE** copy

with trade/quantity price list (UK).

Overseas prices as above.

WE HAVE THE WIDEST CHOICE OF USED OSCILLOSCOPES IN THE COUNTRY

TEKTRONIX 7000 SERIES OSCILLOSCOPES
Dual Trace Plug-in with TB from £200. Many Plug-in options available. 4 Traces. Differential etc. Plug-ins sold separately.

Tektronix 2235 Dual Trace 100 MHz Delay Sweep	£800
PHILIPS 3065 - 2 + 1 Channels, 100MHz Dual TB Delay Sweep	£450
TEKTRONIX 475 Dual Trace 200MHz Delay Sweep	£550
H.P. 1728B Dual Trace 275MHz Delay Sweep	£550
H.P. 1715A Dual Trace 200MHz Delay Sweep	£500
TEKTRONIX 465 Dual Trace 100MHz Delay Sweep	£450
TEKTRONIX 2215 Dual Trace 60MHz Delay Sweep	£450
PHILIPS PM317 Dual Trace 50MHz Delay Sweep	£400
HAMEG 605 Dual Trace 60MHz Delay Sweep	£400
TELEQUIPMENT D83 Dual Trace 50MHz Delay Sweep	£200
HITACHI V422 Dual Trace 40MHz	£325
WATSY 55705 3 Channel 40MHz Delay Sweep	£400
TRO CS 1830 Dual Trace 30MHz Delay Sweep	£300
KIKUSUI 5530 Dual Trace 30MHz	£180
GOULD OS1 100 Dual Trace 30MHz	£160
HAMEG 2036 Dual Trace 20MHz Component Tester	£260
GOULD OS300 Dual Trace 20MHz	£200
GOULD OS2508 Dual Trace 15MHz	£125
TEKTRONIX 466 Dual Trace 100MHz Storage	£450

THIS IS JUST A SAMPLE - MANY OTHERS AVAILABLE

PHILIPS PM5193 Programmable Synthesiser/Function Generator 0.1MHz-50MHz, IEEE 488 As new	£1500
MARCONI 2019 Synthesised AM/FM Sig Gen 80KHz-100MHz	£2000
MARCONI 2018 Synthesised AM/FM Sig Gen 80KHz-520MHz	£950
EIP/DANA 351D Microwave Frequency Counter 20Hz-18GHz	£950
RACAL 9921 Frequency Counter 3GHz	£750
RACAL/DANA 1991 Nanosecond Universal Counter	£800
RACA 9302 RF Millivoltmeter True RMS 10KHz-1.5GHz	£450
RACAL 9301A RF Millivoltmeter True RMS 10KHz-1.5GHz	£300
RACAL 9009 Automatic Mod Meter 10MHz-1.5GHz Wide Deviation	£250
H.P. Pulse Generator type 214B	£750
LYONS PG73N Pulse Gen PRF 1Hz-20MHz	£150
GOULD Biomation K5000 Logic Analyser	£300
FARNELL PSC520H Synthesised Sig Gen AM/FM 100KHz-520MHz	£600
LEADER LSG216 AM/FM Sig Gen 2 ranges 0.1+30MHz & 75-115MHz	£400

SPECTRUM ANALYSERS

HP 141T with 8555A & B plug-in 10MHz-18GHz	£1800
HP 141T with 8554B & 8552B 500KHz-1250MHz	£1300
HP 140T with 8554L & 8552A 500KHz-1250MHz	£1000
HP 141T with 8556A & 8552B 20Hz-300KHz	£1000
HP 140T with 8553L & 8552A 1KHz-110MHz	£800
HP 162C with 8558B 100Hz-1500MHz	£1500
HP 3582A 0.2MHz-25.5KHz	£2000
MARCONI FT 2370 1KHz-110MHz	£1500

FARNELL ISOLATING TRANSFORMERS GUS50 240V 500VA, un-used	£50
Isolating Transformer 500VA, un-used	£30

Used Equipment - Guaranteed. Manuals supplied if possible.

This is a VERY SMALL SAMPLE OF STOCK. SAE or Telephone for list. Please check availability before ordering. CARRIAGE all units £16. VAT to be added to Total of Goods and Carriage

STEWART of READING

110 WYKEHAM ROAD, READING, BERKS RG6 1PL

Telephone: 0734 268041 Fax: (0734) 351696

Callers Welcome 9am-5.30pm Mon-Fri (until 8pm Thurs)

DATRON 1061A - 6 1/2 digit Auto-call Multimeter with True RMS AC Current	£1250
DATRON 1065 - 5 1/2 digit Auto-call Multimeter, AC/DC/Ohms with IEEE	£600
HEWLETT PACKARD 3490A Bench Multimeter, 5 1/2 digit AC/DC/Ohms	£200
PHILIPS PM23M Multi Function DMM 6 1/2 digit with GPIB/IEEE	£450
SOLARTRON 7150 - 6 1/2 digit, DMM with IEEE	£400
MARCONI Digital Frequency Meter 2430A 10Hz-80MHz	£125
MARCONI Digital Frequency Meter 2431A 10Hz-200MHz	£150
MARCONI Universal Counter Timer 2437 DC-100MHz	£175
MARCONI Universal Counter Timer 2438 DC-520MHz	£225
BLACK STAR Jupiter 500 Sine/Sq/Tri 0.1Hz-500KHz	£70
FEEDBACK FG490 Sine/Sq/Tri 0.01Hz-100KHz	£40
HP3311A Function Generator 0.1Hz-1MHz Sine/Sq/Tri	£125
MULTIMETERS Handheld, M2355-32 ranges AC/DC 10Amps Diode/Transistor Tester Freq Counter	£32.50

FARNELL Electronic Load RB1030-35 1KW 3CAmp 5Volt	£600
---	------

HP 8690B Sweep Osc with 86974 Plug-in, 26.5-40GHz	£300
RACAL/DANA RF Power Meter 9104	£400
RACAL/DANA 9341 Databridge Automatic LCR R & Q	£350
WAYNE KERR B905 Automatic Precision Bridge 0.05%	£900
WAYNE KERR B424 Digital Component Meter, LCR	£125
WAYNE KERR B605 Automatic Component Bridge 0.1%	£350
FARNELL PSU TV570MHz, 70V 5A/30V 10A	£300
FARNELL PSU H6075 0-60V, 0-25 Amps Metered	£400
FARNELL PSU L30E 0-30V, 0-5 Amps Metered	£80
FARNELL B30/20 0-30V, 20 Amps	£250
FARNELL B30/10 0-30V, 10 Amps	£200
H.P. 6255A 0-40V, 0-1.5 Amps Twice Metered	£130
H.P. 6209B 0-320V, 0-0.1 Amps Metered	£125
MARCONI TF2700 Universal LCR Bridge Battery from	£150
AVO Valve Characteristic Meter VCM163	£300
FARNELL LA520 RF Power Amp, 1.5-200MHz 300mW	£175
RACAL 9100 Absorption Wattmeter 1MHz-1GHz, 3W	£100

NEW EQUIPMENT

HAMEG OSCILLOSCOPE HM1005 Triple Trace 100MHz Delay Timebase	£847
HAMEG OSCILLOSCOPE HM604 Dual Trace 60MHz Delay Sweep	£653
HAMEG OSCILLOSCOPE HM203 7 Dual Trace 20MHz Component Tester	£362
HAMEG OSCILLOSCOPE HM205 3 Dual Trace 20MHz Digital Storage	£653

All other models available - all oscilloscopes supplied with 2 probes

BLACK STAR EQUIPMENT (P&P all units £5)	
APOLLO 10 - 100MHz Counter Time Ratio/Period/Time Interval etc.	£222
APOLLO 100 - 100MHz (As above with more functions)	£325
METEOR 100 FREQUENCY COUNTER 100MHz	£119
METEOR 600 FREQUENCY COUNTER 600MHz	£145
METEOR 1000 FREQUENCY COUNTER 1GHz	£189
LJTORC 500 FUNCTION GEN 0.1Hz-500Hz Sine/Sq/Tri	£119
ORION COLOUR BAR GENERATOR PAL/TV/Video	£229

All other Black Star Equipment available

OSCILLOSCOPE PROBES Switchable x1 x10 (P&P £3)	£12
--	-----

TUBES

- NEW 14" narrow neck portable tube £49
- NEW 14" wide neck portable tube from £29
- NEW 17" narrow neck portable tube FST £89
- NEW 21" narrow neck tube FST £79
- NEW 25" tube FST £189
- NEW 28" tube FST from £189

We offer a wide range of guaranteed re-gunned tubes, also manufacturers 'B' grade. Also in stock a large quantity of ex-equipment tubes (salvaged from new and used sets).

Ring IRENE or JANE for friendly, helpful advice.



Carriage and VAT extra



EXPRESS TV

The Mill, Mill Lane, RUGELEY, Staffs WS15 2JW

Tel: 0889-577600

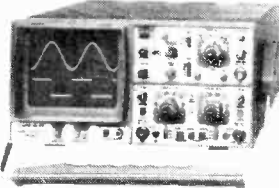
Fax: 0889-575600

HOW TO INCREASE YOUR PROFITS, IMPROVE YOUR SERVICE, WITH COST EFFECTIVE TEST EQUIPMENT.

HAMEG OSCILLOSCOPES

HAMEG are Europe's top selling DUAL TRACE OSCILLOSCOPES. Select from four superb models. All, with the exception of the HM 1005, incorporate a useful COMPONENT TESTER. Size - all models - 285mm x 145mm x 380mm. Clear display 8cm x 10cm. Mains supply: 110/220/240V AC 50/60Hz. All supplied with 2 PROBES, a COMPREHENSIVE MANUAL and a 2 YEAR WARRANTY.

HM203-7 20MHz STANDARD



SPECIFICATION

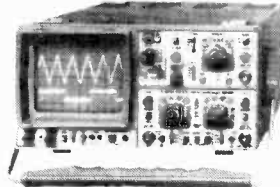
- * 2 Channels
- * Bandwidth: DC - 20MHz
- * Sens: Ch.1, Ch.2, 1mV/cm
- * Timebase: 0.1s - 20ns/cm
- * Triggering: DC - 40MHz
- * Active TV - Sync - Separator
- * Variable hold-off
- * Trigger LED indicator
- * Calibrator: 1KHz Square wave
- * Component tester
- * Plus many features

Price £362.00 + £63.35 V.A.T. FREE Specialist Carrier Delivery

SPECIFICATIONS

- * 2 Channels
- * Bandwidth: DC - 60 MHz
- * Sens: Ch.1, Ch.2, 1mV/cm
- * Timebase: 2.5s - 5ns/cm
- * Triggering: DC - 80MHz
- * Active TV - Sync - Separator
- * After delay trigger
- * Sweep delay
- * Delay line
- * Trigger LED indicator
- * Calibrator: 1KHz & 1MHz Sq. Wave
- * Component tester

HM604 60MHz UNIVERSAL



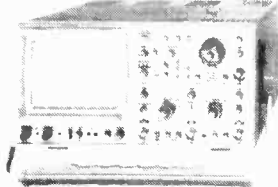
Price £653.00 + £114.28 V.A.T. FREE Specialist Carrier Delivery

HM1005 100MHz UNIVERSAL

3 CHANNELS - UP TO 6 TRACES

SPECIFICATION

- * 3 Channels
- * Bandwidth: DC - 100MHz
- * Sens: Ch.1, Ch.2, Ch.3, 1mV/cm
- * Timebase A: 2.5s - 5ns/cm
- * Timebase B: 0.2s - 5ns/cm
- * Triggering DC - 130MHz
- * After delay trigger
- * Delay line
- * Trigger LED indicator
- * Overscan LED indicator
- * Active TV - Sync - Separator
- * Calibrator: 1KHz & 1MHz Sq. Wave

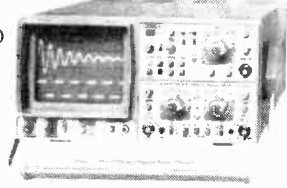


Price £847.00 + £148.23 V.A.T. FREE Specialist Carrier Delivery

HM205-3 20MHz DIGITAL STORAGE

SPECIFICATION

- * Digital Storage
- * Analogue real time (Same as 203-7)
- * Bandwidth: DC - 20MHz
- * Sens: Ch.1, Ch.2, 1mV/cm
- * Timebase Digital: 5s-1µs/cm
- * Triggering DC - 40MHz
- * Active TV - Sync - Sampling
- * Max sampling rate: 2 x 20MHz
- * Memory: 2 x 2048 x 8 Bit
- * Dot joiner
- * Printer/plotter output



Price £653.00 + £114.28 V.A.T. FREE Specialist Carrier Delivery

BLACK STAR COLOUR PATTERN GENERATOR

THE 'ORION' THREE-IN-ONE

PAL VHF/UHF - PAL VIDEO COMPOSITE - R.G.B.

The Orion is a compact, bench instrument offering a wide range of patterns and facilities at a truly low cost.

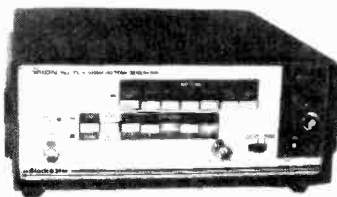
In addition to a switchable sound carrier facility which allows use with the majority of PAL TV systems, the Orion provides highly flexible TGB outputs, ensuring compatibility with most video monitors. More than 50 pattern combinations can be selected, including those for testing static and dynamic divergence, video amplifier linearity, colour purity, general colour performance, focus etc.

A separate video input to modulate camera signals; fully variable RF and video output levels facilitating AGC testing; trigger output allowing easy triggering of difficult oscilloscope waveforms; external sound modulation input via DIN connector for frequency response testing of TV sound systems; adjustable wide frequency coverage of VHF and UHF TV bands.

Indispensable in the manufacture, test, and servicing of televisions, and computer and video monitors.

FEATURES

- * Colour bars, purity, greyscale, crosshatch, dots, locus, etc.
- * VHF/UHF Channels.
- * 5.5MHz, 6.0MHz, 6.5MHz Sound Carriers.
- * Internal/External Sound.
- * External Video Output.
- * Trigger Output.
- * PAL B,D,G,H,I,K.
- * Separate R, G, B and sync. O/P's.
- * RGB α TTL & 1V.
- * Green - 0.3V Syncs.
- * Composite Video Output.
- * Variable RF/Video Output.
- * Switchable Video Polarity.
- * Mains powered 220/240V AC 50/60Hz.
- * Size: 98 x 219 x 240mm.



Price £229.00 + £40.08V.A.T.

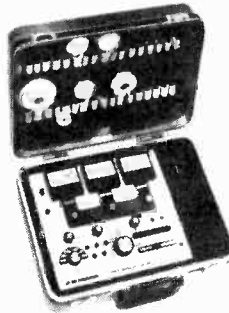
NEW! DEGAUSSING COIL

A very effective degaussing coil, ideal for degaussing TV tubes, computer monitors, oscilloscopes etc. Mains Power: 220/240 50/60Hz. Size: 355 x 355 x 24mm.

Price £46.00 + £8.05V.A.T.

B & K PRECISION CRT ANALYSER-RESTORER

The number one CRT Test Instrument. Over 5000 U.K. Television engineers wouldn't be without it.



- * All CRT's checked identically, including all in-line and one gun types
- * Tests all three guns of colour CRT's simultaneously under actual operating conditions (model 490)
- * Exclusive multiplex technique (model 490) * Measure true dynamic beam current that actually passes through G1 aperture to screen * Measures all shorts and leaks - preserving more CRT's
- * Tests focus electrodes lead continuity finding faults that other testers miss
- * Uses most powerful restoration method known with minimum danger to CRT
- * Rejuvenated CRT's guaranteed as new for two years
- * Obsolescence proof - perpetual set up chart updated and new adaptors developed
- * Tests and rejuvenates VDU's and oscilloscope tubes * A range of over 40 CRT base adaptors available
- * Increase profit * Pays for itself in months.

Prices

Model 490 Tri-dynamic three meter instrument inc. 6 common adaptors.....	£559.00	+ £97.83V.A.T.
Without adaptors.....	£496.00	+ £86.80V.A.T.
Model 480 Single meter instrument inc. 6 common adaptors.....	£425.00	+ £74.38V.A.T.
Without adaptors.....	£360.00	+ £63.00V.A.T.

SADELTA SIGNAL STRENGTH METERS

The Sadelta Field Strength Meters have been designed to facilitate the dish alignment of satellite TV systems and aerial alignment of VHF/UHF television and radio systems. Signal levels can be accurately measured on the TC402-D, TC90 AND TC80, allowing the evaluation of signal conditions for satisfactory operation. All models have a clear LCD direct frequency readout, coupled to a multiturn tuning control enabling precise channel identification.

TC402-D VHF & UHF

FEATURES

- * Three bands:
 - Low VHF: 45-170MHz
 - High VHF: 170-450MHz
 - UHF: 450-862MHz.
- * Digital display for direct frequency readout.
- * Built-in monitor loudspeaker AM/FM.
- * Signal measurement from 20µV to 3V.
- * Powered by eight 1.5V AA batteries.
- * Fully portable with sturdy carrying case.

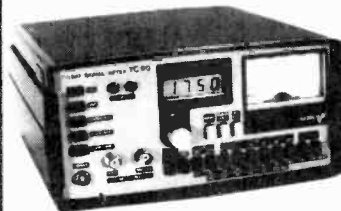


Price £289.00 + £50.57 V.A.T.

TC90 VHF-UHF- SAT.

FEATURES

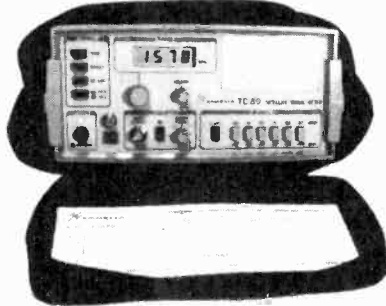
- * Five bands:
 - Low VHF: 45-110MHz
 - High VHF: 110-300MHz
 - Hyper VHF: 300-470MHz
 - VHF: 470-862MHz
 - Satellite: 950-1750MHz.
- * Digital display for direct frequency readout.
- * Signal measurement VHF/UHF 20µV to 3V.
- * Signal measurement satellite -70dBm to -10dBm.
- * Audible indication of satellite signal level.
- * Built-in-monitor loudspeaker AM/FM (not satellite).
- * Powered by rechargeable battery (complete with charger 220/240V AC).
- * Fully portable with sturdy carry case.



Price £499.80 + £87.47 V.A.T.

NEW! TC80 SATELLITE

The TC80 incorporates three unique features: video composite output; audio output with built in loudspeaker; ramp and RF signal outputs, which enable an oscilloscope to be used as a spectrum analyzer.



TC-80 IN ITS STURDY CARRY CASE

- * 4 digit LCO freq. display
- * Freq. range 950 to 1750MHz
- * Sweep mode sweeps entire freq. band for rapid satellite location
- * Tone select switch for audible tone proportional to signal strength
- * Measurement from 40 to 100dBuV
- * Audio demodulation with internal loudspeaker
- * Video demodulation
- * Rear SCART connector for A/V connection
- * Oscilloscope/spectrum analyzer output
- * Sound tuning 5 to 8MHz
- * LNC PSU 14V or 18V
- * LNC current measurement
- * Internal rechargeable battery with charger



TC-80, USING A LCD TV AS A MONITOR

Price £490.00 + £85.75V.A.T.

U.K. POST PAID, export enquiries welcome. Visa/Access or cheque with order, payable B. K. Electronics. Official Orders welcome from Govt. Depts., colleges, P.L.C.s etc. Large (A5) S.A.E. for technical leaflets of complete range. Credit card orders are accepted by phone, fax or post. Delivery normally within seven days.



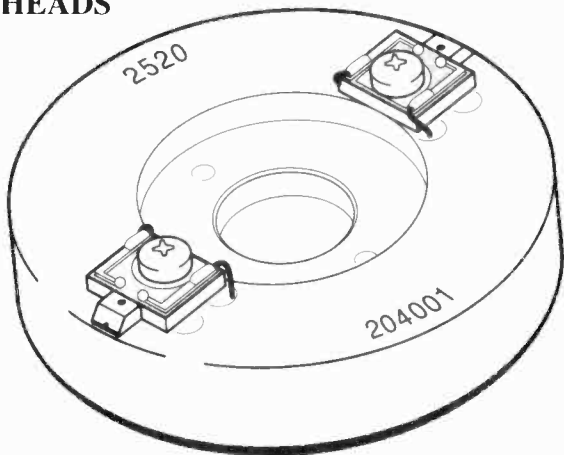
B. K. ELECTRONICS
UNITS 1 & 5 COMET WAY, SOUTHEND-ON-SEA
ESSEX SS2 6TR

Tel.: 0702 - 527572 Fax: 0702 - 420243

KONIG
ELECTRONIC

QUALITY

VIDEO HEADS



IRWIN SERVICE
ELECTRONICS

Trade Enquiries To:-

Unit 200, Albyn Complex, Burton Road, Sheffield S3 8BX
Phone: (0742) 739622/759909. Fax: (0742) 759909

COMPONENTS
For TV ★ Video
Audio ★ Computer

THIS IS JUST A SMALL SAMPLE OF STOCK

We can supply spares for many makes of equipment. WRITE

(Encl. s.a.e. please) or PHONE FOR A 'PRICE & AVAILABILITY' on your requirements. **0452 526883**

IC SELECTION

ANS753	£3.66	TA7280P	£4.99
BA6109	£1.95	TA7281P	£5.21
AY38912P	£7.74	TA7288P	£3.59
BA4235L	£2.92	TA7324P	£2.69
BA5408	£2.30	TA76683P	£1.89
BA6259N	£2.57	TA8400P	£4.95
CA741CE	£0.29	TA8410K	£4.97
CD76818AE	£7.24	TBA530	£1.74
CNX62A	£3.55	TA7343AP	£3.49
DS1488N	£0.85	TBA810P	£1.16
DS75150N	£1.85	TBA810S	£1.62
DS75154N	£1.85	TC9490	£3.33
H11L3	£2.88	TD1001B	£2.86
HA1137W	£3.61	TD1020	£2.64
HA12006	£6.09	TD1035T	£2.59
HA12413	£4.75	TD1170D	£4.98
HA13007	£5.12	TD1180P	£3.49
HD6845SP	£15.18	TD15160	£4.63
KIA7217AP	£2.47	TD1906A	£2.06
LA3160	£2.26	TD4420	£2.44
LA3361	£1.79	TD42541	£2.49
LA4480	£3.86	TD42583	£3.45
LA7016	£2.99	TD43653	£3.93
LA7910	£2.62	TD44420	£2.71
LM1203N	£10.75	TD44510	£2.75
LM7330N	£2.43	TD44600-2	£2.95
LM833	£1.79	TD44601	£2.49
MS4544L	£3.38	TD44950	£2.15
MS4548L	£3.29		
MA88461P	P.O.A.		
MA89049H	£5.17		
MB81416-12	£4.99		
MK4564N	£2.45		
MP4504	£6.94	TD48140	£3.49
MC86242B	£11.77	TD48170	£3.47
MC1377P	£7.32	TE42000	£4.33
MC14502BCP	£0.78	TL431	£1.85
ME2901	£2.69	UM6522	£6.99
ME550CDP	£0.29	UM8272A	£14.09
PR256A	£2.85	UPC1277	£4.23
PC713V	£2.99	UPC1378H	£2.45
SAA1124	£3.88	UPC1397C	£3.94
SE09420CAC	£15.68	UPC3839LC	£12.39
STR4332	£5.71	Z8400APS	£4.63
STR4541	£6.29	14DN476G	£19.25
STR4582	£6.99	27C256-200	£2.98
TA7226P	£3.76	4116-2N	£1.89

MANY MORE FROM STOCK

COMPUTER SPARES

AMSTRAD	£1.85	Serv. Manual CM11342	£8.51
Car. Capacitor 2200pf/4Kv	£1.85	Power Switch CM9073	£8.63
Printer Armature	£4.20		
(PCW 9512)	£10.95	IC 6569 VIC (Sp. Offer)	£17.49
User Manual (CPC464)	£14.99	IC 8372B (A300C)	£44.19
Serv. Manual (PCW9512)	£14.99	IC 8565 VIC	£23.96
Keyboard (CPC464)	£29.99	IC 906114-01 PLA	£8.99
		Modulator 251916-02	£18.76
PHILIPS	£3.49	Serv. Manual (C64/C64C)	£14.99
Serv. Manual BM7513	£7.82	User Manual (C64)	£4.99
Serv. Manual CM8833	£3.00	XTAL 17.73447MHz	£4.99
Serv. Supp. CM883x	£3.00		

Most Amstrad, CBM Philips parts available - plus selected Acorn, Atari, Sinclair & others

MONITOR LEAD - Amiga to Scart I/P £8.29

TRANSISTORS

2SA1706	£1.85	2SK301	£1.85
2SA2331	£1.59	BUV48A	£4.99

TV/MONITOR LINE OUTPUT TRANSFORMERS

AMSTRAD, IBM, DIGITAL, etc	P.O.A.
COMMODORE 1084-P/SP etc	P.O.A.
PHILIPS CM8533/CM8833 etc	£24.94
PHILIPS CM1134/252 (CM8833 MK II)	£28.51
Ferguson TX90 14" 90"	£23.99
Ferguson TX100 20" 90"	£22.25
Ferguson TX100 22" 26" 110"	£20.91
Ferguson TX100 51cm FST	£23.95
GEC C2089H/90H/C2288 to 2291H/C2294H	£23.99
Hitachi CPT1463/CPT1623/24/26/44/46	£22.99
Hitachi CPT2036/46/76/78/CPT2234/36/CPT2246/78	£23.99
Mitsubishi 1481/1481B	£22.25
Saisho CT141X etc. (Supply No. on L.O.T.)	P.O.A.

Many other Line O/P Transformers available.

AUDIO SPARES

AMSTRAD MX200/CDX400 (FUNAI) CASSETTE DOOR	£3.64
B T FREEMAN TELEPHONE - REPLACEMENT AERIAL	£3.65
PHILIPS CST427 SERVICE MANUAL	£4.50
PHILIPS D8458 SERVICE MANUAL	£3.49
SHARP RGF278, 281, 284 MAIN BELT	£1.40
TOSHIBA STU2/L MAINS TRANSFORMER	£9.99

TV SPARES

AMSTRAD TVR2 SERVICE MANUAL	£17.39
GEC/HITACHI FRAME MODULE HM6251	£9.29
PHILIPS 96009 Deg. POSISTOR (White)	£1.34
GOLDSTAR C15436/14441/CIT2162X/2172X 0/0 SWITCH	£6.49
SAMSUNG C1537V/CX558WT Div/DH SWITCH	£6.05

Many other Switches, Manuals, Resistors, etc. from stock.

VIDEO SPARES

SHARP VC381/385/VC9300 CAPSTAN MOTOR	£34.99
Large range of Video Heads, rollers, Belt Kits, Pinch Rollers from stock - plus much, much more. Please contact us.	
We also stock REMOTE CONTROLS + Many General Components.	

We are pleased to serve both the Trade and End User.

DO NOT ADD VAT TO THE PRICES SHOWN - BUT PLEASE ADD £1.25 P&P

SPECTRUM & QL CHIPS
★ SPECIAL OFFER ★

TMS4532NL4 DRAM	(1+)	(5-)	£0.89
ZX8302 ULA	(QL)		£6.49
ZX8401 ULA	(Spec)		£5.44
40054 ROM	(+2)		£11.69
74LS00 TTL	(QL)		£0.15
74LS157 TTL	(Spec)		£0.30
74LS245 TTL	(QL)		£0.39

All items subject to availability - Prices can change without notice.

ORDER BY POST OR PHONE

We accept payment by VISA, Access, DELTA, SWITCH, Cheque or P.O.

MAIL ORDER ONLY TO:

MARAPET (TVB)
1 HORNBEAM MEWS
GLOUCESTER GL2 0UE

COLOUR TELEVISION TUBES

SPECIAL OFFER

AS1-EAL AS1-JAR AS1-JRU AS1-JVJ
AS1-JPE AS1-EAM AS1-EAK AS1-EBD

OUTSTANDING VALUE AT

£52.50

PLUS CARRIAGE & VAT

SUPER QUALITY AND PERFORMANCE

12 months guarantee

OVER 150 VIDEO HEAD TYPES MANUFACTURED BY VISTA TO COVER MORE THAN 2000 VCR'S FIRST CLASS QUALITY

LARGE STOCK OF TV AND VCR SERVICE COMPONENTS AND ACCESSORIES AVAILABLE FROM OUR TRADE COUNTER

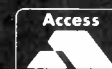


FOR CUSTOMER CARE AND SERVICE CALL

TUBES: 0429 837100

COMPONENTS: 0429 838057

FAK: 0429 837101



Vista Electronics Ltd

Unit B, Wingate Grange Industrial Estate, Wingate, Co. Durham, TS2B 5AH.

2 MILLION PEOPLE USE M.C.E.S. PRODUCTS DAILY.

REMANUFACTURED:-

T.V. TUNERS, RF MODULATORS/BOOSTERS,
GRUNDIG TUNER/I.F., ITT TUNER I.F. SAT
TUNERS, L.N.B.s, VIDEO HEADS.

FREE PRICE LIST AVAILABLE.

RING 061-746 8037
FAX 061-746 8136

SONY TUBES RE PROCESSED WITH ORIGINAL SONY GUNS

HIGH TEMPERATURE RE-PROCESSING of Sony, Mullard 45AX,
30AX, In-line, PIL, Mini (22.5) Neck and FST Tubes.

3701B22.....	£25.00	A51-231X ITT.....	£46.00	A51EBD00X.....	£58.00
3702B22.....	£48.00	A51-570X Mullard.....	£46.00	A51EBV10X01.....	£58.00
370KRB22.....	£48.00	A51-580X Mullard.....	£46.00	A51JAR00X.....	£64.00
370LHB22.....	£48.00	A51-590X Mullard.....	£46.00	A51JKQ00X Sony.....	£74.00
400EFB22 Sony.....	£64.00	A56-540X Mullard.....	£52.00	A51JUH10X Sony.....	£74.00
510YUB22 (brand new).....	£46.00	A56-701X ITT.....	£48.00	A53JBW00X Sony.....	£64.00
520SB22 Sony.....	£64.00	A66-540X Mullard.....	£56.00	A59EAF00X.....	£64.00
560EGB22 Hitachi.....	£48.00	A67-701X ITT.....	£56.00	A59EAK00X Philips.....	£64.00
560YB22.....	£48.00	A34EAC00X.....	£48.00	A64JKJ10X Sony.....	£95.00
570HB22 Sony.....	£64.00	A34JBU10X Sony.....	£64.00	A66EAF00X.....	£74.00
680DB22 Sony.....	£85.00	A44JFZ10X Sony.....	£78.00	A66EAK00X Philips.....	£74.00
680EB22 Sony.....	£85.00	A49JHT00X Sony.....	£64.00	A66JMT10X Sony.....	£95.00
		A49JLV10X Sony.....	£74.00	A68JYK10X Sony.....	£95.00
		A51EAF00X.....	£58.00	AXM37-001.....	£48.00
		A51EAK00X.....	£58.00	AXT51-001.....	£46.00
		A51EAL00X.....	£58.00		

For tube types not listed
please enquire
All Tubes Guaranteed
12 Months

All prices quoted are
excluding VAT
Exchange CRT is
required.

Callers welcome.
Please phone first
Delivery
Available.

**NEW TUBES IN STOCK – PLEASE PHONE
FOR YOUR REQUIREMENTS**

**Very competitive, nationwide delivery
and collection service**

D.I.Y. Television Tube Polishing Kit

Contains everything you need to Polish scratches and small chips on your CRT screens.
All you require is an electric drill. Written instructions are provided. Guaranteed to work.
Worldwide Delivery **Total Price £63.00 includes P&P and VAT** Available from Luton only

Your local stockists are:

WEST ONE
Distributors Ltd.
Chesham, Bucks.
Tel. 0494 778197

WELL VIEW
114-134 Midland Road.
Luton, Beds. U.K. LU2 0BL.
Tel. 0582 402499

WELL VIEW
Southampton, Hants.
Tel. 0703 449783

W.M.T.V.

THE LARGEST INDEPENDENT WHOLESALERS
IN WALSALL – SUPPLIERS OF HIGH QUALITY
EX-RENTAL TVs AND VIDEOS TO THE TRADE
AT COMPETITIVE PRICES

ALSO AVAILABLE: NEW B-GRADE PRODUCTS –
TVs, VIDEOS, AUDIO & MICROWAVES –
ALL TESTED & BOXED

½ Mile of Junction 10 M6. Easy Parking Facilities

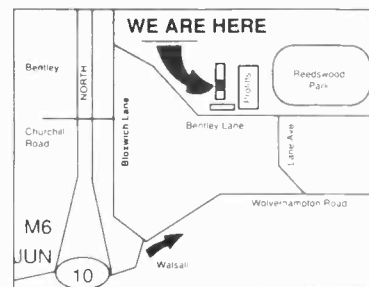
UNIT 3, BENTLEY LANE BUSINESS PARK

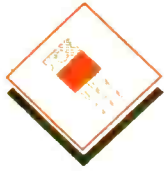
BENTLEY LANE, WALSALL WS2 8TL

Tel: 0922 724542. Fax: 0922 722208

Mobile: 0860 499495 (24 Hours)

**OPEN:
MON-FRI,
9-6pm
SAT 9-2pm
SUNDAY BY
APPOINTMENT
DELIVERY
SERVICE
THROUGHOUT
THE COUNTRY**





ServiceBase

The Complete TV/Video Service Manager



If your business is servicing TV/Video or electronic equipment then you need to keep accurate records detailing:



- ☞ Customer Name & Address
- ☞ Date The Job Was Booked In
- ☞ Unit Type, Make & Model
- ☞ Fault Description
- ☞ Billing Details & Method of Payment
- ☞ Parts Orders
- ☞ Engineers Notes
- ☞ Workshop Repair or Site Visit
- ☞ Contact Instructions
- ☞ Appointment Details

ServiceBase will breeze through these routine functions in seconds printing job cards for the engineer and invoices for your customer.

ServiceBase is packed with features other programs can only "dream" about...



- ☞ Report Generator
- ☞ Graphical Analysis
- ☞ Full Stock Control
- ☞ Contacts Database
- ☞ Electronic Mailing
- ☞ Wants Database
- ☞ Enquiry Source Analysis
- ☞ Loan Unit Look-up Tables
- ☞ Deposit/Delivery Payments
- ☞ IRIS Code Selection Tables
- ☞ Field Call Diary & Schedule
- ☞ Automatic Parts Ordering
- ☞ Word Processor/Mail Merge



ServiceBase will finally allow you to computerise your business in complete confidence.

Without doubt.....

No other computer program can supply all the features available in **ServiceBase**. Yet amazingly this powerful product is available for...

Only **£399** + vat

Or Alternatively,

Lease a 386 Computer, Printer & ServiceBase for Under £10 PW

Full Details On request

Please send a free **ServiceBase** demonstration pack to:

NAME: _____

TITLE: _____

COMPANY: _____

ADDRESS: _____

_____ POST CODE _____

Additional Modules will include:

- Fault Database
- Warranty Module
- Rental Module
- Retail Module
- Maintenance Contracts
- Full Accounts

We Guarantee...

That no other available software will offer the TV & Video service industry the content and quality of program available in **ServiceBase**.

If for any reason you are dissatisfied with this product we shall refund your purchase in full.

"No Questions Asked"



PC CONTROL SYSTEMS LIMITED
HAMILTON HOUSE
66 PALMERSTON ROAD
NORTHAMPTON
NN1 5EX
TEL: 0604 601677
FAX 0604 601676

AMSTRAD DMP4000 Entire printer assemblies including printhead, platen, cables, stepper motors etc. Everything but the electronics and case. Good stripper!! Clearance price just £5 REF: MAG5 or 2 for £8 REF: MAG8

VIEWDATA SYSTEMS Brandnew units made by TANDATA complete with 1200/75 built in modem, infra red remote controlled keyboard, BT approved, Prestel compatible, Centronice printer port, RGB colour and composite output (works with any TV) complete with power supply and fully cased. Price is just £20 REF: MAG20 Also some customer returned units available at £10 each REF: MAG10

PPC MODEM CARDS These are high spec plug in cards made for the Amstrad laptop computers. 2400 baud dial up unit complete with leads. Clearance price is £5 REF: MAG5P1

INFRA RED REMOTE CONTROLLERS Originally made for hi spec satellite equipment but perfect for all sorts of remote control projects. Our clearance price is just £2 REF: MAG2

TOWERS INTERNATIONAL TRANSISTOR GUIDE. A very useful book for finding equivalent transistors, leadouts, specs etc. £20 REF: MAG20P1

SINCLAIR C6 MOTORS We have a few left without gearboxes. These are 12v DC 3.300 rpm 6"x4", 1/4" OP shaft. £25 REF: MAG25

UNIVERSAL SPEED CONTROLLER KIT Designed by us for the above motor but suitable for any 12v motor up to 30A. Complete with PCB etc. A heat sink may be required. £17.00 REF: MAG17

VIDEO SENDER UNIT. Transmits both audio and video signals from either a video camera, video recorder, TV or Computer etc to any standard TV set in a 100' range! (tune TV to a spare channel) 12v DC op. Price is £15 REF: MAG15 12v psu is £5 extra REF: MAG5P2

***FM CORDLESS MICROPHONE** Small hand held unit with a 500' range! 2 transmit power levels. Reqs PP3 9v battery. Tuneable to any FM receiver. Price is £15 REF: MAG15P1

LOW COST WALKIE TALKIES Pair of battery operated units with a range of about 200'. Ideal for garden use or as an educational toy. Price is £8 a pair REF: MAG8P1 2 x PP3 req'd

***MINIATURE RADIO TRANSCEIVERS** A pair of walkie talkies with a range of up to 2 kilometres in open country. Units measure 22x52x155mm. Complete with cases and earpieces. 2xPP3 req'd. £30.00 pair REF: MAG30.

COMPOSITE VIDEO KIT. Converts composite video into separate H sync, V sync, and video. 12v DC operation. £8.00 REF: MAG8P2.

LQ3600 PRINTER ASSEMBLIES Made by Amstrad they are entire mechanical printer assemblies including printhead, stepper motors etc. In fact everything but the case and electronics, a good stripper! £5 REF: MAG5P3 or 2 for £8 REF: MAG8P3

PHILIPS LASER 2MW helium neon tube. Brand new full spec. £40 REF: MAG40. Mains power supply kit £20 REF: MAG20P2. Fully built and tested unit £75 REF: MAG75.

SPEAKER WIRE Brown two core, 100 foot hank £2 REF: MAG2P1

LED PACK of 100 standard red 5mm leds £5 REF: MAG5P4

JUG KETTLE ELEMENTS good general purpose heating element (about 2kw) ideal for all sorts of heating projects etc. 2 for £3 REF: MAG3

UNIVERSAL PC POWER SUPPLY complete with flyleads, switch, fan etc. Two types available 150w at £15 REF: MAG15P2 (23x23x23mm) and 200w at £20 REF: MAG20P3 (23x23x23mm)

OZONE FRIENDLY LATEX 250ml bottle of liquid rubber, sets in 2 hours. Ideal for mounting PCB's, fixing wires etc. £2 each REF: MAG2P2

***FM TRANSMITTER** housed in a standard working 13A adaptor! the bug runs directly off the mains so lasts forever! why pay £700? or price is £26 REF: MAG26 Transmits to any FM radio

***FM BUG KIT** New design with PCB embedded coil for extra stability. Transmits to any FM radio. 9v battery req'd. £5 REF: MAG5P5

***FM BUG BUILT AND TESTED** superior design to kit, as supplied to detective agencies etc. 9v battery req'd. £14 REF: MAG14

TALKING COINBOX STRIPPER originally made to retail at £79 each, these units are designed to convert an ordinary phone into a payphone. The units we have generally have the locks missing and sometimes broken hinges. However they can be adapted for their original purpose or used for something else?? Price is just £3 REF: MAG3P1

100 WATT MOSFET PAIR Same spec as 2SK343 and 2SJ413 (8A, 140v, 100w) 1 N channel and 1 P channel. £3 a pair REF: MAG3P2

VELCRO 1 metre length of each side 20mm wide (quick way of fixing for temporary jobs etc) £2 REF: MAG2P3

MAGNETIC AGITATORS Consisting of a cased mains motor with lead. The motor has two magnets fixed to a rotor that spin round inside. There are also 2 plastic covered magnets supplied. Made for remotely stirring liquids! you may have a use? £3 each REF: MAG3P3 2 for £5 REF: MAG5P6

TOP QUALITY SPEAKERS Made for Hi Fi televisions these are 10 watt 4R Jap made 4" round with large shielded magnets. Good quality general purpose speaker. £2 each REF: MAG2P4 or 4 for £6 REF: MAG6P2

TWEETERS 2" diameter good quality tweeter 140R (would be good with the above speaker) 2 for £2 REF: MAG2P5 or 4 for £3 REF: MAG3P4

AT KEYBOARDS Made by Apnot these quality keyboards need just a small modification to run on any AT, they work perfectly but you will have to put up with 1 or 2 foreign keycaps! Price £6 REF: MAG6P3

XT KEYBOARDS Mixed types, some returns, some good, some foreign etc but all good for spares! Price is £2 each REF: MAG2P6 or 4 for £6 REF: MAG6P4

PC CASES Again mixed types so you take a chance next one off the pie! £2 REF: MAG12 or two identical ones for £20 REF: MAG20P4 component pack bargain 1,000 resistors +1,000 capacitors (all same value) £2.50 a pack REF: MAG2P7

1994 CATALOGUE OUT NOW

BULL'S BULLETIN BOARD

MASSIVE WAREHOUSE CLEARANCE FANTASTIC £20.00 REDUCTION

REFURBISHED PC BASE UNITS
COMPLETE WITH KEYBOARD

FROM ONLY **£29.00**

**AMSTRAD 1512 BASE UNITS
GUARANTEED
PERFECT WORKING ORDER.**

A LOW COST INTRODUCTION TO THE HOME COMPUTER MARKET.

AMSTRAD 1512SD

1512 BASE UNIT, 5.25" FLOPPY DRIVE AND
KEYBOARD. ALL YOU NEED IS A MONITOR AND
POWER SUPPLY. WAS £49.00

NOW ONLY **£29.00**
REF: MAG29

AMSTRAD 1512DD

1512 BASE UNIT AND KEYBOARD AND TWO
5.25" 360K DRIVES. ALL YOU NEED IS A MONITOR
AND POWER SUPPLY. WAS £59.00

NOW ONLY **£39.00**
REF: MAG39

SOLAR POWER PANELS

3FT X 1FT 10WATT GLASS PANELS
14.5v/700mA

NOW AVAILABLE BY MAIL ORDER
£33.95

(PLUS £2.00 SPECIAL PACKAGING CHARGE)

TOP QUALITY AMORPHOUS SILICON CELLS HAVE ALMOST A
TIMELESS LIFESPAN WITH AN INFINITE NUMBER OF POSSIBLE
APPLICATIONS, SOME OF WHICH MAY BE CAR BATTERY
CHARGING, FOR USE ON BOATS OR CARAVANS, OR ANY
WHERE A PORTABLE 12V SUPPLY IS REQUIRED. REF: MAG34

ALSO 1FT X 1FT GLASS SOLAR PANELS 12v 200mA
ONLY £15.00 REF: MAG15P3

FREE SOFTWARE!

Brand new, UNUSED top quality Famous brand
licensed software discs. Available in 5.25" D5DD or 5.25"
HD only. You buy the disk and it comes with free BRAND
NEW UNUSED SOFTWARE. We are actually selling you the
floppy disc for your own "MEGA CHEAP" storage facilities,
if you happen to get software that you want/need/like as
well... you get a "MEGA BARGAIN" too!

D5DD PKT10 £2.99 REF: MAG3P7 PKT100 £14.00 REF: MAG16
HD PKT10 \$3.99 REF: MAG4P3 PKT100 \$26.00 REF: MAG26P1

LARGER QUANTITY PRICES AVAILABLE ON APPLICATION

*****WE BUY SURPLUS STOCK*****

TURN YOUR SURPLUS STOCK INTO CASH
IMMEDIATE SETTLEMENT WE WILL ALSO QUOTE FOR
COMPLETE FACTORY CLEARANCE
COMING SOON

1994 CATALOGUE

PLEASE SEND 42P, A4 SIZED SAE FOR YOUR FREE COPY
MINIMUM GOODS ORDER £100 TRADE ORDERS FROM GOVERNMENT, SCHOOLS,
UNIVERSITIES & LOCAL AUTHORITIES WELCOME. ALL GOODS SUPPLIED SUBJECT TO
OUR CONDITIONS OF SALE AND UNLESS OTHERWISE STATED GUARANTEED FOR 30
DAYS. RIGHTS RESERVED TO CHANGE PRICES & SPECIFICATIONS WITHOUT PRIOR
NOTICE. ORDERS SUBJECT TO STOCK. QUOTATIONS WILLINGLY GIVEN FOR QUANTITIES
HIGHER THAN THOSE STATED

*SOME OF OUR PRODUCTS MAY BE UNLICENSABLE IN THE UK

BULL ELECTRICAL

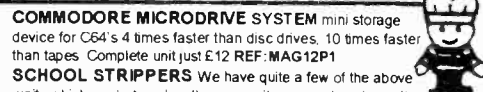
250 PORTLAND ROAD HOVE SUSSEX
BN3 5QT

MAIL ORDER TERMS: CASH PO OR CHEQUE
WITH ORDER PLUS £3.00 POST PLUS VAT.

PLEASE ALLOW 7 - 10 DAYS FOR DELIVERY
TELEPHONE ORDERS WELCOME

TEL: 0273 203500

FAX: 0273 332477



COMMODORE MICRODRIVE SYSTEM mini storage device for C64's 4 times faster than disc drives, 10 times faster than tapes. Complete unit just £12 REF: MAG12P1

SCHOOL STRIPPERS We have quite a few of the above units which are 'returns' as they are quite comprehensive units they could be used for other projects etc. Let us know how many you need at just 50p a unit (minimum 10).

HEADPHONES 15P These are ex Virgin Atlantic. You can have 8 pairs for £2 REF: MAG2P8

PROXIMITY SENSORS These are small PCB's with what look like a source and sensor LED on one end and lots of components on the rest of the PCB. Complete with fly leads. Pack of 5 £3 REF: MAG3P5 or 20 for £8 REF: MAG8P4

FIBRE OPTIC CABLE Made for Hewlett Packard so pretty good stuff! you can have any length you want (min 5m) first 5m £7 REF: MAG7 thereafter £1 a metre (ie 20m is £22) REF: MAG1 Max length 250m

SNOOPERS EAR? Original made to clip over the earpiece of telephone to amplify the sound-it also works quite well on the cable running along the wall! Price is £5 REF: MAG5P7

DOS PACKS Microsoft version 3.3 or higher complete with all manuals or price just £5 REF: MAG5P8 Worth it just for the very comprehensive manual 5.25" only

DOS PACK Microsoft version 5 Original software but no manuals hence only £3 REF: MAG3P6 5.25" only

FOREIGN DOS 3 3-German, French, Italian etc £2 a pack with manual 5.25" only. REF: MAG2P9

MONO VGA MONITOR Made by Amstrad, refurbished £49 REF: MAG49

CTM644 COLOUR MONITOR Made to work with the CPC464 home computer. Standard RGB input so will work with other machines. Refurbished £59.00 REF: MAG59

JUST A SMALL SELECTION of what we have to see more get our 1994 catalogue (42p stamp) or call in Mon-Sat 9-5.30

HAND HELD TONE DIALLERS Ideal for the control of the Response 200 and 400 machines. £5 REF: MAG5P9

PIR DETECTOR Made by famous UK alarm manufacturer these are hi spec, long range internal units. 12v operation. Slight marks on case and unboxed (although brand new) £8 REF: MAG8P5

WINDUP SOLAR POWERED RADIO AM/FM radio complete with hand charger and solar panel! £14 REF: MAG14P1

COMMODORE 64 Customer returns but ok for spares etc £12 REF: MAG12P2 Tested and working units are £69.00 REF: MAG69

COMMODORE 64 TAPE DRIVES Customer returns at £4 REF: MAG4P9 Fully tested and working units are £12 REF: MAG12P5

COMPUTER TERMINALS complete with screen, keyboard and RS232 input/output. Ex equipment. Price is £27 REF: MAG27

MAINS CABLES These are 2 core standard black 2 metre mains cables fitted with a 13A plug on one end, cable the other. Ideal for projects, low cost manufacturing etc. Pack of 10 for £3 REF: MAG3P8 Pack of 100 £20 REF: MAG20P5

SURFACE MOUNT STRIPPER Originally made as some form of high frequency amplifier (main chip is a TSA5511T 1.3GHz synthesiser) but good stripper value, an excellent way to play with surface mount components £1.00 REF: MAG1P1

MICROWAVE TIMER Electronic timer with relay output suitable to make larger timer etc. £4 REF: MAG4P4

PLUG 420? showing your age? pack of 10 with leads for £2 REF: MAG2P11

MOBILE CAR PHONE £5.99 Well almost! complete in car phone excluding the box of electronics normally hidden under seat. Can be made to illuminate with 12v also has built in light sensor so display only illuminates when dark. Totally convincing! REF: MAG6P6

ALARM BEACONS Zenon strobe made to mount on an external bell box but could be used for caravans etc. 12v operation. Just connect up and it flashes regularly! £5 REF: MAG5P11

FIRE ALARM CONTROL PANEL High quality metal cased alarm panel 350x165x80mm. Comes with electronics but no information £15 REF: MAG15P4

SUPER SIZE HEATSINK Superb quality aluminium heatsink 360 x 183 x 61mm. 15 fins enable high heat dissipation. No holes! £9.99 REF: MAG10P1P

REMOTE CONTROL PCB These are receiver boards for garage door opening systems. You may have another use? £4 ea REF: MAG4P5

LOPTX Line output transformers believed to be for hi res colour monitors but useful for getting high voltages from low ones! £2 each REF: MAG2P12 bumper pack of 10 for £12 REF: MAG12P3

PORTABLE RADIATION DETECTOR

£49.99

A Hand held personal Gamma and X Ray detector. This unit contains two Geiger Tubes, has a 4 digit LCD display with a Piezo speaker, giving an audio visual indication. The unit detects high energy electromagnetic quanta with an energy from 30KeV to over 1.2MeV and a measuring range of 5-9999 UR/h or 10-99990 Nr/h. Supplied complete with handbook.

REF: MAG50

AMSTRAD HANDSETS

VCR4600, 4600MkII	11.75
VCR4700	17.63
VCR5200	11.75
VCR6100 (Indexer)	25.85
VCR6100 (Barcode Indexer)	29.38
VCR6200 Barcode	32.44
VCR9000 (Old type)	11.75
TVR 2	8.46
TVR 3	14.10
SDR400 (Equivalent)	11.05
SRD500	11.75
SRD510/520	13.81
TS90/99 Tower System	11.75
GOODMANS VCR102	11.75
PROLINE 5100TX	17.63

AMSTRAD LOPTS

CTV1000 FB182K	11.75
CTV1400 FB165KA	11.75
CTV2000 FB171	9.40
CTV2000 FB171K	9.40
CTV2200 3722002	14.10
CTV2210 3722002	14.10
TVR 3 181297	13.51
CTM644 MkII 3714009	14.10
PC12-HRCD/D MSH1FCT31	14.10
PCW9512,8256,8512	7.05

FERGUSON LOPT

MM06 00D4242001	4.70
-----------------	------

AMSTRAD TUNERS

UE33-B01 VCR4600/4700	9.40
UE2-B31F CTV2200/2210	5.88
1810829 VCR5200	7.05
ENV87358F2 VCR7000	7.05
ENV87509F2 CTV1400	5.88

AMSTRAD IF UNITS

TPS7-B0006 VCR4600/4700	9.40
TPS7-L0002	14.10
1813766	14.10

AMSTRAD MODULATORS

18196221 VCR5200	7.05
ENP-E730-2 VCR7000	5.88
VCR4600MkII,4700	5.88
SRD100/200/400	5.88

AMSTRAD VCR MECHANISMS 4500,9000 (Old model)

CASSETTE HOUSING ASSY.	15.28
CYLINDER ASSY. (incl. Video heads)	25.26
CYLINDER LOWER DRUM ASSY. (Excl)	9.99

4600, 4700, TVR1,2,3

COMPLETE MECHANISM ASSY	35.25
*(Excluding Video Heads)	29.38
*COMPLETE MECHANISM ASSY. (Excluding cylinder assy.)	18.80
MECHANISM DECK (Excl Cass. housing & Cylinder assy.)	25.26
CYLINDER ASSY. (incl. Video heads)	20.56
CYLINDER LOWER DRUM ASSY. (Excluding Motor)	9.99
HEAD BASE ASSY. (Audio)	5.88
VMC100 - Various parts available, please phone for prices.	

AMSTRAD MOTORS

Loading Motor MCB9B02	3.53
Drum Motor E20EL05	10.58
Capstan Motor LLN4B21	9.99
Capstan Motor JLN4B02	9.99
Tape Loading MCF9B02	9.99

AMSTRAD PCB's

(Complete, fully populated)	
4500 Timer	14.10
4500 Systems Control	14.10
4600 Systems Control/Servo, Display & Control PCB's	
4600 Display	7.05
4600 Control	5.88
4600 Video & Audio	5.88
4600 Power Supply	5.88
4600MkII Main PCB Assy.	5.88
4600MkII Timer	14.10
4600MkII Control	5.88
4600MkII Head Amp	5.88
4600MkII Power Supply	4.70
4700 Main PCB Assy.	40.82
4700 Timer	14.10
4700 Control	5.88
4700 Head Amp Assy.	5.88
4700 Power Supply	4.70
5200 Timer & Channel Disp.	17.63
5200 Video	14.10
5200 Switch Panel	4.70
6000 Power Supply	7.05
6100 Mains PCB	29.38
6100 Audio PCB	7.05
6100 Power Supply	7.05
6100 Hybrid, Chrominance	9.40
6100 Hybrid, Luminance	9.40
7000 Switch PCB no:7	2.35
CTV1400 Switches, Presets & Tuner (ENV87358F2)	8.23
CTV1400 Switches, Presets & Tuner (ENV87509F2)	8.23
CTV2200 PCB no:3	3.53
CTV2200 PCB no:4	4.70
TVR 2 Main TV PCB	37.60
TVR 3 Main TV PCB	43.48
TVR 3 TV Power Supply	15.22
TVR 3 Head Amp Assy.	5.88
TVR 3 Video Power Supply	4.70
10.95-11.7GHz LNB	
2.3dB NF. 'N' CONNECTOR	17.63

AMSTRAD SERVICE MANUALS

VCR4600	9.00
VCR4600MkII,4700	9.00
VCR6000/6100	11.50
VCR7000	9.00
VCR8700	8.00
VCR8800	6.00
VCR9000/9004	9.00
VMC100	16.50
SRX100/200	4.70

AMSTRAD COMPUTER OPERATORS MANUAL

PC1640	11.75
PC2286/2386	11.75

AMSTRAD PC12MD VGA MONO MONITOR

Suitable for use with 2000/3000 series and any other VGA compatible PC	64.63
--	-------

AMSTRAD SOFTWARE

ACCOUNTSMaster	17.63
(Full accounts program for running small business on any PC)	
INFOMaster	17.63
(Easy to use Database, runs on PC)	
LINKMaster	11.75
Many AMSTRAD COMPUTER & PRINTER SPARES available, please phone for price.	

PRICES INCLUDE VAT.
ALL ITEMS ARE BRAND NEW AND GUARANTEED
** SAME DAY DESPATCH **

Write or Phone for FULL catalogue.

****POST & PACKING****

****EXTRA****

Harrison Electronics

CENTURY WAY, MARCH, CAMBS PE15 8QW.
FAX: (0354) 51416. TEL: (0354) 51289

WORKSHOP MANAGER PLUS

For all your Job Tracking, Invoicing & Reporting needs at the hit of a button

*User Friendly, Complete with On Disk Manual
Fully IBM compatible from Dos 2
Customer Receipts, Job Cards, Estimates & Invoices
Dealer & Insurance Reports
Full Reports on Customer & Equipment records
Full IRIS Code & Warranty ClaimBack Reports
Market Feedback Report
Spares Database containing over 11,000 items
Parts Ordering system
History Look-up File
Data Backup & Restore Routines
F1 On-line Help Screens
Full Support & Backup
Complete package, 12 months Free Upgrades*

For tomorrow's technology today call

Please rush me a disk

Name:	
Company:	
Address:	
Town:	
PostCode:	
Tel No:	
Fax No:	

For your FREE evaluation disk cut out coupon and FaxBack or Post to
WMGR, 5 Ladymeade, Ilminster
Somerset TA19 0EA



Wessex Microtech

Telephone: (0460) 55166

Facsimile: (0460) 54808



NEW PRODUCT LAUNCH A GREAT SUCCESS

Engineers across the Country and beyond are reaping the benefits of subscribing to the new diagnosis system 'FAULT-FACT-FILES' which provides technical information that's relevant, up-to-date, inexpensive and easy to use.

Each month 'FAULT-FACT-FILES' publishes at least 150 of the latest faults on TV and VCR equipment, collated in an easy to use format that slots straight into your filing system.

You don't need to buy revised editions because 'FAULT-FACT-FILES' updates itself every month and grows with the new information to build into a comprehensive reference library.

For just £2.50 per month (or less - see right) you will receive almost 2,000 faults each year plus time saving tips and a substantial discount when you use our Help-Desk Service*

For more information and samples send a SAE (A5 size)

*Help-Desk Service costs £2.50 for subscribers to 'FAULT-FACT-FILES' and £7.50 for non-subscribers with a money back guarantee if we are unable to provide at least one possible solution for the symptoms described.

YOU COULD WIN £100 WORTH OF SPARE PARTS IN OUR PRIZE DRAW!

●●●●●●●●●●
JUST SEND YOUR NAME, ADDRESS & POSTCODE WITH A CHEQUE/PO FOR REQUIRED AMOUNT TO:

**'VISION-ON' (TV1)
16, HILLVIEW PARK
NEWTOWNABBEY
BT36 8HW**

1YR - £30 (MINIMUM)
2YRS- £55 (SAVE £5.00)
3YRS- £80 (SAVE £10.00)
4YRS- £100 (SAVE £20.00)

OVERSEAS ADD £10 PER ANNUM (AIRMAIL POSTAGE)

WE ALSO ACCEPT PAYMENT BY **ACCESS/VISA**
(SIMPLY SEND YOUR CARD NUMBER AND EXPIRY DATE)

AN3821K	£7.65	HA13118	£1.80	LM393N	£0.25	SA45012	£3.25	STK5333	£4.20	TA7270	£1.60	TC4660B	£0.40	TD2560	£4.40	TD44906	£1.00
AN5265S	£1.85	HA13119	£1.90	M192B1	£1.80	SA45030	£6.35	STK5372	£3.30	TA7270P	£1.65	TC4800D	£1.60	TD2576A	£5.30	TD4720A	£2.30
AN5435	£1.35	HA13403	£4.60	M293	£14.50	SA45050	£4.60	STK5421	£2.50	TA7271P	£1.65	TC4910	£1.15	TD2577A	£4.20	TD48140	£2.30
AN5512	£2.05	HA1377	£2.30	M490	£15.20	SAB3013	£5.75	STK5422	£6.30	TA7273	£3.10	TC4940	£3.35	TD2578A	£2.20	TD48153	£5.00
AN5515	£2.25	HA1388	£2.50	M491	£7.85	SAB3021	£6.05	STK5451	£5.20	TA7274	£5.20	TD1004A	£3.35	TD2581	£5.70	TD48170	£2.50
AN5521	£2.05	HA1389	£2.40	MS011SAP	£3.15	SAB3035	£6.25	STK5466	£4.60	TA7280	£2.00	TD1011	£2.00	TD2581B	£9.85	TD48180	£5.30
AN5612	£2.90	HA1392	£1.50	MS1102L	£1.70	SAB3035P	£5.40	STK5471	£4.40	TA7299	£2.25	TD1011A	£1.40	TD2582	£1.00	TD48190	£3.20
AN5900	£1.20	HA1397	£2.50	MS1231P	£1.95	SAB3035P	£2.15	STK5476	£4.90	TA7313AP	£6.60	TD1013A	£1.40	TD2591	£1.90	TD49503	£2.05
AN6310	£4.60	HA1398	£2.20	MS1393AP	£4.55	SAB3035P	£10.90	STK5481	£6.05	TA7317P	£6.00	TD1015	£0.95	TD2593	£0.70	TEA1002	£4.80
AN6326	£3.55	HA1452	£4.80	MS1515L	£1.80	SL1430	£1.30	STK5482	£3.95	TA7325P	£0.40	TD1020	£4.05	TD2594	£2.15	TEA1009	£1.50
AN6341	£2.20	HM6232	£10.20	MS1521L	£0.50	SL1431	£1.60	STK5492	£2.50	TA7358P	£0.75	TD1035SB	£4.05	TD2595	£2.35	TEA1014	£1.80
AN6610	£0.85	HM6251	£9.40	MS218L	£0.45	SL1432	£2.00	STK7216	£5.45	TA7343	£0.70	TD1035T	£1.80	TD2600	£3.00	TEA1039	£2.05
AN6671K	£5.25	HM7103	£14.00	MS231L	£0.50	SL471	£1.60	STK7226	£8.05	TA7535BP	£0.65	TD1037	£0.60	TD2611A	£0.60	TEA2018A	£1.40
AN7158	£2.65	KA2101	£0.70	MS3216P	£1.40	SL490	£2.20	STK7308	£4.90	TA7607AP	£2.55	TD1044	£1.35	TD2611AO	£1.95	TEA2164	£2.60
AN7161	£3.50	LA1201	£0.50	MS4543L	£1.55	SN29764AN	£1.60	STK7348	£4.60	TA7609	£1.85	TD1060	£1.50	TD2640	£4.05	TEA2165	£6.20
AN7171K	£4.30	LA1230	£1.85	MS4544L	£1.80	SN7474N	£0.35	STK7356	£5.50	TA7630	£1.80	TD1082	£4.15	TD2652	£14.20	TD110CP	£1.30
BA5102A	£1.40	LA1385	£1.55	MS4548L	£3.20	SN76013ND	£7.90	STK7358	£5.35	TA7640AP	£0.90	TD1083	£1.70	TD2653A	£3.20	TD1071CP	£0.85
BA535	£1.05	LA3161	£0.35	MS4644B	£3.20	SN76277N	£1.00	STR1096	£4.60	TA7659P	£4.15	TD1151	£1.45	TD2680	£5.00	TL494	£1.55
BA5406	£2.10	LA4140	£0.35	MS4648L	£6.55	SN76666N	£1.60	STR4090	£8.70	TA7680AP	£3.70	TD1170	£1.50	TD3190	£1.20	TPM47C432 AP	£11.00
BA6109	£1.75	LA4182	£1.65	MS4898AP	£20.30	SN76705AN	£1.20	STR4090	£16.20	TA7698AP	£5.85	TD1170N	£1.30	TD3190P	£1.30	TPM47C434	£11.00
BA6209	£1.25	LA4192	£1.05	MS4885P	£5.85	STA341M	£2.45	STR4211	£4.65	TA7705	£1.60	TD1170S	£1.10	TD3300B	£20.70	NS555	£17.60
BA6219	£1.35	LA4220	£1.20	MB3730	£2.30	STA401	£2.35	STR440	£6.20	TA7769	£1.35	TD1190Z	£4.00	TD3330	£10.70	UC3844	£1.70
BA6222	£1.55	LA4261	£2.20	MB3731	£2.10	STA441C	£2.70	STR441	£6.20	TA8205	£3.80	TD1200	£0.85	TD33541	£0.90	UPA81C	£0.90
BA656N	£0.75	LA4270	£2.65	MB3732	£2.80	STR0029	£5.80	STR45	£14.60	TA8210H	£4.65	TD1270	£1.70	TD3360	£3.60	UPC1181H	£6.70
BA718	£0.70	LA4422	£1.20	MB3732	£2.80	STR0039	£7.00	STR50020	£8.90	TA8215	£4.50	TD1412	£0.75	TD3361A	£3.25	UPC1182H	£5.85
CA1310E	£0.70	LA4440	£1.60	MC13002P	£5.65	STR0040	£7.30	STR50103	£5.80	TA8691N	£6.50	TD1506	£4.50	TD3362A PHIL	£3.95	UPC1185H	£10.10
CA3094	£3.00	LA4445	£1.20	MC1310P	£0.80	STR0059	£9.45	STR54041	£6.65	TA8120	£0.50	TD1510	£1.10	TD3362A SCS	£3.95	UPC1188	£3.30
CD4001	£0.12	LA4460	£1.40	MC1327AP	£1.20	STR025	£9.50	STR5412	£8.20	TA8120AS	£0.85	TD1512	£3.10	TD3362A TFK	£4.20	UPC1212C	£0.80
CD4011	£0.20	LA4461	£1.40	MC1350P	£1.75	STR3042	£6.80	STR58041	£6.25	TA8120S	£0.85	TD1515A	£2.45	TD3366	£2.50	UPC1228HA	£0.55
CD4013	£0.32	LA4475	£2.20	MC1352P	£1.40	STR3062	£6.80	STR6020	£10.00	TA8120T	£0.50	TD1516G	£3.50	TD3366	£3.30	UPC1230	£2.10
CD4016	£0.12	LA4476	£2.20	MC1358P	£1.50	STR4131	£7.70	STR6200MT	£11.00	TA8120U	£0.35	TD1518Q	£3.25	TD3371B	£3.00	UPC1230H	£2.70
CD4021	£0.40	LA4500	£2.10	MC145288BCP	£1.60	STR4141	£9.20	TA7063P	£1.05	TA8200	£1.55	TD1670A	£1.75	TD3376	£11.80	UPC1278H	£2.60
CD4052	£0.27	LA4505	£1.70	MDA27062	£2.10	STR4142	£8.10	TA7128BP	£0.80	TA8395	£0.65	TD1701	£4.75	TD3640	£4.65	UPC1318	£2.90
CD4053	£0.18	LA4508	£2.20	ML923	£14.10	STR4162M	£9.40	TA7146P	£7.60	TA8420	£0.80	TD1870	£3.25	TD3650	£9.80	UPC1335V	£3.80
CD4066	£0.28	LA4520	£1.05	MN1405UMF	£10.95	STR4171	£10.40	TA7176P	£1.20	TA8440	£1.90	TD1904	£1.10	TD3653AQ	£1.80	UPC1351C	£1.60
CD4069	£0.15	LA4700	£3.75	MN1435UX	£14.20	STR4181	£12.75	TA7193AP	£3.25	TA8450Q	£0.75	TD1908A	£1.10	TD3653B	£1.80	UPC1353	£1.25
CD4070	£0.20	LA5112	£5.80	MN1435UXB	£10.50	STR4181A	£12.35	TA7193P	£7.00	TA8560C	£1.95	TD1940	£2.70	TD3654	£1.60	UPC1363C	£1.05
CN622A	£2.85	LA5512	£0.55	MSM5840H	£15.20	STR4332	£5.45	TA7205AP	£1.40	TA8570A	£1.70	TD1950	£1.80	TD3681	£2.50	UPC1363CA	£2.15
CX109	£6.95	LA7223	£2.45	NE545B	£3.10	STR4352	£1.60	TA7207P	£1.60	TA8651	£0.95	TD2002	£0.80	TD4420	£1.20	UPC1365C	£1.60
ER1400	£2.05	LA7520	£2.65	NE555	£0.20	STR437	£2.70	TA7210P	£1.40	TA8750Q	£5.00	TD2004	£1.20	TD4422	£1.80	UPC1378H	£1.15
HA11235	£1.85	LA7800	£1.35	NE559N	£0.95	STR4392	£5.85	TA7214P	£3.65	TA8800	£0.30	TD2005	£1.30	TD4442	£3.40	UPC1391H	£0.90
HA11244	£3.70	LA7801	£1.25	NE564N	£2.55	STR441	£11.70	TA7217P	£1.20	TA8810P	£1.50	TD2006	£1.00	TD4450	£3.70	UPC1394	£1.20
HA1124A	£1.10	LA7820	£1.95	NP1106	£11.75	STR459	£11.10	TA7222	£1.15	TA8810S	£0.65	TD2009	£2.20	TD4501	£5.00	UPC1420CA	£6.50
HA11423	£1.90	LM1303N	£0.85	SA41004	£1.10	STR461	£11.40	TA7222AP	£1.20	TA8820	£0.80	TD2020	£3.65	TD4503	£3.30	UPC1488H	£1.20
HA11440	£2.80	LM1877	£1.35	SA41124	£11.10	STR4843	£11.00	TA7227P	£2.20	TA8820L	£0.50	TD2030H	£0.60	TD4505E	£4.60	UPC2002	£2.00
HA1166X	£3.30	LM317T	£0.45	SA41174	£5.00	STR5211	£15.60	TA7230P	£1.50	TA8820M	£0.30	TD2030V	£1.00	TD4600F	£1.00	UPC324C	£1.85
HA11713	£1.10	LM324N	£0.30	SA41250	£2.85	STR5322	£6.25	TA7233P	£1.85	TA8920	£0.50	TD2170	£2.45	TD4600/2	£2.35	UPC4558C	£0.50
HA11741	£6.70	LM339N	£0.15	SA41251	£5.85	STR5325	£5.85	TA7240	£2.35	TA8950	£1.65	TD2270	£1.60	TD4600/2D	£1.45	UPC574C	£1.00
HA11745	£5.06	LM358	£0.40	SA41351	£8.15	STR5326	£6.10	TA7241	£2.20	TA8970	£4.00	TD2530	£3.70	TD4600	£3.80	UPC590C	£2.45
HA13001	£1.50	LM358N	£0.40	SA43027P	£7.55	STR5331	£2.90	TA7250	£3.95	TA8270S	£1.00	TD2540	£0.85	TD4601	£1.50	UPC937C	£3.10
HA13108	£3.50	LM380N	£0.75	SA45010	£4.50	STR5332	£2.15	TA7267	£1.95	TC4440	£1.90	TD2541	£0.75	TD4605	£3.55	XD065CE	£4.10
																X2402	£2.55

WE GUARANTEE THAT ALL SPARES ARE BRAND NEW AND OF THE FINEST QUALITY. PLEASE SEND A4 S.A.E. For Latest Catalogue.

Please Phone Us For Any Part Not Listed As We Are Holding Over 10,000 Items. All Orders Are Despatched Within 24 Hours.

PLEASE ADD £1.25 P+P AND THEN 17½% VAT TO TOTAL. PRICES QUOTED ARE SUBJECT TO STOCK AVAILABILITY AND MAY CHANGE WITHOUT PRIOR NOTICE. POSTAL ORDERS AND CHEQUES ACCEPTED ONLY.

REMOTE CONTROLS £9 + VAT PLEASE
SUPPLY MAKE + MODEL WHEN ORDERING

ELECTRO-PARTS WHOLESALERS

37 ARTHUR STREET, BLAKENHALL, WOLVERHAMPTON WV2 3DY
TEL/FAX: (0902) 620813

RENTAL FINANCE

Expand your CTV and VCR rental business with no capital outlay and increase your profitability.

Broughfame has the solution and their rental finance plan will provide facilities from £2,500 upwards.

For further details ring or write to Bob Wickham at the address below:

BROUGHFAME LIMITED

39 SOUTH STREET, TARRING
WORTHING, WEST SUSSEX BN14 7LG

TEL: Worthing (0903) 821020

FAX: Worthing (0903) 821194

TELEPLACE SCOTLAND. TV & VIDEO WHOLESALE.

**Working Faulty
Refurbished Stock
Delivered.
8, Colquhoun
Park, Hillington
Industrial Estate,
Glasgow G52 1XX.**

TELEVISION

**Subscribe to the magazine
that experienced electronics
professionals never miss**

Whatever your interest in the world of television electronics, there's a wealth of news, advice and hard information for you in *TELEVISION*.

TELEVISION offers you a definitive guide to today's TV electronics business, keeping you up-to-date with new developments in TV, video and satellite – whilst furnishing you with 'hands-on' advice and information on the latest equipment.

SUBSCRIBING IS SIMPLE

Complete the coupon and return it to us at *TELEVISION*, Reed Business Publishing, FREEPOST, 9th Floor, Quadrant House, The Quadrant, SUTTON, Surrey CM2 5BR

Please send me TELEVISION

- One Year at a cost of £26**
 Two Years at a cost of £49 SAVE £3
 Three Years at a cost of £70 SAVE £8

Name _____

Title _____

Company _____

Address _____

Postcode _____

Telephone Number _____

- *Servicing solutions*
- *TV fault finding*
- *New Products*
- *VCR clinic*
- *Satellite TV*
- *Equipment reviews*
- *Readers' letters*
- *CD players casebook*
- *Components*
- *News and comment*
- *And much more!*

4 WAYS TO PAY

1 I enclose a cheque for £_____ made payable to
Reed Business Publishing Ltd

2 Please charge my: Access Visa
 Diners Club American Express
Expiry Date _____

3 Please invoice me/my company
Order No. _____

4 Or alternatively just ring our credit card hot-line on
0622 721666 and quote reference *IJ2*

Are you registered for VAT, Yes No

If yes, please supply your registration Number

Please send a VAT receipt

Signature _____ Date _____

Prices apply to UK, Isle of Man, and Channel Islands only.

**SOUTH LONDON
TRADE WAREHOUSE**

NOW OPEN

**MAJOR BRAND
NAMES**

**BEST
STOCK**

**BEST
PRICES**

WHOLESALERS

OF THORN + NON-THORN EX-RENTAL TV'S
& V.C.R., TESTED + UNTESTED 'B' GRADE +
LIQUIDATION STOCK

AUDIO: Stocks of Audio, Midi + Mini Hi-Fi CD's
Radio Cassettes, Walkmans, ALL TOP BRAND
NAMES AT FRACTION OF RETAIL PRICE

STOCK ALWAYS CHANGING

TEPCO ELECTRONICS LTD

TEL 081-769 6149 Ask for Chris
071-924 1606 Ask for Tony
081-677 5749 Warehouse Line
FAX 081-769 4952

OPEN MON-SAT 9.30 TO 6pm

WILTSGROVE LTD

NEW *Definition* BRAND
PORTABLE 14' REMOTE TV

21 PIN SCART
ON SCREEN DISPLAY,
VHF/UHF TUNER,
12 MONTHS GUARANTEE etc.
* GUARANTEED LOWEST PRICE *



WORKING GRADED STOCK

E-180 VIDEO TAPES
Qty Order 85p

ALL BOXED WITH INSTRUCTIONS

SHARP RC292 stereo car radio cassette, 2 band with ans	£17.00
SHARP RC296 stereo car radio cassette, 3 band with ans	£19.99
SHARP JC105 personal cassette player	£6.50
SHARP JC130 personal radio/cassette player	£7.50
SHARP JC200 personal cassette player with auto/rev	£9.50
SHARP JC510 personal cass/auto rev/2 band radio	£12.50

MIDI-SYSTEMS
Basic Systems from £25.00 Remote control sys. from £40.00
Systems with CD from £50.00

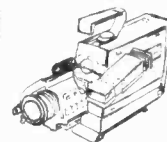
VIDEO WORKING EX-RENTAL STOCK

TV

Top loader video	£35.00	Basic colour TV's	from £25.00
Front loaders with r/c	from £45.00	Remote TV's with r/c	from £35.00
Twin speed VCR with r/c	from £55.00	Teletext TV's with r/c	from 45.00
Thorn 8947 VCR with r/c	£65.00		

EX-RENTAL FERGUSON 3C01 CAMCORDER

Back-space edit facility, records on standard VHS,
recording time: 240 minutes, date insert facility, automatic
Iris control. 6:1 motorized zoom lens, tape play back
facility.



Only **£199**

28-29 RIVER STREET, DIGBETH
BIRMINGHAM B5 5SA

TEL: 021 772-2733 FAX: 021 766-6100

EXPORT ENQUIRIES WELCOME

ALL STOCK SUBJECT TO AVAILABILITY, VAT & CARRIAGE

MANCHESTER'S NO 1 WHOLESALER

RED BANK UNIT 20

HERE

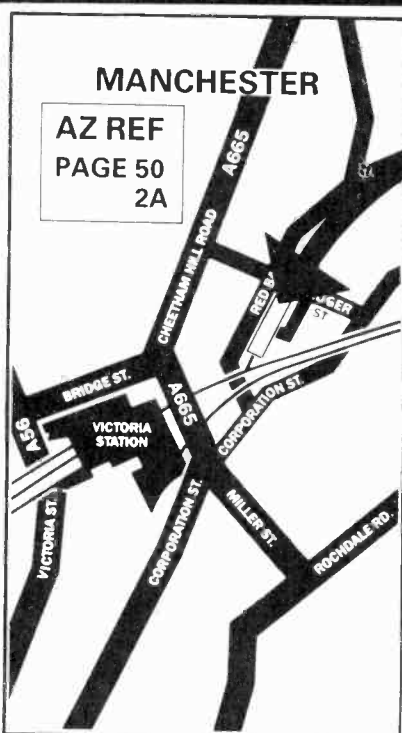
OVER A 1000 SETS IN STOCK

- BASIC TELEVISIONS FROM..... £5**
- WORKING TELETEXT FROM £35**
- WORKING PANASONIC TEXT £40**
- WORKING GEC/HITACHI TEXT £40**
- FRONT LOADING VIDEOS FROM..... £20**
- REFURBISHED STOCK AVAILABLE**
- OPENING HOURS FROM**

**10AM TILL 5PM MONDAY TO FRIDAY
UNIT 20, RED BANK ARCHES, RED BANK
MANCHESTER M4 4HF**

— CHEQUE — ACCESS — VISA —

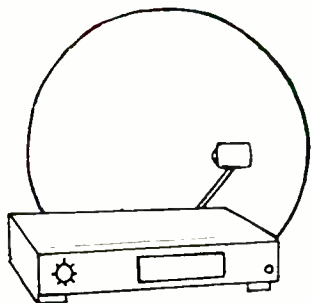
**PHONE 061 832 4220
FAX 061 834 6368
PRICES SUBJECT
TO
VAT**



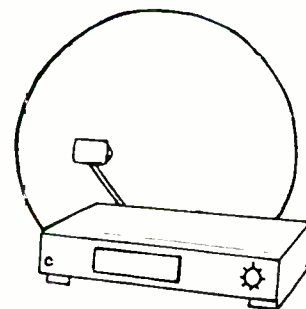
AZ REF
PAGE 50
2A

TV WHOLESALE

**BRITAIN'S LARGEST INDEPENDENT
PRESENTS THE LARGEST STOCK OF 'B' GRADE**



LTD



**HCTV WISHES ALL IT'S CUSTOMERS
A HAPPY NEW YEAR**

NEW GRADED STOCK

MANUFACTURER TESTED, BOXED AND SEALED AS NEW

14" STD

20" R/C

25" R/C

14" R/C

20" FASTEXT

25" FASTEXT

16" STD

21" R/C

25" NICAM

16" R/C

20" FASTEXT

28" FASTEXT

20" STD

21" NICAM

28" NICAM

PLUS A RANGE OF LONG PLAY AND NICAM VIDEO'S

DON'T MISS OUT! PAY US A VISIT

PRESTON

139 Oakshott Place
Walton Summit
Ind Est
Preston (M6 Junc 29)
Tel: 0772 312101

BIRMINGHAM

208 Bromford Lane
Erdington
Birmingham B24 8DL
Tel: 021-327 3273 Fax: 021-322 2011

LONDON

Unit 2
The Royal London Est
29/35 North Acton Road
London NW10
Tel: 081-961 5005



BESCO LIMITED
T/A
NORTH WEST ELECTRONICS
ENTIRE RANGE OF EX-RENTAL TVs & VIDEOS

NEW STOCKS EVERY DAY, WORKING OR OFF THE PILE

makes include: Sharp, Hitachi, Ferguson, Pye, NAT PAN, ITT etc.
 Late models always available.

KNOCKOUT PRICES ON COLOUR TVs

FERGUSON, PYE, HITACHI, PHILIPS, BUSH, ITT, etc.

TELETEXT BARGAINS FROM **£30.00** (WORKING).

FERGUSON TX TELETEXT ONLY **£45**. PHILIPS/PYE TEXT ALWAYS AVAILABLE

OVER 1000 COLOUR TV AND VIDEOS AVAILABLE

RING OUR HOTLINES NOW FOR PRICES OR CALL IN, YOU WILL BE DELIGHTED

Working Ex-Equipment Panels

IF	Converger	Decoder	Line scan	Power	Frame
T20//22X	5	14	18	17	14
T26 X	5	16	20	17	X
Phillips G11 14.50	5	12	20	20	11.50

All prices include Postage & Packing. But + VAT

★ IF THE PANEL YOU REQUIRE IS NOT LISTED PLEASE ASK ★

Visa Welcome
 Prices are plus VAT and based on quantity
 Cheques accepted

Walker House, 16 Bottomley Street, Bradford BD5 7LJ
Ring Tony 0274 308186 – Open 6 days – 9am-5pm

WESTERN TRADE SERVICES

EST 14 YEARS

**SUPPLIERS OF EX-RENTAL
 TV & VIDEO
 THORN AND NON THORN**

SOUTH WEST

2A Barton Hill Road, Torquay,
 Devon TQ2 8JH

Tel: 0803 312222

Fax: 0803 326767

Delivering throughout Devon and
 Cornwall weekly

WALES

Unit 6, Islwyn Workshop,
 Portymaester Ind Est, Risca,
 Gwent

Tel: 0633 612667

TV INTERNATIONAL

FOR

**'B' GRADE
 AUDIO – VIDEO
 – MICROWAVES**

LARGE STOCKS, NEW – BOXED – COMPLETE.
 SOLD FULLY TESTED OR DIRECT – UNTESTED
 ALL MINT

TEL. 0384 482 575

ASK FOR TRADE DEPT

FAX. 0384 265 236

**PEARTREE LANE, DUDLEY,
 WEST MIDLANDS**

**OPEN 9.00 – 6.00
 MONDAY – SATURDAY**



COLOURTRADE

ESTABLISHED 1973 – WHOLESALE ONLY

NEW 'B' GRADE

Major Brands ONLY Satellite, Receivers, Decoders,
Microwaves TV – Video – AUDIO

COMPLETE BOXED – WITH STAND – HANDSET – BOOK ETC

MINT LATEST NICAM FASTEXT F.S.T.

Phone 021-359 7020

FAX 021-359 6344

221-222 BRIDGE ST WEST, HOCKLEY,
BIRMINGHAM B19 2HU

CentreVision

SLOPER ROAD · LECKWITH · CARDIFF
EST · 1964

START THE NEW YEAR WITH
A VISIT TO CENTREVISION
WORKING TV'S NON FST

TEXT – £45.00

REMOTE – £35.00

BASIC – £30.00

100'S OF TV'S + VIDEO'S
IN STOCK

50 TV'S ON DISPLAY FOR
DIRECT RE-SALE



0222 344754



DO YOU REPAIR WHITE GOODS?

THEN YOU SHOULD KNOW ABOUT

DATAPART

THEY HAVE THE LARGEST AVAILABLE
RANGE OF GENUINE AND PATTERN PARTS

FOR MOST BRANDS OF :-

WASHING MACHINES

DISHWASHERS

REFRIGERATORS

COOKERS

VACUUM CLEANERS

KETTLES

IRONS

TOASTERS

MICRO-WAVE OVENS

★NEW★ 535 page pattern parts catalogue now
available at a cost of £6 to non-account customers



DATAPART LTD



ELECTRON HOUSE,
100 GREAT BARR STREET
BIRMINGHAM B9 4BB



SALES DESK 021 766 5551 24
FAX FREE 0800 373 459 HOURS

ANGLIAN TV WHOLESALE

EX-RENTAL TVs & VCRs

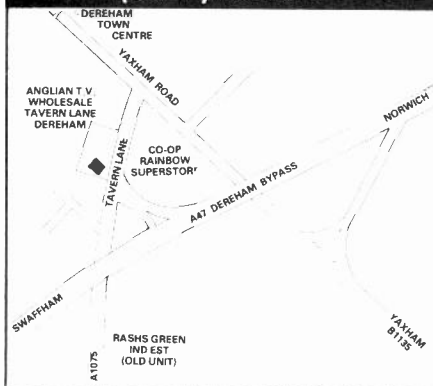
THORN AND GRANADA STOCK

NEW 'B' GRADE T.V., VIDEO AUDIO, MICROWAVE

BEST POSSIBLE PRICES EXPORT ENQUIRIES WELCOME

& DELIVERY AVAILABLE RING FOR DETAILS

ANGLIAN TV WHOLESALE, NOW AT UNIT 4, BRECKLANDS BUSINESS CENTRE TAVERN LANE, EAST DEREHAM, NORFOLK (0362) 691611



AERIALS
FOR TV & FM RADIO, PLUS 1000's OF MASTS, BRACKETS, LASHING KITS, CLAMPS, PLUGS, CABLES, OUTLETS, DIPLEXERS ETC.

AMPLIFIERS
FOR DISTRIBUTION SYSTEMS AND DOMESTIC, MAST HEAD OR SET BACK. WE HAVE ONE OF THE LARGEST RANGES, AVAILABLE FROM STOCK

MAIN DISTRIBUTORS
FOR ANTIFERENCE, LABGEAR, WOLSEY FRINGE, TRIAX, TELEVES, VOLEX-RAYDEX, KUBLER + MANY MORE

COASTAL AERIAL SUPPLIES
UNIT X2 Rudford Industrial Estate Ford, Arundel
0903 723726
NO MINIMUM ORDER VALUE
NEXT DAY DELIVERY ACROSS UK
CARRIAGE FREE ON ORDERS £250+
ACCEPTED MASTERS CARD VISA

TRADE TVs EX RENTAL TV & V.C.R.s

BASICS FROM £7.00
REMOTES FROM £15.00
TEXT FROM £25.00
VCRs FROM £25.00

TELEPHONE ROY SMITH

0302 - 349583
10AM - 5PM MON-FRI
A.R. INTERNATIONAL BUILDING
UNION ST,
DONCASTER, DN1 3AE
OFF ST SEPULCHRE GATE WEST

New WHOLESALE TV and VIDEO Warehouse

Vision World (Cardiff) has just opened for business in the Cardiff Bay area. Many makes kept in stock including Thorn and Granada. If you're the type of business that likes competitive prices and a good service, then contact:

VISION WORLD (Cardiff) Unit 89
Portmanmoor Road Industrial Estate East Moors Cardiff CF2 2HB
Tel: 0222 458989

CAMPION WHOLESALE LTD.

QUALITY USED T.V. & VIDEO COMPLETE RANGE OF T.V.'s AND VIDEOS MOST MAKES AND MODELS AVAILABLE

STOCK ARRIVING DAILY T.V.'s from £3.00 Videos from £30.00 Prices Ex-VAT

Free Delivery Service to most areas of the U.K.

UNIT 75, BARRACKS ROAD, SANDY LANE INDUSTRIAL ESTATE, STOURPORT-ON-SEVERN, WORCESTERSHIRE DY13 9QB
Just 10 Mins from M5 Junct. 6 Worcs North

For your export requirements contact us.

0299-879642 or 879643
FAX: 0299 827984

TELEPRICE

LIMITED

LEADERS IN THE SUPPLY OF EX-RENTAL TV, VIDEO & AUDIO

**THE
BIG FIVE**

**AINTREE
IAN McCLELLAND**



051 530 1285

Unit 4 Graylaw Ind Est
Wareing Road
Aintree Liverpool L9 7AU

**SUNDERLAND
BRIAN CADE**



091 523 5554

9A/B 94 Carrmere Road
Leechmere Ind Est
Sunderland SR2 9TE

**SANDIACRE
JOHN JEYS**



0602 491385

Unit 8 Ascot Park Ind Est
Lenton Street Sandiacre
Nottingham NG10 5DJ

**GLOUCESTER
KARLA REALE**



0452 372808

U 11D Barnwood Field
Business Pk Barnett Way
Barnwood Glos GL4 7RT

**FARNBOROUGH
COLIN GORDON**



0252 540814

40 Invincible Road
Farnborough
Hants GU14 7QU

CALL US FOR LATEST PRICES

CENTRAL TV



EX-RENTAL

- SUPERB RANGE OF TV'S & VCR'S
- THORN & GRANADA

● DIRECT LOADS
AVAILABLE FROM SOURCE

EXPORT ENQUIRIES WELCOME

'B' GRADE
SWITCH ON TO
TOP QUALITY BRANDS
OF

PHONE
TODAY

FOR BEST
RESULTS

ALL SIZES OF SCREEN TV AVAILABLE, BOTH IN FAST
TEXT & DIGITAL NICAM STEREO

VIDEOS: CURRENT MODEL

Single, Twin Speed, Nicam S-VHS

CAMCORDER

C FORMAT, FULL SIZE, 8mm
MICROWAVES ● PORTABLE ● HIFI ●
SATELLITE ● VIDEOCRYPT ●

PORTABLE £100

FULL REMOTE, BOXED

CTV LONDON
Eley Estate, Nobel Road
Edmonton N18
TEL: 081-807 4090
FAX: 081-884 1314

CENTRAL TV WHOLESALE
DISTRIBUTION LTD
369 Stratford Road, Sparkhill
Birmingham B11
TEL: 021-772 1591
FAX: 021-766 6383



C.T.V.

UNIT 5, THE PHOENIX BUILDING, RUSHOCK
TRADING ESTATE, DROITWICH ROAD,
NEAR KIDDERMINSTER
TELEPHONE: 0299-251522
0836-585829/0860-809673 (24HR)

SUPPLIERS OF HIGH QUALITY
EX-RENTAL TELEVISIONS AND VIDEOS
LARGE STOCKS ALWAYS AVAILABLE
ALL AT COMPETITIVE PRICES

Also available: 'B' Grade Products,
Audio, Microwaves and Complete Range
of Televisions and Videos

OPEN: MON-FRI - 9.30-5.30

TEL: 0299-251522
0836-585829/0860-809673 (24HR)

Fax: 0299-251543 EXPORT ENQUIRIES WELCOME

WOODHAM TV LTD

Wish all their customers a
Happy & Prosperous New Year

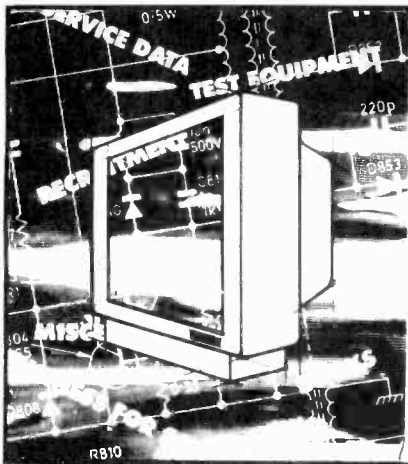
Wholesalers of
Thorn & Granada
ex-rental TVs and Videos
*Working - Non-working

*Many Special Offers
Open Mon-Sat 9.30-5.30

PHONE NOW

0245-32583

UNIT 8, CUTLERS RD,
SOUTH WOODHAM FERRERS,
CHELMSFORD, ESSEX



TELEVISION CLASSIFIED

No other consumer magazine in the country can reach so effectively those readers who are wholly engaged in the television and affiliated electronic industries. They have a need to know of your products and services.

The prepaid rate for semi display setting is £12.00 per single column centimetre (minimum 3 cm). Classified advertisements £8.40 per line, box number £22.00 extra. All prices plus 17½% VAT. All cheques, postal orders etc., to be made payable to Reed Business Publishing. Advertisements, together with remittance, should be sent to The Television Classified, 11th Floor, Quadrant House, The Quadrant, Sutton, Surrey SM2 5AS.



PHONE 081-652 8339 FAX 081-652 8931



SERVICE DATA



INFOTECH



76 Church Street, Larkhall, Lanarkshire ML9 1HE

Tel: (0698) 883334 – (0698) 888343

Fax: (0698) 884825

Send a large SAE for your FREE catalogue of our other publications

HOW WOULD YOU LIKE TO GET ANY SERVICE MANUAL YOU WANTED FOR ONLY £8.50?

WELL, NOW YOU CAN!

We are running a very special offer of any 20 manuals for only £170. No catches! Order as you need them (no time limit) including all those expensive manuals you couldn't previously afford. No hidden expenses like post & packing (that's included in the price).

And if that isn't enough!

We are giving away our Data Reference Manual FREE with every subscription to this 20 manuals for £170 offer!

EUROPEAN SCRAMBLING SYSTEMS NEW 3rd Edition

European Scrambling Systems is the "bible" of the black arts of signal security. Now in Euro' Scrambling 3, John McCormac analyses all of the latest hacks and scrambling systems

Only £32.00 inc. P&P

PRACTICAL GUIDE TO BUYING, SELLING, REPAIRING AND SERVICING USED CD's, TVs and VCRs

They cover everything from choosing good ex-rentals to covering more stock faults for common ex-rentals than elsewhere at many times the cost. These are brilliantly practical and inexpensive repair and service systems

Only £9.95 each or £25.00 for all three

INDEXES! INDEXES!

THOUSANDS SOLD WORLDWIDE

EDITION 10 of the complete indexes now published containing over 8,000 Faults listed in 12 Years of Television Magazine

Indexes are alphabetically listed by Make, Model, Fault, Ref and are now Available for just :

£8.00 For Television & Satellite Faults

£8.00 For Video, Camcorder & CD Faults

Or

£15.00 For both sets complete

Please add £1.50 (UK), £3.00 (Overseas) to total order to cover post & packing.

A LOW COST UPDATE SERVICE IS ALSO AVAILABLE. FULL DETAILS DESPATCHED WITH ORDER.

To secure your copy/s please make Cheques/Postal Orders payable to:

E.C.S. 31 PRENTON ROAD WEST,
PRENTON, BIRKENHEAD,
MERSEYSIDE L42 9PY

PANASONIC "G" DECK

Disassembly and reassembly on the easy to follow video.
Made by engineers for engineers only £19.95 FREE P&P (Else £6. Overseas)
Make cheques/PO's to:
Paul Stuhlfelder
Pulse Video (Dept TVAI)
2 Greenacres Drive, Morfa Bychan,
Porthmadog, Gwynedd,
N. Wales LL49 9YG

SERVICE INFORMATION

CIRCUITS & SERVICE MANUALS FROM 1940s – 1990s: radios, amps, radiograms, tuners, CD's, TVs, Videos, cassette, radios, ICE etc LARGE QUANTITY USED TV PANELS BACK COPIES PW, RADCOM TV MAG
Give details of your needs to:
DAVE WILLIAMS
Tel & Fax 0302 857526
23 Florence Ave, Baby,
Doncaster, South Yorkshire DN4 0QB

SERVICE MANUALS

For most U.K. European, Far East & USA types of TV – VIDEO – CAM – SAT – M/WAVE – CD and all at reasonable prices

VCR circuits also available separately for some models

Some examples from thousands of video manuals available.

These are all complete at £10 each + £1.50 p/p, no VAT.

PANASONIC NV-FS100, L20, NV-MC10, MC20, MC30, ORION D500, D1000/1100, D1200, D1500, D2000, D9000, GRANADA/TASHIKO – any VCR after 1988.

For other makes & models phone for price & availability.

LSAE brings free list of what's available this month.

D-TEC

PO BOX 1171, FERNDOWN, DORSET BH22 9YG
Tel: 0202 870656

AMSTRAD, LOGIK, MATSUI-SAISHO FAULT FINDING GUIDE

Covers hundreds of faults on a wide range of television and video recorders. Professionally compiled in easy to locate format. SAVES TIME AND MONEY by pin pointing faults in record time.

SEND £9.95 + £1.00 p.p. TO

R. ROWLAND
438 Poynters Rd, Luton,
Beds. LU4 0TW

SERVICE MANUALS

We have what is probably the largest range of Service Information available anywhere.

From the Earliest Valve Wireless to the Latest Video Recorders. Colour Televisions, Test Gear, Audio, Computers, Amateur Radio, in fact practically anything.

Originals or Photostats as available.

Also available. Our **FREE** catalogue detailing Hundreds of Technical Books and Repair Guides available.

Send 2 x 1st class stamps for your copy TODAY.

Mauritron Technical Services (TV),

47A High Street,
Chinnor,
Oxfordshire,
OX9 4DJ



Tel: 0844 351694 Fax: 0844 352554.

No. 1 For Fault Guides & Repair Data

Pick-&-Mix Fault Guides

Our selection of common stock and standard faults for various manufacturers

Choose any TEN manufacturers for only £4.95!

AKAI, ALBA, AMSTRAD, ARISTON, BENDIX, B&O, BUSH/RANK, DECCA/TATUNG, DORIC, EKCO, FIDELITY, FINLUX, FISHER, GEC, GRUNDIG, HITACHI, HINARI, IIT, JVC, KORTING, LOWE, LUXOR-SKANTIC, MITSUBISHI, MURPHY, NORDMENDT, ORION, PANASONIC (basic), PHILIPS, SANYO, SENTA, SHARP, SONY (basic), TELEFUNKEN, TOSHIBA, TRIUMPH, ZANUSSI

Giant Compendium (all above + Ferguson) only £9.95 (normally £16.95)
(Fault & Diagnostics Pocketbook for Ferguson TX90/TX100 only £4.95)

TV AR Fault and Servicing Guides (£16.95 each)

Vol. 1: (Includes CTV's, CD's, Assortment of Audios). Just some of the models: CTV's - Hinari CT4 to 7, Decca/Tatung 130/140/150/160 series, Philips System 4, IIT Digivision. CD's: Alba CD210, CD5200A, Fisher AD-M Series, Philips CD100/150, FCD 563/565, Sony CDP101/102/103. Audio, Automatic Turntables to Synthesizers and from Akai to Toshiba.

Vol. 2: (Includes CTV's, Computers, Satellite Receivers, VHS-C Camcorders). Just some models: CTV's - Ferguson TX85/86, TX90/100, Panasonic Alpha 1/1W Chassis, Philips 2A/3A.

Computers: Atari ST versions 520/1040. Satellite: Amstrad SR2:100/200, SRD400, Ferguson SRB-1, SRD2/4, Pace SS3300. **Each book has a binder full of the matching Circuits Available at £39.50 each**

Video Fault Finding Guides (5 books per series)

Series 1: Ferguson 3V00, 3V01, 3V16, 3V22, 3V23, Baird 8924, JVR HR-4001, Philips N-1500/N-1502, N-1700/N-1702.
Series 2: Ferguson 3V29/30, Baird 8930/40, Philips system 2000, Sanyo, VTC5000, VTC5300, VTC9300 (& 'P' version), Toshiba V5970 and Clones.
Series 3: Baird 8931 8942, Ferguson 3V31/32, Panasonic NV7000, NV8000, Philips/Pye 22VP600/700, Sharp VC2300, VC7750, VC8300, VC9700.
Series 4: Fidelity VTR1000 and Clones, Panasonic NV100, NV8600, NV8610, Philips VR6460, VR6560, Sharp VC108/408/651/681.
Series 5: Ferguson 3V35/36/38/39/43/45/48/53, Hitachi VT11, VT8000, VT8500, GEC V4100, Panasonic NV370, Philips 6920.
Series 6: Grundig VE300/310/320/340/380, Hinari VXL8/9/10 & Clones, Hitachi VT410 to VT450, Panasonic NV730/777/778/788, Sanyo VHR3100, VHR3800.
Series 7: Ferguson 3V58 to FV11/12, Goldstar GHV/GSE1290-1296, Panasonic later D-Deck, G/G1 Decks, Sharp VC381 to VC387.

(Please note the above are not full listings, only the main models from each series, they actually contain more information) **Only £12.95 per series or £79.95 for all.**



INFOTECH



76 Church Street, Larkhall, Lanarkshire ML9 1HE

Tel: (0698) 883334 - (0698) 888343

Fax: (0698) 884825

Please add £2.00 for post & handling (orders over £30.00 FREE POSTAGE)



INFOTECH



76 Church Street, Larkhall, Lanarkshire ML9 1HE

Tel: (0698) 883334 - (0698) 888343

Fax: (0698) 884825

Or Send a large SAE for your FREE catalogue of 100's of publications. Please add £2.00 for Post & Handling on any order (post free on orders over £30.00)

We have the world's largest collection of:

**"SERVICE MANUALS",
"SERVICE SHEETS",
"CIRCUIT DIAGRAMS",
"FAULT-FINDING GUIDES",
"REPAIR GUIDES",
"CIRCUIT DESCRIPTIONS"**

For CTVs, VCRs, CD's, Satellites, Midi Systems, Computers, Amps, Oscilloscopes, Mono TV's, Radios, Camcorders, Walkmans, Car Stereos, Tape Decks, Printers, Photocopiers and almost everything else!

!!We've got the lot!!

Data Reference Guide (4th Edn.) **Only £5.95**
With over 120 pages and incorporating a full "chassis guide" and Cross-references on every piece of CTV, CVR, Audio, Domestic and Test Equipment we can find! It is still the best guide on the market.

We Also Run the Largest Data Library in the United Kingdom (Please ask for details)

Phone/Fax or write for a FREE quote on any model
Orders usually sent "same day" as the order is placed

FAST FIX Fault Index

Now in NEW A4 Book Format, containing over 200 pages.

Still thumbing through back issues of 'Television', looking for the cure to that frustrating fault? Why not let the FAST FIX Fault Index find it for you? Covering the years 1982-Dec 1993 and listing over 3000 TV, Video, Camcorder, CP and satellite fault symptoms + hundreds of technical references from Television, FAST FIX could pay for itself after just one repair. All references are arranged alphabetically listing make, model, fault symptom and page reference. Regular updating takes place and all customers will be notified.

Complete FAST FIX index £16.00 inclusive. Overseas orders please add £3.00. **MONEY BACK GUARANTEE IF YOU ARE NOT COMPLETELY SATISFIED**

Send Cheques/Postal Orders, payable to J. Humphreys, 13 Mansfield Avenue, St. Johns Park Hawarden, Clwyd CH5 3S3 N Wales. For further details, tel. 0241 532961

Vintage Service Data. For all your requirements on valve & early transistor equipment. Contact "Savoy Hill Publications", Warrens View, Wrington Hill, Wrington, Bristol BS18 7PR. Tel: 0934 863491 19.00am to 7.00pm.

TRAINING

If you require a home study course in the fundamentals of electronics, either to begin a career, pursue a hobby, or refresh your knowledge, a

BASIC ELECTRONICS course, from the Direct Personal Learning scheme, could be just what you're looking for. Contact: **K. Sparrow etc . . . 11 Claydon Green Whitchurch BRISTOL Avon BS14 0NG** Telephone: (0275) 835669

TV VIDEO FAULT GUIDE LINE

FRYERNS

Most makes covered old and new. This service offers technical advice and cure plus Schematic diagram all for the price of £3.50

Access and Visa Fax Service
Phone 0268 558938 Anytime
4 Pincey Mead, Basildon, Essex SS13 3EW

SPARES & COMPS

SURPLUS/REDUNDANT ELECTRONIC COMPONENTS WANTED

I/Cs - Tuners - Transistors - Valves - Diodes etc. any quantity considered - immediate payment.

ADM Electronic Supplies
Tel. 0827 873311. Fax 0827 874835

WIZARD DISTRIBUTORS

Spares + Components
Always in stock
Video heads for over 500 models
Spares for over 20 manufacturers
Hand sets for over 200 models
TV Tubes new + regunned
Plus much much more

Empress St Works
Empress St
Manchester M16 9EN
061-872 5438, 061-848 0060
Fax: 061-873 7365

TUBES

REBUILT CRTs

VDU – MONITOR – TV

Image Burn-In Removed From Screen Phosphors

B.S.I. Certification

N.G.T. ELECTRONICS LTD

120, Selhurst Road, London SE25 6LL

PHONE: 081-771 3535

Britain's Oldest Established Tube Rebuilder

TRANSFORMERS

TV LINE OUTPUT TRANSFORMERS

PHONE 081-948 3702 FAX: 081-332 0583

ALBA . AMSTRAD . BUSH . DECCA . DORIC . BLAUPUNKT .
FERGUSON . FIDELITY . GEC . GRUNDIG . GRANADA .
HITACHI . HINARI . INDESIT . ITT . KIMARA . NIKKAI .
MATSUI . MURPHY . OSAKI . NORDMENDE . LOEWE-OPTA .
PANASONIC . PYE . PHILIPS . SANYO . SAISHO . SHARP .
SONY . SOLOVOX . SUSUMU . TANDBERG . TELEFUNKEN .
THORN . TRIUMPH . THOMSON . GOLDSTAR . BINATONE .

**FULL RANGE OF KONIG: VIDEO HEADS, BELT KITS,
IDLERS, PINCH ROLLERS, TENSION BANDS.
LARGE RANGE OF REMOTE CONTROLS IN STOCK**

TIDMAN MAIL ORDER LTD . 236 SANDYCOMBE ROAD .
RICHMOND . SURREY . TW9 2EQ .
Approx. 1 mile from Kew Bridge .
Mon-Fri 9 am to 12.30 pm &
1.30-4.30 pm
Sat 10 am to 11.45 am

TEK-HELP

**HOT LINE FOR TV
& VIDEO REPAIRS
THOUSANDS OF
FAULTS & CURES
ALL MAKES
JUST THE COST OF
A PHONE CALL**

0891 516 434

48p PER MIN 36p CHEAP RATE

LINEAGE

FOR SALE: Video Camera/camcorder servicing equipment system video vector-scope, unused test charts (log grey scale and colour) unused lux meter, over 250 current model service manuals from various manufacturers, 100 plus training manuals e.g. Panasonic, Hitachi, Grundig, Sanyo etc. Vectorscope in excellent working order, charts cost over £350 alone, manuals worth over £2000, to be sold as a package for £2500 ovno. Tel: (0533) 640787 after 6pm.

WANTED, VALVES TRANSISTORS especially UK manufactured EL34, KT66, KT77, KT88, PX4, PX25. Please post list of what you have, cash waiting. Billington Export, 1 E Gillmans Ind Estate, Billing-shurst, Sussex RH14 9EZ. Callers strictly by appointment only. Telephone 0403 784961, Fax 0403 783519.

VIDEOCRYPT DECODER Service sheet with smartcard contact details Eurocrypt card interlace £12. E.M.O. Ramsbottom, Lancs BL0 9AG. Tel: 0706 823036.

HOW THEY WORK! HOW TO TEST! HOW TO REPLACE!

Designed specifically for Domestic Appliance Engineers who want to enter the fast growing microwave industry. Packed full of useful information, presented in a simple yet informative style with comprehensive diagrams and illustrations. Fault finding procedures are included at the end of each section.

The book contains easy to follow electronic control systems

SWIFTPARK LIMITED

113 LONDON ROAD, HORNDEN, WATERLOOVILLE, HANTS. PO8 0BJ

£14.95
plus £1.25 P & P.

**ORDER
YOUR COPY
TODAY!**



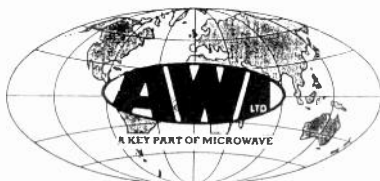
We also supply microwave oven components

Microwave Oven Component Parts

Guaranteed Quality

Guaranteed Products

Competitive Price



AWI Ltd Samuel Whites Estate, Medina Road,
Cowes, Isle of Wight, PO31 7LP
Tel (0983) 29612J Telex (86736) Sortex G Fax: (0983) 296122

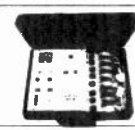
TEST EQUIPMENT

MÜTER · AT2 · BMR 95 · BMR 700

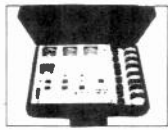
AT 2, Audi-Multi-Tester, 16 test-circuits for loudspeakers, tuners, amplifiers, headphones, tape recorders, mikes, boosters.



car radios, CD-players; measurement of millivolt, drift, watt, performance, with generator, radio, signal tracer/injector, 13 volt supply etc.



BMR 95
BMR 700



Regenerating Computers & Measurers for CRT's with cathode protection, gas clean-up aid, short repair: exhausted CRT's becomes bright and sharp again even if all other machines do not: succeed.

United Kingdom: P & E Services, Llandudno, Tel. (0492) 549246, Fax 547880.

Ireland: Dönberg Electronics, Ranafast, Co. Donegal. Tel: 353 75 48275 and 48532. Fax: 353 75 71031.

New Zealand: TDON Ltd., Onehunga, Auckland. Tel. 6 68-9 07, Fax 668-4 99.

Germany: Ulrich Müter, Oer-Erkenschwick, Fax (0 23 68) 5 70 17.

MISCELLANEOUS

CAR RADIO DECODING EQUIPMENT

Plug our decoder into your IBM or compatible computer, remove the base plate from the radio, place our probe onto the PCB and the code is instantly displayed. Changing the code or even fully reprogramming the eeprom is just as easy. Easy to use software includes PCB layouts and help screens with full backup from our telephone helpline.

PHONE US NOW FOR INFORMATION PACK AND FREE DEMO DISK
(Please state either 3.5" or 5.25" disk)

**Starter kit covering the three most popular brands
£300 + carr & VAT**

EEPROM DECODING SERVICE: only £5 + VAT
(just send us the chip)

FORD 2006, 2007, 2008, 2040 DECODED FOR £15 + VAT

FORD 2006 front panel DECODED FOR £10 + VAT

GRUNDIG SC-303 DECODED FOR £15 + VAT

Prices INCLUDE return carriage

Electronic Sound Systems

62 High Northgate, Darlington, Co. Durham DL1 1UW

Tel: 0325 484089 Fax: 0325 465921 Mobile: 0860 221 099

CAR RADIO CASSETTES

Do you turn away work on car radio cassettes because they have security codes.

Most radio cassettes can be decoded just by replacing the eeprom (memory IC) with that of a known code, or sending the original for recoding.

Send now for introductory offer, one of each of most popular eeproms plus comprehensive eeprom/radio decoding list. Offer includes Philips X2402P Ford MN010: Blaupunkt Boston CC20 9346 £17.63

Original eeprom re-coding service £4.99

Radios sent for decoding from £16.69

Inclusive of VAT and p&p
99% all radios covered

RADIO DECODING EQUIPMENT

Our software package to run on all IBM and compatible computers including laptops and notebooks, consists of Ford, Philips, Blaupunkt, Pioneer, Clarion, Panasonic, plus many more may be added. Included is all necessary probes and interface (no batteries required) Reads and writes codes in seconds. No technical skill is needed...all help is built in £299 + VAT

For technical or general information phone

0543 572523

C.D.H. ELECTRONICS
3 Common Walk,
Huntington, Cannock,
Staffs WS12 4NB

MARCONI COMPACT L.N.B. 1.2DB £30 10.7 TO 11.7GHZ		60cm BACK MESH DISH £20, £5 post		12v Satellite Receiver with hand set £30 Switched Mode Trans 3112. 338. 32642 Ferguson £1		VIDEO AMSTRAD HANDSETS (EXPORT) £2.50 WILL WORK IN HOME MARKET 6.000 and 4.600 4.700 £5		SEND FOR DATA D2 MAC SATELLITE RECEIVER, LNB AND DISH. £50 (£10 Post)					
SATELLITE RECEIVERS — New Ferguson BSB Chassis with Tuner, Modulator etc Hand Set £1.50 £4 Post			60cm SATELLITE DISH £35 Postage £5		SATELLITE FINDER KIT AND LNB TESTER WITH METER BOX £25		New Eprom for converting Ferguson BSB Receivers to D2 MAC and PAL — 99 channel is tunable and each one can be put into memory — also has menu. £20 PAL panel (to convert to PAL) £20 SEND FOR DATA		TELEPHONE BATTERY SANYO 3.6V 250/MA — £3				
SMALL SATELLITE TUNERS (950 to 1750 MHz), L.F. frequency 4000MH £9.00 each VHF/UHF S. BAND TUNER £3.90 DAM MAINS CHASSIS AMSTRAD MONITOR C £10 UNIVERSAL TRIPLER. NEW TYPE £4.00 VIDEO LEADS 80p AMSTRAD Line O.P. Transistors with Diode 2SD/453 £1.00 VIDEO LAMPS. Long Lead 24p HITACHI & GEC FRAME, Thick Film £6.00 FIDELITY SPLIT DIODE FCC2215AE £20 FCC2015BE £10 FCC2215BE £10 K30 FRONT PANEL TEL-TEX TYPE £5.00 NEW G11 LINE OF PANEL £8.00 PHILIPS YEARS AHEAD THE CREDIT CARD CALCULATOR Solar Powered £3.75 NEW PHILIPS SBC 1833 Solar & Battery Powered Calculator £8.00 THORN PANEL TX9 REC & REMOTE PANELS with Mains Trans £5.00 TX100 FRONT PANEL £5.00 TX10 TUBE BASE ON PANEL £3.00 TX91F £2.00 THORN PANEL No.515-353, 548.02, 565-01, 509/102, 515/173, 508/161 £5.00 THORN TX STEREO SOUND O.P. PANEL (I.C. TA7227P) £1.00 THORN VIDEO AERIAL AMP 01 M4-597-001 £6.00 ULTRASONIC TRANSDUCER 15p			CAMCORDER SANYO NP22 6v 1300mah Rechargeable Battery Pack £6.00		Scart to Scart all pin connected £2.50		Miniature Xmas tree with flashing LED's (12) £7.50		VARTA 3.5V 280 M/A £3.00				
TX100 REMOTE PANEL No.564131C M293B/and SAA5012 £10 etc			144MHz Changed Over Relay Aerial 50p		PHILIPS UNIVERSAL BATTERY TESTER SBC 1695 £5.00		TX100 SWITCH MODE TRANS 5157/48 £5 AND 00D4252001 06D3082001		THORN FRAME IC TX100 etc IC TDA 3652 IS OBSOLETE REPLACEMENT TDA 3654 £1 EACH				
NICAM UNIT — Ferguson made for ICC5 Chassis — home market and export — has circuit diagram and can be converted to most sets — £15. TOSHIBA Nicam panel & IF export only has the Toshiba chip set £8.50			6251 FRAME O/P THICK FILM HITACHI GEC £9.00 THICK FILM HITACHI HM9205A £4.00		BATTERY CONVERTER FOR TA185 FERGUSON TX85 £8.00		STEREO SOLAR RADIO VHF AND MW £10.00		1000V AC 1000V DC ETC. PHILIPS METER ANALOG £11				
LARGE Foocs Pots. Fits Pye, GEC, IIT, Decca			TX 85 FERGUSON BATTERY MAINS CONVERTOR £5 each		ONE I.C. K35 Decoder £10.00 PHILIPS Deck Calculator £7.00		REGULATED PWR. SUP. 500MA 1.5V-12V DC switched + & - £5.00		G11 470 MFD 250v £1.35				
BSB SAT/REC HALF COMPLETED. CHASSIS, TUNER AND MOD £5 + Post £3			PHILIPS NEW TYPE U/V HANDSET £10		REGULATED PWR. SUP. 500MA 1.5V-12V DC switched + & - £5.00		MADE BY PLESSEY — MADE IN ENGLAND New public telephone exchange original price cost £299.00 Network exchange line (at home or in a small business) has two telephones and cables and NSS107 control unit SPECIAL PRICE £54 Send for data		420M/400 £1 220M 3850 £1				
GLASS BEADS Diodes 200v/1.2A 50 for £1.00			MIXED TOSHIBA HAND SETS FIVE FOR £12		56420A 20A/600V THYRISTOR £1.75		12 Volt Relays 35p with D/P changeover		PHONO 1'0 LEADS 3 Metre 30p				
G11 LOPT Panel £4.00 G11 Tip Switch £20.00 G11 IF Panel £3.00 G11 Decoder Panel £2.00 G8 Push Button Unit £2.00 G8 Con/Panel New Back Type £4.00			Have you got Acid Rain in your garden? PH METER Video Power Supply for Amstrad. Last year mod. Mains Transformer for Amstrad Video £5.00 £1.50 25p (£1 post)		LCD VIDEO AMSTRAD HANDSET for models 1900 £8 each		DECODER C-CAM PHILIPS MADE FOR K40 CHASSIS IC No. TDA 3590 £5.00		LEAD SCART TO D PLUG 50p				
LATEST VIDEO For Latest Philips, GEC, Pye and Hitachi. Front panel with memory chip and bush button and pots and LED's £6.00 NEW			FERGUSON CHASSIS IKC-2000 £20 TX86 Chassis £14 TX90 Chassis 14" £15 8 PUSH BUTTON £15 Post each, £5		ITB BG2032-642A TRIPLER £5.00		COAX PLUG TO PHONO LEADS £1		BRIDGES RECTIFIER Mixed BR-31 to 34 2 Amp to 5 Amp 8 for £1.00				
GEC HITACHI DECODER PANEL TBA10AS, TBA120, HA1215A, UPL1365 £10			TX100 FRONT PANEL £5 8 Button		ITT/NOKIA RF IF MODULE £20		TV GAMES AERIAL VIDEO COMBINER SWITCH £1.50		G11 8 WAY TIP SWITCH WITH DAWY ASS £10				
SCART TO SCART LEADS TX90 REMOTE PANEL IC TMS1000 AND M293 £12			SALORA SAT RECEIVER CONVERSION KIT For models 24M60, 25M90, 28M90, SB1206E, SB1365 £15		COAX PLUG TO PHONO LEADS £1		TV GAMES AERIAL VIDEO COMBINER SWITCH £1.50		1 METRE SCART LEAD £1.00				
5 Mixed AMSTRAD VIDEO MOTORS £5.00			TX90 TO TX100 8 BUTTON UNIT £4.00		MIXED 20 BRIDGE RECTIFIERS (1 Amp to 5 Amp) £1.50		BURGLAR ALARM USE INFRA RED DETECTOR WIDE AND SHORT ANGLE WALL MOUNT £8 WITH RELAY		TX90 TX925 TX100 Mains Switch with Stand-by and Lead 50p each				
SATELLITE TUNER UNIT 2427611 with Base Band, Video Out £6.00			TX10 8 way button unit 24v 0.24v 3amp MAINS TRANSFORMER £8.00 10 MIXED FERGUSON CIRCUIT DIAGRAMS MSH1FCF9 £3.00 £5.00 £7.??		SHARP MSH1FCF9 FIT MOST SETS New Thorn 0004-235 Hand Set Type u/v (£10)		VIDEO MOTOR for VT568 type VC52D8 £8.00 AMP TUNER IF for VT568 Hitachi & GEC £9.00		TX90 TX925 TX100 Mains Switch with Stand-by and Lead 50p each				
2433752 £20 2432964 2432871 2432301 2435916 2433952 2434393 2432211 T9048A DST185B243 TFB3069D K4L O.P.T. K40 2433452 2432904 2434451 £14			SPLIT-DIODE 2433752 £15 TX100 Green Spot £15.00 TX100 Yellow Spot L.O.P.T. £10.00 TX90 White Spot L.O.P.T. £15.00 Split Diode 110" £12.50 Orion 65-3M GEC RS-9793-6 TX9 Thorn 2432101-2 £5 2434141 EACH 2434462 2434493 £10		DST 81N243 TFB4023AD £10.00 MSH1FPT131 £12.00 MSH1FBW27 £12.00 DST186N243 £10.00 3220029 £10.00 TOSHIBA DST 186N243 £10 TFB-4023AD £10 CP90 Philips Split Diode £10.00 2435141 £15 2432491 £10 2435963 £15		TX85 2435701 2434393 2435016 2435014 £10 2436797 £15		TRANSFORMERS 24357/01 £10 2435012 £10 FERGUSON 47003481 £10 AMSTRAD TVR3 LPTS £10 TFB3069D EQU TFB4009 AN		AT203600 AT207655 AT204811 AT207671T AT2055 RCO ST CT3325 AT207635 OT2041 AT207638 FB165KA Orion AT207651 2076/51 CVC 820 2432461 2433451		BRIDGE RECTIFIERS 10 FOR £1.00 4 Amp for Video Power Supply
SATELLITE TUNER 950MHz-1750MHz £5.00			BURGLAR ALARM £2.00 with siren 9 VOLT		PHILIPS HAND SET G11 TEXT ULTRASONIC £10		G11 TEXT IN RED HAND SET £15.00		G11 HAND SET ULTRASONIC £10				
TTT PANEL CMC 301 CMC 113 CMC 302 CMC 115 CMC £5.00 303 CMC 96/4			25 Way Plug and Socket with Case £1.50		PHILIPS RC5 EASY CONTROL £10		PHILIPS RC5 EASY CONTROL £10		U/V 6, DIODE TRIPLERS £2.00				
VIDEO LEADS 4 for £1			SEL IIT IFB254F/2 Front Panel £15.00		TRV3 Amstrad Cassette Mechanisms. New with 2 motors and sound head. £15 £5. Amstrad Television Tuner UHF. Small, Fits most Amstrads. £5.		FERGUSON SAT HAND SET SR D1 SR D2 C3 SR D3 SR D4		4600 TO 8600 AMSTRAD VIDEO HAND SET WITH LCD £10				
DECCA — GEC — IIT 6 push button £5.00			SENDZ SEE BACK PAGE		FERGUSON ICC5 STEREO O.P. PANEL, ICs TDA8405 TDA8421 TBA1204 £10		BURGLAR ALARM Has time delay to set £2 Mains Transformer £4.00 240v in 110V to 120v out 1 amp post £3		NICAM MKII KIT MODULE £20.00 with data				

SENDZ COMPONENTS

0702 338894
(To order see back page)

LA11440	£1.00	TUNER UNITS TX90/TX190 Tuners with AE socket Thorn TX Tuner V/Cap eqv. to EL C1043 £4.50 Thorn TX10 Export V/Cap UHF/VHF £3.00 ENV 57836G2F UHF/VHF Small £4.00 NEW G8 Tuner V/Cap £3.50 ELC2040 on Panel £2.50 EC613F £7.00 VHF/UHF 2 BEOT545A £6.00 EI C2000 NEW £4.00 EI C2003 £4.00 GEC Tuner V/Cap Hitachi After 1979 £8.00 ET548, ET547, ET541B £6.00 EI 546 £6.00 ET598A UHF/VHF Miniature Tuner Hitachi £5.00 EL C1042 £6.00 EL C1043 £6.00	Sweep Tuning TX90 Remote Panel No 139-001 - I.C.S. M293B1 and TMS 1000N 2LL £12.00	PHILIPS RC5410P £8 HAND SET
M58484P HA51338 SP TAA7750 HA11485ANT UPC1373 M58657P M4911B1 M50411550 M58658P M50430 - 850 SP M50143 - 011P	£2 £3 50p £2.00 50p £1.00 £3.00 £1.00 £1.00 £3 £1	Monitor Astec UM1233 50p	Turntable Satellite Modulator TV Sound 5.5MHz MPM 1000T £1 Sound 6.0MHz MPM 1040 £1	ICCS E/W COIL £2
Receiver TX100 Panel I.C. No. SA183035 -MAB8440P D066 -SA11060 -PC78571P	£10	UE33-B01 Amstrad UHF Tuner £5.00 VHF/UHF EG522F £6.00 ASTEC UM1183 £10.00 V314 (VHF) £5.00 V321 £4.00 U321 £6.00 U341 UHF £6.00 U342 (UHF) £5.00 U343 Phono £5.00 U344 Coax £6.00 U343C £6.00 U344C £10.00 U311 UHF £4.00 U312 £8.00 U3411 Tuner £8.00 U3417 £5.00 U3418 Tuner £5.00 UHF/VHF Tuner 1500 DKO £5.00 U743 Tuner £3.50 U944 Tuner £5.75 Fidelity/Amstrad 2000 V/Cap Tuner £5.00 Small V/Cap Mitsumi - UHF £3.00 - VHF £3.00	Ferguson Switch Mode Transformer TX85, TX86, TX100 £3.50 each	EARLY BIRD SAT TUNER WITH 950-1750 MHz BASE BAND £8 WITH DATA
20 off £2.00 High Voltage Condenser INS to 8NZ 1500V to 2KV	£2	Portable & Rotary Tuners Sanyo & Mitsumi UHF £5.00 UHF £5.00 Mosfit UHF/VHF (new type) £8.00 UF2-B31 Fidelity V/Cap T/Unit £6.00 UHF-VHF V/Caps on panel £3.00 HITACHI 20 Turn Pot 40p U321 ca panel £6.00	ICCS Ferguson Switch Mod Trans 3112-338-32642 £4.00	FERGUSON LOPT FST 24" TX100 - 260482 £15
TX9 C.CAM Decoder	£5.00	Change over switch on ax type box with lead 50p	12v DC and 24v DC power supply regulated ICCS L.O.P.T. £2 DST 88B243 £10.00 each DST 85B243 £10.00	LOPTS AMSTRAD 3714016 £5 3216001 £5
4 Types Fidelity front panels with i.c. & parts £2.00 each BB 103 10p BH 105A x12 £1.00 BH 105B x12 £1.00 BH 105G x12 £1.00 BB121a 10p		UF 7496 Tuner £5 EF 321 £5 EG 311F £5	Ferguson Hand Set ICCS £5 IK2000 IK7000	TOSHIBA REMOTE CT9123 £4
1A/1600V DGP EQV - BY228 10 for £1.00 2 amp bridge rec. wire end 15p SKE4G2/02 15p Eqv. BYX71/600 500ns.	10p 10 for £1.00 15p 15p	UF744 BAV £3 UF745 BAV £3 UHF Tuner and IF in one can (small) £5.00	KT3/K30 1/Text £12.50 KT3/K30 Full remote £15.00 Pye & Philips handset KT3-K30 chassis. No RCS150-RCS176-RCS071-RCS177. Special Price £13.00 RC4001 KT3 and Teletex £14.00 TX10 Hand Set Text £12.50 TX9 with Text £12.50 TX9 & TX10 button print £2.00 TX10 Focus Pots £5.50	TV GAMES COMBINER SWITCH £1
6 Push button switch ITT GEC CVC45 ETC	£3.00	Co-Ax Belling Lee Plug 14p Co-Ax Splitter £1.00 Intra Red Emitting Diode 20p NE2861 Small Neon Lamps 5p GEC & Philips Mullard 5 Watt Amps. LP1162 (New) £7.5	Mains Stand By Switch with Coil £1.00	AMSTRAD SANKYO CAPSTAN MOTOR 6,000 £3 AMSTRAD LOADING MOTOR 6,000 £1
Hitachi T/V IC HA51338SP/3	£3.00	WE HAVE OVER 250 TYPES OF STK AND STR I.C.S. SEND FOR LIST	PHILIPS UNIVERSAL HAND SET £12.00 RCS KT3 - K45 - £10.00	GRUNDIG TRIPLER BG-2032-642-3002 £5
TT14 GEC TEX-DECODER 13 IC Panel with cable form	£9.50	85-4538-3 Tatung GEC 8 Button Unit Print Type 1990 to 1992 £5.00	We have all parts for Philips Handsets RCS533 £10 RCS300 EACH RCS176 RCS177	HAND SETS FOR 6000 SERIES AMSTRAD FOREIGN ORIGIN WITH L.C.D. £2.50
PHILIPS Decoder SAA IC 5020-5030 5040B-5050	£8.00	PHILIPS HAND SET K35-K4-K40, etc £10	TEX1-TYPE Replace Hand Set for Philips KT3-K30, K4 etc £12.50	FERGUSON PAY HAND SET 4 FOR £1
ICCS TUBE BASE ON PANEL. ICCS DECODER PANEL. ICCS TEXT PANEL	£5.00 £15.00 £15	Universal Tripler with small focus pot. Green type £7.00	THORN HAND SETS 9000 - 9600 - TX9 - TX10 - TX100 Text and Non-Text £10.00	TOSHIBA REMOTE CT9233 AND CT938 £3
K35 Decoder £8.00 K35 Sound OP £4.00 Thick Film Daughter K13 33122-127-43891 £3.00		THORN CASSETTE HOUSING PAS2680SU £18.00	PHILIPS RCS171 (HAND SET) £12.00	TOSHIBA T/V TUNER. IF ENV 57836 G2F £3
12 CH. K30 Text Rec Front Panel with I.C. £5.00		LITHIUM BATTERY BR-23 Volts 20p	K35-K4 HAND SET Repaired for £5.00	HITACHI STAND BY MAIN TRANS £10 2213881 AND L 210049
K4 Focus Pot K40 Plug in £1.00		TUNER. SAT 2000 KHC £8	SANYO MAGMTRON Type 2M218H £10	PHILIPS K35 ETC 12 WAY SWITCH WITH KNOBS 50p
Fidelity Tube Base with transistor & focus pot £1.50		D1514C 036 £3 D1514C 046 E MN1250BJC A ST6393 B1/Y C HD6140815A90 C TMP47C1637N H M50442-5535P	B SKY B VHF TO IF £5 BLOCK CONVERTER	60.40 SOLDER 500G £4
TX10 Tube Base on Panel £3.00		International Rectifier EHF Diodes G770/1V34 6KV 3 for 8p 6A/600V Stud Diodes 20p BTW 92800R £3.00 6A/1000V Stud Diodes 20p 24A-473 PNP C/P 10p DL 711 Mullard £1	10 Panels Ferguson Mixed from TX9 to ICC5 £20	HIGH GAIN T/V ANTENNA UHF-VHF BUILT IN 32DB AMP 12V DC/220 AC £9.25
PHILIPS HAND SET K35-K4-K40, etc £10		THORN CASSETTE HOUSING PAS2680SU £18.00	TV Aerial Ring Type 40p	AMSTRAD VIDEO FRONTS WITH FLAP LONG CHASSIS ALL MODELS MADE IN 1991 TO 1992 AND DECCA PRO LINE £3
Universal Tripler with small focus pot. Green type £7.00		LITHIUM BATTERY BR-23 Volts 20p	TX100 Remote Hand Sets £6	AMSTRAD VI VIDEO CASSETTE MECHANISM FITS 30 DIFFERENT MODELS - OSAKI - TATUNG - DECCA - AKAI ETC 1991 TO 1992 WITH SINGLE PLAY HEAD £20
THORN CASSETTE HOUSING PAS2680SU £18.00		TUNER. SAT 2000 KHC £8	Philips Video Remote Hand Set Works most sets. No L.C.D. Display £5	AMSTRAD 6000 HEAD WITH MOTOR LP £12
LITHIUM BATTERY BR-23 Volts 20p		D1514C 036 £3 D1514C 046 E MN1250BJC A ST6393 B1/Y C HD6140815A90 C TMP47C1637N H M50442-5535P	ITT-Nokia Tuner IF RF-IF-Module 5829/02 58 £6	AMSTRAD - LONG CHASSIS AND SHORT CHASSIS POWER SUPPLY £4 MODELS 1991 TO 1992
TUNER. SAT 2000 KHC £8		FERGUSON ICs Ferg: TX982 £3.00 TMP47C 634N 2685 £3.00 ST16391 B1 B2 ICC7 £4.00	SEL-ITT HF-Module 2 UK 5828-04-10 £6	AMSTRAD - DOUBLE DECKER SWITCH MODE £8 POWER SUPPLY
D1514C 036 £3 D1514C 046 E MN1250BJC A ST6393 B1/Y C HD6140815A90 C TMP47C1637N H M50442-5535P		CMC 301 front panel £5.00 CMC 303 front panel £5.00	01 M4-412-001-RU1 £3 8 Way Pre sets for TX10-TX100	AMSTRAD - DOUBLE DECKER PANELS. DOUBLE DECKER FRONT £7
International Rectifier EHF Diodes G770/1V34 6KV 3 for 8p 6A/600V Stud Diodes 20p BTW 92800R £3.00 6A/1000V Stud Diodes 20p 24A-473 PNP C/P 10p DL 711 Mullard £1		01 V6-251-002 Text Panel ICC5 Ferguson £10	Sharp Tuner and IF 1810587 PAL1 UK £3	AMSTRAD LONG CHASSIS DISPLAY PANEL 1992 TO 1993 £4
		Sharp Tuner and IF 1810587 PAL1 UK £3	Tuner IF UE30-B0 3 Amstrad £3	AMSTRAD TUNER UE33-B01 £3 IF £2
				6 FOR £10 TX10 FOCUS UNIT
				CONVERSION KIT ITT TELETEX £8 BURGLAR ALARM SIREN 12 VOLT 50p
				HANDSETS AMSTRAD EASY CONTROL. MODELS 4600 TO 8600 £3 each
				FERGUSON THOMSON SAT HANDSET SRD1 TO SRD4 £2 each
				AMSTRAD NEW VIDEO DISPLAY PANELS ETC. YEAR OF MODELS 1991 TO 1992 - 20 FOR £10
				1993 TOSHIBA FAST TEXT HAND SET £3.50
				AMSTRAD IC FOR VIDEOS 6206 TO 8600 DISPLAY IC 14 DN 728 AND 14 DN 513
				AMSTRAD 6000 MODULES IC MN616 3AS AND 6367S
				TOSHIBA HEAT SYNC COMPOUND £6 FOR KILO DRUM

DIODES		Voltage Regulators		SENDZ COMPONENTS		ML926		TBA1440C		TDA3565	
Bridge KBF88	40p	+5V UA78P05SC	30p	2436792	£10.00	BD046	50p	TBA1440C	£1.00	TDA3565	£3.00
BY 126	10p	BV 79M08C	30p	2436797	£10.00	BD933	30p	TBA4800	£2.00	TDA2575A	£1.00
BY 127	30p	+6V 78M06C	30p	AI2078/25	£10.00	BD939	30p	TBA520	£2.00	TDA2577A	£2.00
BY 133	10p	LM 3171	30p	TFB4032BD	£10.00	BD948	30p	TBA530	£2.00	TDA2578A	£2.00
BY 134	10p	LM 337	30p	TFB4032BD	£10.00	BD131A	50p	TBA540	£2.00	TDA2579A	£2.00
BY 176	25p	LM 342/18	30p	TFB41105D	£10.00	BDX75	20p	TBA560CQ	£1.00	TDA2581	£2.00
BY 179	40p	LM 340T/5	50p	R 1038	40p	BDV64B	50p	TBA570	£1.50	TDA2591	£1.00
BY 184	25p	+12V LM 340T/12	50p	R 2029	50p	BF761	50p	TBA625	50p	TDA2593	50p
BY 187	10p	+24V LM 340T/24	50p	R 2109	50p	BF788	20p	TBA651	£2.00	TDA2560	£3.00
BY 190	40p	+24V 78M24	20p	R 2210	60p	BF858	30p	TBA673	£1.00	TDA2566	£1.50
BY 196	30p	MC 7224p	40p	R 2257	60p	BF869	30p	TBA750Q	£2.50	TDA2600	£1.50
BY 198	30p	MC 7824	40p	R 2265	50p	BF871	30p	TBA780	£1.50	TDA2611A	£1.00
BY 204A	40p			R 2305	50p	BF872	20p	TBA800	50p	TDA2611AQ	£1.00
BY 206 - HY 407 Eqv	8p			R 2306	30p	BF881	10p	TBA810AP	£1.00	TDA2653	£4.00
BY 208R00	8p			R 2322/2323	pair 80p	BF885	10p	TBA810S	60p	TDA2640	£2.00
BY 210/400	5p			R 2323	15p	BF889	30p	TBA820M	25p	TDA2593	£1.00
BY 210/800	10p			R 2396	15p	BF892	30p	TBA820P	75p	TDA3047	£1.00
BY 223	60p			R 2461	80p	BF895	30p	TBA9000	£1.00	TDA3048	£1.00
BY 226	15p			R 2461	80p	BF900	30p	TBA9000L	£2.00	TDA3083	£2.00
BY 227	15p			R 2030	50p	BF909	30p	TMS100KRL	£2.00	TDA3190	£1.00
BY 228 1500W	15p			R 2433 = B3124	30p	BF912	30p	TMS1943 NZL	£5.00	TDA3300B	£5.00
Flat BY229 black	20p			R 2540	£2.00	BF917	20p	NE646	50p	TDA3301	£1.00
BY 229 Red	20p			R 2540	£2.00	BF918	20p	NE646	50p	TDA3301	£1.00
BY 229/400	20p			R 2540	£2.00	BF919	20p	NE646	50p	TDA3301	£1.00
BY 229/800	20p			R 2540	£2.00	BF920	20p	NE646	50p	TDA3301	£1.00
BY 231	5p			R 2540	£2.00	BF921	20p	NE646	50p	TDA3301	£1.00
BY 237	5p			R 2540	£2.00	BF922	20p	NE646	50p	TDA3301	£1.00
BY 253	5p			R 2540	£2.00	BF923	20p	NE646	50p	TDA3301	£1.00
BY 255	30p			R 2540	£2.00	BF924	20p	NE646	50p	TDA3301	£1.00
BY 298	10p			R 2540	£2.00	BF925	20p	NE646	50p	TDA3301	£1.00
BY 299	10p			R 2540	£2.00	BF926	20p	NE646	50p	TDA3301	£1.00
BY 306	8p			R 2540	£2.00	BF927	20p	NE646	50p	TDA3301	£1.00
BY 327	20p			R 2540	£2.00	BF928	20p	NE646	50p	TDA3301	£1.00
BY 407A	10p			R 2540	£2.00	BF929	20p	NE646	50p	TDA3301	£1.00
BY 500/200 5amp	8p			R 2540	£2.00	BF930	20p	NE646	50p	TDA3301	£1.00
BY 527	10p			R 2540	£2.00	BF931	20p	NE646	50p	TDA3301	£1.00
BY 602	10p			R 2540	£2.00	BF932	20p	NE646	50p	TDA3301	£1.00
BY 726C	10p			R 2540	£2.00	BF933	20p	NE646	50p	TDA3301	£1.00
F247	10p			R 2540	£2.00	BF934	20p	NE646	50p	TDA3301	£1.00
GRP20G	5p			R 2540	£2.00	BF935	20p	NE646	50p	TDA3301	£1.00
GP20G (TX10)	5p			R 2540	£2.00	BF936	20p	NE646	50p	TDA3301	£1.00
NK 3102	50p			R 2540	£2.00	BF937	20p	NE646	50p	TDA3301	£1.00
BY 28100	20p			R 2540	£2.00	BF938	20p	NE646	50p	TDA3301	£1.00
Bridge EX101003 amps	30p			R 2540	£2.00	BF939	20p	NE646	50p	TDA3301	£1.00
KBP35-02 Bridge	£1.50			R 2540	£2.00	BF940	20p	NE646	50p	TDA3301	£1.00
Bridge Rec. D35B10	£1.50			R 2540	£2.00	BF941	20p	NE646	50p	TDA3301	£1.00
BYT71800	12p			R 2540	£2.00	BF942	20p	NE646	50p	TDA3301	£1.00
Hitachi sets etc.											
STR454	£2.00			S.W. Filters							
STR454	£1.00			HW2011	50p						
S2000AF lite o.p.	£6.00			HW2013	50p						
25C940	£1.00			NW453	50p						
BU 105/04	£1.00			SW150	50p						
BU 108	£1.00			HW2013	50p						
BU 124	50p			HW303	50p						
BU 126	50p			SW153A	50p						
BU 180a	65p			SW154	50p						
BU 204	30p			SW173	50p						
BU 305	75p			FI035B	50p						
BU 308	£1.00			FI045A	50p						
BU 207	£1.00			Philips Handset IC	£3.00						
BU 208	80p			SAA3010F	£3.00						
BU 208A	90p			MAB8461 W C03	£3.00						
BU 208D	90p			MAB8420P C031	£3.00						
BU 222	90p			MAB8420B-6	£3.00						
BU 326	£1.00			MAB8440P D079	£3.00						
BU 407	60p			MAB8440P D033	£3.00						
BU 508A	90p			MAB8440P D056	£3.00						
BU 508AF	£1.00			MAB8441P T132	£3.00						
BU 508D	£1.00			BCX32	25p						
BU 705	£1.00			BD116	25p						
BU 806A	£1.00			BD124	25p						
BU 807	£1.00			BD124 (metal)	30p						
BU 808DF1	£1.00			BD130Y	25p						
BUK 454 600	£1.00			BD131	25p						
BU 824	50p			BD132/238	30p						
BU 825	50p			BD135	25p						
BU 111AF	£1			BD136	25p						
BU 113 600V-28A	£1.00			BD137	25p						
BU 118	£1			BD138	25p						
BUW 84	60p			BD140	30p						
BYW 201-08-9	£1.00			BD176	25p						
BUX 39 25A 150V	£1.00			BD182	10p						
BUX 84	50p			BD183	70p						
BUY 49	20p			BD202	20p						
BUX 444/800	£2.00			BD204	40p						
BUX 445/600	£2.00			BD221	20p						
BUX 454/600	£2.00			BD222	20p						
BUX 454/600	£2.00			BD223	20p						
BUZ 100a	30p			BD226	20p						
TIC 110m	30p			BD233	30p						
TIC 110mY 3003	30p			BD234	25p						
TIC 126N	30p			BD235	20p						
TIC 226m	30p			BD238	10p						
TIC 256m	30p			BD239	15p						
TIC G 226/64	30p			BD240	10p						
TIP 29	25p			BD243c	30p						
TIP 30	25p			BD244	50p						
TIP 30A	25p			BD280a	75p						
TIP 30B	25p			BD252	20p						
TIP 30C	25p			BD253B	20p						
TIP 31	25p			BD253C	10p						
TIP 32	25p			BD258	20p						
TIP 33B	50p			BD259	20p						
TIP 33C	50p			BD260	20p						
TIP 34A	60p			BD261	20p						
TIP 34C	60p			BD262	20p						
TIP 35B	70p			BD263	20p						
TIP 35C	70p			BD264	20p						
TIP 35D	80p			BD265	20p						
TIP 36	50p			BD266	20p						
TIP 36C	70p			BD267	20p						
TIP 41	15p			BD268	20p						
TIP 41B	40p			BD269	20p						
TIP 41D	70p			BD270	20p						
TIP 42	10p			BD271	20p						
TIP 42/BRC 6109	10p			BD272	20p						
TIP 48	40p			BD273	20p						
TIP 49	40p			BD274	20p						
TIP 57	30p			BD275	20p						
TIP 100	30p			BD276	20p						
TIP 110	20p			BD277	20p						
TIP 115	50p			BD278	20p						
TIP 121	35p			BD279	20p						
TIP 125	35p			BD280	20p						
TIP 126	40p			BD281	20p						
TIP 127	40p			BD282	20p						
TIP 130	30p			BD283	20p						
TIP 131	30p			BD284	20p						
TIP 136	30p			BD285	20p						
TIP 140	50p										