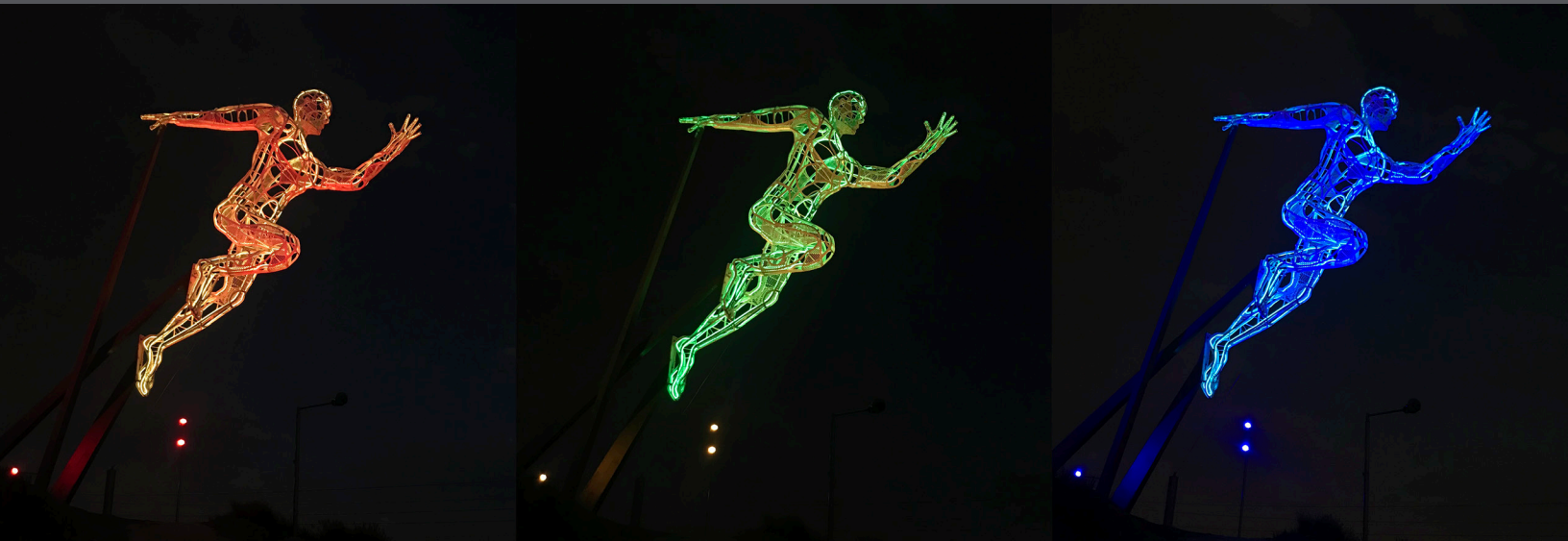


**we-ef**

WE-EF Lighting USA

# LIGHTSPEED



Need Luminaires Fast?  
Ask for LIGHTSPEED -  
THE NEXT GENERATION OF QUICKSHIP  
10-day dispatch guaranteed - or 25% back!

V2.3-20210427



# Need Luminaires Fast? Ask for *LIGHTSPEED*

## 10-day dispatch guaranteed – or 25% back!

### **LIGHTSPEED OVERVIEW**

- Need it fast? Ask for *LIGHTSPEED* – The next generation of Quickship.
- *LIGHTSPEED* guarantees 10-day dispatch on stocked products or 25% back on your order.
- *LIGHTSPEED* features 1000+ products from 60+ luminaire families, all available in four standard finishes.

### **WE-EF USA's MARKET PROMISE**

To offer our channel partners a competitive advantage on more lighting projects, WE-EF LIGHTING USA, LLC (WE-EF USA) guarantees 2-week dispatch for *LIGHTSPEED* Orders from our Pittsburgh facility on all stocked products. In the event a *LIGHTSPEED* order does not ship within 10 business days (after receipt of a CLEAN PURCHASE ORDER – see below), WE-EF USA will refund 25% of the order.

Faster dispatch times are available upon request, speak to your Regional Sales Manager for pricing.

### **LEAD TIME GUARANTEE**

A CLEAN PURCHASE ORDER received by 11am EST is guaranteed to be shipped within 10-business days on *LIGHTSPEED* orders. For orders received after the cutoff time of 11am EST, guaranteed dispatch time begins the following business day.

### **CLEAN PURCHASE ORDER**

A CLEAN PURCHASE ORDER refers to standard, non-customized luminaires as outlined in this brochure. In order to process your order without delay, the following information must be provided with order or emailed directly to [Orders.USA@we-ef.com](mailto:Orders.USA@we-ef.com):

- Project Name
- Product ID, Description/Light Source, Voltage, STANDARD FINISH/Color, and Other Details
- Contact Name and Shipping Address
- Ship by Date
- Specifier, Lighting Designer, Architect, and or Engineer
- Distributer's Purchase Order
- Sales Representative's Order Prep Work-up Sheet
- Special requirements or requests - if approved by WE-EF LIGHTING USA
- Purchase order MUST state "*LIGHTSPEED*"

### **FREE SHIPPING**

WE-EF USA offers free ground shipping within the contiguous United States (lower 48). For Canada and Mexico orders over \$5,000 will qualify for free ground shipping. All other ground shipping will be charged freight collect and added to

the invoice. WE-EF USA also offers air freight upon request, charged as Freight Collect and added to the invoice. Duties, brokerage, tariffs, taxes or any other charges associated with international shipments to Canada, Mexico, or any other country outside of United States are to be paid by the customer. It is the customer's responsibility to pre-assign a broker to handle all customs paperwork for border crossing at the time of order placement.

### **QUANTITY LIMIT**

Unless otherwise indicated, order limit per product subfamily is 30 fixtures. Shipments for split orders with a total quantity greater than 30 fixtures per product subfamily are not guaranteed; quantities are based on available stock.

### **STANDARD FINISH**

STANDARD FINISH colors for *LIGHTSPEED* fixtures are Black RAL9004, White RAL9016, Grey Metallic RAL9007, and Dark Bronze RAL8019. Other color options available outside the *LIGHTSPEED* program.

### **STANDARD WARRANTY**

All WE-EF USA fixtures listed in this brochure come with a standard 5-year limited warranty, covering mechanical and electrical components including drivers. All other Product warranty terms and information applicable to WE-EF USA products remain unchanged and can be found on the WE-EF USA website at [www.we-ef.com](http://www.we-ef.com).

### **DISCLAIMER**

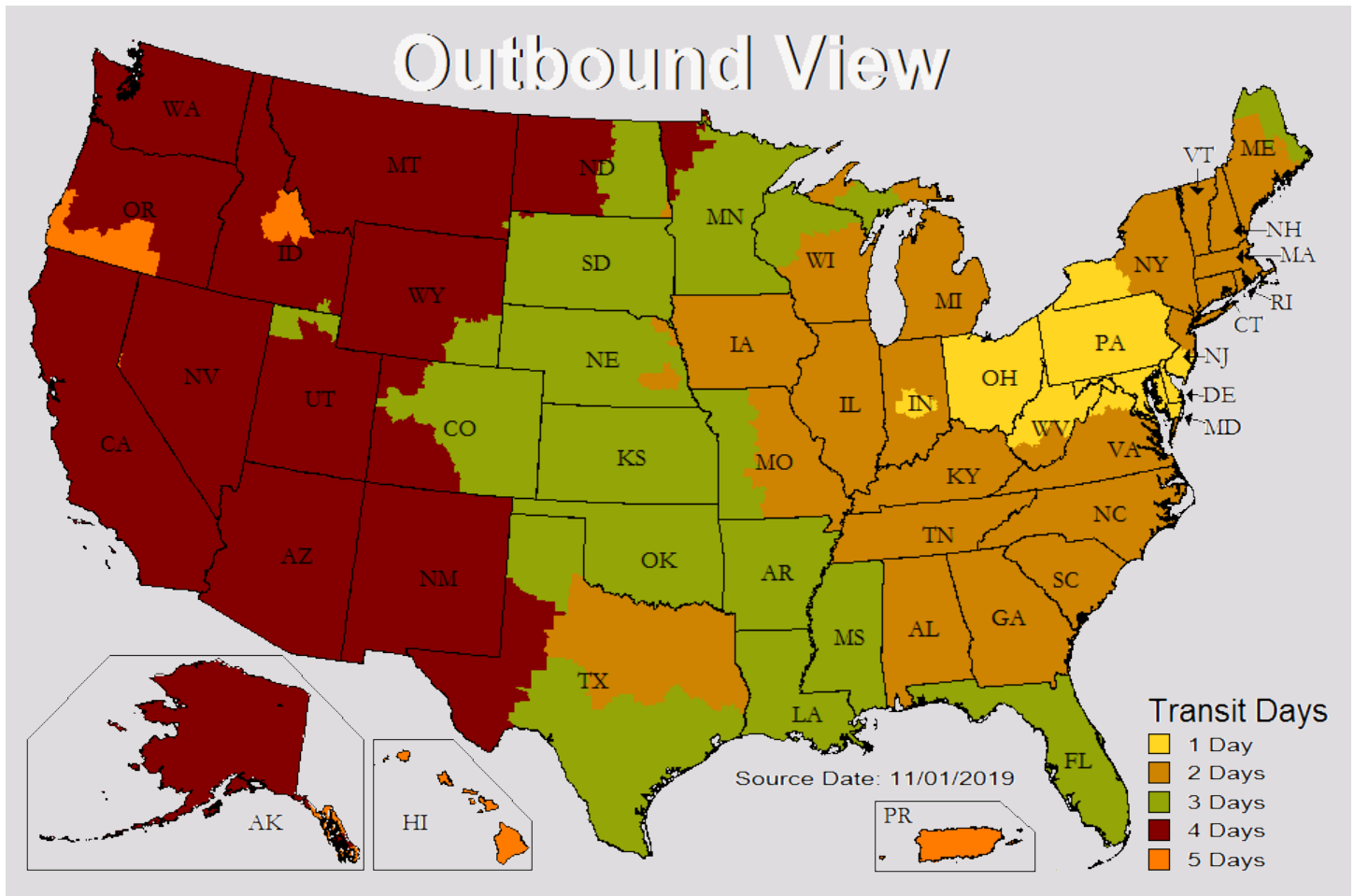
WE-EF LIGHTING USA, LLC (WE-EF USA) reserves the right to add, remove or modify terms of this promotion without prior notice. WE-EF USA cannot be held accountable for delays due to shipping, freight, or for any other circumstances that are beyond our control. Lead time guarantee based on product availability. All claims and statements made in this document are related only to the specific *LIGHTSPEED* program and products contained in this offer and do not apply to other orders, shipments, or Terms & Conditions of WE-EF USA. Cannot be used with other offers, discounts or promo codes. Cannot be applied to past purchases. Other restrictions may apply.

# Time to Destination Transit Times

## UPS TRANSIT TIMES

WE-EF USA ships via our partner United Parcel Service (UPS). For every shipment, you will receive an email notification which includes the date the order was shipped, scheduled delivery time and a real-time tracking link.

The shipping cost is determined by the weight of your order and the destination. The following map shows the estimated transit time across the United States when selecting UPS ground:












## DISCLAIMER

Subject to the Tariff/Terms and Conditions of Service, UPS guarantees on-schedule delivery of packages, shipped via UPS's services, that are listed as guaranteed, or will refund your transportation charges. Guaranteed Service is not available in all areas and does not apply to shipments containing a package with an Additional Handling or Large Package surcharge. Scheduled business days and delivery schedules are revised occasionally due to changes in distribution and volume, especially during holiday periods. Service to some remote areas also may require additional delivery days. For current delivery schedules, service availability and information, and a description of the UPS service Guarantee, see the UPS Rate and Service Guide. The most up-to-date transit time details will be available at [ups.com/ctc](http://ups.com/ctc) at the time of shipping. Certain commodities and high value shipments may require additional transit time for customs clearance.
























## TABLE OF CONTENTS

### PRODUCTS

#### INGROUND LUMINAIRES

								
ETC120-GB pg 6	ETC130-GB pg 6	ETC140-GB pg 6	ETC320-FS pg 7	ETC330-FS pg 7	ETC340-FS pg 7	ETC330-GB pg 8	ETV120 pg 9	ETV140 pg 9

#### RECESSED WALL LUMINAIRES

										
SVO259 pg 10	SVL259 pg 10	STN204 pg 10	STN254 pg 10	STG209 pg 10	STG259 pg 11	STX209 pg 11	STX259 pg 11	STL209 pg 11	STL259 pg 11	STP204 pg 12
										
STP254 pg 12	STO209 pg 12	STO259 pg 12	STO279 pg 13	STI259 pg 13	STI279 pg 13	STO134 pg 13	STL134 pg 14	STI134 pg 14	SVL134 pg 14	QRI 354 pg 14
										
QRI 374 pg 14										

#### SURFACE MOUNTED WALL LUMINAIRES

										
QLS410 pg 15	QLS420 pg 16	VLS410 pg 17	VLS420 pg 18	SLS410 pg 19	SLS420 pg 20	OLV330 pg 21	OLV334 pg 21	OLV340 pg 22	OLV344 pg 22	FLC122 pg 22

## TABLE OF CONTENTS

### BOLLARDS



KTY234  
pg 23



PSY414  
pg 24



PSY424  
pg 24

### STREET & AREA LIGHTING



VFL520  
pg 25



VFL530  
pg 25



VFL540  
pg 27

### FLOODLIGHTS



FLC121  
REMOTE  
pg 29



FLC121 (POST)  
pg 29



FLC121 WALL  
BRACKET  
pg 30



FLC131  
REMOTE  
pg 30



FLC131 (POST)  
pg 31



FLC131 WALL  
BRACKET  
pg 31



FLC141  
REMOTE  
pg 32



FLC141 (POST)  
pg 32



FLC141 WALL  
BRACKET  
pg 33



FLC220  
pg 34



FLC230  
pg 35



FLC240  
pg 36



FLC260  
pg 37

## INGROUND LUMINAIRES

[Return to Table of Contents](#)

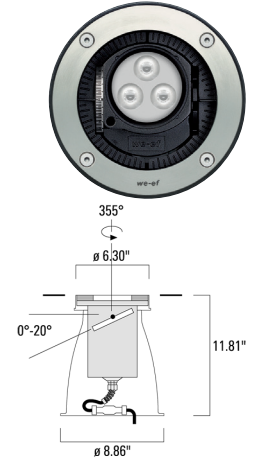
### ETC120-GB LED

IP69K. Inground LED uplight. Suitable for flush installation in concrete or earth. Drive Over Rated. Offset gimbal mounted lamp module, with lockable aiming, 30° vertical tilt, and 360° horizontal rotation. Special effects can be realized with linear lens, flood lens, or color filters. 120-277V.

PRODUCT ID	LIGHT SOURCE	KELVIN	OPTIC	DELIVERED LUMENS
185-7682	ETC120-GB [VNS] 3 LED/ 6 W	3000	11°	594
185-7684	ETC120-GB [VNS] 3 LED/ 6 W	4000	11°	594
185-7593	ETC120-GB [VN] 3 LED/ 6 W	3000	15°	592
185-7596	ETC120-GB [VN] 3 LED/ 6 W	4000	15°	592
185-7592	ETC120-GB [M] 3 LED/ 6 W	3000	42°	591
185-7595	ETC120-GB [M] 3 LED/ 6 W	4000	42°	591

#### Accessories

611-7202	ETC120 ASC Anti-Slip Coating Lens
----------	-----------------------------------



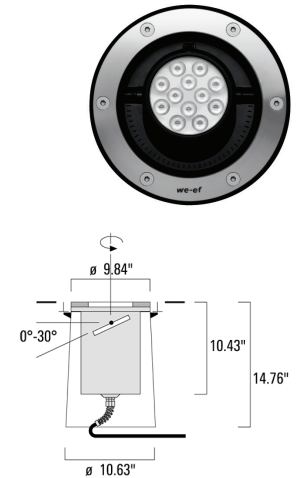
### ETC130-GB LED

IP69K. Inground LED uplight. Suitable for flush installation in concrete or earth. Drive Over Rated. Offset gimbal mounted lamp module, with lockable aiming, 30° vertical tilt, and 360° horizontal rotation. Special effects can be realized with linear lens, flood lens, or color filters. 120-277V.

PRODUCT ID	LIGHT SOURCE	KELVIN	OPTIC	DELIVERED LUMENS
185-2591	ETC130-GB [VNS] 12 LED/ 18 W	3000	11°	1932
185-2592	ETC130-GB [VNS] 12 LED/ 18 W	4000	11°	1932
185-2661	ETC130-GB [VN] 12 LED/ 18 W	3000	15°	1816
185-2662	ETC130-GB [VN] 12 LED/ 18 W	4000	15°	1816
185-2446	ETC130-GB [M] 12 LED/ 18 W	3000	32°	1924
185-2447	ETC130-GB [M] 12 LED/ 18 W	4000	32°	1924
185-2658	ETC130-GB [W] 12 LED/ 18 W	3000	49°	1676
185-2659	ETC130-GB [W] 12 LED/ 18 W	4000	49°	1676
185-3091	ETC130-GB [WW] 12 LED/ 18 W	3000	20° Wall Wash	1549
185-3092	ETC130-GB [WW] 12 LED/ 18 W	4000	20° Wall Wash	1549

#### Accessories

611-7203	ETC130 ASC Anti-Slip Coating Lens
----------	-----------------------------------



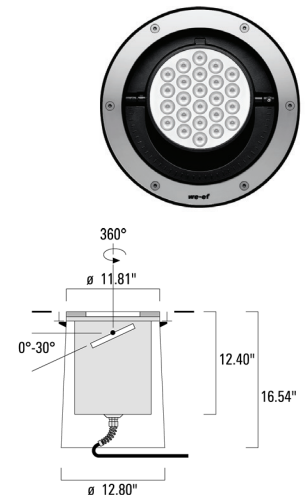
### ETC140-GB LED

IP69K. Inground LED uplight. Suitable for flush installation in concrete or earth. Drive Over Rated. Offset gimbal mounted lamp module, with lockable aiming, 30° vertical tilt, and 360° horizontal rotation. Special effects can be realized with linear lens, flood lens, or color filters. 120-277V.

PRODUCT ID	LIGHT SOURCE	KELVIN	OPTIC	DELIVERED LUMENS
185-2603	ETC140-GB [VNS] 24 LED/ 24 W	3000	10°	3014
185-2604	ETC140-GB [VNS] 24 LED/ 24 W	4000	10°	3014
185-2726	ETC140-GB [VN] 24 LED/ 24 W	3000	15°	2777
185-2727	ETC140-GB [VN] 24 LED/ 24 W	4000	15°	2777
185-2600	ETC140-GB [M] 24 LED/ 24 W	3000	32°	2842
185-2601	ETC140-GB [M] 24 LED/ 24 W	4000	32°	2842
185-2723	ETC140-GB [W] 24 LED/ 24 W	3000	48°	2530
185-2724	ETC140-GB [W] 24 LED/ 24 W	4000	48°	2530
185-3093	ETC140-GB [WW] 24 LED/ 24 W	3000	20° Wall Wash	2188
185-3094	ETC140-GB [WW] 24 LED/ 24 W	4000	20° Wall Wash	2188

#### Accessories

611-7204	ETC140 ASC Anti-Slip Coating Lens
----------	-----------------------------------





## INGROUND LUMINAIRES

[Return to Table of Contents](#)

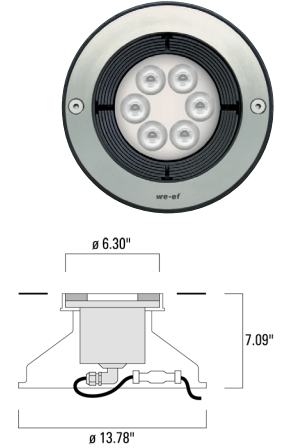
### ETC320-FS LED

IP69K. Inground uplight. Suitable for flush installation in concrete or earth. Special effects and distributions can be realized with linear lens, flood lens, 20° wall wash lens, or color filters. 120-277V.

PRODUCT ID	LIGHT SOURCE	KELVIN	OPTIC	DELIVERED LUMENS
185-7690	ETC320-FS [VNS] 6 LED/ 12 W	3000	10°	1378
185-7692	ETC320-FS [VNS] 6 LED/ 12 W	4000	10°	1378
185-7118	ETC320-FS [VN] 6 LED/ 12 W	3000	15°	1270
185-7121	ETC320-FS [VN] 6 LED/ 12 W	4000	15°	1270
185-7117	ETC320-FS [M] 6 LED/ 12 W	3000	32°	1299
185-7120	ETC320-FS [M] 6 LED/ 12 W	4000	32°	1299
185-7689	ETC320-FS [W] 6 LED/ 12 W	3000	48°	1157
185-7691	ETC320-FS [W] 6 LED/ 12 W	4000	48°	1157

#### Accessories

611-7202	ETC 320 ASC Anti-Slip Coating Lens
146-0645	Wall Wash IO-20 Lens for symmetrical [M] Medium Beam Only



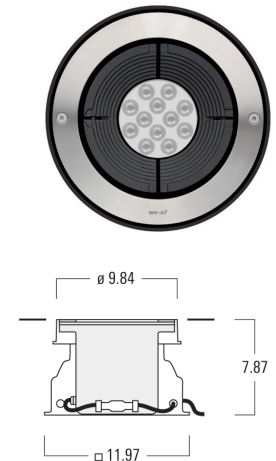
### ETC330-FS LED

IP69K. Inground uplight. Suitable for flush installation in concrete or earth. Special effects and distributions can be realized with linear lens, flood lens, 6° directional lens, 20° directional lens, or color filters. 120-277V.

PRODUCT ID	LIGHT SOURCE	KELVIN	OPTIC	DELIVERED LUMENS
185-7694	ETC330-FS [VNS] 12 LED/ 24 W	3000	10°	2572
185-7696	ETC330-FS [VNS] 12 LED/ 24 W	4000	10°	2572
185-7032	ETC330-FS [VN] 12 LED/ 24 W	3000	15°	2417
185-7036	ETC330-FS [VN] 12 LED/ 24 W	4000	15°	2417
185-7033	ETC330-FS [M] 12 LED/ 24 W	3000	29°	2561
185-7037	ETC330-FS [M] 12 LED/ 24 W	4000	29°	2435
185-7693	ETC330-FS [W] 12 LED/ 24 W	3000	49°	2231
185-7695	ETC330-FS [W] 12 LED/ 24 W	4000	49°	2231

#### Accessories

611-7203	ETC330 ASC Anti-Slip Coating Lens
----------	-----------------------------------



### ETC340-FS LED

IP69K. Inground uplight. Suitable for flush installation in concrete or earth. Special effects and distributions can be realized with linear lens, flood lens, 6° directional lens, 20° directional lens, or color filters. 120-277V.

PRODUCT ID	LIGHT SOURCE	KELVIN	OPTIC	DELIVERED LUMENS
185-7698	ETC340-FS [VNS] 24 LED/ 36 W	3000	10°	4141
185-7700	ETC340-FS [VNS] 24 LED/ 36 W	4000	10°	4141
185-9748	ETC340-FS [VN] 24 LED/ 36 W	3000	15°	3816
185-9752	ETC340-FS [VN] 24 LED/ 36 W	4000	15°	3816
185-9749	ETC340-FS [M] 24 LED/ 36 W	3000	29°	3904
185-9753	ETC340-FS [M] 24 LED/ 36 W	4000	29°	3904
185-7697	ETC340-FS [W] 24 LED/ 36 W	3000	49°	3475
185-7699	ETC340-FS [W] 24 LED/ 36 W	4000	49°	3475

#### Accessories

611-7204	ETC340 ASC Anti-Slip Coating Lens
----------	-----------------------------------



## INGROUND LUMINAIRES Return to Table of Contents

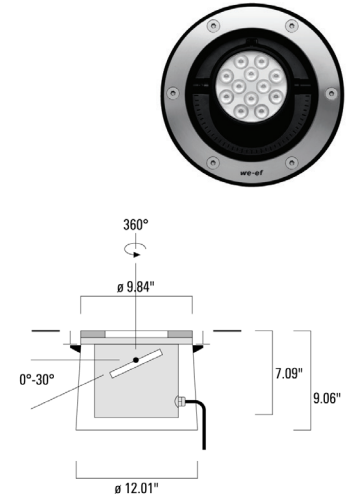
### ETC330-GB LED

IP69K. Inground LED uplight. Suitable for flush installation in concrete or earth. Offset gimbal mounted lamp module, with lockable aiming, 30° vertical tilt, and 360° horizontal rotation. Special effects can be realized with linear lens, flood lens, or color filters. 120-277V.

PRODUCT ID	LIGHT SOURCE	KELVIN	OPTIC	DELIVERED LUMENS
185-2583	ETC330-GB [VNS] 12 LED/ 12 W	3000	11°	1407
185-2584	ETC330-GB [VNS] 12 LED/ 12 W	4000	11°	1407
185-2691	ETC330-GB [VN] 12 LED/ 12 W	3000	15°	1322
185-2692	ETC330-GB [VN] 12 LED/ 12 W	4000	15°	1322
185-2576	ETC330-GB [M] 12 LED/ 12 W	3000	32°	1401
185-2577	ETC330-GB [M] 12 LED/ 12 W	4000	32°	1401
185-2688	ETC330-GB [W] 12 LED/ 12 W	3000	49°	1220
185-2689	ETC330-GB [W] 12 LED/ 12 W	4000	49°	1220
185-3095	ETC330-GB [WW] 12 LED/ 12 W	3000	20° Wall Wash	1128
185-3096	ETC330-GB [WW] 12 LED/ 12 W	4000	20° Wall Wash	1128

### Accessories

611-7203	ETC330 ASC Anti-Slip Coating Lens
----------	-----------------------------------

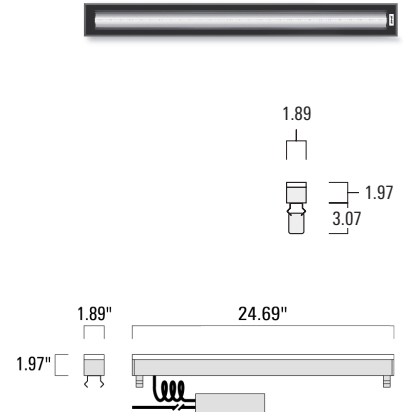


## INGROUND LUMINAIRES Return to Table of Contents

### ETV120 LED

IP69K, Class I, IK08. Marine-grade all aluminium construction. Anodized aluminium extrusion. PCS hardware. Silicone rubber gasket. Safety glass lens; max. load 5 tonnes. Luminaire can be driven over at low speed. Factory-sealed termination chamber complete with cable gland and 3 ft of flexible PVC free, gel-impregnated anti-wicking cable. Linear PMMA LED lens. Factory installed LED circuit board. LED boards can be easily removed for upgrading. Luminaire is factory-sealed and does not need to be opened during installation. The installation blackout to be ordered separately. 120-277V. 0-10V dimming.

PRODUCT ID	LIGHT SOURCE	KELVIN	OPTIC	DELIVERED LUMENS
186-0245	ETV120 [VN] 32 LED/ 15 W	3000	13°	2406
186-0246	ETV120 [VN] 32 LED/ 15 W	4000	13°	2406
186-0242	ETV120 [N] 32 LED/ 15 W	3000	16°	2101
186-0243	ETV120 [N] 32 LED/ 15 W	4000	16°	2101
186-0239	ETV120 [M] 32 LED/ 15 W	3000	29°	2140
186-0240	ETV120 [M] 32 LED/ 15 W	4000	29°	2140
186-0236	ETV120 [W] 32 LED/ 15 W	3000	57°	1916
186-0237	ETV120 [W] 32 LED/ 15 W	4000	57°	1916
186-0248	ETV120 [LA10] 32 LED/ 15 W	3000	10° Wall Wash	2050
186-0249	ETV120 [LA10] 32 LED/ 15 W	4000	10° Wall Wash	2050



#### Accessories

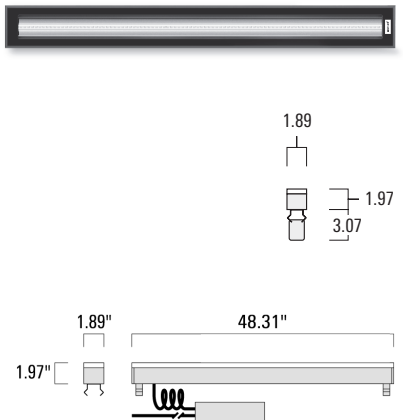
138-0306	BEV120-I-1/627 (for 1 luminaire)
186-0307	BEV120-I-2/627 (for 2 luminaires)
186-0308	BEV120-I-3/627 (for 3 luminaires)
186-0309	BEV120-I-4/627 (for 4 luminaires)

Other lengths available upon request, minimum of 1', maximum of 16'

### ETV140 LED

IP69K, Class I, IK08. Marine-grade all aluminium construction. Anodized aluminium extrusion. PCS hardware. Silicone rubber gasket. Safety glass lens; max. load 5 tonnes. Luminaire can be driven over at low speed. Factory-sealed termination chamber complete with cable gland and 3 ft of flexible PVC free, gel-impregnated anti-wicking cable. Linear PMMA LED lens. Factory installed LED circuit board. LED boards can be easily removed for upgrading. Luminaire is factory-sealed and does not need to be opened during installation. The installation blackout to be ordered separately. 120-277V. 0-10V dimming.

PRODUCT ID	LIGHT SOURCE	KELVIN	OPTIC	DELIVERED LUMENS
186-0275	ETV140 [VN] 64 LED/ 30 W	3000	13°	4812
186-0276	ETV140 [VN] 64 LED/ 30 W	4000	13°	4812
186-0272	ETV140 [N] 64 LED/ 30 W	3000	16°	4203
186-0273	ETV140 [N] 64 LED/ 30 W	4000	16°	4203
186-0269	ETV140 [M] 64 LED/ 30 W	3000	29°	4281
186-0270	ETV140 [M] 64 LED/ 30 W	4000	29°	4281
186-0266	ETV140 [W] 64 LED/ 30 W	3000	57°	3832
186-0267	ETV140 [W] 64 LED/ 30 W	4000	57°	3832
186-0278	ETV140 [LA10] 64 LED/ 30 W	3000	10° Wall Wash	4100
186-0279	ETV140 [LA10] 64 LED/ 30 W	4000	10° Wall Wash	4100



#### Accessories

186-0314	BEV140-I-1/1227 (for 1 luminaire)
186-0315	BEV140-I-2/1227 (for 2 luminaires)
186-0316	BEV140-I-3/1227 (for 3 luminaires)
186-0317	BEV140-I-4/1227 (for 4 luminaires)

Other lengths available upon request, minimum of 1', maximum of 16'

## RECESSED WALL LUMINAIRES

[Return to Table of Contents](#)

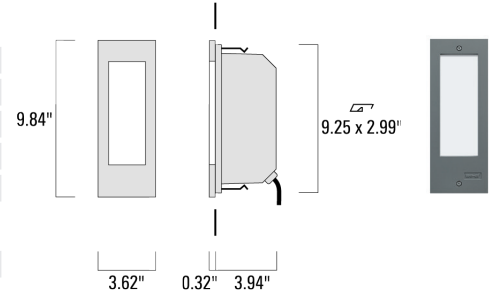
### SVO259 LED

IP55. Vertical Orientation. Recessed LED steplight for orientation. Suitable for installation in cavity wall construction or concrete pour construction using optional installation blackout.

PRODUCT ID	LIGHT SOURCE	KELVIN	OPTIC	DELIVERED LUMENS
133-0323	SVO259 [Diffused] 6 LED/ 6 W	3000	Diffused	190
133-0358	SVO259 [Diffused] Stainless 6 LED/ 6 W	3000	Diffused	190
133-0325	SVO259 [Diffused] 6 LED/ 6 W	4000	Diffused	190
133-0359	SVO259 [Diffused] Stainless 6 LED/ 6 W	4000	Diffused	190

#### Accessories

133-0076	Installation blackout BST25-I (concrete pour)
----------	---



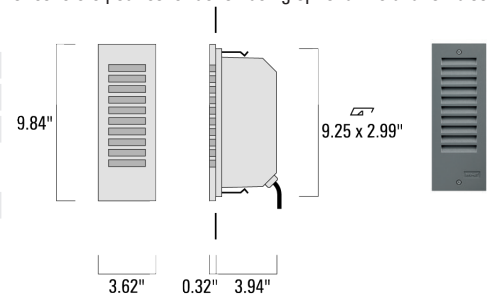
### SVL259 LED

IP55. Vertical Orientation. Recessed LED steplight for orientation. Suitable for installation in cavity wall construction or concrete pour construction using optional installation blackout. Painted finish. 120-277V. 0-10V dimming.

PRODUCT ID	LIGHT SOURCE	KELVIN	OPTIC	DELIVERED LUMENS
133-0360	SVL259 [Diffused] 6 LED/ 6 W	3000	Shielded	33
133-0361	SVL259 [Diffused] 6 LED/ 6 W	4000	Shielded	33

#### Accessories

133-0076	Installation blackout BST25-I (concrete pour)
----------	---



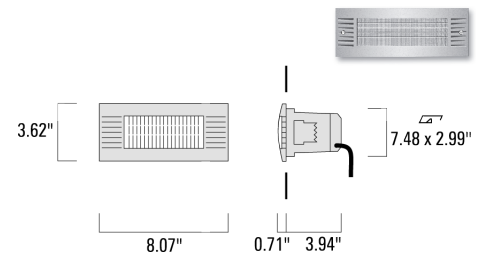
### STN204 LED

IP55. Horizontal Orientation. Recessed LED steplight for orientation. Suitable for installation in cavity wall construction or concrete pour construction using optional installation blackout. Painted finish. 120-277V. 0-10V dimming.

PRODUCT ID	LIGHT SOURCE	KELVIN	OPTIC	DELIVERED LUMENS
112-0289	STN204 [Asymmetric] 4 LED/ 4 W	3000	Forward-Throw	208
112-0290	STN204 [Asymmetric] 4 LED/ 4 W	4000	Forward-Throw	208

#### Accessories

133-0075	Installation blackout BST20-I (concrete pour)
----------	---



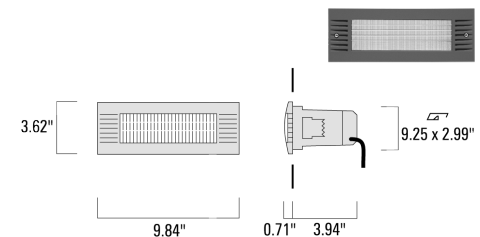
### STN254 LED

IP55. Horizontal Orientation. Recessed LED steplight for orientation. Suitable for installation in cavity wall construction or concrete pour construction using optional installation blackout. Painted finish. 120-277V. 0-10V dimming.

PRODUCT ID	LIGHT SOURCE	KELVIN	OPTIC	DELIVERED LUMENS
112-0291	STN254 [Asymmetric] 6 LED/ 6 W	3000	Forward-Throw	312
112-0292	STN254 [Asymmetric] 6 LED/ 6 W	4000	Forward-Throw	312

#### Accessories

133-0076	Installation blackout BST25-I (concrete pour)
----------	---



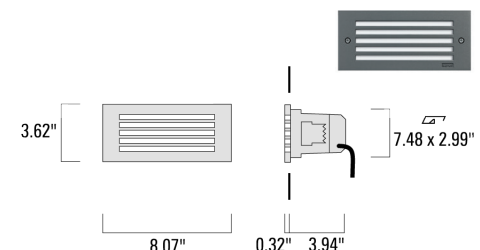
### STG209 LED

IP55. Horizontal Orientation. Recessed LED steplight for orientation. Suitable for installation in cavity wall construction or concrete pour construction using optional installation blackout. 120-277V. 0-10V dimming.

PRODUCT ID	LIGHT SOURCE	KELVIN	OPTIC	DELIVERED LUMENS
133-0331	STG209 [Diffused] 4 LED/ 4 W	3000	Diffused	65
133-0333	STG209 [Diffused] Stainless 4 LED/ 4 W	3000	Diffused	65
133-0334	STG209 [Diffused] Stainless 4 LED/ 4 W	4000	Diffused	65
133-0332	STG209 [Diffused] 4 LED/ 4 W	4000	Diffused	65

#### Accessories

133-0075	Installation blackout BST20-I (concrete pour)
----------	---



## RECESSED WALL LUMINAIRES

[Return to Table of Contents](#)

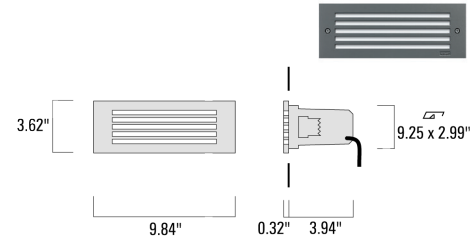
### STG259 LED

IP55. Horizontal Orientation. Recessed LED steplight for orientation. Suitable for installation in cavity wall construction or concrete pour construction using optional installation blackout. 120-277V. 0-10V dimming.

PRODUCT ID	LIGHT SOURCE	KELVIN	OPTIC	DELIVERED LUMENS
133-0343	STG259 [Diffused] 6 LED/ 6 W	3000	Diffused	82
133-0345	STG259 [Diffused] Stainless 6 LED/ 6 W	3000	Diffused	82
133-0344	STG259 [Diffused] 6 LED/ 6 W	4000	Diffused	82
133-0346	STG259 [Diffused] Stainless 6 LED/ 6 W	4000	Diffused	82

#### Accessories

133-0076	Installation blackout BST25-I (concrete pour)
----------	---



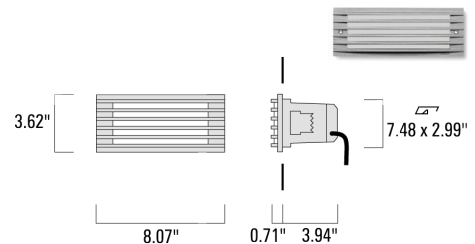
### STX209 LED

IP55. Horizontal Orientation. Recessed LED steplight for orientation. Suitable for installation in cavity wall construction or concrete pour construction using optional installation blackout. Painted finish. 120-277V. 0-10V dimming.

PRODUCT ID	LIGHT SOURCE	KELVIN	OPTIC	DELIVERED LUMENS
133-0336	STX209 [Diffused] 4 LED/ 4 W	3000	Diffused	65
133-0337	STX209 [Diffused] 4 LED/ 4 W	4000	Diffused	65

#### Accessories

133-0075	Installation blackout BST20-I (concrete pour)
----------	---



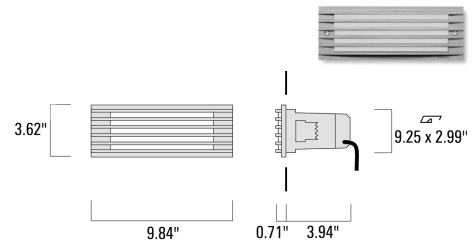
### STX259 LED

IP55. Horizontal Orientation. Recessed LED steplight for orientation. Suitable for installation in cavity wall construction or concrete pour construction using optional installation blackout. Painted finish. 120-277V. 0-10V dimming.

PRODUCT ID	LIGHT SOURCE	KELVIN	OPTIC	DELIVERED LUMENS
615-5221	STX259 [Diffused] 6 LED/ 6 W	3000	Diffused	98
133-0349	STX259 [Diffused] 6 LED/ 6 W	4000	Diffused	98

#### Accessories

133-0076	Installation blackout BST25-I (concrete pour)
----------	---



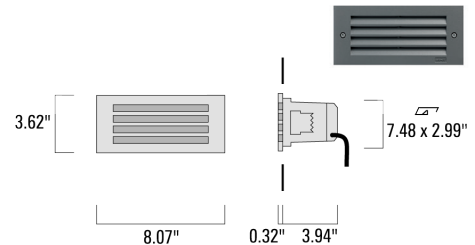
### STL209 LED

IP55. Horizontal Orientation. Recessed LED steplight for orientation. Suitable for installation in cavity wall construction or concrete pour construction using optional installation blackout. Painted finish. 120-277V. 0-10V dimming.

PRODUCT ID	LIGHT SOURCE	KELVIN	OPTIC	DELIVERED LUMENS
133-0324	STL209 [Shielded] 4 LED/ 4 W	3000	Shielded	15
133-0335	STL209 [Shielded] 4 LED/ 4 W	4000	Shielded	15

#### Accessories

133-0075	Installation blackout BST20-I (concrete pour)
----------	---



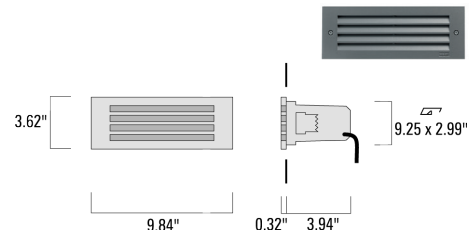
### STL259 LED

IP55. Horizontal Orientation. Recessed LED steplight for orientation. Suitable for installation in cavity wall construction or concrete pour construction using optional installation blackout. Painted finish. 120-277V. 0-10V dimming.

PRODUCT ID	LIGHT SOURCE	KELVIN	OPTIC	DELIVERED LUMENS
133-0308	STL259 [Shielded] 6 LED/ 6 W	3000	Shielded	22
133-0347	STL259 [Shielded] 6 LED/ 6 W	4000	Shielded	22

#### Accessories

133-0076	Installation blackout BST25-I (concrete pour)
----------	---



## RECESSED WALL LUMINAIRES

[Return to Table of Contents](#)

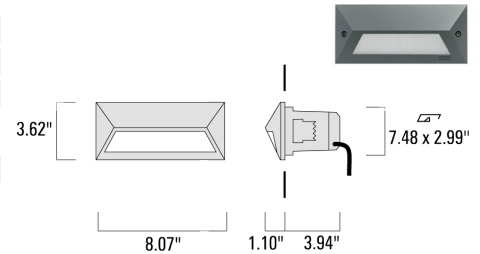
### STP204 LED

IP55. Horizontal Orientation. Recessed LED steplight for orientation. Suitable for installation in cavity wall construction or concrete pour construction using optional installation blackout. Painted finish. 120-277V. 0-10V dimming.

PRODUCT ID	LIGHT SOURCE	KELVIN	OPTIC	DELIVERED LUMENS
133-0338	STP204 [Asymmetric] 4 LED/ 4 W	3000	Forward-Throw	92
133-0339	STP204 [Asymmetric] 4 LED/ 4 W	4000	Forward-Throw	92

#### Accessories

133-0075	Installation blackout BST20-I (concrete pour)
----------	---



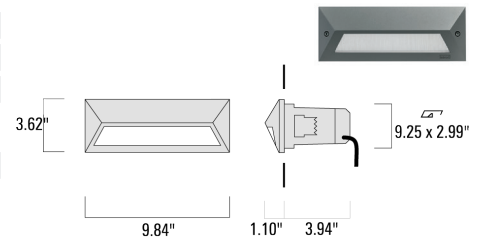
### STP254 LED

IP55. Horizontal Orientation. Recessed LED steplight for orientation. Suitable for installation in cavity wall construction or concrete pour construction using optional installation blackout. Painted finish. 120-277V. 0-10V dimming.

PRODUCT ID	LIGHT SOURCE	KELVIN	OPTIC	DELIVERED LUMENS
133-0350	STP254 [Asymmetric] 6 LED/ 6 W	3000	Forward-Throw	184
133-0351	STP254 [Asymmetric] 6 LED/ 6 W	4000	Forward-Throw	184

#### Accessories

133-0076	Installation blackout BST25-I (concrete pour)
----------	---



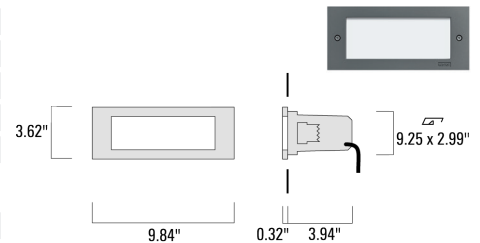
### STO209 LED

IP55. Horizontal Orientation. Recessed LED steplight for orientation. Suitable for installation in cavity wall construction or concrete pour construction using optional installation blackout. Painted finish. 120-277V. 0-10V dimming.

PRODUCT ID	LIGHT SOURCE	KELVIN	OPTIC	DELIVERED LUMENS
133-0328	STO209 [Diffused] 4 LED/ 4 W	3000	Diffused	127
133-0329	STO209 [Diffused] Stainless 4 LED/ 4 W	3000	Diffused	127
133-0322	STO209 [Diffused] 4 LED/ 4 W	4000	Diffused	127
133-0330	STO209 [Diffused] Stainless 4 LED/ 4 W	4000	Diffused	127

#### Accessories

133-0075	Installation blackout BST20-I (concrete pour)
----------	---



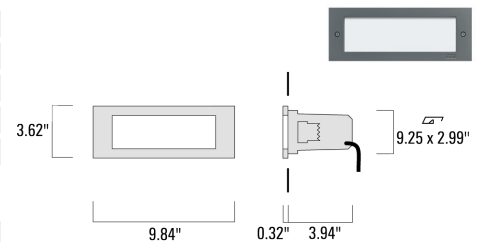
### STO259 LED

IP55. Horizontal Orientation. Recessed LED steplight for orientation. Suitable for installation in cavity wall construction or concrete pour construction using optional installation blackout. Painted finish. 120-277V. 0-10V dimming.

PRODUCT ID	LIGHT SOURCE	KELVIN	OPTIC	DELIVERED LUMENS
133-0340	STO259 [Diffused] 6 LED/ 6 W	3000	Diffused	190
133-0319	STO259 [Diffused] Stainless 6 LED/ 6 W	3000	Diffused	190
133-0341	STO259 [Diffused] 6 LED/ 6 W	4000	Diffused	190
133-0342	STO259 [Diffused] Stainless 6 LED/ 6 W	4000	Diffused	190

#### Accessories

133-0076	Installation blackout BST25-I (concrete pour)
----------	---



## RECESSED WALL LUMINAIRES

[Return to Table of Contents](#)

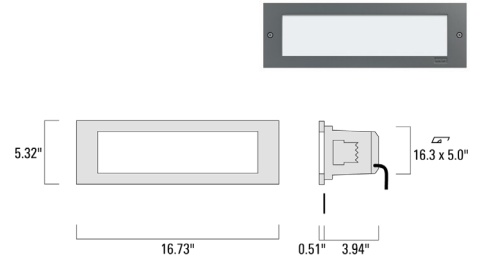
### STO279 LED

IP66. Horizontal Orientation. Recessed LED steplight for orientation. Suitable for installation in cavity wall construction or concrete pour construction using optional installation blackout. Painted finish. 120-277V.

PRODUCT ID	LIGHT SOURCE	KELVIN	OPTIC	DELIVERED LUMENS
133-0352	STO279 [Diffused] 9 LED/ 9 W	3000	Diffused	333
133-0354	STO279 [Diffused] Stainless 9 LED/ 9 W	3000	Diffused	333
133-0353	STO279 [Diffused] 9 LED/ 9 W	4000	Diffused	333
133-0355	STO279 [Diffused] Stainless 9 LED/ 9 W	4000	Diffused	333

#### Accessories

133-0217	Installation blackout BST27-I (concrete pour)
----------	---



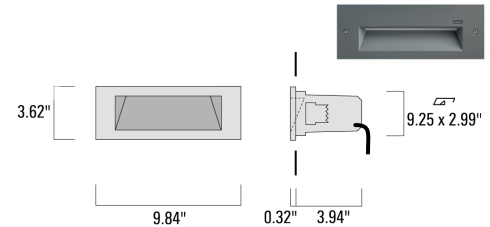
### STI259 LED

IP66, Class I. IK10. Horizontal Orientation. Marine-grade, die-cast aluminium alloy. 5CE superior corrosion protection including PCS hardware. Silicone rubber gasket. Safety glass lens. Two cable entries. Factory installed LED circuit board. Integral EC electronic converter. A pre-installation blackout is available and recommended for mounting in concrete walls. To be ordered separately. 120-277V. 0-10V dimming.

PRODUCT ID	LIGHT SOURCE	KELVIN	OPTIC	DELIVERED LUMENS
133-0405	STI259 [Asymmetric] 6 LED/ 6 W	3000	Forward-Throw	178
133-0404	STI259 [Asymmetric] 6 LED/ 6 W	4000	Forward-Throw	192

#### Accessories

133-0076	Installation blackout BST25-I (concrete pour)
----------	---



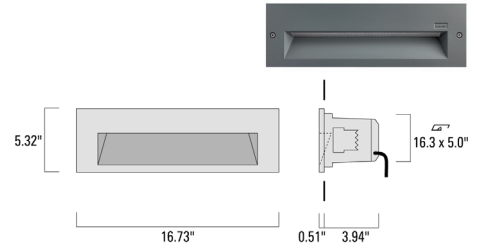
### STI279 LED

IP66, Class I. IK10. Horizontal Orientation. Marine-grade, die-cast aluminium alloy. 5CE superior corrosion protection including PCS hardware. Silicone rubber gasket. Safety glass lens. Two cable entries. Factory installed LED circuit board. Integral EC electronic converter. A pre-installation blackout is available and recommended for mounting in concrete walls. To be ordered separately. 120-277V. 0-10V dimming.

PRODUCT ID	LIGHT SOURCE	KELVIN	OPTIC	DELIVERED LUMENS
133-0402	STI279 [Asymmetric] 9 LED/ 9 W	3000	Forward-Throw	446
133-0403	STI279 [Asymmetric] 9 LED/ 9 W	4000	Forward-Throw	446

#### Accessories

133-0217	Installation blackout BST27-I (concrete pour)
----------	---



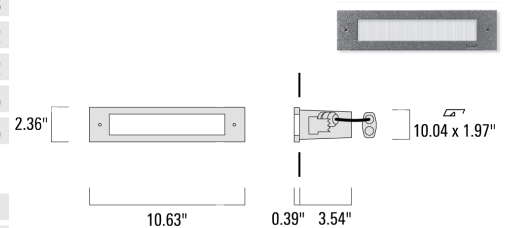
### STO134 LED

IP66. Horizontal Orientation. Recessed LED steplight for orientation. Suitable for installation in cavity wall construction or concrete pour construction using optional installation blackout. Painted finish. 120-277V.

PRODUCT ID	LIGHT SOURCE	KELVIN	OPTIC	DELIVERED LUMENS
190-9002	STO134 [Diffused] 4 LED/ 5 W	3000	Diffused	72
190-9014	STO134 [Diffused] Stainless 4 LED/ 5 W	3000	Diffused	72
190-9003	STO134 [Diffused] 4 LED/ 5 W	4000	Diffused	75
190-9015	STO134 [Diffused] Stainless 4 LED/ 5 W	4000	Diffused	75

#### Accessories

190-9030	Installation blackout PROUD (concrete pour)
190-9031	Installation blackout FLUSH (concrete pour)



## RECESSED WALL LUMINAIRES

[Return to Table of Contents](#)

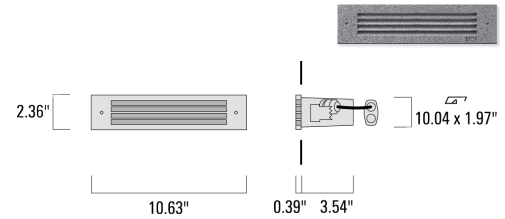
### STL134 LED

IP66. Horizontal Orientation. Recessed LED steplight for orientation. Suitable for installation in cavity wall construction or concrete pour construction using optional installation blackout. Painted finish. 120-277V.

PRODUCT ID	LIGHT SOURCE	KELVIN	OPTIC	DELIVERED LUMENS
190-9005	STL134 [Shielded] 4 LED/ 5 W	3000	Shielded	17
190-9006	STL134 [Shielded] 4 LED/ 5 W	4000	Shielded	17

#### Accessories

190-9030	Installation blackout PROUD (concrete pour)
190-9031	Installation blackout FLUSH (concrete pour)



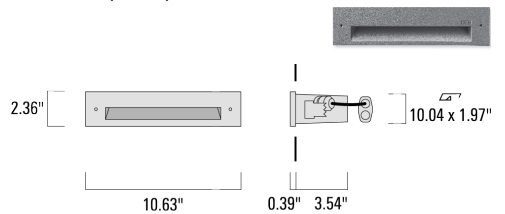
### STI134 LED

IP66, Class I, IK07. Horizontal Orientation. Marine-grade, die-cast aluminium alloy. 5CE superior corrosion protection including PCS hardware. Silicone rubber gasket. Polycarbonate lens. Two cable entries. A pre-installation blackout is available and recommended for mounting in concrete walls. To be ordered separately. 120-277V.

PRODUCT ID	LIGHT SOURCE	KELVIN	OPTIC	DELIVERED LUMENS
190-9008	STI134 [Asymmetric] 4 LED/ 5 W	3000	Forward-Throw	112
190-9009	STI134 [Asymmetric] 4 LED/ 5 W	4000	Forward-Throw	117

#### Accessories

190-9030	Installation blackout PROUD (concrete pour)
190-9031	Installation blackout FLUSH (concrete pour)



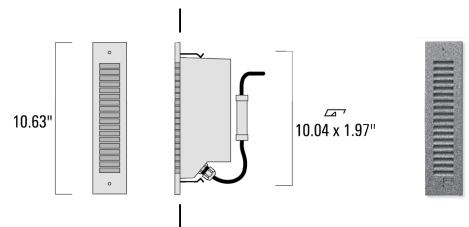
### SVL134 LED

IP66. Vertical Orientation. Recessed LED steplight for orientation. Shielded lamp source. Suitable for installation in cavity wall construction or concrete pour construction using optional installation blackout. 100 Series luminaires are IP66 rated. 200 Series 120-277V.

PRODUCT ID	LIGHT SOURCE	KELVIN	OPTIC	DELIVERED LUMENS
190-9017	SVL134 [Shielded] 4 LED/ 5 W	3000	Shielded	12
190-9018	SVL134 [Shielded] 4 LED/ 5 W	4000	Shielded	12

#### Accessories

190-9030	Installation blackout PROUD (concrete pour)
190-9031	Installation blackout PROUD (concrete pour)



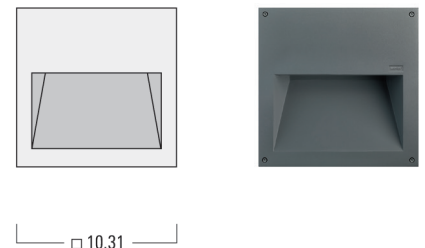
### QRI354 LED

IP55. Recessed LED wall luminaire. Shielded light source. Suitable for installation in cavity wall construction or concrete pour construction using optional installation blackout. 120-277V.

PRODUCT ID	LIGHT SOURCE	KELVIN	OPTIC	DELIVERED LUMENS
197-9083	QRI354 [Asymmetric] 6 LED/ 6 W	3000	Forward-Throw	516
197-9085	QRI354 [Asymmetric] 6 LED/ 6 W	4000	Forward-Throw	516

#### Accessories

197-0129	Installation blackout BQR35-I-RE (concrete pour)
----------	--



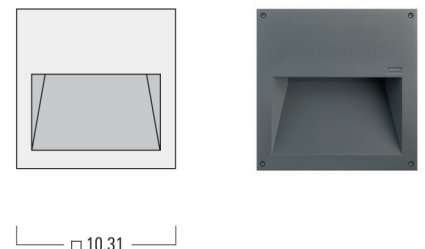
### QRI374 LED

IP55. Recessed LED wall luminaire. Shielded light source. Suitable for installation in cavity wall construction or concrete pour construction using optional installation blackout. 120-277V.

PRODUCT ID	LIGHT SOURCE	KELVIN	OPTIC	DELIVERED LUMENS
616-2321	QRI374 [Asymmetric] 14 LED/ 14 W	3000	Forward-Throw	894
616-2320	QRI374 [Asymmetric] 14 LED/ 14 W	4000	Forward-Throw	894

#### Accessories

197-0131	Installation blackout BQR30-I (concrete pour)
----------	---





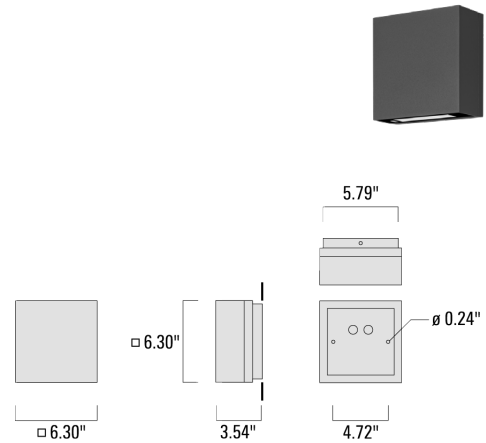
## SURFACE MOUNTED WALL LUMINAIRES

[Return to Table of Contents](#)

### QLS410 LED

IP66, Class I, IK07. Surface mounted LED wall luminaire. Marine-grade, die-cast aluminum alloy. 5CE superior corrosion protection including PCS hardware. Silicone rubber gasket. Safety glass lens. Integral EC electronic converter. CAD-optimised optics for superior illumination and glare control. OLC® One LED Concept. Factory installed LED circuit board. 0-10V on request. Suitable for installation over 4" recessed junction box. 120-277V. ADA Compliant.

PRODUCT ID	LIGHT SOURCE	KELVIN	OPTIC	DELIVERED LUMENS
131-9420	QLS410 [N] 3 LED/ 6 W	3000	14°	557
131-9421	QLS410 [N] 3 LED/ 6 W	4000	14°	557
131-9712	QLS410 [N] 3 LED/ 9 W	3000	14°	883
131-9715	QLS410 [N] 3 LED/ 9 W	4000	14°	1019
131-9718	QLS410 [N] 3 LED/ 13 W	3000	14°	1130
131-9721	QLS410 [N] 3 LED/ 13 W	4000	14°	1304
131-9401	QLS410 [M] 3 LED/ 6 W	3000	33°	498
131-9404	QLS410 [M] 3 LED/ 6 W	4000	33°	498
131-9711	QLS410 [M] 3 LED/ 9 W	3000	33°	789
131-9714	QLS410 [M] 3 LED/ 9 W	4000	33°	910
131-0180	QLS410 [M] 3 LED/ 13 W	3000	33°	1008
131-9720	QLS410 [M] 3 LED/ 13 W	4000	33°	1164
131-9416	QLS410 [N]/[N] 6 LED/ 12 W	3000	14°/14°	1115
131-9417	QLS410 [N]/[N] 6 LED/ 12 W	4000	14°/14°	1115
131-9726	QLS410 [N]/[N] 6 LED/ 18 W	3000	14°/14°	1767
131-9731	QLS410 [N]/[N] 6 LED/ 18 W	4000	14°/14°	2039
131-9736	QLS410 [N]/[N] 6 LED/ 26 W	3000	14°/14°	2261
131-9741	QLS410 [N]/[N] 6 LED/ 26 W	4000	14°/14°	2608
131-9725	QLS410 [N]/[M] 6 LED/ 18 W	3000	14°/33°	1673
131-9730	QLS410 [N]/[M] 6 LED/ 18 W	4000	14°/33°	1930
131-9735	QLS410 [N]/[M] 6 LED/ 26 W	3000	14°/33°	2139
131-9740	QLS410 [N]/[M] 6 LED/ 26 W	4000	14°/33°	2468
131-9408	QLS410 [N]/[S] 6 LED/ 12 W	3000	14°/58°	1027
131-9413	QLS410 [N]/[S] 6 LED/ 12 W	4000	14°/58°	1027
131-9409	QLS410 [M]/[M] 6 LED/ 12 W	3000	33°/33°	995
131-9414	QLS410 [M]/[M] 6 LED/ 12 W	4000	33°/33°	995
131-9724	QLS410 [M]/[M] 6 LED/ 18 W	3000	33°/33°	1578
131-9729	QLS410 [M]/[M] 6 LED/ 18 W	4000	33°/33°	1820
131-9734	QLS410 [M]/[M] 6 LED/ 26 W	3000	33°/33°	2018
131-9739	QLS410 [M]/[M] 6 LED/ 26 W	4000	33°/33°	2328
131-9407	QLS410 [M]/[S] 6 LED/ 12 W	3000	33°/58°	967
131-9412	QLS410 [M]/[S] 6 LED/ 12 W	4000	33°/58°	967
131-9400	QLS410 [S] 3 LED/ 6 W	3000	58°	470
131-9403	QLS410 [S] 3 LED/ 6 W	4000	58°	470
131-9422	QLS410 [R45] 3 LED/ 6 W	3000	Type II Short	502
131-9424	QLS410 [R45] 3 LED/ 6 W	4000	Type II Short	502
131-9710	QLS410 [R45] 3 LED/ 9 W	3000	Type II Short	796
131-9713	QLS410 [R45] 3 LED/ 9 W	4000	Type II Short	919
131-9716	QLS410 [R45] 3 LED/ 13 W	3000	Type II Short	1018
131-9719	QLS410 [R45] 3 LED/ 13 W	4000	Type II Short	1176
131-9462	QLS410 [N]/[R45] 6 LED/ 12 W	3000	14°/Type II Short	1060
131-9463	QLS410 [N]/[R45] 6 LED/ 12 W	4000	14°/Type II Short	1060
131-9723	QLS410 [N]/[R45] 6 LED/ 18 W	3000	14°/Type II Short	1680
131-9728	QLS410 [N]/[R45] 6 LED/ 18 W	4000	14°/Type II Short	1939
131-9733	QLS410 [N]/[R45] 6 LED/ 26 W	3000	14°/Type II Short	2149
131-9738	QLS410 [N]/[R45] 6 LED/ 26 W	4000	14°/Type II Short	2479
131-9423	QLS410 [M]/[R45] 6 LED/ 12 W	3000	33°/Type II Short	1000
131-9425	QLS410 [M]/[R45] 6 LED/ 12 W	4000	33°/Type II Short	1000



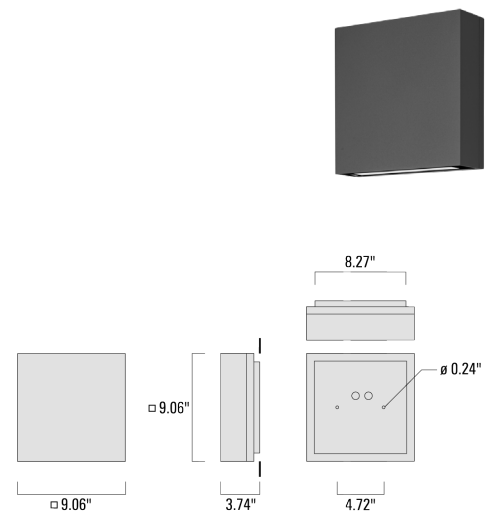
## SURFACE MOUNTED WALL LUMINAIRES Return to Table of Contents

PRODUCT ID	LIGHT SOURCE	KELVIN	OPTIC	DELIVERED LUMENS
131-9722	QLS410 [M]/[R45] 6 LED/ 18 W	3000	33°/Type II Short	1585
131-9727	QLS410 [M]/[R45] 6 LED/ 18 W	4000	33°/Type II Short	1829
131-9732	QLS410 [M]/[R45] 6 LED/ 26 W	3000	33°/Type II Short	2028
131-9737	QLS410 [M]/[R45] 6 LED/ 26 W	4000	33°/Type II Short	2339

### QLS420 LED

IP66, Class I, IK07. Surface mounted LED wall luminaire. Marine-grade, die-cast aluminum alloy, 5CE superior corrosion protection including PCS hardware. Silicone rubber gasket. Safety glass lens. Integral EC electronic converter. CAD-optimised optics for superior illumination and glare control. OLC® One LED Concept. Factory installed LED circuit board. 0-10V on request. Suitable for installation over 4" recessed junction box. 120-277V. ADA Compliant.

PRODUCT ID	LIGHT SOURCE	KELVIN	OPTIC	DELIVERED LUMENS
131-9460	QLS420 [N] 6 LED/ 12 W	3000	14°	1115
131-9461	QLS420 [N] 6 LED/ 12 W	4000	14°	1115
131-9744	QLS420 [N] 6 LED/ 18 W	3000	14°	1767
131-9747	QLS420 [N] 6 LED/ 18 W	4000	14°	2039
131-9750	QLS420 [N] 6 LED/ 26 W	3000	14°	2260
131-9753	QLS420 [N] 6 LED/ 26 W	4000	14°	2607
131-9438	QLS420 [M] 6 LED/ 12 W	3000	33°	995
131-9441	QLS420 [M] 6 LED/ 12 W	4000	33°	995
131-9743	QLS420 [M] 6 LED/ 18 W	3000	33°	1577
131-9746	QLS420 [M] 6 LED/ 18 W	4000	33°	1820
131-9749	QLS420 [M] 6 LED/ 26 W	3000	33°	2018
131-9752	QLS420 [M] 6 LED/ 26 W	4000	33°	2328
131-9453	QLS420 [N]/[N] 12 LED/ 24 W	3000	14°/14°	2230
131-9454	QLS420 [N]/[N] 12 LED/ 24 W	4000	14°/14°	2230
131-9758	QLS420 [N]/[N] 12 LED/ 36 W	3000	14°/14°	3535
131-9763	QLS420 [N]/[N] 12 LED/ 36 W	4000	14°/14°	4079
131-9768	QLS420 [N]/[N] 12 LED/ 52 W	3000	14°/14°	4521
131-9773	QLS420 [N]/[N] 12 LED/ 52 W	4000	14°/14°	5217
131-9757	QLS420 [N]/[M] 12 LED/ 36 W	3000	14°/33°	3345
131-9762	QLS420 [N]/[M] 12 LED/ 36 W	4000	14°/33°	3860
131-9767	QLS420 [N]/[M] 12 LED/ 52 W	3000	14°/33°	4279
131-9772	QLS420 [N]/[M] 12 LED/ 52 W	4000	14°/33°	4937
131-9445	QLS420 [N]/[S] 12 LED/ 24 W	3000	14°/58°	2054
131-9450	QLS420 [N]/[S] 12 LED/ 24 W	4000	14°/58°	2054
131-9446	QLS420 [M]/[M] 12 LED/ 24 W	3000	33°/33°	1990
131-9451	QLS420 [M]/[M] 12 LED/ 24 W	4000	33°/33°	1990
131-9756	QLS420 [M]/[M] 12 LED/ 36 W	3000	33°/33°	3155
131-9761	QLS420 [M]/[M] 12 LED/ 36 W	4000	33°/33°	3641
131-9766	QLS420 [M]/[M] 12 LED/ 52 W	3000	33°/33°	4036
131-9771	QLS420 [M]/[M] 12 LED/ 52 W	4000	33°/33°	4657
131-9444	QLS420 [M]/[S] 12 LED/ 24 W	3000	33°/58°	1935
131-9449	QLS420 [M]/[S] 12 LED/ 24 W	4000	33°/58°	1935
131-9437	QLS420 [S] 6 LED/ 12 W	3000	58°	940
131-9440	QLS420 [S] 6 LED/ 12 W	4000	58°	940
131-9455	QLS420 [R45] 6 LED/ 12 W	3000	Type II Short	1005
131-9457	QLS420 [R45] 6 LED/ 12 W	4000	Type II Short	1005
131-9742	QLS420 [R45] 6 LED/ 18 W	3000	Type II Short	1593
131-9745	QLS420 [R45] 6 LED/ 18 W	4000	Type II Short	1838
131-9748	QLS420 [R45] 6 LED/ 26 W	3000	Type II Short	2037
131-9751	QLS420 [R45] 6 LED/ 26 W	4000	Type II Short	2350
131-9464	QLS420 [N]/[R45] 12 LED/ 24 W	3000	14°/Type II Short	2120
131-9465	QLS420 [N]/[R45] 12 LED/ 24 W	4000	14°/Type II Short	2120



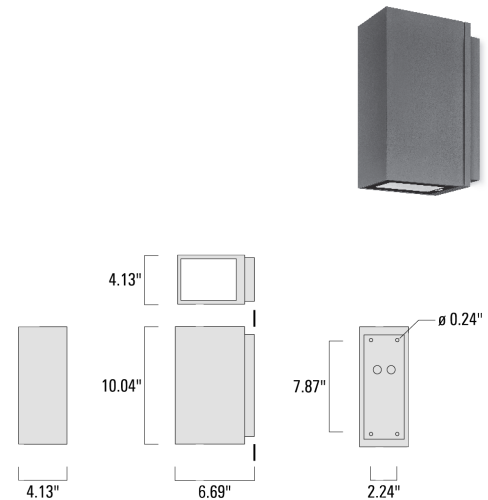
## SURFACE MOUNTED WALL LUMINAIRES Return to Table of Contents

PRODUCT ID	LIGHT SOURCE	KELVIN	OPTIC	DELIVERED LUMENS
131-9755	QLS420 [N]/[R45] 12 LED/ 36 W	3000	14°/Type II Short	3360
131-9760	QLS420 [N]/[R45] 12 LED/ 36 W	4000	14°/Type II Short	3877
131-9765	QLS420 [N]/[R45] 12 LED/ 52 W	3000	14°/Type II Short	4298
131-9770	QLS420 [N]/[R45] 12 LED/ 52 W	4000	14°/Type II Short	4959
131-9456	QLS420 [M]/[R45] 12 LED/ 24 W	3000	33°/Type II Short	2000
131-9458	QLS420 [M]/[R45] 12 LED/ 24 W	4000	33°/Type II Short	2000
131-9754	QLS420 [M]/[R45] 12 LED/ 36 W	3000	33°/Type II Short	3171
131-9759	QLS420 [M]/[R45] 12 LED/ 36 W	4000	33°/Type II Short	3658
131-9764	QLS420 [M]/[R45] 12 LED/ 52 W	3000	33°/Type II Short	4055
131-9769	QLS420 [M]/[R45] 12 LED/ 52 W	4000	33°/Type II Short	4679

### VLS410 LED

IP66, Class I, IK07. Surface mounted LED wall luminaire. Marine-grade, die-cast aluminum alloy, 5CE superior corrosion protection including PCS hardware. Silicone rubber gasket. Safety glass lens. Suitable for installation over 4" recessed junction box. 120-277V. 0-10V dimming.

PRODUCT ID	LIGHT SOURCE	KELVIN	OPTIC	DELIVERED LUMENS
131-9504	VLS410 [N] 3 LED/ 6 W	3000	14°	557
131-9508	VLS410 [N] 3 LED/ 6 W	4000	14°	557
131-9820	VLS410 [N] 3 LED/ 9 W	3000	14°	883
131-9823	VLS410 [N] 3 LED/ 9 W	4000	14°	1019
131-9826	VLS410 [N] 3 LED/ 13 W	3000	14°	1130
131-9829	VLS410 [N] 3 LED/ 13 W	4000	14°	1304
131-9503	VLS410 [M] 3 LED/ 6 W	3000	33°	498
131-9507	VLS410 [M] 3 LED/ 6 W	4000	33°	498
131-9819	VLS410 [M] 3 LED/ 9 W	3000	33°	789
131-9822	VLS410 [M] 3 LED/ 9 W	4000	33°	910
131-9825	VLS410 [M] 3 LED/ 13 W	3000	33°	1008
131-9828	VLS410 [M] 3 LED/ 13 W	4000	33°	1164
131-9515	VLS410 [N]/[N] 6 LED/ 12 W	3000	14°/14°	1115
131-9521	VLS410 [N]/[N] 6 LED/ 12 W	4000	14°/14°	1115
131-9834	VLS410 [N]/[N] 6 LED/ 18 W	3000	14°/14°	1767
131-9844	VLS410 [N]/[N] 6 LED/ 26 W	3000	14°/14°	1767
131-9839	VLS410 [N]/[N] 6 LED/ 18 W	4000	14°/14°	2039
131-9849	VLS410 [N]/[N] 6 LED/ 26 W	4000	14°/14°	2039
131-9514	VLS410 [N]/[M] 6 LED/ 12 W	3000	14°/33°	1055
131-9520	VLS410 [N]/[M] 6 LED/ 12 W	4000	14°/33°	1055
131-9833	VLS410 [N]/[M] 6 LED/ 18 W	3000	14°/33°	1673
131-9843	VLS410 [N]/[M] 6 LED/ 26 W	3000	14°/33°	1673
131-9838	VLS410 [N]/[M] 6 LED/ 18 W	4000	14°/33°	1930
131-9848	VLS410 [N]/[M] 6 LED/ 26 W	4000	14°/33°	1930
131-9513	VLS410 [M]/[M] 6 LED/ 12 W	3000	33°/33°	995
131-9519	VLS410 [M]/[M] 6 LED/ 12 W	4000	33°/33°	995
131-9832	VLS410 [M]/[M] 6 LED/ 18 W	3000	33°/33°	1578
131-9842	VLS410 [M]/[M] 6 LED/ 26 W	3000	33°/33°	1578
131-9837	VLS410 [M]/[M] 6 LED/ 18 W	4000	33°/33°	1820
131-9847	VLS410 [M]/[M] 6 LED/ 26 W	4000	33°/33°	1820
131-9512	VLS410 [N]/[A60] 6 LED/ 12 W	3000	14°/Type IV	779
131-9518	VLS410 [N]/[A60] 6 LED/ 12 W	4000	14°/Type IV	779
131-9831	VLS410 [N]/[A60] 6 LED/ 18 W	3000	14°/Type IV	1234
131-9841	VLS410 [N]/[A60] 6 LED/ 26 W	3000	14°/Type IV	1234
131-9836	VLS410 [N]/[A60] 6 LED/ 18 W	4000	14°/Type IV	1424
131-9846	VLS410 [N]/[A60] 6 LED/ 26 W	4000	14°/Type IV	1424



## SURFACE MOUNTED WALL LUMINAIRES Return to Table of Contents

PRODUCT ID	LIGHT SOURCE	KELVIN	OPTIC	DELIVERED LUMENS
131-9830	VLS410 [M]/[A60] 6 LED/ 18 W	3000	33°/Type IV	1139
131-9840	VLS410 [M]/[A60] 6 LED/ 26 W	3000	33°/Type IV	1139
131-9835	VLS410 [M]/[A60] 6 LED/ 18 W	4000	33°/Type IV	1315
131-9845	VLS410 [M]/[A60] 6 LED/ 26 W	4000	33°/Type IV	1315
131-9502	VLS410 [A60] 3 LED/ 6 W	3000	Type IV	221
131-9506	VLS410 [A60] 3 LED/ 6 W	4000	Type IV	221
131-9818	VLS410 [A60] 3 LED/ 9 W	3000	Type IV	350
131-9821	VLS410 [A60] 3 LED/ 9 W	4000	Type IV	404
131-9824	VLS410 [A60] 3 LED/ 13 W	3000	Type IV	448
131-9827	VLS410 [A60] 3 LED/ 13 W	4000	Type IV	517

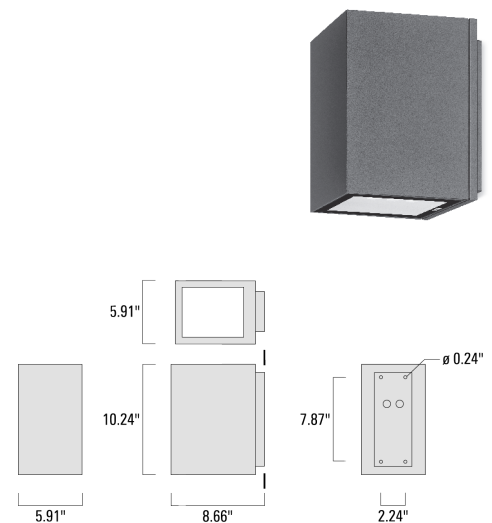
### Accessories

131-9140	Column Fitter - for columns $\geq 5 \frac{1}{2}$ " in diameter
----------	--

### VLS420 LED

IP66, Class I, IK07. Surface mounted LED wall luminaire. Marine-grade, die-cast aluminum alloy. 5CE superior corrosion protection including PCS hardware. Silicone rubber gasket. Safety glass lens. Suitable for installation over 4" recessed junction box. 120-277V. 0-10V dimming.

PRODUCT ID	LIGHT SOURCE	KELVIN	OPTIC	DELIVERED LUMENS
131-9154	VLS420 [N] 6 LED/ 12 W	3000	14°	1115
131-9158	VLS420 [N] 6 LED/ 12 W	4000	14°	1115
131-9852	VLS420 [N] 6 LED/ 18 W	3000	14°	1767
131-9855	VLS420 [N] 6 LED/ 18 W	4000	14°	2039
131-9858	VLS420 [N] 6 LED/ 26 W	3000	14°	2260
131-9861	VLS420 [N] 6 LED/ 26 W	4000	14°	2607
131-9153	VLS420 [M] 6 LED/ 12 W	3000	33°	995
131-9157	VLS420 [M] 6 LED/ 12 W	4000	33°	995
131-9851	VLS420 [M] 6 LED/ 18 W	3000	33°	1577
131-9854	VLS420 [M] 6 LED/ 18 W	4000	33°	1820
131-9857	VLS420 [M] 6 LED/ 26 W	3000	33°	2018
131-9860	VLS420 [M] 6 LED/ 26 W	4000	33°	2328
131-9165	VLS420 [N]/[N] 12 LED/ 24 W	3000	14°/14°	2230
131-9171	VLS420 [N]/[N] 12 LED/ 24 W	4000	14°/14°	2230
131-9928	VLS420 [N]/[N] 12 LED/ 36 W	3000	14°/14°	3535
131-9933	VLS420 [N]/[N] 12 LED/ 36 W	4000	14°/14°	4079
131-9938	VLS420 [N]/[N] 12 LED/ 52 W	3000	14°/14°	4521
131-9943	VLS420 [N]/[N] 12 LED/ 52 W	4000	14°/14°	5217
131-9164	VLS420 [N]/[M] 12 LED/ 24 W	3000	14°/33°	2110
131-9170	VLS420 [N]/[M] 12 LED/ 24 W	4000	14°/33°	2110
131-9927	VLS420 [N]/[M] 12 LED/ 36 W	3000	14°/33°	3345
131-9932	VLS420 [N]/[M] 12 LED/ 36 W	4000	14°/33°	3860
131-9937	VLS420 [N]/[M] 12 LED/ 52 W	3000	14°/33°	4279
131-9941	VLS420 [N]/[M] 12 LED/ 52 W	4000	14°/33°	4937
131-9926	VLS420 [M]/[M] 12 LED/ 36 W	3000	33°/33°	3155
131-9931	VLS420 [M]/[M] 12 LED/ 36 W	4000	33°/33°	3641
131-9936	VLS420 [M]/[M] 12 LED/ 52 W	3000	33°/33°	4036
131-9942	VLS420 [M]/[M] 12 LED/ 52 W	4000	33°/33°	4657
131-9162	VLS420 [N]/[A60] 12 LED/ 24 W	3000	14°/Type IV	1838
131-9168	VLS420 [N]/[A60] 12 LED/ 24 W	4000	14°/Type IV	1838
131-9925	VLS420 [N]/[A60] 12 LED/ 36 W	3000	14°/Type IV	2915
131-9930	VLS420 [N]/[A60] 12 LED/ 36 W	4000	14°/Type IV	3363
131-9935	VLS420 [N]/[A60] 12 LED/ 52 W	3000	14°/Type IV	3728
131-9940	VLS420 [N]/[A60] 12 LED/ 52 W	4000	14°/Type IV	4301



## SURFACE MOUNTED WALL LUMINAIRES Return to Table of Contents

PRODUCT ID	LIGHT SOURCE	KELVIN	OPTIC	DELIVERED LUMENS
131-9161	VLS420 [M]/[A60] 12 LED/ 24 W	3000	33°/Type IV	1719
131-9167	VLS420 [M]/[A60] 12 LED/ 24 W	4000	33°/Type IV	1719
131-9924	VLS420 [M]/[A60] 12 LED/ 36 W	3000	33°/Type IV	2725
131-9929	VLS420 [M]/[A60] 12 LED/ 36 W	4000	33°/Type IV	3144
131-9934	VLS420 [M]/[A60] 12 LED/ 52 W	3000	33°/Type IV	3485
131-9939	VLS420 [M]/[A60] 12 LED/ 52 W	4000	33°/Type IV	4021
131-9152	VLS420 [A60] 6 LED/ 12 W	3000	Type IV	724
131-9156	VLS420 [A60] 6 LED/ 12 W	4000	Type IV	724
131-9850	VLS420 [A60] 6 LED/ 18 W	3000	Type IV	1147
131-9853	VLS420 [A60] 6 LED/ 18 W	4000	Type IV	1323
131-9856	VLS420 [A60] 6 LED/ 26 W	3000	Type IV	1467
131-9859	VLS420 [A60] 6 LED/ 26 W	4000	Type IV	1693

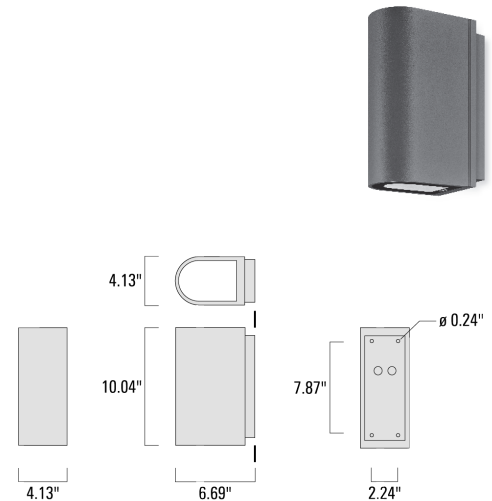
### Accessories

131-9140	Column Fitter - for columns $\geq 5 \frac{1}{2}$ " in diameter
----------	--

### SLS410 LED

IP66, Class I, IK07. Marine-grade, die-cast aluminum alloy. 5CE superior corrosion protection including PCS hardware. Silicone rubber gasket. Safety glass lens. Integral EC electronic converter. CAD-optimized optics for superior illumination and glare control. OLC® One LED Concept. Suitable for installation over 4" recessed junction box. 120-277V. 0-10V dimming.

PRODUCT ID	LIGHT SOURCE	KELVIN	OPTIC	DELIVERED LUMENS
131-9474	SLS410 [N] 3 LED/ 6 W	3000	14°	557
131-9478	SLS410 [N] 3 LED/ 6 W	4000	14°	557
131-0224	SLS410 [N] 3 LED/ 9 W	3000	14°	883
131-0225	SLS410 [N] 3 LED/ 9 W	4000	14°	1019
131-9782	SLS410 [N] 3 LED/ 13 W	3000	14°	1130
131-9785	SLS410 [N] 3 LED/ 13 W	4000	14°	1304
131-9473	SLS410 [M] 3 LED/ 6 W	3000	33°	498
131-9477	SLS410 [M] 3 LED/ 6 W	4000	33°	498
131-9775	SLS410 [M] 3 LED/ 9 W	3000	33°	789
131-9778	SLS410 [M] 3 LED/ 9 W	4000	33°	910
131-9781	SLS410 [M] 3 LED/ 13 W	3000	33°	1008
131-9784	SLS410 [M] 3 LED/ 13 W	4000	33°	1164
131-9485	SLS410 [N]/[N] 6 LED/ 12 W	3000	14°/14°	1115
131-9491	SLS410 [N]/[N] 6 LED/ 12 W	4000	14°/14°	1115
131-9866	SLS410 [N]/[N] 6 LED/ 18 W	3000	14°/14°	1767
131-9871	SLS410 [N]/[N] 6 LED/ 18 W	4000	14°/14°	2039
131-9876	SLS410 [N]/[N] 6 LED/ 26 W	3000	14°/14°	2261
131-9881	SLS410 [N]/[N] 6 LED/ 26 W	4000	14°/14°	2468
131-9484	SLS410 [N]/[M] 6 LED/ 12 W	3000	14°/33°	1055
131-9490	SLS410 [N]/[M] 6 LED/ 12 W	4000	14°/33°	1055
131-9865	SLS410 [N]/[M] 6 LED/ 18 W	3000	14°/33°	1673
131-9870	SLS410 [N]/[M] 6 LED/ 18 W	4000	14°/33°	1930
131-9875	SLS410 [N]/[M] 6 LED/ 26 W	3000	14°/33°	2139
131-9880	SLS410 [N]/[M] 6 LED/ 26 W	4000	14°/33°	2468
131-9483	SLS410 [M]/[M] 6 LED/ 12 W	3000	33°/33°	995
131-9489	SLS410 [M]/[M] 6 LED/ 12 W	4000	33°/33°	995
131-9864	SLS410 [M]/[M] 6 LED/ 18 W	3000	33°/33°	1578
131-9869	SLS410 [M]/[M] 6 LED/ 18 W	4000	33°/33°	1820
131-9874	SLS410 [M]/[M] 6 LED/ 26 W	3000	33°/33°	2018
131-9879	SLS410 [M]/[M] 6 LED/ 26 W	4000	33°/33°	2328
131-9482	SLS410 [N]/[A60] 6 LED/ 12 W	3000	14°/Type IV	1027
131-9488	SLS410 [N]/[A60] 6 LED/ 12 W	4000	14°/Type IV	1027



## SURFACE MOUNTED WALL LUMINAIRES

[Return to Table of Contents](#)

PRODUCT ID	LIGHT SOURCE	KELVIN	OPTIC	DELIVERED LUMENS
131-9863	SLS410 [N]/[A60] 6 LED/ 18 W	3000	14°/Type IV	1234
131-9868	SLS410 [N]/[A60] 6 LED/ 18 W	4000	14°/Type IV	1424
131-9873	SLS410 [N]/[A60] 6 LED/ 26 W	3000	14°/Type IV	1579
131-9878	SLS410 [N]/[A60] 6 LED/ 26 W	4000	14°/Type IV	1821
131-9862	SLS410 [M]/[A60] 6 LED/ 18 W	3000	33°/Type IV	1139
131-9867	SLS410 [M]/[A60] 6 LED/ 18 W	4000	33°/Type IV	1315
131-9872	SLS410 [M]/[A60] 6 LED/ 26 W	3000	33°/Type IV	1457
131-9877	SLS410 [M]/[A60] 6 LED/ 26 W	4000	33°/Type IV	1681
131-9472	SLS410 [A60] 3 LED/ 6 W	3000	Type IV	221
131-9476	SLS410 [A60] 3 LED/ 6 W	4000	Type IV	221
131-9774	SLS410 [A60] 3 LED/ 9 W	3000	Type IV	350
131-9777	SLS410 [A60] 3 LED/ 9 W	4000	Type IV	404
131-9780	SLS410 [A60] 3 LED/ 13 W	3000	Type IV	488
131-9783	SLS410 [A60] 3 LED/ 13 W	4000	Type IV	517

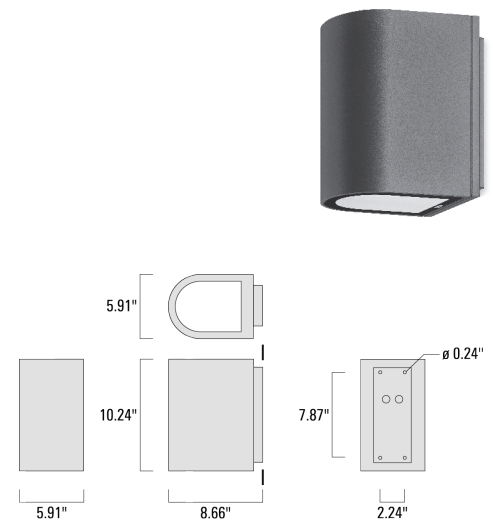
### Accessories

131-9140	Column Fitter - for columns $\geq 5 \frac{1}{2}$ " in diameter
----------	--

### SLS420 LED

IP66, Class I, IK07. Marine-grade, die-cast aluminum alloy. 5CE superior corrosion protection including PCS hardware. Silicone rubber gasket. Safety glass lens. Integral EC electronic converter. CAD-optimized optics for superior illumination and glare control. OLC® One LED Concept. Suitable for installation over 4" recessed junction box. 120-277V. 0-10V dimming.

PRODUCT ID	LIGHT SOURCE	KELVIN	OPTIC	DELIVERED LUMENS
131-9534	SLS420 [N] 6 LED/ 12 W	3000	14°	1115
131-9538	SLS420 [N] 6 LED/ 12 W	4000	14°	1115
131-9788	SLS420 [N] 6 LED/ 18 W	3000	14°	1767
131-9791	SLS420 [N] 6 LED/ 18 W	4000	14°	2039
131-9794	SLS420 [N] 6 LED/ 26 W	3000	14°	2260
131-9797	SLS420 [N] 6 LED/ 26 W	4000	14°	2607
131-9533	SLS420 [M] 6 LED/ 12 W	3000	33°	995
131-9537	SLS420 [M] 6 LED/ 12 W	4000	33°	995
131-9787	SLS420 [M] 6 LED/ 18 W	3000	33°	1577
131-9790	SLS420 [M] 6 LED/ 18 W	4000	33°	1820
131-9793	SLS420 [M] 6 LED/ 26 W	3000	33°	2018
131-9796	SLS420 [M] 6 LED/ 26 W	4000	33°	2328
131-9545	SLS420 [N]/[N] 12 LED/ 24 W	3000	14°/14°	2230
131-9551	SLS420 [N]/[N] 12 LED/ 24 W	4000	14°/14°	2230
131-9802	SLS420 [N]/[N] 12 LED/ 36 W	3000	14°/14°	3535
131-9807	SLS420 [N]/[N] 12 LED/ 36 W	4000	14°/14°	4079
131-9812	SLS420 [N]/[N] 12 LED/ 52 W	3000	14°/14°	4521
131-9817	SLS420 [N]/[N] 12 LED/ 52 W	4000	14°/14°	5217
131-9544	SLS420 [N]/[M] 12 LED/ 24 W	3000	14°/33°	2110
131-9550	SLS420 [N]/[M] 12 LED/ 24 W	4000	14°/33°	2110
131-9801	SLS420 [N]/[M] 12 LED/ 36 W	3000	14°/33°	3345
131-9806	SLS420 [N]/[M] 12 LED/ 36 W	4000	14°/33°	3860
131-9811	SLS420 [N]/[M] 12 LED/ 52 W	3000	14°/33°	4279
131-9816	SLS420 [N]/[M] 12 LED/ 52 W	4000	14°/33°	4937
131-9543	SLS420 [M]/[M] 12 LED/ 24 W	3000	33°/33°	1990
131-9549	SLS420 [M]/[M] 12 LED/ 24 W	4000	33°/33°	1990
131-9800	SLS420 [M]/[M] 12 LED/ 36 W	3000	33°/33°	3155
131-9805	SLS420 [M]/[M] 12 LED/ 36 W	4000	33°/33°	3641
131-9810	SLS420 [M]/[M] 12 LED/ 52 W	3000	33°/33°	4036
131-9815	SLS420 [M]/[M] 12 LED/ 52 W	4000	33°/33°	4657



## SURFACE MOUNTED WALL LUMINAIRES Return to Table of Contents

PRODUCT ID	LIGHT SOURCE	KELVIN	OPTIC	DELIVERED LUMENS
131-9542	SLS420 [N]/[A60] 12 LED/ 24 W	3000	14°/Type IV	1838
131-9548	SLS420 [N]/[A60] 12 LED/ 24 W	4000	14°/Type IV	1838
131-9799	SLS420 [N]/[A60] 12 LED/ 36 W	3000	14°/Type IV	2915
131-9804	SLS420 [N]/[A60] 12 LED/ 36 W	4000	14°/Type IV	3363
131-9809	SLS420 [N]/[A60] 12 LED/ 52 W	3000	14°/Type IV	3728
131-9814	SLS420 [N]/[A60] 12 LED/ 52 W	4000	14°/Type IV	4301
131-9798	SLS420 [M]/[A60] 12 LED/ 36 W	3000	33°/Type IV	2725
131-9803	SLS420 [M]/[A60] 12 LED/ 36 W	4000	33°/Type IV	3144
131-9808	SLS420 [M]/[A60] 12 LED/ 52 W	3000	33°/Type IV	3485
131-9813	SLS420 [M]/[A60] 12 LED/ 52 W	4000	33°/Type IV	4021
131-9532	SLS420 [A60] 6 LED/ 12 W	3000	Type IV	724
131-9536	SLS420 [A60] 6 LED/ 12 W	4000	Type IV	724
131-9786	SLS420 [A60] 6 LED/ 18 W	3000	Type IV	1147
131-9789	SLS420 [A60] 6 LED/ 18 W	4000	Type IV	1323
131-9792	SLS420 [A60] 6 LED/ 26 W	3000	Type IV	1467
131-9795	SLS420 [A60] 6 LED/ 26 W	4000	Type IV	1693

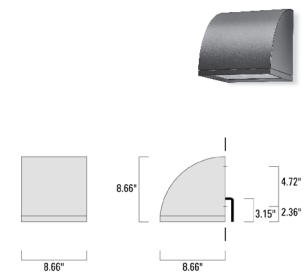
### Accessories

131-9140	Column Fitter - for columns $\geq 5 \frac{1}{2}$ " in diameter
----------	--

### OLV330 LED

IP65. Surface mounted wallwasher. Suitable for installation over 4" recessed junction box in uplight or downlight position. 120-277V. 0-10V dimming.

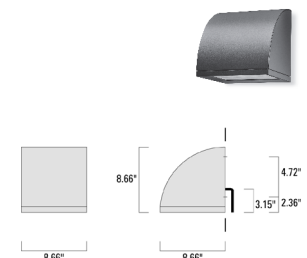
PRODUCT ID	LIGHT SOURCE	KELVIN	OPTIC	DELIVERED LUMENS
132-0524	OLV330 [VNS] 12 LED/ 12 W	3000	10°	1428
132-0525	OLV330 [VNS] 12 LED/ 12 W	4000	10°	1428
132-0534	OLV330 [VNS] 12 LED/ 18 W	3000	10°	1961
132-0535	OLV330 [VNS] 12 LED/ 18 W	4000	10°	1961
132-0522	OLV330 [M] 12 LED/ 12 W	3000	32°	1391
132-0523	OLV330 [M] 12 LED/ 12 W	4000	32°	1391
132-0532	OLV330 [M] 12 LED/ 18 W	3000	32°	1910
132-0533	OLV330 [M] 12 LED/ 18 W	4000	32°	1910



### OLV334 LED

IP65. Surface mounted wallwasher. Suitable for installation over 4" recessed junction box in uplight or downlight position. 120-277V. 0-10V dimming.

PRODUCT ID	LIGHT SOURCE	KELVIN	OPTIC	DELIVERED LUMENS
132-0530	OLV334 [A60] 12 LED/ 12 W	3000	Type IV	1281
132-0531	OLV334 [A60] 12 LED/ 12 W	4000	Type IV	1281
132-0540	OLV334 [A60] 12 LED/ 24 W	3000	Type IV	2231
132-0541	OLV334 [A60] 12 LED/ 24 W	4000	Type IV	2231
132-0528	OLV334 [R65] 12 LED/ 12 W	3000	Type IV Medium	1210
132-0529	OLV334 [R65] 12 LED/ 12 W	4000	Type IV Medium	1210
132-0538	OLV334 [R65] 12 LED/ 24 W	3000	Type IV Medium	2107
132-0539	OLV334 [R65] 12 LED/ 24 W	4000	Type IV Medium	2107
132-0526	OLV334 [S70] 12 LED/ 12 W	3000	Type II Short	1344
132-0527	OLV334 [S70] 12 LED/ 12 W	4000	Type II Short	1344
132-0536	OLV334 [S70] 12 LED/ 24 W	3000	Type II Short	2341
132-0537	OLV334 [S70] 12 LED/ 24 W	4000	Type II Short	2341

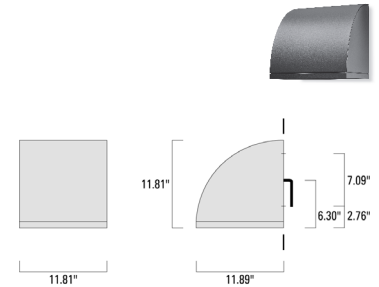


## SURFACE MOUNTED WALL LUMINAIRES Return to Table of Contents

### OLV340 LED

IP65. Surface mounted wallwasher. Suitable for installation over 4" recessed junction box in uplight or downlight position. 120-277V. 0-10V dimming.

PRODUCT ID	LIGHT SOURCE	KELVIN	OPTIC	DELIVERED LUMENS
132-0544	OLV340 [VNS] 24 LED/ 24 W	3000	10°	2988
132-0545	OLV340 [VNS] 24 LED/ 24 W	4000	10°	2988
132-0554	OLV340 [VNS] 24 LED/ 36 W	3000	10°	4105
132-0555	OLV340 [VNS] 24 LED/ 36 W	4000	10°	4105
132-0542	OLV340 [M] 24 LED/ 24 W	3000	32°	2805
132-0543	OLV340 [M] 24 LED/ 24 W	4000	32°	2805
132-0552	OLV340 [M] 24 LED/ 36 W	3000	32°	3853
132-0553	OLV340 [M] 24 LED/ 36 W	4000	32°	3853



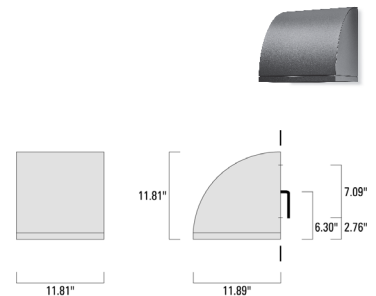
#### Accessories

622-9330 Surface collar. Surface j-box and conduit by others.

### OLV344 LED

IP65. Surface mounted wallwasher. Suitable for installation over 4" recessed junction box in uplight or downlight position. 120-277V. 0-10V dimming.

PRODUCT ID	LIGHT SOURCE	KELVIN	OPTIC	DELIVERED LUMENS
132-0550	OLV344 [A60] 24 LED/ 24 W	3000	Type IV	2562
132-0551	OLV344 [A60] 24 LED/ 24 W	4000	Type IV	2562
132-0560	OLV344 [A60] 24 LED/ 48 W	3000	Type IV	4462
132-0561	OLV344 [A60] 24 LED/ 48 W	4000	Type IV	4462
132-0548	OLV344 [R65] 24 LED/ 24 W	3000	Type IV Medium	2420
132-0549	OLV344 [R65] 24 LED/ 24 W	4000	Type IV Medium	2420
132-0558	OLV344 [R65] 24 LED/ 48 W	3000	Type IV Medium	4215
132-0559	OLV344 [R65] 24 LED/ 48 W	4000	Type IV Medium	4215
132-0546	OLV344 [S70] 24 LED/ 24 W	3000	Type II Short	2689
132-0547	OLV344 [S70] 24 LED/ 24 W	4000	Type II Short	2689
132-0556	OLV344 [S70] 24 LED/ 48 W	3000	Type II Short	4683
132-0557	OLV344 [S70] 24 LED/ 48 W	4000	Type II Short	4683



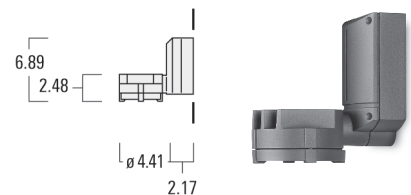
#### Accessories

622-9330 Surface collar. Surface j-box and conduit by others.

### FLC122 LED

IP55. Surface mounted wallwasher. Suitable for installation over 4" recessed junction box in uplight or downlight position. 120-277V. 0-10V dimming.

PRODUCT ID	LIGHT SOURCE	KELVIN	OPTIC	DELIVERED LUMENS
145-9382	FLC122 [VNS] 6 LED/ 12 W	3000	9°	1366
145-9384	FLC122 [VNS] 6 LED/ 12 W	4000	9°	1366
145-9375	FLC122 [VN] 6 LED/ 12 W	3000	14°	1270
145-9378	FLC122 [VN] 6 LED/ 12 W	4000	14°	1270
145-9374	FLC122 [M] 6 LED/ 12 W	3000	31°	1282
145-9377	FLC122 [M] 6 LED/ 12 W	4000	31°	1282
145-9383	FLC122 [W] 6 LED/ 12 W	3000	50°	1143
145-9385	FLC122 [W] 6 LED/ 12 W	4000	50°	1143





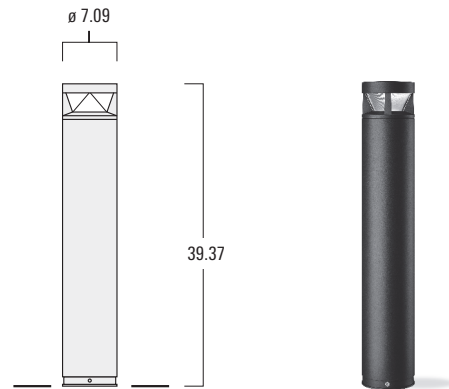
## BOLLARDS

[Return to Table of Contents](#)

### KTY234 LED

IP66. Bollard with shielded light source. Suitable for installation in landscaped areas or on concrete foundations. Anchor bolts supplied with all bollards. 120-277V.

PRODUCT ID	LIGHT SOURCE	KELVIN	OPTIC	DELIVERED LUMENS
114-9179	KTY234 [C60] 2 FT 6 LED/ 18 W	3000	Controlled Symmetric	748
114-9180	KTY234 [C60] 2 FT 6 LED/ 18 W	4000	Controlled Symmetric	863
114-9181	KTY234 [C60] 2 FT 6 LED/ 26 W	3000	Controlled Symmetric	957
114-9182	KTY234 [C60] 2 FT 6 LED/ 26 W	4000	Controlled Symmetric	1104
114-9091	KTY234 [C60] 3.3 FT 6 LED/ 18 W	3000	Controlled Symmetric	748
114-9092	KTY234 [C60] 3.3 FT 6 LED/ 18 W	4000	Controlled Symmetric	863
114-9093	KTY234 [C60] 3.3 FT 6 LED/ 26 W	3000	Controlled Symmetric	957
114-9094	KTY234 [C60] 3.3 FT 6 LED/ 26 W	4000	Controlled Symmetric	1104
114-9173	KTY234 [R65] 2 FT 3 LED/ 9 W	3000	Type IV Medium	471
114-9174	KTY234 [R65] 2 FT 3 LED/ 9 W	4000	Type IV Medium	544
114-9175	KTY234 [R65] 2 FT 3 LED/ 13 W	3000	Type IV Medium	603
114-9176	KTY234 [R65] 2 FT 3 LED/ 13 W	4000	Type IV Medium	696
114-9085	KTY234 [R65] 3.3 FT 3 LED/ 9 W	3000	Type IV Medium	471
114-9086	KTY234 [R65] 3.3 FT 3 LED/ 9 W	4000	Type IV Medium	544
114-9087	KTY234 [R65] 3.3 FT 3 LED/ 13 W	3000	Type IV Medium	603
114-9088	KTY234 [R65] 3.3 FT 3 LED/ 13 W	4000	Type IV Medium	696



### Accessories

300-0461	ESV Planted root
----------	------------------

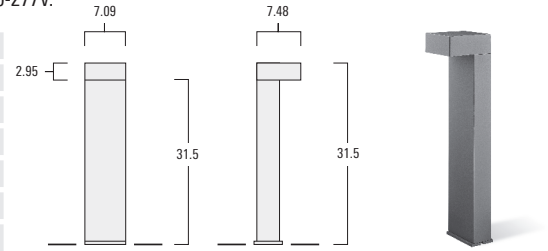
## BOLLARDS

[Return to Table of Contents](#)

### PSY414 LED

IP66, Class I, IK10. Marine-grade, die-cast aluminium alloy. 5CE superior corrosion protection including PCS hardware. Silicone CCG® Controlled Compression Gasket. Polycarbonate main lens. Integral EC electronic converter in thermally-separated compartment. CAD-optimised optics for superior illumination and glare control. Factory installed LED circuit board. Pre-wired post complete with cable connecting box and fuse for mains connection. Anchor bolts supplied with all bollards. 120-277V.

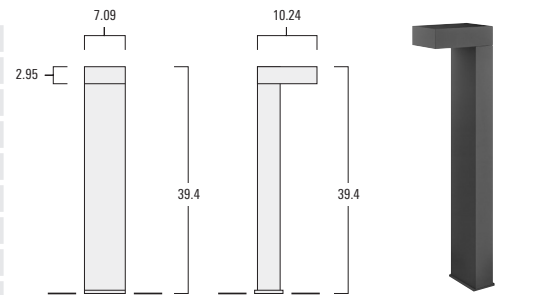
PRODUCT ID	LIGHT SOURCE	KELVIN	OPTIC	DELIVERED LUMENS
114-9674	PSY414 [R45] 3 LED/ 6 W	3000	Type II Short	552
114-9675	PSY414 [R45] 3 LED/ 6 W	4000	Type II Short	552
114-9676	PSY414 [R45] 3 LED/ 9 W	3000	Type II Short	865
114-9677	PSY414 [R45] 3 LED/ 9 W	4000	Type II Short	998
114-9678	PSY414 [R45] 3 LED/ 12 W	3000	Type II Short	1106
114-9679	PSY414 [R45] 3 LED/ 12 W	4000	Type II Short	1277



### PSY424 LED

IP66, Class I, IK10. Marine-grade, die-cast aluminium alloy. 5CE superior corrosion protection including PCS hardware. Silicone CCG® Controlled Compression Gasket. Polycarbonate main lens. Integral EC electronic converter in thermally-separated compartment. CAD-optimised optics for superior illumination and glare control. Factory installed LED circuit board. Pre-wired post complete with cable connecting box and fuse for mains connection. Anchor bolts supplied with all bollards. 120-277V.

PRODUCT ID	LIGHT SOURCE	KELVIN	OPTIC	DELIVERED LUMENS
114-9701	PSY424 [A60] 6 LED/ 12 W	3000	Type IV Very Short	1208
114-9702	PSY424 [A60] 6 LED/ 12 W	4000	Type IV Very Short	1208
114-9703	PSY424 [A60] 6 LED/ 18 W	3000	Type IV Very Short	1758
114-9704	PSY424 [A60] 6 LED/ 18 W	4000	Type IV Very Short	2028
114-9705	PSY424 [A60] 6 LED/ 26 W	3000	Type IV Very Short	2248
114-9706	PSY424 [A60] 6 LED/ 26 W	4000	Type IV Very Short	2593
114-9691	PSY424 [R65] 6 LED/ 12 W	3000	Type IV Medium	1043
114-9692	PSY424 [R65] 6 LED/ 12 W	4000	Type IV Medium	1043
114-9694	PSY424 [R65] 6 LED/ 18 W	4000	Type IV Medium	1107
114-9693	PSY424 [R65] 6 LED/ 18 W	3000	Type IV Medium	1939
114-9695	PSY424 [R65] 6 LED/ 26 W	3000	Type IV Medium	2215
114-9696	PSY424 [R65] 6 LED/ 26 W	4000	Type IV Medium	2556
114-9681	PSY424 [S70] 6 LED/ 12 W	3000	Type II Short	1160
114-9682	PSY424 [S70] 6 LED/ 12 W	4000	Type II Short	1160
114-9683	PSY424 [S70] 6 LED/ 18 W	3000	Type II Short	1939
114-9684	PSY424 [S70] 6 LED/ 18 W	4000	Type II Short	2237
114-9685	PSY424 [S70] 6 LED/ 26 W	3000	Type II Short	2480
114-9686	PSY424 [S70] 6 LED/ 26 W	4000	Type II Short	2861



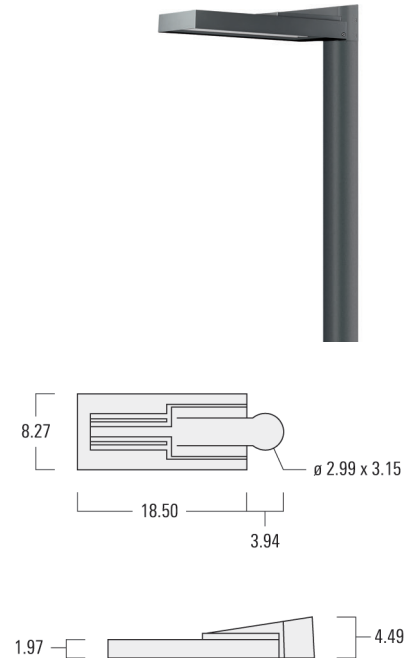
## BOLLARDS

[Return to Table of Contents](#)

### VFL520 LED

IP66. Pole mounted LED luminaire. Integrated heat sinks. Easy removal and replacement of LED board. CAD-optimized OLC® PMMA lens for multi-layer illumination and superior glare control. 120-277V.

PRODUCT ID	LIGHT SOURCE	KELVIN	OPTIC	DELIVERED LUMENS
108-1496	VFL520 [A60] 12 LED/ 12 W	3000	Type IV Very Short	1419
108-1497	VFL520 [A60] 12 LED/ 12 W	4000	Type IV Very Short	1419
108-1498	VFL520 [A60] 12 LED/ 24 W	3000	Type IV Very Short	2501
108-1499	VFL520 [A60] 12 LED/ 24 W	4000	Type IV Very Short	2501
108-1492	VFL520 [R65] 12 LED/ 12 W	3000	Type IV Medium	1450
108-1493	VFL520 [R65] 12 LED/ 12 W	4000	Type IV Medium	1450
108-1494	VFL520 [R65] 12 LED/ 24 W	3000	Type IV Medium	2555
108-1495	VFL520 [R65] 12 LED/ 24 W	4000	Type IV Medium	2555
108-1480	VFL520 [S60] 12 LED/ 12 W	3000	Type III Short	1495
108-1481	VFL520 [S60] 12 LED/ 12 W	4000	Type III Short	1495
108-1482	VFL520 [S60] 12 LED/ 24 W	3000	Type III Short	2675
108-1483	VFL520 [S60] 12 LED/ 24 W	4000	Type III Short	2675
108-1484	VFL520 [S65] 12 LED/ 12 W	3000	Type III Medium	1514
108-1485	VFL520 [S65] 12 LED/ 12 W	4000	Type III Medium	1514
108-1486	VFL520 [S65] 12 LED/ 24 W	3000	Type III Medium	2723
108-1487	VFL520 [S65] 12 LED/ 24 W	4000	Type III Medium	2723
108-1488	VFL520 [S70] 12 LED/ 12 W	3000	Type II Short	1488
108-1489	VFL520 [S70] 12 LED/ 12 W	4000	Type II Short	1488
108-1490	VFL520 [S70] 12 LED/ 24 W	3000	Type II Short	2655
108-1491	VFL520 [S70] 12 LED/ 24 W	4000	Type II Short	2655
108-1500	VFL520 [P65] 12 LED/ 12 W	3000	Type II Medium	1482
108-1501	VFL520 [P65] 12 LED/ 12 W	4000	Type II Medium	1482
108-1502	VFL520 [P65] 12 LED/ 24 W	3000	Type II Medium	2648
108-1503	VFL520 [P65] 12 LED/ 24 W	4000	Type II Medium	2648



### VFL530 LED

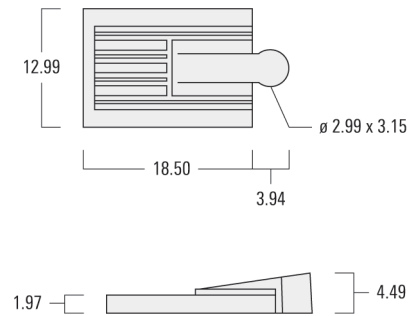
IP66. Pole mounted LED luminaire. Integrated heat sinks. Easy removal and replacement of LED board. CAD-optimized OLC® PMMA lens for multi-layer illumination and superior glare control. 120-277V.

PRODUCT ID	LIGHT SOURCE	KELVIN	OPTIC	DELIVERED LUMENS
108-1129	VFL530 [A60] 12 LED/ 12 W	3000	Type IV Very Short	1411
108-1130	VFL530 [A60] 12 LED/ 12 W	4000	Type IV Very Short	1411
108-1144	VFL530 [A60] 12 LED/ 24 W	3000	Type IV Very Short	2449
108-1145	VFL530 [A60] 12 LED/ 24 W	4000	Type IV Very Short	2449
108-1159	VFL530 [A60] 24 LED/ 24 W	3000	Type IV Very Short	2822
108-1160	VFL530 [A60] 24 LED/ 24 W	4000	Type IV Very Short	2822
108-1174	VFL530 [A60] 24 LED/ 48 W	3000	Type IV Very Short	4898
108-1175	VFL530 [A60] 24 LED/ 48 W	4000	Type IV Very Short	4898
108-2040	VFL530 [A60] 24 LED/ 72 W	3000	Type IV Very Short	7715
108-2041	VFL530 [A60] 24 LED/ 72 W	4000	Type IV Very Short	8902
108-1135	VFL530 [R65] 12 LED/ 12 W	3000	Type IV Medium	1451
108-1136	VFL530 [R65] 12 LED/ 12 W	4000	Type IV Medium	1451
108-1150	VFL530 [R65] 12 LED/ 24 W	3000	Type IV Medium	2482
108-1151	VFL530 [R65] 12 LED/ 24 W	4000	Type IV Medium	2482
108-1165	VFL530 [R65] 24 LED/ 24 W	3000	Type IV Medium	2902
108-1166	VFL530 [R65] 24 LED/ 24 W	4000	Type IV Medium	2902
108-1180	VFL530 [R65] 24 LED/ 48 W	3000	Type IV Medium	4965



## STREET & AREA LIGHTING Return to Table of Contents

PRODUCT ID	LIGHT SOURCE	KELVIN	OPTIC	DELIVERED LUMENS
108-1181	VFL530 [R65] 24 LED/ 48 W	4000	Type IV Medium	4965
108-2044	VFL530 [R65] 24 LED/ 72 W	3000	Type IV Medium	7891
108-2045	VFL530 [R65] 24 LED/ 72 W	4000	Type IV Medium	9105
108-1123	VFL530 [S60] 12 LED/ 12 W	3000	Type III Short	1497
108-1124	VFL530 [S60] 12 LED/ 12 W	4000	Type III Short	1497
108-1138	VFL530 [S60] 12 LED/ 24 W	3000	Type III Short	2647
108-1139	VFL530 [S60] 12 LED/ 24 W	4000	Type III Short	2647
108-1153	VFL530 [S60] 24 LED/ 24 W	3000	Type III Short	2994
108-1154	VFL530 [S60] 24 LED/ 24 W	4000	Type III Short	2994
108-1168	VFL530 [S60] 24 LED/ 48 W	3000	Type III Short	5294
108-1169	VFL530 [S60] 24 LED/ 48 W	4000	Type III Short	5294
108-2046	VFL530 [S60] 24 LED/ 72 W	3000	Type III Short	8344
108-2047	VFL530 [S60] 24 LED/ 72 W	4000	Type III Short	9628
108-1132	VFL530 [S65] 12 LED/ 12 W	3000	Type III Medium	1518
108-1133	VFL530 [S65] 12 LED/ 12 W	4000	Type III Medium	1518
108-1147	VFL530 [S65] 12 LED/ 24 W	3000	Type III Medium	2676
108-1148	VFL530 [S65] 12 LED/ 24 W	4000	Type III Medium	2676
108-1162	VFL530 [S65] 24 LED/ 24 W	3000	Type III Medium	3036
108-1163	VFL530 [S65] 24 LED/ 24 W	4000	Type III Medium	3036
108-1177	VFL530 [S65] 24 LED/ 48 W	3000	Type III Medium	5353
108-1178	VFL530 [S65] 24 LED/ 48 W	4000	Type III Medium	5353
108-2048	VFL530 [S65] 24 LED/ 72 W	3000	Type III Medium	8508
108-2049	VFL530 [S65] 24 LED/ 72 W	4000	Type III Medium	9817
108-1126	VFL530 [S70] 12 LED/ 12 W	3000	Type II Short	1493
108-1127	VFL530 [S70] 12 LED/ 12 W	4000	Type II Short	1493
108-1141	VFL530 [S70] 12 LED/ 24 W	3000	Type II Short	2621
108-1142	VFL530 [S70] 12 LED/ 24 W	4000	Type II Short	2621
108-1156	VFL530 [S70] 24 LED/ 24 W	3000	Type II Short	2985
108-1157	VFL530 [S70] 24 LED/ 24 W	4000	Type II Short	2985
108-1171	VFL530 [S70] 24 LED/ 48 W	3000	Type II Short	5242
108-1172	VFL530 [S70] 24 LED/ 48 W	4000	Type II Short	5242
108-2050	VFL530 [S70] 24 LED/ 72 W	3000	Type II Short	8214
108-2051	VFL530 [S70] 24 LED/ 72 W	4000	Type II Short	9478
108-1552	VFL530 [P65] 12 LED/ 12 W	3000	Type II Medium	1482
108-1553	VFL530 [P65] 12 LED/ 12 W	4000	Type II Medium	1482
108-1554	VFL530 [P65] 12 LED/ 24 W	3000	Type II Medium	2648
108-1555	VFL530 [P65] 12 LED/ 24 W	4000	Type II Medium	2648
108-1556	VFL530 [P65] 24 LED/ 24 W	3000	Type II Medium	2965
108-1557	VFL530 [P65] 24 LED/ 24 W	4000	Type II Medium	2965
108-1558	VFL530 [P65] 24 LED/ 48 W	3000	Type II Medium	5296
108-1559	VFL530 [P65] 24 LED/ 48 W	4000	Type II Medium	5296
108-2042	VFL530 [P65] 24 LED/ 72 W	3000	Type II Medium	8507
108-2043	VFL530 [P65] 24 LED/ 72 W	4000	Type II Medium	9815

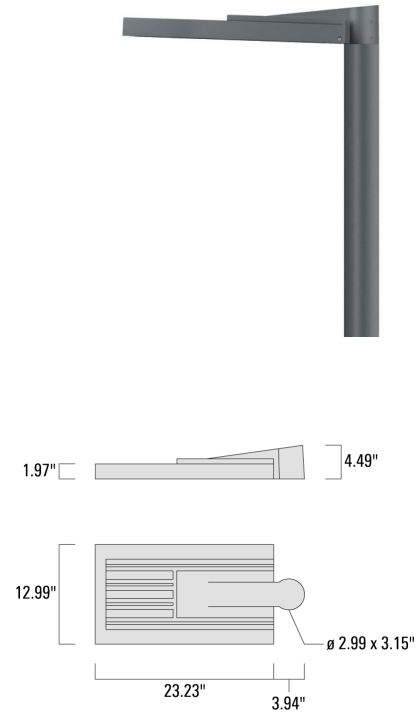


## STREET & AREA LIGHTING Return to Table of Contents

### VFL540 LED

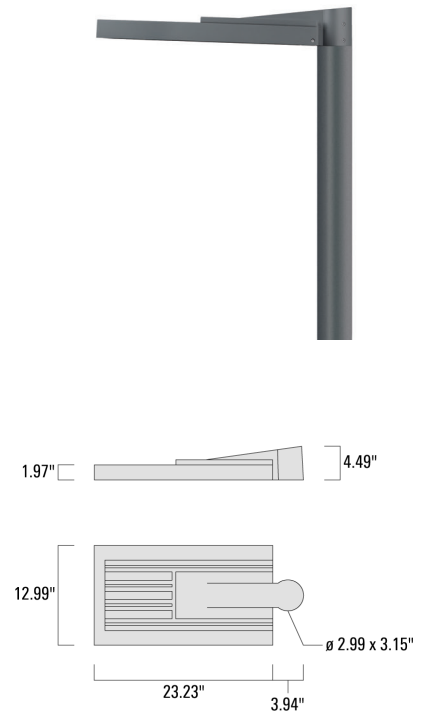
IP66. Pole mounted LED luminaire. Integrated heat sinks. Easy removal and replacement of LED board. CAD-optimized OLC® PMMA lens for multi-layer illumination and superior glare control. 120-277V.

PRODUCT ID	LIGHT SOURCE	KELVIN	OPTIC	DELIVERED LUMENS
108-1057	VFL540 [A60] 24 LED/ 24 W	3000	Type IV Very Short	2822
108-0926	VFL540 [A60] 24 LED/ 24 W	4000	Type IV Very Short	2822
108-1061	VFL540 [A60] 36 LED/ 36 W	3000	Type IV Very Short	4232
108-0929	VFL540 [A60] 36 LED/ 36 W	4000	Type IV Very Short	4232
108-1059	VFL540 [A60] 24 LED/ 48 W	3000	Type IV Very Short	4876
108-0938	VFL540 [A60] 24 LED/ 48 W	4000	Type IV Very Short	4876
108-1065	VFL540 [A60] 42 LED/ 42 W	3000	Type IV Very Short	4938
108-0932	VFL540 [A60] 42 LED/ 42 W	4000	Type IV Very Short	4938
108-1063	VFL540 [A60] 36 LED/ 72 W	3000	Type IV Very Short	7314
108-0941	VFL540 [A60] 36 LED/ 72 W	4000	Type IV Very Short	7314
108-1067	VFL540 [A60] 42 LED/ 84 W	3000	Type IV Very Short	8532
108-0944	VFL540 [A60] 42 LED/ 84 W	4000	Type IV Very Short	8532
108-1865	VFL540 [A60] 36 LED/ 108 W	3000	Type IV Very Short	11572
108-1859	VFL540 [A60] 36 LED/ 108 W	4000	Type IV Very Short	13353
108-2088	VFL540 [A60] 42 LED/ 126 W	3000	Type IV Very Short	13501
108-2089	VFL540 [A60] 42 LED/ 126 W	4000	Type IV Very Short	15578
108-1069	VFL540 [R65] 24 LED/ 24 W	3000	Type IV Medium	2883
108-0973	VFL540 [R65] 24 LED/ 24 W	4000	Type IV Medium	2883
108-1073	VFL540 [R65] 36 LED/ 36 W	3000	Type IV Medium	4324
108-0975	VFL540 [R65] 36 LED/ 36 W	4000	Type IV Medium	4324
108-1071	VFL540 [R65] 24 LED/ 48 W	3000	Type IV Medium	4995
108-0974	VFL540 [R65] 24 LED/ 48 W	4000	Type IV Medium	4995
108-1077	VFL540 [R65] 42 LED/ 42 W	3000	Type IV Medium	5045
108-0977	VFL540 [R65] 42 LED/ 42 W	4000	Type IV Medium	5045
108-1075	VFL540 [R65] 36 LED/ 72 W	3000	Type IV Medium	7492
108-0976	VFL540 [R65] 36 LED/ 72 W	4000	Type IV Medium	7492
108-1079	VFL540 [R65] 42 LED/ 84 W	3000	Type IV Medium	8740
108-0978	VFL540 [R65] 42 LED/ 84 W	4000	Type IV Medium	8740
108-1864	VFL540 [R65] 36 LED/ 108 W	3000	Type IV Medium	11836
108-1858	VFL540 [R65] 36 LED/ 108 W	4000	Type IV Medium	13657
108-2090	VFL540 [R65] 42 LED/ 126 W	3000	Type IV Medium	13809
108-2091	VFL540 [R65] 42 LED/ 126 W	4000	Type IV Medium	15933
108-0842	VFL540 [S60] 24 LED/ 24 W	3000	Type III Short	3030
108-0875	VFL540 [S60] 24 LED/ 24 W	4000	Type III Short	3030
108-0846	VFL540 [S60] 36 LED/ 36 W	3000	Type III Short	4545
108-0877	VFL540 [S60] 36 LED/ 36 W	4000	Type III Short	4545
108-0850	VFL540 [S60] 42 LED/ 42 W	3000	Type III Short	5303
108-0879	VFL540 [S60] 42 LED/ 42 W	4000	Type III Short	5303
108-0902	VFL540 [S60] 24 LED/ 48 W	3000	Type III Short	5317
108-0901	VFL540 [S60] 24 LED/ 48 W	4000	Type III Short	5317
108-0908	VFL540 [S60] 36 LED/ 72 W	3000	Type III Short	7975
108-0907	VFL540 [S60] 36 LED/ 72 W	4000	Type III Short	7975
108-0914	VFL540 [S60] 42 LED/ 84 W	3000	Type III Short	9303
108-0913	VFL540 [S60] 42 LED/ 84 W	4000	Type III Short	9303
108-1863	VFL540 [S60] 36 LED/ 108 W	3000	Type III Short	12517
108-1857	VFL540 [S60] 36 LED/ 108 W	4000	Type III Short	14442
108-2092	VFL540 [S60] 42 LED/ 126 W	3000	Type III Short	14603
108-2093	VFL540 [S60] 42 LED/ 126 W	4000	Type III Short	16849



## STREET & AREA LIGHTING Return to Table of Contents

PRODUCT ID	LIGHT SOURCE	KELVIN	OPTIC	DELIVERED LUMENS
108-1081	VFL540 [S65] 24 LED/ 24 W	3000	Type III Medium	3035
108-0967	VFL540 [S65] 24 LED/ 24 W	4000	Type III Medium	3035
108-1085	VFL540 [S65] 36 LED/ 36 W	3000	Type III Medium	4553
108-0969	VFL540 [S65] 36 LED/ 36 W	4000	Type III Medium	4553
108-1089	VFL540 [S65] 42 LED/ 42 W	3000	Type III Medium	5312
108-0971	VFL540 [S65] 42 LED/ 42 W	4000	Type III Medium	5312
108-1083	VFL540 [S65] 24 LED/ 48 W	3000	Type III Medium	5366
108-0968	VFL540 [S65] 24 LED/ 48 W	4000	Type III Medium	5366
108-1087	VFL540 [S65] 36 LED/ 72 W	3000	Type III Medium	8049
108-0970	VFL540 [S65] 36 LED/ 72 W	4000	Type III Medium	8049
108-1091	VFL540 [S65] 42 LED/ 84 W	3000	Type III Medium	9390
108-0972	VFL540 [S65] 42 LED/ 84 W	4000	Type III Medium	9390
108-1862	VFL540 [S65] 36 LED/ 108 W	3000	Type III Medium	12762
108-1856	VFL540 [S65] 36 LED/ 108 W	4000	Type III Medium	14725
108-2094	VFL540 [S65] 42 LED/ 126 W	3000	Type III Medium	14889
108-2095	VFL540 [S65] 42 LED/ 126 W	4000	Type III Medium	17179
108-0854	VFL540 [S70] 24 LED/ 24 W	3000	Type II Short	2970
108-0881	VFL540 [S70] 24 LED/ 24 W	4000	Type II Short	2970
108-0858	VFL540 [S70] 36 LED/ 36 W	3000	Type II Short	4455
108-0883	VFL540 [S70] 36 LED/ 36 W	4000	Type II Short	4455
108-0862	VFL540 [S70] 42 LED/ 42 W	3000	Type II Short	5198
108-0885	VFL540 [S70] 42 LED/ 42 W	4000	Type II Short	5198
108-0905	VFL540 [S70] 24 LED/ 48 W	3000	Type II Short	5225
108-0904	VFL540 [S70] 24 LED/ 48 W	4000	Type II Short	5225
108-0911	VFL540 [S70] 36 LED/ 72 W	3000	Type II Short	7837
108-0910	VFL540 [S70] 36 LED/ 72 W	4000	Type II Short	7837
108-0917	VFL540 [S70] 42 LED/ 84 W	3000	Type II Short	9143
108-0916	VFL540 [S70] 42 LED/ 84 W	4000	Type II Short	9143
108-1861	VFL540 [S70] 36 LED/ 108 W	3000	Type II Short	12322
108-1923	VFL540 [S70] 36 LED/ 108 W	4000	Type II Short	14217
108-2096	VFL540 [S70] 42 LED/ 126 W	3000	Type II Short	14375
108-2097	VFL540 [S70] 42 LED/ 126 W	4000	Type II Short	16587
108-1984	VFL540 [P45L] 36 LED/ 72 W	3000	Left Skew	7741
108-1983	VFL540 [P45L] 36 LED/ 72 W	4000	Left Skew	7741
108-1987	VFL540 [P45L] 42 LED/ 84 W	3000	Left Skew	9031
108-1988	VFL540 [P45L] 42 LED/ 84 W	4000	Left Skew	9031
108-1985	VFL540 [P45R] 36 LED/ 72 W	3000	Right Skew	7649
108-1986	VFL540 [P45R] 36 LED/ 72 W	4000	Right Skew	7649
108-1989	VFL540 [P45R] 42 LED/ 84 W	3000	Right Skew	8923
108-1990	VFL540 [P45R] 42 LED/ 84 W	4000	Right Skew	8923



## FLOODLIGHTS

[Return to Table of Contents](#)

### FLC121 LED - REMOTE

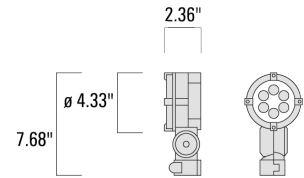
IP66. Surface mounted LED floodlight. Integral control gear. Special effects can be realized with linear lens, or flood lens. 120-277V.

PRODUCT ID	LIGHT SOURCE	KELVIN	OPTIC	DELIVERED LUMENS
145-0120	FLC121 REMOTE [M] LED-6/12W	3000	[M]	1366
145-0121	FLC121 REMOTE [M] LED-6/12W	4000	[M]	1366
145-0123	FLC121 REMOTE [VN] LED-6/12W	3000	[VN]	1270
145-0124	FLC121 REMOTE [VN] LED-6/12W	4000	[VN]	1270
145-0126	FLC121 REMOTE [VNS] LED-6/12W	3000	[VNS]	1282
145-0127	FLC121 REMOTE [VNS] LED-6/12W	4000	[VNS]	1282
145-0117	FLC121 REMOTE [W] LED-6/12W	3000	[W]	1143
145-0118	FLC121 REMOTE [W] LED-6/12W	4000	[W]	1143



#### Accessories

665-9400	FLC121 REMOTE Driver (For 1-2 Luminaires)
665-9401	FLC121 REMOTE Driver (For 3-4 Luminaires)
145-0145	Wall Wash Lens
310-9000	Surface mounted junction box JB-1-2/M8 for (1) floodlight
300-0461	ESV Planted root
146-0253	EM1-2/M5 Short Post



### FLC121 LED (POST)

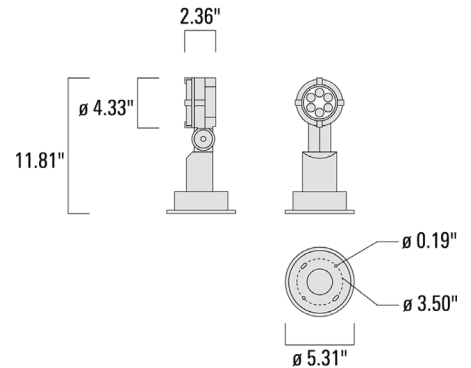
IP66. Surface mounted LED floodlight. Integral control gear. Special effects can be realized with linear lens, or flood lens. 120-277V.

PRODUCT ID	LIGHT SOURCE	KELVIN	OPTIC	DELIVERED LUMENS
145-0034	FLC121-T3 [VNS] 6 LED/ 12 W	3000	9°	1366
145-0035	FLC121-T3 [VNS] 6 LED/ 12 W	4000	9°	1366
145-0055	FLC121-T3 [VN] 6 LED/ 12 W	3000	14°	1270
145-0056	FLC121-T3 [VN] 6 LED/ 12 W	4000	14°	1270
145-0031	FLC121-T3 [M] 6 LED/ 12 W	3000	32°	1282
145-0032	FLC121-T3 [M] 6 LED/ 12 W	4000	32°	1282
145-0052	FLC121-T3 [W] 6 LED/ 12 W	3000	50°	1143
145-0053	FLC121-T3 [W] 6 LED/ 12 W	4000	50°	1143



#### Accessories

145-0145	Wall Wash Lens
310-9000	Surface mounted junction box JB-1-2/M8 for (1) floodlight
300-0461	ESV Planted root
146-0253	EM1-2/M5 Short Post



## FLOODLIGHTS

[Return to Table of Contents](#)

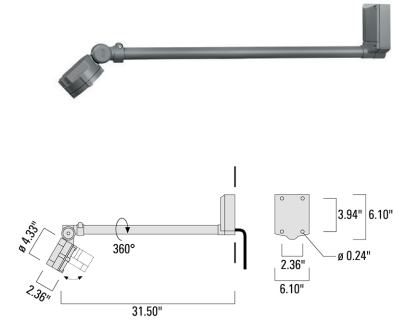
### FLC121 LED - Wall Bracket

IP66. Surface mounted LED floodlight with Wall Bracket. Integral control gear. Special effects can be realized with linear lens, or flood lens. 120-277V.

PRODUCT ID	LIGHT SOURCE	KELVIN	OPTIC	DELIVERED LUMENS
145-0040	FLC121-T4 [VNS] 6 LED/ 12 W	3000	9°	1366
145-0041	FLC121-T4 [VNS] 6 LED/ 12 W	4000	9°	1366
145-0073	FLC121-T4 [VN] 6 LED/ 12 W	3000	14°	1270
145-0074	FLC121-T4 [VN] 6 LED/ 12 W	4000	14°	1270
145-0037	FLC121-T4 [M] 6 LED/ 12 W	3000	32°	1282
145-0038	FLC121-T4 [M] 6 LED/ 12 W	4000	32°	1282
145-0070	FLC121-T4 [W] 6 LED/ 12 W	3000	50°	1143
145-0071	FLC121-T4 [W] 6 LED/ 12 W	4000	50°	1143

#### Accessories

145-0145	Wall Wash Lens
----------	----------------



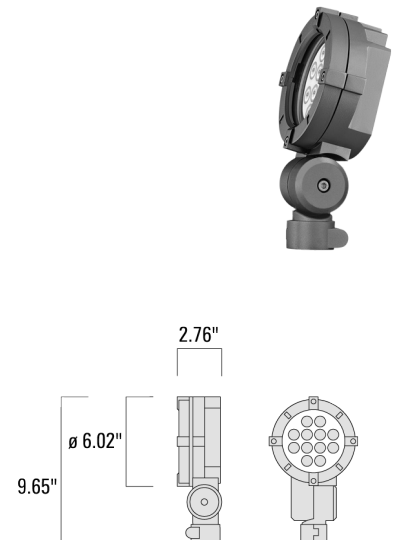
### FLC131 LED - REMOTE

IP66. Surface mounted LED floodlight. Integral control gear. Special effects can be realized with linear lens, or flood lens. 120-277V.

PRODUCT ID	LIGHT SOURCE	KELVIN	OPTIC	DELIVERED LUMENS
146-0600	FLC131 REMOTE [M] LED-12/24W	3000	31.6°	2610
146-0601	FLC131 REMOTE [M] LED-12/24W	4000	31.6°	2610
146-0603	FLC131 REMOTE [VN] LED-12/24W	3000	14.6°	2445
146-0604	FLC131 REMOTE [VN] LED-12/24W	4000	14.6°	2445
146-0606	FLC131 REMOTE [VNS] LED-12/24W	3000	9.6°	2543
146-0607	FLC131 REMOTE [VNS] LED-12/24W	4000	9.6°	2543
146-0597	FLC131 REMOTE [W] LED-12/24W	3000	50.8°	2297
146-0598	FLC131 REMOTE [W] LED-12/24W	4000	50.8°	2297

#### Accessories

665-9402	FLC131 REMOTE Driver (For 1-2 Luminaires)
665-9403	FLC131 REMOTE Driver (For 3-4 Luminaires)
146-0623	Flood lens IO-360
146-0645	Wall Wash Lens
146-0156	Glare shield ES (matte black inside finish)
310-9000	Surface mounted junction box JB-1-2/M8 for (1) floodlight
300-0461	ESV Planted root
146-0253	EM1-2/M5 Short Post





## FLOODLIGHTS

[Return to Table of Contents](#)

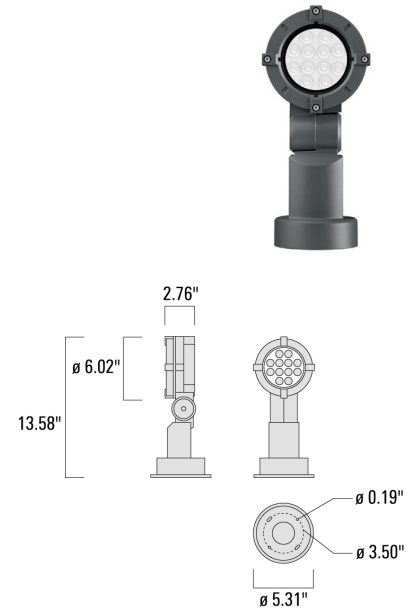
### FLC131 LED (POST)

IP66. Surface mounted LED floodlight. Integral control gear. Special effects can be realized with linear lens, or flood lens. 120-277V.

PRODUCT ID	LIGHT SOURCE	KELVIN	OPTIC	DELIVERED LUMENS
146-0402	FLC131-T3 [VNS] 12 LED/ 24 W	3000	10°	2610
146-0403	FLC131-T3 [VNS] 12 LED/ 24 W	4000	10°	2610
146-0497	FLC131-T3 [VN] 12 LED/ 24 W	3000	14°	2445
146-0498	FLC131-T3 [VN] 12 LED/ 24 W	4000	14°	2445
146-0399	FLC131-T3 [M] 12 LED/ 24 W	3000	32°	2543
146-0400	FLC131-T3 [M] 12 LED/ 24 W	4000	32°	2543
146-0494	FLC131-T3 [W] 12 LED/ 24 W	3000	50°	2297
146-0495	FLC131-T3 [W] 12 LED/ 24 W	4000	50°	2297

#### Accessories

146-0623	Flood lens IO-360
146-0645	Wall Wash Lens
146-0156	Glare shield ES (matte black inside finish)
310-9000	Surface mounted junction box JB-1-2/M8 for (1) floodlight
300-0461	ESV Planted root
146-0253	EM1-2/M5 Short Post



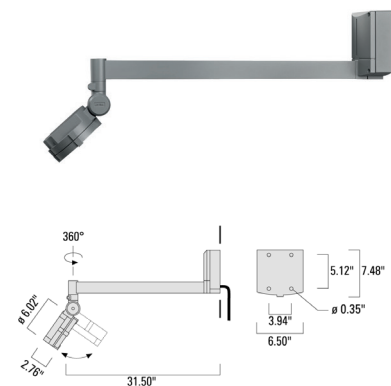
### FLC131 LED - Wall Bracket

IP66. Surface mounted LED floodlight with Wall Bracket. Integral control gear. Special effects can be realized with linear lens, or flood lens. 120-277V.

PRODUCT ID	LIGHT SOURCE	KELVIN	OPTIC	DELIVERED LUMENS
146-0408	FLC131-T4 [VNS] 12 LED/ 24 W	3000	10°	2610
146-0409	FLC131-T4 [VNS] 12 LED/ 24 W	4000	10°	2610
146-0515	FLC131-T4 [VN] 12 LED/ 24 W	3000	14°	2445
146-0516	FLC131-T4 [VN] 12 LED/ 24 W	4000	14°	2445
146-0405	FLC131-T4 [M] 12 LED/ 24 W	3000	32°	2543
146-0406	FLC131-T4 [M] 12 LED/ 24 W	4000	32°	2543
146-0512	FLC131-T4 [W] 12 LED/ 24 W	3000	50°	2297
146-0513	FLC131-T4 [W] 12 LED/ 24 W	4000	50°	2297

#### Accessories

146-0623	Flood lens IO-360
146-0645	Wall Wash Lens
146-0156	Glare shield ES (matte black inside finish)



## FLOODLIGHTS

[Return to Table of Contents](#)

### FLC141 LED - REMOTE

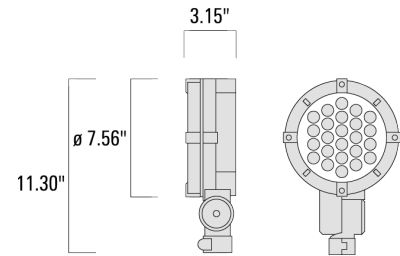
IP66. Surface mounted LED floodlight. Integral control gear. Special effects can be realized with linear lens, or flood lens. 120-277V.

PRODUCT ID	LIGHT SOURCE	KELVIN	OPTIC	DELIVERED LUMENS
146-0576	FLC141 REMOTE [M] LED-24/48W	3000	31.6°	5464
146-0577	FLC141 REMOTE [M] LED-24/48W	4000	31.6°	5464
146-0579	FLC141 REMOTE [VN] LED-24/48W	3000	14°	5077
146-0580	FLC141 REMOTE [VN] LED-24/48W	4000	14°	5077
146-0582	FLC141 REMOTE [VNS] LED-24/48W	3000	9.2°	5129
146-0583	FLC141 REMOTE [VNS] LED-24/48W	4000	9.2°	5129
146-0573	FLC141 REMOTE [W] LED-24/48W	3000	49.8°	4570
146-0574	FLC141 REMOTE [W] LED-24/48W	4000	49.8°	4570



#### Accessories

665-9404	FLC141 REMOTE Driver (For 1-2 Luminaires)
665-9405	FLC141 REMOTE Driver (For 3 Luminaires)
146-0646	Wall Wash Lens
310-9000	Surface mounted junction box JB-1-2/M8 for (1) floodlight
300-0461	ESV Planted root
146-0253	EM1-2/M5 Short Post



### FLC141 LED (POST)

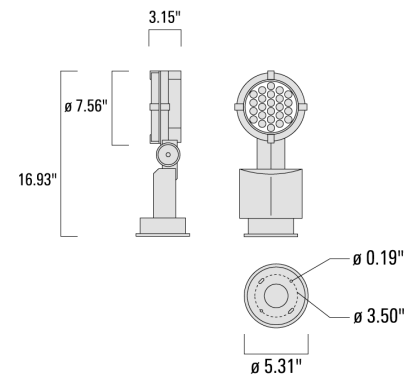
IP66. Surface mounted LED floodlight. Integral control gear. Special effects can be realized with linear lens, or flood lens. 120-277V.

PRODUCT ID	LIGHT SOURCE	KELVIN	OPTIC	DELIVERED LUMENS
146-7052	FLC141-T3 [VNS] 24 LED/ 48 W	3000	9°	5464
146-7053	FLC141-T3 [VNS] 24 LED/ 48 W	4000	9°	5464
146-7064	FLC141-T3 [VN] 24 LED/ 48 W	3000	14°	5077
146-7065	FLC141-T3 [VN] 24 LED/ 48 W	4000	14°	5077
146-7050	FLC141-T3 [M] 24 LED/ 48 W	3000	32°	5129
146-7051	FLC141-T3 [M] 24 LED/ 48 W	4000	32°	5129
146-7062	FLC141-T3 [W] 24 LED/ 48 W	3000	50°	4570
146-7063	FLC141-T3 [W] 24 LED/ 48 W	4000	50°	4570



#### Accessories

146-0646	Wall Wash Lens
310-9000	Surface mounted junction box JB-1-2/M8 for (1) floodlight
300-0461	ESV Planted root
146-0253	EM1-2/M5 Short Post



## FLOODLIGHTS Return to Table of Contents

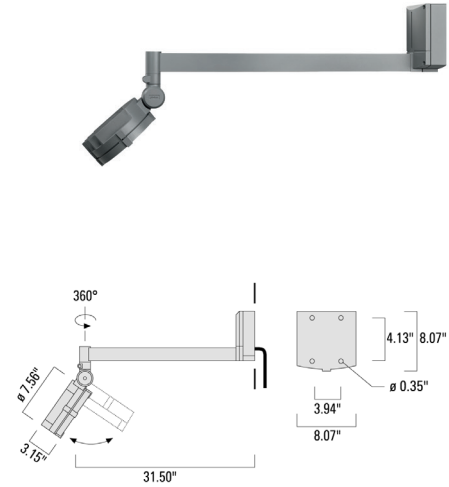
### FLC141 LED - Wall Bracket

IP66. Surface mounted LED floodlight with Wall Bracket. Integral control gear. Special effects can be realized with linear lens, or flood lens. 120-277V.

PRODUCT ID	LIGHT SOURCE	KELVIN	OPTIC	DELIVERED LUMENS
146-7056	FLC141-T4 [VNS] 24 LED/ 48 W	3000	9°	5464
146-7057	FLC141-T4 [VNS] 24 LED/ 48 W	4000	9°	5464
146-7068	FLC141-T4 [VN] 24 LED/ 48 W	3000	14°	5077
146-7069	FLC141-T4 [VN] 24 LED/ 48 W	4000	14°	5077
146-7054	FLC141-T4 [M] 24 LED/ 48 W	3000	32°	5129
146-7055	FLC141-T4 [M] 24 LED/ 48 W	4000	32°	5129
146-7066	FLC141-T4 [W] 24 LED/ 48 W	3000	50°	4570
146-7067	FLC141-T4 [W] 24 LED/ 48 W	4000	50°	4570

### Accessories

146-0646	Wall Wash Lens
----------	----------------



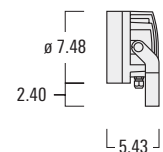
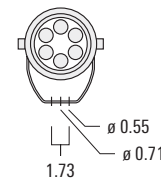
## FLOODLIGHTS

[Return to Table of Contents](#)

### FLC220 LED

IP66, Class I, IK07. Marine-grade, die-cast aluminium alloy. 5CE superior corrosion protection including PCS hardware. Silicone CCG® Controlled Compression Gasket. Safety glass lens. One cable gland. Second gland for through wiring on request. Integral EC electronic converter, thermally separated. CAD-optimised optics for superior illumination and glare control. OLC® One LED Concept. Factory installed LED circuit board. 0-10V dimming as standard. Maximum one internal optical accessory possible. 120-277V.

PRODUCT ID	LIGHT SOURCE	KELVIN	OPTIC	DELIVERED LUMENS
139-2007	FLC220 [VNS] 6 LED/ 12 W	3000	5.4°	1235
139-2008	FLC220 [VNS] 6 LED/ 12 W	4000	5.4°	1384
139-2017	FLC220 [VNS] 6 LED/ 18 W	3000	5.4°	1774
139-2018	FLC220 [VNS] 6 LED/ 18 W	4000	5.4°	1989
139-2032	FLC220 [VNS] 6 LED/ 26 W	3000	5.4°	2201
139-2033	FLC220 [VNS] 6 LED/ 26 W	4000	5.4°	2468
139-2005	FLC220 [VN] 6 LED/ 12 W	3000	8.2°	1460
139-2006	FLC220 [VN] 6 LED/ 12 W	4000	8.2°	1684
139-2015	FLC220 [VN] 6 LED/ 18 W	3000	8.2°	2097
139-2016	FLC220 [VN] 6 LED/ 18 W	4000	8.2°	2420
139-2030	FLC220 [VN] 6 LED/ 26 W	3000	8.2°	2602
139-2031	FLC220 [VN] 6 LED/ 26 W	4000	8.2°	3002
139-2003	FLC220 [N] 6 LED/ 12 W	3000	14.6°	1380
139-2004	FLC220 [N] 6 LED/ 12 W	4000	14.6°	1592
139-2013	FLC220 [N] 6 LED/ 18 W	3000	14.6°	1982
139-2014	FLC220 [N] 6 LED/ 18 W	4000	14.6°	2287
139-2028	FLC220 [N] 6 LED/ 26 W	3000	14.6°	2459
139-2029	FLC220 [N] 6 LED/ 26 W	4000	14.6°	2837
139-2001	FLC220 [M] 6 LED/ 12 W	3000	29.4°	1436
139-2002	FLC220 [M] 6 LED/ 12 W	4000	29.4°	1656
139-2011	FLC220 [M] 6 LED/ 18 W	3000	29.4°	2062
139-2012	FLC220 [M] 6 LED/ 18 W	4000	29.4°	2380
139-2026	FLC220 [M] 6 LED/ 26 W	3000	29.4°	2559
139-2027	FLC220 [M] 6 LED/ 26 W	4000	29.4°	2952
139-1999	FLC220 [W] 6 LED/ 12 W	3000	57.2°	1397
139-2000	FLC220 [W] 6 LED/ 12 W	4000	57.2°	1611
139-2009	FLC220 [W] 6 LED/ 18 W	3000	57.2°	2007
139-2010	FLC220 [W] 6 LED/ 18 W	4000	57.2°	2315
139-2024	FLC220 [W] 6 LED/ 26 W	3000	57.2°	2490
139-2025	FLC220 [W] 6 LED/ 26 W	4000	57.2°	2872



### Accessories

139-2036	IO-180 Linear Spread Lens
----------	---------------------------

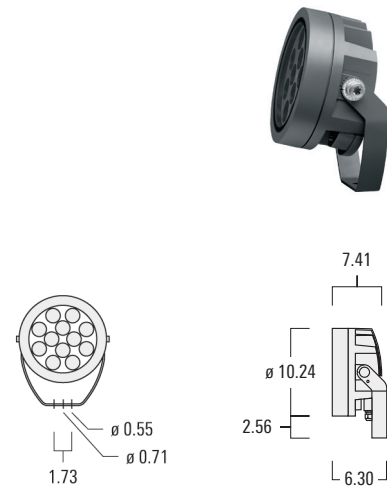
## FLOODLIGHTS

[Return to Table of Contents](#)

### FLC230 LED

IP66, Class I, IK07. Marine-grade, die-cast aluminium alloy. 5CE superior corrosion protection including PCS hardware. Silicone CCG® Controlled Compression Gasket. Safety glass lens. One cable gland. Second gland for through wiring on request. Integral EC electronic converter, thermally separated. CAD-optimised optics for superior illumination and glare control. OLC® One LED Concept. Factory installed LED circuit board. 0-10V dimming as standard. Maximum one internal optical accessory possible. 120-277V.

PRODUCT ID	LIGHT SOURCE	KELVIN	OPTIC	DELIVERED LUMENS
139-1901	FLC230 [VNS] 12 LED/ 24 W	3000	5.8°	2463
139-1902	FLC230 [VNS] 12 LED/ 24 W	4000	5.8°	2762
139-1903	FLC230 [VNS] 12 LED/ 36 W	3000	5.8°	3539
139-1904	FLC230 [VNS] 12 LED/ 36 W	4000	5.8°	3969
139-1905	FLC230 [VNS] 12 LED/ 52 W	3000	5.8°	4391
139-1906	FLC230 [VNS] 12 LED/ 52 W	4000	5.8°	4924
139-1834	FLC230 [VN] 12 LED/ 24 W	3000	8.2°	2921
139-1835	FLC230 [VN] 12 LED/ 24 W	4000	8.2°	3370
139-1840	FLC230 [VN] 12 LED/ 36 W	3000	8.2°	4197
139-1841	FLC230 [VN] 12 LED/ 36 W	4000	8.2°	4197
139-1846	FLC230 [VN] 12 LED/ 52 W	3000	8.2°	5261
139-1847	FLC230 [VN] 12 LED/ 52 W	4000	8.2°	6070
139-1832	FLC230 [N] 12 LED/ 24 W	3000	14.6°	2776
139-1833	FLC230 [N] 12 LED/ 24 W	4000	14.6°	3202
139-1838	FLC230 [N] 12 LED/ 36 W	3000	14.6°	3988
139-1839	FLC230 [N] 12 LED/ 36 W	4000	14.6°	4602
139-1844	FLC230 [N] 12 LED/ 52 W	3000	14.6°	4909
139-1845	FLC230 [N] 12 LED/ 52 W	4000	14.6°	5664
139-1830	FLC230 [M] 12 LED/ 24 W	3000	30.6°	2950
139-1831	FLC230 [M] 12 LED/ 24 W	4000	30.6°	3404
139-1836	FLC230 [M] 12 LED/ 36 W	3000	30.6°	4239
139-1837	FLC230 [M] 12 LED/ 36 W	4000	30.6°	4892
139-1842	FLC230 [M] 12 LED/ 52 W	3000	30.6°	5214
139-1843	FLC230 [M] 12 LED/ 52 W	4000	30.6°	6016
139-1907	FLC230 [W] 12 LED/ 24 W	3000	59.4°	2799
139-1908	FLC230 [W] 12 LED/ 24 W	4000	59.4°	3230
139-1909	FLC230 [W] 12 LED/ 36 W	3000	59.4°	4022
139-1910	FLC230 [W] 12 LED/ 36 W	4000	59.4°	4641
139-1911	FLC230 [W] 12 LED/ 52 W	3000	59.4°	4971
139-1912	FLC230 [W] 12 LED/ 52 W	4000	59.4°	5735



### Accessories

139-1852	ES Glare Shield (matte black finish inside)
139-1853	ET Snoot (matte black finish inside)

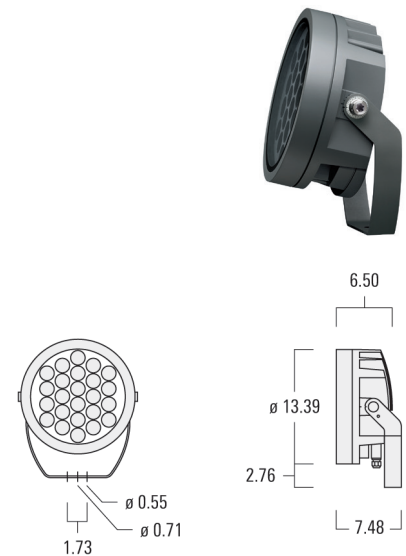
## FLOODLIGHTS

[Return to Table of Contents](#)

### FLC240 LED

IP66, Class I, IK07. Marine-grade, die-cast aluminium alloy. 5CE superior corrosion protection including PCS hardware. Silicone CCG® Controlled Compression Gasket. Safety glass lens. One cable gland. Second gland for through wiring on request. Integral EC electronic converter, thermally separated. CAD-optimised optics for superior illumination and glare control. OLC® One LED Concept. Factory installed LED circuit board. 0-10V dimming as standard. Maximum one internal optical accessory possible. 120-277V.

PRODUCT ID	LIGHT SOURCE	KELVIN	OPTIC	DELIVERED LUMENS
139-1915	FLC240 [VNS] 24 LED/ 48 W	3000	5.8°	4927
139-1916	FLC240 [VNS] 24 LED/ 48 W	4000	5.8°	5524
139-1917	FLC240 [VNS] 24 LED/ 72 W	3000	5.8°	7079
139-1918	FLC240 [VNS] 24 LED/ 72 W	4000	5.8°	7937
139-1919	FLC240 [VNS] 24 LED/ 104 W	3000	5.8°	8782
139-1920	FLC240 [VNS] 24 LED/ 104 W	4000	5.8°	9847
139-1816	FLC240 [VN] 24 LED/ 48 W	3000	8.2°	5842
139-1817	FLC240 [VN] 24 LED/ 48 W	4000	8.2°	6741
139-1822	FLC240 [VN] 24 LED/ 72 W	3000	8.2°	8393
139-1823	FLC240 [VN] 24 LED/ 72 W	4000	8.2°	9684
139-1828	FLC240 [VN] 24 LED/ 104 W	3000	8.2°	10520
139-1829	FLC240 [VN] 24 LED/ 104 W	4000	8.2°	12139
139-1814	FLC240 [N] 24 LED/ 48 W	3000	14.6°	5552
139-1815	FLC240 [N] 24 LED/ 48 W	4000	14.6°	6406
139-1820	FLC240 [N] 24 LED/ 72 W	3000	14.6°	7976
139-1821	FLC240 [N] 24 LED/ 72 W	4000	14.6°	9203
139-1826	FLC240 [N] 24 LED/ 104 W	3000	14.6°	9817
139-1827	FLC240 [N] 24 LED/ 104 W	4000	14.6°	11327
139-1812	FLC240 [M] 24 LED/ 48 W	3000	30.6°	5902
139-1813	FLC240 [M] 24 LED/ 48 W	4000	30.6°	6809
139-1818	FLC240 [M] 24 LED/ 72 W	3000	30.6°	8479
139-1819	FLC240 [M] 24 LED/ 72 W	4000	30.6°	9783
139-1824	FLC240 [M] 24 LED/ 104 W	3000	30.6°	10427
139-1825	FLC240 [M] 24 LED/ 104 W	4000	30.6°	12032
139-1921	FLC240 [W] 24 LED/ 48 W	3000	59.4°	5599
139-1922	FLC240 [W] 24 LED/ 48 W	4000	59.4°	6460
139-1923	FLC240 [W] 24 LED/ 72 W	3000	59.4°	8044
139-1924	FLC240 [W] 24 LED/ 72 W	4000	59.4°	9282
139-1925	FLC240 [W] 24 LED/ 104 W	3000	59.4°	9940
139-1926	FLC240 [W] 24 LED/ 104 W	4000	59.4°	11470



### Accessories

139-1856	IO-360 Flood Lens
139-1858	ES Glare Shield (matte black finish inside)
139-1859	ET Snoot (matte black finish inside)

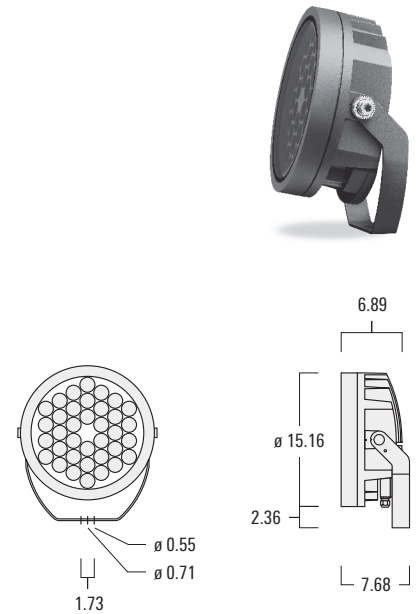
## FLOODLIGHTS

[Return to Table of Contents](#)

### FLC260 LED

IP66, Class I, IK07. Marine-grade, die-cast aluminium alloy. 5CE superior corrosion protection including PCS hardware. Silicone CCG® Controlled Compression Gasket. Safety glass lens. One cable gland. Second gland for through wiring on request. Integral EC electronic converter, thermally separated. CAD-optimised optics for superior illumination and glare control. OLC® One LED Concept. Factory installed LED circuit board. 0-10V dimming as standard. Maximum one internal optical accessory possible. 120-277V.

PRODUCT ID	LIGHT SOURCE	KELVIN	OPTIC	DELIVERED LUMENS
139-1953	FLC260 [VNS] 36 LED/ 72 W	3000	5.6°	7390
139-1954	FLC260 [VNS] 36 LED/ 72 W	4000	5.6°	8286
139-1957	FLC260 [VNS] 36 LED/ 108 W	3000	5.6°	10618
139-1958	FLC260 [VNS] 36 LED/ 108 W	4000	5.6°	11905
139-1961	FLC260 [VNS] 36 LED/ 155 W	3000	5.6°	13174
139-1962	FLC260 [VNS] 36 LED/ 155 W	4000	5.6°	14770
139-1810	FLC260 [VN] 36 LED/ 72 W	3000	8.2°	8763
139-1811	FLC260 [VN] 36 LED/ 72 W	4000	8.2°	10110
139-1795	FLC260 [VN] 36 LED/ 108 W	3000	8.2°	12590
139-1796	FLC260 [VN] 36 LED/ 108 W	4000	8.2°	14527
139-1801	FLC260 [VN] 36 LED/ 155 W	3000	8.2°	15781
139-1802	FLC260 [VN] 36 LED/ 155 W	4000	8.2°	18209
139-1808	FLC260 [N] 36 LED/ 72 W	3000	14.6°	8327
139-1809	FLC260 [N] 36 LED/ 72 W	4000	14.6°	9608
139-1793	FLC260 [N] 36 LED/ 108 W	3000	14.6°	11964
139-1794	FLC260 [N] 36 LED/ 108 W	4000	14.6°	13805
139-1799	FLC260 [N] 36 LED/ 155 W	3000	14.6°	14725
139-1800	FLC260 [N] 36 LED/ 155 W	4000	14.6°	16991
139-1806	FLC260 [M] 36 LED/ 72 W	3000	30.6°	8852
139-1807	FLC260 [M] 36 LED/ 72 W	4000	30.6°	10213
139-1791	FLC260 [M] 36 LED/ 108 W	3000	30.6°	12718
139-1792	FLC260 [M] 36 LED/ 108 W	4000	30.6°	14675
139-1797	FLC260 [M] 36 LED/ 155 W	3000	30.6°	15641
139-1798	FLC260 [M] 36 LED/ 155 W	4000	30.6°	18048
139-1955	FLC260 [W] 36 LED/ 72 W	3000	59.4°	8398
139-1956	FLC260 [W] 36 LED/ 72 W	4000	59.4°	9690
139-1959	FLC260 [W] 36 LED/ 108 W	3000	59.4°	12066
139-1960	FLC260 [W] 36 LED/ 108 W	4000	59.4°	13922
139-1963	FLC260 [W] 36 LED/ 155 W	3000	59.4°	14911
139-1964	FLC260 [W] 36 LED/ 155 W	4000	59.4°	17205



### Accessories

139-1864	ES Glare Shield (matte black finish inside)
139-1865	ET Snoot (matte black finish inside)

***we-ef***