

**ABL**



# **LOW VOLTAGE DEVICES**

OCTOBER 2018



**THE ORIGINAL. SINCE 1925.**

# LOW VOLTAGE DEVICES

The ABL Plug **4**

---

SCHUKO **6**

---

French/Belgian standard **26**

---

Swiss & International standard **36**

---

Outlet Boxes, Perilex  
Industrial Ethernet **42**

---

Item Number Directory **47**



# THE ABL PLUG

In 1925, Albert Büttner, the founder of our company, invented the SCHUKO plug – the most widespread AC power plug and socket system in the world: Plugs, connectors and sockets for trade, construction and industry.

Apart from SCHUKO, we also offer plugs and sockets according to many other international standards. We develop and manufacture products of the highest 'Made in Germany' quality.

We keep developing our ABL plug further so that it remains ahead of the competition. New materials, new technical features and optimized power connection technologies are the topics that drive us forward.

# 1 ELAMID

We guarantee superior resilience and impact resistance for our products manufactured from Elamid high performance plastic. Elamid has a high chemical and UV resistance as well as an extremely wide temperature tolerance (-40°C to 80°C). Elamid products, such as those from our Hightech range, are perfect for trade and industrial applications.



# 2 ELAMID 2K

With the Elamid 2K technology, we succeeded in creating a perfect combination of rubber and Elamid. The result is a range of high quality products for heavy duty applications on construction and industrial sites.

Plugs and connectors from our professionell range are extremely rugged and offer a firm and non-slip grip. With the built-in SCHUKOplus socket, our customers have the choice of another top product made from Elamid 2K.

All Elamid 2K products comply with the IP44 degree of protection, including when they are plugged in.



# 3 QUICK RELEASE LOCK

To allow users to combine grip and contact carrier easily and quickly, we have created the ABL quick release lock. A mere quarter turn is all that's required to ensure a secure connection between handle and contact carrier.



# 4 VOLTAGE INDICATOR

Just want to check for voltage? No problem with the voltage indicator available for ABL connectors and triple suspended connectors, making annoying double-checking trips on construction sites a thing of the past.





## **PLUGS AND CONNECTORS**

SCHUKO Professional	8
SCHUKO Hightech	10
SCHUKO Classic	12
SCHUKO Basic	16

---

## **SOCKET OUTLETS**

SCHUKO Professional	17
SCHUKO Classic	18
SCHUKO Basic	23
ACCESSORIES	25
ADAPTER	25



### ELAMID 2K PLUG

with quick release fastener and twin earthing system · SCHUKO and French/Belgian standard

COLOUR	ITEM NO.	WEIGHT g/EACH	PU
black	1529100	91	5



### ELAMID 2K CONNECTOR

with voltage indicator  $\otimes$ , quick release fastener and self-closing lid

COLOUR	ITEM NO.	WEIGHT g/EACH	PU
black	1589200	166	5



### ELAMID 2K PLUG

with quick release fastener and twin earthing system · SCHUKO and French/Belgian standard

COLOUR	ITEM NO.	WEIGHT g/EACH	PU
red/black	1529140	91	5



### ELAMID 2K CONNECTOR

with voltage indicator  $\otimes$ , quick release fastener and self-closing lid

COLOUR	ITEM NO.	WEIGHT g/EACH	PU
red/black	1589240	166	5



### ELAMID 2K PLUG

with quick release fastener and twin earthing system · SCHUKO and French/Belgian standard

COLOUR	ITEM NO.	WEIGHT g/EACH	PU
grey/black	1529160	91	5



### ELAMID 2K CONNECTOR

with voltage indicator  $\otimes$ , quick release fastener and self-closing lid

COLOUR	ITEM NO.	WEIGHT g/EACH	PU
grey/black	1589260	166	5



# SCHUKO PROFESSIONAL

## THREE-WAY CONNECTORS

2-pole + ⊕, 16 A 250 V, DIN/VDE 0620 and IEC 60884 compliant · for wires up to bis 3 x 2,5 mm<sup>2</sup> splash-proof IP54 · ⚡



### THREE-WAY SOLID RUBBER CONNECTOR

with voltage indicator ⊗ and self-closing lid

COLOUR	ITEM NO.	WEIGHT g/EACH	PU
black	1173503	426	5



### THREE-WAY SOLID RUBBER CONNECTOR

with voltage indicator ⊗ and self-closing lid

COLOUR	ITEM NO.	WEIGHT g/EACH	PU
red/black	1173543	426	5



### THREE-WAY SOLID RUBBER CONNECTOR

with voltage indicator ⊗ and self-closing lid

COLOUR	ITEM NO.	WEIGHT g/EACH	PU
grey/black	1173563	426	5

# SCHUKO PROFESSIONAL

## PRESSURISED WATER-IMPERMEABLE

2-pole + ⊕, 16 A 250 V, DIN/VDE 0620 and IEC 60884 · for wires up to bis 3 x 2,5 mm<sup>2</sup> pressurised water-impermeable IP68 · ⚡



### THERMOPLASTIC PLUG

with protection cap

COLOUR	ITEM NO.	WEIGHT g/EACH	PU
blue	1979850	150	5



### THERMOPLASTIC CONNECTOR

COLOUR	ITEM NO.	WEIGHT g/EACH	PU
blue	1976850	150	5



### THERMOPLASTIC PLUG

with protection cap

COLOUR	ITEM NO.	WEIGHT g/EACH	PU
blue	1989850	130	5

# SCHUKO HIGHTECH PLUGS

2-pole + ⚡, 16 A 250 V, DIN/VDE 0620 and IEC 60884 · for wires up to bis 3 x 2,5 mm<sup>2</sup>  
splash-proof IP44 · ⚡ · ELAMID



## ELAMID PLUG

with twin earthing system  
SCHUKO and  
French/Belgian standard

COLOUR	ITEM NO.	WEIGHT g/EACH	PU
blue	1519150	78	10



## ELAMID PLUG

with twin earthing system  
SCHUKO and  
French/Belgian standard

COLOUR	ITEM NO.	WEIGHT g/EACH	PU
red	1519140	78	10



## ELAMID PLUG

with twin earthing system  
SCHUKO and  
French/Belgian standard

COLOUR	ITEM NO.	WEIGHT g/EACH	PU
black	1519100	78	10



## ELAMID CONNECTOR

COLOUR	ITEM NO.	WEIGHT g/EACH	PU
blue	1579150	75	10

with shutter

COLOUR	ITEM NO.	WEIGHT g/EACH	PU
blue	1579050	75	10



## ELAMID CONNECTOR

with collar / cover  
splash-proof IP44 · ⚡

COLOUR	ITEM NO.	WEIGHT g/EACH	PU
blue	1579350	98	10

with collar / cover  
with shutter  
splashproof IP44 · ⚡

COLOUR	ITEM NO.	WEIGHT g/EACH	PU
blue	1579250	98	10



## ELAMID CONNECTOR

COLOUR	ITEM NO.	WEIGHT g/EACH	PU
red	1579140	75	10

with shutter

COLOUR	ITEM NO.	WEIGHT g/EACH	PU
red	1579040	75	10



## ELAMID CONNECTOR

with collar / cover  
splash-proof IP44 · ⚡

COLOUR	ITEM NO.	WEIGHT g/EACH	PU
red	1579340	98	10

with collar / cover  
with shutter  
splashproof IP44 · ⚡

COLOUR	ITEM NO.	WEIGHT g/EACH	PU
red	1579240	98	10



## ELAMID CONNECTOR

COLOUR	ITEM NO.	WEIGHT g/EACH	PU
black	1579100	75	10

with shutter

COLOUR	ITEM NO.	WEIGHT g/EACH	PU
black	1579000	75	10



## ELAMID CONNECTOR

with collar / cover  
splash-proof IP44 · ⚡

COLOUR	ITEM NO.	WEIGHT g/EACH	PU
black	1579300	98	10

with collar / cover  
with shutter  
splashproof IP44 · ⚡

COLOUR	ITEM NO.	WEIGHT g/EACH	PU
black	1579200	98	10

## SCHUKO CLASSIC PLUGS AND CONNECTORS

2-pole + ⊕, 16 A 250 V, DIN/VDE 0620 and IEC 60884 · for wires up to bis 3 x 2,5 mm<sup>2</sup>



### SOLID RUBBER PLUG

with metal quick release  
with twin earthing system  
SCHUKO and  
French/Belgian standard  
splash-proof IP44 · ⚡

COLOUR	ITEM NO.	WEIGHT g/EACH	PU
black	1129190	106	20



### SOLID RUBBER CONNECTOR

with quick release fastener

COLOUR	ITEM NO.	WEIGHT g/EACH	PU
black	1189090	137	10



### SOLID RUBBER CONNECTOR

with quick release fastener  
with collar/cover  
splash-proof IP44 · ⚡

COLOUR	ITEM NO.	WEIGHT g/EACH	PU
black	1189290	175	10

## SCHUKO CLASSIC THREE-WAY CONNECTOR

2-pole + ⊕, 16 A 250 V, according to DIN/VDE 0620,  
for wires up to bis 3 x 2,5 mm<sup>2</sup>



### THREE-WAY SOLID RUBBER CONNECTOR

COLOUR	ITEM NO.	WEIGHT g/EACH	PU
black	1473190	368	5

# SCHUKO CLASSIC

## PLUGS AND CONNECTORS

2-pole + ⊕, 16 A 250 V, acc. to DIN/VDE 0620 and IEC 60884 · for wires up to bis 3 x 2,5 mm<sup>2</sup>



### SOLID RUBBER PLUG

with twin earthing system  
SCHUKO and  
French/Belgian standard  
splash-proof IP44 · ⚡

COLOUR	ITEM NO.	WEIGHT g / EACH	PU
black	1149290	99	20



### SOLID RUBBER CONNECTOR

COLOUR	ITEM NO.	WEIGHT g / EACH	PU
black	1169090	119	10



### SOLID RUBBER CONNECTOR

with collar / cover  
splash-proof IP44 · ⚡

COLOUR	ITEM NO.	WEIGHT g / EACH	PU
black	1169290	175	10

# SCHUKO CLASSIC

## PLUGS AND CONNECTORS

2-pole + ⊕, 16 A 250 V, acc. to DIN/VDE 0620 and IEC 60884 · for wires up to bis 3 x 2,5 mm<sup>2</sup>



### RUBBER PLUG

with twin earthing system  
SCHUKO and  
French/Belgian standard  
splash-proof IP44 · ⚡

COLOUR	ITEM NO.	WEIGHT g / EACH	PU
black	1149190	86	20



### RUBBER CONNECTOR

COLOUR	ITEM NO.	WEIGHT g / EACH	PU
black	1199090	104	10



### RUBBER CONNECTOR

with collar/cover  
splash-proof IP44 · ⚡

COLOUR	ITEM NO.	WEIGHT g / EACH	PU
black	1199290	137	10

# SCHUKO CLASSIC

## PLUGS AND CONNECTORS

2-pole + ⊕, 16 A 250 V, acc. to DIN/VDE 0620 and IEC 60884 · for wires up to bis 3 x 1,5 mm<sup>2</sup>



### SOLID RUBBER PLUG

splash-proof IP44

COLOUR	ITEM NO.	WEIGHT g/EACH	PU
black	<b>1429190</b>	72	20



### SOLID RUBBER CONNECTOR

COLOUR	ITEM NO.	WEIGHT g/EACH	PU
black	<b>1489090</b>	125	10

# SCHUKO CLASSIC

## PLUGS AND CONNECTORS

2-pole + ⊕, 16 A 250 V, acc. to DIN/VDE 0620 and IEC 60884 · for wires up to bis 3 x 1,5 mm<sup>2</sup>



### RUBBER PLUG

with twin earthing system  
SCHUKO and  
French/Belgian standard  
splash-proof IP44 · ⚡

COLOUR	ITEM NO.	WEIGHT g/EACH	PU
black	<b>1419190</b>	64	20
orange	<b>1419170</b>	64	20
red	<b>1419140</b>	64	20



### RUBBER CONNECTOR

COLOUR	ITEM NO.	WEIGHT g/EACH	PU
black	<b>1479090</b>	117	10
orange	<b>1479070</b>	117	10
red	<b>1479040</b>	117	10



**PVC PLUG MINI**

with twin earthing system  
SCHUKO and  
French/Belgian standard

COLOUR	ITEM NO.	WEIGHT g / EACH	PU
grey	<b>1418060</b>	40	20
white	<b>1418080</b>	40	20
yellow	<b>1418050</b>	40	20
black	<b>1418000</b>	40	20



**PVC CONNECTOR MINI**

COLOUR	ITEM NO.	WEIGHT g / EACH	PU
grey	<b>1679060</b>	83	10
white	<b>1679080</b>	83	10
yellow	<b>1679050</b>	83	10
black	<b>1679000</b>	83	10



**PVC PLUG MAXI**

with twin earthing system  
SCHUKO and  
French/Belgian standard  
splash-proof IP44

COLOUR	ITEM NO.	WEIGHT g / EACH	PU
grey	<b>1428160</b>	56	20
white	<b>1428180</b>	56	20
yellow	<b>1428150</b>	56	20



**PVC CONNECTOR MAXI**

COLOUR	ITEM NO.	WEIGHT g / EACH	PU
grey	<b>1478060</b>	92	10
white	<b>1478080</b>	92	10
yellow	<b>1478050</b>	92	10



**THERMOPLASTIC PLUG**

COLOUR	ITEM NO.	WEIGHT g/EACH	PU
black	<b>1116100</b>	27	50
white	<b>1116110</b>	27	50



**THERMOPLASTIC ANGLE PLUG**

with twin earthing system  
SCHUKO and  
French/Belgian standard

COLOUR	ITEM NO.	WEIGHT g/EACH	PU
black	<b>1400390</b>	35	20
white	<b>1400380</b>	35	20



**THERMOPLASTIC ANGLE PLUG**

COLOUR	ITEM NO.	WEIGHT g/EACH	PU
black	<b>1107100</b>	34	50
white	<b>1107110</b>	34	50



**THERMOPLASTIC CONNECTOR**

COLOUR	ITEM NO.	WEIGHT g/EACH	PU
black	<b>1176100</b>	31	20
white	<b>1176110</b>	31	20



# SCHUKO PROFESSIONAL

## SCHUKOplus PLUGS

2-pole + ⊕, 16 A 250 V, DIN/VDE 0620  
 splash-proof IP54 · ⬠ · 2K TECHNOLOGY · ELAMID  
 with Screw terminals



### ELAMID 2 K SOCKET PLUG

flush mounting

COLOUR	ITEM NO.	WEIGHT g / EACH	PU
blue	1561050	53	100
black	1561000	53	100
red	1561040	53	100
yellow	1561030	53	100
grey	1561060	53	100



### ELAMID 2 K SOCKET PLUG

flush mounting  
with shutter

COLOUR	ITEM NO.	WEIGHT g / EACH	PU
blue	1562050	55	100

# SCHUKO PROFESSIONAL

2-pole + ⊕, 16 A 250 V, acc. to DIN/VDE 0620 and  
 IEC 60884 · Pressurised water-impermeable IP68 · ⬠



### THERMOPLASTIC WALL-MOUNTED SOCKET OUTLET

with 2 x M20 screw connection

COLOUR	ITEM NO.	WEIGHT g / EACH	PU
blue ⊖	1977751	180	5



### THERMOPLASTIC PANEL-MOUNTED SOCKET

COLOUR	ITEM NO.	WEIGHT g / EACH	PU
blue	1987951	90	5

# SCHUKO CLASSIC

## SOCKET OUTLETS

2-pole +  $\ominus$ , 16 A 250 V, acc. to DIN/VDE 0620 and IEC 60884 · with screw terminals



### THERMOPLASTIC SOCKET OUTLET

flush mounting IP54  $\diamond$

COLOUR	ITEM NO.	WEIGHT g / EACH	PU
black	<b>1661000</b>	38	100
blue	<b>1661050</b>	38	100
grey	<b>1661060</b>	38	100



### THERMOPLASTIC SOCKET OUTLET

flush mounting IP54  $\diamond$   
with shutter

COLOUR	ITEM NO.	WEIGHT g / EACH	PU
blue	<b>1662050</b>	53	100



### THERMOPLASTIC SOCKET OUTLET

flush mounting

COLOUR	ITEM NO.	WEIGHT g / EACH	PU
black	<b>1661300</b>	35	100
blue	<b>1661350</b>	35	100
grey	<b>1661360</b>	35	100

# SCHUKO CLASSIC

## BOWAmini SOCKET OUTLETS

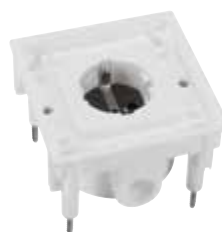
94 x 94 mm  
 Suitable as floor-mounted socket in dry-cleaned rooms.  
 Drip-proof IP41 for wall installations



### COVER

with hinged lid  
 stained steel, matt

ITEM NO.	WEIGHT g/EACH	PU
1471ESM	315	1



### THERMOPLASTIC SOCKET OUTLET

with SCHUKO socket outlet  
 with shutter

ITEM NO.	WEIGHT g/EACH	PU
1471601	125	1



### COVER

with hinged lid  
 brass, matt

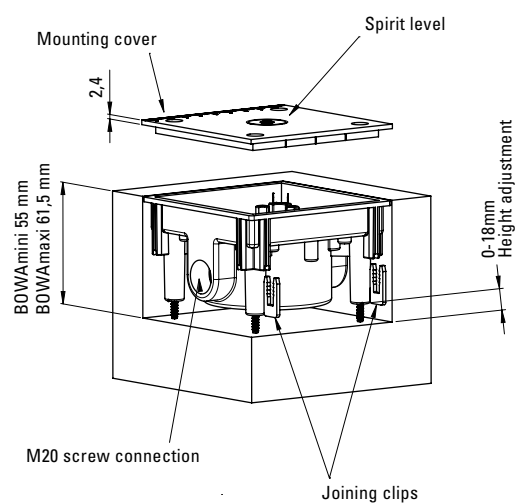
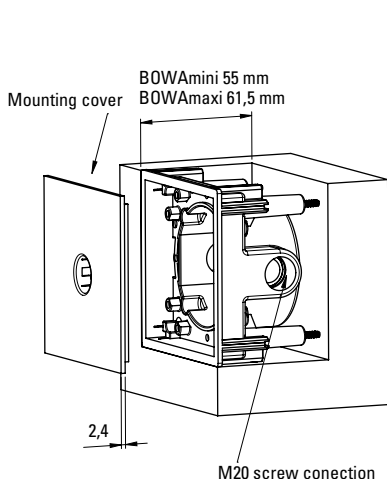
ITEM NO.	WEIGHT g/EACH	PU
1471MSM	315	1



### COVER

with hinged lid  
 platinum, matt

ITEM NO.	WEIGHT g/EACH	PU
1471PLM	315	1



To assist with installation, BOWAmini and BOWAmaxi include a mounting cover with spirit level as well as 4 height adjustment screws. Simple and safe connection with coupling brackets.

# SCHUKO CLASSIC

## BOWAmaxi SOCKET OUTLETS

112 x 112 mm  
 Suitable as floor-mounted socket in dry-cleaned rooms. Drip proof IP41 for wall installations



### COVER

with hinged lid  
 stainless steel, matt

ITEM NO.	WEIGHT g / EACH	PU
1632ESM	498	1



### THERMOPLASTIC DOUBLE SOCKET OUTLET

with double SCHUKO outlet  
 with shutter

ITEM NO.	WEIGHT g / EACH	PU
1632602	281	1



### COVER

with hinged lid  
 brass, matt

ITEM NO.	WEIGHT g / EACH	PU
1632MSM	498	1



### THERMOPLASTIC HOUSING BASE

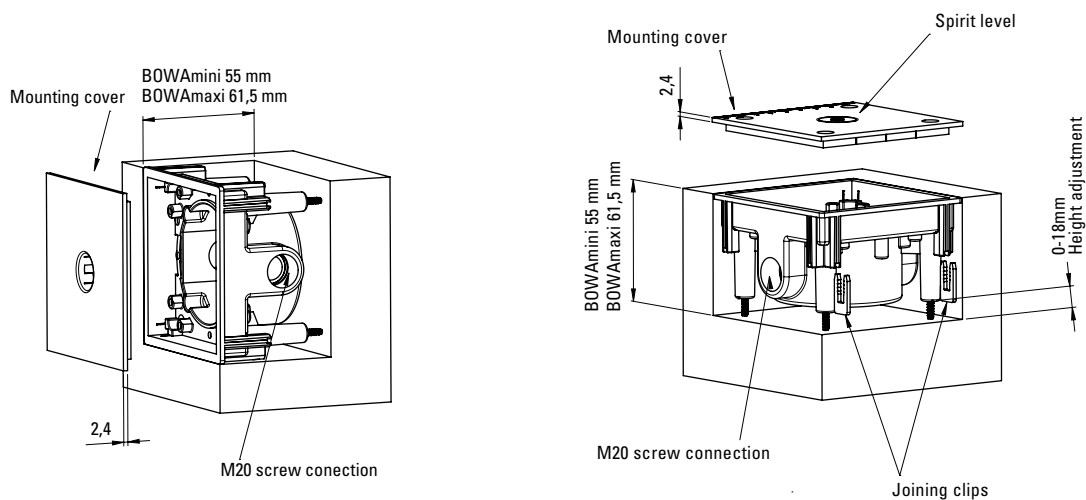
ITEM NO.	WEIGHT g / EACH	PU
1632500	187	1



### COVER

with hinged lid  
 platinum, matt

ITEM NO.	WEIGHT g / EACH	PU
1632PLM	498	1



All standard socket outlets with an 80 mm cover and support ring fastening available for installation engineering, communication and telecommunications can be mounted into the 1632500 enclosure. To assist with installation, BOWAmini and BOWAmaxi include a mounting cover with spirit level as well as 4 height adjustment screws. Simple and safe connection with coupling brackets.





### SOCKET OUTLET

cover with hinged lid  
base made of thermoplastic  
drip-proof IP41  
with shutter

COLOUR	ITEM NO.	WEIGHT g / EACH	PU
grey	<b>1471460</b>	301	1



### DOUBLE SOCKET OUTLET

cover with hinged lid  
base made of thermoplastic  
drip-proof IP41  
with shutter

COLOUR	ITEM NO.	WEIGHT g / EACH	PU
grey	<b>1632490</b>	575	1



### HOUSING

cover with hinged lid  
made of aluminium die-cast  
base made of thermoplastic  
drip-proof IP41

COLOUR	ITEM NO.	WEIGHT g / EACH	PU
grey	<b>1632497</b>	375	1





## DOUBLE SOCKET OUTLET

with bayonet cover made of zinc die-cast  
base made of thermoplastic with shatter  
IP67 when closed, IP20 when  
connected, well suitable for  
wet-cleaned floors

COLOUR	ITEM NO.	WEIGHT g/EACH	PU
grey	1632760	600	1





**THERMOPLASTIC  
SOCKET OUTLET**

flush mounting · suitable for  
installation in BOWAmini

COLOUR	ITEM NO.	WEIGHT g / EACH	PU
white	1111810	32	100



**THERMOPLASTIC  
SOCKET OUTLET**

flush mounting · with shutter  
suitable for installation in BOWAmini

COLOUR	ITEM NO.	WEIGHT g / EACH	PU
white	1111710	33	100



**SURFACE-MOUNTED  
SOCKET OUTLET**

COLOUR	ITEM NO.	WEIGHT g / EACH	PU
white	1491010	79	10



**BASE PLATE**

for item No. 1491010

COLOUR	ITEM NO.	WEIGHT g / EACH	PU
white	1491008	8	10



**SURFACE-MOUNTED  
SOCKET OUTLET**

Double

COLOUR	ITEM NO.	WEIGHT g / EACH	PU
white	1492010	128	10



**BASE PLATE**

for item No. 1492010

COLOUR	ITEM NO.	WEIGHT g / EACH	PU
white	1492008	13	10



**SURFACE-MOUNTED  
SOCKET OUTLET**

Triple

COLOUR	ITEM NO.	WEIGHT g / EACH	PU
white	1493010	197	5



**BASE PLATE**

for item No. 1493010

COLOUR	ITEM NO.	WEIGHT g / EACH	PU
white	1493008	18	10



**SURFACE-MOUNTED  
SOCKET OUTLET**

Quadruple

COLOUR	ITEM NO.	WEIGHT g / EACH	PU
white	1694010	214	5



**BASE PLATE**

for item No. 1694010

COLOUR	ITEM NO.	WEIGHT g / EACH	PU
grey	0004060	32	10



# ACCESSORIES

## SOCKET OUTLETS



### SURFACE-MOUNTED HOUSING

for socket outlet  
1461, 1561, 1562, 1662

COLOUR	ITEM NO.	WEIGHT g / EACH	PU
black	1461007	49	10



### MOUNTING PLATE

for surface-mounted housing  
for snapping onto DIN rail  
acc. to DIN EN 60715 35 mm

ITEM NO.	WEIGHT g / EACH	PU
1461SB	14	100



### RUBBER SEAL

for socket outlet 1461, 1462,  
CZ, SEV, UL and BS

COLOUR	ITEM NO.	WEIGHT g / EACH	PU
black	8632316	3	100

---

## ADAPTER



### CEE PLUG ON SCHUKO SOCKET

3-pole, 16A, 230V, 6 h blue  
splash-proof IP44

ITEM NO.	WEIGHT g / EACH	PU
ADP050	165	5



### CEE PLUG ON SOCKET F/B-STANDARD

3-pole, 16A, 230V, 6 h blue  
splash-proof IP44

ITEM NO.	WEIGHT g / EACH	PU
ADP052	165	5



# FRENCH/BELGIAN STANDARD

## **PLUGS AND CONNECTORS**



HIGHTECH	28
CLASSIC	30

---

## **SOCKET OUTLETS**

HIGHTECH	32
CLASSIC	33

# HIGHTECH PLUGS

2-pole + , 16 A 250 V, acc. to DIN/VDE 0620 and IEC 60884  
for wires up to bis 3 x 2,5 mm<sup>2</sup> · splash-proof IP44 ·  · **ELAMID**



## ELAMID PLUG

with twin earthing system  
SCHUKO and  
French/Belgian standard

COLOUR	ITEM NO.	WEIGHT g/EACH	PU
blue	<b>1519150</b>	78	10



## ELAMID PLUG

with twin earthing system  
SCHUKO and  
French/Belgian standard

COLOUR	ITEM NO.	WEIGHT g/EACH	PU
red	<b>1519140</b>	78	10



## ELAMID PLUG

with twin earthing system  
SCHUKO and  
French/Belgian standard

COLOUR	ITEM NO.	WEIGHT g/EACH	PU
black	<b>1519100</b>	78	10



# HIGHTECH CONNECTORS

2-pole +  $\oplus$ , 16 A 250 V, acc. to NF C61-314 French standard and NBN C61-112 Belgian standard · for wires up to bis 3 x 2,5 mm<sup>2</sup>



## ELAMID CONNECTOR

with shutter

COLOUR	ITEM NO.	WEIGHT g/EACH	PU
blue	1579052	75	10



## ELAMID CONNECTOR

with shutter  
with collar and cover  
splash-proof IP44 ·  $\diamond$

COLOUR	ITEM NO.	WEIGHT g/EACH	PU
blue	1579252	98	10



## ELAMID CONNECTOR

with shutter

COLOUR	ITEM NO.	WEIGHT g/EACH	PU
red	1579042	75	10



## ELAMID CONNECTOR

with shutter  
with collar and cover  
splash-proof IP44 ·  $\diamond$

COLOUR	ITEM NO.	WEIGHT g/EACH	PU
red	1579242	98	10



## ELAMID CONNECTOR

with shutter

COLOUR	ITEM NO.	WEIGHT g/EACH	PU
black	1579002	75	10



## ELAMID CONNECTOR

with shutter  
with collar and cover  
splash-proof IP44 ·  $\diamond$

COLOUR	ITEM NO.	WEIGHT g/EACH	PU
black	1579202	98	10

## CLASSIC

### PLUGS AND CONNECTORS

2-pole + ⊕, 16 A 250 V, acc. to NF C61-314 French standard and NBN C61-112 Belgian standard · for wires up to bis 3 x 2,5 mm<sup>2</sup> splash-proof IP44



#### RUBBER PLUG

with twin earthing system  
SCHUKO and  
French/Belgian standards

COLOUR	ITEM NO.	WEIGHT g/EACH	PU
black	1149190	86	20



#### RUBBER CONNECTOR

with shutter

COLOUR	ITEM NO.	WEIGHT g/EACH	PU
black	1199592	170	10

## CLASSIC

### THREE-WAY CONNECTORS

2-pole + ⊕, 16 A 250 V, acc. to NF C61-314 French standard and NBN C61-112 Belgian standard · for wires up to bis 3 x 2,5 mm<sup>2</sup>



#### THREE-WAY SOLID RUBBER CONNECTOR SELF-CLOSING LID

with shutter  
splash-proof IP44

COLOUR	ITEM NO.	WEIGHT g/EACH	PU
black	1473597	486	5



#### THREE-WAY SOLID RUBBER CONNECTOR

splash-proof IP44

COLOUR	ITEM NO.	WEIGHT g/EACH	PU
black	1473292	486	5



#### THREE-WAY SOLID RUBBER CONNECTOR

with shutter  
with voltage indicator ⊗

COLOUR	ITEM NO.	WEIGHT g/EACH	PU
black	1473692	383	5

# CLASSIC

## PLUGS AND CONNECTORS

2-pole +  $\oplus$ , 16 A 250 V, acc. to NF C61-314 French standard and NBN C61-112 Belgian standard · for wires up to 3 x 1,5 mm<sup>2</sup>



### RUBBER PLUG

with twin earthing system  
SCHUKO and  
French/Belgian standards  
splash-proof IP44

COLOUR	ITEM NO.	WEIGHT g / EACH	PU
black	<b>1419190</b>	64	20



### RUBBER CONNECTOR

COLOUR	ITEM NO.	WEIGHT g / EACH	PU
black	<b>1479091</b>	117	10



### RUBBER CONNECTOR

with shutter

COLOUR	ITEM NO.	WEIGHT g / EACH	PU
black	<b>1479092</b>	117	10



### RUBBER CONNECTOR

splash-proof IP44

COLOUR	ITEM NO.	WEIGHT g / EACH	PU
black	<b>1479291</b>	166	10



### RUBBER CONNECTOR

with shutter  
splash-proof IP44

COLOUR	ITEM NO.	WEIGHT g / EACH	PU
black	<b>1479292</b>	166	10

# CLASSIC

## PLUGS AND CONNECTORS

2-pole +  $\oplus$ , 16 A 250 V, acc. to NF C61-314 French standard and NBN C61-112 Belgian standard · for wires up to bis 3 x 1,5 mm<sup>2</sup>



### PVC PLUG

with twin earthing system  
SCHUKO and  
French/Belgian standard

COLOUR	ITEM NO.	WEIGHT g / EACH	PU
grey	<b>1418060</b>	40	20
white	<b>1418080</b>	40	20
black	<b>1418000</b>	40	20



### PVC CONNECTOR

with shutter

COLOUR	ITEM NO.	WEIGHT g / EACH	PU
grey	<b>1679062</b>	83	10
white	<b>1679082</b>	83	10
black	<b>1679002</b>	83	10



# HIGHTECH SOCKET OUTLETS

2-pole +  $\ominus$ , 16 A 250 V, acc. to NF C61-314 French standard and  
NBN C61-112 Belgian standard, IP54



## THERMOPLASTIC SOCKET OUTLET

flush mounting IP54  $\diamond$   
with shutter

COLOUR	ITEM NO.	WEIGHT g / EACH	PU
black	1662002	53	100
blue	1662052	53	100
grey	1662062	53	100





## BASIC SOCKET OUTLETS

2-pole + , 16 A 250 V, NF C61-314 French standard and  
NBN C61-112 Belgian standard

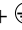


### THERMOPLASTIC SOCKET OUTLET

flush mounting  
suitable for installation in  
BOWA.94 · with shutter

COLOUR	ITEM NO.	WEIGHT g / EACH	PU
white	1111712	33	100

## BASIC SOCKET OUTLETS

2-pole + , 16 A 250 V



### SURFACE-MOUNTED SOCKET OUTLET

quadruple, without earthing system

COLOUR	ITEM NO.	WEIGHT g / EACH	PU
white	1804010	159	5

Accessories on page 25



# SWISS & INTERNATIONAL STANDARD

**PLUGS AND CONNECTORS** 38

---

**SOCKET OUTLETS** 40

# PLUGS & CONNECTORS

acc. to SEV Typ 23, 25  
splash-proof IP44



## RUBBER PLUG 16 A 250 V

acc. to SEV 5934 Typ 23

COLOUR	ITEM NO.	WEIGHT g/ EACH	PU
dark blue	<b>SEV23S</b>	80	20



## RUBBER CONNECTOR 16 A 250 V

acc. to SEV 5934 Typ 23  
with collar and cover

COLOUR	ITEM NO.	WEIGHT g/ EACH	PU
dark blue	<b>SEV23K2</b>	132	10



## RUBBER PLUG 16 A 400 V

acc. to SEV 5932 Typ 25

COLOUR	ITEM NO.	WEIGHT g/ EACH	PU
red	<b>SEV25S</b>	98	20



## RUBBER CONNECTOR 16 A 400 V

acc. to SEV 5932 Typ 25  
with collar and cover

COLOUR	ITEM NO.	WEIGHT g/ EACH	PU
red	<b>SEV25K2</b>	138	10

## PLUGS & CONNECTORS

acc. to SEV Typ 12, 13, 15  
splash-proof IP44



### RUBBER PLUG 10 A 250 V

acc. to SEV 6534 Typ 12

COLOUR	ITEM NO.	WEIGHT g / EACH	PU
light blue	SEV12S2	79	20



### RUBBER CONNECTOR 10 A 250 V

acc. to SEV 6535 Typ 13  
with collar and cover

COLOUR	ITEM NO.	WEIGHT g / EACH	PU
light blue	SEV13K2	132	10



### RUBBER PLUG 10 A 400 V

acc. to SEV 6532 Typ 15

COLOUR	ITEM NO.	WEIGHT g / EACH	PU
orange	SEV15S	95	20



### RUBBER CONNECTOR 10 A 400 V

SEV 6532 Typ 15  
with collar and cover

COLOUR	ITEM NO.	WEIGHT g / EACH	PU
orange	SEV15K2	135	10

## THREE-WAY CONNECTOR

acc. to SEV Typ 13



### THREE-WAY SOLID RUBBER CONNECTOR 10 A 250 V

acc. to SEV 6535 Type 13 with voltage  
indicator and self-closing lid  
splash-proof IP54

COLOUR	ITEM NO.	WEIGHT g/EACH	PU
blue	SEV313K	486	5

# SOCKET OUTLETS

16 A

acc. to SEV Typ 23, 25, IP54 · ⚡



## THERMOPLASTIC SOCKET OUTLET 16 A 250 V

flush mounting  
acc. to SEV 5934 type 23  
with seal in hinged lid

COLOUR	ITEM NO.	WEIGHT g / EACH	PU
grey/blue	<b>1461965</b>	40	100



## THERMOPLASTIC SOCKET OUTLET 16 A 400 V

flush mounting  
acc. to SEV 5932 type 25  
with seal in hinged lid

COLOUR	ITEM NO.	WEIGHT g / EACH	PU
grey/red	<b>SEV1148</b>	65	20

# SOCKET OUTLETS

10 A

acc. to SEV Typ 13, 15, IP54 · ⚡



## THERMOPLASTIC SOCKET OUTLET 10 A 250 V

flush mounting  
acc. to SEV 6535 type 13

COLOUR	ITEM NO.	WEIGHT g / EACH	PU
blue	<b>1461005</b>	37	20
black	<b>1461006</b>	37	20
grey	<b>1461066</b>	37	20



## THERMOPLASTIC SOCKET OUTLET 10 A 400 V

flush mounting  
acc. to SEV 6532 type 15

COLOUR	ITEM NO.	WEIGHT g / EACH	PU
grey	<b>SEV-100</b>	57	20

## SOCKET OUTLETS

INTERNATIONAL STANDARD  
USA, CANADA

2-pole +  $\oplus$ , 15 A 125 V  
acc. to UL498/NEMA 5-15 R,  
CSA 22.2 Nr. 42



### THERMOPLASTIC SOCKET OUTLET

flush mounting  
IP54 ·  $\diamond$

COLOUR	ITEM NO.	WEIGHT g / EACH	PU
black	<b>UL12500</b>	45	100
blue	<b>UL12505</b>	45	100
grey	<b>UL12506</b>	45	100

---

## SOCKET OUTLETS

INTERNATIONAL STANDARD  
USA, CANADA

2-pole +  $\oplus$ , 15 A 125 V  
acc. to UL498/NEMA 5-15 R,  
CSA 22.2 Nr. 42



### THERMOPLASTIC SOCKET OUTLET

flush mounting  
IP54

COLOUR	ITEM NO.	WEIGHT g / EACH	PU
black	<b>BS13630</b>	38	100

Accessories on page 25







**OUTLET BOXES** 44

---

**PERILEX** 45

---

**INDUSTRIAL ETHERNET** 46

# OUTLET BOXES

with screw terminals  
compliant with VDE 0606



## THERMOPLASTIC OUTLET BOX

for surface mounting  
cover with snap lock  
terminals: 5 x 2,5 to\* 6 mm<sup>2</sup>

COLOUR	ITEM NO.	WEIGHT g / EACH	PU
white	2505010	80	10



## THERMOPLASTIC OUTLET BOX

for flush mounting and surface mounting · cover with snap lock · terminals: 5 x 2,5 to\* 6 mm<sup>2</sup>

COLOUR	ITEM NO.	WEIGHT g / EACH	PU
white	2505110	80	10



## THERMOPLASTIC OUTLET BOX

for flush mounting and surface mounting, claw bracket can be snapped out  
cover with snap lock  
terminals: 5 x 2,5 to\* 6 mm<sup>2</sup>

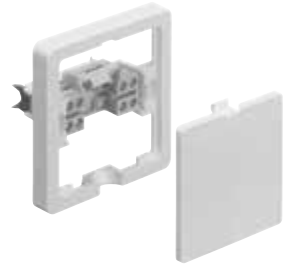
COLOUR	ITEM NO.	WEIGHT g / EACH	PU
white	2505210	90	10



## BASE PLATE IP44

with two cable entries  
for outlet boxes 25055

COLOUR	ITEM NO.	WEIGHT g / EACH	PU
white	2505018	32	10



## THERMOPLASTIC OUTLET BOX

for flush mounting  
flat version · cover with snap lock  
terminals: 5 x 2,5 mm<sup>2</sup>  
extra flat – only 11 mm

COLOUR	ITEM NO.	WEIGHT g / EACH	PU
white	2506110	61	10



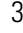
## THREE-CHAMBER OUTLET BOX

for flush mounting and surface mounting  
dowel fastening  
terminals: 5 x 2,5 to\* 6 mm<sup>2</sup> / 7 x 2,5 mm<sup>2</sup>

COLOUR	ITEM NO.	WEIGHT g / EACH	PU
white	2518610	166	5

\* if conductor section is > 5 x 2,5 mm<sup>2</sup>  
use additional strain relief.

**PERILEX**  
 PLUG, CONNECTORS  
 AND SOCKET OUTLETS

3-pole + N + , 16 A AC 400/230 V  
 acc. to DIN 49445/46



**DUROPLAST PLUG**

COLOUR	ITEM NO.	WEIGHT g / EACH	PU
white	2201110	99	10



**DUROPLAST CONNECTOR**

COLOUR	ITEM NO.	WEIGHT g / EACH	PU
white	2206110	149	10



**DUROPLAST  
 ANGLE PLUG**

COLOUR	ITEM NO.	WEIGHT g / EACH	PU
white	2407110	113	10



**DUROPLAST  
 FLUSH-MOUNTED  
 SOCKET OUTLET**

COLOUR	ITEM NO.	WEIGHT g / EACH	PU
white	2421110	142	10



**DUROPLAST  
 FLUSH-MOUNTED  
 SOCKET OUTLET**

splash-proof IP44  
 with in-wall box

COLOUR	ITEM NO.	WEIGHT g / EACH	PU
white	2451510	234	10



**DUROPLAST  
 SURFACE-MOUNTED  
 SOCKET OUTLET**

COLOUR	ITEM NO.	WEIGHT g / EACH	PU
white	2491010	136	10



**DUROPLAST  
 SURFACE-MOUNTED  
 SOCKET OUTLET**

splash-proof IP44

COLOUR	ITEM NO.	WEIGHT g / EACH	PU
grey	2441860	271	5

# INDUSTRIAL ETHERNET



## PANEL-MOUNTED SOCKET IP67

access side: IDC insulation-piercing  
plug technology · outgoing side:  
2 x RJ45 Cat.6 modules 8(8)

ITEM NO.	WEIGHT g / EACH	PU
DG-RJ45	160	10



## SOCKET PLUG IP55

access side: IDC insulation-piercing  
plug technology · outgoing side:  
1 x RJ45 Cat.6 module 8(8) RJ45K13  
2 x RJ45 Cat.6 modules 8(8) RJ45K23

ITEM NO.	WEIGHT g / EACH	PU
RJ45K13	70	10
RJ45K23	100	10

# ITEM NUMBER DIRECTORY

ITEM NO.	PAGE	ITEM NO.	PAGE	ITEM NO.	PAGE	ITEM NO.	PAGE
0004060	24	1471460	22	1579052	29	1987951	17
1107100	16	1471601	19	1579100	11	1989850	9
1107110	16	1471ESM	19	1579140	11	2201110	44
1111712	33	1471MSM	19	1579150	11	2206110	44
1111810	24	1471PLM	19	1579200	11	2407110	44
1116100	16	1473190	12	1579202	29	2421110	44
1116110	16	1473292	30	1579240	11	2441860	44
1129190	12	1473597	30	1579242	29	2451510	44
1149190	13	1473692	30	1579250	11	2491010	44
1149190	30	1478050	15	1579252	29	2505010	43
1149290	13	1478060	15	1579300	11	2505018	43
1169090	13	1478080	15	1579340	11	2505110	43
1169290	13	1479040	14	1579350	11	2505210	43
1173503	9	1479070	14	1589200	8	2506110	43
1173543	9	1479090	14	1589240	8	2518610	43
1173563	9	1479091	31	1589260	8	8632316	25
1176100	16	1479092	31	1632490	22	ADP050	25
1176110	16	1479291	31	1632497	22	ADP052	25
1189090	12	1479292	31	1632500	20	BS13630	40
1189290	12	1489090	14	1632602	20	DG-RJ45	45
1199090	13	1491008	24	1632760	23	RJ45K13	45
1199290	13	1491010	24	1632ESM	20	RJ45K23	45
1199592	30	1492008	24	1632MSM	20	SEV-100	39
1400380	16	1492010	24	1632PLM	20	SEV1148	39
1400390	16	1493008	24	1661000	18	SEV12S2	38
1418000	15	1493010	24	1661050	18	SEV13K2	38
1418000	31	1519100	10	1661060	18	SEV15K2	38
1418050	15	1519100	28	1661300	18	SEV15S	38
1418060	15	1519140	10	1661350	18	SEV23K2	37
1418060	31	1519140	28	1661360	18	SEV23S	37
1418080	15	1519150	10	1662002	32	SEV25K2	37
1418080	31	1519150	28	1662050	18	SEV25S	37
1419140	14	1529100	8	1662052	32	SEV313K	38
1419170	14	1529140	8	1662062	32	UL12500	40
1419190	14	1529160	8	1679000	15	UL12505	40
1419190	31	1561000	17	1679002	31	UL12506	40
1428150	15	1561030	17	1679050	15		
1428160	15	1561040	17	1679060	15		
1428180	15	1561050	17	1679062	31		
1429190	14	1561060	17	1679080	15		
1461005	39	1562050	17	1679082	31		
1461006	39	1579000	11	1694010	24		
1461007	25	1579002	29	1804010	33		
1461066	39	1579040	11	1976850	9		
1461965	39	1579042	29	1977751	17		
1461SB	25	1579050	11	1979850	9		

© Copyright 2018

Dieser Katalog und sein Inhalt sind urheberrechtlich geschützt. Eine Vervielfältigung oder Veröffentlichung auch nur einzelner enthaltener Texte, Grafiken, Fotos ist strengstens untersagt und nur mit ausdrücklicher schriftlicher Genehmigung von ABL SURSUM Bayerische Elektrozubehör GmbH & Co. KG erlaubt. Abweichungen bei technischen Angaben und Darstellungen sowie bei der Lieferfähigkeit sind vorbehalten.

This catalogue and its contents are protected by copyright. Without the prior written permission from ABL SURSUM Bayerische Elektrozubehör GmbH & Co. KG, any duplication or distribution of the texts, graphics, photos, etc. herein is prohibited. The right of deviations in the technical specifications and illustrations as well as in the lead times is reserved.







ABL SURSUM  
Bayerische Elektrozubehör GmbH & Co. KG

Albert-Büttner-Straße 11  
D-91207 Lauf / Pegnitz

Tel. +49 (0) 9123 188-0  
Fax +49 (0) 9123 188-188

info@abl.de  
www.abl.de