

Catalog Vol. 18

ADAMS

Elevator Service Parts

More Parts Delivered Faster

1-800-929-9247

www.adamselevator.com

Your Customer Number:

World Headquarters Niles IL USA

6310 W. Howard Street
Niles IL 60714-3480 USA
1-847-965-0700
Fax 1-847-965-9114

e-mail:
Parts adams.parts@adamselevator.com
Safety adams.safety@adamselevator.com
www.adamselevator.com

If you can't find the part you're looking
for in the catalog — **CALL!**
We are adding new parts to our
inventory **EVERYDAY!**
1-800-929-9247

Call or Fax the Adams location nearest you

Adams—US
1-800-929-9247

6310 W. Howard Street
Niles IL 60714-3480
1-847-965-0700
Fax 1-847-581-2949

Adams—Canada
800-268-5392

75 Horner Ave., #3
Toronto CN M8Z 4X5
416-253-6661
Fax 416-253-1662

International Sales
Fax: 1-847-965-9028

Safety Products
Fax: 1-847-965-9028

Customer Support
Fax: 1-847-965-9022

Ask your Adams rep for an Escalator Service Parts Catalog!

FRACTION
64THS
DECIMAL
MILLIMETER

Conversion Table

| Fractions of inch | 64ths of inch | Decimal Inch | Millimeters | Fractions of inch | 64ths of inch | Decimal Inch | Millimeters |
|-------------------|---------------|--------------|-------------|-------------------|---------------|--------------|-------------|
| — | 1 | .015625 | 0.397 | — | 33 | .515625 | 13.097 |
| $\frac{1}{32}$ | 2 | .031250 | 0.794 | $\frac{17}{32}$ | 34 | .531250 | 13.494 |
| — | 3 | .046875 | 1.191 | — | 35 | .546875 | 13.891 |
| $\frac{1}{16}$ | 4 | .062500 | 1.588 | $\frac{9}{16}$ | 36 | .562500 | 14.288 |
| — | 5 | .078125 | 1.984 | — | 37 | .578125 | 14.684 |
| $\frac{3}{32}$ | 6 | .093750 | 2.381 | $\frac{19}{32}$ | 38 | .593750 | 15.081 |
| — | 7 | .109375 | 2.778 | — | 39 | .609375 | 15.478 |
| $\frac{1}{8}$ | 8 | .125000 | 3.175 | $\frac{5}{8}$ | 40 | .625000 | 15.875 |
| — | 9 | .140625 | 3.572 | — | 41 | .640625 | 16.27 |
| $\frac{5}{32}$ | 10 | .156250 | 3.969 | $\frac{21}{32}$ | 42 | .656250 | 16.669 |
| — | 11 | .171875 | 4.366 | — | 43 | .671875 | 17.066 |
| $\frac{3}{16}$ | 12 | .187500 | 4.763 | $\frac{11}{16}$ | 44 | .687500 | 17.463 |
| — | 13 | .203125 | 5.159 | — | 45 | .703125 | 17.859 |
| $\frac{7}{32}$ | 14 | .218750 | 5.556 | $\frac{23}{32}$ | 46 | .718750 | 18.256 |
| — | 15 | .234375 | 5.953 | — | 47 | .734375 | 18.653 |
| $\frac{1}{4}$ | 16 | .250000 | 6.350 | $\frac{3}{4}$ | 48 | .750000 | 19.050 |
| — | 17 | .265625 | 6.747 | — | 49 | .765625 | 19.447 |
| $\frac{9}{32}$ | 18 | .281250 | 7.144 | $\frac{25}{32}$ | 50 | .781250 | 19.844 |
| — | 19 | .296875 | 7.541 | — | 51 | .796875 | 20.241 |
| $\frac{5}{16}$ | 20 | .312500 | 7.938 | $\frac{13}{16}$ | 52 | .812500 | 20.638 |
| — | 21 | .328125 | 8.334 | — | 53 | .828125 | 21.034 |
| $\frac{11}{32}$ | 22 | .343750 | 8.731 | $\frac{27}{32}$ | 54 | .843750 | 21.431 |
| — | 23 | .359375 | 9.128 | — | 55 | .859375 | 21.828 |
| $\frac{3}{8}$ | 24 | .375000 | 9.525 | $\frac{7}{8}$ | 56 | .875000 | 22.225 |
| — | 25 | .390625 | 8.334 | — | 57 | .890625 | 22.622 |
| $\frac{13}{32}$ | 26 | .406250 | 8.731 | $\frac{29}{32}$ | 58 | .906250 | 23.019 |
| — | 27 | .421875 | 10.716 | — | 59 | .921875 | 23.416 |
| $\frac{7}{16}$ | 28 | .437500 | 11.113 | $\frac{15}{16}$ | 60 | .937500 | 23.813 |
| — | 29 | .453125 | 11.509 | — | 61 | .953125 | 24.209 |
| $\frac{15}{32}$ | 30 | .468750 | 11.906 | $\frac{31}{32}$ | 62 | .968750 | 24.606 |
| — | 31 | .484375 | 12.303 | — | 63 | .984375 | 25.003 |
| $\frac{1}{2}$ | 32 | .500000 | 12.700 | 1 | 64 | 1.000000 | 25.400 |

Catalog Vol. 18

1

How to Order
pgs. 4-10

2

**Tools, Instruments
& Supplies** pgs. 11-36

3

**Adams Safety
Products** pgs. 37-70

4

Adams Parts
pgs. 71-98.1

5

**Adams Fixture
Components** pgs. 99-116

6

Armor
pgs. 117-138

7

Dover
pgs. 139-172

8

G.A.L.
pgs. 173-190

9

Haughton
pgs. 191-210

10

KONE/Montgomery
pgs. 211-224

11

Otis
pgs. 225-308

12

**Schindler/
Westinghouse**
pgs. 309-388

13

Other OEMs
pgs. 389-406

14

**Starter & Contactor
Parts** pgs. 407-494

15

Part Number Indexes
pgs. 495-564

ADAMS ELEVATOR
EQUIPMENT
COMPANY
6310

ADAMS®

ELEVATOR EQUIPMENT COMPANY

Adams Elevator Equipment Company
Niles, IL





Sales Offices

For more than 70 years, ADAMS Elevator Equipment Company has been the preferred source for elevator parts to help mechanics and elevator service contractors repair and maintain elevators the world over. To provide the parts ordering reference our customers need, we are pleased to release our latest catalog – Volume 18 – the single, most comprehensive elevator parts catalog available!

Since our last catalog printing, much has changed. We have added nearly 15,000 parts, doubling the number of elevator service parts ADAMS offers. That means you can make one call to ADAMS and very likely get every item you need!

We kept the same basic catalog organization you've told us works best for you – each section dedicated to a particular equipment manufacturer. But we've also made it easier for you to find the items you need to work on anybody's equipment. Look for our new Tools, Instruments & Supplies section which consolidates these everyday items into one all-inclusive section. Other items that ADAMS has become well known for – our Safety products, our Fixture Components and parts that are common across equipment types – are in their own sections. Finally, look for the new, expanded offering of electrical controls and printed circuit boards in the various manufacturers' sections.

ADAMS is proud to be an active supporter of NAEC, CECA, EESF and numerous local and regional professional associations. We look forward to continuing to work every day to earn your business.

HOW TO CONTACT OUR SALES OFFICES

CHICAGO METRO (NILES, IL)

| | |
|------------------------------------------|---------------------------------------------|
| Phone, Toll-Free Parts Direct | 1-800-929-9247 |
| Fax, Parts | 1-847-581-2949 |
| Phone, Toll-Free Receptionist | 1-800-323-0796 |
| Fax, Main | 1-847-965-9114 |
| Phone, Local & International | 1-847-965-0700 |
| Fax, International | 1-847-965-3758 |
| e-mail, Parts & International | adams.parts@adamselevator.com |
| e-mail, Safety | adams.safety@adamselevator.com |
| World Wide Web | www.adamselevator.com |
| Mail | 6310 W. Howard St., Niles IL 60714-3480 USA |

CANADA (TORONTO, ONT)

| | |
|-------------------------|-------------------------------------------|
| Phone, Toll Free | 800-268-5392 |
| Phone, Local | 416-253-6661 |
| Fax | 416-253-1662 |
| Mail | 75 Horner Avenue, #3, Toronto, CN M8Z 4X5 |

Customer #

CONFIRMING ORDERS

If you send a confirming order, please make sure it is clearly marked "CONFIRMING" to avoid duplicating your phone order.

MINIMUM ORDERS

Acceptance of orders is subject to a \$35.00 minimum charge.

PRICES AND TERMS

Call your sales representative for current pricing since pricing is subject to change without notice. Prices prevailing when your order is received will apply. All prices are FOB Niles (or FOB Toronto for Canadian customers). Terms of payment are net 30 days with approved credit. See *Terms and Conditions of Sale* on page 6.

VISA, MASTERCARD, DISCOVER

Adams accepts Visa, Mastercard, and Discover credit cards for payment at time of order.



QUANTITY DISCOUNTS

Volume discounts are available for a variety of products.

SHIPMENTS

Orders will ship by the most efficient method, based on your delivery requirements. Charges for freight, overnight delivery, insurance, fees, and forwarding costs will be added to your invoice. See *Terms and Conditions of Sale* on page 6.

RETURN OF ITEMS

Requests for returns must include return authorization number. Please follow the return process described on the packing list or contact your representative for additional information.

Returns may be subject to a 25% restocking charge or \$25.00 minimum, whichever is greater. See *Terms and Conditions of Sale*.

DAMAGED GOODS CLAIMS

We take extreme care to fill, check, re-check, and pack every order. If you find errors or damaged goods, please report these to our Customer Support Department within 30 days.

In addition, notify the carrier and file a claim for damaged merchandise. Request that the shipment be inspected by a carrier representative to insure prompt processing of your claim. Keep all containers and packing material. See *Terms and Conditions of Sale*.

To place an order from outside the U.S., call International Sales at 847-965-0700, or Fax 847-965-3758 (country code 1)

INTERNATIONAL SHIPMENT/ PAYMENT POLICIES

Adams has worked hard to make it easy for our international customers to order. We have staff that is trained and dedicated to work with international customers.

Acceptance of international orders is subject to US \$50.00 minimum charge. Shipment is ex works warehouse, Niles, Illinois. We have the capability to ship CIP destination. Please specify at time order is placed.

Choose from these 5 ways to make payment on your account:

1) **Cash in advance** with a check drawn on an American bank in U.S. dollars. You can pay by way of bank draft drawn in U.S. funds on a bank in the United States.

2) **Wire transfer** funds to Adams Elevator. Call International Sales for instructions on where and how to wire funds for payment.

In order to properly credit your account, be sure to reference your Adams account number or proforma number when wiring funds. *The amount of the wire transfer must equal the amount of your order.* Your bank may require you to pay additional charges at the time the wire transfer is requested.

Your order will be processed upon verification from our bank of the wire transfer, so be sure to instruct the bank to notify Adams as soon as the wire is received.

3) **C.A.D. (cash against documents)**, also known as a *sight draft*. In this case, we use American National Bank's correspondent bank in your country. If you choose to use your own bank, let us know the name of the bank.

4) **Letter of credit.** A confirmed, irrevocable letter of credit is often used for larger orders. It can be placed with our bank in the amount of the order. Be sure that your letter of credit stipulates that ALL bank charges are the responsibility of the buyer, and that NVOCC shipments/bills of lading are permitted.

5) **Credit Card.** Adams also accepts **VISA**, **MasterCard** and **Discover** for payment at time of order.



NOTE: International orders ship complete unless otherwise specified.

Terms & Conditions of Sale

All orders placed with Adams, whether written or verbal, are subject to the following terms of sale, which may be changed or supplemented by Adams at any time. No modifications of or additions to these terms will be recognized unless specifically agreed to in writing by an authorized officer of Adams Elevator Equipment Company.

Failure by Adams to object to revisions contained in any prior or subsequent order or communication from a purchaser shall not be construed as a waiver of these conditions or an acceptance of any such provision.

PRICES

All prices are FOB point of shipment and are subject to change without notice. Quotations expire in 30 days unless otherwise advised in writing. Customer will be responsible for all import permits and licenses, and payment of all import duties and customs fees. Published or quoted prices do not include sales, use, excise, or similar taxes. All applicable taxes must be paid by the purchaser.

TERMS OF PAYMENT

Terms of payment are net 30 days, FOB point of shipment, contingent upon credit approval. Adams shall retain title to or hold a security interest in all merchandise until payment is received.

CREDIT

Prior to making shipment, Adams may require purchaser to provide credit worthiness. If Adams is not satisfied, it may decline the order, require advance payment, or ship COD.

COLLECTION TERM

You agree to pay Adams Elevator Equipment Company interest at the rate of one and one-half percent (1 1/2%) per month, or the highest rate then permitted by law, whichever is less, for all amounts not paid within thirty (30) days from date of invoice and for all costs, including reasonable attorneys' fees and disbursements, incurred by Adams Elevator Equipment Company to collect such overdue amounts.

SHIPPING

Shipment will be made within a reasonable time after receipt of an order by Adams. In the event that some parts are not in stock, Adams shall have the right to make delivery in installments. All installments shall be invoiced separately and paid as billed without regard to subsequent deliveries. Adams cannot be held responsible if it is unable, for any reason, to make shipment by a specified date.

DAMAGE AND LOSS

All products are packed and marked for shipment according to good commercial practice. Upon

delivery to the carrier and his receipt for the merchandise, responsibility for the delivery intact to the destination rests with the carrier. All shipments should be inspected upon receipt at the destination for visible damage and noted on Bill of Lading immediately, and Adams should be notified. Claims for loss or damage should be filed with the carrier immediately. A "Concealed Damage" claim is required when damage is not externally visible. Adams will assist, insofar as is practicable, in securing satisfactory adjustment of claims. **All claims for loss and damage, however, must be made by the purchaser to the carrier.**

IN CASE OF SHORTAGE

Adams must be notified of shortage within 10 days of receipt of goods. Send copy of packing list to Adams for immediate resolution. Keep original for your records.

RETURN OF MERCHANDISE

No material is to be returned without first obtaining return authorization from Adams. Material must be properly packed to protect against physical damage during shipment, and must be shipped prepaid and insured. Returned material is subject to a 25% restocking charge or \$25.00 minimum, whichever is greater.

See the back of your packing slip for complete instructions for return of merchandise.

WARRANTY

Unless otherwise stated in a product specification sheet from Adams, Adams parts are warranted to be free from defects in material and workmanship for a period of 12 months after receipt of shipment. Adams' obligation in this respect is limited to furnishing on an exchange basis, FOB shipping point, replacement for part(s) which had been promptly reported by the purchaser as having been in his opinion defective, and are so found by Adams upon return of part(s) and inspection thereof.

Adams shall not be liable for any injury, loss, damage, or other costs, direct or consequential, arising out of the use of, or the inability of the purchaser to use the product. Before using or furnishing to another for their use, purchaser shall determine the suitability of the product for its intended use and purchaser assumes all risks and liabilities in connection therewith.

THE FOREGOING WARRANTY IS IN LIEU OF ALL OTHER WARRANTIES, EXPRESSED OR IMPLIED, INCLUDING BUT NOT LIMITED TO THE IMPLIED WARRANTIES OF MERCHANTABILITY AND FITNESS FOR A PARTICULAR PURPOSE.

All parts sales are final, subject to existing warranty provisions.

LIMITATION OF LIABILITY

Adams' entire liability and the customer's exclusive remedy shall be as follows:

In all situations involving performance or nonperformance of the parts ordered hereunder, the customer's remedy is that provided under the warranty provision expressed above. For any other claim concerning performance or nonperformance by Adams, pursuant to or in any way related to the subject matter of the parts order, the customer shall be entitled to recover actual damages to the limits set forth in this Section.

Adams' liability for loss or damages to customer for any cause whatsoever and regardless of the form of action, whether in contract or in tort, including negligence, shall be limited to the price of the part on which such liability is based.

In no event will Adams be responsible for any loss, damage, or delay due to acts of God, acts of the government, labor troubles or disputes, including strikes or lockout, fire, flood, accidents, epidemics, quarantine, restrictions, embargoes, or other transportation delays; damage to or destruction in whole or in part of equipment or manufacturing plant; lack of or inability to obtain raw materials, labor, fuel, or supplies; or any failure on part of customer or his representatives to approve or comment on drawings or other technical documents within the period of time specified by Adams; or any other causes, contingencies, or circumstances beyond Adams' control. Any such causes of delay, even though existing on the date of the contract or on the date of the start of manufacture, shall extend the time of Adams' performance by the length of delays occasioned thereby, including delays reasonably incident to the assumption of normal production.

In no event will Adams be liable for any damages caused by customer, or for any lost profits or other special, incidental, indirect, or consequential damages.

WARNING:

The installation of replacement parts or components in elevator and escalator equipment should be performed only by a trained elevator mechanic who is familiar with the operation and control of the system being repaired. Improper installation may endanger the installer, the public, and the equipment.

Adams Credit Application

-Please **PRINT** or **TYPE** -

Official Use Only

Terms/Acct \$/Invoice \$: _____

Rating: _____

By: _____

Company Name and Billing Address:

Telephone #: _____ / _____

FAX #: _____ / _____

Ship to Name and Address:

Telephone #: _____ / _____

FAX #: _____ / _____

Type of Organization: Corporation Partnership Sole Proprietor

Complete for Corporation

President: _____

Vice President: _____

Controller/Treasurer: _____

Accts. Payable Contact: _____

Purchasing Agent: _____

State of Incorporation: _____

Date of Incorporation: _____

DBAs: _____

Years under current management _____

Primary Business /SIC Code: _____

What elevator needs do you anticipate with ADAMS _____

Complete for Partnership or Sole Proprietor

Principal Owner: _____

Home Address: _____

Telephone #: _____ / _____

Secondary Principal: _____

Home Address: _____

Telephone #: _____ / _____

Years under current ownership _____

D-U-N-S* Number: _____

Have you ever had previous business with Adams Elevator? Yes No

If yes, under what name and address: _____

Approximate dollar amount of credit line requested? _____

Currently Rent or Own? Landlord/Mortgagor Name: _____

Address: _____ Telephone #: _____ / _____

Financial Information (Enclose most recent Financial Statement)

Bank: _____

Account No: _____

Address: _____

Contact Name: _____

City/State/Zip: _____

Telephone #: _____ / _____

FAX #: _____ / _____

Type of Account: Checking Savings Loan _____

*D-U-N-S is a registered trademark of The Dun & Bradstreet Corporation

ALL ACCOUNTS ARE C.O.D. UNTIL OPEN ACCOUNT TERMS ARE APPROVED

Please complete information on side 2

Adams Credit Application

Trade References

- | | |
|---------------------------------------------------------------------------------------------------------------------|---------------------------------------------------------------------------------------------------------------------|
| 1) Company name _____ Address: _____ City/State/ZIP: _____ Telephone : _____ / _____ Fax: _____ / _____ | 2) Company name _____ Address: _____ City/State/ZIP: _____ Telephone : _____ / _____ Fax: _____ / _____ |
| 3) Company name _____ Address: _____ City/State/ZIP: _____ Telephone : _____ / _____ Fax: _____ / _____ | 4) Company name _____ Address: _____ City/State/ZIP: _____ Telephone : _____ / _____ Fax: _____ / _____ |

With the authorized signature below I (we) acknowledge this information is true and accurate and is to be released in the strictest confidence for the sole purpose of establishing an open account credit line with Adams Elevator Equipment Co. (a.k.a. ADAMS). I (we) hereby authorize ADAMS to request and obtain credit information from any trade, bank or financial reference concerning the status of my (our) business credit.

I (we) also agree to abide by ADAMS payment terms of Net 30 and acknowledge ADAMS' right to deny or modify my (our) credit at any time. I (we) agree to pay all invoices in US Dollars and pay any bank or processing fees related to collection of our payments including but not limited to 3% charge for VISA and MasterCard processing, wire transfer and bank draft fees as well as, if required, third party collection costs.

Authorized signature

Printed or typed name/Title

Authorized signature

Printed or typed name/Title

Company Name (Printed or Typed)

Date

FOR PROMPT PROCESSING, PLEASE FAX THIS APPLICATION TO ADAMS AT 847-581-2949 AND THEN MAIL ADAMS THE SIGNED ORIGINAL. THANK YOU.

| | | | |
|------------------------------|------------------------|----------------------------------|------------|
| Abrasives..... | 21 | Motor Oil | 32 |
| Aerosol Grease..... | 31 | Multimeters..... | 24, 28, 30 |
| Battery Charger..... | 13 | Nail Puller | 19 |
| Brake Oil | 34 | Nut Drive | 20 |
| Buffer Oil | 34 | Oil Cooler | 36 |
| Burnishing Tools | 22 | Oil Cooler - HydroCool | 36 |
| Cable Cutters | 19 | "Out of Service" Post Its | 20 |
| Cement | 36 | Penetrating Oil..... | 31, 34 |
| Chain & Cable Cleaner..... | 31 | Pit Pads..... | 33 |
| Chain Oil..... | 33 | Pliers | 16, 17 |
| Commutator Stones | 21 | Power Tools..... | 13 |
| Commutator Treating Kit..... | 21 | Punch & Chisel | 19 |
| Contact Cleaner | 31 | Relay Adjustment Tools..... | 15 |
| Dash Pot Oil | 35 | Retrieval Tools | 18 |
| Door Closer Oil | 34 | Rope Wear Gauge..... | 18 |
| Door Keys | 18 | Screw Drivers | 14, 15 |
| Door Pressure Gauge | 18 | Screws | 14 |
| Door Wedge/ Door Stop..... | 20 | Silicone Spray..... | 31 |
| Drill Bits | 15 | Solvent | 36 |
| Fish Tape..... | 20 | Swaging Tool..... | 15 |
| Flexfiles | 22 | Testers..... | 25, 26, 27 |
| Graphite Lubricants | 31 | Tool Boxes..... | 14, 17 |
| Grease & Grease Gun..... | 35 | Towels | 36 |
| Guide Rail Lubricant | 31 | Wire Puller | 15 |
| Hand Tools | 14, 16, 17, 18, 19, 20 | Wire Rope & Cable Lubricant..... | 35 |
| Hydraulic Oil | 32 | Wire Stripper | 17 |
| Inclinometer..... | 19 | Work Lights | 23 |
| IR Thermometers..... | 29 | Worm Gear Oil..... | 33 |
| Level..... | 19 | Wrenches | 16 |
| Liquid Gasket | 36 | | |

5383-21

• PISTOL GRIP DESIGN



EXCLUSIVE 5383-21 3/4" ROTARY HAMMER FEATURES:

- 6.0 Amp Motor
- Variable Speed
- Hard Hitting – Hardest Hitting In Its Class 1.7 Ft. Lbs. / Blow
- Fast Drilling – 1,270 RPM And 5,400 BPM
- Cushion Grip – More Comfortable, Secure Gripping
- Lightweight, Compact Size
- Mode Selector Can Be Changed From Hammering With Rotation For Drilling Concrete, To Rotation Only For Use In Steel, Wood, Etc. Using 48-66-1370 Adapter Kit.

SPECIFICATIONS

| CATALOG NUMBER | VOLTS AC ONLY | AMPS | BLOW ENERGY (FT.-LBS.) | NO LOAD RPM | NO LOAD BLOWS PER MIN. | SOLID BIT CAPACITY | THIN WALL CORE BIT CAPACITY | LENGTH | NET WGT. LBS. | SHIP. WGT. LBS. |
|----------------|---------------|------|------------------------|-------------|------------------------|--------------------|-----------------------------|--------|---------------|-----------------|
| 5383-21 | 120 | 6.0 | 1.7 | 0-1270 | 0-5400 | 3/4" | 1-1/2" | 13" | 5.7 | 11.6 |

NEW

Lok-Tor™ SERIES

0624-24* (KIT)

- T-HANDLE DESIGN DRIVER/DRILL PROVIDES OPTIMUM BALANCE AND COMFORT
- 1/2" ALL METAL RATCHETING KEYLESS CHUCK



495 IN.-LBS. TORQUE!

- **Powerful 18 Volt Motor**
Develops 495 In.-lbs. maximum torque.
- **1/2" All Metal Single Sleeve Grip-Lok™ Ratcheting Chuck With Carbide Jaws For 25% More Grip-Strength**
- **18 Volt, 2.4 Amp-Hr Battery**
Delivers more run time and is compatible with all other MILWAUKEE 18 volt products.
- **Reversible Battery Pack***
Fits into tight work spaces and adjusts balance.
- **One-Hour Universal Charger**
- **Two Speed Ranges: 0-500 And 0-1700 RPM**
- **World's First Dampened Spindle-Lock**
No "clunk" when the trigger is released.
- **Side Handle Rotates 360° And Provides Ultimate User Control During High Torque Applications**
- **Ergonomic Soft Finger Grip For Enhanced Comfort**
- **20-Position Torque Adjustment**



SPECIFICATIONS

| CATALOG NUMBER | VOLTS DC | DRILL SPEED RPM HIGH LOW | NO LOAD BPM | DRILL MAX. TQ. IN.-LBS. | BATTERY AMP-HRS | LENGTH (INCHES) | NET WGT. LBS. | SHIP. WGT. LBS. |
|----------------|----------|--------------------------|-------------|-------------------------|-----------------|-----------------|---------------|-----------------|
| 0624-24 KIT | 18 | 0-1700 0-500 | — | 495 | 2.4 | 10-1/2 | 4.0 | 15.1 |

SPECIFICATIONS

| CATALOG NUMBER | CAPACITY IN STEEL | VOLTS AC ONLY | AMPS | NO LOAD RPM | GEAR TRAIN | SPINDLE DIAMETER AND THREAD | REPLACEMENT CHUCK CATALOG NO. CHUCK KEY INCLUDED | REPLACEMENT CHUCK KEY CATALOG NO. | LENGTH (IN.) | NET WGT.* LBS. | SHIP. WGT. LBS. |
|----------------|-------------------|---------------|------|-------------|------------|-----------------------------|--------------------------------------------------|-----------------------------------|--------------|----------------|-----------------|
| 0300-20 | 1/2" | 120 | 8.0 | 0-850 | DOUBLE | 1/2-20 | 48-66-1355 | 48-66-3280 | 12-13/64 | 5.4 | 5.9 |



0300-20

• WITH KEYED CHUCK



ERGONOMIC TACTILE GRIP ON HANDLE AND MOTOR HOUSING



6514-21*



- **6-Position Rotatable Handle*** Allows User To Get Between Joists, Studs And Other Confined Spaces
- **Orbital Action Selector*** For Aggressive Wood Cutting
- 0-2,700 SPM
- 3/4" Blade Stroke
- **18 Volt, 2.4 Amp-Hr Battery**
Delivers the most run time and is compatible with all other MILWAUKEE 18 volt products.
- **One-Hour Universal Battery Charger**
- **Reversible Battery***
Allows easier plunge cutting.
- **Counter Balanced Mechanism** ①
Reduces vibration.
- **Durable Slider-Crank Reciprocating Mechanism** ②
Withstands abrupt stalls and abusive job-site applications. Designed for compact size and efficiency for cordless applications to maximize run-time. ■ **Heavy-Duty Milwaukee Built Motor** ③
- **Double-Walled Rotating-Handle Detents** ④
Provide extremely strong pivoting mechanism.
- **Metal Cam Lock** ⑤
Provides a firm hold in each pivoting position, particularly in high vibration.
- **25 Amp Marquardt Variable Speed Switch** ⑥
- For greater user control and long life.
- **Heavy-Duty, Steel, Keyless Quik-Lok Blade Clamp™**** ⑦
For fast easy blade changes. No hex key to lose or screws to strip. Accepts standard 1/2" shank Sawzall blades.
- **Soft-Grip Handle Pad For Comfort And Secure Gripping** ⑧
- **All Metal Gearcase** ⑨
- **Rugged, Tool-Free Adjustable Shoe**** ⑩
- **Orbit Adjustment Lever** ⑪
- **Replaceable Brushes** ⑫

*Patent Pending
**Patented



6537-22



10 AMP MOTOR 0-3200 SPM QUIK-LOK BLADE CLAMP™

SPECIFICATIONS

| CATALOG NUMBER | VOLTS AC ONLY | AMPS | STROKES PER MINUTE | STEEL QUIK-LOCK BLADE CLAMP | IMPACT PROTECTION | LENGTH OF STROKE | OVERALL LENGTH | NET WGT. LBS. | SHIP. WGT. LBS. |
|----------------|---------------|------|--------------------|-----------------------------|-------------------|------------------|----------------|---------------|-----------------|
| 6537-22 | 120 | 10 | 0-3200 | YES | YES | 1-1/4" | 17-7/8" | 8.8 | 15.3 |

STANDARD EQUIPMENT: FOR 6537-22 – Includes Super Sawzall with Steel Quik-Lok Blade Clamp, Impact Resistant Carrying Case, 8' 3-Wire Quik-Lok Cord and Super Sawzall Assortment Two Blade Pack 48-02-5055.

SPECIFICATIONS

0375-6
 • 3/8" CLOSE QUARTER DRILL

| CATALOG NUMBER | CAPACITY IN STEEL | VOLTS AC ONLY | AMPS | NO LOAD RPM | GEAR TRAIN | SPINDLE DIAMETER AND THREAD | REPLACEMENT CHUCK CATALOG NO. CHUCK KEY INCLUDED | REPLACEMENT CHUCK KEY CATALOG NO. | LENGTH (IN.) | NET WGT. LBS. | SHIP WGT. LBS. |
|----------------|-------------------|---------------|------|-------------|------------|-----------------------------|--------------------------------------------------|-----------------------------------|--------------|---------------|----------------|
| 0375-6 | 3/8" | 120 | 3.5 | 0-1300 | DOUBLE | 1/2" - 20 | 48-66-2115 | 48-66-3240 | 6-1/2 | 3.0 | 3.5 |



NEW
Lok-Tor™ SERIES
0616-24* (KIT)
 • T-HANDLE DESIGN PROVIDES OPTIMUM BALANCE AND COMFORT
 • 1/2" ALL METAL RATCHETING KEYLESS CHUCK

* TOOL AVAILABLE WITHOUT BATTERY CHARGER OR CASE. SEE "10" MODELS IN SPECS CHART BELOW



SPECIFICATIONS

| CATALOG NUMBER | VOLTS DC | SPEED RPM HIGH | SPEED RPM LOW | DRILL MAX. TO. IN.-LBS. | BATTERY CAPACITY A-HRS. | LENGTH INCHES | NET WGT. LBS. | SHIP WGT. LBS. |
|----------------|----------|----------------|---------------|-------------------------|-------------------------|---------------|---------------|----------------|
| • 0616-24 | 14.4 | 0-1700 | 0-500 | 460 | 2.4 | 10-1/2 | 3.7 | 13.5 |

SPECIFICATIONS



0200-20
 • WITH 3/8" KEYED CHUCK

| CATALOG NUMBER | CAPACITY IN STEEL | VOLTS AC ONLY | AMPS | NO LOAD RPM | GEAR TRAIN | SPINDLE DIAMETER AND THREAD | REPLACEMENT CHUCK CATALOG NO. CHUCK KEY INCLUDED | REPLACEMENT CHUCK KEY CATALOG NO. | LENGTH (IN.) | NET WGT. LBS. | SHIP WGT. LBS. |
|----------------|-------------------|---------------|------|-------------|------------|-----------------------------|--------------------------------------------------|-----------------------------------|--------------|---------------|----------------|
| 0200-20 | 3/8" | 120 | 7.0 | 0-1200 | DOUBLE | 1/2"-20 | 48-66-0806 | 48-66-3080 | 12 | 4.2 | 4.7 |

SPECIFICATIONS

| CATALOG NUMBER | SPEED RPM | DISC DIA. | VOLTS AC-DC | OUTPUT (WATTS/MAX HP) | AMPS | THREAD SIZE* | LENGTH (IN.) | WIDTH (IN.) | WGT. LBS. | WGT. LBS. |
|----------------|-----------|-----------|-------------|-----------------------|------|--------------|--------------|-------------|-----------|-----------|
| 6148-6 | 10,000 | 4-1/2" | 120 | 1200/1-2/3 | 8.5 | 5/8"-11 | 14 | 5 | 4.9 | 6.1 |

6148-6
 • 4- 1/2" SANDER/GRINDER WITH LOCK-ON



NEW

48-59-0260
 • MULTI-BAY CHARGER



JOB SITE TOUGH!

MULTI-BAY CHARGER 48-59-0260

- Charge Up To Three Battery Packs Of The Same Or Other Voltage Simultaneously
- Fast Charging In 45 Minutes For Minimal Down Time
- Micro-Controlled Conditioning Mode Maximizes Run Time Automatically During Each Charge Cycle
- Generator, Inverter And Long Extension Cord Ready - Due To Wide Input Voltage Range Of AC Charger
- Durable Construction Protects The Charger In Harsh Job Site Environment
- For Use With All Milwaukee Slide-On Style Battery Packs
- ② Dust Cover Protects Charger Terminals From Job Site Contamination and Debris
- ③ Automatically Retracts When A Battery Is Inserted
- ④ 9" Cord With Pass Through Plug
- ⑤ High Visibility LED Indicators Let You Know What Charging Stage The Battery Pack Is In
- Convenient Cord Wrap Also Acts As A Shock Absorber If The Unit Is Tipped Or Dropped
- Impact Resistant Base Provides Ultimate Protection In Job Site Conditions
- Withstands 8" Drop To Concrete (With Battery Packs Attached)

5359-21

• 1-1/8" CAPACITY
 • 0-980 RPM
 • CHIPPING MODE



- **D-Style Handle**
Offers a secure grip that maximizes drilling pressure while minimizing operator fatigue.
- **Electronic Variable Speed Control Trigger**
For smooth, controlled starts and hammering with rotation in concrete and masonry or drilling without hammering in wood or metal.
- **Slip Clutch**
When bit jams, the clutch slips - rotary action stops.

EXCLUSIVE 5362-6 FEATURE:

- **Reversing Switch**

SPECIFICATIONS

| CATALOG NUMBER | VOLTS AC ONLY | AMPS | RPM | REMOVEABLE SDS BIT HOLDER | BLOW ENERGY (FT.-LBS.) | BLOWS PER MIN. | SOLID BIT CAPACITY | WOOD FLAT BORING BIT | STEEL TWIST DRILL | CORE BIT CAPACITY | LENGTH INCHES | NET WGT. LBS. | SHIP WGT. LBS. |
|----------------|---------------|------|-------|---------------------------|------------------------|----------------|--------------------|----------------------|-------------------|-------------------|---------------|---------------|----------------|
| 5359-21 | 120 | 7.4 | 0-980 | NO | 2.5 | 0-4200 | 1-1/8" | 1-1/2" | 1/2" | 4" | 13" | 8.3 | 14.5 |



TOOL BOXES

Classic-styled tool boxes for protecting and toting your special gear. Made from durable black fiber material with metal-reinforced corners, double latches, top handle, and one or two concealed side drawers.

A700. Tool Box, 12½"W x 6½"H x 5½" deep; one drawer.

A701. Tool Box, 14½"W x 8½"H x 7½" deep; two drawers.

A702. Shoulder Strap, fits either tool box.

MULTI-BIT 16-IN-1 SCREWDRIVER

Ratcheting and pivoting screwdriver stores 8 double-ended bits in handle, for total of 16...PLUS 6 assorted sockets.

Slot, Philips, hex, hex security, and spanner bits handle nearly every worksite driver requirement. Bits can be used in power and other manual screwdrivers.

Handle pivots 90° in 2 directions.

ATL101. Screwdriver with 8 bits, 6 sockets, pivot, ratchet.

A590A. Screwdriver with 8 bits only. *Add your co. name!*

ECONOMICAL 4-BIT SCREWDRIVER

A571A1 Spanner/Phillips/Slotted All-in-One Screwdriver.

Four drivers in one. Two double-sided driver bits (one stores in handle): #8/#10 spanner, #2 Phillips, & slotted. Bits are held securely by double-ended shaft.

Replacement heads available. Order **A571A3** for Phillips/slotted bit; **A571A2** for spanner.

Impact Driver

This is THE tough, gutsy tool for loosening and removing seized screws and bolts. Heavy-duty handle accepts six work bits (3 blade, 3 Phillips, included).

A719. Impact Driver with 6 bits.

Also Available
A719A 4 Bit Set
A719B 6 Bit Set



EXTRA LONG (3") DOUBLE-ENDED BITS*

| Adams part no. | Description |
|----------------|---------------------------|
| ATL115 | Hex Security 1/8" - 5/32" |
| ATL116 | Spanner 4 - 6 |
| ATL117 | Spanner 8 - 6 |
| Standard Bits: | |
| ATL110 | Slot 5/32" - 7/32" a |
| ATL111 | Slot 3/16" - 1/4" |
| ATL112 | Phillips #0 - #1 |
| ATL113 | Hex 3/32" 1/8" |

*Hardened S2 Steel, universally-sized for use in power tools

SPANNER DRIVE, OVAL HEAD (50/PK)

| Adams part no. | Description |
|----------------|-------------------------------|
| A573A | 8-32 x 1/2", nickel plated |
| A573B | 8-32 x 1", nickel plated |
| A573C | 10-32 x 1/2", nickel plated |
| A573D | 10-32 x 1", nickel plated |
| A573F | 8-32 x 1/2", brass |
| A573G | 8-32 x 1", brass |
| A573P2 | 8-32 x 2 1/2", brass |
| A573H | 10-32 x 1/2", brass |
| A573J | 10-32 x 1", brass |
| A573P6 | 10-32 x 2 1/2", brass |
| A573P4 | 8-32 x 2 1/2", nickel plated |
| A573P8 | 10-32 x 2 1/2", nickel plated |

VANDAL-RESISTANT SCREWS

Available in stainless or brass. Choose 8-32 and 10-32 thread sizes. Use with one of our spanner head screwdrivers; 50 screws/pkg.

TINNERMAN CLIPS (10/PK)

| Adams part no. | Description |
|----------------|------------------------|
| A573M | #8-32 Tinnerman clips |
| A573Q | #10-32 Tinnerman clips |

PHILLIPS DRIVE, OVAL HEAD (50/PK)

| Adams part no. | Description |
|----------------|-------------------------------------|
| A573K | #8-32 x 3/4" brass screws |
| A573L | #8-32 x 3/4" nickel-plated screws |
| A573N1 | #10-32 x 3/4" brass screws |
| A573N2 | #10-32 x 3/4" nickel-plated screws |
| A573N3 | #10-32 x 1" brass screws |
| A573N4 | #10-32 x 1" stain. steel screws |
| A573P1 | #8-32 x 2 1/2" brass screws |
| A573P3 | #8-32 x 2 1/2" nickel-plated screws |
| A573P5 | #10-32 x 2 1/2" brass screws |
| A573P7 | #10-32 x 2 1/2" nickel plated |

SWAGING TOOL AND BUTTON GUIDE

Here's an indispensable tool combo for installing O450-, O451-, and O467-series replacement Otis pushbutton guides.

For studless buttons, just slip the guide onto the threaded bolt...slide assembly through button cutout in panel...and tighten down with 3/4" wrench. Remove swaging tool, and button guide stays locked firmly in place for no-miss button installation. Saves mechanics' hands and time.

O457 Swaging tool and button guide.

P.I. LENS EXTRACTOR

Change Westinghouse "Time Saver" P.I. bulbs quickly and easily from the front with this specially-designed lens removal tool.

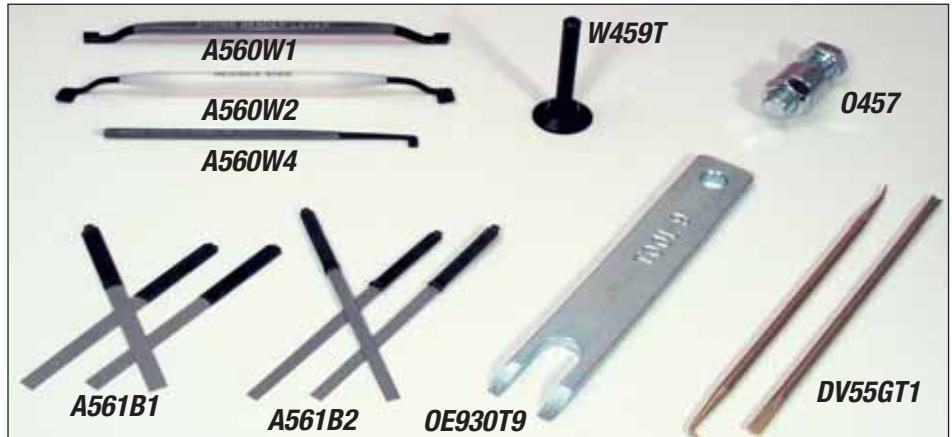
Suction-cup gripper with convenient screw-on handle (2"L) makes bulb replacement fast and simple.

W459T P.I. lens extractor.

RELAY ADJUSTMENT TOOLS

Put these time-saving tools in every mechanic's tool box and watch productivity soar. All models feature insulated handles.

A560-series Relay adjustment tools.



ESCALATOR STEP REMOVING TOOL

Use 2 of our step removal tools (replaces Otis' tool No. 9) for the leverage you need to work on worn escalator step treads.

OE930T9 Escalator step removing tool.

CONTACT BURNISHERS

Non-residual tools burnish away oxidation on silver contact surfaces.

A561B1 Contact burnishers. 4"L x 3/16"W x 0.007" thick; 10 per pkg.

A561B2 Contact burnishers. 3 5/8"L x 1/4"W x 0.010" thick; 10 per pkg.

O-RING REMOVING TOOLS

Two special double-ended brass tools simplify removal and replacement of O-rings. Pry, pull, push, and stretch O-rings easily. Brass material prevents damage to surfaces.

DV55GT1 O-ring removing tools.

A560-SERIES RELAY ADJUST. TOOLS

| Adams part no. | Description |
|----------------|------------------------------------|
| A560W1 | Wrench, 6 3/8" long; offset 0.018" |
| A560W2 | Wrench, 6 3/8" long; offset 0.020" |
| A560W3* | Wrench, 6 3/8" long; offset 0.032" |
| A560W4 | Spring adjustor, 5" long; 0.031" |

*Not shown

WIRE PULLER

Takes much of the hard work out of tedious wiring jobs; reaches where fingers can't to pull wire through narrow openings. Insulated handle. Slot width is 0.050".

A563 Wire puller.

RETAINING RING PLIERS

Dual-purpose model services internal and external retaining rings. Comes with 4 interchangeable tips, Allen wrench, and insulated handles. Master-mechanic quality for long service.

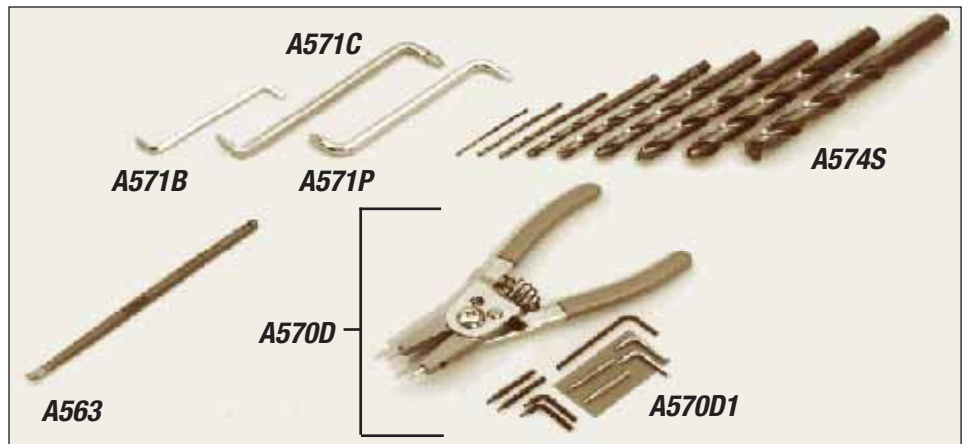
A570D Retaining ring pliers.

A570D1 Replacement tip kit for A570D pliers.

OFFSET SCREWDRIVERS

Forged steel tools for heavy-duty performance; slotted and Phillips heads, round shafts.

A571-series Offset screwdrivers.



HEAVY-DUTY DRILL BITS

The 4 cutting edges on our M-7 steel drill bits retain their cutting edges under near-red-hot operating conditions. Modified split points for accurate centering. These bits hold a sharp edge up to twice as long as regular drill bits.

Choose convenient 9-piece assortment (A574S, 1 ea. of the sizes shown in the table), or multi-packs of single sizes; same-size shanks (see photo, above).

A574-series Heavy-duty drill bits.

| Adams part no. | Description |
|----------------|----------------------------------------|
| A571B | 2 slotted blades, 90° to handle |
| A571C | 1 slotted, 1 No. 2 Phillips blade; 90° |
| A571P | No. 1 Phillips/No. 2 Phillips; 90° |

| Adams part no. | Drill bit diameter | # bits per set | Adams part no. | Drill bit diameter | # bits per set |
|----------------|--------------------|----------------|----------------|--------------------|----------------|
| A574S | 1/16" thru 1/2" | 9 | A574F | 1/4" | 6 |
| A574A | 1/16" | 6 | A574G | 5/16" | 4 |
| A574B | 3/32" | 6 | A574H | 3/8" | 4 |
| A574C | 1/8" | 6 | A574J | 7/16" | 4 |
| A574D | 3/16" | 6 | A574K | 1/2" | 4 |



ATL320 Multi-plier puts three popular tools at your fingertips

ATL324 Long-nose plier strips 0.3" wire

ATL325 Diagonal-cutting plier strips 0.03" and 0.05" wire

3-IN-1 MULTI-PLIER

Our redesigned multi-plier replaces three of the most commonly-used pliers with one double-hinged mechanism. The double hinge multiplies the cutting leverage at the jaw.

You get three interchangeable carbon steel plier heads, induction-hardened for exceptional strength: long nose, diagonal cutting, and combination. Heads change easily with-out tools: unlock handles ...open fully...pull out head...insert new head...close handles.

Other features include precision-engineered cutting edges, spring-loaded PVC handles, rugged holster,

lifetime warranty on the mechanism, 3-year warranty on the heads.

ATL320 3-In-1 Multi-Plier with holster and three interchangeable heads.

LONG-NOSE PLIER

Our chrome-vanadium alloy long-nose plier comes with all the features of our diagonal-cutting plier, in a long-nose model.

Use anywhere a long-nose plier is needed, with the confidence of knowing that you can't work with a better-made tool.

ATL324 Long-Nose Plier with holster.

DIAGONAL-CUTTING PLIER

Our professional-quality diagonal-cutting plier boasts a precisely-honed cutting edge and a skinning slot for stripping wire. Includes a rugged holster.

Made from drop-forged chrome-vanadium alloy, this fine tool includes a crimper feature between the handles...an induction-hardened cutting edge...and a hot-riveted joint.

ATL325 Diagonal-Cutting Plier with holster.

All three specialty pliers come with a rugged, convenient holster that attaches to clothing or tool belt



ADJUSTABLE WRENCHES

With spans 18% wider than normal, the jaws of our adjustable wrenches feature a ridge design that catches different-size fasteners without stripping.

Precision joint mechanism has been engineered for smooth, no-wobble operation, and laser-etched gauges (inches on one side and millimeters on the other) give uncommon convenience and accuracy.

Industry-quality chrome-vanadium steel lends superior strength; streamlined handle with oversize grip improves tool balance and reduces hand fatigue.

ATL304 Adjustable 6" Wrench.

ATL305 Adjustable 8" Wrench.

ATL306 Adjustable 10" Wrench.

ATL307 Adjustable 12" Wrench.

8-IN-1 MULTI-WRENCH

8-in-1 Multi Wrench gives you four different SAE wrench sizes at each end. Pack one of these instead of eight separate wrenches: $\frac{5}{16}$ ", $\frac{3}{8}$ ", $\frac{7}{16}$ ", $\frac{1}{2}$ ", $\frac{9}{16}$ ", $\frac{5}{8}$ ", $\frac{11}{16}$ ", and $\frac{3}{4}$ ". Chrome vanadium hardened steel shank. Soft comfort grip is 5" long. Overall length: $8\frac{3}{8}$ ".

ATL301 8-in-1 Multi-Wrench.

Heavy-Duty Slip-Joint Pliers

These big-muscled pliers feature a solid shaft that holds true under the tightest grip. Replaces the classic bolt-and-groove plier with a double-sided steel shank. This bolt-less, rivetless jaw mechanism can't slip or torque out.

The soft, non-slip grip provides extra space between the handles to protect fingers...even at full jaw extension.

Forged from industrial-strength chrome-vanadium steel for greatest possible strength; warranted for life.

ATL321 10" Slip-Joint Pliers.

ATL322 12" Slip-Joint Pliers.

ATL323 16" Slip-Joint Pliers.

10" & 14" Self-Adjusting Pipe Wrenches

Our tough Self-Adjusting Pipe Wrenches combine the convenience of a pivoting head and ratcheting tension adjustment. Grab the workpiece from almost any angle and tighten with one-hand ratcheting motion. 360° swivel head lets you apply leverage in tight spots.

ATL302 10" Ratcheting Pipe Wrench.

ATL303 14" Ratcheting Pipe Wrench.

**ATL336****ATL337****ATL373****ATL374****ATL375****ATL376****APL109T****ATL381****WIRE STRIPPER**

Automatic action top loading stripper grips and cuts cleanly with one squeeze. Self adjusting, designed for 10 -26 AWG wire, solid or stranded.

AT336 Wire Stripper.

10" CUTTER STRIPPER

Cuts soft copper wire with one end, grabs and strips with the other. Stripper self-adjusts to wire size - no stripping holes to locate. Use on soft copper (electronic) wire sizes 26 to 14 AWG. Cutting head is full-flush cutting and low-profile with stainless steel, induction-hardened jaws.

ATL337 2 in 1 Cutter/Stripper.

10" HEAVY-DUTY CRIMPING PLIERS

Oversized cross section for super heavy-duty jaws. Induction-hardened cutting edges and hot-riveted joints. Industrial quality chrome vanadium.

ATL373 Heavy Duty Crimping

HEAVY-DUTY LINESMAN PLIERS

Oversized cross section for super heavy-duty jaws. Induction-hardened cutting edges and hot-riveted joints. Industrial quality chrome vanadium.

ATL374 9.5" Heavy Duty Linesman Pliers

ATL375 8.5" Heavy Duty Linesman Pliers

HEAVY-DUTY DIAGONAL-CUTTING PLIERS

Oversized cross section for super heavy-duty jaws. Induction-hardened cutting edges and hot-riveted joints. Industrial quality chrome vanadium.

ATL376 7" Heavy Duty Diagonal Cutting Pliers

ATL377 8" Heavy Duty Diagonal Cutting Pliers

8" HEAVY-DUTY LONG-NOSE PLIERS

Oversized cross section for super heavy-duty jaws. Induction-hardened cutting edges and hot-riveted joints. Industrial quality chrome vanadium.

ATL378 9.5" Heavy Duty Long-Nose Pliers

ELECTRONIC DIGITAL CALIPER 6"/150MM

6" Caliper features zero setting at any position. Conversion switch provides instant conversion between millimeters and inches Stainless steel shaft. Display has automatic shut off . Uses one battery, type SR44 (included). Shaft displays measurements in inches and millimeters.

ATL381 Electronic Digital Caliper

TOOL BOX

Heavy-duty, molded plastic (without tray). 19.6" x 10.4" x 9.8"

APL109T Tool Box



DOOR KEY VALUE PAK

Put every door key you'll ever need into your toolbox...and save significantly compared to the cost of buying them individually.

This seven-piece Value Pak includes keys for Dover, GAL, Otis, and Westinghouse. Helps you streamline every service route by equipping each mechanic for the unexpected.

KVP840 Key Value Pak opens doors to increased productivity.

INSPECTION MIRROR

Magnifying inspection mirror lets installers check hard-to-see connections, contacts, and other obstructed-view components. 1 1/8"-dia. mirror is mounted at 45° angle to see around corners. Insulated handle; overall length = 6 3/8".

A565. Inspection Mirror.

TELE-MIRROR LOCATOR TOOL

Telescoping mirror extends to 27 1/2" for locating items dropped behind or under obstacles...especially helpful when working on escalators.

Mirror surface is 2 1/2" x 1 3/4". Non-slip black handle makes this tool easy to use.

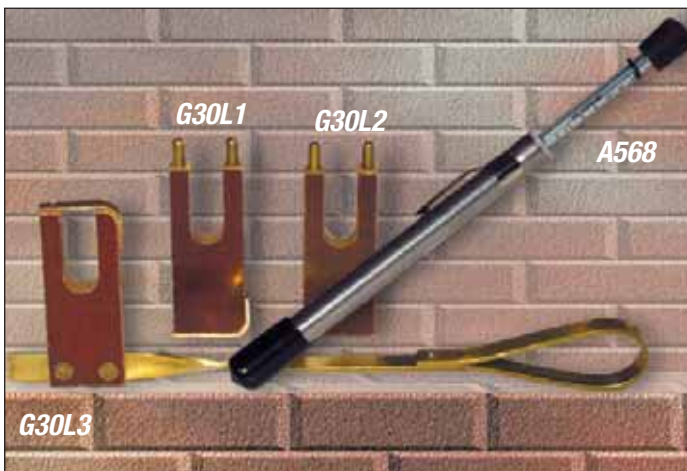
A722. Tele-Mirror locator tool.

TELE-MAG RETRIEVAL TOOL

Telescoping magnetic retrieval tool extends to 29" to help you retrieve small metal objects that have been dropped or rolled out of reach.

Holds up to 6 lbs.

A723. Tele-Mag retrieval tool with protective cap.



GAL JUMPERS

Here are the tools mechanics need for jumping GAL doors during servicing.

G30L3 "Tomahawk" with MO jumper head and 10 1/2"L looped handle. Replaces GAL part no. INT-2-24 & INT-1-19.

G30L2 Double-barrel contact head.

G30L1 Combination MO jumper head does the job of both jumpers above; no handle.

DOOR PRESSURE GAUGE

Measures closing pressure of elevator doors to help mechanics make adjustments without guesswork.

TO USE: Let door close about half way, and stall it with your foot. Hold gauge firmly against door...release foot...keep door from moving for 5-10 secs. Read closing pressure at location of O-ring. (Range: 0-35 lbs.)

A568 Door Pressure Gauge helps keep closing pressure within code.

TELESCOPING LIGHTED PICKUP AND MIRROR KIT

Pickup features bright white LED light at the tip on a chrome-plated shaft that telescopes to 24". Super strong 5 lb. magnet is encased in a brass shield that directs the magnetic force to the tip - won't attract peripheral objects. Light turns off when not in use. Uses 3 type 357 button cell batteries (included). Mirror has a universal joint that adjusts to any angle, and a chrome-plated shaft that telescopes to 36", collapses to 8"; in fitted case.

ATL369 Telescoping Lighted Pickup and Mirror Kit

ATL369T Telescoping Lighted Pickup



ROPE WEAR GAUGE

Pocket sized aluminum tools helps mechanics and inspectors with initial field determination of a wire rope's diameter and whether or not the diameter may be worn beyond allowable specifications. Precision CNC machined from T6061billet aluminum, color anodized and laser etched for easy use and recognition.

If gauge fits over rope, rope is worn beyond allowable specification and should be inspected further. To meet the industry needs and accommodate current and ongoing code revisions and proposals, four (4) models of wire gauge are now available to meet your needs. Our A17.1 code compliant gauge, is complimented by several additional gauges designed to conform to the proposed A17.6 code revisions, including allowances for measuring for both wear and rouge.



ATLOOM



ATL001

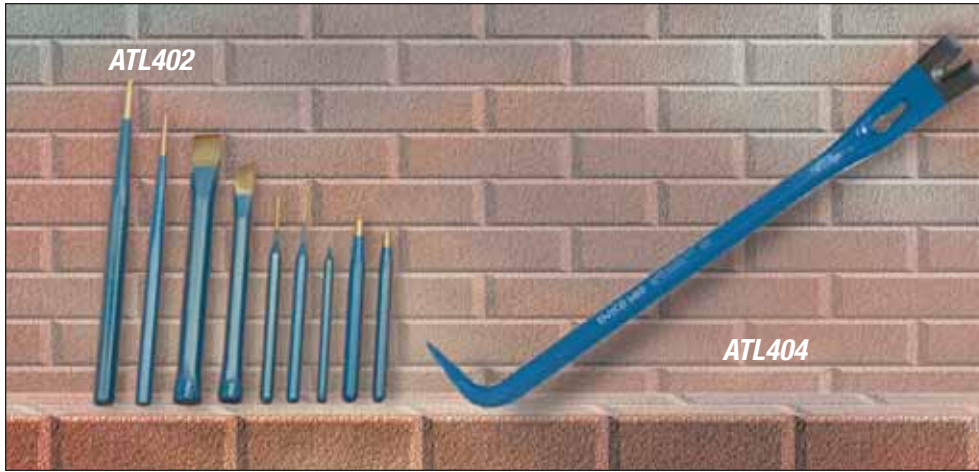
| Adams part no. | Description |
|----------------|------------------------------------------------------------------------------------------------------------------------------------------------------------------------------|
| ATL096 | (A17.1 code compliant) – Imperial wire rope wear gauge (7 slot) – Black color. For the following rope diameters: 3/4", 11/16", 5/8", 9/16", 1/2", 7/16", 3/8". |
| ATL001 | (A17.6 proposed code revision) – Imperial wire rope gauge – with ROUGE (7 slot) – Red color. For the following rope diameters: 3/4", 11/16", 5/8", 9/16", 1/2", 7/16", 3/8". |
| ATLOOM | (A17.6 proposed code revision) – Metric wire rope gauge – with ROUGE (7 slot) – Blue color. For the following rope diameters: 22, 19, 16, 13, 11, 10, 8 mm. |
| ATLOOKM | (A17.6 proposed code revision) – Metric wire rope gauge – with ROUGE (8 slot) – Blue color. For the following rope diameters: 19, 16, 13, 11, 10, 9-1/2, 8, 6 mm. |



ATL096



ATLOOKM



NAIL PULLER/PRY BAR

This tougher-'n-nails wrecking tool pulls nails at one end, and gives you superior leverage from the other end for opening crates and lifting heavy objects.

Hexagonal bar stock of tempered steel. 18" long. Use anywhere the job calls for an unyielding tool.

ATL404 Nail Puller/Pry Bar.

PUNCH & CHISEL SET

Our 9-piece set gives you a variety of commonly-needed punches and cold chisels. Chisels feature Targethead® design to reduce spalling and mushrooming.

Contents: Two cold chisels (1/2" and 3/4" points); one 5"L prick punch, 3/8"; one 4 1/2"L center punch, 5/16"; three pin punches, 1/16", 3/32", and 1/8"; and two drift punches, 1/8" and 3/16".

ATL402 9-Piece Punch & Chisel Set.

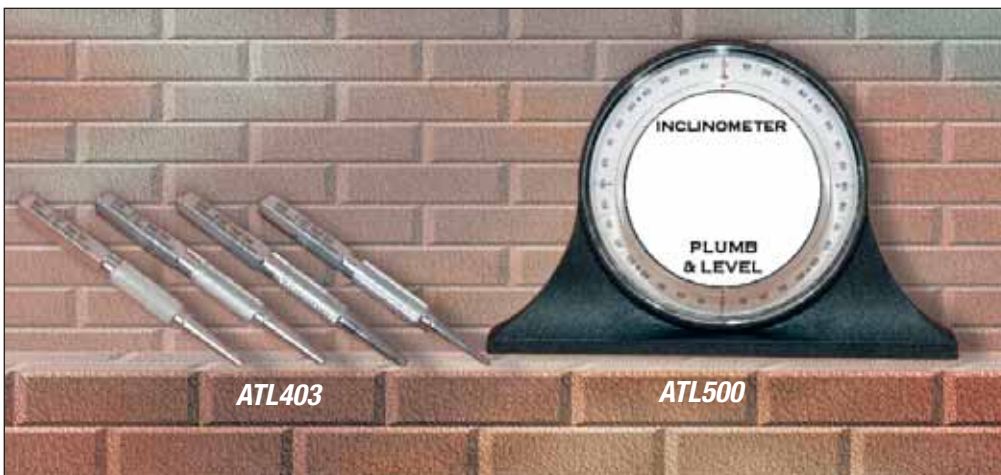
CABLE CUTTERS

Cuts stranded cable cleanly with no frayed edges. High-quality tool manufactured of aircraft quality alloy steel with heat treated cutting edges. Powder-coated handle for longest life.

ATL365 18" Cable Cutters.

ATL368 42" Cable Cutters.

ATL368



NAIL SETS

Our 4-piece set gives you commonly-needed sizes in hardened steel with knurled, slip-resistant shafts: 1/32", 1/16", 3/32", and 1/8".

ATL403 4-Piece Nail Set Kit.

Constructed of durable aluminum alloy, our inclinometer is designed for rugged use under all working conditions.

ATL500 Industrial Inclinometer.

INDUSTRIAL INCLINOMETER

This fully-professional tool reads angles instantly and accurately to a tolerance of 0.5°.

Angle and grade chart shows angles in degrees and converts them to pitch per inch and pitch per foot.

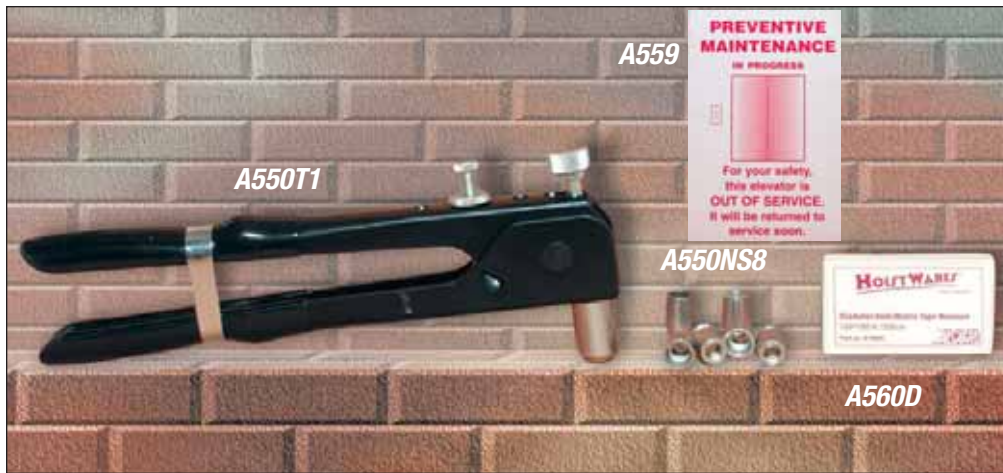


ATL331

9" TORPEDO LEVEL

Features magnetic strip, top-read window. 3 vials: one plumb, one level, one 45 deg. Tinted 360 deg. vials for easy reading.

ATL331 9" Torpedo Level.



DIAMETER TAPE MEASURE

Measures diameter in centimeters and inches. Perfect for accurate measurement of hydro piston diameter. A "must have" for every toolbox.

A560D Diameter Tape Measure.

"Out of Service" Post-It™ Signs

Easy-to-use caution signs feature 3M™ "Post-It Note" removable adhesive. Simple, economical way to inform riders when an elevator has been taken out of service.

Press on, peel off; will not harm sensitive finishes or materials. Red ink on white paper. Fifty self-adhesive 4" x 6" signs per pad, 20 pads per package.

A559 "Out of Service" Post-It™ Signs, 20 pads of 50 signs each.

NUT SLEEVE INSTALLATION TOOL

Reduces sheet metal mounting jobs to three quick & easy steps: 1) Drill a hole. 2) Install a nut sleeve. 3) Drive a screw.

Set up every mechanic with a nut sleeve tool, and watch mounting problems go away. Features insulated comfort-grip handle; accepts all mandrells and sleeves listed below (mandrell bushing set and nut sleeves sold separately).

A550T1 Nut sleeve installation tool.

| Size | Mandrell bushing set | Nut sleeves (50/pkg) |
|----------|----------------------|----------------------|
| #6-32 | A550M1 | A550NS1 |
| #8-32 | A550M2 | A550NS2 |
| #10-24 | A550M3 | A550NS3 |
| #10-32 | A550M4 | A550NS4 |
| 1/4"-20 | A550M5 | A550NS5 |
| 1/4"-28 | A550M6 | A550NS6 |
| 5/16"-18 | A550M7 | A550NS7 |
| 5/16"-24 | A550M8 | A550NS8 |

HOLLOW SHAFT NUT DRIVER SET -

7 PC. SAE

Includes 7 SAE sizes: 3/16", 1/4", 5/16", 11/32", 3/8", 7/16", 1/2". Color coded hollow shafts accommodate longer fasteners. Extra-deep sockets securely grip nuts and bolts.

ATL371 Hollow Shaft Nut Driver Set - 7 Pc. SAE.

ATL371



ALSO AVAILABLE....

| Adams part no. | Description |
|-----------------|----------------------------------------|
| A550NS9 | ADAMS, THD INSERT, M4X0.7 AK (25 PCS) |
| A550NS10 | ADAMS, THD INSERT, M5X0.8 AK (25 PCS) |
| A550NS11 | ADAMS, THD INSERT, M6X1 AK (25 PCS) |
| A550NS12 | ADAMS, THD INSERT, M8X1.25 AK (25 PCS) |
| A550NS13 | ADAMS, THD INSERT, M10X1.5 AK (25 PCS) |
| A550CK14 | CONV KIT METRIC TSN TYPE M4X0.7 |
| A550CK15 | CONV KIT METRIC TSN TYPE M5X0.8 |
| A550CK16 | CONV KIT METRIC TSN TYPE M6X1.0 |
| A550CK17 | CONV KIT METRIC TSN TYPE M8X1.25 |
| A550CK18 | CONV KIT METRIC TSN TYPE M10X1.5 |



ATL326

ELECTRICIAN'S FISH TAPE

ATL326 50-ft. Electrician's Fish Tape.

ATL327 100-ft. Electrician's Fish Tape.

SAF164



SAF165

DOOR WEDGE

SAF164 Door Wedge - Standard.

SAF165 Door Wedge - Deep Sill.



ATL363

BALL AND HEX KEY SET - 7 PC. SAE

Includes 7 SAE sizes: 1/16", 5/64", 3/32", 7/64", 1/8", 9/64", 7/32". High impact plastic handle. Hardened chrome vanadium steel is finished to resist rust.

ATL363 Ball and Hex Key Set - 7 Pc. SAE.



| LATHE-TYPE COMMUTATOR STONES | | | | | |
|------------------------------------------|---------------------------------|------------|--------|--------|------------|
| Adams part no. | Grit/Grade | Dimensions | | | Wood block |
| | | L | W | H | |
| A5610A1 A5610A2 A5610A3 A5610A4 | 90/M 120/F 220/P 320/E | 5" | 1 1/2" | 1" | 1 1/2"W |
| A5610B1 A5610B2 A5610B3 A5610B4 | 90/M 120/F 220/P 320/E | 5" | 2" | 1" | 3"W |
| A5610C1 A5610C2 A5610C3 A5610C4 | 90/M 120/F 220/P 320/E | 8" | 1 1/2" | 1" | 1 1/2"W |
| A5610D1 A5610D2 A5610D3 A5610D4 | 90/M 120/F 220/P 320/E | 8" | 2 1/2" | 1 1/2" | 3"W |

Use our line of commutator stones to dress and finish worn commutators. Clean up the resulting burr with a "Rubrite" flexible abrasive brick. And finish the job by shaping carbon brushes to conform to commutator surfaces with a brush seating stone.

Everything you need for commutator maintenance is included in our exclusive 13-piece Commutator Treating Kit (part no. A5613A1, pictured below).

TECH NOTE:

As a general rule, large and badly worn commutators require initial dressing with a coarse stone; smaller commutators often can be treated with medium- and fine-grade stones.

The smaller the contact, the finer the grit of burnishing tool you can start with.

Different styles and grades of stones and burnishers might need to be tested to find the combination and sequence of grits that works best.

| PENCIL-TYPE COMMUTATOR STONES | | | | |
|------------------------------------------|---------------------------------|------------|------|------|
| Adams part no. | Grit/grade | Dimensions | | |
| | | L | W | H |
| A5610E1 A5610E2 A5610E3 A5610E4 | 90/M 120/F 220/P 320/E | 6" | 3/8" | 1/4" |
| A5610F1 A5610F2 A5610F3 A5610F4 | 90/M 120/F 220/P 320/E | 6" | 1/2" | 1/4" |
| A5610G1 A5610G2 A5610G3 A5610G4 | 90/M 120/F 220/P 320/E | 6" | 3/8" | 3/8" |
| A5610H1 A5610H2 A5610H3 A5610H4 | 90/M 120/F 220/P 320/E | 6" | 1/2" | 3/8" |
| A5610J1 A5610J2 A5610J3 A5610J4 | 90/M 120/F 220/P 320/E | 6" | 5/8" | 1/2" |
| A5610K1 A5610K2 A5610K3 A5610K4 | 90/M 120/F 220/P 320/E | 6" | 3/4" | 3/4" |

| "RUBRITE" FLEXIBLE ABRASIVES | | | |
|------------------------------------------|------------|------|------|
| Adams part no. | Dimensions | | |
| | L | W | H |
| A5611A1 A5611A2 A5611A3 A5611A4 | 5" | 3/8" | 3/8" |
| A5611A5 A5611A6 A5611A7 A5611A8 | 5" | 3/4" | 3/4" |

| BRUSH SEATING, CLEANING STONES | | | | | |
|--------------------------------|------------|--------|--------|-----------|----------|
| Adams part no. | Dimensions | | | Grade | Qty./box |
| | L | W | H | | |
| A5612A1 A5612A2 A5612A3 | 4 3/4" | 2" | 1 1/4" | Med. soft | 1 |
| A5612A4 A5612A5 A5612A6 | 4 3/4" | 1 1/2" | 1/2" | | |
| | | 3/4" | 1/2" | | |

| COMBINATION COMMUTATOR STONE | | | | |
|------------------------------|----------------|------------|----|----|
| Adams part no. | Grits (grades) | Dimensions | | |
| | | L | W | H |
| A5610L1 | 90/220 (M/P) | 8" | 2" | 1" |

Adams' exclusive Commutator Treating Kit (part no. A5613A1) packs into a convenient storage box everything you need for thorough commutator maintenance:

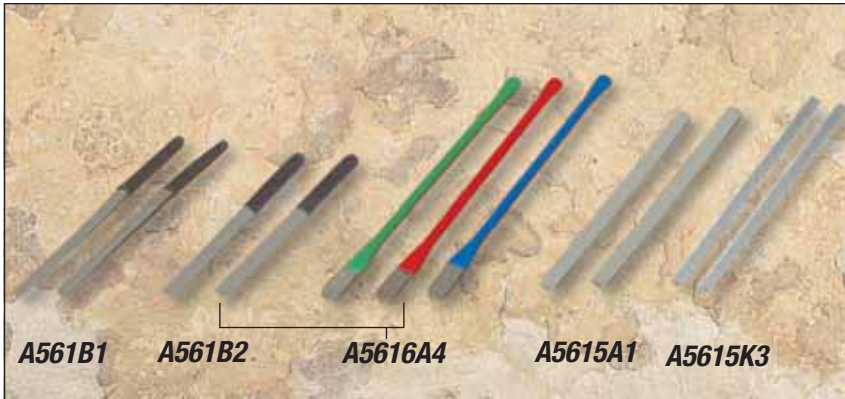
- 2 ea. Coarse, Med., Finish, and X-Finish
- 4 Firm/Hard seating stones;
- 1 stone holder;
- 1 storage case

COMMUTATOR TREATING KIT

A5614A3 A5614A2

Replacement stones available (6/pkg.):

- A5614A1 Coarse
- A5614A2 Medium
- A5614A3 Finish
- A5614A4 X-Finish
- A5614A5 Firm/Hard Seating



Clean contacts the easy way with our "Plastone" flexible files to remove damaged contact material.

Files can leave a non-conductive residue on the face of a contact. This residue must be removed for safe and reliable operation. For fine contacts, burnishing alone often is enough.

Polish the contact and remove any residual material with a contact burnishing tool.

Or use our premium, long-lasting, non-residual diamond spatulas (available in a 3-piece kit). These are the most popular, longest lasting, and in the long run, most economical tools. See below.

Most mechanics prefer to use the flex files for older, larger contacts. Some like to use the non-conductive A-5615K1, K2, and K3 on newer, smaller relays such as Westinghouse ES, Otis Slimline and Automatic electric.

SAFETY NOTE:
Since burnishing tools are conductive, they must be used with the power off!



ORANGE STICKS

Dozens of practical uses. Especially useful for cleaning contacts. Sold in bags of ten.

A560W6 Orange sticks

CONTACT BURNISHING TOOLS (10/PK)

| Adams part no. | Dimensions | | |
|----------------|------------|-------|--------|
| | L | W | Thick |
| A561B1 | 4" | 3/16" | 0.007" |
| A561B2 | 3 5/8" | 1/4" | 0.010" |

PLASTONE FLEXIBLE FILES (12/PK.)

| Adams part no. | Dimensions | | | Grit |
|----------------|------------|------|--------|------|
| | L | W | Thick | |
| A5615A1 | 4 1/2" | 1/4" | 0.015" | 240 |
| A5615A2 | | 3/8" | | 240 |
| A5615A3 | | 1/4" | | 320 |
| A5615A4 | | 3/8" | | 320 |
| A5615B1 | 4 3/4" | 3/8" | 0.025" | 120 |
| A5615C1 | | 1/2" | | 180 |
| A5615C2 | | 1/4" | | 240 |
| A5615C3 | 4 1/2" | 3/8" | 0.020" | 240 |
| A5615C4 | | 1/4" | | 320 |
| A5615C5 | | 3/8" | | 320 |
| A5615D1 | | 1/4" | | 180 |
| A5615D2 | | 3/8" | | 180 |
| A5615D3 | | 1/4" | | 240 |
| A5615D4 | 3/8" | 240 | | |
| A5615D5 | 1/4" | 320 | | |
| A5615D6 | 3/8" | 320 | | |
| A5615E1 | 4 3/4" | 3/8" | 0.040" | 80 |
| A5615E2 | | 1/2" | | 80 |
| A5615E3 | | 1/2" | | 120 |
| A5615E4 | | 1/2" | | 180 |
| A5615E5 | 4 1/2" | 1/2" | 0.040" | 240 |
| A5615E6 | | 1/2" | | 320 |
| A5615F1 | | 7/8" | | 80 |
| A5615F2 | | 7/8" | | 120 |
| A5615F3 | | 7/8" | | 180 |
| A5615F4 | | 7/8" | | 240 |
| A5615F5 | 7/8" | 320 | | |
| A5615G1 | 4 3/4" | 1/2" | 0.070" | 80 |
| A5615G2 | | 1/2" | | 120 |
| A5615G3 | | 1/2" | | 180 |
| A5615G4 | | 1/2" | | 240 |
| A5615G5 | | 1/2" | | 320 |
| A5615H1 | 4 1/2" | 3/8" | 0.070" | 120 |
| A5615H2 | | 3/8" | | 180 |
| A5615H3 | | 3/8" | | 240 |
| A5615H4 | | 3/8" | | 320 |
| A5615J1 | 4 1/2" | 7/8" | 0.020" | 80 |
| A5615J2 | | 7/8" | | 120 |
| A5615J3 | | 7/8" | | 180 |
| A5615K1 | | 1/8" | | 320 |
| A5615K2 | 4 1/2" | 1/8" | 0.020" | 240 |
| A5615K3 | | 1/8" | | 180 |

DIAMOND SPATULA KIT & INDIVIDUAL FILES

| Adams part no. | Description |
|----------------|-------------------------------------------------------------------|
| A5616A4 | 3-piece spatula kit, incl. 1 ea. coarse, medium, and fine spatula |
| A5616A1 | Coarse-grit spatula (green handle) |
| A5616A2 | Medium-grit spatula (red handle) |
| A5616A3 | Fine-grit spatula (blue handle) Grit on one side only. |

RUFF LITE (110VAC)

A 14125 RUFF LITE

13W Fluorescent lamp (900 Lumens) W-25-FT. Power cord (18/2 SJTOW-A). IN-line ballast; internal switch moisture-proof housing.

Maverick (110VAC)

A 14325 MAVERICK

13W Fluorescent lamp (900 Lumens) W-25-FT. Power cord (18/2 SJTOW-A). Magnified end light works like a flashlight to direct light where needed most. Bulb is protected by cushion and bumper. Switch and ballast in handle.

A 14425 TOOL TAP

Same as A 14325, Plus tool tap for powering tools or additional lights; 16/3 power cord.

A 14400 CONVERSION HEAD

Conversion Head with internal switch and ballast. A 14325 lamp head connects to your cordset.

A 14412 TOOLBOX LIGHT

Maverick-style toolbox light; same as A 14325 with 12" cord that connects to your power extension cord.

A 14520 STD.-CORD GO LITE

13W maverick-style fluorescent lamp with switch in lighthead. Cigarette plug on 20-ft. 18/2 SJTOW-A standard cord. uses battery pack shown on other side.

Go Lite (12V)

A 14521 COILED-CORD GO LITE

Same as A 14520 with 2-10 ft. coiled cord, 18/2 tpe. not shown.

A14700 GO LITE BATTERY PACK

7-AMP Battery pack with 2-stage charger. Wear over the shoulder or around waist. Take with you to your boat or RV battery life up to 5.5 hours, continuous use. Cigarette jack accepts 12-volt Go Lite plug. Attach to AC adapter (included) to recharge.

AC Adapter also recharges cell phones & walkie-talkies!

A14001 MAGNETIC CLAMP

Magnetic Mount Clamps onto outer tube of lamp; lamp can be rotated freely to illuminate work area. Keeps your hands free for the task at hand.

A14003 MAGNETIC HOOK

Same as A 14001, Plus a rotating plastic hook. Clamp onto outer lamp tube and suspend from hook or support on ferrous surface with magnet

A14004 REPLACEMENT BLUB FOR ALL MODELS

Replacement rough-service bulb for Ruff Lite, Maverick, and Go Lite. Not shown.



A14125



A14325



A14425



A14400



A14412



A14520



A14700



A14001

TRIPLETT DIGITAL MULTIMETERS



A106D05 Digital Multimeter

- ▲ 3 1/2 Digit, 1999 max. reading
- ▲ HUGE, 1.15" High Digital Display
- ▲ Manual Range Selection
- ▲ Data Hold
- ▲ DC Voltage to 1000V
- ▲ AC Voltage to 750V
- ▲ AC/DC Current to 10A
- ▲ Resistance to 200M Ω
- ▲ Continuity Test
- ▲ Diode Check
- ▲ Transistor Check
- ▲ Auto Polarity
- ▲ Overload Protection
- ▲ Low Battery Indication
- ▲ Auto Power Off
- ▲ Double Insulated Case
- ▲ Safety designed to comply with IEC 1010-1
- ▲ CAT I, II, and III Rated
- ▲ Overload Protected
- ▲ Three Year Warranty
- ▲ Includes: Red Rubber Boot, Safety Test Leads with Screw-On Alligator Clips & 9 Volt Battery

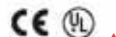
Triplet: Model 9005-A  

A106D26 Digi-Probe Multimeter with Logic

- ▲ Large 3200 Count High Contrast LCD
- ▲ 32 Segment Bargraph
- ▲ 5 DC Voltage Ranges
- ▲ 4 AC Voltage Ranges
- ▲ 2 DC Current Ranges
- ▲ 2 AC Current Ranges
- ▲ 6 Resistance Ranges
- ▲ Logic Test
- ▲ Diode Test
- ▲ Continuity Check



- ▲ Autoranging
- ▲ Data Hold
- ▲ Range Hold
- ▲ Low Battery Indication
- ▲ Auto Power Off



- ▲ Reversible Safety Probe Tip - can be safely stored when not in use
- ▲ Uses 2 - 1.5V AAA Batteries (included)

Triplet: Model 3526-B

All 9000 Series
Triplet Digital
Multimeters
come with the
manufacturer's
3-year Warranty



A106D15 Digital Multimeter with Temperature & Capacitance

- ▲ 3 1/2 Digit, 1999 max. reading
- ▲ HUGE 1.15" High Digital Display
- ▲ Manual Range Selection
- ▲ Data Hold
- ▲ DC Voltage to 1000V
- ▲ AC Voltage to 750V
- ▲ AC/DC Current to 10A
- ▲ Resistance to 200M Ω
- ▲ Temperature Test (Probe Included)
- ▲ Capacitance Test (Extension Lead Included)
- ▲ Frequency
- ▲ Continuity Test
- ▲ Diode Check
- ▲ Transistor Check
- ▲ Auto Polarity
- ▲ Overload Protection
- ▲ Low Battery Indication
- ▲ Auto Power Off
- ▲ Double Insulated Case
- ▲ Safety designed to comply with IEC 1010-1
- ▲ CAT I, II, and III Rated
- ▲ Overload Protected
- ▲ Three Year Warranty
- ▲ Includes: Red Rubber Boot, Safety Test Leads with Screw-On Alligator Clips, Thermocouple Probe, Capacitance Extension Lead & 9 Volt

Triplet: Model 9015-A



A106D25 Autoranging Digital Multimeter with Capacitance & Frequency

- ▲ 3 3/4 Digit, 3260 max. reading
- ▲ 33 Segment Bargraph
- ▲ Auto / Manual Range Selection
- ▲ DC Voltage to 1000V
- ▲ AC Voltage to 750V
- ▲ AC Current to 10A
- ▲ AC/DC Current to 10A
- ▲ Resistance to 32.6M Ω
- ▲ Frequency
- ▲ Capacitance Test
- ▲ Continuity Test
- ▲ Diode Check
- ▲ Transistor Check
- ▲ Data Hold
- ▲ Auto Power Off
- ▲ Double Insulated Case
- ▲ Safety designed to comply with IEC 1010-1
- ▲ CAT I, II, and III Rated
- ▲ Overload Protected
- ▲ Three Year Warranty
- ▲ Includes: Red Rubber Boot, Safety Test Leads with Screw-On Alligator Clips & 9 Volt Battery

Triplet: Model 9025



Affordable Clamp-Ons for Today's Maintenance Needs.

- ▲ Three Models, all CE marked. Tested to IEC 1010 Category III 600V
- ▲ Clamps fit 1 - 750 MCM or 2 - 350 MCM cables
- ▲ Rugged - designed to MIL-T-28800 for a Class II Instrument
- ▲ Double Insulated Design



**A106E00
AC Clamp-On Meter**

- ▲ 3 1/2 LCD with max. reading of 1999
- ▲ CAT III 600V
- ▲ AC Current Measurement to 1000A
- ▲ AC/DC Voltage Measurement to 600V
- ▲ Resistance Measurement to 200Ω
- ▲ Backlit Display
- ▲ Ergonomic Design with Tear Drop Shaped Jaw
- ▲ Average AC Responding Measurements
- ▲ Diode & Continuity Test
- ▲ Manual Ranging
- ▲ Data Hold
- ▲ Three Year Warranty

Triplet: Model 9300-A

**A106E10
AC/DC Clamp-On Meter**

- ▲ 3 3/4 LCD with max. reading of 3999
- ▲ CAT III 600V
- ▲ AC/DC Current Measurement to 1000A
- ▲ AC/DC Voltage Measurement to 600V
- ▲ Resistance Measurement to 40MΩ
- ▲ Temperature from -4° to 1472° F
- ▲ Capacitance Ranges from 40nF to 100µF
- ▲ Frequency Ranges from 10Hz to 10MHz
- ▲ Duty Cycle Test
- ▲ Diode & Continuity Test
- ▲ Backlit Display
- ▲ Ergonomic Design with Tear Drop Shaped Jaw
- ▲ Average AC Responding Measurements
- ▲ Relative Mode
- ▲ Auto Zero on DC Current Measurements
- ▲ Auto / Manual Ranging
- ▲ Auto Power Off
- ▲ Three Year Warranty

Triplet: Model 9310-A



**A106E20
True RMS AC/DC Clamp-On Meter**

- ▲ 3 3/4 LCD with max. reading of 3999
- ▲ CAT III 600V
- ▲ True RMS Measurements (45Hz to 1KHz)
- ▲ AC/DC Current Measurement to 1000A
- ▲ AC/DC Voltage Measurement to 600V
- ▲ Resistance Measurement to 40M
- ▲ Temperature from -4° to 1472° F
- ▲ User Selectable ° F or ° C
- ▲ Capacitance Ranges from 40nF to 100µF
- ▲ Frequency Ranges from 10Hz to 10MHz
- ▲ Measures Clamp-On Frequency (25Hz to 400Hz)
- ▲ Min/Max Hold
- ▲ Duty Cycle Test
- ▲ Diode & Continuity Test
- ▲ Backlit Display
- ▲ Ergonomic Design with Tear Drop Shaped Jaw
- ▲ Relative Mode
- ▲ Auto Zero on DC Current Measurements
- ▲ Auto Power Off
- ▲ Three Year Warranty

Triplet: Model 9320-A

Each Model 9000 Series Clamp-On includes a zippered, vinyl carrying case, test leads, screw-on alligator clips, battery and instruction manual. The 9310-A and 9320-A also includes a K-Type Thermocouple Adaptor and Probe.

TRIPLETT AC TEST EQUIPMENT

**A106ESIA
Sniff-It Rev A
Non-Contact, AC Voltage Detector**

- ▲ New Ergonomic Design!
- ▲ Detects AC Voltage without making contact
- ▲ Sensitivity from 30 to 600 Volts AC
- ▲ Light flashes & beeper chirps when AC voltage is present
- ▲ Beep Rate Indicates the Magnitude of Voltage (low or high voltage)
- ▲ Flashes & Beeps faster as AC voltage is approached
- ▲ Economical, Non-Contact probe is safe and simple to use
- ▲ Pocket-Sized with Pocket Clip
- ▲ Powered by one A23 Battery (included)
- ▲ 5 Year Limited Warranty

Uses for the Sniff-It:

- ▲ Tests for AC Voltage on:
 - ▲ Outlets
 - ▲ AC Motors
 - ▲ Light Bulb Sockets
 - ▲ Light Switches
 - ▲ Extension Cords
 - ▲ House Trailer Siding
 - ▲ Appliances
 - ▲ Circuit Breakers
 - ▲ Power Tools
- ▲ Identify "hot" side of AC receptacles
- ▲ Find and trace electrically "live" wires or objects
- ▲ Determine if metal surfaces are "live" or "ground"
- ▲ Detect presence of high voltage electric fields
- ▲ Detect "ringing" telephone lines
- ▲ Test fuses (axial type)
- ▲ Find breaks in AC wiring
- ▲ Many, many more

Specifications

Range: 30 to 600 volts AC, 60Hz
 Indicators: Audible beeper and flashing red LED
 Battery: 1 - A23 or 23A (12 Volts) (Included)
 Body Size: 5.8" (L) x 1.25" (W) x 0.8" (H)
 Weight: Approx. 0.2 lb.

Triplet: Model 9600 Sniff-It Rev A



**A106ESI2
Sniff-It 2
Non-Contact, AC Voltage Detector
with Adjustable Sensitivity Control**

- ▲ Detects AC Voltage without making contact
- ▲ Variable Sensitivity, from 5 to 600 Volts AC
- ▲ Light flashes & beeper chirps when AC voltage is present
- ▲ Flashes & Beeps faster as AC voltage is approached
- ▲ Economical, Non-Contact probe is safe and simple to use
- ▲ Pocket-Sized
- ▲ Power Beeper Reminder
- ▲ Powered by one A23 Battery (included)
- ▲ 5 Year Limited Warranty

Uses for the Sniff-It 2:

- ▲ Tests for AC Voltage on:
 - ▲ Outlets
 - ▲ AC Motors
 - ▲ Light Bulb Sockets
 - ▲ Video Surveillance Camera Power
 - ▲ Extension Cords
 - ▲ Telephone and Cablevision
 - ▲ Appliances
 - ▲ Light Switches
 - ▲ Power Tools
 - ▲ House Trailer Siding
 - ▲ Circuit Breakers
- ▲ Detects power line voltage: 120, 220, 480 & 600 VAC
- ▲ Detects control voltage: 12 & 24 VAC
- ▲ Identify "hot" side of AC receptacles
- ▲ Find and trace electrically "live" wires or objects inside walls
- ▲ Determine if metal surfaces are "live" or "ground"
- ▲ Detect presence of high voltage electric fields
- ▲ Detect "ringing" telephone lines
- ▲ Many, many more

Specifications

Range: 5 to 600 volts AC, 60Hz
 Indicators: Audible beeper and flashing red LED
 Battery: 1 - A23 or 23A (12 Volts) (Included)
 Body Size: 5.8" (L) x 1.25" (W) x 0.8" (H)
 Weight: Approx. 0.2 lb.

Triplet: Model 9601 Sniff-It 2



The New, Improved 9000 Series Clamp-Ons have many new features including Backlit Displays - Plus Temperature, Capacitance and Frequency on Select Models!

TRIPLETT SPECIALTY TESTERS

A106PT6 ProTemp 6 Non-Contact, Infrared Thermometer



- ▲ 6:1 Measurement Ratio
- ▲ Streamlined, Ergonomically Styled Case
- ▲ Cool Blue Backlit Display
- ▲ Non-Slip Finger Treads
- ▲ Not "Gun Shaped" like competitors models
- ▲ Laser Pointer pinpoints center of measurement area
- ▲ Simple, One-Button Operation
- ▲ 0° to 605° F (-18° to 315° C)
- ▲ User Selectable ° F or ° C Display
- ▲ Holds Reading Automatically for 7 Seconds
- ▲ Auto Power Off
- ▲ Fixed Emissivity (0.95)
- ▲ Battery Level Indicator
- ▲ Operates from a standard 9 Volt Battery
- ▲ One Year Warranty

Specifications

| | |
|----------------------------|---------------------------------------------------------------------------------------------------|
| Temperature Range: | 0° to 605° F (-18° to 315° C) |
| Operating Temperature: | 50° to 125° F (10° to 52° C) |
| Resolution: | 1° F (1° C) |
| Accuracy: | 77° to 500° F (25° to 260° C) ± 2% of reading or 3° F (2° C) plus one digit, whichever is greater |
| | 30° to 76° F (0° to 24° C) ± 3% of reading or 5° F (3° C) |
| | 0° to 29° F (-18° to -1° C) ± 4% of reading or 7° F (4° C) |
| Response Time: | 500 mSec, 95% Response |
| Target Size/Field of View: | 6:1 optics ratio with a 1" minimum target |
| Repeatability: | 2% of reading, or 3° F (2° C) |
| Spectral Response: | 7-18 um |
| Emissivity: | Fixed at 0.95 |
| Relative Humidity: | 10-95% RH noncondensing, @ up to 86° F (30° C) |
| Storage Temperature: | -4° F to 150° F (-20° to 65° C) without battery |
| Battery: | 1 - 9 volt Alkaline Battery |
| Battery Life: | 12 Hours Continuous Operation |
| Dimensions: | 7.25" x 1.75" x 1.5" |
| Weight: | 4.8 oz. |

Triplet: Model ProTemp 6



A106TDR Triplet TDR Cable Fault Finder

- ▲ Find Cable Length or Distance to Fault from ONE END!
- ▲ Low Cost Digital Cable Length Meter/TDR
- ▲ Built-in Tone Generator for Cable Tracing & Identification
- ▲ Simple Operation with Automatic Distance Display
- ▲ Internal Library of 39 Standard Cable Types
- ▲ Suitable for testing all types of Communication Cables
- ▲ Compact, Ergonomic Design, weighs less than 8 oz.
- ▲ Padded Cordura Holster included
- ▲ Three Year Warranty



Triplet TDR

Triplet TDR Specifications:
Approximate Range:

| | |
|--------------------------|----------------------------------|
| Resolution: | Coaxial Cable 6400 ft |
| Accuracy: | Structured Wiring 2500 ft |
| | Telephone Cable 2500 ft |
| | 1 ft < 300 ft & 3 ft > 300 ft |
| | ± 2 feet - Cables up to 10 ft |
| | ± 5 feet - Cables 10 to 200 ft |
| | ± 3% - Cables longer than 200 ft |
| Cable Library: | 39 Standard Cable Types |
| Output Impedance: | 50, 75 & 100 Ohms |
| Velocity of Propagation: | Adjustable 0 to 99% |
| Tone Generator: | Oscillating 810 - 1110Hz |
| Display: | Dot Matrix LCD |

| | |
|------------------------|--------------------------------------------------------------------------|
| Connector Type: | BNC |
| Power Supply: | 1 - 9 Volt Battery |
| Battery Life: | Approx. 2000 Tests |
| Operating Temperature: | 5 to 122 deg. F |
| Storage Temperature: | -4 to 158 deg. F |
| Dimensions: | 8 x 3 x 1.5 inches |
| Weight: | 8 oz. |
| Safety: | IEC61010-1, EN 60950 |
| EMC: | BS/EN 61326-1 |
| Includes: | Padded Cordura Holster, Test Lead, Adaptor w/ Alligator Clip, 9V Battery |

A106FOX The Original Fox Tone Generator



- ▲ Generates 3 distinct tones usable for wire tracing
- ▲ Performs a variety of tests on telephone lines
- ▲ Line powered in Tone Mode
- ▲ LED Indicator for continuity
- ▲ Supplies "Talk Power" to allow communicating between handsets (talksets) or powering a telephone
- ▲ Alligator clips and modular plug allow for connection to stripped wires, terminal panels, or a standard modular jack (single line)
- ▲ Powered by a standard 9V battery (not included)
- ▲ Works with Hound, Hound 2 or Hound 3 Probe Inductive Tracers
- ▲ One Year Warranty

Triplet: Fox

A106 Hound The Hound 3 Probe Streamlined Inductive Tracer with Headlights and Earphone Jack



- ▲ New Headlights to help light your way in dark areas and reduce florescent light noise
- ▲ Streamlined Design allows for better access in hard-to-reach areas
- ▲ New Shielded Design to suppress "Feedback Squeal"
- ▲ Bandpass Filter to suppress 60Hz and Hi Frequency Noise
- ▲ Earphone Jack for use in quiet or noisy environments.
- ▲ Improved Sensitivity and Loudness
- ▲ Includes New Conductive Duck-Bill Tip for Safer, Easier Penetration in cable bundles - Metal tip also included
- ▲ Easy Access Battery Door
- ▲ Adjustable volume / sensitivity control
- ▲ LED gets brighter as the signal gets stronger - LED indication even works when Earphones are used!
- ▲ Contains a hi-gain, hi-impedance amplifier
- ▲ Capable of identifying the Fox's tone up to 12 inches away
- ▲ Rugged, moisture resistant, mylar cone speaker
- ▲ Use with the Fox 2, Fox, TDR or WireMaster XR-2 for quick & efficient wire tracing
- ▲ Powered by a standard 9V battery (not included)
- ▲ One Year Warranty

Triplet: Hound 3

A724H3 Fox & Hound 3 Probe Kit



Includes:

- ▲ Original Fox Tone Generator
- ▲ Hound 3 Probe Inductive Tracer
- ▲ Cordura Carrying Case

Triplet: Cat No. 3397

TRIPLETT COMPACT TEST EQUIPMENT



A106D30
Autoranging, Pocket-Sized DMM

- ▲ 3 3/4 Digit, 4000 Count Display
- ▲ Auto / Manual Ranging
- ▲ AC/DC Volts to 600V
- ▲ AC/DC Current to 400mA
- ▲ Resistance to 40MΩ
- ▲ CAT II 600V Rating on Voltage Ranges
- ▲ Capacitance Test to 100μF
- ▲ Frequency Range to 10KHz
- ▲ Duty Cycle
- ▲ Diode Check
- ▲ Continuity Beeper
- ▲ Relative Mode
- ▲ Data / Range Hold
- ▲ Auto Power Off
- ▲ Low Battery Indicator
- ▲ One Year Warranty

Triplet: Model 2030-C.

The Model 2030-C features a protective cover with rugged hinge design which can be completely folded back, or form a stand for better viewing. The unique "Power Slot" ensures that you turn your tester off before closing the lid, therefore saving battery life! A handy wrist strap is also included.



A106D
Compact DMM with Backlit Display & Temperature Test

- ▲ 3 1/2 Digit, w/ 1999 max. reading
- ▲ Backlit Display
- ▲ AC/DC Voltage to 500V
- ▲ AC/DC Current to 10A
- ▲ Temperature Test (Probe Included)
- ▲ Resistance to 20MΩ
- ▲ Continuity Test
- ▲ Diode Check
- ▲ Transistor Check
- ▲ Data Hold
- ▲ Double Insulated Case
- ▲ CAT I and II Rated
- ▲ Overload Protected
- ▲ Three Year Warranty
- ▲ Includes: Red Rubber Boot, Safety Test Leads with Screw-On Alligator Clips, Thermocouple Probe & 9 Volt Battery

Triplet: Model 1101-A



A106EMINI
Mini AC Clamp-On Meter

- ▲ Economical, Compact AC Current Clamp-on
- ▲ Simple, One Button Operation
- ▲ Measures from 0 to 200 Amps AC in Two Ranges
- ▲ Large, 3 3/4 Digit, 4000 Count Display
- ▲ Autoranging
- ▲ Data Hold
- ▲ Overload Indication (@ 400A)
- ▲ Auto Power Off
- ▲ Low Battery Indication
- ▲ Powered by one 3V Battery (2 included)
- ▲ Carrying Case, Wrist Strap and Spare Battery included
- ▲ 1 Year Limited Warranty

Triplet: Model 9200

A106A
The favorite Hand-Held Analog VOM in the Maintenance and Telecommunications field



| Adams Part No. | Description |
|----------------|------------------------------------------------|
| A106F | 369 Carrying Case |
| A106F369V | 369-V Padded vinyl carrying case |
| A106F9000 | Padded vinyl carrying case |
| A106FTDR | Durable cordura case, velcro closure |
| A106FFOX | Durable cordura case, velcro closure |
| A106G | 42" Test Leads with attachable alligator clips |
| A106GDMM | 48" Test Leads with attachable alligator clips |
| A106J | 1/16-amp fuse |
| A106P | 1/16-amp fuse |
| A106K | 9-volt alkaline battery |
| A106L | 1.5 volt battery |
| A106M | 15 volt battery |
| A106N | 12 volt battery |
| A106NSNIFF | 12 volt battery, A23 size |
| A106U | 0.5 Amp/250 Volt fuse |
| A106U1101-A | 300mA / 500 V, 5 X 20 mm fuse |

Triplet Accesories

| For Model(s) | Triplet Part No. |
|------------------------------------------|------------------|
| 310, 1101-A | 10-1258 |
| 310, 1101-A | 10-2959 |
| 9000-series DMMs and clamp-ons | 10-4289 |
| TDR | 10-4249 |
| Fox & Hound Series | 10-3983 |
| 310 | 79-153 |
| 9000-series & 1101-A | 79-760 |
| 310 (Type 6 or earlier) | 3207-37 |
| 310 (Type 7) | 3207-112 |
| 9000-series, 1101-A, TDR, PT6, Fox/Hound | 37-48 |
| 310 | 37-21 |
| 310 (Type 5 & earlier) | 37-22 |
| 310 (Type 6 & 7 only) | 37-60 |
| Sniff-It (A), Sniff-It 2 | 37-67 |
| 1101, 2202, 3303 | 3207-91 |
| 1101-A | 3207-130 |

Model 310

- ▲ 18 Ranges and Functions
- ▲ AC/DC Voltage to 1200V
- ▲ DC Current to 0.6A
- ▲ Resistance to 20MΩ
- ▲ Drop Resistant, High-Impact Case
- ▲ Diode Overload Protected Meter
- ▲ Fused Resistance Ranges
- ▲ Single Enclosed Range Switch
- ▲ 3 Year Warranty

Triplet: Model 310



Model A106C

Comes complete with everything you need for maintenance testing including:

- ▲ Model 310
- ▲ Model 10 AC Clamp-On
- ▲ Model 101-G Line Separator
- ▲ 42" Separating Leads
- ▲ 42" Safety Test Leads
- ▲ Screw-On Alligator Clips
- ▲ Model 379 Carrying Case
- ▲ Batteries & Instruction Manual

Triplet: Model 100 (w/ Model 310 & 10)

EXTECH MULTIMETERS



Adams Part #A107D
(Extech Part #ET34)

Adams A107D Voltage and Continuity Tester

LED indication of AC/DC voltage to 480V in seven ranges

- ▲ Bright indicating LEDs at 12, 24, 120, 208, 240, 277 and 480
- ▲ Audible and visible continuity test up to 200kΩ
- ▲ Single pole live voltage detector
- ▲ Voltage function operates without batteries
- ▲ Cat III-600V
- ▲ Complete with 39" cable with test probe and two AAA batteries



Adams A107A Autoranging Digital Multimeter

Rugged compact design with Temperature, Frequency and Capacitance functions

- ▲ Autoranging with manual range override
- ▲ Relative Zero, Data Hold, Auto Power Off, Range Hold
- ▲ Includes protective holster with stand, two AA batteries, test leads and temperature probe

Adams Part #A107A
(Extech Part MN26)

SPECIFICATIONS

| | |
|-----------------------|--------------------------------------|
| Display Counts | 4000 |
| AC/DC Voltage Ranges | 400mV, 4V, 40V, 400V, 600V |
| Basic DCV Accuracy | ±1.0% |
| AC/DC Voltage Ranges | 400 μA, 4000 μA, 40 mA, 400 mA, 10 A |
| Resistance Ranges (W) | 400, 4K, 40K, 4M, 40M |
| Capacitance Ranges | 4 nF, 40 nF, 400 nF, 4 μF, 200 μF |
| Frequency | 10Hz to 10MHz |
| Temperature | 0 to 1400°F (0 to 760°C) |
| Duty Cycle | 0.1% to 99.9% |
| Diode/Continuity | Yes |
| UL Rating | CatIII-600V |
| Dimensions/Weight | 4.8" x 2.4" x 1.6" / 9.17oz |

Adams A107P/A107Q Manual Ranging Multimeter

General purpose multimeters-Model EX411 provides True RMS readings

- ▲ Easy to read large backlit display
- ▲ True RMS AC measurements (EX411)
- ▲ Type K thermometer built-in for surface or air temperature measurements
- ▲ Input fuse protection and mis-connection warnings with audible and visible signs
- ▲ Data hold freezes display reading
- ▲ Ergonomically designed to fit comfortably in your hand
- ▲ Complete with CAT III test leads, multi-position tilt stand, hanging strap, holster with test lead storage, bead wire temperature probe and 9V battery



Adams Part #A107P
(Extech Part #EX410)

SPECIFICATIONS

| | |
|-----------------------|-----------------------------|
| Display Counts | 2000 |
| True RMS | Model EX411 |
| AC Voltage Ranges | 2V, 200V, 600V |
| DC Voltage Ranges | 200mV, 2V, 200V, 600V |
| Basic DCV Accuracy | ±0.5% (±0.3% EX411) |
| AC Current Ranges | 200mA, 20A |
| DC Current Ranges | 200 μA, 200 mA, 20 A |
| Resistance Ranges (W) | 200, 2000, 20k, 200k, 20M |
| Temperature | -4 to 1382°F (-20 to 750°C) |
| Duty Cycle | 0.1% to 99.9% |
| Diode/Continuity | Yes |
| UL Rating | Cat III-600V |
| Dimensions/Weight | 7.4" x 3.2" x 2" / 0.75lbs |



Adams Part #A107Q
(Extech Part #EX411)

EXTECH IR THERMOMETERS

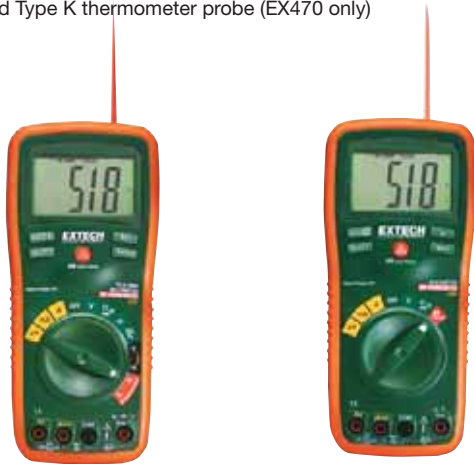
Adams A107F/A107S
Autoranging Multimeters + IR Thermometers
Autoranging multimeters with the convenience of a built-in IR thermometer

Common Features:

- ▲ Non-Contact infrared thermometer measures surface temperature of objects unsafe to contact or difficult to reach
- ▲ Infrared features 8:1 distance to target ratio with 0.95 fixed emissivity
- ▲ Easy to read large backlit display
- ▲ Complete with CAT III test leads, multi-position tilt stand, hanging strap, holster with test lead storage, 9V battery and Type K thermometer probe (EX470 only)

EX470 Additional Features:

- ▲ True RMS voltage and current readings
- ▲ Built-in Type K thermometer
- ▲ Capacitance, Frequency and Duty Cycle functions



Adams Part #A107S
(Extech Part #EX450)

Adams Part #A107F
(Extech Part #EX470)

| SPECIFICATIONS | | |
|------------------------|----------------------------|-----------------------------|
| Model | A107S/ EX450 | A107F/ EX470 |
| Display Counts | 2000 | 4000 |
| True RMS | No | Yes |
| DC Voltage Ranges | 0.1mV to 600V (DC) | 0.1mV to 600V |
| AC Voltage Ranges | 1mV to 600V (AC) | 0.1mV to 600V |
| Basic DCV Accuracy | ±0.5% | ±0.3% |
| AC/DC Current Ranges | 0.1mA to 20A | |
| Resistance Ranges (W) | 0.1W to 20MW | 0.1W to 40 MW |
| Capacitance Ranges | — | 0.01nF to 100mF |
| Frequency | — | 5.000Hz to 10.00MHz |
| Duty Cycle | — | 0.1 to 99% |
| Temperature (Type K) | — | -4 to 1382°F (-20 to 750°C) |
| Temperature (Infrared) | -4 to 518°F (-20 to 270°C) | |
| Diode/Continuity | Yes | |
| UL Rating | Cat III-600V | |
| Dimensions/Weight | 7.4" x 3.2" x 2" / 0.75lbs | |

Non-Contact IR Thermometers
Provide fast, easy and accurate readings for most surface temperature measurements

- ▲ Simply point at objects being measured
- ▲ Laser point provides aim
- ▲ Ideal for measuring hot spots in electrical panels
- ▲ Automatic data hold when trigger is released
- ▲ Fixed 0.95 emissivity covers 90% of surface applications
- ▲ Complete with battery

| SPECIFICATIONS | | |
|---------------------------------------|--------------------------------|---------------------------------|
| Model | A107AB / IR201 | A107C/ 42510 |
| Range | -58 to 518°F (-50 to 270°C) | -58 to 1000°F (-50 to 538°C) |
| Basic Accuracy | ±2.5% | ±2% |
| Max RPM Resolution | 1 | 0.1<200 |
| Emissivity | 0.95 | 0.95 |
| Field of View (distance to target) | 6:1 | 8:1 |
| Backlit Display | No | Yes |
| Battery | Two AAA | One 9V |
| Dimensions | 3.7" x 2" x 1" | 3.2" x 1.6" x 6.3" |
| Weight | 2.7oz | 6.4oz |



Adams Part #A107AB
(Extech Part #IR201)

Adams Part #A107C
(Extech Part #42510)

EXTECH AC METERS & TACHS



Adams' Part #A107I
(Extech Part #38389)

Adams' A107I 600A True RMS AC/DC Clamp Meter

Autoranging with Capacitance and Frequency functions

- ▲ AC/DC Current readings with resolution of 0.1A
- ▲ 1.25" jaw size accommodates conductors up to 350MCM
- ▲ Peak Hold
- ▲ Auto Power Off and Data Hold
- ▲ Complete with test leads, temperature probe, 9V battery and belt holder



Adams' Part #A107B
(Extech Part MA200)

Adams' A107B Mini Clamp-on Meter

Compact size enables measurements in tight spaces

- ▲ Clamp-on measures AC current to 400 A with 0.01A resolution
- ▲ 0.9" jaw size
- ▲ Measures AC/DC Voltage up to 600V
- ▲ Measures resistance up to 400 W
- ▲ Continuity beeper and Diode Test
- ▲ Complete with test leads, two AA batteries and carrying case

| SPECIFICATIONS | |
|-------------------------------------|-------------------------------|
| Display Counts | 4000 |
| AC Voltage Ranges | 4V, 40V, 400V, 600V |
| DC Voltage Ranges | 400mV, 4V, 40V, 400V, 600V |
| Basic DC Current Accuracy | ±2.5% |
| AC/DC Current Ranges/MAX Resolution | 400A, 600A (0.1A) |
| Resistance Ranges (W) | 400, 4k, 40k, 400k, 4M, 40M |
| Capacitance Ranges | 40nF, 400nF, 4mF, 40mF, 100mF |
| Temperature (Infrared) | -4 to 1400°F (-20 to 760°C) |
| Diode/Continuity | Yes |
| UL Rating | Cat II-600V |
| Dimensions/Weight | 8" x 3.1" x 1.6" / 6.5ozs |

Adams' A107U/A107X Mini Tachometers

For RPM and surface speed measurements

- ▲ Pocket size housing with protective finger guard
- ▲ Hold button freezes displayed readings
- ▲ 461700 Photo tachometer measures RPM without contact up to 6" distance
- ▲ 461750 Contact model measures RMP and surface speed
- ▲ Complete with 9V battery – 461700 includes reflective tape and 461750 includes wheels for RPM and surface speed measurements

| SPECIFICATIONS | | |
|----------------|----------------------------|------------------|
| Model | A107X / 461700 | A107U / 461750 |
| Range | rpm 10 to 99,999 | 10 to 9,999 |
| | feet/min - | 3 to 6560 |
| | meters/min - | 1 to 1999.9 |
| | yards/min - | 1 to 5000 |
| Basic Accuracy | ±(0.1% reading + 2 digits) | |
| Dimensions | 4.9" x 2" x 1.3" | 5.9" x 2" x 1.3" |
| Weight | 4oz | 5oz |



Adams' Part #A107U
(Extech Part #461750)



Adams' Part #A107X
(Extech Part #461700)



Water/Temp Resistant Grease is characterized by exceptional mechanical stability, very high load-carrying ability, excellent resistance to water, oxidation and corrosion, with excellent performance in high-low temperature environments.

Our premium-quality grease features excellent pumpability and dispensing properties, and is therefore suitable for low-temperature application. *Contains no molybdenum sulfide.*

APA100CC Aerosol WTRG. 16-oz. cans, 6 cans/case only.

Silicone Spray is a clear lubricant suitable for use on all sliding and rubber surfaces. Recommended for doors, windows, rubber seals, moving cables, weather stripping, gears & sprockets.

Adams Silicone Spray eliminates squeaks, keeps rubber seals pliable, and promotes smooth movement of most rubber, plastic, and metal parts. It is non-staining and has excellent electrical resistance.

APA140CC Silicone Spray. 12-oz. cans, 6 cans/case only.

Solvent/Component Contact Cleaner is a strong degreaser formulated for general-purpose parts cleaning. Use on all metal surfaces and on oil-resistant rubber and plastic. Brush away loose oil and grease...spray Solvent onto parts to be cleaned...and wipe clean with rag or towel.

APA130CC Aerosol Solvent Parts Cleaner. 12-oz. cans, 6 cans/case only.

Chain & Cable Lubricant is a petroleum-base product compounded with graphite and additives to give the best possible lubrication to lift cables, pulleys, and chains. The lubricant penetrates dirt to saturate chain links and cable surfaces for maximum wear resistance and rust protection.

Graphite lubricates and prevents wear between wire rope strands long after the oil has been dispersed. Chain & Cable Lubricant also contains a rust preventative to protect against exposure to moisture. This product can increase wire rope life up to 300%.

APA180CC Chain & Cable Lubricant. 12-oz. cans, 6 cans/case only.

Guide Rail Lubricant applies a low-friction *dry lubricating film* that protects rails for extended periods against rust and corrosion. Sprayed rails do not require degreasing, a real time and labor saver. Also recommended for parts that need to be stored indefinitely, shipped overseas, or that may come into contact with salt or saltwater spray.

APA31CC Guide Rail Lubricant. 16-oz. cans, 6 cans/case only.

Heavy-Duty Penetrating Oil is a powerful penetrating catalyst that breaks through rusted joints and pipe threads with "capillary wet drilling action." It penetrates rusty, sticky, gummy, and frozen joints regardless of temperature. It displaces moisture, and even starts engines!

HD is a dissolving cleaner that lubricates while it works. It virtually pulls itself uphill, around, and into tight cavities and bearing surfaces. Use on industrial equipment to stop corrosion...on relays and other electrical equipment...business machines...elevator buffers...U-bolts, and more.

Pinpoint sprayer eliminates messy waste; works upside down and in all directions.

APA150CC Heavy-Duty Penetrating Oil. 16-oz. cans, 6 cans/case only.

Light Penetrating Oil is an excellent general-purpose lubricant for use in the shop and at the job site. Can also be used as a short-term rust inhibitor. Contains no graphite, molybdenum disulfide, etc.

APA160CC Light Penetrating Oil. 16-oz. cans, 6 cans/case only.



INDUSTRIAL ANTI-WEAR HYDRAULIC OIL

Adams Hydraulic Oil (HD32, HD46, & HD68) is designed for the lubrication and protection of industrial and mobile hydraulic equipment.

Adams Hydraulic Oil separates rapidly from water and is hydrolytically stable. It exhibits excellent oxidation, anti-friction and wear, filterability, & anti-corrosion properties.

Formulated with premium-quality paraffinic oils and proprietary additives; no barium, chlorine, lead, or silicone-type additives.

NOTE: Consult equipment operating manual for viscosity grade requirements.

Adams Hydraulic Oils meet or exceed these requirements:

- AFNOR E 48-603 • BF Goodrich 0152
- Cincinnati Machine P-68, -69, -70
- Commercial Hydraulic, except PM-500-series silver-containing pumps which require R & O-containing additives
- Denison HF-1, -02, -0 • DIN 51424, Part 2
- Ford M-61C13227 13
- General Motors LH-04-1, LH-06-1, LH-15-1
- Jeffrey No. 87 • Lee Norse 100-1
- Racine, variable-volume vane pumps
- U.S. Steel 127, 136 • Vickers I-286-S, M-2950-S

APO32GC HD32 Adams Hydraulic Oil, case of 4 1-gallon bottles

APO32P5G HD32 Adams Hydraulic Oil, 5-gallon pail

APO46GC HD46 Adams Hydraulic Oil, case of 4 1-gallon bottles

APO68HGC HD68 Adams Hydraulic Oil, case of 4 1-gallon bottles

RUST- AND OXIDATION-INHIBITED ELECTRIC MOTOR OIL

Adams Motor Oils (ISO#68, #100, & #150) are recommended for applications that require protection against rust and oxidation, but do not require anti-wear or extreme-pressure additives.

Use for lightly-loaded plain and anti-friction bearings, electric motors, machine tools, air compressors, and circulating systems where rust and oxidation are a concern. Also recommended as a gear oil where API GL-1 service is specified; also can be used as a non-detergent API SA motor oil.

Adams Motor Oil separates rapidly from water and is hydrolytically stable. It exhibits excellent foaming, anti-friction, filterability, and rust & corrosion protection properties. This formulation also features superior thermal and oxidative stability.

Formulated with premium-quality paraffinic oils and proprietary ashless additives. Contains no barium, chlorine, lead, or silicone-type additives.

NOTE: Consult equipment operating manual for viscosity grade requirements.

Adams Motor Oils meet or exceed the following industry requirements:

- AFNOR E 48-600 HL • API Service GL-1
- Cincinnati Machine P-38, -45, -54, -55, -57, -62 (note viscosity grades)
- Denison HF-1 • DIN 51524, Part 1 • U.S. Steel 126

APO68QC ISO #68 Adams Motor Oil, case of 12 32-oz. bottles

APO68GC ISO #68 Adams Motor Oil, case of 4 1-gallon bottles

APO100QC ISO #100 Adams Motor Oil, case of 12 32-oz. btls

APO100GC ISO #100 Adams Motor Oil, case of 4 1-gallon btls

APO150GC ISO #150 Adams Motor Oil, case of 4 1-gallon btls

APO32SC ISO #32 Adams Step Chain Oil, case of 6 1-gallon bottles



APO33GC

APO150GGC

APO5GC

APO60GC

APO60QC

Adams Worm Gear Oil. Designed for lubricating and protecting heavily-loaded industrial and automotive worm gears operating at moderate to high temperatures. Especially recommended for bronze components that cannot tolerate typical sulfur-phosphorus gear oil additives.

Highly recommended for API GL-2 Service and wherever AGMA 7 Comp., 8 Comp, or 8A Comp is specified.

Formulated with premium-quality oils and proprietary additives. Emulsifies water, resists rust and foam, and is hydrolytically stable. Special oiliness additives ensure excellent lubricity and wettability. Contains no sulfur, phosphorus, barium, chlorine, or lead-type additives. Always follow manufacturer's recommendations for the worm gear drive you are servicing.

APO33GC Worm Gear Oil #680 in 1-gal. bottles, 4 gal./case only.

Adams EP Gear Oil. Extreme Pressure Industrial Gear Lubricant is designed for the lubrication and protection of industrial gears, including bevel, herringbone, planetary, and spur. Also recommended for plain and anti-friction bearings, enclosed gear units, gear reducers, and wherever an industrial extreme-pressure lubricant is specified.

Separates rapidly from water and is hydrolytically stable. Provides excellent protection from oxidation, friction, wear, extreme pressure, and corrosion. Always follow manufacturer's recommendations for the gear drive you are servicing.

Formulated from premium-quality paraffinic oils and proprietary ashless additives. Contains no barium, lead, or silicone additives.

Meets or exceeds the following:

- AGMA 9005-D94 • API GL-3 Service
- Cincinnati Machine P-35, P-59, P-63, P-74, P-76-78
- David Brown • DIN 51517 (3)
- General Motors LS-2 • US Steel 224

APO5GC EP Gear Oil #5 in 1-gallon bottles, 4 gal./case only.

APO150GGC EP Gear Oil #150 in 1-gallon bottles, 4 gal./case only.

Adams Chain Oil is recommended for escalator and man-lift drive chains. It clings to metal surfaces to reduce heat and inhibit rust. The good general lubricity of this product reduces chain wear and extends chain life.

Promotes free movement of chain links and helps reduce chain chatter. Also helps reduce strain on drive motors and keeps components moving freely and safely.

APO60QC Adams Chain Oil #60. 32-oz. bottle, 12 quarts/case only

APO60GC Adams Chain Oil #60. 1-gallon bottle, 4 gal/case only

AP032SC Adams Chain Oil #32 1-gallon bottle, 6 gal/case only

Adams Pit Pads are the most effective, economical way to clean up nuisance oil leaks. Their thirsty fibers are specially formulated to absorb leaking or spilled oil... but they will not absorb water.

Non-flammable Pit Pads replace 50 pounds of "kitty-litter"-type products. (Each 2-1/2 oz. pad is 16" x 20" x 1/4"-thick.)

Polypropylene Pit Pads can be stored indefinitely...even in humid conditions...without affecting their oil absorbency.

Improve the appearance and safety of machine rooms and pit work areas.

A629 Pit Pads, 100 pads/bag; 16 lbs. net wt

A single 100-pad package (just 16 lbs.!) absorbs up to 25-30 gallons of oil.





Buffer Oil. For applications that require protection against rust and oxidation, but do not require anti-wear or extreme-pressure additives. Use for lightly-loaded plain and anti-friction bearings, electric motors, machine tools, air compressors, and circulating systems.

ISO #32: Used in moderate-load shock-absorbing devices. Low volatility reduces oil consumption, and prevents pressure build up.

ISO #68: For severe services where heavy continuous loading is common.

AP020GC Buffer Oil, ISO #32. 1-gallon bottle, 4 gallons/case only.

AP010GC Buffer Oil, ISO #68. 1-gallon bottle, 4 gallons/case only.

Door Closer Oil. Designed to lubricate and protect high-speed spindle bearings. Also used wherever an ISO 10 rust- and oxidation-inhibited hydraulic oil is specified.

Separates rapidly from water; hydrolytically stable. Provides excellent friction, filterability, rust and corrosion protection properties, as well as superior thermal and oxidative stability.

AP0440GC Door Closer Oil. 1-gallon bottle, 4 gallons/case only.

Brake Oil. This is a high-dielectric, highly-defined oil with a very low pour point.

AP0900GC Brake Oil, 1-gallon bottle, 4 gallons/case only.

Light Penetrating Oil is an excellent general-purpose aerosol lubricant for use in the shop and at the job site. Use as both a general lubricant and short-term rust inhibitor. Clean formula contains no excess graphite, molybdenum disulfide, etc.

APA160CC Light Penetrating Oil. 16-oz. aerosol can, 6 cans/case only.

Heavy-Duty Penetrating Oil is a penetrating aerosol catalyst that breaks through rusted joints and pipe threads with "capillary wet drilling action." Releases rusty, sticky, gummy, and frozen joints in any temperature. Displaces moisture...even starts engines!

APA150CC Heavy-Duty Penetrating Oil. 16-oz. aerosol can, 6 cans/case only.

Elevator Oil Refresher. This blend of plant extracts neutralizes hydraulic oil odors with its mild wintergreen fragrance. Use one quart per 50 gallons of hydraulic oil...more if necessary. Compatible with petroleum oils and additives found in hydraulic systems.

AP0900QC Elevator Oil Refresher. 32-oz. bottle, 12 quarts/case

Soft Stop "Anti-Chatter" Additive. This performance-improving fluid is a special friction modifier that enhances the flow characteristics of most hydraulic systems. It can relieve the "stick-slip" problem on noisy hydraulic cylinders. Not recommended for machines with common systems for hydraulic, transmission, and braking.

AP0800QC Adams Soft Stop Hydraulic Additive. 32-oz. bottle, 12 quarts/case only.

Non-Dripping Oil. This unique lubricant features ideas borrowed from several disciplines. Designed as a super penetrant and lubricant, it will not drip from chains, guides, or cables over areas where pedestrians will be concentrated.

It is non-corrosive to steel, brass, aluminum, and common plastics such as polypropylene, nylon, and PVC. Cleans contacted parts to insure proper lubrication and freedom of movement. For heavily-soiled or gummed parts, repeat applications or soaking may be necessary. Relatively high flash point and mild hazard profile.

AP050G Non-Dripping Oil. 4 gal./case.



Waterproof Grease. Our waterproof lubricating grease represents a new technology in wide-temperature, high-performance grease. In many applications, it outperforms high-temperature grease.

Contains no heavy metals, sulfur, phosphorus, chlorine, zinc, phenols, antimony, barium, or lead.

This calcium grease is designed for operation in wet or high-humidity conditions. It is suitable for lubricating bearings, bushings, rails, and open gears. Comes in 14-oz. cartridges for grease gun application.

APG702CTC Waterproof Lubricating Grease, ten 14-oz. cart./case.

APG700GG Grease gun for 14-oz. cartridges. Use w/**APG702CTC** Waterproof Lubricating Grease and **APG715CTC** All-Purpose Lubricating Grease. Order as many as you need. Grease Gun also available in Heavy Duty 10,000 psi. Order Part No. **APG700GGH**.

O-Ring Compound. Tacky material keeps O-rings in place during assembly. Apply sparingly by hand. Seal should be installed with coated side toward bottom of groove.

APG705TC O-Ring Compound, twelve 10-oz. tubes/case only.

All-Purpose Grease. Adams all-purpose grease is a lithium-based lubricating grease. It is formulated with the highest-quality base oils available, and is fortified with rust and oxidation inhibitors as well as extreme-pressure additives.

This versatile product has been manufactured to meet the multi-purpose needs of the elevator mechanic. Comes in 14-oz. cartridges for grease gun application.

APG715CTC All-Purpose Lubricating Grease, ten 14-oz. cart./case.

Wire Rope & Cable Lubricant is designed to clean, lubricate, and protect wire ropes and cables by removing dirt and reducing frictional forces. It aids in cleaning dirt, oil, and grease from surfaces. By removing accumulated dirt and oil, Wire Rope & Cable Lubricant reduces the abrasive wear among the wire rope strands.

Lubricant will not dry, and remains highly resistant to gum and varnish formation. The extremely low pour point eliminates oil coagulation at low ambient temperatures.

APG200GC Wire Rope & Cable Lubricant. 1-gal. btl, 4 gals/case.

Dash Pot Oil. Designed to lubricate and protect high-speed spindle bearings. Also used wherever an ISO 10 rust- and oxidation-inhibited hydraulic oil is specified.

Separates rapidly from water; hydrolytically stable. Provides excellent friction, filterability, rust and corrosion protection properties, as well as superior thermal & oxidative stability.

APO28BS Dash Pot Oil. 1-pint bottle.



Liquid Gasket. Brush on a replacement gasket with the built-in cap brush. Use only where operating temperature is 82°F (28°C) or less, internal pressure is less than 5 psi (35 kPa), and the gap does not exceed 0.08mm.

APC120CC Liquid Gasket, six 8-oz. cans/case only.

Cement. Our brush-on cement applies cleanly and easily with the built-in cap brush. Use on metal, rubber, plastic, glass, and wood. Apply to both surfaces to be bonded, let dry, then join.

APC130CC Contact Cement, six 8-oz. cans/case only.

Odorless Solvent/Cleaner/Degreaser. Clean, filterable fluid dissolves oil and grease from the dirtiest elevator components...with no strong odor.

Use in solvent stands or immersion tanks, or apply with brush, rags, or spray. Recycle indefinitely through a solvent reclaiming still.

APA948CC Odorless Solvent/Cleaner/Degreaser, 16-oz aerosol; 12 cans/case only.

APS948GC Odorless Solvent/Cleaner/Degreaser, 1-gallon bottle; 4 gal./case only.

APS948G5P Odorless Solvent Cleaner/Degreaser, 5-gallon pail.

Wypall® All-Purpose Wipers. Heavy-duty paper-fiber clean-up towels from Kimberly-Clark®. Use once, twice, three times...and toss. Low lint, high absorbency, great for jobsite clean-up chores, liquid or solid.

APC140C Heavy-Duty Wypall Shop Towels, 55/pkg., 18 bundles/case only.

Critical Task Wiper Towels. Low-abrasive paper wiping towels from Kimberly-Clark for electrical and other sensitive components that must be protected from scratches. Dispense from Kleenex®-type box.

APC150C Delicate Task Wipers, 15 boxes/case only.

Index for Pages 38-70

| | |
|---------------------------------------------------------|------------|
| Barricades..... | 68, 69, 70 |
| Door Protection GateKeeper® EZ 24V..... | 48 |
| Door Protection GateKeeper® G7..... | 46, 47 |
| Door Protection GateKeeper® Max..... | 44, 45 |
| Door Protection GateKeeper® Product Selector Chart..... | 48.1 |
| Door Restrictor HatchLatch®..... | 60, 61 |
| Elevator Handrail..... | 50-59 |
| Elevator Voice..... | 38, 39 |
| Escalator SafetyStrip®..... | 40-43 |
| Phone Cabinet..... | 49 |
| Phone Handles..... | 49 |
| Phones - Emergency..... | 49 |
| Plunger Gripper LifeJacket®..... | 62-67 |
| Safety Gates..... | 68, 69, 70 |

Elevator Voice™ announcer keeps riders moving in the right direction— especially important in an emergency

*Industry's newest voice announcer
is the first to use CompactFlash™ memory*

- Preprogrammed with eight (8) emergency and safety messages (to cover 98% of requirements).
- Meets A117.1-1998 code for audible indicators.
- Randomization feature plays messages in male and female voices to enhance interest
- Eliminates expensive E-PROM chips that can be damaged easily.
- 64MB CompactFlash card (included) easily stores every message you will ever need.



1. Solid box construction and powder-coat finish protect sensitive electronics
2. CompactFlash memory card is removable and reprogrammable
3. Wiring locator and component ID labels are attached permanently inside box
4. Generous work space simplifies wiring

Part #TD302G03 - Wago Screw Driver

This tool is used to ease installation of the wires into the wago connector.

Add or change messages with speed and ease!

With the convenience of CompactFlash technology, you can add or alter your voice announcer messages. Use the Elevator Voice survey form available from your Adams sales rep or at www.adamselevator.com. Indicate your message requirements on the form, fax, mail, or e-mail to Adams, and your new messages will be recorded and shipped to you on a replacement CompactFlash card for a nominal fee.

Elevator Voice replaces confusing passing chimes. Passing chimes are difficult to count and do not work in express zones. Professionally-recorded messages give passengers a sense of security that's missing from passing chimes.

Messaging options and high-tech specifications make Elevator Voice tops in its class

TECHNICAL SPECIFICATIONS

| | |
|---------------------|-------------------------------------------------------------------------------------------------------------------------|
| Power: | 120VAC, 50/60HZ, 6W max |
| Size: | 13" x 9 1/2" x 3 1/2" |
| Output: | 2 watts into an 8-ohm speaker |
| Signal Inputs: | 90-150 VAC/VDC; cut resistor for 20-30 VAC/VDC |
| Signal Formats: | Line per Floor, Binary (0 or 1 lowest landing), Inverse Binary (0 or 1), Binary Coded Decimal (BCD), Inverse BCD |
| Maximum Floors: | Line per Floor = 12 floors; BCD = 99 floors; Binary = 250 floors |
| Message Triggers: | Two "floor message triggers" play announcement upon application or removal of power from input |
| Volume Control: | Dual volume controls allow direction, door closing, and emergency messages to be played louder than floor announcements |
| Direction Messages: | Automatically appends "going up" or "going down" to floor announcement when direction inputs are active |
| Emergency Messages: | Unit ships with eight (8) standard emergency and safety messages. Additional messages available. |
| Male/Female Voices: | Male, female, floor 1, and 1st floor announcements are randomized to minimize listener fatigue |
| Languages: | Bi-lingual option plays every message in English/Spanish or English/French |
| Memory: | CompactFlash™ memory for hours of messages and emergency and safety announcements |
| Custom Messaging: | Contact Adams Parts Sales for custom floor announcements, emergency messages, or additional language |

STANDARD EMERGENCY AND SAFETY MESSAGES

Each Elevator Voice unit ships with these eight prerecorded messages:

1. Do not be alarmed. This car is needed for a medical emergency. When the doors open, please exit in a safe and orderly manner.
2. Do not be alarmed. This car is transferring to emergency power. When the doors open, please exit in a safe and orderly manner.
3. Do not be alarmed. This car is now in firefighters return service. When the doors open, please exit in a safe and orderly manner.
4. This car is needed for an emergency. When the doors open, please exit in a safe and orderly manner.
5. Please exit the car.
6. This car is full.
7. Please allow the door to close. (Nudging)
8. Please watch your step. (Out of Level)

For custom messages, contact your Adams sales rep.

A Word about CompactFlash™

CompactFlash memory cards are familiar to anyone who uses a digital camera. Commonly available in capacities from 8MB to 1GB of digitized photo data, CompactFlash cards are also finding their way into other applications requiring storage of digital information, including digitized audio tracks. Cards exceeding 4GB are now available; the 64MB card that comes with Elevator Voice is more than adequate for this use.

Because of their rugged construction and protected electrical contacts, CompactFlash cards can be handled repeatedly with little risk of damage. Nevertheless, we recommend that you make a backup copy of your Elevator Voice card(s) just as you would with any valuable digital information.

A117.1-1998

407.2.12.2 AUDIBLE INDICATORS. THE AUDIBLE SIGNAL SHALL BE 10 DBA MINIMUM ABOVE AMBIENT, BUT SHALL NOT EXCEED 80 DBA MAXIMUM, MEASURED AT THE ANNUNCIATOR. THE SIGNAL SHALL BE AN AUTOMATIC VERBAL ANNOUNCEMENT WHICH ANNOUNCES THE FLOOR AT WHICH THE CAR HAS STOPPED.

ELEVATOR VOICE™ ORDERING INFORMATION

| Adams part no. | Description |
|----------------|--------------------------------------------------------------------------------------------------------------------------------------------------------------------------------------------------------------|
| A202 | Elevator Voice with 8 standard messages: Main unit in powder-coated enclosure, one (1) 8-ohm loudspeaker, eight (8) prerecorded and randomized messages and floor announcements on one (1) CompactFlash Card |
| A202M | Special message option |

ESCALATOR SAFETYSTRIP®

KEEPS PASSENGERS IN THE “SAFETY ZONE”

Industry’s strongest, narrowest deflector brush has been proven with over 25 years of dependable service and more than 25,000 installations worldwide

SAFETYSTRIP’s narrow aluminum extrusion—along with the exceptional strength of strip brush—will stand up to the rigors of continuous use

- **Locked-in-bristle construction** (“strip brush”):
The manufacturing method of choice when brush strength and durability are required.
- **Most economical of all brushes available.**
- **No brush removes and reinstalls easier.** Mounting screws are concealed in countersunk holes between double-brush sections. If **SafetyStrip** ever needs to be removed, the screws can be removed and reinserted with the brushes in place.



From the widest to the narrowest, all of our deflector brush products are manufactured using strip brush technology, assuring you many years of dependable, uninterrupted service



Both Wide and Narrow Double brush extrusions have rear T-slots for inserting filler strips, if required (shown on side 2)



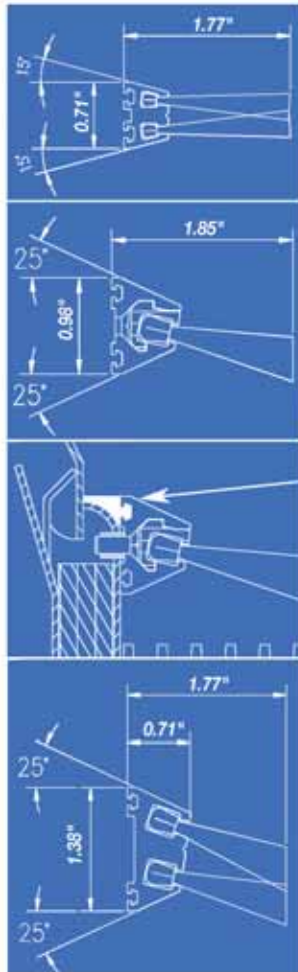
The 10¢ Survey

If a dime fits in the attaching area, so will SafetyStrip

0.710"W



SafetyStrip exceeds A17 code requirements



Narrow Double **NEW!**

- Only 0.710" wide
- Center mounting screws (concealed and countersunk) permit easy removal and re-attachment, if required
- Rigid extruded aluminum imparts lasting durability

Single

- 0.98" wide
- Designed for applications where double brush is too large
- Single-row brush gives adequate protection in most applications

NEW!

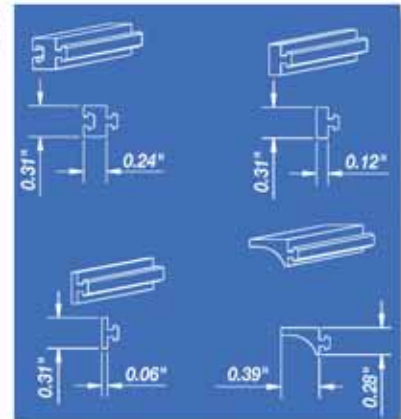
Single w/Radius Adaptor

Same as above, for Westinghouse L & M escalators, used to gain additional clearance.

Wide Double

- The original indestructible deflector brush for extreme applications
- 1.38" wide
- Recommended where heavy use and abuse are expected

Always check with your local code authority for acceptable installation clearances



Filler strips slide easily into patented T-slots on backside of extrusions to allow parallel installations on uneven surfaces



From left to right: Wide Double, Single, and Narrow Double SafetyStrip configurations. Flagged nylon brushes pack high-density protection into a small space, giving riders a firm but gentle reminder to stay clear of the side wall

SAFETYSTRIP IS THE MOST EFFECTIVE WAY TO PREVENT SIDE-OF-STEP ENTRAPMENT ACCIDENTS ON ALL ESCALATORS. FIND OUT ABOUT IT TODAY!

Survey worksheets available from your ADAMS representative, or at www.adamselevator.com

MotionGuard™ MG3

An Innovative Approach to Escalator Skirt Brushes
With Greatly Reduced Installation Time

Physical Characteristics:

- Unique one-piece design in 8-foot sections
- Flexible enough to bend on site with no special tools
- A17 Code compliant
- Very high bristle volume
- Fully accessible concealed fasteners
- Highly durable with an attractive, unobtrusive appearance
- Many installations throughout U.S.

Easy to Order and Install:

- Requires only one simple measurement: comb tip to comb tip
- No surveys to complete; no rise or radius to determine
- Simple order form serves as survey form
- Packaging is easy to handle, cost-effective to ship
- Ready to install out of the box; no on-site cutting or fitting

Easy to Order, Install and Maintain



How to Measure Your Escalator

For MotionGuard™ Escalator Skirt Brushes

Top landing



Bottom landing



Comb plate



Objective:

Imagine a line drawn from the upper comb tip to the lower comb tip following the step nose of each step through the upper landing area and curve, down the incline, through the lower curve and landing area and finally finishing at the lower comb tip. In order to ensure an accurate measurement, the tape measure **must bridge across each step nose** through the upper landing and down the incline.

Similarly, the tape measure **must not collapse** between the steps or ride high above the step nose through the lower curve.

The following instructions are provided for correctly measuring the tip-to-tip measurement between the upper and lower comb plates.

Recommendation:

- Use a $\frac{3}{4}$ "- or 1"-wide steel tape. **DO NOT** use a cloth tape. Cloth or flexible tapes are not stiff enough to bridge across the step nose of each step.
- If measuring alone, **loosen the comb plate** and hook the tape measure across the back edge. In this case, you need to **subtract the length of the upper and lower comb plate** from your final measurement.

Measure the Escalator:

- **One-step measurement:** If your tape measure is long enough to measure between the upper and lower comb tips as described above, complete this measurement and record it on your survey as the **Measured Escalator Length:** _____.
- **Two measurements:** Start at the upper comb tip and work down. Measure to a step along the incline representing $\frac{1}{2}$ or $\frac{1}{3}$ of the distance down the incline. Measure to the closest step nose, record the measurement, and mark the step. Repeat the process, measuring from the lower comb tip up the incline to the step nose of your marked step. Add the measurements together and the sum is your **Measured Escalator Length** _____.

**Call Adams with confidence.
We're serious about safety.
1-800-929-9247**

GateKeeper MAX™ Infrared Curtain Unit

The only IR curtain with Phasel/Phase II Fire Recall Service...
and it comes with nudging built in!

**5-YEAR
WARRANTY!**

- **Built-in nudging**

Replaces separate nudging unit for easiest installation. Factory setting of 20 sec. can be reset from 1-60 sec. Nudging buzzer volume is also adjustable.

- **Plugs into 17-265VAC/VDC**

GateKeeper MAX is the only infrared curtain that can be connected to any operating voltage from 17-265VAC/VDC with no additional wiring or modifying! Just plug it in and let it work.

- **Up to 154 infrared detection beams.**

- **Integrated diagnostic circuitry**

An on-board microprocessor adjusts automatically to optical conditions within protected area. As conditions change (from dust, dirt, etc.), microprocessor resets every beam for best performance under prevailing conditions.

- **LED current-control system**

An LED drive circuit constrains emitting current to lowest possible effective level. Result: reduced stress on LED's help extend their life to millions of hours. This feature is unique to the *GateKeeper* product line.

- **No incidents reported**

With more than 150,000 units in service, not a single incident report has been recorded. This is most meaningful to anyone who has been named in a liability suit due to an unreliable door protection system.

- **CSA approved, Fire-Code conformant**

GateKeeper MAX meets all ANSI requirements and other U.S. and Canadian performance standards. Also conforms to Phase I and Phase II Fire Codes.

- **Extra-wide 16-ft. operating range**

Weary of measuring door openings and matching them to the right door unit? *GateKeeper MAX* works with all of them. One model, one part number, one great protection device. Choose 7-ft. or 10-ft. model according to door height.

- **Moving cable tested to 20,000,000 cycles**



Built-in nudging helps keep elevators moving in environments where riders are likely to hold open the doors. Nudging time is adjustable from 1-60 seconds

Fire Recall Phase I and Phase II: life-saving protocols in an emergency

Fire Recall Phase I

If the input labeled “Fire Recall Phase I” is activated, the light curtain is disabled and nudging is enabled. The nudging buzzer sounds; it remains on during door close and until the car arrives at the designated landing. The buzzer remains on for 15 seconds after the “Fire Service Phase I” input is deactivated.

Fire Recall Phase II

If the input labeled “Fire Recall Phase II” is activated, the light curtain output is disabled. The nudging function works independent of “Fire Recall Phase II.” Operation of the doors is taken over by emergency personnel. This eliminates the need for automatic re-opening and guards against false opening caused by smoke.

**ONLY GATEKEEPER
MAX OFFERS THIS!**

Fast and easy to install! Simple installation just might be the feature you learn to like the best!

GateKeeper MAX ships to you as a complete system ready to install. We’ve condensed the unit to the least possible number of separate components to help speed installation and limit the number of assembly decisions your mechanics have to make on site. In addition, we’ve combined thoughtful design with vandal-resistant considerations to keep every GateKeeper MAX working right and out of harm’s way.



**Vision shield attaches easily
with GateKeeper MAX installed
in the doorway**

Technical Data

GateKeeper MAX

| | |
|--------------------------------------------------------------------------|-------------------------------------------------------------------------------------------|
| Supply voltage | 17-265VAC/VDC; use Green-field fittings for voltages >42V |
| Typical response time | 90 ms |
| Max. response time | 180 ms |
| Range | Up to 16 ft. (5m) |
| Current | 10VA at 115/230VAC 200mA at 24VDC |
| Fuse | 6.3A s/b (5 x 20mm) |
| Relay output (3) | AC max: 265VAC at 8.0A DC max: 125VDC at 0.5A or 24VDC at 8A DC min: 5VDC at 10.0mA |
| <i>(NOTE: If switching high voltage, use slave relay (not included))</i> | |
| Fire Recall I and II | Active: 17-265VAC/VDC Inactive: 0-5VAC/VDC |
| Protection height | 71" |
| Door height | 7-10 ft. |
| No. of light beams | Up to 154 criss-cross beams |
| Light suppression | >100,000 lux |
| Connection plugs | WAGO 6 x 5.08 |
| Cable length | 16 ft. (5m) |
| Cable extension (available) | 10 ft. (3m) |
| Cable lifetime | 20 million door movements (if installed correctly) |
| Enclosure rating, sensors | IP65 |
| Enclosure rating, control unit | IP30 |
| Vibration/shock | IEC 68-2-6 / IEC 68-2-29 |
| Operating temp. range | -5° to +150°F (-20° to +65°C) |
| Storage temp. range | -20° to +220°F (-30° to +85°C) |
| EMC | IEC/EN 50081/50082-1, -2; EN 12015 and EN 12016 |
| CSA | B44.1/A17.5-1996 |
| Mounting kit | Complete |

GATEKEEPER MAX ORDERING INFORMATION

| Adams part no. | Description |
|-------------------|-----------------------------------------------------------------------|
| A850G7MAX | 7-ft. GateKeeper MAX unit w/mounting kit; for door height up to 7 ft. |
| A850G10MAX | 10-ft. GateKeeper MAX unit w/mounting kit; for 7-10-ft.-high doors |

GATEKEEPER MAX ORDERING INFORMATION

| Adams part no. | Description |
|---------------------|----------------------------------------|
| A850G7MAX-P1 | Control unit (power supply) |
| A850G7-R1 | Receiver (with blue plug) |
| A850G7-T1 | Transmitter (with white plug) |
| A850G7-RR1 | Receiver cable, 16 ft. (blue plug) |
| A850G7-RT1 | Transmitter cable, 16 ft. (white plug) |
| A850G7-VS | Vision shield, 7 ft. |

GateKeeper® Infrared Curtain Unit

GateKeeper is the industry choice for uncompromising door protection

**5-YEAR
WARRANTY!**

- **Plugs into 17-240VAC/VDC**

GateKeeper and GateKeeper MAX are the only infrared curtains that can be connected to any operating voltage from 17-240VAC/VDC with no additional wiring or modifying! Just plug it in and let it work.

- **Up to 154 infrared detection beams**

This is your best solution where maximum beam density is required.

- **Integrated diagnostic circuitry**

An on-board microprocessor adjusts automatically to optical conditions within the protected area. As conditions change (from dust, dirt, etc.), the microprocessor resets every beam for best performance under prevailing conditions.

- **LED current control system**

An LED drive circuit constrains the emitting current to the lowest possible effective level. The result: reduced stress on the LED's to help extend their life for millions of hours. This feature is unique to the *GateKeeper* product line.

- **Moving cable tested to 20,000,000 cycles**

- **No incidents reported**

With more than 150,000 units in service, not a single incident report has been recorded. This is most meaningful to anyone who has been named in a liability suit due to an unreliable door protection system.

- **CSA approved**

GateKeeper meets all ANSI requirements and other U.S. and Canadian performance standards.

- **Extra-wide 16-ft. operating range**

Weary of measuring door openings and matching them to the right door unit? *GateKeeper* works with all of them. One model, one part number, one great protection device. Choose 7-ft. or 10-ft. model according to door height.



Modular connecting cables lead the list of features that make *GateKeeper* the easiest-to-install infrared curtain in the world



Vision shield attaches easily with *GateKeeper* installed in the doorway

Fast and easy to install

Simple installation just might be the feature you grow to like the best!

GateKeeper ships to you as a complete system ready to install. We've condensed the unit to the least possible number of separate components to help speed installation and limit the number of assembly decisions your mechanics have to make on site. In addition, we've combined thoughtful design with vandal-resistant considerations to keep every GateKeeper working right and out of harm's way.

GATEKEEPER ORDERING INFORMATION

| Adams part no. | Description |
|-----------------|---------------------------------------------------------------------|
| A850G7 | 7-ft. GateKeeper unit w/mounting kit; for door height up to 7 ft. |
| A850G10 | 10-ft. GateKeeper unit w/mounting kit; for door height up to 10 ft. |
| A850G7WP | NEW Waterproof model for doors up to 7 feet high |

GATEKEEPER REPLACEMENT PARTS

| Adams part no. | Description |
|-------------------|----------------------------------------|
| A850G7-P1 | Control unit (power supply) |
| A850G7-R1 | Receiver (with blue plug) |
| A850G7-T1 | Transmitter (with white plug) |
| A850G7-RR1 | Receiver cable, 16 ft. (blue plug) |
| A850G7-RT1 | Transmitter cable, 16 ft. (white plug) |
| A850G7-VS | Vision shield, 7 ft. |

Technical Data

GateKeeper

| | |
|--------------------------------------------------------------------------|---------------------------------------------------------------------|
| Supply voltage | 17-240VAC/VDC; use Green-field fittings for voltages >42V |
| Typical response time | 90 ms |
| Range | Up to 16 ft. (4.85m) |
| Current | 5VA at 115/240VAC 115mA at 24VDC |
| Relay output | AC max = 265VAC at 8.0A DC max = 125VDC at 0.5A or 30VDC at 8.0A |
| <i>(NOTE: If switching high voltage, use slave relay (not included))</i> | |
| Protection height | 71" |
| Door height | 7-10 ft. |
| No. of light beams | Up to 154 criss-cross beams |
| Light suppression | >100,000 lux |
| Connection plugs | WAGO 6 x 5.08 |
| Cable length | 16 ft. (5m) |
| Cable extension (available) | 10 ft. (3m) |
| Cable lifetime | 20 million door movements (if installed correctly) |
| Enclosure rating, sensors | IP65 |
| Enclosure rating, control unit | IP 54 |
| Vibration/shock | IEC 68-2-6, -29 |
| EMC | IEC/EN 50081/2, EN 12015/6 |
| CSA | B44.1/A17.5-1996 |
| Operating temp. range | -5° to +150°F (-20° to +65°C) |
| Storage temp. range | -20° to +220°F (-30° to +85°C) |
| Mounting kit | Complete |

GateKeeper EZ 24V™ Infrared Curtain Unit

159 beams and no power supply for new 24V installations where space, reliability and simplicity are important

FOR 24VDC
SYSTEMS

- **Lowest mass**

Less mass and greater flexibility than any light curtain in its class.

- **Mounts on door or door jamb**

GateKeeper EZ 24V is the only door protection device that can be mounted to either the door or door jamb. Helps simplify installation in situations where mounting in one location or the other is difficult or impractical.

- **Up to 159 criss-cross infrared detection beams.**

- **All electronics housed in edges**

No control box to connect and no jumpers to configure. This is why we can claim "simplest installation."

- **Built to last longer than 20 years**

- **Self calibration increases LED life**

- **Plug-'n'-play simplicity**

- **All gold-plated contacts**

- **Mechanically compatible with GateKeeper**

"No external controller" means you benefit from the latest advances in space-saving technology

Just when you thought you knew everything there was to know about infrared curtains, along comes an innovation like *GateKeeper EZ 24V*.

It comes standard with more protection than you need—up to 159 criss-cross detection beams—in a package so compact it defies logic.

And best of all, *GateKeeper EZ 24V* comes with a shorter-than-normal list of everything you need to plug it in and get it working: Color-coded connectors, mounting brackets and hardware...and that's all there is. If space is scarce and installation time a concern, then *GateKeeper EZ 24V* is the answer.

- **Simplest connections**
- **Fewest parts**
- **Simplest installation**



Technical Data

GateKeeper EZ 24V

| | |
|---------------------------|-------------------------------------------------------------------------------------------------------------------|
| Supply voltage | 10-30VDC |
| Output | VCC/GND 0.2A, Push-Pull NO/NC selectable |
| Response time | 25-120ms |
| Operating range | 0-3m (0-9.75 ft.) |
| Protection height | 1800mm (6 ft.) |
| Dimensions | 12mm x 16mm x 1860mm (0.5" x 0.6" x 6.1 ft.) |
| No. of elements | 33 |
| No. of beams | 159 (M159 model) 79 (M79 model) |
| Max. ambient light | >75,000 Lux |
| Enclosure rating | IP65 |
| Temperature range | -20°C to +65°C (-4°F to +149°F) |
| Connection | 4/2 wires with round plug; 5m cable (16 ft.) tested to 20,000,000 bending cycles Conforms to IEC 60227-2 |

GateKeeper EZ 24V—Reg. TM Adams Elevator Equipment Company

GATEKEEPER EZ 24V ORDERING INFORMATION

| Adams part no. | Description |
|------------------|---------------------------------------------------------|
| A850EZ159 | GateKeeper EZ 24V Unit, 7 ft. high, 159 detection beams |
| A850EZ79 | GateKeeper EZ 24V Unit, 7 ft. high, 79 detection beams |

GATEKEEPER EZ 24V COMPONENTS

| | |
|---------------------|-----------------------------------------------|
| A850G7EZ159R | GateKeeper EZ 24V Receiver for A850G7EZ24V |
| A850G7EZ159T | GateKeeper EZ 24V Transmitter for A850G7EZ24V |
| A850G7EZ79R | GateKeeper EZ 24V Receiver for A850G7EZ79 |
| A850G7EZ79T | GateKeeper EZ 24V Transmitter for A850G7EZ79 |
| A850G7EZ-HW | GateKeeper EZ 24V HARDWARE |
| A850G7EZ-RR1 | GateKeeper EZ 24V RECEIVER CABLE 16 FT |
| A850G7EZ-RT1 | GateKeeper EZ 24V TRANSMITTER CABLE 16 FT |
| A850G7EZ-RR2 | GateKeeper EZ 24V EXT CABLE 10' (7280C55H05) |

ADAMS GateKeeper® Infrared Elevator Door Protection Systems



| PRODUCT SELECTOR | Performance | | Input Power Flexibility | | Mounting Components | | | Special Functions | | | Adams Part # |
|------------------|----------------|---------------|-------------------------|--------------------------|---------------------|--------|----------------|-------------------------|----------------|----------------------|--------------|
| | Infrared Beams | Shield Height | 3D Detection | Universal 17-256 VAC/VDC | 110 VAC | 24 VDC | Vision Shields | Mounting Profile (Base) | Spacer Profile | Fire Recall Override | |

rev 06-05-09

GateKeeper Door Protection - 5 Year Warranty

| | | | | | | | | | | | | | |
|---------------------------------------------------------------|-----|---------|--------------------------|-------------------------------------|-------------------------------------|-------------------------------------|---|---|---|-------------------------------------|-------------------------------------|------------|--------------|
| GateKeeper MAX Premium Protection Kit | 154 | 7 feet | <input type="checkbox"/> | <input checked="" type="checkbox"/> | <input type="checkbox"/> | <input type="checkbox"/> | 2 | 1 | 2 | <input checked="" type="checkbox"/> | <input checked="" type="checkbox"/> | Relay | A850G7MAX |
| GateKeeper MAX Premium Protection Kit for openings to 10 feet | 154 | 10 feet | <input type="checkbox"/> | <input checked="" type="checkbox"/> | <input type="checkbox"/> | <input type="checkbox"/> | 2 | 1 | 2 | <input checked="" type="checkbox"/> | <input checked="" type="checkbox"/> | Relay | A850G10MAX |
| GateKeeper 2000 Premium Kit | 154 | 7 feet | <input type="checkbox"/> | <input checked="" type="checkbox"/> | <input type="checkbox"/> | <input type="checkbox"/> | 2 | 1 | 2 | <input type="checkbox"/> | <input type="checkbox"/> | Relay | A850G7 |
| GateKeeper 2000 Premium Kit for openings to 10 feet | 154 | 10 feet | <input type="checkbox"/> | <input checked="" type="checkbox"/> | <input type="checkbox"/> | <input type="checkbox"/> | 2 | 1 | 2 | <input type="checkbox"/> | <input type="checkbox"/> | Relay | A850G10 |
| GateKeeper EZ-159 Economy Kit with 110 VAC power | 159 | 7 feet | <input type="checkbox"/> | <input type="checkbox"/> | <input checked="" type="checkbox"/> | <input type="checkbox"/> | 2 | 2 | 0 | <input type="checkbox"/> | <input type="checkbox"/> | Relay | A850EZ159110 |
| GateKeeper EZ-159 Economy Kit with 24 VDC power | 159 | 7 feet | <input type="checkbox"/> | <input type="checkbox"/> | <input type="checkbox"/> | <input checked="" type="checkbox"/> | 2 | 2 | 0 | <input type="checkbox"/> | <input type="checkbox"/> | Transistor | A850EZ159 |
| GateKeeper EZ-79 Economy Kit with 110 VAC power | 79 | 7 feet | <input type="checkbox"/> | <input type="checkbox"/> | <input checked="" type="checkbox"/> | <input type="checkbox"/> | 2 | 2 | 0 | <input type="checkbox"/> | <input type="checkbox"/> | Relay | A850EZ79110 |
| GateKeeper EZ-79 Economy Kit with 24 VDC power | 79 | 7 feet | <input type="checkbox"/> | <input type="checkbox"/> | <input checked="" type="checkbox"/> | <input type="checkbox"/> | 2 | 2 | 0 | <input type="checkbox"/> | <input type="checkbox"/> | Transistor | A850EZ79 |
| GateKeeper EZ-79 Economy Kit Edges Only | 79 | 7 feet | <input type="checkbox"/> | <input type="checkbox"/> | <input type="checkbox"/> | <input checked="" type="checkbox"/> | 0 | 0 | 0 | <input type="checkbox"/> | <input type="checkbox"/> | Transistor | A850EZ79LT |

GateKeeper Door Protection Including 3D Coverage - 5 Year Warranty

| | | | | | | | | | | | | | |
|-------------------------------------------------------------|-----|--------|-------------------------------------|-------------------------------------|--------------------------|--------------------------|---|---|---|-------------------------------------|-------------------------------------|-------|-------------|
| GateKeeper MAX Premium Protection Kit with 3-D Sensing Beam | 155 | 7 feet | <input checked="" type="checkbox"/> | <input checked="" type="checkbox"/> | <input type="checkbox"/> | <input type="checkbox"/> | 2 | 1 | 2 | <input checked="" type="checkbox"/> | <input checked="" type="checkbox"/> | Relay | A850G7MAX3D |
| GateKeeper 2000 Premium Kit with 3-D Sensing Beam | 155 | 7 feet | <input checked="" type="checkbox"/> | <input checked="" type="checkbox"/> | <input type="checkbox"/> | <input type="checkbox"/> | 2 | 1 | 2 | <input type="checkbox"/> | <input type="checkbox"/> | Relay | A850G73D |
| GateKeeper EZ-159 Kit with 3-D Sensing Beam | 160 | 7 feet | <input checked="" type="checkbox"/> | <input checked="" type="checkbox"/> | <input type="checkbox"/> | <input type="checkbox"/> | 2 | 2 | 0 | <input type="checkbox"/> | <input type="checkbox"/> | Relay | A850EZ1593D |
| GateKeeper EZ-79 Kit with 3-D Sensing Beam | 80 | 7 feet | <input checked="" type="checkbox"/> | <input checked="" type="checkbox"/> | <input type="checkbox"/> | <input type="checkbox"/> | 2 | 2 | 0 | <input type="checkbox"/> | <input type="checkbox"/> | Relay | A850EZ793D |

Add GateKeeper 3D Coverage to Any Existing 2D System - 5 Year Warranty

| | | | | | | | | | | | | |
|---------------------------------------------------------------------------------------------------------------------------------------------------------------------------------------------------------------------------------------------|---|-----|-------------------------------------|-------------------------------------|--------------------------|--------------------------|---------------------------------------------------------------------------------------------------|--|--|-----|-------|-----------|
| NEW - GateKeeper Single 3-D Rectangular Sensing Beam Kit for Use with Any GateKeeper or Other Existing 2-D Light Curtain. Includes Intelligent Distance and Motion Detection, Intelligent "timeout" Feature, Automatic Door Fadeout. | 1 | N/A | <input checked="" type="checkbox"/> | <input checked="" type="checkbox"/> | <input type="checkbox"/> | <input type="checkbox"/> | Kit includes sensor, mounting kit, cable and switching power supply. Operating range is 3 meters. | | | N/A | Relay | A8503D100 |
| GateKeeper Single 3-D Conical Sensing Beam Kit for Use with Any GateKeeper or Other Existing 2-D light curtain kit | 1 | N/A | <input checked="" type="checkbox"/> | <input checked="" type="checkbox"/> | <input type="checkbox"/> | <input type="checkbox"/> | Kit includes sensor, mounting kit, cable and switching power supply. Operating range is 3 meters. | | | N/A | Relay | A8503D |

GateKeeper® 3D

easily retrofits to any existing mechanical or electrical system

Easy to Install

Retrofits to ANY and ALL door protection systems without removing the existing system – even electro-mechanical safety-edge applications. Other 3D products require removal of the existing door safety edge in order to obtain 3D functionality.

Intelligent Design

Distinguishes between static and moving objects in the 3D zone. This allows the system to override the static object's presence, enabling the door to close, thus avoiding delays.

Adjustable 3D Zone

Adjusts to aim in two dimensions. For center-opening applications, the ideal detection zone is directly in front of the door. However, for side-opening doors, the 3D sensor can also be adjusted left and right to aim the detection zone for the particular application.

GateKeeper 3D: Industry-Leading Technology and Design

- Detection zone constant and active until 50mm before door closure
- Easy upgrade of existing installations
- For static or dynamic applications
- Defined and adjustable 3D protection area
- Automatically detects type of door protection controls it is connected to during 'power-up', and automatically generates compatible output signal (for relay or semiconductor interface)



Complete with all mounting hardware necessary for either surface-mount or flush-mount installation on cab tansom.



The 3D sensor projects the invisible 'cone' of infrared light out onto the landing to detect people and objects approaching the elevator.

| GATEKEEPER 3D ORDERING INFORMATION | |
|------------------------------------|---------------------------------------------------|
| Adams part no. | Description |
| A8503D | GateKeeper 3D Sensor (includes mounting hardware) |

| Technical Data: GateKeeper 3D | |
|-------------------------------|----------------------------------------------------------------------------------------------|
| Power Supply Voltage | 20 - 265 VAC/DC use "Greenfield Fittings" with voltage above 42 volts |
| Current Consumption | 250 mA @ 24 VDC, 60 mA @ 240 VAC |
| Output Relay* | NC and NO selectable <i>*If switching high voltage DC, use pilot relay (not included)</i> |
| Plug Type | Four WAGO for user interface |
| Enclosure Rating | IP45 |
| 3D Sensor | Diffuse reflective sensor with intelligent data processing |
| Operating Range | Approx. 2 ft. – 13 ft. |
| Active Area (adjustable) | Spot of approx. 12" dia. @ 7 ft. |
| Connection Cable | 10 ft. |
| Bypass Switch | Bi-stable magnetic reed switch |
| Operating Range | 0.04" – 1.15" |
| Connection Cable | 10 ft. |

GateKeeper 3D – TM Adams Elevator Equipment Company
Designed and manufactured by Cedes Corp

NEW



GateKeeper® 3D 100

The GateKeeper 3D 100 sensor is used to enhance elevator door protection systems by providing sensor detection in front of the elevator cab entrance.

It is used with existing two-dimensional (2D) elevator door protection systems such as light curtains, single-beam sensors or mechanical edges to provide three-dimensional (3D) protection. The GateKeeper 3D 100 can be used for new elevator installations or for modernization of existing elevator systems.

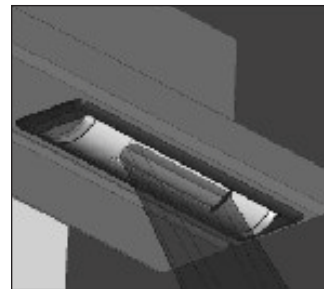
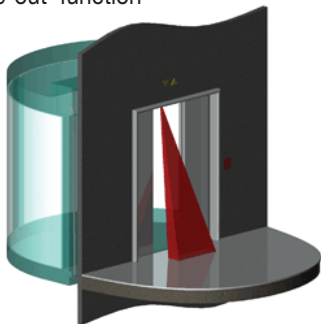
By using "Time of Flight" (TOF) technology, the GateKeeper 3D 100 sensor can detect the difference between a person or object approaching the elevator cab and a stationary person or object in the elevator cab entrance area.

The sensor's compact, low profile housing is optimized for difficult mounting locations, including narrow elevator cab transoms.

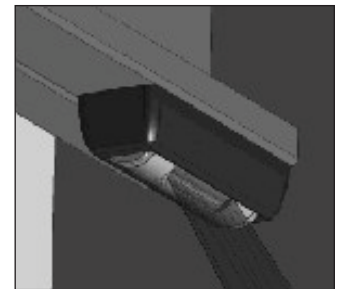
- Personal elevators
- Freight elevators
- Hospital elevators

Features

- automatic door recognition and self-calibration
- distance / movement data ensures reliable operation
- very easy installation & integration
- compact design for flush or surface mounting
- intelligent 'Time-out' function



Flush mounting details



Surface mounting details

Technical Data 3D Sensor

Application

| | |
|------------------------------|---------------------|
| Operating Range | 20" to 118" |
| Active area at 2 m distance | 8" x 35" |
| Number of pixels | 768 (8 x 96) |
| Wave length | 840 nm |
| Relative distance resolution | 2" (8" above floor) |

Connection Cable

| | |
|----------------------|------------|
| Cable type and color | PVC, black |
| Cable length | 20" |
| Connection cable | 110" |
| Connecting plug | M8 |

4 Wires

| | |
|-------|--------------------------------------|
| Brown | +10... 30VDC |
| Blue | GND (0 V) |
| Black | Output, PNP |
| White | Time-out selector (18 s or infinity) |

Electrical

| | |
|--------------------------------|--------------------------------|
| Supply Voltage Usp | +10... 30VDC (typ. 24VDC) |
| Ripple at supply voltage | 10% |
| Current consumption (at 24V) | <200 mA |
| Resistive load | 50mA |
| Capacitive load | 100 nF |
| Output type | 1 x PNP |
| Output logic | Low = object, high = no object |
| Optical illumination LED power | <0.5 W |
| Indication LED (status) | Red (object detected = on) |
| Response time | Typ. < 200 ms |
| Recalibration time | < 200 ms |

Mechanical

| | |
|------------------------------|-----------------------------------|
| Dimensions (w x h x d) in mm | 4" x 1" x 0.9" |
| Mechanical adjustment range | + or - 30° (continuously) |
| Enclosure rating | IP54 |
| Temperature rating | -4° ... 140° F (-20° ... + 60° C) |
| Housing material | Aluminum, Polycarbonate |

GATEKEEPER 3D 100 ORDERING INFORMATION

| Adams part no. | Description |
|----------------|----------------|
| A8503D100 | 3D Door Sensor |

110 VAC ("HARDWIRED") PHONES



| Part no. | Description |
|-----------------|------------------------------------------------------------------------------------------------------------------------------------------|
| A936P2 | Mounts in telephone cabinet; 8 ¹ / ₈ " H x 5 ¹ / ₈ " W x 2 ¹ / ₁₆ " D. |
| A936P3-1 | Mounts behind COP. 8 ¹ / ₈ " H x 5 ¹ / ₈ " W x 2 ³ / ₄ " D. |
| A936P3-2 | Mounts behind COP. 8 ¹ / ₈ " H x 4 ¹ / ₂ " W x 1 ³ / ₄ " D. |

PHONE CABINETS



A930A, hinged left*

Need a cabinet for the A936P2 or A940P2 emergency phones shown at left? Mounts left or right.

- Order A930A for stainless
- Order A930B for bronze.

**To mount for right opening, turn unit upside down and invert phone handle*

- Order A930-05 for Faceplate only – Stainless Steel

Dimensions

Faceplate: 12¹/₂" H x 9³/₄" W
 Electrical Box: 11" H x 8³/₄" W x 3¹/₂" deep

TELEPHONE-LINE-POWERED PHONES

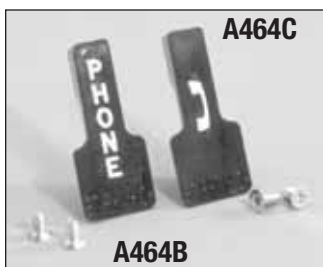


| Part no. | Description |
|----------------|-------------------------------------------------------------------------------------------------------------------------------------------------------|
| A940P2 | Mounts in telephone cabinet. Phone dims. 8 ³ / ₁₆ " H x 4 ⁵ / ₈ " W x 2 ¹ / ₁₆ " D. |
| A940P3 | Mounts behind COP. 6 ¹ / ₈ " H x 4 ¹ / ₂ " W x 1 ³ / ₄ " D; ADAMS mtg. plate. |
| A940P4 | Mounts behind COP. 6 ¹ / ₈ " H x 4 ¹ / ₂ " W x 1 ³ / ₄ " D; EMS mtg. plate. |
| A940P5 | Mounts behind COP. 6 ¹ / ₈ " H x 4 ¹ / ₂ " W x 1 ³ / ₄ " D; TRE mtg. plate. |
| A940PSS | Flush mount; St. Steel Plate 10 ¹ / ₂ " H x 6 ¹ / ₂ " W |
| A940PSL | Flush mount; St. Steel Plate 13 ³ / ₄ " H x 10" W |
| A940PSM | Surface mount; St. Steel Plate 9 ¹ / ₂ " H x 5 ¹ / ₁₆ " W x 1 ³ / ₈ " D |

HINGED PLATE ASSEMBLIES

PHA0800: 6²⁷/₆₄" x 8⁷/₈"
 PHA0900: 8¹/₄" x 8⁷/₈"
 PHA1000: 8⁷/₈" x 8⁷/₈"

PHONE HANDLES



NY-949-A1



694B632G01



9846396

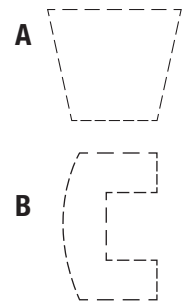


3-40089-63



9846384

SHAPE



Choose from two styles of phone handles. Made from high-impact plastic; includes mounting screws. Black handle with white imprint.

A464B. Black phone handle with white word "PHONE."

A464C. Black phone handle with white telephone symbol.

| Part no | Legend | Shape | Dimensions | Mounting Locations | Fasteners Provided |
|-------------------|--------------|-------|-----------------------------|----------------------------|--------------------|
| NY-949-A1 | (None) | A | 2" L x 1/2" W x 1/2" T | 1/4", 3/4", 1 1/4", 1 3/4" | 2 screws |
| 694B632G01 | (phone icon) | A | 2 1/2" L x 7/16" W x 1/2" T | 1/4", 1 1/4", 2 1/4" | none |
| 9846396 | "PHONE" | A | 2 3/16" L x 5/8" W x 1/2" T | 5/8", 1 1/2" | 2 screws |
| 3-40089-63 | "PHONE" | A | 2" L x 1/2" W x 1/2" T | 1/4", 3/4", 1 1/4", 1 3/4" | 2 screws |
| 9846384 | (None) | B | 1 1/2" L x 3/8" W x 1/8" T | 3 3/8" L studs on backs | 3 Tinnerman Clips |

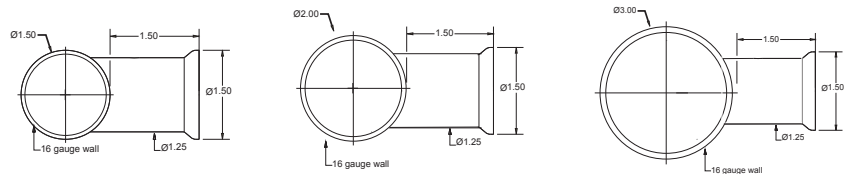
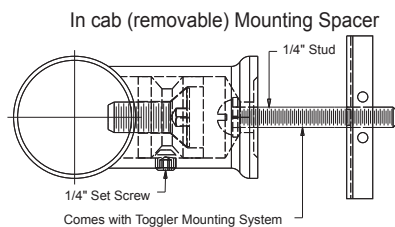
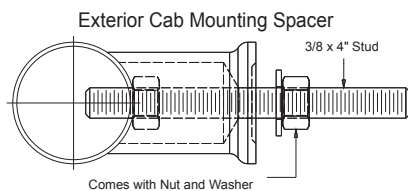
ROUND HANDRAILS

STAINLESS • BRONZE • BRASS



Code Compliant: Meets ADA accessibility requirements with our universal 1 1/2" diameter handrails. The highest quality of precision CNC machined components and dedication to customer satisfaction make this product a proven winner every time. Manufactured directly from your measurements and specifications provided on our easy-to-use worksheet, our accuracy matches your measurements and your standards.

Options & Features



Optional End Styles



ROUND HANDRAIL ORDERING INFORMATION

| Part # | Diameter & Description | Part # | Diameter & Description |
|------------|------------------------------------|------------|-----------------------------------|
| AHR1500S | 1.5" dia. stainless #4 brushed | AHR2000S | 2" dia. stainless #4 brushed |
| AHR1500SP | 1.5" dia. stainless #8 polished | AHR2000SP | 2" dia. stainless #8 polished |
| AHR1500YB | 1.5" dia. yellow brass #4 brushed | AHR2000YB | 2" dia. yellow brass #4 brushed |
| AHR1500YBP | 1.5" dia. yellow brass #8 polished | AHR2000YBP | 2" dia. yellow brass #8 polished |
| AHR1500B | 1.5" dia. bronze #4 brushed | AHR2000B | 2" dia. bronze #4 brushed |
| AHR1500BP | 1.5" dia. bronze #8 polished | AHR2000BP | 2" dia. bronze #8 polished |
| AHR1500C | 1.5" dia. copper #4 brushed | AHR2000C | 2" dia. copper #4 brushed |
| AHR1500CP | 1.5" dia. copper #8 polished | AHR2000CP | 2" dia. copper #8 polished |
| AHR1500DX | 1.5" dia. s/s diamond-tex | AHR3000S | 3" dia. stainless #4 brushed only |



Elevator
Equipment
Company

ROUND

Handrail Diameter & Part no.

- ___ 1.5" Diameter AHR1500-()
- ___ 2" Diameter AHR2000-()
- ___ 3" Diameter AHR3000S

Finish

- ___ **Stainless Steel**.....(S) (SP)
 - ___ **Bronze** (#385 alloy).....(B) (BP)
 - ___ **Yellow Brass** (#260 alloy)...(YB) (YBP)
 - ___ **Copper**.....(CB) (CP)
- Additional charges apply *

Indicate Preference
Brushed Polished*

Custom Options

- ___ Bent End(s) AHRBE
- ___ Bullet (Rounded) End(s) AHRBC
- ___ Specialty Spacer Designs (by quotation)

Handrail Spacer Type

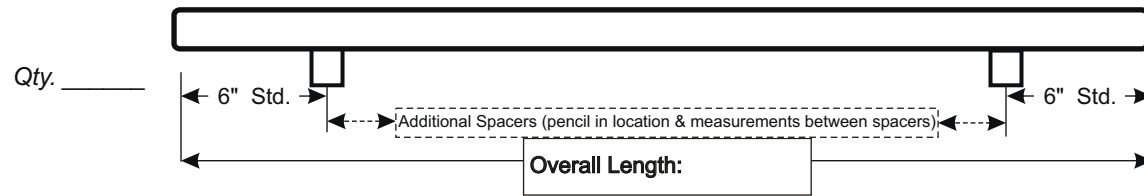
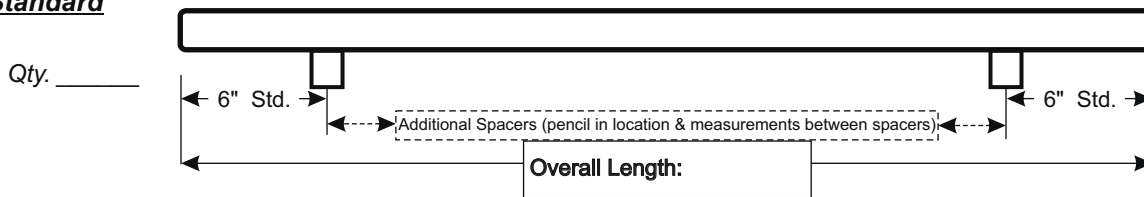
- ___ Exterior Cab Mounting Spacer
- ___ In Cab (Removable) Mounting Spacer

Architectural Finishes

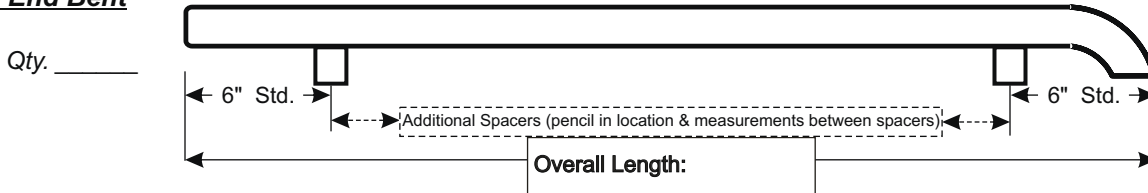
- ___ S/S Diamond-Tex (7-GM) AHR1500DX
 - ___ Knurled cross-cut (applied) AHRKF
- shade area(s) on drawing to be knurled

Handrail Worksheet

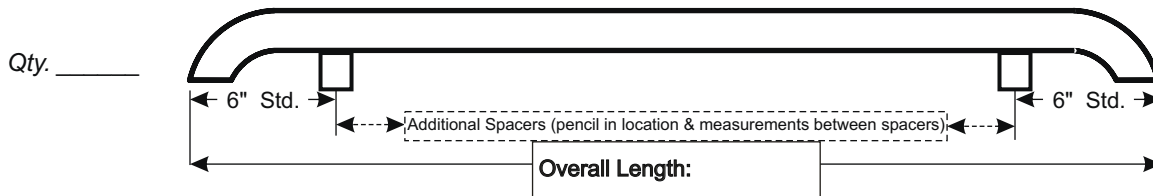
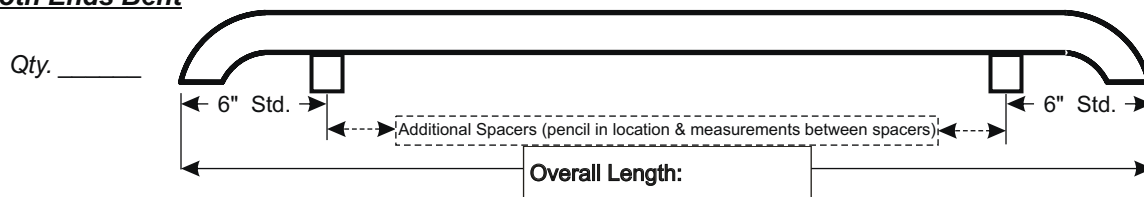
Standard



1 End Bent



Both Ends Bent



Please Photocopy and Fill in Specifications

Company: _____

SHIP TO ADDRESS: _____

Job Name: _____

Adams' Order # (SAP): _____ P.O.#: _____

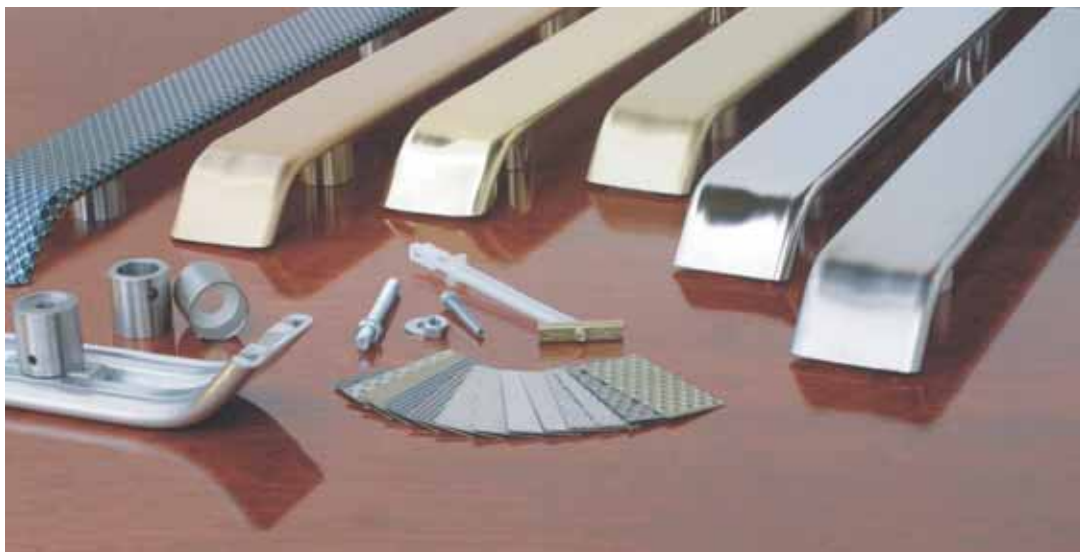
Notes: _____

Contact Name: _____ **Phone #** () _____ - _____ **Fax #** () _____ - _____



3" EXTRUDED FLAT HANDRAILS

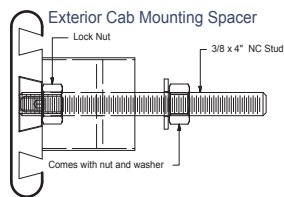
STAINLESS • BRONZE • BRASS CLAD



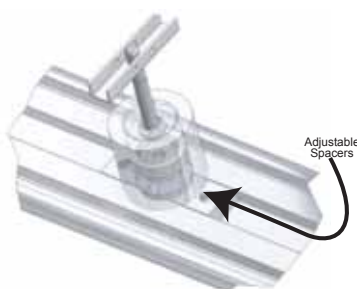
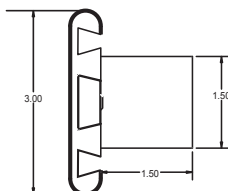
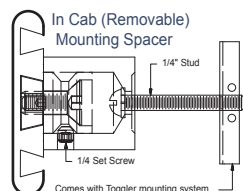
Revolutionary Design: The core of this handrail is channeled aluminum extrusion with a full radius on the edges. Using extreme pressure, the 3" wide extrusion is tightly roll formed and clad with a minimum .024" thick sheet metal in the finish of your choice. The channeled aluminum extrusion design of these handrails allows for easily adjustable spacer locations that can be slid along the length of the handrail and locked into place. No more worrying about exact spacer locations or hole locations in the cab wall, just the over-all length and quantity of spacers (stand-offs) required. Manufactured directly from your measurements and specifications on our easy-to use worksheet, our accuracy matches your measurements and your standards.

Options & Features

Standard Bent End



Comes with Toggle Mounting System



3" EXTRUDED FLAT HANDRAIL ORDERING INFORMATION

| Extruded Flat | |
|------------------------|-------------------------------------|
| Part # | Description |
| AHE 3000S | Stainless Clad #4 -Brushed |
| AHE 3000SP | Stainless Clad #8 -Polished |
| AHE 3000YB | Yellow Brass/Steel Clad #4 -Brushed |
| AHE 3000YBP | Yellow Brass Clad #8 -Polished |
| AHE 3000B | Bronze/Steel Clad #4 -Brushed |
| Architectural Finishes | |
| AHE 3000DX | DIAMOND TEX (7-GM) textured finish |
| AHE 3000LX | LINEN embossed finish |
| AHE 3000XX | CHECKS embossed finish |
| AHE 3000RX | RIPPLE (5-SM) textured finish |
| AHE 3000HX | LEATHERGRAIN textured finish |
| AHE 3000CX | CAMBRIDGE textured finish |
| AHE 3000CG | PINSTRIP (GOLD) colortex finish |
| AHE 3000CB | PINSTRIP (BLUE) colortex finish |
| AHE 3000CK | PINSTRIP (BLACK) colortex finish |
| AHE 3000GX | GOOSEBUMP (6-OM) textured finish |
| AHE 3000GG | PEARL (GOLD) colortex finish |
| AHE 3000GB | PEARL (BLUE) colortex finish |
| AHE 3000GK | PEARL (BLACK) colortex finish |



Elevator
Equipment
Company

EXTRUDED FLAT 3"

Architectural - cladding

- Diamond-Tex** (7-GM S/S textured finish)
- Linen** (S/S embossed finish)
- Checks** (S/S embossed finish)
- Ripple** (5-SM S/S textured finish)
- Leathergrain** (S/S textured finish)
- Cambridge** (S/S textured finish)
- Pinstripe (Gold)** (S/Scolortex finish)
- Pinstripe (Blue)** (S/Scolortex finish)
- Pinstripe (Black)** (S/Scolortex finish)
- Goosebump** (6-OM S/S textured finish)
- Pearl (Gold)** (S/S colortex finish)
- Pearl (Blue)** (S/S colortex finish)
- Pearl (Black)** (S/S colortex finish)

Part no.

- AHE3000DX
- AHE3000LX
- AHE3000XX
- AHE3000RX
- AHE3000HX
- AHE3000CX
- AHE3000CG
- AHE3000CB
- AHE3000CK
- AHE3000GX
- AHE3000GG
- AHE3000GB
- AHE3000GK

Std. Handrail Finish - cladding

- Stainless Steel** (#4 Brushed)
- Stainless Steel** (#8 Polished)
- Yellow Brass** plated steel (#4 Brushed)
- Yellow Brass** plated steel (#8 Polished)
- Bronze** plated steel (#4 Brushed Red Brass)

Part no.

- AHE3000S
- AHE3000SP
- AHE3000YB
- AHE3000YBP
- AHE3000B

Handrail Spacer Type

- (Please note all spacer locations are adjustable)
- Exterior Cab Mounting Spacer
 - In Cab (Removable) Mounting Spacer

Handrail Worksheet

| | | |
|------------|---------------------------------------------------------------------------------------------------------------------------------------|--|
| Qty. _____ | <p>Total # of Spacers _____ required per rail</p> <p>Overall Length: <input style="width: 150px; height: 20px;" type="text"/></p> | |
| Qty. _____ | <p>Total # of Spacers _____ required per rail</p> <p>Overall Length: <input style="width: 150px; height: 20px;" type="text"/></p> | |
| Qty. _____ | <p>Total # of Spacers _____ required per rail</p> <p>Overall Length: <input style="width: 150px; height: 20px;" type="text"/></p> | |
| Qty. _____ | <p>Total # of Spacers _____ required per rail</p> <p>Overall Length: <input style="width: 150px; height: 20px;" type="text"/></p> | |
| Qty. _____ | <p>Total # of Spacers _____ required per rail</p> <p>Overall Length: <input style="width: 150px; height: 20px;" type="text"/></p> | |



Please Photocopy and Fill in Specifications

Company: _____

SHIP TO ADDRESS: _____

Job Name: _____

Adams' Order # (SAP): _____ P.O.#: _____

Notes: _____

Contact Name: _____

Phone # (____) _____ - _____

Fax # (____) _____ - _____



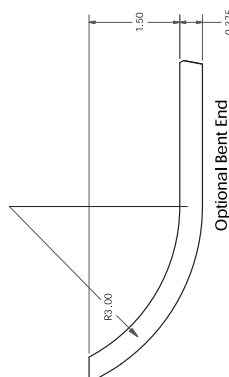
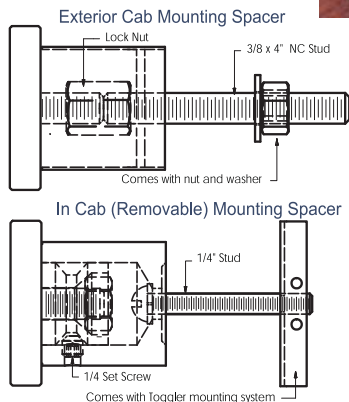
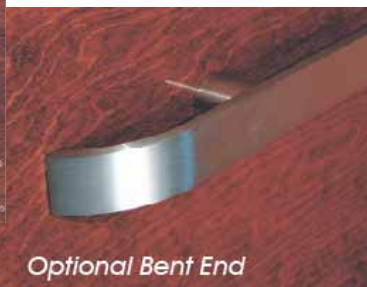
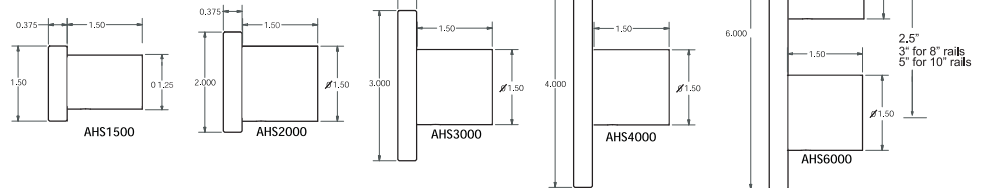
SOLID FLAT BAR HANDRAILS

STAINLESS • BRONZE • BRASS



Heavy-duty Design: Rugged solid flat bar handrails can withstand the daily use and abuse of any passenger or freight elevator. This line of handrails takes full advantage of our standard CNC precise-machined components. The result is another durable handrail product line manufactured directly from you measurements and specifications on our easy-to-use worksheet. Our accuracy matches your measurements and your standards.

Options & Features



| SOLID FLAT BAR HANDRAIL ORDERING INFORMATION | |
|----------------------------------------------|-------------------------------------|
| 1 1/2" width | |
| Part # | Description |
| AHS1500S | Solid flat stainless #4 brushed |
| AHS1500SP | Solid flat stainless #8 polished |
| AHS1500YB | Solid flat yellow brass #4 brushed |
| AHS1500YBP | Solid flat yellow brass #8 polished |
| AHS1500B | Solid flat bronze #4 brushed |
| AHS1500BP | Solid flat bronze #8 polished |
| 2" width | |
| AHS2000S | Solid flat stainless #4 brushed |
| AHS2000SP | Solid flat stainless #8 polished |
| AHS2000YB | Solid flat yellow brass #4 brushed |
| AHS2000YBP | Solid flat yellow brass #8 polished |
| AHS2000B | Solid flat bronze #4 brushed |
| AHS2000BP | Solid flat bronze #8 polished |
| 3" width | |
| AHS3000S | Solid flat stainless #4 brushed |
| AHS3000SP | Solid flat stainless #8 polished |
| AHS3000YB | Solid flat yellow brass #4 brushed |
| AHS3000YBP | Solid flat yellow brass #8 polished |
| AHS3000B | Solid flat bronze #4 brushed |
| AHS3000BP | Solid flat bronze #8 polished |
| 4" width & 6" width | |
| AHS4000S / AHS6000S | Solid flat stainless #4 brushed |
| AHS4000YB / AHS6000YB | Solid flat yellow brass #4 brushed |
| AHS4000B / AHS6000B | Solid flat bronze #4 brushed |
| 8" width & 10" width | |
| AHS8000S / AHS10000S | Solid flat stainless #4 brushed |



Elevator
Equipment
Company

SOLID FLAT BAR

Handrail Sizes & Part no.

- ____.375" x 1.5" AHS1500-()
- ____.375" x 2.0" AHS2000-()
- ____.375" x 3.0" AHS3000-()
- ____.375" x 4.0" AHS4000-()
- ____.375" x 6.0" AHS6000-()
- ____.375" x 8.0" AHS8000-S
- ____.375" x 10.0" AHS10000-S

Finish

- ____ **Stainless Steel**.....(S) (SP)
- ____ **Bronze** (#385 alloy).....(B) (BP)
- ____ **Yellow Brass** (#260 alloy)...(YB) (YBP)

* Copper and other alloys available by special order.

Additional charges apply *

Indicate Preference
Brushed Polished*

Options

- ____ Bent End(s) AHSBE
- ____ Straight ends (standard)
- ____ Specialty Spacer Designs
(by quotation)

ECONO-RAIL

(Hollow S/S flat tube - NOT SOLID)
____.375" x 2.0" AHT200S

Handrail Spacer Type

- ____ Exterior Cab Mounting Spacer
- ____ In Cab (Removable) Mounting Spacer

Qty. _____

Qty. _____

Qty. _____

Qty. _____

Qty. _____

Qty. _____

Handrail Worksheet

Please Photocopy and Fill in Specifications

Company: _____ SHIP TO ADDRESS: _____

Job Name: _____

Adams' Order # (SAP): _____ P.O.#: _____

Notes: _____

Contact Name: _____ **Phone #** (____) ____ - _____ **Fax #** (____) ____ - _____

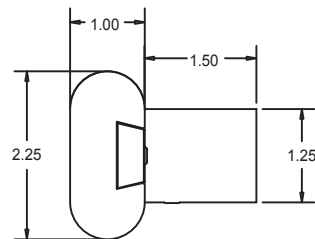
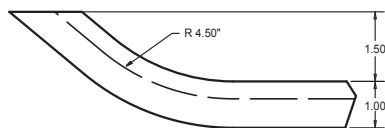


STONE GRIP SOLID SURFACE HANDRAILS

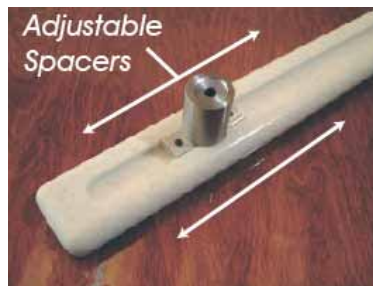
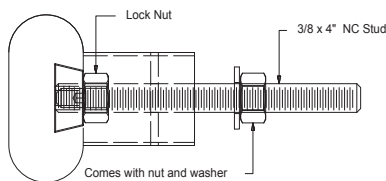


Designer Series: Constructed from Solid Surface, (mineral-filled acrylic polymer) materials, in a variety of sandstone colors. The one piece channeled design of these handrails allows for easily adjustable spacer locations that can be slid along the length of the handrail and locked into place. Manufactured directly from your measurements and specifications on our easy-to-use worksheet, our accuracy matches your measurements and your standards. Meets ADA requirements.

Options & Features



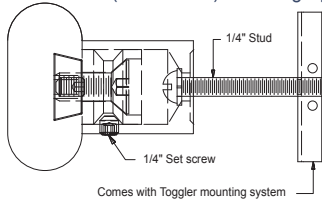
Exterior Cab Mounting Spacer



Optional Bent End



In Cab (Removable) Mounting Spacer



STONEGRIP SOLID SURFACE HANDRAIL ORDERING INFORMATION

2 1/4" diameter

| Part # | Description |
|-----------|------------------------------------------------|
| AHG2250AB | AMBER light tan & salt & pepper sandstone |
| AHG2250BR | NUTMEG med. brown with salt & pepper sandstone |
| AHG2250SL | SLATE light grey with salt & pepper sandstone |
| AHG2250SN | SNOW white with salt & pepper sandstone |
| AHG2250SP | SPRUCE jade green with salt & pepper sandstone |
| AHG2250BK | ONYX black with salt & pepper sandstone |



Elevator
Equipment
Company

StoneGrip SOLID SURFACE

Handrail Color

- AMBER - light tan with salt & pepper sandstone colors
- NUTMEG - med. brown with salt & pepper sandstone colors
- SLATE - light grey with salt & pepper sandstone colors
- SNOW - white with salt & pepper sandstone colors
- SPRUCE - jade green with salt & pepper sandstone colors
- ONYX - black with salt & pepper sandstone colors

Part no.

- AHG2250AB
- AHG2250BR
- AHG2250SL
- AHG2250SN
- AHG2250SP
- AHG2250BK

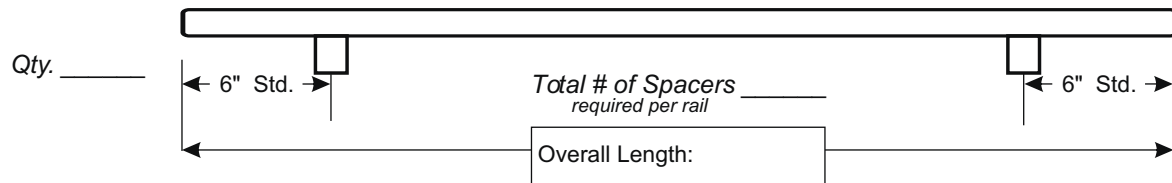
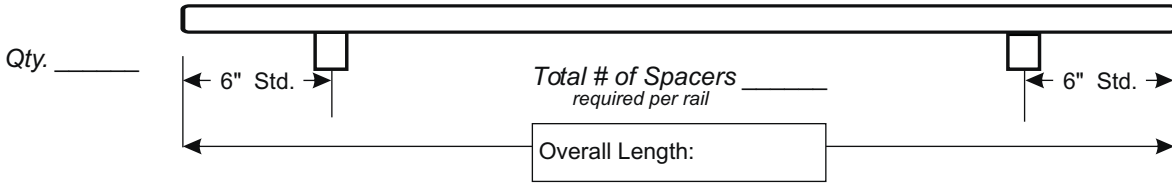
Handrail Spacer Type

- Exterior Cab Mounting Spacer
- In Cab (Removable) Mounting Spacer

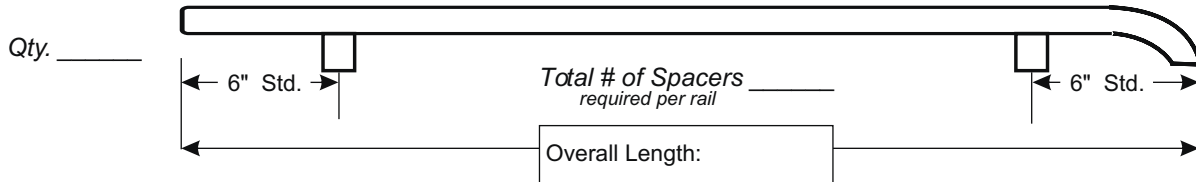
Spacer Finish

- | | | |
|---------------------------------------------------------|----------------------------|--------------------------|
| | <i>Indicate Preference</i> | |
| | Brushed | Polished* |
| <input type="checkbox"/> Stainless Steel..... | <input type="checkbox"/> | <input type="checkbox"/> |
| <input type="checkbox"/> Yellow Brass (#260 alloy)..... | <input type="checkbox"/> | <input type="checkbox"/> |
- Additional charges apply *

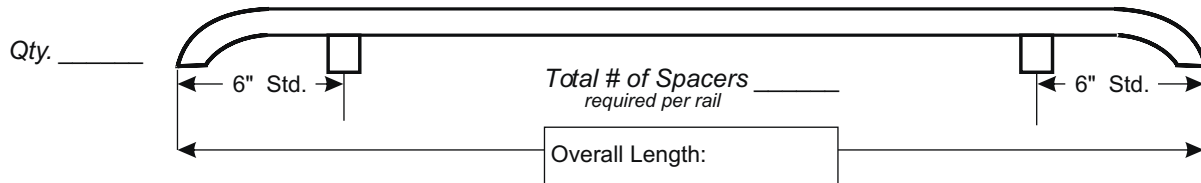
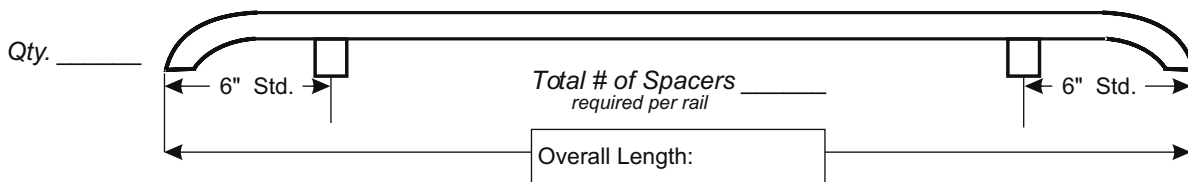
Standard



1 End Bent



Both Ends Bent



Handrail Worksheet

Please Photocopy and Fill in Specifications

Company: _____

SHIP TO ADDRESS: _____

Job Name: _____

Adams' Order # (SAP): _____ P.O.#: _____

Notes: _____

Contact Name: _____ **Phone #** (____) ____ - ____ **Fax #** (____) ____ - ____



CONTINUOUS HANDRAILS ROUND



Round Handrail

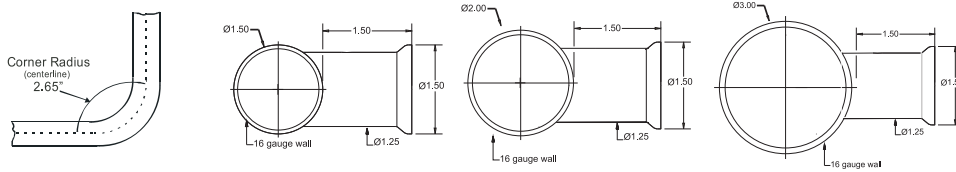


Optional Bullet End

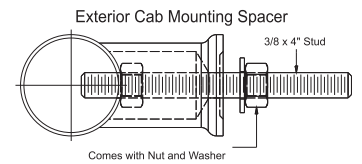


Optional Bent End

Options & Features

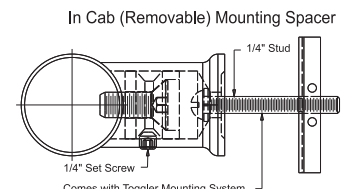


| CONTINUOUS ROUND HANDRAIL ORDERING INFORMATION | | | |
|------------------------------------------------|------------------|------------------|---------------------------|
| Part # - 1.5" dia | Part # - 2" dia. | Part # - 3" dia. | Description |
| AHCR1500S | AHCR2000S | AHCR3000S | Stainless #4 - brushed |
| AHCR1500YB | AHCR2000YB | | Yellow brass #4 - brushed |
| AHCR1500B | AHCR2000B | | Bronze #4 - brushed |



Exterior Cab Mounting Spacer

Comes with Nut and Washer



In Cab (Removable) Mounting Spacer

Comes with Toggle Mounting System

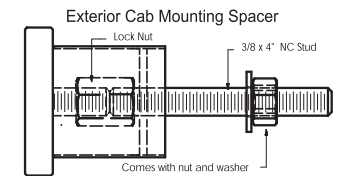
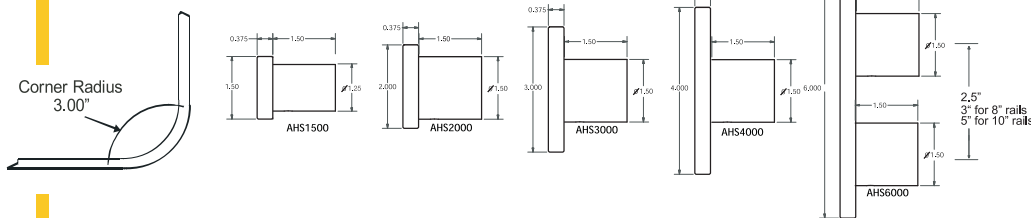
CONTINUOUS HANDRAILS SOLID FLAT BAR



Solid Flat Bar Handrail

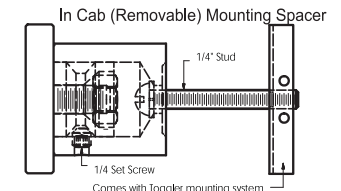


Options & Features



Exterior Cab Mounting Spacer

Comes with nut and washer



In Cab (Removable) Mounting Spacer

Comes with Toggle mounting system

| CONTINUOUS SOLID FLAT BAR HANDRAIL ORDERING INFORMATION | | | | | |
|---------------------------------------------------------|-------------------|-------------------|-------------------|-------------------|--------------------------------------|
| Part # - 1.5" width | Part # - 2" width | Part # - 3" width | Part # - 4" width | Part # - 6" width | Description |
| AHCS1500S | AHCS2000S | AHCS3000S | AHCS4000S | AHCS6000S | Solid flat stainless #4 - brushed |
| AHCS1500YB | AHCS2000YB | AHCS3000YB | AHCS4000YB | AHCS6000YB | Solid flat yellow brass #4 - brushed |
| AHCS1500B | AHCS2000B | AHCS3000B | AHCS4000B | AHCS6000B | Solid flat bronze #4 - brushed |



Elevator
Equipment
Company

CONTINUOUS Solid Flat Bar/Round Rail

Solid Flat Bar

Handrail Sizes & Part no.

- ____.375" x 1.5" AHCS1500-()
- ____.375" x 2.0" AHCS2000-()
- ____.375" x 3.0" AHCS3000-()
- ____.375" x 4.0" AHCS4000-()
- ____.375" x 6.0" AHCS6000-()

Round Rail

Handrail Diameter & Part no.

- ____ 1.5" Diameter AHCR1500-()
- ____ 2" Diameter AHCR2000-()
- ____ 3" Diameter AHCR3000(S)

Finish

- ____ Stainless Steel.....(S) (SP)
 - ____ Bronze (#385 alloy).....(B) (BP)
 - ____ Yellow Brass (#260 alloy)...(YB) (YBP)
- Additional charges apply *

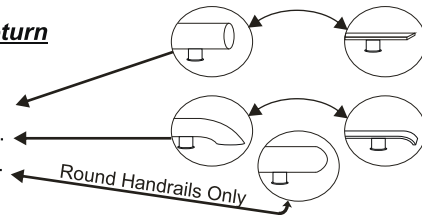
Indicate Preference
Brushed Polished*

Round Flat

Sidewall Return



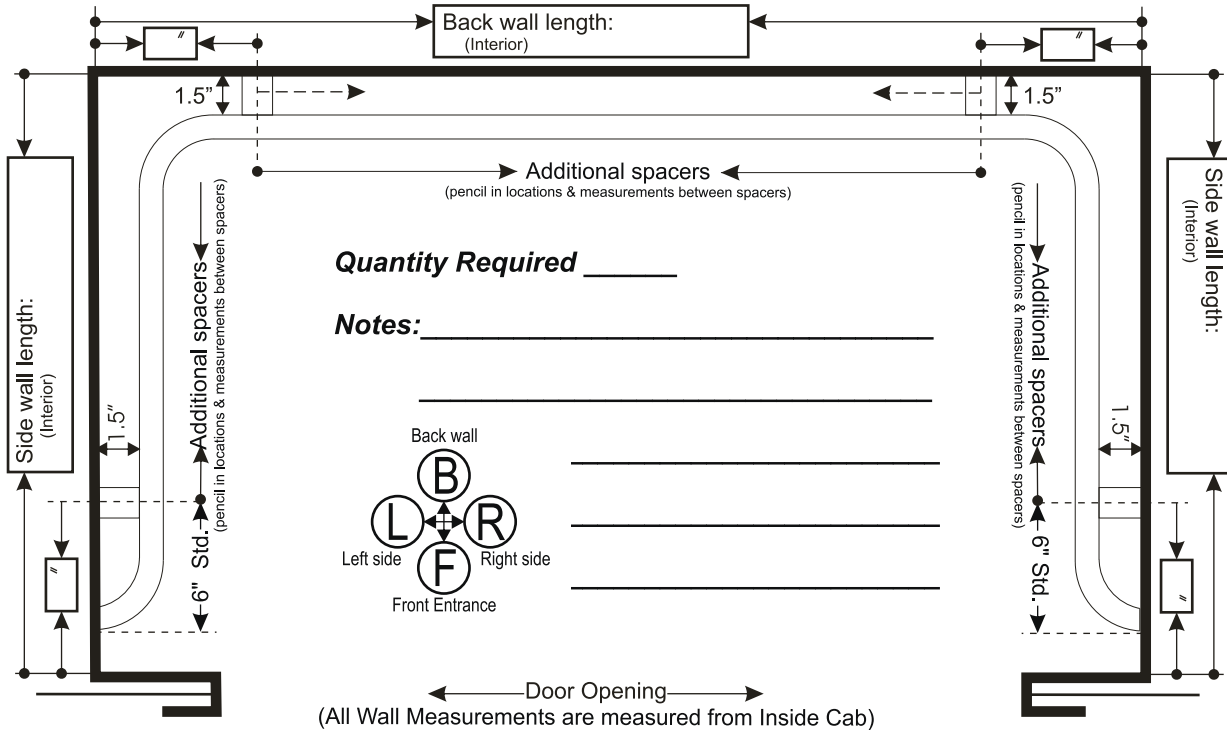
-Straight.....
-Bent.....
-Bullet.....



Handrail Spacer Type

- ____ Exterior Cab Mounting Spacer
- ____ In Cab (Removable) Mounting Spacer

CAUTION - Accurate & Proper measurements are YOUR Responsibility - TAKE CARE



Handrail Worksheet



Please Photocopy and
Fill in Specifications

Company: _____

SHIP TO ADDRESS: _____

Job Name: _____

Adams' Order # (SAP): _____ P.O.#: _____

Notes: _____

Contact Name: _____ Phone # () _____ - _____
 Fax # () _____ - _____





Elevator
Equipment
Company

OVAL

| | | | | |
|------------------------------------------------------------------------------------------------------------------|------------------------------------------------------------------------------------------------------------------------------------------------------------------------------------------------------------------------------------------------------|--------------------------------------------------------------------------|-------------------------------------------------------------------------------------------------------|-----------------------------------------|
| Vertical Mount AHVBE Bend shown for vertical mount Check to order <input type="checkbox"/> * | Exterior cab mounting Check to order <input type="checkbox"/> | In-cab removable mounting Check to order <input type="checkbox"/> | 1.9" x 1" Oval. 16ga. Wall. Stainless steel #4 brushed Check to order <input type="checkbox"/> | Vertical Mount AHV1900S |
| | Installation: Choose between the exterior cab mounting spacer assembly (using the 3/8" stud) or the in-cab (removable) spacer assembly (with the specialized 1/4" Toggler mounting), which allows for installation from within the elevator car cab. | | Check to order <input type="checkbox"/> | |
| Horizontal Mount Check to order <input type="checkbox"/> * Bend shown for horizontal mount AHHBE | Exterior cab mounting Check to order <input type="checkbox"/> | In-cab removable mounting Check to order <input type="checkbox"/> | 1.9" x 1" Oval. 16ga. Wall. Stainless steel #4 brushed Check to order <input type="checkbox"/> | Horizontal Mount AHH1900S |

Handrail Worksheet

Please Photocopy and Fill in Specifications

Standard

Qty. _____

Overall Length: _____

1 End Bent

Qty. _____

Overall Length: _____

Both Ends Bent

Qty. _____

Overall Length: _____

*Inquire regarding availability of bent ends.

Company: _____ SHIP TO ADDRESS: _____

Job Name: _____

Adams' Order # (SAP): _____ P.O.#: _____

Notes: _____

Contact Name: _____ Phone # (____) ____-____

Fax # (____) ____-____





HatchLatch® prevents life-threatening accidents by keeping elevator doors locked between landing zones



HatchLatch lets you relax with the knowledge that even a rambunctious boy will be contained safely inside a stalled cab until help arrives

**Meets
A17.1 1996 Code
(and later) for Door
Restrictors**

HATCHLATCH KEEPS PASSENGERS SAFELY INSIDE THE CAB IN THE EVENT OF A STALL OR BREAKDOWN

Why door restrictors? Because they can...

- **PREVENT LIFE-THREATING ACCIDENTS**

By restricting doors from being opened manually outside the leveling (landing) zone, *HatchLatch* makes it impossible for passengers to leave the cab.

Some of the most devastating accidents occur when riders pry open the door(s) of a stalled elevator and try to jump or lower themselves to the landing below. The margin for error is small... and even the slightest misstep can send a reckless passenger hurtling to the bottom of the hatchway.

- **REDUCE YOUR LIABILITY**

Our legal system recognizes that hatchway accidents are preventable with a device like *HatchLatch*. Offer it to your customers, and you will have met your legal obligation to provide the highest duty of care as prescribed by law. Install *HatchLatch*, and your customer will have met his.

**4-HOUR
BATTERY BACK-UP**

KEY FEATURES & BENEFITS

- The power supply with 4-hour battery back-up has plunger-sensing circuitry that alerts the mechanic when *HatchLatch* is disabled. That's four times longer than required.
- We've lengthened the photoeye cable to nine feet.
- You get 2"-wide reflector tape (not 1") plus a dust washer and handy connectors.
- HatchLatch is patented and CSA approved.
- HatchLatch works with any door operator.

New and Enhanced HatchLatch®

Locks the Door on Unsafe Elevator Cab Openings

HatchLatch® comes standard with all the material you need to protect one elevator up to five floors. To protect more than 5 floors, order additional reflective tape (see table below).

Here's how it works:

Reflective Tape

You position pieces of reflective tape in the hatchway inside the landing zone and on the door operator.

First Photoeye

When the first of the two HatchLatch® photoeyes “sees” the tape in the hoistway, it senses that the elevator is inside the landing zone.

Second Photoeye

When the second HatchLatch® photoeye “sees” the tape on the door operator, it picks up a solenoid-controlled plunger.

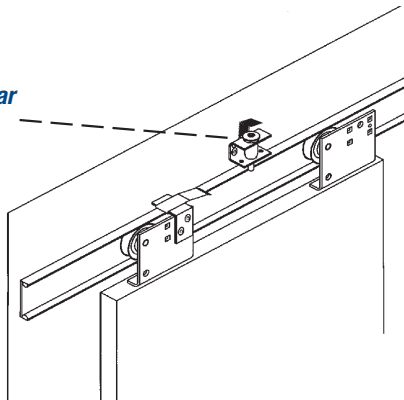
Plunger

The plunger rises out of the way, clearing the door roller or blocking bracket as the door opens.

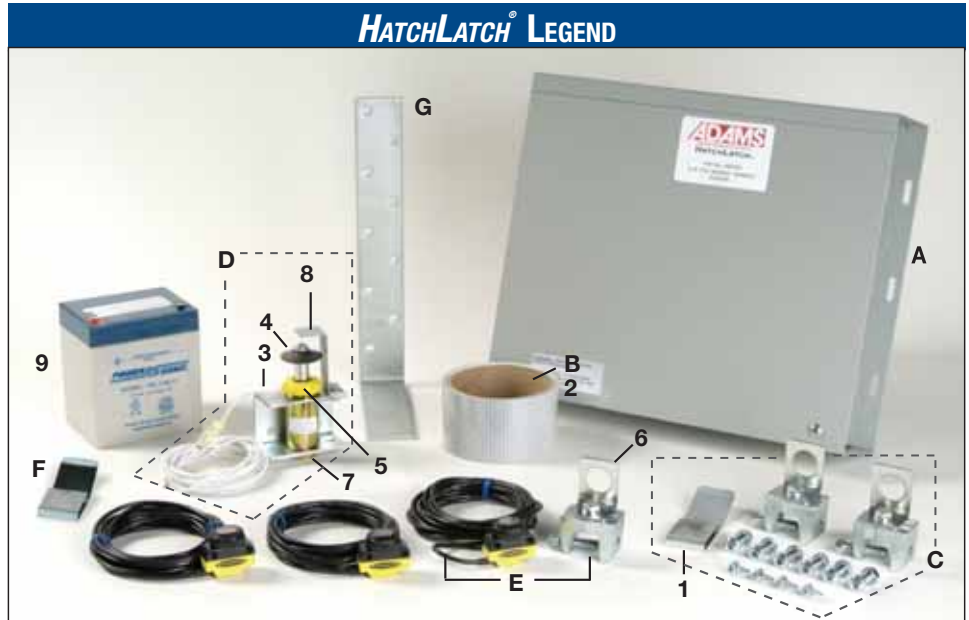
No Exit! Zone

Between landing zones, the photoeye senses no tape reflection...and the plunger holds its door-blocking position.

Photoeyes mounted on the car signal a solenoid to “pick” a metal plunger and allow free door movement only when the car is safely inside a landing zone



A835A3
Kit contains the components on the chart.



| HATCHLATCH® ENHANCED — COMPLETE | | |
|---------------------------------|------------------|--------------------------------------------------|
| Call out | Adams part no. | Description |
| A | A835A3 | EDR ASS'Y w/Box (includes Battery) |
| B | A835R2 | Reflective Tape, 2" x 10 ft (for up to 5 floors) |
| C | A835HKA3 | Hard Ware Kit |
| D | A835SYSBK | Solenoid w/9ft cable and Z bracket |
| E | A835PH | Photoeye w/bracket and 9ft cable |
| F | A835RA | Reflective Angle |
| G | A835BB | Bracket, 7 GA x 5" x 10" |

| REPLACEMENT PARTS AND ACCESSORIES | | |
|-------------------------------------------------------------------------------------|---------------------|-----------------------------------------------------|
| <i>Individually numbered items below are part of lettered sub-assemblies above.</i> | | |
| Call out | Adams part no. | Description |
| 1 | A835MC | HatchLatch “Money Clip” |
| 2 | A835R2P | Reflective Tape, 2" x 150 ft (for up to 75 floors) |
| 3 | A835S1 | Solenoid w/ 9 ft cable |
| 4 | A835PL | Plunger for Solenoid |
| 5 | A835 DC | Dust cap for Solenoid plunger – yellow |
| 6 | A835PH – BTK | Bracket (for Photoeye) |
| 7 | A835SBA3 | Solenoid Mounting bracket |
| 8 | A835ZC | Solenoid Plunger “Z” bracket |
| 9 | 335802-01 | Battery |
| | A835XF | Hatch Latch Transformer (inside box, not shown) |
| 10 | A835PC3 | PC Board (inside box, not shown) |
| | A835CT | Keyfob Transmitter for Remote Unlocking (not shown) |
| | A835CR | Receiver Module for Remote Unlocking (not shown) |

LifeJacket™ saves lives when hydraulic pressure fails



Proactive safety solution stands guard 24 hours a day

- Detects sudden loss of hydraulic pressure
- Locks around piston as soon as car starts to fall
- Brings car to quick, safe stop
- Locking arms do not damage piston
- Car travel can be restarted only by authorized personnel

Hydraulic elevators can lose system pressure and fall

- **Broken pipes or failed valves:**
Responsible for 60% of **LifeJacket** activations
- **Cylinder failure:**
The result of underground electrolysis at work actively deteriorating in-ground cylinders; this can be occurring even when tests indicate that the elevator is working to required performance levels.
- **Packing bind:**
When faulty or aging packing fails to seal the plunger.

Spontaneous loss of pressure can result in serious consequences

1. The elevator falls, even under a normal load
2. People are injured, frequently severely
3. The loss in damaged equipment can be staggering
4. You are exposed to costly personal injury claims



LifeJacket's arms remain open during normal elevator operation (a). When the unit senses uncontrolled downward movement, the arms close immediately (b)—bringing the elevator and its passengers to a soft and safe stop

LifeJacket Saves Lives...and Reputations

In addition to the irreversible human tragedy associated with an elevator accident involving personal injury, such an event presents serious legal challenges that can compromise the marketability of a building for years.

The **LifeJacket** helps preserve the integrity of your safety record AND serves as an excellent marketing tool to attract key tenants.

How Does the LifeJacket Work?

The **LifeJacket** is a lifesaving system with three components:

- 1) An electrical sensing system that detects uncontrolled downward movement of the plunger
- 2) Two (2) steel arms that close to grab a falling plunger
- 3) A hydraulic feedback system to monitor hydraulic pressure

Almost as important as its lifesaving function is the fact that the **LifeJacket's** safety arms will not damage the plunger. This means that **LifeJacket** can be tested regularly to verify that it is operating properly.

LifeJacket is peace of mind for you...and safety assurance for your elevator riders.

LifeJacket Provides Key Safety and Convenience Benefits

- Brings a fully-loaded moving car to soft, safe stop;
- Will not score or damage plunger;
- Can be released only by running the car in the upward direction and resetting the **LifeJacket**.



LifeJacket installs above the cylinder head. It is shown above with arms open in the "operate" position

How to Order Your LifeJacket

Each **LifeJacket** is manufactured to fit the diameter of a specific piston. Other details about your hydro installation are also required. All of this information should be recorded on one of the Ordering Surveys on the following pages. The Survey is on the left-hand page; support information appears on the right-hand page.

Please note that some local jurisdictions charge a fee for a permit, variance, and/or inspection. After your survey is processed, we will send you notification of Code concerns and an elevation drawing of the pit dimensions showing the **LifeJacket** installed.

Approved by A17.3 and A17.1a

ASME A17.3 2002 (sec. 4.3.3):

A device such as **LifeJacket** is accepted as an alternative to replacing single-bottom cylinders.

ASME A17.1a 2002 Addenda (sec. 3.17.3):

In the event of fluid loss or overspeed, the use of a plunger gripper is permitted as an acceptable means to bring an elevator to a safe, controlled stop.

Survey Forms on the following pages → help you provide information required to build a LifeJacket system to match your hydro.

Please Print! Survey must be fully completed and dated for order processing. Ship to: Job ___ or Shop ___ (check one)

Job Name _____

Code in Force (i.e. A17, Title 8, B44) _____

Job Address _____

City _____ State _____ Zip/Postal Code _____ Country _____

Car # _____ Number of Landings _____ Travel _____ ft Pit Depth _____ ft Car Speed: _____ fpm.

Jack Mfg. _____ Plunger Wall Thickness _____ inches Capacity of Car _____ lbs. Car Weight _____ lbs.

Original Elevator Installing Company: _____ Date of installation _____ Mfg.'s Job Number _____

Include LifeJacket Information Display Option LJ4050 (additional charge applies): ___ Yes ___ No (*Required in Michigan*)

Packing, specify style and size _____ **Packing Must be Replaced** Is Controller: ___ Solid State OR ___ Relay

Is Pit prone to flooding? Yes ___ No ___ - - - - - (if yes, NEMA 3R conduit [liquitite flex] is supplied)

Does elevator have a bottom final limit switch? Yes ___ No ___ - - - (if yes, it must open prior to buffer engagement)

Does Cylinder have a tapped bleeder hole in the head? Yes ___ No ___ - - - (if no, optional drill and tap is supplied)

Is 120VAC available in controller? Yes ___ No ___ - - - - - (if no, 480/240 to 120 transformer is supplied)

How many 'wiring' feet from controller to Cylinder head? ___ Ft - - - (length of shielded cable sent for set coils and encoder)

Special delivery instructions (e.g., Do you have a forklift to get it off the truck?) _____

Pit Information Record dimensions to 3 decimal places (i.e. 1.234). DO NOT USE FRACTIONS

The plunger diameter (PD) must be *accurately* measured to thousandths of an inch. Using a diameter tape, measure the plunger in at least three (3) places. Record these measurements in the blanks below. Start measurements a foot or so above the packing head.

(PD) 1 _____. 2 _____. 3 _____. 4 _____

See diagrams on page 2 for graphic illustration of dimensions. These dimensions must be accurate for proper fit. All dimensions below must be in inches.

(BSD) _____" (UFD) _____" (FD) _____" (CD) _____" (BN) _____"
Buffer spring diameter Upper Flange Diameter Flange Diameter Cylinder Diameter Number of Buffer springs
*cannot exceed 17" dia.

(RB) _____" (BS) _____" (SD) _____" (BB) _____"
Runby Buffer Stroke Strike Distance Between Buffers distance

(CHF) _____" (CHC) _____" (LifeJacket legs are made to CHF height unless checked here)
Top of cylinder to top of footer Top of cylinder to floor

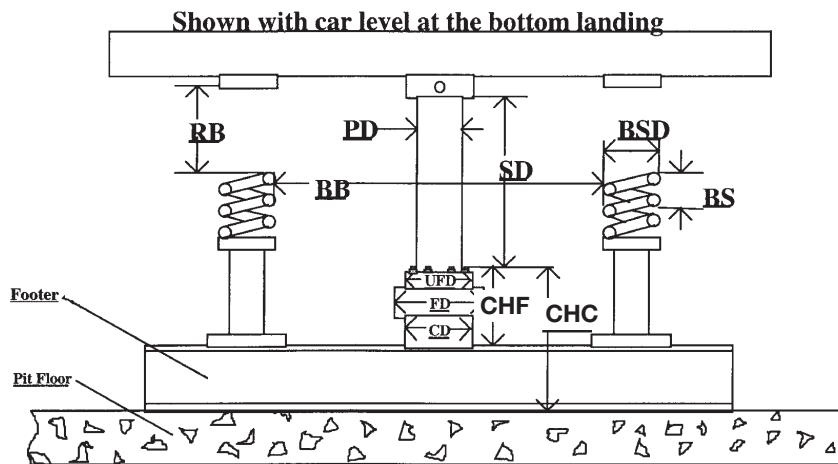
Company _____ Address _____

City _____ State _____ Zip/Postal Code _____

Survey completed by _____ Date _____

PO # _____ Charge # _____ Adams Order # _____

Phone # _____ - _____ Fax # _____ - _____ Serial # _____



PD is the plunger diameter.

For this survey it must be measured to the thousandths using a decimal diameter tape.

BSD is the buffer spring diameter.

UFD is the diameter of the upper flange section of the head, if it is a stepped flange style head.

FD is the diameter of the widest flange section of the head, if it is a flange style head.

CD is the diameter of the cylinder or stuffing box at the top of the head.

BN is the number of Buffer Springs. Please provide a sketch of unusual buffer assemblies and return with survey.

RB is runby, a measurement from the top of the uncompressed buffer springs to the strike plates when the car is floor level.

BS is the buffer stroke and should be stamped on the buffer stand data tag, if not, measure the spring gaps and add.

SD is the strike distance between, from lowest point on the platen to the highest projection on the top of the head, when the car is floor level at the bottom floor.

BB is the distance between buffers.

CHF is the distance from the highest point of the cylinder head to the top of the footer channel.

CHC is the distance from the highest point of the cylinder head, to the (concrete) pit floor.

Please note items below that may have cost ramifications:

- 1: The distance from the pit to the machine room, the *LifeJacket* requires two 4 Conductor shielded wires and three 18G wires run to the pit from the *LifeJacket* Controller in the machine room, so allow wiring time.
- 2: If there is not a tapped hole in the cylinder you will have to add one. A drill and tap is provided. Takes about 1/2 hour.
- 3: The type of jack packing, you must replace it before installation. Extra time is saved later for repacks if it is done now.
- 4: If the buffers need rework, i.e. moving or shortening. The *LifeJacket's* dimensions are 15.75" x 21". If the **BB** dimension is less than 15.75", they will need to be moved.
- 5: If the pit floods; NEMA 3R conduit on the *LifeJacket* is provided, but not for the pit wiring, parts costs must be added.
- 6: The *LifeJacket*™ requires 6 inches of space. If your SD dimension is greater than 6 inches + the required RB + code required, BS no variance will be necessary.
- 7: If buffers are multi-springed, please provide a sketch of the buffers with dimensions and return with the survey. Additional strike extension kits may be required.
- 8: Local jurisdictional authorities may charge a fee for a permit, variance and/or inspection where required. Notification of Code concerns will be sent after survey is processed along with an elevation drawing of the pit dimensions after the *LifeJacket* is installed.

Please Print! Survey must be fully completed and dated for order processing. Ship to: Job ___ or Shop ___ (check one)

Job Name _____

Code in Force (i.e. A17, Title 8, B44) _____

Job Address _____

City _____ State _____ Zip/Postal Code _____ Country _____

Car # _____ Number of Landings _____ Travel _____ ft Pit Depth _____ ft Car Speed: _____ fpm.

Jack Mfg. _____ Plunger Wall Thickness _____ inches Capacity of Car _____ lbs. Car Weight _____ lbs.

Original Elevator Installing Company: _____ Date of installation _____ Mfg.'s Job Number _____

Include LifeJacket Information Display Option LJ4050 (additional charge applies): ___ Yes ___ No (Required in Michigan)

Packing, specify style and size _____ **Packing Must be Replaced** Is Controller: ___ Solid State OR ___ Relay

Is Pit prone to flooding? Yes ___ No ___ - - - - - (if yes, NEMA 3R conduit [liquitite flex] is supplied)

Does elevator have a bottom final limit switch? Yes ___ No ___ - - - - (if yes, it must open prior to buffer engagement)

Does Cylinder have a tapped bleeder hole in the head? Yes ___ No ___ - - - - (if no, optional drill and tap is supplied)

Is 120VAC available in controller? Yes ___ No ___ - - - - - (if no, 480/240 to 120 transformer is supplied)

How many 'wiring' feet from controller to Cylinder head? ___ Ft - - - (length of shielded cable sent for set coils and encoder)

Special delivery instructions (e.g., Do you have a forklift to get it off the truck?) _____

Pit Information Record dimensions to 3 decimal places (i.e. 1.234). DO NOT USE FRACTIONS

The plunger diameter (PD) must be *accurately* measured to thousandths of an inch. Using a diameter tape, measure the plunger in at least three (3) places. Record these measurements in the blanks below. Start measurements a foot or so above the packing head.

(PD) 1 ____ . ____ 2 ____ . ____ 3 ____ . ____ 4 ____ . ____

See diagrams on page 2 for graphic illustration of dimensions. These dimensions must be accurate for proper fit. All dimensions below must be in inches.

(BSD) _____ " (PH) _____ " (PW) _____ " (CD) _____ " (BN) _____ "
Buffer spring diameter Pedestal Height Pedestal Width Cylinder Diameter Number of Buffer springs

(RB) _____ " (BS) _____ " (SD) _____ " (BB) _____ " (CHP) _____ "

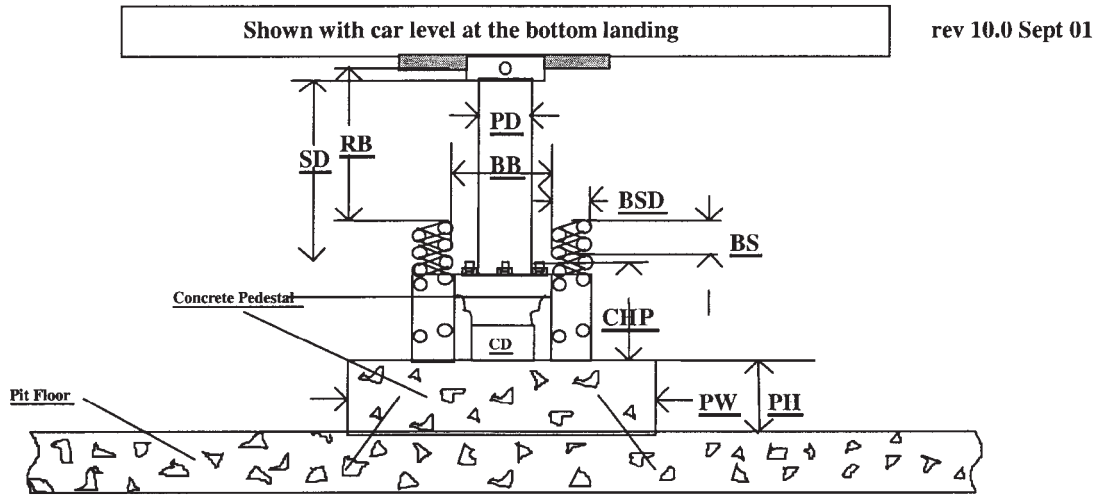
Company _____ Address _____

City _____ State _____ Zip/Postal Code _____

Survey completed by _____ Date _____

PO # _____ Charge # _____ Adams Order # _____

Phone # _____ - _____ Fax # _____ - _____ Serial # _____



rev 10.0 Sept 01

PD is the plunger diameter.

For this survey it must be measured to the thousandths using a decimal diameter tape.

BSD is the buffer spring diameter.

FD is the diameter of the widest flange section of the head, if it is a flange style head.

PH is the height of the concrete pedestal.

PW is the width of the concrete pedestal. This dimension is necessary if the buffers need to be moved or replaced.

BN is the number of Buffer Springs. Please provide a sketch of unusual buffer assemblies and return with survey.

RB is runby, a measurement from the top of the uncompressed buffer springs to the strike plates when the car is floor level.

BS is the buffer stroke and should be stamped on the buffer stand data tag, if not, measure the spring gaps and add.

SD is the strike distance between, from lowest point on the platen to the highest projection on the top of the head, when the car is floor level at the bottom floor.

BB is the distance between buffers.

CHP is the distance from the highest point of the cylinder head, to the (concrete) pedestal.

Please note items below that may have cost ramifications:

1: The distance from the pit to the machine room, the *LifeJacket* requires two 4 Conductor shielded wires and three 18G wires run to the pit from the *LifeJacket* Controller in the machine room, so allow wiring time.

2: If there is not a tapped hole in the cylinder you will have to add one. A drill and tap is provided. Takes about 1/2 hour.

3: The type of jack packing, you must replace it before installation. Extra time is saved later for repacks if it is done now.

4: If the buffers need rework, i.e. moving or shortening. The *LifeJacket's* dimensions are 15.75" x 21". If the **BB** dimension is less than 15.75", they will need to be moved.

5: If the pit floods; NEMA 3R conduit on the *LifeJacket* is provided, but not for the pit wiring, parts costs must be added.

6: The *LifeJacket™* requires 6 inches of space. If your SD dimension is greater than 6 inches + the required RB + code required, BS no variance will be necessary.

7: If buffers are multi-sprunged, please provide a sketch of the buffers with dimensions and return with the survey. Additional strike extension kits may be required.

8: Local jurisdictional authorities may charge a fee for a permit, variance and/or inspection where required. Notification of Code concerns will be sent after survey is processed along with an elevation drawing of the pit dimensions after the *LifeJacket* is installed.

Safety & Service

BARRICADES



■ A wide variety of boldly displayed warning **symbols and safety messages** alert the public and protect your workers.

■ Requires **no tools** to assemble.

■ The sturdy **3/4" aluminum frame** with non marking rubber feet, is lightweight for easy handling. Tough for a long service life.

■ **Add your logo** to front panels for job-site recognition.



Elevator Employees' Safety Handbook 4.3 Escalator/ Moving Walk Barricades

- Barricades shall be positioned to completely surround the escalator/moving walk from public access.
- Barricades shall be positioned to surround, from public access, floor opening created when equipment access plate(s) are Removed.
- Barricades shall be a minimum of 42" (1067mm) high.
- Barricades shall be securely attached to the ballustrades, handrails, and/or floor.
- All sections shall be connected.
- A system shall be in place to keep the barricade rigid.



■ **Panels fold together** flat for convenient storage and no-fuss handling.



■ Large 3-1/4" dia. **suction cups** at both ends keep barricade fastened to elevator wall jambs or to escalator ballustrade.

■ **Optional compression clamps** allow for barricade panels to be positioned and locked at variable angles to ensure a perfect fit for your workspace and maximum strength and rigidity.

■ 16-oz. **high visibility** washable vinyl panels resist flame, wear, spills, rot, mildew.

■ Supplied **two-way locking pin system** locks panels at 180 degrees or 90 degrees to keep work zone fully protected.

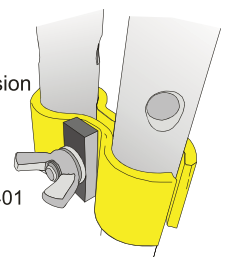
SAFETY AND SERVICE BARRICADES

| Part no. | Description | Height | Weight |
|-----------------|----------------------------------------|----------|---------|
| ASG142D1 | Six panel barricade | 42" tall | 25 lbs. |
| ASG142C1 | Four panel barricade | 42" tall | 18 lbs. |
| ASG142E1 | Three panel barricade | 42" tall | 15 lbs. |
| ASG184D1 | Six panel barricade | 84" tall | 50 lbs. |
| ASG184C1 | Four panel barricade | 84" tall | 36 lbs. |
| ASG184E1 | Three panel barricade | 84" tall | 30 lbs. |
| ASG401 | Adjustable locking clamps (each clamp) | | |



Optional
compression
clamps

ASG401





SAFETY BARRICADES

Standard Order

Three panel
Qty: _____
ASG142E1

Four panel
Qty: _____
ASG142C1

Note standard order quantity or create custom order below. See "how to order" for custom barricades.

Six panel
Qty: _____
ASG142D1

Barricade Worksheet

Custom Order

Upper graphics

Lower graphics

How to order

84" tall
Double-height barricades

ASG184

42" tall
barricades

ASG142

Write your choice of graphics (Example: E5, B3, F4) on the drawings provided below.

Three panel
Qty: _____
ASG142E1

Four panel
Qty: _____
ASG142C1

Six panel
Qty: _____
ASG142D1

D-Shaped locking pins provided standard between each panel.

Optional (Check to order)
 Compression Locks added between panels for variable positioning.

Company: _____ SHIP TO ADDRESS: _____

Job Name: _____

Order #: _____ P.O.#: _____

Notes: _____

Contact Name: _____ Phone # (____) ____-____

Fax # (____) ____-____



Please Photocopy and Fill in Specifications

Keep foot traffic out of service areas

Protective Barriers

Telescoping poles hold Elevator SafetyGuard securely in place



ASG101



- **SAFETY YELLOW**
High-visibility yellow, protects openings up to 4¹/₄ ft.
- **SECURE**
Telescoping mounting poles (up to 8¹/₂ ft.) secure guard into place
- **EASY TO STORE**
Fold-away, high-visibility yellow panels made of durable polyethylene plastic
- **SELF STORING**
Insulated mounting poles store inside the barrier
- **MEET CODE**
Conforms to ANSI requirements for elevators

SIZE & WEIGHT

Dimensions:

- Each section—43.5"H x 26"W x 1¹/₂" (110cm x 66cm x 4cm)
- 2-section set—4.5 ft. wide (1.7m), protects up to 4¹/₄ ft. (1.3m)

Weight:

- Each section—12 lbs. (4.5kg)
- 2-section set—24 lbs. (9.0kg)

ASG101. *SafetyGuard* for elevators; 2 sections with self-storing mounting poles.

ASG101PH. Additional panel and hardware kit for attaching panel.

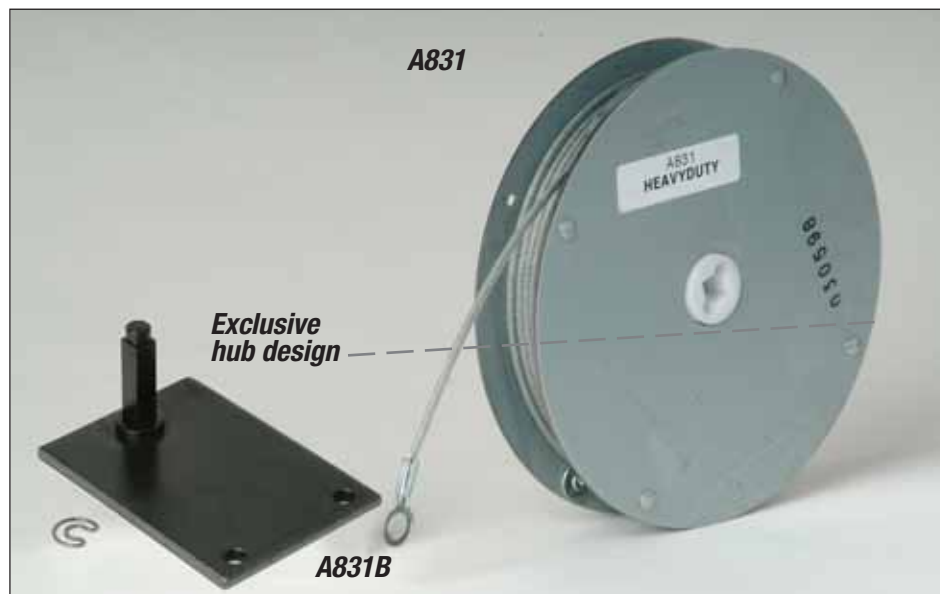
Our bright-yellow plastic guards protect pedestrians from the hazards of elevator and escalator work zones
No work site should be without them!

Index for Pages 72-98.1

| | |
|--------------------------------------|--------|
| Alarm Bell | 96 |
| Astragals | 76, 77 |
| Belts..... | 77.1 |
| Bulbs, Lamps | 89-92 |
| Buzzers | 97 |
| Car Bottom Light..... | 96 |
| Car Top Inspection Station | 96 |
| Chimes..... | 97 |
| Door Gibs..... | 74 |
| Door Motor..... | 75 |
| Door Motor Brushes..... | 75 |
| Emergency Light & Components | 98 |
| ESCO Hanger Roller..... | 73 |
| Fuse Pullers..... | 93 |
| Fuses | 93-95 |
| Gongs | 97 |
| Kramm Packing..... | 78 |
| Mag Probe™..... | 88 |
| Miniature Relays | 86 |
| Packing Kits - Hydraulic | 80-85 |
| Packing Kits - Machine Seals..... | 79 |
| Packing Pullers..... | 79 |
| Pad Hooks | 98 |
| Phase Protection Relay..... | 88 |
| Pit Switch | 96 |
| Pull Straps | 98 |
| Relay Checker..... | 88 |
| Selector Tape | 98 |
| Timers | 86, 87 |
| Tyler Replacement Roller | 73 |
| Williamsburg Replacement Roller..... | 73 |

Universal Standard- and Heavy-Duty Spirators

True universal mounting format in two long-lasting models



Choose from two models of reel-type door closers with universal hub design.

Adams' own heavy-duty spirator comes complete with a heavy-duty rewind tension spring and heavy-duty cable terminal for use with heavy elevator doors.

Our standard-duty spirator works best with light- to middle-weight doors. Both models include retaining ring and nylon washer.

Our new square-peg mounting bracket with "snake eyes" works with either model. This bracket also mounts spirators from other manufacturers.

A831. 5"-dia. heavy-duty spirator with heavy-duty rewind tension spring and cable terminal.

A832. 5"-dia. standard-duty spirator w/nylon runner.

W832. 6"-dia. standard-duty spirator w/nylon runner.

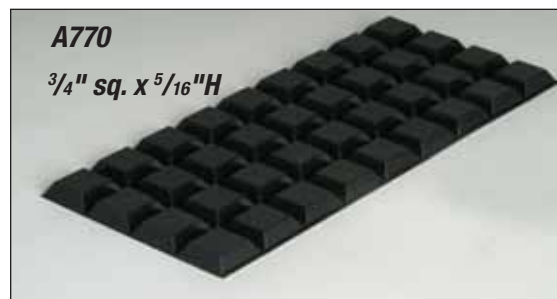
A831B. Mounting bracket for Adams and other spirators.

RUBBER DOOR BUMPERS

Economical way to silence closing elevator doors. Self-adhesive bumper pads attach to door jamb, and stay put. They take the hit of noisy doors as they close, and deaden the sound. No more metal against metal.

Sold in strips of 36 bumpers, as shown in photo. Just peel off from the backing strip and press into place.

A770. Rubber door bumpers, self adhesive; 36/strip.



TACHOMETER WHEEL

A407S. Tachometer Wheel; Machined Aluminum hub; 3.250" O.D.; 0.500" I.D.; Heavy-Duty Hard Poly Wheel.



Replacement for Williamsburg & Tyler Door Hanger Rollers

Adams is the leading manufacturer of replacement polyurethane rollers—and when you examine the process we use to produce our rollers, we think you'll understand why.

Consider our **A401M** replacement door hanger roller. Its unique combination of superb materials and fine workmanship makes it the industry leader for long life and reliability. Install this roller, and you'll reduce the number of door-related call-backs while improving the performance of the elevator door installation.

Precision-machined aluminum castings are used for the hubs.



A401M door hanger rollers are made with Adams' special Durabond polyurethane for smooth, quiet-running performance

Special low-friction Durabond™ polyurethane goes into our smooth- and quiet-running tires. Durabond is as tough as any material now in use for door roller tires...and it features superior qualities that resist breaking, cracking, and wear.

Special low-friction bearings are used to make the A401M one of the true "easy riders."

Tires are machined after the bearings are installed. This ensures concentricity and promotes long life.

One of the best buys in the industry: that's our A401M hanger roller. Add to its features the personal service you expect from Adams — and our reputation for quality — and there's no reason to look anywhere else for replacement door hanger rollers.

SPECIFICATIONS

Machined Hubs:

Material: Cast aluminum
Dimensions: **A401M** = 3/4"W x 3 13/32"OD

Tire: Durabond™ LFx70 polyurethane, low-friction
Bearing: Special low-friction type

ORDERING INFORMATION

A401M. Williamsburg door hanger roller (261-A1, old no. ER1), 3/4" wide x 3 13/32" dia.; eccentric axle is threaded 1/2-20 UNF. Includes notched upthrust adjuster.

A401XM. Williamsburg door hanger roller, shown at right; same as **A401M**, *without* notched upthrust adjuster.

A405M. Tyler roller, shown at far right. Dimensions: 3 5/16" O.D. x 3/4"W. Medium poly.

A405MP. Same as above but Hard poly.



ESCO HANGER ROLLER AND ASSEMBLY

Adams **A406M** and **A406AM** door hanger rollers are one-to-one replacements for their ESCO counterparts.

Roller is **LFx70™ Low Friction Durabond®** polyurethane. LFx70 is our super-hard poly, specially formulated for the low-friction requirements of door hanger rollers.

A406M. (Replaces ESCO part no. 3-018-037) Replacement door hanger roller assembly for ESCO; Includes bushing. 1 1/16" wide x 3 11/16" OD rim (3 1/4" OD concave roller surface).

A406AM. (Replaces ESCO part no. 3-018-08) Same as A406M, but without bushing. ID is 0.6693" (17mm).



Durabond—Reg. TM Adams Elevator Equipment Company

Patented Universal Door Gib Allows 18 Mounting Positions

CASH IN ON THESE IMPORTANT FEATURES:

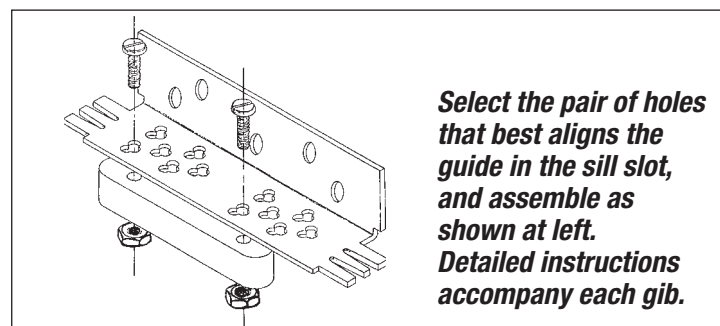
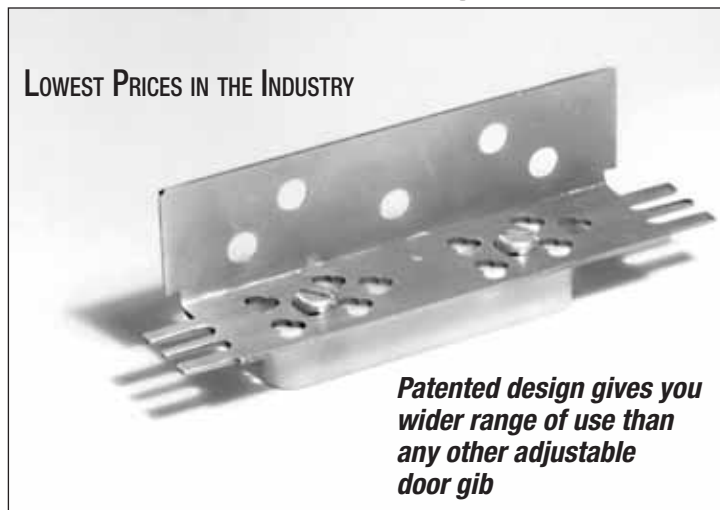
- Adjusts in increments of 0.040" for tight tolerance over the life of the gib
- Buy in bulk paks for maximum savings
- Available in 4 popular guide widths: 17/32" [blue], 1/2" [white], 15/32" green], and 7/16" [red]
- Includes two internal #10 Grade 5 SEMS screws, twice as strong as OEM-supplied Grade 2 screws
- Low prices and sensational quantity discounts!
- Design so revolutionary we had it patented!
- Color-coded guides for easy identification

With 12 unique clover-leaf holes, our Universal Gib gives you 18 adjustable positions.

IMPACT TESTED

The impact testing done on this Universal Gib consisted of 60 hits to a test door with an 80 lb. punching bag. The results: the rollers and door frame were destroyed...

...BUT THE A908 DOOR GIB WAS NOT DAMAGED!



| UNIVERSAL GIB, COMPLETE | | | |
|-------------------------|---------------|-----------------|-------|
| Adams part no. | | Sill slot width | Color |
| Each | 100 Bulk Pack | | |
| A908B | A908B100 | 17/32" | Blue |
| A908W | A908W100 | 1/2" | White |
| A908G | A908G100 | 15/32" | Green |
| A908R | A908R100 | 7/16" | Red |

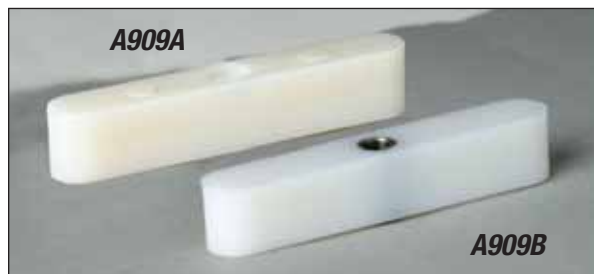
| NYLON GUIDE FOR A908 GIBS | |
|---------------------------|-----------------|
| Adams part no. | Sill slot width |
| A908BG | 17/32" |
| A908WG | 1/2" |
| A908GG | 15/32" |
| A908RG | 7/16" |

| REPLACEMENT PARTS FOR A908 GIBS | |
|---------------------------------|-------------------------------------|
| Adams part no. | Description |
| A908C | Gib chassis only |
| A908S1 | #F screw, #10-32 x 1/2", 100/pkg. |
| A908S2 | SEMS screw, #10-32 x 5/8", 100/pkg. |
| A908N | Hex nut, #10-32, 100/pkg. |

STANDARD DUTY DOOR GIBS

A909A. Nylon door gib with #1/4-20 tapped mounting hole; 3"L x 1/2"W x 9/16"H.

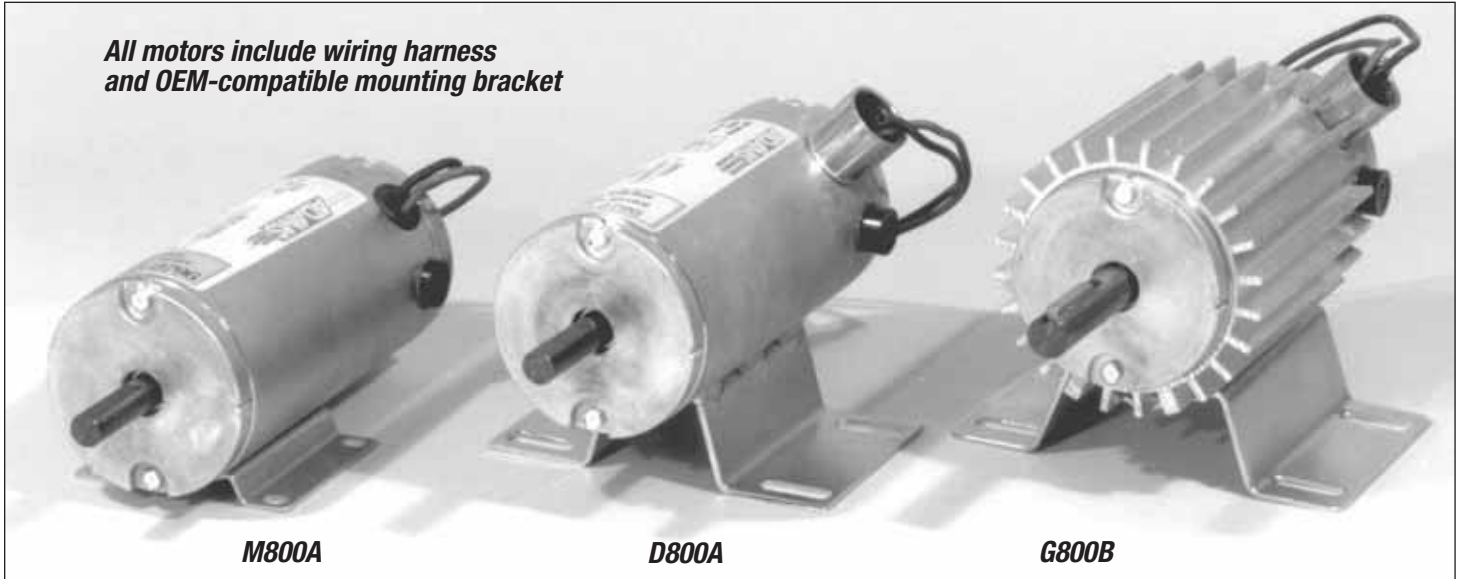
A909B. Nylon door gib with #1/4-20 threaded steel insert; 3"L x 1/2"W x 9/16"H.



| FIRE SAFETY DOOR STOPS | |
|------------------------|--------------------------------|
| Adams part no. | Description |
| NY-949-K2 | FIRE STOP DOOR GIB 3/4" OFFSET |
| NY-949-K3 | FIRE STOP DOOR GIB 7/8" OFFSET |
| NY-949-K4 | FIRE STOP DOOR GIB 1" OFFSET |
| NY-949-K5 | FIRE STOP DOOR GIB 1" OFFSET |

Replacements for Dover, MAC & GAL Door Motors

All motors include wiring harness and OEM-compatible mounting bracket



Need a door operator motor in a hurry? Adams can help. Our selection of 1/6-hp door motors includes models for G.A.L., MAC, and Dover—all IN STOCK, and all 100% interchangeable with OEM motors. **Our 1-to-1 replacement motors** install instantly on existing motor mounts; their shaft diameters are identical to the originals and Adams replacement door motors match the load characteristics of OEM motors you're servicing now.

| DOOR MOTOR ORDERING INFORMATION | | | | | | | | |
|---------------------------------|---------------|-------------------|-------------|-----|---------------------------------|----------------------------------|----------------------------------|-------|
| Adams part no. | Replaces | Operating voltage | No-load rpm | HP | Body | | Body | |
| | | | | | Length | Shaft | Diameter | Shaft |
| M800A¹ | MAC | 24VDC | 1140 | 1/6 | 6 ⁷ / ₈ " | 1 ⁹ / ₁₆ " | 3 ³ / ₁₆ " | 1/2" |
| D800A² | Dover 9746602 | 230VDC | 1140 | 1/6 | 6 ⁷ / ₈ " | 1 ⁹ / ₁₆ " | 3 ³ / ₁₆ " | 1/2" |
| G800B³ | G.A.L. | 230VDC | 1150 | 1/6 | 6 ⁷ / ₈ " | 1 ⁵ / ₈ " | 4 ³ / ₁₆ " | 5/8" |
| 9801704 | Dover | 115VDC | 1140 | 1/6 | | | | |

Note: Something caused the last door motor to fail. Be sure to clear the existing fault before you put the new motor in service.



| MOTOR BRUSHES | |
|----------------|---------------|
| Adams part no. | For motor... |
| M800C | M800A |
| G800C | G800B*, D800A |

*Two (2) required

Motors listed above are Adams Elevator Equipment Company's replacements for:

¹Moline (IL) Accessories Corporation 1/6-hp door motor.

²Dover Elevator Systems (Memphis, TN) 1/6-hp door motor.

³G.A.L. Manufacturing Company (NYC) 1/6-hp door motor. UL recognized

Flexible Black Rubber Astragals Seal Hoistway Doors

Does the “slam-bam” of closing elevator doors make riders in your service area jumpy? Does light flash in through the doors like a laser light show at every floor?

The solution to these annoyances is **astragals**. Astragals are full-length door edge devices that seal the hatchway door and silence much of the metal-to-metal closing noise.

Made of flexible black rubber, astragals are manufactured to fit specific models of hatchway door. They fit into machined grooves and slots

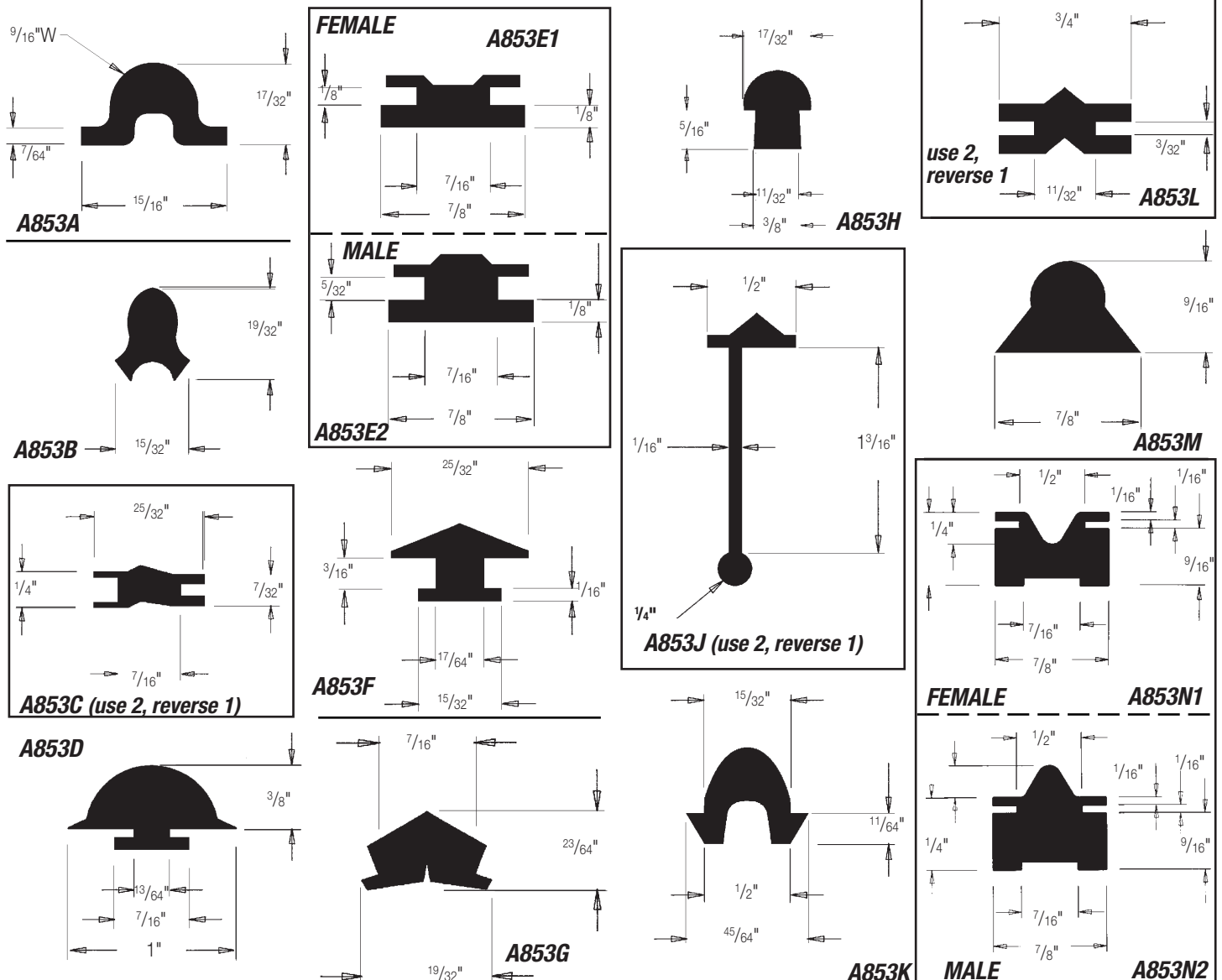
on the edge of the door, or they can be surface-mounted with adhesive for new installations.

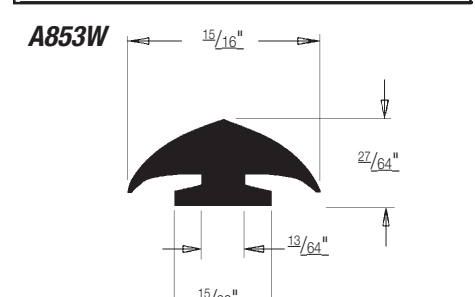
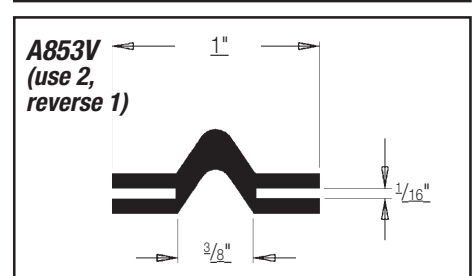
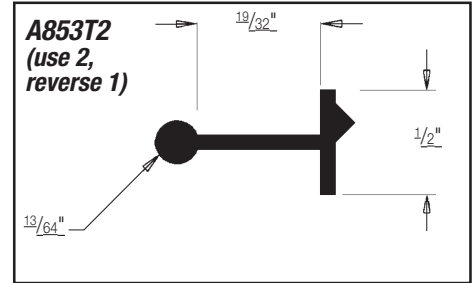
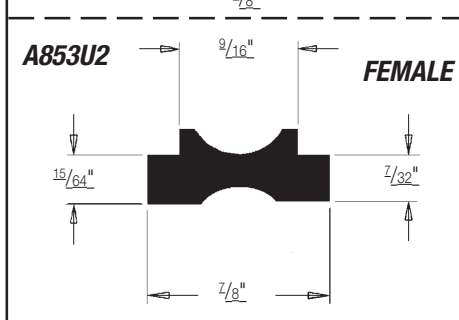
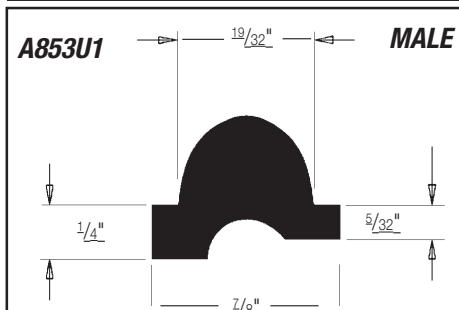
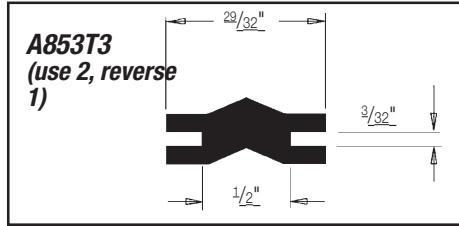
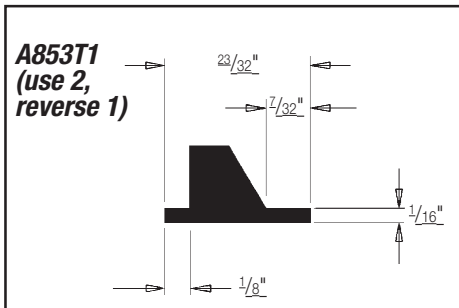
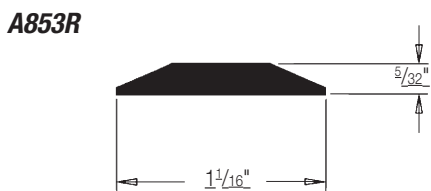
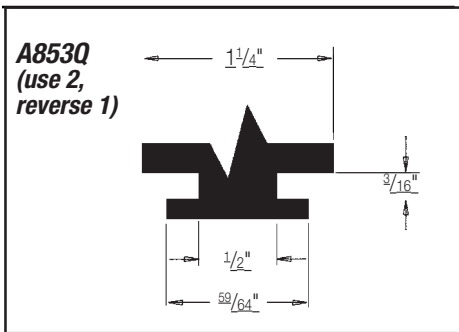
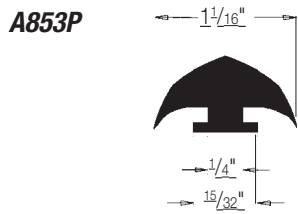
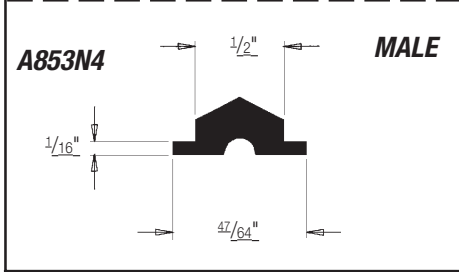
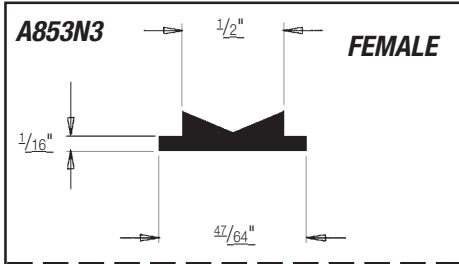
Adams offers 28 astragals to replace Tyler, Dahlstrom, Otis, and Hauenstein & Burmeister models, including mating pairs and reversing models for side- or center-opening doors.

Two astragals are required for some installations. For center-opening doors, one astragal is installed on each door; for side-opening doors, attach one to the door and its mate to the jamb.

Mating pairs are identified in the table on the next page. Order one pair for each door. Reversing models are self-mating; install one upside down on mating door or jamb to form a tight seal when closed.

Part numbers shown are for standard 8-ft. lengths. Astragals cut to size easily at the job site.





ASTRAGAL ORDERING INFORMATION

| Adams part no. | Comments |
|----------------|--------------------------------------------------------------------------------------------|
| A853A | Hoistway astragal, replaces Dahlstrom model no. SP0S924 |
| A853B | Used on side opening |
| A853C | Reversing astragal; install one on door, and one on jamb or opposite door; <i>various</i> |
| A853D | Used on side opening |
| A853E1 | Replaces Tyler model no. 50RF (ESCO doors); mates with Adams part no. A853E2 |
| A853E2 | Replaces Tyler model no. 50RM (ESCO doors); mates with Adams part no. A853E1 |
| A853F | Replaces Tyler model no. 2139R-1 |
| A853G | Used on side opening |
| A853H | Used on side opening |
| A853J | Reversing astragal, replaces Otis; install one on door, and one on jamb or opposite door |
| A853K | Fits into 7/16"W groove |
| A853L | Reversing astragal for 3/8"W groove; install one on door, and one on jamb or opposite door |
| A853M | Used on side opening |
| A853N1 | Mates with Adams part no. A853N2, below |
| A853N2 | Mates with Adams part no. A853N1, above |
| A853N3 | Mates with Adams part no. A853N4, below |
| A853N4 | Mates with Adams part no. A853N3, above |
| A853P | Used on side opening |
| A853Q | Reversing astragal; install one on door, and one on jamb or opposite door; <i>various</i> |
| A853R | Glue-on type astragal; use Eastman or 3M weather strip adhesive per directions |
| A853T1 | Reversing astragal; install one on door, and one on jamb or opposite door; <i>various</i> |
| A853T2 | Reversing astragal; install one on door, and one on jamb or opposite door; <i>various</i> |
| A853T3 | Reversing astragal; install one on door, and one on jamb or opposite door; <i>various</i> |
| A853U1 | Replaces H&B; mates with Adams part no. A853U2, below |
| A853U2 | Replaces H&B; mates with Adams part no. A853U1, above |
| A853V | Reversing astragal; install one on door, and one on jamb or opposite door; <i>various</i> |
| A853W | Used on side opening |
| A854 | Astragal adhesive, 5-oz. tube |

NOTE: All dimensions are accurate to ±1/32".

BELTS (WITH CROSS REFERENCE NUMBERS)

| Adams part no. | Description | Ref | Ref | Ref | Ref | Ref | Ref |
|-------------------|--------------------------------------------------|------------|------------|------------|-----------|-----------|------------|
| 322C808H05 | 102L100 PULLEY 102T FOR.38PX1 T BELT, DM REGULAT | 102L100 | | | | | |
| 691B789H07 | 1700H100 TIMING BELT (MOD 100) | 1700H100 | | | | | |
| 148009 | 234AG TIMING BELT FOR SCHINDLER PULSE GENERATR | 234AG | | | | | |
| SMH273916 | 235NV-BELT FOR HANDRAIL PRESSURE | 235NV | 396NV | SVH399026 | | | |
| 144A600H32 | 300L050 TIMING BELT | 300L050 | | | | | |
| HA-870-AE3 | 3L310 MONTGOMERY ESCALATOR BELT | 019501-108 | 3L310 | | | | |
| HA-870-AF8 | 3L460 V-BELT 3L X 46" LONG GOODYEAR | 3L460 | | | | | |
| HA-870-CA6 | 3L630 V-BELT | 3L630 | | | | | |
| X40AS1H10 | 3V425 V-BELT 42.5" | 3V425 | | | | | |
| 9772777 | 3V500 DOVER V-BELT | 3V500 | | | | | |
| 3-40139-87 | 430J4 V-BELT HAUGHTON T1 DOOR OPERATOR | 48484 | 430J4 | | | | |
| GL-870-A | 4L440V-BELT 44" (15Y05) | 2440 | 4L440 | A42 | GBLT-1 | GL-100-B1 | HWBL-0001N |
| 5207D42H46 | 4L550 V-BELT (QKS14/15 DOOR OPERATOR) | 4L550 | MC-870-A | | | | |
| 5207D42H47 | 4L680 V-BELT SET (2 BELTS)(EZ DOOR OPER) | 4L680 | MC-870-B | US19501022 | | | |
| 3-40133-54 | 530J6 V-BELT POLY HAUGHTON T1 DOOR OPERATOR | 530J6 | 550J6 | | | | |
| HA-870-Z1 | 5L450 V-BELT 21/32" TOP WIDTH 3/8" T 45" CIRCUM | 5L450 | | | | | |
| HA-870-T | 5L710 BELT B68 GOODYEAR | 5L710 | | | | | |
| HA-870-P6 | 5V560 V-BELT | 5V560 | | | | | |
| 5VX690 | 5VX690 V-BELT 69 IN | 2L427 | | | | | |
| HA-870-AF7 | 5VX710 V-BELT (1 PC = 1 BELT) | 5VX710 | | | | | |
| 5VX850 | 5VX850 V-Belt 85 IN | 2L437 | | | | | |
| 569A957H07 | 615L10 POLY V-BELT | 695L10 | | | | | |
| 569A957H05 | 615L10 V-BELT POLY DAYCO | 18-0733 | 615L10 | | | | |
| 322C808H01 | 68L100 PULLEY 68T FOR .38PX1.00W T BELT | 68L100 | | | | | |
| 569A957H04 | 725L20 V-BELT POLY DAYCO | 18-0732 | 725L20 | | | | |
| 691B789H05 | BELT TIMING BELT | 1400H100WZ | | | | | |
| 693B415H02 | BELT FOR QKS-16 DOOR OPERATOR | 340J/7 | | | | | |
| 693B415H01 | BELT RIB-TYPE FOR QKS 16 DOOR OPER | 330J/7 | 5278 | | | | |
| US518993 | BELT, HANDRAIL DRIVE O&K | 518993 | DEE1562402 | US518993 | | | |
| HA-870-Z2 | BELT,COG,2525MM 5MM PITCH CONCORD ELEV | 103564 | 2525-5M-15 | | | | |
| 93885-001 | BELT,TIMING MICROVEE HR DRIVE KONE E5000 | 93885-001 | 69303-001 | US69303001 | | | |
| SF-870-D | DC1411 V-BELT, AX-28 OPERATOR | DC1411 | | | | | |
| GOA717A1 | DRIVE BELT HANDRAIL OTIS 506 ESCALATOR | GOA717A1 | | | | | |
| GO260R2 | OTIS, POLY V-BELT, ESCALATOR | GO260R2 | | | | | |
| V717AAA1 | POLY V-BELT FOR J ESCALATOR | POV717AAA1 | | | | | |
| EE-870-L | V DRIVE BELT / 1 BELT | HC-3V 630 | | | | | |
| HA-870-Y9 | V-BELT 3/8" X 42.5" NOTCHED | 1420 | 2179 | 2498 | HA-870-R6 | 3VX425 | |
| 9870180 | V-BELT 42" X 3/8" FOR DOVER DC68 OPERATOR | 9870180 | | | | | |

Replacement Packing for Dozens of Elevator Models

THE BEST "PRESSURE-BALANCED" PACKING

All packing featured on the following pages is top-grade "Pressure-Balanced" packing. Adams packing works well in all elevators. . . and you'll notice the greatest improvement in elevators with rough start-up.

Adams packing can reduce break-away friction up to 35%. Adams packing also reduces running friction and seal-related noises in all elevators, increasing the life of the seal.

BEARING RINGS AND PACKING KITS

Starting on the next page, you'll find general-purpose packing and Packing Kits. The description for each kit gives the following helpful information:

- Original manufacturer's name and model numbers
- List of kit contents
- Easy-reference ordering table
- Piston diameter
- Schematic diagram

Bearing rings are not always necessary. But when they are, you'll find bearing rings listed in each manufacturer's section. This information is provided for each type:

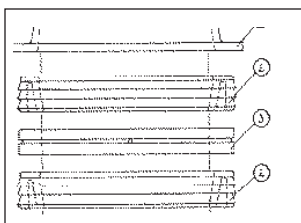
- Easy-to-use ordering table
- Bearing ring dimensions
- Piston diameter
- Schematic diagram

DIAGRAMS SHOW EACH COMPONENT

Helpful drawings of each OEM packing stack and bearing ring eliminate guesswork when ordering a replacement.

Dimensions are given for each component.

This section has been designed to help you save time and labor by ordering the right part the first time.



DIAMETER TAPE MEASURE

A560D. Measures diameter in centimeters and inches. "Must have" for every toolbox.

GLOSSARY OF PACKING TERMS

Seal — A rubber and/or fibrous washer-like ring used to keep hydraulic oil from escaping out of the cylinder head as the piston moves up and down. Seals are generally used in combination with other packing elements (described below). Seals are also known by the names "glands" and "gland rings."

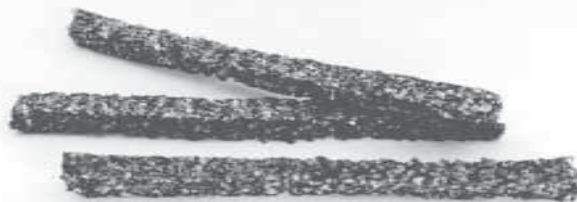
Wiper — The top-most element in a packing set. The wiper keeps dirt from entering the closed system of hydro fluid by "wiping" the piston clean as it moves up and down through the packing box at the top of the cylinder.

Lantern ring — Used between two seals to collect excess hydraulic oil and allow it to be forced out of the cylinder head. This oil run-off can then be fed by hose or pipe directly back into the oil tank or into a pit can for recycling later.

Bearing ring — Heavy-duty packing element (usually at the top or bottom of the packing box) that keeps the piston centered in the box opening.

KRAMM PACKING: ONE-SIZE-FITS-ALL GCI WORM GEAR PACKING

Made from solid mineral lubricants, graphite, & adhesives.



Adams part no. GPX100. One lb./pkg.

PACKING KITS AND COMPONENTS

FIT 17 JACK DIAMETERS

Seals (gland rings) are "Pressure-Balanced" type. They form a tight seal even without firm compression. These seals are recommended for applications from 0-1500 psi. All seals are 5/8" thick.

One or two seals form a positive seal under all conditions. Check the application for the number of seals required. When using two seals, sandwich an oil-return lantern ring between the seals. Additional lantern rings can be ordered separately.

Use Adams economical general purpose packing any time you can match the packing jack diameter to the hydro being serviced, and when the height of the packing stack completely fills the packing box (or if you plan to fill any gaps with another packing material).

Refer to the ordering table below to find part numbers for the diameters of the jack and packing box you are servicing. Remember, don't get caught short; if you're not sure what part is causing the leak, order the entire kit...*you'll be glad you did!*

NOTE: Packing is available for jack diameters as narrow as 3" and as wide as 17 7/8". Standard sizes are listed in the table below; some are shown in photo at right.

Each Adams packing set contains:



Packing components are available from stock for jack diameters from 4" up to 10 5/8"

PACKING KITS & COMPONENTS

| Jack diameter | Packing box diameter | Complete packing set | P/N's for Separate Components | | |
|---------------|----------------------|----------------------|-------------------------------|----------------------|--------------|
| | | | Seal (gland ring) | Wiper ring (& clips) | Lantern ring |
| 4" | 5" | GP4000 | GP4000G | GP4000W | GP4000L |
| 4 3/8" | 5 3/8" | GP4375 | GP4375G | GP4375W | GP4375L |
| 4 1/2" | 5 1/2" | GP4500 | GP4500G | GP4500W | GP4500L |
| 5" | 6" | GP5000 | GP5000G | GP5000W | GP5000L |
| 5 1/4" | 6 1/4" | GP5250 | GP5250G | GP5250W | GP5250L |
| 5 3/8" | 6 3/8" | GP5375 | GP5375G | GP5375W | GP5375L |
| 5 7/16" | 6 7/16" | GP5437 | GP5437G | GP5437W | GP5437L |
| 5 1/2" | 6 1/2" | GP5500 | GP5500G | GP5500W | GP5500L |
| 5 3/4" | 6 3/4" | GP5750 | GP5750G | GP5750W | GP5750L |
| 6" | 7" | GP6000 | GP6000G | GP6000W | GP6000L |
| 6 1/2" | 7 1/2" | GP6500 | GP6500G | GP6500W | GP6500L |
| 7" | 8" | GP7000 | GP7000G | GP7000W | GP7000L |
| 7 1/2" | 8 1/2" | GP7500 | GP7500G | GP7500W | GP7500L |
| 8" | 9" | GP8000 | GP8000G | GP8000W | GP8000L |
| 8 1/2" | 9 1/2" | GP8500 | GP8500G | GP8500W | GP8500L |
| 9 1/2" | 10 1/2" | GP9500 | GP9500G | GP9500W | GP9500L |
| 10 5/8" | 11 5/8" | GP10625 | GP10625G | GP10625W | GP10625L |



PACKING PULLERS

GP100. Set of two pulling tools to help simplify the tough job of removing and replacing worn hydraulic packing elements.

Screwdriver-type handles, flexible stems, and threaded ends for reaching and grabbing in tight places at almost any angle.

AMCO/WHITE EVANS HYDRAULIC PACKING KITS

Each hydraulic packing kit for AMCO/White Evans consists of:

- Two (2) seals
- One (1) wiper

| AMCO/WHITE EVANS | | |
|------------------|--------------------|-------------|
| Adams part no. | Piston Description | Bearing No. |
| GK03500WE | 3 1/2" | GB03500B6 |
| GK04000WE | 4" | GB04000B6 |
| GK04375WE | 4 3/8" | GB04375B6 |
| GK04500WE | 4 1/2" | GB04500B6 |
| GK05000WE | 5" | GB05000B6 |
| GK05375WE | 5 3/8" | GB05375B6 |
| GK05437WE | 5 7/16" | GB05437B6 |
| GK05500WE | 5 1/2" | GB05500B6 |
| GK06000WE | 6" | GB06000B6 |
| GK06500WE | 6 1/2" | GB06500B6 |
| GK07500WE | 7 1/2" | GB07500B6 |
| GK08500WE | 8 1/2" | GB08500B6 |
| GK09500WE | 9 1/2" | GB09500B6 |
| GK10625WE | 10 3/8" | GB10625B6 |
| GK12625WE | 12 3/8" | GB12625B6 |

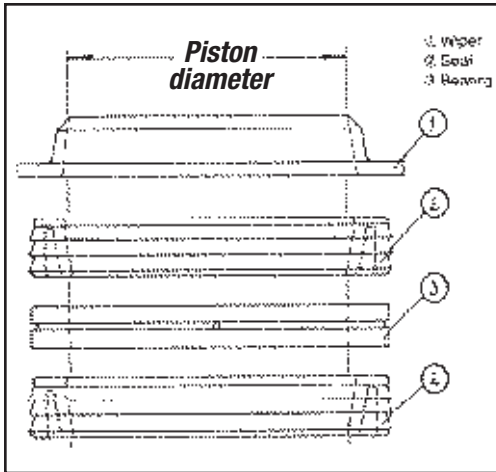
BORE-MAX HYDRAULIC PACKING KITS

Each hydraulic packing kit for Bore-Max consists of:

- Two (2) seals
- One (1) wiper

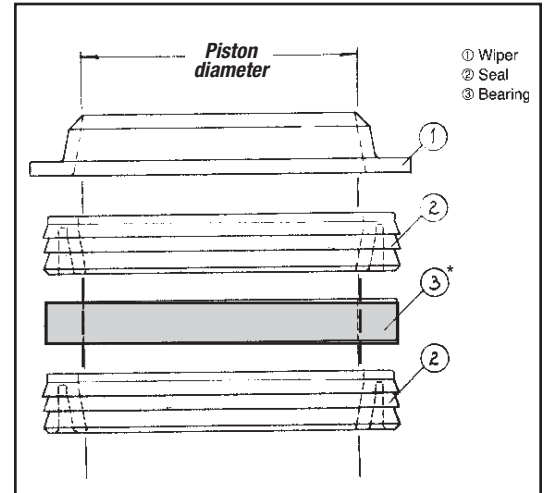
| BORE-MAX | | |
|----------------|-----------------|--------------|
| Adams part no. | Piston diameter | Bearing no.* |
| GK04375B | 4 3/8" | GB04375B25 |
| GK05000B | 5" | GB05000B25 |
| GK05500B | 5 1/2" | GB05500B25 |
| GK06000B | 6" | GB06000B25 |
| GK06500B | 6 1/2" | GB06500B25 |
| GK07000B | 7" | GB07000B25 |
| GK07500B | 7 1/2" | GB07500B25 |
| GK08500B | 8 1/2" | GB08500B25 |

*Bearing rings are not included with these kits; they must be ordered separately. See Bearing rings, in "Other Manufacturers" section of this catalog.



*Bearing rings are not included with these kits; they must be ordered separately. The B6-series rings are combination lantern/bearing rings; see Bearing Rings in "Other Manufacturers" section of this catalog.

| CANTON | |
|----------------|-----------------|
| Adams part no. | Piston diameter |
| TX-904-N4 | 3 1/2" |
| TX-904-P3 | 7" |
| G0-904-M7 | 7 1/2" |
| TX-904-R2 | 10 1/2" |
| TX-904-X3 | 3 1/2" x 5 1/2" |

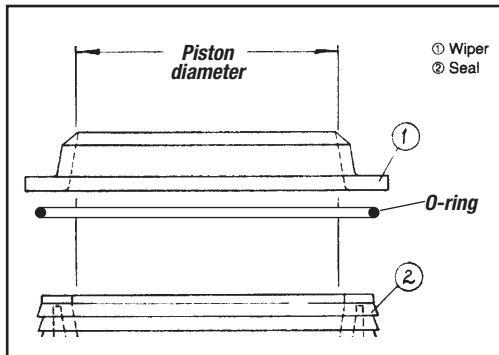


ARMOR HYDRAULIC PACKING KITS

Each hydraulic packing kit for Armor consists of:

- One (1) seal
- One (1) wiper
- One (1) O-ring

| ARMOR | | | |
|----------------|-----------------|----------------|-----------------|
| Adams part no. | Piston diameter | Adams part no. | Piston diameter |
| GK04000A | 4" | GK07562A | 7 9/16" |
| GK04250A | 4 1/4" | GK08562A | 8 9/16" |
| GK04437A | 4 7/16" | GK09562A | 9 9/16" |
| GK05000A | 5" | GK10687A | 10 11/16" |
| GK05500A | 5 1/2" | GK12687A | 12 11/16" |
| GK06562A | 6 9/16" | | |



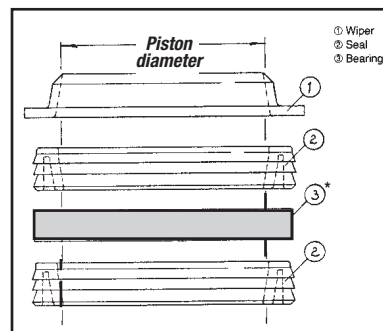
CEMCO (CORBETT) HYDRAULIC PACKING KITS

Each hydraulic packing kit for Cemco consists of:

- Two (2) seals
- One (1) wiper

| CEMCO | | |
|----------------|-----------------|--------------|
| Adams part no. | Piston diameter | Bearing no.* |
| GK03500C | 3 1/2" | GB03500B8 |
| GK03750C | 3 3/4" | GB03750B8 |
| GK04000C | 4" | GB04000B8 |
| GK04375C | 4 3/8" | GB04375B8 |
| GK04437C | 4 7/16" | GB04437B8 |
| GK04500C | 4 1/2" | GB04500B8 |
| GK05000C | 5" | GB05000B8 |
| GK05437C | 5 7/16" | GB05437B8 |
| GK05500C | 5 1/2" | GB05500B8 |
| GK06000C | 6" | GB06000B8 |
| GK06500C | 6 1/2" | GB06500B8 |
| GK07000C | 7" | GB07000B8 |
| GK07500C | 7 1/2" | GB07500B8 |
| GK08000C | 8" | GB08000B8 |
| GK08500C | 8 1/2" | GB08500B8 |
| GK09000C | 9" | GB09000B8 |
| GK09500C | 9 1/2" | GB09500B8 |
| GK10000C | 10" | GB10000B8 |
| GK10500C | 10 1/2" | GB10500B8 |
| GK10625C | 10 3/8" | GB10625B8 |
| GK12500C | 12 1/2" | GB12500B8 |
| GK12625C | 12 3/8" | GB12625B8 |

*Bearing rings are not included with these kits; they must be ordered separately. See Bearing rings, in "Other Manufacturers" section of this catalog.



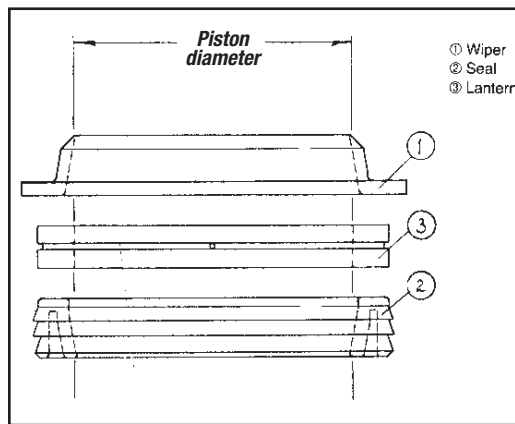
DOVER HYDRAULIC PACKING KITS

Each hydraulic packing kit for Dover consists of:

- One (1) seal
- One (1) wiper
- One (1) lantern ring

| DOVER | |
|----------------|----------------------------------|
| Adams part no. | Piston diameter |
| GK04375D | 4 ³ / ₈ " |
| GK05437D | 5 ⁷ / ₁₆ " |
| GK06500D | 6 ¹ / ₂ " |
| GK07500D | 7 ¹ / ₂ " |
| GK08500D | 8 ¹ / ₂ " |
| GK09500D | 9 ¹ / ₂ " |
| GK10625D | 10 ⁵ / ₈ " |
| GK12625D* | 12 ⁵ / ₈ " |
| GK03875DS | 3 ⁷ / ₈ " |

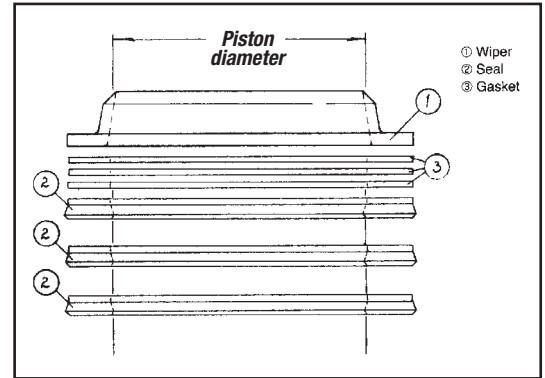
*Available on special order only; please allow three weeks for delivery.



DOVER 3-S STACK PACKING FOR IVO INVERTED HYDRO HYDRAULIC PACKING KIT

Our hydraulic packing kit for Dover 3-S Stack Packing consists of:

- Three (3) seals, split
- One (1) wiper
- Three (3) lantern rings (gaskets)



DOVER 3-S STACK PACKING

| Adams part no. | Piston diameter |
|----------------|---------------------------------|
| GK03875DSP | 3 ⁷ / ₈ " |

DOVER 3S*, 4S, 5S, & 6S HYDRAULIC PACKING KITS

Each hydraulic packing kit for Dover 3S, 4S, 5S, & 6S consists of:

- One (1) seal (Rotoseal)TM
- One (1) wiper

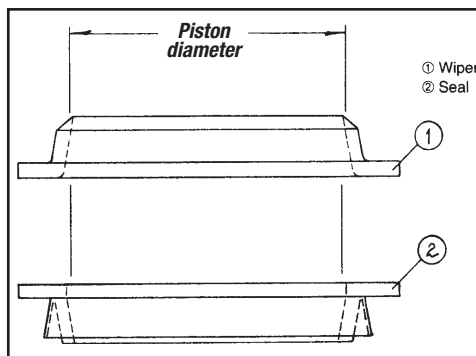
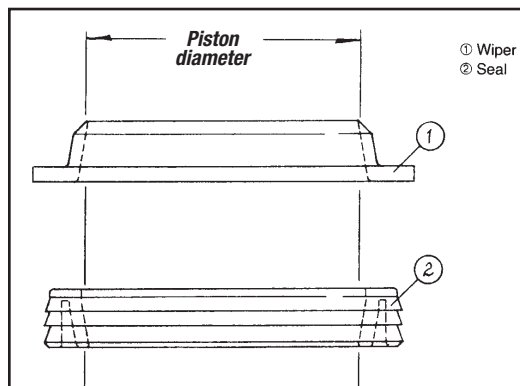


DOVER 3-S SOLID SEAL HYDRAULIC PACKING KIT

Our hydraulic packing kit for Dover 3-S Solid Seal consists of:

- One (1) seal
- One (1) wiper

| DOVER 3-S SOLID SEAL | |
|----------------------|---------------------------------|
| Adams part no. | Piston diameter |
| GK03875DS | 3 ⁷ / ₈ " |



DOVER 3S, 4S, 5S, & 6S

| Adams part no. | Piston diameter |
|----------------|----------------------------------|
| GK04375DR | 4 ³ / ₈ " |
| GK05437DR | 5 ⁷ / ₁₆ " |
| GK06500DR | 6 ¹ / ₂ " |

Rotoseal — Reg TM Dover Elevator Company

HYDRAULIC PACKING

The seals and wipers listed below are top-grade Adams "pressure-balanced" packing.

Our packing works well in all elevators...but you'll notice the greatest improvement in elevators with rough start-up.

This packing can reduce break-away friction up to 35%. It also minimizes running friction and seal-related noises in all elevators, increasing the life of the seal.

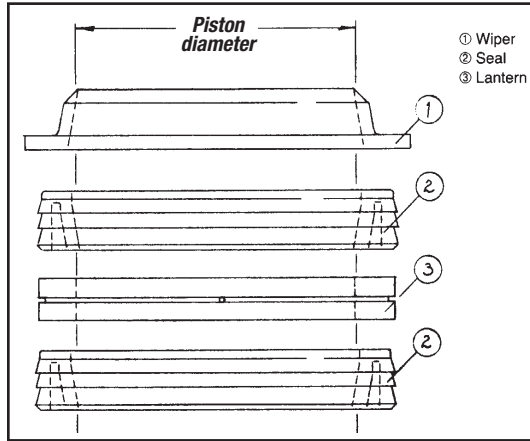
| Adams part no. | Type | Piston diameter | Replaces Dover part nos. |
|----------------|-------|----------------------------------|--------------------------|
| DP3000 | Seal | 3 ¹ / ₂ " | 9787239, 28723 |
| DP3100 | Wiper | 3 ¹ / ₂ " | 9730349, 77034 |
| DP4000 | Seal | 4 ³ / ₈ " | 9787240, JB-221-1 |
| DP4100 | Wiper | 4 ³ / ₈ " | 9705272, JB-219-3 |
| DP5000 | Seal | 5 ⁷ / ₁₆ " | 9787252, JC-221-1 |
| DP5100 | Wiper | 5 ⁷ / ₁₆ " | 9705442, JC-219-3 |
| DP6000 | Seal | 6 ¹ / ₂ " | 9787264, JD221-1 |
| DP6100 | Wiper | 6 ¹ / ₂ " | 9705612, JD219-3 |

ECCO (LJ/FJ) HYDRAULIC PACKING KITS

Each hydraulic packing kit for ECCO consists of:

- Two (2) seals
- One (1) wiper
- One (1) lantern ring

| ECCO | |
|----------------|----------------------------------|
| Adams part no. | Piston diameter |
| GK03437EE | 3 ⁷ / ₁₆ " |
| GK03875EE | 3 ⁷ / ₈ " |
| GK04000EE | 4" |
| GK04375EE | 4 ³ / ₈ " |
| GK05000EE | 5" |
| GK05437EE | 5 ⁷ / ₁₆ " |
| GK06000EE | 6" |
| GK06500EE | 6 ¹ / ₂ " |
| GK07500EE | 7 ¹ / ₂ " |
| GK08500EE | 8 ¹ / ₂ " |
| GK10625EE | 10 ⁵ / ₈ " |
| GK12625EE | 12 ⁵ / ₈ " |

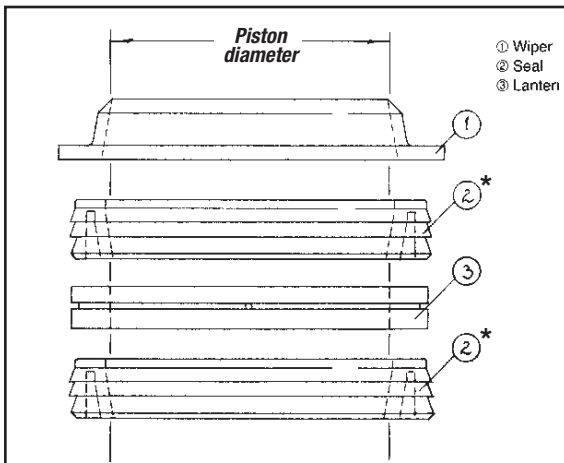


ESCO P-3/P-5/P-7 HYDRAULIC PACKING KITS

Each hydraulic packing kit for ESCO P-3/P-5/P-7 consists of:

- Two (2) seals
- One (1) wiper
- One (1) lantern ring

| ESCO P-3/P-5/P-7 | |
|------------------|----------------------------------|
| Adams part no. | Piston diameter |
| GK04000EP | 4" |
| GK04500EP | 4 ¹ / ₂ " |
| GK05000EP | 5" |
| GK05500EP | 5 ¹ / ₂ " |
| GK06000EP | 6" |
| GK07000EP | 7" |
| GK08000EP | 8" |
| GK09000EP | 9" |
| GK10625EP | 10 ⁵ / ₈ " |
| GK12625EP | 12 ⁵ / ₈ " |
| GK13875EP | 13 ⁷ / ₈ " |



*For model P-4, invert seals.

ESCO P-6 VICTAULIC HYDRAULIC PACKING KITS

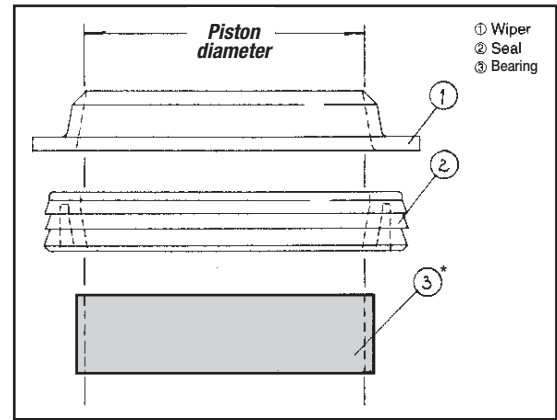
Each hydraulic packing kit for ESCO P-6

Victaulic consists of:

- One (1) seal
- One (1) wiper

| ESCO P-6 VICTAULIC | | |
|--------------------|---------------------------------|--------------|
| Adams part no. | Piston diameter | Bearing no.* |
| GK04000EPV | 4" | GB04000B5 |
| GK04500EPV | 4 ¹ / ₂ " | GB04500B5 |
| GK05000EPV | 5" | GB05000B5 |
| GK05500EPV | 5 ¹ / ₂ " | GB05500B5 |
| GK06000EPV | 6" | GB06000B5 |
| GK06500EPV | 6 ¹ / ₂ " | GB06500B5 |
| GK07000EPV | 7" | GB07000B5 |

*Bearing rings are not included with these kits; they must be ordered separately. See Bearing rings, in "Other Manufacturers" section of this catalog.



GENERAL (FLORIDA) HYDRAULIC PACKING KITS

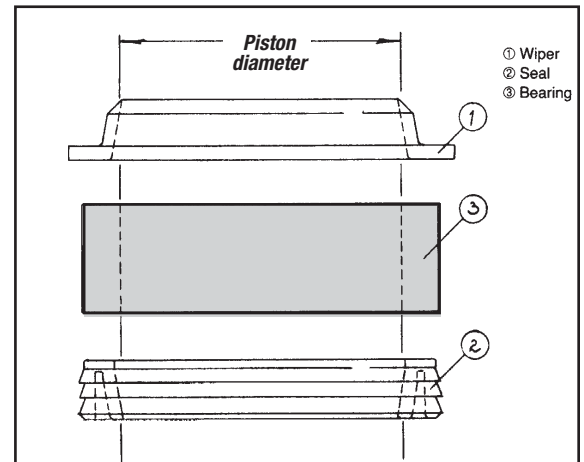
Each hydraulic packing kit for

General (Florida) consists of:

- One (1) seal
- One (1) wiper
- One (1) bearing

| GENERAL (FLORIDA) | |
|-------------------|-----------------------------------|
| Adams part no. | Piston diameter |
| GK03437G | 3 ⁷ / ₁₆ " |
| GK03937G | 3 ¹⁵ / ₁₆ " |
| GK04437G | 4 ⁷ / ₁₆ " |
| GK04500G | 4 ¹ / ₂ " |
| GK05437G | 5 ⁷ / ₁₆ " |
| GK05500G | 5 ¹ / ₂ " |
| GK06437G | 6 ⁷ / ₁₆ " |
| GK06500G | 6 ¹ / ₂ " |
| GK07500G | 7 ¹ / ₂ " |
| GK08500G | 8 ¹ / ₂ " |
| GK09500G | 9 ¹ / ₂ " |

NOTE: Bearing rings are included with these kits.



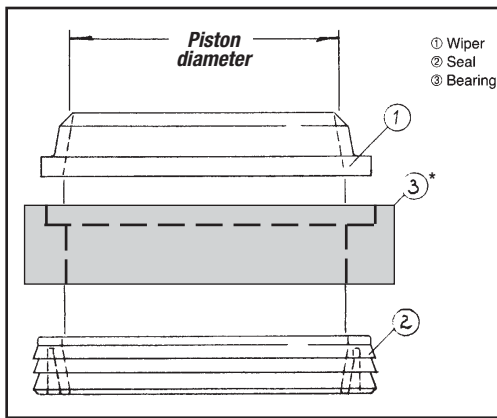
GENERAL "G" HEAD HYDRAULIC PACKING KITS

Each hydraulic packing kit for General (Florida) "G" Head consists of:

- One (1) seal
- One (1) wiper

| GENERAL "G" HEAD | | |
|------------------|-----------------|--------------|
| Adams part no. | Piston diameter | Bearing no.* |
| GK03500GG | 3 1/2" | GB03500B21 |
| GK04000GG | 4" | GB04000B21 |
| GK04437GG | 4 7/16" | GB04437B21 |
| GK04500GG | 4 1/2" | GB04500B21 |
| GK05000GG | 5" | GB05000B21 |
| GK05437GG | 5 7/16" | GB05437B21 |
| GK05500GG | 5 1/2" | GB05500B21 |
| GK06437GG | 6 7/16" | GB06437B21 |
| GK06500GG | 6 1/2" | GB06500B21 |
| GK07500GG | 7 1/2" | GB07500B21 |

*Bearing rings are not included with these kits; they must be ordered separately. See Bearing rings, in "Other Manufacturers" section of this catalog.



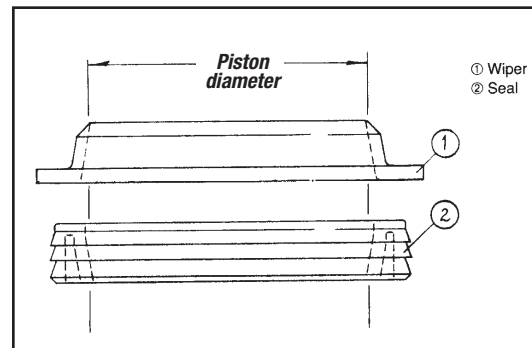
NORTHERN ELEVATOR HYDRAULIC PACKING KITS

Each hydraulic packing kit for Northern Elevator consists of:

- One (1) seal
- One (1) wiper

| NORTHERN ELEVATOR | |
|-------------------|-----------------|
| Adams part no. | Piston diameter |
| GK03000N | 3" |
| GK03500N | 3 1/2" |
| GK04000N | 4" |
| GK04500N | 4 1/2" |
| GK05000N | 5" |
| GK05500N | 5 1/2" |
| GK06000N | 6" |
| GK06500N | 6 1/2" |

*Includes one seal, one lantern, one wiper.



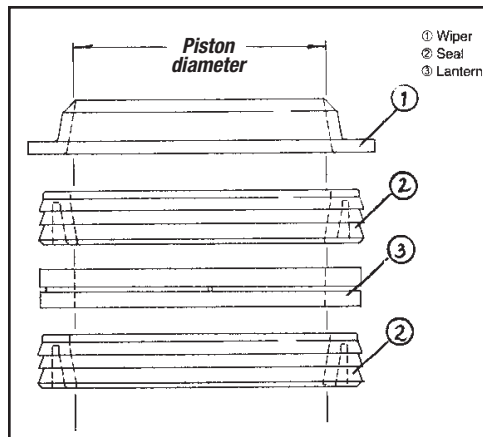
MONTGOMERY HYDRAULIC PACKING KITS

Each hydraulic packing kit for Montgomery consists of:

- Two (2) seals
- One (1) wiper
- One (1) lantern ring

| MONTGOMERY | |
|----------------|-----------------|
| Adams part no. | Piston diameter |
| GK03937M | 3 15/16" |
| GK04375M | 4 3/8" |
| GK04500M | 4 1/2" |
| GK05437M | 5 7/16" |
| GK05500M* | 5 1/2" |
| GK05750M | 5 3/4" |
| GK06562M | 6 9/16" |
| GK07500M | 7 1/2" |
| GK08562M | 8 9/16" |
| GK09500M | 9 1/2" |
| GK10715M | 10 18/25" |
| GK12625M | 12 5/8" |

*Includes one seal, one lantern, one wiper.



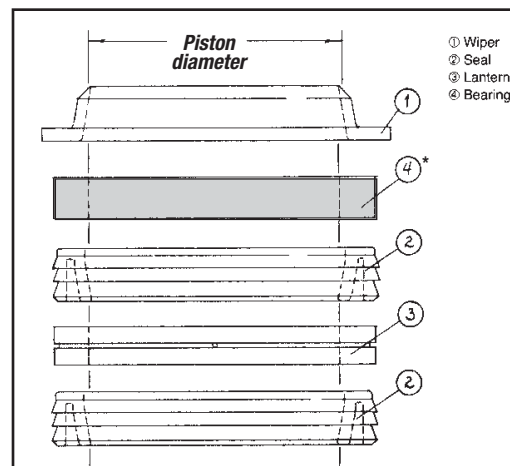
OTIS/CAST IRON HYDRAULIC PACKING KITS

Each hydraulic packing kit for Otis/Cast Iron consists of:

- Two (2) seals
- One (1) wiper
- One (1) lantern ring

| OTIS/CAST IRON | | |
|----------------|-----------------|--------------|
| Adams part no. | Piston diameter | Bearing no.* |
| GK03875OC | 3 7/8" | GB03875B1 |
| GK04375OC | 4 3/8" | GB04375B1 |
| GK05437OC | 5 7/16" | GB05437B1 |
| GK06500OC | 6 1/2" | GB06500B1 |
| GK07500OC | 7 1/2" | GB07500B1 |
| GK08500OC | 8 1/2" | GB08500B1 |
| GK09500OC | 9 1/2" | GB09500B1 |
| GK10625OC | 10 5/8" | GB10625B1 |
| GK12625OC | 12 5/8" | GB12625B1 |

*Bearing rings are not included with these kits; they must be ordered separately. See Bearing rings, in "OTIS" section of this catalog.



OTIS/HIGH PRESSURE HYDRAULIC PACKING KIT

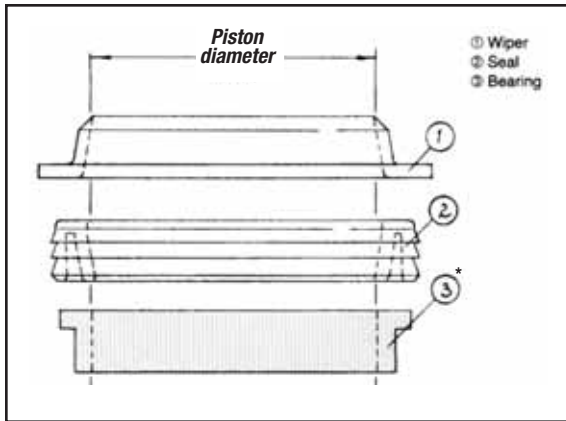
Our hydraulic packing kit for Otis/High Pressure

consists of:

- One (1) seal
- One (1) wiper

| OTIS/HIGH PRESSURE | | |
|--------------------|-----------------|------------------|
| Adams part no. | Piston diameter | Bearing no.* |
| GK02750HP | 2 3/4" | GB02750B4 |

*Bearing rings are not included with these kits; they must be ordered separately. See Bearing rings, in "OTIS" section of this catalog.

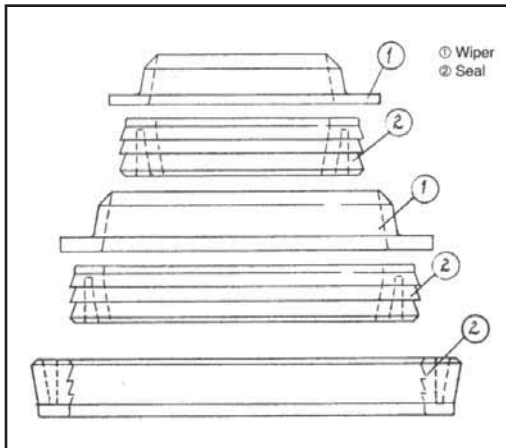


OTIS/TELESCOPIC HYDRAULIC PACKING KITS

Each hydraulic packing kit for Otis/Telescopic consists of:

- Three (3) seals, graduated sizes
- Two (2) wipers, graduated sizes

| OTIS/TELESCOPIC | |
|-----------------|-----------------|
| Adams part no. | Otis series no. |
| GK1500OT | 1500 |
| GK2000OT | 2000 |
| GK2500OT | 2500 |
| GK4000OT | 4000 |



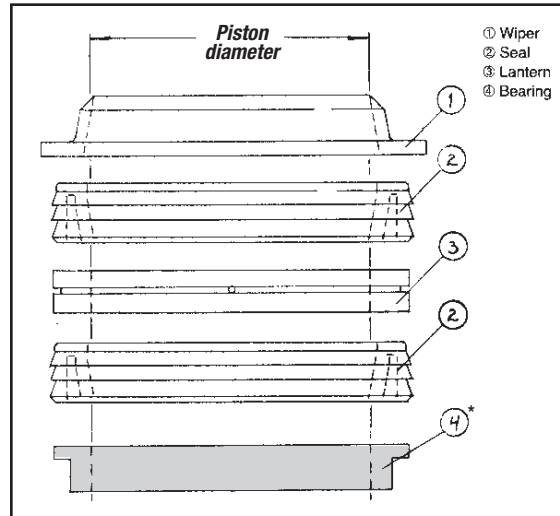
OTIS/WELDED HEAD HYDRAULIC PACKING KITS

Each hydraulic packing kit for Otis/Welded Head consists of:

- Two (2) seals
- One (1) wiper
- One (1) lantern ring

| OTIS/WELDED HEAD | | | |
|------------------|-----------------|-------------|------------------|
| Adams part no. | Piston diameter | | Bearing no.* |
| | Actual | Otis desig. | |
| GK04375OW | 4 3/8" | 4 1/2" | GB04375B4 |
| GK04875OW | 4 7/8" | 5" | GB04875B4 |
| GK05437OW | 5 7/16" | 5 1/2" | GB05437B4 |
| GK06500OW | 6 1/2" | 6 1/2" | GB06500B4 |

*Bearing rings are not included with these kits; they must be ordered separately. See Bearing rings, in "OTIS" section of this catalog.



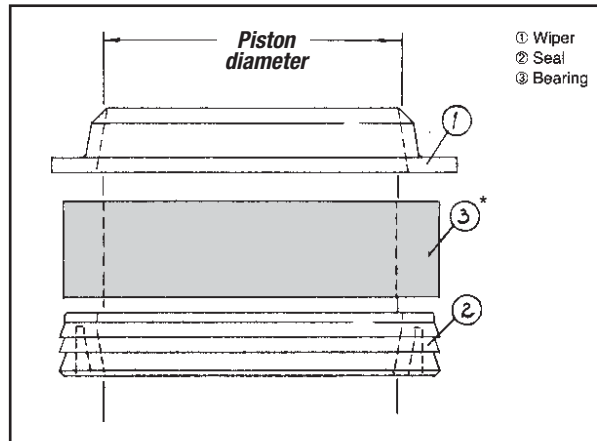
SOUTHEASTERN (SH-4/5, SF-5, SE-6) HYDRAULIC PACKING KITS

Each hydraulic packing kit for Southeastern consists of:

- One (1) seal
- One (1) wiper

| SOUTHEASTERN | | | |
|------------------|-----------------------|-----------------|------------------|
| Adams part no. | Replaces Southeastern | Piston diameter | Bearing no.* |
| GK04375OW | 4 3/8" | 4 1/2" | GB04375B4 |
| GK04875OW | 4 7/8" | 5" | GB04875B4 |
| GK05437OW | 5 7/16" | 5 1/2" | GB05437B4 |
| GK06500OW | 6 1/2" | 6 1/2" | GB06500B4 |

*Bearing rings are not included with these kits; they must be ordered separately on page 398.

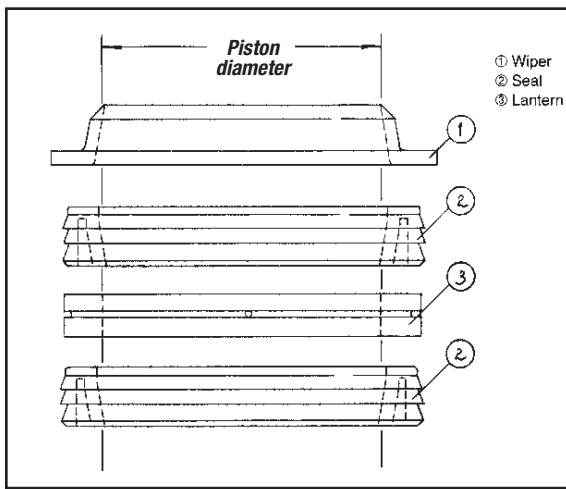


SOUTHEASTERN (SE-7/8/9/12, SH-10) HYDRAULIC PACKING KITS

Each hydraulic packing kit for Southeastern consists of:

- Two (2) seals
- One (1) wiper
- One (1) lantern ring

| SOUTHEASTERN | | |
|-----------------|-----------------------|-----------------|
| Adams part no. | Replaces Southeastern | Piston diameter |
| GK07500S | SE-7 | 7 1/2" |
| GK08500S | SE-8 | 8 1/2" |
| GK09500S | SE-9 | 9 1/2" |
| GK10625S | SH-10 | 10 5/8" |
| GK12625S | SE-12 | 12 5/8" |

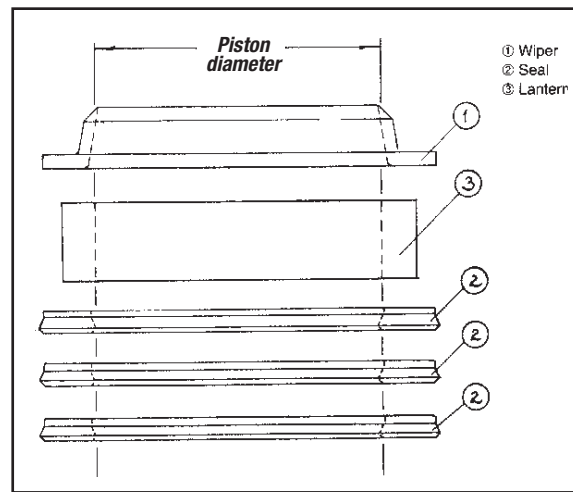


U.S. ELEVATOR/SPLIT SEAL STACK PACKING HYDRAULIC PACKING KITS

Each hydraulic packing kit for U.S. Elevator consists of:

- Three (3) seals, split
- One (1) wiper
- One (1) lantern ring, split

| U.S./SPLIT SEAL | |
|-------------------|-----------------|
| Adams part no. | Piston diameter |
| GK04000USP | 4" |
| GK04500USP | 4 1/2" |
| GK05000USP | 5" |
| GK05500USP | 5 1/2" |
| GK06000USP | 6" |
| GK06500USP | 6 1/2" |
| GK07000USP | 7" |
| GK07500USP | 7 1/2" |
| GK08000USP | 8" |
| GK09000USP | 9" |
| GK10625USP | 10 5/8" |
| GK12625USP | 12 5/8" |

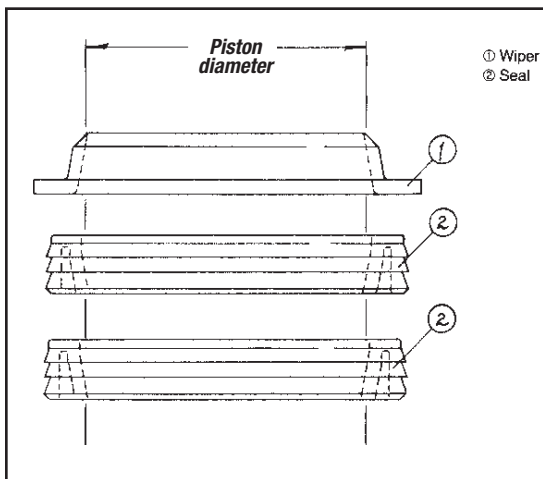


U.S. ELEVATOR/MT HEAD HYDRAULIC PACKING KITS

Each hydraulic packing kit for U.S. Elevator consists of:

- Two (2) seals
- One (1) wiper

| U.S./MT HEAD | | |
|-------------------|------------------------|-----------------|
| Adams part no. | U.S. Elevator part no. | Piston diameter |
| GK04000UMT | MT 4 | 4" |
| GK04500UMT | MT 4 1/2 | 4 1/2" |
| GK05000UMT | MT 5 | 5" |
| GK05500UMT | MT 5 1/2 | 5 1/2" |
| GK06000UMT | MT 6 | 6" |
| GK06500UMT | MT 6 1/2 | 6 1/2" |
| GK07000UMT | MT 7 | 7" |
| GK08000UMT | MT 8 | 8" |

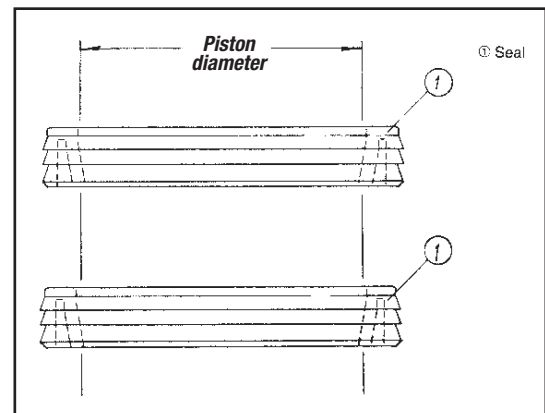


WESTINGHOUSE HYDRAULIC PACKING KITS

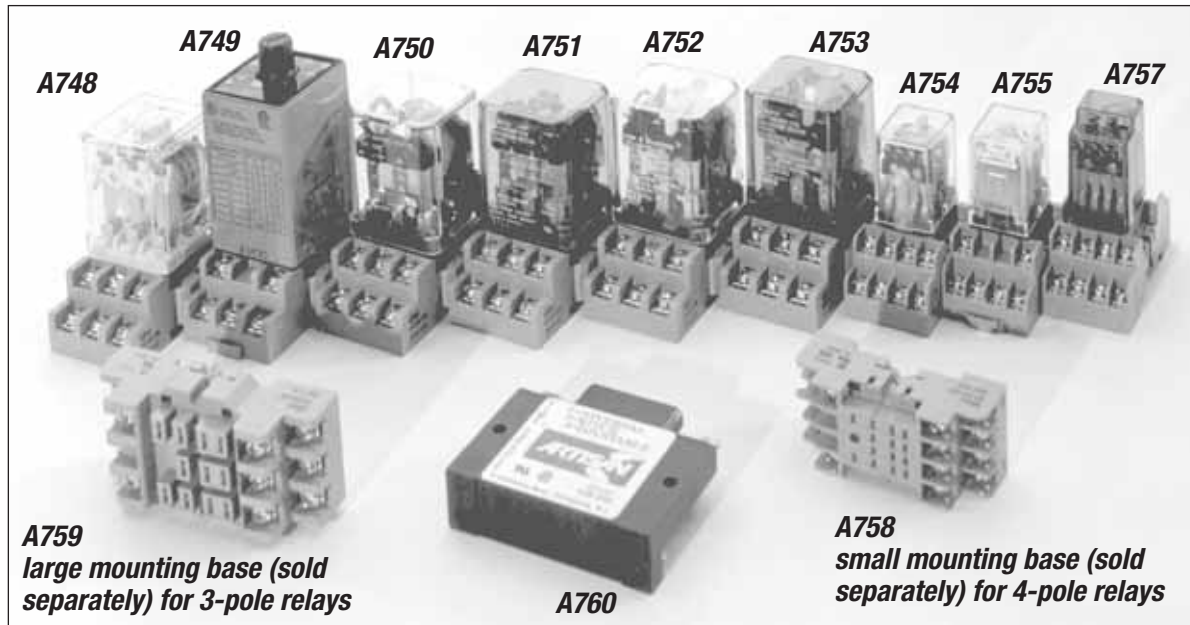
Each hydraulic packing kit for Westinghouse consists of:

- Two (2) seals

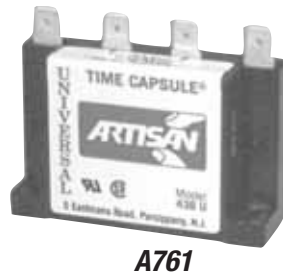
| WESTINGHOUSE | |
|-----------------|-----------------|
| Adams part no. | Piston diameter |
| GK03500W | 3 1/2" |
| GK03750W | 3 3/4" |
| GK04000W | 4" |
| GK04500W | 4 1/2" |
| GK05500W | 5 1/2" |
| GK06000W | 6" |
| GK06500W | 6 1/2" |
| GK07000W | 7" |
| GK08000W | 8" |



Miniature Relays



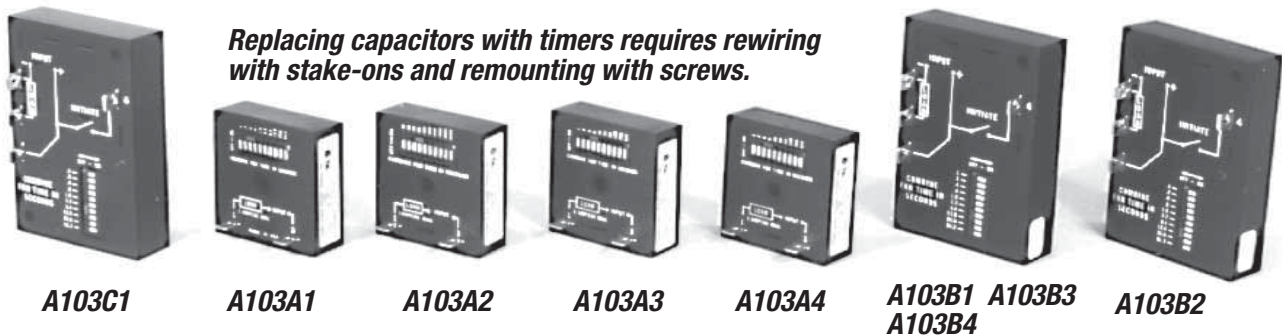
- MOST-NEEDED MODELS!
- SAME POTTER & BRUMFIELD, IDEC, AND ARTESAN TIMERS & RELAYS FOUND ON OEM CONTROLLERS!
- BASES SOLD SEPARATELY



| MINIATURE RELAYS | | | | | |
|--------------------|------------------------------------------|-----------------|----------------|----------|--|
| New Adams part no. | Description | Replaces | Voltage | Contacts | |
| A748 | Intrusion alarm relay | IDEC RR3B | VDC12V | — | |
| A749 | Intrusion alarm timer | IDEC RTE-B11 | DC12V | — | |
| A750 | Relay with light | P&B EQU14A35F | AC120 | 3 pole | |
| A751 | Relay with light | P&B EQU14D35F | DC110 | 3 pole | |
| A752 | Relay with light & button | P&B EQU14A45F | AC120 | 3 pole | |
| A753 | Relay, light & button | P&B EQU14D45F | DC110 | 3 pole | |
| A754 | Relay with light & button | P&B KHAU17A12H | AC120 | 4 pole | |
| A755 | Relay with light | P&B KHAU17A12N | AC120 | 4 pole | |
| A756 | Relay with light & button | P&B KHAU17D12H | DC110 | 4 pole | |
| A757 | Relay with light | P&B KHAU17D12N | DC110 | 4 pole | |
| A758 | Small mounting base | IDEC SY4S-05 | — | — | |
| A758-DINRAIL | Din Rail for Relay Base (2 meter length) | | | | |
| A759 | Large mounting base | IDEC SR3B-05 | — | — | |
| A760 | Timer, 1-1024 sec. | Artisan 438-USA | 24-240 VAC/VDC | — | |
| A761 | AC control relay | Artisan 438U | — | — | |

Replace Outdated Capacitor Technology with Solid-State Timers

Replacing capacitors with timers requires rewiring with stake-ons and remounting with screws.

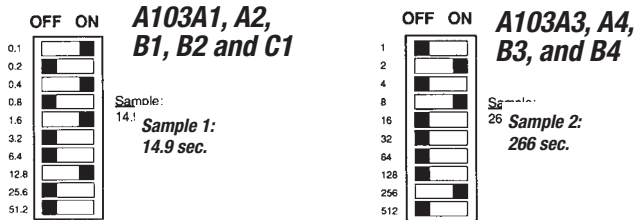


HOW TO SET TIMERS

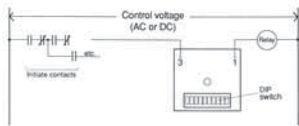
Start with your target time; in *Sample 1*, it is 14.9 seconds. Working up from the bottom of the switch panel, find the largest time interval *that is still less than your target number* and move that switch to the right (ON).

Then proceed up the dip-switch panel, turning each switch to the ON position if you can add that number to the time intervals already in the ON position and still not go over your target time. When you reach the top, you will have set the timer to your target time.

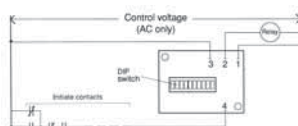
Sample 2 shows how to set the timer for 266 seconds.



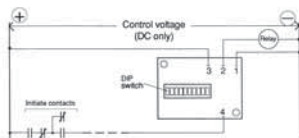
- Adjustable time range from .1 to 1023 seconds
- All common voltages available
- Easy mounting
- Set and forget



A103A series



A103B series



A103C series

| TIMERS TO REPLACE WESTINGHOUSE CAPACITORS | | |
|-------------------------------------------|-----------------------|-------------|
| Westinghouse Capacitor | Adams Repl. Capacitor | Adams Timer |
| 466D034G01 | WCA1 | A103C1 |
| 466D034G02 | WCA2 | A103C1 |
| 466D034G03, 6 | WCA3 | A103C1 |
| 466D034G02, 6 | WCA4 | A103C1 |
| 466D034G02, 7 | WCA5 | A103C1 |
| 466D034G07 | WCA7 | A103C1 |
| 466D034G08 | WCA8 | A103C1 |
| 466D034G02, 8 | WCA9 | A103C1 |
| 466D034G09 | | A103C1 |
| K-3412G1 | WCR-11 | A103C1 |
| K-3412G2 | WCR-12 | A103C1 |
| 576B887G02 for DM controller | | A103C1 |

*Also 105242, 9805229, 9852797, 65278 and 9805278

THESE OEM CHARTS SHOW SOME OF THE CAPACITORS REPLACED BY THE TIMERS SHOWN ON THE FACING PAGE

NOTE: Dover references only 9711466 and 9711454 as delay reversible timers. On these timers, the solenoid is removed from the mounting plate, turned around and remounted. This allows the delay signal to go from "on" to "off", or vice-versa.

| TIMERS TO REPLACE OTIS CAPACITORS | | |
|-----------------------------------|-----------------------|-------------|
| Otis Capacitor | Adams Repl. Capacitor | Adams Timer |
| 226H1 | C-011 | A103C1 |
| 226H2 | C-012 | A103C1 |
| 226H3 | C-013 | A103C1 |
| 226H4 | C-014 | A103C1 |
| 226H7 | | A103C1 |
| 226H8 | | A103C1 |
| 226H11 | | A103C1 |

| REPLACES ARMOR CAPACITORS | |
|---------------------------|-------------|
| Armor Capacitor | Adams Timer |
| C058-8261-01 | A103A2 |
| C058-8261-02 | A103A2 |
| C058-8261-04 | A103A1 |
| C058-8261-05 | A103A1 |
| C058-8262-01 | A103A1 |
| C058-8262-02 | A103A1 |
| C058-8262-03 | A103A1 |

| TIMING/VOLTAGE CHART | | | | | |
|----------------------|-------|--------|---------|------------|-----------------------|
| Adams Part no. | Delay | Volts | Current | Time Range | Dimensions LxWxH" |
| A103A1 | on | 20-120 | AC/DC | 0.1-102.3 | 2 x 3/4 x 2 |
| A103A2 | on | 90-240 | AC/DC | 0.1-102.3 | 2 x 3/4 x 2 |
| A103A3 | on | 20-120 | AC/DC | 1-1023 | 2 x 3/4 x 2 |
| A103A4 | on | 90-240 | AC/DC | 1-1023 | 2 x 3/4 x 2 |
| A103B1 | off | 20-120 | AC | 0.1-102.3 | 2 1/2 x 25/32 x 3 1/2 |
| A103B2 | off | 90-240 | AC | 0.1-102.3 | 2 1/2 x 25/32 x 3 1/2 |
| A103B3 | off | 20-120 | AC | 1-1023 | 2 1/2 x 25/32 x 3 1/2 |
| A103B4 | off | 90-240 | AC | 1-1023 | 2 1/2 x 25/32 x 3 1/2 |
| A103C1 | off | 20-120 | DC | 0.1-102.3 | 2 1/2 x 25/32 x 3 1/2 |

| TIMERS TO REPLACE DOVER CAPACITORS | | | | | |
|------------------------------------|--------------------|------------------------------|-------|-------------|--|
| New Dover Cap. No. | Old Dover Cap. No. | Description | Delay | Adams Repl. | |
| 9752810 | 75281 | 115VAC timer (2-20 sec) | ON | A103A1 | |
| | 62997 | 220VAC timer (2-20 sec) | ON | A103A2 | |
| | 75785 | 115VAC timer (20-160 sec) | ON | A103A3 | |
| 9711466 | 72167 | 220VAC timer | ON | A103A2 | |
| | | | OFF | A103B2 | |
| 9711454 | 72166 | 110 VAC timer | ON | A103A1 | |
| | | | OFF | A103B1 | |
| 9711934 | 75301 | 110VAC clock timer (270 sec) | ON | A103A3 | |
| | 75299 | 110VAC clock timer (14 sec) | OFF | A103A1 | |
| | 75300 | 220VAC clock timer (14 sec) | ON | A103A2 | |
| | 75302 | 220VAC clock timer (270 sec) | ON | A103A4 | |
| | 62837-1 | 115/60 timer | ON | A103A1 | |
| | 62837-2 | 115/60 timer | ON | A103A1 | |
| 9728387 | 62838-1 | 230VAC/60 cycle timer | ON | A103A2 | |
| | 62838-2 | 230/60 timer | ON | A103A2 | |
| | 62996 | 235VDC timer | ON | A103A2 | |
| 9805278 | 105238 | 24VDC (.1 to .5 sec) | ON | A103A1 | |
| 9805229 | 105242 | 24VDC (2 to 120 sec) | ON | A103A3 | |
| 9812611 | 111261 | "BR" timer U.D.10-230VAC | ON | A103A2 | |
| 9815284 | 101528 | 45VDC (2 to 180 sec) | ON | A103A3 | |
| 9815296 | 101529 | 45VDC (.1 to 2 sec) | ON | A103A1 | |
| 9852049 | 105238* | 45VDC time | ON | A103A1 | |
| 9851987 | 105198 | 115VAC timer | ON | A103A1 | |
| 9852001 | 105201 | 115VAC timer | ON | A103A1 | |
| 9881268 | 111266 | "BR" timer U.D.10-115VAC | ON | A103A1 | |

Universal IBM™ Relay Checker

Universal relay checker for fast and foolproof field examination of suspect relay.

This **light-weight**, hand-held wire contact diagnostic unit easily accepts any multi-pin 4, 6, or 12-pole relay with coil voltages from 26V to 100V DC. It provides an instant check on each relay for burned-out coils or defective contacts.

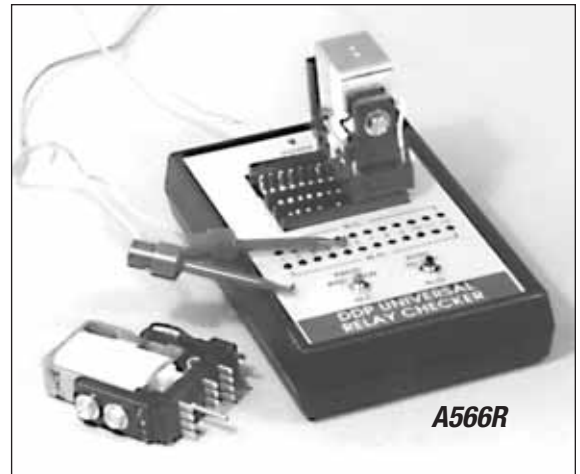
The checker is **powered by direct hookup** to the DC power source on any control panel which includes wire-contact relays.

Adams part no. A566R

For use with 2800-series (IBM) relays in Dover section.

FEATURES:

- Portable, hand held
- Easy to operate
- Power light aids in hookup
- Senses correct polarity
- Automatically uses correct coil voltage
- No batteries required
- ABS high-impact plastic case
- Fully insulated



A566R

IBM Relay checker should be considered standard equipment for all elevator mechanics.

Mag-Probe™

Detects voltage irregularities. Hold tip of Mag-Probe near or touching a solenoid or relay (at point of greatest magnetism) — and the lamp in the Mag-Probe handle lights when the unit detects a magnetic field caused by flowing electric current.

It's the next-best thing to an oscilloscope, and it tests relays and solenoids faster than a voltmeter. Best of all, Mag-Probe works without a direct connection.

A566MP Mag-Probe magnetic sensor with storage cylinder, tip shield, lamp shade, instructions.



A566MP



A103D1

UL recognized and CSA approved

PHASE PROTECTION RELAYS

National Electrical Code and ANSI requires phase protection relays on all multiphased motor circuits.

These feature automatic reset!

- Includes 8-pin plug in base.
- Monitors 3-Phase Input Line
- Protects motors from dangerous line conditions:
 - 1) Phase loss
 - 2) Voltage imbalance
 - 3) Incorrect phase sequence
 - 4) Low voltage
- Provides adjustable low voltage protection.

A103D1 has a voltage range of 200-240.

A103D2 has a voltage range of 400-480.

Replacement Lamps



INCANDESCENT LAMPS

- **QUALITY:** Lamps tested to long life
- **PRICE:** Purchased in large quantities means lower prices
- **AVAILABILITY:** All lamps used in elevator applications are available (if not listed, call your replacement parts sales rep.)

Our lamps come in convenient **10-packs** for easy storage; **packs also protect unused lamps before they are installed.** Universal lamp reference numbers are shown. NOTE: Sold only in packages of 10. Incandescents work with AC or DC.

| A480L SERIES LAMPS, 10/PK | | | | |
|---------------------------|--------------|--------------|---------|-------|
| Adams part no. | Lamp ref no. | Type of Base | Voltage | Amps |
| A480L1 | 755 | Min. bayonet | 6.3V | 0.15 |
| A480L2 | 1847 | Min. bayonet | 6.3V | 0.15 |
| A480L3 | 44 | Min. bayonet | 6.3V | 0.25 |
| A480L4 | 1815 | Min. bayonet | 14V | 0.20 |
| A480L5 | 1813 | Min. bayonet | 14.4V | 0.10 |
| A480L6 | 1820 | Min. bayonet | 28V | 0.10 |
| A480L7 | 1864/313 | Min. bayonet | 28V | 0.17 |
| A480L8 | 1843 | Min. bayonet | 28V | 0.022 |
| A480L9 | 1822 | Min. bayonet | 36V | 0.10 |
| A480L10 | 1487 | Min. screw | 14V | 0.20 |
| A480L11 | 1476 | Min. screw | 18V | 0.17 |
| A480L12 | 967 | Min. bayonet | 120V | 0.025 |
| A480L13 | 6MB | Min. bayonet | 6V | 0.140 |
| A480L14 | 90MB | Min. bayonet | 90V | 0.033 |
| A480L15 | 120MB | Min. bayonet | 120V | 0.025 |
| A480L16 | 48MB | Min. bayonet | 48V | 0.054 |
| A480L18 | 12MB | Min. bayonet | 12V | 0.17 |
| A480L19 | 24MB | Min. bayonet | 24V | 0.073 |
| A480L20 | 60MB | Min. bayonet | 60V | 0.050 |
| A480L22 | 120RB | Min. bayonet | 120V | 0.025 |
| A480L23 | 757 | Min. bayonet | 28V | 0.08 |
| A480L24 | 1820x | Min. bayonet | 28V | 0.10 |
| A480L25 | 1828 | Min. bayonet | 37.5V | 0.05 |
| A480L26 | 155MB | Min. bayonet | 155V | 0.025 |
| A480L27 | 28MB | Min. bayonet | 28V | 0.04 |
| A480L28 | 46 | Min. screw | 6.3V | 0.25 |
| A480L29 | 238 | Min. bayonet | 6V | 0.5 |
| A480L30 | 503 | Min. bayonet | 5.1V | 0.15 |
| A480L31 | 1816 | Min. bayonet | 13V | 0.33 |
| A480L32 | 1818 | Min. bayonet | 24V | 0.17 |
| A480L33 | 1819 | Min. bayonet | 28V | 0.04 |
| A480L34 | 1893 | Min. bayonet | 14V | 0.33 |
| A480L35 | 356/5DC | DC bayonet | 120V | 3.0 |
| A480L36 | 756 MB | Min. bayonet | 14V | 0.08 |
| A480L37 | 53 MB | Min. bayonet | 14.4V | 0.12 |
| A480L38 | 6S648DC | DC bayonet | 48V | 6.0* |
| A480L39 | 60RB | Min. bayonet | 60V | 0.050 |

*Watts

NEON LAMPS

A typical neon lamp lasts up to ten times longer than its incandescent counterpart.



Lamps are inexpensive, to be sure, and the cost of ten replacements might not be significant.

But the cost of labor to change out ten lamps can be prohibitive... especially when you consider that it's about nine times greater than it needs to be.

Choose PSB5 slide or MB miniature bayonet bases, in convenient packs of 10. Up to 30,000 hours of normal use.

A487L6. 120PSB neon lamp, 120V; 10/pkg.

A480L17. 120MB neon lamp, 120V; 10/pkg.

A491L2. 120RC neon lamp, 120V, 10/pkg.



NOTE: DC stands for "double contact"
†Amps



SC = "single contact"

*Listed as watts, not amps.

A481L/483L SERIES LAMPS, 10 PK

| Adams part no. | Lamp ref no. | Type of Base | Voltage | Amps |
|----------------|--------------|--------------|---------|------|
| A481L1 | 509K | Candelabra | 24V | 0.18 |
| A481L2 | 97 | SC bayonet | 13.5V | 0.69 |
| A481L6 | 1251 | SC bayonet | 28V | 0.23 |
| A483L1 | 1876 | SC bayonet | 3.5V | 2.5 |
| A483L3 | 1434 | SC bayonet | 3.7V | 2.75 |
| A483L4 | 89 | SC bayonet | 13V | 0.58 |
| A483L5 | 63 | SC bayonet | 7V | 0.63 |
| A483L6 | 67 | SC bayonet | 13.5V | 0.59 |
| A483L7 | 6S6/155SC | SC bayonet | 155V | 6.0* |
| A483L8 | 6S6/120SC | SC bayonet | 120V | 6.0* |

A484L SERIES LAMPS, 10/PK

| Adams part no. | Lamp ref no. | Type of Base | Voltage | Watts |
|----------------|--------------|---------------|---------|----------|
| A484L1 | 6S6/32 | DC bayonet | 32V | 6.0 |
| A484L2 | 6S6/120 | DC bayonet | 120V | 6.0 |
| A484L3 | 6S6/145 | DC bayonet | 145V | 6.0 |
| A484L4 | 10S6/250 | DC bay. clear | 250V | 10.0 |
| A484L5 | 10S6/250 | DC bay. red | 250V | 10.0 |
| A484L6 | 10S6/250 | DC bay. green | 250V | 10.0 |
| A484L7 | 10S6/250 | DC bay. amber | 250V | 10.0 |
| A484L8 | 1004 | DC bayonet | 12.8V | 0.94† |
| A484L9 | 308 | DC bayonet | 28V | 0.67† |
| A484L10 | 6S6/24DC | DC bay. amber | 24V | 6.0* |
| A484L11 | 1157DC | DC bayonet | 12.8/14 | 2.1/0.59 |
| A484L12 | 6S6/12DC | DC bayonet | 12.0 | 6.0 |
| A484L13 | 1252 | DC bayonet | 28V | 0.23† |
| A484L14 | 64 | DC bayonet | 7V | 0.63† |
| A484L15 | 90 | DC bayonet | 13V | 0.58† |
| A484L16 | 304 | DC bayonet | 28V | 0.30† |
| A484L17 | 1692 | DC bayonet | 28V | 0.61† |

A485L/486L SERIES LAMPS, 10/PK

| Adams part no. | Lamp ref no. | Type of Base | Voltage | Amps |
|----------------|--------------|--------------|---------|------|
| A485L1 | 1493 | DC bayonet | 6.5V | 2.8 |
| A485L2 | 88L | DC bayonet | 6.8V | 2.0 |
| A485L3 | 306 | DC bayonet | 28V | 0.51 |
| A486L1 | 5AT8SC | SC bayonet | 10V | 0.5 |
| A486L2 | 10C7DC | Candelabra | 115V | 0.10 |
| A486L3 | 5AT8SCP | SC bayonet | 10V | 5 |

A487L SERIES LAMPS, 10/PK

| Adams part no. | Lamp ref no. | Type of Base | Voltage | Amps |
|----------------|--------------|--------------|---------|-------|
| A487L1 | 24PSB | PSB5 | 24V | 0.073 |
| A487L2 | 28PSB | PSB5 | 28V | 0.040 |
| A487L3 | 48PSB | PSB5 | 48V | 0.053 |
| A487L4 | 60PSB | PSB5 | 60V | 0.050 |
| A487L5 | 120PSB | PSB5 | 120V | 0.025 |
| A487L7 | 6PSB | PSB5 | 6V | 0.140 |
| A487L8 | 12PSB | PSB5 | 12V | 0.170 |
| A487L9 | 24CSB | PSB5 | 24V | 0.017 |
| A487L10 | 155PSB | PSB5 | 155V | 0.025 |
| A487L11 | 35PSB | PSB5 | 35V | 0.045 |

A488L/489L SERIES LAMPS, 10/PK

| Adams part no. | Lamp ref no. | Type of Base | Voltage | Watts |
|----------------|--------------|--------------|---------|-------|
| A488L1 | 6S6/6 | Candelabra | 6V | 6.0 |
| A488L2 | 6S6/12 | Candelabra | 12V | 6.0 |
| A488L3 | 6S6/30 | Candelabra | 30V | 6.0 |
| A488L4 | 6S6/115-125 | Candelabra | 115V | 6.0 |
| A488L5 | 10S6/230 | Candelabra | 230V | 10.0 |
| A488L6 | 6S6/145 | Candelabra | 145V | 6.0 |
| A488L7 | 6S6/155 | Candelabra | 155V | 6.0 |
| A488L8 | 6S6/48 | Candelabra | 48V | 6.0 |
| A488L9 | 6S6/60 | Candelabra | 60V | 6.0 |
| A488L10 | 6S6230VCS | Candelabra | 230V | 6.0 |
| A488L11 | 25S6/120CS | Candelabra | 120V | 25.0 |
| A488L12 | 48RC | Candelabra | 48V | 0.05† |
| A489L1 | 6T4½ | Candelabra | 115V | 6.0 |
| A489L2 | 6T4½ | Candelabra | 48V | 6.0 |
| A489L3 | 6T4½ | Candelabra | 220V | 5.0 |
| A489L4 | 15T6/145 | Candelabra | 145V | 0.1† |



†Amps

**A490L, 491L, A492L, 493L, 496L
SERIES LAMPS, 10/PK**

| Adams part no. | Lamp ref. no. | Type of base | Volts | Watts/ Amps† |
|----------------|---------------|-----------------|-------|-----------------|
| A490L1 | 25T8C | Candelabra | 115V | 25.0 |
| A490L2 | 25T8DC | DC bayonet | 115V | 25.0 |
| A490L3 | 25T8DC | DC bayonet | 115V | 25.0 |
| A490L5 | 25T8N | Intermed. screw | 120V | 25.0 |
| A490L6 | 25S11/2C | Candelabra | 120V | 25.0 |
| A490L7 | 15T7C | Candelabra | 120V | 0.125† |
| A491L1 | 120RC | Intermed. screw | 120V | 2.00 |
| A491L2 | NE120RC | Candelabra | 120V | 5mA† |
| A491L3 | 28RC | Candelabra | 28V | 1.1 |
| A492L1 | 502 | Miniature screw | 5.1V | 0.15† |
| A492L2 | 1474 | Miniature screw | 14V | 0.17† |
| A493L1 | 85 | Submin. wedge | 28V | 0.04† |
| A493L2 | 657 | Wedge | 28V | 0.08† |
| A493L3 | 12 | Miniature 2 pin | 6.3V | 0.15† |
| A493L4 | 15 | Miniature 2 pin | 7V | 0.40† |
| A493L5 | 349 | Midget flanged | 6.3V | 0.20† |
| A493L6 | 161 | Wedge | 14V | 0.19† |
| A496L1 | 253X | Midget grooved | 2.0V | 25.0 |
| A496L2 | 334 | Midget grooved | 28V | 0.04† |
| A496L3 | 387 | Midget grooved | 28V | 0.04† |

3-40362-74



Cluster LEDs also available. White 28 V Miniature Bayonet.



LEDS

| LED-MB | | | | |
|-------------|-------------|------------------|--------|--|
| Part Number | Color | Markings/Ratings | Figure | |
| X46PS2H04 | Red | 28V/MB/6-Chip | E1 | |
| X46PS2H05 | Orange | 28V/MB/6-Chip | E1 | |
| X46PS2H06 | Lime Yellow | 28V/MB/6-Chip | E1 | |
| X46PS2H10 | Red | 120V/MB/6-Chip | E1 | |
| X46PS2H11 | Orange | 120V/MB/8-Chip | E1 | |
| X46PS2H14 | Orange | 70V/MB/6-Chip | E1 | |
| X46PS2H15 | Orange | 70V/MB/8-Chip | E1 | |
| LED-PSB | | | | |
| X46PS2H07 | Red | 28V/PSB/6-Chip | E2 | |
| X46PS2H08 | Orange | 28V/PSB/6-Chip | E2 | |
| X46PS2H09 | Lime Yellow | 28V/PSB/6-Chip | E2 | |
| X46PS2H12 | Red | 120V/PSB/6-Chip | E2 | |
| X46PS2H13 | Orange | 120V/PSB/6-Chip | E2 | |
| X46PS2H16 | Orange | 12V/PSB/6-Chip | E2 | |

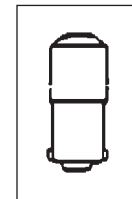


Figure E-1

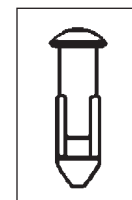


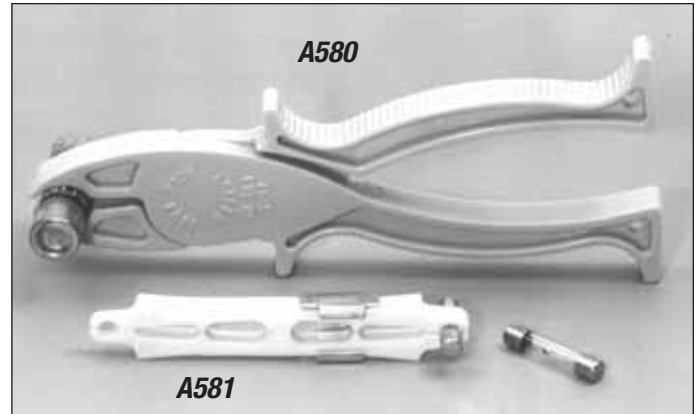
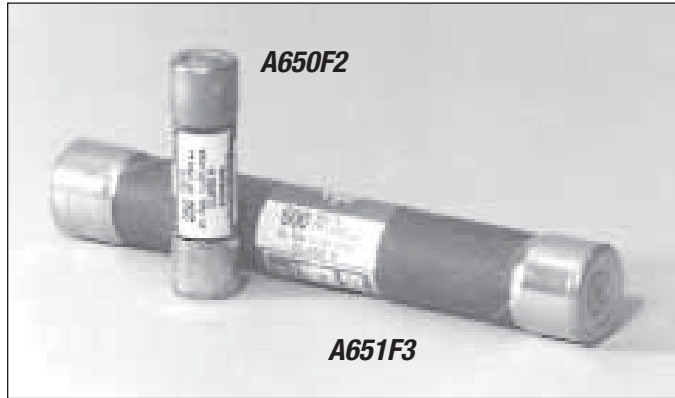
Figure E-2

| Adams Part No. | Lamp Description |
|----------------|-------------------------------------|
| 26336 | #1474 LAMP 14V |
| 3-26122-04 | BULB 120PAR 150W |
| 3-26122-07 | LAMP GREEN FROST 6S6/G/120V(10 PK) |
| 3-26122-08 | LAMP RED FROSTED 6S6/R/120CS(10 PK) |
| 33-1067-005 | LAMP, G6SC BAY. 28V |
| 33-1067-006 | LAMP - 32V/1223 |
| GE-1067-A1 | PHOTO EYE LAMP 253X(ord mult 10) |
| GE-1067-A2 | LAMP 1224 (ord mult 10) |
| GE-1067-B | LAMP 1141 (ord mult 10) |
| GE-1067-H | LAMP 6S6/DC 30 (ord mult 10) |
| GE-1067-M | LAMP 1476 (ord mult 10) |
| GE-1067-N | LAMP 1477 (ord mult 10) |
| GE-1067-P | LAMP 1608 (ord mult 10) |
| GE-1067-R | LAMP 11S14 (ord mult 10) |
| GE-1067-V | LAMP GE1184 |
| GE-1067-W | LAMP #6S6/155V (ord mult 12) |
| GE-1067-X | LAMP, S8DC BAY. 6.8V |
| GE-1067-Y | LAMP, MIN. BAY. 90V |
| HA-1067-A1 | LAMP 8-967 (ord mult 10) |
| HA-1067-A4 | LAMP 60RB MB 60 V 0.05 Amp |
| HA-1067-A5 | LAMP #47 (ord mult 10) |
| HA-1067-A7 | LAMP 25T10/IF 25W (each) |
| HA-1067-B8 | LAMP, #25T8C SCREW 115V |
| HA-1067-C6 | LAMP F8T5/CW (each) |
| HA-1067-C7 | LAMP 4T4 1/2 (ord mult 10) |
| HA-1067-E3 | LAMP 15S14 7W-34V (each) |
| HA-1067-E4 | LAMP #1247 (ord mult 10) |
| HA-1067-E6 | LAMP #57 (ord mult 10) |
| HA-1067-F2 | LAMP #68 (ord mult 10) |
| HA-1067-F4 | LAMP, MIN. BAY. 28V |
| HA-1067-F7 | LAMP, T2 TEL. 60PSB |
| HA-1067-G9 | LAMP #1130 (ord mult 10) |
| HA-1067-H | LAMP #10S6/15 RED |
| HA-1067-H5 | LAMP 60A19/RED (ord mult 2) |
| HA-1067-H6 | LAMP NE-45 (ord mult 10) |
| HA-1067-H8 | LAMP, T2 TEL. 48PSB |
| HA-1067-J3 | LAMP, MIN. BAY. 36V |
| HA-1067-K1 | LAMP, S-6 DC BAY. 145V |
| HA-1067-K3 | LAMP, G-6 DC BAY. 13.0V |
| HA-1067-K5 | LAMPS 40T10IF (each) |
| HA-1067-K7 | LAMP 4T4/150CS (10 PK) |
| HA-1067-L1 | LAMP BC40S11N |
| HA-1067-M1 | LAMP #60RC (ord mult 10) |
| HA-1067-M2 | LAMP 656 (ord mult 10) |
| HA-1067-M4 | LAMP, MIN. BAY. 6.3V |
| HA-1067-M7 | LAMP #14 (ord mult 10) |
| HA-1067-M8 | LAMP #93 (ord mult 10) |
| HA-1067-N1 | LAMP #327 (10 PK) |
| HA-1067-N3 | LAMP #756 (ord mult 10) |
| HA-1067-N4 | LAMP #94 (ord mult 10) |
| HA-1067-N7 | BULB 1157 (ord mult 10) |
| HA-1067-P5 | LAMP F15T8/D [334114] |
| HA-1067-R7 | LAMP #12RC (ord mult 10) |
| HA-1067-S3 | LAMP T4-1/2 6W |
| HA-1067-S5 | LAMP 24 ESB (ord mult 10) |
| HA-1067-S8 | LAMP 6S6DC 75V |
| HA-1067-S9 | LAMP RED GE 432 (ord mult 10) |
| HA-1067-T1 | LAMP 89K |
| HA-1067-T2 | LAMP 350 (ord mult 10) |
| HA-1067-T4 | BULB GE74 (10 PK) |

| Adams Part No. | Lamp Description |
|----------------|---------------------------------------|
| HA-1067-T6 | #81 LAMP (10PK) |
| HA-1067-T8 | LAMP, WEDGE #12 6.3V |
| HA-1067-U | LAMP LP8 / 1408 (ord mult 10) |
| HA-1067-U3 | Lamp T-1 3/4 S.C. 6.3V .20A |
| HA-1067-U4 | LAMP- GE1850W |
| HA-1067-V | LAMP 1155 |
| HA-1067-W | LAMP NE 51 B1A (ord mult 10) |
| HA-1067-W1 | LAMP T-1 3/4 SUBMINIATURE WE |
| HA-1067-X1 | LAMP 130V (10 PK) |
| HA-1067-X4 | #1823 MINIATURE LAMP |
| HA-1067-Z | LAMP, T2 TEL. 12PSB |
| HA-1067-Z4 | LAMP T 3-1/4 (ord mult 10) |
| HA-1067-Z7 | LAMP #239 SYLVANIA (10 pk) |
| HA-1067-Z9 | LAMP LUMILINE L30 (each) |
| HA-1069-A9 | LAMP RED 25A/5 (ord mult 2) |
| HA-1069-AA2 | LAMP F4T5/CW |
| HA-1069-AC1 | BULB- 1073 |
| HA-1069-AC2 | BULB- 1818 |
| HA-1069-AE7 | LAMP, RED CANDELABRA SCREW 1-25S11/2C |
| HA-1069-AH2 | LAMP, LED 28V (ord mult 10) |
| HA-1069-AH6 | 15T6-120V LAMP,CNDLBRA SCW |
| HA-1069-AK3 | LAMP, LED TYPE WHITE- 85 |
| HA-1069-AM7 | LAMP- 85 Grn |
| HA-1069-AP1 | LAMP MINI-LED- 28V (1PC) |
| HA-1069-AQ1 | LED BULB 6 VOLT RED, MINI-BA |
| HA-1069-C | LAMP, T2 TEL. 24CSB |
| HA-1069-C1 | LAMP, GREEN- 120V 25W (2 PK) |
| HA-1069-C4 | LAMP #200A 200W (2 PK) |
| HA-1069-C9 | LAMP 15A/G RN 15W |
| HA-1069-E1 | LAMP GE#55 (ord mult 10) |
| HA-1069-E3 | LAMP 25G161 120V CLEAR (each) |
| HA-1069-E4 | LAMP #585 (10 PK) |
| HA-1069-F | LAMP #100A21/RS 250V |
| HA-1069-F1 | LAMP- 5T4/ 30DC |
| HA-1069-F2 | LAMP 7T4 7W 250V |
| HA-1069-F6 | LAMP 15T6DC -120V (ord mult 6) |
| HA-1069-H1 | LAMP, S6 CAND/SCR. 48V |
| HA-1069-H7 | LAMP, S6 CAND/SCR. 60V |
| HA-1069-K1 | LAMP 6V- E87 (10 PK) |
| HA-1069-K4 | LAMP 6S6 SC Bay 120V 6W |
| HA-1069-K7 | LAMP 1813 (ord mult 10) |
| HA-1069-L2 | LAMP 7W T4 1/2 (ord mult 10) |
| HA-1069-M1 | LAMP 120V 100W (2 pk) |
| HA-1069-N | RED LAMP 10S11N (ord mult 6) |
| HA-1069-N6 | LAMP #1495 MINI-BAYONET |
| HA-1069-P1 | LAMP (10 PK) |
| HA-1069-P2 | LAMP (RED) #40A/R |
| HA-1069-P5 | RED LAMP- 67R (10 PK) |
| HA-1069-R2 | LAMP 6S6 DC BAY 155V |
| HA-1069-R7 | LAMP,A-490L2 RED 115V |
| HA-1069-T1 | LAMP 6S6/24V BAYONET |
| HA-1069-T9 | LED 120PSB Soft White5TSB112 |
| HA-1069-U3 | LAMP GE 381 |
| HA-1069-U6 | LAMP,G6 (10 PK) |
| HA-1069-V9 | LAMP B2A NEON (ord mult 10) |
| HA-1069-W | LAMP AT-602 28V |
| HA-1069-X1 | LAMP, MIN. BAY. 12V |
| HA-1069-X2 | LAMP |
| HA-1069-X3 | LAMP T8 15W 115V INTERMED. |

FUSES

Our replacement fuses—used throughout the elevator industry—are 1-to-1 replacements for the Westinghouse fuses shown in the table below. Install them anywhere they match the fuses you are currently using. 250 or 600 VAC.



A580/A581 Fuse pullers. Fully-insulated fuse pullers make electrical work go safely & quickly.

A580 all-plastic plier-type puller gives a firm, big-hand grip on 3/8" to 1 1/4" dia. fuses.

A581 plastic puller has two special-purpose molded ends for safe, easy installation and removal of standard glass- and blade-type fuses.

FUSES ORDERING INFORMATION

| Adams part no. | Volts | Amps | Westinghouse part no. | Haughton part no. | Length | Dia. | Pieces per pkg. |
|----------------|-------|------|-----------------------|-------------------|---------|---------|-----------------|
| A650F1 | 250 | 1 | 681A556H01 | — | 2" | 9/16" | 10 |
| A650F2 | 250 | 2 | 681A556H04 | — | 2" | 9/16" | 10 |
| A650F11 | 250 | 2 | — | — | 1 3/16" | 1 3/64" | 10 |
| A650F12 | 250 | 3 | — | — | 1 3/16" | 1 3/64" | 10 |
| A650F3 | 250 | 3 | 681A556H06 | HA-959-B8 | 2" | 9/16" | 10 |
| A650F9 | 250 | 5 | 681A556H08 | HA-959-A2 | 2" | 9/16" | 10 |
| A650F4 | 250 | 6 | 681A556H17 | HA-959-L | 2" | 9/16" | 10 |
| A650F10 | 250 | 8 | 681A556H18 | — | 2" | 9/16" | 10 |
| A650F5 | 250 | 10 | 681A556H09 | — | 2" | 9/16" | 10 |
| A650F6 | 250 | 15 | 681A556H10 | — | 2" | 9/16" | 10 |
| A650F7 | 250 | 20 | 681A556H11 | HA-959-B7 | 2" | 9/16" | 10 |
| A650F8 | 250 | 30 | 681A556H12 | HA-959-A4 | 2" | 9/16" | 10 |
| A650F13 | 250 | 1 | — | — | 1 1/2" | 1 3/32" | 10 |
| A650F14 | 250 | 2 | — | — | 1 1/2" | 1 3/32" | 10 |
| A650F15 | 250 | 3 | — | HA-959-Y8 | 1 1/2" | 1 3/32" | 10 |
| A650F16 | 250 | 6 | — | — | 1 1/2" | 1 3/32" | 10 |
| A650F17 | 250 | 10 | — | HA-959-P5 | 1 1/2" | 1 3/32" | 10 |
| A650F18 | 250 | 15 | — | — | 1 1/2" | 1 3/32" | 10 |
| A650F19 | 250 | 25 | — | — | 1 1/2" | 1 3/32" | 10 |
| A650F20 | 250 | 30 | — | — | 1 1/2" | 1 3/32" | 10 |
| A651F1 | 600 | 3 | — | — | 5" | 3/4" | 4 |
| A651F2 | 600 | 6 | — | HA-959-N7 | 5" | 3/4" | 4 |
| A651F3 | 600 | 10 | 681A566H15 | HA-959-S4 | 5" | 3/4" | 4 |
| A651F4 | 600 | 15 | 681A566H16 | — | 5" | 3/4" | 4 |

| Part Number | Description |
|-------------|---------------------------------------|
| HA-959-D3 | ABC 1/8 (ORD MULT 5) |
| 3-40014-78 | ABC 5 (ORD MULT 5) |
| HA-959-G5 | ABC-1 |
| HA-959-G6 | ABC-10 (ORD MULT 10) |
| HA-959-M5 | ABC-15 |
| HA-959-M3 | ABC-2 (ORD MULT 5) |
| HA-1049-AV3 | ABC-20 |
| HA-959-G3 | ABC-3 (ORD MULT 5) |
| HA-1049-AW6 | ABC-4 (ORD MULT 5) |
| HA-959-G4 | ABC-6 |
| HA-1049-AT5 | ABC-7 (ORD MULT 5) |
| HA-959-N1 | ABC-8 (ORD MULT 5) |
| X52BS1H08 | AGC .03A 250V(ORD MULT 5) |
| 3-40177-23 | AGC .5A 250V |
| X52BS1H01 | AGC 1.25A 250V(ORD MULT 5) |
| 33-1049-015 | AGC 1.5 (ORD MULT 5), 250VAC GLASS |
| HA-959-D8 | AGC 1/10 |
| HA-959-C1 | AGC 1/16 (ORD MULT 5) |
| HA-959-D9 | AGC 1/4 (ORD MULT 5) |
| HA-959-V7 | AGC 10A 250V GLASS (ORD MULT 5) |
| HA-959-U | AGC 1-1/4 |
| 3-40258-47 | AGC 15 |
| X52BS3H39 | AGC 15A (ORD MULT 10) |
| HA-1049-CY9 | AGC 1-8/10 250 VOLT |
| X52BS1H03 | AGC 1A 250V GLASS (ORD MULT 5) |
| 3-40196-93 | AGC 2 (ORD MULT 5) |
| HA-1049-L7 | AGC 2.5 (ORD MULT 10) |
| X52BS1H02 | AGC 2.50A 250V(ORD MULT 5) |
| HA-959-P3 | AGC 20 (ORD MULT 5) |
| HA-1049-B3 | AGC 25 |
| X52BS1H05 | AGC 2A 250V GLASS (ORD MULT 5) |
| HA-1049-N6 | AGC 3.2 |
| 3-40391-75 | AGC 3/4 A (ORD MULT 5) |
| X52BS5H76 | AGC 30A 32V(ORD MULT 10) |
| 3-36286-00 | AGC 3A 250V GLASS (ORD MULT 5) |
| 3-40258-32 | AGC 5A 250V GLASS (ORD MULT 5) |
| HA-959-H6 | AGC 6 1/4 |
| 3-36286-01 | AGC 6.A 250V(ORD MULT 5) |
| HA-959-D1 | AGC 7-1/2 (ORD MULT 5) |
| HA-1049-CN3 | AGC 7A 250V GLASS (ORD MULT 10) |
| 3-36286-02 | AGC 8A 250V GLASS (ORD MULT 5) |
| HA-1049-AF4 | AGC-3/10 |
| HA-959-Z4 | AGC 3 |
| HA-1049-AL4 | AGU-3 (ORD MULT 10) |
| HA-1049-AP9 | AGX 10AMP 32V GLASS .25"D X 1"L |
| HA-1049-P4 | AGX 2AMP 250V (ORD MULT 5) |
| X52BS2H33 | AGX 3.00A (ORD MULT 5) |
| HA-959-Y2 | AGX 5 (ORD MULT 5) |
| HA-1049-CM4 | AGX-1 250 V (ORD MULT 5) |
| HA-1049-B8 | AGX-3 125V |
| HA-1049-N9 | AGX-6 (ORD MULT 5) |
| X52BS2H31 | ATM 12A 600V(ORD MULT 10) |
| X52BS3H43 | ATM 2A 600V(ORD MULT 10) |
| X52BS2H27 | ATM 4A 600V(ORD MULT 10) |
| X52BS2H30 | ATM 8A 600V(ORD MULT 10) |
| X52BS4H56 | BAF 1.5A 250V(ORD MULT 10) |

| Part Number | Description |
|-------------|----------------------------------------|
| HA-959-Y8 | BAF 3 (ORD MULT 10) |
| HA-1049-CR6 | BAF 4 |
| HA-1049-C5 | BAF 5 (ORD MULT 10) |
| X52BS4H59 | BAF 7A 250V(ORD MULT 10) |
| X52BS1H18 | BAF 8A 250V(ORD MULT 10) |
| HA-1049-F3 | BAF-1 (ORD MULT 10) |
| HA-1049-F4 | BAF-15 |
| HA-1049-W3 | BAF-20 |
| HA-1049-W4 | BAF-25 |
| HA-1049-AF6 | BAF-30 (ORD MULT 10) [OTM 30] |
| HA-959-Y9 | BAF 6/OTM6(10 PK) |
| X52BS1H17 | BLF 5A 250V BLF-5(ORD MULT 10) |
| HA-1049-CL9 | FNQR-2 600VAC 2AMP |
| 222497 | JKS-45 |
| HA-1049-A2 | FLM/FNM 1/2AMP 250V (ORD MULT 10) |
| 691B955H10 | FNM 1.00A (ORD MULT 10) |
| 691B955H11 | FNM 1.60 250V(ORD MULT 10) |
| 693B359H08 | FNM 1/2 .50 AMP 250V (ORD MULT 10) |
| HA-959-M1 | FNM 10 (ORD MULT 10) |
| 3-40255-38 | FNM 1-6/10 (ORD MULT 10) |
| 691B955H12 | FNM 2A 250V (ORD MULT 10) |
| HA-959-J3 | FNM 3 2/10 |
| HA-959-E | FNM 6-1/4 |
| HA-1049-H7 | FNM-1 |
| HA-1049-W2 | FNM3 OR TRM3 (ORD MULT 10) |
| 33-1049-009 | FNM-5 (ORD MULT 5) |
| 3-40155-20 | FNM-8 |
| 3-40302-06 | FNQ 1 (ORD MULT 10) |
| X52BS3H48 | FNQ .6A 500V(ORD MULT 10) |
| HA-1049-E5 | FNQ 1 6/10 (ORD MULT 10) |
| 3-40254-72 | FNQ 1/4 |
| HA-1049-EC6 | FNQ 1-1/2 (ORD MULT 10) 1.50A 500V |
| HA-1049-CH1 | FNQ 12 |
| X52BS4H69 | FNQ 1A 500V(ORD MULT 10) |
| 691B955H07 | FNQ 2.25A 600VAC/KLDR 2.25A |
| X52BS3H49 | FNQ 2.5A 500V(ORD MULT 10) |
| HA-1049-H4 | FNQ 20 (ORD MULT 10) |
| 3-40259-66 | FNQ 2A 500V |
| X52BS4H58 | FNQ 3.50A 500V(ORD MULT 10) |
| HA-1049-EH1 | FNQ 4 (ORD MULT 10) |
| X52BS4H60 | FNQ 5A 500V(ORD MULT 10) |
| HA-1049-AL3 | FNQ 6 (ORD MULT 10) |
| HA-1049-CK4 | FNQ 8 |
| HA-1049-CY2 | FNQ-1/8 |
| 3-40008-89 | FNQ-10 (ORD MULT 10) |
| 3-40008-90 | FNQ-15 (ORD MULT 10) |
| HA-1049-CH7 | FNQ-25 |
| X52BS2H38 | FNQ-3 (ORD MULT 10) |
| HA-1049-AV4 | FNQ-7 |
| HA-1049-EA7 | FNQR .6 (ORD MULT 10) |
| X52BS6H93 | FNQR 1.3A 600V(ORD MULT 10) |
| X52BS5H72 | FNQR 1A 600V (ORD MULT 10) TIME DEL |
| HA-1049-A | FNQ-R1 600V, 1 AMP |
| 222449 | FNQ-R4 (ORD MULT 10) |
| HA-959-C2 | FRN 1 (ORD MULT 10) |
| HA-959-E2 | FRN 1.6 (ORD MULT 10) |
| HA-959-D4 | FRN 1-1/4 |
| 3-40173-64 | FRN 1-4/10 (ORD MULT 10) |
| 3-40195-73 | FRN 17-1/2 |
| HA-959-M7 | FRN 2 (ORD MULT 10) |

| Part Number | Description |
|-------------|---------------------------------------|
| 98724 | FRN 2.5 (ORD MULT 10) |
| HA-959-G2 | FRN 2-1/4 |
| 3-40128-56 | FRN 2-8/10 |
| 3-40196-82 | FRN 60 |
| HA-959-X | FRN 6-1/4 |
| 91850 | FRN 8 AMP(ORD MULT 10) |
| HA-959-E1 | FRN 8/10 |
| 33-1049-016 | FRN-1/2 (ORD MULT 10) |
| HA-959-Y | FRN-110 |
| HA-959-H | FRN-125 |
| HA-1049-P7 | FRN150 |
| K3300H11 | FRN20 250V SLO-BLO(ORD MULT 10) |
| 3-40196-76 | FRN-25 |
| 3-40196-78 | FRN-35 |
| HA-959-F | FRN-4 |
| 3-40196-79 | FRN-40 (SOLD PER EACH) |
| 3-40196-80 | FRN-45 |
| 3-40196-81 | FRN-50 |
| 3-40148-18 | FRNR .3 AMP (ORD MULT 10) |
| 3-40230-64 | FRNR 10 AMP, 250VOLT (ORD MULT 10) |
| HA-959-P6 | FRNR 100 |
| 3-40230-65 | FRNR 15 AMP (ORD MULT 10) |
| HA-959-S | FRNR 3-1/2, BUSSMAN 3.5AMP, 250VAC |
| HA-959-Y7 | FRNR 6 |
| HA-1049-M6 | FRNR 6/10 (MULTP. OF 10) |
| 3-40145-23 | FRNR12 (ORD MULT 10) |
| HA-959-C4 | FRNR3 (ORD MULT 10) |
| 3-40196-77 | FRNR30 |
| 3-40230-63 | FRNR5 (ORD MULT 10) |
| HA-1049-X1 | FRNR-7 |
| 3-40196-83 | FRNR70 |
| HA-959-T1 | FRS 1 8/10 |
| HA-959-S9 | FRS 2 1/2 |
| HA-959-J4 | FRS 3-1/2 |
| HA-959-H1 | FRS 3-2/10 |
| HA-959-T2 | FRS 45 (SOLD PER EACH) |
| HA-959-Y5 | FRS 6 |
| HA-959-H2 | FRS 6 1/4 |
| 3-40230-59 | FRS R10 EACH |
| 3-40196-85 | FRS R12 (PER PIECE) |
| 3-40196-86 | FRS R15 EACH |
| 3-40091-09 | FRS-100 |
| 3-40196-87 | FRS-17.5 |
| HA-959-J6 | FRS-40 |
| 3-40091-08 | FRS-90 |
| X52BS6H84 | FRS-R 1.00A 600V |
| X52BS5H79 | FRS-R 1.5A 600V(ORD MULT 10) |
| HA-1049-N2 | FRSR 125 |
| HA-1049-N3 | FRS-R 1-6/10 (ORD MULT 10) |
| 3-40196-89 | FRSR 25A 600V SLO-BLO (EACH) |
| X52BS6H85 | FRS-R 3.5A 600V(ORD MULT 10) |
| X52BS6H92 | FRS-R 30.00A 600V |
| HA-1049-L6 | FRSR 7.5 |
| HA-1049-K9 | FRSR-150 |
| 3-40231-33 | FRS-R2/TRS2R (ORD MULT 10) |
| 3-40196-88 | FRSR20 |
| 3-40196-90 | FRS-R30 EACH |
| HA-1049-AJ7 | FRS-R-4 |
| 3-40230-58 | FRS-R-5.00 |
| HA-959-W7 | FRS-R-50 |

| Part Number | Description |
|-------------------|-------------------------------------|
| HA-959-C6 | FRS-R-60 |
| HA-959-P7 | FRSR-80 |
| HA-1049-Y4 | FWA 5 A10F (ORD MULTI OF 10) |
| 224601 | FWC-10A10F |
| 224602 | FWC-20A10F |
| 197C050H08 | FWH 100A-500V CURRENT LIMITING |
| X52BS7H94 | FWH 150A-500V |
| 3-40290-70 | FWH 25A-700V FWH 25A14F |
| 197C050H05 | FWH 400A-500V CUR LIMIT |
| HA-1049-AF9 | FWH150B |
| HA-1049-CW9 | FWH-200 |
| HA-1049-EE8 | FWH-125B 125A 500V |
| 3-40255-47 | FWH-300A OR A50P300 |
| 51500004 | FWH-80 80A 500V |
| MAG-05P00017-0179 | FWP 200A (DSD412 DRIVE 100A-F4) |
| HA-1049-CL7 | FWP 250A AMPTRAP (sold per pc) 700V |
| HA-1049-AE3 | FWP 300 AMP, 700VOLT |
| MAG-05P00017-0366 | FWP 300A (DSD412 DRIVE 190A - F4) |
| HA-1049-CT4 | FWP 70 |
| MAG-05P00017-0214 | FWP 700A 700V (MAGNETEK) |
| HA-1049-E3 | FWP100 |
| HA-1049-CL4 | FWP-150A 700 VOLTS |
| HA-1049-CN9 | FWX225A |
| X52BS4H63 | GBA 8.00A 125V(ORD MULT 5) |
| HA-1049-CY3 | GDC 2AMP,250 |
| HA-1049-AA4 | GFA 1 |
| 3-40157-45 | GJV-3 |
| X52BS4H64 | GLD 12A 125V(ORD MULT 5) |
| X52BS3H41 | GLD 2A 125V (ORD MULT 5) |
| HA-1049-AE4 | GLD-2(ORD MULT 5) |
| HA-1049-CX4 | GMA 1 (ORD MULT 5) |
| HA-1049-AR1 | GMA 10AMP(ORD MULT 10)32V .19X.75L |
| HA-1049-CE2 | GMA 3AMP (ORD MULT 5) |
| HA-1049-CE3 | GMA 5 AMP 250V FUSE |
| HA-1049-EA2 | GMA-500MA 250V (1/2 A) |
| HA-1049-CK9 | GMC100MA (ORD MULT 5) |
| 3-40116-12 | KAB 10A 250V (ORD MULT 10) |
| HA-1049-AH1 | KAB 12 |
| 3-40116-13 | KAB 15 (ORD MULT 10) |
| 3-40116-14 | KAB 20 (ORD MULT 10) |
| 3-40259-70 | KAB 3 (ORD MULT 10) |
| 322C826H02 | KAB 5A-250V CUR LIMIT(ORD MULT 10) |
| HA-1049-C2 | KAB 7 |
| 3-40254-24 | KAB-1 (ORD MULT 10) |
| 3-40116-15 | KAB-25 (ORD MULT 10) |
| HA-1049-L5 | KAB-6 (ORD MULT 10) |
| HA-959-W | KAB-8 (ORD MULT 10) |
| HA-1049-AU4 | KAC 15 |
| HA-1049-Y9 | KAC 225 |
| HA-1049-Y2 | KAC 60 (ORD MULT 10) |
| HA-1049-CA3 | KAC-12 |
| HA-1049-CA1 | KAC-6 |
| HA-959-M9 | KAH 40 (SOLD PER EACH) |
| 222447 | KLDR 12A(ORD MULT 10) |
| HA-1049-A3 | KLDR 12AMP, (ORD MULT OF 10) |
| 222465 | KLDR 30 (ORD MULT 10) |
| 51500033 | KLDR 8 AMP |
| 51500118 | KLDR 20 |
| HA-1049-A1 | KLDR/FNQ-R 15AMP 600V(ORD MULT 10) |
| 224612 | KLDR10 10A 600V |

| Part Number | Description |
|-------------|-----------------------------------|
| X52BS3H50 | KLK 3A 600V(ORD MULT 10) |
| 222451 | KLKR 3 AMP [KLKR 3] (ORD MULT 10) |
| 7264C54H08 | KLNR 5A KLNR-5 (ORD MULT 10) |
| HA-959-W5 | KTK 1 |
| X52BS1H20 | KTK 1.5A 600V(ORD MULT 10) |
| X52BS1H19 | KTK 10A 600V(ORD MULT 10) |
| 3-40122-46 | KTK 15 AMP 600V (ORD MULT 10) |
| 3-40394-84 | KTK 2 (ORDER MULT 10) |
| 3-40122-47 | KTK 20 AMP 600V ALT[ATM20] |
| X52BS4H57 | KTK 3.50A 600V |
| 222437 | KTK 30AMP 600VAC |
| 3-40394-85 | KTK 4 (ORD MULT 10) ALT[ATM4] |
| X52BS2H28 | KTK 5 5A 600V (ORD MULT 10) |
| 3-40394-86 | KTK 6 (ORD MULT 10) |
| HA-1049-W9 | KTK.5A (ORD MULT 10) |
| HA-959-W6 | KTK-3 |
| 3-40394-87 | KTK-8 |
| HA-1049-CP9 | KTK-R-25 |
| 681A556H04 | KTNR 2.00A 250V (ORD 10) |
| HR-1579 | LKN-10 (ORD MULT 20) |
| HR-1580 | LKN-15N (ORD MULT 20) |
| HR-1581 | LKN-20 |
| HR-1577 | LKN-3 (ORD MULT 20) |
| HA-959-A7 | LKN-5 |
| HR-1578 | LKN-6 (ORD MULT 20) |
| HR-1588 | LKN-60 |
| HR-1422 | LKS-10 |
| HA-959-P | LKS-20 |
| HR-1420 | LKS-3 |
| HR-1423 | LKS-15 |
| HA-959-W1 | MDA 1 |
| HA-1049-CM9 | MDA 10 (ORD MULT 5) |
| X52BS5H77 | MDA 12A 250V(ORD MULT 10) |
| X52BS3H40 | MDA 15A 250V(ORD MULT 10) |
| HA-1049-EA1 | MDA 5 |
| HA-959-W2 | MDA 6 (ORD MULT 5) |
| HA-1049-CR1 | MDA 6-1/4 (MULT. OF 5) |
| HA-1049-AU6 | MDA-1/8 (ORD MULT 5) |
| HA-1049-AR7 | MDA-3 250V (MULT. OF 5) |
| HA-1049-CP2 | MDL .3 (ORD MULT 5) |
| 693B359H03 | MDL 1.25A 250V(ORD MULT 10) |
| 693B359H04 | MDL 1.60A 250V (ORD MULT 5) |
| 94918 | MDL 1/10 (ORD MULT 5) |
| HA-959-K3 | MDL 1/2 (ORD MULT 5) |
| 98120 | MDL 1/4 (ORD MULT 5) |
| HA-959-Y3 | MDL 1/8 |
| HA-1049-E9 | MDL 1/8 (ORD MULT 5) |
| HA-959-Y1 | MDL 10 |
| HA-959-D5 | MDL 1-1/2(ORD MULT 5) |
| 3-40014-65 | MDL 2 (ORD MULT 5) |
| HA-1049-EF9 | MDL 1-8/10 250V |
| 693B359H06 | MDL 3 (ORD MULT 5) |
| HA-959-K2 | MDL 3 2/10 (ORD MULT 5) |
| HA-1049-AR6 | MDL 3/16 (ORD MULT 5) |
| 3-40007-95 | MDL 3/8 (ORD MULT 5) |
| 3-40258-45 | MDL 4 |
| 3-40258-46 | MDL 6-1/4 (ORD MULT 5) |
| 3-40283-36 | MDL-1 (ORD MULT 5) |
| HA-959-V1 | MDL-5 (ORDER MULT 5) |
| HA-1049-CL1 | MDL-6 OR MSL-6 (ORD MULT 5) |
| HA-959-B5 | MDL-8 (ORD MULT 5) |

| Part Number | Description |
|-------------|-------------------------------------|
| HA-1049-EE6 | MDQ 1 AMP (ORD MULT 5) |
| HA-1049-EF5 | MDQ 1/2 AMP 250V (ORD MULT OF 5) |
| HA-1049-EF4 | MDQ 1/4 AMP 250V (ORD MULT. OF 5) |
| HA-1049-EE1 | MDQ 2 (ORD MULT 5) |
| HA-1049-Z2 | MDQ 2-1/2 AMP |
| HA-1049-EF6 | MDQ 3 AMP 250V (ORDER MULT. OF 5) |
| HA-1049-EE2 | MDQ 5A(ORD MULT 5) |
| HA-1049-EH3 | MDQ 6 AMP |
| HA-1049-EH4 | MDQ 8 AMPS |
| 693B359H05 | MDX 2.00 250V (ORD MULT 10) |
| 693B359H07 | MDX5A 125V(HA-1049-EE2)(ORD MULT 5) |
| HA-1049-X9 | MIN 15 AMP |
| HA-1049-F2 | MIN 5 |
| HA-959-R2 | MIN 8 |
| 3-36341-02 | MIN-10 |
| 3-36341-00 | MIN-3 |
| 3-36341-01 | MIN-6 |
| 681A556H03 | NON 1.5 - 250V |
| HA-959-M8 | NON 12 |
| 681A556H10 | NON 15 |
| HA-959-Z5 | NON 150 |
| HA-1049-H1 | NON 2-1/2 (ORD MULT 10) |
| HA-959-P4 | NON 25 |
| HA-1049-AL7 | NON 7 250V/125V 7A (ORD MULT 10) |
| HA-1049-R7 | NON 35 |
| HA-1049-K4 | NON 6.25 |
| HA-959-L2 | NON 60 (ORD MULT 10) |
| HA-1049-N1 | NON 80 |
| HA-959-Z | NON-1 (ORD MULT 10) |
| 681A556H09 | NON-10 |
| HA-959-H3 | NON-100 (ORD MULT 5) |
| HA-959-L1 | NON-175 250VOLT |
| 681A556H04 | NON-2 |
| HA-959-B7 | NON-20 (ORD MULT 10) |
| HA-959-B8 | NON-3 (ORD MULT 10) 3-AMP 250VAC |
| HA-959-A4 | NON-30 (ORD MULT 10) |
| HA-1049-R3 | NON-4 (ORD MULT 10) |
| HA-959-A2 | NON-5 / OT 5 (ORD MULT 10) |
| HA-959-L | NON-6 (ORD MULT 10) |
| 681A556H18 | NON-8 8.00A 250V (ORD MULT 10) |
| HA-959-S4 | NOS 10 OR OST 10 |
| HA-959-S6 | NOS 15 & OST 15 (SGL FUSE) |
| HA-959-W8 | NOS 20 |
| HA-959-S5 | NOS 3 |
| HA-1049-AF1 | NOS 30 |
| 681A556H14 | NOS 5 (ORD MULT 10) |
| HA-959-N7 | NOS 6 |
| HA-1049-T4 | NOS 70 |
| HA-959-S7 | NOS 8 & OST 8 |
| HA-1049-CF5 | NOS-1 |
| HA-1049-K6 | NOS-40 |
| HR-1549 | REN-10 |
| HA-959-A6 | REN-100 |
| HR-1550 | REN-15 |
| HR-1551 | REN-20 (ORD MULT 10) |
| HR-1552 | REN-25 |
| HR-1547 | REN-3 |
| 98331 | REN-5 |
| HR-1548 | REN-6 |
| HR-1412 | RES-3 |
| HR-1413 | RES-6 |

CARTOP, PIT SWITCH, ALARM BELLS



Detail of ground-fault outlets, standard

A910X5

A912GF—pre-wired!

A910X6

CARTOP INSPECTION STATION

Adams' own universal cartop inspection station features control switches for UP, DOWN, RUN, INSPECT, and STOP. Fire service buzzer warns mechanic of emergency. Includes light bulb socket, bulb guard, and 110VAC outlets for power tools or auxiliary lighting. Wired for CSA.

Includes 2 GFCI outlets. NFP77 requires that outlets on a cartop or in the pit be ground-fault protected to prevent electrocution accidents. We are pleased to offer this feature for high-risk environments.

Selected cartop replacement parts available separately below.

A912GF. Cartop inspection station with all features listed above.

A912CG24. 24VDC cartop inspection station, same as above.

| CARTOP REPLACEMENT PARTS | |
|--------------------------|--------------------------------------------------|
| Adams part no. | Description |
| A913X | Red toggle switch (RUN/STOP), SPST |
| A910X2 | Bat-handle toggle switch (OPERATE/INSPECT), DPDT |
| A910X3 | White pushbutton switch (UP/DOWN/RUN), SPDT |
| A910X5 | Bulb guard (fits all models) Shown above |
| A910X6 | Bulb socket |
| HR-1405 | Bulb guard plastic (fits all models) Not shown |
| A910-18 | Light ON-OFF toggle switch |

PIT SWITCH

Our RUN/STOP pit switch features a sturdy metal safety guard to help prevent unintentional start-up. Meets ANSI A17.1, Rules 106.1f and 210.2e/2g. Even conforms to Rule 210.2e(4), not met by many other pit switches. Replacement toggle switch assembly available separately.

A913. RUN/STOP pit switch, complete.

A913X. Replacement toggle switch assembly; incl. 1 switch, 2 nuts, and 2 screws. SPST.

ALARM BELLS

Mount our replacement alarm bells to the top or bottom of any cab. 6VDC model wires directly to emergency light unit.

A915A1. Alarm bell, 6VDC.

A915A2. Alarm bell, 12VDC.

A915A3. Alarm bell, 120VAC.

UNDER-CAB TERMINAL LIGHT AND WORK STATION

Put light and VAC power at your fingertips next time you're working in the pit. Our new under-cab power unit gives you two ground-fault-protected 120VAC outlets and a shielded light bulb socket so you can do what you need to do...and see what you're doing. 100W incandescent bulb recommended (not provided).

Built like a mini cartop! This is a quality item that can save mechanics time and effort at the job site.

Adams part no. **A914.** Under-Cab Terminal Light.



A914

BUZZERS

Choose from **three types of buzzer sounds**: conventional, tone, and warble. Conventional models available for VAC only; tone and warble models are VDC/VAC-compatible.

| Adams part no. | Description | Common applications |
|--------------------------------------------------------------|-----------------------------------------------------------------------------------------------|------------------------------------------------------------------------------------------------------|
| A924A A924B A924C A924G | Vibrating horn, 6VAC Vibrating horn, 12VAC Mini Buzzer, 24VAC Mini Buzzer, 120VAC | Fire service (AC only), nudging |
| A926A A926B A926C | Tone, 10-48VAC/VDC Tone, 30-120VAC/VDC Tone, 60-250VAC/VDC | Floor passing, call register; same style as A923, only bigger |
| A923K A923L A923J A923I | Warble, 6-28VAC/VDC Warble, 10-48VAC/VDC Warble, 60-250VAC/VDC Warble, 30-120VAC/VDC | Fire service (AC & DC) Fire service (AC & DC) Fire service (AC & DC) Fire service (AC & DC) |



Gongs

Available in **AC/DC and AC-only models** to fit common electrical configurations for hall and car use.

Use the **A927A model (25-watt series)** in series with a 25-watt, 115/125V lamp on an AC or DC circuit.

Use the **A927B model (115V parallel)** across the line on a 115/120VAC circuit.

Two leads included, one bare and one with spade lug.

A927A. 25-watt series gong, AC/DC; rated for use in the hall.

A927B. 115VAC parallel gong; rated for use in the car.

For other voltages, see chimes below.



ELECTRONIC CHIMES WITH TIMER

Replace the harsh, mechanical sound of floor landing bells with our pleasant-sounding electronic chime. Order as a retrofit unit, or specify it next time you install a hall or travelling lantern. Timer sounds once for UP and twice for DOWN.

All models include pressure-sensitive mounting pads and helpful wiring diagram. Match your voltage range to the models listed at right. Dimensions = 4"W x 2³/₈"H x 7⁷/₈" deep. The electronic chimes have an audible output of 100+ decibels, open air rating.

ACH024. 20/40 VAC/VDC

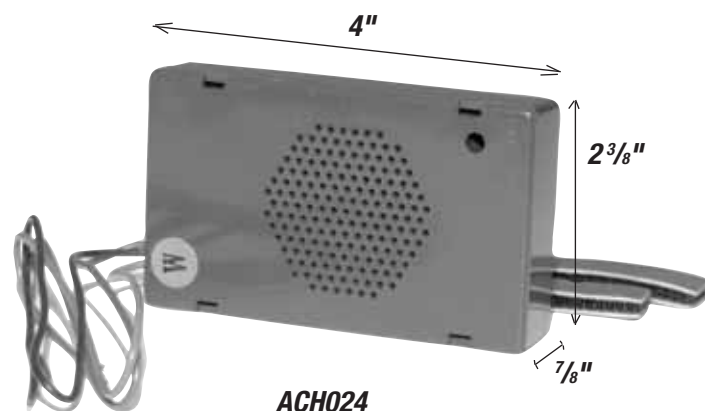
ACH120. 40/125 VAC/VDC

ACH120S-AC, ACH120S-NDC Negative DC,

ACH120S-PDC Positive DC

ACH024S. 20/40 VDC Positive or negative. Chimes once in both directions (unless controller can send a 2-stroke signal for DOWN)

NOTE: Adams electronic chimes are UL recognized.

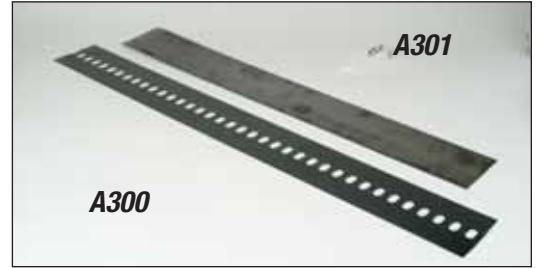
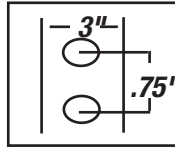


A300, A301 SELECTOR TAPE, W-875 GUIDE

Our tape for solid-state car-top selectors is manufactured to the same exacting standards as all of our selector tape. Our A300 and A301 tapes both have rounded edges so your tape guides will last longer.

A300. For 3" perforated tape.

A301. For 3" non-perforated tape.



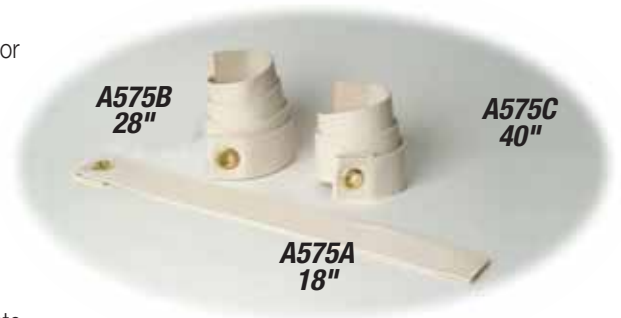
FREIGHT ELEVATOR PULL STRAPS

Choose from three sizes of tough, reinforced canvas pull straps. **NEW:** Grommets are inserted through double thickness of canvas for super strength.

Wax coating at each end inhibits fraying; rugged 1/2"-ID metal grommet for bolting or tying to freight elevator door.

Available in lengths of 18", 28", and 40".

A575A. Canvas pull strap, 18"
 A575B. Canvas pull strap, 28"
 A575C. Canvas pull strap, 40"



PAD HOOKS, THRU-SCREW AND FIXED STUD

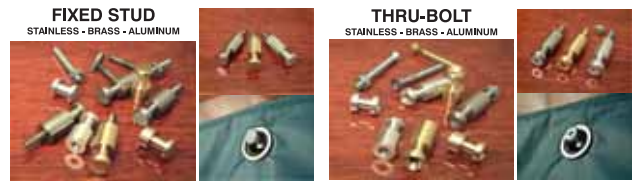
Four lengths of 1/2"-dia. elevator pad hooks in your choice of aluminum, brass or stainless steel. Just the thing for hanging protective pads in any elevator.

Select from two models: 1] Thru-screw model attaches to elevator cab with separate #10 flat head wood screw –OR– #10-24 machine bolt (BOTH Machine and Wood screws provided) 2] Fixed-stud model features a smooth button face with rear protruding fastener for mounting. Supplied with separate 1/2" long x # 10 protruding wood-screw faster AND 1.375" long , #10-24 threaded rod and lock nut.

See tables below to order the style and length you need in the material best suited to your elevator. Machine and wood screws included.

Sold in packages of 12.

Dimension "L" is the length of pad hook after installation.



#10 wood screws provided Machine and wood screws included

THRU-SCREW PAD HOOK ORDERING INFORMATION (#10 WOOD SCREWS PROVIDED)

| Adams part no. | | | | | | | | | | | |
|--------------------|----------|----------|----------|-----------------|----------|----------|----------|---------------------|----------|----------|----------|
| 1/2"-dia. Aluminum | | | | 1/2"-dia. Brass | | | | 1/2"-dia. Stainless | | | |
| 5/8"L | 3/4"L | 1"L | 1 1/4"L | 5/8"L | 3/4"L | 1"L | 1 1/4"L | 5/8"L | 3/4"L | 1"L | 1 1/4"L |
| APT0625A | APT0750A | APT1000A | APT1250A | APT0625B | APT0750B | APT1000B | APT1250B | APT0625S | APT0750S | APT1000S | APT1250S |

FIXED-STUD PAD HOOK ORDERING INFORMATION (INCLUDES MACHINE AND WOOD SCREWS)

| Adams part no. | | | | | | | | | | | |
|--------------------|----------|----------|----------|-----------------|----------|----------|----------|---------------------|----------|----------|----------|
| 1/2"-dia. Aluminum | | | | 1/2"-dia. Brass | | | | 1/2"-dia. Stainless | | | |
| 5/8"L | 3/4"L | 1"L | 1 1/4"L | 5/8"L | 3/4"L | 1"L | 1 1/4"L | 5/8"L | 3/4"L | 1"L | 1 1/4"L |
| APF0625A | APF0750A | APF1000A | APF1250A | APF0625B | APF0750B | APF1000B | APF1250B | APF0625S | APF0750S | APF1000S | APF1250S |

EMERGENCY LIGHT UNIT & COMPONENTS

Restore worn or damaged emergency light units with these service-ready Adams components.

A911. Emergency light unit, complete.

A911LL. Heavy-duty Lexan lens; 6 3/4" x 2 1/2".

A911X6. 2 lamp sockets with wiring harness, bayonet type.

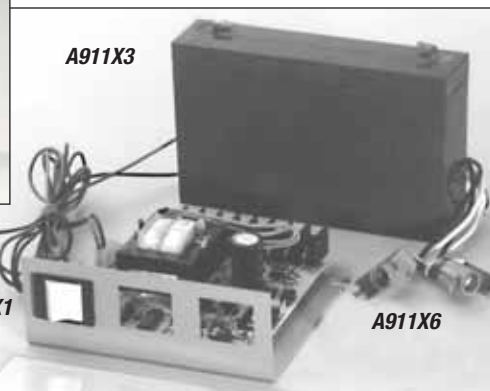
A911X3. Rechargeable battery, 6 volts; 3 3/4" x 6" 1 1/2".

A911X1. 6V solid-state PCB with switch assembly, bracket, and wire leads; 5" x 5" x 2" deep.

A911AX. 6V/240 Emergency light, PCB only.

A911X1A. 6V/240 PCB with switch assembly.

A480L30. Replacement lamp for emergency light unit; 10/pkg.



ESCUTCHEONS

Door sleeves. Available in two designs. Each standard escutcheon is supplied with one (1) push-nut. The "Tuff-Nut" escutcheon features oversized dimensions, 1" of exterior thread and is supplied with a threaded flat washer nut. All Escutcheons have an I.D. hole diameter to fit a 3/8" key.



ES15SS



ES15YB



ES15AL



ES20SS



ES20YB



ES20AL



ES27SS



ES27YB



ES27AL



ET15YB



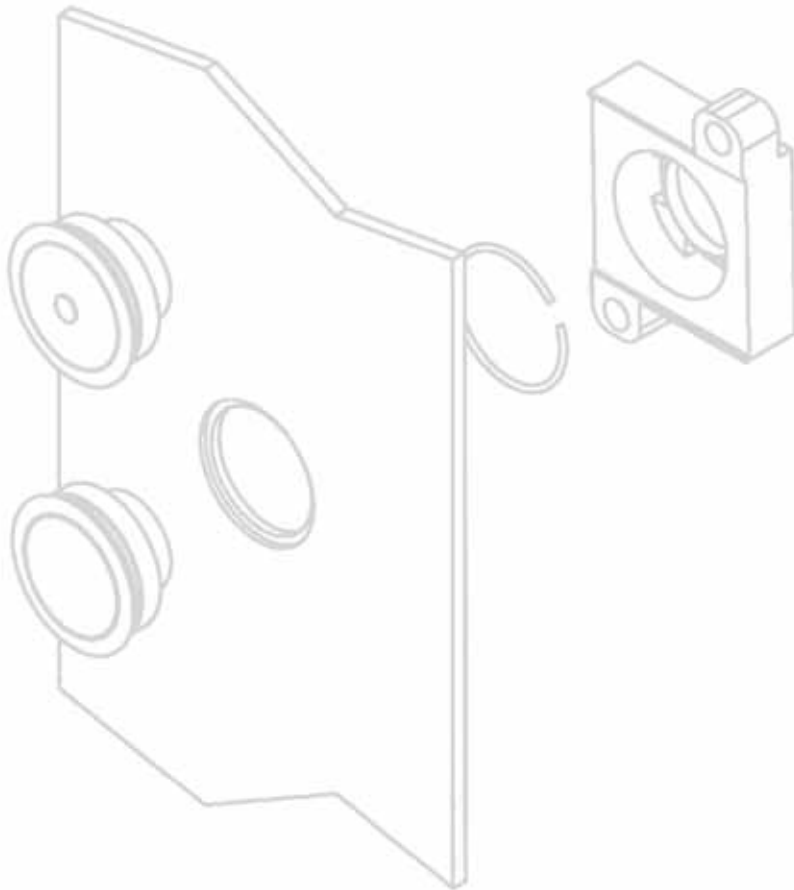
ET20YB



ET20AL

| Adams part no. | Description |
|----------------|---------------------------------------------------------------------------------------|
| ES15SS | Escutcheon, std. door sleeve, 1.5"L x 0.5" dia., Lip = 0.625" dia. - Stainless Steel |
| ES15YB | Escutcheon, std. door sleeve, 1.5"L x 0.5" dia., Lip = 0.625" dia. - Brass |
| ES15AL | Escutcheon, std. door sleeve, 1.5"L x 0.5" dia., Lip = 0.625" dia. - Aluminum |
| ES20SS | Escutcheon, std. door sleeve, 2.0"L x 0.5" dia., Lip = 0.625" dia. - Stainless Steel |
| ES20YB | Escutcheon, std. door sleeve, 2.0"L x 0.5" dia., Lip = 0.625" dia. - Brass |
| ES20AL | Escutcheon, std. door sleeve, 2.0"L x 0.5" dia., Lip = 0.625" dia. - Aluminum |
| ES27SS | Escutcheon, std. door sleeve, 2.75"L x 0.5" dia., Lip = 0.625" dia. - Stainless Steel |
| ES27YB | Escutcheon, std. door sleeve, 2.75"L x 0.5" dia., Lip = 0.625" dia. - Brass |
| ES27AL | Escutcheon, std. door sleeve, 2.75"L x 0.5" dia., Lip = 0.625" dia. - Aluminum |
| ET15YB | Escutcheon, tuff-nut door sleeve, 1.5"L x 0.625" dia., Lip = 0.875" - Brass |
| ET15AL | Escutcheon, tuff-nut door sleeve, 1.5"L x 0.625" dia., Lip = 0.875" - Aluminum |
| ET20YB | Escutcheon, tuff-nut door sleeve, 2.0"L x 0.625" dia., Lip = 0.875" - Brass |
| ET20AL | Escutcheon, tuff-nut door sleeve, 2.0"L x 0.625" dia., Lip = 0.875" - Aluminum |

Index for Pages 100-116



| | |
|---------------------------------------------------|---------------|
| Appendix H signs | 115, 116 |
| Barrell keyswitches and keys | 112 |
| Braille Plates - car | 107 |
| Braille Plates - jamb | 107 |
| Bulbs, Lamps | 106 |
| Button Base LEDs | 100 |
| Button Bases - Adams Survivor | 100, 102, 106 |
| Buttons Bases - Adams Surface Mount | 102 |
| Capacity Signs | 114 |
| Caution Signs - elevator & escalator | 114 |
| Certificate Frames | 113 |
| Door Hold Toggles | 109 |
| Emergency (Glass) Door Key Box | 113 |
| Emergency Stop Buttons | 108 |
| Emergency Stop Keyswitches | 109 |
| Evacuation Car Signs | 107 |
| Fire Signs - Phase I and Phase II | 115, 116 |
| Fireman's Keybox | 113 |
| Keyswitches and components chart | 110, 111 |
| Lamp Sockets | 100 |
| Lantern LEDs | 100, 101 |
| Lantern Lens | 100 |
| "Out of Service" Post It Signs | 114 |
| Phone Jacks | 109 |
| Position Indicator LEDs - Vandal Resistant | 101 |
| Position Indicator Lens - Vandal Resistant | 101 |
| Pushbutton Assemblies - Adams Bar Button | 105 |
| Pushbutton Assemblies - Adams Classic | 105 |
| Pushbutton Assemblies - Adams Designer | 104 |
| Pushbutton Assemblies - Adams Homelift | 104 |
| Pushbutton Assemblies - Adams Survivor Plus | 103 |
| Rocker Switches | 112 |
| Service Cabinet Locks | 112 |

To order **replacement parts for your Adams fixtures**, call Parts Direct at **1-800-929-9247**.

Light-Emitting Diodes: Solid-State Illumination

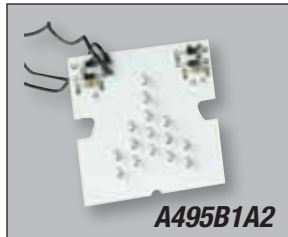
FEATURES:

- Life: an estimated 100,000 hours at constant illumination
- Illumination is uniform
- AC/DC power—no polarity dependent
- Amber LEDs are "off white"

| DOVER 85 LED REPLACEMENTS 10/PKG. | | | |
|-----------------------------------|----------|------------|---------------|
| Adams part no. | | | Voltage AC/DC |
| Green | Red | Warm white | |
| A493L1G3 | A493L1R3 | A493L1W3 | — |

LEDs FOR SURVIVOR AND DESIGNER LENSES

These LEDs work with Adams Hall Lantern Lenses (Lenses sold separately) shown lower right:



LEDs FOR A474BL, CL, JL, & KL HALL LANTERNS

| Adams part no. | | | Voltage AC/DC |
|----------------|----------|----------|---------------|
| Green | Red | Amber | |
| A495B1G2 | A495B1R2 | A495B1A2 | 24/28 |
| A495B2G2 | A495B2R2 | A495B2A2 | 48 |
| A495B3G2 | A495B3R2 | A495B3A2 | 60 |
| A495B4G2 | A495B4R2 | A495B4A2 | 120 |
| A495B5G2 | A495B5R2 | A495B5A2 | 240 |
| A495B6G2 | A495B6R2 | A495B6A2 | 155 |

HALL LANTERN LENS ORDERING INFORMATION

| Adams part no. | Description | Filter lens | |
|----------------|-----------------------------------------------|-------------|----------|
| | | Red | Green |
| A474BL | 2 1/2"H x 2 1/2"W white arrow, protrudes 1/8" | A474-02R | A474-02G |
| A474CL | 2 1/2"H x 2 1/2"W white arrow, protrudes 1/4" | A474-02R | A474-02G |
| A474HL | 3" dia. hall lantern lens; protrudes 3/4" | A474-03R | A474-03G |
| A474IL2 | 7-jewel V/R lantern lens, 3"H x 2 1/2"W | A474-05R | A474-05G |
| A474JL | 2 1/2"H chevron arrow; protrudes 3/4" | A474-04R | A474-04G |
| A474KL | 3"H chevron arrow; protrudes 3/4" | — | — |

* A474IL2 shown on next page

LEDs FOR SURVIVOR BUTTON BASES

These LEDs will work with Adams Survivor® base jewel or button including Survivor, Designer, Classic, Homelift and Survivor Plus (base sold separately)



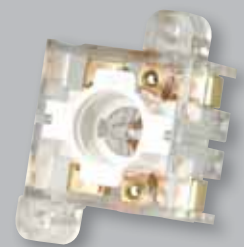
AS451A-02 Survivor base for LED illumination

LEDs FOR SURVIVOR BASE (10/PK)

| Adams part no. | | Voltage AC/DC |
|----------------|---------|---------------|
| Red | Amber | |
| A494LR0* | — | Phone* |
| A494LR1 | A494LW1 | 6 |
| A494LR2 | A494LW2 | 12 |
| A494LR3 | A494LW3 | 24/28 |
| A494LR4 | A494LW4 | 48/60 |
| A494LR5 | A494LW5 | 120 |
| — | A494LW7 | 240 |

*Phone LEDs sold in singles

A494LW1

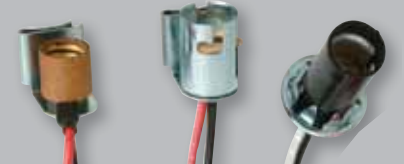


AS451A-02 Survivor base

A470L4

A470L3

A470L5



LAMP SOCKET ORDERING INFORMATION

| Adams part no. | Description |
|----------------|------------------------------------------------|
| A470L3 | Socket, double contact bayonet |
| A470L4 | Socket, candelabra screw base |
| A470L5 | Socket, insulated base, for P.I.; bayonet base |

POP-IN LENS ORDERING INFORMATION

| Adams part no. | Description | Mounting tube ID |
|----------------|-----------------------|------------------|
| A472A | 3" dia. pop-in lens | 2 1/2" |
| A472B | 3" square pop-in lens | — |
| A473A | 4" dia. pop-in lens | 3 1/2" |
| A473B | 4" square pop-in lens | — |

A473A



A473B



A472A



A472B



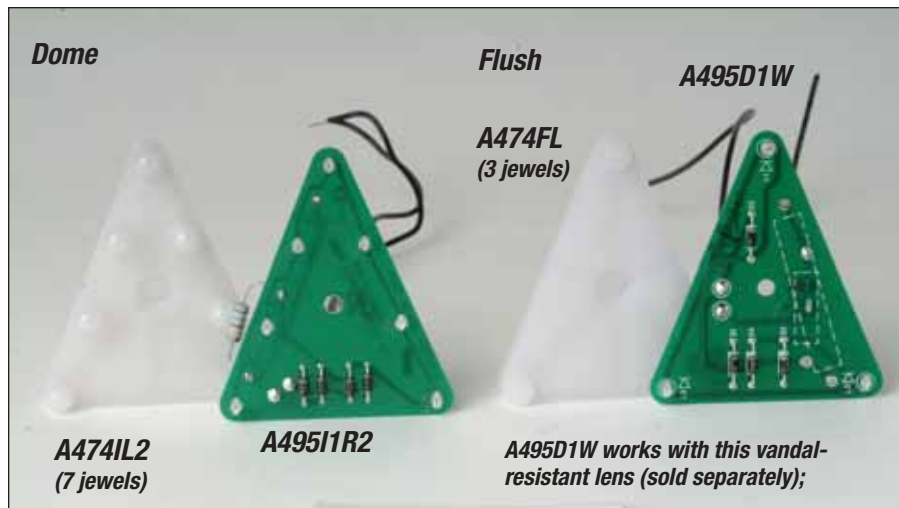
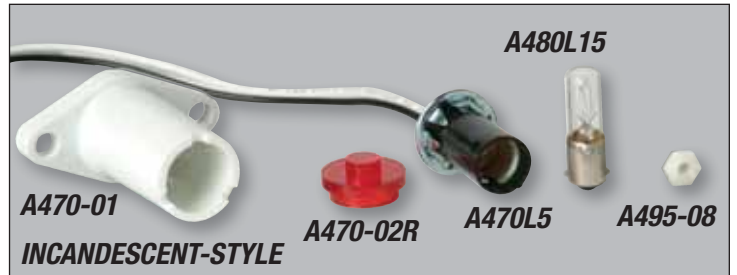
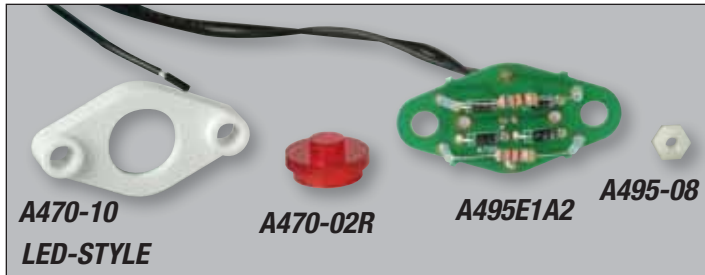
These heavy-duty Lexan® lenses are CSA approved



Vandal-Resistant P.I. Jewels

Choose LED or incandescent illumination for vandal-resistant position indicators. Jewels and mounting nuts are the same for both.

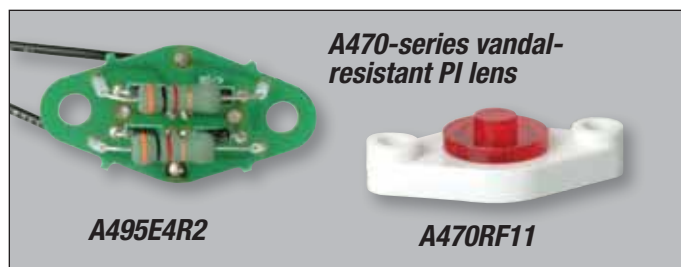
| VANDAL-RESISTANT P.I. JEWEL ASSEMBLIES | | | | | |
|----------------------------------------|---------|----------|-------------|----------|---------------|
| | Halo | Jewel | Lamp holder | LED/Lamp | Fasteners (2) |
| LED | A470-10 | A470-02R | — | A495E1A2 | A495-08 |
| Incand. Red | A470-01 | A470-02R | A470L5 | A480L15 | A495-08 |
| Incand. White | A470-01 | A470-02W | A470L5 | A480L15 | A495-08 |



| 7-JEWEL LEDs FOR A474IL TRIANGULAR HALL LANTERNS | | | |
|--------------------------------------------------|----------|----------|---------------|
| Adams part no. | | | Voltage AC/DC |
| Green | Red | Amber | |
| A495I1G2 | A495I1R2 | A495I1A2 | 24 |
| A495I2G2 | A495I2R2 | A495I2A2 | 48 |
| A495I3G2 | A495I3R2 | A495I3A2 | 60 |
| A495I4G2 | A495I4R2 | A495I4A2 | 120 |
| A495I5G2 | A495I5R2 | A495I5A2 | 240 |

| LEDs FOR A474FL HALL LANTERNS (3-JEWEL UNITS TO REPLACE EXISTING A495D-SERIES) | | | |
|-----------------------------------------------------------------------------------|---------|---------|---------------|
| Adams part no. | | | Voltage AC/DC |
| Green | Red | Amber | |
| A495D0G | A495D0R | A495D0W | 12 |
| A495D1G | A495D1R | A495D1W | 24/28 |
| A495D2G | A495D2R | A495D2W | 48 |
| A495D3G | A495D3R | A495D3W | 60 |
| A495D4G | A495D4R | A495D4W | 120 |

| LEDs FOR A474HL 3" ROUND HALL LANTERNS | | | |
|----------------------------------------|----------|----------|---------------|
| Adams part no. | | | Voltage AC/DC |
| Green | Red | Amber | |
| A495H1G2 | A495H1R2 | A495H1A2 | 24/28 |
| A495H2G2 | A495H2R2 | A495H2A2 | 48 |
| A495H3G2 | A495H3R2 | A495H3A2 | 60 |
| A495H4G2 | A495H4R2 | A495H4A2 | 120 |
| A495H5G2 | A495H5R2 | A495H5A2 | 240 |



Vandal resistant!

| LEDs FOR A470RF VANDAL-RESISTANT P.I.'S | | | |
|-----------------------------------------|----------|----------|---------------|
| Adams part no. | | | Voltage AC/DC |
| Green | Red | White | |
| A495E1G2 | A495E1R2 | A495E1A2 | 24/28 |
| A495E2G2 | A495E2R2 | A495E2A2 | 48 |
| A495E3G2 | A495E3R2 | A495E3A2 | 60 |
| A495E4G2 | A495E4R2 | A495E4A2 | 120 |
| A495E5G2 | A495E5R2 | A495E5A2 | DC/Phone |
| A495E6G2 | A495E6R2 | A495E6A2 | 240 |

Survivor[®] Pushbutton with Base

The patented Survivor[®] pushbutton has been tested to more than 22,000,000 cycles...without failing.

Choose button bases for incandescent or LED illumination. *Incandescent and LED lamps sold separately.*

Survivor Button Diameter 1.365"

Old Style Survivor Button available as Special Order.



ASA452CI-XFH/GC

Combination Fire Service/Call Cancel button eliminates the need for an additional punch in your COP.

Survivor—Reg. TM Adams Elevator Equipment Company

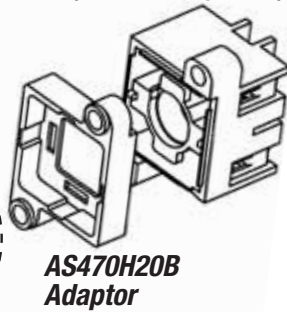
ADA-STYLE BUTTON ORDERING INFORMATION

| Description | Adams part no. | |
|----------------------------------------------------|-------------------|-----------------|
| | Incandescent base | LED base |
| Survivor button w/char., complete | ASA452CI-[char] | ASA452CL-[char] |
| Survivor button w/cap, halo, and adaptor (No Base) | ASA452A-[char] | |
| Survivor button w/cap (no halo, adaptor or base) | ASA452W-[char] | |

Incandescent and LED illumination are sold separately.

AS451A Base (Includes Lampholder)

Cap only AS450BC3



AS470H20B Adaptor

AS450H21 Halo

ASA452W-char Button and Cap

CALIFORNIA-STYLE BUTTON ORDERING INFORMATION

| Description | Adams part no. | |
|-------------------------------------------------------|-------------------|-----------------|
| | Incandescent base | LED base |
| Survivor CA button w/char., complete | ASC452CI-[char] | ASC452CL-[char] |
| Survivor CA button w/cap, halo, and adaptor (No Base) | ASC452A-[char] | |
| Survivor CA button w/cap (no halo, adaptor or base) | ASC452W-[char] | |

Incandescent and LED illumination are sold separately.
335200-2 Survivor plug (to fill empty punch)

SURFACEMOUNT REPLACEMENT BUTTONS, BLANK

| Voltage | Button Style | | | |
|---------------|--------------|----------|---------|------------------|
| | Survivor | Designer | Classic | Vandal Base Only |
| 24/28 | SM452W2* | SM472W2 | SM480W2 | SM451WV2 |
| 48 | SM452W3* | SM472W3 | SM480W3 | SM451WV3 |
| 60 | SM452W4* | SM472W4 | SM480W4 | SM451WV4 |
| 120 | SM452W5* | SM472W5 | SM480W5 | SM451WV5 |
| Otis Module** | SM452W0 | SM472W0 | SM480W0 | SM451WV0 |

*For button with arrow, add "A" to end of part no. Available for Survivor buttons only.

**Otis module sold separately
SM458S1. Vandal button only, stainless. SM458B1. Vandal button only, bronze.



SM452W5

Survivor/PLUS® vandal-resistant pushbuttons

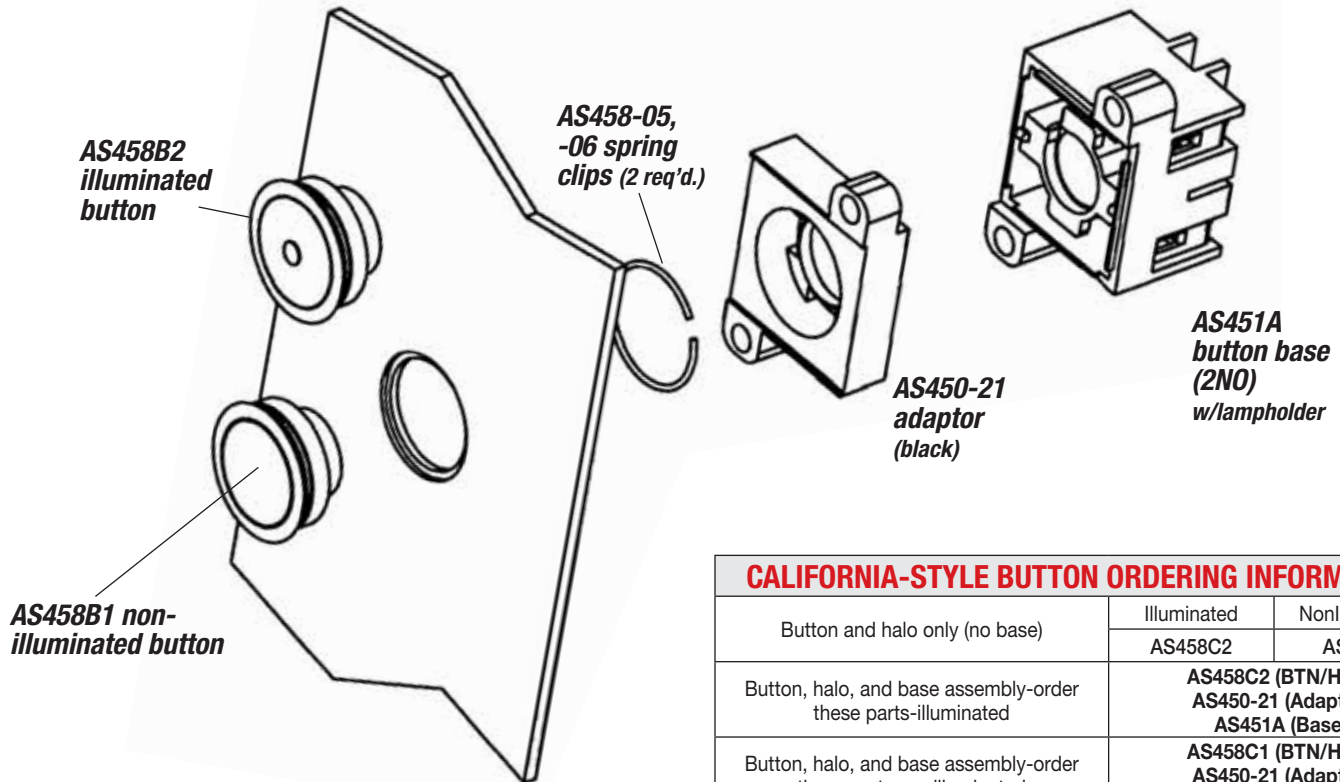
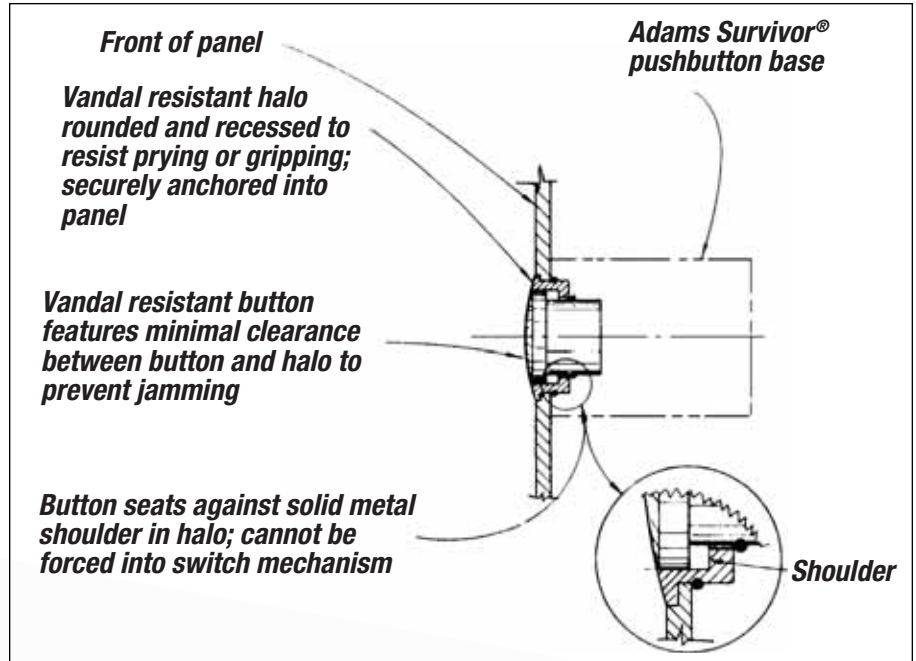
Survivor/PLUS™ vandal-resistant pushbuttons have a patented “coined pocket” designed to support the button by the metal panel.

Survivor/PLUS

- Can be ordered to meet California Title 24; see chart below
- Opening for Survivor Plus Button is 1.156" diameter inside and 1.246" diameter outside coined surface

| SURVIVOR/PLUS—STAINLESS STEEL #4 COMPLETE BUTTON ASSEMBLIES | | |
|-------------------------------------------------------------|-----------------|-------------|
| Contact configuration | Adams part no. | |
| | Non-illuminated | Illuminated |
| 2NO | AS458A1 | AS458A4 |
| 2NC | AS458A2 | AS458A5 |
| 1NO/1NC | AS458A3 | AS458A6 |

Bronze Available by special order.
Incandescent and LED illumination are sold separately.



| CALIFORNIA-STYLE BUTTON ORDERING INFORMATION | | |
|------------------------------------------------------------------|-----------------------------------------------------------|----------------|
| Button and halo only (no base) | Illuminated | NonIlluminated |
| | | AS458C2 |
| Button, halo, and base assembly-order these parts-illuminated | AS458C2 (BTN/Halo) AS450-21 (Adaptor) AS451A (Base) | |
| Button, halo, and base assembly-order these parts-nonilluminated | AS458C1 (BTN/Halo) AS450-21 (Adaptor) AS451A (Base) | |

Incandescent and LED illumination are sold separately.

Designer™ Pushbutton with Base

DESIGNER PUSHBUTTON ASSEMBLY, EXPLODED VIEW [SINGLE]

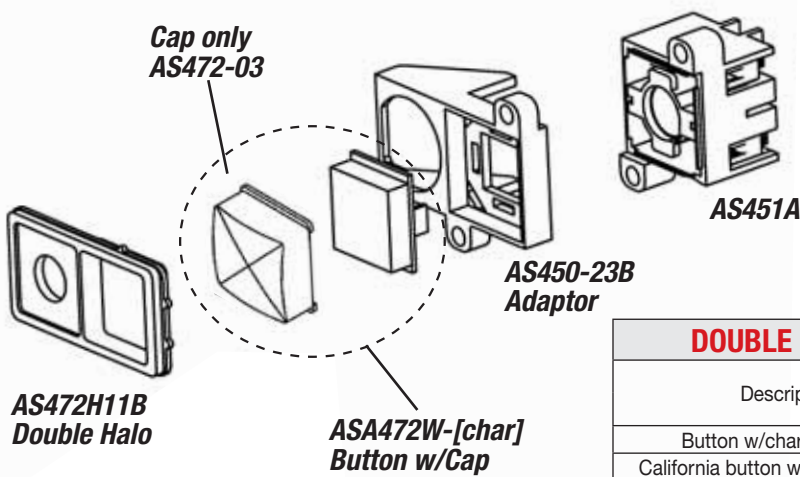
| SINGLE DESIGNER BUTTON ORDERING INFORMATION | | |
|-----------------------------------------------------------|-------------------------|-------------------------|
| Description | Adams part no. | |
| | Incandescent base | LED base |
| Button w/char., complete | ASA472SCI-[char] | ASA472SCL-[char] |
| Button w/cap only (no base or adaptor) or halo | ASA472W-[char] | |
| California button w/char., complete | ASC472SCI-[char] | ASC472SCL-[char] |
| California button w/cap only (no base or adaptor) or halo | ASC472W-[char] | |

*California Cap Only (squared shoulders) AS472-04
Incandescent and LED illumination are sold separately.

Single Designer BTN
1.50"w x 1.50"h



DESIGNER PUSHBUTTON ASSEMBLY W/BRILLE, EXPLODED VIEW

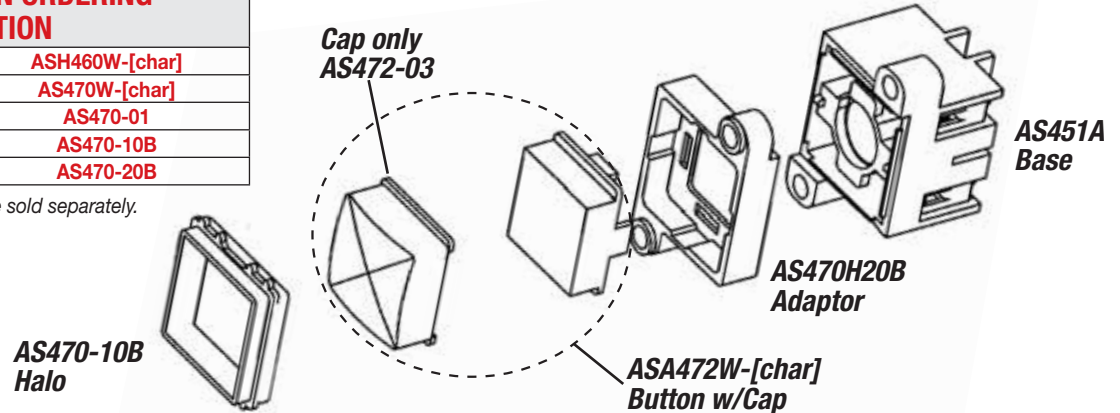


| DOUBLE DESIGNER BUTTON ORDERING INFORMATION | | |
|---------------------------------------------|-------------------------|-------------------------|
| Description | Adams part no. | |
| | Incandescent base | LED base |
| Button w/char., complete | ASA472DCI-[char] | ASA472DCL-[char] |
| California button w/char., complete | ASC472DCI-[char] | ASC472DCL-[char] |

Incandescent illumination and Braille tag sold separately. See Braille Tag Page
Designer BTN w/Braille
2.88"w x 1.50"h

| HOMELIFT BUTTON ORDERING INFORMATION | |
|--------------------------------------|-----------------------|
| Button complete (no lamp) | ASH460W-[char] |
| Button w/cap only (no base) | AS470W-[char] |
| Cap only | AS470-01 |
| Halo only | AS470-10B |
| Adaptor only | AS470-20B |

Incandescent and LED illumination are sold separately.
Homelift BTN
1.25" x 1.25"



Classic™ Pushbutton with Base

Our Classic buttons are mounted on our Survivor base. In our double-Classic style, the blank button and braille tag are enclosed together to create an oval-shaped assembly (2.88"); see exploded diagram at right. The braille tag has a black matte finish with 5/8" high characters, raised and polished. Meets ADA. Braille dots are located below the characters.

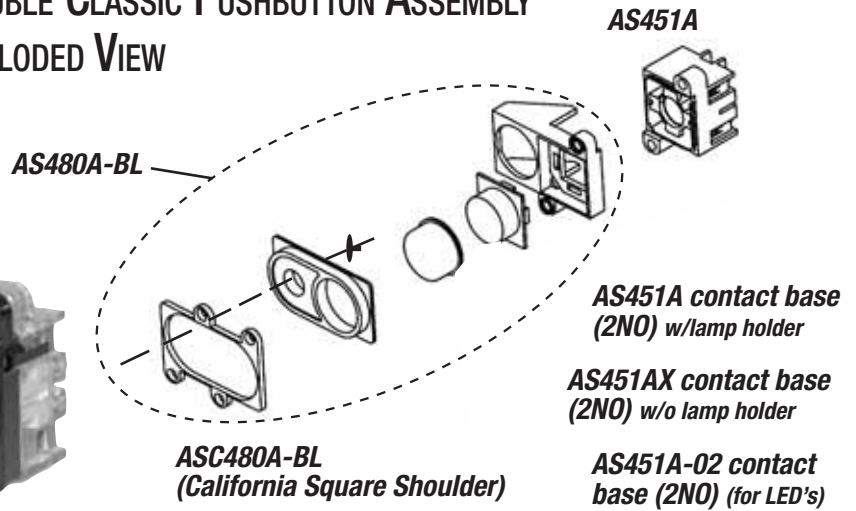
[NOTE: Do not use AS480-21 shim for 1/8" button and halo protrusion.]

Classic pushbuttons are 1.25" diameter white Lexan®; they require a 1.5" punch without braille.

Classic Braille sold separately

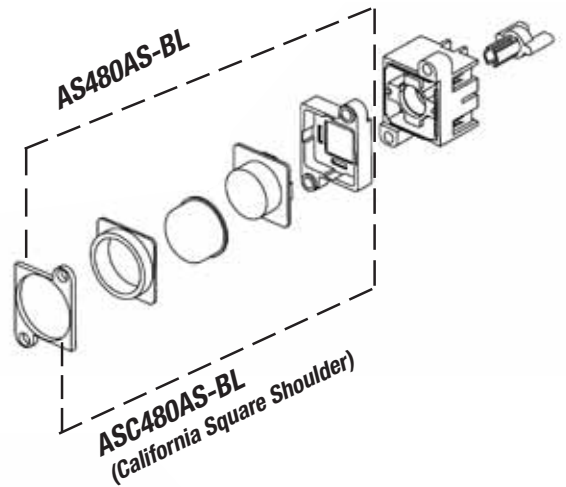


DOUBLE CLASSIC PUSHBUTTON ASSEMBLY EXPLODED VIEW



SINGLE CLASSIC PUSHBUTTON ASSEMBLY, EXPLODED VIEW

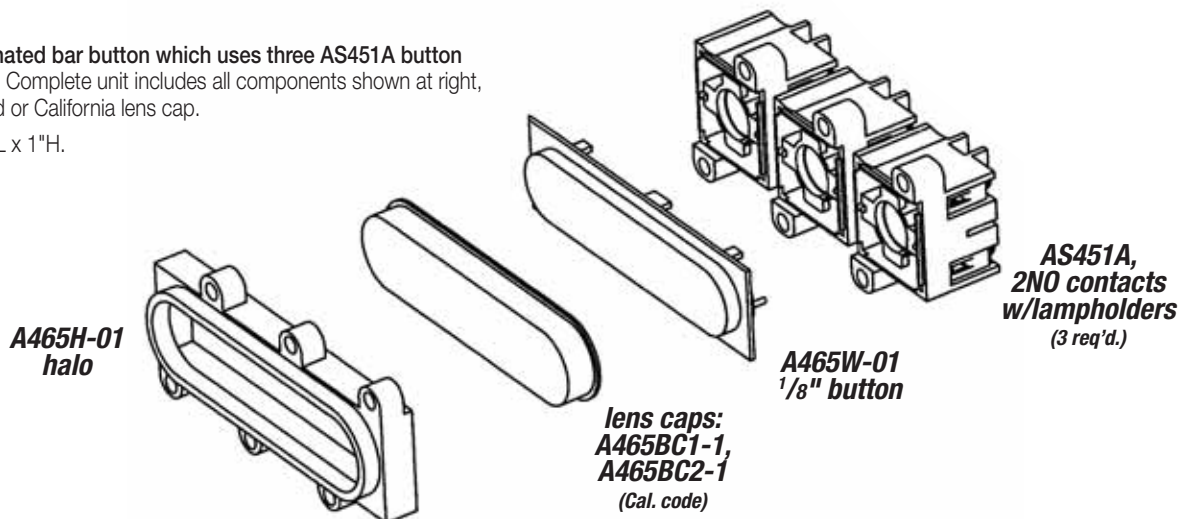
To order a single Classic button with a character order AS480AS-[Char]



BAR BUTTON

Adams provides an illuminated bar button which uses three AS451A button bases with 2 N/O contacts. Complete unit includes all components shown at right, with your choice of standard or California lens cap.

Illuminated button is 4 3/4" L x 1" H.
Halo is 5.0" L x 1 3/8" H.



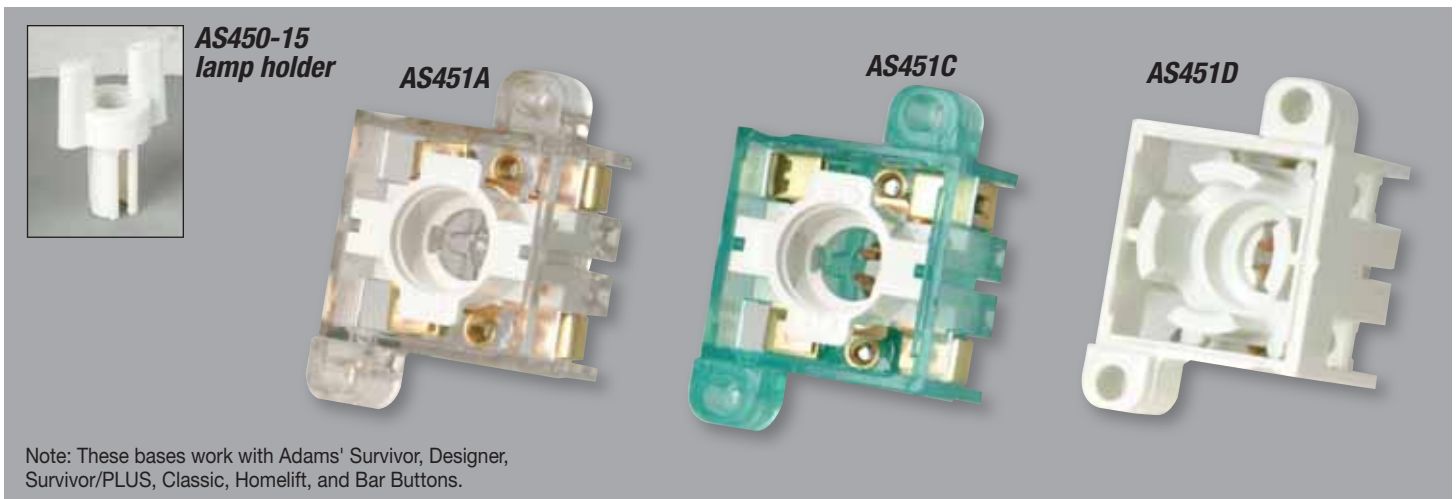
Survivor[®] Button Bases for Pushbuttons, Jewels, and Position Indicators.

SURVIVOR BUTTON BASE ORDERING INFORMATION

| Adams part no. | Description | Base color |
|----------------|-----------------------------------------------|------------|
| AS451A | Contact base, 2NO w/lampholder | Clear |
| AS451B | Contact base, 2NC w/lampholder (not pictured) | Red |
| AS451C | Contact base, 1NO/1NC w/lampholder | Green |
| AS451D | Jewel/PI base, w/lampholder & spacer | White |
| AS450-15 | Lampholder for above | White |
| AS450-16 | Lampholder for above without ears | White |

Our color-coded Survivor[®] button bases are Adams standard. The color helps identify the contact configuration.

Use AS451A-02 base for LED illumination



Note: These bases work with Adams' Survivor, Designer, Survivor/PLUS, Classic, Homelift, and Bar Buttons.

LAMPS—PACKAGES OF 10

Find the voltage you need in the left-hand column, and read across the table for the part number that corresponds to the lamp type you are replacing.

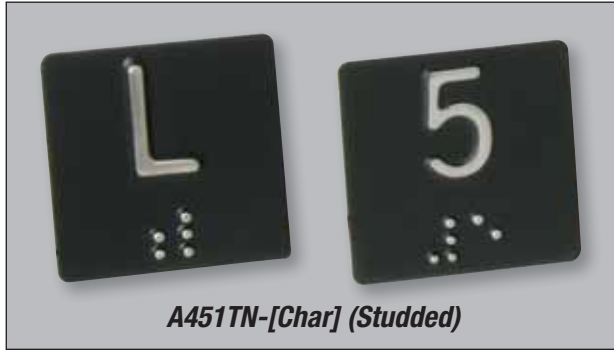
LAMP ORDERING INFORMATION

| Voltage | Buttons & jewels PSB-type | Hall lanterns | |
|----------|---------------------------|------------------------|-----------------------|
| | | Double contact bayonet | Candelabra screw base |
| 6 | A487L7 | A485L1 | — |
| 12 | A487L8 | A484L8 | — |
| 24 | A487L1 | A484L9 | — |
| 28 | A487L2 | A484L9 | — |
| 48 | A487L3 | — | A488L8 |
| 60 | A487L4 | — | A488L9 |
| 120 | A487L5 | A484L2 | — |
| 120 neon | A487L6 | — | — |



TACTILE/BRAILLE TAGS

1 1/4"-square tags with 5/8"-high characters on contrasting black background.



| TACTILE/BRAILLE TAGS | | | |
|----------------------|------------|------------------|-----------------|
| Adams part no. | California | Character finish | Mounting method |
| A451TN-[char] | No | Stainless | *Studded |
| A451B-[char] | No | Stainless | Adhesive |
| A451FTN-[char] | No | Bronze | *Studded |
| A451E-[char] | No | Bronze | Adhesive |
| A452CTN-[char] | Yes | White | *Studded |
| A452B-[char] | Yes | White | Adhesive |

*Studded tags include threaded mounting nut.



A453CTN-[Char]

| CLASSIC® TACTILE/BRAILLE TAGS | | | |
|-------------------------------|------------|------------------|-----------------|
| Adams part no. | California | Character finish | Mounting method |
| A453CTN-[char] | No | Stainless | Studded* |
| A453FTN-[char] | No | Bronze | Studded* |
| A454CTN-[char] | Yes | White | Studded* |

*Studded tags include threaded mounting nut.

DOOR JAMB PLATES

2"-high characters with contrasting black background. Plates are 4" x 4". Available with stainless, bronze or white characters with Adhesive Back.



A4500T-[Char]



A4500TCS-[Char]

For California Code:
Braille symbol is placed to left of number character

PLEASE NOTE:

- Full range of characters and symbols available.
- Three characters on one plate are available on special order. Call sales rep.
- Indicate egress floor by placing "X" in front of floor number; for example, "-XM" represents a tag with the symbol "☆M" for egress at the mezzanine.

| DOOR JAMB PLATES | | | |
|------------------|------------|------------------|------------------|
| Adams part no. | California | Character finish | Braille Location |
| A4500T-[char] | No | Stainless | Below |
| A4500C-[char] | No | Bronze | Below |
| A4500TW-[char] | Yes | White | Below |
| A4500TC-[char] | Yes | White | Left |
| A4500TCS-[char] | Yes | Stainless | Left |
| A4500TCB-[char] | Yes | Bronze | Left |

(All jamb plates are adhesive mount.)

| EVACUATION CAR SIGNS | | | |
|----------------------|-------|-----------|------------|
| Adams part no. | Size | Character | Background |
| A4502B-[char] | 4" sq | Black | SS |
| A4502S-[char] | 4" sq | SS | Black |

(All evacuation car signs are adhesive)
Tags contain the word CAR and a car number.

ORIGINAL-STYLE SURVIVOR EMERGENCY STOP SWITCHES

Push to run/pull to stop. 2NC-1NO Contacts.

A471A1. Original Style Survivor Stop Switches Mount Horizontal or Corner to Corner. Red Plastic Button, 1/8" High Halo

A471A2. Button and 1/8" High Halo are Aluminum.

A471A3. Button and 1/4" High Halo are Plastic.

A471A4. Vandal-resistant model (Survivor/PLUS) has coined pocket. Horizontal mounting holes are 2 1/8" cc.



NEW-STYLE SURVIVOR EMERGENCY STOP SWITCHES

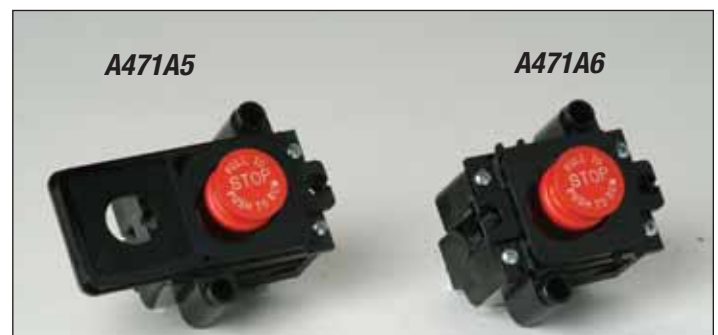
These Push/Pull STOP switches have 1/8"H and 1 3/8" diameter halos.

| SURVIVOR STOP SWITCHES | | |
|------------------------|-------------------|----------|
| Adams part no. | Action to STOP | Contacts |
| AS459A1 | Push | 2NC 1NO |
| AS459A2 | Pull | 2NC 1NO |
| AS459A5 | Pull | 1NC 2NO |
| AS459A7 | Push | 1NC 2NO |
| AS459A9 | Pull to hold door | 1NC 2NO |

CLASSIC™ EMERGENCY STOP SWITCHES

Push/Pull STOP switches all have 1/8"-high and 1 1/2" diameter halos.

| CLASSIC STOP SWITCHES | | |
|-----------------------|----------------|----------|
| Adams part no. | Action to STOP | Contacts |
| AS459A3 | Push | 2NC 1NO |
| AS459A4 | Pull | 2NC 1NO |
| AS459A6 | Pull | 1NC 2NO |
| AS459A8 | Push | 1NC 2NO |



| DESIGNER EMERGENCY STOP SWITCHES (SQUARE HALO) | | | |
|------------------------------------------------|-------------------|----------|------------------|
| Adams part no. | Action to STOP | Contacts | w/Braille pocket |
| A471A5 | Pull | 2NC-1NO | Yes |
| A471A6 | Pull | 2NC-1NO | No |
| AS459A13 | Push to hold door | 2NO-1NC | No |
| A471A7 | Push to hold door | 2NO-1NC | Yes |

| HOMELIFT EMERGENCY STOP SWITCHES | | | |
|----------------------------------|----------------|----------|------------------|
| Adams part no. | Action to STOP | Contacts | w/Braille pocket |
| AS459A11 | Pull | 2NO | No |

All "push-to-stop" switches include button guard to prevent accidental activation

Adams Keyswitches

SURVIVOR[®], DESIGNER[™], CLASSIC[™] AND SURVIVOR/PLUS[®]



All Adams keyswitches use our Survivor base and are built with tough Lexan[®] housings. Choose from 2-, 3-, and 4-position configurations. 2-position switches are rated B300, Q300. All locks are 5-disk tumbler type.

Key movement is 12:00/3:00 for 2-pull models; 9:00/12:00/3:00 for 3-pull models; and 6:00/9:00/12:00/3:00 for 4-pull keyswitches.

Keyswitches are available in 1/8" or 1/4" high halos. Order a complete assembly, halo only, base only, keyswitch only, or replacement key. Keyswitches can also be ordered in bronze or stainless cylinders. Keyswitches come with 2-, 4-, or 6-contact bases.

Order the switch and halo style from the table on the next page. For a switch not listed, please call Adams part sales.

NOTE: All keyswitches listed have 1/8"-high halos. Call for 1/4"-high halos (necessary for swing return stations).

HOW TO ORDER ADAMS KEYSWITCHES

Using Tables on Next 2 Pages

1. **Choose the function and halo legend** that matches the service configuration you need.
2. **Select halo style you need:** Survivor, Designer, Classic, or Survivor/PLUS.
3. **For complete keyswitch assembly:** Order "Switch only" and the halo you need from the appropriate "halo only" style column. [For a complete **Survivor** keyswitch, order from "Complete keyswitch" column; complete keyswitch includes a Survivor-style halo.]
4. **Stainless or bronze:** Complete keyswitch part numbers listed are for stainless. To order bronze switches, substitute a "J" for the "K" in the complete-keyswitch part number. For example, for a bronze **Survivor** assembly of keyswitch number **AS468K01** Fire Service, you would order complete-keyswitch part number **AS468J01**. [To order same switch with a **Classic** halo, order **AS468A101** (switch only) **PLUS AS480B319** (Classic halo only) for stainless; use switch-only part no. **AS468B101** for bronze.]
5. **Length of Base:** 2 contacts 1.875" deep, 4 contacts 2.375" deep, 6 contacts 3.000" deep.

BLANK KEYSWITCH HALOS:

- A450H4B, Survivor, black 1/8" H
- A450H4R, Survivor, red 1/8" H
- AS472-12B, Designer, black 1/8" H
- AS472-12R, Designer, red 1/8" H

DOOR HOLD TOGGLES & PHONE JACKS

- AS461-40. Survivor Door Hold Toggle Switch
- AS461-50. Designer Door Hold Toggle Switch
- AS461-60. Double Designer Door Hold Toggle Switch (Braille Tag not included)
- ASA452-PJ. Survivor Phone Jack Assembly
- ASA472-PJ. Designer Phone Jack Assembly
- ASA480-PJ. Classic Phone Jack Assembly



KEYSWITCH ORDERING INFORMATION FOR ALL ADAMS BUTTON STYLES

| FUNCTION | Halo designations/locations | | | | | | Keypulls | | | | SURVIVOR® part no. | | | | DESIGNER™ halo only* | CLASSIC™ halo only* | SURVIVOR/PLUS® halo only* | Key only | Key code | Base contacts | Config. | | | | | |
|------------------------------|-----------------------------|------|------|-----|------|------|----------|------|-------|------|--------------------|-----|----------|----------|----------------------|---------------------|---------------------------|----------|-----------|---------------|----------|----------|-------|-------|---|------|
| | 12:00 | | 3:00 | | 6:00 | | 9:00 | | 12:00 | | 3:00 | | 6:00 | | | | | | | | | 9:00 | | | | |
| | UP | DOWN | ON | OFF | UP | DOWN | ON | OFF | UP | DOWN | ON | OFF | UP | DOWN | | | | | | | | ON | OFF | | | |
| CAR CALL | OFF | ON | ON | OFF | UP | DOWN | UP | DOWN | X | X | M | M | AS468K06 | AS468K07 | AS468A115 | AS468A115 | A449B113 | A449B114 | AS480B313 | AS480B314 | A448B113 | A448B114 | MAxxx | MAxxx | 4 | DPDT |
| | OFF | ON | ON | OFF | UP | DOWN | UP | DOWN | X | X | M | M | AS468K15 | AS468K16 | AS468A113 | AS468A205 | A449B113 | A449B117 | AS480B317 | AS480B317 | — | — | AE102 | AE102 | 4 | DPDT |
| FIRE SERVICE (HALL) PHASE I | OFF | ON | ON | OFF | UP | DOWN | UP | DOWN | X | X | M | M | AS468K18 | AS468K18 | AS468A113 | AS468A114 | A449B114 | A449B117 | AS480B317 | AS480B317 | — | — | MAxxx | MAxxx | 4 | SPDT |
| | OFF | ON | ON | OFF | UP | DOWN | UP | DOWN | X | X | M | M | AS468K18 | AS468K18 | AS468A113 | AS468A114 | A449B114 | A449B117 | AS480B317 | AS480B317 | — | — | AE102 | AE102 | 4 | SPDT |
| 2000 CODE (optional Halo) | OFF | ON | ON | OFF | UP | DOWN | UP | DOWN | X | X | X | X | AS468K01 | AS468K01 | AS468A101 | AS468A101 | A449R181 | A449R181 | AS480R381 | AS480R381 | A448R181 | A448R181 | WD01 | WD01 | 4 | SP3T |
| | OFF | ON | ON | OFF | UP | DOWN | UP | DOWN | X | X | X | X | AS468K09 | AS468K09 | AS468A101 | AS468A101 | A449R189 | A449R189 | AS480R389 | AS480R389 | A448R189 | A448R189 | WD01 | WD01 | 4 | SP3T |
| 2000 CODE FIRE CONTROL PANEL | OFF | ON | ON | OFF | UP | DOWN | UP | DOWN | X | X | X | X | AS468K14 | AS468K14 | AS468A202 | AS468A202 | A449R181 | A449R181 | AS480R381 | AS480R381 | — | — | WD01 | WD01 | 4 | SP3T |
| | OFF | ON | ON | OFF | UP | DOWN | UP | DOWN | X | X | X | X | AS468K29 | AS468K30 | AS468A123 | AS468A218 | A449R181 | A449R181 | AS480R381 | AS480R381 | A448R181 | A448R181 | H341 | H341 | 6 | SP3T |
| 2000 CODE PHASE II | OFF | ON | ON | OFF | UP | DOWN | UP | DOWN | X | X | X | X | AS469K10 | AS469K10 | AS469A02 | AS469A17 | A449R187 | A449R187 | AS480R387 | AS480R387 | A448R187 | A448R187 | WD01 | WD01 | 2 | SPDT |
| | OFF | ON | ON | OFF | UP | DOWN | UP | DOWN | X | X | X | X | AS469K04 | AS469K04 | AS469A17 | AS469A17 | A449R182 | A449R182 | AS480R382 | AS480R382 | A448R182 | A448R182 | WD01 | WD01 | 2 | SPDT |
| 2000 CODE (optional Halo) | OFF | ON | ON | OFF | UP | DOWN | UP | DOWN | X | X | X | X | AS468K39 | AS468K39 | AS468A101 | AS468A101 | HRR0192 | HRR0192 | HRR0192V | HRR0192V | HRR0192V | HRR0192V | WD01 | WD01 | 4 | SP3T |
| | OFF | ON | ON | OFF | UP | DOWN | UP | DOWN | X | X | X | X | AS468K32 | AS468K32 | AS468A149 | AS468A149 | HRR0190 | HRR0190 | HRR0190V | HRR0190V | HRR0190V | HRR0190V | — | — | — | — |
| FAN | HOLD | HOLD | HOLD | OFF | UP | DOWN | UP | DOWN | X | X | X | X | AS469K12 | AS469K12 | AS469A05A | AS469A05A | A449B109 | A449B109 | AS480B309 | AS480B309 | A448B109 | A448B109 | MM101 | MM101 | 2 | SPDT |
| | HOLD | HOLD | HOLD | OFF | UP | DOWN | UP | DOWN | X | X | X | X | AS468K21 | AS468K21 | AS468A207 | AS468A207 | A449B123 | A449B123 | AS480B323 | AS480B323 | A448B123 | A448B123 | MM101 | MM101 | 4 | SPDT |
| FAN/LIGHT | HOLD | HOLD | HOLD | OFF | UP | DOWN | UP | DOWN | X | X | X | X | AS468K02 | AS468K02 | AS468A104 | AS468A104 | A449B110 | A449B110 | AS480B310 | AS480B310 | A448B110 | A448B110 | MM101 | MM101 | 4 | SPDT |
| | HOLD | HOLD | HOLD | OFF | UP | DOWN | UP | DOWN | X | X | X | X | AS468K03 | AS468K03 | AS468A104 | AS468A104 | A449B112 | A449B112 | AS480B312 | AS480B312 | A448B112 | A448B112 | MM101 | MM101 | 4 | SPDT |
| PHOTO EYE | HOLD | HOLD | HOLD | OFF | UP | DOWN | UP | DOWN | X | X | X | X | AS468K20 | AS468K20 | AS468A207 | AS468A207 | A449B122 | A449B122 | AS480B322 | AS480B322 | A448B122 | A448B122 | MM101 | MM101 | 4 | SPDT |
| | HOLD | HOLD | HOLD | OFF | UP | DOWN | UP | DOWN | X | X | X | X | AS469K10 | AS469K10 | AS469A05A | AS469A05A | A449B111 | A449B111 | AS480B311 | AS480B311 | A448B111 | A448B111 | MM101 | MM101 | 2 | SPST |
| MOTOR/GENERATOR | HOLD | HOLD | HOLD | OFF | UP | DOWN | UP | DOWN | X | X | X | X | AS469K07 | AS469K07 | AS469A05 | AS469A05 | A449B104 | A449B104 | AS480B304 | AS480B304 | A448B104 | A448B104 | MM101 | MM101 | 2 | SPDT |
| | HOLD | HOLD | HOLD | OFF | UP | DOWN | UP | DOWN | X | X | X | X | AS469K08 | AS469K08 | AS469A05 | AS469A05 | A449B105 | A449B105 | AS480B305 | AS480B305 | A448B105 | A448B105 | MM101 | MM101 | 2 | SPDT |
| MOTOR/GENERATOR | HOLD | HOLD | HOLD | OFF | UP | DOWN | UP | DOWN | X | X | X | X | AS469K09 | AS469K09 | AS469A05 | AS469A05 | A449B106 | A449B106 | AS480B306 | AS480B306 | A448B106 | A448B106 | MM101 | MM101 | 2 | SPDT |
| | HOLD | HOLD | HOLD | OFF | UP | DOWN | UP | DOWN | X | X | X | X | AS469K15 | AS469K15 | AS469A05 | AS469A05 | A449B101 | A449B101 | AS480B301 | AS480B301 | A448B101 | A448B101 | MM101 | MM101 | 2 | SPDT |
| MOTOR/GENERATOR | HOLD | HOLD | HOLD | OFF | UP | DOWN | UP | DOWN | X | X | M | M | AS468K19 | AS468K19 | AS468A111 | AS468A111 | A449B121 | A449B121 | AS480B321 | AS480B321 | A448B121 | A448B121 | MM101 | MM101 | 6 | SPDT |
| | HOLD | HOLD | HOLD | OFF | UP | DOWN | UP | DOWN | X | X | M | M | AS468K10 | AS468K10 | AS468A212 | AS468A212 | A449B102 | A449B102 | AS480B302 | AS480B302 | A448B102 | A448B102 | MM101 | MM101 | 4 | SPDT |

HOMELIFT KEYSWITCH HALOS

| | Keyswitch | | | | Key Pulls | | | |
|--------------------------|-------------|----------|----------|-------------|-----------|----------|----------|-------------|
| | Part No | Contacts | Key Type | Key Part No | Part No | Contacts | Key Type | Key Part No |
| HBH0188 | RUN/STOP | 1NO/1NC | Barrell | HA-1065-Z3 | 10 | 12 | 2 | 2 |
| HBH018W | ON/OFF | 1NO/1NC | Barrell | HA-1065-Z3 | - | X | X | X |
| HBH0115 | ACCESS | 1NO/1NC | Barrell | HA-1065-Z3 | X | X | X | - |
| HBH0119 | CALL OFF/ON | 1NO/1NC | Barrell | HA-1065-Z3 | X | X | X | - |
| AS470-12B | BLANK | | | | | | | |
| Homelift Adaptor AKC0018 | | | | | | | | |

FE0K1 KEY - FIRE 2000 CODE

Note:
 Switch Base comes wired with 5 - 23" wires
 Each switch comes with 2 keys
 Choose Halo from the Styles in the chart above

KEYPULLS LEGEND:
 X = Keypull at that location
 O = No keypull
 — = No function

M = Momentary contact/ spring return

*Separate contacts

KEYSWITCH ORDERING INFORMATION FOR ALL ADAMS BUTTON STYLES

| FUNCTION | Halo designations/locations | | | | | | | | SURVIVOR® part no. | | | DESIGNER™ halo only* | CLASSIC™ halo only* | SURVIVOR/ PLUS® halo only* | Key only | Key code | Base contacts | Config. |
|-------------------------|-----------------------------|------|--------|------|------|------|------|------|--------------------|-------------|------------|----------------------|---------------------|----------------------------|----------|----------|---------------|---------|
| | 12:00 | | 3:00 | | 6:00 | | 9:00 | | Complete keyswitch | Switch only | Halo only* | | | | | | | |
| | OFF | ON | OFF | ON | OFF | ON | OFF | ON | | | | | | | | | | |
| OFF/ON | OFF | ON | OFF | ON | OFF | ON | OFF | ON | AS468K22 | AS468A109 | A449B118 | HBD0118W | AS480B318 | A448B118 | AKC-0051 | MM101 | 4 | DPDT |
| | OFF | ON | OFF | ON | OFF | ON | OFF | ON | AS468K23 | AS468A209 | A449B118 | HBD0118W | | | AKC-0051 | MM101 | 4 | DPDT |
| EMERGENCY | OFF | ON | OFF | ON | OFF | ON | OFF | ON | AS469K02 | AS469A07 | A449R184 | HBD0184R | AS480R384 | A448R184 | AKC0052A | AE102 | 2 | SPDT |
| | OFF | ON | OFF | ON | OFF | ON | OFF | ON | AS469K16 | AS469A05 | A449R183 | HBD0183R | AS480R383 | A448R183 | AKC0051 | MM101 | 2 | SPDT |
| | RUN | STOP | RUN | STOP | RUN | STOP | RUN | STOP | AS469K21 | AS469A04C | A449R188 | HBD0188R | AS480R388 | A448R188 (Blk) | AKC0052A | AE102 | 2 | DPST |
| | RUN | STOP | RUN | STOP | RUN | STOP | RUN | STOP | AS468K26 | AS468A409 | A449R188 | HBD0188R | | | AKC0052A | AE102 | 4 | DPDT |
| | OFF | ON | OFF | ON | OFF | ON | OFF | ON | AS468K28 | AS468A113 | HBR0150 | HBD0150 | | | AKC0052A | AE102 | 4 | DPDT |
| | RUN | STOP | RUN | STOP | RUN | STOP | RUN | STOP | AS468K31 | | | | | | AKC0052A | AE102 | 4 | — |
| SERVICE | OFF | ON | OFF | ON | OFF | ON | OFF | ON | AS469K03 | AS469A07 | A449R185 | HBD0185R | AS480R385 | A448R185 | AKC0052A | AE102 | 2 | SPDT |
| | OFF | ON | OFF | ON | OFF | ON | OFF | ON | AS469K05 | AS469A05 | A449B103 | HBD0103W | AS480B303 | A448B103 | AKC0051 | MM101 | 2 | SPDT |
| | OFF | ON | OFF | ON | OFF | ON | OFF | ON | AS469K06 | AS469A05 | A449B107 | HBD0107W | AS480B307 | A448B107 | AKC0051 | MM101 | 2 | SPDT |
| ACCESS | | UP | ACCESS | DOWN | DOWN | DOWN | DOWN | DOWN | AS468K04 | AS468A103 | A449B115 | HBD0115W | AS480B315 | A448B115 | AKC0053 | GG101 | 6 | * |
| | OFF | UP | ACCESS | DOWN | DOWN | DOWN | DOWN | DOWN | AS468K12 | AS468A114 | A449B115 | HBD0115W | | | AKC0053 | GG101 | 4 | * |
| | OFF | ON | ACCESS | DOWN | DOWN | DOWN | DOWN | DOWN | AS469K22 | AS469A04 | A449B128 | HBD0128W | AS480B328 | A448B128 | AKC0053 | GG101 | 2 | SPDT |
| INSPECTION | OFF | ON | OFF | ON | OFF | ON | OFF | ON | AS468K42** | AS468A150 | HBR0115 | | | | AKC0053 | GG101 | 6 | SPDT |
| | OFF | ON | OFF | ON | OFF | ON | OFF | ON | AS469K13 | AS469A04 | A449B116 | HBD0116W | AS480B316 | A448B116 | AKC0053 | GG101 | 2 | SPDT |
| FLOOR DISCONNECT | OFF | ON | OFF | ON | OFF | ON | OFF | ON | AS469K24 | AS468A309 | A449B116 | HBD0116W | | | AKC0053 | GG101 | 4 | DPDT |
| | OFF | ON | OFF | ON | OFF | ON | OFF | ON | AS469K17 | AS469A15 | A449B118 | HBD0118W | | | AKC0052A | AE102 | 2 | SPDT |
| LIGHT | OFF | ON | OFF | ON | OFF | ON | OFF | ON | AS469K18 | AS469A13 | A449B118 | HBD0118W | | | (Unique) | MAxxx | 2 | SPDT |
| | OFF | ON | OFF | ON | OFF | ON | OFF | ON | AS469K19 | AS469A05 | A449B118 | HBD0118W | | | AKC0051 | MM101 | 2 | SPDT |
| | OFF | ON | OFF | ON | OFF | ON | OFF | ON | AS469K11 | AS469A05A | A449B108 | HBD0108W | AS480B308 | A448B108 | AKC0051 | MM101 | 2 | SPST |

*Separate contacts

**For TKE Controller TAC50

| KEYSWITCH ASSEMBLIES, BRONZE | |
|-------------------------------------|-----------------------------------------|
| Adams part no. | Description |
| AKS2642P1 | 2PDT |
| AKS2642P2 | 2P3T |
| AKS3502P1 | 2P3T |
| AKS3502P2 | 3P3T |
| AKC0023B8 | Alternate hall fire service, 2-position |

| KEYSWITCH ASSEMBLIES, STAINLESS | |
|----------------------------------------|----------------------------------------|
| Adams part no. | Description |
| AKC0072S | "Bypass," horizontal, hall; BFD1 |
| AKC0073S | "Hold," horizontal, car; BFD1 |
| AKC0074S | "Bypass," horizontal; BFD1, IL#341 key |

| YALE PHONE JACK HALOS | |
|------------------------------|---------------------------------|
| Adams part no. | Description |
| AKC0066A-5 | Fireman's phone jack halo, 1/8" |
| AKC0066B-5 | Fireman's phone jack halo, 1/4" |

Survivor Style

Cantilever Keyswitch Adaptor & Halos



2 Contact Base 1.875" deep
 4 Contact Base 2.375" deep
 6 Contact Base 3.000" deep
 NOTE: Halo for code blue HBR0150 - Blue Halo
 Survivor Style HBR0190 - Red Halo

RUN/STOP vandal-resistant halos:

A448R188 = black halo
 A448R190 = red halo
 AS458-10 = #4 stainless, engraved w/red fill; fits into coiled pocket

Replacements are available for our new cantilever-style keyswitch halos and adaptor.
 Order adaptor no. AS450-23K and halo no. A471H2 for a Designer keyswitch.
 Order adaptor no. AS450-23K and halo no. AS480-12B for a Classic keyswitch.

| CANTILEVER KEYSWITCH ADAPTOR | |
|-------------------------------------|----------------------------------------|
| Adams part no. | Description |
| AS450-23K | Cantilever adaptor for Adams keyswitch |
| A471H2 | Cantilever halo for Designer keyswitch |
| AS480-12B | Cantilever halo for Classic keyswitch |

Rocker Switches

Service Cabinet Rocker Switches with legend are all DPDT except A459B37. Dimensions are 1.125" w x 1.75" h

Note: All functions designated (ON) are Momentary.

| ROCKER SWITCHES (ON) = MOMENTARY | | | |
|----------------------------------|------------------|---------------------|----------|
| Adams part no. | Position 1 | Position 2 | Function |
| A459B10 | — | UP | ON-(ON) |
| A459B11 | — | DOWN | ON-(ON) |
| A459B12 | — | START | ON-(ON) |
| A459B13 | ON | HOSPITAL SERVICE | ON-ON |
| A459B14 | ON | TRAFFIC SENTINAL | ON-ON |
| A459B15 | ON | PHOTO EYE | ON-ON |
| A459B16 | ON | SAFETY RAY SWITCH | ON-ON |
| A459B17 | ON | RAY CUT-OUT | ON-ON |
| A459B18 | ON | TOP EYE | ON-ON |
| A459B19 | ON | BOTTOM EYE | ON-ON |
| A459B20 | ON | FRONT | ON-ON |
| A459B21 | ON | POWER | ON-ON |
| A459B22 | ON | MOTOR/GENERATOR | ON-ON |
| A459B25 | ON | HAND SWITCH | ON-ON |
| A459B26 | RUN | INSPECTION | ON-ON |
| A459B27 | ON | SERVICE | ON-ON |
| A459B28 | ON | IN SERVICE | ON-ON |
| A459B29 | ON | EMERGENCY | ON-ON |
| A459B30 | AUTO | INDEPENDANT | ON-ON |
| A459B31 | ON | INCONSPICUOUS RISER | ON-ON |
| A459B32 | ON | AUXILIARY | ON-ON |
| A459B33 | ON | REAR ENTRANCE | ON-ON |
| A459B34 | ON | ATTENDANT | ON-ON |
| A459B35 | ON | LIGHT | ON-ON |
| A459B36 | ON | FAN | ON-ON |
| A459B37 | FAN HIGH | FAN LOW | ON-ON-ON |
| A459B38 | ON | HOSPITAL E/R | ON-ON |
| A459B39 | ON | NON-STOP | ON-(ON) |
| A459B40A | ON | OFF (maintained) | ON-ON |
| A459B40B | ON | OFF (momentary) | ON-(ON) |
| A459B42 | ON | CONTROLLER | ON-(ON) |
| A459B43 | ON | E/R LIGHT TEST | ON-(ON) |
| A459B44 | ON | PASS | ON-(ON) |
| A459B45 | ON | WORK LIGHT | ON-ON |
| A459B46 | ON | Access (maintained) | RUN-STOP |
| A459B47 | RUN | STOP | ON-ON |
| A459-01 | Blank, halo only | | |
| 335200-1 | Rocker Plug | | |



A459B35



AKC0071S



AKC0071B

| SERVICE CABINET LOCKS | |
|-----------------------|------------------------------------------------|
| Adams part no. | Description |
| AKC0071B | Service cabinet lock assembly, bronze |
| AKC0071S | Service cabinet lock assembly, stainless steel |
| AKC0052A | Key for cabinet lock keyed AE102 |
| AKC0071S-WD01 | Service cabinet lock assembly with WD01 key |

Replacements for EPCO Keyswitches

Single-pole, single-throw (SPST) replacements for EPCO No. 1 and No. 2 keyswitches mount in 5/8" x 3/4" double-D knockouts. Key is removable in ON and OFF positions except for Momentary.

Replacement keys are also available.

A468S1. SPST keyswitch with key replaces EPCO No. 1 switch.

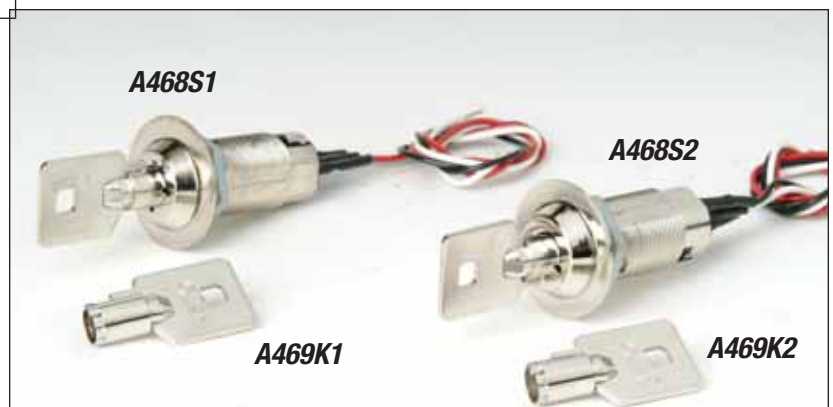
A468S1M. Same as above, momentary contact

A468S2. SPST keyswitch with key replaces EPCO No. 2 switch.

A468S2M. Same as above, momentary contact.

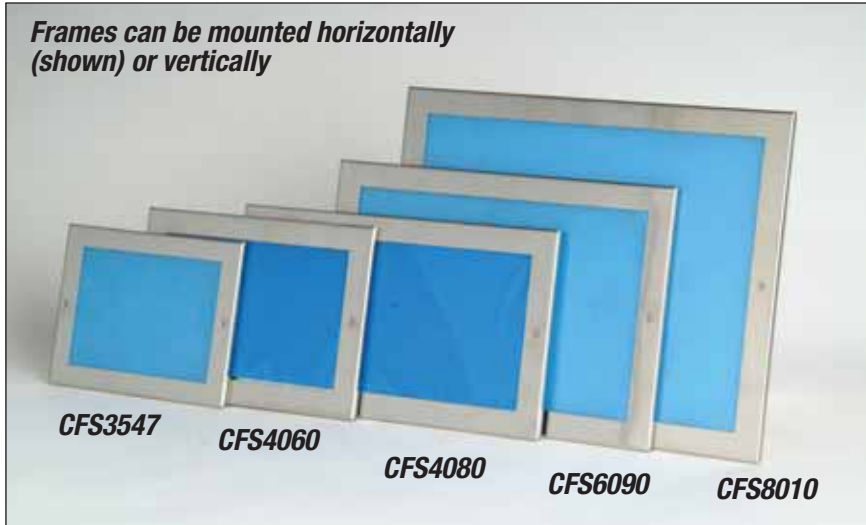
A469K1. Replacement key for A468S1 (EPCO 1).

A469K2. Replacement key for A468S2 (EPCO 2).



Certificate Frames

These are 20-gauge stainless steel frames with durable Plexiglas™ windows. Can be mounted for horizontal or vertical configuration. Choose from five commonly-used sizes.



| CERTIFICATE FRAMES | | |
|--------------------|------------------------------------------------------------------------|-------------------------------------------------------------------|
| Adams part no. | Frame dimensions | Window dimensions |
| CFS3547 | 5 ²³ / ₃₂ " x 4 ¹⁵ / ₃₂ " | 4 ³ / ₄ " x 3 ¹ / ₂ " |
| CFS4060 | 7 ¹⁵ / ₃₂ " x 5 ¹⁵ / ₃₂ " | 6" x 4" |
| CFS4080 | 9 ¹⁵ / ₃₂ " x 5 ¹⁵ / ₃₂ " | 8" x 4" |
| CFS6090 | 10" x 7" | 9" x 6" |
| CFS8010 | 11 ¹⁵ / ₃₂ " x 9 ¹⁵ / ₃₂ " | 10" x 8" |

CFS4060-24 Allen wrench hex key for disassembling and reassembling frames when inserting inspection or other documents



Emergency Door Key Box

This "break-the-glass" box also holds standard elevator door keys. Front panel measures 12⁷/₈"H x 4¹/₂"W; cut-out dimensions are 9¹/₈"H x 3⁵/₈"W. Box is 1³/₈" deep; glass is imprinted with emergency message.

A921B. Emergency door key box with glass.

A921BG. Replacement for glass panel only; 2¹/₂"W x 5¹/₂"H.

Fireman's Key Boxes

Choose stainless or bronze doors with 7-pin lock (tumbler type).

Heavy-duty box is fitted with hooks for up to eight keys. Bright red enameled base measures 6³/₁₆"W x 8¹/₄"H x 1¹/₄" deep; hinged right only. Chrome-plated lock provided with choice of stainless or bronze door.

| KEY BOX ORDERING INFORMATION | | | |
|------------------------------|-------------|---------------------------------|----------|
| Adams part no. | Door finish | Lock type | Key |
| A920A1 | Stainless | Uses City of Chicago key | Gamewell |
| A920B1 | Bronze | Uses City of Chicago key | Gamewell |
| A920A2 | Stainless | Uses barrel key | 7302 |
| A920B2 | Bronze | Uses barrel key | 7302 |
| A920-02 | — | Flat key for A920A1 and B1 only | 25460 |
| A920-11 | Stainless | Barrell Lock w/2 Keys | 7302 |
| A920-11K | — | Keys only for A920-11 | 7302 |





CAPACITY PLATES w/NO SMOKING

Simulated brushed stainless and bronze-tone plates are made of durable plastic. Black characters are engraved on metal-like face.

| CAPACITY PLATES | | |
|--------------------------------|-----------|---------|
| 4" w x 2" h - Adhesive Backing | | |
| Capacity (lbs.) | Stainless | Bronze |
| 500 | ACP105S | |
| 1200 | ACPC1200 | |
| 1250 | ACP025S | |
| 1500 | ACP115S | ACP115B |
| 2000 | ACP120S | ACP120B |
| 2500 | ACP125S | ACP125B |
| 3000 | ACP130S | ACP130B |
| 3500 | ACP135S | ACP135B |
| 4000 | ACP140S | ACP140B |
| 6000 | ACP160S | |
| 10,000 | ACP1100S | |
| No Smoking | ACP20NS | ACP20NB |



ACP120S



A559

CAUTION SIGNS

| Adams part no. | Dimensions | Material(s) | Colors | |
|----------------|-----------------|-------------------------------------------------------------------------------|--------------|------------|
| | | | Text | Background |
| A551 | 10" x 7 1/4" | Metal w/4 grommets | Black | Yellow |
| A553 | 10" x 7" | Metal w/4 grommets | Black, red | White |
| A554 | 10" x 7" | Metal w/4 grommets | Black, red | White |
| A555 | 14" x 10" | Metal w/4 grommets | Black, blue | White |
| A556 | 14" x 10" | Metal w/4 grommets | Black, blue | White |
| A557 | 14" x 10" | Metal w/4 grommets | Black, blue | White |
| A558A | 4" x 7 3/4" | Metal w/self-adhesive tape strips | Black, white | Yellow |
| A556A | 10" x 7" | Lexan w/self-adhesive backing | Gray/Black | Black/Gray |
| A556B | 10" x 7" | Lexan w/self-adhesive backing | Gray/Black | Black/Gray |
| A558B | 4 1/4" x 9" | Lexan w/self-adhesive backing | Black/White | White/Red |
| A558C | 4" x 7 3/4" | Lexan w/self-adhesive backing | Black | Yellow |
| A558D | 4 1/2" x 9 3/4" | Lexan w/self-adhesive backing | Black | Yellow |
| A558E | 4 1/4" x 9" | Lexan w/self-adhesive backing | Black | Yellow |
| A552H | 4 1/4" x 9" | Lexan w/self-adhesive backing | Black | Yellow |
| A559P | 3 1/2" x 3 1/2" | Plastic, engraved | Dark blue | White |
| A559V | 3 1/2" x 3 1/2" | Vandal resistant, screened onto metal | Dark blue | Stainless |
| A559 | 4" x 6" | "Out of Service" Post-IT™ note pad, 50 sheets per pad; red ink on white paper | Red | White |

"Out of Service" contain 20 pads per package



A559P



A558D



A558B

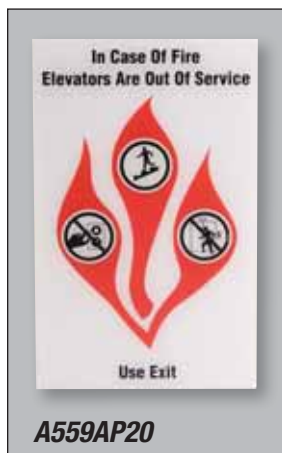


A558E

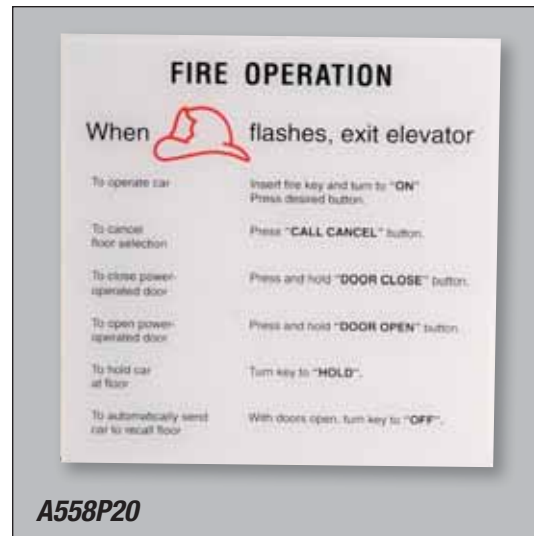
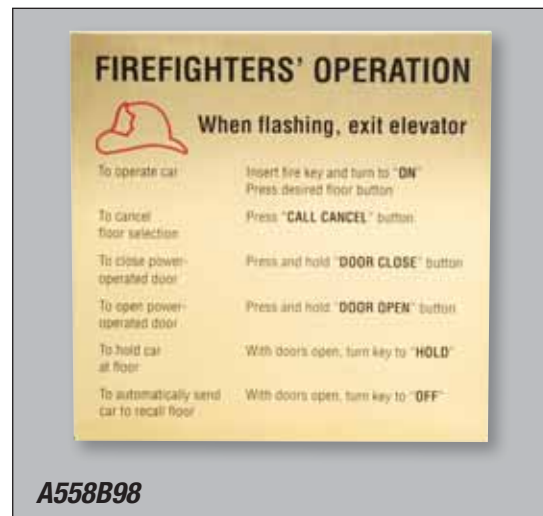
| Code | Part No. | Description | Material | Mounting | Size | Text |
|----------|-----------------|-----------------------------------------|-----------|----------|-----------------|-------------|
| Pre-1996 | A552B | PHASE I Firefighter's Operation | Aluminum | Adhesive | 3 7/8" x 1 1/8" | Black/White |
| Pre-1996 | A552B2 | PHASE I Firefighter's Operation | Aluminum | Adhesive | 6" x 6" | Black/Red |
| Pre-1996 | A552C | PHASE II Firefighter's Operation | Aluminum | Adhesive | 5 7/8" x 4 1/2" | Black/White |
| Pre-1996 | A552B3 | PHASE II Firefighter's Operation | Aluminum | Adhesive | 6" x 6" | Black/Red |
| 1996 | A558B96 | PHASE II Firefighter's Operation | Bronze #4 | Adhesive | 6" x 6" | Red |
| 1996 | A558P96 | PHASE II Firefighter's Operation | Plastic | Adhesive | 6" x 6" | Red |
| 1996 | A558S96 | PHASE II Firefighter's Operation | SS#4 | Adhesive | 6" x 6" | Red |
| 1996 | A559B96 | PHASE II Firefighter's Operation | Bronze #4 | Adhesive | 6 1/4" x 6 1/4" | Red |
| 1996 | A559S96 | PHASE II Firefighter's Operation | SS#4 | Adhesive | 6 1/4" x 6 1/4" | Red |
| 1998 | A558B98 | PHASE II Firefighter's Operation | Bronze #4 | Adhesive | 6" x 6" | Black |
| 1998 | A558P98 | PHASE II Firefighter's Operation | Plastic | Adhesive | 6" x 6" | Black |
| 1998 | A558S98 | PHASE II Firefighter's Operation | SS#4 | Adhesive | 6" x 6" | Black |
| 1998 | A559B98 | PHASE II Firefighter's Operation | Bronze #4 | Adhesive | 6 1/4" x 6 1/4" | Black |
| 1998 | A559S98 | PHASE II Firefighter's Operation | SS#4 | Adhesive | 6 1/4" x 6 1/4" | Black |
| 2000 | A558B20 | PHASE II Firefighter's Operation | Bronze #4 | Adhesive | 6" x 6" | Red |
| 2000 | A558P20 | PHASE II Firefighter's Operation | Plastic | Adhesive | 6" x 6" | Red |
| 2000 | A558S20 | PHASE II Firefighter's Operation | SS#4 | Adhesive | 6" x 6" | Red |
| 2000 | A559B20 | PHASE II Firefighter's Operation | Bronze #4 | Adhesive | 6 1/4" x 6 1/4" | Red |
| 2000 | A559S20 | PHASE II Firefighter's Operation | SS#4 | Adhesive | 6 1/4" x 6 1/4" | Red |
| | HA-2-C10 | PHASE I Firefighter's Operation | Plastic | Adhesive | 6" X 6" | Red/White |
| | HA-2-CC1 | PHASE I Firefighter's Operation w/Reset | Plastic | Adhesive | 6" X 6" | Red/White |

| Code | Part No. | Description | Material | Mounting | Size | Text |
|------|-----------------|----------------------------|-----------|----------|-----------------|-------|
| 2000 | A559AB20 | Appendix H | Bronze #4 | Adhesive | 5" x 8" | Black |
| 2000 | A559AP20 | Appendix H | Plastic | Adhesive | 5" x 8" | Black |
| 2000 | A559AS20 | Appendix H | SS#4 | Adhesive | 5" x 8" | Black |
| 2000 | ACV007B | Appendix H | Bronze #4 | Adhesive | 5 1/4" x 9 3/4" | Black |
| 2000 | ACV007S | Appendix H | SS#4 | Adhesive | 5 1/4" x 9 3/4" | Black |
| 2000 | A552A | Appendix H | Plastic | Adhesive | 5" x 8" | Black |
| 2000 | A559BC20 | Appendix H California Code | Bronze #4 | Adhesive | 5" x 8" | Black |
| 2000 | A559PC20 | Appendix H California Code | Plastic | Adhesive | 5" x 8" | Black |
| 2000 | A559SC20 | Appendix H California Code | SS#4 | Adhesive | 5" x 8" | Black |

| Code | Part No. | Description | Material | Mounting | Size | Text |
|------|-------------|--------------------------------|----------|----------|----------|-------|
| | A552 | In Case of Fire Use the Stairs | Aluminum | Adhesive | 12" x 4" | Black |



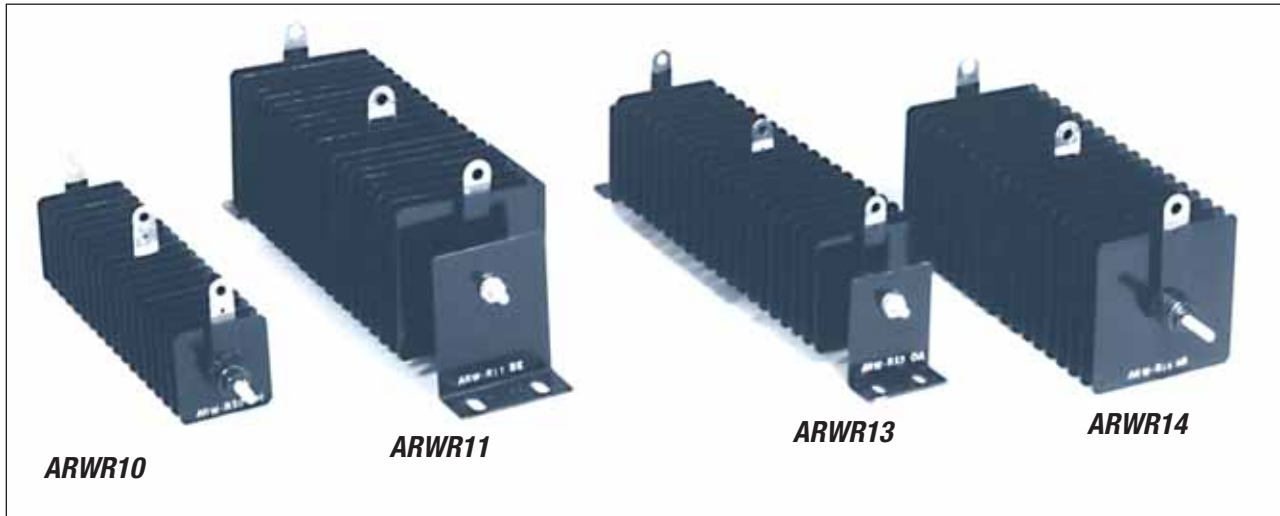
More photos on page 116.



Index for Pages 118-138

| | | | |
|----------------------------------------|--------------|---------------------------------------|-----|
| Brushes..... | 128 | Safety Edge..... | 133 |
| Button assemblies..... | 134, 135 | Seals..... | 137 |
| Button components..... | 135 | Selector Tape..... | 129 |
| Cables..... | 132 | Spirator..... | 133 |
| Carbon Brushes..... | 128 | Stepping Switch components..... | 125 |
| Circuit Breaker..... | 128 | Supressor..... | 118 |
| Coils..... | 120-124, 126 | Timer Cards..... | 127 |
| Contact bases and components..... | 133, 136 | Timers..... | 127 |
| Contactor components..... | 123, 124 | Relay Parts | |
| Door Hanger assembly..... | 131 | Actuators..... | 121 |
| Door Interlock components..... | 132, 133 | Coils..... | 126 |
| Emergency Stop Switch - keyed..... | 136 | No. 1 Relay..... | 120 |
| Emergency Stop Switch - push pull..... | 136 | No. 2/2A Relay..... | 121 |
| Field Switch components..... | 122 | No. 3 Field Switch..... | 122 |
| Limit Switch..... | 131 | No. 3A Contactor..... | 123 |
| Packing Kits, Hydraulic..... | 137 | No. 5A Contactor..... | 124 |
| Photo Switch..... | 128 | Selector Parts #1 Stepping Relay..... | 125 |
| Rectifiers..... | 118, 119 | Selector Parts | |
| Relay components..... | 120, 121 | Parts for No. 1 Stepping Relay..... | 125 |
| Relay assemblies..... | 127 | Selector Tape..... | 129 |
| Rollers..... | 130-132 | | |

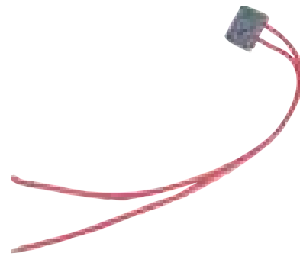
Replacement Rectifiers for Armor



| ARMOR RECTIFIERS | | | | | | | |
|------------------|--------------------------------------------------------------------------------------------------------|--------------------------|---------------|--------------|-----------------------|-----------|------------------------|
| Adams part no. | Dimension (cell size x length*) | Electrical configuration | No. of plates | Max AC input | DC output per section | | Armor part no. |
| | | | | | Max. volts | Nom. amps | |
| ARWR10 | 1 ⁹ / ₁₆ " x 1 ⁹ / ₁₆ " x 6 ¹ / ₂ "L | Doubler | 18 | 234VAC | 265VDC** | 3.5** | C16S9D1S12G |
| ARWR11 | 2 ⁵ / ₈ " x 2 ⁵ / ₈ " x 7 ¹ / ₄ "L | Doubler | 20 | 260VAC | 290VDC** | 10.0* | 11282-01, C44S10D1H11G |
| ARWR13 | 2" x 2" x 7 ¹ / ₄ "L | Doubler | 20 | 260VAC | 290VDC** | 6.0** | C25S10D1H11G |
| ARWR14 | 2 ⁵ / ₈ " x 2 ⁵ / ₈ " x 6 ¹ / ₂ "L | Doubler | 18 | 230VAC | 265VDC** | 10.0** | 11298-01, C44S9D1512G |
| ARWR15 | 1" x 1" x 4 ¹ / ₂ "L | 1Φ doubler | 18 | 260VAC | 290VDC** | 1.2** | C6S10D1H12G |
| ARWR17 | 1 ⁹ / ₁₆ " x 1 ⁹ / ₁₆ " x 7 ¹ / ₄ "L | Doubler | 20 | 260VAC | 290VDC** | 3.5** | 11281-01, C16S10D1H11G |
| ARWR18 | 1" x 1" x 3 ¹³ / ₁₆ "L | Doubler | 18 | 234VAC | 265VDC** | 1.2** | 11296-01, C6S9D1512G |
| ARWR19 | 2" x 1 ¹ / ₄ " x 1 ¹³ / ₁₆ "L | Half-wave | 12 | 312VAC | 130VDC | 1.2 | 11288-01, C16-9919 |
| ARWR21 | 4" x 5 ³ / ₈ " x 9 ¹ / ₈ "L | Doubler | 20 | 260VAC | 290VDC** | 2.6** | 11279-01, C133S10DH11G |
| ARWR24 | 1 ³ / ₈ " x 1 ³ / ₈ " x 4"L | 1Φ bridge | 12 | 78VAC | 63VDC | 1.7 | 11286-01, C11S3B1H11G |
| ARWR25 | 1" x 1" x 1 ¹ / ₂ "L | Half-wave | 2 | 52VAC | 22VDC | 0.8 | 11290-01, C6S2H1E1G |

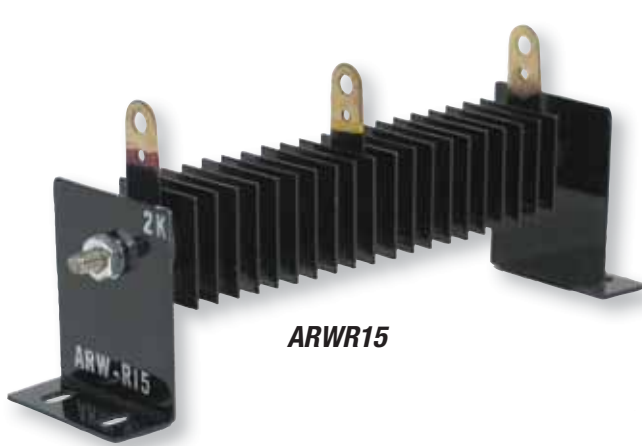
*Length is measured between 2 outermost terminals.

**These values apply for 3Φ configuration.



515775
Armor suppressor

Replacement Rectifiers for Armor



ARWR15



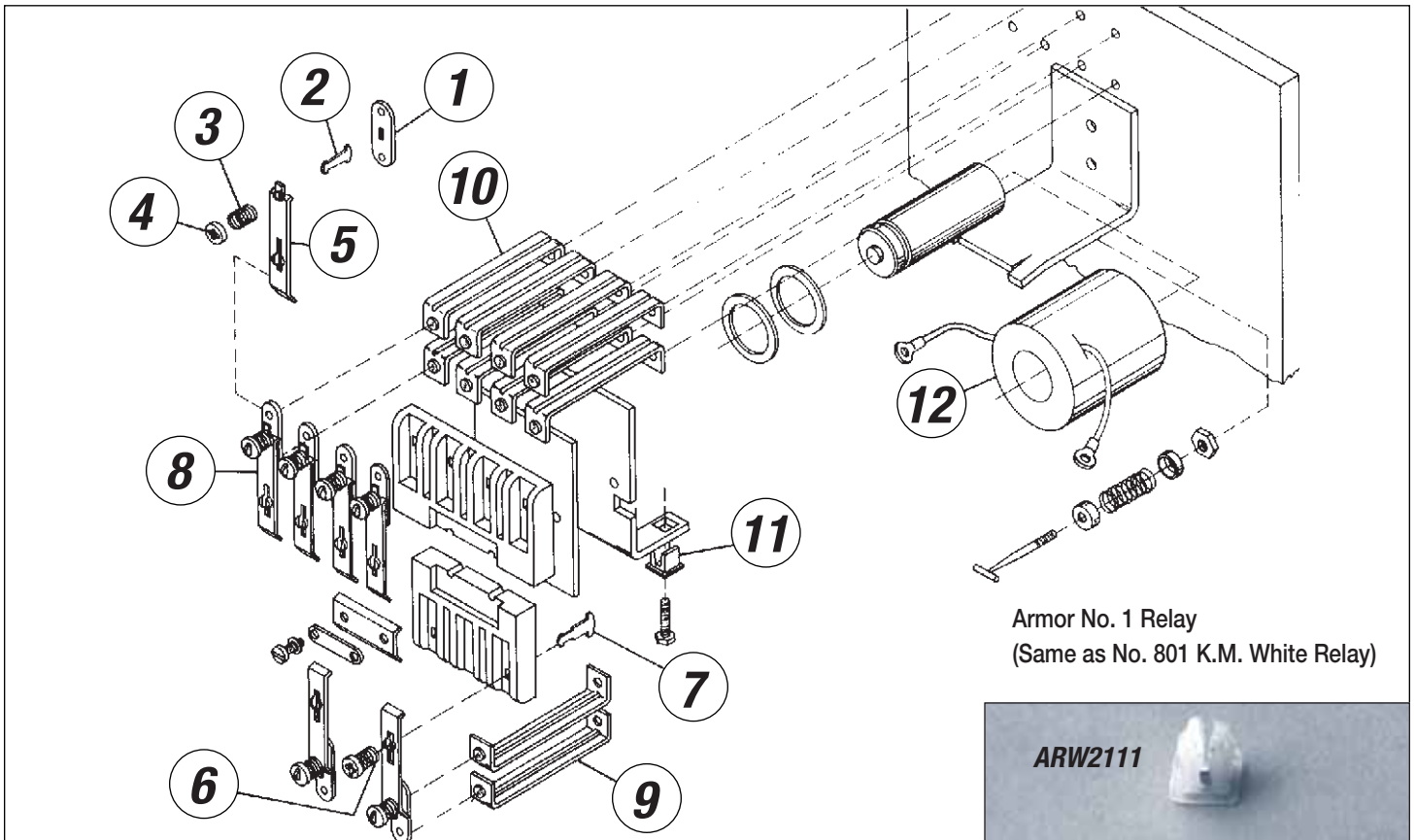
ARWR17



ARWR19



ARWR25



Armor No. 1 Relay
(Same as No. 801 K.M. White Relay)

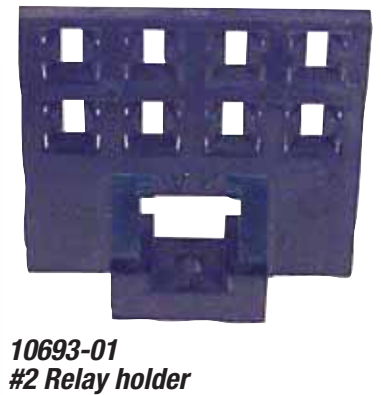
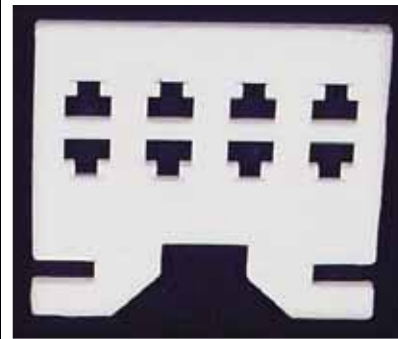
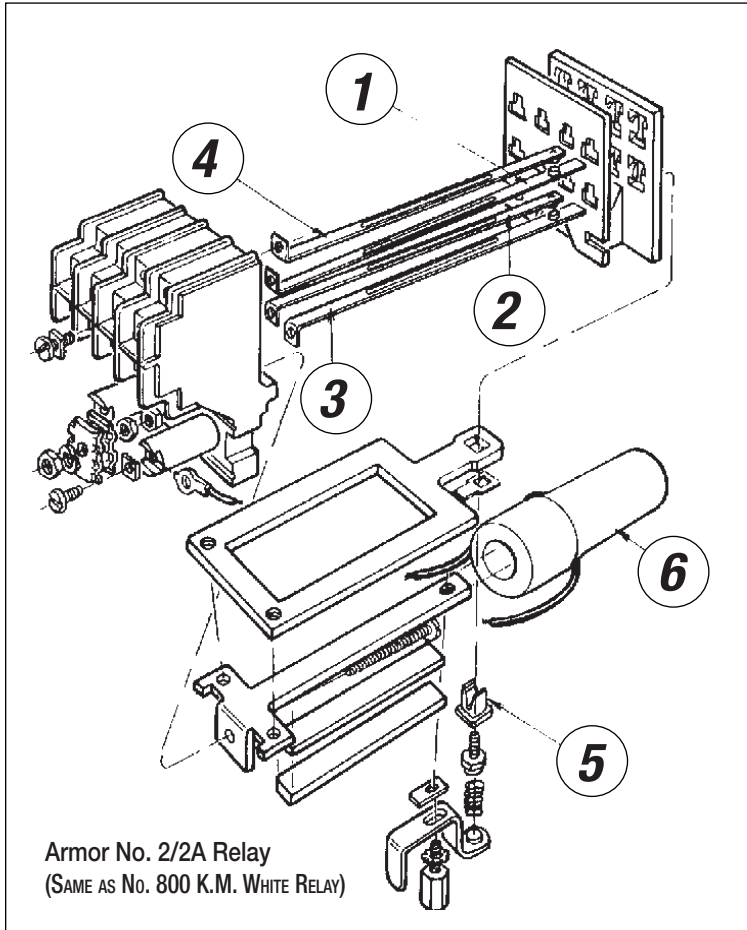


COMPONENTS FOR ARMOR NO. 1 RELAY

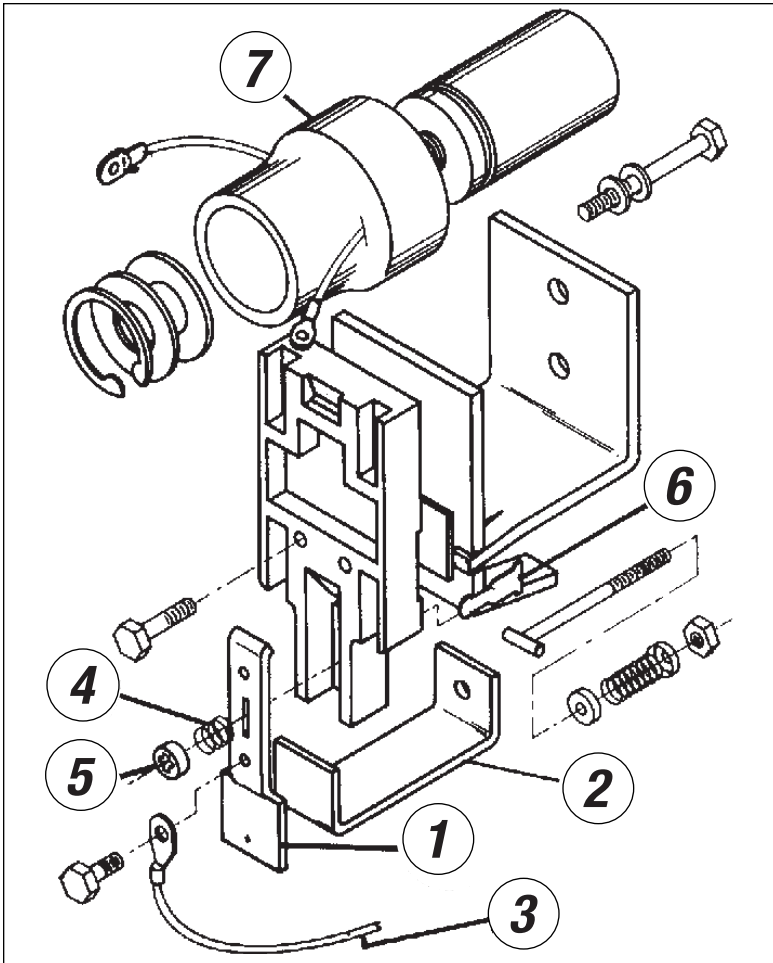
| Adams part no. | Key no. | Description | Armor part no. |
|----------------|---------|-------------------------------------|-------------------------------|
| ARW2101 | 1 | Contact bridge | 801-101-1*, A164046, 11182-01 |
| ARW2102 | 2 | Bridge "tee" | 801-102-1*, A002003, 10029-01 |
| ARW2103 | 3 | Bridge tee spring | 801-103-1*, A509096, 10745-01 |
| ARW2104 | 4 | Cup washer, 5/16" dia. | A-171003, 10636-01 |
| ARW2105 | 5 | Bridge finger w/hook | 801-105-1*, A288004, 10753-01 |
| ARW2106 | 6 | Spring for base block tee | A-509032, 10747-01 |
| ARW2107 | 7 | Base block tee | A-002002, 10028-01 |
| ARW2108 | 8 | Finger contact, complete | B-756006, 10442-01 |
| ARW2109 | 9 | Stationary contact, 2 1/4"L | A-164014, 11159-01 |
| ARW2110 | 10 | Stationary contact, 2 13/32"L | A-164015, 11160-01 |
| ARW2111 | 11 | Bushing, nylon | V-046020, 10338-01 |
| Kxxx** | 12 | Coil (see page 124 for Armor Coils) | |

*Old K.M. White number.

**Make sure you know voltage of application to order correct coil.



| COMPONENTS FOR ARMOR NO. 2/2A RELAY | | | |
|-------------------------------------|---------|-----------------------------------------------------------|---------------------|
| Adams part no. | Key no. | Description | Armor part no. |
| ARW2201 | 1 | Contact blade, fixed; 5 ¹ / ₄ "L | A-1640026, 11168-01 |
| ARW2202 | 2 | Contact blade, movable; 5 ¹ / ₁₆ "L | A-1640024, 11166-01 |
| ARW2203 | 3 | Contact blade, fixed; 4 ⁷ / ₈ "L | A-1640023, 11165-01 |
| ARW2204 | 4 | Contact blade, movable; 4 ¹ / ₁₆ "L | A-1640025, 11167-01 |
| ARW2111 | 5 | Bushing, nylon | V-0460020, 10338-01 |
| K2101 | 6 | Coil | A-158013-A |



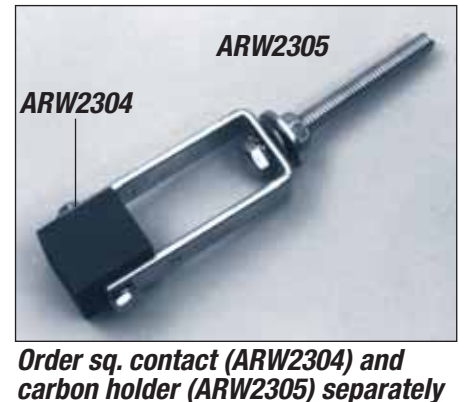
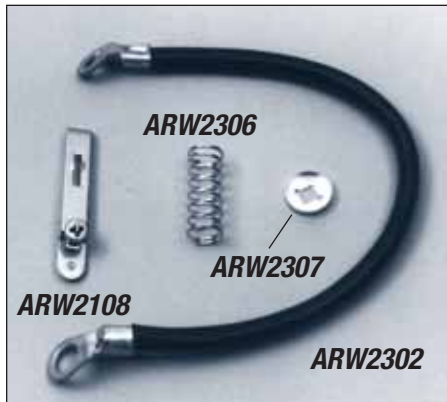
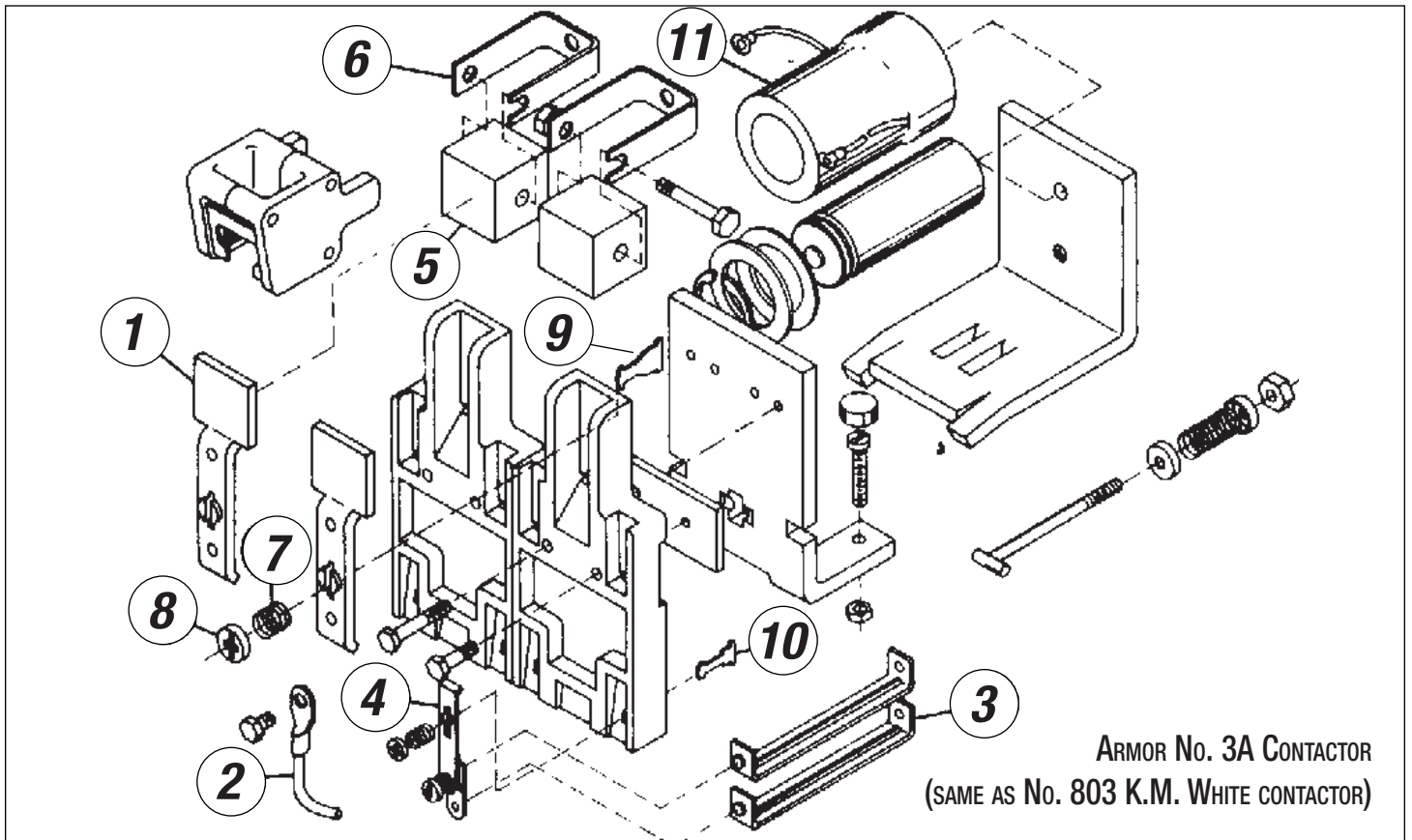
Armor No. 3 Field Switch
(Same as No. 804 K.M. White Field Switch)



COMPONENTS FOR ARMOR NO. 3 FIELD SWITCH

| Adams part no. | Key no. | Description | Armor part no. |
|----------------|---------|--------------------------------------------------|-----------------------------|
| ARW2401 | 1 | Copper paddle, 3 ⁹ / ₁₆ "L | A-164007, 11151-01 |
| ARW2402 | 2 | Copper contact, stationary | A-164011, 11156-01 |
| ARW2403 | 3 | Cable shunt, 8"L | A-521006, 10994-01, 349-001 |
| ARW2306 | 4 | T-lug tension spring | A-509023, 10746-01 |
| ARW2307 | 5 | Cup washer, 5/8" dia. | A-171001, 10634-01 |
| ARW2308 | 6 | T-lug | A-002004, 10030-01 |
| K1101 | 7 | Coil | A-158002A, LA201 |



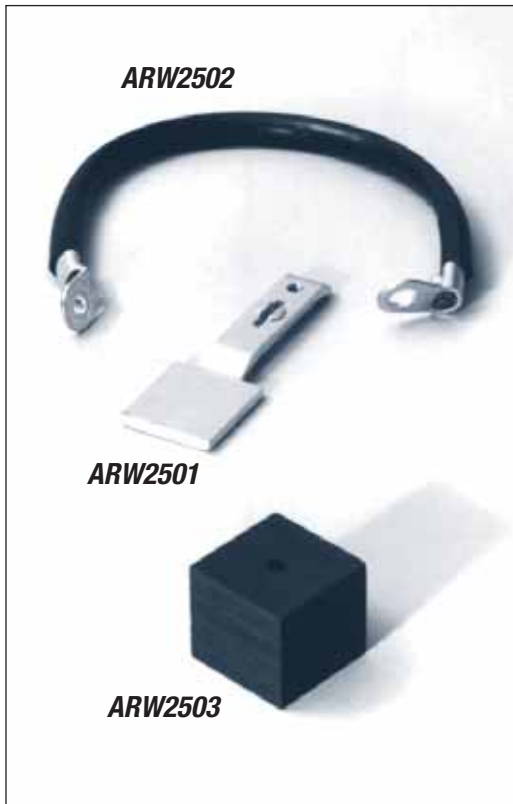
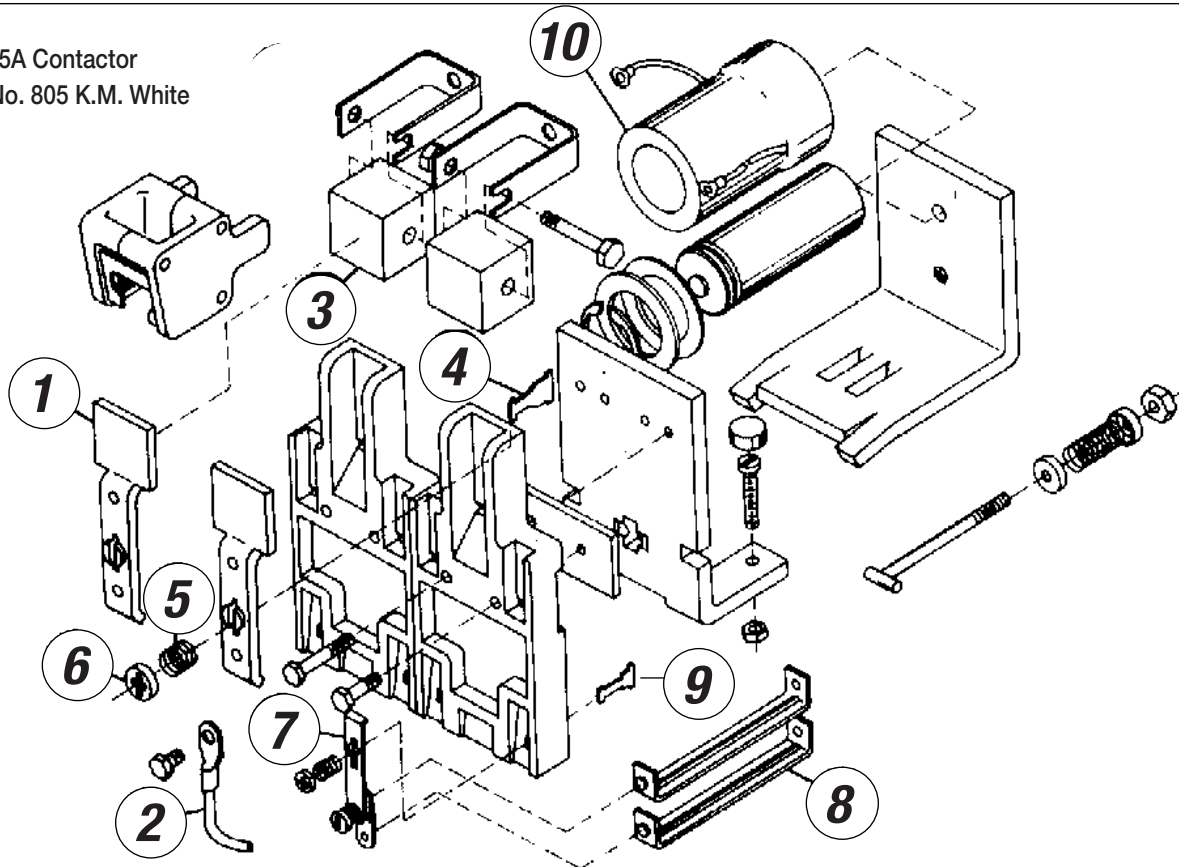


COMPONENTS FOR ARMOR NO. 3A CONTACTOR

| Adams part no. | Key no. | Description | Armor part no. |
|----------------|---------|------------------------------------------------------------------|-------------------------------|
| ARW2301 | 1 | Copper paddle, 3 ⁹ / ₁₆ "L; Cd plated | A-164006, 11151-01 |
| ARW2302 | 2 | Cable shunt, 11"L | A-521004, 10742-01, 349-003-5 |
| ARW2303 | 3 | Stat. contact w/screw & wash, 3 ¹⁷ / ₃₂ "L | A-164016, 11161-01 |
| ARW2108 | 4 | Contact assembly, complete | B-756006, 10042-01 |
| ARW2304 | 5 | Carbon contact, 1 ¹ / ₈ " sq. | A-164008, 11153-01 |
| ARW2305 | 6 | Carbon holder, 2 ¹⁵ / ₁₆ "L | A-283005, 10698-01 |
| ARW2306 | 7 | T-lug tension spring | A-509023, 10746-01 |
| ARW2307 | 8 | Cup washer, 5 ⁵ / ₈ " dia. | A-171001, 10634-01 |
| ARW2308 | 9 | T-lug, 1 ¹ / ₂ "L | A-002004, 10030-01 |
| ARW2107 | 10 | Base block T-lug, 1 ³ / ₁₆ "L | A-002002, 10028-01 |
| Kxxxx* | 11 | Coil (See page 124 for Armor coils) | |

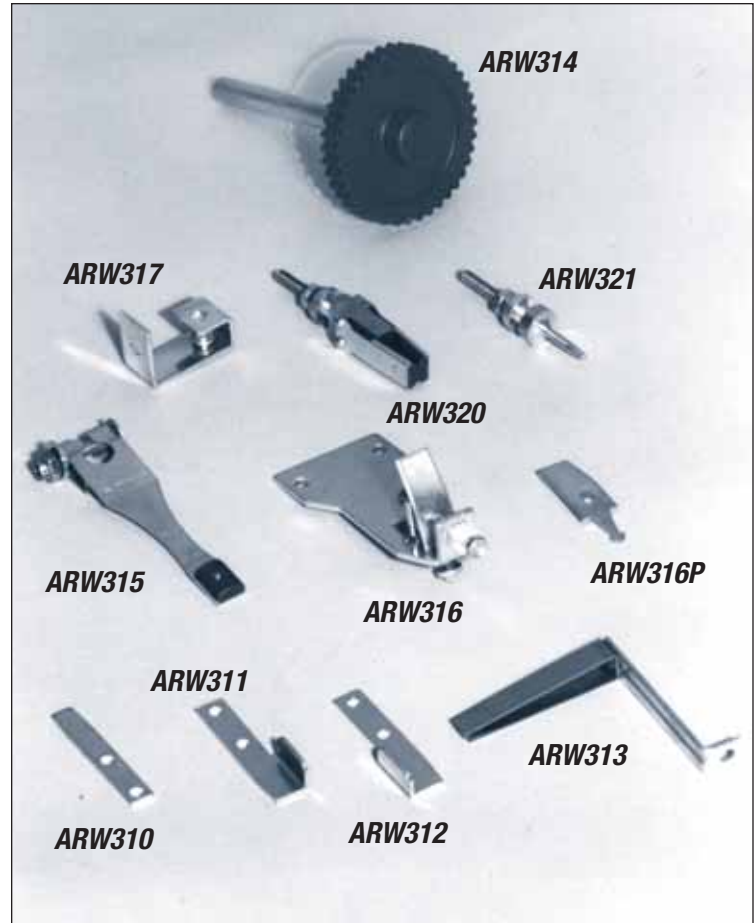
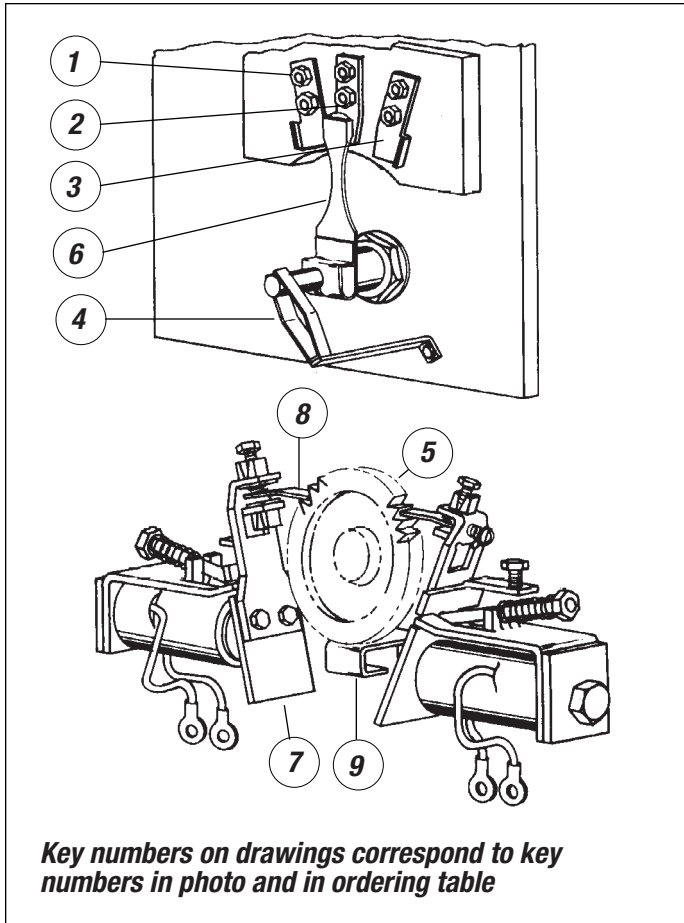
*Make sure you know voltage of application to order correct coil

Armor No. 5A Contactor
(Same as No. 805 K.M. White
Contactor)



COMPONENTS FOR ARMOR NO. 5A CONTACTOR

| Adams part no. | Key no. | Description | Armor part no. |
|----------------|---------|-----------------------------------------------------------------------------------------------------------------|-------------------------------|
| ARW2501 | 1 | Copper paddle, 4 ⁵ / ₃₂ "L | A-164009, 11154-01 |
| ARW2502 | 2 | Cable shunt, 13 ¹ / ₄ "L | A-521005, 12148-01, 349-003-5 |
| ARW2503 | 3 | Carbon contact, 1 ³ / ₈ "x1 ¹ / ₂ "x1 ¹ / ₂ " | A-164010, 11155-01 |
| ARW2308 | 4 | T-lug | A-002004, 10030-01 |
| ARW2505 | 5 | T-lug tension spring | A-509035, 10749-01 |
| ARW2307 | 6 | Cup washer, ⁵ / ₈ " dia. | A-171001, 10634-01 |
| ARW2108 | 7 | Contact assembly, complete | B-756006-01, 10442-01 |
| ARW2303 | 8 | Stat. contact w/screw & wash, 3 ¹⁷ / ₃₂ "L | A-164016, 11161-01 |
| ARW2107 | 9 | T-lug for base block | A-002002, 10028-01 |
| K1101 | 10 | Coil, 250VDC | A-158002A, LA201 |
| K1102 | 10 | Coil, 60VDC | A-158003, CLN2 |



| REPLACEMENT PARTS FOR NO. 1 STEPPING RELAY | | | |
|--------------------------------------------|-------------|------------------------------------------------------------------------------------|----------------------------|
| Adams part no. | Drawing key | Description | Armor part no. |
| ARW312 | 1 | Brass selector contact, right-hand | A-164029, 11171-01 |
| ARW310 | 2 | Brass selector contact, intermediate | A-164031, 11173-01 |
| ARW311 | 3 | Brass selector contact, left-hand | A-164030, 11172-01 |
| ARW313 | 4 | Brush assembly | A-767001, 10357-01 |
| ARW314 | 5 | Gear & shaft | C-252003, 10661-01 |
| ARW315 | 6 | Contact arm | B-008034, 10069-01 |
| ARW316 | 7 | Stepping arm assembly | A-008026, 10137-01 |
| ARW316P | 8 | Pawl only for ARW316 assembly | A-405002, 10712-01 |
| ARW317 | 9 | Detent housing with ball & spring | B-286028, 10662-01 |
| ARW320 | 10 | Selector brush w/metal graphite contacts; body = 1 ¹ / ₁₆ "L | A-363G1, A-47492, 10358-01 |
| ARW321 | 11 | Stationary contact stud, 2"L; 1/8" dia. point | A-2949, 10982-01 |

| ARMOR REPLACEMENT COILS | | | | |
|-------------------------|-------------|------------------------|-------------------------------------------------------------------------------------|---------------------|
| Adams part no. | Description | Current Armor part no. | Former Armor part numbers | K.M. White part no. |
| K1101 | 270VDC | 10470-01 | 0158 002, 140-6011-01, MC1000 | LA 201 |
| K1102 | 80VDC | 10471-01 | 0158 003, 140-6011-03, MC218 | CLN2 |
| K1103 | 270VDC | 10473-01 | 0158 005, 140-6006-05, AR 7240 | LA 124 |
| K1104 | 80VDC | 10477-01 | 0158 010, 140-6006-03, AR 324 | LA 462 |
| K1105 | 7VDC | 10478-01 | 0158 011, 140-6006-01, AR 14 | LA 411 |
| K1106 | 110VDC | 10501-01 | 0158 041, 140-6006-07, AR 683 | — |
| K1107 | 110VDC | 10476-01 | 0158 008, 140-6006-09, AR 2000 | LA 100 |
| K1108 | 240VDC | 10472-01 | 0158 004, 140-6011-02, MC2500 | LA 127 |
| K1110 | 270VDC | 10474-01 | 0158 006, 140-6006-04, AR 4840 | LA 226 |
| K1111 | 60VDC | 10475-01 | 0158 007, 140-6006-08, AR 450 | LA 219 |
| K2101 | 140VDC | 10480-01 | 0158 013, 140-6003-03 | LA 1331 |
| K2102 | 110VDC | 12076-01 | 0158 025, A28742P1, 0158 039, A41042P1, 0158 053, A47451P1, 139-003-01, 140-6003-01 | LA 1401 |
| K2103 | 55VDC | 10745-01, 12076-02 | 0158 026, A28742P2, A41042P2, 0158 054, A47451P2, 139-0003-02, 140-6003-02 | LA 1402 |
| K3101 | 55VDC | 12077-02 | 140-6021-02, 6021.02QC | |
| K3102 | 110VDC | 12077-01 | 140-6021-01, 6021.01QC | |



10604-01
Coil
110VDC



13036-01
Coil
110VDC



10470-01
K1101



10474-01
K1110



10477-01
K1104



10473-01
K1103



10480-01
K2101



12076-02
K2103



10472-01
K1108



10476-01
K1107



10501-01
K1106



10471-01
K1102



12076-01
K2102



10475-01
K1111



12077-01
K3102



12077-02
K3101

Replace Outdated Capacitor Technology with Solid-State Timers

HOW TO SET TIMERS

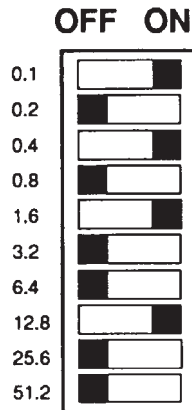
Start with your target time; in *Sample 1*, it is 14.9 seconds. Working up from the bottom of the switch panel, find the largest time interval *that is still less than your target number* and move that switch to the right (ON).

Then proceed up the dip-switch panel, turning each switch to the ON position if you can add that number to the time intervals already in the ON position and still not go over your target time. When you reach the top, you will have set the timer to your target time. *Sample 2* shows how to set the timer for 266 seconds.

- Adjustable time range from .1 to 1023 seconds
- All common voltages available
- Easy mounting
- Set and forget



| TIMING/VOLTAGE CHART | | | | | |
|----------------------|-------|--------|---------|------------|-------------------|
| Adams Part no. | Delay | Volts | Current | Time Range | Dimensions LxWxH" |
| A103A1 | on | 20-120 | AC/DC | 0.1-102.3 | 2 x 3/4 x 2 |
| A103A2 | on | 90-240 | AC/DC | 0.1-102.3 | 2 x 3/4 x 2 |
| A103A3 | on | 20-120 | AC/DC | 1-1023 | 2 x 3/4 x 2 |
| A103A4 | on | 90-240 | AC/DC | 1-1023 | 2 x 3/4 x 2 |



Sample 1:
14.9 sec.

**A103A1, A2,
B1, B2 and C1**

| REPLACES ARMOR TIMERS | |
|-----------------------|---------------|
| Armor Timer | Adams Timer |
| C058-8261-01 | A103A2 |
| C058-8261-02 | A103A2 |
| C058-8261-04 | A103A1 |
| C058-8261-05 | A103A1 |
| C058-8262-01 | A103A1 |
| C058-8262-02 | A103A1 |
| C058-8262-03 | A103A1 |



C058826104
Armor timer, 110VDC;
0.1-1 sec.



C058826102
Timer
5.5 sec-250VDC



C058826101
Timer
1.1 sec-250VDC



C058826202
Timer



C058826203
Armor timer card



C058826105
Armor timer, 110VDC;
0.5-5 sec.

RELAYS



14934-01
Relay, 220VAC



13632-01
Relay, 110VDC

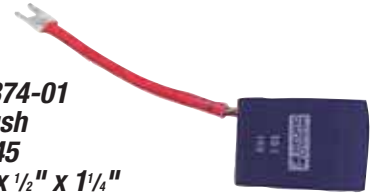


13633-01, Relay

Carbon Brushes



| CARBON BRUSHES | | |
|----------------|----------|-------------------------|
| Adams part no. | Material | Dimensions |
| ARW750 | Carbon | 1 1/2" x 1" x 1/4" |
| ARW751 | Carbon | 2" x 1 1/4" x 3/8" |
| ARW752 | Graphite | 2" x 1 1/4" x 5/16" |
| ARW753 | Carbon | 1 1/2" x 1" x 3/8" |
| ARW755 | Carbon | 1 1/2" x 1" x 1/4" |
| ARW756 | Carbon | 1 3/4" x 1 1/4" x 5/16" |
| ARW757 | Carbon | 1 3/4" x 1 1/2" x 3/8" |
| ARW758 | Carbon | 2" x 1 1/4" x 5/16" |
| 10374-01 | Carbon | 2" x 1 1/4" x 1/2" |



10374-01
Brush
SA45
2" x 1/2" x 1 1/4"

Transformers and Switches



ARW1010
Armor #136A8



11810-01
Armor Transformer
75V



11977-01
Armor microswitch



129-0586-01
Armor circuit breaker



13626-03
Armor photo switch



13626-01
Armor photo eye switch



13626-04
Armor level switch



ARW470S1
Armor magnetic switch

The finest selector tape produced

No OTHER TAPE MANUFACTURER COMES CLOSE

Decades of fine-tuning have yielded one of the most sophisticated, most closely controlled manufacturing processes you're likely to find anywhere: the Adams selector tape process.

AAA-grade blue polished spring steel is combined with production methods that guarantee accuracy of intervals between each and every perforation.

All Adams tape is "mill certified" for metallurgical quality. Then it's stamped on a special "straight side" stamping press which is capable of producing tape to exacting specifications.

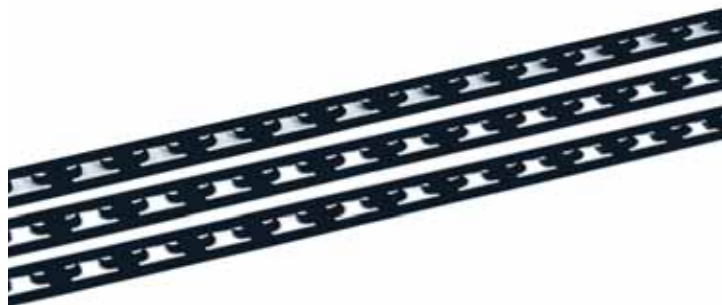
Adams'-designed "one of a kind" optical monitoring device inspects all new tape as it leaves the press. Any deviation from perforation centers of $1.000" \pm 0.0002"$ over 27 perforations is rejected. This is important because this is the riding distance over the sheave where accuracy is critical.

ARW300 selector tape replaces Armor part no. U5-4415-1 tape (10978-02). Mechanics who have installed our tape once insist on it for every job. Cab levelling and selector adjustments are easier when the selector tape being installed is manufactured to such tight tolerances.

ARW300. Selector tape. Order by the foot.



Quality machinery, optical monitoring, superior tooling, and skillful set-up ensure that all ARW300 selector tape perforations are centered precisely on 1.000" centers



Long-life SPx⁸⁰™ “Quiet Poly” replacement guide rollers



AN ADAMS EXCLUSIVE YOU CAN'T AFFORD TO BE WITHOUT!

You can't get a more quiet ride out of guide rollers than with our SPx⁸⁰™ **Quiet Poly**. They give you the quiet ride you enjoy with rubber PLUS these added advantages:

- Quiet Poly lasts longer than rubber
- Stands up to petroleum products that can invade hoistway and reduce roller life
- Resists ozone degradation

Try a Quiet Poly alternative next time you're replacing a guide roller.

GUIDE ROLLERS

| Adams part no. | Description | O.D. | I.D. | Width | Material | Armor part no. |
|----------------|--------------------------------------------------------------------------------------------------------------------|---------------------------------|---------|--------|---------------------|------------------------------|
| ARW410 | Plastic cable roller | 2 ³ / ₈ " | 0.3937" | 0.467" | HDx ⁹⁵ ™ | 13218-01, A-491053 |
| ARW420S | Counterweight guide roller for #3 assy., face roller with bushing for straight axle shaft | 3 ¹ / ₂ " | 0.6696" | 1.052" | SPx ⁸⁰ ™ | 11942-01, B-653010, A-471002 |
| ARW420 | Same as ARW420S | 3 ¹ / ₂ " | | | HDx ⁹⁵ ™ | 11942-01, B-653010, A-471002 |
| ARW421S | Same as ARW420S, with eccentric axle shaft | 3 ¹ / ₂ " | 0.6696" | 1.052" | SPx ⁸⁰ ™ | 11941-01, B-653009 |
| ARW421 | Same as ARW421S | 3 ¹ / ₂ " | | | HDx ⁹⁵ ™ | 11941-01, B-653009 |
| ARW422S | Guide roller for #7 roller guide wheel, heavy die-cast aluminum wheel. Face roller with bushings for straight axle | 7" | 0.6693" | 1.125" | SPx ⁸⁰ ™ | 11940-01, B-653003 |
| ARW422 | Same as ARW422S | 7" | | | HDx ⁹⁵ ™ | 11940-01, B-653003 |
| ARW423S | Same as ARW422S, with 5/8"-dia. eccentric axle shaft | 7" | 0.6693" | 1.125" | SPx ⁸⁰ ™ | 11939-01, B-653002 |
| ARW423 | Same as ARW423S | 7" | | | HDx ⁹⁵ ™ | 11939-01, B-653002 |
| D421S | Precision-machined die-cast hub with 0.06693" I.D. bearing | 4" | 0.6693" | 0.785" | SPx ⁸⁰ ™ | A744-6370-01 |
| D421 | Same as D421S | 4" | | | HDx ⁹⁵ ™ | A744-6370-01 |

DOOR HANGER ASSEMBLIES



ARW401. Door hanger roller wheel, 3¼" O.D. with concave polyurethane tire; 0.6693" bearing. Replaces Armor part nos. 11929-01 and A-491101.

ARW402. Hanger assembly for No. 1 hatch door hanger & track; base dimensions 5"W x 4½"H; incl. 3¼" dia. steel roller, ¾-16 mounting bolts, nuts, and ARW407 oil wiper. Replaces Armor part nos. 12103-01 and B-733004.

ARW403. Replacement 3¼" dia. steel roller (convex) for ARW402 hanger assembly; 0.6693" bearing. Attaches to assembly with removable retaining ring. Replaces Armor part no. B-025014.

ARW404. Hanger assembly. Same as ARW402, with polyurethane roller instead of steel. Replaces Armor part nos. 12103-01 and B-733004.

ARW405. Replacement 3¼" dia. polyurethane roller (convex) for ARW404 hanger assembly; 0.6693" bearing. Attaches to base with removable retaining ring.

ARW406. Replacement eccentric upthrust roller for ARW402 & ARW404 hanger assemblies; 1¼" dia. nylon wheel. Replaces Armor part nos. 11971-01 and A-776005.

ARW407. Oil wiper for No. 4 hanger sheave assembly; for ARW402 and ARW404 hanger roller assemblies. Replaces Armor part nos. 11943-01 and V-654002.



11912-01
Pickup roller



11929-03
Car door roller



11972-01
Eccentric upthrust roller assembly



13320-01
Bell crank



B723001
Limit switch (KONE # 5181303)



515604
Limit switch



12419-01
Door hanger sheave

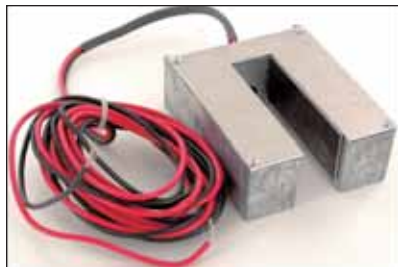
Door interlock components

Adams manufactures the major replacement components for Armor's No. 1 Sliding Door Interlock. We also manufacture contacts and cams for the power door operator.

You'll find Adams quality built into all of these parts: interlock switch assemblies, latch lever (keeper), cable reel door closer (spirator), and clutch assembly components.

Refer to the numbered items in the drawings and also to the photographs and part numbers to identify the parts you need.

ARW470S1
N.C. PM Magnetic Switch. Kone #509085.
120V 50W

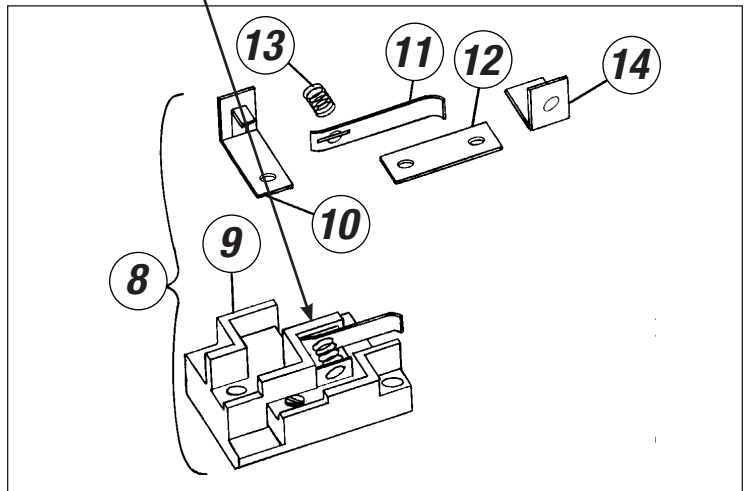
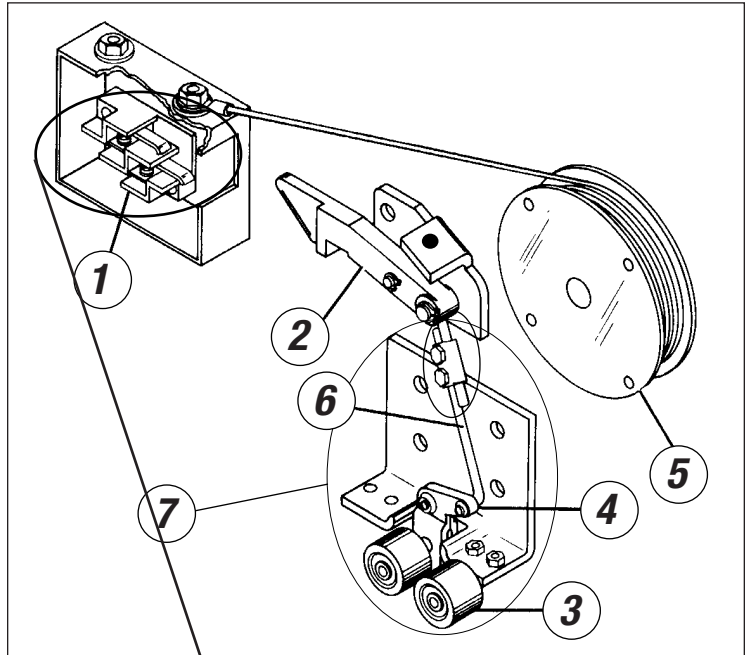


ARW470S2
N.O. Magnetic Switch. 110VDC

ARW470C1
Catch for #1 Clutch, Kone #502035
Armor #10350-01



A392501
Armor interlock



CABLES



10341-01
Armor cable



12501-01
Armor cable kit



| NO. 3 OPERATOR PARTS | | |
|----------------------|-------------------------|--------------------|
| Adams part no. | Description | Armor part no. |
| ARW841* | Movable contact | A-164035, 11177-01 |
| ARW842* | Stationary contact stud | A-164036, 11178-01 |
| ARW843* | Stationary contact | A-164034, 11176-01 |
| ARW844* | Spring | A-509018, 12610-01 |
| ARW845 | Cam for No. 3 Operator | B-144001, 10349-01 |

*Also used on Armor #4 operator.



| CONTACT BASE ASSEMBLY & COMPONENTS | | | |
|------------------------------------|-----------|---------------------------------------|--------------------|
| Adams part no. | Draw. no. | Description | Armor part no. |
| ARW820R | 1, 8 | Contact base assembly, RH (shown) | A-749019, 12679-01 |
| ARW820L | 1, 8 | Contact base assembly, LH (op. shown) | A-749007, 12680-01 |
| ARW821R | 9 | Base w/out contacts, RH (shown) | B-021025, 10210-01 |
| ARW821L | 9 | Base w/out contacts, LH (op. shown) | B-021026, 11995-01 |
| ARW822 | 10 | Stationary contact | A-164045, 11181-01 |
| ARW823 | 11 | Movable contact | A-164004, 11150-01 |
| ARW824 | 12 | Shunt | A-521002, 11997-01 |
| ARW825 | 13 | Compression spring | A-509042, 11996-01 |
| ARW826 | 14 | Spring seat | A-520006, 12102-01 |



See drawing on page 130

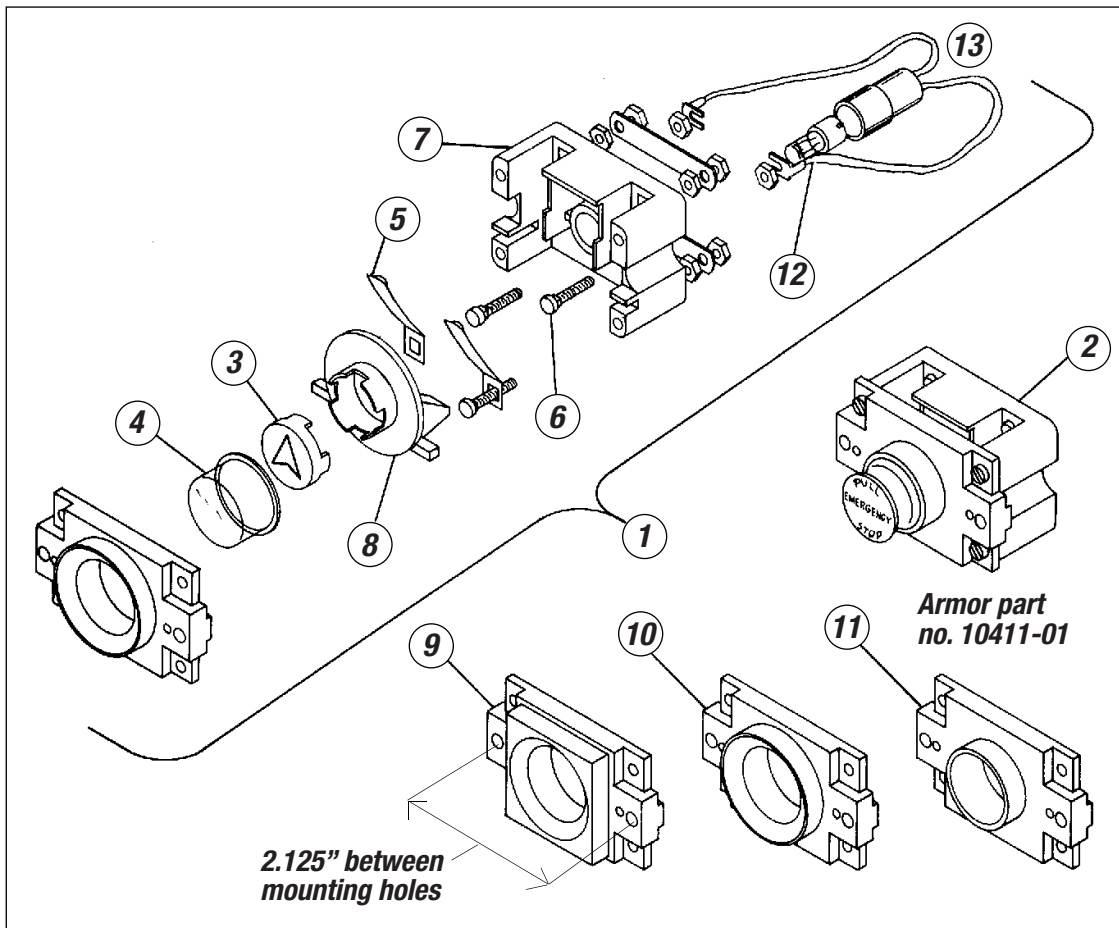
| INTERLOCK ASSEMBLY & COMPONENTS | | | |
|---------------------------------|-----------|-------------------------------------------------------------------------------------------------------------------------------------------------|--------------------|
| Adams part no. | Draw. no. | Description | Armor part no. |
| ARW832 | 2 | Latch keeper; aluminum bronze w/insulated plastic nose & copper contact bridge; order link separately, below (ARW832L) | B-326005, 11905-01 |
| ARW832L | 6 | Fixed link for ARW832 latch keeper | A-343018, 11909-01 |
| ARW835 | 3 | Roller assembly w/ solid polyurethane roller, 1 1/4" O.D. x 7/8"; incl. steel axle & circular retaining clip; for No. 1 interlock & door clutch | A-466022, 11921-01 |
| ARW836 | 4 | Interlock lever, No. 1 (LH & RH) | B-339023, 11907-01 |
| ARW837L | 7 | Release assembly, complete, LH (op. shown) | B-787004, 11966-01 |
| ARW837R | 7 | Release assembly, complete, RH (shown) | B-787003, 11965-01 |



| NO. 3 SAFETY EDGE | | |
|-------------------|-----------------------------------------------------------------------------------------------|------------------------------|
| Adams part no. | Description | Armor part no. |
| ARW855L | Roller arm, LH; retracts safety edge nose via steel cable; incl. one (1) ARW835 roller ass'y. | A-008015, A-787007, 10091-01 |
| ARW855R | Roller arm, RH; same as above | A-008012, A-787007, 10088-01 |

| SPIRATORS | | | |
|----------------|-----------|---------------------------------|----------------|
| Adams part no. | Draw. no. | Description | Armor part no. |
| A831 | 5 | Heavy-duty spirator, 5" dia. | 783001 |
| A832 | 5 | Standard-duty spirator, 5" dia. | 783001 |
| W832 | 5 | Spirator, 6" dia. | — |
| A831B | — | Spirator mounting bracket | — |

Adams quality assures consistent performance and appearance in all pushbutton components



Adams pushbuttons provide the appearance *your customer* will like and the level of performance *you* will like.

Adams manufactures replacements for Armor pushbuttons in all five styles of Armor halo. See the following drawings and photographs to identify the model or subcomponent you need.

All standard characters (and many special ones) are available. Call your Adams sales rep for verification.

How do you maintain a uniform appearance from character to character on every elevator pushbutton? **Hot stamping.** No other button character process produces the same consistency of stroke width and character height. Hot-stamped characters are **designed to be identical.** And the Adams hot stamping process guarantees that you get uniform, eye-pleasing characters...button after button after button.

Replacement pushbutton assemblies



How to order complete pushbutton assemblies:

- 1) Find the halo style you need (use drawing on previous page, picture above, or picture and chart below).
- 2) Add suffix to pushbutton part no. that corresponds to the character you want.

Example: ARW450A2-3 is a replacement for Armor (ARW) pushbutton switch assembly with a square black halo (450A2) and the numeral "3" on the button [-3].

| COMPLETE PUSHBUTTON ASSEMBLIES | | | | | |
|--------------------------------|----------|--------------|----------|-------------------------|----------------|
| Adams part no. | Fig. no. | Description | Contacts | Includes halo see below | Armor part no. |
| ARW450A1 | 1 | White square | 2NO | ARW450H1 | C-37297 |
| ARW450A2 | 1 | Black square | 2NO | ARW450H2 | C-37297 |
| ARW450A3 | 1 | White round | 2NO | ARW450H3 | C-37297 |
| ARW450A4 | 1 | Black round | 2NO | ARW450H4 | C-37297 |
| ARW450A5 | 1 | Black round | 2NO | ARW450H5 | C-37297 |



Order replacement halos, lamps, and lamp sockets for all replacement Armor pushbuttons from the table at right. See drawing & photos to identify the style you need.

| HALO & LAMP ORDERING INFORMATION | | | |
|----------------------------------|---------|---------------------------------------|--------------------------|
| Adams part no. | Key no. | Description | Armor part no. |
| ARW450H1 | 9 | White, 1.362" square | C-27809A, 11144-01 |
| ARW450H2 | 9 | Black, 1.362" square | A-20798B, 11144-02 |
| ARW450H3 | 10 | White, 1.362" dia. round | A-20725W, 11143-01 |
| ARW450H4 | 10 | Black, 1.362" dia. round | A-20725B, 11143-02 |
| ARW450H5 | 11 | Black, 0.987" dia. round | 11146-02, Armor Type 24B |
| A480L15 | 12 | Miniature bayonet lamp, 120V; 10/pkg. | |
| ARW450L2 | 13 | Lamp socket | |

These black or white button inserts (shown on previous page as Fig. 3) are economical replacements for damaged button characters. Available in all characters and symbols.

Clear plastic caps (Fig. 4, prev. pg.) also available below.

Button Inserts for switch assemblies



| BUTTON INSERTS FOR SWITCH ASSEMBLIES | | | |
|--------------------------------------|---------|--------------------------------------------------------------------|-------------------|
| Adams part no. | Key no. | Description | Armor part no. |
| ARW450B1 | 3 | White plastic button w/black characters: add suffix for characters | A32120, 11133 |
| ARW450B2 | 3 | Black plastic button w/white characters: add suffix characters | A32120, 11134 |
| ARW450BC1 | 4 | Clear impact-resistant plastic protective cap, .493" High | A320111, 10431-01 |
| ARW450BC2 | - | same as above, extended, .660" High | - |



All nine models of our replacement STOP switches have red buttons with "Pull to STOP, Push to Run" molded in white. Electrical configuration is 2 NC contacts with 1 NO auxiliary contact. They replace Armor part no. 10411-01. ARW471A7 has aluminum button, others plastic.

Choose the halo style you need from the listing at right. See photos above to confirm your selection. Replacement halos are available separately on page 135.

| STOP SWITCHES | | | | | |
|----------------|----------------|-------------------------------|-----------------------|------------|-------------------------------|
| Adams part no. | Component no.* | Fits halo (see previous page) | Adams part no. | Draw. no.* | Fits halo (see previous page) |
| ARW471A1 | 2 | ARW450H5 | ARW471A6 | 2 | no halo |
| ARW471A2 | 2 | ARW450H4 | ARW471A7 | 2 | — |
| ARW471A3 | 2 | ARW450H1 | ARW471A8 | 2 | — |
| ARW471A4 | 2 | ARW450H2 | ARW471A9 | 2 | — |
| ARW471A5 | 2 | ARW450H3 | ARW471V6 vertical-mt. | | ARW471A6 |



KEYED STOP SWITCH

ASME A17.1, 210.2(v), 1990 requires keyed STOP switches in new passenger elevators where STOP switches are specified. Conventional push/pull STOP switches give vandals a chance to leave elevators stranded, criminals time to stop between floors to rob tenants, and passengers the ability to interrupt elevator operation unintentionally by just leaning against the panel. Our keyed switch eliminates these opportunities. Keyed to AE102.

ARW471K1 for a round-halo switch. ARW471K2 for a square-halo switch.



| CONTACT BASES, CAM, LAMP | | |
|--------------------------|----------------|------------------------------------------------------------------------------------------------------|
| Adams part no. | Component no.* | Description |
| ARW450D1 | 7 | Switch base with bulb socket, no contacts; replaces Armor part no. B-37038 |
| ARW450D2 | 8 | One-piece contact cam actuator; replaces Armor part no. B-37039A, B-37039B, 10419-01 |
| ARW450D3 | 7 | Switch base ass'y. with 2 NO contacts, illuminated |
| ARW450D4 | 7 | Switch base ass'y. with 2 NO contacts, no lamp socket |
| ARW450D5 | 7 | Switch base ass'y. with 2 NC contacts, no lamp socket |
| ARW450D6 | 7 | Switch base ass'y. with 1NO/1NC contacts, illuminated |
| ARW450C1 | 5 | Movable stainless steel contact arm with silver contact; replaces Armor part nos. A-36865B, 11864-01 |
| ARW450C2 | 6 | Brass stationary contact stud with silver contact; replaces Armor part nos. A-18526, 12061-01 |
| A480L15* | 12 | Miniature bayonet lamp, 120V; NOTE: Sold only in packages of 10. Replaces Armor part no. 10947-01 |

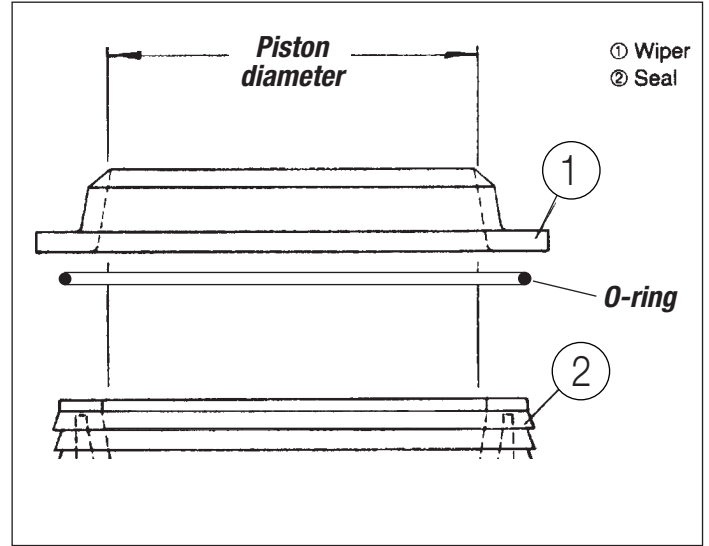
* See page 132 for drawing with components.

Armor Hydraulic Packing Kits

Each hydraulic packing kit for Armor consists of:

- One (1) seal
- One (1) wiper
- One (1) O-ring

| ARMOR | | | |
|----------------|----------------------------------|----------------|------------------------------------|
| Adams part no. | Piston diameter | Adams part no. | Piston diameter |
| GK04000A | 4" | GK07562A | 7 ⁹ / ₁₆ " |
| GK04250A | 4 ¹ / ₄ " | GK08562A | 8 ⁹ / ₁₆ " |
| GK04437A | 4 ⁷ / ₁₆ " | GK09562A | 9 ⁹ / ₁₆ " |
| GK05000A | 5" | GK10687A | 10 ¹¹ / ₁₆ " |
| GK05500A | 5 ¹ / ₂ " | GK12687A | 12 ¹¹ / ₁₆ " |
| GK06562A | 6 ⁹ / ₁₆ " | | |



ADAMS REPLACEMENT PACKING FOR ARMOR

A patented blend of oil-resistant compounds insures long life without the risk of common "rubber breakdown."

Unique "wavy" split design for quick and easy installation without disconnecting the motor from the geared unit.

Low friction from special baked-on finish prevents shaft scoring and damage from high temperatures.

| ARMOR SEALS | | | | |
|----------------|---------|------------|-----------|--------|
| Adams part no. | Machine | Dimensions | | |
| | | Shaft dia. | Bore dia. | Thick |
| AT1R012 | #3 fin | 1.938" | 2.875" | 1.266" |
| AT1R020 | #4 | 2.000" | 3.000" | .500" |
| AT1R059 | #2 | 1.750" | 2.750" | .828" |
| AT1R081 | #5 | 2.750" | 3.750" | .500" |

12081-01
Armor seal



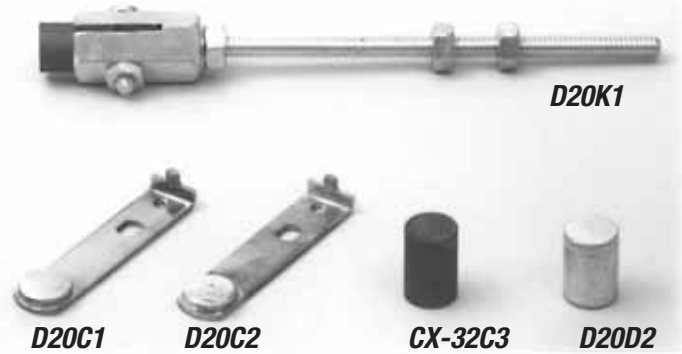
12331-01
Armor seal



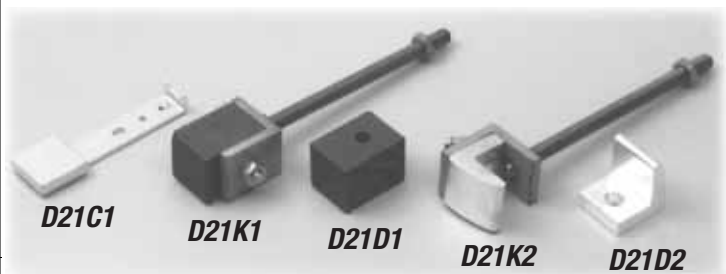
Index for Pages 140-172

| | |
|----------------------------------------|------------------------|
| Bearings..... | 157-160 |
| Bells..... | 166 |
| Belts..... | 159 |
| Brackets, mounting..... | 152,153,166 |
| Brushes..... | 151 |
| Bushings..... | 154 |
| Buzzer..... | 166 |
| Cables..... | 148 |
| Capacitors..... | 145 |
| Carbon Contacts..... | 140, 141 |
| Chime..... | 166 |
| Contacts (incl. Carbons, holders)..... | 140, 141, 149-151, 155 |
| Contactors, and Contact kits..... | 140, 142 |
| Coils..... | 144, 169 |
| Door motor..... | 158 |
| Door operator parts..... | 147-172 |
| Adjustable door gib..... | 154, 156 |
| Contact assemblies..... | 155 |
| Door motor..... | 158 |
| Door clutch roller assemblies..... | 154 |
| Door restrictor components..... | 159 |
| Interlock hook assemblies..... | 154 |
| Miscellaneous..... | 180, 153, 155-157, 159 |
| Link rods..... | 157, 159, 160 |
| Sheaves..... | 152, 158 |
| Spirators..... | 154 |
| Fire Service keyswitch..... | 162 |
| Fuses..... | 147 |
| Gaskets..... | 169, 171, 172 |
| Gongs..... | 166 |
| Halos..... | 163, 165, 168 |
| Hardware..... | 153, 155, 156, 170 |
| Hydraulic repl. Parts..... | 144-172 |
| Gaskets..... | 169, 171, 172 |
| O-rings..... | 171 |
| O-ring extraction tool..... | 170 |
| Packing..... | 172 |
| Solenoid coils..... | 144, 169 |
| Seals..... | 171, 172 |
| Springs..... | 157, 169, 170 |
| Strainer assembly..... | 170 |
| Valves..... | 144, 170 |
| Keys..... | 162, 167 |
| Keyswitches..... | 162, 167 |
| Lamps..... | 162, 165 |
| Limit switches..... | 156 |
| Leveler, optical..... | 147 |
| Packing..... | 172 |
| Photoelectric cells..... | 147 |
| Printed Circuit Boards..... | 147, 150 |
| Rail gibs..... | 154, 156 |
| Rectifiers..... | 151 |
| Relay clips..... | 146 |
| Relays..... | 142, 144-146 |
| Resistors..... | 145 |
| Rollers..... | 152, 154, 156, 170 |
| Safety edge components..... | 157, 160 |
| Selector parts..... | 141-158 |
| Channel-type..... | 149 |
| Screw-type..... | 148 |
| Sheaves..... | 150, 152, 158 |
| Shunts..... | 141 |
| Signal components..... | 155-168 |
| Button caps, clear..... | 161 |
| Contact assemblies..... | 155 |
| Gongs..... | 166 |
| Halos..... | 163, 165, 168 |
| Keys..... | 162, 167 |
| Keyswitches..... | 162, 167 |
| Lamps..... | 162, 165 |
| Lenses, position indicator..... | 164, 166 |
| Lenses, pushbutton..... | 161, 163, 165 |
| Phone door handle..... | 166 |
| Pushbuttons..... | 161, 163 |
| STOP switches..... | 162, 166 |
| Spacers..... | 165 |
| Survivor/D pushbuttons..... | 161 |
| Switch assemblies..... | 162, 164-168 |
| Solenoids..... | 144 |
| Springs..... | 157, 169, 168 |
| Switches..... | 150, 156 |
| Timers..... | 143 |
| Transformers..... | 144 |
| Valves..... | 144, 170 |

| Adams part no. | Description | Dover part no. |
|--------------------------------|-------------------------------------------------------------------------------------------------------------------------------------------------------------------------------|----------------------------------|
| D20C1 | 1/2"-dia. copper contact on 1/2"W x 2 1/4"L shank | 9828205, 62820 |
| D20C2 | 1/2"-dia. silver contact on 1/2"W x 2 1/4"L shank | 9792909, 29290 |
| D20K1 CX-32C3 | Carbon holder w/CX-32C3 carbon; 6"L overall with 4 3/4"L threaded stem (1/4-20 thread) Cylindrical carbon contact, 1/2" dia. x 3/4"L; used with D20K1 carbon holder, above | 9828229, 62822 9770719, 27071 |
| D20D2 | Cylindrical copper contact, 1/2" dia. x 3/4"L with 1/2" dia. silver contact brazed to face; clear cadmium coating | 9792910, 29291 |



| Adams part no. | Description | Dover part no. |
|------------------------------|------------------------------------------------------------------------------------------------------------------------------------------------------------------------------------|----------------------------------|
| D21C1 D21K1 | 1" x 1" x 1/4" copper face on 5/8" x 3 1/4" shank; use with D21D1 & D21D2 stationary contacts Carbon holder w/D21D1 carbon; 6"L overall with 5"L threaded stem (5/16-24 thread) | 9828217, 62821 9828175, 62817 |
| D21D1 D21K2 | Carbon contact, 1" x 1" x 3/8"; used with D21K1 carbon holder, above Contact stud ass'y w/D21D2 copper contact; 6"L overall with 5"L threaded stem (5/16-24 thread) | 9770800, 27080 9828930, 62893 |
| D21D2 | Copper contact with 1" x 1 1/4" face; use with D21K2 contact stud assembly, above | 9820565, DC9G* |



*Shepard-Warner part no.

| Adams part no. | Description | Dover part no. |
|------------------------------|-----------------------------------------------------------------------------------------------------------------------------------------------------------------------------------------|----------------------------------|
| D22C1 D22K1 | 1 1/2" x 1 1/2" x 5/16" copper face on 3/4"W x 4 1/4"L shank; use with D22D1 stationary contact Carbon holder w/D22D1 carbon; 7 1/2"L overall with 6"L threaded stem (3/8-16 thread) | 9828096, 62809 9828084, 62808 |
| D22D1 | Carbon contact, 1 1/2" x 1 1/2" x 1 1/2"; used with D22K1 carbon holder, above | 9771189, 27118 |



| Adams part no. | Description | Dover part no. |
|------------------------------|-------------------------------------------------------------------------------------------------------------------------------------------------------------------------------------|------------------------------------|
| D23C1 D23C2 | 5/8"W x 2 3/8"L copper contact, with 9/32" dia. hole; replaces Shepard-Warner part no. DC13G Same as D23C1, plus 3/8"-dia. silver contact replaces Shepard-Warner part no. DC13H | 9820589 9820607 |
| D23C5 D23C6 | 1/2"W x 1 15/16"L copper contact, with 7/32" dia. hole; replaces Shepard-Warner part no. 139C Same as D23C5, plus 3/8"-dia. silver contact | 9820840, DC243J* 9821284, 60114 |



*Shepard-Warner part no.



9788700
Contact Kit



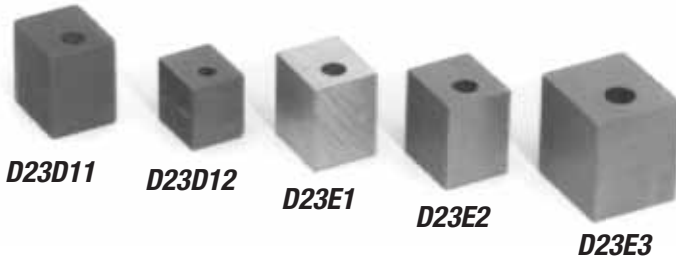
9801042
Movable Contact, for
9866760 Latch Assy



9714364
Contact Front Insulator,
Composite Selector



9714376
Contact Back Insulator,
Composite Insulator



CONTACTS

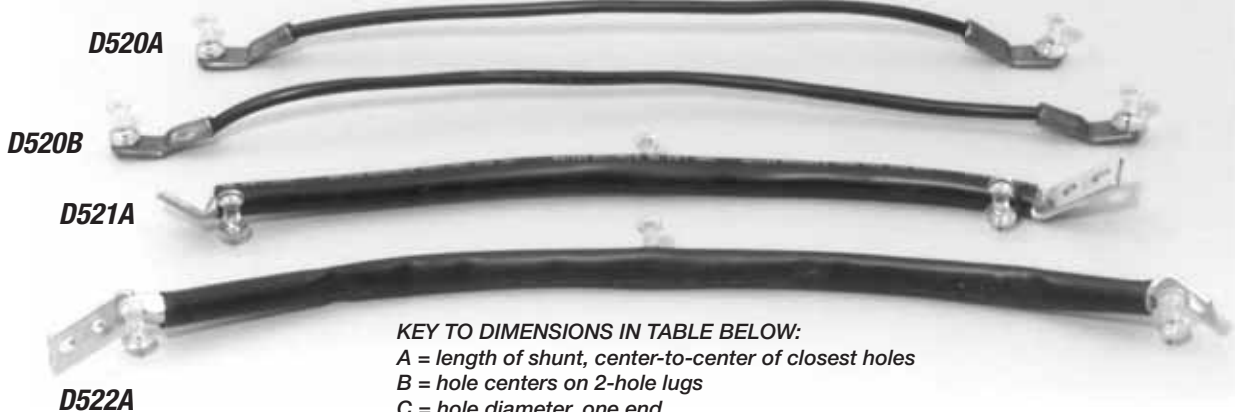
| Adams part no. | Description | Dover part no. |
|----------------|-----------------------------------------------------------------|----------------|
| D23D11 | Carbon contact, 7/8" x 1" x 3/4"; 1/4"-dia. hole | DC203 |
| D23D12 | Carbon contact, 3/4" x 3/4" x 5/8"; 3/16"-dia. hole | — |
| D23E1 | Copper/metal/graphite contact, 7/8" x 1" x 3/4"; 1/4"-dia. hole | — |
| D23E2 | Graphite contact, 7/8" x 1" x 3/4"; 1/4"-dia. hole | — |
| D23E3 | Metal graphite contact, 1 1/8" x 1 3/16" x 1"; 5/16"-dia. hole | 9740867 |

NOTE: Contacts D23E1, E2, & E3 are used for Shepard-Warner elevator controllers.



| Adams part no. | Description | Dover part no. |
|----------------|-----------------------------------------------------------------------------------------------|----------------|
| D24D1 | 3/8"-dia. threaded contact stud, brass w/silver contact; 3 7/8" L overall, 2 1/16" L shoulder | 9821302, 60115 |
| D24D2 | 1/4"-dia. threaded contact stud w/silver contact; 2 15/16" L overall, 1 3/16" L shoulder | 9821739, 60923 |
| D24D3 | 1/4"-dia. threaded contact stud w/silver contact; 2 3/16" L overall, 1 3/16" L shoulder | 9821727, 60922 |
| D24D4 | 1/4"-dia. threaded contact stud w/silver contact; 3 11/16" L overall, 1 5/16" L shoulder | 9821405, 60272 |
| D23C8 | Copper contact angle, 1"W x 1 1/8" x 1 3/16", with 5/16" hole; for Shepard-Warner controller | DC9G |
| D23C9 | Copper contact angle, 5/8"W x 1 1/8" x 1 1/8", with 5/16" hole; for Shepard-Warner controller | AC6F |

SHUNTS



KEY TO DIMENSIONS IN TABLE BELOW:
 A = length of shunt, center-to-center of closest holes
 B = hole centers on 2-hole lugs
 C = hole diameter, one end
 D = hole diameter, other end

| INSULATED SHUNTS FOR DC CONTACTORS | | | | | | | | |
|------------------------------------|--------------------------|------------|-------|--------|--------|-----------------------|------------------------|-----------------------|
| Adams part no. | Use with movable contact | Dimensions | | | | Lug material | Current Dover part no. | Former Dover part no. |
| | | A | B | C | D | | | |
| D520A | D20C1, D20C2 | 11" | — | 13/64" | 13/64" | Copper | 9870064 | 27006 |
| D520B | D20C1, D20C2 | 12 3/4" | — | 13/64" | 13/64" | | 9870088 | 26008 |
| D521A | D21C1 | 11 3/8" | 7/16" | 13/64" | 17/64" | Cadmium-coated copper | 9870751 | 27075 |
| D522A | D22C1 | 13 1/4" | 1/2" | 13/64" | 25/64" | | 9869803 | 26980 |

9791619
 Suppressor, Used on Wire Contact Relay 109161



9758872
 Spring, Contactor Model T-II



YellowJacket® Relays

Solid-state replacements for IBM relays shown on page 146.



Encapsulated gold-plated silver contacts won't rust, tarnish or corrode. Perfect for uncontrolled environments.

Rated at 2 amps plus two contacts per pole...same as wire-contact IBM originals.

WR100, 101, and 102 have LED's, no Diodes. WR103 includes LED and Diode. WR104 comes with Diode, no LED. WR104L same as WR104 except includes both LED and Diode.

| IBM REPLACEMENT RELAYS | | | | |
|------------------------|----------|----------|--------------|----------------|
| Adams part no. | Contacts | Coil VDC | IBM part no. | Corresponds to |
| WR100 | 4P/DT | 48 | 769489 | D2802 |
| WR101 | 6P/DT | 48 | 769019 | D2803 |
| WR102 | 12P/DT | 48 | 769488 | D2804 |
| WR103 | 4P/DT | 48 | 186685 | -- |
| WR104 | 4P/DT | 48 | 769489D | D2807 |

OPEN-FRAME RELAYS



9871196
Contactor



9769043
Relay 48 VDC DPNC



9776357
Relay 12VDC
DPDT, Mag
Blowout



9847054
Relay, PR, 24 VDC,
DPNO, w/Mag.
Blow Outs



9836676
12VDC Relay



9764010
Relay Syrelec

SPECIALTY RELAYS



9821168 Call Relay
Assembly, Double



9724140 Dual
Coil Mechanical
Latching Relay,
240 VAC, 3 P/DT



9781870 Reverse Phase
Relay, PCB



9729227 Bimetal Overload
Relay, Model B

MINIATURE RELAYS

RELAY MODULES—I/O

| Adams Part no. | Voltage rating | Type | T-III/T-IV | Dover part no. |
|----------------|----------------|--------|------------|----------------|
| 518AG4 | 48VDC | Input | T-III/T-IV | 9719350 |
| 518AH1 | 140VAC | Input | T-IV | -- |
| 518AJ1 | 60VDC | Output | T-IV | -- |
| 518AK1 | 280VAC | Output | T-III/T-IV | 9719349 |
| 518AL1 | 10-32VDC | Input | T-III | -- |



128646; 9728648
Relay 24V DC
K10, DP DT,
w/Diode Coil.



9853558 Relay
110 VDC, 3PDT,
T III



9853534 Relay
24 VDC, 3PDT, T III



9853560
Relay Socket, T III



518AG1
24VDC Input Module
for T-III



518AH1
Relay, 90-140VAC

Replacing capacitors with timers requires rewiring with stake-ons and remounting with screws.

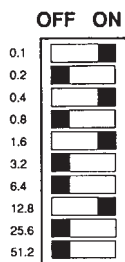
- Adjustable time range from .1 to 1023 seconds
- All common voltages available
- Easy mounting
- Set and forget



How to Set Timers

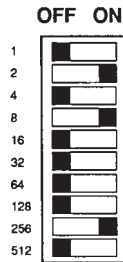
Start with your target time; in *Sample 1*, it is 14.9 seconds. Working up from the bottom of the switch panel, find the largest time interval that is still less than your target number and move that switch to the right (ON).

Then proceed up the dip-switch panel, turning each switch to the ON position if you can add that number to the time intervals already in the ON position and still not go over your target time. When you reach the top, you will have set the timer to your target time. *Sample 2* shows how to set the timer for 266 seconds.




Sample 1:
14.9 sec.

**A103A1, A2,
B1, B2**




Sample 2:
266 sec.


**A103A3, A4,
B3, and B4**



**9728375
Timer, R-C, 115VAC**



**101528
9815284
Timer, Elec,
.02-180 Sec, 45V**



**9852049
Timer, DC, Digital,
0.1 to 260 sec,
20-60 VDC**

| TIMING/VOLTAGE CHART | | | | | |
|----------------------|-------|--------|---------|------------|-----------------------|
| Adams Part no. | Delay | Volts | Current | Time Range | Dimensions LxWxH" |
| A103A1 | on | 20-120 | AC/DC | 0.1-102.3 | 2 x 3/4 x 2 |
| A103A2 | on | 90-240 | AC/DC | 0.1-102.3 | 2 x 3/4 x 2 |
| A103A3 | on | 20-120 | AC/DC | 1-1023 | 2 x 3/4 x 2 |
| A103A4 | on | 90-240 | AC/DC | 1-1023 | 2 x 3/4 x 2 |
| A103B1 | off | 20-120 | AC | 0.1-102.3 | 2 1/2 x 25/32 x 3 1/2 |
| A103B2 | off | 90-240 | AC | 0.1-102.3 | 2 1/2 x 25/32 x 3 1/2 |
| A103B3 | off | 20-120 | AC | 1-1023 | 2 1/2 x 25/32 x 3 1/2 |
| A103B4 | off | 90-240 | AC | 1-1023 | 2 1/2 x 25/32 x 3 1/2 |

| TIMERS TO REPLACE DOVER CAPACITORS | | | | |
|------------------------------------|--------------------|------------------------------|-------|---------------|
| New Dover Cap. No. | Old Dover Cap. No. | Description | Delay | Adams Repl. |
| 9752810 | 75281 | 115VAC timer (2-20 sec) | ON | A103A1 |
| | 62997 | 220VAC timer (2-20 sec) | ON | A103A2 |
| | 75785 | 115VAC timer (20-160 sec) | ON | A103A3 |
| 9711466 | 72167 | 220VAC timer | ON | A103A2 |
| | | | OFF | A103B2 |
| 9711454 | 72166 | 110 VAC timer | ON | A103A1 |
| | | | OFF | A103B1 |
| 9711934 | 75301 | 110VAC clock timer (270 sec) | ON | A103A3 |
| | 75299 | 110VAC clock timer (14 sec) | OFF | A103A1 |
| | 75300 | 220VAC clock timer (14 sec) | ON | A103A2 |
| | 75302 | 220VAC clock timer (270 sec) | ON | A103A4 |
| | 62837-1 | 115/60 timer | ON | A103A1 |
| | 62837-2 | 115/60 timer | ON | A103A1 |
| 9728387 | 62838-1 | 230VAC/60 cycle timer | ON | A103A2 |
| | 62838-2 | 230/60 timer | ON | A103A2 |
| | 62996 | 235VDC timer | ON | A103A2 |
| 9805278 | 105238 | 24VDC (.1 to .5 sec) | ON | A103A1 |
| | 9805229 | 24VDC (2 to 120 sec) | ON | A103A3 |
| | 9812611 | "BR" timer U.D.10-230VAC | ON | A103A2 |
| 9815284 | 101528 | 45VDC (2 to 180 sec) | ON | A103A3 |
| | 9815296 | 45VDC (.1 to 2 sec) | ON | A103A1 |
| | 9852049 | 45VDC time | ON | A103A1 |
| 9851987 | 105198 | 115VAC timer | ON | A103A1 |
| | 9852001 | 115VAC timer | ON | A103A1 |
| | 9881268 | "BR" timer U.D.10-115VAC | ON | A103A1 |

NOTE: Dover references only 9711466 and 9711454 as delay reversible timers. On these timers, the solenoid is removed from the mounting plate, turned around and remounted. This allows the delay signal to go from "on" to "off", or vice-versa.

*Also 105242, 9805229, 9852797, 65278 and 9805278

COILS



9758940
Coil, 48VDC



9769870, 26987
Coil, DC Contactor,
115V, C15



9770124, 27012
Coil, DC
Contactor 230V



9715575
Coil

**OVERLOAD
RELAYS**



9788750
Overload Relay



9729227
Overload Relay
Bi-Metal Mod. B,
AC Contactor Size 3

SOLENOIDS



9877174
Solenoid, 115 VDC
Coil



9869918
Solenoid, 24VDC
Coil



9715563
Coil, Solenoid Valve,
115V

TRANSFORMERS



77930, 9779309
Transformer
Prim. 220/230/240/460/480V
Sec. 183 AC, V V Geared
Exciter



75495, 9745956
Transformer
Prim. 230/400V Sec. 115/230V,
1000VA



874BN1, 9716725
Transformer
Prim. 230/460v, Sec.
115/230V, 500VA



GE-950-B2
Transformer, 220-
440V, 120V, 100KVA

SUPPRESSORS



9804420
Suppressor



9767708
Suppressor, Varistor,
MOV, 25W, 50A



65621
9856213
Suppressor, 82
V, w/Lug



65261
9852610
Diode, 200 V, 1 A, W/Taper Pins,
for WCR Relay Base



9856286
Diode, 200 V, 1 A, W/Flat Pins
for WCR Relay Coil Terminals

| RESISTORS | | | | | |
|------------------|----------------|---------------|------------------|----------|---------------|
| Adams Part no. | Resistance (Ω) | Power (watts) | Adjustable/fixed | Fig. no. | Old Dover no. |
| 9720467 | 25 | 200 | Adj. | 1 | 128069 |
| 9720480 | 75 | 200 | Adj. | 1 | 128071 |
| 9744459 | 1000 | 200 | Adj. | 1 | 128076 |
| OH-1099-B | 250 | 225 | Adj. | 1 | -- |
| 9752857 | 100 | 10 | Fixed | 2 | 75285 |
| 9852773 | 330 | 1/2 | Fixed | 3 | -- |



Fig. 1



Fig. 2



Fig. 3

CAPACITORS



9757600
Capacitor
500MFD, 300VDC



9763302
Capacitor
500MFD, 150VDC




9779334
Capacitor
25V, 5500 micro Farads




9886667
Capacitor
0.1 MFD, 600V,
w/Spade Lugs


MISCELLANEOUS ELECTRICAL



9954260
Input Module,
IDEC PFJN161



9954259
Output Module,
IDEC-PFJ-T162



730AA1
9853571
SCR, 25 A, Dual
Switch, 800 V, T III



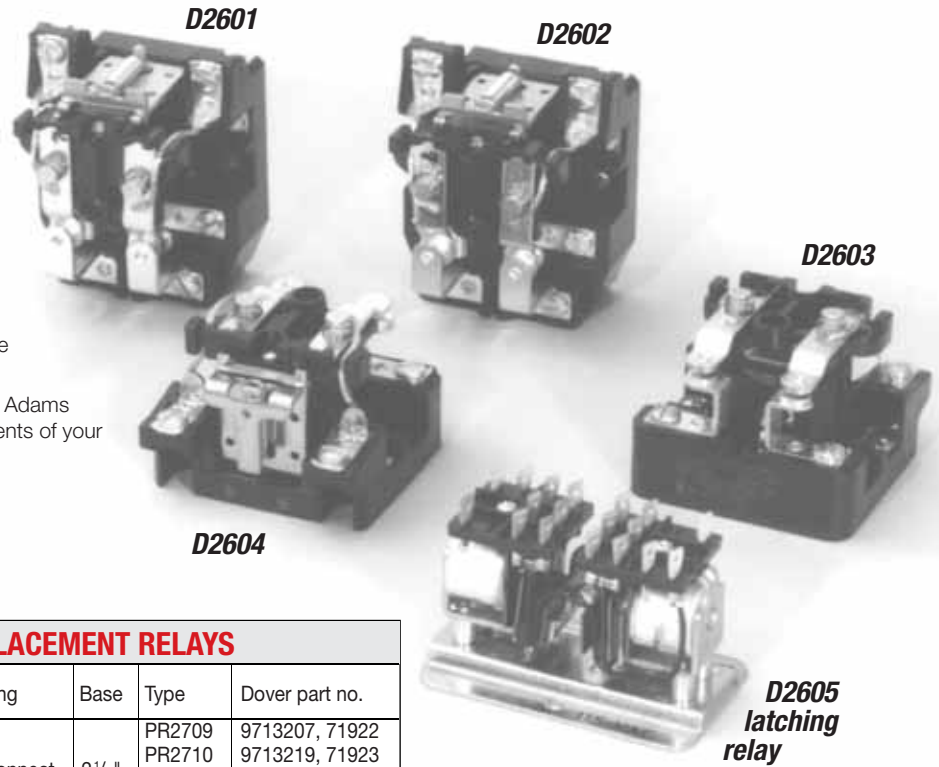
9730114
Relay Wire Receptacle, 4 Pos.

D2600-SERIES RELAYS (POTTER & BRUMFIELD)

Adams D2600-series relays are replacement Potter & Brumfield relays, used widely in Dover controllers. They are PR-series general-purpose relays with silver-to-silver contacts. *VAC only.*

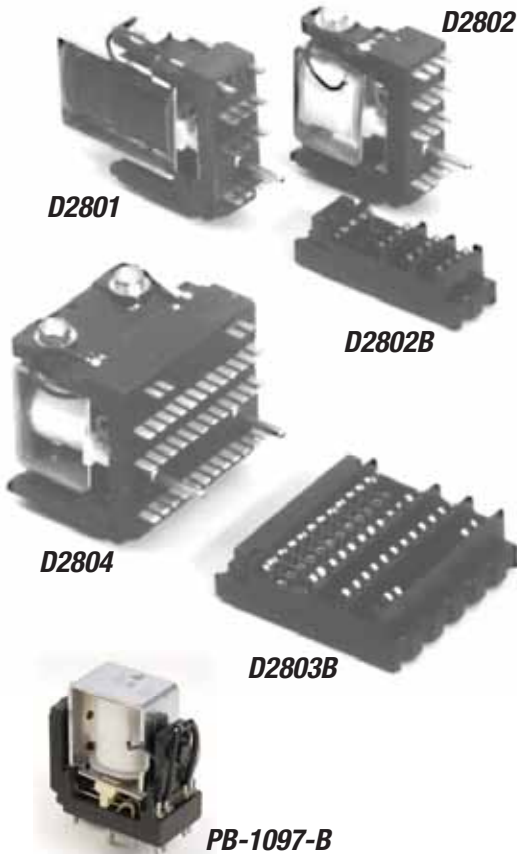
We recommend that you not try to replace individual components of a malfunctioning relay. If you encounter a misfiring relay in the field, the best remedy is to replace the entire unit.

Keep elevator down-time to a minimum. Depend on Adams replacement relays to match the performance requirements of your OEM equipment.



| POTTER & BRUMFIELD REPLACEMENT RELAYS | | | | | | | |
|---------------------------------------|----------|-----------|--------|---------------|--------|---------|----------------|
| Adams part no. | Contacts | VAC | Nom. Ω | Mounting | Base | Type | Dover part no. |
| D2601 | DP/DT | 115V/60Hz | 312 Ω | Front connect | 2 1/2" | PR2709 | 9713207, 71922 |
| D2602 | DP/DT | 230V/60Hz | 1200 Ω | | | PR2710 | 9713219, 71923 |
| D2603 | DP/NO | 115V/60Hz | 312 Ω | | | PR2819 | 9713256, 71979 |
| D2604 | DP/NO | 230V/60Hz | 1200 Ω | | | PR2820 | 9713268, 72102 |
| D2605† | 3P/DT | 115V/60Hz | 700 Ω† | Panel mount | — | KB-1228 | 9753047, 75304 |

†Latching



D2800-SERIES RELAYS (IBM)

Adams D2800-series relays are replacement IBM-type relays used in several Dover controllers. Bases available separately.

Order relays and their corresponding bases from the table below.

D2805 Lower relay clip, 10/pkg.
Replaces Dover part no. 308704.

D2806 Upper relay clip, 10/pkg.
Replaces Dover part no. 159944.

| IBM REPLACEMENT RELAYS | | | | | | |
|------------------------|----------|------------------|--------------|---------------------------|---------------|------------------------------------------------|
| Adams part no. | Contacts | Coil voltage VDC | IBM part no. | Dover part no. | Base part no. | Dover base part no. |
| D2801 | 4P/DT | 26 | 769011 | 9767642, 76764 | D2802B | 9800712, 30034, 9800712, 30034, 9767654, 76765 |
| 9791012 | 4P/DT | 32 | -- | 9791012 | | |
| D2802 | 4P/DT | 48 | 769489 | 9767540, 76754 | | |
| *D2807 | 4P/DT | 48 | 769489 | Same as D2802, with diode | | |
| D2803 | 6P/DT | 48 | 769019 | 9767563, 76756 | D2803B | 9767678, 76767 |
| D2804 | 12P/DT | 48 | 769488 | 9767526, 76752 | D2804B | 9767630, 76763 |
| *PB-1097-B | 6P/DT | 48 | 769019 | Same as D2803, with diode | D2803B | 9767678, 76767 |

*Includes Diode.



| DOVER HYDRO | | |
|----------------|----------------------------------------------|----------------|
| Adams part no. | Description | Dover part no. |
| DM3101 | Top & bottom, 4-slot hydro (replaces 3-slot) | 105251, 68431 |
| DM3102 | Power, 4-slot hydro (replaces 3-slot) | 105248, 68177 |
| DM3105 | Option, 4-slot hydro | 105254 |
| DM3106 | Intermediate, 4-slot hydro (replaces 3-slot) | 105252, 68432 |
| DM3112 | Option, 3-slot hydro | 68525 |
| DM3113 | Duplex, 3-slot hydro | 68433 |
| DM3115 | Car, 4-slot hydro (replaces 3-slot) | 123948, 68179 |
| DM3116 | Door, 4-slot hydro (replaces 3-slot) | 124519, 68178 |

| DOVER, MISC. | | |
|----------------|---------------------------------------------------------------------------------|---------------------------------------------------------------|
| Adams part no. | Description | Dover part no. |
| DM3123 | Optical leveling control board, traction | 126125, 112261, 145557 |
| DM3124 | Emitter level sensor, traction | 112267 |
| DM3126 | Detector level sensor, traction | 112264 |
| DM3130 | Reverse phase relay | 68187 |
| DM3157 | Universal timer, 20-60 VDC, 0.1-260 sec. programmable | 65278, 68536, 101528, 101529, 105238, 105242, 124561, 9852049 |
| DM3160 | Gas discharge decoder/driver, position indicator driver | 113328, 113329 |
| DM3164 | Gas discharge display, single digit w/cable assembly position indicator readout | 113336 |
| DM3173 | Universal timer, 110 VAC/VDC; 0.1-260 sec., programmable | 65280, 124566, 105198, 105201, 9852037 |
| 9741331 | Auxiliary sensor | 9741331 |
| 9840138 | Optical leveling, emitter/detector pair | 9840138, 150408 |
| 9841453 | CLC I/O expander card, 6300DC5 | 9841453 |
| 9730394 | Dot matrix P.I. power supply, 48V | 9730394 |
| 9841313 | Selector PC board, DMC-1 (6300CV1 & CV2) | 9814313 |

| DOVER RECTIFIER | | |
|-----------------|--------------------------------------------|-------------------------|
| Adams part no. | Description | Dover part no. |
| DM3180 | Rectifier board, 3 phase, 3 amp., 300 VDC | 67967 |
| DM3181 | Rectifier board, 1 phase, 3 amp., 45VDC | 67968 |
| DM3182 | Rectifier board, 1 phase, 3 amp., 24 VDC | 69298 |
| DM3184 | Rectifier board, 3 phase, 18 amp., 300 VDC | 115298 |
| DM3186 | Rectifier board, 3 phase, 3 amp., 300 VDC | 9841246, 113149, 115290 |



9741331



9730394



9841453



9841313

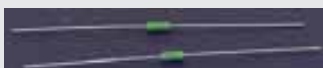
FUSES



409AB2, 9840953
Fuse, Tron Type w/ Radial Leads 125V, .5 amp,



9853261
Picofuse, 4A



9840916
Printed Circuit Board, Fuse, 3 Amp, 125V



9853224
Fuse, Sub Mini Radial Leads, .125 Amp, 125V



9715472, 610AJ2
Photo Detector, T-IV



9715460, 610AF1
Photo Emitter

Selector Parts for Screw-Type Selector

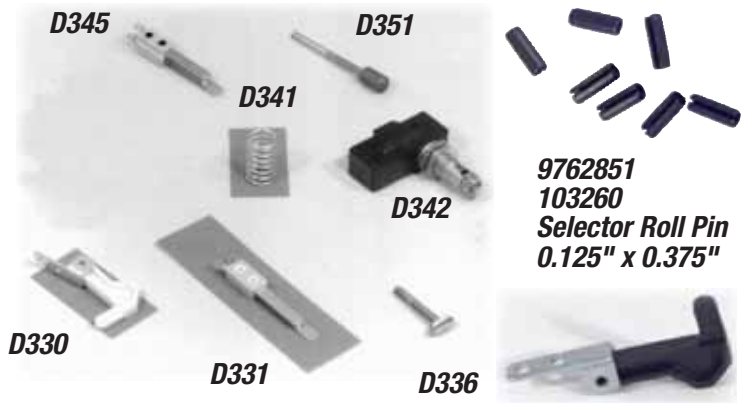


SWITCH ASSEMBLY ORDERING INFORMATION

| Adams part no. | Description | Dover part no. |
|----------------|--------------------------------------------------------------------------------------------------------|----------------|
| D335 | Direction switch for floor bar assembly; $\frac{5}{16}$ "L carbon w/breaking silver-to-silver contacts | 9748623 |
| D352A | Indicator brush assembly (new style) for crosshead assembly | 9856833 |
| D352B | Indicator brush assembly with $3\frac{3}{4}$ "L x $\frac{9}{32}$ "W contact arm (no carbon) | — |
| D352C | Indicator brush assembly with $3\frac{1}{16}$ "L x $\frac{9}{32}$ "W carbon | — |
| D352D | Indicator brush assembly with $3\frac{1}{2}$ "L x $\frac{9}{32}$ "W carbon | — |
| D353 | Brush switch assembly for crosshead; $\frac{5}{16}$ "L carbon, no silver contacts | 9848605 |
| D354 | Brush switch assembly for crosshead; $\frac{5}{16}$ "L carbon w/breaking silver-to-silver contacts | 9848539 |
| D355 | Brush switch assembly for crosshead; $2\frac{1}{32}$ "L carbon, no silver contacts | 9848617 |

MISCELLANEOUS SELECTOR COMPONENTS

| Adams part no. | Description | Dover part no. |
|----------------|-------------------------------------------------------------------------------|----------------|
| D330 | T.M. switch actuator cam assembly | 9748672 |
| D331 | T.M. switch contact assembly w/silver contacts | 9870556 |
| D336 | Floor bar contact, $1\frac{3}{8}$ "L; forged copper head, 8-32 thread | 9714339 |
| D341 | Bronze kickoff spring for carriage assembly; 1"L x $\frac{9}{16}$ " OD | 9714390 |
| D342 | Roller-activated microswitch for carriage ass'y. | 9870570 |
| D345 | Make/break contact switch assembly for carriage assembly | 9871317 |
| D351 | Carbon plunger for reset contact assembly; $2\frac{3}{4}$ "L with 8-32 thread | 9856791 |



9762851
103260
Selector Roll Pin
0.125" x 0.375"

9888688
TM Switch Actuator



9714364
Dover
Contact Front Insulator,
Composite Selector



9714376
Dover
Contact Back Insulator,
Composite Insulator



9950837
Contact Block,
Mounting



9846086
Clamp, Switch Selector,
Replaces 41416



9856791
Contact Kit, Reset
Composite Selector



9841544
Selector Tape Guide
(2 Per Assy)



9842068
Crosshead Guide
Shoe



9768932, 68932
Cable Selector
20 Conductor Flat Cable
w/ Plug-in, 12" Long

SELECTOR PARTS FOR SCREW-TYPE SELECTOR (CONT.)

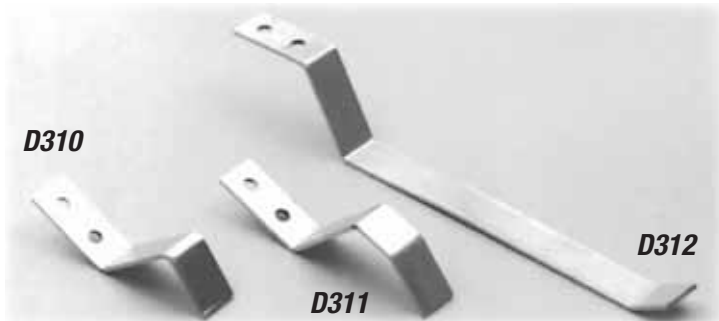


| LEVELING CAMS FOR SCREW-TYPE SELECTOR | | |
|---------------------------------------|--------------------------------------------------------------------------------------------------|----------------|
| Adams part no. | Description | Dover part no. |
| D320 | Levelling cam for 60:1 ratio screw-type selectors (max. travel 170 ft.); precision die-cast zinc | 9864581 |
| D321 | Levelling cam for 100:1 ratio screw-type selector (max. travel 300 ft.); precision die-cast zinc | 9813895 |

SELECTOR PARTS FOR CHANNEL-TYPE SELECTOR



| STATIONARY CONTACT PARTS | | |
|--------------------------|-----------------------------------------------------------------------------------------------------------------------------------------------------------------|----------------|
| Adams part no. | Description | Dover part no. |
| D307 | Stationary contact, 1 ⁷ / ₁₆ "L; ³ / ₈ "-dia. head with ³ / ₈ "-dia. silver tip; 10-24 thread | 9722270 |
| D308 | Phenolic mounting washer, ⁵ / ₈ " OD x ¹ / ₄ " ID x ¹ / ₈ " thick | 9722038 |
| D309 | Contact insulator, ⁵ / ₈ " OD x ⁹ / ₁₆ " | 9722026 |



| MOVABLE SELECTOR CONTACTS | | |
|---------------------------|------------------------------------------------------------------------------------------------------------------|----------------|
| Adams part no. | Description | Dover part no. |
| D310 | "Short" contact, 2 ¹⁹ / ₆₄ "L x ¹ / ₂ "W; brass with nickel plating | 9722191 |
| D311 | "Medium" contact, 2 ⁵¹ / ₆₄ "L x ¹ / ₂ "W; brass with nickel plating | 9722415 |
| D312 | "Long" contact, 6 ¹ / ₈ "L x ¹ / ₂ "W; brass with nickel plating | 9722233 |



| GUIDE AND CAM | | |
|----------------|-------------------------------------------------------------------------------------------------------------------------------------------------------------------------------------------|-------------------|
| Adams part no. | Description | Dover part no. |
| D314 | Selector guide, 3"L x 2"H x ⁷ / ₈ "W with ³ / ₈ " slot; canvas-base phenolic | 9772087 |
| D316 | Selector cam, 6 ³ / ₈ "L x ⁷ / ₁₀ "H x ¹ / ₂ "W; holes on 2 ¹ / ₄ " centers; canvas-base phenolic | 9822264 |
| D317 | Microswitch for channel-type selector panel | 9715642, 71565 |
| 9859998 | Direction selector cam | 9859998, 65999 |

| MISCELLANEOUS SELECTOR COMPONENTS | | |
|------------------------------------------|-------------------------------------------------------------------------------------------------------|-----------------------|
| Adams part no. | Description | Dover part no. |
| 9847730 | Idler sheave ass'y. with bracket and hardware; 5 1/2" O.D. x 0.6693" dia. bore | 9847730, 66354 |
| 124074 | Idler sheave, 5 1/2" O.D. x 0.6693" dia. bore; for 1/8" cable. Part of 9847730 sheave assembly, above | 124074 |
| 9870593 | Bearing with 3/4" flange | 9870593, 77059 |
| 9870600 | Bearing with 1 1/4" flange | 9870600, 77060 |
| 9841441 | Leveling guide | 9841441 |
| 9813380 | Switch assembly (short) with 5/16" carbon contact | 9813380, 101330 |
| 9841313 | Selector PC board DMC-1 6300CV1/CV2 | 9841313 |
| 9869918 | Solenoid with 24VDC coil | 9869918 |
| 9810778 | Magnet strip | 9810778, 40139 |
| 9853388 | Magnet strip for T III | 9853388 |
| 9829430 | Selector cable spring: 14"L x 7/8" dia., 115 turns | 9829430, 42943 |
| 9763818 | Mechanical switch, type SA | 9763818 |
| 9715642 | Micro switch for Channel-type selector | 9715642, 71565 |



9847730



9870593



9870600



9841441



124074
Sheave
5.5"



9813380



9869918



9810778, 40139



9853388



42943, 9829430



9763818



9715642

CARBON BRUSHES



| Adams part no. | Description | Dimensions | Dover part no. |
|----------------|----------------------------------------------------------------------------|--------------------|----------------|
| D750 | Carbon motor brush with 1/4"-dia. hole; 4" braided copper lead w/spade lug | 2" x 1 1/2" x 1/2" | 9713888 |
| D751 | Carbon brush with 3/4" braided copper lead; spade lug | 2" x 1 1/4" x 3/8" | 9743601 |
| D752 | Carbon brush with 3/4" braided copper lead; spade lug | 2" x 1" x 3/8" | 9743674 |

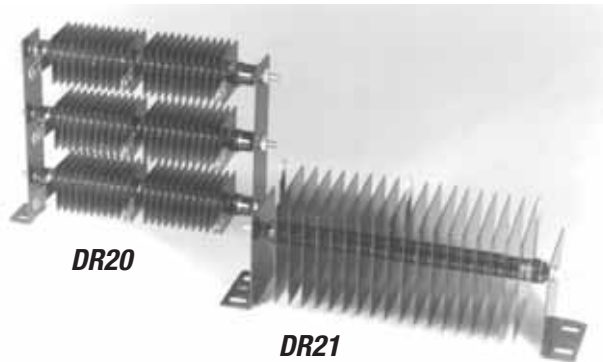


9715307
Carbon Brush Holder, for 1/2" x 1 1/2" x 2" brush



9717341
Carbon Brush Holder, for 3/8" x 1 1/2" x 2" brush

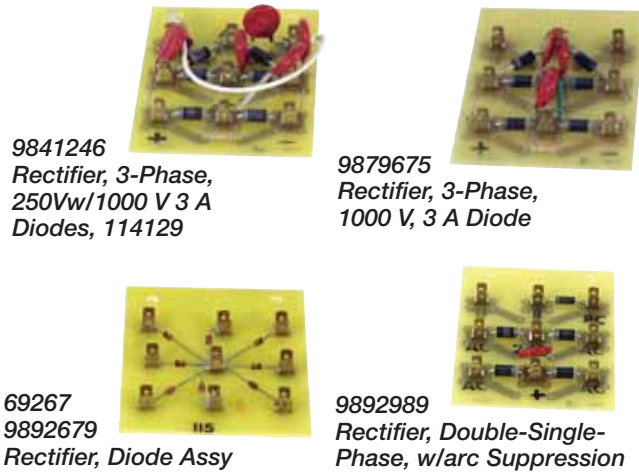
SELENIUM RECTIFIERS



DR20. 3Φ bridge, ladder network rectifier with 72 plates; 1.3" x 1.3" x 6.5"L. Typical marking: .Z7858. Replaces Dover part no. 9712082.

DR21. 1Φ half-wave doubler with 18 plates; 2" x 2.8" x 7.25"L. Three units required for 3Φ applications. Typical marking: C4458D1H12G. Replaces Dover part no. 9719842.

NOTE: Length is measured from end bracket to end bracket; does not include width of mounting feet.



115298
9715289
Rectifier, 3-Phase, 250V w/1000V/6A Diodes



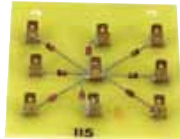
9879810
Rectifier, Full Wave Bridge, Single-Phase, 300V, 3A



9756577
Transistor, Dual, 200A, 1200V VVF



155BL1
9756589
IGBT, Transistor, Dual, 300A, 1200V, V V V F



69269
9892692
Rectifier, Diode Assy

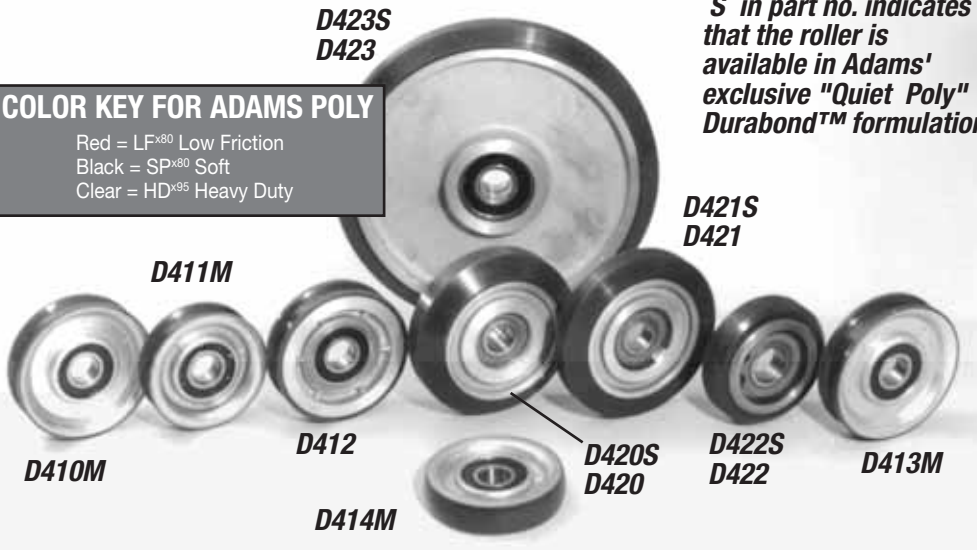


141059
9844107
Rectifier, DMC, Power Unit Relay Card, Single-Phase

COLOR KEY FOR ADAMS POLY

Red = LF⁸⁰ Low Friction
 Black = SP⁸⁰ Soft
 Clear = HD⁹⁵ Heavy Duty

"S" in part no. indicates that the roller is available in Adams' exclusive "Quiet Poly" Durabond™ formulation



POLY ROLLERS

Looking for the **quietest** guide roller? Adams' SPx⁸⁰™ "Quiet Poly" guide rollers give the quiet ride you enjoy with rubber... PLUS these major advantages:

- "Quiet" rollers last longer than rubber
- They stand up to petroleum products that invade hoistway, reduce life
- "Quiet" rollers resist ozone degradation

Look for the "S" in the Adams part numbers below. It stands for **SPx⁸⁰ Quiet Poly**—the Durabond™-family polyurethane guide roller that's **short on noise...and long on life!**

| Adams part no. | Dia. | Width | Description | Hub type | Bearing bore | Dover part no. |
|----------------|---------|--------|---------------------------------------------------------------------------|-------------------|--------------|----------------|
| D410M | 3 5/16" | 3/4" | Door hanger roller for high-pocket hanger assembly #9838533 | Machined aluminum | 0.6693" | 9864295 |
| D411M | 2 7/8" | 3/4" | Door hanger roller for low-pocket hanger assembly #9838540 | Machined aluminum | 0.6693" | 9838302 |
| D412 | 3 1/4" | 3/4" | Door hanger roller for hanger roller assembly #66137 | Machined aluminum | 0.6693" | 9861245 |
| D413M | 3 1/4" | 3/4" | Door hanger roller, Dover-Turnbull; 0.525"W flat groove | Machined aluminum | 0.6693" | 23322G01 |
| D414M | 3" | 3/4" | HDx ⁹⁵ guide roller for hydro's; double-sealed bearings | Machined aluminum | 0.6693" | 9834734 |
| D420S | 4" | 1 1/4" | SPx ⁸⁰ Quiet Poly roller for #65150 roller guide assembly | Machined aluminum | 0.6693" | 9832774 |
| D420 | 4" | 1 1/4" | HDx ⁹⁵ heavy-duty roller for #65150 roller guide assembly | Machined aluminum | 0.6693" | 9832774 |
| D421S | 4" | 3/4" | SPx ⁸⁰ Quiet Poly roller for #63314 roller guide assembly | Machined aluminum | 0.6693" | 9831873 |
| D421 | 4" | 3/4" | HDx ⁹⁵ heavy-duty poly roller for #63314 roller guide assembly | Machined aluminum | 0.6693" | 9831873 |
| D422S | 3" | 13/16" | SPx ⁸⁰ Quiet Poly counterweight roller guide wheel | Steel | 0.7874" | 9872309 |
| D422 | 3" | 13/16" | HDx ⁹⁵ heavy-duty poly counterweight roller guide wheel | Steel | 0.7874" | 9872309 |
| D423S | 8" | 1 1/4" | SPx ⁸⁰ Quiet Poly guide roller for #63190 & #63801 assemblies | Machined aluminum | 0.7874" | 9831824 |
| D423 | 8" | 1 1/4" | HDx ⁹⁵ heavy-duty poly guide roller, same as D423S | Machined aluminum | 0.7874" | 9831824 |



**9701588
40158
Sheave
2 3/8" dia. Nylon
Relating Cable**



**9715447, 894aa1
Roller (3" O.D.) for
tachometer with 1/2" Shaft**



**9766169
Roller (3" O.D.) for
Tachometer with 5/16" shaft**



**9861191
Upthrust Roller**



**9875426
Tire for Upthrust Roller**



**9811102
Sheave & Bracket
Assembly for Vertical Gate**



9700780
40139
Hanger Stud 1/2"



9752160
27728
Upthrust Shaft



9747620
27728
Shaft, Roller 8"



9786600
Guide Shaft,
used on roller guide
65150



9801170
Hanger Roller
Spacer, used on
63834, 63853, 63885,
63886, 63887 & 63888



9801236
Spacer



9801157
Shaft Pin
for Pick-up Roller



40980
Weight for governor
Sheave assy



9752158
120157
Hanger Brkt
High Pocket



9897641
27728
Roller Crank Mount



9870052
Crank Bumper Roller

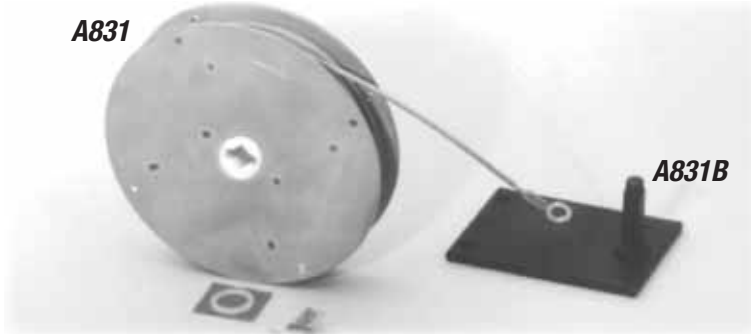


9838594
Bracket for Relating
Cable Assembly

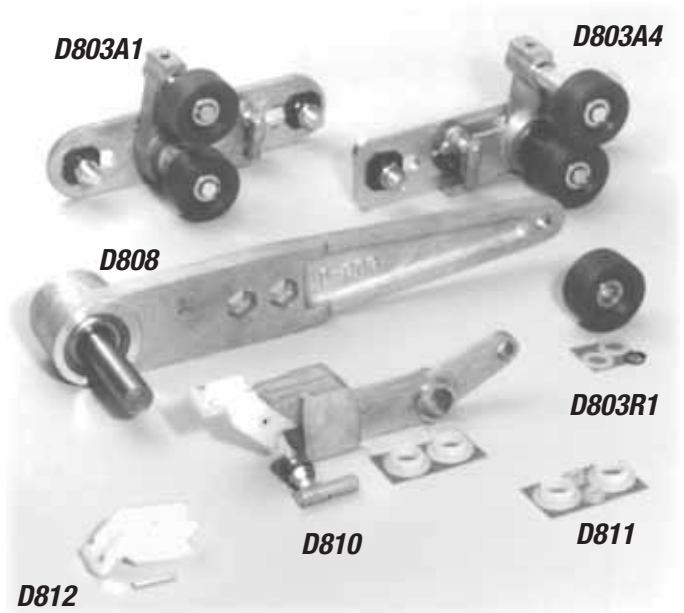


9838181
Roller Crank,
Casting RH & LH

| WHEELS & ROLLERS | | |
|-----------------------------|-----------------------------------------------------------------------|---------------------------------|
| Adams part no.* | Description | Alternate Dover part no. |
| 9700780 | Hanger stud, 1/2" dia. | 40139 |
| 9747620 | Roller shaft for 8" roller | 27728 |
| 9801170 | Hanger roller spacer for 63834, 63853, 63885, 63886, 63887, and 63888 | -- |
| 9801236 | Spacer | -- |
| 9897641 | Roller crank mount | 29746 |
| 9752160 | Upthrust roller shaft | -- |
| 9700780 | Hanger stud, 1/2" dia. | 40139 |
| 9786600 | Guide shaft for roller guide | 65150 |
| 9801157 | Shaft pin for pickup roller | -- |
| 9870052 | Crank bumper roller | -- |
| 40980 | Weight for governor sheave assembly | -- |
| 9838594 | Bracket for relating cable assembly | -- |
| 9752158 | High-pocket hanger bracket | 120157 |
| 9801789 | Roller crank casting, LH & RH | -- |



| Adams part no. | Description | Replaces Dover part no. |
|----------------|------------------------------------------------------------------------------|-------------------------|
| A831 | Heavy Duty Reel-type door closer (spirator), 5" dia.; universal mounting hub | 9759876, |
| A831B | Mounting bracket for A831 & A832 spirators | 9838429 |
| A832 | Standard Duty Spirator 5" Diameter | — |
| 9875244 | Interlock hook assembly | 9875244 |
| 9875219 | Interlock hook assembly, low pocket, LH | 9875219 |



9875244



9875219

STANDARD DUTY DOOR GIBS



D910A



D910G



D910B



D910S

D910A. Adjustable door guide assembly; incl. chassis, gib, safety studs (2), stud screws (2), flat-head mounting screws. Universal.

D910B. Steel chassis for D910A; 1 1/8"W. Gib not included.

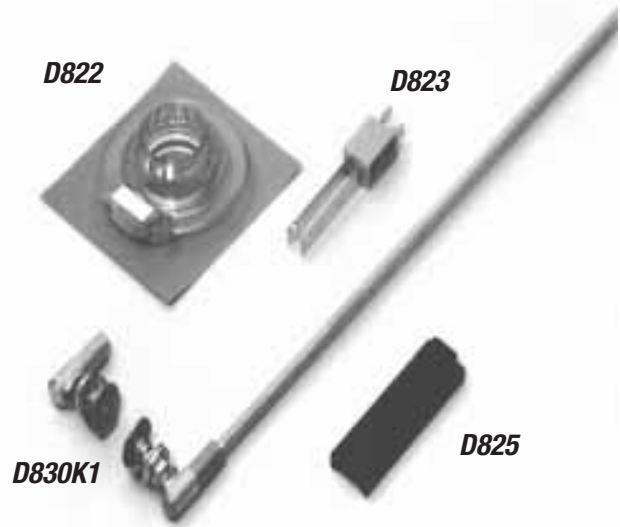
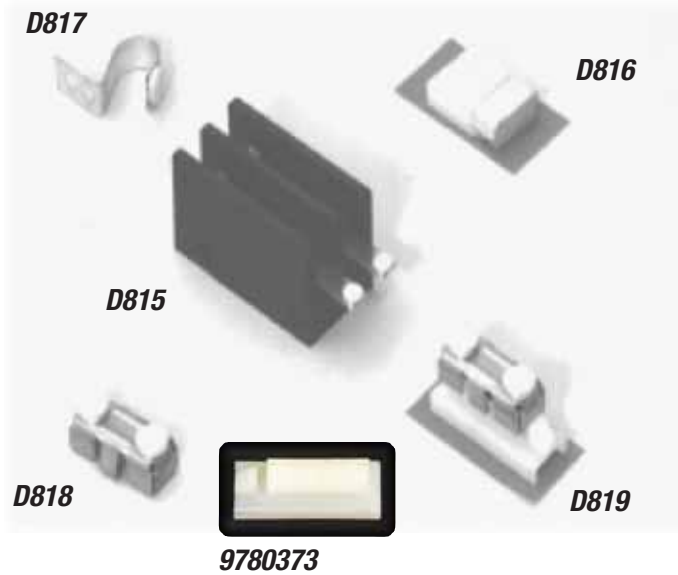
D910G. Nylon door gib for D910A; 3"L x 1/2"W x 1/2"H. Blue runner.

D910S. 7-piece safety stud set (#6) for D910A door guide assembly.

| Adams part no. | Description | Replaces Dover part no. |
|----------------|-----------------------------------------------------------------------------------------------------------------------------------------------------------------------------|-------------------------|
| D803A1 | Door clutch roller assembly, complete, RH | 9875268, 47525 |
| D803A2 | Door clutch roller assembly, complete, LH (opposite of shown) | 9875256, 47526 |
| D803A3 | Door clutch roller assembly, complete, RH (opposite of A4, shown); cold-rolled steel for strength. | 9875268, 47525 |
| D803A4 | Door clutch roller assembly, complete, LH; cold-rolled steel for strength. | 9875256, 47526 |
| D803R1 | Replacement roller kit, incl. 1 5/8"-dia. poly roller, nylon washers, retaining clip | 9838351, 63835 |
| D808 | Adjustable idler arm assembly, for Type DC-68 door operator; cast aluminum; 11 3/8"L overall with ball bearing and axle shaft for mounting Dover no. 9838636 sheave ass'y. | 9838820, 63882 |
| D810 | Interlock latch assembly for 66401/66402 interlock; die-cast latch arm with replaceable nylon contact bridge nose; silver-plated brass contact, includes D811 & D812, below | 9866760 |
| D811 | Nylon bushings for D810 latch assembly; 4 per set | 9701011, 9758525 |
| D812 | Nylon contact bridge nose & pin for D810 | 9866760 |



9801510
Interlock Screw



| Adams part no. | Description | Replaces Dover part no. |
|----------------|------------------------------------------------------------------------------------------------------------------------------------------------------------------|-------------------------|
| D815 | Door contact base block assembly; heavy-duty insulator block, steel spring contact blades, silver contacts; for 66402 MA-5422-A door contact | 9838521, 63852, 9892916 |
| D816 | Movable contact assembly for Type MA-5422-A door contact; nylon insulator base with silver-plated brass contact; used with D815 stationary door contact assembly | 9751221 |
| D817 | Stationary contact for interlock switch, 2 required; works with D818 , below | 9761457 |
| D818 | Movable interlock latch contact; brass base with two 1/8"-dia. silver contacts | 9761263, 66126 |
| D819 | Latch contact assembly; incl. one D818 plus spring and one 9780373 nylon mounting base | — |
| 9780373 | Nylon mounting base | 9780373 |

| Adams part no. | Description | Replaces Dover part no. |
|----------------|----------------------------------------------------------------------------------------------------------------------------------------------------------------------------------------------------------------------------------------------------|-------------------------|
| D830K1 | Ball joint and rod (18 3/4" L over all)* link conv. kit for D810 interlock hook and D803 -series pick-up roller assemblies; incl. ball joint assemblies for hook & pickup roller assembly, rod link, mounting hardware, instructions | 9828667 |
| D822 | Gate switch contact for DC-68 door operator clear acrylic plastic with silver-plated brass contact; makes with D823 , below | 9850909, 45090 |
| D823 | Gate switch contact for DC-68 door operator; 2 nickel-silver contact blades w/silver contacts; makes with D822 , above | 9772637, 77263 |
| D825 | Slide for DC-68 and DC-68/MKII drive arm; 2 1/2" L x 3/4" W; made from Delrin™ | 9838685 |

*Rod = 17 9/16" L x 5/16" dia.



9801042
Movable Contact, for 9866760 Latch Ass'y.



9761457
Interlock Contact



9802411
Ball Joint Assembly, LH



9802400
Ball Joint Assembly, RH



9838466
Interlock Box Cover

HATCH COMPONENTS



9813421
Magnetic
Leveling Switch



9711545
Limit Switch
NO, 2AMP, 230V



9711557
Limit Switch NC, 2AMP, 230V
Existing hardware may also be reused.



9769729
Magnetic Switch



9745452
Governor Switch



9857072
Contact Block for
Contact Box Ass'y,
Used on Hatch
Switch (115464), NO



118194
Safety Guide Kit



9706847
10684
Mecanical Switch,
Roller

GIB COMPONENTS



9881980
Door Guide Kit



9885237
Freight Gate Guide
Shoe Gib



9897951
Guide Shoe Liner



9814656
Door Stop

CLUTCH COMPONENTS



9800888
Clutch Cam



9800141
Closing Vane



9800244
Adaptor Bracket



9747035
Rod Attachment



9801443
Closing Clutch Vane, 9"



9838806
Spring Vane 4" x 4"



9838703
Clutch Base



9870076
Bearing



9801066
Spring Vane
2-1/2" x 2"

CLUTCH ASSEMBLIES



9863862
Clutch Assembly-LH



9863898
Clutch Assembly-RH

SAFETY EDGE COMPONENTS



9732550
Rod End
Safety Edge Retractor, LH Treads



9732548
Rod End
Safety Edge Retractor, RH Treads



9801110
Pin



Retractor Spring
9701461

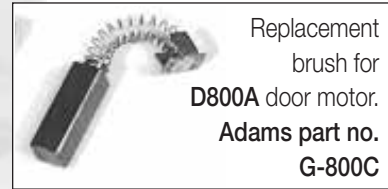
D800A Door Motor

Adams offers a 1-to-1 replacement* for Dover door motors: our D800A.

The D800A fits on existing Dover motor mounts for fast installation. The frame dimensions are the same as your OEM motor. Shaft diameter is the same. And our D800A replacement motor matches the load characteristics of the OEM motor you're servicing now.

D800A. Replacement for Dover 1/6-hp permanent magnet door motor.

G-800C. Replacement motor brush.



Replacement brush for D800A door motor. Adams part no. G-800C

Brush for Dover motors 9841775 and 9801704 (Sold in pairs)

9761123



9801775



9801704



DOOR MOTOR SPECIFICATIONS

| Adams part no. | Operating voltage | HP | No-Load rpm | Motor type | Length | | Diameter | | Brush replacement |
|----------------|-------------------|-----|-------------|------------------|--------|---------|----------|-------|-------------------|
| | | | | | Body | Shaft | Body | Shaft | |
| D800A | 230VDC | 1/6 | 1140 | permanent magnet | 7" | 1 9/16" | 3 3/16" | 1/2" | G-800C |
| 9801704 | 115VDC | 1/6 | 1150 | permanent magnet | 7" | 25/32" | 3.30" | 1/2" | 9801704 * |
| 9841775 | 115VDC | 1/6 | 1150 | permanent magnet | 9.5" | 1" | 3.50" | 1/2" | 9761123 * |

* With Encoders

DC-68 MARK II COMPONENTS



9876686 Jack Shaft Sheave, 12"; replaces old 13" sheave



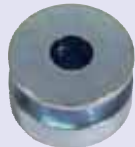
9842214 Drive Sheave, 14"



9791577, 69157 Micro Switch



9759372 Bearing for D808 (9838820) Idler Arm



9820966 Motor Pulley

9741770 DMC Door Operator Motor Optical Sensor



9838697 Slide Assy



9806623 Slide Holder



9723997, 123992 Adjustable Arm, 8.5" x 2.00" x 0.50"



9723985, 103260 Bearing for slide



9845793



9845768



9818248



9808292

9811400

9805266

| DOOR OPERATOR COMPONENTS | | |
|--------------------------|------------------------------------------------|--------------------------|
| Adams part no.* | Description | Alternate Dover part no. |
| 9845793 | Link rod, 18"L | -- |
| 9845768 | Link rod, 19"L x 0.170" dia. | -- |
| 9818248 | Actuator arm assembly | -- |
| 9808292 | Cushion | -- |
| 9811400 | Shoe liner for freight gate guide | -- |
| 9769286 | Sliding shoe | -- |
| 9805266 | Guide shoe | -- |
| 9772777 | V-belt, 3 V 500 | 75613 |
| 9749512 | V-belt | 3L410 |
| 9711739 | Pillow block bearing assembly | -- |
| 9954090 | Door restrictor ass'y., 5 ft.L for 7-ft.H door | -- |
| 9801789 | Retractor | -- |
| 9801224 | Bolt | -- |
| 9711715 | Bearing | -- |
| 9741653 | Switch reed assembly | 40139 |
| 9743297 | Hoistway restrictor kit | 32974 |
| 9954144 | Door restrictor angle | -- |
| 9954132 | Car restrictor header assembly | -- |

*Same as Dover part no.



9954090



9743297, 32974



9954144



9954132



9772777, 75613



9749512, 3L410



9801224



9801789



9711739



PWA-183A
PCB, Emitter

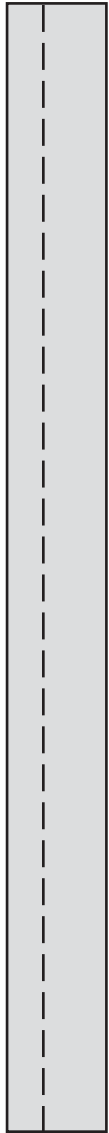
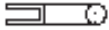


9711715



9741653, 40139

(x-section)



DS-861N1

Safety Edge Components

DS-861N1 (Dover part# 9851331) Safety Edge Nose.

The nose is made from extruded gray plastic, 82"L. It replaces these Dover nose assemblies: 67974, 63975, 47412, 47543, 101331, and 101332.

The plastic extrusions for these noses are checked many times to ensure that they conform to Dover specifications. Rigid quality control measures make this safety edge nose assembly the next best thing to an OEM part...and in some ways, better.

See the listings below for replacement safety edge components designed to match the physical and performance characteristics of our replacement nose.



NOTE: Safety edges by themselves do not comply with ADA requirements. Come up to code with Adams door protection products.



9758896



9822288
Link Rod, LH



9822276
Link Rod, RH

| SAFETY EDGE COMPONENTS | | |
|------------------------|---------------------------------------------------------------------------------------------------------------------|-------------------------|
| Adams part no. | Description | Replaces Dover part no. |
| D851 | Switch mount and lever arm assembly for Dover nos. 63867 and 63889 safety edges; durable "Almag" aluminum castings* | 9845823 |
| D855L | Upper lever arm and switch lever (LH) for Type 66051 retractable safety edge; "Almag" casting* | 9800517, 28186 |
| D855R | Upper lever arm and switch lever (RH) for Type 66051 retractable safety edge; "Almag" casting* | 9800517, 28190 |
| 9758896 | Micro switch with arm and roller | 9758896, 75889 |
| 9873971 | Safety edge mounting arm, sub-assembly | 9873971 |
| 9874069 | Safety edge switch cam | 9874069 |
| 9874392 | Outer nut | 9874392 |
| 9874045 | Inner nut | 9874045 |
| 9845781 | Roller (1 ⁵ / ₈ " dia.) for safety edge actuating arms nos. 145550 and 145551 | 984578 |
| 9774087 | Ball bearing for pivot arms | 9774087, 47408 |

*Light-weight aluminum/magnesium



9873971



9874069



9874392



9874045



9845781



9774087

Survivor/D® replaces Dover pushbuttons for long life, low maintenance

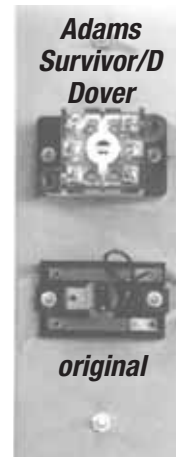
Now you can replace Dover pushbutton switches with the battle-tested **Survivor®**—the most rugged, dependable elevator switch in the industry.

Our D455A-series Survivor/D Dover replacements look like their Dover counterparts. They even mount on the existing studs in your present Dover hall and car panels...to save you labor and money every time you change out a Dover switch.

And best of all, every one of our Dover replacements is backed by an Adams Survivor switch...the button that keeps pushing back even after 22,000,000 cycles. Self-cleaning silver alloy contacts and tough polycarbonate housing and crystal require you to change switches less frequently, saving you labor and money.



From the front, you can't tell our revolutionary Survivor/D® replacement Dover pushbutton switch from the Dover original



From the back, the tough-as-nails Survivor/D switch is unmistakable by its rugged design and formidable construction

Order D455W-[char] series to order only button with cap

Mounting studs on 1.93" centers

Halo diam. = 1.250"

| COMPLETE SURVIVOR/D® PUSHBUTTONS | | | | | | | |
|----------------------------------|------------|----------------|--------|--------------------------------------|--------|----------------|--------|
| Adams part no. | Symbol | Adams part no. | Symbol | Adams part no. | Symbol | Adams part no. | Symbol |
| D455A-A | Arrow | D455A-M | M | D455A-9 | #9 | D455A-20 | #20 |
| D455A-AL | Alarm | D455A-P | P | D455A-10 | #10 | D455A-21 | #21 |
| D455A-B | B | D455A-R | R | D455A-11 | #11 | D455A-22 | #22 |
| D455A-BL | BL | D455A-U | UP | D455A-12 | #12 | D455A-23 | #23 |
| D455A-D | DOWN | D455A-1 | #1 | D455A-13 | #13 | D455A-24 | #24 |
| D455A-DC | DOOR CLOSE | D455A-2 | #2 | D455A-14 | #14 | D455A-25 | #25 |
| | | D455A-3 | #3 | D455A-15 | #15 | D455A-26 | #26 |
| D455A-DO | DOOR OPEN | D455A-4 | #4 | D455A-16 | #16 | D455A-27 | #27 |
| | | D455A-5 | #5 | D455A-17 | #17 | D455A-28 | #28 |
| D455A-G | G | D455A-6 | #6 | D455A-18 | #18 | D455A-29 | #29 |
| D455A-L | L | D455A-7 | #7 | D455A-19 | #19 | D455A-30 | #30 |
| D455A-LL | LL | D455A-8 | #8 | D455AXFH/CC Fire Service/Call Cancel | | | |

| LAMPS (10/PKG) | | | |
|----------------|---------|----------------|---------|
| Adams part no. | Voltage | Adams part no. | Voltage |
| A487L1* | 24 | A487L3* | 48 |
| A494LW3** | 24/48 | A494LW4** | 48 |

*Incandescent PSB

**LED



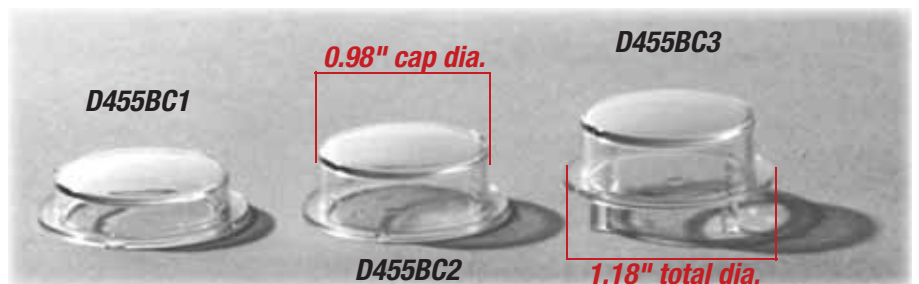
D455W-AL

D455H1
Black lexan halo



D455WXFH/CC
Fire Hat, clear cap, Call Cancel

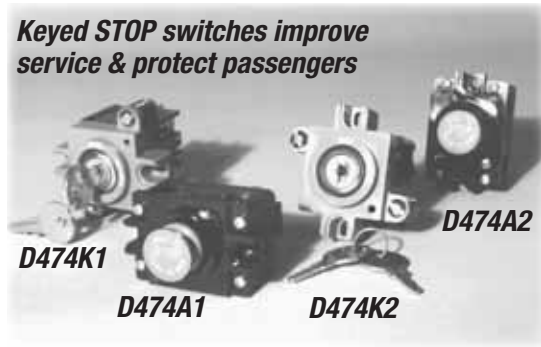
| CLEAR BUTTON CAPS & HALO | |
|--------------------------|---------------------------------------------------------------|
| Adams part no. | Description |
| D455BC1 | 1/8"H button cap, clear |
| D455BC2 | 1/4"H button cap, clear |
| D455BC3 | 1/4"H button cap with 1/8" feet, clear; meets California Code |
| D455H1 | Halo only |



D474 STOP SWITCHES— KEYED & PUSH/PULL

Keyed STOP switches prevent unauthorized stopping of elevator cabs. Passengers are protected because vandals cannot stop the elevator.

Keyed STOP switches improve service & protect passengers



Keyed for AE102

| STOP SWITCH ASSEMBLIES | | |
|------------------------|--------------------------------------------------------------------------------------|-------------------------|
| Adams part no. | Mounting/Description | Replaces Dover part no. |
| D474K1 D474K2 | Horizontal; N/C, removable both positions Vertical; N/C, removable both positions | — |
| D474A1 D474A2 | Horizontal; 3/4" button dia.; 2NC/NO (aux) Vertical | 9810857 9810845 |
| 9811436 | Horizontal, 1 1/4" red button dia.; 1 make/1 break. PULL TO STOP/PUSH TO RUN | — |
| 9810845 | Vertical mount version of 9810985 | — |
| 9810985 | Horizontal, 1 1/4" red button dia.; 1 make/1 break. PUSH INSP, PULL AUTO | — |



9810985

FIRE SERVICE KEYSWITCH

Six-contact keyswitch with OFF/ON/FIRE SERV/BYPASS positions at 12:00 thru 9:00, respectively (Phase I); and HOLD/ON/FIRE SERV/OFF positions at 12:00 thru 9:00, respectively (Phase II). Red halo; supplied with two keys (WD01).

- D474K3. Fire Service Keyswitch, Phase I.
- D474K4. Fire Service Keyswitch, Phase II.
- D474K5. Fire Service Keyswitch, Phase I, 2000 Code
- D474K1-05. (Halo only, for above Keyswitch)
- 9746031. Fire Service Keyswitch, vertical.
- 9746160. Fire Service Keyswitch, fire bypass, horizontal.



D474K1-05



D474K5



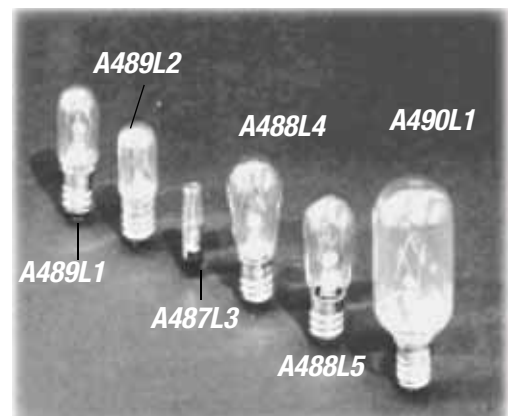
9746031
Keyswitch, Car
Fire Service



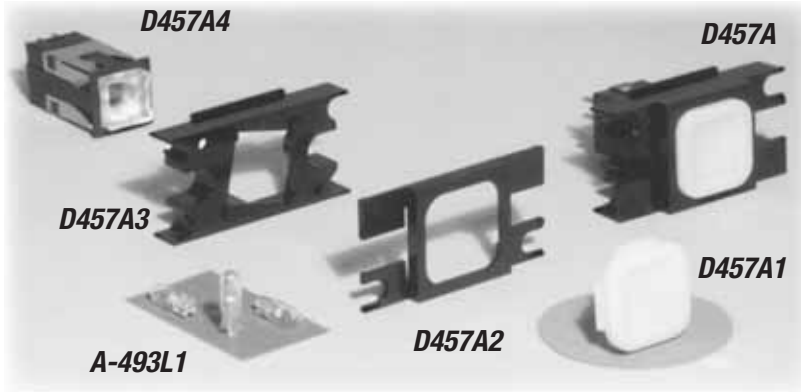
9746160
Keyswitch,
Fire Bypass

REPLACEMENT LAMPS FOR DOVER SWITCHES & ACCESSORIES

| Adams part no. | Pcs./pkg. | Electrical rating | Base type | Application | Replaces Dover part nos. |
|----------------|-----------|-------------------|------------------|-------------------------|--------------------------|
| A489L1 | 10/pkg. | 115VAC/6W | Candelabra screw | D450-series switch | 9742657, 32461 |
| A489L3 | 10/pkg. | 220VAC/6W | Candelabra screw | D450-series switch | 9724771, 32477 |
| A487L5 | 10/pkg. | 120VAC | PSB | D455-series switch | 9769377 |
| A488L4 | 10/pkg. | 115VAC/6W | Candelabra screw | D470 position indicator | 9742699, 32462 |
| A488L5 | 10/pkg. | 230VAC/10W | Candelabra screw | D470 position indicator | 9742670, 32463 |
| A490L1 | 10/pkg. | 115VAC/25W | Candelabra screw | D480 hall lantern | 9742610, 32464 |



REPLACEMENT FOR DOVER IMPULSE™ PUSHBUTTON SWITCH



You can replace Dover Impulse pushbutton switches with an Adams replacement that will outlast the original. You can even change out individual switch components instead of replacing an entire assembly. NOTE: Do not use the fastener clip on the OEM pushbutton when installing Adams replacement components.

Order the complete switch or the components listed below. NOTE: D457-series components are for Adams replacement switches only.

| Adams part no. | Description (Dover description) | Dover part no. |
|----------------|-------------------------------------------------------------------------------------|----------------|
| D457A | Replacement for Dover Impulse switch, complete | — |
| D457A1 | Button lens only, blank | 9893209 |
| D457A2 | Button halo (bezel) only, black | 9822690 |
| 9822707 | Button halo (bezel) only, blue | 9822707 |
| 9822719 | Button halo (bezel) only, red Fire Service | 9822719 |
| 9851278 | Pushbutton mounting bracket | 9851278 |
| D457A3 | Halo adapter (bracket) only | 9851288 |
| D457A4 | Illuminated electronic switch with eight (8) connectors on back (2-pole pushbutton) | 9891717 |
| A-493L1 | #85 replacement lamps, 10/pkg. | 9721769 |



D456W-SERIES

These white Lexan™ buttons come with black symbols and clear lens caps. They are one-to-one replacements for Dover 106734-series pushbuttons.

Caps are supplied loose to make installation easier. Order replacement Caps from bottom of page 161.

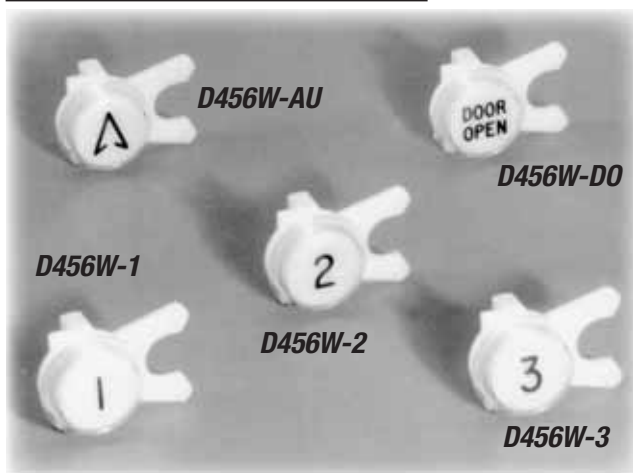
Characters available: Floor stops 1 thru 20; Alarm, Down, Up, Arrow UP, Arrow DOWN, Door Close, Door Open, Fire Service, Blank, B, G, L, LL, M, P.

To order, specify D456W-prefix for button style, followed by the suffix for the character you want. (**D456W-5**, for example, is a button with the character 5.)

D456W-AD Button with DOWN arrow

D456W-AU Button with UP arrow

9806349 Bezel



Replaces Dover 106734-series buttons

POSITION INDICATOR LENSES (D469-SERIES AND D470-SERIES)



Choose from two sizes of P.I. lenses, white with black characters. Available in floor stops 1-20 (D469) or 1-32 (D470), and characters Arrow UP, Arrow DOWN, Blank, B, B1*, B2*, B3*, C*, D, G, G1*, G2*, G3*, L, LB, LL, L1*, L2*, L3*, L4*, M, P, PH*, P1*, P2*, P3*, P4*, SB*.

Standard size (D470-series) is 1⁵/₈" x 1³/₈"; smaller size (D469-series) is 1⁵/₁₆" x 1³/₈".

To order, specify prefix D470- or D469- and the character suffix for the character(s) you need. For example, D470-4 is a standard-size P.I. lens insert with the number "4". (Replaces Dover part no. 9724-400-series lenses, formerly 32440-series.)

D471 P.I. separator is also available.

*D470-series only



D469-L
P.I. lens with L



D470-AU
P.I. lens with UP arrow

D450-SERIES COMPONENTS



REPLACEMENT CONTACT ASSEMBLIES

D450C1. Normally open (NO) contact assembly; replaces Dover part nos. 9724540, 32454.

D450C2. Normally closed (NC) contact assembly; replaces Dover part nos. 9724552, 32455.

D450C1

HALO ASSEMBLIES FOR D450 PUSHBUTTON SWITCH

Our halo assembly replacements for car and hall include retaining ring.

D458. Car halo assembly, 1³/₈" O.D.; replaces Dover part no. 9724588 (formerly 32460).

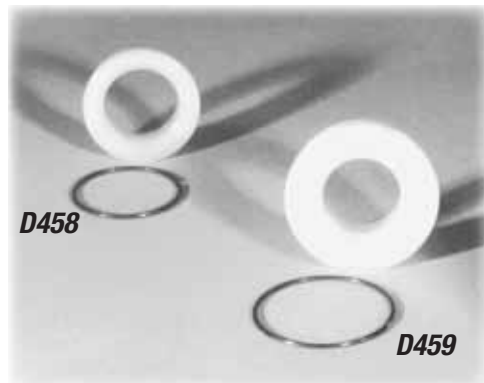
D459. Hall halo assembly, 1³/₄" O.D.; replaces Dover part no. 9724590 (formerly 32459).

D450-SERIES PUSHBUTTON SWITCH

Buttons are not included with these pushbutton assemblies.



D450A1



D458

D459

| Adams part no. | Contact configuration | Dover part nos. |
|----------------|-----------------------|-----------------|
| D450A1 | 4NO | 9724564, 32456 |
| D450A2 | 4NC | 9724576, 32457 |
| D450A3 | 2NO/2NC | 9724631, 32458 |



9817219 PB Switch
Non Illuminated. Order Lamp
and Socket 9772662 for 24V
and 9772819 for 48V



9893209
Lens,
Target, White



134AB1
Reflector



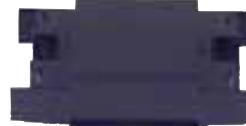
129BC1
Pushbutton
Housing



228AF1
Pushbutton
Actuator



9851276
Pushbutton Mounting
Bracket (129AC1)



9893817
PB Spacer,
Blank



9870258
PB Capacitor



9719398
1.25"W Spacer w/Arrow,
Vertical Mount (132AE5)



9813135
0.625"W Spacer
w/"R" (131AD-R)



131AD-BL
Spacer, Blank



131AF1
Spacer



9817190, 171AV1
Pushbutton (non-illum.),
V7, 1 Switch

LAMPS & HOLDERS



9711065
Lamp Holder



9711892
Hall Station/P.I.
Lamp Holder with
Resistor



9727164
Lamp Holder for #161/14V
and #657/28V Lamps



9724771
6W, T4-1/2 Base, 220V,
For TIV Button



9727152, 138AD1
Lamp Holder for
#85 28V Lamp



9727188
PSB Lamp

EMERGENCY LIGHT COMPONENTS



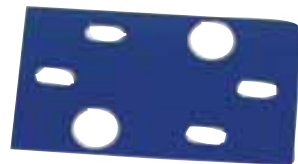
9818420
Alarm Light



9863503
Reflector

Battery A911-04, Bulb HA-1018-G3

| GONGS, CHIMES, BUZZERS | | | |
|-------------------------------|------|---------------------------------------------------------|----------------|
| Adams part no. | Fig. | Description | Dover part no. |
| 9711818 | 1 | Gong, brass, 21VDC, single stroke | 9711818 |
| 9711820 | 1 | Gong, brass, 48VDC, single stroke | 9711820 |
| 9724394 | 1 | Gong, brass, 120VAC, single stroke | 9724394 |
| 9737194 | 1 | Gong, brass, 24VDC, single stroke | 9737194 |
| 9871937 | 2 | Gong, brass, 24VDC, single stroke with mounting bracket | 9871937 |
| 9871925 | 3 | Gong, brass, 48VDC, single stroke with mounting bracket | 9871925 |
| 9882753 | - | Buzzer, 48VDC | 9882753 |
| 9830169 | - | Tone alarm, 48VDC | 9830169 |
| 9775717 | - | Hall lantern chime | 9775717 |
| 26992 | - | Mounting bracket for gong | 26992 |



26992

Fig. 1



9711818

Fig. 2



9871937

Fig. 3



9871925



9830169



9775717



9882753



9818431, 171AP1
V7 PB Micro Switch
SPDT, 250VAC, 10A,
125VDC, 0.5A



76703
Car Top Light
Switch



9766212
Phone Door Catch



9846384
Phone Handle,
w/Phone Symbol,
1.60", Black



9846396
Phone Handle



9810183
Stop/Run Switch



9856470
Window, for Emergency
Key Box 9856456



9768117
Telephone Door
Frame

LANERN LENSES



138108
Pop-In Lens



124081
P.I. Lens, Arrow



9730266
Lens with arrow



9734144
Lantern Lens
Reflector

KEYSWITCH W/BLACK HALO

| Adams part no. | Halo Legend | Application |
|----------------|----------------|------------------------|
| 9746109 | OFF/ON | Car Call Register |
| 9746043 | OFF/HWENAB | Inspection Service |
| 9746055 | OFF/IND SVC | Independent Service |
| 9746092 | OFF/ON | Car Call Lockout |
| 9746110 | OFF/ON | Terminal Hall Register |
| 9746122 | UP/OFF/ON | Intern. Hall Register |
| 9746195 | STOP/RUN | Car Stop, Vertical |
| 9715952 | STOP/RUN | Car Stop, Horizontal |
| 9859664 | LOW/OFF/HI/FAN | Fan Control |
| 9859615 | LIGHT/OFF | Light Control |



**9746109
Keyswitch
Car Call Register**



**9746043
Keyswitch,
Inspection Service**



**9746195
Keyswitch,
Vertical, Car Stop**



**9746020
Keyswitch,
Converts Micro Switch to
V7, Light/Fan, 2SP**



**9746110
Keyswitch, Off/On**



**9826105
Toggle Key Kit,
Spring Return**



**9753140
2-position
Keyswitch, Key #109**

KEYS, CYLINDERS

CYLINDERS WITH KEYS

| Adams part no. | Key no. |
|----------------|---------------------------------|
| 9726184 | -- |
| 9759591 | H2395 |
| 9759827 | 2448 |
| 9759797 | 2192 |
| 9759839 | 1846 |
| 9771657 | H315; replaces Midwest Fixtures |
| 9826191 | 2389, rotary |
| 9859536 | -- |



**9771657
Cylinder w/ Key H315.
Replaces Midwest
Fixtures**



**9759839
Cylinder Key
1846**



**9759797
Cylinder
Key 2192**

REPLACEMENT KEYS

| Adams part no. | Key no. | Adams part no. | Key no. |
|----------------|---------|----------------|---------|
| 9703202 | H2304 | 9710279 | H5074 |
| 9703299 | H2573 | 9710280 | H5009 |
| 9710255 | H5154 | 9710334 | H5140 |
| 9710267 | H5027 | HA-1065-M | H2395 |



**9710255
Key H5154**



**9703202
Key H2304**



**HA-1065-M
(9703135)
Key H2395**



9822628
Keyswitch Bezel,
OFF/ON



9822641
Keyswitch Bezel,
LIGHT/OFF



9822665
Keyswitch Bezel,
Fan: LOW/OFF/HI



128AD6
Keyswitch Bezel,
Independent Service



32554
Bezel, Run/Stop
Keyswitch, 1.56"H x 2.44"W,
1/4" dia.; mounting holes on
2" centers



32736
Bezel, Independent
Service/On Keyswitch,
1/4" dia.



9753412
Keyswitch Halo



128AC1
Blank Bezel, Black

FIRE SERVICE KEYSWITCH BEZELS



9775614
Red Key Core
Off-On-By-Pass-Fire



9775626
Red Key Core
Off-On-Fire



9821934
Red Key Core
Off-Hold-On-Fire

KEYSWITCH CAMS

| Adams part no. | Color | Dover part no. |
|----------------|-------|----------------|
| 228AA1 | Red | 228AA1 |
| 228AA2 | White | 228AA2 |
| 228AA3 | Blue | 228AA3 |
| 228AA4 | Black | 228AA4 |



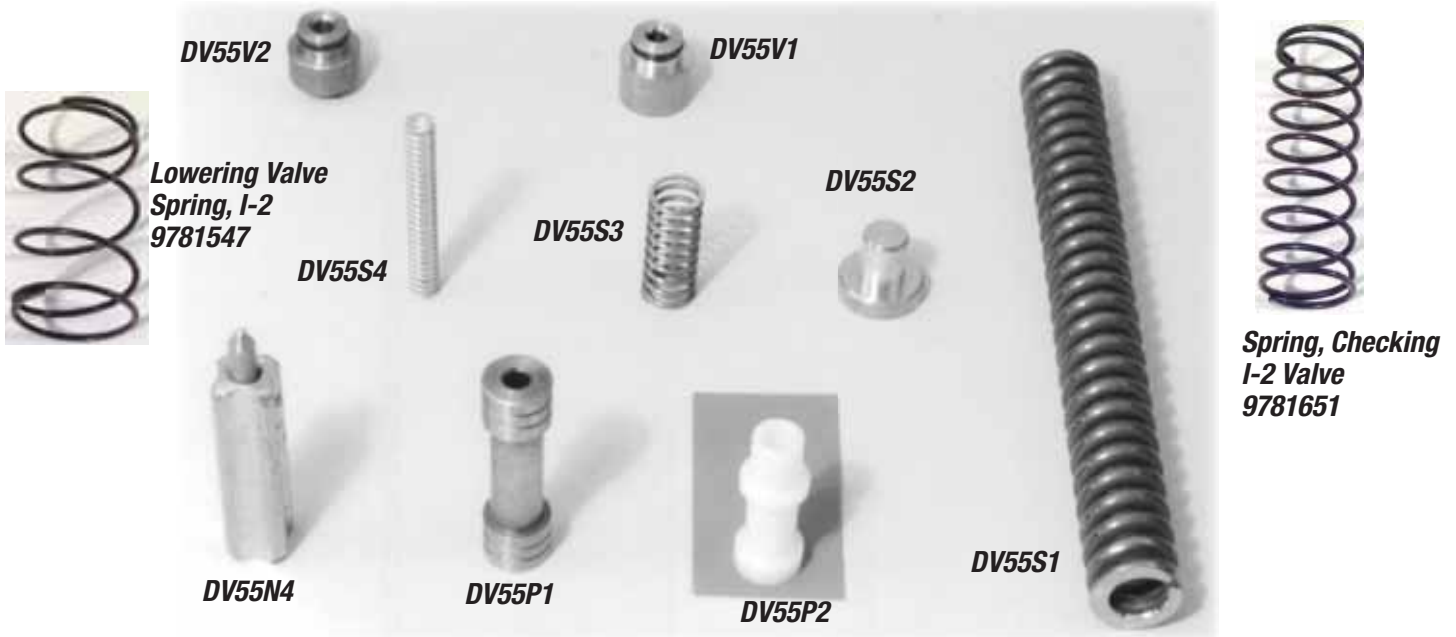
228AA1
Cam, Fire Service



9772868
3-Position Rotary Switch
120/230 VAC, 20A



780AC
Return Spring



| Adams part no. | Description | Dimensions | Replaces Dover part nos. |
|----------------|-----------------------------------------------------------------------------------------------------------------------------------|---------------------------------------------------------------------------------------------------------------------------------------|--------------------------|
| DV55N4 | Plunger/needle valve assembly for pilot solenoids | 2 ⁵ / ₈ " L x 1 ³ / ₃₂ " x 1 ³ / ₃₂ " | 9715060, P-56-43-1 |
| DV55P1 | Steel control piston for 63426 & 63431 UP pilot sections; use with DV55S3 control piston spring, below | 1/2" O.D. x 1 ³ / ₄ " L | 9730576, P-125-90 |
| DV55P2 | Delrin® orifice control piston for 63427 & 63432 DOWN pilot sections; use with DV55S4 orifice control piston spring, below | 1/2" O.D. x 1 ⁵ / ₁₆ " L | 9754076, 75407 |
| DV55S1 | Regulator spring for bypass sections & constant-speed lowering valves; 27 turns; use with DV55S2 spring seat washer, below | 1 ¹ / ₁₆ " O.D. x 5 ³ / ₄ " L | 9731143, P-150-24 |
| DV55S2 | Brass spring seat washer w/steel pivot ball; for DV55S1 , above | Seat dimensions: 5/32" H x 2 ¹ / ₃₂ " dia.; Stem dimensions: 7/16" H x 1 ¹ / ₃₂ " dia. | 9807524, P-149-7 |
| DV55S3 | Control piston spring for 63426 & 63431 UP pilot sections; 10 turns; use with DV55P1 steel control piston, above | 7/16" O.D. x 1 ¹ / ₁₆ " L | 9730590, P-125-92 |
| DV55S4 | Orifice control piston spring for 63427 & 63432 DOWN pilot sections; 28 turns; use with DV55P2 control piston, above | 1/4" O.D. x 1 ³ / ₄ " L | 9754064, 75406 |
| DV55V1 | Brass body NC solenoid seat for UP & DOWN pilot sections; incl. O-ring; use with DV55N4 plunger/needle valve ass'y., above | 5/8" O.D. x 5/8" L | 9788566, 28856 |
| DV55V2 | Steel body NO solenoid seat for 83426 & 63431 UP pilot sections; use with DV55N4 plunger/needle valve ass'y., above | 5/8" O.D. x 5/8" L | 9788554, 28855 |



Solenoid Coils with Covers

DV55C1 Solenoid coil in can with cover, 115VAC; 2 leads, for pilot solenoid; used with Dover part no. 9753965 NC and 9753977 NO solenoid valve assemblies.

Replaces Dover part no. 9755743.

DV55C2 Solenoid coil in can with cover, 115/230VAC, 70W, 4 leads.

Replaces Dover part nos. 9755895 and 9755883.



9731260
Solenoid seat gasket



9832830
Check valve repair kit



Spring, Needle Valve, P-Series 9730230



9730163 Relief valve spring



| Adams part no. | Description | Dimensions | Replaces Dover part nos. |
|----------------|-------------------------------------------------------------------------------------------------------------------------|---------------------------------------------------------------------------------------------------------------------------------------------------|--------------------------|
| DV55GT1 | O-Ring Extraction Tool Set, 2 Tools, Brass, Double-ended | | |
| DV55N1 | Adjustable orifice for bypass sections; threaded shaft | Main body: 1 ⁵ / ₈ " O.D. x 3 ³ / ₁₆ "L Shaft: threaded 1/2-13 x 2 ³ / ₁₆ "L | 9877046, 27704 |
| DV55N2 | Brass adjustment needle valve assembly for UP & DOWN pilot sections; incl. O-ring, retaining ring, adjustment needle | 1"-dia. hex body x 2 ¹ / ₂ "L | 9861610, 66161 |
| DV55N3 | Manual lowering needle valve assembly for DOWN pilot sections; brass main body; incl. handle, O-ring, adjustment needle | 1"-dia. hex body x 2"L needle | 9805590, P-125-139 |
| DV55N5 | Needle valve assembly for 6000 valve | 3 ³ / ₈ "L needle with 1 ¹ / ₂ "L collar, 1/2" dia. | 9715162, 6000 valve |
| DV55P3 | Delrin® regulator control piston for 63427 & 63432 DOWN pilot sections | 1/2" O.D. x 1 ⁵ / ₈ "L | 9730904, P-149-15 |
| DV55R1 | Step-joint piston ring kit for bypass section pistons; incl. 2 split plastic rings and tension spring | 2 ¹ / ₁₆ " O.D. x 2 ³ / ₁₆ " I.D. x 1/16" thick | 9754271, 75427 |
| DV55S5 | Piston spring for constant-speed lowering sections; 5 ³ / ₄ turns | 2 ¹ / ₁₆ " O.D. x 4 ¹ / ₄ "L | 9730254, P-125-33 |
| DV55S6 | Piston spring for constant-speed lowering sections; 6 turns | 1 ¹ / ₁₆ " O.D. x 3 ³ / ₄ "L | 9730760, P-126-38 |
| DV55V3 | Strainer assembly for UP & DOWN pilot sections; incl. brass hex body & strainer screen, O-ring | 7/8" hex nut cap x 1 ⁹ / ₁₆ " high | 9730564, P-125-79 |



9729124 Levelling Adjuster, 1-1 & 1-2 Valves



9730760 Spring, Piston P-126-41



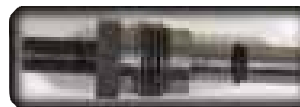
9730151 Spring, Relief Valve



9824467 Strainer, Main Body, 1-1, 1-2, 5/16" Diam, SS



9721058, 120157 Roller Kit, IVO Jack, with rollers & hardware

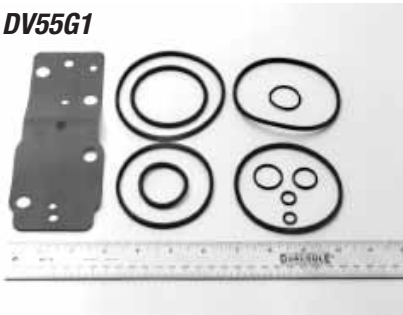


9810791 Screw Adjustment Valve, 1-2 & 1-3



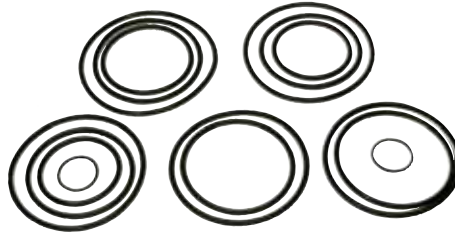
9811059 Valve, T-Handle Manual Lowering, T-2

DV55G1



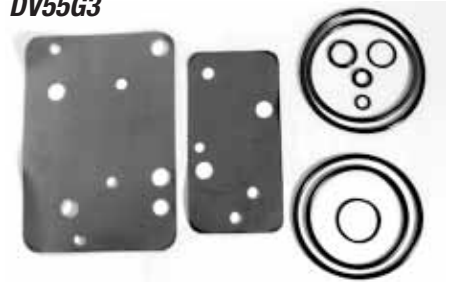
DV55G1. Gasket/O-Ring Kit; 1 gasket, 21 O-rings.

DV55G2



DV55G2. O-Ring Kit; 15 O-rings.

DV55G3



DV55G3. Gasket/O-Ring Kit; 2 gaskets, 28 O-rings.

| DV55G1 GASKET/O-RING KIT | | | |
|--------------------------|-----------------|------|--------------|
| Qty. | Description | Qty. | Description |
| 1 | #9754179 gasket | 1 | #220 O-ring |
| 3 | #011 O-rings | 2 | #229 O-rings |
| 1 | #012 O-ring | 2 | #233 O-rings |
| 4 | #017 O-rings | 2 | #235 O-rings |
| 2 | #019 O-rings | 1 | #236 O-ring |
| 2 | #021 O-rings | 1 | #238 O-ring |

| DV55G2 O-RING KIT | | | |
|-------------------|--------------|------|--------------|
| Qty. | Description | Qty. | Description |
| 2 | #021 O-rings | 1 | #232 O-ring |
| 1 | #225 O-ring | 1 | #233 O-ring |
| 1 | #226 O-ring | 3 | #236 O-rings |
| 1 | #229 O-ring | 1 | #238 O-ring |
| 1 | #230 O-ring | 1 | #239 O-ring |
| 2 | #231 O-rings | | |

| DV55G3 GASKET/O-RING KIT | | | |
|--------------------------|-----------------|------|--------------|
| Qty. | Description | Qty. | Description |
| 1 | #9708327 gasket | 4 | #230 O-rings |
| 1 | #9707864 gasket | 1 | #231 O-ring |
| 3 | #011 O-rings | 1 | #232 O-ring |
| 8 | #017 O-rings | 3 | #235 O-rings |
| 2 | #023 O-rings | 2 | #236 O-rings |
| 1 | #114 O-ring | 3 | #110 O-rings |

Use this kit to service:
 P125 & P126 valves
 41007 bypass adapter
 63108 bypass
 63109 bypass
 63348 bypass
 63426 UP pilot section
 63431 UP pilot
 66530 bypass

NOTE: Photos show only one (1) piece of each size

Use this kit to service:
 63125 center section
 63138 center section
 63139 center section
 63273 center section
 63497 center section
 63130 plain relief section

Also available: Gasket O-Ring for I-2 Valve. Part No 9732860

Use this kit to service:
 63110 lowering section
 63111 lowering section
 63119 DOWN pilot section
 63133 lowering section
 63134 lowering section
 63137 separate lowering adapter
 63141 constant speed lowering
 63143 constant speed lowering

63425 DOWN pilot section
 63428 DOWN pilot section
 63430 DOWN pilot section
 63432 DOWN pilot section
 63486 lowering section
 P125/P145 valves



9754179 O Ring - Kit for 60000 Series



9754672 Dover O Ring



9754659 Dover O Ring



9725600 Seal for 3S Jack Replaces 9723134



9708169 Gasket



9910372 Oil Seal



9707864 Gasket



9708327 Gasket



9723067 Dover Valve Gasket 2"



9708480 Gasket Seal, 5S 4E004



9723213 Dover Valve Gasket 3"



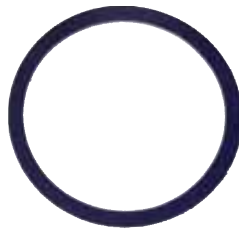
9781481 Dover Pilot Gasket



| DOVER SEALS | | | | | |
|----------------|-----------------|------------|-----------|-------|----------------|
| Adams part no. | Machine | Dimensions | | | Dover part no. |
| | | Shaft dia. | Bore dia. | Thick | |
| AT1R002 | GD200,240 worm | 2.345" | 3.220" | .500" | 9752122 |
| AT1R043 | GD45,50,75 worm | 1.749" | 2.650" | .500" | 9752110 |
| AT1R048 | GD105 inner | 4.500" | 5.500" | .500" | 9727346 |
| AT5E004 | GD105, spider | 7.125" | 8.625" | — | 9825526 |
| AT5E005 | GD240, spider | 8.500" | 10.250" | — | 9808760 |
| AT5E006 | GD45, spider | 5.125" | 7.000" | — | 9767897 |



9840503
Worm Shaft Seal



9792790
Dover Gasket



9825514
Worm Seal



9712665
2" Sound-Insulation Gasket



9840503
Worm Shaft Seal



112733
Spider Seal



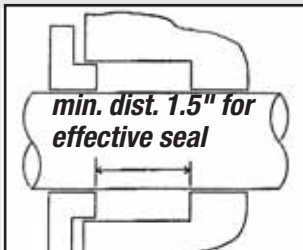
9813512
Lubricant Wick



9724709
Gasket



9709848
Gasket 2 78 x 3 116



KRAMM PACKING

GPX100 Kramm packing is a one-size-fits-all GCI worm-gear packing. Not recommended for machines with excessive end play & shaft vibration. For gaps 1.5" or greater.

KRAMM PACKING: ONE-SIZE-FITS-ALL GCI WORM GEAR PACKING

Made from solid mineral lubricants, graphite, & adhesives.



Adams part no. GPX100. One lb./pkg.

Index for Pages 174-190

| | | | |
|----------------------------------|----------------|--------------------------------------|----------|
| Bell..... | 187 | MO interlock switch..... | 176 |
| Belts..... | 184 | MO keeper assemblies..... | 176 |
| Cams, Activating..... | 181 | MOH horizontal release assembly..... | 176 |
| Cams, Bridging..... | 183 | MOM vertical release assembly..... | 176 |
| Coils..... | 188 | Jumpers..... | 176 |
| Counters..... | 189 | Keyswitches..... | 186 |
| Door & Clutch Equipment..... | 180 | Key Box..... | 186 |
| Door Bumper..... | 182 | Lamps..... | 186 |
| Door Hangers..... | 183 | Leveling Switch..... | 189 |
| Door motor..... | 184 | Limit Controls..... | 181 |
| Motor brush..... | 184 | Limit Switch..... | 189 |
| Door Operator Equipment..... | 180-182 | P.I. Inserts..... | 186 |
| Emergency Light..... | 186 | Pushbutton..... | 187 |
| Gate Switch..... | 180 | Relay parts..... | 185, 188 |
| Interlock components..... | 175-178 | Resistors..... | 189 |
| Clutch rollers..... | 180 | Rollers..... | 174, 177 |
| Contact assemblies..... | 175 | Safety Edge Components..... | 179 |
| Contact kits..... | 175 | Selector Parts..... | 184 |
| Door keys..... | 177 | Sheaves..... | 183 |
| Door Keeper..... | 178 | Switches..... | 189 |
| Interlock Components..... | 177, 178 | Timers..... | 189 |
| Interlock kits..... | 175 | | |

Quality & technical know-how make our replacement G.A.L. roller *even better than the original*

G401M REPLACEMENT ROLLER

Adams is the leading manufacturer of replacement G.A.L. door hanger rollers—our part no. G401M.

If you service G.A.L. door assemblies, you can count on the G401M for long life and reliability. You'll reduce the number of door-related call-backs while you improve the overall quality of your G.A.L. installation.

Precision machined aluminum castings are used for the hubs.

Our own low-friction LFX⁷⁰™ Durabond™ polyurethane goes into every smooth-running and quiet-running tire. LFX⁷⁰ is as tough as any material now in use for door rollers. It features superior qualities that resist breaking, cracking, and wear...and it eliminates the need for a wiper!



Special low-friction bearings are used to make the G401M one of the true "easy riders."

To ensure concentricity and long life, rollers are machined after the bearings are installed.

SPECIFICATIONS

Machined hubs:

Material—Cast aluminum
Diameter—3 1/4"

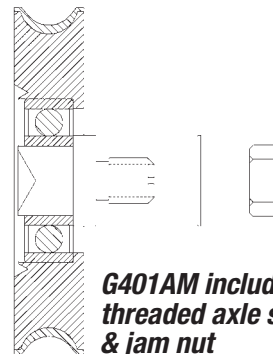
Tire: low-friction Durabond™, LFX⁷⁰ polyurethane

Bearing: Special low-friction type; 0.6693" ID

Kit includes: One roller, seven washers, complete mounting instructions

G401M. Door hanger roller kit, incl. one (1) roller, seven (7) washers, complete installation instructions. (Replaces G.A.L. NH roller kit.)

G401AM. Door hanger roller with axle stud.



G401AM includes 1 1/16"-dia. threaded axle stud, lock washer, & jam nut

REPLACEMENT WIPERS

G401W. Replacement felt wiper for G.A.L. original roller.

(Replaces G.A.L. part no. HH-1-2-E.)

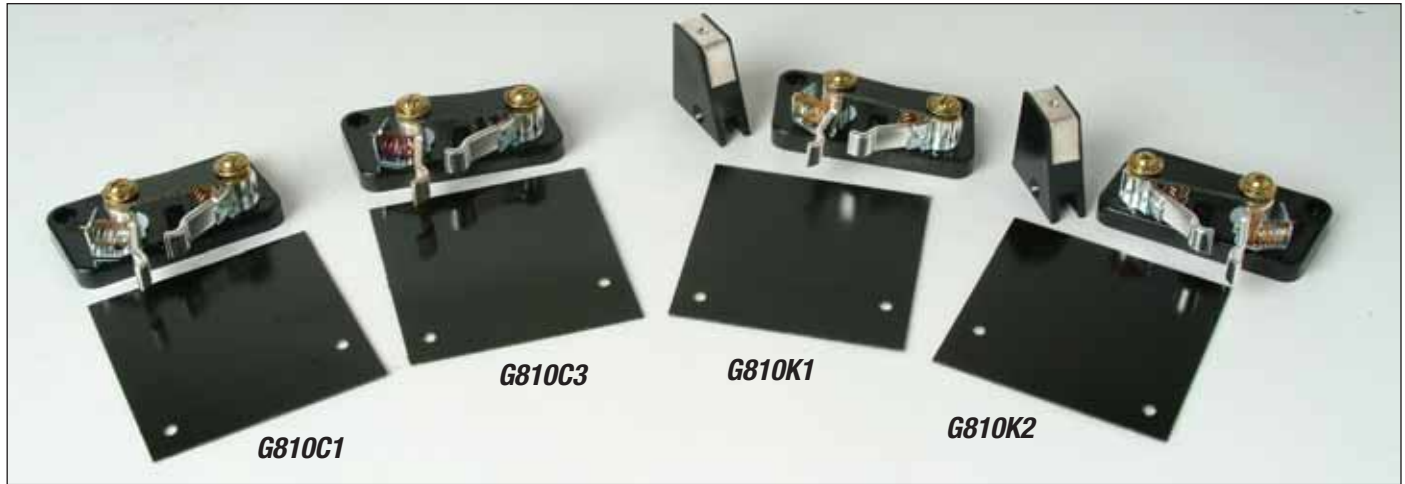
G401WX. Package of 100 replacement felt wipers. Same as G401W, impregnated with light oil for superior cleaning action.

Not required with our superior-quality polyurethane tire.



Order wipers separately at left (G401W) to service GAL nylon rollers already in the field.

Durabond, LFX⁷⁰—Reg. TM Adams Elevator Equipment Company



| CONTACT ASSEMBLY ORDERING INFORMATION | | |
|---------------------------------------|---------------------------------------------------------------------------------------------------------------|-----------------|
| Adams part no. | Description | G.A.L. part no. |
| G810C1 | Contact assembly for MO interlock, RH, complete; includes canvas/phenolic insulator | INT1H-0024R |
| G810C2 | Contact assembly for MO/MOCP interlock, LH, complete; includes insulator; use with G810C3 RH contact assembly | INT1H-0024L |
| G810C3 | Contact assembly for MOCP interlock, RH, complete; includes canvas/phenolic insulator | INT2H-0018R |

Each contact assembly and contact kit includes all the components shown with its corresponding part no.

| CONTACT KIT ORDERING INFORMATION | | |
|----------------------------------|--------------------------------------------------------------------------------------------------------------------------------------------------------------------------------|-----------------|
| Adams part no. | Description | G.A.L. part no. |
| G810K1 | MO contact kit, RH; includes 1 ea. G810C1 contact assembly, G812C1 MO keeper bridging block, canvas/phenolic insulator, & mounting screws | INT1H-0036R |
| G810K2 | MO/MOCP contact kit, LH; includes 1 ea. G810C2 contact assembly, G812C1 MO keeper bridging block, canvas/phenolic insulator, & mounting screws; use with G810K3 RH contact kit | INT1H-0036L |
| G810K3 | MOCP contact kit, RH; includes 1 ea. G810C3 contact assembly, G812C1 MO keeper bridging block, canvas/phenolic insulator, & mounting screws | INT2H-0017R |

INTERLOCK KITS



| INTERLOCK KIT ORDERING INFORMATION | |
|------------------------------------|----------------------------------------------------------------------------------------------------------------------------------------------------------------------------------|
| Adams part no. | Description |
| G810K4 | MOH interlock kit, LH; incl. 1 ea. G810B2 switch housing, G812B2 keeper ass'y., G812LL lower linkage, and G820B2 MOH horizontal release ass'y. INT1H-0002L |
| G810K5 | MOH interlock kit, RH; incl. 1 ea. G810B1 switch housing, G812B1 keeper ass'y., G812LL lower linkage, G812UL upper linkage, and G820B1 MOH horizontal release ass'y. INT1H-0002R |
| G810K6 | MOM interlock kit, LH; incl. 1 ea. G810A2 switch housing, G812A2 keeper ass'y., G812LL lower linkage, and G821A2 MOM vertical release ass'y. |
| G810K7 | MOM interlock kit, RH; incl. 1 ea. G810A1 switch housing, G812A1 keeper ass'y., G812LL lower linkage, G812UL upper linkage, and G821A1 MOM vertical release ass'y. |

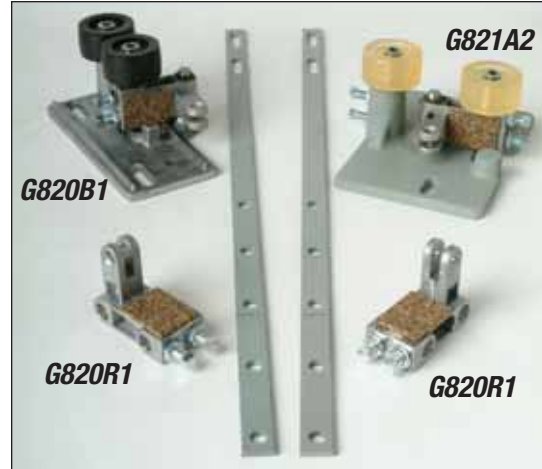
MO KEEPER



Linkage kit G812L consists of one G812LL and one G812UL



MOH HORIZONTAL RELEASE AND MOM VERTICAL RELEASE



| Adams part no. | Description | G.A.L. part no. |
|----------------|--------------------------------------------------------------------------------------------------------------------------------------------------------------------------------|-----------------|
| G820B1 | MOH horizontal release assembly, complete; RH; incl. aluminum mounting base, release rocker, clutch rollers, lower actuator link, snap link bushing. (Steel G820A1) | INT1H-0022R |
| G820B2 | MOH horizontal release assembly, complete; LH; opposite of G820B1. (Steel G820A2) | INT1H-0022L |
| G820R1 | MOM release rocker; incl. set screws, nuts, bumper pad. Can be used for both right-hand and left-hand applications, as shown in photo | — |
| G821A1 | MOM vertical release assembly, complete; RH; incl. cast iron mounting base, release rocker, clutch rollers, lower actuator link, snap link bushing (opposite of G821A2, shown) | INT1M-0033R |
| G821A2 | MOM vertical release assembly, complete; LH; shown | INT1M-0033L |

| Adams part no. | Description | G.A.L. part no. |
|----------------|----------------------------------------------------------------------------------------------------|-----------------|
| G812A1 | MO keeper assembly, RH; incl. cast iron mounting base, brass keeper, keeper bridging block contact | — |
| G812A2 | MO keeper assembly, LH; same as above | — |
| G812C1 | MO keeper bridging block contact | INT1H-0017N |
| G812L | MO adjustable linkage kit; incl. 1 ea. G812LL and G812UL , below | — |
| G812LL | MO lower linkage; incl. snap link pin and lower bushing | INT1H-0026N |
| G812UL | MO upper linkage; incl. snap link pin and retainer clip | INT1H-0018N |

GAL JUMPERS

Here are the tools mechanics need for jumping GAL doors during servicing.

G30L3 "Tomahawk" with MO jumper head and 10½"L looped handle. Replaces GAL part no. INT1H-0035N.

G30L2 Double-barrel contact head. INT5-0029N.

G30L1 Combination MO jumper head does the job of both jumpers above; no handle. INT5-0042N.



MO INTERLOCK



| Adams part no. | Description | G.A.L. part no. |
|----------------|-----------------------------------------------------------------------------------------------------|-----------------|
| G810A1 | MO interlock switch housing and contacts, RH; complete with mounting plate | INT1H-0013R |
| G810A2 | MO interlock switch housing and contacts, LH; complete with mounting plate | INT1H-0013L |
| G810B | Interlock mounting bracket (shown below); used to convert side-opening interlocks to center-opening | — |

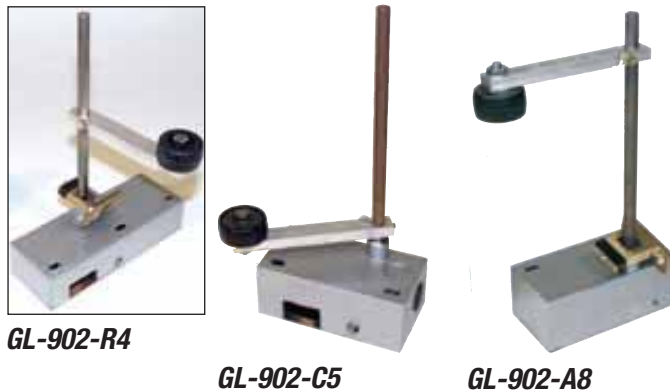


GAL Door Interlock Components



INTERLOCK COMPONENTS ORDERING INFORMATION

| Adams part no. | Description | G.A.L. part no. |
|----------------|--------------------------------------------------------------------------------------------------------------------|-----------------|
| G825 | Replacement clutch roller (flat) & shaft; brown heavy-duty poly roller, dia. = 1 1/2" | INT1H-0023N |
| G825A | Replacement clutch roller & shaft; black Quiet Poly roller, dia. = 1 1/2"; tire radius = 3" | — |
| G825R | Black Quiet Poly clutch roller & bushing assembly without shaft; same roller as G825A | — |
| G840 | Corridor door lock key, KMO-type (universal) | INT1H-0034N |
| G841 | Type M key for swing doors | INT1H-0129N |
| G20A1 | Movable contact finger for intermediate relay, RH | LC-0021R |
| G20A2 | Movable contact finger for intermediate relay, LH | LC-0021L |
| G20C1 | Stationary silver contact for intermediate relay; 3/8"-dia. silver contact on threaded hex stud w/nut; 1"L overall | — |
| G20C2 | Stationary carbon contact for intermediate relay; 3/8"-dia. carbon contact on threaded hex stud w/nut | CONT-0001L |
| KVP840 | Key Value Pak; incl. one ea. G840, G841, W824L, W824T, O825A, O825B, O825C | — |



| Adams part no. | Description | G.A.L. part no. |
|------------------|-------------------------|-----------------|
| GL-902-A8 | Door Lock Assy - SM, RH | INT6-0001R |
| GL-902-C5 | Door Lock Assy - SM, LH | INT6-0001L |
| GL-902-R4 | Interlock, Type "N", LH | INT22-0001L |



GL-902-L8



GL-902-C4

| Adams part no. | Description | G.A.L. part no. |
|------------------|----------------------------------|-----------------|
| GL-902-C4 | Interlock Roller, 4-1/2" centers | INT5-0025N |
| GL-902-L8 | Roller & Bolt | INT5-0027N |



GL-902-B2



GL-902-B5



GL-902-B6



GL-902-F1

| Adams part no. | Description | G.A.L. part no. |
|------------------|-----------------------------------------------------|-----------------|
| GL-902-B2 | 1 ³ / ₁₆ "DIA ACTUATOR ROLLER | CLU1-0036N |
| GL-902-B5 | BRIDGING BLOCK | INT5-0019N |
| GL-902-B6 | INSULATOR | |
| GL-902-C6 | UPPER CONTACT BASE | INT5-0016N |
| GL-902-D4 | INTERLOCK SW ASSY TYPE | INT2H-0007N |
| GL-902-F | LOWER LINK | INT1H-0026N |
| GL-902-F1 | UPPER BRIDGING BLOCK | INT18-0015N |
| GL-902-F3 | PIN | |
| GL-902-L9 | INTERLOCK ASSY. | INT2H-0002N |
| GL-902-M7 | LOWER CONTACT BASE | INT5-0017N |
| GL-902-R | MO SWITCH ASSY | INT1H-0013L |
| GL-902-R2 | MOUNTING PLATE | INT2H-0037N |
| GL-902-S | OPERATOR CONTACT | OP10-0010N |
| GL-902-T5 | CONTACT BASE | |
| GL-902-Y9 | 1 ⁵ / ₁₆ "DIA ACTUATOR ROLLER | CLU1-0037N |



GL-902-D4
Interlock Box
Type MOCF



GL-902-Y9



GL-902-S

KEEPER & LOCKING COMPONENTS



G30B1



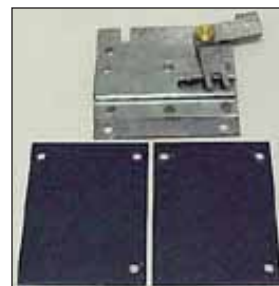
GL-902-F9



GL-902-C7



GL-902-D3



GL-902-AE1



GL-902-Y2

| Adams part no. | Description | G.A.L. part no. |
|-------------------|------------------------|-----------------|
| GL-902-AE1 | Locking Bar Guide - RH | CLU3-0328R |
| GL-902-AE8 | Locking Bar Guide - LH | CLU3-0328L |
| GL-902-C7 | Door Keeper | INT4-0001N |
| GL-902-D3 | Door Keeper - Double | INT4-0002N |
| GL-902-F9 | Keeper Assy - MOCF | INT2H-0015N |
| GL-902-D8 | Rocker Arm Assy. | INT2H-0010N |
| G30B1 | Keeper Stem Bumper | INT1H-0019N |
| GL-902-Y1 | Locking Bar | |
| GL-902-Y2 | Locking Cam - LH | |
| GL-902-AA9 | Locking Cam - RH | |



GL-902-D8



GL-902-Y1



GL-917-A5



GL-917-D



GL-917-E



GL-917-F



GL-917-H7



GL-917-Z



GL-917-M



GL-917-M1



GL-917-M9



GL-917-N



GL-917-H9



GL-917-P7



GL-917-N6



GL-917-Y

| SAFETY EDGE COMPONENTS | | |
|------------------------|---------------------------------------|-----------------|
| Adams part no. | Description | G.A.L. part no. |
| GL-917-A5 | RUBBER BOOT | |
| GL-917-D | SAFETY EDGE SWITCH ASSY | SE2-0001R |
| GL-917-DA | SAFETY EDGE ASSM RH 7FT | SE5-0073N |
| GL-917-E | PIVOT ARM & LEAF SPRING-UPPER | SE5-0018N |
| GL-917-F | PIVOT ARM & LEAF SPRING-LOWER | SE5-0020N |
| GL-917-H7 | SAFETY EDGE RH CAM BRKT | SE5-0028R |
| GL-917-H9 | SAFETY EDGE LH CAM BRKT | SE5-0028L |
| GL-917-M | SAFETY EDGE RETRACT ROD | SE10-0017N |
| GL-917-M1 | BUSHING, SAFETY EDGE | HWBS-0003N |
| GL-917-M9 | BRACKET, LH SAFETY EDGE | SE15-0003L |
| GL-917-N | SAFETY EDGE ARM SW | SE2-0001L |
| GL-917-N6 | COVER & SCREW | SE2-0003N |
| GL-917-P7 | ANGLE, SAFETY EDGE NOSE RETRACTING | SE5-0016N |
| GL-917-R5 | PIVOT ARM & SPRING | |
| GL-917-R9 | WSHR PKG (RA S.E. SWTCH) | SE2-0007N |
| GL-917-Y | ROLLER,SAFETY EDGE | SE2-0005N |
| GL-917-Z | BASE MTG | |
| GL-928-C6 | SAFETY EDGE SUPPORT | CDH1-0020N |
| GL-600-M | LOWER PIVOT ARM SPRING | SE5-0021N |
| GL-600-R | UPPER PIVOT ARM SPRING | SE5-0019N |



GL-917-R9



GL-928-C6



GL-600-M



GL-600-R

PHOTO EYE



GL-1088-E
Photo Eye Sensor
Transmitter



GL-1088-F
Photo Eye Sensor
Receiver



GL-918-C
Power Pack



GL-916-C



GL-916-A3



GL-916-A10



GL-916-F



GL-916-H



GL-916-Z



GL-916-T



GL-916-G



GL-916-X



GL-916-W

| DOOR EQUIPMENT | | |
|-----------------------|--------------------------------------|-----------------|
| Adams part no. | Description | G.A.L. part no. |
| GL-916-A1 | CLUTCH, LWZ-2 10" LINK FOR RH | CLU9-0001R |
| GL-916-A2 | CLUTCH, LWZ-2 10" LINK FOR LH | CLU9-0001L |
| GL-916-A3 | CLUTCH, RETRACTING VANE | CLU1-0035N |
| GL-916-A7 | PIVOT ARM ASSM W/BUSHINGS | CLU3-0354N |
| GL-916-A10 | CLUTCH, RETRACTING VANE | CLU4-0026N |
| GL-916-A11 | ACTUATING LINK, 12"LG. | CLU1-0045N |
| GL-916-A12 | CLUTCH, OPEN VANE | |
| GL-916-A16 | RETRACTING ARM LINK BAR | |
| GL-916-C | DOOR CLOSER CAM RA SE | SE5-0022N |
| GL-916-F | CLUTCH, RETRACTING VANE | CLU4-0027N |
| GL-916-G | CLUTCH | |
| GL-916-H | ACTUATING LINK 5-7/8" L | OP22-0278N |
| GL-916-L1 | CLUTCH, LWP-2 10" LINK FOR RH/LH | |
| GL-916-T | CLUTCH ASSY., TYPE LW WITH 12" PLATE | CLU4-0002L |
| GL-916-W | CLUTCH, LW-2 6" Link | CLU1-0002N |
| GL-916-X | CLUTCH TYPE L OP-30 LH | CLU1-0012N |
| GL-916-Z | CAM,CLUTCH END | CLU1-0038N |

G-GATE SWITCH



GL-945-H



GL-945-C



GL-945-R

G830C1



G830C2



G830K1



GL-945-M



| Adams part no. | Description | G.A.L. part no. |
|-----------------|--------------------------------------------------------------------------------------------------------------------------------------------|-----------------|
| GL-945-H | Gate Switch Assembly-Complete | SW1-0001N |
| GL-945-C | Lever and Roller Assembly | SW1-0005N |
| GL-945-M | Operating Cam Assembly | SW1-0010N |
| GL-945-R | Roller and Bolt | SW1-0007N |
| G830C1 | Stationary G-gate switch contact; incl. insulator, 2 movable contacts, return springs, connecting strap | SW1-0011N |
| G830C2 | Movable G-gate switch contact; incl. micarta mounting block, silver laminate contact | SW1-0012N |
| G830K1 | G-gate switch replacement kit; incl. 1 ea. G830C1 stationary contact, G830C2 movable contact, canvas/phenolic insulator, & mounting screws | SW1-0003N |



GL-915-A3



GL-915-A7



GL-915-D

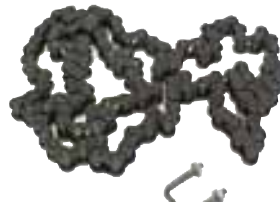
| DOOR OPERATOR EQUIPMENT | | |
|-------------------------|-------------------------------|-----------------|
| Adams part no. | Description | G.A.L. part no. |
| GL-915-A3 | LIMIT CONTROL BOX, RH | OP12-0001R |
| GL-915-E2 | LIMIT CONTROL BOX, LH | OP12-0001L |
| GL-915-A7 | TOGGLE SWITCH | OP13-0021N |
| GL-915-D | INT. PULLEY, 15 T SPROCKET | OP20-0001N |
| GL-915-E4 | STAND, BEARING INTERMEDIATE B | OP20-0005N |
| GL-915-N4 | INT. PULLEY, 12 T SPROCKET | |
| GL-915-H1 | CHAIN & U-BOLT, #40 CHAIN | OP21-0005N |
| GL-1294-E | U BOLT KIT | OP21-0006N |
| GL-915-C9 | STOP ROLLER | OP21-0018N |



GL-915-E4



GL-915-N4



GL-915-H1



GL-915-F



GL-1294-E



GL-915-C9

| Adams part no. | Description | G.A.L. part no. |
|----------------|-------------------------------------------|-----------------|
| GL-915-F | LIMIT CONTROL 230VDC | OP10-0001L |
| GL-915-H7 | PULLEY W/ CHAIN & BEARING BLK | OP10-0029N |
| GL-915-C1 | BEARING W/ BEARING BLOCK | OP10-0034N |
| GL-915-N6 | MOD OPER. DR. PULLEY ONLY | OP10-0031N |
| GL-915-W | U BOLT W/ NUTS & WASHERS | |
| GL-915-X | CHAIN & U-BOLTS, #35 CHAIN, FOR MODL OPER | OP10-0036N |
| GL-915-H2 | RUBBER SUPPRESSOR | OP10-0035N |
| GL-925-A6 | STOP, OPERATOR PULLEY | OP10-0032N |



GL-915-X



GL-925-A6

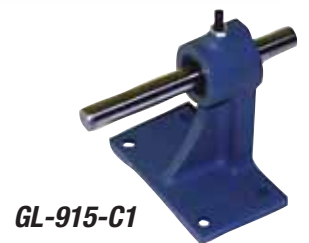


GL-915-H2



GL-915-W

GL-915-H7



GL-915-C1



GL-915-A4



GL-915-H



GL-915-M2



GL-915-C7



GL-915-M1

| ACTIVATING CAMS | | |
|-----------------|---------------------------------|-----------------|
| Adams part no. | Description | G.A.L. part no. |
| GL-915-A4 | ACTIVATING CAM SET - 8 PCS - LH | OP12-0006L |
| GL-915-C7 | ACTIVATING CAM SET - 8 PCS - RH | OP12-0006R |
| GL-915-H | ACTIVATING CAM SET - 6 PCS - LH | OP10-0015L |
| GL-915-M1 | CAM - CLOSE LIMIT - LH | OP10-0016N |
| GL-915-M2 | CAM - CLOSE LIMIT - RH | OP10-0017N |



GL-850-J



GL-915-C



GL-915-E



GL-915-E3



GL-915-E6



GL-915-L6



GL-930-A4



GL-930-B



GL-930-E



GL-915-P6



GL-915-P9



GL-915-K



GL-915-EE



G30B1



GL-915-TT



GL-915-F6



GL-915-S

DOOR OPERATOR EQUIPMENT

| Adams part no. | Description | G.A.L. part no. |
|-------------------|---------------------------------------------|-----------------|
| GL-850-J | BEARING, DOOR CLOSER | |
| GL-915-A4 | CAM SET | |
| GL-915-C | CLOSE ROLLER ASSY | SE5-0022N |
| GL-915-C7 | CAM KIT | |
| GL-915-E | STOP BUMPER & BOLT | |
| GL-915-E3 | BEARING W/ 2 WASHERS | HWBR-0008N |
| GL-915-E5 | PIN,NYLON-5/32"D x 5/8" | PIN-0044N |
| GL-915-E6 | ARM,DOOR SUPPORT | OP25-0001N |
| GL-915-EE | OPERATOR CRANK ARM-17" L | OP22-0494N |
| GL-915-F6 | SUPPORT,DOOR DRIVE ARM | OP24-0001N |
| GL-915-F7 | CONN LINK LOWER | |
| GL-915-K | ARM.OPERATOR ALUM 40" to 49"L | OP22-0216N |
| GL-915-JJ | CRANK ARM | OP22-0497N |
| GL-915-L4 | NYLON BUSHING | |
| GL-915-L6 | ROLLER BEARING | |
| GL-915-L7 | DRIVE ARM.CROSS PLATE | OP34-0079N |
| GL-915-LL | ACTUATING LINK & OP.HLD | |
| GL-915-M5 | RUBBER SUPPRESSOR | |
| GL-915-N | LIMIT SWITCH | OP10-0004R |
| GL-915-N7 | SUPPORT BRKT B/O-B40740 | |
| GL-915-P6 | RETRACTING/FRICT. ASSY., LH | SE5-0027L |
| GL-915-P9 | RETRACTING/FRICT. ASSY., RH | SE5-0027R |
| GL-915-PP | OPERATOR CONNECTNG LINK 17.25" LONG | OP22-0178N |
| GL-915-R | PILLOW BLOCK | |
| GL-915-S | BEARING W/ ONE WASHER | HWBR-0009N |
| GL-915-TT | RETIRING CAM P/U ROLLER | |
| GL-915-W7 | ARM OPERATOR- 34" TO 39" | OP22-0215N |
| GL-930-A | BASE YOKE ASS'Y RH | CL5-0056N |
| GL-930-A4 | BASE YOKE ASS'Y LH | CL5-0057N |
| GL-930-A6 | GUIDE DOUBLE SPRING | CL5-0059N |
| GL-930-B | SPRING & SPRNG ROD ASSY | CL5-0051N |
| GL-930-E | SPRING GUIDE ASSY | CL5-0058N |
| 7263C05H41 | DRIVE ARM CROSS PLT. | OP22-0057N |
| G30B1 | GAL BUMPER 1 1/8"DIA x 1/4"L/ 15/32"THRD | |



GL-915-N7



GL-915-PP



GL-915-JJ



GL-915-F7



GL-915-L7



GL-928-A2



GL-928-E5



GL-928-L



GL-928-K



GL-928-P



GL-928-E



GL-928-F



GL-928-N



GL-928-C



GL-928-C1



GL-928-Z

| Adams part no. | Description | G.A.L. part no. |
|----------------|--------------------------------|-----------------|
| GL-928-A2 | Hanger Sheave, RH, w/ retainer | HH3-0034R |
| GL-928-A3 | Hanger Sheave, LH, w/retainer | HH3-0034L |
| GL-928-A6 | Relating Cable, 48" | |
| GL-928-C | 2-1/4" Roller Kit | HH10-0041N |
| GL-928-C1 | Gearing Cable Clamp | |
| GL-928-E | Felt Wiper Oiler - Long | HH1-0026N |
| GL-928-F | Felt Wiper Oiler - Short | HH5-0029N |
| GL-928-E4 | Support Bracket - RH | HH2-0052R |
| GL-928-E5 | Support Bracket - LH | HH2-0052L |
| GL-928-K | Hanger Eccentrics | HH1-0024N |
| GL-928-L | Stop Roller | OP10-0040N |
| GL-928-M | Hanger Sheave Assy w/ Brkt RH | HH1-0105R |
| GL-928-N | Hanger Sheave Assy w/ Brkt LH | HH1-0105L |
| GL-928-P | Tension Pulley Assy - RH | HH3-0042R |
| GL-928-R | Tension Pulley Assy - LH | HH3-0042L |
| GL-928-Z | Gearing Pulley | HWPL-0010N |

BRIDGING CAMS

| Adams part no. | Description | G.A.L. part no. |
|----------------|-----------------------------------|-----------------|
| GL-925-B | Bridging Cam Assy - Large | OP10-0009N |
| GL-925-C | Bridging Cam Assy - Small | OP10-0008N |
| GL-925-F | Bridging Cam Set 2 small, 2 large | OP10-0007N |
| GL-915-G | Limit Switch - LH | OP10-0004L |
| GL-915-N | Limit Switch - RH | OP10-0004R |



GL-915-N



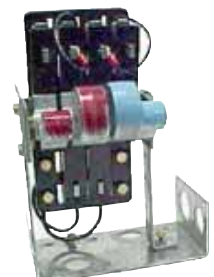
GL-925-C



GL-925-B

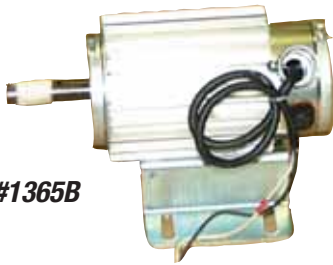


GL-925-F



GL-915-G

G800B
Motor D00#1365B



The *G800B* replacement motor comes with only 2 armature leads. OEM-wound field motors (and our older G800A replacement) have 4 leads.

Two fewer leads makes installation easier than ever. Connect only the A1 & A2 armature leads. Unused field leads can be taped off and ignored.



G800C
Brush, for G800B
(2 required)

| DOOR MOTOR SPECIFICATIONS | | | | | | | | | |
|---------------------------|-------------------|-----|-----------|-------------|--------------|---------------------------------|---------------------------------|----------------------------------|-------|
| Adams part no. | Operating voltage | HP | Weight | No-load rpm | Motor type | Length | | Diameter | |
| | | | | | | Body | Shaft | Body | Shaft |
| G800B | 230VDC | 1/6 | 11.0 lbs. | 1150 | Perm. magnet | 6 ⁷ / ₈ " | 1 ⁵ / ₈ " | 4 ³ / ₁₆ " | 5/8" |



GL-860-J

| MOTORS | | |
|-----------------|---------------------------------|-----------------|
| Adams part no. | Description | G.A.L. part no. |
| GL-860-B | MOTOR 1/4 HP 230 VDC, PM | MTR-0009N |
| GL-860-C | MOTOR 1/2 HP, 220 VDC, PM | MTR-0010N |
| GL-860-J | MOTOR 1/4 HP, 230 VDC, PM | MTR-0012N |
| GL-860-Y | MOTOR 1/4 HP, 115 VDC, 1150 RPM | MTR-0012N |



GL-915-H9
Motor Pulley



GL-870-A
V-Belt 44"



GL-870-B
Drive Belt 24"



GL-942-B



GL-942-D

| SELECTOR PARTS | | |
|-----------------|-------------------------|-----------------|
| Adams part no. | Description | G.A.L. part no. |
| GL-942-B | SELECTOR CONT INSULATOR | |
| GL-942-C | STATIONARY BRUSH HOLDER | SEL-0080N |
| GL-942-D | CONTACT BRUSH | SEL-0086N |
| GL-942-E | MOVABLE BRUSH HOLDER | SEL-0081N |



GL-942-C



GL-942-E



GL-660-C



GL-960-L



GL-101-L



GL-100-L



GL-101-A



GL-915-F4



GL-915-C3



GL-902-M7



GL-915-Y



GL-100-A1



GL-100-C6



GL-915-Z



GL-101-W



GL-103-C



GL-103-A



GL-101-Z



GL-100-A2



GL-100-K



GL-100-C2



GL-100-A9



GL-915-A1

RELAY PARTS

| Adams part no. | Description | G.A.L. part no. |
|----------------|-----------------------------------|-----------------|
| GL-100-A | COPPER CONTACT, 1" DIA | LC-0018N |
| GL-100-A1 | CARBON CONTACT, 1-3/4" DIA | CONT-0009N |
| GL-100-A2 | COPPER CONTACT, 1-1/2" DIA | LC-0015N |
| GL-100-A3 | CARBON CONTACT, 1-1/2" DIA | CONT-0008N |
| GL-100-A7 | CARBON CONTACT AND STUD ASSY | CONT-0001N |
| GL-100-A9 | SILVER CONTACT W/NUT | CONT-0003N |
| GL-100-B | CARBON CONTACT, 1" DIA | CONT-0006N |
| GL-100-C2 | MOV. CONTACT FINGER, 9" WIRE | LC-0025R |
| GL-100-C3 | MOV. CONTACT FINGER, 6" WIRE | LC-0028R |
| GL-100-C6 | CONTACT POST ARM | |
| GL-100-G | COPPER CONTACT, 1-3/4" DIA | LC-0016N |
| GL-100-K | CARBON CONTACT, 1-1/4" DIA | |
| GL-100-L | CONTACT HOLDER | |
| GL-101-A | CONTACT ARM, 3-1/2" LG | |
| GL-101-A1 | MAIN CONT.SP.RING, 1" LG | LC-0103N |
| GL-101-B | CARBON CONTACT HOLDER, 1-1/4" DIA | |
| GL-101-L | CONTACT PLATE | LC-0048N |
| GL-101-W | CARBON CONTACT HOLDER, 1-3/4" DIA | LC-0041N |
| GL-101-Z | MAIN CONTACT ARM (S-6611) | |
| GL-102-B | CARBON CONTACT HOLDER, 2" DIA | |
| GL-103-A | CONTACT POST | LC-0107N |
| GL-103-C | TERMINAL STUD, 2" LG | |
| GL-660-C | CONTACT PLATE | LC-0055N |
| GL-960-L | CONTACT PLATE | LC-26 #2 |

POS. INDICATOR INSERTS - RRB TYPE

| Adams part no. | Lens Marking |
|----------------|--------------|
| GL-935-A1 | "B" |
| GL-935-E | "1" |
| GL-935-F | Green Arrow |
| GL-935-H | Red Arrow |
| GL-935-K | "2" |
| GL-935-U | "4" |
| GL-935-V | "5" |
| GL-935-W | "6" |



GL-1067-E



GL-1067-M



GL-935-A1



GL-1067-D



GL-1067-H



GL-933-A2



GL-902-N2



GL-933-R



GL-933-J3



GL-933-G



GL-933-F3



GL-933-A7

| Adams part no. | FUNCTION | 9:00 | 12:00 | 3:00 | 6:00 | 9:00 | 12:00 | 3:00 | HALO | COLOR | TEXT | HALO HT. | 2" CC MTG. | KEY |
|----------------|-----------------------------|--------|-------|-------|------------|------|-------|------|-------------|-------|-------|----------|------------|--------|
| GL-933-R | HOISTWAY ACCESS | DN | OFF | UP | ACCESS | M | X | M | 1 3/8" DIA. | BLACK | WHITE | 1/4" | VERT. | G1612P |
| GL-933-C2 | LOCK OUT | | OFF | ON | | | X | 0 | 1 3/8" DIA. | BLACK | WHITE | 1/4" | HORIZ. | G1601X |
| GL-933-C6 | LOCK OUT | | OFF | ON | | | X | 0 | 1 3/8" DIA. | BLACK | WHITE | 1/4" | HORIZ. | G1601P |
| GL-933-E1 | LOCK OUT | | BLANK | BLANK | | | X | M | 1 3/8" DIA. | BLACK | N/A | 1/4" | HORIZ. | G1613P |
| GL-933-F1 | LOCK OUT | | BLANK | BLANK | | | X | M | 1 3/8" DIA. | BLACK | N/A | 1/4" | VERT. | G1613X |
| GL-933-G | LOCK OUT | | BLANK | BLANK | | | X | M | 1 3/8" DIA. | BLACK | N/A | 1/4" | HORIZ. | G1601P |
| GL-933-E3 | LOCK OUT | | BLANK | BLANK | | | X | M | 1 1/4" SQ | BLACK | N/A | 1/4" | VERT. | G1613P |
| GL-933-E9 | PHASE I FIRE SERVICE (HALL) | BYPASS | OFF | ON | FIRE SERV. | 0 | X | X | 1 3/8" DIA. | RED | WHITE | 1/4" | VERT. | G1617P |
| GL-933-A7 | PHASE II FIRE SERVICE (CAR) | OFF | HOLD | ON | FIRE SERV. | X | X | X | 1 3/8" DIA. | RED | WHITE | 1/4" | HORIZ. | G1617X |
| GL-933-J3 | RUN STOP KEYSWITCH | | RUN | STOP | | | X | X | 1 3/8" DIA. | BLACK | WHITE | 1/4" | HORIZ. | G1601X |

| Adams part no. | FUNCTION | HALO | COLOR | TEXT | HALO HT. | 2" CC MTG. |
|----------------|---------------------------------------------|-------------|-------|------|----------|------------|
| GL-933-F3 | TOGGLE SWITCH, RRB EMERGENCY STOP, 1NO-1NC. | 1 3/8" DIA. | BLACK | RED | 3/8" | VERT. |
| GL-933-A2 | TOGGLE SWITCH, RRB EMERGENCY STOP, 2NO-1NC. | 1 3/8" DIA. | BLACK | RED | 3/8" | VERT. |

KEY PULL DESIGNATIONS

- X KEY REMOVEABLE
- M MOMENTARY - NO KEY PULL
- 0 MAINTAINED - NO KEY PULL

| Adams part no. | G.A.L. Key No. |
|----------------|----------------|
| GL-1065-E | G1612P |
| GL-1065-C | G1601P, G1601X |
| GL-1065-L | G1613P, G1613X |
| GL-1065-F | G1617P, G1617X |



GL-1200-A



GL-1200-E



GL-935-B

| | FIREMAN'S KEY BOX | W | H | D | MATERIAL |
|-----------|--------------------------------|--------|---------|--------|----------|
| GL-902-N2 | FIRE DEPT. AND EMERG. USE ONLY | 3 1/4" | 10 5/8" | 1 5/8" | SS#4 |

EMERGENCY LIGHT

| Adams part no. | Description | G.A.L. part no. |
|----------------|------------------------|-----------------|
| GL-1200-A | EMERGENCY LITE (EL4) | EMER-0001N |
| GL-1200-E | BATTERY FOR EMERG LITE | BAT-0001N |
| GL-935-B | EMERG LIGHT LENS | PMDG-0136N |

RRB PUSHBUTTON MODULES

2 N.O. Contacts; 2" mounting centers; Button 7/8" O.D.; Halo 1 3/8" O.D.; Black marking on white button; Horizontal or Vertical mounting for buttons only, not for stop switch.

| PUSHBUTTON MODULE - RRB | |
|-------------------------|------------------------------------|
| Adams part no. | Marking |
| GL-2101-A | B |
| GL-2101-A1 | 1 |
| GL-2101-AR | Arrow |
| GL-2101-DC | Door Close |
| GL-2101-E4 | Blank |
| GL-2101-X2 | Alarm |
| GL-2101-X4 | Emergency Stop Switch-Push To Stop |
| GL-2101-E1 | Emergency Stop Switch-Pull To Stop |



GL-2101-A



GL-2101-E1

SRB PUSHBUTTON MODULES

2 N.O. Contacts; 2" mounting centers; Square Halo

| PUSH BUTTON MODULE - SRB | |
|--------------------------|--------------|
| Adams part no. | Marking |
| GL-2150-A1 | 1 |
| GL-2150-A2 | 2 |
| GL-2150-AR | Arrow |
| GL-2150-ST | Pull To Stop |



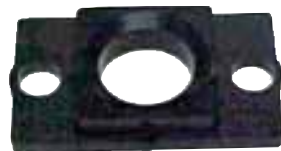
GL-2150-ST



GL-2150-A1



GL-933-F6
RRB Halo-Black



GL-933-F7
SRB Halo



GL-933-C3
RRB Halo-White



GL-935-A
Gong Assembly
(ref. M6452-3A 110V)

PUSHBUTTON CAPS - RRB/SRB

Black marking on white button; 7/8" O.D.

| Adams part no. | Marking | Type |
|----------------|------------|------|
| GL-2000-A3 | 3 | RRB |
| GL-2000-A4 | 4 | RRB |
| GL-2000-AG | G | RRB |
| GL-2000-AR | Arrow | RRB |
| GL-2000-C1 | 8 | RRB |
| GL-2000-C2 | 9 | RRB |
| GL-2000-C3 | 10 | RRB |
| GL-2000-C4 | Blank | RRB |
| GL-2000-DX | Door Close | RRB |
| GL-2102-A1 | 1 | SRB |
| GL-2102-A3 | 3 | SRB |
| GL-2102-A4 | 4 | SRB |



GL-2000-AG



GL-2000-C4



GL-2102-A1



GL-200-A2



GL-200-B



GL-200-C



GL-200-E



GL-200-F



GL-200-G



GL-200-H



GL-200-J



GL-200-W

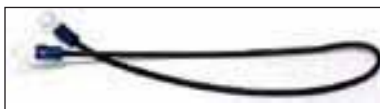


GL-200-N

RELAY COILS

| Adams part no. | Description | G.A.L. part no. |
|----------------|-----------------------------------------|-----------------|
| GL-200-A2 | COIL, 260VDC, 1-1/8" ID, 2-13/16" OD | S5630 |
| GL-200-B | COIL, 208/220 VAC, 7/8" ID, 2-1/4" OD | S5631 |
| GL-200-C | COIL, 265 VDC, 7/8" ID, 1-3/4" OD | S5632 |
| GL-200-E | COIL, 230 VDC, 1-1/16" ID, 2-3/8" OD | S5785 |
| GL-200-F | COIL, 230 VDC, 3/4" ID, 1-3/4" OD | 5744N |
| GL-200-G | COIL, 40 WATT, 5/8" ID, 1-7/16" OD | |
| GL-200-H | COIL, 39 WATT, 5/8" ID, 1-7/16" OD | |
| GL-200-J | COIL, 35 WATT, 5/8" ID, 1-7/16" OD | 6439 |
| GL-200-N | COIL 5760 (LC-10), 1-1/4" ID, 2-3/4" OD | 5760 |
| GL-200-R | COIL, 6202, 1-1/4" ID, 2-5/8" OD | 6202 |
| GL-200-W | COIL 6180, 1-1/8" ID, 2-3/4" OD | 6180 |

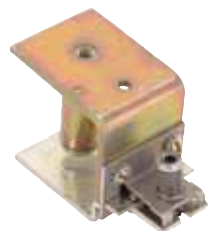
MISC. RELAY COMPONENTS



GL-300-C

WIRE LEADS

| Adams part no. | Description | G.A.L. part no. |
|----------------|--------------------------------|-----------------|
| GL-300-A | WIRE LEAD 13-1/4" L (#8 WIRE) | |
| GL-300-B | WIRE LEAD 14-3/4" | |
| GL-300-C | WIRE LEAD 13-1/2" L (#14 WIRE) | |



GL-1097-F
Armature & Frame
Assy.
(G.A.L. # M-6445-2)



GL-100-A6
Armature & Frame
Assy. w/Coil
(G.A.L. # LC-28#1)



GL-1098-E
Reverse Phase
Relay



GL-1099-B



GL-1099-C

| RESISTORS | | |
|----------------|---------------------------------|-----------------|
| Adams part no. | Description | G.A.L. part no. |
| GL-1099-B | RESISTOR 6 K-OHM, 20 W | RES-0065N |
| GL-1099-C | RESISTOR ADJ; 750 OHM, 200 W | RES-0110N |
| GL-1099-E | RESISTOR ADJ; 300 OHM | |
| GL-1099-K | RESISTOR ASSY; 2 ADJ. @ 300 OHM | |
| GL-915-F9 | RESISTOR MOUNTING BRACKET | |



GL-915-F9



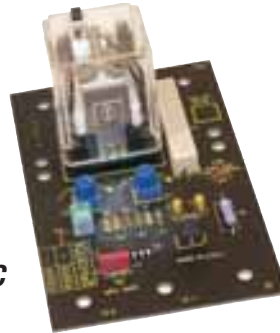
GL-1099-K



GL-1099-E

TIMERS, COUNTERS

| TIMERS & COUNTERS | | |
|-------------------|----------------------------------------|-----------------|
| Adams part no. | Description | G.A.L. part no. |
| GL-960-C | TIMER, SOL STATE W/OUT ADAPTOR KIT | TMR-0001N |
| GL-960-C1 | ADAPTER KIT-TIMER 10121 | TMR-0008N |
| GL-960-K | COUNTER, 2-POT, SOLID STATE 100-200vdc | CTR-0004N |
| GL-960-N | COUNTER, 1-POT, SOLID STATE 100-200vdc | CTR-0003N |



GL-960-C



GL-960-C1



GL-960-K



GL-960-N

MISC. SWITCHES



GL-1098-C
GAL
Switch



GL-1132-A
GAL
Micro-Switch



GL-925-H
Limit Switch



GL-1600-C
GAL
Limit Control Board



GL-922-A
LU Leveling
Switch



GL-922-E
Magnetic
Leveling

Index for Pages 192-210

| | | | |
|---------------------------------|----------|-------------------------------|--------------------|
| Alarm Bells | 196 | Motors..... | 203 |
| Brushes..... | 203 | Position Indicators..... | 196 |
| Brush holders..... | 203 | Pushbuttons & Components..... | 194, 196 |
| Car Door Lock Kits..... | 201 | Rectifiers | 205 |
| Clutch Components | 196 | Relay base..... | 208 |
| Coils..... | 209 | Relay parts | 206, 207 |
| Contacts | 206, 207 | Relays | 208 |
| Door operator parts..... | 198, 202 | Resistors | 204 |
| Fuses | 197 | Rollers..... | 192, 193, 198, 202 |
| Gongs..... | 196 | Safety edge links | 199 |
| Interlock components..... | 199 | SCR components..... | 205 |
| Keyswitches | 195 | Selector Parts..... | 207 |
| Lamps..... | 196 | Sheaves | 200, 201 |
| Lantern Components..... | 196 | Spirator | 198 |
| LED, red | 196 | STOP switches..... | 195 |
| Limit Switch & Components | 202 | Suppressors..... | 205 |
| Motor couplings | 203 | Switches | 194, 195, 202 |
| Motor sheaves..... | 203 | Transformers | 197 |

COLOR KEY FOR ADAMS POLY

Red = LF⁸⁰ Low Friction
 Black = SP⁸⁰ Soft
 Clear = HD⁹⁵ Heavy Duty

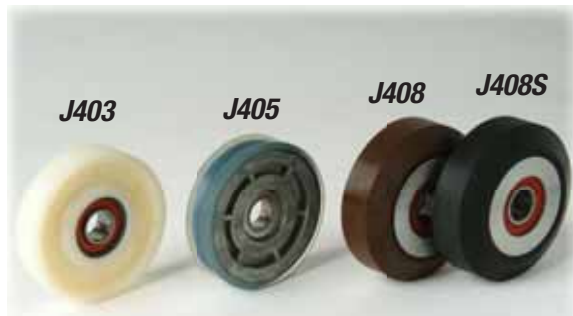
Looking for a quiet guide roller? Adams' SPx⁸⁰™ Quiet Poly rollers give the quiet ride you enjoy with rubber...PLUS:

- "Quiet Poly" lasts longer than rubber
- Stands up to petroleum products that invade hoistway and reduce roller life
- "Quiet Poly" resists ozone degradation

SPx⁸⁰ is the exclusive Adams Durabond® polyurethane formulation that's short on noise and long on life!

For greater durability, choose HDx⁹⁵™ Heavy Duty poly.

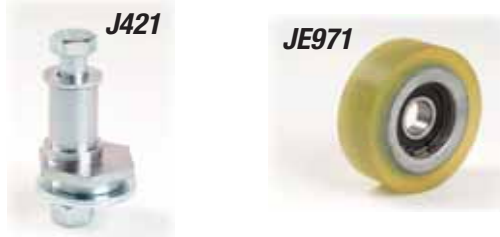
Door hanger rollers feature LFx⁷⁰™ Low Friction poly.



For Quiet Poly, look for "S" in part no.



For Quiet Poly, look for "S" in part no.



For Quiet Poly, look for "S" in part no.

| Adams part no. | Description | Material | | Dimensions | | Bearing bore | Haughton part no. |
|----------------|------------------------------------------------------------|----------|-------------------------------------|-----------------------------------|-----------------------------------|------------------|-------------------|
| | | Hub | Tire | O.D. | Width | | |
| J403 | Upthrust roller for TH operator car door hanger | Aluminum | Nylon | 3 ³ / ₈ " | 3 ³ / ₄ " | 0.6299" | 3-40126-93 |
| J404 | Idler sheave for car door hanger and safety edge retractor | | Nylon | 1 ⁷ / ₈ " | 3 ³ / ₄ " | 0.5000" (sleeve) | 35-1229-03 |
| J405 | B-4 hanger roller wheel | | LFx ⁷⁰ low-friction poly | 3 ⁵ / ₁₆ " | 3 ³ / ₄ " | 0.6250" | 3-40130-79 |
| J408S | Guide roller | | SPx ⁸⁰ | 3 ¹⁷ / ₃₂ " | 1 ¹⁵ / ₁₆ " | 0.6693 | — |
| J408 | Guide roller | | HDx ⁹⁵ | 3 ¹⁷ / ₃₂ " | 1 ¹⁵ / ₁₆ " | 0.6693 | — |

| Adams part no. | Description | Material | | Dimensions | | Bearing bore | Haughton part no. |
|----------------|------------------------------------------------------------------------------------------------------------------------------------------|----------|----------------------------------------------------------------------------|---------------------------------|-----------------------------------|--------------|-------------------------|
| | | Hub | Tire | O.D. | Face | | |
| J410 | Upthrust roller ass'y. | n/a | n/a | 1 ³ / ₈ " | 7 ¹ / ₁₆ ** | 0.6299" | 3-26064-00, 34-0792-097 |
| J420S J420 | Roller guide wheel | Aluminum | SPx ⁸⁰ HDx ⁹⁵ (1 ⁵ / ₁₆ "W) | 3 ¹ / ₂ " | 3 ³ / ₄ " | 0.6693** | 3-40151-00 |
| J422S J422 | Roller guide wheel | | SPx ⁸⁰ HDx ⁹⁵ (1 ¹ / ₁₆ "W) | 3 ¹ / ₂ " | 3 ³ / ₄ " | 0.5119" | 3-40158-67 |
| J423S J423 | Roller guide wheel | | SPx ⁸⁰ HDx ⁹⁵ (1 ⁵ / ₁₆ "W) | 3 ¹ / ₂ " | 1" | 0.7874*** | 3-40196-74 |
| J421 | Eccentric wheel support kit for J420; incl. eccentric pin & washer, axle pin, hardware; order J420 wheel separately. Also used for JE971 | | | | | | |
| JE971 | Roller guide ass'y | Aluminum | HDx ⁹⁵ | 3" | 1" | 0.6693" | 97444, 93485 |

³/₁₆" shoulder, ⁵/₁₆" L shaft **Roller comes with 2 ball bearings.

| Adams part no. | Description | Material | | Dimensions | | Bore diam. | Haughton part no. |
|----------------|--------------------|----------|---------------------------------------------------------------------------|---------------------------------|----------------------------------|------------|-------------------|
| | | Hub | Tire | O.D. | Face | | |
| J424S J424 | Roller guide wheel | Aluminum | SPx ⁸⁰ HDx ⁹⁵ (1 ¹ / ₈ "W) | 5" | 7 ¹ / ₁₆ " | 0.630** | 35-1159-004 |
| J425S J425 | Roller guide wheel | | SPx ⁸⁰ HDx ⁹⁵ (1 ³ / ₈ "W) | 7 ⁷ / ₈ " | 1 ¹ / ₂ " | 0.630** | 35-1159-002 |
| J426S J426 | Roller guide wheel | | SPx ⁸⁰ HDx ⁹⁵ (1 ¹ / ₄ "W) | 8" | 3 ³ / ₄ " | 0.787" | 3-40329-01 |

* Bearing fitted with a steel inner sleeve.

| Adams part no. | Description | Material | | Dimensions | | Bearing bore | Haughton part no. |
|----------------|-----------------------|------------------|-------------------|---------------------------------|--------|--------------|-------------------|
| | | Hub | Tire | O.D. | Face | | |
| J428A | Limit switch roller | Cold drawn steel | HDx ⁹⁵ | 3 ¹ / ₂ " | 0.625" | 0.6250" | 3-40154-23 |
| J428B | Limit switch roller | Cold drawn steel | HDx ⁹⁵ | 3 ¹ / ₂ " | 0.625" | 0.6299" | 3-19373-2 |
| J429S | Tach generator roller | Aluminum | SPx ⁸⁰ | 3 ¹ / ₂ " | 0.625" | 0.3125" | 3-40010-13 |

NOTE: Rollers in this table are not shown.



| Adams part no. | Description | Material | | Dimensions | | Bearing bore | Haughton part no. |
|----------------|---------------------|-------------------|---------------------------------------|-----------------------------------|-------|--------------|---------------------------|
| | | Hub | Tire | O.D. | Width | | |
| J401 | Hanger roller wheel | — | Nylon | 3 ¹¹ / ₁₆ " | 3/4" | 0.6299" | 3-40157-63, 16847-C, J, R |
| J402 | Hanger roller wheel | — | Nylon | 2 ⁵ / ₈ " | 3/4" | 0.6299" | 3-16847-03, NAS-16847-E |
| J406* | Hanger roller wheel | Die cast aluminum | LFx ⁷⁰ ™ low-friction poly | 2 ⁵ / ₈ " | 3/4" | 0.6299" | 3-40157-60 |
| J407** | Hanger roller wheel | Die cast aluminum | LFx ⁷⁰ ™ low-friction poly | 3 ¹¹ / ₁₆ " | 3/4" | 0.6299" | 3-40157-63 |

*Same as J402. **Same as J401.

Durabond, HDx⁶⁵, LFx⁷⁰, SPx⁸⁰—Reg. TM Adams Elevator Equipment Company

| Roller Replacement Kits | Rollers Only | | |
|-------------------------|----------------|-------------------|-------------------------------------------------|
| | Adams part no. | Haughton part no. | |
| 3-40134-75 | J403 | 3-40126-93 | 3 ³ / ₈ " Upthrust Roller |
| 3-40329-11 | | 3-40327-14 | 10" Guide Roller |
| 3-40329-10 | J426S | 3-40329-01 | 8" Guide Roller |
| 3-40196-74 | J420 | 3-40151-00 | 3 ¹ / ₂ " Guide Roller |



3-40134-75 Kit
3-40126-87 Stud only
3-40126-83 Spacer only
3-40126-93 Roller



3-40329-10



3-40196-74



3-40329-01

MISC. ROLLERS/COMPONENTS



3-40052-31
Pulse Wheel
& Collar



322C363G01
Roller-5¹/₄" OD

For M, N, NT, NTA Escalators



3-19327-02
Roller Hub 1.75"



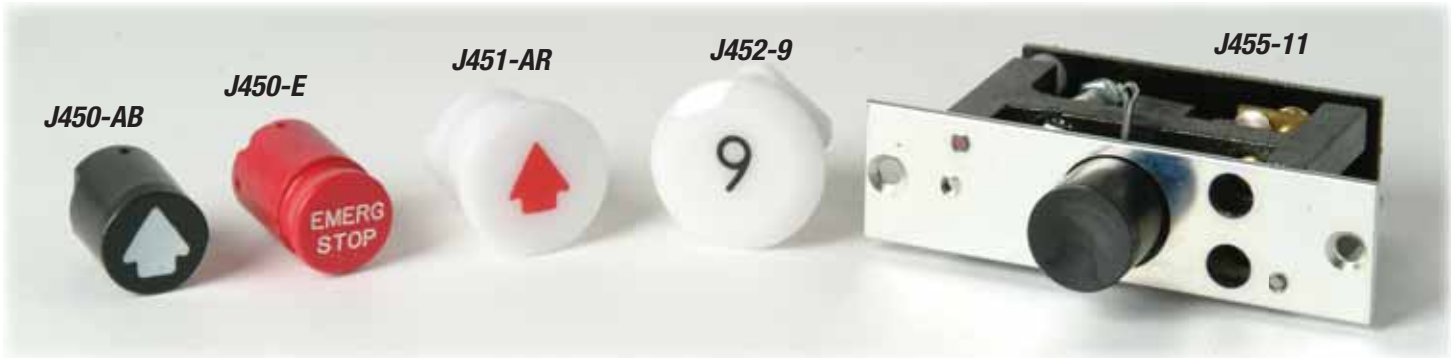
3-40130-80
Pin, Upthrust Roller



3-19373-03
Limit Switch
Roller Assembly



3-40131-03
Pin, Hanger
Sheave Pin



| PUSHBUTTON CHARACTERS (✓ = AVAILABLE FOR THAT SERIES) | | | | | |
|----------------------------------------------------------|--------------|-----------------------|------|------|------|
| Part no. suffix | Character | Adams part no. series | | | |
| | | J450 | J451 | J452 | J455 |
| -A | A | ✓ | | | |
| -AB | Arrow, black | | ✓ | ✓ | |
| -AG | Arrow, green | | ✓ | ✓ | |
| -AL | Alarm | ✓ | | | |
| -AR | Arrow, red | | ✓ | ✓ | |
| -B | B | ✓ | ✓ | ✓ | |
| -BL | Blank | ✓ | ✓ | ✓ | |
| -C | CALL | ✓ | | | |
| -D | D | ✓ | | | |
| -DC | Door Close | ✓ | ✓ | ✓ | |
| -DO | Door Open | ✓ | ✓ | ✓ | |
| -E | Emerg. STOP | ✓ | | | |
| -G | G | ✓ | ✓ | ✓ | |
| -GR | Ground | ✓ | | | |
| -L | L | ✓ | ✓ | | |
| -LL | LL | ✓ | ✓ | ✓ | |
| -M | M | ✓ | ✓ | | |
| -U | Up | ✓ | | | |
| -1R | 1 Rear | ✓ | | | |
| -1 | 1 | ✓ | ✓ | ✓ | ✓ |
| -2 | 2 | ✓ | ✓ | ✓ | ✓ |
| -3 | 3 | ✓ | ✓ | ✓ | ✓ |
| -4 | 4 | ✓ | ✓ | ✓ | ✓ |
| -5 | 5 | ✓ | ✓ | ✓ | ✓ |
| -6 | 6 | ✓ | ✓ | ✓ | ✓ |
| -7 | 7 | ✓ | ✓ | ✓ | ✓ |
| -8 | 8 | ✓ | ✓ | ✓ | ✓ |
| -9 | 9 | ✓ | ✓ | ✓ | ✓ |
| -10 | 10 | ✓ | ✓ | ✓ | ✓ |
| -11 | 11 | ✓ | ✓ | | ✓ |
| -12 | 12 | ✓ | ✓ | | ✓ |
| -13 | 13 | ✓ | ✓ | | ✓ |
| -14 | 14 | ✓ | ✓ | | ✓ |
| -15 | 15 | ✓ | ✓ | | ✓ |
| -16 | 16 | ✓ | ✓ | | ✓ |
| -17 | 17 | ✓ | ✓ | | ✓ |
| -18 | 18 | ✓ | ✓ | | ✓ |
| -19 | 19 | ✓ | ✓ | | ✓ |
| -20 | 20 | ✓ | ✓ | | ✓ |

J450-SERIES

J450 is a black "Type E" pushbutton with white characters. It measures 3/4" dia. x 7/8"L. Available only with characters listed.

To order, specify J450 plus the suffix of the characters you need. For example, to order a pushbutton with the word ALARM, ask for Adams part no. J450-AL.

Our J450-E emergency STOP button is red with white characters; 1 1/16"L. Replaces Haughton part no. 19355.

J451-SERIES

J451 (Haughton part number 3-40080-series) is a white "Type H" pushbutton with black characters. It measures 1 3/32" dia. x 1 3/32"L overall.

To order, specify J451 plus the suffix of the characters you want. For example, to order a pushbutton that reads "Door Open," ask for Adams part no. J451-DO.

J452-SERIES PUSHBUTTONS

J452 is a white "Type F" pushbutton w/black characters. It measures 1 1/4" dia. and features a square base.

To order, specify J452 plus the suffix for the character you need. For example, a pushbutton with the character 3, is Adams part no. J452-3.

J455-SERIES PUSHBUTTON ASSEMBLIES

J455 is a black "Type E" momentary pushbutton switch assembly with white characters. Base is impact-resistant Lexan®.

To order, specify J455 plus the suffix for the character you need. For example, to order a pushbutton with the character 11, order Adams part no. J455-11.

NOTE: Uses J450 button.



3-40218-14
"H" Button collar



3-19351-09
"H" Button base



35-1133-005
H-type switch assembly, no resistor
3-40150-54
H-Type Swswitch Assy. w/Resistor



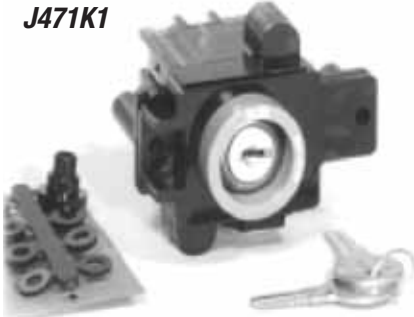
3-40081-36
Pushbutton, ("H") "Emerg Bell"



3-40081-37
Pushbutton, ("H") "Emerg Bell" Red

Replacement STOP Switches for Houghton

J471K1



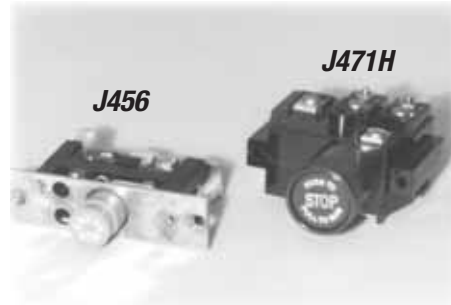
ASME A17.1, 210.2(v), 1990 requires keyed STOP switches in new passenger elevators where STOP switches are specified

KEYED STOP SWITCH

Keyed STOP switches prevent unauthorized stopping of elevator cabs. Passengers are protected because vandals cannot stop the elevator. Keys can be used by maintenance personnel to render the car inoperable. Retrofitting to keyed models can help eliminate the kinds of delays that cause distress to riders in your service area.

J471K1. Keyed STOP switch for Houghton, horizontal mount (shown above). Uses same hole diameter and stud pattern as Houghton horizontal STOP switch no. 3-40216-56 (**J471H** at right). Contacts are 2NC; halo diameter is 1⁵/₈".

O471K1. Keyed STOP switch for Houghton, vertical mount (see photo on right). Uses same hole diameter and stud pattern as Houghton vertical STOP switch no. 3-40216-57 (**O471AC1** at right). Uses AE102 key.



O471AC1



PUSH/PULL STOP SWITCHES

J456. Push/pull STOP switch replaces OEM Type E model; horizontal mounting configuration. Contacts are 1NO/1NC. Can also be used with any J450 button.

J471H. 1"-dia. push/pull STOP switch with collar; horizontal mounting configuration. Contacts are 2NC; no auxiliary contacts. Replaces Houghton part no. 3-40216-56. For aluminum button, ask for a special order.

O471AC1. Same as J471H, for vertical mounting. Replaces Houghton part no. 3-40216-57. For aluminum button, order part number **O474AC1**.



HAUGHTON KEY SWITCHES



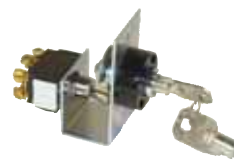
3-40079-06
Keyswitch-Complete (Momentary)

3-36335-01
Toggle Switch (2PDT)



3-40079-22
Keyswitch

3-40079-51
Key (Ace CLC332)



3-40079-26
Fire Service keyswitch (Key # CLC332)



3-40078-30
Marking ring face



3-40078-11
Marking ring face, blank Red



3-40078-18
Marking ring face, blank Black

TYPE "L" EXTENDED BUTTONS



3-40325-98
Extended button,
Arrow Type "L"



3-40325-99
Extended
Button cap,
Type "L"

HAUGHTON-SERIES

(3-40325-XX) Type "L" extended buttons. Replace "xx" with button marking. For example; for Type "L" extended button marked with "12", order 3-40325-12.

FIXTURE COMPONENTS



3-40335-95
Cover plate, direction
indicator



3-40320-11
Position indicator, LCD



3-40026-99
Gong, 12V



3-40134-64
Gong, 24V



3-19561-23
Lantern arrow,
White (Red= -20,
Green= -21)



3-40007-99
Red jewel



3-40218-98
Round lantern
lens



3-40049-69
Arrow lens



3-36266-08 Bell



3-40238-08
Lantern Lens, Red
(White= -07)

LAMPS



3-40118-75



3-40317-98

LAMPS

| Part no. | Description | Type | Haughton part no. |
|-------------------|----------------------|-------------|-------------------|
| A480L4 | 14 V, MIN. BAYONET | 1815 | 36300 |
| A480L8 | 28 V, MIN. BAYONET | 1843 | 3-36300-01 |
| A480L15 | 120 V, MIN. BAYONET | 120MB | 3-40121-08 |
| A481L2 | 13.5V, G6SC BAYONET | 97 | 36285 |
| A481L6 | 28V, G6SC BAYONET | 1251 | 33-1067-005 |
| A489L1 | 115V, CAND. SCREW | 6T4-1/2/120 | 3-26122-00 |
| 3-26122-02 | 120V | 25T10 | 3-26122-02 |
| 3-36325-00 | 6.5V, MIN. BAY. T-5 | 1462 | 3-36325-00 |
| 3-40014-98 | 28V, WHITE TYPE GF | 2190F91 | 3-40014-98 |
| 3-40118-75 | 120V, MSCP S11/102 | S11/102 | 3-40118-75 |
| 3-40317-98 | LED RED 28V | 8MB/27-BUR | 3-40317-98 |
| 3-40324-91 | LED ULTRA BRITE 28V | MB116CU4 | 3-40324-91 |
| 3-40362-74 | LED WHITE 28V | 30DD | 3-40362-74 |
| 3-40336-61 | MIN. BAYONET T-3-1/4 | 1873 | 3-40336-61 |

TRANSFORMERS

| Part no. | Primary (VAC) | Phase | Secondary(ies) | Power (VA) |
|-------------|-------------------------|-------|-------------------------|------------|
| 3-26136-00 | 440/480 | 3 | 220/190/180 | 3000 |
| 3-26137-01 | 115 | 1 | 24/20/16 | 150 |
| 3-26137-05 | 208/220 | 1 | 117 | 150 |
| 3-26137-09 | 208/480 | 3 | 254/240/220/135/128/117 | 106 |
| 3-26137-11 | 208/480 | 1 | 220/117 | 250 |
| 3-36218-03 | 210/230 | 3 | 12/10/8 | 100 |
| 3-40008-87 | 180 | 3 | 29/26/23 | 100 |
| 3-40155-19 | 208/230 | 1 | 98 | 125 |
| 3-40155-30 | 460 | 1 | 230 | 300 |
| 3-40196-29 | 120 | 1 | 12 | 10 |
| 3-40255-37 | 220/480 | 1 | 115 | 150 |
| 3-40266-16 | 115 | 1 | 36/18 | 6 |
| 3-40276-29 | 345/390 | 3 | 460 | 500 |
| 3-40288-97 | 208/480 | 1 | 180 | 1400 |
| 3-40302-27 | 220/440 | 3 | 115 | 300 |
| 3-40332-08 | 240/480 | 1 | 90 | 430 |
| 3-40386-58 | 480 | 3 | 240 | 750 |
| 3-40395-78 | 220/240/440/480 | 1 | 250/125 | 1000 |
| 3-40395-76 | 240/480 | 3 | 180/90 | 1000 |
| 3-40396-21 | 208/220/240/440/460/480 | 1 | 300/150 | 4500 |
| 3-40396-56 | 208/270/325/380 | 1 | 230 | 250 |
| 34-1147-014 | 208/220/240 | 1 | 115 or 24 | 25 or 50 |



3-26136-00



3-40396-21



3-36286-01



3-40230-63



3-40116-16



3-40255-47

FUSES

| Part no. | Fuse Type | Rating | Package Size |
|------------|-----------|--------|--------------|
| 3-40014-78 | ABC | 5A | 5 |
| X52BS1H03 | AGC GLASS | 1A | 5 |
| 3-36286-00 | AGC GLASS | 3A | 5 |
| 3-36286-01 | AGC GLASS | 6A | 5 |
| 3-36286-02 | AGC GLASS | 8A | 5 |
| 3-40177-23 | AGC GLASS | 0.5A | 5 |
| 3-40258-32 | AGC GLASS | 5A | 5 |
| 3-40391-76 | AGC GLASS | 4A | 5 |
| X52BS4H60 | FNQ | 5A | 10 |
| 3-40008-89 | FNQ | 10A | 10 |
| 3-40008-90 | FNQ | 15A | 10 |
| 3-40259-66 | FNQ | 2A | 10 |
| X52BS2H38 | FNQ | 3A | 10 |
| 3-40302-06 | FNQ | 1A | 10 |
| 3-40145-23 | FRNR | 12A | 10 |
| 3-40148-18 | FRNR | 0.3A | 10 |
| K3300H11 | FRNR | 20A | 10 |
| 3-40230-63 | FRNR | 5A | 10 |
| 3-40230-64 | FRNR | 10A | 10 |
| 3-40230-65 | FRNR | 15A | 10 |
| 3-40290-66 | FRNR | 3.2A | 10 |
| 3-40196-85 | FRSR | 12A | 1 |
| 3-40230-59 | FRSR | 10A | 1 |
| 3-40255-47 | FWH | 300A | 1 |
| 197C050H05 | FWH | 400A | 1 |
| 322C826H02 | KAB | 5A | 10 |
| 3-40116-12 | KAB | 10A | 10 |
| 3-40116-13 | KAB | 15A | 10 |
| 3-40116-14 | KAB | 20A | 10 |
| 3-40116-16 | KAB | 30A | 10 |
| 3-40122-46 | KTK | 15A | 10 |
| 3-40122-47 | KTK | 20A | 10 |
| 222437 | KTK | 30A | 10 |
| 3-40014-65 | MDL | 2A | 5 |
| 3-36341-02 | MIN | 10A | 10 |

Door Operator Parts



| Adams part no. | Description | Haughton part no. |
|----------------|--------------------------------------------------------------------------------------------------------------------------------------------------------------------------------------------------------------------------------------------|------------------------|
| J835 | Stationary contact assembly, complete; for "B" & "B1" contact assemblies and "J" limit switch. Used with J836 movable contact ass'y, below | 3-19237-02, 19237-C |
| J836 | Movable contact kit for "B" & "B1" contact assemblies and "J" limit switch; incl. contact mounted on 2 ³ / ₈ " x 1/2" insulator, and separate 2" x 1/2" insulator; used with J835 stationary contact assembly, above | 3-19239-01, 19239-A |



| Adams part no. | Description | Haughton part no. |
|----------------|----------------------------------------------------------------------------------|------------------------|
| J830A1 | Bridge contact & bracket assembly (RH) for type "M" interlock; shown | — |
| J830A2 | Bridge contact & bracket assembly (LH) for type "M" interlock; opposite of shown | — |
| J831A1 | Bridge contact & bracket assembly (RH) for type "M" interlock; opposite of shown | — |
| J831A2 | Bridge contact & bracket assembly (LH) for type "M" interlock; shown | — |
| J20C1 | Brass bridge contact, used with J830A1/A2 assemblies, above | 3-28763-02, 28763-E |
| J22C3 | Heavy-duty bridge contact, used with J831A1/A2 assemblies, above | 3-28763-01 |
| J832B1 | Bridge contact bracket only (RH), for J830 & J831, above (shown) | 34-2551-004 |
| J832B2 | Bridge contact bracket only (LH), for J830 & J831, above (opposite of shown) | 34-2551-005 |



| Adams part no. | Description | Haughton part no. |
|----------------|---------------------------------------------------------------------------------------------------------------------------------------------------------------------------------------------------------------------|------------------------|
| J820 | Door clutch roller, 2 ¹ / ₄ "OD x ⁹ / ₁₆ " wide face, ⁷ / ₁₆ " bore; for "T" and "TH" door operators | 3-16497-00, 16497-D |
| J825 | Interlock roller & pin assembly; polyurethane roller is 1 ³ / ₄ " dia. x ³ / ₄ " wide face; ⁵ / ₈ "-dia. axle is 1 ³ / ₈ "L | 35-2551-006 |
| J825R | Same as J825, without pin (not shown) | |



| Adams part no. | Description | Haughton part no. |
|----------------|------------------------------------------------------------------------------------------------------------------------------------------------------------------------|------------------------|
| J840A | Moving contact assembly; incl. J840B insulator (below) and ³ / ₈ "-dia. silver contact; incl. J320 stationary contact; for type "K" limit switch | 3-20342-02, 20342-B |
| J840B | Insulator block for J840A moving contact ass'y., above; 1" x ³ / ₈ " x ³ / ₈ ", w/two 6-32 tapped holes | 34-1184-06 |
| A831 | Adams reel-type door closing spirator; universal mounting hub; heavy-duty construction, 5" dia. | 33-1651-001 |
| A832 | Standard-duty spirator, 5" dia. | 33-1651-001 |
| W832 | Spirator, 6" dia. | — |
| A831B | Mounting bracket for A831 and A832 spirators | — |

INTERLOCKS

| INTERLOCKS | |
|-------------------|---------------------------------------------------|
| Part No. | Description |
| 3-40113-22 | INTERLOCK ASSY, TYPE "M", LH |
| 3-40113-23 | INTERLOCK ASSY, TYPE "M", RH (NOT SHOWN) |
| 3-40113-01 | INTERLOCK BOX & CONTACT, TYPE "M", RH |
| 3-40113-02 | INTERLOCK BOX & CONTACT, TYPE "M", LH (NOT SHOWN) |
| 3-40115-66 | INTERLOCK ROLLER & MTG PLATE ASSY RH |
| 3-40115-67 | INTERLOCK ROLLER & MTG PLATE ASSY LH (NOT SHOWN) |
| 3-40110-72 | ROLLER SUPPORT |
| 3-40130-19 | RUBBER BUSHING FOR 3-40113-22 |



3-40113-22

3-40113-23



3-40113-01



3-40110-72



34-2551-009



3-40115-66

CLUTCH COMPONENTS

| CLUTCH COMPONENTS | |
|--------------------------|----------------------------|
| Part no. | Description |
| 3-40176-95 | CLUTCH ROLLER ARM COMPLETE |
| 3-40176-78 | CLUTCH LINK |
| 35-0866-001 | CLUTCH FACE ASSY |



3-40176-95



3-40176-78



35-0866-001

SAFETY EDGE

3-40157-89
Safety edge link,
lower RH



3-40157-90
Safety edge link,
lower LH





3-40151-14



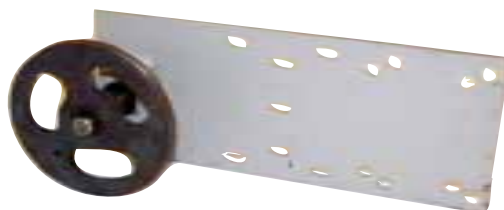
3-40132-68



3-40151-15



3-40132-69



3-40151-18



3-40132-81
Shaft & bracket



3-04896-04



3-04897-01



34-0857-019



34-1229-005

| SHEAVES | |
|-------------------|------------------------------------------------|
| Part no. | Description |
| 3-40151-14 | OPERATOR DRIVE SHEAVE ASSY, 12", "T1", 2 SPEED |
| 3-40151-15 | CABLE DRIVE IDLER SHEAVE ASSY |
| 3-40151-18 | IDLER SHEAVE ASSY |
| 3-40132-68 | CABLE DRIVE SHEAVE, 3-7/8" OD, "T1" |
| 3-40132-69 | CABLE IDLER SHEAVE, "T1" |
| 3-40132-81 | SHAFT & BRACKET ASSY |

| | |
|--------------------|-------------------------------------------------|
| 3-04896-04 | GOVERNOR SHEAVE & SHAFT, 16" |
| 34-0857-019 | GOVERNOR BALANCE SHEAVE, 16" DIA, FOR 3/8" ROPE |
| 3-04897-01 | SHAFT, FOR 16" GOVERNOR SHEAVE |
| 34-1229-005 | GOVERNOR BALANCE SHEAVE, 16" DIA, FOR 1/2" ROPE |



3-40147-39



3-40147-41

| | |
|-------------------|------------------------------|
| 3-40147-39 | GOVERNOR TENSION SHEAVE ASSY |
| 3-40147-41 | TENSION SHEAVE ARM |

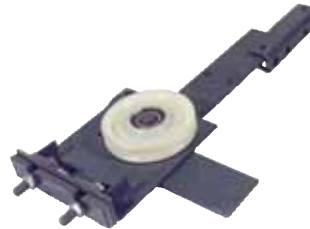
SHEAVE HANGERS

3-26479-25

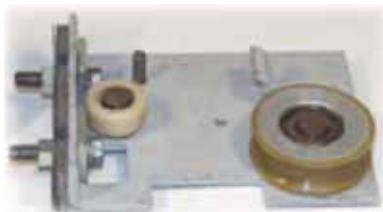


| SHEAVE HANGERS | |
|-----------------------|----------------------------------------------|
| Part no. | Description |
| 3-26479-17 | SHEAVE HANGER & BRACKET ASSY, LH |
| 3-26479-18 | SHEAVE HANGER & BRACKET ASSY, RH (NOT SHOWN) |
| 3-26479-25 | SHEAVE HANGER & BRACKET ASSY, RH |
| 3-26479-28 | SHEAVE HANGER & BRACKET ASSY, LH (NOT SHOWN) |
| 3-26479-47 | SHEAVE HANGER & BRACKET ASSY, RH |
| 3-26479-48 | SHEAVE HANGER & BRACKET ASSY, LH (NOT SHOWN) |

3-26479-47



3-26479-17



| Part no. | Description |
|-------------------|------------------------------|
| 3-40155-59 | SHEAVE HANGER & BRACKET ASSY |
| 3-40160-12 | SHEAVE HANGER & BRACKET ASSY |

3-40155-59



3-40160-12



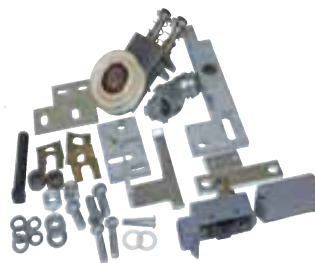
CAR DOOR LOCKS



3-40239-05



3-40239-02



3-40237-67

| CAR DOOR LOCKS | |
|-----------------------|----------------------------|
| Part no. | Description |
| 3-40239-05 | CAR DOOR LOCK |
| 3-40239-02 | CAR DOOR LOCK KIT |
| 3-40237-67 | CAR DOOR LOCK & SWITCH KIT |

DOOR OPERATOR SWITCHES



3-40136-52



3-40154-01



3-09938-00

| OPERATOR LIMIT SWITCHES | |
|--------------------------------|-----------------------------------|
| Part No. | Description |
| 3-40136-52 | OPERATOR LIMIT SWITCH |
| 3-40154-01 | LIMIT SWITCH TYPE "K", W/ HEATERS |
| 3-09938-00 | LIMIT SWITCH TYPE "N" |



3-40302-48



3-40131-82



3-09965-03



3-40248-10

| | |
|-------------------|-------------------------------------------|
| 3-40302-48 | LIMIT SWITCH TYPE "J", LH |
| 3-09965-03 | ROLLER & ARM ASSY - TYPE "J" LIMIT SWITCH |
| 3-40131-82 | LIMIT SWITCH TYPE "J", RH |
| 3-40248-10 | CONTACT ASSY MTG PLATE, RH |

| | |
|-------------------|----------------------------|
| 3-40361-09 | LIMIT SWITCH |
| 3-06522-10 | LIMIT SWITCH |
| 3-06522-03 | GATE CONTACT ASSY |
| 3-40156-89 | MAG LEVEL SWITCH FOR LU/LD |



3-40361-09



3-06522-03



3-06522-10



3-40156-89

MOTORS & COUPLINGS



3-10086-03

| MOTORS & TACH GENERATIONS | | | | |
|---------------------------|--------------------------|---------|------------------|---------------------------------------------|
| Part no.. | Description | Voltage | RPM/HP | Other |
| 3-10086-02 | ADVANCE MOTOR ASSY. | 240 VAC | 72 RPM | SS152 |
| 3-10086-03 | ADVANCE MOTOR ASSY | 120 VAC | 72 RPM | 0.4 AMPS |
| 3-40191-08 | ADVANCE MOTOR ASSY | 120 VAC | 72 RPM | 0.4 AMPS |
| 3-40144-36 | MOTOR | 230 VDC | 1/4 HP | |
| 3-40132-32 | TACH GENERATOR | | 100 V @ 1000 RPM | FLANGE MTG. |
| 3-40315-61 | TACH GEN W/MTG KIT | | 100 V @ 1000 RPM | MTG. H'WARE |
| 3-40239-39 | TACH GEN W/MTG KIT | | | 103, 253, 301, 402, & 601 GEARLESS MACHINES |
| 3-26123-12 | SYNCH. IND. MOTOR | 240 VAC | 72 RPM | 60 hz, 1 PH, 2 AMPS |
| 3-26123-15 | SYNCH. IND. MOTOR W/GEAR | 240 VAC | 72 RPM | 60 hz, 1 PH, 2 AMPS |
| 35-2247-001 | CORRECTING MTR. ASSY. | | | |



3-40132-32



3-40315-61



3-40132-75
Motor Sheave C/P 1-1/4



3-40132-76
Motor Sheave S/S 1-3/4

BRUSHES & BRUSH HOLDERS

| BRUSHES & BRUSH HOLDERS | |
|-------------------------|----------------------------------|
| Adams part no. | Description |
| 35-1230-001 | BRUSH & HOLDER ASSEMBLY |
| 3-16121-01 | BRUSH HOLDER BRACKET |
| 3-20717-00 | BRUSH RETAINER |
| 33-1018-001 | BRUSH, 61001495, GRADE N1, SPLIT |
| 33-1018-005 | BRUSH, REGULATOR, GENERATOR |
| 33-1018-007 | BRUSH, 61001186, GRADE N1, SPLIT |
| 3-30002-00 | BRUSH HOLDER STUD ASS'Y |
| 35-1178-001 | BRUSH HOLDER (#601) |



3-30002-00



35-1178-001



33-1018-007

33-1018-001

33-1018-005



35-1230-001



3-16121-01



3-20717-00

RESISTORS

| Part No. | Resistance (Ohms) | Watts | Adjustable | Figure |
|-------------|-------------------|-------|------------|--------|
| 3-26103-00 | 10 | 120 | Adjustable | 1 |
| 3-26103-01 | 100 | 120 | Adjustable | 1 |
| 3-26103-02 | 1K | 120 | Adjustable | 1 |
| 3-26103-03 | 10 | 190 | Adjustable | 1 |
| 3-26103-05 | 20 | 120 | Adjustable | 1 |
| 3-26103-06 | 25 | 120 | Adjustable | 1 |
| 3-26103-07 | 250 | 120 | Adjustable | 1 |
| 3-26103-08 | 2.5K | 120 | Adjustable | 1 |
| 3-26103-09 | 3 | 120 | Adjustable | 1 |
| 3-26103-10 | 50 | 120 | Adjustable | 1 |
| 3-26103-11 | 500 | 120 | Adjustable | 1 |
| 3-26103-12 | 5K | 120 | Adjustable | 1 |
| 3-26103-13 | 7.5K | 120 | Adjustable | 1 |
| 3-36313-03 | 10K | 25 | FIXED | 4 |
| 3-36313-04 | 750 | 100 | FIXED | 2 |
| 3-36313-05 | 7.5K | 12 | FIXED | 4 |
| 3-36313-06 | 10K | 8 | FIXED | 4 |
| 3-36313-07 | 250 | 12 | FIXED | 4 |
| 3-36313-08 | 250 | 25 | FIXED | 4 |
| 3-36313-11 | 15K | 12 | FIXED | 4 |
| 3-36313-12 | 1.5K | 20 | FIXED | 4 |
| 3-36313-14 | 5K | 12 | FIXED | 4 |
| 3-36313-16 | 1.25K | 12 | FIXED | 4 |
| 3-36313-17 | 600 | 12 | FIXED | 4 |
| 3-36313-18 | 25 | 8 | FIXED | 4 |
| 3-36313-19 | 1.5K | 20 | FIXED | 4 |
| 3-36313-20 | 3K | 12 | FIXED | 4 |
| 3-36313-22 | 2.5K | 12 | FIXED | 4 |
| 3-40049-83 | 1.6 | 400 | FIXED | 3 |
| 33-1099-001 | 200 | 8 | FIXED | 4 |
| 33-1099-002 | 500 | 50 | Adjustable | 1 |
| 33-1099-003 | 2K | 50 | Adjustable | 1 |
| 33-1099-004 | 2K | 8 | FIXED | 4 |
| 33-1099-008 | 1 | 190 | Adjustable | 1 |
| 33-1099-009 | 1.5K | 8 | FIXED | 4 |
| 33-1099-010 | 25K | 20 | FIXED | 4 |
| 33-1099-011 | 25K | 80 | FIXED | 2 |
| 33-1099-014 | 2.5K | 25 | Adjustable | 1 |
| 33-1099-017 | 350 | 30 | FIXED | 4 |
| 33-1099-022 | 10K | 25 | FIXED | 4 |
| 33-1099-023 | 1.5K | 50 | FIXED | 4 |
| 33-1099-027 | 1.5K | 120 | Adjustable | 1 |
| 33-1099-029 | 50 | 160 | Adjustable | 1 |
| 33-1099-030 | 100 | 160 | Adjustable | 1 |
| 33-1099-031 | 250 | 160 | Adjustable | 1 |
| 33-1099-032 | 500 | 120 | Adjustable | 1 |
| 33-1099-033 | 500 | 160 | Adjustable | 1 |
| 33-1099-047 | 120 | 5 | FIXED | 4 |
| 33-1099-048 | 1.5K | 5 | FIXED | 4 |
| 33-1099-049 | 750 | 5 | FIXED | 4 |



Figure 1



Figure 2



Figure 3



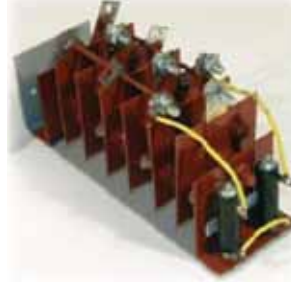
Figure 4



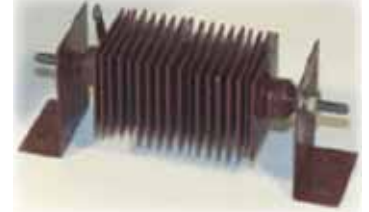
3-40118-32
Rectifier, 8.6A



33-1094-007
Rectifier, 10A



33-1094-009
Rectifier



33-1094-013
Selenium rectifier



3-40306-53
Rectifier assembly, 15A



3-40306-54
Rectifier assembly, 30A



3-40010-67
Rectifier



3-40008-73
3-phase rectifier,
600V/27.5A



3-40163-25
Rectifier, Stud-mount



3-40195-74
Rectifier,
Stud Mtg



3-40110-19
Rectifier,
Stud Mtg



35-1094-008
Rectifier



3-40288-34
Rectifier, 270VAC/
21A, single phase;
TS13F-YE

SUPPRESSORS



3-40008-61
Arc suppressor



3-40115-25
Miconic MOV, 270V



3-40255-12
Arc suppressor



3-40255-13
Arc suppressor



3-40246-89
Suppressor RG1986-6-6

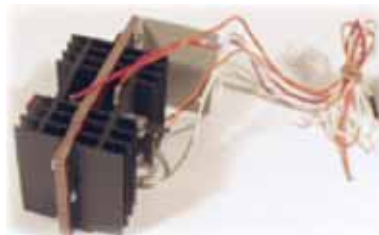
SCR's



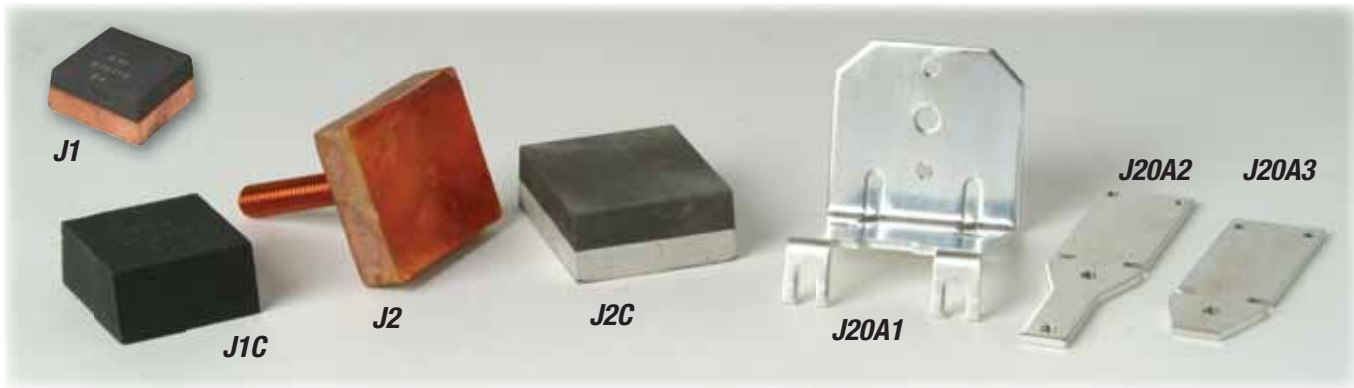
3-40264-63
SCR DD61230-9



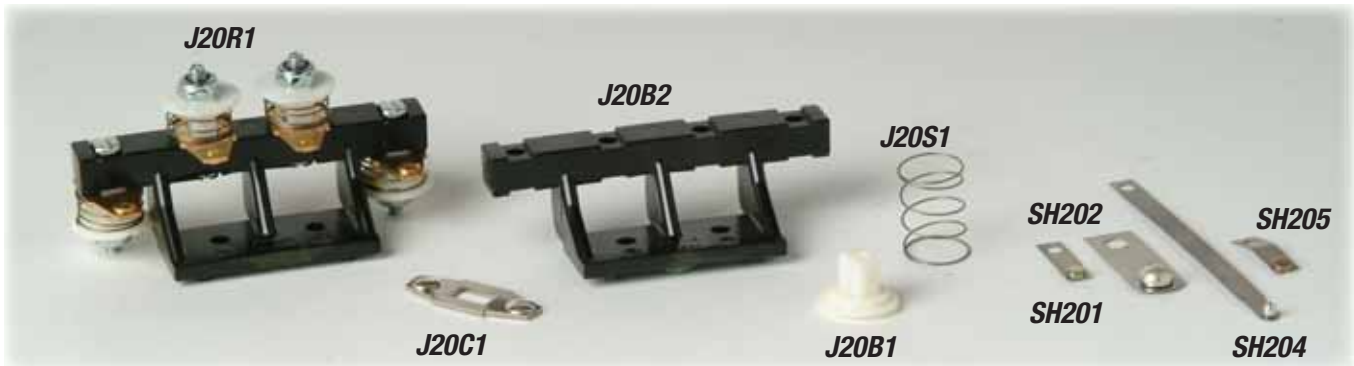
3-40249-82
A-F SCR assembly



3-40220-01
Drive assembly SCR
geared



| Adams part no. | Description | Haughton part no. |
|----------------|---------------------------------------------------------------------------------------------------------------|---------------------|
| J1 | Forged copper contact; head: 1/2"L x 1 1/2"W x 1/2" thick; stem: 3/8" dia. x 1 3/4"L (threaded 1 1/2") | 5736-B |
| J1C | Carbon contact for J1 copper; 1 1/2" x 1 1/2" x 3/4" | — |
| 5737 | Carbon contact 1 1/2" x 1 1/2" with copper base | — |
| J2 | Forged copper contact; head: 1 3/4"L x 2"W x 1/2" thick; stem: 3/8" dia. x 2"L (threaded 1 3/4") | 5574 |
| J2C | Carbon contact for J2 copper; 1 3/4" x 2" x 3/4" | 5575 |
| J202 | Copper finger, 3/32" thick x 1/2"W x 1 11/32"L; elongated mounting hole, 13/64"W x 7/16"L; cadmium plated | 20324 |
| J202B | Finger contact, 18 gauge stainless; 3/64" thick x 1/2"W x 1 9/32"L; elongated mounting hole, 13/64"W x 7/16"L | — |
| J20A1 | Core bracket for armature assembly on AN & AM relays; use w/J20A2 & J20A3 armatures, below | 3-28842-02, 28842-C |
| J20A2 | Armature for AN, AM & BN 6-contact relays | 3-28841-02, 28841-C |
| J20A3 | Armature for AN, AM & BN 4-contact relays | 3-28841-01, 28841-B |



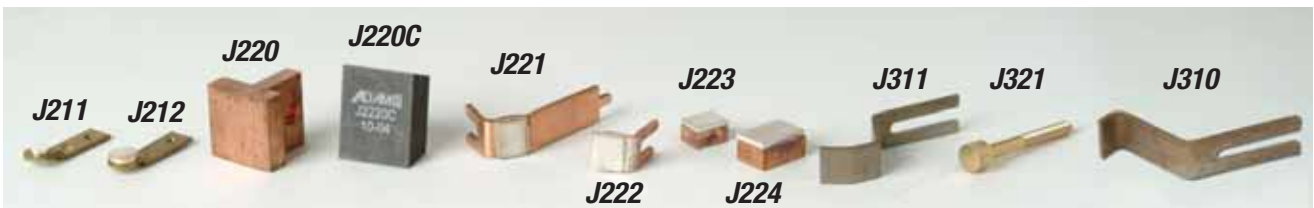
| Adams part no. | Description | Haughton part no. |
|-------------------|--------------------------------------------------------------------------------------------------------------------------------------------------------------------------------|---------------------|
| J20R1 | Movable contact assembly for AN, AM & BN relays; contacts supplied 2NO/2NC (can be reconfigured in field to match job requirements) | 3-10062-13 |
| 3-28763-02 | Contact Bridge-Gold Contacts-for J20R1 | 3-28763-02 |
| J20B1 | Contact bridge guide (Bakelite) for J20R1 | 3-28764-02, 28764-B |
| J20B2 | Contact bridge insulator for J20R1; Bakelite construction lasts longer, resists high temperatures | 3-19487-03, 19487-C |
| J20C1 | Contact bridge (brass) for J20R1; formed silver contact faces for outstanding wiping action (Also used on 10062-series movable contact assemblies and on J830A1/A2 interlocks) | 3-40304-67 |
| 3-10062-02 | Movable Contact Assembly-"F" type 2NO | 3-10062-02 |
| 3-10062-03 | Movable Contact Assembly-"F" type 1NO | 3-10062-03 |
| 3-10062-04 | Movable Contact Assembly-"F" type 1NC | 3-10062-04 |
| 3-10062-08 | Movable Contact Assembly-"F" type 2NC | 3-10062-08 |
| 3-10062-09 | Movable Contact Assembly-"F" type 1NC/1NO | 3-10062-09 |
| J20P1 | Adjusting screw (not shown) for AN & AM relays; 1 1/16"L with 10-32 thread | 3-17592-02, 17592-C |
| J20S1 | Compression spring for J20R1, 1/2"OD x 3/4"L, 5 1/2 turns (Also used on 10062-series movable contact assemblies on AT & N relays) | 22100 |
| SH201 | Stainless steel contact blade, 3/16"W x 1 1/16"L; incl. 1/8" dia. silver contact | — |
| SH202 | Stainless steel contact blade, 3/8"W x 1 1/16"L; incl. 1/4" dia. silver contact | — |
| SH203 | Stainless steel contact blade, 3/16"W x 2 3/4"L; incl. 1/16" dia. silver contact | — |
| SH204 | Stainless steel contact blade, 5/16"W x 3 3/8"L; incl. 3/16" dia. silver contact | — |
| SH205 | Stainless steel contact blade, 3/16"W x 1 1/16"L; incl. 5/32" dia. silver contact; 5° offset near midpoint | — |



3-40340-17
Cam, vert.



| RELAY PARTS | | |
|-------------------|----------------------------------------------------------------------------------------------------------------------------------------------------------------------------------------------------------------------------------------------------------------------------|---------------------|
| Adams part no. | Description | Haughton part no. |
| J20C2 | Short stationary contact for AN, AM & BN relays, ²⁹ / ₃₂ "L; silver-plated brass | 3-20456-01, 20456-A |
| 3-20456-01 | Short stationary contact for AN, AM & BN relays, ²⁹ / ₃₂ "L; gold-plated brass | 3-20456-01 |
| 3-20456-02 | Stationary contact for AN, AM & BN relays, ⁵¹ / ₆₄ "L; gold-plated brass | 3-20456-02 |
| J20C3 | Long stationary contact for AN, AM & BN relays, ⁶³ / ₆₄ "L; silver-plated brass | 20456 |
| J22B1 | Contact bridge insulator for "4" 10062-series movable contact assemblies on AM, AN, BN & N relays | 19487 |
| J22B2 | Contact bridge insulator for "2" 10062-series movable contact assemblies on AM, AN, BN & N relays | 19486 |
| J22C1 | Adjustable stationary contact stud (standard duty) for AT, F & N relays; ¹³ / ₁₆ "L with ⁵ / ₁₆ " dia. silver contact, 6-32 threaded hex head screw; used with J20C1 contact bridge | 17548 |
| J22C2 | Stationary contact stud for blowouts (heavy duty) for 35-0864-009 stationary contact & bracket ass'y. on AT relays; ¹³ / ₁₆ "L with ⁵ / ₁₆ " dia. silver contact, 6-32 threaded hex head screw; used with J22C3 contact bridge | 3-17548-06, 17548-H |
| J22C3 | Heavy duty bridge contact for AT & N relays; 1/4"L x 3/8"W with 2 3/8"-dia. silver contacts; also used with J831A1/A2 interlocks | 3-28763-01, 28763-B |
| J22G1 | Steel contact spring guide, 3/8" x 5/16" x 3/16" thick, with hole for 6-32 screw; used with J22G2 and J22G3 spring seat washers on 10062-series movable contact assemblies for AN, AT, F & N relays | 28764 |
| J22G2 | Steel spring seat washer, ¹⁹ / ₃₂ " OD with ¹¹ / ₃₂ " x ¹³ / ₆₄ " rectangular hole; used with J20S1 spring and J22G1 spring guide in 10062-series movable contact assemblies | 3-20696-02, 20696-B |
| J22G3 | Steel spring seat washer, ¹⁹ / ₃₂ " OD with ⁵ / ₃₂ "-dia. hole; used with J20S1 spring and J22G1 spring guide in 10062-series movable contact assemblies | 3-20696-01, 20696-A |



| SELECTOR PARTS | | |
|----------------|-----------------------------------------------------------------------------------------------------------------------------------------------------------------------|---------------------|
| Adams part no. | Description | Haughton part no. |
| J211 | Movable contact, 1/4"L x 3/8"W offset base with 1/4"-dia. silver contact; for 10019 and 10019-M interlock assemblies on Type F, K & T contactors | 3-18266-01, 18266-C |
| J212 | Movable contact, 1/4"L x 3/8"W offset base with 3/8"-dia. silver contact; for 10019 and 10019-M interlock assemblies on Type F, K & T contactors | 3-18266-02, 18266-E |
| J220 | Movable copper contact, 1" x 1" face; for type F magnet switch | 20429 |
| J220C | Stationary carbon contact for J220 movable contact | 21003 |
| J221 | Movable M.G. start contact w/blowout copper, 1/2"W: includes 3/8" x 1/2" silver contact | 20386 |
| J222 | Same as J221, without blowout copper | 3-20386-02, 20386-B |
| J223 | Stationary/movable contact, 1/2" x 3/8" x 3/16"; incl. silver face and 2 holes tapped for 6-32 machine screw; used for type F magnet switch and M.G. copper | 3-20387-02, 20387-B |
| J224 | Stationary copper contact, 3/4" x 1/2" x 3/8"; silver face & 2 holes tapped for 10-24 machine screw | 3-20397-00, 20397-B |
| J310 | Movable contact, 17/16"L base with 3/8"-L contact surface; type 300 stainless steel, for type B, B-1, & B-2 Vernier and FA selectors | 34-0725-005 |
| J311 | Same as J310, with 3/4"-L contact surface | 3-20345-02, 20345-B |
| J320 | Button-type selector contact, 15/16"L with 3/8"-dia. head and 3/8"-dia. silver contact; 10-24 thread; for type B, B-1, B-2, and FA selectors, and type K limit switch | 3-16562-08, 16562-M |
| J321 | Same as J320, 13/16"L | 3-20310-01, 20310-A |



3-40092-32



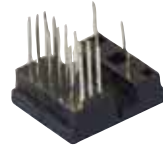
3-40007-96



3-40255-36

PLUG-IN RELAYS

| Part no. | Description |
|------------|-------------------------------|
| 3-40007-96 | 110 VDC; Latching; Octal Base |
| 3-40092-32 | 120 VAC; 3PDT |
| 3-40092-33 | 240 VAC; 3PDT |
| 3-40092-34 | 100 VDC; 3PDT |
| 3-40093-43 | 24 VDC; 3PDT |
| 3-40245-92 | 48 VAC; 3PDT |
| 3-40254-92 | 24 VDC; 4PDT |
| 3-40255-36 | 115 VAC; 3PDT |
| 3-40277-58 | 24 VDC; 4PDT |
| 3-40318-74 | 24 VDC; 2PDT |
| 3-40391-24 | 120 VAC; 3PDT |



3-40008-75



3-09900-18



3-10057-75



3-40029-36



225780



3-36202-05

RELAYS

| Part no. | Description |
|------------|----------------------------------|
| 225780 | TYPE "SH"; 24VDC; 6 DPDT; W/ LED |
| 3-40008-75 | SOCKET FOR TYPE "H" RELAY |
| 3-40290-98 | KIT: "H" RELAY W/ LED & SOCKET |
| 3-09900-02 | TYPE "AT-64" |
| 3-09900-09 | TYPE "AT-21" |
| 3-09900-16 | TYPE "AT-65" |
| 3-09900-18 | TYPE "AT-21C" |
| 3-36202-05 | TYPE "CJ6" |
| 3-10057-55 | TYPE AN-40 |
| 3-10057-67 | TYPE AN-42 W/OUT COIL |
| 3-10057-74 | TYPE AN-42 W/ E2D COIL |
| 3-10057-75 | TYPE AN-42 W/ E45 COIL |
| 3-40029-12 | TYPE AN-64 |
| 3-40029-32 | TYPE AN-42 |
| 3-40029-36 | TYPE AN-43 |
| 3-40029-37 | TYPE AN-43 |
| 3-40096-11 | TYPE AN-63 220VAC |
| 3-40096-21 | TYPE AN-64 220VAC |
| 3-40100-27 | TYPE AM-42 |
| 3-40100-28 | TYPE AM-43 |
| 3-40100-29 | TYPE AM-44-W/ E26T COIL |
| 3-40129-19 | TYPE AN-65BB 120VDC |
| 3-40129-20 | TYPE AN-65BB 60VDC |

SOCKETS

| Part no. | Description |
|------------|-------------|
| 3-40092-36 | 3-POLE |
| 3-40266-23 | 4-POLE |
| 3-40336-11 | 4-POLE |
| 3-40336-12 | 3-POLE |



3-40336-12



3-40336-11



3-40266-23

TELEPHONE-TYPE RELAYS

| Part no. | Coil Voltage | NO Contacts | NC Contacts | SPDT |
|-------------|--------------|-------------|-------------|------|
| 3-40155-38 | 120 VDC | 6 | 2 | 2 |
| 3-40155-40 | 120 VDC | 6 | 0 | 4 |
| 3-40220-69 | 24 VDC | 8 | 4 | 0 |
| 3-40258-28 | 24 VDC | 6 | 2 | 2 |
| 33-1097-001 | 60 VDC | 4 | 2 | 2 |
| 33-1097-004 | 120 VDC | 3 | 2 | 0 |
| 33-1097-005 | 18 VAC | 3 | 2 | 0 |
| 33-1097-006 | 120 VDC | 3 | 2 | 0 |
| 33-1097-007 | 120 VDC | 3 | 2 | 0 |
| 34-1097-002 | 60 VDC | 4 | 2 | 0 |
| 34-1097-003 | 120 VDC | 2 | 2 | 0 |
| 34-1097-004 | 120 VDC | 2 | 4 | 0 |
| 34-1097-005 | 120 VDC | 4 | 2 | 0 |
| 34-1097-006 | 120 VDC | 4 | 2 | 0 |
| 34-1097-007 | 120 VDC | 4 | 2 | 0 |
| 34-1097-008 | 4 VDC | 2 | 1 | 1 |
| 34-1097-009 | 120 VDC | 2 | 1 | 1 |
| 34-1097-010 | 60 VDC | 4 | 2 | 2 |
| 34-1097-012 | 120 VDC | 2 | 0 | 0 |
| 34-1097-013 | 120 VDC | 3 | 2 | 0 |
| 34-1097-014 | 120 VDC | 12 | 0 | 0 |
| 34-1097-015 | 120 VDC | 0 | 0 | 8 |
| 34-1097-016 | 120 VDC | 4 | 2 | 2 |
| 34-1097-017 | 120 VDC | 2 | 1 | 1 |
| 34-1097-018 | 120 VDC | 5 | 5 | 0 |
| 34-1097-019 | 120 VDC | 8 | 4 | 0 |



33-1097-007



34-1097-12

REPLACEMENT COILS

| Part no. | Resistance (OHMS) | Voltage | Coil Designation | Haughton No. | Remarks |
|------------|-------------------|-----------------------------------|------------------|--------------|---------|
| J3002D | 5000 | 230 VDC | E2D | 3-23015-09 | Fig. 1 |
| J3005 | 806 | 55 VAC | E5 | 3-23015-07 | Fig. 1 |
| 3-23015-23 | 818 | 115 VDC | E11 | 3-23015-23 | Fig. 1 |
| 3-23015-21 | 60 | 110 VAC | E12G | 3-23015-21 | Fig. 1 |
| J3016 | 35 | 110 VAC @ 60 Hz or 55 VAC @ 25 Hz | E16 | 3-23015-04 | Fig. 1 |
| J3020 | 187 | 220/250 VAC | E20 | 3-23015-24 | Fig. 1 |
| J3020G | 210 | 208 VAC | E20G | 3-23015-20 | Fig. 1 |
| J3023 | 3240 | 230 VDC | E23 | | Fig. 1 |
| J3024G | 230 | 220/240 VAC | E24G | 3-23015-19 | Fig. 1 |
| J3026 | 145 | 208/220 VAC | E26 | 3-23015-05 | Fig. 1 |
| J3026C | 95 | 208/240 VAC | E26C | 3-23015-03 | Fig. 1 |
| 3-23015-01 | 145 | 208/240 VAC | E26G | 3-23015-01 | Fig. 1 |
| J3026T | 3400/300 | 208/220 VAC | E26T | 3-23015-02 | Fig. 1 |
| J3045 | 1350 | 115/440 VDC | E45 | | Fig. 1 |
| J3046 | 600 | 115/440 VAC | E46 | 3-23015-06 | Fig. 1 |
| J3048 | 920 | 220/440 VAC @ 25 HZ or 115 VDC | E48 | 3-23015-18 | Fig. 1 |
| J4001 | 700 | 115 VDC | T1 | 3-36102-13 | Fig. 2 |
| J4002 | 2940 | 230 VDC | T2 | 3-36102-05 | Fig. 2 |
| J4006 | 480 | 60 VDC | T6 | | Fig. 2 |
| J4015 | 780 | 115 VDC | T15 | 36102 | Fig. 2 |
| J4025 | 2900 | 230 VDC | T25 | 3-36102-01 | Fig. 2 |
| J5001 | 2900 | 120 VDC | | 34-1032-001 | Fig. 3 |

| Part no. | Resistance (OHMS) | D. C. (Amps) | Coil Designation | Haughton No. | Remarks |
|------------|-------------------|--------------|------------------|--------------|---------|
| 3-36102-04 | 2.1 | 0.52 - 1.56 | T41 | 3-36102-04 | Fig. 3 |
| J4071 | 0.51 | 0.8 - 2.0 | T71 | 3-36102-03 | Fig. 3 |
| 3-36102-02 | 0.50 | 1.7 - 4.0 | T90 | 3-36102-02 | Fig. 3 |
| 3-36102-11 | 0.039 | 0.16 - 0.96 | T91 | 3-36102-11 | Fig. 3 |

TELEPHONE-TYPE REPLACEMENT COILS

| Haughton Part no. | Voltage | |
|-------------------|---------|--------|
| 3-40155-15 | 120 VDC | Fig. 4 |
| 3-40258-34 | 24 VDC | Fig. 4 |
| 34-1032-001 | 120 VDC | Fig. 5 |
| 34-1032-003 | 120 VDC | Fig. 5 |
| 34-1032-005 | 60 VDC | Fig. 5 |
| 34-1032-006 | 120 VDC | Fig. 5 |
| 34-1032-007 | 18 VAC | Fig. 4 |
| 34-1032-009 | 60 VDC | Fig. 5 |
| 34-1032-010 | 120 VDC | Fig. 5 |
| 34-1032-011 | 120 VDC | Fig. 5 |
| 34-1032-012 | 120 VDC | Fig. 5 |



Figure 1



Figure 2



Figure 3



Figure 4



Figure 5

Index for Pages 212-224

| | | | |
|-----------------------------------------|----------------|---------------------------------|----------|
| Bumper, rubber | 217 | Leveling units..... | 218 |
| Cable, infrared curtain..... | 216, 218 | Limit switches..... | 218 |
| “Christmas Tree” relay components | 213 | Magnetic leveling switch..... | 218 |
| Clutch linkage & cam..... | 217 | Packing | 224 |
| Coils..... | 213 | Pillow block | 218 |
| Contacts | 213 | Printed circuit boards..... | 222, 223 |
| Conversion kits, MO/MW..... | 216 | Pushbuttons & components | 220, 221 |
| Damping motor | 218 | Relays | 214 |
| Door components..... | 215-218 | Resistors | 219 |
| Door motor..... | 218 | Rollers | 212, 215 |
| Motor brush | 218 | Seals | 224 |
| Electrical components | 219 | Sheaves | 212 |
| Encoders..... | 219 | Siren alarm..... | 221 |
| Gate switch | 218 | Spirators..... | 215 |
| Glow bar | 221 | Stem & contact assemblies | 213 |
| Gong..... | 221 | STOP switches..... | 220 |
| Hydraulic components..... | 224 | Tachometers..... | 219 |
| “Ice cube” miniature relays..... | 214 | Timers | 214 |
| Interlocks..... | 216, 217 | Toggle switch | 221 |
| Keys..... | 221 | Transformers | 219 |
| Lantern arrows | 221 | | |

New Durabond® SPx⁸⁰™ = quiet performance, long life

In-house manufacturing of Montgomery rollers ensures strict adherence to specifications.

Looking for a quiet guide roller? Adams SPx⁸⁰™ Quiet Poly Durabond™ guide rollers give the quiet ride of rubber...PLUS these advantages:

COLOR KEY FOR ADAMS POLY

Red = LF⁷⁰ Low Friction
 Black = SP⁸⁰ Soft
 Clear = HD⁹⁵ Heavy Duty

- Quiet Poly lasts longer than rubber
- Stands up to petroleum products that invade hoistway and reduce roller life
- Resists ozone degradation

Durabond poly is noted for its durability, adhesion to the hub, and quiet running. A lot of other polyurethane formulations look like Durabond; none perform like Durabond.

Adams HDx⁹⁵™ Heavy-Duty Durabond® polyurethane is used for heavy-duty guide roller performance.

LFx⁷⁰™ is the super-hard, low-friction Durabond poly formulation that you'll find on all Adams replacement door hanger rollers.



M422



M422S



ME971

"S" in part no. indicates Quiet Poly



5207D42H49 Sheave, 1 groove; 15.25"D



D422
D422S



19502-30
Steel sheave,
1.7 pitch



M411M



M410M

P-7087
Roller guide wheel,
10"D



| Adams part no. | Description | Poly tire | Poly color | OEM part no. |
|----------------|-------------------------------------------------------------------------------------------------------------------------------------------------------------------------------------------------------------------------------------|-------------------|------------|---------------------|
| M410M | Door hanger roller for MAC door operator; 3 ⁵ / ₈ "-O.D. polyurethane tire with 9 ³ / ₃₂ " concave radius; incl. 7 ¹ / ₁₆ -20 threaded axle stud with hex jam nut | LFx ⁷⁰ | Red | P-31344 MAP-344 |
| M411M | Door hanger roller for MAC door operator; 2 ⁷ / ₈ "-O.D. polyurethane tire with 9 ³ / ₃₂ " concave radius; incl. 7 ¹ / ₁₆ -20 threaded axle stud with hex jam nut | LFx ⁷⁰ | Red | P-31341 MAP-341 |
| D422S | Quiet Poly roller guide wheel; precision-machined steel hub with 3"-O.D. polyurethane tire; 1 ³ / ₁₆ "W, 1/2" face; single ball bearing has I.D. of 0.7874" | SPx ⁸⁰ | Black | P-2964 |
| D422 | Same as D422S above, with HDx ⁹⁵ heavy-duty poly tire | HDx ⁹⁵ | Clear | |
| M422S | Quiet Poly roller guide wheel; precision-machined aluminum hub with 4 ³ / ₈ "-O.D. polyurethane tire 1"W at bearing; tire tapers to 1/2" face; bearing I.D. = 0.7874" | SPx ⁸⁰ | Black | P-12907 |
| M422 | Same as M422S above, with HDx ⁹⁵ heavy-duty poly tire | HDx ⁹⁵ | Clear | |
| ME971 | Roller guide wheel for hydraulic elevators and escalators; precision-machined aluminum hub with 3 ¹⁵ / ₁₆ "-O.D. tire, 7/8"W; bearing I.D. = 0.7874" | HDx ⁹⁵ | Clear | P-12963, P-12908 |

Durabond, HDx⁹⁵, LFx⁷⁰, SPx⁸⁰—Reg. TM Adams Elevator Equipment Company

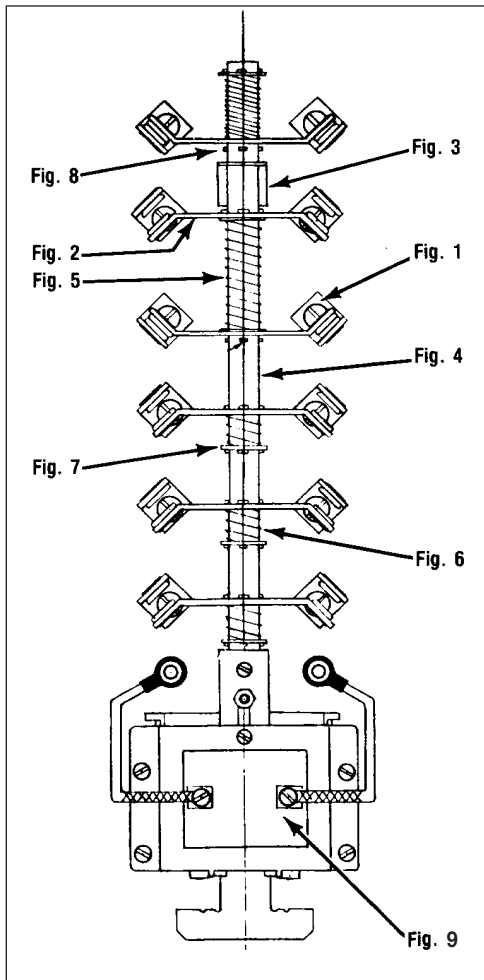
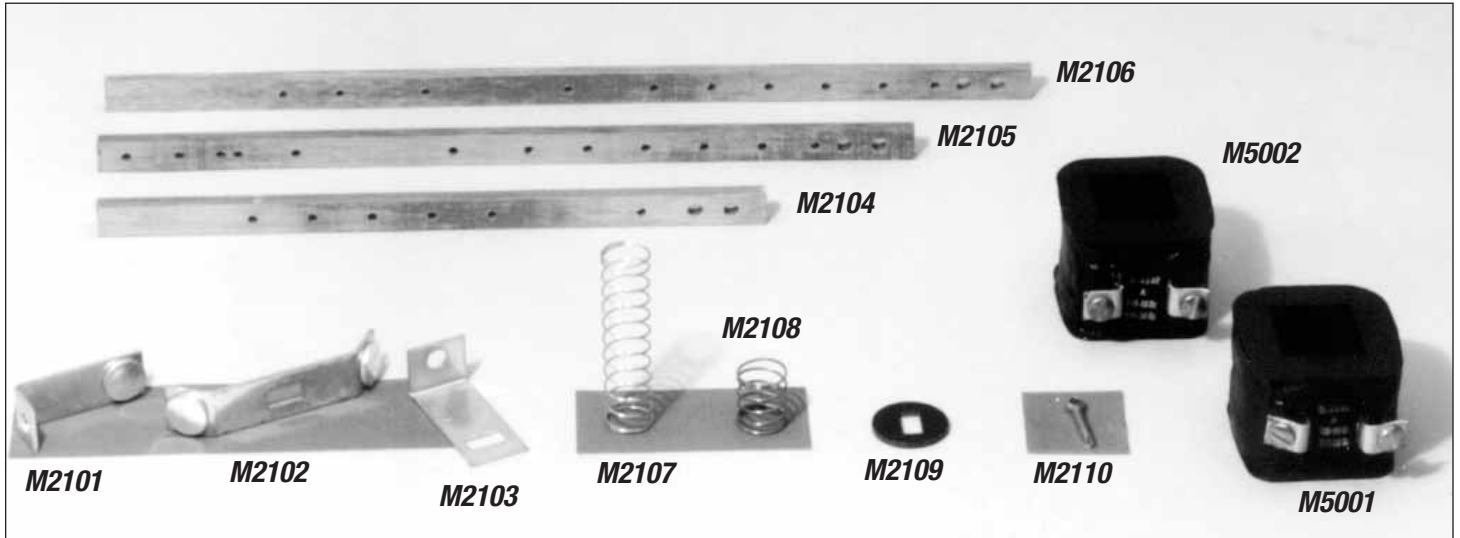


P-13787
Roller guide wheel, 6.5"D



P-12592
Roller guide wheel,
7.75"D

REPLACEMENT COMPONENTS FOR "CHRISTMAS TREE" RELAY



CHRISTMAS TREE RELAY COMPONENTS

| Adams part no. | Fig. # | Description | MAC part no. |
|----------------|--------|---------------------------------------------------------------------------------------------|--------------|
| M2101 | 1 | Stationary contact, angled | P-14736 |
| M2102 | 2 | Movable contact | P-14735 |
| M2103 | 3 | "L"-shaped stem guide | 16807 |
| M2104 | 4 | Phenolic stem, 7"L | — |
| M2105 | 4 | Phenolic stem, 8 ³ / ₄ "L | — |
| M2106 | 4 | Phenolic stem, 10"L | — |
| M2107 | 5 | Spring, 1 ¹ / ₂ "L; 12/pkg. | 2881-148 |
| M2108 | 6 | Spring, ⁵ / ₈ "L; 12/pkg. | 2881-149 |
| M2109 | 7 | Phenolic spacer, ³ / ₄ " dia.; 24/pkg. | 11111 |
| M2110 | 8 | Cotter pin, ³ / ₃₂ " dia. x 1 ¹ / ₂ "L; 24/pkg. | — |
| M5001 | 9 | Coil, 100VAC | 16929 |
| M5002 | 9 | Coil, 220VAC | 16910 |

REPLACEMENT "CHRISTMAS TREE" CONTACT ASSEMBLIES

| Part no. | Description. | POLES - CONTACT ARRANGEMENT | | | | | |
|----------|-----------------------|-----------------------------|----|----|----|----|----|
| | | 1 | 2 | 3 | 4 | 5 | 6 |
| P-4349 | STEM & CONTACT ASSEM. | NC | NO | NO | NC | NO | NC |
| P-4350 | STEM & CONTACT ASSEM. | NO | NO | NO | NC | NO | NC |
| P-4351 | STEM & CONTACT ASSEM. | NO | NO | NO | NC | NO | NO |
| P-4352 | STEM & CONTACT ASSEM. | NC | NC | NC | NO | | |
| P-4354 | STEM & CONTACT ASSEM. | NC | NO | NO | NO | | |



P-4354 Stem & contact assembly, 1NC, 2-3-4NO



P-4349 Stem & contact assembly, 1-4-6NC, 2-3-5NO

MINIATURE "ICE CUBE" RELAYS

These one-to-one replacement relays include labor-saving pilot lamp and reset button. Order bases separately. See Page 86.

| Adams part no. | Coil voltage | Amps | Contact rating | | Lamp | MAC part no. |
|----------------|--------------|------|----------------|-------|------|--------------|
| | | | VAC | VDC | | |
| M2502 | 120VAC | 3 | 120 | 28-30 | Neon | 42844 |
| M2503 | 24VAC | 3 | 120 | 28-30 | Red | 43444 |
| M2504 | 110VDC | 3 | 120 | 28-30 | Neon | 43744 |
| M2505 | 12VAC | 3 | 120 | 28-30 | Neon | 45377 |

NOTE: Neon lamps glow with an orange-red color.



**45516 Relay,
120VAC 4 pole**



M2502



**90210-011
Relay, 120VAC,
DPDT**



**47354 Relay,
mag latch,
2PDT**



**48232 Relay,
12VDC
4PDT**

| Part No. | Coil Voltage | Poles | Lamp | Button | Base (Separately, Page 86) |
|--------------|--------------|-------|------|--------|----------------------------|
| 43744 | 110 VDC | 4PDT | X | X | A758 |
| 45377 | 12 VAC | 4PDT | X | X | A758 |
| 45516 | 120 VAC | 4PDT | X | X | A758 |
| 46344 | 120 VAC | DPDT | X | X | |

TIMERS



**58214 Delay timer,
230VAC/1A; 1.5 sec.**



**P-5361 Controller
timer, fixed 10 sec.**

**P-5363 Controller
timer, fixed, 1/2**



**47261 Timer,
120VAC, 10 sec.**

**47263 Plug-in controller
timer, 90 sec, 120V**



**P-16553 Timer, 0-180
sec., 115VAC; repl.
USP8555**

SPECIALTY RELAYS



**P-16720
Relay, 110VAC
DPDT**



**P-16723
Relay, harness, & bracket;
4PDT**



**P-16725
Relay & harness,
6PNO**



**P-28849
Reverse-phase
relay kit, 440-480VAC**



**P-30150
Relay conversion kit**



**47222 Relay,
120VAC, DPST-NO**



**28383
Relay, 2HVAC
DPDT**



**507263-120
Relay, 120VAC,
timed 0.5 sec.**



**32290
14 Pin Relay
Socket**

SPIRATORS



P-22301
Standard-duty spirator, 82"L cable



101552 Spirator, std. duty, 4.125"D

101689 Spirator cable, 1/16"D

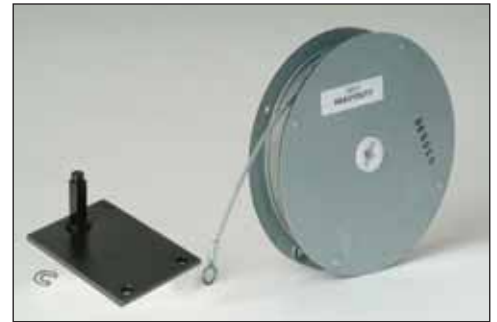


P-22297
Standard-duty spirator w/bracket



P-22302
Heavy-duty spirator

ADAMS SPIRATORS



| Adams part no. | Description |
|----------------|-----------------------------------------------------------------------------------------------------------------------------------------------------------------------|
| A831 | Reel-type door closer (spirator), 5" dia., with universal mounting hub; replaces MAC, GAL, Schindler, Dover, Otis, U.S., Armor and Westinghouse Spirators; heavy duty |
| A832 | Standard-duty spirator, 5" dia. w/nylon runner |
| A831B | Mounting bracket for A831 spirator, above; order separately |

DOOR ROLLERS



P-22237
Hanger roller sheave, 3.25" w/eccentric stud



101142
Door drive roller, 1.938"D



101141
Door drive roller stud, 1/2-13 x 2 1/2"L



P-22236
Upthrust roller, 1.575"D



P-31032
Large cable sheave, 3.125"D



P-31034
Cable sheave



P-24958
Gate switch roller, 1.575"D



P-31131
Upthrust roller, 1.181"D

P-7087
Roller guide wheel, 10"D



P-12592
Roller guide wheel, 7.75"D



P-13787
Roller guide wheel, 6.5"D



**90841 Infrared
curtain transmitter
cable, 12' x #24**



**P-15650
Photocell reflector**



**90844 Infrared curtain
receiver cable, 12' x #24**



**P-31360
Lower safety edge
pivot arm, 7.75\"/>**



**101033
Upper stud for mechanical
door edge, $\frac{3}{8}$ -24 x 1.75\"/>
101035
Stud w/washer, not shown**



**P-31252
Safety edge
connecting rod, 12.25\"/>**

DOOR CONTROLLER CONVERSIONS

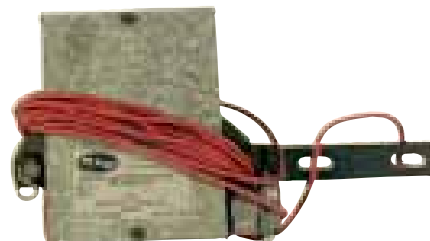


**P-22267-002
Conversion Kit For 'M' operator LH
(RH = -001)**



**P-22268-001
Conversion Kit For 'WM' Operator RH**

INTERLOCK ASSEMBLIES



**P-13002
Interlock assembly
with hook,
use-00R or-00L**



**P-31366-001
Door hanger interlock, RH
(LH = -002)**



P-22232



P-31289



P-22076-001



P-22120



101152



101156



101155



101192



101637



101719



P-31374



101214



101204



P-18578



P-4411



25077



P-22089



P-31419



P-31418-001



P-31402-001



58655

| Part No. | Description |
|-------------|----------------------------------------------|
| P-31436-001 | Clutch Assembly, RH |
| P-22232 | Car Door Clutch, Horizontal |
| P-22235 | Car Door Clutch, Horizontal, Shallow |
| P-31374 | Pendant Assembly Large Sheave |
| P-31289 | Retracting Clutch Linkage |
| P-22120 | Clutch Cam |
| 101152 | Door Clutch Retracting Chain |
| 101687 | Aluminum Link Arm |
| 58651 | Door Clutch Locking Cam |
| 58656 | Door Clutch Lift Rod, 44" L |
| P-31434-001 | Clutch Hook & Bracket, RH |
| P-31434-002 | Clutch Hook & Bracket, LH |
| P-22076-001 | Clutch, Selcom Part, RH |
| P-22076-002 | Clutch, Selcom Part, LH |
| P-22077-001 | Clutch Hook & Bracket, RH |
| P-22106 | Door Lock Hook |
| 101054 | Mounting Plate, 1/4" thk x 2" W x 20" L |
| 101052 | Link |
| 101155 | Clevis Lock (1/4-28) 1-7/8" L |
| 101156 | Clevis Pin, 3/16" D X 11/16" L |
| 101192 | Bearing, single |
| 101637 | Needle Bearing, 1.25" OD |
| P-31376-001 | Interlock Hook Assembly, 5-5/8" R |
| P-31376-002 | Interlock Hook Assembly, 5-5/8" L |
| 40593 | Latch Keeper Link/Hook w/ contact |
| 40594 | Contact, Leaf |
| 101661 | Interlock Mounting Bracket |
| 58655 | Door Lift Lever Link |
| 58976 | Lift Rod, Clutch |
| P-31402-001 | Pickup Assembly, Vertical RH |
| 101142 | Roller only for P-31402-001 |
| P-31402-002 | Pickup Assembly, Vertical LH |
| P-31418-001 | Pickup Assembly, Horizontal RH |
| P-31418-002 | Pickup Assembly, Horizontal LH |
| 101744 | Pickup Assembly Tension Spring 1.57"L |
| 25077 | Door Operator Cam Shaft |
| P-4411 | Door Operator Split Link Assembly |
| P-31419 | Drive Lever & Bushing, 5"L |
| P-22089 | Pivot Arm Assembly, 1"W X 3-1/4" L |
| P-18578 | Door Drive Block |
| 2858-114 | Threaded Rod, 9" L, 5/16-18 |
| 101204 | Door Drive Lift Rod, 5/16" D, 1/4-28 one end |
| 101214 | Connecting Rod, 1/4-28 at both ends |
| 100969 | Lunar Door Key, 8"L X 7/16" OD |
| 101719 | Rubber Bumper, 7/8" OD |
| 19501-021 | Door Oper "V" Belt, AX53 |
| 19501-022 | Door Oper "V" Belt (set of 2) |
| 19501-092 | Door Oper "V" Belt (HPMS) |



101687



58651



58656



101054

P-31376-001



P-31434-002



P-22106

P-22077-001



101052



101661



40593



20918 Nylon door gib



P-15646
Cable ass'y,
4-cond. #18STR W



59666
Spacer



101295 Spacer,
25/64"ID x 1.438"OD



101161
Nyliner bushing
1/4"



90527-022
Door operator cable



P-31921-002



12936-00A
Pin, 3/8-24



19500-032
Pillow block, 3/4" bore



49115-003
Washer,
0.812"OD



101802
"E" ring, 3/8"



P-4232 Stationary
limit switch contact



101163
"E" ring, 3/16"



P-4231 Movable
contact



P-12926
Magnetic leveling
switch, 120VAC, 1.5A



61404
Photoelectric leveling sensor



101040
Retaining
ring



28974-1
Snap ring



20034 Nylon
clip



P-22177
Spacer &
bolt



101630
"S" hook,
5/16"ID



P-28319-00C
Limit switch,
replaced by
USP33217005



P-06388
Leveling switch
contacts



520770
Limit switch



P-16577
Low-voltage
level unit, 45VDC



19144
Damping motor,
1/2hp

M800A Door Motor



M800A. Permanent-magnet replacement for Montgomery 1/6-hp door motor.

M800C. Replacement brush, shown at right.



Replacement
brush for
M800A door motor.
Adams part no. M800C



P-12861
Limit switch, 6
steps



P-01046-00C
Gate switch, replaced by
USP1046001

DOOR MOTOR SPECIFICATIONS

| Adams part no. | Operating voltage | HP | Weight No-load | rpm Length | Motor type | Length | | Body | | OEM part no. |
|----------------|-------------------|-----|----------------|------------|--------------|----------------------------------|---------------------------------|----------------------------------|----------|--------------|
| | | | | | | Shaft | Diameter | Shaft | Diameter | |
| M800A | 24VDC | 1/6 | 7.8 lbs. | 1140 | Perm. magnet | 6 ⁵ / ₁₆ " | 1 ¹ / ₂ " | 3 ³ / ₁₆ " | 1/2" | 101849 |

Magnetic Leveling Switch

M3000. Magnetic leveling switch in aluminum housing. Wires are red & black. 24VDC, 2N/O





63099-002 Encoder; 240 pulses per rev., 12V. (repl. US61531002)



63099-003 Encoder; 2048 pulses per rev., 12V



63099-004 Encoder; 2048 pulses per rev., 5V



61531-003 Encoder 256 count, 2-channel MIPROM 21



48574 Tachometer/motor shaft coupling



45407 DC tachometer



65981 Tachometer, 24VDC/1500rpm



61695 Tach generator



28600 Mounting Block

RECTIFIER



46217-020 Rectifier, 25A



90665-001 Flexible coupling .25 to .25 1" L



90665-003 Flexible coupling .25 to .25 1 1/4" L

TRANSFORMERS



28600-001 Transformer, 208-480V



28602 Transformer, 208-480V



Fig 1

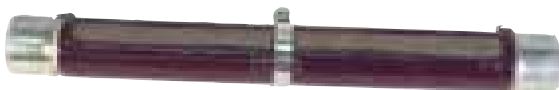


Fig 2



Fig 3

| RESISTORS | | | | | |
|-------------------|-------------------|-------|------------|--------------|--------|
| Part No. | Resistance (Ohms) | Watts | Adjustable | Ferrule Caps | Figure |
| 19510 | 50 | 200 | YES | NO | 1 |
| 23165 | 10 | 200 | YES | YES | 2 |
| 23166 | 50 | 200 | YES | YES | 2 |
| 23167 | 100 | 200 | YES | YES | 2 |
| 23168 | 250 | 200 | YES | YES | 2 |
| 23170 | 1000 | 200 | YES | YES | 2 |
| 24476 | 15 | 200 | YES | YES | 2 |
| 24477 | 20 | 200 | YES | YES | 2 |
| 24478 | 30 | 200 | YES | YES | 2 |
| P-2883-025 | 300 | 130 | NO | NO | 3 |

MKO, 1" SQUARE



P-14426-8



P-14426-AL

| PUSHBUTTON STEMS (1" SQ.) | |
|---------------------------|--------------------|
| Part No. | Pushbutton Marking |
| P-14426-001 | 1 |
| P-14426-002 | 2 |
| P-14426-3 | 3 |
| P-14426-4 | 4 |
| P-14426-5 | 5 |
| P-14426-6 | 6 |
| P-14426-7 | 7 |
| P-14426-008 | 8 |
| P-14426-037 | Arrow |
| P-14426-064 | OPEN |
| P-14426-069 | DOOR CLOSE |
| P-14426-080 | blank |
| P-14426-01R | 1R |
| P-14426-AL | ALARM |
| P-14426-G | G |
| P-14426-LB | LOBBY |



P-16732-001

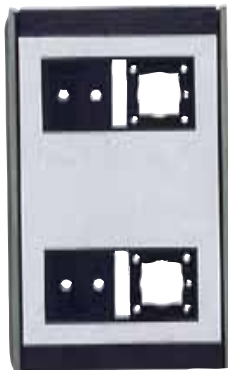
| PUSHBUTTON & SWITCH ASS'Y. (MKO 1" SQ.) | |
|-----------------------------------------|--------------------|
| Part No. | Pushbutton Marking |
| P-16732-001 | 1 |
| P-16732-002 | 2 |
| P-16732-003 | 3 |
| P-16732-004 | 4 |
| P-16732-005 | 5 |
| P-16732-006 | 6 |
| P-16732-007 | 7 |
| P-16732-064 | OPEN |
| P-16732-065 | DOOR OPEN |
| P-16732-068 | DOOR CLOSE |
| P-16732-AR | Arrow |
| P-16732-BL | blank |

| PUSHBUTTON LENSES (1" SQ.) | |
|----------------------------|--------------------|
| Part No. | Pushbutton Marking |
| P-14437-01 | 1 |
| P-14437-02 | 2 |
| P-14437-03 | 3 |



P-14437-01

P-25989-002
Hall Station Body



| PUSHBUTTON & SWITCH ASS'Y. (MKO 7/8" DIA.) | |
|--------------------------------------------|--------------------|
| Part No. | Pushbutton Marking |
| P-6440-1 | 1 |
| P-6440-AR | Arrow |
| P-6440-CA | CALL |
| P-6440-DC | DOOR CLOSE |



P-6440-AR
Pushbutton, arrow



P-22572-072
STOP switch



P-2050-H72
STOP switch, horizontal



P-2050
Red pushbutton



65974-001 *STOP switch*



Hall Lantern Arrow

| Part no. | Description |
|-----------|-------------|
| 61021-001 | Translucent |
| 61021-002 | Red |



**61491
Car lantern arrow
mask**



**61429
Car lantern lens, smoke**



**P-25744 Toggle switch,
3PDT, ON-ON**



**P-25024
UP/DN keyswitch, 3PDT,
US14, A00**



**P-5590-100
Keyswitch, 3 position**



**62491-002
ON/OFF keyswitch bezel**



61032 Glow bar



**65000 Gong &
down-lantern PCB kit,
no P.I.**



P-13846 Gong, 48VDC high pitch



**90728
Siren alarm
120dB, 6-16VDC**



**P-22339 Vector Fixtures
pushbutton kit**

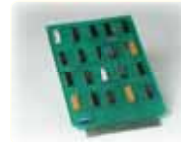


**15257
Pushbutton
contact disk**

| PRINTED CIRCUIT BOARDS | | |
|------------------------|-----------------------------------------------------------------------------------------------------------------------------------------------|-----------------------------------------------------------------------|
| Adams part no. | Description | Montgomery part no. |
| MM3314 | Speed control | A46222, B-47134, B-49710, P-15675, P-15764, P-16363, P-24170, P-24561 |
| MM3320 | Power board, w/o relays | A46223, B-47135, B-49711, P-15765, P-16364, P-24172 |
| MM3320R | Power board, w/relays | A46223, B-47135, B-49711, P-15765, P-16364, P-24172 |
| MM3328 | Mother board, w/o relays | B-47136, P-15766 |
| MM3334 | On delay relay, less cover and relay | P-8555 |
| MM3330R | Door controller board (MAC 104) plus relays. P-24783-004 is the 104 board w/harness. 90527-022 is the wiring harness only, for the 104 board. | - |
| MM3350 | Miprom universal input board w/ terminal strip & molex connector | P-15730, P-15731, P-15761, P-15762, P-16785, P-16786 |
| MM3360 | Miprom universal Output board w/ terminal strip & molex connector | P-15774, P-15775, P-16776, P-16777 |
| MM3361 | Miprom Output, AC | P-24147, B49886 |
| MM3362 | Miprom DC Output board w/screw terminals | P-15778, P-16778 |
| MM3363 | Miprom Output, AC/DC | P-15779 |
| MM3370 | Miprom power supply w/brown out | P-16835 |
| MM3380 | I/O interface board | P-16783 |
| MM3381 | Timer 14X | P-15760 |



MM3314



MM3380



MM3330R



MM3320



MM3320R



MM3370



MO-1600-A8



P-15603



P-15730



P-15758



P-15774



P-15761



P-15775



P-15778



P-15833



P-15883



P-15885



P-15889



P-15903

| PRINTED CIRCUIT BOARDS | |
|------------------------|-----------------------------|
| P-15603 | PERFORM PCB P15603 |
| P-15730 | INPUT II BOARD (MIPROM 21) |
| P-15731 | INPUT PCB |
| P-15758 | TIMER 4X PCB P15758 |
| P-15760 | TIMER 14X PCB |
| P-15761 | INPUT II PCB |
| P-15762 | INPUT II PCB P16786 |
| P-15766 | BOARD P.C. DOOR OPERATOR |
| P-15771 | I/O CARD RACK (MIPROM 21) |
| P-15774 | AC OUTPUT BOARD MOLEX CONN. |
| P-15775 | AC OUTPUT BOARD (MIPROM 21) |
| P-15778 | DC OUTPUT PCB P16778 |
| P-15833 | RESISTOR BOARD 5K MIPROM |
| P-15834 | 2.5K RES PCB P15834 |
| P-15839 | I/O CARD RACK ASSM |
| P-15883 | MIPROM 8K FINAL PC BOARD |
| P-15885 | E-PROM BOARD P15885 |
| P-15889 | PCB W/OUT EMPROMS |
| P-15903 | POWER PCB P15903 |
| P-15910-001 | MONTGOMERY CONTACT BLOCK PB |
| P-16059 | BOARD, P.C. |



P-16777



P-16835



P-24103



P-24107



P-24112



P-24419



PWA-3571



P-61795



P-61793



P-24869



P-24785



P-27110



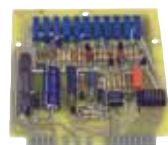
P-24744-001



P-24441



P-24568-005



P-24562



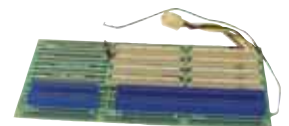
P-24529-005



P-24298



P-24151



P-24288

| PRINTED CIRCUIT BOARDS | |
|------------------------|----------------------------------|
| P-16775 | OUTPUT RELAY BOARD (MIPROM) |
| P-16777 | AC OUTPUT BD P16777 |
| P-16835 | POWER PCB P16835 |
| P-24100 | OUTPUT BOARD W/MOLEX |
| P-24103 | MULTI OPER AMP BOARD 6010 |
| P-24107 | DUAL BRIDGE FIELD BOARD, 6010 |
| P-24110 | PULSE DIST & AMP 6010 BOARD |
| P-24114 | SS PRECISE REF. 6010 BOARD |
| P-24115 | 2CA BOARD P24115 |
| P-24116 | 3CA BOARD P24116 |
| P-24117 | 5CA BOARD P24117 |
| P-24119 | 6CA BOARD P24119 |
| P-24120 | 7CA BOARD P24120 |
| P-24147 | OUTPUT BILOGIC BOARD (MIPROM) |
| P-24151 | INPUT PCB MIPROM CONTRL |
| P-24172 | POWER BOARD W/RELAYS |
| P-24173 | POWER BOARD P24173 |
| P-24248 | LOAD CELL AMP BOARD (MIPROM) |
| P-24263 | TRANSITION MONITOR PC BOARD |
| P-24267 | DOT MATRIX PI BOARD |
| P-24288 | CARD RACK (MIPROM 21) |
| P-24298 | PROM BOARD (MIPROM 21) |
| P-24323 | RELAY PILOT BOARD (MIPROM 21) |
| P-24419 | MONTGOMERY PB VECTOR PCB |
| P-24441 | RS 485 INTERFACE BOARD (MIPROM) |
| P-24529-005 | CA BOARD |
| P-24531 | PC AB DC CONTROLLER MEGA |
| P-24549-001 | RELAY BOARD |
| P-24562 | DOOR BOARD PWA 3570A |
| P-24568-005 | NTS BOARD (MIPROM 21) |
| P-24650 | CA KIT BOARD P24650 |
| P-24694 | H'RAIL SPD SENSOR BOARD |
| P-24744-001 | RS 232 INTERFACE BOARD (MIPROM) |
| P-24783-004 | EZ OPER 104 BOARD WITH HARNESS |
| P-24785 | PHASE LOSS BOARD |
| P-24982 | PC BOARD P24982 |
| P-27110 | BRAKE CTRL - 24V, W/OUT T'FORMER |
| P-29629 | INPUT SNUBBER BOARD |
| P-29629-001 | MIPROM 21 I/O BOARD |
| P-31529 | PC BRD, HALL TERMINAL LANDING |
| P-61793 | ARMATURE PULSE BOARD |
| P-61795 | FEEDBACK BOARD |
| PWA-3571 | POWER PCB W/O RELAYS |



P-24114



P-24117



P-24147



P-24120



P-29629



P-24783-004



P-29629-001



P-24100



P-24267



P-24273

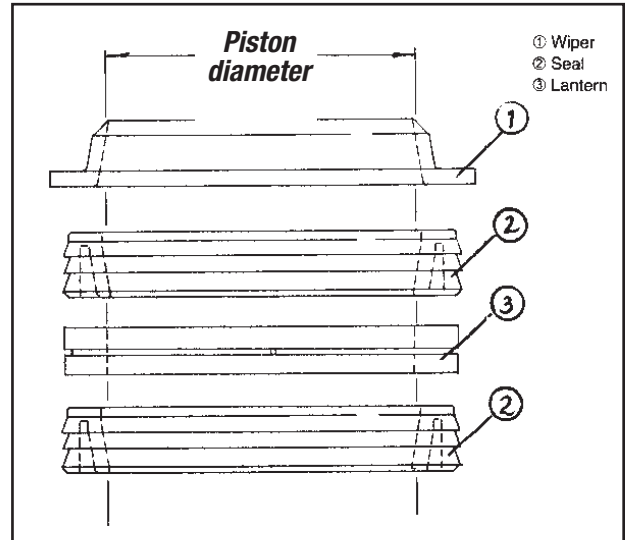
Montgomery Hydraulic Packing Kits

Each hydraulic packing kit for Montgomery consists of:

- Two (2) seals
- One (1) wiper
- One (1) lantern ring

| MONTGOMERY | |
|-------------------|------------------------------------|
| Adams part no. | Piston diameter |
| GK03937M | 3 ¹⁵ / ₁₆ " |
| GK04375M | 4 ³ / ₈ " |
| GK04500M | 4 ¹ / ₂ " |
| GK05437M | 5 ⁷ / ₁₆ " |
| GK05500M* | 5 ¹ / ₂ " |
| GK05750M | 5 ³ / ₄ " |
| GK06562M | 6 ⁹ / ₁₆ " |
| GK07500M | 7 ¹ / ₂ " |
| GK08562M | 8 ⁹ / ₁₆ " |
| GK09500M | 9 ¹ / ₂ " |
| GK10715M | 10 ¹⁸ / ₂₅ " |
| GK12625M | 12 ³ / ₈ " |

*Includes one seal, one lantern, one wiper.



51570-001
Wiper ring,
3" bearing



51233-001
3" solid jack
packing set



2881-170
Steel valve
spring washer



P-9118
Solenoid valve core, NC



43300 Rod packing,
round



P-9985
Regulator assembly
for US-UL valve



P-9117
Solenoid case, NO

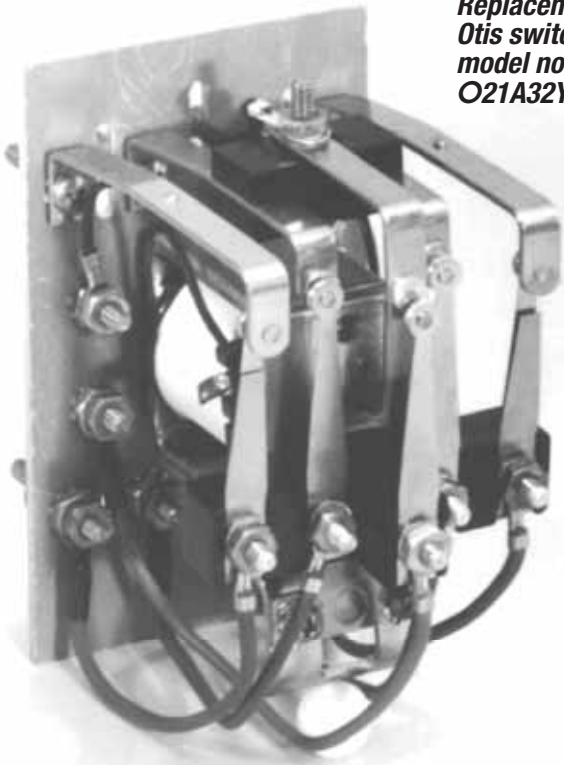
Index for Pages 226-308

| | | | |
|-------------------------------------|---------------------------------------------------------------|-------------------------------------|-------------------------|
| Bearings..... | 274 | Insulators..... | 302 |
| Brush holders..... | 282, 284, 287 | Interlocks..... | 288-291 |
| Brushes..... | 285-286 | Lamps..... | 269 |
| Bumpers..... | 279 | Magnet switches..... | 226 |
| Bushings..... | 272 | Mechanical pushbutton switches..... | 265, 270 |
| Buttons..... | 260-269 | Mechanical switches..... | 292-294 |
| Cam & clamp assembly..... | 252, 291 | Motor bearings..... | 283 |
| Capacitors/timers..... | 275, 278 | Motor brushes (carbon)..... | 285-286 |
| Carbon contacts..... | 300 | Packing, machine..... | 283 |
| Carbon holders..... | 282, 287, 301 | PI lenses..... | 267 |
| Chain, door closer..... | 291 | Pile-up assemblies..... | 232 |
| Coils..... | 228, 229, 232, 236, 237, 246, 247 | Printed circuit boards..... | 305-307 |
| Contacts..... | 228, 229, 230, 236, 241, 244, 245, 254, 287, 298, 299, 300 | Rail gibs..... | 302, 303 |
| Copper contacts..... | 298-299 | Rectifiers..... | 277 |
| Door edge sight guards/shields..... | 295 | Relay repair paks..... | 229, 230, 238, 241 |
| Door gibs..... | 291, 304 | Relays..... | 226-247 |
| Door hanger rollers..... | 256 | Resistors..... | 278, 279 |
| Door interlocks..... | 288-291 | Rheostat..... | 271 |
| Door keys..... | 297 | Rollers..... | 255-259 |
| Door motors..... | 271 | Selector Parts..... | 248-253 |
| Door parts..... | 288-291 | Selector tape..... | 250 |
| European switch assembly..... | 269 | Sheaves..... | 272 |
| Fixture components..... | 260-270 | Shunts..... | 237, 238, 242, 282 |
| Gaskets..... | 279-281 | Spirator..... | 291 |
| Gibs..... | 302-304 | Springs..... | 237, 291, 295, 296, 301 |
| Gongs..... | 279 | STOP switches..... | 268, 270, 276 |
| Guide rollers..... | 258 | Switch arms, replacements..... | 294 |
| Guide shoes..... | 303, 304 | Switches..... | 251, 253, 271 |
| Hall stations..... | 262, 263, 265, 267 | Touch tubes..... | 264 |
| Hanger rollers..... | 256 | Transformers..... | 271 |
| Hardware..... | 272-275, 301, 302 | Uphrust rollers..... | 257 |
| Hydraulic packing..... | 280-281 | Washers..... | 301, 302 |

**Replacement
Otis switch,
model no.
O21A32Y1**

Adams O2100-Series Replacement Magnet Switches for Otis Type A6164BP

Adams tests every single switch/relay. Our complete replacement switches (O2100 series) for the Otis Type A6164BP Magnet Switch are shipped *with a coil*.



If you are unsure of the Otis part no. for the switch you are replacing, you can still determine the proper Adams part number by following the guide below. You will need to know:

- 1) Switch arrangement
- 2) Number of MAKING contacts
- 3) Number of BREAKING contacts
- 4) Type of coil

SAMPLE PART NO.:

O21 A 3 2 Y1

Switch type
(A6164BP)

Type of coil
This number will appear on Otis coils preceded by 222C (Example: 222CY1)

No. of **BREAKING** contacts

No. of **MAKING** contacts

B=General Purpose, 4-lead coil

C=Self-Holding, 3-lead coil

D=Self-Holding, 4-lead coil

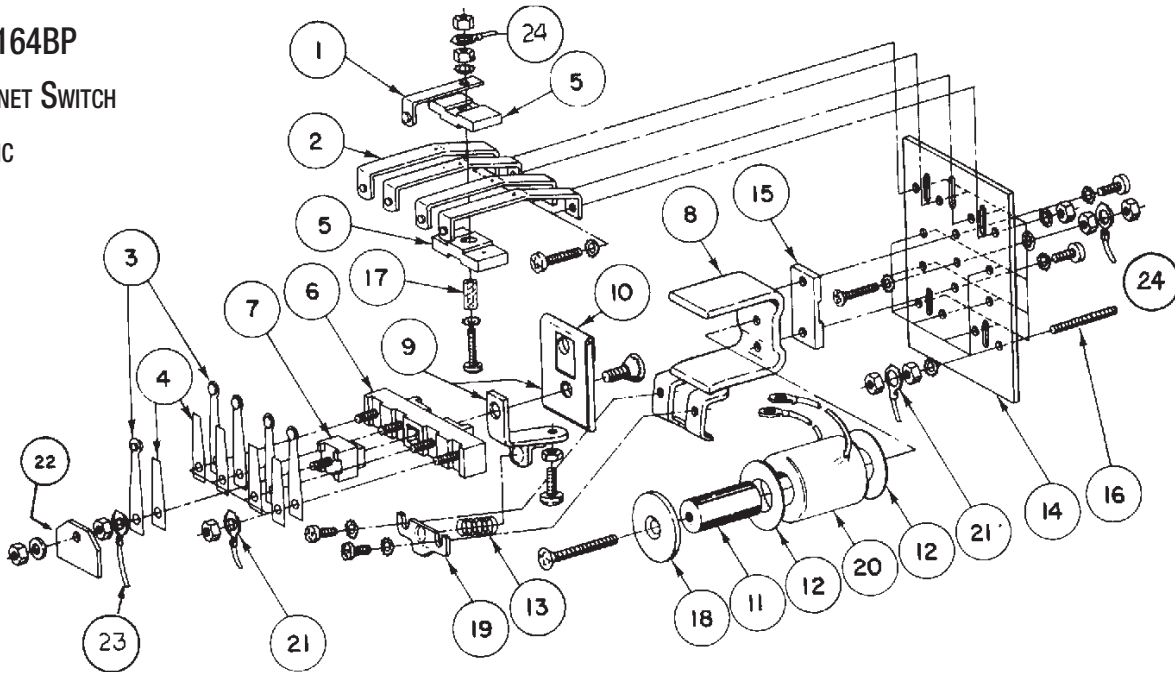
NOTE: For condensor-timed switches, order A or B plus suitable condensor

*MAKING contacts are normally open [NO]; BREAKING contacts are normally closed [NC].

COMPLETE REPLACEMENT A6164 RELAYS

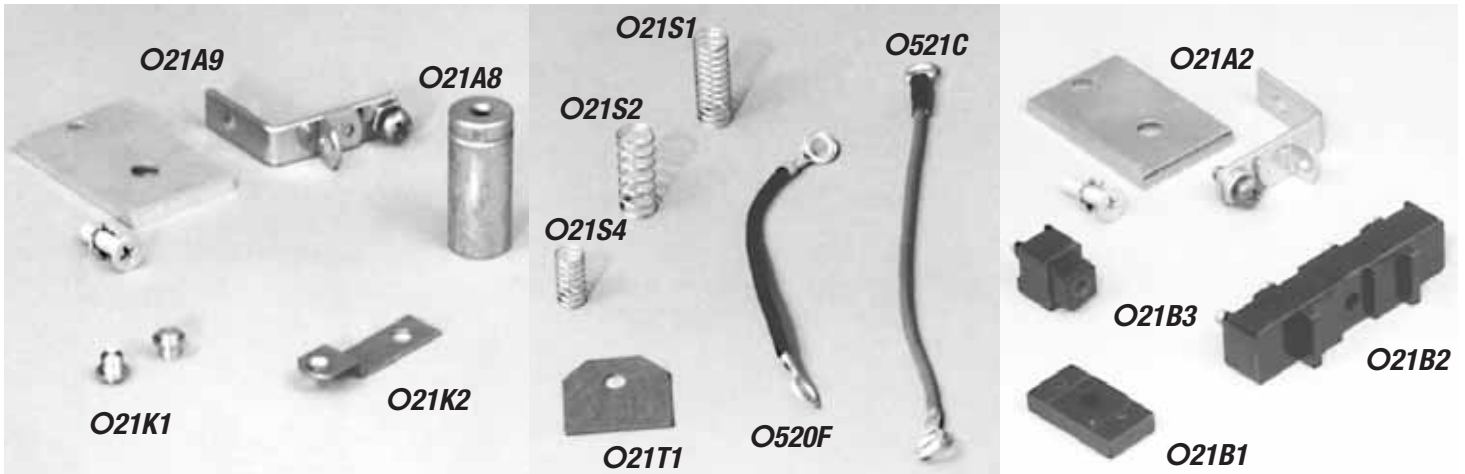
| Adams part no. | Make/Break* | Adams coil no. | Otis part no. (A6164BP-) |
|----------------------------------------------|-------------|----------------|--------------------------|
| General Purpose, 2- & 3-Lead Coil | | | |
| O21A02Y1 | 2B | H5317 | 102CY1 |
| O21A04Y1 | 4B | H5317 | 104CY1 |
| O21A04Y2 | 4B | H5318 | 104CY2 |
| O21A11Y1 | 1M 1B | H5317 | 111CY1 |
| O21A13Y1 | 1M 3B | H5317 | 113CY1 |
| O21A14Y1 | 1M 4B | H5317 | 114CY1 |
| O21A14Y2 | 1M 4B | H5318 | 114CY2 |
| O21A20Y10 | 2M | H7587 | 120CY10 |
| O21A20Y3 | 2M | H5319 | 120CY3 |
| O21A20Y1 | 2M | H5317 | 120CY1 |
| O21A22Y2 | 2M 2B | H5318 | 122CY2 |
| O21A22Y1 | 2M 2B | H5317 | 122CY1 |
| O21A23Y1 | 2M 3B | H5317 | 123CY1 |
| O21A23Y2 | 2M 3B | H5318 | 123CY2 |
| O21A31Y3 | 3M 1B | H5319 | 131CY3 |
| O21A31Y1 | 3M 1B | H5317 | 131CY1 |
| O21A32X1 | 3M 2B | H5328 | 132CX1 |
| O21A32Y10 | 3M 2B | H7587 | 132CY10 |
| O21A32Y2 | 3M 2B | H5318 | 132CY2 |
| O21A32Y1 | 3M 2B | H5317 | 132CY1 |
| O21A40Y1 | 4M | H5317 | 140CY1 |
| O21A41X1 | 4M 1B | H5328 | 141CX1 |
| O21A41Y10 | 4M 1B | H7587 | 141CY10 |
| O21A41Y1 | 4M 1B | H5317 | 141CY1 |
| O21A50Y1 | 5M | H5317 | 150CY1 |
| O21A50Y2 | 5M | H5318 | 150CY2 |
| General Purpose, 4-Lead Coil | | | |
| O21B23Z1 | 2M 3B | H7501 | 623CZ1 |
| O21B23Z5 | 2M 3B | H7555 | 623CZ5 |
| O21B32Z1 | 3M 2B | H7501 | 632CZ1 |
| O21B32Z5 | 3M 2B | H7555 | 632CZ5 |
| O21B41Z1 | 4M 1B | H7501 | 641CZ1 |
| O21B50Z1 | 5M | H7501 | 650CZ1 |
| Self-Holding, 3-Lead Coil | | | |
| O21C20X1 | 2M | H5328 | 320CX1 |
| O21C23X1 | 2M 3B | H5328 | 323CX1 |
| O21C31X1 | 3M 1B | H5328 | 331CX1 |
| O21C32X1 | 3M 2B | H5328 | 332CX1 |
| O21C40X1 | 4M | H5328 | 340CX1 |
| O21C41X1 | 4M 1B | H5328 | 341CX1 |
| O21C50X1 | 5M | H5328 | 350CX1 |
| Self-Holding, 4-Lead Coil | | | |
| O21D14Z1 | 1M 4B | H7501 | 714CZ1 |
| O21D23Z3 | 2M 3B | H7500 | 723CZ3 |
| O21D32Z1 | 3M 2B | H7501 | 732CZ1 |
| O21D32Z3 | 3M 2B | H7500 | 732CZ3 |
| O21D41Z1 | 4M 1B | H7501 | 741CZ1 |

TYPE A6164BP
DC MAGNET SWITCH
SCHEMATIC



REPLACEMENT PARTS FOR A6164BP RELAYS

| Key no. | Adams part no. | Replaces Otis no. | Description |
|-------------------------------------------------------|----------------|-------------------|----------------------------------------------------------------------------------|
| 1 | O21C1 | 150P25 | Stationary "L" contact |
| 2 | O21C2 | 150P26 | Stationary contact, 2 ⁵ / ₈ " L, make |
| 2 | O21C3 | 150P27 | Stationary contact, 3 ³ / ₃₂ " L, make |
| 3 | O21C4 | 150P4 | Movable contact |
| 4 | O21C5 | 93D2 | Leaf spring |
| 5 | O21B1 | 306CN1 | Contact base |
| 6 | O21B2 | 306CZ1 | Contact base |
| 7 | O21B3 | 306EF1 | Contact base |
| 8 | O21A1 | B374FV1 | Magnet frame |
| 9 | O21A2 | 245Z2 | Armature 2/A477BH1 stop |
| 10 | O21A3 | 384FN1 | Brass guard for armature |
| 11 | O21A4 | 400AY1 | Magnet core w/o groove |
| 12 | O21A5 | 129BR1 | Incl. 1 brass, 1 phenolic shim |
| 13 | O21S1 | 90LA4 | Compression spring |
| | O21S2 | 90TA6 | Compression spring |
| | O22S2 | 90VA16 | Compression spring |
| 14 | O21P1 | 433AG1 | Switch panel |
| 15 | O21B4 | 298BV1 | Phenolic base, 7 ⁷ / ₈ " x 1 ⁵ / ₈ " |
| 16 | O21P2 | 99G1 | Terminal stud |
| 17 | O21B5 | 137E5 | Base bushing |
| 18 | O21A6 | 131BH1 | Magnet core washer |
| 19 | O21A7 | A477BJ1 | Formed steel pivot stop |
| 20 | Hxxxx | 222-xx | Coil (see p. xxx) |
| 21 | O521B | 175J89 | Shunt, 4 ³ / ₄ " L |
| 22 | O21T1 | 102DA1 | I.D. tag |
| 23 | O521C | 175J90 | Shunt, 5 ³ / ₄ " |
| 24 | O520F | 175J6 | Shunt, 3 ³ / ₄ " |
| COMPONENTS FOR SELF-HOLDING RELAYS (NOT SHOWN) | | | |
| <i>For more info., see page 228</i> | O21A8 | 400AY2 | Magnet core w/groove |
| | O21A9 | 245Z1 | Armature |
| | O21K1 | A79AN1 | Kickoff assembly pin |
| | O21K2 | 316BCA1 | Kickoff assembly bracket |
| | O21S2 | 90TA6 | Main compression spring |
| | O21S4 | 90KA3 | Kickoff spring |



SELF-HOLDING SWITCH COMPONENTS

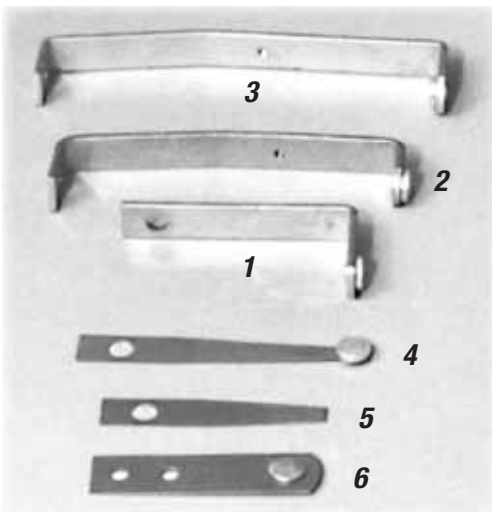
| Adams part no. | Otis part no. | Description |
|----------------|---------------|--------------------------|
| O21A8 | 400AY2 | Magnet core w/groove |
| O21A9 | 245Z1 | Armature |
| O21K1 | A79AN1 | Kickoff assembly pin |
| O21K2 | 316BCA1 | Kickoff assembly bracket |

SHUNTS & SPRINGS

| Adams part no. | Otis part no. | Description |
|----------------|---------------|-------------------------------------------------------------|
| O521A | 175J88 | Shunt, 3 ³ / ₄ "L |
| O521B | 175J89 | Shunt, 4 ³ / ₄ "L |
| O521C | 175J90 | Shunt, 5 ³ / ₄ "L |
| O521D | 175J122 | Shunt, 7 ⁵ / ₈ "L |
| | 175J150 | Shunt, 4 ³ / ₄ "L |
| O521F | 175J93 | Shunt, 6 ¹ / ₂ "L |
| O520F | 175J6 | Shunt, 3 ³ / ₄ "L |
| O21T1 | 102DA1 | I.D. tag |
| O21S1 | 90LA4 | Compression spring, 1" L |
| O21S2 | 90TA6 | Main compression spring, 2 ⁷ / ₃₂ " L |
| O21S4 | 90KA3 | Kickoff spring, 9 ¹ / ₁₆ " L |

BAKELITE BASES/ARMATURE

| Adams part no. | Otis part no. | Description |
|----------------|---------------|--------------------------------------------------------------------|
| O21B1 | 306CN1 | Bakelite base for O21C1 "L" contact (2 required) |
| O21B2 | 306CZ1 | Bakelite base for O21C4 contact |
| O21B3 | 306EF1 | Bakelite base, mates with O21B2 |
| O21A2 | 1245Z2 | Armature for A6164-BP general-purpose relays (cad-chromate plated) |



Shunts, Springs and Replacement Coils are also available.

Replacement Coils for A6164BP Relays

Adams replacement coils are wound on glass-filled bobbins molded from green Lexan®.

Identical to their Otis counterparts, the coils listed here are the models used most frequently on A6164-BP Controller switches.

Lexan—Reg TM General Electric Company

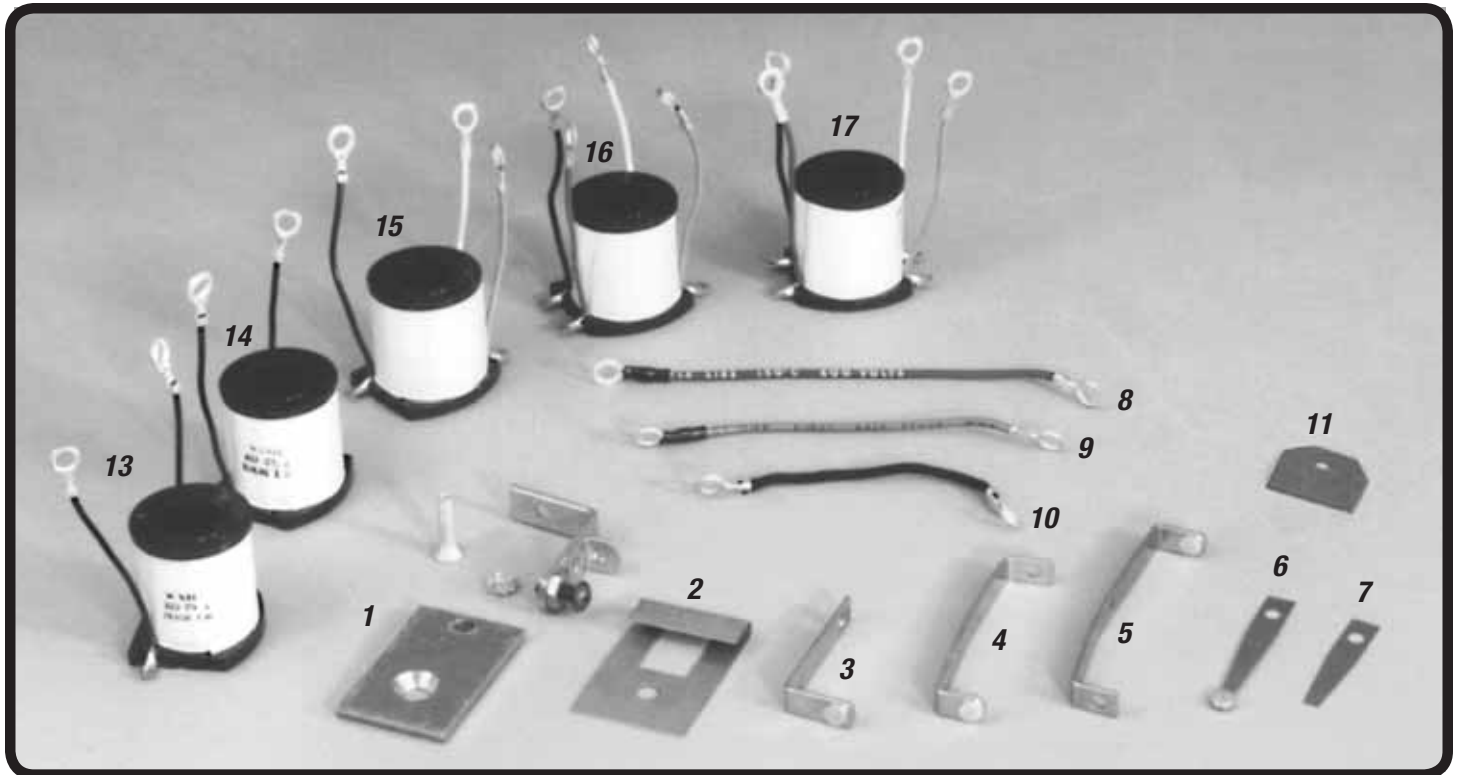


O2100-SERIES CONTACTS

| Key no. | Adams part no. | Otis part no. | Description |
|---------|----------------|---------------|---------------------------------------------------------------------------------------------------------------------------|
| 1 | O21C1 | 150P25 | Steel "L" contact w/1/4"-dia. silver tip; 1 ³ / ₄ "L x 5/8" |
| 2 | O21C2 | 150P26 | Making contact w/1/4"-dia. silver tip; 2 ⁵ / ₈ "L |
| 3 | O21C3 | 150P27 | Breaking contact w/1/4"-dia. silver tip; 3 ³ / ₃₂ "L |
| 4 | O21C4 | 150P4 | Movable contact w/1/4"-dia. silver tip; 2 ¹ / ₈ "L |
| 5 | O21C5 | 93D2 | Leaf spring, 1 ⁵ / ₈ "L x 5/16"W |
| 6 | O27C6 | 150H10 | Movable contact w/1/4" double silver tip, 1 ⁵ / ₈ "L x 7/16"W; use on A6164 definite voltage switch |

ADAMS REPLACEMENT COILS

| Adams part no. | Otis part no. | Adams part no. | Otis part no. |
|----------------|---------------|----------------|---------------|
| H5317 | 222CY1 | H7588 | 222CY11 |
| H5318 | 222CY2 | H5328 | 222CX1 |
| H5319 | 222CY3 | H5329 | 222CX2 |
| H5320 | 222CY4 | H7500 | 222CZ3 |
| H7582 | 222CY5 | H7501 | 222CZ1 |
| H7505 | 222CY6 | H7503 | 222CZ2 |
| H7507 | 222CY7 | H7504 | 222CZ4 |
| H7585 | 222CY8 | H7555 | 222CZ5 |
| H7587 | 222CY10 | | |



REPAIR PAKS FOR A-6164BP SWITCHES

Best use: Keep one or more Repair Pak at every job site...to eliminate trips back to the warehouse.

Paks available with or without replacement coils.

OK2101 Repair Pak. Contains items 1 thru 12. Item 12 not shown. Coils not included.

OK2102 Repair Pak. Contains items 1 thru 17. Item 12 not shown. Coils included.

EACH OK2101/2102 REPAIR PAK INCLUDES:

| Photo key | Adams part no. | Otis part no. | Description | Quantity |
|------------------------------|----------------|---------------|-----------------------------------------|----------|
| 1 | O21A2 | 245Z2 | Armature | 1 |
| 2 | O21A3 | 384FN1 | Guard, brass | 2 |
| 3 | O21C1 | 150P25 | "L" contact, stationary | 2 |
| 4 | O21C2 | 150P26 | "Make" contact, stationary | 12 |
| 5 | O21C3 | 150P27 | "Break" contact, stationary | 12 |
| 6 | O21C4 | 150P4 | Contact, movable | 36 |
| 7 | O21C5 | 93D2 | Leaf spring | 30 |
| 8 | O521C | 175J90 | Shunt, 5 ³ / ₄ "L | 2 |
| 9 | O521B | 175J89 | Shunt, 4 ³ / ₄ "L | 10 |
| 10 | O520F | 175J6 | Shunt, 3 ³ / ₄ "L | 2 |
| 11 | O21T1 | 102DA1 | I.D. tag (gray) | 6 |
| 12 | — | — | Assorted hardware & springs | 1 pkg. |
| OK2102 ALSO INCLUDES: | | | | |
| 13 | H5317 | 222CY1 | Coil | 2 |
| 14 | H5318 | 222CY2 | Coil | 2 |
| 15 | H5328 | 222CX1 | Coil | 2 |
| 16 | H7501 | 222CZ1 | Coil | 1 |
| 17 | H7503 | 222CZ2 | Coil | 1 |

Value Paks for A6164BP Switches

Each of the Paks described below features 20-250 each of the movable contacts, stationary contacts and shunts you need most to repair Otis A6164BP switches.

Stock a Repair Pak for convenience.

OVP2110 VALUE PAK

| Adams part no. | Otis part no. | Quantity |
|----------------|---------------|----------|
| O21C4 | 150P4 | 250 |
| O21C5 | 93D2 | 50 |

MOVABLE CONTACT VALUE PAK

Adams part no. **OVP2110**
Value Pak. Contains 250 movable contacts + 50 leaf springs.

O21C4 movable contact, both sides shown

O21C5 leaf spring

STATIONARY CONTACTS VALUE PAK

Adams part no. **OVP2111**
Value Pak. Contains 225 stationary contacts.

| Adams part no. | Otis part no. | Quantity |
|----------------|---------------|----------|
| O21C2 | 150P26 | 100 |
| O21C3 | 150P27 | 100 |
| O21C1 | 150P25 | 25 |

OVP2111 VALUE PAK

O21C2

O21C3

O21C1

SHUNTS VALUE PAK

Adams part no. **OVP2112** Value Pak.
 Contains 160 shunts.

| Adams part no. | Otis part no. | Length | Quantity |
|----------------|---------------|---------------------------------|----------|
| O521A | 175J88 | 3 ³ / ₄ " | 20 |
| O521B | 175J89 | 4 ³ / ₄ " | 100 |
| O521C | 175J90 | 5 ³ / ₄ " | 20 |
| O521D | 175J122 | 7 ⁵ / ₈ " | 20 |

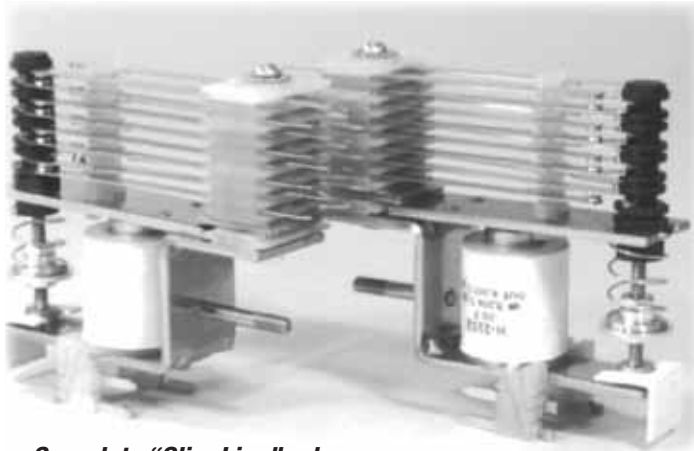
OVP2112 VALUE PAK

O521D

O521B

O521C

O521A



Complete "Slim Line" relay, part no. O29A62D7

If you are unsure of the Otis part no. for the relay you are replacing, you can still determine the proper Adams part number by following the guide below.

Adams part # = O - 2 9 A 2 6 F 7

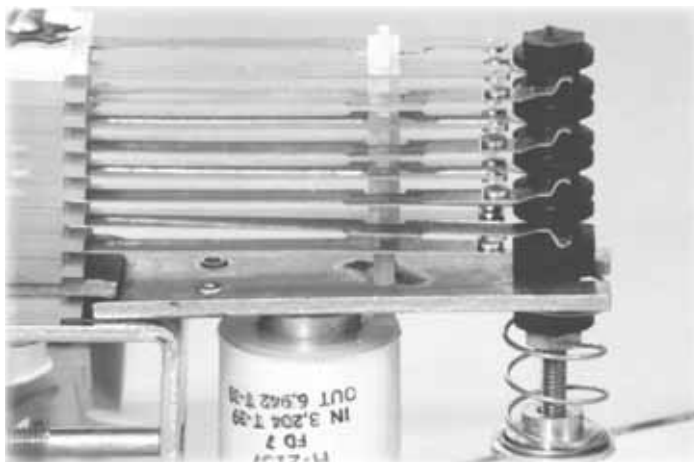
Type of relay (7058B)

Magnet arrangement
A = control or timing relay
C = self-holding relay

Type of coil
This number will appear on Otis coils preceded by 222F (Example: 222FF7)

No. of BREAKING contacts

No. of MAKING contacts



Detail of "Slim Line" make/break contacts

Adams Complete Replacement Relays for Otis "Slim Line"

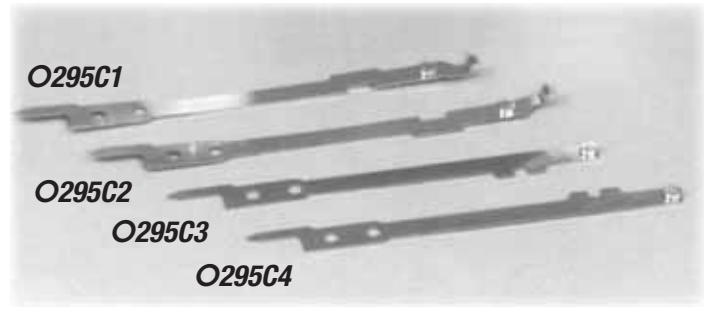
Our complete replacement relay, Otis Type 7058B-series "Slim Line", is only available WITH a coil. Order complete relay from the chart below or use the method described below left.

| COMPLETE 7058B "SLIM LINE" RELAYS | | | | |
|-----------------------------------|-------------|-------------------------|------------------------|----------------------------------------------------------|
| Adams part no. | Make/Break* | Includes Adams coil no. | Replaces Otis part no. | Supersedes Otis no. |
| Control or Timing Relay | | | | |
| O29A08F7 | 0M 8B | H2107 | 7058B108FF7 | |
| O29A17F7 | 1M 7B | H2107 | 7058B117FF7 | |
| O29A26F7 | 2M 6B | H2107 | 7058B126FF7 | 7058B124FF7 |
| O29A26F8 | 2M 6B | H2108 | 7058B126FF8 | |
| O29A35F7 | 3M 5B | H2107 | 7058B135FF7 | |
| O29A35F8 | 3M 5B | H2108 | 7058B135FF8 | |
| O29A44F7 | 4M 4B | H2107 | 7058B144FF7 | 7058B120FF7 7058B122FF7 7058B140FF7 7058B142FF7 |
| O29A44F8 | 4M 4B | H2108 | 7058B144FF8 | 7058B120FF8 7058B122FF8 7058B142FF8 |
| O29A44F9 | 4M 4B | H2109 | 7058B144FF9 | |
| O29A44F11 | 4M 4B | H2111 | 7058B144FF11 | 7058B120FF11 |
| O29A44F12 | 4M 4B | H2112 | 7058B144FF12 | 7058B120FF12 |
| O29A44D7 | 4M 4B | H2157 | 7058B144FD7 | 7058B142FD7 |
| O29A53F7 | 5M 3B | H2107 | 7058B153FF7 | |
| O29A53F11 | 5M 3B | H2111 | 7058B153FF11 | |
| O29A53F12 | 5M 3B | H2112 | 7058B153FF12 | |
| O29A62F7 | 6M 2B | H2107 | 7058B162FF7 | 7058B160FF7 |
| O29A62D7 | 6M 2B | H2157 | 7058B162FD7 | |
| O29A71F7 | 7M 1B | H2107 | 7058B171FF7 | |
| O29A80F7 | 8M 0B | H2107 | 7058B180FF7 | |
| Self-Holding Relay | | | | |
| O29C08D8 | 0M 8B | H2158 | 7058B208FD8 | |
| O29C17D8 | 1M 7B | | 7058B217FD8 | |
| O29C26D8 | 2M 6B | | 7058B226FD8 | |
| O29C35D8 | 3M 5B | H2158 | 7058B235FD8 | |
| O29C44D4 | 4M 4B | H2154 | 7058B244FD4 | 7058B222FD4 |
| O29C44D8 | 4M 4B | H2158 | 7058B244FD8 | 7058B220FD8 7058B222FD8 7058B240FD8 7058B242FD8 |
| O29C53D4 | 5M 3B | H2154 | 7058B253FD4 | |
| O29C53D8 | 5M 3B | H2158 | 7058B253FD8 | |
| O29C62D4 | 6M 2B | H2154 | 7058B262FD4 | |
| O29C62D8 | 6M 2B | H2158 | 7058B262FD8 | 7058B260FD8 |
| O29C71D8 | 7M 1B | | 7058B271FD8 | |
| O29C80D8 | 8M 0B | | 7058B280FD8 | |

*MAKING contacts are normally open and BREAKING contacts are normally closed.



Pile-up assembly, part no. O295P9



| 7055C PILE-UP ASSEMBLIES | | | | |
|--------------------------|---------------------------------------------------------------|----------------------------------------------------------------------|------------------------|----------------------------------------------------------|
| Adams part no. | Make/Break | Used on relay 7058B | Replaces Otis part no. | Supersedes Otis no. |
| O295P1 | 0M 8B | 108, 208 | 7055C081 | |
| O295P2 | 1M 7B | 117, 217 | 7055C171 | |
| O295P3 | 2M 6B | 126, 226 | 7055C261 | |
| O295P4 | 3M 5B | 135, 235 | 7055C351 | 7055C205 |
| O295P5 | 4M 4B | 120, 220 124, 224 140, 240 142, 242 122, 222 144, 244 | 7055C441 | 7055C227 7055C241 7055C244 7055C406 7055C243 |
| O295P6 | 5M 3B | 153, 253 | 7055C531 | 7055C602 |
| O295P7 | 6M 2B | 160, 260 162, 262 | 7055C621 | |
| O295P8 | 7M 1B | 171, 271 | 7055C711 | |
| O295P9 | 8M 0B | 180, 280 | 7055C801 | |
| O292 | Plug-in base; incl. nut | | 306JL4 | |
| O293S1 | Compression spring, 1 1/4" L; see listing & photo on page 234 | | 90XA14 | |


| CONTACT ARMS WITH 5/32" SILVER CONTACTS* | | |
|------------------------------------------|---------------|------------------------|
| Adams part no. | Otis part no. | Description |
| O295C1 | 179CH2 | Stationary, 4 11/64" L |
| O295C2 | 179CH4 | Stationary, 4 11/64" L |
| O295C3 | 179CG2 | Movable, 3 27/32" L |
| O295C4 | 179CG4 | Movable, 3 27/32" L |

*Sold only in packages of 10.




Plug-in base, part no. O292 (two shown)

REPLACEMENT COILS FOR 7058B "SLIM LINE" RELAYS



H2101
2-lead coil



H2158
4-lead coil

| 7058B REPLACEMENT COILS | | |
|-------------------------|-------------------|-------------------------------------|
| Adams part no. | Replaces Otis no. | No. of turns/wire size |
| Two-Lead Coils | | |
| H2101 | 222FF1 | 10,940/41 |
| H2105 | 222FF5 | 2,736/35 |
| H2106 | 222FF6 | 860/29 |
| H2107 | 222FF7 | 12,432/40 |
| H2108 | 222FF8 | 6,420/37 |
| H2109 | 222FF9 | 9,345/39 |
| H2111 | 222FF11 | 3,192/34 |
| H2112 | 222FF12 | 4,136/36 |
| H2113 | 222FF13 | 780/28 |
| Four-Lead Coils | | |
| H2154 | 222FD4 | Inner: 1,776/40 Outer: 10,064/40 |
| H2157 | 222FD7 | Inner: 3,204/39 Outer: 6,942/39 |
| H2158 | 222FD8 | Inner: 644/41 Outer: 9,078/39 |



O2201CD2 Magnet Switch

Adams Replacements for Otis Heavy-Duty Switches

Adams manufactures and stocks the DC magnet switches that replace Otis Type B6754A & B, A6754Y, and E6754A, B, C, D & Y switches, as shown below. These switches/relays are replaced by Adams O2200-Series relays, illustrated on this page; replacement parts follow on the next pages.

Our complete heavy duty replacement switches are only available WITH COILS.

To order a complete switch: Identify the Adams part no. on the accompanying cross-reference chart. You can find the corresponding Otis switch number in the Otis Service Manual and on the back of the switch/relay being replaced.

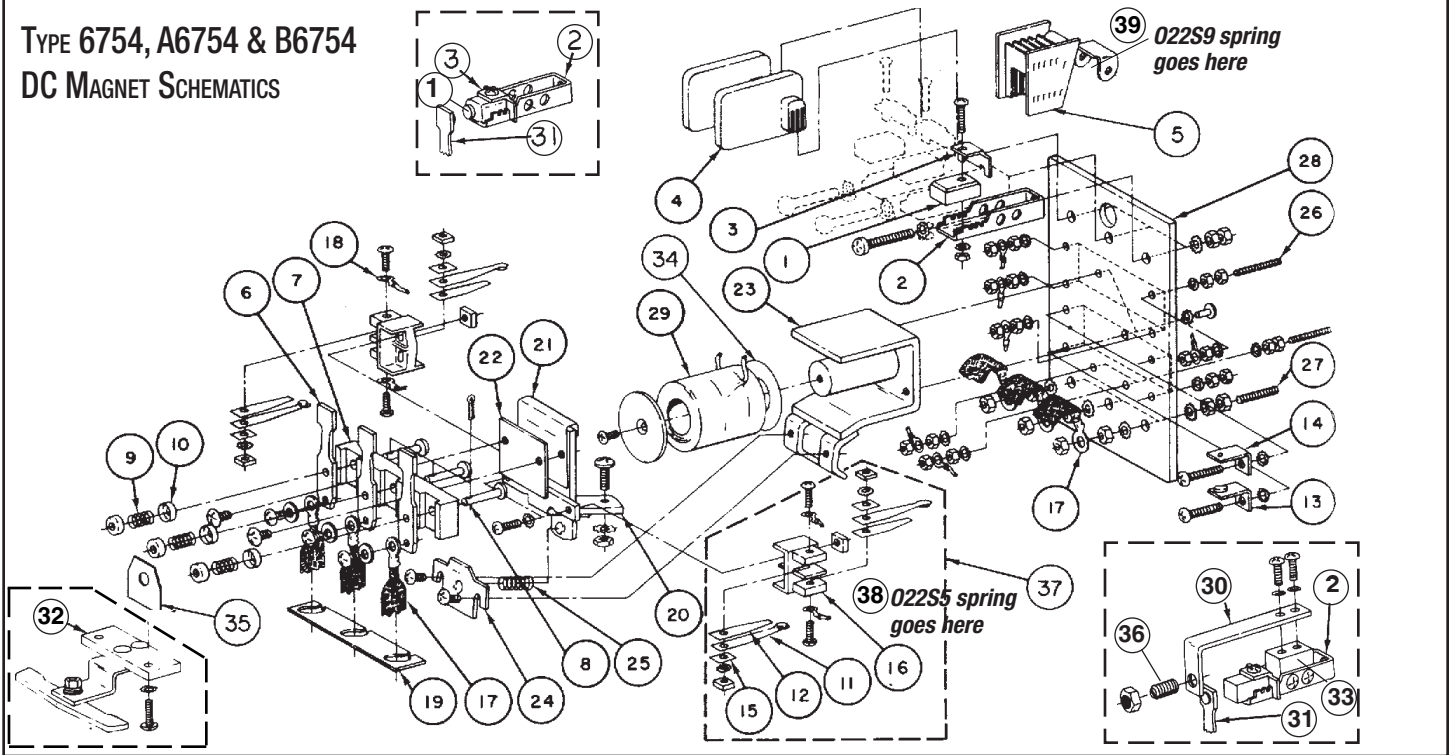
Or, use the chart below to identify the switch required and order by using the appropriate Adams part no. The chart also specifies type and number of main & auxiliary contacts, and whether the switch uses arc barriers or arc deflectors.

| COMPLETE REPLACEMENTS FOR B6754A & B, AND A6754Y RELAYS | | | | | | | | | | | |
|---------------------------------------------------------|---------------|----------------|---------------|----------------|---------|----------------|---------|-------------------------------|-----------|-------------|--|
| Adams part no. | Otis part no. | Adams coil no. | Description† | Main contacts | | | | Make/Break auxiliary contacts | Arc defl. | Arc barrier | |
| | | | | Outside | | Center Contact | | | | | |
| | | | | Stationary | Movable | Stationary | Movable | | | | |
| O2200CD1 | B6754A121CD1 | H6992 | 3 | O22D1 | O22C1 | O22D1 | O22C1 | L&R | ✓ | | |
| O2200CD2 | B6754A121CD2 | H6993 | | O22D1 | O22C1 | O22D1 | O22C1 | L&R | ✓ | | |
| O2200CD3 | B6754A121CD3 | H6994 | | O22D1 | O22C1 | O22D1 | O22C1 | L&R | ✓ | | |
| O2200CD4 | B6754A121CD4 | H7502 | main making | O22D1 | O22C1 | O22D1 | O22C1 | L&R | ✓ | | |
| O2201CD1 | B6754A122CD1 | H6992 | | O22D1 | O22C1 | O22D1 | O22C1 | L&R | | ✓ | |
| O2201CD2 | B6754A122CD2 | H6993 | | O22D1 | O22C1 | O22D1 | O22C1 | L&R | | ✓ | |
| O2201CD4 | B6754A122CD4 | H7502 | 2 main making | O22D1 | O22C1 | O22D1 | O22C1 | L&R | | ✓ | |
| O2201CD5 | B6754A122CD5 | H6995 | | O22D1 | O22C1 | O22D1 | O22C1 | L&R | | ✓ | |
| O2202CD1 | B6754B120CD1 | H6992 | | O22D1 | O22C1 | none | none | L&R | ✓ | | |
| O2203CD3 | A6754Y162CD3 | H6994 | 1M, 2M/B | O22D1 | O22C9 | O22D1 | O22C7 | L&R* | | ✓ | |
| COMPLETE REPLACEMENTS FOR E6754A, B, C, D & Y RELAYS | | | | | | | | | | | |
| O2210EB1 | E6754A121EB1 | H7601 | 3 main making | O22D1 | O22C7 | O22D1 | O22C7 | L&R | ✓ | | |
| O2210EB2 | E6754A121EB2 | H7602 | | O22D1 | O22C7 | O22D1 | O22C7 | L&R | ✓ | | |
| O2210EB3 | E6754A121EB3 | H7603 | | O22D1 | O22C7 | O22D1 | O22C7 | L&R | ✓ | | |
| O2210EB4 | E6754A121EB4 | H7604 | | O22D1 | O22C7 | O22D1 | O22C7 | L&R | ✓ | | |
| O2211EB1 | E6754A122EB1 | H7601 | | O22D1 | O22C7 | O22D1 | O22C7 | L&R | | ✓ | |
| O2211EB2 | E6754A122EB2 | H7602 | | O22D1 | O22C7 | O22D1 | O22C7 | L&R | | ✓ | |
| O2211EB4 | E6754A122EB4 | H7604 | | O22D1 | O22C7 | O22D1 | O22C7 | L&R | | ✓ | |
| O2211EB5 | E6754A122EB5 | H7605 | | O22D1 | O22C7 | O22D1 | O22C7 | L&R | | ✓ | |
| O2211EB6 | E6754A122EB6 | H7606 | | O22D1 | O22C7 | O22D1 | O22C7 | L&R | | ✓ | |
| O2212EB1 | E6754A222EB1 | H7601 | | O22D3 | O22C3 | O22D3 | O22C3 | L&R | | ✓ | |
| O2220EB1 | E6754B120EB1 | H7601 | 2 main making | O22D1 | O22C7 | none | none | L&R | none | | |
| O2221EB1 | E6754B121EB1 | H7601 | | O22D1 | O22C7 | | | L&R | | ✓ | |
| O2222EB1 | E6754B161EB1 | H7601 | | O22D1 | O22C7 | | | L&R* | | ✓ | |
| O2230EB1 | E6754C121EB1 | H7601 | 2M 1M/B | O22D1 | O22C7 | O22D1 O22D4 | O22C9 | L&R | ✓ | | |
| O2230EB2 | E6754C121EB2 | H7602 | 2M 1M/B | O22D1 | O22C7 | O22D1 O22D4 | O22C9 | L&R | ✓ | | |
| O2231EB2 | E6754C122EB2 | H7602 | 2M 1M/B | O22D1 | O22C7 | O22D1 O22D4 | O22C9 | L&R | | ✓ | |
| O2231EB4 | E6754C122EB4 | H7604 | 2M 1M/B | O22D1 | O22C7 | O22D1 O22D4 | O22C9 | L&R | | ✓ | |
| O2232EB2 | E6754C162EB2 | H7602 | 2M 1M/B | O22D1 | O22C7 | O22D1 O22D4 | O22C9 | L&R* | | ✓ | |
| O2233EB2 | E6754D200EB2 | H7602 | 2 break | O22D4 | O22C3 | none | | | | | |
| O2234EB6 | E6754Y162EB6 | H7606 | 1M 2M/B | O22D4 O22D1 | O22C9 | O22D1 | O22C7 | L&R* | | ✓ | |

† MAKING contacts are normally open and BREAKING contacts are normally closed.

*Left-hand with reduced air gap.

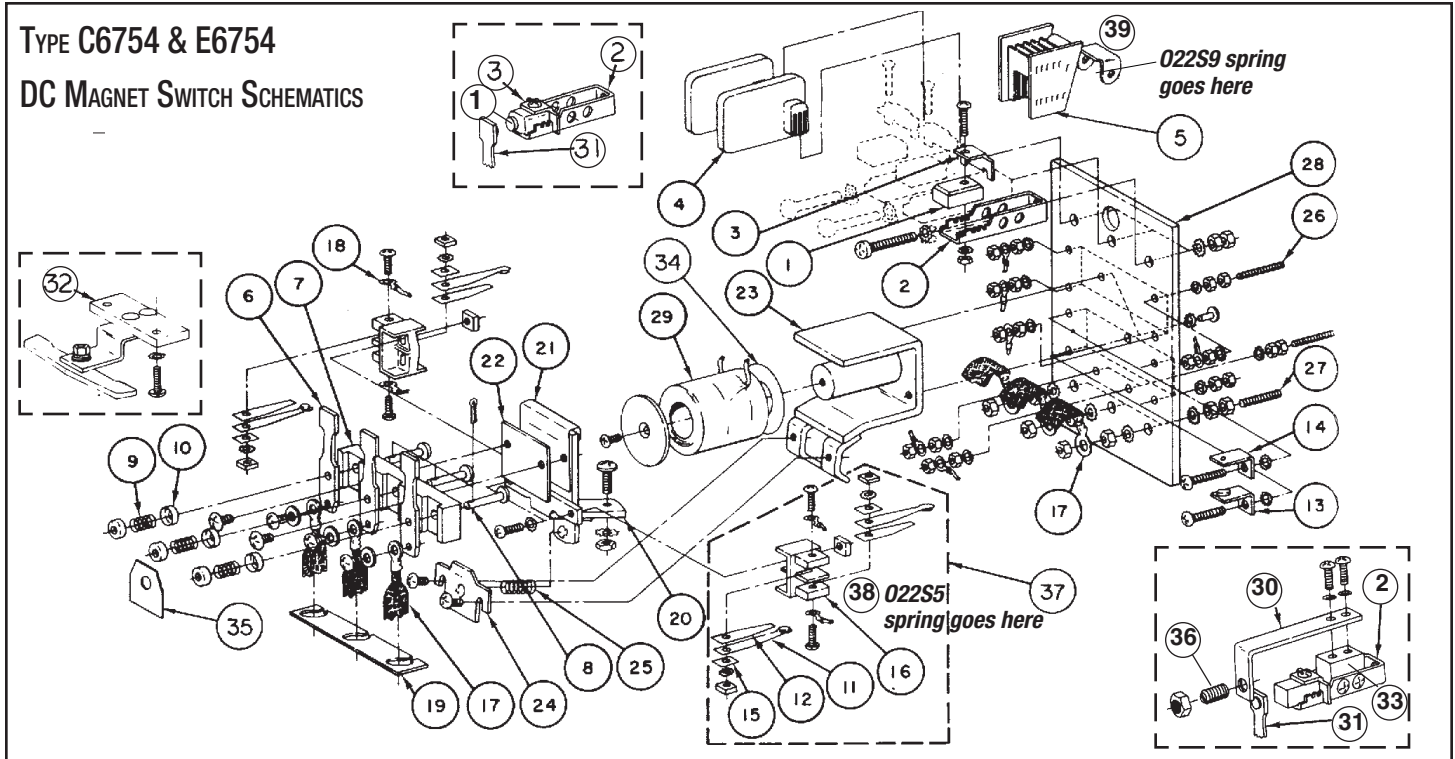
TYPE 6754, A6754 & B6754 DC MAGNET SCHEMATICS



REPLACEMENT PARTS FOR OTIS TYPE 6754, A6754 & B6754 RELAYS

| Key no. | Adams part no. | Otis part no. | Description |
|---------|-----------------------------------------------------------------------|------------------------------------------------|----------------------------------------------------------------------------------------------------------------------------------------------------------------------------------------------------|
| 1 | O22D1 O22D2 O22D3 | 154AB1 154AB2 150AL3 | Carbon contact Graphite contact Copper contact with 3/8" dia. silver tip |
| 2 | O22K1 | A179AK3 | Carbon holder with screw |
| 3 | O22K2 | A336BR1 | Carbon clamp |
| 4 | O22H1 | 276H1 | Bakelite arc barrier |
| 5 | O22H2 | 6534B1 | Arc deflector |
| 6 | O22C1 O22C3 O22C6 O22C11 | 153Z1 150Y4/Y8 153AE8 153AE10 | Movable contact w/o tip Movable contact with 3/8" dia. silver tip Movable contact with 7/16" sq. silver tip Movable contact with 3/8" dia. silver tip and 7/16" sq. silver tip on reverse |
| 7 | O22B1 | 306BR1 | Base for movable contacts |
| 8 | O22R1 | 141Y1 | 1" L rivet with cotter pin |
| 9 | O22S1 O22S6 | 90TA3 90YA25 | Compression spring (making) Compression spring (break) |
| 10 | O22W1 | 133A6 | Spring seat washer |
| 11 | O21C4 | 150P4 | Movable contact for auxiliary |
| 12 | O21C5 | 93D2 | Support blade for auxiliary |
| 13 | O22C4 | 150C13, 152AN1 | Auxiliary stationary contact |
| 14 | O22C5 | 150C14, 152AN2 | Auxiliary stationary contact |
| 15 | O22W2 | 128H1 | Washer |
| 16 | O22B2 | 306CJ1 | Auxiliary contact base |
| 17 | O546B | 176KA13 | Copper braid connector |

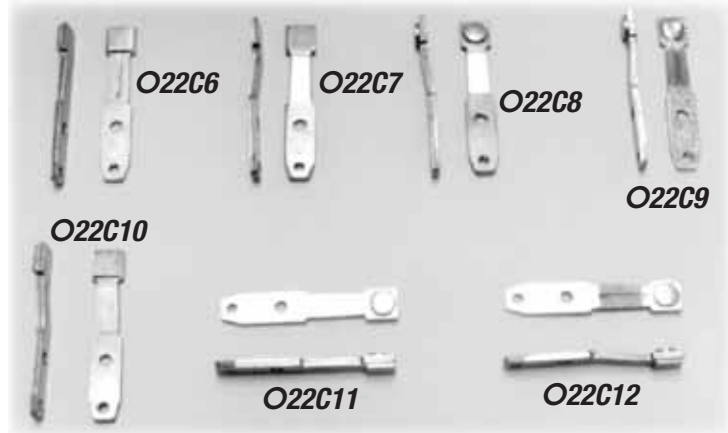
| Key no. | Adams part no. | Otis part no. | Description |
|---------|--------------------------------------------------------------|-------------------------------------|-----------------------------------------------------------------------------------------------------------------------------|
| 18 | O521A | 175J88 | 3 3/4" L insulated connector |
| 19 | O22T1 | 464BJ2 | Fiber separator, 3 1/8" x 5/8" |
| 20 | O22A2 | A245AE1 | Magnet armature |
| 21 | O22A3 | 384FS1 | Brass guard |
| 22 | O22A4 | 384EW2 | Phenolic guard |
| 23 | O22A1 | A374CP1 | Frame assembly with magnet core and washer |
| 24 | O22A5 | A477BL1 | Stop |
| 25 | O22S2 O22S3 O22S7 O22S8 | 90VA16 90EB5 90KB14 90VA15 | Kickoff spring Kickoff spring for 6754Y switch Kickoff spring (breaking contact) Kickoff spring (for 2M/1B switch) |
| 26 | O21P2 | 99G1 | Terminal stud, 1 3/8" L |
| 27 | O22P3 | 99G2 | Terminal stud, 2" L |
| 28 | O22P1 | A433Z1 | Panel |
| 29 | Hxxxx | 222xxx | Coil (see pages 216-217) |
| 30 | O22K3 | 179AM1 | Stationary contact holder |
| 31 | O22C3 | 150Y4 | Movable contact with 3/8" dia. silver tip |
| 32 | O22J1 | 6543C | Interlock ("airplane") |
| 33 | O22K3B | 306CP1 | Insulator |
| 34 | O22A6 | 129BR2 | Phenolic washer for coil |
| 35 | O21T1 | 102DA1 | I.D. tag |
| 36 | O22D4 | 150W6 | Threaded contact with 3/8" dia. silver tip and jamb nut |
| 37 | O22BA1 O22BA2 | 6810A1 6810A3 | Auxiliary contact assembly w/o coil spring Auxiliary contact assembly with coil spring |
| 38 | O22S5 | 90LA11 | Compression spring for auxiliary contact assembly |
| 39 | O22S9 | 90PA4 | Compression spring for arc deflector |



REPLACEMENT PARTS FOR OTIS TYPE C6754 AND E6754 RELAYS

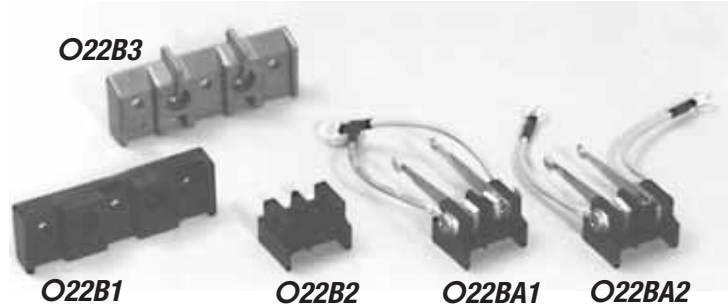
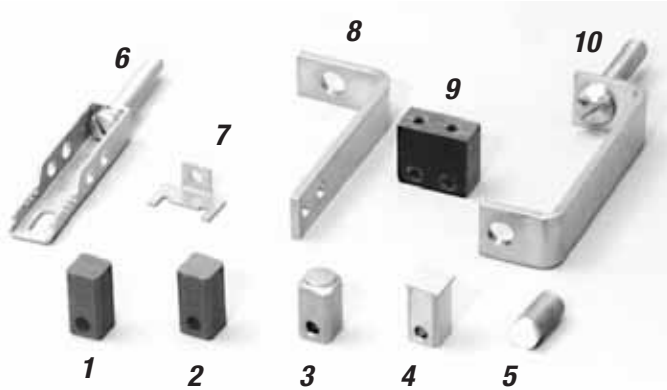
| Key no. | Adams part no. | Otis part no. | Description |
|---------|----------------|----------------|---------------------------------------------------------------|
| 1 | O22D1 | 154AB1 | Carbon contact |
| | O22D2 | 154AB2 | Graphite contact |
| | O22D3 | 150AL3 | Copper contact with 3/8" dia. silver tip |
| 2 | O22K1 | A179AK3 | Carbon holder with screw |
| 3 | O22K2 | A336BR1 | Clamp for carbon |
| 4 | O22H1 | 276H1 | Bakelite arc barrier |
| 5 | O22H2 | 6534B1 | Arc deflector |
| 6 | O22C2 | — | Movable contact, offset, with 3/8" square copper tip; 2 3/4"L |
| | O22C3 | 150Y4/Y8 | Movable contact with 3/8" dia. silver tip |
| | O22C6 | 153AE8 | Movable contact with 7/16" square silver contact; 2 3/4"L |
| | O22C7 | 153Z4 | Movable contact, offset, without contact; 2 3/4"L |
| | O22C8 | 150Y6 | Movable contact, offset, with 3/8" dia silver tip; 2 3/4"L |
| | O22C9 | 150Y7 | Same as O22C8 with silver contact on reverse |
| 7 | O22B3 | 306BR2 | Red phenolic base for movable contacts |
| 8 | O22R1 | 141Y1 | 1"L rivet with cotter pin |
| 9 | O22S4 | 90BB19 | Compression spring (make) |
| 10 | O22W1 | 133A6 | Spring seat washer |
| 11 | O21C4 | 150P4 | Movable contact for auxiliary |
| 12 | O21C5 | 93D2 | Support blade for auxiliary |
| 13 | O22C4 | 150C13, 152AN1 | Auxiliary stationary contact |
| 14 | O22C5 | 150C14, 152AN2 | Auxiliary stationary contact |
| 15 | O22W2 | 128H1 | Washer |

| Key no. | Adams part no. | Otis part no. | Description |
|---------|----------------|---------------|----------------------------------------------------------|
| 16 | O22B2 | 306CJ1 | Auxiliary contact base |
| 17 | O546B | 176KA13 | Copper braid connector |
| 18 | O521A | 175J88 | 3 3/4"L insulated connector |
| 19 | O22T1 | 464BJ2 | Fiber separator, 3 1/8"x5/8" |
| 20 | O22AM2 | B245AE1 | Magnet armature |
| 21 | O22AM3 | A384FS1 | Brass guard |
| 22 | O22AM4 | 384EW3 | Phenolic guard |
| 23 | O22AM1 | B374CP1 | Frame assembly with magnet core & washer |
| 24 | O22A5 | A477BL1 | Stop |
| 25 | O22S2 | 90VA16 | Kickoff spring for make switches |
| 26 | O21P2 | 99G1 | Terminal stud, 1 3/8"L |
| 27 | O22P3 | 99G2 | Terminal stud, 2"L |
| 28 | O22P1 | A433Z1 | Panel |
| 29 | Hxxxx | 222xxx | Coil (see page 216-217) |
| 30 | O22K3 | 179AM1 | Stationary contact holder |
| 31 | O22C3 | 150Y4 | Movable contact with 3/8" dia silver tip; 2 3/4"L |
| 32 | O22J1 | 6543C | Interlock ("airplane") |
| 33 | O22K3B | 306CP1 | Insulator |
| 34 | O22AM5 | 129BR4 | Phenolic washer for coil |
| 35 | O21T1 | 102DA1 | I.D. tag |
| 36 | O22D4 | 150W6 | Threaded contact with 3/8"-dia. silver tip and jamb nut |
| 37 | O22BA1 | 6810A1 | Auxiliary contact assembly without compression spring |
| | | 6810A3 | Auxiliary contact assembly with O22S5 compression spring |
| 38 | O22S5 | 90LA11 | Compression spring for auxiliary contact assembly |
| 39 | O22S9 | 90PA4 | Comp. spring for arc deflector |



| MOVABLE & AUXILIARY CONTACT ARMS | | |
|----------------------------------|----------------------|-------------------------------------------------------------------------------------------------------------------------------------------------------------------------------------------------------------------------------------------------------------------------------------------|
| Adams part no. | Otis part no. | Description |
| O22C1 O22C2 | 153Z1 | Movable contact arm, 2 ³ / ₄ "L Movable contact arm, 2 ³ / ₄ "L; offset ³ / ₃₂ "; ³ / ₈ " x ³ / ₈ " x ³ / ₃₂ " contact tip |
| O22C3 O22C4 | 150Y4, Y8 150C13, | Movable contact arm, 2 ³ / ₄ "L; ³ / ₈ " dia. silver contact Auxiliary contact, ⁷ / ₁₆ " x ¹³ / ₁₆ "; ¹ / ₄ " dia. silver tip on 152AN1 outside surface of "L" |
| O22C5 | 150C14, 152AN2 | Same as O22C4 with tip on inside surface of "L" |

| MOVABLE CONTACT ARMS, 2 ³ / ₄ "L | | | | |
|--------------------------------------------------------|---------------|-------------------------------------------|-------------------------------------------|---------------------------------------|
| Adams part no. | Otis part no. | Silver contacts | | ³ / ₃₂ " offset |
| | | Side A | Side B | |
| O22C6 | 153AE8 | ⁷ / ₁₆ " sq. silver | none | N |
| O22C7 | 153Z4 | none | none | Y |
| O22C8 | 150Y6 | none | ³ / ₈ " dia. silver | Y |
| O22C9 | 150Y7 | ³ / ₈ " dia. silver | none | Y |
| O22C10 | 153AE9 | none | ⁷ / ₁₆ " sq. silver | Y |
| O22C11 | 153AE10 | ³ / ₈ " dia. silver | ⁷ / ₁₆ " sq. silver | N |
| O22C12 | 153AE11 | ³ / ₈ " dia. silver | ⁷ / ₁₆ " sq. silver | Y |

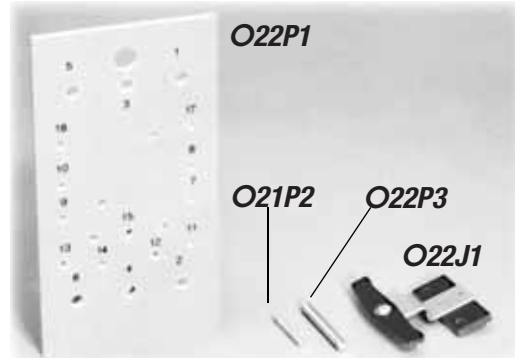
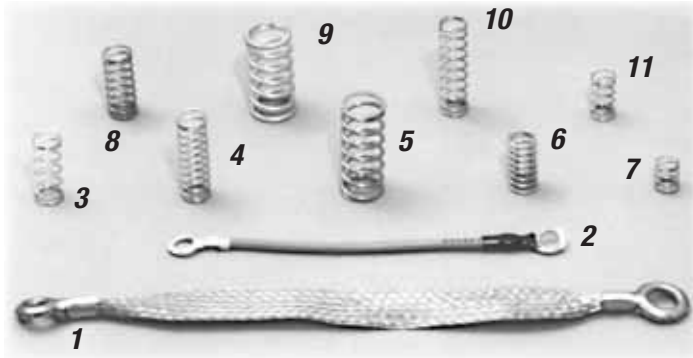


| CONTACTS, HOLDERS, CLAMPS | | | |
|---------------------------|--------------------------------|---------------|-----------------------------------------------------------------------------------------------------------------------------------------------------------------------|
| Photo key | Adams part no. | Otis part no. | Description |
| 1 | O22D1 | 154AB1 | Carbon contact w/ ⁵ / ₃₂ " mounting hole; ⁷ / ₁₆ " x ⁷ / ₁₆ " x ²⁹ / ₃₂ " |
| 2 | O22D2 | 154AB2 | Metal/graphite contact; same as above |
| 3 | O22D3 | 150AL3 | Copper contact w/ ³ / ₈ " dia. silver tip; ⁷ / ₁₆ " x ⁷ / ₁₆ " x ¹³ / ₁₆ " |
| 4 | O22D5 | 153AE6 | Stationary copper contact w/ ⁷ / ₁₆ " sq. silver tip; ¹³ / ₁₆ "L |
| 5 | O22D4 | 150W6 | Threaded contact w/silver tip; ³ / ₈ " dia. x 24 threads, ¹³ / ₁₆ "L |
| 6 | O22K1 | A179AK3 | Carbon holder for O22D1 & D2 |
| 7 | O22K2 | A336BR1 | Carbon clamp for O22K1 |
| 8 | O22K3 | 179AM1 | Stationary contact holder |
| 9 | O22K3B O22K3X | 306CP1 | Insulator |
| 10 | O22K3X | 179AL2 | Holder for O22D4 threaded contact |

| BASES & AUXILIARY CONTACT ASSEMBLIES | | |
|--------------------------------------|------------------|-----------------------------------------------------------------------------------------------------------------|
| Adams part no. | Otis part no. | Description |
| O22B1 | 306BR1 | Bakelite base for O22C-series contacts; 1" x ⁷ / ₁₆ " x ³ / ₁₆ " |
| O22B2 O22B3 | 306CJ1 306BR2 | Bakelite base for auxiliary contacts Red phenolic base for O22C-series offset contacts, O2210 relay |
| O22BA1 O22BA2 | 6810A1 6810A3 | Auxiliary contact assembly w/o compression spring Auxiliary contact assembly w/compression spring |

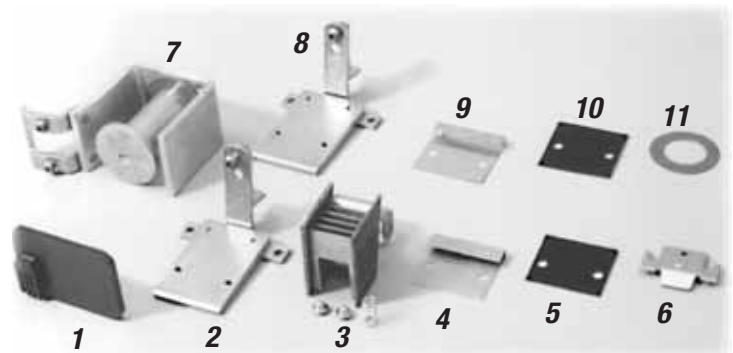
REPLACEMENT COILS

| C6754 & E6754 COILS | | |
|---------------------|---------------|-------------|
| Adams part no. | Otis part no. | Description |
| H7601 | 222EB1 | 12890-36 |
| H7602 | 222EB2 | 10818-35 |
| H7603 | 222EB3 | 8820-34 |
| H7604 | 222EB4 | 6864-33 |
| H7605 | 222EB5 | 5546-32 |
| H7606 | 222EB6 | 4301-31 |
| H7607 | 222EB7 | 3595-30 |



| SPRINGS & CONNECTORS | | | | |
|----------------------|----------------|---------------|-----------------------------|-------------|
| Photo key | Adams part no. | Otis part no. | Description | Spring O.D. |
| 1 | O546B | 176KA13 | Copper braid connector, 7"L | |
| 2 | O521A | 175J88 | 3 3/4"L silicone connector | |
| 3 | O22S1 | 90TA3 | Compression spring | 5/16" |
| 4 | O22S2 | 90VA16 | Kickoff spring | 2 1/64" |
| 5 | O22S3 | 90EB5 | Compression spring | 1 5/32" |
| 6 | O22S4 | 90BB19 | Compression spring (make) | 5/16" |
| 7 | O22S5 | 90LA11 | Compression spring | 1/4" |
| 8 | O22S6 | 90YA25 | Compression spring | 2 1/64" |
| 9 | O22S7 | 90KB14 | Compression spring | 1/2" |
| 10 | O22S8 | 90VA15 | Compression spring | 5/16" |
| 11 | O22S9 | 90PA4 | Arc deflector spring | 1 7/64" |

| MISCELLANEOUS REPLACEMENT RELAY PARTS | | |
|---------------------------------------|---------------|------------------------|
| Adams part no. | Otis part no. | Description |
| O22P1 | A433Z1 | Panel |
| O21P2 | 99G1 | Terminal stud, 1 3/8"L |
| O22P3 | 99G2 | Terminal stud, 2"L |
| O22J1 | 6543C | Interlock |



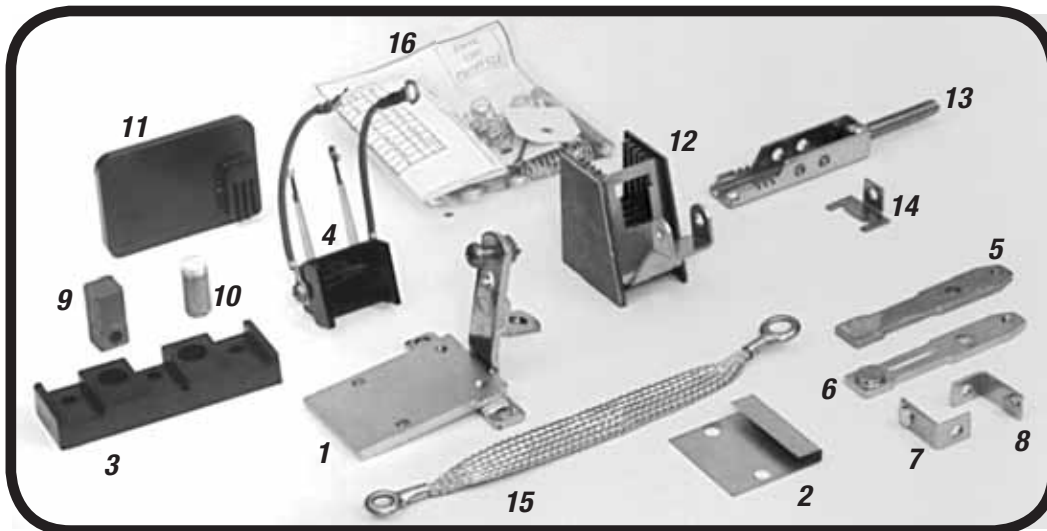
| MISCELLANEOUS REPLACEMENT RELAY PARTS | | |
|---------------------------------------|---------------|---------------------------------------|
| Adams part no. | Otis part no. | Description |
| O22R1 | 141Y1 | 1"L rivet with cotter pin (not shown) |
| O22W1 | 133A6 | Spring seat washer |
| O22W2 | 128H1 | Washer |
| O21T1 | 102DA1 | I.D. tag |
| O22T1 | 464BJ2 | Fiber separator, 3 1/8" x 5/8" |

| MISCELLANEOUS REPLACEMENT RELAY PARTS | | | |
|---------------------------------------|----------------|---------------|----------------------------------------------------------------|
| Photo key | Adams part no. | Otis part no. | Description |
| 1 | O22H1 | 276H1 | Bakelite arc barrier |
| 2 | O22A2 | A245AE1 | Magnet armature; clapper dim.: 1 1/2" x 2 1/4" x 5/32" thick |
| 3 | O22H2 | 6534B1 | Arc deflector, complete |
| 4 | O22A3 | 384FS1 | Brass guard |
| 5 | O22A4 | 384EW2 | Fiber guard |
| 6 | O22A5 | A477BL1 | Stop |
| 7 | O22AM1 | B374CP1 | Magnet core frame with 131AY1 magnet core washer |
| 8 | O22AM2 | B245AE1 | Magnet armature; clapper dim.: 1 9/16" x 2 7/16" x 3/16" thick |
| 9 | O22AM3 | A384FS1 | Brass guard |
| 10 | O22AM4 | 384EW3 | Fiber guard |
| 11 | O22AM5 | 129BR4 | Fiber washer for coil |
| — | O22N1 | — | Nut for auxiliary contact (not shown) |

| 6754 COILS | | |
|----------------|---------------|-------------|
| Adams part no. | Otis part no. | Description |
| H6992 | 222CD1 | 13025-36 |
| H6993 | 222CD2 | 18025-35 |
| H6994 | 222CD3 | 4870-32 |
| H6995 | 222CD5 | 3675-30 |
| H7502 | 222CD4 | 7000-33 |



REPAIR PAK FOR ADAMS O2200 SWITCHES



Best use: Keep one or more Repair Pak at every job site ...and eliminate trips back to the warehouse.

Adams part no. OK2220 Repair Pak.

Contains items (1) thru (16).

| Photo key | Adams part no. | Otis part no. | Description | Quantity |
|-----------|-----------------|---------------|-------------------------------------------------------|----------|
| 1 | O22A2 | A245AE1 | Armature | 1 |
| 2 | O22A3 | 384FS1 | Brass guard | 2 |
| 3 | O22B1 | 306BR1 | Movable contact base | 1 |
| 4 | O22BA1 | 6810A1 | Auxiliary contact assembly | 2 |
| 5 | O22C1 | 153Z1 | Movable copper contact | 15 |
| 6 | O22C3 | 150Y4, Y8 | Movable copper contact with 3/8" dia. silver tip | 6 |
| 7 | O22C4 | 150C13 | Stationary auxiliary contact | 2 |
| 8 | O22C5 | 150C14 | Stationary auxiliary contact | 2 |
| 9 | O22D1 | 154AB1 | Stationary carbon contact | 15 |
| 10 | O22D4 | 150W6 | Stationary threaded contact with 3/8" dia. silver tip | 6 |
| 11 | O22H1 | 276H1 | Arc barrier | 2 |
| 12 | O22H2 | 6534B1 | Arc deflector | 1 |
| 13 | O22K1 | 179AK2 | Carbon holder | 1 |
| 14 | O22K2 | A336BR1 | Carbon clamp | 1 |
| 15 | O546B | 176KA13 | Connector, 6 3/8"L | 3 |
| 16 | OVP2205* | — | Assorted hardware & springs* | 1 pkg |

*See below for description.

VALUE PAKS FOR ADAMS O2200 SWITCHES

Each of the Paks described below features 10-250 each of the contacts and hardware you need most to repair Otis 6754-series switches.



OVP2205 Hardware Pak. Incl. All parts listed to the right.

| Adams part no. | Otis part no. | Description | Qty. |
|----------------|---------------|--------------------------|------|
| O21P2 | 99G1 | Terminal stud, 1 3/8"L | 20 |
| O22P3 | 99G2 | Terminal stud, 2"L | 20 |
| O22R1 | 141Y1 | Rivet for O22S1, 1 1/8"L | 10 |
| O22S1 | 90TA3 | Compression spring | 50 |
| O22S2 | 90VA16 | Compression spring | 20 |
| O22T1 | 464BJ2 | Fiber separator | 50 |
| O22W2 | 128H1 | Washer | 50 |
| — | — | #8-32 nuts | 100 |



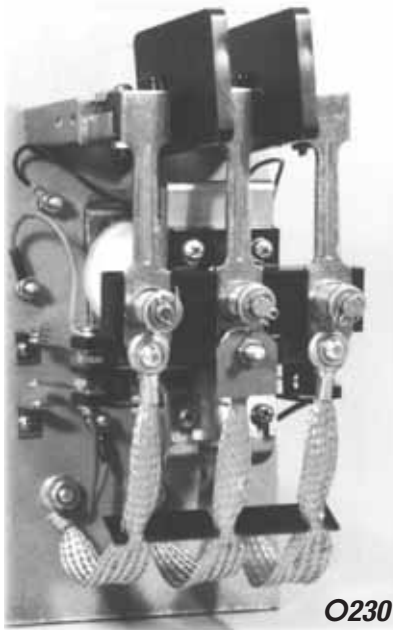
Each Value Pak consists of 100 or 250 ea. of the following contacts:

| Adams part no. | Otis part no. | Description |
|----------------|---------------|-------------------------|
| O22C1 | 153Z1 | Movable copper, 2 3/4"L |
| O22D1 | 154AB1 | Stationary carbon |

OVP2201 Value Pak. 100 of each.

OVP2202 Value Pak. 250 of each.

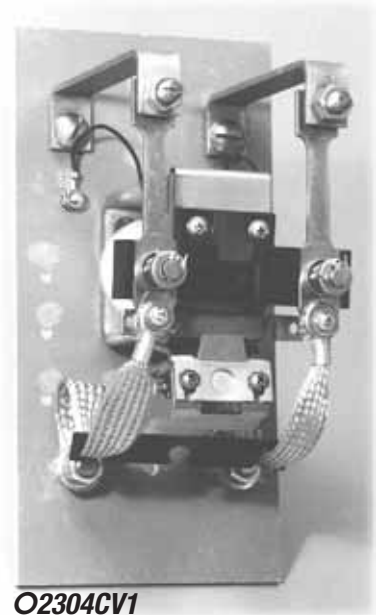
Adams Replacement Heavy-Duty 02300-Series Line Starter Switches



O2301CV1



O2300CV1



O2304CV1

Adams stocks DC magnet switches to replace the popular Otis E6830A, B & D models listed below. All switches are pre-fitted with coils.

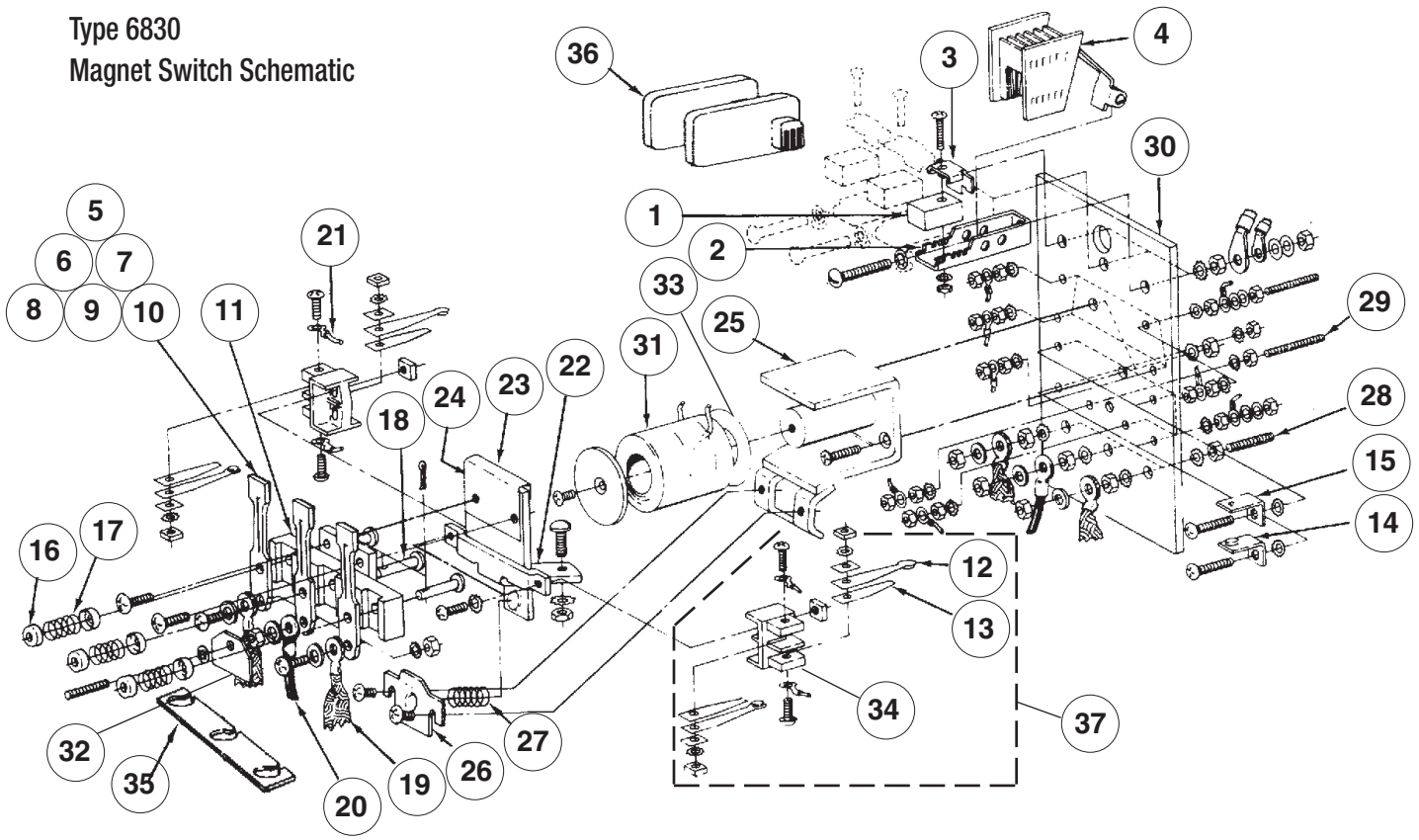
To order, identify the Adams part no. on the cross-reference chart below. (You will find corresponding Otis part nos. in your Otis Service Manual and on the back of the Otis switch being replaced.) The chart also shows type and number of main contacts, auxiliary contacts, and whether the switch uses arc barriers or deflectors.

| E6830A, B & D RELAYS | | | | | | | | |
|----------------------|---------------|----------------|---------------|---------------|---------|-------------------------------|-----------|-------------|
| Adams part no. | Otis part no. | Adams coil no. | Description† | Main contacts | | Make/Break auxiliary contacts | Arc defl. | Arc barrier |
| | | | | Stationary | Movable | | | |
| O2300CV1 | E6830A141CV1 | H6989 | 3 main MAKING | O23D1 | O23C1 | L&R | ✓ | |
| O2300CV3 | E6830A141CV3 | H6991 | | O23D1 | O23C1 | L&R | ✓ | |
| O2300CV4 | E6830A141CV4 | H6997 | | O23D1 | O23C1 | L&R | ✓ | |
| O2301CV1 | E6830A142CV1 | H6989 | 3 MAKING | O23D1 | O23C1 | L&R | | ✓ |
| O2302CV1 | E6830A241CV1 | H6989 | | O23E1 | O23C6 | L&R | ✓ | |
| O2302CV4 | E6830A241CV4 | H6997 | 3 MAKING | O23E1 | O23C6 | L&R | ✓ | |
| O2303CV1 | E6830B181CV1 | H6989 | 2 BREAKING | O23D1 | O23C1 | L&R* | ✓ | |
| O2304CV1 | E6830D200CV1 | H6989 | 2 BREAKING | O27C15 | O23C4 | none | | |

† MAKING contacts are normally open and BREAKING contacts are normally closed.

*Left side with reduced air gap.

Type 6830 Magnet Switch Schematic



REPLACEMENT PARTS FOR OTIS TYPE 6830 RELAYS

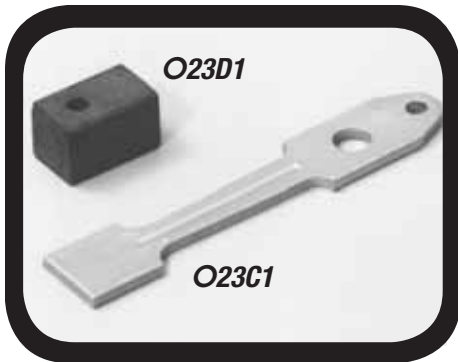
| Key no. | Adams part no. | Otis part no. | Description |
|---------|----------------------------------------------|----------------------|----------------------------------------------------------------------------------------------------------|
| 1 | O23D1 | 154C1 | Carbon contact |
| | O23D2 | 154C2 | Metal/graphite contact |
| | O23E1 | 150AK3 | Copper contact with 1/2"-dia. silver contact (not shown) |
| | O23E2 | 150AE5 | Copper contact with 5/8"-sq. silver contact (not shown) |
| 2 | O23K1X | 179P2 | Carbon holder w/o screw, for blowout |
| | O23K1 O23K2 | 179P3 A336Z1 | Carbon holder w/mounting screw Carbon clamp |
| 3 | O23H1 O23C1 O23C2 | 6313A1 153B1 — | Arc deflector Contact arm w/o contact, 4 3/16"L Contact arm with 1/2"-sq. silver contact; 4 3/16"L |
| 4 | O23C3 | — | Contact arm with 1/2"-dia. silver contact; 4 3/16"L |
| 5 | O23C4 | 150Y2, Y5 | Contact arm with 3/8"-dia. silver contact; 4 3/16"L |
| 6 | O23C5 | 153AE7 | Contact arm, 1/8" offset; 4 3/16"L; includes 5/16"-sq. copper contact |
| | 153AG6 | 153AG6 | Same as O23C5, w/o offset |
| 7 | O23C6 | 150AK2 | Contact arm with 1/2"-dia. silver contact, 1/8" offset; 4 3/16"L |
| 8 | O23B1 | 306CL1 | Base, 1" x 9/16" x 4 1/16"L |
| 9 | O24C3 | 93A2 | Movable auxiliary contact arm |
| 10 | O23C7 | 93AD1 | Contact backing spring |
| 11 | O22C4 | 150C13 | Stationary auxiliary contact |

| Key no. | Adams part no. | Otis part no. | Description |
|---------|------------------------------|------------------|---------------------------------------------------------|
| 12 | O22C5 | 150C14 | Stationary auxiliary contact |
| 13 | O23W1 | 133A1 | Spring seat washer |
| 14 | O23S1 | 90DB4 | Compression spring |
| 15 | O23R1 | 141Y2 | Rivet, 1 1/8"L |
| 16 | O545B | 176KA10 | Copper braid connector, 7"L |
| | O530 | 175H1 | Connector (alternate), 7 1/2"L |
| | | 175J150 | Silicone connector, 4 1/4"L |
| 17 | O23A2 | A245AA1 | Armature magnet |
| 18 | O23A3 | 384FX1 | Brass guard |
| 19 | O23A4 | 384EW1 | Fiber guard |
| 20 | O23A1 | A374FM2 | Magnet frame w/core plus 131BD1 washer |
| 21 | O23A5 | A477BP1 | Stop |
| 22 | O23S3 | 90BB8 | Compression spring |
| 23 | O21P2 | 99G1 | Terminal stud, 1 3/8"L |
| 24 | O22P3 | 99G2 | Terminal stud, 2"L |
| 25 | O23P1 | 433AB1 | Switch panel |
| | Hxxxx O21T1 | 222--- 102DA1 | Coil (see coils, p. 226-227) I.D. tag |
| 26 | O23A6 | 129BR3 | Phenolic washer for coil |
| 27 | O22B2 | 306CJ1 | Base for auxiliary contact |
| 28 | O23T1 | 464BJ3 | Fiber separator |
| 29 | O23H2 | 276B1 | Arc barrier |
| 30 | O23BA1 | 6810A2 | Auxiliary contact assembly without coil spring |
| | O23BA2 | 6810A5 | Auxiliary contact assembly with coil spring (not shown) |

VALUE PAKS FOR ADAMS O2300 MAGNET SWITCHES

Each of the Paks described below features 100 or 250 each of the contacts needed most to repair Otis 6830-series switches.

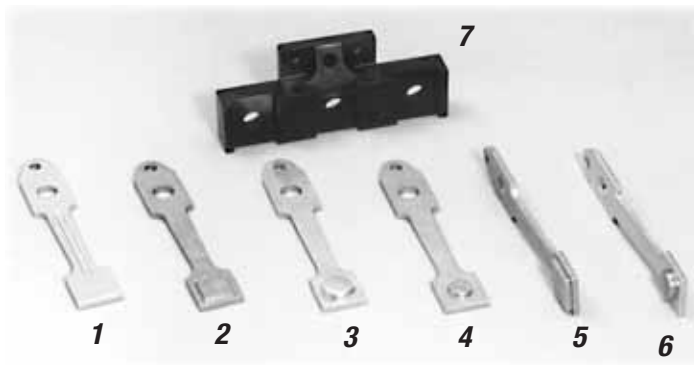
Each Value Pak consists of 100 or 250 ea. of the following:



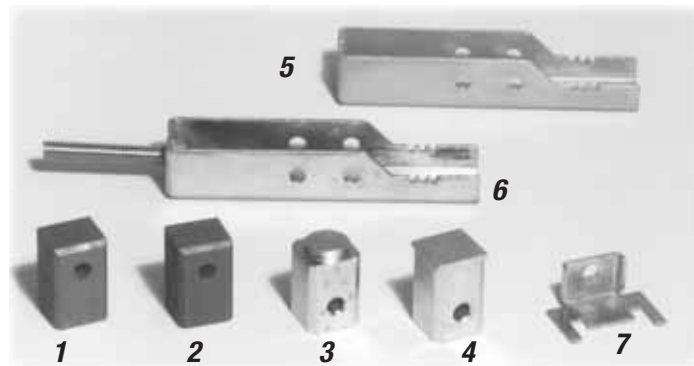
| Adams part no. | Otis part no. | Description |
|----------------|---------------|---------------------------|
| O23C1 | 153B1 | Movable contact arm |
| O23D1 | 154C1 | Stationary carbon contact |

OVP2301 Value Pak, 100 pcs. of each.

OVP2302 Value Pak, 250 pcs. of each.



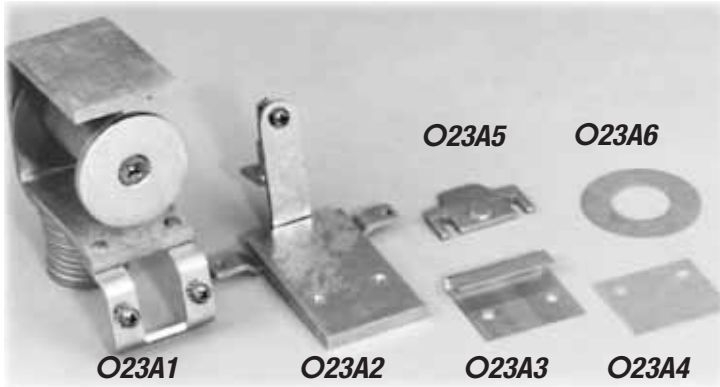
| O2300 COPPER CONTACTS (4 ^{3/16} "L) | | | |
|----------------------------------------------|----------------|---------------|------------------------------------------------------------------|
| Key no. | Adams part no. | Otis part no. | Description |
| 1 | O23C1 | 153B1 | Contact arm |
| 2 | O23C2 | — | Contact arm w/1/2"-sq. silver contact |
| 3 | O23C3 | — | Contact arm w/1/2"-dia. silver contact |
| 4 | O23C4 | 150Y2, 150Y5 | Contact arm w/3/8"-dia. silver contact |
| 5 | O23C5 | 153AE7 | Contact arm (1/8" offset) with 5/8"-sq. copper contact |
| 6 | O23C6 | 150AK2 | Contact arm (1/8" offset) with 1/2"-dia. silver contact |
| 7 | O23B1 | 306CL1 | Bakelite base for O23C-series contact arms; 1" x 9/16" x 4 1/16" |



| CONTACTS, HOLDERS | | | |
|-------------------|----------------|---------------|------------------------------------------------------------------------------|
| Key no. | Adams part no. | Otis part no. | Description |
| 1 | O23D1 | 154C1 | Carbon contact with 9/16"-dia. mounting hole; 5/8" x 5/8" x 1 1/32"L |
| 2 | O23D2 | 154C2 | Metal/graphite contact; 5/8" x 5/8" x 1 1/32"L |
| 3 | O23E1 | 150AK3 | Copper contact with 1/2"-dia. silver face; 5/8" x 5/8" x 1"L |
| 4 | O23E2 | 150AE5 | Copper contact with 5/8"-sq. silver face; 5/8" x 5/8" x 1"L |
| 5 | O23K1X | 179P2 | Carbon holder w/o screw, for blowout |
| 6 | O23K1 | 179P3 | Carbon holder with screw for O23D1, D2; 5/8" inside width for carbon/contact |
| 7 | O23K2 | A336Z1 | Carbon clamp for O23K1 |

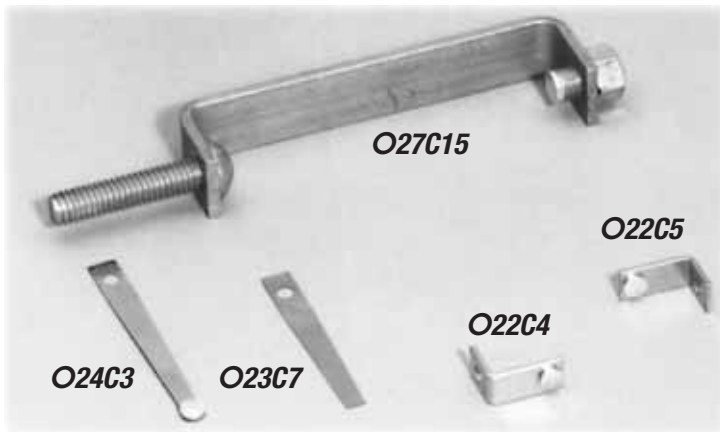


| AUXILIARY CONTACT ASSEMBLIES | | |
|------------------------------|---------------|---------------------------------------------------------|
| Adams part no. | Otis part no. | Description |
| O23BA1 | 6810A2 | Auxiliary contact assembly without coil spring |
| O23BA2 | 6810A5 | Auxiliary contact assembly with coil spring (not shown) |
| O22B2 | 306CJ1 | Bakelite base only for O23BA1 & BA2 |
| O23H1 | 6313A1 | Arc deflector, complete |
| O23H2 | 276B1 | Arc barrier |



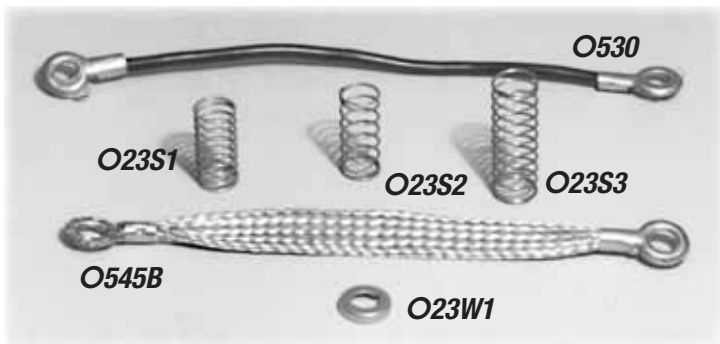
MISCELLANEOUS 02300 REPLACEMENT PARTS

| Adams part no. | Otis part no. | Description |
|----------------|---------------|-------------------------------------------------------------|
| O23A1 | 374FM2 | Magnet frame with core |
| O23A2 | A245AA1 | Magnet armature |
| O23A3 | 384FX1 | Brass guard |
| O23A4 | 384EW1 | Phenolic guard |
| O23A5 | A477BP1 | Stop |
| O23A6 | 129BR3 | Phenolic washer for coil |
| O23P2 | — | Threaded stud, 2 ³ / ₈ "L (not shown) |



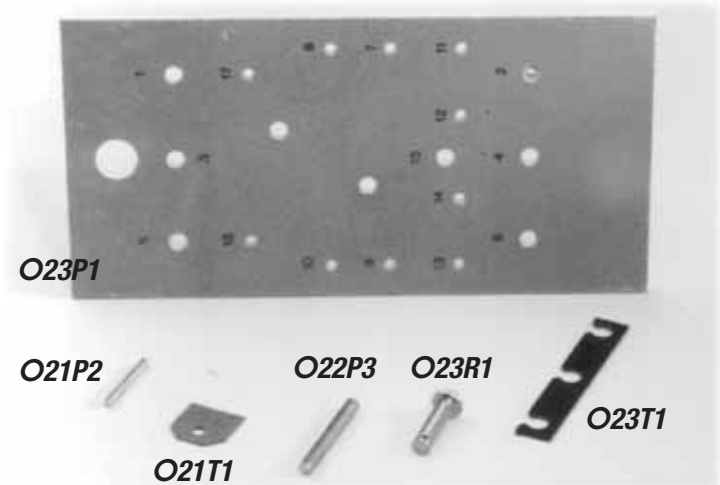
CONTACTS FOR 6830 RELAYS

| Adams part no. | Otis part no. | Description |
|----------------|---------------|---------------------------------------------------------------------------------------------------------------------------------------------------------------------------------------------------------|
| O24C3 | 93A2 | Movable spring blade aux. contact arm; 2 ³ / ₄ "L w/ 1/4" dia. silver contact |
| O23C7 | 93AD1 | Contact backing spring |
| O22C4 | 150C13 | Stationary auxiliary contact with silver contact on outside of "L" |
| O22C5 | 150C14 | Stationary auxiliary contact with silver contact on inside of "L" |
| O27C15 | 150W7 | Contact holder assembly, 4 ³ / ₈ "L. Includes 3/8-16 x 2" threaded O22D4 silver contact (Otis no. 150W6); also use with O23E1 contact (Otis no. 150AK3); for E6830D magnet switch |



SHUNTS & SPRINGS FOR 6830 RELAYS

| Adams part no. | Otis part no. | Description |
|----------------|---------------|----------------------------------------------------------------|
| O23W1 | 133A1 | Spring seat washer |
| O23S1 | 90DB4 | Compression spring, 1 ¹ / ₈ "L x 1/2"OD |
| O23S2 | 90YA13 | Compression spring, 1 ³ / ₁₆ "L x 1/2"OD |
| O23S3 | 90BB8 | Compression spring, 1 ⁵ / ₈ "L x 3/16"OD |
| O545B | 176KA10 | Copper braid connector, 7"L |
| O530 | 175H1 | Connector (alternate), 7 ¹ / ₂ "L |

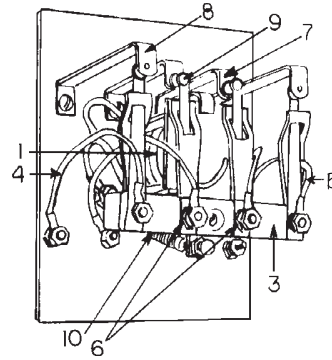


MISC. PARTS FOR 6830 RELAYS

| Adams part no. | Otis part no. | Description |
|----------------|---------------|-----------------------------------------------------------|
| O21P2 | 99G1 | Terminal stud, 1 ³ / ₈ "L |
| O21T1 | 102DA1 | I.D. tag |
| O22P3 | 99G2 | Terminal stud, 2"L |
| O23P1 | 433AB1 | Switch panel, 9 ¹⁵ / ₁₆ "H x 5"W |
| O23R1 | 141Y2 | Rivet, 1 ¹ / ₈ "L |
| O23T1 | 464BJ3 | Fiber separator, 3 ³ / ₄ "L x 5/8"W |

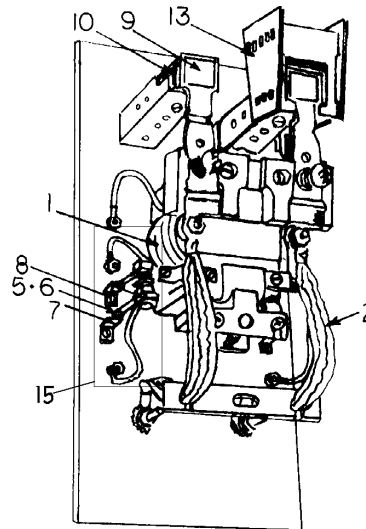
TYPE 6164 RELAY*

| Key no. | Adams part no. | Otis part no. | Description |
|---------|------------------------------|-----------------|-------------------------------------------------------|
| 1 | See page 246 | — | Magnet coil |
| 3 | O24B1 O24B2 | 306LA1 306W1 | Base, 4 contacts |
| 4 | O520A | 175J1 | Fabric shunt, 4 ³ / ₄ "L |
| 5 | O520B | 175J2 | Fabric shunt, 2 ¹ / ₂ "L |
| 6 | O521B | 175J89 | Silicone shunt, 4 ³ / ₄ "L |
| 7 | O24C1 | 150P7 | Stationary contact, 2 ¹ / ₄ "L |
| 8 | O24C2 | 150P8 | Stationary contact, 3 ¹ / ₆₄ "L |
| 9 | O24C3 | 93A2 | Movable aux. contact |
| 10 | O24S1 | 91B1 | Extension spring |



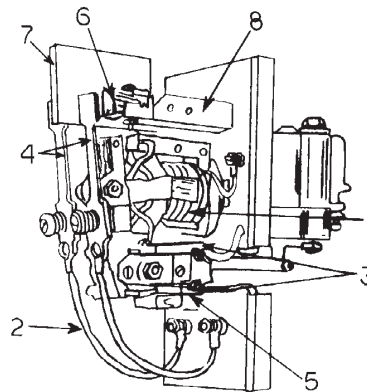
TYPE 6744A & B RELAY*

| Key no. | Adams part no. | Otis part no. | Description |
|---------|---------------------------------------------|---------------|------------------------------------------------------------|
| 1 | Magnet coil not available from Adams | | |
| 2 | O544D | 176KA8 | Braided copper connector, 9 ³ / ₄ "L |
| 5 | O24C3 | 93A2 | Movable auxiliary contact |
| 6 | O23C7 | 93AD1 | Leaf spring contact |
| 7 | O22C4 | 150C13 | Stationary auxiliary contact |
| 8 | O22C5 | 150C14 | Stationary auxiliary contact |
| 9 | O26C1 | 153T1 | Movable copper contact |
| 10 | O26D1 | 154AA1 | Carbon contact |
| 13 | O26H1 | 6743A1 | Arc deflector |
| 15 | O23BA1 | 6810A2 | Auxiliary contact ass'y. w/o coil spring |



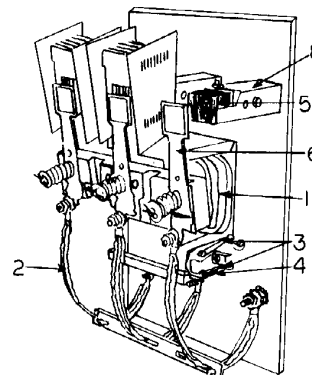
TYPE 6163 RELAY*

| Key no. | Adams part no. | Otis part no. | Description |
|---------|----------------|---------------|---------------------------------------------|
| 1 | See page 247 | — | Magnet coil |
| 2 | O530 | 175H1 | Conductor, 7 ¹ / ₂ "L |
| 3 | O24C3 | 93A2 | Movable auxiliary contact |
| 4 | O23C1 | 153B1 | Copper contact |
| 5 | O21C4 | 150P4 | Movable auxiliary contact |
| 6 | O23D1 | 154C1 | Carbon contact |
| 7 | O23H2 | 276B1 | Arc barrier |
| 8 | O23K1 | 179P3 | Carbon holder |



TYPE 6520 RELAY*

| Key no. | Adams part no. | Otis part no. | Description |
|---------|---------------------------------------------|---------------|-------------------------------------------------|
| 1 | Magnet coil not available from Adams | | |
| 2 | O544B | 175KA3 | Copper shunt, 13 ¹ / ₂ "L |
| 3 | O24C3 | 151A2 | Movable auxiliary contact |
| 4 | O21C4 | 150P4 | Movable auxiliary contact |
| 5 | O25D1 | 154G1 | Carbon contact |
| 6 | O25C1 | 153D1 | Movable copper contact |
| 8 | O25K1 | 179AD1 | Carbon holder |



* These magnet switches are not available as complete units because the Otis configuration mounted these relays directly to a large slate panel.

O24C5



O24C4



O24C3



O24C2



O24C1



O671B



O671S



O651



O669

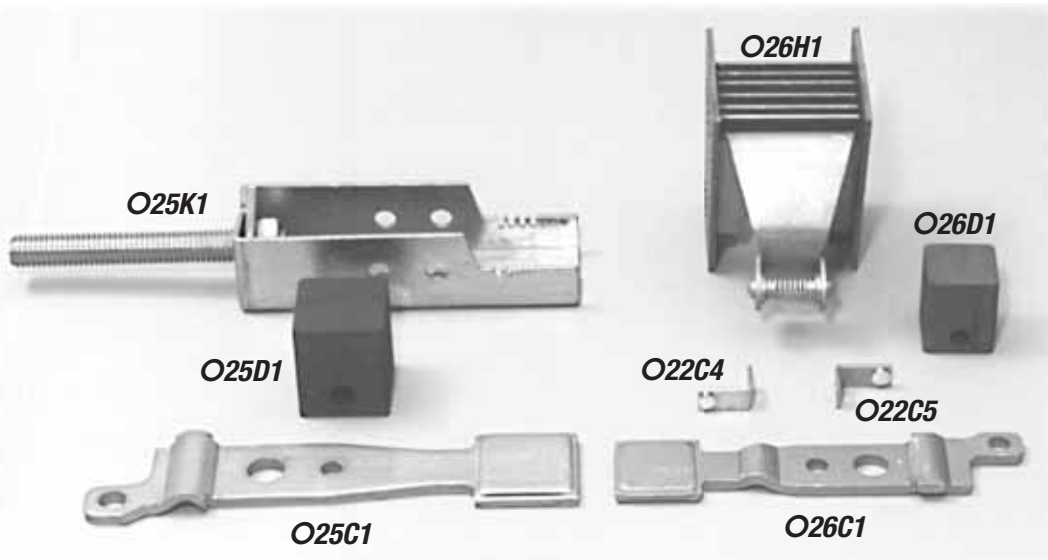


O650



| 6164 RELAY CONTACTS | | |
|---------------------|---------------|------------------------------------------------------|
| Adams part no. | Otis part no. | Description |
| O24C1 | 150P7 | Contact arm with 1/4" dia. silver contact; 2 1/4"L |
| O24C2 | 150P8 | Contact arm with 1/4" dia. silver contact; 3 3/4"L |
| O24C3 | 151A2 | Spring blade with 1/4" dia. silver tip; 2 3/4"L |
| O24C4 | 150P13 | Contact arm with 1/4" dia. silver contact; 2 3/4"L |
| O24C5 | 150P14 | Contact arm with 1/4" dia. silver contact; 3 19/32"L |

| CAR SWITCH CONTROLLER CONTACTS | | |
|--------------------------------|---------------|------------------------------------------|
| Adams part no. | Otis part no. | Description |
| O650 | 1338 | Type K car switch finger, 1/2" x 1 7/8"L |
| O651 | 103243 | Type G car switch finger, 1/2" x 2 1/2"L |
| O669 | 1682 | Brass contact, 1" x 2 5/8"L |
| O671B | 1763 | Door lock contact, brass; 1/2" x 2 1/8"L |
| O671S | 1763 | Door lock contact, steel; 1/2" x 2 1/8"L |

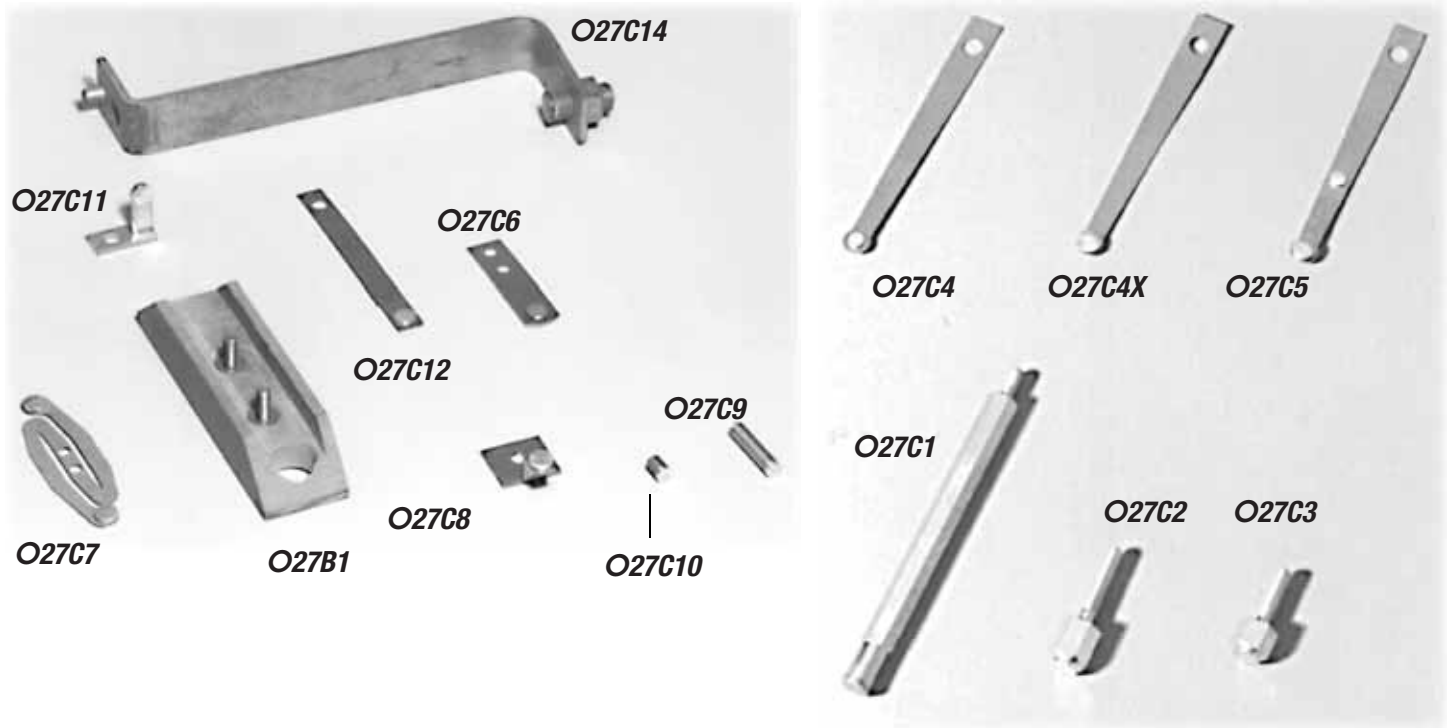


| 02500 RELAY PARTS* | | |
|--------------------|---------------|---------------------------------------------------------------|
| Adams part no. | Otis part no. | Description |
| O25C1 | 153D1 | Movable contact arm, 6 1/2"L |
| O25D1 | 154G1 | Carbon contact with 5/16" dia. hole; 1 1/2" x 1 1/4" x 1 1/4" |
| O25K1 | 179AD1 | Carbon holder for O25D1; 1 7/16" x 1 7/16" x 5" |

| 02600 RELAY PARTS* | | |
|--------------------|---------------|------------------------------------------------------------|
| Adams part no. | Otis part no. | Description |
| O26C1 | 153T1 | Movable contact arm, 5 1/2"L |
| O22C4 | 150C13 | Stationary auxiliary contact |
| O22C5 | 150C14 | Stationary auxiliary contact |
| O26D1 | 154AA1 | Carbon/graphite contact, 5/16" dia. hole; 1 1/4" x 1" x 1" |
| O26H1 | 6743A1 | Arc deflector |

* These parts are for relays that are not pictured.

02700 RELAY COMPONENTS



| 02700 RELAY PARTS | | |
|----------------------------------|--------------------------------------|------------------------------------------------------------------------------------------------------------------------------------------------------------------------------------------------------------------------------------|
| Adams part no. | Otis part no. | Description |
| O27C6 O27C7 O27B1 O27C8 | 150H10 150P22 306CE1 150P23 | Contact with double silver tip Contact for lower base "G" and "GA" contacts Base for upper contacts for "G" and "GA" contacts Contacts for O27B1 base; base w/contacts = Otis part no. 6759B1 assembly |
| O27C9 O27C10 O27C11 | 150BA3 150BA4 150H4 | Contact arm with silver contact, 3/4"L; 10-32 thread Contact arm with silver contact, 9/32"L; 10-32 thread Stationary contact arm w/double 1/4" dia. silver contact; used on 6098 mechanical switch |
| O27C12 | 150H6 | Double blade contact arm w/twin 1/4"-dia. silver contacts; 2 13/16"L x 5/16"W; used on 6401 throw-over switch |
| O27C14 | 150W3 | Contact arm with 3/8"-24 threaded silver contact (part no. O22D4); 5 1/4"L; used on 6163 magnet switch |
| O27C1 O27C2 O27C3 O27C4 | 150C7 150C3 150C2 150HA2 | 1/4"-dia. hex contact with silver contact; 3/4"L 5/16"-dia. hex contact with silver contact; 1 1/8"L 5/16"-dia. hex contact with silver contact; 3/4"L Leaf spring contact with 1/8"-dia. 2-sided silver contact; 2 3/4"L |
| O27C4X | 150H2 | Same as O27C4, with 1/4"-dia. 2-sided silver contact used on 6098 mechanical switch and 6401 throw-over switch |
| O27C5 | 150HA3 | Leaf spring contact with 1/4"-dia. 2-sided silver contact and 1/8"-dia. contact on 1 side 15/16" from tip; 2 3/4"L |

Adams Replacement Coils

Adams stocks a large line of direct replacement coils for OEM models. Our stock consists of replacement coils for new Otis installations as well as coils for older Otis equipment. All 222 series Otis Coils are DC.



H2158



H2154



H3303



H3302



H2112

A: SLIM LINE RELAYS

| Adams part no. | Otis part no. | Description | Ω |
|---------------------|---------------|-----------------------------------|-------------|
| 2-lead coils | | | |
| H2101 | 222FF1 | 10940-41 | 3379 |
| H2105 | 222FF5 | 2736-35 | 200 |
| H2106 | 222FF6 | 860-29 | 15.8 |
| H2107 | 222FF7 | 12432-40 | 3163 |
| H2108 | 222FF8 | 6420-37 | 796 |
| H2109 | 222FF9 | 9345-39 | 1849 |
| H2111 | 222FF11 | 3192-34 | 194 |
| H2112 | 222FF12 | 4136-36 | 394 |
| H2113 | 222FF13 | 780-28 | 11.5 |
| 4-lead coils | | | |
| H2154 | 222FD4 | Inner: 1776-40 Outer: 10064-40 | 392 2800 |
| H2157 | 222FD7 | Inner: 3204-39 Outer: 6942-39 | 575 1513 |
| H2158 | 222FD8 | Inner: 644-41 Outer: 9078-39 | 177 1915 |

B: 6204C1 REV. PHASE RELAYS

| Adams part no. | Otis part no. | Description | Ω |
|----------------|---------------|--------------------|-------|
| H3301 | 222CC1 | 1520-26, 110V/60Hz | 21.25 |
| H3302 | 222CC2 | 1680-26, 110V/60Hz | 24.9 |
| H3303 | 222CC3 | 1930-27, 110V/50Hz | 34.5 |

C: A6164 RELAYS

| Adams part no. | Otis part no. | Description | Ω |
|----------------|---------------|-------------------------------------|--------|
| H3754 | 222DF4 | 24 ¹ / ₂ -14 | 0.0139 |
| H3756 | 222DF6 | 55 ¹ / ₂ -14 | 0.0358 |
| H3757 | 222DF7 | 150 ¹ / ₂ -18 | — |
| H3759 | 222DF9 | 90 ¹ / ₂ -16 | 0.0937 |

D: A6164BP RELAYS (3-LEAD COILS)

| Adams part no. | Otis part no. | Description |
|-------------------------------------|---------------|------------------------|
| H5328 | 222CX1 | 15320-39; Tap at 14800 |
| H5329 | 222CX2 | 15320-39; Tap at 8980 |
| 6164 Relays | | |
| H5371 | 222Z1 | 10335-37; Tap at 8090 |
| H5373 | 222Z3 | 8115-36; Tap at 7410 |
| H5374 | 222Z4 | 6360-35; Tap at 6065 |
| H5375 | 222Z5 | 12750-38; Tap at 11960 |
| H5378 | 222Z8 | 10515-37; Tap at 10165 |
| 6164BP Relays (2-lead coils) | | |
| H5317 | 222CY1 | 15310-39 |
| H5318 | 222CY2 | 10664-37 |
| H5319 | 222CY3 | 3996-33 |
| H5320 | 222CY4 | 1890-29 |
| H7582 | 222CY5 | 884-26 |
| H7505 | 222CY6 | 94-18E |
| H7507 | 222CY7 | 5470-38 |
| H7585 | 222CY8 | 430-23 |
| H7587 | 222CY10 | 5576-34 |
| H7588 | 222CY11 | 8352-37 |

E: 6164 DC MAGNET SWITCHES

| Adams part no. | Otis part no. | Description | Ω |
|----------------|---------------|-------------|--------|
| H4615 | 222E15 | 950-27 | 11.6 |
| H4620 | 222E20 | 1700-29 | 34.1 |
| H4622 | 222E22 | 2150-30 | 54.0 |
| H4623 | 222E23 | 2350-31 | 73.0 |
| H4624 | 222E24 | 2600-31 | 83.0 |
| H4629 | 222E29 | 4500-34 | 278.0 |
| H4631 | 222E30 | 5000-34 | 320.0 |
| H4632 | 222E31 | 5600-35 | 437.0 |
| H4633 | 222E17 | 1190-28 | 18.3 |
| H4634 | 222E16 | 1050-27 | 13.2 |
| H4635 | 222E32 | 6200-35 | 500.0 |
| H4751 | 222FA1 | 70-15 | 0.0545 |
| H4753 | 222FA3 | 100-17 | 0.123 |
| H4755 | 222FA5 | 170-19 | 0.337 |
| H7101 | 222W1 | 244-20 | — |
| H7104 | 222W4 | 474-23 | 2.36 |
| H7108 | 222W8 | 1090-27 | 13.74 |
| H7109 | 222W9 | 1446-28 | 23.0 |
| H7110 | 222W10 | 1785-29 | 35.8 |
| H7111 | 222W11 | 2188-30 | 55.4 |
| H7112 | 222W12 | 2806-31 | 89.50 |
| H7114 | 222W14 | 4120-33 | 209.3 |
| H7115 | 222W15 | 5256-34 | 336.5 |
| H7116 | 222W16 | 6685-35 | 539 |
| H7117 | 222W17 | 8140-36 | 826 |
| H7118 | 222W18 | 9600-37 | 1329 |
| H7119 | 222W19 | 12830-38 | 2070 |

ADAMS QUALITY BOBBIN-WOUND COILS

Adams stocks 2-, 3-, and 4-lead bobbin-wound replacement coils. Bobbins are green-colored glass-filled Lexan®, and conform faithfully to the appearance and physical dimensions of the Otis originals. Generally used in the Otis Type A6164BP DC Magnet Switches. (Coil no. **H5317** is also used with Otis Type 6993D3 and D4 safety edges.)

Shown below are some of the bobbin-wound coils we carry. Order from charts below.



H4638



H4639



H6017

| J: 6164 RELAYS | | |
|----------------|---------------|------------------------------|
| Adams part no. | Otis part no. | Description |
| H7704 | 222T4 | 4830-34 tap 4100 |
| H7705 | 222T5 | 11875-38 tap 10025 |
| H7708 | 222T8 | 12037-38 tap 5775 |
| H7500 | 222CZ3 | 15320-39 tap 14800 |
| H7501 | 222CZ1 | 15320-39 tap 8980 |
| H7503 | 222CZ2 | 10490-37 tap 7560 |
| H7504 | 222CZ4 | Inner 8000-37 Outer 70-21 |
| H7555 | 222CZ5 | 10200-37 tap 5100 |

| K: 6850 BL PAWL MAGNET | | |
|------------------------|---------------|--------------------------------------------|
| Adams part no. | Otis part no. | Description |
| H3701 | 222DE1 | Inner 7660-32, 477Ω Outer 1350-32, 108Ω |

| L: 0-S MAGNET SWITCHES BOBBIN SIZE: 1 7/8" OD X 1 11/16"L | | |
|--------------------------------------------------------------|---------------|-------------|
| Adams part no. | Otis part no. | Description |
| H4638 | 103590 | 450-22 |
| H4639 | 103593 | 600-23 |
| H4640 | 103594 | 660-24 |
| H4643 | 103588 | 375-21 |
| H4644 | 150071 | 2430-30 |
| H6017 | 114536 | 3000-32 |
| H7061 | 146123 | 4520-33 |
| H7351 | 103596 | 800-25 |
| H8130 | 103601 | 1290-27 |

| M: 1-S MAGNET SWITCHES (BOBBIN SIZE: 2 1/2" OD X 2 1/4"L) | | |
|--------------------------------------------------------------|---------------|-------------|
| Adams part no. | Otis part no. | Description |
| H4641 | 13475 | 2180-27 |
| H5666 | 13474 | 1980-26 |
| H7305 | 13470 | 1350-24 |
| H8453 | 136228 | 6450-29 |

| N: 2-S/2-SA MAGNET SWITCHES (BOBBIN SIZE: 3 1/2" OD X 3 1/4"L) | | |
|-------------------------------------------------------------------|---------------|-------------|
| Adams part no. | Otis part no. | Description |
| H6283 | 12941 | 1366-20 |
| H6286 | 12948 | 2660-24 |
| H6287 | 12934 | 700-17 |

| F: 6163 DC MAGNET SWITCHES | | | |
|----------------------------|---------------|-------------|-------|
| Adams part no. | Otis part no. | Description | Ω |
| H4708 | 222F8 | 2745-27 | 51.35 |
| H4710 | 222F10 | 4020-29 | 115.3 |
| H4711 | 222F11 | 5240-30 | 196 |
| H4712 | 222F12 | 6255-31 | 310 |
| H4713 | 222F13 | 7995-32 | 476 |
| H4714 | 222F14 | 9905-33 | 745 |
| H4715 | 222F15 | 12785-34 | 1210 |
| H4717 | 222F17 | 19150-36 | 2885 |

| H: E6754 DC MAGNET SWITCHES | | | |
|-----------------------------|---------------|-------------|------|
| Adams part no. | Otis part no. | Description | Ω |
| H7601 | 222EB1 | 12890-36 | 1860 |
| H7602 | 222EB2 | 10818-35 | 1230 |
| H7603 | 222EB3 | 8820-34 | 800 |
| H7604 | 222EB4 | 6864-33 | 495 |
| H7605 | 222EB5 | 5546-32 | 316 |
| H7606 | 222EB6 | 4301-31 | 201 |
| H7607 | 222EB7 | 3595-30 | 129 |

| I: E6830 DC MAGNET SWITCHES | | | |
|-----------------------------|---------------|-------------|-------|
| Adams part no. | Otis part no. | Description | Ω |
| H6989 | 222CV1 | 13725-34 | 1410 |
| H6990 | 222CV2 | 5670-30 | 231 |
| H6991 | 222CV3 | 11020-33 | 900 |
| H6996 | 222CV6 | 7300-31 | 375 |
| H6997 | 222CV4 | 7200-31 | 375 |
| H4011 | 222AA11 | 6555-30 | |
| H7515 | 222G15 | 1520-26 | 21.25 |
| H7517 | 222G17 | 1930-27 | 34.5 |
| H7519 | 222G19 | 2480-28 | 55.0 |
| H7520 | 222G20 | 2770-28 | 65.2 |
| H7521 | 222G21 | 3060-29 | 86 |
| H7531 | 222G31 | 9220-34 | 826 |

| G: 6754, A6754 & B6754 DC MAGNET SWITCHES | | | |
|-------------------------------------------|---------------|-------------|-------|
| Adams part no. | Otis part no. | Description | Ω |
| H6992 | 222CD1 | 13025-36 | 1690 |
| H6993 | 222CD2 | 10825-35 | 1118 |
| H6994 | 222CD3 | 4870-32 | 241.5 |
| H6995 | 222CD5 | 3675-30 | 119 |
| H7502 | 222CD4 | 7000-33 | 455 |

| OTIS 20S LATCHING/RESET RELAY (NOT SHOWN) | | |
|----------------------------------------------|---------------|-------------|
| Adams part no. | Otis part no. | Description |
| H7506 | 178721 | 1700-31 |

Lexan—Reg. TM General Electric Company

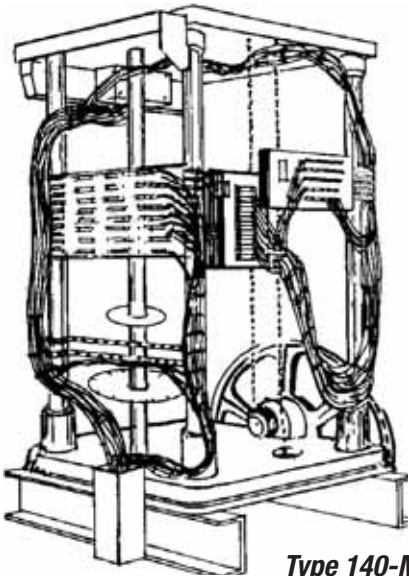
Replacement Parts for Otis Selectors

Adams stocks hundreds of replacement parts for Otis selectors. Our product line includes selector tape (perforated & unperforated), brush switches, rotary cams, advancer panel contacts

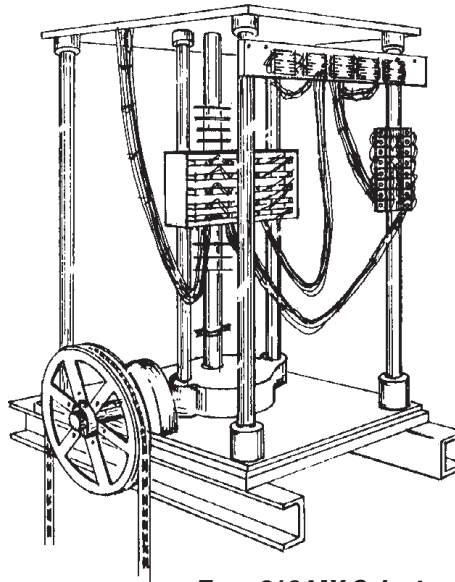
(movable & stationary), relays, contacts, shunts, coils, rectifiers, and more.

The illustrations on these two pages show

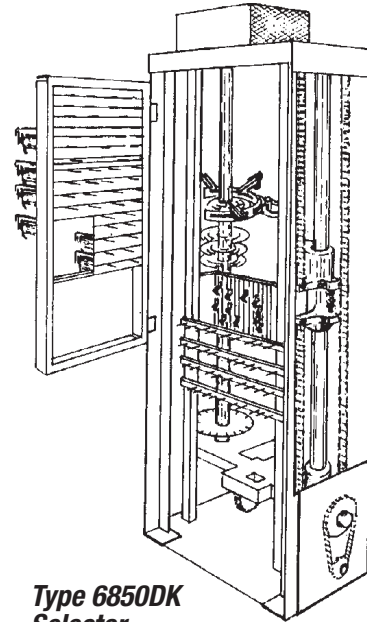
principal types of Otis selectors and a list of replacement parts available for each.



Type 140-M Selector



Type 6104AY Selector



Type 6850DK Selector

| TYPE 140-M SELECTOR | | |
|---------------------|-----------------------------|-----------------|
| Adams part no. | Description | Otis part no. |
| O24C3 | Movable spring contact | 93A2 |
| O27C2 | Contact (see page 225) | 150C3 |
| O27C3 | Contact (see page 225) | 150C2 |
| O301 | Selector tape, unperforated | 297B2/ plain |
| | | 181893 |
| O339A | Selector brush | 181894 |
| O339B | Selector brush | 181894 |
| O339C | Brush bracket | 181892 |
| O340 | Contact | 181874 |
| O342 | Floor bar contact | A152H2 |
| O520C | Fabric shunt, 7/4"L | 175J3 |
| O520D | Fabric shunt, 2 1/2"L | 175J4 |
| O520E | Fabric shunt, 3 1/2"L | 175J5 |
| O520F | Fabric shunt, 3 3/4"L | 175J6 |

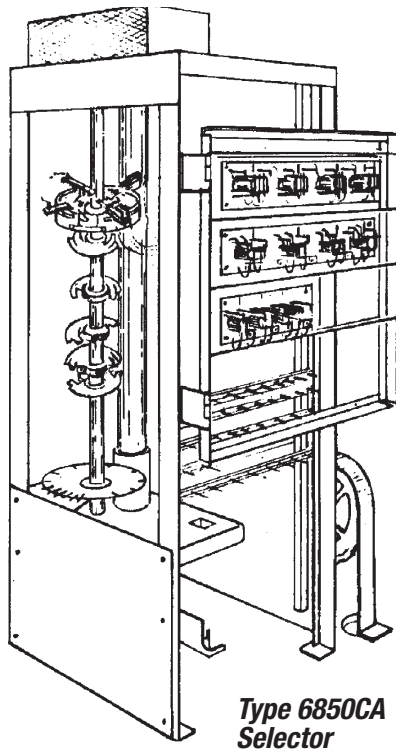
| TYPE 6104AY SELECTOR | | |
|----------------------|---------------------------|-----------------|
| Adams part no. | Description | Otis part no. |
| O23S2 | Compression spring | 90YA13 |
| O24C3 | Movable spring contact | 92A2 |
| O27C2 | Contact (see page 225) | 150C3 |
| O27C3 | Contact (see page 225) | 150C2 |
| O300 | Selector tape, perforated | 297B1/ perf. |
| O325A | Brush switch | 6839B3 |
| O325J | Double brush switch | 6839J1 |
| O325W | Brush switch | 6839W1 |
| O329 | Brush switch | 177AH1 |
| O330 | Contact brush | A6839F3 |
| O331 | Contact brush | A6839F4 |
| O333 | Contact brush | A6839F2 |
| O334 | Switch brush | 6839Y1, Y3 |
| O335 | Switch brush | 6839Y2, Y4 |
| O343 | Floor bar contact | 156E1, 2, 3 |
| O344 | Floor bar contact | 156G4 |
| O344B | Contact base | 306GD1 |
| O350 | Contact w/fiber cam | 150P31 |
| O351 | Contact blade | 150P32 |
| O354A | U-form cam, 5/8"W | 152AX4 |
| O354B | U-form cam, 7/16"W | 152AX2 |
| O370 | Door zone switch | 6809C1 |
| O375 | Auxiliary stopping switch | 6104AR1 |
| O520C | Fabric shunt, 7/4"L | 175J3 |
| O520D | Fabric shunt, 2 1/2"L | 175J4 |
| O520E | Fabric shunt, 3 1/2"L | 175J5 |
| O520F | Fabric shunt, 3 3/4"L | 175J6 |
| O763 | Carbon brush | 186142 |

| TYPE 6850DK SELECTOR | | |
|-----------------------|----------------------------|---------------|
| Adams part no. | Description | Otis part no. |
| O23S2 | Compression spring | 90YA13 |
| O23W1 | Spring seat washer | 133A1 |
| O29A-series* | Normal relay | 7058B |
| O29C-series* | Self-holding relay | 7058B |
| O295P-series** | Pile-up, Make/Break | 7055C |
| O300 | Selector tape, perf. | 297B1 |
| O320B | Long-blade brush | 6839D2 |
| O321B | Long-arm door zone contact | A6839E2 |
| | Short-arm level. sw. | A6839G1 |
| O322A | Long-arm level. sw. | A6938G3 |
| O322B | Brush switch | 6839B4 |
| O325C | Plunger brush | 6482C2 |
| O326 | Cam/clamp ass'y. | 6827C1 |
| O327 | Sel. switch cam | 327FT2 |
| O327A | Sel. switch clamp | 336CM1 |
| O327B | | |
| O329 | Brush switch | 177AH1 |
| O331 | Contact brush | A6839F4 |
| O335 | Switch brush | 6849Y4 |
| O343 | Floor bar contact | 156E3 |
| O344B | Base | 306GD1 |
| O345 | Carbon-tipped contact | A151C2 |
| O346 | Contact | 156AV2 |
| H2100*** | Coil | 222FF |
| H2150*** | Coil | 222FD |
| H6996 | Coil | 222CV6 |

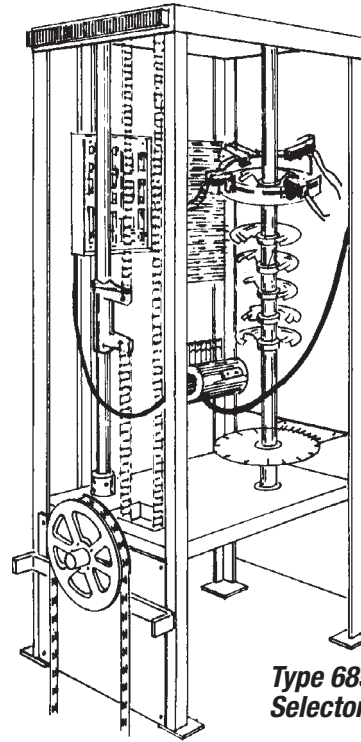
*Specify Normal/Self-hold, MAKE/BREAK

**Specify MAKE/BREAK combination(s).

***See Slim Line Relay coils (2-lead and 4-lead) for complete part numbers for these coils.



**Type 6850CA
Selector**



**Type 6850BJ
Selector**

| TYPE 6850CA SELECTOR† | | |
|------------------------------|-------------------------|---------------|
| Adams part no. | Description | Otis part no. |
| O2100-series** | Self-holding relay | A6164BP |
| O23S2 | Compress. spring | 90YA13 |
| O23W1 | Spring seat washer | 133A1 |
| O300 | Selector tape, perf. | 297B1 |
| O320A | Short-blade brush | 6839D1 |
| O320B | Long-blade brush | 6839D2 |
| O320C | Copper finger indicator | 269R1 |
| O321A | Door zone cont., sh. | A6839E1 |
| O321B | Door zone cont., l. | A6839E2 |
| O322A | Level. sw., short | A6839G1 |
| O322B | Level. sw., long | A6839G3 |
| O323 | Selector contact | 6850F1 |
| O324 | Selector contact | 6850F2 |
| O325A | Switch, silver cont. | 6839B3 |
| O325B | Switch, graph. cont. | 6839B2 |
| O325C | Switch, fiber cam | 6839B4 |
| O326 | Plunger | 6482C2 |
| O327 | Cam/clamp ass'y. | 6827C1 |
| O327A | Cam | 327FT2 |
| O327B | Clamp | 336CM1 |
| O328 | Cam | 327DE2 |
| O330 | Brush w/carbon | A6839F3 |
| O331 | Brush w/graphite | A6839F4 |
| O332 | Brush w/fiber | A6839F5 |
| O333 | Brush w/carbon | A6839F2 |
| O344 | Floor bar contact | 156G4 |
| O344B | Base | 306GD1 |
| O362 | Cam on bracket | 327GS1 |
| O801C1 | Retaining ring (10pk) | 172DE9 |
| H5328 | Coil | 222CX1 |

| TYPE 6850BJ SELECTOR | | |
|-----------------------------|-----------------------|---------------|
| Adams part no. | Description | Otis part no. |
| O2100-series | Self-holding relay** | A6164BP |
| O21C4 | Movable contact | 150P4 |
| O21C5 | Leaf spring contact | 93D2 |
| O23C7 | Contact back. spring | 93AD1 |
| O23S2 | Compression spring | 90YA13 |
| O23W1 | Spring seat washer | 133A1 |
| O24C3 | Movable contact | 93A2 |
| O24S1 | Extension spring | 91B1 |
| O300 | Selector tape, perf. | 297B1 |
| O320A | Cont. brush, short | 6839D1 |
| O320B | Cont. brush, long | 6839D2 |
| O321A | Door zone cont., sh. | A6839E1 |
| O321B | Door zone cont., long | A6839E2 |
| O322A | Level. switch, short | A6839G1 |
| O322B | Level. switch, long | A6839G3 |
| O325B | Brush switch, graph. | 6839B2 |
| O325W | Brush switch | 6839W1 |
| O327 | Cam/clamp ass'y. | 6827C1 |
| O327A | Cam | 327FT2 |
| O327B | Clamp | 336CM1 |
| O330 | Contact brush | A6839F3 |
| O333 | Contact brush, carb. | A6839F2 |
| O333CY | Cam w/silver contact | 327JE2 |
| O333Y | Rocking contact | 6839AB1 |
| O334 | Switch brush, fiber | 6839Y3 |
| O335 | Switch brush, carbon | 6839Y4 |
| O343 | Floor bar contact | 156E3 |
| O344 | Floor bar contact | 156G4 |
| O344B | Base | 306GD1 |
| O350 | Contact w/fibre | 150P31 |
| O351 | Contact blade | 150P32 |
| O352 | Spring blade | 93CC1 |

| TYPE 6850BJ SELECTOR (CONT.) | | |
|-------------------------------------|---------------------|---------------|
| Adams part no. | Description | Otis part no. |
| O354B | U-form cam, 7/16"W | 152AX2 |
| O355 | Toggle p.i. switch | 7042A1 |
| O357 | Magnet pawl contact | 150P33 |
| O358 | Magnet pawl contact | 150P34 |
| O361 | Toggle cam | 327GJ1 |
| O363 | Down stop contact | 156H1 |
| O364 | Up stop contact | 156H2 |
| O763 | Carbon brush | 186142 |
| O807 | Compression spring | 90HB9 |
| O833 | 2-pc. cam/clamp | 327DJ2C |
| H3701 | Coil | 222DE1 |
| H5328 | Coil | 222CX1 |
| R065 | Rectifier | 230AY3 |

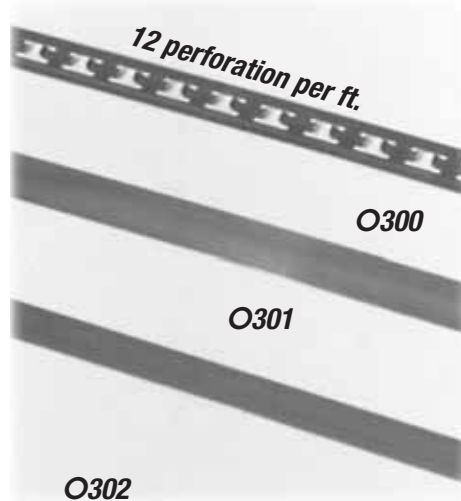
†Also used on models CK, C, BV

**Specify MAKE/BREAK combination(s).

Adams selector tape: an industry standard

Adams raw stock is mill certified to these specifications:

- Steel must be tempered, polished, and blued
- Tape edges must be round and smooth
- Width must be held to ± 0.005 " and thickness to ± 0.0005 " of specs
- Flatness and straightness shall be guaranteed by the mill



Adams Selector Tape Product Specifications:

- Perf progression (over 27 teeth) shall not deviate more than ± 0.0045 "
- Length of perforation: ± 0.002 "
- Width of perforation: ± 0.005 "
- Perf centers: ± 0.005 "
- Distance between perfs: ± 0.002 "
- Radius of perf: ± 0.001 " (typical)
- Contours of perforations must be smooth, continuous, and free from cuts and nicks
- Pitch: ± 0.0002 "

| SELECTOR TAPE ORDERING INFO | |
|-----------------------------|--------------------------------------|
| Adams part no. | Description |
| O300 | 1"-wide spring steel, perforated |
| O301 | 1"-wide spring steel, unperforated |
| O302 | 3/4"-wide spring steel, unperforated |

| O300 SERIES AVAILABLE IN PRE-CUT STOCKED LENGTHS | |
|--------------------------------------------------|----------------------------------|
| Adams part no. | 1" wide spring steel, perforated |
| O300-250 | 250' per Spool |
| O300-300 | 300' per Spool |
| O300-400 | 400' per Spool |
| O300-500 | 500' per Spool |
| O300-800 | 800' per Spool |
| O300-1000 | 1000' per Spool |
| O300-1500 | 1500' per Spool |
| O300-3500 | 3500' per Spool |
| Other sizes available on special order only. | |

ALSO AVAILABLE...



385NN1
Otis
Tape Guide,
Hoistway,
14" x 1.25" x .75"
(3) .2215" holes,
(4) grooves



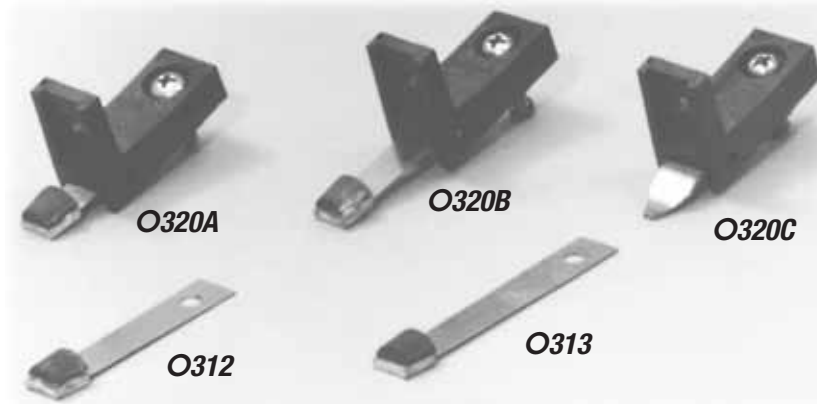
385PD1
Otis
Tape Guide



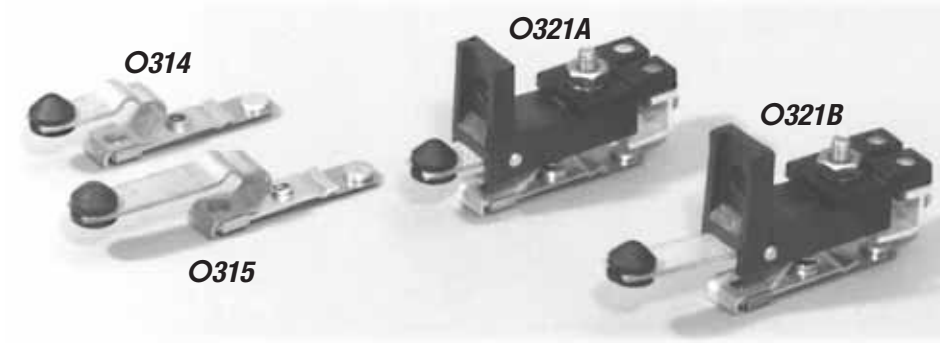
6199H1
Otis
Selector Tape
Hitch Assy



| FLOOR SELECTOR PARTS | | |
|----------------------|---------------------------------------------------------------|---------------|
| Adams part no. | Description | Otis part no. |
| O310G | Floor selector roller, metal/graphite; 1/2" x 1/2", 0.251" ID | 1659 |
| O310C | Floor selector roller, copper; 1/2" x 1/2", 0.251" ID | 15387 |
| O311 | Floor selector finger; use with O310G & O310C | 102990 |

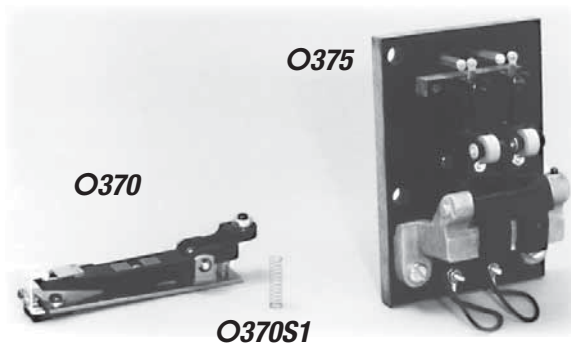


| CONTACTS, CONTACT BRUSHES, INDICATOR | | |
|--------------------------------------|---------------------------------------------------|---------------|
| Adams part no. | Description | Otis part no. |
| O312 | Short contact arm, 3/8" x 2"; for O320A brushes | 154AD2, AD7 |
| O313 | Long contact arm, 3/8" x 2 1/2" for O320B brushes | 154AD4, AD8 |
| O320A | Contact brush (incl. O312 short contact arm) | 6839D1, D3 |
| O320B | Contact brush (incl. O313 long contact arm) | 6839D2, D4 |
| O320C | Indicator with finger | 269R1 |



| DOOR ZONE ASSEMBLIES | | |
|----------------------|----------------------------------------------------------------------------|---------------|
| Adams part no. | Description | Otis part no. |
| O314 | Movable contact for 6839E door zone assembly; incl. short cam arm, 2 1/4"L | 150P37 |
| O315 | Movable contact for 6839E door zone assembly; incl. long cam arm, 2 3/4"L | 150P41 |
| O321A | Door zone assembly with O314 short cam arm | A6839E1 |
| O321B | Door zone assembly with O315 long cam arm | A6839E2 |

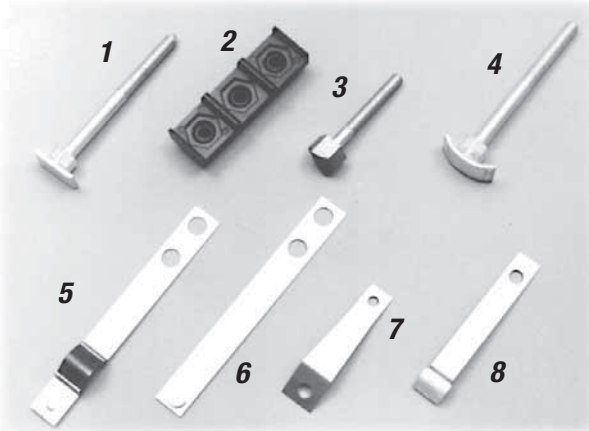
SWITCHES & CONTACT ARMS



| Adams part no. | Description | Otis part no. |
|------------------------------|---------------------------------------------------------------------|-----------------|
| O370 O370S1 | Door zone switch for 6104AY selector Compression spring for O370 | 6809C1 90GA2 |
| O375 | Auxiliary stopping switch for 6104AY selector | ML6101AR1 |

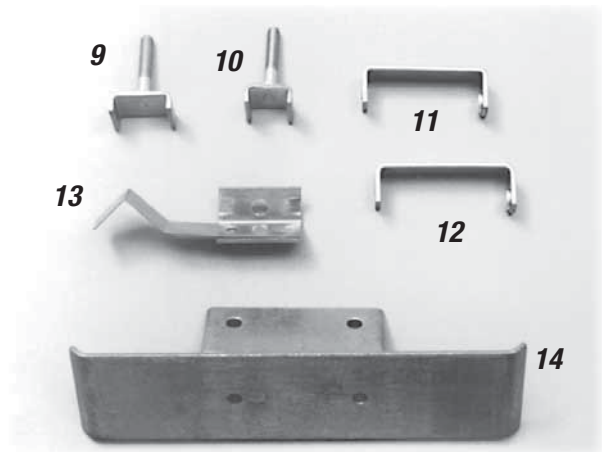


| Adams part no. | Description | Otis part no. |
|----------------------------|------------------------------------------------------------------------------------------------------|-----------------|
| O355 O363 | Toggle switch for position indicator Upper stop control contact arm for 6851B stop control switch | 7042A1 156H1 |
| O364 O365 | Lower stop control contact arm for 6851B stop control switch Contact finger and spring guide | 156H2 156AB2 |



| SWITCHES & CONTACTS | | | |
|---------------------|----------------|--------------------------------------------------------------------------------------------------------------------------------------------------------|------------------|
| Photo key no. | Adams part no. | Description | Otis part no. |
| 1 | O342 | Contact for floor bar ass'y.; head = $\frac{3}{8}$ " x $\frac{5}{8}$ "; 2 $\frac{1}{32}$ "L, #10-32 thread | B152H2 |
| 2 | O344B | Contact base for floor bar ass'y.; accommodates 3 contacts | 306GD1 |
| 3 | O346 | Selector contact, 1 $\frac{1}{2}$ "L, round hex nut | 156AV2 |
| 4 | O347 | Selector contact, 2 $\frac{1}{2}$ "L; $\frac{3}{8}$ " x $\frac{3}{4}$ " contact face with $\frac{3}{4}$ " radius | — |
| 5 | O350 | Contact for selector stopping switch, with fiber cam; $\frac{3}{8}$ " x 3 $\frac{3}{8}$ " blade, $\frac{1}{4}$ " tip; also used on 6970A door operator | 150P31 150P32 |
| 6 | O351 | Contact blade, makes with O350 | 150P32 |
| 7 | O352 | Spring blade for O330 -type contact brush | 93CC1 |
| 8 | O353 | Selector contact | 156A6 |

| SWITCHES & CONTACTS | | | |
|---------------------|----------------|------------------------------------------------------------------------|---------------|
| Photo key no. | Adams part no. | Description | Otis part no. |
| 9 | O354A | U-form selector cam for rocking contact; $\frac{5}{8}$ " inside width | 152AX4 |
| 10 | O354B | U-form selector cam for rocking contact; $\frac{7}{16}$ " inside width | 152AX2 |
| 11 | O357 | Pawl magnet contact for crosshead panel, 1 $\frac{3}{8}$ "L | 150P33 |
| 12 | O358 | Pawl magnet contact for crosshead panel, 1 $\frac{1}{2}$ "L | 150P34 |
| 13 | O361 | Toggle cam for advancer panel | 327GJ1 |
| 14 | O362 | Bracket/cam assembly; used at end of crosshead panel | 327GS1 |



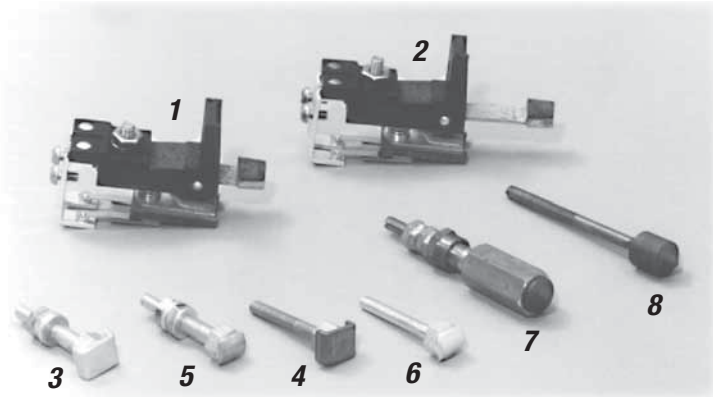
CAM & CLAMP ASSEMBLIES



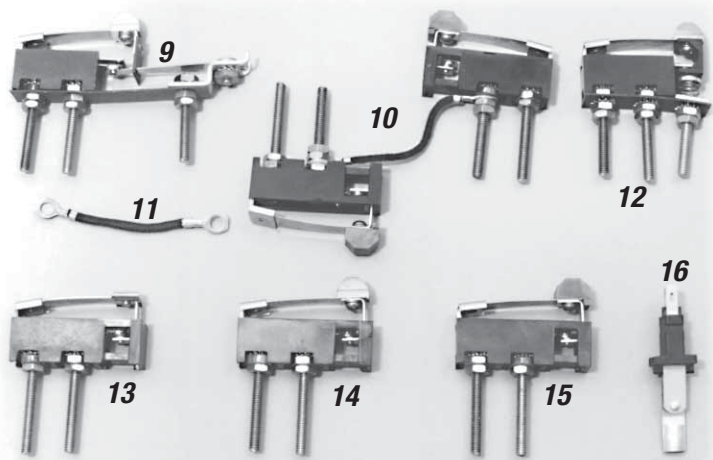
| Adams part no. | Description | Otis part no. |
|----------------|----------------------------------------------------------------------------------------------------------|---------------|
| O833 | Cam & clamp ass'y. for power door operator switches and 6850 selector; replaces 327DJ2 one-piece unit | 327DJ2C |
| O833A | Plastic cam for O833; upper surface radius = 1 $\frac{1}{8}$ "; lower surface radius = $\frac{15}{16}$ " | — |
| O833B | Die cast cam clamp | — |

| Adams part no. | Description | Otis part no. |
|----------------|------------------------------------------|------------------|
| O327 | Cam/clamp assembly | 6827C1 327FT2 |
| O327A | Cam only | — |
| O327B | Cam clamp (also used on O328 cam) | 336CM1 |

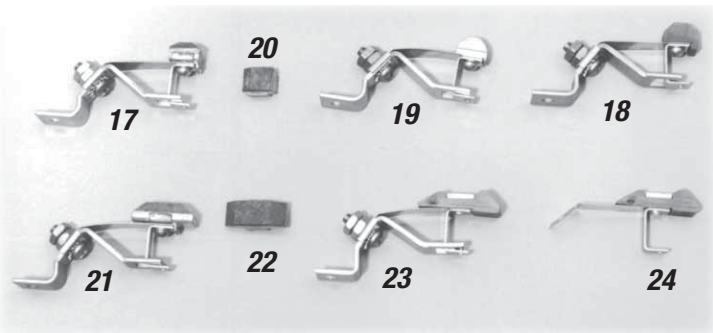
| Adams part no. | Description | Otis part no. |
|----------------|--------------------------------------------|---------------|
| O328 | Cam for selector switches; use O327B clamp | 327DE2 |



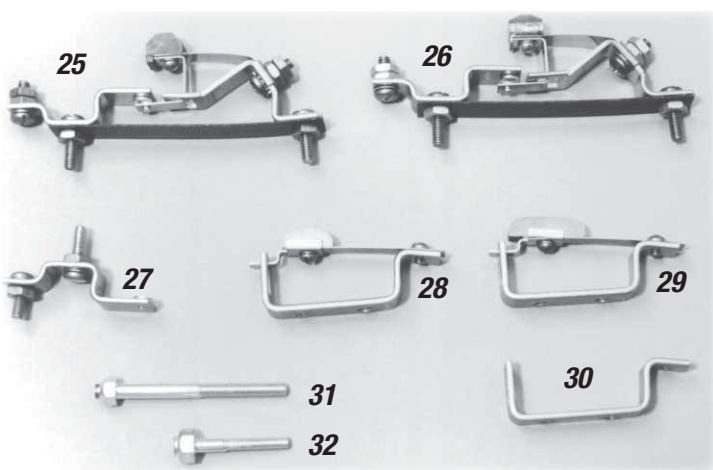
| SWITCHES & CONTACTS | | | |
|---------------------|----------------|------------------------------------------------------------------------|---------------|
| Photo key no. | Adams part no. | Description | Otis part no. |
| 1 | O322A | Leveling switch with 2 1/4" contact arm | A6839G1 |
| 2 | O322B | Leveling switch with 2 3/4" contact arm | A6839G3 |
| 3 | O323 | Selector contact | 6850F1 |
| 4 | O343 | Contact only for O323 assembly; 1 1/32"L, #8-32 threads | 156E1, 2, 3 |
| 5 | O324 | Selector contact, cadmium plated | 6850F2 |
| 6 | O344 | Floor bar contact for O324 group; 1 1/2"L, #8-32 threads | 156G4 |
| 7 | O326 | Plunger brush | 6482C2 |
| 8 | O345 | Carbon-tipped contact for O326 assembly; 2 3/4"L, #8-32 threads | A151C2 |



| SWITCHES & CONTACTS | | | |
|---------------------|----------------|-------------------------------------------------------------------|---------------|
| Photo key no. | Adams part no. | Description | Otis part no. |
| 9 | O325H | Brush switch | 6839H1 |
| 10 | O325J | Double brush switch assembly with fiber cams and connecting shunt | 6839J1 |
| 11 | O520B | Shunt for O325J , 2 1/2" long | 175J2 |
| 12 | O325W | Brush switch | 6839W1 |
| 13 | O325A | Brush switch w/silver contact | 6839B3 |
| 14 | O325B | Brush switch w/graphite contact | 6839B2 |
| 15 | O325C | Brush switch w/fiber insulator tip | 6839B4 |
| 16 | O329 | Brush switch | 177AH1 |



| SWITCHES & CONTACTS | | | |
|---------------------|----------------|------------------------------------------------------------------|---------------|
| Photo key no. | Adams part no. | Description | Otis part no. |
| 17 | O330 | Contact brush w/carbon contact, 7/16"L | A6839F3 |
| 18 | O331 | Metal graphite contact, 7/16"L | A6839F4 |
| 19 | O332 | Contact brush w/fiber contact, 7/16"L | A6839F5 |
| 20 | O330C2 | Carbon & clip assembly | 156J2 |
| 21 | O333 | Contact brush for crosshead panel; 7/8"L carbon contact (#156D2) | A6839F2 |
| 22 | O333C5 | Carbon & clip assembly | 156D2 |
| 23 | O333Y | Rocking contact brush assembly, complete | 6839AB1 |
| 24 | O333CY | Cam with silver contact for O333Y ass'y. | 327JE2 |

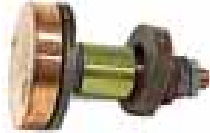


| Photo key no. | Adams part no. | Description | Otis part no. |
|---------------|----------------|------------------------------------------------------------------------------------------------------------------------|---------------|
| 25 | O334 | Brush switch for crosshead and advancer panels; includes 7/16"L fiber insulated tip | 6839Y1, Y3 |
| 26 | O335 | Brush switch for crosshead and advancer panels; 7/16"L carbon contact | 6839Y2, Y4 |
| 27 | O336 | Stationary contact for brush switch | 150BA7 |
| 28 | O339A | Selector brush for ML6104 crosshead and brush advancer panels, and 140M selector; 5/8"L graphite contact | 181893 |
| 29 | O339B | Same as no. O339A , but with 15/16"L graphite contact | 181894 |
| 30 | O339C | Bracket only for O339A & O339B | 181892 |
| 31 | O340 | Selector contact for floor bar ass'y.; 5/16" dia. hex head with 3/16" dia. silver contact; 2 5/16"L with #10-32 thread | 150R1, 181874 |
| 32 | O341 | Selector contact for floor bar ass'y.; 3/8" dia. hex head with 3/16" dia. silver contact; 15/16"L with #10-32 thread | 150C10 |

....MORE CONTACTS AVAILABLE FOR OTIS EQUIPMENT.



126391
Otis
Contact



106580
Otis
Contact Assy.



109731
Otis
Contact Assy.



120671
Otis
Contact Assy.



12143
Otis
Contact Holder



6825B3
Otis
Contact



129912
Otis
Contact Assy.



130409
Otis
Contact Holder



1329
Otis
Contact, Brass



13418
Otis
Contact, Assy.



156AX1
Otis
Contact, U form



145706
Otis
Contact



146088
Otis
Contact



130190
Otis
Contact



150AY1
Otis
Contact, Stationary



1338
Otis
Contact



150C4
Otis
Contact



153H1
Otis
Contact



153Y1
Otis
Contact



156AA2
Otis
Contact



153AG6
Otis
Paddle Contact



169941
Otis
Carbon Contact



6850F3
Otis
Contact



12171
Otis
Contact Assy LH



12170
Otis
Contact

Three types of polyurethane guide rollers to choose from

- **SPx⁸⁰**™ Quiet Soft Poly gives you the quiet ride of rubber, *PLUS*:
 - Tougher resistance to chemicals & ozone
 - Longer life
- **HDx⁹⁵**™ Heavy-Duty poly outlasts conventional guide rollers where noise reduction is not a major concern
- **LFx⁷⁰**™ Low-Friction, super-hard poly

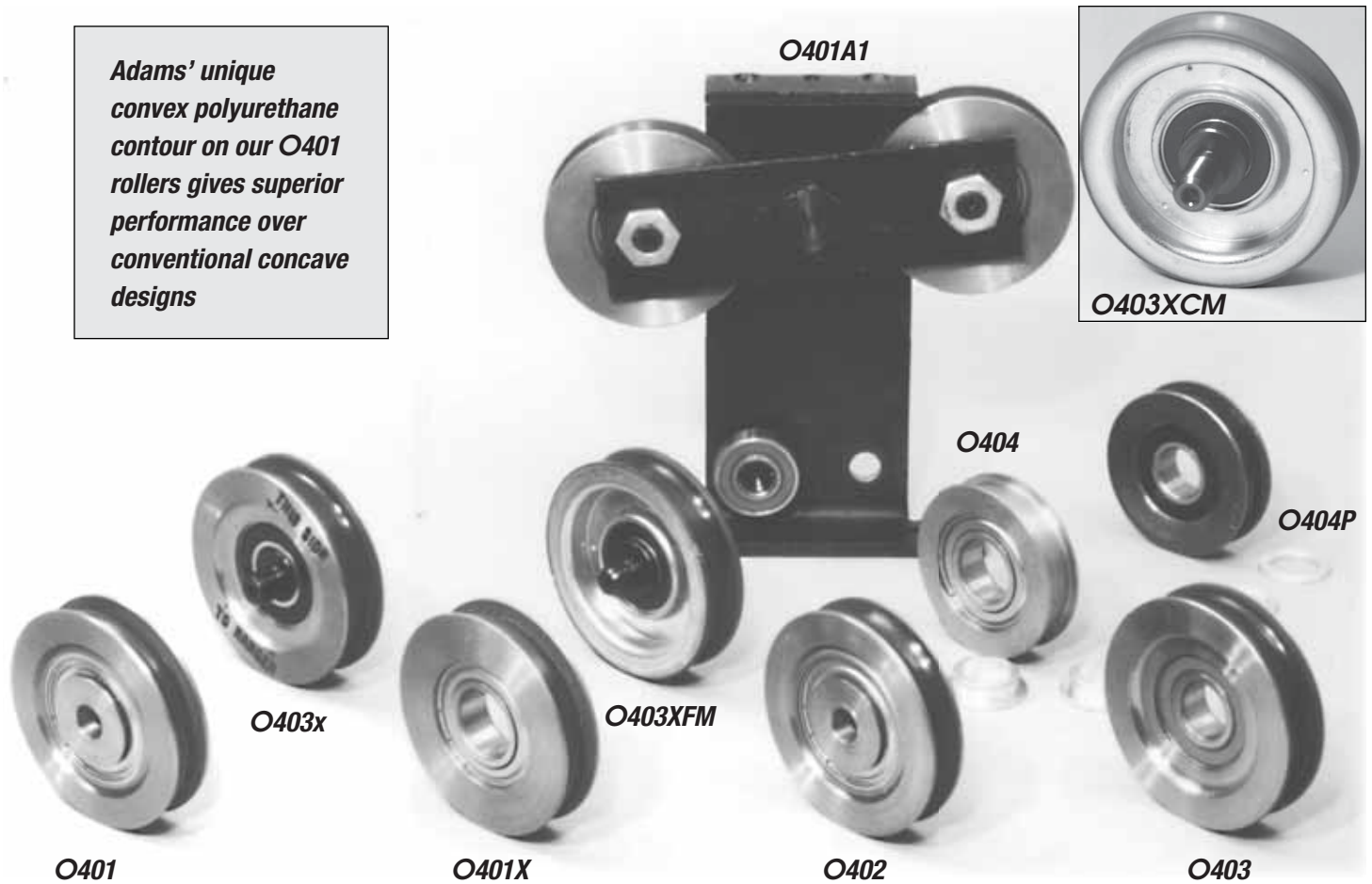


- Adams guide rollers address rigid elevator operating requirements
- Get the quality ride you demand
- Minimize roller-related call-back's...add perceived value to your service
- Adams Durabond® polyurethane is the industry's toughest
- Precision-machined and balanced hubs promote wobble-free ride
- Every batch is tested for proper composition
- Temperatures are recorded at all steps in the manufacturing process
- Machined rollers have 100% inspection of bore
- Concentricity and final dimensions are held tightly
- Final durometer is checked in each batch

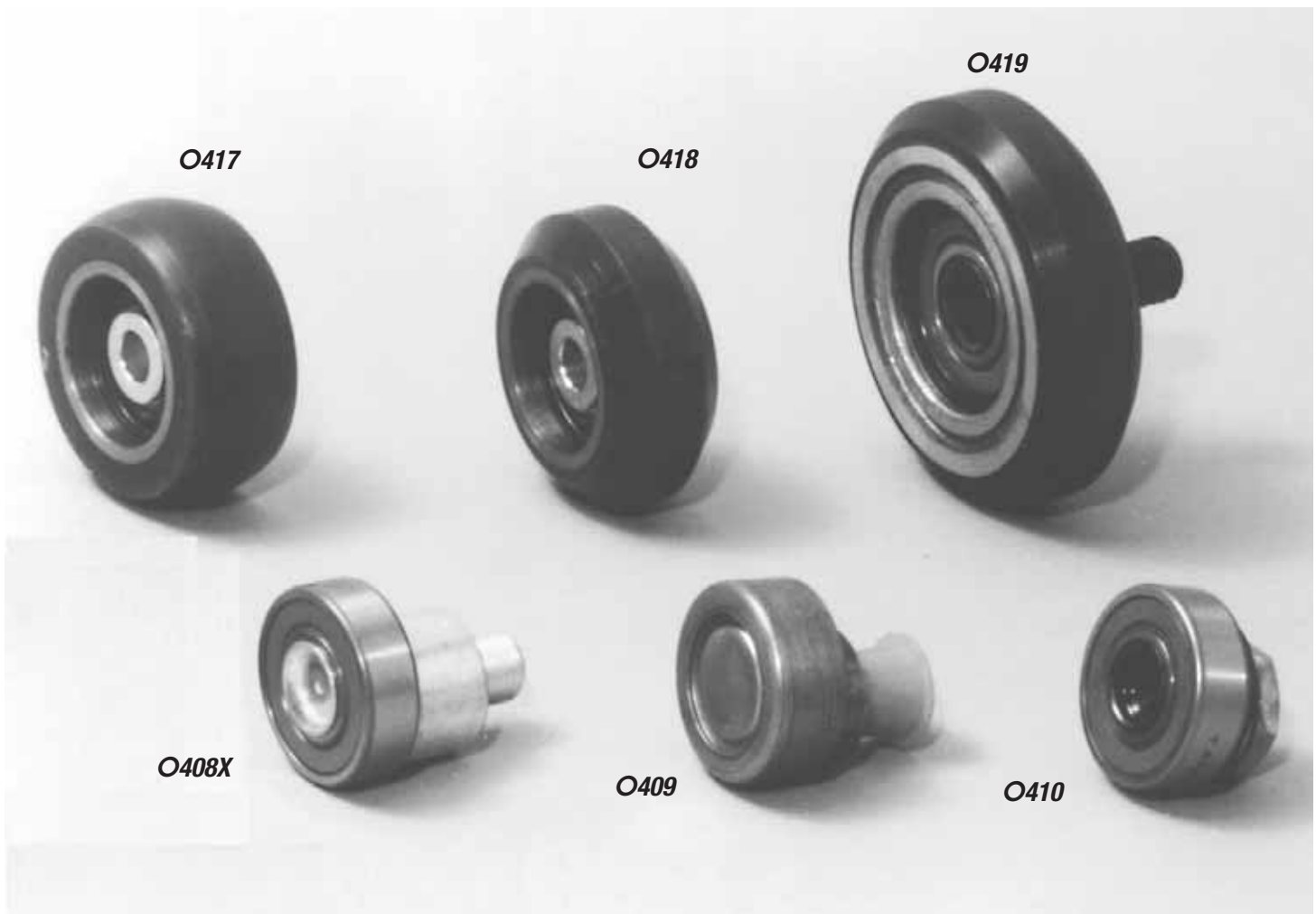
COLOR KEY FOR ADAMS POLY

Red = LF^{x80} Low Friction
 Black = SP^{x80} Soft
 Clear = HD^{x95} Heavy Duty

Adams' unique convex polyurethane contour on our O401 rollers gives superior performance over conventional concave designs



| Adams part no. | Description | Roller dimensions | | | Materials | | Otis part no. |
|----------------|----------------------------------------------------------------------------------------------------|-------------------|---------|-----------------|-------------|--------------------------|---------------|
| | | Diam. | Thick. | Bearing I.D. | Hub | Tire | |
| O401 | Hanger roller with convex surface; for type AU & 6178A flat track hangers | 3 1/4" | 1 1/16" | 0.500" (bushed) | Solid steel | HDx ⁹⁵ ™ poly | A456W1 |
| O401HP | Same as O401 , with low-friction hard poly | 3 1/4" | 1 1/16" | 0.500" (bushed) | Solid steel | LFx ⁷⁰ ™ poly | A456W1 |
| O401A1 | Teeter-bar hanger w/2 O401 rollers and 1 O410 up-thrust roller; for heavy doors | 3 1/4" | 1 1/16" | 0.500" (bushed) | Solid steel | HDx ⁹⁵ ™ poly | 368203907 |
| O401X | Hanger roller with convex tire surface; for Type "A" (6178A) hangers | 3 1/4" | 1 1/16" | 0.9843" | Solid steel | HDx ⁹⁵ ™ poly | 456W1 |
| O402 | Hanger roller for AU & 6178A hangers; concave roller surface | 3 1/4" | 1 1/16" | 0.500" | Solid steel | HDx ⁹⁵ ™ poly | A456EA1 |
| O402HP | Same as O402 , with low-friction hard poly | 3 1/4" | 1 1/16" | 0.500" | Solid steel | LFx ⁷⁰ ™ poly | A456EA1 |
| O403 | Hanger roller with 1 1/32" radius on concave surface | 3 3/8" | 1 3/16" | 0.7874" | Sol. steel | HDx ⁹⁵ ™ poly | 456CX4 |
| O403X | Hanger roller w/eccentric axle stud, steel hub | 3 3/8" | 1 3/16" | n/a | Sol. steel | HDx ⁹⁵ ™ poly | 456DH1 |
| O403XCM | Hanger roller, projection welded; eccentric axle has 1/2"-20 thread and 3/16" socket, machined hub | 3 3/8" | 1 3/16" | n/a | machined | HDx ⁹⁵ ™ poly | 456DH2 |
| O403XFM | Hanger roller, projection welded; eccentric axle has 1/2"-20 thread and 3/16" socket, machined hub | 3 3/8" | 3/4" | n/a | machined | HDx ⁹⁵ ™ poly | 456EW1 |
| O404 | All-steel hanger roller for integral hoistway hanger | 2 3/4" | 1 1/16" | 0.785" | Steel | Steel | 456CC1 |
| O404HP | Same as O404 , with low-friction hard poly tire | 2 3/4" | 1 1/16" | 0.785" | Steel | LFx ⁷⁰ ™ poly | 456CC1 |
| O404P | Same as O404 , with heavy-duty poly tire | 2 3/4" | 1 1/16" | 0.785" | Steel | HDx ⁹⁵ ™ poly | 456CC1 |



| Adams part no. | Description | Dimensions | | | Materials | | Otis part no. |
|----------------|------------------------------------------------------------------------------------------------------------------------------------|------------|--------|--------------|-----------|-------------------------|-------------------|
| | | Diam. | Thick. | Bearing I.D. | Hub | Tire | |
| O408X | Upthrust roller with all-steel roller surface for integral hanger & track; eccentric axle has 1/2" shoulder; includes hex jamb nut | 1 3/8" | 1/2" | n/a | Steel | Steel | 456CP1 |
| O409 | Upthrust roller with steel roller surface for integral track; eccentric axle has 1/4" shoulder; includes hex jamb nut | 1 3/8" | 1/2" | n/a | Steel | Steel | 456CP2 |
| O410 | Upthrust roller with steel roller surface; eccentric axle has 1/8" shoulder; incl. nut | 1 3/8" | 7/16" | n/a | Steel | Steel | 207Z4 |
| O417 | Roller guide wheel with convex poly tire | 2.200" | 7/8" | 0.370" | Steel | HDx ^{95™} poly | 6263A1 456CA1A |
| O418 | Roller guide wheel with 5/16" flat poly tire face | 2.200" | 7/8" | 0.370" | Steel | HDx ^{95™} poly | 6263A2 456CA2B |
| O419 | Roller guide wheel with 3/8" flat poly face; 1 1/4"L eccentric axle has 1/2-13 thread; can be used for Otis and Dover hydros | 3" | 13/16" | n/a | Steel | HDx ^{95™} poly | 456DN1 |

"S" in part nos. is your key to the quietest-running polyurethane guide rollers around!

**O420S
O420**

**O421S
O421
Permanent
Lube!**

O425

NOTE: O421 and O423 are same size. Perspective of picture has distorted size.

O422S

**O423
O423S
Permanent
Lube!**

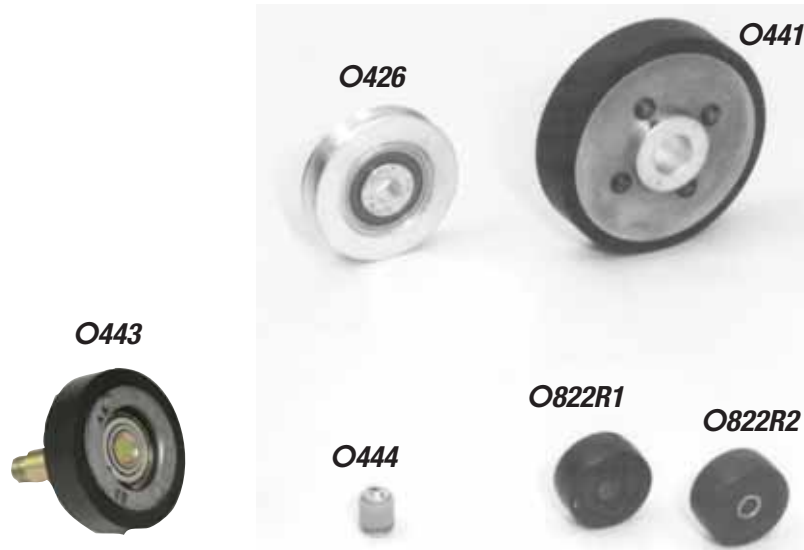
**O421X
bolt & bushing**

| Adams part no. | Description | Dimensions | | Materials | | Otis part no. |
|----------------|---------------------------------------------------------------------------------------------------------|---------------------------------|---------------------------------|-------------------|---------------------|---------------|
| | | Dia. | Width | Hub | Tire | |
| O420S | Roller guide wheel with axle shaft for 6261A roller guide assembly | 3 ³ / ₄ " | 1 ¹ / ₈ " | Aluminum | SPx ⁸⁰ ™ | 456AK2-SV |
| O420 | | | | | HDx ⁹⁵ ™ | 456AK2 |
| O421S | Roller guide wheel for 6261C roller guide assembly, 1941 thru 1962; permanent lube | 7 ⁷ / ₈ " | 1 ¹ / ₂ " | Die-cast aluminum | SPx ⁸⁰ ™ | 456AJ2 -SV |
| O421 | | | | | HDx ⁹⁵ ™ | 456AJ2 |
| O422S | Guide roller with axle shaft, for 6261P roller guide assembly; w/pump shaft bearing | 3 ³ / ₄ " | 1" | Die-cast aluminum | SPx ⁸⁰ ™ | 456CN4-SV |
| O422 | Guide roller with axle shaft, for 6261P roller guide assembly; w/pump shaft bearing | 3 ³ / ₄ " | 1" | Die-cast aluminum | HDx ⁹⁵ ™ | 456CN4 |
| O423S | Roller guide wheel w/axle shaft; used on 6261C guide assy, after Dec 62; perm. lube | 7 ⁷ / ₈ " | 1 ¹ / ₂ " | Die-cast aluminum | SPx ⁸⁰ ™ | 456CL4-SV |
| O423 | | | | | HDx ⁹⁵ ™ | 456CL4 |
| O424S | Roller guide wheel with axle shaft enclosed by pump shaft bearing; used for 6261H roller guide assembly | 4 ⁷ / ₈ " | 1 ¹ / ₈ " | Die-cast aluminum | SPx ⁸⁰ ™ | 456CM4-SV |
| O424P | | | | | Rubber | 456CM4 |
| O425 | | | | | HDx ⁹⁵ ™ | 456CM4 |
| O425 | Roller guide wheel with axle shaft enclosed by pump shaft bearing; used on 6261T roller guide assembly | 10" | 1 ¹ / ₂ " | Die-cast aluminum | Rubber | 456CV4 |

O421X. Lever arm bolt & bushing for **O421** and **O423** guide rollers; hardened steel bushing with hardened cold-rolled steel pin. 3" long, with shaft diameter of 3/4". See photo inset, above. Replaces Otis part nos. 59P1 and 335H1. Bushing has an Outside Diameter of 1.002".

COLOR KEY FOR ADAMS POLY

Red = LF⁸⁰ Low Friction
Black = SP⁸⁰ Soft
Clear = HD⁹⁵ Heavy Duty



QUIET POLY: AN ADAMS EXCLUSIVE

They give you the quiet ride you enjoy with rubber **PLUS** these added advantages:

- Quiet Poly guide rollers last longer than rubber (SPx^{80™} Quiet Poly)
- Stand up to petroleum products that invade hoistway and reduce roller life
- Resist ozone degradation

Try a Quiet Poly alternative next time you are replacing a guide roller.

COLOR KEY FOR ADAMS POLY

- Red = LF^{x80} Low Friction
- Black = SP^{x80} Soft
- Clear = HD^{x95} Heavy Duty

| Adams part no. | Description | Dimensions | | Materials | | Otis part no. |
|----------------|------------------------------------------------------------------------------------------------------------------------------------------------------------------------------------------------------------|---------------------------------|--------------------------------------------------------------------------------|-----------|--------------------|---------------|
| | | Diam. | Bearing ID | Hub | Tire | |
| O426 | Chain pulley roller for A6037E1, E2 hangers | 2 ⁹ / ₈ " | ¹⁹ / ₃₂ "; ³ / ₈ " bushing I.D. | Steel | Steel | 290B1 |
| O441 | Roller for "N1" and "N2" hatchway limit switch; ³ / ₄ " tire face | 3 ¹ / ₂ " | 1/2" | Steel | Rubber | 101876 |
| O443 | Roller for 6072A stopping switch, heavy duty; stamped steel hub, poly tire, precision ball bearing | 3" | n/a | Steel | SPx ^{80™} | A6037D1 |
| O444 | Door guide roller; add ¹ / ₁₆ " to diam. for elastomer ring; ¹ / ₁₆ " extension with 6-32 tapped hole; ⁹ / ₁₆ "L. Fits 7593B door guide. | ³¹ / ₆₄ " | 6-32 tapped hole | n/a | n/a | 456DD1 |
| O822R1 | Rubber roller, 0.593" wide | 1.22" | 0.337" | n/a | Rubber | 456AA1 |
| O822R2 | Same as O822R1 with 335D4 bushing | 1.22" | 0.337" | Bronze | Rubber | 456AA2 |



456C5
Otis Soft Rubber Roller



456CE4
Otis Door Operator Roller



456AK4
Otis Soft Rubber Roller includes Pin, Ball Bearings and Ring



456EW2
Otis Hanger Roller



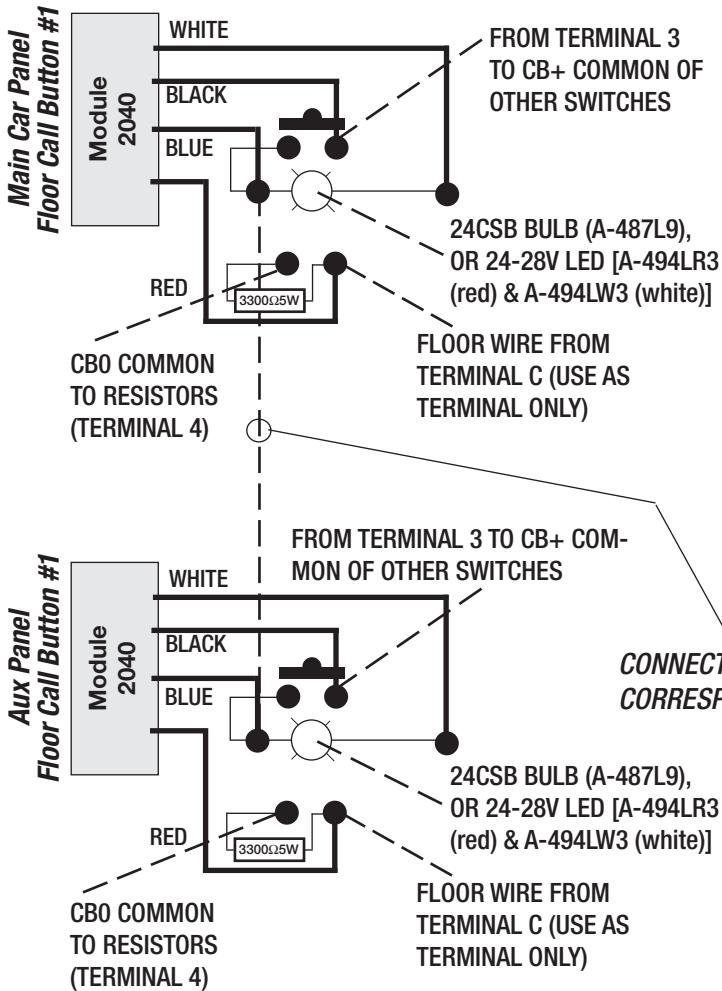
456By1
Otis Limit Switch Roller

MISC. OTIS ROLLERS

| Part No. | O.D. | Width | Where Used |
|---------------|-------|-------|----------------------------|
| 456AK4 | 3.75" | .97" | w/6261A Roller Guides |
| 456C5 | 1.49" | 1.28" | A7116B, 7078B, A7078B |
| 456CE4 | 2.00" | 0.56" | A6970F1 & A6970F2 |
| 456EW2 | 3.00" | .89" | Hanger Roller |
| 456BY1 | 1.62" | .78" | 6098FH, 6098B Limit Switch |

Survivor O[®] Mechanical Alternative to Touch Buttons

SCHEMATIC



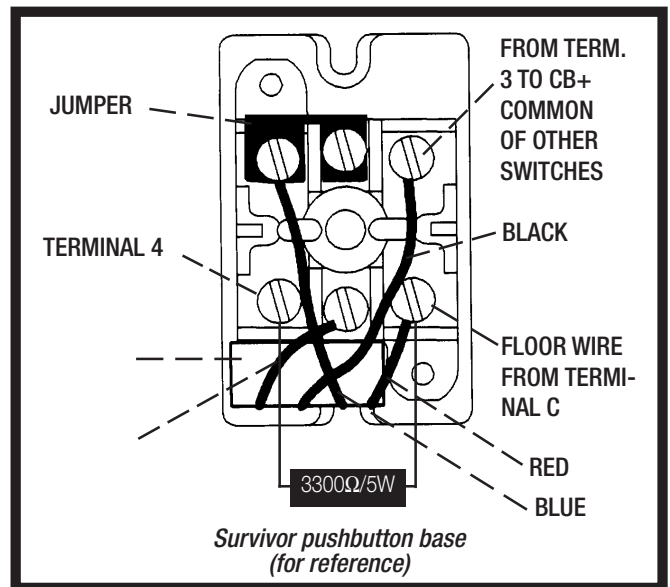
CONNECTION BETWEEN BLUE WIRES OF CORRESPONDING BUTTONS FOR CROSS-FIRING

INSTALLATION

Adams O-486E Modules and mechanical buttons are suitable replacements for Otis 2040 tubes and Touch Buttons. A wiring modification is required to retain cross-firing in main and auxiliary car panels.

For cross-firing with an auxiliary panel, you must connect together the blue wires of the corresponding buttons, Main Fl. #1 button to Aux. Fl. #1, etc. (see schematic diagram at left).

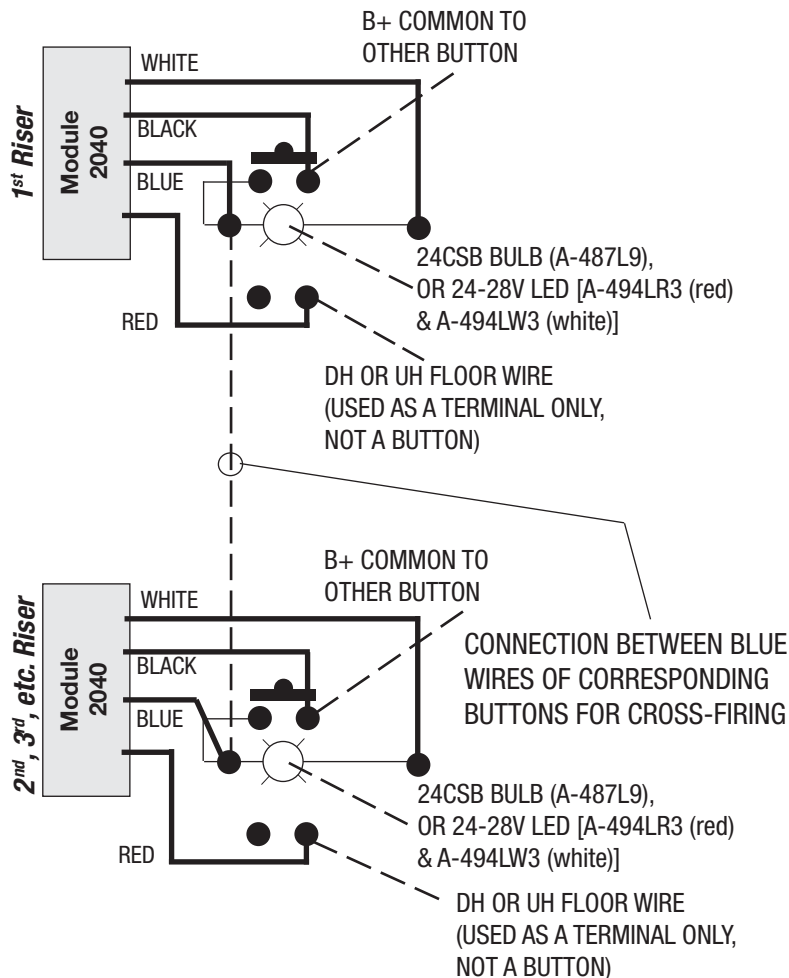
- 1) Wires on terminal 5 are no longer used.
- 2) ALL car switches must be replaced at the time of change.
- 3) It may be necessary to stud existing panels.
- 4) Use terminal 4 as a terminal only, not as part of switch; no bridging contact inside switch at this position. See illustration below.
- 5) Use 3300 OHM resistor from old car station; it was connected from terminal 4 to terminal C. Or, use a new 3300 OHM/3-5W resistor.
- 6) Terminal for 3300 OHM resistor is for car unit only.



Note: In a COP, all buttons must be changed out at the same time for proper operation. Hall stations can be replaced floor by floor. However, Survivor/O[®] replacements will not cross fire like Otis original equipment. If cross firing is a requirement, rewire between hall stations at each floor.

Survivor/O® Mechanical Alternative to Touch Buttons

SCHEMATIC



NOTE:

The B+ or COMMON to other button is the field wire that goes to the shield(s); it is normally installed on terminal #3 of the Otis assembly, which is jumped to #5.

The DH or UH floor terminal wire is #2 of the Otis assembly for terminal floors and DOWN calls. It is #1 for UP calls, except the bottom terminal.

The #4 wire removed from the Otis assembly is not used. Tape it and make sure it does not contact anything.

Survivor/O® pushbutton: preferred alternative to Otis Touch Buttons

Mechanical Base is unaffected by humidity.

Self-cleaning silver-clad contacts for maintenance-free service (under normal use)

Round or square halos and Otis-style coverplates match existing installations

Compatible with Otis stud configurations

Electronic module replaces obsolete Otis drop tubes, reducing inventory problems.

Each Survivor/O® comes with the Adams Survivor button switch

INSTALLATION

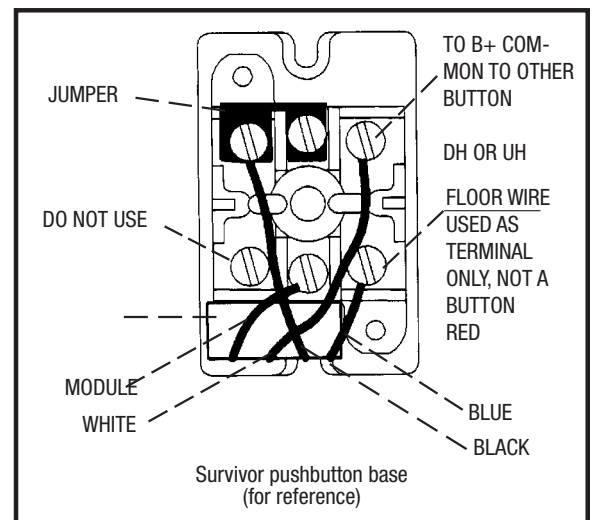
Adams O-486E Modules and mechanical buttons are suitable replacements for Otis 2040 tubes and Touch Buttons. A wiring modification is required to retain cross-firing in existing multiple-riser Otis installations.

For cross-firing with more than one riser, you must connect together the blue wires of the corresponding hall buttons, Up to Up and Down to Down (see schematic diagram at left).

On a two-riser job, for example, you would make the following connections:

- 1) One wire between the two hall stations on both terminal floors; and
- 2) Two wires between the two hall stations on each intermediate floor.

In this manner, a 10-floor double-riser job would require 18 cross connections.



Note: In a COP, all buttons must be changed out at the same time for proper operation. Hall stations can be replaced floor by floor. However, Survivor/O® replacements will not cross fire like Otis original equipment. If cross firing is a requirement, rewire between hall stations at each floor.

HALL STATIONS WITH ROUND OR SQUARE BUTTONS

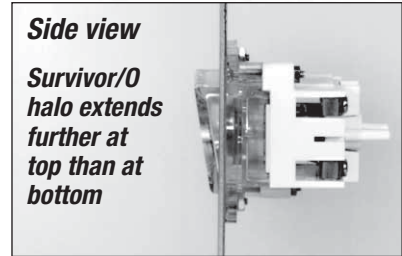
Survivor/O pushbutton assemblies are available mounted on hall station cover plates that match existing Otis plates.

Choose O486A-series round halos or O487A-series square halos; bronze or stainless finishes; formed or flat contours; terminal and intermediate configurations.

HALL STATION SELECTION TABLE

| Round halos (1½" dia.) | | | | Square halos (1¾" x 1¾") | | | |
|------------------------|--------------------------------------------------------|----------------------|---------------|--------------------------|--------------------------|----------------------|---------------|
| Adams part no.* | No. of buttons | Cover plate material | Plate contour | Adams part no.* | No. of buttons | Cover plate material | Plate contour |
| O486A1 | 1 | Stainless | Formed† | O487A1 | 1 | Stainless | Formed† |
| O486A2 | 2 | Stainless | Formed† | O487A2 | 2 | Stainless | Formed† |
| O486A3 | 1 | Bronze | Formed† | O487A3 | 1 | Bronze | Formed† |
| O486A4 | 2 | Bronze | Formed† | O487A4 | 2 | Bronze | Formed† |
| O486A5 | 1 | Stainless | Flat | O487A5 | 1 | Stainless | Flat |
| O486A6 | 2 | Stainless | Flat | O487A6 | 2 | Stainless | Flat |
| O486A7 | 1 | Bronze | Flat | O487A7 | 1 | Bronze | Flat |
| O486A8 | 2 | Bronze | Flat | O487A8 | 2 | Bronze | Flat |
| O486A-A | Pushbutton assembly only | | | O487A-A | Pushbutton assembly only | | |
| O486E | Electronic module (order 1 module for each pushbutton) | | | | | | |
| A487L9 | Replacement lamp, ref. #24CSB, 24V, 0.017 amps | | | | | | |

*Each pushbutton features molded-in arrow; mount in UP or DOWN position or flip button base.
 †Formed plates attach with single screw at bottom rear of plate.



CAR PANEL BUTTON ASSEMBLIES, ROUND AND SQUARE HALOS AVAILABLE

Maintain the uniform look of Otis car panels by replacing worn or damaged pushbuttons with Survivor/O assemblies. Each Survivor/O button face matches Otis character height, stroke width, type style, and color.

O486A-[character] for round halo or O487A-[character] for square halo.



Survivor/O car buttons preserve your system's uniform look

Survivor, Survivor/O—Reg TM Adams Elevator Equipment Company

ALSO AVAILABLE...



6849B5
 Otis
 Terminal Plate



6849B4
 Otis
 Intermediate Plate

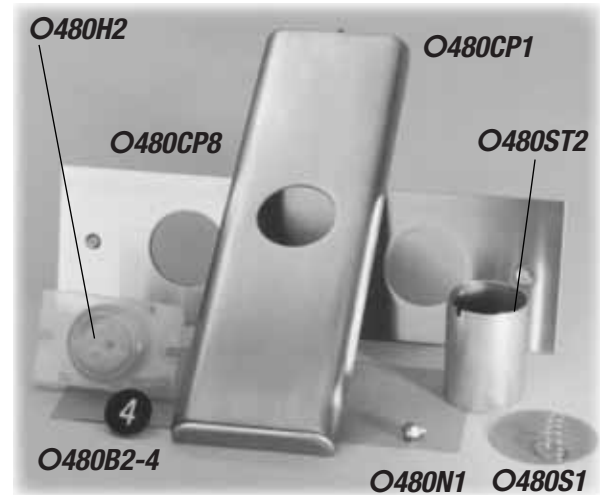


6849C6
 Otis
 Base

REPLACEMENT ELECTRONIC TOUCH BUTTON COMPONENTS FOR CAR AND HALL PANELS

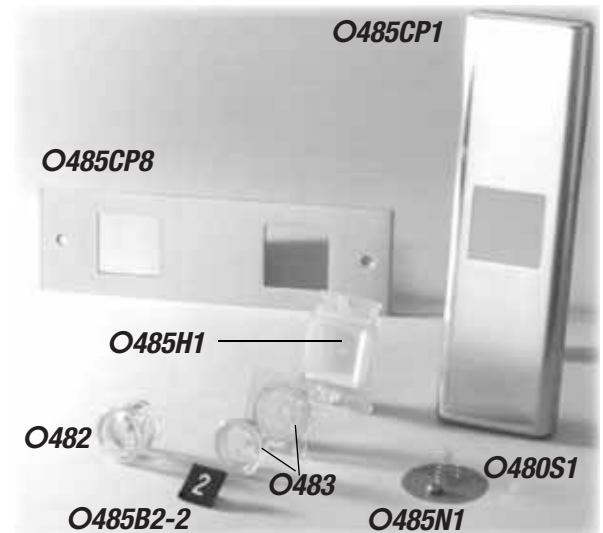
ROUND HALO TOUCH BUTTON COMPONENTS

| Adams part no. | Otis part no. | Description |
|---------------------------------------------------|---------------------------|------------------------------------------------------------------------------------------------------------------------------|
| O480H2 | 306KH2 | Round halo base, frosted Lexan; 1 1/2" dia. halo, 1 3/4"x2 3/4" rectangular base; 2 mtg. holes, 2 mtg. slots (for car panel) |
| O480B2* | 323BL2 | Electronic touch button, black, 7/8" dia.; full range of characters and numbers; see below to order |
| O480CP1 O480CP2 | 147FD5-3 147FD6-3 | Hall station cover plate, terminal; Hall station cover plate, intermed; |
| O480CP5 O480CP7 | 147JF5-3 147JF6-3 | Hall station cover plate, terminal; Hall station cover plate, intermediate; |
| O480ST2 O485ST3 O480N1 | 278BP2 278AN1 72CG3 | Plain brass shield tube for car station Same as O-480ST2, w/clip. (not shown) Brass nut, 5-40 thread |
| O480S1 | 90WE14 | Brass spring |



SQUARE HALO TOUCH BUTTON COMPONENTS

| Adams part no. | Otis part no. | Description |
|----------------------------------|-----------------------|----------------------------------------------------------------------------------------------------------------------------------------------|
| O485H1 O485B2* | A306GC2 323BH2 | Halo base, square; frosted Lexan™ Electronic touch button, black, 7/8" sq.; full range of characters & numbers; see below to order |
| O485N1 O480S1 | 72CG1 90WE14 | Brass nut, 5-40 thread Brass spring |
| O485CP1 O485CP2 | 147FD1-3 147FD2-3 | Hall station cover plate, terminal; Hall station cover plate, intermediate; |
| O485CP5 O485CP7 | 147JF1-3 147JF2-3 | Hall station cover plate, terminal; Hall station cover plate, intermediate; |
| O482 O483 | — 306JG1 306JH1 | Clear halo, 1.355" dia. x 1"L Clear halo, 2-piece clear Lexan; 1 5/16" dia. inner ring; 1 3/4" sq. outer mounting with 1 3/16" cavity; |

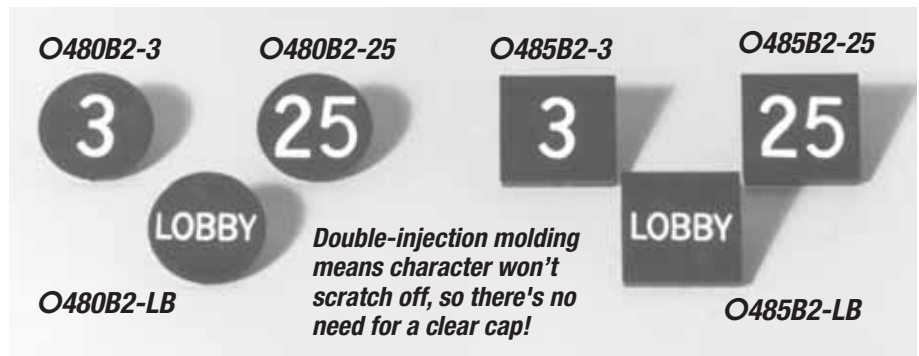


REPLACEMENT PUSHBUTTONS FOR ELECTRONIC TOUCH BUTTONS*

O480B2-series (round) and O485B2-series (square) buttons feature black Lexan face with white plastic characters molded in. Button face is molded onto a 5/16" brass conductor stem that provides "condenser-effect" sensitivity equal to the OEM value.

Order O480B2-[character] (e.g., O480B2-LB for round button with molded-in "LOBBY").

Order O485B2-[character] (e.g., O485B2-25 for square button with molded-in "25").



Hall and blank buttons are not available in this series

ELECTRONIC PUSHBUTTONS (FOR CAR ONLY)*

The buttons have black faces that are ultrasonically-welded into button bases, and white markings. They replace Otis 306KV-series buttons.

O481B-[character] (e.g., **O481B-12** for button with numeral 12).



***PLEASE NOTE:**

Touch buttons for hall stations are not available from Adams. Touch buttons are *NOT* intended to be and should *NOT* be installed as a hall component at an elevator entrance. If you need to replace the buttons in your hall station, please consider upgrading to *Survivor/O* buttons.

ELECTRONIC COMPONENTS



O862 solid-state activated switch assembly

65 & 73 TERMINAL BOARDS

| Adams part no. | Otis part no. | Description |
|----------------|---------------|-------------|
| O876 | CSG | Car button |
| O877 | HSJ | Hall button |

ASSEMBLY

| Adams part no. | Otis part no. | Description |
|----------------|-----------------|------------------------------|
| O862 | 2050 tube 607C1 | Solid-state activated switch |

ALSO AVAILABLE FOR REPLACING EXISTING TOUCH TUBES



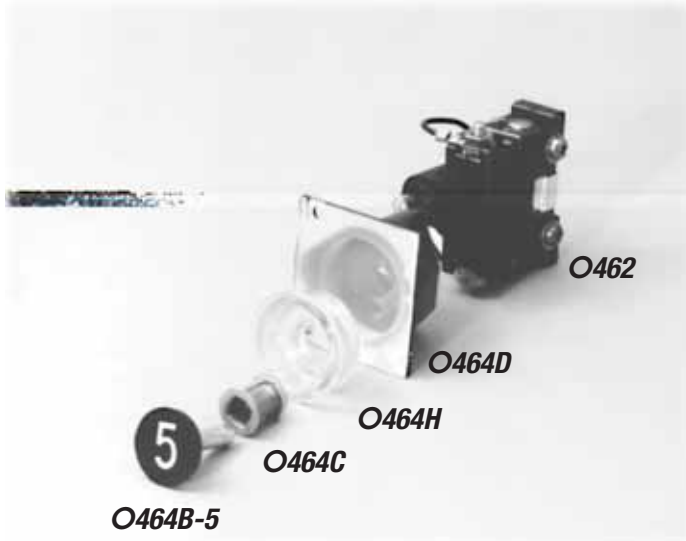
425P1
Otis
Touch Tube
2.18" L x .68 O.D.



425D1
Otis
Touch Tube
4.12" L x 1.56" O.D



425B1
Otis
Touch Tube
3" L x 1.00" O.D.



O464-SERIES MECHANICAL PUSHBUTTONS

Adams manufactures a complete line of replacement pushbuttons and pushbutton components for the Otis Type A7069A1 mechanical pushbutton.

Buttons are 7/8" round black ABS plastic with molded white characters. Each button is molded onto a 1"-long steel stem with 1/4" square steel shoulder. Halos are clear Lexan™.

| O464 MECHANICAL BUTTONS AND ASSEMBLIES | | |
|----------------------------------------|-------------------------------------------|---------------|
| Adams part no. | Description | Otis part no. |
| O464B-[char] | Button | 323BP |
| O464C | Guide, zinc w/brass nut | A385KC1 |
| O464D | Pushbutton base | 306KJ1 |
| O464H | Clear Lexan halo | 306JG2 |
| O462 | Mechanical switch w/lamp | 7035A28 |
| A487L5 | Neon lamp, 0.025 amps/120V (sold 10/pkg.) | 424G1 |

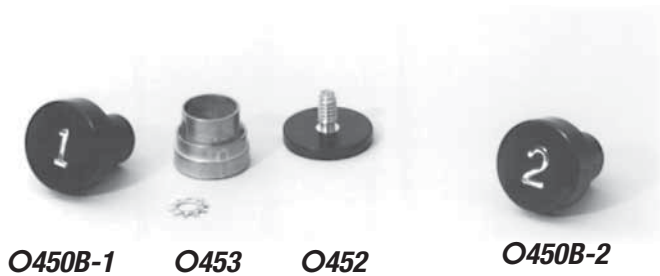
Lexan-Reg. TM General Electric Corporation

HALL STATION COVER PLATES (3" x 10") FOR OTIS MECHANICAL PUSHBUTTONS

| HALL STATION PLATES (3" X 10") | | |
|--------------------------------|--------------------------------|---------------|
| Adams part no. | Description | Otis part no. |
| O464CP1 | Terminal, formed stainless | 147FD3-3 |
| O464CP2 | Intermediate, formed stainless | 147FD4-4 |
| O464CP3 | Terminal, formed bronze | 147FD3-7 |
| O464CP4 | Intermediate, formed bronze | 147FD4-7 |
| O464CP5 | Terminal, flat stainless | 147JF3-3 |
| O464CP6 | Terminal, flat bronze | 147JF3-7 |
| O464CP7 | Intermediate, flat stainless | 147JF4-3 |
| O464CP8 | Intermediate, flat bronze | 147JF4-7 |



0450-SERIES PUSHBUTTONS



Black Lexan button (7/8" dia.); chrome plated characters are molded into button face. Available as components only.

| 0450 SERIES PUSHBUTTONS | | |
|-------------------------|---------------|--------------|
| Adams part no. | Otis part no. | Description |
| O450B-[char.] | A323AF1 | Button only |
| O452 | — | Button base |
| O453 | — | Button guide |

0451-SERIES PUSHBUTTONS



Black Lexan button (1 1/32" dia.) white plastic character inserts molded into button face. Available as components only.

| 0451 SERIES PUSHBUTTONS | | |
|-------------------------|---------------|--------------|
| Adams part no. | Otis part no. | Description |
| O451B-[char.] | 323BD1 | Button only |
| O452 | — | Button base |
| O453 | — | Button guide |
| O454 | — | Spring |

Also available in red for BLANK (order O451B-RBL) or EMER CALL (order O451B-REC; Otis part no. 323BD6).

0467-SERIES PUSHBUTTONS



Black Lexan™ buttons with white characters hot-stamped into the face; clear caps are sonically welded to 1"-dia. button body. Replaces O450 & O451 in newer Otis installations. Available as components only.

| 0467 SERIES PUSHBUTTONS | | |
|-------------------------|---------------|--------------|
| Adams part no. | Otis part no. | Description |
| O467B-[char.] | A323BD1 | Button only |
| O452 | — | Button base |
| O453 | — | Button guide |
| O454 | — | Spring |

Lexan—Reg. TM General Electric Corporation

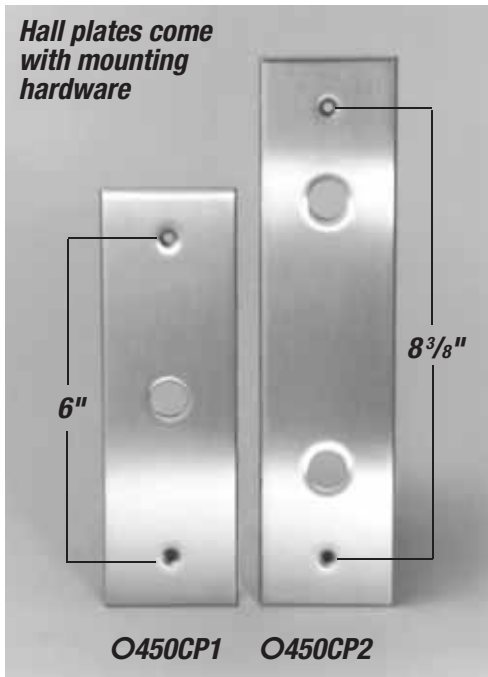
Also available in red for BLANK (order O467B-RBL) or EMER CALL (order O467B-REC; Otis part no. A323BD6).



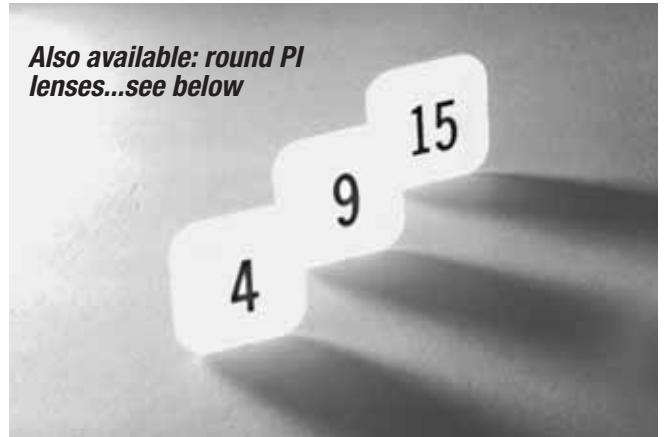
Swaging tool

Installs O450, O451 and O467-series push-buttons to cover plates; use with O453 button guide MT114289

Hall plates come with mounting hardware



Also available: round P.I lenses...see below



P.I. Lens Replacements

These hot-stamped P.I. lenses are 1-to-1 replacements for the 1⁹/₁₆" x 1⁹/₁₆" x 7/₃₂" lenses found in original Otis units. They replace Otis part no. 499AD.

O488W-[char] for square P.I. lens replacement

O489W-[char] for round P.I. lens replacement

HALL STATION COVER PLATES

| Adams part no. | Description (mounting holes are 1 ⁵ / ₁₆ " from end on both models) |
|----------------|--------------------------------------------------------------------------------------------------------------------------------------------------|
| O450CP1 | Hall plate (terminal) for one O-450-[arrow] pushbutton; stainless steel, 2 ¹ / ₂ " x 7 ¹³ / ₁₆ " |
| O450CP2* | Hall plate (intermediate) for two O-450-[arrow] pushbuttons; stainless steel, 2 ¹ / ₂ " x 10 ¹ / ₄ " |

O450VB



O450D



O451D



O-467, O-450 & O-451 ACCESSORIES

| Adams part no. | Description | Otis part no. |
|----------------|--------------------------------------------------------------------------------------------------------------------------------------------------------------------------------------------------------|---------------|
| O450VB | Vandal resistant button; machined to a bullet shape out of aluminum rod stock; for installations requiring vandal-resistant pushbuttons; can be substituted for O-450, O-451, and O-467-series buttons | VP728210 |
| O450D | Aluminum pushbutton, 7/ ₈ " dia.; replaces O-450-series plastic buttons | — |
| O451D | Aluminum pushbutton, 1 ¹ / ₃₂ " dia.; replaces O-451-series plastic buttons | — |



7069AF7



278EA1



7069AF12

7069AF SERIES BUTTONS

| Part No. | Description |
|-----------------------------|-----------------------|
| 7069AF1 | BLANK |
| 7069AF11 | UP ARROW |
| 7069AF12 | DOWN ARROW |
| 7069AF3 | DOOR OPEN |
| 7069AF37 | EMERGENCY STOP SWITCH |
| 7069AF41 | DOOR OPEN |
| 7069AF42 | DOOR CLOSE |
| 7069AF7 | ALARM SYMBOL |
| 7069AF9 | FIRE SERVICE RESET |
| Call for other designations | |

| Also Available | |
|----------------|-------------------------|
| 278EA1 | BUTTON SHIELD REFLECTOR |



323DA1



323DA2

BUTTON CAPS FOR 7069AF SERIES

| Part No. | Color |
|----------|--------|
| 323DA1 | WHITE |
| 323DA2 | GREEN |
| 323DA3 | YELLOW |

BUTTON INSERTS FOR 7069AF SERIES

| Part No. | Floor Marking |
|----------|---------------|
| 250D1 | 1 |
| 250D11 | B |
| 250D2 | 2 |
| 250D21 | 21 |
| 250D3 | 3 |
| 250D4 | 4 |
| 250D5 | 5 |
| 250D6 | 6 |



250D1



250D11

KEYSWITCH DETAILS

| Keyswitch Part No. | LEGEND | | | | Key Function | Insert Part No. | Key | Key Part No. | Mtg Plt Thickness |
|--------------------|-----------------------------|---------|------|--------|----------------------|-----------------|-----|--------------|-------------------|
| | | | | | | | | | |
| 7069AH10 | FIRE SERVICE | ON | OFF | BYPASS | Remove Off On | 250E21 | UTF | 6410W-UTF | 0.040 |
| 7069AH11 | FIRE SERVICE | OFF | ON | | Remove at Off | 250E20 | UTF | 6410W-UTF | 0.040 |
| 7069AH36 | FIRE SERVICE | ON | OFF | | Remove at Off | 250E20 | UTF | 6410W-UTF | 0.040 |
| 7069AH48 | FIRE SERVICE | ON | OFF | BYPASS | Remove Off On | 250E21 | UTF | 6410W-UTF | 0.125 |
| 7069AH58 | FIRE SERVICE | ON | HOLD | OFF | Remove On Hold Off | 250E35 | UTF | 6410W-UTF | 0.040 |
| 7069AH4 | ATTENDANT SERVICE | ON | OFF | | Remove at On Off | 250E14 | UTC | 6410W-UTC | 0.040 |
| 7069AH34 | IND. SVC. | GROUP | | | Remove at Both | 250E32 | UTA | 6410W-UTA | 0.040 |
| 7069AH9 | ACCESS | OFF | | | Momentary Center | 250E19 | UTE | 6410W-UTE | 0.040 |
| 7069AH33 | CAR TOP | INSPECT | OFF | | Remove at Both | 250E31 | UTA | 6410W-UTA | 0.040 |
| 7069AH16 | Symbol (LIGHT) | 0 | 1 | | Remove Both | 250E15 | UTA | 6410W-UTA | 0.040 |
| 7069AH21 | LIGHT | 0 | 1 | | Remove Both | 250E15 | UTA | 6410W-UTA | 0.040 |
| 7069AH17 | FAN | OFF | ON | | Remove Both | 250E17 | UTA | 6410W-UTA | 0.040 |
| 7069AH42 | Symbol (2SPD FAN) | 1 | 0 | 11 | Remove All Positions | 250E34 | UTA | 6410W-UTA | 0.040 |
| 7069AH38 | LIGHT RAY | ON | OFF | | Remove at On Off | 250E33 | UTA | 6410W-UTA | 0.040 |
| 7069AH59 | REAR LIGHT RAY | ON | OFF | | Remove On Off | 250E36 | UTA | 6410W-UTA | 0.040 |
| 7069AH40 | Symbol (UP ARROW Hall Call) | ARROW | | | Momentary Center | 250E26 | UTD | 6410W-UTD | 0.040 |
| 7069AH41 | Symbol (DN ARROW Hall Call) | ARROW | | | Momentary Center | 250E26 | UTD | 6410W-UTD | 0.040 |
| 7069AH26 | Symbol (EXPRESS SERVICE) | 1 | 0 | | Momentary Center | 250E23 | UTD | 6410W-UTD | 0.060 |
| 7069AH60 | (Emergency Stop Switch) | RUN | STOP | | Remove at Both | 250E37 | UTA | 6410W-UTA | 0.040 |



250E35



250E32



250E34



250E19



7069AH33



7069AH34



7069Y1-BL



323CK1



386BNM1



177BS1

COMPONENTS FOR 7069Y SERIES BUTTONS

| Part No. | Description |
|----------|---------------------------------------|
| 323CK1 | BUTTON HALO 1" DIA. |
| 386BNM1 | BUTTON ADAPTOR PLATE |
| 177BS1 | BUTTONS SWITCH |
| 7069Y1 | BUTTON AND HALO ASSB, INCLUDES 177BS1 |

MISC. COMPONENTS FOR OTIS BUTTONS

| Part No. | Description |
|----------|-----------------------------|
| 7069AG2 | JEWEL ASSEMBLY |
| 7069AG31 | BUTTON ASSEMBLY |
| 7069AG32 | BUTTON ASSEMBLY |
| 278CE2 | BUTTON SHIELD |
| 306GD2 | INSULATOR BASE |
| 278AN1 | BUTTON SHIELD FOR TOUCH BTN |



7069AG31 & G32
Otis
Push Button Assy



7069AG2
Otis
Jewel Module



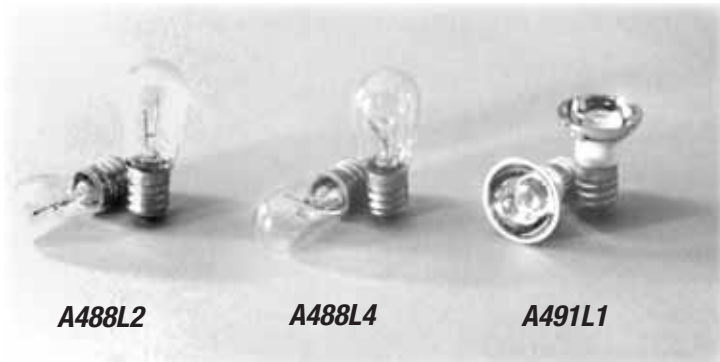
306GD2
Otis
Insulator Base



278CE3
Otis
Button Shield



278AN1
Otis
Button Shield



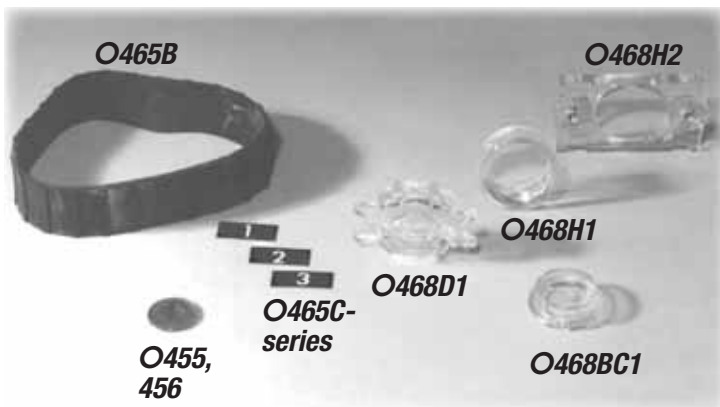
A488L2

A488L4

A491L1

INCANDESCENT LAMPS

| Adams part no. | Description | Otis part no. |
|----------------|-----------------------------------------------|---------------|
| A488L2 | 12V/6W, candelabra base; 10/ pkg. | 6599D6 |
| A488L4 | 120V/6W, candelabra base; 10/pkg. | 6599D8 |
| A491L1 | Reflector-type 120V, candelabra base; 10/pkg. | 424H1 |

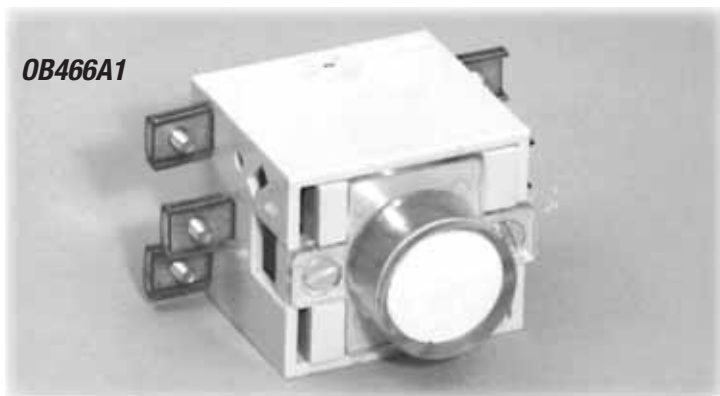


ACCESSORIES

| Adams part no. | Description | Otis part no. |
|----------------|------------------------------------------------------------------------------------------------------------------------------------------------|---------------|
| O455 | Hall station marker/jewel, red, w/arrow; 13/16" dia. | 499Z5 |
| O456 | Same as O455, green, w/arrow; 13/16" dia. | 499Z6 |
| O465B | Rubber band for dial indicator, 24 slots | 297F1 |
| O465C | Characters for dial indicator, white on black; 7/16" x 1" plastic; available numerals 1 thru 30, L, LL, M, B; order part no. O465C-[character] | 428E1 |
| O468BC1 | Pushbutton cap, clear Lexan™ | 323CK1 |
| O468D1 | Actuator, clear Lexan | 306MN1 |
| O468H1 | Halo, clear Lexan | 306MK1 |
| O468H2 | Halo adaptor | 386BNM1 |

Lexan—Reg TM General Electric Corporation

**MORE INCANDESCENT AND LED LAMPS
AVAILABLE THROUGHOUT THE CATALOG.**



OB466A1

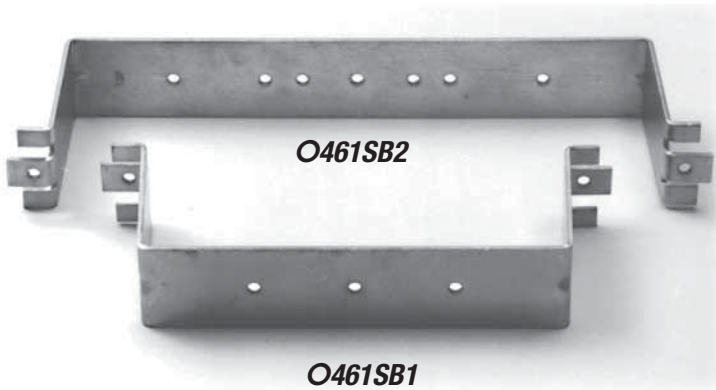
EUROPEAN PUSHBUTTON SWITCH ASSEMBLY

| Adams part no. | Description | Otis part no. |
|----------------|-------------------------------------------------------------------------------------|---------------|
| OB466A1 | Pushbutton switch assembly, normally open; for European-market cabs & hall stations | — |



| MECHANICAL PUSHBUTTON SWITCHES | | | |
|--------------------------------|------------------------------------------------------|-------------|---------------|
| Adams part no. | Type of contacts | Button mtl. | Otis part no. |
| O461A1 | Single MAKE | Steel | 7035A9, A2 |
| O461A2 | Single BREAK | Plastic | 7035A25, A23 |
| O461A3 | Single MAKE/BREAK | Steel | 7035A8, A1 |
| O461A4 | Double MAKE (2 switches) | Steel | 7035A11, A4 |
| O461A5 | Double MAKE/BREAK (2 switches) | Steel | 7035A10, A3 |
| O461B1 | Single MAKE/BREAK; button = 3/4" dia. x 3/4"L | Tenite | 7035A12, A5 |
| O461B2 | Single MAKE/BREAK; button = 3/4" dia. x 3/8"L | Tenite | 7035A14, A7 |
| O462 | Single MAKE w/pilot lamp for O-464 mechanical switch | Steel | 7035A28, A27 |

NOTE: MAKE is normally open and BREAK is normally closed.
O462 includes A487L5 Lamp.



| STANDOFF FIXTURES | | |
|-------------------|----------------------------------------------------------------------------------------------|---------------|
| Adams part no. | Description | Otis part no. |
| O461SB1 | Mount one (1) O461-series mechanical pushbutton switch; includes 2 spring clips, not shown | 6600A83 |
| O461SB2 | Mount two (2) O461-series mechanical pushbutton switches; includes 2 spring clips, not shown | 6600A80 |



| PUSHBUTTON CONTACTS | | |
|---------------------|------------------------------------------------|---------------|
| Adams part no. | Description | Otis part no. |
| O463A | Pushbutton ass'y. w/single MAKE contact | 6526G1 |
| O463B | Pushbutton contact | 150H5 |
| O463C | Pushbutton contact with spring & eyelet | 150H7 |
| O463D | Pushbutton contact with spring, eyelet & guide | 150H9 |

MISCELLANEOUS ELECTRICAL



HT200750-1
Otis
Veloc. Transformer



225CG3
Otis
Transformer



HT206412-2
Otis
Gen. FLD P/A



HT200710-2
Otis
Transformer



HT201781-1
Otis
Power Supply



A6379P1
Otis
Inductor Switch



6333CC2
Otis
Motor, Operator 7770A
.25 HP, 90 VDC, 65 RPM



6333AJ1
Otis
Motor, GE .500HP DC

SMALL MISCELLANEOUS SWITCHES

Otis Knife

Switch Assembly

12110 - Used with EA safety car switch

12111 - Used with E safety car switch



232C8
Otis
Rheostat, 100W,
100 Ohms, 3.13" dia.



177GB7
Otis
Switch, Rotary



177CC5
Otis
Switch, 3 Pos., 8
Pin, 2 Hole



180DA1
Otis
Switch Holder,
Double



180DA2
Otis
Switch Holder,
Single



177DA1
Otis
Micro Switch, 5
Amps, 125/250
VAC



4514A18
Otis
Door Switch

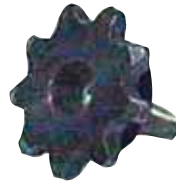
SPROCKETS FOR DOOR SYSTEMS



195AT2
Otis
Sprocket



195CH2
Otis
Sprocket
12 teeth
1.56" O.D.
for 6850A, B, C



195CP2
Otis
Sprocket
9 teeth 1.25" O.D.
.75" W
.325" I.D.
Used on 305 Operator



195GK2
Otis
Sprocket
.626 I.D.
10 teeth
Used on 7300A,AA

SHEAVES AND ROPES



251BT3
Otis
Sheave Rope



265BC2
Otis
Sheave
5" diameter



265BD2
Otis
Sheave
2 5/8" diameter

| SHEAVE ROPES | |
|---------------|-------------------------------------|
| Part No. | Description |
| 251BT3 | 27" Drive Sheave, 1/2" Treaded Rope |
| 251BT5 | 30" Drive Sheave, 1/2" Treaded Rope |
| 251BV1 | 32" Drive Sheave, 5/8" Treaded Rope |
| 251BV5 | 28" Drive Sheave, 5/8" Treaded Rope |

MISCELLANEOUS BUSHINGS



335E22
Otis
Oil lite Bushing



335E86
Otis
Oil Lite Bushing



321CJ4
Otis
Bushing



128AG61
Otis
Washer 1.50" O.D.,
1.00" I.D., .016" Thk.



334C1
Otis
Bushing



335E84
Otis
Oil Lite Bushing

| BUSHINGS | | | | |
|---------------|--------|-------|--------|------------|
| Part No. | O.D. | I.D. | Length | Flange |
| 321CJ4 | 1.475" | .75" | 1.12" | .188" dia. |
| 321CJ3 | 1.398" | .75" | 1.13" | .188" dia. |
| 212T4 | 1.13" | 1.00" | 1.00" | n/a |
| 335E22 | 1.25" | 1.00" | 0.75" | n/a |
| 335E84 | 0.88" | 0.75" | 1.12" | n/a |
| 335E86 | 0.63" | 0.50" | 0.37" | n/a |
| 335H7 | .75" | .50" | .62" | .88" dia. |
| 335H12 | .68" | .50" | .63" | .88" dia. |

*212T4 Used on R Governor



278T5
Otis
Moveable Contact Arm



287R4
Otis
Moveable Contact Arm



288LL2
Otis
Lever w/Bushing



288MB4
Otis
Roller Arm



2700ADZ1
Otis
Door Lock



327DJ4
Otis
Cam



327AV1
Otis
Cam



327CX6
Otis
Cam



327AV3
Otis
Cam



327CX2
Otis
Cam



2166J3
Otis Cam
2166J4 Also Available



180AE2
Otis
Switch Holder



316AHJ1
Otis
Bracket



316BCR1
Otis
Bracket



297C1
Strap Gate 30"



386TZ1-3
Otis
Escutcheon-SS



488B1
Otis
Felt Wick



174AB1
Otis Cable

Also Available
Cables
174AK2
174AV1



142740
Otis
Cable 14" Long



13433
Otis
Insulator



18066
Otis
Insulator



346AEH1
Otis
Black Neoprene
Cover



456By1
Otis
Limit Switch Roller

BEARINGS



2700AEJ1
Otis
Bearing & Pin



209AF2
Otis
Bearing
O.D. 1.31", I.D. 1.00", 1"L,
Needle Roller, w/Caged
open end



467AT1
Otis
Roller Bearing



456G1
Otis
Roller Bearing



132350
Otis
Motor Bearing Sleeve,
Bronze (DC/DC & AC/DC),
O.D. 2.75", I.D. 1.75", 4.50"L



207R2
Otis
Ball Bearing
O.D. 1.81", I.D. .393"



207BN1
Otis
Ball Bearing,
w/Double Row &
Double Seal, O.D.
1.18", I.D. .39", 1.10"L



207AN1
Otis
Ball Bearing
w/Adaptor, Single Row
Radius, w/Double Shield
O.D. 2.83", I.D. 1.13", 1.53"L



124BS1
Otis
Ball Screw



124CA1
Otis
Screw



172PM1
Otis
Retaining Ring



172DR3
Otis
Retaining Ring



172DR6
Otis
Retaining Ring



65EA2
Otis
Bolt



145C3
Otis
Brake Lining Rivet



59P2
Otis
Bolt



462GR1
Otis
Washer



129AR1
Otis
Washer



129BT1
Otis
Washer



129DH2
Otis
Washer



131BG1
Otis
Washer



131BD1
Otis
Washer



10014
Otis
Insulator



133A7
Otis
Washer



131Z2
Otis
Washer



310BE1
Otis
Sound Isolation Pad



18074
Otis
Insulator Tube



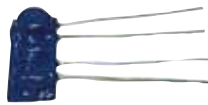
607C1
Otis
Diode Tube



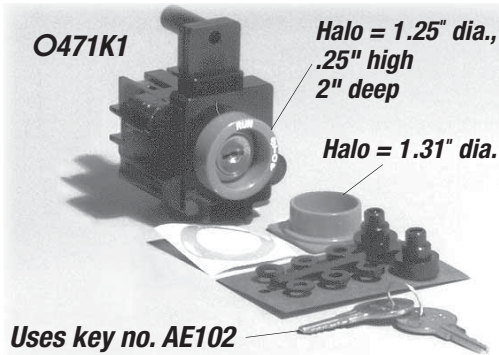
136R10
Otis
Tube Magnet Core



6631C1
Otis
Stepper



623E2
Otis
Timer



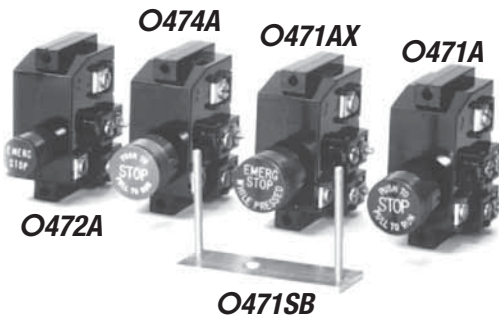
Keyed Stop Switch

ASME A17.1, 210.2(v), 1990 requires **keyed stop switches** in new passenger elevators where STOP switches are specified. Our Otis complete keyed switch meets this requirement with great attention to detail.

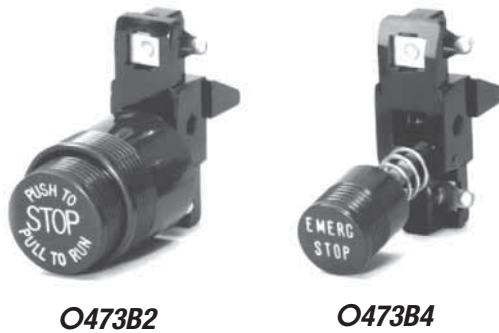
Great for replacements as well: Conventional push/pull STOP switches allow vandals to leave elevators stranded, criminals to stop between floors to rob tenants, and passengers to interrupt elevator operation accidentally by leaning against the car panel.

Adams keyed STOP switch for Otis comes with assorted spacers, so you need only stock one STOP switch for all your Otis installations!

O471K1. 2 NC contacts. (Key No. AE102) **O471K2.** 1NO/1NC contacts.

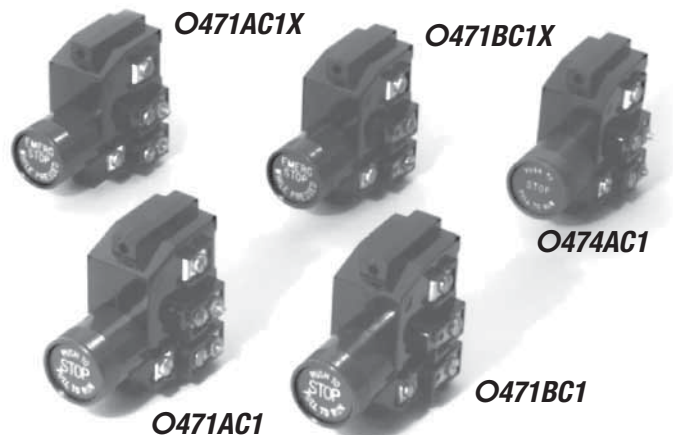


| COMPLETE STOP SWITCHES | | | |
|------------------------|---------------------------------------------------------------------------------------|---------------|---------------|
| Adams part no. | Description | 2NC / 1NO AUX | Otis part no. |
| O471A | Red phenolic button, 1" dia., w/auxiliary contacts | | 7014A1 |
| O471B | Same as O-471A, w/o auxiliary contacts | | 7014A2 |
| O471AX* | Same as O-471A, with momentary contact and engraved "STOP While Pressed" | | n/a |
| O471BX* | Same as O-471B, with momentary contact and engraved "STOP While Pressed" | | n/a |
| O472A | Switch with 3/4" dia. button, w/auxiliary contacts | | GS1-7014A1 |
| O472B | Same as O-472A, w/o auxiliary contacts | | GS1-7014A2 |
| O472C | Same as O-472A, w/spring return & auxiliary contacts | | GS1-7014A3 |
| O472D | Same as O-472C, w/o auxiliary contacts | | GS1-7014A4 |
| O474A | Same as O-471A, with aluminum pushbutton | | n/a |
| O474B | Same as O-472A, with aluminum pushbutton | | n/a |
| O471SB | Mounting base for all complete STOP switches listed; 1" x 3 1/8", with 2 welded studs | | 6800DJ1 |



| STOP BUTTON & CAM ASSEMBLIES | | |
|------------------------------|-----------------------------------------------------------------------------------------------------|---------------|
| Adams part no. | Description | Otis part no. |
| O473B1 | Phenolic button and cam assembly, 1" dia. | A7014B1 |
| O473B2 | Phenolic button & collar with cam assembly, 1" dia. | A7014B5 |
| O473B3 | Button and cam assembly, 3/4" dia. | GS1-7014B1 |
| O473B4 | Button w/spring return & cam assembly | GS1-7014B2 |
| O473B5 | Aluminum button and cam assembly, 1" dia., | n/a |
| O473B6 | Aluminum button & collar with cam assembly, 1" dia. | n/a |
| O473B1X | Phenolic button & cam assembly, 1" dia.; engraved "STOP While Pressed" (Canadian model) | n/a |
| O473B2X | Phenolic button & collar with cam assembly, 1" dia.; engraved "STOP While Pressed" (Canadian model) | n/a |
| O370S1 | Return spring; 17/64" I.D. x 1 13/16" L; 0.013 wire dia., 11 turns | 90GA2 |

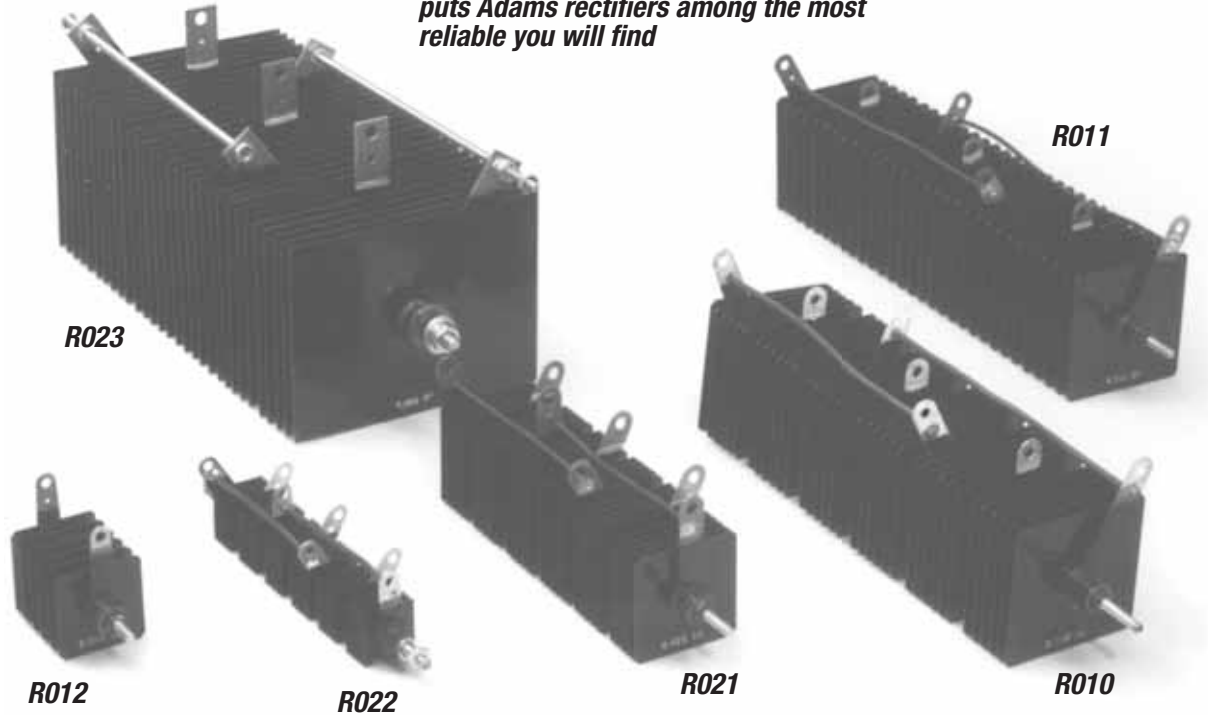
| STOP SWITCHES WITH COLLARS | | |
|----------------------------|---------------------------------------------------------------------------------|---------------|
| Adams part no. | Description | Otis part no. |
| O471AC1 | Red phenolic button & collar, 1" dia., w/auxiliary contacts | 7014A9 |
| O471BC1 | Red phenolic button & collar, 1" dia., w/o auxiliary contacts, 2NC w/o Aux | 7014A10 |
| O471AC1X* | Same as O471AC1 , with momentary contact; engraved "STOP While Pressed" | n/a |
| O471BC1X* | Same as O471BC1 , with momentary contact; engraved "STOP While Pressed" | n/a |
| O474AC1 | Same as O471AC1 , with aluminum button & collar, 1NO, 2NC w/Aux contacts | n/a |



*Canadian model.
Contacts 2NC, Auxiliary, 1NO

Replacements for Otis Rectifiers

Pure selenium laminate on each plate puts Adams rectifiers among the most reliable you will find



| RECTIFIERS | | | | | | | | |
|-------------------------------------------|-----------------------------------------------------------------------------------------------------------------------------------------------------------------------------------------------------------------------------------------------------------------------------------------|----------------------------------------|-------------------------|----------------|----------------------------|----------------------------|---------------------|----------------------------|
| Adams part no. | Dimensions | Electrical configuration | Nom. wattage | No. of plates | Max AC input | DC output | | Otis part no. |
| | | | | | | Max. volts | Nom. amps | |
| R010* | 2 ⁵ / ₈ " x 2 ⁵ / ₈ " x 11 ⁷ / ₈ "L | 3Φ bridge | 250W | 36 | 156VAC | 190VDC | 2.2 | 230AG1 230BJ2 |
| R011 R012 | 2 ⁵ / ₈ " x 2 ⁵ / ₈ " x 12"L 1 ⁵ / ₈ " x 1 ⁵ / ₈ " x 3 ¹ / ₄ "L | 3Φ bridge 1Φ half-wave | 400W 60W | 30 6 | 130VAC 156VAC | 157VDC 68VDC | 4.4 0.85 | 230AJ1 230AZ1 |
| R021 R022 | 2" x 2" x 9 ¹ / ₈ "L 1" x 1" x 6 ⁵ / ₈ "L | 3Φ bridge 3Φ bridge | 125W 25W | 30 30 | 130VAC 130VAC | 157VDC 157VDC | 1.1 0.25 | 230AL1 230AL2 |
| R023* | 4" x 5 ³ / ₈ " x 12"L | 3Φ bridge 3Φ bridge 3Φ bridge | 2000W 2000W 1000W | 30 | 130VAC | 157VDC | 17.6 17.6 8.8 | 230BJ5 230BA1 230AL3 |
| R050* | 1" x 1" x 2 ¹ / ₈ "L | 1Φ half-wave | 10W | 6 | 156VAC | 68VDC | 0.13 | 230AR1 230AR2 230AR3 |
| R061 R062* | 4" x 5 ³ / ₈ " x 3 ¹ / ₈ "L 1 ³ / ₈ " x 1 ³ / ₈ " x 7 ⁵ / ₈ "L 1 ⁵ / ₈ " x 1 ⁵ / ₈ " x 7 ⁵ / ₈ "L | 1Φ half-wave 3Φ bridge 3Φ bridge | 350W 85W 125W | 4 30 30 | 104VAC 130VAC 130VAC | 44VDC 157VDC 157VDC | 7.2 0.75 1.1 | 230AV1 230AW1 230BJ1 |
| R025 R026 R065 | 2 ⁵ / ₈ " x 2 ⁵ / ₈ " x 13 ¹ / ₈ "L 4" x 4" x 13 ¹ / ₈ "L 1 ³ / ₅ " x 1 ³ / ₅ " x 3 ¹ / ₄ "L | 3Φ bridge 3Φ bridge 1Φ bridge | 500W 1000W 45W | 30 30 20 | 130VAC 130VAC 130VAC | 157VDC 157VDC 100VDC | 4.4 8.8 .5 | 230BJ3 230BJ4 230AY3 |

*Replaces all Otis parts listed.

1 3/8" dia. and 2 1/2" dia.
clips available separately
below, pictured at right



| CAPACITOR CLIPS | |
|-----------------|--------------------|
| Adams part no. | Capacitor diameter |
| C012-02 | 1 3/8" |
| C021-01 | 2 1/2" |

ALUMINUM ELECTROLYTIC CAPACITORS

| Adams part no. | Capacitance (μf) | Max input voltage (AC/DC) | Diameter | on (+) term. | Timer avail. below | Otis part no. Resistor |
|----------------|------------------|---------------------------|----------|--------------|--------------------|------------------------|
| C001 | 8 | 450 | 1 3/8" | n/a | | 226C1 |
| C005 | 1 | 600 | 1 3/8" | n/a | | 226D1 |
| C006 | 2.5 | 600 | 1 3/8" | n/a | | 226D2 |
| C011 | 125 | 150 | 1 3/8" | n/a | ✓ | 226H1 |
| C012 | 250 | 150 | 1 3/8" | n/a | ✓ | 226H2 |
| C013 | 125 | 150 | 1 3/8" | C025* | ✓ | 226H3 |
| C014 | 250 | 150 | 1 3/8" | C025* | ✓ | 226H4 |
| C015 | 5 | 150 | 1 3/8" | n/a | | 226H5 |
| C021 | 1600 | 150 | 2 1/2" | n/a | | 226W1 |
| C022 | 1600 | 150 | 2 1/2" | C025* | | 226W2 |

*Adams part no. C025 resistor replaces Otis part no. 232AE1 and is available separately at right.

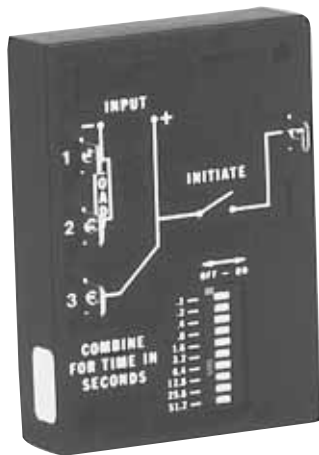
RESISTOR TUBE

C025 resistor (250W/10W) is used with capacitors C013, C014 and C022; replaces Otis part no. 232AE1.

O21P2 terminal stud for C025 resistor.



C025 resistor, shown separately and installed on capacitor no. C-013 with O21P2 terminal stud in place



A103C1

A103C1 SOLID-STATE TIMER

No more changing out bad capacitors! This solid state, 20-120V DC only timer is for:

- Delay on BREAK
- Delay after DE-ENERGIZE
- OFF delay
- Delayed DROP OUT

Dip switches on back can be set from 0.1 to 102.3 seconds.

MORE CAPACITORS...



226W3
Otis
Capacitor



226H7
Otis
Capacitor

RESISTORS

| ADJUSTABLE RESISTORS | | | |
|----------------------|-------|------|--------|
| Part No. | Watts | Ohms | Length |
| 232AA40 | 400 | 1.32 | 10.06" |
| 232AA42 | 400 | 2.08 | 10.06" |
| 232AA48 | 400 | 14.1 | 10.06" |
| 232B10 | 30 | 150 | 3" |
| 232B11 | 30 | 200 | 3" |
| 232B20 | 30 | 1500 | 3" |
| 232B3 | 30 | 10 | 3" |
| 232B6 | 30 | 25 | 3" |
| 232B7 | 30 | 50 | 3" |
| 232E126 | 60 | 40 | 8" |
| 232E127 | 60 | 50 | 8" |
| 232E130 | 60 | 125 | 8" |
| 232E131 | 60 | 150 | 8" |
| 232Y20 | 20 | 250 | 2" |
| 232Y25 | 20 | 400 | 2" |



232E126
Otis
Adjustable Resistor,
8"L, 60W, 40 ohms



232Y25
Otis
Adjustable Resistor,
2"L, 20W, 400 ohms



232B11
Otis
Adjustable Resistor,
3"L, 30W, 200 ohms



232B10
Otis
Adjustable Resistor,
3"L, 30W, 150 ohms

AUDIBLES



311B2
Otis
Gong



311B8
Otis
Gong w/Coil



311B1
Otis
Gong



311B4
Otis
Gong w/Coil



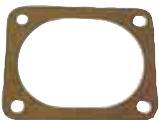
6219D1
Otis
Buzzer



4356E1
Otis
Emerg. Alarm Bell
12V

GASKETS FOR DOOR OPERATORS

6970A OTIS



376CV1
Otis
Gasket



372DE1
Gasket for 6970A
Door Operator



376CX1
Otis
Gasket

MISCELLANEOUS DOOR BUMPERS



320AD2
Otis
Bumper 1.625"W



320AM1
Otis
Bumper



320CD1
Otis
Bumper

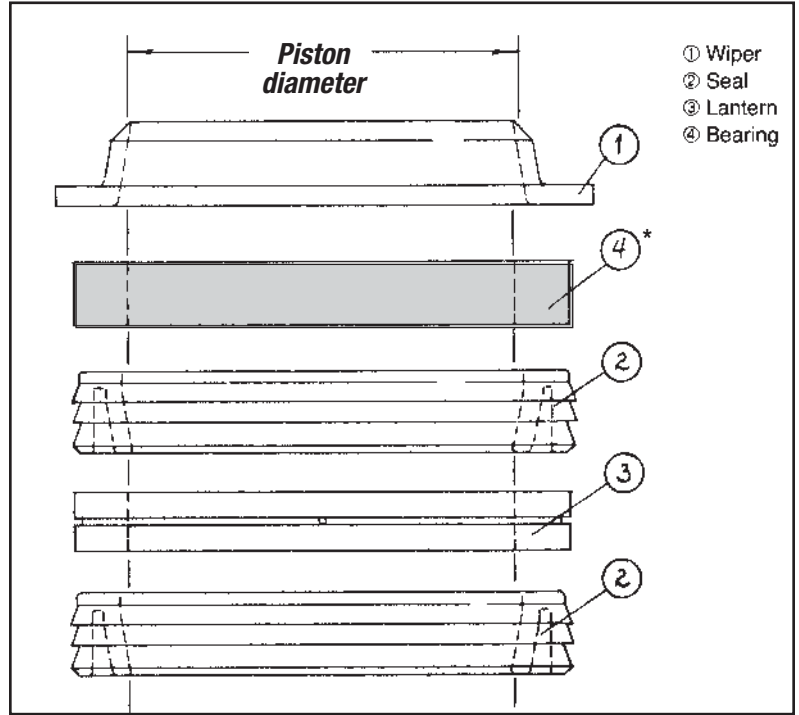
OTIS/CAST IRON HYDRAULIC PACKING KITS

Each hydraulic packing kit for Otis/Cast Iron consists of:

- Two (2) seals
- One (1) wiper
- One (1) lantern ring

| OTIS/CAST IRON | | |
|------------------|----------------------------------|------------------|
| Adams part no. | Piston diameter | Bearing no.* |
| GK03875OC | 3 ⁷ / ₈ " | GB03875B1 |
| GK04375OC | 4 ³ / ₈ " | GB04375B1 |
| GK05437OC | 5 ⁷ / ₁₆ " | GB05437B1 |
| GK06500OC | 6 ¹ / ₂ " | GB06500B1 |
| GK07500OC | 7 ¹ / ₂ " | GB07500B1 |
| GK08500OC | 8 ¹ / ₂ " | GB08500B1 |
| GK09500OC | 9 ¹ / ₂ " | GB09500B1 |
| GK10625OC | 10 ⁵ / ₈ " | GB10625B1 |
| GK12625OC | 12 ⁵ / ₈ " | GB12625B1 |

*Bearing rings are not included with these kits; they must be ordered separately on page 67.



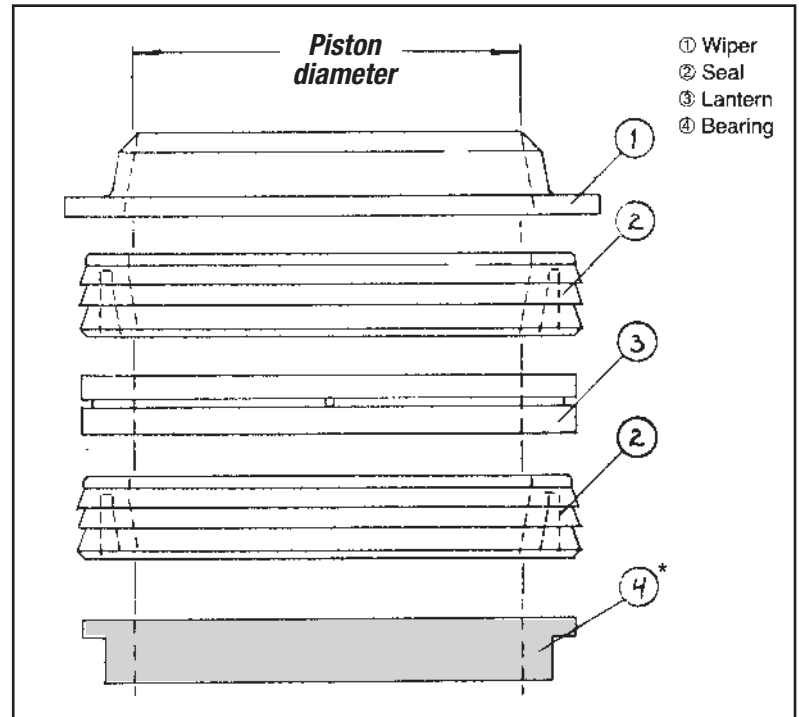
OTIS/WELDED HEAD HYDRAULIC PACKING KITS

Each hydraulic packing kit for Otis/Welded Head consists of:

- Two (2) seals
- One (1) wiper
- One (1) lantern ring

| OTIS/WELDED HEAD | | | |
|------------------|----------------------------------|---------------------------------|------------------|
| Adams part no. | Piston diameter | | Bearing no.* |
| | Actual | Otis desig. | |
| GK03875OW | 3 ⁷ / ₈ " | 4" | GB03875B4 |
| GK04375OW | 4 ³ / ₈ " | 4 ¹ / ₂ " | GB04375B4 |
| GK04875OW | 4 ⁷ / ₈ " | 5" | GB04875B4 |
| GK05437OW | 5 ⁷ / ₁₆ " | 5 ¹ / ₂ " | GB05437B4 |
| GK06500OW | 6 ¹ / ₂ " | 6 ¹ / ₂ " | GB06500B4 |

*Bearing rings are not included with these kits; they must be ordered separately on page 67.



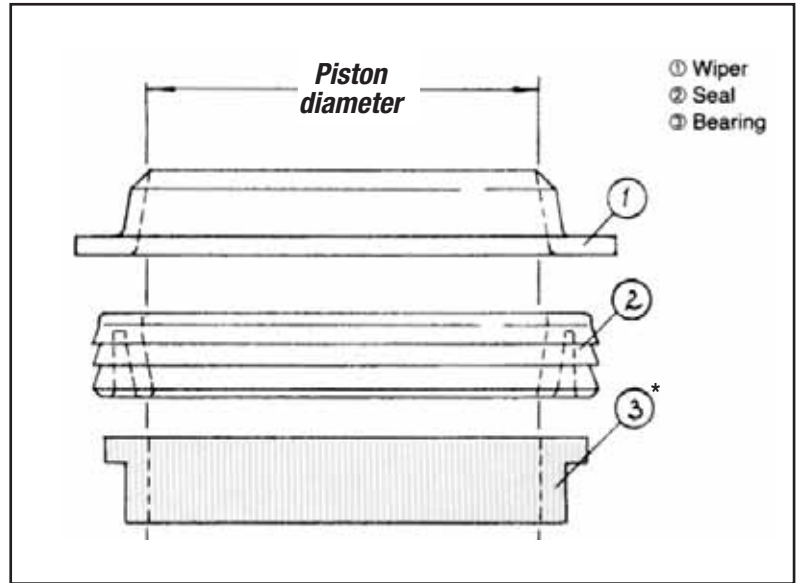
SEE NEXT PAGE FOR
HIGH-PRESSURE AND TELESCOPIC

OTIS/HIGH PRESSURE HYDRAULIC PACKING KIT

Our hydraulic packing kit for Otis/High Pressure consists of:

- One (1) seal
- One (1) wiper

| OTIS/HIGH PRESSURE | | |
|--------------------|---------------------------------|--------------|
| Adams part no. | Piston diameter | Bearing no.* |
| GK02750HP | 2 ³ / ₄ " | GB02750B4 |

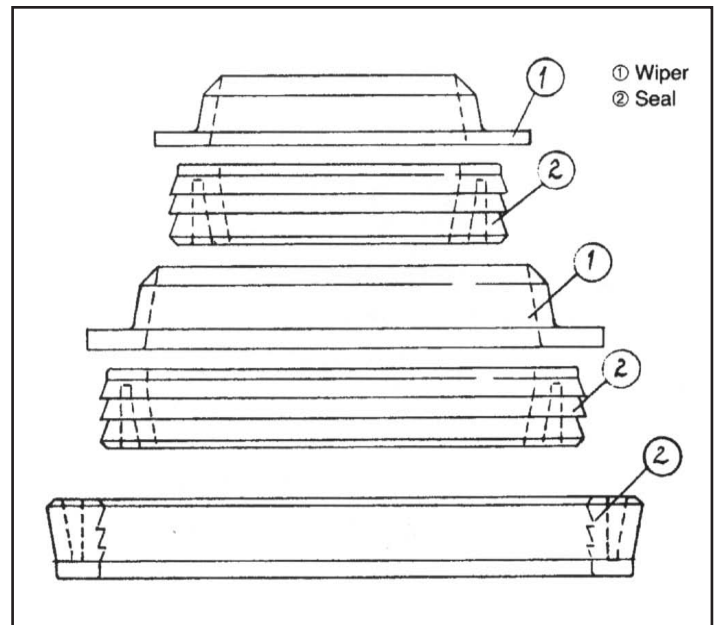


OTIS/TELESCOPIC HYDRAULIC PACKING KIT

Each hydraulic packing kit for Otis/Telescopic consists of:

- Three (3) seals, graduated sizes
- Two (2) wipers, graduated sizes

| OTIS/TELESCOPIC | |
|-----------------|-----------------|
| Adams part no. | Otis series no. |
| GK1500OT | 1500 |
| GK2000OT | 2000 |
| GK2500OT | 2500 |
| GK4000OT | 4000 |



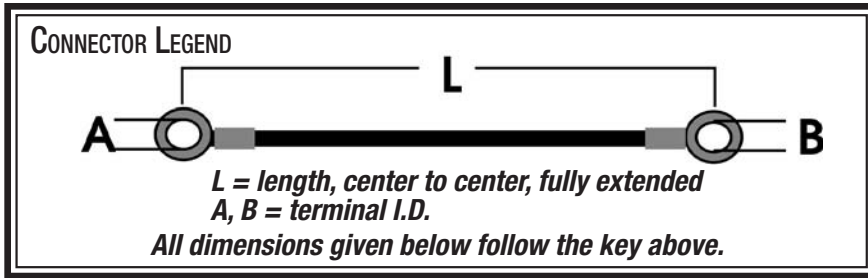
ADAMS REPLACEMENT PACKING FOR OTIS

A patented blend of oil-resistant compounds insures long life without the risk of common "rubber breakdown."

Unique "wavy" split design for quick and easy installation without disconnecting the motor from the geared unit.

Low friction from special baked-on finish prevents shaft scoring and damage from high temperatures.

| OTIS PACKING | | | | | |
|----------------|---------|------------|----------|-------|---------------|
| Adams part no. | Machine | Dimensions | | | Otis part no. |
| | | Shaft dia. | Bore dia | Thick | |
| AT1R019 | #29 | 3.000" | 4.500" | .500" | 33D26 |
| AT1R020 | #22 | 2.000" | 3.000" | .500" | 33D29 |
| AT1R021 | #22 old | 2.000" | 3.250" | .500" | — |
| AT1R079 | #17 | 1.938" | 2.875" | .313" | 33AA1 |
| AT1R105 | — | 5.313" | 6.250" | .500" | 33D20 |



| EXTRA-LONG SILICONE COVERED | | | | |
|-----------------------------|------------|------|---------|---------------|
| Adams part no. | Dimensions | | | Otis part no. |
| | A | B | L | |
| O508 | 3/8" | 3/8" | 15 1/2" | 175A33 |
| O509 | 3/8" | 3/8" | 10 1/2" | 106594 |

| SILICONE COVERED (O-520-SERIES)* | | | | |
|----------------------------------|------------|--------|--------|---------------|
| Adams part no. | Dimensions | | | Otis part no. |
| | A | B | L | |
| O520A | 0.171" | 0.171" | 4 3/4" | 175J1 |
| O520B | 0.171" | 0.171" | 2 1/2" | 175J2 |
| O520C | 0.171" | 0.171" | 7 1/4" | 175J3 |
| O520D | 0.171" | 0.171" | 2 1/2" | 175J4 |
| O520E | 0.171" | 0.171" | 3 1/2" | 175J5 |
| O520F | 0.171" | 0.171" | 3 3/4" | 175J6 |
| O520G | 0.171" | 0.171" | 5 1/4" | 175J8 |
| O520H | 0.171" | 0.171" | 5 3/4" | 175J9 |
| O520J | 0.171" | 0.265" | 4 1/2" | 175J16 |

*Wire size = 33-64, except O520D (33-34) & O520J (26-30).

| SILICONE COVERED (O-521-SERIES)† | | | | |
|----------------------------------|------------|--------|--------|---------------|
| Adams part no. | Dimensions | | | Otis part no. |
| | A | B | L | |
| O521A | 0.193" | 0.193" | 3 3/4" | 175J88 |
| O521B | 0.193" | 0.193" | 4 3/4" | 175J89 |
| O521C | 0.193" | 0.193" | 5 3/4" | 175J90 |
| O521D | 0.193" | 0.193" | 7 5/8" | 175J122 |
| O521F | 0.193" | 0.193" | 6 1/2" | 175J93 |

†Wire size = 105-40 for all shunts in this series.

| SINGLE CONDUCTORS | | | | | |
|-------------------|------------|--------|--------|-----------|---------------|
| Adams part no. | Dimensions | | | Wire size | Otis part no. |
| | A | B | L | | |
| O530 | 17/64" | 17/64" | 7 1/2" | 105-30 | 175H1 |
| O533 | 17/64" | 17/64" | 8" | 65-30 | 175J25 |
| O537 | 3/16" | 3/16" | 5 3/4" | 105-34 | 175J80 |

| BRAIDED, WITH TERMINALS PUNCHED THRU FABRIC | | | | | |
|---------------------------------------------|------------|-------|--------|-------|---------------|
| Adams part no. | Dimensions | | | | Otis part no. |
| | A | B | L | Width | |
| O542 | 9/32" | 9/32" | 4 1/2" | 1/2" | 118 |

| BRAIDED CONNECTORS, 3/4" WIDE | | | | |
|-------------------------------|------------|--------|---------|---------------|
| Adams part no. | Dimensions | | | Otis part no. |
| | A | B | L | |
| O544A | 25/64" | 25/64" | 6 3/4" | 176KA1 |
| O544B | 21/64" | 21/64" | 13 1/2" | 176KA3 |
| O544C | 17/64" | 25/64" | 8" | 176KA6 |
| O544D | 17/64" | 17/64" | 9 3/4" | 176KA8 |

| BRAIDED CONNECTORS, 1/2" WIDE | | | | |
|-------------------------------|------------|--------|--------|---------------|
| Adams part no. | Dimensions | | | Otis part no. |
| | A | B | L | |
| O545A | 17/64" | 25/64" | 7" | 176KA4 |
| O545B | 17/64" | 17/64" | 7" | 176KA10 |
| O545F | 17/64" | 21/64" | 6 3/8" | 176KA9, 14 |

| THIN BRAIDED CONNECTOR, 1/2" WIDE | | | | |
|-----------------------------------|------------|--------|--------|---------------|
| Adams part no. | Dimensions | | | Otis part no. |
| | A | B | L | |
| O546B | 17/64" | 25/64" | 6 3/8" | 176KA13* |

*Replaces 176KA11 & 176KA12



MOTOR BEARINGS

All bearings from Adams are cast for superior strength and rigidity. Cast bearings withstand temperature and pressure better than their

forged counterparts or those machined from bar stock. For long life and reliability, cast bearings should be your first choice.

| BRONZE SLEEVE MOTOR BEARINGS | | | | | |
|------------------------------|--------------|------|--------|-------------------|------------------------|
| Adams part no. | Otis casting | Bore | Length | Motor no. | Otis part no. |
| O600 | R-2671 | 2" | 5" | 5 & 7½ AC | 151357, 121932, 132347 |
| O601 | R-2675 | 2¼" | 5¾" | 10, 15, 17 AC | 151358, 121919, 132346 |
| O602 | R-2676 | 2¾" | 6⅞" | 20 to 35 AC | 151359, 18742, 122236 |
| O604 | R-2963 | 2" | 5" | 3½, 4, 4½ S | 151354, 101319, 132348 |
| O605 | R-3110 | 2⅛" | 5⅜" | 5½ S & A-S | 151355, 101322, 132349 |
| O612 | R-2964 | 1⅞" | 3½" | 1¼ S, 1½ S, 2½ AC | 151352 |
| O613 | — | 2" | 3¾" | 71GA, 77G, 83 ES | 210R1 |

| BABBITTED MOTOR BEARINGS | | | | |
|--------------------------|------|--------|-------------------------------------------------------|-------------------------------------------|
| Adams part no. | Bore | Length | Description | Otis part no. |
| O608 | 2¾" | 5¼" | Babbitted bearing for 1A/1B MG, 89F motor | Old #1215MO-1; 210AA1 (supercedes 140694) |
| O609 | 2¾" | 6" | Babbitted bearing for 2A/2B, 3A, 4AMG, 98G, 112G sets | Old #1084MO-1; 210BA1 (supercedes 138109) |

NOTE: Babbitted motor bearings are iron castings sealed and shipped in oil to protect against rust.

MACHINE PACKING



| Adams part no. | Diameter | | Packing length | Otis part no. |
|----------------|------------|---------------|----------------|---------------|
| | Worm shaft | Packing space | | |
| O692 | 1⅝" | 2⅛" | 1⅜" | 182A2 |
| O693 | 1⅞" | 2⅞" | 1⅞" | 182A3 |
| O694 | 1⅞" | 3⅞" | 2⅞" | 182A4 |
| O695 | 2⅞" | 3⅞" | 2⅞" | 182A5 |
| O696 | 2¼" | 3½" | 2" | 182A6 |
| O697 | 1⅞" | 2⅞" | 1" | 182A14 |
| O698 | 1⅞" | 2⅞" | 1¼" | 182A15 |
| O699 | 1⅞" | 3" | 2⅞" | 182A18 |

MISCELLANEOUS SEALS



33AA2
Otis
Oil Seal-Solid



182A5
Otis
Packing



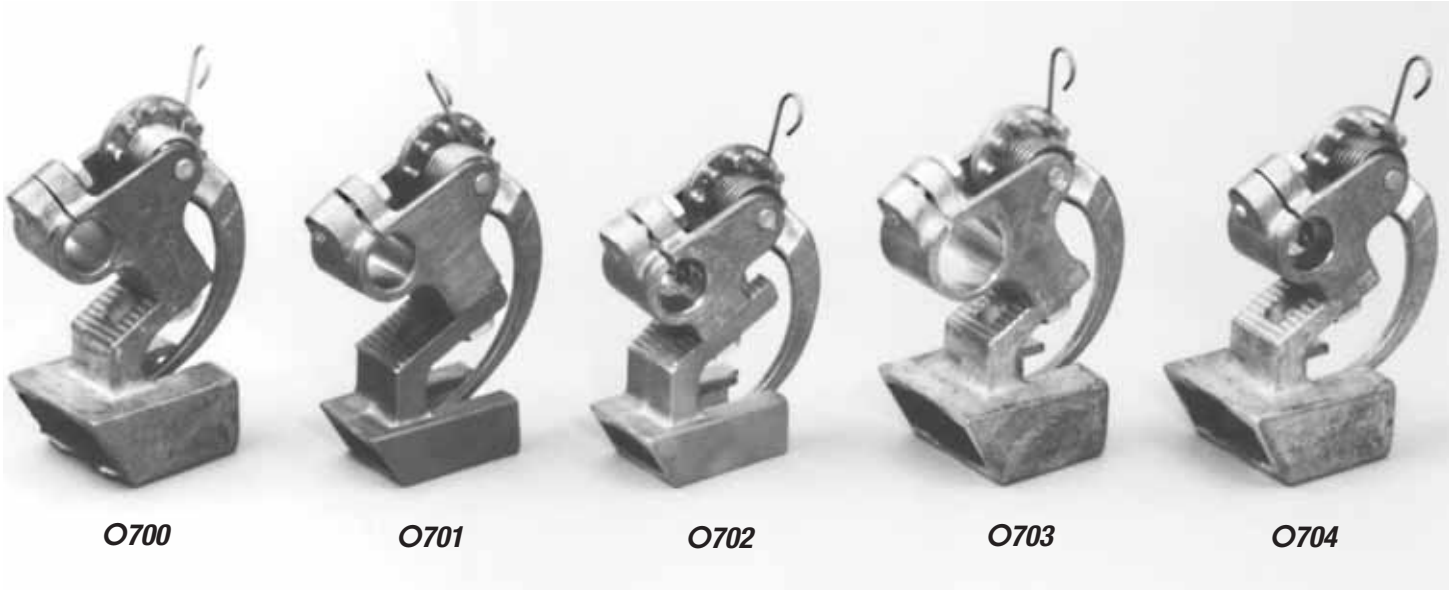
182A17
Otis
Packing



182C1
Otis
Packing



33D14
Otis
Oil Seal 2.250" O.D.



Only high-quality malleable bronze is used in our replacement brush holders, making them highly resistant to cracking or fracturing.

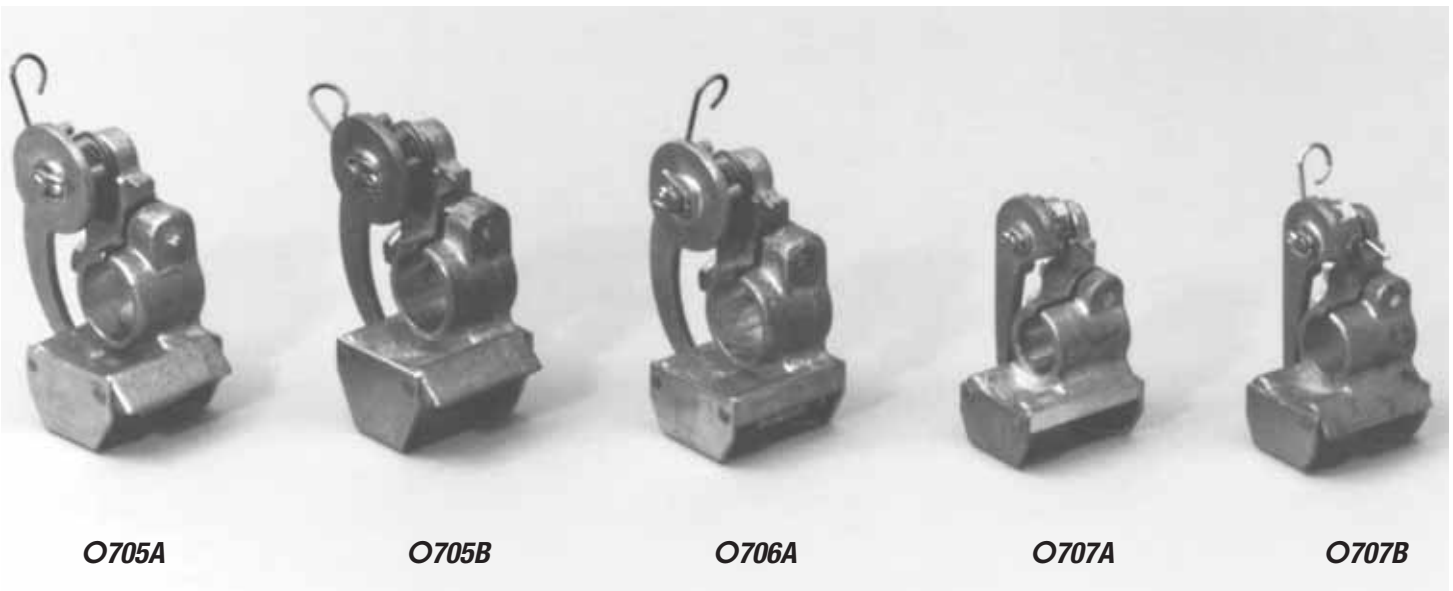
Finest materials make our brushes superior to most OEM parts.

Under normal use and with proper installation, you can expect long, trouble-free life. See brushes on next page.

| BRUSH HOLDERS (PICTURED ABOVE) | | | |
|--------------------------------|-------------------------|---------------------|----------------|
| Adams part no. | Brush size | Base size | Otis part no. |
| O700 | 2"L x 1½"W x 5/8" thick | Long for 5/8" stud | 140535 |
| O701 | 2"L x 1"W x 3/8" thick | Long for 5/8" stud | 6134G6, 140569 |
| O702 | 2"L x 1"W x 3/8" thick | Short for 5/8" stud | 6134G7, 140569 |
| O703 | 2"L x 1½"W x 5/8" thick | Large for 7/8" stud | 140538 |
| O704 | 2"L x 1½" x 5/8" thick | Short for 5/8" stud | 131468 |

| BRUSH HOLDERS (PICTURED BELOW) | | | |
|--------------------------------|--------------------------------------|--------------------------------------------|---------------|
| Adams part no. | Brush size | Base size | Otis part no. |
| O705A | 2"L x 1½"W x 1/2" thick | For 7/8" stud w/lip | 6134A1, A2 |
| O705B | 2"L x 1½"W x 5/8" thick | For 7/8" stud w/lip | — |
| O706A | 1¾"L x 1½"W x 3/8" thick | For 7/8" stud w/o lip; spring in 3rd notch | 6134B2, B5 |
| O706B | 1¾"L x 1½"W x 1/2" thick (not shown) | For 7/8" stud w/o lip; spring in 3rd notch | 6134B1, B4 |
| O707A | 1¾"L x 1½"W x 3/8" thick | For 5/8" stud w/o lip | 6134C2 |
| O707B | 1¾"L x 1½"W x 3/8" thick | For 5/8" stud with lip | 6134D2 |

NOTE: For replacement spring, order Adams part no. **O700S1**. See page 296 for more details.



Motor Brushes

Adams carbon and graphite brushes are manufactured to match OEM grade and size specifications.

The guide below will help you identify and solve brush-related problems, and help match the Adams to Otis brush that needs replacing.

| TROUBLESHOOTING GUIDE | | | | | | | | | | | | |
|-----------------------|-------------------------------|--|--|--|--|---------|--|--|--|--|----|--------------------|
| PROBLEM | | | | | | PROBLEM | | | | | | |
| 6 | Excessive sparking | | | | | | | | | | 7 | Unequal brush wear |
| 5 | Rapid brush wear (mechanical) | | | | | | | | | | 8 | Chatter |
| 4 | Rapid brush wear (electrical) | | | | | | | | | | 9 | Breakage |
| 3 | Grooving | | | | | | | | | | 10 | Film discoloration |
| 2 | Heavy streaking | | | | | | | | | | 11 | Discolored shunts |
| 1 | Threading | | | | | | | | | | 12 | Flashover |

| TROUBLESHOOTING GUIDE | | | | | | | | | | | | | |
|----------------------------------------------|---|---|---|---|---|--------|---|---|---|---|----|------------------------------------------------------------|----|
| POSSIBLE CAUSE | | | | | | REMEDY | | | | | | | |
| Incorrect neutral setting or machine problem | A | | | | ◆ | ◆ | ◆ | | | | A | Reset neutral, repair machine fault | |
| Vibration from internal or external source | B | ◆ | | | ◆ | ◆ | ◆ | | | ◆ | B | Eliminate source, use shock mounts, check balance bearings | |
| Insufficient or clogged ventilation | C | | | | | | | | | ◆ | C | Increase air flow, remove restrictions | |
| High mica or high commutator eccentricity | D | | ◆ | | | ◆ | ◆ | | ◆ | ◆ | D | Remove mica; turn or stone commutator | |
| High ambient or commutator temperature | E | | | | | | | | | ◆ | E | Increase ventilation, lower ambient temperature | |
| Prolonged light load running | F | ◆ | | ◆ | | | | | ◆ | ◆ | F | Change brush grade (ask for our recommendation) | |
| Oil contamination | G | ◆ | ◆ | ◆ | ◆ | | | | | ◆ | G | Clean commutator, remove source of contamination | |
| Rapid load changes or control problem | H | | | | | | | | | | H | Correct machine loading; repair control system | |
| Incorrect or unequal spring pressure | I | ◆ | ◆ | ◆ | ◆ | ◆ | ◆ | | | ◆ | I | Adjust pressure uniformly to recommended value | |
| Faulty shunts or terminal connections | J | | | | ◆ | | | | | | J | Replace brushes, tighten lug connections | |
| Wrong brush grade | K | ◆ | | ◆ | ◆ | | | ◆ | ◆ | ◆ | K | Use alternate brush grade (ask for our recommendation) | |
| Brush too tight or loose in holder | L | | ◆ | | | | | | | ◆ | L | Clean & inspect holders; replace if necessary | |
| Incorrect holder position or spacing | M | | ◆ | | | | | | | ◆ | M | Adjust spacing, clearance, and/or angle to specifications | |
| | | 1 | 2 | 3 | 4 | 5 | 6 | 7 | 8 | 9 | 10 | 11 | 12 |

Troubleshooting guide courtesy of Stackpole Manufacturing Company

Otis/Adams Motor Brush Cross-Reference Guide

| Otis part no. | Adams part no. | Otis part no. | Adams part no. | Otis part no. | Adams part no. | Otis part no. | Adams part no. | Otis part no. | Adams part no. | Otis part no. | Adams part no. |
|---------------|----------------|---------------|----------------|---------------|----------------|---------------|----------------|---------------|----------------|---------------|----------------|
| 240B3 | 0776 | 240E17 | 0789 | 240F12 | 0761C | 240F27 | 0769 | 240P4 | 0773C | 184306 | 0740 |
| 240B4 | 0777 | 240E18 | 0792 | 240F15 | 0783 | 240G1 | 0760 | 240R1 | 0757 | 184448 | 0741 |
| 240B6 | 0756 | 240E22 | 0794 | 240F19 | 0782 | 240G3 | 0758 | 240R3 | 0751 | 186132 | 0771D |
| 240C1 | 0775 | 240F3 | 0759GX | 240F20 | 0762 | 240H4 | 0781 | 240R5 | 0765 | 186133 | 0742 |
| 240E4 | 0754 | GS240F3 | 0759G | 240F21 | 0785 | 240J1 | 0774 | 240T5 | 0744 | 186142 | 0763 |
| 240E8 | 0755 | 240F4 | 0768 | 240F22 | 0759C | 240J3 | 0766 | 240W1 | 0752 | 186206 | 0771C |
| 240E10 | 0796 | 240F5 | 0767 | 240F23 | 0786 | 240P1 | 0772 | 240W3 | 0743 | 186207 | 0771D |
| 240E14 | 0790 | 240F11 | 0761G | 240F25 | 0761GX | 240P2 | 0773 | 240Y1 | 0753 | | |
| 240E16 | 0788 | GS240F11 | 0761GX | 240F26 | 0759G | 240P3 | 0764 | 145094 | 0771 | | |

If part number is not known, please provide any of the following: Frame/Generator number, machine number, voltage, brush holder part number, motor size and type, grade, dimensions, horse-power and kilowatts. Graphite is for higher speed machinery.

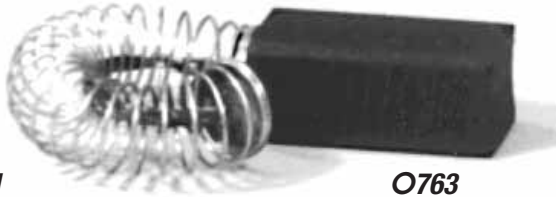


Figure 1

O763



Figure 2

O758



Figure 3

O743



Figure 4

O759C



Figure 5

O754



Figure 6

O744



Figure 7

O764



Figure 8

O753

O740

O741

O742

O781

| Adams part no. | Material | Dimensions (L x W x Thick) | Door operator | Otis part no. |
|-----------------|----------|----------------------------|-------------------------|----------------|
| Figure 1 | | | | |
| O763 | Carbon | 5/8" x 5/16" x 1/4" | | 186142 |
| O771 | Carbon | 9/16" x 1/4" x 1/4" | J2, J2A | 145094 |
| O771C | Carbon | 13/16" x 1/2" x 1/2" | 6970 oper., 1/3hp (GE) | 186206 |
| O771D | Carbon | 13/16" x 3/8" x 1/4" | 6970A oper., 1/2hp (GE) | 186132, 186207 |

| Adams part no. | Material | Dimensions (L x W x Thick) | Otis grade | Otis part no. |
|-----------------|----------------|----------------------------|------------|---------------|
| Figure 2 | | | | |
| O758 | Metal graphite | 1 7/8" x 1 1/4" x 3/4" | OE-122 | 240G3 |
| O760 | Metal graphite | 1 1/2" x 1" x 1/2" | OE-122 | 240G1 |

| Adams part no. | Material | Dimensions (L x W x Thick) | Otis grade | Otis part no. |
|-----------------|----------|----------------------------|------------|---------------|
| Figure 3 | | | | |
| O743 | Carbon | 2" x 1 1/2" x 1/2" | OE-153 | 240W3 |
| O752 | Carbon | 2" x 1 1/2" x 1/2" | OE-151 | 240W1 |
| O756 | Carbon | 2" x 1 1/2" x 5/8" | OE-127 | 240B6 |
| O757 | Carbon | 2" x 1 1/2" x 1/2" | OE-150 | 240R1 |
| O776 | Carbon | 2" x 1 1/2" x 1/2" | OE-127 | 240B3 |
| O777 | Graphite | 2" x 1 1/2" x 1/2" | OE-116D | 240B4 |

| Adams part no. | Material | Dimensions (L x W x Thick) | Otis grade | Otis part no. |
|-----------------|----------|----------------------------|------------|---------------|
| Figure 4 | | | | |
| O759C | Carbon | 2" x 1" x 3/8" | OE-127 | 240F22 |
| O759G | Graphite | 2" x 1" x 3/8" | OE-130 | 240F26 |
| O759GX | Graphite | 2" x 1" x 3/8" | OE-116D | 240F3 |
| O761C | Carbon | 2" x 1 1/2" x 5/8" | OE-117 | 240F12 |
| O761G | Graphite | 2" x 1 1/2" x 5/8" | OE-116D | 240F11 |
| O761GX | Graphite | 2" x 1 1/2" x 5/8" | OE-130 | 240F25 |
| O762 | Graphite | 2" x 1 1/2" x 3/8" | OE-116D | 240F20 |
| O767 | Graphite | 2" x 1" x 3/8" | OE-118 | 240F5 |
| O768 | Carbon | 2" x 1" x 3/8" | OE-117 | 240F4 |
| O769 | Graphite | 2" x 1" x 5/8" | OE-130 | 240F27 |
| O775 | Graphite | 1 1/8" x 1" x 1/4" | OE-116D | 240C1 |
| O782 | Graphite | 1 3/4" x 1 1/2" x 1/2" | OE-116D | 240F19 |
| O783 | Graphite | 2" x 1 1/2" x 7/8" | OE-116D | 240F15 |
| O785 | Carbon | 2" x 1 1/2" x 1/2" | OE-127 | 240F21 |
| O786 | Carbon | 2" x 1 1/2" x 5/8" | OE-127 | 240F23 |

| Adams part no. | Material | Dimensions (L x W x Thick) | Otis grade | Otis part no. |
|-----------------|----------|----------------------------|------------|---------------|
| Figure 5 | | | | |
| O754 | Carbon | 2 3/4" x 1 1/2" x 5/8" | OE-117 | 240E4 |
| O755 | Graphite | 2 3/4" x 1 1/2" x 5/8" | OE-116D | 240E8 |
| O788 | Graphite | 2 3/4" x 1 1/2" x 3/8" | OE-116D | 240E16 |
| O789 | Graphite | 2 3/4" x 1 3/4" x 3/8" | OE-116D | 240E17 |
| O790 | Graphite | 2 3/4" x 1 1/4" x 3/8" | OE-116D | 240E14 |
| O792 | Graphite | 2 3/4" x 2" x 3/8" | OE-116D | 240E18 |
| O794 | Graphite | 2 3/4" x 1 3/4" x 3/4" | OE-116D | 240E22 |
| O796 | Graphite | 2" x 7/8" x 1/4" | OE-116D | 240E10 |

| Adams part no. | Material | Dimensions (L x W x Thick) | Otis grade | Otis part no. |
|-----------------|-------------------|----------------------------|------------|---------------|
| Figure 6 | | | | |
| O744 | Carbon | 2" x 1" x 3/8" | OE-154 | 240T5 |
| O751 | Carbon Straight | 2" x 1 1/2" x 1/2" | OE-151 | 240R3 |
| O765 | Graphite Straight | 2" x 1 1/2" x 1/2" | OE-152 | 240R5 |
| O766 | Carbon | 1 3/4" x 1 1/2" x 3/8" | OE-140 | 240J3 |
| O774 | Graphite Bevel | 1 3/4" x 1 1/2" x 3/8" | OE-116D | 240J1 |

| Adams part no. | Material | Dimensions (L x W x Thick) | Otis grade | Otis part no. |
|-----------------|--------------|----------------------------|------------|---------------|
| Figure 7 | | | | |
| O764 | Graphite | 1 3/4" x 1 1/2" x 3/8" | OE-130 | 240P3 |
| O772 | Graphite | 1 3/4" x 1 1/2" x 3/8" | OE-116D | 240P1 |
| O773 | Carbon/flat | 1 3/4" x 1 1/2" x 3/8" | OE-127 | 240P2 |
| O773C | Carbon/slant | 1 3/4" x 1 1/2" x 3/8" | OE-127 | 240P4 |

| Adams part no. | Material | Dimensions (L x W x Thick) | Otis grade | Otis part no. |
|-----------------|-------------------------------------------------------------------------------------------------|----------------------------|------------|---------------|
| Figure 8 | | | | |
| O753 | Double carbon with connecting bridge; 1 1/8" x 1 1/2" x 1/4" (1/2" thick overall); grade OE-151 | | | 240Y1 |
| O740 | For 500W 6390C MG sets; 1 1/8" x 5/8" x 3/8" carbon | | | 184306 |
| O741 | For "A" oper.; 1" x 5/8" x 1/4" carbon without shunt | | | 184448 |
| O742 | For "AB" operator; 7/8" x 3/4" x 1/4" | | | 186133 |
| O781 | 3" x 1 1/4" x 1 1/16" graphite; grade OE-116D | | | 240H4 |



107430
Otis
Carbon Contact Holder
for 2 1.4" O.D. contact 2 1/4"
L, stem 5/8-11" x 1 13/16"



12136
Otis
Carbon Brush Holder



140538
Otis
Carbon Brush Holder



6134H1
Otis
Carbon Brush Holder
.38" W x 1.00" L, for
7/8" brush stem



1176
Otis
Carbon Contact
.97" O.D. x 1.50" L, used
for switches & Magnets



166747
Otis
Carbon Contact
1.50" O.D. x 1.00" L



178T2
Otis
Box Brush Holder



288CD4
Otis
Carbon Brush Holder
Arm



6134A1
Otis
Carbon Brush Holder
(0705A)



6134J1
Otis
Carbon Brush Holder
.50" W x 1.56" L, for
7/8" brush stem



6839Y4
Otis
Carbon Brush
Holder
(0335)



306T2
Otis
Contact Base



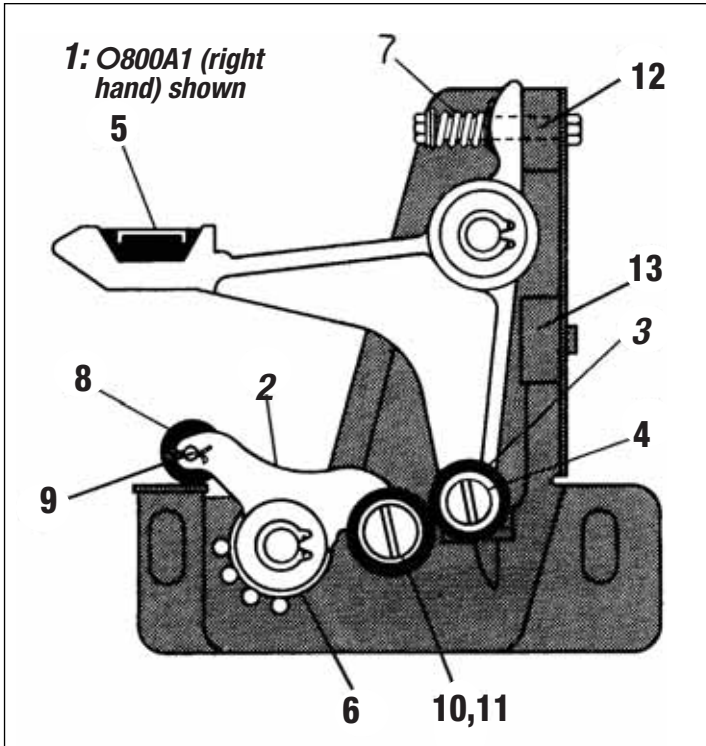
6365E1
Otis
Contact



6602A1
Otis
Contact Brush



6825B1
Otis
Contact Arm



SWITCH AND HOUSING FOR 6940 INTERLOCK

(See following pages for replacement switch and switch components)



O830K-SERIES SWITCH & HOUSING

| Adams part no. | Description | Otis part no. |
|----------------|----------------------------------------|---------------|
| O830K1 | Switch & housing, complete; right hand | 6940AG1 |
| O830K2 | Switch & housing, complete; left hand | 6940AG2 |

SWITCH AND HOUSING FOR OLD 6940A INTERLOCK

(See following pages for replacement switch and switch components)



O831K-SERIES SWITCH & HOUSINGS

| Adams part no. | Description | Otis part no. |
|----------------|---------------------------------------|-------------------------------|
| O831K1 | Interlock assembly, RH; plastic cover | For old style 6940A interlock |
| O831K2 | Interlock assembly, LH; plastic cover | |
| O831K3 | Interlock assembly, RH; steel case | |
| O831K4 | Interlock assembly, LH; steel case | |

| 6940 DOOR LOCK | | | |
|----------------|----------------|------------------------------------------------------------------|---------------|
| Key | Adams part no. | Description | Otis part no. |
| 1 | O800A1 | Right-hand hook & release ass'y. | 6940C1 |
| (1) | O800A2 | Left-hand hook & release ass'y., (not shown) opposite of O-800A1 | 6940C2 |
| 2 | O801, 802 | Bell crank lever | 307AE1, 2 |
| 3 | O803P-series | Poly roller, 1/2" OD | 456C1-C4 |
| 4 | O804E1 thru E5 | Eccentric pin | 77A1-A5 |
| 5 | O805 | Base contact | 306FM1 |
| 6 | O806R1/L1 | Torsion spring | A92AG1, 2 |
| (6) | O809R1/L1 | Torsion spring, not shown | A92AG1, 2 |
| 7 | O807 | Compression spring | 90HB9 |
| 8 | O808 | Rubber roller w/bushing, axle pin | 456BT1 |
| 9 | O808P1 | Axle pin | 78C2 |
| 10 | O804W1 | Thick washer | 127L5 |
| 11 | O804W2 | Thin washer | 127L4 |
| 12 | O800R1 | Rubber bumper w/hole | 320AY1 |
| 13 | O800R2 | Rubber bumper w/stem | 320P4 |

OK800A1 & A2 DOOR INTERLOCK KITS

| OK-800A1 (right hand) | | OK-800A2 (left hand) | |
|--------------------------|------------------------|--------------------------|------------------------|
| Includes Adams part nos. | Replaces Otis part no. | Includes Adams part nos. | Replaces Otis part no. |
| O800A1 door lock | 6940C1 | O800A2 door lock | 6940C2 |
| O830K1 switch/housing | 6940AG1 | O830K2 switch/housing | 6940AG2 |

ALSO AVAILABLE...



521V111-12
Otis
Door Lock



6047A2
Otis
Interlock Switch
Assembly



6543C
Otis
Interlock



| Adams part no. | Description | Otis part no. |
|----------------|---------------------------------------------------------------------------------|---------------|
| O801 | Bell crank lever, RH; shown | 307AE1 |
| O802 | Bell crank lever, LH; opposite of O-801 | 307AE2 |
| O801B1 | Roller bearing | 209E1 |
| O801B2 | Outer face sleeve for bearing | — |
| O801C1 | Retaining ring (circlip) | 172DE9 |
| O801W3 | Washer, $\frac{41}{64}$ " I.D. x $1\frac{1}{2}$ " O.D. x $\frac{3}{64}$ " thick | 127VB83 |
| O804E1 | Eccentric pin, $2\frac{19}{32}$ "L | 77A4 |
| O804E2 | Eccentric pin, $2\frac{7}{32}$ "L | 77A2 |
| O804E3 | Eccentric pin, $2\frac{11}{32}$ "L | 77A3 |
| O804E4 | Eccentric pin, $2\frac{1}{2}$ "L | 77A1 |
| O804E5 | Eccentric pin, $2\frac{5}{32}$ "L | 77A5 |

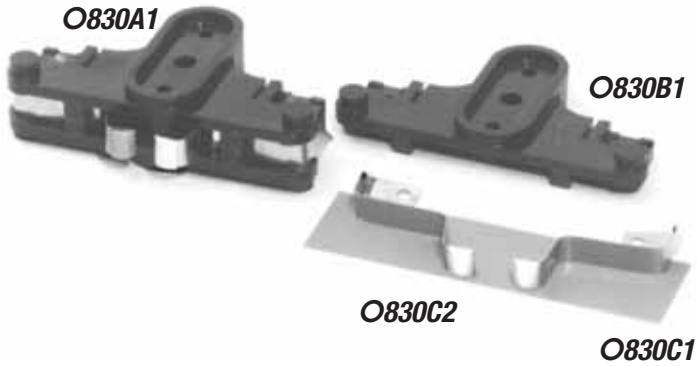


| DOOR LOCK ROLLERS (RUBBER & POLY) | | |
|-----------------------------------|------------------------------------------------------|---------------|
| Adams part no. | Description | Otis part no. |
| O803P1 | Polyurethane roller with bushing, $1\frac{1}{2}$ "L | — |
| O803P2 | Polyurethane roller with bushing, $1\frac{5}{32}$ "L | — |
| O803P3 | Polyurethane roller with bushing, $1\frac{9}{32}$ "L | — |
| O803P4 | Polyurethane roller with bushing, $1\frac{5}{8}$ "L | — |

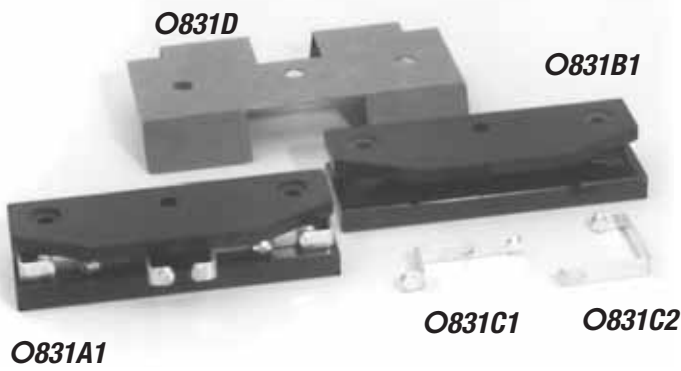
Injection-molded polyurethane rollers outperform rubber/fiber core models. Dovetail flanges keep injection-molded poly tire attached securely to the molded nylon core. Cost less than rubber.



| Adams part no. | Description | Otis part no. |
|----------------|--------------------------------------------------------------------|---------------|
| O800R1 | Rubber bumper with hole | 320AY1 |
| O800R2 | Rubber bumper with stem | 320P4 |
| O805 | Base contact w/copper contact face | 306FM1 |
| O806R1 | Torsion spring, RH; $1\frac{25}{32}$ " I.D. x $\frac{7}{8}$ " high | 92AG1 |
| O806L1 | Torsion spring, LH; $1\frac{25}{32}$ " I.D. x $\frac{7}{8}$ " high | 92AG2 |
| O807 | Compression spring, $1\frac{1}{16}$ " O.D. x $1\frac{5}{8}$ "L | 90HB9 |
| O808 | Rubber roller, 1" dia.; with bushing, axle pin | 456BT1 |
| O808P1 | Replacement axle pin for O808 roller | 78C2 |
| O809R1 | Torsion spring, RH; $1\frac{15}{16}$ " I.D. x $\frac{5}{8}$ " high | A92AG1 |
| O809L1 | Torsion spring, LH; $1\frac{15}{16}$ " I.D. x $\frac{5}{8}$ " high | A92AG2 |
| O856 | Door Bumper | 320BE2 |



| O830K COMPONENTS | | |
|-------------------------|-----------------------------------|-----------------------------|
| Adams part no. | Description | Otis part no. |
| O830A1 | Switch assembly, complete | For 6940AG interlock switch |
| O830B1 | Switch base (2 required) | 306JJ1 |
| O830C1 | Formed strip w/silver contact, RH | 152BE2 |
| O830C2 | Formed strip w/silver contact, LH | 152BE4 |



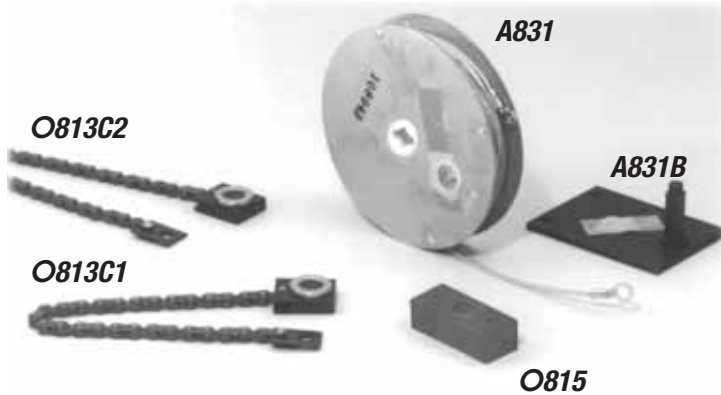
| O831SERIES SWITCH & COMPONENTS | | |
|-------------------------------------------|---------------------------|----------------------------|
| Adams part no. | Description | Otis part no. |
| O831A1 | Switch assembly, complete | For 6940B interlock switch |
| O831B1 | Phenolic contact base | 306FX1 |
| O831C1 | Movable contact | 152AV2 |
| O831C2 | Stationary contact | 152AW2 |
| O831D | Insulator | A275AR1 |



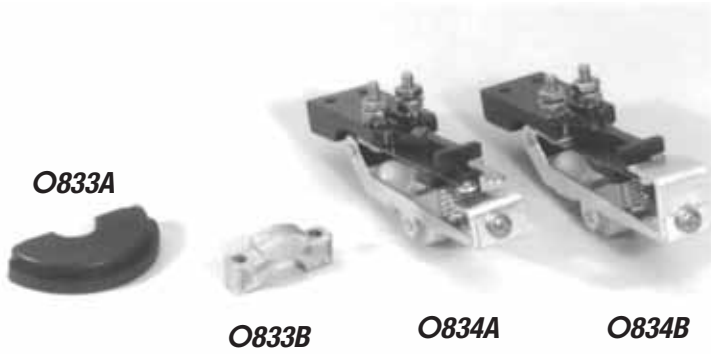
| N2 INTERLOCK COMPONENTS | | |
|--------------------------------|----------------------------------------------------------------------------------------------------------------------------------------------------------------------------------------------------------|---------------|
| Adams part no. | Description | Otis part no. |
| O816 | Interlock assembly, complete | 6047A2 |
| O816S1 | Compression spring, $\frac{9}{32}$ " I.D. x $4\frac{3}{8}$ " L | 90BB14 |
| O832 | Interlock switch base for O816 interlock assembly (2 required), w/formed leaf spring contact; for N and NC style interlocks. (Use with Adams O803series rollers and O804 series pins, shown on page 289) | A306EB2 |



| "L" AND "LA" DOOR LOCK COMPONENTS | | |
|------------------------------------------|------------------------------------------------------|---------------|
| Adams part no. | Description | Otis part no. |
| O817 | Pivot arm assembly | 147976 |
| O820 | Contact holder, "L" door lock | 132037 |
| O820B | Base for door lock contacts | 151076 |
| O820A1 | Stationary contact assembly, "L" door lock | 158492 |
| O821A1 | Stationary contact assembly, "LA" door lock | 156144 |
| O821 | Contact holder, "LA" door lock | 456AA1 |
| O822R1 | Rubber roller, 1.22" O.D. x 0.593" wide; 0.337" bore | 456AA2 |
| O822R2 | Rubber roller, same as above with 335D bushing | |



| CHAIN, CUP, SPIRATOR | | |
|----------------------|-----------------------------------------------------------------------------------------------------------------------------------------------------------------------------|---------------|
| Adams part no. | Description | Otis part no. |
| O813C1 | Chain with hitch & link for 6940D spring door closer for double roller arm, 11¼"L | A332AS2 |
| O813C2 | Chain with hitch & link for 6940D spring door closer for single roller arm, 14¼"L | A332AS3 |
| O815 | Formed polyurethane cup for M.L. A6940 AD1 to AD3 door closer weight | A325P1 |
| A831 | Heavyduty reeltype door closer (spirator); mounts on 5/16"sq. stud. (Also replaces Armor, Dover, G.A.L., Montgomery, Schindler, U.S., and Westinghouse Elevator spirators.) | 152AW2 |
| A831B | Mounting bracket for A831 spirator | — |



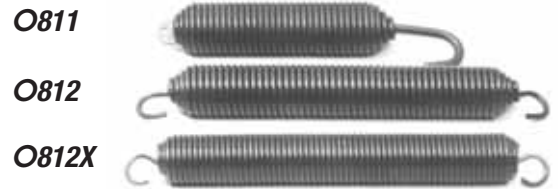
| CAM/CLAMP, MECHANICAL SWITCH | | |
|------------------------------|-----------------------------------------------------------------------------------|---------------|
| Adams part no. | Description | Otis part no. |
| O833A | Thermoplastic cam with 1⅛" radius on upper surface, 5/16" radius on lower surface | — |
| O833B | Diecast aluminum clamp for O833A cam | — |
| O833 | Cam/clamp assembly, complete; includes one (1) O833A and one (1) O833B, above | 327DJ2C |
| O834A | Mechanical switch (make) for Type 6970 door operator | 6554B1 |
| O834B | Mechanical switch (break) for Type 6970 door operator | 6554B2 |

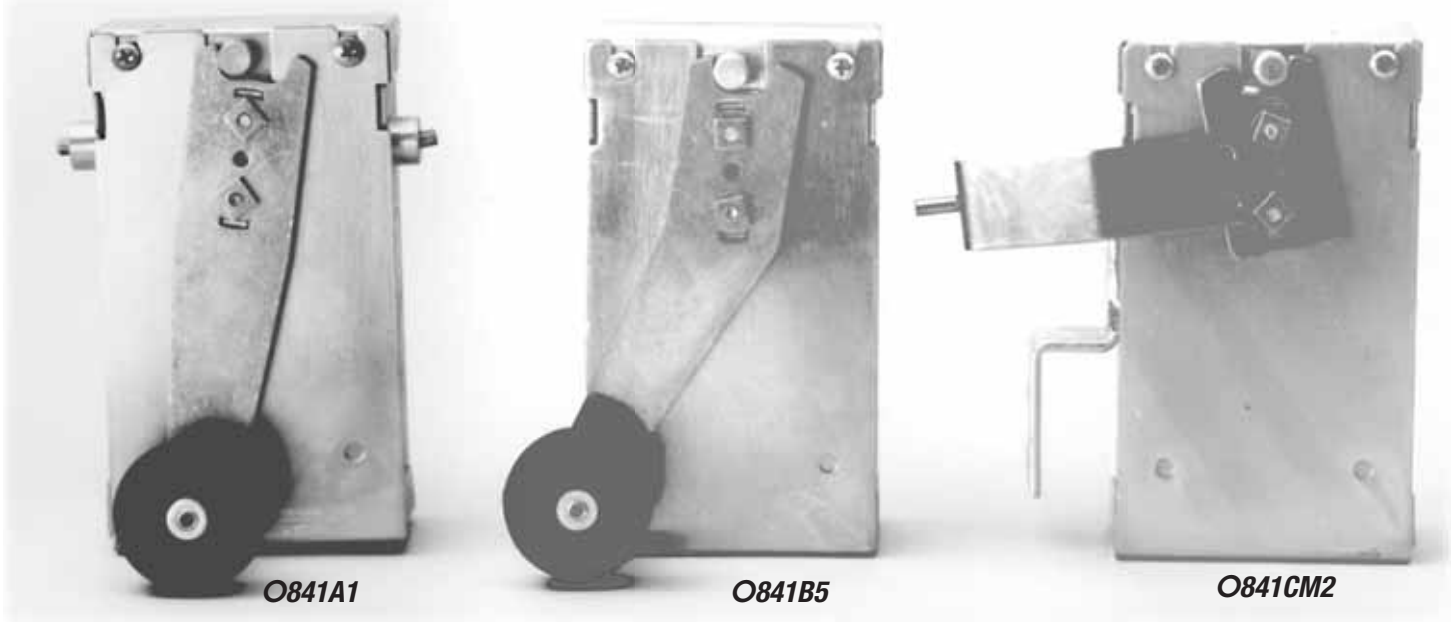


| DOOR GIBS, BRIDGE, FINGER | | |
|---------------------------|-------------------------------------------|---------------|
| Adams part no. | Description | Otis part no. |
| OB930* | Nylon door gib, 27/8"L x 1/2"H x 15/32"W | — |
| OB932* | Nylatron door gib, 31/2"L x 3/4"H x 1/2"W | — |
| O667 | Door lock bridge, 13/16" x 13/16" | 126646 |
| O668 | Door lock finger, 5/2"L | 126650 |

* Otis Britain door gibs

| HEAVYDUTY EXTENSION SPRINGS | | | | |
|-----------------------------|--------------------------------------------------------------|-----------|--------------|---------------|
| Adams part no. | Description | Wire dia. | Active turns | Otis part no. |
| O811 | 15/8" dia. x 9"L, w/hook and 430AE1 link | 1/8" | 31 | 91T8 |
| O812 | 1½" dia. x 10"L, plus hook at each end; black oxide finish | 3/16" | 51 | 91AE1 |
| O812X | 15/8" dia. x 10"L, plus hook at each end; black oxide finish | 0.148" | 60 | 91W2 |





MECHANICAL SWITCHES

Adams manufactures and stocks replacements for Otis Type 6098 and A6098 mechanical switches listed below.

Rugged boxes match existing Otis installations, requiring no new drilling or rigging to fit. Boxes in each series are similar, differing only in the configuration of the switches inside.

Photographs on these two pages show representative boxes from each switch series. Box dimensions within each series are identical. The legend below left will tell you what our switch configuration abbreviations mean.

See page 294 for a complete listing of replacement switch arms.

SWITCH CONFIG. ABBREVIATION LEGEND

| | |
|------|--------------------------|
| SPB | Single pole/break (1NC) |
| SPM | Single pole/make (1NO) |
| DPB | Double pole/break (2NC) |
| DPM | Double pole/make (2NO) |
| DPST | Double pole/single throw |
| SPDT | Single pole/double throw |

If you are going to replace an arm make sure you note the direction of the swing and the placement of the holes on the arm before you remove it. This will make it easier to order the correct replacement.

LIMIT SWITCHES

| Adams part no. | Switch config. | Replace. arm | Otis part no. | Arm |
|-----------------|----------------|--------------|---------------|----------|
| O841B1 | SPM | O840F4 | A6098B1 | shown |
| O841B3 | SPB | O840F2 | A6098B3 | shown |
| O841B5 | DPM | O840F4 | A6098B5 | shown |
| O841B7 | DPB | O840F2 | A6098B7 | shown |
| O841B9 | SPM | O840F8 | A6098B9 | opposite |
| O841B11 | SPB | O840F6 | A6098B11 | opposite |
| O841B13 | DPM | O840F8 | A6098B13 | opposite |
| O841B15 | DPB | O840F6 | A6098B15 | opposite |
| O841B17 | SPB† | O840F2 | A6098B17 | shown |
| O841B17A | SPDT | O840F2 | — | — |
| O841B18 | SPST† | O840F6 | A6098B18 | opposite |
| O841B18A | SPDT†† | O840F6 | — | shown |

†Includes 1/NO auxiliary contact.

††Includes 1/NO auxiliary contact that MAKES during switchover of main contacts.

FLOOR STOP SWITCHES

| Adams part no. | Switch config. | Replace. arm | Otis part no. |
|----------------|----------------|--------------|---------------|
| O841A1 | SPDT* | O840E2 | A6098A1 |
| O841A3 | DPST** | O840E2 | A6098A3 |
| O841A4 | DPST*** | O840E2 | A6098A4 |

*Includes auxiliary contacts.

**Contacts MAKE when roller moves left; maintained contact.

***Contacts MAKE when roller moves right; maintained contact.

MECHANICAL SWITCHES

| Adams part no. | Switch config. | Replace. arm | Otis part no. |
|----------------|----------------|------------------------------|---------------|
| O841CM1 | SPM | Avail. only on special order | A6098CM1 |
| O841CM2 | SPM | — | A6098CM2 |

NOTE: O841CM1 arm configuration is opposite of that shown for O841CM2, photo above.

ALSO AVAILABLE...



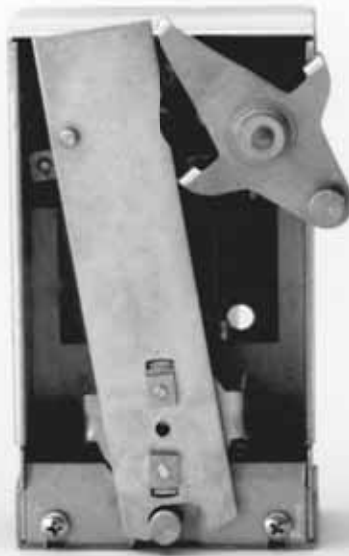
AAA6098NM2
Otis
Switch



A6098B22
Otis
Limit Switch



O841BC1



O841D5



O841E12

| MECHANICAL SWITCHES | | | |
|---------------------|----------------|--------------|---------------|
| Adams part no. | Switch config. | Replace. arm | Otis part no. |
| O841BC1 | SPB | O840BA3 | 6098BC1 |
| O841BC2 | SPM | O840BA3 | 6098BC2 |
| O841BC3 | DPST | O840BA4 | 6098BC3 |
| O841BC4 | DPST | O840BA4 | 6098BC4 |
| O841BC5 | DPST | O840BA3 | 6098BC5 |
| O841BC6 | DPST | O840BA3 | 6098BC6 |

| TRIPPER SWITCHES W/ PLEXIGLASS COVER | | | |
|--------------------------------------|----------------|--------------|---------------|
| Adams part no. | Switch config. | Replace. arm | Otis part no. |
| O841D1 | SPB | O840H1 | 6098D1 |
| O841D3 | SPB | O840H2 | 6098D3 |
| O841D5 | DPB | O840H2 | 6098D5 |
| O841D6 | DPB | O840H1 | 6098D6 |

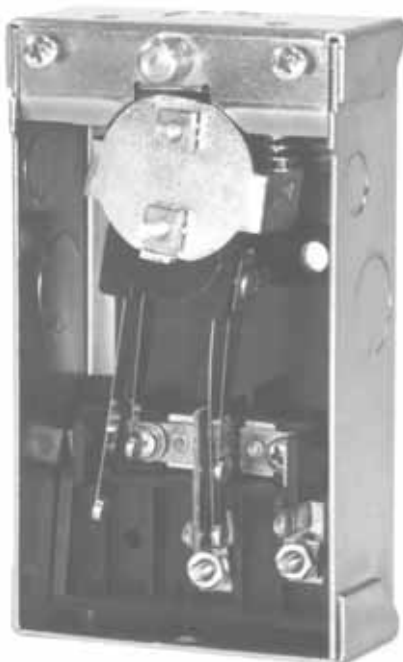
| CAR GATE SWITCHES | | | |
|-------------------|----------------|--------------------------------------------------------------------------------------|---------------|
| Adams part no. | Switch config. | Replace. arm | Otis part no. |
| O841E1 | SPM | <i>Replacement arms for O841Eseries switches are available on special order only</i> | 6098E1 |
| O841E2 | SPM | | 6098E2 |
| O841E5 | DPM | | 6098E5 |
| O841E6 | DPM | | 6098E6 |
| O841E9 | SPM | | 6098E9* |
| O841E10 | SPM | | 6098E10* |
| O841E11 | DPM | | 6098E11* |
| O841E12 | DPM | | 6098E12* |

*Includes switch arm & weight.

NOTES:

Switch arms for O841E1 thru E6 are mounted horizontally; E9 thru E12 are vertical, as pictured.

Oddnumbered switches are right handed; evennumbered switches are left handed.



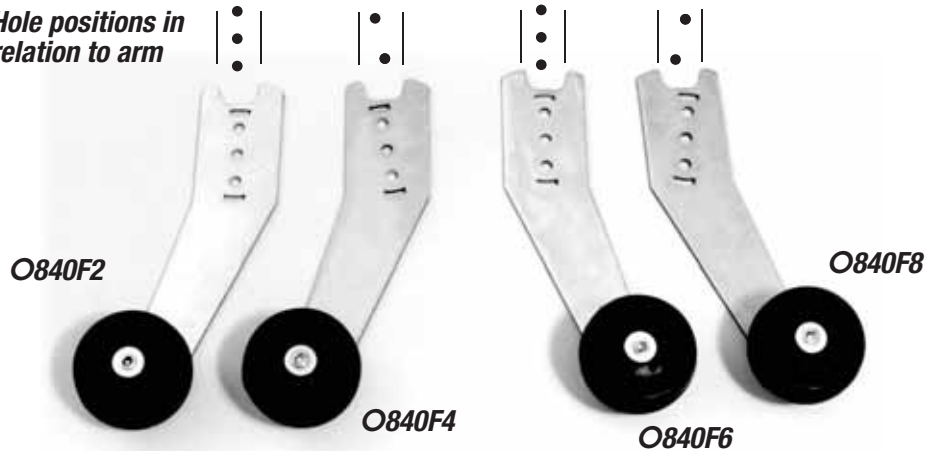
O841B5 with plate and arm removed

REPLACEMENT SWITCH ARMS AVAILABLE

Used with O841Bseries limit switches, page 292.

| LIMIT SWITCH ARMS | | |
|-------------------|------------------------|---------------|
| Adams part no. | Description | Otis part no. |
| O840F2 | Arm w/pin & roller, LH | 287F2 |
| O840F2A | SPDT, RH | 287F2A |
| O840F4 | Arm w/pin & roller | 287F4 |
| O840F6 | Arm w/pin & roller, RH | 287F6 |
| O840F6A | SPDT, LH | 287F6A |
| O840F8 | Arm w/pin & roller | 287F8 |

Hole positions in relation to arm

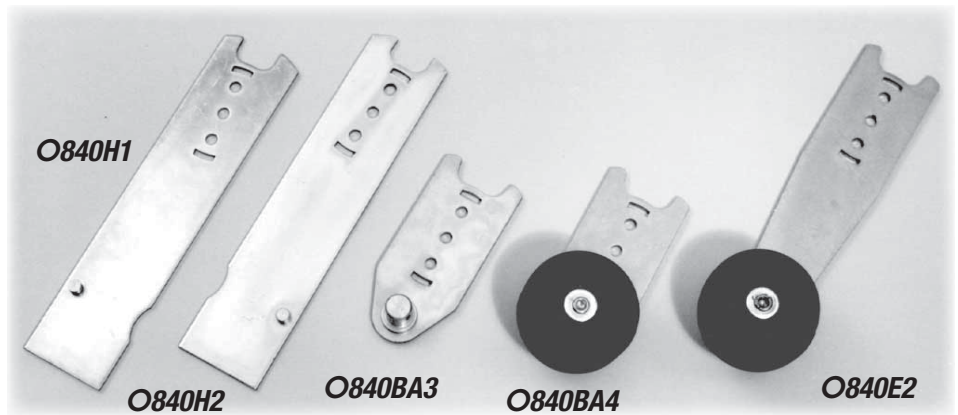


Used with O841Dseries tripper switches, page 293.

| TRIPPER SWITCH ARMS | | |
|---------------------|----------------|---------------|
| Adams part no. | Description | Otis part no. |
| O840H1 | Arm w/pin only | 287H1 |
| O840H2 | Arm w/pin only | 287H2 |

Used with O841BCseries mechanical switches, page 293.

| MECHANICAL SWITCH ARMS | | |
|------------------------|--------------------|---------------|
| Adams part no. | Description | Otis part no. |
| O840BA3 | Arm w/pin only | 287BA3 |
| O840BA4 | Arm w/pin & roller | 287BA4 |



Used with O841Aseries floor stop switches, page 292.

| FLOOR STOP SWITCH ARMS | | |
|------------------------|--------------------|---------------|
| Adams part no. | Description | Otis part no. |
| O840E2 | Arm w/pin & roller | A287E2 |

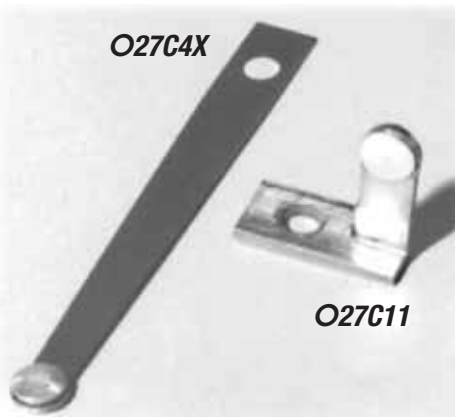
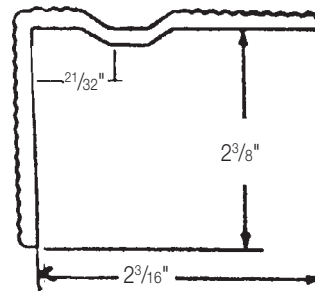
| REPLACEMENT CONTACTS | | |
|----------------------|-------------------------------------|---------------|
| Adams part no. | Description | Otis part no. |
| O27C4X | Leaf spring contact with double tip | 150H2 |
| O27C11 | Stationary contact with silver tip | 150H4 |

ALSO AVAILABLE...

DOOR EDGE SIGHT GUARD

| Adams part no. | Description | Otis part no. |
|----------------|----------------------------------|---------------|
| O897F1 | Car door faceplate, female; 15"L | — |
| O897F2* | Car door faceplate, female; 69"L | — |

*For O897F2 only, two females fit together.
NOTE: These edges are for door operator 6970A. They are unmilled and undrilled.



Here is a comprehensive listing of replacements for Otis door edge sight guards (also known as door shields and door faceplates), for hoistway and car doors.

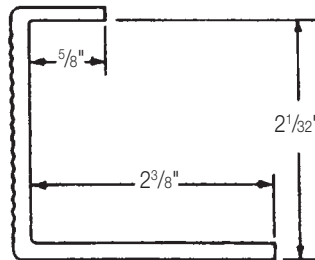
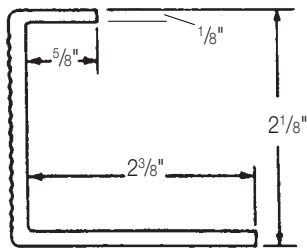
Tough, impactresistant Butyrate plastic is extruded to form Adams replacement edges. We ship our edges without predrilled mounting holes, permitting installers to customfit each edge right on the job.

Wide and narrowribbed models are identifiable by their part num-

bers: O890, O891, & O892 series have wide ribs; O893 series has narrow ribs with $\frac{3}{32}$ " between crowns.

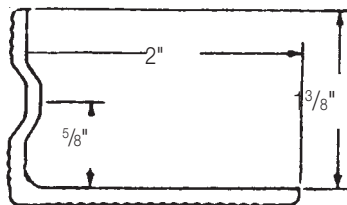
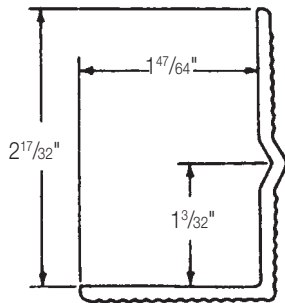
Other models include O896series for Otis Type 6970 door operator installations; O897series for Otis Type 6970A; O895 for Otis Type AB.

Refer to the drawings and tables for accurate dimensions and Otis part numbers. Views are all cross sections and *not to scale*.



| Adams part no. | Description | Otis part no. |
|----------------|-----------------------------------------------------------|---------------|
| O890R | Hoistway door shield, RH; 84"L, face milled for floor no. | 278BG2 |
| O890L | Same as O890R, LH (shown) | 278BG3 |
| O890R1 | Same as above, 83 1/2"L; RH | 278BG10 |
| O890L1 | Same as O890R1, LH (shown) | 278BG11 |

| Adams part no. | Description | Otis part no. |
|----------------|----------------------------------------------------|---------------|
| O893R | Hoistway door shield, RH; 84"L, narrow rib, milled | 278BG2 |
| O893L | Same as above, LH (shown) | 278BG3 |

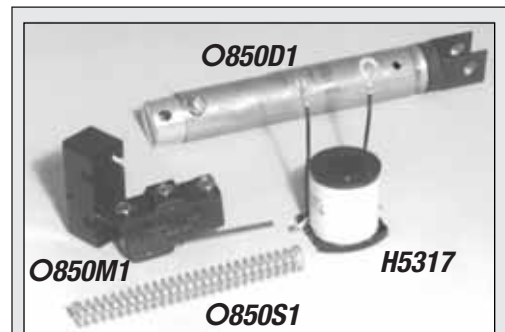


| Adams part no. | Description | Otis part no. |
|----------------|------------------------------------|---------------|
| O892M1 | Car door faceplate, male; 15 1/4"L | 147FB1 |
| O892M2 | Car door faceplate, male; 68 3/4"L | 147EY1 |

| Adams part no. | Description | Otis part no. |
|----------------|--------------------------------------|---------------|
| O896F1 | Car door faceplate, female; 14 1/4"L | — |
| O896F2 | Car door faceplate, female; 69 3/4"L | — |

NOTE: These edges are for door operator 6970. They are unmilled and undrilled.

SAFETY EDGE REPLACEMENT PARTS



O850SERIES COMPONENTS

| Adams part no. | Description | Otis part |
|----------------|------------------------|-----------|
| O850M1 | Microswitch | 177AR1 |
| O850D1 | Dash pot (door check) | 6168F1 |
| O850S1 | Spring, 4 1/4"L x 1/2" | 90HB11 |
| H5317 | Coil | 222CY1 |

O855 SERIES COMPONENTS

| Adams part no. | Description | Otis part no. |
|----------------|---------------------------------------------|---------------|
| O461A2 | Single BREAK switch (see photo on page 270) | 7035A25 |
| O855L3 | Retracting assembly, LH | — |
| O855R3 | Retracting assembly, RH | — |



RIGHTHAND VS. LEFTHAND

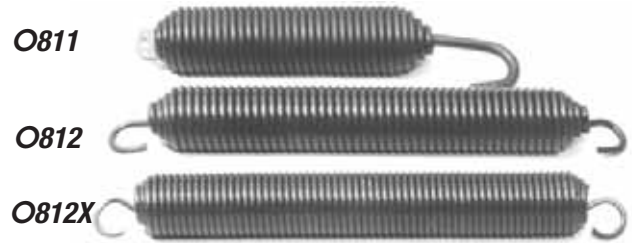
Standing inside the car and facing the hall,

LH door opens to the LEFT

RH door opens to the RIGHT

Replacement extension, compression, & torsion springs

| HEAVYDUTY EXTENSION SPRINGS | | | | | |
|-----------------------------|----------------------------------------------------------------------------------------|----------------------------------|--------------|---------------|--|
| Adams part no. | Description | Wire dia. | Active turns | Otis part no. | |
| O811 | 1 ⁵ / ₈ " dia. x 9"L, with hook and link | 1 ¹ / ₈ " | 31 | 91T8 | |
| O812 | 1 ¹ / ₂ " dia. x 10"L, with hook at each end; black oxide finish | 3 ¹ / ₁₆ " | 51 | 91AE1 | |
| O812X | 1 ³ / ₈ " dia. x 10"L, with hook at each end; black oxide finish | 0.148 | 60 | 91W2 | |



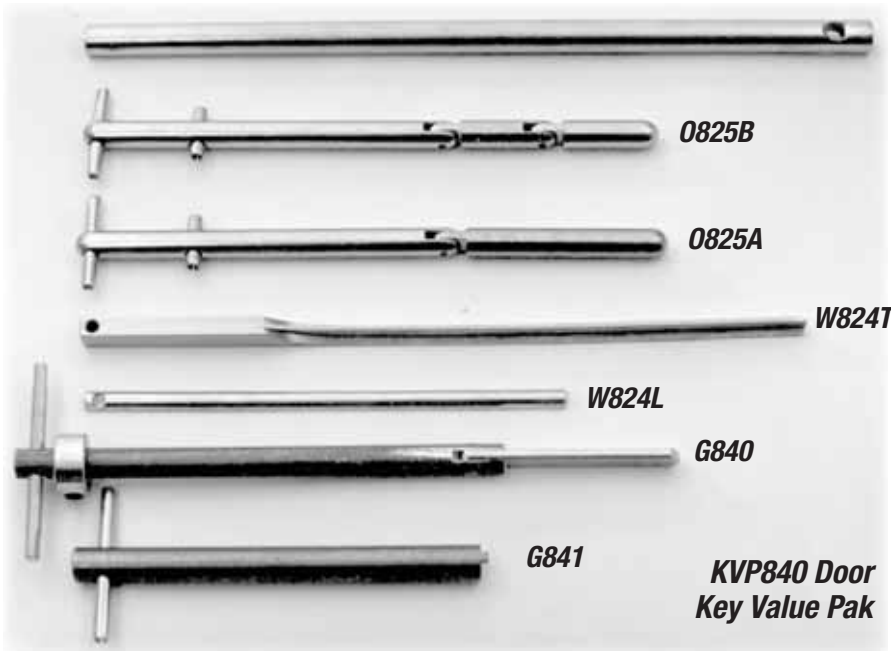
| Adams part no. | O.D. | Length | Wire dia. | Active turns | Otis part no. |
|----------------------------|-------------------------------------------------------------------------------|---------------------------------------------------------------------------------------------------------------------------|-----------|--------------|---------------|
| EXTENSION SPRINGS | | | | | |
| O24S1 | 1 ⁷ / ₆₄ " | 2 ¹ / ₃₂ " coiled; 1 ⁵ / ₃₂ " overall w/2 ¹ / ₄ " loops | 0.018" | 30 | 91B1 |
| O850S1 | 3 ¹ / ₆₄ " | 4 ¹ / ₄ " | 0.055" | 32 | 90HB11 |
| COMPRESSION SPRINGS | | | | | |
| O21S1 | 1 ¹ / ₃₂ " | 1" | 0.022" | 10 | 90LA4 |
| O21S2 | 3 ³ / ₈ " | 2 ⁷ / ₃₂ " | 0.025" | 7 | 90TA6 |
| O21S4 | 1 ⁹ / ₆₄ " | 9 ¹ / ₁₆ " | 0.020" | 7 | 90KA3 |
| O22S1 | 5 ⁵ / ₁₆ " | 5 ⁷ / ₆₄ " | 0.025" | 6 | 90TA3 |
| O22S2 | 2 ¹ / ₆₄ " | 1 ¹ / ₁₆ " | 0.029" | 9 | 90VA16 |
| O22S3 | 1 ⁵ / ₃₂ " | 1 ¹ / ₈ " | 0.047" | 6 1/2 | 90EB5 |
| O22S4 | 5 ⁵ / ₁₆ " | 3 ⁹ / ₆₄ " | 0.041" | 7 | 90BB19 |
| O22S5 | 1 ¹ / ₄ " | 5 ⁵ / ₁₆ " | 0.021" | 3 | 90LA11 |
| O22S6 | 2 ¹ / ₆₄ " | 2 ⁵ / ₃₂ " | 0.035" | 7 | 90YA25 |
| O22S7 | 1 ¹ / ₂ " | 1" | 0.065" | 7 | 90KB14 |
| O22S8 | 5 ⁵ / ₁₆ " | 1 ³ / ₁₆ " | 0.029" | 9 | 90VA15 |
| O22S9 | 1 ⁷ / ₆₄ " | 9 ¹ / ₁₆ " | 0.024" | 5 | 90PA4 |
| O23S1 | .523" ±.009" | 1 ¹ / ₈ " | 0.042" | 8 | 90DB4 |
| O23S2 | .510" ±.010" | 1 ¹ / ₈ " | 0.035" | 6 | 90YA13 |
| O23S3 | .580" ±.005" | 1 ¹ / ₁₆ " | 0.041" | 9 | 90BB8 |
| O293S1 | 2 ¹ / ₃₂ " | 1 ¹ / ₄ " | 0.033" | 4 | 90XA14 |
| O370S1 | 1 ⁹ / ₆₄ " | 1 ³ / ₁₆ " | 0.013" | 11 | 90GA2 |
| O375S1 | 9 ⁹ / ₃₂ " | 1 ⁵ / ₁₆ " | 0.022" | 7 | 90LA5 |
| O454 | 1 ³ / ₁₆ " | 1" | 0.035" | 2 | 90YA26 |
| O461S1 | 9 ⁹ / ₃₂ " | 5 ⁵ / ₈ " | 0.020" | 6 | 90KA |
| O461S2 | 9 ⁹ / ₃₂ " | 5 ⁵ / ₈ " | 0.020" | 6 | 90KA5 |
| O480S1 | 1 ¹ / ₂ " to 1 ⁵ / ₆₄ " | 3 ³ / ₄ " | 0.020" | 6 | 90WE14 |
| O572S | 1 ⁵ / ₈ " | 1 ¹ / ₂ " | 0.080" | 2 | 90SB7 |
| O573B* | 1.702" ±.015" | 1 ³ / ₈ " | 0.071" | 3 | 90MB4 |
| O573S | 1.702" ±.015" | 1 ³ / ₈ " | 0.071" | 3 | 90MB4 |
| O575 | 1.550" ±.015" | 1 ¹ / ₈ " | 0.067" | 2 1/2 | 90LB1 |
| O576 | 1.080" ±.015" | 1" | 0.041" | 2 | 90BB3 |
| O577 | 1.136" ±.015" | 1" | 0.037" | 1 1/2 | 90AB8 |
| O807 | 1 ¹ / ₁₆ " | 1 ⁵ / ₈ " | 0.055" | 7 | 90HB9 |
| O816S1 | 2 ³ / ₆₄ " | 4 ³ / ₈ " | 0.041" | 42 | 90BB14 |
| O831S1 | 1 ¹ / ₃₂ " | 1 ¹ / ₁₆ " | 0.029" | 10 | 90VA8 |
| O852S1 | 7 ¹ / ₁₆ " | 2 ³ / ₄ " | 0.047" | 26 | 90EB16 |
| TORSION SPRINGS | | | | | |
| O700S1 | 2 ³ / ₃₂ " | 5 ⁵ / ₈ " | 0.078" | 6 1/4 | 92A4 |
| O806R1 | 1 ²⁵ / ₃₂ " x 1 ¹ / ₁₆ " wide, RH | | 0.0915" | 9 1/4 | 92AG1 |
| O806L1 | Same as above, LH | | 0.0915" | 9 1/4 | 92AG3 |
| O809R1 | 1 ¹⁵ / ₁₆ " x 5 ⁵ / ₈ " wide, RH | | 0.062" | 8 3/4 | A92AG1 |
| O809L1 | Same as above, LH | | 0.062" | 8 3/4 | A92AG2 |



* Same as O573S, except made from brass.

Hoistway Emergency Door Keys

New key Value Pak unlocks the door(s) to efficiency



0825C

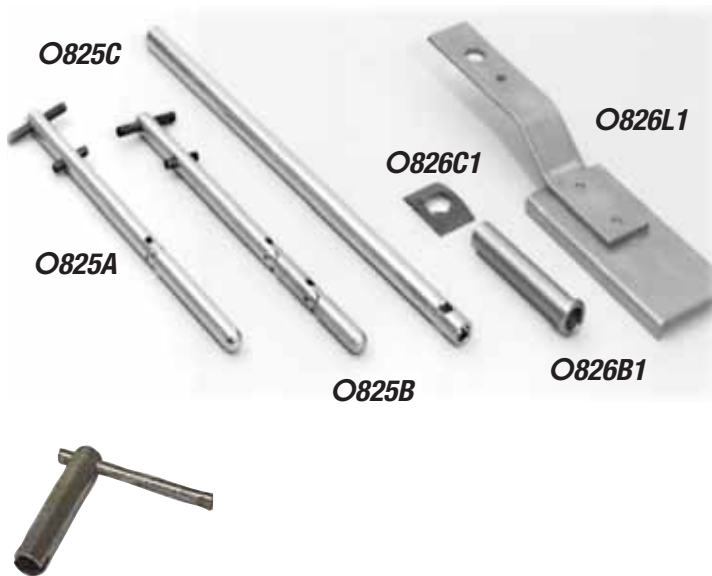
Door Key Value Pak

Put every door key you'll ever need into your toolbox...and save compared to the cost of buying them individually.

This sevenpiece Value Pak includes keys for Dover, GAL, Otis, and Westinghouse. Helps you streamline every service route by equipping each mechanic for the unexpected.

KVP840 Key Value Pak opens doors to increased productivity.

KVP840 Door Key Value Pak



**199015
Otis
Car Door Key**

HOISTWAY EMERGENCY DOOR KEYS

| Adams part no. | Description | Otis part no. |
|----------------|--------------------------------------------|---------------|
| 0825A | Emergency door key, twosection | 194AD3 |
| 0825B | Emergency door key, threesection, 7.593" L | 194AD7 |
| 0825C | Emergency door key, lunar; 10 1/2"L | 194AD2 |
| 199015 | Car Door Key | — |

HOISTWAY DOOR EMERGENCY KEY DEVICE

| Adams part no. | Description | Otis part no. |
|----------------|----------------------------------------------------------------------|---------------|
| 0826B1 | Stainless steel escutcheon, 2 3/4"L x 1 1/2" dia.*, Lip 5/8" dia. | 321CV1 |
| 0826C1 | Push nuts, 10/pkg.; (1 incl. w/0826B1) | 72CE9 |
| 0826L1 | Lever | — |
| 0826K1 | Emergency kit, complete; one of each, above | 288LS1 |

*Includes one (1) push nut as shown; replacements available (0826C1), 10/pkg.

Quality forged into every contact

At Adams, we machine our own copper contacts from copper forgings, a process that improves conductivity and minimizes arc and burnout.

Forged under tremendous pressures, the maximum amount of metal possible is pressed into the space available. This produces highdensity contacts of exceptional strength.

Our contacts are machined to fine tolerances for a true flat contact plane.

The crossreference table at right lists each Adams replacement contact and the related accessory components. Please refer to this table for ordering.

| COPPER CONTACTS AND RELATED COMPONENTS | | | | | | | | |
|----------------------------------------|-------------------|---------|-----------|--------|--------|------|---------------|----------------|
| Adams part no.* | Otis part no.* | Carbon | Insulator | Spring | Washer | Nut | Carbon holder | Distance piece |
| O1 | 1189 | CX31C9 | L7 | O576 | O554 | O557 | | |
| O2 | 113903 | CX31C15 | | | | | | |
| O3 | 1191 | CX31C15 | L7 | O576 | O554 | | | |
| O4 | 114228 | CX31C15 | | | O554 | | O108 O108 | |
| O5 | 1558 | CX31C21 | | | | | | |
| O7 | 1561 | CX31C22 | L3, L10 | | | | | |
| O8 | 1387 | CX29C4 | | | | | | |
| O9 | 1383 | CX29C4 | | | | | | |
| O11 | 1559 | CX31C22 | L3, L10 | | | | | |
| O12 | 1555 | CX31C20 | L4, L10 | O573S | | | | |
| O15 | 1374 | CX29C3 | | | | | | |
| O16 | 13234 | CX31C21 | L5 | O573S | | | | |
| O17 | 106569 | CX31C19 | L17, L18 | O576 | O554 | O557 | O102 | O192 |
| O18 | 13417 | CX31C20 | L5 | O573S | | | | |
| O19 | 106578, 106571 | CX31C1 | L21 | | O551 | | | |
| O32 | 1528 | | | | | O557 | | |
| O33 | | | | | | | | |
| O35 | 1493 | | | | | O557 | | |
| O39 | 107042 | | | | | O551 | | |
| O42 | 112000 | CX31C2 | | | O550 | O559 | | |
| O45 | 1539 | CX31C8 | L18 | O576 | | | O119 | |

* Copper contact part no. only

| Adams part no. | Contact head | | Overall stem length | Stem, smooth | | Stem, threaded | |
|----------------|--------------|-------|-----------------------------------|--------------|----------------------------------|----------------|----------------------------------|
| | Dia. | Thick | | Dia. | Length | Thread | Length |
| O1 | 7/8" | 1/4" | 2 ³ / ₈ " | 7/16" | 1 ³ / ₈ " | 5/16-18 | 1" |
| O2 | 1 1/8" | 1/4" | 1 ⁵ / ₁₆ " | — | 1/8" | 3/8-16 | 1 ³ / ₁₆ " |
| O3 | 1 1/8" | 1/4" | 2 ⁷ / ₁₆ " | 7/16" | 1 ⁵ / ₁₆ " | 5/16-18 | 1 1/8" |
| O4 | 1 1/8" | 1/4" | 2 ³ / ₁₆ " | 7/16" | 1" | 5/16-18 | 1 ³ / ₁₆ " |
| O5 | 2 1/2" | 3/8" | 1 ¹⁵ / ₁₆ " | — | 5/16" | 1/2-13 | 1 ⁵ / ₈ " |

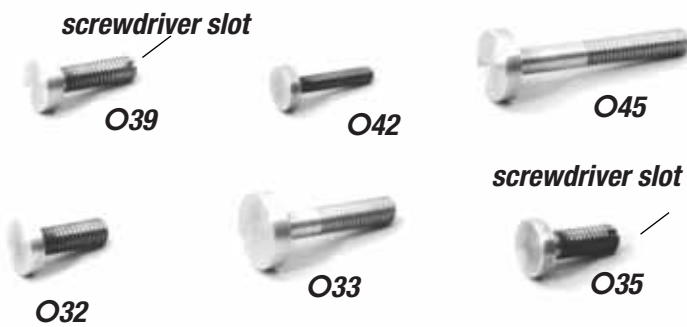


| Adams part no. | Contact head | | Overall stem length | Stem, smooth | | Stem, threaded | |
|----------------|--------------|-------|-----------------------------------|--------------|-----------------------------------|----------------|----------------------------------|
| | Dia. | Thick | | Dia. | Length | Thread | Length |
| O7 | 2 1/2" | 3/8" | 2 ¹³ / ₁₆ " | 5/8" | 1 ¹¹ / ₁₆ " | 1/2-13 | 1 1/4" |
| O8 | 2" x 1 1/2" | 3/8" | 2 ⁹ / ₁₆ " | 1/2" sq. | 3/8" | 1/2-13 | 2 ³ / ₁₆ " |
| O9 | 2" x 1 1/2" | 3/8" | 1 ¹¹ / ₁₆ " | 1/2" sq. | 3/8" | 1/2-13 | 1 ⁵ / ₁₆ " |
| O11 | 2 1/2" | 3/8" | 3 1/2" | 5/8" | 2" | 1/2-13 | 1 1/2" |
| O12 | 2" | 3/8" | 3 ⁵ / ₁₆ " | 5/8" | 1 ⁷ / ₈ " | 1/2-13 | 1 ⁷ / ₁₆ " |





| Adams part no. | Contact head | | Overall stem length | Stem, smooth | | Stem, threaded | |
|----------------|--------------|-------|---------------------|--------------|--------|----------------|--------|
| | Dia. | Thick | | Dia. | Length | Thread | Length |
| O15 | 1½" sq. | ⅜" | 2¼" | ½" sq. | 7/16" | ½13 | 1⅝" |
| O16 | 2¼" | ⅜" | 27/8" | ½" | 1¾" | ⅜16 | 1½" |
| O17 | 1¾" | ⅜" | 29/16" | 7/16" | 15/16" | 5/1618 | 1¼" |
| O18 | 2" | ⅜" | 27/8" | ½" | 1¾" | ⅜16 | 1⅛" |
| O19 | ⅝" | ⅜16" | 1½" | 3/16" | ¾" | ½24 | ¾" |



| Adams part no. | Contact head | | Overall stem length | Stem, smooth | | Stem, threaded | |
|----------------|--------------|-------|---------------------|--------------|---------|----------------|---------|
| | Dia. | Thick | | Dia. | Length | Thread | Length |
| O32 | ¾" | 3/16" | 1 1/16" | 5/16" | 1/16" | ⅜16 | 1" |
| O33 | 1" | ¼" | 1¾" | ⅜" | 1 1/16" | ⅜16 | 1 1/16" |
| O35 | ¾" | 3/16" | 1 1/16" | — | 3/16" | ⅜16 | 7/8" |
| O39 | ¾" | ¼" | 1¼" | — | 1/8" | ⅜16 | 1 1/8" |
| O42 | 5/8" | 3/16" | 1¼" | ¼" | 1/8" | ¼20 | 1 1/8" |
| O45 | 1" | ¼" | 2 5/8" | ⅜" | 1½" | ⅜16 | 1 1/8" |

*Screwdriver slot in end of threaded stem.



| Adams part no. | Description | Otis part no. |
|----------------|-------------------------------------------------------------------|---------------|
| O68 | Copper finger for starter | 137709 |
| O69 | Copper contact for starter; 1 1/8" wide x 1 1/16"L with 3/8" hole | 137727 |
| O78 | Copper angle, 1 1/8" x 7/8" x 3/4" wide; 1/4" thick | 134514 |

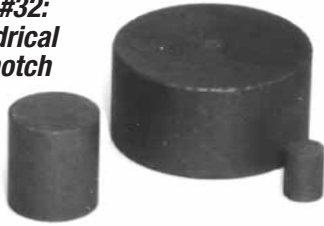
You can buy the frequently used copper/carbon combo of **O16** (above) and **CX31C21** (on next page) in convenient paks of 50 each.

OVP2801. 50 ea. O16 & CX31C21.



Carbon Contacts

Style #32: Cylindrical w/o notch



Style #29: Trapezoidal w/ notch & chamfered bottom edges



Style #36: Trapezoidal w/notch & chamfered bottom edges



Style #31: Cylindrical w/notch



Style #33: Cylindrical w/45° chamfered edges



Style #35: Cylindrical w/45° chamfered edges



| CARBON STYLE #32 | |
|------------------|-------------------|
| Adams part no. | Diameter x Length |
| CX32C1 | 1/2" x 5/8" |
| CX32C2 | 1/2" x 7/8" |
| CX32C3 | 1/2" x 3/4" |
| CX32C4 | 3/4" x 3/4" |
| CX32C5 | 3/4" x 7/8" |
| CX32C6 | 3/4" x 1" |
| CX32C7 | 3/4" x 1 1/2" |
| CX32C8 | 7/8" x 3/4" |
| CX32C9 | 7/8" x 7/8" |
| CX32C11 | 7/8" x 1 1/2" |
| CX32C12 | 1" x 5/8" |
| CX32C13 | 1" x 3/4" |
| CX32C15 | 1" x 1" |
| CX32C16 | 1 1/8" x 1 1/4" |
| CX32C17 | 1 1/4" x 1" |
| CX32C18 | 1 1/4" x 1 1/2" |
| CX32C19 | 1 1/4" x 1 5/8" |
| CX32C20 | 1 1/4" x 2" |
| CX32C21 | 1 1/2" x 3/4" |
| CX32C22 | 1 1/2" x 1" |
| CX32C23 | 1 1/2" x 1 1/4" |
| CX32C24 | 1 1/2" x 1 5/8" |
| CX32C25 | 1 1/2" x 2" |
| CX32C26 | 2" x 1" |
| CX32C27 | 2" x 1 1/16" |
| CX32C28 | 2" x 1 1/4" |
| CX32C29 | 2" x 1 1/2" |
| CX32C30 | 2" x 1 5/8" |
| CX32C32 | 2 1/2" x 1 1/4" |

| CARBON STYLE #31 | |
|------------------|-------------------|
| Adams part no. | Diameter x Length |
| CX31C1 | 1/2" x 1/2" |
| CX31C2 | 1/2" x 3/4" |
| CX31C3 | 1/2" x 1" |
| CX31C4 | 5/8" x 1/2" |
| CX31C5 | 5/8" x 5/8" |
| CX31C6 | 5/8" x 3/4" |
| CX31C7 | 5/8" x 1" |
| CX31C8 | 3/4" x 3/4" |
| CX31C9 | 3/4" x 7/8" |
| CX31C10 | 3/4" x 1" |
| CX31C11 | 3/4" x 1 1/2" |
| CX31C12 | 7/8" x 3/4" |
| CX31C13 | 7/8" x 7/8" |
| CX31C15 | 1" x 3/4" |
| CX31C16 | 1" x 7/8" |
| CX31C17 | 1" x 1" |
| CX31C18 | 1" x 1 3/16" |
| CX31C19 | 1 1/2" x 3/4" |
| CX31C20 | 1 3/4" x 1 3/8" |
| CX31C21 | 2" x 1 1/16" |
| CX31C22 | 2 1/4" x 1 3/8" |

| CARBON STYLE #29 & #36 | | | | |
|------------------------|------------------|-------------------|-------|------------------------------------|
| Adams part no. | Dimensions | | | Edge shape |
| | Top | Bottom | Thick | |
| CX29C1 | 15/16" x 1 3/16" | 1 3/16" x 1 3/16" | 3/4" | Square on top, chamfered on bottom |
| CX29C2 | 1" x 2" | 1 7/16" x 2" | 1" | |
| CX29C3 | 1 1/2" x 1 1/2" | 2" x 1 1/2" | 1" | |
| CX29C4 | 1 1/2" x 2" | 2" x 2" | 1" | |
| CX29C5 | 2" x 2" | 2 1/2" x 2" | 1" | |
| CX36C2 | 1" x 1" | 1 1/4" x 1" | 7/8" | |
| CX36C5 | 2" x 1 1/2" | 2 1/2" x 1 1/2" | 1" | |

| CARBON STYLE #33 | |
|------------------|-------------------|
| Adams part no. | Diameter x Length |
| CX33C1 | 5/8" x 2" |
| CX33C2 | 7/8" x 1 1/2" |

| CARBON STYLE #35 | |
|------------------|-------------------|
| Adams part no. | Diameter x Length |
| CX35C3 | 3/4" x 1" |
| CX35C5 | 1 1/2" x 2 1/2" |

SEE TABLE ON PAGE 298

FOR LIST OF MATCHING COMPONENTS.

Carbon Holders



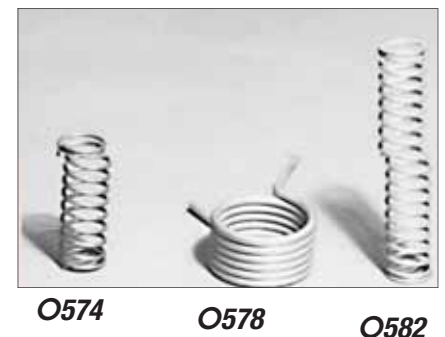
| CARBON HOLDERS | | | |
|----------------|-------------|------------------------------|----------------|
| Adams part no. | Carbon size | Stem dia. x length | Otis part no. |
| O119 | 5/8" dia. | 1/4" x 1 1/4", 1/420 threads | 141436 |
| O101 | 1" dia. | 3/8" x 2" | 103623 |
| O102 | 1 1/2" dia. | 3/8" x 1 1/4" | 105936 |
| O100 | 2" dia. | 1/2" x 1 3/4" | 108713 |
| O108 | 2 1/4" dia. | 5/8" x 3 5/8" | 106183, 106184 |

| CARBON STARTER, CARBON HOLDER | | |
|-------------------------------|-------------------------------------------------------------------------|---------------|
| Adams part no. | Description | Otis part no. |
| O138 | Carbon starter for O68 copper contact | 137726 |
| O150 | Carbon holder w/carbon; 1 1/2" x 1 1/2" face; holes 2" center to center | 4SW3 |

| DISTANCE PIECES | | | | | | | |
|-----------------|------|--------|--------|--------|----------|--------|----------------|
| Adams part no. | Hex | | Stem | | Head tap | | Otis part no. |
| | Dia. | Length | Thread | Length | Thread | Depth | |
| O190 | 1" | 2 1/8" | 5/811 | 3 1/2" | 5/811 | 1 3/4" | 127782 |
| O191 | 7/8" | 1 5/8" | 1/213 | 3 1/2" | 1/213 | 1 1/2" | 126229 |
| O192 | 5/8" | 1" | 3/816 | 3 1/4" | 3/816 | 1" | 127850, 118716 |

Washers, Nuts & Springs

| WASHERS, NUTS & SPRINGS | | | |
|-------------------------|-----------------------------|----------------------------------|---------------|
| Adams part no. | Type of part | Description | Otis part no. |
| O550 | Copper washers | 9/16" OD copper washer | 127F17 |
| O551 | | 3/4" OD copper washer | 127F12 |
| O554 | | 3/4" OD x 9/16" ID copper washer | 127F48 |
| O555 | Nuts | 5/811 brass jam hex nut | 68A6 |
| O556 | | 1/213 brass jam hex nut | 68A5 |
| O557 | | 3/816 brass jam hex nut | 68A3 |
| O559 | | 1/420 brass jam hex nut | 68A9 |
| O571 | Springs | Bronze hour glass spring | — |
| O574 | | Compression spring, 1 1/2"L | — |
| O575 | | Compression spring, 1 1/8"L | 90LB1 |
| O576 | | Compression spring, 1"L | 90BB1 |
| O577 | | Compression spring, 1"L | 90AB8 |
| O578 | | Steel spring for Type G switch | 92Y1 |
| O582 | Compression spring, 2 3/4"L | — | |
| O584 | Compression spring, 2 1/4"L | 90JB13 | |





Insulators

BAKELITE BUSHINGS WITH BRASS SLEEVES

| Adams part no. | Base (dia. x thick.) | Shoulder (dia. x thick.) | Stem Bore | Brass sleeve | Used with Adams copper contacts | Otis part no. |
|----------------|----------------------|--------------------------|--------------------------|--------------|---------------------------------|---------------|
| L3 | 2 1/2" x 1/4" | 1 5/16" x 1/8" | 1 15/16" L x 27/32" dia. | 5/8" dia. | ✓ | O7, O11 |
| L4 | 2" x 1/4" | 1 3/8" x 1/8" | 1 15/16" L x 27/32" dia. | 5/8" dia. | ✓ | O12 |
| L5 | 2 1/4" x 1/4" | 1 5/16" x 1/8" | 1 3/16" L x 27/32" dia. | 1/2" dia. | ✓ | O16, O18 |
| L7 | 1 1/2" x 3/16" | 1 5/16" x 1/16" | 1 5/16" L x 21/32" dia. | 7/16" dia. | ✓ | O1, O3 |
| L17 | 1 3/4" x 3/16" | 1" x 1/16" | 7/8" L x 21/32" dia. | 7/16" dia. | ✓ | O17 |
| L21 | 1 5/16" x 1/8" | 3/4" x 1/16" | 1/2" L x 1/2" dia. | 5/16" dia. | ✓ | O18 |

WASHERS

| Adams part no. | Material | Dimensions | Bore | Counterbore | Used with Adams copper contacts | Otis part no. |
|----------------|---------------------|--------------------------|------------|-----------------------|---------------------------------|---------------|
| L10 | Canvasbase phenolic | 1 1/2" dia. x 1/4" thick | 5/8" dia. | 7/8" dia. x 1/8" deep | O7, O11, O12 | 10758 |
| L18 | Bakelite | 1 1/4" dia. x 1/4" thick | 7/16" dia. | 7/8" dia. x 1/8" deep | O17, O45 | 807927 |
| L27 | Fibre | 1" dia. x 1/8" thick | 3/8" dia. | n/a | — | 10793 |

Rail Gibs

For heavyduty passenger or freight installations, milled and machined rail gibs.

Each gib has special features which give it unique operating properties.

O908 has verticalribbed heavyduty sidewalls and is smoothly machined to permit easy rail glide.

O909A and O909B are made from Zamak12™ easyglide rustproof alloy, and are milled to minimize rail resistance in freight installations.

And **O910** combines a low profile with extra length for low friction and maximum bearing surface.

Packed and shipped in oil to prevent corrosion.

Heavyduty cast iron rail gibs from Adams stand up to the rigors of heavy daily elevator use



| Adams part no. | Rail type | Dimensions | | | |
|----------------|--------------------------|------------|----------|--------|-------------|
| | | Length | Width | Height | Slot (DxW) |
| O908 | Main rail gib, cast iron | 8 1/2" | 1 11/16" | 1 1/2" | 1" x 5/8" |
| O909A | Highspeed rail, Zamak12 | 12" | 2 5/16" | 2 1/2" | 2" x 1 1/4" |
| O909B | Highspeed rail, Zamak12 | 8 1/2" | 2 5/16" | 2 1/2" | 2" x 1 1/4" |
| O910 | Bottom shoes, cast iron | 12" | 1 11/16" | 1 1/2" | 1" x 5/8" |

Waffletruss design rail gibs for longer lasting Rail Gibs

We strengthened the side walls with a powerhouse design, using two polymer materials with just the right performance characteristics. . .and our superperforming gibs are priced far less than you'd expect.

We call our design "waffletruss" reinforcing. It's similar to the design used to strengthen railroad trestles. Horizontal and vertical support members are molded right into each gib. Each member resists compression and torsion for smooth gliding along the guide rail.

Crisscross "waffle truss" gives Adams rail gibs the strength they need to outlast and outperform ordinary gibs

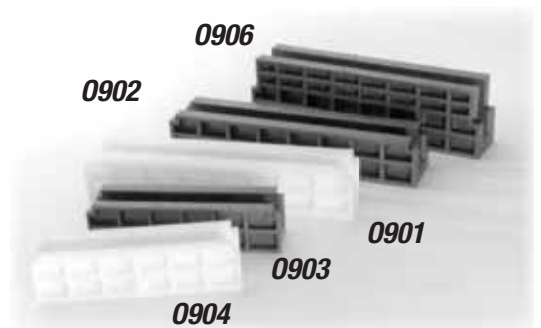


ZYTEL™ NYLON™ GIVES EXCELLENT SERVICE

Each gib is available in your choice of two outstanding polymer products. The white gibs are made from DuPont Zytel Nylon. Zytel gibs run quietly and absorb shock and vibration, and its lowfriction properties promote cool running, long life.

CHOOSE NYLATRON™ FOR BEST PERFORMANCE

If you believe that elevators should be seen and not heard, then Nylatron gibs should be on your shopping list. Black Nylatron (from The Polymer Corporation) generates 20% lower friction than its Zytel cousin. This highperforming material will outlast Zytel by up to 50% because it's got a lubricant impregnated right into the polymer. **This means that if normal lubricating service is interrupted, the Nylatron gibs will run dry for a limited time on their own lubricant...until additional lubricant can be applied...without damage to the gib or the rail.**



| RAIL GIBS ORDERING INFORMATION | | | | | | | | | | |
|--------------------------------|----------|----------|------------|----------|--------|---------------|------------|-------|---------|--------|
| Adams part no. | Type | Material | Dimensions | | | | OEM part # | | | |
| | | | Length | Width | Height | Slot (DxW) | Dover | Epcoc | Esco | Otis |
| 0901 | 8# rail | Nylon | 8½" | 1 11/16" | 1 1/2" | 1" x 5/8" | 9233905 | R | 3046006 | 380AJ1 |
| 0902 | 8# rail | Nylatron | 8½" | 1 11/16" | 1 1/2" | 1" x 5/8" | | RG | | |
| 0903 | 8# rail | Nylon | 5½" | 1 3/8" | 1 3/8" | 1" x 5/8" | | W | | |
| 0904 | 8# rail | Nylatron | 5½" | 1 3/8" | 1 3/8" | 1" x 5/8" | | WG | 3046019 | 380AP1 |
| 0906 | 15# rail | Nylatron | 8½" | 1 11/16" | 2 3/8" | 1 7/8" x 5/8" | | RHG | | 380AH1 |

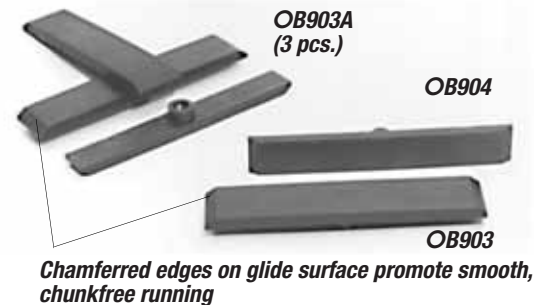
NYLATRON® GUIDE SHOES

Adams manufactures these direct replacements for Britishtype rail gibs, made from selflubricating Nylatron.

Blackcolored Nylatron is impregnated with molybdenum that permits temporary dry running with safety. Nylatron has 20% less friction than conventional Nylon®, and has 50% greater wear capacity. Its stiffness, hardness and abrasion resistance are superior.

Our Britishtype gibs are used throughout the U.K., in Europe, and in some U.S. elevator installations.

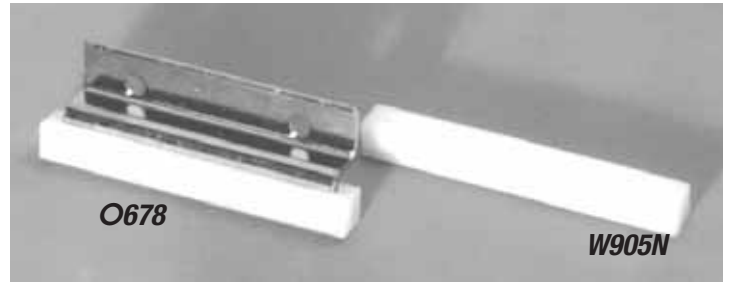
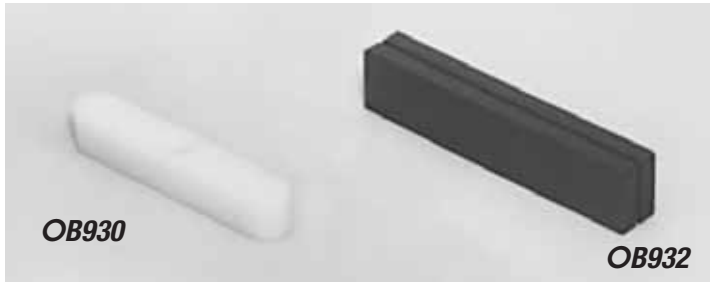
Order replacement gibs individually, or in convenient, moneysaving sets of three. See table below to order.



| GUIDE SHOES (INDIVIDUAL AND SETS) | | | | |
|-----------------------------------|------------------------------------|-------|---------|------|
| Adams part no. | Dimensions | | | |
| | Length | Width | | |
| OB901 | 4 11/16" | 119mm | 3 1/32" | 25mm |
| OB902 | 4 11/16" | 119mm | 5/8" | 16mm |
| OB903 | 5 29/32" | 151mm | 1 3/16" | 30mm |
| OB904 | 5 29/32" | 151mm | 25/32" | 19mm |
| OB901A | Contains 2 pc. OB902, 1 pcs. OB901 | | | |
| OB903A | Contains 2 pcs. OB903, 1 pc. OB904 | | | |



Nylatron—Reg. TM The Polymer Corporation



DOOR GIBS

Nylon and Nylatron replacements for Britishtype door gibs are in stock and available from Adams. Three types.

| BRITISHTYPE DOOR GIBS | | | | | |
|-----------------------|----------|------------|------|--------|------|
| Adams part no. | Material | Dimensions | | | |
| | | Length | | Width | |
| OB930 | Nylon | 27/8" | 73mm | 15/32" | 12mm |
| OB932 | Nylatron | 31/2" | 89mm | 1/2" | 12mm |

NYLON DOOR GUIDE

Use this steel & nylon assembly for current model passenger and freight elevators. Steel mounting clip is offset 1/2" with 21/8" mounting hole centers; overall 7/16" x 7/16" x 4". Direct replacement for spring-loaded door guide. Replaces Otis part no. VP869750.

O678 Nylon door guide, complete.

W905N Replacement nylon guide (Otis part no. 237GAN).

MISCELLANEOUS DOOR GUIDE ACCESSORIES



251BJ1
Otis
Gib Insert



385B1
Otis
Door Gib Insert



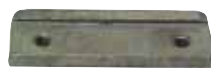
380BS2
Otis
Door Gib Insert
6.32"L x 1.00"W x .50"D



380Av1
Otis
Rail Gib



470P2
Otis
Guide Shoe



470P1
Otis
Guide Shoe,
3.5" Hub, 2.49" Bore



6884
Otis
Shoe



7593B3
Otis
Door Guide



7593B2
Otis
Door Gib Assy
8" L x 1.25"W



7593B4
Otis
Door Gib Assy
8" L x 1.20"W



A8111B3
Group function board



B8111A3
Group zone function board



A8110A1
Floor function board



A8110A5
Floor function board

| GROUP FUNCTION | |
|----------------|--------------------------------|
| Part No. | Description |
| A8111B3 | Group function board |
| A8111B4 | Group function board |
| A8111B7 | Group function board |
| B8111A1 | Group zone function board |
| B8111A3 | Group zone function board |
| B8111C1 | Group zone function board |
| B8111C2 | Otis printed circuit board 792 |
| B8111C3 | Group zone function board |

| FLOOR FUNCTION | |
|----------------|----------------------|
| Part No. | Description |
| A8110A1 | Floor function board |
| A8110A3 | Floor function PCB |
| A8110A4 | Floor function board |
| A8110A5 | Floor function board |



A8121D2
Otis relay driver



A8121D1
Otis relay driver



A8121AL24
Timer printed circuit board



A8121AL2
Timer printed circuit board

| RELAY DRIVER | |
|----------------|-----------------------------------------|
| Part No. | Description |
| A8121D1 | Otis relay driver printed circuit board |
| A8121D2 | Otis relay driver printed circuit board |
| A8121D3 | Otis relay driver printed circuit board |

| TIMER BOARDS | |
|------------------|-----------------------------------|
| Part No. | Description |
| A8110B1 | Timer/Door operator board |
| A8121AL2 | Timer printed circuit board |
| A8121AL24 | Timer printed circuit board |
| A8121AL4 | 5 Timer printed circuit board |
| C8112B3 | Timer PCB Supplementary Interface |



A8114C5
Car/floor/inter board



A8114D1
Car/floor/select board



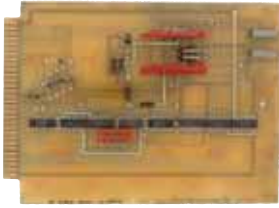
A8121E4
Double gong



A8121E3
Double gong

| CAR , FLOOR SELECT | |
|--------------------|------------------------------|
| Part No. | Description |
| A8114B1 | Car/floor/inter/select board |
| A8114B2 | Car/floor/inter/select board |
| A8114B4 | Car/floor/select board |
| A8114C5 | Car/floor/inter/board |
| A8114D1 | Car/floor/select board |

| GONG BOARDS | |
|----------------|-----------------------------------|
| Part No. | Description |
| A8121E3 | Double gong board |
| A8121E4 | Double gong printed circuit board |



B8112A3
Car Variable PCB



C8112B1
Car Variable #2 PCB for LRV3 Main Processor



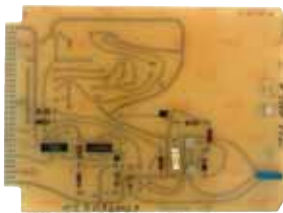
A8116B3
Hall call



A8116A7
Hall call

| CAR VARIABLE | |
|-----------------|---------------------------------------------|
| Part No. | Description |
| A8112C10 | Car variable board |
| A8112C12 | Car variable board |
| B8112A3 | Car Variable PCB Old #1Y088B1 |
| B8112B1 | Car Variable #3 PCB |
| C8112B10 | Car Variable #3 PCB Car Signal Interface |
| C8112B1 | Car Variable #2 PCB for LRV3 Main Processor |

| HALL CALL | |
|----------------|---------------------------------|
| Part No. | Description |
| A8116A7 | Hall call printed circuit board |
| A8116B3 | Hall call printed circuit board |



A8113H1
Timer, MG shut down board

| MG TIMER | |
|----------------|---------------------------|
| Part No. | Description |
| A8113H1 | Timer, MG shut down board |
| A8113H3 | Timer, MG shut down board |



A8111B4
Traffic/group zone board

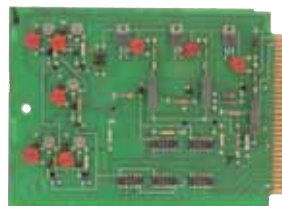


A8113C1
Hy/Zone/Traffic car function board

| TRAFFIC ZONE | |
|----------------|------------------------------------|
| Part No. | Description |
| A8113B2 | Traffic zone board |
| A8113B4 | Traffic/group zone board |
| A8113C1 | Hy/Zone/Traffic car function board |



A8111D2
Car Function board



A8114G1
Car signal interface board

| CAR FUNCTION | |
|----------------|----------------------------|
| Part No. | Description |
| A8111D2 | Car function board |
| A8114G1 | Car signal interface board |



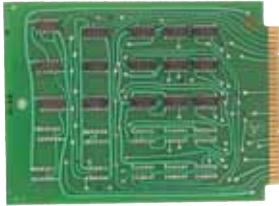
A8114AA7
Supp interface function

| SUPP INTERFACE | |
|------------------|-------------------------------|
| Part No. | Description |
| A8114AA10 | Supp interface function board |
| A8114AA7 | Supp interface function board |



A8113F3
Group up peak board pcb A8113F1

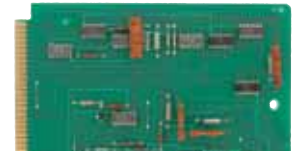
| UP PEAK BOARDS | |
|----------------|---------------------------------|
| Part No. | Description |
| A8113F3 | Group up peak board pcb A8113F1 |
| A8113G2 | Up peak car function board |
| A8113N9 | Carup peak board |
| A8113P7 | Carup peak board |



A8114D2
Digital readout board



E8121BE1
*Hall Interface
Module PCB for
LRV4*



A8113R1
Group Emergency

| DIGITAL READOUT | |
|------------------------|-----------------------|
| Part No. | Description |
| A8114AB1 | Digital readout board |
| A8114D2 | Digital readout board |



A9708AB1
MRV control board



B8121AX1
Relay PCB for LRV 4



A8123C3
Group express service



A8121P1
Component



A8121AW1
Main processor board LRV3

| EXPRESS | |
|----------------|-----------------------------|
| Part No. | Description |
| A8112E1 | Express priority board |
| A8123C3 | Group express service board |

| MISCELLANEOUS | |
|----------------------|---------------------------------------|
| Part No. | Description |
| A8112D1 | Emergency power operation board |
| A8113R1 | Group Emergency power board |
| A8114E1 | Printed circuit board "CALL" |
| A8114E5 | Car/floor/mec/adv board |
| A8114F1 | Electronic touch reset board |
| A8115A1 | Group interface board |
| A8115B2 | Group power protection board |
| A8121AW1 | Main processor board LRV3 |
| A8121P1 | Component printed circuit board |
| A8124AL1 | Special service printed circuit board |
| A820P1 | Operator printed circuit board |
| A9708AB1 | MRV control board |
| B8113K1 | Success MG PCB |
| B8113K5 | Success MG Start PCB |
| B8114G1 | Car signal interface PCB |
| B8115B4 | PCB |
| B8121AX1 | Relay PCB for LRV 4 |
| C8114G1 | Car Signal Interface PCB |
| E8121BE1 | Hall Interface Module PCB for LRV4 |



B8121BA2
Power Supply PCB for LRV



A8201T1
Power Supply

| POWER SUPPLY | |
|---------------------|------------------------------------|
| Part No. | Description |
| A8201T1 | Power supply printed circuit board |
| B8121BA2 | Power Supply PCB for LRV 4 |

Index for Pages 310-388

| | | | |
|--------------------------------------|---------------------|-------------------------------------------|----------------|
| Belts, timing | 321 | Mercury relays | 317 |
| Braille plates | 372-374 | Motors | 310-315 |
| Brush holders | 329 | Motor survey | 310 |
| Brushes, carbon | 330-331 | Nylon tracks | 341 |
| Buttons | 366-380 | Oil seals | 362 |
| Cable studs | 341 | Packing | 363-364 |
| Capacitors | 385 | PI lenses, "pop-in" | 371 |
| Coils | 326-328 | Pile-up assemblies | 324 |
| Contacts | 320-323 | Printed circuit boards | 381-384 |
| Assemblies | 320 | Pushbuttons | 366-380 |
| Blades | 320, 323 | "A" Line signal equipment | 367-369 |
| Carbon | 322-323 | "AE" Line signal equipment | 367-369 |
| Copper | 322-324 | "E" Line signal equipment | 370 |
| Metal/graphite | 322 | "Pop-In" position indicator lenses | 371 |
| Movable | 320 | STOP switch assemblies | 368-370 |
| Stationary | 320, 323 | Survivor® hall station replacements | 369 |
| Door gibs | 347 | Rail gib | 347 |
| Door keys | 347, 362 | Rectifiers | 386 |
| Door operators | 348-361 | Relays | 316-324 |
| Door retractor hardware kit | 333 | Coils | 326-328 |
| Drive blocks | 333 | EC relays | 319 |
| Exhaust fan | 315 | ES supervisory relays | 316 |
| Fuses | 385-386 | EST time relays | 317 |
| Gaskets | 364 | Mercury | 317 |
| Generator, tach | 329 | Value Pak repair kits | 319, 323 |
| Gibs, door | 347 | Resistor tubes | 385 |
| Gib, rail | 347 | Rollers | 340-345 |
| Guide rollers | 343, 345 | Hanger assemblies | 340-342 |
| Hanger assemblies | 340-342 | Hanger rollers | 340-342, 344 |
| Hanger rollers | 340-342, 344 | Guide rollers | 343-345 |
| Hydraulic packing | 363-364 | Selector parts | 324-325 |
| Interlock components | 332-339, 346 | Selector tape | 324, 347 |
| Type B-2 | 332-333 | Spirators | 347 |
| Type E | 334-335 | STOP switch, keyed | 369 |
| Type E-1 | 336-337 | Tach generator | 329 |
| Type E-5/E-5A | 338-339 | Timer, solid-state | 386 |
| KE Limit Switch | 347.1 | Timing belts | 321 |
| Keyed STOP switch, type E | 369 | Transformers | 387 |
| Keystitches | 375-377 | Tubes | 325 |
| Landing/limit switches, type E | 325 | Type "E" landing switches | 325, 347 |
| Line starters | 328 | Vacuum tubes | 325 |
| Lock with cam | 369, 375 | Value Paks | 319, 323 |
| Machine seals | 364 | Valves, hydraulic | 365 |

When Ordering Motors
the following information is the minimum needed to provide exact motor identification.

BELT DRIVE MOTOR

| | | | |
|-----------------------|---------------------------------|----------|--------------------------|
| Elevator Manufacturer | _____ | HP | _____ |
| Motor Manufacturer | _____ | RPM | _____ |
| Full Load Amps | _____ | Frame | _____ |
| Volts | _____ | AC | <input type="checkbox"/> |
| Phase | Single <input type="checkbox"/> | DC | <input type="checkbox"/> |
| | Three <input type="checkbox"/> | Serial # | _____ |

SUBMERSIBLE MOTOR

| | | | |
|-----------------------|---------------------------------|----------|--------------------------|
| Elevator Manufacturer | _____ | HP | _____ |
| Motor Manufacturer | _____ | RPM | _____ |
| Full Load Amps | _____ | Frame | _____ |
| Volts | _____ | AC | <input type="checkbox"/> |
| Phase | Single <input type="checkbox"/> | DC | <input type="checkbox"/> |
| | Three <input type="checkbox"/> | Serial # | _____ |

GENERAL MOTOR

| | | | |
|-----------------------|---------------------------------|-----------|--------------------------|
| Elevator Manufacturer | _____ | HP | _____ |
| Motor Manufacturer | _____ | RPM | _____ |
| Full Load Amps | _____ | Frame | _____ |
| Volts | _____ | AC | <input type="checkbox"/> |
| Phase | Single <input type="checkbox"/> | DC | <input type="checkbox"/> |
| | Three <input type="checkbox"/> | Enclosure | _____ |
| | | Serial # | _____ |

DOOR MOTOR

| | | | |
|-------------------------------------------|-------------------------------------|-------|--------------------------|
| Elevator Manufacturer | _____ | HP | _____ |
| Motor Manufacturer | _____ | RPM | _____ |
| Full Load Amps | _____ | Frame | _____ |
| Volts | _____ | AC | <input type="checkbox"/> |
| | Shuntwound <input type="checkbox"/> | DC | <input type="checkbox"/> |
| Permanent Magnet <input type="checkbox"/> | Serial # | _____ | _____ |

MOTOR GENERATOR

Generator Side

| | | | |
|-------------|-------|------------|-------|
| Frame | _____ | Duty | _____ |
| KW | _____ | Amps | _____ |
| DC Volts | _____ | Field Amps | _____ |
| Field Volts | _____ | Wound | _____ |

AC Motor Side

| | | | |
|----------|-------|-----------|-------|
| Frame | _____ | Duty | _____ |
| Type | _____ | Enclosure | _____ |
| HP | _____ | Field RPM | _____ |
| AC Volts | _____ | Amps | _____ |
| | | Serial # | _____ |



EMODBRKEMTR-230



U227G09



T4416G07



U227G11



59307019

BRAKE MOTORS

| Part No. | Description | Voltage | Hertz | Rated Speed |
|------------------------|-------------------------|---------|-------|-------------|
| EMODBRKEMTR-208 | Brake Motor with Flange | 208 | 60 | 0-600 |
| EMODBRKEMTR-230 | Brake Motor with Flange | 230 | 60 | 0-600 |
| EMODBRKEMTR-460 | Brake Motor with Flange | 460 | 60 | 0-600 |



8538C88H07



7252C74H04

MOTOR TYPE "E"

| Part No. | Description | Voltage | HP | RPM | Frame |
|-------------------|-------------------|---------|----|------|-------|
| 8538C88H01 | Submersible Motor | 208 | 15 | 3600 | 180T |
| 8538C88H02 | Submersible Motor | 230 | 15 | 3600 | 180T |
| 8538C88H04 | Submersible Motor | 208 | 20 | 3600 | 180T |
| 8538C88H07 | Submersible Motor | 208 | 25 | 3600 | 180T |
| 8538C88H10 | Submersible Motor | 208 | 30 | 3600 | 180T |
| 8538C88H11 | Submersible Motor | 230 | 30 | 3600 | 180T |
| 7252C74H01 | Submersible Motor | 208 | 40 | 3600 | 210T |
| 7252C74H02 | Submersible Motor | 208 | 40 | 3600 | 210T |
| 7252C74H04 | Submersible Motor | 208 | 45 | 3600 | 210T |
| 7252C74H05 | Submersible Motor | 230/460 | 45 | 3600 | 210T |

Approximate weights range 100-145 lbs.

MOTOR AND WORM GEAR

| Part No. | Description | Voltage |
|-------------------|----------------------------|---------|
| 59307019 | SG80/WL1 | |
| 59307020 | SG80/WL2 | |
| T4416G07 | Motor and Worm Gear | 230 |
| * U227G01 | Synchro Drive Assembly KIT | 110 |
| ** U227G03 | Synchro Motor and Worm KIT | 110 |
| U227G02 | Clutch Magnet Assembly | 110 |
| U227G08 | Synchro Drive Assembly | 110 |
| U227G09 | Synchro Motor and Worm | 110 |
| U227G09 | Synchro Motor and Worm | 110 |
| U227G10 | Synchro Drive Assembly | 110 |
| U227G11 | Synchro Motor and Worm | 110 |
| U227G11 | Synchro Motor and Worm | 110 |
| U227G12 | Synchro Drive Assembly | 110 |

*U227G01 KIT includes
 1 Ea. U227G10 Synchro Drive Assembly
 1 Ea. 320C941H01 Transformer 350VA, P=199-260 S=101

**U227G03 KIT includes
 1 Ea. U227G09 Synchro Motor and Worm
 1 Ea. 320C941H01 Transformer 350VA, P=199-260 S=101

If the Motor needed is not shown use the Motor Ordering Data Sheet to help us identify it for you.



630B508H01
MI Door operator



2633C74H27
375 Mach



151B417H01
DC-Reversible



630B596H01
AA Door Oper.



5208D74H88
(EZ Oper.)



217B233H01
"N" Selector



630B383H02
BB2 Operator



7286C86G01
37, 57 Geared Machine



692B863G01
MG Door Operator
Traction

MOTORS

| Part No. | Description | Voltage | HP | RPM | Frame |
|-------------------|----------------------|---------|------|------|-------|
| 630B383H01 | Motor | 125DC | 1/2 | 625 | F56 |
| 151B417H01 | Motor | 125DC | 1/15 | 1950 | |
| 217B233H01 | Motor | 125DC | | | F42Y |
| 217B233H03 | Motor | 230DC | | 1725 | F42Y |
| 2633C74H27 | Blower (375 Mach) | 230/460 | | | |
| 5208D74H88 | Motor | 24DC | 1/16 | 1220 | 3.25 |
| 630B508H01 | Motor (MI Operator) | 125DC | 1/12 | 600 | M56H |
| 630B596H01 | Motor (AA Operator) | 125DC | 1/6 | 700 | S56MC |
| 7286C86G01 | Motor (37,57 Geared) | | 25 | | |
| 692B863G01 | Motor (MG Door Oper) | 180DC | 1/6 | 1150 | |

MG SETS

| Part No. | Description | Voltage | Frame |
|----------------------|---------------------------|-------------------|-------|
| * 2630C89G04 | MG Set 20KW (Miconic A) | 200/400VAC-260VDC | 367T |
| * 2630C89G05 | MG Set 20KW (Miconic A) | 230/460VAC-260VDC | 367T |
| * 2630C89G13 | MG Set 20KW (Miconic A) | 200/400VAC-260VDC | 367T |
| * 2630C89G14 | MG Set 20KW (Miconic A) | 230/460VAC-260VDC | 367T |
| ** 6924C86G01 | MG Set 12.5KW (Miconic A) | 200/400VAC-230VDC | 320T |
| ** 6924C86G02 | MG Set 12.5KW (Miconic A) | 230/460VAC-230VDC | 320T |
| ** 6924C86G05 | MG Set 12.5KW (Miconic A) | 230/460VAC-275VDC | 320T |

* Approximate weight 1300 lbs.

** Approximate weight 800 lbs.



2630C89G05



6924C86G02

If the Motor needed is not shown use the Motor Ordering Data Sheet to help us identify it for you.



6952C25H06

| MOTORS | | | | | |
|------------|-------------------------|---------|------|------|-------|
| Part No. | Description | Voltage | HP | RPM | Frame |
| 6952C25H01 | H Motor Type E Pwr Unit | 208 | 13.6 | 3600 | 180T |
| 6952C25H02 | H Motor Type E Pwr Unit | 230/460 | 13.6 | 3600 | 180T |
| 6952C25H03 | H Motor Type E Pwr Unit | 208 | 15 | 3600 | 180T |
| 6952C25H04 | H Motor Type E Pwr Unit | 230/460 | 15 | 3600 | 180T |
| 6952C25H05 | H Motor Type E Pwr Unit | 208 | 17.7 | 3600 | 180T |
| 6952C25H06 | H Motor Type E Pwr Unit | 230/460 | 17.7 | 3600 | 180T |
| 6952C25H07 | H Motor Type E Pwr Unit | 208 | 20 | 3600 | 180T |
| 6952C25H08 | H Motor Type E Pwr Unit | 230/460 | 20 | 3600 | 184T |
| 6952C25H09 | H Motor Type E Pwr Unit | 208 | 25 | 3600 | 180T |
| 6952C25H10 | H Motor Type E Pwr Unit | 230/460 | 25 | 3600 | 184T |
| 6952C25H11 | H Motor Type E Pwr Unit | 208 | 30 | 3600 | 180T |
| 6952C25H12 | H Motor Type E Pwr Unit | 230/460 | 30 | 3600 | 180T |
| 6952C25H13 | H Motor Type E Pwr Unit | 208 | 36 | 3600 | |
| 6952C25H14 | H Motor Type E Pwr Unit | 230/460 | 36 | 3600 | 213TY |
| 6952C25H15 | H Motor Type E Pwr Unit | 208 | 45 | 3600 | 210T |
| 6952C25H16 | H Motor Type E Pwr Unit | 230/460 | 45 | 3600 | 213TY |
| 6952C25H17 | H Motor Type E Pwr Unit | 208 | 55 | 3600 | |
| 6952C25H18 | H Motor Type E Pwr Unit | 230/460 | 55 | 3600 | |

80" Leads, Horizontal Foot Mount
Weights range from 60-152 Lbs from lowest HP to highest.



681A554H01

| MOTORS | | | | | |
|---------------|--------------------------|---------|-----|------|----------|
| Part No. | Description | Voltage | HP | RPM | Frame |
| 681A554H01 | Type E Car Door Operator | 125DC | 1/6 | 2000 | F56 |
| * 7283C05H01 | PM QKS 15 Door Operator | 180DC | 1/3 | 1725 | -- |
| ** 7283C05H02 | PM QKS 15 Door Operator | 180DC | 1/3 | 1725 | -- |
| 7285C56H01 | QKS-14 Door Operator | 180DC | 1/6 | 1150 | Ft Mount |

* 6" Leads
** 24" Leads



7285C56H01



7283C05H02



SCT147828

| MOTORS | | | | |
|-----------|---------------|---------|----|-----|
| Part No. | Description | Voltage | HZ | KW |
| SCT147771 | Motor 3 Phase | 480 | 60 | 8.0 |
| SCT147827 | Motor 3 Phase | 208 | 60 | 5.5 |
| SCT147828 | Motor 3 Phase | 460 | 60 | 5.5 |
| SCT147829 | Motor 3 Phase | 480 | 60 | 5.5 |
| SCT147830 | Motor 3 Phase | 208 | 60 | 8 |
| SCT147831 | Motor 3 Phase | 460 | 60 | 8 |
| SCT147832 | Motor 3 Phase | 208 | 60 | 11 |
| SCT147833 | Motor 3 Phase | 460 | 60 | 11 |

If the Motor needed is not shown use the Motor Ordering Data Sheet to help us identify it for you.



693B250H09



693B250H07

| MOTORS | | | | | |
|---------------|---------------------------|---------|-----|------|-------|
| Part No. | Description | Voltage | HP | RPM | Frame |
| 693B250H04 | H-Hydraulic Standard Duty | 200 | 15 | 1800 | 215T |
| 693B250H05 | H-Hydraulic Standard Duty | 200 | 20 | 1800 | 254T |
| 693B250H06 | H-Hydraulic Standard Duty | 200 | 25 | 1800 | 256T |
| 693B250H07 | H-Hydraulic Standard Duty | 200 | 30 | 1800 | 284T |
| 693B250H08 | H-Hydraulic Standard Duty | 200 | 40 | 1800 | 286T |
| 693B250H09 | H-Hydraulic Standard Duty | 200 | 50 | 1800 | 324T |
| 693B250H10 | H-Hydraulic Standard Duty | 200 | 60 | 1800 | 326T |
| 693B250H11 | H-Hydraulic Standard Duty | 200 | 75 | 1800 | 364T |
| 693B250H16 | H-Hydraulic Standard Duty | 230/460 | 15 | 1800 | 215T |
| 693B250H17 | H-Hydraulic Standard Duty | 230/460 | 20 | 1800 | 254T |
| 693B250H18 | H-Hydraulic Standard Duty | 230/460 | 25 | 1800 | 256T |
| 693B250H19 | H-Hydraulic Standard Duty | 230/460 | 30 | 1800 | 284T |
| 693B250H20 | H-Hydraulic Standard Duty | 230/460 | 40 | 1800 | 286T |
| 693B250H21 | H-Hydraulic Standard Duty | 230/460 | 50 | 1800 | 324T |
| 693B250H22 | H-Hydraulic Standard Duty | 230/460 | 60 | 1800 | 326T |
| 693B250H23 | H-Hydraulic Standard Duty | 230/460 | 75 | 1800 | 364T |
| 693B250H24 | H-Hydraulic Standard Duty | 230/460 | 100 | 1800 | 365T |



7431C01H04



7431C01H10

| MOTORS | | | | | |
|---------------|--------------------|---------|------|------|-------|
| Part No. | Description | Voltage | HP | RPM | Frame |
| 7431C01H01 | Type E Hydro Motor | 208 | 13.6 | 3600 | 180T |
| 7431C01H02 | Type E Hydro Motor | 230/460 | 13.6 | 3600 | 180T |
| 7431C01H03 | Type E Hydro Motor | 208 | 15 | 3600 | 180T |
| 7431C01H04 | Type E Hydro Motor | 230/460 | 15 | 3600 | 180T |
| 7431C01H05 | Type E Hydro Motor | 208 | 17.7 | 3600 | 180T |
| 7431C01H06 | Type E Hydro Motor | 230/460 | 17.7 | 3600 | 184TY |
| 7431C01H07 | Type E Hydro Motor | 208 | 20 | 3600 | 180T |
| 7431C01H08 | Type E Hydro Motor | 230/460 | 20 | 3600 | 180T |
| 7431C01H09 | Type E Hydro Motor | 208 | 25 | 3600 | 180T |
| 7431C01H10 | Type E Hydro Motor | 230/460 | 25 | 3600 | 180T |
| 7431C01H11 | Type E Hydro Motor | 208 | 30 | 3600 | 180T |
| 7431C01H12 | Type E Hydro Motor | 230/460 | 30 | 3600 | 180T |
| 7431C01H14 | Type E Hydro Motor | 230/460 | 40 | 3600 | 213TY |
| 7431C01H15 | Type E Hydro Motor | 208 | 45 | 3600 | 210T |

If the Motor needed is not shown use the Motor Ordering Data Sheet to help us identify it for you.



2179C36H02
Motor



T4823G09
Motor & Block



5194D41G01

| MISCELLANEOUS MOTORS | | | | |
|-----------------------------|---------------------------|-----------|-------|------|
| Part No. | Description | Voltage | HP | HZ |
| 2179C36H01 | VVAC 4 Pole | 200/400AC | 30 | 3600 |
| 2179C36H02 | Motor 3Z-ABEGG | 230/460V | 30 | |
| T4823G09 | Motor and Block | 125V | 1/50 | -- |
| K5315H02 | SD Floor Selector | 115V | -- | -- |
| 703103A | Small Brake Motor | 220/380V | -- | 60 |
| 5194D41G01 | Current Regulator for ERL | -- | 15-40 | -- |
| 5194D41G02 | Current Regulator for ERL | -- | 25-40 | -- |
| 7285C36G01 | 38 Geared Mach | | | |
| 7285C41G01 | 28 Geared Mach | | | |



K5315H02
Synchro Motor



703103A
Brake Motor



7285C31G01 Motor Coupling used on 7285C36G01 the 38 Geared machine and also on 7285C41G01 the 28 Geared Machine.



811C474H01
2 Speed Exhaust Fan
1/20 HP 115V

If the Motor needed is not shown use the Motor Ordering Data Sheet to help us identify it for you.

NEW **HydroCool™**



HydroCool™ is perfect for any hydraulic elevator with high usage

Other recommended applications include:

- Twin jack holeless applications with two- or three-stage telescopic jacks
- Heavily used single-stage twin jack holeless projects
- Roped hydraulic applications with moderate usage and travel exceeding 25 feet

Compact, adaptable HydroCool works with all power units!

Technical Data: HydroCool™

| | |
|--------------------|----------------------------------------------------------------------------------------|
| Operation | Adjustable thermostat control. Separate pump and fan motors. |
| Cooling Capacity | 17,500 BTU/hr |
| Pump Capacity | 8 gallons per minute |
| Power Requirements | Provide 120 VAC, 20A circuit |
| Size | 28"H x 24"W x 17.5"D |
| Weight | Approx. 140 lbs. |
| Mounting Options | Can be mounted up to 110 feet horizontally or 55 feet vertically from the power unit.* |

HydroCool — Reg. TM Adams Elevator Equipment Company
*Piping, wiring and conduit to remote location are not included.

HydroCool II™

Technical Data: HydroCool II™

| | |
|--------------------|--------------------------------------------------------------------------------------|
| Operation | Starts automatically at 140°F; Shuts off at 100°F. Single motor drives fan and pump. |
| Cooling Capacity | 12,000 BTU/hr |
| Pump Capacity | 3 gallons per minute |
| Power Requirements | Provide 120 VAC, 20A circuit; Fan motor FLA 3.4; Pump motor FLA 6.6 |
| Size | 20.5"H x 26"W x 26"D |
| Weight | Approx. 125 lbs. |
| Mounting Options | Adjacent to reservoir only |

Economical solution for less frequently-used hydraulic elevators

HydroCool II™ maintains oil quality and integrity by pumping oil through a heat exchanger where it is cooled and returned to the oil storage tank. Package includes preassembled fan/pump/heat exchanger unit, hoses and mounting brackets.



HydroCool II — Reg. TM Adams Elevator Equipment Company

NEW **Pully Bully**

Pully Bully

Use Pully Bully for changing a submersible pump or motor. The Pully Bully is safe, light weight and portable. Comes complete with drip pan for easy clean-up. Saves time with quick and easy set up. Safe to use. Comes with portable cart.

Specifications:
Lifts up to 500 lbs
Weighs 185 lbs
Complies with ASME B30.17 - 1998

HYDROCOOL™ AND PULLY BULLY ORDERING INFORMATION

| Adams part no. | Description |
|----------------|------------------------------------------------------------------------------------------------------------------------------------------------------------------------|
| A900A | HYDRAULIC OIL COOLER ASSEMBLY (Includes all fittings and hardware needed for adjacent-mount installation. Piping, wiring and conduit to remove location not included.) |
| A900B | MOTOR PUMP ONLY FOR OIL COOLER A900A |
| A900C | PULLY BULLY WITH CART (for hoisting submersible pumps or motors) |

NEW



TRADITIONAL HEAVY DUTY WAGNER SCAVENGER PUMP

Standard Features:

- 1/3 HP Motor, Pumps 100 Ft Vertical
- 115V, Single Phase 5.6 Amp
- Check Valve for Vertical Pumping
- 8 Ft Power Cord (3 wire)
- Bronze-Geared Pump: 100 Micron Filter
- 100 Ft 1/2 OD Plastic Tubing with Fittings
- External Flood Control (Manual Reset)
- Overall size: 14"W, 20"L, 16"H
- Clear Lexan Lid
- 3.5 Gallon Fiberglass Reservoir
- Tie Wraps and Tie-Down Kit
- 5 Year Guarantee on Complete System

Notes

W250S4B relay



Break = NC
Make = NO

W250P7A relay

TYPE ES SUPERVISORY RELAYS

Type ES relays are available with solder and plug-in type terminals. Each relay consists of 8 make/break contacts in all possible combinations.

Choose from 125VDC and 62.5VDC. Replacement coils are shown on pages 326-327.

Ladders and plug connectors are available separately below.

ES RELAYS W/SOLDER-TYPE TERMINALS

| Adams part no.* | Contact configuration | Coil voltage | Westinghouse part no. |
|----------------------------------|-----------------------|---------------------|----------------------------|
| W250S1A W250S1B | 8M/0B | 125.0VDC 62.5VDC | 324C991-G80 324C992-G80 |
| W250S2A W250S2B | 7M/1B | 125.0VDC 62.5VDC | 324C991-G71 324C992-G71 |
| W250S3A W250S3B | 6M/2B | 125.0VDC 62.5VDC | 324C991-G62 324C992-G62 |
| W250S4A W250S4B | 5M/3B | 125.0VDC 62.5VDC | 324C991-G35 324C992-G35 |
| W250S5A W250S5B | 4M/4B | 125.0VDC 62.5VDC | 324C991-G44 324C992-G44 |
| W250S6A W250S6B | 3M/5B | 125.0VDC 62.5VDC | 324C991-G53 324C992-G53 |
| W250S7A W250S7B | 2M/6B | 125.0VDC 62.5VDC | 324C991-G26 324C992-G26 |
| W250S8A W250S8B | 1M/7B | 125.0VDC 62.5VDC | 324C991-G17 324C992-G17 |
| W250S9A W250S9B | 0M/8B | 125.0VDC 62.5VDC | 324C991-G08 324C992-G08 |

*Relay part nos. ending in "A" come with coil E1601, "B" with coil E1602

ES RELAYS W/PLUG-IN TERMINALS

| Adams part no.† | Contact configuration | Coil voltage | Westinghouse part no. |
|----------------------------------|-----------------------|---------------------|----------------------------|
| W250P1A W250P1B | 8M/0B | 125.0VDC 62.5VDC | 628D151-G08 628D151-G08 |
| W250P2A W250P2B | 7M/1B | 125.0VDC 62.5VDC | 628D151-G17 628D151-G17 |
| W250P3A W250P3B | 6M/2B | 125.0VDC 62.5VDC | 628D151-G26 628D151-G26 |
| W250P4A W250P4B | 5M/3B | 125.0VDC 62.5VDC | 628D151-G35 628D151-G35 |
| W250P5A W250P5B | 4M/4B | 125.0VDC 62.5VDC | 628D151-G44 628D151-G44 |
| W250P6A W250P6B | 3M/5B | 125.0VDC 62.5VDC | 628D151-G53 628D151-G53 |
| W250P7A W250P7B | 2M/6B | 125.0VDC 62.5VDC | 628D151-G62 628D151-G62 |
| W250P8A W250P8B | 1M/7B | 125.0VDC 62.5VDC | 628D151-G71 628D151-G71 |
| W250P9A W250P9B | 0M/8B | 125.0VDC 62.5VDC | 628D151-G80 628D151-G80 |

† Relay part nos. ending in "A" come with coil E-1631, "B" with coil E-1632

ACCESSORIES FOR W250-SERIES RELAYS

W250L1. Ladder, clear Lexan®.
(Replaces Westinghouse part no. 216B711G04.)

W250L2. Ladder, high-temp black phenolic.
(Replaces Westinghouse part no. 216B711G04.)



W250L1

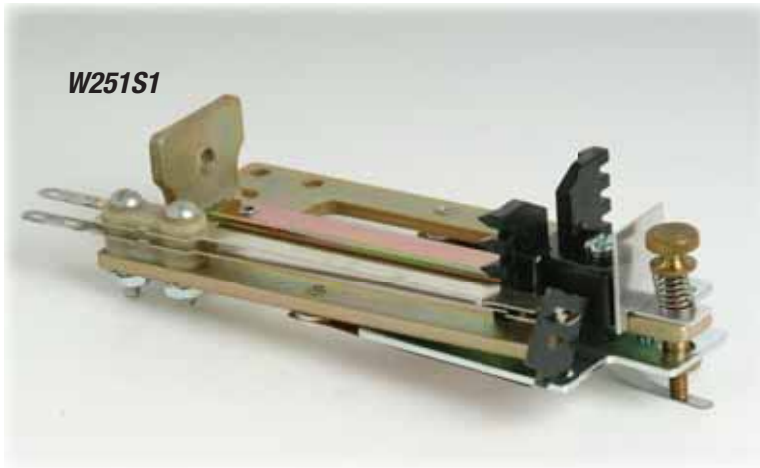


W250L2

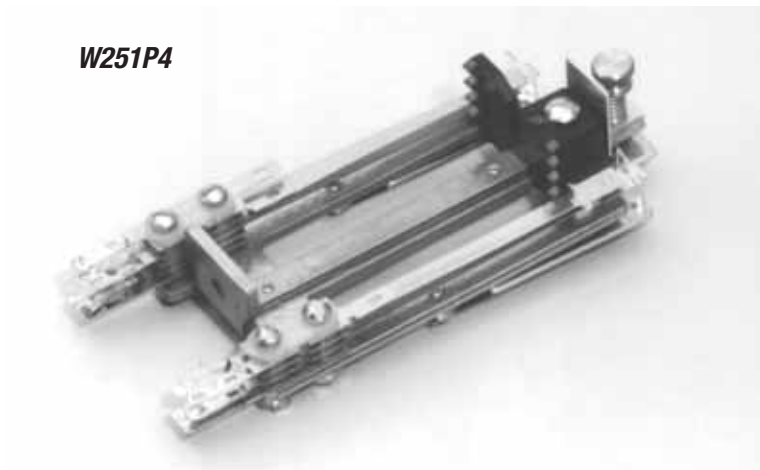
Lexan—Reg. TM General Electric Company

TYPE EST TIME RELAYS

Type EST time relays are supplied with solder or plug-in type terminals.



| EST/SOLDER TERMINALS | | |
|----------------------|-----------------------|-----------------------|
| Adams part no. | Contact configuration | Westinghouse part no. |
| W251S1 | 1M | H-3056G01 |
| W251S2 | 1B | H-3056G02 |
| W251S3 | 2M | H-3056G03 |
| W251S4 | 1M/1B | H-3056G04 |
| W251S5 | 2B | H-3056G05 |



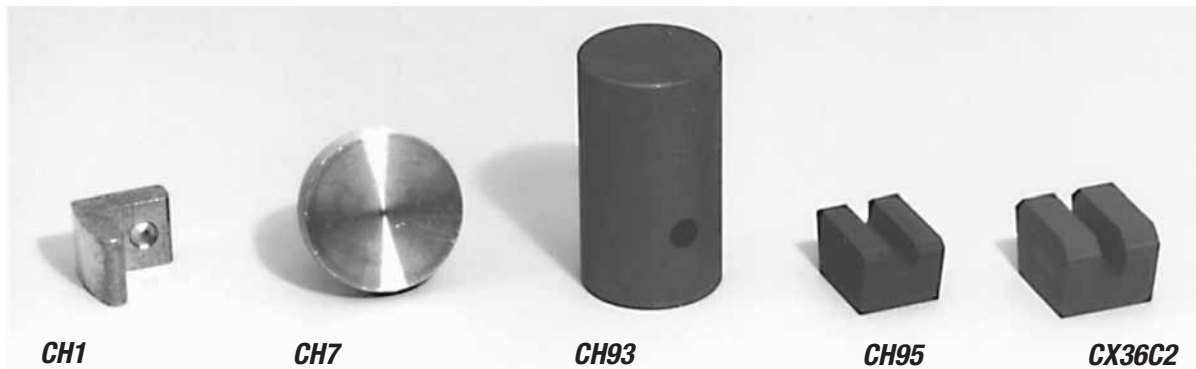
| EST/PLUG-IN TERMINALS | | |
|-----------------------|-----------------------|-----------------------|
| Adams part no. | Contact configuration | Westinghouse part no. |
| W251P1 | 1M | 324C595G01 |
| W251P2 | 1B | 324C595G02 |
| W251P3 | 2M | 324C595G04 |
| W251P4 | 1M/1B | 324C595G05 |
| W251P5 | 2B | 324C595G06 |



MERCURY RELAYS

| Adams part no. | Application | Westinghouse part no. |
|----------------|----------------------------------------------------------------------------------------------------------|-----------------------|
| W253R1 | Used in Quota Relay Assembly on dispatch controller | 145A630H01 |
| W253R2 | Used in DM Inductor Assembly (RP-390); also for Type TS4A Traffic Sentinel, Safe-T-Ray, and Photo Roller | 145A630H02 |
| W253R3 | Used to put shunt load on hatch transducers... | 145A630H03 |





| CUTLER-HAMMER CONTACTS | | |
|------------------------|-------------------------------------------------------------------------|------------------------|
| Adams part no. | Description | Cutler-Hammer part no. |
| CH1 | Copper angle, 1"L x 1H" x 3/4"W; 1/4" hole; use with CH-95, below | 1323-1721 |
| CH7 | | 1334-4F1 |
| CH93 | | 1181-229 |
| CH95 | Metal graphite contact, 7/8" x 7/8" x 7/8" x 3/4"; use with CH-1, above | 1321-899 |
| CX36C2 | Metal graphite contact, 11/4" x 1" x 11/16" x 7/8" | 1321-887 |



H3088H01



H3088H11

| POWER RELAYS | | | |
|-----------------|--------------|----------|----------|
| Part No. | Coil Voltage | Contacts | Blow Out |
| H3088H01 | 240 VAC | DPST* | YES |
| H3088H02 | 240 VAC | DPST** | YES |
| H3088H03 | 12 VAC | DPST | NO |
| H3088H04 | 125 VDC | DPST | NO |
| H3088H06 | 125 VDC | DPDT | NO |
| H3088H11 | 230 VAC | DPDT | NO |
| H3088H12 | 230 VAC | DPDT | YES |
| H3088H13 | 120 VAC | DPDT | NO |
| H3088H14 | 240 VAC | DPDT | NO |
| H3088H15 | 110 VDC | DPST | YES |
| H3088H16 | 240 VAC | DPST | NO |
| H3088H17 | 120 VAC | DPDT | NO |
| H3088H20 | 12 VDC | DPST | NO |
| H3088H21 | 208 VAC | DPST | YES |
| H3088H22 | 120 VAC | DPST | NO |

* 0.075" GAP
**0.100" GAP

| ARMATURE ASSEMBLIES | | | |
|---------------------|------------------------------------|-----------|---------------|
| Part No. | Description | No. Poles | Rating (Amps) |
| M1793G02 | ARMATURE & FINGER BOARD (DS RELAY) | N/A | N/A |
| M4983G01 | ARMATURE ASSEMBLY (CR5 RELAY) | N/A | N/A |
| T1112G09 | ARMATURE ASSEMBLY | 1 | 25 |
| T1977G07 | ARMATURE ASSEMBLY W/OUT BLOWOUT | 3 | 15 |
| T3545G07 | ARMATURE ASSEMBLY W/OUT BLOWOUT | 2 | 25 |
| T4100G07 | ARMATURE ASSEMBLY W/ BLOWOUT | 3 | 50 |
| T6334G01 | ARMATURE ASSEMBLY W/ BLOWOUT | 3 | 15 |



M1793G02



M4983G01



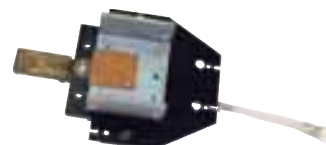
T3545G07



T4100G07



T6334G01



T1112G09



T1977G07



Westinghouse EC relays come with permanently installed coils. Coils cannot be replaced. Order complete replacement relays from table below.

| TYPE EC RELAYS | | | |
|----------------|-----------------------|--------------|-----------------------|
| Adams part no. | Contact configuration | Coil voltage | Westinghouse part no. |
| W245G02 | 2M/0B | 125.0VDC | 324C981G20 |
| W245G04 | 4M/0B | 125.0VDC | 324C981G40 |
| W245G22 | 2M/2B | 125.0VDC | 324C981G22 |
| W245G24 | 4M/2B | 125.0VDC | 324C981G42 |
| W245G26 | 6M/2B | 125.0VDC | 324C981G62 |
| W245G33 | 3M/3B | 125.0VDC | 324C981G33 |
| W245G35 | 5M/3B | 125.0VDC | 324C981G53 |
| W245G44 | 4M/4B | 125.0VDC | 324C981G44 |
| W246G26 | 6M/2B | 62.5VDC | 324C981G62 |
| W246G44 | 4M/4B | 62.5VDC | 324C981G44 |

See WVP2030 Value Pak below.



EC RELAY REPAIR PARTS

W225. Movable contact bridge assembly. Replaces Westinghouse part no. K7310-G01.

W226A. Stationary contact, top make/bottom break; makes with W225. Replaces Westinghouse part no. 630B611-G01 (formerly K7307-G1).

W226B. Stationary contact, top break/bottom make; makes with W225. Replaces Westinghouse part no. 630B611-G02 (formerly K7307-G2).

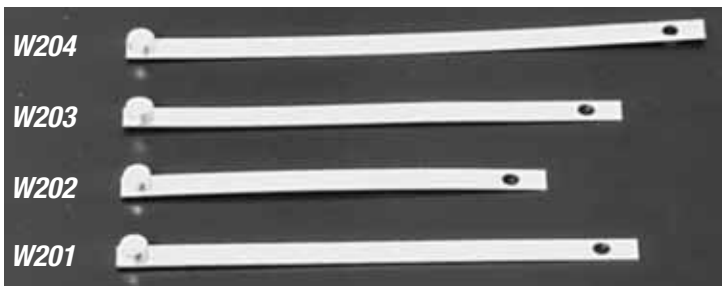
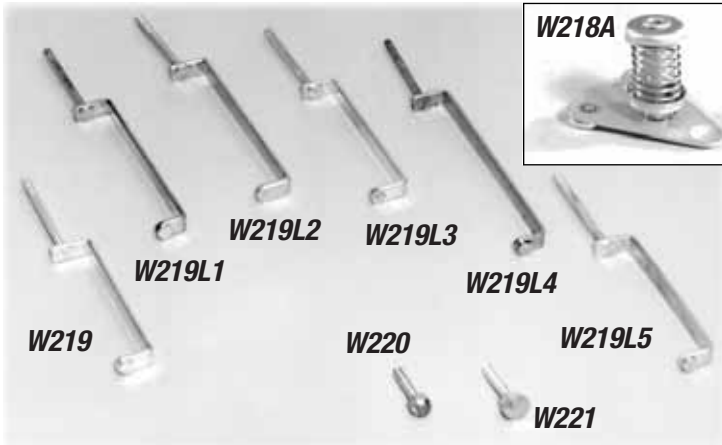
W228. Fingerboard assembly with Bakelite base and leaf spring; receives W225 contact bridge assemblies. Replaces Westinghouse part no. K7305-G01.

WVP2030 EC RELAY VALUE PAK REPAIR KIT

Here's an economical 100-piece assortment of the frequently-needed repair parts shown above. Put a Value Pak in every route truck, and save time and money on simple repairs. Components pictured are also sold separately above.



| Adams part no. | Includes | Description | Quantity |
|----------------|----------|-------------------------------------------|----------|
| WVP2030 | W225 | Contact bridge assembly | 25 |
| | W226A | Stationary contact, top make/bottom break | 50 |
| | W226B | Stationary contact, top break/bottom make | 20 |
| | W228 | Fingerboard assembly | 5 |



CONTACT ASSEMBLIES

| Adams part no. | Description | Westinghouse part no. |
|----------------|-----------------------------------------------------------------------------------------------------------------------------------------------------------------------------------------------------------------------|-------------------------|
| W210S1 | For KS multipole relay and 15A contactor; incl. 6 ¹ / ₄ "L shunt and 1 ¹ / ₄ " dia. silver contact | M1230-G6 |
| W210S2 | Same as above, with 5 ¹ / ₄ "L shunt | M1230-G5 |
| W210S3 | Same as above, with 4 ³ / ₄ "L shunt | M1230-G4 |
| W211 | For 30VS relay and 15A contactor; 1 ¹ / ₄ "L x 1 ¹ / ₂ "W plus 7"L shunt; no silver contact | K181G2, G3 |
| W212 | For DS relay; incl. 7 ¹ / ₁₆ " dia. silver contact face; 1 ¹ / ₄ "L x 1 ¹ / ₂ "W plus 7"L shunt; makes with W221 stationary contact and W58 contact | M3466-G01 |
| W213 | Copper base 1 ⁵ / ₈ "L x 1 ¹ / ₂ "W; incl. 2-strand bare copper shunt, 4 ¹ / ₂ "L w/1 ¹ / ₄ " ID eyelet terminal | K-180 series |
| W214 | Copper base 2 ¹ / ₂ "L x 5 ⁵ / ₈ "W; incl. 6"L fabric-covered shunt w/3 ¹ / ₁₆ " ID eyelet terminal | K180-G5 T3534G8 |
| W215A1 | "Make" assembly w/6 ³ / ₄ "L shunt (W217S3) | M4522G2, G3 |
| W215A2 | "Break" assembly w/6 ³ / ₄ "L shunt (W217S3) | M4522G5 |
| W215A3 | "Make" assembly w/1 ¹ / ₈ "L shunt (W217S2) | M4522G1 |
| W215A4 | "Break" assembly w/1 ¹ / ₈ "L shunt (W217S2) | M4522G4, G6 |
| W216C1 | Contact, "makes" with W50, W50C & W50CX carbons; for W215A1, A3 | K-4278-G1 630B610G01 |
| W216C2 | Contact, "breaks" with W50, W50C & W50CX carbons; for W215A2, A4 | K-4278G2 630B610G02 |
| W217S2 | Shunt w/eyelet terminals, 1 ¹ / ₈ "L center to center; for W215A3, A4 contact assemblies | X22G-G2 |
| W217S3 | Shunt w/eyelet terminals, 6 ³ / ₄ "L center to center; for W215A1, A2 contact assemblies | X22G-G3, G4 |

STATIONARY & MOVABLE CONTACTS

| Adams part no. | Description | Westinghouse part no. |
|----------------|-----------------------------------------------------------------------------------------------------------------------------------------------------------------------------------------------------|-------------------------|
| W218 | Heart-shaped movable contact for 6B, CR and TC Relays. | K4277G01 |
| W218A | Same as W218, with heavy-duty spring for 2X contact pressure | K4277G02 |
| W219 | Stationary contact for 6B and CR relays; 2 ⁷ / ₈ "L inside "U"; incl. threaded mounting stake & 1 ¹ / ₄ " dia. silver contact; "makes" with W218, W218A | X24AS1G04 |
| W219L1 | Stationary contact for 6B, CR & TC relays; incl. threaded mounting stake and 1 ¹ / ₄ " dia. silver contact; 3 ¹ / ₁₆ "L outside "U", contact outside | X24AS1-G01 |
| W219L2 | Same as above, 3 ³ / ₄ "L inside "U", contact inside | X24BS1-G01 |
| W219L3 | Same as above, 3 ³ / ₃₂ "L inside "U", contact inside | X24BS1-G02, G04 |
| W219L4 | Same as above, 4 ³ / ₈ "L inside "U", contact outside | X24AS1-G05 |
| W219L5 | Same as above, 3 ¹ / ₁₆ "L inside "U", contact outside | X24AS1-G06 |
| W220 | Stationary contact for KS, 15A, V VR, & 30V relays; 1 ¹ / ₈ "L overall with 1 ¹ / ₄ " dia. silver contact | M-1230-G3 M-1230-G23 |
| W221 | Stationary contact for DS relay; 1 ¹ / ₈ "L overall with 7 ¹ / ₁₆ " dia. silver contact | M-1230-G20 |
| W201 | Contact finger for Type SW interlock; 3 ⁵ / ₈ "L | K3125-G1 |
| W202 | Contact finger for Type SW interlock; 3"L | K3125-G2 |
| W203 | Contact finger for Type SW interlock; 3 ¹ / ₂ "L | K3125-G3 |
| W204 | Contact finger for Type SW interlock; 4 ³ / ₁₆ "L | K3125-G4 |

TIMING BELTS

"Synchro cog" means install them, and forget them. Our series of replacement Westinghouse timing belts is built for accuracy. Pitch ($\frac{3}{8}$ " for all models)* and circumference are accurate to within 0.015"...which means no slipping out of adjustment.

Made of tough neoprene-impregnated rubber around high-strength polyester tensile cords; one steel-reinforced model and three fiberglass-reinforced models also available. Use the convenient table below to order.

Choose from 16 sizes. We stock all 16 popular sizes of Westinghouse belts, from $\frac{1}{2}$ " to 2" wide. Cogs in the belts are for flexibility only, and their dimensions may vary.



Molded cog design increases flexibility, allowing belt to bend easily around the sheave

| V-BELTS | | |
|----------------|-------------|------------------|
| Adams part no. | Description | Units |
| HA-870-B9 | 3L410 | 1 Pack = 2 Belts |
| HA-870-H | 3L490 | 1 Pack = 2 Belts |
| HA-970-E4 | 3L600 | 1 Pack = 4 Belts |
| HA-870-C1 | 3V400 | 1 Pack = 4 Belts |
| EE-870-K | 3V600 | 1 Pack = 6 Belts |
| HA-870-C2 | 3V600 | 1 Pack = 8 Belts |
| 3-40301-61 | 3VX500 | 1 Pack = 4 Belts |
| 3-40002-37 | 3VX530 | 1 Pack = 4 Belts |
| 3-40301-63 | 3VX540 | 1 Pack = 4 Belts |
| 3-40004-16 | 3VX600 | 1 Pack = 4 Belts |
| 3-40257-79 | 3VX710 | 1 Pack = 6 Belts |
| 3-40257-77 | 3VX750 | 1 Pack = 4 Belts |
| 6954C41H07 | 4L450 | 1 Pack = 1 Belt |
| 5207D42H47 | 4L680 | 1 Pack = 2 Belts |
| HA-870-C5 | 4L680 | 1 Pack = 4 Belts |
| HA-870-C | 5V670 | 1 Pack = 4 Belts |

| WESTINGHOUSE TIMING BELTS | | | | | |
|---------------------------|--------------------|-----------------|--------------------------|---------|-----------------------|
| Adams part no. | Circum. | Width | Material | # teeth | Westinghouse part no. |
| W861H01 | 25 $\frac{1}{2}$ " | $\frac{1}{2}$ " | rubber | 68 | 144A600H01 |
| W861H02 | 45" | $\frac{1}{2}$ " | rubber | 120 | 144A600H02 |
| W861H04 | 24" | $\frac{1}{2}$ " | fiberglass | 64 | 144A600H04 |
| W861H05 | 72 $\frac{3}{4}$ " | $\frac{1}{2}$ " | fiberglass | 194 | 144A600H05 |
| W861H07 | 54" | 1" | rubber | 144 | 144A600H07 |
| W861H10 | 45" | $\frac{1}{2}$ " | fiberglass | 120 | 144A600H10 |
| W861H11 | 45" | 2" | rubber | 120 | 144A600H11 |
| W861H13 | 54" | $\frac{1}{2}$ " | rubber | 144 | 144A600H13 |
| W861H14 | 28 $\frac{1}{2}$ " | $\frac{1}{2}$ " | rubber | 76 | 144A600H14 |
| W861H15 | 27" | $\frac{1}{2}$ " | rubber | 72 | 144A600H15 |
| W861H18 | 32 $\frac{1}{4}$ " | $\frac{1}{2}$ " | rubber | 86 | 144A600H18 |
| W861H21 | 60" | $\frac{1}{2}$ " | rubber | 160 | 144A600H21 |
| W861H27 | 45" | 1" | rubber | 120 | 144A600H27 |
| W860* | 100" | $\frac{5}{8}$ " | rubber | 267 | 144A416G01 |
| W862** | 81 $\frac{3}{4}$ " | $\frac{1}{2}$ " | rubber | 218 | 144A417H02 |
| W862H05† | 140" | 1" | rubber, steel-reinforced | 280 | 691B789H05 |

*W860 is a V-belt.

**W862 used for an E door operator.

†Pitch for belt no. W862H05 is $\frac{1}{2}$ ".



HA-870-C5



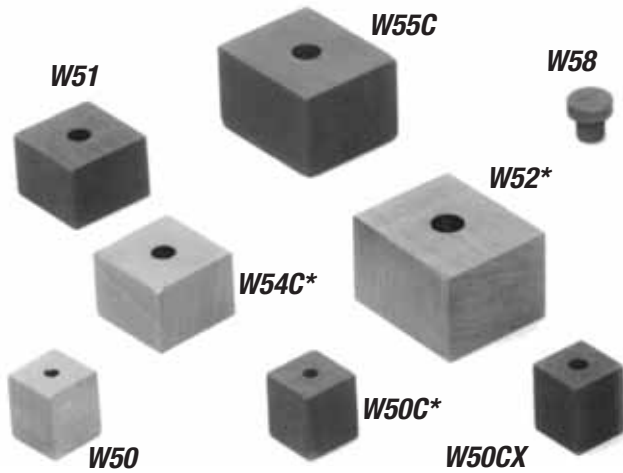
5207D42H47



569A957H06

Carbon & Metal Graphite Contacts

Original parts standards and specifications are used to manufacture Adams replacement carbon and metal graphite contacts. The grade of the material is matched to the grade used by the OEM.



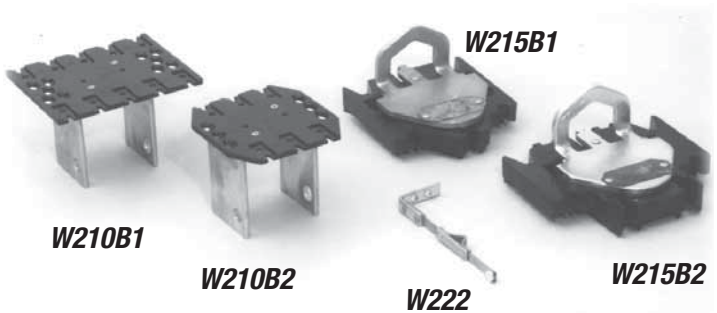
| CARBON & METAL GRAPHITE CONTACTS | | | | | |
|----------------------------------|----------------|-----------------------|---------------|----------------------------------------------|-----------------------|
| Adams part no. | Material | Dimensions | Mounting hole | Makes with | Westinghouse part no. |
| W50 | Metal graphite | 5/8"x5/8"x3/4" | 6-32 | W216C1, C2 for Type 6B contactor | K4495H02 |
| W50C* | Carbon | 5/8"x5/8"x3/4" | 6-32 | W216C1, C2 for Type 6B contactor | K4495H01 |
| W50CX | Carbon | 5/8"x5/8"x3/4" | 10-32 | W216C1, C2 for Type 6B contactor | K179H01 |
| W51 | Metal graphite | 1"x1"x3/4" | 3/16" | W6 copper contact, Type 15A contactor | P1534H02 |
| W52* | Metal graphite | 1 1/4"x1 1/2"x1" | 5/16" | W7 copper contact | T441H16 |
| W54C* | Carbon | 1"x1"x3/4" | 1/4" | W6 copper contact | P1534H01 |
| W55C | Carbon | 1 1/4"x1 1/2"x1" | 5/16" | W7 copper contact | T441H20 |
| W58 | Metal graphite | 1/2" dia. x 1/2" high | none | W212 contact ass'y. for DS relay | |

COPPER CONTACTS



| COPPER CONTACTS | | | |
|-----------------|-------------------------------------------------------------------------------------------------|----------------------------------------------|-----------------------|
| Adams part no. | Dimensions | Makes with | Westinghouse part no. |
| W6* | 3/4" x 1 3/4" | Carbons W51, W54C ; for 15A contactor | P-1524-6 |
| W10 | 2" dia. x 2"L | n/a | O-361K |
| W6H | 3/4" x 5 1/4"L holder with 10 1/8"L shunt for W6 copper contact; incl. W6 contact | | P-1534-1 |

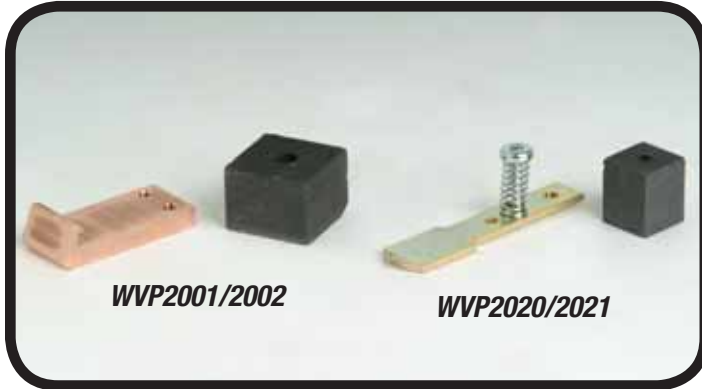
BASES, ARMATURES, RHEOSTAT CONTACT



| BASES, ARMATURES, RHEOSTAT CONTACT | | |
|------------------------------------|--------------------------------------------------------------------------------|----------------------------|
| Adams part no. | Description | Westinghouse part no. |
| W210B1 | Base with 10 contact positions for W210 ass'y.; for KS multipole relay R3560G2 | |
| W210B2 | Base with 6 contact positions for W210 ass'y.; for KS multipole relay R3560G1 | |
| W215B1 | Armature assembly for 6B1 contactor | M4510G1 |
| W215B2 | Armature assembly for 6B2 contactor | M4523G1 |
| W222 | Rheostat contact, type P-200; 1" x 3 7/8"; incl. 1/4" dia. silver contact | T453G4 (LH) T453G8 (RH) |

*SEE VALUE PAKS ON NEXT PAGE

Buy in bulk the repair parts you use most, and enjoy the convenience of having these parts ready to install any time



SAVE ON SIX ASSORTMENTS OF FREQUENTLY-NEEDED REPAIR PARTS FOR WESTINGHOUSE CONTACTORS AND RELAYS.

| WESTINGHOUSE VALUE PAKS | |
|----------------------------------|------------------------------------------------------------------------------------------------------------------------------|
| Adams part no. | Description of contents |
| WVP2001 WVP2002 | 100 ea. W6 copper contact, W54C carbon contact 250 ea. W6 copper contact, W54C carbon contact |
| WVP2020 WVP2021 | 100 ea. W216C1 contact assembly, W50C carbon 250 ea. W216C1 contact assembly, W50C carbon |

| EC RELAY REPAIR KIT | | | | |
|---------------------|--------------|-------------------------------------------|------|-----------------------|
| Adams part no. | Includes | Description | Qty. | Westinghouse part no. |
| WVP2030 | W225 | Contact bridge assembly | 25 | K-7310-G01 |
| | W226A | Stationary contact, top make/bottom break | 50 | K-7307-G1 |
| | W226B | Stationary contact, top break/bottom make | 20 | K-7307-G2 |
| | W228 | Fingerboard assembly | 5 | K-7305-G01 |



SAVE



REPLACEMENT RELAY CONTACTS

| CONTACT BLADES (FOR SR-1, SRL, STL RELAYS) | |
|--------------------------------------------|-----------------------------------------------------------------------------------------------------------------------------------------------------------|
| Adams part no. | Description |
| W229 | Back-up support blade, 3 1/8" L |
| W230 W230C2 | Blade with silver contact and 3/8" phenolic stop Same as above, with silver tip on opposite side |
| W231 W232 W233 | Blade with silver contact, no phenolic stop Blade w/silver tip and 1/4" phenolic stop, same side Same as above, with tip and stop on opposite sides |

W230K1 KIT (FOR SR-1, SRL, STL RELAYS, SN PILE-UP'S)

For the mechanic who rebuilds several SR-1, SRL and STL relays each year, as well as SN selector pile-up assemblies, this economical replacement contact pack is just the thing. Includes all the contact blades listed above, plus: 10 thin spacers, 4 medium spacers, 4 thick spacers.

| Adams part no. | Description | Quantity |
|----------------|-------------|----------|
| W230K1 | W229 | 10 |
| | W230, W231 | } 4 each |
| | W232, W233 | |

| STATIONARY CONTACTS w/HOLDERS (TYPE DS) | | |
|-----------------------------------------|------------------------------------------------------------------------------------------------|-----------------------|
| Adams part no. | Description | Westinghouse part no. |
| W234 | Includes W221 contact for Type DS relay 3/8" hex x 1 5/8" L; 2 1/8" L threaded stake | M-3467-G2, G3 |
| W235 | "U"-shape with W221 contact for Type DS relay | K-1809G1 |

Miscellaneous Selector Components



| TYPE E LANDING SWITCHES | | |
|-------------------------|------------------------------|------------------------|
| Adams part no. | Contact configuration | Westinghouse part nos. |
| W880K1 | 1 make/1 break; 1 N/O, 1 N/C | 324C969-G04 |
| W880K2 | 2 make; 2 N/O | 324C969-G03 |
| W880K3 | 1 make; 1 N/O | 324C969-G06, G01 |
| W880K4 | 1 break; 1 N/C | 324C969-G02, G08 |
| W880K5 | 2 break; 2 N/C | 324C969-G05, G07 |

W255S1
(All 4 assemblies in this series are for use with DM selector)



| W255-SERIES PILE-UP ASSEMBLIES | | |
|--------------------------------|----------------------------------|-----------------------|
| Adams part no. | Make/break configuration | Westinghouse part no. |
| W255S1 | 5 MAKE; for use with DM selector | 322C830-G13 |
| W255S2 | 4 MAKE/1 BREAK; " " " | 322C830-G14 |
| W255S3 | 3 MAKE/2 BREAK; " " " | 322C830-G15 |
| W255S4 | 2 MAKE/3 BREAK; " " " | 322C830-G16 |

| SELECTOR TAPE | | |
|----------------|-----------------------------------------------------------------------------------------------------|-----------------------|
| Adams part no. | Description | Westinghouse part no. |
| W302 | Stainless steel hatchway selector tape, 1"W x 0.032" thick. <i>Specify length when ordering.</i> | 569A699-H01 |
| W875 | Nylatron™ selector tape guide | 145A110H01 |
| W876A | Short tape guide clip | 145A111H01 |
| W876B | Long tape guide clip w/radius | 145A111H02 |



W316C insulating contact cap



Miscellaneous Selector Components



| MISCELLANEOUS WESTINGHOUSE PARTS | | |
|----------------------------------|---------------------------------------------------------------------------------------------------------------------------------------------------------------------------------------------------|-----------------------|
| Adams part no. | Description | Westinghouse part no. |
| A560W3 | Relay adjuster wrench adjusts blade curvature and tension on W250-series relays; 0.032" slots | — |
| W310 | Selector brush for Type N selector | M1259G03 |
| W315 | Travelling nut & cam for SN selector lead screw; 1/8" square pitch internal thread; brass nut with nylon cams eliminates need to replace entire lead screw and nut assembly when nut becomes worn | M-4700 |
| W316 | Cam blade; replaces SN selector spring that pushes the pile-up assy. | (25 pkg.) |
| W316C | Plastic contact cap for W316 cam blade | |
| W320 | Rubber coupling to SN selector | K3233H01 |
| W275 | Inductor switch, complete | T-4483G19 |
| W240 | Brake contact assembly; incl. 2 silver contacts, 7/16" dia. | M-3665G2 R7533G04 |
| W330S1 | Selector switch, 1 make | 217B203G01 |
| W330S2 | Selector switch, 1 break (not shown) | 217B203G02 |
| WT396 | Solid-state replacement for Traffic Sentinel photo tube | H3090H11 |
| WT398* | Electronic tube | K4336H01 |
| WT399S | Solid-state repl. for ERL system tubes, 2/pkg.; includes installation instructions | RCA no.: 6012 |

Replacement Coils for Westinghouse Relays



Adams stocks replacements for coils used on Westinghouse relays and contactors. Our coils are wound to rigid standards for both physical and electrical characteristics. We've determined that the reliability of these paper-wound coils is equal to or greater than the OEM coils you may be using now.

Replacement Westinghouse coils are listed on the next two pages under the name of the relay or contactor in which they are used. Representative models from each series appear in the photograph above and on the facing page. Voltages are rated VDC.

| COILS FOR SR RELAY | | |
|--------------------|---------|------------------------------------|
| Adams part no. | Voltage | Westinghouse part no. |
| E1001 | 48 | X19BG1 |
| E1002 | 190 | X19BG2 |
| E1003 | 94 | X19BG3 |
| E1005 | 24 | X19BG5 |
| E1006 | 200 | X19BG6 |
| E1007 | 120 | X19BG7 |
| E1013 | 98 | X19CG3 |
| E1014 | 48 | X19CG4 |
| E1017 | 14 | X19CG7 |
| E1201 | 125 | X19BG8, X19ZG12, X19ZGR12, K5801G1 |
| E1202 | 62.5 | X19BG4, X19ZG13, X19ZGR13, K5801G2 |

| COIL FOR STL, STL-1, & STL-3 RELAYS | | |
|-------------------------------------|---------|-----------------------|
| Adams part no. | Voltage | Westinghouse part no. |
| E1302 | 48 | X19CG2 |

| COIL FOR STL-2 RELAY | | |
|----------------------|---------|-----------------------|
| Adams part no. | Voltage | Westinghouse part no. |
| E1313 | 48 | K5802G3 |

| COILS FOR CR RELAY | | |
|--------------------|---------|--------------------------------------|
| Adams part no. | Voltage | Westinghouse part no. |
| E1510 | 125 | X19BBG10, X19ZGR5, X19BBGR10, X19ZG5 |
| E1511 | 125 | X19BBG11, X19ZG6, X19ZGR6 |
| E1512 | 230 | X19BBG12, X19ZG7, X19ZGR7 |
| E1513 | 62.5 | X19BBG13 |
| E1514 | 125 | X19BBG14, X19ZG2, X19ZGR2 |
| E1515 | 125 | X19BBG15, X19ZG3, X19ZGR3 |
| E1516 | 125 | X19BBG16, X19ZG4, X19ZGR4 |
| E1517 | 62.5 | X19BBG17, X19ZG8, X19ZGR8 |

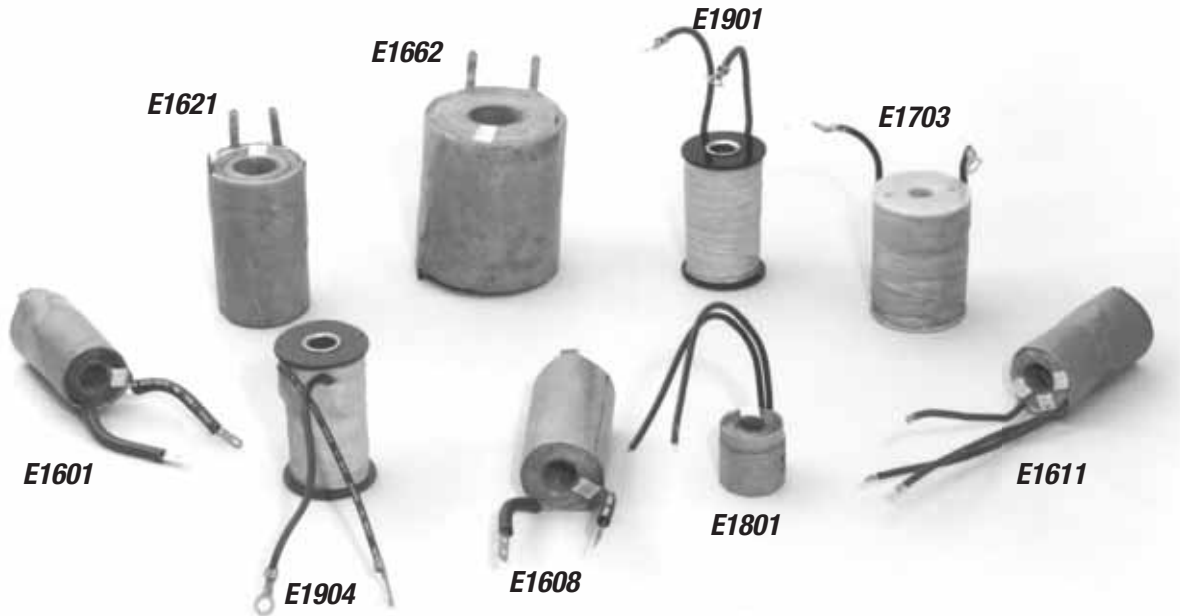
| COILS FOR SR-1 RELAY | | |
|----------------------|---------|--------------------------------------|
| Adams part no. | Voltage | Westinghouse part no. |
| E1203 | 62.5 | X19BG14, X19ZG14, X19ZGR14, K5801G3 |
| E1204 | 125 | X19ZG15, X19ZGR15, K-5801G4, X19BG11 |
| E1211 | 125 | X19BAG3, X19BDG1, X19CG5, K5802G1 |
| E1212 | 125 | X19CG8, X19BDG2, K5802G2 |

| COILS FOR SRL RELAY | | |
|---------------------|---------|---------------------------|
| Adams part no. | Voltage | Westinghouse part no. |
| E1412 | 62.5 | X19BG12, K6738G2 |
| E1413 | 24 | X19BG13 |
| E1421 | 125 | X19BG9, K6738G1 |
| E1422 | 48 | X19BG10, X19BBG7, K6738G2 |

| COILS FOR 6B CONTACTOR | | |
|------------------------|---------|-----------------------|
| Adams part no. | Voltage | Westinghouse part no. |
| E1521 | 230 | X19BFG1, X19BAG1 |
| E1522 | 230 | X19BFG2, X19BAG2 |

CB = BH
CA = BG
CC = BJ

Replacement Coils for Westinghouse Relays



| COILS FOR ES AND EST RELAYS | | | | | | |
|----------------------------------|--------------|---------|----|----------------|---------------------------|----------------|
| Adams part no. | | Voltage | ES | EST | Westinghouse part no. | |
| Solder | Plug | | | | Solder terminals | Plug terminals |
| E1601 | E1631 | 125 | • | | X19BGG01, G20 X19BGGR1 | X19BGG17 |
| E1602 | E1632 | 62.5 | • | | X19BGG02, G21 X19BGGR2 | X19BGG18 |
| E1603 | E1633 | 125 | | • | X19BGG03, GR3 | X19BGG11 |
| E1604 | E1634 | 125 | | • | X19BGG04, GR4 | X19BGG12 |
| E1605 | E1635 | 64 | • | | X19BGG05, GR5 | X19BGG13 |
| E1606 | E1636 | 62.5 | | • | X19BGG06, GR6 | X19BGG14 |
| E1607 | E1637 | 125 | • | | X19BGG07, GR7 | X19BGG15 |
| E1608 | E1638 | 21 | • | | X19BGG08, GR8 | X19BGG16 |
| (3 leads) | | | | | | |
| E1611 | E1641 | 125 | • | | X19BHG1, GR1 | X19BHG10 |
| (2 solder lugs, no leads) | | | | | | |
| E1621 | — | 125 | | Type EC | X19BJG01 | |
| E1622 | — | 62.5 | | Type EC | X19BJG02 | |

| COILS FOR KS RELAY | | | | |
|--------------------|--------------|---------|------------------|--------|
| Adams part no. | | Voltage | Westinghouse no. | |
| 2-lead | 3-lead | | 2-lead | 3-lead |
| E1901 | E1911 | 240 | X19GG1 | X19HG1 |
| E1902 | E1912 | 120 | X19GG2 | X19HG2 |
| E1903 | E1913 | 300 | X19GG3 | X19HG3 |
| E1904 | E1914 | 48 | X19GG4 | X19HG4 |
| | E1915 | 16 | | X19HG5 |
| E1906 | | 120 | X19GG6 | |

| MISCELLANEOUS COILS | | | |
|---------------------|---------|--------|-----------------------|
| Adams part no. | Voltage | Ω | Westinghouse part no. |
| E1662 | 125VDC | 1100 | X19BKG02 |
| E1703 | | 104 | X19YG03 |
| E1704 | | 1.8 | X19YG04 |
| E1706 | | 0.0166 | X19YG06 |

| COIL FOR SYNCHRO-DIAL HALL STATION BUTTON ASSY. | | |
|-------------------------------------------------|---------|-----------------------|
| Adams part no. | Voltage | Westinghouse part no. |
| E1801 | n/a | X19ZG11, X19BBG3 |



R9822G03



R9822G04



R9822G05

COILS FOR #7 SW.

| Part No. | Coil Voltage |
|------------------|--------------|
| R9822G03 | 50 V |
| R9822G04 | 120 V |
| R9822G05 | 230 V |
| R9822G06* | 125 V |

*R9822G06 for #7 Heavy Duty Sw.

LINE STARTERS



5406C62G06



7257C48H05

| LINESTARTERS | | | |
|---------------------|------|------|--------------|
| Part No. | Size | Amps | Coil Voltage |
| 5406C62G01 | 3.5 | 72 | 208 |
| 5406C62G02 | 3.5 | 72 | 240 |
| 5406C62G05 | 3.5 | 100 | 208 |
| 5406C62G06 | 3.5 | 100 | 240 |

| SOFTSTARTERS | | |
|---------------------|------|--------------|
| Part No. | Amps | Coil Voltage |
| 7257C48H01 | 42 | 200-480 |
| 7257C48H05 | 105 | 200-240 |
| 7257C48H11 | 42 | 400-600 |

Brush Holder (SRH Motors—Constant Pressure Type)

| BRUSH HOLDERS | | |
|----------------------|--------------------------|-------------|
| Part No. | For Brushes Measuring... | |
| | Thick (in.) | Width (in.) |
| 4110D65G02 | 0.500 | 0.625 |
| 4110D65G03 | 0.375 | 0.625 |
| 4110D65G05 | 0.375 | 1.000 |
| 4110D65G06 | 0.500 | 1.000 |
| 4110D65G07 | 0.375 | 1.000 |
| 4110D65G08 | 0.500 | 1.000 |
| 4110D65G11 | 0.375 | 1.500 |
| 4110D65G12 | 0.500 | 1.500 |
| 4110D65G13 | 0.625 | 1.500 |
| 4110D65G15 | 0.500 | 1.500 |
| 4110D65G16 | 0.625 | 1.500 |
| 4110D65G17 | 0.750 | 1.500 |
| | | |
| Springs... | Length (in.) | Width (in.) |
| 4110D65G25 | 2.0 | 0.625 |
| 4110D65G33 | 2.5 | 1.0 |



4110D65G06



4110D65G11



4110D65G25



4110D65G33

W702



W701

| TACH GENERATOR (AT LEFT) | | |
|---------------------------------|-----------------------------------------------------------|-----------------------|
| Adams part no. | Description | Westinghouse part no. |
| W701 | Tach Generator 30VDC @ NL1800 RPM | 569A803H01 |
| W702 | Tach generator brush 1/2" L, 1/8" W, 1 1/2" Long w/spring | 569A803H02 |



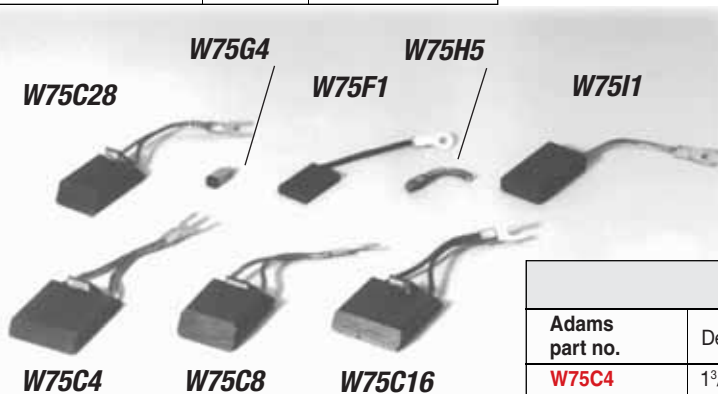
W75A6 **W75A32** **W75A65**
W75A14 **W75A40** **W75A83**



W75E2 **W75E6** **W75E15** **W75E21** **W75E24**

| W75A SERIES BRUSHES | | | |
|-------------------------------------------------|------------------------------------------------------------------------------------|---------------|-------------------------------|
| Adams part no. | Dimensions | Bevelled edge | Westinghouse part no. |
| W75A6 W75A9 W75A12 | 1 3/4" L x 1" W x 1/2" 1 3/4" L x 1 1/4" W x 1/2" 1 1/2" L x 1" W x 3/8" | | X38-A6 X38-A9 X38-A12 |
| W75A14 W75A16 W75A20 | 1 1/2" L x 3/4" W x 3/8" 1 3/4" L x 1" W x 1/2" 1 1/2" L x 1" W x 3/8" | ✓ | X38-A14 X38-A16 X38-A20 |
| W75A32 W75A36 W75A39 | 1 3/4" L x 1 1/4" W x 1/2" 1 3/4" L x 1" W x 5/8" 1 3/4" L x 1" W x 1/2" | | X38-A32 X38-A36 X38-A39 |
| W75A40 W75A63 W75A64 | 1 3/4" L x 1 1/4" W x 5/8" 1 1/2" L x 1" W x 3/8" 1 1/2" L x 1" W x 3/8" | | X38-A40 X38-A63 X38-A64 |
| W75A65 W75A67 W75A74 | 1 1/2" L x 3/4" W x 3/8" 1 3/4" L x 1 1/4" W x 1/2" 1 1/2" L x 3/4" W x 3/8" | | X38-A65 X38-A67 X38-A74 |
| W75A83 W75A91 W75A93 | 1 1/2" L x 1" W x 3/8" 1 1/4" L x 25/32" W x 15/32" 2" L x 1 1/4" W x 3/8" | ✓ | X38-A83 X38-A91 |

| W75B AND E SERIES BRUSHES | | | |
|---------------------------------------------------------------|--------------------------------------------------------------------------------------------------------------|------------------------------|--------------------------------------|
| Adams part no. | Dimensions | Bevel edge | Westinghouse part no. |
| W75B3 W75B7* W75B8 W75B9 | 1 1/4" L x 3/4" W x 3/8" 1 1/4" L x 3/4" W x 3/8" 1 1/4" L x 3/4" W x 3/8" 1 1/4" L x 3/4" W x 3/8" | ✓ Radius ✓ ✓ | X38-B3 X38-B7 X38-B8 X38-B9 |
| W75E2 W75E3 W75E4 | 1 1/64" L x 1/2" W x 1/4" 1 1/4" L x 3/4" W x 1/4" 1" L x 1/2" W x 1/4" (0.363") | Radius Radius ✓ Radius | X38-E2 X38-E3 X38-E4 |
| W75E6 W75E9 W75E14 | 1 1/4" L x 3/4" W x 1/4" 1 1/8" L x 1/2" W x 1/4" 1 1/4" L x 3/4" W x 1/2" | Radius Radius Radius | X38-E6 X38-E9 X38-E14 |
| W75E15 W75E18 W75E20 | 1" L x 1/2" W x 1/4" (0.363") 1 1/4" L x 3/4" W x 1/4" 1 1/8" L x 3/4" W x 1/4" | ✓ Radius Radius | X38-E15 X38-E18 X38-E20 |
| W75E21 W75E22 W75E23 | 1 1/4" L x 3/4" W x 1/4" 1 1/4" L x 3/4" W x 1/4" 1 1/4" L x 3/4" W x 1/4" | Radius Radius Radius | X38-E21 X38-E22 X38-E23 |
| W75E24 W75E25 W75E52 | 1 1/4" L x 3/4" W x 1/4" 1 1/4" L x 3/4" W x 1/4" 1 1/4" L x 3/4" W x 1/4" | Radius Radius Radius | X38-E24 X38-E25 X38-E52 |

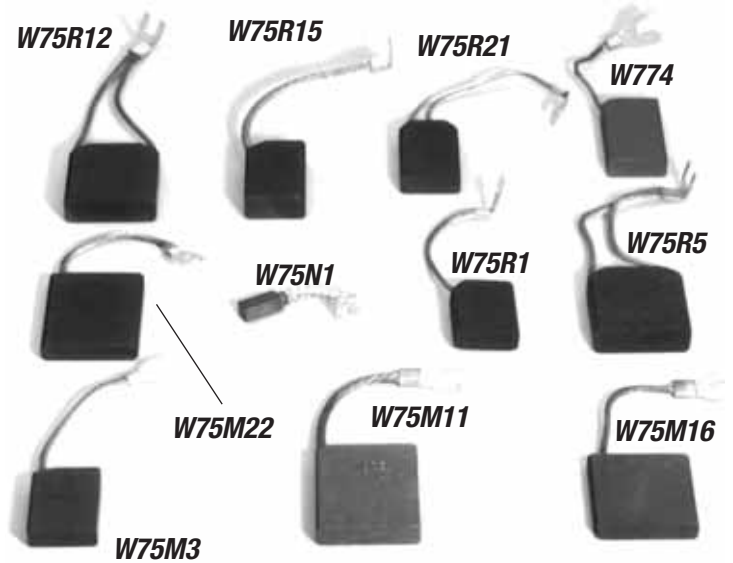
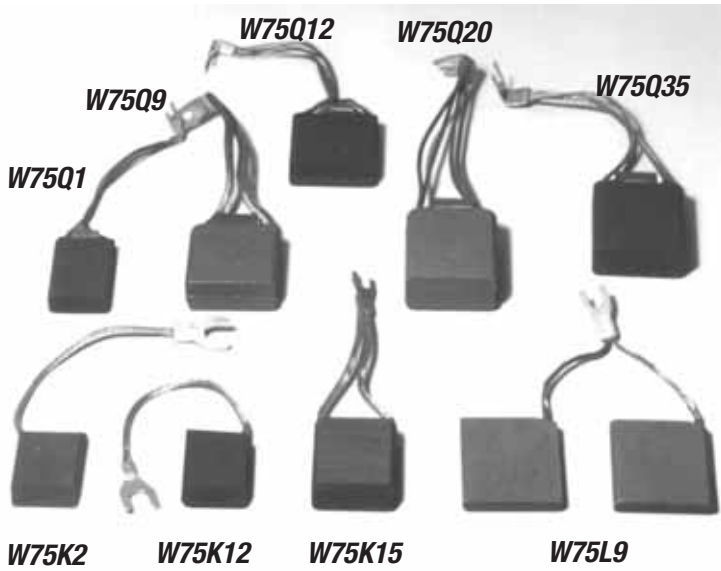


W75F, G AND H SERIES BRUSHES

| Adams part no. | Dimensions | Bevel edge | Westinghouse part no. |
|----------------------------------------------|----------------------------------------------------------------------------------|------------------|----------------------------|
| W75F1 W75F3 W75G4 | 5/8" L x 9/32" W x 7/32" 5/8" L x 1/4" W x 3/16" 1 1/8" L x 3/4" W x 3/16" | Radius | X38-F1 X38-F3 X38-G4 |
| W75H5 W75H7 W75I1 | 9/16" L x 1/4" W x 3/16" 3/4" L x 1/4" W x 1/4" 1 3/4" L x 1" W x 3/8" | Radius Radius | X38-H5 X38-H7 X38-I1 |

W75C SERIES BRUSHES

| Adams part no. | Description | Bevel edge | Westinghouse part no. |
|-------------------------------------------------|----------------------------------------------------------------------------------------|-------------|-------------------------------|
| W75C4 W75C6 W75C8 | 1 3/4" L x 1 1/2" W x 3/8" 1 3/4" L x 1 1/4" W x 1/2" 1 3/4" L x 1 1/4" W x 1/2" | ✓ ✓ ✓ | X38-C4 X38-C6 X38-C8 |
| W75C14 W75C15 W75C16 | 1 3/4" L x 1" W x 1/2" 1 3/4" L x 1 1/4" W x 1/2" 1 3/4" L x 1 1/2" W x 3/8" | ✓ ✓ ✓ | X38-C14 X38-C15 X38-C16 |
| W75C17 W75C18 W75C20 | 1 3/4" L x 1 1/2" W x 1/2" 1 3/4" L x 1" W x 3/8" 1 3/4" L x 1 1/4" W x 1/2" | ✓ ✓ ✓ | X38-C17 X38-C18 X38-C20 |
| W75C23 W75C28 W75C32 | 1 3/4" L x 1 1/4" W x 1/2" 1 3/4" L x 1" W x 1/2" 1 3/4" L x 1" W x 3/8" | ✓ ✓ ✓ | X38-C23 X38-C28 X38-C32 |
| W75C33 W75C34 | 1 3/4" L x 1 1/4" W x 1/2" 1 3/4" L x 1 1/2" W x 3/8" | ✓ ✓ | X38-C33 X38-C34 |



| Adams part no. | Dimensions | Base | Westinghouse part no. |
|----------------|----------------------------|------|-----------------------|
| W75K2 | 1 3/4" L x 1" W x 3/8" | B | X38-K2 |
| W75K7 | 1 3/4" L x 1 1/4" W x 1/2" | B | X38-K7 |
| W75K8 | 1 3/4" L x 1" W x 3/8" | B | X38-K8 |
| W75K12 | 1 1/2" L x 1" W x 3/8" | B | X38-K12 |
| W75K13 | 1 3/4" L x 1" W x 3/8" | B | X38-K13 |
| W75K14 | 1 3/4" L x 1" W x 1/2" | B | X38-K14 |
| W75K15 | 1 3/4" L x 1 1/4" W x 1/2" | B | X38-K15 |
| W75L1 | 1 1/2" L x 1" W x 1/2" | S | X38-L1 |
| W75L2 | 1 1/2" L x 1 1/2" W x 1/2" | S | X38-L2 |
| W75L9 | 1 3/4" L x 1 1/2" W x 1/2" | S | X38-L9 |
| W75L10 | 1 1/2" L x 1 1/2" W x 1/2" | S | X38-L10 |
| W75L11 | 1 1/2" L x 1" W x 1/2" | S | X38-L11 |
| W75Q1 | 1 1/2" L x 1" W x 3/8" | A | X38-Q1 |
| W75Q2 | 1 1/2" L x 1" W x 1/2" | A | X38-Q2 |
| W75Q3 | 1 1/2" L x 1 1/2" W x 1/2" | A | X38-Q3 |
| W75Q9 | 1 1/2" L x 1 1/2" W x 5/8" | A | X38-Q9 |
| W75Q10 | 1 1/2" L x 1 1/2" W x 1/2" | A | X38-Q10 |
| W75Q11 | 1 3/4" L x 1 1/2" W x 5/8" | A | X38-Q11 |
| W75Q12 | 1 3/4" L x 1" W x 3/4" | A | X38-Q12 |
| W75Q14 | 1 1/2" L x 1 1/2" W x 5/8" | A | X38-Q14 |
| W75Q16 | 1 3/4" L x 1 1/2" W x 3/4" | A | X38-Q16 |
| W75Q20 | 1 3/4" L x 1 1/2" W x 5/8" | A | X38-Q20 |
| W75Q22 | 1 1/2" L x 1" W x 1/2" | A | X38-Q22 |
| W75Q34 | 1 1/2" L x 1 1/2" W x 5/8" | A | X38-Q34 |
| W75Q35 | 1 1/2" L x 1 1/2" W x 1/2" | S | X38-Q35 |
| W75Q36 | 1 3/4" L x 1 1/2" W x 5/8" | S | X38-Q36 |
| W75Q37 | 1 3/4" L x 1 1/2" W x 3/4" | A | X38-Q37 |
| W75Q38 | 1 3/4" L x 1 1/2" W x 1" | A | X38-Q38 |

| Adams part no. | Dimensions | Base | Westinghouse part no. |
|----------------|----------------------------------------------|------|-----------------------|
| W75M3 | 1 1/4" L x 1" W x 3/8" | F | X38-M3 |
| W75M9 | 1 1/4" L x 1" W x 3/8" | F | X38-M9 |
| W75M10 | 1 3/4" L x 1 1/2" W x 5/16" | F | X38-M10 |
| W75M11 | 1 1/2" L x 1 1/2" W x 3/8" | F | X38-M11 |
| W75M12 | 1 1/2" L x 1 1/2" W x 5/16" | F | X38-M12 |
| W75M15 | 1 1/4" L x 1" W x 3/8" | F | X38-M15 |
| W75M16 | 1 1/2" L x 1 1/2" W x 5/16" | F | X38-M16 |
| W75M20 | 1 3/4" L x 1 1/2" W x 5/16" | F | X38-M20 |
| W75M21 | 1 1/4" L x 1" W x 3/8" | F | X38-M21 |
| W75M22 | 1 3/4" L x 1 1/2" W x 5/16" | F | X38-M22 |
| W75M24 | 1 1/2" L x 1 1/2" W x 5/16" | F | X38-M24 |
| W75M25 | 1 3/4" L x 1 1/2" W x 1/2" | F | X38-M25 |
| W75N1 | 3/4" L x 5/16" W x 1/4" | F | X38-N1 |
| W75N2 | 1" L x 5/16" W x 1/4" | F | X38-N2 |
| W75R1 | 1 1/4" L x 1" W x 3/8" | F | X38-R1 |
| W75R2 | 1 1/4" L x 1" W x 3/8" | F | X38-R2 |
| W75R4 | 1 1/2" L x 1 1/2" W x 3/8" | F | X38-R4 |
| W75R5 | 1 1/2" L x 1 1/2" W x 1/2" | F | X38-R5 |
| W75R10 | 1 1/4" L x 1" W x 3/8" | F | X38-R10 |
| W75R11 | 1 1/2" L x 1 1/2" W x 3/8" | F | X38-R11 |
| W75R12 | 1 1/2" L x 1 1/2" W x 1/2" | F | X38-R12 |
| W75R13 | 1 1/2" L x 1 1/2" W x 5/8" | F | X38-R13 |
| W75R14 | 1 1/4" L x 5/8" W x 3/8" | F | X38-R14 |
| W75R15 | 1 1/2" L x 1" W x 1/2" | F | X38-R15 |
| W75R16 | 1 1/2" L x 1 1/2" W x 3/8" | F | X38-R16 |
| W75R18 | 1 1/4" L x 5/8" W x 3/8" | F | X38-R18 |
| W75R21 | 1 1/2" L x 1" W x 3/8" | F | X38-R21 |
| W75R38 | 1 1/4" L x 1" W x 3/8" | F | X38-R38 |
| W75T1 | 1/4" dia. x 1" L; 1 5/8" L spring, 1/4" dia. | R | X38-T1 |
| W719 | 1 1/8" L x 5/8" W x 3/8"; 4 1/2" L shunt | F | spec. W2070 |
| W774 | 1 3/4" L x 1" W x 3/8" | F | spec. 2176 |

B=Bevelled; F=Flat; R=Radius Edge; S=Separated; A=Attached Split

Westinghouse Interlocks

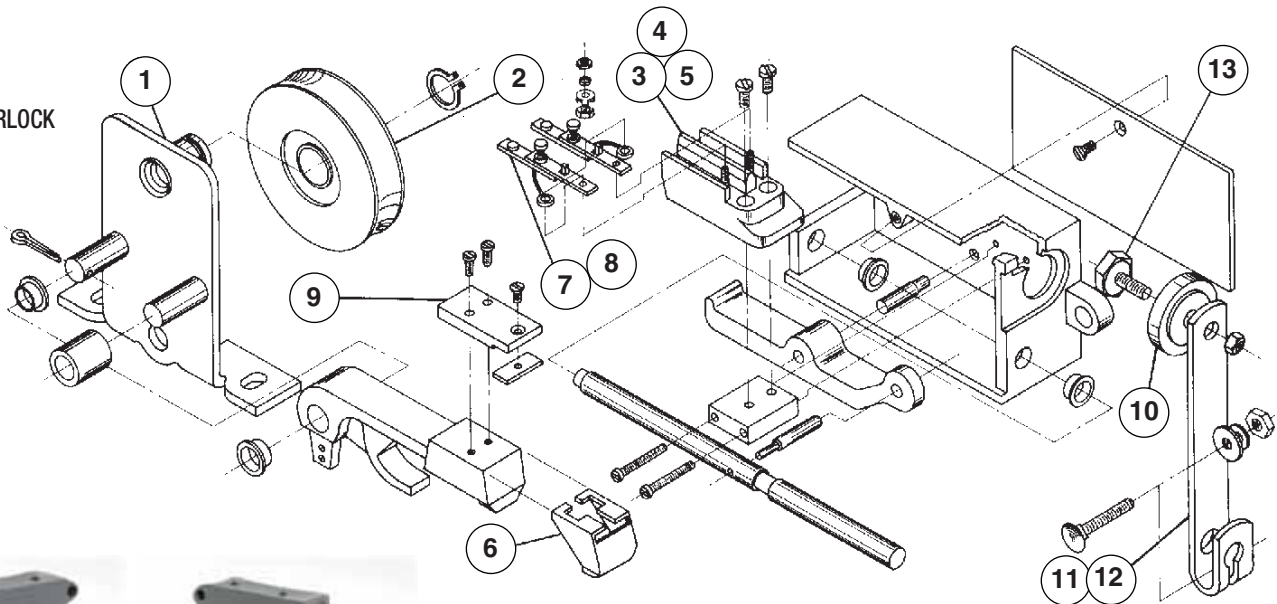
On the next 8 pages, we have listed the four types of Westinghouse interlocks for which Adams manufactures component parts.

On the left-hand pages, you'll find an exploded diagram that shows the relationship between the components in each interlock. Key numbers in the diagram correspond with the replacement parts listed in the table below each diagram.

On the right-hand pages, you'll find photographs of the component parts, followed by ordering information.

We recommend that you find the part you need in the diagrams on the left, then confirm the Adams part no. and part description with the photos on the right.

TYPE B-2 INTERLOCK



626D686G01



626D686G02

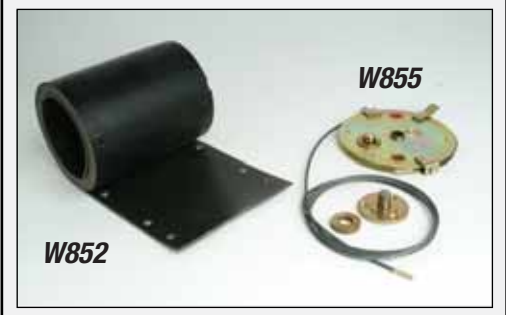
B-2 INTERLOCK COMPONENTS (W8100)

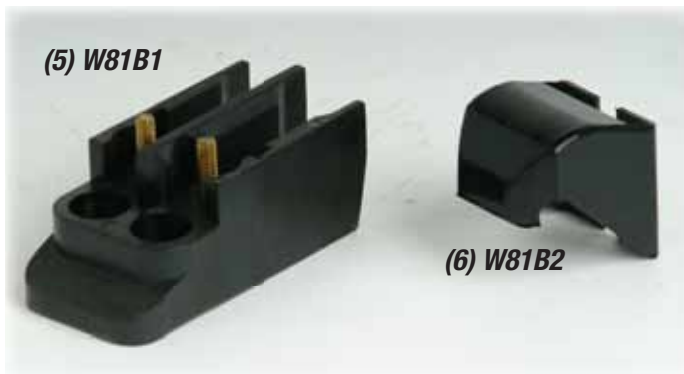
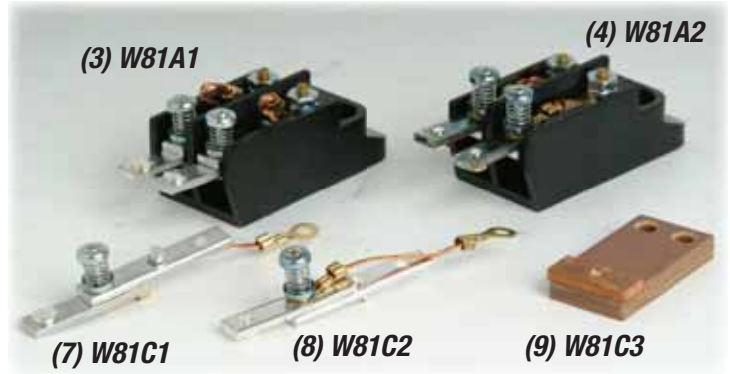
| Key no. | Adams part no. | Description | Westinghouse part no. |
|---------|----------------------------------------|------------------------------------------------------------------------------------------------|-----------------------|
| | 626D686G01 626D686G02 | Complete B2 Interlock RH Complete B2 Interlock LH | |
| 1 | W405 | Door hanger assembly (cable studs sold sep. on p.341) | T5411 |
| 2 | W405A | Door hanger roller | R8858G98 |
| 3 | W81A1 | Stationary contact ass'y, complete (shown above); incl. base with 2 moveable contacts, N/O | R3620G01 |
| 4 | W81A2 | Stationary contact ass'y, complete (shown, next pg.); incl. base with 2 moveable contacts, N/C | R3620G02 |
| 5 | W81B1 | Contact base only | — |
| 6 | W81B2 | Latch lever insulator shoe | 145A765H01 |
| 7 | W81C1 | Contact assembly, N/O (shown above); includes copper shunt & eyelet | R3620G3 |
| 8 | W81C2 | Contact assembly, N/C (shown, next pg.); includes copper shunt & eyelet | R3620G4 |
| 9 | W81C3 | Contact bridge block w/copper contact | R6952-10 & K59572 |
| 10 | W81R1 | Roller | K3244G01 |
| 11 | W81L1 | Roller arm | K7028H01 |
| 12 | W81L2 | Roller/roller arm assembly, complete | — |
| 13 | W81S1 | Roller stud, threaded | K65831 |

SAFETY EDGE ACCESSORIES

W852. Rubber cover for Westinghouse safety edge nose, 83" x 6"; incl. pre-punched mounting holes.

W855. Safety edge retracting unit; 5 1/2" O.D. mounting plate and 1/8" dia. steel cable, 7' long.





| B-2 DRIVE BLOCKS (POLY & RUBBER) | | | | |
|---------------------------------------------|------------|--------|--------------|-----------------------|
| Adams part no. | Dimensions | | Material | Westinghouse part no. |
| | Length | Slot | | |
| W825R | 5 1/2" | 1" | Rubber | M3393-1 |
| W825P | 5 1/2" | 1" | Polyurethane | |
| W826R | 8" | 1" | Rubber | M3639-1 |
| W826P | 8" | 1" | Polyurethane | |
| W827R | 10" | 1 5/8" | Rubber | R9314-1 |
| W827P | 10" | 1 5/8" | Polyurethane | |
| W828P | 8" | 1 5/8" | Polyurethane | M-6845H01 |

Drive Blocks



DOOR RETRACTOR HARDWARE KIT

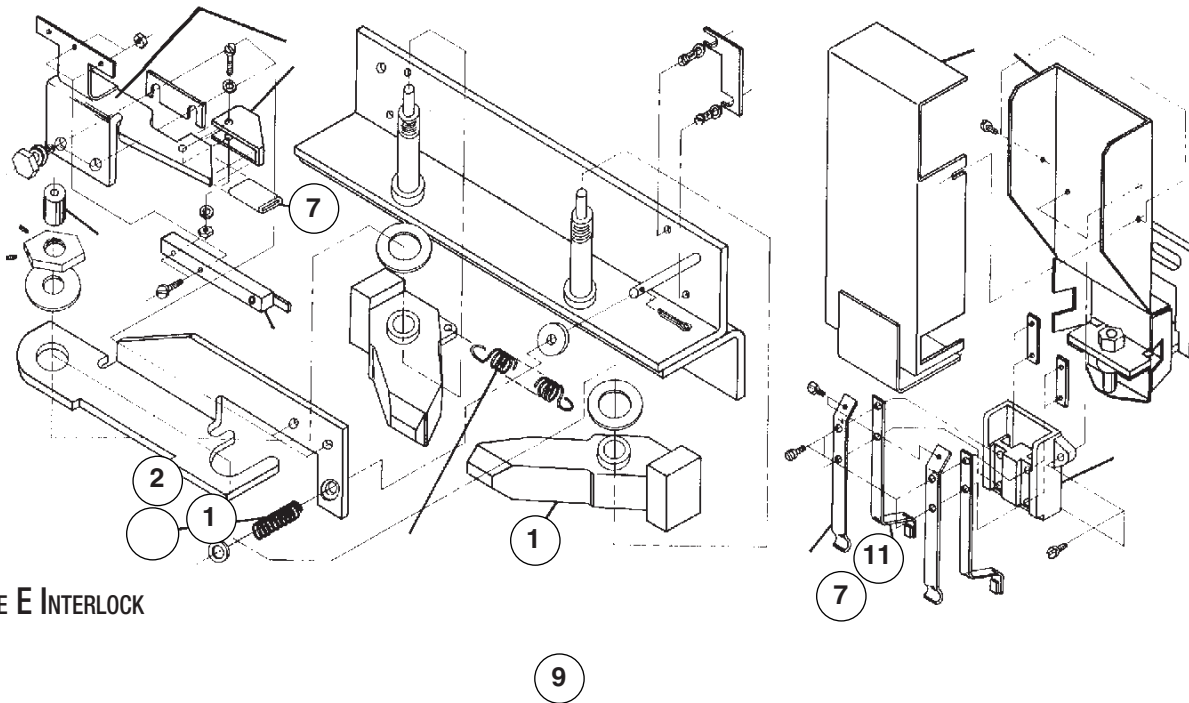
Here's a welcome assortment of high-demand parts to replace missing hardware for safety edge retracting units.

Each kit includes:

- 1 retaining ring (a)
- 1 washer, 1/2"OD x 1/8"ID x 1/16" (b)
- 1 bearing roller (c) • 1 finger guide (d)
- 2 cable angle holders (e)
- 2 pan head screws, #10-32 x 3/8"L (f)
- 1 pan head screw, #8-32 x 3/8"L (g)



- 3 flat head screws, #10-32 x 3/8"L (h)
 - 3 bushings, 1/2"OD x 3/8"ID x 5/16"L (i)
- Adams part no. **W855K1**. Hardware kit.



TYPE E INTERLOCK

E INTERLOCK COMPONENTS

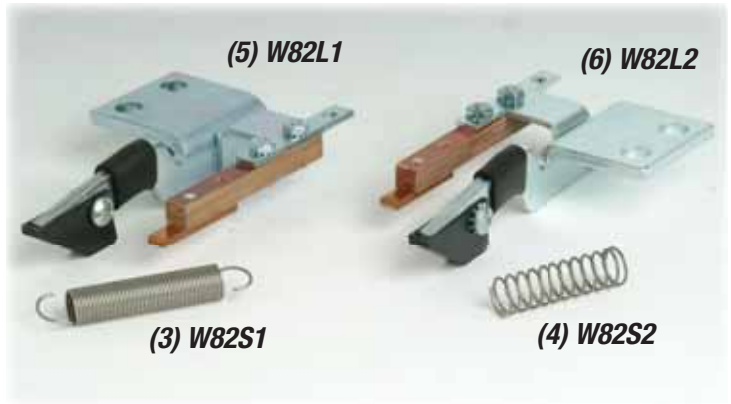
| Key no. | Adams part no. | Description | Westinghouse part no. |
|---------|----------------|------------------------------------------------------------------------------------------------------------------------------------------------------------------------------------------------|-----------------------|
| 1 | W82D1 | Nylon drive block ass'y. for stationary vane (shown); 4 ³ / ₁₆ "L | 151B671H01 |
| 2 | W82D2 | Nylon drive block ass'y. for retractable vane (not shown); 3 ⁷ / ₁₆ "L | 151B776H01 |
| 3 | W82S1 | Drive block spring, 1 ⁷ / ₈ "L x ³ / ₈ "OD | X9K-1 |
| 4 | W82S2 | Latch arm spring, 1 ⁹ / ₁₆ "L x ⁷ / ₁₆ "OD | X9J-18 |
| 5 | W82L1 | Latch w/rubber nose (shoe), complete; LH, shown | 144A563H01 |
| 6 | W82L2 | Latch w/rubber nose (shoe), complete; RH, not shown | 144A563H01 |
| 7 | W82L3 | Rubber bumper (sleeve) | X14B5 |
| 9 | W82C1 | Contact bridge ass'y., micarta w/copper contact | 144A520G01 |
| 10 | W82B1 | Contact base | 215B687H01 |
| 11 | W82C2 | Contact finger w/silver tip | 144A568G01 |
| 12 | W82C3 | Contact blade support | — |
| 13 | W82K1 | Interlock switch in case, complete | 465D864G01 |
| 14 | W82M1 | Repair kit w/zinc-plated roller holder, brass roller, 2 rivets, zinc-plated mounting stud, airplane nut | — |
| 15 | W82M2 | Mounting base, "L" form; 4"H w/ ³ / ₄ " x 1" base; pre-formed mtg. holes for ³ / ₈ -16 machine screws | — |
| 16 | W82M3 | Mounting base; roller mount (2 ³ / ₈ " x 2 ¹ / ₂ ") welded to base at 90° angle; mounting holes for ³ / ₈ -16 machine screws | — |



(1) W82D1
(4³/₁₆" long)



(2) W82D2
(3⁷/₈" long)

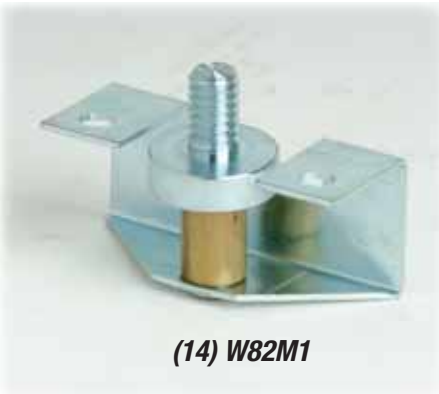


(3) W82S1

(4) W82S2

(5) W82L1

(6) W82L2



(14) W82M1



(15) W82M2



(16) W82M3



(9) W82C1



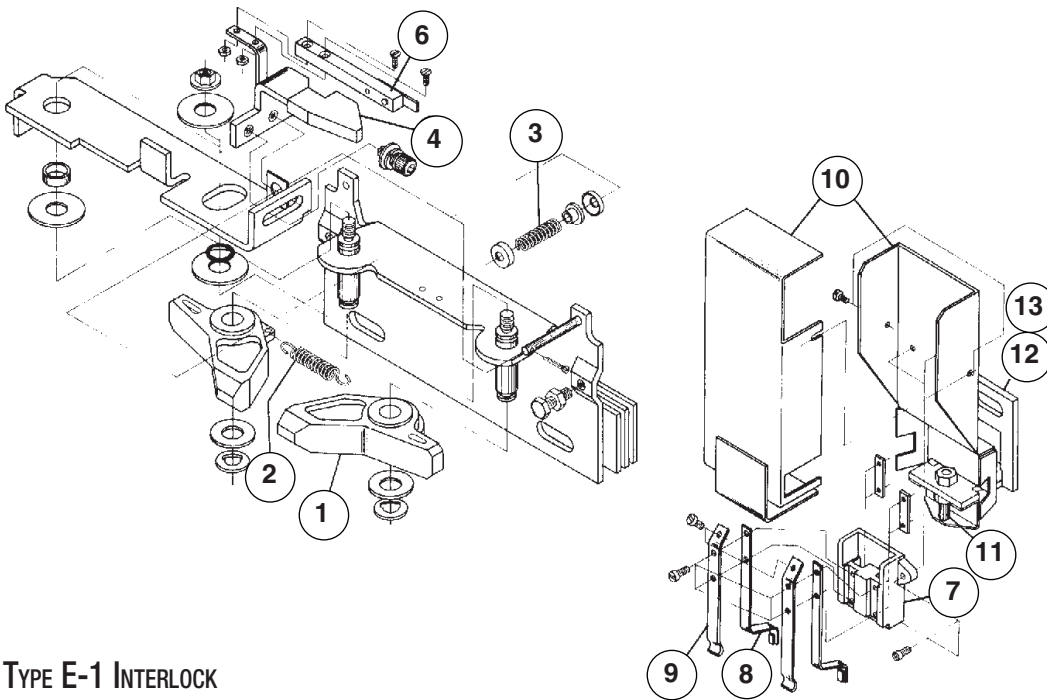
(7) W82L3



(11) W82C2

(10) W82B1

(13) W82K1



TYPE E-1 INTERLOCK

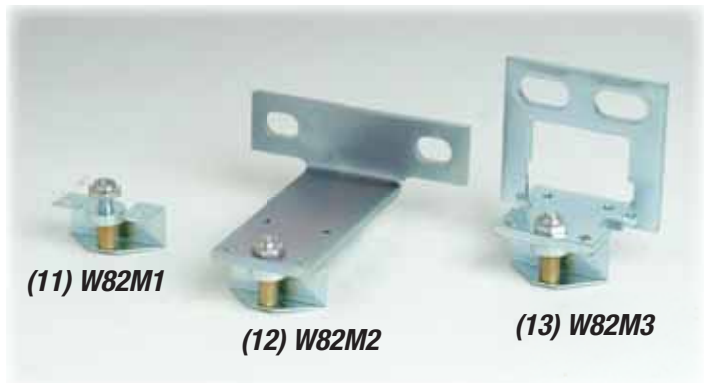
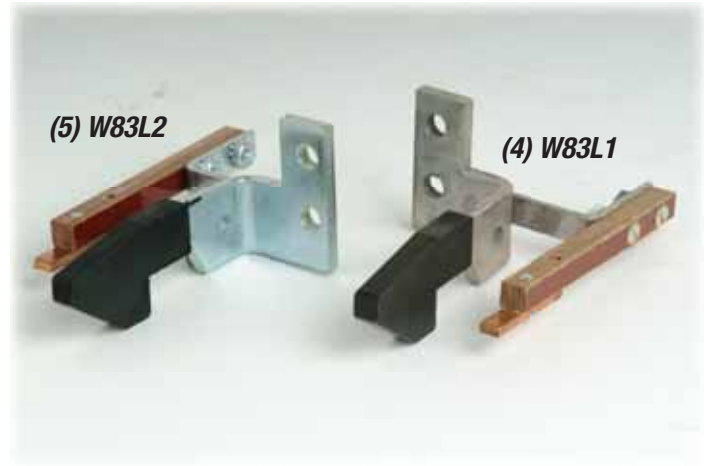
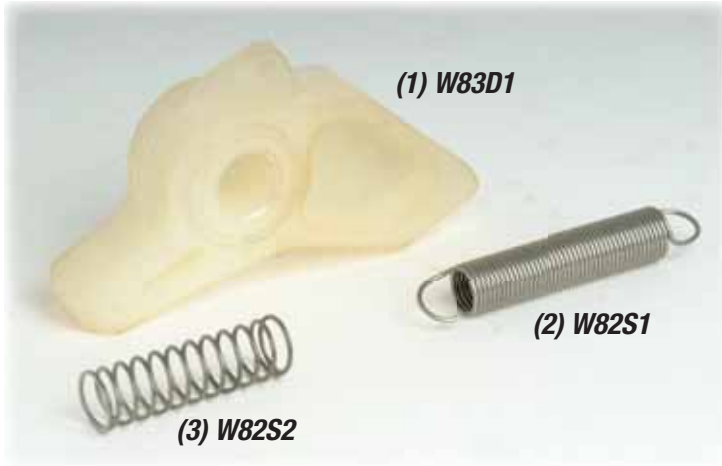
The exploded diagram at left shows the relationship among the components in each Type E-1 interlock. Key numbers in the diagram correspond with the replacement parts listed in the table below.

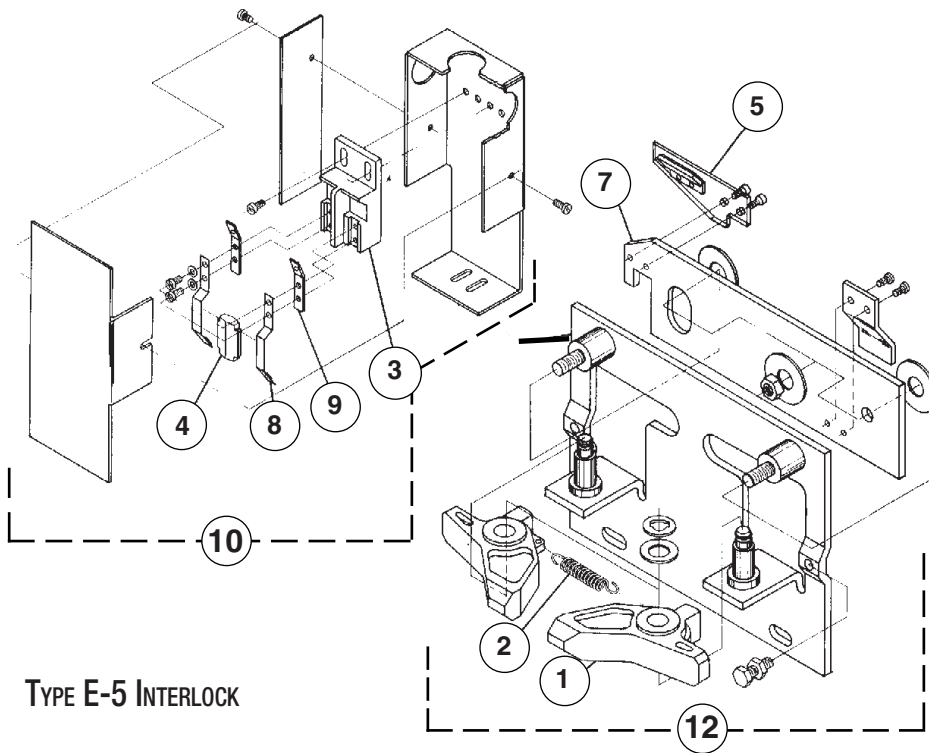
On the facing page, you'll find photographs of the component parts, keyed to the table below.

We recommend that you find the part you need in the diagram at left, then confirm the Adams part no. and part description with the photos at right.

Adams manufactures only the component parts for interlock types B2, E & E1; for the type E-5/E-5A interlock, however, we manufacture components and complete assemblies.

| E-1 INTERLOCK COMPONENTS | | | |
|--------------------------|----------------|---------------------------------------------------------------------------------------------------------------------------------------------------------------------------------------------------|-----------------------|
| Key no. | Adams part no. | Description | Westinghouse part no. |
| 1 | W83D1 | Nylon drive block assembly | 576B812H01 |
| 2 | W82S1 | Drive block spring, 1 ⁷ / ₈ "L x 3 ³ / ₈ "OD | X9K-1 |
| 3 | W82S2 | Latch arm spring, 1 ⁹ / ₁₆ "L x 7 ¹ / ₁₆ "OD | X9J-18 |
| 4 | W83L1 | Latch w/rubber nose (shoe), complete; LH, shown | 324C463G06 |
| 5 | W83L2 | Latch w/rubber nose (shoe), complete; RH, shown on facing page | 324C463G05 |
| 6 | W83C1 | Contact bridge ass'y., micarta w/copper contact | 576B807G01 |
| 7 | W82B1 | Contact base | 215B687H01 |
| 8 | W82C2 | Contact finger w/silver tip | 144A568G01 |
| 9 | W82C3 | Contact blade support | — |
| 10 | W82K1 | Interlock switch in case, complete | 628D075G01 |
| 11 | W82M1 | Repair kit incl. roller holder, brass roller, 2 rivets, mounting stud, airplane nut | — |
| 12 | W82M2 | Mounting base, "L" form; 4"H w/3 ³ / ₄ " x 1" base; pre-formed mounting holes for 3 ⁸ / ₁₆ -16 machine screws | — |
| 13 | W82M3 | Mounting base; roller mount (2 ³ / ₈ " x 2 ¹ / ₂ ") welded to base at 90° angle; mounting holes for 3 ⁸ / ₁₆ -16 machine screws | — |





TYPE E-5 INTERLOCK

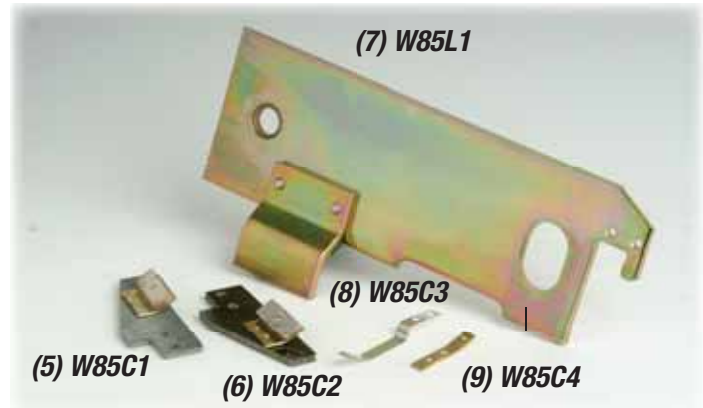
The exploded diagram at left shows the relationship among the components in each Type E-5 interlock. Key numbers in the diagram correspond to the replacement parts listed in the table below.

On the facing page, you'll find photographs of the component parts, followed by ordering information.

Find the part you need in the diagram at left, then confirm the Adams part no. and part description with the photos at right.

E-5/E-5A INTERLOCK COMPONENTS

| Key no. | Adams part no. | Description | Westinghouse part no. |
|---------|----------------|-------------------------------------------------------------------------------|-----------------------|
| 1 | W85D1 | Nylon drive block | 630B424H01 |
| 2 | W85S1 | Drive block spring, 1 ¹⁵ / ₁₆ "L x 7/ ₁₆ "OD | X9KS1H02 |
| 3 | W85B1 | Contact base for stationary contacts | 682A226H01 |
| 4 | W85B2 | Contact separator | 864A963H01 |
| 5 | W85C1 | Contact bridge ass'y., RH | 682A244H01 |
| 6 | W85C2 | Contact bridge ass'y., LH | 682A245G01 |
| 7 | W85L1 | Latch lever | 196C523H01 |
| 8 | W85C3 | Contact blade with silver contact | 682A227G01 |
| 9 | W85C4 | Contact blade support | 682A302H01 |
| 10 | W85K1 | Interlock switch in case, complete; RH | 196C527G01 |
| 11 | W85K2 | Interlock switch in case, complete; LH | 196C527G02 |
| 12 | W85A1 | Drive block ass'y., complete; RH | 5194D85G01 |
| — | W85A2 | Drive block ass'y., complete; LH | 5194D85G02 |
| 14 | W85M1 | Mounting bracket for W85K1/K2, single bend | 197C567H01 |
| 15 | W85M2 | Mounting bracket for W85K1/K2, double bend | 197C534H01 |
| 16 | W85M3 | Mounting bracket for W85K1/K2, triple bend | 197C534H03 |



WK85A1

WK85A1 E-5/E-5A interlock assembly (shown) RH, complete; incl. W85A1 and W85K1. Replaces Westinghouse part no. 5212D87G05.

WK85A2 E-5/E-5A interlock assembly (opposite of shown) LH, complete; incl. W85A2 and W85K2. Westinghouse part no. 5212D87G01.

All the rollers featured on the next four pages have sealed bearings. This feature is added for maintenance convenience.

In many cases we have used polyurethane rollers instead of nylon. This gives Adams replacement hanger assemblies more durability for a longer life.

TYPE ACD/ACN HANGER ROLLER ASSEMBLIES FOR HATCH & CAR DOORS (E, E1, E3, E4)

| Adams part no. | Description | Westinghouse part no. |
|----------------|---------------------------------------------------------------------------------------------------------------------------------------------------------------|-----------------------|
| W401 | LH assembly, complete, incl. 2 ³ / ₄ " dia. nylon roller wheel and bearing (part no. W404) | M7405-G4, G6 |
| W402 | RH assembly, complete; incl. 2 ³ / ₄ " dia. nylon roller wheel and bearing (part no. W404) | M7405-G3, G5 |
| W413 | RH assembly, complete; incl. 2 ³ / ₄ " dia. solid steel roller w/polyurethane tire (part no. W415) | M7405-G99* |
| W414 | LH assembly, complete; incl. 2 ³ / ₄ " dia. solid steel roller w/polyurethane tire (part no. W415) | M7405-G99* |
| W403 | Upthrust roller assembly for "AC" hangers; 3 ¹ / ₃₂ " dia. x 7 ¹ / ₁₆ " wide; case hardened steel, cadmium plated | 152B011-G02 |
| W404 | Nylon roller only, 2 ³ / ₄ " dia.; bearing bore = 0.5906" (shown on page 292) | 576B535-G04 |
| W415 | Steel roller only, w/poly tire; 2 ³ / ₄ " dia.; bearing bore = 0.5906" (shown on page 292) | 576B535-G98 |

*Westinghouse part no. M7405-G99 refers to both LH and RH assemblies; Adams part nos. W413 & W414 refer to RH & LH separately. *Westinghouse OEM hub is aluminum.*

TYPE B3M HANGER ROLLER ASSEMBLY

| Adams part no. | Description | Westinghouse part no. |
|----------------|---------------------------------------------------------------------------------------------------------------------------------------------------|-----------------------|
| W405 | Hanger assembly, complete, incl. 3 ³ / ₈ " dia. aluminum roller w/polyurethane tire; all holes tapped to accept cable studs | T5411G99* |
| W405A | Aluminum/poly roller only, 3 ³ / ₈ " dia. flat track | R8858G01 |
| W403 | Upthrust roller assembly for "AC" hangers | 152B011-G02 |

*Westinghouse part no. T5411G99 refers to a pair of identical hanger assemblies; Adams part no. W405 refers to one assembly only; order two (2) to replace one complete Westinghouse set.

TYPE A3M HANGER ROLLER ASSEMBLY

| Adams part no. | Description | Westinghouse part no. |
|----------------|--------------------------------------------------------------------------------------------------------------------------------------------------------------|-----------------------|
| W406 | Hanger assembly, complete, incl. 4 ⁹ / ₈ " dia. aluminum roller w/polyurethane tire; all holes tapped to accept cable studs | T5409G99* |
| W406A | Aluminum/poly roller only, 4 ⁹ / ₈ " dia. flat track | R8636G01 |
| W406P | Upthrust roller assembly for "AC" hangers; 1 ³ / ₈ " dia. x 2 ⁹ / ₆₄ " wide; case hardened steel, cadmium plated | M6029G01 |

*Westinghouse part no. T5409G99 refers to a pair of hanger assemblies; Adams part no. W406 refers to one hanger assembly only.

Cold rolled steel hanger assembly frames measure 4¹/₄"H x 5"W



Order W401 & W402 for nylon roller wheel; order W413 or W414 for steel/polyurethane wheel

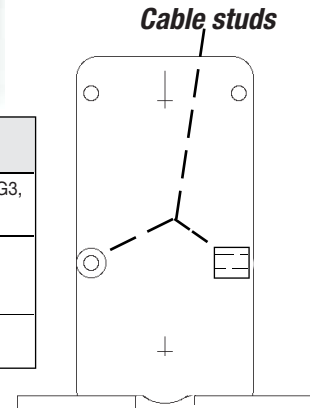
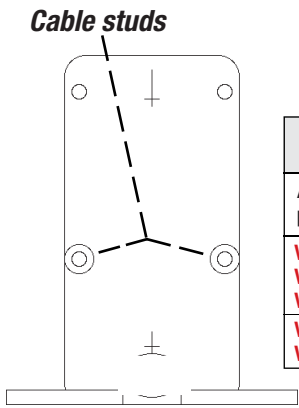
Cold rolled steel hanger assembly frame measures 4³/₄"H x 5"W

All wheels are mounted with retaining clips for easy replacement without changing complete assy.



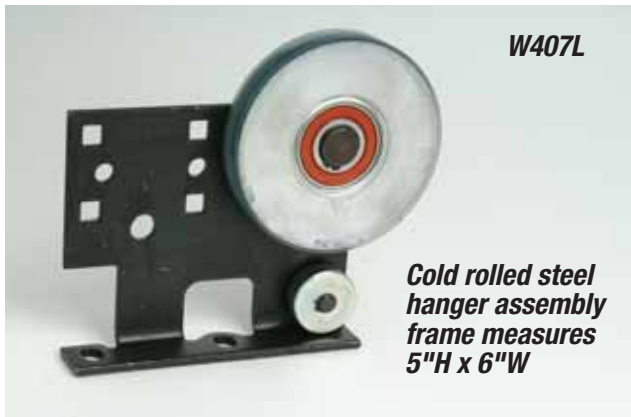
Cold rolled steel hanger assembly frame measures 6¹/₄"H x 5³/₄"W





| CABLE STUDS FOR W405- & W406-SERIES HANGERS | | | | | | |
|---------------------------------------------|----------------------------|--------|-----------|-----------------------|-----------|---------------|
| Adams part no. | Description | Thread | T-5411-G3 | T-5411-G4, G5, G6, G7 | T-5409-G7 | T-5409-G3, G4 |
| W405S1 | Eye clamp stud, 3/4" sq. | 3/8-16 | — | 1 | — | — |
| W405S2 | Pin, 1/2" dia. | 3/8-16 | 2 | — | — | — |
| W405S3 | Clamp bolt stud, 3/4" dia. | 3/8-16 | — | 1 | — | — |
| W406S1* | Eye clamp stud, 3/4" sq. | 1/2-20 | — | — | 2 | 1 |
| W406S2* | Clamp bolt stud, 3/4" dia. | 1/2-20 | — | — | — | 1 |

*Zinc plated.



| TYPE AC2 HANGER ROLLER ASSEMBLIES FOR HATCH & CAR DOORS | | |
|---------------------------------------------------------|-------------------------------------------------------------------------------------------------------------------------------------|------------------------------------------------|
| Adams part no. | Description | Westinghouse part no. |
| W407R | RH assembly, complete, incl. upthrust roller for hatch door and 4 3/8" dia. steel roller wheel w/polyurethane tire (part no. W407A) | 323C083G99 series* 324C083G03 324C083G04 |
| W407L | LH assembly, complete; same as W407R | |
| W407A | Steel/poly roller only, 4 3/8" dia.; bearing bore = 0.7874" | 323C235G02 |
| W406P | Upthrust roller for hatch door (replacement) | M6029G01 |

*Westinghouse part no. 323C083G99 series contains a set of two (2) hangers; Adams part nos. W407R & W407L refer to individual RH & LH assemblies.



| TYPE E-4 HATCH DOOR HANGERS WITH ALUMINUM ROLLER & REPLACEMENT TRACK | | |
|----------------------------------------------------------------------|------------------------------------------------------------|-----------------------|
| Adams part no. | Description | Westinghouse part no. |
| W408R* | RH hanger assembly, complete | 325C798G01 |
| W408L* | LH hanger assembly, complete (not shown) | 325C798G02 |
| W408RL | One ea. W408R and W408L | 325C798G05 |
| W408W1 | Aluminum roller only, 2 3/4" dia. | 325C798G09 |
| W408W2 | Steel roller only, 3" dia. | — |
| W408P | Upthrust roller assembly only; 1" dia. x 7/16" wide roller | 325C798G10 |
| W408T1 | Nylon roller track, 8 ft. length | 569A844H01 |
| W408T2 | Nylon roller track, 10 ft. length | 569A844H01 |

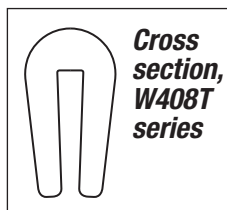
*Westinghouse part no. 325C798G05 contains a set of two (2) hangers; Adams part nos. W408R & W408L refer to RH & LH assemblies separately.

RIGHT HAND VS. LEFT HAND

Standing inside the car and facing the hall,

LH roller assembly is on door that opens to the LEFT

RH roller assembly is on door that opens to the RIGHT





694B995G01



GL-928-M

| HANGER ROLLER ASSEMBLIES (EZ & MG) | |
|-----------------------------------------------|-----------------------------------------|
| Part No. | Description |
| 694B995G01 | Hanger Assembly - EZ Operator |
| M410 | Roller for 694B995G01 |
| GL-928-M | Hanger Assembly - MG Operator (RH) |
| 7263C05H27 | Hanger Assembly - MG Operator (RH) FAST |
| 7263C05H28 | Hanger Assembly - MG Operator (LH) SLOW |
| 7263C05H29 | Hanger Assembly - MG Operator (RH) SLOW |



7263C05H27



7263C05H28



7263C05H29



465D274G01



627D989G05



465D274G02



627D989G03



465D274G03



627D989G04



627D989G08



583725

ROLLER GUIDE SHOE ASSEMBLIES

| Part No. | Description | Rollers Used in Assemblies |
|------------|--------------------------------------------------|-----------------------------|
| 465D274G01 | RGS Assembly - 3" Roller /8-16# CWT Rail | W409 |
| 465D274G02 | RGS Assembly - 3" Roller /8-16# CWT Rail | 144A277G01 |
| 465D274G03 | RGS Assembly - 3" Replacement | 144A277G01 |
| 627D989G05 | RGS Assembly - 6" Roller CWT Rail | 323C160G02 |
| 627D989G03 | RGS Assembly - 4.5" - 6" Roller 8-16# CWT Rail | (2) W411, (1) W412 |
| 627D989G04 | RGS Assembly - 4.5" - 6" Roller 8-15# CWT Rail | (1) 323C160G02 (2) M5594G02 |
| 627D989G08 | RGS Assembly - 6" Roller 8-16# CAR Rail | 323C160G02 |
| 583725 | RGS Assembly - R3 | |
| 2177C32G01 | RGS Assembly - H3, 3" Roller 8, 11, 16# CAR Rail | WE973W2 |

ROLLER CAGE ASSEMBLIES

| Part No. | Description |
|------------|--------------------------------------------------|
| 215B488G01 | Roller Cage Assembly - B4 Safety |
| 322C240G01 | Roller Cage Assembly - B6 Safety - 16# Rail |
| 322C241G01 | Roller Cage Assembly - B6 Safety - 18.5/32# Rail |
| 694B214H01 | Carriage Assembly - B1 Safety |



215B488G01



322C240G01



694B214H01



322C241G01



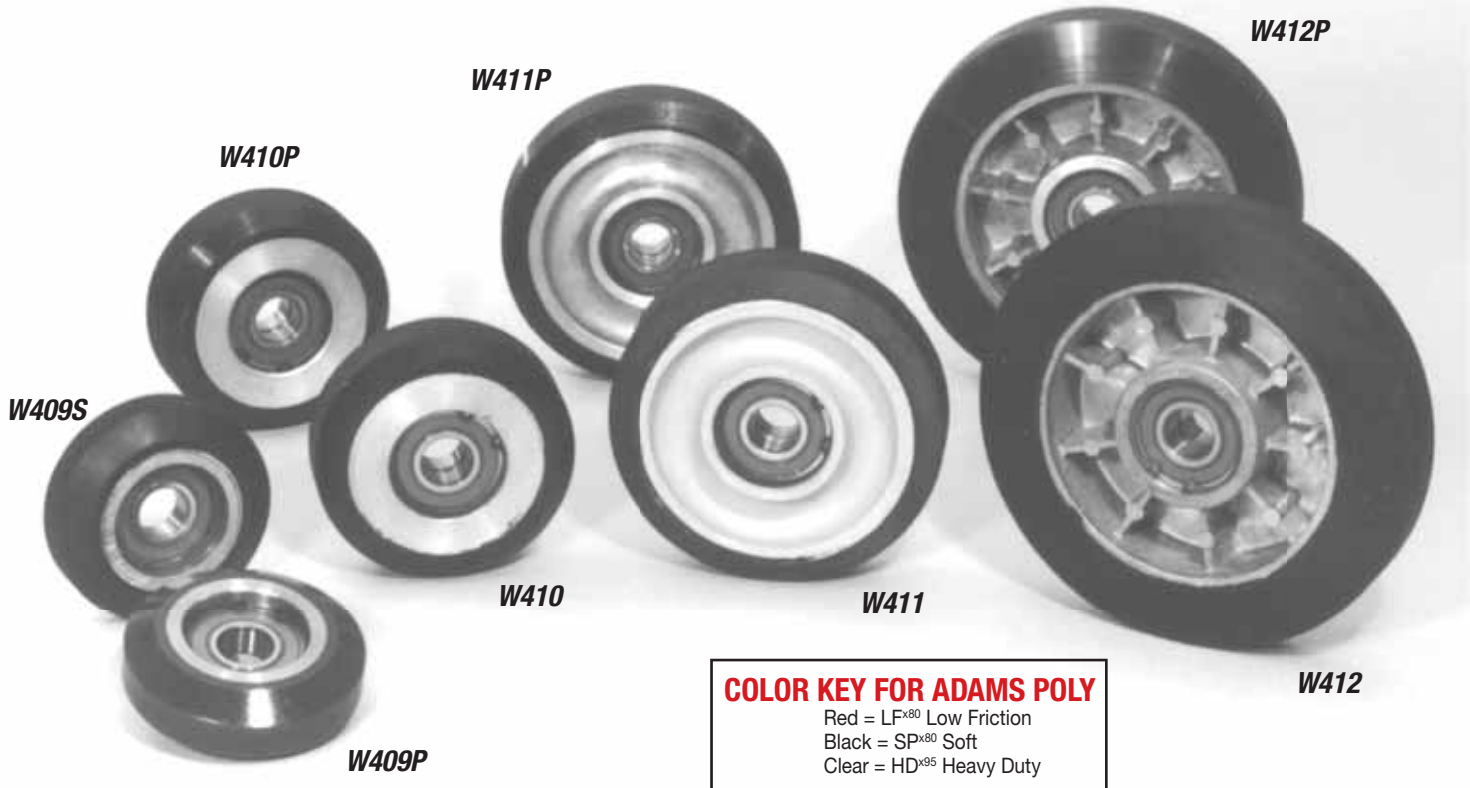
REPLACEMENT HANGER ASSEMBLY ROLLER ORDERING INFORMATION

| Adams part no. | Description | Outside diameter | Width | Tire material | Bearing bore | Westinghouse part no. |
|----------------|-----------------------------------------------------|-----------------------------------|--------|--------------------------|--------------|-----------------------|
| W404 | Solid nylon roller wheel & bearing | 2 ³ / ₄ " | 0.605" | none | 0.5906" | 576B535G04 |
| W405A | Aluminum/poly roller for B3M hanger roller assembly | 3 ³ / ₈ " | 0.705" | HDx ⁹⁵ ™ poly | 0.7874" | R8858G01 |
| W406A | Aluminum/poly roller for A3M hanger roller assembly | 4 ³ / ₈ " | 0.750" | HDx ⁹⁵ ™ poly | 1.181" | R8636G01 |
| W407A | Aluminum/poly roller for AC2 hanger roller assembly | 4 ³ / ₈ " | 0.680" | HDx ⁹⁵ ™ poly | 0.7874" | 323C235G02 |
| W408W1 | Aluminum roller hub for E-4 hatch door hanger | 2 ³ / ₄ " | 0.600" | none | 0.6693" | 325C798G09 |
| W408W2 | Steel Roller Hub | 3" | 0.656" | none | 0.6693" | — |
| W415M | Solid aluminum heavy-duty hanger roller wheel | 2 ³ / ₄ " | 0.610" | HDx ⁹⁵ ™ poly | 0.5906" | 576B535G98 |
| W417M | Hanger roller | 2 ²⁹ / ₃₂ " | 0.719" | HDx ⁹⁵ ™ poly | 0.6693" | 7433C56H01 |



See ordering information on next page.

Replacement Wheels for Westinghouse Guide Roller Assemblies



COLOR KEY FOR ADAMS POLY
 Red = LF⁸⁰ Low Friction
 Black = SP⁸⁰ Soft
 Clear = HD⁹⁵ Heavy Duty

Quiet Poly—An Adams Guide Roller Exclusive You Can't Afford to Be Without

You can't get a more quiet ride out of a guide roller than with our SPx⁸⁰™ Quiet Poly. SPx⁸⁰ gives you the quiet ride you enjoy with rubber PLUS these added advantages:

- Quiet Poly guide rollers *last longer than rubber*

- Quiet Poly *stands up to petroleum products* that invade the hoistway and reduce roller life
- Quiet Poly *resists ozone degradation*

Try an SPx⁸⁰ Quiet Poly alternative next time you're replacing a guide roller. At long last...*the silence will be deafening!*

| REPLACEMENT GUIDE ROLLER ORDERING INFORMATION | | | | | | |
|-----------------------------------------------|---------------------------------------------------------------------------|----------|--------|--------------------------------|--------------|-----------------------|
| Adams part no. | Description | Diameter | Width | Tire material | Bearing bore | Westinghouse part no. |
| W409P | Steel-hub counterweight roller guide wheel | 3" | 1.000" | HDx ⁹⁵ ™ poly | 0.6693" | 144A277G02 |
| W409S | Steel-hub counterweight roller guide wheel | 3" | 1.000" | SPx ⁸⁰ ™ Quiet Poly | 0.6693" | 144A277G02 |
| W410 | Cast aluminum roller guide wheel | 3 1/2" | 1.250" | Rubber | 0.6693" | M5594G04 |
| W410P | Cast aluminum roller guide wheel | 3 1/2" | 1.250" | HDx ⁹⁵ ™ poly | 0.6693" | M5594G04 |
| W411 | Cast aluminum roller guide wheel | 4 1/2" | 1.250" | Rubber | 0.6693" | M5594G02 |
| W411P | Cast aluminum roller guide wheel | 4 1/2" | 1.250" | HDx ⁹⁵ ™ poly | 0.6693" | M5594G02 |
| W411S | Cast aluminum roller guide wheel | 4 1/2" | 1.250" | SPx ⁸⁰ ™ Quiet Poly | 0.6693" | M5594G02 |
| W412 | Cast aluminum roller guide wheel | 6" | 1.200" | Rubber | 0.6693" | 323C160G01 |
| W412P | Cast aluminum roller guide wheel | 6" | 1.200" | HDx ⁹⁵ ™ poly | 0.6693" | 323C160G02 |
| W412S | Cast aluminum roller guide wheel | 6" | 1.200" | SPx ⁸⁰ ™ Quiet Poly | 0.6693" | 323C160G02 |
| W416 | Guide roller (pictured on facing page) | 10 1/4" | 1.250" | Rubber | 0.6693" | M5594G05 |
| WE973W2 | Guide roller | 3" | 1.250" | SPx ⁸⁰ ™ Quiet Poly | 0.6693" | 691B785G05 |
| 146A988H01 | Shaft for face roller of 627D989G03 RGS ASSY (pictured on following page) | | | | | |
| 576B710H01 | Shaft for face roller of 627D989G03 RGS ASSY (pictured on following page) | | | | | |



R7466H05
Latch 126B
Interlock



K5260H01
Latch for B3 Interlock
& Door Closer



100778
Stud For #15 Interlock
Hook



M3706H04
Release Bar for B2 Interlock
5.550/2550 Doors
4 ⁷/₈" L X ³/₈" W



2179C31G02
Interlock MTG Kit
E5A/E5B 2S-E4 ENT



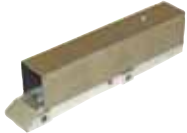
6951C50G02
Latch Keeper
Right Hand - WID Interlock
(Adams)



R7484H02
Release Lever
F Door Interlock



K3244H02
Rubber Tire 1 ¹/₂" OD
for B2 Interlock



T4285G02
INTLK Assembly
F NO Coil



345460
MECH INTLK
K-3/30



6951C64G01
Interlock Assembly
WID 1S Left Hand



M5949H01
Latch
B2 INTIK C1



R7483H09
Bracket for Type "F" Freight
Door Interlock
7" L X 1 ¹/₈" W



5212D87G07
INTLK/DRV
BLK E5A 2SRH E1 ENT



7263C76G02
Interlock CONV Kit
PRE 84 E5A TP E5B



R8029G03
Release Bar Assembly
8.18"L for B2 C.O.
Interlock



R8521G02
Lever & Plate
F-INTLK



811C985H05
Electric Interlock Kit
#5M65



7028C88G02
Interlock Conversion Kit
E5B to E5A Left Hand



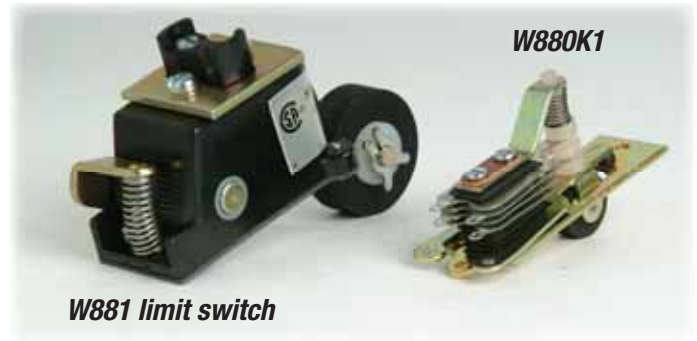
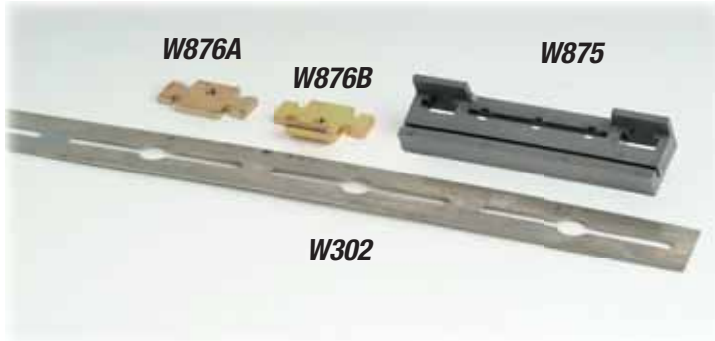
R8403G03
Release Bar
10.5L B2 INTLK CO



576B710H01
Shaft for Side Roller
(627D989G03 RGS ASSY)

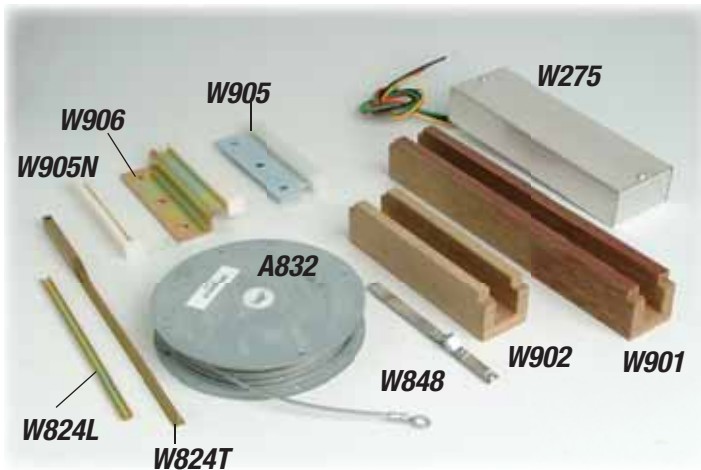


146A988H01
Shaft for Face Roller
(627D989G03 RGS ASSY)



| SELECTOR TAPE & ACCESSORIES | | |
|-----------------------------|------------------------------------------------------------------------------------------|-----------------------|
| Adams part no. | Description | Westinghouse part no. |
| W302 | Stainless steel hatchway selector tape, 1"W x 0.032" thick; specify length when ordering | 569A699H01 |
| W875 | Nylatron tape guide for W302 selector tape | 145A110H01 |
| W876A | Short clip for W875 tape guide | 145A111H01 |
| W876B | Long clip w/radius bend for W875 tape guide | 145A111H02 |

| TYPE E LANDING SWITCHES & TYPE E LIMIT SWITCH | | |
|-----------------------------------------------|--------------------------|-----------------------|
| Adams part no. | Description | Westinghouse part no. |
| W880K1 | 1 Make/1 Break (1NO/1NC) | 324C969G04 |
| W880K2 | 2 Make (2NO) | 324C969G03 |
| W880K3 | 1 Make (1NO) | 324C969G06, G01 |
| W880K4 | 1 Break (1NC) | 324C969G08, G02 |
| W880K5 | 2 Break (2NC) | 324C969G07, G05 |
| W881 | Hatch limit switch (NC) | 321C201G01 |
| 321C201G11 | Hatch limit switch (NO) | |



| MISC. COMPONENTS | | |
|-------------------|-----------------------------------------------------------------------------------|-----------------------|
| Adams part no. | Description | Westinghouse part no. |
| W824L | "Lunar" hatch door key, 6"L; 1/8" radius O.D. | 569A884H01 |
| W824T | "T" hatch door key, 9"L x 1/4" x 1/4" | M3550-5, G05 |
| A831 | Heavy-duty spirator, 5" dia. w/universal mount | 215B951H01 |
| A832 | Standard-duty spirator, 5" dia. w/nylon runner | — |
| W832 | Standard-duty spirator, 6" dia. w/nylon runner | 576B615H01 |
| A831B | Spirator mounting bracket for all models | |
| W848 | Movable contact for power door operator, 4 1/2"L; used on E4 & E4A limit switches | K3802G01 |
| W849 | Stationary contact for S & MS door operators; MAKES with W848 | 144A560G01 |
| W275 | Inductor switch, complete | T4483G19 |
| W901 | Main rail gib, micarta; 9 1/4"L x 1 3/8"W x 1 5/8"H; 1"-deep slot | T96113 |
| W902 | Counterweight gib, micarta; 5 1/4"L x 1 3/8"W x 1 5/16"H; 0.925"-deep slot | T96111 |
| W903 | Door Gib Bracket with 1/2" offset, 3.5" L. | |
| W905 | Door gib (4"L x 1 1/2"H) w/nylon runner | |
| W906 | Door gib (4"L x 1 7/8"H) with 5/8" offset for 1 1/4" door; incl. nylon runner | |
| W905N | Replacement nylon runner for W905 & W906 ; 4"L x 7/16" x 1/2" | 146A746H01 |
| 7360Z | Escutcheon Lunar Key Chrome 1" dia | |
| 7361Z | Escutcheon Lunar Key Small T | |
| 2845C49G01 | Escutcheon Lunar Key Stainless Steel | |
| 2845C49H01 | Escutcheon Lunar Key Bronze | |



KE Terminal Limit Switch

The Electronic Upgrade for Obsolete Mechanical Switches

How It Works

A magnetically activated cartop-mounted switch array is teamed with rail-mounted actuating magnets to provide consistent bi-directional signals that bring out the best in today's microprocessor-based controls.

Maintenance Free

KE Terminal Limit Switches are reliable, accurate and require no maintenance. Break free from bulky and noisy mechanical cams and switches and the maintenance they require.

Advantages

- Cartop mounting eliminates hoistway rewiring by using available traveling cable conductors
- Straightforward installation on cartop
- Non-contact, noiseless operation—silent inside the car, even on the cartop!
- Rugged, durable switch technology was developed to sense high-speed bullet train position
- Consistent activation fight after fight, year after year
- Set & Forget design requires no adjustment or maintenance once installed
- Better price point than competitive magnetic switches

Many Uses

- Normal terminal slowdown device
- Emergency terminal stopping device
- Speed-limiting device
- Access limit switch
- Earthquake car-to-counterweight switch
- Not for final limits, which must be mechanical per code



HOW TO ORDER

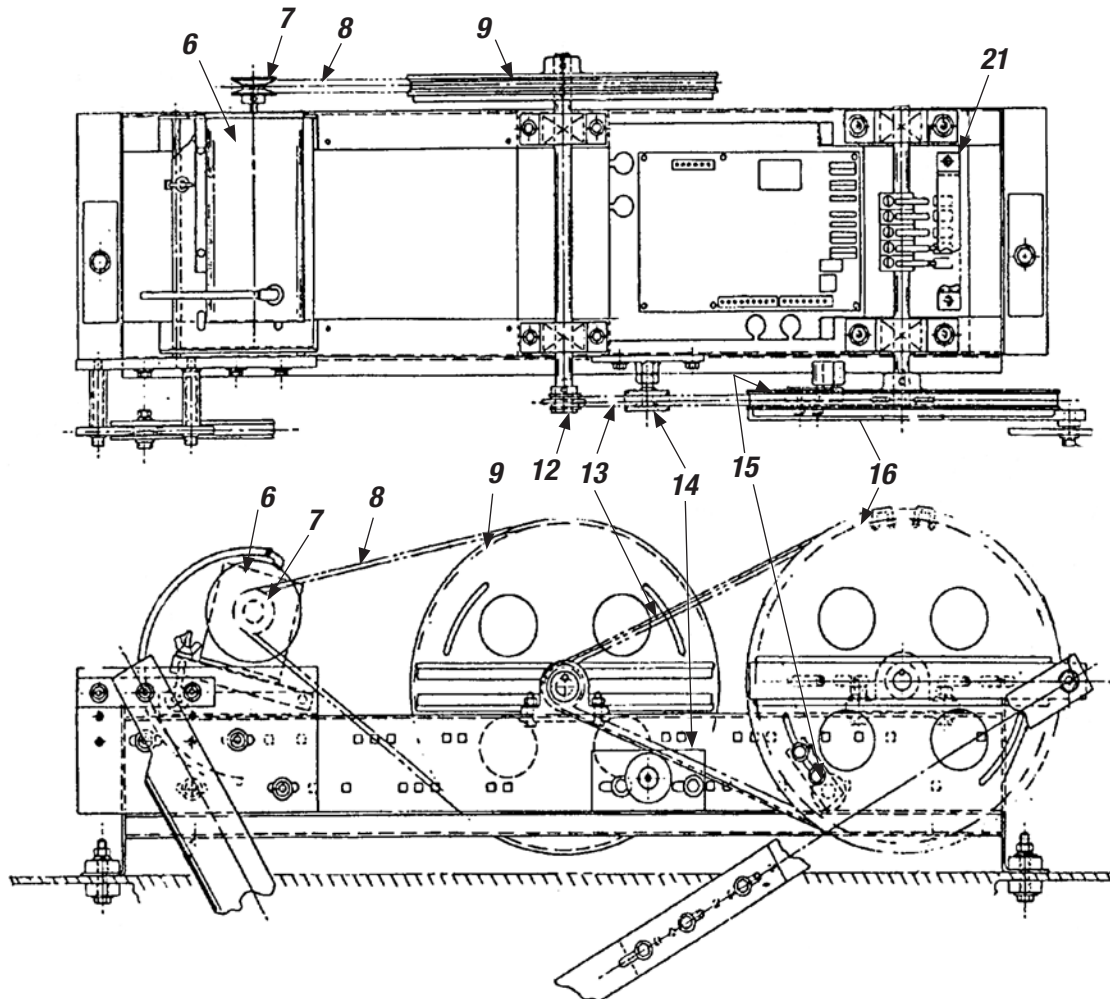
KE8

Car speed: 0 fpm to 350 fpm
Eight switches, eight lanes

KE14

Car speed: 350 fpm to 1400 fpm
14 switches, 14 lanes

QKS 14 & QKS 15 Door Operators



QKS 14 & QKS 15 DOOR OPERATORS

| Key No. | QKS 14 | QKS 15 | Description |
|---------|------------------|----------------|-----------------------------|
| 6A | 692B863G01 [1,9] | 7283C05H01 [2] | MOTOR PM (FLANGED MTD) D008 |
| 6B | 7285C56H01 [1] | | MOTOR PM (FOOT MTD) E675 |
| 7 | 5203D66H08 | 5203D67H08 | PULLEY ASSEMBLY |
| 8 | 5207D42H46 | 5207D42H46 | V-BELT, 4L550 |
| 9 | 5203D66H10 | 5203D67H10 | PULLEY WHEEL ASSEMBLY |
| 12 | 5203D66H14 | 5203D67H14 | CHAIN SPROCKET ASSEMBLY |
| 13 | 5203D66H15 | 5203D67H15 | CHAIN |
| 14 | 5203D66H16 | 5203D67H16 | CHAIN TENSION ASSEMBLY |
| 15 | 5203D66H17 | 5203D67H17 | STOP ROLLER ASSEMBLY |
| 16 | 5203D66H18 | 5203D67H18 | CHAIN WHEEL ASSEMBLY |
| 21A | 5203D66H24 | 5203D67H24 | LIMIT SWITCH ASSEMBLY, STD |

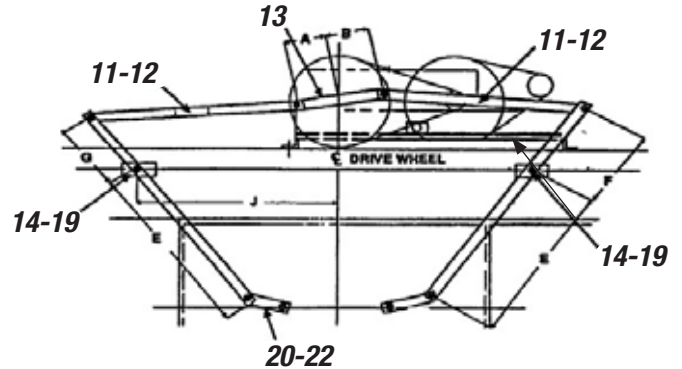
[1] THIS IS A 1/6 HP 1150 RPM PERMANENT MAGNET MOTOR

[2] THIS IS A 1/3 HP 1750 RPM PERMANENT MAGNET MOTOR

[9] USED ON EARLY GENERATION OF QKS-14 WHERE THE ADAPTER PLATE WAS PROVIDED TO ACCEPT A FLANGED MOUNTED MOTOR

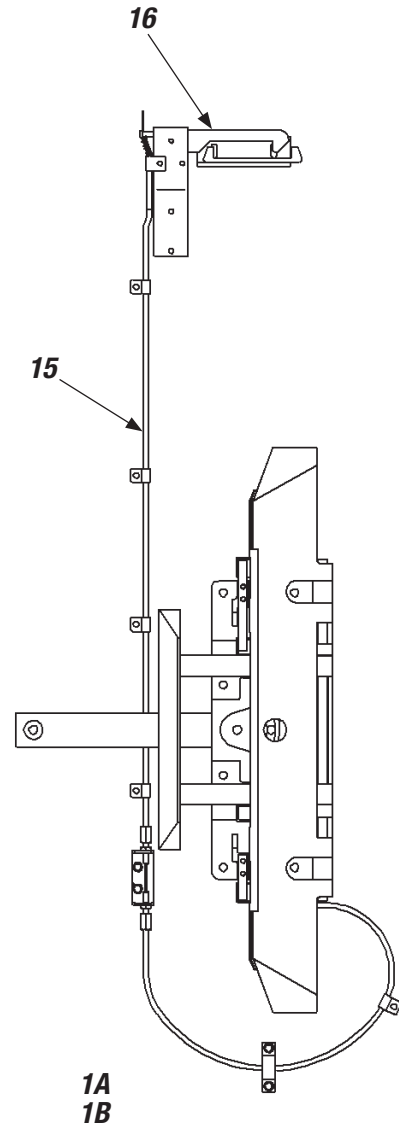
Door Arm Assembly

| QKS 14 & QKS 15 DOOR OPERATORS | | | |
|--------------------------------|------------|------------|-------------------------|
| Key No. | QKS 14 | QKS 15 | Description |
| 11 | 5203D66H25 | 5203D67H25 | UPPER "C" LINK ASSEMBLY |
| 12 | 5203D66H26 | 5203D67H26 | UPPER "C" LINK ASSEMBLY |
| 13 | 5203D66H27 | 5203D67H27 | A&B ARM ASSB SSCO |
| 14 | 5203D66H31 | 5203D67H31 | PIVOT BRACKET ASSEMBLY |
| 19 | 895-1056 | 1000-1056 | PIVOT BAR |
| 20 | 5203D66H30 | 5203D67H30 | SLAVE BRACKET |
| 22 | 895-1061 | 895-1061 | SLAVE DOOR BRACKET |

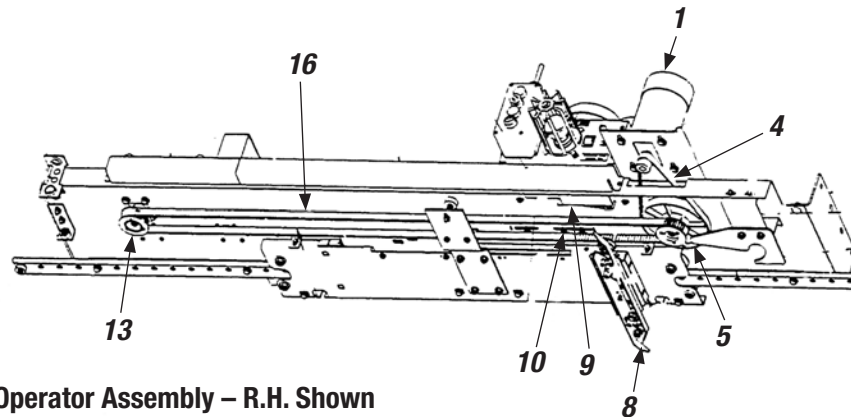


QKS 14 & QKS 15 Clutch and Restraint Assembly

| QKS 14 & QKS 15 DOOR OPERATORS | | |
|--------------------------------|------------|-----------------------------------------|
| Key No. | Part No. | Description |
| 1A | 7284C21H02 | CLUTCH & RESTRAINT ASSEMBLY QKS-14 (6") |
| 1B | 7284C21H08 | CLUTCH & RESTRAINT ASSEMBLY QKS-15 (6") |
| 15 | 7284C21H41 | CABLE ASSEMBLY-RELEASE |
| 16 | 7284C21H35 | HOOK ASSEMBLY |



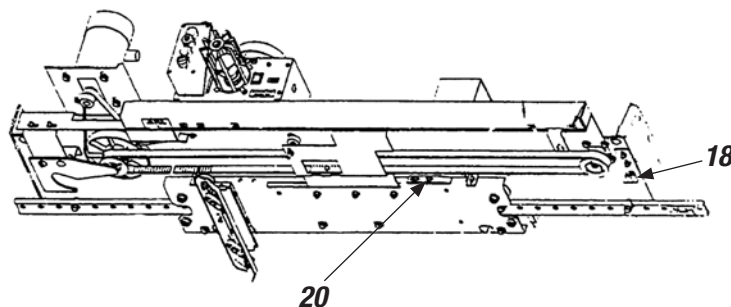
QKS 16 Door Operator (Pre-Nov. 1998)



Operator Assembly – R.H. Shown

| QKS 16 DOOR OPERATORS (PRE-NOV. 1998) | | |
|---------------------------------------|------------|----------------------|
| Key No. | Part No. | Description |
| 1 | 7283C05H02 | MOTOR |
| 4 | 693B415H01 | DRIVE BELT (7 RIBS) |
| 5 | 7268C48H01 | ENCODER PULLEY |
| 8A | 7268C26H02 | CLUTCH ASSEMBLY LH |
| 8B | 7268C26H01 | CLUTCH ASSEMBLY RH |
| 9A | 7431C95H26 | GATE SW, LH |
| 9B | 7431C95H10 | GATE SW, RH |
| 10 | 1319B05H01 | MAGNET (REED) SWITCH |
| 13 | 7268C35H01 | IDLER PULLEY |
| 16 | 7268C09H04 | TIMING BELT |

QKS 16 Door Operator (Post-Nov. 1998)

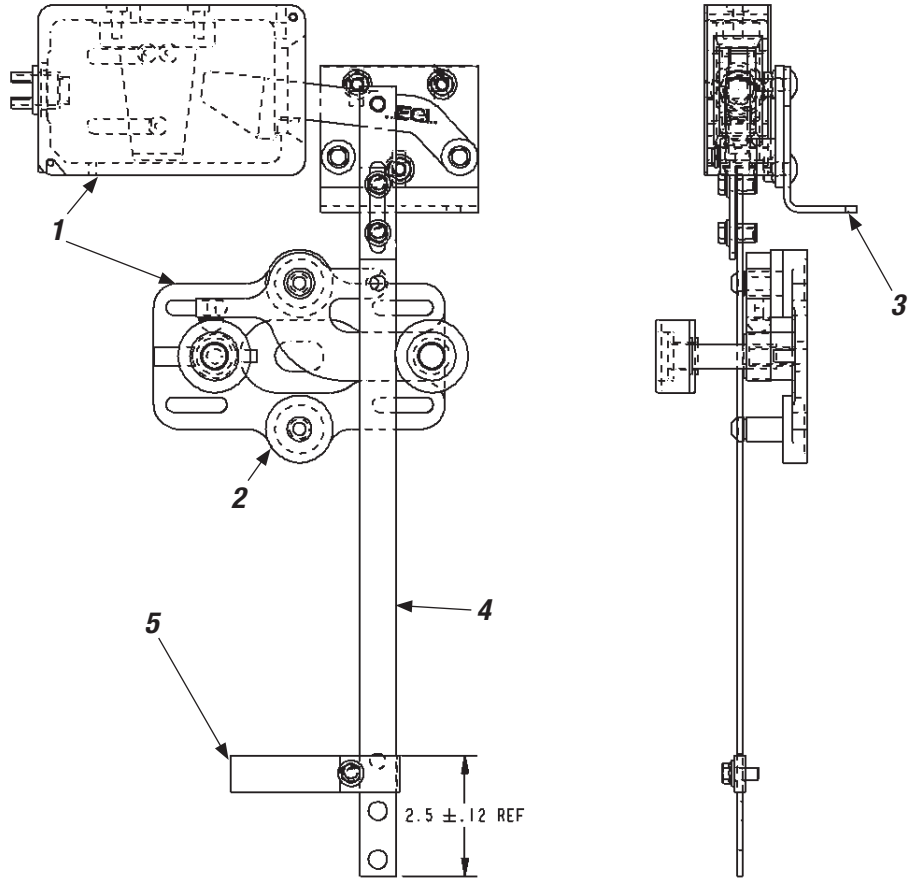


Operator Assembly – L.H. Shown

| QKS 16 DOOR OPERATORS (POST-NOV. 1998) | | |
|----------------------------------------|------------|------------------|
| Key No. | Part No. | Description |
| 18 | 5065A44H01 | BALL PLUNGER |
| 20 | 693B464H01 | DOOR HOLDING CAM |

321A NDF Interlock (RH Shown)

| 321A NDF INTERLOCK | | |
|--------------------|-------------------|--------------------|
| Key No. | Part No. | Description |
| 1 | 5226D09G01 | INTERLOCK ASSY. RH |
| | 5226D09G02 | INTERLOCK ASSY. LH |
| 2 | 1319B09G01 | ACTUATOR ASSY. RH |
| | 1319B09G02 | ACTUATOR ASSY. LH |
| 3 | 1319B07H01 | ANGLE, BRACKET |
| 4 | 7269C58G01 | LINKAGE ASSY. |
| 5 | 7433C93G01 | LATCH PLATE |

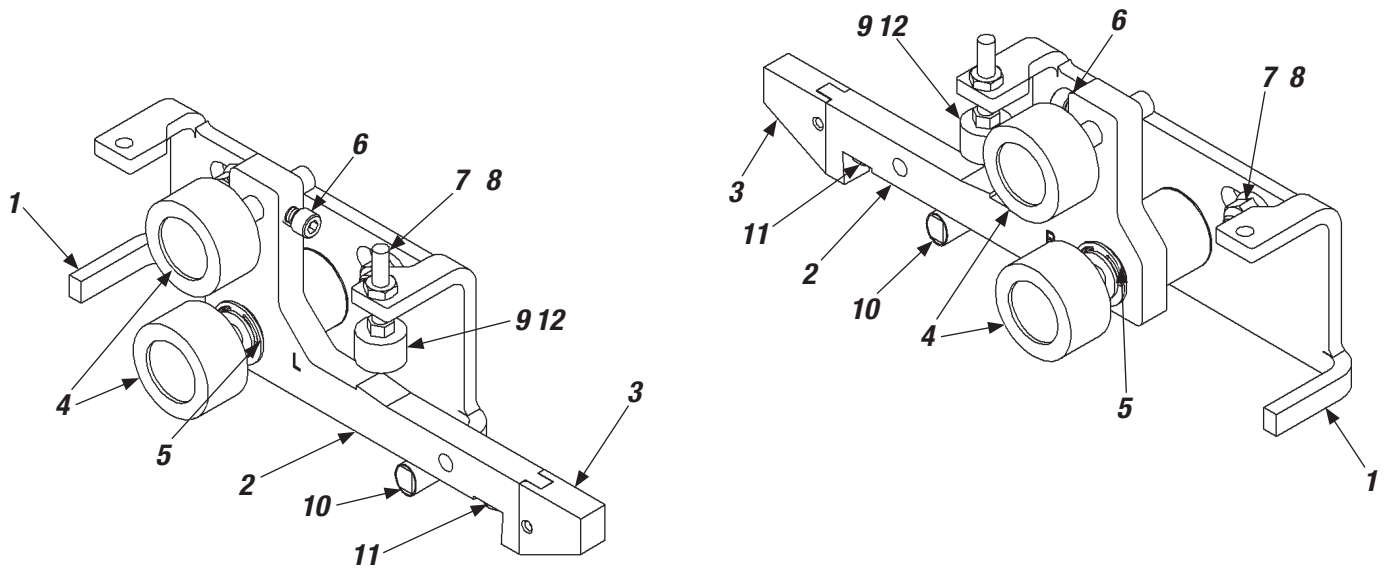


Westinghouse Relating Cable Kit for HY Operator



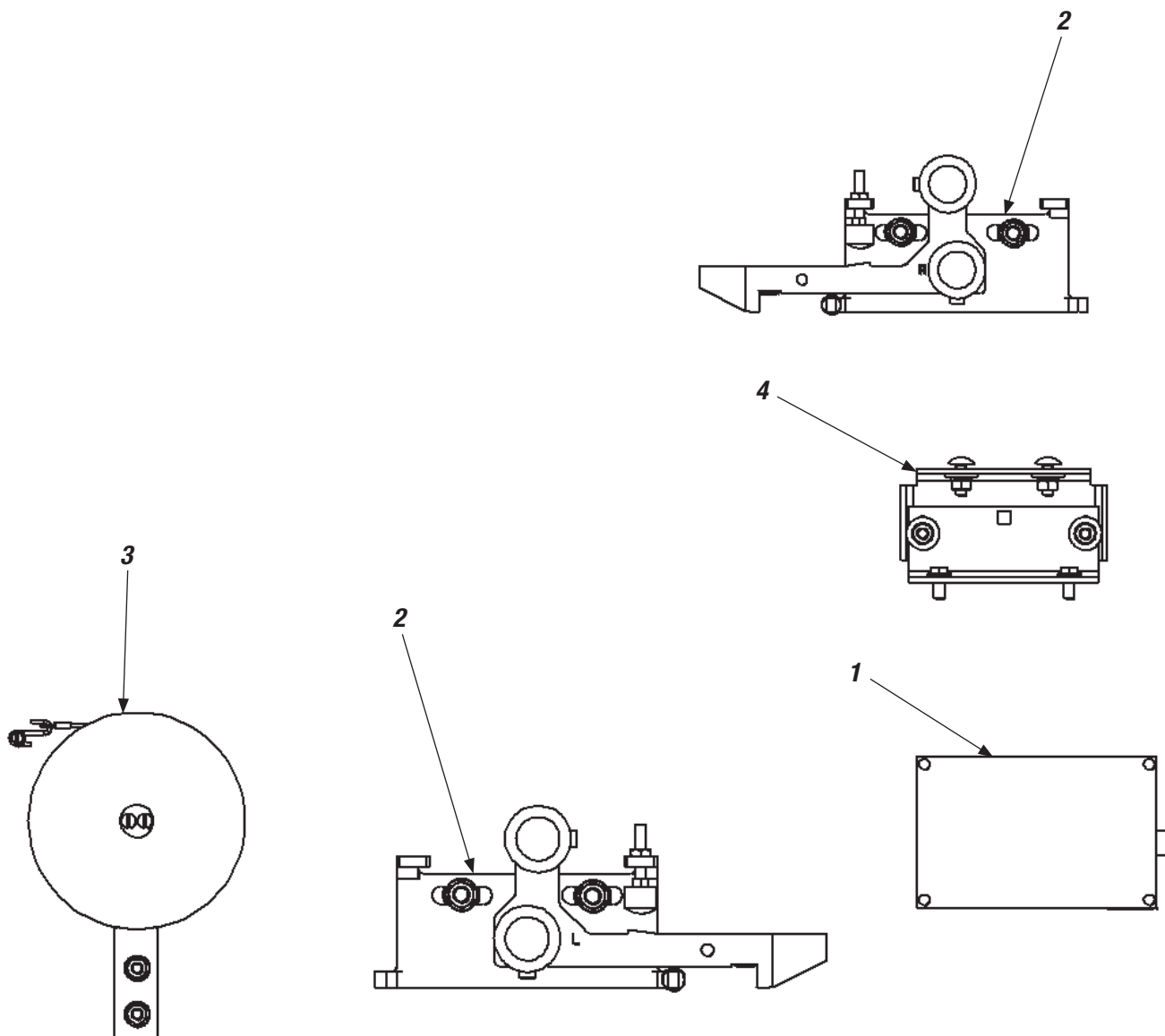
Contains 100" of .125 Cable,
 2 threaded studs with multiple
 set screws to secure cable,
 (no crimping necessary).
 1 Connector stud also included.

330A Hydro Drive Block



| 330A HYDRO DRIVE BLOCK | | |
|------------------------|------------|-----------------------------------|
| Key No. | Part No. | Description |
| 1 | 7272C17G01 | BASE PLATE ASSEMBLY |
| 2 | 6993C80G01 | CONTACT LATCH ASSEMBLY |
| 3 | 7272C15H01 | CONTACT HEAD |
| 4 | 6993C81H01 | DRIVE BLOCK ROLLER |
| 5 | 5065A47H01 | E RETAINING CLIP |
| 6 | X5BUS1H04 | SELF LOCKING SOCKET HD. CAP SCREW |
| 7 | 70101AX67E | CARRIAGE BOLT |
| 8 | X4TS1H11 | HEX FLANGE NUT |
| 9 | 5062A95H01 | BUMPER |
| 10 | 5062A97H01 | STEM BUMPER |
| 11 | 5062A98H01 | LATCH BUMPER |
| 12 | 70210BCA16 | HEX JAMB NUT |

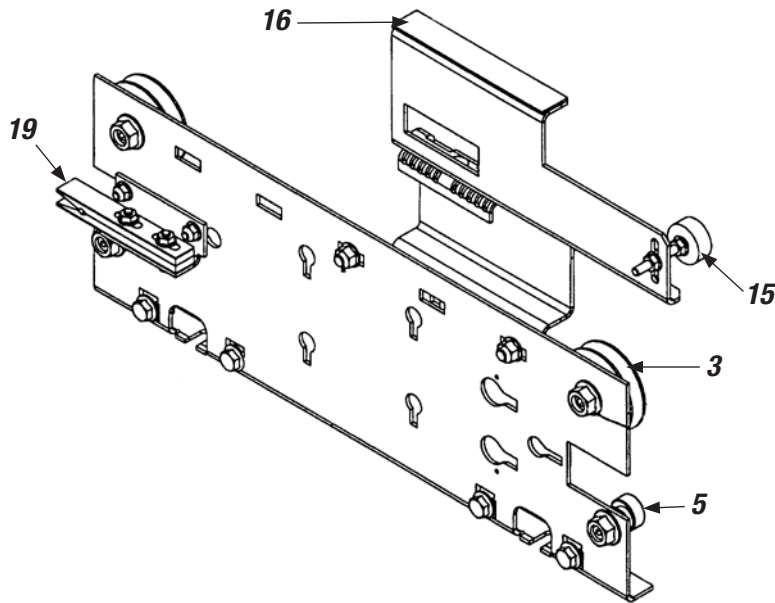
330A Hydro Entrance Header



| 330A HYDRO ENTRANCE HEADER | | |
|----------------------------|------------|----------------------------|
| Key No. | Part No. | Description |
| 1 | 5226D09H26 | INTERLOCK ASSEMBLY R.H. |
| | 5226D09H15 | INTERLOCK ASSEMBLY L.H. |
| 2 | 6997C32G01 | DRIVE BLOCK ASSEMBLY R.H. |
| | 6997C32G02 | DRIVE BLOCK ASSEMBLY L.H. |
| 3 | 7262C37G02 | SPIRATOR ASSEMBLY PHASE II |
| 4 | 6993C54G01 | INTERLOCK BRACKET ASSEMBLY |

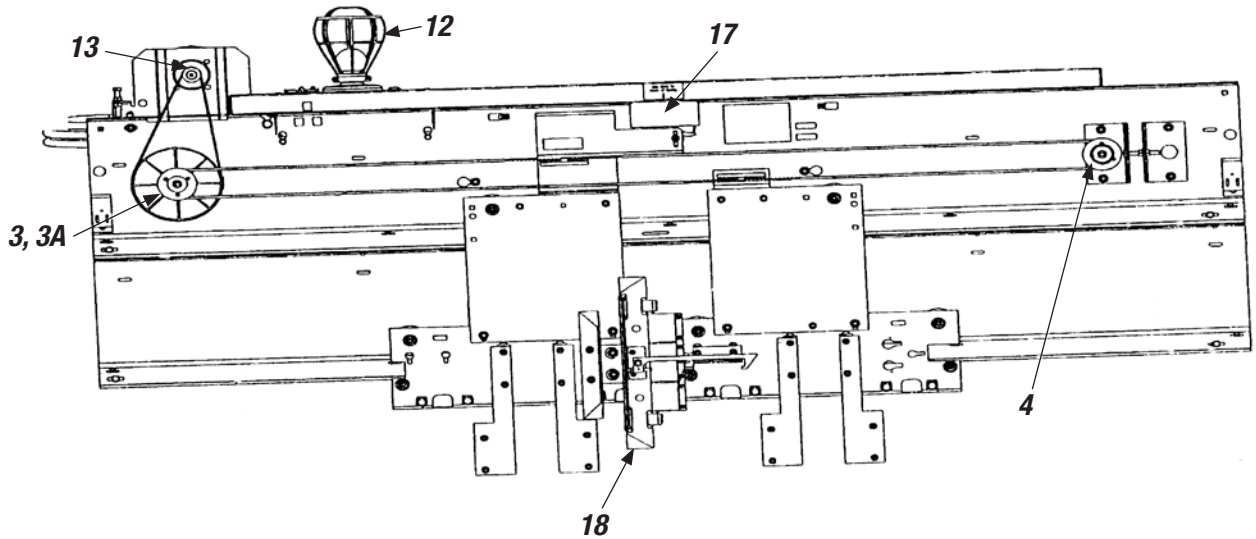
Hanger Assembly (330A Hydro/400A Traction)

(42" Center Opening)

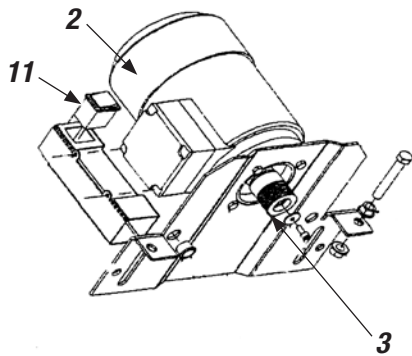


| HANGER ASSEMBLY | | |
|------------------------|-------------------|-----------------------------|
| Key No. | Part No. | Description |
| 3 | W415 | ROLLER |
| 5 | W408P | UP THRUST ROLLER ASSEMBLY |
| 15 | 5061A67G01 | GATE SWITCH ROLLER ASSEMBLY |
| 15.1 | 7431C95H15 | ROLLER |
| 16 [1] | 1319B39H06 | MAGNETIC TAPE [2] |
| 19A | 693B535H01 | LEAF SPRING |
| 19B | 693B464H02 | DOOR HOLDING CAM |

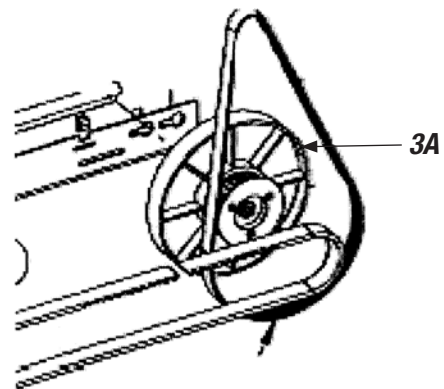
QKS 16/QKS 16-VF DOOR OPERATOR (330A Hydro/400A Traction) (42" Center Opening)



| QKS 16/QKS 16-VF DOOR OPERATOR | | | |
|--------------------------------|----------------|------------------|---------------------------------|
| Key No. | Part # QKS-16 | Part # QKS-16-VF | Description |
| 3 | 7268C48G01 | ————— | ENCODER PULLEY W/O MAGNET |
| 3A | ————— | 962718 [4] | ENCODER PULLEY W/MAGNET |
| 4 | 7268C35G01 | 7268C35G01 | IDLER PULLEY |
| 12 | 6996C12H01 | 6996C12H22 | CAR TOP MAINT. STN., (CTMS) [5] |
| 13 | ————— | 6997C39H01 | ENCODER ASSEMBLY |
| 17 | 7431C95H10 | 7431C95H10 | GATE SWITCH-R.H. |
| 18 | 8535C72G01 [3] | 8535C72G01 [3] | CLUTCH ASSEMBLY-R.H. |



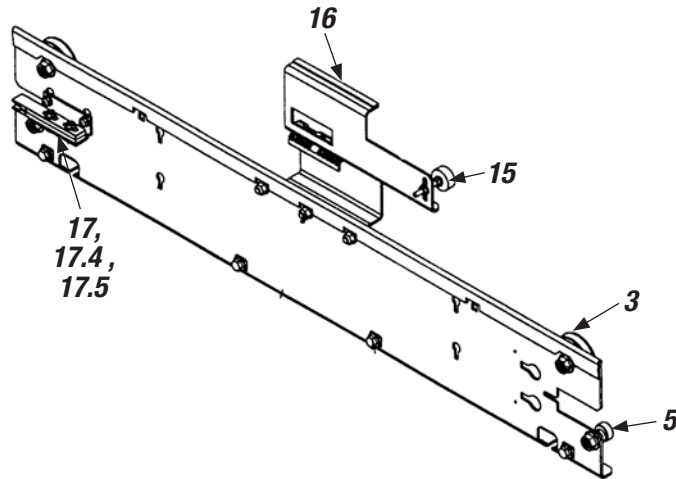
| Key No. | Part No. | Description |
|---------|------------|--------------------------------|
| 2 | 6997C40H01 | AC MOTOR [2] |
| 3 | 693B440H02 | DRIVE SHEAVE 1.43 X 1.375 DIA. |
| 11 | 7257C63H36 | DOOR OPEN.CLOSE SW [3] |



| Key No. | Part No. | Description |
|---------|----------|----------------------------------|
| 3A | 962718 | ENCODER PULLEY W/MAGNET ASSEMBLY |

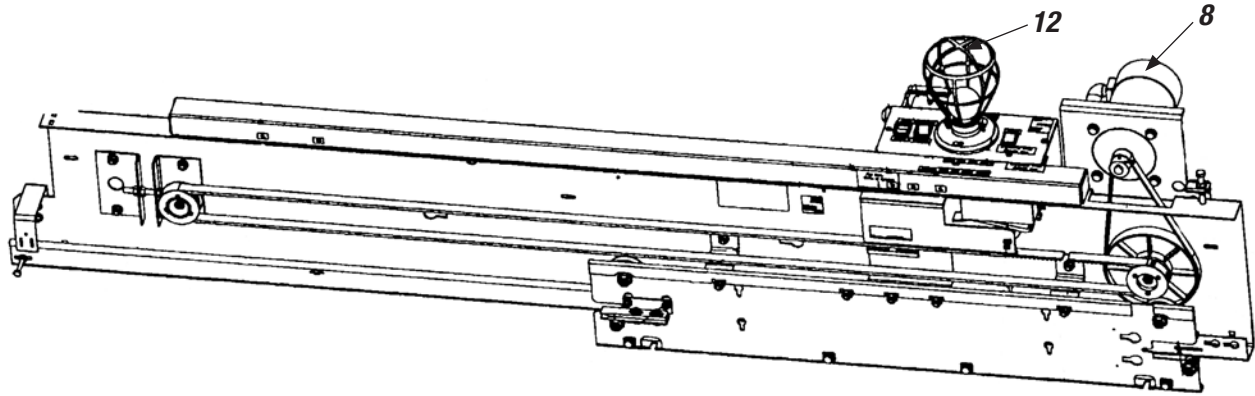
Hanger Assembly (330A Hydro/400A Traction)

(36" & 42" Side Opening)

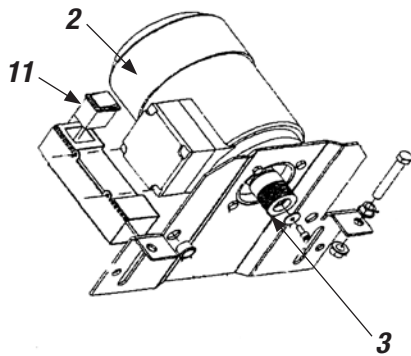


| HANGER ASSEMBLY | | |
|-----------------|-------------------|-------------------------------|
| Key No. | Part No. | Description |
| 3 | W415 | ROLLER |
| 5 | W408P | UP THRUST ROLLER ASSEMBLY |
| 15 | 5061A67G01 | GATE SWITCH ROLLER ASSEMBLY |
| 15.1 | 7431C95H15 | ROLLER |
| 16 | 1319B39H06 | MAGNETIC TAPE [1], [2] |
| 17 | 6993C53G03 | DOOR HOLDER ASSEMBLY-R.H. [1] |
| | 6993C53G04 | DOOR HOLDER ASSEMBLY-L.H. [1] |
| 17.4 | 693B535H01 | LEAF SPRING |
| 17.5 | 693B464H02 | DOOR HOLDING CAM |

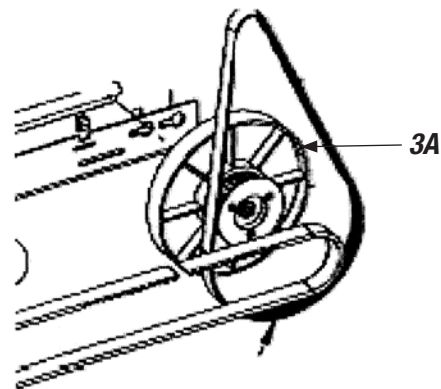
QKS 16/QKS 16-VF DOOR OPERATOR (330A Hydro/400A Traction) (36" & 42" Side Opening)



| QKS 16/QKS 16-VF DOOR OPERATOR | | | |
|--------------------------------|----------------|------------------|---------------------------------|
| Key No. | Part # QKS-16 | Part # QKS-16-VF | Description |
| 8 | 7283C05H02 | ————— | P.M. MOTOR |
| 8A | ————— | 7278C57 [2] | ACVF MOTOR, SUB ASSEMBLY (L.H.) |
| 12 | 6996C12H01 [5] | 6996C12H22 [5] | CAR TOP MAINT. STN., (CTMS) |
| 13 | ————— | 6997C39H01 | ENCODER ASSEMBLY |



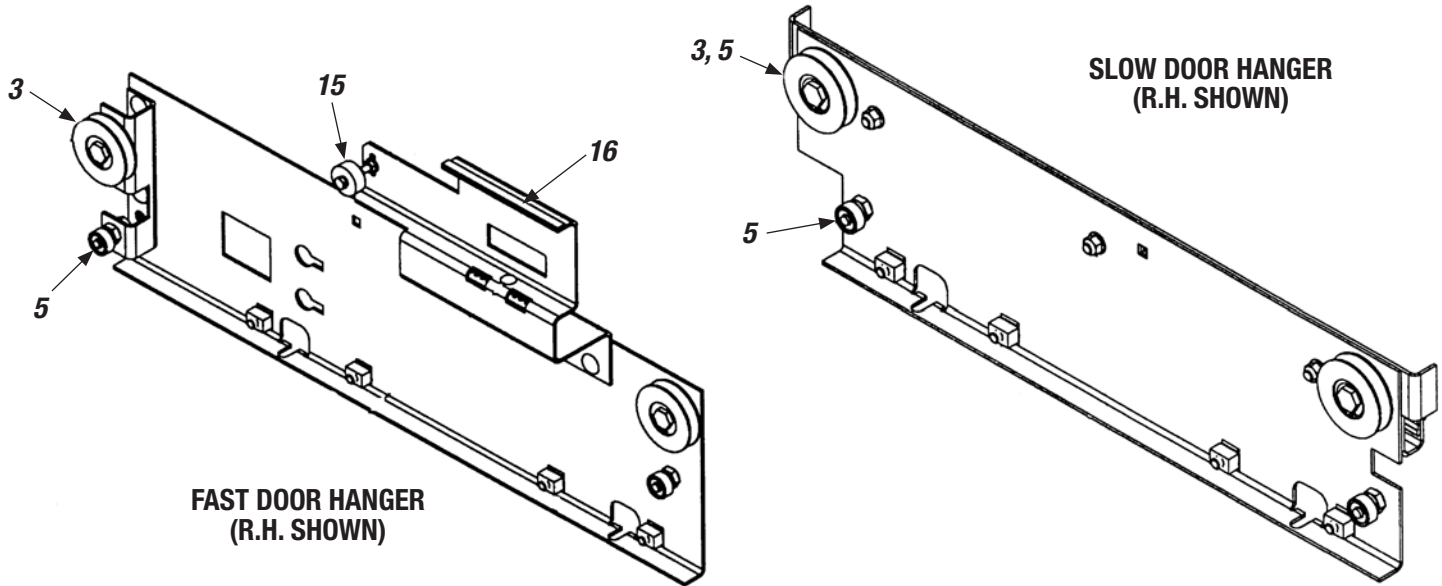
| Key No. | Part No. | Description |
|---------|------------|--------------------------------|
| 2 | 6997C40H01 | AC MOTOR [2] |
| 3 | 693B440H02 | DRIVE SHEAVE 1.43 X 1.375 DIA. |
| 11 | 7257C63H36 | DOOR OPEN.CLOSE SW |



| Key No. | Part No. | Description |
|---------|----------|----------------------------------|
| 3A | 962718 | ENCODER PULLEY W/MAGNET ASSEMBLY |

Hanger Assembly (330A Hydro/400A Traction)

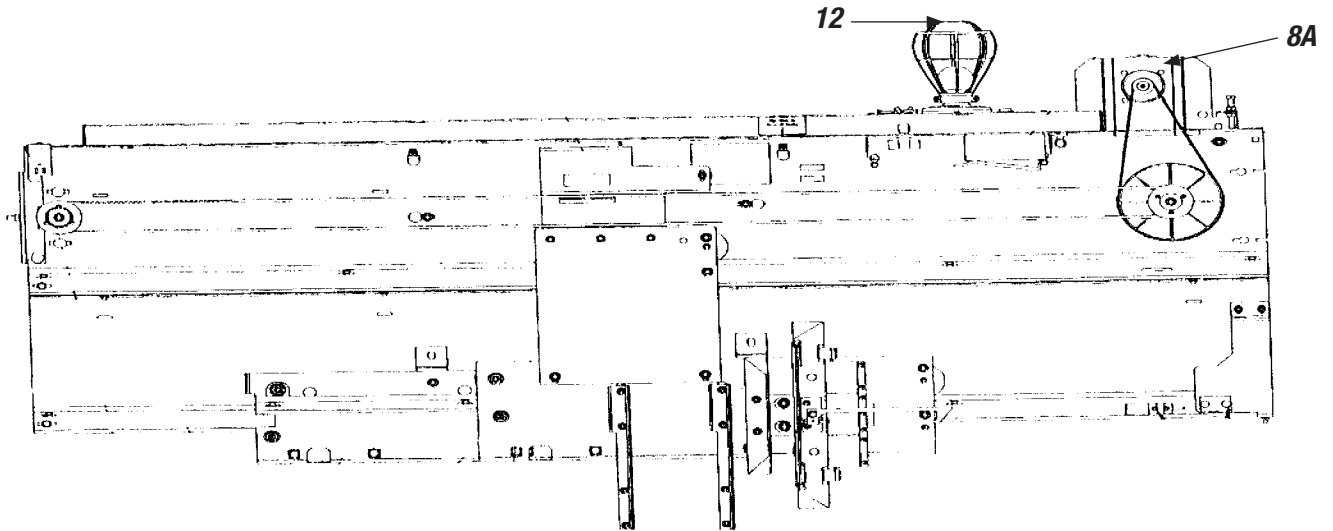
(48" Side Opening)



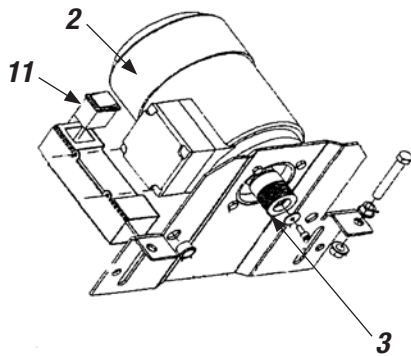
FAST DOOR HANGER

| Key No. | Part No. | Description |
|---------|------------|-----------------------------|
| 3 | 576B535G98 | ROLLER ASSEMBLY |
| 5 | 151B456G01 | UP THRUST ROLLER ASSEMBLY |
| 15 | 5061A67G01 | GATE SWITCH ROLLER ASSEMBLY |
| 15.1 | 7431C95H15 | ROLLER |
| 16 | 1319B39H06 | MAGNETIC TAPE [1], [2] |

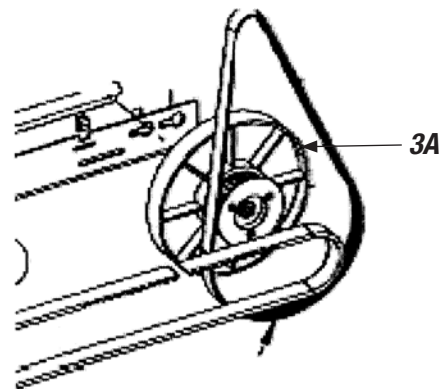
QKS 16/QKS 16-VF DOOR OPERATOR (330A Hydro/400A Traction) (48" Side Opening)



| QKS 16/QKS 16-VF DOOR OPERATOR | | | |
|--------------------------------|----------------|------------------|-----------------------------|
| Key No. | Part # QKS-16 | Part # QKS-16-VF | Description |
| 8 | 7283C05H02 | ————— | P.M. MOTOR |
| 8A | ————— | 7278C57G02 [2] | ACVF MOTOR, SUB ASSEMBLY |
| 12 | 6996C12H01 [5] | 6996C12H22 [5] | CAR TOP MAINT. STN., (CTMS) |
| 13 | ————— | 6997C39H01 | ENCODER ASSEMBLY |

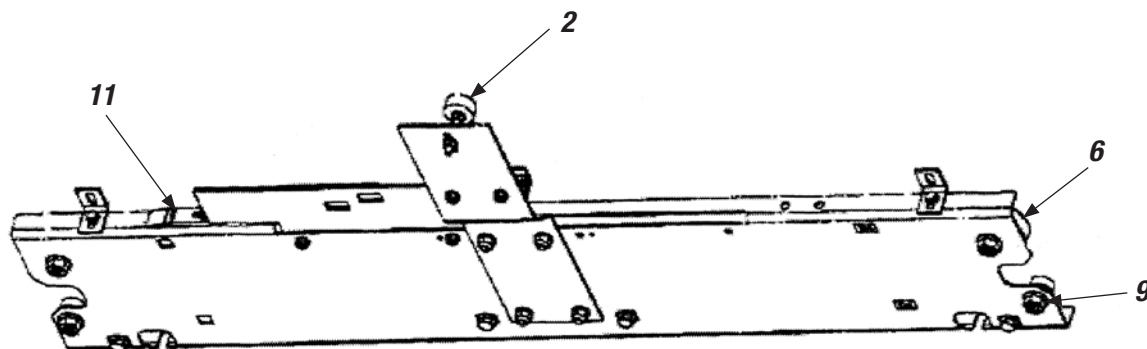


| Key No. | Part No. | Description |
|---------|------------|--------------------------------|
| 2 | 6997C40H01 | AC MOTOR [2] |
| 3 | 693B440H02 | DRIVE SHEAVE 1.43 X 1.375 DIA. |
| 11 | 7257C63H36 | DOOR OPEN.CLOSE SW |



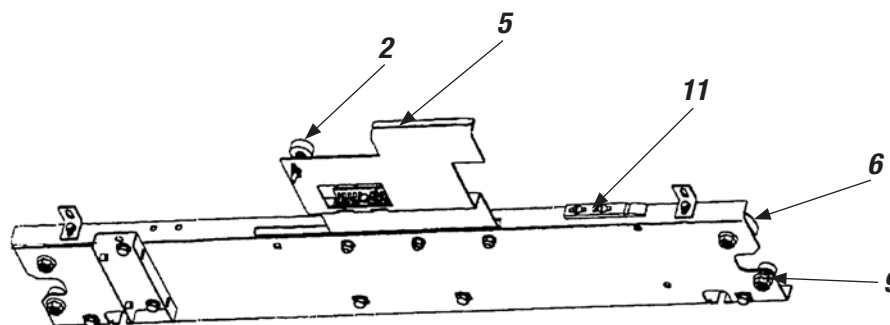
| Key No. | Part No. | Description |
|---------|----------|----------------------------------|
| 3A | 962718 | ENCODER PULLEY W/MAGNET ASSEMBLY |

QKS-16 Hanger Assembly 321A (Pre March 1999)



| EARLY GENERATION 321A HANGER ASSEMBLY | | |
|---------------------------------------|------------|---------------------|
| Key No. | Part No. | Description |
| 2 | 6952C34H01 | GATE SW ROLLER |
| 6B | 693B460G01 | HANGER ROLLER W/HDW |
| 9 | 693B442G01 | UPTHRUST ROLLER |
| 11 | 693B464H01 | DOOR HOLD CAM |

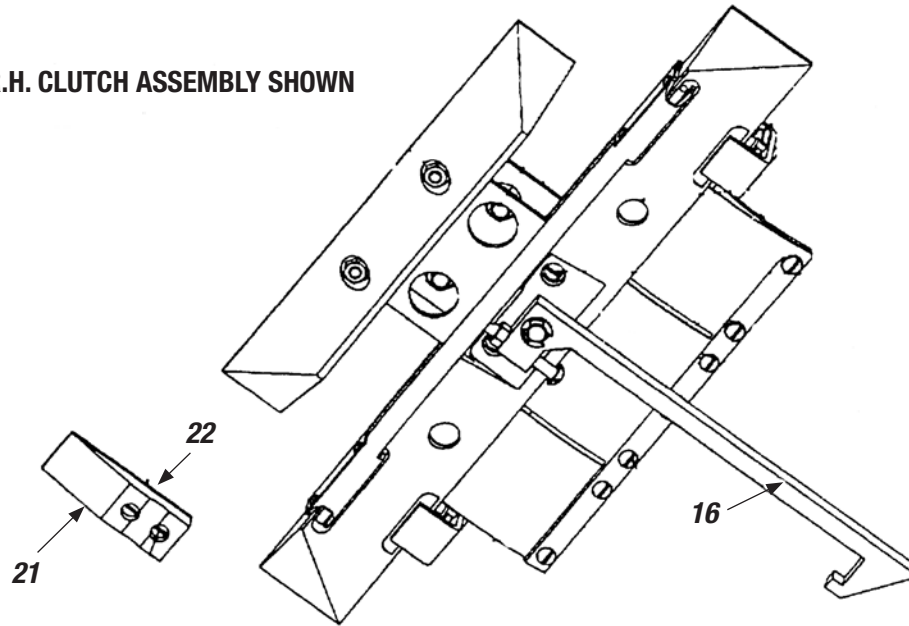
QKS-16 Hanger Assembly 321A (Post March 1999)



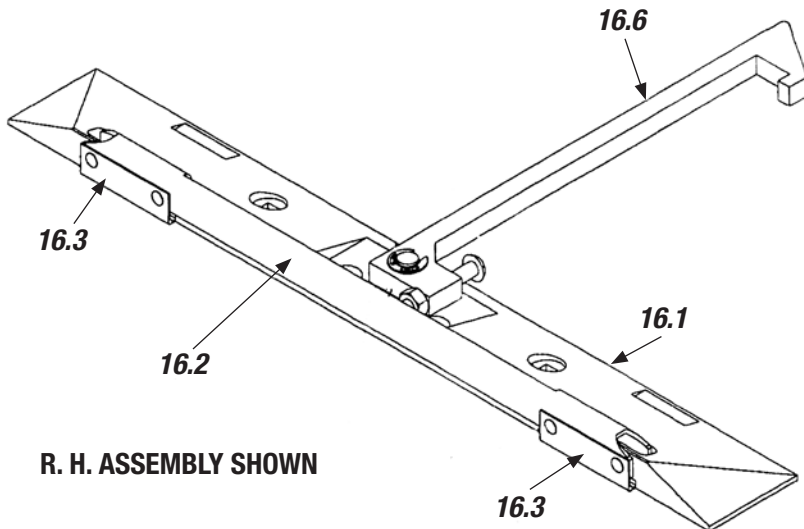
| EARLY GENERATION 321A HANGER ASSEMBLY | | |
|---------------------------------------|------------|-------------------|
| Key No. | Part No. | Description |
| 2 | 6952C34H01 | GATE SW ROLLER |
| 5 | 1319B39H05 | MAGNET STRIP 6" L |
| 6 | 576B535G98 | HANGER ROLLER |
| 9 | 693B442G01 | UPTHRUST ROLLER |
| 11 | 693B464H01 | DOOR HOLD CAM |

Clutch and Restraint Assembly (330A Hydro/400A Traction)

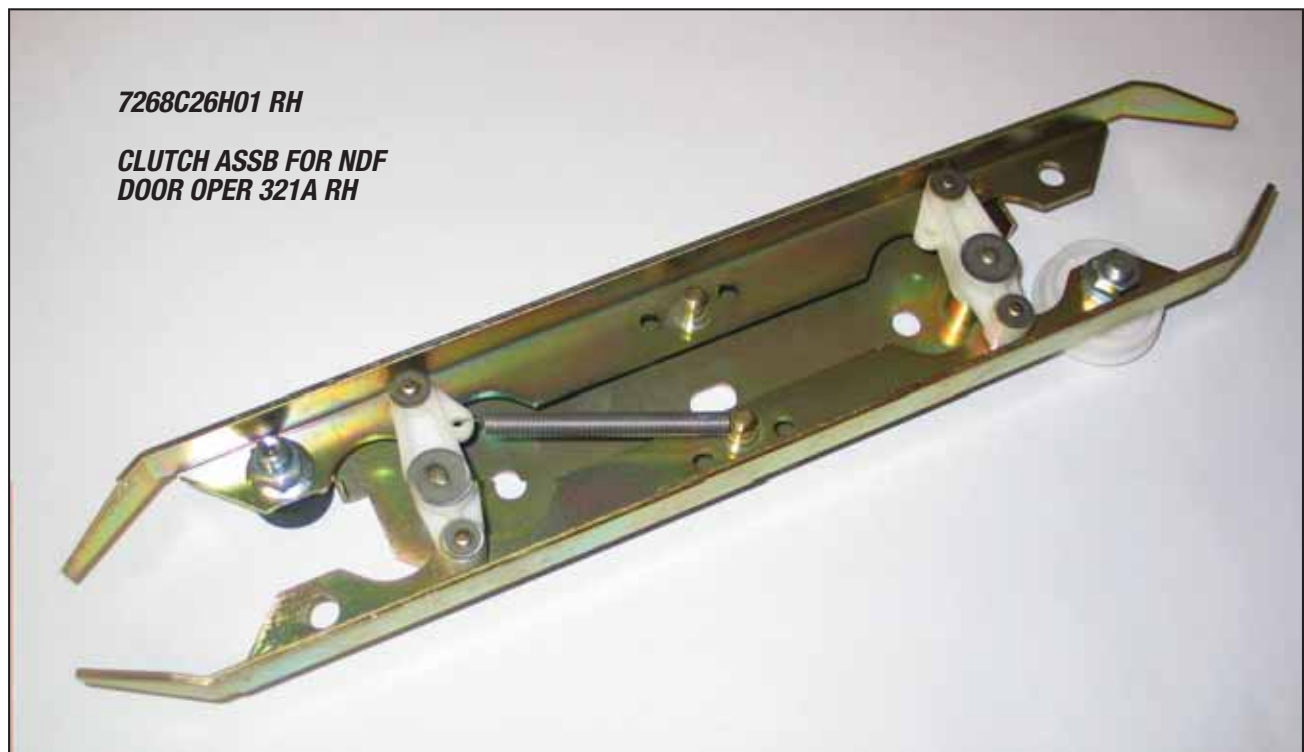
R.H. CLUTCH ASSEMBLY SHOWN



| CLUTCH AND RESTRAINT ASSEMBLY | | |
|-------------------------------|-----------------------|---------------------------|
| Key No. | Part No. | Description |
| A | 8535C72G01 | RH CLUTCH ASSEMBLY |
| | 8535C72G02 [4] | LH CLUTCH ASSEMBLY |
| 16 | 8535C67G01 | RH OPEN VANE ASSEMBLY |
| | 8535C67G02 | LH OPEN VANE ASSEMBLY |
| 21 | 5065A51H01 | RETRACTOR RAMP FOR QKS-16 |
| 22 | 5062A92H01 | RAMP SHIM FOR QKS-16 |
| 23 | 8535C70H01 | BOOT SPACER FOR QKS-16 |
| 24 | 5062A92H01 | RAMP SPACER FOR QKS-16-VF |

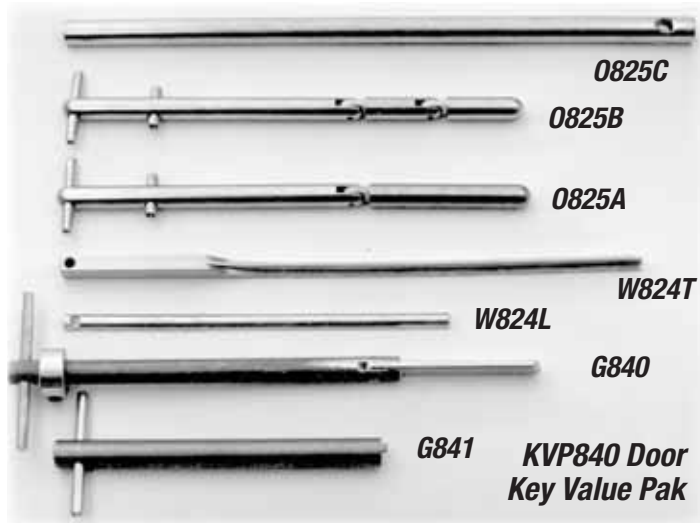


| Key No. | Part No. | Description |
|---------|-------------------|----------------------|
| 16.1 | 8535C69H01 | OPEN VANE |
| 16.2 | 8535C66H01 | ACTUATOR PLATE |
| 16.3 | 5265A52H01 | SPRING HINGE |
| 16.6 | 6994C01G01 | LINKAGE ARM ASSEMBLY |



Hoistway Emergency Door Keys

New key Value Pak unlocks the door(s) to efficiency



| MISC. COMPONENTS | | |
|------------------------------|----------------------------------------------------------------------------------------|----------------------------|
| Adams part no. | Description | Westinghouse part no. |
| W824L W824T | "Lunar" hatch door key, 6"L; 1/8" radius I.D. "T" hatch door key, 9"L x 1/4" x 1/4" | 569A884H01 M3550-5, G05 |
| KVP840 | Door Key Value Pak, with all seven (7) keys pictured at left | |

Door Key Value Pak

Put every door key you'll ever need into your toolbox...and save compared to the cost of buying them individually.

This seven-piece Value Pak includes keys for Dover, GAL, Otis, and Westinghouse. Helps you streamline every service route by equipping each mechanic for the unexpected.

KVP840 Key Value Pak opens doors to increased productivity.



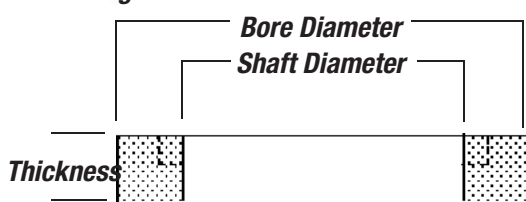
| OIL SEALS | | | | | | | |
|-------------------------------------------------------|------------------------------------------------------------------------------------------------------------|----------------------------------------------------------------------------------------------------------|----------------------------------------------------------------------------------------------------------|--------------------------------------------------------------------------------------|-------------|----------------------------------|----------------------------------------|
| Adams part no. | Dimensions | | | Machine | Spring* | Material† | Westinghouse part no. |
| | Shaft dia | Bore dia | Thick | | | | |
| W870H17† W870H23† W872† | 2 ¹³ / ₃₂ " 2 ¹ / ₆₄ " 3 ¹⁵ / ₆₄ " | 3 ⁷ / ₁₆ " 3 ¹¹ / ₆₄ " 4 ¹ / ₄ " | 1 ¹ / ₁₆ " 1 ¹ / ₁₆ " 1 ¹ / ₁₆ " | #37, worm shaft #27, worm shaft #57 Hoist machine, #58 old, and #61 worm | G G | Silicone Silicone Rubber | R7311H17 R7311H23 X30E9 |
| W872E12† W872E13† W872E14† | 2 ⁹ / ₁₆ " 1 ³ / ₄ " 3 ¹ / ₄ " | 3 ³ / ₄ " 3 ³ / ₁₆ " 4 ¹ / ₂ " | 3/8" 1/2" 5/8" | #18, gear center #18, worm shaft #58 new, worm shaft, clipper | F G G | Silicone Silicone Viton | X30E12 X30E13 X30E14 |
| W872E15† W872E16† W872E18† | 3 ¹¹ / ₁₆ " 4" 4 ¹ / ₂ " | 4 ³ / ₄ " 5" 5 ¹ / ₂ " | 1/2" 1/2" 1/2" | #28, gear ctr./sheave #38 type 534F909, gear ctr. #38 type 198C267, gear ctr.. | F F F | Silicone Silicone Silicone | X30E15 X30E16 X30E18 |
| W872E19† W872E20† W872E21† | 2 ¹ / ₂ " 3 ¹ / ₈ " 3 ¹ / ₄ " | 3 ¹ / ₂ " 4 ¹ / ₄ " 4 ¹ / ₄ " | 7/16" 1/2" 1/2" | #28, worm shaft #38 Hoist machine, worm | F F F | Silicone Silicone Silicone | X30E19 X30E20 X30E21 |
| W872E22† W874A8 W874A9 | 3 ¹ / ₄ " 2 ⁹ / ₃₂ " 1 ³ / ₁₆ " | 4 ¹ / ₂ " 1 ³⁷ / ₆₄ " 2 ³ / ₆₄ " | 1/2" 5/16" 3/8" | Klozure seal Klozure seal | F | Silicone Nytrole Nytrole | X30E22 X30AS1H08 X30AS1H09 |
| Hydraulic Seals | | | | | | | |
| W873H03 W873H05 W873H06 | 4" 4 ¹ / ₂ " 5 ¹ / ₂ " | 5" 5 ¹ / ₂ " 6 ¹ / ₂ " | 3/4" 3/4" 3/4" | 4.0" Hydraulic Jack 4.5" Hydraulic Jack 5.5" Hydraulic Jack | O O O | Neopren. Neopren. Neopren. | 196C145H03 196C145H05 196C145H06 |
| W873H08 W873H09 | 6" 6 ¹ / ₂ " | 7" 7 ¹ / ₂ " | 3/4" 3/4" | 6.0" Hydraulic Jack 6.5" Hydraulic Jack | O O | Neopren. Neopren. | 196C145H08 196C145H09 |

* G=Garter spring, F= Finger spring, O=O-ring

† Split seal

† Neoprene is 90-duro Texanite® neoprene compound w/cotton duck fabric; Klozure seals have steel inserts. Silicone Seals are blue

Seal Sizing Chart

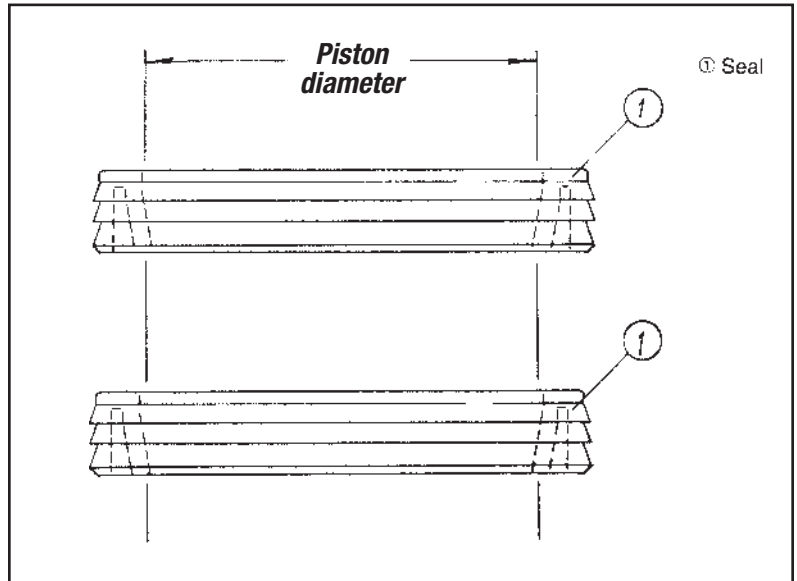


Hydraulic Packing Kits

Each hydraulic packing kit for Westinghouse consists of:

- Two (2) seals

| WESTINGHOUSE | |
|----------------|-----------------|
| Adams part no. | Piston diameter |
| GK03500W | 3 1/2" |
| GK03750W | 3 3/4" |
| GK04000W | 4" |
| GK04500W | 4 1/2" |
| GK05500W | 5 1/2" |
| GK06000W | 6" |
| GK06500W | 6 1/2" |
| GK07000W | 7" |
| GK08000W | 8" |



ADAMS REPLACEMENT PACKING FOR WESTINGHOUSE

A patented blend of oil-resistant compounds insures long life without the risk of common "rubber breakdown."

Unique "wavy" split design for quick and easy installation without disconnecting the motor from the geared unit.

Low friction from special baked-on finish prevents shaft scoring and damage from high temperatures.

Additional information about table at right:

- All motors listed as "gear center" are also known as "out-board" or "A" stand.
- Seals described as "sheave" are gear-case-to-sheave seals that are approximately 1/8"-thick rubber.
- Kits include sheave and seals for worm and gear motors.

| WESTINGHOUSE PACKING | | | | | |
|-------------------------------|---------------------------------------------------------------------|----------------------------|----------------------------|-------------------------|----------------------------------------|
| Adams part no. | Machine | Dimensions | | | West. part no. |
| | | Shaft dia. | Bore dia | Thick | |
| AT1R004 AT1R005 | #38 hoist, worm #57 hoist, #58 old, and #61 worm | 3.125" | 4.250" | .500" | X30ES1H20 X30ES1H09 |
| AT1R006 AT1R007 AT1R022 | #37 worm shaft #18 worm shaft #28 gear center | 2.438" 1.750" 3.688" | 3.438" 3.188" 4.750" | .500" .500" .500" | R7311H17 X30ES1H13 X30ES1H15 |
| AT1R031 AT1R050 AT1R048 | #38 gear center, #31 worm #18 gear center #38 gear center* | 4.000" 2.563" 4.500" | 5.000" 3.750" 5.500" | .688" .500" .500" | R7311H25 X30ES1H12 X30ES1H18 |
| AT1M057 AT1M130 AT1M139 | #38 sheave #28 sheave #18 sheave | 9.750" 8.125" 6.855" | 11.30" 9.250" 8.500" | — — — | 2890C79H01 6917C89H01 6918C45H01 |
| AT1K004 AT1K005 AT1K006 | #38 sheave kit #28 sheave kit #18 sheave kit | — — — | — — — | — — — | 2900C27G02 6917C91G02 6918C44G02 |

*AT1R048 is for #38 machines, type 198C267; for type 534F909, order part no. AT1R031.

MACHINE SEALS

| Part No. | Description |
|------------|--------------------------------------------|
| 7264C45G01 | SEAL KIT -- (F JACK) -- 3.50 |
| 7264C45G02 | SEAL KIT -- (F JACK) -- 3.75 |
| 7264C45G03 | SEAL KIT -- (F JACK) -- 4.00 |
| 7264C45G04 | SEAL KIT -- (F JACK) -- 4.50 |
| 7264C45G05 | SEAL KIT -- (F JACK) -- 5.00 |
| 7264C45G06 | SEAL KIT -- (F JACK) -- 5.50 |
| 7264C45G07 | SEAL KIT -- (F JACK) -- 6.00 |
| 7264C45G08 | SEAL KIT -- (F JACK) -- 6.50 |
| 7264C45G09 | SEAL KIT -- (F JACK) -- 7.00 |
| 7264C45G11 | SEAL KIT -- (H JACK) -- 4.00 |
| M3427H01 | SEAL - WORM - MACH #35/36 |
| M3427H02 | SEAL - WORM - MACH #53/54 |
| M3427H05 | SEAL - WORM - MACH #61 |
| M3427H06 | SEAL - WORM - MACH #25/26 |
| M3427H07 | SEAL - WORM - MACH #81 |
| X30ES1H01 | SEAL - SPLIT - #214 SEC SHV JM3774 |
| X30ES1H02 | SEAL - SPLIT - #213 SEC SHV JM6700 |
| X30ES1H03 | SEAL - SPLIT - #208/212 SEC SHV JM9155 |
| X30ES1H04 | SEAL - SPLIT - #205 SEC SHV JM5868 |
| X30ES1H05 | SEAL - SPLIT - #28 MACH WORM JM3681 |
| X30ES1H09 | SEAL - SPLIT - #58/61 MACH WORM JM14427RPD |
| X30ES1H10 | SEAL - SPLIT - #208 SEC SHV JM9795RPD |
| X30ES1H12 | SEAL - SPLIT - #18 MACH GEAR |
| X30ES1H13 | SEAL - SPLIT - #18 MACH WORM |
| X30ES1H14 | SEAL - SPLIT - #58 MACH WORM JM9272RPD |
| X30ES1H15 | SEAL - SPLIT - #28 MACH GEAR 23X2441 |
| X30ES1H16 | SEAL - SPLIT - #38 MACH GEAR 23X4651 |
| X30ES1H17 | SEAL - SPLIT - #58 MACH GEAR 23X2915 |
| X30ES1H18 | SEAL - SPLIT - #38 MACH GEAR 23X2753 |
| X30ES1H19 | SEAL - SPLIT - #28 MACH WORM |
| X30ES1H20 | SEAL - SPLIT - #38 MACH WORM 23X5025 |



M3427H01



M3427H02



M3999H04



M3999H06



R5027H03



R5027H13



R5027H15

GASKETS

| Part No. | Dimen. (in.) (or application) | Machine |
|------------|-----------------------------------|----------------------|
| 144A524H01 | 8.88 W X 13.75 L X .125 THK | 38 |
| 144A989H01 | 8.18 W X 11.00 L X .125 THK | 28 |
| 195C574H01 | 5.88 W X 7.50 L X .125 THK | 18 |
| 195C574H02 | 4.00 W X 5.00 L X .062 THK | 18 |
| 195C574H04 | HOUSING GASKET | 18 |
| 195C574H06 | 4.75 W X 6.88 L .125 THK | 18 |
| 215B690H01 | GEAR HOUSING GASKET | 38 |
| 215B755H01 | 9.25 O.D. X 7.03 I.D. X .01 THK | 38 |
| 216B129H01 | GEAR HOUSING GASKET | 28 |
| 630B301H01 | THRUST BEARING END - 0.01 THK | 18 |
| 630B301H05 | THRUST BEARING END - 0.125 THK | 18 |
| 682A092H01 | FRONT BEARING, WORM SHAFT | 18 |
| M32427H05 | 9.50 ID X .010 THK | 61 |
| M3999H01 | 12.0 O.D. X 9.50 I.D. | 58, 61 |
| M3999H02 | 8.50 I.D. X .010 THK | 53 |
| M3999H03 | 7.50 I.D. X .010 THK | 53 |
| M3999H04 | 6.00 I.D. X .010 THK | 35 |
| M3999H05 | 5.50 I.D. X .010 THK | 25 |
| M3999H06 | 7.25 I.D. X .010 THK | 37 |
| M3999H08 | 8.12 I.D. X .010 THK | 38 |
| R5027H02 | 9.25 O.D. X 6.63 I.D. X .125 THK | 57 |
| R5027H03 | 4.50 W X 7.00 L X .125 THK | 27,28,37,38,58,61,81 |
| R5027H05 | 7.50 O.D. X 5.15 I.D. X .125 THK | 37 |
| R5027H11 | 9.25 O.D. X 6.63 I.D. X .010 THK | 61 |
| R5027H12 | 10.50 O.D. X 8.00 I.D. X .010 THK | 61 |
| R5027H13 | 9.25 O.D. X 7.00 I.D. X .010 THK | 57 |
| R5027H15 | 8.56 W X 9.75 L X .125 THK | 37 |

HYDRAULIC VALVES

| Part No. | Description |
|-------------------|-------------------------------------|
| 196C148H03 | UV-5AW 1" 110VDC |
| 196C340H03 | UC-1A (VIC) 2"/2.5" |
| 196C340H04 | UC-4 115 VDC COILS |
| 196C340H06 | UC-1A (VIC) 2.5"/2.5" |
| 196C340H08 | UC-4 110 VAC COILS |
| 196C340H09 | UC-1A (VIC) 2.5"/2.5" 115 VAC COILS |
| 2843C81H01 | UV-7W 110 VDC COIL |
| 5405C94H01 | SHUTOFF VALVE - 2" (VIC) |
| 5405C94H02 | SHUTOFF VALVE - 3" (VIC) |
| 7284C56H01 | RUPTURE VALVE 1.5 W/P.P. |
| 7284C56H02 | RUPTURE VALVE 2.0 W/P.P. |
| 7284C56H03 | RUPTURE VALVE 2.5 W/P.P. |



196C148H03



2843C81H01



5405C94H01



196C340H03



196C340H04



196C340H06



196C340H08



7284C56H01



7284C56H02

Adams ADA-Compliant Button Replacements Can Help Your Westinghouse Elevators *Look* as Good as They *Run*

HOW TO ORDER WESTINGHOUSE BUTTONS

Select a series number, add W for white, then add the suffix (as shown below) for the character you want.

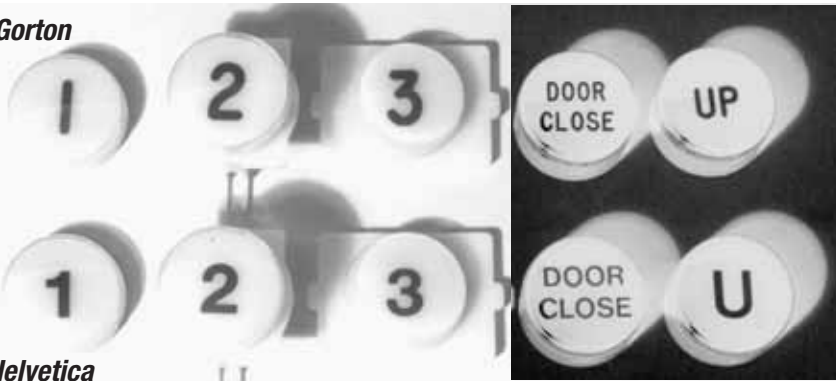
Button series WC456W 3
Color/style WC456W Character 3



Adams hot stamping gives clean, crisp characters, and uniform appearance throughout each button series

CHOOSE GORTON OR HELVETICA CHARACTER STYLES

Gorton



Helvetica

Match our replacement buttons to the character style on your existing equipment. Hot-stamped Gorton and Helvetica characters are the same style, the same size, and have the same stroke width as the OEM originals.

All standard characters and symbols are available.

Clear non-yellowing Lexan® lens caps are sonic-welded to each button assembly to protect characters from dust, dirt, moisture, normal wear, and abuse.



Helvetica arrow (left) and Gorton arrow have distinctive styles.

Gorton letters have rounded corners and Helvetica letters have sharp corners

Adams replacements for Westinghouse Type "A" signal equipment match their OEM counterparts exactly. Now you can restore worn hall and cab panels to like-new condition...retain the characteristic Westinghouse look and operating features...and meet ADA requirements.

All position indicator, car panel, and hall equipment components install the same as OEM parts. Mounting patterns, character style, operating characteristics...all of these match OEM specifications.

Please specify character for each lens.

Button diameter with cap = 1.112" to 1.115".

| POSITION INDICATOR COMPONENTS | | | |
|-------------------------------|------------------------------|---------------------------------------------------------------------------|-----------------------|
| Key no. | Adams part no. | Description | Westinghouse part no. |
| 2 | W454B [-character] | Position indicator lens, white with black Gorton character & clear cap | 325C877G series |
| | W461B [-character] | Position indicator lens, white with black Helvetica character & clear cap | 1180C52, 53 series |
| 3 | W454BC1 | Clear cap for P.I. lens | 146A560H05 |
| 4 | W454D | Ferrule (w/speed nut); high-impact Lexan® | 569A920H01 X4S2 |
| 5 | W454RF1 | Reflector funnel for lamp | 569A868H01 |
| — | W454W | White P.I. lens without cap | — |
| 6 | A480L14 | Lamp, 90 volt clear, type 90MB; 10/pkg. | X46AS3H44, X46A45 |
| 7 | A480L15 | Lamp, 120 volt clear, 120MB; 10/pkg. | X46AS2H20 |

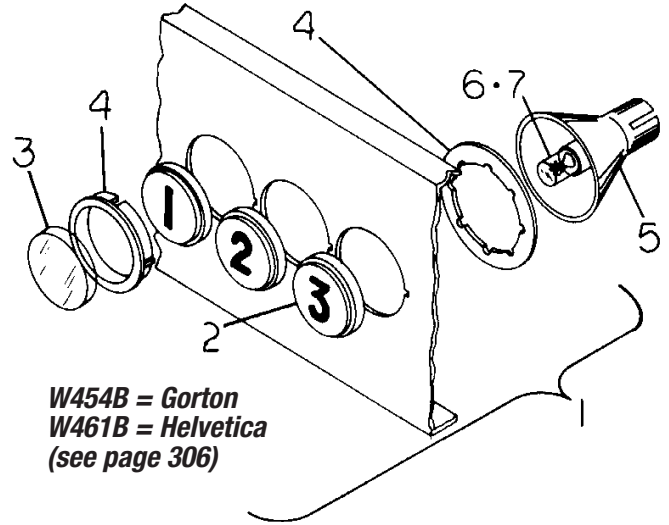
For blank buttons without caps: Order W456W for white button wafer.

Button diameter with cap = 1.112" to 1.115".

| ADA-COMPLIANT CAR PANEL COMPONENTS* | | | |
|-------------------------------------|------------------------------------|--------------------------------------------------------------------------------|-------------------------------|
| Key no. | Adams part no. | Description | Westinghouse part no. |
| 8 | WC456A1W | Complete switch ass'y., 2NO cont.** | 103D251G ser. ¹ |
| 8 | WC456A2W | Complete switch ass'y., 1NO/1NC** | 103D252G ser. |
| 9 | WC456Wxx WC463Wxx | White button w/black character, clear cap; specify character** | 103D250H ser. 196C921 ser. |
| 10 | W456C1 | Movable contact bridge, NO | 151B439-G01 |
| 11 | W456C2 | Movable contact bridge, NC | 151B439-G02 |
| 12 | W456C3 | Stationary contact, NO | — |
| 13 | W456C4 | Stationary contact, NC | — |
| 14 | W456D1 | Switch base assembly; includes top and bottom base, lamp holder, lamp contacts | — |
| 15 | W456F | Ferrule, with speed nut; high-impact Lexan | 151B440H01 |
| 17 | W456F1 | Ferrule | 630B562G01 |
| 16 | W456S1 | Compression spring for movable contact bridge, 7/16"L x 5/16"OD | X9J27 |

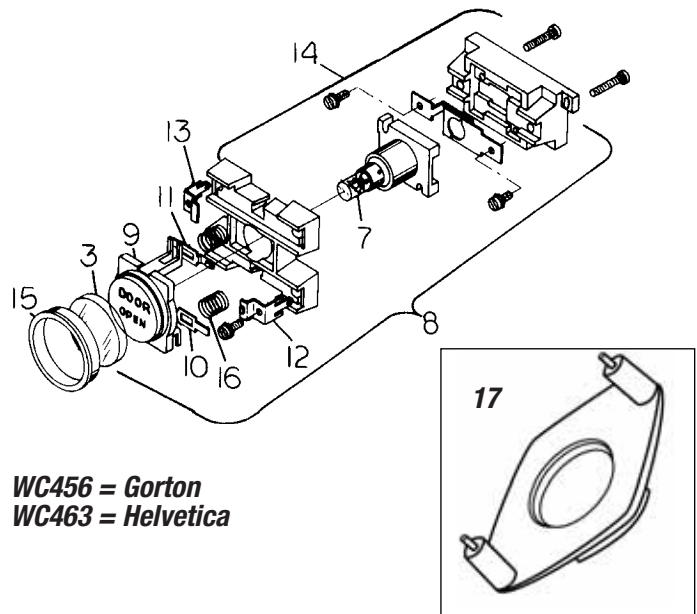
*Non-ADA pushbutton replacements are available as a special order.
 **Most characters are available. May be a Lead Time on special orders.
¹Also 103D250G series.

W454/461-Series Type "A" Position Indicator



W454B = Gorton
W461B = Helvetica
 (see page 306)

W456/463-Series Type "A" Car Switch Assembly



WC456 = Gorton
WC463 = Helvetica



Adams part no.
WC456W-XFH/CC.
 A-Line "Call Cancel" button.

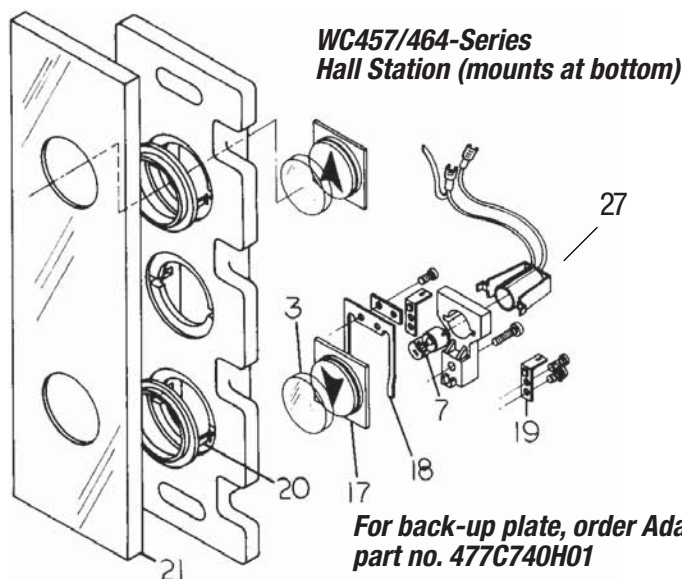
Type "A" Hall Equipment Components

Emergency STOP Switch Assembly



W471A1

Adams part no. **W471A1**. Push/pull-type emergency STOP switch, 1NO/1NC. Complete assembly replaces Westinghouse part no 325C805G01.



WC457/464-Series Hall Station (mounts at bottom)

For back-up plate, order Adams part no. **477C740H01**

ADA-COMPLIANT HALL STATION COMPONENTS* (GORTON)

| Key no. | Adams part no. | Description | Westinghouse part no. |
|---------|-------------------|---------------------------------------|-----------------------|
| 17 | WC457W-A† | White button w/black arrow, clear cap | 477C742G-series |
| 17 | WC457W-BL† | White button (blank) w/clear cap | 477C742G01 |
| 17 | WC457W-D† | White button w/black DOWN, clear cap | 477C742G-series |
| 17 | WC457W-U† | White button w/black UP, clear cap | 477C742G-series |
| 18 | W457C1 | Movable contact bridge, NO | 151B608G01 |
| 19 | W457C2 | Stationary contact, NO (2 required) | 151B616G01 |
| 20 | W457F | Ferrule, high-impact Lexan® | 569A997H01 |
| 27 | W457X2 | Lamp socket with wire leads | 886A123H01 |

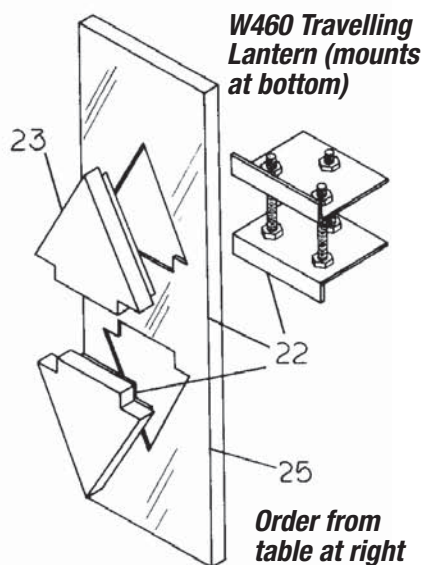
Hall Station Cover Plates (hole dia. = 1.308")

| | | | |
|----|----------------|------------------------------------------|------------|
| 21 | W457CP1 | Terminal cover plate only, stainless | 477C549G01 |
| 21 | W457CP2 | Intermediate cover plate only, stainless | 477C549G02 |
| 21 | W457CP3 | Terminal cover plate only, bronze | — |
| 21 | W457CP4 | Intermediate cover plate only, bronze | — |

*Non-ADA pushbutton replacements are available upon request.

†477C740H01 Back up plate.

‡Also available in Helvetica type style. Order WC464-series for Helvetica.



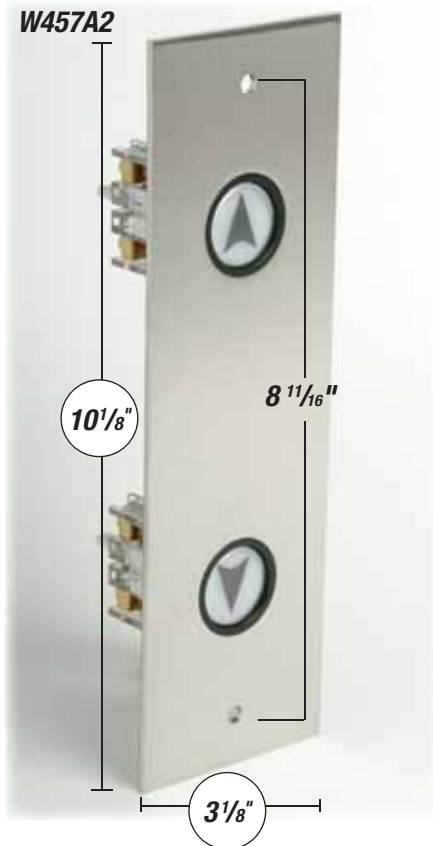
W460 Travelling Lantern (mounts at bottom)

Order from table at right

LANTERN ASSEMBLY & COMPONENTS

| Key no. | Adams part no. | Description | Westinghouse part no. |
|---------|----------------|----------------------------------------------------------------------------------------------------|-----------------------|
| 22 | W460 | Travelling lantern assembly, complete; 3" x 10" cover plate (stainless), arrows, shields, hardware | T-8474 K-6420-1 |
| 23 | W460A | Frosted-finish arrow (2 1/2"H), Lexan | — |
| 25 | W460P1 | 3"x10" travelling lantern cover plate only, stainless | H-1856 |
| 25 | W460P2 | 4 1/4"x12 1/4" travel. lantern cover plate only, stainless | — |

Uses A490L2 lamp



SURVIVOR® REPLACEMENTS FOR WESTINGHOUSE HALL STATIONS

Two replacements for Westinghouse Type "A" hall stations include all the parts you need in one convenient unit. Includes two (2) 8-32x1" oval-head Phillips mounting screws.

Now you no longer need to buy and replace Westinghouse plastic back-up plates. Our complete replacement assemblies give you Survivor reliability in a fully-compatible unit.

An added advantage of having our Survivor pushbutton assemblies in your hall stations is that they accept our LED lamps. LED's last far longer than incandescents ...and even longer than neon.

Adams part no. W457A1. Replacement terminal hall station, stainless; complete with one Survivor pushbutton switch assembly.

Adams part no. W457A2. Replacement intermediate hall station, stainless; complete with two Survivor pushbutton switches.

Complete hall station replacements feature Survivor® pushbuttons



LOCK WITH CAM

Lock with cam is used to latch service cabinets and for other locking applications inside the COP.

Cam dimensions are 1 5/8" L x 3/4" W.

Illinois Lock key number is F359.

Order Adams part no. W468S1. Replaces Westinghouse part no. 569A925G01.

See more service cabinet locks in the Adams Fixtures section of this catalog. Key Part # F359



"HIGH-HAT" BUTTONS

These 5/8"-tall buttons (1 1/8" dia.) are found in many older Westinghouse elevators. Replace Westinghouse part nos. 5207D59G01 and 381D038H01.

W466W-char. for white button with Gorton-style character.

W465W-char. for white button with Helvetica-style character.



WESTINGHOUSE TYPE "E" KEYED STOP SWITCH

ASME A17.1, 210.2(v), 1990 requires keyed stop switches in new passenger elevators where STOP switches are specified. Our Westinghouse complete keyed switch meets this requirement with great attention to detail.

Great for replacements as well: Conventional push/pull STOP switches give vandals a chance to leave elevators stranded, criminals time to stop between floors to rob tenants, and passengers the ability to interrupt elevator operation unintentionally by leaning against the panel.

Order Adams part number W470K1.

NOTE: If you use a W470K1 STOP switch in a Type E installation with toggle, you may need to grind into the retaining bolts to secure a proper fit.

2638C89G01



WESTINGHOUSE AE LINE

Backplate Assembly

1.75"w x 9.12"h

Buttons Round, White w/Black character

Voltage 120V Neon

| Adams part no. | Description |
|----------------|--------------------------------------|
| 2638C89G01 | Terminal Up |
| 2638C89G02 | Intermediate Up /Down |
| 2638C89G03 | Terminal Down |
| 2638C89G07 | Blank Button |
| 2638C89G08 | Intermediate Up/ Down & Blank Button |

WESTINGHOUSE AE LINE

Faceplate

Stainless Steel # 4 Brushed

Vertical Grain

3.25"w x 10.50"h

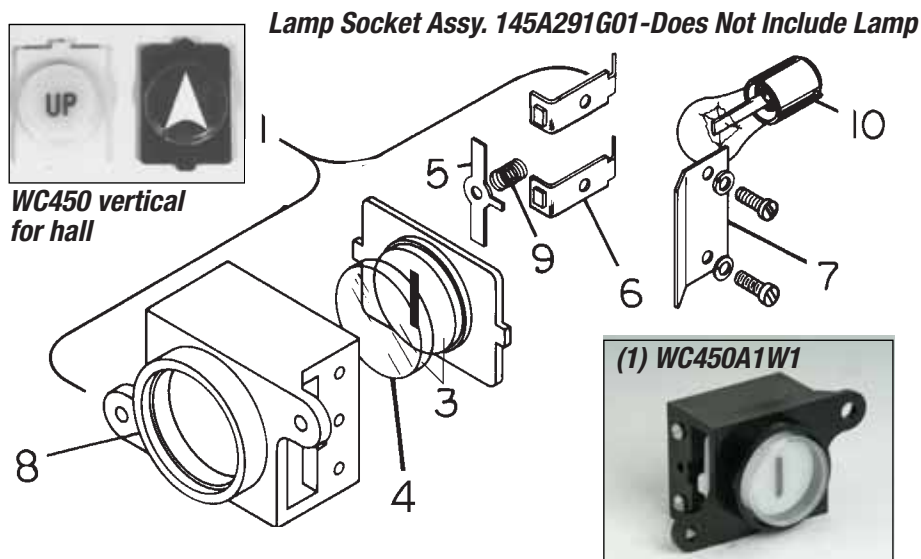
Mounting Holes 8.50" cc

Finished Edges



198C582G01

| Adams part no. | Description | Material | Finish |
|----------------|---------------------|----------|--------|
| 198C582G01 | 1-Hole Terminal | SS | #4 |
| 198C582G02 | 2-Hole Intermediate | SS | #4 |
| 198C582G03 | 3-Hole | SS | #4 |
| 198C582G04 | 1-Hole Terminal | BRZ | #4 |
| 198C582G05 | 2-Hole Intermediate | BRZ | #4 |
| 198C582G07 | 2-Hole Intermediate | BRZ | #8 |



Type "E" Pushbuttons/Assemblies

ADA-COMPLIANT TYPE "E" PUSHBUTTON ASSEMBLIES* (COMPLETE, FIG. 1)

| Adams part no. | Description |
|----------------------------|----------------------------------------|
| WC450A1W[character] | Black (B) or white (W) button; 1/NO |
| WC450A2W[character] | Black (B) or white (W) button; 1/NC |
| WC450A3W[character] | Black (B) or white (W) button; 2/NO |
| WC450A4W[character] | Black (B) or white (W) button; 2/NC |
| WC450A5W[character] | Black (B) or white (W) button; 1NO/1NC |

*Non-ADA available upon request.

**Black buttons are special order only

BUTTONS FOR TYPE "E" PUSHBUTTON ASSEMBLIES (FIG. 3)*

| Adams part no. | Description |
|------------------------|------------------------------------------------------|
| WC450W[char]* | White button with black character, clear cap; Gorton |
| WC450B-[char]** | Black button with white character, clear cap; Gorton |
| WC450BC1 | Clear cap only (fig. 4); (W) no. 146A560H04 |

*Button diameter w/cap = 1.110" to 1.113". NOTE: -A, -DO, -DC, -U, -D characters are vertical mount.

CONTACTS FOR PUSHBUTTON ASSEMBLIES

| Adams part no. | Fig. | Description | Westinghouse part no. |
|----------------|------|---------------------------------------------------------------------------------------------------------------------------------------------------------------------------|-----------------------|
| W450C1 | 5 | Movable contact bridge, NO | 145A395G01 |
| W450C2 | 5 | Movable contact bridge, NC | 145A395G02 |
| W450C3 | 6 | Stationary contact, NO | 145A390G02 |
| W450C4 | 6 | Stationary contact, NC | 145A390G01 |
| W450K1 | — | 60-pc. contact kit, MAKE; incl. 10 ea. W450C1, 20 ea. W450C3, 10 ea. W450C5 bracket, 10 pcs. W450S1 compression spring, 10 pcs. #4-40 x 3/8" L slotted round-head screws | |
| W450K2 | — | 60-pc. contact kit, BREAK; incl. 10 ea. W450C2, 20 ea. W450C4, 10 ea. W450C5 bracket, 10 pcs. W450S1 compression spring, 10 pcs. #4-40 x 3/8" L slotted round-head screws | |

FOR HELVETICA: ORDER WC462W/B[CHAR];
W FOR WHITE, B FOR BLACK



NEW E-Line "Call Cancel/Fire Service" button performs two functions in one...and lets you eliminate a punch in your COP.
Part no. WC450W-XFH/CC.

TYPE "E" SWITCHES

| Adams part no. | Description | Westinghouse part no. |
|----------------|--------------------------------------------------------------------------------|-----------------------|
| W470A1 | Emergency STOP/RUN switch, complete; 2 contacts, 1NO/1NC; see photo, top right | 576B294G03 |
| W470A2 | Switch assembly with DOOR HOLD; not shown | 576B294G05 |

REPLACEMENT PUSHBUTTON COMPONENTS

| Adams part no. | Description | Westinghouse part no. |
|----------------|------------------------------------------------------------------------------------|-----------------------|
| W451C1 | Bridge contact | K-6549-1 |
| W458 | Plastic 1-piece pushbutton, 1" dia.; 1 7/8" overall length | K-6453-1 |
| W450C5 | Pivot hinge bracket (fig. 7) | 145A391G01 |
| W450D1 | Pushbutton base (fig. 8) | 216B298H01 |
| W450S1 | Compression spring for movable contact, 2 1/32" overall length, 1/8" dia. (fig. 9) | X9J20 |

250VAC LAMPS FOR TYPE "E" PUSHBUTTONS (TYPE 10S6/250VDC, FIG. 10)

| Adams part no. | Lamp color | Westinghouse part no. |
|----------------|-----------------|-----------------------|
| A484L4 | Clear, 10/pkg. | X46AS1H05, H26 |
| A484L5 | Red, 10/pkg. | X46AS1H06, H27 |
| A484L6 | Green, 10/pkg. | X46AS1H07, H28 |
| A484L7 | Yellow, 10/pkg. | X46AS1H08, H29 |

Position Indicator Lenses, "Pop-In" Style



"POP-IN" P.I. LENSES

Replacement "pop-in" position indicator lenses are removed easily with our handy W459T lens removal tool, shown above.

Choose Gorton (W459G-series) or Helvetica (W459H-series). Order characters from table below. One black ferrule (W459F) required for each lens; order separately. Lens cap is included. (W459G-series replaces Westinghouse series 5213D27; W459H-series, 5213D26.)

Need a blank P.I. lens? Order part no. W459H-BL.

W454BC1. Clear cap only (as shown attached to lenses).

W459L. Lamp socket. Order one (1) for each lens. Use Adams miniature bayonet lamps A480L14 and A480L15, sold separately. Westinghouse 630B462H01.

W459T. P.I. lens extractor tool. Suction gripper makes short work out of removing lenses from the front. Eliminates time-consuming disassembly and reassembly of P.I. units. (Works best if lenses are dry and clean.) Replaces Westinghouse part no. 865A096H01.

W459F. Black ferrule with speed nut. Order one (1) for each lens. Replaces Westinghouse part no. 196C557H01.

W459W. P.I. lens without cap, white.

"POP-IN" LENS ORDERING INFORMATION (GORTON & HELVETICA)

| Adams part no. | | Symbol | Adams part no. | | Symbol | Adams part no. | | Symbol | Adams part no. | | Symbol |
|----------------|-----------|--------|----------------|-----------|--------|----------------|-----------|--------|----------------|-----------------------|------------|
| Gorton | Helvetica | | Gorton | Helvetica | | Gorton | Helvetica | | Gorton | Helvetica | |
| W459G-A | W459H-A | Arrow | W459G-G | W459H-G | G | W459G-5 | W459H-5 | #5 | W459G-20 | W459H-20 | #20 |
| W459G-B | W459H-B | B | W459G-G1 | W459H-G1 | G1 | W459G-6 | W459H-6 | #6 | W459G-21 | W459H-21 | #21 |
| W459G-B1 | W459H-B1 | B1 | W459G-G2 | W459H-G2 | G2 | W459G-7 | W459H-7 | #7 | W459G-22 | W459H-22 | #22 |
| W459G-B2 | W459H-B2 | B2 | W459G-G3 | W459H-G3 | G3 | W459G-8 | W459H-8 | #8 | W459G-23 | W459H-23 | #23 |
| W459G-B3 | W459H-B3 | B3 | W459G-L | W459H-L | L | W459G-9 | W459H-9 | #9 | W459G-24 | W459H-24 | #24 |
| W459G-D | W459H-D | D | W459G-LB | W459H-LB | LB | W459G-10 | W459H-10 | #10 | W459G-25 | W459H-25 | #25 |
| W459G-32 | W459H-32 | #32 | W459G-LL | W459H-LL | LL | W459G-11 | W459H-11 | #11 | W459G-26 | W459H-26 | #26 |
| W459G-33 | W459H-33 | #33 | W459G-M | W459H-M | M | W459G-12 | W459H-12 | #12 | W459G-27 | W459H-27 | #27 |
| W459G-34 | W459H-34 | #34 | W459G-P | W459H-P | P | W459G-13 | W459H-13 | #13 | W459G-28 | W459H-28 | #28 |
| W459G-35 | W459H-35 | #35 | W459G-PH | W459H-PH | PH | W459G-14 | W459H-14 | #14 | W459G-29 | W459H-29 | #29 |
| W459G-36 | W459H-36 | #36 | W459G-SB | W459H-SB | SB | W459G-15 | W459H-15 | #15 | W459G-30 | W459H-30 | #30 |
| W459G-37 | W459H-37 | #37 | W459G-1 | W459H-1 | #1 | W459G-16 | W459H-16 | #16 | W459G-31 | W459H-31 | #31 |
| W459G-38 | W459H-38 | #38 | W459G-2 | W459H-2 | #2 | W459G-17 | W459H-17 | #17 | - | *W459H-41 thru -99 | #41- |
| W459G-39 | W459H-39 | #39 | W459G-3 | W459H-3 | #3 | W459G-18 | W459H-18 | #18 | | | #99 |
| W459G-40 | W459H-40 | #40 | W459G-4 | W459H-4 | #4 | W459G-19 | W459H-19 | #19 | W459H-BL | | Blank P.I. |

*P.I. lens #'s 41 thru 99 available in Helvetica style only.



7656C53H72



7656C53H29



7656C53H60



7656C53H62

| CAR STATION BRAILLE PLATES | |
|----------------------------|---------------------|
| Part No. | Marking |
| 5399C11H39 | *1 (Star 1) |
| 5399C11H40 | *L (Star L) |
| 5399C11H45 | Door Close F symbol |
| 5399C11H46 | Door Close R symbol |
| 5399C11H85 | Alarm Bell symbol |
| 5399C11H86 | Door Open symbol |
| 5399C11H87 | Door Open F symbol |

Tag .82"W x 1.50"H
 Character .62" H, Gothic Condensed
 Stud Mounted, SS Character, Black Background.
 Inquire about other characters



5399C11H
 Braille Plate Chrome
 Marking=CHART

| CHARACTERS | MOUNTING | BACKGROUND | DIMENSIONS |
|------------|------------------|------------|------------------|
| .625" | Adhesive Backing | Flat Black | 1.184"H x 1.00"W |

| MT, MTA CAR STATION BRAILLE PLATES | | | |
|------------------------------------|-------------|--------------|----------------|
| Marking | Part No. SS | Part No. Brz | Part No. White |
| Alarm | 7656C53H60 | 7656C53H61 | 8543C52H07 |
| Door Close | 7656C53H29 | 7656C53H30 | 8543C52H01 |
| Door Open | 7656C53H62 | 7656C53H63 | 8543C52H08 |
| Stop Run | 7656C53H41 | 7656C53H42 | 8543C52H05 |
| Phone | 7656C53H72 | 7656C53H73 | 8543C52H11 |
| * (Star) | 7654C63H61 | 7654C64H61 | 8543C51H61 |
| *1 | 6954C71H41 | 6954C89H41 | 8543C52H41 |
| *L | 6954C71H42 | 7656C72H42 | 8543C48H42 |
| *G | 6954C71H43 | 6954C89H43 | 8543C48H43 |
| B | 6954C71H46 | 6954C89H46 | 8543C48H46 |
| G | 6954C71H49 | 6954C89H49 | 8543C48H49 |
| M | 6954C71H51 | 6954C89H51 | 8543C48H51 |
| 1 | 6954C71H01 | 6954C89H01 | 8543C48H01 |
| 2 | 6954C71H02 | 6954C89H02 | 8543C48H02 |
| 3 | 6954C71H03 | 6954C89H03 | 8543C48H03 |
| 4 | 6954C71H04 | 6954C89H04 | 8543C48H04 |
| 5 | 6954C71H05 | 6954C89H05 | 8543C48H05 |
| 6 | 6954C71H06 | 6954C89H06 | 8543C48H06 |
| 7 | 6954C71H07 | 6954C89H07 | 8543C48H07 |
| 8 | 6954C71H08 | 6954C89H08 | 8543C48H08 |
| 9 | 6954C71H09 | 6954C89H09 | 8543C48H09 |
| 10 | 6954C71H10 | 6954C89H10 | 8543C48H10 |

Size 1" w x 1.18" h , Backed with Adhesive, Black background
 Call Adams, other characters are available



5402C03H
 Braille Plate Bronze
 Marking=CHART

| CAR STATION BRAILLE PLATES | |
|----------------------------|-----------------------|
| Part No. | Marking |
| 5402C03H01 | 1 |
| 5402C03H52 | L |
| 5402C03H53 | B |
| 5402C03H54 | M |
| 5402C03H61 | LL |
| 5402C03H86 | P1 |
| 5402C03H92 | Alarm Bell symbol |
| 5402C03H95 | Emergency Stop symbol |
| 5402C03H97 | Star (*) |
| 5402C03H98 | Door Close symbol |

* 540203H02 thru 540203H25 are characters 2 thru 25
 Tag .82"W x 1.50"H
 Character .62" H, Gothic Condensed
 Stud Mounted, BRZ Character, Black Background.
 Inquire about other characters

| ENTRANCE JAMB PLATES | |
|----------------------|---------|
| Part No. | Marking |
| 5402C05H01 | 1 |
| 5402C05H02 | 2 |
| 5402C05H03 | 3 |
| 5402C05H04 | 4 |
| 5402C05H05 | 5 |
| 5402C05H51 | G |

3.5" H
 Black Background with BRZ letters
 Inquire about other characters



5402C05H52



2175C97H01



7028C29H10

| CAR STATION BRAILLE PLATES | |
|----------------------------|-----------------------|
| Part No. | Marking |
| * 2175C97H01 | 1 |
| 2175C97H52 | L |
| 2175C97H53 | B |
| 2175C97H54 | M |
| 2175C97H61 | LL |
| 2175C97H86 | P1 |
| 2175C97H95 | Emergency Stop symbol |
| 2175C97H97 | Star (*) |
| 2175C97H98 | Door Close symbol |

* 2175C97H02 thru 2175C97H25 are characters 2 thru 25
 Tag .82"W x 1.50"H
 Character .62" H, Gothic Condensed
 Stud Mounted, SS Character, Black Background.
 Inquire about other characters

| CAR STATION BRAILLE PLATES | |
|----------------------------|-----------------------|
| Part No. | Marking |
| 7028C29H48 | *1 |
| 7028C29H08 | 1 |
| 7028C29H09 | 2 |
| 7028C29H10 | 3 |
| 7028C29H11 | 4 |
| 7028C29H166 | * (Star) |
| 7028C29H01 | Phone symbol |
| 7028C29H02 | Alarm symbol |
| 7028C29H03 | Emergency Stop symbol |
| 7028C29H04 | Door Open symbol |
| 7028C29H05 | Door Close symbol |

Tag 1.195"W x 1.253"H
 Character .63" H, Gothic Condensed
 Adhesive Mounted, White Character, Black Background.
 Inquire about other characters



6954C71H69



6954C89H42

| MTA CAR STATION BRAILLE PLATES | |
|--------------------------------|-------------|
| Part No. | Marking |
| 6954C71H41 | *1 (Star 1) |
| 6954C71H01 | 1 |
| 6954C71H02 | 2 |
| 6954C71H03 | 3 |
| 6954C71H04 | 4 |
| 6954C71H51 | M |
| 6954C71H52 | P |
| 6954C71H69 | P1 |
| 6954C71H96 | DN |
| 6954C71H99 | UP |

Tag 1.00"W x 1.64"H
 Character .62" H, Helvetica Medium
 Adhesive Mounted, SS Character, Black Background.
 Inquire about other characters

| CAR STATION BRAILLE PLATES | |
|----------------------------|-------------|
| Part No. | Marking |
| 6954C89H01 | 1 |
| 6954C89H02 | 2 |
| 6954C89H03 | 3 |
| 6954C89H04 | 4 |
| 6954C89H05 | 5 |
| 6954C89H42 | *L (Star L) |
| 6954C89H46 | B |
| 6954C89H49 | G |
| 6954C89H50 | L |
| 6954C89H54 | LL |

Tag 1.00"W x 1.18"H
 Character .62" H, Helvetica Medium
 Adhesive Mounted, BRZ Character, Black Background.
 Inquire about other characters



7428C01H02



7652C82H38

PEP BUTTON BRAILLE PLATES

| Part No. | Character |
|-------------------|-----------------------|
| 7428C01H02 | Emergency Stop symbol |
| 7428C01H04 | Door Close symbol |
| 7428C01H06 | 1 |
| 7428C01H07 | 2 |
| 7428C01H08 | 3 |
| 7428C01H09 | 4 |
| 7428C01H10 | 5 |
| 7428C01H11 | 6 |
| 7428C01H13 | G |
| 7428C01H15 | M |
| 7428C01H17 | LL |
| 7428C01H22 | *1 (Star 1) |
| 7428C01H23 | *G (Star G) |
| 7428C01H24 | *L (Star L) |

Tag 2.50"W x 1.37"H
Opening for Button 1.125" dia.
Mounting Holes, SS Character, Black Background.
Inquire about other characters



7652C81H13

PEP BUTTON BRAILLE PLATES

| Part No. | Character |
|-------------------|-------------|
| 7652C81H02 | L2 |
| 7652C81H07 | M3 |
| 7652C81H13 | DOOR OPEN F |
| 7652C81H14 | DOOR OPEN R |

Tag 2.50"W x 1.37"H
Opening for Button 1.125" dia.
Mounting Holes, SS Character, Black Background.
Inquire about other characters

PEP BUTTON BRAILLE PLATES

| Part No. | Character |
|-------------------|-------------|
| 7428C02H22 | *1 (Star 1) |
| 7428C02H07 | 2 |
| 7428C02H08 | 3 |
| 7428C02H09 | 4 |
| 7428C02H10 | 5 |

Tag 2.50"W x 1.37"H
Opening for Button 1.125" dia.
Mounting Holes, BRZ Character, Black Background.
Inquire about other characters



7428C02H10

PEP BUTTON BRAILLE PLATES

| Part No. | Character |
|-------------------|-------------|
| 7652C82H06 | 1 |
| 7652C82H22 | *1 (Star 1) |
| 7652C82H07 | 2 |
| 7652C82H08 | 3 |
| 7652C82H09 | 4 |
| 7652C82H38 | 7 |

Tag 2.50"W x 1.37"H
Opening for Button 1.125" dia.
Mounting Holes, BRZ Character, Black Background.
Inquire about other characters



7652C79H09

PEP BUTTON BRAILLE PLATES

| Part No. | Character |
|-------------------|----------------|
| 7652C79H02 | Emergency Stop |
| 7652C79H03 | Door Open |
| 7652C79H04 | Door Close |
| 7652C79H06 | 1 |
| 7652C79H07 | 2 |
| 7652C79H08 | 3 |
| 7652C79H09 | 4 |
| 7652C79H10 | 5 |
| 7652C79H11 | 6 |
| 7652C79H12 | B |
| 7652C79H13 | G |

Tag 2.50"W x 1.37"H
Opening for Button 1.125" dia.
Mounting Holes, SS Character, Black Background.
Inquire about other characters



323C895H23
Short Cylinder



323C895H18
Long Cylinder



323C895H19
Service Cabinet Lock



5061A41H05



5061A41H04

LOCKS AND CAMS

| Part No. | Description | Finish | Positions | Keys | Key No. |
|------------|----------------------|--------------|-----------|------|---------|
| 323C895G01 | Lock and Cam | Satin Chrome | 2 | 2 | H200 |
| 323C895G02 | Lock and Cam | Satin Chrome | 4 | 2 | H200 |
| 323C895G03 | Service Cabinet Lock | Satin Chrome | 1 | 2 | H200 |
| 323C895G04 | Lock and Cam | Satin Chrome | 4 | 2 | H200 |
| 323C895G07 | Lock and Cam | Satin Chrome | 4 | 2 | H200 |
| 323C895G08 | Lock and Cam | Satin Chrome | 1 | 2 | H200 |
| 323C895G10 | Lock and Cam | Satin Chrome | 1 | 2 | H341 |
| 323C895G12 | Lock and Cam | Satin Chrome | 1 | 2 | H200 |
| 323C895G13 | Lock and Cam | Satin Chrome | 2 | 2 | H200 |
| 323C895G15 | Lock and Cam | Satin Chrome | 2 | 2 | H200 |
| 323C895G16 | Lock and Cam | Satin Chrome | 2 | 2 | H200 |
| 323C895G17 | Lock and Cam | Satin Chrome | 2 | 2 | H200 |
| 323C895G18 | Lock and Cam | Satin Chrome | 1 | 2 | H200 |
| 323C895G19 | Service Cabinet Lock | Satin Chrome | 1 | 2 | H200 |
| 323C895G21 | Service Cabinet Lock | Satin Chrome | 1 | 2 | H200 |
| 323C895H01 | Lock and Cam | Satin Chrome | 1 | 2 | H200 |
| 323C895H02 | Lock and Cam | Satin Chrome | 2 | 2 | H200 |
| 323C895H10 | Lock and Cam | Satin Chrome | 4 | 2 | H341 |
| 323C895H12 | Lock and Cam | Satin Chrome | 1 | 2 | H200 |
| 323C895H15 | Lock and Cam | Satin Chrome | 1 | 2 | H200 |
| 323C895H16 | Lock and Cam | Satin Chrome | 2 | 2 | H200 |
| 323C895H18 | Lock and Cam | Satin Chrome | 2 | 2 | H200 |
| 323C895H19 | Lock and Cam | Satin Chrome | 2 | 2 | F359 |
| 323C895H20 | Lock and Cam | Satin Chrome | 1 | 2 | F359 |
| 323C895H23 | Lock and Cam | Satin Chrome | 4 | 2 | H341 |
| 323C895H25 | Lock and Cam | Satin Chrome | 4 | 2 | H315 |

SERVICE CABINET LOCKS AND CAMS

| Part No. | Finish | Positions | Keys | Key No. |
|------------|---------------|-----------|------|---------|
| 5061A41H01 | Bright Chrome | 1 | 2 | H301 |
| 5061A41H02 | Bright Chrome | 1 | 2 | H301 |
| 5061A41H03 | Bright Bronze | 1 | 2 | H301 |
| 5061A41H04 | Satin Bronze | 1 | 2 | H301 |
| 5061A41H05 | Bright Chrome | 1 | 2 | F501 |
| 5061A41H06 | Satin Chrome | 1 | 2 | F501 |



694B506G02



694B506G05

AE FIREMAN'S SERVICE KEYSWITCHES

| Part No. | Fire Service | Phase I | Key No. |
|------------|---------------|---------|---------|
| 694B506G01 | OFF ON | Hall | H341 |
| 694B506G02 | OFF ON | Hall | H341 |
| 694B506G03 | BYPASS OFF ON | Hall | H341 |
| 694B506G05 | BYPASS OFF ON | Hall | H341 |



7029C27H03



7029C27H02

LOCKS AND CAMS

| Part No. | Description | 12 O'Clock | 3 O'Clock | 6 O'Clock | Keys | Key No. |
|------------|--------------|------------|-----------|-----------|------|---------|
| 7029C27H01 | Lock and Cam | X | X | --- | 2 | AS100 |
| 7029C27H02 | Lock and Cam | X | X | X | 2 | AS100 |
| 7029C27H03 | Lock and Cam | X | 0 | --- | 2 | AS100 |
| 7029C27H04 | Lock and Cam | X | X | --- | 2 | 100T |
| 7029C27H05 | Lock and Cam | X | X | --- | 2 | SC1000 |
| 7029C27H09 | Lock and Cam | X | X | 0 | 2 | AS100 |
| 7029C27H10 | Lock and Cam | X | X | 0 | 2 | SC1000 |
| 7029C27H11 | Lock and Cam | X | X | --- | 2 | 100T |

Key Pull = X

No Pull = 0

No position = ---

Used on 330A



694B783G01



693B288G01



6950C92H02



6951C73G01



1320B11G02

KEYSWITCHES

| Part No. | Description | | Key No. |
|---------------------|--------------------|--------|---------|
| 694B783G01 | MAINTAINED (S TDS) | 1M 1 B | H200 |
| 693B288G01 | MEDECO | 2 POS | No Keys |
| 6950C92H01 | MAINTAINED | 1M 1 B | 501CH |
| * 6950C92H02 | MAINTAINED | 1M 1 B | 501CH |
| 6950C92H03 | MAINTAINED | 1M | 501CH |
| 6950C92H04 | MOMENTARY | 1M | 501CH |
| 6950C92H05 | MOMENTARY | 1M | 501CH |

* Bronze

CT FIREMAN'S SERVICE KEYSWITCHES

| Part No. | Fire Service | Function | Key No. |
|-------------------|--------------|----------|---------|
| 6951C73G01 | BFD 1 (CT) | Phase II | BFD1 |
| 6951C73G02 | BFD 1 (CT) | Phase I | BFD1 |
| 1320B11G01 | OFF ON | Phase I | CLC 332 |
| 1320B11G02 | OFF ON | Phase I | CLC 332 |



1718C73G04



1718C73G05

AE FIREMAN'S SERVICE KEYSWITCHES

| Part No. | Fire Service | Mounting | Function | Key No. |
|-------------------|---------------|----------|----------|---------|
| 1718C73G01 | OFF ON | Horiz | Phase II | H341 |
| 1718C73G02 | OFF ON BYPASS | Horiz | Phase I | H341 |
| 1718C73G04 | OFF HOLD ON | Horiz | Phase II | H341 |
| 1718C73G05 | OFF HOLD ON | Vert | Phase II | H341 |



1718C74G05



1718C74G04

EA FIREMAN'S SERVICE KEYSWITCHES

| Part No. | Fire Service | Mounting | Function | Key No. |
|-------------------|---------------|----------|----------|---------|
| 1718C74G01 | OFF ON | Horiz | Phase II | H341 |
| 1718C74G02 | OFF ON BYPASS | Horiz | Phase I | H341 |
| 1718C74G03 | OFF ON HOLD | Horiz | Phase II | H341 |
| 1718C74G04 | OFF ON HOLD | Vert | Phase II | H341 |
| 1718C74G05 | OFF ON | Vert | Phase I | H341 |
| 1718C75G01 | OFF ON | Horiz | Phase II | H341 |
| 1718C75G04 | OFF ON HOLD | Vert | Phase II | H341 |



1721C42G04



1721C43G04

EA KEYSWITCHES

| Part No. | Keyswitch | Mounting | Function | Key No. |
|---------------------|------------------------|----------|------------|---------|
| 1721C42G01 | OFF ON SERVICE (1M-1B) | Horiz | Maintained | H200 |
| 1721C42G04 | STOP RUN (1M-1B) | Horiz | Maintained | H200 |
| * 1721C43G04 | STOP RUN (1M-1B) | Horiz | Maintained | H200 |

* Used in Wood Swing Return



1721C41G13



196C149H20



196C149H31



196C149H28

AE KEYSWITCHES

| Part No. | Keyswitch | Mounting | Function | Key No. |
|------------|------------------------|----------|------------|---------|
| 1721C41G03 | OFF ON SERVICE (1 M) | Horiz | Maintained | H200 |
| 1721C41G05 | OFF ON LIGHT (1M) | Horiz | Maintained | H200 |
| 1721C41G07 | OFF ON HAND (2M) | Horiz | Maintained | H200 |
| 1721C41G10 | OFF ON POWER (1M) | Horiz | Maintained | H200 |
| 1721C41G13 | OFF ON (1M) | Horiz | Maintained | H200 |
| 1721C41G14 | OFF ON (1M) | Horiz | Momentary | H200 |
| 1721C41G15 | OFF ON (2M) | Horiz | Maintained | H200 |
| 1721C41G16 | STOP - RUN (1M-1B) | Horiz | Maintained | H200 |
| 1721C41G20 | OFF ON SERVICE (1M-1B) | Horiz | Maintained | H200 |
| 1721C41G22 | LOW HIGH (1M-1B) | Horiz | Maintained | H200 |

LOCKPLATES FOR KEYSWITCHES

| Part No. | Legend | Mounting |
|------------|-------------------|----------|
| 196C149H18 | OFF ON HAND | Horiz |
| 196C149H20 | OFF ON H E | Horiz |
| 196C149H21 | OFF ON SERVICE | Horiz |
| 196C149H25 | OFF ON LITE | Horiz |
| 196C149H26 | OFF ON EMERG SERV | Horiz |
| 196C149H27 | OFF LITE FAN | Horiz |
| 196C149H28 | OFF LITE HI LOW | Horiz |
| 196C149H29 | OFF HI MED LOW | Horiz |
| 196C149H45 | Blank | Horiz |
| 196C499H04 | OFF ON 4 | Horiz |

Dimensions are 2.37"W x 1.50"H
 Mounting Holes 2" centerline to centerline
 Used with EPCO Keyswitch Cylinder 196C149H31

| | | |
|------------|-----------|-------|
| 196C149H31 | Keyswitch | EPCO1 |
|------------|-----------|-------|



195C566H01



195C566H05



196C149H12



196C149H02

A LINE LOCK COMPONENTS

| Part No. | Description | Config. | Key | Finish |
|------------|-----------------------------|------------|-------|--------|
| 195C566G01 | Lockplate Cylinder and Keys | 4 Position | H341 | SS |
| 195C566G03 | Lockplate Cylinder and Keys | 4 Position | H341 | BRZ |
| 195C566G05 | Lockplate OFF ON FIRE SERV | | | SS |
| 195C566G07 | Lockplate Cylinder and Keys | 3 Position | H341 | SS |
| 195C566H01 | Lockplate Blank | | | BRZ |
| 195C566H04 | Lockplate Blank | | | SS |
| 195C566H05 | Lockplate Cylinder and Keys | 2 Position | CH670 | SS |

BUTTON COMPONENTS

| Part No. | Description |
|--------------|-------------------------|
| * 196C149H01 | Contact Base 2NO |
| * 196C149H02 | Contact Base 2NC |
| * 196C149H03 | Contact Base 1NO/1NC |
| 196C149H04 | Lamp Holder |
| 196C149H10 | Blank 1.14" dia Opening |
| 196C149H12 | Light Shield |
| 196C149H13 | Filter Red |
| 196C149H14 | Filter Green |

* Without Lamp Holder or Lamp
 EPCO Buttons



7660C55H12



7660C55H09

PEP KEYSWITCH LOCKPLATES

| Part No. | Legend |
|------------|------------------|
| 7660C55H06 | OFF ON |
| 7660C55H08 | OFF ON UP |
| 7660C55H09 | OFF ON DN |
| 7660C55H12 | OFF ON HAND |
| 7660C55H19 | OFF ON |
| 7660C55H21 | STOP RUN |
| 7660C55H27 | OFF FAN-LIGHT |
| 7660C55H28 | LOW-HIGH FAN |
| 7660C55H29 | OFF ON HAND |
| 7660C55H38 | OFF ON CODE BLUE |
| 7660C55H31 | OFF HOLD ON |

1.38" Dia, Double D
Black with White letters
Inquire about other characters



7254C77H06
Braille Plate
On/Off/Up



8544C14H01
Housing STD(MTA)

MTA STUDLESS KEYSWITCH PLATES

| Part No. | Legend |
|--------------|-----------------------|
| 7254C77H04 | ON OFF DOWN |
| 7254C77H05 | OFF ON |
| 7254C77H06 | ON OFF UP |
| 7254C77H07 | PHASE II ON HOLD OFF |
| * 7254C77H08 | PHASE I ON OFF BYPASS |
| 7254C77H15 | CODE BLUE OFF ON |

* Filled Blue Enamel
Tag 1.94"W x 1.17"H
Character Helvetica Medium
Adhesive Mounted, SS Character, Black Background.
Inquire about other characters



8537C94H05



8537C94H08

PEP KEYSWITCH LOCKPLATES

| Part No. | Legend |
|------------|----------------|
| 8537C94H05 | NORMAL INSPECT |
| 8537C94H06 | OFF ON SERVICE |
| 8537C94H07 | OFF ON LITE |
| 8537C94H08 | LOW HIGH FAN |
| 8537C94H09 | RUN STOP |
| 8537C94H10 | OFF ON FAN |
| 8537C94H11 | OFF ON |
| 8537C94H17 | BLANK |

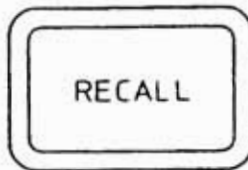
1.38" Dia, Double D
Black with White letters
Inquire about other characters

MTA BUTTON ASSEMBLIES

| Part No. | Description |
|------------------------------------------|---------------------------------------------------------------------------------------------------|
| 8544C17G02 | PB ASSEMBLY 1-SW (USED ON FEATURE BUTTONS, INTERMEDIATE FLOOR BUTTONS, AND CORRIDOR PUSH BUTTONS) |
| 8544C17G01 | PB ASSEMBLY 2-SW (USED ON TERMINAL FLOOR BUTTONS) |
| 8544C17G03 | PB ASSEMBLY (ALARM) |
| 998C278H11 | PC BOARD, 1-SW |
| 998C304H11 | PC BOARD, 2-SW |
| 998C280H11 | PC BOARD, ALARM |
| 8540C58H02 | RETAINER |
| 8544C17G04 | HOUSING AND PUSH BUTTON |
| 693B550H01 | RETAINING CLIP (FOR PC BRD) |
| 70010CSC3R | SCREW |
| 8544C17K01 | BP HOUSING KIT |
| BRAILLE PLATE DOES NOT COME WITH PB ASSY | |
| 8544C19G01 | FIREMAN'S LIGHT ASSEMBLY (HAT) |
| 8544C19G02 | FIREMAN'S LIGHT ASSEMBLY (RECALL) |
| 8544C19G03 | MEDICAL EMERGENCY LIGHT ASSEMBLY |
| 7656C53H74 | FACE PLATE-FIREMAN'S HAT |
| 7656C53H75 | FACE PLATE-RECALL |
| 7656C53H91 | FACE PLATE-MEDICAL EMERGENCY |
| X46ACS1H01 | LAMP HOLDER-WEDGE BASE |
| X46ABS1H06 | LAMP 28V-WEDGE BASE |
| 8544C15H01 | HOUSING |
| 8544C13H03 | LIGHT DIFFUSER |



8544C19G01



8544C19G02



8544C19G03



RP01001H03



RP01001H05



R9624H01



R9624H02



K4915G01
1 7/16" End to End

| BUTTONS | |
|-------------------|--------------|
| Part No. | Character |
| RP01001H03 | 5R |
| RP01001H04 | 6R |
| RP01001H05 | GR |
| RP01001H06 | GL |
| RP01001H10 | UL |
| RP01001H15 | BR |
| RP01001H20 | L1 |
| RP01001H21 | L2 |
| RP01001H22 | LM |
| RP01001H31 | P5 |
| RP01001H74 | 2P |
| RP01001H82 | 2M |
| RP01001H95 | FIRE RETURN |
| RP01001H96 | FIRE SERVICE |



K4912H01
1/4" High
1.30" dia.
1 3/16" End to End
Black



K6430H01
Double Bayonet
Lampholder
1 1/2" End to End



8543C52H05
Run/Stop
White on Red



5061A46H03
Keyed SW 1M-1B
MOM OC01 Key SST



8544C22G01
Stop Switch Assembly

MTA Braille Tag for RUN STOP Toggle Switch. White Characters and Braille on Red. 1.97"W x. 1.18"H. Toggle Slot is .38"W x .62"H. Adhesive Backing.

MTA Emergency Stop Toggle Switch Studdless Mounting



8544C21G01
Emergency Light Assembly



5065A30H03
Adapter Plate
A/E SWS to PEP/LT FIX



865A254H01
Ferrule
.312 Dia., 1.35"L



5061A48H01
Lockplate Blank



196C557H02
Blank PI Lens
1.312" Dia., .750"L



8540C59H01
Lens Cover (Front)



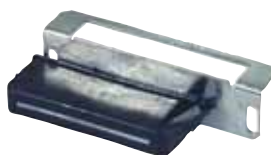
5061A46H08
Keyed SW 1M-1B MNT
OC01 Key BRZ
(w/Lead)



2644C37G01
Lock Switch-FER. FS, TDS
Off-On H341 Key



196C717H01
Readout
2 digit "F" TDS (IEE)



5061A31H01
Latch Magnetic
Telephone Door



216B755G02
Lens Chevron
PHL Red Base
2³/₁₆" " Arrow with Red Filter
216B755G01 has white filter



5060A65H01
Emergency Key Glass
1.69"W x 5.95"H



478C384G01
Elevator Key Box
3"W x 10"H

1092-IC

| Part No. | Description |
|------------|-----------------------------|
| 3-40250-21 | CAR CONTROL BOARD, 1092DRM, |
| 3-40012-24 | OUTPUT BUFF PCB LVL B |
| 3-40239-26 | POSIN HALL/CALL PCB |
| 3-40005-27 | PULSE GEN BRD, ACCU/SAM/GAM |



3-40305-20

ACCU-FLITE

| Part No. | Description |
|------------|--------------------------------|
| 3-40005-27 | PULSE GEN BRD, ACCU/SAM/GAM |
| 3-40006-59 | ACCUFLITE POS. INTERFACE BRD |
| 3-40252-30 | AMPLIFIER BOARD, ACCU, LEVEL C |
| 3-40290-10 | AMPLIFIER BOARD, SAM/GAM, LEVE |
| 3-40259-45 | COUNTER BOARD, ACCU/SAM/GAM, |
| 3-40292-28 | DATA PRIORITY BRD 64FLRS,SAM |
| 3-40231-72 | GFC BOARD, GAM, LEVEL C |
| 3-40292-32 | INTERFACE BOARD, SAM/GAM, LEVE |
| 3-40277-03 | MEMORY BRD 64FLRS, ACCU/SAM/GA |
| 3-40280-89 | MOTOR FIELD CTRL BRD, SAM/GAM, |
| 3-40280-85 | PREDICTOR BOARD, ACCU/SAM/GAM, |
| 3-40305-20 | EMERG RESET PCB 24 VDC, GDC/GM |

GOLD-FLITE

| Part No. | Description |
|------------|---------------------------------|
| 3-40305-20 | EMERG RESET PCB 24 VDC, GDC/GM |
| 3-40324-83 | 120V STEP SW MOTHER BRD, MISC. |
| 3-40284-28 | 180V REV PHASE RELAY BRD, MISC |
| 3-40324-80 | 24V STEP SW MOTHER BOARD, MISC |
| 3-40284-26 | 90V REV PHASE RELAY BOARD, MIS |
| 3-40280-14 | ACCESSORY BOARD, GDC/GMG/GAC, |
| 3-40287-93 | GACIV AMPLIFIER BOARD, DYNATRO |
| 3-40318-72 | GDC HEATSINK PC BOARD ASSB |
| 3-40256-98 | G-F PATTERN GEN BD (EARTHQUAKE) |
| 3-40281-07 | GMG AMPLIFIER BOARD, GMG, LEVE |
| 3-40267-48 | PATTERN BOARD, GDC/GMG, LEVEL |
| 3-40324-87 | STEP SW RELAY BOARD, MISC., |
| 3-40280-18 | TIMER DISPLAY BRD, GDC/GMG/GAC |

TRU-FLITE

| Part No. | Description |
|------------|------------------------------|
| 3-40233-09 | TRU-FLITE AMP BOARD, LEVEL B |

300 A

| Part No. | Description |
|------------|--------------|
| 998C247H14 | CIO PC BRD |
| 998C246H12 | MIO PCB ASSB |
| 998C272H13 | REL PCB ASSB |
| 998C198H12 | DPI PCB ASSB |
| 998C245H12 | PIB PCB ASSB |



222837

321 A

| Part No. | Description |
|----------|-------------------------------|
| 225212 | CIOACD 1.Q PCB ASSEMBLY |
| 223200 | CPB/AUXF JOINED PC BRD |
| 223956 | CRIPHNA 2.QA PCB ASSB |
| 225313 | CRIPHNA 4.QB PCB (W/O ACCESS) |
| 223076 | EBLON1 ASSEMBLY |
| 222837 | HPBHNA2.QA PCB ASSB |
| 222923 | EBCOM68 PCB ASSB |
| 590862 | GCIO360.QE PCB ASSB |

330 A

| Part No. | Description |
|----------|-------------------------------|
| 225212 | CIOACD 1.Q PCB ASSEMBLY |
| 223200 | CPB/AUXF JOINED PC BRD |
| 223956 | CRIPHNA 2.QA PCB ASSB |
| 225313 | CRIPHNA 4.QB PCB (W/O ACCESS) |
| 223076 | EBLON1 ASSEMBLY |
| 222837 | HPBHNA2.QA PCB ASSB |
| 222923 | EBCOM68 PCB ASSB |
| 590862 | GCIO360.QE PCB ASSB |
| 225445 | CRIPHNA 4.Q PCB (W/ACCESS) |

330 A

| Part No. | Description |
|----------|-------------------------------|
| 225212 | CIOACD 1.Q PCB ASSEMBLY |
| 223200 | CPB/AUXF JOINED PC BRD |
| 223956 | CRIPHNA 2.QA PCB ASSB |
| 225313 | CRIPHNA 4.QB PCB (W/O ACCESS) |
| 223076 | EBLON1 ASSEMBLY |
| 222837 | HPBHNA2.QA PCB ASSB |
| 222923 | EBCOM68 PCB ASSB |
| 590862 | GCIO360.QE PCB ASSB |
| 225445 | CRIPHNA 4.Q PCB (W/ACCESS) |

TXR5

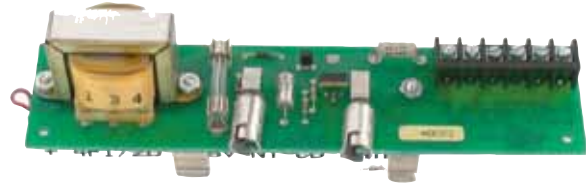
| Part No. | Description |
|----------|----------------------|
| 590862 | GCIO360.QE PCB ASSB |
| 224310 | SETSDL 1.QC PCB ASSB |
| 222533 | LFTDPI50 PCB ASSB QB |
| 222920 | LONIOH 16 ASSB |



998C254H12

MICONIC A

| Part No. | Description |
|------------|----------------------------|
| 998C169H11 | DPR PCB |
| 998C198H12 | DPI PCB ASSB |
| 998C245H12 | PIB PCB ASSB |
| 224213 | SHVM 1.Q PCB ASSB |
| 998C199H13 | DCI PC BRD |
| 998C224H11 | ENC PCB |
| 998C255H14 | MGC PC BRD |
| 998C254H12 | MGS KEYSHEET INDEX A ZEHNT |
| 998C197H13 | MTV KEYSHEET PC BOARD |
| 998C256H12 | PTS PC BRD - |
| 999C003H26 | TRM PC BOARD |
| 224310 | SETSDL 1.QC PCB ASSB |
| 998C239H11 | DBC KEY SHEET |
| 3-40266-40 | HIC PC BOARD |
| 998C227H12 | INT KEYSHEET |
| 998C228H12 | RDI KEYSHEET INDEX A |
| 998C238H12 | V2V PC BOARD |
| 998C225H12 | VEC PC BOARD |
| 3-40290-58 | SSCC PC BRD |



3-40220-54

EVC ELC

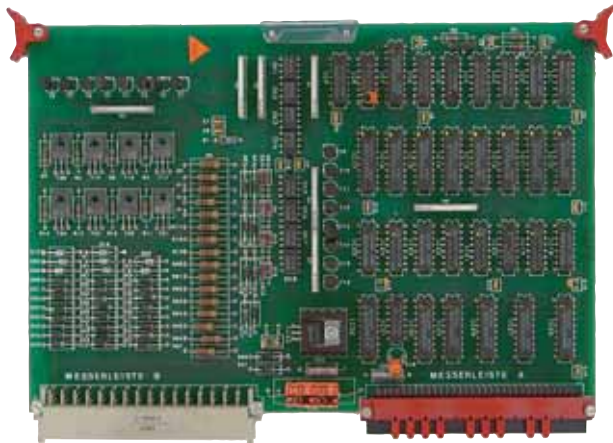
| Part No. | Description |
|------------|--------------------------------|
| 3-40220-54 | EMERG LIGHT PC BOARD & BATTERY |
| 3-40155-92 | HI-VOLTAGE BOARD MDL III/IV |
| 3-40179-99 | LEVELING CONTROL BRD ELC, IV, |
| 3-40143-00 | MDL III LEVELING DECODER BOARD |
| 3-40143-03 | MDL III/IV PWR SUPPLY |
| 3-40162-07 | MODEL III/IV EXCESS ERROR BOAR |
| 3-40142-99 | MODEL III/IV SCR ASSB |
| 3-40246-69 | MODEL V AMPLIFIER PC BOARD |
| 3-40143-02 | SCR TRIGGER BOARD |

WORLD CLASS

| Part No. | Description |
|------------|---------------------|
| 2633C12G03 | LZD KIT FOR TTL-DPG |
| 999C414H22 | WC4 PC BRD |
| 999C401H13 | WCA PC BOARD |

MICONIC VM

| Part No. | Description |
|------------|--------------------------------|
| 3-40290-58 | SSCC PC BRD |
| 3-40338-17 | CAMF PC BOARD |
| 3-40332-63 | EA2232.MA PC BOARD, MICONIC V, |
| 3-40332-65 | EK2264.MA PC BOARD, MICONIC V |
| 3-40232-32 | GEARLESS PAS BOARD, MICONIC V, |
| 3-40332-38 | IG500 PULSE TACH PC BOARD |
| 3-40341-30 | MT1 PB PC BOARD ASSB |
| 3-40340-68 | PAS GEARED BOARD |
| 3-40332-60 | PEC116.MA PC BOARD |
| 3-40320-63 | RCE INTERFACE PC BOARD |
| 3-40231-12 | SAFETY PC BOARD |
| 3-40342-45 | SAFETY PC BOARD |
| 3-40332-61 | SUA116.MA PC BOARD |
| 3-40337-62 | UVPN 2512.MA PC BOARD |
| 3-40332-62 | VSR PC BOARD |
| 3-40352-50 | GAFC-L GEARLESS |
| 3-40393-54 | I/O PC BOARD CVT-1011 |



3-40332-65

EPOCH I

| Part No. | Description |
|------------|------------------------|
| 998C118H11 | ASM PC BRD |
| 998C076H14 | DDD PC BRD INDEX A |
| 998C120H11 | DMM PC BRD |
| 998C204H12 | DTS PC BRD |
| 998C090H12 | IO2 PCB INDEX A |
| 998C091H12 | IO6 PC BRD |
| 998C092H12 | IO8 PC BRD |
| 998C102H12 | IOT KEYSHEET INDEX A |
| 998C080H15 | MGA KEYSHEET INDEX A |
| 998C002H14 | MGI-A PC BRD |
| 998C153H15 | MPT KEYSHEET |
| 225054 | SSCM 1.Q (G03) PCB |
| 998C111H11 | TB1 PC BRD |
| 998C113H11 | TB3 PC BRD |
| EPGXX | EPGXX RESET BOARD ASSB |
| 1185C43H04 | PE2 PC BRD |

MICONIC V

| Part No. | Description |
|------------|--------------------------------|
| 3-40290-58 | SSCC PC BRD |
| 3-40341-26 | GAFC GEARED MICONIC V PC BOARD |
| 3-40340-45 | MPSZ216.MA PC BOARD |
| 3-40333-48 | PAK216.MA 1092 DISPATCH PCB |
| 3-40338-17 | CAMF PC BOARD |
| 3-40332-63 | EA2232.MA PC BOARD, MICONIC V, |
| 3-40332-65 | EK2264.MA PC BOARD, MICONIC V |
| 3-40232-32 | GEARLESS PAS BOARD, MICONIC V, |
| 3-40332-38 | IG500 PULSE TACH PC BOARD |
| 3-40341-30 | MT1 PB PC BOARD ASSB |
| 3-40340-68 | PAS GEARED BOARD |
| 3-40332-60 | PEC116.MA PC BOARD |
| 3-40320-63 | RCE INTERFACE PC BOARD |
| 3-40231-12 | SAFETY PC BOARD |
| 3-40342-45 | SAFETY PC BOARD |
| 3-40332-61 | SUA116.MA PC BOARD |
| 3-40337-62 | UVPN 2512.MA PC BOARD |
| 3-40332-62 | VSR PC BOARD |



998276H22

TTL

| Part No. | Description |
|------------|-------------|
| 1185C43H04 | PE2 PC BRD |
| 1185C32H01 | IT3 PC BRD |
| 998C273H11 | MTA PC BRD |
| 998C274H11 | MTB PC BRD |
| 998C275H11 | MTC PC BRD |
| 1185C38H01 | PD4 PC BRD |
| 998C039H12 | PD5 PC BRD |
| 998C098H37 | PE3 PC BRD |
| 998C009H11 | PLO PC BRD |
| 998C062H46 | TM1 PC BRD |
| 998C063H23 | TM2 PC BRD |

EPOCH 2VA

| Part No. | Description |
|------------|----------------------------|
| 998C257H11 | PTC PC BRD - |
| 998C276H22 | TCP PC BOARD |
| 998C168H24 | TRM PC BOARD EARLY VERSION |
| 225094 | SFCB 1.Q PCB ASSB SMT |
| 998C199H13 | DCI PC BRD |
| 998C224H11 | ENC PCB |
| 998C255H14 | MGC PC BRD |
| 998C254H12 | MGS KEYSHEET INDEX A ZEHNT |
| 998C197H13 | MTV KEYSHEET PC BOARD |
| 998C256H12 | PTS PC BRD - |
| 999C003H26 | TRM PC BOARD |
| 998C149H12 | SPB PC BOARD |
| 998C169H11 | DPR PCB |

MPH I

| Part No. | Description |
|-------------------|---------------------------|
| 225094 | SFCB 1.Q PCB ASSB SMT |
| 998C149H12 | SPB PC BOARD |
| 998C169H11 | DPR PCB |
| EPGXX | EPGXX RESET BOARD ASSB |
| 998C147H15 | DCB KEYSHEET INDEX A |
| 998C150H11 | ECB PC BRD (CHIME BRD) |
| 998C146H22 | HRM PC BRD - |
| 998C145H24 | MHP PRINTED CIRCUIT BOARD |
| 998C173H22 | NSP PCB |
| 998C202H12 | PHC PC BRD |
| 998C164H13 | DPB PC ASSB |

MOTRL

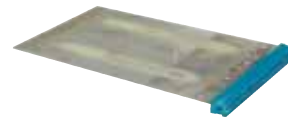
| Part No. | Description |
|-------------------|----------------------------|
| 1718C08G01 | ER-11 ELECTRONIC REGULATOR |
| 998C108H12 | ERA PCB ASSEMBLY |
| 998C110H12 | ERB PCB ASSEMBLY |
| 998C206H12 | ETS PC BRD |
| 998C030H27 | MFR KEYSHEET |
| 998C032H15 | MS1 KEYSHEET |
| 998C061H14 | MS2 BRD |
| 998C127H14 | MS6 PC BRD |
| 999C225H25 | MSR PC BRD |
| 998C026H26 | MVR KEYSHEET INDEX A |
| 998C077H24 | PM1 KEY SHEET INDEX A |
| 196C584G01 | SP1 PC BRD |
| 196C585G01 | SP2 PC BOARD |

MPH II

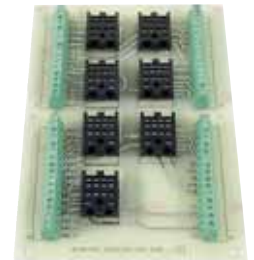
| Part No. | Description |
|-------------------|-------------------|
| 998C149H12 | SPB PC BOARD |
| 998C169H11 | DPR PCB |
| 998C164H13 | DPB PC ASSB |
| 998C188H11 | IOX PC BRD |
| 998C187H26 | MHC PCB ASSEMBLY |
| 998C216H28 | RMH PCB ASSB |
| 998C198H12 | DPI PCB ASSB |
| 998C245H12 | PIB PCB ASSB |
| 224213 | SHVM 1.Q PCB ASSB |



998C273H11



999C419H11



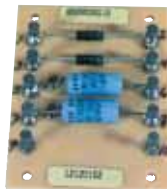
2633C40G01



221985



206748



692B935G03



2894C59G07

Q BOARDS

| Part No. | Description |
|-------------------|---------------------------------------|
| 206748 | Q BOARD SIA8. |
| 206816 | Q BOARD SMTXV2. |
| 222821 | Q BOARD ASSB LANTHNA 1. |
| 222824 | QC BOARD ASSB PIHNA 1. (4 per panel) |
| 590098 | RC 3.Q 630V./250V PCB ASSY |
| 590882 | PCB SDSFCR 1.Q VF170/280 |
| 2894C59G01 | Q BOARD ASSY |
| 2894C59G07 | Q BOARD ASSY |
| 692B935G02 | ZENER Q STRIP |
| 692B935G03 | ZENER Q STRIP |
| 7252C95G01 | Q-BOARD (QS2 MICA-VFAC EXT) |
| 7252C95G02 | Q-BOARD (QS3 MICA-VFAC EXT) |

MISCELLANEOUS BOARDS

| Part No. | Description |
|-------------------|--------------------------------------|
| 221985 | ANN PC BRD |
| 222519 | IGBT W/ GA BOARD |
| 223200 | CPB/AUXF JOINED PC BRD |
| 103D883G03 | PC BRD MT1 & CONN |
| 1185C68H01 | PC BRD EXTENDER 12" |
| 2633C40G01 | FRC PC MODULE |
| 2633C79G01 | PC BRD LSA (PROX E-LDG SW ADAPT) |
| 2633C88G01 | PC MODULE EPC |
| 5194D95G03 | FRT DOOR PC BRD |
| 5194D96G03 | FRT PC BRD M DOOR PWR SUPPLY & TACH |
| 693B110H01 | TTL-DPG LOAD BOARD |
| 693B110H02 | TTL-ERL/CDM LOAD BOARD |
| 693B112H01 | JUMPER BOARD (MIC A DATA LINK) |
| 7254C43H01 | ACD PC BRD |
| 7258C06H01 | AFB PC BRD |
| 7285C73H01 | PMX PC BRD (PERFORMANCE MONITOR BRD) |
| 7375Z | EXTENDER BOARD |
| 998C273H11 | MTA PC BRD |
| 999C419H11 | WC9 PC BRD |
| KE-1050-1 | CONTROL MODULE BOARD |

Our replacement fuses are 1-to-1 replacements for the Westinghouse fuses. Install them anywhere their physical and electrical characteristics match the cartridge fuses you are replacing. Available in 250 and 600 VAC. Fuse ordering information on following page.



| CAPACITORS | | | | |
|----------------|-------------------|-----------------|-------|-----------------------|
| Adams part no. | Capacitance (μf)* | Max input (VDC) | Diode | Westinghouse part no. |
| WCA1 | 10 | 150 | Yes | 466D034G01 |
| WCA2 | 50 | 150 | Yes | 466D034G02 |
| WCA3 | (150) + (50) | 150 + 150 | Y+N | 466D034G03 & G06 |
| WCA4 | (50) + (50) | 150 + 150 | Yes | 466D034G02 & G06 |
| WCA5 | (150) + (50) | 150 + 150 | N+Y | 466D034G07 & G02 |
| WCA7 | 150 | 150 | No | 466D034G07 |
| WCA8 | (10/10) | 150 | Yes | 466D034G08 |
| WCA9 | (50) + (10/10) | 150 + 150 | N+Y | 466D034G01 & G06 |

*(n/n₁) = capacitor with two separate internal capacitance ratings;
 (n₁) + (n₂) = set of two separate capacitors with different mfd ratings

| RESISTOR TUBES | | | | |
|----------------|-------------------------------------------|-----------|--------------------------------------------------------------------------------------------------------------------------------------------------------------------------------------|-----------------------|
| Adams part no. | Resistance (Ω) | Max. amps | Watts | Westinghouse part no. |
| WRT7 | 21.5 | 2.64 | <i>These 10"L resistor tubes are rated for 250V and 150W max. across the length of the entire tube. If less than the whole length is used, you must derate the tube accordingly.</i> | X28A-7 |
| WRT8 | 25.2 | 2.44 | | X28A-8 |
| WRT9 | 43.0 | 1.87 | | X28A-9 |
| WRT10 | 64.2 | 1.53 | | X28A-10 |
| WRT11 | 84.0 | 1.34 | | X28A-11 |
| WRT12 | 126.0 | 1.09 | | X28A-12 |
| WRT13 | 168.0 | 0.94 | | X28A-13 |
| WRT14 | 252.0 | 0.77 | | X28A-14 |
| WRT15 | 455.0 | 0.57 | | X28A-15 |
| WRT17 | 800.0 | 0.43 | | X28A-17 |
| WRT18 | 1000.0 | 0.39 | | X28A-18 |
| WRT21 | 2000.0 | 0.27 | | X28A-21 |
| WRT22 | 2500.0 | 0.24 | | X28A-22 |
| WRT24 | 4000.0 | 0.19 | | X28A-24 |
| WMC10 | Mounting clip, order separately; 2 req'd. | | | K1591G01 |

| CAPACITORS - ELECTROLYTIC | | |
|---------------------------|---------------|--------------|
| Part No. | Capacitance | |
| | (microfarads) | Rating (VDC) |
| K3412H01 | 100 | 125 |
| K3412H02 | 75 | 125 |
| K3412H03 | 50 | 125 |
| K7344H01 | 50 | 150 |
| K7344H02 | 150 | 150 |
| K7344H03 | 10 | 150 |
| M5389H01 | 200 | 300 |
| M5389H03 | 100 | 450 |
| M5389H11 | 50 | 450 |



K3412H01



K3412H03



K7344H01



K7344H02



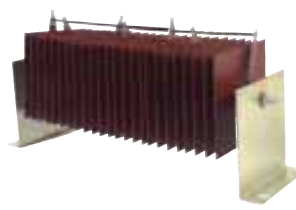
K7344H03



M7448H02



M7448H03



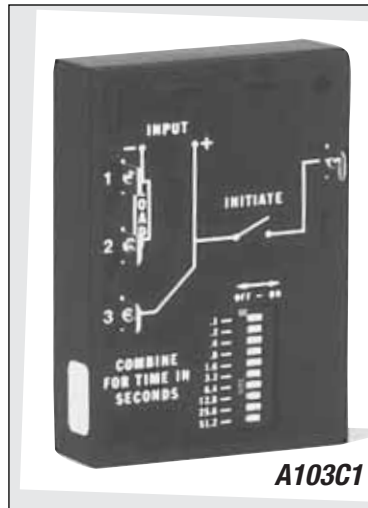
M7464H08

| RECTIFIERS | | | |
|-------------------|--------|---------|---------|
| Part No. | Phases | Voltage | Current |
| M7448H02 | 1 | 168 V | 0.6 A |
| M7448H03 | 1 | 230 V | 0.6 A |
| M7464H02 | 3 | 120 V | 6 A |
| M7464H05 | 3 | 120 V | 0.4 A |
| M7464H08 | 3 | 120 V | 16 A |

FUSES ORDERING INFORMATION

| Adams part no. | Volts | Amps | Westinghouse part no. | Length | Dia. | Pieces per pkg. |
|----------------|-------|------|-----------------------|----------------------------------|----------------------------------|-----------------|
| A650F1 | 250 | 1 | 681A556-1 | 2" | 9/16" | 10 |
| A650F2 | 250 | 2 | 681A556-4 | 2" | 9/16" | 10 |
| A650F11 | 250 | 2 | — | 1 ³ / ₁₆ " | 1 ³ / ₆₄ " | 5 |
| A650F12 | 250 | 3 | — | 1 ³ / ₁₆ " | 1 ³ / ₆₄ " | 10 |
| A650F3 | 250 | 3 | 681A556-6 | 2" | 9/16" | 10 |
| A650F9 | 250 | 5 | 681A556H-8 | 2" | 9/16" | 10 |
| A650F4 | 250 | 6 | 681A556-17 | 2" | 9/16" | 10 |
| A650F10 | 250 | 8 | 681A556H-18 | 2" | 9/16" | 10 |
| A650F5 | 250 | 10 | 681A556-9 | 2" | 9/16" | 10 |
| A650F6 | 250 | 15 | 681A556-10 | 2" | 9/16" | 10 |
| A650F7 | 250 | 20 | 681A556-11 | 2" | 9/16" | 10 |
| A650F8 | 250 | 30 | 681A556-12 | 2" | 9/16" | 10 |
| A650F13 | 250 | 1 | — | 1 ¹ / ₂ " | 1 ³ / ₃₂ " | 10 |
| A650F14 | 250 | 2 | — | 1 ¹ / ₂ " | 1 ³ / ₃₂ " | 10 |
| A650F15 | 250 | 3 | — | 1 ¹ / ₂ " | 1 ³ / ₃₂ " | 10 |
| A650F16 | 250 | 6 | — | 1 ¹ / ₂ " | 1 ³ / ₃₂ " | 10 |
| A650F17 | 250 | 10 | — | 1 ¹ / ₂ " | 1 ³ / ₃₂ " | 10 |
| A650F18 | 250 | 15 | — | 1 ¹ / ₂ " | 1 ³ / ₃₂ " | 10 |
| A650F19 | 250 | 25 | — | 1 ¹ / ₂ " | 1 ³ / ₃₂ " | 10 |
| A650F20 | 250 | 30 | — | 1 ¹ / ₂ " | 1 ³ / ₃₂ " | 10 |
| A651F1 | 600 | 3 | — | 5" | 3/4" | 4 |
| A651F2 | 600 | 6 | — | 5" | 3/4" | 4 |
| A651F3 | 600 | 10 | 681A566-15 | 5" | 3/4" | 4 |
| A651F4 | 600 | 15 | 681A566-16 | 5" | 3/4" | 4 |

(Fuses pictured on preceding page)



A103C1

SOLID-STATE TIMER

No more changing out bad capacitors! This solid state, 20-120V DC only timer is for:

- Delay on BREAK
- Delay after DE-ENERGIZE
- OFF delay
- Delayed DROP OUT

Dip switches on front can be set from 0.1 to 102.3 seconds.

Adams part no. **A103C1**

For more information about Adams Timers, see pages 86-87.

TRANSFORMERS

| Part No. | Primaries (VAC) | Phases | Secondaries (VAC) | Power (VA) |
|------------|-----------------|--------|-------------------|------------|
| 1188C45H01 | 115 | 1 | 7.75/7.75 | 24 |
| 1725C19H01 | 440/480 | 1 | 180/115/17 | 5500 |
| 1725C19H04 | 440/480 | 1 | 180/115/17 | 9600 |
| 198C036H01 | 120 | 1 | 60/60 | 25 |
| 198C036H02 | 120 | 1 | 85/85 | 25 |
| 320C940H01 | 199-260 | 1 | 101 | 550 |
| 320C940H02 | 380-575 | 1 | 101 | 550 |
| 320C941H01 | 199-260 | 1 | 101 | 350 |
| 321C145H02 | 380-575 | 1 | 101 | 750 |
| 325C827H02 | 230/460 | 1 | 157/115 | 300 |
| 343541 | 208-600 | 1 | 220/120 | 318 |
| 343542 | 208-600 | 1 | 24 | 500 |
| 465D025H01 | 380-575 | 1 | 208 | 750 |
| 465D025H02 | 380-575 | 1 | 208 | 500 |
| 465D025H03 | 380-575 | 1 | 208 | 200 |
| 465D434H02 | 380-480 | 1 | 12 | 350 |
| 465D434H05 | 115 | 1 | 12 | 350 |
| 465D434H10 | 115 | 1 | 12 | 25 |
| 477C835H02 | 440-500 | 1 | 88/88 | 550 |
| 478C049H01 | 208-250 | 1 | 110/110 | 550 |
| 478C049H02 | 440-500 | 1 | 110/110 | 550 |
| 626D268H01 | 440/480 | 3 | 180 | 1750 |
| 626D268H10 | 220-260 | 3 | 98 | 1750 |
| 626D268H13 | 440/480 | 3 | 98 | 1000 |
| 626D268H15 | 440/480 | 3 | 98 | 2500 |
| 626D268H16 | 440/480 | 3 | 98 | 1750 |
| 628D241H01 | 220-260 | 1 | 115 | 550 |
| 628D241H02 | 440/480 | 1 | 115 | 550 |
| 628D409H02 | 440/480 | 3 | 90 | 25 |
| 630B479H01 | 416-530 | 1 | 15/15 | 30 |
| 630B482H01 | 440 | 3 | 88/28 | 2 |
| 630B484H01 | 60 | 1 | 6 | 23 |
| 6925C91H01 | 230/460 | 1 | 160/115 | 450 |
| 692B253H01 | 208/460 | 1 | 115/115 | 600 |
| 693B055H01 | 220/480 | 1 | 115 | 350 |
| 695B119H11 | 120 | 1 | 12 | 10 |
| 7243C45H01 | 208/240 | 1 | 170/115 | 3950 |
| 7256C91H13 | 208/260 | 1 | 480/460 | 50000 |
| 7264C34H02 | 208/230 | 1 | 115 | 1100 |
| 7265C84H01 | 208/480 | 3 | 11.6 | 450 |
| 7265C84H03 | 208/480 | 3 | 11.6 | 1400 |
| 7428C92H06 | 208/460 | 1 | 115 | 700 |



1188C45H01



465D025H02



692B253H01



1725C19H04



465D434H02



695B119H11



198C036H01



477C835H02



320C940H01



628D241H02



7256C91H13



343542



626D268H01



630B482H01



325C827H02



630B479H01



7265C84H03



151B450H03



2643C85H15



630B480H01

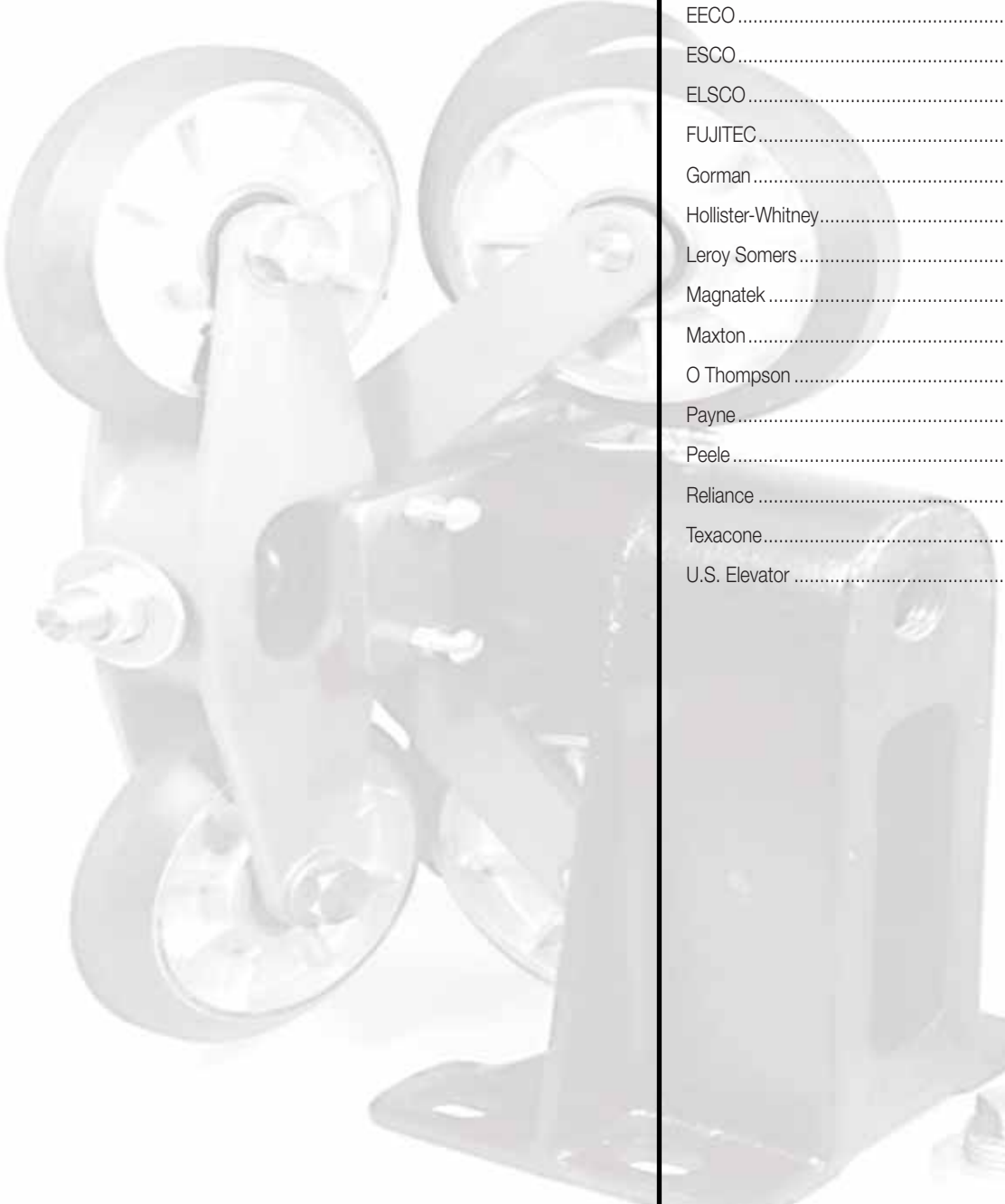


630B481H01

TRANSFORMERS - SPECIALTY

| Part No. | Description |
|------------|--------------------------------------------|
| 146A102H01 | Pwr. Supply P=117; S=6.3V @ 0.6 ADC |
| 151B450H03 | Pwr. Supply P=110/115; S=36V @ 0.05 ADC |
| 1725C12H01 | Timing Transf; P=440/480; S=18/18; 3 Phase |
| 2643C85H15 | Transf for EZ Door Op.; 250 VA (A-46208) |
| 630B480H01 | Pulse Transf. P=20 V; S=6 V |
| 630B481H01 | Timing Transf; P=440; S=14; 3 Phase; 19 VA |

Index for Pages 390-406



| | |
|-------------------------|----------|
| C.J. Anderson | 390 |
| Courion | 391 |
| EECO | 392 |
| ESCO | 393 |
| ELSCO | 394, 395 |
| FUJITEC | 396 |
| Gorman | 397, 398 |
| Hollister-Whitney | 398 |
| Leroy Somers | 398 |
| Magnatek | 399 |
| Maxton | 400 |
| O Thompson | 401 |
| Payne | 402 |
| Peele | 403 |
| Reliance | 404 |
| Texacone | 405 |
| U.S. Elevator | 406 |

C.J. Anderson



CJA11



CJA11C



CJA2



CJA3



CJA4



CJA5

| CONTACTS AND CONTACT HOLDERS | |
|------------------------------|-------------------------------|
| CJ-100-A1 | CARBON CONTACT |
| CJ-100-A8 | CONTACT |
| CJ-100-B | COPPER CONTACT 1/2" |
| CJ-100-C | 1-1/4"DIA COPPER CONTACT |
| CJ-100-C1 | CONTACT |
| CJ-100-F | CARBON CONTACT - 1/2 |
| CJ-100-J | AUX.CONTACT - 1/2 |
| CJ-100-T | CONTACT #44127 |
| CJ-902-C6 | CONT HLDR BLOCK&SPRING |
| CJA11 | COPPER ANGLE, #34626 |
| CJA11C | CARBON, 1-1/4 X 1 IN (#34630) |
| CJA2 | COPPER CONTACT, (#42143) |
| CJA3 | COPPER CONTACT, (#34241) |
| CJA4 | COPPER CONTACT, (#11426) |
| CJA5 | COPPER CONTACT, (#11243) |

| SHUNTS & CONNECTORS | |
|---------------------|-----------------------|
| CJA18 | CONNECTOR, 7-3/4" LG |
| CJA19 | CONNECTOR, 4-1/2" LG. |
| CJA20 | CONNECTOR, 2-3/8" LG |
| CJA21 | CONNECTOR, 3-1/8" LG |
| CJ-300-B | SHUNT LEAD 11-1/2" |

| INTERLOCKS, SWITCHES & MISC. | |
|------------------------------|-------------------------------------------------|
| A480L34 | LAMP, MIN. BAY. 14.0V (ord mult 10) |
| CJ-1067-D | LAMP, S6 CAND/SCR. 230V (1056/13) (ord mult 10) |
| CJ-902-A | INTERLOCK LH |
| CJ-902-B | GATE SWITCH-STYLE GB |
| CJ-902-C | FLOOR SWITCH F-3 |
| CJ-902-E | INTERLOCK HG1 250V.RH |
| CJ-902-M | ROLLER ARM (HG1-1) |
| CJ-925-A | LIMIT SWITCH C-8 STANDARD |
| CJ-925-C | GATE CONTACT ASSY. |
| CJ-925-D | MOVABLE CONTACT ARM ASSM |
| CJ-925-E | ROLLER |
| CJ-925-L | STOP SWITCH |
| CJ-925-T | LIMIT SW. W/LH ROLLER |
| CJ-932-B | SWITCH, LIGHT |
| CJ-932-C1 | 2 POS KS,KEY 2126 REM OFF ON |
| CJ-932-C2 | KEY |
| CJ-932-CB | HN CONNECTION BLOCK ASY |
| CJ-932-I | KEY FOR LIGHT SWITCH |
| CJ-932-J | KEY FOR INSPECT |
| CJ-932-K | ELEMENT HHR PB SW. |
| CJ-932-ST | STOP SW W/SQUARE PB |
| CJ-933-A7 | PUSHBUTTON - MARKED U |
| CJ-933-A8 | PUSHBUTTON - MARKED D |
| CJ-933-B | PUSHBUTTON, ALARM |
| CJ-933-B1 | PUSHBUTTON CAP,CAR COMING |
| CJ-933-C | PUSHBUTTON MARKED - DO |
| CJ-933-H | PUSHBUTTON "4" (#715-012) |
| CJ-933-I | PUSHBUTTON "5" (715-012) |
| CJ-933-W | PB--ARROW ROUND |
| CJ-936-V | LENS ROUND MKD '1' |
| CJ-945-C | GATE LOCK - RH (#76702-LH) |



CJA18



CJA19



CJA20



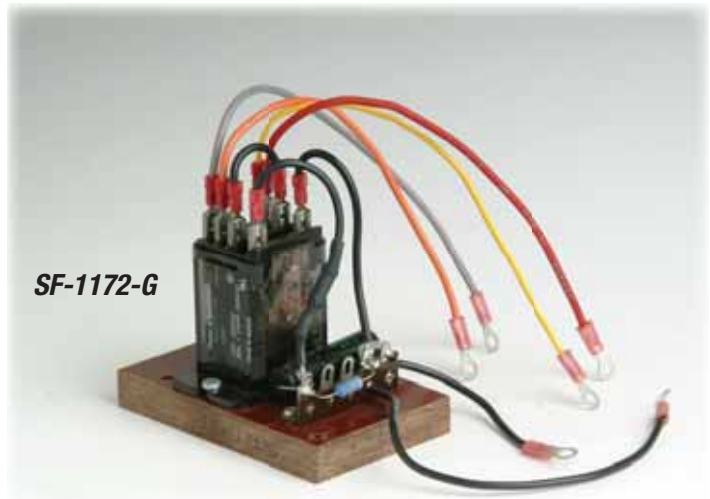
CJA21



CJ-932-C2

Courion

| ELECTRICAL PARTS | |
|-------------------------|--------------------------------|
| SF-1172-G | COURION, TIME DELAY RELAY FO |
| SF-200-E | SOLENOID,110V |
| SF-966-A | COURION, TIME DELAY RELAY, |
| SF-100-B | COURION, MOVABLE CONTACT, GA |
| SF-100-D | CONTACT FINGER |
| SF-1172-H | COURION POWER CONTROL MODULE |
| SF-1172-N | POWER ASSEMBLY BOARD 01-601000 |
| SF-860-C | DOOR MOTOR 32OZ. |
| SF-860-W | DOOR MOTOR |
| SF-860-X | GATE MOTOR 32OZ 230V 1.6AMPS |
| SF-902-C | COURION, STATIONARY CONTACT, |
| SF-902-C7 | DOOR LIMIT SWITCH |
| SF-902-C8 | 'KL' GATE SWITCH |
| SF-925-D | ROTARY LIMIT SWITCH LH |
| SF-950-C | RECTIFIER |
| SF-964-A | CONTACT L.H. |
| SF-964-R | MOVABLE CONTACT |



SF-964-V

| MECHANICAL PARTS | |
|-------------------------|------------------------------|
| SF-1066-G | CHAIN |
| SF-1066-L | CHAIN RODS |
| SF-1066-S | #41 CHAIN |
| SF-1575-A | PINION |
| SF-600-F | SPRING |
| SF-964-S | COMPRESSION SPRING |
| SF-964-T | SPRING CUP WASHER |
| SF-660-A | BUSHING |
| SF-890-A | BEARING |
| SF-915-B | BEARING |
| SF-964-F | BUSHING |
| SF-964-L | COUPLING |
| SF-964-W | RETAINER |
| SF-860-P | MOTOR CAM 12oz 220V 900RPM 9 |
| SF-870-A | V-BELT |
| SF-900-A | SLIDE GUIDE SHOERH |
| SF-900-B | SLIDE GUIDE SHOELH |
| SF-900-E | SLIDE GUIDE SHOE LH |
| SF-900-F | SLIDE GUIDE SHOERH |
| SF-902-B2 | ROD GUIDE BRACKET |
| SF-964-V | ROD GUIDE BRACKET |
| SF-902-B6 | LATCH HANDLE |
| SF-902-C1 | CONT KIT W/ROLLER |
| SF-902-J | PIN #A4-3552 |
| SF-902-T | INTERLOCK ROLLER |
| SF-924-B | BUMPER,RUBBER |
| SF-925-B | BRASS NUT |
| SF-925-F | ROLLER |
| SF-964-A2 | WEIGHT |
| SF-964-E | PIN |
| SF-964-J | BAKELITE SLEEVE |
| SF-964-N | BAKELITE SLEEVE |
| SF-964-U | BAKELITE SLEEVE |
| SF-1065-A | KEYF287 |

EECO



EQ-470-B



EQ-901-P2

| COILS | |
|--------------------|---------------------------------------------------|
| EE-200-C | COIL 110-120 VAC FOR UV7B XTRA LONG LEADS (S651L) |
| 33-0470-003 | COIL 120 VDC FOR UV7B (S752) |
| EQ-470-B | COIL 220V for UB7B (S733L) |
| EQ-470-N | 208V COIL FOR UV5A VALVES |
| EQ-470-P | 220VDC COIL |

| SOLENOID COMPONENTS | |
|---------------------|----------------------|
| EQ-901-N2 | STEM |
| EQ-901-P2 | DOWN PISTON GUIDE |
| EQ-901-R3 | SOLENOID ORIFICE KIT |
| EQ-901-T7 | SLEEVE CYLINDER |
| EQ-901-X7 | PLUNGER NC SOLENOID |
| EQ-909-A | SOLENOID PLUNGER |
| EQ-909-X | PLUNGER ASSY |



EQ-901-N2

| MISC. | |
|-------------------|----------------------------------------|
| EQ-901-A | INPUT ADJUSTER ASSY |
| EQ-901-Z4 | COMPENSATOR ASSM. W/ UP ADJUSTOR |
| EQ-909-A7 | INPUT ADJ ASSY. |
| EQ-909-H3 | DOWN PISTON ASSM. |
| EQ-909-J3 | NC NEEDLE ORIFICE ASSY. |
| EQ-909-M1 | ADJUSTER ASSEMBLY |
| EQ-1294-M | O-RING KIT FOR UV5A VALVE (5131V) |
| 196C148G01 | SEAL KIT FOR UV-5A VALVE (5131B) |
| 2843C81G01 | SEAL KIT FOR UV-7W VALVE |
| EQ-600-A | SPRING |
| EQ-901-A6 | SEAL DISC |
| EQ-901-M3 | O RING |
| EQ-901-R9 | VALVE 1 1/2" - UV5A |
| EQ-901-Z3 | SCREW |
| EQ-901-Z9 | NEEDLE ORIFICE |
| EQ-904-C | O RING |
| EQ-909-H2 | 1 1/2" BY PASS |
| EQ-922-D | PERMANENT MAGNET SWITCH |
| EQ-922-F | DOUBLE CONTACTS |
| EQ-925-A | LIMIT SWITCH W/ROLLER 1-NO/1-NC (LS-1) |
| EQ-940-A | INDUCTOR/LEVEL SWITCH |
| UE-932-F5 | KEY PART # HA-1065-T5 (KEY # USE1) |
| UE-1065-A | KEY #12357 ACCESS INSPECT |
| UE-1065-C | KEY #12531 INDEPENDENT |
| UE-1065-E | KEY #12135 FIREMAN'S SERVICE |
| UE-1065-K | KEY #16313 UNIVERSAL |



EQ-909-A7



EQ-901-R9



EQ-901-R3

ESCO



EE-1172-D



EE-1172-F



EE-1172-P



EE-180-C4



EE-932-E



EE-960-AC

| TIMERS, SWITCHES, RELAYS & ELECTRICAL | |
|---------------------------------------|--------------------------------------------------------------------------------------------------------|
| EE-1172-D | TIMER |
| EE-1172-F | TIMER KIT 120VAC |
| EE-1172-P | Timer, 2-100 seconds, 115VAC, 1 AMP (replacement for Freeman model 018, 030, 031 and Agastat SSC12ADA) |
| EE-960-R | TIMER 220VAC 2-267-038 (replacement for Freeman model 019 or Agastat SSC12BDA) |
| EE-180-B2 | SWITCH N.O. |
| EE-180-B3 | SWITCH N.C. |
| EE-180-C4 | MICRO SWITCH |
| EE-932-E | SWITCH, STOP |
| EE-964-I | SWITCH 49L100103 |
| EE-964-J | RH SWITCH 49L100102 |
| EE-964-N | MOTOR STARTER SWITCH 49D5468 |
| EE-960-AA | RELAY, PLUG-IN 120VAC 3PDT 10 |
| EE-960-AC | RELAY 115VAC, AH5871 |
| EE-960-E | RELAY 22665-71 |
| EE-960-EE | SOCKET 3-349-001 |
| EE-960-G | RELAY GUARDIAN 8 POINT |
| EE-960-W | RELAY 22665-70 |
| EE-964-S | OVERLOAD RELAY |
| EE-965-B | RELAY, MOTOR START-PILO |
| EE-470-H | TANK HEATER (preset 110 deg) |
| EE-981-A | OVRLD HEATER H48 |
| EE-950-E | RECTIFIER (PLUG IN) |
| EE-959-F | TRANSFORMER 3-368-024 Input 440/480/550V. Output 214V |
| EE-959-G | TRANSFORMER 3-368-002 Input 240/480V. Output 120V |
| EE-959-I | TRANSFORMER Input 208/220/240/260V. Output 125V |



EE-901-BD



EE-959-G



EE-959-I

| CAMS, WHEELS, BELTS & MECHANICAL | |
|----------------------------------|----------------------------------|
| EE-1295-A | CAM ASSY. 5" RED |
| EE-180-A8 | CAM, INDEXING RH |
| EE-180-A9 | CAM, INDEXING LH |
| EE-180-J | CAM 3" |
| EE-180-L | CAM SHAFT |
| EE-180-A5 | ESCO STAR WHEEL |
| EE-180-C | WHEEL STEPPING |
| EE-949-B | SHEAVE |
| EE-870-B | V-BELT 3V400 |
| EE-870-C | V BELTS |
| EE-870-D | BELT 3V450 |
| EE-870-E | V BELT 3-053-14 |
| EE-870-H | V-BELT SET(1SET=4BELTS) |
| EE-870-K | V-BELT SET - 3V600 (1PC = 6 |
| EE-870-L | V DRIVE BELT / 1 BELT |
| EE-870-A | BELTS |
| EE-180-A2 | SPRING 3-614-001 |
| EE-180-C9 | WHITE VANE ASSEMBLY |
| EE-180-E | STRIKER |
| EE-180-F | SPRING SELECTOR |
| EE-180-G | STRIKER, SINGLE ASSM (3-410-001) |
| EE-180-H | TAPE GUIDE ASSM (0013-016-031) |
| EE-180-M | FRICTION CATCH |
| EE-900-F | SWIVEL GUIDE SHOE |
| EE-948-B | GATE SHOE |



EE-180-A5

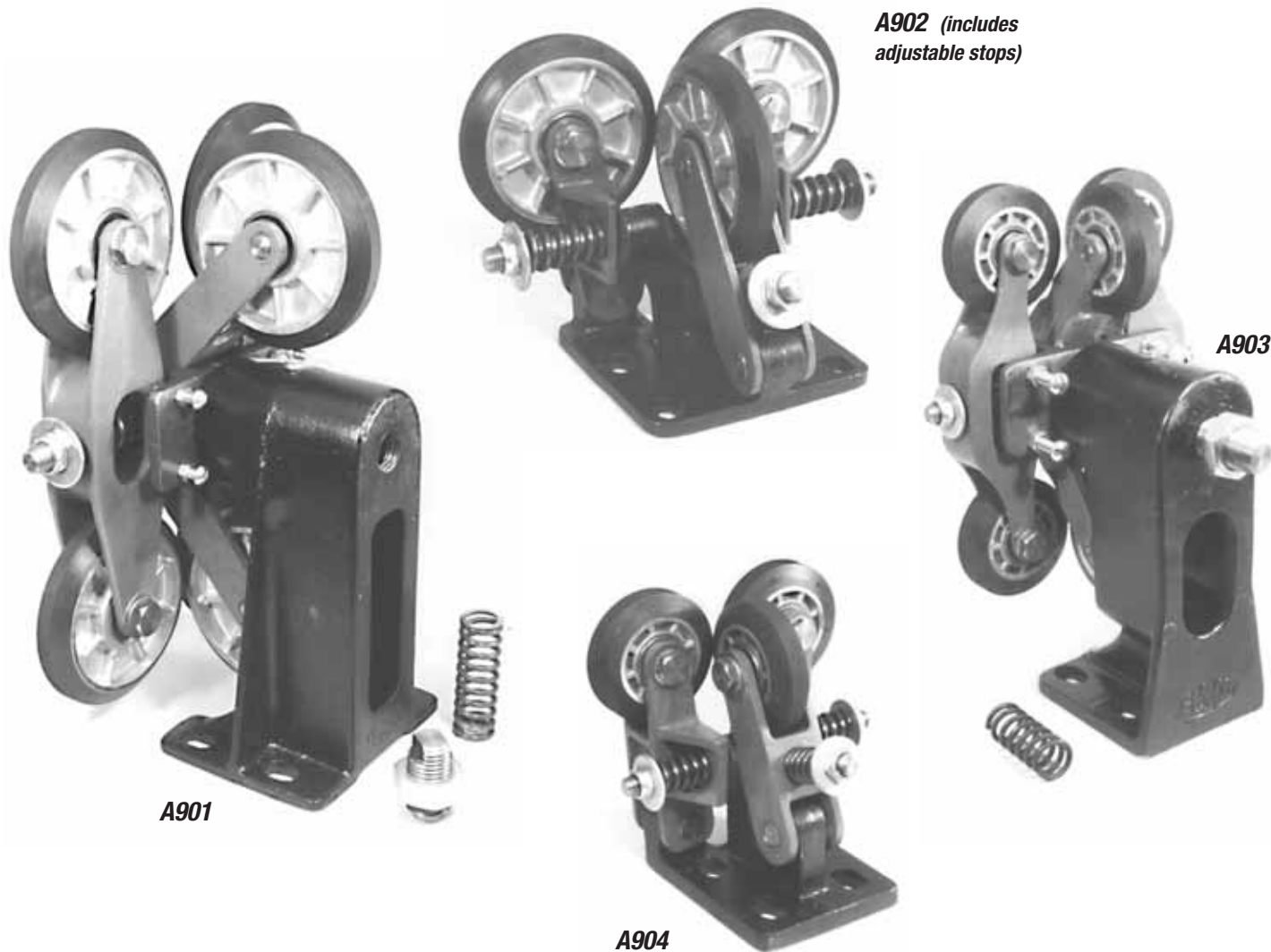


EE-180-G



EE-180-H

ElSCO™ Roller Guides



Adams supplies genuine ELSCO roller guides and guide wheels.

A901 six-wheel guide is recommended for high-speed passenger and heavy-duty freight elevators. Includes adjustable stops.

A902 for moderate-speed and moderate-capacity elevators. Includes adjustable stops. Sold only in sets of 2.

The **A903** six-wheel model is a smaller version of the A901, designed for

many elevators and counterweights.

And you'll find our A904 to be ideal for low-speed/low-load elevators and moderate-speed counterweights. Sold only in sets of 2.

Wheels on all models are fitted with Neoprene tires. Increase the load capacity of A901 and A902 by replacing the Neoprene wheels with Adams' own SPx⁸⁰ Quiet Poly rollers, sold separately on the next page.

ROLLER GUIDE ORDERING INFORMATION

| Adams part no. | No. of wheels | Wheel diameter | Cab Capacity | | | Speed | | ELSCO part no. |
|----------------|---------------|----------------|--------------|---------------|---------------|-------------------|---------------|----------------|
| | | | Passenger | Freight | Counterweight | Passenger/Freight | Counterweight | |
| A901 | 6 | 6" | 8000 lbs. | 12,000 lbs.** | N/A | 1500 ft./min. | N/A | Model A |
| A902* | 3 | 6" | 4500 lbs. | 6000 lbs.** | 8000 lbs. | 700 ft./min. | 1400 ft./min. | Model B |
| A903 | 6 | 3 1/4" | 2500 lbs. | N/A | 8000 lbs. | 400 ft./min. | 800 ft./min. | Model C |
| A904* | 3 | 3 1/4" | 2000 lbs. | 2000 lbs. | 4000 lbs. | 250 ft./min. | 800 ft./min. | Model D |

*Sold only in sets of 2.

**When modified with Adams SPx⁸⁰™ Quiet Poly rollers.

Elsco™ Roller Guide Wheels



Adams replacements for ELSCO roller guide wheels are meticulously machined, then concentrically ground to within 0.002" total indicator run-out.

The two precision ball bearings in each wheel are fully sealed, and protected by neoprene and metal shields. You won't find a better-made replacement roller for ELSCO roller guide assemblies.

Looking for the quiet ride of rubber and the durability of polyurethane? Consider our exclusive SPx⁸⁰™ Quiet Poly Durabond™ tires. You get the quiet ride of rubber PLUS:

- Longer life than rubber
- Greater resistance to ozone and petroleum products that invade the hoistway

Choose from quiet-running SPx⁸⁰ Quiet Poly or HDx⁹⁵™ Heavy-Duty Durabond.

For high-speed elevators, order part nos. A905S, A905WS, and A906S Quiet Poly rollers.

For high-capacity elevators, your best choice is HDx⁹⁵ Heavy Duty: A905P face roller, A905W side roller, and A906P.

Tires are bevelled to give smooth-running roller surfaces around the entire roller circumference.

Accept no substitutes! These replacement roller guide wheels are designed to be used exclusively with the ELSCO roller guide assemblies shown on the facing page.

| REPLACEMENT ROLLER GUIDE WHEEL ORDERING INFORMATION | | | | | | | |
|-----------------------------------------------------|----------|--------|------|---------|------------------------------|----------------------------------------------------------|----------------|
| Adams part no. | Diameter | Width | Face | Bore | Tire material | For use on | ELSCO part no. |
| A905S | 6" | 1 1/4" | 1/2" | 0.7874" | SPx ⁸⁰ Quiet Poly | Model A high-speed roller guide and Model B roller guide | 18359 |
| A905P | 6" | 1 1/4" | 1/2" | 0.7874" | HDx ⁹⁵ Heavy-Duty | | XELA-48 |
| A905W | 6" | 1 1/4" | 7/8" | 0.7874" | HDx ⁹⁵ Heavy-Duty | | — |
| A905WS | 6" | 1 1/4" | 7/8" | 0.7874" | SPx ⁸⁰ Quiet Poly | | — |
| A906S | 3 1/4" | 3/4" | 1/2" | 0.4724" | SPx ⁸⁰ Quiet Poly | Models C & D roller guides | 18405 |
| A906P | 3 1/4" | 3/4" | 1/2" | 0.4724" | HDx ⁹⁵ Heavy-Duty | | XELC-41 |

| ROLLER GUIDE COMPONENTS | |
|-------------------------|------------------------------------------|
| EC-600-A | SPRING |
| EC-600-B | SPRING |
| EC-600-C | HUB SPRING |
| EC-900-A | GUIDE ROLLER, 10" ELSCO EX02002 |
| EC-900-A3 | ADJ. STOP KIT (set of 4) FOR MODEL C |
| EC-900-C3 | ROLLER GUIDE COVERPLATE KIT (MODEL B) |
| EC-900-C4 | ROLLER GUIDE COVERPLATE KIT (MODEL C) |
| EC-900-C6 | ROLLER GUIDE COVERPLATE KIT (MODEL D) |
| EC-900-G | ADJ. STOP ANGLE (set of 12pcs. (MODEL B) |
| EC-900-H1 | 10" ROLLER GUIDE ASSM. (EACH) |
| EC-900-K | WHEEL STUD |
| EC-900-X | ROLLER |

| COLOR KEY FOR ADAMS POLY |
|-------------------------------------|
| Red = LF ⁸⁰ Low Friction |
| Black = SP ⁸⁰ Soft |
| Clear = HD ⁹⁵ Heavy Duty |

Durabond, HDx⁹⁵, SPx⁸⁰—Reg. TM Adams Elevator Equipment Company

Fujitec

| RELAYS | |
|------------------|-------------------------------------|
| FE-1097-B | RELAY 100 VAC 50 HZ (HH23PW) |
| FE-1097-C | RELAY 48 VDC (HH23PW) |
| FE-1097-D | RELAY 100 VAC (HH54PW) |
| FE-1097-E | RELAY 24 VDC (HH23PW) |
| FE-1097-J | RELAY, 120VAC SCRA50-3F 5 N/O 3 N/C |
| FE-1097-K | RELAY 24 VDC (HH54PW) |
| FE-1097-L | RELAY 6 VDC (HH54PW) |
| FE-1097-N | RELAY 100 VDC (HH54PW) |
| FE-1097-P | RELAY 100 VDC (HH23PW) |
| FE-1097-W | RELAY 110 VAC SCRA50-3F 4 N/O 4 N/C |
| FE-1097-X | RELAY 110 VAC SCRA50-3F 6 N/O 2 N/C |
| FE-1172-A | TIMER RELAY 110 VAC |
| FE-981-B | OVERLOAD RELAY |
| FE-964-A | CONTACTOR FUJI TYPE SC45 |
| FE-964-C | CONTACTOR KIT 120VAC KM COIL |



FE-1097-K

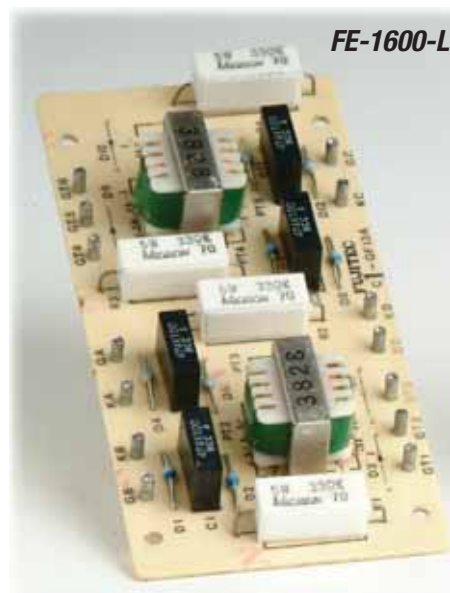


FE-929-A2

| MISC. MECHANICAL | |
|------------------|--------------------|
| D00407001 | BUSHING, FUJITEC |
| FE-902-G2 | LOCK CATCH ROLLER |
| FE-904-A | OIL SEAL MG609014 |
| FE-917-A | SAFE EDGE ARM BOLT |
| FE-929-A2 | ECCENTRIC ROLLER |
| FE-931-C3 | CLOSER PULLEY |
| FE-948-A1 | DOOR GUIDE SHOE |

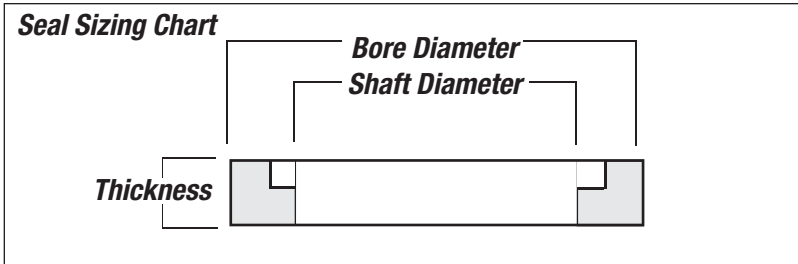
| PRINTED CIRCUIT BOARDS | |
|------------------------|-------------------------|
| FE-1600-A2 | IM4 INPUT MATRIX PCB |
| FE-1600-B5 | MOTHER BOARD MB26-C3 |
| FE-1600-C | SPEED CNTRL PCB C2-SI13 |
| FE-1600-E | INPUT PCB IP5B |
| FE-1600-F | DETECTOR PCB C1-CD7 |
| FE-1600-H | PATT GEN PCB C1-PG11 |
| FE-1600-J | SPEED REG PCB C1-SR15 |
| FE-1600-K | PHASE SHIFTR PCB C1-PS9 |
| FE-1600-L | DRIV GATE FILTR C1-GF13 |
| FE-1600-M | BRAK GATE FILTR C1-GF14 |
| FE-1600-R | IF26D AC OUTPUT PCB |

| SWITCHES, MOTORS & MISC. ELECTRICAL | |
|-------------------------------------|----------------------------|
| FE-2200-C | CAR PB SWITCH ASSM |
| FE-945-A1 | INTERLOCK CONTACT DLS-1 |
| FE-945-C | INTERLOCK CONTACT ARM |
| FE-902-A6 | DOOR LOCK CONTAC DLS-16 |
| FE-860-A | DOOR MOTOR Y840BV5 |
| FE-1018-A | DOOR MOTOR BRUSH |
| FE-1099-A | 20 OHM RESISTOR |
| FE-1099-C | 10 OHM RESISTOR |
| FE-1099-F | 20W 1.8K RESISTOR |
| FE-950-J | RC NETWORK 125 V (XAB1202) |
| FE-950-K | RC NETWORK 125 V (XAB1201) |
| FE-950-M | CAPACITOR ES350L200M |
| FE-950-P | CAPACITOR OIL FILLED |
| FE-950-T | POWER SUPPLY 24V |
| FE-950-U | POWER SUPPLY |
| FE-950-V | BRIDGE RECTIFIER |
| FE-959-E | RAPID FUSE 75AMP BLC075-1 |
| FE-959-G | FUSE 90A 550V ACL100 |
| FE-959-H | 3 AMP FUSE/SLO-BLO |
| FE-959-K | 10 AMP FUSE/SLO-BLO |
| FE-959-L | BLC-120 AMP FUSE |
| FE-959-M | 15AMP BREAKER |
| FE-959-P | FUSE HOLDER |
| FE-950-A2 | 180 AMP THYRISTOR |
| FE-950-H | CIRCUIT BREAKER 5AMP |



FE-1600-L

Gorman



| AMCO/WHITE EVANS | | | | |
|------------------|-----------------|------------|----------|--------|
| Adams part no. | Piston diameter | Dimensions | | |
| | | Shaft Dia. | Bore Dia | Thick |
| GB03500B6 | 3 1/2" | 4.510" | 3.505" | 0.750" |
| GB04000B6 | 4" | 5.000" | 4.025" | 0.750" |
| GB04375B6 | 4 3/8" | 5.378" | 4.400" | 0.750" |
| GB04500B6 | 4 1/2" | 5.503" | 4.525" | 0.750" |
| GB05000B6 | 5" | 6.003" | 5.025" | 0.750" |
| GB05375B6 | 5 3/8" | 6.375" | 5.400" | 0.750" |
| GB05437B6 | 5 7/16" | 6.437" | 5.463" | 0.750" |
| GB05500B6 | 5 1/2" | 6.503" | 5.525" | 0.750" |
| GB06000B6 | 6" | 7.003" | 6.025" | 0.750" |
| GB06500B6 | 6 1/2" | 7.503" | 6.525" | 0.750" |
| GB07500B6 | 7 1/2" | 8.503" | 7.525" | 1.000" |
| GB08500B6 | 8 1/2" | 9.503" | 8.525" | 1.000" |
| GB09500B6 | 9 1/2" | 10.503" | 9.525" | 1.000" |
| GB10625B6 | 10 5/8" | 11.625" | 10.655" | 1.000" |
| GB12625B6 | 12 5/8" | 13.630" | 12.645" | 1.000" |

Shaft and bore diameters are accurate to ±0.005".
NOTE: B6-series bearing rings are made to fit only AMCO/White Evans pistons.

| ESCO P-6 | | | | |
|----------------|-----------------|------------|----------|---------|
| Adams part no. | Piston diameter | Dimensions | | |
| | | Shaft Dia. | Bore Dia | Thick |
| GB04000B5 | 4" | 4.375" | 4.020" | 0.0875" |
| GB04500B5 | 4 1/2" | 4.875" | 4.520" | 0.0875" |
| GB05000B5 | 5" | 5.375" | 5.020" | 0.0875" |
| GB05500B5 | 5 1/2" | 5.875" | 5.520" | 0.0875" |
| GB06000B5 | 6" | 6.375" | 6.020" | 0.0875" |
| GB06500B5 | 6 1/2" | 6.875" | 6.520" | 0.0875" |
| GB07000B5 | 7" | 7.375" | 7.020" | 0.0875" |

Shaft and Bore diameters are accurate to ±0.005", Thickness to ±0.015".
NOTE: B5-series bearing rings are made to fit only ESCO P-6 pistons.

| CEMCO | | | | |
|----------------|-----------------|------------|----------|--------|
| Adams part no. | Piston diameter | Dimensions | | |
| | | Shaft Dia. | Bore Dia | Thick |
| GB03500B8 | 3 1/2" | 4.470" | 3.500" | 0.875" |
| GB03750B8 | 3 3/8" | 4.725" | 3.775" | 0.875" |
| GB04000B8 | 4" | 4.975" | 4.000" | 0.875" |
| GB04375B8 | 4 3/8" | 5.357" | 4.400" | 0.875" |
| GB04437B8 | 4 7/16" | 5.431" | 4.462" | 0.875" |
| GB04500B8 | 4 1/2" | 5.470" | 4.500" | 0.875" |
| GB05000B8 | 5" | 5.975" | 5.000" | 0.875" |
| GB05437B8 | 5 7/16" | 6.422" | 5.462" | 0.875" |
| GB05500B8 | 5 1/2" | 6.469" | 5.504" | 0.875" |
| GB06000B8 | 6" | 6.975" | 6.000" | 0.875" |
| GB06500B8 | 6 1/2" | 7.457" | 6.508" | 0.875" |
| GB07000B8 | 7" | 7.959" | 7.000" | 0.875" |
| GB07500B8 | 7 1/2" | 8.475" | 7.505" | 0.875" |
| GB08000B8 | 8" | 8.957" | 8.000" | 0.875" |
| GB08500B8 | 8 1/2" | 9.475" | 8.505" | 0.875" |
| GB09000B8 | 9" | 9.975" | 8.990" | 0.875" |
| GB09500B8 | 9 1/2" | 10.475" | 9.500" | 0.875" |
| GB10000B8 | 10" | 10.975" | 10.000" | 0.875" |
| GB10500B8 | 10 1/2" | 11.470" | 10.500" | 0.875" |
| GB10625B8 | 10 5/8" | 11.620" | 10.655" | 0.875" |
| GB12500B8 | 12 1/2" | 13.495" | 12.530" | 0.875" |
| GB12625B8 | 12 5/8" | 13.620" | 12.655" | 0.875" |

Shaft and Bore diameters are accurate to within ±0.005"; Thick to ±0.015".
NOTE: B8-series bearing rings are made to fit only CEMCO pistons.

| BORE-MAX | | | | |
|----------------|-----------------|------------|----------|--------|
| Adams part no. | Piston diameter | Dimensions | | |
| | | Shaft Dia. | Bore Dia | Thick |
| GB04375B25 | 4 3/8" | 5.362" | 4.392" | 0.750" |
| GB05000B25 | 5" | 5.987" | 5.017" | 0.750" |

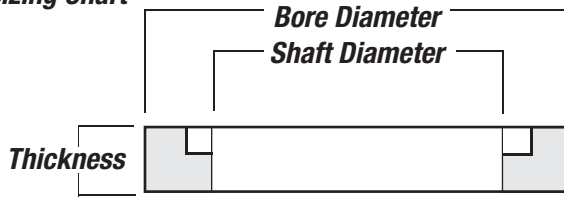
Shaft and Bore diameters are accurate to ±0.003"; Thick to ±0.015".
NOTE: B25-series bearing rings are made to fit only Bore-Max pistons.

| GENERAL G-HEAD | | | | |
|----------------|-----------------|------------|----------|--------|
| Adams part no. | Piston diameter | Dimensions | | |
| | | Shaft Dia. | Bore Dia | Thick |
| GB03500B21 | 3 1/2" | 4.480" | 3.530" | 1.062" |
| GB04000B21 | 4" | 4.985" | 4.030" | 1.062" |
| GB04437B21 | 4 7/16" | 5.428" | 4.460" | 1.062" |
| GB04500B21 | 4 1/2" | 5.482" | 5.562" | 1.062" |
| GB05000B21 | 5" | 5.985" | 5.030" | 1.062" |
| GB05437B21 | 5 7/16" | 6.418" | 5.460" | 1.062" |
| GB05500B21 | 5 1/2" | 6.485" | 5.562" | 1.062" |
| GB06437B21 | 6 7/16" | 7.418" | 6.460" | 1.062" |
| GB06500B21 | 6 1/2" | 7.480" | 6.526" | 1.062" |
| GB07500B21 | 7 1/2" | 8.480" | 7.523" | 1.062" |

Shaft and Bore diameters are accurate to ±0.005", Thickness to ±0.015".
NOTE: B21-series bearing rings are made to fit only General G-Head pistons.

Gorman

Seal Sizing Chart



OTIS/CAST IRON

| Adams part no. | Piston diameter | Otis diameter | Dimensions | | |
|------------------|----------------------------------|----------------------------------|------------|----------|--------|
| | | | Shaft Dia. | Bore Dia | Thick |
| GB03875B1 | 3 ⁷ / ₈ " | 4" | 4.868" | 3.905" | 1.125" |
| GB04375B1 | 4 ³ / ₈ " | 4 ¹ / ₂ " | 5.368" | 4.405" | 1.125" |
| GB05437B1 | 5 ⁷ / ₁₆ " | 5 ¹ / ₂ " | 6.430" | 5.467" | 1.125" |
| GB06500B1 | 6 ¹ / ₂ " | 6 ¹ / ₂ " | 7.492" | 6.532" | 1.000" |
| GB07500B1 | 7 ¹ / ₂ " | 7 ¹ / ₂ " | 8.492" | 7.532" | 1.000" |
| GB08500B1 | 8 ¹ / ₂ " | 8 ¹ / ₂ " | 9.742" | 8.532" | 1.250" |
| GB09500B1 | 9 ¹ / ₂ " | 9 ¹ / ₂ " | 10.742" | 9.532" | 1.000" |
| GB10625B1 | 10 ⁵ / ₈ " | 10 ¹ / ₂ " | 11.866" | 10.657" | 1.000" |
| GB12625B1 | 12 ⁵ / ₈ " | 12 ¹ / ₂ " | 13.863" | 12.659" | 1.000" |

Shaft and Bore diameters are accurate to ±0.005", Thickness to ±0.015".
NOTE: B1-series bearings are made to fit only Otis/Cast Iron pistons.

OTIS/WELDED HEAD

| Adams part no. | Piston diameter | Otis diameter | Dimensions | | |
|------------------|----------------------------------|---------------------------------|------------|----------|--------|
| | | | Shaft Dia. | Bore Dia | Thick |
| GB02750B4 | 2 ³ / ₄ " | 3" | 2.780" | 3.720" | 0.750" |
| GB03875B4 | 3 ⁷ / ₈ " | 4" | 4.863" | 3.905" | 0.750" |
| GB04375B4 | 4 ³ / ₈ " | 4 ¹ / ₂ " | 5.360" | 4.403" | 0.750" |
| GB04875B4 | 4 ⁷ / ₈ " | 5" | 5.859" | 4.905" | 0.750" |
| GB05437B4 | 5 ⁷ / ₁₆ " | 5 ¹ / ₂ " | 6.420" | 5.470" | 0.750" |
| GB06500B4 | 6 ¹ / ₂ " | 6 ¹ / ₂ " | 7.481" | 6.530" | 0.750" |

Shaft and Bore diameters are accurate to ±0.005", Thickness to ±0.015".
NOTE: B4-series bearings are made to fit only Otis/Welded Head pistons.

SOUTHEASTERN

| Adams part no. | Piston diameter | Dimensions | | |
|------------------|-----------------------------------|------------|----------|--------|
| | | Shaft Dia. | Bore Dia | Thick |
| GB04375B7 | 4 ³ / ₈ " | 5.370" | 4.400" | 0.687" |
| GB05000B7 | 5" | 5.995" | 5.025" | 0.687" |
| GB05500B7 | 5 ¹ / ₂ " | 6.495" | 5.525" | 0.687" |
| GB06500B7 | 6 ¹ / ₂ " | 7.495" | 6.525" | 0.687" |
| GB06562B7 | 6 ²¹ / ₃₂ " | 7.557" | 6.587" | 0.687" |

Shaft and Bore diameters are accurate to ±0.005", Thickness to ±0.015".
NOTE: B7-series bearing rings are made to fit only Southeastern pistons.

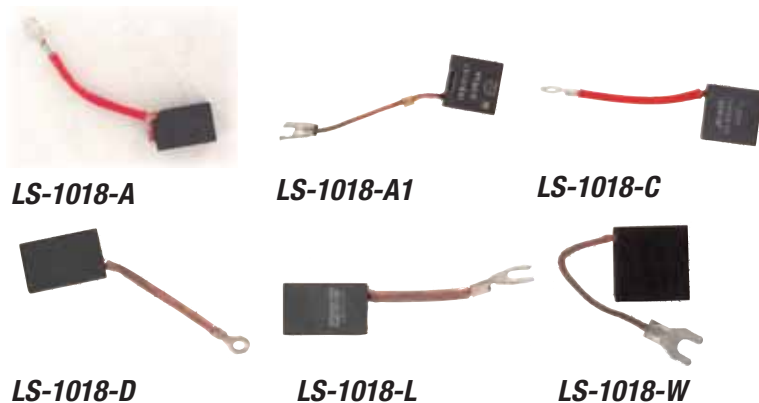
Hollister-Whitney

HOLLISTER-WHITNEY

| | |
|-------------------|--------------------------------------|
| HW102-011 | URETHAN PAD-DISC BRAKE (DAMPING PAD) |
| HW-572-A | CTW. ROLLER 3"(SIDE) |
| HW-572-C | CTW. ROLLER 3"(FACE) |
| HW-572-E | CAR GUIDE ROLLER 6"FACE |
| HW-572-F | CAR GUIDE ROLLER 6"SIDE |
| HW90-11 | URETHAN PAD-DRUM BRAKE (DAMPING PAD) |
| HW90-40SCH | BRAKE SWITCH - HOLLISTER WHITNEY 74 |



Leroy Somers



LEROY SOMERS

| | |
|-------------------|------------------------------------------|
| LS-1018-A | CARBON BRUSH, 35-477813-664-9-01, REF. |
| LS-1018-A1 | BRUSH, 61043015, GRADE N5000, .492 X1.26 |
| LS-1018-A4 | BRUSH, 30-491213-200-3-01 |
| LS-1018-A6 | BRUSH, 30-491212-200-3-01, GRADE E44C, |
| LS-1018-C | CARBON BRUSH, 35-471212-104-1-01 |
| LS-1018-D | CARBON BRUSH, 35-317812-104-1-01, |
| LS-1018-E | BRUSH, (LS) HELWIG # 35-477813-264-901 |
| LS-1018-L | CARBON BRUSH, 35-477812-104-1-01 |
| LS-1018-M | BRUSH, 30-491213-200-1-01, STYLE Q1 |
| LS-1018-R | CARBON BRUSH, 35-317813-664-9-01, |
| LS-1018-T | CARBON BRUSH, 35-471212-664-9-01, |
| LS-1018-W | BRUSH 2.101.426 GRADE EG34D |
| LS-1200-E | FAN FOR 25KW MG LEROY SOMERS |

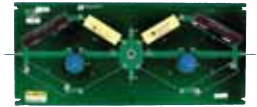
Magnatek

PRINTED CIRCUIT BOARDS

| | |
|--------------------------|------------------------------------------|
| MAG-46S02489-0010 | GATE FIRING PCB |
| MAG-46S02489-1011 | GATE FIRING PCB 2 CHL(MAGNETEK 300HP DRV |
| MAG-46S02975-0403 | MAG MAIN PCB |
| MAG-46S02976-0010 | ARMATURE INTERFACE PCB 25 & 50 A |
| MAG-46S02976-0020 | ARMATURE INTERFACE PCB 100A |
| MAG-46S02976-0030 | MAG AMRMTURE INTERF (DSD412,190A)MAG-2 |
| MAG-46S02976-0032 | MAGNETEK BOARD |
| MAG-46S03017-0010 | MAG PC BRD SNUBBER (DSD412-190A)MAG-4 |
| MAG-46S03020-0030 | SNUBBER PCB 100A |
| MAG-46S03046-0010 | MAG PC BRD FIELD INTERF 1.9A (MAG-5) |
| MAG-46S03046-0030 | MAG PC BRD FIELD INTERF 6.9A (MAG-6) |
| MAG-46S03046-0050 | MAG PC BRD FIELD INTERF 16A (MAG-7) |
| MAG-46S03046-0060 | MAG PC BRD FIELD INTERF 24A (MAG-8) |
| MAG-46S03046-0070 | MAG PC BRD FIELD INTERF 30A (MAG-9) |
| MAG-46S03046-0080 | MAG PC BRD FIELD INTERF 48A (MAG-10) |
| MAG-46S03046-0500 | PC BOARD FIELD INTERF 16A |
| MAG-46S03088-0010 | MAG ARMATURE INTERFACE 300A MAG-13 |
| MAG-46S03089-0010 | SNUBBER PCB 300A |
| MAG-46S03192-0010 | SNUBBER PCB/511 CONT AMP MODEL |
| MAG-46S03192-0020 | SNUBBER PCB/681-1363 CONT. AMP MODEL |
| MAG-46S03192-1020 | SNUBBER PCB MAGNETEK 300HP/DSD412 DRIVE |
| MAG-46S03373-0010 | ARMATURE INTERFACE PCB |
| MAG-46S03375-0010 | SHUNT INTERFACE PCB |
| MAG-46S03594-0010 | PC BRD FIELD INTERF 1.9A |



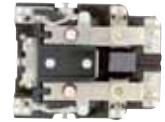
MAG-46S02489-1011



MAG-46S03192-1020



MAG-05P00607-0016



MAG-05P00630-0013



MAG-05P00050-0523



MAG-46S03214-0010



MAG-05P00017-0361



MAG-05P00017-0366

RELAYS AND CONTACTORS

| | |
|--------------------------|-------------------------------------------|
| MAG-05P00031-0156 | CONTACTOR DC 110VAC (MAGNETEK 300HP DRV) |
| MAG-05P00036-0312 | RELAY,110VAC (MAGNETEK 300HP DRIVE) |
| MAG-05P00607-0015 | CONTACTOR DB 220VDC (MAGNETEK 300HP DRV) |
| MAG-05P00607-0016 | PILOT CONTR,110VAC (MAGNETEK 300HP DRIVE) |
| MAG-05P00630-0013 | RELAY,110VAC (MAGNETEK 300HP DRIVE) |

DIODES AND RECTIFIERS

| | |
|--------------------------|------------------------------------------|
| MAG-05P00050-0328 | RECTIFIER,70A,1600V(MAGNETEK 300HP DRIVE |
| MAG-05P00050-0410 | RECTIFIER Q1-Q6(DSD412 DRIVE 100A) |
| MAG-05P00050-0412 | RECTIFIER Q1-Q6 (DSD412 DRIVE 190A) |
| MAG-05P00050-0442 | DIODE BRIDGE Q7 (DSD412 DRIVE) |
| MAG-05P00050-0461 | RECTIFIER (SCR) (MAGNETEK DRIVE) |
| MAG-05P00050-0523 | DIODE BRIDGE Q7 (DSD412 DRIVE) |
| MAG-46S03214-0010 | RECTIFIER Q1-Q12 (DSD412 DRIVE 300A) |

FUSES

| | |
|--------------------------|----------------------------------------|
| MAG-05P00017-0031 | FUSE 40A 600V (MAGNETEK 300HP DRIVE) |
| MAG-05P00017-0073 | FUSE 15A 250V (MAGNETEK 300HP DRIVE) |
| MAG-05P00017-0166 | FUSE F1-F3 (DSD412 DRIVE 100A) |
| MAG-05P00017-0179 | FUSE FWP 200A (DSD412 DRIVE 100A-F4) |
| MAG-05P00017-0214 | FUSE FWP 700A 700V BUSSMANN (MAGNETEK) |
| MAG-05P00017-0234 | FUSE F1-F3 (DSD412 DRIVE 300A) |
| MAG-05P00017-0235 | FUSE F4 (DSD412 DRIVE 300A) |
| MAG-05P00017-0348 | FUSE 5A 700V (MAGNETEK 300HP DRIVE) |
| MAG-05P00017-0361 | FUSE 7.5A 600V (MAGNETEK 300HP DRIVE) |
| MAG-05P00017-0366 | FUSE FWP 300A (DSD412 DRIVE 190A - F4) |

POWER SUPPLIES & TRANSFORMERS

| | |
|--------------------------|------------------------------------------|
| MAG-05P00090-0293 | POWER SUPPLY A4 (MAG-1) (MAGNETEK DRIVE) |
| MAG-05P00217-0012 | CURRENT TRANSF U1 (DSD412 DRIVE 190A) |
| MAG-05P00217-0013 | CURRENT TRANSF U1 (DSD412 DRIVE 100A) |
| MAG-05P00217-0020 | CURRENT TRANSF U1 (DSD412 DRIVE 300A) |
| MAG-05P00645-0018 | CURRENT TRANSF U1 W/O KIT (DSD412 DRIVE) |

MISC.

| | |
|--------------------------|------------------------------------------|
| MAG-05P00015-0016 | FILTER,AIR CAB. 10X10"(MAGNETEK 300HP DR |
| MAG-05P00015-0017 | FILTER,AIR CAB. 10X20"(MAGNETEK 300HP DR |
| MAG-05P00016-0008 | FAN B1 (DSD412 DRIVE 300A) |
| MAG-05P00016-0012 | FAN B1 (DSD412 DRIVE 190A) |
| MAG-05P00016-0041 | FAN, DRIVE (MAGNETEK 300HP DRIVE) |
| MAG-05P00016-0048 | FAN B1 (DSD412 DRIVE 100A) |
| MAG-05P00217-0029 | CURRENT XDUC 500A (MAGNETEK 300HP DRIVE) |
| MAG-05P00218-0023 | THERMISTER RT1 (DSD412 DRIVE) |
| MAG-05P00632-0002 | SENSOR,DC ADJUST. (MAGNETEK 300HP DRIVE) |
| MAG-46S03373-0611 | ARM. INT. ASSY 600V(MAGNETEK 300HP DRIVE |
| MAG-46S03397-0010 | FIELD ASSY (MAGNETEK 300 HP DRIVE) |



MAG-05P00016-0012



MAG-05P00016-0041



MAG-05P00090-0293



MAG-05P00217-0012



MAG-05P00217-0029



MAG-05P00632-0002

Maxton

| SEALS | |
|-------------------|----------------------------------|
| MAX291510 | KIT VALVE SEAL MAX UC-1/1A/2/2A |
| MAX291540 | KIT VALVE SEAL MAX UC3A/3AM/4/4M |
| MX-1294-A2 | SEAL KIT UC1/1A/2/2A |
| MX-901-C8 | SEAL RING 111 |
| MX-901-R | SEAL RING 103 |
| MX-901-Y4 | SEAL KIT |



MAX291510



MX-901-Y4



MX-1294-B



MX-1294-N



MX-1294-P

| SERVICE KITS | |
|------------------|--------------------------------------|
| MX-1294-B | MAXTON SERVICE KIT |
| MX-1294-N | KIT,DOWN CONTROL BLK |
| MX-1294-P | VALVE PARTS KIT |
| MX-1294-R | SOLENOID KIT |
| MX-1294-T | SOLENOID SEAT KIT -UC4,4M&4MR,UC3A&M |
| MX-901-T9 | UC4 LEV.ADJ. KIT |

| VALVES | |
|----------------------|------------------------------------------|
| MX-901-C3 | UC4 RH MAXTON VALVE 2" VICTAULIC 230VAC |
| MX-901-E | UC2A VALVE |
| MX-901-G | UC2 MAXTON VALVE 2" (230VAC) |
| MX-901-H | MAXTONVALVE 2-1/2" THREADED115VACW/COIL |
| MX-901-M7 | MAXTON UC2A 2" VALVE(VICTALIC)(NO COILS) |
| MX-901-N7 | UC1 MAXTON VALVE 2 1/2" 115V NO COIL |
| MX-901-P6 | VALVE 2",UC4 115V AC |
| MX-901-P7 | VALVE UC1 W/2" FLANGE |
| MX-901-P9 | VALVE 2-1/2" |
| MX-901-T1 | UC4M MAXTON VALVE 2" |
| MX-901-T1-BKN | 2" VALVE |
| MX-901-X6 | 2" 110VDC VALVE |
| MX-901-Y2 | MAXTON UC4L3-LH VALVE |
| MX-901-Y3 | 2" 120VDC UC4E VALVE |
| MX-901-Y5 | MAXTON VALVE, UC-4-E2 |



MX-901-G



MX-200-D



MX-901-H4



MX-901-N3



MX-922-A

| MISC. | |
|------------------|---------------------------|
| MX-901-C7 | VALVE PART 100 |
| MX-200-D | COIL, MAXTON 230VAC GREEN |
| MX-470-A | ISOLATING-COUPLING-2" |
| MX-901-D | SNAP RING 093 UC1 VALVE |
| MX-901-H4 | SPRING 339 |
| MX-901-L1 | COIL SLEEVE |
| MX-901-M1 | MAXTON FLANGE |
| MX-901-N3 | BY-PASS ADJ. ASS'Y. |
| MX-901-X3 | UC1 REGULATING ASSM. |
| MX-901-Z1 | ADAPTOR 283660 MAXTON |
| MX-922-A | MAGNETIC SWITCH |
| MX-925-A | SWITCH,LIMIT RH |

O Thompson

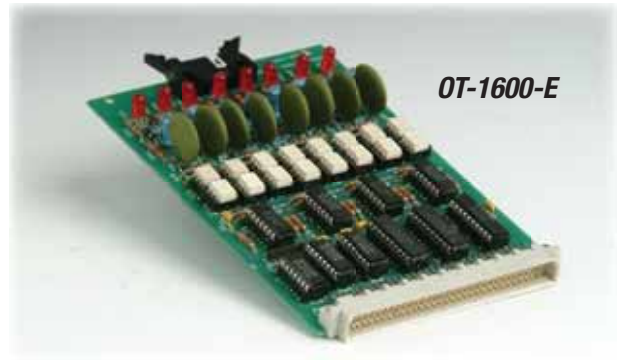
CONTACTS & HOLDERS

| | |
|------------------|----------------------------------------------------|
| OT1 | COPPER CONTACT, 1-1/4" DIA |
| OT-100-A | CONTACT, COPPER (A09009) |
| OT-100-A7 | CONTACT ARM (HM21) |
| OT-100-A9 | CONTACT SPRING ASSY. (HK-2) |
| OT-100-B | CONTACT, W/ARM (SK-30F) |
| OT-100-C | CONTACT (EF6) |
| OT-100-D | CARBON AND HOLDER, 3/8" DIAMETER, 1.1" LONG |
| OT-100-E | CONTACT, COPPER (OT-2) |
| OT-100-F | CARBON & HOLDER (A21001), 3/8" DIAMETER, 1.5" LONG |
| OT-100-G | CONTACT BLADE (E5) |
| OT-100-H | CONTACT W/ARM (F30A) |
| OT-100 | HOLDER (H32) |
| OT-100-P | CONTACT (K35) |
| OT12 | COPPER CONTACT, 1-3/4" x 2-1/4" (H-28) |
| OT19 | COPPER ANGLE CONTACT, 3/4" x 3/4" x 5/8" (F-37) |
| OT2 | COPPER CONTACT, 1-3/4 DIA. |
| OT-942-A | CONTACT |



PRINTED CIRCUIT BOARDS & MODULES

| | |
|-------------------|-------------------------------|
| OT-1172-D | LINK TIMER, 110V |
| OT-1600-A | RELAY CARD 1P8300 |
| OT-1600-C5 | POWER SUPPLY PRK 50U-1212 |
| OT-1600-C7 | I/O MODULE PANEL BD. |
| OT-1600-E | I/O CARD MCS-20TX USE: MOO1 |
| OT-1600-E7 | SWEO FIRING BOARD (0025-2) |
| OT-1600-H | REAR DOOR BOARD |
| OT-953-A1 | I/O MODULE G4ODC5 60VDC |
| OT-953-A2 | INPUT MODULE MIDC5-200 |
| OT-953-A3 | MODULE |
| OT-953-F | OUTPUT MODULE |
| OT-953-H | INPUT/OUTPUT MODULE |
| OT-953-J | DC OUTPUT MODULE (HA-1600-M1) |
| OT-953-L | INPUT MODULE IDCM-5 32V |
| OT-953-M | OUTPUT MODULE MOAC5 120V |
| OT-953-N | OUTPUT MODULE MODC5A |
| OT-953-R | MODULE MIDC5N |
| OT-953-Z | OUTPUT MODULE G4-OAC5A |



RELAYS & COILS

| | |
|------------------|------------------------------|
| OT-200-B | COIL O'THOMPSON 143 |
| OT-200-C | COIL O'THOMPSON 142 |
| OT-200-D | COIL O'THOMPSON 136 |
| OT-200-F | COIL O'THOMPSON 146 |
| OT-200-H | COIL O'THOMPSON 241 |
| OT-200-J | COIL O'THOMPSON 111 |
| OT-200-M | COIL O'THOMPSON 233 |
| OT-200-N | COIL O'THOMPSON 112 |
| OT-200-P | COIL O'THOMPSON 239 |
| OT-960-A6 | RELAY 24VAC - 4 POLE |
| OT-960-J1 | RELAY, ENCLOSED 110VDC 3POLE |
| OT-960-P | RELAY SOCKET |
| OT-960-S | RELAY 4POLE 24VDC |
| OT-960-T | RELAY 4 POLE 240 VAC |



MISC.

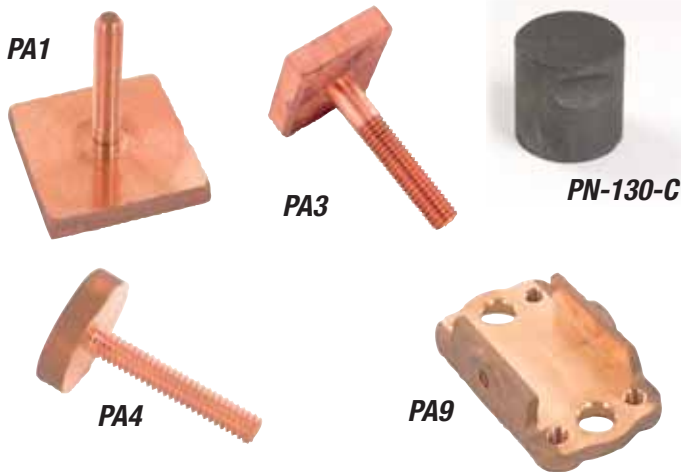
| | |
|-------------------|--------------------------------|
| OT-1600-J4 | ENCODER TACH 2500 PPR |
| OT-1600-L | POWER SUPPLY 1HD24-4.8 |
| OT-300-E | SHUNT 6-3/4 |
| OT-300-H | BRAID, 10-1/2 |
| OT504 | SHUNT ASSY., 4-7/8" LG. SPRING |
| OT-600-A | CONTACT SPRING E9 |
| OT-600-C | COMPRESSION SPRING KIT, F/CO |
| OT-860-A | TACH GENERATOR |
| OT-950-C | TRANSFORMER |
| OT-950-E | TRANSFORMER 250VA |
| OT-950-F | TRANSFORMER |
| OT-952-A | ARC SUPPRESSOR |
| OT-952-C | K76 ARC SHIELDS |
| OT-960-C4 | 3 PHASE MONITOR |
| OT-960-G | HINGE PIN |
| OT-960-H | HINGE PIN |



Payne

CONTACTS & HOLDERS

| | |
|-----------------|-----------------------------------------------------------|
| PA1 | COPPER CONTACT 2-1/4" x 2-1/4" (P-1465) |
| PA3 | COPPER CONTACT 1-3/8" x 1-5/8" (K-1786) |
| PA4 | COPPER CONTACT 1" DIA. (K-2587) |
| PA6 | CONTACT, CARBON 2" x 2" (K-810) |
| PA7 | CONTACT, CARBON 1-1/2" x 1-1/2" (K-1399) |
| PA9 | HOLDER, CARBON (FOR PA7) (P-1627-28) |
| PN-100-E | CONTACT, COPPER K2840 |
| PN-130-C | CARBON CONTACT, 75-008775-00, 3/4" DIAMETER x 3/4" HEIGHT |
| PN-130-F | CONTACT, CARBON (CX32C8) |
| PN-140-B | CARBON CONTACT K1399 |
| PN-942-A | SELECTOR CONTACT MOVABLE |
| PN-942-M | SELECTOR CONTACT STATIONARY |



RELAYS, TIMERS & COILS

| | |
|------------------|------------------------|
| PN-1172-B | TIMER |
| PN-1172-C | TIMER |
| PN-200-A2 | COIL V225 |
| PN-200-A4 | COIL N-133 |
| PN-200-E | COIL C583 220VAC |
| PN-200-F | COIL C550 |
| PN-200-R | COIL L573 |
| PN-200-X | COIL C-115 |
| PN-201-G | COIL PA106 |
| PN-201-N | COIL |
| PN-960-A3 | RELAY TIMER |
| PN-960-S | RELAY, M1642B, NO COIL |
| PN-960-S1 | RELAY, M1642, NO COIL |
| PN-960-T | RELAY 2A 6NO 2NC |



MISC.

| | |
|------------------|-------------------------------------------|
| PA22 | SHUNT ASSY., 7-1/4" (6-3/4" CTRS) (M-429) |
| PA32 | SPRING, 3/4 IN. LG. (K-168) |
| PN-950-B | RECTIFIER |
| PN-1159-A | ROLLER GUIDE WHEEL 5 IN |
| PN-1159-B | PAYNE ROLLER GUIDE WHEEL (U) |
| PN-1159-C | ROLLER GUIDE WHEEL 7" M-1 |
| PN-1159-D | PAYNE ROLLER GUIDE WHEEL 7" |
| PN-902-A | ROLLER GUIDE WHEEL 3" O |
| PN-180-A | TAPE GUIDE K7981 |
| PN-904-C | WORM SHAFT SEAL 400 |
| PN-904-D | SPACER #K6095-4 400 M |
| PN-904-F | GASKET #K6678 400 MA |
| PN-904-G | SEAL #K6088 400 MACHI |
| PN-904-J | SEAL #K6675 400 MACH |

PUSHBUTTONS & SWITCHES

| | |
|--------------------|---------------------------|
| PN-2052-A1 | P.B. ASSY MARKED 10 |
| PN-2052-A2 | PB ASSY MARKED 2 (M-2366) |
| PN-2052-AL | PB ASSY MARKED L (M-2366) |
| PN-2052B-10 | BUTTON MARKED "10" |
| PN-2052-C | PB DOOR CLOSE |
| PN-2052-N | P.B. ASSY MARKED 4 |
| PN-2101-A | STOP SWITCH |
| PN-2101-AR | PUSH BUTTON ASSY/ARROW |
| PN-2101-E | SWITCH, KEYED 6304 |
| PN-2101-X3 | EMERGENCY STOP SWITCH |
| PN-932-A1 | KEY SW. KEYED-6304 |
| PN-1065-A | KEY 6304 |
| PN-1065-F | KEYS, ACE, #6306 |
| PN-932-J | PB ASSY - BLANK M-2366 |
| PN-1067-A | LAMP-NEON 220V M-2751 |

PN-2052-A2



Peele

| MOTORS, GEARS, PINIONS & SPROCKETS | |
|-----------------------------------------------|---------------------------|
| PL-1293-B | MOTOR 033050 |
| PL-2263-B | MOTOR ASSM 058730 |
| PL-2263-C | MOTOR ASSM 056910 |
| PL-2263-K | MOTOR ASSM 251721 |
| PL-2263-K1 | GATE MOTOR W/ PINION |
| PL-2263-R | TORQ MOTOR W/PINION 25182 |
| PL-1575-A1 | PULLE GEAR & SHEAVE |
| PL-1575-B | MOTOR PINION 250723 |
| PL-1575-T | SPROCKET |
| PL-915-F | GEAR & SHEAVE ASSY |



PL-2263-B



PL-1575-T



PL-902-H7

| CONTACTS, INTERLOCKS & SWITCHES | |
|--------------------------------------------|--------------------------------|
| PL-902-A1 | CONTACT POINT ASSM 035508 |
| PL-902-F4 | TOP COVER FOR 2356-67 INT'LOCK |
| PL-902-H7 | INTERLOCK PEELE #2356-67R |
| PL-902-L6 | GATE SWITCH KIT |
| PL-902-P5 | STATIONARY CONTACT |
| PL-902-P8 | MOVABLE CONTACT ARM |
| PL-902-R | BAR, CONTACT SUB-ASSM |
| PL-945-J | GATE SWITCH |
| PL-960-G | MICRO SWITCH |
| PL-960-H | SWITCH,MICRO |

| LINKAGE | |
|----------------|-------------------------|
| PL-1066-B | #50 CONN. LINK |
| PL-1066-L | PIECE CHAIN 01807 |
| PL-902-A6 | HOOK LATCH ASSY. |
| PL-902-B6 | LOCKING ARM RATCHET |
| PL-902-B7 | KEEPER HOOK |
| PL-902-C9 | ROLLER & SHAFT 2" 03557 |
| PL-902-I | LATCH COVER |
| PL-902-N | RATCHET, LOCKING ARM |
| PL-902-P | KEEPER HOOK |
| PL-902-R1 | LATCH BASE LH |
| PL-902-R2 | EMER. REL. LOCK & CHAIN |



PL-1172-M

| RELAYS & TIMERS | |
|----------------------------|----------------------------|
| PL-960-X | RELAY |
| PL-1172-F | TIMER #276708 30-SEC. |
| PL-1172-H | TIMER 0.4-4.0 SEC VA |
| PL-1172-L | TIMER 079066 180 SEC. |
| PL-1172-M | TIMER,120VAC |
| PL-960-A9 | RELAY BASE (SOCKET) #07644 |



PL-960-A9

| MISC. | |
|--------------|----------------------------|
| PL-1065-A | KEY 035025 |
| PL-1065-B | KEY 03932 |
| PL-112700 | PRIMARY FUSE KIT FOR TA-2- |
| PL-1127-A | STRAPS 54 INCH |
| PL-1127-B | 36" STRAP |
| PL-1127-C | 12" PULL STRAP |
| PL-1127-E | PULL STRAP |
| PL-600-A | SPRING 03457 |
| PL-870-A | V BELT AX53 |
| PL-915-B | BEARING SHAFT 05696 |
| PL-946-F | SHEAVE ASSY |
| PL-948-C | GUIDE, DOOR |
| PL-948-D | GUIDE SHOE |
| PL-948-E | SHOE, GUIDE |
| PL-948-J | DOOR SHOE |
| PL-948-L | GUIDE SHOE KIT W/BOLTS 023 |
| PL-949-A4 | SILL STOP ASSEMBLY RH |
| PL-949-F | STOP, SILL |
| PL-949-P | PEELLE DOOR ADJ.ANGLE |
| PL-949-V | SILL STOP ASSY. |



PL-902-C9



PL-902-N

PL-902-B6



PL-902-B7

PL-902-P



PL-902-R2

Reliance

| BRUSHES & HOLDERS | |
|--------------------|----------------------------------|
| RL-1018-A1 | BRUSH, GRADE 5410 STYLE 2QP3 |
| RL-1018-A2 | BRUSH GRADE N6000, 61041072 |
| RL-1018-AX | BRUSH, 61000528, GRADE SA454 |
| RL-1018-AX | BRUSH, 61000528, GRADE SA454 |
| RL-1018-AXL | BRUSH, ADV CARBON L-0112 21T1 |
| RL-1018-B | BRUSH,GENERATOR, 61000667 |
| RL-1018-CX | BRUSH, SPLIT GENERATOR, 6100 |
| RL-1018-D | BRUSH, 63000945, GRADE SA45 |
| RL-1018-H | BRUSH, SPLIT, 61000883 |
| RL-1018-I | BRUSH, 61000601, GRADE SA45 |
| RL-1018-JX | BRUSH, 61000530, GRADE SA454 |
| RL-1018-K | BRUSH 61000616 GRADE SA454 |
| RL-1018-K1 | BRUSH, .437X1.50X2,SA4548 (6 21T |
| RL-1018-KX | BRUSH, 61000355, GRADE SA454 |
| RL-1018-M | BRUSH, 61001438, GRADE SA45 |
| RL-1018-S | BRUSH, 61000410, GRADE SA45 |
| RL-1018-TX3 | BRUSH, 61040273,N5000 |
| RL-1018-W | BRUSH, 13-371021, GRADE 5410 |
| RL-1230-A | HOLDER, BRUSH |
| RL-1230-B | HOLDER, BRUSH |
| RL-1230-C | BRUSH HOLDER 74732R |
| RL-1230-JX | BRUSH HOLDER |
| RL-1230-KX | BRUSH HOLDER, NLA 6/00 |
| RL-1230-R | BRUSH HOLDER WITH ADAPTER 3# |



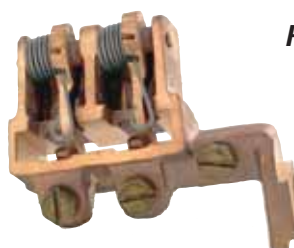
RL-1018-A1



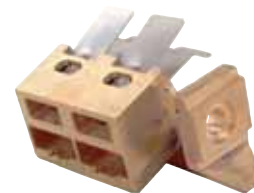
RL-1018-A2



RL-1018-AX



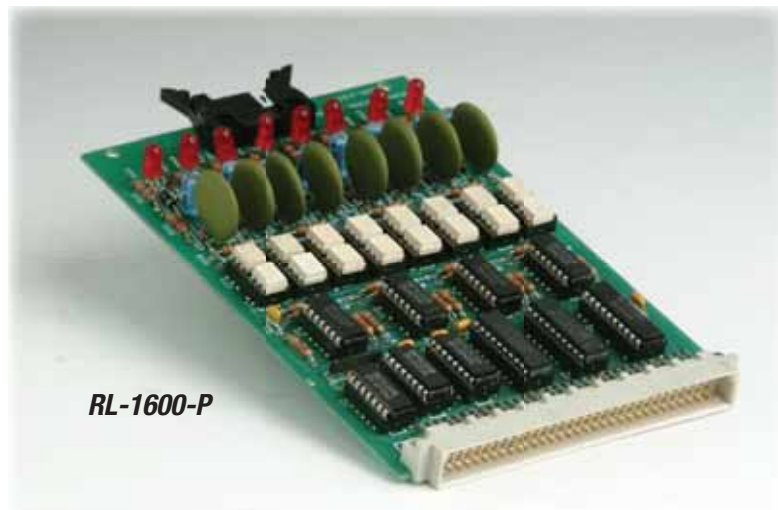
RL-1230-A



RL-1230-JX



RL-1230-B



RL-1600-P

| PRINTED CIRCUIT BOARDS | |
|------------------------|----------------------------------|
| RL-1600-C | SCR MOTHER BOARD |
| RL-1600-D | REL HEATSINK-SCR DC DRIVE 41 |
| RL-1600-P | SIGNAL INTERFACE BOARD O-58705 |
| RL-1600-T | REGULATOR BOARD O-56929-120A |
| RL-1600-X | DRIVER INTERFACE BOARD O-58704 D |

| MISC. | |
|-------------------|------------------------------|
| RL-1600-M | PLASTIC GUIDE |
| RL-1600-Z | TRANSDUCER 600595-8A |
| RL-2263-10 | BEARING, BALL |
| RL-2263-3 | BEARING, ROLLER |
| RL-2263-4 | BEARING ASSM COMMUTATOR EN |
| RL-2263-5 | BEARING ASSM OUTPUT SHFT EN |
| RL-2263-6 | BEARING, BALL |
| RL-2263-A1 | BRUSH RING ASSEMBLY |
| RL-2263-C7 | RELIANCE TACH COUPLING |
| RL-2263-D2 | BEARING Reliance MG 416821-2 |
| RL-2263-D9 | DOOR MOTOR |

Texacone

Westinghouse Kit AT1K005



A patented blend of oil-resistant compounds insures long life without the risk of common "rubber breakdown."

Unique "wavy" split design for quick and easy installation without disconnecting the motor from the geared unit.

Low friction from special baked-on finish prevents shaft scoring and damage from high temperatures.

For Westinghouse seals:

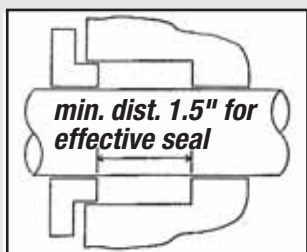
All motors listed as "gear center" are also known as "out-board" or "A" stand.

Seals described as "sheave" are gear-case-to-sheave seals that are approximately 1/8"-thick rubber.

Kits include sheave and seals for worm and gear motors.

ARMOR SEALS

| Adams part no. | Machine | Dimensions | | |
|----------------|---------|------------|-----------|--------|
| | | Shaft dia. | Bore dia. | Thick |
| AT1R012 | #3 fin | 1.938" | 2.875" | 1.266" |
| AT1R020 | #4 | 2.000" | 3.000" | .500" |
| AT1R059 | #2 | 1.750" | 2.750" | .828" |
| AT1R081 | #5 | 2.750" | 3.750" | .500" |



KRAMM PACKING

GPX100 Kramm packing is a one-size-fits-all GCI worm-gear packing. Not recommended for machines with excessive end play & shaft vibration. For gaps 1.5" or greater.

DOVER SEALS

| Adams part no. | Machine | Dimensions | | | Dover part no. |
|----------------|-----------------|------------|-----------|-------|----------------|
| | | Shaft dia. | Bore dia. | Thick | |
| AT1R002 | GD200,240 worm | 2.345" | 3.220" | .500" | 9752122 |
| AT1R043 | GD45,50,75 worm | 1.749" | 2.650" | .500" | 9752110 |
| AT1R048 | GD105 inner | 4.500" | 5.500" | .500" | 9727346 |
| AT5E004 | GD105, spider | 7.125" | 8.625" | — | 9825526 |
| AT5E005 | GD240, spider | 8.500" | 10.250" | — | 9824479 |
| AT5E006 | GD45, spider | 5.125" | 7.000" | — | 9767897 |

OTIS SEALS

| Adams part no. | Machine | Dimensions | | | Otis part no. |
|----------------|---------|------------|-----------|-------|---------------|
| | | Shaft dia. | Bore dia. | Thick | |
| AT1R019 | #29 | 3.000" | 4.500" | .500" | 33D26 |
| AT1R020 | #22 | 2.000" | 3.000" | .500" | 33D29 |
| AT1R021 | #22 old | 2.000" | 3.250" | .500" | — |
| AT1R079 | #17 | 1.938" | 2.875" | .313" | 33AA1 |
| AT1R105 | — | 5.313" | 6.250" | .500" | 33D20 |

WESTINGHOUSE SEALS

| Adams part no. | Machine | Dimensions | | | West. part no. |
|----------------|----------------------------------|------------|-----------|-------|----------------|
| | | Shaft dia. | Bore dia. | Thick | |
| AT1R004 | #38 hoist, worm | 3.125" | 4.250" | .500" | X30ES1H20 |
| AT1R005 | #57 hoist, #58 old, and #61 worm | 3.240" | 4.250" | .688" | X30ES1H09 |
| AT1R006 | #37 worm shaft | 2.438" | 3.438" | .500" | R7311H17 |
| AT1R007 | #18 worm shaft | 1.750" | 3.188" | .500" | X30ES1H13 |
| AT1R022 | #28 gear center | 3.688" | 4.750" | .500" | X30ES1H15 |
| AT1R031 | #38 gear center, #31 worm | 4.000" | 5.000" | .688" | R7311H25 |
| AT1R050 | #18 gear center | 2.563" | 3.750" | .500" | X30ES1H12 |
| AT1R048 | #38 gear center* | 4.500" | 5.500" | .500" | X30ES1H18 |
| AT1M057 | #38 sheave | 9.750" | 11.30" | — | 2890C79H01 |
| AT1M130 | #28 sheave | 8.125" | 9.250" | — | 6917C89H01 |
| AT1M139 | #18 sheave | 6.855" | 8.500" | — | 6918C45H01 |
| AT1K004 | #38 machine kit | — | — | — | 2900C27G02 |
| AT1K005 | #28 machine kit | — | — | — | 6917C91G02 |
| AT1K006 | #18 machine kit | — | — | — | 6918C44G02 |

*AT1R048 is for #38 machines, type 198C267; for type 534F909, order part no. AT1R031.

OTHER MANUFACTURERS' SEALS

| Adams part no. | OEM/machine | Dimensions | | |
|----------------|-----------------|------------|-----------|-------|
| | | Shaft dia. | Bore dia. | Thick |
| AT1R052 | H & W #63 | 2.188" | 3.000" | .375" |
| AT1R079 | H & W #53 | 1.938" | 2.875" | .313" |
| AT1R017 | Park | 1.938" | 3.188" | .375" |
| AT1R100 | Payne #400 | 2.500" | 3.500" | .625" |
| AT1R027 | U.S Elevator | 2.125" | 3.188" | .500" |
| AT1R081 | Haughton EK,EKU | 2.750" | 3.750" | .500" |

KRAMM PACKING: ONE-SIZE-FITS-ALL GCI WORM GEAR PACKING

Made from solid mineral lubricants, graphite, & adhesives.



Adams part no. GPX100. One lb./pkg.

U.S. Elevator

PRINTED CIRCUIT BOARDS

| | |
|-------------------|-----------------------------|
| UE-1500-A | PHOTO CELL AMP |
| UE-1600-A2 | TIMER |
| UE-1600-A3 | PCB ADAPTER |
| UE-1600-A4 | A-2 COMPUTER BOARD |
| UE-1600-A7 | A4 INTERFACE BD. |
| UE-1600-C1 | PLUG IN TIMER, PCB |
| UE-1600-C4 | PCB |
| UE-1600-E | SOLID STATE DRIVE SSD1 |
| UE-1600-E7 | PI GONG BOARD |
| UE-1600-F | PCB ASSY HYDRO BRD #1 |
| UE-1600-F3 | POWER RELAY PCB 146-0526 |
| UE-1600-G | PCB ASSY HYDRO BRD #2 |
| UE-1600-H2 | OUTPUT LATCH PC BOARD 146- |
| UE-1600-H6 | INPUT BUFFER BOARD 146-052 |
| UE-1600-H9 | ADAPTER |
| UE-1600-J4 | DRIVER INTERFACE BOARD |
| UE-1600-K | CAR TOP AMP PCB W/O NUD |
| UE-1600-N | SENSOR RECEIVER |
| UE-1600-N1 | CAR TOP MOTHER BOARD 146-05 |
| UE-1600-R | SR-1 RECTIFIER PCB |
| UE-1600-R6 | POWER/RELAY PC BOARD 146-0 |
| UE-1600-S | SR-2 RECTIFIER PCB |

MISC.

| | |
|------------------|-------------------------------------------------|
| UE-1172-K | .5-5 SEC TIMER |
| UE-1600-T | TIMER .5-5 SEC. 145-05064-3 |
| UE-1600-V | TIMER 145-05064-302 (ADAP UE |
| UE-950-D | BRIDGE, DC 3 PHASE |
| UE-900-D | 6" ROLLER GUIDE ASSB W/ 5 1/2" MTG CENTERS |
| UE-900-F1 | 6" ROLLER GUIDE ASSB W/ 8 1/4" MTG CENTERS |
| UE-900-F2 | ADAPTER PLT W/ 8 1/4" CENTERS USED ON UE-900-F1 |
| UE-900-F | 6" ROLLERGUIDE WHEEL(USED ON UE-900-F1) |
| UE-900-H | ROLLER GUIDE WHEEL 3-1/4" |
| UE-900-L | ROLLER GUIDE BOLT & BUSHING |
| UE-925-B | WHEEL ASS'Y. |
| UE-925-E | RING RETAINER |



UE-900-D

UE-2000-A1



UE-2002-A1



UE-2003-F

UE-932-X



UE-1500-A

UE-900-H

PUSHBUTTONS & SWITCHES

| | | | |
|--------------------|------------------------------------|------------------|------------------------------|
| UE-2000-A1 | PB INSERT SQ "1" | UE-932-W | SQUARE PB BODY WHITE |
| UE-2000-A2 | PB INSERT SQ "2" | UE-932-X | PB ASSY |
| UE-2000-A3 | PB INSERT SQ "3" | UE-935-A1 | BEZEL |
| UE-2000-A4 | PB INSERT SQ "4" | UE-935-A2 | BEZEL RETAINER |
| UE-2000-A5 | PB INSERT SQ "5" | UE-935-B | GREEN ARROW - HALL BUTTON, S |
| UE-2000-AR1 | PB INSERT SQ GREEN ARROW UP | UE-935-C | RED ARROW - HALL BUTTON, SQ |
| UE-2000-AR2 | PB INSERT SQ RED ARROW DOWN | UE-935-C2 | P.I. BLANK JEWEL W/LED |
| UE-2000-X23 | PB,INSERT SQ, ALARM | UE-935-F | EXTRUD. PLASTIC ARROW |
| UE-2002-A1 | PB,INSERT RD, 1 | UE-935-L | PB LAMP SOCKET |
| UE-2002-A18 | PB,INSERT RD, G | UE-935-M | RED LENS |
| UE-2002-A2 | PB,INSERT RD, 2 | UE-935-N | ARROW INSERT, RED |
| UE-2002-A22 | PB,INSERT RD, GREEN UP ARROW | UE-935-R | P.I.ASSM.SINGLE HORZL. |
| UE-2002-A3 | PB,INSERT RD, 3 | US450L | LAMP SOCKET ROUND |
| UE-2002-A4 | PB,INSERT RD, 4 | US450M | MICRO SWITCH RO |
| UE-2002-A5 | PB,INSERT RD, 5 | US450R-6 | INSERT ROUND - #6 |
| UE-2002-C | PB HOUSING ROUND | US450RA | BTN ASY-RND UP ARROW |
| UE-2002-E | ROUND PB BODY WHITE | US450R-AD | INSERT ROUND - ARROW DOWN |
| UE-2002-F | PB LENS ASSM, ROUND | US450R-AU | INSERT ROUND - ARROW UP |
| UE-2002-H | CLAMP | US450R-BL | INSERT ROUND - BLANK |
| UE-2003-C | PB ASSM. (MARKED "1") | US450R-DC | INSERT ROUND - DOOR CLOSE |
| UE-2003-E | PB ASSM. (MARKED "2") | US450R-DO | INSERT ROUND - DOOR OPEN |
| UE-2003-F | PB ASSM (MARKED "3") | US450R-L | INSERT ROUND - L |
| UE-2003-H | PB ASSM (MARKED "4") | US450S-B | INSERT SQUARE - B |
| UE-2003-M | PB ASSM. MKD OPEN DOOR | US450S-BL | INSERT SQUARE-BLANK |
| UE-932-C9 | SW. LOCKING PLATE | US450S-DC | INSERT SQUARE-DOOR CLOSE |
| UE-932-E | PB--4 | US450S-DO | INSERT SQUARE-DOOR OPEN |
| UE-932-F5 | FIRE SERVICE KEY SWITCH HALL | US450S-G | INSERT SQUARE - G |
| UE-932-F8 | FIRE SERVICE KEY SWITCH ROUND HALL | US451P1 | B-TAG, WHITE, #1 |
| UE-932-R | LENS CAP | US451P-R | B-TAG, WHITE, R |
| UE-932-V | SQUARE P.B.BLK HOUSING | US451P-XB | B-TAG, WHITE, *B |

Index for Pages 408-494

Contactors

| | |
|------------------------|----------|
| Allen-Bradley | 408, 411 |
| ABB | 411 |
| Benedikt + Jager | 412 |
| Cutler-Hammer | 408 |
| Dover | 409 |
| Fuji | 412 |
| Furnas | 409 |
| Haughton | 422 |
| Mitsubishi | 413 |
| Moeller | 413 |
| Schindler | 415 |
| Siemens | 420, 413 |
| Sprecher + Schuh | 414 |
| Square D | 409 |
| Struthers & Dunn | 410 |
| Telemecanique | 415 |
| Ward Leonard | 410 |
| Westinghouse | 410 |

Starters

| | |
|---------------------|---------|
| Allen-Bradley | 416 |
| Furnas | 416-418 |

Contact Kits

| | |
|-------------------------|------------------|
| ABB | 421 |
| Allen-Bradley | 425-433 |
| Arrow-Hart | 434 |
| Asea Brown Boveri | 435-438 |
| Joslyn-Clark | 438-439 |
| Cutler-Hammer | 440-444, 472-473 |
| Federal Pacific | 445-448 |
| Furnas | 419, 449-452 |
| General Electric | 453-457 |
| Haughton | 422 |
| Ingersoll Rand | 458 |
| Montgomery | 422 |
| Siemens | 421, 459-460 |
| Sprecher + Schuh | 461 |
| Square D | 462-471 |
| Trane | 474 |
| Ward Leonard | 475-476 |
| Westinghouse | 477-493 |

Armature Assembly and Contactor Components

| | |
|--------------------|-----|
| Westinghouse | 423 |
|--------------------|-----|

ALLEN-BRADLEY

| ADAMS PART # | OEM PART # | NEMA SIZE | CONT. AMP RATING @ 600V | NUMBER OF POLES | COIL VOLTAGE AC | AUX. CONTACTS | ADAMS CONTACT KIT PART # | ADDITIONAL NOTES |
|------------------|------------------|-----------|-------------------------|-----------------|-----------------|---------------|--------------------------|------------------|
| AB-964-F6 | 1370-NC56 | N/A | 260A @ 600 VDC | 2 | 120V | NONE | | |
| AB-964-S | 505-AOD | 0 | 20 | 3 | 120V | 2 - N/O | AB40410-331/51 | Reversing |



AB-964-F6



AB-964-S

CUTLER-HAMMER

| ADAMS PART # | OEM PART # | NEMA SIZE | CONT. AMP RATING @ 600V | NUMBER OF POLES | COIL VOLTAGE AC | AUX. CONTACTS | ADAMS CONTACT KIT PART # | ADDITIONAL NOTES |
|-------------------|-----------------|-----------|-------------------------|-----------------|-----------------|---------------|--------------------------|------------------|
| 3-40287-28 | A201K2CB | 2 | 45 | 3 | 208V | 1-N/O 1N/C | W373B331G2 | |
| 3-40287-38 | A201K9CW | 3 | 90 | 3 | 240V | 1-N/O 1N/C | W626B187G13 | |
| 3-40287-29 | A201K3CB | 3 | 90 | 3 | 208V | 1-N/O 1N/C | W626B187G13 | |
| 3-40287-30 | A201K4CB | 4 | 135 | 3 | 208V | 1-N/O 1N/C | W626B187G12 | |
| 3-40238-95 | A211K2CB | 2 | 45 | 3 | 208V | 2-NO 2N/C | W373B331G2 | Reversing |
| 3-40287-42 | A211K3CB | 3 | 90 | 3 | 208V | 2-NO 2N/C | W626B187G13 | Reversing |
| 3-40394-80 | A201K3CB | 3 | 90 | 3 | 120V | 1N/O 1N/C | W626B187G13 | Reversing |
| 3-40287-45 | A211K3CW | 3 | 90 | 3 | 240V | NONE | W626B187G13 | Reversing |



3-40287-28



3-40287-38



3-40287-29



3-40287-30



3-40238-95



3-40287-42

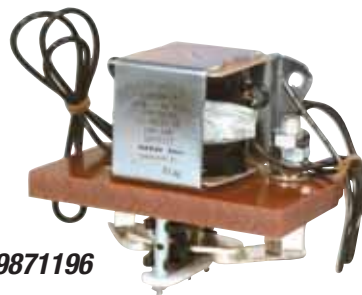


3-40394-80

| DOVER | | | | | | |
|--------------|------------|-----------|-------------------------|-----------------|----------------------|---------------|
| ADAMS PART # | OEM PART # | NEMA SIZE | CONT. AMP RATING @ 600V | NUMBER OF POLES | COIL VOLTAGE AC / DC | AUX. CONTACTS |
| 9713396 | 147284 | 3 | 90 | 3 | 120 VAC | NONE |
| 9871196 | 9871196 | | 100 | N/A | 48 VDC | NONE |
| 10150 | CORE TUBE | | | | | |



9713396



9871196



10150

| FURNAS | | | | | | | |
|---------------|------------|-----------|-------------------------|-----------------|-----------------|---------------|--------------------------|
| ADAMS PART # | OEM PART # | NEMA SIZE | CONT. AMP RATING @ 600V | NUMBER OF POLES | COIL VOLTAGE AC | AUX. CONTACTS | ADAMS CONTACT KIT PART # |
| ASF100 | 40FP32AF | 2 | 45 | 3 | 120V | 1-N/O | F75FP109153 |
| FN-964-A9 | 40HP32AA | 3 | 90 | 3 | 120/240V | 1-N/O | F75HF14 |
| FN-964-A3 | 42BF25AF | | 30 | 4 | 120V | NONE | |
| FN-960-T | 41NB30AFP | | 30 | 3 | 120V | NONE | |



FN-964-A9



FN-964-A3



F75HF14



FN-960-T
OEM no. 41NB30AFP

| SQUARE D | | | | | | |
|-----------------|-------------|-----------|-------------------------|-----------------|-----------------|---------------|
| ADAMS PART # | OEM PART # | NEMA SIZE | CONT. AMP RATING @ 600V | NUMBER OF POLES | COIL VOLTAGE AC | AUX. CONTACTS |
| SQ-964T | 8910DP12V02 | 0 | 20 | 2 | 120V | NONE |



SQ-964-T

STRUTHERS & DUNN

| ADAMS PART # | OEM PART # | NEMA SIZE | CONT. AMP RATING | NUMBER OF POLES | COIL VOLTAGE | AUX. CONTACTS | ADDITIONAL NOTES |
|--------------|--------------|-----------|------------------|-----------------|--------------|---------------|------------------|
| SR-1097-CP | A575KXX-48D | N/A | 15 A @ 600 VAC | 3 | 48 VDC | NONE | Reversing |
| SR-1097-E2 | A575KXX-220A | N/A | 15 A @ 600 VAC | 3 | 220 VAC | NONE | Reversing |



SR-1097-CP

WARD LEONARD

| ADAMS PART # | OEM PART # | NEMA SIZE | CONT. AMP RATING @ 600V | NUMBER OF POLES | AUX. CONTACTS |
|-------------------|-------------------|-----------|-------------------------|-----------------|---------------|
| 3-40255-45 | HDP9-11103 | N/A | 265A @ 600 VDC | 2 | 1-N/O 1-N/C |



3-40255-45

WESTINGHOUSE

| ADAMS PART # | OEM PART # | NEMA SIZE | CONT. AMP RATING @ 600V | NUMBER OF POLES | COIL VOLTAGE AC | AUX. CONTACTS | ADDITIONAL NOTES |
|-------------------|-------------------|-----------|-------------------------|-----------------|-----------------|----------------|------------------|
| 3-40394-81 | 6716C97G01 | 4 | 135 | 3 | 120V | 2-N/O 2-N/C | Reversing |

ALLEN-BRADLEY

| ADAMS PART # | OEM PART # | CONT. AMP RATING @ 600V | NUMBER OF POLES | COIL VOLTAGE (AC @ 60Hz) |
|------------------|-------------------|-------------------------|-----------------|--------------------------|
| AB-964-C6 | 104-C12D22 | 15 | 3 | 120V |



AB-964-C6

ABB

| ADAMS PART # | OEM PART # | CONT. AMP RATING @ 600V | NUMBER OF POLES | COIL VOLTAGE (AC @ 60Hz) | AUX. CONTACTS | ADAMS CONTACT KIT PART # | ADDITIONAL NOTES |
|-------------------|-----------------------|-------------------------|-----------------|--------------------------|---------------|--------------------------|------------------|
| HA-964-A2 | EHN145C-211 | 145 | 3 | 240V | 2-N/O 2N/C | | |
| AA-960-A | EH210C-2 | 210 | 3 | 240V | 1-N/O 1-N/C | | |
| 3-40024-75 | EHDB220C-1L11 | 220 | 3 | 120V | 2-N/O 2N/C | | |
| 3-40024-76 | EHDB280C-1L11 | 280 | 3 | 120V | 2-N/O 2N/C | ABBEFLG280CK | |
| 3-40381-51 | EHDB280C-20-11 | 280 | 3 | 240V | 2-N/O 2N/C | ABBEFLG280CK | |
| 3-40024-77 | EHDB360C-1L11 | 360 | 3 | 120V | 2-N/O 2N/C | | |
| 3-40302-01 | EG40-1 | 45 | 3 | 120V | 2-N/O 2-N/C | | Reversing |
| 3-40000-26 | 300B230P | 45 | 3 | 208V | 2-N/O 2-N/C | | Reversing |



3-40000-26



3-40000-31



3-40302-01



AA-960-A



3-40024-76



3-40024-75



3-40024-77



3-40381-51



HA-964-A2

BENEDIKT + JAGER

| ADAMS PART # | OEM PART # | CONT. AMP RATING @ 600V | NUMBER OF POLES | COIL VOLTAGE (AC @ 60Hz) | AUX. CONTACTS |
|--------------|-------------|-------------------------|-----------------|--------------------------|---------------|
| 345452 | K2-45A00110 | 30 | 3 | 120V | 1-N/O 1-N/C |
| 345420 | K2-30A10 | 40 | 3 | 240V | NONE |
| 345421 | K2-30A10230 | 40 | 3 | 240V | 1-N/O 1-N/C |



345420



345452



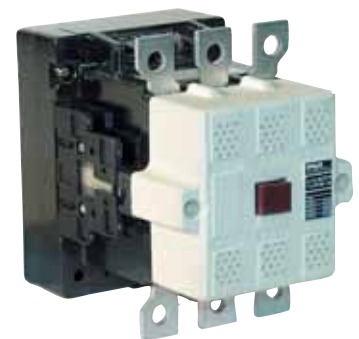
345421



345461 HORIZONTAL MECHANICAL INTERLOCK FOR BENEDIKT + JAGERS CONTACTORS ABOVE

FUJI

| ADAMS PART # | OEM PART # | CONT. AMP RATING @ 600V | NUMBER OF POLES | COIL VOLTAGE AC | AUX. CONTACTS |
|--------------|------------|-------------------------|-----------------|-----------------|---------------|
| FE-964-A | SC-5N | 125 | 3 | 120V | 2-N/O |



FE-964-A

MITSUBISHI

| ADAMS PART # | OEM PART # | CONT. AMP RATING @ 600V | NUMBER OF POLES | COIL VOLTAGE AC | AUX. CONTACTS |
|------------------|-----------------|-------------------------|-----------------|-----------------|---------------|
| HA-964-T9 | DU-A30UR | 50 | 3 | 120V | 2-N/O 2-N/C |
| HA-964-N2 | S-N65 | 95 | 3 | 120V | 2-N/O 2-N/C |



HA-964-T9



HA-964-N2

MOELLER

| ADAMS PART # | OEM PART # | CONT. AMP RATING @ 600V | NUMBER OF POLES | COIL VOLTAGE (AC @ 60Hz) | AUX. CONTACTS |
|-------------------|-----------------|-------------------------|-----------------|--------------------------|---------------|
| 3-40394-17 | DIL 00AM | 20 | 3 | 120V | 1-N/O 1N/C |



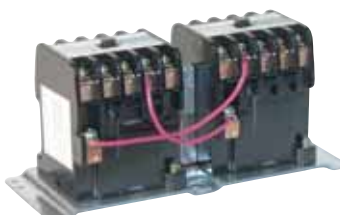
3-40394-17

SIEMENS

| ADAMS PART # | OEM PART # | CONT. AMP RATING @ 600V | NUMBER OF POLES | COIL VOLTAGE (AC @ 60Hz) | AUX. CONTACTS | ADAMS CONTACT KIT PART # | ADDITIONAL NOTES |
|------------------|-----------------------|-------------------------|-----------------|--------------------------|---------------|--------------------------|------------------|
| HA-967-P7 | 3TF4422-OAK6 | 55 | 3 | 120V | 2-N/O 2-N/C | ASF152 | pg. 446 |
| ASF132 | 3TF50 | 160 | 3 | 120V | 2-N/O 2-N/C | ASF158 | pg. 446 |
| ASF133 | 3TF52 | 200 | 3 | 120V | 2-N/O 2-N/C | ASF160 | pg. 446 |
| HA-964-J7 | FCR-M18-AC120V | 20 | 3 | 120V | NONE | | Reversing |



ASF132

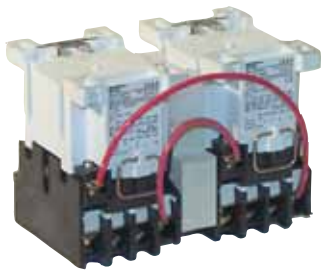


HA-964-J7



HA-964-P7

| SPRECHER + SCHUH | | | | | | |
|------------------|------------|-------------------------|-----------------|--------------------------|---------------|------------------|
| ADAMS PART # | OEM PART # | CONT. AMP RATING @ 600V | NUMBER OF POLES | COIL VOLTAGE (AC @ 60Hz) | AUX. CONTACTS | ADDITIONAL NOTES |
| HA-964-R2 | CA3-30-L01 | 20 | 3 | 120V | 2-N/O 2-N/C | CA-7-16-10 |
| 613BX1 | CA3-10 | 30 | 3 | 120V | 2-N/O 2-N/C | |
| EE-964-C | CAU7-9-22 | 30 | 3 | 120V | 2-N/O 2-N/C | CAU7-9-22 |
| HA-964-M6 | CA7-16-10 | 30 | 3 | 120V | 2-N/O 2-N/C | |
| HA-964-A6 | CA7-72 | 90 | 3 | 120V | 2-N/O 2-N/C | |
| HA-100-P4 | CA6-85 | 160 | 3 | 240V | 2-N/O 2-N/C | |
| EE-964-B | CA7-9-01 | 24 | 3 | 240V | 2-N/O 2-N/C | Reversing |
| HA-1097-AA7 | CR51AC3AZA | 10 | 3 | 208V | 2-N/O 2-N/C | Reversing |



EE-964-B



EE-964-C



HA-100-P4



HA-1097-AA7



HA-964-A6



HA-964-M6



HA-964-R2

TELEMECANIQUE

| ADAMS PART # | OEM PART # | CONT. AMP RATING @ 600V | NUMBER OF POLES | COIL VOLTAGE (AC @ 60Hz) | AUX. CONTACTS |
|--------------------|--------------------|-------------------------|-----------------|--------------------------|---------------|
| HA-1097-AL5 | LC1-DO901M7 | 25 | 3 | 120V | 2-N/O 2-N/C |
| OT-964C | LC1-D1201 | 25 | 3 | 208V | 2-N/O 2-N/C |
| HA-964-J2 | LC1-D18U7 | 35 | 3 | 240V | 2-N/O 2-N/C |
| 3-40394-12 | LC1-DT40G7 | 40 | 3 | 120V | 2-N/O 2-N/C |
| 3-40394-13 | LC1-D258G7 | 40 | 3 | 120V | 2-N/O 2-N/C |
| 3-40394-14 | LC1-D25G7 | 40 | 3 | 120V | 2-N/O 2-N/C |

**3-40394-12****3-40394-13****OT-964-C****HA-964-J2****3-40394-14****HA-1097-AL5****SCHINDLER**

| ADAMS PART # | OEM PART # | CONT. AMP RATING | COIL VOLTAGE (AC @ 60Hz) | AUX. CONTACTS |
|-------------------|---------------|------------------|--------------------------|---------------|
| 3-40332-15 | MRG-62 | 10A @ 600 VDC | 80 VDC | 6-N/O 2-N/C |

**3-40332-15**

ALLEN-BRADLEY

| ADAMS PART # | OEM PART # | NEMA SIZE | CONT. AMP RATING @ 600V | NUMBER OF POLES | COIL VOLTAGE AC | AUX. CONTACTS | ADDITIONAL NOTES |
|--------------------|----------------------|-----------|-------------------------|-----------------|-----------------|---------------|------------------|
| AB-964-F3 | 505-COH-7-19C | 2 | 45 | 3 | 208V | 1-N/O | Reversing |
| 33-0520-002 | 509-DOA | 3 | 90 | 3 | 240V | 1-N/O | |



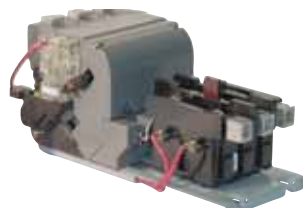
AB-964-F3



33-0520-002

FURNAS

| ADAMS PART # | OEM PART # | NEMA SIZE | CONT. AMP RATING @ 600V | NUMBER OF POLES | COIL VOLTAGE AC | COIL PART # | AUX. CONTACTS | ADAMS CONTACT KIT PART # | ADDITIONAL NOTES |
|------------------|-------------------|-----------|-------------------------|-----------------|-----------------|-------------|---------------|--------------------------|------------------|
| DO-964-D | 14GP32AC81 | 2.5 | 60 | 3 | 120/240V | 9788761 | 1-N/O | F75GF14 | w/overloads |
| FN-964-A4 | 14FP32AC81 | 2 | 45 | 3 | 240/480V | 9788761 | 1-N/O | F75FP109153 | w/overloads |



DO-964-D



FN-964-A4

Furnas Contactors & Components

INNOVA FULL-VOLTAGE NON-REVERSING CONTACTOR

| Adams part no. | Max hp/volts | | | | Size | Continuous amp rating |
|----------------|--------------|-----|-----|-----|------|-----------------------|
| | 200 | 230 | 460 | 575 | | |
| ASF100 | 10 | 15 | 25 | 25 | 2 | 45 |
| ASF101 | 15 | 20 | 30 | 30 | 2½ | 60 |
| ASF102 | 25 | 30 | 50 | 50 | 3 | 90 |
| ASF103 | 30 | 40 | 75 | 75 | 3½ | 115 |



INNOVA contactor

- Heavy-duty industrial
- Large Ag-Cd oxide contacts
- UL listed, CSA certified

SOLID-STATE OVERLOAD RELAYS

| Adams part no. | Phase | Frame size | Full load amp current range |
|----------------|-------|------------|-----------------------------|
| ASF104 | 3 | B | 13-27 |
| ASF105 | 3 | B | 22-45 |
| ASF106 | 3 | B | 30-60 |
| ASF107 | 3 | B | 45-90 |
| ASF108 | 3 | B | 57-115 |
| ASF109 | 3 | B | 67-135 |



Overload relay

- Phase-loss protection
- Heaterless construction
- Wide FLA adjustment range
- Repeat tripping accuracy ±2%
- UL listed, CSA certified

REPLACEMENT INNOVA COILS

| Adams part no. | Size | Voltage range | |
|----------------|-------|------------------|-------------|
| | | 60Hz | 50Hz |
| FN-200-D | 00-2½ | 110-120, 220-240 | 110/190-220 |
| FN-200-R | 3, 3½ | 110-120, 220-240 | 110/190-220 |



Replacement INNOVA coil

REPLACEMENT CONTACTS*

| Adams part no. | Size | Adams part no. | Size |
|----------------|------|----------------|------|
| ASF116 | 4 | ASF119 | 2½ |
| ASF117 | 1 | ASF120 | 3 |
| ASF118 | 2 | ASF121 | 3½ |

*Not shown

MECHANICAL INTERLOCKS*

| Adams part no. | Size |
|----------------|-------|
| ASF110 | 2, 2½ |
| ASF111 | 3, 3½ |

*Not shown

Call for information about components not listed. Adams is a full-line Furnas/Siemens distributor.

Furnas Replacement INNOVA Contacts



ASF116

| FURNAS REPLACEMENT CONTACTS | | | |
|------------------------------------|------|----------------|-------|
| Adams part no. | Size | Adams part no. | Size |
| ASF116 | 4 | ASF119* | 2 1/2 |
| ASF117 | 1 | ASF120 | 3 |
| ASF118 | 2 | ASF121* | 3 1/2 |

*Not shown



ASF120



ASF117



ASF118

Siemens

Solid-State Motor Starters for Hydraulic & Traction Elevators

| Wired "Inside - the - Delta" | | | | | | Wired "In-Line" | | | | | | Adams Part No. |
|------------------------------|------|------|------|------|------|-----------------|------|------|------|------|------|----------------|
| In-Line Current | 200V | 230V | 400V | 460V | 575V | In-Line Current | 200V | 230V | 400V | 460V | 575V | |
| (A) | (hp) | (hp) | (hp) | (hp) | (hp) | (A) | (hp) | (hp) | (hp) | (hp) | (hp) | |
| 42 | 10 | 15 | 25 | 30 | | 22 | 5 | 7.5 | 10 | 15 | | 1300D90H09 |
| 55 | 15 | 20 | 30 | 40 | | 28 | 7.5 | 10 | 15 | 20 | | 1300D90H10 |
| 68 | 20 | 25 | 40 | 50 | | 35 | 7.5 | 10 | 20 | 25 | | 1300D90H01 |
| 80 | 25 | 30 | 50 | 60 | | 42 | 10 | 15 | 25 | 30 | | 1300D90H02 |
| 105 | 30 | 40 | 60 | 75 | | 55 | 15 | 20 | 30 | 40 | | 7257C48H15 |
| 130 | 40 | 50 | 75 | 100 | | 68 | 20 | 25 | 40 | 50 | | 1300D90H03 |
| 157 | 50 | 60 | 100 | 125 | | 80 | 25 | 30 | 50 | 60 | | 1300D90H04 |
| 252 | 75 | 100 | | | | 130 | 40 | 50 | | | | 1300D90H05 |
| 22 | | | 10 | 15 | 20 | | | | | | | 1300D90H14 |
| 35 | | | 20 | 25 | 30 | 18 | | | 7.5 | 10 | 15 | 7257C48H11 |
| 42 | | | 25 | 30 | 40 | 22 | | | 10 | 15 | 20 | 7257C48H11 |
| 55 | | | 30 | 40 | 50 | 28 | | | 15 | 20 | 25 | 7257C48H13 |
| 68 | | | 40 | 50 | 60 | 35 | | | 20 | 25 | 30 | 7257C48H13 |
| 80 | | | 50 | 60 | 75 | 42 | | | 25 | 30 | 40 | 1300D90H07 |
| 105 | | | 60 | 75 | 100 | 55 | | | 30 | 40 | 50 | 1300D90H08 |
| 130 | | | 75 | 100 | 125 | 68 | | | 40 | 50 | 60 | 1300D90H08 |

Benefits

- Reduced maintenance costs (no contacts to wear out)
- Quicker floor to floor times by eliminating the delay associated with timers
- Elimination of high inrush currents
- Reduces voltage dips
- Adjustable current limit (100% - 450% of starter rating)
- Dynamic Stall protection guarantees motor will start under cold oil conditions
- Quiet operation - no contactors during the start
- Reduced stress on motor windings and the pump
- Patented Motor Wiring Detection prevents the motor from starting if miswired
- 16 Character x 2 line LCD display with full starter diagnostic information
- Keypad for parameter set up
- UL/CSA/CE

Electrical Data

Input Power

- Control Voltage - 120VAC +/- 15%
- Three Phase - 200V/230V/400V/460V +/- 15%

Motor Protection

- Class 5 Electronic Overload
- Phase Loss
- Phase Reversal
- Shorted SCR
- Correct Motor Wiring



Siemens Contactors & Components

| 120VAC CONTACTORS | | |
|-------------------|-----------------|------|
| Adams part no. | Contact config. | Amps |
| ASF128 | 2NO/2NC | 09 |
| ASF124 | 2NO/2NC | 22 |
| ASF125 | 2NO/2NC | 32 |
| ASF126 | 2NO/2NC | 45 |
| ASF129 | 2NO/2NC | 63 |
| ASF130 | 2NO/2NC | 75 |
| ASF131 | 2NO/2NC | 85 |
| ASF132 | 2NO/2NC | 180 |
| ASF133 | 2NO/2NC | 200 |

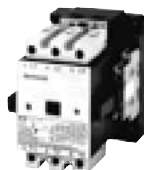
| REPLACEMENT COILS | | | | | |
|-------------------|----------------|-------|----------------|-----------|-------|
| Adams part no. | Coil type | Volts | Adams part no. | Coil type | Volts |
| ASF134 | 3TF30,33,40,43 | 120 | ASF143 | 3TF48, 49 | 120 |
| ASF135 | | 208 | ASF144 | | 208 |
| ASF136 | | 480 | ASF145 | | 480 |
| ASF137 | 3TF34,35,44,45 | 120 | ASF146 | 3TF50, 51 | 120 |
| ASF138 | | 208 | ASF147 | | 208 |
| ASF139 | | 480 | ASF148 | | 480 |
| ASF140 | 3TF46, 47 | 120 | ASF149 | 3TF52, 53 | 120 |
| ASF141 | | 208 | ASF150 | | 208 |
| ASF142 | | 480 | ASF151 | | 480 |

| AC CONTROL RELAY | |
|------------------|-----------------|
| Adams part no. | Contact config. |
| ASF127 | 2NO/2NC |

120VAC contactors, various sizes



ASF124



ASF130



ASF125



ASF126



ASF133

SIEMENS COMPONENTS



Replacement coils



Replacement contacts



Similar to ASF158-160

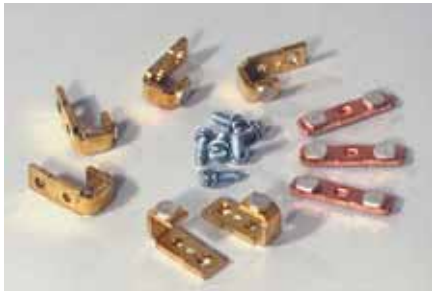


ASF127 control relay

Replacement Contacts

| SIEMENS REPLACEMENT CONTACTS | | | |
|-------------------------------------|-------|----------------|-------|
| Adams part no. | Type | Adams part no. | Type |
| ASF152 | 3TF44 | ASF157 | 3TF49 |
| ASF153 | 3TF45 | ASF158* | 3TF50 |
| ASF154 | 3TF46 | ASF159 | 3TF51 |
| ASF155 | 3TF47 | ASF160 | 3TF52 |
| ASF156* | 3TF48 | | |

*Not shown



ASF152



ASF155



ASF159



ASF153



ASF157



ASF160



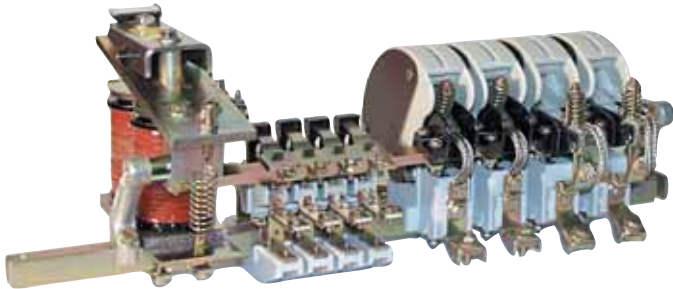
ASF154

ABB REPLACEMENT CONTACTOR PARTS - MANUFACTURER PART NUMBERS

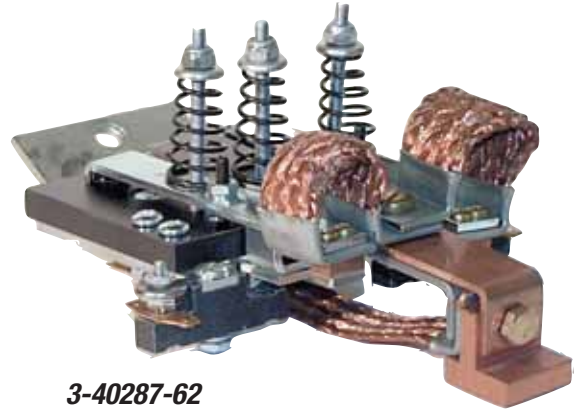
| FOR OEM PART # | REPLACEMENT COIL PART # ** | AUX. CONTACT KIT FOR N/O | AUX CONTACT KIT FOR N/C | ARC SHIELD |
|----------------|----------------------------|--------------------------|-------------------------|------------|
| EHDB130 | EHDBRC130 | EHDBCK130-2 | EHDBCK130-NC | EHDBAS130 |
| EHDB220 | EHDBRC220 | EHDBCK220-2 | EHDBCK220-NC | EHDBAS220 |
| EHDB280 | EHDBRC280 | EHDBCK280-2 | EHDBCK280-NC | EHDBAS280 |
| EHDB360 | EHDBRC360 | EHDBCK360-2 | EHDBCK360-NC | EHDBAS360 |

** SPECIFY VOLTAGE

Haugton



3-40394-67
Dynamic braking contactor



3-40287-62
Armature & contact assembly for
Type FIBA-22 magnetic switch

Haugton Contact Kits

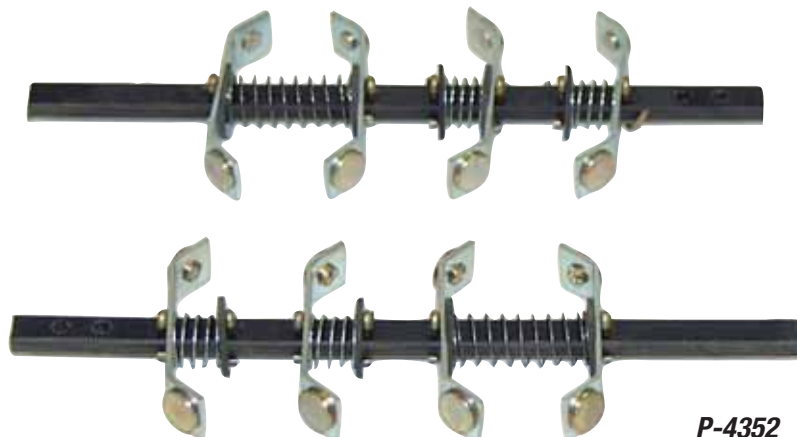


HA-1294-C3
Contact kit for contactor 3TF4622-OAK6



FE-964-C
Contact kit, 120VAC KM coil

Montgomery



P-4352
Contact assembly

Westinghouse

144A770H01

Arc shield for 6B3 contactor

**7431C87H20**OEM no. 5250C79G01
Coil, 120VAC, size 4K**X22GCS1G01**

Shunt, 7"L, for 6B contactor

**M4510G01**

Armature assembly for 6B1 contactor

M4523G01

Armature assembly for 6B2 contactor

**M4524G01**

Armature assembly for 6B3 contactor



Actual-Size Drawings Help You Order the Right Part

The drawings that follow are actual-size outlines of the contacts you are replacing.

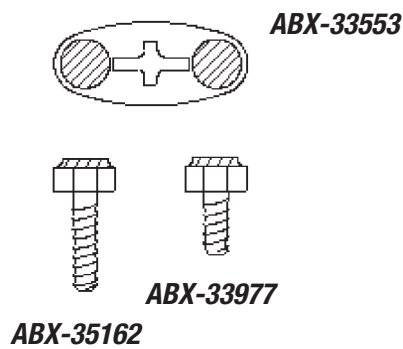
If you are not sure what replacement part to order, you can compare the part you have removed with the drawings until you find one that matches the size you need.

Use the same procedure to identify the replacement contact you need:

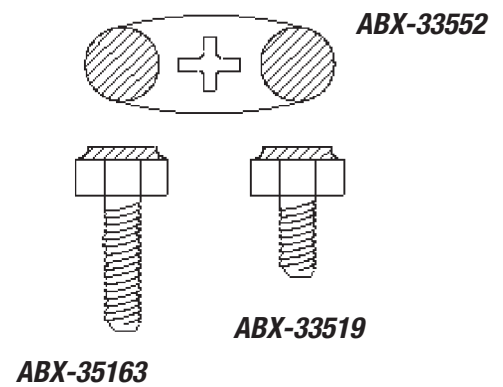
1. Go to the OEM section that corresponds to the make of the starter/contacter you are working on.
2. Find the series or model number of the contactor; if you don't know, flip through the pages until one of the contact drawings looks close to what you need.
3. Place the old contact on top of the drawing.
4. If the shape of the contact matches the drawing in all dimensions, that's the part to order.
5. If one or more dimensions are different, keep looking.
6. If you can't find what you need, please call your Adams sales representative for help.

Allen-Bradley Series A (Old Style)

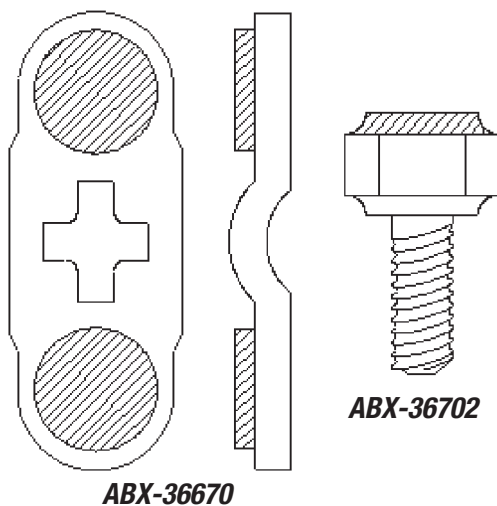
| ORDERING INFORMATION | | |
|----------------------|------|-----------|
| Stationary | | Movable |
| Part no. | Size | Part no. |
| ABX-33977 | 0 | ABX-33553 |
| ABX-35162 | 0 | |
| ABX-33519 | 1-1P | ABX-33552 |
| ABX-35163 | 1-1P | |
| ABX-36702 | 2 | ABX-36670 |
| ABX-36703 | 3 | ABX-36671 |



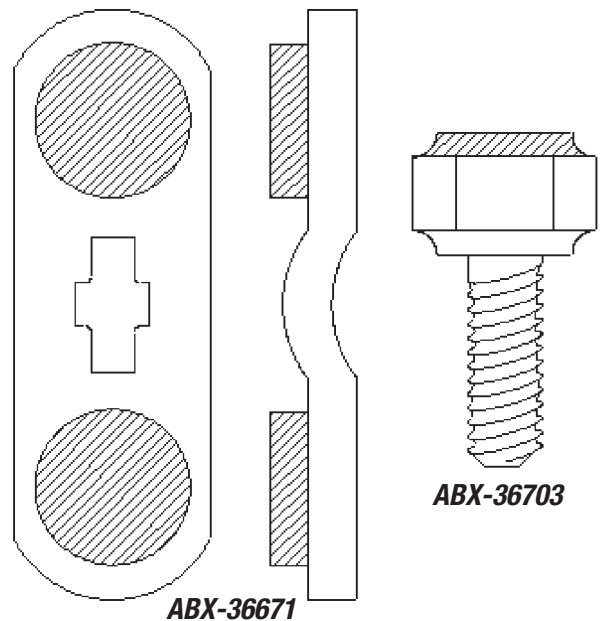
SIZE 0



SIZE 1



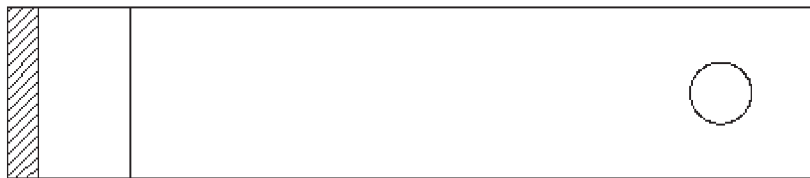
SIZE 2



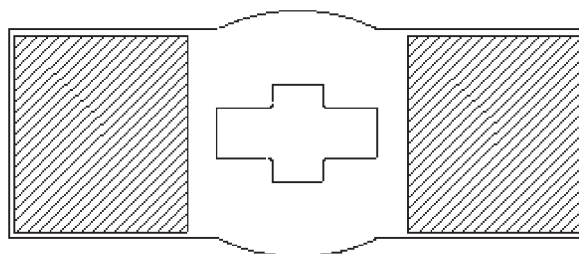
SIZE 3

Allen-Bradley Series A (Old Style)

| ORDERING INFORMATION | | |
|----------------------|----------|-------------------|
| Stationary | | Movable |
| Part no. | Size | Part no. |
| AB-X67541 | 4 | ABX-119624 |



ABX-67541

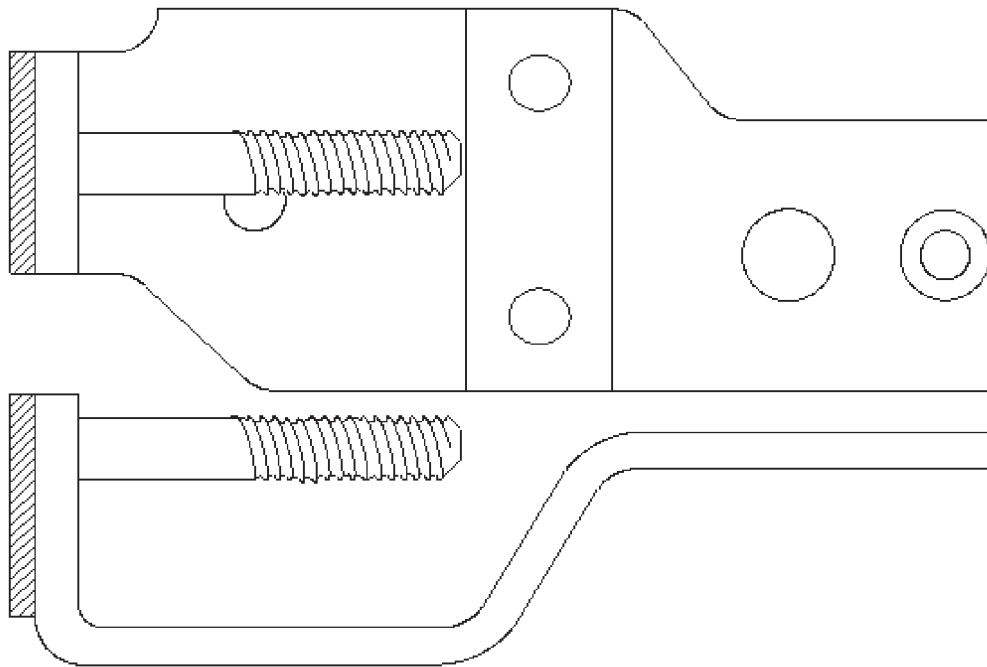


ABX-119624

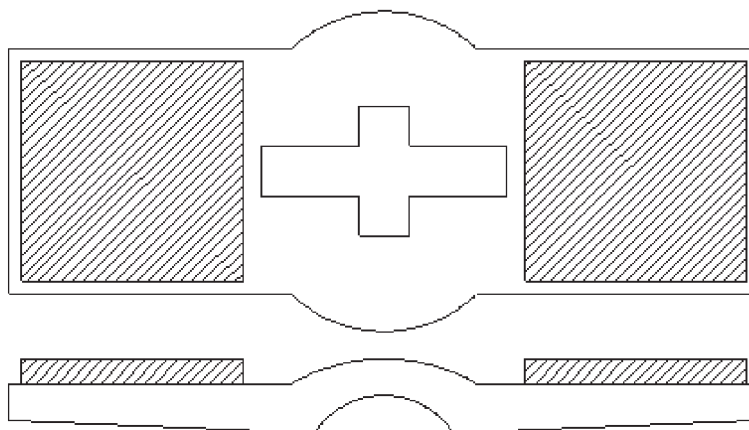


Allen-Bradley Series A (Old Style)

| ORDERING INFORMATION | | |
|----------------------|------|------------|
| Stationary | | Movable |
| Part no. | Size | Part no. |
| ABX-98909 | 5 | ABX-104555 |



ABX-98909



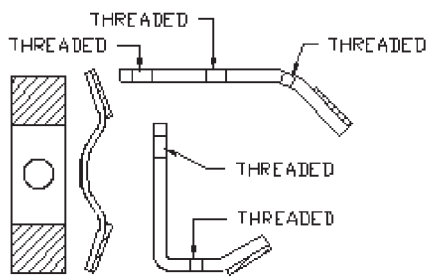
ABX-104555

Allen-Bradley Series K

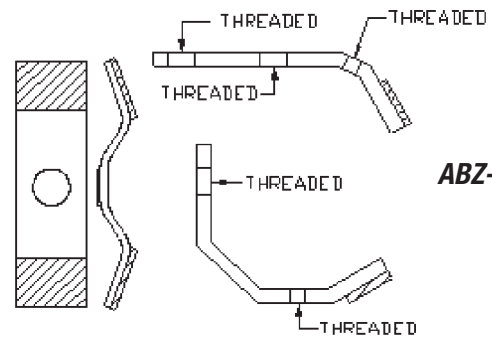
ORDERING INFORMATION

| Part no. | Size |
|------------------|------|
| ABZ-34037 | 0 |
| ABZ-34038 | 1 |
| ABZ-34039 | 2 |
| ABZ-34040 | 3 |

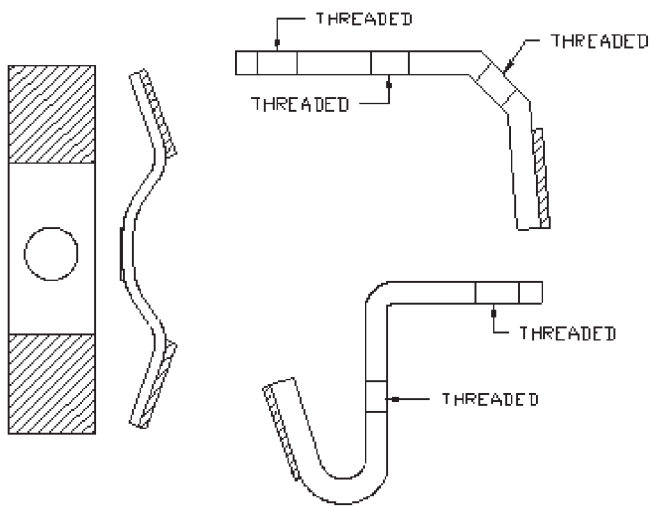
ABZ-34037



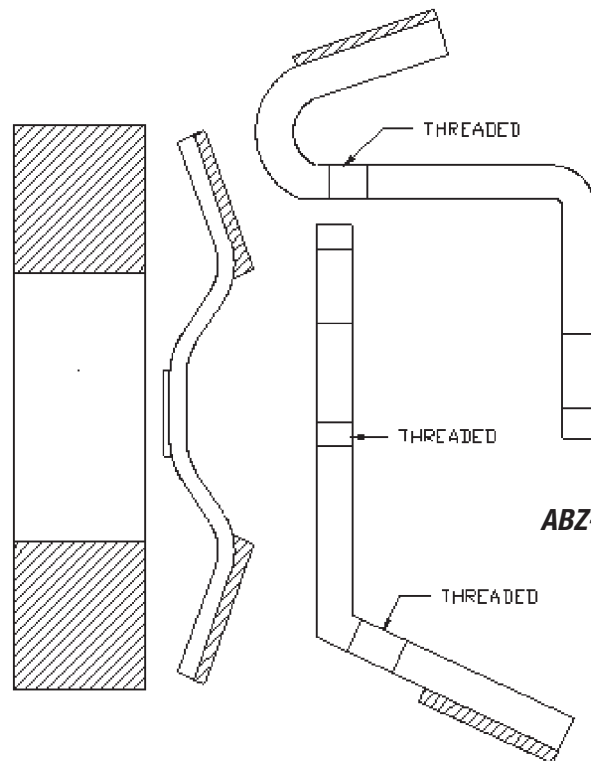
ABZ-34038



ABZ-34039

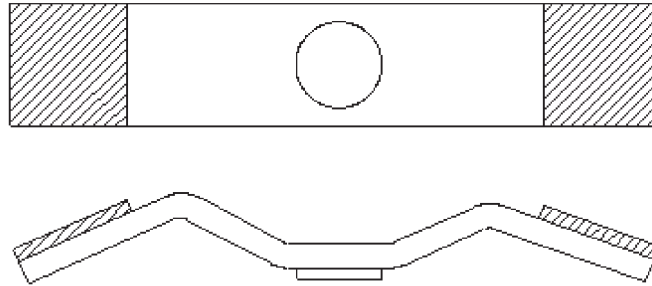


ABZ-34040

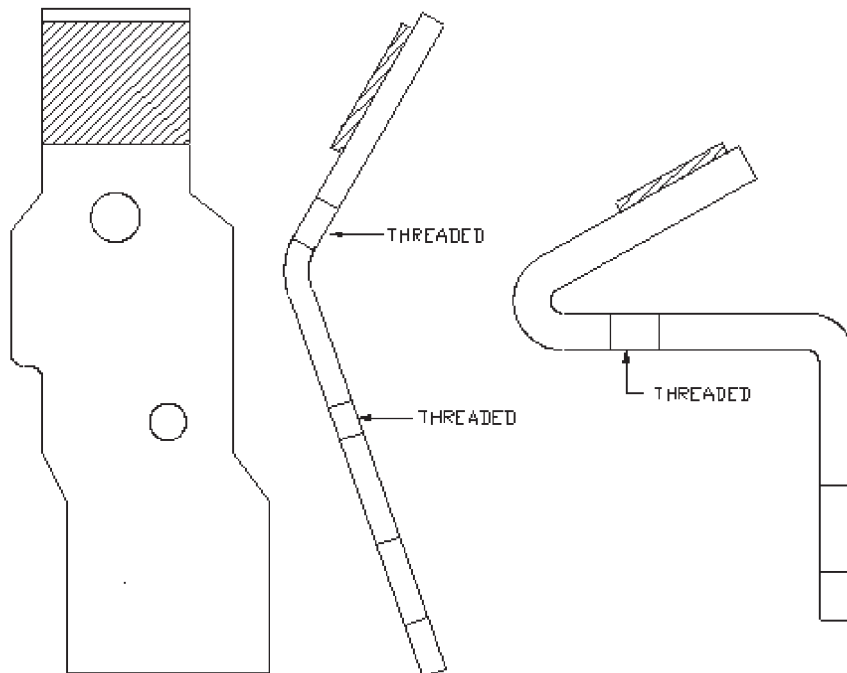


Allen-Bradley Series K

| ORDERING INFORMATION | |
|----------------------|------|
| Part no. | Size |
| ABZ-34041 | 4 |



ABZ-34041

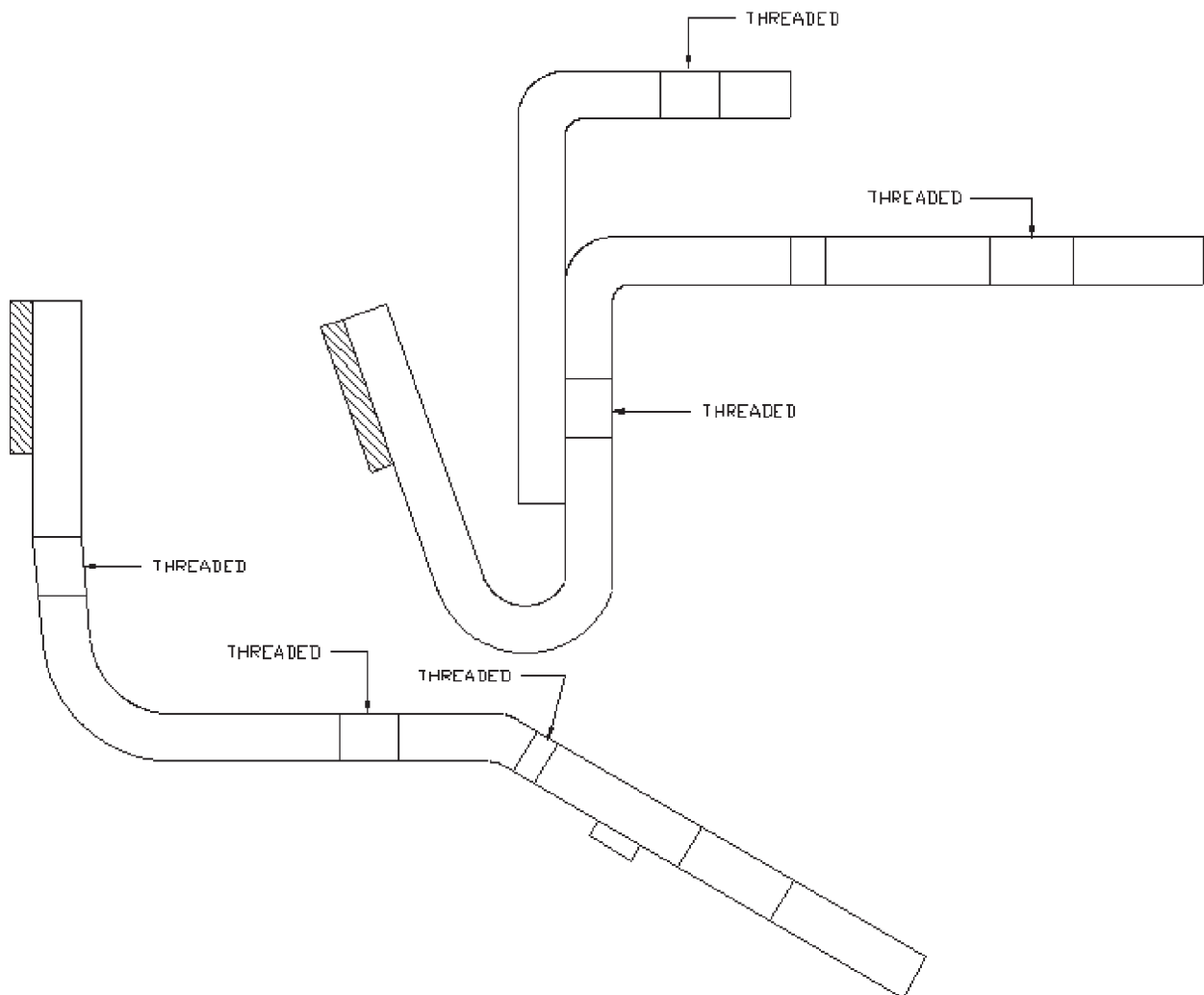
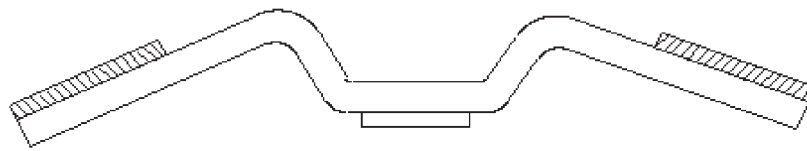
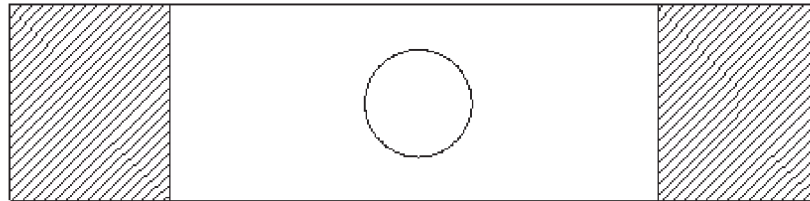


Allen-Bradley Series K

ORDERING INFORMATION

| Part no. | Size |
|------------------|------|
| ABZ-34042 | 5 |

ABZ-34042

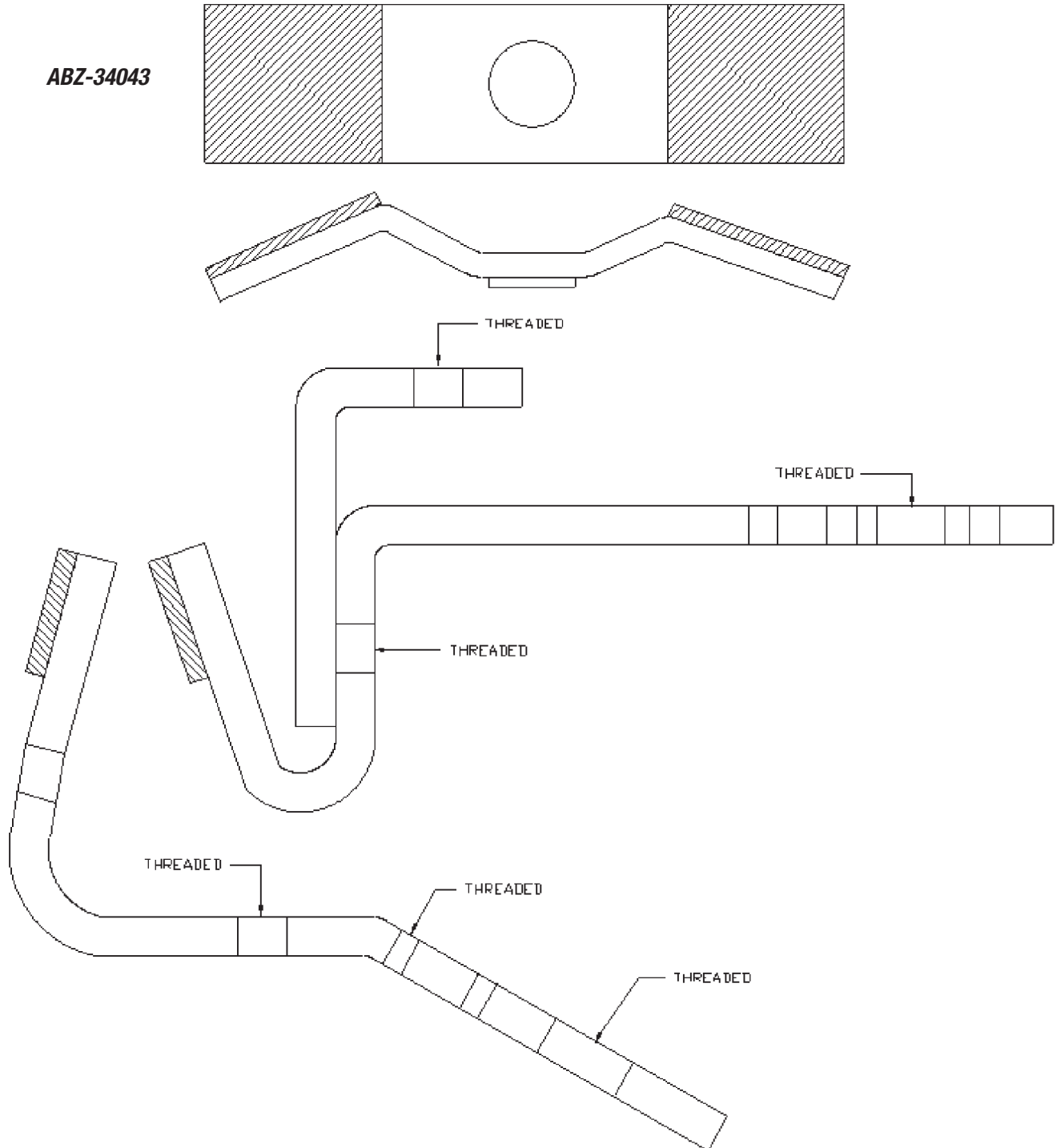


Allen-Bradley Series K

ORDERING INFORMATION

| Part no. | Size |
|------------------|------|
| ABZ-34043 | 5 |

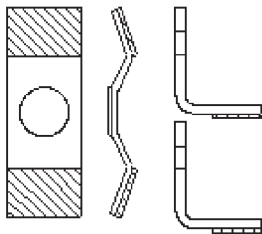
ABZ-34043



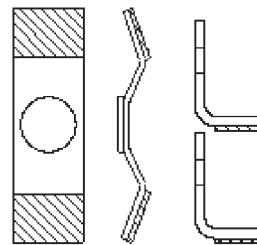
Allen-Bradley Bulletin 500

| ORDERING INFORMATION | | |
|----------------------|------|-------|
| Part no. | Size | Amps |
| AB40410-331-51 | 0 | 15/20 |
| AB40410-331-52/54 | 1 | 30 |
| AB40420-322-51/52 | 2 | 60 |
| AB40430-300-51/52/53 | 3 | 100 |

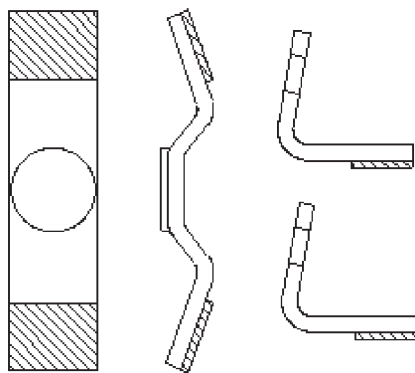
AB40410-331-51



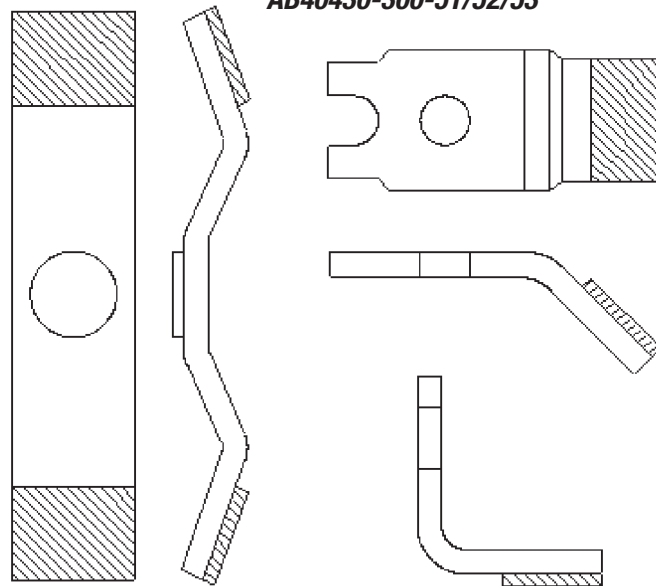
AB40410-331-52/54



AB40420-322-51/52

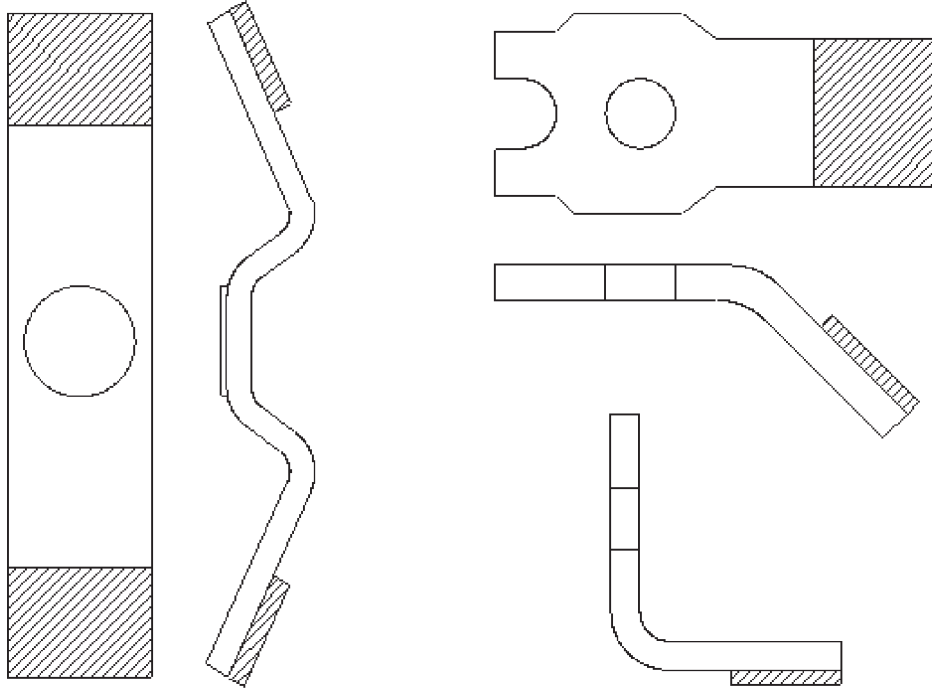


AB40430-300-51/52/53

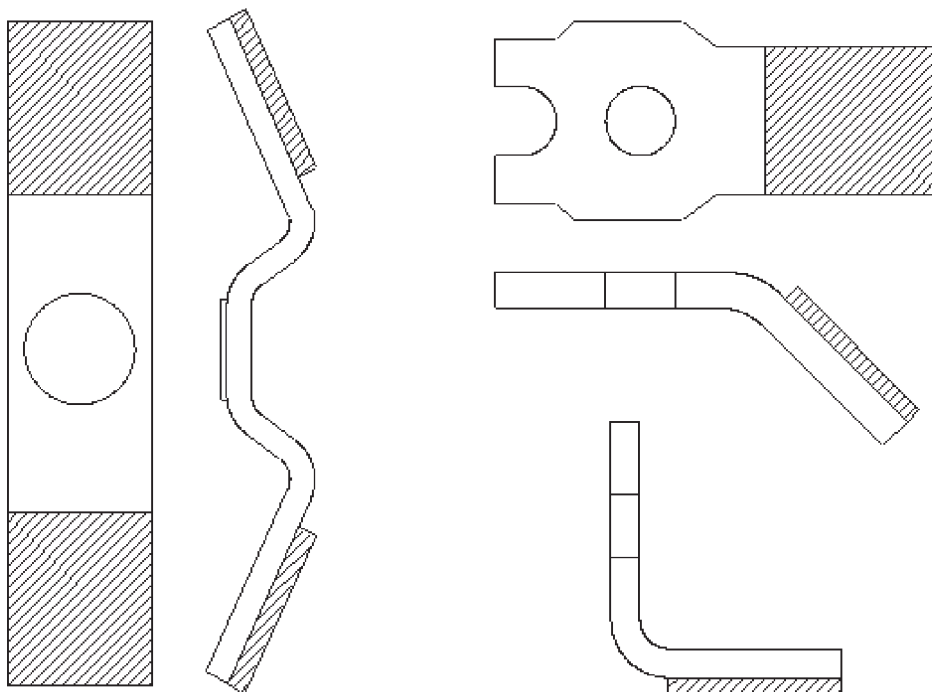


Allen-Bradley Bulletin 500

| ORDERING INFORMATION | | |
|----------------------|------|------|
| Part no. | Size | Amps |
| AB40440-300-51 | 4 | — |
| AB40440-325-52/53 | — | 200 |
| AB42450-805-01/02 | 5 | 300 |



AB40440-300-51
AB40440-325-52/53



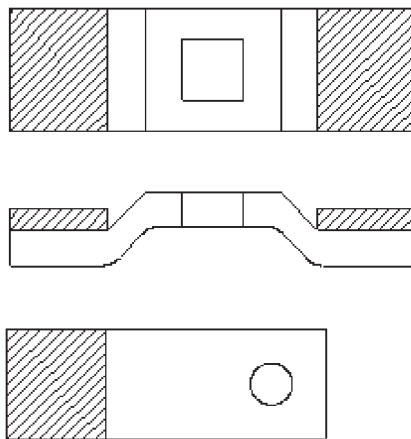
AB42450-805-01/02

Arrow-Hart

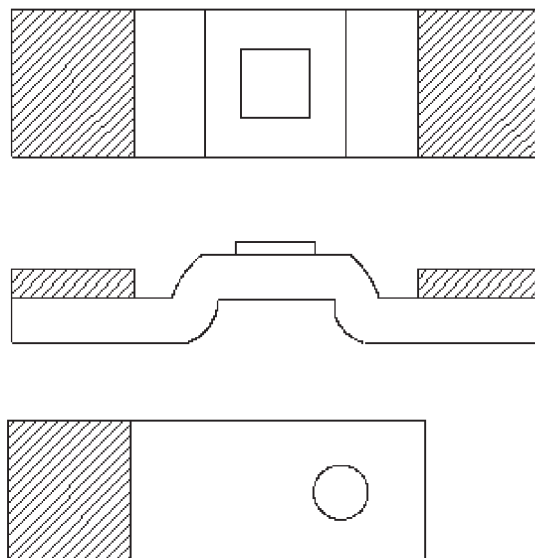
ORDERING INFORMATION

| Part no. | Size |
|-------------|------|
| AH37640-301 | 2 |
| AH38640-301 | 3 |

AH37640-301



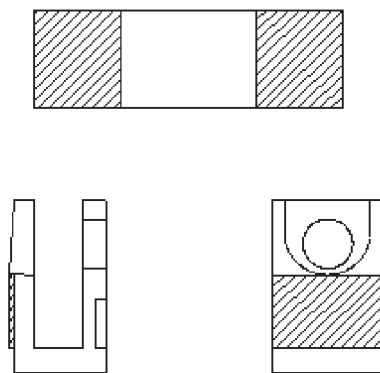
AH38640-301



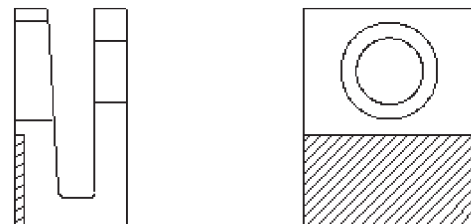
Asea Brown Boveri-Type EG General Purpose

| ORDERING INFORMATION | | |
|-----------------------------|------|---------|
| Part no. | Size | # Poles |
| ABBEG801CK | 3 | 3 |
| ABBEG1601CK | 4 | 3 |
| ABBEG3151CK | 5 | 3 |
| ABBEG6302CK | 6 | |
| ABBEG900CK | 7 | |

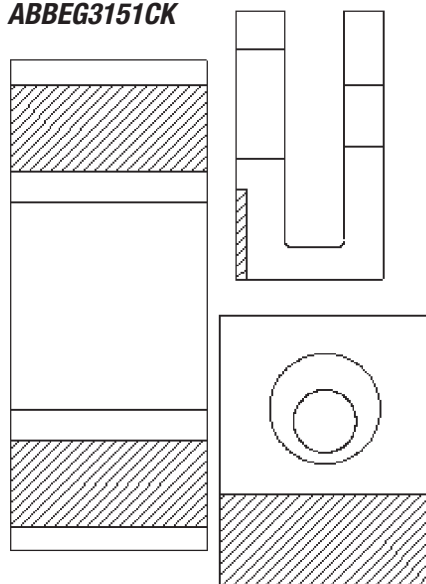
ABBEG801CK



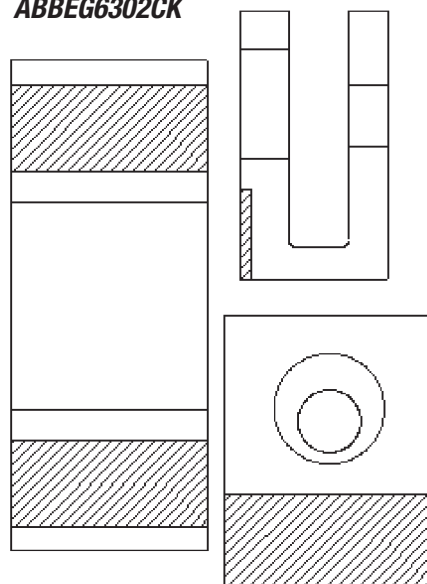
ABBEG1601CK



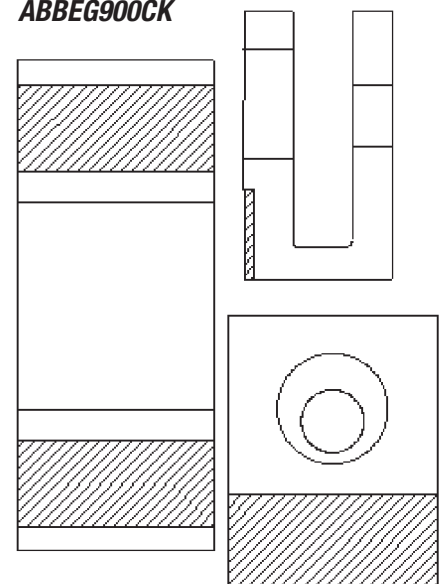
ABBEG3151CK



ABBEG6302CK



ABBEG900CK

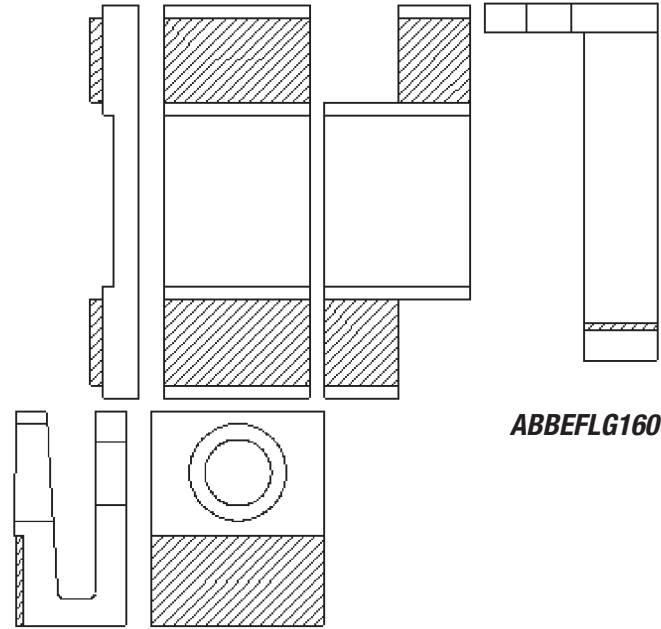
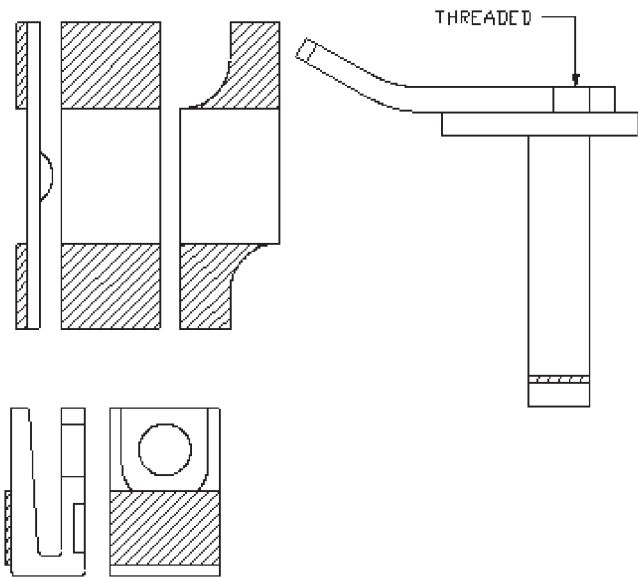


Asea Brown Boveri-Type EFLG General Purpose

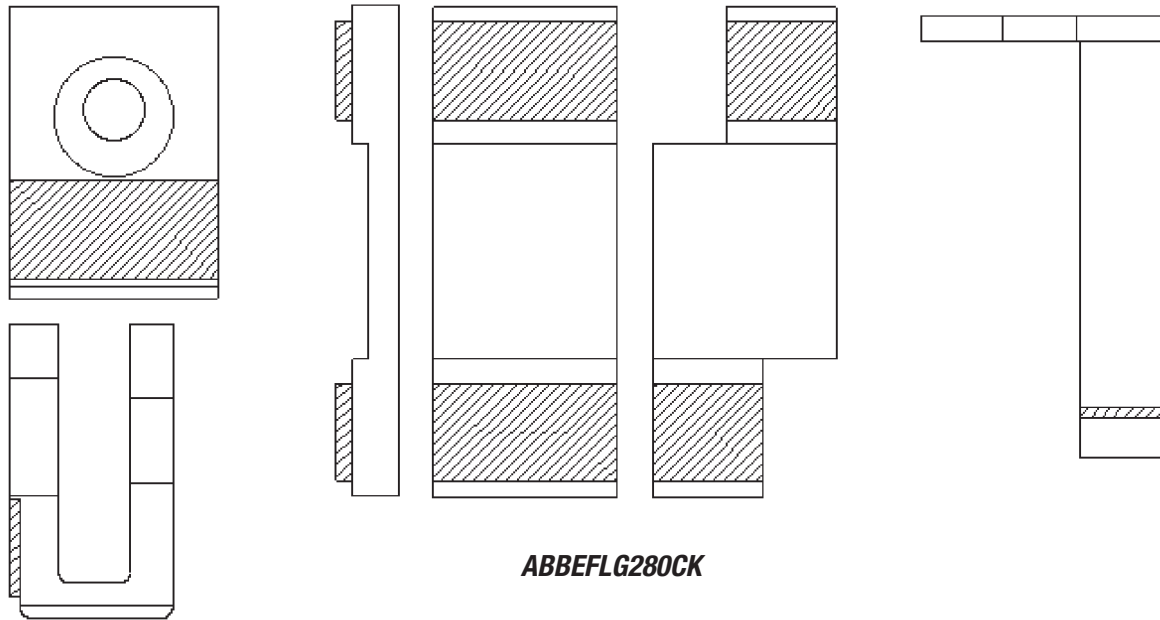
ORDERING INFORMATION

| Part no. | 3-pole kit contacts | Amps |
|---------------------|---------------------|------|
| ABBEFLG80CK | | 110 |
| ABBEFLG160CK | | 180 |
| ABBEFLG280CK | | 280 |

ABBEFLG80CK



ABBEFLG160CK

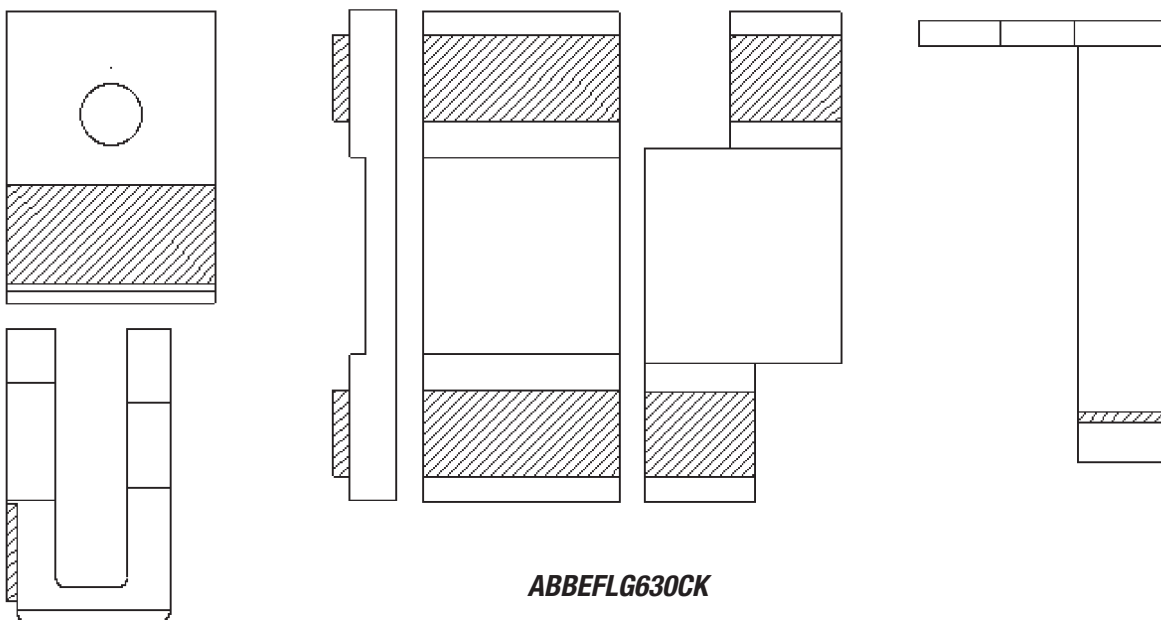
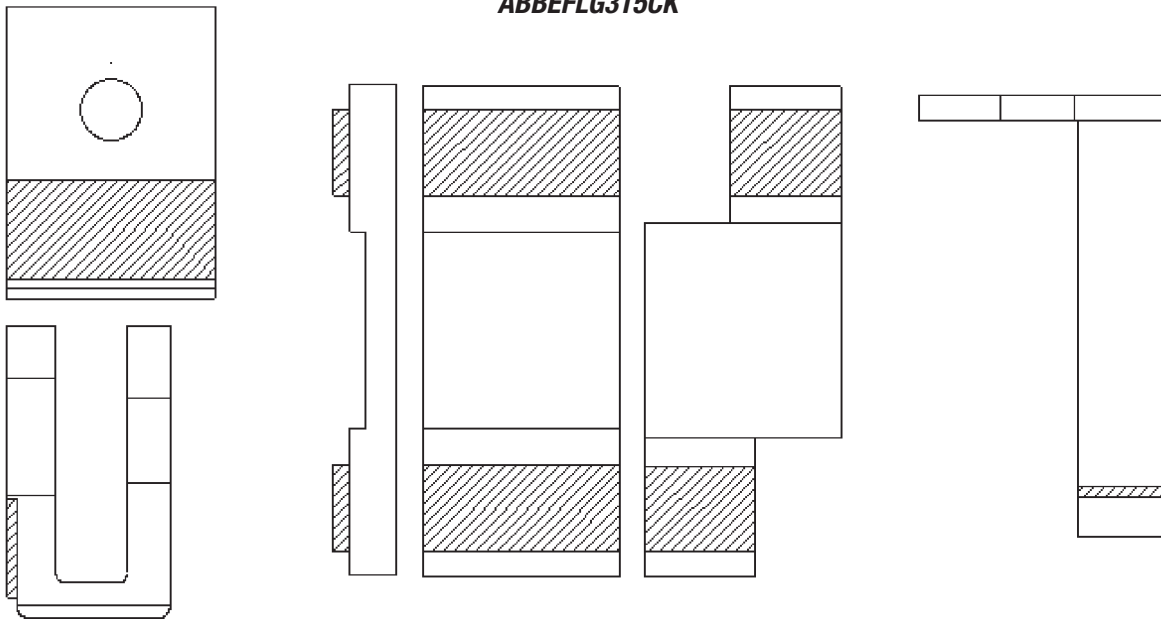


ABBEFLG280CK

Asea Brown Boveri–Type EFLG General Purpose

| ORDERING INFORMATION | | |
|-----------------------------|---------------------|------|
| Part no. | 3-pole kit contacts | Amps |
| ABBEFLG315CK | | 360 |
| ABBEFLG630CK | | 535 |

ABBEFLG315CK

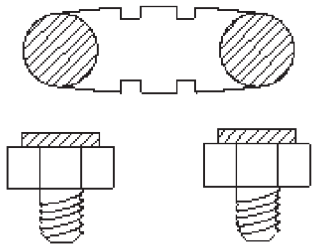


ABBEFLG630CK

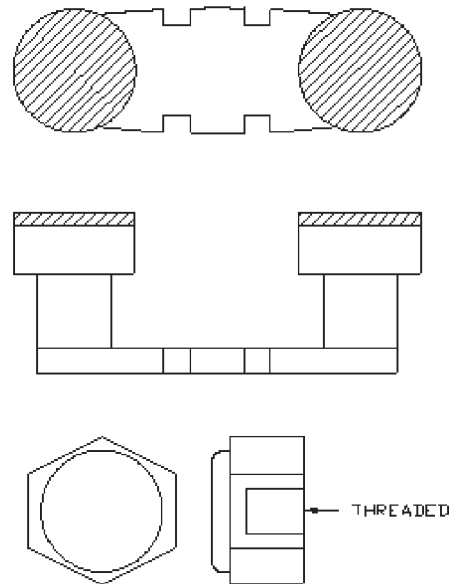
Joslyn-Clark, Type CY

| ORDERING INFORMATION | |
|----------------------|------|
| Part no. | Size |
| JCCY-31-1 | 1 |
| JCCY-32-1 | 2 |
| JCCY-33-1 | 3 |
| JCCY-34-1 | 4 |

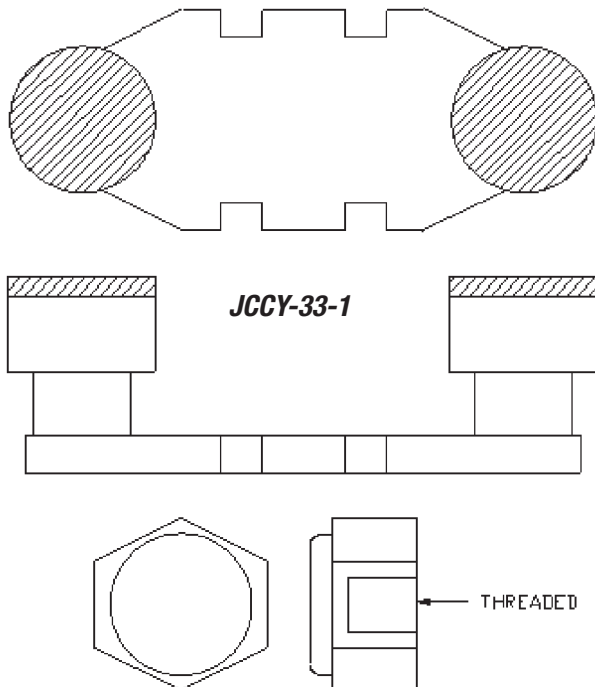
JCCY-31-1



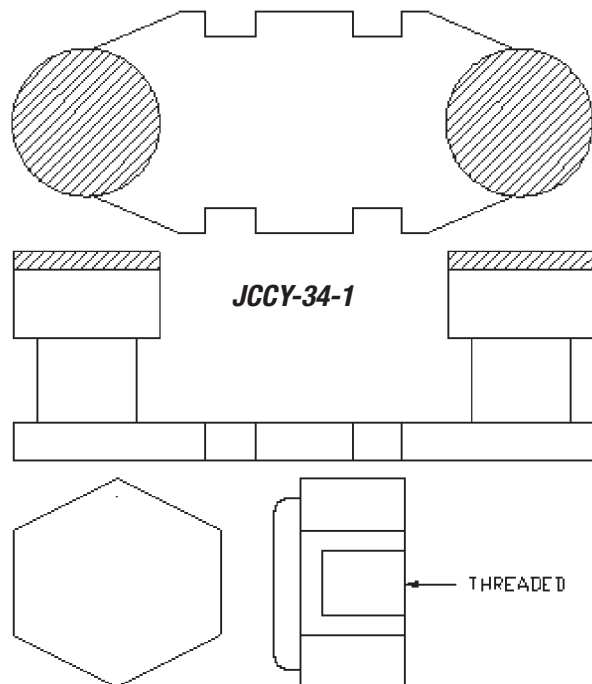
JCCY-32-1



JCCY-33-1



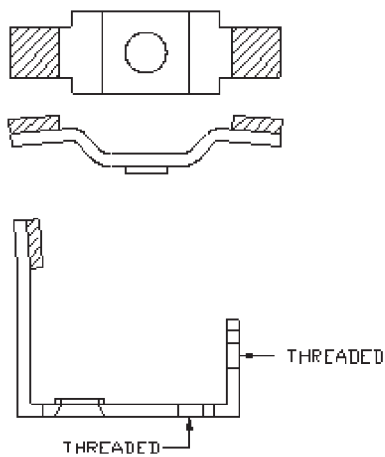
JCCY-34-1



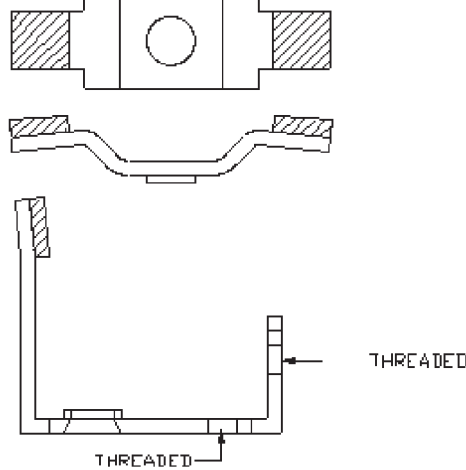
Joslyn-Clark, Type KTM

| ORDERING INFORMATION | |
|----------------------|----------|
| Part no. | Size |
| JCKTM-31-1 | 00, 0, 1 |
| JCKTM-32-1 | 1P, 2 |
| JCKTM-33-1 | 3 |
| JCKTM-34-1 | 4 |
| JCKTM-35-1 | 5 |

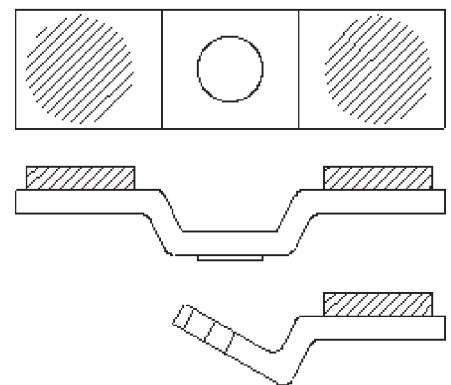
JCKTM-31-1



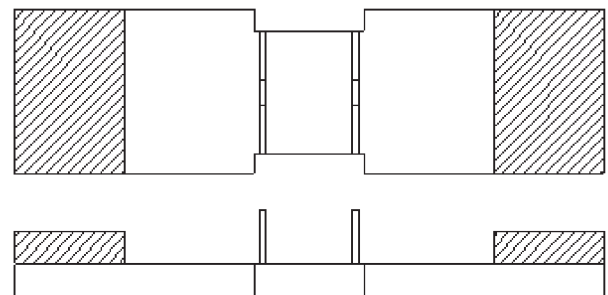
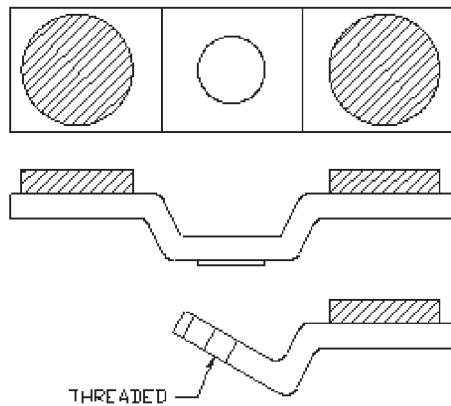
JCKTM-32-1



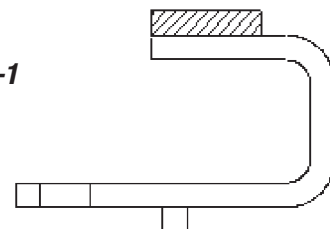
JCKTM-33-1



JCKTM-34-1



JCKTM-35-1

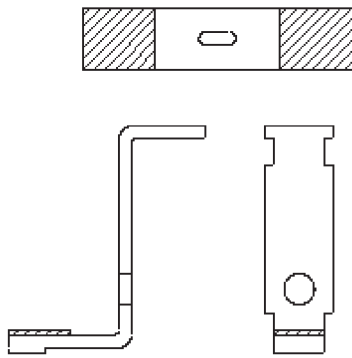


Cutler Hammer

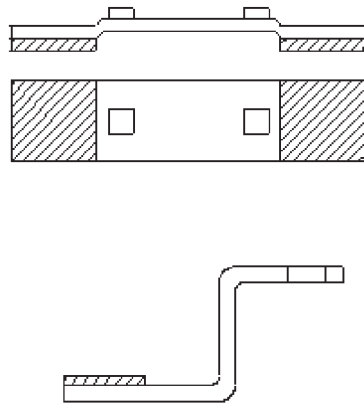
ORDERING INFORMATION

| Part no. | Size | Series |
|----------|------|--------|
| CH6-23-2 | 1 | A1 |
| CH6-24-2 | 2 | A1 |
| CH6-34-2 | 2 | B1 |
| CH6-25-2 | 3 | A1 |
| CH6-35-2 | 3 | B1 |

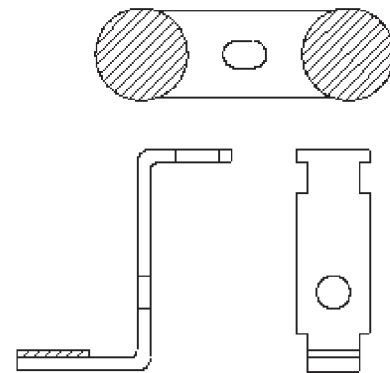
CH6-23-2



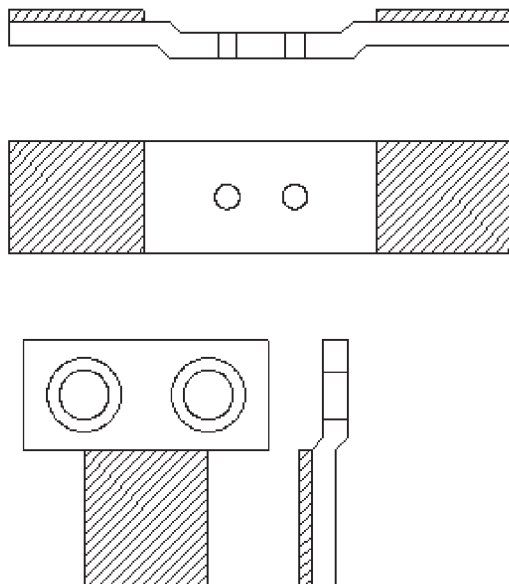
CH6-24-2



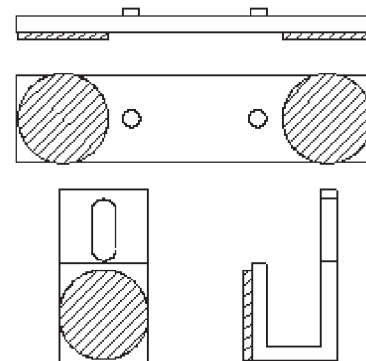
CH6-34-2



CH6-25-2



CH6-35-2

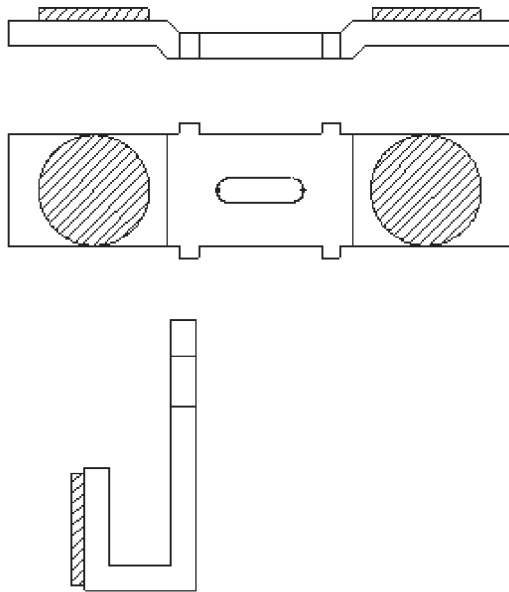


Cutler Hammer

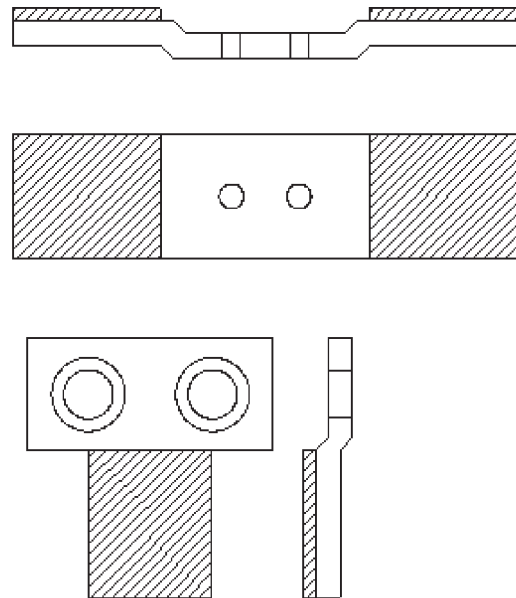
ORDERING INFORMATION

| Part no. | Size | Series |
|----------|------|--------|
| CH6-36-4 | 4 | B1 |
| CH6-26-2 | 4 | A1 |
| CH6-36-2 | 4 | B1 |
| CH6-27-2 | 5 | A1 |

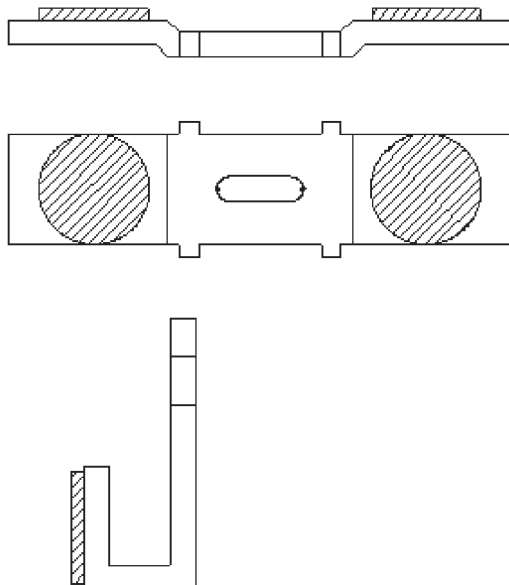
CH6-36-4



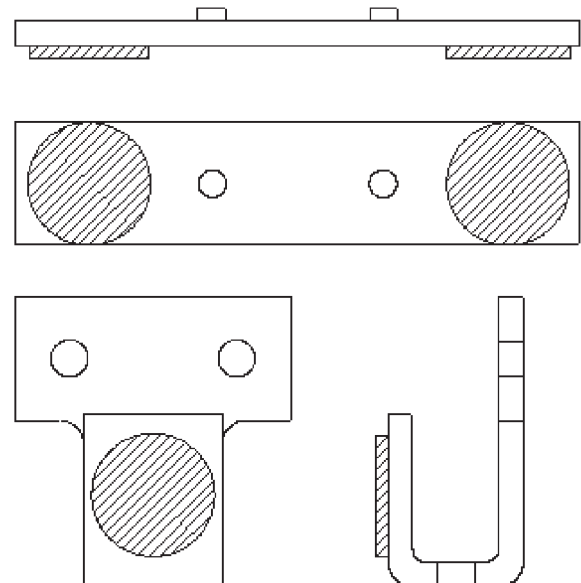
CH6-26-2



CH6-36-2

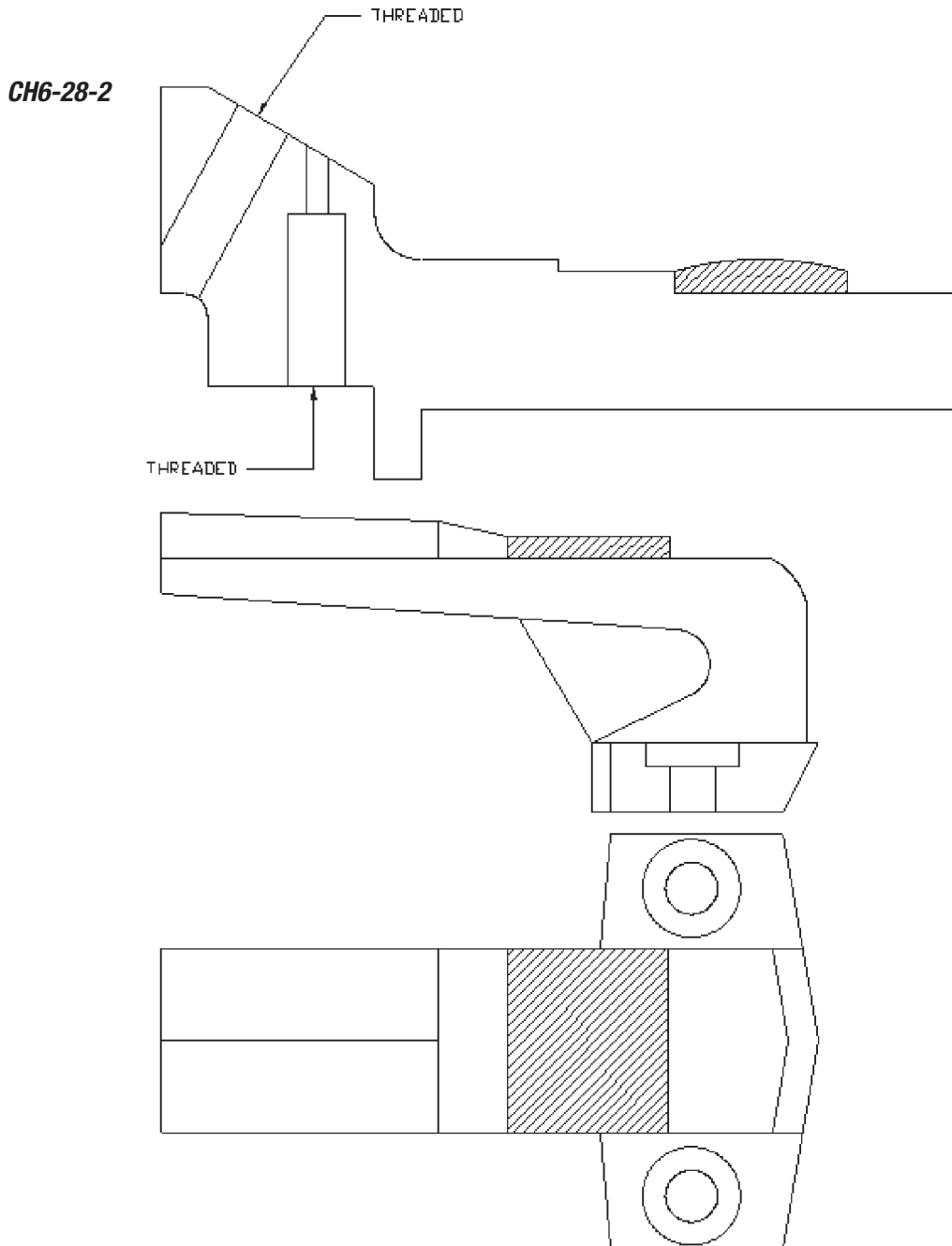


CH6-27-2



Cutler Hammer

| ORDERING INFORMATION | | |
|----------------------|--------|--------|
| Part no. | Size | Series |
| CH6-28-2 | 6 or 7 | A1 |



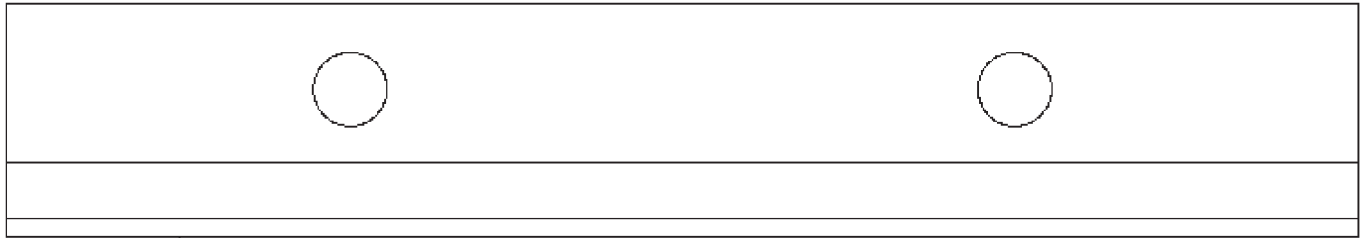
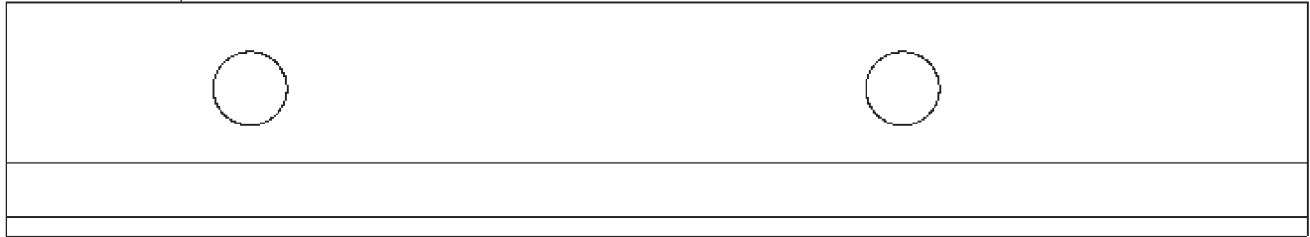
Cutler Hammer

ORDERING INFORMATION

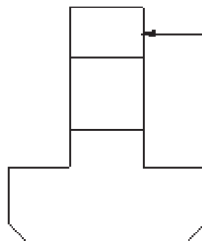
| Part no. | Size | Series |
|-----------|------|--------|
| CH6-203-3 | 5 | 9141 |
| CH6-203-2 | 4 | 9141 |

CH6-203-3

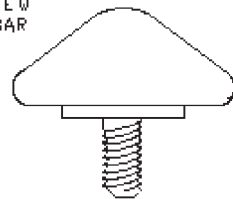
1-PIECE



4-PIECES

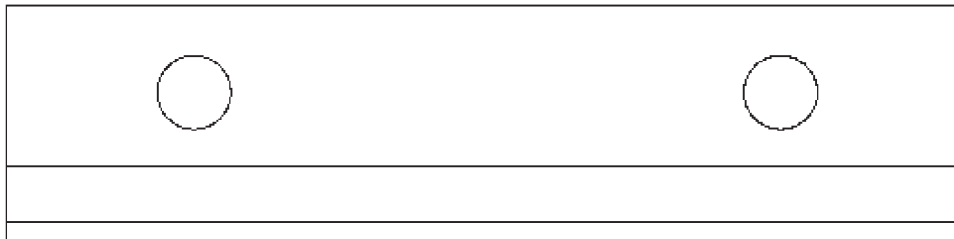


END VIEW OF T-BAR

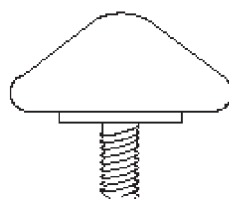
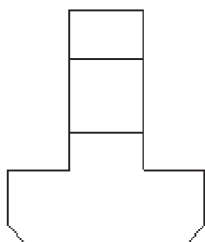


18-PIECES

CH6-203-2



5-PIECES



18-PIECES

Cutler-Hammer

Freedom Series Replacement Contact Kits

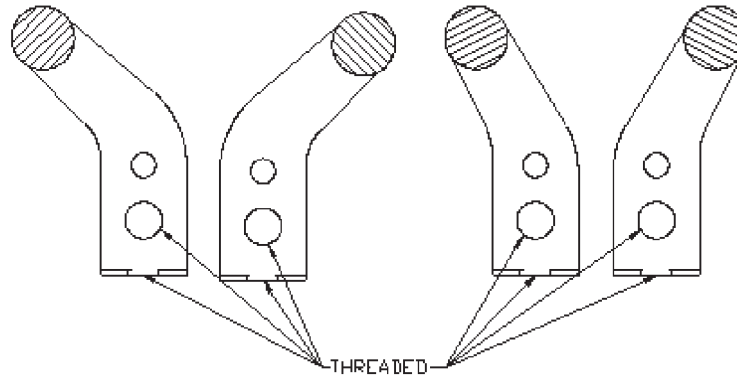
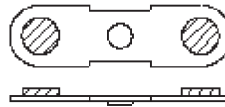
NEMA Rated and European Design

| ORDERING INFORMATION | | | |
|----------------------|---------|-----------|---------------|
| Size | # poles | Part no. | Type |
| 1 | 2 | CH6-65 | NEMA |
| 1 | 3 | CH6-65-2 | NEMA |
| 1 | 4 | CH6-65-9 | NEMA |
| 1 | 5 | CH6-65-10 | NEMA |
| 2 | 2 | CH6-65-7 | NEMA, IEC "J" |
| 2 | 3 | CH6-65-8 | NEMA, IEC "J" |
| 2 | 4 | CH6-65-15 | NEMA, IEC "J" |
| 2 | 5 | CH6-65-16 | NEMA, IEC "J" |
| 3 | 2 | CH6-43 | NEMA, IEC "M" |
| 3 | 3 | CH6-43-2 | NEMA, IEC "M" |
| 4 | 2 | CH6-44 | NEMA |
| 4 | 3 | CH6-44-2 | NEMA |
| 5 | 2 | CH6-45 | NEMA |
| 5 | 3 | CH6-45-2 | NEMA |
| G | 2 | CH6-53-3 | IEC |
| G | 3 | CH6-65-4 | IEC |
| G | 4 | CH6-65-11 | IEC |
| G | 5 | CH6-65-12 | IEC |
| H | 2 | CH6-65-5 | IEC |
| H | 3 | CH6-65-6 | IEC |
| H | 4 | CH6-65-13 | IEC |
| H | 5 | CH6-65-14 | IEC |
| K | 2 | CH6-65-18 | IEC |
| K | 3 | CH6-65-17 | IEC |
| L | 2 | CH6-43-3 | IEC |
| L | 3 | CH6-43-4 | IEC |
| N | 2 | CH6-43-5 | IEC |
| N | 3 | CH6-43-6 | IEC |

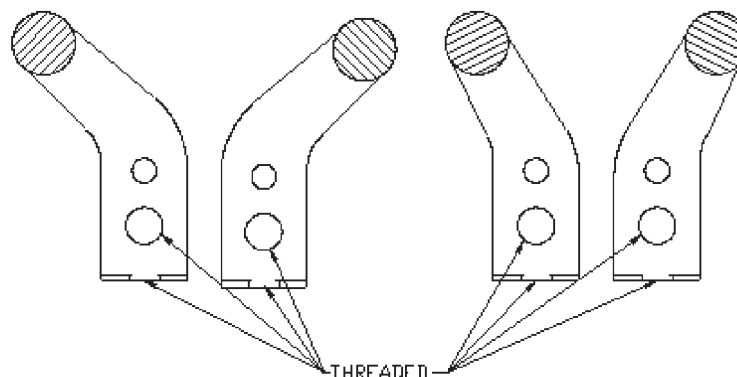
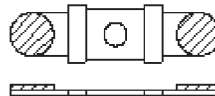
Federal Pacific—Class 5480

| ORDERING INFORMATION | |
|----------------------|------|
| Part no. | Size |
| FP5480CR50A | 00 |
| FP5480CR50 | 0 |

FP5480CR50A



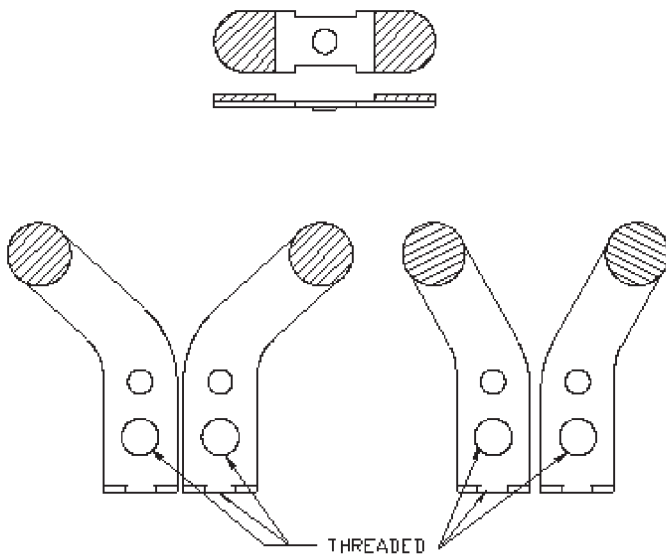
FP5480CR50



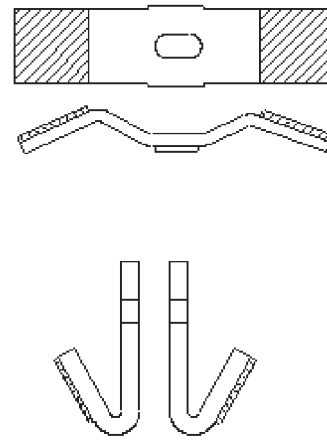
Federal Pacific—Class 5480

| ORDERING INFORMATION | |
|----------------------|------|
| Part no. | Size |
| FP5480CR51 | 1 |
| FP5480CR36 | 2 |
| FP5480CR38 | 3 |
| FP5480CR39 | 4 |

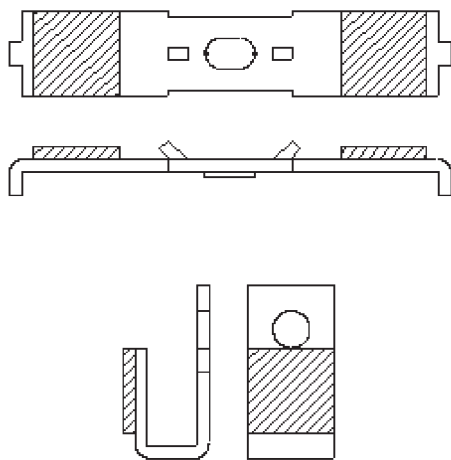
FP5480CR51



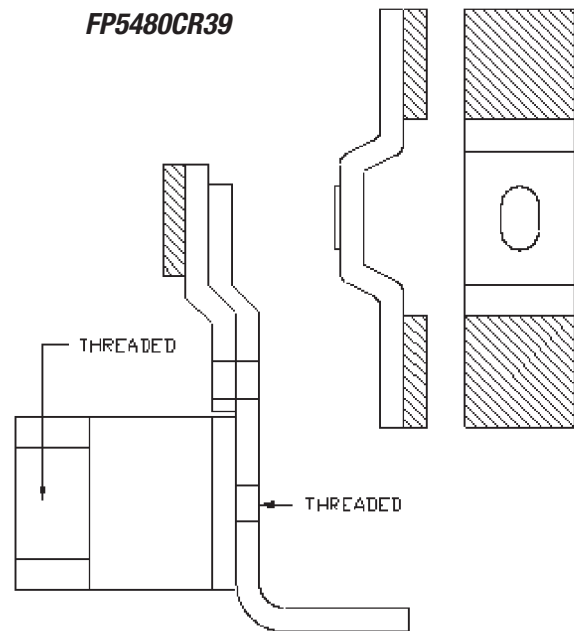
FP5480CR36



FP5480CR38



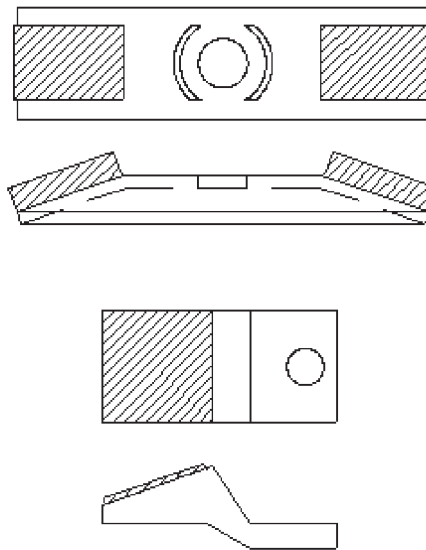
FP5480CR39



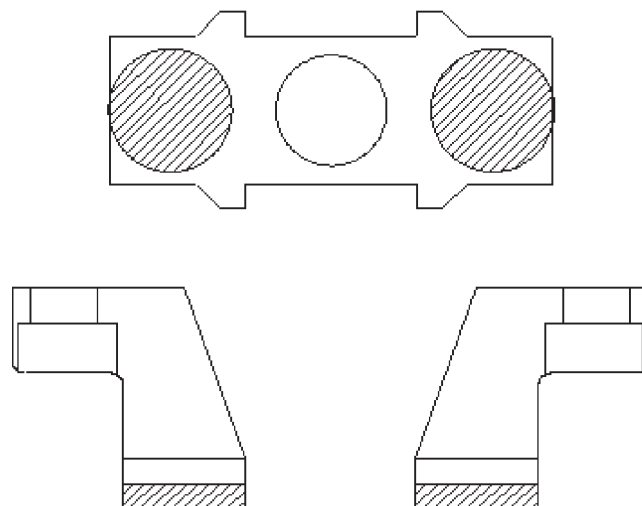
Federal Pacific—Class 5480

| ORDERING INFORMATION | |
|----------------------|------|
| Part no. | Size |
| FP5480CR39A | 4 |
| FP477B477G05 | 5 |

FP5480CR39A

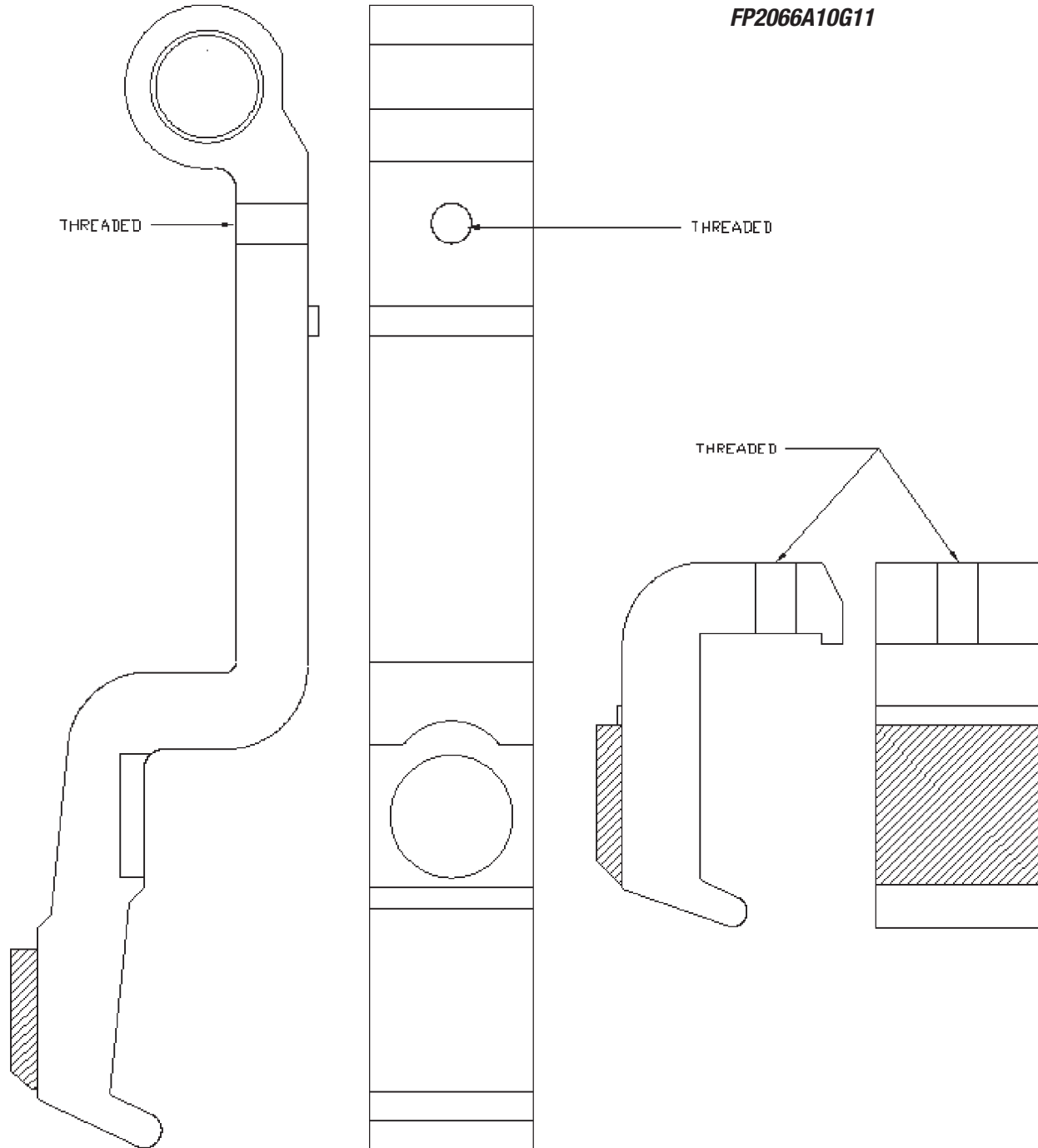


FP477B477G05



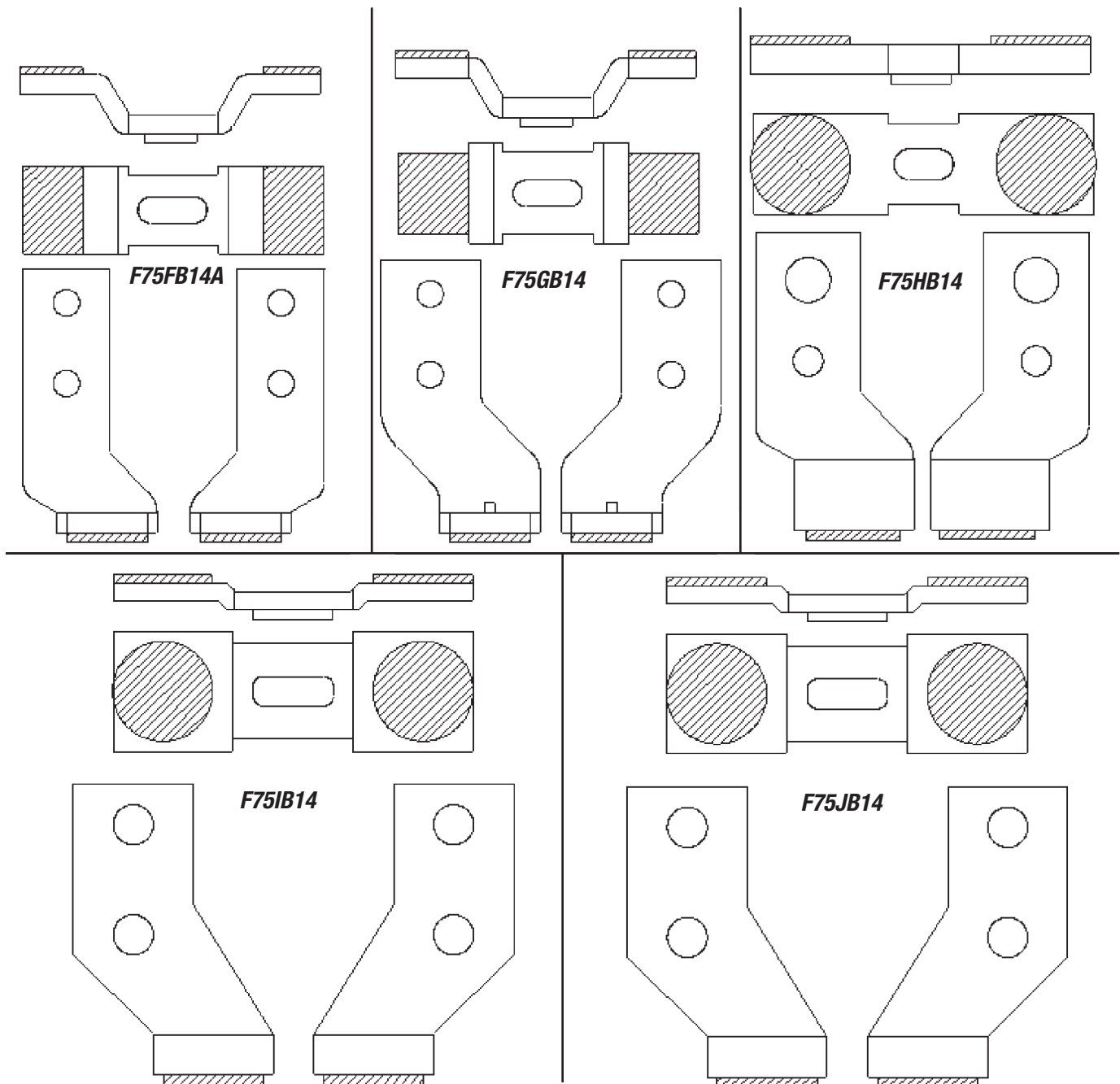
Federal Pacific—Class 5480

| ORDERING INFORMATION | |
|----------------------|------|
| Part no. | Size |
| FP2066A10G11 | 6 |



Furnas—Model B

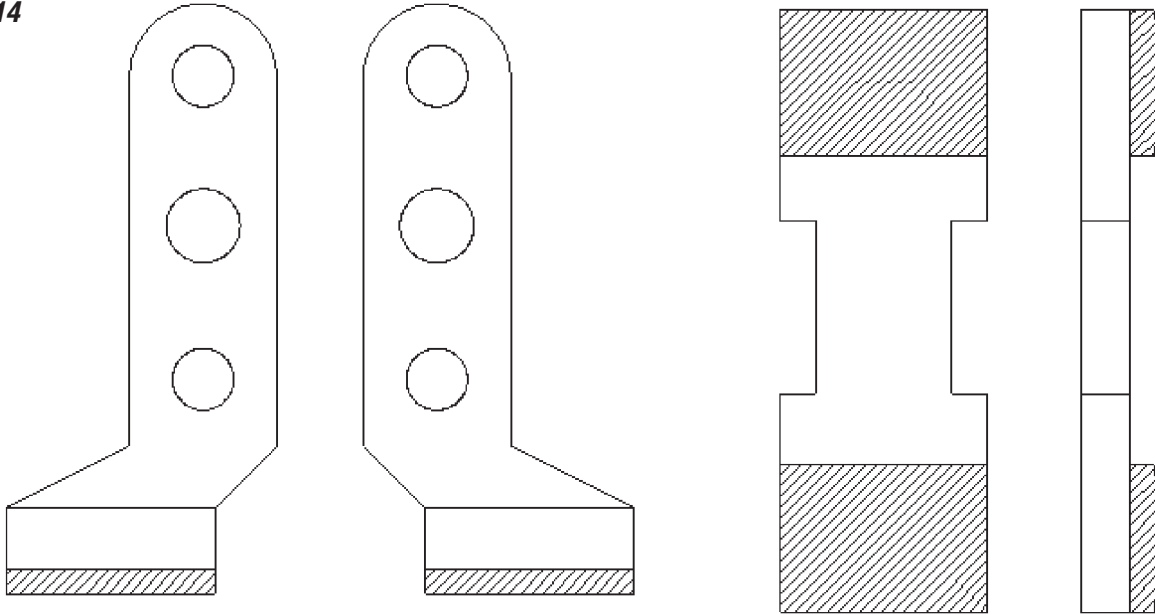
| ORDERING INFORMATION | |
|----------------------|------|
| Part no. | Size |
| F75FB14A | 2 |
| F75GB14 | 2½ |
| F75HB14 | 3 |
| F75IB14 | 3½ |
| F75JB14 | 4 |



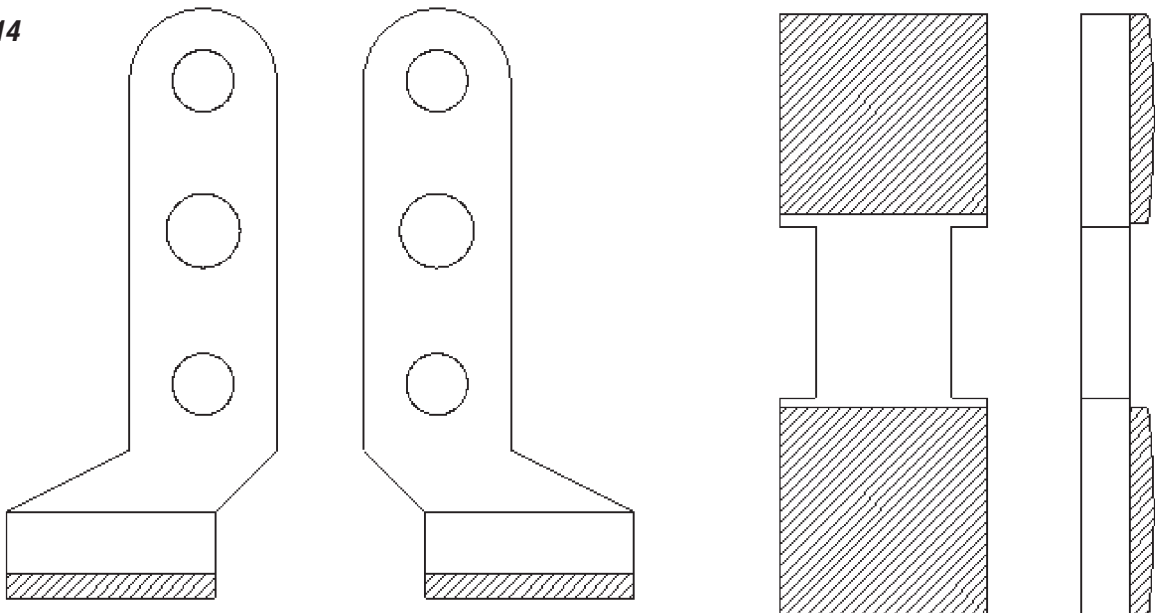
Furnas—Model B

| ORDERING INFORMATION | |
|----------------------|------|
| Part no. | Size |
| F75RB14 | 4½ |
| F75KB14 | 5 |

F75RB14



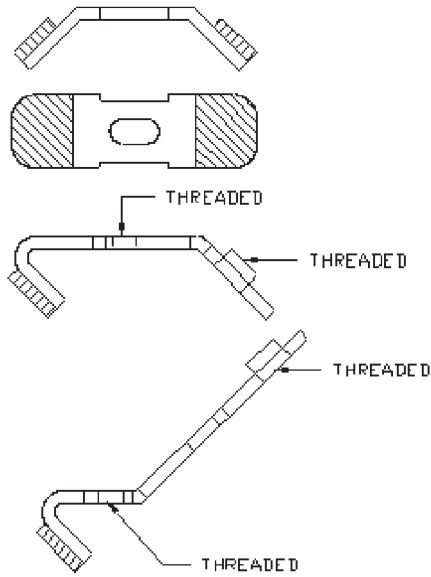
F75KB14



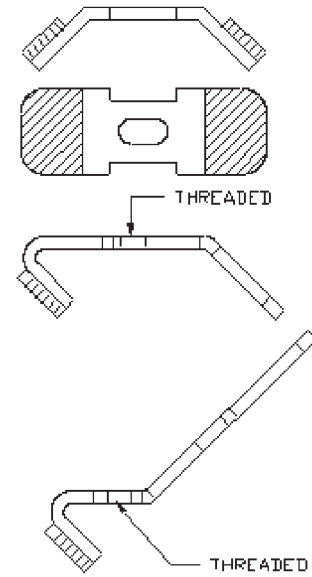
Furnas—Innova 45

| ORDERING INFORMATION | |
|----------------------|-------------------------------|
| Part no. | Size |
| F 75DF14 | 1 |
| F 75EF14 | 1 ³ / ₄ |
| F 75FF14 | 2 |
| F 75FP14 | 2 |

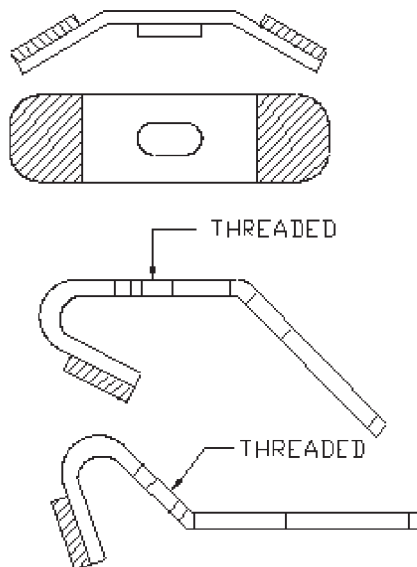
F 75DF14



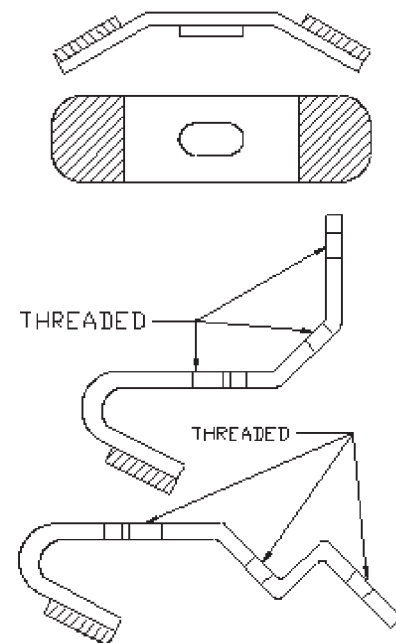
F 75EF14



F 75FF14



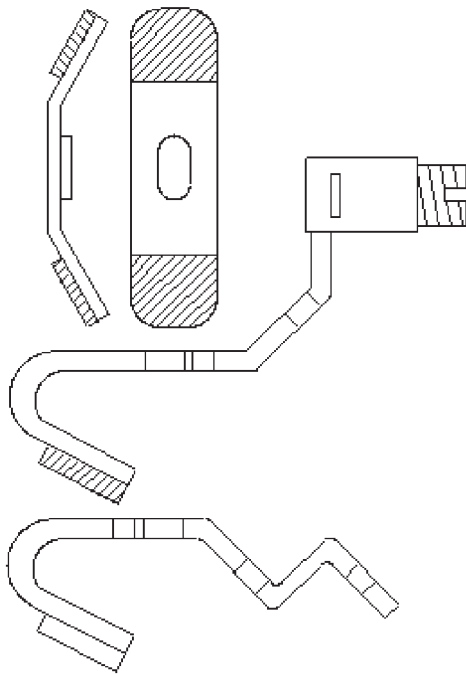
F 75FP14



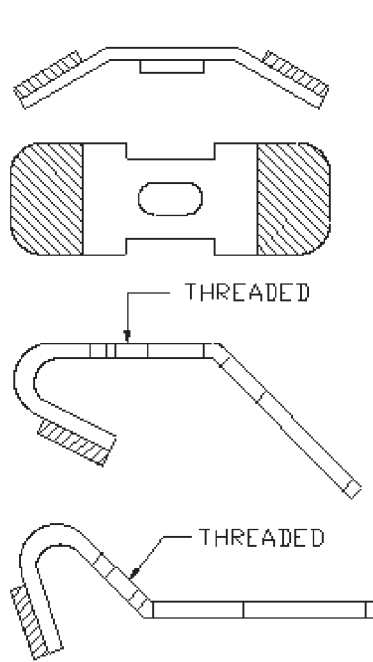
Furnas—Innova 45

| ORDERING INFORMATION | |
|----------------------|------|
| Part no. | Size |
| F75FP109153 | 2 |
| F75GF14 | 2½ |
| F75GP14 | 2½ |
| F75HF14 | 3 |
| F75IF14 | 3½ |

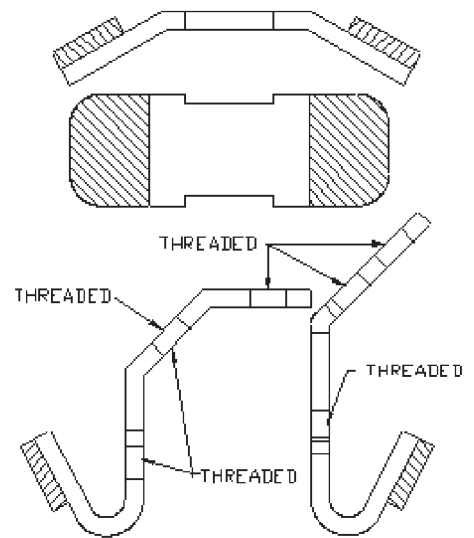
F75FP109153



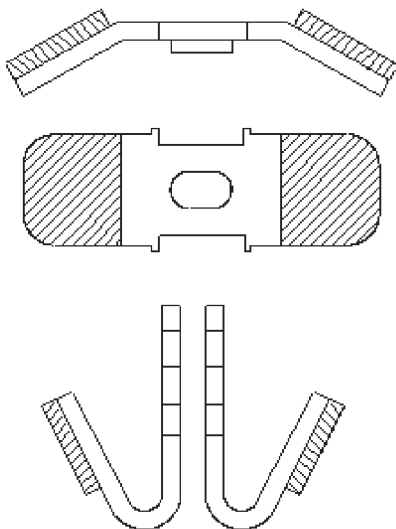
F75GF14



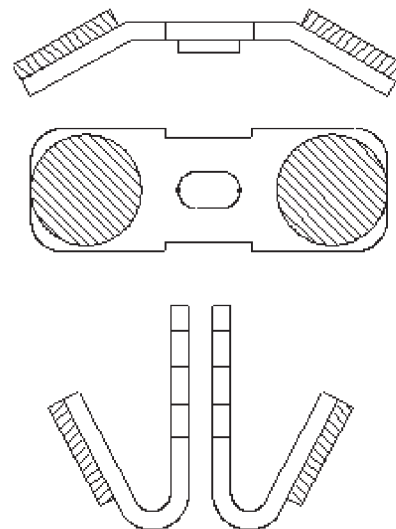
F75GP14



F75HF14



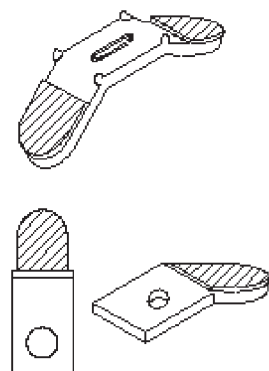
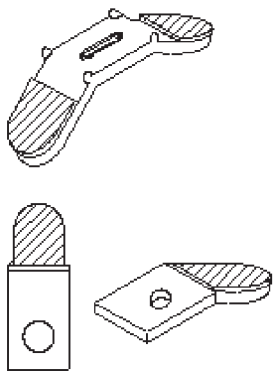
F75IF14



General Electric—100, 200, 300

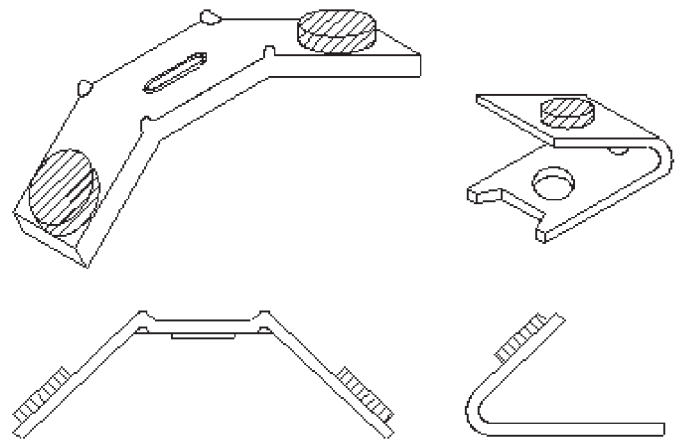
| ORDERING INFORMATION | |
|----------------------|------|
| Part no. | Size |
| GE546A300G002/010 | 0 |
| GE546A301G002/G053 | 1 |
| GE546A780G002/51 | 2 |
| GE55-153677G002 | 3 |
| GE55-153678G002 | 4 |

GE546A300G002/010

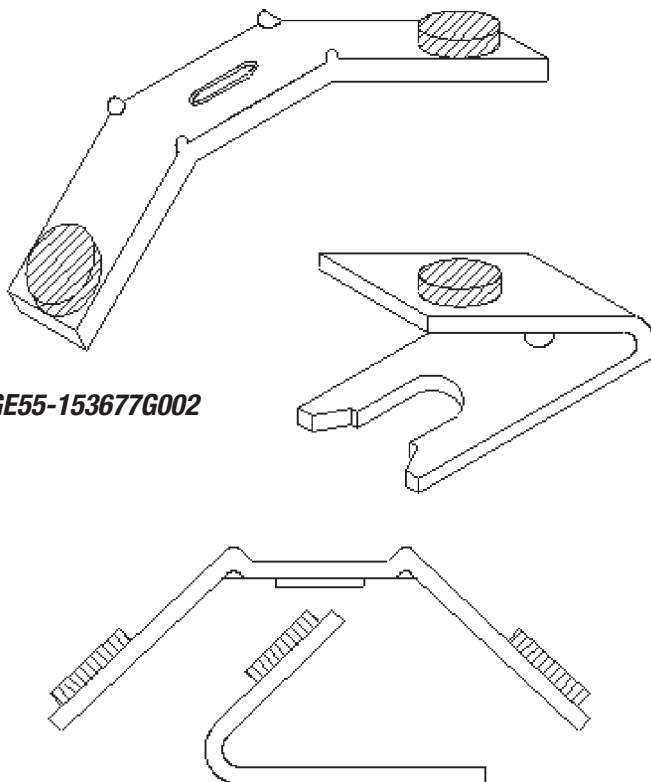


GE546A301G002/G053

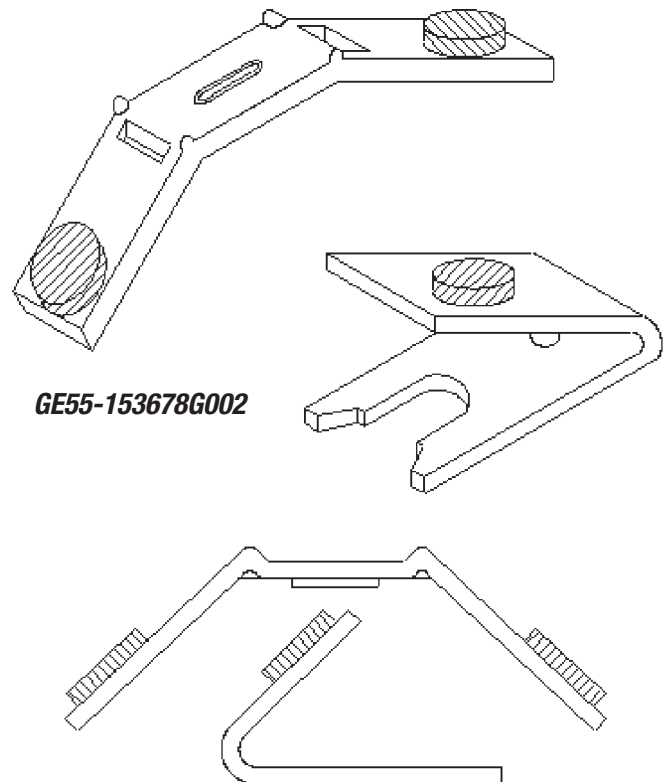
GE546A780G002/51



GE55-153677G002



GE55-153678G002



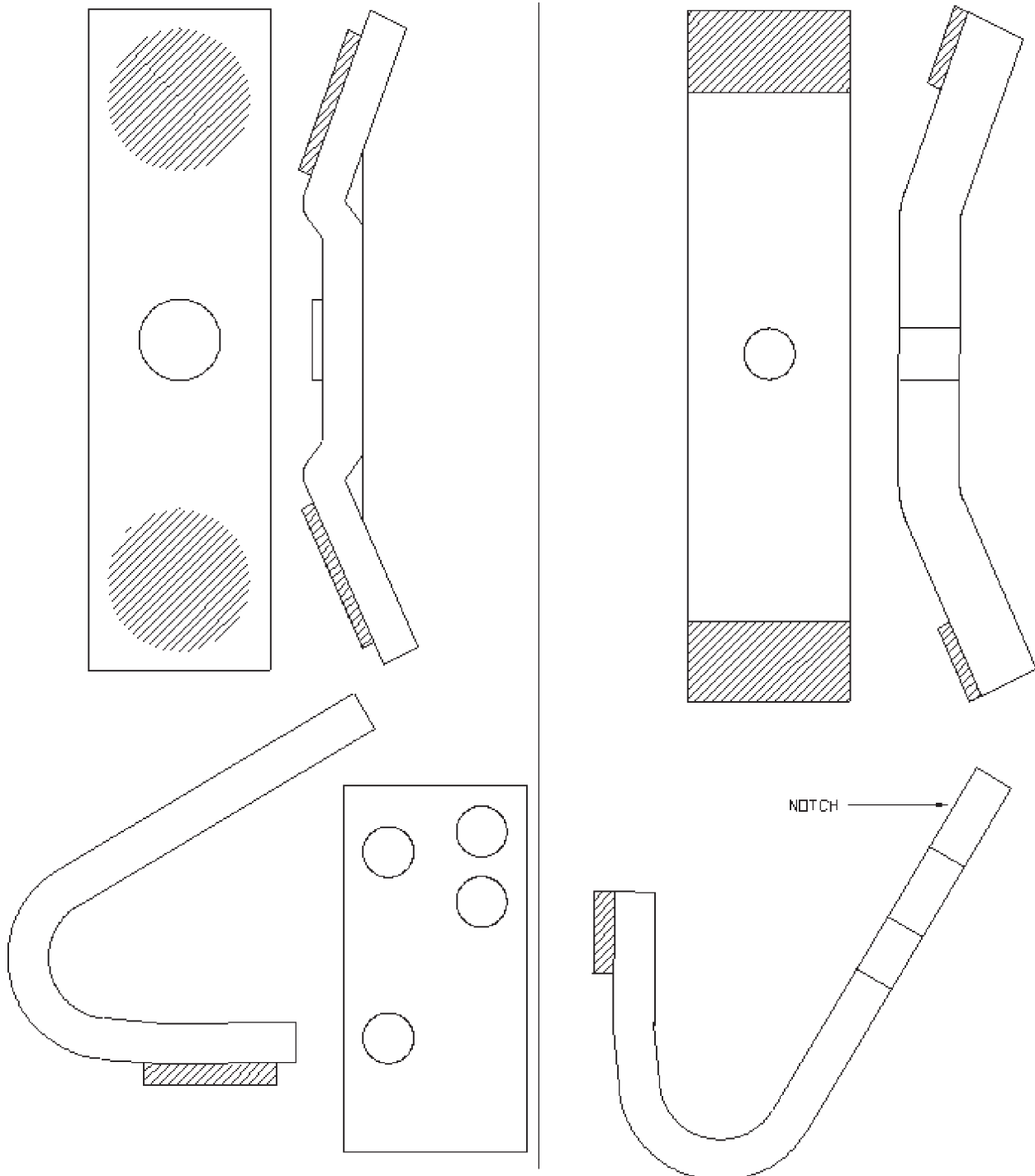
General Electric—100, 200, 300

ORDERING INFORMATION

| Part no. | Size |
|---------------------|------|
| GE55-154607G002/041 | 5 |
| GE232A6724G006/009 | 6 |

GE55-154607G002/041

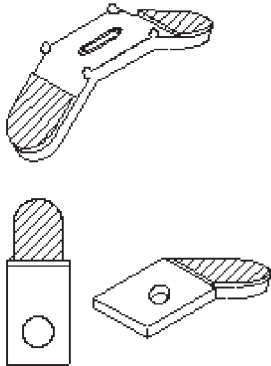
GE232A6724G006/009



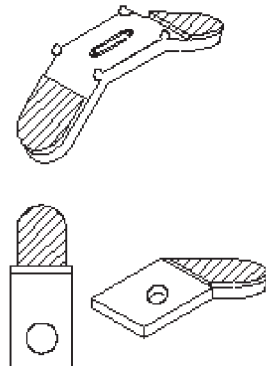
General Electric—Definite Purpose

| ORDERING INFORMATION | | | |
|------------------------------|-----------------|---------|------------|
| Part no. | Contacto no. | Amps | # poles |
| GE548A790G001 | CR153E/154E | 50 | 1 |
| GE548A791G001 | CR153F/154F | 60 | 1 |
| GE546A780G020 | CR153G/154G | 75 | 1 |
| GE55-152313G094/095 | CR153EA/153FB | 50/60 | 1 |
| GE55-153677G019 | CR153H/154H | 110/120 | 1 |
| GE55-152313G139 | CR153M | 120 | 3 |
| GE55-152313G112A/113A | CR153GB/153L | 75/90 | 1 |
| GE55-152313G153A | CR153GB | 75 | 3 |

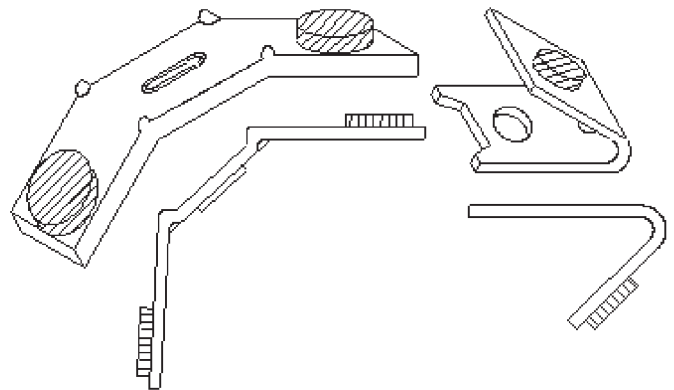
GE548A790G001



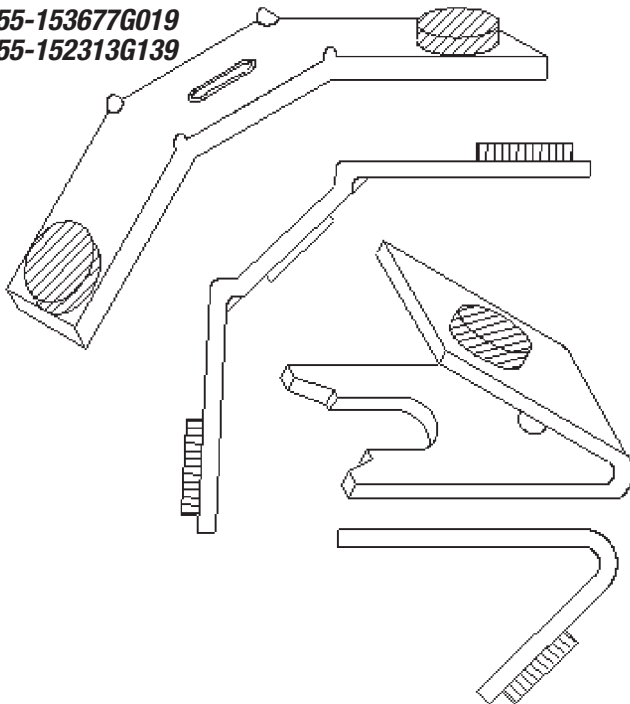
GE548A791G001



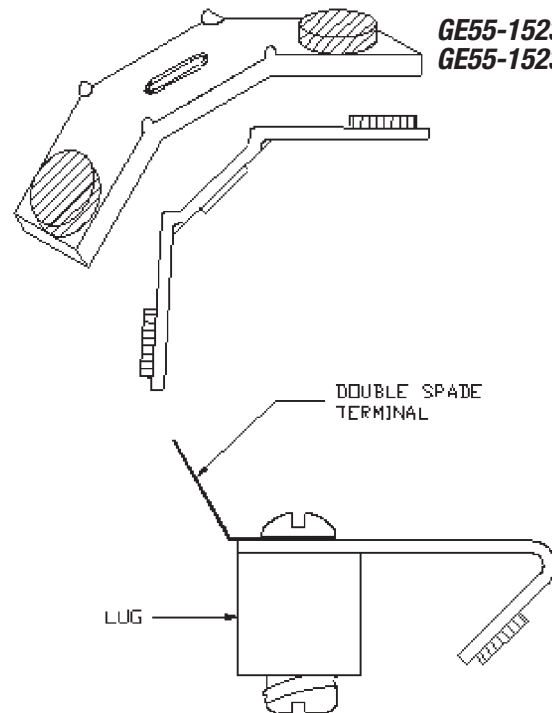
GE546A780G020
GE55-152313G094/095



GE55-153677G019
GE55-152313G139



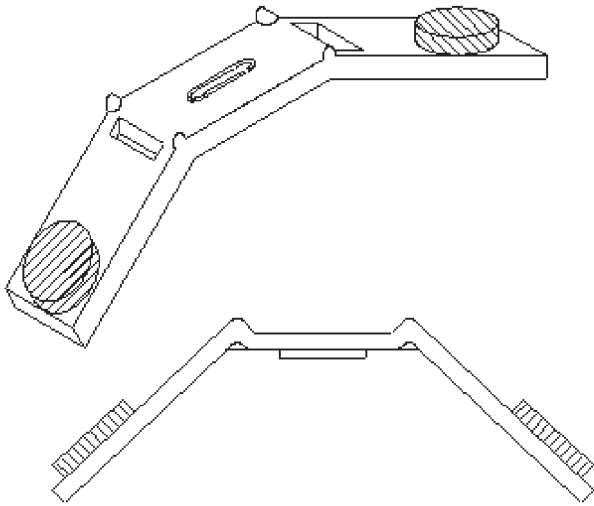
GE55-152313G112A/113A
GE55-152313G153A



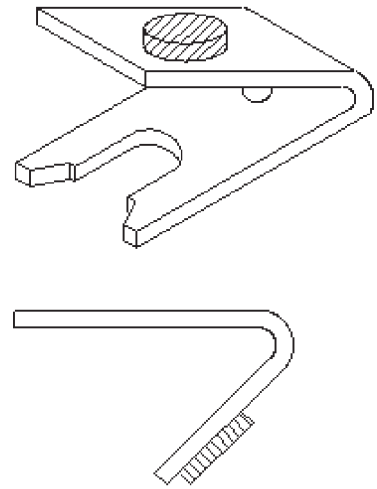
General Electric—Definite Purpose

| ORDERING INFORMATION | | | |
|----------------------|-----------------|---------|------------|
| Part no. | Contacto no. | Amps | # poles |
| GE55-153678G013 | CR153J/154J | 120 | 1 |
| GE55-152313G140/41 | CR153R/153J | 150/180 | 3 |
| GE55-152313G142 | CR153P | 200 | 3 |

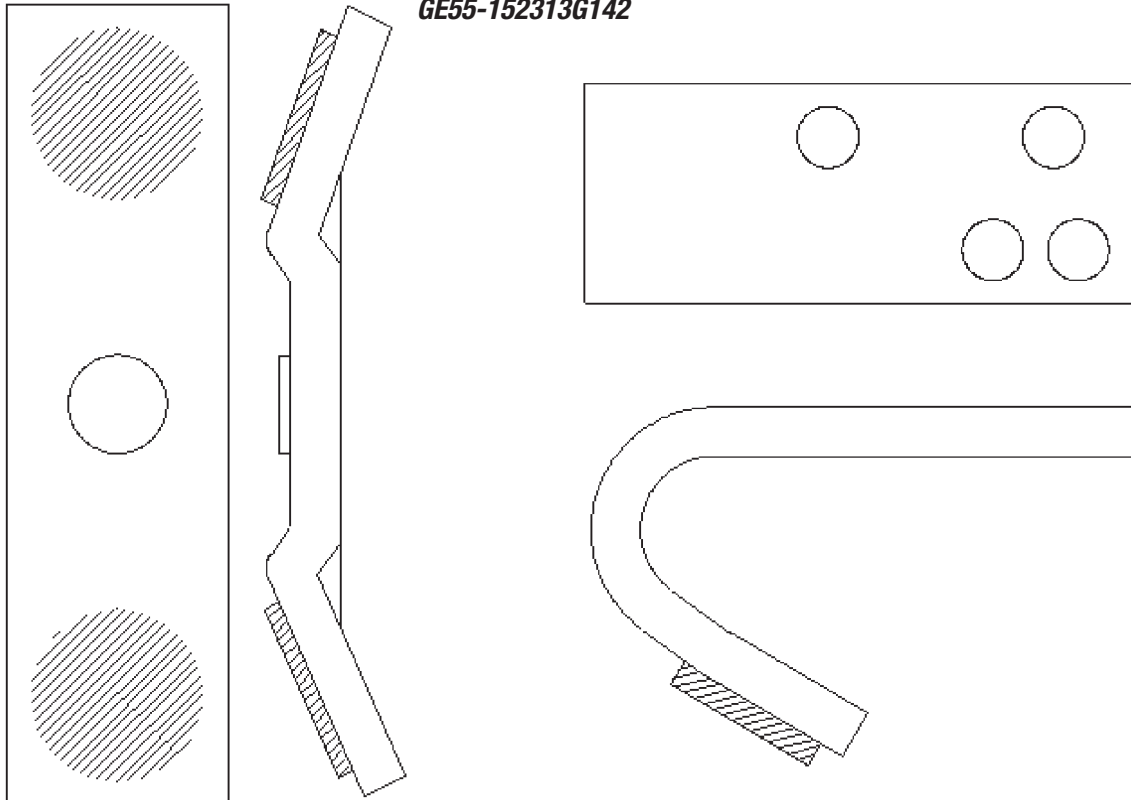
GE55-153678G013



GE55-152313G140/41



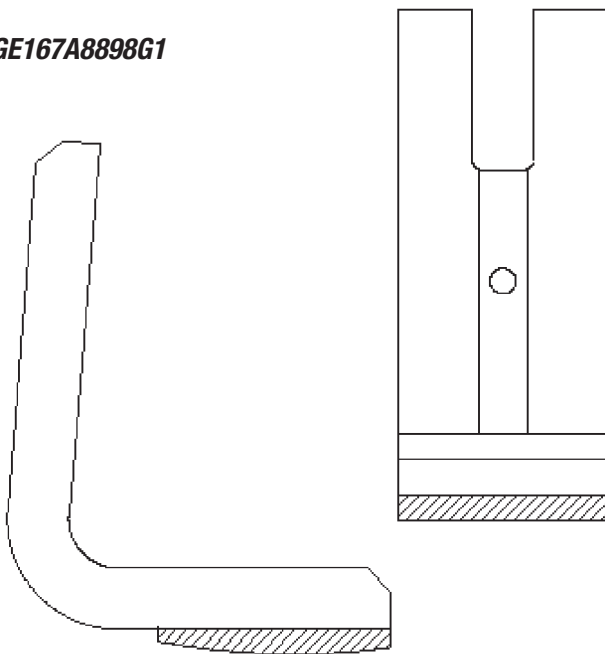
GE55-152313G142



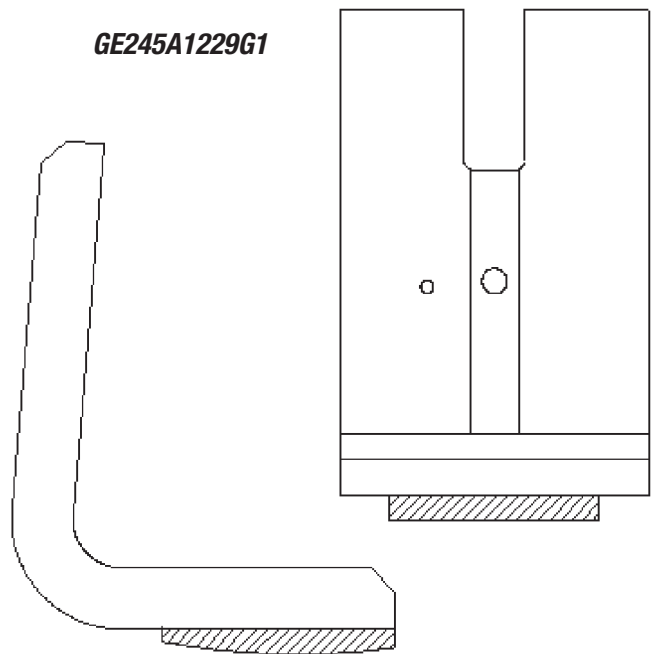
General Electric—5kv Medium Voltage

| ORDERING INFORMATION | |
|----------------------|---------|
| Part no. | Amps |
| GE167A8898G1 | 200/400 |
| GE245A1229G1 | 700 |
| GE167A9956G1 | 400 |
| GE138A1125G1 | 400 |

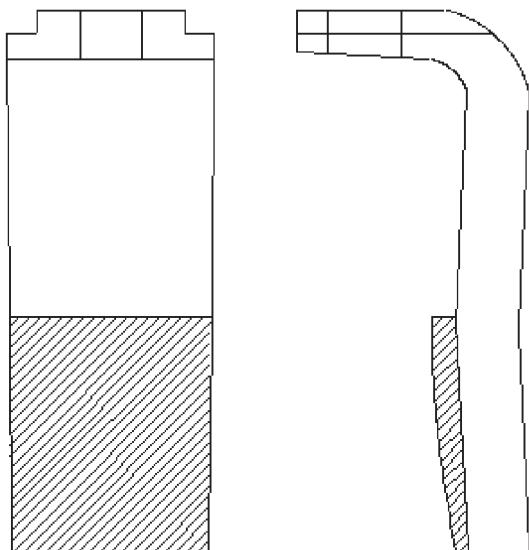
GE167A8898G1



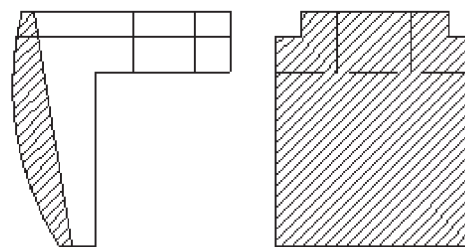
GE245A1229G1



GE167A9956G1



GE138A1125G1

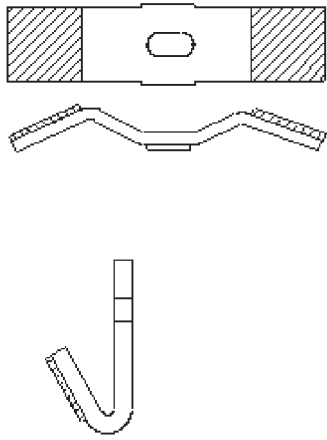


Ingersoll Rand—w/Westinghouse Controls

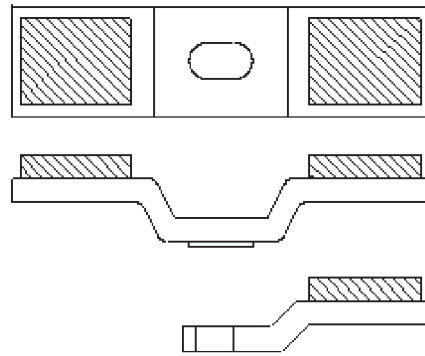
ORDERING INFORMATION

| Part no. | Size | # poles |
|------------|------|---------|
| IR39114541 | 2 | 3 |
| IR39114558 | 3 | 3 |
| IR39114566 | 4 | 3 |
| IR39109236 | 5 | 1 |

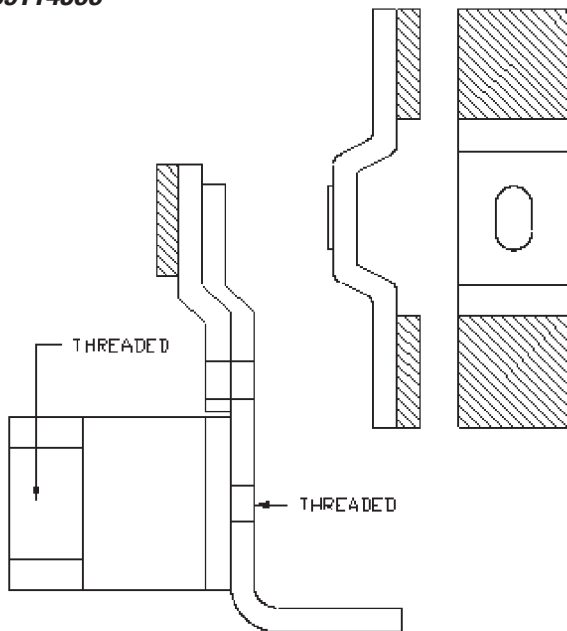
IR39114541



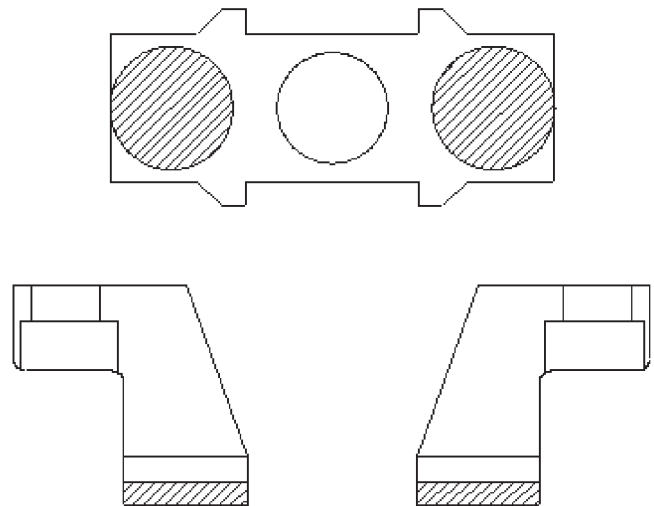
IR39114558



IR39114566



IR39109236

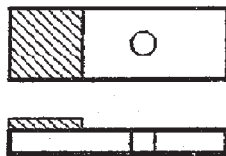


Siemens

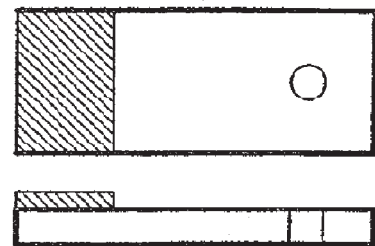
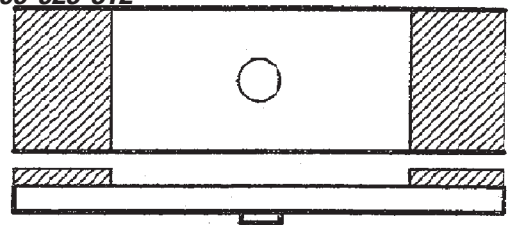
| VALUE LINE ORDERING INFORMATION | | |
|------------------------------------|------|------|
| Part no. | Size | Type |
| S25-106-922-812 | 2 | KC2 |
| S25-106-923-812 | 3 | KC3 |
| S25-106-924-812 | 4 | KC4 |

| WORLD SERIES AC ORDERING INFORMATION | | |
|-----------------------------------------|------|-------|
| Part no. | Size | Type |
| S3TY6460-0A | 2 | 3TB46 |
| S3TY6480-0A | 3 | 3TB48 |

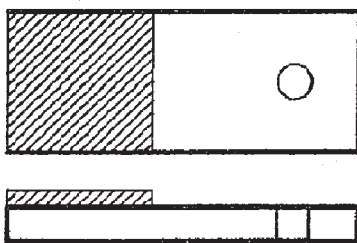
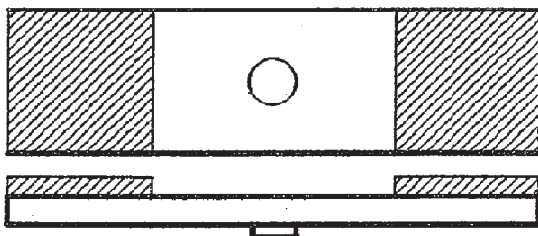
S25-106-922-812



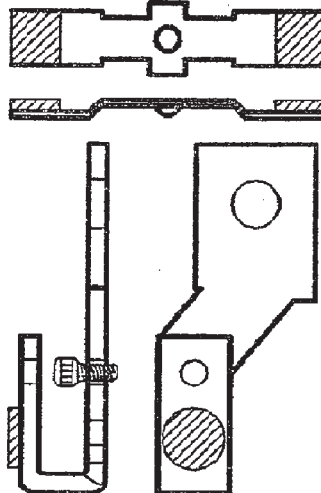
S25-106-923-812



S25-106-924-812

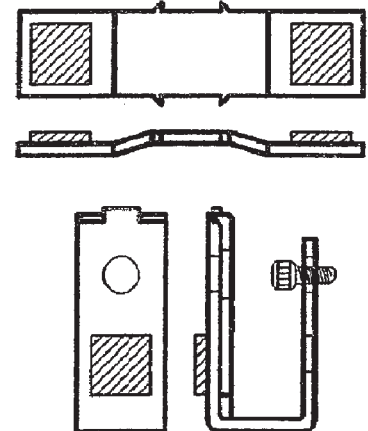


S3TY6460-0A



SUPPLIED WITH
TERMINAL

S3TY6480-0A



Siemens

| SIEMENS REPLACEMENT CONTACTS | | | |
|-------------------------------------|-------|----------------|-------|
| Adams part no. | Type | Adams part no. | Type |
| ASF152 | 3TF44 | ASF157 | 3TF49 |
| ASF153 | 3TF45 | ASF158* | 3TF50 |
| ASF154 | 3TF46 | ASF159 | 3TF51 |
| ASF155 | 3TF47 | ASF160 | 3TF52 |
| ASF156* | 3TF48 | | |

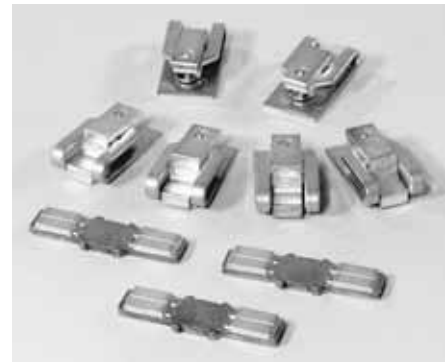
*Not shown



ASF152



ASF155



ASF159



ASF153



ASF157



ASF160

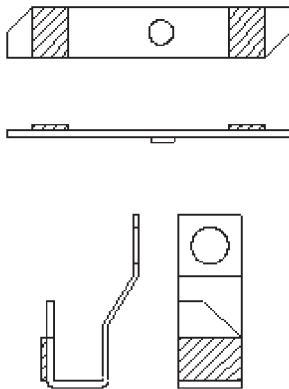


ASF154

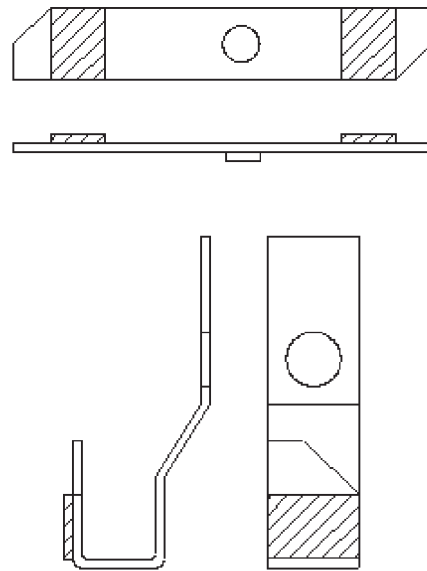
Sprecher & Schuh—CA1

| ORDERING INFORMATION | | |
|----------------------|-----------|------|
| Part no. | Series | Size |
| SS22.110.212-02 | CA1-25 | 2 |
| SS22.114.212-02 | CA1-40 | 2½ |
| SS22.104.212-04 | CA1-55/60 | 3½ |

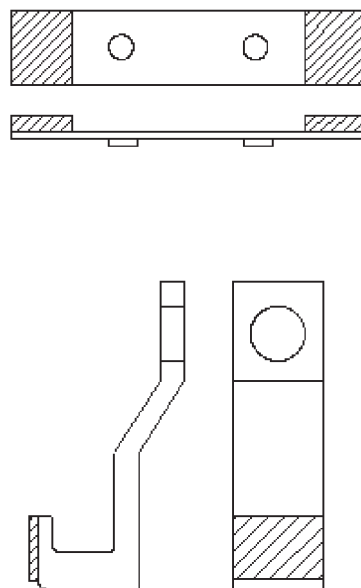
SS22.110.212-02



SS22.114.212-02



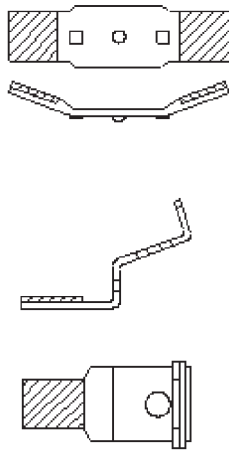
SS22.104.212-04



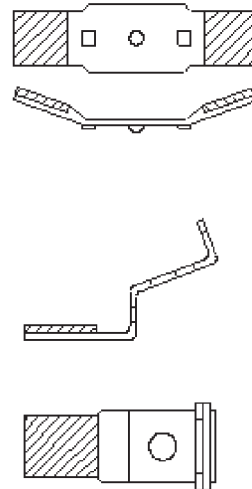
Square "D"—Class 9998 SL

| ORDERING INFORMATION | |
|----------------------|------|
| Part no. | Size |
| SQDSL2 | 0 |
| SQDSL3 | 1-1P |
| SQDSL4 | 2 |
| SQDSL7 | 3 |

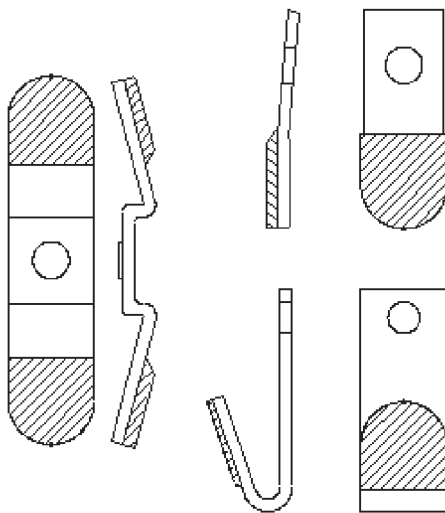
SQDSL2



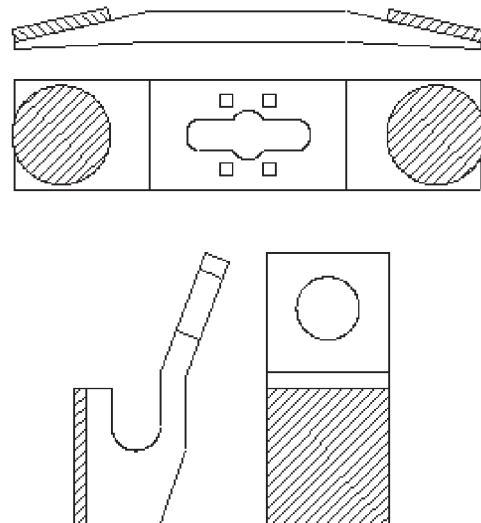
SQDSL3



SQDSL4



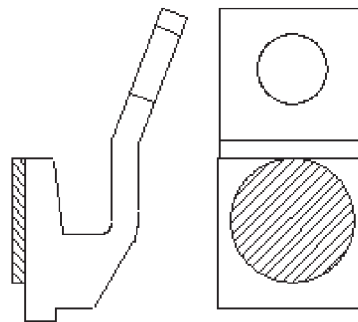
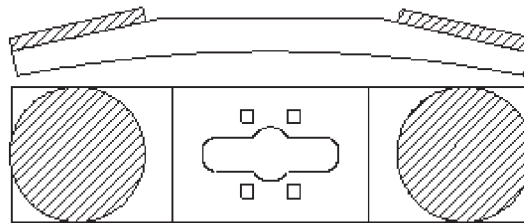
SQDSL7



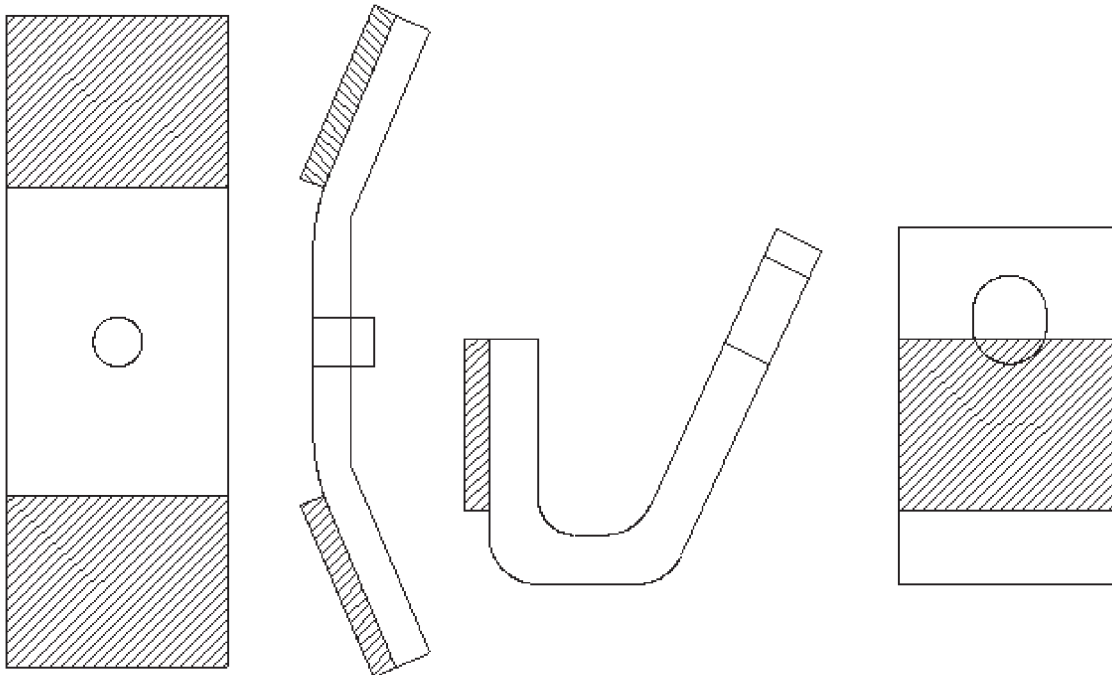
Square "D"—Class 9998 SL

| ORDERING INFORMATION | |
|----------------------|------|
| Part no. | Size |
| SQDSL9 | 4 |
| SQDSL11 | 5 |

SQDSL9



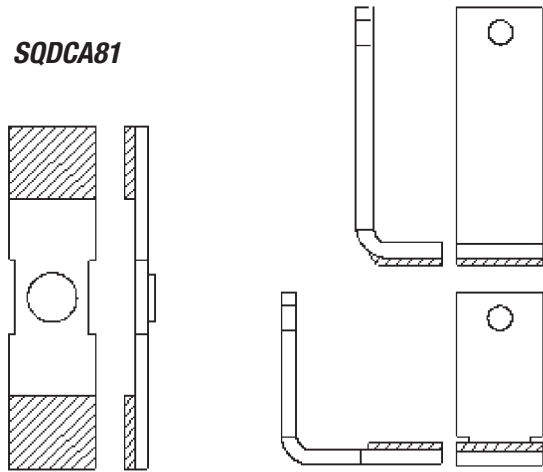
SQDSL11



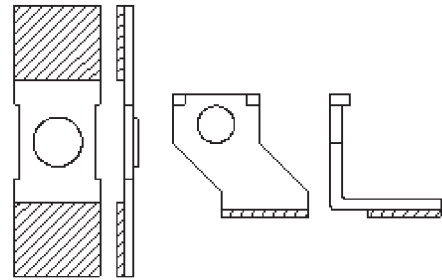
Square "D" Class—9998 SL [Obsolete]

| ORDERING INFORMATION | |
|----------------------|------|
| Part no. | Size |
| SQDCA81 | 1 |
| SQDSA81 | 2 |
| SQDTA81 | 3 |
| SQDUA81 | 4 |

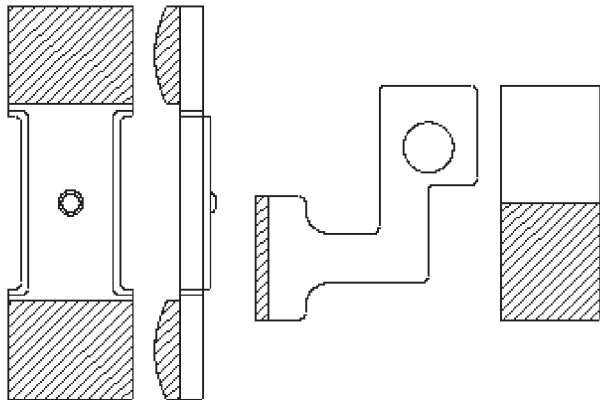
SQDCA81



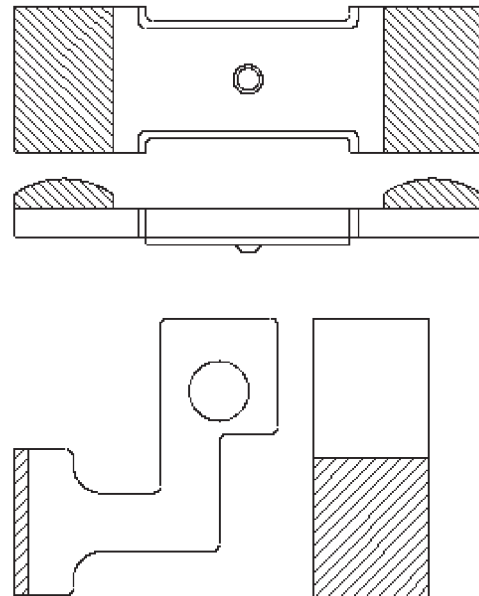
SQDSA81



SQDTA81



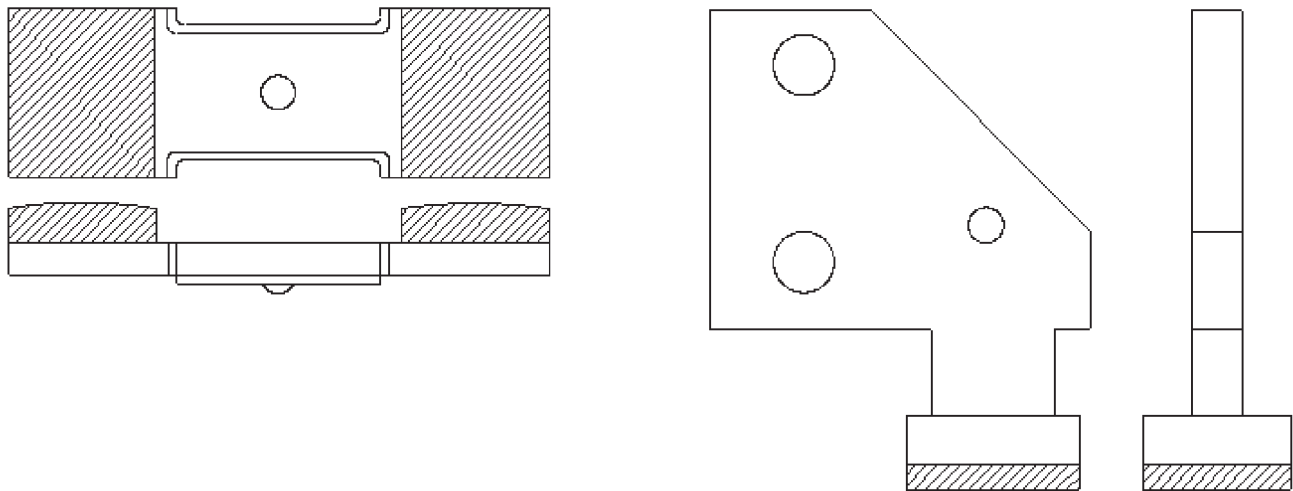
SQDUA81



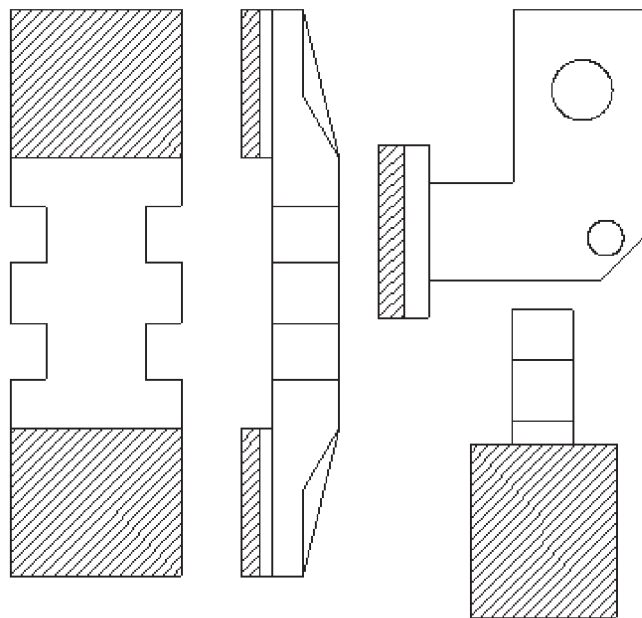
Square “D” Class—9998 SL [Obsolete]

| ORDERING INFORMATION | |
|----------------------|------|
| Part no. | Size |
| SQDFA81 | 4 |
| SQDFA82 | 4 |

SQDFA81



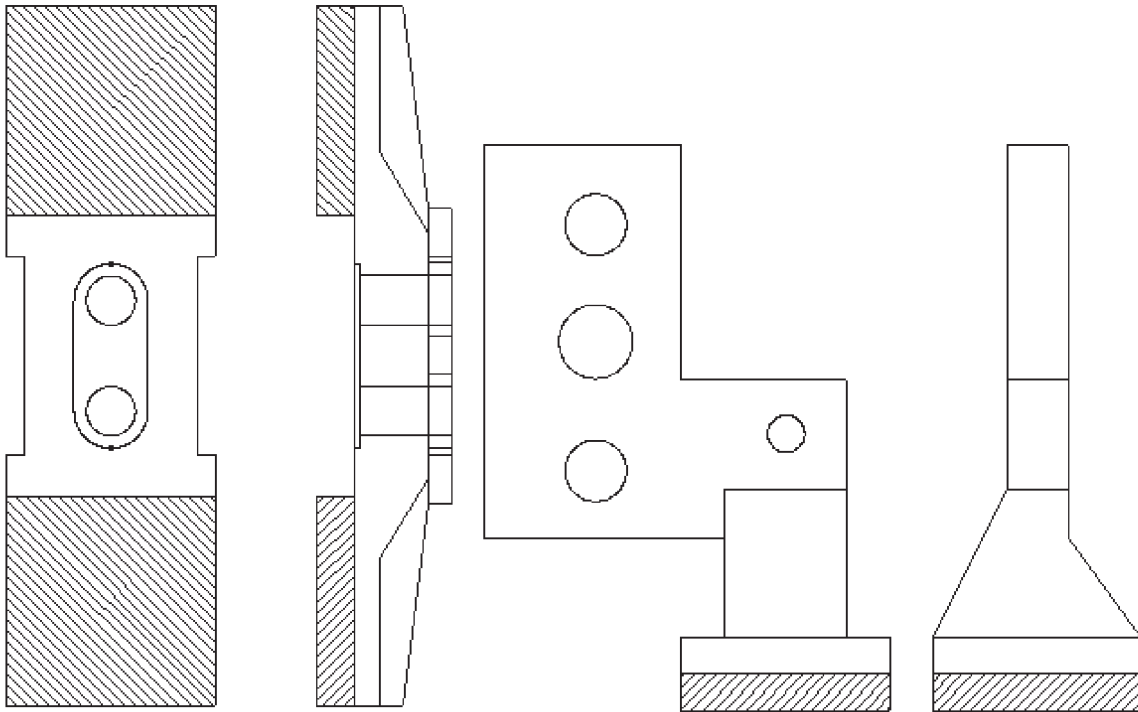
SQDFA82



Square "D"—9998 SL [Obsolete]

| ORDERING INFORMATION | |
|----------------------|------|
| Part no. | Size |
| SQDGA81 | 5 |

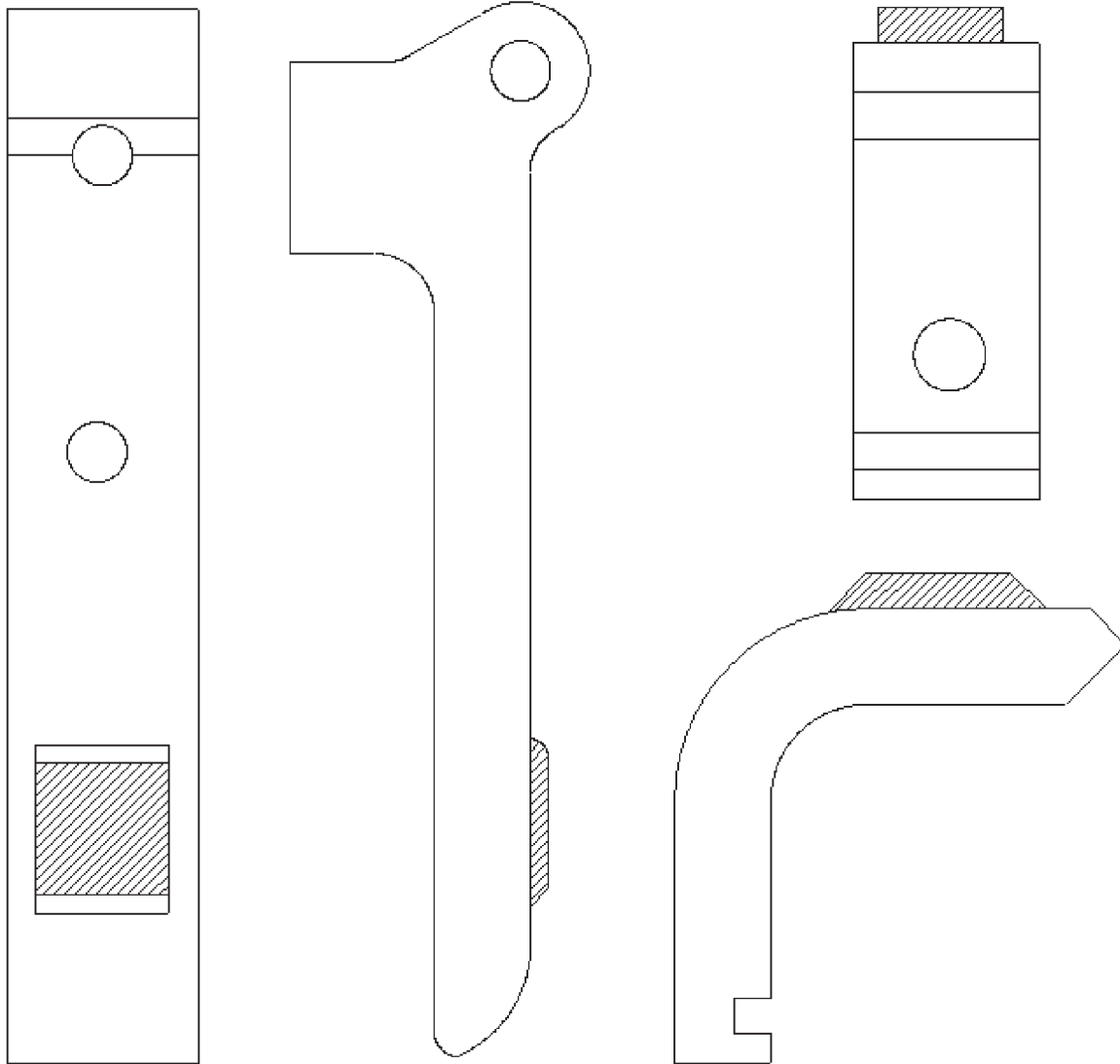
SQDGA81



Square "D"—9998 SL [Obsolete]

| ORDERING INFORMATION | | |
|----------------------|------|---------|
| Part no. | Size | # poles |
| SQDHA81 | 6 | 3 |

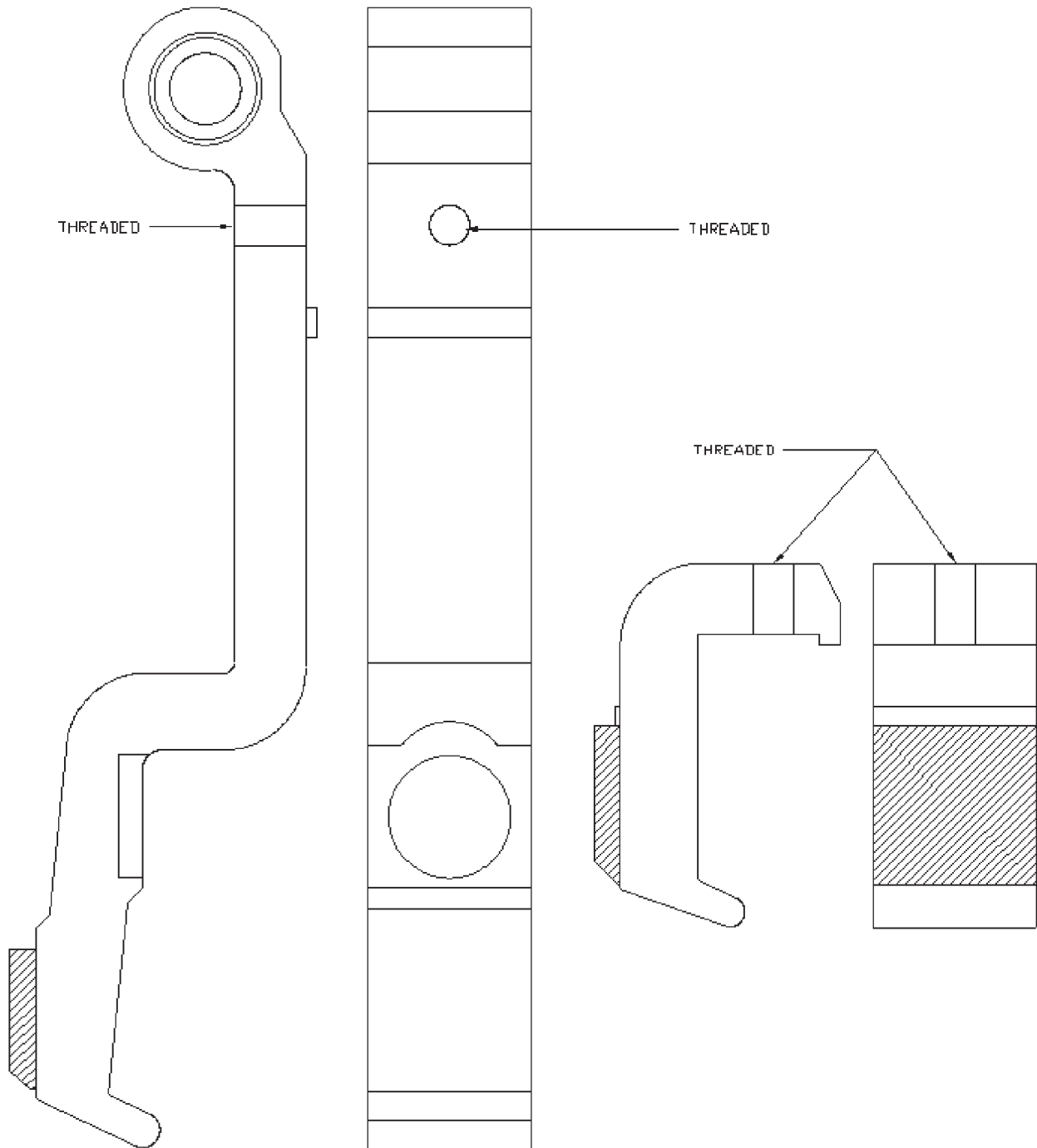
SQDHA81



Square "D"—9998 SL [Obsolete]

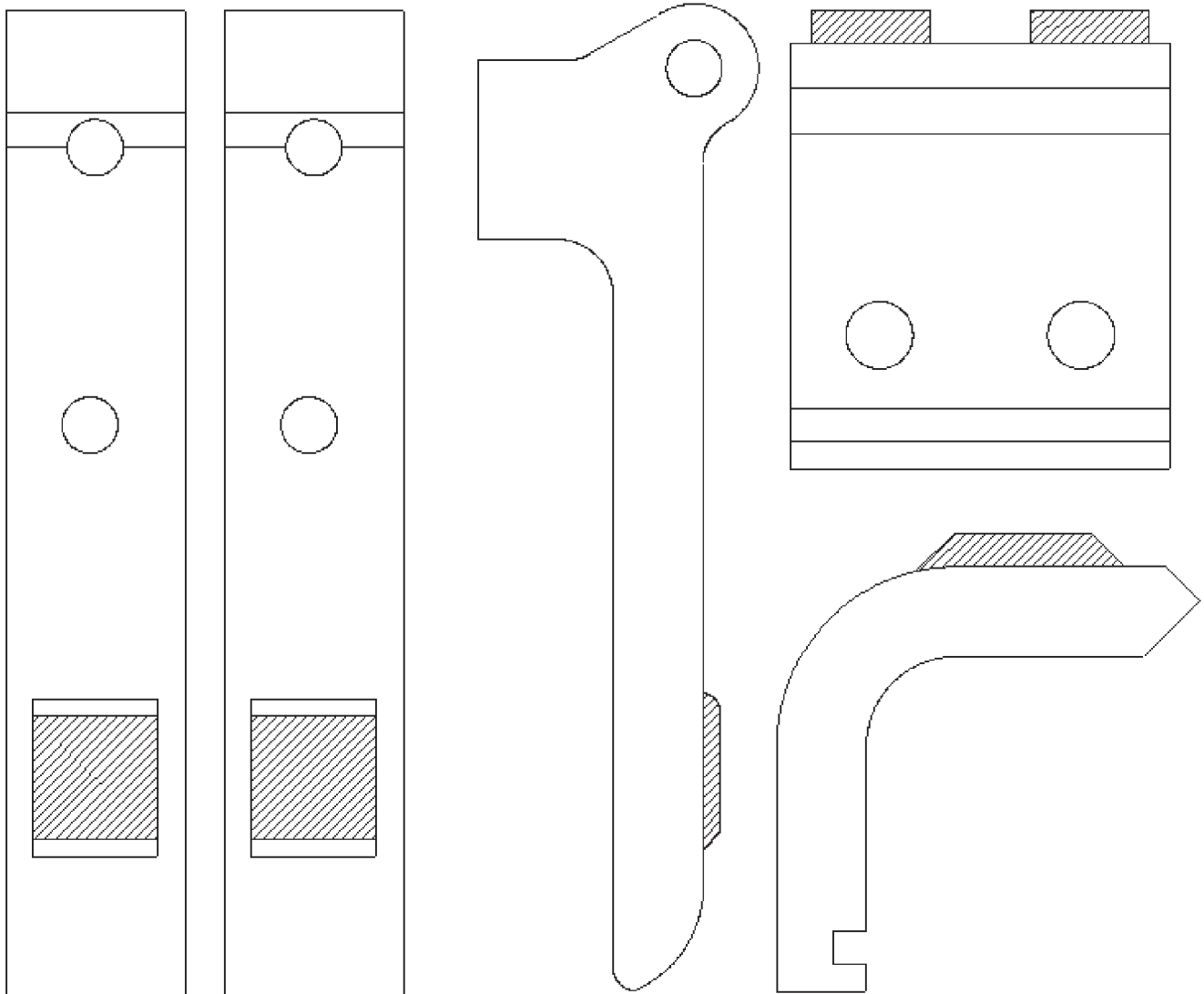
| ORDERING INFORMATION | | |
|----------------------|------|---------|
| Part no. | Size | # poles |
| SQDHA82 | 6 | 3 |

SQDHA82



Square "D"—9998 SL [Obsolete]

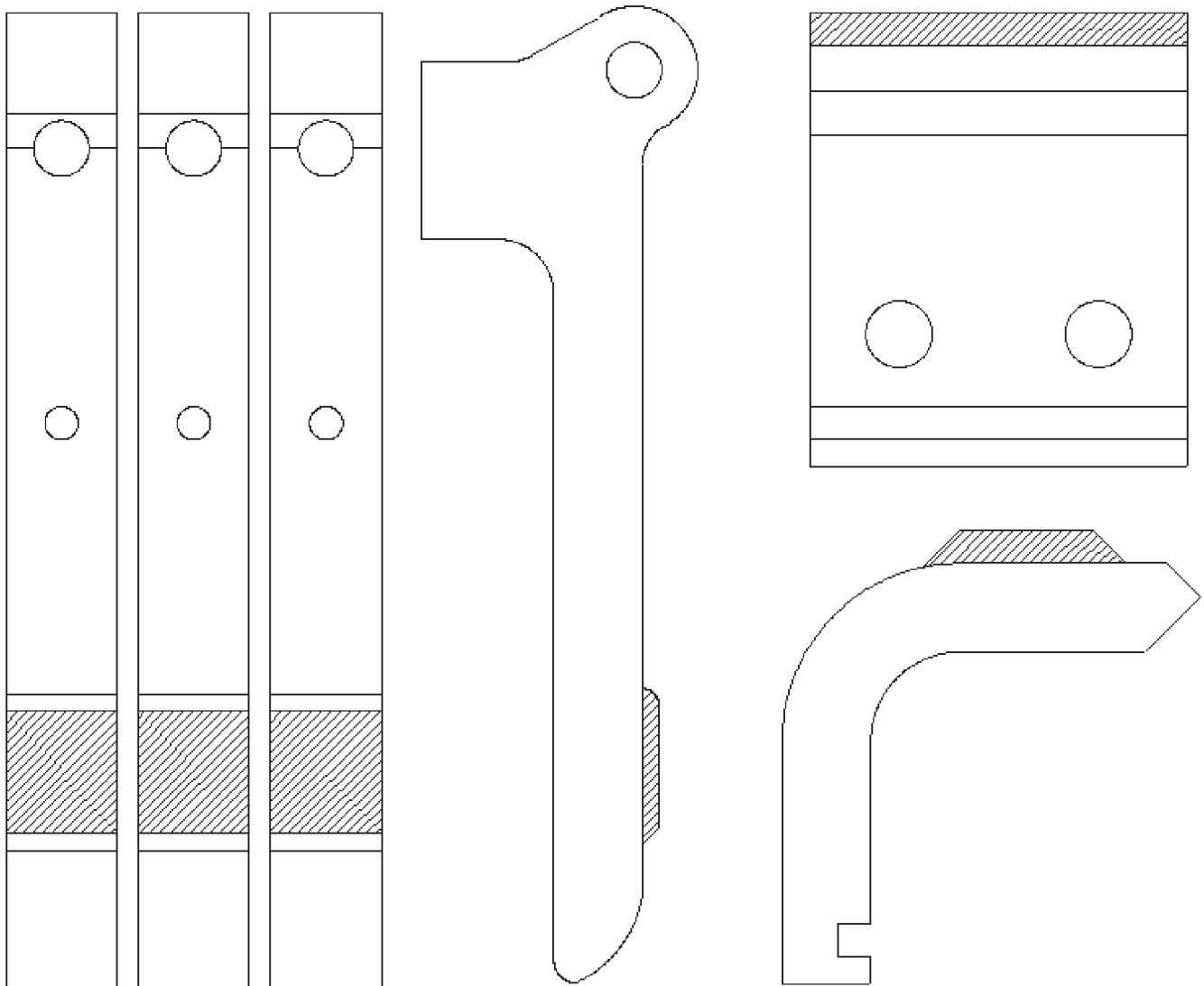
| ORDERING INFORMATION | | |
|----------------------|------|---------|
| Part no. | Size | # poles |
| SQDJA81 | 7 | 3 |

SQDJA81

Square "D"—9998 SL [Obsolete]

| ORDERING INFORMATION | | |
|----------------------|------|---------|
| Part no. | Size | # poles |
| SQDKA81 | 8 | 3 |

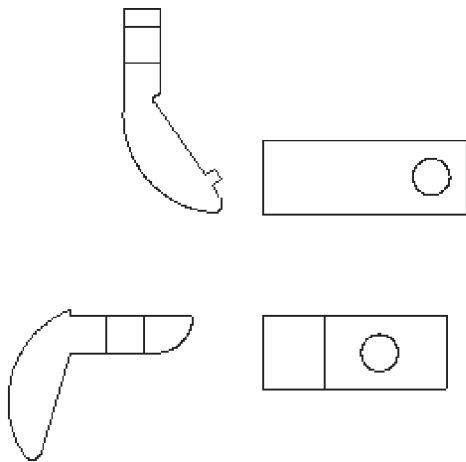
SQDKA81



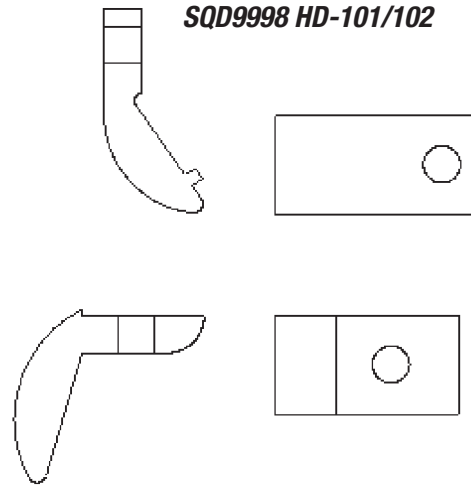
Square "D"—Class 7004, Type H, Series A+B

| ORDERING INFORMATION | | |
|----------------------|--------------------|------|
| Part no. copper | Part no. silver | Size |
| SQD9998 HC-101 | SQD9998 HC-102 | 1 |
| SQD9998 HD-101 | SQD9998 HD-102 | 2 |
| SQD9998 HE-101 | SQD9998 HE-102 | 3 |
| SQD9998 HF-101 | SQD9998 HF-102 | 4 |

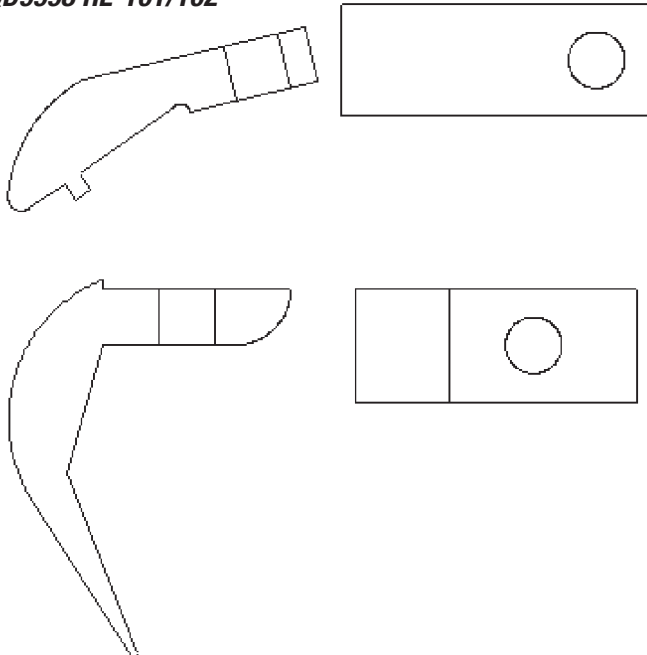
SQD9998 HC-101/102



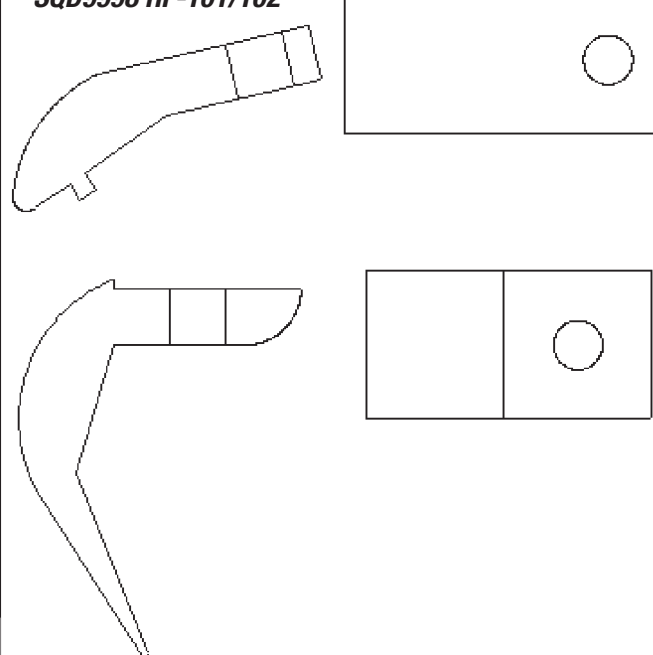
SQD9998 HD-101/102



SQD9998 HE-101/102



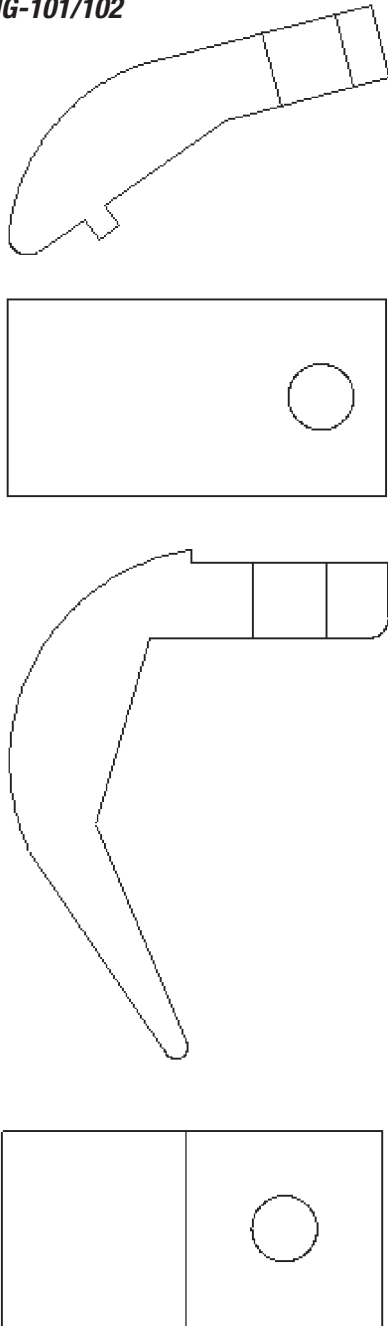
SQD9998 HF-101/102



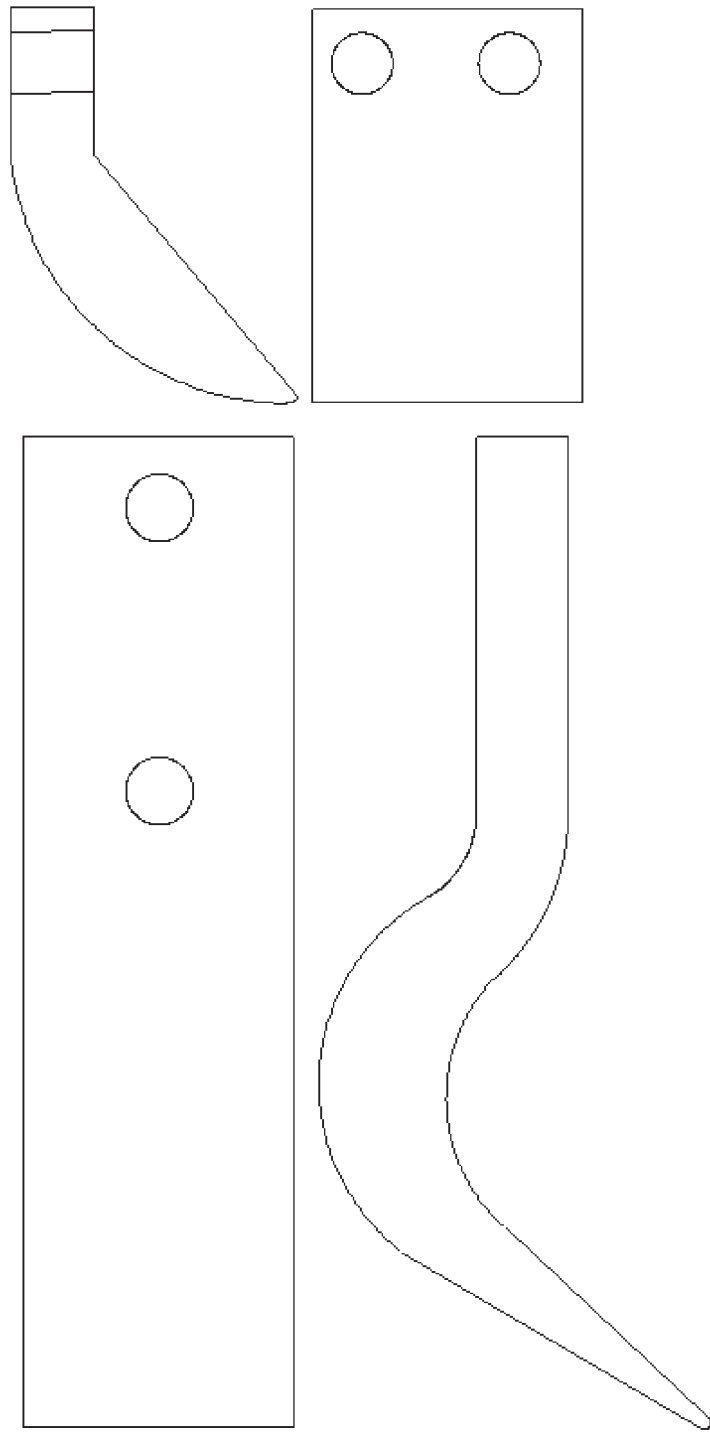
Cutler Hammer

| ORDERING INFORMATION | | |
|----------------------|-----------------|------|
| Part no. copper | Part no. silver | Size |
| SQD9998 HG-101 | SQD9998 HC-102 | 5 |
| SQD9998 HH-101 | SQD9998 HD-102 | 6 |

SQD9998 HG-101/102



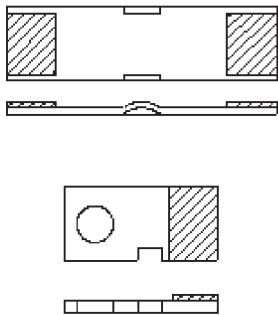
SQD9998 HH-101/102



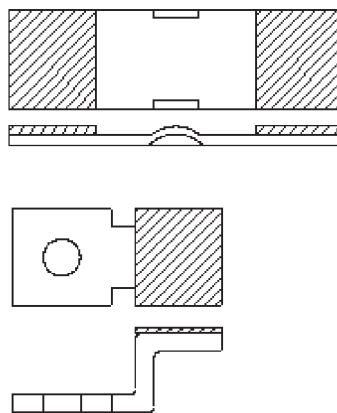
Cutler Hammer

| ORDERING INFORMATION | |
|----------------------|------|
| Part no. | Size |
| TELG203C | 1-1P |
| TELG203D | 2 |
| TELG203E | 3 |
| TELG203F | 4 |
| TELG203G | 5 |

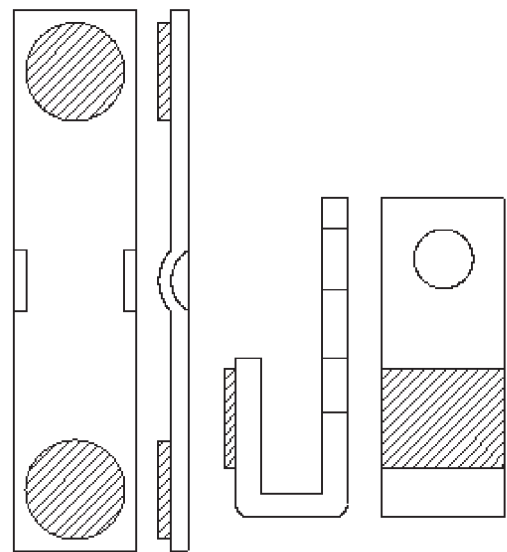
TELG203C



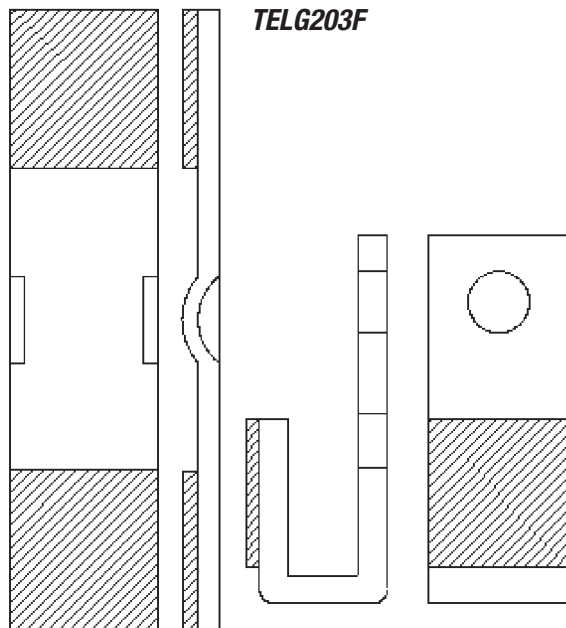
TELG203D



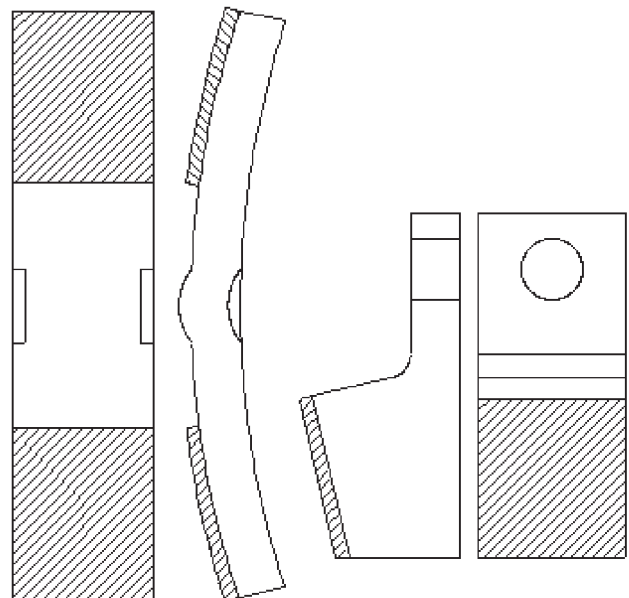
TELG203E



TELG203F



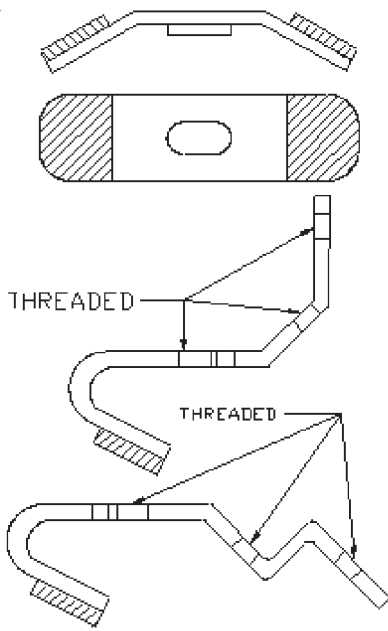
TELG203G



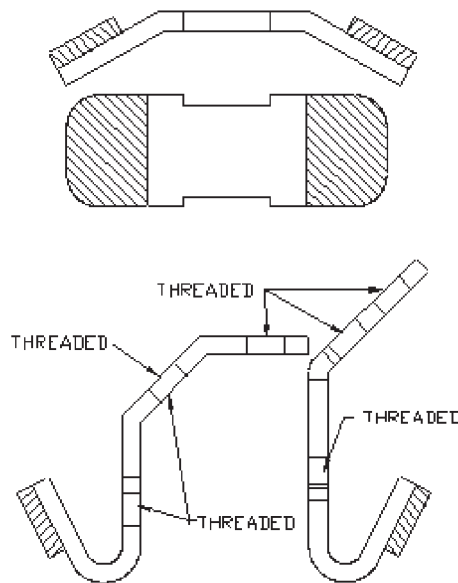
Trane Company—Definite Purpose

| ORDERING INFORMATION | |
|----------------------|------|
| Part no. | Amps |
| T1233 | 75 |
| T1234 | 90 |
| T1235 | 120 |
| T1236 | 150 |
| T1237 | 210 |

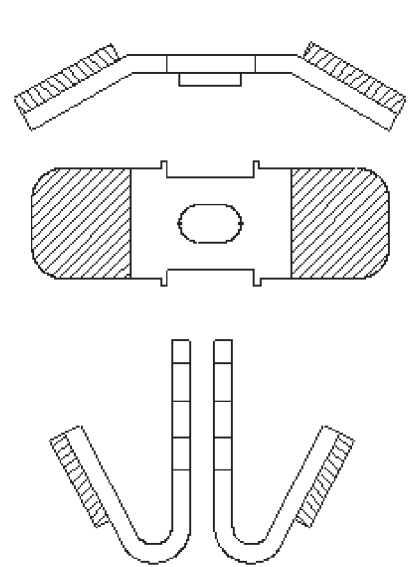
T1233



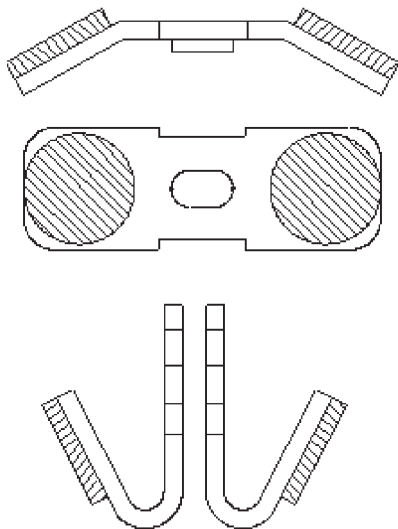
T1234



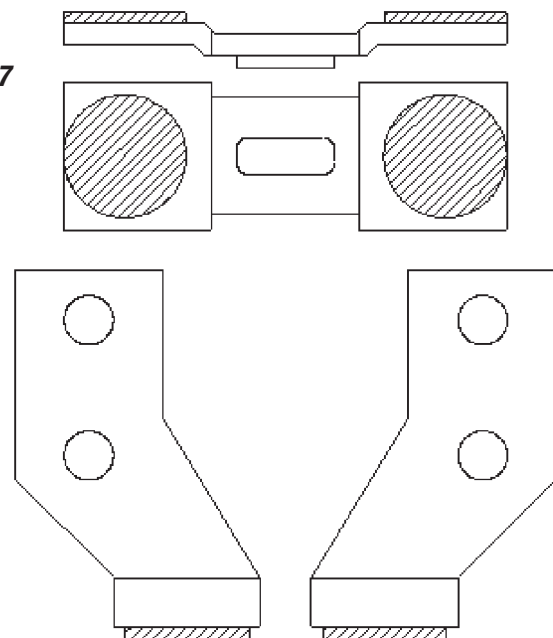
T1235



T1236



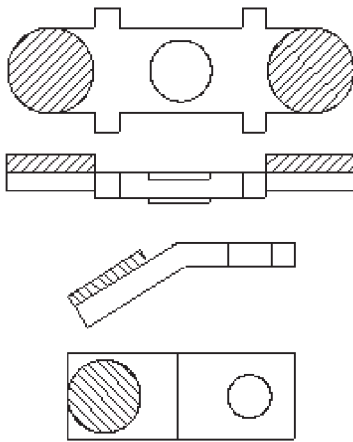
T1237



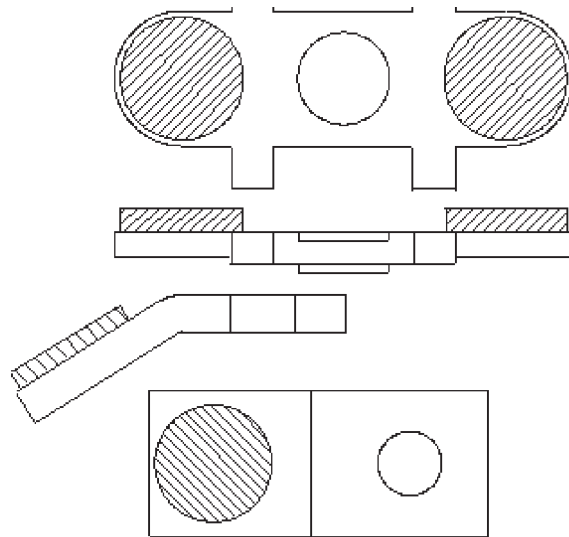
Ward Leonard—5000 DP, 5999, 7400, 5950, 5960

| ORDERING INFORMATION | | | |
|----------------------|------|-------------|-----------------|
| Part no. | Size | Amps | Contact config. |
| WL5M52 | 2 | 60/56 | NO |
| WL5M53 | 3 | 11/110 | NO |
| WL5M54 | 4 | 200/180 | NO |
| WL5M49 | 3 | 110/110 | NC |
| WL5M49 | 4 | 200/180/260 | NC |

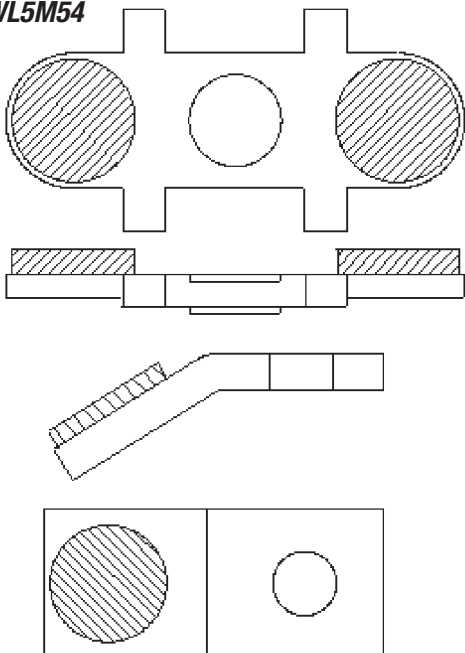
WL5M52



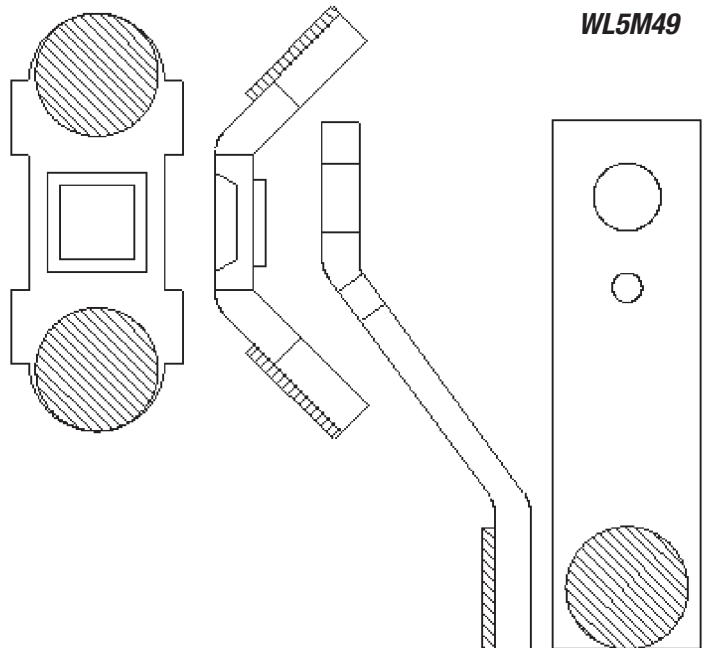
WL5M53



WL5M54



WL5M49

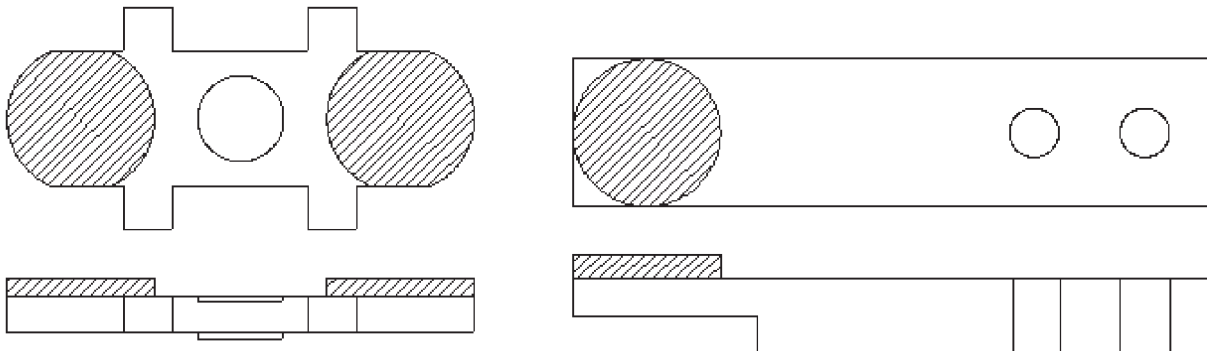


Ward Leonard—5000 DP, 5999, 7400, 5950, 5960

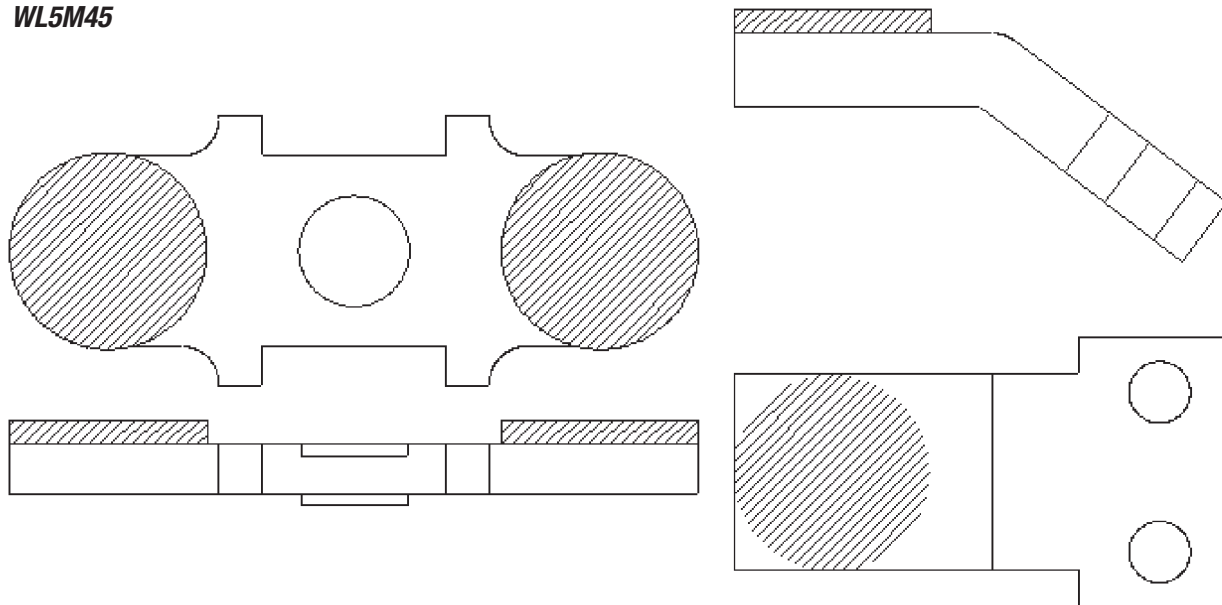
ORDERING INFORMATION

| Part no. | Size | Amps | Contact config. |
|---------------|------|------|-----------------|
| WL5M56 | 4½ | 260 | NO |
| WL5M45 | 5 | 360 | NO |

WL5M56



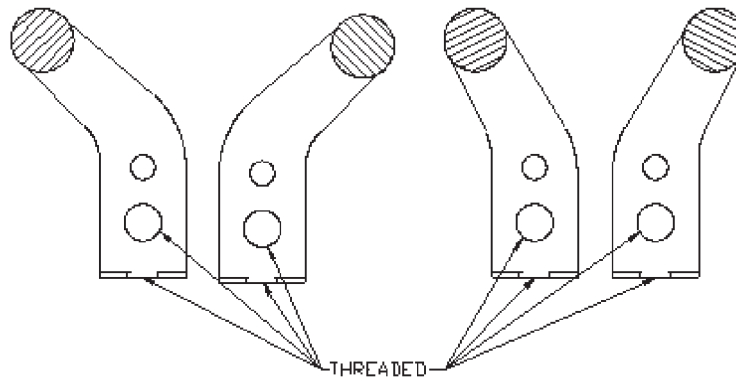
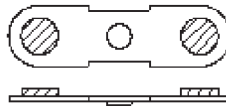
WL5M45



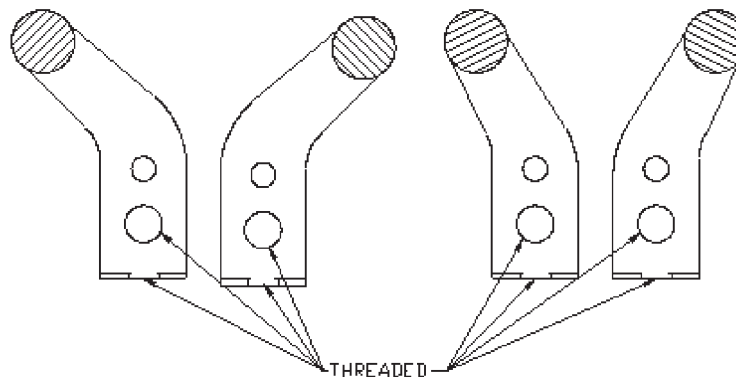
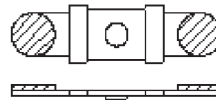
Westinghouse—A200

| ORDERING INFORMATION | |
|----------------------|------|
| Part no. | Size |
| W373B331G18 | 00 |
| W373B331G04 | 0 |

W373B331G18



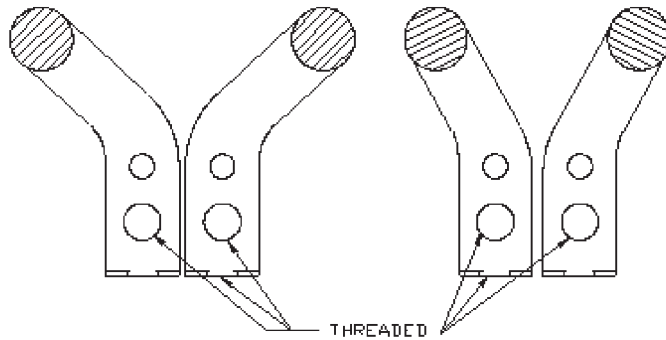
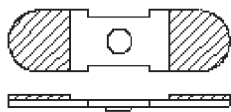
W373B331G04



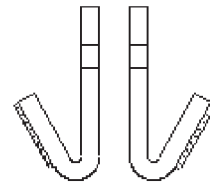
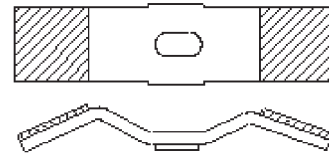
Westinghouse—A200

| ORDERING INFORMATION | |
|----------------------|------|
| Part no. | Size |
| W373B331G09 | 1 |
| W373B331G12 | 2 |
| W672B788G09 | 2½ |
| W626B187G13 | 3 |

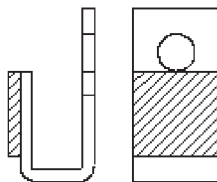
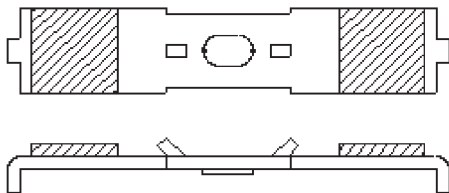
W373B331G09



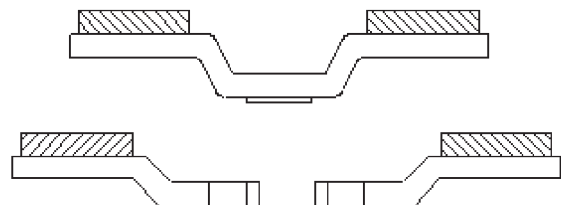
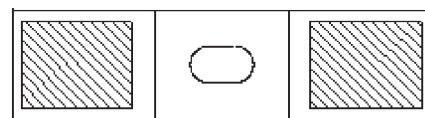
W373B331G12



W672B788G09



W626B187G13

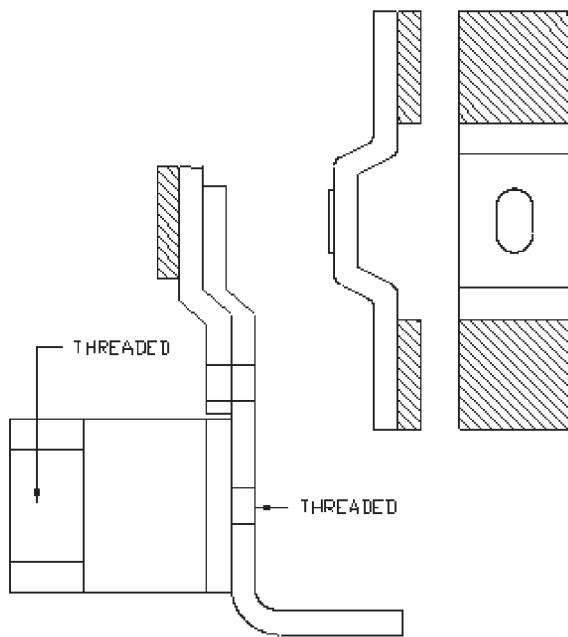


Westinghouse—A200

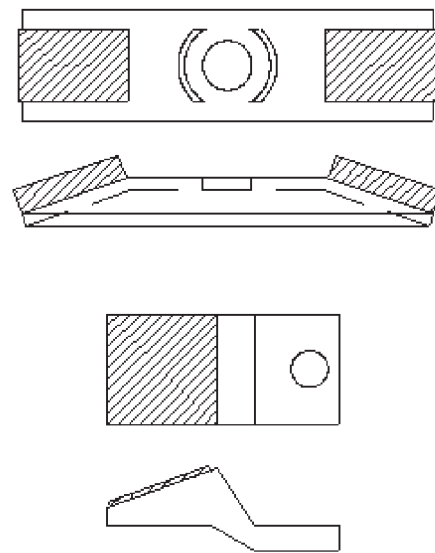
| ORDERING INFORMATION | |
|----------------------|------|
| Part no. | Size |
| W626B187G17 | 4 |
| W5250C81G02/17 | 4 |
| W477B477G05 | 5 |
| W477B477G06* | 5 |

*Includes silver-tungsten tips

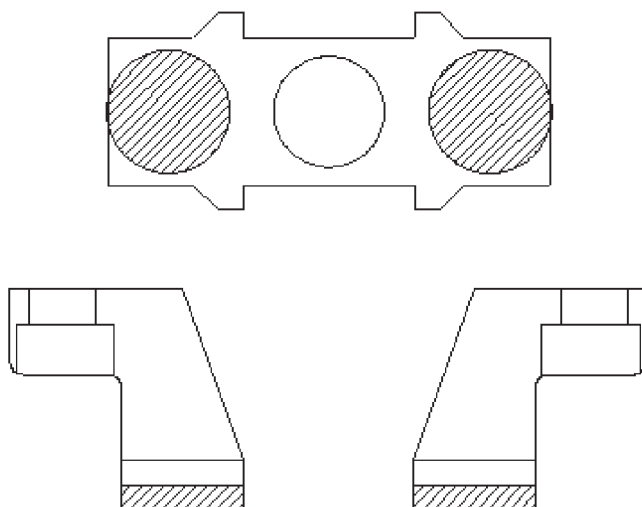
W626B187G17



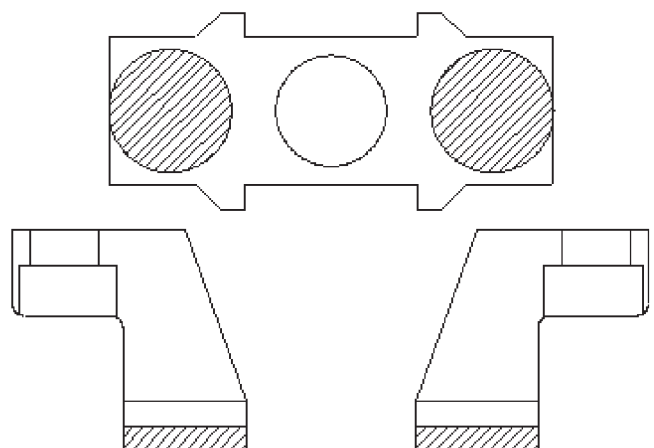
W5250C81G02/17



W477B477G05



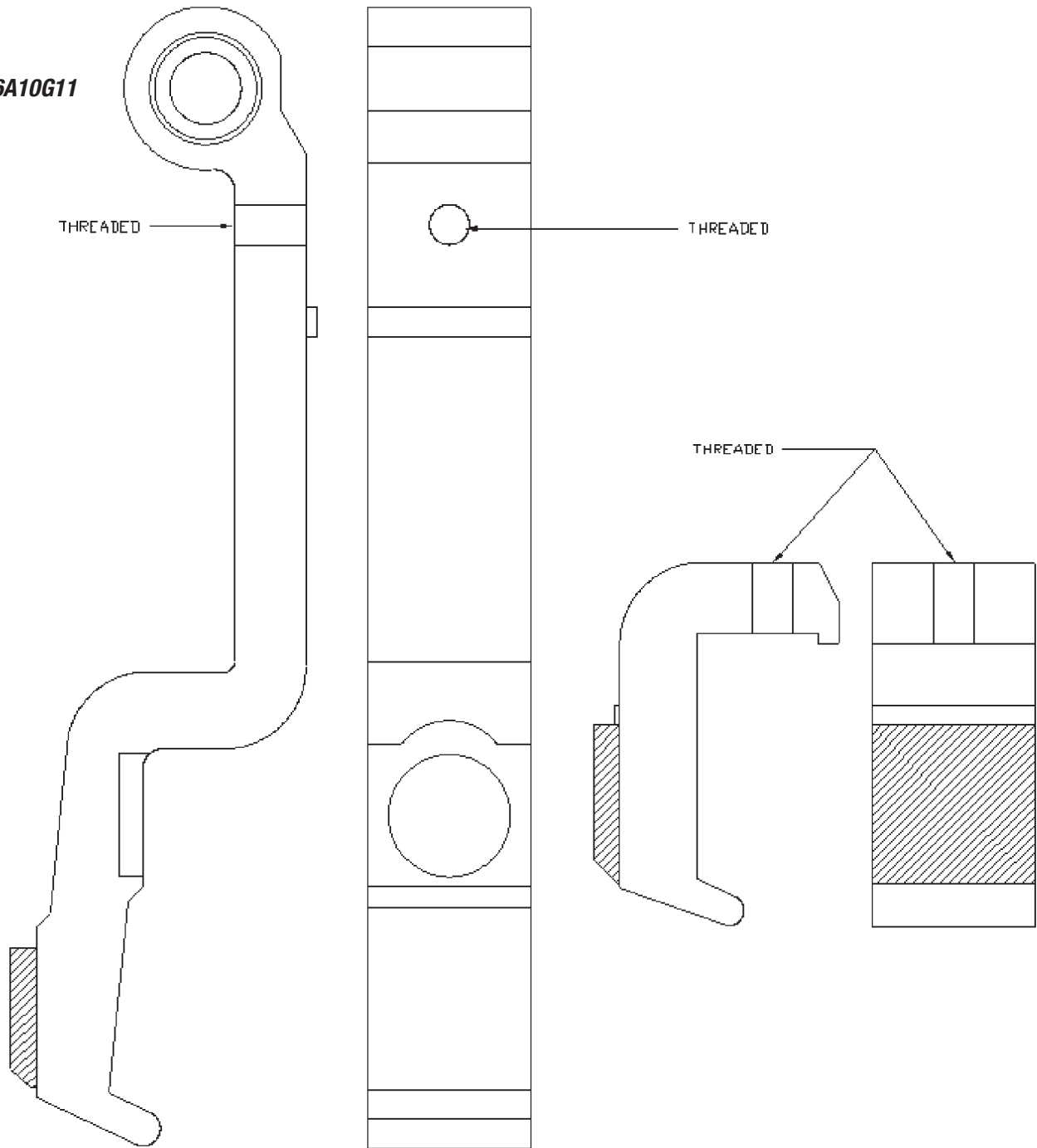
W477B477G06



Westinghouse—Series A200

| ORDERING INFORMATION | |
|----------------------|------|
| Part no. | Size |
| W2066A10G11 | 6 |

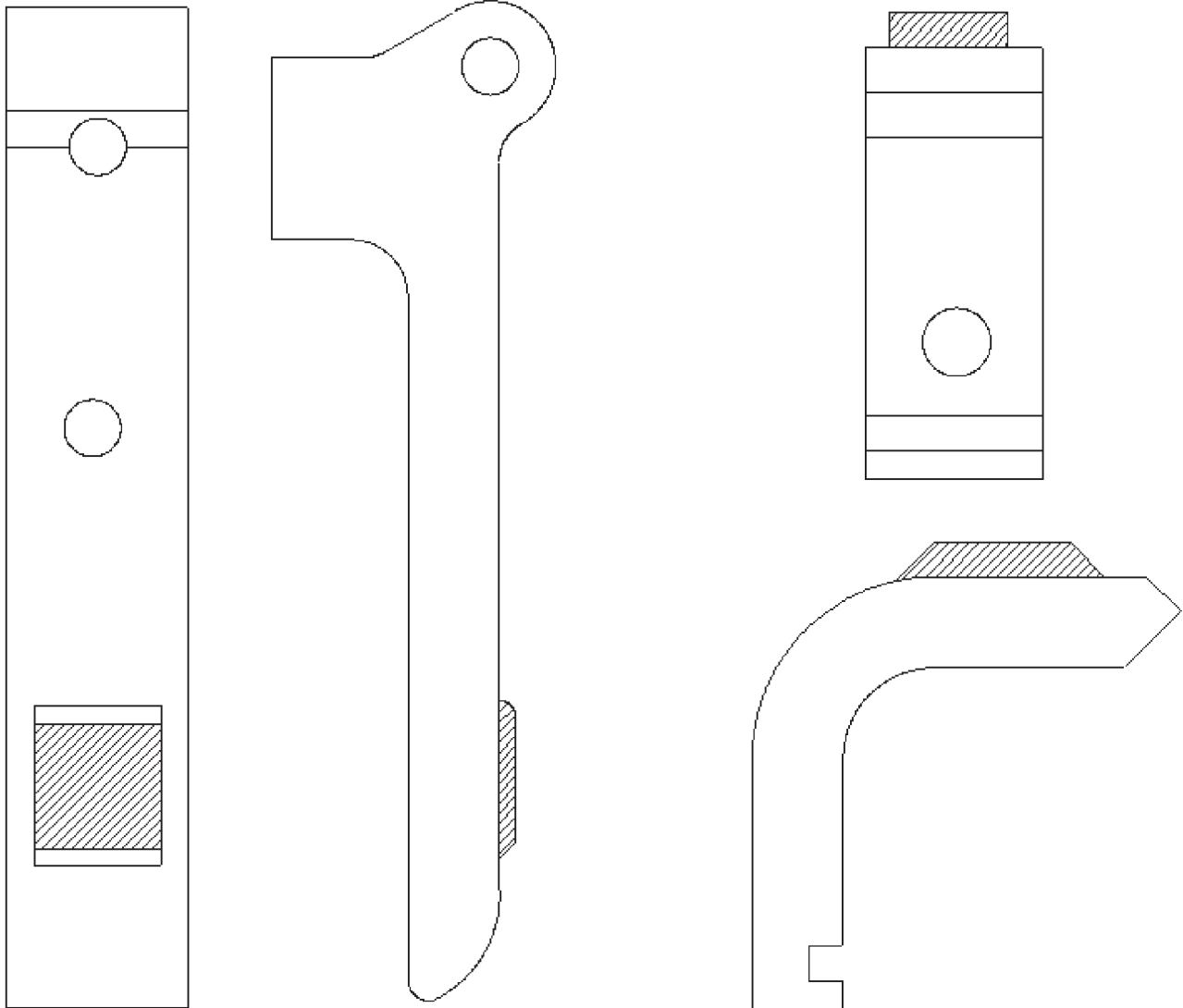
W2066A10G11



Westinghouse—Series A200

ORDERING INFORMATION

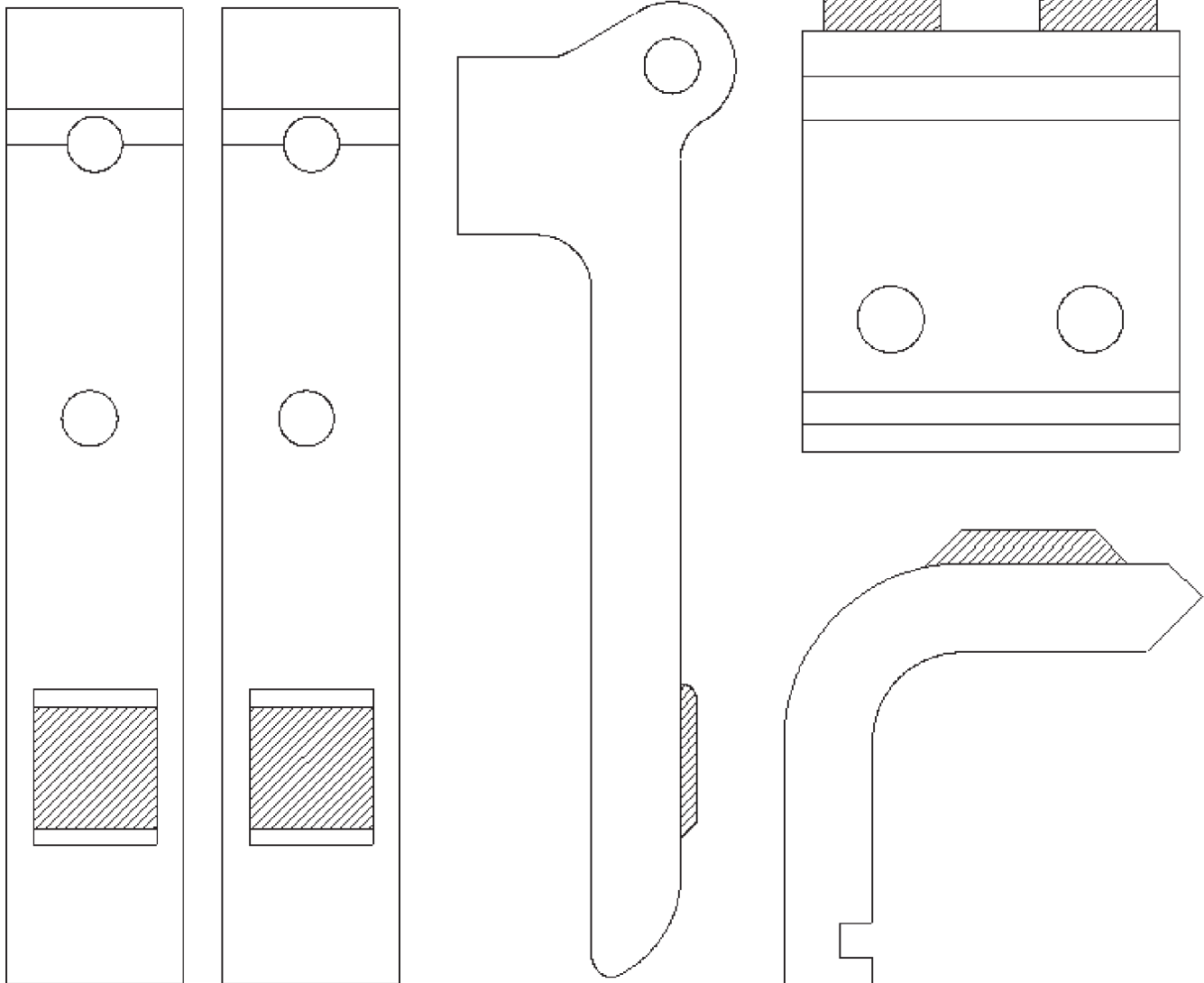
| Part no. | Size |
|--------------------|-------------|
| W217A700G15 | 6, Type GPD |

W217A700G15

Westinghouse—Series A200

| ORDERING INFORMATION | |
|----------------------|-------------|
| Part no. | Size |
| W461A757G17 | 7, Type GPD |

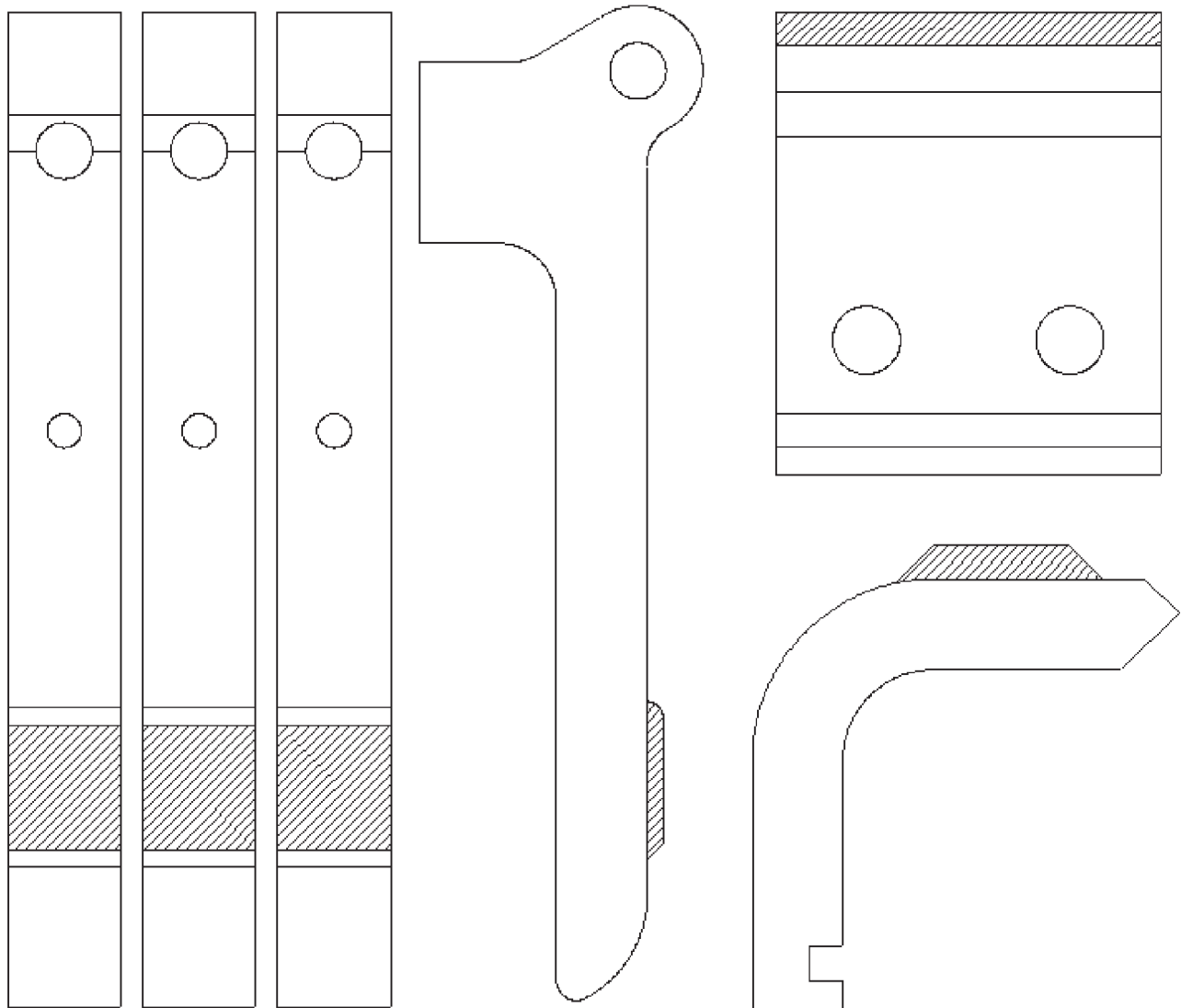
W461A757G17



Westinghouse—Series A200

| ORDERING INFORMATION | |
|----------------------|-------------|
| Part no. | Size |
| W646C829G05 | 8, Type GPD |

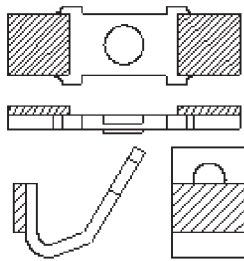
W646C829G05



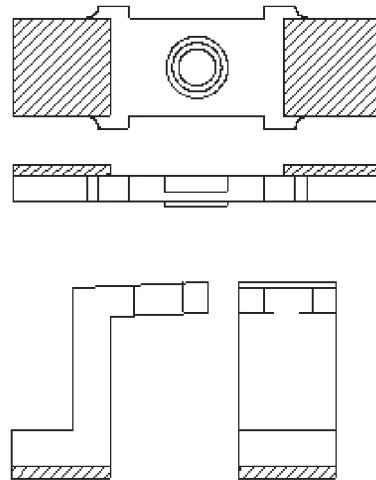
Westinghouse—Types N + NF, 11-200 Series

| ORDERING INFORMATION | |
|----------------------|------|
| Part no. | Size |
| W1605212 | 1 |
| W1605202 | 2 |
| W1625563 | 3 |
| W1625564 | 4 |

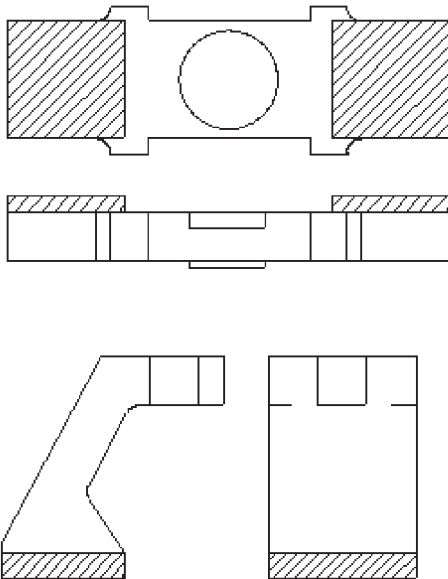
W1605212



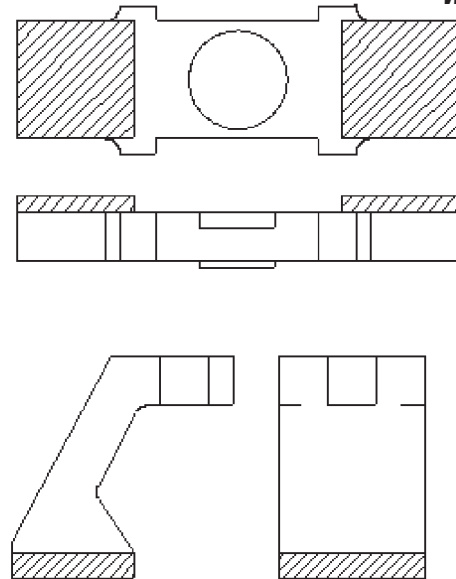
W1605202



W1625563



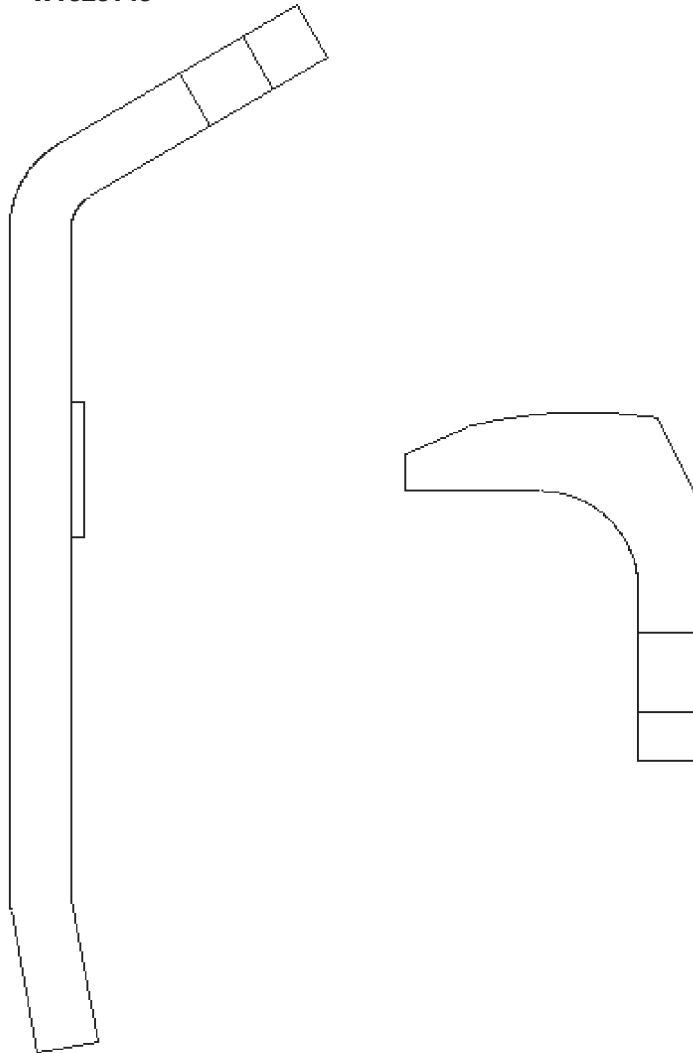
W1625564



Westinghouse

| ORDERING INFORMATION | |
|----------------------|------|
| Part no. | Size |
| W1620146 | 5 |

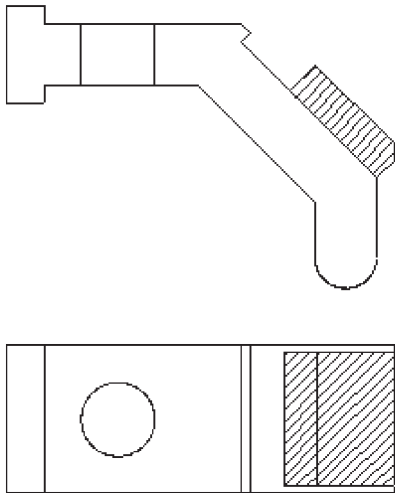
W1620146



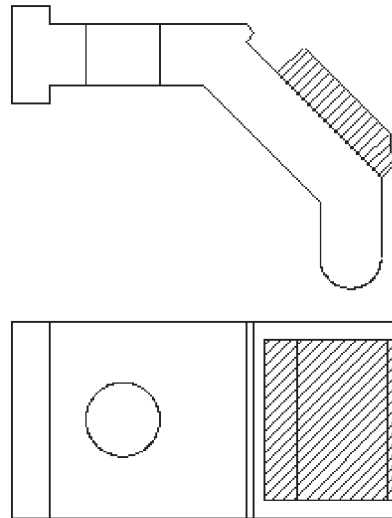
Westinghouse—AmpGuard

| ORDERING INFORMATION | |
|----------------------|------|
| Part no. | Amps |
| W2147A22G01 | 200 |
| W2147A42G01 | 400 |
| W2147A72G01 | 700 |
| W2147A72G02 | 700 |

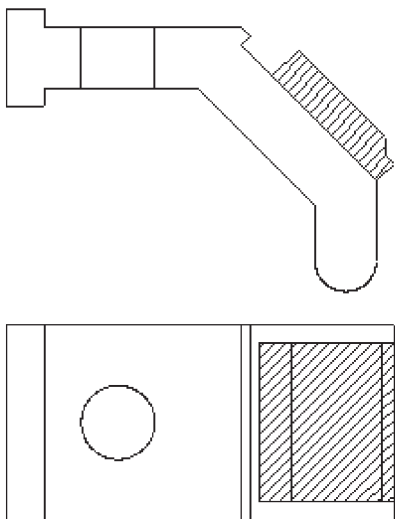
W2147A22G01



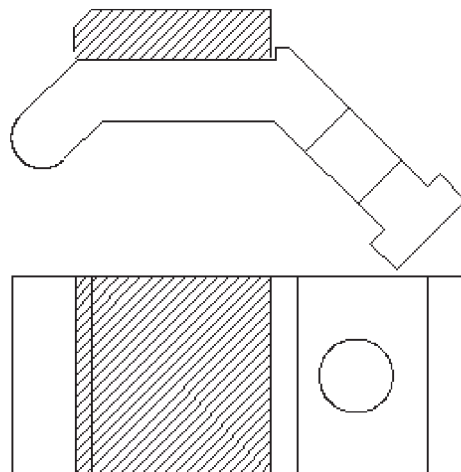
W2147A42G01



W2147A72G01



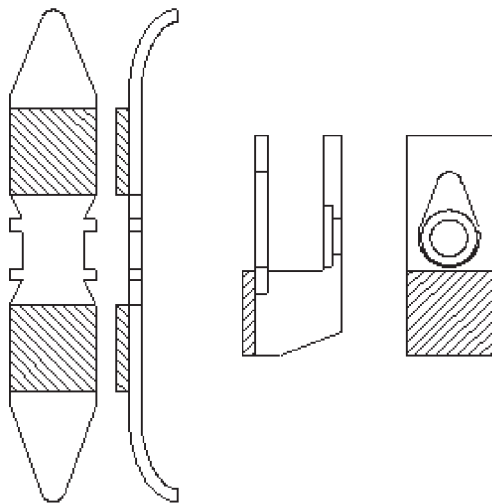
W2147A72G02



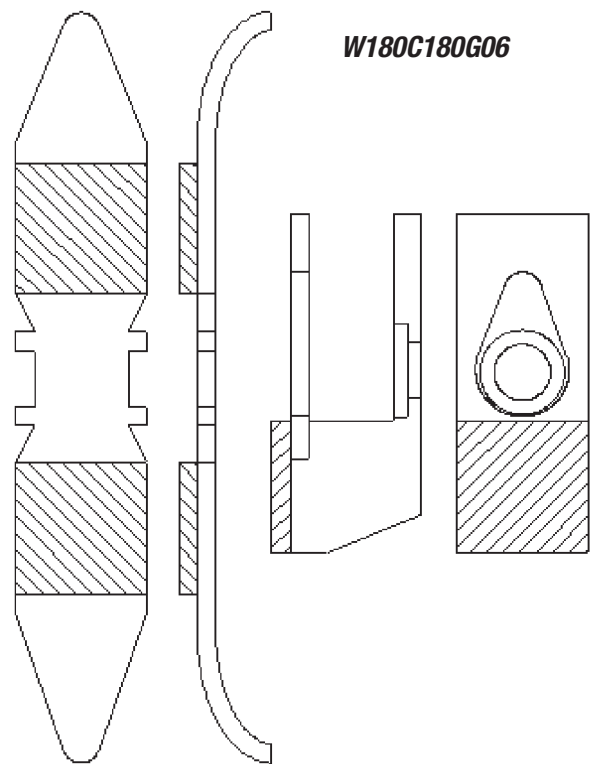
Westinghouse—Model A

| ORDERING INFORMATION | |
|----------------------|------|
| Part no. | Amps |
| W180C180G02 | 35 |
| W180C180G06 | 100 |
| W672B839G02 | 250 |

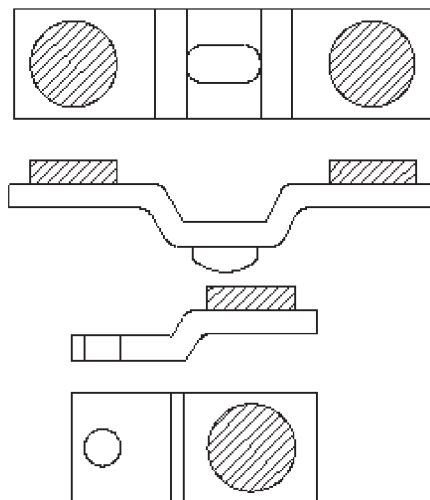
W180C180G02



W180C180G06



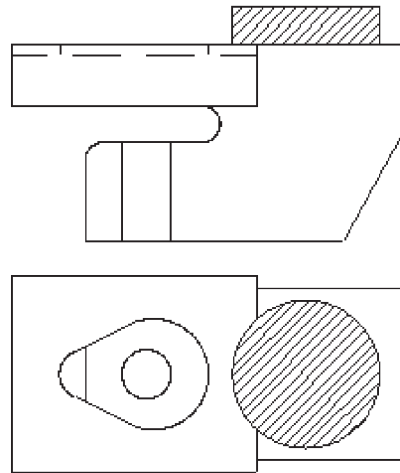
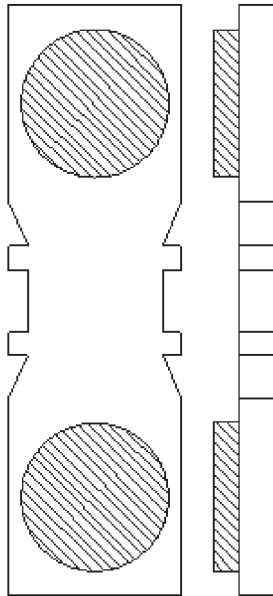
W672B839G02



Westinghouse—Model B

| ORDERING INFORMATION | |
|-----------------------------|------------|
| Part no. | Amps |
| W672B839G22 | 250 |

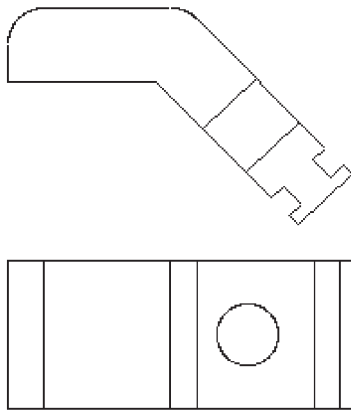
W672B839G22



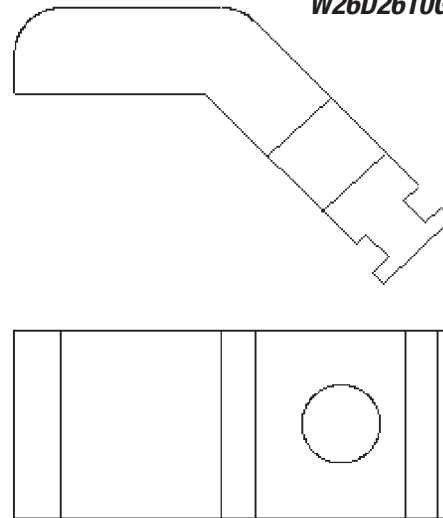
Westinghouse—Type M + MD

| ORDERING INFORMATION | | |
|----------------------|-------------|---------|
| Part no. | Type | Amps |
| W26D2610G14 | M310/M410 | 100/150 |
| W26D2610G14 | MD310/MD410 | 100/150 |
| W26D2610G15 | M510/MD510 | 300 |
| W26D2610G16 | M610/MD610 | 900 |

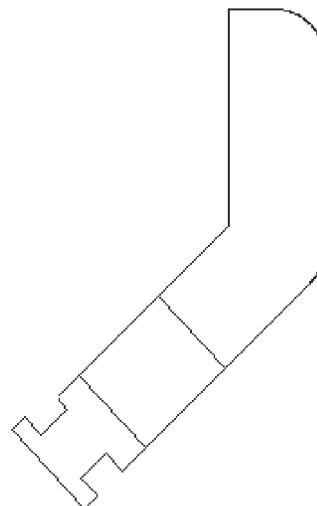
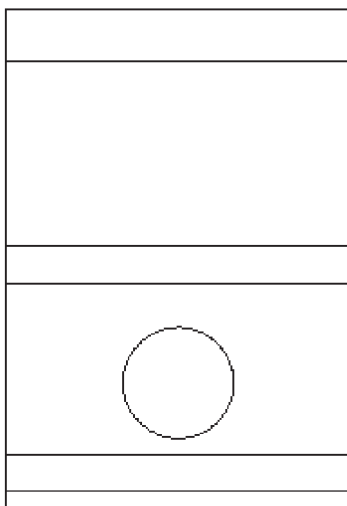
W26D2610G14



W26D2610G15



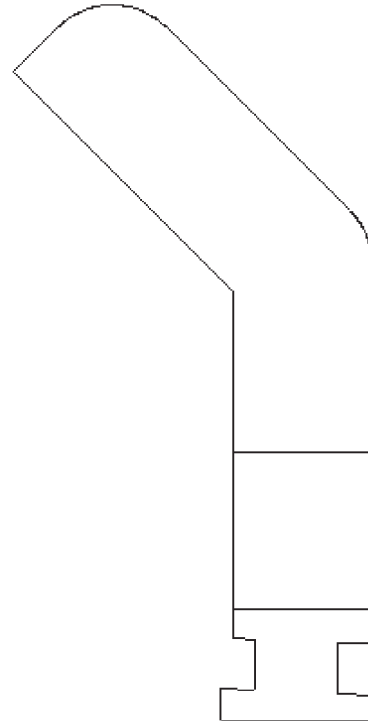
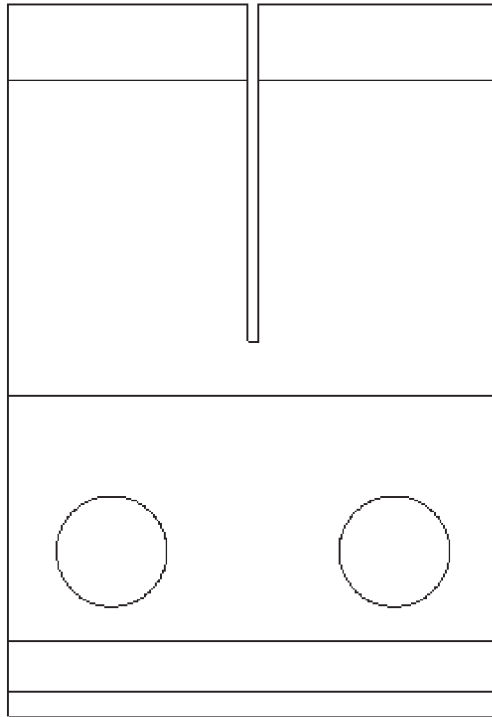
W26D2610G16



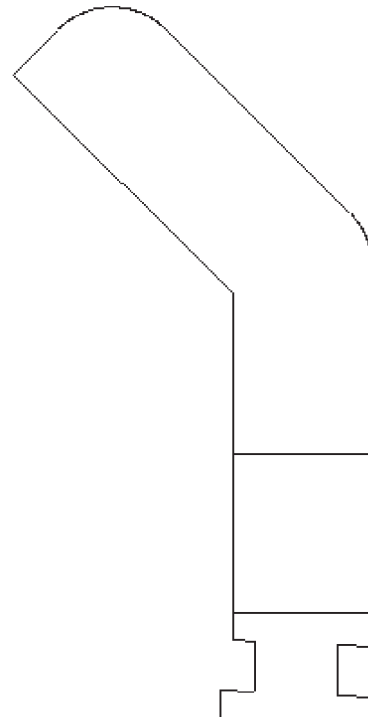
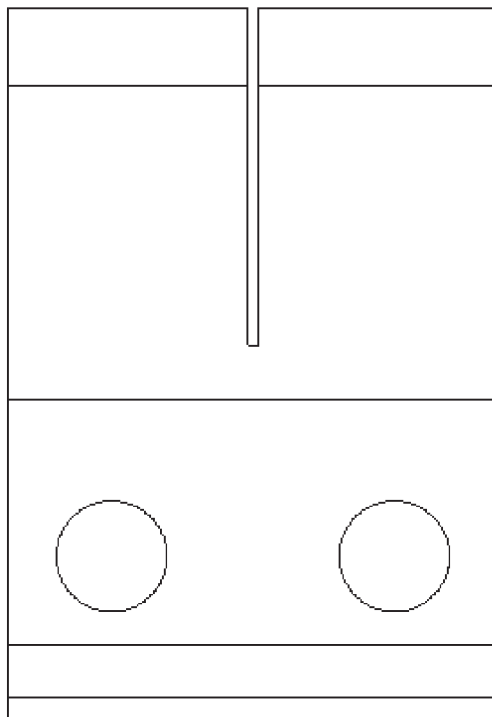
Westinghouse—Type M + MD

| ORDERING INFORMATION | | |
|----------------------|--------------|------|
| Part no. | Type | Amps |
| W26D2610G18 | M810/MD810 | 1350 |
| W26D2610G19 | M810R/MD810R | 1350 |

W26D2610G18



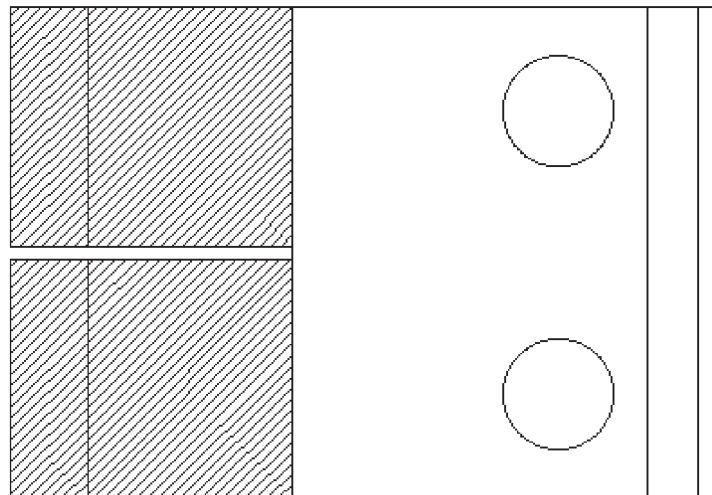
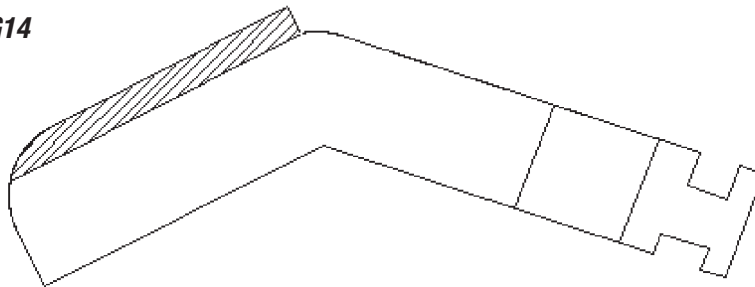
W26D2610G19



Westinghouse—Type M + MD

| ORDERING INFORMATION | | |
|----------------------|------------|------|
| Part no. | Type | Amps |
| W26D2610G20 | M910/MD910 | 2500 |

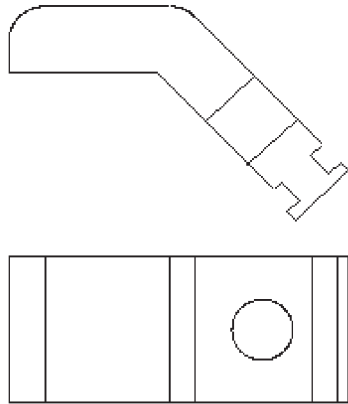
W26D2610G14



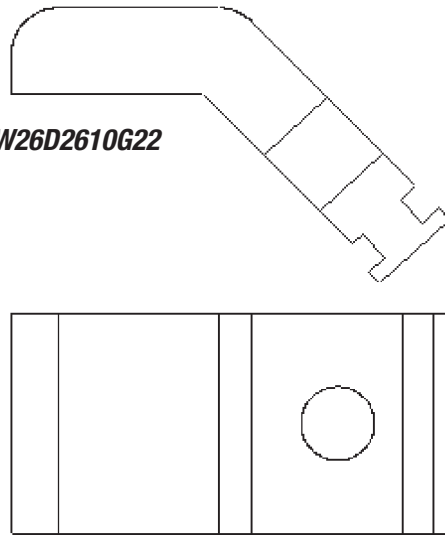
Westinghouse—Type M + MD

| ORDERING INFORMATION | | |
|----------------------|-------------|------|
| Part no. | Type | Amps |
| W26D2610G21 | M301/M401 | 1350 |
| W26D2610G21 | MD301/MD401 | 1350 |
| W26D2610G22 | M501/MD501 | 300 |
| W26D2610G23 | M601/MD601 | 900 |
| W26D2610G24 | M701/M710 | 900 |
| W26D2610G24 | MD701/MD710 | 900 |

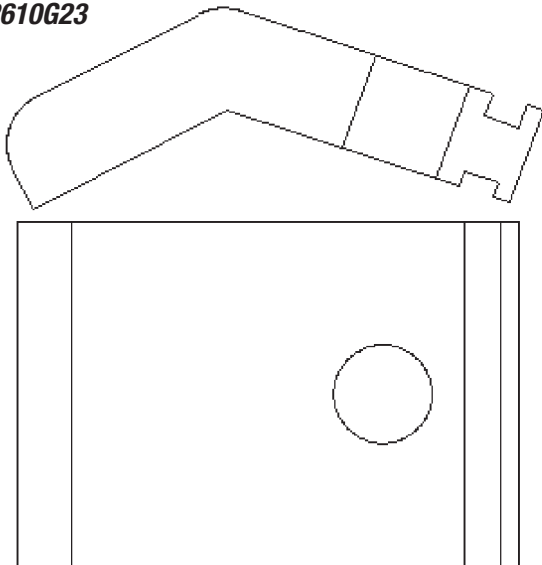
W26D2610G21



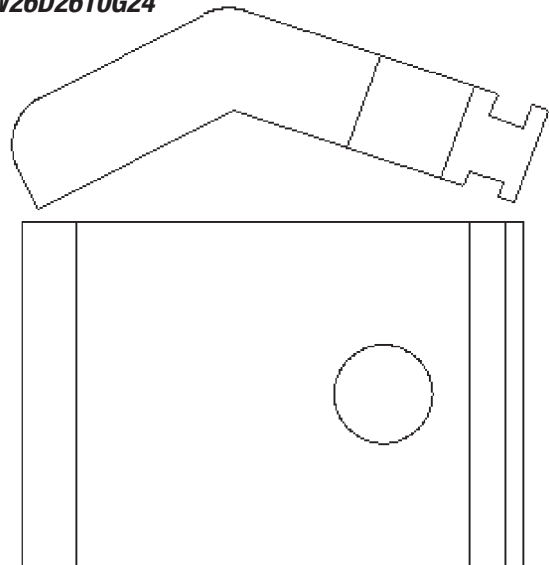
W26D2610G22



W26D2610G23



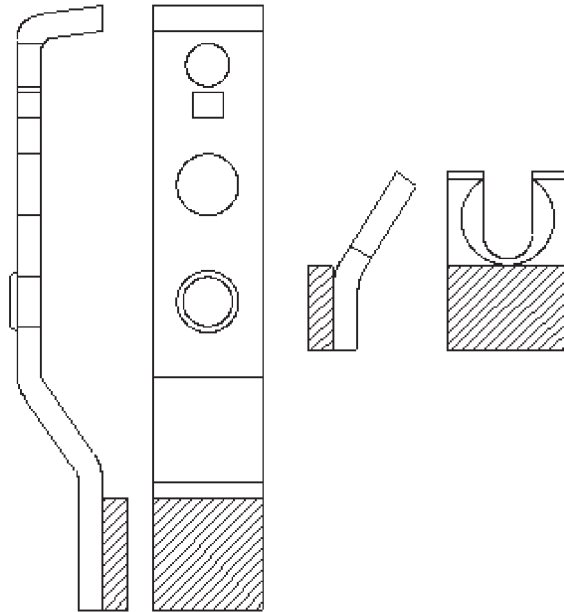
W26D2610G24



Westinghouse—Type MME

| ORDERING INFORMATION | | |
|----------------------|------|--------|
| Part no. | Type | Amps |
| W2184A10G14 | MME | 10/150 |

W2184A10G14



Part Number Index

On the following pages you will find a comprehensive index of all part numbers featured in this catalog. The part number displayed is the Adams part number used for ordering the item. Because of improvements made to Adams' systems over the years - to make it easier for you - the part number shown in most cases is the original manufacturer's part number. By following the page reference printed alongside the part number, you should find the part you are looking for.

We also provide a Cross Reference Index, immediately following this index, where you can locate the Adams part equivalent to the original manufacturer's part. With this part number and page reference, you can locate the Adams quality replacement part you need.

HOWEVER, even if you don't find the part, please CALL ADAMS. We are adding parts to our inventory every day, and chances are we can ship you the part you need! Call ADAMS at 1-800-929-9247.

Part Number Index

| Part Number | Catalog Page No. | Part Number | Catalog Page No. | Part Number | Catalog Page No. | Part Number | Catalog Page No. |
|-------------|------------------|--------------|------------------|------------------|------------------|------------------|------------------|
| 1176..... | 287 | 101040..... | 218 | 9703299..... | 167 | 1188C45H01 | 387 |
| 1329..... | 254 | 101052..... | 217 | 9706847..... | 156 | 124BS1 | 274 |
| 1338..... | 254 | 101054..... | 217 | 9710255..... | 167 | 124CA1 | 274 |
| 5737..... | 206 | 101141..... | 215 | 9710267..... | 167 | 128AG61 | 272 |
| 10014..... | 274 | 101142..... | 217 | 9710279..... | 167 | 12936-00A..... | 218 |
| 10150..... | 409 | 101152..... | 217 | 9710280..... | 167 | 129AR1 | 274 |
| 12110..... | 271 | 101155..... | 217 | 9710334..... | 167 | 129BT1 | 274 |
| 12111..... | 271 | 101156..... | 217 | 9713396..... | 409 | 129DH2 | 274 |
| 12136..... | 287 | 101161..... | 218 | 9715289..... | 151 | 1300D90H01 | 418 |
| 12143..... | 254 | 101163..... | 218 | 9715447..... | 152 | 1300D90H02 | 418 |
| 12170..... | 254 | 101192..... | 217 | 9715642..... | 150 | 1300D90H03 | 418 |
| 12171..... | 254 | 101204..... | 217 | 9719398..... | 165 | 1300D90H04 | 418 |
| 13418..... | 254 | 101214..... | 217 | 9720467..... | 145 | 1300D90H05 | 418 |
| 13433..... | 273 | 101295..... | 218 | 9720480..... | 145 | 1300D90H07 | 418 |
| 15257..... | 221 | 101552..... | 215 | 9721058..... | 170 | 1300D90H08 | 418 |
| 18066..... | 273 | 101630..... | 218 | 9723985..... | 158 | 1300D90H09 | 418 |
| 18074..... | 275 | 101637..... | 217 | 9723997..... | 158 | 1300D90H10 | 418 |
| 19144..... | 218 | 101661..... | 217 | 9727152..... | 165 | 1300D90H14 | 418 |
| 19510..... | 219 | 101687..... | 217 | 9730760..... | 170 | 1319B05H01 | 350 |
| 20034..... | 218 | 101689..... | 215 | 9741653..... | 159 | 1319B07H01 | 351 |
| 20918..... | 218 | 101719..... | 217 | 9743297..... | 159 | 1319B09G01 | 351 |
| 23165..... | 219 | 101744..... | 217 | 9744459..... | 145 | 1319B09G02 | 351 |
| 23166..... | 219 | 101802..... | 218 | 9747620..... | 153 | 1319B39H05 | 360 |
| 23167..... | 219 | 106580..... | 254 | 9749512..... | 159 | 1319B39H06 | 354, 356, 358 |
| 23168..... | 219 | 107430..... | 287 | 9752158..... | 153 | 131BD1 | 274 |
| 23170..... | 219 | 109731..... | 254 | 9752857..... | 145 | 131BG1 | 274 |
| 24476..... | 219 | 120671..... | 254 | 9758896..... | 160 | 131Z2 | 274 |
| 24477..... | 219 | 126391..... | 254 | 9759591..... | 167 | 1320B11G01 | 376 |
| 24478..... | 219 | 129912..... | 254 | 9759797..... | 167 | 1320B11G02 | 376 |
| 25077..... | 217 | 130190..... | 254 | 9759827..... | 167 | 133A7 | 274 |
| 26336..... | 92 | 130409..... | 254 | 9759839..... | 167 | 136R10 | 275 |
| 28383..... | 214 | 132350..... | 274 | 9771657..... | 167 | 140538..... | 287 |
| 28600..... | 219 | 141059..... | 151 | 9772777..... | 159 | 144A524H01 | 364 |
| 28602..... | 219 | 142740..... | 273 | 9774087..... | 160 | 144A600H32 | 77.1 |
| 32290..... | 214 | 145706..... | 254 | 9786600..... | 153 | 144A770H01 | 423 |
| 40593..... | 217 | 146088..... | 254 | 9791577..... | 158 | 144A989H01 | 364 |
| 40594..... | 217 | 166747..... | 287 | 9801704..... | 75 | 145A291G01 | 370 |
| 43300..... | 224 | 169941..... | 254 | 9810778..... | 150 | 145C3 | 274 |
| 45407..... | 219 | 206748..... | 384 | 9813135..... | 165 | 146A102H01 | 387 |
| 47222..... | 214 | 206816..... | 384 | 9813380..... | 150 | 146A988H01 | 345, 346 |
| 47261..... | 214 | 221985..... | 384 | 9817190..... | 165 | 148009..... | 77.1 |
| 47263..... | 214 | 222437..... | 197 | 9818431..... | 166 | 150AY1 | 254 |
| 47354..... | 214 | 222447..... | 95 | 9818443..... | 163 | 150C4 | 254 |
| 48232..... | 214 | 222449..... | 94 | 9826191..... | 167 | 151B417H01 | 312 |
| 48574..... | 219 | 222451..... | 95 | 9829430..... | 150 | 151B450H03 | 387 |
| 58214..... | 214 | 222465..... | 95 | 9840138..... | 147 | 151B456G01 | 358 |
| 58651..... | 217 | 222497..... | 94 | 9846384..... | 49 | 153AG6 | 240, 254 |
| 58655..... | 217 | 222519..... | 384 | 9846396..... | 49 | 153H1 | 254 |
| 58656..... | 217 | 222533..... | 382 | 9847730..... | 150 | 153Y1 | 254 |
| 58976..... | 217 | 222821..... | 384 | 9851276..... | 165 | 155BL1..... | 151 |
| 59666..... | 218 | 222824..... | 384 | 9870593..... | 150 | 156AA2 | 254 |
| 61032..... | 221 | 222920..... | 382 | 9870600..... | 150 | 156AX1 | 254 |
| 61404..... | 218 | 224310..... | 382 | 9871196..... | 409 | 1718C08G01 | 384 |
| 61429..... | 221 | 224601..... | 95 | 9897641..... | 153 | 1718C73G01 | 376 |
| 61491..... | 221 | 224602..... | 95 | 51500004..... | 95 | 1718C73G02 | 376 |
| 61695..... | 219 | 224612..... | 95 | 51500033..... | 95 | 1718C73G04 | 376 |
| 65000..... | 221 | 225054..... | 383 | 51500118..... | 95 | 1718C73G05 | 376 |
| 65981..... | 219 | 225780..... | 208 | 59307019..... | 311 | 1718C74G01 | 376 |
| 69267..... | 151 | 343541..... | 387 | 59307020..... | 311 | 1718C74G02 | 376 |
| 69269..... | 151 | 343542..... | 387 | 0200-20 | 13 | 1718C74G03 | 376 |
| 90728..... | 221 | 345420..... | 412 | 0300-20 | 12 | 1718C74G04 | 376 |
| 90841..... | 216 | 345421..... | 412 | 0375-6..... | 13 | 1718C74G05 | 376 |
| 90844..... | 216 | 345452..... | 412 | 0616-24 | 13 | 1718C75G01 | 376 |
| 91850..... | 94 | 520770..... | 218 | 0624-24 | 12 | 1718C75G04 | 376 |
| 94918..... | 95 | 590098..... | 384 | 100778..... | 346 | 1721C41G03 | 377 |
| 98120..... | 95 | 590882..... | 384 | 103D883G03 | 384 | 1721C41G05 | 377 |
| 98331..... | 95 | 962718..... | 355, 357, 359 | 1185C32H01 | 383 | 1721C41G07 | 377 |
| 98724..... | 94 | 9700780..... | 153 | 1185C38H01 | 383 | 1721C41G10 | 377 |
| 100969..... | 217 | 9701588..... | 152 | 1185C43H04 | 383 | 1721C41G13 | 377 |
| 101033..... | 216 | 9703202..... | 167 | 1185C68H01 | 384 | 1721C41G14 | 377 |

Part Number Index

| Part Number | Catalog Page No. | Part Number | Catalog Page No. | Part Number | Catalog Page No. | Part Number | Catalog Page No. |
|-------------|------------------|-------------|------------------|-------------|------------------|-------------|------------------|
| 1721C41G15 | 377 | 196C340H08 | 365 | 232E131 | 279 | 28974-1 | 218 |
| 1721C41G16 | 377 | 196C340H09 | 365 | 232Y20 | 279 | 297C1 | 273 |
| 1721C41G20 | 377 | 196C499H04 | 377 | 232Y25 | 279 | 306GD2 | 268 |
| 1721C41G22 | 377 | 196C557H02 | 380 | 250D1 | 267 | 306T2 | 287 |
| 1721C42G01 | 376 | 196C584G01 | 384 | 250D11 | 267 | 3-09900-02 | 208 |
| 1721C42G04 | 376 | 196C585G01 | 384 | 250D2 | 267 | 3-09900-09 | 208 |
| 1721C43G04 | 376 | 196C717H01 | 380 | 250D21 | 267 | 3-09900-16 | 208 |
| 1725C12H01 | 387 | 197C050H05 | 95, 197 | 250D3 | 267 | 3-09900-18 | 208 |
| 1725C19H01 | 387 | 197C050H08 | 95 | 250D4 | 267 | 3-10057-55 | 208 |
| 1725C19H04 | 387 | 198C036H01 | 387 | 250D5 | 267 | 3-10057-67 | 208 |
| 172DR3 | 274 | 198C036H02 | 387 | 250D6 | 267 | 3-10057-74 | 208 |
| 172DR6 | 274 | 198C582G01 | 369.1 | 250D-Series | 267 | 3-10057-75 | 208 |
| 172PM1 | 274 | 198C582G02 | 369.1 | 250E14 | 268 | 3-10062-02 | 206 |
| 174AB1 | 273 | 198C582G03 | 369.1 | 250E15 | 268 | 3-10062-03 | 206 |
| 174AK2 | 273 | 198C582G04 | 369.1 | 250E17 | 268 | 3-10062-04 | 206 |
| 174AV1 | 273 | 198C582G05 | 369.1 | 250E19 | 268 | 3-10062-08 | 206 |
| 177BS1 | 268 | 198C582G07 | 369.1 | 250E20 | 268 | 3-10062-09 | 206 |
| 177CB7 | 271 | 199015 | 297 | 250E21 | 268 | 310BE1 | 275 |
| 177CC5 | 271 | 207AN1 | 274 | 250E23 | 268 | 311B1 | 279 |
| 177DA1 | 271 | 207BN1 | 274 | 250E26 | 268 | 311B2 | 279 |
| 178T2 | 287 | 207R2 | 274 | 250E31 | 268 | 311B4 | 279 |
| 180AE3 | 273 | 209AF2 | 274 | 250E32 | 268 | 311B8 | 279 |
| 180DA1 | 271 | 212T4 | 272 | 250E33 | 268 | 316AHJ1 | 273 |
| 180DA2 | 271 | 215B488G01 | 343 | 250E34 | 268 | 316BCR1 | 273 |
| 182A17 | 283 | 215B690H01 | 364 | 250E35 | 268 | 3-20456-01 | 207 |
| 182A5 | 283 | 215B755H01 | 364 | 250E36 | 268 | 3-20456-02 | 207 |
| 182C1 | 283 | 2166J3 | 273 | 250E37 | 268 | 320AD2 | 279 |
| 19500-032 | 218 | 216B129H01 | 364 | 250E-Series | 268 | 320AM1 | 279 |
| 19501-021 | 217 | 216B755G02 | 380 | 251BJ1 | 304 | 320C940H01 | 387 |
| 19501-022 | 217 | 2175C97H01 | 373 | 251BT3 | 272 | 320C940H02 | 387 |
| 19501-092 | 217 | 2175C97H52 | 373 | 251BT5 | 272 | 320C941H01 | 387 |
| 19502-30 | 212 | 2175C97H53 | 373 | 251BV1 | 272 | 320CD1 | 279 |
| 195AT2 | 272 | 2175C97H54 | 373 | 251BV5 | 272 | 321C145H02 | 387 |
| 195C566G01 | 377 | 2175C97H61 | 373 | 2630C89G04 | 312 | 321C201G01 | 347 |
| 195C566G03 | 377 | 2175C97H86 | 373 | 2630C89G05 | 312 | 321CJ3 | 272 |
| 195C566G05 | 377 | 2175C97H95 | 373 | 2630C89G13 | 312 | 321CJ4 | 272 |
| 195C566G07 | 377 | 2175C97H97 | 373 | 2630C89G14 | 312 | 322C240G01 | 343 |
| 195C566H01 | 377 | 2175C97H98 | 373 | 2633C12G03 | 382 | 322C241G01 | 343 |
| 195C566H04 | 377 | 2177C32G01 | 343 | 2633C40G01 | 384 | 322C808H01 | 77.1 |
| 195C566H05 | 377 | 2179C31G02 | 346 | 2633C74H27 | 312 | 322C808H05 | 77.1 |
| 195C574H01 | 364 | 2179C36H01 | 315 | 2633C79G01 | 384 | 322C826H02 | 95, 197 |
| 195C574H02 | 364 | 2179C36H02 | 315 | 2633C88G01 | 384 | 3-23015-01 | 209 |
| 195C574H04 | 364 | 217B233H01 | 312 | 2638C89G01 | 369.1 | 3-23015-21 | 209 |
| 195C574H06 | 364 | 217B233H03 | 312 | 2638C89G02 | 369.1 | 3-23015-23 | 209 |
| 195CH2 | 272 | 222837 | 381, 382 | 2638C89G03 | 369.1 | 323C895G01 | 375 |
| 195CP2 | 272 | 222923 | 381, 382 | 2638C89G07 | 369.1 | 323C895G02 | 375 |
| 195GK2 | 272 | 223076 | 381, 382 | 2638C89G08 | 369.1 | 323C895G03 | 375 |
| 196C148G01 | 392 | 223200 | 381, 382, 384 | 2643C85H15 | 387 | 323C895G04 | 375 |
| 196C148H03 | 365 | 223956 | 381, 382 | 2644C37G01 | 380 | 323C895G07 | 375 |
| 196C149H01 | 377 | 224213 | 382, 384 | 265BC2 | 272 | 323C895G08 | 375 |
| 196C149H02 | 377 | 225094 | 383, 384 | 265BD2 | 272 | 323C895G10 | 375 |
| 196C149H03 | 377 | 225212 | 381, 382 | 2700ADZ1 | 273 | 323C895G12 | 375 |
| 196C149H04 | 377 | 225313 | 381, 382 | 2700AEJ1 | 274 | 323C895G13 | 375 |
| 196C149H10 | 377 | 225445 | 381, 382 | 278AN1 | 268 | 323C895G15 | 375 |
| 196C149H12 | 377 | 225CG3 | 271 | 278CE2 | 268 | 323C895G16 | 375 |
| 196C149H13 | 377 | 226H7 | 278 | 278EA1 | 267 | 323C895G17 | 375 |
| 196C149H14 | 377 | 226W3 | 278 | 278T5 | 273 | 323C895G18 | 375 |
| 196C149H18 | 377 | 232AA40 | 279 | 2843C81G01 | 392 | 323C895G19 | 375 |
| 196C149H20 | 377 | 232AA42 | 279 | 2843C81H01 | 365 | 323C895G21 | 375 |
| 196C149H21 | 377 | 232AA48 | 279 | 2845C49G01 | 347 | 323C895H01 | 375 |
| 196C149H25 | 377 | 232B10 | 279 | 2845C49H01 | 347 | 323C895H02 | 375 |
| 196C149H26 | 377 | 232B11 | 279 | 2858-114 | 217 | 323C895H10 | 375 |
| 196C149H27 | 377 | 232B20 | 279 | 28600-001 | 219 | 323C895H12 | 375 |
| 196C149H28 | 377 | 232B3 | 279 | 287R4 | 273 | 323C895H15 | 375 |
| 196C149H29 | 377 | 232B6 | 279 | 2881-170 | 224 | 323C895H16 | 375 |
| 196C149H31 | 377 | 232B7 | 279 | 288CD4 | 287 | 323C895H18 | 375 |
| 196C149H45 | 377 | 232C8 | 271 | 288LL2 | 273 | 323C895H19 | 375 |
| 196C340H03 | 365 | 232E126 | 279 | 288MB4 | 273 | 323C895H20 | 375 |
| 196C340H04 | 365 | 232E127 | 279 | 2894C59G01 | 384 | 323C895H23 | 375 |
| 196C340H06 | 365 | 232E130 | 279 | 2894C59G07 | 384 | 323C895H25 | 375 |

Part Number Index

| Part Number | Catalog Page No. | Part Number | Catalog Page No. | Part Number | Catalog Page No. | Part Number | Catalog Page No. |
|-------------|------------------|-------------|------------------|-------------|------------------|-------------|------------------|
| 323CK1 | 268 | 3-40024-77 | 411 | 3-40220-54 | 382 | 3-40292-32 | 381 |
| 323DA1 | 267 | 3-40029-12 | 208 | 3-40220-69 | 208 | 3-40301-61 | 321 |
| 323DA2 | 267 | 3-40029-32 | 208 | 3-40230-58 | 94 | 3-40301-63 | 321 |
| 323DA3 | 267 | 3-40029-36 | 208 | 3-40230-59 | 94, 197 | 3-40302-01 | 411 |
| 325C827H02 | 387 | 3-40029-37 | 208 | 3-40230-63 | 94, 197 | 3-40302-06 | 94, 197 |
| 3-26122-02 | 196 | 3-40089-63 | 49 | 3-40230-64 | 94, 197 | 3-40305-20 | 381 |
| 3-26122-04 | 92 | 3-40091-08 | 94 | 3-40230-65 | 94, 197 | 3-40306-53 | 205 |
| 3-26122-07 | 92 | 3-40091-09 | 94 | 3-40231-12 | 382, 383 | 3-40306-54 | 205 |
| 3-26122-08 | 92 | 3-40092-32 | 208 | 3-40231-33 | 94 | 3-40317-98 | 196 |
| 327AV1 | 273 | 3-40092-33 | 208 | 3-40231-72 | 381 | 3-40318-72 | 381 |
| 327AV3 | 273 | 3-40092-34 | 208 | 3-40232-32 | 382, 383 | 3-40318-74 | 208 |
| 327CX2 | 273 | 3-40092-36 | 208 | 3-40233-09 | 381 | 3-40320-63 | 382, 383 |
| 327CX6 | 273 | 3-40092-37 | 208 | 3-40238-95 | 408 | 3-40324-80 | 381 |
| 327DJ4 | 273 | 3-40093-43 | 208 | 3-40239-26 | 381 | 3-40324-83 | 381 |
| 3-28763-02 | 206 | 3-40096-11 | 208 | 3-40245-92 | 208 | 3-40324-87 | 381 |
| 33-0470-003 | 392 | 3-40096-21 | 208 | 3-40246-69 | 382 | 3-40324-91 | 196 |
| 33-0520-002 | 416 | 3-40100-27 | 208 | 3-40246-89 | 205 | 3-40332-15 | 415 |
| 33-1049-015 | 94 | 3-40100-28 | 208 | 3-40249-82 | 205 | 3-40332-38 | 382, 383 |
| 33-1049-016 | 94 | 3-40100-29 | 208 | 3-40250-21 | 381 | 3-40332-60 | 382, 383 |
| 33-1067-005 | 92 | 3-40110-19 | 205 | 3-40252-30 | 381 | 3-40332-61 | 382, 383 |
| 33-1067-006 | 92 | 3-40115-25 | 205 | 3-40254-24 | 95 | 3-40332-62 | 382, 383 |
| 33-1094-007 | 205 | 3-40116-12 | 95, 197 | 3-40254-72 | 94 | 3-40332-63 | 382, 383 |
| 33-1094-009 | 205 | 3-40116-13 | 95, 197 | 3-40254-92 | 208 | 3-40332-65 | 382, 383 |
| 33-1094-013 | 205 | 3-40116-14 | 95, 197 | 3-40255-12 | 205 | 3-40333-48 | 383 |
| 33-1097-001 | 208 | 3-40116-15 | 95 | 3-40255-13 | 205 | 3-40336-11 | 208 |
| 33-1097-004 | 208 | 3-40116-16 | 197 | 3-40255-36 | 208 | 3-40336-12 | 208 |
| 33-1097-005 | 208 | 3-40118-32 | 205 | 3-40255-38 | 94 | 3-40336-61 | 196 |
| 33-1097-006 | 208 | 3-40118-75 | 196 | 3-40255-45 | 410 | 3-40337-62 | 382, 383 |
| 33-1097-007 | 208 | 3-40122-46 | 95, 197 | 3-40255-47 | 95, 197 | 3-40338-17 | 382, 383 |
| 33-4019-009 | 94 | 3-40122-47 | 95, 197 | 3-40256-98 | 381 | 3-40340-17 | 206 |
| 334C1 | 272 | 3-40128-56 | 94 | 3-40257-77 | 321 | 3-40340-45 | 383 |
| 335200-1 | 112 | 3-40129-19 | 208 | 3-40257-79 | 321 | 3-40340-68 | 382, 383 |
| 335802-01 | 61 | 3-40129-20 | 208 | 3-40258-28 | 208 | 3-40341-26 | 383 |
| 335E22 | 272 | 3-40133-54 | 77.1 | 3-40258-32 | 94, 197 | 3-40341-30 | 382, 383 |
| 335E84 | 272 | 3-40139-87 | 77.1 | 3-40258-34 | 209 | 3-40342-45 | 382, 383 |
| 335E86 | 272 | 3-40142-99 | 382 | 3-40258-45 | 95 | 3-40352-50 | 382 |
| 335H12 | 272 | 3-40143-00 | 382 | 3-40258-46 | 95 | 3-40362-74 | 196 |
| 335H7 | 272 | 3-40143-02 | 382 | 3-40258-47 | 94 | 3-40381-51 | 411 |
| 3-36102-02 | 209 | 3-40143-03 | 382 | 3-40259-45 | 381 | 3-40391-24 | 208 |
| 3-36102-04 | 209 | 3-40145-23 | 94, 197 | 3-40259-66 | 94, 197 | 3-40391-75 | 94 |
| 3-36102-11 | 209 | 3-40148-18 | 94, 197 | 3-40259-70 | 95 | 3-40391-76 | 197 |
| 3-36202-05 | 208 | 3-40155-15 | 209 | 3-40264-63 | 205 | 3-40393-54 | 382 |
| 3-36286-00 | 94, 197 | 3-40155-20 | 94 | 3-40266-23 | 208 | 3-40394-12 | 415 |
| 3-36286-01 | 94, 197 | 3-40155-38 | 208 | 3-40266-40 | 382 | 3-40394-13 | 415 |
| 3-36286-02 | 94, 197 | 3-40155-40 | 208 | 3-40267-48 | 381 | 3-40394-14 | 415 |
| 3-36325-00 | 196 | 3-40155-92 | 382 | 3-40277-03 | 381 | 3-40394-17 | 413 |
| 3-36341-00 | 95 | 3-40157-45 | 95 | 3-40277-58 | 208 | 3-40394-67 | 422 |
| 3-36341-01 | 95 | 3-40162-07 | 382 | 3-40280-14 | 381 | 3-40394-80 | 408 |
| 3-36341-02 | 95, 197 | 3-40163-25 | 205 | 3-40280-18 | 381 | 3-40394-81 | 410 |
| 33AA2 | 283 | 3-40173-64 | 94 | 3-40280-85 | 381 | 3-40394-84 | 95 |
| 33D14 | 283 | 3-40177-23 | 94, 197 | 3-40280-89 | 381 | 3-40394-85 | 95 |
| 3-40000-26 | 411 | 3-40179-99 | 382 | 3-40281-07 | 381 | 3-40394-86 | 95 |
| 3-40002-37 | 321 | 3-40195-73 | 94 | 3-40283-36 | 95 | 3-40394-87 | 95 |
| 3-40004-16 | 321 | 3-40195-74 | 205 | 3-40284-26 | 381 | 34-1032-001 | 209 |
| 3-40005-27 | 381 | 3-40196-76 | 94 | 3-40284-28 | 381 | 34-1032-003 | 209 |
| 3-40006-59 | 381 | 3-40196-77 | 94 | 3-40287-28 | 408 | 34-1032-005 | 209 |
| 3-40007-95 | 95 | 3-40196-78 | 94 | 3-40287-29 | 408 | 34-1032-006 | 209 |
| 3-40007-96 | 208 | 3-40196-79 | 94 | 3-40287-30 | 408 | 34-1032-007 | 209 |
| 3-40008-61 | 205 | 3-40196-80 | 94 | 3-40287-38 | 408 | 34-1032-009 | 209 |
| 3-40008-73 | 205 | 3-40196-81 | 94 | 3-40287-42 | 408 | 34-1032-010 | 209 |
| 3-40008-75 | 208 | 3-40196-82 | 94 | 3-40287-45 | 408 | 34-1032-011 | 209 |
| 3-40008-89 | 94, 197 | 3-40196-83 | 94 | 3-40287-62 | 422 | 34-1032-012 | 209 |
| 3-40008-90 | 94, 197 | 3-40196-85 | 94, 197 | 3-40287-93 | 381 | 34-1097-002 | 208 |
| 3-40010-67 | 205 | 3-40196-86 | 94 | 3-40288-34 | 205 | 34-1097-003 | 208 |
| 3-40012-24 | 381 | 3-40196-87 | 94 | 3-40290-10 | 381 | 34-1097-004 | 208 |
| 3-40014-65 | 95, 197 | 3-40196-88 | 94 | 3-40290-58 | 382, 383 | 34-1097-005 | 208 |
| 3-40014-78 | 94, 197 | 3-40196-89 | 94 | 3-40290-66 | 197 | 34-1097-006 | 208 |
| 3-40014-98 | 196 | 3-40196-90 | 94 | 3-40290-70 | 95 | 34-1097-007 | 208 |
| 3-40022-21 | 411 | 3-40196-93 | 94 | 3-40290-98 | 208 | 34-1097-008 | 208 |
| 3-40024-76 | 411 | 3-40220-01 | 205 | 3-40292-28 | 381 | 34-1097-009 | 208 |

Part Number Index

| Part Number | Catalog Page No. | Part Number | Catalog Page No. | Part Number | Catalog Page No. | Part Number | Catalog Page No. |
|------------------|------------------|-----------------|------------------|-----------------|------------------|-----------------|------------------|
| 34-1097-010..... | 208 | 478C049H02..... | 387 | 5265A52H01..... | 361 | 627D989G08..... | 343 |
| 34-1097-012..... | 208 | 478C384G01..... | 380 | 5266D09G01..... | 351 | 628D241H01..... | 387 |
| 34-1097-013..... | 208 | 48-59-0260..... | 13 | 5266D09G02..... | 351 | 628D241H02..... | 387 |
| 34-1097-014..... | 208 | 488B1..... | 273 | 5359-21..... | 13 | 628D409H02..... | 387 |
| 34-1097-015..... | 208 | 49115-003..... | 218 | 5383-21..... | 12 | 63099-002..... | 219 |
| 34-1097-016..... | 208 | 5060A65H01..... | 380 | 5399C11H39..... | 372 | 63099-003..... | 219 |
| 34-1097-017..... | 208 | 5061A31H01..... | 380 | 5399C11H40..... | 372 | 63099-004..... | 219 |
| 34-1097-018..... | 208 | 5061A41H01..... | 375 | 5399C11H45..... | 372 | 630B301H01..... | 364 |
| 34-1097-019..... | 208 | 5061A41H02..... | 375 | 5399C11H46..... | 372 | 630B301H05..... | 364 |
| 345460..... | 346 | 5061A41H03..... | 375 | 5399C11H85..... | 372 | 630B383H01..... | 312 |
| 345461..... | 412 | 5061A41H04..... | 375 | 5399C11H86..... | 372 | 630B383H02..... | 312 |
| 346AEH1..... | 273 | 5061A41H05..... | 375 | 5399C11H87..... | 372 | 630B479H01..... | 387 |
| 35-1094-008..... | 205 | 5061A41H06..... | 375 | 5402C03H01..... | 372 | 630B480H01..... | 387 |
| 372DE1..... | 279 | 5061A46H03..... | 380 | 5402C03H52..... | 372 | 630B481H01..... | 387 |
| 376CV1..... | 279 | 5061A46H08..... | 380 | 5402C03H53..... | 372 | 630B482H01..... | 387 |
| 376CX1..... | 279 | 5061A48H01..... | 380 | 5402C03H54..... | 372 | 630B484H01..... | 387 |
| 380AV1..... | 304 | 5061A67G01..... | 354, 356, 358 | 5402C03H61..... | 372 | 630B508H01..... | 312 |
| 380BS2..... | 304 | 5062A92H01..... | 361 | 5402C03H86..... | 372 | 630B596H01..... | 312 |
| 385B1..... | 304 | 5062A95H01..... | 352 | 5402C03H92..... | 372 | 6333AJ1..... | 271 |
| 385NN1..... | 250 | 5062A97H01..... | 352 | 5402C03H95..... | 372 | 6333CC2..... | 271 |
| 385PD1..... | 250 | 5062A98H01..... | 352 | 5402C03H97..... | 372 | 6365E1..... | 287 |
| 386BNM1..... | 268 | 5063A83G01..... | 351 | 5402C03H98..... | 372 | 6410W-UTA..... | 268 |
| 386TZ1-3..... | 273 | 5065A30H03..... | 380 | 5402C05H01..... | 372 | 6410W-UTC..... | 268 |
| 4110D65G02..... | 329 | 5065A44H01..... | 350 | 5402C05H02..... | 372 | 6410W-UTD..... | 268 |
| 4110D65G03..... | 329 | 5065A47H01..... | 352 | 5402C05H03..... | 372 | 6410W-UTE..... | 268 |
| 4110D65G05..... | 329 | 5065A51H01..... | 361 | 5402C05H04..... | 372 | 6410W-UTF..... | 268 |
| 4110D65G06..... | 329 | 507263-120..... | 214 | 5402C05H05..... | 372 | 6514-21..... | 12 |
| 4110D65G07..... | 329 | 51233-001..... | 224 | 5402C05H51..... | 372 | 6537-22..... | 12 |
| 4110D65G08..... | 329 | 51570-001..... | 224 | 5402C05H52..... | 372 | 6543C..... | 288 |
| 4110D65G11..... | 329 | 518AG4..... | 142 | 5405C94H01..... | 365 | 65974-001..... | 220 |
| 4110D65G12..... | 329 | 518AK1..... | 142 | 5405C94H02..... | 365 | 65EA2..... | 274 |
| 4110D65G13..... | 329 | 5194D41G01..... | 315 | 5406C62G01..... | 328 | 6602A1..... | 287 |
| 4110D65G15..... | 329 | 5194D41G02..... | 315 | 5406C62G02..... | 328 | 6631C1..... | 275 |
| 4110D65G16..... | 329 | 5194D95G03..... | 384 | 5406C62G05..... | 328 | 6693C81H01..... | 352 |
| 4110D65G17..... | 329 | 5194D96G03..... | 384 | 5406C62G06..... | 328 | 681A554H01..... | 313 |
| 4110D65G25..... | 329 | 5203D66H08..... | 348 | 569A957H04..... | 77.1 | 681A556H03..... | 95 |
| 4110D65G33..... | 329 | 5203D66H10..... | 348 | 569A957H05..... | 77.1 | 681A556H04..... | 95 |
| 425B1..... | 264 | 5203D66H14..... | 348 | 569A957H06..... | 321 | 681A556H09..... | 95 |
| 425D1..... | 264 | 5203D66H15..... | 348 | 569A957H07..... | 77.1 | 681A556H10..... | 95 |
| 425P1..... | 264 | 5203D66H16..... | 348 | 576B535G98..... | 358, 360 | 681A556H14..... | 95 |
| 4356E1..... | 279 | 5203D66H17..... | 348 | 576B710H01..... | 345, 346 | 681A556H18..... | 95 |
| 43744..... | 214 | 5203D66H18..... | 348 | 583725..... | 343 | 6825B1..... | 287 |
| 4514A18..... | 271 | 5203D66H24..... | 348 | 590862..... | 381, 382 | 6825B3..... | 254 |
| 45377..... | 214 | 5203D66H25..... | 348, 349 | 59P2..... | 274 | 682A092H01..... | 364 |
| 45516..... | 214 | 5203D66H26..... | 348, 349 | 5VX690..... | 77.1 | 6839Y4..... | 287 |
| 456AK4..... | 259 | 5203D66H27..... | 348, 349 | 5VX850..... | 77.1 | 6849B4..... | 262 |
| 456BY1..... | 259, 273 | 5203D66H30..... | 348, 349 | 6047A2..... | 288 | 6849B5..... | 262 |
| 456C5..... | 259 | 5203D66H31..... | 349 | 607C1..... | 275 | 6849C6..... | 262 |
| 456CE4..... | 259 | 5203D67H08..... | 348 | 61021-001..... | 221 | 6850F3..... | 254 |
| 456EW2..... | 259 | 5203D67H10..... | 348 | 61021-002..... | 221 | 6884..... | 304 |
| 456G1..... | 274 | 5203D67H14..... | 348 | 6134A1..... | 287 | 691B789H05..... | 77.1 |
| 46217-020..... | 219 | 5203D67H15..... | 348 | 6134H1..... | 287 | 691B789H07..... | 77.1 |
| 462GR1..... | 274 | 5203D67H16..... | 348 | 6134J1..... | 287 | 691B955H07..... | 94 |
| 46344..... | 214 | 5203D67H17..... | 348 | 613BX1..... | 414 | 691B955H10..... | 94 |
| 465D025H01..... | 387 | 5203D67H18..... | 348 | 6148-6..... | 13 | 691B955H11..... | 94 |
| 465D025H02..... | 387 | 5203D67H24..... | 348 | 61531-003..... | 219 | 691B955H12..... | 94 |
| 465D025H03..... | 387 | 5203D67H25..... | 349 | 6199H1..... | 250 | 6924C86G01..... | 312 |
| 465D274G01..... | 343 | 5203D67H27..... | 348, 349 | 62194-002..... | 221 | 6924C86G02..... | 312 |
| 465D274G02..... | 343 | 5203D67H30..... | 349 | 6219D1..... | 279 | 6924C86G05..... | 312 |
| 465D274G03..... | 343 | 5203D67H31..... | 349 | 623E2..... | 275 | 6925C91H01..... | 387 |
| 465D434H02..... | 387 | 5207D42H46..... | 77.1, 348 | 626D268H01..... | 387 | 692B253H01..... | 387 |
| 465D434H05..... | 387 | 5207D42H47..... | 77.1, 321 | 626D268H10..... | 387 | 692B863G01..... | 312, 348 |
| 465D434H10..... | 387 | 5207D42H49..... | 212 | 626D268H13..... | 387 | 692B935G02..... | 384 |
| 467AT1..... | 274 | 5208D74H88..... | 312 | 626D268H15..... | 387 | 692B935G03..... | 384 |
| 470P1..... | 304 | 5212D87G07..... | 346 | 626D268H16..... | 387 | 693B055H01..... | 387 |
| 470P2..... | 304 | 521VIII-12..... | 288 | 626D686G01..... | 332 | 693B110H01..... | 384 |
| 474H6..... | 287 | 5226D09G01..... | 351 | 626D686G02..... | 332 | 693B110H02..... | 384 |
| 477C740H01..... | 368 | 5226D09G02..... | 351 | 627D989G03..... | 343 | 693B112H01..... | 384 |
| 477C835H02..... | 387 | 5226D09H15..... | 353 | 627D989G04..... | 343 | 693B250H04..... | 314 |
| 478C049H01..... | 387 | 5226D09H26..... | 353 | 627D989G05..... | 343 | 693B250H05..... | 314 |

Part Number Index

| Part Number | Catalog Page No. | Part Number | Catalog Page No. | Part Number | Catalog Page No. | Part Number | Catalog Page No. |
|-------------|------------------|-------------|------------------|---------------|------------------|-------------|--------------------|
| 693B250H06 | 314 | 6954C71H03 | 372 | 7029C27H10 | 375 | 7264C45G08 | 364 |
| 693B250H07 | 314 | 6954C71H04 | 372 | 7029C27H11 | 375 | 7264C45G09 | 364 |
| 693B250H08 | 314 | 6954C71H05 | 372 | 703103A | 315 | 7264C45G11 | 364 |
| 693B250H09 | 314 | 6954C71H06 | 372 | 7069AF1 | 267 | 7264C54H08 | 95 |
| 693B250H10 | 314 | 6954C71H07 | 372 | 7069AF11 | 267 | 7265C84H01 | 387 |
| 693B250H11 | 314 | 6954C71H08 | 372 | 7069AF12 | 267 | 7265C84H03 | 387 |
| 693B250H16 | 314 | 6954C71H09 | 372 | 7069AF3 | 267 | 7268C09H04 | 350 |
| 693B250H17 | 314 | 6954C71H10 | 372 | 7069AF37 | 267 | 7268C26H01 | 350, 361.1 |
| 693B250H18 | 314 | 6954C71H41 | 372 | 7069AF41 | 267 | 7268C26H02 | 350, 361.1 |
| 693B250H19 | 314 | 6954C71H42 | 372 | 7069AF42 | 267 | 7268C35G01 | 355 |
| 693B250H20 | 314 | 6954C71H43 | 372 | 7069AF7 | 267 | 7268C35H01 | 350 |
| 693B250H21 | 314 | 6954C71H46 | 372 | 7069AF9 | 267 | 7268C48G01 | 355 |
| 693B250H22 | 314 | 6954C71H49 | 372 | 7069AG2 | 268 | 7268C48H01 | 350 |
| 693B250H23 | 314 | 6954C71H51 | 372 | 7069AG31 | 268 | 7269C58G01 | 351 |
| 693B250H24 | 314 | 6954C71H52 | 373 | 7069AG32 | 268 | 7272C15H01 | 352 |
| 693B288G01 | 376 | 6954C71H69 | 373 | 7069AH10 | 268 | 7272C17G01 | 352 |
| 693B359H03 | 95 | 6954C71H96 | 373 | 7069AH11 | 268 | 7278C57 | 357 |
| 693B359H04 | 95 | 6954C71H99 | 373 | 7069AH16 | 268 | 7278C57G02 | 359 |
| 693B359H05 | 95 | 6954C89H01 | 373 | 7069AH17 | 268 | 7280C55H05 | 48 |
| 693B359H06 | 95 | 6954C89H02 | 373 | 7069AH21 | 268 | 7283C05H01 | 313, 348 |
| 693B359H07 | 95 | 6954C89H03 | 373 | 7069AH26 | 268 | 7283C05H02 | 313, 350, 357, 359 |
| 693B359H08 | 94 | 6954C89H04 | 373 | 7069AH33 | 268 | 7284C21H02 | 349 |
| 693B415H01 | 77.1, 350 | 6954C89H05 | 373 | 7069AH34 | 268 | 7284C21H08 | 349 |
| 693B415H02 | 77.1 | 6954C89H06 | 373 | 7069AH36 | 268 | 7284C21H35 | 349 |
| 693B440H02 | 355, 357, 359 | 6954C89H07 | 373 | 7069AH38 | 268 | 7284C21H41 | 349 |
| 693B442G01 | 360 | 6954C89H08 | 373 | 7069AH40 | 268 | 7284C56H01 | 365 |
| 693B460G01 | 360 | 6954C89H09 | 373 | 7069AH41 | 268 | 7284C56H02 | 365 |
| 693B464H01 | 350, 360 | 6954C89H10 | 373 | 7069AH42 | 268 | 7284C56H03 | 365 |
| 693B464H02 | 354, 356 | 6954C89H41 | 372 | 7069AH48 | 268 | 7285C31G01 | 313 |
| 693B535H01 | 354, 356 | 6954C89H42 | 373 | 7069AH58 | 268 | 7285C36G01 | 315 |
| 693B550H01 | 378 | 6954C89H43 | 372 | 7069AH59 | 268 | 7285C41G01 | 315 |
| 694B214H01 | 343 | 6954C89H46 | 372 | 7069AH60 | 268 | 7285C56H01 | 313, 348 |
| 694B506G01 | 375 | 6954C89H49 | 372 | 7069AH9 | 268 | 7285C73H01 | 384 |
| 694B506G02 | 375 | 6954C89H50 | 373 | 7069AH-Series | 268 | 7286C86G01 | 312 |
| 694B506G03 | 375 | 6954C89H51 | 372 | 7069Y1-Series | 268 | 7360Z | 347 |
| 694B506G05 | 375 | 6954C89H54 | 373 | 7243C45H01 | 387 | 7361Z | 347 |
| 694B632G01 | 49 | 695B119H11 | 387 | 7252C74H01 | 311 | 7375Z | 384 |
| 694B783G01 | 376 | 6993C53G03 | 356 | 7252C74H02 | 311 | 7428C01H02 | 374 |
| 694B995G01 | 342 | 6993C53G04 | 356 | 7252C74H04 | 311 | 7428C01H04 | 374 |
| 6950C92H01 | 376 | 6993C54G01 | 353 | 7252C74H05 | 311 | 7428C01H06 | 374 |
| 6950C92H02 | 376 | 6993C80G01 | 352 | 7252C95G01 | 384 | 7428C01H07 | 374 |
| 6950C92H03 | 376 | 6993C81H01 | 352 | 7252C95G02 | 384 | 7428C01H08 | 374 |
| 6950C92H04 | 376 | 6994C01G01 | 361 | 7254C06G01 | 384 | 7428C01H09 | 374 |
| 6950C92H05 | 376 | 6996C12H01 | 355, 357, 359 | 7254C43H01 | 384 | 7428C01H10 | 374 |
| 6951C50G02 | 346 | 6996C12H22 | 355, 357, 359 | 7254C77H04 | 378 | 7428C01H11 | 374 |
| 6951C64G01 | 346 | 6997C32G01 | 353 | 7254C77H06 | 378 | 7428C01H13 | 374 |
| 6951C73G01 | 376 | 6997C32G02 | 353 | 7254C77H07 | 378 | 7428C01H15 | 374 |
| 6951C73G02 | 376 | 6997C39H01 | 355, 359 | 7254C77H08 | 378 | 7428C01H17 | 374 |
| 6952C25H01 | 313 | 6997C40H01 | 355, 357, 359 | 7254C77H15 | 378 | 7428C01H22 | 374 |
| 6952C25H02 | 313 | 70010CSC3R | 378 | 7256C91H13 | 387 | 7428C01H23 | 374 |
| 6952C25H03 | 313 | 70101AX67E | 352 | 7257C48H01 | 328 | 7428C01H24 | 374 |
| 6952C25H04 | 313 | 70210BCA16 | 352 | 7257C48H05 | 328 | 7428C02H07 | 374 |
| 6952C25H05 | 313 | 7028C29H01 | 373 | 7257C48H11 | 328, 418 | 7428C02H08 | 374 |
| 6952C25H06 | 313 | 7028C29H02 | 373 | 7257C48H13 | 418 | 7428C02H09 | 374 |
| 6952C25H07 | 313 | 7028C29H03 | 373 | 7257C48H15 | 418 | 7428C02H10 | 374 |
| 6952C25H08 | 313 | 7028C29H04 | 373 | 7257C63H36 | 355, 357, 359 | 7428C02H22 | 374 |
| 6952C25H09 | 313 | 7028C29H05 | 373 | 7262C37G02 | 353 | 7428C92H06 | 387 |
| 6952C25H10 | 313 | 7028C29H08 | 373 | 7263C05H27 | 342 | 7431C01H01 | 314 |
| 6952C25H11 | 313 | 7028C29H09 | 373 | 7263C05H28 | 342 | 7431C01H02 | 314 |
| 6952C25H12 | 313 | 7028C29H10 | 373 | 7263C05H29 | 342 | 7431C01H03 | 314 |
| 6952C25H13 | 313 | 7028C29H11 | 373 | 7263C05H41 | 182 | 7431C01H04 | 314 |
| 6952C25H14 | 313 | 7028C29H166 | 373 | 7263C76G02 | 346 | 7431C01H05 | 314 |
| 6952C25H15 | 313 | 7028C29H48 | 373 | 7264C34H02 | 387 | 7431C01H06 | 314 |
| 6952C25H16 | 313 | 7028C88G02 | 346 | 7264C45G01 | 364 | 7431C01H07 | 314 |
| 6952C25H17 | 313 | 7029C27H01 | 375 | 7264C45G02 | 364 | 7431C01H08 | 314 |
| 6952C25H18 | 313 | 7029C27H02 | 375 | 7264C45G03 | 364 | 7431C01H09 | 314 |
| 6952C34H01 | 360 | 7029C27H03 | 375 | 7264C45G04 | 364 | 7431C01H10 | 314 |
| 6954C41H07 | 321 | 7029C27H04 | 375 | 7264C45G05 | 364 | 7431C01H11 | 314 |
| 6954C71H01 | 372 | 7029C27H05 | 375 | 7264C45G06 | 364 | 7431C01H12 | 314 |
| 6954C71H02 | 372 | 7029C27H09 | 375 | 7264C45G07 | 364 | 7431C01H14 | 314 |

Part Number Index

| Part Number | Catalog Page No. | Part Number | Catalog Page No. | Part Number | Catalog Page No. | Part Number | Catalog Page No. |
|-------------|------------------|-------------|------------------|-------------|------------------|-------------|------------------|
| 7431C01H15 | 314 | 8537C94H09 | 378 | 998C090H12 | 383 | A106C | 27 |
| 7431C87H20 | 423 | 8537C94H10 | 378 | 998C091H12 | 383 | A106D | 27 |
| 7431C95H10 | 350, 355 | 8537C94H11 | 378 | 998C092H12 | 383 | A106D05 | 24 |
| 7431C95H15 | 354, 356, 358 | 8537C94H17 | 378 | 998C098H37 | 383 | A106D15 | 24 |
| 7431C95H26 | 350 | 8538C88H01 | 311 | 998C102H12 | 383 | A106D25 | 24 |
| 7433C93G01 | 351 | 8538C88H02 | 311 | 998C108H12 | 384 | A106D26 | 24 |
| 7593B2 | 304 | 8538C88H04 | 311 | 998C110H12 | 384 | A106D30 | 27 |
| 7593B3 | 304 | 8538C88H07 | 311 | 998C111H11 | 383 | A106E00 | 25 |
| 7593B4 | 304 | 8538C88H10 | 311 | 998C113H11 | 383 | A106E10 | 25 |
| 7652C79H02 | 374 | 8538C88H11 | 311 | 998C118H11 | 383 | A106E20 | 25 |
| 7652C79H03 | 374 | 8540C58H02 | 378 | 998C120H11 | 383 | A106EMINI | 27 |
| 7652C79H04 | 374 | 8540C59H01 | 380 | 998C127H14 | 384 | A106ESI2 | 25 |
| 7652C79H06 | 374 | 8543C48H01 | 372 | 998C145H24 | 384 | A106ESIA | 25 |
| 7652C79H07 | 374 | 8543C48H02 | 372 | 998C146H22 | 384 | A106F | 27 |
| 7652C79H08 | 374 | 8543C48H03 | 372 | 998C147H15 | 384 | A106F369V | 27 |
| 7652C79H09 | 374 | 8543C48H04 | 372 | 998C149H12 | 383, 384 | A106F9000 | 27 |
| 7652C79H10 | 374 | 8543C48H05 | 372 | 998C150H11 | 384 | A106FFOX | 27 |
| 7652C79H11 | 374 | 8543C48H06 | 372 | 998C153H15 | 383 | A106FFOX | 26 |
| 7652C79H12 | 374 | 8543C48H07 | 372 | 998C164H13 | 384 | A106FTDR | 27 |
| 7652C79H13 | 374 | 8543C48H08 | 372 | 998C168H24 | 383 | A106G | 27 |
| 7652C81H02 | 374 | 8543C48H09 | 372 | 998C169H11 | 382-384 | A106GDMM | 27 |
| 7652C81H07 | 374 | 8543C48H10 | 372 | 998C173H22 | 384 | A106HOUND | 26 |
| 7652C81H13 | 374 | 8543C48H42 | 372 | 998C187H26 | 384 | A106J | 27 |
| 7652C81H14 | 374 | 8543C48H43 | 372 | 998C188H11 | 384 | A106K | 27 |
| 7652C82H06 | 374 | 8543C48H46 | 372 | 998C197H13 | 382, 383 | A106L | 27 |
| 7652C82H07 | 374 | 8543C48H49 | 372 | 998C198H12 | 381, 382, 384 | A106M | 27 |
| 7652C82H08 | 374 | 8543C48H51 | 372 | 998C199H13 | 382, 383 | A106N | 27 |
| 7652C82H09 | 374 | 8543C51H61 | 372 | 998C202H12 | 384 | A106NSNIFF | 27 |
| 7652C82H22 | 374 | 8543C52H01 | 372 | 998C204H12 | 383 | A106P | 27 |
| 7652C82H38 | 374 | 8543C52H05 | 372, 380 | 998C206H12 | 384 | A106PT6 | 26 |
| 7654C63H61 | 372 | 8543C52H07 | 372 | 998C216H28 | 384 | A106TDR | 26 |
| 7654C64H61 | 372 | 8543C52H08 | 372 | 998C224H11 | 382, 383 | A106U | 27 |
| 7656C53H29 | 372 | 8543C52H11 | 372 | 998C225H12 | 382, 383 | A106U1101-A | 27 |
| 7656C53H30 | 372 | 8543C52H41 | 372 | 998C225H14 | 383 | A107A | 28 |
| 7656C53H41 | 372 | 8544C13H03 | 378 | 998C225H25 | 384 | A107AB | 29 |
| 7656C53H42 | 372 | 8544C15H01 | 378 | 998C227H12 | 382 | A107BA | 30 |
| 7656C53H60 | 372 | 8544C17G01 | 378 | 998C228H12 | 382 | A107C | 29 |
| 7656C53H61 | 372 | 8544C17G02 | 378 | 998C238H12 | 382 | A107D | 28 |
| 7656C53H62 | 372 | 8544C17G03 | 378 | 998C239H11 | 382 | A107F | 29 |
| 7656C53H63 | 372 | 8544C17G04 | 378 | 998C245H12 | 381, 382 | A107L | 30 |
| 7656C53H72 | 372 | 8544C17K01 | 378 | 998C246H12 | 381 | A107P | 28 |
| 7656C53H73 | 372 | 8544C19G01 | 378 | 998C247H14 | 381 | A107Q | 28 |
| 7656C53H74 | 378 | 8544C19G02 | 378 | 998C254H12 | 382, 384 | A107S | 29 |
| 7656C53H75 | 378 | 8544C19G03 | 378 | 998C255H14 | 382 | A107U | 30 |
| 7656C53H91 | 378 | 8544C21G01 | 380 | 998C256H12 | 382, 383 | A107X | 30 |
| 7656C72H42 | 372 | 8544C22G01 | 380 | 998C257H11 | 383 | A14001 | 23 |
| 7660C55H06 | 378 | 865A254H01 | 380 | 998C272H13 | 381 | A14003 | 23 |
| 7660C55H08 | 378 | 895-1056 | 349 | 998C273H11 | 383, 384 | A14004 | 23 |
| 7660C55H09 | 378 | 895-1061 | 349 | 998C274H11 | 383 | A14125 | 23 |
| 7660C55H12 | 378 | 90210-011 | 214 | 998C275H11 | 383 | A14325 | 23 |
| 7660C55H19 | 378 | 90527-022 | 218 | 998C276H22 | 383 | A14400 | 23 |
| 7660C55H21 | 378 | 90665-001 | 219 | 998C278H11 | 378 | A14412 | 23 |
| 7660C55H27 | 378 | 90665-003 | 219 | 998C280H11 | 378 | A14425 | 23 |
| 7660C55H28 | 378 | 93885-001 | 77.1 | 998C304H11 | 378 | A14520 | 23 |
| 7660C55H29 | 378 | 9772777 | 77.1 | 999C003H26 | 382, 383 | A14521 | 23 |
| 7660C55H31 | 378 | 9859998 | 149 | 999C401H13 | 382 | A14700 | 23 |
| 7660C55H38 | 378 | 9870180 | 77.1 | 999C414H22 | 382 | A202 | 38, 39 |
| 811C474H01 | 315 | 998C002H14 | 383 | 999C419H11 | 384 | A202M | 38, 39 |
| 811C985H05 | 346 | 998C003H26 | 383 | A103A1 | 87, 143 | A300 | 98 |
| 8535C66H01 | 361 | 998C009H11 | 383 | A103A2 | 86, 87, 127, 143 | A301 | 98 |
| 8535C67G01 | 361 | 998C026H26 | 384 | A103A3 | 86, 87, 143 | A371 | 20 |
| 8535C67G02 | 361 | 998C030H27 | 384 | A103A4 | 86, 87 | A401M | 73 |
| 8535C69H01 | 361 | 998C032H15 | 384 | A103B1 | 86 | A401XM | 73 |
| 8535C70H01 | 361 | 998C039H12 | 383 | A103B2 | 86 | A405M | 73 |
| 8535C72G01 | 355, 361 | 998C061H14 | 384 | A103B3 | 86 | A405MP | 73 |
| 8535C72G02 | 361 | 998C062H46 | 383 | A103B4 | 86 | A406AM | 73 |
| 8537C94H05 | 378 | 998C063H23 | 383 | A103C1 | 86, 87, 278, 386 | A406M | 73 |
| 8537C94H06 | 378 | 998C076H14 | 383 | A103D1 | 88 | A407S | 72 |
| 8537C94H07 | 378 | 998C077H24 | 384 | A103D2 | 88 | A448B101 | 110 |
| 8537C94H08 | 378 | 998C080H15 | 383 | A106A | 27 | A448B102 | 110 |

Part Number Index

| Part Number | Catalog Page No. | Part Number | Catalog Page No. | Part Number | Catalog Page No. | Part Number | Catalog Page No. |
|---------------|------------------|--------------|------------------|-------------|-----------------------------|-------------|-------------------|
| A448B103 | 111 | A450H4B | 109 | A471A5 | 108 | A484L1 | 90 |
| A448B104 | 110 | A450H4R | 109 | A471A6 | 108 | A484L10 | 90 |
| A448B105 | 110 | A451B-CHAR | 107 | A471A7 | 108 | A484L11 | 90 |
| A448B106 | 110 | A451E-CHAR | 107 | A471H2 | 111 | A484L12 | 90 |
| A448B107 | 111 | A451FTN-CHAR | 107 | A472A | 100 | A484L13 | 90 |
| A448B108 | 111 | A451TN-CHAR | 107 | A472B | 100 | A484L14 | 90 |
| A448B109 | 110 | A452B-CHAR | 107 | A473A | 100 | A484L15 | 90 |
| A448B110 | 110 | A452CTN-CHAR | 107 | A473B | 100 | A484L16 | 90 |
| A448B111 | 110 | A453CTN-CHAR | 107 | A474-02G | 100 | A484L17 | 90 |
| A448B112 | 110 | A453FTN-CHAR | 107 | A474-02R | 100 | A484L2 | 90, 106 |
| A448B113 | 110 | A454CTN-CHAR | 107 | A474-03G | 100 | A484L3 | 90 |
| A448B114 | 110 | A459-01 | 112 | A474-03R | 100 | A484L4 | 90, 370 |
| A448B115 | 111 | A459B10 | 112 | A474-04G | 100 | A484L5 | 90, 370 |
| A448B116 | 111 | A459B11 | 112 | A474-04R | 100 | A484L6 | 90, 370 |
| A448B117 | 110 | A459B12 | 112 | A474-05G | 100 | A484L7 | 90, 370 |
| A448B118 | 111 | A459B13 | 112 | A474-05R | 100 | A484L8 | 90, 106 |
| A448B121 | 110 | A459B14 | 112 | A474BL | 100 | A484L9 | 90, 106 |
| A448B122 | 110 | A459B15 | 112 | A474CL | 100 | A485L1 | 90, 106 |
| A448B123 | 110 | A459B16 | 112 | A474FL | 101 | A485L2 | 90 |
| A448B128 | 111 | A459B17 | 112 | A474HL | 100 | A485L3 | 90 |
| A448R181 | 110 | A459B18 | 112 | A474IL2 | 100, 101 | A486L1 | 90 |
| A448R182 | 110 | A459B19 | 112 | A474JL | 100 | A486L2 | 90 |
| A448R183 | 111 | A459B20 | 112 | A474KL | 100 | A486L3 | 90 |
| A448R184 | 111 | A459B21 | 112 | A480L1 | 89 | A487L1 | 90, 106 |
| A448R185 | 111 | A459B22 | 112 | A480L10 | 89 | A487L10 | 90 |
| A448R186 | 110 | A459B25 | 112 | A480L11 | 89 | A487L11 | 90 |
| A448R187 | 110 | A459B26 | 112 | A480L12 | 89 | A487L2 | 90, 106 |
| A448R188 | 111 | A459B27 | 112 | A480L13 | 89 | A487L3 | 90, 106 |
| A448R189 | 110 | A459B28 | 112 | A480L14 | 89, 367 | A487L4 | 90, 106 |
| A448R190 | 111 | A459B29 | 112 | A480L15 | 89, 101, 135, 136, 196, 367 | A487L5 | 90, 106, 162, 265 |
| A449B101 | 110 | A459B30 | 112 | A480L16 | 89 | A487L6 | 106 |
| A449B102 | 110 | A459B31 | 112 | A480L18 | 89 | A487L7 | 90, 106 |
| A449B103 | 111 | A459B32 | 112 | A480L19 | 89 | A487L8 | 90, 106 |
| A449B104 | 110 | A459B33 | 112 | A480L2 | 89 | A487L9 | 90, 260-262 |
| A449B105 | 110 | A459B34 | 112 | A480L20 | 89 | A488L1 | 91 |
| A449B106 | 110 | A459B35 | 112 | A480L22 | 89 | A488L10 | 91 |
| A449B107 | 111 | A459B36 | 112 | A480L23 | 89 | A488L11 | 91 |
| A449B108 | 111 | A459B37 | 112 | A480L24 | 89 | A488L12 | 91 |
| A449B109 | 110 | A459B38 | 112 | A480L25 | 89 | A488L2 | 91, 269 |
| A449B110 | 110 | A459B39 | 112 | A480L26 | 89 | A488L3 | 91 |
| A449B111 | 110 | A459B40A | 112 | A480L27 | 89 | A488L4 | 91, 162, 269 |
| A449B112 | 110 | A459B40B | 112 | A480L28 | 89 | A488L5 | 91, 162 |
| A449B113 | 110 | A459B42 | 112 | A480L29 | 89 | A488L6 | 91 |
| A449B114 | 110 | A459B43 | 112 | A480L3 | 89 | A488L7 | 91 |
| A449B115 | 111 | A459B44 | 112 | A480L30 | 89, 98 | A488L8 | 91, 106 |
| A449B116 | 111 | A459B45 | 112 | A480L31 | 89 | A488L9 | 91, 106 |
| A449B117 | 110 | A459B46 | 112 | A480L32 | 89 | A489L1 | 91, 162, 196 |
| A449B118 | 111 | A459B47 | 112 | A480L33 | 89 | A489L2 | 91 |
| A449B119 | 110 | A464B | 49 | A480L34 | 89 | A489L3 | 91, 162 |
| A449B121 | 110 | A464C | 49 | A480L35 | 89 | A489L4 | 91 |
| A449B122 | 110 | A465BC1-1 | 105 | A480L36 | 89 | A490L1 | 91, 162 |
| A449B123 | 110 | A465BC2-1 | 105 | A480L37 | 89 | A490L2 | 91 |
| A449B128 | 111 | A465H-01 | 105 | A480L38 | 89 | A490L3 | 91 |
| A449R181 | 110 | A465W-01 | 105 | A480L39 | 89 | A490L5 | 91 |
| A449R182 | 110 | A468S1 | 112 | A480L4 | 89, 196 | A490L6 | 91 |
| A449R183 | 111 | A468S1M | 112 | A480L5 | 89 | A490L7 | 91 |
| A449R184 | 111 | A468S2 | 112 | A480L6 | 89 | A491L1 | 91, 269 |
| A449R185 | 111 | A468S2M | 112 | A480L7 | 89 | A491L2 | 91 |
| A449R186 | 110 | A469K1 | 112 | A480L8 | 89, 196 | A491L3 | 91 |
| A449R187 | 110 | A469K2 | 112 | A480L9 | 89 | A492L1 | 91 |
| A449R188 | 111 | A470-01 | 101 | A481L1 | 90 | A492L2 | 91 |
| A449R189 | 110 | A470-02R | 101 | A481L2 | 90, 196 | A493L1 | 91, 163 |
| A4500C-CHAR | 107 | A470-02W | 101 | A481L6 | 90, 196 | A493L1G3 | 100 |
| A4500TCB-CHAR | 107 | A470-10 | 101 | A483L1 | 90 | A493L1R3 | 100 |
| A4500TC-CHAR | 107 | A470L3 | 100 | A483L3 | 90 | A493L1W3 | 100 |
| A4500T-CHAR | 107 | A470L4 | 100 | A483L4 | 90 | A493L2 | 91 |
| A4500TCS-CHAR | 107 | A470L5 | 100, 101 | A483L5 | 90 | A493L3 | 91 |
| A4500TW-CHAR | 107 | A470RF11 | 101 | A483L6 | 90 | A493L4 | 91 |
| A4502B-CHAR | 107 | A471A1 | 108 | A483L7 | 90 | A493L5 | 91 |
| A4502S-CHAR | 107 | A471A4 | 108 | A483L8 | 90 | A493L6 | 91 |

Part Number Index

| Part Number | Catalog Page No. | Part Number | Catalog Page No. | Part Number | Catalog Page No. | Part Number | Catalog Page No. |
|-------------|------------------|-------------|------------------|-------------|------------------|-------------|------------------|
| A494LR0 | 100 | A495H3A2 | 101 | A557 | 114 | A5610J2 | 21 |
| A494LR1 | 100 | A495H3G2 | 101 | A558A | 114 | A5610J3 | 21 |
| A494LR2 | 100 | A495H3R2 | 101 | A558B | 114 | A5610J4 | 21 |
| A494LR3 | 100, 260, 261 | A495H4A2 | 101 | A558B20 | 115 | A5610K1 | 21 |
| A494LR4 | 100 | A495H4G2 | 101 | A558B96 | 115 | A5610K2 | 21 |
| A494LR5 | 100 | A495H4R2 | 101 | A558B98 | 115, 116 | A5610K3 | 21 |
| A494LW1 | 100 | A495H5A2 | 101 | A558C | 114 | A5610K4 | 21 |
| A494LW2 | 100 | A495H5G2 | 101 | A558D | 114 | A5610L1 | 21 |
| A494LW3 | 100, 260, 261 | A495H5R2 | 101 | A558E | 114 | A5611A1 | 21 |
| A494LW4 | 100 | A495I1A2 | 101 | A558P20 | 115, 116 | A5611A2 | 21 |
| A494LW5 | 100 | A495I1G2 | 101 | A558P96 | 115 | A5611A3 | 21 |
| A494LW7 | 100 | A495I1R2 | 101 | A558P98 | 115 | A5611A4 | 21 |
| A495-08 | 101 | A495I2A2 | 101 | A558S20 | 115 | A5611A5 | 21 |
| A495B1A2 | 100 | A495I2G2 | 101 | A558S96 | 115, 116 | A5611A6 | 21 |
| A495B1G2 | 100 | A495I2R2 | 101 | A558S98 | 115 | A5611A7 | 21 |
| A495B1R2 | 100 | A495I3A2 | 101 | A559 | 20 | A5611A8 | 21 |
| A495B2A2 | 100 | A495I3G2 | 101 | A559 | 114 | A5612A1 | 21 |
| A495B2G2 | 100 | A495I3R2 | 101 | A559AB20 | 115 | A5612A2 | 21 |
| A495B2R2 | 100 | A495I4A2 | 101 | A559AP20 | 115 | A5612A3 | 21 |
| A495B3A2 | 100 | A495I4G2 | 101 | A559AS20 | 115 | A5612A4 | 21 |
| A495B3G2 | 100 | A495I4R2 | 101 | A559B20 | 115 | A5612A5 | 21 |
| A495B3R2 | 100 | A495I5A2 | 101 | A559B96 | 115 | A5612A6 | 21 |
| A495B4A2 | 100 | A495I5G2 | 101 | A559B98 | 115 | A5614A1 | 21 |
| A495B4G2 | 100 | A495I5R2 | 101 | A559BC20 | 115 | A5614A2 | 21 |
| A495B4R2 | 100 | A496L1 | 91 | A559P | 114 | A5614A3 | 21 |
| A495B5A2 | 100 | A496L2 | 91 | A559PC20 | 115 | A5614A4 | 21 |
| A495B5G2 | 100 | A496L3 | 91 | A559S20 | 115, 116 | A5614A5 | 21 |
| A495B5R2 | 100 | A550CK14 | 20 | A559S96 | 115 | A5615A1 | 22 |
| A495B6A2 | 100 | A550CK15 | 20 | A559S98 | 115 | A5615A2 | 22 |
| A495B6G2 | 100 | A550CK16 | 20 | A559SC20 | 115 | A5615A3 | 22 |
| A495B6R2 | 100 | A550CK17 | 20 | A559V | 114 | A5615A4 | 22 |
| A495D0G | 101 | A550CK18 | 20 | A560D | 20, 78 | A5615B1 | 22 |
| A495D0R | 101 | A550M1 | 20 | A560W1 | 15 | A5615C1 | 22 |
| A495D0W | 101 | A550M2 | 20 | A560W2 | 15 | A5615C2 | 22 |
| A495D1G | 101 | A550M3 | 20 | A560W3 | 15 | A5615C3 | 22 |
| A495D1R | 101 | A550M4 | 20 | A560W4 | 15 | A5615C4 | 22 |
| A495D1W | 101 | A550M5 | 20 | A560W6 | 22 | A5615C5 | 22 |
| A495D2G | 101 | A550M6 | 20 | A5610A1 | 21 | A5615D1 | 22 |
| A495D2R | 101 | A550M7 | 20 | A5610A2 | 21 | A5615D2 | 22 |
| A495D2W | 101 | A550M8 | 20 | A5610A3 | 21 | A5615D3 | 22 |
| A495D3G | 101 | A550NS1 | 20 | A5610A4 | 21 | A5615D4 | 22 |
| A495D3R | 101 | A550NS10 | 20 | A5610B1 | 21 | A5615D5 | 22 |
| A495D3W | 101 | A550NS11 | 20 | A5610B2 | 21 | A5615D6 | 22 |
| A495D4G | 101 | A550NS12 | 20 | A5610B3 | 21 | A5615E1 | 22 |
| A495D4R | 101 | A550NS13 | 20 | A5610B4 | 21 | A5615E2 | 22 |
| A495D4W | 101 | A550NS2 | 20 | A5610C1 | 21 | A5615E3 | 22 |
| A495E1A2 | 101 | A550NS3 | 20 | A5610C2 | 21 | A5615E4 | 22 |
| A495E1G2 | 101 | A550NS4 | 20 | A5610C3 | 21 | A5615E5 | 22 |
| A495E1R2 | 101 | A550NS5 | 20 | A5610C4 | 21 | A5615E6 | 22 |
| A495E2A2 | 101 | A550NS6 | 20 | A5610D1 | 21 | A5615F1 | 22 |
| A495E2G2 | 101 | A550NS7 | 20 | A5610D2 | 21 | A5615F2 | 22 |
| A495E2R2 | 101 | A550NS8 | 20 | A5610D3 | 21 | A5615F3 | 22 |
| A495E3A2 | 101 | A550NS9 | 20 | A5610D4 | 21 | A5615F4 | 22 |
| A495E3G2 | 101 | A550T1 | 20 | A5610E1 | 21 | A5615F5 | 22 |
| A495E3R2 | 101 | A551 | 114 | A5610E2 | 21 | A5615G1 | 22 |
| A495E4A2 | 101 | A552 | 115 | A5610E3 | 21 | A5615G2 | 22 |
| A495E4G2 | 101 | A552A | 115 | A5610E4 | 21 | A5615G3 | 22 |
| A495E4R2 | 101 | A552B | 115 | A5610F1 | 21 | A5615G4 | 22 |
| A495E5A2 | 101 | A552B2 | 115 | A5610F2 | 21 | A5615G5 | 22 |
| A495E5G2 | 101 | A552B3 | 115 | A5610F3 | 21 | A5615H1 | 22 |
| A495E5R2 | 101 | A552C | 115, 116 | A5610F4 | 21 | A5615H2 | 22 |
| A495E6A2 | 101 | A552H | 114 | A5610G1 | 21 | A5615H3 | 22 |
| A495E6G2 | 101 | A553 | 114 | A5610G2 | 21 | A5615H4 | 22 |
| A495E6R2 | 101 | A554 | 114 | A5610G3 | 21 | A5615J1 | 22 |
| A495H1A2 | 101 | A555 | 114 | A5610G4 | 21 | A5615J2 | 22 |
| A495H1G2 | 101 | A556 | 114 | A5610H1 | 21 | A5615J3 | 22 |
| A495H1R2 | 101 | A556A | 114 | A5610H2 | 21 | A5615K1 | 22 |
| A495H2A2 | 101 | A556B | 114 | A5610H3 | 21 | A5615K2 | 22 |
| A495H2G2 | 101 | A556MP | 88 | A5610H4 | 21 | A5615K3 | 22 |
| A495H2R2 | 101 | A556R | 88 | A5610J1 | 21 | A5616A1 | 22 |

Part Number Index

| Part Number | Catalog Page No. | Part Number | Catalog Page No. | Part Number | Catalog Page No. | Part Number | Catalog Page No. |
|-------------|------------------|--------------|------------------|--------------|-----------------------------|-------------|------------------|
| A5616A2 | 22 | A650F6 | 93, 386 | A8114D2 | 307 | A853C | 76 |
| A5616A3 | 22 | A650F7 | 93, 386 | A8114E1 | 307 | A853D | 76 |
| A5616A4 | 22 | A650F8 | 93, 386 | A8114E5 | 307 | A853E1 | 76 |
| A561B1 | 15, 22 | A650F9 | 93, 386 | A8114G1 | 306 | A853E2 | 76 |
| A561B2 | 15, 22 | A651F1 | 93, 386 | A8115A1 | 307 | A853F | 76 |
| A563 | 15 | A651F2 | 93, 386 | A8115B2 | 307 | A853G | 76 |
| A565 | 18 | A651F3 | 93, 386 | A8116A7 | 306 | A853H | 76 |
| A568 | 18 | A651F4 | 93, 386 | A8116B3 | 306 | A853J | 76 |
| A570D | 15 | A700 | 14 | A8121AL2 | 305 | A853K | 76 |
| A570D1 | 15 | A701 | 14 | A8121AL24 | 305 | A853L | 76 |
| A571A1 | 14 | A702 | 14 | A8121AL4 | 305 | A853M | 76 |
| A571A2 | 14 | A719 | 14 | A8121AW1 | 307 | A853N1 | 76 |
| A571A3 | 14 | A719A | 14 | A8121D1 | 305 | A853N2 | 76 |
| A571B | 15 | A719B | 14 | A8121D2 | 305 | A853N3 | 77 |
| A571C | 15 | A722 | 18 | A8121D3 | 305 | A853N4 | 77 |
| A571P | 15 | A723 | 18 | A8121E3 | 305 | A853P | 77 |
| A573A | 14 | A724H3 | 26 | A8121E4 | 305 | A853Q | 77 |
| A573B | 14 | A748 | 86 | A8121P1 | 307 | A853R | 77 |
| A573C | 14 | A749 | 86 | A8123C3 | 307 | A853T1 | 77 |
| A573D | 14 | A750 | 86 | A8124L1 | 307 | A853T2 | 77 |
| A573F | 14 | A751 | 86 | A8201T1 | 307 | A853T3 | 77 |
| A573G | 14 | A752 | 86 | A820P1 | 307 | A853U1 | 77 |
| A573H | 14 | A753 | 86 | A831 | 72, 133, 154, 198, 215, 347 | A853U2 | 77 |
| A573J | 14 | A754 | 86 | A831B | 72, 154, 215, 291, 347 | A853V | 77 |
| A573K | 14 | A755 | 86 | A832 | 72, 133, 198, 215, 347 | A853W | 77 |
| A573L | 14 | A756 | 86 | A835A3 | 60, 61 | A900A | 315.1 |
| A573M | 14 | A757 | 86 | A835BB | 61 | A901 | 394 |
| A573N1 | 14 | A758 | 86 | A835CR | 61 | A902 | 394 |
| A573N2 | 14 | A758-DINRAIL | 86 | A835CT | 61 | A903 | 394 |
| A573N3 | 14 | A759 | 86 | A835DC | 61 | A904 | 394 |
| A573N4 | 14 | A760 | 86 | A835HKA3 | 61 | A905P | 395 |
| A573P1 | 14 | A761 | 86 | A835MC | 61 | A905S | 395 |
| A573P2 | 14 | A770 | 72 | A835PC3 | 61 | A905W | 395 |
| A573P3 | 14 | A8110A1 | 305 | A835PH | 61 | A905WS | 395 |
| A573P4 | 14 | A8110A3 | 305 | A835PH-BTK | 61 | A906P | 395 |
| A573P5 | 14 | A8110A4 | 305 | A835PL | 61 | A906S | 395 |
| A573P6 | 14 | A8110A5 | 305 | A835R2 | 61 | A908B | 74, 315.1 |
| A573P7 | 14 | A8110B1 | 305 | A835R2P | 61 | A908B100 | 74 |
| A573P8 | 14 | A8111A1 | 305 | A835RA | 61 | A908BG | 74 |
| A573Q | 14 | A8111A3 | 305 | A835S1 | 61 | A908C | 74, 315.1 |
| A574A | 15 | A8111B3 | 305 | A835SBA3 | 61 | A908G | 74 |
| A574B | 15 | A8111B4 | 305 | A835SYSBK | 61 | A908G100 | 74 |
| A574C | 15 | A8111B7 | 305 | A835XF | 61 | A908GG | 74 |
| A574D | 15 | A8111C1 | 305 | A835ZC | 61 | A908N | 74 |
| A574S | 15 | A8111C2 | 305 | A8503D | 47, 48.1, 48.2 | A908R | 74 |
| A575A | 98 | A8111C3 | 305 | A8503D100 | 47.1, 48.1, 48.3 | A908R100 | 74 |
| A575B | 98 | A8111D2 | 306 | A850EZ159 | 48, 48.1 | A908RG | 74 |
| A575C | 98 | A8112C10 | 306 | A850EZ79 | 48, 48.1 | A908S1 | 74 |
| A580 | 93 | A8112C12 | 306 | A850G10 | 47, 48.1 | A908S2 | 74 |
| A581 | 93 | A8112D1 | 307 | A850G10MAX | 45, 48.1 | A908W | 74 |
| A590A | 14 | A8112E1 | 307 | A850G7 | 47, 48.1 | A908W100 | 74 |
| A6098B22 | 292 | A8113B2 | 306 | A850G7EZ159R | 48, 48.1 | A908WG | 74 |
| A629 | 33 | A8113B4 | 306 | A850G7EZ159T | 48, 48.1 | A909A | 74 |
| A6379P1 | 271 | A8113C1 | 306 | A850G7EZ79R | 48, 48.1 | A909B | 74 |
| A650F1 | 93, 386 | A8113F3 | 306 | A850G7EZ79T | 48, 48.1 | A910-18 | 96 |
| A650F10 | 93, 386 | A8113G2 | 306 | A850G7EZ-HW | 48, 48.1 | A910X2 | 96 |
| A650F11 | 93, 386 | A8113H1 | 306 | A850G7EZ-RR1 | 48, 48.1 | A910X3 | 96 |
| A650F12 | 93, 386 | A8113H2 | 306 | A850G7EZ-RR2 | 48, 48.1 | A910X5 | 96 |
| A650F13 | 93, 386 | A8113N9 | 306 | A850G7EZ-RT1 | 48, 48.1 | A910X6 | 96 |
| A650F14 | 93, 386 | A8113P7 | 306 | A850G7MAX | 44, 48.1 | A911 | 98 |
| A650F15 | 93, 386 | A8113R1 | 307 | A850G7MAX-PI | 45 | A911AX | 98 |
| A650F16 | 93, 386 | A8114AA10 | 306 | A850G7-P1 | 47, 48.1 | A911LL | 98 |
| A650F17 | 93, 386 | A8114AA7 | 306 | A850G7-R1 | 45, 47, 48.1 | A911X1 | 98 |
| A650F18 | 93, 386 | A8114AB1 | 307 | A850G7-RR1 | 45, 47, 48.1 | A911X1A | 98 |
| A650F19 | 93, 386 | A8114AF1 | 307 | A850G7-RT1 | 45, 47, 48.1 | A911X3 | 98 |
| A650F2 | 93, 386 | A8114B1 | 305 | A850G7-T1 | 45, 47, 48.1 | A911X6 | 98 |
| A650F20 | 93, 386 | A8114B2 | 305 | A850G7-VS | 45, 47, 48.1 | A912CG24 | 96 |
| A650F3 | 93, 386 | A8114B4 | 305 | A850G7WP | 47, 48.1 | A912GF | 96 |
| A650F4 | 93, 386 | A8114C5 | 305 | A853A | 76 | A913 | 96 |
| A650F5 | 93, 386 | A8114D1 | 305 | A853B | 76 | A913X | 96 |

Part Number Index

| Part Number | Catalog Page No. | Part Number | Catalog Page No. | Part Number | Catalog Page No. | Part Number | Catalog Page No. |
|----------------------|------------------|-------------|------------------|---------------|------------------|-------------|------------------|
| A914 | 96 | ABX-35162 | 425 | AHE3000LX | 52 | APA100CC | 31 |
| A915A1 | 96 | ABX-35163 | 425 | AHE3000RX | 52 | APA130CC | 31 |
| A915A2 | 96 | ABX-36670 | 425 | AHE3000S | 52 | APA140CC | 31 |
| A915A3 | 96 | ABX-36671 | 425 | AHE3000SP | 52 | APA150CC | 31, 34 |
| A920-02 | 113 | ABX-36702 | 425 | AHE3000XX | 52 | APA160CC | 31, 34 |
| A920-11 | 113 | ABX-36703 | 425 | AHE3000YB | 52 | APA180CC | 31 |
| A920-11K | 113 | ABX-67541 | 426 | AHE3000YBP | 52 | APA31CC | 31 |
| A920A1 | 113 | ABX-98909 | 427 | AHG2250AB | 56 | APA948C | 36 |
| A920A2 | 113 | ABZ-34037 | 428 | AHG2250BK | 56 | APC120CC | 36 |
| A920B1 | 113 | ABZ-34038 | 428 | AHG2250BR | 56 | APC130CC | 36 |
| A920B2 | 113 | ABZ-34039 | 428 | AHG2250SL | 56 | APC140C | 36 |
| A921B | 113 | ABZ-34040 | 428 | AHG2250SN | 56 | APC150C | 36 |
| A921BG | 113 | ABZ-34041 | 429 | AHG2250SP | 56 | APF0625A | 98 |
| A923 | 97 | ABZ-34042 | 430 | AHR1500B | 50 | APF0625B | 98 |
| A923J | 97 | ABZ-34043 | 431 | AHR1500BP | 50 | APF0625S | 98 |
| A923K | 97 | ACH024 | 97 | AHR1500DX | 50 | APF0750A | 98 |
| A923L | 97 | ACH024S | 97 | AHR1500S | 50 | APF0750B | 98 |
| A924A | 97 | ACH120 | 97 | AHR1500SP | 50 | APF0750S | 98 |
| A924B | 97 | ACH120S-AC | 97 | AHR1500YB | 50 | APF1000A | 98 |
| A924C | 97 | ACH120S-NDC | 97 | AHR1500YBP | 50 | APF1000B | 98 |
| A924G | 97 | ACH120S-PDC | 97 | AHR2000B | 50 | APF1000S | 98 |
| A926A | 97 | ACP025S | 114 | AHR2000BP | 50 | APF1250A | 98 |
| A926B | 97 | ACP1055 | 114 | AHR2000S | 50 | APF1250B | 98 |
| A926C | 97 | ACP1100S | 114 | AHR2000SP | 50 | APF1250S | 98 |
| A927A | 97 | ACP115B | 114 | AHR2000YB | 50 | APG200GC | 35 |
| A927B | 97 | ACP115S | 114 | AHR2000YBP | 50 | APG700GG | 35 |
| A930-05 | 49 | ACP120B | 114 | AHR3000S | 50 | APG702CTC | 35 |
| A930A | 49 | ACP120S | 114 | AHS1500B | 54 | APG705TC | 35 |
| A930B | 49 | ACP125B | 114 | AHS1500BP | 54 | APG715CTC | 35 |
| A936P2 | 49 | ACP125S | 114 | AHS1500S | 54 | APL109T | 17 |
| A936P3-1 | 49 | ACP130B | 114 | AHS1500SP | 54 | APO100GC | 32 |
| A936P3-2 | 49 | ACP130S | 114 | AHS1500YB | 54 | APO100QC | 32 |
| A940P2 | 49 | ACP135B | 114 | AHS1500YBP | 54 | APO10GC | 34 |
| A940P3 | 49 | ACP135S | 114 | AHS2000B | 54 | APO150GC | 32 |
| A940P4 | 49 | ACP140B | 114 | AHS2000BP | 54 | APO150GGC | 33 |
| A940P5 | 49 | ACP140S | 114 | AHS2000S | 54 | APO20GC | 34 |
| A940PSL | 49 | ACP160S | 114 | AHS2000SP | 54 | APO28BS | 35 |
| A940PSM | 49 | ACP20NB | 114 | AHS2000YB | 54 | APO32GC | 32 |
| A940PSS | 49 | ACP20NS | 114 | AHS2000YBP | 54 | APO32P5G | 32 |
| A9708AB1 | 307 | ACPC1200 | 114 | AHS3000B | 54 | APO32SC | 32, 33 |
| AA6098NM2 | 292 | ACV007B | 115 | AHS3000BP | 54 | APO33GC | 33 |
| AA-960-A | 411 | ACV007S | 115 | AHS3000S | 54 | APO440GC | 34 |
| AAA6098NM2 | 292 | AH37640-301 | 434 | AHS3000SP | 54 | APO46GC | 32 |
| AB40410-331-51 | 432 | AH38640-301 | 434 | AHS3000YB | 54 | APO50G | 34 |
| AB40410-331-52/54 | 432 | AHCS1500B | 58 | AHS3000YBP | 54 | AP05GC | 33 |
| AB40420-322-51/52 | 432 | AHCS1500S | 58 | AHS4000B | 54 | AP060GC | 33 |
| AB40430-300-51/52/53 | 432 | AHCS1500YB | 58 | AHS4000S | 54 | AP060QC | 33 |
| AB40440-300-551 | 433 | AHCS2000B | 58 | AHS4000YB | 54 | AP068GC | 32 |
| AB40440-325-52/53 | 433 | AHCS2000S | 58 | AHS6000B | 54 | AP068HGC | 32 |
| AB42450-805-01/02 | 433 | AHCS2000YB | 58 | AHS6000S | 54 | AP068QC | 32 |
| AB-964-C6 | 411 | AHCS3000B | 58 | AHS6000YB | 54 | AP0800QC | 34, 36 |
| AB-964-F3 | 416 | AHCS3000S | 58 | AHS8000S | 54 | AP0900GC | 34 |
| AB-964-F6 | 408 | AHCS3000YB | 58 | AKC0023B8 | 111 | AP0900QC | 34 |
| AB-964-S | 408 | AHCS4000B | 58 | AKC0051 | 110, 111 | APS948G5P | 36 |
| ABBEFLG160CK | 436 | AHCS4000S | 58 | AKC00523 | 111 | APS948GC | 36 |
| ABBEFLG180CK | 436 | AHCS4000YB | 58 | AKC0052A | 110-112 | APT0625A | 98 |
| ABBEFLG280CK | 436 | AHCS6000B | 58 | AKC0054A | 110 | APT0625B | 98 |
| ABBEFLG315CK | 437 | AHCS6000S | 58 | AKC0056 | 110 | APT0625S | 98 |
| ABBEFLG630CK | 437 | AHCS6000YB | 58 | AKC0066A-5 | 111 | APT0750A | 98 |
| ABBEG1601CK | 435 | AHE3000B | 52 | AKC0066B-5 | 111 | APT0750B | 98 |
| ABBEG3151CK | 435 | AHE3000CB | 52 | AKC0071B | 112 | APT0750S | 98 |
| ABBEG6302CK | 435 | AHE3000CG | 52 | AKC0071S | 112 | APT1000A | 98 |
| ABBEG801CK | 435 | AHE3000CK | 52 | AKC0071S-WD01 | 112 | APT1000B | 98 |
| ABBEG900CK | 435 | AHE3000CX | 52 | AKC0072S | 111 | APT1000S | 98 |
| ABX-104555 | 427 | AHE3000DX | 52 | AKC0073S | 111 | APT1250A | 98 |
| ABX-119624 | 426 | AHE3000GB | 52 | AKC0074S | 111 | APT1250B | 98 |
| ABX-33519 | 425 | AHE3000GG | 52 | AKC3502P1 | 111 | APT1250S | 98 |
| ABX-33552 | 425 | AHE3000GK | 52 | AKC3502P2 | 111 | ARW2101 | 120 |
| ABX-33553 | 425 | AHE3000GX | 52 | AKS2642P1 | 111 | ARW2102 | 120, 124 |
| ABX-33977 | 425 | AHE3000HX | 52 | AKS2642P2 | 111 | ARW2103 | 120 |

Part Number Index

| Part Number | Catalog Page No. | Part Number | Catalog Page No. | Part Number | Catalog Page No. | Part Number | Catalog Page No. |
|-------------|------------------|-------------|------------------|-------------|------------------|-------------|------------------|
| ARW2104 | 120 | ARW450H5 | 135 | AS459A5 | 108 | AS469A13 | 111 |
| ARW2105 | 120 | ARW470C1 | 132 | AS459A6 | 108 | AS469A15 | 111 |
| ARW2106 | 120 | ARW470S1 | 128, 132 | AS459A7 | 108 | AS469A17 | 110 |
| ARW2107 | 120, 123, 124 | ARW820L | 133 | AS459A8 | 108 | AS469K01 | 110 |
| ARW2108 | 120, 123, 124 | ARW820R | 133 | AS459A9 | 108 | AS469K02 | 111 |
| ARW2109 | 120 | ARW821L | 133 | AS461-40 | 109 | AS469K03 | 111 |
| ARW2110 | 120 | ARW821R | 133 | AS461-50 | 109 | AS469K04 | 110 |
| ARW2111 | 120, 121 | ARW822 | 133 | AS461-60 | 109 | AS469K05 | 111 |
| ARW2201 | 121 | ARW823 | 133 | AS468A101 | 109, 110 | AS469K06 | 111 |
| ARW2202 | 121 | ARW824 | 133 | AS468A102 | 110 | AS469K07 | 110 |
| ARW2203 | 121 | ARW825 | 133 | AS468A103 | 111 | AS469K08 | 110 |
| ARW2204 | 121 | ARW826 | 133 | AS468A104 | 110 | AS469K09 | 110 |
| ARW2301 | 123 | ARW832 | 133 | AS468A109 | 111 | AS469K10 | 110 |
| ARW2302 | 123 | ARW832L | 133 | AS468A111 | 110 | AS469K11 | 111 |
| ARW2303 | 123, 124 | ARW835 | 133 | AS468A113 | 110, 111 | AS469K12 | 110 |
| ARW2304 | 123 | ARW836 | 133 | AS468A114 | 111 | AS469K13 | 111 |
| ARW2305 | 123 | ARW837L | 133 | AS468A115 | 110 | AS469K14 | 110, 111 |
| ARW2306 | 122, 123 | ARW837R | 133 | AS468A116 | 110 | AS469K15 | 110 |
| ARW2307 | 122-124 | ARW841 | 133 | AS468A123 | 110 | AS469K16 | 111 |
| ARW2308 | 122, 123 | ARW842 | 133 | AS468A149 | 110 | AS469K17 | 111 |
| ARW2401 | 122 | ARW843 | 133 | AS468A201 | 110 | AS469K18 | 111 |
| ARW2402 | 122 | ARW844 | 133 | AS468A202 | 110 | AS469K19 | 111 |
| ARW2403 | 122 | ARW845 | 133 | AS468A205 | 110 | AS469K20 | 110 |
| ARW2501 | 124 | ARW855L | 133 | AS468A207 | 110 | AS469K21 | 111 |
| ARW2502 | 124 | ARW855R | 133 | AS468A209 | 111 | AS469K22 | 111 |
| ARW2503 | 124 | ARWR10 | 118 | AS468A212 | 110 | AS469K30 | 110 |
| ARW2505 | 124 | ARWR11 | 118 | AS468A218 | 110 | AS469K31 | 110 |
| ARW300 | 129 | ARWR13 | 118 | AS468A305 | 110 | AS470-01 | 104 |
| ARW310 | 125 | ARWR14 | 118 | AS468A309 | 111 | AS470-10B | 104 |
| ARW311 | 125 | ARWR15 | 118 | AS468A409 | 111 | AS470-12B | 110 |
| ARW312 | 125 | ARWR17 | 118 | AS468B101 | 109 | AS470-20B | 104 |
| ARW313 | 125 | ARWR18 | 118 | AS468J01 | 109 | AS470H20B | 102, 104 |
| ARW314 | 125 | ARWR19 | 118 | AS468K01 | 109, 110 | AS470W-CHAR | 104 |
| ARW315 | 125 | ARWR21 | 118 | AS468K02 | 110 | AS472-03 | 104 |
| ARW316 | 125 | ARWR24 | 118 | AS468K03 | 110 | AS472-12B | 109 |
| ARW316P | 125 | ARWR25 | 118 | AS468K04 | 111 | AS472-12R | 109 |
| ARW317 | 125 | AS450-15 | 106 | AS468K05 | 110 | AS472H11B | 104 |
| ARW320 | 125 | AS450-16 | 106 | AS468K06 | 110 | AS480-12B | 111 |
| ARW321 | 125 | AS450-21 | 103 | AS468K07 | 110 | AS480-21 | 105 |
| ARW401 | 131 | AS450-23B | 104 | AS468K09 | 110 | AS480A-BL | 105 |
| ARW402 | 131 | AS450-23K | 111 | AS468K10 | 110 | AS480AS-BL | 105 |
| ARW403 | 131 | AS450BC3 | 102 | AS468K11 | 110 | AS480B301 | 110 |
| ARW404 | 131 | AS450H21 | 102 | AS468K12 | 111 | AS480B302 | 110 |
| ARW406 | 131 | AS451A | 103-106 | AS468K13 | 110 | AS480B303 | 111 |
| ARW407 | 131 | AS451A | 102 | AS468K14 | 109, 110 | AS480B304 | 110 |
| ARW410 | 130 | AS451A-02 | 100, 105 | AS468K15 | 110 | AS480B305 | 110 |
| ARW420 | 130 | AS451AX | 105 | AS468K16 | 110 | AS480B306 | 110 |
| ARW420S | 130 | AS451B | 106 | AS468K17 | 110 | AS480B307 | 111 |
| ARW421 | 130 | AS451C | 106 | AS468K18 | 110 | AS480B308 | 111 |
| ARW421S | 130 | AS451D | 106 | AS468K19 | 110 | AS480B309 | 110 |
| ARW422 | 130 | AS458-05 | 103 | AS468K20 | 110 | AS480B310 | 110 |
| ARW422S | 130 | AS458-06 | 103 | AS468K21 | 109, 110 | AS480B311 | 110 |
| ARW423 | 130 | AS458-10 | 111 | AS468K22 | 111 | AS480B312 | 110 |
| ARW423S | 130 | AS458-21 | 103 | AS468K23 | 109, 111 | AS480B313 | 110 |
| ARW450A1 | 135 | AS458A1 | 103 | AS468K24 | 111 | AS480B314 | 110 |
| ARW450A2 | 135 | AS458A2 | 103 | AS468K25 | 110 | AS480B315 | 111 |
| ARW450A3 | 135 | AS458A3 | 103 | AS468K26 | 111 | AS480B316 | 111 |
| ARW450A4 | 135 | AS458A4 | 103 | AS468K28 | 111 | AS480B317 | 110 |
| ARW450A5 | 135 | AS458A5 | 103 | AS468K29 | 110 | AS480B318 | 111 |
| ARW450B1 | 135 | AS458A6 | 103 | AS468K30 | 110 | AS480B319 | 109 |
| ARW450B2 | 135 | AS458B1 | 103 | AS468K31 | 111 | AS480B321 | 110 |
| ARW450BC1 | 135 | AS458B2 | 103 | AS468K32 | 110 | AS480B322 | 110 |
| ARW450C1 | 136 | AS458C2 | 103 | AS468K39 | 110 | AS480B323 | 110 |
| ARW450C2 | 136 | AS458C3 | 103 | AS469A02 | 110 | AS480B328 | 111 |
| ARW450D1 | 136 | AS459A1 | 108 | AS469A04 | 111 | AS480R381 | 110 |
| ARW450D2 | 136 | AS459A11 | 108 | AS469A04C | 111 | AS480R382 | 110 |
| ARW450H1 | 135 | AS459A13 | 108 | AS469A05 | 111 | AS480R383 | 111 |
| ARW450H2 | 135 | AS459A2 | 108 | AS469A05 | 110 | AS480R384 | 111 |
| ARW450H3 | 135 | AS459A3 | 108 | AS469A05A | 110, 111 | AS480R385 | 111 |
| ARW450H4 | 135 | AS459A4 | 108 | AS469A07 | 111 | AS480R386 | 110 |

Part Number Index

| Part Number | Catalog Page No. | Part Number | Catalog Page No. | Part Number | Catalog Page No. | Part Number | Catalog Page No. |
|-----------------|------------------|-------------|------------------|-------------|------------------|-------------|------------------|
| AS480R387 | 110 | AT1K004 | 363, 405 | ATL378 | 17 | CH6-65-17 | 444 |
| AS480R388 | 111 | AT1K005 | 363, 405 | ATL381 | 17 | CH6-65-18 | 444 |
| AS480R389 | 110 | AT1K006 | 363, 405 | ATL402 | 19 | CH6-65-2 | 444 |
| ASA452-PJ | 109 | AT1M057 | 363, 405 | ATL403 | 19 | CH6-65-4 | 444 |
| ASA452W-CHAR | 102 | AT1M130 | 363, 405 | ATL404 | 19 | CH6-65-5 | 444 |
| ASA4572SCL-CHAR | 104 | AT1M139 | 363, 405 | ATL500 | 19 | CH6-65-6 | 444 |
| ASA472-PJ | 109 | AT1R002 | 172, 405 | B723001 | 131 | CH6-65-7 | 444 |
| ASA472SCI-CHAR | 104 | AT1R004 | 363, 405 | B8112A3 | 306 | CH6-65-8 | 444 |
| ASA472W-CHAR | 104 | AT1R005 | 363, 405 | B8112B1 | 306 | CH6-65-9 | 444 |
| ASA472W-CHAR | 104 | AT1R006 | 363, 405 | B8113K1 | 307 | CH7 | 318 |
| ASA480-PJ | 109 | AT1R007 | 363, 405 | B8113K5 | 307 | CH93 | 318 |
| ASC452A-CHAR | 102 | AT1R012 | 405 | B8114G1 | 307 | CH95 | 318 |
| ASC452CI-CHAR | 102 | AT1R017 | 405 | B8115B4 | 307 | CJ-100-A1 | 390 |
| ASC452CL-CHAR | 102 | AT1R019 | 281, 405 | B8121AX1 | 307 | CJ-100-A8 | 390 |
| ASC452W-CHAR | 102 | AT1R020 | 281, 405 | B8121BA2 | 307 | CJ-100-B | 390 |
| ASC472SCI-CHAR | 104 | AT1R021 | 281, 405 | C001 | 278 | CJ-100-C | 390 |
| ASC472SCL-CHAR | 104 | AT1R022 | 363, 405 | C005 | 278 | CJ-100-C1 | 390 |
| ASC472W-CHAR | 104 | AT1R027 | 405 | C006 | 278 | CJ-100-F | 390 |
| ASC480A-BL | 105 | AT1R031 | 363, 405 | C011 | 278 | CJ-100-J | 390 |
| ASC480AS-BL | 105 | AT1R043 | 172 | C012 | 278 | CJ-100-T | 390 |
| ASF100 | 409, 417 | AT1R048 | 172, 363, 405 | C012-02 | 278 | CJ-1067-D | 390 |
| ASF101 | 417 | AT1R050 | 363, 405 | C013 | 278 | CJ-300-B | 390 |
| ASF102 | 417 | AT1R052 | 405 | C014 | 278 | CJ-902-A | 390 |
| ASF103 | 417 | AT1R059 | 405 | C015 | 278 | CJ-902-B | 390 |
| ASF104 | 417 | AT1R079 | 281, 405 | C021 | 278 | CJ-902-C | 390 |
| ASF105 | 417 | AT1R081 | 405 | C021-01 | 278 | CJ-902-C6 | 390 |
| ASF106 | 417 | AT1R100 | 405 | C022 | 278 | CJ-902-E | 390 |
| ASF107 | 417 | AT1R105 | 281, 405 | C025 | 278 | CJ-902-M | 390 |
| ASF108 | 417 | AT5E004 | 172, 405 | C8112B1 | 306 | CJ-925-A | 390 |
| ASF109 | 417 | AT5E005 | 172, 405 | C8112B10 | 306 | CJ-925-C | 390 |
| ASF110 | 417 | AT5E006 | 172, 405 | C8112B3 | 305 | CJ-925-D | 390 |
| ASF111 | 417 | ATL001 | 18.1 | C8114G1 | 307 | CJ-925-E | 390 |
| ASF116 | 417, 418 | ATL00KM | 18.1 | CFS3547 | 113 | CJ-925-L | 390 |
| ASF117 | 417, 418 | ATL00M | 18.1 | CFS4060 | 113 | CJ-925-T | 390 |
| ASF118 | 417, 418 | ATL096 | 18.1 | CFS4060-24 | 113 | CJ-932-B | 390 |
| ASF119 | 418 | ATL101 | 14 | CFS4080 | 113 | CJ-932-C1 | 390 |
| ASF120 | 418 | ATL110 | 14 | CFS6090 | 113 | CJ-932-C2 | 390 |
| ASF121 | 418 | ATL111 | 14 | CFS8010 | 113 | CJ-932-CB | 390 |
| ASF124 | 420 | ATL112 | 14 | CH1 | 318 | CJ-932-I | 390 |
| ASF125 | 420 | ATL113 | 14 | CH6-15 | 444 | CJ-932-J | 390 |
| ASF126 | 420 | ATL115 | 14 | CH6-16 | 444 | CJ-932-K | 390 |
| ASF127 | 420 | ATL116 | 14 | CH6-203-2 | 443 | CJ-932-ST | 390 |
| ASF128 | 420 | ATL117 | 14 | CH6-203-3 | 443 | CJ-933-A7 | 390 |
| ASF129 | 420 | ATL301 | 16 | CH6-23-2 | 440 | CJ-933-A8 | 390 |
| ASF130 | 420 | ATL302 | 16 | CH6-24-2 | 440 | CJ-933-B | 390 |
| ASF131 | 420 | ATL303 | 16 | CH6-25-2 | 440 | CJ-933-B1 | 390 |
| ASF132 | 413, 420 | ATL304 | 16 | CH6-26-2 | 441 | CJ-933-C | 390 |
| ASF133 | 413, 420 | ATL305 | 16 | CH6-27-2 | 441 | CJ-933-H | 390 |
| ASF134 | 420 | ATL306 | 16 | CH6-28-2 | 442 | CJ-933-I | 390 |
| ASF135 | 420 | ATL307 | 16 | CH6-34-2 | 440 | CJ-933-W | 390 |
| ASF136 | 420 | ATL320 | 16 | CH6-35-2 | 440 | CJ-936-V | 390 |
| ASF137 | 420 | ATL321 | 16 | CH6-36-2 | 441 | CJ-945-C | 390 |
| ASF138 | 420 | ATL322 | 16 | CH6-36-4 | 441 | CJA11 | 390 |
| ASF139 | 420 | ATL323 | 16 | CH6-43 | 444 | CJA11C | 390 |
| ASF140 | 420 | ATL324 | 16 | CH6-43-2 | 444 | CJA18 | 390 |
| ASF141 | 420 | ATL325 | 16 | CH6-43-3 | 444 | CJA19 | 390 |
| ASF152 | 421, 460 | ATL326 | 20 | CH6-43-4 | 444 | CJA2 | 390 |
| ASF153 | 421, 460 | ATL331 | 19 | CH6-43-5 | 444 | CJA20 | 390 |
| ASF154 | 421, 460 | ATL336 | 17 | CH6-43-6 | 444 | CJA21 | 390 |
| ASF155 | 421, 460 | ATL337 | 17 | CH6-44 | 444 | CJA3 | 390 |
| ASF156 | 421, 460 | ATL363 | 20 | CH6-44-2 | 444 | CJA4 | 390 |
| ASF157 | 421, 460 | ATL365 | 19 | CH6-45 | 444 | CJA5 | 390 |
| ASF158 | 421, 460 | ATL368 | 19 | CH6-45-2 | 444 | CX29C1 | 300 |
| ASF159 | 421, 460 | ATL369 | 18 | CH6-53-3 | 444 | CX29C2 | 300 |
| ASF160 | 421, 460 | ATL369T | 18 | CH6-65 | 444 | CX29C3 | 298, 300 |
| ASG101 | 68, 70 | ATL373 | 17 | CH6-65-10 | 444 | CX29C4 | 298, 300 |
| ASG101PH | 68 | ATL374 | 17 | CH6-65-11 | 444 | CX29C5 | 300 |
| ASG142C1 | 69 | ATL375 | 17 | CH6-65-12 | 444 | CX31C1 | 298, 300 |
| ASG142D1 | 69 | ATL376 | 17 | CH6-65-13 | 444 | CX31C10 | 300 |
| ASH460W-CHAR | 104 | ATL377 | 17 | CH6-65-14 | 444 | CX31C11 | 300 |

Part Number Index

| Part Number | Catalog Page No. | Part Number | Catalog Page No. | Part Number | Catalog Page No. | Part Number | Catalog Page No. |
|-------------|------------------|--------------|------------------|-------------|------------------|-------------|------------------|
| CX31C12 | 300 | D23C5 | 140 | D474A1 | 162 | DV55N5 | 170 |
| CX31C13 | 300 | D23C6 | 140 | D474A2 | 162 | DV55P1 | 169 |
| CX31C15 | 298, 300 | D23C8 | 141 | D520A | 141 | DV55P2 | 169 |
| CX31C16 | 300 | D23C9 | 141 | D520B | 141 | DV55P3 | 170 |
| CX31C17 | 300 | D23D11 | 141 | D521A | 141 | DV55R1 | 170 |
| CX31C18 | 300 | D23E3 | 141 | D522A | 141 | DV55S1 | 169 |
| CX31C19 | 298, 300 | D24D1 | 141 | D750 | 151 | DV55S2 | 169 |
| CX31C2 | 300 | D24D2 | 141 | D751 | 151 | DV55S3 | 169 |
| CX31C20 | 298, 300 | D24D3 | 141 | D752 | 151 | DV55S4 | 169 |
| CX31C21 | 300 | D24D4 | 141 | D800A | 75 | DV55S5 | 170 |
| CX31C22 | 298, 300 | D2601 | 146 | D803A1 | 154 | DV55S6 | 170 |
| CX31C3 | 300 | D2602 | 146 | D803A2 | 154 | DV55V1 | 169 |
| CX31C4 | 300 | D2603 | 146 | D803A3 | 154 | DV55V2 | 169 |
| CX31C5 | 300 | D2604 | 146 | D803A4 | 154 | DV55V3 | 170 |
| CX31C6 | 300 | D2605 | 146 | D803R1 | 154 | E1001 | 326 |
| CX31C7 | 300 | D2801 | 146 | D808 | 154 | E1002 | 326 |
| CX31C8 | 298, 300 | D2802 | 146 | D810 | 154 | E1003 | 326 |
| CX31C9 | 298, 300 | D2803 | 146 | D811 | 154 | E1005 | 326 |
| CX32C1 | 300 | D2804 | 146 | D812 | 154 | E1006 | 326 |
| CX32C10 | 300 | D2807 | 146 | D815 | 155 | E1007 | 326 |
| CX32C11 | 300 | D307 | 149 | D816 | 155 | E1013 | 326 |
| CX32C12 | 300 | D308 | 149 | D817 | 155 | E1014 | 326 |
| CX32C13 | 300 | D309 | 149 | D818 | 155 | E1017 | 326 |
| CX32C15 | 300 | D310 | 149 | D822 | 155 | E1201 | 326 |
| CX32C16 | 300 | D311 | 149 | D823 | 155 | E1202 | 326 |
| CX32C17 | 300 | D312 | 149 | D825 | 155 | E1203 | 326 |
| CX32C18 | 300 | D314 | 149 | D830K1 | 155 | E1204 | 326 |
| CX32C19 | 300 | D316 | 149 | D851 | 160 | E1211 | 326 |
| CX32C2 | 300 | D317 | 149 | D855L | 160 | E1212 | 326 |
| CX32C20 | 300 | D320 | 149 | D855R | 160 | E1302 | 326 |
| CX32C21 | 300 | D321 | 149 | DM3101 | 147 | E1313 | 326 |
| CX32C22 | 300 | D330 | 148 | DM3102 | 147 | E1412 | 326 |
| CX32C23 | 300 | D331 | 148 | DM3105 | 147 | E1413 | 326 |
| CX32C24 | 300 | D335 | 148 | DM3106 | 147 | E1421 | 326 |
| CX32C25 | 300 | D336 | 148 | DM3112 | 147 | E1422 | 326 |
| CX32C26 | 300 | D341 | 148 | DM3113 | 147 | E1510 | 326 |
| CX32C27 | 300 | D342 | 148 | DM3115 | 147 | E1511 | 326 |
| CX32C28 | 300 | D345 | 148 | DM3116 | 147 | E1512 | 326 |
| CX32C29 | 300 | D351 | 148 | DM3123 | 147 | E1513 | 326 |
| CX32C3 | 300 | D352A | 148 | DM3124 | 147 | E1514 | 326 |
| CX-32C3 | 140 | D353 | 148 | DM3126 | 147 | E1515 | 326 |
| CX32C30 | 300 | D354 | 148 | DM3130 | 147 | E1516 | 326 |
| CX32C32 | 300 | D355 | 148 | DM3157 | 147 | E1517 | 326 |
| CX32C4 | 300 | D410M | 152 | DM3160 | 147 | E1521 | 326 |
| CX32C5 | 300 | D411M | 152 | DM3164 | 147 | E1522 | 326 |
| CX32C6 | 300 | D412 | 152 | DM3173 | 147 | E1601 | 327 |
| CX32C7 | 300 | D413M | 152 | DM3180 | 147 | E1602 | 327 |
| CX32C8 | 300 | D414M | 152 | DM3181 | 147 | E1603 | 327 |
| CX32C9 | 300 | D420 | 152 | DM3182 | 147 | E1604 | 327 |
| CX33C1 | 300 | D420S | 152 | DM3184 | 147, 151 | E1605 | 327 |
| CX33C2 | 300 | D421 | 130, 152 | DM3186 | 147, 151 | E1606 | 327 |
| CX35C3 | 300 | D421S | 130, 152 | DO-964-D | 416 | E1607 | 327 |
| CX35C5 | 300 | D422 | 152, 212 | DP3000 | 81 | E1608 | 327 |
| CX36C2 | 300, 318 | D422S | 152, 212 | DP3100 | 81 | E1611 | 327 |
| CX36C5 | 300 | D423 | 152 | DP4000 | 81 | E1621 | 327 |
| D00407001 | 396 | D423S | 152 | DP4100 | 81 | E1622 | 327 |
| D20C1 | 140 | D450A1 | 164 | DP5000 | 81 | E1631 | 327 |
| D20C2 | 140 | D450A2 | 164 | DP5100 | 81 | E1632 | 327 |
| D20D2 | 140 | D450A3 | 164 | DP6000 | 81 | E1633 | 327 |
| D20K1 | 140, 151 | D450C1 | 164 | DP6100 | 81 | E1634 | 327 |
| D21C1 | 140 | D450C2 | 164 | DR20 | 151 | E1635 | 327 |
| D21D1 | 140 | D456W Series | 163 | DR21 | 151 | E1636 | 327 |
| D21D2 | 140 | D457A1 | 163 | DS-861N1 | 160 | E1637 | 327 |
| D21K1 | 151 | D457A2 | 163 | DV55C1 | 169 | E1638 | 327 |
| D21K2 | 140 | D457A3 | 163 | DV55C2 | 169 | E1641 | 327 |
| D22C1 | 140 | D457A4 | 163 | DV55GT1 | 15 | E1662 | 327 |
| D22D1 | 140 | D458 | 164 | DV55N1 | 170 | E1703 | 327 |
| D22K1 | 140 | D459 | 164 | DV55N2 | 170 | E1704 | 327 |
| D23C1 | 140 | D469 Series | 164 | DV55N3 | 170 | E1706 | 327 |
| D23C2 | 140 | D470 Series | 164 | DV55N4 | 169 | E1801 | 327 |

Part Number Index

| Part Number | Catalog Page No. | Part Number | Catalog Page No. | Part Number | Catalog Page No. | Part Number | Catalog Page No. |
|----------------|------------------|----------------------|------------------|------------------|------------------|-------------------|-------------------|
| E1901..... | 327 | EE-964-B..... | 414 | F75FB14A..... | 449 | FE-981-B..... | 396 |
| E1902..... | 327 | EE-964-C..... | 414 | F75FF14..... | 451 | FN-200-D..... | 417 |
| E1903..... | 327 | EE-964-I..... | 393 | F75FP109153..... | 452 | FN-200-R..... | 417 |
| E1904..... | 327 | EE-964-J..... | 393 | F75FP14..... | 451 | FN-960-T..... | 409 |
| E1906..... | 327 | EE-964-N..... | 393 | F75GB14..... | 449 | FN-964-A3..... | 409 |
| E1911..... | 327 | EE-964-S..... | 393 | F75GF14..... | 452 | FN-964-A4..... | 416 |
| E1912..... | 327 | EE-965-B..... | 393 | F75GP14..... | 452 | FN-964-A9..... | 409 |
| E1913..... | 327 | EE-981-A..... | 393 | F75HB14..... | 449 | FP2066A10G11..... | 448 |
| E1914..... | 327 | EHDB130..... | 421 | F75HF14..... | 452 | FP477B477G05..... | 447 |
| E1915..... | 327 | EHDB220..... | 421 | F75IB14..... | 449 | FP5480CR36..... | 446 |
| E8121BE1..... | 307 | EHDB280..... | 421 | F75IF14..... | 452 | FP5480CR37..... | 446 |
| EC-600-A..... | 395 | EHDB360..... | 421 | F75JB14..... | 449 | FP5480CR38..... | 446 |
| EC-600-B..... | 395 | EHDBAS130..... | 421 | F75KB14..... | 450 | FP5480CR39A..... | 447 |
| EC-600-C..... | 395 | EHDBAS220..... | 421 | F75RB14..... | 450 | FP5480CR50..... | 445 |
| EC-900-A..... | 395 | EHDBAS280..... | 421 | FE-1018-A..... | 396 | FP5480CR50A..... | 445 |
| EC-900-A3..... | 395 | EHDBAS360..... | 421 | FE-1097-B..... | 396 | FP5480CR51..... | 446 |
| EC-900-C3..... | 395 | EHDBRC130..... | 421 | FE-1097-C..... | 396 | G20A1..... | 177 |
| EC-900-C4..... | 395 | EHDBRC130-2..... | 421 | FE-1097-D..... | 396 | G20A2..... | 177 |
| EC-900-C6..... | 395 | EHDBRC130-NC..... | 421 | FE-1097-E..... | 396 | G20C2..... | 177 |
| EC-900-G..... | 395 | EHDBRC220..... | 421 | FE-1097-J..... | 396 | G30B1..... | 178 |
| EC-900-H1..... | 395 | EHDBRC220-2..... | 421 | FE-1097-K..... | 396 | G30L1..... | 18, 176 |
| EC-900-K..... | 395 | EHDBRC220-NC..... | 421 | FE-1097-L..... | 396 | G30L2..... | 18, 176 |
| EC-900-X..... | 395 | EHDBRC280..... | 421 | FE-1097-N..... | 396 | G30L3..... | 18, 176 |
| EE-1172-D..... | 393 | EHDBRC280-2..... | 421 | FE-1097-P..... | 396 | G401W..... | 174 |
| EE-1172-F..... | 393 | EHDBRC280-NC..... | 421 | FE-1097-W..... | 396 | G800B..... | 75 |
| EE-1172-P..... | 393 | EHDBRC360..... | 421 | FE-1097-X..... | 396 | G800C..... | 75 |
| EE-1295-A..... | 393 | EHDBRC360-2..... | 421 | FE-1099-A..... | 396 | G810A1..... | 176 |
| EE-180-A5..... | 393 | EHDBRC360-NC..... | 421 | FE-1099-C..... | 396 | G810A2..... | 176 |
| EE-180-A8..... | 393 | EMODBRKEMTR-208..... | 311 | FE-1099-F..... | 396 | G810C1..... | 175 |
| EE-180-A9..... | 393 | EMODBRKEMTR-230..... | 311 | FE-1172-A..... | 396 | G810C2..... | 175 |
| EE-180-B2..... | 393 | EMODBRKEMTR-460..... | 311 | FE-1600-A2..... | 396 | G810C3..... | 175 |
| EE-180-B3..... | 393 | EPGXX..... | 383, 384 | FE-1600-B5..... | 396 | G810K1..... | 175 |
| EE-180-C..... | 393 | EQ-1294-M..... | 392 | FE-1600-C..... | 396 | G810K2..... | 175 |
| EE-180-C4..... | 393 | EQ-470-B..... | 392 | FE-1600-E..... | 396 | G810K3..... | 175 |
| EE-180-C9..... | 393 | EQ-470-N..... | 392 | FE-1600-F..... | 396 | G810K4..... | 175 |
| EE-180-E..... | 393 | EQ-470-P..... | 392 | FE-1600-H..... | 396 | G810K5..... | 175 |
| EE-180-F..... | 393 | EQ-600-A..... | 392 | FE-1600-J..... | 396 | G812C1..... | 176 |
| EE-180-G..... | 393 | EQ-901-A..... | 392 | FE-1600-K..... | 396 | G812LL..... | 176 |
| EE-180-H..... | 393 | EQ-901-A6..... | 392 | FE-1600-L..... | 396 | G812UL..... | 176 |
| EE-180-J..... | 393 | EQ-901-M3..... | 392 | FE-1600-M..... | 396 | G820B1..... | 176 |
| EE-180-L..... | 393 | EQ-901-R9..... | 392 | FE-1600-R..... | 396 | G820B2..... | 176 |
| EE-180-M..... | 393 | EQ-901-Z3..... | 392 | FE-2200-C..... | 396 | G821A1..... | 176 |
| EE-200-C..... | 392 | EQ-901-Z4..... | 392 | FE-860-A..... | 396 | G821A2..... | 176 |
| EE-470-H..... | 393 | EQ-901-Z9..... | 392 | FE-902-A6..... | 396 | G825..... | 177 |
| EE-870-A..... | 393 | EQ-904-C..... | 392 | FE-902-G2..... | 396 | G830C1..... | 177, 180 |
| EE-870-A2..... | 393 | EQ-909-A7..... | 392 | FE-904-A..... | 396 | G830C2..... | 177, 180 |
| EE-870-B..... | 393 | EQ-909-H2..... | 392 | FE-917-A..... | 396 | G830K1..... | 180 |
| EE-870-C..... | 393 | EQ-909-H3..... | 392 | FE-929-A2..... | 396 | G840..... | 18, 177, 297, 362 |
| EE-870-D..... | 393 | EQ-909-J3..... | 392 | FE-931-C3..... | 396 | G841..... | 18, 177, 297, 362 |
| EE-870-E..... | 393 | EQ-909-M1..... | 392 | FE-945-A1..... | 396 | GA-1049-EE8..... | 95 |
| EE-870-H..... | 393 | EQ-922-D..... | 392 | FE-945-C..... | 396 | GB02750B4..... | 84, 280, 398 |
| EE-870-K..... | 321, 393 | EQ-922-F..... | 392 | FE-948-A1..... | 396 | GB03500B21..... | 83, 397 |
| EE-870-L..... | 77.1, 393 | EQ-925-A..... | 392 | FE-950-A2..... | 396 | GB03500B6..... | 80, 397 |
| EE-870-Y9..... | 77.1 | EQ-940-A..... | 392 | FE-950-H..... | 396 | GB03500B8..... | 80, 397 |
| EE-900-F..... | 393 | ES15AL..... | 98.1 | FE-950-J..... | 396 | GB03750B8..... | 80, 397 |
| EE-901-BD..... | 393 | ES15SS..... | 98.1 | FE-950-K..... | 396 | GB03875B1..... | 83, 280, 398 |
| EE-932-E..... | 393 | ES15YB..... | 98.1 | FE-950-M..... | 396 | GB03875B4..... | 280, 398 |
| EE-948-B..... | 393 | ES20AL..... | 98.1 | FE-950-P..... | 396 | GB04000B21..... | 83, 397 |
| EE-949-B..... | 393 | ES20SS..... | 98.1 | FE-950-T..... | 396 | GB04000B5..... | 82, 397 |
| EE-950-E..... | 393 | ES20YB..... | 98.1 | FE-950-U..... | 396 | GB04000B6..... | 80, 397 |
| EE-959-F..... | 393 | ES27AL..... | 98.1 | FE-950-V..... | 396 | GB04000B8..... | 80, 397 |
| EE-959-G..... | 393 | ES27SS..... | 98.1 | FE-959-E..... | 396 | GB04375B1..... | 83, 280, 398 |
| EE-959-I..... | 393 | ES27YB..... | 98.1 | FE-959-G..... | 396 | GB04375B25..... | 80, 397 |
| EE-960-AA..... | 393 | ET15AL..... | 98.1 | FE-959-H..... | 396 | GB04375B4..... | 84, 280 |
| EE-960-AC..... | 393 | ET15YB..... | 98.1 | FE-959-K..... | 396 | GB04375B6..... | 80, 397 |
| EE-960-E..... | 393 | ET20AL..... | 98.1 | FE-959-L..... | 396 | GB04375B7..... | 398 |
| EE-960-EE..... | 393 | ET20YB..... | 98.1 | FE-959-M..... | 396 | GB04375B8..... | 80, 397 |
| EE-960-G..... | 393 | F359..... | 369 | FE-959-P..... | 396 | GB04437B21..... | 83, 397 |
| EE-960-R..... | 393 | F75DF14..... | 451 | FE-964-A..... | 396, 412 | GB04437B8..... | 80, 397 |
| EE-960-W..... | 393 | F75EF14..... | 451 | FE-964-C..... | 396, 422 | GB04500B21..... | 83, 397 |

Part Number Index

| Part Number | Catalog Page No. | Part Number | Catalog Page No. | Part Number | Catalog Page No. | Part Number | Catalog Page No. |
|-------------|------------------|-----------------------|------------------|-------------|------------------|-------------|------------------|
| GB04500B5 | 82, 397 | GE-1067-V | 92 | GK04437G | 82 | GK06500N | 83 |
| GB04500B6 | 80, 397 | GE-1067-W | 92 | GK04437GG | 83 | GK06500OC | 83, 280 |
| GB04500B8 | 80, 397 | GE-1067-X | 92 | GK04500C | 80 | GK06500OW | 84, 280 |
| GB04875B4 | 84, 280, 398 | GE138A1125G1 | 457 | GK04500EP | 82 | GK06500UMT | 85 |
| GB05000B21 | 83, 397 | GE167A8898G1 | 457 | GK04500EPV | 82 | GK06500USP | 85 |
| GB05000B25 | 80, 397 | GE167A9956G1 | 457 | GK04500G | 82 | GK06500W | 85 |
| GB05000B5 | 82, 397 | GE232A6724G006/009 | 454 | GK04500GG | 83 | GK06500WE | 80 |
| GB05000B6 | 80, 397 | GE245A1229G1 | 457 | GK04500M | 83, 224 | GK06562A | 80 |
| GB05000B7 | 398 | GE546A300G002/010 | 453 | GK04500N | 83 | GK06562M | 83, 224 |
| GB05000B8 | 80, 397 | GE546A301G002/G053 | 453 | GK04500UMT | 85 | GK07000B | 80 |
| GB05375B6 | 80, 397 | GE546A780G002/51 | 453 | GK04500USP | 85 | GK07000C | 80 |
| GB05437B1 | 83, 280, 398 | GE546A780G020 | 455 | GK04500W | 85 | GK07000EP | 82 |
| GB05437B21 | 83, 397 | GE548A790G01 | 455 | GK04500WE | 80 | GK07000EPV | 82 |
| GB05437B4 | 84, 280 | GE548A791G01 | 455 | GK048750W | 84, 280 | GK07000UMT | 85 |
| GB05437B6 | 80, 397 | GE55-152313G094/095 | 455 | GK05000A | 80 | GK07000USP | 85 |
| GB05437B8 | 80, 397 | GE55-152313G112A/113A | 455 | GK05000B | 80 | GK07000W | 85 |
| GB05500B21 | 83, 397 | GE55-152313G139 | 455 | GK05000C | 80 | GK07500B | 80 |
| GB05500B25 | 80 | GE55-152313G140/41 | 456 | GK05000EE | 82 | GK07500C | 80 |
| GB05500B5 | 82, 397 | GE55-152313G142 | 456 | GK05000EP | 82 | GK07500D | 81 |
| GB05500B6 | 80, 397 | GE55-152313G153A | 455 | GK05000EPV | 82 | GK07500EE | 82 |
| GB05500B7 | 398 | GE55-153677G002 | 453 | GK05000GG | 83 | GK07500G | 82 |
| GB05500B8 | 80, 397 | GE55-153677G019 | 455 | GK05000N | 83 | GK07500GG | 83 |
| GB06000B25 | 80 | GE55-153678G002 | 453 | GK05000UMT | 85 | GK07500M | 83, 224 |
| GB06000B5 | 82, 397 | GE55-153678G013 | 456 | GK05000USP | 85 | GK07500OC | 83, 280 |
| GB06000B6 | 80, 397 | GE55-154607G002/041 | 454 | GK05000WE | 80 | GK07500S | 85 |
| GB06000B8 | 80, 397 | GK010625EP | 82 | GK05375WE | 80 | GK07500USP | 85 |
| GB06437B21 | 83, 397 | GK020000T | 281 | GK05437C | 80 | GK07500WE | 80 |
| GB06500B1 | 83, 280, 398 | GK025000T | 281 | GK05437D | 81 | GK07562A | 80 |
| GB06500B21 | 83, 397 | GK027500HP | 84, 281 | GK05437DR | 81 | GK08000C | 80 |
| GB06500B25 | 80 | GK03000N | 83 | GK05437EE | 82 | GK08000EP | 82 |
| GB06500B4 | 84, 280, 398 | GK03437EE | 82 | GK05437G | 82 | GK08000UMT | 85 |
| GB06500B5 | 82, 397 | GK03437G | 82 | GK05437GG | 83 | GK08000USP | 85 |
| GB06500B6 | 80, 397 | GK03500C | 80 | GK05437M | 83, 224 | GK08000W | 85 |
| GB06500B7 | 398 | GK03500GG | 83 | GK05437OC | 83, 280 | GK08500B | 80 |
| GB06500B8 | 80, 397 | GK03500N | 83 | GK05437OW | 84, 280 | GK08500C | 80 |
| GB06562B7 | 398 | GK03500W | 85 | GK05437WE | 80 | GK08500D | 81 |
| GB07000B25 | 80 | GK03500WE | 80 | GK05500A | 80 | GK08500EE | 82 |
| GB07000B5 | 82, 397 | GK03750C | 80 | GK05500B | 80 | GK08500G | 82 |
| GB07000B8 | 80, 397 | GK03750W | 85 | GK05500C | 80 | GK08500OC | 83, 280 |
| GB07500B1 | 83, 280, 398 | GK03875DS | 81 | GK05500EP | 82 | GK08500S | 85 |
| GB07500B21 | 83, 397 | GK03875DSP | 81 | GK05500EPV | 82 | GK08500WE | 80 |
| GB07500B25 | 80 | GK03875EE | 82 | GK05500G | 82 | GK08562A | 80 |
| GB07500B6 | 80, 397 | GK03875OC | 83, 280 | GK05500GG | 83 | GK08562M | 83, 224 |
| GB07500B8 | 80, 397 | GK03875OW | 280 | GK05500M | 83, 224 | GK09000C | 80 |
| GB08000B8 | 80, 397 | GK03937G | 82 | GK05500N | 83 | GK09000EP | 82 |
| GB08500B1 | 83, 280, 398 | GK03937M | 83, 224 | GK05500UMT | 85 | GK09000USP | 85 |
| GB08500B25 | 80 | GK04000A | 80 | GK05500USP | 85 | GK09500C | 80 |
| GB08500B6 | 80, 397 | GK04000C | 80 | GK05500W | 85 | GK09500D | 81 |
| GB08500B8 | 80, 397 | GK04000EE | 82 | GK05500WE | 80 | GK09500G | 82 |
| GB09000B8 | 80, 397 | GK04000EP | 82 | GK05750M | 83 | GK09500M | 83, 224 |
| GB09500B1 | 83, 280, 398 | GK04000EPV | 82 | GK06000B | 80 | GK09500OC | 83, 280 |
| GB09500B6 | 80, 397 | GK04000GG | 83 | GK06000C | 80 | GK09500S | 85 |
| GB09500B8 | 80, 397 | GK04000N | 83 | GK06000EE | 82 | GK09500WE | 80 |
| GB10000B8 | 80, 397 | GK04000OT | 281 | GK06000EP | 82 | GK09562A | 80 |
| GB10500B8 | 80, 397 | GK04000UMT | 85 | GK06000EPV | 82 | GK10000C | 80 |
| GB10625B1 | 83, 280, 398 | GK04000USP | 85 | GK06000N | 83 | GK10500C | 80 |
| GB10625B6 | 80, 397 | GK04000W | 85 | GK06000UMT | 85 | GK10625C | 80 |
| GB10625B8 | 80, 397 | GK04000WE | 80 | GK06000USP | 85 | GK10625D | 81 |
| GB12500B8 | 80, 397 | GK04250A | 80 | GK06000W | 85 | GK10625EE | 82 |
| GB12625B1 | 83, 280, 398 | GK04375B | 80 | GK06000WE | 80 | GK10625OC | 83, 280 |
| GB12625B6 | 80, 397 | GK04375C | 80 | GK06437G | 82 | GK10625S | 85 |
| GB12625B8 | 80, 397 | GK04375D | 81 | GK06437GG | 83 | GK10625USP | 85 |
| GE-1067-A1 | 92 | GK04375DR | 81 | GK06500B | 80 | GK10625WE | 80 |
| GE-1067-A2 | 92 | GK04375EE | 82 | GK06500C | 80 | GK10687A | 80 |
| GE-1067-B | 92 | GK04375M | 83, 224 | GK06500D | 81 | GK10715M | 83, 224 |
| GE-1067-H | 92 | GK04375OC | 83, 280 | GK06500DR | 81 | GK12500C | 80 |
| GE-1067-M | 92 | GK04375OW | 84, 280 | GK06500EE | 82 | GK12625C | 80 |
| GE-1067-N | 92 | GK04375WE | 80 | GK06500EPV | 82 | GK12625D | 81 |
| GE-1067-P | 92 | GK04437A | 80 | GK06500G | 82 | GK12625EE | 82 |
| GE-1067-R | 92 | GK04437C | 80 | GK06500GG | 83 | GK12625EP | 82 |

Part Number Index

| Part Number | Catalog Page No. | Part Number | Catalog Page No. | Part Number | Catalog Page No. | Part Number | Catalog Page No. |
|----------------|------------------|-------------|------------------|-------------|------------------|-------------|------------------|
| GK12625M | 83, 224 | GL-902-B2 | 178 | GL-916-A3 | 180 | GL-942-D | 184 |
| GK126250C | 83, 280 | GL-902-B5 | 178 | GL-916-A7 | 180 | GL-942-E | 184 |
| GK12625S | 85 | GL-902-B6 | 178 | GL-916-C | 180 | GL-945-C | 180 |
| GK12625USP | 85 | GL-902-C4 | 177 | GL-916-F | 180 | GL-945-H | 180 |
| GK12625WE | 80 | GL-902-C5 | 177 | GL-916-H | 180 | GL-945-M | 180 |
| GK12687A | 80 | GL-902-C6 | 178 | GL-916-T | 180 | GL-945-R | 180 |
| GK13875EP | 82 | GL-902-C7 | 178 | GL-916-W | 180 | GL-960-C | 189 |
| GK150000T | 281 | GL-902-D3 | 178 | GL-916-X | 180 | GL-960-C1 | 189 |
| GK15000T | 84, 281 | GL-902-D4 | 178 | GL-916-Z | 180 | GL-960-K | 189 |
| GK20000T | 84, 281 | GL-902-D8 | 178 | GL-917-A5 | 179 | GL-960-L | 185 |
| GK25000T | 84, 281 | GL-902-F | 178 | GL-917-D | 179 | GL-960-N | 189 |
| GK40000T | 84, 281 | GL-902-F1 | 178 | GL-917-DA | 179 | GO260R2 | 77.1 |
| GL-100-A | 185 | GL-902-F3 | 178 | GL-917-E | 179 | GO-904-M7 | 80 |
| GL-100-A1 | 185 | GL-902-F9 | 178 | GL-917-F | 179 | GOA717A1 | 77.1 |
| GL-100-A2 | 185 | GL-902-L8 | 177 | GL-917-H7 | 179 | GP100 | 79 |
| GL-100-A3 | 185 | GL-902-L9 | 178 | GL-917-H9 | 179 | GP10625 | 79 |
| GL-100-A6 | 188 | GL-902-M7 | 178 | GL-917-M | 179 | GP10625G | 79 |
| GL-100-A7 | 185 | GL-902-N2 | 186 | GL-917-M1 | 179 | GP10625L | 79 |
| GL-100-A9 | 185 | GL-902-R | 178 | GL-917-M9 | 179 | GP10625W | 79 |
| GL-100-B | 185 | GL-902-R2 | 178 | GL-917-N | 179 | GP4000 | 79 |
| GL-100-C2 | 185 | GL-902-R4 | 177 | GL-917-N6 | 179 | GP4000G | 79 |
| GL-100-C3 | 185 | GL-902-S | 178 | GL-917-P7 | 179 | GP4000L | 79 |
| GL-100-G | 185 | GL-902-T5 | 178 | GL-917-R5 | 179 | GP4000W | 79 |
| GL-101-A1 | 185 | GL-902-Y1 | 178 | GL-917-R9 | 179 | GP4375 | 79 |
| GL-101-L | 185 | GL-902-Y2 | 178 | GL-917-Y | 179 | GP4375G | 79 |
| GL-101-W | 185 | GL-902-Y9 | 178 | GL-918-C | 179 | GP4375L | 79 |
| GL-103-A | 185 | GL-915-A3 | 181 | GL-922-A | 189 | GP4375W | 79 |
| GL-1067-D | 186 | GL-915-A4 | 181, 182 | GL-922-E | 189 | GP4500 | 79 |
| GL-1067-E | 186 | GL-915-A7 | 181 | GL-925-A6 | 181 | GP4500G | 79 |
| GL-1067-M | 186 | GL-915-C | 182 | GL-925-B | 183 | GP4500L | 79 |
| GL-1088-E | 179 | GL-915-C1 | 181 | GL-925-C | 183 | GP4500W | 79 |
| GL-1088-F | 179 | GL-915-C7 | 181, 182 | GL-925-F | 183 | GP5000 | 79 |
| GL-1097-G | 188 | GL-915-C9 | 181 | GL-925-H | 189 | GP5000G | 79 |
| GL-1098-C | 189 | GL-915-D | 181 | GL-928-A2 | 183 | GP5000L | 79 |
| GL-1099-B | 189 | GL-915-E | 182 | GL-928-A3 | 183 | GP5000W | 79 |
| GL-1099-C | 189 | GL-915-E2 | 181 | GL-928-C | 183 | GP5250 | 79 |
| GL-1099-E | 189 | GL-915-E3 | 182 | GL-928-C6 | 179 | GP5250G | 79 |
| GL-1099-K | 189 | GL-915-E4 | 181 | GL-928-E | 183 | GP5250L | 79 |
| GL-1200-A | 186 | GL-915-E5 | 182 | GL-928-E4 | 183 | GP5250W | 79 |
| GL-1200-E | 186 | GL-915-E6 | 182 | GL-928-E5 | 183 | GP5375 | 79 |
| GL-1294-E | 181 | GL-915-EE | 182 | GL-928-F | 183 | GP5375G | 79 |
| GL-1600-C | 189 | GL-915-F | 181 | GL-928-K | 183 | GP5375L | 79 |
| GL-2000-Series | 187 | GL-915-F6 | 182 | GL-928-L | 183 | GP5375W | 79 |
| GL-200-A2 | 188 | GL-915-F7 | 182 | GL-928-M | 183, 342 | GP5437 | 79 |
| GL-200-B | 188 | GL-915-F9 | 189 | GL-928-N | 183 | GP5437G | 79 |
| GL-200-C | 188 | GL-915-G | 183 | GL-928-P | 183 | GP5437L | 79 |
| GL-200-E | 188 | GL-915-H | 181 | GL-928-R | 183 | GP5437W | 79 |
| GL-200-F | 188 | GL-915-H1 | 181 | GL-928-Z | 183 | GP5500 | 79 |
| GL-200-J | 188 | GL-915-H2 | 181 | GL-930-A | 182 | GP5500G | 79 |
| GL-200-N | 188 | GL-915-H7 | 181 | GL-930-A4 | 182 | GP5500L | 79 |
| GL-200-R | 188 | GL-915-JJ | 182 | GL-930-A6 | 182 | GP5500W | 79 |
| GL-200-W | 188 | GL-915-K | 182 | GL-930-B | 182 | GP5750 | 79 |
| GL-2101-Series | 187 | GL-915-L4 | 182 | GL-930-E | 182 | GP5750G | 79 |
| GL-2102-Series | 187 | GL-915-L7 | 182 | GL-933-A2 | 186 | GP5750L | 79 |
| GL-2150-Series | 187 | GL-915-M1 | 181 | GL-933-A7 | 186 | GP5750W | 79 |
| GL-300-A | 188 | GL-915-M2 | 181 | GL-933-C2 | 186 | GP6000 | 79 |
| GL-300-B | 188 | GL-915-N | 182, 183 | GL-933-C3 | 187 | GP6000G | 79 |
| GL-300-C | 188 | GL-915-N6 | 181 | GL-933-C6 | 186 | GP6000L | 79 |
| GL-600-M | 179 | GL-915-P6 | 182 | GL-933-E1 | 186 | GP6000W | 79 |
| GL-600-R | 179 | GL-915-P9 | 182 | GL-933-E3 | 186 | GP6500 | 79 |
| GL-660-C | 185 | GL-915-PP | 182 | GL-933-F1 | 186 | GP6500G | 79 |
| GL-850-J | 182 | GL-915-S | 182 | GL-933-F3 | 186 | GP6500L | 79 |
| GL-860-B | 184 | GL-915-TT | 182 | GL-933-F6 | 187 | GP6500W | 79 |
| GL-860-C | 184 | GL-915-W | 181 | GL-933-F7 | 187 | GP7000 | 79 |
| GL-860-J | 184 | GL-915-W7 | 182 | GL-933-G | 186 | GP7000G | 79 |
| GL-860-Y | 184 | GL-915-X | 181 | GL-933-J3 | 186 | GP7000L | 79 |
| GL-870-A | 77.1 | GL-916-A1 | 180 | GL-933-R | 186 | GP7000W | 79 |
| GL-902-A8 | 177 | GL-916-A10 | 180 | GL-935-B | 186 | GP7500 | 79 |
| GL-902-AE1 | 178 | GL-916-A11 | 180 | GL-942-B | 184 | GP7500G | 79 |
| GL-902-AE8 | 178 | GL-916-A2 | 180 | GL-942-C | 184 | GP7500L | 79 |

Part Number Index

| Part Number | Catalog Page No. | Part Number | Catalog Page No. | Part Number | Catalog Page No. | Part Number | Catalog Page No. |
|--------------|------------------|-------------|--------------------|--------------|------------------|-------------|------------------|
| GP7500W | 79 | H4710 | 247 | H7601 | 236, 247 | HA-1049-E3 | 95 |
| GP8000 | 79 | H4711 | 247 | H7602 | 236, 247 | HA-1049-E5 | 94 |
| GP8000G | 79 | H4712 | 247 | H7603 | 236, 247 | HA-1049-E9 | 95 |
| GP8000L | 79 | H4713 | 247 | H7604 | 236, 247 | HA-1049-EA1 | 95 |
| GP8000W | 79 | H4714 | 247 | H7605 | 236, 247 | HA-1049-EA2 | 95 |
| GP8500 | 79 | H4715 | 247 | H7606 | 236, 247 | HA-1049-EA7 | 94 |
| GP8500G | 79 | H4717 | 247 | H7607 | 236, 247 | HA-1049-EC6 | 94 |
| GP8500L | 79 | H4751 | 246 | H7704 | 247 | HA-1049-EE1 | 95 |
| GP8500W | 79 | H4753 | 246 | H7705 | 247 | HA-1049-EE2 | 95 |
| GP9500 | 79 | H4755 | 246 | H7708 | 247 | HA-1049-EE6 | 95 |
| GP9500G | 79 | H5317 | 228, 229, 246, 295 | H8130 | 247 | HA-1049-EF4 | 95 |
| GP9500L | 79 | H5318 | 228, 229, 246 | H8453 | 247 | HA-1049-EF5 | 95 |
| GP9500W | 79 | H5319 | 228, 246 | HA-100-P4 | 414 | HA-1049-EF6 | 95 |
| GPX100 | 78, 405 | H5320 | 228, 246 | HA-10449-CH7 | 94 | HA-1049-EF9 | 95 |
| H2100-Series | 248, 249 | H5328 | 228, 229, 246, 249 | HA-1049-A | 94 | HA-1049-EH1 | 94 |
| H2101 | 232, 246 | H5329 | 228, 246 | HA-1049-A1 | 95 | HA-1049-EH3 | 95 |
| H2105 | 232, 246 | H5371 | 246 | HA-1049-A2 | 94 | HA-1049-EH4 | 95 |
| H2106 | 232, 246 | H5373 | 246 | HA-1049-A3 | 95 | HA-1049-F2 | 95 |
| H2107 | 232, 246 | H5374 | 246 | HA-1049-AA4 | 95 | HA-1049-F3 | 94 |
| H2108 | 232, 246 | H5375 | 246 | HA-1049-AE3 | 95 | HA-1049-F4 | 94 |
| H2109 | 232, 246 | H5378 | 246 | HA-1049-AE4 | 95 | HA-1049-H1 | 95 |
| H2111 | 232, 246 | H5666 | 247 | HA-1049-AF1 | 95 | HA-1049-H4 | 94 |
| H2112 | 232, 246 | H6017 | 247 | HA-1049-AF4 | 94 | HA-1049-H7 | 94 |
| H2113 | 232, 246 | H6283 | 247 | HA-1049-AF6 | 94 | HA-1049-K4 | 95 |
| H2150-Series | 248 | H6286 | 247 | HA-1049-AF9 | 95 | HA-1049-K6 | 95 |
| H2154 | 232, 246 | H6287 | 247 | HA-1049-AH1 | 95 | HA-1049-L5 | 95 |
| H2157 | 232, 246 | H6989 | 247 | HA-1049-AJ7 | 94 | HA-1049-L6 | 94 |
| H2158 | 232, 246 | H6990 | 247 | HA-1049-AL3 | 94 | HA-1049-L7 | 94 |
| H3088H01 | 318 | H6991 | 247 | HA-1049-AL4 | 94 | HA-1049-M6 | 94 |
| H3088H02 | 318 | H6992 | 237, 247 | HA-1049-AL7 | 95 | HA-1049-N1 | 95 |
| H3088H03 | 318 | H6993 | 237, 247 | HA-1049-AP9 | 94 | HA-1049-N2 | 94 |
| H3088H04 | 318 | H6994 | 237, 247 | HA-1049-AR1 | 95 | HA-1049-N3 | 94 |
| H3088H06 | 318 | H6995 | 237, 247 | HA-1049-AR6 | 95 | HA-1049-N6 | 94 |
| H3088H11 | 318 | H6996 | 247, 248 | HA-1049-AR7 | 95 | HA-1049-N9 | 94 |
| H3088H12 | 318 | H6997 | 247 | HA-1049-AT5 | 94 | HA-1049-P4 | 94 |
| H3088H13 | 318 | H7061 | 247 | HA-1049-AU4 | 95 | HA-1049-P7 | 94 |
| H3088H14 | 318 | H7101 | 246 | HA-1049-AU6 | 95 | HA-1049-R3 | 95 |
| H3088H15 | 318 | H7104 | 246 | HA-1049-AV3 | 94 | HA-1049-R7 | 95 |
| H3088H16 | 318 | H7108 | 246 | HA-1049-AV4 | 94 | HA-1049-T4 | 95 |
| H3088H17 | 318 | H7109 | 246 | HA-1049-AW6 | 94 | HA-1049-W2 | 94 |
| H3088H20 | 318 | H7110 | 246 | HA-1049-B3 | 94 | HA-1049-W3 | 94 |
| H3088H21 | 318 | H7111 | 246 | HA-1049-B8 | 94 | HA-1049-W4 | 94 |
| H3088H22 | 318 | H7112 | 246 | HA-1049-C2 | 95 | HA-1049-W9 | 95 |
| H3301 | 246 | H7114 | 246 | HA-1049-C5 | 94 | HA-1049-X1 | 94 |
| H3302 | 246 | H7115 | 246 | HA-1049-CA1 | 95 | HA-1049-X9 | 95 |
| H3303 | 246 | H7116 | 246 | HA-1049-CA3 | 95 | HA-1049-XK9 | 94 |
| H3701 | 247, 249 | H7117 | 246 | HA-1049-CE2 | 95 | HA-1049-Y2 | 95 |
| H3754 | 246 | H7118 | 246 | HA-1049-CE3 | 95 | HA-1049-Y4 | 95 |
| H3756 | 246 | H7119 | 246 | HA-1049-CF5 | 95 | HA-1049-Y9 | 95 |
| H3757 | 246 | H7305 | 247 | HA-1049-CH1 | 94 | HA-1049-Z2 | 95 |
| H3759 | 246 | H7351 | 247 | HA-1049-CK4 | 94 | HA-1065-M | 167 |
| H4011 | 247 | H7500 | 228, 247 | HA-1049-CK9 | 95 | HA-1065-Z3 | 110 |
| H4615 | 246 | H7501 | 228, 229, 247 | HA-1049-CL1 | 95 | HA-1067-A1 | 92 |
| H4620 | 246 | H7502 | 237, 247 | HA-1049-CL4 | 95 | HA-1067-A4 | 92 |
| H4622 | 246 | H7503 | 228, 229, 247 | HA-1049-CL7 | 95 | HA-1067-A5 | 92 |
| H4623 | 246 | H7504 | 228, 247 | HA-1049-CL9 | 94 | HA-1067-A7 | 92 |
| H4624 | 246 | H7505 | 228, 246 | HA-1049-CM4 | 94 | HA-1067-B8 | 92 |
| H4629 | 246 | H7506 | 247 | HA-1049-CM9 | 95 | HA-1067-C6 | 92 |
| H4631 | 246 | H7507 | 228, 246 | HA-1049-CN3 | 94 | HA-1067-C7 | 92 |
| H4632 | 246 | H7515 | 247 | HA-1049-CN9 | 95 | HA-1067-E3 | 92 |
| H4633 | 246 | H7517 | 247 | HA-1049-CP2 | 95 | HA-1067-E4 | 92 |
| H4634 | 246 | H7519 | 247 | HA-1049-CP9 | 95 | HA-1067-E6 | 92 |
| H4635 | 246 | H7520 | 247 | HA-1049-CR1 | 95 | HA-1067-F2 | 92 |
| H4638 | 247 | H7521 | 247 | HA-1049-CR6 | 94 | HA-1067-F7 | 92 |
| H4639 | 247 | H7531 | 247 | HA-1049-CT4 | 95 | HA-1067-G9 | 92 |
| H4640 | 247 | H7555 | 228, 247 | HA-1049-CW9 | 95 | HA-1067-H | 92 |
| H4641 | 247 | H7582 | 228, 246 | HA-1049-CX4 | 95 | HA-1067-H5 | 92 |
| H4643 | 247 | H7585 | 228, 246 | HA-1049-CY2 | 94 | HA-1067-H6 | 92 |
| H4644 | 247 | H7587 | 228, 246 | HA-1049-CY3 | 95 | HA-1067-H8 | 92 |
| H4708 | 247 | H7588 | 228, 246 | HA-1049-CY9 | 94 | HA-1067-K1 | 92 |

Part Number Index

| Part Number | Catalog Page No. | Part Number | Catalog Page No. | Part Number | Catalog Page No. | Part Number | Catalog Page No. |
|-------------|------------------|-------------|------------------|-------------|------------------|-------------|------------------|
| HA-1067-K3 | 92 | HA-1069-U3 | 92 | HA-959-M8 | 95 | HBD0122W | 110 |
| HA-1067-K5 | 92 | HA-1069-U6 | 92 | HA-959-M9 | 95 | HBD0123W | 110 |
| HA-1067-K7 | 92 | HA-1069-V9 | 92 | HA-959-N1 | 94 | HBD0128W | 111 |
| HA-1067-L1 | 92 | HA-1069-W | 92 | HA-959-N7 | 95 | HBD0181R | 110 |
| HA-1067-M1 | 92 | HA-1069-X1 | 92 | HA-959-P | 95 | HBD0182R | 110 |
| HA-1067-M2 | 92 | HA-1069-X2 | 92 | HA-959-P3 | 94 | HBD0183R | 111 |
| HA-1067-M4 | 92 | HA-1069-X3 | 92 | HA-959-P4 | 95 | HBD0184R | 111 |
| HA-1067-M7 | 92 | HA-1097-AA7 | 414 | HA-959-P6 | 94 | HBD0185R | 111 |
| HA-1067-M8 | 92 | HA-1097-AL5 | 415 | HA-959-P7 | 95 | HBD0186R | 110 |
| HA-1067-N1 | 92 | HA-1294-C3 | 422 | HA-959-R2 | 95 | HBD0187R | 110 |
| HA-1067-N3 | 92 | HA-1700-E9 | 21 | HA-959-S | 94 | HBD0188R | 111 |
| HA-1067-N4 | 92 | HA-2-C10 | 115, 116 | HA-959-S4 | 95 | HBD0189R | 110 |
| HA-1067-N7 | 92 | HA-2-CC1 | 115, 116 | HA-959-S5 | 95 | HBD0192R | 110 |
| HA-1067-P5 | 92 | HA-870-AE3 | 77.1 | HA-959-S6 | 95 | HBD0194R | 110 |
| HA-1067-R7 | 92 | HA-870-AF7 | 77.1 | HA-959-S7 | 95 | HBH0115 | 110 |
| HA-1067-S3 | 92 | HA-870-AF8 | 77.1 | HA-959-S9 | 94 | HBH0118W | 110 |
| HA-1067-S5 | 92 | HA-870-B9 | 321 | HA-959-T1 | 94 | HBH0119 | 110 |
| HA-1067-S8 | 92 | HA-870-C | 321 | HA-959-T2 | 94 | HBH0188 | 110 |
| HA-1067-S9 | 92 | HA-870-C1 | 321 | HA-959-U | 94 | HBR0150 | 111 |
| HA-1067-T1 | 92 | HA-870-C2 | 321 | HA-959-V1 | 95 | HR-1405 | 96 |
| HA-1067-T2 | 92 | HA-870-C5 | 321 | HA-959-V7 | 94 | HR-1412 | 95 |
| HA-1067-T4 | 92 | HA-870-CA6 | 77.1 | HA-959-W | 95 | HR-1413 | 95 |
| HA-1067-T6 | 92 | HA-870-H | 321 | HA-959-W1 | 95 | HR-1420 | 95 |
| HA-1067-T8 | 92 | HA-870-P6 | 77.1 | HA-959-W2 | 95 | HR-1422 | 95 |
| HA-1067-U | 92 | HA-870-T | 77.1 | HA-959-W5 | 95 | HR-1423 | 95 |
| HA-1067-U3 | 92 | HA-870-Y9 | 77.1 | HA-959-W6 | 95 | HR-1547 | 95 |
| HA-1067-U4 | 92 | HA-870-Z1 | 77.1 | HA-959-W7 | 94 | HR-1548 | 95 |
| HA-1067-V | 92 | HA-870-Z2 | 77.1 | HA-959-W8 | 95 | HR-1549 | 95 |
| HA-1067-W | 92 | HA-959-A2 | 95 | HA-959-X | 94 | HR-1550 | 95 |
| HA-1067-W1 | 92 | HA-959-A4 | 95 | HA-959-Y | 94 | HR-1551 | 95 |
| HA-1067-X4 | 92 | HA-959-A6 | 95 | HA-959-Y1 | 95 | HR-1552 | 95 |
| HA-1067-Z4 | 92 | HA-959-A7 | 95 | HA-959-Y2 | 94 | HR-1577 | 95 |
| HA-1067-Z7 | 92 | HA-959-B5 | 95 | HA-959-Y3 | 95 | HR-1578 | 95 |
| HA-1069-A9 | 92 | HA-959-B7 | 95 | HA-959-Y5 | 94 | HR-1579 | 95 |
| HA-1069-AA2 | 92 | HA-959-B8 | 95 | HA-959-Y7 | 94 | HR-1580 | 95 |
| HA-1069-AC1 | 92 | HA-959-C1 | 94 | HA-959-Y8 | 94 | HR-1581 | 95 |
| HA-1069-AC2 | 92 | HA-959-C2 | 94 | HA-959-Y9 | 94 | HR-1588 | 95 |
| HA-1069-AE7 | 92 | HA-959-C4 | 94 | HA-959-Z | 95 | HRR0187 | 110 |
| HA-1069-AH6 | 92 | HA-959-C6 | 95 | HA-959-Z4 | 94 | HRR0187V | 110 |
| HA-1069-AK3 | 92 | HA-959-D1 | 94 | HA-959-Z5 | 95 | HRR0190 | 110 |
| HA-1069-AM7 | 92 | HA-959-D3 | 94 | HA-964-A2 | 411 | HRR0190V | 110 |
| HA-1069-AP1 | 92 | HA-959-D4 | 94 | HA-964-A6 | 414 | HRR0192 | 110 |
| HA-1069-AQ1 | 92 | HA-959-D5 | 95 | HA-964-J2 | 415 | HRR0192V | 110 |
| HA-1069-C | 92 | HA-959-D8 | 94 | HA-964-J7 | 413 | HRR0194 | 110 |
| HA-1069-C1 | 92 | HA-959-D9 | 94 | HA-964-M6 | 414 | HRR0194V | 110 |
| HA-1069-C4 | 92 | HA-959-E1 | 94 | HA-964-N2 | 413 | HRR0195 | 110 |
| HA-1069-C9 | 92 | HA-959-E2 | 94 | HA-964-P7 | 413 | HT200710-2 | 271 |
| HA-1069-E1 | 92 | HA-959-F | 94 | HA-964-R2 | 414 | HT200750-1 | 271 |
| HA-1069-E3 | 92 | HA-959-G2 | 94 | HA-964-R3 | 411 | HT201781-1 | 271 |
| HA-1069-E4 | 92 | HA-959-G3 | 94 | HA-964-T9 | 413 | HT206412-2 | 271 |
| HA-1069-F | 92 | HA-959-G4 | 94 | HA-970-E4 | 321 | HW102-011 | 398 |
| HA-1069-F1 | 92 | HA-959-G5 | 94 | HBD0101W | 110 | HW-572-A | 398 |
| HA-1069-F2 | 92 | HA-959-G6 | 94 | HBD0102W | 110 | HW-572-C | 398 |
| HA-1069-F6 | 92 | HA-959-H | 94 | HBD0103W | 111 | HW-572-E | 398 |
| HA-1069-H1 | 92 | HA-959-H1 | 94 | HBD0104W | 110 | HW-572-F | 398 |
| HA-1069-H7 | 92 | HA-959-H2 | 94 | HBD0105W | 110 | HW90-11 | 398 |
| HA-1069-K1 | 92 | HA-959-H3 | 95 | HBD0106W | 110 | HW90-40SCH | 398 |
| HA-1069-K4 | 92 | HA-959-H6 | 94 | HBD0107W | 111 | IR39109236 | 458 |
| HA-1069-K7 | 92 | HA-959-J3 | 94 | HBD0109W | 110 | IR39114541 | 458 |
| HA-1069-L2 | 92 | HA-959-J4 | 94 | HBD0110W | 110 | IR39114558 | 458 |
| HA-1069-M1 | 92 | HA-959-J6 | 94 | HBD0111W | 110 | IR39114566 | 458 |
| HA-1069-N | 92 | HA-959-K2 | 95 | HBD0112W | 110 | J1 | 206 |
| HA-1069-N6 | 92 | HA-959-K3 | 95 | HBD0113W | 110 | J1C | 206 |
| HA-1069-P1 | 92 | HA-959-L | 95 | HBD0114W | 110 | J2 | 206 |
| HA-1069-P2 | 92 | HA-959-L1 | 95 | HBD0115W | 111 | J202 | 206 |
| HA-1069-P5 | 92 | HA-959-L2 | 95 | HBD0116W | 111 | J202B | 206 |
| HA-1069-R2 | 92 | HA-959-M1 | 94 | HBD0117W | 110 | J20A1 | 206 |
| HA-1069-T1 | 92 | HA-959-M3 | 94 | HBD0118W | 111 | J20A2 | 206 |
| HA-1069-T9 | 92 | HA-959-M5 | 94 | HBD0119W | 110 | J20A3 | 206 |
| | | HA-959-M7 | 94 | HBD0121W | 110 | J20B1 | 206 |

Part Number Index

| Part Number | Catalog Page No. | Part Number | Catalog Page No. | Part Number | Catalog Page No. | Part Number | Catalog Page No. |
|-------------|------------------|------------------|------------------|------------------------|------------------|------------------------|------------------|
| J20B2..... | 206 | J450-series..... | 194 | LS-1018-A4..... | 398 | MAG-05P00017-0166..... | 399 |
| J20C1..... | 198, 206 | J451-series..... | 194 | LS-1018-A6..... | 398 | MAG-05P00017-0179..... | 95, 399 |
| J20C2..... | 207 | J471H..... | 195 | LS-1018-C..... | 398 | MAG-05P00017-0214..... | 95, 399 |
| J20C3..... | 207 | J471K1..... | 195 | LS-1018-D..... | 398 | MAG-05P00017-0234..... | 399 |
| J20P1..... | 206 | J5001..... | 209 | LS-1018-E..... | 398 | MAG-05P00017-0235..... | 399 |
| J20R1..... | 206 | J820..... | 198 | LS-1018-L..... | 398 | MAG-05P00017-0348..... | 399 |
| J20S1..... | 206 | J825..... | 198 | LS-1018-M..... | 398 | MAG-05P00017-0361..... | 399 |
| J211..... | 207 | J825R..... | 198 | LS-1018-R..... | 398 | MAG-05P00017-0366..... | 95, 399 |
| J212..... | 207 | J832B1..... | 198 | LS-1018-T..... | 398 | MAG-05P00031-0156..... | 399 |
| J220..... | 207 | J832B2..... | 198 | LS-1018-W..... | 398 | MAG-05P00036-0312..... | 399 |
| J220C..... | 207 | J835..... | 198 | LS-1200-E..... | 398 | MAG-05P00050-0328..... | 399 |
| J221..... | 207 | J836..... | 198 | M1793G02..... | 318 | MAG-05P00050-0410..... | 399 |
| J222..... | 207 | J840A..... | 198 | M2101..... | 213 | MAG-05P00050-0412..... | 399 |
| J223..... | 207 | J840B..... | 198 | M2102..... | 213 | MAG-05P00050-0442..... | 399 |
| J224..... | 207 | JCCY-31-1..... | 438 | M2103..... | 213 | MAG-05P00050-0461..... | 399 |
| J22B1..... | 207 | JCCY-32-1..... | 438 | M2104..... | 213 | MAG-05P00050-0523..... | 399 |
| J22B2..... | 207 | JCCY-33-1..... | 438 | M2105..... | 213 | MAG-05P00090-0293..... | 399 |
| J22C1..... | 207 | JCCY-34-1..... | 438 | M2106..... | 213 | MAG-05P00217-0012..... | 399 |
| J22C2..... | 207 | JCKTM-31-1..... | 439 | M2107..... | 213 | MAG-05P00217-0013..... | 399 |
| J22C3..... | 198, 207 | JCKTM-32-1..... | 439 | M2108..... | 213 | MAG-05P00217-0020..... | 399 |
| J22G1..... | 207 | JCKTM-33-1..... | 439 | M2109..... | 213 | MAG-05P00217-0029..... | 399 |
| J22G2..... | 207 | JCKTM-34-1..... | 439 | M2110..... | 213 | MAG-05P00218-0023..... | 399 |
| J22G3..... | 207 | JCKTM-35-1..... | 439 | M2502..... | 214 | MAG-05P00607-0015..... | 399 |
| J2C..... | 206 | JE971..... | 192 | M2503..... | 214 | MAG-05P00607-0016..... | 399 |
| J3002D..... | 209 | K1101..... | 122, 124, 126 | M2504..... | 214 | MAG-05P00630-0013..... | 399 |
| J3005..... | 209 | K1102..... | 124, 126 | M2505..... | 214 | MAG-05P00632-0002..... | 399 |
| J3016..... | 209 | K1103..... | 126 | M3000..... | 218 | MAG-05P00645-0018..... | 399 |
| J3020..... | 209 | K1104..... | 126 | M32427H05..... | 364 | MAG-46S02489-0010..... | 399 |
| J3020G..... | 209 | K1105..... | 126 | M3427H01..... | 364 | MAG-46S02489-0011..... | 399 |
| J3023..... | 209 | K1106..... | 126 | M3427H02..... | 364 | MAG-46S02975-0403..... | 399 |
| J3024G..... | 209 | K1107..... | 126 | M3427H05..... | 364 | MAG-46S02976-0010..... | 399 |
| J3026..... | 209 | K1108..... | 126 | M3427H06..... | 364 | MAG-46S02976-0020..... | 399 |
| J3026C..... | 209 | K1110..... | 126 | M3427H07..... | 364 | MAG-46S02976-0030..... | 399 |
| J3026T..... | 209 | K1111..... | 126 | M3706H04..... | 346 | MAG-46S02976-0032..... | 399 |
| J3045..... | 209 | K2101..... | 121, 126 | M3999H01..... | 364 | MAG-46S03017-0010..... | 399 |
| J3046..... | 209 | K2102..... | 126 | M3999H02..... | 364 | MAG-46S03020-0030..... | 399 |
| J3048..... | 209 | K2103..... | 126 | M3999H03..... | 364 | MAG-46S03046-0010..... | 399 |
| J310..... | 207 | K3101..... | 126 | M3999H04..... | 364 | MAG-46S03046-0030..... | 399 |
| J311..... | 207 | K3102..... | 126 | M3999H05..... | 364 | MAG-46S03046-0050..... | 399 |
| J320..... | 207 | K3244H02..... | 346 | M3999H06..... | 364 | MAG-46S03046-0060..... | 399 |
| J321..... | 207 | K3300H11..... | 94, 197 | M3999H08..... | 364 | MAG-46S03046-0070..... | 399 |
| J4001..... | 209 | K3412H01..... | 385 | M410M..... | 212, 342 | MAG-46S03046-0080..... | 399 |
| J4002..... | 209 | K3412H02..... | 385 | M411M..... | 212 | MAG-46S03046-0500..... | 399 |
| J4006..... | 209 | K3412H03..... | 385 | M422..... | 212 | MAG-46S03088-0010..... | 399 |
| J401..... | 193 | K4336H01..... | 325 | M422S..... | 212 | MAG-46S03089-0010..... | 399 |
| J4015..... | 209 | K4912H01..... | 379 | M4510G01..... | 423 | MAG-46S03192-0010..... | 399 |
| J402..... | 193 | K4915G01..... | 379 | M4523G01..... | 423 | MAG-46S03192-0020..... | 399 |
| J4025..... | 209 | K5260H01..... | 346 | M4524G01..... | 423 | MAG-46S03192-1020..... | 399 |
| J403..... | 192, 193 | K5315H02..... | 315 | M4983G01..... | 318 | MAG-46S03214-0010..... | 399 |
| J404..... | 192 | K6430H01..... | 379 | M5001..... | 213 | MAG-46S03373-0010..... | 399 |
| J405..... | 192 | K7344H01..... | 385 | M5002..... | 213 | MAG-46S03373-0611..... | 399 |
| J406..... | 193 | K7344H02..... | 385 | M5389H01..... | 385 | MAG-46S03375-0010..... | 399 |
| J407..... | 193 | K7344H03..... | 385 | M5389H03..... | 385 | MAG-46S03397-0010..... | 399 |
| J4071..... | 209 | K7484H02..... | 346 | M5389H11..... | 385 | MAG-46S03594-0010..... | 399 |
| J410..... | 192 | KE-1050-1..... | 384 | M5949H01..... | 346 | MAX291510..... | 400 |
| J420..... | 192, 193 | KE14..... | 347.1 | M7448H02..... | 386 | MAX291540..... | 400 |
| J420S..... | 192 | KE8..... | 347.1 | M7448H03..... | 386 | ME971..... | 212 |
| J422..... | 192 | KVP840..... | 18, 362 | M7464H02..... | 386 | MM3314..... | 222 |
| J422S..... | 192 | L10..... | 298, 302 | M7464H05..... | 386 | MM3320..... | 222, 223 |
| J423..... | 192 | L17..... | 298, 302 | M7464H08..... | 386 | MM3320R..... | 222, 223 |
| J423S..... | 192 | L18..... | 298, 302 | M800A..... | 75, 218 | MM3328..... | 222 |
| J424..... | 192 | L21..... | 298, 302 | M800C..... | 75, 218 | MM3334..... | 222 |
| J424S..... | 192 | L27..... | 302 | MAG-05P00015-0016..... | 399 | MM3350..... | 222 |
| J425..... | 192 | L3..... | 298, 302 | MAG-05P00015-0017..... | 399 | MM3360..... | 222, 223 |
| J425S..... | 192 | L4..... | 298, 302 | MAG-05P00016-0008..... | 399 | MM3361..... | 222, 223 |
| J426..... | 192 | L5..... | 298, 302 | MAG-05P00016-0012..... | 399 | MM3362..... | 222 |
| J426S..... | 192, 193 | L7..... | 298, 302 | MAG-05P00016-0041..... | 399 | MM3363..... | 222 |
| J428A..... | 192 | LifeJacket..... | 62-67 | MAG-05P00016-0048..... | 399 | MM3370..... | 222, 223 |
| J428B..... | 192 | LS-1018-A..... | 398 | MAG-05P00017-0031..... | 399 | MM3380..... | 222 |
| J429S..... | 192 | LS-1018-A1..... | 398 | MAG-05P00017-0073..... | 399 | MM3381..... | 222 |

Part Number Index

| Part Number | Catalog Page No. | Part Number | Catalog Page No. | Part Number | Catalog Page No. | Part Number | Catalog Page No. |
|-------------|------------------|-------------|-----------------------------------|-------------|------------------------------|-------------|------------------------------|
| MX-1294-A2 | 400 | O21A20Y3 | 226 | O2211EB4 | 233 | O2300CV1 | 239 |
| MX-1294-B | 400 | O21A22Y1 | 226 | O2211EB5 | 233 | O2300CV3 | 239 |
| MX-1294-N | 400 | O21A22Y2 | 226 | O2211EB6 | 233 | O2300CV4 | 239 |
| MX-1294-P | 400 | O21A23Y1 | 226 | O2212EB1 | 233 | O2301CV1 | 239 |
| MX-1294-R | 400 | O21A23Y2 | 226 | O2220EB1 | 233 | O2302CV1 | 239 |
| MX-1294-T | 400 | O21A3 | 227, 229 | O2221EB1 | 233 | O2302CV4 | 239 |
| MX-200-D | 400 | O21A31Y1 | 226 | O2222EB1 | 233 | O2303CV1 | 239 |
| MX-470-A | 400 | O21A31Y3 | 226 | O2230EB1 | 233 | O2304CV1 | 239 |
| MX-901-C3 | 400 | O21A32X1 | 226 | O2231EB2 | 233 | O23A1 | 240, 242 |
| MX-901-C7 | 400 | O21A32Y1 | 226 | O2231EB4 | 233 | O23A2 | 240, 242 |
| MX-901-C8 | 400 | O21A32Y10 | 226 | O2232EB2 | 233 | O23A3 | 240, 242 |
| MX-901-D | 400 | O21A32Y2 | 226 | O2233EB2 | 233 | O23A4 | 240, 242 |
| MX-901-E | 400 | O21A4 | 227 | O2234EB6 | 233 | O23A5 | 240, 242 |
| MX-901-G | 400 | O21A40Y1 | 226 | O22A1 | 234 | O23A6 | 240, 242 |
| MX-901-H | 400 | O21A41X1 | 226 | O22A2 | 234, 237, 238 | O23B1 | 240, 241 |
| MX-901-H4 | 400 | O21A41Y1 | 226 | O22A3 | 234, 237, 238 | O23BA1 | 240, 241, 243 |
| MX-901-L1 | 400 | O21A41Y10 | 226 | O22A4 | 234, 237 | O23BA2 | 240, 241 |
| MX-901-M1 | 400 | O21A5 | 227 | O22A5 | 234, 235, 237 | O23C1 | 240, 241, 243 |
| MX-901-M7 | 400 | O21A50Y1 | 226 | O22A6 | 234 | O23C2 | 240, 241 |
| MX-901-N3 | 400 | O21A50Y2 | 226 | O22AM1 | 235, 237 | O23C3 | 240, 241 |
| MX-901-N7 | 400 | O21A6 | 227 | O22AM2 | 235, 237 | O23C4 | 240, 241 |
| MX-901-P6 | 400 | O21A7 | 227 | O22AM3 | 235, 237 | O23C5 | 240, 241 |
| MX-901-P7 | 400 | O21A8 | 227, 228 | O22AM4 | 235, 237 | O23C6 | 240, 241 |
| MX-901-P9 | 400 | O21A9 | 227, 228 | O22AM5 | 235, 237 | O23C7 | 240, 242, 243, 249 |
| MX-901-R | 400 | O21B1 | 227, 228 | O22B1 | 234, 236, 238 | O23D1 | 240, 241, 243 |
| MX-901-T1 | 400 | O21B2 | 227, 228 | O22B2 | 234-236, 240, 241 | O23D2 | 240, 241 |
| MX-901-T9 | 400 | O21B3 | 227, 228 | O22B3 | 235, 236 | O23E1 | 240, 241 |
| MX-901-X3 | 400 | O21B3Z21 | 226 | O22BA1 | 234-236, 238 | O23E2 | 240, 241 |
| MX-901-X6 | 400 | O21B4 | 227 | O22BA2 | 234-236 | O23H1 | 240, 241 |
| MX-901-Y2 | 400 | O21B41Z1 | 226 | O22C1 | 234, 236, 238 | O23H2 | 240, 241, 243 |
| MX-901-Y3 | 400 | O21B5 | 227 | O22C10 | 236 | O23K1 | 240, 241, 243 |
| MX-901-Y4 | 400 | O21C1 | 227-230 | O22C11 | 234, 236 | O23K1X | 240, 241 |
| MX-901-Y5 | 400 | O21C2 | 227-230 | O22C12 | 236 | O23K2 | 240, 241 |
| MX-901-Z1 | 400 | O21C2O21 | 226 | O22C2 | 235, 236 | O23P1 | 240, 242 |
| MX-922-A | 400 | O21C23X1 | 226 | O22C3 | 234-236, 238 | O23P2 | 242 |
| MX-925-A | 400 | O21C3 | 227-230 | O22C4 | 234-236, 238, 240, 242-244 | O23R1 | 240, 242 |
| NY-949-A1 | 49 | O21C31X1 | 226 | O22C5 | 234-236, 238, 240, 242-244 | O23S1 | 240, 242, 296 |
| NY-949-K2 | 74 | O21C32X1 | 226 | O22C6 | 234, 235 | O23S2 | 242, 248, 249, 296 |
| NY-949-K3 | 74 | O21C4 | 227-230, 234, 243, 249 | O22C7 | 235, 236 | O23S3 | 240, 242, 296 |
| NY-949-K4 | 74 | O21C40X1 | 226 | O22C8 | 235, 236 | O23T1 | 240, 242 |
| NY-949-K5 | 74 | O21C41X1 | 226 | O22C9 | 235, 236 | O23W1 | 240, 242, 248, 249 |
| O1 | 298 | O21C5 | 227-230, 234, 235, 249 | O22D1 | 234-236, 238 | O24B1 | 243 |
| O100 | 298, 301 | O21C50X1 | 226 | O22D2 | 234-236 | O24B2 | 243 |
| O101 | 301 | O21D14Z1 | 226 | O22D3 | 234-236 | O24C1 | 243, 244 |
| O102 | 298, 301 | O21D23Z3 | 226 | O22D4 | 234-236, 238 | O24C2 | 243, 244 |
| O108 | 298, 301 | O21D32Z3 | 226 | O22D5 | 236 | O24C3 | 240, 242, 243, 244, 248, 249 |
| O11 | 298 | O21K1 | 227, 228 | O22H1 | 234, 235, 237, 238 | O24C4 | 244 |
| O119 | 298, 301 | O21K2 | 227, 228 | O22H2 | 234, 235, 237, 238 | O24C5 | 244 |
| O12 | 298 | O21P1 | 227, 234 | O22J1 | 234, 235, 237 | O24S1 | 243, 249, 296 |
| O138 | 301 | O21P2 | 227, 235, 237, 238, 240, 242, 278 | O22K1 | 234-236, 238 | O25C1 | 243, 244 |
| O15 | 298, 299 | O21S1 | 227, 228, 296 | O22K2 | 234-236, 238 | O25D1 | 243, 244 |
| O150 | 301 | O21S2 | 227, 228, 296 | O22K3 | 234-236 | O25K1 | 243, 244 |
| O16 | 298, 299 | O21S4 | 227, 228, 296 | O22K3B | 234-236 | O26C1 | 243, 244 |
| O18 | 298, 299 | O21T1 | 227-229, 234, 235, 237, 240, 242 | O22K3X | 236 | O26D1 | 243, 244 |
| O19 | 298, 299 | O2200CD1 | 233 | O22N1 | 237 | O26H1 | 243, 244 |
| O190 | 301 | O2200CD2 | 233 | O22P1 | 234, 235, 237 | O27B1 | 245 |
| O191 | 298, 301 | O2200CD3 | 233 | O22P3 | 234, 235, 237, 238, 240, 242 | O27C1 | 245 |
| O192 | 298, 301 | O2200CD4 | 233 | O22R1 | 234, 235, 237, 238 | O27C10 | 245 |
| O2 | 298 | O2201CD1 | 233 | O22S1 | 234, 237, 238, 296 | O27C11 | 245, 294 |
| O21A02Y1 | 226 | O2201CD2 | 233 | O22S2 | 227, 234, 235, 237, 238, 296 | O27C12 | 245 |
| O21A04Y1 | 226 | O2201CD4 | 233 | O22S3 | 234, 237, 296 | O27C14 | 245 |
| O21A04Y2 | 226 | O2201CD5 | 233 | O22S4 | 234, 235 | O27C15 | 242 |
| O21A1 | 227 | O2202CD1 | 233 | O22S5 | 234, 235, 237, 296 | O27C2 | 245, 248 |
| O21A11Y1 | 226 | O2203CD3 | 233 | O22S6 | 234, 237, 296 | O27C3 | 245, 248 |
| O21A13Y1 | 226 | O2210EB1 | 233 | O22S7 | 234, 237, 296 | O27C4 | 245 |
| O21A14Y1 | 226 | O2210EB2 | 233 | O22S8 | 234, 237, 296 | O27C4X | 245, 294 |
| O21A14Y2 | 226 | O2210EB3 | 233 | O22S9 | 234, 235, 237, 296 | O27C5 | 245 |
| O21A2 | 227-229 | O2210EB4 | 233 | O22T1 | 234, 235, 237, 238 | O27C6 | 228, 245 |
| O21A20Y1 | 226 | O2211EB1 | 233 | O22W1 | 234, 235, 237, 240 | O27C7 | 245 |
| O21A20Y10 | 226 | O2211EB2 | 233 | O22W2 | 234, 235, 237, 238 | O27C8 | 245 |

Part Number Index

| Part Number | Catalog Page No. | Part Number | Catalog Page No. | Part Number | Catalog Page No. | Part Number | Catalog Page No. |
|-------------|------------------|-------------|------------------|--------------|------------------|---------------|------------------|
| 027C9 | 245 | 0321A | 249, 251 | 0403X | 256 | 0464H | 265 |
| 0292 | 232 | 0321B | 248, 249, 251 | 0403XCM | 256 | 0465B | 269 |
| 0293S1 | 232, 296 | 0322A | 248, 249, 253 | 0403XFM | 256 | 0465C | 269 |
| 0295C1 | 232 | 0322B | 248, 249, 253 | 0404 | 256 | 0467B-Series | 266 |
| 0295C2 | 232 | 0323 | 249, 253 | 0404HP | 256 | 0468BC1 | 269 |
| 0295C3 | 232 | 0324 | 249, 253 | 0404P | 256 | 0468D1 | 269 |
| 0295C4 | 232 | 0325A | 248, 249, 253 | 0408X | 257 | 0468H1 | 269 |
| 0295P1 | 232, 248 | 0325B | 249, 253 | 0409 | 257 | 0468H2 | 269 |
| 0295P2 | 232, 248 | 0325C | 248, 249, 253 | 0410 | 257 | 0471A | 276 |
| 0295P3 | 232, 248 | 0325H | 253 | 0417 | 257 | 0471AC1 | 195, 276 |
| 0295P4 | 232, 248 | 0325J | 248, 253 | 0418 | 257 | 0471AC1X | 276 |
| 0295P5 | 232, 248 | 0325W | 248, 249, 253 | 0419 | 257 | 0471AX | 276 |
| 0295P6 | 232, 248 | 0326 | 248, 249, 253 | 042 | 298, 299 | 0471B | 276 |
| 0295P7 | 232, 248 | 0327 | 248, 249, 252 | 0420 | 258 | 0471BC1 | 276 |
| 0295P8 | 232, 248 | 0327A | 248, 249, 252 | 0420S | 258 | 0471BC1X | 276 |
| 0295P9 | 232, 248 | 0327B | 248, 249, 252 | 0421 | 258 | 0471BX | 276 |
| 029A08F7 | 231, 248 | 0328 | 249, 252 | 0421S | 258 | 0471K1 | 295, 276 |
| 029A17F7 | 231, 248 | 0329 | 248, 253 | 0421X | 258 | 0471K2 | 276 |
| 029A26F7 | 231, 248 | 033 | 288, 299 | 0422 | 258 | 0471SB | 276 |
| 029A26F8 | 231, 248 | 0330 | 248, 249, 253 | 0422S | 258 | 0472A | 276 |
| 029A35F7 | 231, 248 | 0330C2 | 253 | 0423 | 258 | 0472B | 276 |
| 029A35F8 | 231, 248 | 0331 | 248, 249, 253 | 0423S | 258 | 0472C | 276 |
| 029A44D7 | 231, 248 | 0332 | 249, 253 | 0424P | 258 | 0472D | 276 |
| 029A44F11 | 231, 248 | 0333 | 248, 249, 253 | 0424S | 258 | 0473B1 | 276 |
| 029A44F12 | 231, 248 | 0333C5 | 253 | 0425 | 258 | 0473B1X | 276 |
| 029A44F7 | 231, 248 | 0333CY | 249, 253 | 0426 | 259 | 0473B2 | 276 |
| 029A44F8 | 231, 248 | 0333Y | 249, 253 | 0441 | 259 | 0473B2X | 276 |
| 029A44F9 | 231, 248 | 0334 | 248, 249, 253 | 0443 | 259 | 0473B3 | 276 |
| 029A53F11 | 231, 248 | 0335 | 248, 249, 253 | 0444 | 259 | 0473B4 | 276 |
| 029A53F12 | 231, 248 | 0336 | 253 | 045 | 298, 299 | 0473B5 | 276 |
| 029A53F7 | 231, 248 | 0339A | 248, 253 | 0450B-Series | 266 | 0473B6 | 276 |
| 029A62D7 | 231, 248 | 0339B | 248, 253 | 0450CP1 | 267 | 0474A | 276 |
| 029A62F7 | 231, 248 | 0339C | 248, 253 | 0450CP2 | 267 | 0474AC1 | 276 |
| 029A71F7 | 231, 248 | 0340 | 248, 253 | 0450D | 267 | 0474B | 276 |
| 029A80F7 | 231, 248 | 0341 | 253 | 0450VB | 267 | 0480B2-Series | 263 |
| 029C08D8 | 231, 248 | 0342 | 248, 252 | 0451B-Series | 266 | 0480CP1 | 263 |
| 029C17D8 | 231, 248 | 0343 | 248, 249, 253 | 0451D | 267 | 0480CP2 | 263 |
| 029C26D8 | 231, 248 | 0344 | 248, 249, 253 | 0452 | 266 | 0480CP5 | 263 |
| 029C35D8 | 231, 248 | 0344B | 248, 249, 252 | 0453 | 266 | 0480CP7 | 263 |
| 029C44D4 | 231, 248 | 0345 | 248, 253 | 0454 | 266, 296 | 0480H2 | 263 |
| 029C44D8 | 231, 248 | 0346 | 248, 252 | 0455 | 269 | 0480N1 | 263 |
| 029C53D4 | 231, 248 | 0347 | 252 | 0456 | 269 | 0480S1 | 263, 296 |
| 029C53D8 | 231, 248 | 035 | 298, 299 | 0457 | 15, 266 | 0480ST2 | 263 |
| 029C62D4 | 231, 248 | 0350 | 248, 249, 252 | 0461A1 | 270 | 0480ST3 | 263, 268 |
| 029C62D8 | 231, 248 | 0351 | 248, 249, 252 | 0461A2 | 270, 295 | 0481B-Series | 264 |
| 029C71D8 | 231, 248 | 0352 | 249, 252 | 0461A3 | 270 | 0482 | 263 |
| 029C80D8 | 231, 248 | 0353 | 252 | 0461A4 | 270 | 0483 | 263 |
| 03 | 298 | 0354A | 248, 252 | 0461A5 | 270 | 0485B2-Series | 263 |
| 0300 Series | 248-250 | 0354B | 248, 249, 252 | 0461B1 | 270 | 0485CP1 | 263 |
| 0300-1000 | 248-250 | 0355 | 249, 251 | 0461B2 | 270 | 0485CP2 | 263 |
| 0300-1500 | 248-250 | 0357 | 249, 252 | 0461S1 | 296 | 0485CP5 | 263 |
| 0300-250 | 248-250 | 0358 | 249, 252 | 0461S2 | 296 | 0485CP7 | 263 |
| 0300-300 | 248-250 | 0361 | 249, 252 | 0461SB1 | 270 | 0485H1 | 263 |
| 0300-3500 | 248-250 | 0362 | 249, 252 | 0461SB2 | 270 | 0485N1 | 263 |
| 0300-400 | 248-250 | 0363 | 249, 251 | 0462 | 265, 270 | 0486A Series | 262 |
| 0300-500 | 248-250 | 0364 | 249, 251 | 0463A | 270 | 0486A1 | 262 |
| 0300-800 | 248-250 | 0365 | 251 | 0463B | 270 | 0486A2 | 262 |
| 0301 | 248, 250 | 0370 | 248, 251 | 0463C | 270 | 0486A3 | 262 |
| 0302 | 250 | 0370S1 | 251, 276, 296 | 0463D | 270 | 0486A4 | 262 |
| 0310C | 251 | 0375 | 248, 251 | 0464B-Series | 265 | 0486A5 | 262 |
| 0310G | 251 | 0375S1 | 296 | 0464C | 265 | 0486A6 | 262 |
| 0311 | 251 | 039 | 298, 299 | 0464CP1 | 265 | 0486A7 | 262 |
| 0312 | 251 | 04 | 298 | 0464CP2 | 265 | 0486A8 | 262 |
| 0313 | 251 | 0401 | 255, 256 | 0464CP3 | 265 | 0486A-A | 262 |
| 0314 | 251 | 0401A1 | 256 | 0464CP4 | 265 | 0486E | 260-262 |
| 0315 | 251 | 0401HP | 256 | 0464CP5 | 265 | 0487A Series | 262 |
| 032 | 298, 299 | 0401X | 256 | 0464CP6 | 265 | 0487A1 | 262 |
| 0320A | 249, 251 | 0402 | 256 | 0464CP7 | 265 | 0487A2 | 262 |
| 0320B | 248, 249, 251 | 0402HP | 256 | 0464CP8 | 265 | 0487A3 | 262 |
| 0320C | 249, 251 | 0403 | 256 | 0464D | 265 | 0487A4 | 262 |

Part Number Index

| Part Number | Catalog Page No. | Part Number | Catalog Page No. | Part Number | Catalog Page No. | Part Number | Catalog Page No. |
|--------------|------------------------------|-------------|--------------------|--------------|--------------------|-------------|------------------|
| 0487A5 | 262 | 068 | 299 | 0794 | 285, 286 | 0831K3 | 288 |
| 0487A6 | 262 | 069 | 299 | 0796 | 285, 286 | 0831K4 | 288 |
| 0487A7 | 262 | 0692 | 283 | 08 | 298 | 0831S1 | 296 |
| 0487A8 | 262 | 0693 | 283 | 0800A1 | 288 | 0832 | 290 |
| 0487A-A | 262 | 0694 | 283 | 0800A2 | 288 | 0833 | 249, 252, 291 |
| 0488W-Series | 267 | 0695 | 283 | 0800R1 | 288, 289 | 0833A | 252, 291 |
| 0489W-Series | 267 | 0696 | 283 | 0800R2 | 288, 289 | 0833B | 252, 291 |
| 05 | 298 | 0697 | 283 | 0801 | 288, 289 | 0834A | 291 |
| 0508 | 282 | 0698 | 283 | 0801B1 | 289 | 0834B | 291 |
| 0509 | 282 | 0699 | 283 | 0801B2 | 289 | 0840BA3 | 294 |
| 0520A | 243, 282 | 07 | 298 | 0801C1 | 249, 289 | 0840BA4 | 294 |
| 0520B | 243, 253, 282 | 0700 | 284 | 0801W3 | 289 | 0840E2 | 294 |
| 0520C | 248, 282 | 0700S1 | 284, 296 | 0802 | 288, 289 | 0840F2 | 294 |
| 0520D | 248, 282 | 0701 | 284 | 0803P1 | 289 | 0840F2A | 294 |
| 0520E | 248, 282 | 0702 | 284 | 0803P2 | 289 | 0840F4 | 294 |
| 0520F | 227-229, 248 | 0703 | 284 | 0803P3 | 289 | 0840F6 | 294 |
| 0520G | 282 | 0704 | 284 | 0803P4 | 289 | 0840F6A | 294 |
| 0520H | 282 | 0705A | 284 | 0803P-Series | 288 | 0840F8 | 294 |
| 0520J | 282 | 0706A | 284 | 0804E1 | 288, 289 | 0840H1 | 294 |
| 0521A | 228, 230, 234, 235, 237, 282 | 0706B | 284 | 0804E2 | 288, 289 | 0840H2 | 294 |
| 0521B | 227-230, 243, 282 | 0707A | 284 | 0804E3 | 288, 289 | 0841A1 | 292 |
| 0521C | 227-230, 235, 282 | 0707B | 284 | 0804E4 | 288, 289 | 0841A3 | 292 |
| 0521D | 228, 230, 282 | 0740 | 285, 286 | 0804E5 | 288, 289 | 0841A4 | 292 |
| 0521F | 228, 282 | 0741 | 285, 286 | 0804W1 | 288 | 0841B1 | 292 |
| 0530 | 240, 242, 243, 282 | 0742 | 285, 286 | 0804W2 | 288 | 0841B11 | 292 |
| 0533 | 282 | 0743 | 285, 286 | 0805 | 288, 289 | 0841B13 | 292 |
| 0537 | 282 | 0744 | 285, 286 | 0806L1 | 288, 289, 296 | 0841B15 | 292 |
| 0542 | 282 | 0751 | 285, 286 | 0806R1 | 288, 289, 296 | 0841B17 | 292 |
| 0544A | 282 | 0752 | 285, 286 | 0807 | 249, 288, 289, 296 | 0841B17A | 292 |
| 0544B | 243, 282 | 0753 | 285, 286 | 0808 | 288, 289 | 0841B18 | 292 |
| 0544C | 282 | 0754 | 285, 286 | 0808P1 | 288, 289 | 0841B18A | 292 |
| 0544D | 243, 282 | 0755 | 285, 286 | 0809L1 | 289 | 0841B3 | 292 |
| 0545A | 282 | 0756 | 285, 286 | 0809R1 | 289 | 0841B5 | 292, 293 |
| 0545B | 240, 242, 282 | 0757 | 285, 286 | 0811 | 291, 296 | 0841B7 | 292 |
| 0545F | 282 | 0758 | 285, 286 | 0812 | 291, 296 | 0841B9 | 292 |
| 0546B | 234, 235, 237, 238, 282 | 0759C | 285, 286 | 0812X | 291, 296 | 0841BC1 | 293 |
| 0550 | 298, 301 | 0759G | 285, 286 | 0813C1 | 291 | 0841BC2 | 293 |
| 0551 | 298, 301 | 0759GX | 285, 286 | 0813C2 | 291 | 0841BC3 | 293 |
| 0554 | 298, 301 | 0760 | 285, 286 | 0815 | 291 | 0841BC4 | 293 |
| 0555 | 301 | 0761C | 285, 286 | 0816 | 290 | 0841BC5 | 293 |
| 0556 | 301 | 0761G | 285, 286 | 0816S1 | 290, 296 | 0841BC6 | 293 |
| 0557 | 298, 301 | 0761GX | 285, 286 | 0817 | 290 | 0841CM1 | 292 |
| 0559 | 298, 301 | 0762 | 285, 286 | 0820 | 290 | 0841CM2 | 292 |
| 0571 | 301 | 0763 | 248, 249, 285, 286 | 0820A1 | 290 | 0841D1 | 293 |
| 0572S | 296, 298 | 0764 | 285, 286 | 0820B | 290 | 0841D3 | 293 |
| 0573B | 296 | 0765 | 285, 286 | 0821 | 290 | 0841D5 | 293 |
| 0573S | 296 | 0766 | 285, 286 | 0821A1 | 290 | 0841D6 | 293 |
| 0574 | 301 | 0767 | 285, 286 | 0822R1 | 259, 290 | 0841E1 | 293 |
| 0575 | 296, 301 | 0768 | 286 | 0822R2 | 259, 290 | 0841E10 | 293 |
| 0576 | 398, 301 | 0769 | 285, 286 | 0825A | 18, 297, 362 | 0841E11 | 293 |
| 0577 | 296, 301 | 0771 | 285, 286 | 0825B | 18, 297, 362 | 0841E12 | 293 |
| 0578 | 301 | 0771C | 285, 286 | 0825C | 18, 297, 362 | 0841E2 | 293 |
| 0582 | 301 | 0771D | 285, 286 | 0826B1 | 297 | 0841E5 | 293 |
| 0584 | 301 | 0772 | 285, 286 | 0826C1 | 297 | 0841E6 | 293 |
| 0600 | 283 | 0773 | 285, 286 | 0826K1 | 297 | 0841E9 | 293 |
| 0601 | 283 | 0773C | 285, 286 | 0826L1 | 297 | 0850D1 | 295 |
| 0604 | 283 | 0774 | 285, 286 | 0830A1 | 290 | 0850M1 | 295 |
| 0605 | 283 | 0775 | 285, 286 | 0830B1 | 290 | 0850S1 | 295 |
| 0608 | 283 | 0776 | 285, 286 | 0830C1 | 290 | 0852S1 | 296 |
| 0609 | 283 | 0777 | 285, 286 | 0830C2 | 290 | 0855L3 | 295 |
| 0612 | 283 | 078 | 299 | 0830K1 | 288 | 0855R3 | 295 |
| 0613 | 283 | 0781 | 285, 286 | 0830K2 | 288 | 0856 | 289 |
| 0650 | 244 | 0782 | 285, 286 | 0831 | 291 | 0862 | 264 |
| 0651 | 244 | 0783 | 285, 286 | 0831A1 | 290 | 0876 | 264 |
| 0667 | 291 | 0785 | 285, 286 | 0831B1 | 290 | 0877 | 264 |
| 0668 | 291 | 0786 | 285, 286 | 0831C1 | 290 | 0890L | 295 |
| 0669 | 244 | 0788 | 285, 286 | 0831C2 | 290 | 0890L1 | 295 |
| 0671B | 244 | 0789 | 285, 286 | 0831D | 290 | 0890R | 295 |
| 0671S | 244 | 0790 | 285, 286 | 0831K1 | 288 | 0890R1 | 295 |
| 0678 | 304 | 0792 | 285, 286 | 0831K2 | 288 | 0892M1 | 295 |

Part Number Index

| Part Number | Catalog Page No. | Part Number | Catalog Page No. | Part Number | Catalog Page No. | Part Number | Catalog Page No. |
|-------------|------------------|----------------|------------------|----------------|------------------|---------------|------------------|
| 0892M2 | 295 | OT-950-E | 401 | P-16723 | 214 | P-30150 | 214 |
| 0893L | 295 | OT-950-F | 401 | P-16725 | 214 | P-31032 | 215 |
| 0893R | 295 | OT-952-A | 401 | P-16732 Series | 220 | P-31034 | 215 |
| 0896F1 | 295 | OT-952-C | 401 | P-16775 | 223 | P-31131 | 215 |
| 0896F2 | 295 | OT-953-A1 | 401 | P-16777 | 223 | P-31252 | 216 |
| 0897F1 | 294 | OT-953-A2 | 401 | P-18578 | 217 | P-31289 | 217 |
| 0897F2 | 294 | OT-953-A3 | 401 | P-2050 Series | 220 | P-31360 | 216 |
| 09 | 298 | OT-953-F | 401 | P-22076-001 | 217 | P-31366-001 | 216 |
| 0901 | 303 | OT-953-H | 401 | P-22076-002 | 217 | P-31374 | 217 |
| 0902 | 303 | OT-953-J | 401 | P-22077-001 | 217 | P-31376-001 | 217 |
| 0903 | 303 | OT-953-L | 401 | P-22089 | 217 | P-31376-002 | 217 |
| 0904 | 303 | OT-953-M | 401 | P-22106 | 217 | P-31402-001 | 217 |
| 0906 | 303 | OT-953-N | 401 | P-22120 | 217 | P-31402-002 | 217 |
| 0908 | 302 | OT-953-R | 401 | P-22177 | 218 | P-31418-001 | 217 |
| 0909A | 302 | OT-953-Z | 401 | P-22232 | 217 | P-31418-002 | 217 |
| 0909B | 302 | OT-960-A6 | 401 | P-22235 | 217 | P-31419 | 217 |
| 0910 | 302 | OT-960-C4 | 401 | P-22236 | 215 | P-31434-001 | 217 |
| OB466A1 | 269 | OT-960-G | 401 | P-22237 | 215 | P-31434-002 | 217 |
| OB901 | 303 | OT-960-H | 401 | P-22267-002 | 216 | P-31436-001 | 217 |
| OB901A | 303 | OT-960-J1 | 401 | P-22268-001 | 216 | P-31529 | 223 |
| OB902 | 303 | OT-960-P | 401 | P-22297 | 215 | P-31921-002 | 218 |
| OB903 | 303 | OT-960-S | 401 | P-22301 | 215 | P-4231 | 218 |
| OB903A | 303 | OT-960-T | 401 | P-22302 | 215 | P-4232 | 218 |
| OB904 | 303 | OT-964C | 415 | P-22339 | 221 | P-4349 | 213 |
| OB930 | 291, 304 | OVP2110 | 230 | P-22572-072 | 220 | P-4350 | 213 |
| OB932 | 291, 304 | OVP2111 | 230 | P-24100 | 223 | P-4351 | 213 |
| OE930T9 | 15 | OVP2112 | 230 | P-24103 | 223 | P-4352 | 213, 422 |
| OT1 | 401 | OVP2201 | 238 | P-24107 | 223 | P-4354 | 213 |
| OT-100 | 401 | OVP2202 | 238 | P-24110 | 223 | P-4411 | 217 |
| OT-100-A | 401 | OVP2205 | 238 | P-24112 | 223 | P-5361 | 214 |
| OT-100-A7 | 401 | OVP2301 | 241 | P-24114 | 223 | P-5363 | 214 |
| OT-100-A9 | 401 | OVP2302 | 241 | P-24115 | 223 | P-5590-100 | 221 |
| OT-100-B | 401 | OVP2801 | 299 | P-24116 | 223 | P-61793 | 223 |
| OT-100-C | 401 | P-01046-00C | 218 | P-24117 | 223 | P-61795 | 223 |
| OT-100-D | 401 | P-06338 | 218 | P-24119 | 223 | P-6440 Series | 220 |
| OT-100-E | 401 | P-12592 | 215 | P-24120 | 223 | P-7087 | 212, 215 |
| OT-100-F | 401 | P-12593 | 212 | P-24147 | 223 | P-9117 | 224 |
| OT-100-G | 401 | P-12861 | 218 | P-24151 | 223 | P-9118 | 224 |
| OT-100-H | 401 | P-12926 | 218 | P-24172 | 223 | P-9985 | 224 |
| OT-100-P | 401 | P-13002 | 216 | P-24173 | 223 | PA1 | 402 |
| OT-1172-D | 401 | P-13787 | 215 | P-24248 | 223 | PA22 | 402 |
| OT12 | 401 | P-13846 | 221 | P-24263 | 223 | PA3 | 402 |
| OT-1600-A | 401 | P-14426 Series | 220 | P-24267 | 223 | PA32 | 402 |
| OT-1600-C5 | 401 | P-14437 Series | 220 | P-24288 | 223 | PA4 | 402 |
| OT-1600-C7 | 401 | P-15603 | 222 | P-24298 | 223 | PA6 | 402 |
| OT-1600-E | 401 | P-15646 | 218 | P-24323 | 223 | PA7 | 402 |
| OT-1600-E7 | 401 | P-15650 | 216 | P-24419 | 223 | PA9 | 402 |
| OT-1600-H | 401 | P-15730 | 222 | P-24441 | 223 | PB-1097-B | 146 |
| OT-1600-J4 | 401 | P-15731 | 222 | P-24529-005 | 223 | PHA0800 | 49 |
| OT-1600-L | 401 | P-15758 | 222 | P-24531 | 223 | PHA0900 | 49 |
| OT19 | 401 | P-15760 | 222 | P-24549-001 | 223 | PHA1000 | 49 |
| OT2 | 401 | P-15761 | 222 | P-24562 | 223 | PL_948-L | 403 |
| OT-200-B | 401 | P-15762 | 222 | P-24568-005 | 223 | PL-1065-A | 403 |
| OT-200-C | 401 | P-15766 | 222 | P-24650 | 223 | PL-1065-B | 403 |
| OT-200-D | 401 | P-15771 | 222 | P-24694 | 223 | PL-1066-B | 403 |
| OT-200-F | 401 | P-15774 | 222 | P-24744-001 | 223 | PL-1066-L | 403 |
| OT-200-H | 401 | P-15775 | 222 | P-24783-004 | 223 | PL-112700 | 403 |
| OT-200-J | 401 | P-15778 | 222 | P-24785 | 223 | PL-1127-A | 403 |
| OT-200-M | 401 | P-15833 | 222 | P-24958 | 215 | PL-1127-B | 403 |
| OT-200-N | 401 | P-15834 | 222 | P-24982 | 223 | PL-1127-C | 403 |
| OT-200-P | 401 | P-15839 | 222 | P-25024 | 221 | PL-1127-E | 403 |
| OT-300-E | 401 | P-15883 | 222 | P-25744 | 221 | PL-1172-F | 403 |
| OT-300-H | 401 | P-15885 | 222 | P-25989-001 | 220 | PL-1172-H | 403 |
| OT504 | 401 | P-15889 | 222 | P-25989-002 | 220 | PL-1172-L | 403 |
| OT-600-A | 401 | P-15903 | 222 | P-27110 | 223 | PL-1172-M | 403 |
| OT-600-C | 401 | P-15910-001 | 222 | P-28319-00C | 218 | PL-1293-B | 403 |
| OT-600-F | 401 | P-16059 | 222 | P-2883-025 | 219 | PL-1575-A1 | 403 |
| OT-860-A | 401 | P-16553 | 214 | P-28849 | 214 | PL-1575-B | 403 |
| OT-942-A | 401 | P-16577 | 218 | P-29629 | 223 | PL-1575-T | 403 |
| OT-950-C | 401 | P-16720 | 214 | P-29629-001 | 223 | PL-2263-B | 403 |

Part Number Index

| Part Number | Catalog Page No. | Part Number | Catalog Page No. | Part Number | Catalog Page No. | Part Number | Catalog Page No. |
|------------------|------------------|------------------|------------------|----------------------|------------------|---------------------|------------------|
| PL-2263-C..... | 403 | PN-904-C..... | 402 | RL-1600-M..... | 404 | SF-902-C..... | 391 |
| PL-2263-K..... | 403 | PN-904-D..... | 402 | RL-1600-P..... | 404 | SF-902-C1..... | 391 |
| PL-2263-K1..... | 403 | PN-904-F..... | 402 | RL-1600-T..... | 404 | SF-902-C7..... | 391 |
| PL-2263-R..... | 403 | PN-904-G..... | 402 | RL-1600-X..... | 404 | SF-902-C8..... | 391 |
| PL-600-A..... | 403 | PN-904-J..... | 402 | RL-1600-Z..... | 404 | SF-902-J..... | 391 |
| PL-870-A..... | 403 | PN-932-A1..... | 402 | RL-2263-10..... | 404 | SF-902-T..... | 391 |
| PL-902-A1..... | 403 | PN-932-J..... | 402 | RL-2263-3..... | 404 | SF-915-B..... | 391 |
| PL-902-A6..... | 403 | PN-942-A..... | 402 | RL-2263-4..... | 404 | SF-924-B..... | 391 |
| PL-902-B6..... | 403 | PN-942-M..... | 402 | RL-2263-5..... | 404 | SF-925-B..... | 391 |
| PL-902-B7..... | 403 | PN-950-B..... | 402 | RL-2263-6..... | 404 | SF-925-D..... | 391 |
| PL-902-C9..... | 403 | PN-960-A3..... | 402 | RL-2263-A1..... | 404 | SF-925-F..... | 391 |
| PL-902-F4..... | 403 | PN-960-S..... | 402 | RL-2263-C7..... | 404 | SF-950-C..... | 391 |
| PL-902-H7..... | 403 | PN-960-S1..... | 402 | RL-2263-D2..... | 404 | SF-964-A..... | 391 |
| PL-902-I..... | 403 | PN-960-T..... | 402 | RL-2263-D9..... | 404 | SF-964-A2..... | 391 |
| PL-902-L6..... | 403 | PWA-3571..... | 224 | RP01001H03..... | 379 | SF-964-E..... | 391 |
| PL-902-N..... | 403 | R010..... | 277 | RP01001H04..... | 379 | SF-964-F..... | 391 |
| PL-902-P..... | 403 | R011..... | 277 | RP01001H05..... | 379 | SF-964-J..... | 391 |
| PL-902-P5..... | 403 | R012..... | 277 | RP01001H06..... | 379 | SF-964-L..... | 391 |
| PL-902-P8..... | 403 | R021..... | 277 | RP01001H10..... | 379 | SF-964-N..... | 391 |
| PL-902-R..... | 403 | R022..... | 277 | RP01001H15..... | 379 | SF-964-R..... | 391 |
| PL-902-R1..... | 403 | R023..... | 277 | RP01001H20..... | 379 | SF-964-S..... | 391 |
| PL-902-R2..... | 403 | R025..... | 277 | RP01001H21..... | 379 | SF-964-T..... | 391 |
| PL-915-B..... | 403 | R026..... | 277 | RP01001H22..... | 379 | SF-964-U..... | 391 |
| PL-915-F..... | 403 | R050..... | 277 | RP01001H31..... | 379 | SF-964-V..... | 391 |
| PL-945-J..... | 403 | R061..... | 277 | RP01001H74..... | 379 | SF-964-W..... | 391 |
| PL-946-F..... | 403 | R062..... | 277 | RP01001H82..... | 379 | SF-966-A..... | 391 |
| PL-948-C..... | 403 | R065..... | 249 | RP01001H95..... | 379 | SH201..... | 206 |
| PL-948-D..... | 403 | R5027H02..... | 364 | RP01001H96..... | 379 | SH202..... | 206 |
| PL-948-E..... | 403 | R5027H03..... | 364 | S25-106-922-812..... | 459 | SH203..... | 206 |
| PL-948-J..... | 403 | R5027H05..... | 364 | S25-106-923-812..... | 459 | SH204..... | 206 |
| PL-949-A4..... | 403 | R5027H11..... | 364 | S25-106-924-812..... | 459 | SH205..... | 206 |
| PL-949-F..... | 403 | R5027H12..... | 364 | S3TY6460-0A..... | 459 | SM451WV0..... | 102 |
| PL-949-P..... | 403 | R5027H13..... | 364 | S3TY6480-0A..... | 459 | SM451WV2..... | 102 |
| PL-949-V..... | 403 | R5027H15..... | 364 | SAF164..... | 20 | SM451WV3..... | 102 |
| PL-960-A9..... | 403 | R7466H05..... | 346 | SAF165..... | 20 | SM451WV4..... | 102 |
| PL-960-G..... | 403 | R7483H09..... | 346 | SafetyStrip..... | 40-43 | SM451WV5..... | 102 |
| PL-960-H..... | 403 | R8029G03..... | 346 | SCT147771..... | 313 | SM452W0..... | 102 |
| PL-960-X..... | 403 | R8403G03..... | 346 | SCT147827..... | 313 | SM452W2..... | 102 |
| PN-100-E..... | 402 | R8521G02..... | 346 | SCT147828..... | 313 | SM452W3..... | 102 |
| PN-1065-A..... | 402 | R9624H01..... | 379 | SCT147829..... | 313 | SM452W4..... | 102 |
| PN-1065-F..... | 402 | R9624H02..... | 379 | SCT147830..... | 313 | SM452W5..... | 102 |
| PN-1067-A..... | 402 | R9822G03..... | 328 | SCT147831..... | 313 | SM458S1..... | 102 |
| PN-1159-A..... | 402 | R9822G04..... | 328 | SCT147832..... | 313 | SM472W0..... | 102 |
| PN-1159-B..... | 402 | R9822G05..... | 328 | SCT147833..... | 313 | SM472W2..... | 102 |
| PN-1159-C..... | 402 | R9822G06..... | 328 | SF-100-B..... | 391 | SM472W3..... | 102 |
| PN-1159-D..... | 402 | RL-1018-A1..... | 404 | SF-100-D..... | 391 | SM472W4..... | 102 |
| PN-1172-B..... | 402 | RL-1018-A2..... | 404 | SF-1065-A..... | 391 | SM472W5..... | 102 |
| PN-1172-C..... | 402 | RL-1018-AX..... | 404 | SF-1066-G..... | 391 | SM480W0..... | 102 |
| PN-130-C..... | 402 | RL-1018-AXL..... | 404 | SF-1066-L..... | 391 | SM480W2..... | 102 |
| PN-130-F..... | 402 | RL-1018-B..... | 404 | SF-1066-S..... | 391 | SM480W3..... | 102 |
| PN-140-B..... | 402 | RL-1018-CX..... | 404 | SF-1172-G..... | 391 | SM480W4..... | 102 |
| PN-180-A..... | 402 | RL-1018-D..... | 404 | SF-1172-H..... | 391 | SM480W5..... | 102 |
| PN-200-A2..... | 402 | RL-1018-H..... | 404 | SF-1172-N..... | 391 | SMH273916..... | 77.1 |
| PN-200-A4..... | 402 | RL-1018-I..... | 404 | SF-1575-A..... | 391 | SQ-964-T..... | 409 |
| PN-200-E..... | 402 | RL-1018-JX..... | 404 | SF-200-E..... | 391 | SQD9998 HG-101..... | 472 |
| PN-200-F..... | 402 | RL-1018-K..... | 404 | SF-600-F..... | 391 | SQD9998 HG-102..... | 472 |
| PN-200-R..... | 402 | RL-1018-K1..... | 404 | SF-660-A..... | 391 | SQD9998 HH-101..... | 472 |
| PN-200-X..... | 402 | RL-1018-KX..... | 404 | SF-860-C..... | 391 | SQD9998 HH-102..... | 472 |
| PN-201-G..... | 402 | RL-1018-M..... | 404 | SF-860-P..... | 391 | SQD9998HC-101..... | 471 |
| PN-201-N..... | 402 | RL-1018-S..... | 404 | SF-860-W..... | 391 | SQD9998HC-102..... | 471 |
| PN-2052-A1..... | 402 | RL-1018-TX3..... | 404 | SF-860-X..... | 391 | SQD9998HD-101..... | 471 |
| PN-2052-A2..... | 402 | RL-1018-W..... | 404 | SF-870-A..... | 391 | SQD9998HD-102..... | 471 |
| PN-2052-AL..... | 402 | RL-1230-A..... | 404 | SF-870-D..... | 77.1 | SQD9998HE-101..... | 471 |
| PN-2052B-10..... | 402 | RL-1230-B..... | 404 | SF-890-A..... | 391 | SQD9998HE-102..... | 471 |
| PN-2052-C..... | 402 | RL-1230-C..... | 404 | SF-900-A..... | 391 | SQD9998HF-101..... | 471 |
| PN-2101-A..... | 402 | RL-1230-JX..... | 404 | SF-900-B..... | 391 | SQD9998HF-102..... | 471 |
| PN-2101-AR..... | 402 | RL-1230-KX..... | 404 | SF-900-E..... | 391 | SQDCA81..... | 464 |
| PN-2101-E..... | 402 | RL-1230-R..... | 404 | SF-900-F..... | 391 | SQDFA81..... | 465 |
| PN-2101-X3..... | 402 | RL-1600-C..... | 404 | SF-902-B2..... | 391 | SQDFA82..... | 465 |
| PN-902-A..... | 402 | RL-1600-D..... | 404 | SF-902-B6..... | 391 | SQDGA81..... | 466 |

Part Number Index

| Part Number | Catalog Page No. | Part Number | Catalog Page No. | Part Number | Catalog Page No. | Part Number | Catalog Page No. |
|-----------------|------------------|-------------|------------------|-------------|------------------|-------------|------------------|
| SQDHA81 | 467 | UE-1600-K | 406 | US450S-DC | 406 | W245G02 | 319 |
| SQDHA82 | 468 | UE-1600-N | 406 | US450S-DO | 406 | W245G04 | 319 |
| SQDJA81 | 469 | UE-1600-N1 | 406 | US450S-G | 406 | W245G22 | 319 |
| SQDKA81 | 470 | UE-1600-R | 406 | US451P1 | 406 | W245G24 | 319 |
| SQDSA81 | 464 | UE-1600-R6 | 406 | US451P-R | 406 | W245G26 | 319 |
| SQDSL11 | 463 | UE-1600-S | 406 | US451P-XB | 406 | W245G33 | 319 |
| SQDSL2 | 462 | UE-1600-T | 406 | US518993 | 77.1 | W245G35 | 319 |
| SQDSL3 | 462 | UE-1600-V | 406 | V717AAA1 | 77.1 | W245G44 | 319 |
| SQDSL4 | 462 | UE-2000-A1 | 406 | W10 | 322 | W246G26 | 319 |
| SQDSL7 | 462 | UE-2000-A2 | 406 | W1605202 | 484 | W246G44 | 319 |
| SQDSL9 | 463 | UE-2000-A3 | 406 | W1605212 | 484 | W250L1 | 316 |
| SQDTA81 | 464 | UE-2000-A4 | 406 | W1620146 | 485 | W250L2 | 316 |
| SQDUA81 | 464 | UE-2000-A5 | 406 | W1625563 | 484 | W250P1A | 316 |
| SR-1097-CP | 410 | UE-2000-AR1 | 406 | W1625564 | 484 | W250P1B | 316 |
| SR-1097-E2 | 410 | UE-2000-AR2 | 406 | W180C180G02 | 487 | W250P2A | 316 |
| SS22.104.212-04 | 461 | UE-2000-X23 | 406 | W180C180G06 | 487 | W250P2B | 316 |
| SS22.110.212-02 | 461 | UE-2002-A1 | 406 | W201 | 320 | W250P3A | 316 |
| SS22.114.212-02 | 461 | UE-2002-A18 | 406 | W203 | 320 | W250P3B | 316 |
| T1112G09 | 318 | UE-2002-A2 | 406 | W204 | 320 | W250P4A | 316 |
| T1233 | 474 | UE-2002-A22 | 406 | W2066A10G11 | 480 | W250P4B | 316 |
| T1234 | 474 | UE-2002-A3 | 406 | W210B1 | 322 | W250P5A | 316 |
| T1235 | 474 | UE-2002-A4 | 406 | W210B2 | 322 | W250P5B | 316 |
| T1236 | 474 | UE-2002-A5 | 406 | W210S1 | 320 | W250P6A | 316 |
| T1237 | 474 | UE-2002-C | 406 | W210S2 | 320 | W250P6B | 316 |
| T1977G07 | 318 | UE-2002-E | 406 | W210S3 | 320 | W250P7A | 316 |
| T3545G07 | 318 | UE-2002-F | 406 | W211 | 320 | W250P7B | 316 |
| T4100G07 | 318 | UE-2002-H | 406 | W212 | 320 | W250P8A | 316 |
| T4285G02 | 346 | UE-2003-C | 406 | W213 | 320 | W250P8B | 316 |
| T4416G07 | 311 | UE-2003-E | 406 | W214 | 320 | W250P9A | 316 |
| T4823G09 | 315 | UE-2003-F | 406 | W2147A22G01 | 486 | W250P9B | 316 |
| T6334G01 | 318 | UE-2003-H | 406 | W2147A42G01 | 486 | W250S1A | 316 |
| TD302G03 | 38 | UE-2003-M | 406 | W2147A72G01 | 486 | W250S1B | 316 |
| TELG203C | 473 | UE-900-D | 406 | W2147A72G02 | 486 | W250S2A | 316 |
| TELG203D | 473 | UE-900-F | 406 | W215A1 | 320 | W250S2B | 316 |
| TELG203E | 473 | UE-900-F1 | 406 | W215A2 | 320 | W250S3A | 316 |
| TELG203F | 473 | UE-900-F2 | 406 | W215A3 | 320 | W250S3B | 316 |
| TELG203G | 473 | UE-900-H | 406 | W215A4 | 320 | W250S4A | 316 |
| TX-904-N4 | 80 | UE-900-L | 406 | W215B1 | 322 | W250S4B | 316 |
| TX-904-P3 | 80 | UE-925-B | 406 | W215B2 | 322 | W250S5A | 316 |
| TX-904-R2 | 80 | UE-925-E | 406 | W216C1 | 320 | W250S5B | 316 |
| TX-904-X3 | 80 | UE-932-E | 406 | W216C2 | 320 | W250S6A | 316 |
| U227G01 | 311 | UE-932-F5 | 406 | W217A700G15 | 481 | W250S6B | 316 |
| U227G02 | 311 | UE-932-F8 | 406 | W217S2 | 320 | W250S7A | 316 |
| U227G03 | 311 | UE-932-R | 406 | W217S3 | 320 | W250S7B | 316 |
| U227G08 | 311 | UE-932-V | 406 | W218 | 320 | W250S8A | 316 |
| U227G09 | 311 | UE-932-W | 406 | W2184A10G14 | 493 | W250S8B | 316 |
| U227G10 | 311 | UE-932-X | 406 | W218A | 320 | W250S9A | 316 |
| U227G11 | 311 | UE-935-A1 | 406 | W219 | 320 | W250S9B | 316 |
| U227G12 | 311 | UE-935-A2 | 406 | W219L1 | 320 | W251P1 | 317 |
| UE_932-F5 | 392 | UE-935-B | 406 | W219L2 | 320 | W251P2 | 317 |
| UE-1065-A | 392 | UE-935-C | 406 | W219L3 | 320 | W251P3 | 317 |
| UE-1065-C | 392 | UE-935-C2 | 406 | W219L4 | 320 | W251P4 | 317 |
| UE-1065-E | 392 | UE-935-F | 406 | W219L5 | 320 | W251P5 | 317 |
| UE-1065-K | 392 | UE-935-L | 406 | W220 | 320 | W251S1 | 317 |
| UE-1172-K | 406 | UE-935-M | 406 | W221 | 320 | W251S2 | 317 |
| UE-1500-A | 406 | UE-935-N | 406 | W222 | 322 | W251S3 | 317 |
| UE-1600-A2 | 406 | UE-935-R | 406 | W225 | 319, 323 | W251S4 | 317 |
| UE-1600-A3 | 406 | UE-950-D | 406 | W226A | 319, 323 | W251S5 | 317 |
| UE-1600-A4 | 406 | US450L | 406 | W226B | 319, 323 | W253R1 | 317 |
| UE-1600-A7 | 406 | US450M | 406 | W228 | 319, 323 | W253R2 | 317 |
| UE-1600-C1 | 406 | US450R-6 | 406 | W229 | 323 | W253R3 | 317 |
| UE-1600-C4 | 406 | US450RA | 406 | W230 | 323 | W255S1 | 324 |
| UE-1600-E | 406 | US450R-AD | 406 | W230C2 | 323 | W255S2 | 324 |
| UE-1600-E7 | 406 | US450R-AU | 406 | W230K1 | 323 | W255S3 | 324 |
| UE-1600-F3 | 406 | US450R-BL | 406 | W231 | 323 | W255S4 | 324 |
| UE-1600-G | 406 | US450R-DC | 406 | W232 | 323 | W26D2610G14 | 489 |
| UE-1600-H2 | 406 | US450R-DO | 406 | W233 | 323 | W26D2610G15 | 489 |
| UE-1600-H6 | 406 | US450R-L | 406 | W234 | 323 | W26D2610G16 | 489 |
| UE-1600-H9 | 406 | US450S-B | 406 | W235 | 323 | W26D2610G18 | 490 |
| UE-1600-J4 | 406 | US450S-BL | 406 | W240 | 325 | W26D2610G19 | 490 |

Part Number Index

| Part Number | Catalog Page No. | Part Number | Catalog Page No. | Part Number | Catalog Page No. | Part Number | Catalog Page No. |
|-------------|--------------------|----------------|------------------|-------------|------------------|-------------|-------------------|
| W26D2610G20 | 491 | W454B-series | 367 | W75A32 | 330 | W75M20 | 331 |
| W26D2610G21 | 492 | W454D | 367 | W75A36 | 330 | W75M21 | 331 |
| W26D2610G22 | 492 | W454RF1 | 367 | W75A39 | 330 | W75M22 | 331 |
| W26D2610G23 | 492 | W454W | 367 | W75A40 | 330 | W75M24 | 331 |
| W26D2610G24 | 492 | W456C1 | 367 | W75A6 | 330 | W75M25 | 331 |
| W275 | 325, 347 | W456C2 | 367 | W75A63 | 330 | W75M3 | 331 |
| W302 | 324, 347 | W456C3 | 367 | W75A64 | 330 | W75M9 | 331 |
| W310 | 325 | W456C4 | 367 | W75A65 | 330 | W75N1 | 331 |
| W315 | 325 | W456C-Series | 367 | W75A67 | 330 | W75N2 | 331 |
| W316 | 325 | W456D1 | 367 | W75A74 | 330 | W75Q1 | 331 |
| W316C | 324, 325 | W456F | 367 | W75A83 | 330 | W75Q10 | 331 |
| W320 | 325 | W456F1 | 367 | W75A9 | 330 | W75Q11 | 331 |
| W330S1 | 325 | W456S1 | 367 | W75A91 | 330 | W75Q12 | 331 |
| W330S2 | 325 | W457A1 | 369 | W75A93 | 330 | W75Q14 | 331 |
| W373B331G04 | 477 | W457A2 | 369 | W75B3 | 330 | W75Q16 | 331 |
| W373B331G09 | 478 | W457C1 | 368 | W75B7 | 330 | W75Q2 | 331 |
| W373B331G12 | 478 | W457C2 | 368 | W75B8 | 330 | W75Q20 | 331 |
| W373B331G18 | 477 | W457CP1 | 368 | W75B9 | 330 | W75Q22 | 331 |
| W401 | 340 | W457CP2 | 368 | W75C14 | 330 | W75Q3 | 331 |
| W402 | 340 | W457CP3 | 368 | W75C15 | 330 | W75Q34 | 331 |
| W403 | 340 | W457CP4 | 368 | W75C16 | 330 | W75Q35 | 331 |
| W404 | 340, 344 | W457F | 368 | W75C17 | 330 | W75Q36 | 331 |
| W405 | 332, 333, 340 | W457X2 | 368 | W75C18 | 330 | W75Q37 | 331 |
| W405A | 332, 333, 340, 344 | W458 | 370 | W75C20 | 330 | W75Q38 | 331 |
| W405S1 | 341 | W459F | 371 | W75C23 | 330 | W75Q9 | 331 |
| W405S2 | 341 | W459G-Series | 371 | W75C28 | 330 | W75R1 | 331 |
| W405S3 | 341 | W459H-Series | 371 | W75C32 | 330 | W75R10 | 331 |
| W406 | 340 | W459L | 371 | W75C33 | 330 | W75R11 | 331 |
| W406A | 340, 344 | W459T | 15, 371 | W75C34 | 330 | W75R12 | 331 |
| W406P | 340, 341 | W460 | 368 | W75C4 | 330 | W75R13 | 331 |
| W406S1 | 341 | W460A | 368 | W75C6 | 330 | W75R14 | 331 |
| W406S2 | 341 | W460P1 | 368 | W75C8 | 330 | W75R15 | 331 |
| W407A | 341, 344 | W460P2 | 368 | W75E14 | 330 | W75R16 | 331 |
| W407L | 341 | W461A757G17 | 482 | W75E15 | 330 | W75R18 | 331 |
| W407R | 341 | W461B-Series | 367 | W75E18 | 330 | W75R2 | 331 |
| W408L | 341 | W465W-Series | 369 | W75E20 | 330 | W75R21 | 331 |
| W408P | 341, 354, 356 | W466B-Series | 369 | W75E22 | 330 | W75R38 | 331 |
| W408R | 341 | W466W-Series | 369 | W75E21 | 330 | W75R4 | 331 |
| W408RL | 341 | W468S1 | 369 | W75E22 | 330 | W75R5 | 331 |
| W408T1 | 341 | W470A1 | 370 | W75E23 | 330 | W75T1 | 331 |
| W408T2 | 341 | W470A2 | 370 | W75E24 | 330 | W774 | 331 |
| W408W1 | 341, 344 | W471A1 | 368 | W75E25 | 330 | W81A1 | 332, 333 |
| W408W2 | 341, 344 | W471K1 | 369 | W75E3 | 330 | W81A2 | 332, 333 |
| W409P | 345 | W477B477G05 | 479 | W75E4 | 330 | W81B1 | 332, 333 |
| W409S | 345 | W477B477G06 | 479 | W75E52 | 330 | W81B2 | 332, 333 |
| W410 | 345 | W50 | 322 | W75E6 | 330 | W81C1 | 332, 333 |
| W410P | 345 | W50C | 322 | W75E9 | 330 | W81C2 | 332, 333 |
| W411 | 345 | W50CX | 322 | W75F1 | 330 | W81C3 | 332, 333 |
| W411P | 345 | W51 | 322 | W75F3 | 330 | W81L1 | 332, 333 |
| W411S | 345 | W52 | 322 | W75F4 | 330 | W81L2 | 332, 333 |
| W412 | 345 | W5250C81G02/17 | 479 | W75H5 | 330 | W81R1 | 332, 333 |
| W412P | 345 | W54C | 322 | W75H7 | 330 | W81S1 | 332, 333 |
| W412S | 345 | W55C | 322 | W75I1 | 330 | W824L | 18, 297, 347, 362 |
| W413 | 340 | W560W3 | 325 | W75K12 | 331 | W824T | 18, 297, 347, 362 |
| W414 | 340 | W58 | 322 | W75K13 | 331 | W825P | 333 |
| W415 | 340, 354, 356 | W6 | 322 | W75K14 | 331 | W825R | 333 |
| W415M | 344 | W626B187G13 | 478 | W75K15 | 331 | W826P | 333 |
| W416 | 345 | W626B187G17 | 479 | W75K2 | 331 | W826R | 333 |
| W417M | 344 | W646C829G05 | 483 | W75K7 | 331 | W827P | 333 |
| W450C1 | 370 | W672B788G09 | 478 | W75K8 | 331 | W827R | 333 |
| W450C2 | 370 | W672B839G02 | 487 | W75L1 | 331 | W828P | 333 |
| W450C3 | 370 | W672B839G22 | 488 | W75L10 | 331 | W82B1 | 334-337 |
| W450C4 | 370 | W6H | 322 | W75L11 | 331 | W82C1 | 334, 335 |
| W450C5 | 370 | W701 | 329 | W75L2 | 331 | W82C2 | 334-337 |
| W450D1 | 370 | W702 | 329 | W75L9 | 331 | W82C3 | 334, 336 |
| W450K1 | 370 | W719 | 331 | W75M10 | 331 | W82D1 | 334, 335 |
| W450K2 | 370 | W75A12 | 330 | W75M11 | 331 | W82D2 | 334, 335 |
| W450S1 | 370 | W75A14 | 330 | W75M12 | 331 | W82K1 | 334-337 |
| W451C1 | 370 | W75A16 | 330 | W75M15 | 331 | W82L1 | 334, 335 |
| W454BC1 | 367 | W75A20 | 330 | W75M16 | 331 | W82L2 | 334, 335 |

Part Number Index

| Part Number | Catalog Page No. | Part Number | Catalog Page No. | Part Number | Catalog Page No. | Part Number | Catalog Page No. |
|-------------|------------------|-----------------|------------------|-------------|------------------|-------------|------------------|
| W82L3 | 334, 335 | W874A9 | 362 | WRT8 | 385 | X52BS4H59 | 94 |
| W82M1 | 334-337 | W875 | 324, 347 | WRT9 | 385 | X52BS4H60 | 94, 197 |
| W82M2 | 334-337 | W876A | 324, 347 | WSP-CK | 315.2 | X52BS4H63 | 95 |
| W82M3 | 334-337 | W876B | 324, 347 | WT396 | 325 | X52BS4H64 | 95 |
| W82S1 | 334, 335 | W880K1 | 324, 347 | WT398 | 325 | X52BS4H69 | 94 |
| W82S2 | 334, 335 | W880K2 | 324, 347 | WT399S | 325 | X52BS5H72 | 94 |
| W832 | 72, 347 | W880K3 | 324, 347 | WVP2001 | 323 | X52BS5H76 | 94 |
| W83C1 | 336, 337 | W880K4 | 324, 347 | WVP2002 | 323 | X52BS5H77 | 95 |
| W83D1 | 336, 337 | W880K5 | 324, 347 | WVP2020 | 323 | X52BS5H79 | 94 |
| W83L1 | 336, 337 | W881 | 347 | WVP2021 | 323 | X52BS6H84 | 94 |
| W83L2 | 336, 337 | W901 | 347 | WVP2030 | 319, 323 | X52BS6H85 | 94 |
| W83S1 | 336, 337 | W902 | 347 | X22GCS1G01 | 423 | X52BS6H92 | 94 |
| W83S2 | 336, 337 | W905 | 347 | X30ES1H01 | 364 | X52BS6H93 | 94 |
| W848 | 347 | W905N | 304, 347 | X30ES1H02 | 364 | X52BS7H94 | 95 |
| W849 | 347 | W906 | 347 | X30ES1H03 | 364 | X5BUS1H04 | 352 |
| W852 | 332 | WC450A1B | 370 | X30ES1H04 | 364 | | |
| W855 | 332 | WC450A1W | 370 | X30ES1H05 | 364 | | |
| W855K1 | 333 | WC450A2B | 370 | X30ES1H09 | 364 | | |
| W85A1 | 338, 339 | WC450A2W | 370 | X30ES1H10 | 364 | | |
| W85A2 | 338 | WC450A3B | 370 | X30ES1H12 | 364 | | |
| W85B1 | 338, 339 | WC450A3W | 370 | X30ES1H13 | 364 | | |
| W85B2 | 338, 339 | WC450A4B | 370 | X30ES1H14 | 364 | | |
| W85C1 | 338, 339 | WC450A4W | 370 | X30ES1H15 | 364 | | |
| W85C2 | 338, 339 | WC450A5B | 370 | X30ES1H16 | 364 | | |
| W85C3 | 338, 339 | WC450A5W | 370 | X30ES1H17 | 364 | | |
| W85C4 | 338, 339 | WC450BC1 | 370 | X30ES1H18 | 364 | | |
| W85D1 | 338, 339 | WC450B-Series | 370 | X30ES1H19 | 364 | | |
| W85K1 | 338, 339 | WC450W-Series | 370 | X30ES1H20 | 364 | | |
| W85K2 | 338, 339 | WC456A1W-Series | 366, 367 | X40AS1H10 | 77.1 | | |
| W85L1 | 338, 339 | WC456A2W-Series | 366, 367 | X46ABS1H06 | 378 | | |
| W85M1 | 338, 339 | WC456W-Series | 366, 367 | X46ACS1H01 | 378 | | |
| W85M2 | 338, 339 | WC457W-Series | 368 | X46PS2H04 | 91 | | |
| W85M3 | 338, 339 | WC463W-Series | 367 | X46PS2H05 | 91 | | |
| W85S1 | 338, 339 | WC464-Series | 368 | X46PS2H06 | 91 | | |
| W860 | 321 | WCA1 | 385 | X46PS2H07 | 91 | | |
| W861H01 | 321 | WCA2 | 385 | X46PS2H08 | 91 | | |
| W861H02 | 321 | WCA3 | 385 | X46PS2H09 | 91 | | |
| W861H04 | 321 | WCA4 | 385 | X46PS2H10 | 91 | | |
| W861H05 | 321 | WCA5 | 385 | X46PS2H11 | 91 | | |
| W861H07 | 321 | WCA7 | 385 | X46PS2H12 | 91 | | |
| W861H10 | 321 | WCA8 | 385 | X46PS2H13 | 91 | | |
| W861H11 | 321 | WCA9 | 385 | X46PS2H14 | 91 | | |
| W861H13 | 321 | WCR11 | 385 | X46PS2H15 | 91 | | |
| W861H14 | 321 | WE973W2 | 345 | X46PS2H16 | 91 | | |
| W861H15 | 321 | WK85A1 | 339 | X4TS1H11 | 352 | | |
| W861H18 | 321 | WK85A2 | 339 | X52BS1H01 | 94 | | |
| W861H21 | 321 | WL5M45 | 476 | X52BS1H02 | 94 | | |
| W861H27 | 321 | WL5M49 | 475 | X52BS1H03 | 94, 197 | | |
| W862 | 321 | WL5M53 | 475 | X52BS1H05 | 94 | | |
| W862H05 | 321 | WL5M54 | 475 | X52BS1H08 | 94 | | |
| W870H17 | 362 | WL5M55 | 475 | X52BS1H17 | 94 | | |
| W870H23 | 362 | WL5M56 | 476 | X52BS1H18 | 94 | | |
| W872 | 362 | WMC10 | 385 | X52BS1H19 | 95 | | |
| W872E12 | 362 | WR100 | 142 | X52BS1H20 | 95 | | |
| W872E13 | 362 | WR101 | 142 | X52BS2H27 | 94 | | |
| W872E14 | 362 | WR102 | 142 | X52BS2H28 | 95 | | |
| W872E15 | 362 | WR103 | 142 | X52BS2H30 | 94 | | |
| W872E16 | 362 | WR104 | 142 | X52BS2H31 | 94 | | |
| W872E17 | 362 | WRT10 | 385 | X52BS2H33 | 94 | | |
| W872E18 | 362 | WRT11 | 385 | X52BS2H38 | 94, 197 | | |
| W872E19 | 362 | WRT12 | 385 | X52BS3H39 | 94 | | |
| W872E20 | 362 | WRT13 | 385 | X52BS3H40 | 95 | | |
| W872E21 | 362 | WRT14 | 385 | X52BS3H41 | 95 | | |
| W872E22 | 362 | WRT15 | 385 | X52BS3H43 | 94 | | |
| W873H03 | 362 | WRT17 | 385 | X52BS3H48 | 94 | | |
| W873H05 | 362 | WRT18 | 385 | X52BS3H49 | 94 | | |
| W873H06 | 362 | WRT21 | 385 | X52BS3H50 | 95 | | |
| W873H08 | 362 | WRT22 | 385 | X52BS4H56 | 94 | | |
| W873H09 | 362 | WRT24 | 385 | X52BS4H57 | 95 | | |
| W874A8 | 362 | WRT7 | 385 | X52BS4H58 | 94 | | |

Manufacturer Part Number Cross Reference Index

On the following pages you will find cross-reference indexes for a variety of manufacturers. For each manufacturer, you can determine if there is a quality Adams replacement part for manufacturers original part – and the page number where you can find it.

In many cases, however, because of the improvements we have made to our systems, you can look-up the part in the main index under the original manufacturers part number.

IN ANY EVENT, even if you don't find the part, please CALL ADAMS. We are adding parts to our inventory everyday, and chances are we can ship you the part you need! Call ADAMS at 1-800-929-9247.

Cross Reference Index

| OEM Part No. | ADAMS Part No. | Catalog Page No. | OEM Part No. | ADAMS Part No. | Catalog Page No. | OEM Part No. | ADAMS Part No. | Catalog Page No. |
|--------------|----------------|------------------|--------------|----------------|------------------|--------------|----------------|------------------|
| 12 | A493L3 | 91 | 1434 | A483L3 | 90 | 13417 | O18 | 298, 299 |
| 12 | HA-1067-T8 | 92 | 1474 | 26336 | 92 | 13418 | 13418 | 254 |
| 14 | HA-1067-M7 | 92 | 1474 | A492L2 | 91 | 13433 | 13433 | 273 |
| 15 | A493L4 | 91 | 1476 | A480L11 | 89 | 13470 | H7305 | 247 |
| 44 | A480L3 | 89 | 1476 | GE-1067-M | 92 | 13474 | H5666 | 247 |
| 46 | A480L28 | 89 | 1477 | GE-1067-N | 92 | 13475 | H4641 | 247 |
| 47 | HA-1067-A5 | 92 | 1487 | A480L10 | 89 | 15257 | 15257 | 221 |
| 55 | HA-1069-E1 | 92 | 1493 | A485L1 | 90, 106 | 15387 | O310C | 251 |
| 57 | HA-1067-E6 | 92 | 1493 | O35 | 298, 299 | 16807 | M2103 | 213 |
| 63 | A483L5 | 90 | 1495 | HA-1069-N6 | 92 | 16910 | M5002 | 213 |
| 64 | A484L14 | 90 | 1528 | O32 | 298, 299 | 16929 | M5001 | 213 |
| 67 | A483L6 | 90 | 1528 | O33 | 288, 299 | 17548 | J22C1 | 207 |
| 68 | HA-1067-F2 | 92 | 1539 | O45 | 298, 299 | 18038 | L4 | 298, 302 |
| 74 | HA-1067-T4 | 92 | 1555 | O12 | 298 | 18045 | L3 | 298, 302 |
| 81 | HA-1067-T6 | 92 | 1558 | O5 | 298 | 18066 | 18066 | 273 |
| 85 | A493L1 | 91, 163 | 1559 | O11 | 298 | 18074 | 18074 | 275 |
| 85 | HA-1069-AK3 | 92 | 1561 | O7 | 298 | 18359 | A905S | 395 |
| 85 | HA-1069-AM7 | 92 | 1608 | GE-1067-P | 92 | 18405 | A906S | 395 |
| 89 | A483L4 | 90 | 1659 | O310G | 251 | 19144 | 19144 | 218 |
| 90 | A484L15 | 90 | 1682 | O669 | 244 | 19486 | J22B2 | 207 |
| 93 | HA-1067-M8 | 92 | 1692 | A484L17 | 90 | 19487 | J22B1 | 207 |
| 94 | HA-1067-N4 | 92 | 1763 | O671B | 244 | 19510 | 19510 | 219 |
| 97 | A481L2 | 90, 196 | 1763 | O671S | 244 | 20034 | 20034 | 218 |
| 100 | A106C | 27 | 1813 | A480L5 | 89 | 20386 | J221 | 207 |
| 118 | O542 | 282 | 1813 | HA-1069-K7 | 92 | 20429 | J220 | 207 |
| 161 | A493L6 | 91 | 1816 | A480L31 | 89 | 20918 | 20918 | 218 |
| 238 | A480L29 | 89 | 1818 | A480L32 | 89 | 21003 | J220C | 207 |
| 239 | HA-1067-Z7 | 92 | 1818 | HA-1069-AC2 | 92 | 23165 | 23165 | 219 |
| 304 | A484L16 | 90 | 1819 | A480L33 | 89 | 23166 | 23166 | 219 |
| 306 | A485L3 | 90 | 1820 | A480L6 | 89 | 23167 | 23167 | 219 |
| 308 | A484L9 | 90, 106 | 1822 | A480L9 | 89 | 23168 | 23168 | 219 |
| 310 | A106A | 27 | 1823 | HA-1067-X4 | 92 | 23170 | 23170 | 219 |
| 327 | HA-1067-N1 | 92 | 1828 | A480L25 | 89 | 24476 | 24476 | 219 |
| 334 | A496L2 | 91 | 1847 | A480L2 | 89 | 24477 | 24477 | 219 |
| 349 | A493L5 | 91 | 1850 | HA-1067-U4 | 92 | 24478 | 24478 | 219 |
| 350 | HA-1067-T2 | 92 | 1876 | A483L1 | 90 | 25077 | 25077 | 217 |
| 381 | HA-1069-U3 | 92 | 1893 | A480L34 | 89 | 25460 | A920-02 | 113 |
| 387 | A496L3 | 91 | 2179 | HA-870-Y9 | 77.1 | 28383 | 28383 | 214 |
| 432 | HA-1067-S9 | 92 | 2498 | HA-870-Y9 | 77.1 | 28600 | 28600 | 219 |
| 502 | A492L1 | 91 | 3397 | A724H3 | 26 | 28602 | 28602 | 219 |
| 503 | A480L30 | 89, 98 | 5574 | J2 | 206 | 28764 | J22G1 | 207 |
| 585 | HA-1069-E4 | 92 | 5575 | J2C | 206 | 32290 | 32290 | 214 |
| 656 | HA-1067-M2 | 92 | 5737 | 5737 | 206 | 34241 | CJA3 | 390 |
| 657 | A493L2 | 91 | 6180 | GL-200-W | 188 | 34626 | CJA11 | 390 |
| 755 | A480L1 | 89 | 6202 | GL-200-R | 188 | 34630 | CJA11C | 390 |
| 756 | HA-1067-N3 | 92 | 6439 | GL-200-J | 188 | 36102 | J4015 | 209 |
| 757 | A480L23 | 89 | 7302 | A920-11K | 113 | 40593 | 40593 | 217 |
| 967 | A480L12 | 89 | 9025 | A106D25 | 24 | 40594 | 40594 | 217 |
| 1004 | A484L8 | 90, 106 | 9200 | A106EMINI | 27 | 42143 | CJA2 | 390 |
| 1073 | HA-1069-AC1 | 92 | 9600 | A106ESI2 | 25 | 42844 | M2502 | 214 |
| 1130 | HA-1067-G9 | 92 | 9601 | A106ESIA | 25 | 43300 | 43300 | 224 |
| 1141 | GE-1067-B | 92 | 10014 | 10014 | 274 | 43444 | M2503 | 214 |
| 1155 | HA-1067-V | 92 | 10150 | 10150 | 409 | 43744 | M2504 | 214 |
| 1157 | HA-1067-N7 | 92 | 10758 | L10 | 298, 302 | 45377 | M2505 | 214 |
| 1176 | 1176 | 287 | 10793 | L27 | 302 | 45407 | 45407 | 219 |
| 1189 | O1 | 298 | 11111 | M2109 | 213 | 47222 | 47222 | 214 |
| 1191 | O3 | 298 | 11243 | CJA5 | 390 | 47261 | 47261 | 214 |
| 1223 | 33-1067-006 | 92 | 11426 | CJA4 | 390 | 47263 | 47263 | 214 |
| 1224 | GE-1067-A2 | 92 | 12110 | 12110 | 271 | 47354 | 47354 | 214 |
| 1247 | HA-1067-E4 | 92 | 12136 | 12136 | 287 | 48232 | 48232 | 214 |
| 1252 | A484L13 | 90 | 12143 | 12143 | 254 | 48574 | 48574 | 219 |
| 1329 | 1329 | 254 | 12170 | 12170 | 254 | 58214 | 58214 | 214 |
| 1338 | O650 | 244 | 12171 | 12171 | 254 | 58651 | 58651 | 217 |
| 1374 | O15 | 298, 299 | 12934 | H6287 | 247 | 58655 | 58655 | 217 |
| 1383 | O9 | 298 | 12941 | H6283 | 247 | 58656 | 58656 | 217 |
| 1387 | O8 | 298 | 12948 | H6286 | 247 | 58976 | 58976 | 217 |
| 1408 | HA-1067-U | 92 | 13234 | O16 | 298, 299 | 59666 | 59666 | 218 |
| 1420 | HA-870-Y9 | 77.1 | 13416 | L5 | 298, 302 | 61032 | 61032 | 221 |

Cross Reference Index

| OEM Part No. | ADAMS Part No. | Catalog Page No. | OEM Part No. | ADAMS Part No. | Catalog Page No. | OEM Part No. | ADAMS Part No. | Catalog Page No. |
|--------------|----------------|------------------|--------------|----------------|------------------|--------------|----------------|-----------------------------|
| 61404 | 61404 | 218 | 105252 | DM3106 | 147 | 178721 | H7506 | 247 |
| 61429 | 61429 | 221 | 105254 | DM3105 | 147 | 181874 | 0340 | 248, 253 |
| 61491 | 61491 | 221 | 105936 | 0102 | 298, 301 | 181892 | 0339C | 248, 253 |
| 61695 | 61695 | 219 | 106183 | 0108 | 298, 301 | 181893 | 0339A | 248, 253 |
| 62996 | A103A2 | 86, 87, 127, 143 | 106184 | 0108 | 298, 301 | 181894 | 0339B | 248, 253 |
| 62997 | A103A2 | 86, 87, 127, 143 | 106572 | L17 | 298, 302 | 184306 | 0740 | 285, 286 |
| 65000 | 65000 | 221 | 106577 | L21 | 298, 302 | 184448 | 0741 | 285, 286 |
| 65981 | 65981 | 219 | 106578 | 019 | 298, 299 | 186132 | 0771D | 285, 286 |
| 67967 | DM3180 | 147 | 106594 | 0509 | 282 | 186133 | 0742 | 285, 286 |
| 67968 | DM3181 | 147 | 107042 | 039 | 298, 299 | 186142 | 0763 | 248, 249, 285, 286 |
| 68187 | DM3130 | 147 | 107430 | 107430 | 287 | 186206 | 0771C | 285, 286 |
| 68433 | DM3113 | 147 | 108713 | 0100 | 298, 301 | 206748 | 206748 | 384 |
| 68525 | DM3112 | 147 | 109731 | 109731 | 254 | 206816 | 206816 | 384 |
| 69298 | DM3182 | 147 | 111261 | A103A2 | 86, 87, 127, 143 | 221985 | 221985 | 384 |
| 72166 | A103A1 | 86, 87, 127, 143 | 111266 | A103A1 | 86, 87, 127, 143 | 222519 | 222519 | 384 |
| 72167 | A103A2 | 86, 87, 127, 143 | 112000 | 042 | 298, 299 | 222533 | 222533 | 382 |
| 75281 | A103A1 | 86, 87, 127, 143 | 112264 | DM3126 | 147 | 222821 | 222821 | 384 |
| 75299 | A103A1 | 86, 87, 127, 143 | 112267 | DM3124 | 147 | 222824 | 222824 | 384 |
| 75300 | A103A2 | 86, 87, 127, 143 | 113328 | DM3160 | 147 | 222920 | 222920 | 382 |
| 75301 | A103A3 | 86, 87, 143 | 113336 | DM3164 | 147 | 224310 | 224310 | 382 |
| 75302 | A103A4 | 86, 87 | 113903 | 02 | 298 | 225054 | 225054 | 383 |
| 75785 | A103A3 | 86, 87, 143 | 114228 | 04 | 298 | 343541 | 343541 | 387 |
| 90728 | 90728 | 221 | 114230 | L7 | 298, 302 | 343542 | 343542 | 387 |
| 90841 | 90841 | 216 | 114536 | H6017 | 247 | 509085 | ARW470S1 | 132 |
| 90844 | 90844 | 216 | 115298 | DM3184 | 147, 151 | 520770 | 520770 | 218 |
| 100969 | 100969 | 217 | 118716 | 0192 | 298, 301 | 590098 | 590098 | 384 |
| 101033 | 101033 | 216 | 120671 | 120671 | 254 | 590882 | 590882 | 384 |
| 101040 | 101040 | 218 | 123948 | DM3115 | 147 | 783001 | A831 | 72, 133, 154, 198, 215, 347 |
| 101052 | 101052 | 217 | 124519 | DM3116 | 147 | | | |
| 101054 | 101054 | 217 | 126125 | DM3123 | 147 | 783001 | A832 | 72, 133, 198, 215, 347 |
| 101141 | 101141 | 215 | 126229 | 0191 | 298, 301 | | | |
| 101152 | 101152 | 217 | 126391 | 126391 | 254 | 807927 | L18 | 298, 302 |
| 101155 | 101155 | 217 | 126646 | 0667 | 291 | 962718 | 962718 | 355, 357, 359 |
| 101156 | 101156 | 217 | 126650 | 0668 | 291 | 9701011 | D811 | 154 |
| 101161 | 101161 | 218 | 127782 | 0190 | 301 | 9703135 | HA-1065-M | 167 |
| 101163 | 101163 | 218 | 127850 | 0192 | 298, 301 | 9705272 | DP4100 | 81 |
| 101192 | 101192 | 217 | 129912 | 129912 | 254 | 9705612 | DP6100 | 81 |
| 101204 | 101204 | 217 | 130190 | 130190 | 254 | 9711454 | A103A1 | 86, 87, 127, 143 |
| 101214 | 101214 | 217 | 130409 | 130409 | 254 | 9711466 | A103A2 | 86, 87, 127, 143 |
| 101295 | 101295 | 218 | 131468 | 0704 | 284 | 9711934 | A103A3 | 86, 87, 143 |
| 101528 | A103A1 | 86, 87, 127, 143 | 132037 | 0820B | 290 | 9713207 | D2601 | 146 |
| 101528 | A103A3 | 86, 87, 143 | 132350 | 132350 | 274 | 9713219 | D2602 | 146 |
| 101552 | 101552 | 215 | 134514 | 078 | 299 | 9713256 | D2603 | 146 |
| 101630 | 101630 | 218 | 136228 | H8453 | 247 | 9713268 | D2604 | 146 |
| 101637 | 101637 | 217 | 137709 | 068 | 299 | 9713888 | D750 | 151 |
| 101661 | 101661 | 217 | 137726 | 0138 | 301 | 9714339 | D336 | 148 |
| 101687 | 101687 | 217 | 137727 | 069 | 299 | 9714390 | D341 | 148 |
| 101689 | 101689 | 215 | 140535 | 0700 | 284 | 9715060 | DV55N4 | 169 |
| 101719 | 101719 | 217 | 140538 | 0703 | 284 | 9715162 | DV55N5 | 170 |
| 101744 | 101744 | 217 | 141436 | 0119 | 298, 301 | 9715642 | D317 | 149 |
| 101802 | 101802 | 218 | 142740 | 142740 | 273 | 9719349 | 518AK1 | 142 |
| 101849 | M800A | 75, 218 | 145094 | 0771 | 285, 286 | 9719350 | 518AG4 | 142 |
| 101876 | 0441 | 259 | 145706 | 145706 | 254 | 9721769 | A493L1 | 91, 163 |
| 102990 | 0311 | 251 | 146088 | 146088 | 254 | 9722026 | D309 | 149 |
| 103243 | 0651 | 244 | 146123 | H7061 | 247 | 9722038 | D308 | 149 |
| 103588 | H4643 | 247 | 147284 | 9713396 | 409 | 9722191 | D310 | 149 |
| 103590 | H4638 | 247 | 147976 | 0820 | 290 | 9722233 | D312 | 149 |
| 103593 | H4639 | 247 | 150071 | H4644 | 247 | 9722270 | D307 | 149 |
| 103594 | H4640 | 247 | 151076 | 0820A1 | 290 | 9722415 | D311 | 149 |
| 103596 | H7351 | 247 | 151352 | 0612 | 283 | 9724400 | D469 Series | 164 |
| 103601 | H8130 | 247 | 151354 | 0604 | 283 | 9724400 | D470 Series | 164 |
| 103623 | 0101 | 301 | 151355 | 0605 | 283 | 9724540 | D450C1 | 164 |
| 105198 | A103A1 | 86, 87, 127, 143 | 151357 | 0600 | 283 | 9724552 | D450C2 | 164 |
| 105201 | A103A1 | 86, 87, 127, 143 | 151358 | 0601 | 283 | 9724564 | D450A1 | 164 |
| 105238 | A103A1 | 86, 87, 127, 143 | 156144 | 0821 | 290 | 9724576 | D450A2 | 164 |
| 105242 | A103A3 | 86, 87, 143 | 158492 | 0821A1 | 290 | 9724588 | D458 | 164 |
| 105248 | DM3102 | 147 | 166747 | 166747 | 287 | 9724590 | D459 | 164 |
| 105251 | DM3101 | 147 | 169941 | 169941 | 254 | 9724631 | D450A3 | 164 |

Cross Reference Index

| OEM Part No. | ADAMS Part No. | Catalog Page No. | OEM Part No. | ADAMS Part No. | Catalog Page No. | OEM Part No. | ADAMS Part No. | Catalog Page No. |
|--------------|----------------|-----------------------------|--------------|----------------|--------------------|---------------|----------------|------------------|
| 9724771 | A489L3 | 91, 162 | 9821284 | D23C6 | 140 | 59307019 | 59307019 | 311 |
| 9727346 | AT1R048 | 172, 363, 405 | 9821302 | D24D1 | 141 | 59307020 | 59307020 | 311 |
| 9728387 | A103A2 | 86, 87, 127, 143 | 9821405 | D24D4 | 141 | 97582810 | A103A1 | 86, 87, 127, 143 |
| 9730254 | DV55S5 | 170 | 9821727 | D24D3 | 141 | 368203907 | O401A1 | 256 |
| 9730349 | DP3100 | 81 | 9821739 | D24D2 | 141 | 0013-016-031 | EE-180-H | 393 |
| 9730564 | DV55V3 | 170 | 9822264 | D316 | 149 | 0025-2 | OT-1600-E7 | 401 |
| 9730576 | DV55P1 | 169 | 9822690 | D457A2 | 163 | 0158002 | K1101 | 122, 124, 126 |
| 9730590 | DV55S3 | 169 | 9825526 | AT5E004 | 172, 405 | 0158003 | K1102 | 124, 126 |
| 9730760 | DV55S6 | 170 | 9828084 | D22K1 | 140 | 0158004 | K1108 | 126 |
| 9730904 | DV55P3 | 170 | 9828096 | D22C1 | 140 | 0158005 | K1103 | 126 |
| 9731143 | DV55S1 | 169 | 9828175 | D21K1 | 151 | 0158006 | K1110 | 126 |
| 9740867 | D23E3 | 141 | 9828205 | D20C1 | 140 | 0158007 | K1111 | 126 |
| 9742610 | A490L1 | 91, 162 | 9828217 | D21C1 | 140 | 0158008 | K1107 | 126 |
| 9742657 | A489L1 | 91, 162, 196 | 9828229 | D20K1 | 140 | 0158010 | K1104 | 126 |
| 9742670 | A488L5 | 91, 162 | 9828667 | D830K1 | 155 | 0158011 | K1105 | 126 |
| 9742699 | A488L4 | 91, 162, 269 | 9828930 | D21K2 | 140 | 0158013 | K2101 | 121, 126 |
| 9743601 | D751 | 151 | 9831824 | D423 | 152 | 0158025 | K2102 | 126 |
| 9743674 | D752 | 151 | 9831824 | D423S | 152 | 0158026 | K2103 | 126 |
| 9748623 | D335 | 148 | 9831873 | D421 | 130, 152 | 0158039 | K2102 | 126 |
| 9748672 | D330 | 148 | 9831873 | D421S | 130, 152 | 0158041 | K1106 | 126 |
| 9751221 | D816 | 155 | 9832774 | D420 | 152 | 0158053 | K2102 | 126 |
| 9752110 | AT1R043 | 172 | 9832774 | D420S | 152 | 0158054 | K2103 | 126 |
| 9752122 | AT1R002 | 172, 405 | 9834734 | D414M | 152 | 01-601000 | SF-1172-N | 391 |
| 9752810 | A103A1 | 86, 87, 127, 143 | 9838302 | D411M | 152 | 01807 | PL-1066-L | 403 |
| 9753047 | D2605 | 146 | 9838351 | D803R1 | 154 | 019501-108 | HA-870-AE3 | 77.1 |
| 9754064 | DV55S4 | 169 | 9838429 | A831B | 72, 154, 215, 291, | 0200-20 | 0200-20 | 13 |
| 9754076 | DV55P2 | 169 | | | 347 | 023 | PL_948-L | 403 |
| 9754271 | DV55R1 | 170 | 9838521 | D815 | 155 | 0300-20 | 0300-20 | 12 |
| 9755743 | DV55C1 | 169 | 9838685 | D825 | 155 | 033050 | PL-1293-B | 403 |
| 9755883 | DV55C2 | 169 | 9838820 | D808 | 154 | 03457 | PL-600-A | 403 |
| 9755895 | DV55C2 | 169 | 9841246 | DM3186 | 147, 151 | 035025 | PL-1065-A | 403 |
| 9759876 | A831 | 72, 133, 154, 198, 215, 347 | 9845823 | D851 | 160 | 035508 | PL-902-A1 | 403 |
| | | | 9848539 | D354 | 148 | 03557 | PL-902-C9 | 403 |
| 9761263 | D818 | 155 | 9848605 | D353 | 148 | 0375-6 | 0375-6 | 13 |
| 9761457 | D817 | 155 | 9848617 | D355 | 148 | 03932 | PL-1065-B | 403 |
| 9767897 | AT5E006 | 172, 405 | 9850909 | D822 | 155 | 056910 | PL-2263-C | 403 |
| 9769377 | A487L5 | 90, 106, 162, 265 | 9851288 | D457A3 | 163 | 0-56929-120A | RL-1600-T | 404 |
| 9770719 | CX-32C3 | 140 | 9851987 | A103A1 | 86, 87, 127, 143 | 05696 | PL-915-B | 403 |
| 9770800 | D21D1 | 140 | 9852001 | A103A1 | 86, 87, 127, 143 | 0-58704D | RL-1600-X | 404 |
| 9771189 | D22D1 | 140 | 9852037 | DM3173 | 147 | 058730 | PL-2263-B | 403 |
| 9772087 | D314 | 149 | 9852049 | A103A1 | 86, 87, 127, 143 | 0616-24 | 0616-24 | 13 |
| 9772637 | D823 | 155 | 9852049 | DM3157 | 147 | 0624-24 | 0624-24 | 12 |
| 9787239 | DP3000 | 81 | 9856791 | D351 | 148 | 07644 | PL-960-A9 | 403 |
| 9787240 | DP4000 | 81 | 9856833 | D352A | 148 | 079066 | PL-1172-L | 403 |
| 9787264 | DP6000 | 81 | 9861245 | D412 | 152 | 100-00054-001 | UE-900-F1 | 406 |
| 9788554 | DV55V2 | 169 | 9861610 | DV55N2 | 170 | 10028-01 | ARW2107 | 120, 123, 124 |
| 9788566 | DV55V1 | 169 | 9864295 | D410M | 152 | 10029-01 | ARW2102 | 120, 124 |
| 9792909 | D20C2 | 140 | 9864581 | D320 | 149 | 10030-01 | ARW2308 | 122, 123 |
| 9792910 | D20D2 | 140 | 9866760 | D810 | 154 | 10069-01 | ARW315 | 125 |
| 9800517 | D855L | 160 | 9866760 | D812 | 154 | 100778 | 100778 | 346 |
| 9800517 | D855R | 160 | 9869803 | D522A | 141 | 10088-01 | ARW855R | 133 |
| 9801704 | 9801704 | 75 | 9870064 | D520A | 141 | 10091-01 | ARW855L | 133 |
| 9805229 | A103A3 | 86, 87, 143 | 9870088 | D520B | 141 | 100A21/RS | HA-1069-F | 92 |
| 9805278 | A103A1 | 86, 87, 127, 143 | 9870556 | D331 | 148 | 101142 | 101142 | 215, 217 |
| 9805590 | DV55N3 | 170 | 9870570 | D342 | 148 | 10-1258 | A106F | 27 |
| 9807524 | DV55S2 | 169 | 9870751 | D521A | 141 | 101330 | 9813380 | 150 |
| 9808760 | AT5E005 | 172, 405 | 9871196 | 9871196 | 409 | 10137-01 | ARW316 | 125 |
| 9810845 | D474A2 | 162 | 9871317 | D345 | 148 | 101528 | A103A3 | 86, 87, 143 |
| 9810857 | D474A1 | 162 | 9872309 | D422 | 152, 212 | 101528 | DM3157 | 147 |
| 9812611 | A103A2 | 86, 87, 127, 143 | 9872309 | D422S | 152, 212 | 101529 | A103A1 | 86, 87, 127, 143 |
| 9813895 | D321 | 149 | 9875256 | D803A2 | 154 | 101529 | DM3157 | 147 |
| 9815284 | A103A1 | 86, 87, 127, 143 | 9875256 | D803A4 | 154 | 102 250 | A850G7-VS | 45, 47, 48.1 |
| 9815284 | A103A3 | 86, 87, 143 | 9875268 | D803A1 | 154 | 102 787 | A850G7-RT1 | 45, 47, 48.1 |
| 9815296 | A103A1 | 86, 87, 127, 143 | 9875268 | D803A3 | 154 | 102 788 | A850G7-RR1 | 45, 47, 48.1 |
| 9820565 | D21D2 | 140 | 9877046 | DV55N1 | 170 | 102 997 | A850G7-R1 | 45, 47, 48.1 |
| 9820589 | D23C1 | 140 | 9881268 | A103A1 | 86, 87, 127, 143 | 10210-01 | ARW821R | 133 |
| 9820607 | D23C2 | 140 | 9891717 | D457A4 | 163 | 10-2959 | A106F369V | 27 |
| 9820840 | D23C5 | 140 | 9893209 | D457A1 | 163 | 102CY1 | O21A02Y1 | 226 |

Cross Reference Index

| OEM Part No. | ADAMS Part No. | Catalog Page No. | OEM Part No. | ADAMS Part No. | Catalog Page No. | OEM Part No. | ADAMS Part No. | Catalog Page No. |
|-----------------|-----------------|----------------------------------|--------------|----------------|------------------|----------------|----------------|------------------------|
| 102DA1 | O21T1 | 227-229, 234, 235, 237, 240, 242 | 10712-01 | ARW316P | 125 | 113329 | DM3160 | 147 |
| 102L100 | 322C808H05 | 77.1 | 10742-01 | ARW2302 | 123 | 113CY1 | O21A13Y1 | 226 |
| 103 | MX-901-R | 400 | 10745-01 | ARW2103 | 120 | 114CY1 | O21A14Y1 | 226 |
| 103 371 | A850G7EZ-RR1 | 48, 48.1 | 10746-01 | ARW2306 | 122, 123 | 114CY2 | O21A14Y2 | 226 |
| 103 868 | A850G7EZ159T | 48, 48.1 | 10747-01 | ARW2106 | 120 | 115290 | DM3186 | 147, 151 |
| 103 957 | A850EZ159 | 48, 48.1 | 10749-01 | ARW2505 | 124 | 115298 | 9715289 | 151 |
| 103 976 | A850G7-P1 | 47, 48.1 | 10753-01 | ARW2105 | 120 | 1157DC | A484L11 | 90 |
| 103 978 | A850G7-T1 | 45, 47, 48.1 | 108 175 | A8503D100 | 47.1, 48.1, 48.3 | 115S14 | HA-1067-E3 | 92 |
| 103260 | 9723985 | 158 | 109-08 | A853J | 76 | 1180C52-Series | W461B-Series | 367 |
| 10338-01 | ARW2111 | 120, 121 | 10978-02 | ARW300 | 129 | 1180C53-Series | W461B-Series | 367 |
| 10349-01 | ARW845 | 133 | 10982-01 | ARW321 | 125 | 1181-229 | CH93 | 318 |
| 10350-01 | ARW470C1 | 132 | 10994-01 | ARW2403 | 122 | 1185C32H01 | 1185C32H01 | 383 |
| 103564 | HA-870-Z2 | 77.1 | 10C7DC | A486L2 | 90 | 1185C38H01 | 1185C38H01 | 383 |
| 10357-01 | ARW313 | 125 | 10S11N | HA-1069-N | 92 | 1185C43H04 | 1185C43H04 | 383 |
| 10358-01 | ARW320 | 125 | 10S6/15 | HA-1067-H | 92 | 1185C68H01 | 1185C68H01 | 384 |
| 10-3983 | A106FFOX | 27 | 10S6/230 | A488L5 | 91, 162 | 11864-01 | ARW450C1 | 136 |
| 103D250H-Series | WC456W-Series | 366, 367 | 10S6/250 | A484L4 | 90, 370 | 1188C45H01 | 1188C45H01 | 387 |
| 103D251G-Series | WC456A1W-Series | 366, 367 | 10S6/250 | A484L5 | 90, 370 | 11905-01 | ARW832 | 133 |
| 103D252G-Series | WC456A2W-Series | 366, 367 | 10S6/250 | A484L6 | 90, 370 | 11907-01 | ARW836 | 133 |
| 103D883G03 | 103D883G03 | 384 | 1101-A | A484L7 | 90, 370 | 119-08 | A853R | 77 |
| 104 093 | A850G7EZ79R | 48, 48.1 | 111 | A106D | 27 | 11909-01 | ARW832L | 133 |
| 104 094 | A850G7EZ159R | 48, 48.1 | 111 | MX-901-C8 | 400 | 11921-01 | ARW835 | 133 |
| 104 195 | 7280C55H05 | 48 | 111 | OT-200-J | 401 | 11929-01 | ARW401 | 131 |
| 104 951 | A8503D | 47, 48.1, 48.2 | 111-08 | A853L | 76 | 11939-01 | ARW423 | 130 |
| 104-10 | A853E1 | 76 | 111261 | A103A2 | 86, 87, 127, 143 | 11939-01 | ARW423S | 130 |
| 10419-01 | ARW450D2 | 136 | 111266 | A103A1 | 86, 87, 127, 143 | 11940-01 | ARW422 | 130 |
| 10-4249 | A106FTDR | 27 | 11133-01 | ARW450B1 | 135 | 11940-01 | ARW422S | 130 |
| 10-4289 | A106F9000 | 27 | 11134-01 | ARW450B2 | 135 | 11941-01 | ARW421 | 130 |
| 10431-01 | ARW450BC1 | 135 | 11143-01 | ARW450H3 | 135 | 11941-01 | ARW421S | 130 |
| 10442-01 | ARW2108 | 120, 123, 124 | 11143-02 | ARW450H4 | 135 | 11942-01 | ARW420 | 130 |
| 10470-01 | K1101 | 122, 124, 126 | 11144-01 | ARW450H1 | 135 | 11942-01 | ARW420S | 130 |
| 10471-01 | K1102 | 124, 126 | 11144-02 | ARW450H2 | 135 | 11943-01 | ARW407 | 131 |
| 10472-01 | K1108 | 126 | 11146-02 | ARW450H5 | 135 | 11965-01 | ARW837R | 133 |
| 10473-01 | K1103 | 126 | 11150-01 | ARW823 | 133 | 11966-01 | ARW837L | 133 |
| 10474-01 | K1110 | 126 | 11151-01 | ARW2301 | 123 | 11971-01 | ARW406 | 131 |
| 10475-01 | K1111 | 126 | 11151-01 | ARW2401 | 122 | 11995-01 | ARW821L | 133 |
| 10476-01 | K1107 | 126 | 11153-01 | ARW2304 | 123 | 11996-01 | ARW825 | 133 |
| 10477-01 | K1104 | 126 | 11154-01 | ARW2501 | 124 | 11997-01 | ARW824 | 133 |
| 10478-01 | K1105 | 126 | 11155-01 | ARW2503 | 124 | 11S14 | GE-1067-R | 92 |
| 10480-01 | K2101 | 121, 126 | 11155-01 | ARW2503 | 124 | 120157 | 9721058 | 170 |
| 104-C12D22 | AB-964-C6 | 411 | 11156-01 | ARW2402 | 122 | 120157 | 9752158 | 153 |
| 104CY1 | O21A04Y1 | 226 | 11159-01 | ARW2109 | 120 | 12061-01 | ARW450C2 | 136 |
| 104CY2 | O21A04Y2 | 226 | 11160-01 | ARW2110 | 120 | 12076-01 | K2102 | 126 |
| 105 386 | A850G7EZ-RT1 | 48, 48.1 | 11161-01 | ARW2303 | 123, 124 | 12076-02 | K2103 | 126 |
| 10501-01 | K1106 | 126 | 11165-01 | ARW2203 | 121 | 12077-01 | K3102 | 126 |
| 105-10 | A853E2 | 76 | 11166-01 | ARW2202 | 121 | 12077-02 | K3101 | 126 |
| 105198 | A103A1 | 86, 87, 127, 143 | 11167-01 | ARW2204 | 121 | 120CY1 | O21A20Y1 | 226 |
| 105198 | DM3173 | 147 | 11168-01 | ARW2201 | 121 | 120CY10 | O21A20Y10 | 226 |
| 105201 | A103A1 | 86, 87, 127, 143 | 11171-01 | ARW312 | 125 | 120CY3 | O21A20Y3 | 226 |
| 105201 | DM3173 | 147 | 11172-01 | ARW311 | 125 | 120MB | A480L15 | 89, 135, 136, 196, 367 |
| 105238 | A103A1 | 86, 87, 127, 143 | 11173-01 | ARW310 | 125 | 120PAR | 3-26122-04 | 92 |
| 105238 | DM3157 | 147 | 11176-01 | ARW843 | 133 | 120PSB | A487L5 | 90, 106, 162, 265 |
| 105242 | A103A3 | 86, 87, 143 | 11177-01 | ARW841 | 133 | 120RB | A480L22 | 89 |
| 105242 | DM3157 | 147 | 11178-01 | ARW842 | 133 | 120RC | A491L1 | 91, 269 |
| 1056/13 | CJ-1067-D | 390 | 11181-01 | ARW822 | 133 | 12102-01 | ARW826 | 133 |
| 106 000 | A850G7MAX | 44, 48.1 | 11182-01 | ARW2101 | 120 | 12103-01 | ARW402 | 131 |
| 106 159 | A850G7 | 46, 47, 48.1 | 111CY1 | O21A11Y1 | 226 | 12103-01 | ARW404 | 131 |
| 106 161 | A850G10 | 47, 48.1 | 112 | OT-200-N | 401 | 12111 | 12111 | 271 |
| 106-08 | A853F | 76 | 112-08 | A853M | 76 | 12135 | UE-1065-E | 392 |
| 10634-01 | ARW2307 | 122-124 | 112261 | DM3123 | 147 | 12148-01 | ARW2502 | 124 |
| 10636-01 | ARW2104 | 120 | 11279-01 | ARWR21 | 118 | 122-08 | A853T2 | 77 |
| 106580 | 106580 | 254 | 11281-01 | ARWR17 | 118 | 122CY1 | O21A22Y1 | 226 |
| 10661-01 | ARW314 | 125 | 11282-01 | ARWR11 | 118 | 122CY2 | O21A22Y2 | 226 |
| 10662-01 | ARW317 | 125 | 11286-01 | ARWR24 | 118 | 12357 | UE-1065-A | 392 |
| 106734 Series | D456W Series | 163 | 11288-01 | ARWR19 | 118 | 123992 | 9723997 | 158 |
| 10684 | 9706847 | 156 | 11290-01 | ARWR25 | 118 | 123CY1 | O21A23Y1 | 226 |
| 10698-01 | ARW2305 | 123 | 11296-01 | ARWR18 | 118 | 123CY2 | O21A23Y2 | 226 |
| | | | 11298-01 | ARWR14 | 118 | | | |
| | | | 113149 | DM3186 | 147, 151 | | | |

Cross Reference Index

| OEM Part No. | ADAMS Part No. | Catalog Page No. | OEM Part No. | ADAMS Part No. | Catalog Page No. | OEM Part No. | ADAMS Part No. | Catalog Page No. |
|--------------|----------------|--------------------|--------------|----------------|--------------------|---------------|----------------|-----------------------------|
| 124-08 | A853U1 | 77 | 132CY1 | O21A32Y1 | 226 | 144A989H01 | 144A989H01 | 364 |
| 124561 | DM3157 | 147 | 132CY10 | O21A32Y10 | 226 | 145-05064-302 | UE-1600-V | 406 |
| 124566 | DM3173 | 147 | 132CY2 | O21A32Y2 | 226 | 145557 | DM3123 | 147 |
| 124BS1 | 124BS1 | 274 | 1334-4F1 | CH7 | 318 | 145A110H01 | W875 | 324, 347 |
| 124CA1 | 124CA1 | 274 | 13-371021 | RL-1018-W | 404 | 145A111H01 | W876A | 324, 347 |
| 125-08 | A853U2 | 77 | 133A1 | O23W1 | 240, 242, 248, 249 | 145A111H01 | W876B | 324, 347 |
| 1251 | A481L6 | 90, 196 | 133A6 | O22W1 | 234, 235, 237, 240 | 145A291G01 | 145A291G01 | 370 |
| 12531 | UE-1065-C | 392 | 133A7 | 133A7 | 274 | 145A390G01 | W450C4 | 370 |
| 1-25S11/2C | HA-1069-AE7 | 92 | 136 | OT-200-D | 401 | 145A390G02 | W450C3 | 370 |
| 126-08 | A853V | 77 | 136R10 | 136R10 | 275 | 145A391G01 | W450C5 | 370 |
| 12610-01 | ARW844 | 133 | 1370-NC56 | AB-964-F6 | 408 | 145A395G01 | W450C1 | 370 |
| 12679-01 | ARW820R | 133 | 137E5 | O21B5 | 227 | 145A395G02 | W450C2 | 370 |
| 12680-01 | ARW820L | 133 | 138AD1 | 9727152 | 165 | 145A630H01 | W253R1 | 317 |
| 127F12 | O551 | 298, 301 | 139-0003-02 | K2103 | 126 | 145A630H02 | W253R2 | 317 |
| 127F17 | O550 | 298, 301 | 139-003-01 | K2102 | 126 | 145A630H03 | W253R3 | 317 |
| 127F48 | O554 | 298, 301 | 1400H100WZ | 691B789H05 | 77.1 | 145A765H01 | W81B2 | 332, 333 |
| 127L4 | O804W2 | 288 | 140538 | 140538 | 287 | 145C3 | 145C3 | 274 |
| 127L5 | O804W1 | 288 | 140569 | O701 | 284 | 146 | OT-200-F | 401 |
| 127VB83 | O801W3 | 289 | 140569 | O702 | 284 | 146-0526 | UE-1600-F3 | 406 |
| 128069 | 9720467 | 145 | 140-6003-01 | K2102 | 126 | 1462 | 3-36325-00 | 196 |
| 128071 | 9720480 | 145 | 140-6003-02 | K2103 | 126 | 146A102H01 | 146A102H01 | 387 |
| 128076 | 9744459 | 145 | 140-6003-03 | K2101 | 121, 126 | 146A560H04 | WC450BC1 | 370 |
| 128-08 | A853W | 77 | 140-6006-01 | K1105 | 126 | 146A560H05 | W454BC1 | 367 |
| 128AG61 | 128AG61 | 272 | 140-6006-03 | K1104 | 126 | 146A746H01 | W905N | 304, 347 |
| 128H1 | O22W2 | 234, 235, 237, 238 | 140-6006-04 | K1110 | 126 | 146A988H01 | 146A988H01 | 345, 346 |
| 12936-00A | 12936-00A | 218 | 140-6006-05 | K1103 | 126 | 147EY1 | O892M2 | 295 |
| 129AC1 | 9851276 | 165 | 140-6006-07 | K1106 | 126 | 147FB1 | O892M1 | 295 |
| 129AR1 | 129AR1 | 274 | 140-6006-08 | K1111 | 126 | 147FD1-3 | O485CP1 | 263 |
| 129BR1 | O21A5 | 227 | 140-6006-09 | K1107 | 126 | 147FD2-3 | O485CP2 | 263 |
| 129BR2 | O22A6 | 234 | 140-6011-01 | K1101 | 122, 124, 126 | 147FD3-3 | O464CP1 | 265 |
| 129BR3 | O23A6 | 240, 242 | 140-6011-02 | K1108 | 126 | 147FD3-7 | O464CP3 | 265 |
| 129BR4 | O22AM5 | 235, 237 | 140-6011-03 | K1102 | 124, 126 | 147FD4-4 | O464CP2 | 265 |
| 129BT1 | 129BT1 | 274 | 140-6021-01 | K3102 | 126 | 147FD4-7 | O464CP4 | 265 |
| 129DH2 | 129DH2 | 274 | 140-6021-02 | K3101 | 126 | 147FD5-3 | O480CP1 | 263 |
| 12MB | A480L18 | 89 | 140CY1 | O21A40Y1 | 226 | 147FD6-3 | O480CP2 | 263 |
| 12PSB | A487L8 | 90, 106 | 141CX1 | O21A41X1 | 226 | 147JF1-3 | O485CP5 | 263 |
| 12RC | HA-1067-R7 | 92 | 141CY1 | O21A41Y1 | 226 | 147JF2-3 | O485CP7 | 263 |
| 1300D90H01 | 1300D90H01 | 418 | 141CY10 | O21A41Y10 | 226 | 147JF3-3 | O464CP5 | 265 |
| 1300D90H02 | 1300D90H02 | 418 | 141Y1 | O22R1 | 234, 235, 237, 238 | 147JF3-7 | O464CP6 | 265 |
| 1300D90H03 | 1300D90H03 | 418 | 141Y2 | O23R1 | 240, 242 | 147JF4-3 | O464CP7 | 265 |
| 1300D90H04 | 1300D90H04 | 418 | 142 | OT-200-C | 401 | 147JF4-7 | O464CP8 | 265 |
| 1300D90H05 | 1300D90H05 | 418 | 1420 | EE-870-Y9 | 77.1 | 147JF5-3 | O480CP5 | 263 |
| 1300D90H07 | 1300D90H07 | 418 | 143 | OT-200-B | 401 | 147JF6-3 | O480CP7 | 263 |
| 1300D90H08 | 1300D90H08 | 418 | 144A277G02 | W409P | 345 | 14FP32AC81 | FN-964-A4 | 416 |
| 1300D90H09 | 1300D90H09 | 418 | 144A277G02 | W409S | 345 | 14GP32AC81 | DO-964-D | 416 |
| 1300D90H10 | 1300D90H10 | 418 | 144A416G01 | W860 | 321 | 1500 | GK15000T | 84, 281 |
| 1300D90H14 | 1300D90H14 | 418 | 144A417H02 | W862 | 321 | 1500 Series | GK150000T | 281 |
| 1319B05H01 | 1319B05H01 | 350 | 144A520G01 | W82C1 | 334, 335 | 150408 | 9840138 | 147 |
| 1319B07H01 | 1319B07H01 | 351 | 144A524H01 | 144A524H01 | 364 | 150AE5 | O23E2 | 240, 241 |
| 1319B09G01 | 1319B09G01 | 351 | 144A560G01 | W848 | 347 | 150AHA2 | O27C4 | 245 |
| 1319B09G02 | 1319B09G02 | 351 | 144A560G01 | W849 | 347 | 150AK2 | O23C6 | 240, 241 |
| 1319B39H05 | 1319B39H05 | 360 | 144A563H01 | W82L1 | 334, 335 | 150AK3 | O23E1 | 240, 241 |
| 1319B39H06 | 1319B39H06 | 354, 356, 358 | 144A563H01 | W82L2 | 334, 335 | 150AL3 | O22D3 | 234-236 |
| 131AD-R | 9813135 | 165 | 144A568G01 | W82C2 | 334-337 | 150AY1 | 150AY1 | 254 |
| 131BD1 | 131BD1 | 274 | 144A600H01 | W861H01 | 321 | 150BA3 | O27C9 | 245 |
| 131BG1 | 131BG1 | 274 | 144A600H02 | W861H02 | 321 | 150BA4 | O27C10 | 245 |
| 131BH1 | O21A6 | 227 | 144A600H04 | W861H04 | 321 | 150BA7 | O336 | 253 |
| 131CY1 | O21A31Y1 | 226 | 144A600H05 | W861H05 | 321 | 150C10 | O341 | 253 |
| 131CY3 | O21A31Y3 | 226 | 144A600H07 | W861H07 | 321 | 150C13 | O22C4 | 234-236, 238, 240, 242, 243 |
| 131Z2 | 131Z2 | 274 | 144A600H10 | W861H10 | 321 | | | |
| 1320B11G01 | 1320B11G01 | 376 | 144A600H11 | W861H11 | 321 | 150C14 | O22C5 | 234-236, 238, 240, 242-244 |
| 1320B11G02 | 1320B11G02 | 376 | 144A600H13 | W861H13 | 321 | | | |
| 13218-01 | ARW410 | 130 | 144A600H14 | W861H14 | 321 | 150C2 | O27C3 | 245, 248 |
| 1321-887 | CX36C2 | 300, 318 | 144A600H15 | W861H15 | 321 | 150C3 | O27C2 | 245, 248 |
| 1321-899 | CH95 | 318 | 144A600H18 | W861H18 | 321 | 150C4 | 150C4 | 254 |
| 1323-1721 | CH1 | 318 | 144A600H21 | W861H21 | 321 | 150C7 | O27C1 | 245 |
| 132AE5 | 9719398 | 165 | 144A600H27 | W861H27 | 321 | 150CY1 | O21A50Y1 | 226 |
| 132CX1 | O21A32X1 | 226 | 144A770H01 | 144A770H01 | 423 | 150CY2 | O21A50Y2 | 226 |

Cross Reference Index

| OEM Part No. | ADAMS Part No. | Catalog Page No. | OEM Part No. | ADAMS Part No. | Catalog Page No. | OEM Part No. | ADAMS Part No. | Catalog Page No. |
|-----------------|----------------|-----------------------------|--------------|----------------|------------------|--------------|----------------|------------------------------|
| 150H10 | 027C6 | 228, 245 | 153Y1 | 153Y1 | 254 | 1725C19H01 | 1725C19H01 | 387 |
| 150H2 | 027C4X | 245, 294 | 153Z1 | 022C1 | 234, 236, 238 | 1725C19H04 | 1725C19H04 | 387 |
| 150H4 | 027C11 | 245, 294 | 153Z4 | 022C7 | 235, 236 | 172DE9 | 0801C1 | 249, 289 |
| 150H5 | 0463B | 270 | 154AA1 | 026D1 | 243, 244 | 172DR3 | 172DR3 | 274 |
| 150H6 | 027C12 | 245 | 154AB1 | 022D1 | 234-236, 238 | 172DR6 | 172DR6 | 274 |
| 150H7 | 0463C | 270 | 154AB2 | 022D2 | 234-236 | 172PM1 | 172PM1 | 274 |
| 150H9 | 0463D | 270 | 154AD2 | 0312 | 251 | 174AB1 | 174AB1 | 273 |
| 150HA3 | 027C5 | 245 | 154AD4 | 0313 | 251 | 174AK2 | 174AK2 | 273 |
| 150P13 | 024C4 | 244 | 154AD7 | 0312 | 251 | 174AV1 | 174AV1 | 273 |
| 150P14 | 024C5 | 244 | 154AD8 | 0313 | 251 | 17548-H | J22C2 | 207 |
| 150P22 | 027C7 | 245 | 154C1 | 023D1 | 240, 241, 243 | 17592-C | J20P1 | 206 |
| 150P23 | 027C8 | 245 | 154C2 | 023D2 | 240, 241 | 175A33 | 0508 | 282 |
| 150P25 | 021C1 | 227-230 | 154G1 | 025D1 | 243, 244 | 175H1 | 0530 | 240, 242, 243, 282 |
| 150P26 | 021C2 | 227-230 | 155MB | A480L26 | 89 | 175J1 | 0520A | 243, 282 |
| 150P27 | 021C3 | 227-230 | 155PSB | A487L10 | 90 | 175J122 | 0521D | 228, 230, 282 |
| 150P32 | 0351 | 248, 249, 252 | 156A6 | 0353 | 252 | 175J16 | 0520J | 282 |
| 150P33 | 0357 | 249, 252 | 156AA2 | 156AA2 | 254 | 175J2 | 0520B | 243, 253, 282 |
| 150P34 | 0358 | 249, 252 | 156AB2 | 0365 | 251 | 175J25 | 0533 | 282 |
| 150P37 | 0314 | 251 | 156AV2 | 0346 | 248, 252 | 175J3 | 0520C | 248, 282 |
| 150P4 | 021C4 | 227-230, 234, 234, 243, 249 | 156AX1 | 156AX1 | 254 | 175J4 | 0520D | 248, 282 |
| 150P41 | 0315 | 251 | 156D2 | 0333C5 | 253 | 175J5 | 0520E | 248, 282 |
| 150P7 | 024C1 | 243, 244 | 156E1 | 0343 | 248, 249, 253 | 175J6 | 0520F | 227-229, 248 |
| 150P8 | 024C2 | 243, 244 | 156E2 | 0343 | 248, 249, 253 | 175J8 | 0520G | 282 |
| 150W3 | 027C14 | 245 | 156E3 | 0343 | 248, 249, 253 | 175J80 | 0537 | 282 |
| 150W6 | 022D4 | 234-236, 238 | 156G4 | 0344 | 248, 249, 253 | 175J88 | 0521A | 228, 230, 234, 235, 237, 282 |
| 150W7 | 027C15 | 242 | 156H1 | 0363 | 249, 251 | | | |
| 150Y2 | 023C4 | 240, 241 | 156H2 | 0364 | 249, 251 | 175J89 | 0521B | 227-230, 243, 282 |
| 150Y4 | 022C3 | 234-236, 238 | 156J2 | 0330C2 | 253 | 175J9 | 0520H | 282 |
| 150Y5 | 023C4 | 240, 241 | 15T6/145 | A489L4 | 91 | 175J90 | 0521C | 227-230, 235, 282 |
| 150Y6 | 022C8 | 235, 236 | 15T6-120V | HA-1069-AH6 | 92 | 175J93 | 0521F | 228, 282 |
| 150Y7 | 022C9 | 235, 236 | 15T6DC | HA-1069-F6 | 92 | 175KA3 | 0544B | 243, 282 |
| 150Y8 | 022C3 | 234-236, 238 | A490L7 | 15T7C | 91 | 176KA1 | 0544A | 282 |
| 151B417H01 | 151B417H01 | 312 | 1601X | GL-933-G | 186 | 176KA10 | 0545B | 240, 242, 282 |
| 151B439G01 | W456C1 | 367 | 16313 | UE-1065-K | 392 | 176KA13 | 0546B | 234, 235, 237, 238, 282 |
| 151B439G02 | W456C2 | 367 | 16497-D | J820 | 198 | | | |
| 151B439G-Series | W456C-Series | 367 | 16562-M | J320 | 207 | 176KA14 | 0545F | 282 |
| 151B440H01 | W456F | 367 | 16847-C,J,R | J401 | 193 | 176KA4 | 0545A | 282 |
| 151B450H03 | 151B450H03 | 387 | 1692 | GL-1067-E | 186 | 176KA6 | 0544C | 282 |
| 151B456G01 | 151B456G01 | 358 | 1700H100 | 691B789H07 | 77.1 | 176KA9 | 0545F | 282 |
| 151B608G01 | W457C1 | 368 | 1718C08G01 | 1718C08G01 | 384 | 176KAB | 0544D | 243, 282 |
| 151B616G01 | W457C2 | 368 | 1718C73G01 | 1718C73G01 | 376 | 177AH1 | 0329 | 248, 253 |
| 151B671H01 | W82D1 | 334, 335 | 1718C73G02 | 1718C73G02 | 376 | 177AR1 | 0850M1 | 295 |
| 151B776H01 | W82D2 | 334, 335 | 1718C73G04 | 1718C73G04 | 376 | 177BS1 | 177BS1 | 268 |
| 152AN1 | 022C4 | 234-236, 238, 240, 242, 243 | 1718C73G05 | 1718C73G05 | 376 | 177CB7 | 177CB7 | 271 |
| 152AN2 | 022C5 | 234-236, 238, 240, 242-244 | 1718C74G01 | 1718C74G01 | 376 | 177CC5 | 177CC5 | 271 |
| 152AV2 | 0831C1 | 290 | 1718C74G02 | 1718C74G02 | 376 | 177DA1 | 177DA1 | 271 |
| 152AW2 | 0831 | 291 | 1718C74G03 | 1718C74G03 | 376 | 178T2 | 178T2 | 287 |
| 152AW2 | 0831C2 | 290 | 1718C74G04 | 1718C74G04 | 376 | 179AD1 | 025K1 | 243, 244 |
| 152AX2 | 0354B | 248, 249, 252 | 1718C74G05 | 1718C74G05 | 376 | 179AL2 | 022K3X | 236 |
| 152AX4 | 0354A | 248, 252 | 1718C75G01 | 1718C75G01 | 376 | 179AM1 | 022K3 | 234-236 |
| 152B011G02 | W403 | 340 | 1718C75G04 | 1718C75G04 | 376 | 179CG2 | 0295C3 | 232 |
| 152BE2 | 0830C1 | 290 | 171AG1 | 9818443 | 163 | 179CG4 | 0295C4 | 232 |
| 152BE4 | 0830C2 | 290 | 171AP1 | 9818431 | 166 | 179CH2 | 0295C1 | 232 |
| 153AE10 | 022C11 | 234, 236 | 171AV1 | 9817190 | 165 | 179CH4 | 0295C2 | 232 |
| 153AE11 | 022C12 | 236 | 1721C41G03 | 1721C41G03 | 377 | 179P2 | 023K1X | 240, 241 |
| 153AE6 | 022D5 | 236 | 1721C41G05 | 1721C41G05 | 377 | 179P3 | 023K1 | 240, 241, 243 |
| 153AE7 | 023C5 | 240, 241 | 1721C41G07 | 1721C41G07 | 377 | 18-0732 | 569A957H04 | 77.1 |
| 153AE8 | 022C6 | 234, 235 | 1721C41G10 | 1721C41G10 | 377 | 18-0733 | 569A957H05 | 77.1 |
| 153AE9 | 022C10 | 236 | 1721C41G13 | 1721C41G13 | 377 | 180AE3 | 180AE3 | 273 |
| 153AG6 | 153AG6 | 240, 254 | 1721C41G14 | 1721C41G14 | 377 | 180DA1 | 180DA1 | 271 |
| 153B1 | 023C1 | 240, 241, 243 | 1721C41G15 | 1721C41G15 | 377 | 180DA2 | 180DA2 | 271 |
| 153D1 | 025C1 | 243, 244 | 1721C41G16 | 1721C41G16 | 377 | 1815 | A480L4 | 89, 196 |
| 153H1 | 153H1 | 254 | 1721C41G20 | 1721C41G20 | 377 | 1820x | A480L24 | 89 |
| 153P31 | 0350 | 248, 249, 252 | 1721C41G22 | 1721C41G22 | 377 | 18266-C | J211 | 207 |
| 153T1 | 026C1 | 243, 244 | 1721C42G01 | 1721C42G01 | 376 | 18266-E | J212 | 207 |
| | | | 1721C42G04 | 1721C42G04 | 376 | 182A14 | 0697 | 283 |
| | | | 1721C43G04 | 1721C43G04 | 376 | 182A15 | 0698 | 283 |
| | | | 1725C12H01 | 1725C12H01 | 387 | 182A17 | 182A17 | 283 |

Cross Reference Index

| OEM Part No. | ADAMS Part No. | Catalog Page No. | OEM Part No. | ADAMS Part No. | Catalog Page No. | OEM Part No. | ADAMS Part No. | Catalog Page No. |
|--------------|----------------|------------------|----------------|----------------|--------------------|--------------|----------------|--------------------|
| 182A18 | 0699 | 283 | 196C340H08 | 196C340H08 | 365 | 2175C97H52 | 2175C97H52 | 373 |
| 182A2 | 0692 | 283 | 196C340H09 | 196C340H09 | 365 | 2175C97H53 | 2175C97H53 | 373 |
| 182A3 | 0693 | 283 | 196C499H04 | 196C499H04 | 377 | 2175C97H54 | 2175C97H54 | 373 |
| 182A4 | 0694 | 283 | 196C523H01 | W85L1 | 338, 339 | 2175C97H61 | 2175C97H61 | 373 |
| 182A5 | 182A5 | 283 | 196C527G01 | W85K1 | 338, 339 | 2175C97H86 | 2175C97H86 | 373 |
| 182A5 | 0695 | 283 | 196C527G02 | W85K2 | 338, 339 | 2175C97H95 | 2175C97H95 | 373 |
| 182A6 | 0696 | 283 | 196C557H01 | W459F | 371 | 2175C97H97 | 2175C97H97 | 373 |
| 182C1 | 182C1 | 283 | 196C557H02 | 196C557H02 | 380 | 2175C97H98 | 2175C97H98 | 373 |
| 1843 | A480L8 | 89, 196 | 196C584G01 | 196C584G01 | 384 | 2176 | W774 | 331 |
| 1846 | 9759839 | 167 | 196C585G01 | 196C585G01 | 384 | 2177C32G01 | 2177C32G01 | 343 |
| 1864/313 | A480L7 | 89 | 196C717H01 | 196C717H01 | 380 | 2179 | EE-870-Y9 | 77.1 |
| 186685 | WR103 | 142 | 196C921-Series | WC463W-Series | 367 | 2179C31G02 | 2179C31G02 | 346 |
| 1873 | 3-40336-61 | 196 | 197C534H01 | W85M2 | 338, 339 | 2179C36H01 | 2179C36H01 | 315 |
| 19237-C | J835 | 198 | 197C534H03 | W85M3 | 338, 339 | 2179C36H02 | 2179C36H02 | 315 |
| 19239-A | J836 | 198 | 197C567H01 | W85M1 | 338, 339 | 217B203G01 | W330S1 | 325 |
| 19355-series | J450-series | 194 | 198C036H01 | 198C036H01 | 387 | 217B203G02 | W330S2 | 325 |
| 19487-C | J20B2 | 206 | 198C036H02 | 198C036H02 | 387 | 217B233H01 | 217B233H01 | 312 |
| 194AD2 | 0825C | 18, 297, 362 | 0825G01 | 198C582G01 | 369.1 | 217B233H03 | 217B233H03 | 312 |
| 194AD3 | 0825A | 18, 297, 362 | 198C582G02 | 198C582G02 | 369.1 | 2190F91 | 3-40014-98 | 196 |
| 194AD7 | 0825B | 18, 297, 362 | 198C582G03 | 198C582G03 | 369.1 | 2192 | 9759797 | 167 |
| 19500-032 | 19500-032 | 218 | 198C582G04 | 198C582G04 | 369.1 | 21T1 | RL-1018-AXL | 404 |
| 19501-021 | 19501-021 | 217 | 198C582G05 | 198C582G05 | 369.1 | 222837 | 222837 | 381, 382 |
| 19501-022 | 19501-022 | 217 | 198C582G07 | 198C582G07 | 369.1 | 222923 | 222923 | 381, 382 |
| 19501-092 | 19501-092 | 217 | 199015 | 199015 | 297 | 222AA11 | H4011 | 247 |
| 19502-30 | 19502-30 | 212 | 1HD24-4.8 | OT-1600-L | 401 | 222CC1 | H3301 | 246 |
| 195AT2 | 195AT2 | 272 | 2000 | GK20000T | 84, 281 | 222CC2 | H3302 | 246 |
| 195C566G01 | 195C566G01 | 377 | 2000 Series | GK20000T | 281 | 222CC3 | H3303 | 246 |
| 195C566G03 | 195C566G03 | 377 | 2010 | 3-40089-63 | 49 | 222CD1 | H6992 | 237, 247 |
| 195C566G05 | 195C566G05 | 377 | 2019 | NY-949-A1 | 49 | 222CD2 | H6993 | 237, 247 |
| 195C566G07 | 195C566G07 | 377 | 20310-A | J321 | 207 | 222CD3 | H6994 | 237, 247 |
| 195C566H01 | 195C566H01 | 377 | 20324 | J202 | 206 | 222CD4 | H7502 | 237, 247 |
| 195C566H04 | 195C566H04 | 377 | 20342-B | J840A | 198 | 222CD5 | H6995 | 237, 247 |
| 195C566H05 | 195C566H05 | 377 | 20345-B | J311 | 207 | 222CV1 | H6989 | 247 |
| 195C574H01 | 195C574H01 | 364 | 20386-B | J222 | 207 | 222CV2 | H6990 | 247 |
| 195C574H02 | 195C574H02 | 364 | 20387-B | J223 | 207 | 222CV3 | H6991 | 247 |
| 195C574H04 | 195C574H04 | 364 | 20397-B | J224 | 207 | 222CV4 | H6997 | 247 |
| 195C574H06 | 195C574H06 | 364 | 203AL1 | R021 | 277 | 222CV6 | H6996 | 247, 248 |
| 195CH2 | 195CH2 | 272 | 2040 | O486E | 260-262 | 222CX1 | H5328 | 228, 229, 246, 249 |
| 195CP2 | 195CP2 | 272 | 20456 | J20C3 | 207 | 222CX2 | H5329 | 228, 246 |
| 195GK2 | 195GK2 | 272 | 20456-A | J20C2 | 207 | 222CY1 | H5317 | 228, 229, 246, 295 |
| 196C145H03 | W873H03 | 362 | 20696-A | J22G3 | 207 | 222CY10 | H7587 | 228, 246 |
| 196C145H05 | W873H05 | 362 | 20696-B | J22G2 | 207 | 222CY11 | H7588 | 228, 246 |
| 196C145H06 | W873H06 | 362 | 207AN1 | 207AN1 | 274 | 222CY2 | H5318 | 228, 229, 246 |
| 196C145H08 | W873H08 | 362 | 207BN1 | 207BN1 | 274 | 222CY3 | H5319 | 228, 246 |
| 196C145H09 | W873H09 | 362 | 207R2 | 207R2 | 274 | 222CY4 | H5320 | 228, 246 |
| 196C148G01 | 196C148G01 | 392 | 207Z4 | O410 | 257 | 222CY5 | H7582 | 228, 246 |
| 196C148H03 | 196C148H03 | 365 | 209AF2 | 209AF2 | 274 | 222CY6 | H7505 | 228, 246 |
| 196C149H01 | 196C149H01 | 377 | 209E1 | O801B1 | 289 | 222CY7 | H7507 | 228, 246 |
| 196C149H02 | 196C149H02 | 377 | 2100-956BL | A936P2 | 49 | 222CY8 | H7585 | 228, 246 |
| 196C149H03 | 196C149H03 | 377 | 2100-957AD | A936P3-1 | 49 | 222CZ1 | H7501 | 228, 229, 247 |
| 196C149H04 | 196C149H04 | 377 | 2100-957AD | A936P3-2 | 49 | 222CZ2 | H7503 | 228, 229, 247 |
| 196C149H10 | 196C149H10 | 377 | 210AA1 | O608 | 283 | 222CZ3 | H7500 | 228, 247 |
| 196C149H12 | 196C149H12 | 377 | 210BA1 | O609 | 283 | 222CZ4 | H7504 | 228, 247 |
| 196C149H13 | 196C149H13 | 377 | 210R1 | O613 | 283 | 222CZ5 | H7555 | 228, 247 |
| 196C149H14 | 196C149H14 | 377 | 212T4 | 212T4 | 272 | 222DE1 | H3701 | 247, 249 |
| 196C149H18 | 196C149H18 | 377 | 215B488G01 | 215B488G01 | 343 | 222DF4 | H3754 | 246 |
| 196C149H20 | 196C149H20 | 377 | 215B687H01 | W82B1 | 334-337 | 222DF6 | H3756 | 246 |
| 196C149H21 | 196C149H21 | 377 | 215B690H01 | 215B690H01 | 364 | 222DF7 | H3757 | 246 |
| 196C149H25 | 196C149H25 | 377 | 215B755H01 | 215B755H01 | 364 | 222DF9 | H3759 | 246 |
| 196C149H26 | 196C149H26 | 377 | 215B951H01 | A831 | 72, 133, 154, 198, | 222E15 | H4615 | 246 |
| 196C149H27 | 196C149H27 | 377 | | | 215, 347 | 222E16 | H4634 | 246 |
| 196C149H28 | 196C149H28 | 377 | 2166J3 | 2166J3 | 273 | 222E17 | H4633 | 246 |
| 196C149H29 | 196C149H29 | 377 | 216B129H01 | 216B129H01 | 364 | 222E20 | H4620 | 246 |
| 196C149H31 | 196C149H31 | 377 | 216B298H01 | W450D1 | 370 | 222E22 | H4622 | 246 |
| 196C149H45 | 196C149H45 | 377 | 216B711G04 | W250L1 | 316 | 222E23 | H4623 | 246 |
| 196C340H03 | 196C340H03 | 365 | 216B711G04 | W250L2 | 316 | 222E24 | H4624 | 246 |
| 196C340H04 | 196C340H04 | 365 | 216B755G02 | 216B755G02 | 380 | 222E29 | H4629 | 246 |
| 196C340H06 | 196C340H06 | 365 | 2175C97H01 | 2175C97H01 | 373 | 222E30 | H4631 | 246 |

Cross Reference Index

| OEM Part No. | ADAMS Part No. | Catalog Page No. | OEM Part No. | ADAMS Part No. | Catalog Page No. | OEM Part No. | ADAMS Part No. | Catalog Page No. |
|--------------|----------------|------------------|--------------|----------------|------------------|--------------|----------------|------------------|
| 222E31 | H4632 | 246 | 225445 | 225445 | 381, 382 | 240C1 | 0775 | 285, 286 |
| 222E32 | H4635 | 246 | 225780 | 225780 | 208 | 240E10 | 0796 | 285, 286 |
| 222EB1 | H7601 | 236, 247 | 225CG3 | 225CG3 | 271 | 240E14 | 0790 | 285, 286 |
| 222EB2 | H7602 | 236, 247 | 22665-70 | EE-960-W | 393 | 240E16 | 0788 | 285, 286 |
| 222EB3 | H7603 | 236, 247 | 22665-71 | EE-960-E | 393 | 240E17 | 0789 | 285, 286 |
| 222EB4 | H7604 | 236, 247 | 226C1 | C001 | 278 | 240E18 | 0792 | 285, 286 |
| 222EB5 | H7605 | 236, 247 | 226D1 | C005 | 278 | 240E22 | 0794 | 285, 286 |
| 222EB6 | H7606 | 236, 247 | 226D2 | C006 | 278 | 240E4 | 0754 | 285, 286 |
| 222EB7 | H7607 | 236, 247 | 226H1 | A103C1 | 86, 87, 278, 386 | 240E8 | 0755 | 285, 286 |
| 222F10 | H4710 | 247 | 226H1 | C011 | 278 | 240F11 | 0761G | 285, 286 |
| 222F11 | H4711 | 247 | 226H11 | A103C1 | 86, 87, 278, 386 | 240F12 | 0761C | 285, 286 |
| 222F12 | H4712 | 247 | 226H2 | A103C1 | 86, 87, 278, 386 | 240F15 | 0783 | 285, 286 |
| 222F13 | H4713 | 247 | 226H2 | C012 | 278 | 240F19 | 0782 | 285, 286 |
| 222F14 | H4714 | 247 | 226H3 | A103C1 | 86, 87, 278, 386 | 240F20 | 0762 | 285, 286 |
| 222F15 | H4715 | 247 | 226H3 | C013 | 278 | 240F21 | 0785 | 285, 286 |
| 222F17 | H4717 | 247 | 226H4 | A103C1 | 86, 87, 278, 386 | 240F22 | 0759C | 285, 286 |
| 222F8 | H4708 | 247 | 226H4 | C014 | 278 | 240F23 | 0786 | 285, 286 |
| 222FA1 | H4751 | 246 | 226H5 | C015 | 278 | 240F25 | 0761GX | 285, 286 |
| 222FA3 | H4753 | 246 | 226H7 | 226H7 | 278 | 240F26 | 0759G | 285, 286 |
| 222FA5 | H4755 | 246 | 226H7 | A103C1 | 86, 87, 278, 386 | 240F27 | 0769 | 285, 286 |
| 222FD | H2150-Series | 248 | 226H8 | A103C1 | 86, 87, 278, 386 | 240F3 | 0759GX | 285, 286 |
| 222FD4 | H2154 | 232, 246 | 226W1 | C021 | 278 | 240F4 | 0768 | 286 |
| 222FD7 | H2157 | 232, 246 | 226W2 | C022 | 278 | 240F5 | 0767 | 285, 286 |
| 222FD8 | H2158 | 232, 246 | 226W3 | 226W3 | 278 | 240G1 | 0760 | 285, 286 |
| 222FF | H2100-Series | 248, 249 | 230AG1 | R010 | 277 | 240G3 | 0758 | 285, 286 |
| 222FF1 | H2101 | 232, 246 | 230AJ1 | R011 | 277 | 240H4 | 0781 | 285, 286 |
| 222FF11 | H2111 | 232, 246 | 230AL2 | R022 | 277 | 240J1 | 0774 | 285, 286 |
| 222FF12 | H2112 | 232, 246 | 230AL3 | R023 | 277 | 240J3 | 0766 | 285, 286 |
| 222FF13 | H2113 | 232, 246 | 230AR1 | R050 | 277 | 240P1 | 0772 | 285, 286 |
| 222FF5 | H2105 | 232, 246 | 230AR1 | R062 | 277 | 240P2 | 0773 | 285, 286 |
| 222FF6 | H2106 | 232, 246 | 230AR2 | R062 | 277 | 240P3 | 0764 | 285, 286 |
| 222FF7 | H2107 | 232, 246 | 230AR3 | R062 | 277 | 240P4 | 0773C | 285, 286 |
| 222FF8 | H2108 | 232, 246 | 230AV1 | R061 | 277 | 240R1 | 0757 | 285, 286 |
| 222FF9 | H2109 | 232, 246 | 230AY3 | R065 | 249 | 240R3 | 0751 | 285, 286 |
| 222G15 | H7515 | 247 | 230AZ1 | R012 | 277 | 240R5 | 0765 | 285, 286 |
| 222G17 | H7517 | 247 | 230BA1 | R023 | 277 | 240T5 | 0744 | 285, 286 |
| 222G19 | H7519 | 247 | 230BAJ5 | R023 | 277 | 240W1 | 0752 | 285, 286 |
| 222G20 | H7520 | 247 | 230BJ2 | R010 | 277 | 240W3 | 0743 | 285, 286 |
| 222G21 | H7521 | 247 | 230BJ3 | R025 | 277 | 240Y1 | 0753 | 285, 286 |
| 222G31 | H7531 | 247 | 230BJ4 | R026 | 277 | 241 | OT-200-H | 401 |
| 222T4 | H7704 | 247 | 232AA40 | 232AA40 | 279 | 2440 | GL-870-A | 77.1 |
| 222T5 | H7705 | 247 | 232AA42 | 232AA42 | 279 | 2448 | 9759827 | 167 |
| 222T8 | H7708 | 247 | 232AA48 | 232AA48 | 279 | 24521 | 021A9 | 227, 228 |
| 222W1 | H7101 | 246 | 232AE1 | C025 | 278 | 24522 | 021A2 | 227-229 |
| 222W10 | H7110 | 246 | 232B10 | 232B10 | 279 | 2498 | EE-870-Y9 | 77.1 |
| 222W11 | H7111 | 246 | 232B11 | 232B11 | 279 | 24B | ARW450H5 | 135 |
| 222W12 | H7112 | 246 | 232B20 | 232B20 | 279 | 24CSB | A487L9 | 90, 260-262 |
| 222W14 | H7114 | 246 | 232B3 | 232B3 | 279 | 24CSB | HA-1069-C | 92 |
| 222W15 | H7115 | 246 | 232B6 | 232B6 | 279 | 24ESB | HA-1067-S5 | 92 |
| 222W16 | H7116 | 246 | 232B7 | 232B7 | 279 | 24MB | A480L19 | 89 |
| 222W17 | H7117 | 246 | 232C8 | 232C8 | 271 | 24PSB | A487L1 | 90, 106 |
| 222W18 | H7118 | 246 | 232E126 | 232E126 | 279 | 2500 | GK25000T | 84, 281 |
| 222W19 | H7119 | 246 | 232E127 | 232E127 | 279 | 2500 Series | GK025000T | 281 |
| 222W4 | H7104 | 246 | 232E130 | 232E130 | 279 | 250723 | PL-1575-B | 403 |
| 222W8 | H7108 | 246 | 232E131 | 232E131 | 279 | 250D1 | 250D1 | 267 |
| 222W9 | H7109 | 246 | 232Y20 | 232Y20 | 279 | 250D11 | 250D11 | 267 |
| 222Z1 | H5371 | 246 | 232Y25 | 232Y25 | 279 | 250D2 | 250D2 | 267 |
| 222Z3 | H5373 | 246 | 233 | OT-200-M | 401 | 250D21 | 250D21 | 267 |
| 222Z4 | H5374 | 246 | 23322G01 | D413M | 152 | 250D3 | 250D3 | 267 |
| 222Z5 | H5375 | 246 | 234AG | 148009 | 77.1 | 250D4 | 250D4 | 267 |
| 222Z8 | H5378 | 246 | 2356-67R | PL-902-H7 | 403 | 250D5 | 250D5 | 267 |
| 223076 | 223076 | 381, 382 | 235NV | SMH273916 | 77.1 | 250D6 | 250D6 | 267 |
| 223200 | 223200 | 381, 382, 384 | 237GAN | W905N | 304, 347 | 250E14 | 250E14 | 268 |
| 223956 | 223956 | 381, 382 | 2389 | 9826191 | 167 | 250E15 | 250E15 | 268 |
| 224213 | 224213 | 382, 384 | 239 | OT-200-P | 401 | 250E17 | 250E17 | 268 |
| 225094 | 225094 | 383, 384 | 240B3 | 0776 | 285, 286 | 250E19 | 250E19 | 268 |
| 225212 | 225212 | 381, 382 | 240B4 | 0777 | 285, 286 | 250E20 | 250E20 | 268 |
| 225313 | 225313 | 381, 382 | 240B6 | 0756 | 285, 286 | 250E21 | 250E21 | 268 |

Cross Reference Index

| OEM Part No. | ADAMS Part No. | Catalog Page No. | OEM Part No. | ADAMS Part No. | Catalog Page No. | OEM Part No. | ADAMS Part No. | Catalog Page No. |
|--------------|----------------|--------------------|--------------|----------------|------------------|--------------------|----------------|-------------------|
| 250E23 | 250E23 | 268 | 278BG11 | 0890R1 | 295 | 297F1 | 0465B | 269 |
| 250E26 | 250E26 | 268 | 278BG2 | 0890R | 295 | 2980 | NY-949-K2 | 74 |
| 250E31 | 250E31 | 268 | 278BG2 | 0893R | 295 | 2982 | NY-949-K4 | 74 |
| 250E32 | 250E32 | 268 | 278BG3 | 0890L | 295 | 298BV1 | 021B4 | 227 |
| 250E33 | 250E33 | 268 | 278BG3 | 0893L | 295 | 2L427 | 5VX690 | 77.1 |
| 250E34 | 250E34 | 268 | 278BP2 | 0480ST2 | 263 | 2L437 | 5VX850 | 77.1 |
| 250E35 | 250E35 | 268 | 278CE2 | 278CE2 | 268 | 300B230P | 3-40000-26 | 411 |
| 250E36 | 250E36 | 268 | 278EA1 | 278EA1 | 267 | 300L050 | 144A600H32 | 77.1 |
| 250E37 | 250E37 | 268 | 278T5 | 278T5 | 273 | 3-018-037 | A406M | 73 |
| 251721 | PL-2263-K | 403 | 28186 | D855L | 160 | 3-018-08 | A406AM | 73 |
| 25182 | PL-2263-R | 403 | 28190 | D855R | 160 | 3046006 | 0901 | 303 |
| 251BJ1 | 251BJ1 | 304 | 2843C81G01 | 2843C81G01 | 392 | 3046019 | 0904 | 303 |
| 251BT3 | 251BT3 | 272 | 2843C81H01 | 2843C81H01 | 365 | 30-491212-200-3-01 | LS-1018-A6 | 398 |
| 251BT5 | 251BT5 | 272 | 2845C49G01 | 2845C49G01 | 347 | 30-491213-200-1-01 | LS-1018-M | 398 |
| 251BV1 | 251BV1 | 272 | 2845C49H01 | 2845C49H01 | 347 | 30-491213-200-3-01 | LS-1018-A4 | 398 |
| 251BV5 | 251BV5 | 272 | 2858-114 | 2858-114 | 217 | 3-053-14 | EE-870-E | 393 |
| 2525-5M-15 | HA-870-Z2 | 77.1 | 28600-001 | 28600-001 | 219 | 306BR1 | 022B1 | 234, 236, 238 |
| 253X | A496L1 | 91 | 28723 | DP3000 | 81 | 306BR2 | 022B3 | 235, 236 |
| 253X | GE-1067-A1 | 92 | 28763-B | J22C3 | 198, 207 | 306CE1 | 027B1 | 245 |
| 25A/5 | HA-1069-A9 | 92 | 28763-E | J20C1 | 198, 206 | 306CJ1 | 022B2 | 234-236, 240, 241 |
| 25G161 | HA-1069-E3 | 92 | 28764-B | J20B1 | 206 | 306CL1 | 023B1 | 240, 241 |
| 25S11/2C | A490L6 | 91 | 287BA3 | 0840BA3 | 294 | 306CN1 | 021B1 | 227, 228 |
| 25S6/120CS | A488L11 | 91 | 287BA4 | 0840BA4 | 294 | 306CP1 | 022K3B | 234-236 |
| 25T10 | 3-26122-02 | 196 | 287F2 | 0840F2 | 294 | 306CZ1 | 021B2 | 227, 228 |
| 25T10/IF | HA-1067-A7 | 92 | 287F2A | 0840F2A | 294 | 306EF1 | 021B3 | 227, 228 |
| 25T8C | A490L1 | 91, 162 | 287F4 | 0840F4 | 294 | 306FM1 | 0805 | 288, 289 |
| 25T8C | HA-1067-B8 | 92 | 287F6 | 0840F6 | 294 | 306FX1 | 0831B1 | 290 |
| 25T8DC | A490L2 | 91 | 287F6A | 0840F6A | 294 | 306GD1 | 0344B | 248, 249, 252 |
| 25T8DC | A490L3 | 91 | 287F8 | 0840F8 | 294 | 306GD2 | 306GD2 | 268 |
| 25T8N | A490L5 | 91 | 287H1 | 0840H1 | 294 | 306JG1 | 0483 | 263 |
| 26008 | D520B | 141 | 287H2 | 0840H2 | 294 | 306JG2 | 0464H | 265 |
| 261-A1 | A401M | 73 | 287R4 | 287R4 | 273 | 306JH1 | 0483 | 263 |
| 261-A1 | A401XM | 73 | 2881-148 | M2107 | 213 | 306JJ1 | 0830B1 | 290 |
| 2630C89G04 | 2630C89G04 | 312 | 2881-149 | M2108 | 213 | 306JL4 | 0292 | 232 |
| 2630C89G05 | 2630C89G05 | 312 | 2881-170 | 2881-170 | 224 | 306KH2 | 0480H2 | 263 |
| 2630C89G13 | 2630C89G13 | 312 | 28841-B | J20A3 | 206 | 306KJ1 | 0464D | 265 |
| 2630C89G14 | 2630C89G14 | 312 | 28841-C | J20A2 | 206 | 306KV-Series | 0481B-Series | 264 |
| 2633C12G03 | 2633C12G03 | 382 | 28842-C | J20A1 | 206 | 306LA1 | 024B1 | 243 |
| 2633C40G01 | 2633C40G01 | 384 | 28855 | DV55V2 | 169 | 306MK1 | 0468H1 | 269 |
| 2633C74H27 | 2633C74H27 | 312 | 28856 | DV55V1 | 169 | 306MN1 | 0468D1 | 269 |
| 2633C79G01 | 2633C79G01 | 384 | 288CD4 | 288CD4 | 287 | 306T2 | 306T2 | 287 |
| 2633C88G01 | 2633C88G01 | 384 | 288LL2 | 288LL2 | 273 | 306W1 | 024B2 | 243 |
| 2638C89G01 | 2638C89G01 | 369.1 | 288LS1 | 0826K1 | 297 | 307AE1 | 0801 | 288, 289 |
| 2638C89G02 | 2638C89G02 | 369.1 | 288MB4 | 288MB4 | 273 | 307AE2 | 0802 | 288, 289 |
| 2638C89G03 | 2638C89G03 | 369.1 | 2890C79H01 | AT1M057 | 363, 405 | 30DD | 3-40362-74 | 196 |
| 2638C89G07 | 2638C89G07 | 369.1 | 2894C59G01 | 2894C59G01 | 384 | 3-10062-02 | 3-10062-02 | 206 |
| 2638C89G08 | 2638C89G08 | 369.1 | 2894C59G07 | 2894C59G07 | 384 | 3-10062-03 | 3-10062-03 | 206 |
| 2643C85H15 | 2643C85H15 | 387 | 28974-1 | 28974-1 | 218 | 3-10062-04 | 3-10062-04 | 206 |
| 2644C37G01 | 2644C37G01 | 380 | 28MB | A480L27 | 89 | 3-10062-08 | 3-10062-08 | 206 |
| 265BC2 | 265BC2 | 272 | 28PSB | A487L2 | 90, 106 | 3-10062-09 | 3-10062-09 | 206 |
| 265BD2 | 265BD2 | 272 | 28RC | A491L3 | 91 | 3-10062-13 | J20R1 | 206 |
| 26980 | D522A | 141 | 2900C27G02 | AT1K004 | 363, 405 | 310BE1 | 310BE1 | 275 |
| 269R1 | 0320C | 249, 251 | 290B1 | 0426 | 259 | 311B1 | 311B1 | 279 |
| 27006 | D520A | 141 | 29290 | D20C2 | 140 | 311B2 | 311B2 | 279 |
| 2700ADZ1 | 2700ADZ1 | 273 | 29291 | D20D2 | 140 | 311B4 | 311B4 | 279 |
| 2700AEJ1 | 2700AEJ1 | 274 | 29746 | 9897641 | 153 | 311B8 | 311B8 | 279 |
| 27071 | CX-32C3 | 140 | 2979 | NY-949-K3 | 74 | 3-16497-00 | J820 | 198 |
| 27075 | D521A | 141 | 297B1 | 0300 Series | 248-250 | 3-16562-08 | J320 | 207 |
| 27080 | D21D1 | 140 | 297B1 | 0300-1000 | 248-250 | 3-16847-03 | J402 | 193 |
| 27118 | D22D1 | 140 | 297B1 | 0300-1500 | 248-250 | 316AHJ1 | 316AHJ1 | 273 |
| 276708 | PL-1172-F | 403 | 297B1 | 0300-250 | 248-250 | 316BCA1 | 021K2 | 227, 228 |
| 276B1 | 023H2 | 240, 241, 243 | 297B1 | 0300-300 | 248-250 | 316BCR1 | 316BCR1 | 273 |
| 276H1 | 022H1 | 234, 235, 237, 238 | 297B1 | 0300-3500 | 248-250 | 3-17548-06 | J22C2 | 207 |
| 27704 | DV55N1 | 170 | 297B1 | 0300-400 | 248-250 | 3-17592-02 | J20P1 | 206 |
| 27728 | 9747620 | 153 | 297B1 | 0300-500 | 248-250 | 3-18266-01 | J211 | 207 |
| 278AN1 | 278AN1 | 268 | 297B1 | 0300-800 | 248-250 | 3-18266-02 | J212 | 207 |
| 278AN1 | 0480ST3 | 263, 268 | 297B2 | 0301 | 248, 250 | 3-19237-02 | J835 | 198 |
| 278BG10 | 0890L1 | 295 | 297C1 | 297C1 | 273 | 3-19239-01 | J836 | 198 |

Cross Reference Index

| OEM Part No. | ADAMS Part No. | Catalog Page No. | OEM Part No. | ADAMS Part No. | Catalog Page No. | OEM Part No. | ADAMS Part No. | Catalog Page No. |
|--------------|----------------|------------------|--------------|----------------|------------------|-----------------|----------------|-----------------------------|
| 3-19373-2 | J428B | 192 | 323C895G07 | 323C895G07 | 375 | 324C991G08 | W250S9A | 316 |
| 3-19487-03 | J20B2 | 206 | 323C895G08 | 323C895G08 | 375 | 324C991G17 | W250S8A | 316 |
| 3-20310-01 | J321 | 207 | 323C895G10 | 323C895G10 | 375 | 324C991G26 | W250S7A | 316 |
| 3-20342-02 | J840A | 198 | 323C895G12 | 323C895G12 | 375 | 324C991G35 | W250S4A | 316 |
| 3-20345-02 | J311 | 207 | 323C895G13 | 323C895G13 | 375 | 324C991G44 | W250S5A | 316 |
| 3-20386-02 | J222 | 207 | 323C895G15 | 323C895G15 | 375 | 324C991G53 | W250S6A | 316 |
| 3-20387-02 | J223 | 207 | 323C895G16 | 323C895G16 | 375 | 324C991G62 | W250S3B | 316 |
| 3-20397-00 | J224 | 207 | 323C895G17 | 323C895G17 | 375 | 324C991G71 | W250S2A | 316 |
| 3-20456-01 | 3-20456-01 | 207 | 323C895G18 | 323C895G18 | 375 | 324C991G80 | W250S1A | 316 |
| 3-20456-01 | J20C2 | 207 | 323C895G19 | 323C895G19 | 375 | 324C992G08 | W250S9B | 316 |
| 3-20456-02 | 3-20456-02 | 207 | 323C895G21 | 323C895G21 | 375 | 324C992G17 | W250S8B | 316 |
| 3-20696-01 | J22G3 | 207 | 323C895H01 | 323C895H01 | 375 | 324C992G26 | W250S7B | 316 |
| 3-20696-02 | J22G2 | 207 | 323C895H02 | 323C895H02 | 375 | 324C992G35 | W250S4B | 316 |
| 3207-112 | A106P | 27 | 323C895H10 | 323C895H10 | 375 | 324C992G44 | W250S5B | 316 |
| 3207-130 | A106U1101-A | 27 | 323C895H12 | 323C895H12 | 375 | 324C992G53 | W250S6B | 316 |
| 3207-37 | A106J | 27 | 323C895H15 | 323C895H15 | 375 | 324C992G62 | W250S3A | 316 |
| 3207-91 | A106U | 27 | 323C895H16 | 323C895H16 | 375 | 324C992G71 | W250S2B | 316 |
| 320AD2 | 320AD2 | 279 | 323C895H18 | 323C895H18 | 375 | 324C992G80 | W250S1B | 316 |
| 320AM1 | 320AM1 | 279 | 323C895H19 | 323C895H19 | 375 | 325C798G01 | W408R | 341 |
| 320AY1 | 0800R1 | 288, 289 | 323C895H20 | 323C895H20 | 375 | 325C798G02 | W408L | 341 |
| 320BE2 | 0856 | 289 | 323C895H23 | 323C895H23 | 375 | 325C798G05 | W408RL | 341 |
| 320C940H01 | 320C940H01 | 387 | 323C895H25 | 323C895H25 | 375 | 325C798G09 | W408W1 | 341, 344 |
| 320C940H02 | 320C940H02 | 387 | 323CK1 | 323CK1 | 268 | 325C798G10 | W408P | 341, 354, 356 |
| 320C941H01 | 320C941H01 | 387 | 323CK1 | 0468BC1 | 269 | 325C805G01 | W471A1 | 368 |
| 320CD1 | 320CD1 | 279 | 323CX1 | 021C23X1 | 226 | 325C827H02 | 325C827H02 | 387 |
| 320CX1 | 021C20Z1 | 226 | 323DA1 | 323DA1 | 267 | 325C877G-series | W454B-series | 367 |
| 320P4 | 0800R2 | 288, 289 | 323DA2 | 323DA2 | 267 | 3-26064-00 | J410 | 192 |
| 321C145H02 | 321C145H02 | 387 | 323DA3 | 323DA3 | 267 | 3-26122-00 | A489L1 | 91, 162, 196 |
| 321C201G01 | 321C201G01 | 347 | 32440 | D470 Series | 164 | 327AV1 | 327AV1 | 273 |
| 321C201G01 | W881 | 347 | 32454 | D450C1 | 164 | 327AV3 | 327AV3 | 273 |
| 321CJ3 | 321CJ3 | 272 | 32455 | D450C2 | 164 | 327CX2 | 327CX2 | 273 |
| 321CJ4 | 321CJ4 | 272 | 32456 | D450A1 | 164 | 327CX6 | 327CX6 | 273 |
| 321CV1 | 0826B1 | 297 | 32457 | D450A2 | 164 | 327DE2 | 0328 | 249, 252 |
| 3-22841-01 | J20A3 | 206 | 32458 | D450A3 | 164 | 327DJ2C | 0833 | 249, 252, 291 |
| 3-22841-02 | J20A2 | 206 | 32459 | D459 | 164 | 327DJ4 | 327DJ4 | 273 |
| 3-22842-02 | J20A1 | 206 | 32460 | D458 | 164 | 327FT2 | 0327A | 248, 249, 252 |
| 322C240G01 | 322C240G01 | 343 | 32461 | A489L1 | 91, 162, 196 | 327GJ1 | 0361 | 249, 252 |
| 322C241G01 | 322C241G01 | 343 | 32462 | A488L4 | 91, 162, 269 | 327GS1 | 0362 | 249, 252 |
| 322C830-G13 | W255S1 | 324 | 32463 | A488L5 | 91, 162 | 327JE2 | 0333CY | 249, 253 |
| 322C830-G14 | W255S2 | 324 | 32464 | A490L1 | 91, 162 | 3-28763-01 | J22C3 | 198, 207 |
| 322C830-G15 | W255S3 | 324 | 32477 | A489L3 | 91, 162 | 3-28763-02 | 3-28763-02 | 206 |
| 322C830-G16 | W255S4 | 324 | 324C083G03 | W407R | 341 | 3-28764-02 | J20B1 | 206 |
| 3-23015-01 | 3-23015-01 | 209 | 324C083G04 | W407L | 341 | 32974 | 9743297 | 159 |
| 3-23015-02 | J3026T | 209 | 324C463G05 | W83L2 | 336, 337 | 330J/7 | 693B415H01 | 77.1, 350 |
| 3-23015-03 | J3026C | 209 | 324C463G06 | W83L1 | 336, 337 | 33-1067-005 | A481L6 | 90, 196 |
| 3-23015-04 | J3016 | 209 | 324C595G01 | W251P1 | 317 | 33-1094-007 | 33-1094-007 | 205 |
| 3-23015-05 | J3026 | 209 | 324C595G02 | W251P2 | 317 | 33-1094-009 | 33-1094-009 | 205 |
| 3-23015-06 | J3046 | 209 | 324C595G04 | W251P3 | 317 | 33-1094-013 | 33-1094-013 | 205 |
| 3-23015-07 | J3005 | 209 | 324C595G05 | W251P4 | 317 | 33-1097-001 | 33-1097-001 | 208 |
| 3-23015-09 | J3002D | 209 | 324C595G06 | W251P5 | 317 | 33-1097-004 | 33-1097-004 | 208 |
| 3-23015-18 | J3048 | 209 | 324C969G01 | W880K3 | 324, 347 | 33-1097-005 | 33-1097-005 | 208 |
| 3-23015-19 | J3024G | 209 | 324C969G02 | W880K4 | 324, 347 | 33-1097-006 | 33-1097-006 | 208 |
| 3-23015-20 | J3020G | 209 | 324C969G03 | W880K2 | 324, 347 | 33-1097-007 | 33-1097-007 | 208 |
| 3-23015-21 | 3-23015-21 | 209 | 324C969G04 | W880K1 | 324, 347 | 33-1651-001 | A831 | 72, 133, 154, 198, 215, 347 |
| 3-23015-23 | 3-23015-23 | 209 | 324C969G05 | W880K5 | 324, 347 | | | |
| 3-23015-24 | J3020 | 209 | 324C969G06 | W880K3 | 324, 347 | 33-1651-001 | A832 | 72, 133, 198, 215, 347 |
| 323BD1 | 0451B-Series | 266 | 324C969G07 | W880K5 | 324, 347 | | | |
| 323BH2 | 0485B2-Series | 263 | 324C969G08 | W880K4 | 324, 347 | 331CX1 | 021C31X1 | 226 |
| 323BL2 | 0480B2-Series | 263 | 324C981G20 | W245G02 | 319 | 332CX1 | 021C32X1 | 226 |
| 323BP | 0464B-Series | 265 | 324C981G22 | W245G22 | 319 | 3-349-001 | EE-960-EE | 393 |
| 323C160G01 | W412 | 345 | 324C981G33 | W245G33 | 319 | 334C1 | 334C1 | 272 |
| 323C160G02 | W412P | 345 | 324C981G40 | W245G04 | 319 | 335200-1 | 335200-1 | 112 |
| 323C160G02 | W412S | 345 | 324C981G42 | W245G24 | 319 | 335E22 | 335E22 | 272 |
| 323C235G02 | W407A | 341, 344 | 324C981G44 | W245G44 | 319 | 335E84 | 335E84 | 272 |
| 323C895G01 | 323C895G01 | 375 | 324C981G44 | W246G44 | 319 | 335E86 | 335E86 | 272 |
| 323C895G02 | 323C895G02 | 375 | 324C981G53 | W245G35 | 319 | 335H1 | 0421X | 258 |
| 323C895G03 | 323C895G03 | 375 | 324C981G62 | W245G26 | 319 | 335H12 | 335H12 | 272 |
| 323C895G04 | 323C895G04 | 375 | 324C981G62 | W246G26 | 319 | 335H7 | 335H7 | 272 |

Cross Reference Index

| OEM Part No. | ADAMS Part No. | Catalog Page No. | OEM Part No. | ADAMS Part No. | Catalog Page No. | OEM Part No. | ADAMS Part No. | Catalog Page No. |
|--------------|----------------|------------------------|--------------|----------------|------------------|--------------------|----------------|------------------|
| 3-36102-01 | J4025 | 209 | 3-40216-57 | O471K2 | 276 | 3-40340-68 | 3-40340-68 | 382, 383 |
| 3-36102-02 | 3-36102-02 | 209 | 3-40220-01 | 3-40220-01 | 205 | 3-40341-26 | 3-40341-26 | 383 |
| 3-36102-03 | J4071 | 209 | 3-40220-54 | 3-40220-54 | 382 | 3-40341-30 | 3-40341-30 | 382, 383 |
| 3-36102-04 | 3-36102-04 | 209 | 3-40220-69 | 3-40220-69 | 208 | 3-40342-45 | 3-40342-45 | 382, 383 |
| 3-36102-05 | J4002 | 209 | 3-40231-12 | 3-40231-12 | 382, 383 | 3-40352-50 | 3-40352-50 | 382 |
| 3-36102-11 | 3-36102-11 | 209 | 3-40231-72 | 3-40231-72 | 381 | 3-40391-24 | 3-40391-24 | 208 |
| 3-36102-13 | J4001 | 209 | 3-40232-32 | 3-40232-32 | 382, 383 | 3-40393-54 | 3-40393-54 | 382 |
| 3-36300-01 | A480L8 | 89, 196 | 3-40233-09 | 3-40233-09 | 381 | 3-40394-67 | 3-40394-67 | 422 |
| 3-368-002 | EE-959-G | 393 | 3-40239-26 | 3-40239-26 | 381 | 34-0725-005 | J310 | 207 |
| 3-368-024 | EE-959-F | 393 | 3-40245-92 | 3-40245-92 | 208 | 34-0792-097 | J410 | 192 |
| 336CM1 | O327B | 248, 249, 252 | 3-40246-69 | 3-40246-69 | 382 | 340CX1 | O21C40X1 | 226 |
| 339 | MX-901-H4 | 400 | 3-40249-82 | 3-40249-82 | 205 | 340J/7 | 693B415H02 | 77.1 |
| 33AA1 | AT1R079 | 281, 405 | 3-40250-21 | 3-40250-21 | 381 | 3-410-001 | EE-180-G | 393 |
| 33AA2 | 33AA2 | 283 | 3-40252-30 | 3-40252-30 | 381 | 34-1032-001 | 34-1032-001 | 209 |
| 33D14 | 33D14 | 283 | 3-40254-92 | 3-40254-92 | 208 | 34-1032-001 | J5001 | 209 |
| 33D20 | AT1R105 | 281, 405 | 3-40255-12 | 3-40255-12 | 205 | 34-1032-003 | 34-1032-003 | 209 |
| 33D26 | AT1R019 | 281, 405 | 3-40255-13 | 3-40255-13 | 205 | 34-1032-005 | 34-1032-005 | 209 |
| 33D29 | AT1R020 | 281, 405 | 3-40255-36 | 3-40255-36 | 208 | 34-1032-006 | 34-1032-006 | 209 |
| 3-40005-27 | 3-40005-27 | 381 | 3-40256-98 | 3-40256-98 | 381 | 34-1032-007 | 34-1032-007 | 209 |
| 3-40006-59 | 3-40006-59 | 381 | 3-40258-28 | 3-40258-28 | 208 | 34-1032-009 | 34-1032-009 | 209 |
| 3-40007-96 | 3-40007-96 | 208 | 3-40258-34 | 3-40258-34 | 209 | 34-1032-010 | 34-1032-010 | 209 |
| 3-40008-61 | 3-40008-61 | 205 | 3-40259-45 | 3-40259-45 | 381 | 34-1032-011 | 34-1032-011 | 209 |
| 3-40008-73 | 3-40008-73 | 205 | 3-40264-63 | 3-40264-63 | 205 | 34-1032-012 | 34-1032-012 | 209 |
| 3-40008-75 | 3-40008-75 | 208 | 3-40266-23 | 3-40266-23 | 208 | 34-1097-002 | 34-1097-002 | 208 |
| 3-40010-13 | J429S | 192 | 3-40266-40 | 3-40266-40 | 382 | 34-1097-003 | 34-1097-003 | 208 |
| 3-40010-67 | 3-40010-67 | 205 | 3-40267-48 | 3-40267-48 | 381 | 34-1097-004 | 34-1097-004 | 208 |
| 3-40012-24 | 3-40012-24 | 381 | 3-40277-03 | 3-40277-03 | 381 | 34-1097-005 | 34-1097-005 | 208 |
| 3-40080-00 | J451-series | 194 | 3-40277-58 | 3-40277-58 | 208 | 34-1097-006 | 34-1097-006 | 208 |
| 3-40092-32 | 3-40092-32 | 208 | 3-40280-14 | 3-40280-14 | 381 | 34-1097-007 | 34-1097-007 | 208 |
| 3-40092-33 | 3-40092-33 | 208 | 3-40280-18 | 3-40280-18 | 381 | 34-1097-008 | 34-1097-008 | 208 |
| 3-40092-34 | 3-40092-34 | 208 | 3-40280-85 | 3-40280-85 | 381 | 34-1097-009 | 34-1097-009 | 208 |
| 3-40092-36 | 3-40092-36 | 208 | 3-40280-89 | 3-40280-89 | 381 | 34-1097-010 | 34-1097-010 | 208 |
| 3-40092-37 | 3-40092-37 | 208 | 3-40281-07 | 3-40281-07 | 381 | 34-1097-012 | 34-1097-012 | 208 |
| 3-40093-43 | 3-40093-43 | 208 | 3-40284-26 | 3-40284-26 | 381 | 34-1097-013 | 34-1097-013 | 208 |
| 3-40110-19 | 3-40110-19 | 205 | 3-40284-28 | 3-40284-28 | 381 | 34-1097-014 | 34-1097-014 | 208 |
| 3-40115-25 | 3-40115-25 | 205 | 3-40287-62 | 3-40287-62 | 422 | 34-1097-015 | 34-1097-015 | 208 |
| 3-40118-32 | 3-40118-32 | 205 | 3-40287-93 | 3-40287-93 | 381 | 34-1097-016 | 34-1097-016 | 208 |
| 3-40121-08 | A480L15 | 89, 135, 136, 196, 367 | 3-40288-34 | 3-40288-34 | 205 | 34-1097-017 | 34-1097-017 | 208 |
| | | | 3-40290-10 | 3-40290-10 | 381 | 34-1097-018 | 34-1097-018 | 208 |
| 3-40126-93 | J403 | 192, 193 | 3-40290-58 | 3-40290-58 | 382, 383 | 34-1097-019 | 34-1097-019 | 208 |
| 3-40130-79 | J405 | 192 | 3-40290-98 | 3-40290-98 | 208 | 34-1184-06 | J840B | 198 |
| 3-40142-99 | 3-40142-99 | 382 | 3-40292-28 | 3-40292-28 | 381 | 341CX1 | O21C41X1 | 226 |
| 3-40143-00 | 3-40143-00 | 382 | 3-40292-32 | 3-40292-32 | 381 | 34-2551-004 | J832B1 | 198 |
| 3-40143-02 | 3-40143-02 | 382 | 3-40304-67 | J20C1 | 198, 206 | 34-2551-005 | J832B2 | 198 |
| 3-40143-03 | 3-40143-03 | 382 | 3-40305-20 | 3-40305-20 | 381 | 345460 | 345460 | 346 |
| 3-40151-00 | J420 | 192, 193 | 3-40306-53 | 3-40306-53 | 205 | 345461 | 345461 | 412 |
| 3-40151-00 | J420S | 192 | 3-40306-54 | 3-40306-54 | 205 | 346AEH1 | 346AEH1 | 273 |
| 3-40154-23 | J428A | 192 | 3-40318-72 | 3-40318-72 | 381 | 349-001 | ARW2403 | 122 |
| 3-40155-15 | 3-40155-15 | 209 | 3-40318-74 | 3-40318-74 | 208 | 349-003-5 | ARW2302 | 123 |
| 3-40155-38 | 3-40155-38 | 208 | 3-40320-63 | 3-40320-63 | 382, 383 | 349-003-5 | ARW2502 | 124 |
| 3-40155-40 | 3-40155-40 | 208 | 3-40324-80 | 3-40324-80 | 381 | 350CX1 | O21C50X1 | 226 |
| 3-40155-92 | 3-40155-92 | 382 | 3-40324-83 | 3-40324-83 | 381 | 35-1094-008 | 35-1094-008 | 205 |
| 3-40157-60 | J406 | 193 | 3-40324-87 | 3-40324-87 | 381 | 35-1159-002 | J425 | 192 |
| 3-40157-63 | J401 | 193 | 3-40329-01 | J426 | 192 | 35-1159-002 | J425S | 192 |
| 3-40157-63 | J407 | 193 | 3-40329-01 | J426S | 192, 193 | 35-1159-004 | J424 | 192 |
| 3-40158-67 | J422 | 192 | 3-40332-38 | 3-40332-38 | 382, 383 | 35-1159-004 | J424S | 192 |
| 3-40158-67 | J422S | 192 | 3-40332-60 | 3-40332-60 | 382, 383 | 35-1229-03 | J404 | 192 |
| 3-40162-07 | 3-40162-07 | 382 | 3-40332-61 | 3-40332-61 | 382, 383 | 35-2551-006 | J825 | 198 |
| 3-40163-25 | 3-40163-25 | 205 | 3-40332-62 | 3-40332-62 | 382, 383 | 35-2551-006 | J825R | 198 |
| 3-40179-99 | 3-40179-99 | 382 | 3-40332-63 | 3-40332-63 | 382, 383 | 3526-B | A106D26 | 24 |
| 3-40195-74 | 3-40195-74 | 205 | 3-40332-65 | 3-40332-65 | 382, 383 | 35-317812-104-1-01 | LS-1018-D | 398 |
| 3-40196-74 | J423 | 192 | 3-40333-48 | 3-40333-48 | 383 | 35-317813-664-9-01 | LS-1018-R | 398 |
| 3-40196-74 | J423S | 192 | 3-40336-11 | 3-40336-11 | 208 | 35-471212-104-1-01 | LS-1018-C | 398 |
| 3-40216-56 | J471H | 195 | 3-40336-12 | 3-40336-12 | 208 | 35-471212-664-9-01 | LS-1018-T | 398 |
| 3-40216-56 | J471K1 | 195 | 3-40337-62 | 3-40337-62 | 382, 383 | 35-477812-104-1-01 | LS-1018-L | 398 |
| 3-40216-57 | J471K1 | 195 | 3-40338-17 | 3-40338-17 | 382, 383 | 35-477813-264-9-01 | LS-1018-E | 398 |
| 3-40216-57 | O471AC1 | 195, 276 | 3-40340-17 | 3-40340-17 | 206 | 35-477813-664-9-01 | LS-1018-A | 398 |
| 3-40216-57 | O471K1 | 295, 276 | 3-40340-45 | 3-40340-45 | 383 | 356/5DC | A480L35 | 89 |

Cross Reference Index

| OEM Part No. | ADAMS Part No. | Catalog Page No. | OEM Part No. | ADAMS Part No. | Catalog Page No. | OEM Part No. | ADAMS Part No. | Catalog Page No. |
|--------------|----------------|------------------|--------------|----------------|-------------------|-----------------|----------------|--------------------|
| 35PSB | A487L11 | 90 | 4000 | GK40000T | 84, 281 | 456CN4 | 0422 | 258 |
| 3-614-001 | EE-870-A2 | 393 | 4000 Series | GK040000T | 281 | 456CN4-SV | 0422S | 258 |
| 36285 | A481L2 | 90, 196 | 400AY1 | 021A4 | 227 | 456CP1 | 0408X | 257 |
| 36300 | A480L4 | 89, 196 | 400AY2 | 021A8 | 227, 228 | 456CP2 | 0409 | 257 |
| 37-21 | A106L | 27 | 40139 | 9700780 | 153 | 456CV2 | 0403 | 256 |
| 37-22 | A106M | 27 | 40139 | 9741653 | 159 | 456CV4 | 0425 | 258 |
| 372DE1 | 372DE1 | 279 | 40139 | 9810778 | 150 | 456CX4 | 0403 | 256 |
| 37-48 | A106K | 27 | 40158 | 9701588 | 152 | 456DD1 | 0444 | 259 |
| 374FM2 | 023A1 | 240, 242 | 40A/R | HA-1069-P2 | 92 | 456DH2 | 0403XCM | 256 |
| 37-60 | A106N | 27 | 40FP32AF | ASF100 | 409, 417 | 456DN1 | 0419 | 257 |
| 37-67 | A106NSNIFF | 27 | 40HP32AA | FN-964-A9 | 409 | 456EW1 | 0403XFM | 256 |
| 376CV1 | 376CV1 | 279 | 40R10IF | HA-1067-K5 | 92 | 456EW2 | 456EW2 | 259 |
| 376CX1 | 376CX1 | 279 | 4110D65G02 | 4110D65G02 | 329 | 456G1 | 456G1 | 274 |
| 380AH1 | 0906 | 303 | 4110D65G03 | 4110D65G03 | 329 | 456W1 | 0401X | 256 |
| 380AJ1 | 0901 | 303 | 4110D65G05 | 4110D65G05 | 329 | 461700 | A107X | 30 |
| 380AP1 | 0904 | 303 | 4110D65G06 | 4110D65G06 | 329 | 461750 | A107U | 30 |
| 380AV1 | 380AV1 | 304 | 4110D65G07 | 4110D65G07 | 329 | 46217-020 | 46217-020 | 219 |
| 380BS2 | 380BS2 | 304 | 4110D65G08 | 4110D65G08 | 329 | 462GR1 | 462GR1 | 274 |
| 381D038H01 | W466W-Series | 369 | 4110D65G11 | 4110D65G11 | 329 | 46344 | 46344 | 214 |
| 38389 | A107I | 30 | 4110D65G12 | 4110D65G12 | 329 | 464BJ2 | 022T1 | 234, 235, 237, 238 |
| 384EW1 | 023A4 | 240, 242 | 4110D65G13 | 4110D65G13 | 329 | 464BJ3 | 023T1 | 240, 242 |
| 384EW2 | 022A4 | 234, 237 | 4110D65G15 | 4110D65G15 | 329 | 465D025H01 | 465D025H01 | 387 |
| 384EW3 | 022AM4 | 235, 237 | 4110D65G16 | 4110D65G16 | 329 | 465D025H02 | 465D025H02 | 387 |
| 384FN1 | 021A3 | 227, 229 | 4110D65G17 | 4110D65G17 | 329 | 465D025H03 | 465D025H03 | 387 |
| 384FS1 | 022A3 | 234, 237, 238 | 4110D65G25 | 4110D65G25 | 329 | 465D274G01 | 465D274G01 | 343 |
| 384FX1 | 023A3 | 240, 242 | 4110D65G33 | 4110D65G33 | 329 | 465D274G02 | 465D274G02 | 343 |
| 385B1 | 385B1 | 304 | 41NB30AFP | FN-960-T | 409 | 465D274G03 | 465D274G03 | 343 |
| 385NN1 | 385NN1 | 250 | 424G1 | A487L5 | 90, 106, 162, 265 | 465D434H02 | 465D434H02 | 387 |
| 385PD1 | 385PD1 | 250 | 424H1 | A491L1 | 91, 269 | 465D434H05 | 465D434H05 | 387 |
| 386BNN1 | 386BNN1 | 268 | 42510 | A107C | 29 | 465D434H10 | 465D434H10 | 387 |
| 386BNN1 | 0468H2 | 269 | 425B1 | 425B1 | 264 | 465D864G01 | W82K1 | 334-337 |
| 386TZ1-3 | 386TZ1-3 | 273 | 425D1 | 425D1 | 264 | 466C034G01 | A103C1 | 86, 87, 278, 386 |
| 396NV | SMH273916 | 77.1 | 425P1 | 425P1 | 264 | 466C034G02 | A103C1 | 86, 87, 278, 386 |
| 3L310 | HA-870-AE3 | 77.1 | 428E1 | 0465C | 269 | 466C034G03 | A103C1 | 86, 87, 278, 386 |
| 3L410 | 9749512 | 159 | 42943 | 9829430 | 150 | 466C034G06 | A103C1 | 86, 87, 278, 386 |
| 3L410 | HA-870-B9 | 321 | 42BF25AF | FN-964-A3 | 409 | 466C034G07 | A103C1 | 86, 87, 278, 386 |
| 3L460 | HA-870-AF8 | 77.1 | 430J4 | 3-40139-87 | 77.1 | 466C034G08 | A103C1 | 86, 87, 278, 386 |
| 3L490 | HA-870-H | 321 | 433AB1 | 023P1 | 240, 242 | 466C034G09 | A103C1 | 86, 87, 278, 386 |
| 3L600 | HA-970-E4 | 321 | 433AG1 | 021P1 | 227, 234 | 466D034G01 | WCA1 | 385 |
| 3L630 | HA-870-CA6 | 77.1 | 4356E1 | 4356E1 | 279 | 466D034G01 | WCA9 | 385 |
| 3RB48 | S3TY6480-0A | 459 | 43744 | 43744 | 214 | 466D034G02 | WCA2 | 385 |
| 3TB46 | S3TY6460-0A | 459 | 438U | A761 | 86 | 466D034G02 | WCA4 | 385 |
| 3TF44 | ASF152 | 421, 460 | 438-USA | A760 | 86 | 466D034G02 | WCA5 | 385 |
| 3TF4422-0AK6 | HA-964-P7 | 413 | 45090 | D822 | 155 | 466D034G03 | WCA3 | 385 |
| 3TF45 | ASF153 | 421, 460 | 4514A18 | 4514A18 | 271 | 466D034G06 | WCA3 | 385 |
| 3TF46 | ASF154 | 421, 460 | 45377 | 45377 | 214 | 466D034G06 | WCA4 | 385 |
| 3TF47 | ASF155 | 421, 460 | 45516 | 45516 | 214 | 466D034G06 | WCA9 | 385 |
| 3TF48 | ASF156 | 421, 460 | 456AA1 | 0822R1 | 259, 290 | 466D034G07 | WCA5 | 385 |
| 3TF49 | ASF157 | 421, 460 | 456AA2 | 0822R2 | 259, 290 | 466D034G07 | WCA7 | 385 |
| 3TF50 | ASF132 | 413, 420 | 456AJ2 | 0421 | 258 | 466D034G08 | WCA8 | 385 |
| 3TF50 | ASF158 | 421, 460 | 456AJ2-SV | 0421S | 258 | 467AT1 | 467AT1 | 274 |
| 3TF51 | ASF159 | 421, 460 | 456AK2 | 0420 | 258 | 470P1 | 470P1 | 304 |
| 3TF52 | ASF133 | 413, 420 | 456AK2-SV | 0420S | 258 | 470P2 | 470P2 | 304 |
| 3TF52 | ASF160 | 421, 460 | 456AK4 | 456AK4 | 259 | 47408 | 9774087 | 160 |
| 3V400 | EE-870-B | 393 | 456BT1 | 0808 | 288, 289 | 474H6 | 474H6 | 287 |
| 3V400 | HA-870-C1 | 321 | 456BY1 | 456BY1 | 259, 273 | 47525 | D803A1 | 154 |
| 3V425 | X40AS1H10 | 77.1 | 456C1-C4 | 0803P-Series | 288 | 47525 | D803A3 | 154 |
| 3V450 | EE-870-D | 393 | 456C5 | 456C5 | 259 | 47526 | D803A2 | 154 |
| 3V500 | 9772777 | 77.1 | 456CA1A | 0417 | 257 | 47526 | D803A4 | 154 |
| 3V600 | EE-870-K | 321, 393 | 456CA2B | 0418 | 257 | 477C549G01 | W457CP1 | 368 |
| 3V600 | HA-870-C2 | 321 | 456CC1 | 0404 | 256 | 477C549G02 | W457CP2 | 368 |
| 3VX425 | EE-870-Y9 | 77.1 | 456CC1 | 0404HP | 256 | 477C549G03 | W457CP3 | 368 |
| 3VX500 | 3-40301-61 | 321 | 456CC1 | 0404P | 256 | 477C549G04 | W457CP4 | 368 |
| 3VX530 | 3-40002-37 | 321 | 456CE4 | 456CE4 | 259 | 477C740H01 | 477C740H01 | 368 |
| 3VX540 | 3-40301-63 | 321 | 456CL4 | 0423 | 258 | 477C742G-Series | WC457W-Series | 368 |
| 3VX600 | 3-40004-16 | 321 | 456CL4-SV | 0423S | 258 | 477C835H02 | 477C835H02 | 387 |
| 3VX710 | 3-40257-79 | 321 | 456CM4 | 0424P | 258 | 478C049H01 | 478C049H01 | 387 |
| 3VX750 | 3-40257-77 | 321 | 456CM4-SV | 0424S | 258 | 478C049H02 | 478C049H02 | 387 |

Cross Reference Index

| OEM Part No. | ADAMS Part No. | Catalog Page No. | OEM Part No. | ADAMS Part No. | Catalog Page No. | OEM Part No. | ADAMS Part No. | Catalog Page No. |
|---------------|----------------|------------------|----------------|----------------|------------------|--------------|----------------|-------------------|
| 478C384G01 | 478C384G01 | 380 | 5203D66H17 | 5203D66H17 | 348 | 5406C62G02 | 5406C62G02 | 328 |
| 48484 | 3-40139-87 | 77.1 | 5203D66H18 | 5203D66H18 | 348 | 5406C62G05 | 5406C62G05 | 328 |
| 48-59-0260 | 48-59-0260 | 13 | 5203D66H24 | 5203D66H24 | 348 | 5406C62G06 | 5406C62G06 | 328 |
| 488B1 | 488B1 | 273 | 5203D66H25 | 5203D66H25 | 348, 349 | 550J6 | 3-40133-54 | 77.1 |
| 48MB | A480L16 | 89 | 5203D66H26 | 5203D66H26 | 348, 349 | 569A699H01 | W302 | 324, 347 |
| 48PSB | A487L3 | 90, 106 | 5203D66H27 | 5203D66H27 | 348, 349 | 569A803H01 | W701 | 329 |
| 48PSB | HA-1067-H8 | 92 | 5203D66H30 | 5203D66H30 | 348, 349 | 569A803H02 | W702 | 329 |
| 48RC | A488L12 | 91 | 5203D66H31 | 5203D66H31 | 349 | 569A844H01 | W408T1 | 341 |
| 49115-003 | 49115-003 | 218 | 5203D67H08 | 5203D67H08 | 348 | 569A844H01 | W408T2 | 341 |
| 499AD | O488W-Series | 267 | 5203D67H10 | 5203D67H10 | 348 | 569A868H01 | W454RF1 | 367 |
| 499AD | O489W-Series | 267 | 5203D67H14 | 5203D67H14 | 348 | 569A884H01 | W824L | 18, 297, 347, 362 |
| 499Z5 | O455 | 269 | 5203D67H15 | 5203D67H15 | 348 | 569A920H01 | W454D | 367 |
| 499Z6 | O456 | 269 | 5203D67H16 | 5203D67H16 | 348 | 569A925G01 | W468S1 | 369 |
| 49D5468 | EE-964-N | 393 | 5203D67H17 | 5203D67H17 | 348 | 569A997H01 | W457F | 368 |
| 49L100102 | EE-964-J | 393 | 5203D67H18 | 5203D67H18 | 348 | 5736-B | J1 | 206 |
| 49L100103 | EE-964-I | 393 | 5203D67H24 | 5203D67H24 | 348 | 5744N | GL-200-F | 188 |
| 4L440 | GL-870-A | 77.1 | 5203D67H25 | 5203D67H25 | 349 | 5760-LC-10 | GL-200-N | 188 |
| 4L450 | 6954C41H07 | 321 | 5203D67H27 | 5203D67H27 | 348, 349 | 576B294G03 | W470A1 | 370 |
| 4L550 | 5207D42H46 | 77.1, 348 | 5203D67H30 | 5203D67H30 | 349 | 576B294G05 | W470A2 | 370 |
| 4L680 | 5207D42H47 | 77.1, 321 | 5203D67H31 | 5203D67H31 | 349 | 576B535G04 | W404 | 340, 344 |
| 4L680 | HA-870-C5 | 321 | 5207D42H49 | 5207D42H49 | 212 | 576B535G08 | 576B535G98 | 358, 360 |
| 4SW3 | O150 | 301 | 5207D59G01 | W466B-Series | 369 | 576B535G98 | W415 | 340, 354, 356 |
| 4T4 1/2 | HA-1067-C7 | 92 | 5208D74H88 | 5208D74H88 | 312 | 576B535G98 | W415M | 344 |
| 4T4/150CS | HA-1067-K7 | 92 | 5212D87G01 | WK85A2 | 339 | 576B615H01 | W832 | 72, 347 |
| 502035 | ARW470C1 | 132 | 5212D87G05 | WK85A1 | 339 | 576B710H01 | 576B710H01 | 345, 346 |
| 505-A0D | AB-964-S | 408 | 5212D87G07 | 5212D87G07 | 346 | 576B807G01 | W83C1 | 336, 337 |
| 505-C0H-7-19C | AB-964-F3 | 416 | 5213D26-Series | W459H-Series | 371 | 576B812H01 | W83D1 | 336, 337 |
| 5060A65H01 | 5060A65H01 | 380 | 5213D27-Series | W459G-Series | 371 | 576B887G02 | A103C1 | 86, 87, 278, 386 |
| 5061A31H01 | 5061A31H01 | 380 | 521VIII-12 | 521VIII-12 | 288 | 583725 | 583725 | 343 |
| 5061A41H01 | 5061A41H01 | 375 | 5226D09G01 | 5226D09G01 | 351 | 590862 | 590862 | 381, 382 |
| 5061A41H02 | 5061A41H02 | 375 | 5226D09G02 | 5226D09G02 | 351 | 59P1 | O421X | 258 |
| 5061A41H03 | 5061A41H03 | 375 | 5226D09H15 | 5226D09H15 | 353 | 59P2 | 59P2 | 274 |
| 5061A41H04 | 5061A41H04 | 375 | 5226D09H26 | 5226D09H26 | 353 | 5AT8SC | A486L1 | 90 |
| 5061A41H05 | 5061A41H05 | 375 | 5250C79G01 | 7431C87H20 | 423 | 5AT8SCP | A486L3 | 90 |
| 5061A41H06 | 5061A41H06 | 375 | 5265A52H01 | 5265A52H01 | 361 | 5L540 | HA-870-Z1 | 77.1 |
| 5061A46H03 | 5061A46H03 | 380 | 5266D09G01 | 5266D09G01 | 351 | 5L710 | HA-870-T | 77.1 |
| 5061A46H08 | 5061A46H08 | 380 | 5266D09G02 | 5266D09G02 | 351 | 5T4 | HA-1069-F1 | 92 |
| 5061A48H01 | 5061A48H01 | 380 | 5278 | 693B415H01 | 77.1, 350 | 5TSB112 | HA-1069-T9 | 92 |
| 5061A67G01 | 5061A67G01 | 354, 356, 358 | 5359-21 | 5359-21 | 13 | 5V560 | HA-870-P6 | 77.1 |
| 5062A92H01 | 5062A92H01 | 361 | 5383-21 | 5383-21 | 12 | 5V670 | HA-870-C | 321 |
| 5062A95H01 | 5062A95H01 | 352 | 5399C11H39 | 5399C11H39 | 372 | 5VX710 | HA-870-AF7 | 77.1 |
| 5062A97H01 | 5062A97H01 | 352 | 5399C11H40 | 5399C11H40 | 372 | 6000 VALVE | DV55N5 | 170 |
| 5062A98H01 | 5062A98H01 | 352 | 5399C11H45 | 5399C11H45 | 372 | 600595-8A | RL-1600-Z | 404 |
| 5063A83G01 | 5063A83G01 | 351 | 5399C11H46 | 5399C11H46 | 372 | 60114 | D23C6 | 140 |
| 5065A30H03 | 5065A30H03 | 380 | 5399C11H85 | 5399C11H85 | 372 | 60115 | D24D1 | 141 |
| 5065A44H01 | 5065A44H01 | 350 | 5399C11H86 | 5399C11H86 | 372 | 6012 | WT399S | 325 |
| 5065A47H01 | 5065A47H01 | 352 | 5399C11H87 | 5399C11H87 | 372 | 6021.01QC | K3102 | 126 |
| 5065A51H01 | 5065A51H01 | 361 | 53MB | A480L37 | 89 | 6021.02QC | K3101 | 126 |
| 507263-120 | 507263-120 | 214 | 5402C03H01 | 5402C03H01 | 372 | 60272 | D24D4 | 141 |
| 509-DOA | 33-0520-002 | 416 | 5402C03H52 | 5402C03H52 | 372 | 6047A2 | 6047A2 | 288 |
| 509K | A481L1 | 90 | 5402C03H53 | 5402C03H53 | 372 | 6047A2 | 0816 | 290 |
| 51233-001 | 51233-001 | 224 | 5402C03H54 | 5402C03H54 | 372 | 607C1 | 607C1 | 275 |
| 5131B | EQ-1294-M | 392 | 5402C03H61 | 5402C03H61 | 372 | 607C1 | 0862 | 264 |
| 5131V | EQ-909-M1 | 392 | 5402C03H86 | 5402C03H86 | 372 | 60922 | D24D3 | 141 |
| 51570-001 | 51570-001 | 224 | 5402C03H92 | 5402C03H92 | 372 | 60923 | D24D2 | 141 |
| 5181303 | B723001 | 131 | 5402C03H95 | 5402C03H95 | 372 | 6098BC1 | 0841BC1 | 293 |
| 518993 | US518993 | 77.1 | 5402C03H97 | 5402C03H97 | 372 | 6098BC2 | 0841BC2 | 293 |
| 5194D41G01 | 5194D41G01 | 315 | 5402C03H98 | 5402C03H98 | 372 | 6098BC3 | 0841BC3 | 293 |
| 5194D41G02 | 5194D41G02 | 315 | 5402C05H01 | 5402C05H01 | 372 | 6098BC4 | 0841BC4 | 293 |
| 5194D85G01 | W85A1 | 338, 339 | 5402C05H02 | 5402C05H02 | 372 | 6098BC5 | 0841BC5 | 293 |
| 5194D85G02 | W85A2 | 338 | 5402C05H03 | 5402C05H03 | 372 | 6098BC6 | 0841BC6 | 293 |
| 5194D95G03 | 5194D95G03 | 384 | 5402C05H04 | 5402C05H04 | 372 | 6098D1 | 0841D1 | 293 |
| 5194D96G03 | 5194D96G03 | 384 | 5402C05H05 | 5402C05H05 | 372 | 6098D3 | 0841D3 | 293 |
| 5203D66H08 | 5203D66H08 | 348 | 5402C05H51 | 5402C05H51 | 372 | 6098D5 | 0841D5 | 293 |
| 5203D66H10 | 5203D66H10 | 348 | 5402C05H52 | 5402C05H52 | 372 | 6098D6 | 0841D6 | 293 |
| 5203D66H14 | 5203D66H14 | 348 | 5405C94H01 | 5405C94H01 | 365 | 6098E1 | 0841E1 | 293 |
| 5203D66H15 | 5203D66H15 | 348 | 5405C94H02 | 5405C94H02 | 365 | 6098E10 | 0841E10 | 293 |
| 5203D66H16 | 5203D66H16 | 348 | 5406C62G01 | 5406C62G01 | 328 | 6098E11 | 0841E11 | 293 |

Cross Reference Index

| OEM Part No. | ADAMS Part No. | Catalog Page No. | OEM Part No. | ADAMS Part No. | Catalog Page No. | OEM Part No. | ADAMS Part No. | Catalog Page No. |
|--------------|----------------|------------------|--------------|----------------|------------------|--------------|----------------|--------------------|
| 6098E12 | 0841E12 | 293 | 62838-1 | A103A2 | 86, 87, 127, 143 | 6534B1 | O22H2 | 234, 235, 237, 238 |
| 6098E2 | 0841E2 | 293 | 62838-2 | A103A2 | 86, 87, 127, 143 | 6537-22 | 6537-22 | 12 |
| 6098E5 | 0841E5 | 293 | 62893 | D21K2 | 140 | 6543C | 6543C | 288 |
| 6098E6 | 0841E6 | 293 | 628D075G01 | W82K1 | 334-337 | 6543C | O22J1 | 234, 235, 237 |
| 6098E9 | 0841E9 | 293 | 628D151G08 | W250P1A | 316 | 6554B1 | O834A | 291 |
| 60A19/RED | HA-1067-H5 | 92 | 628D151G08 | W250P1B | 316 | 6554B2 | O834B | 291 |
| 60MB | A480L20 | 89 | 628D151G17 | W250P2A | 316 | 65974-001 | 65974-001 | 220 |
| 60PSB | A487L4 | 90, 106 | 628D151G17 | W250P2B | 316 | 65999 | 9859998 | 149 |
| 60PSB | HA-1067-F7 | 92 | 628D151G26 | W250P3A | 316 | 6599D6 | A488L2 | 91, 269 |
| 60RB | A480L39 | 89 | 628D151G26 | W250P3B | 316 | 6599D8 | A488L4 | 91, 162, 269 |
| 60RB | HA-1067-A4 | 92 | 628D151G35 | W250P4A | 316 | 65EA2 | 65EA2 | 274 |
| 60RC | HA-1067-M1 | 92 | 628D151G35 | W250P4B | 316 | 6600A80 | O461SB2 | 270 |
| 61000355 | RL-1018-KX | 404 | 628D151G44 | W250P5A | 316 | 6600A83 | O461SB1 | 270 |
| 61000410 | RL-1018-S | 404 | 628D151G44 | W250P5B | 316 | 6602A1 | 6602A1 | 287 |
| 61000528 | RL-1018-AX | 404 | 628D151G53 | W250P6A | 316 | 66126 | D818 | 155 |
| 61000530 | RL-1018-JX | 404 | 628D151G53 | W250P6B | 316 | 66161 | DV55N2 | 170 |
| 61000601 | RL-1018-I | 404 | 628D151G62 | W250P7A | 316 | 6631C1 | 6631C1 | 275 |
| 61000616 | RL-1018-K | 404 | 628D151G62 | W250P7B | 316 | 66354 | 9847730 | 150 |
| 61000667 | RL-1018-B | 404 | 628D151G71 | W250P8A | 316 | 6693C81H01 | 6693C81H01 | 352 |
| 61000883 | RL-1018-H | 404 | 628D151G71 | W250P8B | 316 | 6716C97G01 | 3-40394-81 | 410 |
| 61001438 | RL-1018-M | 404 | 628D151G80 | W250P9A | 316 | 6743A1 | O26H1 | 243, 244 |
| 61021-001 | 61021-001 | 221 | 628D151G80 | W250P9B | 316 | 67R | HA-1069-P5 | 92 |
| 61021-002 | 61021-002 | 221 | 628D241H01 | 628D241H01 | 387 | 680 | AP033GC | 33 |
| 61040273 | RL-1018-TX3 | 404 | 628D241H02 | 628D241H02 | 387 | 6800DJ1 | O471SB | 276 |
| 61041072 | RL-1018-A2 | 404 | 628D409H02 | 628D409H02 | 387 | 6809C1 | O370 | 248, 251 |
| 61043015 | LS-1018-A1 | 398 | 62996 | A103A2 | 86, 87, 127, 143 | 6810A1 | O22BA1 | 234-236, 238 |
| 6104AR1 | O375 | 248, 251 | 62997 | A103A2 | 86, 87, 127, 143 | 6810A2 | O23BA1 | 240, 241, 243 |
| 6134A1 | 6134A1 | 287 | 63000945 | RL-1018-D | 404 | 6810A3 | O22BA2 | 234-236 |
| 6134A1 | 0705A | 284 | 6304 | PN-1065-A | 402 | 6810A5 | O23BA2 | 240, 241 |
| 6134A2 | 0705A | 284 | 6304 | PN-2101-E | 402 | 68177 | DM3102 | 147 |
| 6134B1 | 0706B | 284 | 6304 | PN-932-A1 | 402 | 68178 | DM3116 | 147 |
| 6134B2 | 0706A | 284 | 6306 | PN-1065-F | 402 | 68179 | DM3115 | 147 |
| 6134B4 | 0706B | 284 | 63099-002 | 63099-002 | 219 | 681A554H01 | 681A554H01 | 313 |
| 6134B5 | 0706A | 284 | 63099-003 | 63099-003 | 219 | 681A556H01 | A650F1 | 93, 386 |
| 6134C2 | 0707A | 284 | 63099-004 | 63099-004 | 219 | 681A556H04 | A650F2 | 93, 386 |
| 6134D2 | 0707B | 284 | 630B301H01 | 630B301H01 | 364 | 681A556H06 | A650F3 | 93, 386 |
| 6134G6 | 0701 | 284 | 630B301H05 | 630B301H05 | 364 | 681A556H08 | A650F9 | 93, 386 |
| 6134G7 | 0702 | 284 | 630B383H01 | 630B383H01 | 312 | 681A556H09 | A650F5 | 93, 386 |
| 6134H1 | 6134H1 | 287 | 630B383H02 | 630B383H02 | 312 | 681A556H10 | A650F6 | 93, 386 |
| 6134J1 | 6134J1 | 287 | 630B424H01 | W85D1 | 338, 339 | 681A556H11 | A650F7 | 93, 386 |
| 6148-6 | 6148-6 | 13 | 630B462H01 | W459L | 371 | 681A556H12 | A650F8 | 93, 386 |
| 61531-003 | 61531-003 | 219 | 630B479H01 | 630B479H01 | 387 | 681A556H17 | A650F4 | 93, 386 |
| 615L10 | 569A957H05 | 77.1 | 630B480H01 | 630B480H01 | 387 | 681A556H18 | A650F10 | 93, 386 |
| 6168F1 | 0850D1 | 295 | 630B481H01 | 630B481H01 | 387 | 681A566H15 | A651F3 | 93, 386 |
| 6199H1 | 6199H1 | 250 | 630B482H01 | 630B482H01 | 387 | 681A566H16 | A651F4 | 93, 386 |
| 62194-002 | 62194-002 | 221 | 630B484H01 | 630B484H01 | 387 | 6825B1 | 6825B1 | 287 |
| 6219D1 | 6219D1 | 279 | 630B508H01 | 630B508H01 | 312 | 6825B3 | 6825B3 | 254 |
| 623E2 | 623E2 | 275 | 630B562G01 | W456F1 | 367 | 6827C1 | O327 | 248, 249, 252 |
| 6263A1 | O417 | 257 | 630B596H01 | 630B596H01 | 312 | 682A092H01 | 682A092H01 | 364 |
| 6263A2 | O418 | 257 | 630B610G01 | W216C1 | 320 | 682A226H01 | W85B1 | 338, 339 |
| 626D268H01 | 626D268H01 | 387 | 630B610G02 | W216C2 | 320 | 682A227G01 | W85C3 | 338, 339 |
| 626D268H10 | 626D268H10 | 387 | 630B611G01 | W226A | 319, 323 | 682A244H01 | W85C1 | 338, 339 |
| 626D268H13 | 626D268H13 | 387 | 630B611G02 | W226B | 319, 323 | 682A245G01 | W85C2 | 338, 339 |
| 626D268H15 | 626D268H15 | 387 | 6313A1 | O23H1 | 240, 241 | 682A302H01 | W85C4 | 338, 339 |
| 626D268H16 | 626D268H16 | 387 | 632CZ1 | O21B3Z21 | 226 | 6839A81 | O333Y | 249, 253 |
| 626D686G01 | 626D686G01 | 332 | 6333AJ1 | 6333AJ1 | 271 | 6839B2 | O325B | 249, 253 |
| 626D686G02 | 626D686G02 | 332 | 6333CC2 | 6333CC2 | 271 | 6839B3 | O325A | 248, 249, 253 |
| 627D989G03 | 627D989G03 | 343 | 6365E1 | 6365E1 | 287 | 6839B4 | O325C | 248, 249, 253 |
| 627D989G04 | 627D989G04 | 343 | 63835 | D803R1 | 154 | 6839D1 | O320A | 249, 251 |
| 627D989G05 | 627D989G05 | 343 | 63852 | D815 | 155 | 6839D2 | O320B | 248, 249, 251 |
| 627D989G08 | 627D989G08 | 343 | 63882 | D808 | 154 | 6839D3 | O320A | 249, 251 |
| 62808 | D22K1 | 140 | 641CZ1 | O21B4Z1 | 226 | 6839D4 | O320B | 248, 249, 251 |
| 62809 | D22C1 | 140 | 648C2 | O326 | 248, 249, 253 | 6839H1 | O325H | 253 |
| 62820 | D20C1 | 140 | 6514-21 | 6514-21 | 12 | 6839J1 | O325J | 248, 253 |
| 62821 | D21C1 | 140 | 65150 | 9786600 | 153 | 6839W1 | O325W | 248, 249, 253 |
| 62822 | D20K1 | 140 | 6526G1 | O463A | 270 | 6839Y1 | O334 | 248, 249, 253 |
| 62837-1 | A103A1 | 86, 87, 127, 143 | 65278 | DM3157 | 147 | 6839Y2 | O335 | 248, 249, 253 |
| 62837-2 | A103A1 | 86, 87, 127, 143 | 65280 | DM3173 | 147 | 6839Y3 | O334 | 248, 249, 253 |

Cross Reference Index

| OEM Part No. | ADAMS Part No. | Catalog Page No. | OEM Part No. | ADAMS Part No. | Catalog Page No. | OEM Part No. | ADAMS Part No. | Catalog Page No. |
|--------------|----------------|------------------|--------------|----------------|------------------|--------------|----------------|------------------|
| 6839Y4 | 6839Y4 | 287 | 6940AG2 | 0830K2 | 288 | 6954C89H09 | 6954C89H09 | 373 |
| 6839Y4 | 0335 | 248, 249, 253 | 6940B | 0831A1 | 290 | 6954C89H10 | 6954C89H10 | 373 |
| 68431 | DM3101 | 147 | 6940C1 | 0800A1 | 288 | 6954C89H41 | 6954C89H41 | 372 |
| 68432 | DM3106 | 147 | 6940C2 | 0800A2 | 288 | 6954C89H42 | 6954C89H42 | 373 |
| 6849B4 | 6849B4 | 262 | 694B214H01 | 694B214H01 | 343 | 6954C89H43 | 6954C89H43 | 372 |
| 6849B5 | 6849B5 | 262 | 694B506G01 | 694B506G01 | 375 | 6954C89H46 | 6954C89H46 | 372 |
| 6849C6 | 6849C6 | 262 | 694B506G02 | 694B506G02 | 375 | 6954C89H49 | 6954C89H49 | 372 |
| 6850F1 | 0323 | 249, 253 | 694B506G03 | 694B506G03 | 375 | 6954C89H50 | 6954C89H50 | 373 |
| 6850F2 | 0324 | 249, 253 | 694B506G05 | 694B506G05 | 375 | 6954C89H51 | 6954C89H51 | 372 |
| 6850F3 | 6850F3 | 254 | 694B632G01 | 694B632G01 | 49 | 6954C89H54 | 6954C89H54 | 373 |
| 68536 | DM3157 | 147 | 694B783G01 | 694B783G01 | 376 | 695B119H11 | 695B119H11 | 387 |
| 6884 | 6884 | 304 | 694B995G01 | 694B995G01 | 342 | 695L10 | 569A957H07 | 77.1 |
| 68A3 | 0557 | 298, 301 | 6950C92H01 | 6950C92H01 | 376 | 6993C53G03 | 6993C53G03 | 356 |
| 68A5 | 0556 | 301 | 6950C92H02 | 6950C92H02 | 376 | 6993C53G04 | 6993C53G04 | 356 |
| 68A6 | 0555 | 301 | 6950C92H03 | 6950C92H03 | 376 | 6993C54G01 | 6993C54G01 | 353 |
| 68A9 | 0559 | 298, 301 | 6950C92H04 | 6950C92H04 | 376 | 6993C80G01 | 6993C80G01 | 352 |
| 68L100 | 322C808H01 | 77.1 | 6950C92H05 | 6950C92H05 | 376 | 6993C81H01 | 6993C81H01 | 352 |
| 69157 | 9791577 | 158 | 6951C50G02 | 6951C50G02 | 346 | 6994C01G01 | 6994C01G01 | 361 |
| 6917C89H01 | AT1M130 | 363, 405 | 6951C64G01 | 6951C64G01 | 346 | 6996C12H01 | 6996C12H01 | 355, 357, 359 |
| 6917C91G02 | AT1K005 | 363, 405 | 6951C73G01 | 6951C73G01 | 376 | 6996C12H22 | 6996C12H22 | 355, 357, 359 |
| 6918C44G02 | AT1K006 | 363, 405 | 6951C73G02 | 6951C73G02 | 376 | 6997C32G01 | 6997C32G01 | 353 |
| 6918C45H01 | AT1M139 | 363, 405 | 6952C25H01 | 6952C25H01 | 313 | 6997C32G02 | 6997C32G02 | 353 |
| 691B785G05 | WE973W2 | 345 | 6952C25H02 | 6952C25H02 | 313 | 6997C39H01 | 6997C39H01 | 355, 359 |
| 691B789H05 | W862H05 | 321 | 6952C25H03 | 6952C25H03 | 313 | 6997C40H01 | 6997C40H01 | 355, 357, 359 |
| 6924C86G01 | 6924C86G01 | 312 | 6952C25H04 | 6952C25H04 | 313 | 6MB | A480L13 | 89 |
| 6924C86G02 | 6924C86G02 | 312 | 6952C25H05 | 6952C25H05 | 313 | 6PSB | A487L7 | 90, 106 |
| 6924C86G05 | 6924C86G05 | 312 | 6952C25H06 | 6952C25H06 | 313 | 6S6/115-125 | A488L4 | 91, 162, 269 |
| 6925C91H01 | 6925C91H01 | 387 | 6952C25H07 | 6952C25H07 | 313 | 6S6/12 | A488L2 | 91, 269 |
| 692B253H01 | 692B253H01 | 387 | 6952C25H08 | 6952C25H08 | 313 | 6S6/120 | A484L2 | 90, 106 |
| 692B863G01 | 692B863G01 | 312, 348 | 6952C25H09 | 6952C25H09 | 313 | 6S6/120SC | A483L8 | 90 |
| 692B935G02 | 692B935G02 | 384 | 6952C25H10 | 6952C25H10 | 313 | 6S6/12DC | A484L12 | 90 |
| 692B935G03 | 692B935G03 | 384 | 6952C25H11 | 6952C25H11 | 313 | 6S6/145 | A484L3 | 90 |
| 69303-001 | 93885-001 | 77.1 | 6952C25H12 | 6952C25H12 | 313 | 6S6/145 | A488L6 | 91 |
| 693B055H01 | 693B055H01 | 387 | 6952C25H13 | 6952C25H13 | 313 | 6S6/155 | A488L7 | 91 |
| 693B110H01 | 693B110H01 | 384 | 6952C25H14 | 6952C25H14 | 313 | 6S6/155SC | A483L7 | 90 |
| 693B110H02 | 693B110H02 | 384 | 6952C25H15 | 6952C25H15 | 313 | 6S6/155V | GE-1067-W | 92 |
| 693B112H01 | 693B112H01 | 384 | 6952C25H16 | 6952C25H16 | 313 | 6S6/24DC | A484L10 | 90 |
| 693B250H04 | 693B250H04 | 314 | 6952C25H17 | 6952C25H17 | 313 | 6S6/24V | HA-1069-T1 | 92 |
| 693B250H05 | 693B250H05 | 314 | 6952C25H18 | 6952C25H18 | 313 | 6S6/30 | A488L3 | 91 |
| 693B250H06 | 693B250H06 | 314 | 6952C34H01 | 6952C34H01 | 360 | 6S6/32 | A484L1 | 90 |
| 693B250H07 | 693B250H07 | 314 | 6954C71H01 | 6954C71H01 | 372 | 6S6/48 | A488L8 | 91, 106 |
| 693B250H08 | 693B250H08 | 314 | 6954C71H02 | 6954C71H02 | 372 | 6S6/6 | A488L1 | 91 |
| 693B250H09 | 693B250H09 | 314 | 6954C71H03 | 6954C71H03 | 372 | 6S6/60 | A488L9 | 91, 106 |
| 693B250H10 | 693B250H10 | 314 | 6954C71H04 | 6954C71H04 | 372 | 6S6/DC | GE-1067-H | 92 |
| 693B250H11 | 693B250H11 | 314 | 6954C71H05 | 6954C71H05 | 372 | 6S6/G | 3-26122-07 | 92 |
| 693B250H16 | 693B250H16 | 314 | 6954C71H06 | 6954C71H06 | 372 | 6S6/R | 3-26122-08 | 92 |
| 693B250H17 | 693B250H17 | 314 | 6954C71H07 | 6954C71H07 | 372 | 6S6230VCS | A488L10 | 91 |
| 693B250H18 | 693B250H18 | 314 | 6954C71H08 | 6954C71H08 | 372 | 6S648DC | A480L38 | 89 |
| 693B250H19 | 693B250H19 | 314 | 6954C71H09 | 6954C71H09 | 372 | 6S6DC | HA-1067-S8 | 92 |
| 693B250H20 | 693B250H20 | 314 | 6954C71H10 | 6954C71H10 | 372 | 6S6DC | HA-1069-R2 | 92 |
| 693B250H21 | 693B250H21 | 314 | 6954C71H41 | 6954C71H41 | 372 | 6S6SC | HA-1069-K4 | 92 |
| 693B250H22 | 693B250H22 | 314 | 6954C71H42 | 6954C71H42 | 372 | 6T4 1/2 | A489L1 | 91, 162, 196 |
| 693B250H23 | 693B250H23 | 314 | 6954C71H43 | 6954C71H43 | 372 | 6T4 1/2 | A489L2 | 91 |
| 693B250H24 | 693B250H24 | 314 | 6954C71H46 | 6954C71H46 | 372 | 6T4 1/2 | A489L3 | 91, 162 |
| 693B288G01 | 693B288G01 | 376 | 6954C71H49 | 6954C71H49 | 372 | 6T4-1/2/120 | A489L1 | 91, 162, 196 |
| 693B440H02 | 693B440H02 | 355, 357, 359 | 6954C71H51 | 6954C71H51 | 372 | 70010CSC3R | 70010CSC3R | 378 |
| 693B442G01 | 693B442G01 | 360 | 6954C71H52 | 6954C71H52 | 373 | 70101AX67E | 70101AX67E | 352 |
| 693B460G01 | 693B460G01 | 360 | 6954C71H69 | 6954C71H69 | 373 | 7014A1 | 0471A | 276 |
| 693B464H01 | 693B464H01 | 350, 360 | 6954C71H96 | 6954C71H96 | 373 | 7014A1 | 0471AX | 276 |
| 693B464H02 | 693B464H02 | 354, 356 | 6954C71H99 | 6954C71H99 | 373 | 7014A1 | 0474A | 276 |
| 693B535H01 | 693B535H01 | 354, 356 | 6954C89H01 | 6954C89H01 | 373 | 7014A10 | 0471BC1 | 276 |
| 693B550H01 | 693B550H01 | 378 | 6954C89H02 | 6954C89H02 | 373 | 7014A10 | 0471BC1X | 276 |
| 6940A | 0831K1 | 288 | 6954C89H03 | 6954C89H03 | 373 | 7014A2 | 0471B | 276 |
| 6940A | 0831K2 | 288 | 6954C89H04 | 6954C89H04 | 373 | 7014A2 | 0471BX | 276 |
| 6940A | 0831K3 | 288 | 6954C89H05 | 6954C89H05 | 373 | 7014A9 | 0471AC1 | 195, 276 |
| 6940A | 0831K4 | 288 | 6954C89H06 | 6954C89H06 | 373 | 7014A9 | 0471AC1X | 276 |
| 6940AG | 0830A1 | 290 | 6954C89H07 | 6954C89H07 | 373 | 7014A9 | 0474AC1 | 276 |
| 6940AG1 | 0830K1 | 288 | 6954C89H08 | 6954C89H08 | 373 | 70210BCA16 | 70210BCA16 | 352 |

Cross Reference Index

| OEM Part No. | ADAMS Part No. | Catalog Page No. | OEM Part No. | ADAMS Part No. | Catalog Page No. | OEM Part No. | ADAMS Part No. | Catalog Page No. |
|--------------|----------------|------------------|---------------|----------------|------------------|---------------|----------------|------------------|
| 7028C29H01 | 7028C29H01 | 373 | 7058B142FD7 | 029A44F7 | 231, 248 | 7069AH-Series | 7069AH-Series | 268 |
| 7028C29H02 | 7028C29H02 | 373 | 7058B142FF7 | 029A44D7 | 231, 248 | 7069Y1-Series | 7069Y1-Series | 268 |
| 7028C29H03 | 7028C29H03 | 373 | 7058B142FF8 | 029A44F8 | 231, 248 | 714CZ1 | 021D14Z1 | 226 |
| 7028C29H04 | 7028C29H04 | 373 | 7058B144FD7 | 029A44D7 | 231, 248 | 715-012 | CJ-933-H | 390 |
| 7028C29H05 | 7028C29H05 | 373 | 7058B144FF11 | 029A44F11 | 231, 248 | 715-012 | CJ-933-I | 390 |
| 7028C29H08 | 7028C29H08 | 373 | 7058B144FF12 | 029A44F12 | 231, 248 | 71565 | 9715642 | 150 |
| 7028C29H09 | 7028C29H09 | 373 | 7058B144FF7 | 029A44F7 | 231, 248 | 71565 | D317 | 149 |
| 7028C29H10 | 7028C29H10 | 373 | 7058B144FF8 | 029A44F8 | 231, 248 | 71922 | D2601 | 146 |
| 7028C29H11 | 7028C29H11 | 373 | 7058B144FF9 | 029A44F9 | 231, 248 | 71923 | D2602 | 146 |
| 7028C29H166 | 7028C29H166 | 373 | 7058B153FF11 | 029A53F11 | 231, 248 | 71979 | D2603 | 146 |
| 7028C29H48 | 7028C29H48 | 373 | 7058B153FF12 | 029A53F12 | 231, 248 | 720 RRB | GL-2101-Series | 187 |
| 7028C88G02 | 7028C88G02 | 346 | 7058B153FF7 | 029A53F7 | 231, 248 | 72102 | D2604 | 146 |
| 7029C27H01 | 7029C27H01 | 375 | 7058B160FF7 | 029A62F7 | 231, 248 | 72166 | A103A1 | 86, 87, 127, 143 |
| 7029C27H02 | 7029C27H02 | 375 | 7058B162FD7 | 029A62D7 | 231, 248 | 72167 | A103A2 | 86, 87, 127, 143 |
| 7029C27H03 | 7029C27H03 | 375 | 7058B162FF7 | 029A62F7 | 231, 248 | 723CZ3 | 021D23Z3 | 226 |
| 7029C27H04 | 7029C27H04 | 375 | 7058B171FF7 | 029A71F7 | 231, 248 | 7243C45H01 | 7243C45H01 | 387 |
| 7029C27H05 | 7029C27H05 | 375 | 7058B180FF7 | 029A80F7 | 231, 248 | 7252C74H01 | 7252C74H01 | 311 |
| 7029C27H09 | 7029C27H09 | 375 | 7058B208FD8 | 029C08D8 | 231, 248 | 7252C74H02 | 7252C74H02 | 311 |
| 7029C27H10 | 7029C27H10 | 375 | 7058B217FD8 | 029C17D8 | 231, 248 | 7252C74H04 | 7252C74H04 | 311 |
| 7029C27H11 | 7029C27H11 | 375 | 7058B220FD8 | 029C44D8 | 231, 248 | 7252C74H05 | 7252C74H05 | 311 |
| 703103A | 703103A | 315 | 7058B222FD4 | 029C44D4 | 231, 248 | 7252C95G01 | 7252C95G01 | 384 |
| 7035A1 | 0461A3 | 270 | 7058B222FD8 | 029C44D8 | 231, 248 | 7252C95G02 | 7252C95G02 | 384 |
| 7035A10 | 0461A5 | 270 | 7058B226FD8 | 029C26D8 | 231, 248 | 7254C06G01 | 7254C06G01 | 384 |
| 7035A11 | 0461A4 | 270 | 7058B235FD8 | 029C35D8 | 231, 248 | 7254C43H01 | 7254C43H01 | 384 |
| 7035A12 | 0461B1 | 270 | 7058B240FD8 | 029C44D8 | 231, 248 | 7254C77H04 | 7254C77H04 | 378 |
| 7035A14 | 0461B2 | 270 | 7058B242FD8 | 029C44D8 | 231, 248 | 7254C77H06 | 7254C77H06 | 378 |
| 7035A2 | 0461A1 | 270 | 7058B244FD4 | 029C44D4 | 231, 248 | 7254C77H07 | 7254C77H07 | 378 |
| 7035A23 | 0461A2 | 270, 295 | 7058B244FD8 | 029C44D8 | 231, 248 | 7254C77H08 | 7254C77H08 | 378 |
| 7035A25 | 0461A2 | 270, 295 | 7058B253FD4 | 029C53D4 | 231, 248 | 7254C77H15 | 7254C77H15 | 378 |
| 7035A27 | 0462 | 265, 270 | 7058B253FD8 | 029C53D8 | 231, 248 | 7256C91H13 | 7256C91H13 | 387 |
| 7035A28 | 0462 | 265, 270 | 7058B260FD8 | 029C62D8 | 231, 248 | 7257C48H01 | 7257C48H01 | 328 |
| 7035A3 | 0461A5 | 270 | 7058B262FD4 | 029C62D4 | 231, 248 | 7257C48H05 | 7257C48H05 | 328 |
| 7035A4 | 0461A4 | 270 | 7058B262FD8 | 029C62D8 | 231, 248 | 7257C48H11 | 7257C48H11 | 328, 418 |
| 7035A5 | 0461B1 | 270 | 7058B271FD8 | 029C71D8 | 231, 248 | 7257C48H13 | 7257C48H13 | 418 |
| 7035A7 | 0461B2 | 270 | 7058B280FD8 | 029C80D8 | 231, 248 | 7257C48H15 | 7257C48H15 | 418 |
| 7035A8 | 0461A3 | 270 | 7069AF1 | 7069AF1 | 267 | 7257C63H36 | 7257C63H36 | 355, 357, 359 |
| 7035A9 | 0461A1 | 270 | 7069AF11 | 7069AF11 | 267 | 725L20 | 569A957H04 | 77.1 |
| 7042A1 | 0355 | 249, 251 | 7069AF12 | 7069AF12 | 267 | 7262C37G02 | 7262C37G02 | 353 |
| 7055C081 | 0295P1 | 232, 248 | 7069AF3 | 7069AF3 | 267 | 7263C05H27 | 7263C05H27 | 342 |
| 7055C171 | 0295P2 | 232, 248 | 7069AF37 | 7069AF37 | 267 | 7263C05H28 | 7263C05H28 | 342 |
| 7055C205 | 0295P5 | 232, 248 | 7069AF41 | 7069AF41 | 267 | 7263C05H29 | 7263C05H29 | 342 |
| 7055C205 | 0295P5 | 232, 248 | 7069AF42 | 7069AF42 | 267 | 7263C76G02 | 7263C76G02 | 346 |
| 7055C227 | 0295P5 | 232, 248 | 7069AF7 | 7069AF7 | 267 | 7264C34H02 | 7264C34H02 | 387 |
| 7055C241 | 0295P5 | 232, 248 | 7069AF9 | 7069AF9 | 267 | 7264C45G01 | 7264C45G01 | 364 |
| 7055C243 | 0295P5 | 232, 248 | 7069AF-Series | 250D-Series | 267 | 7264C45G02 | 7264C45G02 | 364 |
| 7055C244 | 0295P5 | 232, 248 | 7069AG2 | 7069AG2 | 268 | 7264C45G03 | 7264C45G03 | 364 |
| 7055C261 | 0295P3 | 232, 248 | 7069AG31 | 7069AG31 | 268 | 7264C45G04 | 7264C45G04 | 364 |
| 7055C351 | 0295P4 | 232, 248 | 7069AG32 | 7069AG32 | 268 | 7264C45G05 | 7264C45G05 | 364 |
| 7055C406 | 0295P5 | 232, 248 | 7069AG-Series | 250E-Series | 268 | 7264C45G06 | 7264C45G06 | 364 |
| 7055C441 | 0295P5 | 232, 248 | 7069AH10 | 7069AH10 | 268 | 7264C45G07 | 7264C45G07 | 364 |
| 7055C531 | 0295P6 | 232, 248 | 7069AH11 | 7069AH11 | 268 | 7264C45G08 | 7264C45G08 | 364 |
| 7055C602 | 0295P7 | 232, 248 | 7069AH16 | 7069AH16 | 268 | 7264C45G09 | 7264C45G09 | 364 |
| 7055C621 | 0295P7 | 232, 248 | 7069AH17 | 7069AH17 | 268 | 7264C45G11 | 7264C45G11 | 364 |
| 7055C711 | 0295P8 | 232, 248 | 7069AH21 | 7069AH21 | 268 | 7265C84H01 | 7265C84H01 | 387 |
| 7055C801 | 0295P9 | 232, 248 | 7069AH26 | 7069AH26 | 268 | 7265C84H03 | 7265C84H03 | 387 |
| 7058B108FF7 | 029A08F7 | 231, 248 | 7069AH33 | 7069AH33 | 268 | 7268C09H04 | 7268C09H04 | 350 |
| 7058B117FF7 | 029A17F7 | 231, 248 | 7069AH34 | 7069AH34 | 268 | 7268C26H01 | 7268C26H01 | 350, 361.1 |
| 7058B120FF11 | 029A44F11 | 231, 248 | 7069AH36 | 7069AH36 | 268 | 7268C26H02 | 7268C26H02 | 350, 361.1 |
| 7058B120FF12 | 029A44F12 | 231, 248 | 7069AH38 | 7069AH38 | 268 | 7268C35G01 | 7268C35G01 | 355 |
| 7058B120FF7 | 029A44D7 | 231, 248 | 7069AH40 | 7069AH40 | 268 | 7268C35H01 | 7268C35H01 | 350 |
| 7058B122FF7 | 029A44D7 | 231, 248 | 7069AH41 | 7069AH41 | 268 | 7268C48G01 | 7268C48G01 | 355 |
| 7058B122FF8 | 029A44F8 | 231, 248 | 7069AH42 | 7069AH42 | 268 | 7268C48H01 | 7268C48H01 | 350 |
| 7058B124FF7 | 029A26F7 | 231, 248 | 7069AH48 | 7069AH48 | 268 | 7269C58G01 | 7269C58G01 | 351 |
| 7058B126FF7 | 029A26F7 | 231, 248 | 7069AH58 | 7069AH58 | 268 | 7272C15H01 | 7272C15H01 | 352 |
| 7058B126FF8 | 029A26F8 | 231, 248 | 7069AH59 | 7069AH59 | 268 | 7272C17G01 | 7272C17G01 | 352 |
| 7058B135FF7 | 029A35F7 | 231, 248 | 7069AH60 | 7069AH60 | 268 | 7278C57 | 7278C57 | 357 |
| 7058B135FF8 | 029A35F8 | 231, 248 | 7069AH9 | 7069AH9 | 268 | 7278C57G02 | 7278C57G02 | 359 |
| 7058B140FF7 | 029A44D7 | 231, 248 | 7069AH-Series | 250E-Series | 268 | 7283C05H01 | 7283C05H01 | 313, 348 |

Cross Reference Index

| OEM Part No. | ADAMS Part No. | Catalog Page No. | OEM Part No. | ADAMS Part No. | Catalog Page No. | OEM Part No. | ADAMS Part No. | Catalog Page No. |
|--------------|----------------|--------------------|--------------|----------------|------------------|--------------|----------------|------------------|
| 7283C05H02 | 7283C05H02 | 313, 350, 357, 359 | 75406 | DV55S4 | 169 | 769019 | WR101 | 142 |
| 7284C21H02 | 7284C21H02 | 349 | 75407 | DV55P2 | 169 | 769488 | D2804 | 146 |
| 7284C21H08 | 7284C21H08 | 349 | 75427 | DV55R1 | 170 | 769488 | WR102 | 142 |
| 7284C21H35 | 7284C21H35 | 349 | 75613 | 9772777 | 159 | 769489 | D2802 | 146 |
| 7284C21H41 | 7284C21H41 | 349 | 756MB | A480L36 | 89 | 769489 | D2807 | 146 |
| 7284C56H01 | 7284C56H01 | 365 | 75785 | A103A3 | 86, 87, 143 | 769489 | WR100 | 142 |
| 7284C56H02 | 7284C56H02 | 365 | 75889 | 9758896 | 160 | 769489D | WR104 | 142 |
| 7284C56H03 | 7284C56H03 | 365 | 7593B2 | 7593B2 | 304 | 77034 | DP3100 | 81 |
| 7285C31G01 | 7285C31G01 | 313 | 7593B3 | 7593B3 | 304 | 77059 | 9870593 | 150 |
| 7285C36G01 | 7285C36G01 | 315 | 7593B4 | 7593B4 | 304 | 77060 | 9870600 | 150 |
| 7285C41G01 | 7285C41G01 | 315 | 7652C79H02 | 7652C79H02 | 374 | 77263 | D823 | 155 |
| 7285C56H01 | 7285C56H01 | 313, 348 | 7652C79H03 | 7652C79H03 | 374 | 77A1 | 0804E4 | 288, 289 |
| 7285C73H01 | 7285C73H01 | 384 | 7652C79H04 | 7652C79H04 | 374 | 77A2 | 0804E2 | 288, 289 |
| 7286C86G01 | 7286C86G01 | 312 | 7652C79H06 | 7652C79H06 | 374 | 77A3 | 0804E3 | 288, 289 |
| 72CE9 | 0826C1 | 297 | 7652C79H07 | 7652C79H07 | 374 | 77AA | 0804E1 | 288, 289 |
| 72CG1 | 0485N1 | 263 | 7652C79H08 | 7652C79H08 | 374 | 77A5 | 0804E5 | 288, 289 |
| 72CG3 | 0480N1 | 263 | 7652C79H09 | 7652C79H09 | 374 | 78C2 | 0808P1 | 288, 289 |
| 732CZ3 | 021D32Z3 | 226 | 7652C79H10 | 7652C79H10 | 374 | 79-153 | A106G | 27 |
| 7360Z | 7360Z | 347 | 7652C79H11 | 7652C79H11 | 374 | 79-760 | A106GMMM | 27 |
| 7361Z | 7361Z | 347 | 7652C79H12 | 7652C79H12 | 374 | 7T4 | HA-1069-F2 | 92 |
| 7375Z | 7375Z | 384 | 7652C79H13 | 7652C79H13 | 374 | 7WT4 1/2 | HA-1069-L2 | 92 |
| 7428C01H02 | 7428C01H02 | 374 | 7652C81H02 | 7652C81H02 | 374 | 801-101-1 | ARW2101 | 120 |
| 7428C01H04 | 7428C01H04 | 374 | 7652C81H07 | 7652C81H07 | 374 | 801-102-1 | ARW2102 | 120, 124 |
| 7428C01H06 | 7428C01H06 | 374 | 7652C81H13 | 7652C81H13 | 374 | 801-103-1 | ARW2103 | 120 |
| 7428C01H07 | 7428C01H07 | 374 | 7652C81H14 | 7652C81H14 | 374 | 801-105-1 | ARW2105 | 120 |
| 7428C01H08 | 7428C01H08 | 374 | 7652C82H06 | 7652C82H06 | 374 | 811C474H01 | 811C474H01 | 315 |
| 7428C01H09 | 7428C01H09 | 374 | 7652C82H07 | 7652C82H07 | 374 | 811C985H05 | 811C985H05 | 346 |
| 7428C01H10 | 7428C01H10 | 374 | 7652C82H08 | 7652C82H08 | 374 | 815L20 | 569A957H06 | 321 |
| 7428C01H11 | 7428C01H11 | 374 | 7652C82H09 | 7652C82H09 | 374 | 8535C66H01 | 8535C66H01 | 361 |
| 7428C01H13 | 7428C01H13 | 374 | 7652C82H22 | 7652C82H22 | 374 | 8535C67G01 | 8535C67G01 | 361 |
| 7428C01H15 | 7428C01H15 | 374 | 7652C82H38 | 7652C82H38 | 374 | 8535C67G02 | 8535C67G02 | 361 |
| 7428C01H17 | 7428C01H17 | 374 | 7654C63H61 | 7654C63H61 | 372 | 8535C69H01 | 8535C69H01 | 361 |
| 7428C01H22 | 7428C01H22 | 374 | 7654C64H61 | 7654C64H61 | 372 | 8535C70H01 | 8535C70H01 | 361 |
| 7428C01H23 | 7428C01H23 | 374 | 7656C53H29 | 7656C53H29 | 372 | 8535C72G01 | 8535C72G01 | 355, 361 |
| 7428C01H24 | 7428C01H24 | 374 | 7656C53H30 | 7656C53H30 | 372 | 8535C72G02 | 8535C72G02 | 361 |
| 7428C02H07 | 7428C02H07 | 374 | 7656C53H41 | 7656C53H41 | 372 | 8537C94H05 | 8537C94H05 | 378 |
| 7428C02H08 | 7428C02H08 | 374 | 7656C53H42 | 7656C53H42 | 372 | 8537C94H06 | 8537C94H06 | 378 |
| 7428C02H09 | 7428C02H09 | 374 | 7656C53H60 | 7656C53H60 | 372 | 8537C94H07 | 8537C94H07 | 378 |
| 7428C02H10 | 7428C02H10 | 374 | 7656C53H61 | 7656C53H61 | 372 | 8537C94H08 | 8537C94H08 | 378 |
| 7428C02H22 | 7428C02H22 | 374 | 7656C53H62 | 7656C53H62 | 372 | 8537C94H09 | 8537C94H09 | 378 |
| 7428C92H06 | 7428C92H06 | 387 | 7656C53H63 | 7656C53H63 | 372 | 8537C94H10 | 8537C94H10 | 378 |
| 7431C01H01 | 7431C01H01 | 314 | 7656C53H72 | 7656C53H72 | 372 | 8537C94H11 | 8537C94H11 | 378 |
| 7431C01H02 | 7431C01H02 | 314 | 7656C53H73 | 7656C53H73 | 372 | 8537C94H17 | 8537C94H17 | 378 |
| 7431C01H03 | 7431C01H03 | 314 | 7656C53H74 | 7656C53H74 | 378 | 8538C88H01 | 8538C88H01 | 311 |
| 7431C01H04 | 7431C01H04 | 314 | 7656C53H75 | 7656C53H75 | 378 | 8538C88H02 | 8538C88H02 | 311 |
| 7431C01H05 | 7431C01H05 | 314 | 7656C53H91 | 7656C53H91 | 378 | 8538C88H04 | 8538C88H04 | 311 |
| 7431C01H06 | 7431C01H06 | 314 | 7656C72H42 | 7656C72H42 | 372 | 8538C88H07 | 8538C88H07 | 311 |
| 7431C01H07 | 7431C01H07 | 314 | 7660C55H06 | 7660C55H06 | 378 | 8538C88H10 | 8538C88H10 | 311 |
| 7431C01H08 | 7431C01H08 | 314 | 7660C55H08 | 7660C55H08 | 378 | 8538C88H11 | 8538C88H11 | 311 |
| 7431C01H09 | 7431C01H09 | 314 | 7660C55H09 | 7660C55H09 | 378 | 8540C58H02 | 8540C58H02 | 378 |
| 7431C01H10 | 7431C01H10 | 314 | 7660C55H12 | 7660C55H12 | 378 | 8540C59H01 | 8540C59H01 | 380 |
| 7431C01H11 | 7431C01H11 | 314 | 7660C55H19 | 7660C55H19 | 378 | 8543C48H01 | 8543C48H01 | 372 |
| 7431C01H12 | 7431C01H12 | 314 | 7660C55H21 | 7660C55H21 | 378 | 8543C48H02 | 8543C48H02 | 372 |
| 7431C01H14 | 7431C01H14 | 314 | 7660C55H27 | 7660C55H27 | 378 | 8543C48H03 | 8543C48H03 | 372 |
| 7431C01H15 | 7431C01H15 | 314 | 7660C55H28 | 7660C55H28 | 378 | 8543C48H04 | 8543C48H04 | 372 |
| 7431C95H10 | 7431C95H10 | 350, 355 | 7660C55H29 | 7660C55H29 | 378 | 8543C48H05 | 8543C48H05 | 372 |
| 7431C95H15 | 7431C95H15 | 354, 356, 358 | 7660C55H31 | 7660C55H31 | 378 | 8543C48H06 | 8543C48H06 | 372 |
| 7431C95H26 | 7431C95H26 | 350 | 7660C55H38 | 7660C55H38 | 378 | 8543C48H07 | 8543C48H07 | 372 |
| 7433C56H01 | W417M | 344 | 76702 | CJ-945-C | 390 | 8543C48H08 | 8543C48H08 | 372 |
| 7433C93G01 | 7433C93G01 | 351 | 76752 | D2804 | 146 | 8543C48H09 | 8543C48H09 | 372 |
| 74732R | RL-1230-C | 404 | 76754 | D2802 | 146 | 8543C48H10 | 8543C48H10 | 372 |
| 75-008775-00 | PN-130-C | 402 | 76754 | D2807 | 146 | 8543C48H42 | 8543C48H42 | 372 |
| 75281 | A103A1 | 86, 87, 127, 143 | 76756 | D2803 | 146 | 8543C48H43 | 8543C48H43 | 372 |
| 75285 | 9752857 | 145 | 76756 | PB-1097-B | 146 | 8543C48H46 | 8543C48H46 | 372 |
| 75299 | A103A1 | 86, 87, 127, 143 | 76764 | D2801 | 146 | 8543C48H49 | 8543C48H49 | 372 |
| 75300 | A103A2 | 86, 87, 127, 143 | 769011 | D2801 | 146 | 8543C48H51 | 8543C48H51 | 372 |
| 75301 | A103A3 | 86, 87, 143 | 769019 | D2803 | 146 | 8543C51H61 | 8543C51H61 | 372 |
| 75304 | D2605 | 146 | 769019 | PB-1097-B | 146 | 8543C52H01 | 8543C52H01 | 372 |

Cross Reference Index

| OEM Part No. | ADAMS Part No. | Catalog Page No. | OEM Part No. | ADAMS Part No. | Catalog Page No. | OEM Part No. | ADAMS Part No. | Catalog Page No. |
|--------------|----------------|------------------------------|--------------|----------------|------------------------------|--------------|----------------|-----------------------------------|
| 8543C52H05 | 8543C52H05 | 372, 380 | 90YA13 | 023S2 | 242, 248, 249, 296 | 998C118H11 | 998C118H11 | 383 |
| 8543C52H07 | 8543C52H07 | 372 | 90YA25 | 022S6 | 234, 237, 296 | 998C120H11 | 998C120H11 | 383 |
| 8543C52H08 | 8543C52H08 | 372 | 90YA26 | 0454 | 266, 296 | 998C127H14 | 998C127H14 | 384 |
| 8543C52H11 | 8543C52H11 | 372 | 9141 | CH6-203-2 | 443 | 998C145H24 | 998C145H24 | 384 |
| 8543C52H41 | 8543C52H41 | 372 | 9141 | CH6-203-3 | 443 | 998C146H22 | 998C146H22 | 384 |
| 8544C13H03 | 8544C13H03 | 378 | 91AE1 | 0812 | 291, 296 | 998C147H15 | 998C147H15 | 384 |
| 8544C15H01 | 8544C15H01 | 378 | 91B1 | 024S1 | 243, 249, 296 | 998C149H12 | 998C149H12 | 383, 384 |
| 8544C17G01 | 8544C17G01 | 378 | 91T8 | 0811 | 291, 296 | 998C150H11 | 998C150H11 | 384 |
| 8544C17G02 | 8544C17G02 | 378 | 91W2 | 0812X | 291, 296 | 998C153H15 | 998C153H15 | 383 |
| 8544C17G03 | 8544C17G03 | 378 | 9233905 | 0901 | 303 | 998C164H13 | 998C164H13 | 384 |
| 8544C17G04 | 8544C17G04 | 378 | 92A4 | 0700S1 | 284, 296 | 998C168H24 | 998C168H24 | 383 |
| 8544C17K01 | 8544C17K01 | 378 | 92Y1 | 0578 | 301 | 998C169H11 | 998C169H11 | 382-384 |
| 8544C19G01 | 8544C19G01 | 378 | 9300-A | A106E00 | 25 | 998C173H22 | 998C173H22 | 384 |
| 8544C19G02 | 8544C19G02 | 378 | 9310-A | A106E10 | 25 | 998C187H26 | 998C187H26 | 384 |
| 8544C19G03 | 8544C19G03 | 378 | 9320-A | A106E20 | 25 | 998C188H11 | 998C188H11 | 384 |
| 8544C21G01 | 8544C21G01 | 380 | 93485 | JE971 | 192 | 998C197H13 | 998C197H13 | 382, 383 |
| 8544C22G01 | 8544C22G01 | 380 | 93A2 | 024C3 | 240, 242, 243, 244, 248, 249 | 998C198H12 | 998C198H12 | 381, 382, 384 |
| 864A963H01 | W85B2 | 338, 339 | | | | 998C199H13 | 998C199H13 | 382, 383 |
| 865A096H01 | W459T | 15, 371 | 93AD1 | 023C7 | 240, 242, 243, 249 | 998C202H12 | 998C202H12 | 384 |
| 865A254H01 | 865A254H01 | 380 | 93CC1 | 0352 | 249, 252 | 998C204H12 | 998C204H12 | 383 |
| 886A123H01 | W457X2 | 368 | 93D2 | 021C5 | 227-230, 234, 235, 249 | 998C206H12 | 998C206H12 | 384 |
| 88L | A485L2 | 90 | | | | 998C216H28 | 998C216H28 | 384 |
| 8910DP12V02 | SQ-964-T | 409 | 9705442 | DP5100 | 81 | 998C224H11 | 998C224H11 | 382, 383 |
| 894AA1 | 9715447 | 152 | 9712082 | DR20 | 151 | 998C225H12 | 998C225H12 | 382, 383 |
| 895-1056 | 895-1056 | 349 | 9715575 | DV55C2 | 169 | 998C225H14 | 998C225H14 | 383 |
| 895-1061 | 895-1061 | 349 | 9719842 | DR21 | 151 | 998C225H25 | 998C225H25 | 384 |
| 8-967 | HA-1067-A1 | 92 | 9730349 | DP3100 | 81 | 998C227H12 | 998C227H12 | 382 |
| 89K | HA-1067-T1 | 92 | 97444 | JE971 | 192 | 998C228H12 | 998C228H12 | 382 |
| 8MB/27-BUR | 3-40317-98 | 196 | 9746602 | D800A | 75 | 998C238H12 | 998C238H12 | 382 |
| 9005-A | A106D05 | 24 | 9756589 | 155BL1 | 151 | 998C239H11 | 998C239H11 | 382 |
| 9015-A | A106D15 | 24 | 9758525 | D811 | 154 | 998C245H12 | 998C245H12 | 381, 382 |
| 90210-011 | 90210-011 | 214 | 9767526 | D2804 | 146 | 998C246H12 | 998C246H12 | 381 |
| 90527-022 | 90527-022 | 218 | 9767540 | D2802 | 146 | 998C247H14 | 998C247H14 | 381 |
| 90665-001 | 90665-001 | 219 | 9767540 | D2807 | 146 | 998C254H12 | 998C254H12 | 382, 384 |
| 90665-003 | 90665-003 | 219 | 9767563 | D2803 | 146 | 998C255H14 | 998C255H14 | 382 |
| 90AB8 | 0577 | 296, 301 | 9767563 | PB-1097-B | 146 | 998C256H12 | 998C256H12 | 382, 383 |
| 90BB1 | 0576 | 398, 301 | 9767642 | D2801 | 146 | 998C257H11 | 998C257H11 | 383 |
| 90BB14 | 0816S1 | 290, 296 | 9787239 | DP3000 | 81 | 998C272H13 | 998C272H13 | 381 |
| 90BB19 | 022S4 | 234, 235 | 9787252 | DP5000 | 81 | 998C273H11 | 998C273H11 | 383, 384 |
| 90BB8 | 023S3 | 240, 242, 296 | 9828229 | D20K1 | 151 | 998C274H11 | 998C274H11 | 383 |
| 90DB4 | 023S1 | 240, 242, 296 | 9844107 | 141059 | 151 | 998C275H11 | 998C275H11 | 383 |
| 90EB16 | 0852S1 | 296 | 9851331 | DS-861N1 | 160 | 998C276H22 | 998C276H22 | 383 |
| 90EB5 | 022S3 | 234, 237, 296 | 9870180 | 9870180 | 77.1 | 998C278H11 | 998C278H11 | 378 |
| 90GA2 | 0370S1 | 251, 276, 296 | 9892679 | 69267 | 151 | 998C280H11 | 998C280H11 | 378 |
| 90HB11 | 0850S1 | 295 | 9892692 | 69269 | 151 | 998C304H11 | 998C304H11 | 378 |
| 90HB9 | 0807 | 249, 288, 289, 296 | 9892916 | D815 | 155 | 999C003H26 | 999C003H26 | 382, 383 |
| 90JB13 | 0584 | 301 | 998C002H14 | 998C002H14 | 383 | 999C401H13 | 999C401H13 | 382 |
| 90KA | 0461S1 | 296 | 998C003H26 | 998C003H26 | 383 | 999C414H22 | 999C414H22 | 382 |
| 90KA3 | 021S4 | 227, 228, 296 | 998C009H11 | 998C009H11 | 383 | 999C419H11 | 999C419H11 | 384 |
| 90KA5 | 0461S2 | 296 | 998C026H26 | 998C026H26 | 384 | 99G1 | 021P2 | 227, 235, 237, 238, 240, 242, 278 |
| 90KB14 | 022S7 | 234, 237, 296 | 998C030H27 | 998C030H27 | 384 | | | |
| 90LA11 | 022S5 | 234, 235, 237, 296 | 998C032H15 | 998C032H15 | 384 | 99G2 | 022P3 | 234, 235, 237, 238, 240, 242 |
| 90LA4 | 021S1 | 227, 228, 296 | 998C039H12 | 998C039H12 | 383 | | | |
| 90LA5 | 0375S1 | 296 | 998C061H14 | 998C061H14 | 384 | A-002002 | ARW2107 | 120, 123, 124 |
| 90LB1 | 0575 | 296, 301 | 998C062H46 | 998C062H46 | 383 | A002003 | ARW2102 | 120, 124 |
| 90MB | A480L14 | 89, 367 | 998C063H23 | 998C063H23 | 383 | A-002004 | ARW2308 | 122, 123 |
| 90MB4 | 0573B | 296 | 998C076H14 | 998C076H14 | 383 | A-008012 | ARW855R | 133 |
| 90MB4 | 0573S | 296 | 998C077H24 | 998C077H24 | 384 | A-008015 | ARW855L | 133 |
| 90PA4 | 022S9 | 234, 235, 237, 296 | 998C080H15 | 998C080H15 | 383 | A-008026 | ARW316 | 125 |
| 90SB7 | 0572S | 296, 298 | 998C090H12 | 998C090H12 | 383 | A090009 | OT-100-A | 401 |
| 90TA3 | 022S1 | 234, 237, 238, 296 | 998C091H12 | 998C091H12 | 383 | A1 | CH6-23-2 | 440 |
| 90TA6 | 021S2 | 227, 228, 296 | 998C092H12 | 998C092H12 | 383 | A1 | CH6-24-2 | 440 |
| 90VA15 | 022S8 | 234, 237, 296 | 998C098H37 | 998C098H37 | 383 | A1 | CH6-25-2 | 440 |
| 90VA16 | 022S2 | 227, 234, 235, 237, 238, 296 | 998C102H12 | 998C102H12 | 383 | A1 | CH6-26-2 | 441 |
| | | | 998C108H12 | 998C108H12 | 384 | A1 | CH6-27-2 | 441 |
| 90VA8 | 0831S1 | 296 | 998C110H12 | 998C110H12 | 384 | A1 | CH6-28-2 | 442 |
| 90WE14 | 0480S1 | 263, 296 | 998C111H11 | 998C111H11 | 383 | A103B1 | A103B1 | 86 |
| 90XA14 | 0293S1 | 232, 296 | 998C113H11 | 998C113H11 | 383 | A103B2 | A103B2 | 86 |

Cross Reference Index

| OEM Part No. | ADAMS Part No. | Catalog Page No. | OEM Part No. | ADAMS Part No. | Catalog Page No. | OEM Part No. | ADAMS Part No. | Catalog Page No. |
|--------------|----------------|------------------|---------------|----------------|------------------|---------------|----------------|------------------|
| A103B3 | A103B3 | 86 | A287E2 | O840E2 | 294 | A449B103 | A449B103 | 111 |
| A103B4 | A103B4 | 86 | A288004 | ARW2105 | 120 | A449B104 | A449B104 | 110 |
| A103D1 | A103D1 | 88 | A-2949 | ARW321 | 125 | A449B105 | A449B105 | 110 |
| A103D2 | A103D2 | 88 | A300 | A300 | 98 | A449B106 | A449B106 | 110 |
| A106D30 | A106D30 | 27 | A301 | A301 | 98 | A449B107 | A449B107 | 111 |
| A106PT6 | A106PT6 | 26 | A306EB2 | O832 | 290 | A449B108 | A449B108 | 111 |
| A106TDR | A106TDR | 26 | A306GC2 | O485H1 | 263 | A449B109 | A449B109 | 110 |
| A14001 | A14001 | 23 | A32120 | ARW450B1 | 135 | A449B110 | A449B110 | 110 |
| A14003 | A14003 | 23 | A32120 | ARW450B2 | 135 | A449B111 | A449B111 | 110 |
| A14004 | A14004 | 23 | A323AF1 | O450B-Series | 266 | A449B112 | A449B112 | 110 |
| A14125 | A14125 | 23 | A323AF4 | O452 | 266 | A449B113 | A449B113 | 110 |
| A14325 | A14325 | 23 | A323BD-Series | O467B-Series | 266 | A449B114 | A449B114 | 110 |
| A14400 | A14400 | 23 | A325P1 | O815 | 291 | A449B115 | A449B115 | 111 |
| A14412 | A14412 | 23 | A333AS2 | O813C1 | 291 | A449B116 | A449B116 | 111 |
| A14425 | A14425 | 23 | A333AS3 | O813C2 | 291 | A449B117 | A449B117 | 110 |
| A14520 | A14520 | 23 | A336BR1 | O22K2 | 234-236, 238 | A449B118 | A449B118 | 111 |
| A14521 | A14521 | 23 | A336Z1 | O23K2 | 240, 241 | A449B119 | A449B119 | 110 |
| A14700 | A14700 | 23 | A-343018 | ARW832L | 133 | A449B121 | A449B121 | 110 |
| A151C2 | O345 | 248, 253 | A-363G1 | ARW320 | 125 | A449B122 | A449B122 | 110 |
| A-1580003 | K1102 | 124, 126 | A-36865B | ARW450C1 | 136 | A449B123 | A449B123 | 110 |
| A-158002A | K1101 | 122, 124, 126 | A371 | A371 | 20 | A449B128 | A449B128 | 111 |
| A-158013-A | K2101 | 121, 126 | A374CP1 | O22A1 | 234 | A449R181 | A449R181 | 110 |
| A-1640023 | ARW2203 | 121 | A384FS1 | O22AM3 | 235, 237 | A449R182 | A449R182 | 110 |
| A-1640024 | ARW2202 | 121 | A385AV1 | O453 | 266 | A449R183 | A449R183 | 111 |
| A-1640025 | ARW2204 | 121 | A385KC1 | O464C | 265 | A449R184 | A449R184 | 111 |
| A-1640026 | ARW2201 | 121 | A-405002 | ARW316P | 125 | A449R185 | A449R185 | 111 |
| A-164004 | ARW823 | 133 | A405M | A405M | 73 | A449R186 | A449R186 | 110 |
| A-164006 | ARW2301 | 123 | A405MP | A405MP | 73 | A449R187 | A449R187 | 110 |
| A-164007 | ARW2401 | 122 | A407S | A407S | 72 | A449R188 | A449R188 | 111 |
| A-164008 | ARW2304 | 123 | A41042P1 | K2102 | 126 | A449R189 | A449R189 | 110 |
| A-164009 | ARW2501 | 124 | A41042P2 | K2103 | 126 | A4500C-CHAR | A4500C-CHAR | 107 |
| A-164010 | ARW2503 | 124 | A42 | GL-870-A | 77.1 | A4500TCB-CHAR | A4500TCB-CHAR | 107 |
| A-164011 | ARW2402 | 122 | A433Z1 | O22P1 | 234, 235, 237 | A4500TC-CHAR | A4500TC-CHAR | 107 |
| A-164014 | ARW2109 | 120 | A4-3552 | SF-902-J | 391 | A4500T-CHAR | A4500T-CHAR | 107 |
| A-164015 | ARW2110 | 120 | A448B101 | A448B101 | 110 | A4500TCS-CHAR | A4500TCS-CHAR | 107 |
| A-164016 | ARW2303 | 123, 124 | A448B102 | A448B102 | 110 | A4500TW-CHAR | A4500TW-CHAR | 107 |
| A-164029 | ARW312 | 125 | A448B103 | A448B103 | 111 | A4502B-CHAR | A4502B-CHAR | 107 |
| A-164030 | ARW311 | 125 | A448B104 | A448B104 | 110 | A4502S-CHAR | A4502S-CHAR | 107 |
| A-164031 | ARW310 | 125 | A448B105 | A448B105 | 110 | A450H4B | A450H4B | 109 |
| A-164034 | ARW843 | 133 | A448B106 | A448B106 | 110 | A450H4R | A450H4R | 109 |
| A-164035 | ARW841 | 133 | A448B107 | A448B107 | 111 | A451B-CHAR | A451B-CHAR | 107 |
| A-164036 | ARW842 | 133 | A448B108 | A448B108 | 111 | A451E-CHAR | A451E-CHAR | 107 |
| A-164045 | ARW822 | 133 | A448B109 | A448B109 | 110 | A451FTN-CHAR | A451FTN-CHAR | 107 |
| A164046 | ARW2101 | 120 | A448B110 | A448B110 | 110 | A451TN-CHAR | A451TN-CHAR | 107 |
| A-171001 | ARW2307 | 122-124 | A448B111 | A448B111 | 110 | A452B-CHAR | A452B-CHAR | 107 |
| A-171003 | ARW2104 | 120 | A448B112 | A448B112 | 110 | A452CTN-CHAR | A452CTN-CHAR | 107 |
| A179AK3 | O22K1 | 234-236, 238 | A448B113 | A448B113 | 110 | A453CTN-CHAR | A453CTN-CHAR | 107 |
| A-18526 | ARW450C2 | 136 | A448B114 | A448B114 | 110 | A453FTN-CHAR | A453FTN-CHAR | 107 |
| A201K2CB | 3-40287-28 | 408 | A448B115 | A448B115 | 111 | A454CTN-CHAR | A454CTN-CHAR | 107 |
| A201K3CB | 3-40287-29 | 408 | A448B116 | A448B116 | 111 | A456EA1 | O402 | 256 |
| A201K3CB | 3-40394-80 | 408 | A448B117 | A448B117 | 110 | A456EA1 | O402HP | 256 |
| A201K4CB | 3-40287-30 | 408 | A448B118 | A448B118 | 111 | A456W1 | O401 | 255, 256 |
| A201K9CW | 3-40287-38 | 408 | A448B121 | A448B121 | 110 | A456W1 | O401HP | 256 |
| A202 | A202 | 38, 39 | A448B122 | A448B122 | 110 | A459-01 | A459-01 | 112 |
| A202M | A202M | 39 | A448B123 | A448B123 | 110 | A459B10 | A459B10 | 112 |
| A-20725B | ARW450H4 | 135 | A448B128 | A448B128 | 111 | A459B11 | A459B11 | 112 |
| A-20725W | ARW450H3 | 135 | A448R181 | A448R181 | 110 | A459B12 | A459B12 | 112 |
| A-20798B | ARW450H2 | 135 | A448R182 | A448R182 | 110 | A459B13 | A459B13 | 112 |
| A21001 | OT-100-F | 401 | A448R183 | A448R183 | 111 | A459B14 | A459B14 | 112 |
| A211K2CB | 3-40238-95 | 408 | A448R184 | A448R184 | 111 | A459B15 | A459B15 | 112 |
| A211K3CB | 3-40287-42 | 408 | A448R185 | A448R185 | 111 | A459B16 | A459B16 | 112 |
| A211K3CW | 3-40287-45 | 408 | A448R186 | A448R186 | 110 | A459B17 | A459B17 | 112 |
| A245AA1 | O23A2 | 240, 242 | A448R187 | A448R187 | 110 | A459B18 | A459B18 | 112 |
| A245AE1 | O22A2 | 234, 237, 238 | A448R188 | A448R188 | 111 | A459B19 | A459B19 | 112 |
| A275AR1 | O831D | 290 | A448R189 | A448R189 | 110 | A459B20 | A459B20 | 112 |
| A-283005 | ARW2305 | 123 | A448R190 | A448R190 | 111 | A459B21 | A459B21 | 112 |
| A28742P1 | K2102 | 126 | A449B101 | A449B101 | 110 | A459B22 | A459B22 | 112 |
| A28742P2 | K2103 | 126 | A449B102 | A449B102 | 110 | A459B25 | A459B25 | 112 |

Cross Reference Index

| OEM Part No. | ADAMS Part No. | Catalog Page No. | OEM Part No. | ADAMS Part No. | Catalog Page No. | OEM Part No. | ADAMS Part No. | Catalog Page No. |
|--------------|----------------|------------------|--------------|----------------|-------------------|--------------|----------------|------------------|
| A459B26 | A459B26 | 112 | A474HL | A474HL | 100 | A495E3R2 | A495E3R2 | 101 |
| A459B27 | A459B27 | 112 | A474IL2 | A474IL2 | 100, 101 | A495E4A2 | A495E4A2 | 101 |
| A459B28 | A459B28 | 112 | A474JL | A474JL | 100 | A495E4G2 | A495E4G2 | 101 |
| A459B29 | A459B29 | 112 | A474KL | A474KL | 100 | A495E4R2 | A495E4R2 | 101 |
| A459B30 | A459B30 | 112 | A477BJ1 | O21A7 | 227 | A495E5A2 | A495E5A2 | 101 |
| A459B31 | A459B31 | 112 | A477BL1 | O22A5 | 234, 235, 237 | A495E5G2 | A495E5G2 | 101 |
| A459B32 | A459B32 | 112 | A477BP1 | O23A5 | 240, 242 | A495E5R2 | A495E5R2 | 101 |
| A459B33 | A459B33 | 112 | A480L30 | A480L30 | 89, 98 | A495E6A2 | A495E6A2 | 101 |
| A459B34 | A459B34 | 112 | A487L5 | A487L5 | 90, 106, 162, 265 | A495E6G2 | A495E6G2 | 101 |
| A459B35 | A459B35 | 112 | A487L6 | A487L6 | 106 | A495E6R2 | A495E6R2 | 101 |
| A459B36 | A459B36 | 112 | A-491053 | ARW410 | 130 | A495H1A2 | A495H1A2 | 101 |
| A459B37 | A459B37 | 112 | A493L1G3 | A493L1G3 | 100 | A495H1G2 | A495H1G2 | 101 |
| A459B38 | A459B38 | 112 | A493L1R3 | A493L1R3 | 100 | A495H1R2 | A495H1R2 | 101 |
| A459B39 | A459B39 | 112 | A493L1W3 | A493L1W3 | 100 | A495H2A2 | A495H2A2 | 101 |
| A459B40A | A459B40A | 112 | A494LR0 | A494LR0 | 100 | A495H2G2 | A495H2G2 | 101 |
| A459B40B | A459B40B | 112 | A494LR1 | A494LR1 | 100 | A495H2R2 | A495H2R2 | 101 |
| A459B42 | A459B42 | 112 | A494LR2 | A494LR2 | 100 | A495H3A2 | A495H3A2 | 101 |
| A459B43 | A459B43 | 112 | A494LR3 | A494LR3 | 100, 260, 261 | A495H3G2 | A495H3G2 | 101 |
| A459B44 | A459B44 | 112 | A494LR4 | A494LR4 | 100 | A495H3R2 | A495H3R2 | 101 |
| A459B45 | A459B45 | 112 | A494LR5 | A494LR5 | 100 | A495H4A2 | A495H4A2 | 101 |
| A459B46 | A459B46 | 112 | A494LW1 | A494LW1 | 100 | A495H4G2 | A495H4G2 | 101 |
| A459B47 | A459B47 | 112 | A494LW2 | A494LW2 | 100 | A495H4R2 | A495H4R2 | 101 |
| A46222 | MM3314 | 222 | A494LW3 | A494LW3 | 100, 260, 261 | A495H5A2 | A495H5A2 | 101 |
| A46223 | MM3320 | 222, 223 | A494LW4 | A494LW4 | 100 | A495H5G2 | A495H5G2 | 101 |
| A46223 | MM3320R | 222, 223 | A494LW5 | A494LW5 | 100 | A495H5R2 | A495H5R2 | 101 |
| A464B | A464B | 49 | A494LW7 | A494LW7 | 100 | A495I1A2 | A495I1A2 | 101 |
| A464C | A464C | 49 | A495-08 | A495-08 | 101 | A495I1G2 | A495I1G2 | 101 |
| A465BC1-1 | A465BC1-1 | 105 | A495B1A2 | A495B1A2 | 100 | A495I1R2 | A495I1R2 | 101 |
| A465BC2-1 | A465BC2-1 | 105 | A495B1G2 | A495B1G2 | 100 | A495I2A2 | A495I2A2 | 101 |
| A465H-01 | A465H-01 | 105 | A495B1R2 | A495B1R2 | 100 | A495I2G2 | A495I2G2 | 101 |
| A465W-01 | A465W-01 | 105 | A495B2A2 | A495B2A2 | 100 | A495I2R2 | A495I2R2 | 101 |
| A-466022 | ARW835 | 133 | A495B2G2 | A495B2G2 | 100 | A495I3A2 | A495I3A2 | 101 |
| A469K1 | A469K1 | 112 | A495B2R2 | A495B2R2 | 100 | A495I3G2 | A495I3G2 | 101 |
| A469K2 | A469K2 | 112 | A495B3A2 | A495B3A2 | 100 | A495I3R2 | A495I3R2 | 101 |
| A470-01 | A470-01 | 101 | A495B3G2 | A495B3G2 | 100 | A495I4A2 | A495I4A2 | 101 |
| A470-02R | A470-02R | 101 | A495B3R2 | A495B3R2 | 100 | A495I4G2 | A495I4G2 | 101 |
| A470-02W | A470-02W | 101 | A495B4A2 | A495B4A2 | 100 | A495I4R2 | A495I4R2 | 101 |
| A470-10 | A470-10 | 101 | A495B4G2 | A495B4G2 | 100 | A495I5A2 | A495I5A2 | 101 |
| A470L3 | A470L3 | 100 | A495B4R2 | A495B4R2 | 100 | A495I5G2 | A495I5G2 | 101 |
| A470L4 | A470L4 | 100 | A495B5A2 | A495B5A2 | 100 | A495I5R2 | A495I5R2 | 101 |
| A470L5 | A470L5 | 100, 101 | A495B5G2 | A495B5G2 | 100 | A-509018 | ARW844 | 133 |
| A470RF11 | A470RF11 | 101 | A495B5R2 | A495B5R2 | 100 | A-509023 | ARW2306 | 122, 123 |
| A-471002 | ARW420 | 130 | A495B6A2 | A495B6A2 | 100 | A-509032 | ARW2106 | 120 |
| A-471002 | ARW420S | 130 | A495B6G2 | A495B6G2 | 100 | A-509035 | ARW2505 | 124 |
| A471A1 | A471A1 | 108 | A495B6R2 | A495B6R2 | 100 | A-509042 | ARW825 | 133 |
| A471A4 | A471A4 | 108 | A495D0G | A495D0G | 101 | A509096 | ARW2103 | 120 |
| A471A5 | A471A5 | 108 | A495D0R | A495D0R | 101 | A-520006 | ARW826 | 133 |
| A471A6 | A471A6 | 108 | A495D0W | A495D0W | 101 | A-521002 | ARW824 | 133 |
| A471A7 | A471A7 | 108 | A495D1G | A495D1G | 101 | A-521004 | ARW2302 | 123 |
| A471H2 | A471H2 | 111 | A495D1R | A495D1R | 101 | A-521005 | ARW2502 | 124 |
| A472A | A472A | 100 | A495D1W | A495D1W | 101 | A-521006 | ARW2403 | 122 |
| A472B | A472B | 100 | A495D2G | A495D2G | 101 | A550CK14 | A550CK14 | 20 |
| A473A | A473A | 100 | A495D2R | A495D2R | 101 | A550CK15 | A550CK15 | 20 |
| A473B | A473B | 100 | A495D2W | A495D2W | 101 | A550CK16 | A550CK16 | 20 |
| A474-02G | A474-02G | 100 | A495D3G | A495D3G | 101 | A550CK17 | A550CK17 | 20 |
| A474-02R | A474-02R | 100 | A495D3R | A495D3R | 101 | A550CK18 | A550CK18 | 20 |
| A474-03G | A474-03G | 100 | A495D3W | A495D3W | 101 | A550M1 | A550M1 | 20 |
| A474-03R | A474-03R | 100 | A495D4G | A495D4G | 101 | A550M2 | A550M2 | 20 |
| A474-04G | A474-04G | 100 | A495D4R | A495D4R | 101 | A550M3 | A550M3 | 20 |
| A474-04R | A474-04R | 100 | A495D4W | A495D4W | 101 | A550M4 | A550M4 | 20 |
| A474-05G | A474-05G | 100 | A495E1A2 | A495E1A2 | 101 | A550M5 | A550M5 | 20 |
| A474-05R | A474-05R | 100 | A495E1G2 | A495E1G2 | 101 | A550M6 | A550M6 | 20 |
| A47451P1 | K2102 | 126 | A495E1R2 | A495E1R2 | 101 | A550M7 | A550M7 | 20 |
| A47451P2 | K2103 | 126 | A495E2A2 | A495E2A2 | 101 | A550M8 | A550M8 | 20 |
| A-47492 | ARW320 | 125 | A495E2G2 | A495E2G2 | 101 | A550NS1 | A550NS1 | 20 |
| A474BL | A474BL | 100 | A495E2R2 | A495E2R2 | 101 | A550NS10 | A550NS10 | 20 |
| A474CL | A474CL | 100 | A495E3A2 | A495E3A2 | 101 | A550NS11 | A550NS11 | 20 |
| A474FL | A474FL | 101 | A495E3G2 | A495E3G2 | 101 | A550NS12 | A550NS12 | 20 |

Cross Reference Index

| OEM Part No. | ADAMS Part No. | Catalog Page No. | OEM Part No. | ADAMS Part No. | Catalog Page No. | OEM Part No. | ADAMS Part No. | Catalog Page No. |
|--------------|----------------|------------------|--------------|----------------|------------------|--------------|----------------|------------------|
| A550NS13 | A550NS13 | 20 | A5610B3 | A5610B3 | 21 | A5615D5 | A5615D5 | 22 |
| A550NS2 | A550NS2 | 20 | A5610B4 | A5610B4 | 21 | A5615D6 | A5615D6 | 22 |
| A550NS3 | A550NS3 | 20 | A5610C1 | A5610C1 | 21 | A5615E1 | A5615E1 | 22 |
| A550NS4 | A550NS4 | 20 | A5610C2 | A5610C2 | 21 | A5615E2 | A5615E2 | 22 |
| A550NS5 | A550NS5 | 20 | A5610C3 | A5610C3 | 21 | A5615E3 | A5615E3 | 22 |
| A550NS6 | A550NS6 | 20 | A5610C4 | A5610C4 | 21 | A5615E4 | A5615E4 | 22 |
| A550NS7 | A550NS7 | 20 | A5610D1 | A5610D1 | 21 | A5615E5 | A5615E5 | 22 |
| A550NS8 | A550NS8 | 20 | A5610D2 | A5610D2 | 21 | A5615E6 | A5615E6 | 22 |
| A550NS9 | A550NS9 | 20 | A5610D3 | A5610D3 | 21 | A5615F1 | A5615F1 | 22 |
| A550T1 | A550T1 | 20 | A5610D4 | A5610D4 | 21 | A5615F2 | A5615F2 | 22 |
| A551 | A551 | 114 | A5610E1 | A5610E1 | 21 | A5615F3 | A5615F3 | 22 |
| A552 | A552 | 115 | A5610E2 | A5610E2 | 21 | A5615F4 | A5615F4 | 22 |
| A552A | A552A | 115 | A5610E3 | A5610E3 | 21 | A5615F5 | A5615F5 | 22 |
| A552B | A552B | 115 | A5610E4 | A5610E4 | 21 | A5615G1 | A5615G1 | 22 |
| A552B2 | A552B2 | 115 | A5610F1 | A5610F1 | 21 | A5615G2 | A5615G2 | 22 |
| A552B3 | A552B3 | 115 | A5610F2 | A5610F2 | 21 | A5615G3 | A5615G3 | 22 |
| A552C | A552C | 115, 116 | A5610F3 | A5610F3 | 21 | A5615G4 | A5615G4 | 22 |
| A552H | A552H | 114 | A5610F4 | A5610F4 | 21 | A5615G5 | A5615G5 | 22 |
| A553 | A553 | 114 | A5610G1 | A5610G1 | 21 | A5615H1 | A5615H1 | 22 |
| A554 | A554 | 114 | A5610G2 | A5610G2 | 21 | A5615H2 | A5615H2 | 22 |
| A555 | A555 | 114 | A5610G3 | A5610G3 | 21 | A5615H3 | A5615H3 | 22 |
| A556 | A556 | 114 | A5610G4 | A5610G4 | 21 | A5615H4 | A5615H4 | 22 |
| A556A | A556A | 114 | A5610H1 | A5610H1 | 21 | A5615J1 | A5615J1 | 22 |
| A556B | A556B | 114 | A5610H2 | A5610H2 | 21 | A5615J2 | A5615J2 | 22 |
| A556MP | A556MP | 88 | A5610H3 | A5610H3 | 21 | A5615J3 | A5615J3 | 22 |
| A556R | A556R | 88 | A5610H4 | A5610H4 | 21 | A5615K1 | A5615K1 | 22 |
| A557 | A557 | 114 | A5610J1 | A5610J1 | 21 | A5615K2 | A5615K2 | 22 |
| A558A | A558A | 114 | A5610J2 | A5610J2 | 21 | A5615K3 | A5615K3 | 22 |
| A558B | A558B | 114 | A5610J3 | A5610J3 | 21 | A5616A1 | A5616A1 | 22 |
| A558B20 | A558B20 | 115 | A5610J4 | A5610J4 | 21 | A5616A2 | A5616A2 | 22 |
| A558B96 | A558B96 | 115 | A5610K1 | A5610K1 | 21 | A5616A3 | A5616A3 | 22 |
| A558B98 | A558B98 | 115, 116 | A5610K2 | A5610K2 | 21 | A5616A4 | A5616A4 | 22 |
| A558C | A558C | 114 | A5610K3 | A5610K3 | 21 | A561B1 | A561B1 | 15, 22 |
| A558D | A558D | 114 | A5610K4 | A5610K4 | 21 | A561B2 | A561B2 | 15, 22 |
| A558E | A558E | 114 | A5610L1 | A5610L1 | 21 | A563 | A563 | 15 |
| A558P20 | A558P20 | 115, 116 | A5611A1 | A5611A1 | 21 | A565 | A565 | 18 |
| A558P96 | A558P96 | 115 | A5611A2 | A5611A2 | 21 | A568 | A568 | 18 |
| A558P98 | A558P98 | 115 | A5611A3 | A5611A3 | 21 | A570D | A570D | 15 |
| A558S20 | A558S20 | 115 | A5611A4 | A5611A4 | 21 | A570D1 | A570D1 | 15 |
| A558S96 | A558S96 | 115, 116 | A5611A5 | A5611A5 | 21 | A571A1 | A571A1 | 14 |
| A558S98 | A558S98 | 115 | A5611A6 | A5611A6 | 21 | A571A2 | A571A2 | 14 |
| A559 | A559 | 20, 114 | A5611A7 | A5611A7 | 21 | A571A3 | A571A3 | 14 |
| A559AB20 | A559AB20 | 115 | A5611A8 | A5611A8 | 21 | A571B | A571B | 15 |
| A559AP20 | A559AP20 | 115 | A5612A1 | A5612A1 | 21 | A571C | A571C | 15 |
| A559AS20 | A559AS20 | 115 | A5612A2 | A5612A2 | 21 | A571P | A571P | 15 |
| A559B20 | A559B20 | 115 | A5612A3 | A5612A3 | 21 | A573A | A573A | 14 |
| A559B96 | A559B96 | 115 | A5612A4 | A5612A4 | 21 | A573B | A573B | 14 |
| A559B98 | A559B98 | 115 | A5612A5 | A5612A5 | 21 | A573C | A573C | 14 |
| A559BC20 | A559BC20 | 115 | A5612A6 | A5612A6 | 21 | A573D | A573D | 14 |
| A559P | A559P | 114 | A5614A1 | A5614A1 | 21 | A573F | A573F | 14 |
| A559PC20 | A559PC20 | 115 | A5614A2 | A5614A2 | 21 | A573G | A573G | 14 |
| A559S20 | A559S20 | 115, 116 | A5614A3 | A5614A3 | 21 | A573H | A573H | 14 |
| A559S96 | A559S96 | 115 | A5614A4 | A5614A4 | 21 | A573J | A573J | 14 |
| A559S98 | A559S98 | 115 | A5614A5 | A5614A5 | 21 | A573K | A573K | 14 |
| A559SC20 | A559SC20 | 115 | A5615A1 | A5615A1 | 22 | A573L | A573L | 14 |
| A559V | A559V | 114 | A5615A2 | A5615A2 | 22 | A573M | A573M | 14 |
| A560D | A560D | 20, 78 | A5615A3 | A5615A3 | 22 | A573N1 | A573N1 | 14 |
| A560W1 | A560W1 | 15 | A5615A4 | A5615A4 | 22 | A573N2 | A573N2 | 14 |
| A560W2 | A560W2 | 15 | A5615B1 | A5615B1 | 22 | A573N3 | A573N3 | 14 |
| A560W3 | A560W3 | 15 | A5615C1 | A5615C1 | 22 | A573N4 | A573N4 | 14 |
| A560W4 | A560W4 | 15 | A5615C2 | A5615C2 | 22 | A573P1 | A573P1 | 14 |
| A560W6 | A560W6 | 22 | A5615C3 | A5615C3 | 22 | A573P2 | A573P2 | 14 |
| A5610A1 | A5610A1 | 21 | A5615C4 | A5615C4 | 22 | A573P3 | A573P3 | 14 |
| A5610A2 | A5610A2 | 21 | A5615C5 | A5615C5 | 22 | A573P4 | A573P4 | 14 |
| A5610A3 | A5610A3 | 21 | A5615D1 | A5615D1 | 22 | A573P5 | A573P5 | 14 |
| A5610A4 | A5610A4 | 21 | A5615D2 | A5615D2 | 22 | A573P6 | A573P6 | 14 |
| A5610B1 | A5610B1 | 21 | A5615D3 | A5615D3 | 22 | A573P7 | A573P7 | 14 |
| A5610B2 | A5610B2 | 21 | A5615D4 | A5615D4 | 22 | A573P8 | A573P8 | 14 |

Cross Reference Index

| OEM Part No. | ADAMS Part No. | Catalog Page No. | OEM Part No. | ADAMS Part No. | Catalog Page No. | OEM Part No. | ADAMS Part No. | Catalog Page No. |
|--------------|----------------|------------------|--------------|----------------|------------------|--------------|----------------|------------------|
| A573Q | A573Q | 14 | A758-DINRAIL | A758-DINRAIL | 86 | A835CT | A835CT | 61 |
| A574A | A574A | 15 | A-767001 | ARW313 | 125 | A835DC | A835DC | 61 |
| A574B | A574B | 15 | A770 | A770 | 72 | A835HKA3 | A835HKA3 | 61 |
| A574C | A574C | 15 | A-776005 | ARW406 | 131 | A835MC | A835MC | 61 |
| A574D | A574D | 15 | A-787007 | ARW855L | 133 | A835PC3 | A835PC3 | 61 |
| A574S | A574S | 15 | A-787007 | ARW855R | 133 | A835PH | A835PH | 61 |
| A575A | A575A | 98 | A79AN1 | O21K1 | 227, 228 | A835PH-BTK | A835PH-BTK | 61 |
| A575B | A575B | 98 | A8110A1 | A8110A1 | 305 | A835PL | A835PL | 61 |
| A575C | A575C | 98 | A8110A3 | A8110A3 | 305 | A835R2 | A835R2 | 61 |
| A575KXX-220A | SR-1097-E2 | 410 | A8110A4 | A8110A4 | 305 | A835R2P | A835R2P | 61 |
| A575KXX-48D | SR-1097-CP | 410 | A8110A5 | A8110A5 | 305 | A835RA | A835RA | 61 |
| A580 | A580 | 93 | A8110B1 | A8110B1 | 305 | A835S1 | A835S1 | 61 |
| A581 | A581 | 93 | A8111A1 | A8111A1 | 305 | A835SBA3 | A835SBA3 | 61 |
| A590A | A590A | 14 | A8111A3 | A8111A3 | 305 | A835SYSBK | A835SYSBK | 61 |
| A6037D1 | O443 | 259 | A8111B3 | A8111B3 | 305 | A835XF | A835XF | 61 |
| A6098A1 | O841A1 | 292 | A8111B4 | A8111B4 | 305 | A835ZC | A835ZC | 61 |
| A6098A3 | O841A3 | 292 | A8111B7 | A8111B7 | 305 | A850EZ79 | A850EZ79 | 48, 48.1 |
| A6098A4 | O841A4 | 292 | A8111C1 | A8111C1 | 305 | A850G7EZ79T | A850G7EZ79T | 48, 48.1 |
| A6098B1 | O841B1 | 292 | A8111C2 | A8111C2 | 305 | A850G7EZ-HW | A850G7EZ-HW | 48, 48.1 |
| A6098B11 | O841B11 | 292 | A8111C3 | A8111C3 | 305 | A850G7EZ-RR2 | A850G7EZ-RR2 | 48, 48.1 |
| A6098B13 | O841B13 | 292 | A8111D2 | A8111D2 | 306 | A850G7MAX-PI | A850G7MAX-PI | 45 |
| A6098B15 | O841B15 | 292 | A8112C10 | A8112C10 | 306 | A850G7WP | A850G7WP | 47, 48.1 |
| A6098B17 | O841B17 | 292 | A8112C12 | A8112C12 | 306 | A853A | A853A | 76 |
| A6098B17 | O841B17A | 292 | A8112D1 | A8112D1 | 307 | A853B | A853B | 76 |
| A6098B18 | O841B18 | 292 | A8112E1 | A8112E1 | 307 | A853C | A853C | 76 |
| A6098B18 | O841B18A | 292 | A8113B2 | A8113B2 | 306 | A853D | A853D | 76 |
| A6098B22 | A6098B22 | 292 | A8113B4 | A8113B4 | 306 | A853G | A853G | 76 |
| A6098B3 | O841B3 | 292 | A8113C1 | A8113C1 | 306 | A853H | A853H | 76 |
| A6098B5 | O841B5 | 292, 293 | A8113F3 | A8113F3 | 306 | A853K | A853K | 76 |
| A6098B7 | O841B7 | 292 | A8113G2 | A8113G2 | 306 | A853N1 | A853N1 | 76 |
| A6098B9 | O841B9 | 292 | A8113H1 | A8113H1 | 306 | A853N2 | A853N2 | 76 |
| A6098CM1 | O841CM1 | 292 | A8113H2 | A8113H2 | 306 | A853N3 | A853N3 | 77 |
| A6098CM2 | O841CM2 | 292 | A8113N9 | A8113N9 | 306 | A853N4 | A853N4 | 77 |
| A629 | A629 | 33 | A8113P7 | A8113P7 | 306 | A853P | A853P | 77 |
| A6379P1 | A6379P1 | 271 | A8113R1 | A8113R1 | 307 | A853Q | A853Q | 77 |
| A650F11 | A650F11 | 93, 386 | A8114A10 | A8114A10 | 306 | A853T1 | A853T1 | 77 |
| A650F12 | A650F12 | 93, 386 | A8114A7 | A8114A7 | 306 | A853T3 | A853T3 | 77 |
| A650F13 | A650F13 | 93, 386 | A8114AB1 | A8114AB1 | 307 | A900A | A900A | 315.1 |
| A650F14 | A650F14 | 93, 386 | A8114AF1 | A8114AF1 | 307 | A901 | A901 | 394 |
| A650F16 | A650F16 | 93, 386 | A8114B1 | A8114B1 | 305 | A902 | A902 | 394 |
| A650F18 | A650F18 | 93, 386 | A8114B2 | A8114B2 | 305 | A903 | A903 | 394 |
| A650F19 | A650F19 | 93, 386 | A8114B4 | A8114B4 | 305 | A904 | A904 | 394 |
| A650F20 | A650F20 | 93, 386 | A8114C5 | A8114C5 | 305 | A905W | A905W | 395 |
| A651F1 | A651F1 | 93, 386 | A8114D1 | A8114D1 | 305 | A905WS | A905WS | 395 |
| A6754Y162CD3 | O2203CD3 | 233 | A8114D2 | A8114D2 | 307 | A908B | A908B | 74, 315.1 |
| A6839E1 | O321A | 249, 251 | A8114E1 | A8114E1 | 307 | A908B100 | A908B100 | 74 |
| A6839E2 | O321B | 248, 249, 251 | A8114E5 | A8114E5 | 307 | A908BG | A908BG | 74 |
| A6839F2 | O333 | 248, 249, 253 | A8114G1 | A8114G1 | 306 | A908C | A908C | 74, 315.1 |
| A6839F3 | O330 | 248, 249, 253 | A8115A1 | A8115A1 | 307 | A908G | A908G | 74 |
| A6839F4 | O331 | 248, 249, 253 | A8115B2 | A8115B2 | 307 | A908G100 | A908G100 | 74 |
| A6839F5 | O332 | 249, 253 | A8116A7 | A8116A7 | 306 | A908GG | A908GG | 74 |
| A6839G1 | O322A | 248, 249, 253 | A8116B3 | A8116B3 | 306 | A908N | A908N | 74 |
| A6938G3 | O322B | 248, 249, 253 | A8121AL2 | A8121AL2 | 305 | A908R | A908R | 74 |
| A700 | A700 | 14 | A8121AL24 | A8121AL24 | 305 | A908R100 | A908R100 | 74 |
| A701 | A701 | 14 | A8121AL4 | A8121AL4 | 305 | A908RG | A908RG | 74 |
| A7014B1 | O473B1 | 276 | A8121AW1 | A8121AW1 | 307 | A908S1 | A908S1 | 74 |
| A7014B5 | O473B2 | 276 | A8121D1 | A8121D1 | 305 | A908S2 | A908S2 | 74 |
| A702 | A702 | 14 | A8121D2 | A8121D2 | 305 | A908W | A908W | 74 |
| A7069A1 | O464B-Series | 265 | A8121D3 | A8121D3 | 305 | A908W100 | A908W100 | 74 |
| A719 | A719 | 14 | A8121E3 | A8121E3 | 305 | A908WG | A908WG | 74 |
| A719A | A719A | 14 | A8121E4 | A8121E4 | 305 | A909A | A909A | 74 |
| A719B | A719B | 14 | A8121P1 | A8121P1 | 307 | A909B | A909B | 74 |
| A722 | A722 | 18 | A8123C3 | A8123C3 | 307 | A910-18 | A910-18 | 96 |
| A723 | A723 | 18 | A8124L1 | A8124L1 | 307 | A910X2 | A910X2 | 96 |
| A744-6370-01 | D421 | 130, 152 | A820T1 | A820T1 | 307 | A910X3 | A910X3 | 96 |
| A744-6370-01 | D421S | 130, 152 | A820P1 | A820P1 | 307 | A910X5 | A910X5 | 96 |
| A7490019 | ARW820R | 133 | A835BB | A835BB | 61 | A910X6 | A910X6 | 96 |
| A-749007 | ARW820L | 133 | A835CR | A835CR | 61 | A911 | A911 | 98 |

Cross Reference Index

| OEM Part No. | ADAMS Part No. | Catalog Page No. | OEM Part No. | ADAMS Part No. | Catalog Page No. | OEM Part No. | ADAMS Part No. | Catalog Page No. |
|----------------------|----------------------|------------------|--------------|----------------|------------------|--------------|----------------|------------------|
| A-91101 | ARW401 | 131 | ABC | HA-959-G3 | 94 | AGC | HA-1049-AF4 | 94 |
| A911AX | A911AX | 98 | ABC | HA-959-G4 | 94 | AGC | HA-1049-B3 | 94 |
| A911LL | A911LL | 98 | ABC | HA-959-G5 | 94 | AGC | HA-1049-CN3 | 94 |
| A911X1 | A911X1 | 98 | ABC | HA-959-G6 | 94 | AGC | HA-1049-CY9 | 94 |
| A911X1A | A911X1A | 98 | ABC | HA-959-M3 | 94 | AGC | HA-1049-L7 | 94 |
| A911X3 | A911X3 | 98 | ABC | HA-959-M5 | 94 | AGC | HA-1049-N6 | 94 |
| A911X6 | A911X6 | 98 | ABC | HA-959-N1 | 94 | AGC | HA-959-C1 | 94 |
| A912CG24 | A912CG24 | 96 | ABX-104555 | ABX-104555 | 427 | AGC | HA-959-D1 | 94 |
| A912GF | A912GF | 96 | ABX-119624 | ABX-119624 | 426 | AGC | HA-959-D8 | 94 |
| A913 | A913 | 96 | ABX-33519 | ABX-33519 | 425 | AGC | HA-959-D9 | 94 |
| A913X | A913X | 96 | ABX-33552 | ABX-33552 | 425 | AGC | HA-959-H6 | 94 |
| A914 | A914 | 96 | ABX-33553 | ABX-33553 | 425 | AGC | HA-959-P3 | 94 |
| A915A1 | A915A1 | 96 | ABX-33977 | ABX-33977 | 425 | AGC | HA-959-U | 94 |
| A915A2 | A915A2 | 96 | ABX-35162 | ABX-35162 | 425 | AGC | HA-959-V7 | 94 |
| A915A3 | A915A3 | 96 | ABX-35163 | ABX-35163 | 425 | AGC | X52BS1H01 | 94 |
| A920-11 | A920-11 | 113 | ABX-36670 | ABX-36670 | 425 | AGC | X52BS1H02 | 94 |
| A920A1 | A920A1 | 113 | ABX-36671 | ABX-36671 | 425 | AGC | X52BS1H03 | 94, 197 |
| A920A2 | A920A2 | 113 | ABX-36702 | ABX-36702 | 425 | AGC | X52BS1H05 | 94 |
| A920B1 | A920B1 | 113 | ABX-36703 | ABX-36703 | 425 | AGC | X52BS1H08 | 94 |
| A920B2 | A920B2 | 113 | ABX-67541 | ABX-67541 | 426 | AGC | X52BS3H39 | 94 |
| A921B | A921B | 113 | ABX-98909 | ABX-98909 | 427 | AGC | X52BS5H76 | 94 |
| A921BG | A921BG | 113 | ABZ-34037 | ABZ-34037 | 428 | AGS | HA-959-Z4 | 94 |
| A923I | A923I | 97 | ABZ-34038 | ABZ-34038 | 428 | AGU | HA-1049-AL4 | 94 |
| A923J | A923J | 97 | ABZ-34039 | ABZ-34039 | 428 | AGX | HA-1049-AP9 | 94 |
| A923K | A923K | 97 | ABZ-34040 | ABZ-34040 | 428 | AGX | HA-1049-B8 | 94 |
| A923L | A923L | 97 | ABZ-34041 | ABZ-34041 | 429 | AGX | HA-1049-CM4 | 94 |
| A924A | A924A | 97 | ABZ-34042 | ABZ-34042 | 430 | AGX | HA-1049-N9 | 94 |
| A924B | A924B | 97 | ABZ-34043 | ABZ-34043 | 431 | AGX | HA-1049-P4 | 94 |
| A924C | A924C | 97 | AC6F | D23C9 | 141 | AGX | HA-959-Y2 | 94 |
| A924G | A924G | 97 | ACH024 | ACH024 | 97 | AGX | X52BS2H33 | 94 |
| A926A | A926A | 97 | ACH024S | ACH024S | 97 | AH37640-301 | AH37640-301 | 434 |
| A926B | A926B | 97 | ACH120 | ACH120 | 97 | AH38640-301 | AH38640-301 | 434 |
| A926C | A926C | 97 | ACH120S-AC | ACH120S-AC | 97 | AH5871 | EE-960-AC | 393 |
| A927A | A927A | 97 | ACH120S-NDC | ACH120S-NDC | 97 | AHCS1500B | AHCS1500B | 58 |
| A927B | A927B | 97 | ACH120S-PDC | ACH120S-PDC | 97 | AHCS1500S | AHCS1500S | 58 |
| A92AG1 | O806L1 | 288, 289, 296 | ACL100 | FE-959-G | 396 | AHCS1500YB | AHCS1500YB | 58 |
| A92AG1 | O809R1 | 289 | ACP025S | ACP025S | 114 | AHCS2000B | AHCS2000B | 58 |
| A92AG2 | O806R1 | 288, 289, 296 | ACP1055 | ACP1055 | 114 | AHCS2000S | AHCS2000S | 58 |
| A92AG2 | O809L1 | 289 | ACP1100S | ACP1100S | 114 | AHCS2000YB | AHCS2000YB | 58 |
| A930-05 | A930-05 | 49 | ACP115B | ACP115B | 114 | AHCS3000B | AHCS3000B | 58 |
| A930A | A930A | 49 | ACP115S | ACP115S | 114 | AHCS3000S | AHCS3000S | 58 |
| A930B | A930B | 49 | ACP120B | ACP120B | 114 | AHCS3000YB | AHCS3000YB | 58 |
| A9708AB1 | A9708AB1 | 307 | ACP120S | ACP120S | 114 | AHCS4000B | AHCS4000B | 58 |
| AA6098NM2 | AA6098NM2 | 292 | ACP125B | ACP125B | 114 | AHCS4000S | AHCS4000S | 58 |
| AAA6098NM2 | AAA6098NM2 | 292 | ACP125S | ACP125S | 114 | AHCS4000YB | AHCS4000YB | 58 |
| AB40410-331-51 | AB40410-331-51 | 432 | ACP130B | ACP130B | 114 | AHCS6000B | AHCS6000B | 58 |
| AB40410-331-52/54 | AB40410-331-52/54 | 432 | ACP130S | ACP130S | 114 | AHCS6000S | AHCS6000S | 58 |
| AB40420-322-51/52 | AB40420-322-51/52 | 432 | ACP135B | ACP135B | 114 | AHCS6000YB | AHCS6000YB | 58 |
| AB40430-300-51/52/53 | AB40430-300-51/52/53 | 432 | ACP135S | ACP135S | 114 | AHE3000B | AHE3000B | 52 |
| AB40440-300-551 | AB40440-300-551 | 433 | ACP140B | ACP140B | 114 | AHE3000CB | AHE3000CB | 52 |
| AB40440-325-52/53 | AB40440-325-52/53 | 433 | ACP140S | ACP140S | 114 | AHE3000CG | AHE3000CG | 52 |
| AB42450-805-01/02 | AB42450-805-01/02 | 433 | ACP160S | ACP160S | 114 | AHE3000CK | AHE3000CK | 52 |
| ABBFLG160CK | ABBFLG160CK | 436 | ACP20NB | ACP20NB | 114 | AHE3000CX | AHE3000CX | 52 |
| ABBFLG180CK | ABBFLG180CK | 436 | ACP20NS | ACP20NS | 114 | AHE3000DX | AHE3000DX | 52 |
| ABBFLG280CK | ABBFLG280CK | 436 | ACPC1200 | ACPC1200 | 114 | AHE3000GB | AHE3000GB | 52 |
| ABBFLG315CK | ABBFLG315CK | 437 | ACV007B | ACV007B | 115 | AHE3000GG | AHE3000GG | 52 |
| ABBFLG630CK | ABBFLG630CK | 437 | ACV007S | ACV007S | 115 | AHE3000GG | AHE3000GG | 52 |
| ABBEG1601CK | ABBEG1601CK | 435 | AE102 | AKC0052A | 110, 111, 112 | AHE3000GK | AHE3000GK | 52 |
| ABBEG3151CK | ABBEG3151CK | 435 | AGC | 33-1049-015 | 94 | AHE3000GX | AHE3000GX | 52 |
| ABBEG6302CK | ABBEG6302CK | 435 | AGC | 3-36286-00 | 94, 197 | AHE3000LX | AHE3000LX | 52 |
| ABBEG801CK | ABBEG801CK | 435 | AGC | 3-36286-01 | 94, 197 | AHE3000RX | AHE3000RX | 52 |
| ABBEG900CK | ABBEG900CK | 435 | AGC | 3-36286-02 | 94, 197 | AHE3000S | AHE3000S | 52 |
| ABC | 3-40014-78 | 94, 197 | AGC | 3-40177-23 | 94, 197 | AHE3000SP | AHE3000SP | 52 |
| ABC | HA-1049-AT5 | 94 | AGC | 3-40196-93 | 94 | AHE3000XX | AHE3000XX | 52 |
| ABC | HA-1049-AV3 | 94 | AGC | 3-40258-32 | 94, 197 | AHE3000YB | AHE3000YB | 52 |
| ABC | HA-1049-AW6 | 94 | AGC | 3-40258-47 | 94 | AHE3000YBP | AHE3000YBP | 52 |
| ABC | HA-959-D3 | 94 | AGC | 3-40391-75 | 94 | AHG2250AB | AHG2250AB | 56 |
| | | | AGC | 3-40391-76 | 197 | AHG2250BK | AHG2250BK | 56 |

Cross Reference Index

| OEM Part No. | ADAMS Part No. | Catalog Page No. | OEM Part No. | ADAMS Part No. | Catalog Page No. | OEM Part No. | ADAMS Part No. | Catalog Page No. |
|---------------|----------------|------------------|--------------|----------------|------------------|--------------|----------------|------------------|
| AHG2250BR | AHG2250BR | 56 | APA150CC | APA150CC | 31, 34 | AS458-06 | AS458-06 | 103 |
| AHG2250SL | AHG2250SL | 56 | APA160CC | APA160CC | 31, 34 | AS458-10 | AS458-10 | 111 |
| AHG2250SN | AHG2250SN | 56 | APA180CC | APA180CC | 31 | AS458-21 | AS458-21 | 103 |
| AHG2250SP | AHG2250SP | 56 | APA31CC | APA31CC | 31 | AS458A1 | AS458A1 | 103 |
| AHR1500B | AHR1500B | 50 | APA948C | APA948C | 36 | AS458A2 | AS458A2 | 103 |
| AHR1500BP | AHR1500BP | 50 | APC120CC | APC120CC | 36 | AS458A3 | AS458A3 | 103 |
| AHR1500DX | AHR1500DX | 50 | APC130CC | APC130CC | 36 | AS458A4 | AS458A4 | 103 |
| AHR1500S | AHR1500S | 50 | APC140C | APC140C | 36 | AS458A5 | AS458A5 | 103 |
| AHR1500SP | AHR1500SP | 50 | APC150C | APC150C | 36 | AS458A6 | AS458A6 | 103 |
| AHR1500YB | AHR1500YB | 50 | APF0625A | APF0625A | 98 | AS458B1 | AS458B1 | 103 |
| AHR1500YBP | AHR1500YBP | 50 | APF0625B | APF0625B | 98 | AS458B2 | AS458B2 | 103 |
| AHR2000B | AHR2000B | 50 | APF0625S | APF0625S | 98 | AS458C2 | AS458C2 | 103 |
| AHR2000BP | AHR2000BP | 50 | APF0750A | APF0750A | 98 | AS458C3 | AS458C3 | 103 |
| AHR2000S | AHR2000S | 50 | APF0750B | APF0750B | 98 | AS459A1 | AS459A1 | 108 |
| AHR2000SP | AHR2000SP | 50 | APF0750S | APF0750S | 98 | AS459A11 | AS459A11 | 108 |
| AHR2000YB | AHR2000YB | 50 | APF1000A | APF1000A | 98 | AS459A13 | AS459A13 | 108 |
| AHR2000YBP | AHR2000YBP | 50 | APF1000B | APF1000B | 98 | AS459A2 | AS459A2 | 108 |
| AHR3000S | AHR3000S | 50 | APF1000S | APF1000S | 98 | AS459A3 | AS459A3 | 108 |
| AHS1500B | AHS1500B | 54 | APF1250A | APF1250A | 98 | AS459A4 | AS459A4 | 108 |
| AHS1500BP | AHS1500BP | 54 | APF1250B | APF1250B | 98 | AS459A5 | AS459A5 | 108 |
| AHS1500S | AHS1500S | 54 | APF1250S | APF1250S | 98 | AS459A6 | AS459A6 | 108 |
| AHS1500SP | AHS1500SP | 54 | APG200GC | APG200GC | 35 | AS459A7 | AS459A7 | 108 |
| AHS1500YB | AHS1500YB | 54 | APG700GG | APG700GG | 35 | AS459A8 | AS459A8 | 108 |
| AHS1500YBP | AHS1500YBP | 54 | APG702CTC | APG702CTC | 35 | AS459A9 | AS459A9 | 108 |
| AHS2000B | AHS2000B | 54 | APG705TC | APG705TC | 35 | AS461-40 | AS461-40 | 109 |
| AHS2000BP | AHS2000BP | 54 | APG715CTC | APG715CTC | 35 | AS461-50 | AS461-50 | 109 |
| AHS2000S | AHS2000S | 54 | APL109T | APL109T | 17 | AS461-60 | AS461-60 | 109 |
| AHS2000SP | AHS2000SP | 54 | AP028BS | AP028BS | 35 | AS468A101 | AS468A101 | 109, 110 |
| AHS2000YB | AHS2000YB | 54 | AP0440GC | AP0440GC | 34 | AS468A102 | AS468A102 | 110 |
| AHS2000YBP | AHS2000YBP | 54 | AP050G | AP050G | 34 | AS468A103 | AS468A103 | 111 |
| AHS3000B | AHS3000B | 54 | AP0800QC | AP0800QC | 34, 36 | AS468A104 | AS468A104 | 110 |
| AHS3000BP | AHS3000BP | 54 | AP0900GC | AP0900GC | 34 | AS468A109 | AS468A109 | 111 |
| AHS3000S | AHS3000S | 54 | AP0900QC | AP0900QC | 34 | AS468A111 | AS468A111 | 110 |
| AHS3000SP | AHS3000SP | 54 | APS948G5P | APS948G5P | 36 | AS468A113 | AS468A113 | 110, 111 |
| AHS3000YB | AHS3000YB | 54 | APS948GC | APS948GC | 36 | AS468A114 | AS468A114 | 111 |
| AHS3000YBP | AHS3000YBP | 54 | APT0625A | APT0625A | 98 | AS468A115 | AS468A115 | 110 |
| AHS4000B | AHS4000B | 54 | APT0625B | APT0625B | 98 | AS468A116 | AS468A116 | 110 |
| AHS4000S | AHS4000S | 54 | APT0625S | APT0625S | 98 | AS468A123 | AS468A123 | 110 |
| AHS4000YB | AHS4000YB | 54 | APT0750A | APT0750A | 98 | AS468A149 | AS468A149 | 110 |
| AHS6000B | AHS6000B | 54 | APT0750B | APT0750B | 98 | AS468A201 | AS468A201 | 110 |
| AHS6000S | AHS6000S | 54 | APT0750S | APT0750S | 98 | AS468A202 | AS468A202 | 110 |
| AHS6000YB | AHS6000YB | 54 | APT1000A | APT1000A | 98 | AS468A205 | AS468A205 | 110 |
| AHS8000S | AHS8000S | 54 | APT1000B | APT1000B | 98 | AS468A207 | AS468A207 | 110 |
| AKC0023B8 | AKC0023B8 | 111 | APT1000S | APT1000S | 98 | AS468A209 | AS468A209 | 111 |
| AKC00523 | AKC00523 | 111 | APT1250A | APT1250A | 98 | AS468A212 | AS468A212 | 110 |
| AKC0066A-5 | AKC0066A-5 | 111 | APT1250B | APT1250B | 98 | AS468A218 | AS468A218 | 110 |
| AKC0066B-5 | AKC0066B-5 | 111 | APT1250S | APT1250S | 98 | AS468A305 | AS468A305 | 110 |
| AKC0071B | AKC0071B | 112 | AR14 | K1105 | 126 | AS468A309 | AS468A309 | 111 |
| AKC0071S | AKC0071S | 112 | AR2000 | K1107 | 126 | AS468A409 | AS468A409 | 111 |
| AKC0071S-WD01 | AKC0071S-WD01 | 112 | AR324 | K1104 | 126 | AS468B101 | AS468B101 | 109 |
| AM-42 | 3-40100-27 | 208 | AR450 | K1111 | 126 | AS468J01 | AS468J01 | 109 |
| AM-43 | 3-40100-28 | 208 | AR4840 | K1110 | 126 | AS468K01 | AS468K01 | 109, 110 |
| AM-44 | 3-40100-29 | 208 | AR683 | K1106 | 126 | AS468K02 | AS468K02 | 110 |
| AMIEDR-04 | A835A3 | 60, 61 | AR-7240 | K1103 | 126 | AS468K03 | AS468K03 | 110 |
| AN-32 | 3-40029-32 | 208 | AS450-15 | AS450-15 | 106 | AS468K04 | AS468K04 | 111 |
| AN-40 | 3-10057-55 | 208 | AS450-16 | AS450-16 | 106 | AS468K05 | AS468K05 | 110 |
| AN-42 | 3-10057-67 | 208 | AS450-21 | AS450-21 | 103 | AS468K06 | AS468K06 | 110 |
| AN-42 | 3-10057-74 | 208 | AS450-23B | AS450-23B | 104 | AS468K07 | AS468K07 | 110 |
| AN-42 | 3-10057-75 | 208 | AS450-23K | AS450-23K | 111 | AS468K09 | AS468K09 | 110 |
| AN-43 | 3-40029-36 | 208 | AS450BC3 | AS450BC3 | 102 | AS468K10 | AS468K10 | 110 |
| AN-43 | 3-40029-37 | 208 | AS450H21 | AS450H21 | 102 | AS468K11 | AS468K11 | 110 |
| AN-63 | 3-40096-11 | 208 | AS451A | AS451A | 102-106 | AS468K12 | AS468K12 | 111 |
| AN-64 | 3-40029-12 | 208 | AS451A-02 | AS451A-02 | 100, 105 | AS468K13 | AS468K13 | 110 |
| AN-64 | 3-40096-21 | 208 | AS451AX | AS451AX | 105 | AS468K14 | AS468K14 | 109, 110 |
| AN-65BB | 3-40129-19 | 208 | AS451B | AS451B | 106 | AS468K15 | AS468K15 | 110 |
| AN-65BB | 3-40129-20 | 208 | AS451C | AS451C | 106 | AS468K16 | AS468K16 | 110 |
| APA130CC | APA130CC | 31 | AS451D | AS451D | 106 | AS468K17 | AS468K17 | 110 |
| APA140CC | APA140CC | 31 | AS458-05 | AS458-05 | 103 | AS468K18 | AS468K18 | 110 |

Cross Reference Index

| OEM Part No. | ADAMS Part No. | Catalog Page No. | OEM Part No. | ADAMS Part No. | Catalog Page No. | OEM Part No. | ADAMS Part No. | Catalog Page No. |
|--------------|----------------|------------------|-----------------|-----------------|------------------|--------------|----------------|------------------|
| AS468K19 | AS468K19 | 110 | AS480B307 | AS480B307 | 111 | ASF134 | ASF134 | 420 |
| AS468K20 | AS468K20 | 110 | AS480B308 | AS480B308 | 111 | ASF135 | ASF135 | 420 |
| AS468K21 | AS468K21 | 110 | AS480B309 | AS480B309 | 110 | ASF136 | ASF136 | 420 |
| AS468K22 | AS468K22 | 111 | AS480B310 | AS480B310 | 110 | ASF137 | ASF137 | 420 |
| AS468K23 | AS468K23 | 111 | AS480B311 | AS480B311 | 110 | ASF138 | ASF138 | 420 |
| AS468K24 | AS468K24 | 111 | AS480B312 | AS480B312 | 110 | ASF139 | ASF139 | 420 |
| AS468K25 | AS468K25 | 110 | AS480B313 | AS480B313 | 110 | ASF140 | ASF140 | 420 |
| AS468K26 | AS468K26 | 111 | AS480B314 | AS480B314 | 110 | ASF141 | ASF141 | 420 |
| AS468K28 | AS468K28 | 111 | AS480B315 | AS480B315 | 111 | ASG101 | ASG101 | 68, 70 |
| AS468K29 | AS468K29 | 110 | AS480B316 | AS480B316 | 111 | ASG101PH | ASG101PH | 68 |
| AS468K30 | AS468K30 | 110 | AS480B317 | AS480B317 | 110 | ASG142C1 | ASG142C1 | 69 |
| AS468K31 | AS468K31 | 111 | AS480B318 | AS480B318 | 111 | ASG142D1 | ASG142D1 | 69 |
| AS468K32 | AS468K32 | 110 | AS480B319 | AS480B319 | 109 | ASH460W-CHAR | ASH460W-CHAR | 104 |
| AS468K39 | AS468K39 | 110 | AS480B321 | AS480B321 | 110 | AT1R012 | AT1R012 | 405 |
| AS469A02 | AS469A02 | 110 | AS480B322 | AS480B322 | 110 | AT1R017 | AT1R017 | 405 |
| AS469A04 | AS469A04 | 111 | AS480B323 | AS480B323 | 110 | AT1R021 | AT1R021 | 281, 405 |
| AS469A04C | AS469A04C | 111 | AS480B328 | AS480B328 | 111 | AT1R027 | AT1R027 | 405 |
| AS469A05 | AS469A05 | 111 | AS480R381 | AS480R381 | 110 | AT1R052 | AT1R052 | 405 |
| AS469A05 | AS469A05 | 110 | AS480R382 | AS480R382 | 110 | AT1R059 | AT1R059 | 405 |
| AS469A05A | AS469A05A | 110, 111 | AS480R383 | AS480R383 | 111 | AT1R081 | AT1R081 | 405 |
| AS469A07 | AS469A07 | 111 | AS480R384 | AS480R384 | 111 | AT1R100 | AT1R100 | 405 |
| AS469A13 | AS469A13 | 111 | AS480R385 | AS480R385 | 111 | AT-21 | 3-09900-09 | 208 |
| AS469A15 | AS469A15 | 111 | AS480R386 | AS480R386 | 110 | AT-21C | 3-09900-18 | 208 |
| AS469A17 | AS469A17 | 110 | AS480R387 | AS480R387 | 110 | AT-602 | HA-1069-W | 92 |
| AS469K01 | AS469K01 | 110 | AS480R388 | AS480R388 | 111 | AT-64 | 3-09900-02 | 208 |
| AS469K02 | AS469K02 | 111 | AS480R389 | AS480R389 | 110 | AT-65 | 3-09900-16 | 208 |
| AS469K03 | AS469K03 | 111 | ASA452-PJ | ASA452-PJ | 109 | ATL00I | ATL00I | 18.1 |
| AS469K04 | AS469K04 | 110 | ASA452W-CHAR | ASA452W-CHAR | 102 | ATL00KM | ATL00KM | 18.1 |
| AS469K05 | AS469K05 | 111 | ASA4572SCL-CHAR | ASA4572SCL-CHAR | 104 | ATL00M | ATL00M | 18.1 |
| AS469K06 | AS469K06 | 111 | ASA472-PJ | ASA472-PJ | 109 | ATL096 | ATL096 | 18.1 |
| AS469K07 | AS469K07 | 110 | ASA472SCI-CHAR | ASA472SCI-CHAR | 104 | ATL101 | ATL101 | 14 |
| AS469K08 | AS469K08 | 110 | ASA472W_CHAR | ASA472W_CHAR | 104 | ATL110 | ATL110 | 14 |
| AS469K09 | AS469K09 | 110 | ASA472W-CHAR | ASA472W-CHAR | 104 | ATL111 | ATL111 | 14 |
| AS469K10 | AS469K10 | 110 | ASA480-PJ | ASA480-PJ | 109 | ATL112 | ATL112 | 14 |
| AS469K11 | AS469K11 | 111 | ASC452A-CHAR | ASC452A-CHAR | 102 | ATL113 | ATL113 | 14 |
| AS469K12 | AS469K12 | 110 | ASC452CI-CHAR | ASC452CI-CHAR | 102 | ATL115 | ATL115 | 14 |
| AS469K13 | AS469K13 | 111 | ASC452CL-CHAR | ASC452CL-CHAR | 102 | ATL116 | ATL116 | 14 |
| AS469K14 | AS469K14 | 110, 111 | ASC452W-CHAR | ASC452W-CHAR | 102 | ATL117 | ATL117 | 14 |
| AS469K15 | AS469K15 | 110 | ASC472SCI-CHAR | ASC472SCI-CHAR | 104 | ATL301 | ATL301 | 16 |
| AS469K16 | AS469K16 | 111 | ASC472SCL-CHAR | ASC472SCL-CHAR | 104 | ATL302 | ATL302 | 16 |
| AS469K17 | AS469K17 | 111 | ASC472W-CHAR | ASC472W-CHAR | 104 | ATL303 | ATL303 | 16 |
| AS469K18 | AS469K18 | 111 | ASC480A-BL | ASC480A-BL | 105 | ATL304 | ATL304 | 16 |
| AS469K19 | AS469K19 | 111 | ASC480AS-BL | ASC480AS-BL | 105 | ATL305 | ATL305 | 16 |
| AS469K20 | AS469K20 | 110 | ASF101 | ASF101 | 417 | ATL306 | ATL306 | 16 |
| AS469K21 | AS469K21 | 111 | ASF102 | ASF102 | 417 | ATL307 | ATL307 | 16 |
| AS469K22 | AS469K22 | 111 | ASF103 | ASF103 | 417 | ATL320 | ATL320 | 16 |
| AS469K30 | AS469K30 | 110 | ASF104 | ASF104 | 417 | ATL321 | ATL321 | 16 |
| AS469K31 | AS469K31 | 110 | ASF105 | ASF105 | 417 | ATL322 | ATL322 | 16 |
| AS470-01 | AS470-01 | 104 | ASF106 | ASF106 | 417 | ATL323 | ATL323 | 16 |
| AS470-10B | AS470-10B | 104 | ASF107 | ASF107 | 417 | ATL324 | ATL324 | 16 |
| AS470-12B | AS470-12B | 110 | ASF108 | ASF108 | 417 | ATL325 | ATL325 | 16 |
| AS470-20B | AS470-20B | 104 | ASF109 | ASF109 | 417 | ATL326 | ATL326 | 20 |
| AS470H20B | AS470H20B | 102, 104 | ASF110 | ASF110 | 417 | ATL331 | ATL331 | 19 |
| AS470W-CHAR | AS470W-CHAR | 104 | ASF111 | ASF111 | 417 | ATL336 | ATL336 | 17 |
| AS472-03 | AS472-03 | 104 | ASF116 | ASF116 | 417, 418 | ATL337 | ATL337 | 17 |
| AS472-12B | AS472-12B | 109 | ASF117 | ASF117 | 417, 418 | ATL363 | ATL363 | 20 |
| AS472-12R | AS472-12R | 109 | ASF118 | ASF118 | 417, 418 | ATL365 | ATL365 | 19 |
| AS472H11B | AS472H11B | 104 | ASF119 | ASF119 | 418 | ATL368 | ATL368 | 19 |
| AS480-12B | AS480-12B | 111 | ASF120 | ASF120 | 418 | ATL369 | ATL369 | 18 |
| AS480-21 | AS480-21 | 105 | ASF121 | ASF121 | 418 | ATL369T | ATL369T | 18 |
| AS480A-BL | AS480A-BL | 105 | ASF124 | ASF124 | 420 | ATL373 | ATL373 | 17 |
| AS480AS-BL | AS480AS-BL | 105 | ASF125 | ASF125 | 420 | ATL374 | ATL374 | 17 |
| AS480B301 | AS480B301 | 110 | ASF126 | ASF126 | 420 | ATL375 | ATL375 | 17 |
| AS480B302 | AS480B302 | 110 | ASF127 | ASF127 | 420 | ATL376 | ATL376 | 17 |
| AS480B303 | AS480B303 | 111 | ASF128 | ASF128 | 420 | ATL377 | ATL377 | 17 |
| AS480B304 | AS480B304 | 110 | ASF129 | ASF129 | 420 | ATL378 | ATL378 | 17 |
| AS480B305 | AS480B305 | 110 | ASF130 | ASF130 | 420 | ATL381 | ATL381 | 17 |
| AS480B306 | AS480B306 | 110 | ASF131 | ASF131 | 420 | ATL402 | ATL402 | 19 |

Cross Reference Index

| OEM Part No. | ADAMS Part No. | Catalog Page No. | OEM Part No. | ADAMS Part No. | Catalog Page No. | OEM Part No. | ADAMS Part No. | Catalog Page No. |
|--------------|----------------|------------------|--------------|-----------------|------------------|---------------|----------------|------------------|
| ATL403 | ATL403 | 19 | BAF | HA-1049-CR6 | 94 | CA3-10 | 613BX1 | 414 |
| ATL404 | ATL404 | 19 | BAF | HA-1049-F3 | 94 | CA3-12-10-120 | HA-964-M6 | 414 |
| ATL500 | ATL500 | 19 | BAF | HA-1049-F4 | 94 | CA3-30-L01 | HA-964-R2 | 414 |
| ATM | X52BS2H27 | 94 | BAF | HA-1049-W3 | 94 | CA6-85 | HA-100-P4 | 414 |
| ATM | X52BS2H30 | 94 | BAF | HA-1049-W4 | 94 | CA7-16-10 | EE-964-C | 414 |
| ATM | X52BS2H31 | 94 | BAF | HA-959-Y8 | 94 | CA7-72 | HA-964-A6 | 414 |
| ATM | X52BS3H43 | 94 | BAF | HA-959-Y9 | 94 | CA7-9-01 | EE-964-B | 414 |
| B-008034 | ARW315 | 125 | BAF | X52BS1H18 | 94 | CAA456B1 | O403X | 256 |
| B-025014 | ARW403 | 131 | BAF | X52BS4H56 | 94 | CDH1-0020N | GL-928-C6 | 179 |
| B1 | CH6-34-2 | 440 | BAF | X52BS4H59 | 94 | CFS3547 | CFS3547 | 113 |
| B1 | CH6-35-2 | 440 | BAT-0001N | GL-1200-E | 186 | CFS4060 | CFS4060 | 113 |
| B1 | CH6-36-2 | 441 | BC40S11N | HA-1067-L1 | 92 | CFS4060-24 | CFS4060-24 | 113 |
| B1 | CH6-36-4 | 441 | BFD1 | AKC0072S | 111 | CFS4080 | CFS4080 | 113 |
| B-144001 | ARW845 | 133 | BFD1 | AKC0073S | 111 | CFS6090 | CFS6090 | 113 |
| B152H2 | O342 | 248, 252 | BFD1 | AKC0074S | 111 | CFS8010 | CFS8010 | 113 |
| B-21025 | ARW821R | 133 | BLC075-1 | FE-959-E | 396 | CH6-15 | CH6-15 | 444 |
| B-21026 | ARW821L | 133 | BLC-120 | FE-959-L | 396 | CH6-16 | CH6-16 | 444 |
| B245AE1 | O22AM2 | 235, 237 | BLF | X52BS1H17 | 94 | CH6-43 | CH6-43 | 444 |
| B-286028 | ARW317 | 125 | C-011 | A103C1 | 86, 87, 278, 386 | CH6-43-2 | CH6-43-2 | 444 |
| B2A | HA-1069-V9 | 92 | C-012 | A103C1 | 86, 87, 278, 386 | CH6-43-3 | CH6-43-3 | 444 |
| B-326005 | ARW832 | 133 | C012-02 | C012-02 | 278 | CH6-43-4 | CH6-43-4 | 444 |
| B-339023 | ARW836 | 133 | C-013 | A103C1 | 86, 87, 278, 386 | CH6-43-5 | CH6-43-5 | 444 |
| B-37038 | ARW450D1 | 136 | C-014 | A103C1 | 86, 87, 278, 386 | CH6-43-6 | CH6-43-6 | 444 |
| B-37039A,B | ARW450D2 | 136 | C021-01 | C021-01 | 278 | CH6-44 | CH6-44 | 444 |
| B374CP1 | O22AM1 | 235, 237 | C058-8261-01 | A103A2 | 86, 87, 127, 143 | CH6-44-2 | CH6-44-2 | 444 |
| B374FV1 | O21A1 | 227 | C058-8261-02 | A103A2 | 86, 87, 127, 143 | CH6-45 | CH6-45 | 444 |
| B40740 | GL-933-R | 186 | C058-8261-03 | A103A1 | 86, 87, 127, 143 | CH6-45-2 | CH6-45-2 | 444 |
| B-47134 | MM3314 | 222 | C058-8261-04 | A103A1 | 86, 87, 127, 143 | CH6-53-3 | CH6-53-3 | 444 |
| B-47135 | MM3320 | 222, 223 | C058-8261-05 | A103A1 | 86, 87, 127, 143 | CH6-65 | CH6-65 | 444 |
| B-47135 | MM3320R | 222, 223 | C058-8262-01 | A103A1 | 86, 87, 127, 143 | CH6-65-10 | CH6-65-10 | 444 |
| B-47136 | MM3328 | 222 | C058-8262-02 | A103A1 | 86, 87, 127, 143 | CH6-65-11 | CH6-65-11 | 444 |
| B-49710 | MM3314 | 222 | C058-8262-03 | A103A1 | 86, 87, 127, 143 | CH6-65-12 | CH6-65-12 | 444 |
| B-49711 | MM3320 | 222, 223 | C115 | PN-200-X | 402 | CH6-65-13 | CH6-65-13 | 444 |
| B-49711 | MM3320R | 222, 223 | C1153B1H11G | ARWR24 | 118 | CH6-65-14 | CH6-65-14 | 444 |
| B49886 | MM3361 | 222, 223 | C133S10DH11G | ARWR21 | 118 | CH6-65-17 | CH6-65-17 | 444 |
| B-653002 | ARW423 | 130 | C16-9919 | ARWR19 | 118 | CH6-65-18 | CH6-65-18 | 444 |
| B-653002 | ARW423S | 130 | C16S10D1H11G | ARWR17 | 118 | CH6-65-2 | CH6-65-2 | 444 |
| B-653003 | ARW422 | 130 | C16S9D1S12G | ARWR10 | 118 | CH6-65-4 | CH6-65-4 | 444 |
| B-653003 | ARW422S | 130 | C1-CD7 | FE-1600-F | 396 | CH6-65-5 | CH6-65-5 | 444 |
| B-653009 | ARW421 | 130 | C1-GF13 | FE-1600-L | 396 | CH6-65-6 | CH6-65-6 | 444 |
| B-653009 | ARW421S | 130 | C1-GF14 | FE-1600-M | 396 | CH6-65-7 | CH6-65-7 | 444 |
| B-653010 | ARW420 | 130 | C1-PG11 | FE-1600-H | 396 | CH6-65-8 | CH6-65-8 | 444 |
| B-653010 | ARW420S | 130 | C1-PS9 | FE-1600-K | 396 | CH6-65-9 | CH6-65-9 | 444 |
| B6754A121CD1 | O2200CD1 | 233 | C1-SR15 | FE-1600-J | 396 | CJ-100-A1 | CJ-100-A1 | 390 |
| B6754A121CD2 | O2200CD2 | 233 | C-252003 | ARW314 | 125 | CJ-100-A8 | CJ-100-A8 | 390 |
| B6754A121CD3 | O2200CD3 | 233 | C25S10D1H11G | ARWR13 | 118 | CJ-100-B | CJ-100-B | 390 |
| B6754A121CD4 | O2200CD4 | 233 | C-27809A | ARW450H1 | 135 | CJ-100-C | CJ-100-C | 390 |
| B6754A122CD1 | O2201CD1 | 233 | C2-SH13 | FE-1600-C | 396 | CJ-100-C1 | CJ-100-C1 | 390 |
| B6754A122CD2 | O2201CD2 | 233 | C-37297 | ARW450A1 | 135 | CJ-100-F | CJ-100-F | 390 |
| B6754A122CD4 | O2201CD4 | 233 | C-37297 | ARW450A2 | 135 | CJ-100-J | CJ-100-J | 390 |
| B6754A122CD5 | O2201CD5 | 233 | C-37297 | ARW450A3 | 135 | CJ-100-T | CJ-100-T | 390 |
| B6754B120CD1 | O2202CD1 | 233 | C-37297 | ARW450A4 | 135 | CJ-300-B | CJ-300-B | 390 |
| B723006 | ARW470S1 | 128 | C-37297 | ARW450A5 | 135 | CJ6 | 3-36202-05 | 208 |
| B-733004 | ARW402 | 131 | C4458D1H12G | DR21 | 151 | CJ-902-A | CJ-902-A | 390 |
| B-733004 | ARW404 | 131 | C44S10D1H11G | ARWR11 | 118 | CJ-902-B | CJ-902-B | 390 |
| B-756006 | ARW2108 | 120, 123, 124 | C44S9D1512G | ARWR14 | 118 | CJ-902-C | CJ-902-C | 390 |
| B-787003 | ARW837R | 133 | C550 | PN-200-F | 402 | CJ-902-C6 | CJ-902-C6 | 390 |
| B-787004 | ARW837L | 133 | C583 | PN-200-E | 402 | CJ-902-E | CJ-902-E | 390 |
| B8112A3 | B8112A3 | 306 | C6S10D1H12G | ARWR15 | 118 | CJ-925-A | CJ-925-A | 390 |
| B8112B1 | B8112B1 | 306 | C6S2H1E1G | ARWR25 | 118 | CJ-925-C | CJ-925-C | 390 |
| B8113K1 | B8113K1 | 307 | C6S9D1512G | ARWR18 | 118 | CJ-925-D | CJ-925-D | 390 |
| B8113K5 | B8113K5 | 307 | C8112B1 | C8112B1 | 306 | CJ-925-E | CJ-925-E | 390 |
| B8114G1 | B8114G1 | 307 | C8112B10 | C8112B10 | 306 | CJ-925-L | CJ-925-L | 390 |
| B8115B4 | B8115B4 | 307 | C8112B3 | C8112B3 | 305 | CJ-925-T | CJ-925-T | 390 |
| B8121AX1 | B8121AX1 | 307 | C8114G1 | C8114G1 | 307 | CJ-932-B | CJ-932-B | 390 |
| B8121BA2 | B8121BA2 | 307 | CA1-25 | SS22.110.212-02 | 461 | CJ-932-C1 | CJ-932-C1 | 390 |
| BAF | HA-1049-AF6 | 94 | CA1-40 | SS22.114.212-02 | 461 | CJ-932-C2 | CJ-932-C2 | 390 |
| BAF | HA-1049-C5 | 94 | CA1-55/60 | SS22.104.212-04 | 461 | CJ-932-CB | CJ-932-CB | 390 |

Cross Reference Index

| OEM Part No. | ADAMS Part No. | Catalog Page No. | OEM Part No. | ADAMS Part No. | Catalog Page No. | OEM Part No. | ADAMS Part No. | Catalog Page No. |
|--------------|----------------|------------------|--------------|----------------|------------------|--------------|----------------|------------------|
| CJ-932-I | CJ-932-I | 390 | CX31C4 | CX31C4 | 300 | E6754A122EB5 | O2211EB5 | 233 |
| CJ-932-J | CJ-932-J | 390 | CX31C5 | CX31C5 | 300 | E6754A122EB6 | O2211EB6 | 233 |
| CJ-932-K | CJ-932-K | 390 | CX31C6 | CX31C6 | 300 | E6754A222EB1 | O2212EB1 | 233 |
| CJ-932-ST | CJ-932-ST | 390 | CX31C7 | CX31C7 | 300 | E6754B120EB1 | O2220EB1 | 233 |
| CJ-933-A7 | CJ-933-A7 | 390 | CX31C8 | CX31C8 | 298, 300 | E6754B121EB1 | O2221EB1 | 233 |
| CJ-933-A8 | CJ-933-A8 | 390 | CX31C9 | CX31C9 | 298, 300 | E6754B161EB1 | O2222EB1 | 233 |
| CJ-933-B | CJ-933-B | 390 | CX32C1 | CX32C1 | 300 | E6754C121EB1 | O2230EB1 | 233 |
| CJ-933-B1 | CJ-933-B1 | 390 | CX32C10 | CX32C10 | 300 | E6754C122EB2 | O2231EB2 | 233 |
| CJ-933-C | CJ-933-C | 390 | CX32C11 | CX32C11 | 300 | E6754C122EB4 | O2231EB4 | 233 |
| CJ-933-W | CJ-933-W | 390 | CX32C12 | CX32C12 | 300 | E6754C162EB2 | O2232EB2 | 233 |
| CJ-936-V | CJ-936-V | 390 | CX32C13 | CX32C13 | 300 | E6754D200EB2 | O2233EB2 | 233 |
| CJA18 | CJA18 | 390 | CX32C15 | CX32C15 | 300 | E6754Y162EB6 | O2234EB6 | 233 |
| CJA19 | CJA19 | 390 | CX32C16 | CX32C16 | 300 | E6830A141CV1 | O2300CV1 | 239 |
| CJA20 | CJA20 | 390 | CX32C17 | CX32C17 | 300 | E6830A141CV3 | O2300CV3 | 239 |
| CJA21 | CJA21 | 390 | CX32C18 | CX32C18 | 300 | E6830A141CV4 | O2300CV4 | 239 |
| CL5-0051N | GL-930-B | 182 | CX32C19 | CX32C19 | 300 | E6830A142CV1 | O2301CV1 | 239 |
| CL5-0056N | GL-930-A | 182 | CX32C2 | CX32C2 | 300 | E6830A241CV1 | O2302CV1 | 239 |
| CL5-0057N | GL-930-A4 | 182 | CX32C20 | CX32C20 | 300 | E6830A241CV4 | O2302CV4 | 239 |
| CL5-0058N | GL-930-E | 182 | CX32C21 | CX32C21 | 300 | E6830B181CV1 | O2303CV1 | 239 |
| CL5-0059N | GL-930-A6 | 182 | CX32C22 | CX32C22 | 300 | E6830D200CV1 | O2304CV1 | 239 |
| CL5-8 | GL-850-J | 182 | CX32C23 | CX32C23 | 300 | E8121BE1 | E8121BE1 | 307 |
| CLN2 | K1102 | 124, 126 | CX32C24 | CX32C24 | 300 | E87 | HA-1069-K1 | 92 |
| CLN2 | K1102 | 124, 126 | CX32C25 | CX32C25 | 300 | E9 | OT-600-C | 401 |
| CLU-0037N | GL-902-Y9 | 178 | CX32C26 | CX32C26 | 300 | EC-600-A | EC-600-A | 395 |
| CLU1-0002N | GL-916-W | 180 | CX32C27 | CX32C27 | 300 | EC-600-B | EC-600-B | 395 |
| CLU1-0012N | GL-916-X | 180 | CX32C28 | CX32C28 | 300 | EC-600-C | EC-600-C | 395 |
| CLU1-0035N | GL-916-A3 | 180 | CX32C29 | CX32C29 | 300 | EC-900-A3 | EC-900-A3 | 395 |
| CLU1-0036N | GL-902-B2 | 178 | CX32C3 | CX32C3 | 300 | EC-900-C3 | EC-900-C3 | 395 |
| CLU1-0038N | GL-916-Z | 180 | CX32C30 | CX32C30 | 300 | EC-900-C4 | EC-900-C4 | 395 |
| CLU1-0045N | GL-916-A11 | 180 | CX32C32 | CX32C32 | 300 | EC-900-C6 | EC-900-C6 | 395 |
| CLU3-0328L | GL-902-AE8 | 178 | CX32C4 | CX32C4 | 300 | EC-900-G | EC-900-G | 395 |
| CLU3-0328R | GL-902-AE1 | 178 | CX32C5 | CX32C5 | 300 | EC-900-H1 | EC-900-H1 | 395 |
| CLU3-0354N | GL-916-A7 | 180 | CX32C6 | CX32C6 | 300 | EC-900-K | EC-900-K | 395 |
| CLU4-0002L | GL-916-T | 180 | CX32C7 | CX32C7 | 300 | EC-900-X | EC-900-X | 395 |
| CLU4-0026N | GL-916-A10 | 180 | CX32C8 | CX32C8 | 300 | EE-1-1 | GL-918-C | 179 |
| CLU4-0027N | GL-916-F | 180 | CX32C8 | PN-130-F | 402 | EE-1172-D | EE-1172-D | 393 |
| CLU9-0001L | GL-916-A2 | 180 | CX32C9 | CX32C9 | 300 | EE-1172-F | EE-1172-F | 393 |
| CLU9-0001R | GL-916-A1 | 180 | CX33C1 | CX33C1 | 300 | EE-1295-A | EE-1295-A | 393 |
| CONT-0001L | G20C2 | 177 | CX33C2 | CX33C2 | 300 | EE-1-4 | GL-1088-E | 179 |
| CONT-0001N | GL-100-A7 | 185 | CX35C3 | CX35C3 | 300 | EE-1-5 | GL-1088-F | 179 |
| CONT-0003N | GL-100-A9 | 185 | CX35C5 | CX35C5 | 300 | EE-180-A5 | EE-180-A5 | 393 |
| CONT-0006N | GL-100-B | 185 | CX36C5 | CX36C5 | 300 | EE-180-A8 | EE-180-A8 | 393 |
| CONT-0008N | GL-100-A3 | 185 | D00407001 | D00407001 | 396 | EE-180-A9 | EE-180-A9 | 393 |
| CONT-0009N | GL-100-A1 | 185 | D2605 | WR103 | 142 | EE-180-B2 | EE-180-B2 | 393 |
| CR51AC3AZA | HA-1097-AA7 | 414 | D2802 | WR100 | 142 | EE-180-B3 | EE-180-B3 | 393 |
| CSG | 0876 | 264 | D2803 | WR101 | 142 | EE-180-C | EE-180-C | 393 |
| CTR-0003N | GL-960-N | 189 | D2804 | WR102 | 142 | EE-180-C4 | EE-180-C4 | 393 |
| CTR-0004N | GL-960-K | 189 | D2807 | WR104 | 142 | EE-180-C9 | EE-180-C9 | 393 |
| CX29C1 | CX29C1 | 300 | DB-49B | 9846384 | 49 | EE-180-E | EE-180-E | 393 |
| CX29C2 | CX29C2 | 300 | DC1411 | SF-870-D | 77.1 | EE-180-F | EE-180-F | 393 |
| CX29C3 | CX29C3 | 298, 300 | DC203 | D23D11 | 141 | EE-180-J | EE-180-J | 393 |
| CX29C4 | CX29C4 | 300 | DC243J | D23C5 | 140 | EE-180-L | EE-180-L | 393 |
| CX29C5 | CX29C5 | 300 | DC9G | D21D2 | 140 | EE-180-M | EE-180-M | 393 |
| CX31C1 | CX31C1 | 298, 300 | DC9G | D23C8 | 141 | EE-470-H | EE-470-H | 393 |
| CX31C10 | CX31C10 | 300 | DEE1562402 | US518993 | 77.1 | EE-870-A | EE-870-A | 393 |
| CX31C11 | CX31C11 | 300 | DIL00AM | 3-40394-17 | 413 | EE-870-C | EE-870-C | 393 |
| CX31C12 | CX31C12 | 300 | DSL-1 | FE-945-A1 | 396 | EE-870-H | EE-870-H | 393 |
| CX31C13 | CX31C13 | 300 | DSL-16 | FE-902-A6 | 396 | EE-900-F | EE-900-F | 393 |
| CX31C15 | CX31C15 | 298, 300 | DU-A30UR | HA-964-T9 | 413 | EE-901-BD | EE-901-BD | 393 |
| CX31C16 | CX31C16 | 300 | DV55GT1 | DV55GT1 | 15 | EE-932-E | EE-932-E | 393 |
| CX31C17 | CX31C17 | 300 | E5 | OT-100-G | 401 | EE-948-B | EE-948-B | 393 |
| CX31C18 | CX31C18 | 300 | E6754A121EB1 | O2210EB1 | 233 | EE-949-B | EE-949-B | 393 |
| CX31C19 | CX31C19 | 298, 300 | E6754A121EB2 | O2210EB2 | 233 | EE-950-E | EE-950-E | 393 |
| CX31C2 | CX31C2 | 298, 300 | E6754A121EB3 | O2210EB3 | 233 | EE-959-I | EE-959-I | 393 |
| CX31C20 | CX31C20 | 298, 300 | E6754A121EB4 | O2210EB4 | 233 | EE-960-AA | EE-960-AA | 393 |
| CX31C21 | CX31C21 | 300 | E6754A122EB1 | O2211EB1 | 233 | EE-960-G | EE-960-G | 393 |
| CX31C22 | CX31C22 | 298, 300 | E6754A122EB2 | O2211EB2 | 233 | EE-964-S | EE-964-S | 393 |
| CX31C3 | CX31C3 | 300 | E6754A122EB4 | O2211EB4 | 233 | EE-965-B | EE-965-B | 393 |

Cross Reference Index

| OEM Part No. | ADAMS Part No. | Catalog Page No. | OEM Part No. | ADAMS Part No. | Catalog Page No. | OEM Part No. | ADAMS Part No. | Catalog Page No. |
|-----------------|-----------------|------------------|----------------|-------------------|------------------|--------------|----------------|------------------|
| EF6 | OT-100-C | 401 | ES27SS | ES27SS | 98.1 | FN-200-R | FN-200-R | 417 |
| EG40-1 | 3-40302-01 | 411 | ES27YB | ES27YB | 98.1 | FNM | 33-4019-009 | 94 |
| EH210C-2 | AA-960-A | 411 | ES350L200M | FE-950-M | 396 | FNM | 3-40155-20 | 94 |
| EHDB130 | EHDB130 | 421 | ET15AL | ET15AL | 98.1 | FNM | 3-40255-38 | 94 |
| EHDB130C-11 | HA-964-R3 | 411 | ET15YB | ET15YB | 98.1 | FNM | 691B955H10 | 94 |
| EHDB220 | EHDB220 | 421 | ET20AL | ET20AL | 98.1 | FNM | 691B955H11 | 94 |
| EHDB220C-1L11 | 3-40022-21 | 411 | ET20YB | ET20YB | 98.1 | FNM | 691B955H12 | 94 |
| EHDB280 | EHDB280 | 421 | ET34 | A107D | 28 | FNM | 693B359H08 | 94 |
| EHDB280C-1L11 | 3-40024-76 | 411 | EX02002 | EC-900-A | 395 | FNM | HA-1049-A2 | 94 |
| EHDB280C-20-11 | 3-40381-51 | 411 | EX410 | A107P | 28 | FNM | HA-1049-H7 | 94 |
| EHDB360 | EHDB360 | 421 | EX411 | A107Q | 28 | FNM | HA-1049-W2 | 94 |
| EHDB360C-1L11 | 3-40024-77 | 411 | EX450 | A107S | 29 | FNM | HA-959-J3 | 94 |
| EHDBAS130 | EHDBAS130 | 421 | EX470 | A107F | 29 | FNM | HA-959-M1 | 94 |
| EHDBAS220 | EHDBAS220 | 421 | EX710 | A107BA | 30 | FNQ | 222449 | 94 |
| EHDBAS280 | EHDBAS280 | 421 | F15T8/D | HA-1067-P5 | 92 | FNQ | 3-40008-89 | 94, 197 |
| EHDBAS360 | EHDBAS360 | 421 | F1-F3 | MAG-05P00017-0166 | 399 | FNQ | 3-40008-90 | 94, 197 |
| EHDBRC130 | EHDBRC130 | 421 | F1-F3 | MAG-05P00017-0234 | 399 | FNQ | 3-40254-72 | 94 |
| EHDBRC130-2 | EHDBRC130-2 | 421 | F287 | SF-1065-A | 391 | FNQ | 3-40259-66 | 94, 197 |
| EHDBRC130-NC | EHDBRC130-NC | 421 | F30A | OT-100-H | 401 | FNQ | 3-40302-06 | 94, 197 |
| EHDBRC220 | EHDBRC220 | 421 | F359 | F359 | 369 | FNQ | 691B955H07 | 94 |
| EHDBRC220-2 | EHDBRC220-2 | 421 | F37 | OT19 | 401 | FNQ | HA-10449-CH7 | 94 |
| EHDBRC220-NC | EHDBRC220-NC | 421 | F4 | MAG-05P00017-0235 | 399 | FNQ | HA-1049-AL3 | 94 |
| EHDBRC280 | EHDBRC280 | 421 | F4T5/CW | HA-1069-AA2 | 92 | FNQ | HA-1049-AV4 | 94 |
| EHDBRC280-2 | EHDBRC280-2 | 421 | F75DF14 | F75DF14 | 451 | FNQ | HA-1049-CH1 | 94 |
| EHDBRC280-NC | EHDBRC280-NC | 421 | F75EF14 | F75EF14 | 451 | FNQ | HA-1049-CK4 | 94 |
| EHDBRC360 | EHDBRC360 | 421 | F75FB14A | F75FB14A | 449 | FNQ | HA-1049-CY2 | 94 |
| EHDBRC360-2 | EHDBRC360-2 | 421 | F75FF14 | F75FF14 | 451 | FNQ | HA-1049-E5 | 94 |
| EHDBRC360-NC | EHDBRC360-NC | 421 | F75FP109153 | F75FP109153 | 452 | FNQ | HA-1049-EC6 | 94 |
| EHN145C-211 | HA-964-A2 | 411 | F75FP14 | F75FP14 | 451 | FNQ | HA-1049-EH1 | 94 |
| EMER-0001N | GL-1200-A | 186 | F75GB14 | F75GB14 | 449 | FNQ | HA-1049-H4 | 94 |
| EMODBRKEMTR-208 | EMODBRKEMTR-208 | 311 | F75GF14 | F75GF14 | 452 | FNQ | X52BS2H38 | 94, 197 |
| EMODBRKEMTR-230 | EMODBRKEMTR-230 | 311 | F75GP14 | F75GP14 | 452 | FNQ | X52BS3H48 | 94 |
| EMODBRKEMTR-460 | EMODBRKEMTR-460 | 311 | F75HB14 | F75HB14 | 449 | FNQ | X52BS3H49 | 94 |
| EP150 | AP0150GGC | 33 | F75HF14 | F75HF14 | 452 | FNQ | X52BS4H58 | 94 |
| EP5 | AP05GC | 33 | F75IB14 | F75IB14 | 449 | FNQ | X52BS4H60 | 94 |
| EPC01 | A468S1 | 112 | F75IF14 | F75IF14 | 452 | FNQ | X52BS4H69 | 94 |
| EPC01 | A468S1M | 112 | F75JB14 | F75JB14 | 449 | FNQ | HA-1049-A | 94 |
| EPC02 | A468S2 | 112 | F75KB14 | F75KB14 | 450 | FNQR | HA-1049-CL9 | 94 |
| EPC02 | A468S2M | 112 | F75RB14 | F75RB14 | 450 | FNQR | HA-1049-EA7 | 94 |
| EPGXX | EPGXX | 383, 384 | F8T5 | HA-1067-C6 | 92 | FNQR | X52BS5H72 | 94 |
| EQ-470-N | EQ-470-N | 392 | FCR-M18-AC120V | HA-964-J7 | 413 | FNQR | X52BS6H93 | 94 |
| EQ-470-P | EQ-470-P | 392 | FE-1018-A | FE-1018-A | 396 | FOX | A106FOX | 26 |
| EQ-600-A | EQ-600-A | 392 | FE-1099-A | FE-1099-A | 396 | FP2066A10G11 | FP2066A10G11 | 448 |
| EQ-901-A | EQ-901-A | 392 | FE-1099-C | FE-1099-C | 396 | FP477B477G05 | FP477B477G05 | 447 |
| EQ-901-A6 | EQ-901-A6 | 392 | FE-1099-F | FE-1099-F | 396 | FP5480CR36 | FP5480CR36 | 446 |
| EQ-901-M3 | EQ-901-M3 | 392 | FE-1172-A | FE-1172-A | 396 | FP5480CR37 | FP5480CR37 | 446 |
| EQ-901-Z3 | EQ-901-Z3 | 392 | FE-2200-C | FE-2200-C | 396 | FP5480CR38 | FP5480CR38 | 446 |
| EQ-901-Z4 | EQ-901-Z4 | 392 | FE-902-G2 | FE-902-G2 | 396 | FP5480CR39A | FP5480CR39A | 447 |
| EQ-901-Z9 | EQ-901-Z9 | 392 | FE-904-A | FE-904-A | 396 | FP5480CR50 | FP5480CR50 | 445 |
| EQ-904-C | EQ-904-C | 392 | FE-917-A | FE-917-A | 396 | FP5480CR50A | FP5480CR50A | 445 |
| EQ-909-A7 | EQ-909-A7 | 392 | FE-929-A2 | FE-929-A2 | 396 | FP5480CR51 | FP5480CR51 | 446 |
| EQ-909-H2 | EQ-909-H2 | 392 | FE-931-C3 | FE-931-C3 | 396 | FRN | 91850 | 94 |
| EQ-909-H3 | EQ-909-H3 | 392 | FE-945-C | FE-945-C | 396 | FRN | 98724 | 94 |
| EQ-909-J3 | EQ-909-J3 | 392 | FE-948-A1 | FE-948-A1 | 396 | FRN | 33-1049-016 | 94 |
| EQ-922-D | EQ-922-D | 392 | FE-950-A2 | FE-950-A2 | 396 | FRN | 3-40128-56 | 94 |
| EQ-922-F | EQ-922-F | 392 | FE-950-H | FE-950-H | 396 | FRN | 3-40173-64 | 94 |
| EQ-940-A | EQ-940-A | 392 | FE-950-P | FE-950-P | 396 | FRN | 3-40195-73 | 94 |
| EQU14A35F | A750 | 86 | FE-950-T | FE-950-T | 396 | FRN | 3-40196-76 | 94 |
| EQU14A45F | A752 | 86 | FE-950-U | FE-950-U | 396 | FRN | 3-40196-78 | 94 |
| EQU14D35F | A751 | 86 | FE-950-V | FE-950-V | 396 | FRN | 3-40196-79 | 94 |
| EQU14D45F | A753 | 86 | FE-959-H | FE-959-H | 396 | FRN | 3-40196-80 | 94 |
| ES15AL | ES15AL | 98.1 | FE-959-K | FE-959-K | 396 | FRN | 3-40196-81 | 94 |
| ES15SS | ES15SS | 98.1 | FE-959-M | FE-959-M | 396 | FRN | 3-40196-82 | 94 |
| ES15YB | ES15YB | 98.1 | FE-959-P | FE-959-P | 396 | FRN | HA-1049-P7 | 94 |
| ES20AL | ES20AL | 98.1 | FE-964-C | FE-964-C | 396, 422 | FRN | HA-959-C2 | 94 |
| ES20SS | ES20SS | 98.1 | FE-981-B | FE-981-B | 396 | FRN | HA-959-D4 | 94 |
| ES20YB | ES20YB | 98.1 | FLM | HA-1049-A2 | 94 | FRN | HA-959-E1 | 94 |
| ES27AL | ES27AL | 98.1 | FN-200-D | FN-200-D | 417 | FRN | HA-959-E2 | 94 |

Cross Reference Index

| OEM Part No. | ADAMS Part No. | Catalog Page No. | OEM Part No. | ADAMS Part No. | Catalog Page No. | OEM Part No. | ADAMS Part No. | Catalog Page No. |
|--------------|----------------|------------------|--------------|-------------------|------------------|-----------------------|-----------------------|------------------|
| FRN | HA-959-F | 94 | FWP | HA-1049-CL4 | 95 | GB06500B6 | GB06500B6 | 80, 397 |
| FRN | HA-959-G2 | 94 | FWP | HA-1049-CL7 | 95 | GB06500B7 | GB06500B7 | 398 |
| FRN | HA-959-H | 94 | FWP | HA-1049-CT4 | 95 | GB06500B8 | GB06500B8 | 80, 397 |
| FRN | HA-959-M7 | 94 | FWP | HA-1049-E3 | 95 | GB06562B7 | GB06562B7 | 398 |
| FRN | HA-959-X | 94 | FWP | MAG-05P00017-0179 | 95, 399 | GB07000B25 | GB07000B25 | 80 |
| FRN | HA-959-Y | 94 | FWP | MAG-05P00017-0214 | 95, 399 | GB07000B5 | GB07000B5 | 82, 397 |
| FRN | K3300H11 | 94 | FWP | MAG-05P00017-0366 | 95, 399 | GB07000B8 | GB07000B8 | 80, 397 |
| FRNR | 3-40145-23 | 94, 197 | FWX | HA-1049-CN9 | 95 | GB07500B1 | GB07500B1 | 83, 280, 398 |
| FRNR | 3-40148-18 | 94, 197 | G10MAX | A850G10MAX | 45, 48.1 | GB07500B21 | GB07500B21 | 83, 397 |
| FRNR | 3-40196-77 | 94 | G4-OAC5A | OT-953-Z | 401 | GB07500B25 | GB07500B25 | 80 |
| FRNR | 3-40196-83 | 94 | G4ODC5 | OT-953-A1 | 401 | GB07500B6 | GB07500B6 | 80, 397 |
| FRNR | 3-40230-63 | 94, 197 | G-6 | HA-1067-K3 | 92 | GB07500B8 | GB07500B8 | 80, 397 |
| FRNR | 3-40230-64 | 94, 197 | G6 | HA-1069-U6 | 92 | GB08000B8 | GB08000B8 | 80, 397 |
| FRNR | 3-40230-65 | 94, 197 | G6SC | 33-1067-005 | 92 | GB08500B1 | GB08500B1 | 83, 280, 398 |
| FRNR | 3-40290-66 | 197 | G800B | G800B | 75 | GB08500B25 | GB08500B25 | 80 |
| FRNR | HA-1049-M6 | 94 | G800C | G800C | 75 | GB08500B6 | GB08500B6 | 80, 397 |
| FRNR | HA-1049-X1 | 94 | GB02750B4 | GB02750B4 | 84, 280, 398 | GB08500B8 | GB08500B8 | 80, 397 |
| FRNR | HA-959-C4 | 94 | GB03500B21 | GB03500B21 | 83, 397 | GB09000B8 | GB09000B8 | 80, 397 |
| FRNR | HA-959-P6 | 94 | GB03500B6 | GB03500B6 | 80, 397 | GB09500B1 | GB09500B1 | 83, 280, 398 |
| FRNR | HA-959-S | 94 | GB03500B8 | GB03500B8 | 80, 397 | GB09500B6 | GB09500B6 | 80, 397 |
| FRNR | HA-959-Y7 | 94 | GB03750B8 | GB03750B8 | 80, 397 | GB09500B8 | GB09500B8 | 80, 397 |
| FRNR | K3300H11 | 197 | GB03875B1 | GB03875B1 | 83, 280, 398 | GB10000B8 | GB10000B8 | 80, 397 |
| FRS | 3-40091-08 | 94 | GB03875B4 | GB03875B4 | 280, 398 | GB10500B8 | GB10500B8 | 80, 397 |
| FRS | 3-40091-09 | 94 | GB04000B21 | GB04000B21 | 83, 397 | GB10625B1 | GB10625B1 | 83, 280, 398 |
| FRS | 3-40196-85 | 94, 197 | GB04000B5 | GB04000B5 | 82, 397 | GB10625B6 | GB10625B6 | 80, 397 |
| FRS | 3-40196-86 | 94 | GB04000B6 | GB04000B6 | 80, 397 | GB10625B8 | GB10625B8 | 80, 397 |
| FRS | 3-40196-87 | 94 | GB04000B8 | GB04000B8 | 80, 397 | GB12500B8 | GB12500B8 | 80, 397 |
| FRS | 3-40230-59 | 94, 197 | GB04375B1 | GB04375B1 | 83, 280, 398 | GB12625B1 | GB12625B1 | 83, 280, 398 |
| FRS | HA-959-H1 | 94 | GB04375B25 | GB04375B25 | 80, 397 | GB12625B6 | GB12625B6 | 80, 397 |
| FRS | HA-959-H2 | 94 | GB04375B4 | GB04375B4 | 84, 280 | GB12625B8 | GB12625B8 | 80, 397 |
| FRS | HA-959-J4 | 94 | GB04375B6 | GB04375B6 | 80, 397 | GBA | X52BS4H63 | 95 |
| FRS | HA-959-J6 | 94 | GB04375B7 | GB04375B7 | 398 | GLT-1 | GL-870-A | 77.1 |
| FRS | HA-959-S9 | 94 | GB04375B8 | GB04375B8 | 80, 397 | GDC | HA-1049-CY3 | 95 |
| FRS | HA-959-T1 | 94 | GB04437B21 | GB04437B21 | 83, 397 | GE1184 | GE-1067-V | 92 |
| FRS | HA-959-T2 | 94 | GB04437B8 | GB04437B8 | 80, 397 | GE138A1125G1 | GE138A1125G1 | 457 |
| FRS | HA-959-Y5 | 94 | GB04500B21 | GB04500B21 | 83, 397 | GE167A8898G1 | GE167A8898G1 | 457 |
| FRSR | 3-40196-85 | 94, 197 | GB04500B5 | GB04500B5 | 82, 397 | GE167A9956G1 | GE167A9956G1 | 457 |
| FRSR | 3-40196-88 | 94 | GB04500B6 | GB04500B6 | 80, 397 | GE232A6724G006/009 | GE232A6724G006/009 | 454 |
| FRSR | 3-40196-89 | 94 | GB04500B8 | GB04500B8 | 80, 397 | GE245A1229G1 | GE245A1229G1 | 457 |
| FRSR | 3-40196-90 | 94 | GB04875B4 | GB04875B4 | 84, 280, 398 | GE546A300G002/010 | GE546A300G002/010 | 453 |
| FRSR | 3-40230-58 | 94 | GB05000B21 | GB05000B21 | 83, 397 | GE546A301G002/G053 | GE546A301G002/G053 | 453 |
| FRSR | 3-40230-59 | 94, 197 | GB05000B25 | GB05000B25 | 80, 397 | GE546A780G002/51 | GE546A780G002/51 | 453 |
| FRSR | 3-40231-33 | 94 | GB05000B5 | GB05000B5 | 82, 397 | GE546A780G020 | GE546A780G020 | 455 |
| FRSR | HA-1049-AJ7 | 94 | GB05000B6 | GB05000B6 | 80, 397 | GE548A790G01 | GE548A790G01 | 455 |
| FRSR | HA-1049-L6 | 94 | GB05000B7 | GB05000B7 | 398 | GE548A791G01 | GE548A791G01 | 455 |
| FRSR | HA-1049-N2 | 94 | GB05000B8 | GB05000B8 | 80, 397 | GE55-152313G094/095 | GE55-152313G094/095 | 455 |
| FRSR | HA-1049-N3 | 94 | GB05375B6 | GB05375B6 | 80, 397 | GE55-152313G112A/113A | GE55-152313G112A/113A | 455 |
| FRSR | HA-1049-XK9 | 94 | GB05437B1 | GB05437B1 | 83, 280, 398 | GE55-152313G139 | GE55-152313G139 | 455 |
| FRSR | HA-959-C6 | 95 | GB05437B21 | GB05437B21 | 83, 397 | GE55-152313G140/41 | GE55-152313G140/41 | 456 |
| FRSR | HA-959-P7 | 95 | GB05437B4 | GB05437B4 | 84, 280 | GE55-152313G142 | GE55-152313G142 | 456 |
| FRSR | HA-959-W7 | 94 | GB05437B6 | GB05437B6 | 80, 397 | GE55-152313G153A | GE55-152313G153A | 455 |
| FRSR | X52BS5H79 | 94 | GB05437B8 | GB05437B8 | 80, 397 | GE55-153677G002 | GE55-153677G002 | 453 |
| FRSR | X52BS6H84 | 94 | GB05500B21 | GB05500B21 | 83, 397 | GE55-153677G019 | GE55-153677G019 | 455 |
| FRSR | X52BS6H85 | 94 | GB05500B25 | GB05500B25 | 80 | GE55-153678G002 | GE55-153678G002 | 453 |
| FRSR | X52BS6H92 | 94 | GB05500B5 | GB05500B5 | 82, 397 | GE55-153678G013 | GE55-153678G013 | 456 |
| FWA | HA-1049-Y4 | 95 | GB05500B6 | GB05500B6 | 80, 397 | GE55-154607G002/041 | GE55-154607G002/041 | 454 |
| FWC | 224601 | 95 | GB05500B7 | GB05500B7 | 398 | GFA | HA-1049-AA4 | 95 |
| FWC | 224602 | 95 | GB05500B8 | GB05500B8 | 80, 397 | GJV | 3-40157-45 | 95 |
| FWH | 51500004 | 95 | GB06000B25 | GB06000B25 | 80 | GK010625EP | GK010625EP | 82 |
| FWH | 197C050H05 | 95, 197 | GB06000B5 | GB06000B5 | 82, 397 | GK027500HP | GK027500HP | 84, 281 |
| FWH | 197C050H08 | 95 | GB06000B6 | GB06000B6 | 80, 397 | GK03000N | GK03000N | 83 |
| FWH | 3-40255-47 | 95, 197 | GB06000B8 | GB06000B8 | 80, 397 | GK03437EE | GK03437EE | 82 |
| FWH | 3-40290-70 | 95 | GB06437B21 | GB06437B21 | 83, 397 | GK03437G | GK03437G | 82 |
| FWH | GA-1049-EE8 | 95 | GB06500B1 | GB06500B1 | 83, 280, 398 | GK03500C | GK03500C | 80 |
| FWH | HA-1049-AF9 | 95 | GB06500B21 | GB06500B21 | 83, 397 | GK03500GG | GK03500GG | 83 |
| FWH | HA-1049-CW9 | 95 | GB06500B25 | GB06500B25 | 80 | GK03500N | GK03500N | 83 |
| FWH | X52BS7H94 | 95 | GB06500B4 | GB06500B4 | 84, 280, 398 | GK03500W | GK03500W | 85 |
| FWP | HA-1049-AE3 | 95 | GB06500B5 | GB06500B5 | 82, 397 | GK03500WE | GK03500WE | 80 |

Cross Reference Index

| OEM Part No. | ADAMS Part No. | Catalog Page No. | OEM Part No. | ADAMS Part No. | Catalog Page No. | OEM Part No. | ADAMS Part No. | Catalog Page No. |
|--------------|----------------|------------------|--------------|----------------|------------------|--------------|----------------|------------------|
| GK03750C | GK03750C | 80 | GK05500EP | GK05500EP | 82 | GK09000EP | GK09000EP | 82 |
| GK03750W | GK03750W | 85 | GK05500EPV | GK05500EPV | 82 | GK09000USP | GK09000USP | 85 |
| GK03875DS | GK03875DS | 81 | GK05500G | GK05500G | 82 | GK09500C | GK09500C | 80 |
| GK03875DSP | GK03875DSP | 81 | GK05500GG | GK05500GG | 83 | GK09500D | GK09500D | 81 |
| GK03875EE | GK03875EE | 82 | GK05500M | GK05500M | 83, 224 | GK09500G | GK09500G | 82 |
| GK038750C | GK038750C | 83, 280 | GK05500N | GK05500N | 83 | GK09500M | GK09500M | 83, 224 |
| GK038750W | GK038750W | 280 | GK05500USP | GK05500USP | 85 | GK095000C | GK095000C | 83, 280 |
| GK03937G | GK03937G | 82 | GK05500W | GK05500W | 85 | GK09500WE | GK09500WE | 80 |
| GK03937M | GK03937M | 83, 224 | GK05500WE | GK05500WE | 80 | GK09562A | GK09562A | 80 |
| GK04000A | GK04000A | 80 | GK05750M | GK05750M | 83 | GK10000C | GK10000C | 80 |
| GK04000C | GK04000C | 80 | GK06000B | GK06000B | 80 | GK10500C | GK10500C | 80 |
| GK04000EE | GK04000EE | 82 | GK06000C | GK06000C | 80 | GK10625C | GK10625C | 80 |
| GK04000EP | GK04000EP | 82 | GK06000EE | GK06000EE | 82 | GK10625D | GK10625D | 81 |
| GK04000EPV | GK04000EPV | 82 | GK06000EP | GK06000EP | 82 | GK10625EE | GK10625EE | 82 |
| GK04000GG | GK04000GG | 83 | GK06000EPV | GK06000EPV | 82 | GK106250C | GK106250C | 83, 280 |
| GK04000N | GK04000N | 83 | GK06000N | GK06000N | 83 | GK10625USP | GK10625USP | 85 |
| GK04000USP | GK04000USP | 85 | GK06000USP | GK06000USP | 85 | GK10625WE | GK10625WE | 80 |
| GK04000W | GK04000W | 85 | GK06000W | GK06000W | 85 | GK10687A | GK10687A | 80 |
| GK04000WE | GK04000WE | 80 | GK06000WE | GK06000WE | 80 | GK10715M | GK10715M | 83, 224 |
| GK04250A | GK04250A | 80 | GK06437G | GK06437G | 82 | GK12500C | GK12500C | 80 |
| GK04375B | GK04375B | 80 | GK06437GG | GK06437GG | 83 | GK12625C | GK12625C | 80 |
| GK04375C | GK04375C | 80 | GK06500B | GK06500B | 80 | GK12625D | GK12625D | 81 |
| GK04375D | GK04375D | 81 | GK06500C | GK06500C | 80 | GK12625EE | GK12625EE | 82 |
| GK04375DR | GK04375DR | 81 | GK06500D | GK06500D | 81 | GK12625EP | GK12625EP | 82 |
| GK04375EE | GK04375EE | 82 | GK06500DR | GK06500DR | 81 | GK12625M | GK12625M | 83, 224 |
| GK04375M | GK04375M | 83, 224 | GK06500EE | GK06500EE | 82 | GK126250C | GK126250C | 83, 280 |
| GK043750C | GK043750C | 83, 280 | GK06500EPV | GK06500EPV | 82 | GK12625USP | GK12625USP | 85 |
| GK043750W | GK043750W | 84, 280 | GK06500G | GK06500G | 82 | GK12625WE | GK12625WE | 80 |
| GK04375WE | GK04375WE | 80 | GK06500GG | GK06500GG | 83 | GK12687A | GK12687A | 80 |
| GK04437A | GK04437A | 80 | GK06500N | GK06500N | 83 | GK13875EP | GK13875EP | 82 |
| GK04437C | GK04437C | 80 | GK065000C | GK065000C | 83, 280 | GL-100-B1 | GL-870-A | 77.1 |
| GK04437G | GK04437G | 82 | GK065000W | GK065000W | 84, 280 | GLD | HA-1049-AE4 | 95 |
| GK04437GG | GK04437GG | 83 | GK06500USP | GK06500USP | 85 | GLD | X52BS3H41 | 95 |
| GK04500C | GK04500C | 80 | GK06500W | GK06500W | 85 | GLD | X52BS4H64 | 95 |
| GK04500EP | GK04500EP | 82 | GK06500WE | GK06500WE | 80 | GMA | HA-1049-AR1 | 95 |
| GK04500EPV | GK04500EPV | 82 | GK06562A | GK06562A | 80 | GMA | HA-1049-CE2 | 95 |
| GK04500G | GK04500G | 82 | GK06562M | GK06562M | 83, 224 | GMA | HA-1049-CE3 | 95 |
| GK04500GG | GK04500GG | 83 | GK07000B | GK07000B | 80 | GMA | HA-1049-CX4 | 95 |
| GK04500M | GK04500M | 83, 224 | GK07000C | GK07000C | 80 | GMA | HA-1049-EA2 | 95 |
| GK04500N | GK04500N | 83 | GK07000EP | GK07000EP | 82 | GMC | HA-1049-CK9 | 95 |
| GK04500USP | GK04500USP | 85 | GK07000EPV | GK07000EPV | 82 | GO260R2 | GO260R2 | 77.1 |
| GK04500W | GK04500W | 85 | GK07000USP | GK07000USP | 85 | GO-904-M7 | GO-904-M7 | 80 |
| GK04500WE | GK04500WE | 80 | GK07000W | GK07000W | 85 | GOA717A1 | GOA717A1 | 77.1 |
| GK048750W | GK048750W | 84, 280 | GK07500B | GK07500B | 80 | GP100 | GP100 | 79 |
| GK05000A | GK05000A | 80 | GK07500C | GK07500C | 80 | GP10625 | GP10625 | 79 |
| GK05000B | GK05000B | 80 | GK07500D | GK07500D | 81 | GP10625G | GP10625G | 79 |
| GK05000C | GK05000C | 80 | GK07500EE | GK07500EE | 82 | GP10625L | GP10625L | 79 |
| GK05000EE | GK05000EE | 82 | GK07500G | GK07500G | 82 | GP10625W | GP10625W | 79 |
| GK05000EP | GK05000EP | 82 | GK07500GG | GK07500GG | 83 | GP4000 | GP4000 | 79 |
| GK05000EPV | GK05000EPV | 82 | GK07500M | GK07500M | 83, 224 | GP4000G | GP4000G | 79 |
| GK05000GG | GK05000GG | 83 | GK075000C | GK075000C | 83, 280 | GP4000L | GP4000L | 79 |
| GK05000N | GK05000N | 83 | GK07500USP | GK07500USP | 85 | GP4000W | GP4000W | 79 |
| GK05000USP | GK05000USP | 85 | GK07500WE | GK07500WE | 80 | GP4375 | GP4375 | 79 |
| GK05000WE | GK05000WE | 80 | GK07562A | GK07562A | 80 | GP4375G | GP4375G | 79 |
| GK05375WE | GK05375WE | 80 | GK08000C | GK08000C | 80 | GP4375L | GP4375L | 79 |
| GK05437C | GK05437C | 80 | GK08000EP | GK08000EP | 82 | GP4375W | GP4375W | 79 |
| GK05437D | GK05437D | 81 | GK08000USP | GK08000USP | 85 | GP4500 | GP4500 | 79 |
| GK05437DR | GK05437DR | 81 | GK08000W | GK08000W | 85 | GP4500G | GP4500G | 79 |
| GK05437EE | GK05437EE | 82 | GK08500B | GK08500B | 80 | GP4500L | GP4500L | 79 |
| GK05437G | GK05437G | 82 | GK08500C | GK08500C | 80 | GP4500W | GP4500W | 79 |
| GK05437GG | GK05437GG | 83 | GK08500D | GK08500D | 81 | GP5000 | GP5000 | 79 |
| GK05437M | GK05437M | 83, 224 | GK08500EE | GK08500EE | 82 | GP5000G | GP5000G | 79 |
| GK054370C | GK054370C | 83, 280 | GK08500G | GK08500G | 82 | GP5000L | GP5000L | 79 |
| GK054370W | GK054370W | 84, 280 | GK085000C | GK085000C | 83, 280 | GP5000W | GP5000W | 79 |
| GK05437WE | GK05437WE | 80 | GK08500WE | GK08500WE | 80 | GP5250 | GP5250 | 79 |
| GK05500A | GK05500A | 80 | GK08562A | GK08562A | 80 | GP5250G | GP5250G | 79 |
| GK05500B | GK05500B | 80 | GK08562M | GK08562M | 83, 224 | GP5250L | GP5250L | 79 |
| GK05500C | GK05500C | 80 | GK09000C | GK09000C | 80 | GP5250W | GP5250W | 79 |

Cross Reference Index

| OEM Part No. | ADAMS Part No. | Catalog Page No. | OEM Part No. | ADAMS Part No. | Catalog Page No. | OEM Part No. | ADAMS Part No. | Catalog Page No. |
|--------------|----------------|------------------|--------------|----------------|------------------|--------------|----------------|------------------|
| GP5375 | GP5375 | 79 | H3088H04 | H3088H04 | 318 | HBD0123W | HBD0123W | 110 |
| GP5375G | GP5375G | 79 | H3088H06 | H3088H06 | 318 | HBD0128W | HBD0128W | 111 |
| GP5375L | GP5375L | 79 | H3088H11 | H3088H11 | 318 | HBD0181R | HBD0181R | 110 |
| GP5375W | GP5375W | 79 | H3088H12 | H3088H12 | 318 | HBD0182R | HBD0182R | 110 |
| GP5437 | GP5437 | 79 | H3088H13 | H3088H13 | 318 | HBD0183R | HBD0183R | 111 |
| GP5437G | GP5437G | 79 | H3088H14 | H3088H14 | 318 | HBD0184R | HBD0184R | 111 |
| GP5437L | GP5437L | 79 | H3088H15 | H3088H15 | 318 | HBD0185R | HBD0185R | 111 |
| GP5437W | GP5437W | 79 | H3088H16 | H3088H16 | 318 | HBD0186R | HBD0186R | 110 |
| GP5500 | GP5500 | 79 | H3088H17 | H3088H17 | 318 | HBD0187R | HBD0187R | 110 |
| GP5500G | GP5500G | 79 | H3088H20 | H3088H20 | 318 | HBD0188R | HBD0188R | 111 |
| GP5500L | GP5500L | 79 | H3088H21 | H3088H21 | 318 | HBD0189R | HBD0189R | 110 |
| GP5500W | GP5500W | 79 | H3088H22 | H3088H22 | 318 | HBD0192R | HBD0192R | 110 |
| GP5750 | GP5750 | 79 | H3090H11 | WT396 | 325 | HBD0194R | HBD0194R | 110 |
| GP5750G | GP5750G | 79 | H315 | 9771657 | 167 | HBH0115 | HBH0115 | 110 |
| GP5750L | GP5750L | 79 | H32 | OT-100 | 401 | HBH0118W | HBH0118W | 110 |
| GP5750W | GP5750W | 79 | H341 | AKC0056 | 110 | HBH0119 | HBH0119 | 110 |
| GP6000 | GP6000 | 79 | H48 | EE-981-A | 393 | HBH0188 | HBH0188 | 110 |
| GP6000G | GP6000G | 79 | H5009 | 9710280 | 167 | HBRO150 | HBRO150 | 111 |
| GP6000L | GP6000L | 79 | H5027 | 9710267 | 167 | HC-3V630 | EE-870-L | 77.1 393 |
| GP6000W | GP6000W | 79 | H5074 | 9710279 | 167 | HD32 | AP032G | 32 |
| GP6500 | GP6500 | 79 | H5140 | 9710334 | 167 | HD32 | AP032P5G | 32 |
| GP6500G | GP6500G | 79 | H5154 | 9710255 | 167 | HD46 | AP046G | 32 |
| GP6500L | GP6500L | 79 | HA-1065-Z3 | HA-1065-Z3 | 110 | HD68 | AP068HGC | 32 |
| GP6500W | GP6500W | 79 | HA-1067-M4 | HA-1067-M4 | 92 | HDP9-11103 | 3-40255-45 | 410 |
| GP7000 | GP7000 | 79 | HA-1069-AP1 | HA-1069-AP1 | 92 | HG1-1 | CJ-902-M | 390 |
| GP7000G | GP7000G | 79 | HA-1069-AQ1 | HA-1069-AQ1 | 92 | HH10-0041N | GL-928-C | 183 |
| GP7000L | GP7000L | 79 | HA-1069-C1 | HA-1069-C1 | 92 | HH1-0024N | GL-928-K | 183 |
| GP7000W | GP7000W | 79 | HA-1069-C4 | HA-1069-C4 | 92 | HH1-0026N | GL-928-E | 183 |
| GP7500 | GP7500 | 79 | HA-1069-C9 | HA-1069-C9 | 92 | HH1-0105L | GL-928-N | 183 |
| GP7500G | GP7500G | 79 | HA-1069-M1 | HA-1069-M1 | 92 | HH1-0105R | GL-928-M | 183, 342 |
| GP7500L | GP7500L | 79 | HA-1069-P1 | HA-1069-P1 | 92 | HH-1-2-E | G401W | 174 |
| GP7500W | GP7500W | 79 | HA-1069-X1 | HA-1069-X1 | 92 | HH2-0052L | GL-928-E5 | 183 |
| GP8000 | GP8000 | 79 | HA-1069-X2 | HA-1069-X2 | 92 | HH2-0052R | GL-928-E4 | 183 |
| GP8000G | GP8000G | 79 | HA-1294-C3 | HA-1294-C3 | 422 | HH23PW | FE-1097-B | 396 |
| GP8000L | GP8000L | 79 | HA-1700-E9 | HA-1700-E9 | 21 | HH23PW | FE-1097-C | 396 |
| GP8000W | GP8000W | 79 | HA-2-C10 | HA-2-C10 | 115, 116 | HH23PW | FE-1097-E | 396 |
| GP8500 | GP8500 | 79 | HA-2-CC1 | HA-2-CC1 | 115, 116 | HH23PW | FE-1097-P | 396 |
| GP8500G | GP8500G | 79 | HA-870-R6 | EE-870-Y9 | 77.1 | HH3-0034L | GL-928-A3 | 183 |
| GP8500L | GP8500L | 79 | HA-870-R6 | HA-870-Y9 | 77.1 | HH3-0034R | GL-928-A2 | 183 |
| GP8500W | GP8500W | 79 | HA-959-A2 | A650F9 | 93, 386 | HH3-0042L | GL-928-R | 183 |
| GP9500 | GP9500 | 79 | HA-959-A4 | A650F8 | 93, 386 | HH3-0042R | GL-928-P | 183 |
| GP9500G | GP9500G | 79 | HA-959-B7 | A650F7 | 93, 386 | HH5-0029N | GL-928-F | 183 |
| GP9500L | GP9500L | 79 | HA-959-B8 | A650F3 | 93, 386 | HH54PW | FE-1097-D | 396 |
| GP9500W | GP9500W | 79 | HA-959-L | A650F4 | 93, 386 | HH54PW | FE-1097-K | 396 |
| GPX100 | GPX100 | 78, 405 | HA-959-N7 | A651F2 | 93, 386 | HH54PW | FE-1097-L | 396 |
| GS1-7014A1 | 0472A | 276 | HA-959-P5 | A650F17 | 93, 386 | HH54PW | FE-1097-N | 396 |
| GS1-7014A1 | 0474B | 276 | HA-959-S4 | A651F3 | 93, 386 | HK2 | OT-100-A9 | 401 |
| GS1-7014A2 | 0472B | 276 | HA-959-Y8 | A650F15 | 93, 386 | HM21 | OT-100-A7 | 401 |
| GS1-7014A3 | 0472C | 276 | HBD0101W | HBD0101W | 110 | HOUND 3 | A106HOUND | 26 |
| GS1-7014A4 | 0472D | 276 | HBD0102W | HBD0102W | 110 | HR-1405 | HR-1405 | 96 |
| GS1-7014B1 | 0473B3 | 276 | HBD0103W | HBD0103W | 111 | HRR0187 | HRR0187 | 110 |
| GS1-7014B2 | 0473B4 | 276 | HBD0104W | HBD0104W | 110 | HRR0187V | HRR0187V | 110 |
| GS240F11 | 0761G | 285, 286 | HBD0105W | HBD0105W | 110 | HRR0190 | HRR0190 | 110 |
| GS240F3 | 0759G | 285, 286 | HBD0106W | HBD0106W | 110 | HRR0190V | HRR0190V | 110 |
| H1856 | W460P1 | 368 | HBD0107W | HBD0107W | 111 | HRR0192 | HRR0192 | 110 |
| H2304 | 9703202 | 167 | HBD0109W | HBD0109W | 110 | HRR0192V | HRR0192V | 110 |
| H2395 | 9759591 | 167 | HBD0110W | HBD0110W | 110 | HRR0194 | HRR0194 | 110 |
| H2395 | HA-1065-M | 167 | HBD0111W | HBD0111W | 110 | HRR0194V | HRR0194V | 110 |
| H2573 | 9703299 | 167 | HBD0112W | HBD0112W | 110 | HRR0195 | HRR0195 | 110 |
| H28 | OT12 | 401 | HBD0113W | HBD0113W | 110 | HSJ | O877 | 264 |
| H-3056G01 | W251S1 | 317 | HBD0114W | HBD0114W | 110 | HT200710-2 | HT200710-2 | 271 |
| H-3056G02 | W251S2 | 317 | HBD0115W | HBD0115W | 111 | HT200750-1 | HT200750-1 | 271 |
| H-3056G03 | W251S3 | 317 | HBD0116W | HBD0116W | 111 | HT201781-1 | HT201781-1 | 271 |
| H-3056G04 | W251S4 | 317 | HBD0117W | HBD0117W | 110 | HT206412-2 | HT206412-2 | 271 |
| H-3056G05 | W251S5 | 317 | HBD0118W | HBD0118W | 111 | HW102-011 | HW102-011 | 398 |
| H3088H01 | H3088H01 | 318 | HBD0119W | HBD0119W | 110 | HW-572-A | HW-572-A | 398 |
| H3088H02 | H3088H02 | 318 | HBD0121W | HBD0121W | 110 | HW-572-C | HW-572-C | 398 |
| H3088H03 | H3088H03 | 318 | HBD0122W | HBD0122W | 110 | HW-572-E | HW-572-E | 398 |

Cross Reference Index

| OEM Part No. | ADAMS Part No. | Catalog Page No. | OEM Part No. | ADAMS Part No. | Catalog Page No. | OEM Part No. | ADAMS Part No. | Catalog Page No. |
|--------------|----------------|-------------------|--------------|----------------|------------------|--------------|-----------------|------------------|
| HW-572-F | HW-572-F | 398 | ISO150 | AP0150GC | 32 | K4912H01 | K4912H01 | 379 |
| HW90-11 | HW90-11 | 398 | ISO32 | AP020GC | 34 | K4915G01 | K4915G01 | 379 |
| HW90-40SCH | HW90-40SCH | 398 | ISO32 | AP032SC | 32, 33 | K5260H01 | K5260H01 | 346 |
| HWBL-0001N | GL-870-A | 77.1 | ISO60 | AP060GC | 33 | K5315H02 | K5315H02 | 315 |
| HWBR-0008N | GL-915-E3 | 182 | ISO60 | AP060QC | 33 | K5801G1 | E1201 | 326 |
| HWBR-0009N | GL-915-S | 182 | ISO68 | AP010GC | 34 | K5801G2 | E1202 | 326 |
| HWBS-0003N | GL-917-M1 | 179 | ISO68 | AP068GC | 32 | K5801G4 | E1204 | 326 |
| HWPL-0010N | GL-928-Z | 183 | ISO68 | AP068QC | 32 | K5801H3 | E1203 | 326 |
| IDCM-5 | OT-953-L | 401 | J1C | J1C | 206 | K5802G1 | E1211 | 326 |
| IF26D | FE-1600-R | 396 | J202B | J202B | 206 | K5802G2 | E1212 | 326 |
| IM4 | FE-1600-A2 | 396 | J20S1 | J20S1 | 206 | K5802G3 | E1313 | 326 |
| INT-1-19 | G30L3 | 18, 176 | J3023 | J3023 | 209 | K6088 | PN-904-G | 402 |
| INT1H-0002L | G810K4 | 175 | J3045 | J3045 | 209 | K6095-4 | PN-904-D | 402 |
| INT1H-0002R | G810K5 | 175 | J4006 | J4006 | 209 | K6420-1 | W460A | 368 |
| INT1H-0013L | G810A2 | 176 | JB-219-3 | DP4100 | 81 | K6430H01 | K6430H01 | 379 |
| INT1H-0013L | GL-902-R | 178 | JB-221-1 | DP4000 | 81 | K6453-1 | W458 | 370 |
| INT1H-0013R | G810A1 | 176 | JC-219-3 | DP5100 | 81 | K6549-1 | W451C1 | 370 |
| INT1H-0015N | GL-902-F1 | 178 | JC-221-1 | DP5000 | 81 | K65831 | W81S1 | 332, 333 |
| INT1H-0017N | G812C1 | 176 | JCCY-31-1 | JCCY-31-1 | 438 | K6675 | PN-904-J | 402 |
| INT1H-0018N | G812UL | 176 | JCCY-32-1 | JCCY-32-1 | 438 | K6678 | PN-904-F | 402 |
| INT1H-0019N | G30B1 | 178 | JCCY-33-1 | JCCY-33-1 | 438 | K6738G1 | E1421 | 326 |
| INT1H-0021N | GL-902-F3 | 178 | JCCY-34-1 | JCCY-34-1 | 438 | K6738G2 | E1412 | 326 |
| INT1H-0022L | G820B2 | 176 | JCKTM-31-1 | JCKTM-31-1 | 439 | K6738G2 | E1422 | 326 |
| INT1H-0022R | G820B1 | 176 | JCKTM-32-1 | JCKTM-32-1 | 439 | K7028H01 | W81L1 | 332, 333 |
| INT1H-0023N | G825 | 177 | JCKTM-33-1 | JCKTM-33-1 | 439 | K7305-G01 | W228 | 319, 323 |
| INT1H-0024L | G810C2 | 175 | JCKTM-34-1 | JCKTM-34-1 | 439 | K7307-G1 | W226A | 319, 323 |
| INT1H-0024R | G810C1 | 175 | JCKTM-35-1 | JCKTM-35-1 | 439 | K7307-G2 | W226B | 319, 323 |
| INT1H-0026N | G812LL | 176 | JD219-3 | DP6100 | 81 | K7310-G01 | W225 | 319, 323 |
| INT1H-0026N | GL-902-F | 178 | JD-219-3 | DP6100 | 81 | K7344H01 | K7344H01 | 385 |
| INT1H-0034N | G840 | 18, 177, 297, 362 | JD221-1 | DP6000 | 81 | K7344H02 | K7344H02 | 385 |
| INT1H-0035N | G30L3 | 18, 176 | JD-221-1 | DP6000 | 81 | K7344H03 | K7344H03 | 385 |
| INT1H-0036L | G810K2 | 175 | JKS | 222497 | 94 | K7484H02 | K7484H02 | 346 |
| INT1H-0036R | G810K1 | 175 | K1399 | PN-140-B | 402 | K7981 | PN-180-A | 402 |
| INT1H-0044N | GL-902-N2 | 186 | K-1399 | PA7 | 402 | K-810 | PA6 | 402 |
| INT1H-0129N | G841 | 18, 177, 297, 362 | K1591G01 | WMC10 | 385 | KAB | 322C826H02 | 95, 197 |
| INT1M-0033L | G821A2 | 176 | K168 | PA32 | 402 | KAB | 3-40116-12 | 95, 197 |
| INT1M-0033R | G821A1 | 176 | K-1786 | PA3 | 402 | KAB | 3-40116-13 | 95, 197 |
| INT-2-16 | GL-902-R2 | 178 | K179H01 | W50CX | 322 | KAB | 3-40116-14 | 95, 197 |
| INT22-0001L | GL-902-R4 | 177 | K-180 series | W213 | 320 | KAB | 3-40116-15 | 95 |
| INT-2-24 | G30L3 | 18, 176 | K-1809G1 | W235 | 323 | KAB | 3-40116-16 | 95, 197 |
| INT2H-0002N | GL-902-L9 | 178 | K180-G5 | W214 | 320 | KAB | 3-40254-24 | 95 |
| INT2H-0007N | GL-902-D4 | 178 | K181G2 | W211 | 320 | KAB | 3-40259-70 | 95 |
| INT2H-0010N | GL-902-D8 | 178 | K181G3 | W211 | 320 | KAB | HA-1049-AH1 | 95 |
| INT2H-0015N | GL-902-F9 | 178 | K2-30A10 | 345421 | 412 | KAB | HA-1049-C2 | 95 |
| INT2H-0017R | G810K3 | 175 | K2-30A10230 | 345452 | 412 | KAB | HA-1049-L5 | 95 |
| INT2H-0018R | G810C3 | 175 | K2-45A00110 | 345420 | 412 | KAB | HA-959-W | 95 |
| INT3A-2 | GL-902-T5 | 178 | K2477G01 | W218 | 320 | KAC | HA-1049-AU4 | 95 |
| INT4-0001N | GL-902-C7 | 178 | K2477G02 | W218A | 320 | KAC | HA-1049-CA1 | 95 |
| INT4-0002N | GL-902-D3 | 178 | K-2587 | PA4 | 402 | KAC | HA-1049-CA3 | 95 |
| INT5-0016N | GL-902-C6 | 178 | K2840 | PN-100-E | 402 | KAC | HA-1049-Y2 | 95 |
| INT5-0017N | GL-902-M7 | 178 | K3125-G1 | W201 | 320 | KAC | HA-1049-Y9 | 95 |
| INT5-0019N | GL-902-B5 | 178 | K3125-G2 | W201 | 320 | KAH | HA-959-M9 | 95 |
| INT5-0029N | G30L2 | 18, 176 | K3125-G3 | W203 | 320 | KB-1228 | D2605 | 146 |
| INT5-0042N | G30L1 | 18, 176 | K3125-G4 | W204 | 320 | KC2 | S25-106-922-812 | 459 |
| INT5-13 | GL-902-C4 | 177 | K3233H01 | W320 | 325 | KC3 | S25-106-923-812 | 459 |
| INT-5-6A | GL-902-B6 | 178 | K3244G01 | W81R1 | 332, 333 | KC4 | S25-106-924-812 | 459 |
| INT-6 #13A | GL-902-L8 | 177 | K3244H02 | K3244H02 | 346 | KE-1050-1 | KE-1050-1 | 384 |
| INT6-0001L | GL-902-C5 | 177 | K-3412G1 | A103C1 | 86, 87, 278, 386 | KE14 | KE14 | 347.1 |
| INT6-0001R | GL-902-A8 | 177 | K3412H01 | K3412H01 | 385 | KE8 | KE8 | 347.1 |
| IP5B | FE-1600-E | 396 | K3412H02 | K3412H02 | 385 | KHAU17A12H | A754 | 86 |
| IP8300 | OT-1600-A | 401 | K3412H03 | K3412H03 | 385 | KHAU17A12H | A755 | 86 |
| IR201 | A107AB | 29 | K35 | OT-100-P | 401 | KHAU17D12H | A756 | 86 |
| IR39109236 | IR39109236 | 458 | K-4278-G1 | W216C1 | 320 | KHAU17D12H | A757 | 86 |
| IR39114541 | IR39114541 | 458 | K-4278G2 | W216C2 | 320 | KLDR | 222447 | 95 |
| IR39114558 | IR39114558 | 458 | K4336H01 | K4336H01 | 325 | KLDR | 222465 | 95 |
| IR39114566 | IR39114566 | 458 | K4336H01 | WT398 | 325 | KLDR | 224612 | 95 |
| ISO100 | AP0100GC | 32 | K4495H01 | W50C | 322 | KLDR | 51500033 | 95 |
| ISO100 | AP0100QC | 32 | K4495H02 | W50 | 322 | KLDR | 51500118 | 95 |

Cross Reference Index

| OEM Part No. | ADAMS Part No. | Catalog Page No. | OEM Part No. | ADAMS Part No. | Catalog Page No. | OEM Part No. | ADAMS Part No. | Catalog Page No. |
|--------------|----------------|------------------|--------------|----------------|-------------------|-------------------|-------------------|------------------|
| KLDR | HA-1049-A1 | 95 | LKN | HR-1579 | 95 | M4522G6 | W215A4 | 320 |
| KLDR | HA-1049-A3 | 95 | LKN | HR-1580 | 95 | M4523G01 | M4523G01 | 423 |
| KLK | X52BS3H50 | 95 | LKN | HR-1581 | 95 | M4523G1 | W215B2 | 322 |
| KLKR | 222451 | 95 | LKN | HR-1588 | 95 | M4524G01 | M4524G01 | 423 |
| KLNR | 7264C54H08 | 95 | LKS | HA-959-P | 95 | M-4700 | W315 | 325 |
| KS1-0141H | GL-933-J3 | 186 | LKS | HR-1420 | 95 | M4983G01 | M4983G01 | 318 |
| KTK | 222437 | 95, 197 | LKS | HR-1422 | 95 | M501 | W26D2610G22 | 492 |
| KTK | 3-40122-46 | 95, 197 | LKS | HR-1423 | 95, 197 | M510 | W26D2610G15 | 489 |
| KTK | 3-40122-47 | 95, 197 | LS-1 | EQ-925-A | 392 | M5389H01 | M5389H01 | 385 |
| KTK | 3-40394-84 | 95 | LS-1018-W | LS-1018-W | 398 | M5389H03 | M5389H03 | 385 |
| KTK | 3-40394-85 | 95 | LS-1200-E | LS-1200-E | 398 | M5389H11 | M5389H11 | 385 |
| KTK | 3-40394-86 | 95 | M-1230-G20 | W221 | 320 | M5594-5 | W411P | 345 |
| KTK | 3-40394-87 | 95 | M-1230-G23 | W220 | 320 | M5594-5 | W411S | 345 |
| KTK | HA-1049-CP9 | 95 | M-1230-G3 | W220 | 320 | M5594G01 | W410 | 345 |
| KTK | HA-1049-W9 | 95 | M1230-G4 | W210S3 | 320 | M5594G02 | W411 | 345 |
| KTK | HA-959-W5 | 95 | M1230-G5 | W210S2 | 320 | M5594G03 | W416 | 345 |
| KTK | HA-959-W6 | 95 | M1230-G6 | W210S1 | 320 | M5594G05 | W410P | 345 |
| KTK | X52BS1H19 | 95 | M1259G03 | W310 | 325 | M5949H01 | M5949H01 | 346 |
| KTK | X52BS1H20 | 95 | M1642 | PN-960-S1 | 402 | M601 | W26D2610G23 | 492 |
| KTK | X52BS2H28 | 95 | M1642B | PN-960-S | 402 | M6029G01 | W406P | 340, 341 |
| KTK | X52BS4H57 | 95 | M1793G02 | M1793G02 | 318 | M610 | W26D2610G16 | 489 |
| KTNR | 681A556H04 | 95 | M2104 | M2104 | 213 | M-6445-2 | GL-1097-G | 188 |
| KVP840 | KVP840 | 18, 362 | M2105 | M2105 | 213 | M6845H01 | W828P | 333 |
| L30 | HA-1067-Z9 | 92 | M2106 | M2106 | 213 | M701 | W26D2610G24 | 492 |
| L573 | PN-200-R | 402 | M2110 | M2110 | 213 | M710 | W26D2610G24 | 492 |
| LA100 | K1107 | 126 | M2366 | PN-2052-A1 | 402 | M7405-G3 | W402 | 340 |
| LA124 | K1103 | 126 | M2366 | PN-2052-A2 | 402 | M7405-G4 | W401 | 340 |
| LA127 | K1108 | 126 | M2366 | PN-2052-AL | 402 | M7405-G5 | W402 | 340 |
| LA1401 | K2102 | 126 | M2366 | PN-2052B-10 | 402 | M7405-G6 | W401 | 340 |
| LA1402 | K2103 | 126 | M2366 | PN-2052-C | 402 | M7405-G99 | W413 | 340 |
| LA201 | K1101 | 122, 124, 126 | M2366 | PN-932-J | 402 | M7448H02 | M7448H02 | 386 |
| LA219 | K1111 | 126 | M2751 | PN-1067-A | 402 | M7448H03 | M7448H03 | 386 |
| LA226 | K1110 | 126 | M3000 | M3000 | 218 | M7464H02 | M7464H02 | 386 |
| LA411 | K1105 | 126 | M301 | W26D2610G21 | 492 | M7464H05 | M7464H05 | 386 |
| LA462 | K1104 | 126 | M310 | W26D2610G14 | 489 | M7464H08 | M7464H08 | 386 |
| LC-0015N | GL-100-A2 | 185 | M32427H05 | M32427H05 | 364 | M7505-G99 | W414 | 340 |
| LC-0016N | GL-100-G | 185 | M3393-1 | W825P | 333 | M800C | M800C | 75, 218 |
| LC-0018N | GL-100-A | 185 | M3393-1 | W825R | 333 | M810 | W26D2610G18 | 490 |
| LC-0021L | G20A2 | 177 | M3427H01 | M3427H01 | 364 | M810R | W26D2610G19 | 490 |
| LC-0021R | G20A1 | 177 | M3427H02 | M3427H02 | 364 | M910 | W26D2610G20 | 491 |
| LC-0025R | GL-100-C2 | 185 | M3427H05 | M3427H05 | 364 | MAG-05P00015-0016 | MAG-05P00015-0016 | 399 |
| LC-0028R | GL-100-C3 | 185 | M3427H06 | M3427H06 | 364 | MAG-05P00015-0017 | MAG-05P00015-0017 | 399 |
| LC-0041N | GL-101-W | 185 | M3427H07 | M3427H07 | 364 | MAG-05P00016-0008 | MAG-05P00016-0008 | 399 |
| LC-0048N | GL-101-L | 185 | M3466-G01 | W212 | 320 | MAG-05P00016-0012 | MAG-05P00016-0012 | 399 |
| LC-0080N | GL-660-C | 185 | M-3467-G2 | W234 | 323 | MAG-05P00016-0041 | MAG-05P00016-0041 | 399 |
| LC-0103N | GL-101-A1 | 185 | M-3467-G3 | W234 | 323 | MAG-05P00016-0048 | MAG-05P00016-0048 | 399 |
| LC-0107N | GL-103-A | 185 | M3550G05 | W824T | 18, 297, 347, 362 | MAG-05P00017-0031 | MAG-05P00017-0031 | 399 |
| LC14.1-15 | GL-300-B | 188 | M3639-1 | W826P | 333 | MAG-05P00017-0073 | MAG-05P00017-0073 | 399 |
| LC1-D1201 | OT-964C | 415 | M3639-1 | W826R | 333 | MAG-05P00017-0348 | MAG-05P00017-0348 | 399 |
| LC1-D18U7 | HA-964-J2 | 415 | M-3665G2 | W240 | 325 | MAG-05P00017-0361 | MAG-05P00017-0361 | 399 |
| LC1-D258G7 | 3-40394-13 | 415 | M3706H04 | M3706H04 | 346 | MAG-05P00031-0156 | MAG-05P00031-0156 | 399 |
| LC1-D25G7 | 3-40394-14 | 415 | M3999H01 | M3999H01 | 364 | MAG-05P00036-0312 | MAG-05P00036-0312 | 399 |
| LC1-D0901M7 | HA-1097-AL5 | 415 | M3999H02 | M3999H02 | 364 | MAG-05P00050-0328 | MAG-05P00050-0328 | 399 |
| LC1-DT40G7 | 3-40394-12 | 415 | M3999H03 | M3999H03 | 364 | MAG-05P00050-0410 | MAG-05P00050-0410 | 399 |
| LC-26#2 | GL-960-L | 185 | M3999H04 | M3999H04 | 364 | MAG-05P00050-0412 | MAG-05P00050-0412 | 399 |
| LC27-7 | GL-1098-C | 189 | M3999H05 | M3999H05 | 364 | MAG-05P00050-0442 | MAG-05P00050-0442 | 399 |
| LC-28 | GL-100-A6 | 188 | M3999H06 | M3999H06 | 364 | MAG-05P00050-0461 | MAG-05P00050-0461 | 399 |
| LC28-20 | GL-300-C | 188 | M3999H08 | M3999H08 | 364 | MAG-05P00050-0523 | MAG-05P00050-0523 | 399 |
| LC7-1-55 | GL-300-A | 188 | M401 | W26D2610G21 | 492 | MAG-05P00090-0293 | MAG-05P00090-0293 | 399 |
| LifeJacket | LifeJacket | 62 | M410 | W26D2610G14 | 489 | MAG-05P00217-0012 | MAG-05P00217-0012 | 399 |
| LifeJacket | LifeJacket | 63 | M429 | PA22 | 402 | MAG-05P00217-0013 | MAG-05P00217-0013 | 399 |
| LifeJacket | LifeJacket | 64 | M4510G01 | M4510G01 | 423 | MAG-05P00217-0020 | MAG-05P00217-0020 | 399 |
| LifeJacket | LifeJacket | 65 | M4510G1 | W215B1 | 322 | MAG-05P00217-0029 | MAG-05P00217-0029 | 399 |
| LifeJacket | LifeJacket | 66 | M4522G1 | W215A3 | 320 | MAG-05P00218-0023 | MAG-05P00218-0023 | 399 |
| LifeJacket | LifeJacket | 67 | M4522G2 | W215A1 | 320 | MAG-05P00607-0015 | MAG-05P00607-0015 | 399 |
| LKN | HA-959-A7 | 95 | M4522G3 | W215A1 | 320 | MAG-05P00607-0016 | MAG-05P00607-0016 | 399 |
| LKN | HR-1577 | 95 | M4522G4 | W215A4 | 320 | MAG-05P00630-0013 | MAG-05P00630-0013 | 399 |
| LKN | HR-1578 | 95 | M4522G5 | W215A2 | 320 | MAG-05P00632-0002 | MAG-05P00632-0002 | 399 |

Cross Reference Index

| OEM Part No. | ADAMS Part No. | Catalog Page No. | OEM Part No. | ADAMS Part No. | Catalog Page No. | OEM Part No. | ADAMS Part No. | Catalog Page No. |
|-------------------|-------------------|------------------|--------------|----------------|------------------|--------------|----------------|------------------|
| MAG-05P00645-0018 | MAG-05P00645-0018 | 399 | MDL | 693B359H03 | 95 | MX-901-P9 | MX-901-P9 | 400 |
| MAG-10 | MAG-46S03046-0080 | 399 | MDL | 693B359H04 | 95 | MX-901-T9 | MX-901-T9 | 400 |
| MAG-13 | MAG-46S03088-0010 | 399 | MDL | 693B359H06 | 95 | MX-901-X3 | MX-901-X3 | 400 |
| MAG-2 | MAG-46S02976-0030 | 399 | MDL | HA-1049-AR6 | 95 | MX-901-X6 | MX-901-X6 | 400 |
| MAG-4 | MAG-46S03017-0010 | 399 | MDL | HA-1049-CL1 | 95 | MX-901-Y4 | MX-901-Y4 | 400 |
| MAG-46S02489-0010 | MAG-46S02489-0010 | 399 | MDL | HA-1049-CP2 | 95 | MX-901-Z1 | MX-901-Z1 | 400 |
| MAG-46S02489-0011 | MAG-46S02489-0011 | 399 | MDL | HA-1049-E9 | 95 | MX-922-A | MX-922-A | 400 |
| MAG-46S02975-0403 | MAG-46S02975-0403 | 399 | MDL | HA-1049-EF9 | 95 | MX-925-A | MX-925-A | 400 |
| MAG-46S02976-0010 | MAG-46S02976-0010 | 399 | MDL | HA-959-B5 | 95 | N133 | PN-200-A4 | 402 |
| MAG-46S02976-0020 | MAG-46S02976-0020 | 399 | MDL | HA-959-D5 | 95 | NAS-16847-E | J402 | 193 |
| MAG-46S02976-0032 | MAG-46S02976-0032 | 399 | MDL | HA-959-K2 | 95 | NE120RC | A491L2 | 91 |
| MAG-46S03020-0030 | MAG-46S03020-0030 | 399 | MDL | HA-959-K3 | 95 | NE-45 | HA-1067-H6 | 92 |
| MAG-46S03046-0500 | MAG-46S03046-0500 | 399 | MDL | HA-959-V1 | 95 | NE51B1A | HA-1067-W | 92 |
| MAG-46S03089-0010 | MAG-46S03089-0010 | 399 | MDL | HA-959-Y1 | 95 | NON | 681A556H03 | 95 |
| MAG-46S03192-0010 | MAG-46S03192-0010 | 399 | MDL | HA-959-Y3 | 95 | NON | 681A556H04 | 95 |
| MAG-46S03192-0020 | MAG-46S03192-0020 | 399 | MDQ | HA-1049-EE1 | 95 | NON | 681A556H09 | 95 |
| MAG-46S03192-1020 | MAG-46S03192-1020 | 399 | MDQ | HA-1049-EE2 | 95 | NON | 681A556H10 | 95 |
| MAG-46S03214-0010 | MAG-46S03214-0010 | 399 | MDQ | HA-1049-EE6 | 95 | NON | 681A556H18 | 95 |
| MAG-46S03373-0010 | MAG-46S03373-0010 | 399 | MDQ | HA-1049-EF4 | 95 | NON | HA-1049-AL7 | 95 |
| MAG-46S03373-0611 | MAG-46S03373-0611 | 399 | MDQ | HA-1049-EF5 | 95 | NON | HA-1049-H1 | 95 |
| MAG-46S03375-0010 | MAG-46S03375-0010 | 399 | MDQ | HA-1049-EF6 | 95 | NON | HA-1049-K4 | 95 |
| MAG-46S03397-0010 | MAG-46S03397-0010 | 399 | MDQ | HA-1049-EH3 | 95 | NON | HA-1049-N1 | 95 |
| MAG-46S03594-0010 | MAG-46S03594-0010 | 399 | MDQ | HA-1049-EH4 | 95 | NON | HA-1049-R3 | 95 |
| MAG-5 | MAG-46S03046-0010 | 399 | MDQ | HA-1049-Z2 | 95 | NON | HA-1049-R7 | 95 |
| MAG-6 | MAG-46S03046-0030 | 399 | MDX | 693B359H05 | 95 | NON | HA-959-A2 | 95 |
| MAG-7 | MAG-46S03046-0050 | 399 | MDX | 693B359H07 | 95 | NON | HA-959-A4 | 95 |
| MAG-8 | MAG-46S03046-0060 | 399 | MG416821-2 | RL-2263-D2 | 404 | NON | HA-959-B7 | 95 |
| MAG-9 | MAG-46S03046-0070 | 399 | MIDC5-200 | OT-953-A2 | 401 | NON | HA-959-B8 | 95 |
| MAP-341 | M411M | 212 | MIDC5N | OT-953-R | 401 | NON | HA-959-H3 | 95 |
| MAP-344 | M410M | 212, 342 | MIN | 3-36341-00 | 95 | NON | HA-959-L | 95 |
| MAX291510 | MAX291510 | 400 | MIN | 3-36341-01 | 95 | NON | HA-959-L1 | 95 |
| MAX291540 | MAX291540 | 400 | MIN | 3-36341-02 | 95, 197 | NON | HA-959-L2 | 95 |
| MB116CU4 | 3-40324-91 | 196 | MIN | HA-1049-F2 | 95 | NON | HA-959-M8 | 95 |
| MB26-C3 | FE-1600-B5 | 396 | MIN | HA-1049-X9 | 95 | NON | HA-959-P4 | 95 |
| MC1000 | K1101 | 122, 124, 126 | MIN | HA-959-R2 | 95 | NON | HA-959-Z | 95 |
| MC218 | K1102 | 124, 126 | MIS-TH-100-P | 9846396 | 49 | NON | HA-959-Z5 | 95 |
| MC2500 | K1108 | 126 | MM1001 | AKC0051 | 110, 111 | NOS | 681A556H14 | 95 |
| MC-870-A | 5207D42H46 | 77.1, 348 | MN26 | A107A | 28 | NOS | HA-1049-AF1 | 95 |
| MC-870-B | 5207D42H47 | 77.1, 321 | MOAC5 | OT-953-M | 401 | NOS | HA-1049-CF5 | 95 |
| MD301 | W26D2610G21 | 492 | MODC5A | OT-953-N | 401 | NOS | HA-1049-K6 | 95 |
| MD310 | W26D2610G14 | 489 | WOSVCL | GL-1600-C | 189 | NOS | HA-1049-T4 | 95 |
| MD401 | W26D2610G21 | 492 | MRG-62 | 3-40332-15 | 415 | NOS | HA-959-N7 | 95 |
| MD410 | W26D2610G14 | 489 | MT114289 | O457 | 15, 266 | NOS | HA-959-S4 | 95 |
| MD510 | W26D2610G15 | 489 | MT4 | GK04000UMT | 85 | NOS | HA-959-S5 | 95 |
| MD601 | W26D2610G23 | 492 | MT4 1/2 | GK04500UMT | 85 | NOS | HA-959-S6 | 95 |
| MD610 | W26D2610G16 | 489 | MT5 | GK05000UMT | 85 | NOS | HA-959-S7 | 95 |
| MD6501 | W26D2610G22 | 492 | MT5 1/2 | GK05500UMT | 85 | NOS | HA-959-W8 | 95 |
| MD701 | W26D2610G24 | 492 | MT6 | GK06000UMT | 85 | NY-949-K5 | NY-949-K5 | 74 |
| MD710 | W26D2610G24 | 492 | MT6 1/2 | GK06500UMT | 85 | O22C2 | O22C2 | 235, 236 |
| MD810 | W26D2610G18 | 490 | MT7 | GK07000UMT | 85 | O22N1 | O22N1 | 237 |
| MD810R | W26D2610G19 | 490 | MT8 | GK08000UMT | 85 | O23C2 | O23C2 | 240, 241 |
| MD910 | W26D2610G20 | 491 | MTR-0009N | GL-860-B | 184 | O23C3 | O23C3 | 240, 241 |
| MDA | HA-1049-AR7 | 95 | MTR-0010N | GL-860-C | 184 | O23P2 | O23P2 | 242 |
| MDA | HA-1049-AU6 | 95 | MTR-0012N | GL-860-J | 184 | O302 | O302 | 250 |
| MDA | HA-1049-CM9 | 95 | MTR-0012N | GL-860-Y | 184 | O347 | O347 | 252 |
| MDA | HA-1049-CR1 | 95 | MX-1294-A2 | MX-1294-A2 | 400 | O-361K | W10 | 322 |
| MDA | HA-1049-EA1 | 95 | MX-1294-B | MX-1294-B | 400 | O450CP1 | O450CP1 | 267 |
| MDA | HA-959-W1 | 95 | MX-1294-N | MX-1294-N | 400 | O450CP2 | O450CP2 | 267 |
| MDA | HA-959-W2 | 95 | MX-1294-P | MX-1294-P | 400 | O450D | O450D | 267 |
| MDA | X52BS3H40 | 95 | MX-1294-R | MX-1294-R | 400 | O451D | O451D | 267 |
| MDA | X52BS5H77 | 95 | MX-200-D | MX-200-D | 400 | O473B1X | O473B1X | 276 |
| MDL | 94918 | 95 | MX-470-A | MX-470-A | 400 | O473B2X | O473B2X | 276 |
| MDL | 98120 | 95 | MX-901-C7 | MX-901-C7 | 400 | O473B5 | O473B5 | 276 |
| MDL | 3-40007-95 | 95 | MX-901-D | MX-901-D | 400 | O473B6 | O473B6 | 276 |
| MDL | 3-40014-65 | 94, 197 | MX-901-H | MX-901-H | 400 | O482 | O482 | 263 |
| MDL | 3-40258-45 | 95 | MX-901-L1 | MX-901-L1 | 400 | O486A Series | O486A Series | 262 |
| MDL | 3-40258-46 | 95 | MX-901-M1 | MX-901-M1 | 400 | O486A1 | O486A1 | 262 |
| MDL | 3-40283-36 | 95 | MX-901-N3 | MX-901-N3 | 400 | O486A2 | O486A2 | 262 |

Cross Reference Index

| OEM Part No. | ADAMS Part No. | Catalog Page No. | OEM Part No. | ADAMS Part No. | Catalog Page No. | OEM Part No. | ADAMS Part No. | Catalog Page No. |
|--------------|----------------|------------------|--------------|----------------|------------------|----------------|----------------|------------------|
| 0486A3 | 0486A3 | 262 | OB466A1 | OB466A1 | 269 | OT504 | OT504 | 401 |
| 0486A4 | 0486A4 | 262 | OB901 | OB901 | 303 | OT-600-A | OT-600-A | 401 |
| 0486A5 | 0486A5 | 262 | OB901A | OB901A | 303 | OT-600-F | OT-600-F | 401 |
| 0486A6 | 0486A6 | 262 | OB902 | OB902 | 303 | OT-860-A | OT-860-A | 401 |
| 0486A7 | 0486A7 | 262 | OB903 | OB903 | 303 | OT-942-A | OT-942-A | 401 |
| 0486A8 | 0486A8 | 262 | OB903A | OB903A | 303 | OT-950-C | OT-950-C | 401 |
| 0486A-A | 0486A-A | 262 | OB904 | OB904 | 303 | OT-950-E | OT-950-E | 401 |
| 0487A Series | 0487A Series | 262 | OB930 | OB930 | 291, 304 | OT-950-F | OT-950-F | 401 |
| 0487A1 | 0487A1 | 262 | OB932 | OB932 | 291, 304 | OT-952-A | OT-952-A | 401 |
| 0487A2 | 0487A2 | 262 | OE930T9 | OE930T9 | 15 | OT-952-C | OT-952-C | 401 |
| 0487A3 | 0487A3 | 262 | OP10-0001L | GL-915-F | 181 | OT-953-A3 | OT-953-A3 | 401 |
| 0487A4 | 0487A4 | 262 | OP10-0004L | GL-915-G | 183 | OT-953-F | OT-953-F | 401 |
| 0487A5 | 0487A5 | 262 | OP10-0004R | GL-915-N | 182, 183 | OT-953-H | OT-953-H | 401 |
| 0487A6 | 0487A6 | 262 | OP10-0007N | GL-925-F | 183 | OT-953-J | OT-953-J | 401 |
| 0487A7 | 0487A7 | 262 | OP10-0008N | GL-925-C | 183 | OT-960-A6 | OT-960-A6 | 401 |
| 0487A8 | 0487A8 | 262 | OP10-0009N | GL-925-B | 183 | OT-960-C4 | OT-960-C4 | 401 |
| 0487A-A | 0487A-A | 262 | OP10-0010N | GL-902-S | 178 | OT-960-G | OT-960-G | 401 |
| 0571 | 0571 | 301 | OP10-0015L | GL-915-H | 181 | OT-960-H | OT-960-H | 401 |
| 0574 | 0574 | 301 | OP10-0016N | GL-915-M1 | 181 | OT-960-J1 | OT-960-J1 | 401 |
| 0582 | 0582 | 301 | OP10-0017N | GL-915-M2 | 181 | OT-960-P | OT-960-P | 401 |
| 0-58705 | RL-1600-P | 404 | OP10-0029N | GL-915-H7 | 181 | OT-960-S | OT-960-S | 401 |
| 0650 | 1338 | 254 | OP10-0031N | GL-915-N6 | 181 | OT-960-T | OT-960-T | 401 |
| 0801B2 | 0801B2 | 289 | OP10-0032N | GL-925-A6 | 181 | OVP2110 | OVP2110 | 230 |
| 0803P1 | 0803P1 | 289 | OP10-0034N | GL-915-C1 | 181 | OVP2111 | OVP2111 | 230 |
| 0803P2 | 0803P2 | 289 | OP10-0035N | GL-915-H2 | 181 | OVP2112 | OVP2112 | 230 |
| 0803P3 | 0803P3 | 289 | OP10-0036N | GL-915-X | 181 | OVP2201 | OVP2201 | 238 |
| 0803P4 | 0803P4 | 289 | OP10-0040N | GL-928-L | 183 | OVP2202 | OVP2202 | 238 |
| 0817 | 0817 | 290 | OP-10-4 | GL-1099-K | 189 | OVP2205 | OVP2205 | 238 |
| 0826L1 | 0826L1 | 297 | OP10-4A | GL-1099-E | 189 | OVP2301 | OVP2301 | 241 |
| 0833A | 0833A | 252, 291 | OP10-5A1 | GL-915-W | 181 | OVP2302 | OVP2302 | 241 |
| 0833B | 0833B | 252, 291 | OP-11-5E | GL-915-TT | 182 | OVP2801 | OVP2801 | 299 |
| 0840BA3 | 0841BC1 | 293 | OP12-0001L | GL-915-E2 | 181 | P-01046-00C | P-01046-00C | 218 |
| 0840BA3 | 0841BC2 | 293 | OP12-0001R | GL-915-A3 | 181 | P-06338 | P-06338 | 218 |
| 0840BA3 | 0841BC3 | 293 | OP12-0006L | GL-915-A4 | 181, 182 | P-125-139 | DV55N3 | 170 |
| 0840BA3 | 0841BC4 | 293 | OP12-0006R | GL-915-C7 | 181, 182 | P-125-33 | DV55S3 | 170 |
| 0840BA3 | 0841BC5 | 293 | OP12-4F | GL-915-L4 | 182 | P-125-79 | DV55V3 | 170 |
| 0840BA3 | 0841BC6 | 293 | OP13-0021N | GL-915-A7 | 181 | P-125-90 | DV55P1 | 169 |
| 0840E2 | 0841A1 | 292 | OP13-3F | GL-915-F9 | 189 | P-12592 | P-12592 | 215 |
| 0840E2 | 0841A3 | 292 | OP20-0001N | GL-915-D | 181 | P-12592 | P-12593 | 212 |
| 0840E2 | 0841A4 | 292 | OP20-0005N | GL-915-E4 | 181 | P-125-92 | DV55S3 | 169 |
| 0840F2 | 0841B17 | 292 | OP21-0005N | GL-915-H1 | 181 | P-126-38 | DV55S6 | 170 |
| 0840F2 | 0841B17A | 292 | OP21-0006N | GL-1294-E | 181 | P-126-41 | 9730760 | 170 |
| 0840F2 | 0841B3 | 292 | OP21-0018N | GL-915-C9 | 181 | P-12861 | P-12861 | 218 |
| 0840F2 | 0841B7 | 292 | OP22-0057N | 7263C05H41 | 182 | P-12907 | M422 | 212 |
| 0840F4 | 0841B1 | 292 | OP22-0178N | GL-915-PP | 182 | P-12907 | M422S | 212 |
| 0840F4 | 0841B5 | 292, 293 | OP22-0215N | GL-915-W7 | 182 | P-12908 | ME971 | 212 |
| 0840F6 | 0841B11 | 292 | OP22-0216N | GL-915-K | 182 | P-12926 | P-12926 | 218 |
| 0840F6 | 0841B15 | 292 | OP22-0278N | GL-916-H | 180 | P-12963 | ME971 | 212 |
| 0840F6 | 0841B18 | 292 | OP22-0494N | GL-915-EE | 182 | P-13002 | P-13002 | 216 |
| 0840F6 | 0841B18A | 292 | OP22-0497N | GL-915-JJ | 182 | P-13787 | P-13787 | 215 |
| 0840F8 | 0841B13 | 292 | OP22-2 | GL-915-F7 | 182 | P-13846 | P-13846 | 221 |
| 0840F8 | 0841B9 | 292 | OP24-0001N | GL-915-F6 | 182 | P-14426 Series | P-14426 Series | 220 |
| 0840H1 | 0841D1 | 293 | OP25-0001N | GL-915-E6 | 182 | P-14437 Series | P-14437 Series | 220 |
| 0840H1 | 0841D6 | 293 | OP26.#5 | GL-915-E | 182 | P-1465 | PA1 | 402 |
| 0840H2 | 0841D3 | 293 | OP30Z-7 LH | GL-902-Y1 | 178 | P-14735 | M2102 | 213 |
| 0840H2 | 0841D5 | 293 | OP-30Z-9LH | GL-902-Y2 | 178 | P-14736 | M2101 | 213 |
| 0855L3 | 0855L3 | 295 | OP34-0079N | GL-915-L7 | 182 | P-149-15 | DV55P3 | 170 |
| 0855R3 | 0855R3 | 295 | OT1 | OT1 | 401 | P-149-7 | DV55S2 | 169 |
| 0896F1 | 0896F1 | 295 | OT-100-D | OT-100-D | 401 | P-150-24 | DV55S1 | 169 |
| 0896F2 | 0896F2 | 295 | OT-100-E | OT-100-E | 401 | P-1524-6 | W6 | 322 |
| 0897F1 | 0897F1 | 294 | OT-1172-D | OT-1172-D | 401 | P-1534-1 | W6H | 322 |
| 0897F2 | 0897F2 | 294 | OT-1600-C7 | OT-1600-C7 | 401 | P1534H01 | W54C | 322 |
| 0902 | 0902 | 303 | OT-1600-E | OT-1600-E | 401 | P1534H02 | W51 | 322 |
| 0903 | 0903 | 303 | OT-1600-H | OT-1600-H | 401 | P-15603 | P-15603 | 222 |
| 0908 | 0908 | 302 | OT-1600-J4 | OT-1600-J4 | 401 | P-15646 | P-15646 | 218 |
| 0909A | 0909A | 302 | OT2 | OT2 | 401 | P-15650 | P-15650 | 216 |
| 0909B | 0909B | 302 | OT-300-E | OT-300-E | 401 | P-15675 | MM3314 | 222 |
| 0910 | 0910 | 302 | OT-300-H | OT-300-H | 401 | P-15730 | MM3350 | 222 |

Cross Reference Index

| OEM Part No. | ADAMS Part No. | Catalog Page No. | OEM Part No. | ADAMS Part No. | Catalog Page No. | OEM Part No. | ADAMS Part No. | Catalog Page No. |
|----------------|----------------|------------------|--------------|----------------|------------------|---------------|----------------|------------------|
| P-15730 | P-15730 | 222 | P-22339 | P-22339 | 221 | P-31402-002 | P-31402-002 | 217 |
| P-15731 | MM3350 | 222 | P-22572-072 | P-22572-072 | 220 | P-31418-001 | P-31418-001 | 217 |
| P-15731 | P-15731 | 222 | P-24100 | P-24100 | 223 | P-31418-002 | P-31418-002 | 217 |
| P-15758 | P-15758 | 222 | P-24103 | P-24103 | 223 | P-31419 | P-31419 | 217 |
| P-15760 | P-15760 | 222 | P-24107 | P-24107 | 223 | P-31434-001 | P-31434-001 | 217 |
| P-15761 | MM3350 | 222 | P-24110 | P-24110 | 223 | P-31434-002 | P-31434-002 | 217 |
| P-15761 | P-15761 | 222 | P-24112 | P-24112 | 223 | P-31436-001 | P-31436-001 | 217 |
| P-15762 | MM3350 | 222 | P-24114 | P-24114 | 223 | P-31529 | P-31529 | 223 |
| P-15762 | P-15762 | 222 | P-24115 | P-24115 | 223 | P-31921-002 | P-31921-002 | 218 |
| P-15764 | MM3314 | 222 | P-24116 | P-24116 | 223 | P-4231 | P-4231 | 218 |
| P-15765 | MM3320 | 222, 223 | P-24117 | P-24117 | 223 | P-4232 | P-4232 | 218 |
| P-15765 | MM3320R | 222, 223 | P-24119 | P-24119 | 223 | P-4349 | P-4349 | 213 |
| P-15766 | MM3328 | 222 | P-24120 | P-24120 | 223 | P-4350 | P-4350 | 213 |
| P-15766 | P-15766 | 222 | P-24147 | MM3361 | 222, 223 | P-4351 | P-4351 | 213 |
| P-15771 | P-15771 | 222 | P-24147 | P-24147 | 223 | P-4352 | P-4352 | 213, 422 |
| P-15774 | MM3360 | 222, 223 | P-24151 | P-24151 | 223 | P-4354 | P-4354 | 213 |
| P-15774 | P-15774 | 222 | P-24170 | MM3314 | 222 | P-4411 | P-4411 | 217 |
| P-15775 | MM3360 | 222, 223 | P-24172 | MM3320 | 222, 223 | P-5361 | P-5361 | 214 |
| P-15775 | P-15775 | 222 | P-24172 | MM3320R | 222, 223 | P-5363 | P-5363 | 214 |
| P-15778 | MM3362 | 222 | P-24172 | P-24172 | 223 | P-5590-100 | P-5590-100 | 221 |
| P-15778 | P-15778 | 222 | P-24173 | P-24173 | 223 | P-56-43-1 | DV55N4 | 169 |
| P-15779 | MM3363 | 222 | P-24248 | P-24248 | 223 | P-61793 | P-61793 | 223 |
| P-15833 | P-15833 | 222 | P-24263 | P-24263 | 223 | P-61795 | P-61795 | 223 |
| P-15834 | P-15834 | 222 | P-24267 | P-24267 | 223 | P-6440 Series | P-6440 Series | 220 |
| P-15839 | P-15839 | 222 | P-24288 | P-24288 | 223 | P-7087 | P-7087 | 212, 215 |
| P-15883 | P-15883 | 222 | P-24298 | P-24298 | 223 | P-8555 | MM3334 | 222 |
| P-15885 | P-15885 | 222 | P-24323 | P-24323 | 223 | P-9117 | P-9117 | 224 |
| P-15889 | P-15889 | 222 | P-24419 | P-24419 | 223 | P-9118 | P-9118 | 224 |
| P-15903 | P-15903 | 222 | P-24441 | P-24441 | 223 | P-9985 | P-9985 | 224 |
| P-15910-001 | P-15910-001 | 222 | P-24529-005 | P-24529-005 | 223 | PA106 | PN-201-G | 402 |
| P-16059 | P-16059 | 222 | P-24531 | P-24531 | 223 | PB6-0001V | GL-933-F3 | 186 |
| P-1627-28 | PA9 | 402 | P-24549-001 | P-24549-001 | 223 | PBX | A940P2 | 49 |
| P-16364 | MM3320 | 222, 223 | P-24561 | MM3314 | 222 | PHA0800 | PHA0800 | 49 |
| P-16364 | MM3320R | 222, 223 | P-24562 | P-24562 | 223 | PHA0900 | PHA0900 | 49 |
| P-16553 | P-16553 | 214 | P-24568-005 | P-24568-005 | 223 | PHA1000 | PHA1000 | 49 |
| P-16577 | P-16577 | 218 | P-24650 | P-24650 | 223 | PIN-0044N | GL-915-E5 | 182 |
| P-16720 | P-16720 | 214 | P-24694 | P-24694 | 223 | PL-1066-B | PL-1066-B | 403 |
| P-16723 | P-16723 | 214 | P-24744-001 | P-24744-001 | 223 | PL112700 | PL-112700 | 403 |
| P-16725 | P-16725 | 214 | P-24783-004 | P-24783-004 | 223 | PL-1127-A | PL-1127-A | 403 |
| P-16732 Series | P-16732 Series | 220 | P-24785 | P-24785 | 223 | PL-1127-B | PL-1127-B | 403 |
| P-16775 | P-16775 | 223 | P-24958 | P-24958 | 215 | PL-1127-C | PL-1127-C | 403 |
| P-16776 | MM3360 | 222, 223 | P-24982 | P-24982 | 223 | PL-1127-E | PL-1127-E | 403 |
| P-16777 | MM3360 | 222, 223 | P-25024 | P-25024 | 221 | PL-1127-H | PL-1127-H | 403 |
| P-16777 | P-16777 | 223 | P-25744 | P-25744 | 221 | PL-1172-M | PL-1172-M | 403 |
| P-16778 | MM3362 | 222 | P-25989-001 | P-25989-001 | 220 | PL-1575-A1 | PL-1575-A1 | 403 |
| P-16783 | MM3380 | 222 | P-25989-002 | P-25989-002 | 220 | PL-1575-T | PL-1575-T | 403 |
| P-16783 | MM3381 | 222 | P-27110 | P-27110 | 223 | PL-2263-K1 | PL-2263-K1 | 403 |
| P-16785 | MM3350 | 222 | P-28319-00C | P-28319-00C | 218 | PL-902-A6 | PL-902-A6 | 403 |
| P-16786 | MM3350 | 222 | P-2883-025 | P-2883-025 | 219 | PL-902-B6 | PL-902-B6 | 403 |
| P-16835 | MM3370 | 222, 223 | P-28849 | P-28849 | 214 | PL-902-B7 | PL-902-B7 | 403 |
| P-18578 | P-18578 | 217 | P-29629 | P-29629 | 223 | PL-902-F4 | PL-902-F4 | 403 |
| P-2050 Series | P-2050 Series | 220 | P-29629-001 | P-29629-001 | 223 | PL-902-I | PL-902-I | 403 |
| P-22076-001 | P-22076-001 | 217 | P-2964 | D422 | 152, 212 | PL-902-L6 | PL-902-L6 | 403 |
| P-22076-002 | P-22076-002 | 217 | P-2964 | D422S | 152, 212 | PL-902-N | PL-902-N | 403 |
| P-22077-001 | P-22077-001 | 217 | P-30150 | P-30150 | 214 | PL-902-P | PL-902-P | 403 |
| P-22089 | P-22089 | 217 | P-31032 | P-31032 | 215 | PL-902-P5 | PL-902-P5 | 403 |
| P-22106 | P-22106 | 217 | P-31034 | P-31034 | 215 | PL-902-P8 | PL-902-P8 | 403 |
| P-22120 | P-22120 | 217 | P-31131 | P-31131 | 215 | PL-902-R | PL-902-R | 403 |
| P-22177 | P-22177 | 218 | P-31252 | P-31252 | 216 | PL-902-R1 | PL-902-R1 | 403 |
| P-22232 | P-22232 | 217 | P-31289 | P-31289 | 217 | PL-902-R2 | PL-902-R2 | 403 |
| P-22235 | P-22235 | 217 | P-31341 | M411M | 212 | PL-915-F | PL-915-F | 403 |
| P-22236 | P-22236 | 215 | P-31344 | M410M | 212, 342 | PL-945-J | PL-945-J | 403 |
| P-22237 | P-22237 | 215 | P-31360 | P-31360 | 216 | PL-946-F | PL-946-F | 403 |
| P-22267-002 | P-22267-002 | 216 | P-31366-001 | P-31366-001 | 216 | PL-948-C | PL-948-C | 403 |
| P-22268-001 | P-22268-001 | 216 | P-31374 | P-31374 | 217 | PL-948-D | PL-948-D | 403 |
| P-22297 | P-22297 | 215 | P-31376-001 | P-31376-001 | 217 | PL-948-E | PL-948-E | 403 |
| P-22301 | P-22301 | 215 | P-31376-002 | P-31376-002 | 217 | PL-948-J | PL-948-J | 403 |
| P-22302 | P-22302 | 215 | P-31402-001 | P-31402-001 | 217 | PL-949-A4 | PL-949-A4 | 403 |

Cross Reference Index

| OEM Part No. | ADAMS Part No. | Catalog Page No. | OEM Part No. | ADAMS Part No. | Catalog Page No. | OEM Part No. | ADAMS Part No. | Catalog Page No. |
|--------------|----------------|--------------------|----------------|----------------|------------------|--------------|----------------|------------------|
| PL-949-F | PL-949-F | 403 | R9822G04 | R9822G04 | 328 | S733L | EQ-470-B | 392 |
| PL-949-P | PL-949-P | 403 | R9822G05 | R9822G05 | 328 | S752 | 33-0470-003 | 392 |
| PL-949-V | PL-949-V | 403 | R9822G06 | R9822G06 | 328 | S8DC | GE-1067-X | 92 |
| PL-960-G | PL-960-G | 403 | REN | 98331 | 95 | SA4548 | RL-1018-K1 | 404 |
| PL-960-H | PL-960-H | 403 | REN | HA-959-A6 | 95 | SAF164 | SAF164 | 20 |
| PL-960-X | PL-960-X | 403 | REN | HR-1547 | 95 | SAF165 | SAF165 | 20 |
| PMDG-0136N | GL-935-B | 186 | REN | HR-1548 | 95 | SafetyStrip | SafetyStrip | 40 |
| PN-1159-A | PN-1159-A | 402 | REN | HR-1549 | 95 | SafetyStrip | SafetyStrip | 41 |
| PN-1159-B | PN-1159-B | 402 | REN | HR-1550 | 95 | SafetyStrip | SafetyStrip | 42 |
| PN-1159-C | PN-1159-C | 402 | REN | HR-1551 | 95 | SafetyStrip | SafetyStrip | 43 |
| PN-1159-D | PN-1159-D | 402 | REN | HR-1552 | 95 | SC45 | FE-964-A | 396, 412 |
| PN-1172-B | PN-1172-B | 402 | RES | HR-1412 | 95 | SC-5N | FE-964-A | 396, 412 |
| PN-1172-C | PN-1172-C | 402 | RES | HR-1413 | 95 | SCRA50-3F | FE-1097-W | 396 |
| PN-201-N | PN-201-N | 402 | RES-0065N | GL-1099-B | 189 | SCRA50-3F | FE-1097-X | 396 |
| PN-2101-A | PN-2101-A | 402 | RES-0110N | GL-1099-C | 189 | SCT147771 | SCT147771 | 313 |
| PN-2101-AR | PN-2101-AR | 402 | RG1986-6-6 | 3-40246-89 | 205 | SCT147827 | SCT147827 | 313 |
| PN-2101-X3 | PN-2101-X3 | 402 | RL-1018-A1 | RL-1018-A1 | 404 | SCT147828 | SCT147828 | 313 |
| PN-902-A | PN-902-A | 402 | RL-1018-CX | RL-1018-CX | 404 | SCT147829 | SCT147829 | 313 |
| PN-904-C | PN-904-C | 402 | RL-1230-A | RL-1230-A | 404 | SCT147830 | SCT147830 | 313 |
| PN-942-A | PN-942-A | 402 | RL-1230-B | RL-1230-B | 404 | SCT147831 | SCT147831 | 313 |
| PN-942-M | PN-942-M | 402 | RL-1230-JX | RL-1230-JX | 404 | SCT147832 | SCT147832 | 313 |
| PN-950-B | PN-950-B | 402 | RL-1230-KX | RL-1230-KX | 404 | SCT147833 | SCT147833 | 313 |
| PN-960-A3 | PN-960-A3 | 402 | RL-1230-R | RL-1230-R | 404 | SE1-10-0017N | GL-917-M | 179 |
| PN-960-T | PN-960-T | 402 | RL-1600-C | RL-1600-C | 404 | SE115-0003L | GL-917-M9 | 179 |
| PNB | A940P3 | 49 | RL-1600-D | RL-1600-D | 404 | SE-12 | GK12625S | 85 |
| PNB | A940P4 | 49 | RL-1600-M | RL-1600-M | 404 | SE2-0001L | GL-917-N | 179 |
| PNB | A940P5 | 49 | RL-2263-10 | RL-2263-10 | 404 | SE2-0001R | GL-917-D | 179 |
| POV717AAA1 | V717AAA1 | 77.1 | RL-2263-3 | RL-2263-3 | 404 | SE2-0003N | GL-917-N6 | 179 |
| PR2709 | D2601 | 146 | RL-2263-4 | RL-2263-4 | 404 | SE2-0005N | GL-917-Y | 179 |
| PR2710 | D2602 | 146 | RL-2263-5 | RL-2263-5 | 404 | SE2-0007N | GL-917-R9 | 179 |
| PR2819 | D2603 | 146 | RL-2263-6 | RL-2263-6 | 404 | SE3 ITEM 1 | GL-917-A5 | 179 |
| PR2820 | D2604 | 146 | RL-2263-A1 | RL-2263-A1 | 404 | SE4-5 | GL-917-R5 | 179 |
| PRK 50U-1212 | OT-1600-C5 | 401 | RL-2263-C7 | RL-2263-C7 | 404 | SE5-0016N | GL-917-P7 | 179 |
| PS1250F1 | 335802-01 | 61 | RL-2263-D9 | RL-2263-D9 | 404 | SE5-0018N | GL-917-E | 179 |
| PSL | A940PSL | 49 | RP01001H03 | RP01001H03 | 379 | SE5-0019N | GL-600-R | 179 |
| PSM | A940PSM | 49 | RP01001H04 | RP01001H04 | 379 | SE5-0020N | GL-917-F | 179 |
| PSS | A940PSS | 49 | RP01001H05 | RP01001H05 | 379 | SE5-0021N | GL-600-M | 179 |
| PWA-3571 | PWA-3571 | 224 | RP01001H06 | RP01001H06 | 379 | SE5-0022N | GL-915-C | 182 |
| R3520G02 | W81A2 | 332, 333 | RP01001H10 | RP01001H10 | 379 | SE5-0022N | GL-916-C | 180 |
| R3620G01 | W81A1 | 332, 333 | RP01001H15 | RP01001H15 | 379 | SE5-0027L | GL-915-P6 | 182 |
| R3620G03 | W81C1 | 332, 333 | RP01001H20 | RP01001H20 | 379 | SE5-0027R | GL-915-P9 | 182 |
| R3620G04 | W81C2 | 332, 333 | RP01001H21 | RP01001H21 | 379 | SE5-0028R | GL-917-H7 | 179 |
| R5027H02 | R5027H02 | 364 | RP01001H22 | RP01001H22 | 379 | SE5-0073N | GL-917-DA | 179 |
| R5027H03 | R5027H03 | 364 | RP01001H31 | RP01001H31 | 379 | SE-7 | GK07500S | 85 |
| R5027H05 | R5027H05 | 364 | RP01001H74 | RP01001H74 | 379 | SE-8 | GK08500S | 85 |
| R5027H11 | R5027H11 | 364 | RP01001H82 | RP01001H82 | 379 | SE-9 | GK09500S | 85 |
| R5027H12 | R5027H12 | 364 | RP01001H95 | RP01001H95 | 379 | SEL-0080N | GL-942-C | 184 |
| R5027H13 | R5027H13 | 364 | RP01001H96 | RP01001H96 | 379 | SEL-0081N | GL-942-E | 184 |
| R5027H15 | R5027H15 | 364 | RR3B | A748 | 86 | SEL-0086N | GL-942-D | 184 |
| R6952-10 | W81C3 | 332, 333 | RRB | GL-2000-Series | 187 | SET-0028-L | GL-917-H9 | 179 |
| R7311H17 | AT1R006 | 363, 405 | RRB | GL-933-C3 | 187 | SF-100-B | SF-100-B | 391 |
| R7311H17 | W870H17 | 362 | RRB | GL-933-F6 | 187 | SF-100-D | SF-100-D | 391 |
| R7311H23 | W870H23 | 362 | RRB-2 POS. | GL-933-C6 | 186 | SF-1066-G | SF-1066-G | 391 |
| R7311H25 | AT1R031 | 363, 405 | RRB-H-1613 | GL-933-F1 | 186 | SF-1066-L | SF-1066-L | 391 |
| R7466H05 | R7466H05 | 346 | RRB-HOLDER | GL-1067-M | 186 | SF-1066-S | SF-1066-S | 391 |
| R7483H09 | R7483H09 | 346 | RRBN-HORIZ | GL-933-E1 | 186 | SF-1172-G | SF-1172-G | 391 |
| R7533G04 | W240 | 325 | RRB-SW FIRE SE | GL-933-A7 | 186 | SF-1172-H | SF-1172-H | 391 |
| R8029G03 | R8029G03 | 346 | RTE-B11 | A749 | 86 | SF-1575-A | SF-1575-A | 391 |
| R8403G03 | R8403G03 | 346 | S10038-4 | GL-942-B | 184 | SF-200-E | SF-200-E | 391 |
| R8521G02 | R8521G02 | 346 | S11/102 | 3-40118-75 | 196 | SF-600-F | SF-600-F | 391 |
| R8636G01 | W406A | 340, 344 | S5630 | GL-200-A2 | 188 | SF-660-A | SF-660-A | 391 |
| R8858G01 | W405A | 332, 333, 340, 344 | S5632 | GL-200-C | 188 | SF-860-C | SF-860-C | 391 |
| R8858G98 | W405A | 332, 333, 340, 344 | S5693 | GL-200-B | 188 | SF-860-P | SF-860-P | 391 |
| R9314-1 | W827P | 333 | S5785 | GL-200-E | 188 | SF-860-W | SF-860-W | 391 |
| R9314-1 | W827R | 333 | S6 | HA-1069-H1 | 92 | SF-860-X | SF-860-X | 391 |
| R9624H01 | R9624H01 | 379 | S6 | HA-1069-H7 | 92 | SF-870-A | SF-870-A | 391 |
| R9624H02 | R9624H02 | 379 | S-6 | HA-1067-K1 | 92 | SF-890-A | SF-890-A | 391 |
| R9822G03 | R9822G03 | 328 | S651L | EE-200-C | 392 | SF-900-A | SF-900-A | 391 |

Cross Reference Index

| OEM Part No. | ADAMS Part No. | Catalog Page No. | OEM Part No. | ADAMS Part No. | Catalog Page No. | OEM Part No. | ADAMS Part No. | Catalog Page No. |
|---------------|----------------|------------------|---------------|----------------|------------------|--------------|----------------|------------------|
| SF-900-B | SF-900-B | 391 | SQD9998HG-101 | SQD9998 HG-101 | 472 | T8 | HA-1069-X3 | 92 |
| SF-900-E | SF-900-E | 391 | SQD9998HG-102 | SQD9998 HG-102 | 472 | T8474 | W460 | 368 |
| SF-900-F | SF-900-F | 391 | SQD9998HH-101 | SQD9998 HH-101 | 472 | T96000 | W902 | 347 |
| SF-902-B2 | SF-902-B2 | 391 | SQD9998HH-102 | SQD9998 HH-102 | 472 | T96113 | W901 | 347 |
| SF-902-B6 | SF-902-B6 | 391 | SQDCA81 | SQDCA81 | 464 | TBS-KT-KIT | GL-1067-D | 186 |
| SF-902-C | SF-902-C | 391 | SQDFA81 | SQDFA81 | 465 | TD302G03 | TD302G03 | 38 |
| SF-902-C1 | SF-902-C1 | 391 | SQDFA82 | SQDFA82 | 465 | TELG203C | TELG203C | 473 |
| SF-902-C7 | SF-902-C7 | 391 | SQDGA81 | SQDGA81 | 466 | TELG203D | TELG203D | 473 |
| SF-902-C8 | SF-902-C8 | 391 | SQDHA81 | SQDHA81 | 467 | TELG203E | TELG203E | 473 |
| SF-902-T | SF-902-T | 391 | SQDHA82 | SQDHA82 | 468 | TELG203F | TELG203F | 473 |
| SF-915-B | SF-915-B | 391 | SQDJA81 | SQDJA81 | 469 | TELG203G | TELG203G | 473 |
| SF-924-B | SF-924-B | 391 | SQDKA81 | SQDKA81 | 470 | TMR-0001N | GL-960-C | 189 |
| SF-925-B | SF-925-B | 391 | SQDSA81 | SQDSA81 | 464 | TMR-0008N | GL-960-C1 | 189 |
| SF-925-D | SF-925-D | 391 | SQDSL11 | SQDSL11 | 463 | TX-904-N4 | TX-904-N4 | 80 |
| SF-925-F | SF-925-F | 391 | SQDSL2 | SQDSL2 | 462 | TX-904-P3 | TX-904-P3 | 80 |
| SF-950-C | SF-950-C | 391 | SQDSL3 | SQDSL3 | 462 | TX-904-R2 | TX-904-R2 | 80 |
| SF-964-A | SF-964-A | 391 | SQDSL4 | SQDSL4 | 462 | TX-904-X3 | TX-904-X3 | 80 |
| SF-964-A2 | SF-964-A2 | 391 | SQDSL7 | SQDSL7 | 462 | U227G01 | U227G01 | 311 |
| SF-964-E | SF-964-E | 391 | SQDSL9 | SQDSL9 | 463 | U227G02 | U227G02 | 311 |
| SF-964-F | SF-964-F | 391 | SQDTA81 | SQDTA81 | 464 | U227G03 | U227G03 | 311 |
| SF-964-J | SF-964-J | 391 | SQDUA81 | SQDUA81 | 464 | U227G08 | U227G08 | 311 |
| SF-964-L | SF-964-L | 391 | SR3B-05 | A759 | 86 | U227G09 | U227G09 | 311 |
| SF-964-N | SF-964-N | 391 | SRB | GL-2102-Series | 187 | U227G10 | U227G10 | 311 |
| SF-964-R | SF-964-R | 391 | SRB | GL-2150-Series | 187 | U227G11 | U227G11 | 311 |
| SF-964-S | SF-964-S | 391 | SRB | GL-933-F7 | 187 | U227G12 | U227G12 | 311 |
| SF-964-T | SF-964-T | 391 | SRB-ASSY. | GL-933-A2 | 186 | UC1 | MX-901-N7 | 400 |
| SF-964-U | SF-964-U | 391 | SRBN-V-1613 | GL-933-E3 | 186 | UC1 | MX-901-P7 | 400 |
| SF-964-V | SF-964-V | 391 | SRCA50-3F | FE-1097-J | 396 | UC2 | MX-901-G | 400 |
| SF-964-W | SF-964-W | 391 | SSC12ADA | EE-1172-P | 393 | UC2A | MX-901-E | 400 |
| SF-966-A | SF-966-A | 391 | SSC12BDA | EE-960-R | 393 | UC2A | MX-901-M7 | 400 |
| SFC-30 | GL-933-C2 | 186 | SSD1 | UE-1600-E | 406 | UC4 | MX-1294-T | 400 |
| SH-10 | GK10625S | 85 | SVH399026 | SMH273916 | 77.1 | UC4 | MX-901-C3 | 400 |
| SH201 | SH201 | 206 | SW1-0001N | GL-945-H | 180 | UC4 | MX-901-P6 | 400 |
| SH202 | SH202 | 206 | SW1-0003N | G830K1 | 180 | UC4E | MX-901-Y3 | 400 |
| SH203 | SH203 | 206 | SW1-0005N | GL-945-C | 180 | UC4E2 | MX-901-Y5 | 400 |
| SH204 | SH204 | 206 | SW1-0007N | GL-945-R | 180 | UC4L3 | MX-901-Y2 | 400 |
| SH205 | SH205 | 206 | SW1-0010N | GL-945-M | 180 | UC4M | MX-901-T1 | 400 |
| SK30F | OT-100-B | 401 | SW1-0011N | G830C1 | 177, 180 | UE-1172-K | UE-1172-K | 406 |
| SM451WV0 | SM451WV0 | 102 | SW1-0012N | G830C2 | 177, 180 | UE-1500-A | UE-1500-A | 406 |
| SM451WV2 | SM451WV2 | 102 | SW5-0001N | GL-925-H | 189 | UE-1600-A2 | UE-1600-A2 | 406 |
| SM451WV3 | SM451WV3 | 102 | SW9-0001N | GL-922-E | 189 | UE-1600-A3 | UE-1600-A3 | 406 |
| SM451WV4 | SM451WV4 | 102 | SW-C-8 | GL-922-A | 189 | UE-1600-A4 | UE-1600-A4 | 406 |
| SM451WV5 | SM451WV5 | 102 | SY4S-05 | A758 | 86 | UE-1600-A7 | UE-1600-A7 | 406 |
| SM452W0 | SM452W0 | 102 | T-1 3/4 | HA-1067-U3 | 92 | UE-1600-C1 | UE-1600-C1 | 406 |
| SM452W2 | SM452W2 | 102 | T-1 3/4 | HA-1067-W1 | 92 | UE-1600-C4 | UE-1600-C4 | 406 |
| SM452W3 | SM452W3 | 102 | T-1 3/4 | HA-1067-Z4 | 92 | UE-1600-E7 | UE-1600-E7 | 406 |
| SM452W4 | SM452W4 | 102 | T1112G09 | T1112G09 | 318 | UE-1600-G | UE-1600-G | 406 |
| SM452W5 | SM452W5 | 102 | T1233 | T1233 | 474 | UE-1600-H2 | UE-1600-H2 | 406 |
| SM458S1 | SM458S1 | 102 | T1234 | T1234 | 474 | UE-1600-H6 | UE-1600-H6 | 406 |
| SM472W0 | SM472W0 | 102 | T1235 | T1235 | 474 | UE-1600-H9 | UE-1600-H9 | 406 |
| SM472W2 | SM472W2 | 102 | T1236 | T1236 | 474 | UE-1600-J4 | UE-1600-J4 | 406 |
| SM472W3 | SM472W3 | 102 | T1237 | T1237 | 474 | UE-1600-K | UE-1600-K | 406 |
| SM472W4 | SM472W4 | 102 | T1977G07 | T1977G07 | 318 | UE-1600-N | UE-1600-N | 406 |
| SM472W5 | SM472W5 | 102 | T3534G8 | W214 | 320 | UE-1600-N1 | UE-1600-N1 | 406 |
| SM480W0 | SM480W0 | 102 | T3545G07 | T3545G07 | 318 | UE-1600-R | UE-1600-R | 406 |
| SM480W2 | SM480W2 | 102 | T4-1/2 | HA-1067-S3 | 92 | UE-1600-R6 | UE-1600-R6 | 406 |
| SM480W3 | SM480W3 | 102 | T4100G07 | T4100G07 | 318 | UE-1600-S | UE-1600-S | 406 |
| SM480W4 | SM480W4 | 102 | T4285G02 | T4285G02 | 346 | UE-1600-T | UE-1600-T | 406 |
| SM480W5 | SM480W5 | 102 | T4416G07 | T4416G07 | 311 | UE-2000-A1 | UE-2000-A1 | 406 |
| S-N65 | HA-964-N2 | 413 | T441H16 | W52 | 322 | UE-2000-A2 | UE-2000-A2 | 406 |
| SQD9998HC-101 | SQD9998HC-101 | 471 | T441H20 | W55C | 322 | UE-2000-A3 | UE-2000-A3 | 406 |
| SQD9998HC-102 | SQD9998HC-102 | 471 | T4483G19 | W275 | 325, 347 | UE-2000-A4 | UE-2000-A4 | 406 |
| SQD9998HD-101 | SQD9998HD-101 | 471 | T453G4 | W222 | 322 | UE-2000-A5 | UE-2000-A5 | 406 |
| SQD9998HD-102 | SQD9998HD-102 | 471 | T453G8 | W222 | 322 | UE-2000-AR1 | UE-2000-AR1 | 406 |
| SQD9998HE-101 | SQD9998HE-101 | 471 | T4823G09 | T4823G09 | 315 | UE-2000-AR2 | UE-2000-AR2 | 406 |
| SQD9998HE-102 | SQD9998HE-102 | 471 | T5409G99 | W406 | 340 | UE-2000-X23 | UE-2000-X23 | 406 |
| SQD9998HF-101 | SQD9998HF-101 | 471 | T5411G99 | W405 | 332, 333, 340 | UE-2002-A1 | UE-2002-A1 | 406 |
| SQD9998HF-102 | SQD9998HF-102 | 471 | T6334G01 | T6334G01 | 318 | UE-2002-A18 | UE-2002-A18 | 406 |

Cross Reference Index

| OEM Part No. | ADAMS Part No. | Catalog Page No. | OEM Part No. | ADAMS Part No. | Catalog Page No. | OEM Part No. | ADAMS Part No. | Catalog Page No. |
|--------------|----------------|------------------|----------------|----------------|------------------|---------------|----------------|------------------|
| UE-2002-A2 | UE-2002-A2 | 406 | V225 | PN-200-A2 | 402 | W82M1 | W82M1 | 334-337 |
| UE-2002-A22 | UE-2002-A22 | 406 | V-654002 | ARW407 | 131 | W82M2 | W82M2 | 334-337 |
| UE-2002-A3 | UE-2002-A3 | 406 | VAX53 | PL-870-A | 403 | W82M3 | W82M3 | 334-337 |
| UE-2002-A4 | UE-2002-A4 | 406 | VP72810 | O450VB | 267 | W852 | W852 | 332 |
| UE-2002-A5 | UE-2002-A5 | 406 | VP869750 | O678 | 304 | W855 | W855 | 332 |
| UE-2002-C | UE-2002-C | 406 | W1605212 | W1605212 | 484 | W855K1 | W855K1 | 333 |
| UE-2002-E | UE-2002-E | 406 | W1605213 | W1605202 | 484 | W905 | W905 | 347 |
| UE-2002-F | UE-2002-F | 406 | W1620146 | W1620146 | 485 | W906 | W906 | 347 |
| UE-2002-H | UE-2002-H | 406 | W1625563 | W1625563 | 484 | WC450A1B | WC450A1B | 370 |
| UE-2003-C | UE-2003-C | 406 | W1625564 | W1625564 | 484 | WC450A1W | WC450A1W | 370 |
| UE-2003-E | UE-2003-E | 406 | W180C180G02 | W180C180G02 | 487 | WC450A2B | WC450A2B | 370 |
| UE-2003-F | UE-2003-F | 406 | W180C180G06 | W180C180G06 | 487 | WC450A2W | WC450A2W | 370 |
| UE-2003-H | UE-2003-H | 406 | W2066A10G11 | W2066A10G11 | 480 | WC450A3B | WC450A3B | 370 |
| UE-2003-M | UE-2003-M | 406 | W2070 | W719 | 331 | WC450A3W | WC450A3W | 370 |
| UE-900-D | UE-900-D | 406 | W210B1 | W210B1 | 322 | WC450A4B | WC450A4B | 370 |
| UE-900-F | UE-900-F | 406 | W210B2 | W210B2 | 322 | WC450A4W | WC450A4W | 370 |
| UE-900-F1 | UE-900-F1 | 406 | W2147A22G01 | W2147A22G01 | 486 | WC450A5B | WC450A5B | 370 |
| UE-900-F2 | UE-900-F2 | 406 | W2147A42G01 | W2147A42G01 | 486 | WC450A5W | WC450A5W | 370 |
| UE-900-H | UE-900-H | 406 | W2147A72G01 | W2147A72G01 | 486 | WC450B-Series | WC450B-Series | 370 |
| UE-900-L | UE-900-L | 406 | W2147A72G02 | W2147A72G02 | 486 | WC450W-Series | WC450W-Series | 370 |
| UE-925-B | UE-925-B | 406 | W217A700G15 | W217A700G15 | 481 | WC464-Series | WC464-Series | 368 |
| UE-925-E | UE-925-E | 406 | W2184A10G14 | W2184A10G14 | 493 | WCA1 | A103C1 | 87, 278 |
| UE-932-E | UE-932-E | 406 | W229 | W229 | 323 | WCA2 | A103C1 | 87, 278 |
| UE-932-F5 | UE-932-F5 | 406 | W230 | W230 | 323 | WCA3 | A103C1 | 87, 278 |
| UE-932-F8 | UE-932-F8 | 406 | W230C2 | W230C2 | 323 | WCA4 | A103C1 | 87, 278 |
| UE-932-R | UE-932-R | 406 | W230K1 | W230K1 | 323 | WCA5 | A103C1 | 87, 278 |
| UE-932-V | UE-932-V | 406 | W231 | W231 | 323 | WCA6 | A103C1 | 87, 278 |
| UE-932-W | UE-932-W | 406 | W232 | W232 | 323 | WCA7 | A103C1 | 87, 278 |
| UE-932-X | UE-932-X | 406 | W233 | W233 | 323 | WCA8 | A103C1 | 87, 278 |
| UE-935-A1 | UE-935-A1 | 406 | W316 | W316 | 325 | WCA9 | A103C1 | 87, 278 |
| UE-935-A2 | UE-935-A2 | 406 | W316C | W316C | 324, 325 | WCR11 | WCR11 | 385 |
| UE-935-B | UE-935-B | 406 | W373B331G04 | W373B331G04 | 477 | WCR-11 | A103C1 | 87, 278 |
| UE-935-C | UE-935-C | 406 | W373B331G09 | W373B331G09 | 478 | WCR-12 | A103C1 | 87, 278 |
| UE-935-C2 | UE-935-C2 | 406 | W373B331G12 | W373B331G12 | 478 | WD01 | AKC0054A | 110 |
| UE-935-F | UE-935-F | 406 | W373B331G18 | W373B331G18 | 477 | WL5M45 | WL5M45 | 476 |
| UE-935-L | UE-935-L | 406 | W38-E3 | W75E3 | 330 | WL5M49 | WL5M49 | 475 |
| UE-935-M | UE-935-M | 406 | W405S1 | W405S1 | 341 | WL5M53 | WL5M53 | 475 |
| UE-935-N | UE-935-N | 406 | W405S2 | W405S2 | 341 | WL5M54 | WL5M54 | 475 |
| UE-935-R | UE-935-R | 406 | W405S3 | W405S3 | 341 | WL5M55 | WL5M55 | 475 |
| UE-950-D | UE-950-D | 406 | W406S1 | W406S1 | 341 | WL5M56 | WL5M56 | 476 |
| US19501022 | 5207D42H47 | 77.1, 321 | W406S2 | W406S2 | 341 | WSP-CK | WSP-CK | 315.2 |
| US450L | US450L | 406 | W408W2 | W408W2 | 341, 344 | WTRG | APA100CC | 31 |
| US450M | US450M | 406 | W450K1 | W450K1 | 370 | WVP2001 | WVP2001 | 323 |
| US450R-6 | US450R-6 | 406 | W450K2 | W450K2 | 370 | WVP2002 | WVP2002 | 323 |
| US450RA | US450RA | 406 | W454W | W454W | 367 | WVP2020 | WVP2020 | 323 |
| US450R-AD | US450R-AD | 406 | W456D1 | W456D1 | 367 | WVP2021 | WVP2021 | 323 |
| US450R-AU | US450R-AU | 406 | W457A1 | W457A1 | 369 | WVP2030 | WVP2030 | 319, 323 |
| US450R-BL | US450R-BL | 406 | W457A2 | W457A2 | 369 | X14B5 | W82L3 | 334, 335 |
| US450R-DC | US450R-DC | 406 | W460P2 | W460P2 | 368 | X18BG18 | E1632 | 327 |
| US450R-DO | US450R-DO | 406 | W461A757G17 | W461A757G17 | 482 | X19BAG1 | E1521 | 326 |
| US450R-L | US450R-L | 406 | W465C3 | W465C3 | 367 | X19BAG2 | E1522 | 326 |
| US450S-B | US450S-B | 406 | W465C4 | W465C4 | 367 | X19BAG3 | E1211 | 326 |
| US450S-BL | US450S-BL | 406 | W465W-Series | W465W-Series | 369 | X19BBG10 | E1510 | 326 |
| US450S-DC | US450S-DC | 406 | W470K1 | W471K1 | 369 | X19BBG11 | E1511 | 326 |
| US450S-DO | US450S-DO | 406 | W477B477G05 | W477B477G05 | 479 | X19BBG12 | E1512 | 326 |
| US450S-G | US450S-G | 406 | W477B477G06 | W477B477G06 | 479 | X19BBG13 | E1513 | 326 |
| US451P1 | US451P1 | 406 | W5250C81G02/17 | W5250C81G02/17 | 479 | X19BBG14 | E1514 | 326 |
| US451P-R | US451P-R | 406 | W560W3 | W560W3 | 325 | X19BBG15 | E1515 | 326 |
| US451P-XB | US451P-XB | 406 | W58 | W58 | 322 | X19BBG16 | E1516 | 326 |
| US69303001 | 93885-001 | 77.1 | W626B187G13 | W626B187G13 | 478 | X19BBG17 | E1517 | 326 |
| USE1 | UE_932-F5 | 392 | W626B187G17 | W626B187G17 | 479 | X19BBG3 | E1801 | 327 |
| UTA | 6410W-UTA | 268 | W646C829G05 | W646C829G05 | 483 | X19BBG7 | E1422 | 326 |
| UTC | 6410W-UTC | 268 | W672B788G09 | W672B788G09 | 478 | X19BBGR10 | E1510 | 326 |
| UTD | 6410W-UTD | 268 | W672B839G02 | W672B839G02 | 487 | X19BDG1 | E1211 | 326 |
| UTE | 6410W-UTE | 268 | W672B839G22 | W672B839G22 | 488 | X19BDG2 | E1212 | 326 |
| UTF | 6410W-UTF | 268 | W81B1 | W81B1 | 332, 333 | X19BFG1 | E1521 | 326 |
| UV5A | EQ-901-R9 | 392 | W81L2 | W81L2 | 332, 333 | X19BFG2 | E1522 | 326 |
| V-046020 | ARW2111 | 120, 121 | W82C3 | W82C3 | 334, 336 | X19BG1 | E1001 | 326 |

Cross Reference Index

| OEM Part No. | ADAMS Part No. | Catalog Page No. | OEM Part No. | ADAMS Part No. | Catalog Page No. | OEM Part No. | ADAMS Part No. | Catalog Page No. |
|--------------|----------------|------------------|--------------|----------------|------------------|--------------|----------------|------------------|
| X19BG10 | E1422 | 326 | X19ZG2 | E1514 | 326 | X30ES1H13 | X30ES1H13 | 364 |
| X19BG11 | E1204 | 326 | X19ZG3 | E1515 | 326 | X30ES1H14 | X30ES1H14 | 364 |
| X19BG12 | E1412 | 326 | X19ZG4 | E1516 | 326 | X30ES1H15 | AT1R022 | 363, 405 |
| X19BG13 | E1413 | 326 | X19ZG5 | E1510 | 326 | X30ES1H15 | X30ES1H15 | 364 |
| X19BG14 | E1203 | 326 | X19ZG6 | E1511 | 326 | X30ES1H16 | X30ES1H16 | 364 |
| X19BG2 | E1002 | 326 | X19ZG7 | E1512 | 326 | X30ES1H17 | X30ES1H17 | 364 |
| X19BG3 | E1003 | 326 | X19ZG8 | E1517 | 326 | X30ES1H18 | AT1R048 | 172, 363, 405 |
| X19BG4 | E1202 | 326 | X19ZGR12 | E1201 | 326 | X30ES1H18 | X30ES1H18 | 364 |
| X19BG5 | E1005 | 326 | X19ZGR13 | E1202 | 326 | X30ES1H19 | X30ES1H19 | 364 |
| X19BG6 | E1006 | 326 | X19ZGR14 | E1203 | 326 | X30ES1H20 | AT1R004 | 363, 405 |
| X19BG7 | E1007 | 326 | X19ZGR15 | E1204 | 326 | X30ES1H20 | X30ES1H20 | 364 |
| X19BG8 | E1201 | 326 | X19ZGR2 | E1514 | 326 | X38-A12 | W75A12 | 330 |
| X19BG9 | E1421 | 326 | X19ZGR3 | E1515 | 326 | X38-A14 | W75A14 | 330 |
| X19BGG01 | E1601 | 327 | X19ZGR4 | E1516 | 326 | X38-A16 | W75A16 | 330 |
| X19BGG02 | E1602 | 327 | X19ZGR5 | E1510 | 326 | X38-A20 | W75A20 | 330 |
| X19BGG03 | E1603 | 327 | X19ZGR6 | E1511 | 326 | X38-A32 | W75A32 | 330 |
| X19BGG04 | E1604 | 327 | X19ZGR7 | E1512 | 326 | X38-A36 | W75A36 | 330 |
| X19BGG05 | E1605 | 327 | X19ZGR8 | E1517 | 326 | X38-A39 | W75A39 | 330 |
| X19BGG06 | E1606 | 327 | X22GCS1G01 | X22GCS1G01 | 423 | X38-A40 | W75A40 | 330 |
| X19BGG07 | E1607 | 327 | X22G-G2 | W217S2 | 320 | X38-A6 | W75A6 | 330 |
| X19BGG08 | E1608 | 327 | X22G-G3 | W217S3 | 320 | X38-A63 | W75A63 | 330 |
| X19BGG11 | E1633 | 327 | X22G-G4 | W217S3 | 320 | X38-A64 | W75A64 | 330 |
| X19BGG12 | E1634 | 327 | X24AS1G01 | W219L1 | 320 | X38-A65 | W75A65 | 330 |
| X19BGG13 | E1635 | 327 | X24AS1G04 | W219 | 320 | X38-A67 | W75A67 | 330 |
| X19BGG14 | E1636 | 327 | X24AS1G05 | W219L4 | 320 | X38-A74 | W75A74 | 330 |
| X19BGG15 | E1637 | 327 | X24AS1G06 | W219L5 | 320 | X38-A83 | W75A83 | 330 |
| X19BGG16 | E1638 | 327 | X24BS1G01 | W219L2 | 320 | X38-A9 | W75A9 | 330 |
| X19BGG17 | E1631 | 327 | X24BS1G02 | W219L3 | 320 | X38-A91 | W75A91 | 330 |
| X19BGG20 | E1601 | 327 | X24BS1G05 | W219L3 | 320 | X38-A93 | W75A93 | 330 |
| X19BGG21 | E1602 | 327 | X28A-10 | WRT10 | 385 | X38-B3 | W75B3 | 330 |
| X19BGGR1 | E1601 | 327 | X28A-11 | WRT11 | 385 | X38-B7 | W75B7 | 330 |
| X19BGGR2 | E1602 | 327 | X28A-12 | WRT12 | 385 | X38-B8 | W75B8 | 330 |
| X19BGGR3 | E1603 | 327 | X28A-13 | WRT13 | 385 | X38-B9 | W75B9 | 330 |
| X19BGGR4 | E1604 | 327 | X28A-14 | WRT14 | 385 | X38-C14 | W75C14 | 330 |
| X19BGGR5 | E1605 | 327 | X28A-15 | WRT15 | 385 | X38-C15 | W75C15 | 330 |
| X19BGGR6 | E1606 | 327 | X28A-17 | WRT17 | 385 | X38-C16 | W75C16 | 330 |
| X19BGGR7 | E1607 | 327 | X28A-18 | WRT18 | 385 | X38-C17 | W75C17 | 330 |
| X19BGGR8 | E1608 | 327 | X28A-21 | WRT21 | 385 | X38-C18 | W75C18 | 330 |
| X19BHG1 | E1611 | 327 | X28A-22 | WRT22 | 385 | X38-C20 | W75C20 | 330 |
| X19BHG10 | E1641 | 327 | X28A-24 | WRT24 | 385 | X38-C23 | W75C23 | 330 |
| X19BHGR1 | E1611 | 327 | X28A-7 | WRT7 | 385 | X38-C28 | W75C28 | 330 |
| X19BJG01 | E1621 | 327 | X28A-8 | WRT8 | 385 | X38-C32 | W75C32 | 330 |
| X19BJG02 | E1622 | 327 | X28A-9 | WRT9 | 385 | X38-C33 | W75C33 | 330 |
| X19BKGO2 | E1662 | 327 | X30AS1H08 | W874A8 | 362 | X38-C34 | W75C34 | 330 |
| X19CG2 | E1302 | 326 | X30AS1H09 | W874A9 | 362 | X38-C4 | W75C4 | 330 |
| X19CG3 | E1013 | 326 | X30E12 | W872E12 | 362 | X38-C6 | W75C6 | 330 |
| X19CG4 | E1014 | 326 | X30E13 | W872E13 | 362 | X38-C8 | W75C8 | 330 |
| X19CG5 | E1211 | 326 | X30E14 | W872E14 | 362 | X38-E14 | W75E14 | 330 |
| X19CG7 | E1017 | 326 | X30E15 | W872E15 | 362 | X38-E15 | W75E15 | 330 |
| X19CG8 | E1212 | 326 | X30E16 | W872E16 | 362 | X38-E18 | W75E18 | 330 |
| X19GG1 | E1901 | 327 | X30E17 | W872E17 | 362 | X38-E2 | W75E2 | 330 |
| X19GG2 | E1902 | 327 | X30E18 | W872E18 | 362 | X38-E20 | W75E20 | 330 |
| X19GG3 | E1903 | 327 | X30E19 | W872E19 | 362 | X38-E21 | W75E21 | 330 |
| X19GG4 | E1904 | 327 | X30E20 | W872E20 | 362 | X38-E22 | W75E22 | 330 |
| X19GG6 | E1906 | 327 | X30E21 | W872E21 | 362 | X38-E23 | W75E23 | 330 |
| X19HG1 | E1911 | 327 | X30E22 | W872E22 | 362 | X38-E24 | W75E24 | 330 |
| X19HG2 | E1912 | 327 | X30E9 | W872 | 362 | X38-E25 | W75E25 | 330 |
| X19HG3 | E1913 | 327 | X30ES1H01 | X30ES1H01 | 364 | X38-E4 | W75E4 | 330 |
| X19HG4 | E1914 | 327 | X30ES1H02 | X30ES1H02 | 364 | X38-E52 | W75E52 | 330 |
| X19HG5 | E1915 | 327 | X30ES1H03 | X30ES1H03 | 364 | X38-E6 | W75E6 | 330 |
| X19YG03 | E1703 | 327 | X30ES1H04 | X30ES1H04 | 364 | X38-E9 | W75E9 | 330 |
| X19YG04 | E1704 | 327 | X30ES1H05 | X30ES1H05 | 364 | X38-F1 | W75F1 | 330 |
| X19YG06 | E1706 | 327 | X30ES1H09 | AT1R005 | 363, 405 | X38-F3 | W75F3 | 330 |
| X19ZG11 | E1801 | 327 | X30ES1H09 | X30ES1H09 | 364 | X38-G4 | W75G4 | 330 |
| X19ZG12 | E1201 | 326 | X30ES1H10 | X30ES1H10 | 364 | X38-H5 | W75H5 | 330 |
| X19ZG13 | E1202 | 326 | X30ES1H12 | AT1R050 | 363, 405 | X38-H7 | W75H7 | 330 |
| X19ZG14 | E1203 | 326 | X30ES1H12 | X30ES1H12 | 364 | X38-I1 | W75I1 | 330 |
| X19ZG15 | E1204 | 326 | X30ES1H13 | AT1R007 | 363, 405 | X38-K12 | W75K12 | 331 |

Cross Reference Index

| OEM Part No. | ADAMS Part No. | Catalog Page No. | OEM Part No. | ADAMS Part No. | Catalog Page No. |
|--------------|----------------|------------------|--------------|----------------|------------------------|
| X38-K13 | W75K13 | 331 | X46AS2H20 | A480L15 | 89, 135, 136, 196, 367 |
| X38-K14 | W75K14 | 331 | | | |
| X38-K15 | W75K15 | 331 | X46AS3H44 | A480L14 | 89, 367 |
| X38-K2 | W75K2 | 331 | X46PS2H04 | X46PS2H04 | 91 |
| X38-K7 | W75K7 | 331 | X46PS2H05 | X46PS2H05 | 91 |
| X38-K8 | W75K8 | 331 | X46PS2H06 | X46PS2H06 | 91 |
| X38-L1 | W75L1 | 331 | X46PS2H07 | X46PS2H07 | 91 |
| X38-L10 | W75L10 | 331 | X46PS2H08 | X46PS2H08 | 91 |
| X38-L11 | W75L11 | 331 | X46PS2H09 | X46PS2H09 | 91 |
| X38-L2 | W75L2 | 331 | X46PS2H10 | X46PS2H10 | 91 |
| X38-L9 | W75L9 | 331 | X46PS2H11 | X46PS2H11 | 91 |
| X38-M10 | W75M10 | 331 | X46PS2H12 | X46PS2H12 | 91 |
| X38-M11 | W75M11 | 331 | X46PS2H13 | X46PS2H13 | 91 |
| X38-M12 | W75M12 | 331 | X46PS2H14 | X46PS2H14 | 91 |
| X38-M15 | W75M15 | 331 | X46PS2H15 | X46PS2H15 | 91 |
| X38-M16 | W75M16 | 331 | X46PS2H16 | X46PS2H16 | 91 |
| X38-M20 | W75M20 | 331 | X4S2 | W454D | 367 |
| X38-M21 | W75M21 | 331 | X4TS1H11 | X4TS1H11 | 352 |
| X38-M22 | W75M22 | 331 | X5BUS1H04 | X5BUS1H04 | 352 |
| X38-M24 | W75M24 | 331 | X9J18 | W82S2 | 334, 335 |
| X38-M25 | W75M25 | 331 | X9J18 | W83S2 | 336, 337 |
| X38-M3 | W75M3 | 331 | X9J20 | W450S1 | 370 |
| X38-M9 | W75M9 | 331 | X9J27 | W456S1 | 367 |
| X38-N1 | W75N1 | 331 | X9K1 | W82S1 | 334, 335 |
| X38-N2 | W75N2 | 331 | X9K1 | W83S1 | 336, 337 |
| X38-Q1 | W75Q1 | 331 | X9KS1H02 | W85S1 | 338, 339 |
| X38-Q10 | W75Q10 | 331 | XAB1201 | FE-950-K | 396 |
| X38-Q11 | W75Q11 | 331 | XAB1202 | FE-950-J | 396 |
| X38-Q12 | W75Q12 | 331 | XELA-48 | A905P | 395 |
| X38-Q14 | W75Q14 | 331 | Y-2642 | AKS2642P1 | 111 |
| X38-Q16 | W75Q16 | 331 | Y-2642 | AKS2642P2 | 111 |
| X38-Q2 | W75Q2 | 331 | Y-3502 | AKC3502P1 | 111 |
| X38-Q20 | W75Q20 | 331 | Y-3502 | AKC3502P2 | 111 |
| X38-Q22 | W75Q22 | 331 | Y840BV5 | FE-860-A | 396 |
| X38-Q3 | W75Q3 | 331 | Z7858 | DR20 | 151 |
| X38-Q34 | W75Q34 | 331 | ZELC-41 | A906P | 395 |
| X38-Q35 | W75Q35 | 331 | | | |
| X38-Q36 | W75Q36 | 331 | | | |
| X38-Q37 | W75Q37 | 331 | | | |
| X38-Q38 | W75Q38 | 331 | | | |
| X38-Q9 | W75Q9 | 331 | | | |
| X38-R1 | W75R1 | 331 | | | |
| X38-R10 | W75R10 | 331 | | | |
| X38-R11 | W75R11 | 331 | | | |
| X38-R12 | W75R12 | 331 | | | |
| X38-R13 | W75R13 | 331 | | | |
| X38-R14 | W75R14 | 331 | | | |
| X38-R15 | W75R15 | 331 | | | |
| X38-R16 | W75R16 | 331 | | | |
| X38-R18 | W75R18 | 331 | | | |
| X38-R2 | W75R2 | 331 | | | |
| X38-R21 | W75R21 | 331 | | | |
| X38-R38 | W75R38 | 331 | | | |
| X38-R4 | W75R4 | 331 | | | |
| X38-R5 | W75R5 | 331 | | | |
| X38-T1 | W75T1 | 331 | | | |
| X46A45 | A480L14 | 89, 367 | | | |
| X46ABS1H06 | X46ABS1H06 | 378 | | | |
| X46ACS1H01 | X46ACS1H01 | 378 | | | |
| X46AS1H05 | A484L4 | 90, 370 | | | |
| X46AS1H06 | A484L5 | 90, 370 | | | |
| X46AS1H07 | A484L6 | 90, 370 | | | |
| X46AS1H08 | A484L7 | 90, 370 | | | |
| X46AS1H26 | A484L4 | 90, 370 | | | |
| X46AS1H27 | A484L5 | 90, 370 | | | |
| X46AS1H28 | A484L6 | 90, 370 | | | |
| X46AS1H29 | A484L7 | 90, 370 | | | |