

FOR SPECIALIZED TRADE AND PLANNERS

CONVINCING ANSWERS FOR
MODERN HOME COMFORT

PRODUCT
INFORMATION
2016

OVERVIEW OF RANGE	
OVERVIEW OF RANGE BY PRODUCT GROUP	4
OVERVIEW OF RANGE, ALPHABETICAL	8
OVERVIEW OF RANGE BY E-NUMBERS	10
WATER HEATERS	12
SPACE HEATERS	54
UNDERFLOOR HEATING SYSTEMS	122
FROST PROTECTION SYSTEMS	150
TERMS AND CONDITIONS OF DELIVERY AND PAYMENT	172

Water heaters		
Model	E-Number	Page
Instantaneous water heaters with full electronic control DDLE ÖKO ThermoDrive		
DDLE ÖKO TD 18	222 396	17
DDLE ÖKO TD 18/21/24	222 398	17
DDLE ÖKO TD 27	222 399	17
Electronic instantaneous water heaters DDLE LCD		
DDLE LCD 18	222 392	18
DDLE LCD 18/21/24	222 394	18
DDLE LCD 27	222 395	18
Electronic instantaneous water heaters DDLE Basis		
DDLE Basis 11	229 296	19
DDLE Basis 13	229 297	19
DDLE Basis 18	222 388	19
DDLE Basis 18/21/24	222 390	19
DDLE Basis 27	222 391	19
AS Herd	223 409	19
Electronic instantaneous water heaters DDLE Kompakt		
DDLE Kompakt 11/13	230 768	20
DDLE Kompakt FB 11/13	230 769	20
AS Herd Kompakt	233 048	20
DDLE Kompakt OT 11/13	232 793	21
AHo 50	232 615	21
Electronic instantaneous water heaters DDLE EASY		
DDLE EASY 18	228 840	22
DDLE EASY 21	228 841	22
DDLE EASY 24	228 842	22
Hydraulically instantaneous water heaters DDLT PinControl		
DDLT PinControl 13	222 384	23
DDLT PinControl 18	222 385	23
DDLT PinControl 21	222 386	23
DDLT PinControl 24	222 387	23
Accessories and fittings for instantaneous water heaters		
UT 104	184 421	24
FBM Comfort	227 545	24
ADEo 70 WD	232 619	24
AVR 1000-12	184 549	24
MR 110	227 701	25
MR 111	227 702	25
MR 112	227 703	25
Electronic small instantaneous water heaters MTE (sealed unvented and open vented)		
MTE 350	231 003	27
MTE 440	231 004	27
MTE 570	231 216	27
MTE 650	232 770	27
Small instantaneous water heaters MTD (sealed unvented)		
MTD 350	222 120	28
MTD 440	222 121	28
MTD 570	222 122	27
MTD 650	232 790	28
Small instantaneous water heaters MTH (open vented)		
MTH 350	189 554	29
MTH 440	189 555	29
MTH 570	222 116	29
MTH 350 + UTE	189 557	29
MTH 350 + UT	189 631	29
MTH 350 + OT	189 556	29
Sealed unvented and open vented fittings for small instantaneous water heaters		
ADS 40	230 958	30
AHS 50	230 959	30
AHEu 40 MTH	189 634	30
AHu 40 MTH	189 633	30
AHo 40 MTH	189 632	30
Water boiler		
THERMOFIX KL	228 908	32
HOT 5 + AEUs HOT	234 238	33
FKB Filter	233 231	34
FKC Filter	233 232	34
FK Filter Kartusche	233 230	34

Water heaters		
Model	E-Number	Page
Replacement fitting for THERMOFIX KL		
AT 30 ch	286 253	32
Open vented small storage water heater Huz 5 ÖKO DropStop		
Huz 5 ÖKO DropStop	222 167	36
Open vented small water heaters Huz 5 ÖKO Comfort and Hoz 5 Comfort		
Huz 5 ÖKO Comfort	222 164	37
Hoz 5 Comfort	222 154	37
Open vented small water heaters Huz 5 Basis and Hoz 5 Basis		
Huz 5 Basis	222 162	38
Huz 5 Basis + A	229 287	38
Huz 5 Basis + AS	232 752	38
Huz 5 Basis + AW	232 753	38
Hoz 5 Basis	221 117	38
Open vented small water heaters Huz 10 ÖKO and Hoz 10		
Huz 10 ÖKO	229 486	39
Hoz 10	229 488	39
Fittings for open vented hot water storage tanks		
AHS 50	230 959	40
AHEu 50 WT	232 618	40
AHEu 50 S	232 617	40
AHu 50	183 918	40
AHu 51	184 545	40
AHo 50	232 615	40
AHo 50 WD	232 616	40
AVR 1000-16	184 553	40
Sealed unvented small water heater DKu 10		
DKu 10	229 481	42
Connection accessory for sealed unvented small water heaters		
AD 785	183 103	42
Sealed unvented wall mounted water heaters EWH Universal EL 30 to 150 litres		
EWH 30 Universal EL	231 193	44
EWH 50 Universal EL	231 194	44
EWH 80 Universal EL	231 195	44
EWH 100 Universal EL	231 196	44
EWH 120 Universal EL	231 647	44
EWH 150 Universal EL	231 197	44
Sealed unvented wall mounted water heaters EWH Comfort EL 30 to 150 litres		
EWH 30 Comfort EL	231 188	45
EWH 50 Comfort EL	231 189	45
EWH 80 Comfort EL	231 190	45
EWH 100 Comfort EL	231 191	45
EWH 120 Comfort EL	231 650	45
EWH 150 Comfort EL	231 192	45
Sealed unvented wall mounted water heaters EWH Trend 30 to 200 litres		
EWH 30 Trend	232 087	46
EWH 50 Trend	232 088	46
EWH 80 Trend	232 089	46
EWH 100 Trend	232 090	46
EWH 120 Trend	232 091	46
EWH 150 Trend	232 092	46
EWH 200 Trend	232 093	46
Sealed unvented / open vented wall mounted water heaters Comfort EL 30 to 150 litres		
DEM 30 Comfort EL	234 190	47
DEM 50 Comfort EL	234 191	47
DEM 80 Comfort EL	234 192	47
DEM 100 Comfort EL	234 193	47
DEM 120 Comfort EL	234 194	47
DEM 150 Comfort EL	234 195	47
Mounting bracket	235 095	47
Sealed unvented / open vented wall mounted water heaters Comfort 30 to 150 litres		
DEM 30 Comfort	182 232	48
DEM 50 Comfort	182 233	48
DEM 80 Comfort	182 234	48

Water heaters		
Model	E-Number	Page
DEM 100 Comfort	182 235	48
DEM 120 Comfort	182 236	48
DEM 150 Comfort	182 237	48
Accessories for wall mounted water heaters		
AHo 50	232 615	49
AHo 50 WD	232 616	49
AVR 1000-16	184 553	49
AD 786	233 716	49
AD 796	233 717	49
ADA 787	230 765	49
Floorstanding water heaters STM 20 - 40		
STM 20	182 239	51
STM 30	182 240	51
STM 40	182 241	51
Accessories for floorstanding water heaters		
ZH1	074 370	52
DMV/ZH1	074 371	52
ZT 2	185 982	52
ZT 34	185 983	52

Space heaters		
Model	E-Number	Page
Storage heaters – standard design		
WSP 2010	187 312	59
WSP 3010	187 313	59
WSP 4010	187 314	59
WSP 5010	187 316	59
WSP 6010	187 318	59
WSP 7010	187 319	59
Storage heaters – flat design		
WSP 1210 F	187 336	60
WSP 1810 F	187 337	60
WSP 2410 F	187 338	60
WSP 3010 F	187 339	60
WSP 3610 F	187 340	60
WSP 4210 F	187 341	60
WSP 4810 F	187 342	60
Storage heaters – flat design Duotherm		
WSP 1210 F	187 336	61
+ ES 10 DF	185 238	61
= WSP 1210 DF		61
WSP 1810 F	187 337	61
+ ES 10 DF	185 238	61
= WSP 1810 DF		61
WSP 2410 F	187 338	61
+ ES 10 DF	185 238	61
= WSP 2410 DF		61
WSP 3010 F	187 339	61
+ ES 10 DF	185 238	61
= WSP 3010 DF		61
WSP 3610 F	187 340	61
+ ES 10 DF	185 238	61
= WSP 3610 DF		61
Storage heaters – Low-line design		
WSP 3510 N	187 323	62
WSP 5010 N	187 326	62
Storage heater with static discharge		
WSP 1510 S	187 310	63
Accessories for storage heaters standard, flat and low-line design and for storage heater with static discharge		
HKS 6/2.7	185 266	64
HKS 6/4.1	185 267	64
HKS 6/5.5	185 268	64
HKS 6/6.5	185 269	64
HKS 6/8.1	185 270	64
HKS 6/9.0	185 271	64
HKS 6/4.9 N	185 272	64
HKS 6/6.5 N	185 273	64

Space heaters		
Model	E-Number	Page
ZH 1004	185 259	64
ZH 2005	187 787	64
ZH 1005	185 260	64
ZH 3008	187 788	64
ZH 1008	185 261	64
ZH 4010	187 789	64
ZH 1010	185 262	64
ZH 5012	187 790	64
ZH 1012	185 263	64
ZH 1112	220 901	64
ZH 6115	221 043	64
ZH 1015	185 264	64
ZH 7017	187 792	64
ZH 1015 F	185 328	64
ZH 1017	185 265	64
RTi 103 EP	185 237	64
RTi 102 E	185 236	65
RTi 100 M	185 235	65
BK 10	185 242	65
BK 11	185 241	65
SK 10	185 240	66
TS 10	185 239	66
SW 40 ED	220 422	66
Storage heater – high-line design		
WSP 600 HF	189 841	68
Accessories for storage heater high-line design		
RTi 600 EP HF	189 707	69
ZH 600 HF	189 705	69
Storage heater for the kitchen		
WSP 300 H	189 811	71
Accessories for storage heater for the kitchen		
ES 300 H	189 639	72
ZH 300 H	189 640	72
Charge control ELFAMATIC µC 3000		
ELFAMATIC µC 3000	187 869	74
Charge control ELFAMATIC V 3000		
ELFAMATIC V 3000	187 870	74
Group control unit ELFAMATIC G 3000		
ELFAMATIC G 3000	187 871	74
2-point controllers with thermal feedback		
RT 602 SN SZ	223 299	76
RT 601 SN	223 298	76
RT 600	223 297	76
RT 5050 SZ	223 304	76
RT 5050 SN	223 303	76
RT 5050	223 302	76
Wireless room temperature controllers for hot water storage heater systems		
RTF-A	233 863	77
RTF-D	233 862	77
RTF-E UP	233 864	77
RTF-E AP	233 865	77
Natural stone heating VOLAKAS		
NSH 35 VO	189 653	79
NSH 65 VO	189 654	79
NSH 85 VO	189 655	79
NSH 115 VO	189 656	79
NSH 145 VO	189 657	79
NSH 165 VO	231 946	79
Natural stone heating JURA		
NSH 35 JA	189 648	79
NSH 65 JA	189 649	79
NSH 85 JA	189 650	79
NSH 115 JA	189 651	79
NSH 145 JA	189 652	79
NSH 165 JA	231 947	79
Natural stone heating MOCCA CREME		
NSH 35 MC	189 658	79
NSH 65 MC	189 659	79
NSH 85 MC	189 660	79

Space heaters		
Model	E-Number	Page
NSH 115 MC	189 661	79
NSH 145 MC	189 662	79
NSH 165 MC	231 948	79
Natural stone heating PRINOS		
NSH 35 PR	189 663	80
NSH 65 PR	189 664	80
NSH 85 PR	189 665	80
NSH 115 PR	189 666	80
NSH 145 PR	189 667	80
NSH 165 PR	231 949	80
Natural stone heating PALISANDRO		
NSH 35 PA	189 673	80
NSH 65 PA	189 674	80
NSH 85 PA	189 675	80
NSH 115 PA	189 676	80
NSH 145 PA	189 677	80
Natural stone heating SYLVIA ANTIK		
NSH 35 SA	189 668	80
NSH 65 SA	189 669	80
NSH 85 SA	189 670	80
NSH 115 SA	189 671	80
NSH 145 SA	189 672	80
NSH 165 SA	223 308	80
Natural stone heating BLUE PEARL (LABRADOR)		
NSH 35 LA	189 678	81
NSH 65 LA	189 679	81
NSH 85 LA	189 680	81
NSH 115 LA	189 681	81
NSH 145 LA	189 682	81
Natural stone heating VARIOS		
NSH 35 VA	189 876	81
NSH 65 VA	189 877	81
NSH 85 VA	189 878	81
NSH 115 VA	189 879	81
NSH 145 VA	189 880	81
NSH 165 VA	223 307	81
Towel rails for natural stone heatings		
NSH HT Chrom	228 958	81
Glass heating		
GH 300 S	234 434	83
GH 500 S	234 435	83
GH 700 S	234 436	83
GH 900 S	234 437	83
GH 300 W	234 438	83
GH 500 W	234 439	83
GH 700 W	234 440	83
GH 900 W	234 441	83
GH 300 K	234 442	83
GH 500 K	234 443	83
GH 700 K	234 444	83
GH 900 K	234 445	83
Wireless room temperature controllers for natural stone heating and glass heating		
RTF-A	233 863	84
RTF-D	233 862	84
RTF-SE	234 446	84
RTF-E UP	233 864	84
RTF-E AP	233 865	84
Room temperature controllers		
RTE 900 SN	184 868	85
RTE 5050 SN	223 305	85
RT 601 SN	223 298	85
RT 600	223 297	85
RT 5050 SN	223 303	85
RT 5050	223 302	85
Low-temperature convectors NKE (infrared wave units)		
NKE 103	234 817	87
NKE 153	234 818	87
NKE 203	234 819	87

Space heaters		
Model	E-Number	Page
Duo convectors DKE		
DKE 75	234 823	88
DKE 100	234 824	88
DKE 150	234 825	88
DKE 200	234 826	88
Mobile radiant heater		
SHG 150	234 828	89
Wall-mounted convectors WKL with mechanical room temperature controller		
WKL 503 S	220 996	90
WKL 753 S	220 997	90
WKL 1003 S	220 998	90
WKL 1503 S	221 000	90
WKL 2003 S	221 002	90
WKL 2503 S	221 003	90
WKL 3003 S	221 004	90
Wall-mounted convectors WKL with electronic room temperature controller		
WKL 503 SE	229 758	91
WKL 753 SE	229 759	91
WKL 1003 SE	229 760	91
WKL 1503 SE	229 761	91
WKL 2003 SE	229 762	91
WKL 2503 SE	229 763	91
WKL 3003 SE	229 764	91
Free standing flash wall-mounted convectors WKL with mechanical room temperature controller		
WKL 753 F	229 796	92
WKL 1003 F	229 797	92
WKL 1503 F	229 798	92
WKL 2003 F	229 799	92
WKL 2503 F	229 800	92
Plinth convector heaters KLE		
KLE 502	189 771	93
KLE 1002	189 772	93
Bathroom heaters BHG with towel dryer		
BHG 750 W (white)	231 950	94
BHG 750 C (chrome)	231 951	94
BHG 1000 W (white)	233 861	94
Free standing convectors SK		
SK 204	222 146	95
SK 204 T	222 147	95
Frost protection heater FW		
FW 505	220 995	95
Fan heaters VH in solid-metal version		
VH 206	184 395	97
VH 227	184 398	97
VH 229	184 399	97
Fan heaters VH with sheet steel housing		
VH 211	187 614	97
Fan heaters VH with plastic housing		
VH 212	234 919	98
Fan heaters		
HS 204 ST	189 972	100
HS 203 T	189 970	100
HS 206	229 939	100
HS 207 O	234 829	101
HS 207 B	234 830	101
HS 207 G	234 831	101
Heated carpets		
TBF 70	234 376	102
TBF 90	234 377	102
TBG 50	234 378	102
TBG 70	234 379	102
Infrared quartz radiant heater IWQ		
IWQ 121	234 820	104
IWQ 181	234 821	104
IWQ 60	234 822	104
Electric mirror heaters SPH		
SPH 50	223 246	106
SPH 110	223 247	106

Space heaters		
Model	E-Number	Page
Hand dryers HE		
HE 260 TM	187 929	108
HE 260 T	187 928	108
Infrared short-wave radiant heaters IR Premium		
IR Premium 1650	229 944	110
IR Premium 2000	229 945	110
IR Premium 2000 H	229 946	110
IR Premium 2000 W	234 786	111
IR Premium 2000 A	234 787	111
IR Premium 2000 H W	234 788	111
IR Premium 2000 H A	234 789	111
Infrared short-wave radiant heaters IR Premium IP		
IR Premium 2000 IP 44	234 790	112
IR Premium 1500 IP 44 W	234 791	112
IR Premium 1500 IP 44 A	234 792	112
Infrared short-wave radiant heaters IR Premium Plus		
IR Premium Plus 1650	229 947	113
IR Premium Plus 2000	229 948	113
Infrared short-wave radiant heater IR Premium 6000 Tower		
IR Premium 6000 Tower	229 950	114
Infrared short-wave radiant heaters IR Comfort for outdoor use		
IR Comfort 2024	229 954	115
IR Comfort 2024 H	229 955	115
Infrared short-wave radiant heater IR Comfort for indoor use		
IR Comfort 2020	229 952	116
Infrared short-wave radiant heaters IR Keramik		
IR Keramik 1300 W	234 793	117
IR Keramik 1300 S	234 794	117
Accessories for Infrared short-wave radiant heaters IR Premium and IR Comfort		
IR dimmer 3600 S safety	229 960	118
IR wireless dimmer 2000	229 964	119
IR Funk W	229 965	119
IR Funk S	229 966	119
IR Funk Multi BiDi	232 906	120
ESR 1650	229 970	121
ESR 2000 IP 67	234 798	121
ESR 2000 IP 44	234 795	121
ESR 1500 IP 44	235 890	121
ESR 2020	229 975	121
ESR 2024	229 977	121
ESK 650 W	235 905	121
ESK 650 S	235 993	121
IR bar-type clip	229 968	120

Underfloor heating systems		
Model	E-Number	Page
Electric underfloor heating THERMO BODEN TBS TC - Comfort TURBO 200 W/m²		
TBS TC 30 200/1 T	234 359	130
TBS TC 30 200/1.5 T	234 360	130
TBS TC 30 200/2 T	234 361	130
TBS TC 30 200/2.5 T	234 362	130
TBS TC 30 200/3 T	234 363	130
TBS TC 30 200/4 T	234 364	130
TBS TC 30 200/5 T	234 365	130
Electric underfloor heating THERMO BODEN TBS TC - Comfort TURBO Set 200 W/m²		
TBS TC 30 Set 200/1 T	234 352	130
TBS TC 30 Set 200/1.5 T	234 353	130
TBS TC 30 Set 200/2 T	234 354	130
TBS TC 30 Set 200/2.5 T	234 355	130
TBS TC 30 Set 200/3 T	234 356	130
TBS TC 30 Set 200/4 T	234 357	130
TBS TC 30 Set 200/5 T	234 358	130
Electric underfloor heating THERMO BODEN TBS TC - Comfort 130 W/m²		
TBS TC 50 130/1	234 523	131
TBS TC 50 130/1.5	234 524	131
TBS TC 50 130/2	234 525	131
TBS TC 50 130/2.5	234 526	131
TBS TC 50 130/3	234 527	131
TBS TC 50 130/4	234 528	131
TBS TC 50 130/5	234 529	131
TBS TC 50 130/6	234 530	131
TBS TC 50 130/7	234 531	131
TBS TC 50 130/8	234 532	131
Electric underfloor heating THERMO BODEN TBS TC - BASIS 160 W/m²		
TBS TB 50 160/1	234 267	132
TBS TB 50 160/1.5	234 268	132
TBS TB 50 160/2	234 269	132
TBS TB 50 160/2.5	234 270	132
TBS TB 50 160/3	234 271	132
TBS TB 50 160/4	234 272	132
TBS TB 50 160/5	234 273	132
TBS TB 50 160/6	234 274	132
TBS TB 50 160/7	234 275	132
TBS TB 50 160/8	234 276	132
Electric underfloor heating THERMO BODEN TBS TB - BASIS Set 160 W/m²		
TBS TB 50 Set 160/1	234 277	132
TBS TB 50 Set 160/1.5	234 278	132
TBS TB 50 Set 160/2	234 279	132
TBS TB 50 Set 160/2.5	234 280	132
TBS TB 50 Set 160/3	234 281	132
TBS TB 50 Set 160/4	234 282	132
TBS TB 50 Set 160/5	234 283	132
TBS TB 50 Set 160/6	234 284	132
TBS TB 50 Set 160/7	234 285	132
TBS TB 50 Set 160/8	234 286	132
Electric underfloor heating THERMO BODEN Comfort WELLNESS 200 W/m²		
TBSG S 200/0.6 WE	234 700	134
TBSG S 200/0.8 WE	234 701	134
TBSG S 200/1.1 WE	234 915	134
Electric underfloor heating THERMO BODEN Comfort PARQUET 100 W/m²		
TBA TC 50 Set 100/2 PL	223 260	136
TBA TC 50 Set 100/3 PL	223 261	136
TBA TC 50 Set 100/4 PL	223 262	136
TBA TC 50 Set 100/5 PL	223 263	136
TBA TC 50 Set 100/6 PL	223 264	136
TBA TC 50 Set 100/7 PL	223 265	136
TBA TC 50 Set 100/8 PL	223 266	136
TBA Platte	223 267	136
TBA Netz	223 268	136

Underfloor heating systems		
Model	E-Number	Page
Floor temperature controller for THERMO BODEN		
FRTD 903 TC	233 919	137
FRTD 903	229 702	137
FRTD 903 S	231 682	137
FTE 900 SN	184 879	137
FTE 902 SN	184 881	138
FTEU 911	184 905	138
FTE 910	184 904	138
AR 21	184 996	138
FTEU 601	184 884	138
FTE 600 SN	223 301	139
FTE 5050 SN	223 306	139
FTE 400	231 533	139
FR TB	234 702	140
FR TB 10	234 799	140
Underfloor heating system HMA TE 50		
HMA TE 50 150/1	231 067	142
HMA TE 50 150/1.5	231 068	142
HMA TE 50 150/2	231 069	142
HMA TE 50 150/2.5	231 578	142
HMA TE 50 150/3	231 070	142
HMA TE 50 150/4	231 071	142
HMA TE 50 150/5	231 072	142
HMA TE 50 150/6	231 073	142
HMA TE 50 150/7	231 074	142
HMA TE 50 150/8	231 075	142
HMA TE 50 Set 150/1	231 076	142
HMA TE 50 Set 150/1.5	231 077	142
HMA TE 50 Set 150/2	231 078	142
HMA TE 50 Set 150/3	231 079	142
HMA TE 50 Set 150/4	231 080	142
HMA TE 50 Set 150/5	231 081	142
HMA TE 50 Set 150/6	231 082	142
HMA TE 50 Set 150/7	231 083	142
HMA TE 50 Set 150/8	231 084	142
Heating mats SDH Twin with single-sided connection, shielding and PVC outer cladding		
SDH 120/1.5 Twin	189 708	145
SDH 120/2.4 Twin	189 709	145
SDH 120/3.5 Twin	189 710	145
SDH 120/4.7 Twin	189 711	145
SDH 120/5.7 Twin	189 712	145
SDH 120/6.7 Twin	189 713	145
SDH 120/8.5 Twin	189 714	145
SDH 120/10.5 Twin	189 742	145
SDH 120/12.5 Twin	189 743	145
SDH 150/1.5 Twin	187 576	145
SDH 150/2.4 Twin	187 577	145
SDH 150/3.5 Twin	187 578	145
SDH 150/4.7 Twin	187 579	145
SDH 150/5.7 Twin	187 580	145
SDH 150/6.7 Twin	187 581	145
SDH 150/8.5 Twin	187 582	145
SDH 150/10.5 Twin	189 744	145
SDH 150/12.5 Twin	189 745	145
SDH 175/1.5 Twin	234 539	145
SDH 175/2.4 Twin	234 540	145
SDH 175/3.5 Twin	234 541	145
SDH 175/4.7 Twin	234 542	145
SDH 175/5.7 Twin	234 543	145
SDH 175/6.7 Twin	234 544	145
SDH 175/8.5 Twin	234 545	145
SDH 175/11.3 Twin	234 546	145
SDH 175/15.6 Twin	234 547	145
SDH 200/1.5 Twin	187 590	145
SDH 200/2.4 Twin	187 591	145
SDH 200/3.5 Twin	187 592	145
SDH 200/4.7 Twin	187 593	145
SDH 200/5.7 Twin	187 594	145
SDH 200/8.5 Twin	220 398	145

Underfloor heating systems		
Model	E-Number	Page
Accessories for floor heating mats SDH Twin		
N 100	234 703	146
KLV Twin 1.5	234 704	146
VS Twin 1.5	234 705	146
ZF 2200	187 620	147
ZFV 30	184 903	147
GF 2200-4	187 623	147
GF 2200-3	187 622	147
GF 2200-2	187 621	147
Charge controls for underfloor heating systems		
WRFF 2100	184 902	146
FH DN 20	220 379	146
RTEU 911	184 993	148
RTE 910	184 992	148
AR 21	184 996	148
Floor temperature limiter for underfloor heating systems		
TF 19 BF-UP	220 994	146
Room temperature controller and floor temperature limiter for underfloor heating systems		
FRTD 903 TC	233 919	148
FRTD 903	229 702	148
FRTD 903 S	231 682	148
RTEU 911	184 993	149
RTE 910	184 992	149
AR 21	184 996	149
RT 600	223 297	149
RT 5050	223 302	149

Frost protection systems		
Model	E-Number	Page
Heating mats for outdoor FFH		
FFH 300/3.0 Twin	234 533	154
FFH 300/4.5 Twin	234 534	154
FFH 300/6.0 Twin	234 535	154
FFH 300/9.0 Twin	234 536	154
FFH 300/12.0 Twin	234 537	154
FFH 300/14.0 Twin	234 538	154
FFH 300/3.0 G	234 876	154
FFH 300/4.5 G	234 877	154
FFH 300/6.0 G	234 878	154
FFH 300/9.0 G	234 879	154
FFH 300/12.0 G	234 880	154
FFH 300/14.0 G	234 881	154
FFH 30/L40	235 262	155
FFH 30/L70	235 263	155
FFH 30/L110	235 264	155
FFH 30/L140	235 265	155
KLV Twin 1.5	234 704	155
KLV Twin 2.5	234 716	155
KLV G 1.5	235 169	155
KLV G 2.5	235 170	155
KLV G M	235 171	155
VS Twin	234 705	155
Heating cable for heating systems for outdoor, with single-sided connection		
DIC 25/L4	235 172	156
DIC 25/L8	234 706	156
DIC 25/L12	234 707	156
DIC 25/L16	234 708	156
DIC 25/L20	234 709	156
DIC 25/L24	234 710	156
DIC 25/L28	235 173	156
DIC 25/L34	234 711	156
DIC 25/L40	234 712	156
DIC 25/L60	234 713	156
DIC 25/L80	234 714	156
DIC 25/L100	234 715	156
Accessories for heating systems for outdoor		
DHZ ST	184 971	157
DHZ QST	222 369	157
FFH MB 25	234 721	157
Ice detectors for heating systems for outdoor		
EM 50-2	231 520	158
EM 50-1	231 523	158
EF 50-25 H	231 529	158
Control distribution setups for heating systems for outdoor, outside temperature controllers		
FFH VT 1	223 291	158
FFH VT 2	223 292	158
FFH VT 3	223 293	158
FFH VT 4	223 294	158
FFH VT 5	223 295	158
ATE 50	231 532	159
ATF 5	231 531	159
FTE 400	231 533	159
ATE 30 T	184 913	159
ATF 3-4	184 916	159
Self-limiting heating band for pipe trace heating and gutter heating		
SLH 10/L30	232 541	162
SLH 10/L100	232 542	162
SLH 10/L300	232 543	162
SLH 10/L500	232 544	162
SLH 15/L30	232 545	162
SLH 15/L100	232 546	162
SLH 15/L300	232 547	162
SLH 15/L500	232 548	162
SLH 25/L30	232 549	162
SLH 25/L100	232 550	162
SLH 25/L300	232 551	162
SLH 25/L500	232 552	162

Frost protection systems		
Model	E-Number	Page
Self-limiting heating band individual lengths fully assembled		
SLH 10	232 553	163
SLH 15	232 554	163
SLH 25	232 555	163
SLH 25 FP	232 556	163
SLHZ KL	232 567	163
Plug-in assembled pipe trace heating system with thermostat for an energy-saving way of keeping piping and gutters frost-free		
SLH 25/L5 ST	232 559	164
SLH 25/L10 ST	232 560	164
SLH 25/L15 ST	232 561	164
SLH 25/L20 ST	232 562	164
SLH 25/L25 ST	232 563	164
SLH 25/L30 ST	232 564	164
Controllers and accessories for gutter heating systems		
EM 50-2	231 520	165
EM 50-1	231 523	165
F 50-10 RH	231 530	165
ATF 5	231 531	165
ATE 50	231 532	166
ATF 5	231 531	166
FTE 400	231 533	166
AF 5-2.5	231 534	166
ATE 600	232 840	167
ATE 30 T	184 913	167
ATF 3-4	184 916	167
AF 3-2	184 917	167
SLHZ Multi Connector	232 565	168
SLHZ Multi Connector Plus	233 577	168
SLHZ AS	232 566	169
SLHZ AK	232 569	169
SLHZ AKE	232 570	169
SLHZ AKF	232 571	169
SLHZ KB	232 568	170
SLHZ ID	232 572	170
SLHZ AKB	232 573	170
SLHZ sticker	232 574	170
Accessories for gutter heating systems		
DHZ TRS	184 991	171
DHZ TR	184 969	171
DHZ TS	184 970	171
DHZ ST	184 971	171
DHZ QST	222 369	171
DHZ KS	233 909	171

ALL PRODUCTS OF AEG HAUSTECHNIK FROM A TO Z
ARRANGED BY ALPHABET



Model	E-No.	Page	Model	E-No.	Page	Model	E-No.	Page	Model	E-No.	Page
NSH 165 JA	231 947	79	SDH 175/11.3 Twin	234 546	145	TBS TB 50 Set 160/1.5	234 278	132	WSP 3610 F	187 340	60
NSH 165 MC	231 948	79	SDH 175/15.6 Twin	234 547	145	TBS TB 50 Set 160/2	234 279	132	WSP 4010	187 314	59
NSH 165 PR	231 949	80	SDH 200/1.5 Twin	187 590	145	TBS TB 50 Set 160/2.5	234 280	132	WSP 4210 F	187 341	60
NSH 165 SA	223 308	80	SDH 200/2.4 Twin	187 591	145	TBS TB 50 Set 160/3	234 281	132	WSP 4810 F	187 342	60
NSH 165 VA	223 307	81	SDH 200/3.5 Twin	187 592	145	TBS TB 50 Set 160/4	234 282	132	WSP 5010	187 316	59
NSH 165 VO	231 946	79	SDH 200/4.7 Twin	187 593	145	TBS TB 50 Set 160/5	234 283	132	WSP 5010 N	187 326	62
NSH 35 JA	189 648	79	SDH 200/5.7 Twin	187 594	145	TBS TB 50 Set 160/6	234 284	132	WSP 600 HF	189 841	68
NSH 35 LA	189 678	81	SDH 200/8.5 Twin	220 398	145	TBS TB 50 Set 160/7	234 285	132	WSP 6010	187 318	59
NSH 35 MC	189 658	79	SHG 150	234 828	89	TBS TB 50 Set 160/8	234 286	132	WSP 7010	187 319	59
NSH 35 PA	189 673	80	SK 10	185 240	66	TBS TC 30 200/1 T	234 359	130	ZF 2200	187 620	147
NSH 35 PR	189 663	80	SK 204	222 146	95	TBS TC 30 200/1.5 T	234 360	130	ZFV 30	184 903	147
NSH 35 SA	189 668	80	SK 204 T	222 147	95	TBS TC 30 200/2 T	234 361	130	ZH 1004	185 259	64
NSH 35 VA	189 876	81	SLH 10	232 553	163	TBS TC 30 200/2.5 T	234 362	130	ZH 1005	185 260	64
NSH 35 VO	189 653	79	SLH 10/L30	232 541	162	TBS TC 30 200/3 T	234 363	130	ZH 1008	185 261	64
NSH 65 JA	189 649	79	SLH 10/L100	232 542	162	TBS TC 30 200/4 T	234 364	130	ZH 1010	185 262	64
NSH 65 LA	189 679	81	SLH 10/L300	232 543	162	TBS TC 30 200/5 T	234 365	130	ZH 1012	185 263	64
NSH 65 MC	189 659	79	SLH 10/L500	232 544	162	TBS TC 30 Set 200/1 T	234 352	130	ZH 1015	185 264	64
NSH 65 PA	189 674	80	SLH 15	232 554	163	TBS TC 30 Set 200/1.5 T	234 353	130	ZH 1015 F	185 328	64
NSH 65 PR	189 664	80	SLH 15/L30	232 545	162	TBS TC 30 Set 200/2 T	234 354	130	ZH 1017	185 265	64
NSH 65 SA	189 669	80	SLH 15/L100	232 546	162	TBS TC 30 Set 200/2.5 T	234 355	130	ZH 1112	220 901	64
NSH 65 VA	189 877	81	SLH 15/L300	232 547	162	TBS TC 30 Set 200/3 T	234 356	130	ZH 2005	187 787	64
NSH 65 VO	189 654	79	SLH 15/L500	232 548	162	TBS TC 30 Set 200/4 T	234 357	130	ZH 300 H	189 640	72
NSH 85 JA	189 650	79	SLH 25	232 555	163	TBS TC 30 Set 200/5 T	234 358	130	ZH 3008	187 788	64
NSH 85 LA	189 680	81	SLH 25 FP	232 556	163	TBS TC 50 130/1	234 523	131	ZH 4010	187 789	64
NSH 85 MC	189 660	79	SLH 25/L30	232 549	162	TBS TC 50 130/1.5	234 524	131	ZH 5012	187 790	64
NSH 85 PA	189 675	80	SLH 25/L100	232 550	162	TBS TC 50 130/2	234 525	131	ZH 600 HF	189 705	69
NSH 85 PR	189 665	80	SLH 25/L300	232 551	162	TBS TC 50 130/2.5	234 526	131	ZH 6115	221 043	64
NSH 85 SA	189 670	80	SLH 25/L500	232 552	162	TBS TC 50 130/3	234 527	131	ZH 7017	187 792	64
NSH 85 VA	189 878	81	SLH 25/L5 ST	232 559	164	TBS TC 50 130/4	234 528	131	ZH1	074 370	52
NSH 85 VO	189 655	79	SLH 25/L10 ST	232 560	164	TBS TC 50 130/5	234 529	131	ZT 2	185 982	52
NSH HT chrome	228 958	81	SLH 25/L15 ST	232 561	164	TBS TC 50 130/6	234 530	131	ZT 34	185 983	52
RT 5050	223 302	149	SLH 25/L20 ST	232 562	164	TBS TC 50 130/7	234 531	131			
RT 5050 SN	223 303	85	SLH 25/L25 ST	232 563	164	TBS TC 50 130/8	234 532	131			
RT 5050 SZ	223 304	76	SLH 25/L30 ST	232 564	164	TBSG S 200/0.6 WE	234 700	134			
RT 600	223 297	149	SLHZ AK	232 569	169	TBSG S 200/0.8 WE	234 701	134			
RT 601 SN	223 298	85	SLHZ AKB	232 573	170	TBSG S 200/1.1 WE	234 915	134			
RT 602 SN SZ	223 299	76	SLHZ AKE	232 570	169	TF 19 BF-UP	220 994	146			
RTE 910	184 992	148	SLHZ AKF	232 571	169	THERMOFIX KL	228 908	32			
RTE 900 SN	184 868	85	SLHZ AS	232 566	169	TS 10	185 239	66			
RTE 5050 SN	223 305	85	SLHZ ID	232 572	170	UT 104	184 421	24			
RTEU 911	184 993	148	SLHZ KB	232 568	170	VH 206	184 395	97			
RTF-A	233 863	77	SLHZ KL	232 567	163	VH 211	187 614	97			
RTF-D	233 862	77	SLHZ Multi Connector	232 565	168	VH 212	234 919	98			
RTF-E AP	233 865	77	SLHZ Multi Connector Plus	233 577	168	VH 227	184 398	97			
RTF-E UP	233 864	77	SLHZ sticker	232 574	170	VH 229	184 399	97			
RTF-SE	234 446	84	SPH 50	223 246	106	VS Twin 1.5	234 705	146			
RTi 100 M	185 235	65	SPH 110	223 247	106	WKL 1003 F	229 797	92			
RTi 102 E	185 236	65	STM 20	182 239	51	WKL 1003 S	220 998	90			
RTi 103 EP	185 237	64	STM 30	182 240	51	WKL 1003 SE	229 760	91			
RTi 600 EP HF	189 707	69	STM 40	182 241	51	WKL 1503 F	229 798	92			
SDH 120/1.5 Twin	189 708	145	SW 40 ED	220 422	66	WKL 1503 S	221 000	90			
SDH 120/2.4 Twin	189 709	145	TBA net	223 268	136	WKL 1503 SE	229 761	91			
SDH 120/3.5 Twin	189 710	145	TBA plate	223 267	136	WKL 2003 F	229 799	92			
SDH 120/4.7 Twin	189 711	145	TBA TC 50 Set 100/2 PL	223 260	136	WKL 2003 S	221 002	90			
SDH 120/5.7 Twin	189 712	145	TBA TC 50 Set 100/3 PL	223 261	136	WKL 2003 SE	229 762	91			
SDH 120/6.7 Twin	189 713	145	TBA TC 50 Set 100/4 PL	223 262	136	WKL 2503 F	229 800	92			
SDH 120/8.5 Twin	189 714	145	TBA TC 50 Set 100/5 PL	223 263	136	WKL 2503 S	221 003	90			
SDH 120/10.5 Twin	189 742	145	TBA TC 50 Set 100/6 PL	223 264	136	WKL 2503 SE	229 763	91			
SDH 120/12.5 Twin	189 743	145	TBA TC 50 Set 100/7 PL	223 265	136	WKL 3003 S	221 004	90			
SDH 150/1.5 Twin	187 576	145	TBA TC 50 Set 100/8 PL	223 266	136	WKL 3003 SE	229 764	91			
SDH 150/2.4 Twin	187 577	145	TBF 70	234 376	102	WKL 503 S	220 996	90			
SDH 150/3.5 Twin	187 578	145	TBF 90	234 377	102	WKL 503 SE	229 758	91			
SDH 150/4.7 Twin	187 579	145	TBG 50	234 378	102	WKL 753 F	229 796	92			
SDH 150/5.7 Twin	187 580	145	TBG 70	234 379	102	WKL 753 S	220 997	90			
SDH 150/6.7 Twin	187 581	145	TBS TB 50 160/1	234 267	132	WKL 753 SE	229 759	91			
SDH 150/8.5 Twin	187 582	145	TBS TB 50 160/1.5	234 268	132	WRFF 2100	184 902	146			
SDH 150/10.5 Twin	189 744	145	TBS TB 50 160/2	234 269	132	WSP 1210 F	187 336	60			
SDH 150/12.5 Twin	189 745	145	TBS TB 50 160/2.5	234 270	132	WSP 1510 S	187 310	63			
SDH 175/1.5 Twin	234 539	145	TBS TB 50 160/3	234 271	132	WSP 1810 F	187 337	60			
SDH 175/2.4 Twin	234 540	145	TBS TB 50 160/4	234 272	132	WSP 2010	187 312	59			
SDH 175/3.5 Twin	234 541	145	TBS TB 50 160/5	234 273	132	WSP 2410 F	187 338	60			
SDH 175/4.7 Twin	234 542	145	TBS TB 50 160/6	234 274	132	WSP 300 H	189 811	71			
SDH 175/5.7 Twin	234 543	145	TBS TB 50 160/7	234 275	132	WSP 3010	187 313	59			
SDH 175/6.7 Twin	234 544	145	TBS TB 50 160/8	234 276	132	WSP 3010 F	187 339	60			
SDH 175/8.5 Twin	234 545	145	TBS TB 50 Set 160/1	234 277	132	WSP 3510 N	187 323	62			

E-No.	Model	Page	E-No.	Model	Page	E-No.	Model	Page	E-No.	Model	Page
074 370	ZH1	52	187 338	WSP 2410 F	60	189 681	NSH 115 LA	81	223 261	TBA TC 50 Set 100/3 PL	136
074 371	DMV/ZH1	52	187 339	WSP 3010 F	60	189 682	NSH 145 LA	81	223 262	TBA TC 50 Set 100/4 PL	136
182 232	DEM 30 Comfort	48	187 340	WSP 3610 F	60	189 705	ZH 600 HF	69	223 263	TBA TC 50 Set 100/5 PL	136
182 233	DEM 50 Comfort	48	187 341	WSP 4210 F	60	189 707	RTi 600 EP HF	69	223 264	TBA TC 50 Set 100/6 PL	136
182 234	DEM 80 Comfort	48	187 342	WSP 4810 F	60	189 708	SDH 120/1.5 Twin	145	223 265	TBA TC 50 Set 100/7 PL	136
182 235	DEM 100 Comfort	48	187 576	SDH 150/1.5 Twin	145	189 709	SDH 120/2.4 Twin	145	223 266	TBA TC 50 Set 100/8 PL	136
182 236	DEM 120 Comfort	48	187 577	SDH 150/2.4 Twin	145	189 710	SDH 120/3.5 Twin	145	223 267	TBA plate	136
182 237	DEM 150 Comfort	48	187 578	SDH 150/3.5 Twin	145	189 711	SDH 120/4.7 Twin	145	223 268	TBA net	136
182 239	STM 20	51	187 579	SDH 150/4.7 Twin	145	189 712	SDH 120/5.7 Twin	145	223 291	FFH VT 1	158
182 240	STM 30	51	187 580	SDH 150/5.7 Twin	145	189 713	SDH 120/6.7 Twin	145	223 292	FFH VT 2	158
182 241	STM 40	51	187 581	SDH 150/6.7 Twin	145	189 714	SDH 120/8.5 Twin	145	223 293	FFH VT 3	158
183 103	AD 785	42	187 582	SDH 150/8.5 Twin	145	189 742	SDH 120/10.5 Twin	145	223 294	FFH VT 4	158
183 918	AHu 50	40	187 590	SDH 200/1.5 Twin	145	189 743	SDH 120/12.5 Twin	145	223 295	FFH VT 5	158
184 395	VH 206	97	187 591	SDH 200/2.4 Twin	145	189 744	SDH 150/10.5 Twin	145	223 297	RT 600	149
184 398	VH 227	97	187 592	SDH 200/3.5 Twin	145	189 745	SDH 150/12.5 Twin	145	223 298	RT 601 SN	85
184 399	VH 229	97	187 593	SDH 200/4.7 Twin	145	189 771	KLE 502	93	223 299	RT 602 SN SZ	76
184 421	UT 104	24	187 594	SDH 200/5.7 Twin	145	189 772	KLE 1002	93	223 301	FTE 600 SN	139
184 545	AHu 51	40	187 614	VH 211	97	189 811	WSP 300 H	71	223 302	RT 5050	149
184 549	AVR 1000-12	24	187 620	ZF 2200	147	189 841	WSP 600 HF	68	223 303	RT 5050 SN	85
184 553	AVR 1000-16	40	187 621	GF 2200-2	147	189 876	NSH 35 VA	81	223 304	RT 5050 SZ	76
184 868	RTE 900 SN	85	187 622	GF 2200-3	147	189 877	NSH 65 VA	81	223 305	RTE 5050 SN	85
184 879	FTE 900 SN	137	187 623	GF 2200-4	147	189 878	NSH 85 VA	81	223 306	FTE 5050 SN	139
184 881	FTE 902 SN	138	187 787	ZH 2005	64	189 879	NSH 115 VA	81	223 307	NSH 165 VA	81
184 884	FTEU 601	138	187 788	ZH 3008	64	189 880	NSH 145 VA	81	223 308	NSH 165 SA	80
184 902	WRFF 2100	146	187 789	ZH 4010	64	189 970	HS 203 T	100	223 409	AS Herd	19
184 903	ZFV 30	147	187 790	ZH 5012	64	189 972	HS 204 ST	100	227 545	FBM Comfort	24
184 904	FTE 910	138	187 792	ZH 7017	64	220 379	FH DN 20	146	227 701	MR 110	25
184 905	FTEU 911	138	187 869	ELFAMATIC µC 3000	74	220 398	SDH 200/8.5 Twin	145	227 702	MR 111	25
184 913	ATE 30 T	159	187 870	ELFAMATIC V 3000	74	220 422	SW 40 ED	66	227 703	MR 112	22
184 916	ATF 3-4	159	187 871	ELFAMATIC G 3000	74	220 650	EWV Trend 30	46	228 840	DDLE EASY 18	22
184 917	AF 3-2	167	187 928	HE 260 T	108	220 651	EWV Trend 50	46	228 841	DDLE EASY 21	22
184 969	DHZ TR	171	187 929	HE 260 TM	108	220 652	EWV Trend 80	46	228 842	DDLE EASY 24	22
184 970	DHZ TS	171	189 554	MTH 350	29	220 653	EWV Trend 100	46	228 908	THERMOFIX KL	32
184 971	DHZ ST	157	189 555	MTH 440	29	220 654	EWV Trend 120	46	228 958	NSH HT chrome	81
184 991	DHZ TRS	171	189 556	MTH 350 OT	29	220 655	EWV Trend 150	46	229 287	Huz 5 basis + A	38
184 992	RTE 910	148	189 557	MTH 350 UTE	29	220 656	EWV Trend 200	46	229 296	DDLE Basis 11	19
184 993	RTEU 911	148	189 631	MTH 350 UT	29	220 901	ZH 1112	64	229 297	DDLE Basis 13	19
184 996	AR 21	148	189 632	AHo 40 MTH	30	220 994	TF 19 BF-UP	146	229 481	DKu 10	42
185 235	RTi 100 M	65	189 633	AHu 40 MTH	30	220 995	FW 505	95	229 486	Huz 10 ÖKO	39
185 236	RTi 102 E	65	189 634	AHEu 40 MTH	30	220 996	WKL 503 S	90	229 488	Hoz 10	39
185 237	RTi 103 EP	64	189 639	ES 300 H	72	220 997	WKL 753 S	90	229 702	FRTD 903	148
185 238	ES 10 DF	61	189 640	ZH 300 H	72	220 998	WKL 1003 S	90	229 758	WKL 503 SE	91
185 239	TS 10	66	189 648	NSH 35 JA	79	221 000	WKL 1503 S	90	229 759	WKL 753 SE	91
185 240	SK 10	66	189 649	NSH 65 JA	79	221 002	WKL 2003 S	90	229 760	WKL 1003 SE	91
185 241	BK 11	65	189 650	NSH 85 JA	79	221 003	WKL 2503 S	90	229 761	WKL 1503 SE	91
185 242	BK 10	65	189 651	NSH 115 JA	79	221 004	WKL 3003 S	90	229 762	WKL 2003 SE	91
185 259	ZH 1004	64	189 652	NSH 145 JA	79	221 043	ZH 6115	64	229 763	WKL 2503 SE	91
185 260	ZH 1005	64	189 653	NSH 35 VO	79	221 117	Hoz 5 basis	38	229 764	WKL 3003 SE	91
185 261	ZH 1008	64	189 654	NSH 65 VO	79	222 116	MTH 570	29	229 796	WKL 753 F	92
185 262	ZH 1010	64	189 655	NSH 85 VO	79	222 120	MTD 350	28	229 797	WKL 1003 F	92
185 263	ZH 1012	64	189 656	NSH 115 VO	79	222 121	MTD 440	28	229 798	WKL 1503 F	92
185 264	ZH 1015	64	189 657	NSH 145 VO	79	222 122	MTD 570	28	229 799	WKL 2003 F	92
185 265	ZH 1017	64	189 658	NSH 35 MC	79	222 146	SK 204	95	229 800	WKL 2503 F	92
185 266	HKS 6/2.7	64	189 659	NSH 65 MC	79	222 147	SK 204 T	95	229 939	HS 206	100
185 267	HKS 6/4.1	64	189 660	NSH 85 MC	79	222 154	Hoz 5 comfort	37	229 944	IR Premium 1650	110
185 268	HKS 6/5.5	64	189 661	NSH 115 MC	79	222 162	Huz 5 basis	38	229 945	IR Premium 2000	110
185 269	HKS 6/6.5	64	189 662	NSH 145 MC	79	222 164	Huz 5 ÖKO comfort	37	229 946	IR Premium 2000 H	110
185 270	HKS 6/8.1	64	189 663	NSH 35 PR	80	222 167	Huz 5 ÖKO Drop Stop	36	229 947	IR Premium Plus 1650	113
185 271	HKS 6/9.0	64	189 664	NSH 65 PR	80	222 369	DHZ QST	157	229 948	IR Premium Plus 2000	113
185 272	HKS 6/4.9 N	64	189 665	NSH 85 PR	80	222 384	DDLT PinControl 13	23	229 950	IR Premium 6000 Tower	114
185 273	HKS 6/6.5 N	64	189 666	NSH 115 PR	80	222 385	DDLT PinControl 18	23	229 952	IR Comfort 2020	116
185 328	ZH 1015 F	64	189 667	NSH 145 PR	80	222 386	DDLT PinControl 21	23	229 954	IR Comfort 2024	115
185 982	ZT 2	52	189 668	NSH 35 SA	80	222 387	DDLT PinControl 24	23	229 955	IR Comfort 2024 H	115
185 983	ZT 34	52	189 669	NSH 65 SA	80	222 388	DDLE Basis 18	19	229 960	IR dimmer 3600 S safety	118
187 310	WSP 1510 S	63	189 670	NSH 85 SA	80	222 390	DDLE Basis 18/21/24	19	229 964	IR wireless dimmer 2000	119
187 312	WSP 2010	59	189 671	NSH 115 SA	80	222 391	DDLE Basis 27	19	229 965	IR Funk W	119
187 313	WSP 3010	59	189 672	NSH 145 SA	80	222 392	DDLE LCD 18	18	229 966	IR Funk S	119
187 314	WSP 4010	59	189 673	NSH 35 PA	80	222 394	DDLE LCD 18/21/24	18	229 968	IR bar-type clip	120
187 316	WSP 5010	59	189 674	NSH 65 PA	80	222 395	DDLE LCD 27	18	229 970	ESR 1650	121
187 318	WSP 6010	59	189 675	NSH 85 PA	80	222 396	DDLE ÖKO TD 18	17	229 975	ESR 2020	121
187 319	WSP 7010	59	189 676	NSH 115 PA	80	222 398	DDLE ÖKO TD 18/21/24	17	229 977	ESR 2024	121
187 323	WSP 3510 N	62	189 677	NSH 145 PA	80	222 399	DDLE ÖKO TD 27	17	230 765	ADA 787	49
187 326	WSP 5010 N	62	189 678	NSH 35 LA	81	223 246	SPH 50	106	230 768	DDLE Kompakt 11/13	20
187 336	WSP 1210 F	60	189 679	NSH 65 LA	81	223 247	SPH 110	106	230 769	DDLE Kompakt FB 11/13	20
187 337	WSP 1810 F	60	189 680	NSH 85 LA	81	223 260	TBA TC 50 Set 100/2 PL	136	230 958	ADS 40	30

ALL PRODUCTS OF AEG HAUSTECHNIK FROM A TO Z
ARRANGED BY E-NUMBERS

E-No.	Model	Page	E-No.	Model	Page	E-No.	Model	Page	E-No.	Model	Page
230 959	AHS 50	30	232 561	SLH 25/L15 ST	164	234 360	TBS TC 30 200/1.5 T	130	234 795	ESR 2000 IP 44	121
231 003	MTE 350	27	232 562	SLH 25/L20 ST	164	234 361	TBS TC 30 200/2 T	130	234 798	ESR 2000 IP 67	121
231 004	MTE 440	27	232 563	SLH 25/L25 ST	164	234 362	TBS TC 30 200/2.5 T	130	234 799	FR TB 10	140
231 067	HMA TE 50 150/1	142	232 564	SLH 25/L30 ST	164	234 363	TBS TC 30 200/3 T	130	234 817	NKE 103	87
231 068	HMA TE 50 150/1.5	142	232 565	SLHZ Multi Connector	168	234 364	TBS TC 30 200/4 T	130	234 818	NKE 153	87
231 069	HMA TE 50 150/2	142	232 566	SLHZ AS	169	234 365	TBS TC 30 200/5 T	130	234 819	NKE 203	87
231 578	HMA TE 50 150/2.5	142	232 567	SLHZ KL	163	234 376	TBF 70	102	234 820	IWQ 121	104
231 070	HMA TE 50 150/3	142	232 568	SLHZ KB	170	234 377	TBF 90	102	234 821	IWQ 181	104
231 071	HMA TE 50 150/4	142	232 569	SLHZ AK	169	234 378	TBG 50	102	234 822	IWQ 60	104
231 072	HMA TE 50 150/5	142	232 570	SLHZ AKE	169	234 379	TBG 70	102	234 823	DKE 75	88
231 073	HMA TE 50 150/6	142	232 571	SLHZ AKF	169	234 434	GH 300 S	83	234 824	DKE 100	88
231 074	HMA TE 50 150/7	142	232 572	SLHZ ID	170	234 435	GH 500 S	83	234 825	DKE 150	88
231 075	HMA TE 50 150/8	142	232 573	SLHZ AKB	170	234 436	GH 700 S	83	234 826	DKE 200	88
231 076	HMA TE 50 Set 150/1	142	232 574	SLHZ sticker	170	234 437	GH 900 S	83	234 828	SHG 150	89
231 077	HMA TE 50 Set 150/1.5	142	232 615	AHo 50	21	234 438	GH 300 W	83	234 829	HS 207 O	101
231 078	HMA TE 50 Set 150/2	142	232 616	AHo 50 WD	40	234 439	GH 500 W	83	234 830	HS 207 B	101
231 079	HMA TE 50 Set 150/3	142	232 617	AHEu 50 S	40	234 440	GH 700 W	83	234 831	HS 207 G	101
231 080	HMA TE 50 Set 150/4	142	232 618	AHEu 50 WT	40	234 441	GH 900 W	83	234 876	FFH 300/3.0 G	154
231 081	HMA TE 50 Set 150/5	142	232 619	ADEo 70 WD	24	234 442	GH 300 K	83	234 877	FFH 300/4.5 G	154
231 082	HMA TE 50 Set 150/6	142	232 752	Huz 5 Basis + AS	38	234 443	GH 500 K	83	234 878	FFH 300/6.0 G	154
231 083	HMA TE 50 Set 150/7	142	232 753	Huz 5 Basis + AW	38	234 444	GH 700 K	83	234 879	FFH 300/9.0 G	154
231 084	HMA TE 50 Set 150/8	142	232 770	MTE 650	27	234 445	GH 900 K	83	234 880	FFH 300/12.0 G	154
231 188	EWH 30 Comfort EL	45	232 790	MTD 650	28	234 446	RTF-SE	84	234 881	FFH 300/14.0 G	154
231 189	EWH 50 Comfort EL	45	232 793	DDLE Kompakt OT 11/13	21	234 523	TBS TC 50 130/1	131	234 915	TBSG S 200/1.1 WE	134
231 190	EWH 80 Comfort EL	45	232 840	ATE 600	167	234 524	TBS TC 50 130/1.5	131	234 919	VH 212	98
231 191	EWH 100 Comfort EL	45	232 906	IR Funk Multi BiDi	120	234 525	TBS TC 50 130/2	131	235 095	Mounting bracket	47
231 192	EWH 150 Comfort EL	45	233 048	AS Herd Kompakt	20	234 526	TBS TC 50 130/2.5	131	235 169	KLV G 1.5	155
231 193	EWH 30 Universal EL	44	233 230	FK Filter Kartusche	34	234 527	TBS TC 50 130/3	131	235 170	KLV G 2.5	155
231 194	EWH 50 Universal EL	44	233 231	FKB Filter	34	234 528	TBS TC 50 130/4	131	235 171	KLV G M	155
231 195	EWH 80 Universal EL	44	233 232	FKC Filter	34	234 529	TBS TC 50 130/5	131	235 172	DIC 25/L4	156
231 196	EWH 100 Universal EL	44	233 577	SLHZ Multi Connector Plus	168	234 530	TBS TC 50 130/6	131	235 173	DIC 25/L28	156
231 197	EWH 150 Universal EL	44	233 716	AD 786	49	234 531	TBS TC 50 130/7	131	235 262	FFH 30/L40	155
231 216	MTE 570	27	233 717	AD 796	49	234 532	TBS TC 50 130/8	131	235 263	FFH 30/L70	155
231 520	EM 50-2	158	233 861	BHG 1000 W (white)	94	234 533	FFH 300/3.0 Twin	154	235 264	FFH 30/L110	155
231 523	EM 50-1	158	233 862	RTF-D	77	234 534	FFH 300/4.5 Twin	154	235 265	FFH 30/L140	155
231 529	EF 50-25 H	158	233 863	RTF-A	77	234 535	FFH 300/6.0 Twin	154	235 890	ESR 1500 IP 44	121
231 530	F50-10 RH	165	233 864	RTF-E UP	77	234 536	FFH 300/9.0 Twin	154	235 905	ESK 650 W	121
231 531	ATF 5	159	233 865	RTF-E AP	77	234 537	FFH 300/12.0 Twin	154	235 993	ESK 650 S	121
231 532	ATE 50	159	233 909	DHZ KS	171	234 538	FFH 300/14.0 Twin	154	286 253	AT 30 ch	32
231 533	FTE 400	139	233 919	FRTD 903 TC	137	234 539	SDH 175/1.5 Twin	145			
231 534	AF 5-2.5	166	234 190	DEM 30 Comfort EL	47	234 540	SDH 175/2.4 Twin	145			
231 647	EWH 120 Universal EL	44	234 191	DEM 50 Comfort EL	47	234 541	SDH 175/3.5 Twin	145			
231 650	EWH 120 Comfort EL	45	234 192	DEM 80 Comfort EL	47	234 542	SDH 175/4.7 Twin	145			
231 686	FRTD 903 S	148	234 193	DEM 100 Comfort EL	47	234 543	SDH 175/5.7 Twin	145			
231 942	NSH 165 VO	79	234 194	DEM 120 Comfort EL	47	234 544	SDH 175/6.7 Twin	145			
231 947	NSH 165 JA	79	234 195	DEM 150 Comfort EL	47	234 545	SDH 175/8.5 Twin	145			
231 948	NSH 165 MC	79	234 238	HOT 5 + AEuS HOT	33	234 546	SDH 175/11.3 Twin	145			
231 949	NSH 165 PR	80	234 267	TBS TB 50 160/1	132	234 547	SDH 175/15.6 Twin	145			
231 950	BHG 750 W (white)	94	234 268	TBS TB 50 160/1.5	132	234 700	TBSG S 200/0.6 WE	134			
231 951	BHG 750 C (chrome)	94	234 269	TBS TB 50 160/2	132	234 701	TBSG S 200/0.8 WE	134			
232 087	EWH 30 Trend	46	234 270	TBS TB 50 160/2.5	132	234 702	FR TB	140			
232 088	EWH 50 Trend	46	234 271	TBS TB 50 160/3	132	234 703	N 100	146			
232 089	EWH 80 Trend	46	234 272	TBS TB 50 160/4	132	234 704	KLV Twin 1.5	155			
232 090	EWH 100 Trend	46	234 273	TBS TB 50 160/5	132	234 705	VS Twin 1.5	146			
232 091	EWH 120 Trend	46	234 274	TBS TB 50 160/6	132	234 706	DIC 25/L8	156			
232 092	EWH 150 Trend	46	234 275	TBS TB 50 160/7	132	234 707	DIC 25/L12	156			
232 093	EWH 200 Trend	46	234 276	TBS TB 50 160/8	132	234 708	DIC 25/L16	156			
232 541	SLH 10/L30	162	234 277	TBS TB 50 Set 160/1	132	234 709	DIC 25/L20	156			
232 542	SLH 10/L100	162	234 278	TBS TB 50 Set 160/1.5	132	234 710	DIC 25/L24	156			
232 543	SLH 10/L300	162	234 279	TBS TB 50 Set 160/2	132	234 711	DIC 25/L34	156			
232 544	SLH 10/L500	162	234 280	TBS TB 50 Set 160/2.5	132	234 712	DIC 25/L40	156			
232 545	SLH 15/L30	162	234 281	TBS TB 50 Set 160/3	132	234 713	DIC 25/L60	156			
232 546	SLH 15/L100	162	234 282	TBS TB 50 Set 160/4	132	234 714	DIC 25/L80	156			
232 547	SLH 15/L300	162	234 283	TBS TB 50 Set 160/5	132	234 715	DIC 25/L100	156			
232 548	SLH 15/L500	162	234 284	TBS TB 50 Set 160/6	132	234 716	KLV Twin 2.5	155			
232 549	SLH 25/L30	162	234 285	TBS TB 50 Set 160/7	132	234 721	FFH MB 25	157			
232 550	SLH 25/L100	162	234 286	TBS TB 50 Set 160/8	132	234 786	IR Premium 2000 W	111			
232 551	SLH 25/L300	162	234 352	TBS TC 30 Set 200/1 T	130	234 787	IR Premium 2000 A	111			
232 552	SLH 25/L500	162	234 353	TBS TC 30 Set 200/1.5 T	130	234 788	IR Premium 2000 H W	111			
232 553	SLH 10	163	234 354	TBS TC 30 Set 200/2 T	130	234 789	IR Premium 2000 H A	111			
232 554	SLH 15	163	234 355	TBS TC 30 Set 200/2.5 T	130	234 790	IR Premium 2000 IP 44	112			
232 555	SLH 25	163	234 356	TBS TC 30 Set 200/3 T	130	234 791	IR Premium 1500 IP 44 W	112			
232 556	SLH 25 FP	163	234 357	TBS TC 30 Set 200/4 T	130	234 792	IR Premium 1500 IP 44 A	112			
232 559	SLH 25/L5 ST	164	234 358	TBS TC 30 Set 200/5 T	130	234 793	IR Keramik 1300 W	117			
232 560	SLH 25/L10 ST	164	234 359	TBS TC 30 200/1 T	130	234 794	IR Keramik 1300 S	117			

WARM WATER FOR ANY PURPOSE – COST-EFFECTIVE, CONVENIENT AND RELIABLE

AEG Haustechnik has been producing innovative water heaters for more than 100 years. The benefits of our products are mainly enjoyed in apartments and detached houses: low energy losses thanks to short pipe distances, high output and uncomplicated installation. In addition, our products also stand out for their individual comfort features

One example is the highly accurate temperature setting on our electronic instantaneous water heater. Not only will this keep showers pleasant and warm but compared with hydraulic units, it will cut energy consumption and deliver reduced energy costs of up to 140.- Euro a year because water is only heated to the set temperature and not a degree more.

Let's not forget the patented undersink hot water storage tank Huz 5 ÖKO DropStop, the open small storage water heater which doesn't drip when it heats up and saves up to 30.- Euro a year.

The benefits of AEG electric water heaters at a glance

- Highly convenient as the water temperature can be set accurate to one degree
- An easy way to produce warm water wherever it's needed (all you need is a supply of cold water and electricity)
- Highly cost-effective through use of short pipes to point of use
- Low installation and maintenance costs
- High energy saving thanks to ThermoStop
- Simple cost calculation/billing via electricity meter

GENERAL CALCULATION PRINCIPLES

Required amount of heat Q		
in Wh	$Q = m \cdot c \cdot \Delta \vartheta$	How many Wh are required to heat 80 kg water from ϑ_1 10 °C to ϑ_2 55 °C? $Q = \frac{80 \text{ kg} \cdot 1.163 \text{ Wh} \cdot 45 \text{ K}}{\text{kg} \cdot \text{K}}$ $Q = 4187 \text{ Wh} \hat{=} 4.2 \text{ kW}$

Heat-up time t		
in h	$t = \frac{m \cdot c \cdot \Delta \vartheta}{P \cdot \eta}$	Required heat-up time for 80 kg of water heated from ϑ_1 10 °C to ϑ_2 55 °C with connected load of 2000 W $t = \frac{80 \text{ kg} \cdot 1.163 \text{ Wh} \cdot 45 \text{ K}}{2000 \text{ W} \cdot 0.98}$ $t = 2.1 \text{ h}$

Mixed water volume m_M		
in kg or l	$m_M = \frac{m_2 \cdot (\vartheta_2 - \vartheta_M)}{m_1 + m_2}$	How much mixed water at a temperature of ϑ_M 40 °C do you get by mixing cold water at ϑ_1 10 °C into 80 kg of DHW at ϑ_2 55 °C $m_M = \frac{80 \text{ kg} \cdot (55 \text{ °C} - 10 \text{ °C})}{40 \text{ °C} - 10 \text{ °C}}$ $m_M = 120 \text{ kg} \approx 120 \text{ l}$

Rule of thumb for the flow rate against time when raising the temperature as follows:		
28 K Δϑ (from 10 °C to 38 °C)	$m_D = \frac{\text{connected load in kW}}{2} = \text{approx. l/min}$	$\frac{21 \text{ kW}}{2} = 10.5 \text{ l/min}$

Rule of thumb for mixed water volume at a cold water temperature of 10 °C	
e. g. 80 litres heated to 65 °C	80 litres water volume at 65 °C · 2 $\hat{=} 160$ litres mixed water volume at around 37 °C

Household DHW demand		
Application	Water volume in litres	
	40 °C	60 °C
Personal hygiene		
Full-size bath tub	120 ... 150	72 ... 90
Shower	30 ... 50	18 ... 30
Washing hands	2 ... 5	1 ... 3
Washing hair (women)	10 ... 15	6 ... 9
Washing hair (men)	5 ... 10	3 ... 6
Household		
Cleaning water, 8 l per bucket		8
Washing-up water – 1 sinkful		8 ... 12
Washing-up water – daily demand for 2 persons		12
Washing-up water – daily demand for 3 persons		16
Washing-up water – daily demand for 4 persons		20
The average household DHW demand is 30 litres/person x day (45 °C) or 20 litres/person x da (60 °C). This represents a specific useful heat of 1.2 kWh/person x day or 400 kWh/person x year. These specific consumption values should be applied when calculating costs for the living space according to DIN VDI 2067 Part 4.		

Formula key		
Q = Amount of heat in Wh	c = Specific heat in $\frac{\text{Wh}}{\text{kg} \cdot \text{K}}$ Water c 1.163 $\frac{\text{Wh}}{\text{kg} \cdot \text{K}}$	$\Delta \vartheta$ = Temperature differential in K ($\vartheta_2 - \vartheta_1$) ϑ_1 = Cold water temperature in °C ϑ_2 = DHW temperature in °C ϑ_M = Mixed water temperature in °C
m = Water volume in kg*		
P = Output in W	$\hat{=} 4.1868 \frac{\text{kJ}}{\text{kg} \cdot \text{K}}$	m_2 = DHW volume in kg
W = Energy demand in Wh		m_M = Mixed water volume in kg
t = Heat-up time in h		
η = Efficiency		
* 1 kg $\hat{=} 1$ litres		

ErP

The efficiency label standardises the efficiency rating of energy related products (ErP) throughout Europe. .
Since 26/09/2015, it must be used on heat generators and water heaters.

It helps designer engineers and installers in their purchasing decisions because it makes it easy to compare the energy efficiency of different products. Energy efficiency should therefore become a key element in the purchasing decision and contribute to the transition of the market to energy efficient products.



ErP for electric water heaters

Small water heaters · Wall mounted water heaters · Floorstanding water heaters · Instantaneous water heaters

Name or trademark of the supplier

Load profile or draw-off profile

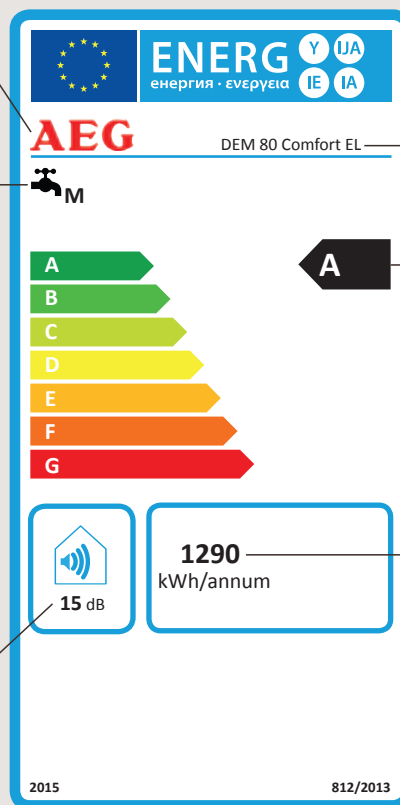
The draw-off profile is a measure of the potential DHW convenience of the appliance. The classes range from 3XS to 3XL and correspond to the standards-based user behaviour and output level of the appliance.

The higher the class, the greater the potential DHW draw-off and therefore convenience.

Important: When making a comparison therefore, the same draw-off profile should always be compared.

Sound power level

The sound power level is less important for electric water heaters and is measured at 15 dB. This value is virtually silent to the human ear.



Model name

Energy efficiency class

An appropriate class for the appliance is determined based on the actual measured energy efficiency. For electric water heaters, the 7 classes range from A - G.

Annual power consumption

This field displays the annual power consumption in kWh per year in the specified load profile. Important parameters that produce this value are the amount of hot water heat drawn off and the heat loss of the appliance, for example.

AEG water heaters with ÖKO+

All AEG units featuring the ÖKO+ symbol are particularly energy and water efficient, which is good for the environment and your purse.

It's well worth comparing products! It's only when you take a look at operating costs that you can tell whether a cheap unit is actually the better choice.



DropStop

The Huz 5 ÖKO DropStop is the first small water storage heater not to drip when heating up. The special technology built into the inside of

the tank not only allows users to reap energy and water savings but also reduces limescale deposits on the fitting and basin.



ThermoStop

By using temperature control mixers, the ThermoStop in the Huz 5 ÖKO DropStop and Huz 5/10 ÖKO Comfort prevents heat

being lost through the fitting, saving up to 0.4 kWh of energy a day.



TIP FOR SAVING ENERGY

Modern small storage water heaters from AEG – the leading savings expert responsible for the patented DropStop system and ThermoStop technology.

When heating up, the expansion water is stored separately in the unit and when water is next drawn off, this is delivered. The temperature control mixer prevents the heat from circulating through the system.

REQUIREMENTS FOR CONNECTING TO THE ELECTRICITY SUPPLY

Power consumption of boiler [kW]	Rated current A	Fuse A	Comments
3.5	15.2	1 x 16	Connection to standard socket
4.4	19.1	1 x 20	Permanent connection, cable cross section, depends on type of laying, at least 2.5 mm ²
5.7	24.8	1 x 25	Permanent connection, cable cross section, depends on type of laying, at least 2.5 mm ²
6.5	2 x 16.3	2 x 16	Permanent connection, cable cross section, depends on type of laying, at least 1.5 mm ²
11	15.9	3 x 16	Permanent connection, cable cross section, depends on type of laying, at least 2.5 mm ²
12	17.3	3 x 20	AC connection, cable cross section, depends on type of laying, at least 2.5 mm ²
13.3	19.3	3 x 20	AC connection, cable cross section, depends on type of laying, at least 2.5 mm ²
18.0	26.0	3 x 32	AC connection, cable cross section, depends on type of laying, at least 4.0 mm ² (3 x 25 A suitable for old installations with 25 A)
21.0	31.0	3 x 32	AC connection, cable cross section, depends on type of laying, at least 4.0 mm ²
24.0	35.0	3 x 35	AC connection, cable cross section, depends on type of laying, at least 4.0 mm ²
18.0 / 21.0 / 24.0	29.0 / 31.0 / 35.0	3 x 35	AC connection, cable cross section, depends on type of laying, at least 4.0 mm ²
27.0	39.0	3 x 40	AC connection, cable cross section, depends on type of laying, at least 6.0 mm ²

Various connection requirements must be satisfied depending on the unit's power consumption. No extra consumers should be operated on power circuits for electric water heaters. The table contains the minimum fuses for each unit output.

INSTANTANEOUS WATER HEATERS	16
WATER BOILERS	31
SMALL WATER HEATERS	35
WALL MOUNTED WATER HEATERS	43
FLOORSTANDING WATER HEATERS	50



Annual energy costs



Calculation for 3-person household with individual water and energy requirement is in accordance with VDI 2067



Area of use

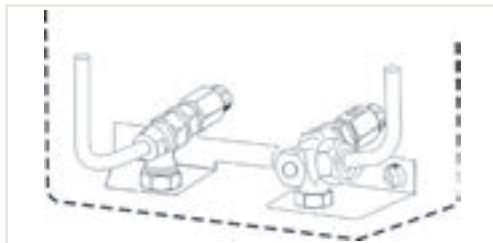
- To supply one or several nearby tap connections
- To supply washbasin/shower/kitchen sink/bath tub (bath tub 21 kW power or greater)
- Use in private or commercial sector

Components

- Elegant design, installation depth of just 93 mm
- Not sensitive to calcination as heating coils lie in the water itself
- Extensive fuse systems should problems arise
- Power supply with permanent connection

Installation

- Can be fitted directly in shower and bath tub area – water jet protection IP 25
- For oversink installation, with installation kit UT 104 also suitable for undersink installation
- Clever installation system:
 - universal installation plate with rotary fastener, fits on the drill holes of most other makes, everything is tight in just one turn
 - Cover installed from front, without screws
 - Electric connection from above or below
 - Universal water connection for remote and direct tap set-up
- Can also be installed in conjunction with plastic pipe systems (note details from manufacturer)



Remote tap set-up

- Cold water connection and warm water distribution via flush-mounted installation
- Warm water on left, cold water on right, pipe spacing of 100 mm, 1/2" thread connection



Direct tap set-up

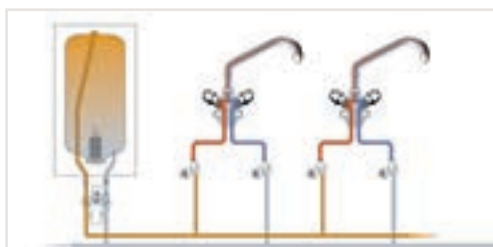
- Special direct taps can be connected
- Can also be connected to a flush-mounted installation (remote tap) in parallel
- Cold water either supplied on unit or via the tap



Open water heaters

These units are used to supply a tap connection not far from the boiler (e.g. washbasin, sink) and are not subject to tap pressure. The tank is continually linked to the outside air via an open fitting.

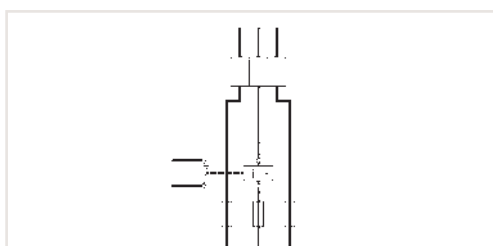
If warm water is drawn off, the warm water valve opens the supply of cold water to the unit. The cold water flows into the tank at the bottom and forces the lighter warm water to rise towards the tap connection and flow out of the unit. An open unit can only ever supply one tap connection



Closed water heaters

These units are used to supply several tap connections (e.g. bathroom with washbasin, shower and bath tub). Closed units are subject to tap pressure and the water heated is used downstream of the storage heater. The warm water is forced to the point of use by tap pressure.

Closed storage heaters need a safety valve combination which routes the expansion water to a separate discharge and protects the unit from overpressure when heating up. Closed instantaneous water heaters can be connected up directly to the water supply.



Priority switching in conjunction with storage heaters

- Priority switching in conjunction with heater e.g. electric storage heaters for instantaneous water heaters up to 27 kW
- A load shedding relay is needed for operation with priority switching (recommendation: fit LR 1-A in distribution, on request from AEG customer service, ELR relay 246 420)

- Check old installations and convert if necessary. Outer conductor L2 marked on mains connection terminal.

DDLE ÖKO THERMODRIVE

- Instantaneous water heaters with full electronic control for maximum temperature convenience and large amounts of water, e.g. rain showers
- Virtually constant outlet temperatures in the event of fluctuations in pressure, feed temperature and voltage
- Temperature selection (Off-Funktion) "0"-Position, 30 - 60 °C
- Temperature selection accurate to one degree using 2-colour backlit, clearly legible blue LCD display lighting (up to 42 °C, the colour changes to red at higher temperatures)
- Rapid control electronics for maximum showering comfort
- Processor-controlled motorised valve for water temperature accurate to the degree with maximum flow rate, suitable for rain shower heads
- Suitable for solar operation with feed temperatures of up to 60 °C, reheating of up to 45 °C
- Multi-function display with background lighting
- Temperature, flow rate, energy consumption or time can be displayed
- Two memory buttons for individually adjustable temperatures
- Comfort functions: ECO button, automatic water volume function, shower program
- Including wireless temperature button for setting the temperature once for the next drawing-off process
- Selectable output with the DDLE ÖKO TD 18/21/24 (at 18 kW, fuse min. 32 A)
- Electronic air bubble detection
- Wireless temperature button FBM Comfort, Dimension (H x W x D) 50 x 50 x 20 mm
- Childproofing: e.g. maximum temperature of 43 °C adjustable in the menu

ECO function for energy-saving operation:

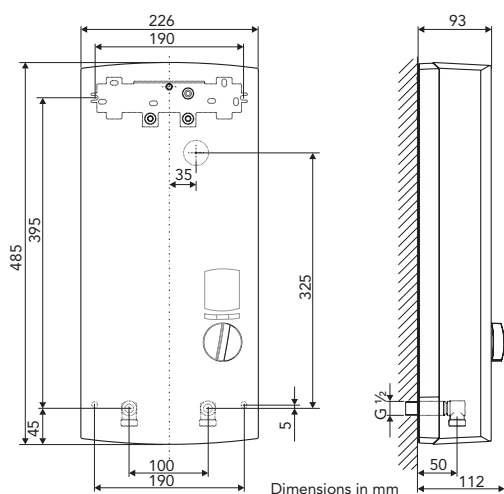
- The ECO button is used to set the temperature and limit the flow rate to save energy and water
- The temperature and flow rate can be preselected individually



DDLE ÖKO TD



Wireless temperature button FBM Comfort



Model	DDLE ÖKO TD 18	DDLE ÖKO TD 18/21/24	DDLE ÖKO TD 27
EAN	40 41056 02280 2	40 41056 02282 6	40 41056 02283 3
E-Number	222 396	222 398	222 399
Technical Data			
Power supply	V	3/PE~400 50 Hz	3/PE~400 50 Hz
Connected load	kW	18	18/21/24
Rated current	A	26	29/31/35
Fuse protection	A	25	32/32/35
Temperature selection	°C	Off / 0.30 - 60	Off / 0.30 - 60
Minimum water flow volume	l/min	approx. 2.5	approx. 2.5
Max. flow rate	l/min	9.9	9.9/11.6/13.2
Mixed-water volume at Δ 26 K	l/min	9.9	9.9/11.6/13.2
Max. feed temperature	°C	60	60
Specific resistance of water	Ω cm	> 900	> 900
Energy efficiency category		A	A
Type of protection		IP 25	IP 25
Weight including water fill	kg	4.0	4.0

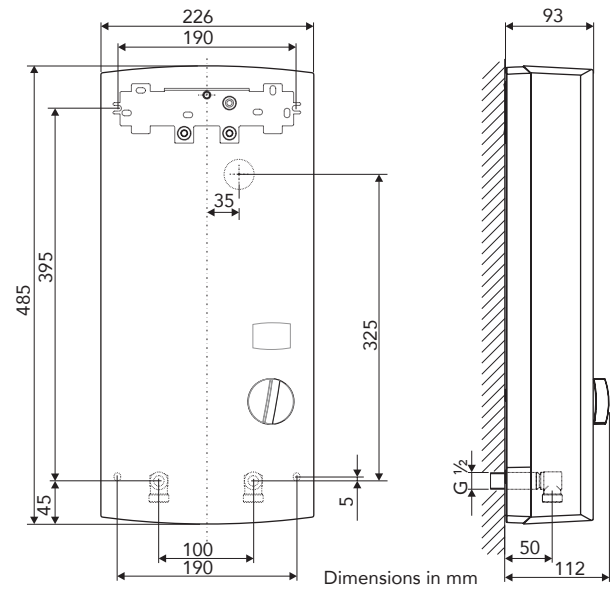
Only qualified contractors are permitted to install (water and electrical installations), commission and maintain DHW appliances in accordance with the operating instructions. · Palett: 24 items

DDLE LCD



DDLE LCD

- Electronically controlled instantaneous water heater with high temperature comfort
- Virtually constant outlet temperatures in the event of fluctuations in pressure, feed temperature and voltage
- Temperature selection accurate to one degree
- Dual colour display (blue/red); red illumination indicates risk of scalding (set temperature > 43 °C)
- Rapid control electronics for maximum showering comfort
- Suitable for solar operation with feed temperatures of up to 60 °C, reheating of up to 45 °C
- LC-Display
- Integrated diagnosis system
- Electronic air bubble detection
- Selectable output with the DDLE LCD 18/21/24 (at 18 kW, fuse protection min. 32 A)
- Temperature limit to max. 43 °C; can be set by a qualified contractor in the appliance. Temperature range 30 °C - 43 °C.



Model	DDLE LCD 18	DDLE LCD 18/21/24	DDLE LCD 27
EAN	40 41056 02276 5	40 41056 02278 9	40 41056 02279 6
E-Number	222 392	222 394	222 395
Technical Data			
Power supply	V	3/PE~400 50 Hz	3/PE~400 50 Hz
Connected load	kW	18	18/21/24
Rated current	A	26	29/31/35
Fuse protection	A	25	32/32/35
Temperature selection	°C	30 - 60	30 - 60
Minimum water flow volume	l/min	approx. 2.5	approx. 2.5
Max. flow rate	l/min	8 *	8/8/9 *
Mixed-water volume at Δ 26 K	l/min	9.9	9.9/11.6/13.2
Max. feed temperature	°C	60	60
Specific resistance of water	Ω cm	> 900	> 900
Energy efficiency category		A	A
Type of protection		IP 25	IP 25
Weight including water fill	kg	4.0	4.0

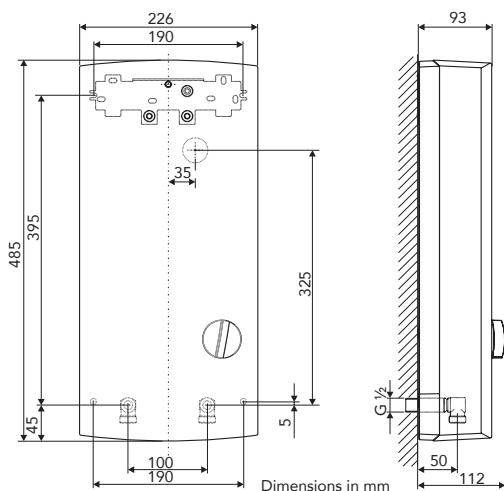
* with inserted volume limiter
Only qualified contractors are permitted to install (water and electrical installations), commission and maintain DHW appliances in accordance with the operating instructions. · Palett: 24 items

DDLE BASIS

- Electronically controlled instantaneous water heater with good temperature comfort
- Virtually constant outlet temperatures in the event of fluctuations in pressure and feed temperature
- Infinitely variable temperature setting with usage symbols
- Rapid control electronics for high level of temperature stability
- Electronic air bubble detection
- Selectable output with the DDLE Basis 18/21/24 (at 18 kW, Fuse protection min. 32 A)
- Suitable for solar operation with feed temperatures of up to 60 °C, reheating of up to 45 °C
- Temperature limit to max. 43 °C; can be set by a qualified contractor in the appliance. Temperature range 30 °C - 43 °C.



DDLE Basis



Model	DDLE Basis 11	DDLE Basis 13	DDLE Basis 18	DDLE Basis 18/21/24	DDLE Basis 27	
EAN	40 41056 02550 6	40 41056 02551 3	40 41056 02272 7	40 41056 02274 1	40 41056 02275 8	
E-Number	229 296	229 297	222 388	222 390	222 391	
Technical Data						
Power supply	V	3/PE~400 50 Hz	3/PE~400 50 Hz	3/PE~400 50 Hz	3/PE~400 50 Hz	
Connected load	kW	11	13.5	18	18/21/24	27
Rated current	A	16	19.5	26	29/31/35	39
Fuse protection	A	16	20	25	32/32/35	40
Temperature selection	°C	approx. 30 - 60	approx. 30 - 60	approx. 30 - 60	approx. 30 - 60	approx. 30 - 60
Minimum water flow volume	l/min	approx. 3.0	approx. 3.0	approx. 3.0	approx. 3.0	approx. 3.0
Max. flow rate	l/min	4.0 *	4.0 *	8 *	8/8/9 *	9 *
Mixed-water volume at Δ 26 K	l/min	5.9	7.2	9.9	9.9/11.6/13.2	14.9
Max. feed temperature	°C	60	60	60	60	60
Specific resistance of water	Ω cm	> 900	> 900	> 900	> 900	> 900
Energy efficiency category		A	A	A	A	A
Type of protection		IP 25	IP 25	IP 25	IP 25	IP 25
Weight including water fill	kg	4.0	4.0	4.0	4.0	4.0

* with inserted volume limiter

Only qualified contractors are permitted to install (water and electrical installations), commission and maintain DHW appliances in accordance with the operating instructions. · Palett: 24 items

AS HERD FOR DDLE BASIS 11 AND DDLE BASIS 13

Special accessories: connection set for oven

- Connection set for electrical connection between DDLE Basis 11 or DDLE Basis 13 and oven junction box
- Recommended for electric ovens without electronics, clock and residual heat display
- For connecting of the DDLE Basis 11 or 13 and the electric cooker to the same power

supply. Priority control for the DDLE. When hot water is drawn, the cooker is disconnected from the mains for that period (load shedding)



AS Herd

Model	AS Herd
EAN	40 17212 23409 9
E-Number	223 409

DDLE KOMPAKT 11/13



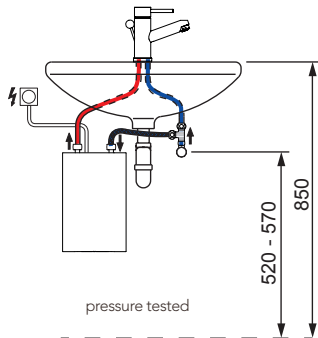
DDLE KOMPAKT FB 11/13

- Electronically controlled compact instantaneous water heater for space saving installation below the kitchen sink, or below the washbasin or hand washbasin for greater convenience
- Virtually constant outlet temperatures in the event of fluctuations in pressure and feed temperature
- For sealed unvented/open vented operation
- Undersink installation
- Adjustable output, can be set internally to 11 or 13.5 kW
- Type of protection IP 24

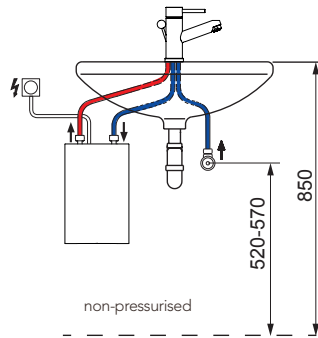
- Rapid control electronics for high level of temperature stability
- Electronic air bubble detection
- Suitable for solar operation with feed temperatures of up to 70 °C, reheating of up to 55 °C feed temperature
- DDLE Kompakt FB 11/13 with remote control IP X7 protection against intermittent immersion
- Complete with connection accessories: pressure hose and tee
- As standard with 900 mm long flexible power cable



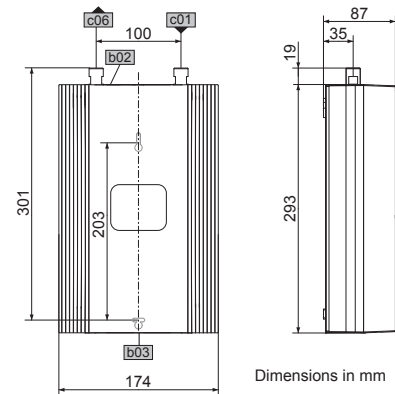
Readers of the trade magazine "Gebäudetechnik und Handwerk" assessed the DDL Kompakt as being "very good".



pressure tested



non-pressurised



Dimensions in mm

b01: Electrical cable entry
c01: Cold water inlet, male thread G 3/8" A
c06: DHW outlet, male thread G 3/8" A

Model	DDLE Kompakt 11/13	
EAN	40 41056 02728 9	40 41056 02729 6
E-Number	230 768	230 769
Technical Data		
Power supply	V	3/PE~400 50 Hz
Connected load	kW	11/13.5
Rated current	A	15.9/18.8
Fuse protection	A	3 x 16/3 x 20
Temperature selection	°C	20 - 60 (factory setting 50)
Minimum water flow volume	l/min	2.5
Max. flow rate*	l/min	5.0
Mixed-water volume at Δ 26 K	l/min	5.4 / 6.4
Max. feed temperature **	°C	70
Specific resistance of water	V cm	≥ 900
Energy efficiency category		A
Type of protection		IP 24
Weight including water fill	kg	2.7

* with inserted volume limiter · ** DHW at 38 °C in litres per minute;; 12 °C feed temperature
Only qualified contractors are permitted to install (water and electrical installations), commission and maintain DHW appliances in accordance with the operating instructions. · Palett: 36 items

AS HERD KOMPAKT



AS Herd Kompakt

**Special accessories:
connection set for DDLE Kompakt 11/13**

- Connection set for electrical connection between DDLE Kompakt 11/13 or DDLE Kompakt FB 11/13 and oven junction box
- Recommended for electric ovens without electronics, clock and residual heat display

- For connecting of the DDLE Kompakt 11/13 or DDLE Kompakt FB 11/13 and the electric cooker to the same power supply. Priority control for the DDLE. When hot water is drawn, the cooker is disconnected from the mains for that period (load shedding)

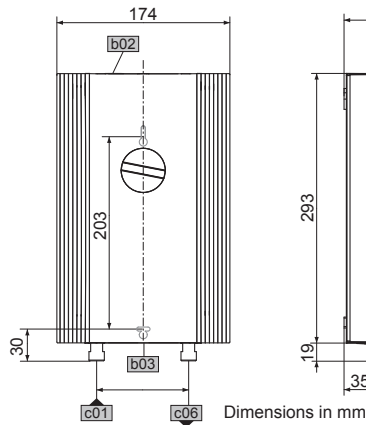
Model	AS Herd Kompakt
EAN	40 17212 33048 7
E-Number	233 048

DDLE KOMPAKT OT 11/13

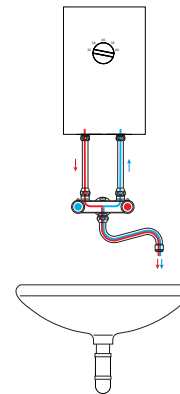
- Electronically controlled compact instantaneous water heater for oversink installation on sink or wash basin
- Variable temperature adjustment from 20 °C to 60 °C via rotary selector
- **G 1/2"** water connections for pressurised and non-pressurised systems from below
- Largely constant outlet temperature in the case of pressure or supply temperature fluctuations
- Oversink installation
- Adjustable output, can be set internally to 11 or 13.5 kW
- Type of protection IP 24
- Rapid control electronics for high level of temperature stability
- Electronic air bubble detection
- Suitable for solar operation with feed temperatures of up to 70 °C, reheating of up to 55 °C feed temperature
- Anti-scalding protection may be activated (limiting the outlet temperature to 43 °C)
- Flexible power cable, 900 mm long



DDLE KOMPAKT OT 11/13



b02: Electrical cable entry
b03: Wall mounting
c01: DHW outlet, male thread G 1/2" A
c06: Cold water inlet, male thread G 1/2" A



Readers of the trade magazine "Gebäudetechnik und Handwerk" assessed the DDL Kompakt as being "very good".

Model	DDLE Kompakt OT 11/13	
EAN	40 41056 03072 2	
E-Number	232 793	
Technical Data		
Power supply	V	3/PE~400 50 Hz
Connected load	kW	11/13.5
Rated current	A	15.9/18.8
Fuse protection	A	3 x 16/3 x 20
Temperature selection	°C	20 - 60
Minimum water flow volume	l/min	2.5
Max. flow rate*	l/min	5.0
Mixed-water volume at Δ 26 K	l/min	5.4 / 6.4
Max. feed temperature **	°C	70
Specific resistance of water	V cm	≥ 900
Energy efficiency category	A	
Type of protection	IP 24	
Weight including water fill	kg	2.7

* with inserted volume limiter · ** DHW at 38 °C in litres per minute;; 12 °C feed temperature
Only qualified contractors are permitted to install (water and electrical installations), commission and maintain DHW appliances in accordance with the operating instructions. · Palett: 36 items ·

OPEN VENTED WALL-MOUNTED MIXERS

AHo 50:

- Open vented two-hand wall-mounted mixer for oversink installation on sink or wash basin, complete with swivel spout



AHo 50

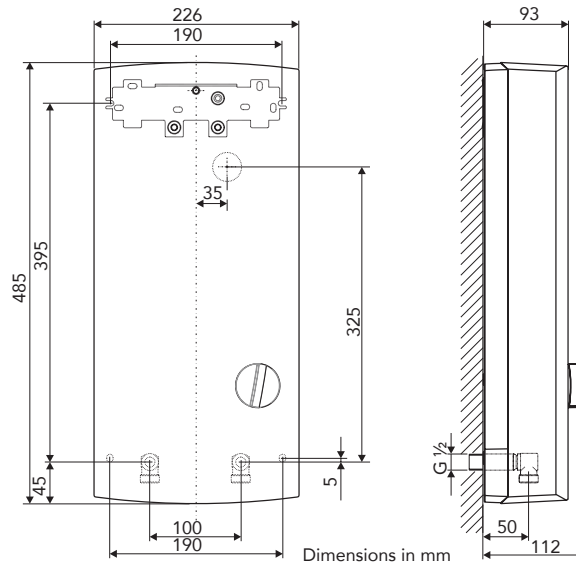
Model	AHo 50	
EAN	40 41056 02928 3	
E-Number	232 615	
Description	Open vented wall mounted two-hand mixer tap, oversink	

DDLE EASY



DDLE EASY

- Electronically controlled instantaneous water heater with good temperature convenience
- Virtually constant outlet temperatures in the event of fluctuations in pressure and feed temperatures
- Two fixed temperatures of 42 °C and 55 °C with usage symbols
- Rapid control electronics for high level of temperature stability
- Electronic air bubble detection



Model		DDLE EASY 18	DDLE EASY 21	DDLE EASY 24
EAN		40 41056 02507 0	40 41056 02508 7	40 41056 02509 4
E-Number		228 840	228 841	228 842
Technical Data				
Power supply	V	3/PE~400 50 Hz	3/PE~400 50 Hz	3/PE~400 50 Hz
Connected load	kW	18	21	24
Rated current	A	26	31	35
Fuse protection	A	25	32	35
Temperature selection	°C	approx. 42 / 55	approx. 42 / 55	approx. 42 / 55
Minimum water flow volume	l/min	approx. 3.0	approx. 3.0	approx. 3.0
Max. flow rate	l/min	8.0 *	8.0 *	9.0 *
Mixed-water volume at Δ 26 K	l/min	9.9	11.6	13.2
Max. feed temperature	°C	25	25	25
Specific resistance of water	V cm	> 900	> 900	> 900
Energy efficiency category		A	A	A
Type of protection		IP 25	IP 25	IP 25
Weight including water fill	kg	4.0	4.0	4.0

* with inserted volume limiter

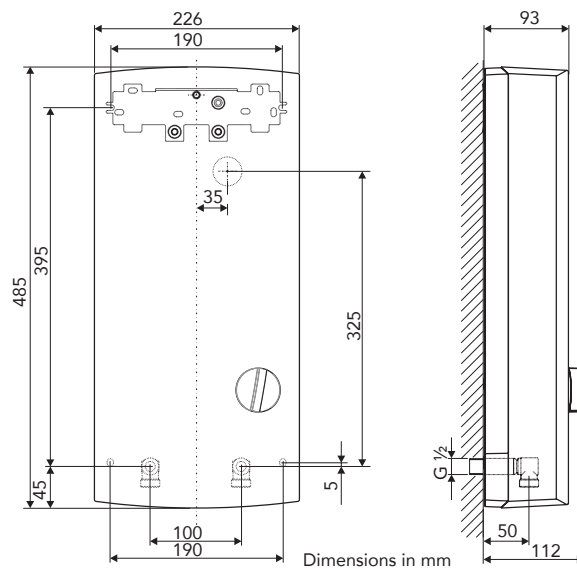
Only qualified contractors are permitted to install (water and electrical installations), commission and maintain DHW appliances in accordance with the operating instructions. · Palett: 24 items

DDLT PINCONTROL

- Hydraulically controlled instantaneous water heater with mechanical temperature consistency control
- Virtually constant outlet temperature in the event of pressure fluctuations using PinControl
- 4 output stages – 2 can be selected manually, 2 switched hydraulically, depending on flow rate
- Pressure-controlled safety device



DDLT PinControl



Model	DDLT PinControl 13	DDLT PinControl 18	DDLT PinControl 21	DDLT PinControl 24
EAN	40 41056 02268 0	40 41056 02269 7	40 41056 02270 3	40 41056 02271 0
E-Number	222 384	222 385	222 386	222 387
Technical Data				
Power supply	V	3/PE~400 50 Hz	3/PE~400 50 Hz	3/PE~400 50 Hz
Connected load	kW	13.5	18	21
Rated current	A	20	26	31
Fuse protection	A	20	25	32
Temperature selection	°C	up to around 60 (2 output stages)	up to around 60 (2 output stages)	up to around 60 (2 output stages)
Minimum water flow volume	l/min	2.4 / 3.9	3.0 / 4.9	3.5 / 5.6
Max. flow rate	l/min	4.7 *	5.9 *	7.0 *
Mixed-water volume at Δ 26 K	l/min	7.2	9.9	11.6
Max. feed temperature	°C	25	25	25
Specific resistance of water	V cm	> 900	> 900	> 900
Energy efficiency category		A	A	A
Type of protection		IP 25	IP 25	IP 25
Weight including water fill	kg	4.0	4.0	4.0

* when switching on 2nd level.

Only qualified contractors are permitted to install (water and electrical installations), commission and maintain DHW appliances in accordance with the operating instructions. · Palett: 24 items



UT 104



UNDERSINK INSTALLATION KIT

- For laying water connections on top of unit, thereby allowing for undersink installation
- For connection to existing corner valves
- Water connection with 12 mm compression fitting
- Not suited for DDLT PinControl



FBM Comfort

WIRELESS TEMPERATURE BUTTON FOR DDLE ÖKO THERMODRIVE

- In the DDLE ÖKO ThermoDrive's normal mode, temperature can be set using all four buttons
- The temperature settings 38 °C and 55 °C are permanently programmed and can be individually adjusted with the +/- keys
- IP X7 protection against intermittent immersion
- In ECO mode, the ECO function is suspended for the next draw-off event when any key on the wireless remote control is pressed
- Range in buildings of around 25 m, and through 2 walls or one floor
- Up to 4 FBM can be operated with a single DDLE ÖKO TD
- Dimensions (W x H x D): 50 x 50 x 20 mm

Model	UT 104	FBM Comfort
EAN	40 14890 71432 5	40 41056 02446 2
E-Number	184 421	227 545
Description	Undersink installation kit	Wireless temperature button for ThermoDrive



ADEo 70 WD

FITTINGS FOR INSTANTANEOUS WATER HEATER

- Special direct drawing fitting for instantaneous water heater
- Twin-hand tap with bath tub/shower changeover, complete with 12 mm Ø, 300 mm long connection pipes, handheld shower head, shower hose and wall bracket
- Fitted directly under unit
- The support plate and connection plug needed for the connection are included in the fitting's scope of supply
- Protection rating: IP 24



AVR 1000-12

CONNECTION PIPES

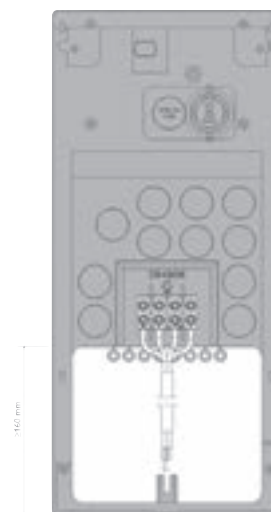
- Connection pipes (pair)
- 1000 mm long
- can be individually trimmed to length
- Ø 12 mm

Model	ADEo 70 WD	AVR 1000-12
EAN	40 41056 02932 0	40 14890 74215 1
E-Number	232 619	184 549
Description	Single lever tap	Connection pipes (pair) 1000 mm long, can be individually trimmed to length, Ø 12 mm

MOUNTING FRAMES AND PIPE ASSEMBLIES

Mounting frame MR 110

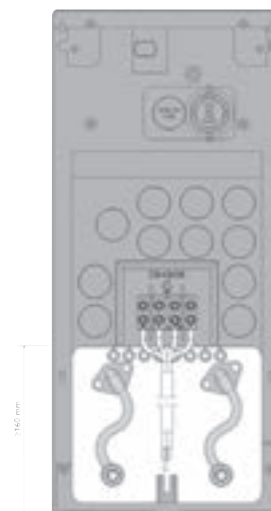
- Universal mounting frame with back panel and wiring
- Particularly suitable for special installation conditions, such as the replacement of an instantaneous water heater with different connections
- The depth of the instantaneous water heater increases by around 30 mm
- Standard delivery: Universal mounting frame, extension cable, 2 tap extensions ½", cable grommet



MR 110

Pipe assembly for offset installation MR 111

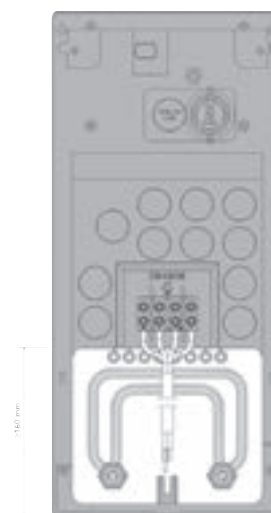
- Pipe assembly for offset installation incl. universal mounting frame
- Vertical offset of the appliance relative to the water connection by approx. 90 mm +/- 10 mm downwards
- The universal mounting frame creates the necessary space behind the appliance to accommodate the pipe assembly
- The depth of the instantaneous water heater increases by 30 mm
- Standard delivery: Universal mounting frame, 2 x ½" twin connectors each, fixing washers, pipe assemblies, ½" valve extensions and gaskets



MR 111

Pipe assembly for gas water heater replacement MR 112

- Pipe assembly incl. universal mounting frame
- For installation on existing gas water heater connections (CW on the left, DHW on the right)
- The universal mounting frame creates the necessary space behind the appliance to accommodate the pipe assembly
- The depth of the instantaneous water heater increases by 30 mm
- Standard delivery: Universal mounting frame, ½" pipe assemblies and gaskets



MR 112

Model	MR 110	MR 111	MR 112
EAN	40 41056 02455 4	40 41056 02456 1	40 41056 02457 8
E-Number	227 701	227 702	227 703
Description	Mounting frame instantaneous water heater	Pipe assembly for offset installation	Pipe assembly for gas water heater replacement



Area of use

- Electric small instantaneous water heaters for supplying warm water in energy- and water-saving manner.
- Cut energy consumption by up to 66 % energy and water consumption by up to 50 % water compared with other types of supply!
- Can be used in homes, holiday homes, guest WCs and toilet facilities
- With small instantaneous water heaters , the water volume and temperature are limited to around 2-3.3 l/min at approx. 35 °C. If higher water volumes and temperatures are needed, small storage tanks or instantaneous water heaters with power rates of 12 kW or more should be used

Components

- Very compact dimensions
- Bare wire heating system for rapid heating up, not susceptible to calcination

- MTE 350/440/570/650: open and closed operation
- MTD: closed unit, for pressure fittings
- MTH: open unit, for non-pressure fittings

Installation

- Jet water protection IP 25
- MTE: for undersink and oversink installation
- MTD: for undersink installation
- MTH: for undersink and oversink installation
- All you need to operate the MTE 350 and MTH 350 is a socket with a 16 A fuse and cold water supply
- For MTD 350, 440, 570, MTH 440, 570 and MTE 440/570, you need a permanent supply with a 16 A, 20 A or 25 A fuse
- With jet controller for adjusting standard fittings, MTD also with connection accessories, pressure hose and T-piece

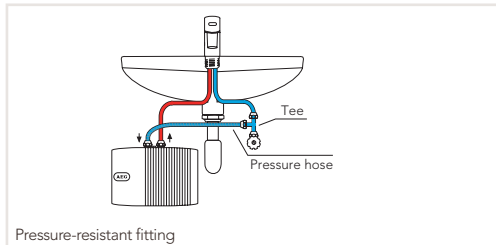


Fig. 1: AEG small instantaneous water heaters MTD and MTE 440/570/650 in undersink installation, with closed (pressure-resistant) fitting; T-piece and pressurised hose included in standard delivery; pressure fittings present can be adjusted using jet controller provided

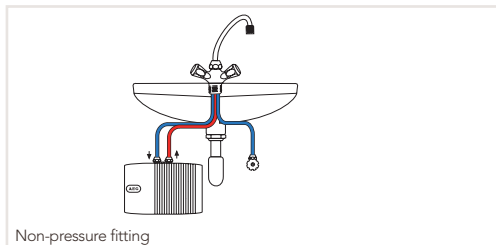


Fig. 2: AEG small instantaneous water heaters MTH and MTE 350 in undersink installation, with open, (non-pressure) fitting

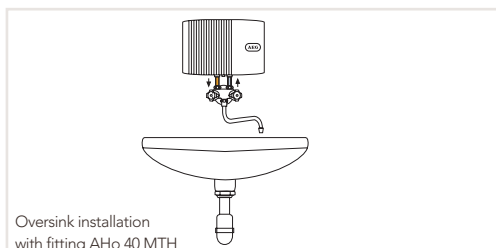


Fig. 3: AEG small instantaneous water heaters MTH and MTE in oversink installation; the special fitting AHo 40 MTH is needed for this



With new aerator for water saving tap outlet you get a pleasantly gentle water jet



Jet controller for adapting standard fittings

- The jet controller ensures that the comparatively low water volume of the small instantaneous water heater is well distributed at the water outlet and forms a good jet pattern
- The jet controller is provided with the units and is used in the fitting in place of the jet controller present
- Jet controller SR3 and SR5 with automatic flow control

- Jet Controller SR3 for small instantaneous water heaters: MTH 350, MTH 440, MTH 350 + UTE, MTH 350 + UT, MTH 350 + OT, For valves: AHEu 40 MTH, AHu 40 MTH, AHo 40 MTH Available as spare part (289 591)
- Jet Controller SR5 for small instantaneous water heater MTH 570/650 Available as spare part (270 582)

REQUIREMENTS FOR CONNECTING TO THE ELECTRICITY SUPPLY

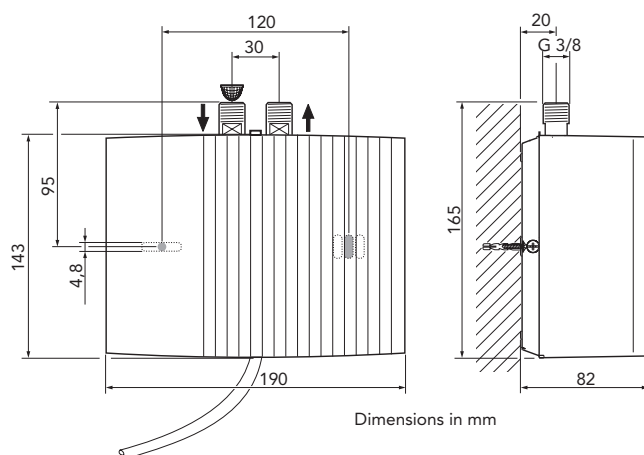
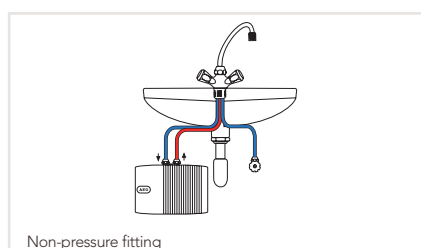
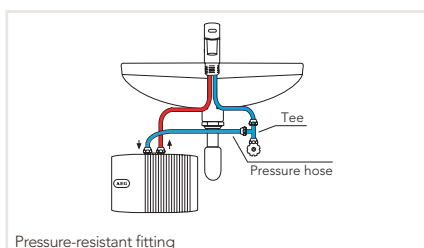
Power consumption of boiler in kW	Rated current A	Fuse A	Comments
3.5	15.2	1 x 16	Connection to standard socket
4.4	19.1	1 x 20	Permanent connection, cable cross section, depends on type of laying, at least 2.5 mm ²
5.7	24.8	1 x 25	Permanent connection, cable cross section, depends on type of laying, at least 2.5 mm ²
6.5	2 x 16.3	2 x 16	Permanent connection, cable cross section, depends on type of laying, at least 1.5 mm ²

MTE (SEALED UNVENTED AND OPEN VENTED)

- Electronically controlled small instantaneous water heater for supplying a hand basin
- Electronics ensure constant outlet temperature, up to maximum capacity, in both summer and winter
- Outlet temperature can be set internally to 30...50 °C
- Suitable for solar operation up to 60 °C, reheating of up to 45 °C
- Maximum flow rate can be set internally
- Effective bare wire heating system
- Universal oversink or undersink installation
- **MTE 350:** with safety plug
- **MTE 440/570/650:** with permanent connection
- **MTE 350/ 440/570/650:** for non-pressure and pressure-resistant fittings, complete with connection accessories, pressure hose and T-piece
- Metal water connections
- Special jet controller with flow restrictor for M 2 internal thread and M 24 external thread
- **MTE 650:** 2-phase with connection 2/PE*~400 V 50 Hz
Fuse 2 x 16 A
Permanent connection, cable cross section, depends on type of laying, at least 1.5 mm²



MTE 350



Model	MTE 350	MTE 440	MTE 570	MTE 650
EAN	40 41056 02740 1	40 41056 02741 8	40 41056 02774 6	40 41056 02945 0
E-Number	231 003	231 004	231 216	232 770
Technical Data				
Type closed/open	•/•	•/•	•/•	•/•
Power supply	V 1/N/PE~230 50 Hz	V 1/N/PE~230 50 Hz	V 1/N/PE~230 50 Hz	V 2/PE~400 50 Hz
Type of installation: undersink/oversink	•/•	•/•	•/•	•/•
Safety plug (S), Permanent connection (F)	S	F	F	F
Connected load	kW 3.5	kW 4.4	kW 5.7	kW 6.5
Flow rate at Δ 25 K	l/min 2.0	l/min 2.5	l/min 3.4	l/min 3.7
Temperature increase within the comfort range, approx.:	K 25	K 25	K 25	K 25
Temperature adjustment*:	°C 30 - 50	°C 30 - 50	°C 30 - 50	°C 30 - 50
Switch-on water volume	l/min 1.5	l/min 1.8	l/min 2.2	l/min 2.2
Energy efficiency category	A	A	A	A
Type of protection	IP 25	IP 25	IP 25	IP 25
Weight including water fill	kg approx. 1.5	kg approx. 1.5	kg approx. 1.5	kg approx. 1.5

* up to the output limit - depending on cold water inlet temperature and volume of water
Only qualified contractors are permitted to install (water and electrical installations), commission and maintain DHW appliances in accordance with the operating instructions. · Palett: 40 items

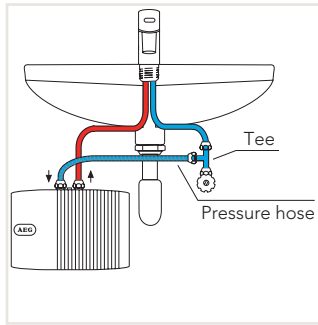
MTD (SEALED UNVENTED)



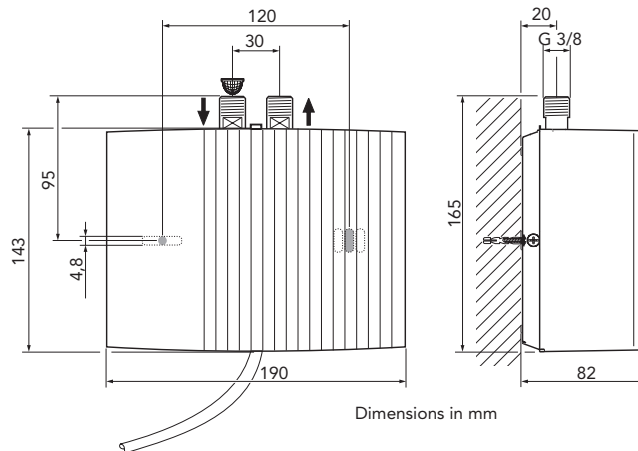
MTD 350

- Small instantaneous water heater for sealed unvented operation
- For undersink installation
- With new aerator for water-saving fitting outflow, pleasantly soft water jet
- Bare wire heating system for rapid heating up, not susceptible to calcination
- Complete with pressurised hose and T-piece connection accessories
- With permanent connection

- **MTD 350:** Connection cable with safety plug
- **MTD 650:** 2-phase with connection 2/PE*~400 V 50 Hz Fuse 2 x 16 A Permanent connection, cable cross section, depends on type of laying, at least 1.5 mm²



Pressure-resistant fitting



Dimensions in mm

Model	MTD 350	MTD 440	MTD 570	MTD 650
EAN	40 41056 02245 1	40 41056 02246 8	40 41056 02247 5	40 41056 02965 8
E-Number	222 120	222 121	222 122	232 790
Technical Data				
Type closed/open	-/•	-/•	-/•	-/•
Power supply	V 1/N/PE~230 50 Hz	V 1/N/PE~230 50 Hz	V 1/N/PE~230 50 Hz	V 2/PE~400 50 Hz
Type of installation: undersink/oversink	•/-	•/-	•/-	•/-
Safety plug (S), Permanent connection (F)	S	F	F	F
Connected load	kW 3.5	kW 4.4	kW 5.7	kW 6.5
Flow rate at Δ 25 K	l/min 2.0	l/min 2.5	l/min 3.3	l/min 3.7
Temperature increase within the comfort range, approx.:	K 25	K 25	K 25	K 25
Temperature adjustment*:	°C -	°C -	°C -	°C -
Switch-on water volume	l/min 1.6	l/min 2.0	l/min 2.6	l/min 2.6
Energy efficiency category	A	A	A	A
Type of protection	IP 25	IP 25	IP 25	IP 25
Weight including water fill	kg 1.4	kg 1.4	kg 1.4	kg 1.4

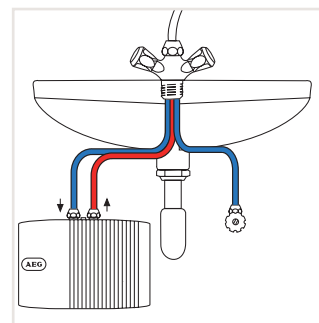
* up to the output limit - depending on cold water inlet temperature and volume of water
Only qualified contractors are permitted to install (water and electrical installations), commission and maintain DHW appliances in accordance with the operating instructions. · Palett: 40 items

MTH (OPEN VENTED)

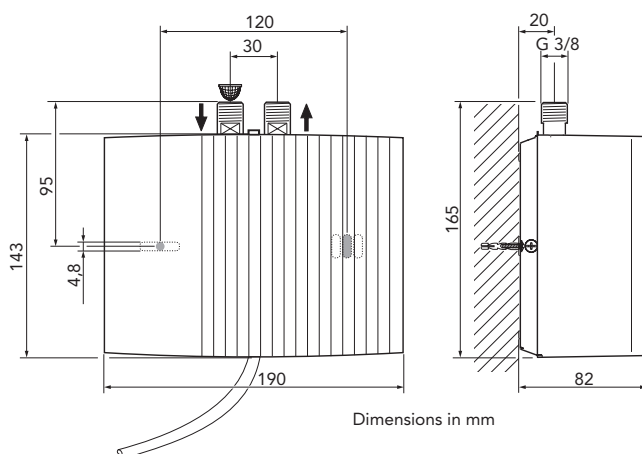
- Small instantaneous water heater for open vented operation
- For undersink and oversink installation
- Bare wire heating system for rapid heating up, not susceptible to calcination
- With aerator for adapting existing fittings
- **MTH 350**: Connection cable with safety plug
- **MTH 440 and MTH 570**: Permanent connection
- Practical complete sets available with single lever fitting, 2-hand fitting or oversink fitting
- **MTH 350 + UTE**: With single-lever tap for washbasin
- **MTH 350 + UT**: With 2-hand fitting for washbasin
- **MTH 350 + OT**: With oversink fitting



MTH 350



Pressure-less fitting



Model	MTH 350	MTH 440	MTH 570	MTH 350 + UTE	MTH 350 + UT	MTH 350 + OT
EAN	40 41056 01569 9	40 41056 02240 6	40 41056 02241 3	40 41056 01572 9	40 41056 01571 2	40 41056 01570 5
E-Number	189 554	189 555	222 116	189 557	189 631	189 556
Technical Data						
Type closed/open	•/–	•/–	•/–	•/–	•/–	•/–
Power supply	V 1/N/PE~230 50 Hz	1/N/PE~230 50 Hz	1/N/PE~230 50 Hz	1/N/PE~230 50 Hz	1/N/PE~230 50 Hz	1/N/PE~230 50 Hz
Type of installation: undersink/oversink	•/•	•/•	•/•	•/•	•/•	•/•
Safety plug (S), Permanent connection (F)	S	F	F	S	S	S
Connected load	kW 3.5	4.4	5.7	3.5	3.5	3.5
Flow rate at Δ 25 K	l/min 2.0	2.5	3.3	2.0	2.0	2.0
Temperature increase within the comfort range, approx.:	K 25	25	25	25	25	25
Temperature adjustment*:	°C –	–	–	–	–	–
Switch-on water volume	l/min 1.6	2.0	2.6	1.6	1.6	1.6
Energy efficiency category	A	A	A	A	A	A
Type of protection	IP 25	IP 25	IP 25	IP 25	IP 25	IP 25
Weight including water fill	kg 1.4	1.4	1.4	1.4	1.4	1.4

* up to the output limit - depending on cold water inlet temperature and volume of water
 Only qualified contractors are permitted to install (water and electrical installations), commission and maintain DHW appliances in accordance with the operating instructions. · Palett: MTH 350 – 570: 40 items, MTH Sets: 30 items

SENSOR FITTING FOR SMALL INSTANTANEOUS WATER HEATERS MTE AND MTD



ADS 40

- Sensor fitting (pressure) for zero-contact operation, with wall power supply
- Wash basin installation
- Valve body made from brass of low dezincification (MS 63)
- Mixing water temperature can be adjusted (permanent setting possible)
- Sensor sensitivity permanently self-calibrating
- Run-on time can be set between 0 and 5 seconds (factory setting of 1 second)
- 12- or 24-hour hygiene rinsing
- Connection cable length of wall power supply: 770 mm
- Flexible connection hose: 410 mm long
- Also suited to all instantaneous water heaters and pressure-resistant storage tanks

SENSOR FITTING FOR SMALL INSTANTANEOUS WATER HEATERS MTE AND MTH



AHS 50

- Sensor fitting (pressure) for zero-contact operation, with wall power supply
- Wash basin installation
- Valve body made from brass of low dezincification (MS 63)
- Mixing water temperature can be adjusted (permanent setting possible)
- 12 or 24 h hygiene flushing
- Rapid installation system
- Flexible connection hoses
- Dirt trap in inlet
- Connection cable length of wall power supply: 770 mm
- Flexible connection hose: 500 mm long

SINGLE-LEVER TAP FOR SMALL INSTANTANEOUS WATER HEATERS MTE AND MTH



AHEu 40 MTH

- Attractive open vented single-lever tap for washbasin
- With flexible connection hoses
- With pop-up waste set
- With water jet control SR3

2-HAND FITTING FOR SMALL INSTANTANEOUS WATER HEATERS MTE AND MTH



AHu 40 MTH

- 2-hand fitting for single-hole installation on washbasin
- Open vented single-hole mixer tap with swivel spout and flexible connection hoses.
- The left toggle opens the warm water valve and the right toggle the cold water valve
- With water jet control SR3

2-HAND FITTING FOR SMALL INSTANTANEOUS WATER HEATERS MTE AND MTH



AHo 40 MTH

- Open vented oversink fitting with swivel spout. The right toggle opens the warm water valve and the left toggle the cold water valve
- The cold water connection is at the rear on the fitting
- Suitable for MTH and MTE units. With special aerator
- With water jet control SR3

Model	ADS 40	AHS 50	AHEu 40 MTH	AHu 40 MTH	AHo 40 MTH
EAN	40 41056 02738 8	40 41056 02739 5	40 41056 01582 8	40 41056 01581 1	40 41056 01580 4
E-Number	230 958	230 959	189 634	189 633	189 632
Description	Sensor fitting for zero-contact operation	Sensor fitting for zero-contact operation	Open vented single-lever mixer tap	Single-hole mixer tap	Wall-mounted mixer for MTH and MDE

Area of use

- Water boiler for generating hot and boiling water to supply a kitchen sink
- Ideal for making instant meals, tea and coffee in the home, office, commerce, catering and much more

Components

- Heats water for between just one cup (0.2 l) and up to 5 litres
- Low-line design
- Stainless steel base plate, with heater underneath
- Temperature can be selected from between around 35 °C and boiling
- Automatic protection from running dry
- 3-hand fitting with swivel spout included in scope of supply
- 0.5 m connection cable with safety plug

• **Automatic further boiling function:**

The ON/OFF indicator illuminates while the water is heated. The appliance switches off automatically as soon as the selected temperature has been reached. The ON/OFF indicator goes out. At the top end of the temperature range, once the boiling point has been reached the water is held at temperature by the automatic continuous reboil facility. An audible signal indicates that boiling water is available

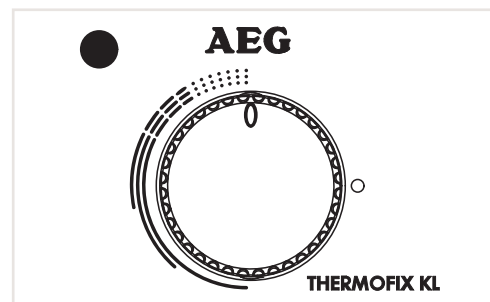
Installation

- Unit is hung on the wall away from children
- Fitted directly above sink basin
- All you need for operation is a cold water connection and socket
- Cold water inlet from the back via the 3-lever tap



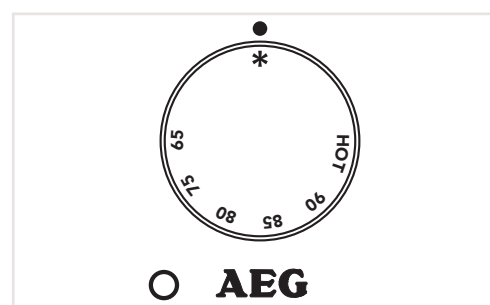
Simple to operate

- **“Warm” range:** Temperature of around 30-50 °C
- **“Hot” range:** Temperature of around 50-80 °C
- **“Boiling” range:** Temperature of around 80-100 °C
- On push-button: start the heating-up process
- Fitting:
 - Knob with white dot – fill tank
 - Knob with blue dot – draw off cold water
 - Knob with red dot – draw off warm water



Simple to operate

- Temperature selector
Temperature selection 65 °C to HOT (around 97 °C)



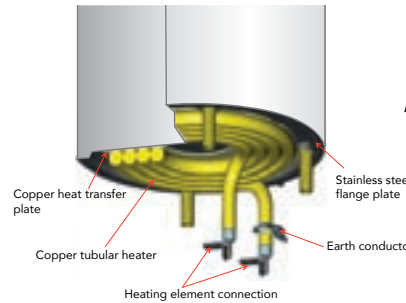
HOT 5

THERMOFIX KL

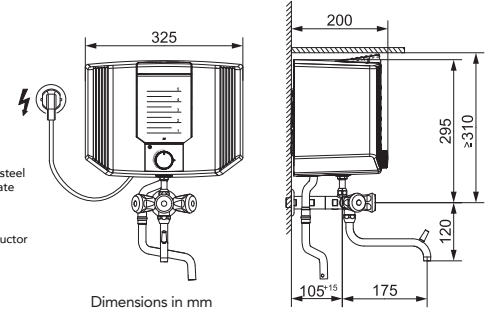


THERMOFIX KL

- For quickly generating hot water using a 2 kW connected load
- Automatic further boiling function with acoustic signal for boiling keeps boiling water hot
- Heats water for between just one cup and up to 5 litres
- Temperature can be set in continuously variable manner to between 35 °C and boiling
- Heat-up signalled by red indicator
- Quick and easy to install
- Plug-in variant
- Easy to replace without drilling through universal wall bracket
- Brass chrome-plated 3-hand fitting with swivel spout included in scope of supply



Long-life stainless steel heater outside the water under the base plate



Model		THERMOFIX KL
EAN		40 41056 02532 2
E-Number		228 908
Technical Data		
Rated capacity	l	1 cup up to 5 litres
Power supply	V	1/N/PE ~230 50 Hz
Connected load	kW	2
Connection cable	m	0.75 with safety plug
Temperature selection	°C	approx. 35 up to boiling
Signal for boiling		•
Automatic further boiling function		•
Tank material		Plastic
Color		white
Fitting (as standard)		3-hand, chrome-plated
Type of protection		IP 24 D
Weight including water fill	kg	8.0
Only qualified contractors are permitted to install (water and electrical installations), commission and maintain DHW appliances in accordance with the operating instructions. · Palett: 16 items		



AT 30 ch

REPLACEMENT FITTING FOR THERMOFIX KL

- Special fitting for THERMOFIX KL, chrome valve body, chrome knob
- Supply pipe diameter: 1/2"

Model		AT 30 ch
EAN		40 17212 86253 7
E-Number		286 253
Description		3-hand fitting for THERMOFIX KL

HOT WATER SYSTEM HOT 5 WITH SPECIAL TAP – NEW – AND CHILD SAFETY FEATURE

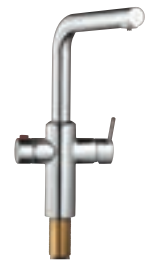
- Hot water in 1 second
- Water drawn with little steam or splashing
- Push-turn feature on tap ensures child safety; system separation also prevents tap from getting hot
- Hot water system for connection to a central DHW supply system
- Including hot water tap AEuS HOT
- Suitable for the rapid preparation of hot drinks and food
- For use in kitchens, offices and surgeries
- Approximately 5 l of near-boiling water
- Flexible connection hoses
- High grade thermal insulation
- Hot water temperature adjustable from 65 °C to approx. 97 °C
- High safety level through high limit safety cut-out
- Connection with standard plug
- Type of protection IP 24
- We recommend operating the HOT 5 with a water filter



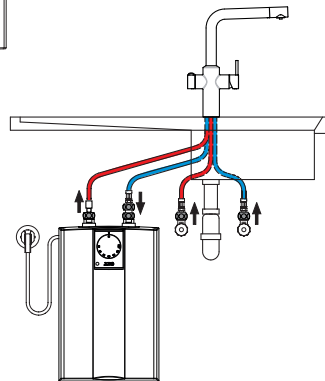
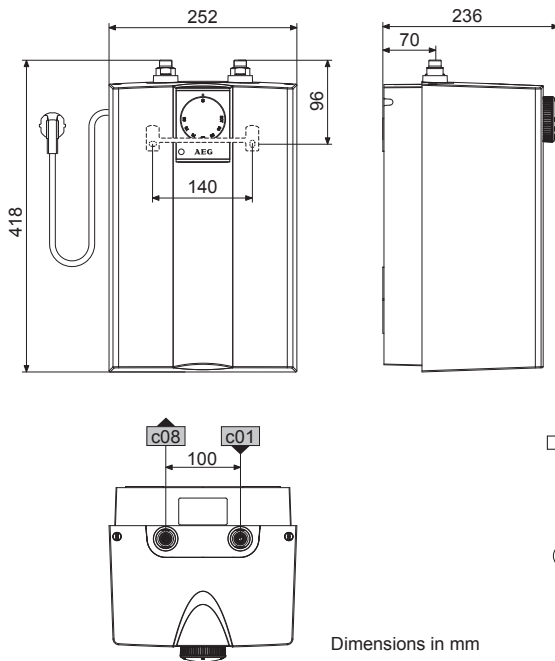
HOT 5



FITTING WILL NOT BECOME HOT



AEuS HOT



Model	HOT 5 + AEuS HOT	
EAN	40 41056 03073 9	
E-Number	234 238	
Technical Data		
Rated capacity	l	Up to 5 l of near-boiling water (approx. 97 °C)
Power supply	V	1/N/PE~230 50 Hz
Connected load	kW	2
Rated current	A	8.7
Standby power consumption / 24 h at 97 °C	kWh	0.53
Hot water temperature setting range	°C	65 to approx. 97
Max. hot water flow rate	l/min	2.1
Maximum permissible pressure	MPa	0 (non-pressurised)
Type of protection	IP 24	
Color	White	
Weight (without water fill)	kg	3
Hot water tap AEuS HOT		
Type of installation	Mono block mixer tap, sink	
Application	sink	
Type of design	open / closed	
Max. hot water flow rate	l/min	2.1
Max. cold water/DHW flow rate	l/min	12
Finish	Polished chrome	
Outlet height	mm	287
Reach	mm	210

Only qualified contractors are permitted to install (water and electrical installations), commission and maintain DHW appliances in accordance with the operating instructions. · Palett: 12 Items



HOT WATER TAP AEU S HOT PART OF THE STANDARD DELIVERY

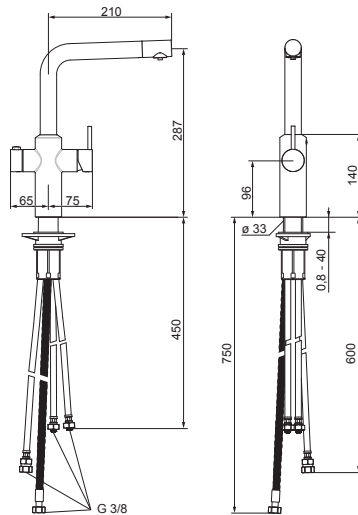
- One handle for drawing hot water from the water heater and a mixing lever for cold and hot water from the central DHW system
- Separate heating water routing inside the tap (surface is safe to touch)
- **Child safety feature:** safety push-turn mechanism
- Water drawn with little steam or splashing
- After drawing hot water, the water that remains inside the tap is returned to the water heater



AEuS HOT



AEuS HOT special aerator

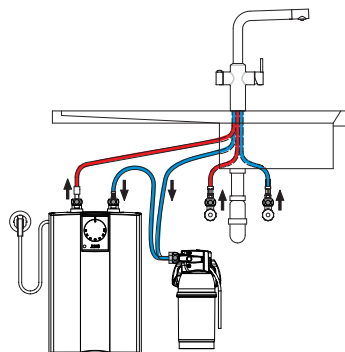


Child safety feature with red safety button (push-turn lock), water drawn with little steam or splashing

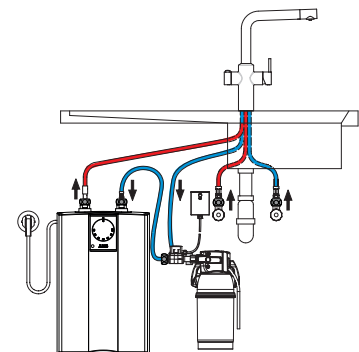
ANTI-SCALING FILTER · RECOMMENDED ACCESSORIES

- **Anti-scaling filter:** Recommended for soft water areas (1 – soft); required for medium and hard water areas
- Installation on the cold water inlet of the hot water system
- 500 to 1000 l capacity, depending on water hardness
- **FKC Filter Starter-Kit Comfort**
 - Includes flow rate measuring device for filter monitoring
 - Connection hose and flow sensor with LED indicator of current filter capacity
 - Test strip for determining the water hardness

Hardness range – millimol calcium carbonate per litre	
soft	below 8.4 °dH
medium	8.4 to 14 °dH
hard	above 14 °dH



FKB-Filter



FKC-Filter

Model	FKB Filter	FKC Filter	FK Filter Kartusche
EAN	40 17212 33231 3	40 17212 33232 0	40 17212 33232 0
E-Number	233 231	233 232	233 230
Description	Starter-Kit Basis	Starter-Kit Comfort	Filter cartridge

Area of use

- Energy-saving and cost-effective way of supplying a tap connection with warm water
- Virtually unlimited uses in private and commercial sectors: kitchen sink, washbasin, work room, toilet, workshop, catering, making tea, doctors' practices and much more besides.
- Open vented small storage water heater for undersink installation (Huz) or oversink installation (Hoz)

Components

- 5-litres ÖKO storage tank with ThermoStop. This prevents energy from being lost through the fitting during standby operation
- Huz 5 ÖKO DropStop: the first small storage water heater which doesn't drip when heating up
- Quality benefit from a brand manufacturer:

high-quality thermal insulation for low standby energy consumption

- Considerably lower operating costs than from cheap manufacturers with insufficient thermal insulation. The difference in price is paid off in just a few months of use.
- Quality benefit from a brand manufacturer: large volume of warm water or mixed water can be drawn off thanks to special boiler geometry
- Temperature can be selected in continuously variable manner between approx. 35 °C and 85 °C
- Corrosion-resistant inner tank made from polypropylene, with copper heating flange
- Protection rating: IP 24

Installation

- All that is needed for operation is a grounding receptacle with 10 A fuse and cold water connection
- Simple to fit on wall with separate wall bracket

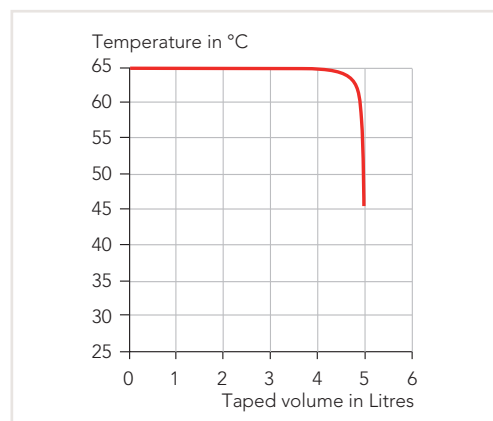


Outlet temperature barely varies for approx. 90 % of the cylinder content

Overflow curve for AEG 5 litre small water heater Mixed water volume at 65 °C set temperature	
65 °C	approx. 5 litre
53 °C	approx. 6 litre
45 °C	approx. 7.5 litre
30 °C	approx. 9 litre

Approx. 95 % of the cylinder content is available at a practically unvarying outlet temperature (tolerance < 2.5 K)

The average cylinder temperature falls by only 1.2 K when the entire cylinder content is drawn

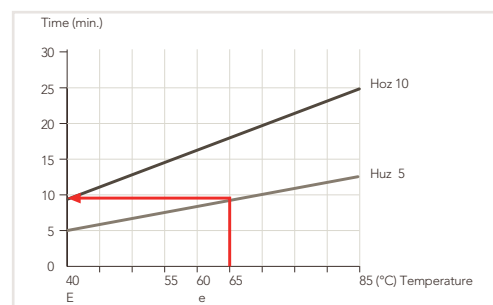


Quality symbol for electrical appliances designed for quiet operation.



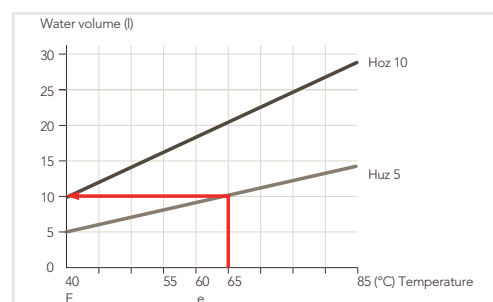
Heating up time depending on the temperature set

- Heating up time after drawing off the entire storage tank contents.
- Example: Temperature setting chosen 65 °C, unit: Huz 5 – the heating up time is around 9 minutes



Mixed water volume at 40 °C depending on temperature set

- The mixed water volume is the maximum water volume which can be drawn off at a particular temperature by adding cold water.
- Example: The storage tank temperature is 65 °C, the feed temperature is 15 °C, the water temperature required is 40 °C. The Huz 5 ÖKO Comfort can therefore deliver 10 l of water at a temperature of 40 °C.

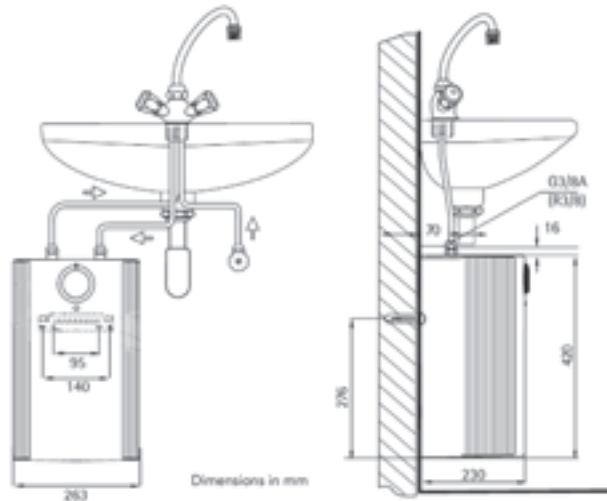


HUZ 5 ÖKO DROPSTOP



HUZ 5 ÖKO DropStop

- Small storage water heater, volume of 5 litres, for undersink installation
- DropStop: open vented small storage water heater which doesn't drip when heating up
- Huz 5 ÖKO DropStop with ThermoStop technology
- Modern, attractive design
- Temperature can be selected in continuously variable manner between approx. 35 °C and 85 °C
- Temperature can be limited to 45 °C / 55 °C / 65 °C using the rotating knob
- Outstanding thermal insulation, standby power consumption of just 0.20 kWh/24 hours
- Metal water connections
- Safety temperature limiter can be reset by disconnecting the mains plug
- Connection cable with safety plug, around 0.6 m



Model	HUZ 5 ÖKO DropStop	
EAN	40 41056 02315 1	
E-Number	222 167	
Technical Data		
For one tap connection (open vented unit)		•
Rated capacity	l	5
For undersink installation		•
With ThermoStop		•
Power supply	V	1/N/PE-230 50 Hz
Connected load	kW	2
Standby power consumption *	kWh/24 hrs	0.2
Safety Plug (S), Permanent connection (F)		S
Temperature selection	°C	approx. 35 – 85
Temp. of selector lever can be limited to:	°C	45 / 55 / 65
Thermal fuse / can be switched back on		• / •
Energy efficiency category		A
Type of protection		IP 24 D
Weight including water fill	kg	8.3

* The standby power consumption states the amount of energy needed in 24 hours to maintain a storage tank temperature of 65 °C (not drawing off any warm water).
The standby power consumption is a measure of the quality of the storage tank's thermal insulation
Only qualified contractors are permitted to install (water and electrical installations), commission and maintain DHW appliances in accordance with the operating instructions. · Palett: 24 items

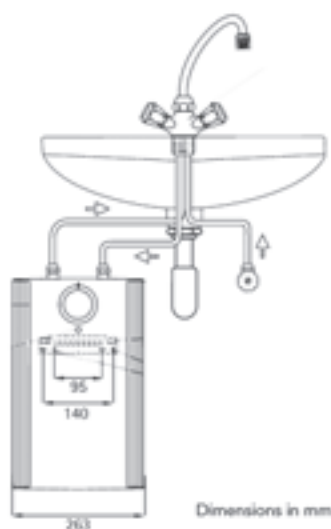
HUZ 5 ÖKO COMFORT AND HOZ 5 COMFORT

- Small storage water heater, content of 5 litres, for undersink installation (Huz) or oversink installation (Hoz)
- Huz 5 ÖKO Comfort with ThermoStop technology
- Modern, attractive design
- Continuously variable temperature selection between around 35 °C and 85 °C with energy-saving setting "E" at 40 °C and "e" at 60 °C

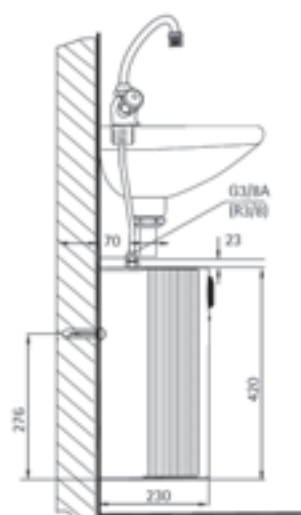
- Temperature can be limited to 45 °C / 55 °C / 65 °C using the rotating knob
- High-quality thermal insulation, standby power consumption of just 0.22 kWh /24 hours
- Safety temperature limiter can be reset by disconnecting the mains plug
- Metal water connections
- Connection cable with safety plug, around 0.6 m
- Flow rate approx.. 5 litres per minute



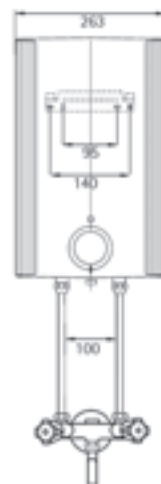
Huz 5 ÖKO Comfort



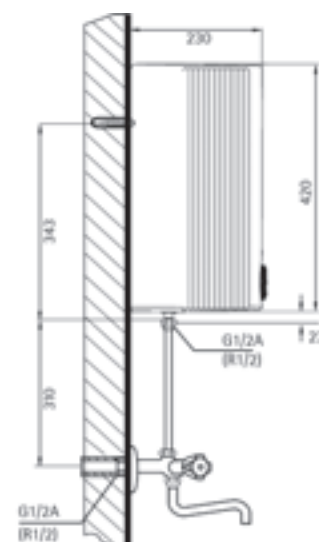
Dimensions in mm



Huz 5 ÖKO Comfort



Hoz 5 ÖKO Comfort



Model	Huz 5 ÖKO Comfort		Hoz 5 Comfort	
EAN	40 41056 02313 7		40 41056 02307 6	
E-Number	222 164		222 154	
Technical Data				
For one tap connection (open vented unit)		•		•
Rated capacity	l	5		5
For oversink installation		–		•
For undersink installation		•		–
With ThermoStop		•		–
Power supply	V	1/N/PE~230 50 Hz		1/N/PE~230 50 Hz
Connected load	kW	2		2
Standby power consumption *	kWh/24 hrs	0.22		0.22
Safety Plug (S), Permanent connection (F)		S		S
Temperature selection	°C	approx. 35 – 85		approx. 35 – 85
Temp. of selector lever can be limited to	°C	45 / 55 / 65		45 / 55 / 65
Thermal fuse / can be switched back on		• / •		• / •
Energy efficiency category		A		A
Type of protection		IP 24 D		IP 24 D
Weight including water fill	kg	8.2		8.2
* The standby power consumption states the amount of energy needed in 24 hours to maintain a storage tank temperature of 65 °C (not drawing off any warm water). The standby power consumption is a measure of the quality of the storage tank's thermal insulation Only qualified contractors are permitted to install (water and electrical installations), commission and maintain DHW appliances in accordance with the operating instructions. · Palett: 24 items				

HUZ 5 BASIS AND HOZ 5 BASIS



Huz 5 Basis

- Small storage water heater, content of 5 litres, for undersink installation (Huz) or oversink installation (Hoz)
- Temperature can be selected in continuously variable manner between approx. 35 °C and 85 °C

- Safety temperature limiter can be reset by disconnecting the mains plug
- Standby power consumption of just 0.24 kWh / 24 hours
- Connection cable with safety plug, around 0.6 m
- Huz 5 Basis + A: Single hole mixer tap
- Huz 5 Basis + AS: Single-lever tap for sink
- Huz 5 Basis + AW: Single-lever tap for washbasin



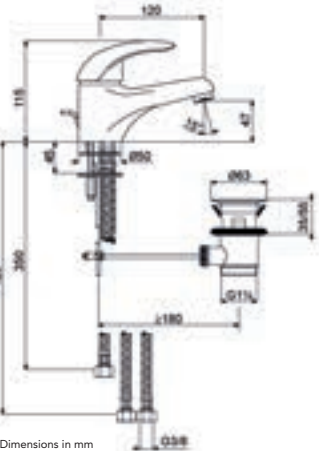
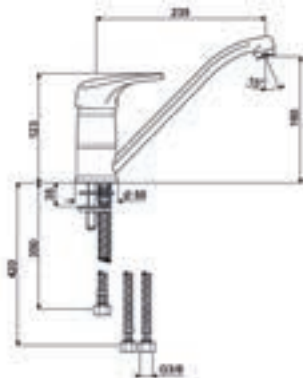
A: Single hole mixer tap



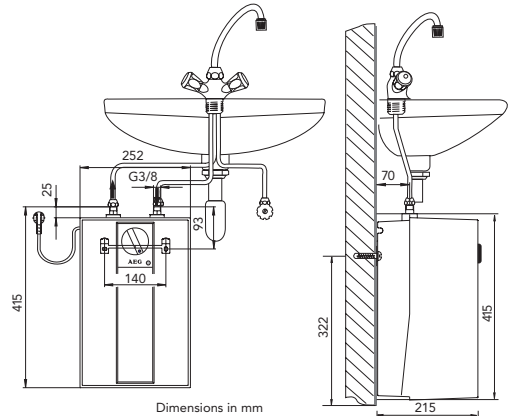
AS: Single-lever tap for sink



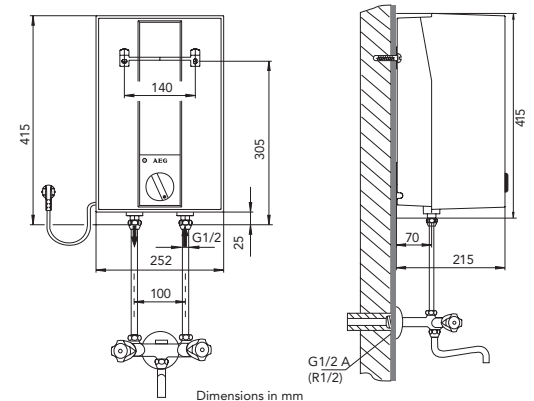
AW: Single-lever tap for washbasin



Dimensions in mm



Huz 5 Basis



Hoz 5 Basis

Model	Huz 5 Basis	Huz 5 Basis + A	Huz 5 Basis + AS	Huz 5 Basis + AW	Hoz 5 Basis
EAN	40 41056 02311 3	40 41056 02544 5	40 41056 02943 6	40 41056 02944 3	40 41056 02306 9
E-Number	222 162	229 287	232 752	232 753	221 117
Technical Data					
For one tap connection (open vented unit)	•	•	•	•	•
Rated capacity	l	5	5	5	5
For oversink installation	-	-	-	-	•
For undersink installation	•	•	•	•	-
Power supply	V	1/N/PE~230 50 Hz	1/N/PE~230 50 Hz	1/N/PE~230 50 Hz	1/N/PE~230 50 Hz
Connected load	kW	2	2	2	2
Standby power consumption *	kWh/24 hrs	0.24	0.24	0.24	0.24
Safety Plug (S), Permanent connection (F)		S	S	S	S
Temperature selection	°C	approx. 35 – 85	approx. 35 – 85	approx. 35 – 85	approx. 35 – 85
Temp. of selector lever can be limited to	°C	45 / 55 / 65	45 / 55 / 65	45 / 55 / 65	45 / 55 / 65
Thermal fuse / can be switched back on		• / •	• / •	• / •	• / •
Energy efficiency category		A	A	A	A
Type of protection		IP 24 D	IP 24 D	IP 24 D	IP 24 D
Weight including water fill	kg	8.2	8.2	8.2	8.2

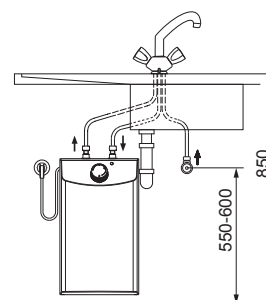
* The standby power consumption states the amount of energy needed in 24 hours to maintain a storage tank temperature of 65 °C (not drawing off any warm water).
The standby power consumption is a measure of the quality of the storage tank's thermal insulation
Only qualified contractors are permitted to install (water and electrical installations), commission and maintain DHW appliances in accordance with the operating instructions. - Palett: Huz 5 Basis 24 items, Huz 5 Basis + A 18 Items, Hoz 5 Basis 24 items

HUZ 10 ÖKO AND HOZ 10

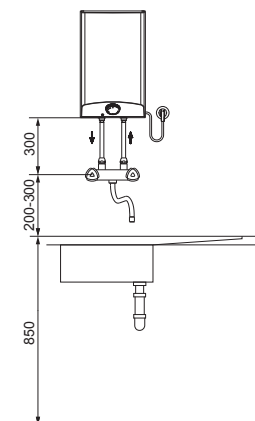
- For supplying hot water to a single draw-off point with high DHW demand, i.e. in the kitchen or utility room
- Small storage water heater for undersink installation (Huz 10 Öko) or oversink installation (Hoz 10)
- Huz 10 ÖKO with ThermoStop technology
- Excellent thermal insulation and small external dimensions
- Continuously variable temperature selection between around 35 °C and 85 °C with optional range limiting
- Safety temperature limiter can be reset by disconnecting the mains plug
- Connection cable with safety plug, around 0.6 m



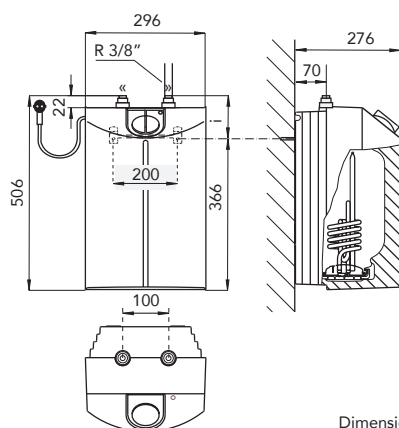
Huz 10 ÖKO



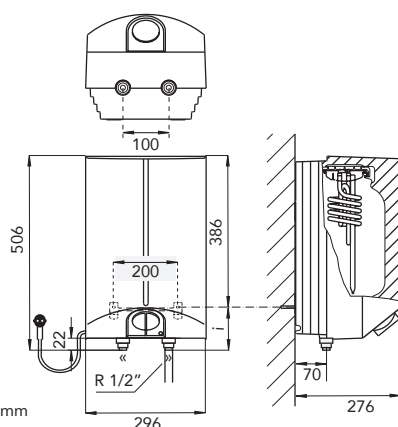
Huz 10 ÖKO



Hoz 10



Huz 10 ÖKO



Hoz 10

Dimensions in mm

Model	Huz 10 ÖKO	Hoz 10
EAN	40 41056 02582 7	40 41056 02584 1
E-Number	229 486	229 488
Technical Data		
For one tap connection (open vented unit)	•	•
Rated capacity	l 10	10
For oversink installation	–	•
For undersink installation	•	–
With ThermoStop	•	–
Power supply	V 1/N/PE~230 50 Hz	1/N/PE~230 50 Hz
Connected load	kW 2	2
Standby power consumption *	kWh/24 hrs 0.32	0.31
Safety Plug (S), Permanent connection (F)	S	S
Temperature selection	°C approx. 32 – 85	approx. 32 – 85
Temp. of selector lever can be limited to	°C 38 / 45 / 55 / 65	38 / 45 / 55 / 65
Thermal fuse / can be switched back on	• / •	• / •
Energy efficiency category	A	A
Type of protection	IP 24 D	IP 24 D
Weight including water fill	kg 16	16

* The standby power consumption states the amount of energy needed in 24 hours to maintain a storage tank temperature of 65 °C (not drawing off any warm water).
The standby power consumption is a measure of the quality of the storage tank's thermal insulation
Only qualified contractors are permitted to install (water and electrical installations), commission and maintain DHW appliances in accordance with the operating instructions. · Palett: 15 items

SENSOR FITTING FOR OPEN STORAGE WATER HEATERS



AHS 50

- Sensor fitting (non-pressure) for zero-contact operation, with wall power supply
- Wash basin installation
- Valve body made from brass of low dezincification (MS 63)
- Mixing water temperature can be adjusted (permanent setting possible)
- 12 or 24 h hygiene flushing
- Rapid installation system
- Flexible connection hoses
- Dirt trap in inlet
- Connection cable length of wall power supply: 770 mm
- Flexible connection hose: 500 mm long

OPEN VENTED SINGLE-LEVER TAP



AHEu 50 WT



AHEu 50 S

AHEu 50 WT:

- Attractive open vented single-lever tap for washbasin. With pop-up waste set and flexible connection hoses

AHEu 50 S:

- Attractive open vented single-lever tap for sink. With swivel spout and flexible connection hoses
- Copper pipe chrome-plated

OPEN VENTED TEMPERATURE CONTROL MIXER



AHu 50



AHu 51

AHu 50:

- Open vented single-hole temperature control mixer with swivel spout. The left toggle is used to set the temperature and the right toggle to open the water valve
- For washbasin and sink
- Copper pipe diameter of 8 mm
- Flexible connection hoses

AHu 51:

- 2-hand fitting for single-hole installation on washbasin
- Open vented single-hole mixer tap with swivel spout and flexible connection hoses. The left toggle opens the warm water valve and the right toggle the cold water valve

Model	AHS 50	AHEu 50 WT	AHEu 50 S	AHu 50	AHu 51
EAN	40 41056 02739 5	40 41056 02931 3	40 41056 02930 6	40 14890 74207 6	40 14890 74867 2
E-Number	230 959	232 618	232 617	183 918	184 545
Description	Sensor fitting for zero-contact operation	Open vented single-lever washbasin fitting with pop-up waste set	Open vented single-lever sink fitting	Temperature control mixer with swivel spout	Single-hole mixer tap

OPEN VENTED WALL-MOUNTED MIXERS



AHo 50



AHo 50 WD



AVR 1000-16

AHo 50:

- Open vented two-hand wall-mounted mixer for oversink installation on sink or wash basin
- Complete with swivel spout

AVR 1000-16:

- With connection pipes 16 mm Ø, 1000 mm long
- Can be individually trimmed to length

AHo 50 WD:

- Open vented wall-mounted mixer with bath tub/shower head changeover
- Complete with handheld shower head and shower head hose

Model	AHo 50	AHo 50 WD	AVR 1000-16
EAN	40 41056 02928 3	40 41056 02929 0	40 14890 74232 8
E-Number	232 615	232 616	184 553
Description	Open vented two-hand mixer tap, oversink Ø 16 mm	Open vented two-hand bath tub/shower fitting Ø 16 mm	Connection pipes (pair) 1000 mm long, can be individually trimmed to length, Ø 16 mm

Area of use

- Small water heater for supplying hot water to one or several draw-off points, such as a twin washbasin, shower and single washbasin, or sinks in restaurants etc.

Components

- Quality benefit from a brand manufacturer: high-quality thermal insulation for low standby energy consumption – considerably lower operating costs than from cheap manufacturers with insufficient thermal insulation. The difference in price is paid off in just a few months of use.

- Quality benefit from a brand manufacturer: large volume of warm water or mixed water can be drawn off thanks to special boiler geometry
- Temperature can be selected in continuously variable manner between approx. 35 °C and 85 °C
- Pressure-resistant inner tank made from steel, with copper heating flange
- Protection rating: IP 24

Installation

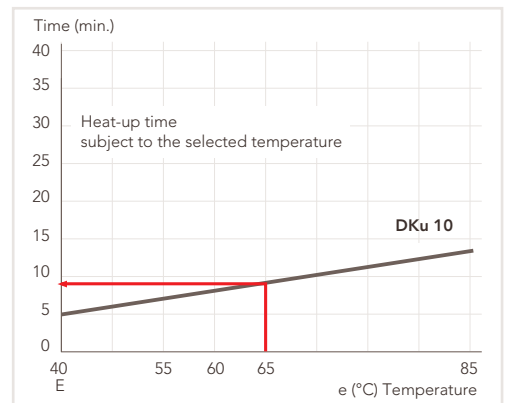
- Simple to fit on wall with separate wall bracket
- Special valve combinations are required to provide the water connection



Heating up time

- Heating up time depending on the temperature set

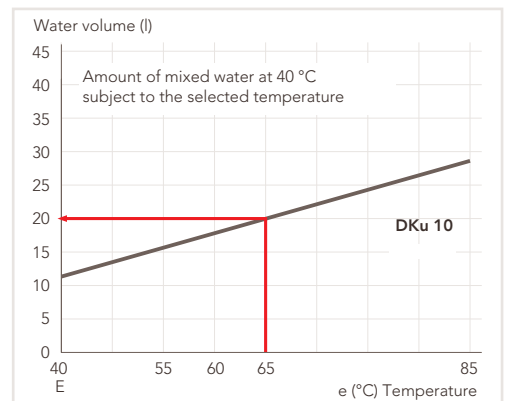
- Heating up time after drawing off the entire storage tank.
Cold water temperature of 15 °C
Example: Temperature setting chosen 65 °C.
Unit: DKu 10. The heating up time is around 8 minutes



Mixed water volume

- Mixed water volume at 40 °C depending on temperature set
- The mixed water volume is the maximum water volume which can be drawn off at a particular temperature by adding cold water.

Example:
The storage tank temperature is 65 °C, the feed temperature is 15 °C, the water temperature required is 40 °C.
The DKu 10 can therefore deliver 20 l of water at a temperature of 40 °C.

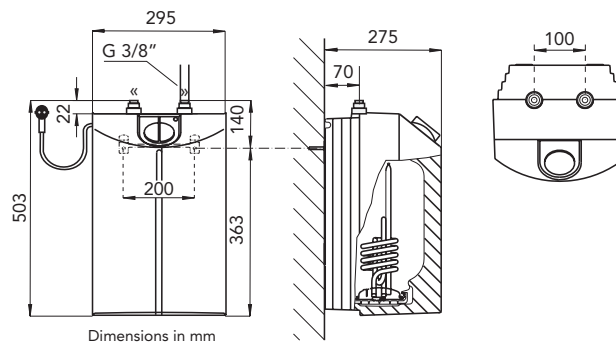


DKU 10



DKu 10

- Sealed unvented small water heater for supplying two draw-off points that are close to each other, such as a twin washbasin
- Temperature can be selected in continuously variable manner between approx. 35 °C and 85 °C with optional range limiting
- Highly efficient
- Safety temperature limiter
- Connection cable with safety plug



DKu 10

Model	DKu 10	
EAN	40 41056 02577 3	
E-Number	229 481	
Technical Data		
For one or more tap connections (sealed unvented unit)		•
Rated capacity	l	10
For undersink installation		•
Power supply	V	1/N/PE~230 50 Hz
Connected load	kW	2
Standby power consumption *	kWh/24 hrs	0.36
Safety Plug (S), Permanent connection (F)		S
Temperature selection	approx. °C	35 - 82
Temp. of selector lever can be limited to		•
Thermal fuse / can be switched back on		•/•
Energy efficiency category		A
Type of protection		IP 24 D
Weight including water fill	kg	19

* The standby power consumption states the amount of energy needed in 24 hours to maintain a storage tank temperature of 65 °C (not drawing off any warm water).
The standby power consumption is a measure of the quality of the storage tank's thermal insulation
Only qualified contractors are permitted to install (water and electrical installations), commission and maintain DHW appliances in accordance with the operating instructions. · Palett: 15 items

CONNECTION ACCESSORY FOR DKU 10 – NEW –



SVMT

SVMT

- Combined connection facility complete with 7 bar safety valve, drain outlet with backpressure stop

Model	SVM1	
EAN	40 172100 73499 7	
E-Number	073 499	
Description	Combined connection facility for DKu 10	

Area of use

- To supply one or several nearby tap connections
- To supply washbasin/shower/kitchen sink/bath tub
- Use in private or commercial sector

Components

- Continuously variable temperature selection
- Rapid heating button in the event of increased demand for warm water
- Available ECO functions for high energy efficiency
- For single and double circuit, power and voltage can be switched
- Control panel with telltale

- Steel inner tank with special enamelling and magnesium protective anode, maintenance-free impressed current anode for DEM Comfort EL
- With flanged stainless steel heater, DEM Comfort with flanged copper immersion heater
- Protection rating
IP 24 (EWH Universal horizontal installation, DEM Comfort),
IP 25 (EWH Trend, EWH Universal vertical installation, EWH Comfort, DEM Comfort EL)

Installation

- Simple wall bracket mounting
- Permanent connection
- A combination of safety valves is needed for the water connection



Quality symbol for electrical appliances designed for quiet operation.



Single circuit operation

- In a single-circuit operation the storage tank's temperature is only controlled by the inbuilt temperature controller
- The temperature controller maintains the set temperature around the clock

Dual circuit operation

- The storage tank is heated up in the cheap low rate period. The storage tank volume should be dimensioned such that the volume of water can last until the next low-rate period
On days when there is increased demand for hot water, the rapid heating button can be used to provide additional heating in the high rate periods
- The dual circuit should always be selected if using a dual rate connection

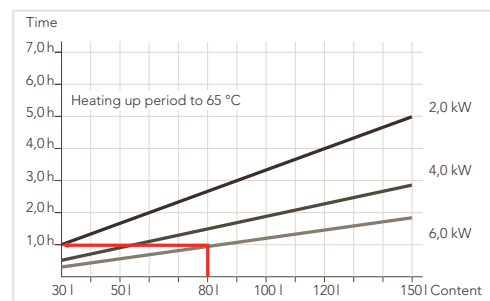
Boiler circuit operation(only EWH ... Universal, EWH ... Comfort and DEM ... Comfort, DEM ... Comfort EL)

- With the boiler circuit, heating takes place once when the rapid heating button is pressed and lasts until the temperature set on the temperature selector is reached
- The boiler circuit should be selected for units only used occasionally

Heating up period

- The heating up period for storage tanks with different capacities depends on the power rating set and can be seen in the graphic
- Example:
A storage tank with a capacity of 80 l needs around 1 hour at 6 kW heating capacity to heat to 65 °C (starting temperature of 15 °C)

SINGLE CIRCUIT,
DUAL CIRCUIT,
BOILER CIRCUIT



EWH UNIVERSAL EL 30 TO 150 LITRES



EWH 30 Universal EL
(vertical wall-mounted)

- Angular wall mounted sealed unvented DHW cylinder with directly applied foam insulation and enamelled internal steel cylinder
- Flanged immersion heater with protective anode
- ECO Comfort function (temperature setback from 85 °C to 60 °C)
- ECO Plus function (60 °C set temperature and 60 % charging level)
- ECO Dynamic function (intelligent dynamic matching to the draw-off pattern)
- Intelligent self-learning electronics
- Contemporary design with intuitive user interface
- Integral key lock
- Additional function temperature limiter from 40 °C - 60 °C
- Protected ceramic heating element (replaceable without draining)
- Vertical or horizontal installation



EWH 30 Universal EL
(horizontal wall-mounted)

Model	EWH 30 Universal EL	EWH 50 Universal EL	EWH 80 Universal EL	EWH 100 Universal EL	EWH 120 Universal EL	EWH 150 Universal EL	
EAN	40 41056 02769 2	40 41056 02770 8	40 41056 02771 5	40 41056 02772 2	40 41056 02821 7	40 41056 02773 9	
E-Number	231 193	231 194	231 195	231 196	231 647	231 197	
Dimensions in mm							
Height	mm	676	931	893	1045	1200	1435
Width	mm	380	380	475	475	475	475
Depth	mm	380	380	475	475	475	475
Technical Data							
Rated capacity	l	30	50	80	100	120	150
Power supply	V	1/N/PE~230 50 Hz	1/N/PE~230 50 Hz	1/N/PE~230 50 Hz	1/N/PE~230 50 Hz	1/N/PE~230 50 Hz	1/N/PE~230 50 Hz
Connected load	kW	2.6	3.0	3.0	3.0	3.0	3.0
Single circuit operating mode		•	•	•	•	•	•
Dual circuit operating mode		•	•	•	•	•	•
Manual rapid heat-up operating mode		•	•	•	•	•	•
Heating up time (15 °C / 60 °C)	hrs	0.61	0.88	1.42	1.77	2.13	2.66
Standby power consumption ¹⁾ – vertical	kWh/24 hrs	0.57	0.78	0.88	1.05	1.19	1.29
Standby power consumption ¹⁾ – horizontal	kWh/24 hrs	0.83	0.94	0.99	1.26	1.43	1.57
Mixed water volume at 40 °C ²⁾ – vertical	l	50	92	136	183	217	273
Mixed water volume at 40 °C ²⁾ – horizontal	l	42	76	111	153	173	194
Permissible operating pressure – DHW	MPa	0.6	0.6	0.6	0.6	0.6	0.6
Max. throughput	l/min	23.5	23.5	23.5	23.5	23.5	23.5
Available temperature range	°C	7 – 85	7 – 85	7 – 85	7 – 85	7 – 85	7 – 85
Cylinder version		wall-mounted	wall-mounted	wall-mounted	wall-mounted	wall-mounted	wall-mounted
Container material		Steel, enamelled	Steel, enamelled	Steel, enamelled	Steel, enamelled	Steel, enamelled	Steel, enamelled
Heater type		Ceramic heater	Ceramic heater	Ceramic heater	Ceramic heater	Ceramic heater	Ceramic heater
Type		closed	closed	closed	closed	closed	closed
Type of protection (vertical)		IP 25	IP 25	IP 25	IP 25	IP 25	IP 25
Type of protection (horizontal)		IP 24	IP 24	IP 24	IP 24	IP 24	IP 24
Water connection		G ½"	G ½"	G ½"	G ½"	G ½"	G ½"
Weight (dry)	kg	22	28	34	38	43	52
Weight (wet)	kg	52	78	114	138	163	202
Power cable / power cable length	– / m	• / 1	• / 1	• / 1	• / 1	• / 1	• / 1
Energy efficiency category		B	B	C	C	C	C

¹⁾ The standby power consumption states the amount of energy needed in 24 hours to maintain a storage tank temperature of 65 °C (not drawing off any warm water).

The standby power consumption is a measure of the quality of the storage tank's thermal insulation

²⁾ The mixed water volume at a usage temperature of 40 °C results from adding cold water (15 °C) to the storage tank water of 65 °C, in relation to the ready-for-use condition

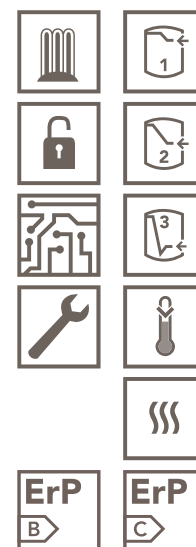
Only qualified contractors are permitted to install (water and electrical installations), commission and maintain DHW appliances in accordance with the operating instructions. - Palett: EWH 30 - 100 Universal EL: 8 items, EWH 120 - 150 Universal EL: 4 items

EWH COMFORT EL 30 TO 150 LITRES

- Angular wall mounted sealed unvented DHW cylinder with directly applied foam insulation and enamelled internal steel cylinder.
- Flanged immersion heater with protective magnesium anode
- ECO Comfort function (temperature setback from 85 °C to 60 °C)
- ECO Plus function (60 °C set temperature and 60 % charging level)
- ECO Dynamic function (intelligent dynamic matching to the draw-off pattern)
- Intelligent self-learning electronics
- Contemporary design with intuitive user interface
- Integral key lock
- Protected heating element (replaceable without draining)
- CoPro special enamel coating
- Vertical installation



EWH 30 Comfort EL



Model	EWH 30 Comfort EL	EWH 50 Comfort EL	EWH 80 Comfort EL	EWH 100 Comfort EL	EWH 120 Comfort EL	EWH 150 Comfort EL
EAN	40 41056 02763 0	40 41056 02764 7	40 41056 02765 4	40 41056 02766 1	40 41056 02822 4	40 41056 02767 8
E-Number	231 188	231 189	231 190	231 191	231 650	231 192
Dimensions in mm						
Height	mm	676	931	893	1045	1200
Width	mm	380	380	475	475	475
Depth	mm	380	380	475	475	475
Technical Data						
Rated capacity	l	30	50	80	100	120
Power supply	V	1/N/PE~230 50 Hz	1/N/PE~230 50 Hz	1/N/PE~230 50 Hz	1/N/PE~230 50 Hz	1/N/PE~230 50 Hz
Connected load	kW	1.8	1.8	1.8	1.8	2.4
Single circuit operating mode		•	•	•	•	•
Dual circuit operating mode		•	•	•	•	•
Manual rapid heat-up operating mode		•	•	•	•	•
Heating up time (15 °C / 60 °C)	hrs	0.88	1.48	2.37	2.96	3.55
Standby power consumption	kWh/24 hrs	0.57	0.8	0.82	0.97	1.08
Standby power consumption at 65 °C ¹⁾	kWh/24 hrs	0.55	0.71	0.89	1.04	1.29
Mixed water volume at 40 °C ²⁾	l	56	102	145.5	191	229
Permissible operating pressure – DHW	MPa	0.6	0.6	0.6	0.6	0.6
Max. throughput	l/min	23.5	23.5	23.5	23.5	23.5
Available temperature range	°C	7 – 85	7 – 85	7 – 85	7 – 85	7 – 85
Cylinder version		wall-mounted	wall-mounted	wall-mounted	wall-mounted	wall-mounted
Container material		Steel, enamelled	Steel, enamelled	Steel, enamelled	Steel, enamelled	Steel, enamelled
Heater Type		Protected heater	Protected heater	Protected heater	Protected heater	Protected heater
Type		closed	closed	closed	closed	closed
Type of protection		IP 25	IP 25	IP 25	IP 25	IP 25
Water connection		G ½"	G ½"	G ½"	G ½"	G ½"
Weight (dry)	kg	18	24	30	34	40
Weight (wet)	kg	48	74	110	134	198
Weight	kg	21.5	27	33	38	42.5
Power cable / power cable length	- / m	• / 1	• / 1	• / 1	• / 1	• / 1
Energy efficiency category		B	B	C	C	C

¹⁾ The standby power consumption states the amount of energy needed in 24 hours to maintain a storage tank temperature of 65 °C (not drawing off any warm water).

The standby power consumption is a measure of the quality of the storage tank's thermal insulation

²⁾ The mixed water volume at a usage temperature of 40 °C results from adding cold water (15 °C) to the storage tank water of 65 °C, in relation to the ready-for-use condition

Only qualified contractors are permitted to install (water and electrical installations), commission and maintain DHW appliances in accordance with the operating instructions. · Palett: EWH 30 - 100 Comfort EL: 8 items, EWH 120 - 150 Comfort EL: 4 items

EWH TREND 30 TO 200 LITRES



EWH 80 Trend

- Energy efficient
- Excellent thermal insulation (48 mm)
- Low standby losses
- ErP ready
- Quick, straightforward installation
- Universal wall mounting
- Ergonomic recessed grips
- 1 m power cable
- Particularly long service life
- CoPro special enamel coating
- Protective anode to DIN 4753
- Low scaling stainless steel heating element
- Convenient, easy operation
- Infinitely variable temperature selection 35 – 75 °C
- Quick capture temperature indicator
- Single circuit operation for hot water around the clock
- Easy to service and maintain
- Large flanged aperture (110 mm)
- Replaceable stainless steel heating elements
- Five-point protection
- Safety thermostat
- Frost protection
- Overheating protection with reset function
- Safety valve
- Type of protection IP 25

Model	EWH 30 Trend	EWH 50 Trend	EWH 80 Trend	EWH 100 Trend	EWH 120 Trend	EWH 150 Trend	EWH 200 Trend
EAN	40 41056 02869 9	40 41056 02870 5	40 41056 02871 2	40 41056 02872 9	40 41056 02873 6	40 41056 02874 3	40 41056 02875 0
E-Number	232 087	232 088	232 089	232 090	232 091	232 092	232 093
Dimensions in mm							
Height	mm	635	890	860	1.015	1.170	1.400
Width	mm	405	405	510	510	510	510
Depth	mm	410	410	420	420	420	420
Technical Data							
Rated capacity	l	30	50	80	100	120	150
Power supply	V	1/N/PE~220-240 50/60 Hz	1/N/PE~220-240 50/60 Hz	1/N/PE~220-240 50/60 Hz	1/N/PE~220-240 50/60 Hz	1/N/PE~220-240 50/60 Hz	1/N/PE~220-240 50/60 Hz
Connected load	kW	2.0	2.0	2.0	2.0	2.0	3.0
Standby power consumption at 65 °C ¹⁾	kWh/24hrs	0.53	0.72	0.79	0.97	1.14	1.32
Mixed water volume at 40 °C ²⁾	l	52	99	142	186	224	288
Permissible operating pressure – DHW	MPa	0.6	0.6	0.6	0.6	0.6	0.6
Available temperature range	°C	7 – 70	7 – 70	7 – 70	7 – 70	7 – 70	7 – 70
Cylinder version		wall-mounted	wall-mounted	wall-mounted	wall-mounted	wall-mounted	wall-mounted
Container material		Steel, enamelled	Steel, enamelled	Steel, enamelled	Steel, enamelled	Steel, enamelled	Steel, enamelled
Type		Inox direct	Inox direct	Inox direct	Inox direct	Inox direct	Inox direct
Type of protection		IP 25	IP 25	IP 25	IP 25	IP 25	IP 25
Water connection		G ½" A	G ½" A	G ½" A	G ½" A	G ½" A	G ½" A
Weight (dry)	kg	16.4	21.4	28.2	33.6	39.1	46.2
Connection cable		•	•	•	•	•	•
Energy efficiency category		C	C	C	C	C	C

¹⁾ The standby power consumption states the amount of energy needed in 24 hours to maintain a storage tank temperature of 65 °C (not drawing off any warm water).

The standby power consumption is a measure of the quality of the storage tank's thermal insulation

²⁾ The mixed water volume at a usage temperature of 40 °C results from adding cold water (15 °C) to the storage tank water of 65 °C, in relation to the ready-for-use condition

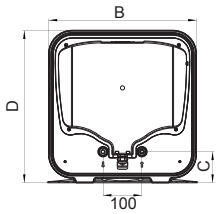
Only qualified contractors are permitted to install (water and electrical installations), commission and maintain DHW appliances in accordance with the operating instructions.

DEM COMFORT EL 30 TO 150 LITRES

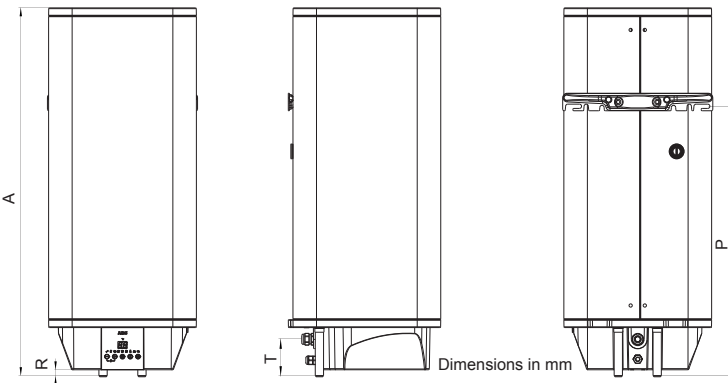
- **Energy efficiency category B (up to 80 l)**
- Comfort wall-mounted hot storage water heater, for sealed unvented or open vented operation
- Contemporary design with intuitive user interface
- Intelligent self-learning electronics
- High energy efficiency with 3 available ECO-functions: ECO Comfort, ECO Plus, ECO Dynamic
- For single circuit, dual circuit and manual rapid heat-up
- Precise temperature selection from approx. 20 °C to 85 °C
- Quick heat-up key for higher DHW demand
- Maintenance-free impressed current anode
- Internal steel cylinder with high grade special direct enamel coating
- Heating element made from high grade stainless steel
- High grade thermal insulation with low standby energy consumption
- Quick and easy installation through universal wall mounting bracket – straightforward replacement of all common wall mounted water heaters.
- Installation also in connection with plastic pipework systems (observe manufacturer's details)



DEM 80 Comfort EL



80 l accessory mounting bracket spare
E-number: 235 095



Dimensions in mm

Model	DEM 30 Comfort EL	DEM 50 Comfort EL	DEM 80 Comfort EL	DEM 100 Comfort EL	DEM 120 Comfort EL	DEM 150 Comfort EL	
EAN	40 41056 03059 3	40 41056 03060 9	40 41056 03061 6	40 41056 03062 3	40 41056 03063 0	40 41056 03064 7	
E-Number	234 190	234 191	234 192	234 193	234 194	234 195	
Dimensions							
A - Overall height	mm	696	951	893	1045	1200	1435
B - Width excluding wall mounting bracket	mm	380	380	475	475	475	475
C - Clearance wall to water connection	mm	80	80	85	85	85	85
D - Depth including wall mounting bracket	mm	392	392	492	492	492	492
P - Wall mounting bracket water connection	mm	465	620	800 **	920	920	1120
R - Water connector height	mm	20	20	0	0	0	0
T - Cable entry to the water connector	mm	98.5	98.5	78.5	78.5	78.5	78.5
Technical Data							
Rated capacity	l	30	50	80	100	120	150
Mixed water volume at 40 °C ¹⁾	l	53	99	135	178	223	294
To supply one bath tub		-	-	•	•	•	•
Switchable output for single-circuit operation							
At voltage of 1/N/PE-230 V 50 Hz	kW	2 or 4	2 or 4	2 or 4	2 or 4	2 or 4	2 or 4
At voltage of 2/N/PE-400 V 50 Hz	kW	4	4	4	4	4	4
At voltage of 3/N/PE-400 V 50 Hz	kW	6	6	6	6	6	6
Switchable output for dual-circuit operation							
At voltage of 1/N/PE-230 V 50 Hz	kW	2 / 4	2 / 4	2 / 4	2 / 4	2 / 4	2 / 4
At voltage of 2/N/PE-400 V 50 Hz	kW	2 / 4	2 / 4	2 / 4	2 / 4	2 / 4	2 / 4
At voltage of 3/N/PE-400 V 50 Hz	kW	2 / 6	2 / 6	2 / 6	2 / 6	2 / 6	2 / 6
Switchable output for boiler-circuit operation							
At voltage of 1/N/PE-230 V 50 Hz	kW	2 or 4	2 or 4	2 or 4	2 or 4	2 or 4	2 or 4
At voltage of 2/N/PE-400 V 50 Hz	kW	4	4	4	4	4	4
At voltage of 3/N/PE-400 V 50 Hz	kW	6	6	6	6	6	6
Standby power consumption ²⁾	kWh/24 h	0.51	0.67	0.73	0.83	0.92	1.1
Temperature selection (plus/minus 5K)	ca. °C	Regulator 30 - 85	Regulator 30 - 85	Regulator 30 - 85	Regulator 30 - 85	Regulator 30 - 85	Regulator 30 - 85
Tank/boiler material		Steel enamelled/stainless steel					
Protective anode		External power anode					
Thermal fuse / can be switched back on		• / •	• / •	• / •	• / •	• / •	• / •
Type of protection		IP 25	IP 25	IP 25	IP 25	IP 25	IP 25
Weight including water fill	kg	49	75	111	135	161	199
Energy efficiency category		B	B	B	C	C	C

¹⁾ The mixed water volume at a usage temperature of 40 °C results from adding cold water to the storage tank water of 65 °C, in relation to the ready-for-use condition

²⁾ The standby power consumption states the amount of energy needed in 24 hours to maintain a storage tank temperature of 65 °C (not drawing off any warm water).

The standby power consumption is a measure of the quality of the storage tank's thermal insulation

** With wall mounting bracket that can be ordered separately = 920 mm

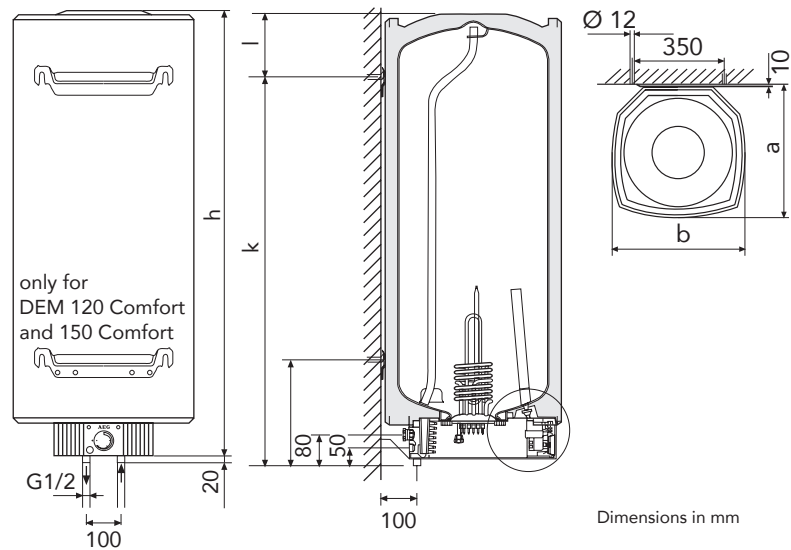
Only qualified contractors are permitted to install (water and electrical installations), commission and maintain DHW appliances in accordance with the operating instructions. · Palett: DEM 30 to 80 Comfort EL: 8 items, DEM 100 to 150 Comfort EL: 4 items

DEM COMFORT 30 TO 150 LITRES



DEM 80 Comfort

- Comfort wall-mounted hot storage water heater, for sealed unvented or open vented operation
- Quality benefit from a brand manufacturer: steel inner tank, with high-quality special direct enamel coating – considerably longer service life than from cheap makes
- High-quality thermal insulation with low standby power consumption – considerably lower operating costs than from cheap makes with insufficient thermal insulation. The difference in price is paid off in just a few months of use.
- Magnesium protective anode and potential compensation
- Anode wear display on the front cover
- With telltale
- For single circuit, dual circuit and boiler circuit
- Rapid heating button in the event of increased demand for water
- Temperature can be selected in continuously variable manner between approx. 35 °C and 82 °C
- Can also be installed in conjunction with plastic pipe systems (note details from manufacturer)
- Mounting bracket, spacer and installation template are part of the standard delivery



Dimensions in mm

Model	DEM 30 Comfort	DEM 50 Comfort	DEM 80 Comfort	DEM 100 Comfort	DEM 120 Comfort	DEM 150 Comfort
EAN	40 41056 00945 2	40 41056 00946 9	40 41056 00947 6	40 41056 00948 3	40 41056 00949 0	40 41056 00950 6
E-Number	182 232	182 233	182 234	182 235	182 236	182 237
Dimensions						
Depth	a (mm)	420	510	510	510	510
Width	b (mm)	410	510	510	510	510
Height, not including water connection	h (mm)	750	720	955	955	1080
Bottom wall bracket – water connection	i (mm)	–	–	–	–	300
Top wall bracket – water connection	k (mm)	700	600	900	900	1100
Top wall bracket – top edge	l (mm)	70	140	75	75	200
Technical Data						
Rated capacity	l	30	50	80	100	120
Mixed water volume at 40 °C ¹⁾	l	58	90	158	197	226
To supply one bath tub		–	–	•	•	•
Switchable output for single-circuit operation						
At voltage of 1/N/PE~230 V 50 Hz	kW	2 or 4	2 or 4	2 or 4	2 or 4	2 or 4
At voltage of 2/N/PE~400 V 50 Hz	kW	4	4	4	4	4
At voltage of 3/N/PE~400 V 50 Hz	kW	6	6	6	6	6
Switchable output for dual-circuit operation						
At voltage of 1/N/PE~230 V 50 Hz	kW	2 / 4	2 / 4	2 / 4	2 / 4	2 / 4
At voltage of 2/N/PE~400 V 50 Hz	kW	2 / 4	2 / 4	2 / 4	2 / 4	2 / 4
At voltage of 3/N/PE~400 V 50 Hz	kW	2 / 6	2 / 6	2 / 6	2 / 6	2 / 6
Switchable output for boiler-circuit operation						
At voltage of 1/N/PE~230 V 50 Hz	kW	2 or 4	2 or 4	2 or 4	2 or 4	2 or 4
At voltage of 2/N/PE~400 V 50 Hz	kW	4	4	4	4	4
At voltage of 3/N/PE~400 V 50 Hz	kW	6	6	6	6	6
Standby power consumption ²⁾	kWh/24 hrs	0.46	0.54	0.75	0.9	0.93
Temperature selection	approx. °C	35 - 82	35 - 82	35 - 82	35 - 82	35 - 82
Tank/boiler material		Steel enamelled / copper	Steel enamelled / copper	Steel enamelled / copper	Steel enamelled / copper	Steel enamelled / copper
Magnesium protective anode		•	•	•	•	•
Thermal fuse / can be switched back on		• / •	• / •	• / •	• / •	• / •
Type of protection		IP 24 D	IP 24 D	IP 24 D	IP 24 D	IP 24 D
Weight including water fill	kg	54	80	124	145	170
Energy efficiency category		C	C	C	C	C

¹⁾ The mixed water volume at a usage temperature of 40 °C results from adding cold water to the storage tank water of 65 °C, in relation to the ready-for-use condition

²⁾ The standby power consumption states the amount of energy needed in 24 hours to maintain a storage tank temperature of 65 °C (not drawing off any warm water).

The standby power consumption is a measure of the quality of the storage tank's thermal insulation

Only qualified contractors are permitted to install (water and electrical installations), commission and maintain DHW appliances in accordance with the operating instructions. - Palett: DEM 30 Comfort: 9 items, DEM 50-150 Comfort: 6 items

OPEN VENTED 2-HAND WALL-MOUNTED MIXER

AHo 50 WD:

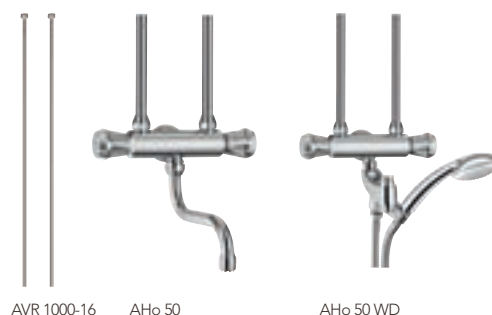
- Open vented two-hand wall-mounted mixer with bath tub/shower changeover, with connection pipes (Ø 16 mm, 300 mm long), handheld shower wall bracket and shower hose 1.5 m

AHo 50:

- Open 2-handle wall mounted mixer tap for oversink installation at a sink or washbasin
- Complete with pivoting spout

AVR 1000-16:

- Connection pipes (pair) 1000 mm long, can be individually trimmed to length, Ø 16 mm



AVR 1000-16

AHo 50

AHo 50 WD

VALVE COMBINATIONS / SAFETY ASSEMBLIES FOR SMALL STORAGE WATER HEATERS (SEALED UNVENTED)

Flush-mounted valve combination AD 786:

- For tap water pressure of up to 0.48 MPa on device connection, G ½" (R ½"), activation pressure 0.6 MPa



AD 786

Flush-mounted valve combination AD 796:

- For tap water pressure of up to 1 MPa on device connection, G ½" (R ½"), activation pressure 0.6 MPa, with pressure reducer



AD 796

Surface-mounted valve combination ADA 787:

- Surface-mounted valve combination for sealed unvented wall mounted water heaters
- For vertical or horizontal installation
- Safety valve, 0.6 MPa contact pressure
- Surface: brass
- Adjustable drip connection G1
- Test mark PA –IX 7926/I



ADA 787

Model	AHo 50	AHo 50 WD	AVR 1000-16	AD 786	AD 796	ADA 787
EAN	40 41056 02928 3	40 41056 02929 0	40 14890 74232 8	40 41056 03026 5	40 41056 03027 2	40 41056 02725 8
E-Number	232 615	232 616	184 553	233 716	233 717	230 765
Description	Open 2-handle wall mounted mixer tap, for oversink installation, Ø 16 mm	Open vented two-hand bath tub/shower fitting, Ø 16 mm	Connection pipes (pair) 1000 mm long, can be individually trimmed to length, Ø 16 mm	up to 4.8 bar	up to max. 10 bar	up to 4.8 bar



Area of use

- For central warm water supply for detached and semi-detached homes and commercial ventures

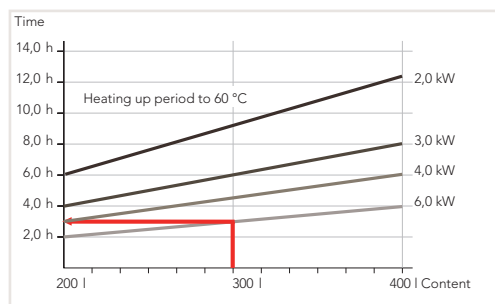
Components

- Continuously variable temperature selection of 35-82 °C, with energy-saving settings
- For single and double circuit, power and voltage can be switched
- Rapid heating function in dual-circuit operation

- Connection for circulation line
- Protection rating: IP 24

Installation

- For installation on the floor
- Can also be installed in conjunction with plastic pipe systems (note details from manufacturer)
- A combination of valves is needed for the water connection



Heating up period

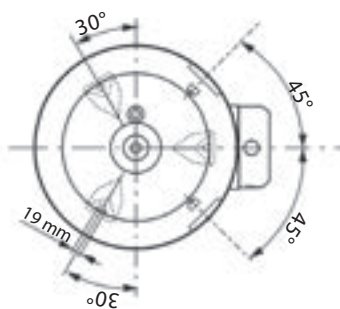
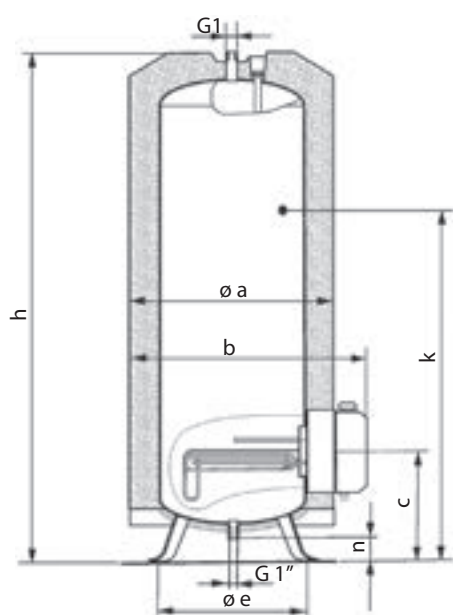
- The heating up period for storage tanks with different capacities depends on the power rating set and can be seen in the graphic
- Example: A storage tank with a capacity of 300 l needs around 3 hours at 6 kW heating capacity to heat to 60 °C (starting temperature of 15 °C)

STM 20 - 40

- Sealed unvented special enamelled inner tank with magnesium protective anode
- Low standby energy consumption thanks to outstanding thermal insulation
- For single-circuit and dual-circuit
- Rapid heating function in dual-circuit operation
- External power anode can be fitted (special accessory)
- With safety temperature limiter
- Color: white



STM 20



Dimensions in mm

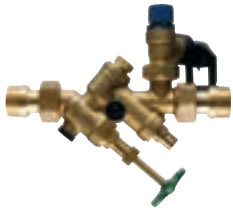
Model		STM 20	STM 30	STM 40
EAN		40 41056 00957 5	40 41056 00958 2	40 41056 00959 9
E-Number		182 239	182 240	182 241
Dimensions				
Diameter with thermal insulation	ø a (mm)	630	700	750
Depth	b (mm)	730	815	865
Stand foot – centre – flange	c (mm)	340	365	375
Pitch circle diameter on heating flange	ø e (mm)	430	490	540
Height	h (mm)	1570	1585	1755
Height up to thermometer neck	k (mm)	1035	1040	1160
Spacing between KW connection and storage space	n (mm)	80	75	75
Technical Data				
Rated capacity	l	200	300	400
Mixed water volume at 40 °C ¹⁾	l	397	590	780
Power supply (switchable to)	V	3/N/PE~400 50 Hz (1/N/PE~230 50 Hz)	3/N/PE~400 50 Hz (1/N/PE~230 50 Hz)	3/N/PE~400 50 Hz (1/N/PE~230 50 Hz)
Switchable output for dual-circuit operation	kW	3/N/PE~400 V: 2/6, 3/6, 4/6, 6/6 1/N/PE~230 V: 2/4, 4/4	3/N/PE~400 V: 2/6, 3/6, 4/6, 6/6 1/N/PE~230 V: 2/4, 4/4	3/N/PE~400 V: 2/6, 3/6, 4/6, 6/6 1/N/PE~230 V: 2/4, 4/4
Switchable output for single-circuit operation (rapid heating up)	kW	3/N/PE~400 V: 2 (6), 3 (6), 4 (6), 6 (6) 1/N/PE~230 V: 2 (4), 4 (4)	3/N/PE~400 V: 2 (6), 3 (6), 4 (6), 6 (6) 1/N/PE~230 V: 2 (4), 4 (4)	3/N/PE~400 V: 2 (6), 3 (6), 4 (6), 6 (6) 1/N/PE~230 V: 2 (4), 4 (4)
Standby power consumption ²⁾	kWh/24 hrs	1.6	2.0	2.35
Temperature selection	approx. °C	35 - 82	35 - 82	35 - 82
Tank/boiler material		Steel enamelled/copper	Steel enamelled/copper	Steel enamelled/copper
Magnesium protective anode		•	•	•
Connection for circulation line		•	•	•
Thermal fuse / can be switched back on		•/•	•/•	•/•
Warm/cold water connections:		G 1" AG	G 1" AG	G 1" AG
Circulation line connection		G ½" AG	G ½" AG	G ½" AG
Type of protection		IP 24	IP 24	IP 24
Weight including water fill	kg	275	395	526
Energy efficiency category		C	C	C

¹⁾ The mixed water volume at a usage temperature of 40 °C results from adding cold water to the storage tank water of 65 °C, in relation to the ready-for-use condition

²⁾ The standby power consumption states the amount of energy needed in 24 hours to maintain a storage tank temperature of 65 °C (not drawing off any warm water).

The standby power consumption is a measure of the quality of the storage tank's thermal insulation

Only qualified contractors are permitted to install (water and electrical installations), commission and maintain DHW appliances in accordance with the operating instructions. · Palett: 1 item



ZH1



DMV/ZH1

SAFETY ASSEMBLIES FOR FLOORSTANDING WATER HEATERS – NEW –

ZH1

- Valve combination ZH1 for sealed unvented electric floorstanding water heaters up to 1000 litres.
Pressure reducing valve DMV/ZH1 may be retrofitted. Brass casing, threaded fittings.

DMV/ZH1

- Safety valve 0.6 MPa (6 bar) fitted as standard; replacement cartridge supplied 1.0 MPa (10 bar).
- Test symbol PA-IX 1794/I
- Applicable to STM 20 to STM 40



ZT2/ZT34

INDICATOR THERMOMETER

- Indicator thermometer for fitting in AEG floor-mounted storage water heater
- Indicates the water temperature in the top third of the floor-mounted storage water heater

Model	ZH1	DMV/ZH1	ZT 2	ZT 34
EAN	40 17210 74370 8	40 17210 74371 5	40 41056 01007 6	40 41056 01009 0
E-Number	074 370	074 371	185 982	185 983
Description	Safety assembly for floorstanding water heaters G 3/4" A	Pressure reducing valve G1 as a supplement to ZH1	for STM 20	for STM 30 and 40

PERFECT IDEAS FOR ROOM-BASED TEMPERATURE CONTROL

A fully-developed synthesis of contemporary design, reliable technology and maximum economic viability:

AEG's space heaters are well-engineered, complete heating systems for houses, apartments and commercial ventures featuring a charge mechanism controlled by atmospheric conditions to deliver fully automatic, energy-saving and pleasant heat and comfort.

Our natural stone heaters provide particularly attractive heating by combining high-quality natural materials with innovative technology.

The benefits of the cost-effective AEG space and natural stone heaters at a glance

- Ideal for people affected by allergies
- Dust, pollen and germs are not caught up with the room air
- Healthy radiation heat as from tiled stoves or the sun
- Sophisticated design
- Space-saving operation not requiring anywhere to store fuel
- Minimum maintenance required

TIP FOR SAVING ENERGY

Contemporary design, maximum comfort and potential savings too!

Because AEG's natural stone heaters use long-wave thermal radiation and not convection, you can reduce your room temperature by

around 2 °C compared with a convector heater without losing that snug feeling. Use up to 15 % less energy, year in, year out.

STORAGE HEATERS	58
NATURAL STONE HEATING	78
GLASS HEATING	82
DIRECT HEATERS	86
FAN HEATERS · HEATED CARPETS	99
INFRARED WALL-MOUNTED RADIATORS	103
ELECTRIC MIRROR HEATERS	105
INFRARED SHORT-WAVE RADIANT HEATERS	109



USEFUL INFORMATION ABOUT ELECTRIC STORAGE HEATERS

Why does heat have to be stored over night?

For our electricity-generating power stations to operate efficiently and cost-effectively, they need to be delivering power as constantly as possible. But the amount of power needed by electricity customers varies a lot during the day. For example, the highest demand for electricity comes at midday while demand during the night is very low.

Since the charging of electric storage heaters is controlled by the energy supplier's ripple control receiver, units can be activated in periods when loads are light to enable as constant as possible a level of electricity production. For its part the energy supplier charges special rates for this „off-peak“ electricity.

What should be observed when connecting storage heaters?

You should start by calculating how much heat you require to determine the rating and number of units needed.

A five-wire cable is needed to connect each electric storage heater to the heating circuit and control circuit. It should have the corresponding width for sub-distribution.

A cable must be fitted between the electric storage heater and room thermostat to control discharge. AEG Haustechnik also supplies room temperature controllers which can be fitted in the unit itself. There is then no need for a cable to an external room thermostat.

Compatibility of charge controls

Most of the current AEG ELFAMATIC charge controls are compatible with older AEG ELFAMATIC charge controls and many units from other manufacturers.

SAVING WITH AFFORDABLE ECONOMY TARIFFS

Electric storage heaters utilise the excess capacity generated by power stations. This affordable economy tariff electricity is converted into heat during the night. Consequently, the approximately two million storage heaters make an important contribution to greater energy efficiency.

And if this power has its origins in renewable sources – such as wind power generated at night, or photovoltaic systems – then they also contribute to a cleaner environment.

- Saving with affordable economy tariffs
- Operation without emissions
- Reliable and economical operation
- Ecologically sensible energy mix



German energy saving directive
EnEV 2009:
Not an all-out ban for night-storage heaters



ANNUAL HEAT DEMAND IN EXISTING BUILDINGS

Building	kWh/(m ² a)	W/m ²
Built prior to 1977	≥ 250	130 - 200
WSVO 1977	180 - 250	70 - 130
WSVO 1982	85 - 150	80 - 100
WSVO 1995 (KfW 70)	54 - 100	40 - 60
EnEV 2002 (KfW 60)	40 - 90	30 - 50
Low-energy house	55 - 70	25 - 40
3-litre-house	30	15 - 30
Passive house	15	10
All data is without guarantee		

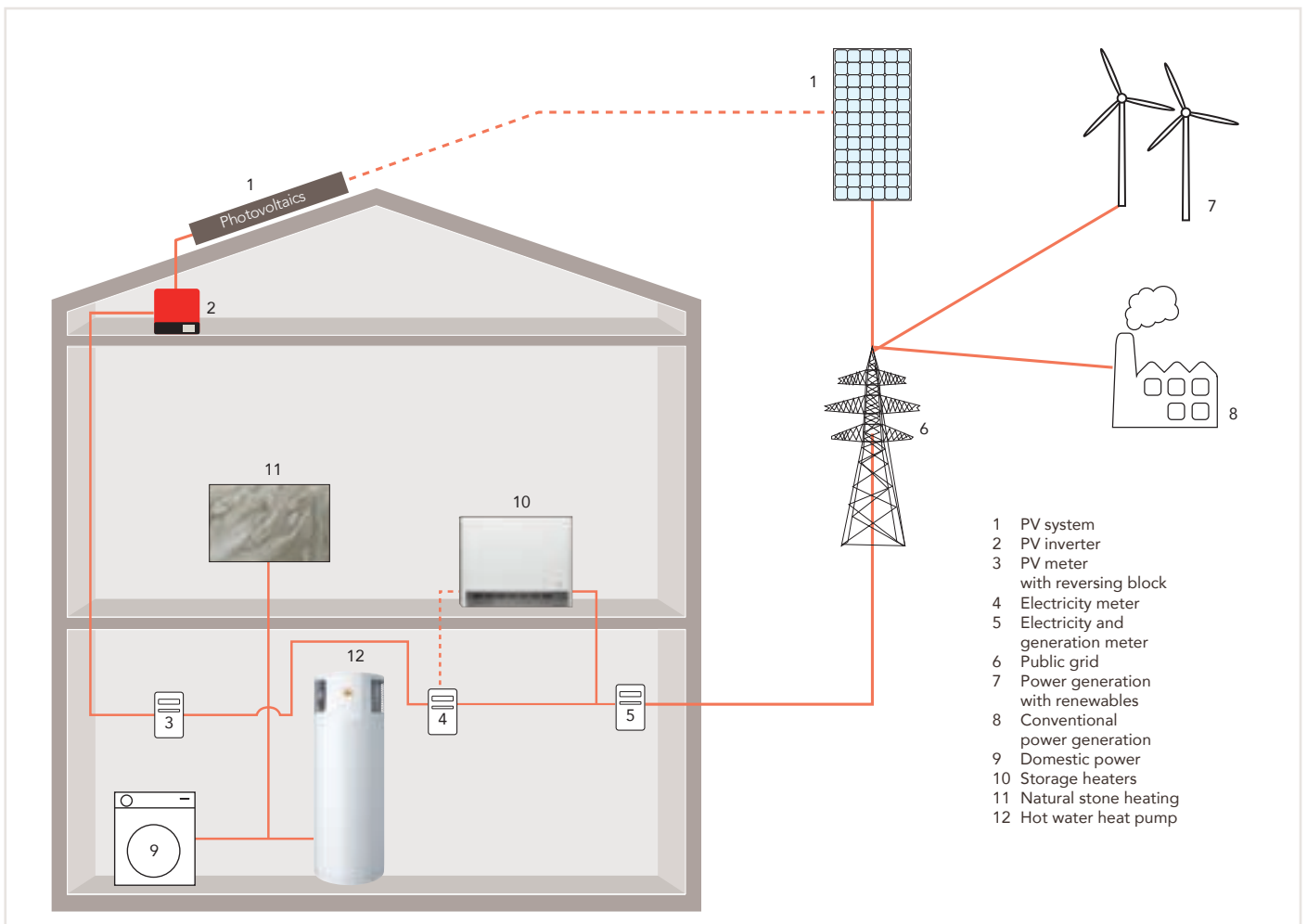
The advanced AEG storage heater, combined with the latest ELFAMATIC μ 3000 charge control system, enables energy savings of up to 25%. The investment pays for itself by reducing energy costs (compared to a 30-year-old storage heater without charge control system).

In addition to the new AEG storage heater with intelligent control via ELFAMATIC μ 3000, an investment in improved thermal insulation is usually necessary. Thermal insulation in accordance with WSV0 1995, with approx. 80 kWh/m², should be pursued by means of suitable measures for windows, doors, roofs and external walls. Such measures will ensure futureproof heating.

MODERNISATION OF NIGHT STORAGE HEATERS PAYS FOR ITSELF THROUGH ENERGY SAVINGS

In the future, innovative developments will continue to raise the proportion of PV-generated power consumed on site, which will contribute to reduced energy costs.

ON-SITE CONSUMPTION





Area of use

- Electric storage heaters for conveniently and cost-effectively heating homes and commercial spaces
- During on periods the electric storage heaters are charged at a low charge rate. When required, the stored heat is given off to the room via a tangential blower

Components

- Elegant, contemporary unit design, white in colour, RAL 9010
- Silent-Air-Flow air management system for operation as quiet as a whisper and an even output of heat
- Environmentally sound thermal insulation based on mica slate, intermediate front with high-quality microtherm thermal insulation

- High-quality ceramic core material with high thermal retention properties
- Easy-to-clean lint filter in air outlet grate
- Prepared for installation of booster heater and integrable room temperature controller
- Versatile unit variants in one design range – the right unit for every room

Installation

- Rapid installation using stainless steel radiators fitted and prewired in the factory
- Large connection space with swivel-mounted terminal strip
- Various installation variants available with special accessories

Heating load calculation programme

- Programme for calculating approximate thermal requirement following the HEA short-cut method
- With electric storage heater design
- Quotation module with all AEG Haustechnik units
- The HEA short-cut method is reliable for advising on rough thermal demand and does not apply to rooms/buildings covered by EnEV

Tender documentation

- Tender documentation of all AEG storage heaters and other AEG Haustechnik products
 - Format: Excel, Datanorm, Supplied on CD-ROM,
- Order by**
Phone: +49 5531 702-0
Fax: +49 5531 702-95479
E-Mail: info@stiebel-eltron.com

Connection variants

- The connected load, which is wired in the factory to 100 %, can be reduced by 3 power levels by transferring or removing bridges on the connection terminals
- This allows the connected load to be adjusted to the heating capacity calculated

Connection variants for standard series									
Power variants kW	8 hrs radiator (series)					6 hrs radiator kit (special accessory)			
Nominal charge time	8 hrs	9 hrs	10 hrs	75 %	100 %	5 hrs	6 hrs	7 hrs	75 %
Connection variants	100 %	91.6 %	83.3 %	75 %	100 %	100 %	91.6 %	83.3 %	75 %
WSP 2010	2.00	1.83	1.67	1.50	2.00	2.70	2.74	2.25	2.03
WSP 3010	3.00	2.75	2.50	2.25	–	4.10	3.75	3.42	3.07
WSP 4010	4.00	3.66	3.33	3.00	–	5.50	5.04	4.58	4.13
WSP 5010	5.00	4.58	4.16	3.75	–	6.50	5.96	5.42	4.88
WSP 6010	6.00	5.50	5.00	4.50	–	8.10	7.42	6.75	6.08
WSP 7010	7.00	6.42	5.83	5.25	–	9.00	8.24	7.50	6.75

Connection variants flat design					
Power variants kW	8 hrs radiator (series)				
Nominal charge time	8 hrs	9 hrs	10 hrs	75 %	100 %
Connection variants	100 %	91.6 %	83.3 %	75 %	100 %
WSP 1210 F	1.20	1.10	1.00	0.90	1.20
WSP 1810 F	1.80	1.65	1.50	1.35	1.80
WSP 2410 F	2.40	2.20	2.00	1.80	–
WSP 3010 F	3.00	2.75	2.50	2.25	–
WSP 3610 F	3.60	3.30	3.00	2.70	–
WSP 4210 F	4.20	3.85	3.50	3.15	–
WSP 4810 F	4.80	4.40	4.00	3.60	–

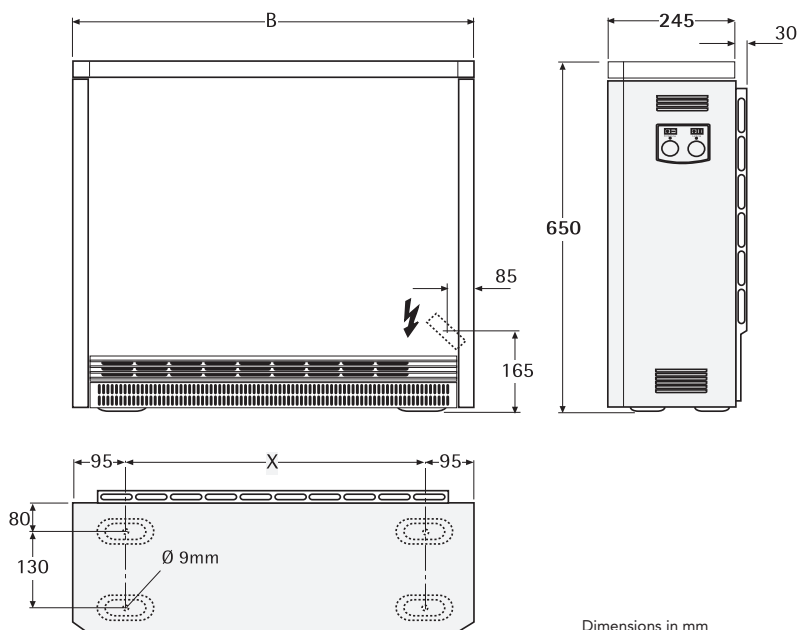
Connection variants Low-line design								
Power variants kW	8 hrs radiator (series)				6 hrs radiator kit (special accessory)			
Nominal charge time	7 hrs	8 hrs	9 hrs	10 hrs	5 hrs	6 hrs	7 hrs	75 %
Connection variants	100 %	91.6 %	83.3 %	75 %	100 %	91.6 %	83.3 %	75 %
WSP 3510 N	3.50	3.21	2.92	2.63	4.90	4.49	4.08	3.67
WSP 5010 N	5.00	4.58	4.16	3.75	6.50	5.95	5.41	4.87

STANDARD DESIGN

- Standard range of electric storage heaters for universal use in domestic and commercial areas
- With thermo-mechanical charge regulator
- Wide power range of 2 – 7 kW
- Preferably for installation on the floor. Installation not on the floor possible with special accessories



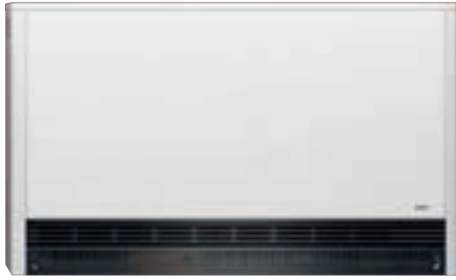
WSP 3010



Model		WSP 2010	WSP 3010	WSP 4010	WSP 5010	WSP 6010	WSP 7010
EAN		40 41056 01267 4	40 41056 01268 1	40 41056 01269 8	40 41056 01270 4	40 41056 01271 1	40 41056 01272 8
E-Number		187 312	187 313	187 314	187 316	187 318	187 319
Housing E-Number		40 41056 00965 0	40 41056 00966 7	40 41056 00967 4	40 41056 00968 1	40 41056 00969 8	40 41056 00970 4
Housing E-Number		185 197	185 198	185 199	185 200	185 201	185 202
Stone packages EAN		40 41056 00971 1	40 41056 00971 1	40 41056 00971 1	40 41056 00971 1	40 41056 00971 1	40 41056 00971 1
Stone packages E-Number		185 205	185 205	185 205	185 205	185 205	185 205
Dimensions in mm							
Width	B	605	780	955	1130	1305	1480
Height		650	650	650	650	650	650
Depth + projection		245 + 30	245 + 30	245 + 30	245 + 30	245 + 30	245 + 30
Spacing	X	415	590	765	940	1115	1290
Technical Data							
Power supply	V	3/N/PE~400 50 Hz 1/N/PE~230 50 Hz	3/N/PE~400 50 Hz	3/N/PE~400 50 Hz	3/N/PE~400 50 Hz	3/N/PE~400 50 Hz	3/N/PE~400 50 Hz
Connected load *	kW	2.0	3.0	4.0	5.0	6.0	7.0
Design charge	kWh	16.0	24.0	32.0	40.0	48.0	56.0
Max. charge PH:	kWh	17.0	25.5	35.0	42.0	51.0	61.5
Charge control system		Thermo-mechanical charge regulator	Thermo-mechanical charge regulator	Thermo-mechanical charge regulator	Thermo-mechanical charge regulator	Thermo-mechanical charge regulator	Thermo-mechanical charge regulator
Control resistor	KOhm	3.4	3.4	3.4	3.4	3.4	3.4
Booster heater (special accessory)		•	•	•	•	•	•
Rating of booster heater	kW	0.35 / 0.5	0.5 / 0.8	0.8 / 1.0	1.0 / 1.2	1.2 / 1.5	1.5 / 1.7
Weight (with stones)	kg	118	169	220	271	322	373
Heat storage stone							
Number of packages (stones)		6 (12)	9 (18)	12 (24)	15 (30)	18 (36)	21 (42)
Weight	kg	85	128	170	213	256	298

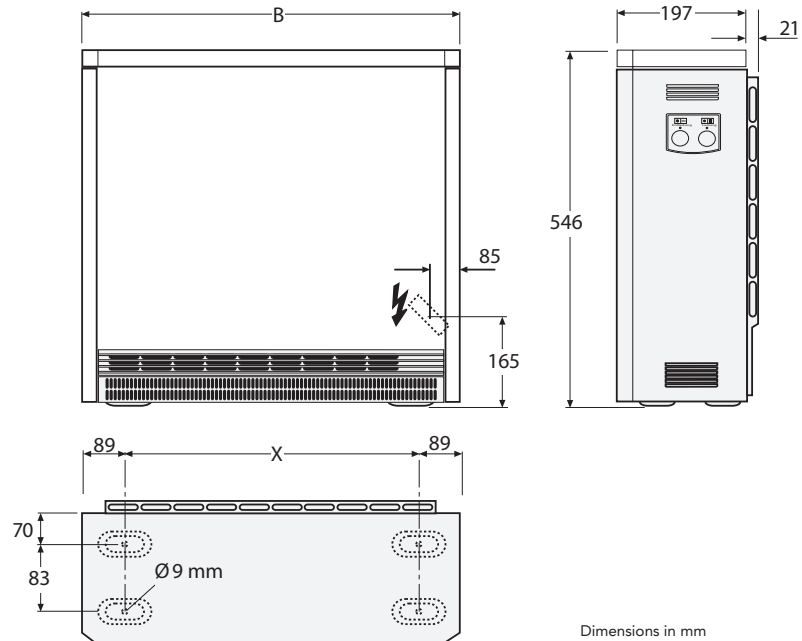
* The connected load to select for the unit depends on the heat requirement calculated and the nominal charge time and additional charge time specified by the EVU; switchable to kW

FLAT DESIGN



WSP 2410 F

- Storage heater in a slimline design, with only 21.8 cm depth, including wall clearance
- Particularly suitable for installations where space is at a premium
- Universal electronic charger for AC and DC connection
- 3 AC-controls may be selected
- Output spectrum from 1.2 to 4.8 kW
- For wall mounting or floorstanding, wall mounting brackets are part of the standard delivery
- SK10 support brackets are required for wall mounting the WSP 4210 F and WSP 4810 F



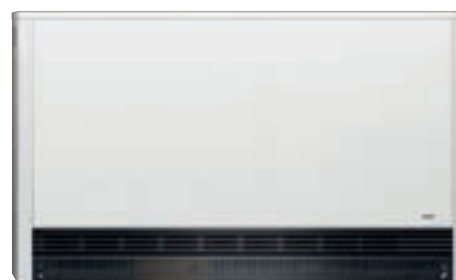
Dimensions in mm

Model	WSP 1210 F	WSP 1810 F	WSP 2410 F	WSP 3010 F	WSP 3610 F	WSP 4210 F	WSP 4810 F
EAN	40 41056 01275 9	40 41056 01276 6	40 41056 01277 3	40 41056 01278 0	40 41056 01279 7	40 41056 01280 3	40 41056 01281 0
E-Number	187 336	187 337	187 338	187 339	187 340	187 341	187 342
Housing EAN	40 41056 00972 8	40 41056 00973 5	40 41056 00974 2	40 41056 00975 9	40 41056 00976 6	40 41056 00977 3	40 41056 00978 0
Housing E-Number	185 206	185 207	185 208	185 209	185 210	185 211	185 212
Stone packages EAN	40 41056 00979 7	40 41056 00979 7	40 41056 00979 7	40 41056 00979 7	40 41056 00979 7	40 41056 00979 7	40 41056 00979 7
Stone packages E-Number	185 214	185 214	185 214	185 214	185 214	185 214	185 214
Dimensions in mm							
Width	B	580	741	902	1063	1224	1385
Height		546	546	546	546	546	546
Depth + projection		197 + 21	197 + 21	197 + 21	197 + 21	197 + 21	197 + 21
Spacing	X	402	563	724	885	1046	1207
Technical Data							
Power supply	V	3/N/PE~400 50 Hz 1/N/PE~230 50 Hz	3/N/PE~400 50 Hz 1/N/PE~230 50 Hz	3/N/PE~400 50 Hz	3/N/PE~400 50 Hz	3/N/PE~400 50 Hz	3/N/PE~400 50 Hz
Connected load *	kW	1.2	1.8	2.4	3.0	3.6	4.2
Design charge	kWh	9.6	14.4	19.2	24.0	28.8	33.6
Max. charge PH:	kWh	10.8	16.2	20.7	25.9	31.3	38.8
Charge control system		Electronic AC/DC charge controller	Electronic AC/DC charge controller	Electronic AC/DC charge controller	Electronic AC/DC charge controller	Electronic AC/DC charge controller	Electronic AC/DC charge controller
Control resistor	KOhm	–	–	–	–	–	–
Booster heater (special accessory)		•	•	•	•	•	•
Rating of booster heater	kW	0.35	0.5	0.8	1.0	1.2	1.5
Weight (with stones)	kg	73.5	106	137.5	169	201	232.5
Heat storage stone							
Number of packages (stones)		6 (12)	9 (18)	12 (24)	15 (30)	18 (36)	21 (42)
Weight	kg	50	76	101	126	151	176

* The connected load to select for the unit depends on the heat requirement calculated and the nominal charge time and additional charge time specified by the EVU; switchable to kW

FLAT DESIGN DUOTHERM

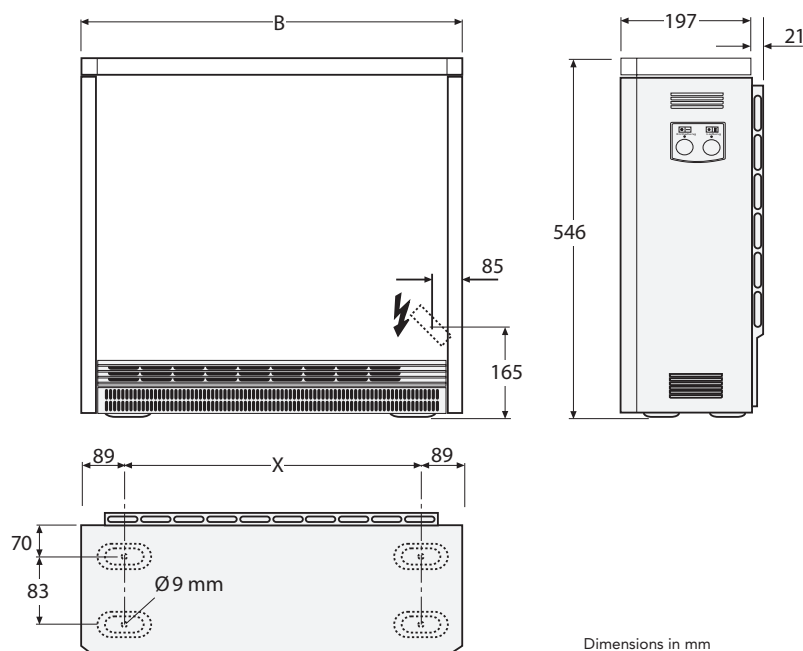
- Duotherm dual circuit storage heaters for "controlled electric heating" with controllable storage component and non-storage component (for areas served by specific power utilities)
- Storage heater in a slimline design, with 21.8 cm depth, incl. wall clearance
- Particularly suitable for installations where space is at a premium
- Universal electronic charger for AC and DC connection
- 3 AC-controls may be selected
- Output spectrum from 1.2 to 3.6 kW
- For wall mounting or floorstanding, wall mounting brackets are part of the standard delivery



WSP 2410 F



ES 10 DF



Model	WSP 1210 F	WSP 1810 F	WSP 2410 F	WSP 3010 F	WSP 3610 F	
EAN	40 41056 01275 9	40 41056 01276 6	40 41056 01277 3	40 41056 01278 0	40 41056 01279 7	
E-Number	187 336	187 337	187 338	187 339	187 340	
Housing EAN	40 41056 00972 8	40 41056 00973 5	40 41056 00974 2	40 41056 00975 9	40 41056 00976 6	
Housing E-Number	185 206	185 207	185 208	185 209	185 210	
Stone packages EAN	40 41056 00979 7	40 41056 00979 7	40 41056 00979 7	40 41056 00979 7	40 41056 00979 7	
Stone packages E-Number	185 214	185 214	185 214	185 214	185 214	
ES 10 DF ¹⁾ EAN	40 41056 01002 1	40 41056 01002 1	40 41056 01002 1	40 41056 01002 1	40 41056 01002 1	
ES 10 DF ¹⁾ E-Number	185 238	185 238	185 238	185 238	185 238	
Dimensions in mm						
Width	B	580	741	902	1063	
Height		546	546	546	546	
Depth + projection		197 + 21	197 + 21	197 + 21	197 + 21	
Spacing	X	402	563	724	885	
Technical Data						
Power supply	V	1/N/PE~230 50 Hz	1/N/PE~230 50 Hz	1/N/PE~230 50 Hz	1/N/PE~230 50 Hz	
Connected load * P _s / P _{sf} ²⁾	kW	P _s / P _{sf} ²⁾ 0.8 / 0.4	P _s / P _{sf} ²⁾ 1.2 / 0.6	P _s / P _{sf} ²⁾ 1.6 / 0.8	P _s / P _{sf} ²⁾ 2.0 / 1.0	P _s / P _{sf} ²⁾ 2.4 / 1.2
Design charge	kWh	9.6	14.4	19.2	24.0	28.8
Max. charge PH:	kWh	10.8	16.2	20.7	25.9	31.3
Charge control system		Electronic AC/DC charge controller	Electronic AC/DC charge controller	Electronic AC/DC charge controller	Electronic AC/DC charge controller	Electronic AC/DC charge controller
Control resistor	KOhm	-	-	-	-	-
Booster heater (special accessory)		-	-	-	-	-
Rating of booster heater	kW	-	-	-	-	-
Weight (with stones)	kg	73.5	106	137.5	169	201
Heat storage stone						
Number of packages (stones)		6 (12)	9 (18)	12 (24)	15 (30)	18 (36)
Weight	kg	50	76	101	126	151

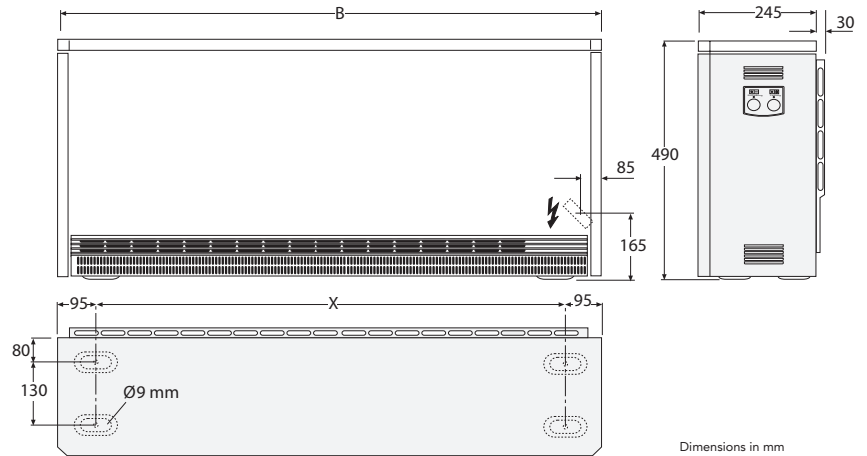
* The connected load to select for the unit depends on the heat requirement calculated and the nominal charge time and additional charge time specified by the EVU; switchable to kW
¹⁾ Auxiliary set
²⁾ P_s / P_{sf} = Storage / direct heating component

LOW-LINE DESIGN



WSP 3510 N

- Storage heater designed for very low height, only 49 cm high
- Particularly suitable for installation in recesses with low window sills
- Universal electronic charger for AC and DC connection
- 3 AC-controls may be selected
- Floorstanding, off-floor installation possible with special accessories



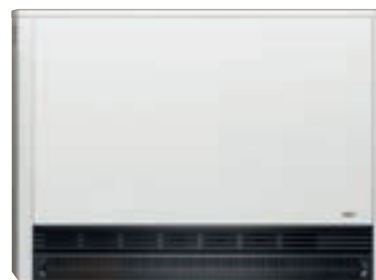
Dimensions in mm

Model	WSP 3510 N		WSP 5010 N	
EAN	40 41056 01282 7		40 41056 01283 4	
E-Number	187 323		187 326	
Housing EAN	40 41056 00980 3		40 41056 00981 0	
Housing E-Number	185 203		185 204	
Stone packages EAN	40 41056 00971 1		40 41056 00971 1	
Stone packages E-Number	185 205		185 205	
Dimensions in mm				
Width	B	1130	1480	
Height		490	490	
Depth + projection		245 + 30	245 + 30	
Spacing	X	940	1290	
Technical Data				
Power supply	V	3/N/PE~400 50 Hz		3/N/PE~400 50 Hz
Connected load	kW	3.5	5.0	
Design charge	kWh	24.0	35.0	
Max. charge PH:	kWh	28.0	40.0	
Charge control system		Electronic AC/DC charge controller		Electronic AC/DC charge controller
Control resistor	KOhm	-		-
Booster heater (special accessory)		•		•
Rating of booster heater	kW	1.0	1.5	
Weight (with stones)	kg	188.5	259.0	
Heat storage stone				
Number of packages (stones)		10 (20)	14 (28)	
Weight	kg	142	199	

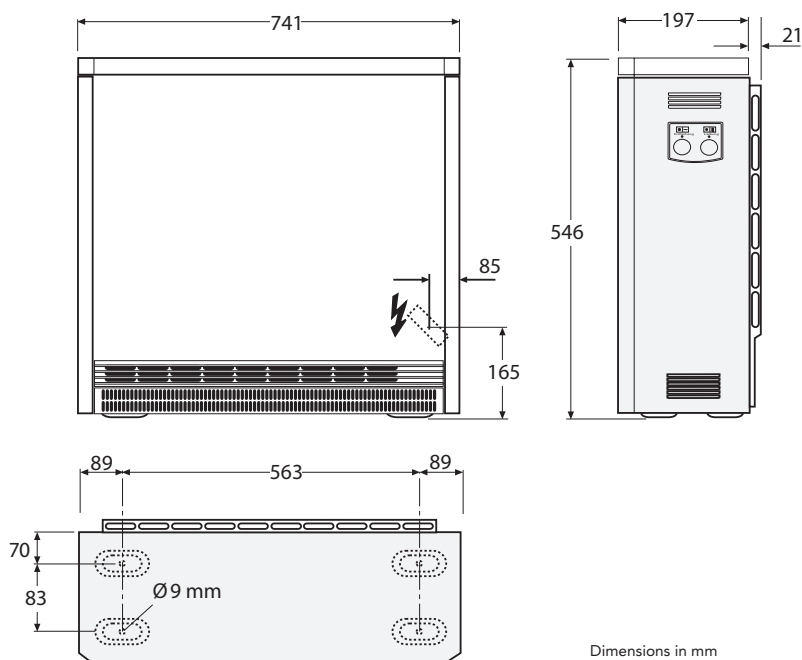
* The connected load to select for the unit depends on the heat requirement calculated and the nominal charge time and additional charge time specified by the EVU; switchable to kW

WITH STATIC DISCHARGE

- Storage heater without fan, with non-controllable (static) discharge
- For temperate heating in hallways and similar
- Storage heater in a slimline design, only 21.8 cm in depth, incl. wall clearance
- Universal electronic charger for AC and DC connection
- 3 AC-controls may be selected
- For wall mounting or floorstanding, wall mounting brackets are part of the standard delivery

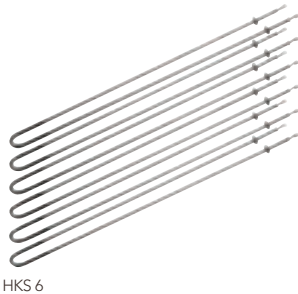


WSP 1510 S



Model	WSP 1510 S	
EAN	40 41056 01284 1	
E-Number	187 310	
Housing EAN	40 41056 00982 7	
Housing E-Number	185 213	
Stone packages EAN	40 41056 00979 7	
Stone packages E-Number	185 214	
Technical Data		
Power supply	V	1/N/PE~230 50 Hz
Connected load	kW	1.5
Design charge	kWh	12
Max. charge PH:	kWh	16.2
Charge control system	Electronic AC/DC charge controller	
Control resistor	KOhm	-
Booster heater (special accessory)	-	
Rating of booster heater	kW	-
Weight (with stones)	kg	106
Heat storage stone		
Number of packages (stones)	9 (18)	
Weight	kg	76

RADIATOR SETS FOR CHARGE MODEL < 8 H

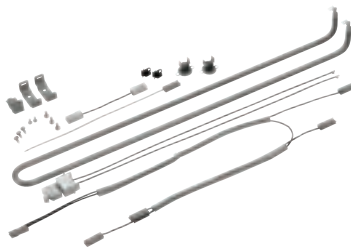


HKS 6

- Radiator set for installation in electric storage heater for charge models < 8 hrs
- The radiators fitted in the units in the factory must be replaced

Model	HKS 6/2.7	HKS 6/4.1	HKS 6/5.5	HKS 6/6.5	HKS 6/8.1	HKS 6/9.0	HKS 6/4.9 N	HKS 6/6.5 N
EAN	40 41056 00983 4	40 41056 00984 1	40 41056 00985 8	40 41056 00986 5	40 41056 00987 2	40 41056 00988 9	40 41056 00989 6	40 41056 00990 2
E-Number	185 266	185 267	185 268	185 269	185 270	185 271	185 272	185 273
for WSP	WSP 2010	WSP 3010	WSP 4010	WSP 5010	WSP 6010	WSP 7010	WSP 3510 N	WSP 5010 N

BOOSTER HEATER



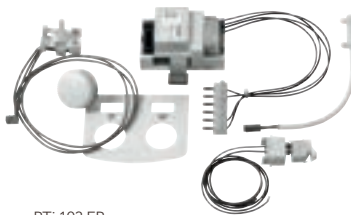
ZH 1004

- Booster heaters for retrofitting in the air outlet area of the electric storage heater. If the thermal requirement increases, allows for additional heating outside the on periods
- With 2 contact thermostats With ON/OFF switch for fitting in the side part of the electric storage heater provided for this purpose
- Complete with affixing and wiring material
- Can be retrofitted to all storage heaters from October 2005

Model	ZH 1004	ZH 2005	ZH 1005	ZH 3008	ZH 1008	ZH 4010	ZH 1010
EAN	40 41056 00991 9	40 41056 01505 7	40 41056 00992 6	40 41056 00992 6	40 41056 00993 3	40 41056 01507 1	40 41056 00994 0
E-Number	185 259	187 787	185 260	187 788	185 261	187 789	185 262
for WSP	WSP 2010, 1210 F	WSP 2010	WSP 3010, 1810 F	WSP 3010	WSP 4010, 2410 F	WSP 4010	WSP 5010, 3010 F, 3510 N
Rating	kW 0.35	0.5	0.5	0.8	0.8	1.0	1.0

Model	ZH 5012	ZH 1012	ZH 1112	ZH 6115	ZH 1015	ZH 7017	ZH 1015 F	ZH 1017
EAN	40 41056 01508 8	40 41056 00995 7	40 41056 02145 4	40 41056 02146 1	40 41056 00996 4	40 41056 01510 1	40 41056 01010 6	40 41056 00997 1
E-Number	187 790	185 263	220 901	221 043	185 264	187 792	185 328	185 265
for WSP	WSP 5010	WSP 3610 F	WSP 6010	WSP 6010	WSP 7010, 5010 N	WSP 7010	WSP 4210 F	WSP 4810
Rating	kW 1.2	1.2	1.2	1.5	1.5	1.7	1.5	1.7

INTEGRABLE, ELECTRONIC PROPORTIONAL ROOM TEMPERATURE CONTROLLER



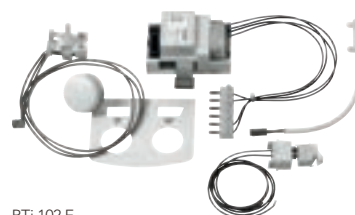
RTi 103 EP

- Integrable, electronic speed regulator for fitting in the electric storage heater's switch area
- For particularly quiet and convenient electric storage heater operation using temperature-controlled fan speed regulation
- Allows the room temperature to be set on the electric storage heater itself – no laborious laying of cables and installation of a room thermostat in a distant location
- With ON/OFF switch and temperature selector for fitting in the side part of the electric storage heater provided for this purpose
- Control power 100 VA
- Night-time reduction of around 4K possible using timer
- Can also be used in conjunction with tiled cladding

Model	RTi 103 EP
EAN	40 41056 01001 4
E-Number	185 237
for WSP	WSP 1210 F/DF - WSP 4810 F/DF, WSP 3510 N, WSP 5010 N

INTEGRABLE, ELECTRONIC 2-POINT ROOM TEMPERATURE CONTROLLER

- Integrable, electronic 2-point regulator for fitting in the electric storage heater's switch area
- Thermal feedback for slight switching difference ± 1 K
- Allows the room temperature to be set on the electric storage heater itself – no laborious laying of cables and installation of a room thermostat in a distant location
- With ON/OFF switch and temperature selector for fitting in the side part of the electric storage heater provided for this purpose
- Night-time reduction of around 4K possible using timer
- Can also be used in conjunction with tiled cladding

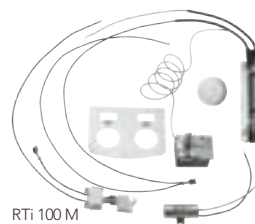


RTi 102 E

Model	RTi 102 E	
EAN	40 41056 01000 7	
E-Number	185 236	
for WSP	WSP 1210 F/DF - WSP 4810 F/DF, WSP 3510 N, WSP 5010 N	

INTEGRABLE, MECHANICAL 2-POINT ROOM TEMPERATURE CONTROLLER

- Integrable, mechanical 2-point regulator for fitting in the electric storage heater's switch area
- Thermal feedback for slight switching difference
- Allows the room temperature to be set on the electric storage heater itself – no laborious laying of cables and installation of a room thermostat in a distant location
- With ON/OFF switch and temperature selector for fitting in the side part of the electric storage heater provided for this purpose
- Can also be used in conjunction with tiled cladding

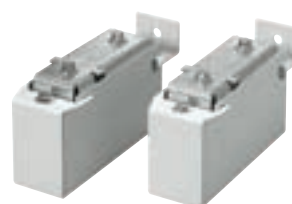


RTi 100 M

Model	RTi 100 M	
EAN	40 41056 00998 8	
E-Number	185 235	
for WSP	WSP 2010 - WSP 7010	

FLOOR BRACKETS

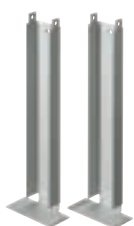
- 2 floor brackets for installing the electric storage heater off of the floor (100 mm)
- With tilt adjustment so can also be adapted to uneven floors



BK 10

Model	BK 10	BK 11
EAN	40 41056 01006 9	40 41056 01005 2
E-Number	185 242	185 241
for WSP	WSP 2010 - WSP 7010, WSP 3510 N, WSP 5010 N	WSP 1210 F/DF - WSP 4810 F/DF, WSP 1510 S

SUPPORT BRACKETS

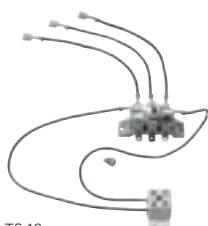


SK 10

- 2 pce support brackets for off-floor (100 mm) installation of storage heaters where walls are non-load bearing
- Required for wall mounting the WSP 4210 F and WSP 4810 F

Model	SK 10
EAN	40 41056 01004 5
E-Number	185 240
for WSP	WSP 1210 F/DF - WSP 4810 F/DF, WSP 1510 S

THERMAL RELAYS



TS 10

- Thermal relay for direct release of power in electric storage heater (control cable for EVU release is guided directly into the electric storage heater)
- Installation in electric storage heater's switch area

Model	TS 10
EAN	40 41056 01003 8
E-Number	185 239
for WSP	WSP 2010 - WSP 7010

CONTROL RESISTOR



SW 40 ED

- Control resistor 40 % ED
- 1700 ohms of resistance
- For use in electric storage heaters in old setups

Model	SW 40 ED
EAN	40 41056 01938 3
E-Number	220 422
for WSP	WSP 2010 - WSP 7010

Area of use

- Electric storage heaters for conveniently and cost-effectively heating homes and commercial spaces
- During on periods the electric storage heaters are charged at a low charge rate. When required, the stored heat is given off to the room via a tangential blower

Components

- Elegant, contemporary unit design, white in colour, RAL 9010
- High grade hard shell thermal insulation

- High-quality ceramic core material with high thermal retention properties
- Prepared for installation of booster heater and integrable room temperature controller
- Retractable selector

Installation

- Large connection space
- Rapid installation using stainless steel radiators fitted and prewired in the factory
- Various loads can be connected

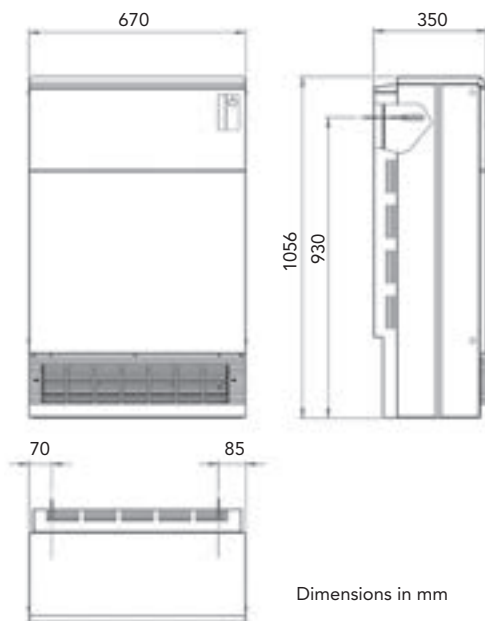


HIGH-LINE DESIGN



WSP 600 HF

- High-line storage heater
- High heating output on a small footprint
- Particularly suitable for installations where space is at a premium



Dimensions in mm

Model	WSP 600 HF	
EAN	40 41056 01679 5	
E-Number	189 841	
Housing EAN	40 41056 01623 8	
Housing E-Number	189 702	
Cover stone sets EAN	40 41056 01624 5	
Cover stone sets E-Number	189 703	
Duct stone set EAN	40 41056 01625 2	
Duct stone set E-Number	189 704	
Technical Data		
Power supply	V	3/N/PE-400 50 Hz
Connected load (switchable) *	kW	6.0 (5.0 / 4.0)
Design charge	kWh	48
Charge control system	Thermo-mechanical charge regulator	
Control resistor	kOhm	3.6
Booster heater (special accessory)	•	
Rating of booster heater	kW	1.0
Weight (with stones)	kg	330.00
Heat storage stone		
Number of packages	3 + 6	

* The connected load to select for the unit depends on the heat requirement calculated and the nominal charge time and additional charge time specified by the EVU; switchable to kW

INTEGRABLE, ELECTRONIC PROPORTIONAL ROOM TEMPERATURE CONTROLLER

- Integrable, electronic speed regulator for fitting in the electric storage heater's switch area
- For particularly quiet and convenient electric storage heater operation using temperature-controlled fan speed regulation
- Allows the room temperature to be set on the electric storage heater itself – no laborious laying of cables and installation of a room thermostat in a distant location
- With ON/OFF switch and temperature selector for fitting in the housing of the electric storage heater provided for this purpose

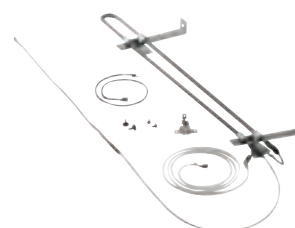


RTi 600 EP HF

Model	RTi 600 EP HF
EAN	40 41056 01628 3
E-Number	189 707
Description	Proportional controller

BOOSTER HEATER

- Booster heater for fitting in the electric storage heater WSP 600 HF
- If the thermal requirement increases, allows for additional heating outside the on periods
- Complete kit with contact thermostat, wiring and affixing material
- Rating 1.0 kW
- Use only in conjunction with a suitable internal or external room temperature controller



ZH 600 HF

Model	ZH 600 HF
EAN	40 41056 01626 9
E-Number	189 705
Description	Booster heater



Area of use

- Storage heater specially designed for use in kitchens
- During on periods the electric storage heaters are charged at a low charge rate. When required, the stored heat is given off to the room via a blower

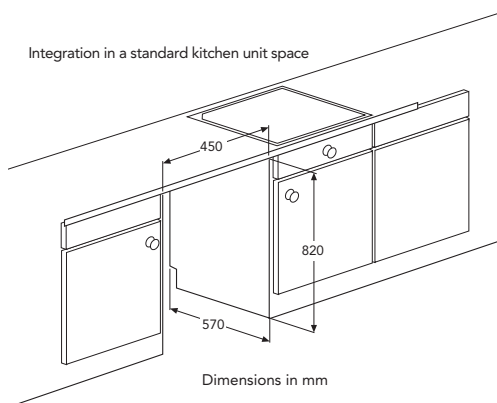
Installation

- For integration in a standard kitchen unit space
- Supplementary set available for freestanding installations (special accessory)

Components

- Housing colour white, similar to RAL 9016
- Integral room temperature controller with retractable selectors
- High grade hard shell thermal insulation
- High-quality ceramic core material with high thermal retention properties
- Prepared for installation of booster heater

Integration in a standard kitchen unit space



Integration in a standard kitchen unit space

This storage heater is designed specifically for installation below the kitchen worktop.

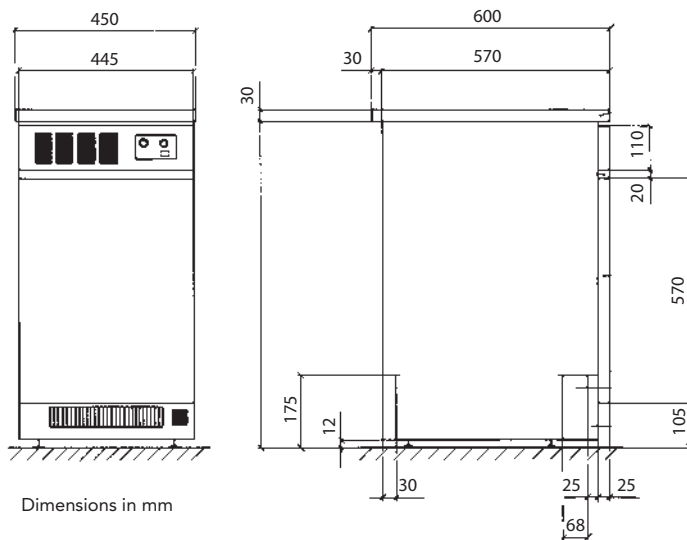
The installed height is set to 82 cm at factory; this can be adjusted to between 81.5 and 84.0 cm

ELECTRIC STORAGE HEATER FOR THE KITCHEN

- Standard kitchen unit dimensions, only 45 cm wide
- Perfect for small kitchens. Can be integrated into a standard kitchen unit space – no additional space required for a heating system
- ES 300 H supplementary set is required for a freestanding installation (P. 72)
- Optimum heat transfer and operation – heater is not covered by kitchen furniture
- Weather-compensated charging is possible



WSP 300 H
Image with supplementary set ES 300 H
(see accessory p. 72)



Model	WSP 300 H	
EAN	40 41056 01579 8	
E-Number	189 811	
Casing with heating element EAN	40 41056 01564 4	
Casing with heating element E-Number	189 637	
Stone packages EAN	40 41056 01565 1	
Stone packages E-Number	189 638	
Dimensions in mm		
Width	445	
Height	820 ¹⁾ , 850 ²⁾	
Depth	570 / 600 ³⁾	
Technical Data		
Power supply	V	3/N/PE~400 50 Hz
Connected load	kW	3.0
Design charge	kWh	24.0
Charge control system	Electronic charge controller 230 V, AC, only 80 % ED (digital)	
Rating of booster heater	kW	0.5
Weight (with stones)	kg	201.0
Heat storage stone		
Number of packages (stones)	8	
¹⁾ Height-adjustable from 815 to 840 mm		
²⁾ Freestanding with worktop ES 300 H		
³⁾ With sheet steel front panel		

SUPPLEMENTARY SET FOR WSP 300 H



ES 300 H

- Supplementary set for freestanding installation of the WSP 300 H
- Complete kit with worktop, sheet steel front panel, white stove enamelled, l.h. and r.h. cover, connection strip and fixing materials

Model	ES 300 H
EAN	40 41056 01566 8
E-Number	189 639
Description	Supplementary set

BOOSTER HEATER FOR WSP 300 H



ZH 300 H

- Booster heater for WSP 300 H
- If the thermal requirement increases, allows for additional heating outside the on periods
- Complete kit with contact thermostat, wiring and affixing material
- Rating 0.5 kW

Model	ZH 300 H
EAN	40 41056 01567 5
E-Number	189 640
Description	Booster heater

Area of use

- Electronic charge controls for fully automatic charging of electric storage heaters controlled by atmospheric conditions

Components

- Charge controls for forward, reverse and spread supervision
- Satisfies all EVU requirements
- Supplied complete with atmospheric conditions sensor

Installation

- For top hat rail assembly for installing in sub-distribution



CHARGE CONTROL ELFAMATIC μ C 3000



ELFAMATIC μ C 3000

- Satisfies all EVU requirements
- Large illuminated LC-Display with 4 operating keys
- Automatic time synchronisation
- Control power 300 W
- Easy to set using stored charge models
- Integrated test program
- Compatible with all common atmospheric condition sensors
- Characteristics curve can be easily moved +/- 4K by the user
- For top hat rail assembly, width: 6 modular spacings



ELFAMATIC V 3000

CHARGE CONTROL ELFAMATIC V 3000

- Electronic charge control for all supply areas with forward monitoring
- For top hat rail assembly, width: 3 modular spacings



ELFAMATIC G 3000

GROUP CONTROL UNIT ELFAMATIC G 3000

- Digital group control unit for individual control over several apartments
- Individual modification of charge level of between +12% and -36% compared with level specified by central control unit
- For top hat rail assembly, width: 3 modular spacings

Model	ELFAMATIC μ C 3000	ELFAMATIC V 3000	ELFAMATIC G 3000
EAN	40 41056 01553 8	40 41056 01551 4	40 41056 01552 1
E-Number	187 869	187 870	187 871
Description	Central control unit	Central control unit	Group control unit

Area of use

- Room temperature controller for regulating the output of heat from electric storage heaters

Components

- The AEG room temperature controllers are available in various variants: With ON/OFF switch, with switch for booster heater, as 2-point controller or proportional controller
- New range in modern, attractive design

Installation

- For surface-mounted installation (RT 600, RT 601 SN, RT 602 SNSZ)
- Fixing holes fit on the threaded bushes of Ø 55 mm flushmounted sockets such that the socket can be used as an extra clamping space
- For flush-mounted installation (RT 5050, RT 5050 SN, RT 5050 SZ)
- Wireless room temperature controller RTF for easy installation with surface-mounted or flush-mounted receiver (RTF-D, RTF-A, RTF-E AP und RTF-E UP)


Benefits of electronic proportional controllers

- Electronic proportional controllers regulate the fan speed in a continuously variable manner. Compared with a 2-point controller which either switches the fan on or off the benefits are the low level of air movement and the fact that room temperature remains constant at all times
- There is also less fan noise as the fan only rarely runs at maximum speed

2-POINT CONTROLLERS WITH THERMAL FEEDBACK



RT 602 SNSZ

- Thermal feedback for high control accuracy and low switching hysteresis
- Temperature set to around 5 - 30 °C
- Temperature can be reduced using timer
- Modern, functional design, color: pure white
- With adjustable restriction of range
- With 1-pin mains switch



RT 601 SN

- Thermal feedback for high control accuracy and low switching hysteresis
- Temperature set to around 5 - 30 °C
- Temperature can be reduced using timer
- Modern, functional design, color: pure white
- With adjustable restriction of range
- With 1-pin mains switch



RT 600

- Thermal feedback for high control accuracy and low switching hysteresis
- Temperature set to around 5 - 30 °C
- Temperature can be reduced using timer
- Modern, functional design, color: pure white
- With adjustable restriction of range



RT 5050 SN

- Thermal feedback for high control accuracy and low switching hysteresis
- Temperature set to around 5 - 30 °C
- Temperature can be reduced using timer
- Modern, functional design, color: pure white
- With adjustable restriction of range
- With 1-pin mains switch

Model	RT 602 SN SZ	RT 601 SN	RT 600	RT 5050 SZ	RT 5050 SN	RT 5050
EAN	40 41056 02399 1	40 41056 01552 1	40 41056 02397 7	40 41056 02404 2	40 41056 02403 5	40 41056 02402 8
E-Number	223 299	223 298	223 297	223 304	223 303	223 302
Installation	surface-mounted	surface-mounted	surface-mounted	flush-mounted	flush-mounted	flush-mounted
Connected load	VA	-	-	-	-	-
Switching current/cap.	A/W	10/2300	10/2300	16/3600	10/2300	10/2300
Switch for	Mains, booster heater	Mains	-	Booster heater	Mains	-

WIRELESS ROOM TEMPERATURE CONTROLLER RTF-D

- Wireless room temperature controller with weekly program and digital display
- Convenient control of heating system without laborious cabling
- Easy and intuitive to program
- 5 operating modes available
- Can be used as the master in master/slave operations (pilot control)
- Wireless range inside buildings approx. 25 m
- Temperature can be set to between 5 °C and 30 °C
- May be used for mounting on finished walls or as hand-held transmitter
- Power supply 3 x Micro AAA 1.5 V, part of the standard delivery (3rd battery for backlit display)
- Protection class III, Type of protection IP 30
- Dimensions: 110 x 26 x 110,7 mm, Color: pure white, similar to RAL 9010



RTF-D

WIRELESS ROOM TEMPERATURE CONTROLLER RTF-A

- Wireless room temperature controller with set value adjuster
- Convenient control of heating system without laborious cabling
- 2 operating modes available
- Wireless range inside buildings approx. 25 m
- Temperature adjustment from 5 to 30 °C
- May be used for mounting on finished walls or as hand-held transmitter
- Power supply 2 x Micro AAA 1.5 V, part of the standard delivery
- Protection class III, Type of protection IP 30
- Dimensions: 78,3 x 25,5 x 83,4 mm, Color: pure white, similar to RAL 9010



RTF-A

FLUSH-MOUNTED RECEIVER RTF-E UP

- Receiver for mounting on unfinished walls with integral strain relief for permanently connecting a storage heater, glass or natural stone heater
- Self-learn key for easily establishing the wireless connection
- Reliable wireless transfer at 868 MHz
- LED to indicate the current state
- Emergency mode in the case of permanently interrupted wireless connection
- IP 30 protection, safety category II, for consumers in safety category I and II
- Maximum switching current 11 A, from 30 °C ambient temperature, 7.5 A
- Dimensions: 81 x 42,5 x 85 mm, Color: pure white, similar to RAL 9010



RTF-E UP

SURFACE-MOUNTED RECEIVER RTF-E AP

- Receiver for mounting on unfinished walls with integral strain relief for permanently connecting a storage heater, glass or natural stone heater
- Self-learn key for easily establishing the wireless connection
- Reliable wireless transfer at 868 MHz
- LED to indicate the current state
- Emergency mode in the case of permanently interrupted wireless connection
- IP 30 protection, safety category II, for consumers in safety category I and II
- Maximum switching current 13 A
- Dimensions: 78,3 x 25,5 x 83,4 mm, Color: pure white, similar to RAL 9010



RTF-E AP

Model	RTF-D	RTF-A	RTF-E UP	RTF-E AP
EAN	40 41056 03032 6	40 41056 03033 3	40 41056 03034 0	40 41056 03035 7
E-Number	233 862	233 863	233 864	233 865
Description	Wireless room temperature controller with weekly program	Wireless room temperature controller	Wireless receiver, flush-mounted	Wireless receiver, surface-mounted



Area of use

- The Natural stone heating: an attractive heating system in a choice design
- May be used as partial storage heater, using economy tariffs offered by various power supply utilities
- As the sole source of heating for modern low-energy buildings
- As additional heating for bathrooms, living rooms, offices and much more.

Components

- Cosy output of radiation heat as with a tiled stove, even, healthy distribution of heat throughout room
- Space-saving heating system, depth with projection of just 7 cm
- 8 quality types of stone from all over the world, each
- Natural stone heating is unique
- Low heating conductor loading, 2 integrated temperature sensors in each radiator
- Can be used as partial storage heating, exploits special rates of different energy suppliers

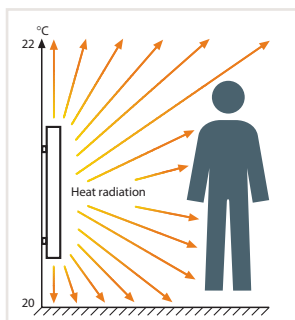
- No wear or maintenance
- Convenient temperature regulation using wireless room temperature controller (special accessory)
- 5 - 6 power variants for each stone type – the right unit for every room
- With heat reflector plate for wall mounting

Installation

- For vertical or horizontal wall mounting
- Permanent connection, invisible electric connection behind panel, 1.3 m long connection cable
- If using wireless room temperature controller, just one socket is needed for operation

The stones in AEG Natural stone heaters have developed over millions of years through natural processes. The slabs are natural products and are broken down into stone fragments in a lengthy process. Every heater is unique. Something which is documented by the different colours and patterns on each heater. These are not defects

**USEFUL INFORMATION
ABOUT NATURAL
STONE HEATERS**



Comfortable heat

Direct radiation heat feels very pleasant. Tiled stoves operate on the same principle. They transfer heat without any air movement and therefore without stirring up any dust.

Less energy

People find radiation heat given off by natural stone heaters, low-temperature convectors and radiant heaters to be warmer than the heat given off by convection heaters. The room temperature can therefore be set around 2 °C lower without people noticing the difference and energy savings of around 10–15% can be made compared with standard convectors

What is the difference between radiation heat and convection heat?

Natural stone heaters, low-temperature convectors and infrared wall-mounted radiators, also known as infrared wave heaters, have a large heating element which emits heat directly. These devices therefore give off more radiation heat than standard convectors and radiators. This directly heats up objects and people in the room without having to first pass through the air in the room.

Special shapes with AEG Natural stone heaters

In order to satisfy individual design requests, AEG Haustechnik provides the following services for Natural stone heaters:

1. Special dimensions

On request, AEG Haustechnik can produce Natural stone heaters in special shapes and deviating sizes, to suit your designs.

2. Individual types of stone

If requested by the customer, AEG Haustechnik can also produce heaters from other suitable types of stone.

How do I use a natural stone heater as my only heating system?

The thermal mass of stone means that a natural stone heater can be used as partial storage heating. Many energy suppliers offer special rates, not available during the brief periods of peak load, for this kind of heating. You first have to calculate how much heat is needed in order to determine the heating capacity required and then the number and size of units. The EnEV should be noted.

AEG Haustechnik is happy to assist and will gladly produce a complete quotation, please call +49 5531 702-0

Convection heaters mainly emit heat to the ambient air. This form of heating produces air movement (convection) which gradually heats the room.

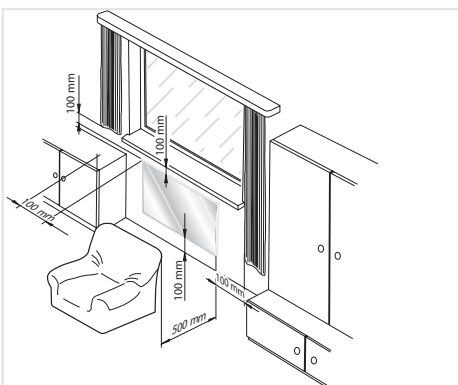
3. Window sill service

Window sills, worktops or floor tiles can also be produced from the same type of stone to match the Natural stone heating.

4. Engraving service

On request, the Natural stone heaters can also be supplied with individual engravings such as writing or company logos.

Contact your AEG field contact for more information



VOLAKAS

- Fine-grained stone with sugar grain surface, light bleached background, with grey, cloud-like marbling. Quarried near Drama.
- Used as wall cladding, in bathrooms and shops.
- The most important stone export to China and the rest of the world for the last 30 years.
- Includes reflector plate



VOLAKAS (similar to illustration)

Model	VOLAKAS	NSH 35 VO	NSH 65 VO	NSH 85 VO	NSH 115 VO	NSH 145 VO	NSH 165 VO
EAN		40 41056 01588 0	40 41056 01589 7	40 41056 01590 3	40 41056 01591 0	40 41056 01592 7	40 41056 02851 4
E-Number		189 653	189 654	189 655	189 656	189 657	231 946
Technical Data							
Power supply	V	1/N/PE~230 50 Hz	1/N/PE~230 50 Hz	1/N/PE~230 50 Hz	1/N/PE~230 50 Hz	1/N/PE~230 50 Hz	1/N/PE~230 50 Hz
Connected load	W	350	650	850	1150	1450	1650
Dimensions H x W	cm	40 x 60	40 x 100	50 x 100	60 x 100	60 x 125	60 x 135
Depth / incl. projection	cm	3.0 / 7.0	3.0 / 7.0	3.0 / 7.0	3.0 / 7.0	3.0 / 7.0	3.0 / 7.0
Weight	kg	21.0	35.0	44.0	52.0	62.0	70.0

JURA

- Trade name taken from the German Jurassic mountains. Brown-grey to light-grey and pale yellow, it is quarried in the Treuchtlinger Revier.
- Used on floors, walls, stairs, window sills and for edging to floor coverings.
- Well-known throughout Central Europe for many centuries.
- Includes reflector plate



JURA (similar to illustration)

Model	JURA	NSH 35 JA	NSH 65 JA	NSH 85 JA	NSH 115 JA	NSH 145 JA	NSH 165 JA
EAN		40 41056 01583 5	40 41056 01584 2	40 41056 01585 9	40 41056 01586 6	40 41056 01587 3	40 41056 02852 1
E-Number		189 648	189 649	189 650	189 651	189 652	231 947
Technical Data							
Power supply	V	1/N/PE~230 50 Hz	1/N/PE~230 50 Hz	1/N/PE~230 50 Hz	1/N/PE~230 50 Hz	1/N/PE~230 50 Hz	1/N/PE~230 50 Hz
Connected load	W	350	650	850	1150	1450	1650
Dimensions H x W	cm	40 x 60	40 x 100	50 x 100	60 x 100	60 x 125	60 x 135
Depth / incl. projection	cm	3.0 / 7.0	3.0 / 7.0	3.0 / 7.0	3.0 / 7.0	3.0 / 7.0	3.0 / 7.0
Weight	kg	21.0	35.0	44.0	52.0	62.0	70.0

MOCCA CREME

- Beige to light-brown, slightly textured, lightly flecked with pale brown inclusions. Quarried near Lissabon.
- Used for interior cladding, flooring and furniture.
- An important export stone, mainly throughout Europe.
- Includes reflector plate



MOCCA CREME (similar to illustration)

Model	MOCCA CREME	NSH 35 MC	NSH 65 MC	NSH 85 MC	NSH 115 MC	NSH 145 MC	NSH 165 MC
EAN		40 41056 01593 4	40 41056 01594 1	40 41056 01595 8	40 41056 01596 5	40 41056 01597 2	40 41056 02853 8
E-Number		189 658	189 659	189 660	189 661	189 662	231 948
Technical Data							
Power supply	V	1/N/PE~230 50 Hz	1/N/PE~230 50 Hz	1/N/PE~230 50 Hz	1/N/PE~230 50 Hz	1/N/PE~230 50 Hz	1/N/PE~230 50 Hz
Connected load	W	350	650	850	1150	1450	1650
Dimensions H x W	cm	40 x 60	40 x 100	50 x 100	60 x 100	60 x 125	60 x 135
Depth / incl. projection	cm	3.0 / 7.0	3.0 / 7.0	3.0 / 7.0	3.0 / 7.0	3.0 / 7.0	3.0 / 7.0
Weight	kg	21.0	35.0	44.0	52.0	62.0	70.0

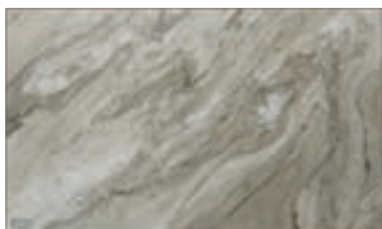


PRINOS (similar to illustration)

PRINOS

- Smooth, almost white fine-grained stone with light-grey or even pale yellow inclusions – from the Isle of Thassos.
- Used for architectural features, sculptures and interiors.
- An important export stone worldwide for more than 50 years.
- Includes reflector plate

Model	PRINOS	NSH 35 PR	NSH 65 PR	NSH 85 PR	NSH 115 PR	NSH 145 PR	NSH 165 PR
EAN		40 41056 01598 9	40 41056 01599 6	40 41056 01600 9	40 41056 01601 6	40 41056 01602 3	40 41056 02854 5
E-Number		189 663	189 664	189 665	189 666	189 667	231 949
Technical Data							
Power supply	V	1/N/PE~230 50 Hz	1/N/PE~230 50 Hz	1/N/PE~230 50 Hz	1/N/PE~230 50 Hz	1/N/PE~230 50 Hz	1/N/PE~230 50 Hz
Connected load	W	350	650	850	1150	1450	1650
Dimensions H x W	cm	40 x 60	40 x 100	50 x 100	60 x 100	60 x 125	60 x 135
Depth / incl. projection	cm	3.0 / 7.0	3.0 / 7.0	3.0 / 7.0	3.0 / 7.0	3.0 / 7.0	3.0 / 7.0
Weight	kg	21.0	35.0	44.0	52.0	62.0	70.0



PALISANDRO (similar to illustration)

PALISANDRO

- Fine-grained crystalline rock in brownish hues, sometimes patterned with cloudy, wavy or striped concentrations of vibrant brown tints. High mica content.
- Background shades of light to dark-brown or blue-grey.
- Used for architectural features, wall cladding, furniture or as thin tiles.
- Exported worldwide for around 40 years.
- Includes reflector plate

Model	PALISANDRO	NSH 35 PA	NSH 65 PA	NSH 85 PA	NSH 115 PA	NSH 145 PA
EAN		40 41056 01608 5	40 41056 01609 2	40 41056 01610 8	40 41056 01611 5	40 41056 01612 2
E-Number		189 673	189 674	189 675	189 676	189 677
Technical Data						
Power supply	V	1/N/PE~230 50 Hz	1/N/PE~230 50 Hz	1/N/PE~230 50 Hz	1/N/PE~230 50 Hz	1/N/PE~230 50 Hz
Connected load	W	350	650	850	1150	1450
Dimensions H x W	cm	40 x 60	40 x 100	50 x 100	60 x 100	60 x 125
Depth / incl. projection	cm	3.0 / 7.0	3.0 / 7.0	3.0 / 7.0	3.0 / 7.0	3.0 / 7.0
Weight	kg	21.0	35.0	44.0	52.0	62.0



SYLVIA ANTIK (similar to illustration)

SYLVIA ANTIK

- Beige to light-brown limestone – almost no marbling – is hammered or brushed, creating an attractive antique effect.
- Used in interiors – particularly suitable for wood cladding or rustic interiors.
- Important export stone – mainly throughout Europe.
- Includes reflector plate

Model	SYLVIA ANTIK	NSH 35 SA	NSH 65 SA	NSH 85 SA	NSH 115 SA	NSH 145 SA	NSH 165 SA
EAN		40 41056 01603 0	40 41056 01604 7	40 41056 01605 4	40 41056 01606 1	40 41056 01607 8	40 41056 02408 0
E-Number		189 668	189 669	189 670	189 671	189 672	223 308
Technical Data							
Power supply	V	1/N/PE~230 50 Hz	1/N/PE~230 50 Hz	1/N/PE~230 50 Hz	1/N/PE~230 50 Hz	1/N/PE~230 50 Hz	1/N/PE~230 50 Hz
Connected load	W	350	650	850	1150	1450	1650
Dimensions H x W	cm	40 x 60	40 x 100	50 x 100	60 x 100	60 x 125	60 x 135
Depth / incl. projection	cm	3.0 / 7.0	3.0 / 7.0	3.0 / 7.0	3.0 / 7.0	3.0 / 7.0	3.0 / 7.0
Weight	kg	21.0	35.0	44.0	52.0	62.0	70.0

BLUE PEARL (LABRADOR)

- Grey-blue, coarse-grained stone of regular texture. Its structure reflects light so that some crystals sparkle light blue depending on angle and position.
- Used for architectural features, sculptures and on façades, also a valued ornamental stone.
- Exported worldwide since 1880 – in every major city façades, shop fronts and foyers feature this stone.
- Includes reflector plate



BLUE PEARL (LABRADOR) (similar to illustration)

Model	BLUE PEARL (LABRADOR)	NSH 35 LA	NSH 65 LA	NSH 85 LA	NSH 115 LA	NSH 145 LA
EAN		40 41056 01613 9	40 41056 01614 6	40 41056 01615 3	40 41056 01616 0	40 41056 01617 7
E-Number		189 678	189 679	189 680	189 681	189 682
Technical Data						
Power supply	V	1/N/PE~230 50 Hz	1/N/PE~230 50 Hz	1/N/PE~230 50 Hz	1/N/PE~230 50 Hz	1/N/PE~230 50 Hz
Connected load	W	350	650	850	1150	1450
Dimensions H x W	cm	40 x 60	40 x 100	50 x 100	60 x 100	60 x 125
Depth / incl. projection	cm	3.0 / 7.0	3.0 / 7.0	3.0 / 7.0	3.0 / 7.0	3.0 / 7.0
Weight	kg	21.0	35.0	44.0	52.0	62.0

VARIOS

- Fine, sugar-grain stone with light background hue – characterised by dark-grey cloudy marbling, with a hint of brown here and there – quarried near Drama.
- Used in living rooms, dining rooms, bathrooms and for shop interiors.
- The most important stone export to China and the rest of the world for the last 30 years.
- Includes reflector plate



VARIOS (similar to illustration)

Model	VARIOS	NSH 35 VA	NSH 65 VA	NSH 85 VA	NSH 115 VA	NSH 145 VA	NSH 165 VA
EAN		40 41056 01718 1	40 41056 01719 8	40 41056 01720 4	40 41056 01721 1	40 41056 01722 8	40 41056 02407 3
E-Number		189 876	189 877	189 878	189 879	189 880	223 307
Technical Data							
Power supply	V	1/N/PE~230 50 Hz	1/N/PE~230 50 Hz	1/N/PE~230 50 Hz	1/N/PE~230 50 Hz	1/N/PE~230 50 Hz	1/N/PE~230 50 Hz
Connected load	W	350	650	850	1150	1450	1650
Dimensions H x W	cm	40 x 60	40 x 100	50 x 100	60 x 100	60 x 125	60 x 135
Depth / incl. projection	cm	3.0 / 7.0	3.0 / 7.0	3.0 / 7.0	3.0 / 7.0	3.0 / 7.0	3.0 / 7.0
Weight	kg	21.0	35.0	44.0	52.0	62.0	70.0

TOWEL RAILS FOR NATURAL STONE HEATINGS

- High-quality, chrome-plated towel rail
- Easy to install
- Installed width: 32 cm
- Upper towel rail: 50 cm
- Lower towel rail: 60 cm



NSH HT Chrom

Model	NSH HT Chrom
EAN	40 41056 02535 3
E-Number	228 958
Description	Towel rail



Area of use

- The glass heating: an attractive heating system in a choice design
- As an efficient heating system for spring and autumn
- Ideal for covering additional heat demand in the living space, bathroom, hallway or in utility rooms

Components

- Glass fronting with large radiation panel spreads pleasant and even heat across the room without creating noise or air turbulence
- Space saving heating system; only 5 cm wall clearance

- Integral on/off switch
- Fully wired
- Free of wear and maintenance
- Convenient room temperature controller for setting time and temperature (accessory)

Installation

- Straightforward and stable wall mounting by one person only
- The wall mounting bracket is fitted to the wall separately from the appliance and can be readjusted later
- Due to the all-round bezel on the back of the appliance, the wall mounting bracket and power supply are no longer visible post-installation

USEFUL INFORMATION ABOUT GLASS HEATERS

Comfortable heat

Direct radiation heat feels very pleasant. Tiled stoves operate on the same principle. They transfer heat without any air movement and therefore without stirring up any dust.

Less energy

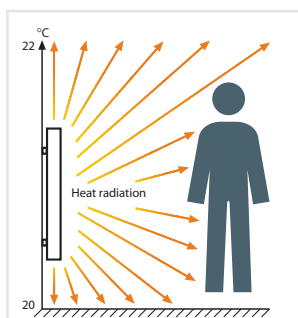
People find radiation heat given off by glass heaters, low-temperature convectors and radiant heaters to be warmer than the heat given off by convection heaters. The room temperature can therefore be set around 2 °C lower without people noticing the difference and energy savings of around 10–15% can be made compared with standard convectors

AEG Haustechnik is happy to assist and will gladly produce a complete quotation, please call +49 5531 702-0

USEFUL INFORMATION ABOUT CRYSTAL MIRROR GLASS HEATER

Crystal mirror glass heater

The crystal mirror glass heater is suitable for use in bathrooms, hallways and dressing rooms as a convenient auxiliary heater. It can fully replace a conventional mirror.



What is the difference between radiation heat and convection heat?

Natural stone heaters, glass heaters, low-temperature convectors and infrared wall-mounted radiators, also known as infrared wave heaters, have a large heating element which emits heat directly. These devices therefore give off more radiation heat than standard convectors and radiators. This directly heats up objects and people in the room without having to first pass through the air in the room.

Convection heaters mainly emit heat to the ambient air.

This form of heating produces air movement (convection) which gradually heats the room.

GLASS HEATER BLACK – NEW –

- Wall mounted radiant heater with glass fronting, frameless
- Even surface temperatures
- Perfectly suited as spot or transitional heater in the bathroom, living space or hallway
- Fully wired
- Straightforward installation by one person only
- May be mounted horizontally or vertically
- On/off switch
- High safety level through 2 high limit safety cut-outs
- 1.05 m long power cable



GH 500 S

Model		GH 300 S	GH 500 S	GH 700 S	GH 900 S
EAN		40 41056 03129 3	40 41056 03130 9	40 41056 03131 6	40 41056 03132 3
E-Number		234 434	234 435	234 436	234 437
Technical Data					
Power supply	V	1/N/PE~230 50 Hz	1/N/PE~230 50 Hz	1/N/PE~230 50 Hz	1/N/PE~230 50 Hz
Type of protection		IP 24	IP 24	IP 24	IP 24
Connected load	W	300	500	700	900
Dimensions H x W	cm	60 x 60	60 x 100	60 x 140	60 x 180
Weight	kg	7.8	13.0	18.2	23.4

GLASS HEATER WHITE – NEW –

- Wall mounted radiant heater with glass fronting, frameless
- Even surface temperatures
- Perfectly suited as spot or transitional heater in the bathroom, living space or hallway
- Fully wired
- Straightforward installation by one person only
- May be mounted horizontally or vertically
- On/off switch
- High safety level through 2 high limit safety cut-outs
- 1.05 m long power cable



GH 500 W

Model		GH 300 W	GH 500 W	GH 700 W	GH 900 W
EAN		40 41056 03133 0	40 41056 03134 7	40 41056 03135 4	40 41056 03136 1
E-Number		234 438	234 439	234 440	234 441
Technical Data					
Power supply	V	1/N/PE~230 50 Hz	1/N/PE~230 50 Hz	1/N/PE~230 50 Hz	1/N/PE~230 50 Hz
Type of protection		IP 24	IP 24	IP 24	IP 24
Connected load	W	300	500	700	900
Dimensions H x W	cm	60 x 60	60 x 100	60 x 140	60 x 180
Weight	kg	7.8	13.0	18.2	23.4

CRYSTAL MIRROR GLASS HEATER – NEW –

- Wall mounted radiant heater with glass fronting, frameless
- Even surface temperatures
- Perfectly suited as spot or transitional heater in the bathroom, living space or hallway
- Can be used as a replacement for conventional bathroom mirrors
- Fully wired
- Straightforward installation by one person only
- May be mounted horizontally or vertically
- On/off switch
- High safety level through 2 high limit safety cut-outs
- 1.05 m long power cable



GH 300 K

Model		GH 300 K	GH 500 K	GH 700 K	GH 900 K
EAN		40 41056 03137 8	40 41056 03138 5	40 41056 03139 2	40 41056 03140 8
E-Number		234 442	234 443	234 444	234 445
Technical Data					
Power supply	V	1/N/PE~230 50 Hz	1/N/PE~230 50 Hz	1/N/PE~230 50 Hz	1/N/PE~230 50 Hz
Type of protection		IP 24	IP 24	IP 24	IP 24
Connected load	W	300	500	700	900
Dimensions H x W	cm	60 x 60	60 x 100	60 x 140	60 x 180
Weight	kg	7.8	13.0	18.2	23.4

Available in the 2nd quarter 2016



RTF-D

WIRELESS ROOM TEMPERATURE CONTROLLER RTF-D

- Wireless room temperature controller with weekly program and digital display
- Convenient control of heating system without laborious cabling
- Easy and intuitive to program
- 5 operating modes available
- Can be used as the master in master/slave operations (pilot control)
- Wireless range inside buildings approx. 25 m
- Temperature can be set to between 5 °C and 30 °C
- May be used for mounting on finished walls or as hand-held transmitter
- Power supply 3 x Micro AAA 1.5 V, part of the standard delivery (3rd battery for backlit display)
- Protection class III, Type of protection IP 30
- Dimensions: 110 x 26 x 110,7 mm, Color: pure white, similar to RAL 9010



RTF-A

WIRELESS ROOM TEMPERATURE CONTROLLER RTF-A

- Wireless room temperature controller with set value adjuster
- Convenient control of heating system without laborious cabling
- 2 operating modes available
- Wireless range inside buildings approx. 25 m
- Temperature adjustment from 5 to 30 °C
- May be used for mounting on finished walls or as hand-held transmitter
- Power supply 2 x Micro AAA 1.5 V, part of the standard delivery
- Protection class III, Type of protection IP 30
- Dimensions: 78,3 x 25,5 x 83,4 mm, Color: pure white, similar to RAL 9010



RTF-SE

SOCKET-TYPE RECEIVER RTF-SE

- Socket receiver, operation with glass or natural stone heaters via an existing socket; ideal for retrofitting
- Self-learn key for easily establishing the wireless connection
- Reliable wireless transfer at 868 MHz
- LED to indicate the current state
- Emergency mode in the case of permanently interrupted wireless connection
- IP 30 protection, safety category II, for consumers in safety category I and II
- Maximum switching current 13 A
- Dimensions: 58,5 x 39 x 126 mm, Color: pure white, similar to RAL 9010



RTF-E UP

FLUSH-MOUNTED RECEIVER RTF-E UP

- Receiver for mounting on unfinished walls with integral strain relief for permanently connecting a storage heater, glass or natural stone heater
- Self-learn key for easily establishing the wireless connection
- Reliable wireless transfer at 868 MHz
- LED to indicate the current state
- Emergency mode in the case of permanently interrupted wireless connection
- IP 30 protection, safety category II, for consumers in safety category I and II
- Maximum switching current 11 A, from 30 °C ambient temperature, 7,5 A
- Dimensions: 81 x 42,5 x 85 mm, Color: pure white, similar to RAL 9010



RTF-E AP

SURFACE-MOUNTED RECEIVER RTF-E AP

- Receiver for mounting on unfinished walls with integral strain relief for permanently connecting a storage heater, glass or natural stone heater
- Self-learn key for easily establishing the wireless connection
- Reliable wireless transfer at 868 MHz
- LED to indicate the current state
- Emergency mode in the case of permanently interrupted wireless connection
- IP 30 protection, safety category II, for consumers in safety category I and II
- Maximum switching current 13 A
- Dimensions: 78,3 x 25,5 x 83,4 mm, Color: pure white, similar to RAL 9010

Model	RTF-D	RTF-A	RTF-SE	RTF-E UP	RTF-E AP
EAN	40 41056 03032 6	40 41056 03033 3	40 41056 03126 2	40 41056 03034 0	40 41056 03035 7
E-Number	233 862	233 863	234 446	233 864	233 865
Description	Wireless room temperature controller with weekly program	Wireless room temperature controller	Socket-type wireless receiver	Wireless receiver, flush-mounted	Wireless receiver, surface-mounted

ELECTRONIC 2-POINT ROOM TEMPERATURE CONTROLLER

- Electronic 2-point room temperature controller (RTE 900 SN)
- Temperature set to between around 5 °C and 40 °C (RTE 900 SN) or around 5 °C and 30 °C (RTE 5050 SN)
- With 2-pin mains switch (RTE 900 SN 1-polig)
- With control LED
- Temperature can be reduced using separate timer
- For flush-mounted assembly in 55-type flush-mounted socket
- **RTE 900 SN:** Suitable for the following switch programs: Busch Jaeger Reflex SI polished alpine white, Merten Atelier 3971 19 polar white and Merten M1 3971 18 RAL 9010 polished
- **RTE 5050 SN:** Installation dimensions of 50 x 50 mm, suitable for virtually all switch programs
- Temperature set to between around 5 °C and 30 °C
- With control LED
- Temperature can be reduced using separate timer
- For flush-mounted assembly in 55-type flush-mounted socket
- Installation dimensions of 50 x 50 mm, suitable for virtually all switch programs



RTE 900 SN



RTE 5050 SN

2-POINT ROOM TEMPERATURE CONTROLLER

- Thermal feedback for high control accuracy and low switching hysteresis
- Temperature can be set to between around 5 °C and 30 °C
- Modern, functional design, in pure white
- With 1-pin ON/OFF mains switch
- Temperature can be reduced using separate timer
- With telltale
- With adjustable restriction of range
- For surface mounting on flush-mounting socket Ø 55 mm
- Thermal feedback for high control accuracy and low switching hysteresis
- Temperature can be set to between around 5 °C and 30 °C
- Modern, functional design, in pure white
- Temperature can be reduced using separate timer
- With telltale
- With adjustable restriction of range
- For surface mounting on flush-mounting socket Ø 55 mm
- Thermal feedback for high control accuracy and low switching hysteresis
- Temperature can be set to between around 5 °C and 30 °C
- Modern, functional design, in pure white
- With 1-pin ON/OFF mains switch
- Temperature can be reduced using separate timer
- With telltale
- With adjustable restriction of range
- For flush mounting in flush-mounting socket Ø 55 mm



RT 601 SN



RT 600



RT 5050 SN / RT 5050

Model	RTE 900 SN	RTE 5050 SN	RT 601 SN	RT 600	RT 5050 SN	RT 5050
EAN	40 14890 75305 8	40 41056 02405 9	40 41056 02398 4	40 41056 02397 7	40 41056 02403 5	40 41056 02402 8
E-Number	184 868	223 305	223 298	223 297	223 303	223 302
Component	Mains switch	Mains switch	Mains switch	–	Mains switch	–
Installation	flush-mounted	flush-mounted	surface-mounted	surface-mounted	flush-mounted	flush-mounted
Switching current/cap. A/W	16/3600	16/3600	10/2300	16/3600	10/2300	10/2300



Area of use

- Low procurement costs and the rapid output of heat are the benefits of convectors.
- They are excellent forms of supplementary heating for bathrooms, kitchens and offices during transition periods.
- But convectors are also a great choice as the only form of heating in rooms, holiday apartments or offices which are only used occasionally.
- Another popular area of use for convectors is in mobile facilities such as office containers, mobile fast-food outlets, on-the-road businesses and much more.
- The frost stat warms smaller exterior rooms, thereby protecting water pipes and sensitive goods against frost damage

Components

- All AEG convectors are fitted with continuously variable temperature control
- The wide range of products available from AEG features the right unit for any purpose and comfort requirement

Installation

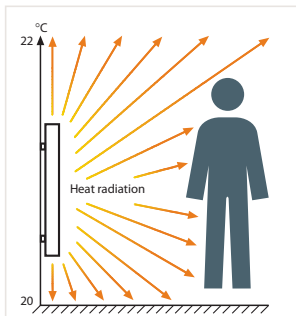
- The units are fitted to the wall with separate metal brackets (the upright convectors can also be operated as standalone units)
- WKL wall-mounted convectors and upright convectors are plug-in variants. The NKE low-temperature convectors and KLE convector strip heaters have a feed cable for permanently connecting to the mains

USEFUL INFORMATION ABOUT DIRECT HEATERS

Infrared short-wave radiant heaters – (direct) heat in a flash with unlimited scope for use

The new range of AEG radiant heaters brings a whole new dimension to targeted and effective heating. The pioneering short-wave technology provides cosy temperatures at the touch of a button – saving energy and without any thermal losses.

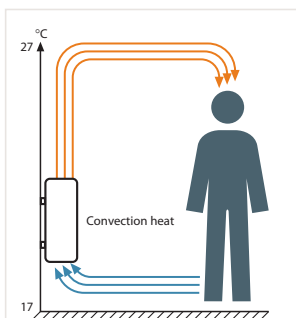
With a power range of 1.5–6 kW, they offer individual heat for balconies and garages, converted basements and outdoor seating areas in the catering and commercial sector. High-frequency infrared wave radiators produce no zeros, are silent, odourless, weather-proof and good-looking units just waiting to be plugged in.



What is the difference between radiation heat and convection heat?

Natural stone heaters, glass heaters, low-temperature convectors and infrared wall-mounted radiators, also known as infrared wave heaters, have a large heating element which emits heat directly. These devices therefore give off more radiation heat than standard convectors and radiators. This directly heats up objects and people in the room without having to first pass through the air in the room.

Convection heaters mainly emit heat to the ambient air. This form of heating produces air movement (convection) which gradually heats the room.



INFRARED WAVE CONVECTORS NKE

- Infrared wave unit with pleasant, large amount of heat radiated for high levels of snugness
- Even distribution of heat through use of radiators offering large surfaces
- Aluminium radiators
- Continuously variable, electronic temperature control with maximum control accuracy of ± 0.1 °C
- Various heating programs can be set, includes frost protection setting
- ECO mode: reduction of 3.5 °C from comfort temperature
- High safety standard thanks to IP 24 splash protection and protection class II
- Flat design: just 12 cm deep, requires little space
- Operating element on top side on right
- Telltale for heating mode
- For horizontal installation, with separate zinc-plated wall bracket
- Connection with shaped plug
- With automatic thermal fuse
- Metal housing, colour: white RAL 9016
- Connection: 1/N~230 V 50 Hz



NKE 103



Model		NKE 103	NKE 153	NKE 203
EAN		40 41056 03224 5	40 41056 03225 2	40 41056 03226 9
E-Number		234 817	234 818	234 819
Dimensions				
Height	cm	450	450	450
Width	cm	595	815	1035
Depth + projection	cm	98 + 22	98 + 22	98 + 22
Technical Data				
Power supply	V	1/N~230 50 Hz	1/N~230 50 Hz	1/N~230 50 Hz
Output	W	1000	1500	2000
With blower		–	–	–
Connection type		Shaped plug	Shaped plug	Shaped plug
Length of connection cable		approx. 1 m	approx. 1 m	approx. 1 m
Type of protection		IP 24	IP 24	IP 24
Weight	kg	6.0	8.1	10.2
Palett: NKE 103 - 20 items; NKE 153 - 13 items; NKE 203 - 11 items				

**DUO-CONVECTORS DKE
(RADIANT AND CONVECTION HEATERS)**



DKE 150

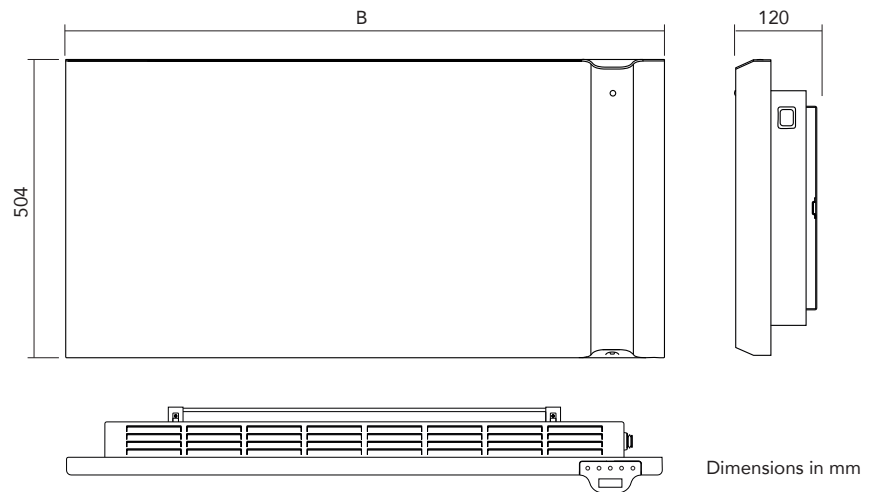


DKE operating element

Display:
Set temperature

- Symbols:**
- Appliance is heating (bottom left)
 - Comfort mode (top left)
 - Efficiency of the selected set temperature (arrow points to the respective efficiency bar on a scale of green to red)

- Radiant panel heaters and convection heaters with pleasant, large area heat radiation for high levels of comfort
- Even heat distribution through large area heater panel
- Two heating systems in a single appliance
- Highly accurate temperature adjustment through user friendly keypad
- Straightforward and practical seven-day programming with three preset programs – one for day-to-day, one for the office and one for weekends away
- Movement sensor which automatically reduces the room temperature when nobody is present
- Economy safety function which puts the appliance into frost protection mode when a window has been left open accidentally
- Indicator displays the power consumption
- **Color: white RAL 9010**



Model		DKE 75	DKE 100	DKE 150	DKE 200
EAN		40 41056 03230 6	40 41056 03231 3	40 41056 03232 0	40 41056 03233 7
E-Number		234 823	234 824	234 825	234 826
Dimensions					
Width B	mm	675	790	1010	1240
Technical Data					
Power supply	V	1/N~230 50 Hz	1/N~230 50 Hz	1/N~230 50 Hz	1/N~230 50 Hz
Output	W	750	1000	1500	2000
Connection type		Shaped plug	Shaped plug	Shaped plug	Shaped plug
Type of protection		IP 24	IP 24	IP 24	IP 24
Weight	kg	6.7	7.7	9.7	11.5
Palett: DKE 75 - DKE 100: 16 Items; DKE 150 - DKE 200: 8 Items					

MOBILE RADIANT HEATER

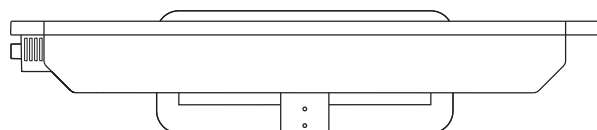
- Radiant panel heater with pleasant, large area heat radiation for high levels of comfort
- Even heat distribution through large area heater panel
- Two output stages, controlled by the adjustable room thermostat (750 W/1500 W)
- Heating indicator
- Control indicator
- Integral mechanical room temperature controller
- Grip mould at the back for easy handling
- Easy to fit wall mounting bracket
- "Dark grey Pantone 425 C" colour; grille in silver
- **IP 24, protection class II**
- Including cable tidy
- Contemporary design
- Pleasant radiated heat



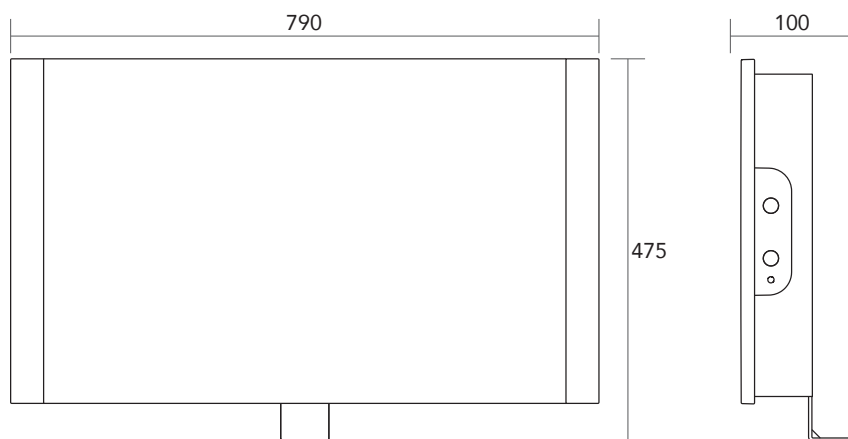
SHG 150



SHG 150 user interface



Dimensions in mm



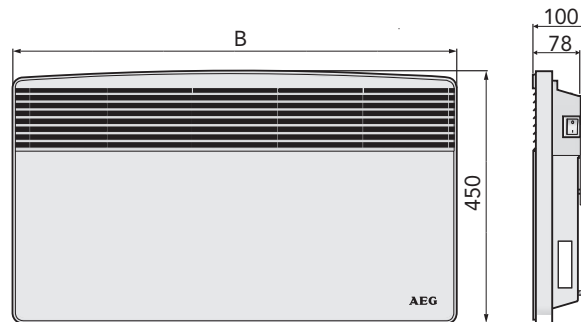
Model	SHG 150	
EAN	40 41056 03235 1	
E-Number	234 828	
Technical Data		
Power supply	V	1/N~230 50 Hz
Output	W	1500
Output stages	W	750 / 1500
With blower		-
Connection type		Shaped plug
Type of protection		IP 24
Weight	kg	6.9
Palett: 21 Items		

**WALL-MOUNTED CONVECTORS WKL
WITH MECHANICAL ROOM TEMPERATURE CONTROLLER**



WKL 2003 S

- Output graded to meet demand
- Temperature selected in continuously variable manner between 6 °C and 30 °C, with frost protection setting
- The temperature controller can be limited
- Mechanical temperature controller
- High-quality stainless steel heater with aluminium fins
- ON/OFF switch on top right of unit
- Operating elements can be read from above
- Separate mounting bracket
- Splash protection IP 24, protection class II
- Housing and fan grate colour: alpine white, similar to RAL 9016
- With automatic reset thermal fuse
- Connection with shaped plug, feed cable 1 m
- VDE, VDE/GS, CE



Dimensions in mm

Model	WKL 503 S	WKL 753 S	WKL 1003 S	WKL 1503 S	WKL 2003 S	WKL 2503 S	WKL 3003 S	
EAN	40 41056 02117 1	40 41056 02118 8	40 41056 02119 5	40 41056 02121 8	40 41056 02123 2	40 41056 02124 9	40 41056 02125 6	
E-Number	220 996	220 997	220 998	221 000	221 002	221 003	221 004	
Dimensions								
Width B	mm	370	445	445	590	740	890	1040
Technical Data								
Power supply	V	1/N~230 50 Hz	1/N~230 50 Hz	1/N~230 50 Hz	1/N~230 50 Hz	1/N~230 50 Hz	1/N~230 50 Hz	
Output	W	500	750	1000	1500	2000	2500	3000
With blower		-	-	-	-	-	-	-
Connection type		Shaped plug	Shaped plug	Shaped plug	Shaped plug	Shaped plug	Shaped plug	Shaped plug
Type of protection		IP 24	IP 24	IP 24	IP 24	IP 24	IP 24	IP 24
Weight	kg	3.8	4.4	4.4	5.7	6.8	8.1	9.4
Palett: WKL 503 S 84 items; WKL 753 S 72 items; WKL 1003 S 72 items; WKL 1503 S 56 items; WKL 2003 S 31 items; WKL 2503 S 34 items; WKL 3003 S 28 items								

WALL-MOUNTED CONVECTORS WKL WITH ELECTRONIC ROOM TEMPERATURE CONTROLLER

- Electronic room temperature controller
- Rotary switch for frost protection (around 7°C), ECO: Night-time reduction of around 3 °C during eco mode, 120 min-timer for comfort mode
- User interface with cover flap and LED display for ECO, frost protection and heating mode
- Temperature selected in continuously variable manner between 6 °C and 30 °C, with frost protection setting around 7 °C
- High-quality stainless steel heater with aluminium fins
- ON/OFF switch on top right of unit
- Operating elements can be read from above
- Separate mounting bracket
- Splash protection IP 24, protection class II
- Housing and fan grate colour: alpine white, similar to RAL 9016
- With automatic reset thermal fuse
- Connection with shaped plug, feed cable 1 m
- VDE, VDE/EMV, CE



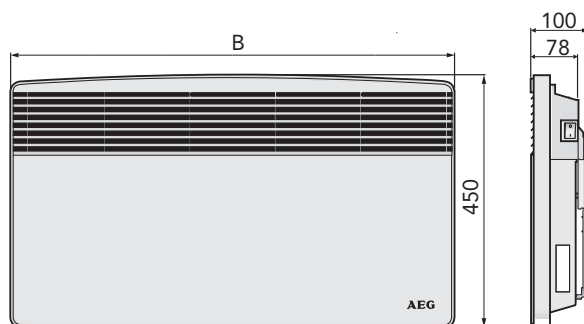
WKL 2003 SE



WKL ... SE operating element

Electronic room temperature controller

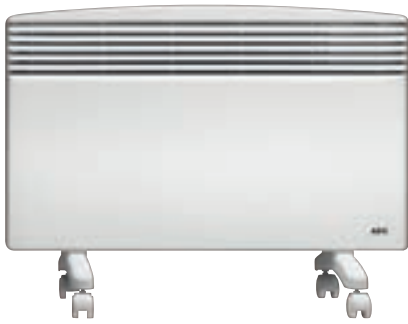
- ON/OFF switch, omnipolar
- Operating modes: frost protection, ECO mode, comfort mode, automatic
- Excellent control characteristics for the following:
 - High levels of user convenience
 - Energy savings as a result of room temperature reduction
- Power cable with mains plug
- Stainless steel body with aluminium fins for improved heat dissipation



Dimensions in mm

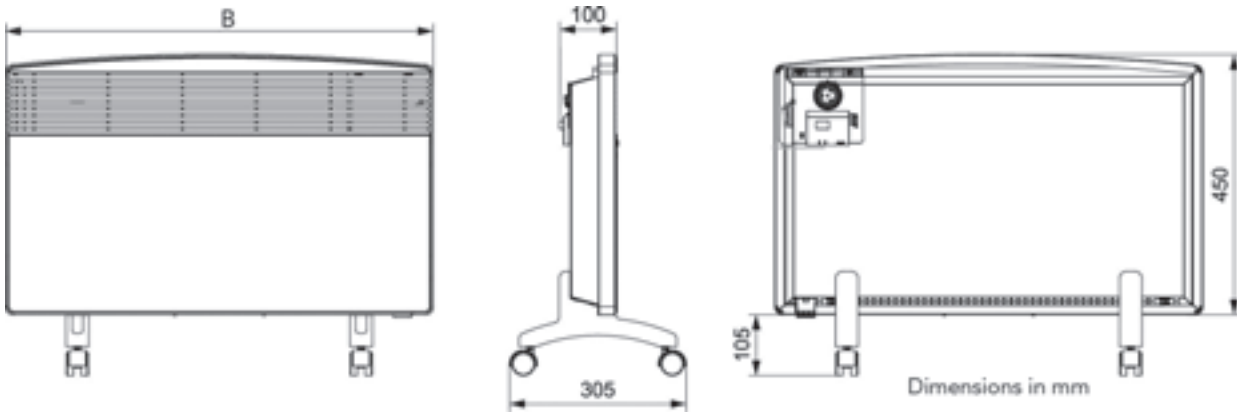
Model	WKL 503 SE	WKL 753 SE	WKL 1003 SE	WKL 1503 SE	WKL 2003 SE	WKL 2503 SE	WKL 3003 SE	
EAN	40 41056 02656 5	40 41056 02608 4	40 41056 02609 1	40 41056 02610 7	40 41056 02611 4	40 41056 02612 1	40 41056 02613 8	
E-Number	229 758	229 759	229 760	229 761	229 762	229 763	229 764	
Dimensions								
Width B	mm	370	445	445	590	740	890	1040
Technical Data								
Power supply	V	1/N~230 50 Hz	1/N~230 50 Hz	1/N~230 50 Hz	1/N~230 50 Hz	1/N~230 50 Hz	1/N~230 50 Hz	
Output	W	500	750	1000	1500	2000	2500	3000
With blower		–	–	–	–	–	–	
Connection type		Shaped plug	Shaped plug	Shaped plug	Shaped plug	Shaped plug	Shaped plug	
Type of protection		IP 24	IP 24	IP 24	IP 24	IP 24	IP 24	
Weight	kg	3.8	4.4	4.4	5.7	6.8	8.1	9.4
Palett: WKL 503 SE 84 items; WKL 753 SE 72 items; WKL 1003 SE 72 items; WKL 1503 SE 56 items; WKL 2003 SE 37 items; WKL 2503 SE 34 items; WKL 3003 SE 28 items								

FREE STANDING FLASH WALL-MOUNTED CONVECTORS WKL WITH MECHANICAL ROOM TEMPERATURE CONTROLLER



WKL 2003 F

- Mechanical temperature controller
- Includes feet with castors
- With fitted pendulum switch as protection from tipping
- Temperature selected in continuously variable manner between 6 °C and 30 °C, with frost protection setting around 7 °C
- The temperature controller can be limited
- High-quality stainless steel heater with aluminium fins
- ON/OFF switch on top right of unit
- Operating elements can be read from above
- Separate mounting bracket
- Splash protection IP 24, protection class II
- Housing and fan grate colour: alpine white, similar to RAL 9016
- With automatic reset thermal fuse
- Connection with shaped plug, feed cable 1.5 m
- TÜV/GS, CE
- Output graded to meet demand



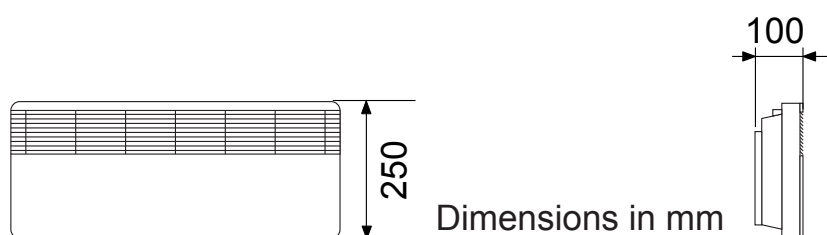
Model		WKL 753 F	WKL 1003 F	WKL 1503 F	WKL 2003 F	WKL 2503 F
EAN		40 41056 02626 8	40 41056 02627 5	40 41056 02628 2	40 41056 02629 9	40 41056 02630 5
E-Number		229 796	229 797	229 798	229 799	229 800
Dimensions						
Width B	mm	445	445	590	740	890
Technical Data						
Power supply	V	1/N~230 50 Hz	1/N~230 50 Hz	1/N~230 50 Hz	1/N~230 50 Hz	1/N~230 50 Hz
Output	W	750	1000	1500	2000	2500
With blower		-	-	-	-	-
Connection type		Shaped plug	Shaped plug	Shaped plug	Shaped plug	Shaped plug
Type of protection		IP 24	IP 24	IP 24	IP 24	IP 24
Weight	kg	4.7	4.7	6.1	7.1	8.4
Palett: WKL 753 F 46 items; WKL 1003 F 48 items; WKL 1503 F 37 items; WKL 2003 F 34 items; WKL 2503 F 28 items						

PLINTH CONVECTOR HEATERS KLE

- Low installation height, just 25 cm high, especially for fitting under low window parapets
- Temperature can be set in continuously variable manner to between around 10 °C and 30 °C, temperature controller can be limited
- High control accuracy thanks to electronic temperature controller
- Sliding switch for 0 position, frost protection (7° C), programme, ECO and comfort mode
- Night-time reduction of around 3.5 °C during ECO mode
- High-quality stainless steel heater with aluminium fins
- With automatic reset thermal fuse
- Protection class II, splash protection IP 24
- Color: white RAL 9016
- Permanent connection, 1 m feed cable



KLE 1002



Model		KLE 502	KLE 1002
EAN		40 41056 01703 7	40 41056 01704 4
E-Number		189 771	189 772
Dimensions			
Height	mm	250	250
Width	mm	662	1110
Depth + projection	mm	78 + 22	78 + 22
Technical Data			
Power supply	V	1/N~230 50 Hz	1/N~230 50 Hz
Output	W	500	1000
With blower		–	–
Connection type		Permanent connection	Permanent connection
Type of protection		IP 24	IP 24
Weight	kg	4.0	5.9
Palett: KLE 502 27 items; KLE 1002 18 items			

BATHROOM HEATERS BHG



BHG 750 W



BHG 1000 W



Operating element **BHG 750 W**

BHG 750 W, BHG 1000 W:

- Bathroom heater and towel dryer in one
- Metal housing
- Electrical temperature control
- Temperature controller can be set infinitely variably between frost protection and approx. 30 °C
- ON/OFF switch
- Splash-protected design IP 24, protection class II
- Simple installation
- Connection with shaped plug, feed cable 1 m
- Color: white, RAL 9016
- Connection: 1/N~230 V 50 Hz
- 2 hour boost function for constant operation. May be saved as day program.
- Stainless steel immersion heater
- LED indicator for boost and heating mode
- Incl. two bathrobe hooks
- Additional bathrobe hooks available as spare parts

BHG 750 C:

- Bathroom heater and towel dryer in one
- Metal housing
- Electrical temperature control
- Temperature controller can be set infinitely variably between frost protection and approx. 30 °C
- ON/OFF switch
- Splash-protected design IP 24, protection class II
- Simple installation
- Connection with shaped plug, feed cable 1 m
- Color: chrome
- Connection: 1/N~230 V 50 Hz
- 2 hour boost function for constant operation. May be saved as day program.
- Stainless steel immersion heater
- LED indicator for boost and heating mode
- Incl. two bathrobe hooks
- Additional bathrobe hooks available as spare parts



BHG 750 C



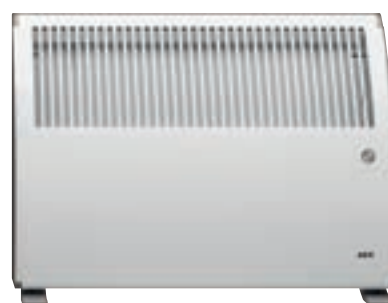
Operating element **BHG 750 C**

Model		BHG 750 W (white)	BHG 1000 W (white)	BHG 750 C (chrome)
EAN		40 41056 02855 2	40 41056 03031 9	40 41056 02856 9
E-Number		231 950	233 861	231 951
Dimensions				
Height	mm	1453	1781	1658
Width	mm	480	550	600
Depth	mm	100	115	110
Technical Data				
Power supply	V	1/N~230 50 Hz	1/N~230 50 Hz	1/N~230 50 Hz
Output	W	750	1000	750
Connection type		Shaped plug	Shaped plug	Shaped plug
Type of protection		IP 24	IP 24	IP 24
Weight	kg	16	30	24

Palett: BHG 750 W 9 items, BHG 1000 9 items, BHG 750 C 10 items

FREE STANDING CONVECTORS SK

- **SK 204:** convector with 3 heating levels of 750 W, 1250 W and 2000 W, plug-in variant
- **SK 204 T:** convector with 2 heating levels of 1000 W and 2000 W with quietrunning blower for faster distribution of heat
- Temperature selector controller can be set in continuously variable manner to between around 5 °C and 35 °C, with frost protection level
- Safety thanks to overheating protection
- With wall bracket
- Color: white, RAL 9016, grate dark grey
- Protection class II
- Connection cable of around 1.4 m, with mains plug
- Dimensions: height 44 cm, width 60 cm, depth 11 cm



SK 204



SK 204 T

Model	SK 204	SK 204 T
EAN	40 41056 02238 3	40 41056 02239 0
E-Number	222 146	222 147
Technical Data		
Power supply	V 1/N~230 50 Hz	1/N~230 50 Hz
Output	W 2000	2000
Output stages	W 0-750-1250-2000	0-1000-2000
With blower	–	•
Connection type	Shaped plug	Shaped plug
Type of protection	IP 20	IP 20
Weight	kg 4.0	4.5

Palett: SK 204/SK 204 T 44 items

FROST PROTECTION HEATER FW

- The frost protection heater controls the temperature in smaller rooms away from central areas, thereby protecting water pipes or sensitive goods from frost
- Heating output of 500 W
- Selector knob for selecting temperature in continuously variable manner between frost protection at 5 °C and 30 °C
- Safety thermostat can be reset in the event of overheating
- Protection class II, IP 20
- Simple wall mounting
- Metal housing: white, RAL 9016, plastic side parts: grey
- Connection cable of 90 cm, with flat plug
- Dimensions: H 25.0 cm, W 25.0 cm, D 11.0 cm, Weight: 1.0 kg



FW 505

Model	FW 505
EAN	40 41056 02116 4
E-Number	220 995
Technical Data	
Power supply	V 1/N~230 50 Hz
Output	W 500
Output stages	W –
With blower	–
Connection type	Shaped plug
Type of protection	IP 20
Weight	kg 1.0

FW 505 Covering box: 12 items, Palett: 180 items



Area of use

- Fan heaters are used to quickly heat up bathrooms, toilet rooms or other small rooms

Components

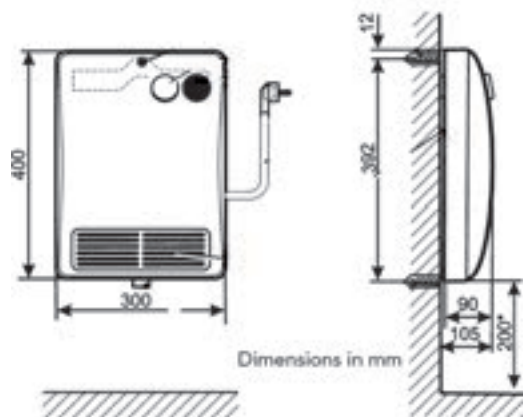
- To ensure quick heat output, the fan heaters are equipped with a powerful blower
- All units have a continuously variable temperature control and some have incorporated timers for operating over particular times
- Safe operation guaranteed in bathrooms thanks to wall mounting and splash protection

Installation

- The units are fitted to the wall using separate metal brackets
- One socket is all that is needed for use

FAN HEATERS IN SOLID-METAL VERSION

- Fan heater for quickly heating up the bathroom
- Very flat design, just 10.5 cm deep
- High-quality solid metal version
- Temperature can be set in continuously variable manner to between frost protection and approx. 30 °C
- Quiet-running tangential blower
- **VH 227**: uncontrolled operation over limited time with 60-minute timer
- **VH 229**: with 24-hour timer
- Connection cable (75 cm) with safety plug
- Spray-protected design IP 23, protection class I
- Color: white



VH 206



VH 227



VH 229

FAN HEATER WITH SHEET STEEL HOUSING

- Maximum safety with high limit safety cut-out
- Fan heater for quickly heating up the bathroom
- Stable sheet metal housing in contemporary design
- Temperature can be set in continuously variable manner to between frost protection and approx. 35 °C
- Connection cable with shaped plug
- Quick to assemble with 3 screws
- Safety in the bathroom thanks to splash protection design IP 23 and protection class II
- Dimensions: H 40.0 cm, W 27.6 cm, D 11.5 cm, weight 3.0 kg
- Color: white



VH 211

Model		VH 206	VH 227	VH 229	VH 211
EAN		40 14890 75038 5	40 14890 75039 2	40 14890 75040 8	40 41056 01052 6
E-Number		184 395	184 398	184 399	187 614
Technical Data					
Power supply	V	1/N/PE~230 50 Hz	1/N/PE~230 50 Hz	1/N/PE~230 50 Hz	1/N~230 50 Hz
Output	W	2000	2000	2000	2000
With blower		•	•	•	•
With 24-hour timer		-	-	•	-
With 60-minute timer		-	•	-	-
Type of protection		IP 23	IP 23	IP 23	IP 23
Weight	kg	4.6	4.7	4.7	4.0

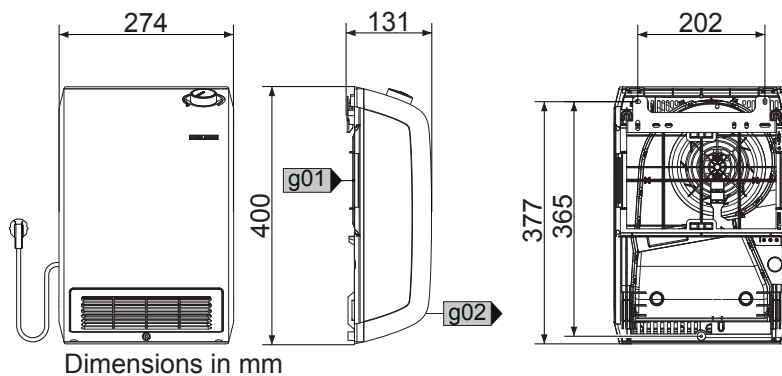
Palett: VH 206 - 229 50 items; VH 211 available until September 2016, Palett: 66 items

FAN HEATER WITH PLASTIC HOUSING – NEW –



VH 212

- Maximum safety thanks to 3-stage safety concept with self-limiting PTC heating elements, temperature limiter and temperature fuse
- With fluff filter in the air intake
- Power cable with profiled plug
- With power cable stowage at the back
- Compact and stable unit in impact-resistant plastic housing
- Infinitely variable temperature selection
- Bathroom safety provided by IP24 splash protection
- Quick installation
- Contemporary design
- Made in Germany



Model	VH 212	
EAN	40 41056 03255 9	
E-Number	234 919	
Technical Data		
Power supply	V	1/N~230 50 Hz
Output	W	2000
With blower		•
With 24-hour timer		–
With 60-minute timer		–
Type of protection		IP 24
Weight	kg	2,5
Available from July 2016. Palett: 35 items		

Area of use

- AEG fan heaters offer quick, mobile heat to living rooms, offices, workshops and much more.
- AEG heated carpets are an interesting alternative to fan heaters for offices in particular. They pleasantly warm up feet using a fraction of the energy

Components

- All fan heaters have several output stages and a separate temperature selector
- The heated carpets are switched on and off using a switch in the mains feed cable



HS 204 ST



HS 204 ST

**With protection
from tipping over**

- Fan heater (upright unit) with protection from tipping over
- Small dimensions, large heating capacity - 2000 W
- Attractive design
- Rotary switch for 0 setting, cold level, 1000 W and 2000 W operation
- Axial blower for high air output
- Temperature can be set in continuously variable manner to between frost protection and approx. 45 °C
- With operating telltale

- With protection against overheating and thermal fuse for maximum safety
- Protection class II
- Maximum protection from tipping over
- Practical recessed grip
- Connection cable with shaped plug
- Color: silver/grey

Covering box: 15 items · Palett: 90 items

HS 203 T



HS 203 T

**With protection
from tipping over**

- Fan heater (upright unit) with protection from tipping over
- Small dimensions, large heating capacity - 2000 W
- Rotary switch for 0 setting, cold level, 1000 W and 2000 W operation
- Axial blower for high air output
- Temperature can be set in continuously variable manner to between frost protection and approx. 45 °C
- With operating telltale

- With protection against overheating and thermal fuse for maximum safety
- Protection class II
- Maximum protection from tipping over
- Practical recessed grip
- Connection cable with shaped plug
- Color: white

Covering box: 16 items · Palett: 128 items

HS 206



HS 206

- Fan heater (upright unit, wall mounting possible)
- Small dimensions, large heating capacity - 2000 W
- Particularly low-noise, quiet operation at the 1000 W level
- Attractive design
- Rotary switch for 0 setting, cold level, 1000 W and 2000 W operation
- Axial blower for high air output
- Temperature can be set in continuously variable manner to between frost protection at 5 °C and approx. 30 °C

- With protection against overheating and thermal fuse for maximum safety
- Protection class II
- Maximum protection provided by safety temperature limiter
- Connection cable 1.5 m with shaped plug, with storage compartment for connection cable
- Color: silver/anthracite
- Protection rating: IP 21
- TÜV GS

Covering box: 4 items · Palett: 80 items

Model		HS 204 ST	HS 203 T	HS 206
EAN		40 41056 01788 4	40 41056 01786 0	40 41056 02659 6
E-Number		189 972	189 970	229 939
Dimensions				
Height	cm	28.0	26.0	28.0
Width	cm	20.3	24.5	23.6
Depth	cm	15.4	13.5	13.5
Technical Data				
Power supply	V	1/N~230 50 Hz	1/N~230 50 Hz	1/N~230 50 Hz
Connected load	W	2000	2000	2000
Output stages	W	0-1000-2000	0-1000-2000	0-1000-2000
Weight	kg	1.6	1.4	1.3
Conformation/Approbation		CE	CE	CE + TÜV GS

FAN HEATER HS 207

- Advanced fan heater with anti-tip protection
- Unique design without visible air grilles
- With protection against overheating and thermal fuse for maximum safety

Exclusive and unique functions:

- SWEET air technology: – distributes the heat evenly without unpleasant draughts
- SILENT-AIR-FLOW – up to 40 % quieter than traditional fan heaters (tested against standard fan heaters)
- Sliding switch for 0-setting, cold level, 900 W and 1800 W
- Upright unit
- Connection cable with shaped plug
- Practical recessed grip

- Protection class II
- With operating telltale
- Type of protection IP 21

Color:

- HS 207 O = orange
- HS 207 B = beige
- HS 207 G = grey

Covering box: 4 items · Palett: 80 items



HS 207 O



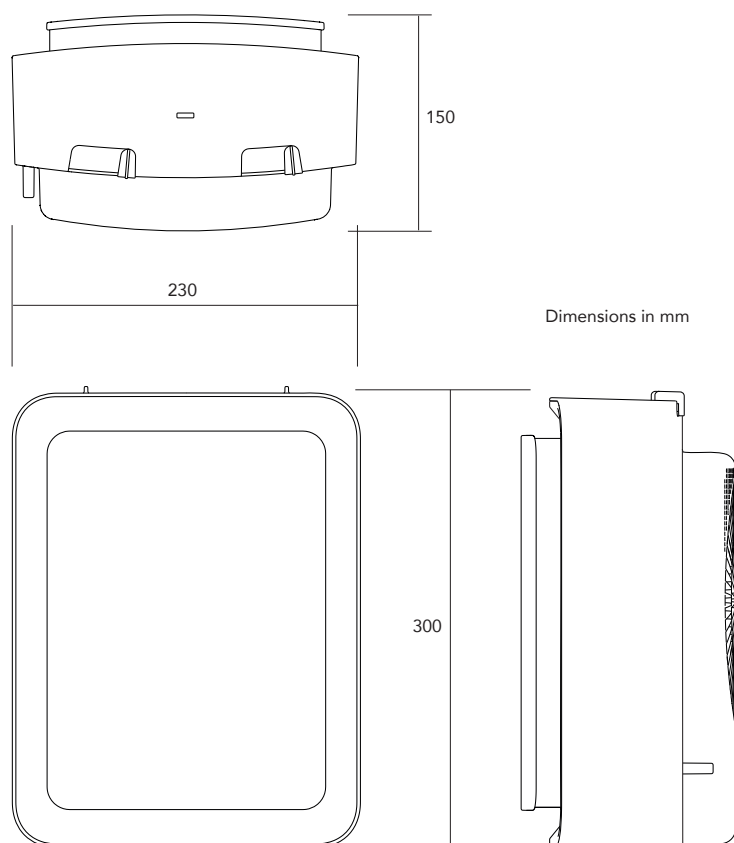
HS 207 B



HS 207 G



User interface sliding switch



Model		HS 207 O	HS 207 B	HS 207 G
EAN		40 41056 03236 8	40 41056 03237 5	40 41056 03238 2
E-Number		234 829	234 830	234 831
Dimensions				
Height	cm	30	30	30
Width	cm	23	23	23
Depth	cm	15	15	15
Technical Data				
Power supply	V	1/N~230 50 Hz	1/N~230 50 Hz	1/N~230 50 Hz
Connected load	W	1800	1800	1800
Output stages	W	Cold air - 900 - 1800	Cold air - 900 - 1800	Cold air - 900 - 1800
Weight	kg	1.5	1.5	1.5
Conformity/Approval		CE	CE	CE

TBF



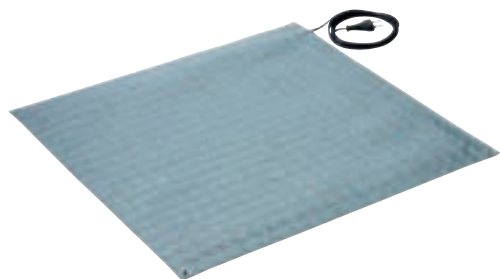
TBF 65

- Rapid heat for areas cold at floor-level
- Carpet surface, for offices and homes
- Quick and energy-saving output of heat
- Available in various sizes

- OFF/ON/OFF sliding switch in the mains connection cable, with flat plug
- Color: grey
- Protection class II

Covering box: 4 items · Palett: 72 items

TBG



TBG 75

- Rapid heat for areas cold at floor-level
- Robust PVC surface for workshops and commerce
- Quick and energy-saving output of heat
- Available in various sizes

- Color: grey
- Protection class II
- Protection rating: IPX 7

Covering box: 4 items · Palett: 72 items

Model		TBF 70	TBF 90	TBG 50	TBG 70
EAN		40 41056 03118 7	40 41056 03119 4	40 41056 03120 0	40 41056 03121 7
E-Number		234 376	234 377	234 378	234 379
Dimensions					
Height	cm	6	6	4	4
Width	cm	500	600	550	550
Depth	cm	800	900	550	750
Technical Data					
Power supply	V	1/N~230 50 Hz	1/N~230 50 Hz	1/N~230 50 Hz	1/N~230 50 Hz
Connected load	W	70	90	50	70
Weight	kg	1.0	1.5	1.5	2.0
Palett	items	64	63	50	64

Area of use

- The ideal source of heat for the bathroom and for occasionally heating adjacent areas
- Rapid heating up and pleasant output of radiation heat ensure a pleasant sense of heat

Components

- The units offer several output stages
- Operated using practical pull switch
- The reflectors can be swung horizontally

Installation

- The units are fitted directly on the wall
- The cable is connected at the side or from a fixed part on the wall

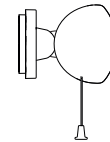
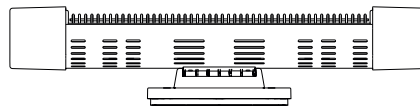
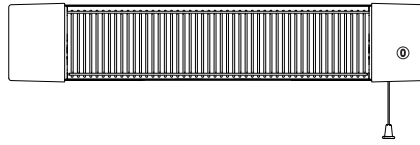


INFRARED QUARTZ RADIANT HEATER IWQ



- Quartz radiant heating element for wall mounting
- Setting angle 0° or 30°
- IWQ 121: with 2 output stages
- IWQ 181: with 3 output stages

- Safe operation in the bathroom thanks to IP 24 splash protection and protection class II
- Color: grey
- Fixed centrally on the back

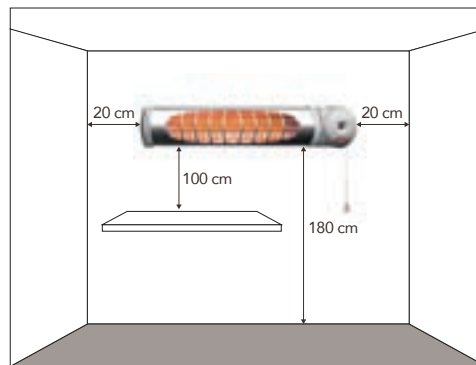


**INFRARED QUARTZ RADIANT HEATER IWQ
RADIANT HEATER FOR BABY CHANGING STATION**



- Front made from heat-resistant aluminium
- Radiant heater for baby changing stations
- Heating tube with metal sheath (no risk of injury to the baby)

- Setting angle 0° up to 40°
- Two-switch system: Pull cord can be mounted in two different positions (double sided)
- Connection: 1.8 m power cable with plug



Model		IWQ 121	IWQ 181	IWQ 60
EAN		40 41056 03227 6	40 41056 03228 3	40 41056 03229 0
E-Number		234 820	234 821	234 822
Dimensions				
Width	mm	530	630	600
Height	mm	125	125	120
Depth	mm	140	140	110
Technical Data				
Power supply	V	1/N~230 50 Hz	1/N~230 50 Hz	1/N/PE~230 50 Hz
Output	W	1200	1800	600
Output stages	W	600-1200	600-1200-1800	600
Connection type		Permanent connection	Permanent connection	Plug
Type of protection		IP 24	IP 24	IP 24
Weight	kg	1.55	2.1	1.2

IWQ 121/181 covering box 4 Items; Palett 80 items. IWQ 60 covering box 6 items; Palett 96 items

Area of use

- The electric mirror heater prevents the mirror surface from fogging over after a shower in the bathroom
- The electric mirror heater can be used with all mirrors in commercial and private bathrooms

Components

- The mirror heater consists of an aluminium-coated heating element for good heat transfer
- The mirror heater is connected to an appropriate power circuit using a 2-wire connection cable

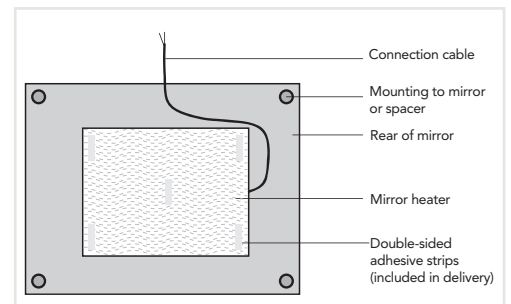
Installation

- The heating element is stuck directly to the rear of the mirror or the wall behind the mirror using the double-sided adhesive tapes provided
- To save energy, the electric connection should use a brief timer. The mirror heater can however also be connected to the lighting



Installation of electric mirror heater

- Before installation, plan positioning accurately as the mirror will only remain clear if positioned near the heating element
- Fit mirror heater directly to rear of mirror or on the wall behind the mirror (only if the mirror does not project too far from the wall)
- The aluminium-coated side must face the mirror
- Do not cut or drill through heating element, the sticking surface must be free of dirt and oil



ELECTRIC MIRROR HEATER SPH



SPH 110

- The electric mirror heater prevents the mirror surface from fogging over after a shower in the bathroom
- Can be used with all mirrors in commercial and private bathrooms
- With aluminium coating for rapid transfer of heat
- Simple to fit, with adhesive strips supplied
- Supply cable approx. 1.5 m for permanent connection



Model	SPH 50		SPH 110	
EAN	40 41056 02346 5		40 41056 02347 2	
E-Number	223 246		223 247	
Dimensions				
Width	mm	450	750	
Height	mm	500	600	
Depth	mm	1.5	1.5	
Technical Data				
Power supply	V	1/N~230 50 Hz	1/N~230 50 Hz	
Connected load	W	50	110	
Weight	kg	0.165	0.325	
SPH 50 Palett: 200 items; SPH 110 Palett: 200 items				

Area of use

- Electric hand dryers are used wherever maximum hygiene and economic viability are the order of the day
- Hand dryers for toilet areas in restaurants and commercial ventures

Components

- Quick drying which is kind on the skin using a powerful blower
- Hygienic, zero-contact switching on and off using infrared sensor technology

Installation

- One electric connection with a 10 A or 16 A fuse is all that is needed for operation
- Innovative installation concept with integrated wall bracket

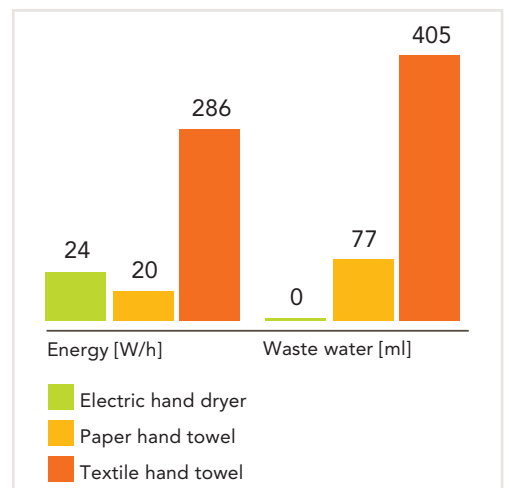


Comparison of various hand-drying systems

If a comparison is made between various hand-drying systems, electric hand dryers are clearly the superior choice.

The units do not have to be continually replenished, do not produce any waste and require no maintenance.

Source: ipi-Institut für Produktforschung und Information GmbH, Esslingen, Germany



HAND DRYERS HE



HE 260 TM

HE 260 TM

- Hygienic drying system in a contemporary design
- Ecological and economical; saves energy and raw materials
- Turbo blower for particularly fast drying

- Robust metal housing
- Zero-contact switching on and off using infrared sensor technology
- Innovative installation concept
- **Type of protection IP 23**, splash protection
- **Protection class II**



HE 260 T

HE 260 T

- Hygienic drying system in a contemporary design
- Ecological and economical; saves energy and raw materials

- Turbo blower for particularly fast drying
- Zero-contact switching on and off using infrared sensor technology
- Innovative installation concept
- **Type of protection IP 23**, splash protection
- **Protection class II**

Model		HE 260 TM	HE 260 T
EAN		40 41056 01559 0	40 41056 01558 3
E-Number		187 929	187 928
Technical Data			
Power supply	V	1/N/PE~230 50 Hz	1/N/PE~230 50 Hz
Output	kW	2.6	2.6
Operating noise	db(A)	68	68
Air flow rate	m³/h	250	250
Infrared proximity switch		•	•
Turbo blower		•	•
Plastic housing / colour		–	white
Metal housing / colour		white	–
Weight	kg	4.2	2.7
Palett: 60 items			

Area of use

- Infrared short-wave radiant heaters for use indoors and out
- Immediate heat within 1 second, no preheating
- No heat loss and very high radiation effectiveness thanks to IR short wave A with penetration which heats the body directly. This is different to medium and long waves which heat the ambient air
- No CO₂ + N_{OX} emissions, therefore well-suited to indoor use
- No noise or odours
- IR short-wave radiant heaters are used outdoors in catering, the hotel trade, commerce, industry, halls and workplaces, public buildings and by private users for terraces, balconies, gardens, conservatories, camping, outbuildings, garages and workshops

Components

- High-quality, sophisticated design
- Output can be set in levels or in a continuously variable manner using special accessories
- Effective, targeted and immediate warmth in 1 second thanks to infrared short-wave technology, IR short wave A (1200 nm)

- Targeted warmth can be adjusted using reflectors
- Output range of between 1.5 and 6 kW. Other outputs can be combined
- Shock-resistant, high-efficiency, high-quality gold pipe
- No maintenance required, long service life of the gold pipes: up to 5000 hours
- Golden quartz tubes for high impact resistance
- Special accessories include dimmer (cabled or wireless version)
- The IR short-wave radiators are made from stainless material alone and can therefore be subject to normal ambient influences

Installation

- A retaining bracket is supplied with the infrared short-wave radiators for fitting on a wall or ceiling
- An angular adjustment of around 100° is possible on the radiator. The recommended setting from the wall is max. 45°
- Electric connection depends on model, either plug-in or permanent connection
- The short-wave radiant heater with a Hirschmann plug is wired up to the power supply using two split connection cables, linked using a Hirschmann coupling and plug
- Installation height ≥ 2.1 m

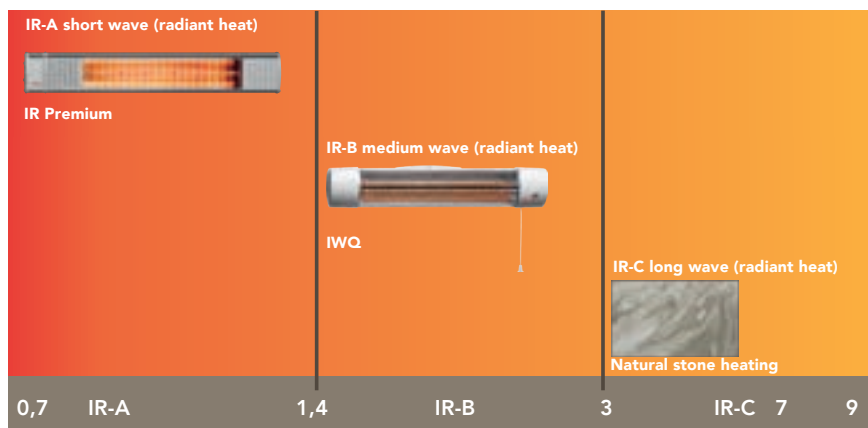


Heat spread at ambient temperature: 20°C, Spacing: ~ 2.0 m – **Before**

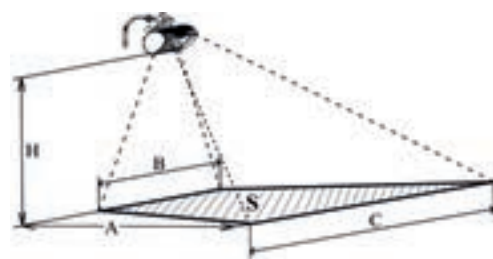


Heat spread at ambient temperature: 20°C, Spacing: ~ 2.0 m – **After**: After approx. 30 seconds IR short waves mainly heat objects, not the surrounding environment

Wave lengths of infrared heat radiation A, B, C



Wave length details in µm



Heating area (S)

Standard values for the heated area at a tilting angle of 45°
(Temperature subject to distance from radiant heater Δ T approx. 5 K - 30 K).

Model	IP class	Location of use	Dimension of heating				
			Height	A	B	C	S
			H	A	B	C	S
			m	m	m	m	m ²
IR Premium 1650	IP 67	unprotected outdoor	2.1	2.7	2.6	4.9	10.1
IR Premium 2000 I W / A	IP 67	unprotected outdoor	2.5	3.2	3.0	5.8	14.1
IR Premium 2000 H I W / A	IP 67	unprotected outdoor	2.5	3.2	3.0	5.8	14.1
IR Premium 2000 IP 44	IP 44	protected outdoor	2.5	3.2	3.0	5.8	14.1
IR Premium 2000 IP 44 W / A	IP 44	protected outdoor	2.5	3.2	3.0	5.8	14.1
IR Premium Plus 1650	IP 65	unprotected outdoor	2.1	2.7	2.6	4.9	10.1
IR Premium Plus 2000	IP 65	unprotected outdoor	2.5	3.2	3.0	5.8	14.1
IR Comfort 1520	IP 20	indoor	2.1	2.7	2.6	4.9	10.1
IR Comfort 2020	IP 20	indoor	2.5	3.2	3.0	5.8	14.1
IR Comfort 2024	IP 24	protected outdoor	2.5	3.2	3.0	5.8	14.1
IR Comfort 2024 H	IP 24	protected outdoor	2.5	3.2	3.0	5.8	14.1
IR Comfort 3024	IP 24	protected outdoor	3.5	4.1	4.3	8.4	25.4

IR PREMIUM

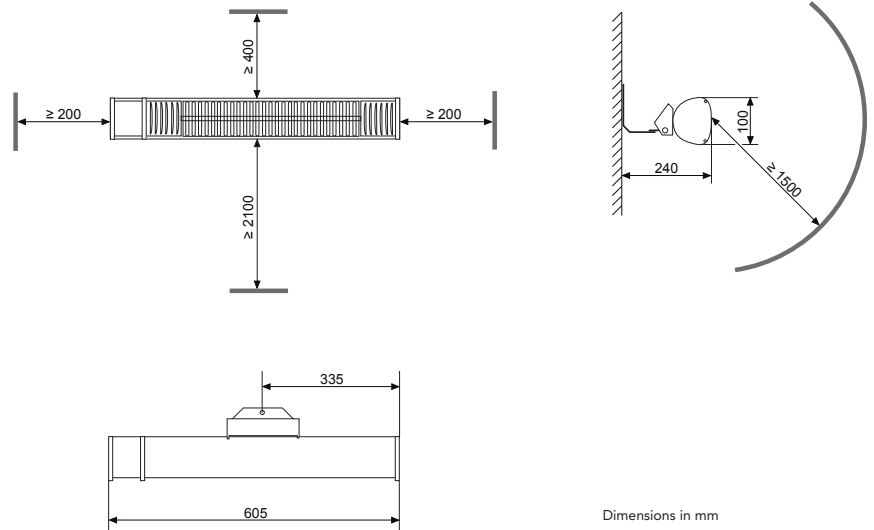


IR Premium 2000



IP 67

- High-quality, sophisticated design
- The short-wave radiant heater is made entirely from non-rusting material and can therefore be subjected to normal environmental influences
- Effective, targeted and immediate heat after 1 second
- The IR short-wave radiant heaters of 2000 W can be installed horizontally or vertically – “Vertical Burn” gold pipe
- **IR Premium 1650** for horizontal installation
- Thermal radiation in infrared range A, short-wave infrared with a power consumption of 1650 W / 2000 W
- **IP 67: Protection against intermittent immersion; IR Premium 2000 H: IP 54: All-round splashproof**
- Depending on installation, fitting and orientation, an area of around 8 – 10 m² (1650 W) or 10 – 12 m² (2000 W) is supplied with thermal radiation
- Power cable with safety plug
- Connection: 1/N/PE~230 V 50 Hz
- **IR Premium 2000 H:** The unit is wired up to the power supply with a split power cable with safety plug, connected by a Hirschmann coupler and plug, when using with special power control accessories, an IR wireless dimmer 2000 and IR 3-level wireless unit are required
- Protection class I
- Color: aluminium (silver)
- Shock-resistant, high-efficiency, high-quality gold pipe
- The special accessories for the radiant heaters include (wireless) dimmers
- Practical information: 2 IR Premium 1650 units with 16 A delay fuse
- Distance from wall with wall bracket: 90 mm



Dimensions in mm

Model	IR Premium 1650	IR Premium 2000	IR Premium 2000 H
EAN	40 41056 02661 9	40 41056 02662 6	40 41056 02663 3
E-Number	229 944	229 945	229 946
Technical Data			
Use	Indoor and outdoor use	Indoor and outdoor use	Indoor and outdoor use
Installation	horizontal	horizontal and vertical	horizontal and vertical
Power supply	V 1/N/PE~230 50 Hz	V 1/N/PE~230 50 Hz	V 1/N/PE~230 50 Hz
Output	W 1650	W 2000	W 2000
Connected load	W 1650	W 2000	W 2000
Power consumption	A 7.0	A 8.5	A 8.5
Fuse protection	A 16 delay fuse/ C automatic fuse	A 16 delay fuse/ C automatic fuse	A 16 delay fuse/ C automatic fuse
Area radiated	m ² 8 to 10	m ² 10 to 12	m ² 10 to 12
Infrared range	nm IR -A (1200)	nm IR -A (1200)	nm IR -A (1200)
Type of protection	IP 67	IP 67	IP 54
Height	mm 100	mm 100	mm 100
Width	mm 605	mm 605	mm 605
Depth without bracket	mm 80	mm 80	mm 80
Weight	kg 2.5	kg 2.5	kg 2.5
Color	Aluminium (silver)	Aluminium (silver)	Aluminium (silver)

Palett: 66 items · IR Premium 1650 while stocks last

IR PREMIUM (COLOR)

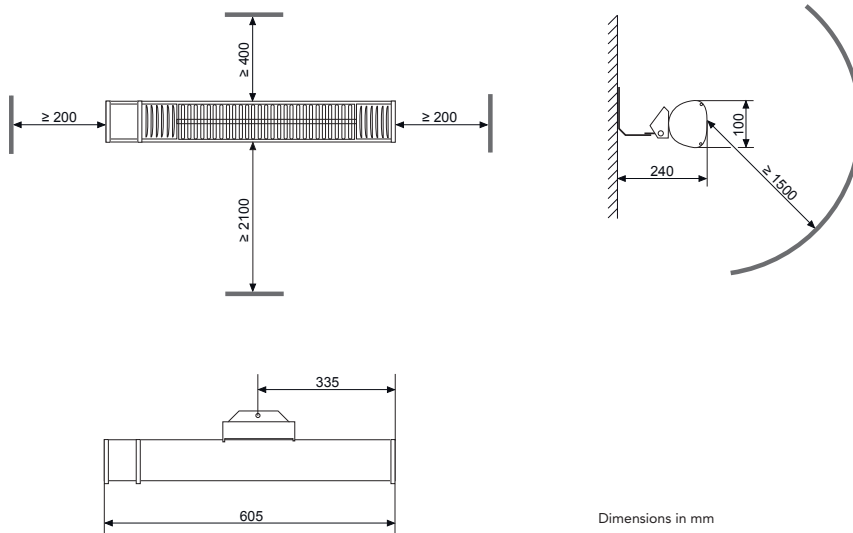
- High-quality, sophisticated design
- The short-wave radiant heater is made entirely from non-rusting material and can therefore be subjected to normal environmental influences
- **For unprotected outdoor use**
- Effective, targeted and immediate heat after 1 second
- The IR short-wave radiant heaters of 2000 W can be installed horizontally or vertically – “Vertical Burn” gold pipe
- Thermal radiation in infrared range A, short-wave infrared with a power consumption of **2000 W**
- **IP 67: Protection against intermittent immersion; IR Premium 2000 H: IP 54: All-round splashproof**
- Depending on installation, fitting and orientation, an area of around **10 – 12 m²** is supplied with thermal radiation
- Power cable with safety plug
- Connection: 1/N/PE~230 V 50 Hz
- **IR Premium 2000 H:** The unit is wired up to the power supply with a split power cable with safety plug, connected by a Hirschmann power coupler and plug, when using with special power control accessories, an IR wireless dimmer 2000 and IR 3-level wireless unit are required
- Protection class I
- Color: aluminium (silver) and **white**
- Shock-resistant, high-efficiency, high-quality gold pipe
- The special accessories for the radiant heaters include (wireless) dimmers
- Distance from wall with wall bracket: **90 mm**



IR Premium 2000 W



IR Premium 2000 A



Dimensions in mm

Special colours (RAL) on request, available at additional cost. Contact your AEG sales representative.

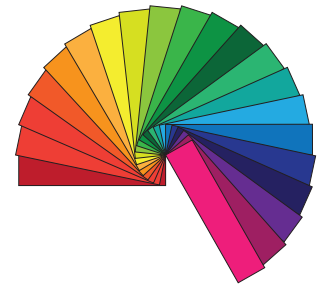


Illustration shows a similar model; colour not representational.
* Offset printing cannot accurately represent RAL colours. Please select your preferred colour from the current RAL swatches

Model	IR Premium 2000 W	IR Premium 2000 A	IR Premium 2000 H W	IR Premium 2000 H A
EAN	40 41056 03209 2	40 41056 03210 8	40 41056 03211 5	40 41056 03212 2
E-Number	234 786	234 787	234 788	234 789
Technical Data				
Use	Indoor and outdoor use	Indoor and outdoor use	Indoor and outdoor use	Indoor and outdoor use
Installation	horizontal and vertical	horizontal and vertical	horizontal and vertical	horizontal and vertical
Power supply	V 1/N/PE~230 50 Hz	1/N/PE~230 50 Hz	1/N/PE~230 50 Hz	1/N/PE~230 50 Hz
Output	W 2000	2000	2000	2000
Connected load	W 2000	2000	2000	2000
Power consumption	A 8.5	8.5	8.5	8.5
Fuse protection	A 16 delay fuse/ C automatic fuse	16 delay fuse/ C automatic fuse	16 delay fuse/ C automatic fuse	16 delay fuse/ C automatic fuse
Area radiated (max.)	m ² 10 - 12	10 - 12	10 - 12	10 - 12
Infrared range	nm IR -A (1200)	IR -A (1200)	IR -A (1200)	IR -A (1200)
Type of protection	IP 67	IP 67	IP 54	IP 54
Height	mm 100	100	100	100
Width	mm 605	605	605	605
Depth without bracket	mm 80	80	80	80
Weight	kg 2.5	2.5	2.5	2.5
Color	Aluminium (white)	Aluminium (anthracite)	Aluminium (white)	Aluminium (anthracite)
Palett: 66 Items				

IR PREMIUM 2000 IP 44



IR Premium 2000 IP 44

- High-quality, sophisticated design
- The short-wave radiant heater is made entirely from non-rusting material and can therefore be subjected to normal environmental influences
- **For protected outdoor use**
- Effective, targeted and immediate heat after 1 second
- The IR short-wave radiant heaters of 2000 W can be installed horizontally or vertically – “Vertical Burn” gold pipe
- Thermal radiation in infrared range A, short-wave infrared with a power consumption of **2000 W**
- **IP 44: All-round splashproof**
- Depending on installation, fitting and orientation, an area of around **10 – 12 m²** is supplied with thermal radiation
- Power cable with safety plug
- Connection: 1/N/PE~230 V 50 Hz
- Shock-resistant, high-efficiency, high-quality gold pipe
- Distance from wall with wall bracket: **90 mm**
- **Color: Aluminium (silver)**
- **Width 500 mm**

IR PREMIUM 1500 IP 44 W / IR PREMIUM 1500 IP 44 A



IR Premium 2000 IP 44 W



IR Premium 2000 IP 44 A

- High-quality, sophisticated design
- The short-wave radiant heater is made entirely from non-rusting material and can therefore be subjected to normal environmental influences
- **For protected outdoor use**
- Effective, targeted and immediate heat after 1 second
- The IR short-wave radiant heaters of 2000 W can be installed horizontally or vertically – “Vertical Burn” gold pipe
- Thermal radiation in infrared range A, short-wave infrared with a power consumption of **2000 W**
- **IP 44: All-round splashproof**
- Depending on installation, fitting and orientation, an area of around **10 – 12 m²** is supplied with thermal radiation
- Power cable with safety plug
- Connection: 1/N/PE~230 V 50 Hz
- Shock-resistant, high-efficiency, high-quality gold pipe
- Distance from wall with wall bracket: **90 mm**
- **Color: White or anthracite**
- **Width: 460 mm**

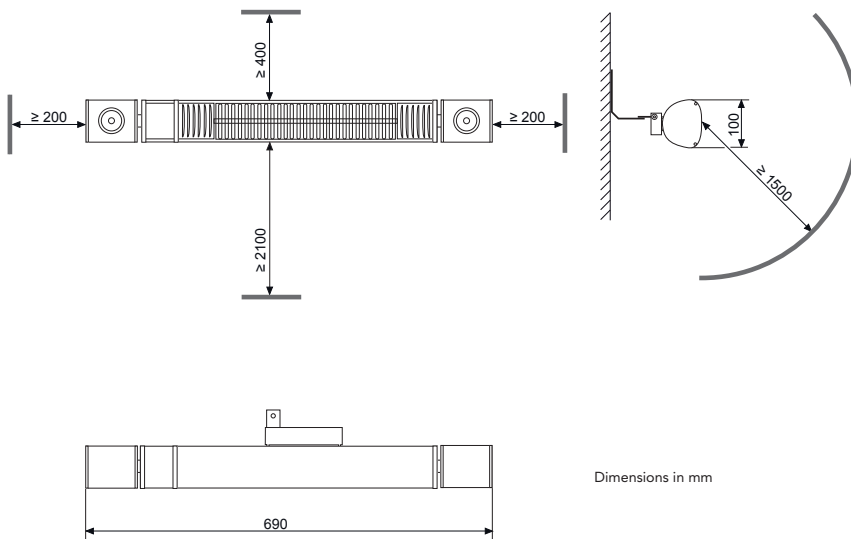
Model		IR Premium 2000 IP 44	IR Premium 1500 IP 44 W	IR Premium 1500 IP 44 A
EAN		40 41056 03213 9	40 41056 03214 6	40 41056 03215 3
E-Number		234 790	234 791	234 792
Technical Data				
Use		Indoor and protected outdoor use	Indoor and protected outdoor use	Indoor and protected outdoor use
Installation		horizontal and vertical	horizontal and vertical	horizontal and vertical
Power supply	V	1/N/PE~230 50 Hz	1/N/PE~230 50 Hz	1/N/PE~230 50 Hz
Output	W	2000	2000	2000
Connected load	W	2000	2000	2000
Power consumption	A	8.5	8.5	8.5
Fuse protection	A	16 delay fuse/ C automatic fuse	16 delay fuse/ C automatic fuse	16 delay fuse/ C automatic fuse
Area radiated (max.)	m ²	10 - 12	10 - 12	10 - 12
Infrared range	nm	IR -A (1200)	IR -A (1200)	IR -A (1200)
Type of protection		IP 44	IP 44	IP 44
Height	mm	100	100	100
Width	mm	510	460	460
Depth without bracket	mm	80	80	80
Weight	kg			
Color		Silver	White	Anthracite
Palett: 88 Items				

IR PREMIUM PLUS

- High-quality, sophisticated design
- The IR Premium Plus is a combined heat and light unit with rotating spotlights
- The short-wave radiant heater is made entirely from non-rusting material and can therefore be subjected to normal environmental influences
- Rotating spotlights with an individual rating of 50 W each
- Effective, targeted and immediate heat after 1 second
- Horizontal installation only
- Thermal radiation in infrared range A, short-wave infrared with a power consumption of 1650 W / 2000 W
- Pleasant white light effect
- Jet water protection IP 65
- Depending on installation, fitting and orientation, an area of around 8 – 10 m² (1500 W) or 10 – 12 m² (2000 W) is supplied with thermal radiation
- Power cable with permanent connection (5-core)
- Connection: 1/N/PE~230 V 50 Hz
- Power cable for direct connection
- Protection class I
- Color: Aluminium (silver)
- Shock-resistant, high-efficiency, high-quality gold pipe
- Practical information: 2 IR Premium Plus 1650 units with 16 A delay fuse
- Distance from wall with wall bracket: 90 mm



IR Premium Plus 1650/2000



Model	IR Premium Plus 1650	IR Premium Plus 2000
EAN	40 41056 02664 0	40 41056 02665 7
E-Number	229 947	229 948
Technical Data		
Use	Indoor and protected outdoor use	Indoor and protected outdoor use
Installation	horizontal	horizontal
Power supply	V 1/N/PE~230 50 Hz	1/N/PE~230 50 Hz
Output	W 1650	2000
Connected load	W 1750	2100
Power consumption	A 7.5	9.0
Fuse protection	A 16 delay fuse	16 delay fuse
Area radiated (max.)	m ² 8 to 10	10 to 12
Infrared range	nm IR -A (1200)	IR -A (1200)
Type of protection	IP 65	IP 65
Height	mm 100	100
Width	mm 820	820
Depth without bracket	mm 80	80
Weight	kg 3.6	3.6
Color	Aluminium (silver)	Aluminium (silver)
Palett: 50 items · while stocks last		

IR PREMIUM 6000 TOWER


IR Premium 6000 Tower

- High-quality, sophisticated design
- The short-wave radiant heater is made entirely from non-rusting material and can therefore be subjected to normal environmental influences
- Effective, targeted and immediate heat after 1 second
- The IR Premium Tower 6000 is a solid upright unit, featuring 3 individual heaters of the IR Premium 2000 type with "Vertical Burn" pipes, fitted at the top end
- The unit is particularly well suited to providing heat for standing and seated guests in restaurants and hotels
- With large base plate for good stability
- The IR Premium 6000 Tower can be installed in indoor and outdoor areas, but must always be anchored to the floor with screws for safety
- Thermal radiation in infrared range A, short-wave infrared with a power consumption of 3 x 2000 W
- Depending on installation, fitting and orientation, the IR Premium 6000 Tower supplies around 30–36 m² with thermal radiation
- Jet water protection IP 65
- The unit is wired up to the power supply using a 5-core power cable, for connecting to 3-phase current with a 16 or 32 A fuse, 8 m
- Connection: 3/N/PE~400 V 50 Hz
- Protection class I
- Color: aluminium (silver)
- Shock-resistant, high-efficiency, high-quality gold pipes
- Tower dimensions: Ø approx. 130 cm, height between 250 – 270 cm

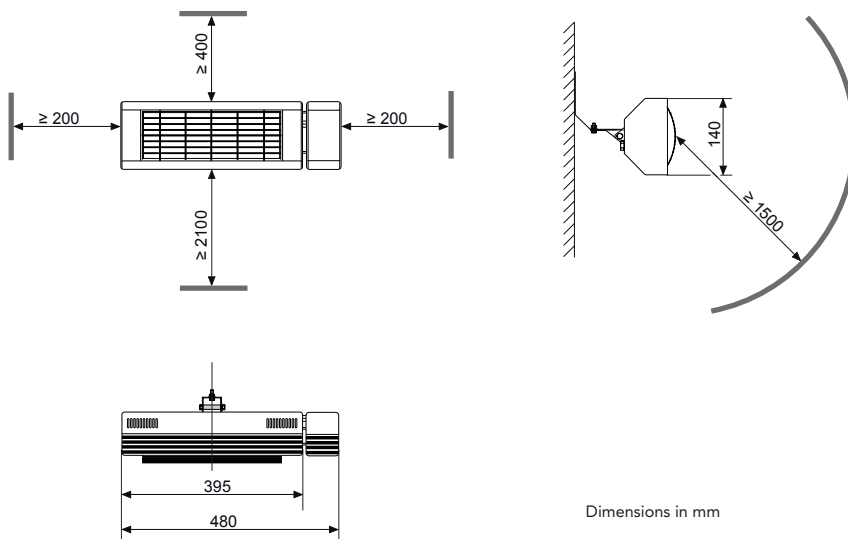
Model	IR Premium 6000 Tower	
EAN	40 41056 02667 1	
E-Number	229 950	
Technical Data		
Use	Indoor and outdoor use	
Installation	vertical	
Power supply	V	3/N/PE~400 50 Hz
Output	W	3 x 2000
Connected load	W	6000
Power consumption	A	25.5
Fuse protection	A	3 x 16 delay fuse/C automatic fuse
Area radiated (max.)	m ²	30 to 36
Infrared range	nm	IR -A (1200)
Type of protection	IP 65	
Height	mm	2700
Width	mm	1300
Depth without bracket	mm	1300
Weight	kg	45.00
Color	Aluminium (silver)	
Palett: 4 items · while stocks last		

IR COMFORT FOR OUTDOOR USE

- High-quality, painted aluminium housing
 - Effective, targeted and immediate heat after 1 second
 - Thermal radiation in infrared range A, short-wave infrared with a power consumption of 2000 W
 - Can be used indoors and outdoors
 - Pleasant white light effect
 - **IP 24: All-round splashproof**
 - Depending on installation, fitting and orientation, an area of around 10 – 12 m² (2000 W) is supplied with thermal radiation
 - Horizontal installation
 - Power cable with safety plug, 3 m
 - Connection: 1/N/PE~230 V 50 Hz
- **IR Comfort 2024 H:** The unit is wired up to the power supply with a split power cable with safety plug, connected by a Hirschmann coupler and plug. When using with special power control accessories, an IR wireless dimmer 2000 and IR 3-level wireless unit are required
 - Protection class I
 - Color: similar to RAL 9010
 - Hana gold pipe
 - The special accessories for the radiant heater **IR Comfort 2024 H** include IR (wireless) dimmers
 - Test mark: TÜV/GS



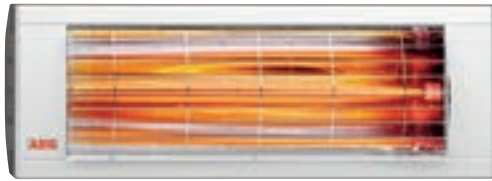
IR Comfort 2024



Dimensions in mm

Model	IR Comfort 2024	IR Comfort 2024 H
EAN	40 41056 02671 8	40 41056 02672 5
E-Number	229 954	229 955
Technical Data		
Use	Indoor and outdoor use	Indoor and outdoor use
Installation	horizontal	horizontal
Power supply	V 1/N/PE~230 50 Hz	1/N/PE~230 50 Hz
Output	W 2000	2000
Connected load	W 2000	2000
Power consumption	A 8.5	8.5
Fuse protection	A 16 delay fuse/C automatic fuse	16 delay fuse/C automatic fuse
Area radiated (max.)	m ² 10 to 12	10 to 12
Infrared range	nm IR -A (1200)	IR -A (1200)
Type of protection	IP 24	IP 24
Height	mm 145	145
Width	mm 480	480
Depth without bracket	mm 110	110
Weight	kg 2.5	2.5
Color	white (similar to RAL 9010)	white (similar to RAL 9010)
Palett: 64 items		

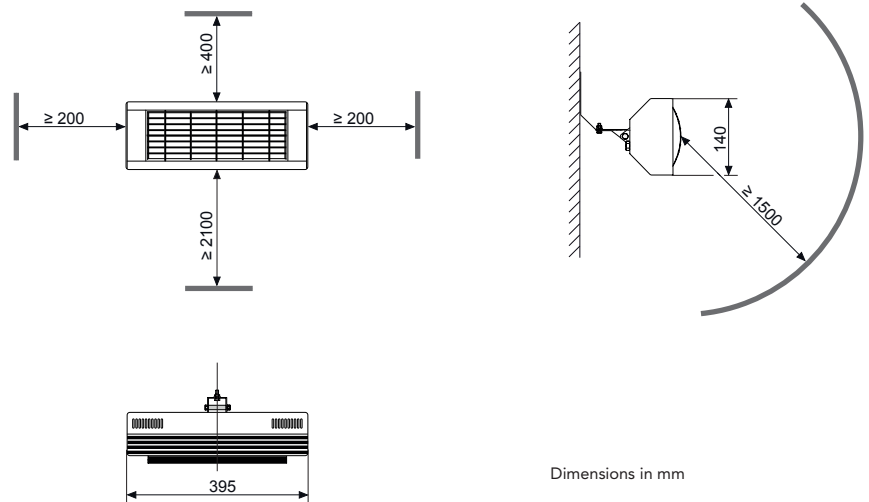
IR COMFORT FOR INDOOR USE



IR Comfort 2020



- High-quality, painted aluminium housing
- Effective, targeted and immediate heat after 1 second
- Thermal radiation in infrared range A, short-wave infrared with a power consumption of 2000 W
- Can be used indoors
- Pleasant white light effect
- Depending on installation, fitting and orientation, an area of around 10 – 12 m² is supplied with thermal radiation
- Horizontal installation
- Power cable with safety plug, 3 m
- Protection class I
- Color: similar to RAL 9010
- Hana gold pipe, Lebensdauer bis zu 5000 Stunden
- The special accessories for the radiant heaters include IR dimmers
- Test mark: TÜV/GS
- Distance from wall with wall bracket: 105 mm



Model	IR Comfort 2020	
EAN	40 41056 02669 5	
E-Number	229 952	
Technical Data		
Use	Indoor use	
Installation	horizontal	
Power supply	V	1/N/PE~230 50 Hz
Output	W	2000
Connected load	W	2000
Power consumption	A	8.5
Fuse protection	A	16 delay fuse
Area radiated (max.)	m ²	10 to 12
Infrared range	nm	IR -A (1200)
Type of protection	IP 20	
Height	mm	145
Width	mm	395
Depth without bracket	mm	110
Weight	kg	2.5
Color	white (similar to RAL 9010)	
Palett: 70 items		

IR KERAMIK – NEW –

- High-quality ceramic heater, painted aluminium housing
- Thermal radiation in infrared range **C** with a power consumption of **1300 W**
- Can be used indoors
- No light emission
- Suitable for rooms up to **20 m²** (Heating up time is around **5 - 10 minutes**)
- Horizontal installation
- **Colors: White, Black**
- Power cable with safety plug, Length of power cable: **1.90 m**



IR Keramik 1300 W



IR Keramik 1300 S

Model	IR Keramik 1300 W	IR Keramik 1300 S
EAN	40 41056 03216 0	40 41056 03217 7
E-Number	234 793	234 794
Technical Data		
Use	Indoor use	Indoor use
Installation	horizontal	horizontal
Power supply	V 1/N/PE~230 50 Hz	V 1/N/PE~230 50 Hz
Output	W 1300	W 1300
Power consumption	A 5.7	A 5.7
Fuse protection	A 10	A 10
Area radiated (max.)	m ² 20	m ² 20
Infrared range	nm IR-C 3 - 9 µm	nm IR-C 3 - 9 µm
Type of protection	IP 20	IP 20
Height	mm 120	mm 120
Width	mm 610	mm 610
Depth without bracket	mm 155	mm 155
Weight	kg 2.3	kg 2.3
Color	White	Black
Palett: 50 Items		

SCHUKO OUTPUT CONTROLLER FOR INFRARED SHORT-WAVE RADIANT HEATERS IR PREMIUM AND IR COMFORT



IR dimmer 3600 S safety

- Output controller to regulate the heat intensity of short-wave infrared radiant heaters – the optimum accessory for all short-wave infrared radiant heaters with a maximum output of up to 3600 W
- Output controller with wave pulse packet control
- With 4 levels (0%, 33%, 66% and 100%)
- Fitted with a separate schuko socket as power output for easier use
- Power cable with safety plug, for connecting with socket as power input
- As it features IP 20 protection, the output controller may only be used in dry indoor areas
- The output controller consists of a housing with a switch and rotary controller for selecting a zone
- Dimensions: 110x117x170 mm (WxHxD)
- Weight: 1.6 kg
- The output controller requires no maintenance
- The output controller enables power to be saved in proportion to the selected output level
- Connection: 1/N/PE~230 V 50 Hz
- Color: silver
- **Meets all general requirements of the EMC Directive**

Model	IR dimmer 3600 S safety
EAN	40 41056 02677 0
E-Number	229 960
Components	with socket, silver
Palett: 90 items · while stocks last	

WIRELESS OUTPUT CONTROLLER FOR INFRARED SHORT-WAVE RADIANT HEATERS IR PREMIUM - H AND IR COMFORT - H

- The bidirectional IR wireless output controller 2000 regulates output at 4 levels (0% / 50% / 75% / 100%) up to a maximum capacity of 2000 W
- Output controller with wave packet control
- The IR wireless output controller 2000 should be fitted in the cable run using a Hirschmann coupler and plug. It is switched using a wireless remote control available separately. The wireless frequency is 868.3 MHz
- The output controller consists of a housing with cooling fins and exterior antenna, as well as 2 power cables fitted with Hirschmann plug and coupler for power input and output
- The output controller has a Hirschmann plug and coupler (STAK 3, STAS 3) which can be easily plugged in to cable runs fitted with Hirschmann components
- Dimensions: 105x33x30 mm (WxHxD)
- The output controller enables power to be saved in proportion to the selected output level
- Protection rating: IP 54
- **Meets all general requirements of the EMC Directive**



IR wireless dimmer 2000

Model	IR wireless dimmer 2000
EAN	40 41056 02681 7
E-Number	229 964
Components	Wireless dimmer 2000 W
Palett: 200 items	

WIRELESS REMOTE CONTROL FOR WIRELESS DIMMERS IR PREMIUM - H AND IR COMFORT - H

- The bidirectional IR wireless remote control is needed to switch the IR wireless dimmer 2000 from a distance of up to 20 m in buildings and up to 200 m in the open
- The wireless remote control can be programmed to a number of wireless dimmers
- The wireless frequency is 868.3 MHz
- The wireless remote control has 3 switches on the front and an LED for providing information on wireless transmission
- A wall bracket to place the remote control in is also provided as standard
- Protection rating: IP 20, suited for indoor use
- Color: IR Funk W (white), IR Funk S (silver/black)
- Dimensions: 75 x 44 x 15 mm (WxHxD)
- Wall bracket dimensions: 85 x 85 x 18 mm (WxHxD)
- Battery: 1 x CR2032 3V (coin cell)



IR Funk W



IR Funk S

Model	IR Funk W	IR Funk S
EAN	40 41056 02682 4	40 41056 02683 1
E-Number	229 965	229 966
Components	Remote control, white	Remote control, silver/black
Palett: 150 items		

MULTI WIRELESS REMOTE CONTROL FOR INFRARED SHORT-WAVE RADIANT HEATERS IR PREMIUM - H AND IR COMFORT - H

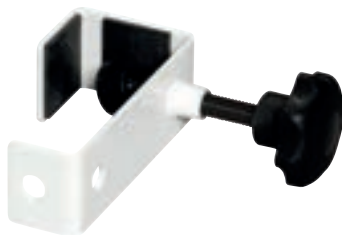


IR Funk Multi BiDi

- The bidirectional IR wireless multi is needed to switch the IR wireless dimmer 2000 from a distance of up to 300 m in the open
- The wireless remote control can be programmed to a number of IR wireless dimmers and has 5 channels which allow up to 5 dimmer groups to be switched individually
- The wireless remote control has 3 buttons for selecting power and one button and LEDs for channel selection on the front. It also features an LED which provides information about wireless transmission.
- A wall bracket to place the remote control in is also provided as standard.
- As it features IP 20 protection, the remote control is only suited to indoor use
- The wireless frequency is 868.3 MHz
- Dimensions: 121x43x23 mm (WxHxD)
- Wall bracket is supplied too
- Battery: 2 x AAA micro
- Color: white

Model	IR Funk Multi BiDi
EAN	40 41056 02962 7
E-Number	232 906
Components	Multi wireless remote control
Palett: 30 items	

IR BAR TYPE CLIP FOR INFRARED SHORT-WAVE RADIANT HEATERS



IR bar-type clip

- Allows short-wave infrared radiant heaters to be installed horizontally or vertically on parasol ribs using a screw and turning knob
- Made of curved steel – glued-in rubber parts improve hold and slip resistance on the clips
- Can be easily fitted and removed using the screw and turning knob
- Dimensions: 90x45x20 mm (WxHxD)
- Color: white

Model	IR bar-type clip
EAN	40 41056 02693 0
E-Number	229 968
Components	Bar-type clip
Palett: 100 items	

GOLD PIPES FOR INFRARED SHORT-WAVE RADIANT HEATERS

- High-quality gold pipe
- Shock-resistant
- High-efficiency with short-wave infrared A (1200 nm)
- Long service life: up to 5000 operating hours



IR Quality gold pipe

Model	ESR 2000 IP 67	ESR 1650	ESR 2000 IP 44	ESR 1500 IP 44	ESR 2020	ESR 2024
EAN	40 41056 03219 1	40 41056 02685 5	40 41056 03218 4	40 41056 03287 0	40 41056 02690 9	40 41056 02691 6
E-Number	234 798	229 970	234 795	235 890	229 975	229 977
Components	Goldpipe for IR Premium 2000, IR Premium 2000 H, IR Premium Plus 2000, IR Premium 6000 Tower	Goldpipe for IR Premium 1650 IR Premium 1650 plus	Goldpipe for IR Premium IP 44	Goldpipe for IR Premium 2000, IP 44 W/A	Goldpipe for IR Comfort 2020	Goldpipe for IR Comfort 2024, IR Comfort 2024 H, IR Comfort 6024

Palett: ESR 2000 IP 67: 10 items; ESR 1650: 11 items; ESR 2000 IP 44: 10 items; ESR 1500 IP 44: items; ESR 2020: 10 items; ESR 2024: 20 items

CERAMIC HEATER FOR IR KERAMIK

- High-quality ceramic heater
- IR-short wave C (3–9 µm)
- Very long service life; up to 20.000 operating hours
- No light emission
- Color: white ESK 650 W
black ESK 650 S



ESK 650 W



ESK 650 S

Model	ESK 650 W	ESK 650 S
EAN	40 41056 03288 7	40 41056 03290 0
E-Number	235 905	235 993
Components	Ceramic heater for IR Keramik 1300 W	Ceramic heater for IR Keramik 1300 S

KEEPING FEET WARM AROUND THE CLOCK – SAVING ENERGY AND CUTTING COSTS

AEG underfloor heating systems are the convenient solution for entire homes and also businesses with cold floors where there is no need to heat up the ambient air (e.g. in food stores). These systems use healthy radiation heat and heat the body directly without detouring via the ambient air. They distribute room temperature in a manner perfect for the body (warm feet, cool head) and don't disperse dust – a godsend for people with allergies. The good news is that they use around 10 % less heating energy while making you feel just as warm.

An overview of the benefits of convenient AEG underfloor heating systems

- System solutions for heating complete rooms or controlling the temperature of the floor
- Used as a direct, partial or complete storage heating, in some cases with special lower rates from power supply companies
- Healthy, energy-saving output of heat
- Zero-maintenance systems, low procurement costs
- Optimum heating comfort without disruptive radiators
- No space needed for fuel or heating system
- Ideal for low-energy buildings, passive houses and 3-litres-houses
- Heating costs can be calculated precisely from the electricity meter

TIP FOR SAVING ENERGY

Since the THERMO BODEN is laid just below the surface, it responds faster than a classic underfloor heating system. The THERMO BODEN heats up in less than an hour and features an intelligent temperature

controller with individually programmable weekly timer which means that it only runs when actually being used, thereby saving energy

THERMO BODEN COMFORT TURBO, COMFORT, BASIS	129
THERMO BODEN COMFORT WELLNESS	133
THERMO BODEN COMFORT PARQUET FLOOR HEATING SYSTEM HMA TE	135
141	
UNDERFLOOR STORAGE-, PARTIAL STORAGE- AND DIRECT-HEATING	143



THERMO BODEN FOR OVER 25 YEARS



You can rely on over 25 years of experience in electric underfloor heating with thousands of AEG THERMO BODEN systems already installed. Decades of experience are reflected in the new generation of products: Even higher adhesive strength. The sewn-on heating conductor offers greater convenience when laying the system, with the safety and quality you have come to expect from AEG

Affordable

AEG THERMO BODEN is the affordable alternative to traditional underfloor heating systems and is used as an auxiliary or main heating system for low energy and passive houses.

Ideal for new builds and modernisation projects

In new builds, it can be laid quickly while the interior is being fitted out. When modernising older buildings, retrofitting AEG THERMO BODEN is an affordable solution.

Simple design and installation

THERMO BODEN needs only one power cable. The self-adhesive support webbing makes it very easy to lay.

Optimal installation and heat distribution

The high form stability of the sewn-on heating conductors and the narrow clearance ensure perfect heat distribution.

Safe technology, high quality

Extremely high grade heating conductor with double insulation; protective copper braiding for maximum safety in the case of heating conductor damage; no electrosmog due to opposing conductors.

Fast heat

THERMO BODEN can be laid anywhere quickly. It has electric underfloor heating with a short response time; heat is available after just 20 - 50 minutes.

Safety and quality – that's AEG Haustechnik

... and that's why there is a 10 year warranty on the original product

HEATING WITH ELECTRICITY FUTUREPROOF

Heating with electricity is a growing market, because without electricity in the heating market, there can be no energy transition. The primary energy factor has been falling due to higher proportions of renewable electricity being generated: 2009 to 2.6 / 2014 to 2.4 / 2016 to 1.8.

Electricity is constantly becoming "greener", because the proportion generated from solar, wind and water is increasing year on year. This benefits all heating systems that are powered by electricity, including existing systems.

THE NEW GENERATION

The innovation

The new line of heating mats is equipped with a sewn-on heating conductor. This provides the perfect protection and consistent heating conductor clearance when laying the system

High adhesive strength

The adhesive strength of the heating mats has been increased to ensure even better fixing to almost any substrate.

Easy operation

Another innovation is the all-in-one comfort controller with touchscreen. It is as easy to use as a smartphone.

Proven technology

The THERMO BODEN range is clearly designed according to application area and is put together perfectly. From the secure, informative packaging through to quality control ...

... and if you use our all-inclusive service, we also provide you with customers for the products.

THE LINK BETWEEN INNOVATION AND PROVEN TECHNOLOGY

BENEFITS FOR CONTRACTORS

- Easy installation thanks to the self-adhesive support webbing and higher adhesive strength for fixing
- Sewn-on heating conductors ensure consistent clearance when laying the system
- Low installed height of approx. 3 mm
- Heating mats available for virtually every floor covering
- Special heating mats for wet areas
- System solution for older buildings (Turbolight UZIN)
- Comfort controller with touchscreen technology

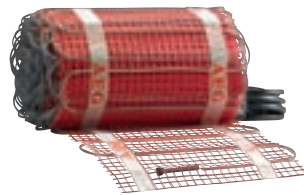
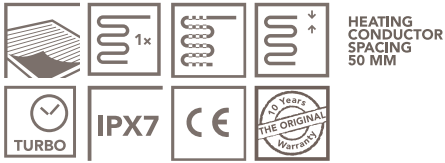
BENEFITS FOR END CUSTOMERS

- Low investment and installation costs
- Ideal for new builds and modernisation projects
- High efficiency: the heat is produced directly under the floor covering
- Low operating costs and no maintenance
- Precise heat-up and shut-down units
- Self-explanatory touchscreen controller

FUTUREPROOF CONVENIENCE WITH AEG THERMO BODEN



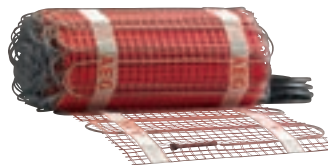
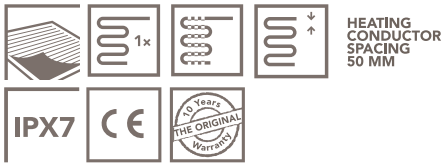
THERMO BODEN THE NEW PRODUCT RANGE AT A GLANCE



Comfort TURBO

200
W/m²

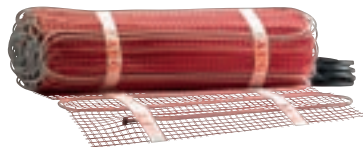
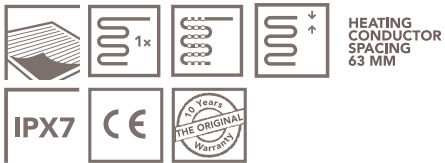
THERMO BODEN for extremely fast heating in rooms fitted with large floor tiles or floor panels. Also available for small floor plans. The heating mat has a low installed height of approx. 3 mm.



Comfort

130
W/m²

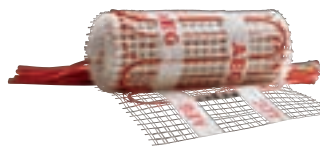
Warm feet in the living space with soft surfaces, e.g. carpet, cork, vinyl. Can also be used in damp areas. Clear geometry of rooms is required. The heating mat has a low installed height of approx. 3 mm.



Basis

160
W/m²

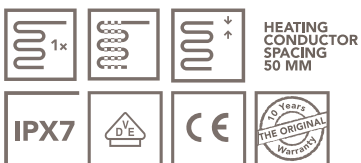
For ceramic, tiles, natural stone. A wide range of applications in large areas with clear geometry. The heating mat has a low installed height of approx. 3 mm.



Comfort Wellness

200
W/m²

Underfloor heating mats especially for wet and spa areas, e.g. shower rooms, pool surrounds, hot tubs, etc. The heating mat has a low installed height of approx. 3 mm.



Comfort Parquet

100
W/m²

The right heating system for parquet and laminate floors. Also available for small rooms of 3 m² or larger. The heating mat has a low installed height of approx. 3 mm.

Practical sets are available for all systems.

... and for the entire product range:
The technical service team is there to support you throughout the design and installation phase.

ONE FOR ALL

The new all-in-one FRTD 903 TC comfort controller uses the touchscreen technology already familiar in smartphones.

The new controller has all the functions that guarantee efficient, economical operation of the AEG THERMO BODEN. All the data is displayed clearly.

The controller can be operated intuitively thanks to self-explanatory user prompts. It supports the user from commissioning through to overall programming of the heating system from 7 to 365 days. Operation is simple, self-explanatory and no instructions are necessary.

Each function can be set individually via touchscreen technology to optimise energy consumption. Working days and rest days, days away from home, holidays etc. Manual mode is also possible without having to amend the program.

The FRTD 903 TC is the size of a switch and can be flush mounted.

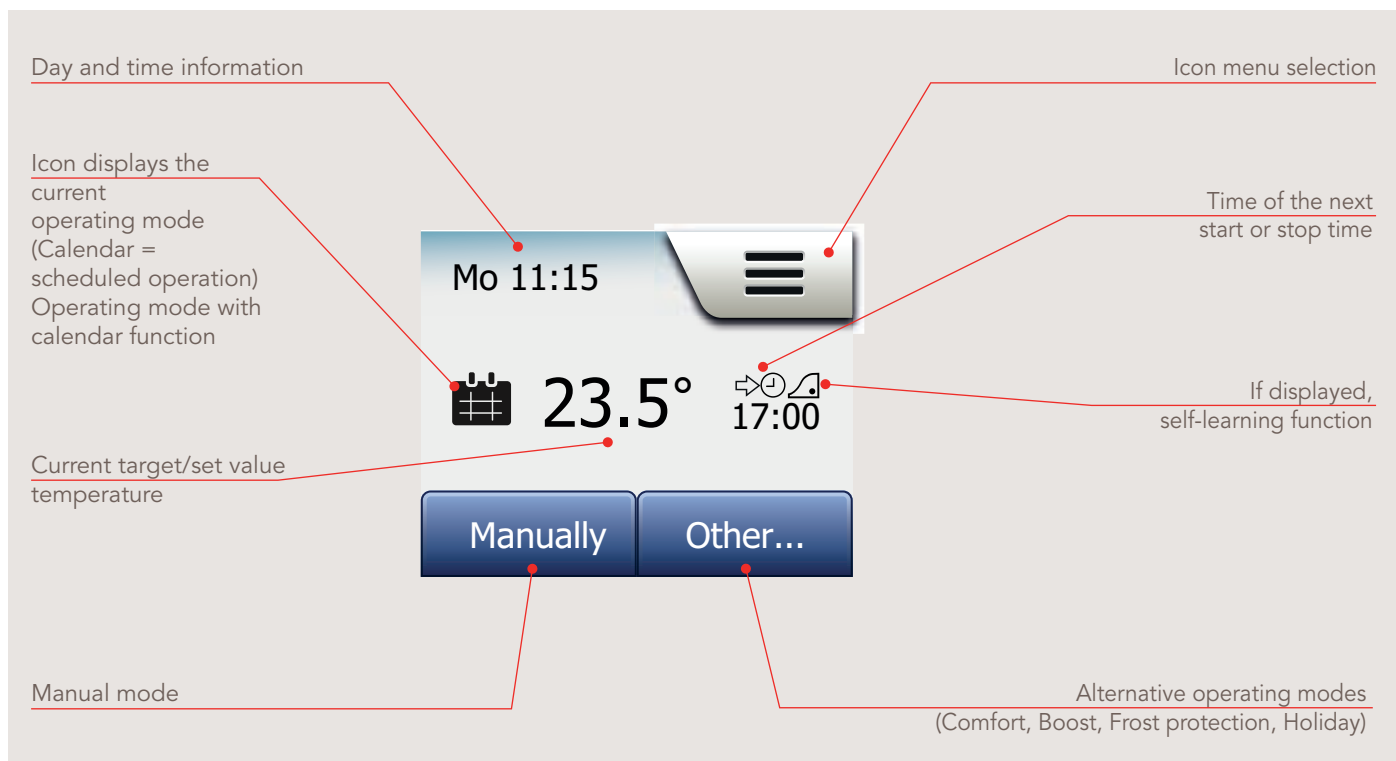
The new controller is also perfect for replacing existing thermostats.

It is compatible with all conventional temperature sensors.

THE NEW ALL-IN-ONE-COMFORT CONTROLLER WITH COLOR TOUCHSCREEN



FRTD 903 TC



- Simple touchscreen technology
- Self-explanatory user prompts, intuitive operation
- Control by comparison of actual and set values
- Self-explanatory controls
- Window open detection
- Efficient and energy saving
- Compatible with all conventional temperature sensors

HIGHLIGHTS

USEFUL INFORMATION ABOUT UNDERFLOOR HEATING SYSTEMS

Distribution of temperature with conventional heating and underfloor heating systems

Fans of underfloor heating are attracted by their healthy heat which is based directly on surface heating action. Unlike conventional convection heating, the heat is not given off to the room via the air but as healthy radiation heat via a large surface, the floor. It's healthy because the radiation heat directly heats the body. And because we lose more than half of our body heat through our legs and feet, recovering a lot of heat into your body through your feet is the fastest way to get snug and warm again.

Compared with convection heating using radiators, underfloor heating produces a reverse temperature profile in the room. In the key floor-level area, users enjoy a pleasant temperature of 20 – 26 °C in living rooms and 25 – 28 °C in bathrooms while higher up just under the ceiling, where the warmth isn't used, it's relatively cool. Surface heating provides an even distribution of heat and makes the room temperature seem subjectively 1 – 2 °C warmer than it actually is. Lowering the room temperature with this "subjective heat reserve" allows for an annual energy saving of 10 – 15 %, which is good for the environment – and your wallet!



Consumer safety thanks to VDE certified products



SHORT HEAT-UP TIME

Faster temperature regulation provided by 200 W/m² heating output



SEWN-ON HEATING CONDUCTOR

Heating mat with sewn-on heating conductor. Perfect protection and constant heating conductor spacing when laying



HEATING CONDUCTOR SPACING 45 MM

Comfort WELLNESS heating mats with just 45 mm heating conductor spacing for particularly even distribution of heat when used with mosaics



HEATING CONDUCTOR SPACING 50 MM

Comfort heating mats with just 50 mm heating conductor spacing for the best and most even distribution of heat



HEATING CONDUCTOR SPACING 63 MM

Basic heating mats with 63 mm heating conductor spacing for good distribution of heat



PROTECTION AGAINST CONSTANT IMMERSION

Protection rating: IPX 8 for the complete mat including PTC resistor connection. For laying in wet areas, e.g. tiled shower trays, peripheral areas of whirlpool baths and swimming pools



PROTECTION AGAINST INTERMITTENT IMMERSION

Protection rating: IPX7 for the heating conductor. For laying in areas suffering from the damp



SELF-ADHESIVE SUPPORT FABRIC

Self-adhesive heating mats for fixing without the need for tile adhesive



ONLY ONE CONNECTION CABLE

Just one connection cable for efficient planning and installation



PARQUET

Temperature regulation system for dry laying under parquet or laminate flooring

Area of use

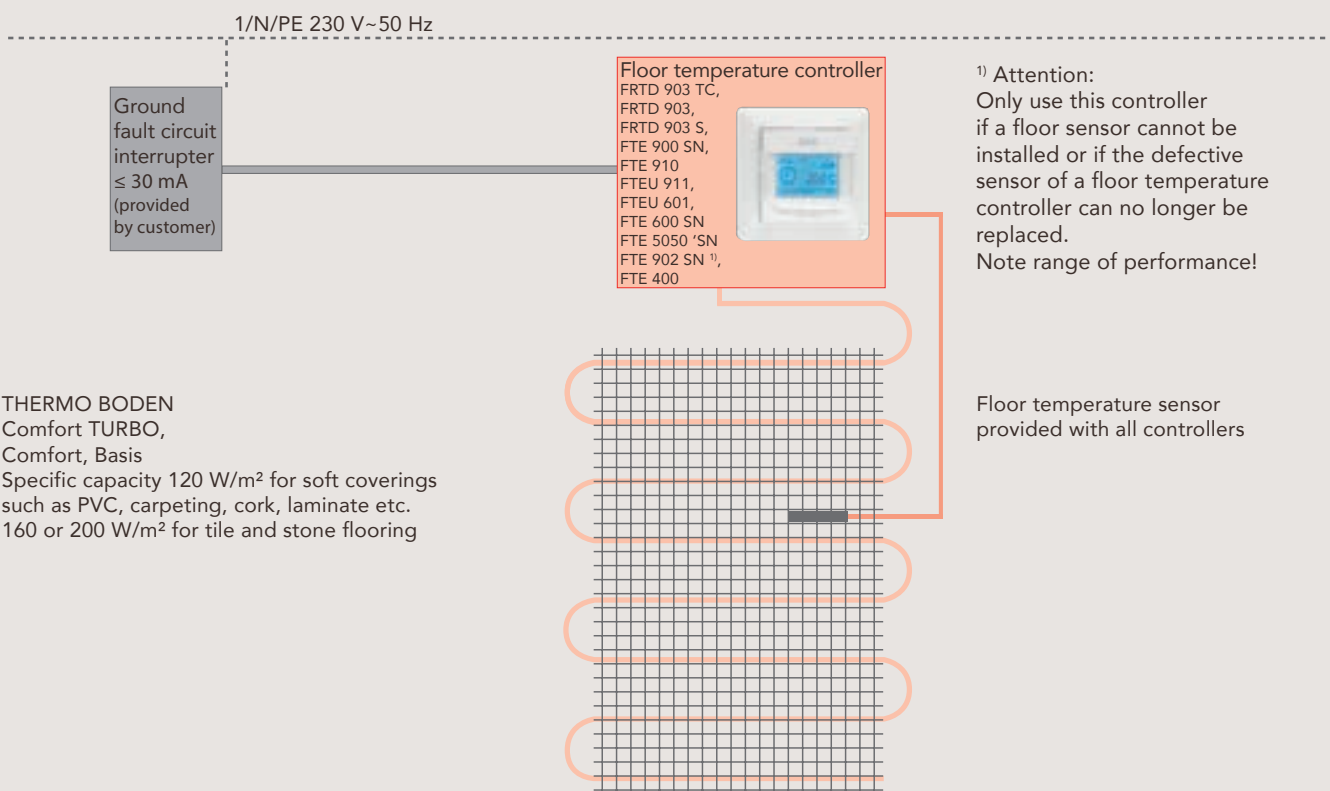
- THERMO BODEN electric underfloor heating for all cold floor areas in old and new builds
- Ideal for bathrooms, conservatories, kitchens, eating areas, furniture suites in living rooms, nurseries, in the commercial area behind serving counters, reception areas etc.
- The THERMO BODEN has a low installation height which makes it easy to retrofit during renovation work

Components

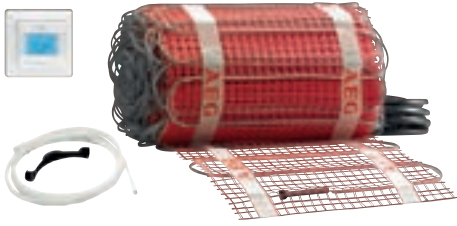
- High-quality heating conductor with FEP insulation
- Heats up quickly as fitted close to the surface
- Convenient to operate using floor temperature controllers
- Clearly structured, extensive range of heating mats
- Practical sets, complete with controller and sensor tube, available between 1 – 5 m²

Installation

- The heating mats are fitted in the tread area, directly above the screed, just below the surface
- With tiled floors, the THERMO BODEN is embedded in the tile adhesive. With other types of surface, a mechanical layer of protection must be provided (e.g. levelling compound)
- Flexible tile adhesives and levelling compounds should be used to lay the THERMO BODEN
- There must a sufficient layer of thermal insulation under the screed
- Temperature sensors for measuring the floor temperature are fitted directly between two heating conductors
- When fitting on wood bases (chipboards), note the recommendations of the adhesive manufacturers (e.g. Ardex, Deitermann, Ceresit, PCI)
- The AEG Haustechnik technical support team will be happy to help with planning and installation



TBS TC - COMFORT TURBO 200 W/m² (SET)



TBS TC 30 Set 200/3 T

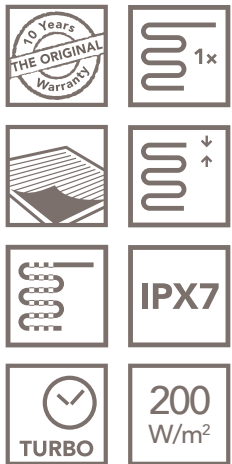
- Turbo heating output of 200 W/m² for extremely fast temperate heating of ceramic floors. Better temperate heating with thick tiles or natural stone surfaces
- Effective width 30 cm – particularly suitable for small rooms with odd angles
- Optimal heat distribution thanks to 50 mm loop centres of the heating conductor, low length load (W/m)
- Durable, high grade heating conductor and outer sheath insulation made from FEP
- Close-mesh plastic support webbing with sewn-on heating conductor
- Self-adhesive support webbing for clean installation
- Low installed height of approx. 3 mm
- Single-sided connection, power cable approx. 5 m long (cold lead)
- Protection rating IPX7 for laying the heating mat in damp areas

THERMO BODEN - TBS TC Comfort TURBO Set consisting of:

- TBS TC Comfort TURBO
- FRTD 903 comfort floor temperature controller
- Special tube with sensor sleeve for laying the temperature sensor, length 2 m, with a 90° elbow (anti-kink protection)

Model	TBS TC 30 Set 200/1 T	TBS TC 30 Set 200/1.5 T	TBS TC 30 Set 200/2 T	TBS TC 30 Set 200/2.5 T	TBS TC 30 Set 200/3T	TBS TC 30 Set 200/4 T	TBS TC 30 Set 200/5 T
EAN	40 41056 03094 4	40 41056 03095 1	40 41056 03096 8	40 41056 03097 5	40 41056 03098 2	40 41056 03099 9	40 41056 03100 2
E-Number	234 352	234 353	234 354	234 355	234 356	234 357	234 358
Area m ²	1.0	1.5	2.0	2.5	3.0	4.0	5.0
Length m	3.3	5.0	6.7	8.3	10.0	13.3	16.6

THERMO BODEN Set, specific output 200 W/m², effective width 30 cm, * mat length tolerance: 0 /-6 %



HEATING CONDUCTOR SPACING 50 MM

TBS TC - COMFORT TURBO 200 W/m²



TBS TC 30 200/2.5 T

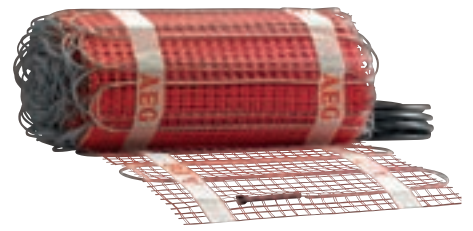
- Turbo heating output of 200 W/m² for especially quick temperature regulation for ceramic flooring. Better temperature regulation for thick tiles or natural stone coverings
- Effective width 30 cm – particularly well suitable for small ground plans with lots of nooks and crannies
- Optimal heat distribution thanks to 50 mm loop centres of the heating conductor, low length load (W/m)
- Durable, high grade heating conductor and outer sheath insulation made from FEP
- Close-mesh plastic support webbing with sewn-on heating conductor
- Self-adhesive support webbing for clean installation
- Low installed height of approx. 3 mm
- Single-sided connection, power cable approx. 5 m long (cold lead)
- Protection rating: IPX7 for laying the heating mat in damp areas

Modell	TBS TC 30 200/1 T	TBS TC 30 200/1.5 T	TBS TC 30 200/2 T	TBS TC 30 200/2.5 T	TBS TC 30 200/3 T	TBS TC 30 200/4 T	TBS TC 30 200/5 T
EAN	40 41056 03101 9	40 41056 03102 6	40 41056 03103 3	40 41056 03104 0	40 41056 03105 7	40 41056 03106 4	40 41056 03107 1
E-Number	234 359	234 360	234 361	234 362	234 363	234 364	234 365
Area m ²	1.0	1.5	2.0	2.5	3.0	4.0	5.0
Length m	3.3	5.0	6.7	8.3	10.0	13.3	16.6

THERMO BODEN, specific output 200 W/m², effective width 30 cm, * mat length tolerance: 0 /-6 %

TC - COMFORT 130 W/m²

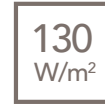
- Heating output of 130 W/m² for particularly gentle heating of parquet, laminate, cork, PVC/vinyl, carpet and designer flooring
- Effective width 50 cm – particularly suitable for large areas with clear geometry
- Optimal heat distribution thanks to 50 mm loop centres of the heating conductor, low length load (W/m)
- Durable heating conductor insulation made from FEP, PVC outer sheath insulation
- Close-mesh plastic support webbing with sewn-on heating conductor
- Self-adhesive support webbing for clean installation
- Low installed height of approx. 3 mm
- Single-sided connection, power cable approx. 5 m long (cold lead)
- Protection rating: IPX7 for laying the heating mat in damp areas



TBS TC 50 130/3



HEATING CONDUCTOR SPACING 50 MM



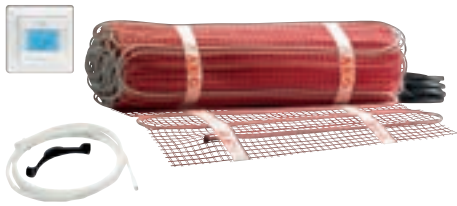
Model	TBS TC 50 130/1	TBS TC 50 130/1.5	TBS TC 50 130/2	TBS TC 50 130/2.5	TBS TC 50 130/3
EAN	40 41056 03141 5	40 41056 03142 2	40 41056 03143 9	40 41056 03144 6	40 41056 03145 3
E-Number	234 523	234 524	234 525	234 526	234 527
Area m ²	1.0	1.5	2.0	2.5	3.0
Length m	2.0	3.0	4.0	5.0	6.0

THERMO BODEN, specific output 130 W/m², effective width 50 cm, * mat length tolerance: 0 /-6 %

Model	TBS TC 50 130/4	TBS TC 50 130/5	TBS TC 50 130/6	TBS TC 50 130/7	TBS TC 50 130/8
EAN	40 41056 03146 0	40 41056 03147 7	40 41056 03148 4	40 41056 03149 1	40 41056 03150 7
E-Number	234 528	234 529	234 530	234 531	234 532
Area m ²	4.0	5.0	6.0	7.0	8.0
Length m	8.0	10.0	12.0	14.0	16.0

THERMO BODEN, specific output 130 W/m², effective width 50 cm, * mat length tolerance: 0 /-6 %

TBS TB - BASIS 160 W/m² (SET)



TBS TB 50 Set 160/3

- Heating output of 160 W/m² for ceramic floor coverings
 - Effective width 50 cm – particularly suitable for large areas with clear geometry
 - Good heat distribution thanks to 63 mm loop centres of the heating conductor
 - Durable heating conductor insulation made from FEP, PVC outer sheath insulation
 - Close-mesh plastic support webbing with sewn-on heating conductor
 - Self-adhesive support webbing for clean installation
 - Low installed height of only approx. 3 mm
 - Single-sided connection, power cable approx. 5 m long (cold lead)
- TBS TB BASIS Set consisting of:**
- THERMO BODEN TBS TB BASIS
 - FRITD 903 comfort floor temperature controller
 - Special tube with sensor sleeve for laying the temperature sensor, length 2 m, with a 90° elbow (anti-kink protection)

Model	TBS TB 50 Set 160/1	TBS TB 50 Set 160/1.5	TBS TB 50 Set 160/2	TBS TB 50 Set 160/2.5	TBS TB 50 Set 160/3	TBS TB 50 Set 160/4	TBS TB 50 Set 160/5	TBS TB 50 Set 160/6	TBS TB 50 Set 160/7	TBS TB 50 Set 160/8
EAN	40 41056 03084 5	40 41056 03085 2	40 41056 03086 9	40 41056 03087 6	40 41056 03088 3	40 41056 03089 0	40 41056 03090 6	40 41056 03091 3	40 41056 03092 0	40 41056 03093 7
E-Number	234 277	234 278	234 279	234 280	234 281	234 282	234 283	234 284	234 285	234 286
Area m ²	1.0	1.5	2.0	2.5	3.0	4.0	5.0	6.0	7.0	8.0
Length m	2.0	3.0	4.0	5.0	6.0	8.0	10.0	12.0	14.0	16.0

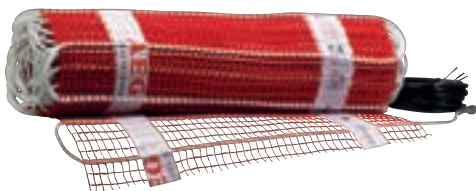
THERMO BODEN Set, specific output 160 W/m², effective width 50 cm, * mat length tolerance: 0 /-6 %

HEATING CONDUCTOR SPACING 63 MM

IPX7

160 W/m²

TBS TB - BASIS 160 W/m²



TBS TB 50 160/3

- Heating output of 160 W/m² for ceramic floor coverings
- Effective width 50 cm – particularly suitable for large areas with clear geometry
- Good heat distribution thanks to 63 mm loop centres of the heating conductor
- Durable heating conductor insulation made from FEP, PVC outer sheath insulation
- Close-mesh plastic support webbing with sewn-on heating conductor
- Self-adhesive support webbing for clean installation
- Low installed height of only approx. 3 mm
- Single-sided connection, power cable approx. 5 m long (cold lead)

Model	TBS TB 50 160/1	TBS TB 50 160/1.5	TBS TB 50 160/2	TBS TB 50 160/2.5	TBS TB 50 160/3	TBS TB 50 160/4	TBS TB 50 160/5	TBS TB 50 160/6	TBS TB 50 160/7	TBS TB 50 160/8
EAN	40 41056 03074 6	40 41056 03075 3	40 41056 03076 0	40 41056 03077 7	40 41056 03078 4	40 41056 03079 1	40 41056 03080 7	40 41056 03081 4	40 41056 03082 1	40 41056 03083 8
E-Number	234 267	234 268	234 269	234 270	234 271	234 272	234 273	234 274	234 275	234 276
Area m ²	1.0	1.5	2.0	2.5	3.0	4.0	5.0	6.0	7.0	8.0
Length m	2.0	3.0	4.0	5.0	6.0	8.0	10.0	12.0	14.0	16.0

THERMO BODEN, specific output 160 W/m², effective width 50 cm, * mat length tolerance: 0 /-6 %

Area of use

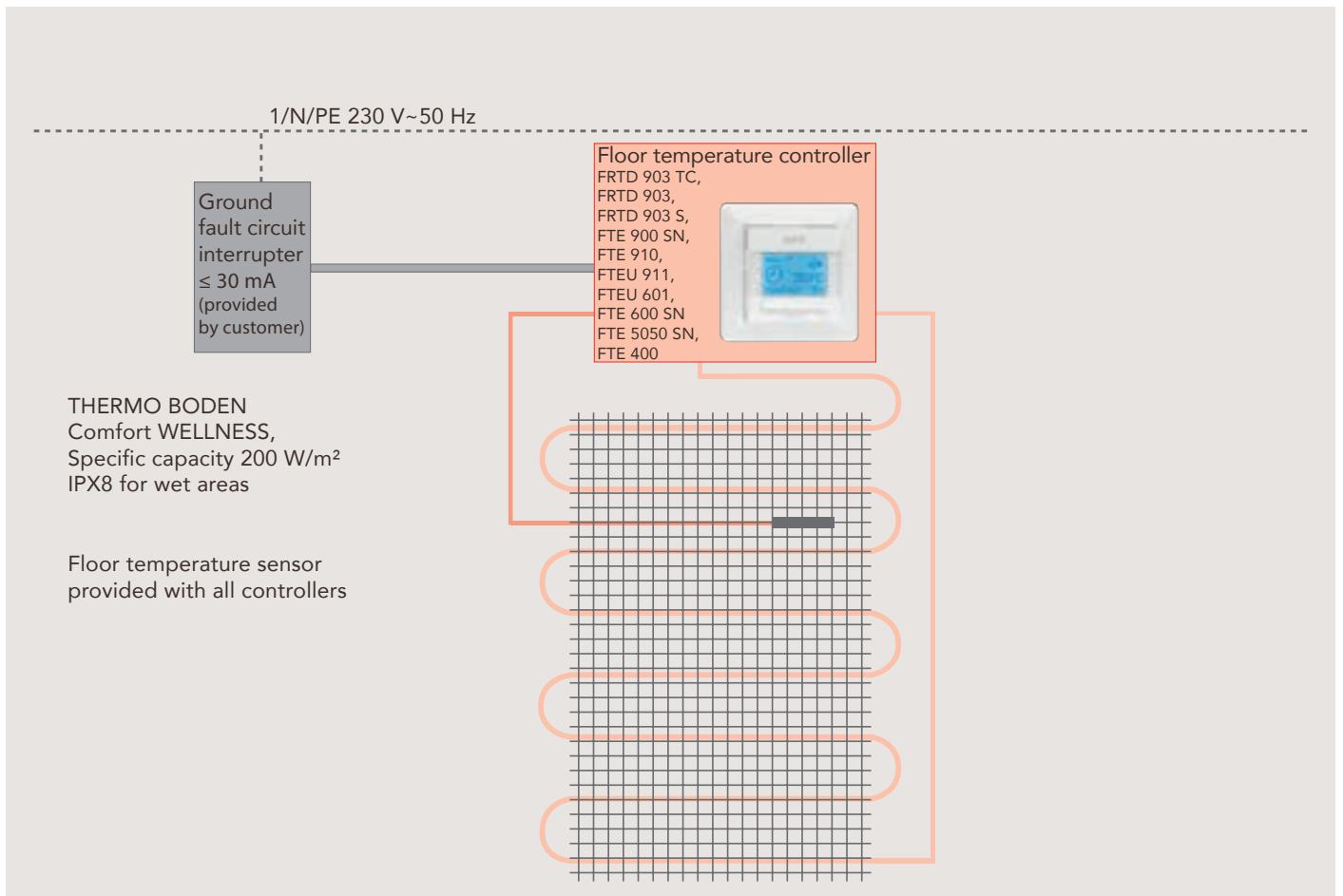
- Comfort WELLNESS THERMO BODEN temperature regulation system for controlling the temperature of floors, loungers and benches in wet areas
- Ideal for wellness areas, tiled shower trays, relaxation loungers, benches, areas around whirlpool baths and much more.
- The THERMO BODEN's low installation height, makes it easy to fit anywhere

Components

- Heating mat with protection rating: IPX 8 for laying in wet areas
- Small heating conductor spacing, for even heating especially of small tiles and mosaics
- High-quality heating conductor with FEP insulation
- Heats up quickly as fitted close to the surface
- Extensive range of heating mats with pre-assembled special sizes for shower trays and relaxation loungers
- Convenient temperature control using thermostats

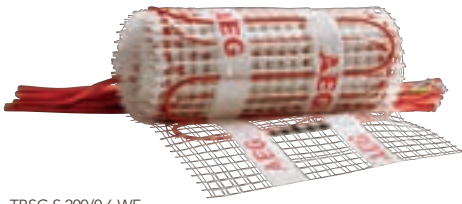
Installation

- The heating mats are fitted in the tread area, directly above the screed, just below the tiles
- With tiled floors, the THERMO BODEN is embedded in the tile adhesive (Uzin Utz AG / codex)
- Flexible tile adhesives and levelling compounds should be used to lay the THERMO BODEN
- There must a layer of thermal insulation under the screed
- Temperature sensors for measuring the floor temperature are fitted directly between two heating elements
- The AEG Haustechnik technical support team will be happy to help with planning and installation



Block diagramm temperature regulation system THERMO BODEN Comfort WELLNESS

COMFORT WELLNESS 200 W/m²



TBSG S 200/0.6 WE
Picture summary

- THERMO BODEN with protection rating IPX8, particularly suitable for wet areas, walk-in showers, seating areas and loungers
- Special size 80 x 80 cm for particularly easy processing with flush-to-floor shower base elements
- Heating output of 200 W/m² for extremely fast temperate heating
- Loop centres of the heating conductor only 45 mm, providing optimal heat distribution when laying under mosaic
- Support webbing with sewn-on heating conductor
- Low installed height of approx. 3 mm
- Double-sided connection
- Length of power cables (cold leads) approx. 4 m each

Modell	TBSG S 200/0.6 WE ¹⁾	TBSG S 200/0.8 WE	TBSG S 200/1.1 WE
EAN	40 41056 02423 3	40 41056 03170 5	40 41056 03253 5
E-Nummer	223 446	234 701	234 915
Area m ²	0.6	0.8	1.1
Length x Width m	0.80 x 0.80	0.2 x 4.0	0.2 x 5.5

¹⁾ THERMO BODEN Comfort WELLNESS for walk-in showers 80 x 80 cm



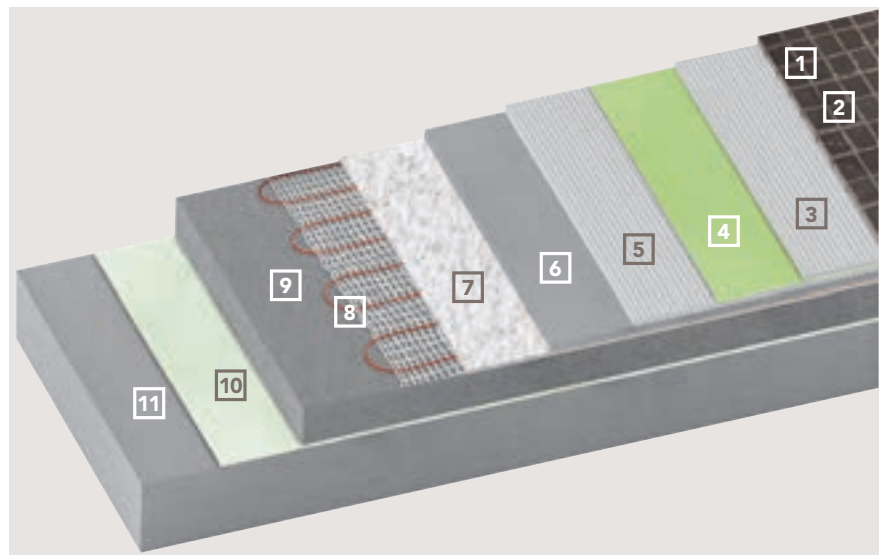
HEATING CONDUCTOR SPACING 45 MM



A PERFECT COMBINATION

AEG THERMO BODEN Comfort TURBO and UZIN Turbolight®-System for tiles

1. codex Brillant Cristal cement grout
2. ceramic tiles
3. codex Power RX 6 Turbo thin-bed adhesive
4. codex Hydrostop sealing strip
5. codex Power RX 6 Turbo thin-bed adhesive
6. codex NC 395 slope levelling compound
7. UZIN RR 201 renovation fleece
8. AEG THERMO BODEN Comfort WELLNESS electric heating mat
9. UZIN SC 914 Turbo light smoothing mortar
10. codex tile dispersion primer
11. concrete floor



Area of use

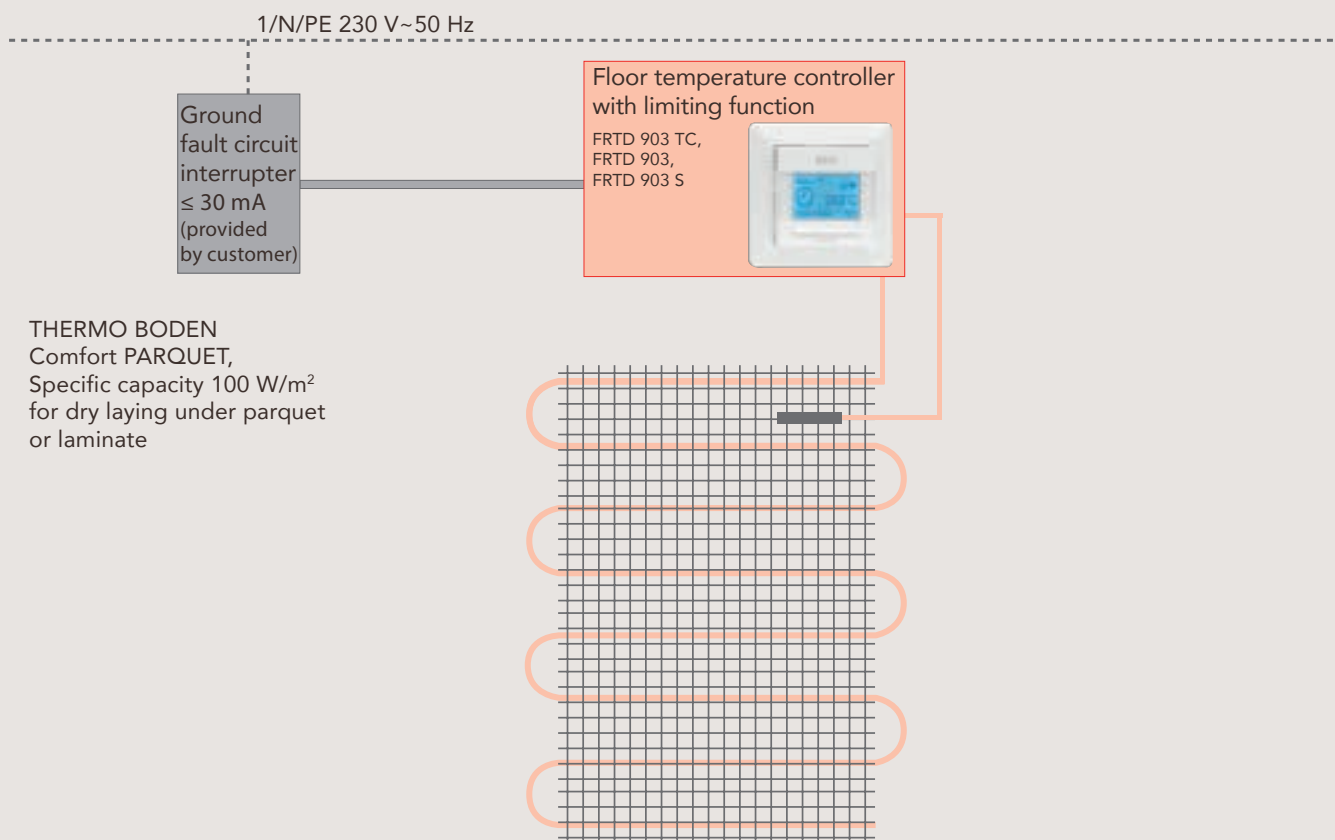
- THERMO BODEN Comfort PARQUET especially for dry laying under parquet and laminate flooring
- The THERMO BODEN Comfort PARQUET system's low installation height makes it easy to fit anywhere

Components

- Supplied as complete set
- Floor temperature controller (special accessories) available, e.g. FRTD 903 (S), TC
- Small heating conductor spacing for even heating of surface
- High-quality heating element with FEP insulation
- Convenient temperature control with floor thermostats
- Extensive range of heating mats

Installation

- The insulating boards are first placed on the base. These are followed by the heating mats. Compensating mats are used in the peripheral zone and unheated areas
- The surface is placed (floating) on the THERMO BODEN Comfort PARQUET as usual
- The temperature sensor for measuring floor temperature and the temperature limiter sensor are positioned between two heating conductors
- The AEG Haustechnik technical support team will be happy to help with planning and installation



COMFORT PARQUET 100 W/m² (SET)



TBA TC 50 Set 100/3 PL

- THERMO BODEN set, for controlling the temperature of parquet and laminate flooring
- Complete set (without controller) including THERMO BODEN 2 mm heating mat, 5 mm insulation board, 2 mm equalising mat and 30 °C temperature limiter
- Floor temperature controller available (special accessories), e.g. FRTD 903
- Optimal heat distribution thanks to aluminium coating and low loop centres of the heating conductor, low length load (W/m)
- Close-mesh backing fabric with heating conductor woven in
- Single-sided connection, length of power cables (cold leads) approx. 4 m
- Heating output of 100 W/m²
- Effective width 50 cm

Model	TBA TC 50 Set 100/2 PL	TBA TC 50 Set 100/3 PL	TBA TC 50 Set 100/4 PL	TBA TC 50 Set 100/5 PL	TBA TC 50 Set 100/6 PL	TBA TC 50 Set 100/7 PL	TBA TC 50 Set 100/8 PL
EAN	40 41056 02360 1	40 41056 02361 8	40 41056 02362 5	40 41056 02363 2	40 41056 02364 9	40 41056 02365 6	40 41056 02366 3
E-Number	223 260	223 261	223 262	223 263	223 264	223 265	223 266
Area of heating mat m ²	2.0	3.0	4.0	5.0	6.0	7.0	8.0
Dimensions L x W m	4.0 x 0.5	6.0 x 0.5	8.0 x 0.5	10.0 x 0.5	12.0 x 0.5	14.0 x 0.5	16.0 x 0.5
Area of insulation board m ²	3.0	4.5	6.0	7.5	9.0	10.5	12.0
Area of equalising mat m ²	5.0	5.0	5.0	10.0	10.0	10.0	10.0
Begrenzer 30 °C	1	1	1	1	1	1	1

THERMO BODEN Comfort PARQUET · scope of supply for sets

Model	TBA Platte	TBA Netz
EAN	40 41056 02367 0	40 41056 02368 7
E-Number	223 267	223 268
Description	6 x Insulation board 0.5 x 0.5 m = 1.5 m ²	Equalising mat 0.5 x 10 m = 5 m ²

Accessories for THERMO BODEN Comfort PARQUET

PARQUET

10 Years
THE ORIGINAL
Warranty

100
W/m²

HEATING CONDUCTOR SPACING 50 MM

IPX7

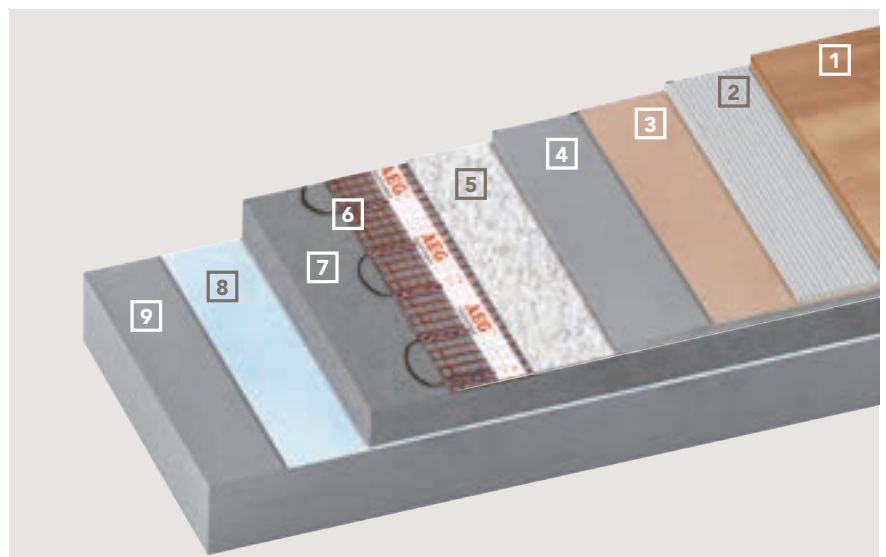
DVE

ONLY ONE CONNECTION CABLE

A PERFECT COMBINATION

AEG THERMO BODEN Comfort TURBO and UZIN Turbolight®-System for Parquet*

1. solid wood and laminate parquet flooring
2. UZIN MK 250 wood flooring adhesive
3. UZIN PE 414 Turbo one-component rapid primer
4. UZIN NC 195 bonded levelling compound
5. UZIN RR 201 renovation fleece
6. AEG THERMO BODEN Comfort TURBO electric heating mat
7. UZIN SC 914 Turbo light smoothing mortar
8. UZIN PE 360 PLUS universal primer
9. concrete floor



ELECTRONIC ALL-IN-ONE COMFORT ROOM AND FLOOR TEMPERATURE CONTROLLER WITH LIMIT SENSORS, FLUSH-MOUNTED

- All-in-one: can be used as floor temperature controller and room temperature controller with limit sensor
- For controlling heating of peripheral zones with limit sensor and weekly programmer
- Compatible with virtually all switch programs (55 mm x 55 mm)
- Self-adjusting, adaptive control, automatic calculation of preheating time
- Large, easy-to-read, illuminated display 26 mm x 38 mm with graphics
- Timer operation, party operation and manual operation are all easy to select
- 28 program spaces for various, individual time programs
- Simple, logical menu-guided operation
- Rapid heating up at the touch of a button
- ECO function available at the touch of a button
- Factory setting for all functions with simple reset function
- Energy consumption check for 2, 30, 365 days
- Compatible with other floor temperature sensors (characteristics can be adjusted)
- With NTC ground sensor Ø 5 mm, 3 m long
- For flush-mounted assembly in 55-type flush-mounted socket
- Installation depth of just 20 mm
- Power reserve of up to 10 years
- L/N/~230V +/- 10%, 50/60 Hz
- Suitable for virtually all design variants of switch programs
- Switching current/capacity 16 A / 3600 W
- Color: white RAL 9010 or silver
- Protection rating: IP 21
- 5-year guarantee
- **FRTD 903:** Designer cover in two versions (square/round) included in scope of supply, **FRTD 903 S:** Designer cover square included in scope of supply



FRTD 903



FRTD 903 S

FRTD 903 TC WITH TOUCH-COLORSCREEN

- **FRTD 903 TC:** User friendly touchscreen with 2.2" colour display
- Automatic shutdown in case of rapid temperature drop for 30 minutes (when a window has been left open for example)
- Changeover from 4 to 6 program times per day (comfort-ECO mode)
- QR code generator for incorrect readings in the case of a fault
- Cover size 63 mm x 63 mm
- External frame dimensions 84 mm x 84 mm
- 5 year warranty



FRTD 903 TC

Model	FRTD 903 TC	FRTD 903	FRTD 903 S
EAN	40 41056 03039 5	40 41056 02605 3	40 41056 02823 1
E-Number	233 919	229 702	231 682
Description	Comfort controller: white, touchscreen with colour display	Comfort controller, white	Comfort controller, silver
Installation	flush-mounted	flush-mounted	flush-mounted
Switching current/cap. A/W	16/3600	16/3600	16/3600

THERMO BODEN FLOOR TEMPERATURE CONTROLLER, FLUSH-MOUNTED

- Electronic floor temperature controller with mains switch and telltale
- Night-time reduction of 5K, possible using separate timer
- With NTC ground sensor Ø 8 mm, connection cable 3 m
- Ground sensor can be extended up to 50 m (NYM-3 x 1.5 mm²)
- For flush-mounted assembly in 55-type flush-mounted socket
- Suitable for the following switch programs: Busch Jaeger Reflex SI polished alpine white, Merten Atelier 3971 19 polar white and Merten M1 3971 18 RAL 9010 polished
- 5-year guarantee



FTE 900 SN

Model	FTE 900 SN
EAN	40 14890 75312 6
E-Number	184 879
Description	2-point-controller
Installation	flush-mounted
Switching current/cap. A/W	14/3200

THERMO BODEN OUTPUT CONTROLLER



FTE 902 SN

- Electronic output controller without sensor
- With 2-pin mains switch
- Triac control connected load, min. 200 W and max. 1000 W
- Caution: Only use this controller if a floor sensor cannot be installed or if the defective sensor of a floor temperature controller can no longer be replaced. Note performance range.
- For flush-mounted assembly in 55-type flush-mounted socket
- Suitable for the following switch programs: Busch Jaeger Reflex SI polished alpine white, Merten Atelier 3971 19 polar white and Merten M1 3971 18 RAL 9010 polished
- 5-year guarantee

Model	FTE 902 SN
EAN	40 14890 75314 0
E-Number	184 881
Description	Output controller
Installation	flush-mounted
Switching capacity	A/W 200 up to 1000

THERMO BODEN FLOOR TEMPERATURE CONTROLLER WITH LIMIT SENSOR



FTEU 911



FTE 910

- Floor temperature controller with sensor and limitation function
- **FTEU 911:** with weekly program timer for setback operation, setback of 20K and clear LC-Display
- Optimum operational reliability using 1-pin shutdown
- With sensor failure and short circuit recognition
- Power reserve of 12 hours
- NTC ground sensor Ø 6 mm, 4 m long
- Flush-mounted assembly in 55-type flush-mounted socket
- Housing colour: white RAL 9010, mechanics make it suitable for the following switch ranges: Busch Jaeger pulse series, Jung LS 990 series, stainless steel series, Kopp Rio series, Pallas series
- **AR 21:** installation frame for FTE 910, FTEU 911 for fitting in hollow socket, colour: pure white

Model	FTEU 911	FTE 910	AR 21
EAN	40 41056 00412 9	40 41056 00411 2	40 41056 00448 8
E-Number	184 905	184 904	184 996
Description	Floor temperature with temperature limiter and program timer	Floor temperature with temperature limiter	Installation frame for cavity socket
Installation	flush-mounted	flush-mounted	-
Switching current/cap.	A/W 10/2300	10/2300	-



FTEU 601

THERMO BODEN FLOOR TEMPERATURE CONTROLLER WITH 24-HRS TIMER

- Electronic floor temperature controller with 24-hour timer and switch for daytime/automatic/night-time/frost protection/off
- With control LED
- With NTC ground sensor Ø 8 mm, connection cable 4 m
- Blind plug provided for sensor tube
- For surface-mounted assembly in 55-type flush-mounted socket

Model	FTEU 601
EAN	40 14890 75317 1
E-Number	184 884
Description	with 24 hrs-clock
Installation	surface-mounted
Switching current/cap.	A/W 10/2300

THERMO BODEN FLOOR TEMPERATURE CONTROLLER

FTE 600 SN:

- Electronic floor temperature controller with 2-pin ON/OFF switch and control LED (FTE 600 SN 1-pin)
- Modern, functional design
- NTC ground sensor Ø 8 mm, connection cable 4 m
- Blind plug provided for sensor tube
- Switching current/capacity: 16 A / 3600 W

FTE 5050 SN:

- Temperature can be reduced using timer
- Suitable with virtually all switch programs (50 mm x 50 mm)



FTE 600 SN



FTE 5050 SN

Model	FTE 600 SN	FTE 5050 SN
EAN	40 41056 02401 1	40 41056 02406 6
E-Number	223 301	223 306
Description	2-point-controller	2-point-controller
Installation	surface-mounted	flush-mounted

THERMO BODEN CONTROLLER FOR DISTRIBUTOR INSTALLATION

- All-in-one: May be used as underfloor temperature controller and room temperature controller with limit sensor
- Suitable for floor tempering
- Large, easy to read, backlit display
- Easy, logical operation
- Frost protection function
- Night setback via external switching available, e.g. time switch

- Optimum operational safety due to 2-pole shutdown
- Variable adjustment of switching hysteresis, lower and upper temperature limits
- With NTC floor sensor Ø 5 mm, 3 m long
- Scale: Degree Celsius or numerical
- For top hat rail assembly, width: 3 modular spacings
- Switching capacity: 16 A
- Ambient temperature: -20 °C/ +55 °C



FTE 400

Model	FTE 400
EAN	40 41056 02816 3
E-Number	231 533
Description	Temperature controller with digital display for installation in a distribution system

SENSOR TUBE WITH SENSOR SLEEVE FOR THERMO BODEN



FR TB

- Sensor tube with metal sensor sleeve for laying floor temperature sensors
- **FR TB 10:** only suitable for FRTD 903 (S), FRTD 903 TC and FTE 400
- Supplied with two 90° elbows (bend protection)
- 2 m long

Model	FR TB	FR TB 10
EAN	40 41056 03171 2	40 41056 03220 7
E-Number	234 702	234 799
Description	Sensor tube, A Ø 15 mm, with metal sleeve and two 90° elbows, suitable for all floor temperature sensors up to Ø approx. 9 mm	Sensor tube, A Ø 12 mm, with metal sleeve and two 90° elbows, only suitable for FRTD 903 and FTE 400, sensor diameter approx. 5 mm



N 100

PLASTIC NAIL

- Plastic nail for securing heating mat

Model	N 100
EAN	40 41056 03172 9
E-Number	234 703
Description	Plastic nail in connection with Turbo Light System Fa. Uzin · Packaging unit of 100 items

PTC RESISTOR EXTENSION AND CONNECTION KIT

- PTC resistor extension and connection kit for correctly extending the underfloor heating systems mat connection cables

Model	KLV Twin 1,5	VS Twin
EAN	40 41056 03173 6	40 41056 03174 3
E-Number	234 704	234 705
Description	PTC resistor extension for SDH Twin, 1,5 mm ² , 10 m	Connection kit for PTC resistor extension SDH Twin

FLOOR TEMPERATURE LIMITER



TF 19 BF-UP

- To limit the floor temperature in the peripheral zone
- Capillary tube with sensor bulb
- For flush-mounted assembly in flush-mounted box 105 x 105 mm

Model	TF 19 BF-UP
EAN	40 41056 02115 7
E-Number	220 994
Description	Floor temperature limiter
Switching current/cap. A/W	10/2300

Area of use

- HMA electric underfloor heating for all cold floor areas in old and new builds
- Ideal for bathrooms, conservatories, kitchens, eating areas, furniture suites in living rooms, nurseries, in the commercial area behind serving counters, reception areas etc.
- The HMA has a low installation height which makes it easy to retrofit during renovation work

Components

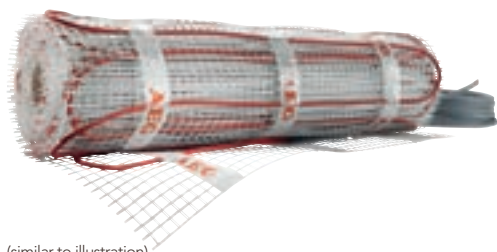
- High-quality heating conductor with FEP insulation
- Heats up quickly as fitted close to the surface
- Convenient to operate using floor temperature controllers
- Clearly structured, extensive range of heating mats

Installation

- The heating mats are fitted in the tread area, directly above the screed, just below the surface
- With tiled floors, the HMA is embedded in the tile adhesive. With other types of surface, a mechanical layer of protection must be provided (e.g. levelling compound)
- Flexible tile adhesives and levelling compounds should be used to lay the HMA
- There must a sufficient layer of thermal insulation under the screed
- Temperature sensors for measuring the floor temperature are fitted directly between two heating conductors
- When fitting on wood bases (chipboards), note the recommendations of the adhesive manufacturers (e.g. Ardex, Deitermann, Ceresit, PCI)
- The AEG Haustechnik technical support team will be happy to help with planning and installation



UNDERFLOOR HEATING SYSTEM HMA TE 50



(similar to illustration)

- Heating mat with heating output of 150 W/m²
- Very convenient; it responds faster than a classic underfloor heating system
- Provides an even distribution of heat
- High-quality, long-life FEP heating conductor
- Low installation height
- Self-adhesive support webbing for clean installation
- Protection rating: IPX7 for laying the heating mat in damp areas
- VDE approved quality
- 10 years warranty

Model	HMA TE 50 150/1	HMA TE 50 150/1.5	HMA TE 50 150/2	HMA TE 50 150/2.5	HMA TE 50 150/3	HMA TE 50 150/4	HMA TE 50 150/5	HMA TE 50 150/6	HMA TE 50 150/7	HMA TE 50 150/8	
EAN	40 41056 02745 6	40 41056 02746 3	40 41056 02747 0	40 41056 02818 7	40 41056 02748 7	40 41056 02749 4	40 41056 02750 0	40 41056 02751 7	40 41056 02752 4	40 41056 02753 1	
E-Number	231 067	231 068	231 069	231 578	231 070	231 071	231 072	231 073	231 074	231 075	
Technical Data											
Power supply	V	1/N/PE~ 230	1/N/PE~ 230	1/N/PE~ 230	1/N/PE~ 230	1/N/PE~ 230	1/N/PE~ 230	1/N/PE~ 230	1/N/PE~ 230	1/N/PE~ 230	
Connected load	W	150	225	300	375	450	600	750	900	1050	1200
Electric resistance (+10/-5%)	Ω	351	236	164	147	105	87	67	55	48	40
Length	mm	2000	3000	4000	5000	6000	8000	10000	12000	14000	16000
Width	mm	500	500	500	500	500	500	500	500	500	500
Area	m ²	1	1.5	2	2.5	3	4	5	6	7	8
Protection class		I	I	I	I	I	I	I	I	I	I
Nominal limit temperature heating element	°C	80	80	80	80	80	80	80	80	80	80



UNDERFLOOR HEATING SYSTEM HMA TE 50 SET



HMA TE 50 Set 150/1
(similar to illustration)

- Heating mat with heating output of 150 W/m²
 - Very convenient; it responds faster than a classic underfloor heating system
 - Provides an even distribution of heat
 - High-quality, long-life FEP heating conductor
 - Low installation height
 - Self-adhesive support webbing for clean installation
 - Protection rating: IPX7 for laying the heating mat in damp areas
 - 10 years warranty
- Set with:**
- 2 ductworks for temperature sensor and connection cable
 - Anti-kink protection bend
 - 1 flush mount box
 - Floor temperature controller

Model	HMA TE 50 Set 150/1	HMA TE 50 Set 150/1.5	HMA TE 50 Set 150/2	HMA TE 50 Set 150/3	HMA TE 50 Set 150/4	HMA TE 50 Set 150/5	HMA TE 50 Set 150/6	HMA TE 50 Set 150/7	HMA TE 50 Set 150/8	
EAN	40 41056 02754 8	40 41056 02755 5	4041056 02756 2	40 41056 02757 9	40 41056 02758 6	40 41056 02759 3	40 41056 02760 9	40 41056 02761 6	40 41056 02762 3	
E-Number	231 076	231 077	231 078	231 079	231 080	231 081	231 082	231 083	231 084	
Technical Data										
Power supply	V	1/N/PE~ 230	1/N/PE~ 230	1/N/PE~ 230	1/N/PE~ 230	1/N/PE~ 230	1/N/PE~ 230	1/N/PE~ 230	1/N/PE~ 230	
Connected load	W	150	225	300	450	600	750	900	1050	1200
Electric resistance (+10/-5%)	Ω	351	236	164	105	87	67	55	48	40
Length	mm	2000	3000	4000	6000	8000	10000	12000	14000	16000
Width	mm	500	500	500	500	500	500	500	500	500
Area	m ²	1	1.5	2	3	4	5	6	7	8
Protection class		I	I	I	I	I	I	I	I	I
Nominal limit temperature heating element	°C	80	80	80	80	80	80	80	80	80

Area of use

- Electric underfloor heating systems for cost-effective and convenient heating of complete rooms for modern low-energy buildings
- Depending on where the heating conductor is positioned in the screed, the electric underfloor heating systems can be operated as partial storage, storage or direct heating depending on the rate structure of the energy supplier

Components

- High-quality heating conductor with FEP insulation
- Heating system integrated out of sight in the floor, heater room not needed, the system's control unit fits in a fuse box
- Convenient operation using room-based thermostats
- Extensive range of heating mats

Installation

- The heating mats are fixed in place with plastic nails and embedded in the screed itself
- Particularly easy to install in floating screed
- Temperature sensors for measuring the floor temperature are fitted directly between two heating conductors
- The AEG Haustechnik technical support team will be happy to help with planning and installation

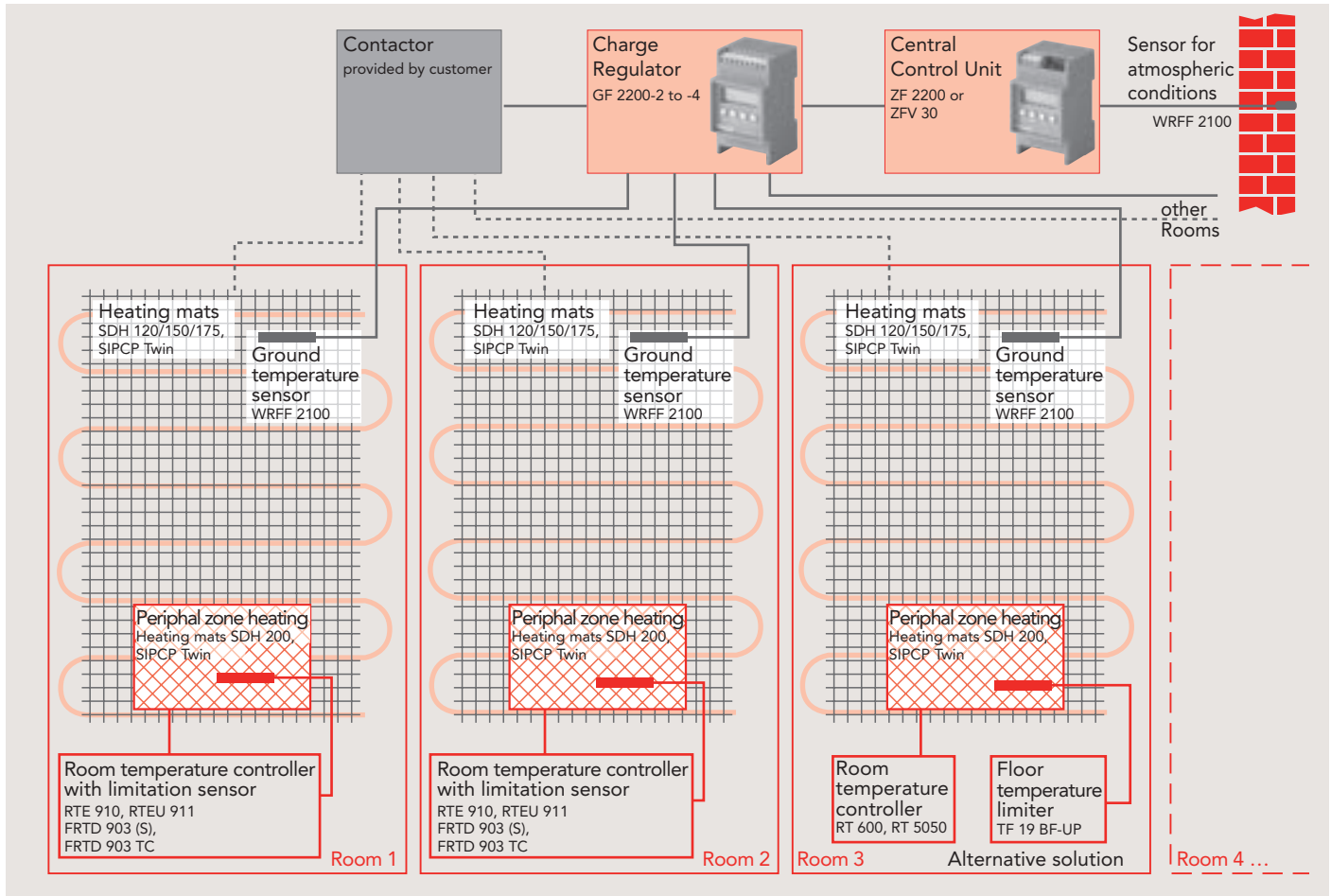


Block diagram for underfloor storage heating with central charge regulators (p. 144)

- A floor temperature sensor is installed in each room
- Central control unit and charge regulator control charging depending on the outside temperature, the floor's residual heat and the energy supplier's on period
- The heating mats are controlled using contactors
- If necessary, peripheral zone heating must be planned for certain areas, mainly around the outside wall where the floor gives off heat faster. Room temperature controllers with integrated or separate limit sensors are responsible for control
- The output of the heating mats is defined during system planning

Block diagram of partial underfloor storage and direct heating with decentralised charge regulators (p. 144)

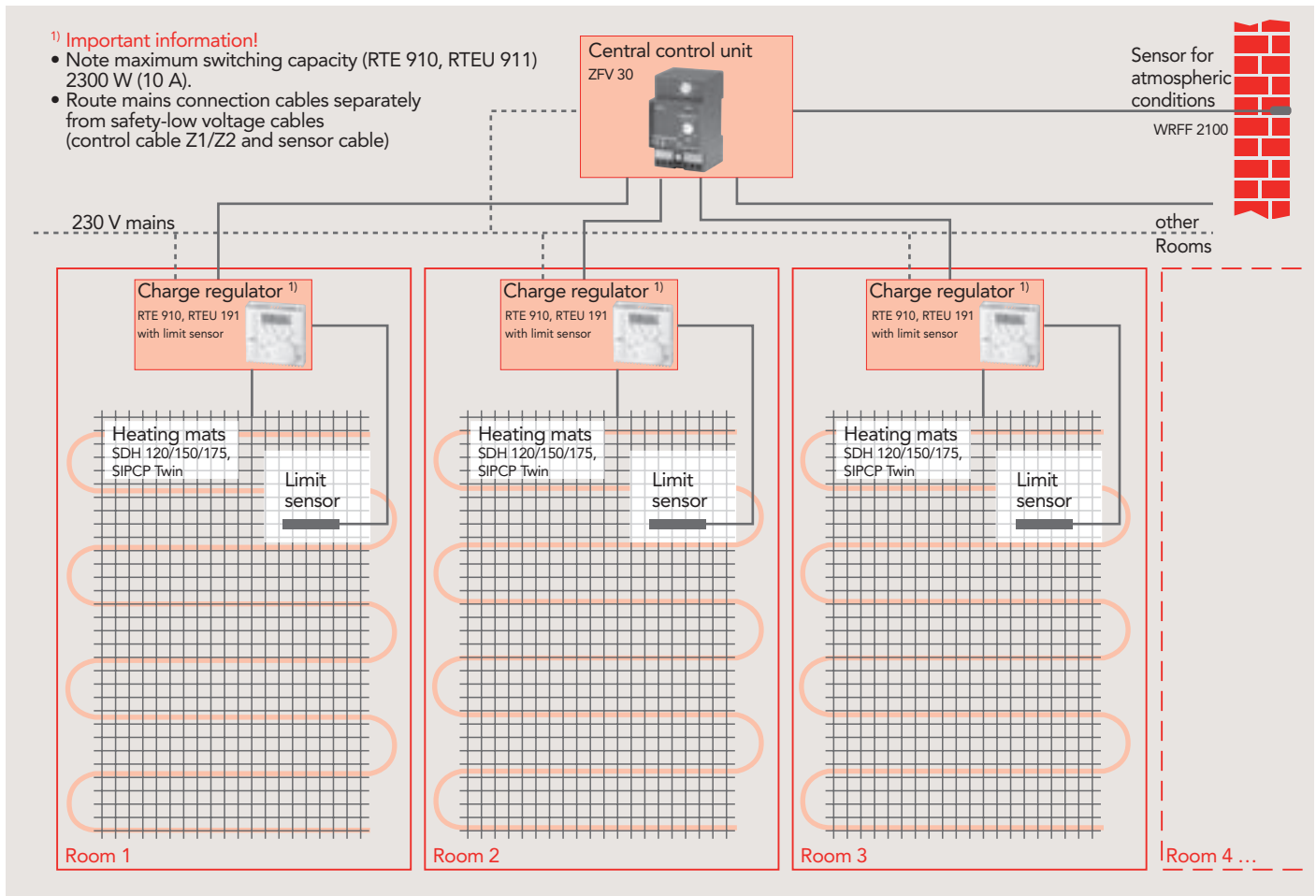
- A charge regulator with limit sensor is installed in each room
- The central control unit and the charge regulators control charging depending on the outside temperature, the floor's residual heat and the energy supplier's on period
- The heating mats are controlled directly by the charge regulators (note max. switching capacity)
- The longer on periods mean that peripheral zone heating is not needed here



Block diagram for underfloor storage heating with central charge regulators

1) Important information!

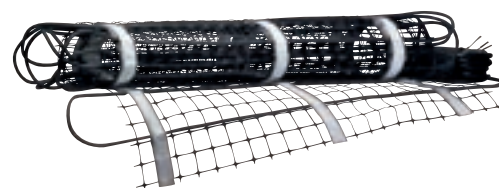
- Note maximum switching capacity (RTE 910, RTEU 911) 2300 W (10 A).
- Route mains connection cables separately from safety-low voltage cables (control cable Z1/Z2 and sensor cable)



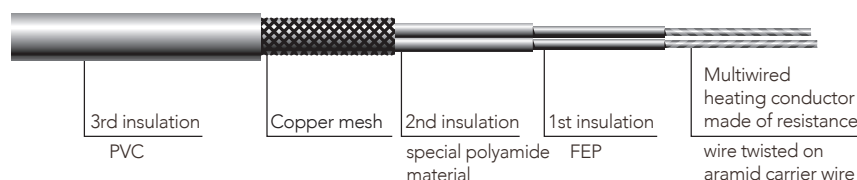
Block diagram of partial underfloor storage and direct heating with decentralised charge regulators

HEATING MATS SDH TWIN WITH SINGLE-SIDED CONNECTION, SHIELDING AND PVC OUTER CLADDING

- Heating mat SDH Twin, for use in dry, damp and wet rooms
- Simple planning and laying using single-sided connection, connection cable (PTC resistor) 4 metres
- Effective width 90 cm
- Heating conductor fitted in serpentine pattern on plastic mesh
- With particularly heat-stabilising PVC protective cladding
- Specific capacity of max. 25 W/m
- Power supply 1/N/PE~230 V 50 Hz
- Loop spacing approx. 90 mm
- Installation height approx. 8 mm



SDH 120/1.5 Twin



Model	SDH 120/1.5 Twin	SDH 120/2.4 Twin	SDH 120/3.5 Twin	SDH 120/4.7 Twin	SDH 120/5.7 Twin	SDH 120/6.7 Twin	SDH 120/8.5 Twin	SDH 120/10.5 Twin	SDH 120/12.5 Twin
EAN	40 41056 01629 0	40 41056 01630 6	40 41056 01631 3	40 41056 01632 0	40 41056 01633 7	40 41056 01634 4	40 41056 01635 1	40 41056 01675 7	40 41056 01676 4
E-Number	189 708	189 709	189 710	189 711	189 712	189 713	189 714	189 742	189 743
Area m ²	1.5	2.4	3.5	4.7	5.7	6.7	8.5	10.5	12.5
Length m	1.7	2.7	3.9	5.2	6.3	7.4	9.4	11.7	13.9

Specific capacity 120 W/m²

Model	SDH 150/1.5 Twin	SDH 150/2.4 Twin	SDH 150/3.5 Twin	SDH 150/4.7 Twin	SDH 150/5.7 Twin	SDH 150/6.7 Twin	SDH 150/8.5 Twin	SDH 150/10.5 Twin	SDH 150/12.5 Twin
EAN	40 41056 01223 0	40 41056 01224 7	40 41056 01225 4	40 41056 01226 1	40 41056 01227 8	40 41056 01228 5	40 41056 01229 2	40 41056 01677 1	40 41056 01678 8
E-Number	187 576	187 577	187 578	187 579	187 580	187 581	187 582	189 744	189 745
Area m ²	1.5	2.4	3.5	4.7	5.7	6.7	8.5	10.5	12.5
Length m	1.7	2.7	3.9	5.2	6.3	7.4	9.4	11.7	13.9

Specific capacity 150 W/m²

Model	SDH 175/1.5 Twin	SDH 175/2.4 Twin	SDH 175/3.5 Twin	SDH 175/4.7 Twin	SDH 175/5.7 Twin	SDH 175/6.7 Twin	SDH 175/8.5 Twin	SDH 175/11.3 Twin	SDH 175/15.6 Twin
EAN	40 41056 03157 6	40 41056 03158 3	40 41056 03159 0	40 41056 03160 6	40 41056 03161 3	40 41056 03162 0	40 41056 03163 7	40 41056 03164 4	40 41056 03165 1
E-Number	234 539	234 540	234 541	234 542	234 543	234 544	234 545	234 546	234 547
Area m ²	1.5	2.4	3.5	4.7	5.7	6.7	8.5	11.3	15.6
Length m	1.7	2.7	3.9	5.2	6.3	7.4	9.4	12.5	17.3

Specific capacity 175 W/m²

Model	SDH 200/1.5 Twin	SDH 200/2.4 Twin	SDH 200/3.5 Twin	SDH 200/4.7 Twin	SDH 200/5.7 Twin	SDH 200/8.5 Twin
EAN	40 41056 01237 7	40 41056 01238 4	40 41056 01239 1	40 41056 01240 7	40 41056 01241 4	40 41056 01908 6
E-Number	187 590	187 591	187 592	187 593	187 594	220 398
Area m ²	1.5	2.4	3.5	4.7	5.7	8.5
Length m	1.7	2.7	3.9	5.2	6.3	9.4

Specific capacity 200 W/m²



PLASTIC NAIL

- Plastic nail for securing heating mat
- Packaging unit of 100 items

Model	N 100
EAN	40 41056 03172 9
E-Number	234 703
Description	Plastic nail

PTC RESISTOR EXTENSION AND CONNECTION KIT



KLV Twin 1,5



VS Twin

- PTC resistor extension and connection kit for systems mat connection cables correctly extending the underfloor heating

Model	KLV Twin 1.5	VS Twin
EAN	40 41056 03173 6	40 41056 03174 3
E-Number	234 704	234 705
Description	PTC resistor extension for SDH Twin, 1.5 mm ² , 10 m	Connection kit for PTC resistor extension SDH Twin

SENSOR FOR ATMOSPHERIC CONDITIONS AND RESIDUAL HEAT



WRFF 2100



FH DN 20

- Sensor for atmospheric conditions and residual heat for the connection to central control units ZF 2200, ZFV 30, charge regulators GF 2200-2 to GF 2200-4, FTE 910 and FTEU 911
- Supply line 6 m, Ø 10 mm
- **FH DN 20:** Metal sensor sleeve, ensures optimum conduction of heat to temperature sensor, suitable for DN 20 installation pipe

Model	WRFF 2100	FH DN 20
EAN	40 41056 00407 5	40 41056 01903 1
E-Number	184 902	220 379
Description	Temperature sensor	Sensor sleeve

FLOOR TEMPERATURE LIMITER



TF 19 BF-UP

- To limit the floor temperature in the peripheral zone
- Capillary tube with sensor bulb
- For flush-mounted assembly in flush-mounted box 105 x 105 mm
- For anhydrite floor up to 50 °C
- Capillary tube length 2.4 m
- Voltage ~230 V 50 Hz
- Temperature range 15 °C – 55 °C

Model	TF 19 BF-UP
EAN	40 41056 02115 7
E-Number	220 994
Description	Floor temperature limiter
Switching current/cap. A/W	10/2300

CENTRAL CHARGE CONTROL (UNIVERSAL)

- Central charge control for underfloor heating systems, dependent on atmospheric conditions
- The WRFF 2100 sensor for atmospheric conditions is needed for operation
- Load characteristics for spread/forward/reverse supervision
- Control voltage -4.35...-2.85 V
- Automatic screed heating programme
- Clear LCD with two operating loops for all key user information
- For top hat rail assembly, width: 3 modular spacings



ZF 2200

Model	ZF 2200
EAN	40 41056 01175 2
E-Number	187 620
Description	Central control unit

CENTRAL CHARGE CONTROL (FORWARD SUPERVISION)

- Central charge control for underfloor heating systems, dependent on atmospheric conditions
- The WRFF 2100 sensor for atmospheric conditions is needed for operation
- Forward supervision
- Control voltage -3.6...-2.85 V
- For top hat rail assembly, width: 3 modular spacings



ZFV 30

Model	ZFV 30
EAN	40 41056 00410 5
E-Number	184 903
Description	Central control unit without timing element (forward supervision)

CENTRAL CHARGE REGULATOR

- Central charge regulator for charging storage underfloor heating systems dependent on atmospheric conditions and residual heat in combination with ZF 2200 or ZFV 30 central control unit
- Heating curve setting for adjustment to various systems
- Heating curve can be set to between 30 °C and 90 °C
- Parallel shifting of heating curve by around ± 1K for day- and night-time operation
- Own consumption 2.5 VA
- For top hat rail assembly, width: 3 modular spacings
- Outgoing contact 3 A resistive load at ~230 V 50 Hz
- GF 2200-4: For 4 heating circuits, connection 4 NTC residual heat sensor WRFF 2100
- GF 2200-3: For 3 heating circuits, connection 3 NTC residual heat sensor WRFF 2100
- GF 2200-2: For 2 heating circuits, connection 2 NTC residual heat sensor WRFF 2100
- One WRFF 2100 sensor for atmospheric conditions is needed per heating circuit for operation



GF 2200-4

Model	GF 2200-4	GF 2200-3	GF 2200-2
EAN	40 41056 01178 3	40 41056 01177 6	40 41056 01176 9
E-Number	187 623	187 622	187 621
Description	Charge regulator for 4 heating circuits	Charge regulator for 3 heating circuits	Charge regulator for 2 heating circuits

DECENTRALISED CHARGE REGULATOR



RTEU 911



RTE 910

- Decentralised charging for partial underfloor storage and direct heating systems controlled by atmospheric conditions and room temperature
- **RTEU 911:** With weekly program timer for setback operation, setback of 3K
- Z1/Z2 connection terminals for connecting the ZFV 30 central control unit
- If Z1/Z2 are not interconnected, can also be used as room temperature controller with limit sensor for peripheral zone heating
- Optimum operational reliability using 2-pin shutdown
- Supplied with floor temperature limit sensor (Ø 6 mm, supply line 4 m)
- With sensor failure and short circuit recognition
- Power reserve of 12 hours
- Housing colour: white RAL 9010, mechanics make it suitable for the following switch ranges: Busch Jaeger pulse series, Jung LS 990 series, stainless steel series, Kopp Rio series, Pallas series
- For flush-mounted installation in flush-mounted socket Ø 55 mm
- **AR 21:** installation frame for RTE 910, RTEU 911 for fitting in cavity sockets, colour: pure white

Model	RTEU 911	RTE 910	AR 21
EAN	40 41056 00409 9	40 41056 00408 2	40 41056 00448 8
E-Number	184 993	184 992	184 996
Description	Charge regulator with weekly clock	Charge regulator	Installation frame
Switching current/cap. A/W	10/2300	10/2300	-

ELECTRONIC ALL-IN-ONE COMFORT ROOM AND FLOOR TEMPERATURE CONTROLLER WITH LIMIT SENSOR, FLUSH-MOUNTED



FRTD 903



FRTD 903 S

- All-in-one: can be used as floor temperature controller and room temperature controller with limit sensor
- For controlling heating of peripheral zones with limit sensor and weekly programmer
- Compatible with virtually all switch programs (55 mm x 55 mm)
- Self-adjusting, adaptive control, automatic calculation of preheating time
- Large, easy-to-read, illuminated display 26 mm x 38 mm with graphics
- Timer operation, party operation and manual operation are all easy to select
- 28 program spaces for various, individual time programs
- Simple, logical menu-guided operation
- Rapid heating up at the touch of a button
- ECO function available at the touch of a button
- Factory setting for all functions with simple reset function
- Energy consumption check for 2, 30, 365 days
- Compatible with other floor temperature sensors (characteristics can be adjusted)
- With NTC ground sensor Ø 5 mm, 3 m long
- For flush-mounted assembly in 55-type flush-mounted socket
- Installation depth of just 20 mm
- Power reserve of up to 10 years
- L/N/~230V +/- 10%, 50/60 Hz
- Suitable for virtually all design variants of switch programs
- Switching current/capacity 16 A / 3600 W
- Color: white RAL 9010 / silver
- Protection rating: IP 21
- 5-year guarantee
- **FRTD 903:** Designer cover in two versions (square/round) included in scope of supply, **FRTD 903 S:** Designer cover square included in scope of supply

FRTD 903 TC – NEW – WITH TOUCH-COLORSCREEN



FRTD 903 TC

- **FRTD 903 TC:** User friendly touchscreen with 2.2" colour display
- Automatic shutdown in case of rapid temperature drop for 30 minutes (when a window has been left open for example)
- Changeover from 4 to 6 program times per day (comfort-ECO mode)
- QR code generator for incorrect readings in the case of a fault
- Cover size 63 mm x 63 mm
- External frame dimensions 84 mm x 84 mm
- 5 year warranty

Model	FRTD 903 TC	FRTD 903	FRTD 903 S
EAN	40 41056 03039 5	40 41056 02605 3	40 41056 02823 1
E-Number	233 919	229 702	231 682
Description	Comfort controller: white, touchscreen with colour display	Comfort controller, white	Comfort controller, silver
Installation	flush-mounted	flush-mounted	flush-mounted
Switching current/cap. A/W	16/3600	16/3600	16/3600

ELECTRONIC ROOM TEMPERATURE CONTROLLER WITH LIMIT SENSOR, FLUSH-MOUNTED

- Room temperature controller with limit sensor for peripheral zone heating
- **RTEU 911:** With weekly program timer for setback operation, setback of 3K
- Usuable also as charge regulator. Z1/Z2 connection terminals for connecting the ZFV 30 central control unit
- Optimum operational reliability using 2-pin shutdown
- Supplied with floor temperature limit sensor (Ø 6 mm, supply line 4 m)
- With sensor failure and short circuit recognition
- Power reserve of 12 hours
- Housing colour: white RAL 9010, mechanics make it suitable for the following switch ranges: Busch Jaeger pulse series, Jung LS 990 series, stainless steel series, Kopp Rio series, Pallas series
- For flush-mounted installation in flush-mounted socket Ø 55 mm
- **AR 21:** installation frame for RTE 910, RTEU 911 for fitting in cavity sockets, colour: pure white



RTEU 911



RTE 910

Model	RTEU 911	RTE 910	AR 21
EAN	40 41056 00409 9	40 41056 00408 2	40 41056 00448 8
E-Number	184 993	184 992	184 996
Description	Room temperature controller with weekly clock	Room temperature controller	Installation frame
Switching current/cap. A/W	10/2300	10/2300	-

2-POINT ROOM TEMPERATURE CONTROLLER

- High control accuracy thanks to thermal feedback
- Temperature can be set between around 5 °C and 30 °C
- Modern, functional design, colour: pure white
- Temperature can be reduced using separate timer
- With adjustable restriction of range



RT 600



RT 5050

Model	RT 600	RT 5050
EAN	40 41056 02397 7	40 41056 02402 8
E-Number	223 297	223 302
Description	Room temperature controller	Room temperature controller
Installation	surface-mounted	flush-mounted
Switching current/cap. A/W	10/3600	10/2300

FROST PROTECTION- SYSTEMS OF AEG: SAFE ALL WINTER LONG

No matter what kind of surface you have, AEG products are always the first choice for keeping them frost-free. Our heating mats FFH 300 Twin for free surfaces are suitable for laying in screed, concrete, sand beds and with additional insulation for mastic asphalt (FFH 300 G) and stone chips too. The heating mats FFH 300 TH and heating cables DIC are approved to be laid in screed, concrete and sand beds and are designed for a power supply of 230 V. For more information about laying and connections, please phone +49 5531 702-0 or refer to the installation instructions for heating systems for free surfaces.

The benefits of the clever

AEG frost protection systems at a glance

- Zero-maintenance protection against frost damage to pipes, gutters, façades and free spaces
- Maximum safety on outdoor steps, paths and entrance ways
- No unsightly salt stains on valuable natural stone coverings
- No scratches to floor coverings caused by removing ice mechanically
- No harm to the environment (dogs, garden plants) from road salt
- None of the costs associated with time-consuming spreading and tidying up work

TIP FOR SAVING ENERGY



Self-limiting heating bands are not only great for keeping areas frost-free. The energy-hungry circulation pipe used in new builds to preheat the hot water pipe can also be replaced by pipe trace heating.

Using a timer, it provides the hot water pipe with just the amount of energy needed to reach the preheat temperature. Once the pipe is warm, power is automatically reduced by the self-limiting effect.



HEATING SYSTEMS FOR OUTDOOR	152
HEATING CABLES	155
ICE AND SNOW DETECTORS	158
PIPE TRACE HEATING SYSTEMS AND GUTTER HEATING SYSTEMS	160

**Area of use**

- The automatic electronic snow and ice melting system for keeping roads, drives, footpaths, ramps and steps free of snow and ice
- For private and commercial use

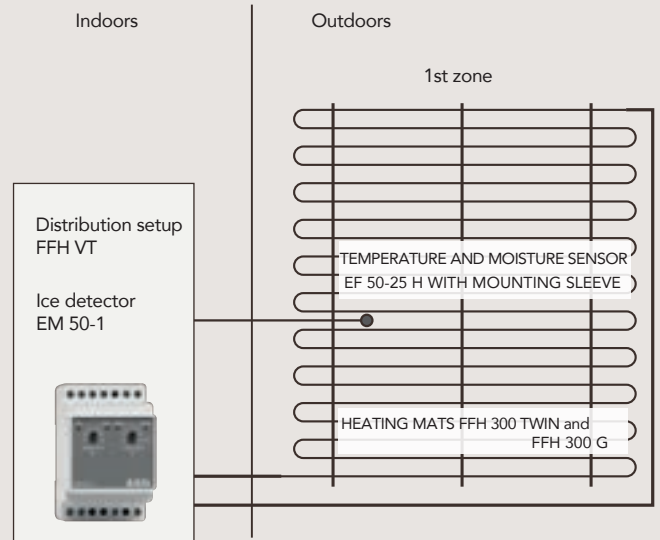
Components

- High-quality heating conductor with FEP insulation for laying in concrete, sand beds, screed or mastic asphalt
- Fully automatic, energy-saving operation using intelligent control systems which measure temperature and moisture

Installation

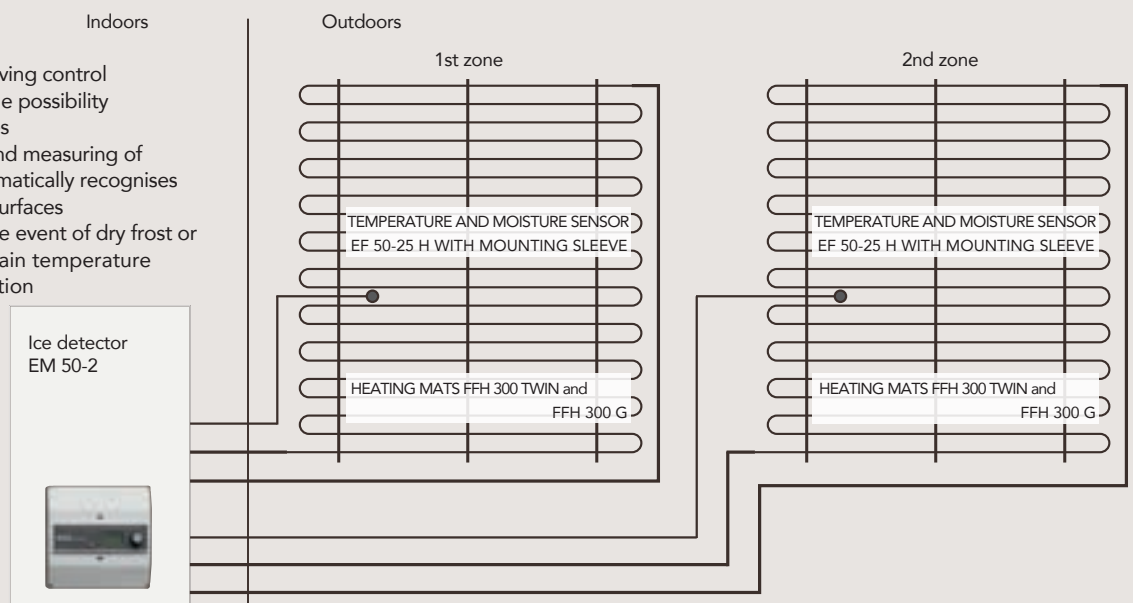
- Larger areas are fitted with FFH 300 heating mats. Smaller areas with lots of nooks and crannies or steps are fitted with the DIC heating conductor. Plastic bars help the heating cable maintain its shape
- The heating mats/cables are fitted directly under the surface to be heated
- The moisture and temperature sensors are fitted in sturdy stainless steel sleeves in the surface and are interchangeable
- Controllers that switch the heating mats are installed in an existing sub-distribution system or in a separate distribution panel

- Low-cost control of small setups for one zone
- Temperature- and moisture-dependent regulation for one zone
- The system is switched on automatically if there is a risk of snow or icy weather conditions



Snow and ice melting system – small setups, one zone

- Reliable and energy-saving control of larger setups with the possibility to control up to 2 zones
- Temperature control and measuring of moisture. System automatically recognises snowfall and freezing surfaces
- Doesn't switch on in the event of dry frost or moisture above a certain temperature
- Fully automatic operation



Snow and ice melting system – large setups, two zones

HEATING MATS FOR OUTDOOR FFH 300 W/m² TWIN – NEW –



FFH 300/3.0 Twin

- Heating mats for outdoor for laying in concrete, sand beds, screed or mastic asphalt
- High level of safety as heating conductor is clad with aluminium foil
- FFH 300 twin heating conductors: just one connection cable per heating mat to allow for particularly simple planning and routing
- High-quality heating cable structure
- Effective width 90 cm
- Power supply 2/PE~400 V 50 Hz
- Length of power cable (cold lead) approx. 12 m
- Low heating conductor load, 30 W/m
- Heating cable thickness approx. 9 mm

Model	FFH 300/3.0 Twin	FFH 300/4.5 Twin	FFH 300/6.0 Twin	FFH 300/9.0Twin	FFH 300/12.0 Twin	FFH 300/14.0 Twin
EAN	40 41056 03151 4	40 41056 03152 1	40 41056 03153 8	40 41056 03154 5	40 41056 03155 2	40 41056 03156 9
E-Number	234 533	234 534	234 535	234 536	234 537	234 538
Area m ²	3.0	4.5	6.0	9.0	12.0	14.0
Length m	3.3	5.0	6.6	10.0	13.3	15.5

Specific output 300 W/m², effective width: 90 cm, connection on 1 side · loop spacing: 100 mm

PROJECTION AID

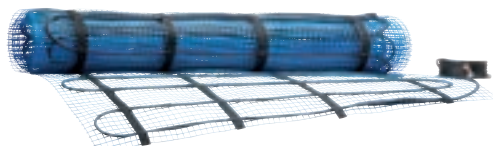
Calculation information

for FFH 300 W/m² Twin/G free area heating mats in the building development sector:

Model	FFH 300 Twin
E-Number	187 067
Specific output 300 W/m ² , effective width: 90 cm, connection on 1 side · loop spacing: 100 mm	

Model	FFH 300 G
E-Number	235 341
Specific output 300 W/m ² , effective width: 90 cm, connection on 2 sides · Loop spacing: approx. 80 mm	

HEATING MATS FOR OUTDOOR FFH 300 W/m² G FOR MASTIC ASPHALT – NEW –



FFH 300/3.0 G

- Heating mats for outdoor for laying in concrete, sand beds, screed or mastic asphalt
- High level of safety as heating conductor is clad in copper mesh
- High-quality heating cable structure
- Effective width 90 cm
- Power supply 2/PE~400 V 50 Hz
- Length of power cable (cold lead) 2 x approx. 12 m
- Low heating conductor load, 25 W/m
- Heating conductor construction with reference to VDE DIN 0253
- Heating cable thickness approx. 6 mm

Model	FFH 300/3.0 G	FFH 300/4.5 G	FFH 300/6.0 G	FFH 300/9.0 G	FFH 300/12.0 G	FFH 300/14.0 G
EAN	40 41056 03247 4	40 41056 03248 1	40 41056 03249 8	40 41056 03250 4	40 41056 03251 1	40 41056 03252 8
E-Number	234 876	234 877	234 878	234 879	234 880	234 881
Area m ²	3.0	4.5	6.0	9.0	12.0	14.0
Length m	3.3	5.0	6.6	10.0	13.3	15.5

Specific output 300 W/m², effective width 90 cm, connection on 2 sides · loop spacing: approx. 80 mm

HEATING CABLE FOR OUTDOOR FFH 30 W/m² TWIN – NEW –

- Heating cable for outdoor for laying in concrete, sand beds or screed
- High level of safety as heating conductor is clad with aluminium foil
- Just one connection cable per heating cable to allow for particularly simple planning and routing
- High-quality heating cable structure
- Power supply 2/PE~400 V 50 Hz
- Length of power cable (cold lead) approx. 12 m
- Low heating conductor load, 30 W/m
- Heating cable thickness approx. 7 mm



FFH 30/L70

Model	FFH 30/L40	FFH 30/L70	FFH 30/L110	FFH 30/L140
EAN	40 41056 03267 2	40 41056 03268 9	40 41056 03269 6	40 41056 03270 2
E-Number	235 262	235 263	235 264	235 265
Length m	40	70	110	140

Specific output 30 W/m, connection on 1 side · recommended spacing approx. 100 mm

PTC RESISTOR EXTENSION AND CONNECTION KIT – NEW –

KLV Twin 2.5

- Shielded cold lead extensions. With connecting kit to properly extend the power cables of outdoor heating mats for laying in concrete, sand beds or screed
- 3 x 2.5 mm²; length 10 m
- Power supply: 2/PE~400 V 50 Hz

KLV G 2.5

- Shielded cold lead extensions.
- For FFH 300 G snow and ice melting system for laying in asphalt/mastic asphalt
- 3 x 2.5 mm²; length 10 m
- Power supply: 2/PE~400 V 50 Hz

KLV Twin
similar to illustrationVS Twin
similar to illustration

VS Twin

- Connection kit for KLV Twin and KLV G

Model	KLV Twin 2.5	KLV G 2.5	VS Twin
EAN	40 41056 03185 9	40 41056 03263 4	40 41056 03174 3
E-Number	234 716	235 170	234 705
Description	Shielded cold lead extensions for SDH, DIC, FFH 300 Twin, 2.5 mm ² , length 10 m	Shielded cold lead extensions for FFH G, 2.5 mm ² , length 10 m	Connection kit for shielded cold lead extensions SDH, DIC, FFH Twin, FFH G
Meterware	KLV Twin M (FFH)	KLV G M	
EAN	40 41056 03189 7	40 41056 03264 1	
E-Number	234 720	235 171	

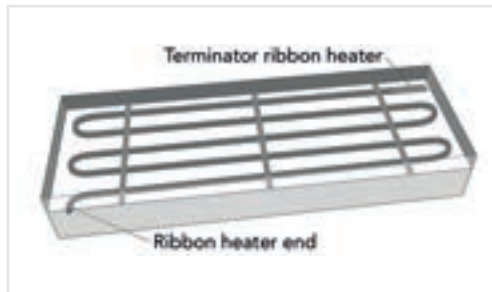
Model	KLV Twin 1.5	KLV G 1.5
EAN	40 41056 03173 6	40 41056 03262 7
E-Number	234 704	235 169
Description	Shielded cold lead extensions for SDH, DIC, 2.5 mm ² , length 10 m	Shielded cold lead extensions for FFH G, 1.5 mm ² , length 10 m



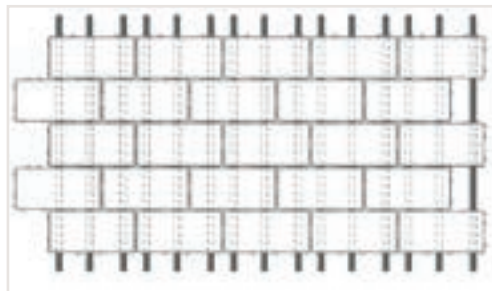
DIC 25/L8

**HEATING CABLE DIC 25,
WITH SINGLE-SIDED CONNECTION – NEW –**

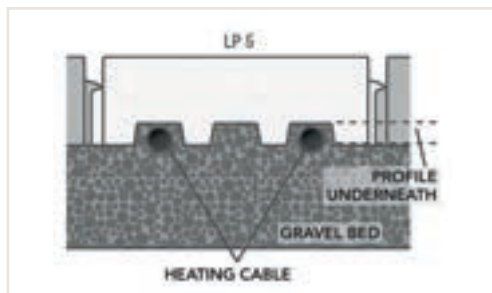
- Outdoor heating cable for laying in concrete, sand beds and screed (not for mastic asphalt)
- Heating cable for steps and angular areas where heating mats are unsuitable. The cable is secured with plastic clips (accessories)
- For gutters and pitched roof heating systems
- High grade cable structure with FEP insulation
- Twin heating conductors: only one power cable, therefore very easy design and installation
- Power supply 1/N/PE~230V 50 Hz
- UV-resistant
- Low heating conductor load, 30 W/m
- Length of power cable (cold lead) approx. 10 m
- Heating conductor construction with reference to VDE DIN 0253
- Heating cable thickness approx. 7 mm



DIC 25 heating cable routed through steps



DIC 25 heating cable below paving stones LP5 (Lithonplus)



Cross-section of heating cable DIC 25 below paving stones LP5 (Lithonplus) heating conductor spacing 8 cm

Model	DIC 25/L4	DIC 25/L8	DIC 25/L12	DIC 25/L16	DIC 25/L20	DIC 25/L24
EAN	40 41056 03266 8	40 41056 03175 0	40 41056 03176 7	40 41056 03177 4	40 41056 03178 1	40 41056 03179 8
E-Number	235 172	234 706	234 707	234 708	234 709	234 710
Length m	4	8	12	16	20	24

Specific output 30 W/m, connection on 1 side

Model	DIC 25/L28	DIC 25/L34	DIC 25/L40	DIC 25/L60	DIC 25/L80	DIC 25/L100
EAN	40 41056 03266 5	40 41056 03180 4	40 41056 03181 1	40 41056 03182 8	40 41056 03183 5	40 41056 03184 2
E-Number	235 173	234 711	234 712	234 713	234 714	234 715
Length m	28	34	40	60	80	100

Specific output 30 W/m, connection on 1 side

SHEET STEEL INSTALLATION TAPE FOR STEP HEATING SYSTEMS

FFH MB 25

- Installation tape for fixing step heating systems

- Zinc-plated
- Spacing between cable retainers: 25 mm
- For fixing rawl plugs



FFH MB 25

Modell	FFH MB 25
EAN	40 41056 03190 3
E-Number	234 721
Description	10 m metre roll

PLASTIC BARS



DHZ ST



DHZ QST

DHZ ST / DHZ QST

- Plastic bars for fixing DIC heating cable
- The heating cable is clipped into the PE bars which allows the heating mats to take on any shape

- DHZ QST for fixing several DHZ ST

Model	DHZ ST	DHZ QST
EAN	40 14890 74826 9	40 41056 02265 9
E-Number	184 971	222 369
Description	Plastic bars, 5 x 1 m	PE cross bars, 5 x 1 m

**ICE DETECTORS,
WITH HIGH-PRECISION MEASUREMENT PROCEDURE**



EM 50-2



EM 50-1



EF 50-25

EM 50-2:

- Ice detectors for safe and energy-saving operation of heating systems for outdoor,
- Up to 2 zones can be controlled individually
- Capture of temperature and moisture level
- Intuitive operation via turn & push selector
- Backlit LCD to indicate and configure an extensive range of system parameters
- Adjustable sensitivity to moisture, upper and lower temperature threshold, minimum heating time
- For top hat rail assembly, width: 9 modular spacings
- Switching capacity: up to 3 x 16 A

EM 50-1:

- Ice indicator for early warning of ice and snow
- Maintenance-free, safe and energy efficient operation
- Capture of temperature and moisture level
- Suitable for snow and ice melting systems
- Adjustable lower temperature limit and reheating time

- LED status indication for heating mode, set temperature undershoot, moisture detection and relay output
- For top hat rail assembly, width: 3 modular spacings
- Switching capacity: 16 A

EF 50-25 H:

- Moisture and temperature sensor for outdoor surfaces with 25 m power cable
- Sensor well, with cable exit to the side, designed for embedding in concrete outdoors
- Power cable may be extended up to 200 m
- Moisture capture by measuring the transition resistance
- Temperature capture via hot conductor (NTC)
- Ground sensor and sensor well made from stainless steel
- Sensor well is part of the standard deliver

Model	EM 50-2	EM 50-1	EF 50-25 H
EAN	40 41056 02810 1	40 41056 02811 8	40 41056 02812 5
E-Number	231 520	231 523	231 529
Description	Ice detector for 2 zones, with LC-Display	Ice detector for 1 zone	Moisture and temperature sensor

**CONTROL DISTRIBUTION SETUPS
FOR HEATING SYSTEMS FOR OUTDOOR**



FFH VT 1

FFH VT

- Completely prewired control distribution setup, with automatic fuses and contactors for activating the heating circuits
- Prepared for installing the EM 50-2 or EM 50-1 ice detector
- Plastic housing with clear cover, Protection rating: IP 65

Control distribution setup for objects

- Control distribution setup up to 100 kW
FFH VT 6 - 10 of 40 - 100 KW available on request
- Special versions by request

Dimensions in mm:

- FFH VT 1 / VT 2 630 x 403 x 129 mm
- FFH VT 3 / VT 4 600 x 600 x 170 mm
- FFH VT 5 600 x 900 x 200 mm

Model	FFH VT 1	FFH VT 2	FFH VT 3	FFH VT 4	FFH VT 5
EAN	40 41056 02391 5	40 41056 02392 2	40 41056 02393 9	40 41056 02394 6	40 41056 02395 3
E-Number	223 291	223 292	223 293	223 294	223 295
Description	Control distribution setup for 1 heating circuit up to 4 kW	Control distribution setup for 2 heating circuits up to 8 kW	Control distribution setup for 4 heating circuits up to 16 kW	Control distribution setup for 6 heating circuits up to 24 kW	Control distribution setup for 8 heating circuits up to 32 kW

OUTSIDE TEMPERATURE CONTROLLERS

ATE 50:

- Weather-compensated control of frost protection applications, such as heating systems for small outdoor surfaces
- LED status display for heating mode
- Rotary selector for set temperature and variable hysteresis
- For top hat rail assembly, width: 2 modular spacings
- Switching capacity: 10 A

ATF 5:

- NTC outside temperature sensor with connection box for ATE 50 and FTE 400
- Easy wall mounting
- Recommended power cable (not part of standard delivery): 3 x 1.5 mm² (NYM-J)
- Protection rating: IP 54

FTE 400:

- Electronic temperature controller for top hat rail mounting
- Suitable for outdoor surface heating
- Large, easy to read backlit display
- Easy, logical operation
- Frost protection function
- Optimum operational safety with 2-pole shutdown
- Variable adjustment of switching hysteresis, lower and upper temperature limits
- With NTC outside temperature sensor Ø 5 mm, 3 m long
- Scale: Degree Celsius or numerical
- For top hat rail assembly, width: 3 modular spacings
- Switching capacity: 16 A
- Ambient temperature: -20 °C / +55 °C



ATE 50



ATF 5



FTE 400

Model	ATE 50	ATF 5	FTE 400
EAN	40 41056 02815 6	40 41056 02814 9	40 41056 02816 3
E-Number	231 532	231 531	231 533
Description	Outside temperature controller without digital display	Outside temperature controller for wall-mounting	Outside temperature controller with digital display

OUTSIDE TEMPERATURE CONTROLLERS WITH ALARM OUTPUT

ATE 30 T / ATF 3-4

- Outside-temperature-dependent control of snow and ice melting system, low-cost basic solution for small setups in the private sector
- The system must be switched on/off manually when the corresponding conditions apply
- Transistor alarm output
- Sensor failure / short circuit detection
- For top hat rail assembly, width: 3 modular spacings
- Operating voltage 1/N ~ 230 V 50 Hz

- **ATF 3-4:** NTC sensor Ø 10 mm, feed cable 4 m (not included in scope of supply)
- With 3 selectable setting ranges and digital display (-25 °C up to 99 °C)
- With alarm output



ATE 30 T

Model	ATE 30 T	ATF 3-4
EAN	40 41056 00422 8	40 41056 00439 6
E-Number	184 913	184 916
Description	Outside temperature controller with alarm output	NTC outside sensor, feed cable 4 m



Area of use

- The electronic pipe trace heating system protects pipes laid outdoors or in areas at risk of frost from freezing
- Special SLH ribbon with fluoropolymer insulation for installation on a bitumen roof.
- Gutter heating systems keep the gutters and downpipes free of ice, thereby preventing structural damage and the formation of dangerous icicles which may form when dew and rainwater accumulates

Components

- Two heating cables are available: self-limiting heating band, energy-saving operation with automatic temperature limitation or heating cable with fixed heating capacity, low-cost alternative with high-quality FEP heating conductor insulation
- Fully automatic, energy-saving operation of gutter heating system using intelligent control systems which measure temperature and moisture
- Pipe trace heating control with precise temperature controllers, with or without digital display

Installation

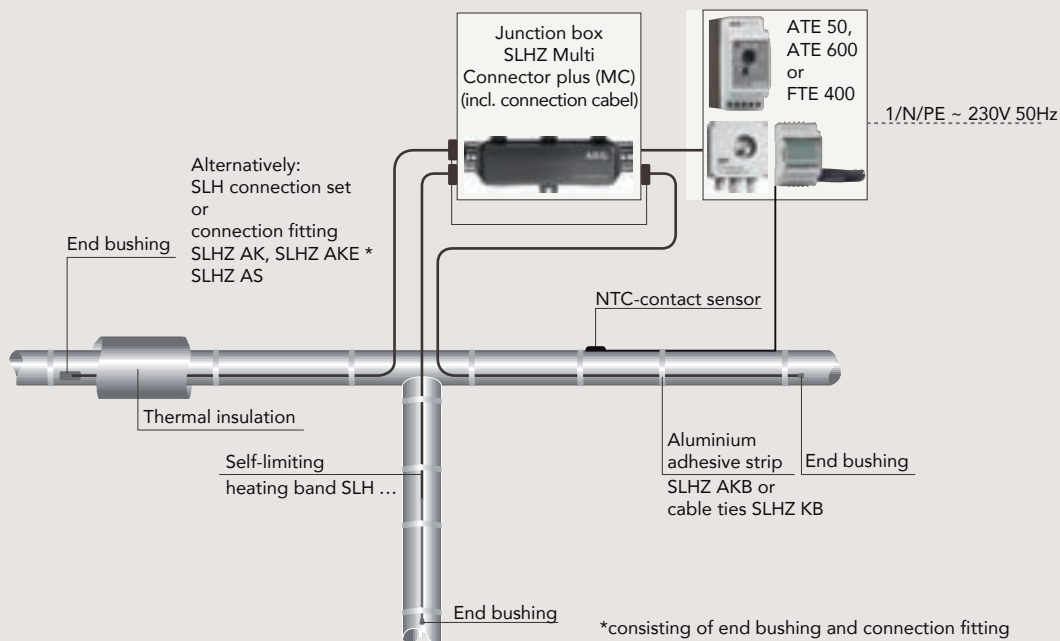
- For the pipe trace heating system, the heating cables are fitted directly on the pipe to be heated under the thermal insulation
- The heating for the gutters and pitched roof is laid in the inside, along the gutter. One heating loop is also fitted in the downpipe and protrudes around 1 m into the earth
- A wide range of installation accessories are available for installing the AEG pipe trace and gutter heating systems
- If necessary, the AEG Haustechnik technical supply team will assist with planning and installation

Basic circuitry for trace pipe heating system

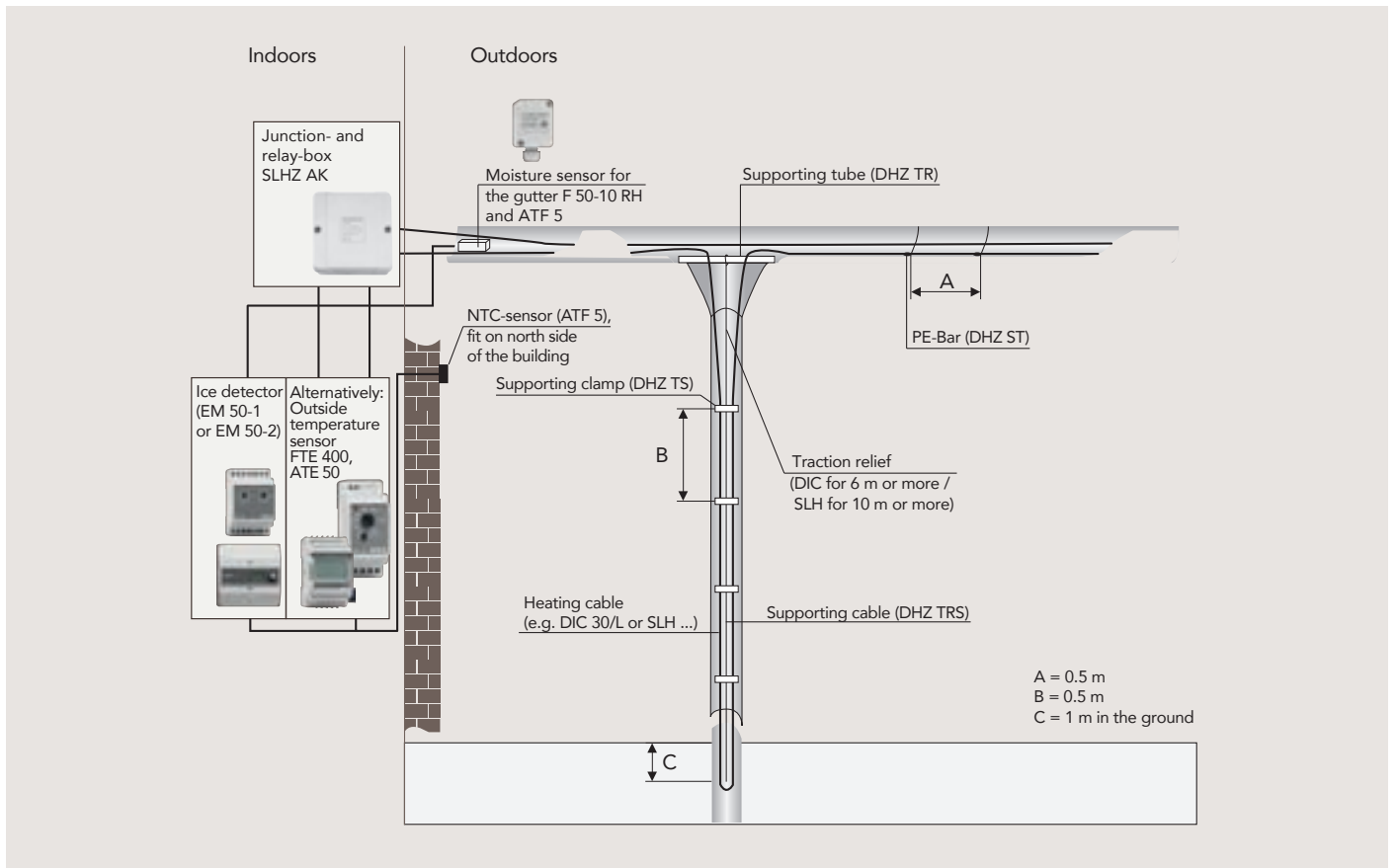
- Installation of heating cable under thermal insulation
- A temperature controller which specifies the limit temperature value must also be provided for self-limiting heating bands

Basic circuitry for gutter and pitched roof heating

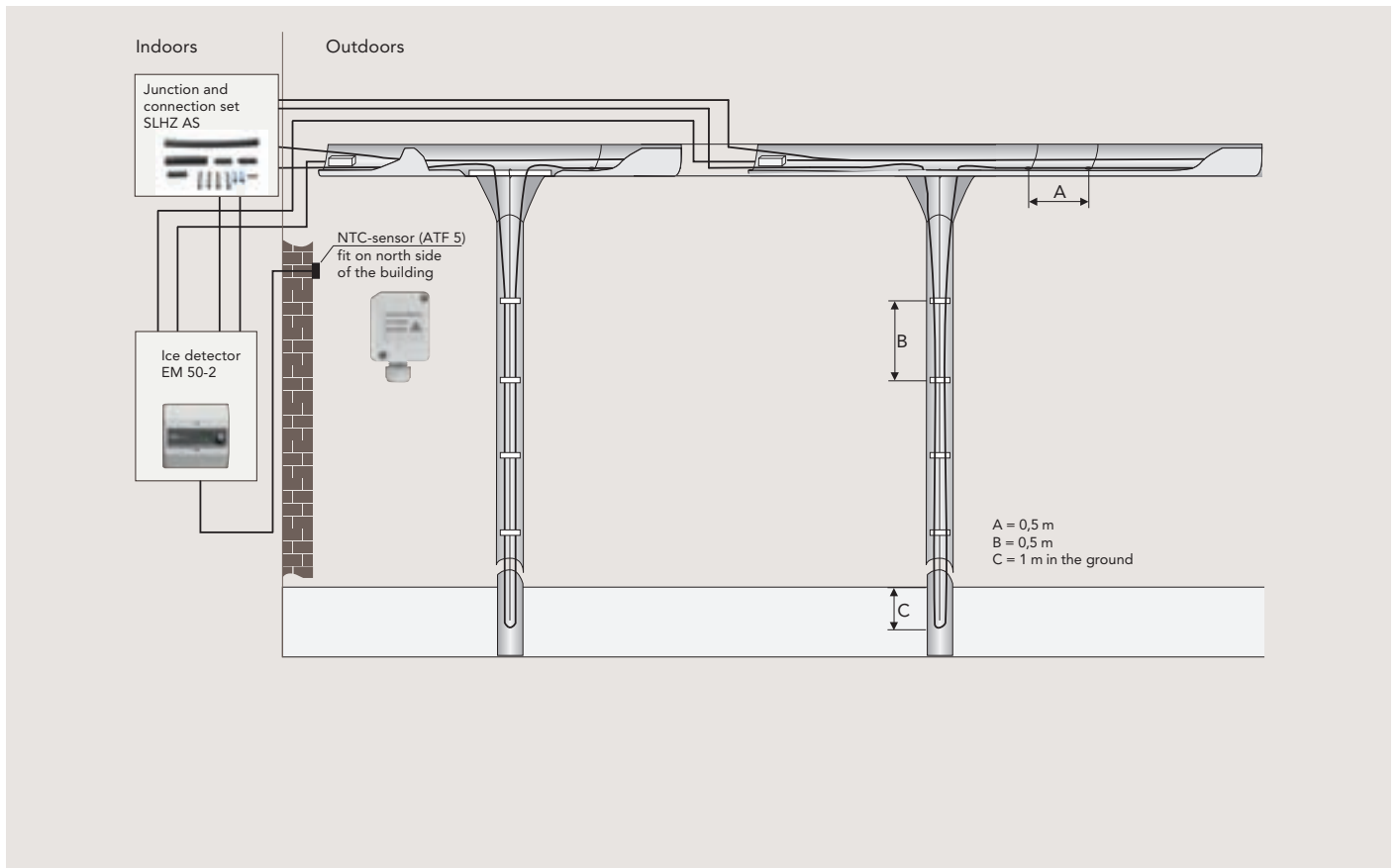
- Use plastic bars to fix heating cable in gutter
- Traction relief should be provided in the downpipe (DIC > 6 m and SLH > 25 m)
- Position moisture and temperature sensor in gutter
- If necessary, a leaf trap should be fitted to prevent foliage from accumulating



Block diagram for pipe trace heating systems



Block diagram for gutter heating system, one zone



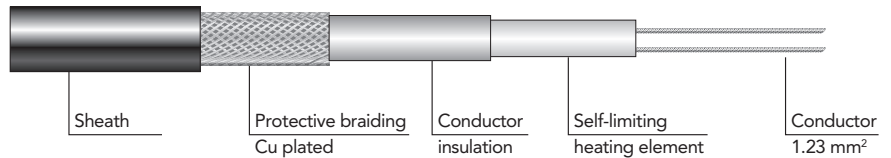
Block diagram for gutter heating system, two zones

SELF-LIMITING HEATING BAND FOR PIPE TRACE HEATING AND GUTTER HEATING

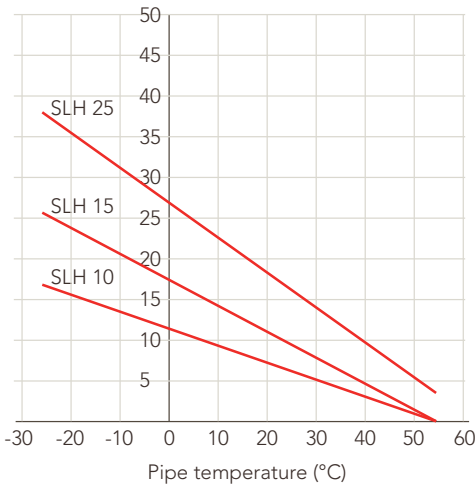


SLH 10/L300

- Heating band – an energy-saving way of keeping piping and gutters frost-free
- Self-limiting heating band with 2 parallel copper conductors, separated from one another by a special plastic semiconductor element.
- Supplied without end bushing and connection cable
- The connection kit SLHZ Multi Connector and the connection cable SLHZ KL are needed for installation
- Power supply 1/N/PE~230V 50Hz
- UV-resistant and halogen-free
- High quality and "Made in Germany"
- VDE approved



Heating capacity (W/m)



SLH capacity
(on insulated metal pipes to EN 62395-1)

Start temperature °C	Fuse/MCB rated value	Heating circuit length (m) for		
		SLH 10	SLH 15	SLH25
10	10	152.0	103.0	64.0
	16	196.0	160.5	103.0
	20	196.0	160.5	126.0
	25	196.0	160.5	126.0
0	10	141.0	84.0	44.0
	16	188.5	134.0	70.0
	20	188.5	145.0	87.5
	25	188.5	145.0	104.0
-10	10	119.0	71.0	38.0
	16	173.5	114.0	61.0
	20	173.5	133.0	76.0
	25	173.5	133.0	95.0
-20	10	103.0	62.0	33.0
	16	161.0	99.0	53.0
	20	161.0	124.0	66.0
	25	161.0	124.0	83.0

Model	SLH 10/L30	SLH 10/L100	SLH 10/L300	SLH 10/L500
EAN	40 41056 02887 3	40 41056 02888 0	40 41056 02889 7	40 41056 02890 3
E-Number	232 541	232 542	232 543	232 544
Length	m 30	100	300	500

Self-limiting heating band, specific longitudinal loading 10 W/m

Model	SLH 15/L30	SLH 15/L100	SLH 15/L300	SLH 15/L500
EAN	40 41056 02891 0	40 41056 02892 7	40 41056 02893 4	40 41056 02894 1
E-Number	232 545	232 546	232 547	232 548
Length	m 30	100	300	500

Self-limiting heating band, specific longitudinal loading 15 W/m

Model	SLH 25/L30	SLH 25/L100	SLH 25/L300	SLH 25/L500
EAN	40 41056 02895 8	40 41056 02896 5	40 41056 02897 2	40 41056 02898 9
E-Number	232 549	232 550	232 551	232 552
Length	m 30	100	300	500

Self-limiting heating band, specific longitudinal loading 25 W/m

SELF-LIMITING HEATING BAND, INDIVIDUAL LENGTHS

- Heating band – an energy-saving way of keeping piping and gutters frost-free
- Self-limiting heating band with 2 parallel copper conductors, separated from one another by a special plastic semiconductor element.
- Supplied without end bushing and connection cable
- The connection kit SLHZ Multi Connector (Plus) or SLHZ AS and the connection cable SLHZ KL are needed for installation
- Power supply 1/N/PE~230V 50Hz
- UV-resistant
- High quality and "Made in Germany"
- VDE approbated
- For SLH 10/15/25: individual lengths of 15 m or more can be supplied, price per metre



SLH 25



Model	SLH 10	SLH 15	SLH 25
EAN	40 41056 02899 6	40 41056 02900 9	40 41056 02901 6
E-Number	232 553	232 554	232 555
Output W/m	10	15	25

Self-limiting heating band, individual lengths assembled on request

SELF-LIMITING HEATING BAND, FOR BITUMEN ROOFS, INDIVIDUAL LENGTHS

- Ribbon heater for energy efficient frost protection for bitumen roofs.
- Self-limiting heating band with 2 parallel copper conductors, separated from one another by a special plastic semiconductor element.
- Supplied without end bushing and connection cable
- The connection kit SLHZ Multi Connector (Plus) or SLHZ AS and the connection cable SLHZ KL are needed for installation
- Power supply 1/N/PE~230V 50Hz
- UV-resistant
- High quality and "Made in Germany"
- VDE approbated
- Resistant to oil, petrol and chemical attack
- Fluoropolymer sheath
- Suitable for installation on bitumen roofs
- External insulation FP



SLH 25 FP



Model SLH	SLH 25 FP
EAN	40 41056 02902 3
E-Number	232 556
Output W/m	25

Self-limiting heating band, individual lengths assembled on request

CONNECTION CABLE (PTC RESISTOR) FOR SELF-LIMITING HEATING BAND

- SLHZ KL**
- PTC resistor for correct connection of the self-limiting ribbon heater
 - Length of the feed cable (PTC resistor) 10 metres
 - Specific lengths by request
 - Cable type: H 07 RN-F; power cable with oil-resistant rubber sheathing
 - UV-resistant
 - Cable cross-section: 3 x 1.5 mm²
 - VDE approbated
 - Suitable: -30 °C / +60 °C



SLHZ KL

Model	SLHZ KL
EAN	40 41056 02913 9
E-Number	232 567
Description	High quality PTC resistor for SLH, length 10 m

IP 67



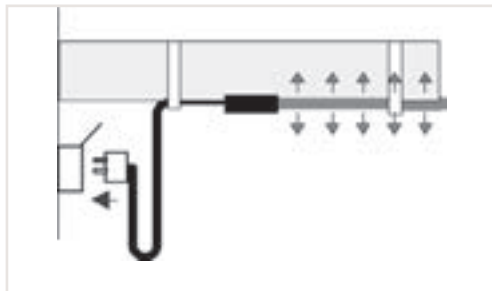
SLH 25/L5 ST

PLUG-IN ASSEMBLED PIPE TRACE HEATING SYSTEM WITH THERMOSTAT – AN ENERGY-SAVING WAY OF KEEPING PIPING FROST-FREE

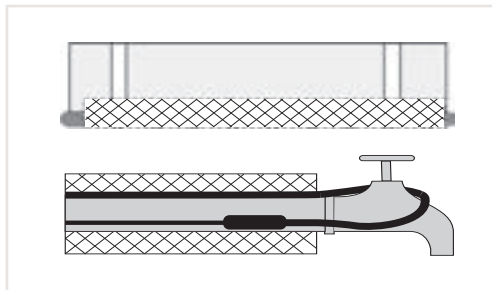
- Plug-in assembled, self-limiting heating band with shaped plug. Length of connection cable approx. 2.5 m
- Specific rating 25 W/m at 10 °C
- With integrated thermostat
- UV-resistant
- Can be individually cut to length, the end of the cable can be professionally resealed with the enclosed end cap
- Protection rating: IP 67
- Heating cable VDE approved
- ON: around 3 °C
- OFF: around 12 °C
- High Quality "Made in Germany"
- AC voltage 230 V 50 Hz

Model	SLH 25/L5 ST	SLH 25/L10 ST	SLH 25/L15 ST	SLH 25/L20 ST	SLH 25/L25 ST	SLH 25/L30 ST
EAN	40 41056 02905 4	40 41056 02906 1	40 41056 02907 8	40 41056 02908 5	40 41056 02909 2	40 41056 02910 8
E-Number	232 559	232 560	232 561	232 562	232 563	232 564
Length	m 5	10	15	20	25	30
Self-limiting heating band, plug-in assembled						

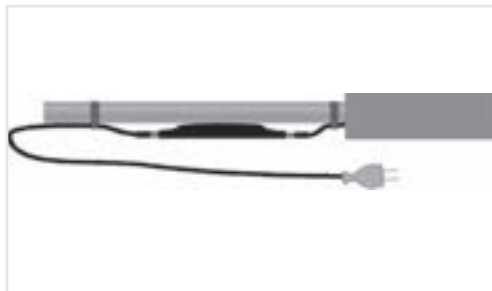
INSTALLATION EXAMPLES FOR PLUG-IN ASSEMBLED PIPE TRACE HEATING AND GUTTER HEATING SYSTEMS



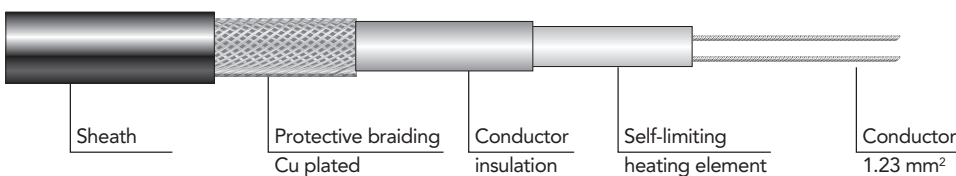
With the mains cable, create a "drip loop" prior to connection to the mains socket



Installation example of pipe trace heating



Optimal position of heating cable at the pipe



SLH (structure of heating conductor)

ICE DETECTORS, WITH HIGH-PRECISION MEASUREMENT PROCEDURE

EM 50-2:

- Ice detectors for safe and energy-saving operation of gutter heating systems
- Up to 2 zones can be controlled individually
- Capture of temperature and moisture level
- Intuitive operation via turn & push selector
- Backlit LCD to indicate and configure an extensive range of system parameters
- Adjustable sensitivity to moisture, upper and lower temperature threshold, minimum heating time
- For top hat rail assembly, width: 9 modular spacings
- Switching capacity: up to 3 x 16 A

EM 50-1:

- Ice indicator for early warning of ice and snow
- Maintenance-free, safe and energy efficient operation
- Capture of temperature and moisture level
- Suitable for snow and ice melting systems
- Adjustable lower temperature limit and reheating time
- LED status indication for heating mode, set temperature undershoot, moisture detection and relay output
- For top hat rail assembly, width: 3 modular spacings
- Switching capacity: 16 A



EM 50-1



EM 50-2

F 50-10 RH:

- Moisture sensor for gutters, with 10 m lead
- Moisture capture via transition resistance
- Lead may be extended to 200 m
- Brass casing
- Operation with ATF 5 outside temperature sensor



F 50-10 RH

ATF 5:

- NTC outside temperature sensor with connection box
- Easy wall mounting
- Recommended power cable (not part of standard delivery): 3 x 1.5 mm² (NYM-J)
- Protection rating: IP 54



ATF 5

Model	EM 50-2	EM 50-1	F 50-10 RH	ATF 5
EAN	40 41056 02810 1	40 41056 02811 8	40 41056 02813 2	40 41056 02814 9
E-Number	231 520	231 523	231 530	231 531
Description	Ice detector with LC-Display	Ice detector	Moisture sensor for gutter	Outside temperature controller for wall-mounting

OUTSIDE TEMPERATURE CONTROLLERS



ATE 50



AF 5-2.5



FTE 400



ATF 5

ATE 50:

- Weather-compensated control of frost protection applications, such as pipe trace and gutter heating systems
- LED status display for heating mode
- Rotary selector for set temperature and variable hysteresis
- For top hat rail assembly, width: 2 modular spacings
- Switching capacity: 10 A

ATF 5:

- NTC outside temperature sensor with connection box
- Easy wall mounting
- Recommended power cable (not part of standard delivery): 3 x 1.5 mm² (NYM-J)
- Protection rating: IP 54

FTE 400:

- Electronic temperature controller for top hat rail mounting
- Suitable for pipe trace and gutter heating systems
- Large, easy to read backlit display
- Easy, logical operation
- Frost protection function
- Optimum operational safety with 2-pole shutdown
- Variable adjustment of switching hysteresis, lower and upper temperature limits
- With NTC outside temperature sensor Ø 5 mm, 3 m long
- Scale: Degree Celsius or numerical
- For top hat rail assembly, width: 3 modular spacings
- Switching capacity: 16 A
- Ambient temperature: -20 °C/+55 °C

AF 5-2.5:

- NTC contact sensor, feed cable 2.5 m, for ATE 50 and FTE 400

Model	ATE 50	ATF 5	FTE 400	AF 5-2.5
EAN	40 41056 02815 6	40 41056 02814 9	40 41056 02816 3	40 41056 02817 0
E-Number	231 532	231 531	231 533	231 534
Description	Outside temperature controller without digital display	Outside temperature controller for wall-mounting	Outside temperature controller with digital display	Contact sensor with feed cable

ELECTRONIC FROST STAT FOR OUTDOOR INSTALLATION, IP 65

ATE 600:

- 2-point controller for frost protection applications (pipework ribbon heater, outdoor surface and gutter heating)
- For outside installation, IP 65
- Sensor lead may be extended to 100 m
- 16 A delay fuse
- Sensor monitoring for sensor lead break or sensor short circuit
- Temperature range between 0 °C and +60 °C
- Can be used with outdoor and indoor setting
- Hysteresis adjustable between +/- 0.5...5 K.
- Operating voltage AC 230 V
- Operating temperature -20 °C / + 40 °C



ATE 600

Model	ATE 600
EAN	40 41056 02946 7
E-Number	232 840
Description	Electronic frost stat for outdoor installation

OUTSIDE TEMPERATURE CONTROLLER WITH ALARM OUTPUT

- Control for gutter heating systems independent of outside temperature, affordable standard solution for small domestic systems
- The system must be switched on/off manually when the corresponding conditions apply
- Transistor alarm output
- Sensor failure / short circuit detection
- For top hat rail assembly, width: 3 modular spacings
- Operation voltage 1/N ~ 230 V 50 Hz
- **ATF 3-4:** For gutter heating systems, NTC sensor Ø 10 mm, feed cable 4 m (not included in scope of supply)
- **AF 3-2:** NTC sensor, feed cable 2 m (not included in scope of supply)



ATE 30 T

Model	ATE 30 T	ATF 3-4	AF 3-2
EAN	40 41056 00422 8	40 41056 00439 6	40 41056 00440 2
E-Number	184 913	184 916	184 917
Description	Outside temperature controller with digital display	NTC outside sensor for gutter heating systems	NTC contact sensor, feed cable 2 m for pipe trace heating systems



SLHZ Multi Connector

CONNECTION SET SLHZ FOR SELF-LIMITING HEATING BAND

- "All-in-one" SLH quick-fit connection for all applications
- Reliable, quick and correct connection guaranteed
- Optional connection of up to 3 ribbon heaters and one cold lead
- Integral support feet, ideal for wrapping around pipework
- Three terminators included
- Protection rating: IP 65
- VDE tested

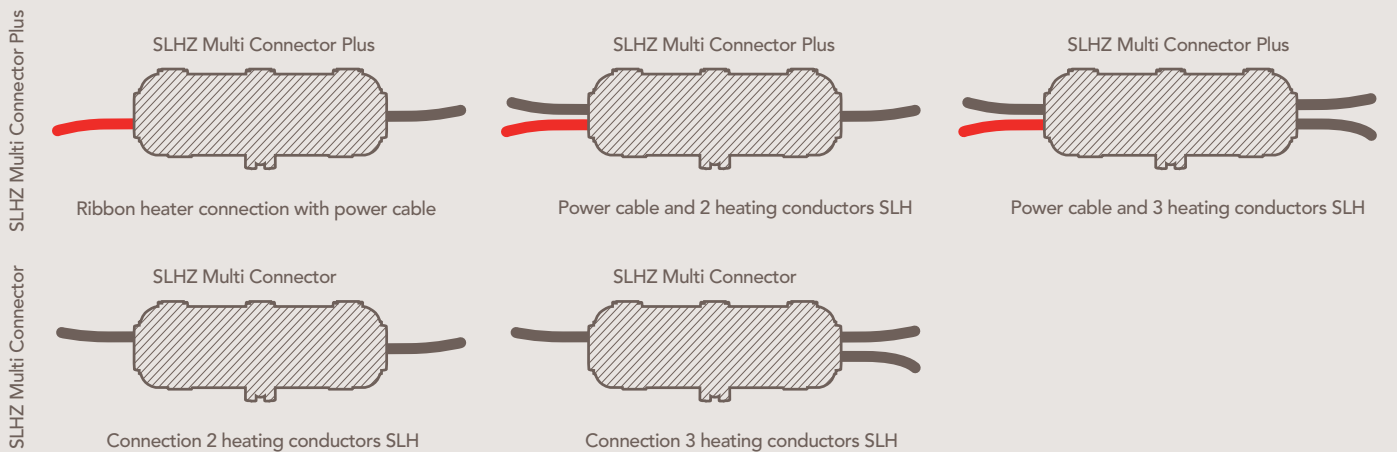


SLHZ Multi Connector Plus

SLHZ MULTI CONNECTOR / PLUS

- "All-in-one" SLH quick-fit connection for all applications
- Reliable, quick and correct connection guaranteed
- Optional connection of up to 3 ribbon heaters and one cold lead
- Integral support feet, ideal for wrapping around pipework
- Three terminators included
- Protection rating: IP 65
- VDE tested
- Heat-resistant silicone connecting lead Type H05 SS-F 3 x 1.5 mm²
- UV-resistant
- With connection cable 1.5 m

All connection options possible with the AEG Multi Connector. Quick and reliable.



Model	SLHZ Multi Connector	SLHZ Multi Connector Plus
EAN	40 41056 02911 5	40 41056 03023 4
E-Number	232 565	233 577
Description	"All-in-one" SLH quick-fit connection	"All-in-one" SLH quick-fit connection with connection cable

JUNCTION- AND CONNECTION-SET FOR SELF-LIMITING HEATING BAND (SLH)

- For correctly connecting heating band and heating band as well as heating band and service pipe
- With shrink-fit hoses and crimp connectors, end cap included
- Protection rating: IP 66
- Max. operating temperature.: +85 °C



SLHZ AS

Model	SLHZ AS
EAN	40 41056 02912 2
E-Number	232 566
Description	Junction- and connection-set

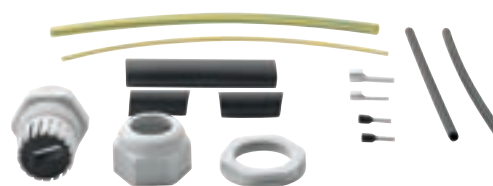
JUNCTION BOXES

- **SLHZ AK:** Junction box for connecting up to 3 ribbon heaters and one cold lead
- Casing material: halogen-free thermoplastic
- Knock-outs: 7 x M 25
- Ambient temperature: - 40 °C to + 70 °C
- Protection rating: IP 66
- Type of connection: Terminal strip
- Clamping area.: 3 ~ 1.5 - 4 mm²



SLHZ AK

- **SLHZ AKE:** Connection and terminator set for SLHZ AK junction box
- Protection rating: IP 66 in conjunction with SLHZ AK junction box
- Incl. terminator
- Oval gasket for ribbon heater



SLHZ AKE

- **SLHZ AKF:** Stainless steel mounting bracket for the SLHZ AK junction box for fitting to pipework
- Dimensions: L 85 mm, W 85 mm, Support height: 100 mm
- Material: Stainless steel



SLHZ AKF

Model	SLHZ AK	SLHZ AKE	SLHZ AKF
EAN	40 41056 02915 3	40 41056 02916 0	40 41056 02917 7
E-Number	232 569	232 570	232 571
Description	Junction box for for outdoor installation, IP 66	Connection and terminator set for junction box, IP 66	Stainless steel mounting bracket for junction box

TEMPERATURE- AND UV-RESISTANT CABLE TIES



SLHZ KB

- Cable tie for fixing heating band to pipe, temperature- and UV-resistant
- Use of up to DN 100
- Material: Polyamid, halogen- and silicone-free and UV-resistant
- Packaging unit of 100 items
- Length: 360 x 4.8 mm

Model	SLHZ KB
EAN	40 41056 02914 6
E-Number	232 568
Description	Cable ties of up to DN 100



SLHZ ID

INSULATION GROMMET FOR SELF-LIMITING HEATING BAND

- Special insulation grommet for heating band
- Threaded fitting: M 25 with oval seal for SLH band
- Dimension ground plate: 70 x 70 mm

Model	SLHZ ID
EAN	40 41056 02918 4
E-Number	232 572
Description	Insulation grommet for SLH heating band



SLHZ AKB

ALUMINIUM ADHESIVE STRIP

- Special aluminium adhesive strip for fixing the heating band to the pipe,
- Good heat transfer properties, especially suited to plastic pipes
- Installation at -10 °C to 40 °C
- Width: 75 mm

Model	SLHZ AKB
EAN	40 41056 02919 1
E-Number	232 573
Description	Aluminium adhesive strip, 50 m

STICKER – ELECTRICALLY HEATED



SLHZ Sticker

- Sticker for identifying electrically heated areas
- Temperature range: -20 °C to 70 °C
- Fire characteristics: Self-extinguishing to ISO 3795
- Use labels every 5 metres
- Packaging unit: 10 items

Model	SLHZ Sticker
EAN	40 41056 02920 7
E-Number	232 574
Description	SLH sticker for electrically heated areas, packaging unit: 10 items

SUPPORT CABLE

- 20 m for traction relief of heating cable in the downpipe



DHZ TRS

SUPPORTING TUBE

- To secure supporting cable over the downpipe



DHZ TR

SUPPORTING CLAMP

- For securing heating cable to supporting cable at intervals of 50 cm
- Material enamelled



DHZ TS

PLASTIC BARS

- PE plastic bars, UV-resistant, to fix spacing in the gutter. Contains 5 x 1 m each
- DHZ QST to fix several DHZ ST, for easy installation on smaller areas, such as flat roofs



DHZ ST



DHZ QST

EDGE PROTECTION

- For securing the ribbon heater in the gutter
- For securing to and guiding along snow guards
- As spacers in box gutters and as edge protection in downpipes
- Included in standard delivery are 2 temperature and UV-resistant cable ties for securing the ribbon heater
- Simple installation thanks to predefined holes
- Stainless steel for a long service life.



DHZ KS

Model	DHZ TRS	DHZ TR	DHZ TS	DHZ ST	DHZ QST	DHZ KS
EAN	40 14890 74828 3	40 14890 74824 5	40 14890 74825 2	40 14890 74826 9	40 41056 02265 9	40 41056 03038 8
E-Number	184 991	184 969	184 970	184 971	222 369	233 909
Description	Support cable	Supporting pipe	Supporting clamp	Plastic bars	PE cross bars	Edge protection

1. Applicability

- 1.1. All our supplies – also in the future – exclusively take place on the basis of these Terms and Conditions of Delivery and Payment. They are accepted by the Customer at the latest with placing the order however with the acceptance of the first supply, and shall apply for the entire duration of the business relationship. We hereby expressly contradict to any opposing business and purchasing conditions of the Customer. Deviations from our terms/conditions shall be effective only if confirmed by us in writing
- 1.2. General terms and conditions of the customer apply only to that extent, when we agreed them expressly in writing. This written-form requirement cannot be waived.

2. Prices, packaging, terms of payment, sett-off, right of retention

- 2.1. Our offers are non-binding. The agreement is formed only through our written confirmation or through delivery.
- 2.2. The invoice for orders for which no individual fixed price is agreed on is issued on the basis of the list prices applicable on the day of delivery.
- 2.3. Prices and discounts quoted verbally shall be effective only if confirmed by us in writing.
- 2.4. All prices are understood free carrier (FCA) our factories in Holzminden, Eschwege, Poprad, Ayut-thaya and Tianjin including cardboard packaging, or free on board (FOB) at a German port (Incoterms 2010). Should the need for special packaging arise, we reserve the right to charge for this separately and additionally.
- 2.5. Unless otherwise agreed in writing, our invoices shall be paid against prepayment in the currency indicated in the invoice. Unless otherwise agreed in writing, payment in Euros shall be deemed agreed on.
- 2.6. If the products are exported, the Customer will comply with the German export rules and regulations, and point out to its buyers that German export rules and regulations are applicable in the case of an exportation of products. The Customer undertakes to provide the information necessary to obtain an (import) export permit already when the Customer places the order. If at the Customer's request deliveries are passed on without customs clearance, the Customer shall be liable for any additional or extra payments demanded by the German customs authorities. If the exportation of the goods is prohibited or not permitted by the German authorities although such a permit is required, the Customer cannot derive any claims against us from this. The same shall apply if, for reasons that we are not responsible for, the importation of the goods into the country of destination is prevented or delayed by the authorities there.
- 2.7. The Customer is entitled to set off or retain claims only if they are undisputed or have been ascertained legally binding. The Customer shall have a right of retention only if its counterclaims are based on the same contractual relationship.

3. Delivery/acceptance/impossibility performance/delay/take-back

- 3.1. A delivery period specified in the order shall be binding only if confirmed by us in writing. Delivery shall be deemed to have been made within an agreed delivery period if the goods to be delivered have left our plant before the end of the delivery period, or if the Customer is obliged to notify us prior to delivery of his readiness to collect or take delivery of the goods, but has not done so, and we notify the Customer of our readiness to make shipment. In the latter case, delivery shall be deemed to be made when the written notification of readiness to make shipment is mailed by us.
- 3.2. The delivery period shall be extended in a reasonable way if the Customer subsequently requests changes or additions. The same shall apply in the event of the occurrence of unforeseen difficulties

beyond our control, e.g. force majeure, lawful labour disputes, disruptions of business affecting us or our suppliers.

- 3.3. All delivery obligations are subject to timely and proper delivery to us, also of suppliers' parts, if delivery is impossible within the agreed delivery period because of such circumstances or, if no such delivery period is agreed on, within three months of receipt of the order, we can cancel the agreement. The Customer shall not have any claims against us whatsoever in any of these cases, especially no claims to compensation for default damage and no damage claims.
- 3.4. Compensation for any default damage can be demanded by the Customer only in the event of wilful act or gross negligence on our part. This shall not apply if we commit to a binding delivery date in the confirmation of order and culpably fail to deliver on or before such date. In any case of default, our liability shall be limited to the foreseeable loss which typically arises, unless we intentionally violate the agreement or such breach of contract is attributable to us. The foreseeable loss which typically arises will generally not exceed the double amount of the order value affected by default.
- 3.5. In the event of default, we shall have the right to fix a reasonable deadline for the Customer to declare whether he wishes to cancel the agreement and/or demand damages instead of performance. If the Customer does not make a statement within that deadline, his right to cancel the agreement or to demand damages instead of performance shall lapse.
- 3.6. Goods are always shipped for the Customer's account and at the Customer's risk. All risks shall pass over to the Customer as soon as the goods are handed over to the carrier or leave our warehouse for shipment. In all other respects, the Incoterms 2010 shall be applicable.
- 3.7. The fulfilment of this contract has the reservation that no obstacle in form of German, US-American or other applicable national, EU or international provisions of foreign trade legislation and no embargos or sanctions are in force.
- 3.8. If the ordering party has the desire to return defect-free and correctly delivered goods, the ordering party can apply for a take-back. It is in our free discretion to take back or not to take-back the goods in question, especially after verification of age (not older than 6 months) and condition, against a markdown of at least 20% of the value of the goods. The ordering party has to bear all costs related to the take-back

4. Customer's obligation to complain, liability for defects

- 4.1. Our Customer shall not have any claims because of defects of the goods unless the Customer properly performed all of his obligations to inspect the goods and to complain of defects pursuant to sec. 377 HGB (German Commercial Code).
- 4.2. Any transportation or shipping damage is to be reported in writing by the Customer to the carrier immediately upon receipt of the goods. In addition, we are to be informed without undue delay about the damage, if possible by telefax. The Customer shall bear any damage or any loss of rights incurred by the carrier or by us in consequence of failure to make an immediate report.
- 4.3. If a defect which we are responsible for existed already at the time of the passing of the risk, we shall be obliged to remedy the

defect or, at our option, to make substitute delivery. If we are not prepared or able to do so, in particular if this is delayed unreasonably for reasons that we are responsible for, or if remedial action/substitute delivery fails in some other way, the Customer shall have the right – subject to clause 5 of these General Terms of Payment and Delivery – to assert the rights otherwise provided for by law in the event of a defect.

- 4.4. If we remedy a defect, our obligation also includes payment of all expenses to remedy the defect, especially transportation, forwarding, labour and material costs, unless they are increased due to the fact that the defective goods were taken to a different place than the place of performance.
- 4.5. The limitation period for all rights pertaining to defects shall be two years but for use in commercial companies, craft businesses, industrial companies or comparable activities the limitation period shall be one year; in other respects, the statutory provisions shall apply. Any other more extensive statutory warranty rights shall be unaffected by this.
- 4.6. However, the Customer shall have rights of recourse only to the extent that he did not make any agreement with his buyer which goes beyond the statutory rights in the event of a defect

5. Damages

For damage which is not caused to the actual object of delivery itself, we shall be liable on whatever legal basis only:

1. in the full amount of the damage in the case of wilful intent and the case of gross negligence on the part of management and/or executive staff, and also
2. subject to subparagraph 4 in any case of culpable violation of essential contractual obligations and
3. outside such obligations and subject to subparagraph 4 also for gross negligence on the part of persons employed by us for the performance of our contractual obligations, unless we can exonerate ourselves by virtue of trade customs,
4. in the two cases of subparagraph 2 and 3 above, limited to the amount of damage foreseeable and typical for the contract in question,
5. for defects of the goods which were maliciously concealed by us or whose absence was guaranteed by us,
6. for defects of the goods to the extent that the Product Liability Act provides for liability for personal injury or damage to privately used things,
7. in case of any liability based on an injury of life, body or health.

Further claims shall be excluded.

6. Retention of title

- 6.1. We retain title to all goods delivered until all of our current and future claims against the Customer have been discharged.
- 6.2. Any processing or transformation by the Customer of the goods delivered shall always be done for us. If the goods are processed with other things not belonging to us, we acquire co-ownership of the new thing in the proportion of the value of the goods delivered and transformed or processed (final invoice amount including VAT) to the other processed things at the time of processing. In all other respects, the same shall apply to the thing created through processing as to the object of purchase delivered subject to retention of title.

6.3. If the goods delivered are mixed inseparably with other things not belonging to us, we shall acquire co-ownership to the new thing in the proportion of the value of the object of the purchase (final invoice amount including VAT) to the other mixed things at the time of intermixture. If intermixture takes place in such a way that the Customer's thing is to be regarded as the main thing, it is agreed that the Customer shall transfer co-ownership to us on a pro rate basis. The Customer shall safekeep for us the sole ownership or co-ownership thus created.

The Customer assigns to us by way of security especially also those claims which he obtains against a third party through the combination of the goods delivered with a piece of real estate. This claim shall be subject analogously to the above provisions.

6.4. Any pledge and any transfer of title by way of security is inadmissible as long as we retain title. The Customer must inform us promptly of any pledge or other thirdparty seizure of the goods title to which is retained by us or of the assigned claims, and must assist us in every way in the intervention.

6.5. The customer may sell the goods title to which we retain, in the ordinary course of business, but only for immediate payment on delivery or subject to retention of title. The claims arising from the resale or from any other legal reason (insurance, tort, etc.) with respect to the goods title to which we retain (including all claims to payment of the balance on a current account) are hereby assigned already by the Customer with all ancillary claims to us.

6.6. The Customer is obliged at our request to inform the buyers in writing of the assignment and to give us all information necessary to assert our rights against the buyers, to provide documents and to hand over bills of exchange. For this purpose the Customer must allow us to inspect his records in this respect, if necessary.

6.7. The Customer shall have the right until further notice to collect the claims assigned to us. Any assignment or pledge of these claims is admissible only with our written consent. In the event of the discontinuation of payments, failure to honour a check or a bill of exchange made out by the Customer, an application for the institution of insolvency proceedings, or the institution of such proceedings, or in the case of a foreign customer if proceedings similar to insolvency proceedings or judicial or out-of-court composition proceedings are opened, the right to resell the goods and to collect the assigned claims shall end.

6.8. Under any of the circumstances described in clause 6.7, the Customer must give us access to the goods still in his possession, send us an exact list of the goods, separate the goods and hand over the goods to us. We also have the right to demand the assignment of the Customer's claims for possession against third parties or to cancel the agreement. In either case, whether we take back the goods or assert our rights of retention, we need not cancel the agreement. Neither any of these acts nor a pledge of the goods title to which is retained shall constitute a cancellation of the agreement unless this is expressly declared by us.

6.9. If the value of the security existing for us exceeds our total claims by more than 20%, we will at the Customer's written request release an appropriate part of such security at our option.

6.10. The costs for the performance of the co-operation duties set out in clause 6.4 and clause 6.6 in connection with all rights arising from the retention of title and all costs for preserving and storing the goods shall be borne by the customer

7. Labelling of goods, patent guarantee, redemption and environment friendly disposal of electronic devices

Any change in the goods, the removal of device numbers and type designations as well as labels which constitute a designation of origin for the Customer or a third party or could create the impression that the product is a special product are inadmissible unless expressly agreed on in writing by the parties.

Per the EU guideline 2002/96/EC dated January 27, 2003 (Directive of the European Parliament and of the Council on Waste Electrical and Electronic Equipment) and the county-specific regulations released due to this regulation the purchaser as importer / manufacturer according to law inside the member States of the European Union is obliged to disposal or to let disposal the devices, stated in EU-Guideline and in the country-specific regulations, at his own expenses.

8. Place of performance/jurisdiction

The place of jurisdiction and of performance for all mutual services is Holzminden. However, we also have the right to sue at the Customer's domicile. German law is applicable. The applicability of the provisions of the United Nations Convention on the International Sale of Goods (CISG) is expressly excluded

Stiebel Eltron International GmbH,
Limited Liability Company
Registered Office: Holzminden
Register Court: Hildesheim HRB 110397
Management Board:
Rudolf Sonnemann, Karlheinz Reitze,
Dr. Marc-Jan Schutte

Version: 04/2012

www.aeg-haustechnik.com

The current terms and conditions of sale and delivery (domestic) apply.

Despite the information in this product information being put together with great care, we cannot rule out the possibility of mistakes. Statements on the equipment and equipment features are not binding. The equipment features described in this product information are not the agreed properties of our products. Our products are developed on an ongoing basis. Individual equipment features may have since changed or been removed. Please contact our consultants for details of the current equipment features. The photos in the brochure are only examples of use. The photos also contain installation parts, accessories and special equipment which are not supplied as standard. The publisher's consent must be obtained for reprints, even extracts hereof.

The installation of appliances that require wiring on site must be installed by the relevant power supply utility or an authorised electrician, who will also be able to assist you with obtaining any permits required from the respective power supply utility prior to the installation of the appliance.

AEG is a registered trademark under the license from AB Electrolux (publ).

AEG Haustechnik
– International Sales –
c/o Stiebel Eltron International GmbH
Dr.-Stiebel-Straße
D-37603 Holzminden
Telephone: +49 5531 702-0
Telefax: +49 5531 702-95479
info@stiebel-eltron.com
www.aeg-haustechnik.com

Information and sales

AEG
HAUSTECHNIK