

FOR SPECIALIZED TRADE AND PLANNERS

CONVINCING ANSWERS FOR
MODERN HOME COMFORT

PRODUCT INFORMATION 2016

EXCERPT:
SPACE HEATERS

AEG
HAUSTECHNIK

PERFECT IDEAS FOR ROOM-BASED TEMPERATURE CONTROL

A fully-developed synthesis of contemporary design, reliable technology and maximum economic viability:

AEG's space heaters are well-engineered, complete heating systems for houses, apartments and commercial ventures featuring a charge mechanism controlled by atmospheric conditions to deliver fully automatic, energy-saving and pleasant heat and comfort.

Our natural stone heaters provide particularly attractive heating by combining high-quality natural materials with innovative technology.

The benefits of the cost-effective AEG space and natural stone heaters at a glance

- Ideal for people affected by allergies
- Dust, pollen and germs are not caught up with the room air
- Healthy radiation heat as from tiled stoves or the sun
- Sophisticated design
- Space-saving operation not requiring anywhere to store fuel
- Minimum maintenance required

TIP FOR SAVING ENERGY

Contemporary design, maximum comfort and potential savings too!

Because AEG's natural stone heaters use long-wave thermal radiation and not convection, you can reduce your room temperature by

around 2 °C compared with a convector heater without losing that snug feeling. Use up to 15 % less energy, year in, year out.

STORAGE HEATERS	58
NATURAL STONE HEATING	78
GLASS HEATING	82
DIRECT HEATERS	86
FAN HEATERS · HEATED CARPETS	99
INFRARED WALL-MOUNTED RADIATORS	103
ELECTRIC MIRROR HEATERS	105
INFRARED SHORT-WAVE RADIANT HEATERS	109



USEFUL INFORMATION ABOUT ELECTRIC STORAGE HEATERS

Why does heat have to be stored over night?

For our electricity-generating power stations to operate efficiently and cost-effectively, they need to be delivering power as constantly as possible. But the amount of power needed by electricity customers varies a lot during the day. For example, the highest demand for electricity comes at midday while demand during the night is very low.

Since the charging of electric storage heaters is controlled by the energy supplier's ripple control receiver, units can be activated in periods when loads are light to enable as constant as possible a level of electricity production. For its part the energy supplier charges special rates for this „off-peak“ electricity.

What should be observed when connecting storage heaters?

You should start by calculating how much heat you require to determine the rating and number of units needed.

A five-wire cable is needed to connect each electric storage heater to the heating circuit and control circuit. It should have the corresponding width for sub-distribution.

A cable must be fitted between the electric storage heater and room thermostat to control discharge. AEG Haustechnik also supplies room temperature controllers which can be fitted in the unit itself. There is then no need for a cable to an external room thermostat.

Compatibility of charge controls

Most of the current AEG ELFAMATIC charge controls are compatible with older AEG ELFAMATIC charge controls and many units from other manufacturers.

SAVING WITH AFFORDABLE ECONOMY TARIFFS

Electric storage heaters utilise the excess capacity generated by power stations. This affordable economy tariff electricity is converted into heat during the night. Consequently, the approximately two million storage heaters make an important contribution to greater energy efficiency.

And if this power has its origins in renewable sources – such as wind power generated at night, or photovoltaic systems – then they also contribute to a cleaner environment.

- Saving with affordable economy tariffs
- Operation without emissions
- Reliable and economical operation
- Ecologically sensible energy mix



German energy saving directive
EnEV 2009:
Not an all-out ban for night-storage heaters



ANNUAL HEAT DEMAND IN EXISTING BUILDINGS

Building	kWh/(m ² a)	W/m ²
Built prior to 1977	≥ 250	130 - 200
WSVO 1977	180 - 250	70 - 130
WSVO 1982	85 - 150	80 - 100
WSVO 1995 (KfW 70)	54 - 100	40 - 60
EnEV 2002 (KfW 60)	40 - 90	30 - 50
Low-energy house	55 - 70	25 - 40
3-litre-house	30	15 - 30
Passive house	15	10
All data is without guarantee		

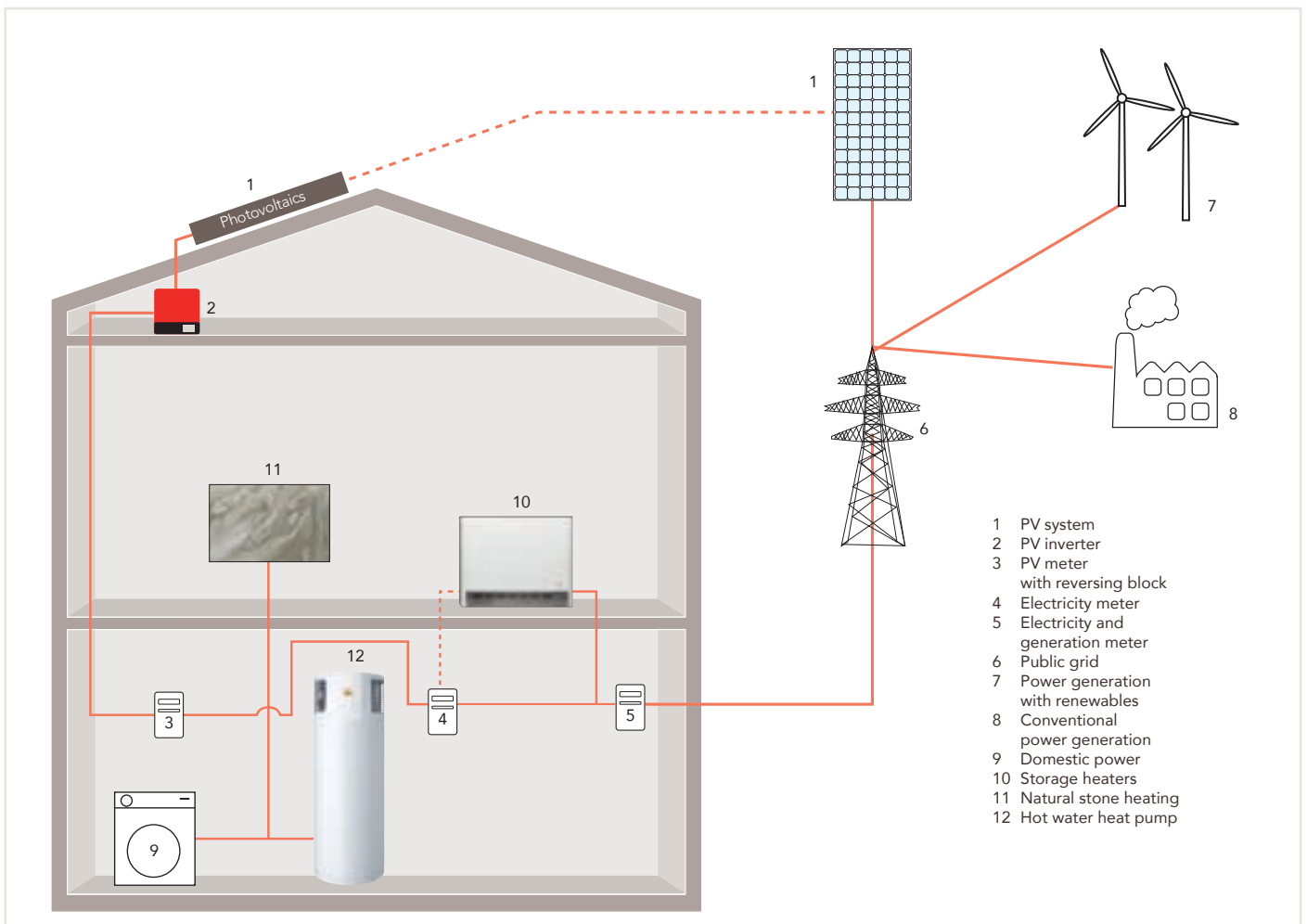
The advanced AEG storage heater, combined with the latest ELFAMATIC μ 3000 charge control system, enables energy savings of up to 25%. The investment pays for itself by reducing energy costs (compared to a 30-year-old storage heater without charge control system).

In addition to the new AEG storage heater with intelligent control via ELFAMATIC μ 3000, an investment in improved thermal insulation is usually necessary. Thermal insulation in accordance with WSV0 1995, with approx. 80 kWh/m², should be pursued by means of suitable measures for windows, doors, roofs and external walls. Such measures will ensure futureproof heating.

MODERNISATION OF NIGHT STORAGE HEATERS PAYS FOR ITSELF THROUGH ENERGY SAVINGS

In the future, innovative developments will continue to raise the proportion of PV-generated power consumed on site, which will contribute to reduced energy costs.

ON-SITE CONSUMPTION





Area of use

- Electric storage heaters for conveniently and cost-effectively heating homes and commercial spaces
- During on periods the electric storage heaters are charged at a low charge rate. When required, the stored heat is given off to the room via a tangential blower

Components

- Elegant, contemporary unit design, white in colour, RAL 9010
- Silent-Air-Flow air management system for operation as quiet as a whisper and an even output of heat
- Environmentally sound thermal insulation based on mica slate, intermediate front with high-quality microtherm thermal insulation

- High-quality ceramic core material with high thermal retention properties
- Easy-to-clean lint filter in air outlet grate
- Prepared for installation of booster heater and integrable room temperature controller
- Versatile unit variants in one design range – the right unit for every room

Installation

- Rapid installation using stainless steel radiators fitted and prewired in the factory
- Large connection space with swivel-mounted terminal strip
- Various installation variants available with special accessories

Heating load calculation programme

- Programme for calculating approximate thermal requirement following the HEA short-cut method
- With electric storage heater design
- Quotation module with all AEG Haustechnik units
- The HEA short-cut method is reliable for advising on rough thermal demand and does not apply to rooms/buildings covered by EnEV

Tender documentation

- Tender documentation of all AEG storage heaters and other AEG Haustechnik products
 - Format: Excel, Datanorm, Supplied on CD-ROM,
- Order by**
Phone: +49 5531 702-0
Fax: +49 5531 702-95479
E-Mail: info@stiebel-eltron.com

Connection variants

- The connected load, which is wired in the factory to 100 %, can be reduced by 3 power levels by transferring or removing bridges on the connection terminals
- This allows the connected load to be adjusted to the heating capacity calculated

Connection variants for standard series									
Power variants kW	8 hrs radiator (series)					6 hrs radiator kit (special accessory)			
Nominal charge time	8 hrs	9 hrs	10 hrs	75 %	100 %	5 hrs	6 hrs	7 hrs	75 %
Connection variants	100 %	91.6 %	83.3 %	75 %	100 %	100 %	91.6 %	83.3 %	75 %
WSP 2010	2.00	1.83	1.67	1.50	2.00	2.70	2.74	2.25	2.03
WSP 3010	3.00	2.75	2.50	2.25	–	4.10	3.75	3.42	3.07
WSP 4010	4.00	3.66	3.33	3.00	–	5.50	5.04	4.58	4.13
WSP 5010	5.00	4.58	4.16	3.75	–	6.50	5.96	5.42	4.88
WSP 6010	6.00	5.50	5.00	4.50	–	8.10	7.42	6.75	6.08
WSP 7010	7.00	6.42	5.83	5.25	–	9.00	8.24	7.50	6.75

Connection variants flat design					
Power variants kW	8 hrs radiator (series)				
Nominal charge time	8 hrs	9 hrs	10 hrs	75 %	100 %
Connection variants	100 %	91.6 %	83.3 %	75 %	100 %
WSP 1210 F	1.20	1.10	1.00	0.90	1.20
WSP 1810 F	1.80	1.65	1.50	1.35	1.80
WSP 2410 F	2.40	2.20	2.00	1.80	–
WSP 3010 F	3.00	2.75	2.50	2.25	–
WSP 3610 F	3.60	3.30	3.00	2.70	–
WSP 4210 F	4.20	3.85	3.50	3.15	–
WSP 4810 F	4.80	4.40	4.00	3.60	–

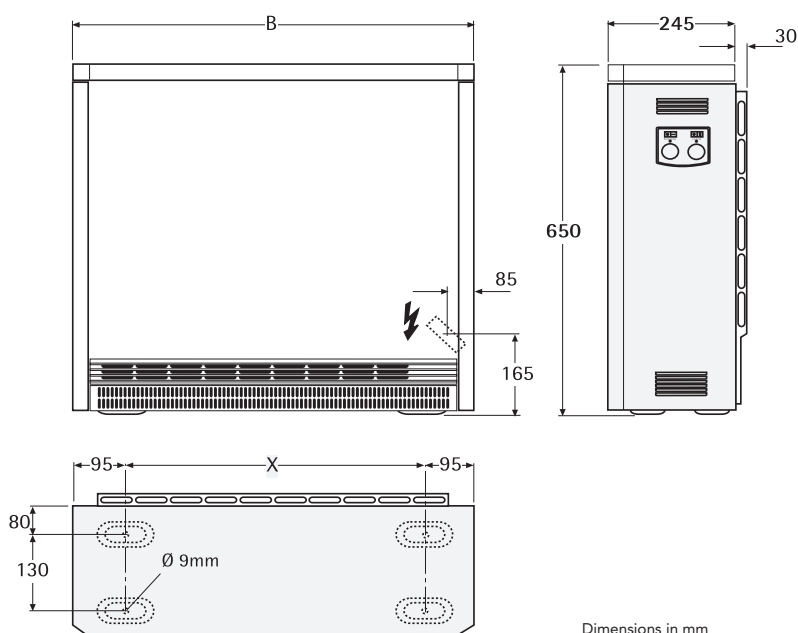
Connection variants Low-line design								
Power variants kW	8 hrs radiator (series)				6 hrs radiator kit (special accessory)			
Nominal charge time	7 hrs	8 hrs	9 hrs	10 hrs	5 hrs	6 hrs	7 hrs	75 %
Connection variants	100 %	91.6 %	83.3 %	75 %	100 %	91.6 %	83.3 %	75 %
WSP 3510 N	3.50	3.21	2.92	2.63	4.90	4.49	4.08	3.67
WSP 5010 N	5.00	4.58	4.16	3.75	6.50	5.95	5.41	4.87

STANDARD DESIGN

- Standard range of electric storage heaters for universal use in domestic and commercial areas
- With thermo-mechanical charge regulator
- Wide power range of 2 – 7 kW
- Preferably for installation on the floor. Installation not on the floor possible with special accessories



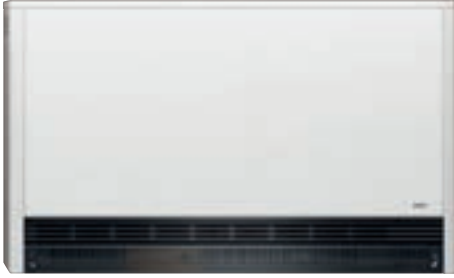
WSP 3010



Model		WSP 2010	WSP 3010	WSP 4010	WSP 5010	WSP 6010	WSP 7010
EAN		40 41056 01267 4	40 41056 01268 1	40 41056 01269 8	40 41056 01270 4	40 41056 01271 1	40 41056 01272 8
E-Number		187 312	187 313	187 314	187 316	187 318	187 319
Housing E-Number		40 41056 00965 0	40 41056 00966 7	40 41056 00967 4	40 41056 00968 1	40 41056 00969 8	40 41056 00970 4
Housing E-Number		185 197	185 198	185 199	185 200	185 201	185 202
Stone packages EAN		40 41056 00971 1	40 41056 00971 1	40 41056 00971 1	40 41056 00971 1	40 41056 00971 1	40 41056 00971 1
Stone packages E-Number		185 205	185 205	185 205	185 205	185 205	185 205
Dimensions in mm							
Width	B	605	780	955	1130	1305	1480
Height		650	650	650	650	650	650
Depth + projection		245 + 30	245 + 30	245 + 30	245 + 30	245 + 30	245 + 30
Spacing	X	415	590	765	940	1115	1290
Technical Data							
Power supply	V	3/N/PE~400 50 Hz 1/N/PE~230 50 Hz	3/N/PE~400 50 Hz	3/N/PE~400 50 Hz	3/N/PE~400 50 Hz	3/N/PE~400 50 Hz	3/N/PE~400 50 Hz
Connected load *	kW	2.0	3.0	4.0	5.0	6.0	7.0
Design charge	kWh	16.0	24.0	32.0	40.0	48.0	56.0
Max. charge PH:	kWh	17.0	25.5	35.0	42.0	51.0	61.5
Charge control system		Thermo-mechanical charge regulator	Thermo-mechanical charge regulator	Thermo-mechanical charge regulator	Thermo-mechanical charge regulator	Thermo-mechanical charge regulator	Thermo-mechanical charge regulator
Control resistor	KOhm	3.4	3.4	3.4	3.4	3.4	3.4
Booster heater (special accessory)		•	•	•	•	•	•
Rating of booster heater	kW	0.35 / 0.5	0.5 / 0.8	0.8 / 1.0	1.0 / 1.2	1.2 / 1.5	1.5 / 1.7
Weight (with stones)	kg	118	169	220	271	322	373
Heat storage stone							
Number of packages (stones)		6 (12)	9 (18)	12 (24)	15 (30)	18 (36)	21 (42)
Weight	kg	85	128	170	213	256	298

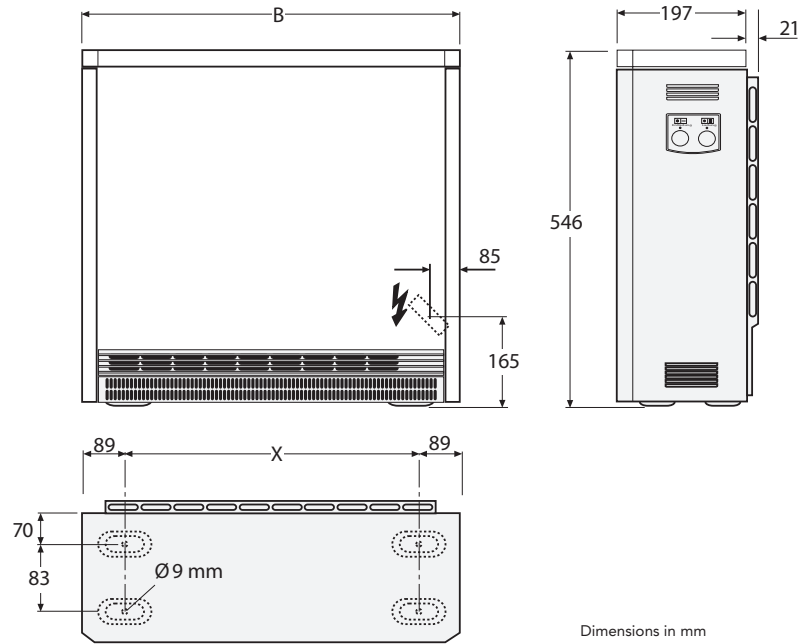
* The connected load to select for the unit depends on the heat requirement calculated and the nominal charge time and additional charge time specified by the EVU; switchable to kW

FLAT DESIGN



WSP 2410 F

- Storage heater in a slimline design, with only 21.8 cm depth, including wall clearance
- Particularly suitable for installations where space is at a premium
- Universal electronic charger for AC and DC connection
- 3 AC-controls may be selected
- Output spectrum from 1.2 to 4.8 kW
- For wall mounting or floorstanding, wall mounting brackets are part of the standard delivery
- SK10 support brackets are required for wall mounting the WSP 4210 F and WSP 4810 F



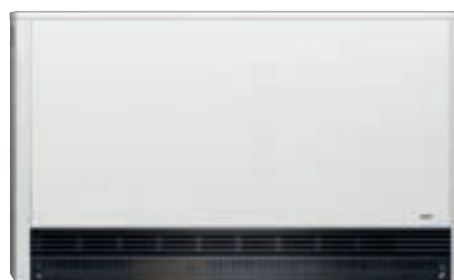
Dimensions in mm

Model	WSP 1210 F	WSP 1810 F	WSP 2410 F	WSP 3010 F	WSP 3610 F	WSP 4210 F	WSP 4810 F
EAN	40 41056 01275 9	40 41056 01276 6	40 41056 01277 3	40 41056 01278 0	40 41056 01279 7	40 41056 01280 3	40 41056 01281 0
E-Number	187 336	187 337	187 338	187 339	187 340	187 341	187 342
Housing EAN	40 41056 00972 8	40 41056 00973 5	40 41056 00974 2	40 41056 00975 9	40 41056 00976 6	40 41056 00977 3	40 41056 00978 0
Housing E-Number	185 206	185 207	185 208	185 209	185 210	185 211	185 212
Stone packages EAN	40 41056 00979 7	40 41056 00979 7	40 41056 00979 7	40 41056 00979 7	40 41056 00979 7	40 41056 00979 7	40 41056 00979 7
Stone packages E-Number	185 214	185 214	185 214	185 214	185 214	185 214	185 214
Dimensions in mm							
Width	B	580	741	902	1063	1224	1385
Height		546	546	546	546	546	546
Depth + projection		197 + 21	197 + 21	197 + 21	197 + 21	197 + 21	197 + 21
Spacing	X	402	563	724	885	1046	1207
Technical Data							
Power supply	V	3/N/PE~400 50 Hz 1/N/PE~230 50 Hz	3/N/PE~400 50 Hz 1/N/PE~230 50 Hz	3/N/PE~400 50 Hz	3/N/PE~400 50 Hz	3/N/PE~400 50 Hz	3/N/PE~400 50 Hz
Connected load *	kW	1.2	1.8	2.4	3.0	3.6	4.2
Design charge	kWh	9.6	14.4	19.2	24.0	28.8	33.6
Max. charge PH:	kWh	10.8	16.2	20.7	25.9	31.3	38.8
Charge control system		Electronic AC/DC charge controller	Electronic AC/DC charge controller	Electronic AC/DC charge controller	Electronic AC/DC charge controller	Electronic AC/DC charge controller	Electronic AC/DC charge controller
Control resistor	KOhm	–	–	–	–	–	–
Booster heater (special accessory)		•	•	•	•	•	•
Rating of booster heater	kW	0.35	0.5	0.8	1.0	1.2	1.5
Weight (with stones)	kg	73.5	106	137.5	169	201	232.5
Heat storage stone							
Number of packages (stones)		6 (12)	9 (18)	12 (24)	15 (30)	18 (36)	21 (42)
Weight	kg	50	76	101	126	151	176

* The connected load to select for the unit depends on the heat requirement calculated and the nominal charge time and additional charge time specified by the EVU; switchable to kW

FLAT DESIGN DUOTHERM

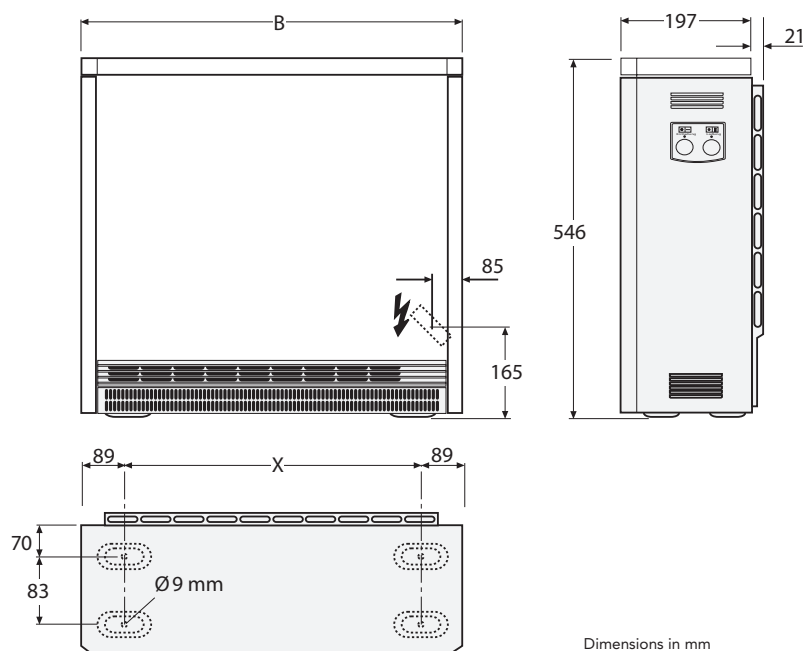
- Duotherm dual circuit storage heaters for "controlled electric heating" with controllable storage component and non-storage component (for areas served by specific power utilities)
- Storage heater in a slimline design, with 21.8 cm depth, incl. wall clearance
- Particularly suitable for installations where space is at a premium
- Universal electronic charger for AC and DC connection
- 3 AC-controls may be selected
- Output spectrum from 1.2 to 3.6 kW
- For wall mounting or floorstanding, wall mounting brackets are part of the standard delivery



WSP 2410 F



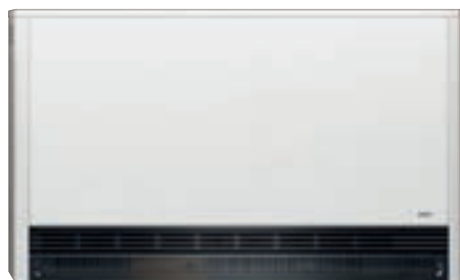
ES 10 DF



Model	WSP 1210 F	WSP 1810 F	WSP 2410 F	WSP 3010 F	WSP 3610 F	
EAN	40 41056 01275 9	40 41056 01276 6	40 41056 01277 3	40 41056 01278 0	40 41056 01279 7	
E-Number	187 336	187 337	187 338	187 339	187 340	
Housing EAN	40 41056 00972 8	40 41056 00973 5	40 41056 00974 2	40 41056 00975 9	40 41056 00976 6	
Housing E-Number	185 206	185 207	185 208	185 209	185 210	
Stone packages EAN	40 41056 00979 7	40 41056 00979 7	40 41056 00979 7	40 41056 00979 7	40 41056 00979 7	
Stone packages E-Number	185 214	185 214	185 214	185 214	185 214	
ES 10 DF ¹⁾ EAN	40 41056 01002 1	40 41056 01002 1	40 41056 01002 1	40 41056 01002 1	40 41056 01002 1	
ES 10 DF ¹⁾ E-Number	185 238	185 238	185 238	185 238	185 238	
Dimensions in mm						
Width	B	580	741	902	1063	
Height		546	546	546	546	
Depth + projection		197 + 21	197 + 21	197 + 21	197 + 21	
Spacing	X	402	563	724	885	
Technical Data						
Power supply	V	1/N/PE~230 50 Hz	1/N/PE~230 50 Hz	1/N/PE~230 50 Hz	1/N/PE~230 50 Hz	
Connected load * P _s / P _{sf} ²⁾	kW	P _s / P _{sf} ²⁾ 0.8 / 0.4	P _s / P _{sf} ²⁾ 1.2 / 0.6	P _s / P _{sf} ²⁾ 1.6 / 0.8	P _s / P _{sf} ²⁾ 2.0 / 1.0	P _s / P _{sf} ²⁾ 2.4 / 1.2
Design charge	kWh	9.6	14.4	19.2	24.0	28.8
Max. charge PH:	kWh	10.8	16.2	20.7	25.9	31.3
Charge control system		Electronic AC/DC charge controller	Electronic AC/DC charge controller	Electronic AC/DC charge controller	Electronic AC/DC charge controller	Electronic AC/DC charge controller
Control resistor	KOhm	-	-	-	-	-
Booster heater (special accessory)		-	-	-	-	-
Rating of booster heater	kW	-	-	-	-	-
Weight (with stones)	kg	73.5	106	137.5	169	201
Heat storage stone						
Number of packages (stones)		6 (12)	9 (18)	12 (24)	15 (30)	18 (36)
Weight	kg	50	76	101	126	151

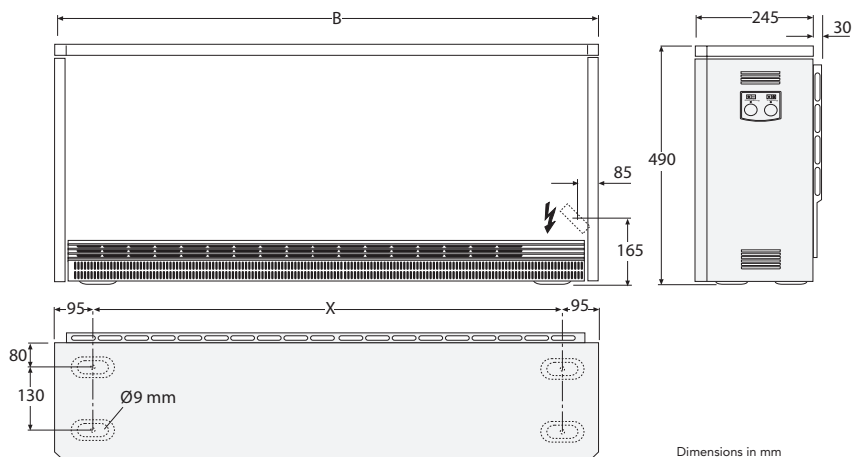
* The connected load to select for the unit depends on the heat requirement calculated and the nominal charge time and additional charge time specified by the EVU; switchable to kW
¹⁾ Auxiliary set
²⁾ P_s / P_{sf} = Storage / direct heating component

LOW-LINE DESIGN



WSP 3510 N

- Storage heater designed for very low height, only 49 cm high
- Particularly suitable for installation in recesses with low window sills
- Universal electronic charger for AC and DC connection
- 3 AC-controls may be selected
- Floorstanding, off-floor installation possible with special accessories



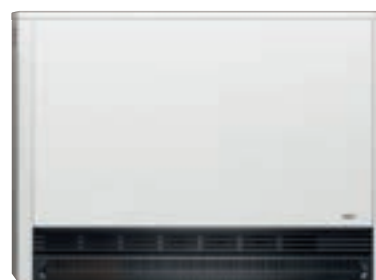
Dimensions in mm

Model		WSP 3510 N	WSP 5010 N
EAN		40 41056 01282 7	40 41056 01283 4
E-Number		187 323	187 326
Housing EAN		40 41056 00980 3	40 41056 00981 0
Housing E-Number		185 203	185 204
Stone packages EAN		40 41056 00971 1	40 41056 00971 1
Stone packages E-Number		185 205	185 205
Dimensions in mm			
Width	B	1130	1480
Height		490	490
Depth + projection		245 + 30	245 + 30
Spacing	X	940	1290
Technical Data			
Power supply	V	3/N/PE~400 50 Hz	3/N/PE~400 50 Hz
Connected load	kW	3.5	5.0
Design charge	kWh	24.0	35.0
Max. charge PH:	kWh	28.0	40.0
Charge control system		Electronic AC/DC charge controller	Electronic AC/DC charge controller
Control resistor	KOhm	-	-
Booster heater (special accessory)		•	•
Rating of booster heater	kW	1.0	1.5
Weight (with stones)	kg	188.5	259.0
Heat storage stone			
Number of packages (stones)		10 (20)	14 (28)
Weight	kg	142	199

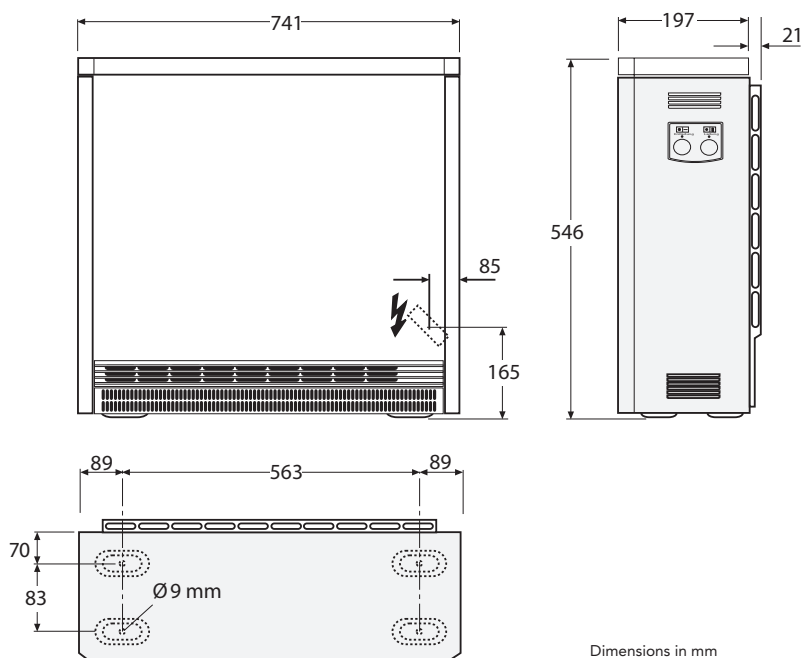
* The connected load to select for the unit depends on the heat requirement calculated and the nominal charge time and additional charge time specified by the EVU; switchable to kW

WITH STATIC DISCHARGE

- Storage heater without fan, with non-controllable (static) discharge
- For temperate heating in hallways and similar
- Storage heater in a slimline design, only 21.8 cm in depth, incl. wall clearance
- Universal electronic charger for AC and DC connection
- 3 AC-controls may be selected
- For wall mounting or floorstanding, wall mounting brackets are part of the standard delivery

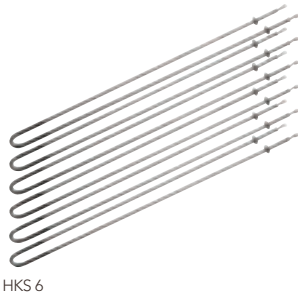


WSP 1510 S



Model	WSP 1510 S	
EAN	40 41056 01284 1	
E-Number	187 310	
Housing EAN	40 41056 00982 7	
Housing E-Number	185 213	
Stone packages EAN	40 41056 00979 7	
Stone packages E-Number	185 214	
Technical Data		
Power supply	V	1/N/PE~230 50 Hz
Connected load	kW	1.5
Design charge	kWh	12
Max. charge PH:	kWh	16.2
Charge control system	Electronic AC/DC charge controller	
Control resistor	KOhm	–
Booster heater (special accessory)	–	
Rating of booster heater	kW	–
Weight (with stones)	kg	106
Heat storage stone		
Number of packages (stones)	9 (18)	
Weight	kg	76

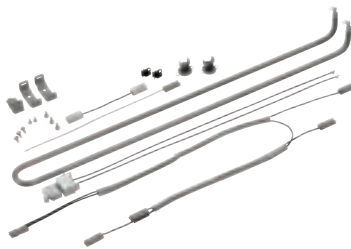
RADIATOR SETS FOR CHARGE MODEL < 8 H



- Radiator set for installation in electric storage heater for charge models < 8 hrs
- The radiators fitted in the units in the factory must be replaced

Model	HKS 6/2.7	HKS 6/4.1	HKS 6/5.5	HKS 6/6.5	HKS 6/8.1	HKS 6/9.0	HKS 6/4.9 N	HKS 6/6.5 N
EAN	40 41056 00983 4	40 41056 00984 1	40 41056 00985 8	40 41056 00986 5	40 41056 00987 2	40 41056 00988 9	40 41056 00989 6	40 41056 00990 2
E-Number	185 266	185 267	185 268	185 269	185 270	185 271	185 272	185 273
for WSP	WSP 2010	WSP 3010	WSP 4010	WSP 5010	WSP 6010	WSP 7010	WSP 3510 N	WSP 5010 N

BOOSTER HEATER



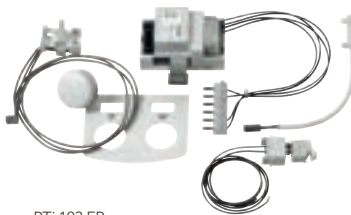
ZH 1004

- Booster heaters for retrofitting in the air outlet area of the electric storage heater. If the thermal requirement increases, allows for additional heating outside the on periods
- With 2 contact thermostats With ON/OFF switch for fitting in the side part of the electric storage heater provided for this purpose
- Complete with affixing and wiring material
- Can be retrofitted to all storage heaters from October 2005

Model	ZH 1004	ZH 2005	ZH 1005	ZH 3008	ZH 1008	ZH 4010	ZH 1010
EAN	40 41056 00991 9	40 41056 01505 7	40 41056 00992 6	40 41056 00992 6	40 41056 00993 3	40 41056 01507 1	40 41056 00994 0
E-Number	185 259	187 787	185 260	187 788	185 261	187 789	185 262
for WSP	WSP 2010, 1210 F	WSP 2010	WSP 3010, 1810 F	WSP 3010	WSP 4010, 2410 F	WSP 4010	WSP 5010, 3010 F, 3510 N
Rating	kW 0.35	0.5	0.5	0.8	0.8	1.0	1.0

Model	ZH 5012	ZH 1012	ZH 1112	ZH 6115	ZH 1015	ZH 7017	ZH 1015 F	ZH 1017
EAN	40 41056 01508 8	40 41056 00995 7	40 41056 02145 4	40 41056 02146 1	40 41056 00996 4	40 41056 01510 1	40 41056 01010 6	40 41056 00997 1
E-Number	187 790	185 263	220 901	221 043	185 264	187 792	185 328	185 265
for WSP	WSP 5010	WSP 3610 F	WSP 6010	WSP 6010	WSP 7010, 5010 N	WSP 7010	WSP 4210 F	WSP 4810
Rating	kW 1.2	1.2	1.2	1.5	1.5	1.7	1.5	1.7

INTEGRABLE, ELECTRONIC PROPORTIONAL ROOM TEMPERATURE CONTROLLER



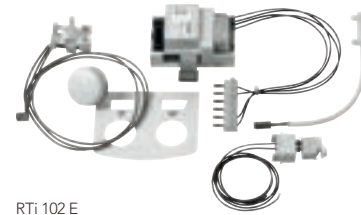
RTi 103 EP

- Integrable, electronic speed regulator for fitting in the electric storage heater's switch area
- For particularly quiet and convenient electric storage heater operation using temperature-controlled fan speed regulation
- Allows the room temperature to be set on the electric storage heater itself – no laborious laying of cables and installation of a room thermostat in a distant location
- With ON/OFF switch and temperature selector for fitting in the side part of the electric storage heater provided for this purpose
- Control power 100 VA
- Night-time reduction of around 4K possible using timer
- Can also be used in conjunction with tiled cladding

Model	RTi 103 EP
EAN	40 41056 01001 4
E-Number	185 237
for WSP	WSP 1210 F/DF - WSP 4810 F/DF, WSP 3510 N, WSP 5010 N

INTEGRABLE, ELECTRONIC 2-POINT ROOM TEMPERATURE CONTROLLER

- Integrable, electronic 2-point regulator for fitting in the electric storage heater's switch area
- Thermal feedback for slight switching difference ± 1 K
- Allows the room temperature to be set on the electric storage heater itself – no laborious laying of cables and installation of a room thermostat in a distant location
- With ON/OFF switch and temperature selector for fitting in the side part of the electric storage heater provided for this purpose
- Night-time reduction of around 4K possible using timer
- Can also be used in conjunction with tiled cladding

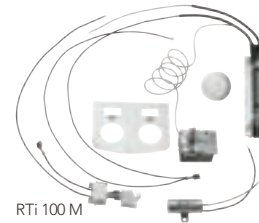


RTi 102 E

Model	RTi 102 E	
EAN	40 41056 01000 7	
E-Number	185 236	
for WSP	WSP 1210 F/DF - WSP 4810 F/DF, WSP 3510 N, WSP 5010 N	

INTEGRABLE, MECHANICAL 2-POINT ROOM TEMPERATURE CONTROLLER

- Integrable, mechanical 2-point regulator for fitting in the electric storage heater's switch area
- Thermal feedback for slight switching difference
- Allows the room temperature to be set on the electric storage heater itself – no laborious laying of cables and installation of a room thermostat in a distant location
- With ON/OFF switch and temperature selector for fitting in the side part of the electric storage heater provided for this purpose
- Can also be used in conjunction with tiled cladding

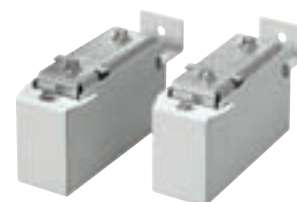


RTi 100 M

Model	RTi 100 M	
EAN	40 41056 00998 8	
E-Number	185 235	
for WSP	WSP 2010 - WSP 7010	

FLOOR BRACKETS

- 2 floor brackets for installing the electric storage heater off of the floor (100 mm)
- With tilt adjustment so can also be adapted to uneven floors



BK 10

Model	BK 10	BK 11
EAN	40 41056 01006 9	40 41056 01005 2
E-Number	185 242	185 241
for WSP	WSP 2010 - WSP 7010, WSP 3510 N, WSP 5010 N	WSP 1210 F/DF - WSP 4810 F/DF, WSP 1510 S

SUPPORT BRACKETS

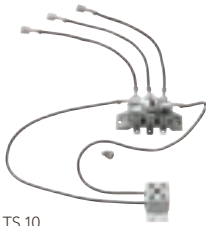


SK 10

- 2 pce support brackets for off-floor (100 mm) installation of storage heaters where walls are non-load bearing
- Required for wall mounting the WSP 4210 F and WSP 4810 F

Model	SK 10
EAN	40 41056 01004 5
E-Number	185 240
for WSP	WSP 1210 F/DF - WSP 4810 F/DF, WSP 1510 S

THERMAL RELAYS



TS 10

- Thermal relay for direct release of power in electric storage heater (control cable for EVU release is guided directly into the electric storage heater)
- Installation in electric storage heater's switch area

Model	TS 10
EAN	40 41056 01003 8
E-Number	185 239
for WSP	WSP 2010 - WSP 7010

CONTROL RESISTOR



SW 40 ED

- Control resistor 40 % ED
- 1700 ohms of resistance
- For use in electric storage heaters in old setups

Model	SW 40 ED
EAN	40 41056 01938 3
E-Number	220 422
for WSP	WSP 2010 - WSP 7010

Area of use

- Electric storage heaters for conveniently and cost-effectively heating homes and commercial spaces
- During on periods the electric storage heaters are charged at a low charge rate. When required, the stored heat is given off to the room via a tangential blower

Components

- Elegant, contemporary unit design, white in colour, RAL 9010
- High grade hard shell thermal insulation

- High-quality ceramic core material with high thermal retention properties
- Prepared for installation of booster heater and integrable room temperature controller
- Retractable selector

Installation

- Large connection space
- Rapid installation using stainless steel radiators fitted and prewired in the factory
- Various loads can be connected

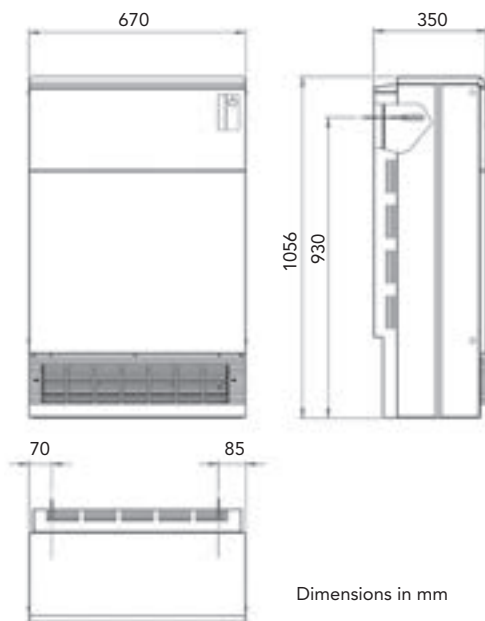


HIGH-LINE DESIGN



WSP 600 HF

- High-line storage heater
- High heating output on a small footprint
- Particularly suitable for installations where space is at a premium



Dimensions in mm

Model	WSP 600 HF	
EAN	40 41056 01679 5	
E-Number	189 841	
Housing EAN	40 41056 01623 8	
Housing E-Number	189 702	
Cover stone sets EAN	40 41056 01624 5	
Cover stone sets E-Number	189 703	
Duct stone set EAN	40 41056 01625 2	
Duct stone set E-Number	189 704	
Technical Data		
Power supply	V	3/N/PE-400 50 Hz
Connected load (switchable) *	kW	6.0 (5.0 / 4.0)
Design charge	kWh	48
Charge control system	Thermo-mechanical charge regulator	
Control resistor	kOhm	3.6
Booster heater (special accessory)	•	
Rating of booster heater	kW	1.0
Weight (with stones)	kg	330.00
Heat storage stone		
Number of packages	3 + 6	

* The connected load to select for the unit depends on the heat requirement calculated and the nominal charge time and additional charge time specified by the EVU; switchable to kW

INTEGRABLE, ELECTRONIC PROPORTIONAL ROOM TEMPERATURE CONTROLLER

- Integrable, electronic speed regulator for fitting in the electric storage heater's switch area
- For particularly quiet and convenient electric storage heater operation using temperature-controlled fan speed regulation
- Allows the room temperature to be set on the electric storage heater itself – no laborious laying of cables and installation of a room thermostat in a distant location
- With ON/OFF switch and temperature selector for fitting in the housing of the electric storage heater provided for this purpose

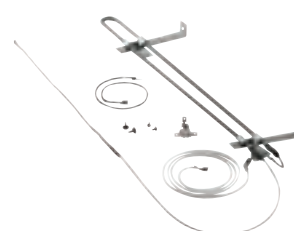


RTi 600 EP HF

Model	RTi 600 EP HF
EAN	40 41056 01628 3
E-Number	189 707
Description	Proportional controller

BOOSTER HEATER

- Booster heater for fitting in the electric storage heater WSP 600 HF
- If the thermal requirement increases, allows for additional heating outside the on periods
- Complete kit with contact thermostat, wiring and affixing material
- Rating 1.0 kW
- Use only in conjunction with a suitable internal or external room temperature controller



ZH 600 HF

Model	ZH 600 HF
EAN	40 41056 01626 9
E-Number	189 705
Description	Booster heater



Area of use

- Storage heater specially designed for use in kitchens
- During on periods the electric storage heaters are charged at a low charge rate. When required, the stored heat is given off to the room via a blower

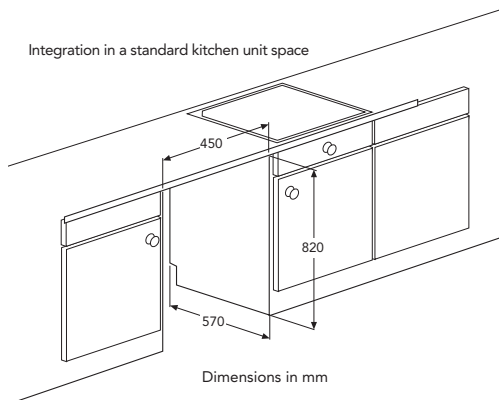
Installation

- For integration in a standard kitchen unit space
- Supplementary set available for freestanding installations (special accessory)

Components

- Housing colour white, similar to RAL 9016
- Integral room temperature controller with retractable selectors
- High grade hard shell thermal insulation
- High-quality ceramic core material with high thermal retention properties
- Prepared for installation of booster heater

Integration in a standard kitchen unit space



Integration in a standard kitchen unit space

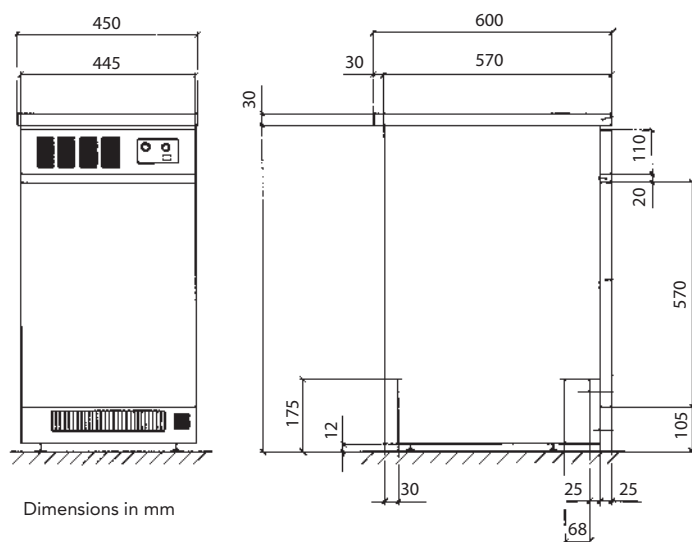
This storage heater is designed specifically for installation below the kitchen worktop. The installed height is set to 82 cm at factory; this can be adjusted to between 81.5 and 84.0 cm

ELECTRIC STORAGE HEATER FOR THE KITCHEN

- Standard kitchen unit dimensions, only 45 cm wide
- Perfect for small kitchens. Can be integrated into a standard kitchen unit space – no additional space required for a heating system
- ES 300 H supplementary set is required for a freestanding installation (P. 72)
- Optimum heat transfer and operation – heater is not covered by kitchen furniture
- Weather-compensated charging is possible



WSP 300 H
Image with supplementary set ES 300 H
(see accessory p. 72)



Dimensions in mm

Model	WSP 300 H	
EAN	40 41056 01579 8	
E-Number	189 811	
Casing with heating element EAN	40 41056 01564 4	
Casing with heating element E-Number	189 637	
Stone packages EAN	40 41056 01565 1	
Stone packages E-Number	189 638	
Dimensions in mm		
Width	445	
Height	820 ¹⁾ , 850 ²⁾	
Depth	570 / 600 ³⁾	
Technical Data		
Power supply	V	3/N/PE~400 50 Hz
Connected load	kW	3.0
Design charge	kWh	24.0
Charge control system	Electronic charge controller 230 V, AC, only 80 % ED (digital)	
Rating of booster heater	kW	0.5
Weight (with stones)	kg	201.0
Heat storage stone		
Number of packages (stones)	8	
¹⁾ Height-adjustable from 815 to 840 mm		
²⁾ Freestanding with worktop ES 300 H		
³⁾ With sheet steel front panel		

SUPPLEMENTARY SET FOR WSP 300 H



ES 300 H

- Supplementary set for freestanding installation of the WSP 300 H
- Complete kit with worktop, sheet steel front panel, white stove enamelled, l.h. and r.h. cover, connection strip and fixing materials

Model	ES 300 H
EAN	40 41056 01566 8
E-Number	189 639
Description	Supplementary set

BOOSTER HEATER FOR WSP 300 H



ZH 300 H

- Booster heater for WSP 300 H
- If the thermal requirement increases, allows for additional heating outside the on periods
- Complete kit with contact thermostat, wiring and affixing material
- Rating 0.5 kW

Model	ZH 300 H
EAN	40 41056 01567 5
E-Number	189 640
Description	Booster heater

Area of use

- Electronic charge controls for fully automatic charging of electric storage heaters controlled by atmospheric conditions

Components

- Charge controls for forward, reverse and spread supervision
- Satisfies all EVU requirements
- Supplied complete with atmospheric conditions sensor

Installation

- For top hat rail assembly for installing in sub-distribution



CHARGE CONTROL ELFAMATIC μ C 3000



ELFAMATIC μ C 3000

- Satisfies all EVU requirements
- Large illuminated LC-Display with 4 operating keys
- Automatic time synchronisation
- Control power 300 W
- Easy to set using stored charge models
- Integrated test program
- Compatible with all common atmospheric condition sensors
- Characteristics curve can be easily moved +/- 4K by the user
- For top hat rail assembly, width: 6 modular spacings



ELFAMATIC V 3000

CHARGE CONTROL ELFAMATIC V 3000

- Electronic charge control for all supply areas with forward monitoring
- For top hat rail assembly, width: 3 modular spacings



ELFAMATIC G 3000

GROUP CONTROL UNIT ELFAMATIC G 3000

- Digital group control unit for individual control over several apartments
- Individual modification of charge level of between +12% and -36% compared with level specified by central control unit
- For top hat rail assembly, width: 3 modular spacings

Model	ELFAMATIC μ C 3000	ELFAMATIC V 3000	ELFAMATIC G 3000
EAN	40 41056 01553 8	40 41056 01551 4	40 41056 01552 1
E-Number	187 869	187 870	187 871
Description	Central control unit	Central control unit	Group control unit

Area of use

- Room temperature controller for regulating the output of heat from electric storage heaters

Components

- The AEG room temperature controllers are available in various variants: With ON/OFF switch, with switch for booster heater, as 2-point controller or proportional controller
- New range in modern, attractive design

Installation

- For surface-mounted installation (RT 600, RT 601 SN, RT 602 SNSZ)
- Fixing holes fit on the threaded bushes of Ø 55 mm flushmounted sockets such that the socket can be used as an extra clamping space
- For flush-mounted installation (RT 5050, RT 5050 SN, RT 5050 SZ)
- Wireless room temperature controller RTF for easy installation with surface-mounted or flush-mounted receiver (RTF-D, RTF-A, RTF-E AP und RTF-E UP)



Benefits of electronic proportional controllers

- Electronic proportional controllers regulate the fan speed in a continuously variable manner. Compared with a 2-point controller which either switches the fan on or off the benefits are the low level of air movement and the fact that room temperature remains constant at all times
- There is also less fan noise as the fan only rarely runs at maximum speed

2-POINT CONTROLLERS WITH THERMAL FEEDBACK



RT 602 SNSZ

- Thermal feedback for high control accuracy and low switching hysteresis
- Temperature set to around 5 - 30 °C
- Temperature can be reduced using timer
- Modern, functional design, color: pure white
- With adjustable restriction of range
- With 1-pin mains switch



RT 601 SN

- Thermal feedback for high control accuracy and low switching hysteresis
- Temperature set to around 5 - 30 °C
- Temperature can be reduced using timer
- Modern, functional design, color: pure white
- With adjustable restriction of range
- With 1-pin mains switch



RT 600

- Thermal feedback for high control accuracy and low switching hysteresis
- Temperature set to around 5 - 30 °C
- Temperature can be reduced using timer
- Modern, functional design, color: pure white
- With adjustable restriction of range



RT 5050 SN

- Thermal feedback for high control accuracy and low switching hysteresis
- Temperature set to around 5 - 30 °C
- Temperature can be reduced using timer
- Modern, functional design, color: pure white
- With adjustable restriction of range
- With 1-pin mains switch

Model	RT 602 SN SZ	RT 601 SN	RT 600	RT 5050 SZ	RT 5050 SN	RT 5050
EAN	40 41056 02399 1	40 41056 01552 1	40 41056 02397 7	40 41056 02404 2	40 41056 02403 5	40 41056 02402 8
E-Number	223 299	223 298	223 297	223 304	223 303	223 302
Installation	surface-mounted	surface-mounted	surface-mounted	flush-mounted	flush-mounted	flush-mounted
Connected load	VA	-	-	-	-	-
Switching current/cap.	A/W	10/2300	10/2300	16/3600	10/2300	10/2300
Switch for	Mains, booster heater	Mains	-	Booster heater	Mains	-

WIRELESS ROOM TEMPERATURE CONTROLLER RTF-D

- Wireless room temperature controller with weekly program and digital display
- Convenient control of heating system without laborious cabling
- Easy and intuitive to program
- 5 operating modes available
- Can be used as the master in master/slave operations (pilot control)
- Wireless range inside buildings approx. 25 m
- Temperature can be set to between 5 °C and 30 °C
- May be used for mounting on finished walls or as hand-held transmitter
- Power supply 3 x Micro AAA 1.5 V, part of the standard delivery (3rd battery for backlit display)
- Protection class III, Type of protection IP 30
- Dimensions: 110 x 26 x 110,7 mm, Color: pure white, similar to RAL 9010



RTF-D

WIRELESS ROOM TEMPERATURE CONTROLLER RTF-A

- Wireless room temperature controller with set value adjuster
- Convenient control of heating system without laborious cabling
- 2 operating modes available
- Wireless range inside buildings approx. 25 m
- Temperature adjustment from 5 to 30 °C
- May be used for mounting on finished walls or as hand-held transmitter
- Power supply 2 x Micro AAA 1.5 V, part of the standard delivery
- Protection class III, Type of protection IP 30
- Dimensions: 78,3 x 25,5 x 83,4 mm, Color: pure white, similar to RAL 9010



RTF-A

FLUSH-MOUNTED RECEIVER RTF-E UP

- Receiver for mounting on unfinished walls with integral strain relief for permanently connecting a storage heater, glass or natural stone heater
- Self-learn key for easily establishing the wireless connection
- Reliable wireless transfer at 868 MHz
- LED to indicate the current state
- Emergency mode in the case of permanently interrupted wireless connection
- IP 30 protection, safety category II, for consumers in safety category I and II
- Maximum switching current 11 A, from 30 °C ambient temperature, 7.5 A
- Dimensions: 81 x 42,5 x 85 mm, Color: pure white, similar to RAL 9010



RTF-E UP

SURFACE-MOUNTED RECEIVER RTF-E AP

- Receiver for mounting on unfinished walls with integral strain relief for permanently connecting a storage heater, glass or natural stone heater
- Self-learn key for easily establishing the wireless connection
- Reliable wireless transfer at 868 MHz
- LED to indicate the current state
- Emergency mode in the case of permanently interrupted wireless connection
- IP 30 protection, safety category II, for consumers in safety category I and II
- Maximum switching current 13 A
- Dimensions: 78,3 x 25,5 x 83,4 mm, Color: pure white, similar to RAL 9010



RTF-E AP

Model	RTF-D	RTF-A	RTF-E UP	RTF-E AP
EAN	40 41056 03032 6	40 41056 03033 3	40 41056 03034 0	40 41056 03035 7
E-Number	233 862	233 863	233 864	233 865
Description	Wireless room temperature controller with weekly program	Wireless room temperature controller	Wireless receiver, flush-mounted	Wireless receiver, surface-mounted



Area of use

- The Natural stone heating: an attractive heating system in a choice design
- May be used as partial storage heater, using economy tariffs offered by various power supply utilities
- As the sole source of heating for modern low-energy buildings
- As additional heating for bathrooms, living rooms, offices and much more.

Components

- Cozy output of radiation heat as with a tiled stove, even, healthy distribution of heat throughout room
- Space-saving heating system, depth with projection of just 7 cm
- 8 quality types of stone from all over the world, each
- Natural stone heating is unique
- Low heating conductor loading, 2 integrated temperature sensors in each radiator
- Can be used as partial storage heating, exploits special rates of different energy suppliers

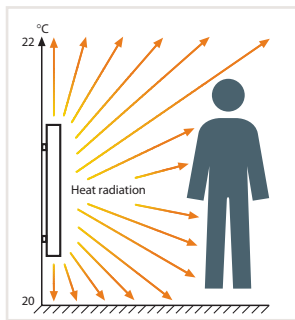
- No wear or maintenance
- Convenient temperature regulation using wireless room temperature controller (special accessory)
- 5 - 6 power variants for each stone type – the right unit for every room
- With heat reflector plate for wall mounting

Installation

- For vertical or horizontal wall mounting
- Permanent connection, invisible electric connection behind panel, 1.3 m long connection cable
- If using wireless room temperature controller, just one socket is needed for operation

The stones in AEG Natural stone heaters have developed over millions of years through natural processes. The slabs are natural products and are broken down into stone fragments in a lengthy process. Every heater is unique. Something which is documented by the different colours and patterns on each heater. These are not defects

USEFUL INFORMATION ABOUT NATURAL STONE HEATERS



Comfortable heat

Direct radiation heat feels very pleasant. Tiled stoves operate on the same principle. They transfer heat without any air movement and therefore without stirring up any dust.

Less energy

People find radiation heat given off by natural stone heaters, low-temperature convectors and radiant heaters to be warmer than the heat given off by convection heaters. The room temperature can therefore be set around 2 °C lower without people noticing the difference and energy savings of around 10–15% can be made compared with standard convectors

What is the difference between radiation heat and convection heat?

Natural stone heaters, low-temperature convectors and infrared wall-mounted radiators, also known as infrared wave heaters, have a large heating element which emits heat directly. These devices therefore give off more radiation heat than standard convectors and radiators. This directly heats up objects and people in the room without having to first pass through the air in the room.

Special shapes with AEG Natural stone heaters

In order to satisfy individual design requests, AEG Haustechnik provides the following services for Natural stone heaters:

1. Special dimensions

On request, AEG Haustechnik can produce Natural stone heaters in special shapes and deviating sizes, to suit your designs.

2. Individual types of stone

If requested by the customer, AEG Haustechnik can also produce heaters from other suitable types of stone.

How do I use a natural stone heater as my only heating system?

The thermal mass of stone means that a natural stone heater can be used as partial storage heating. Many energy suppliers offer special rates, not available during the brief periods of peak load, for this kind of heating. You first have to calculate how much heat is needed in order to determine the heating capacity required and then the number and size of units. The EnEV should be noted.

AEG Haustechnik is happy to assist and will gladly produce a complete quotation, please call +49 5531 702-0

Convection heaters mainly emit heat to the ambient air. This form of heating produces air movement (convection) which gradually heats the room.

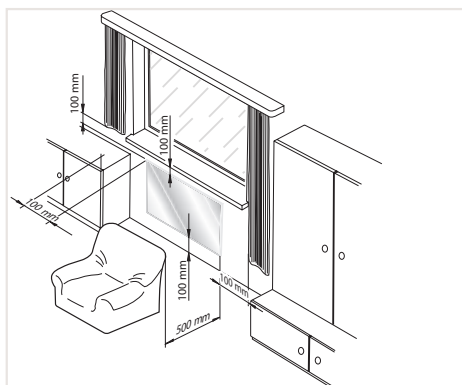
3. Window sill service

Window sills, worktops or floor tiles can also be produced from the same type of stone to match the Natural stone heating.

4. Engraving service

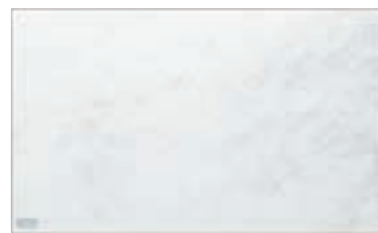
On request, the Natural stone heaters can also be supplied with individual engravings such as writing or company logos.

Contact your AEG field contact for more information



VOLAKAS

- Fine-grained stone with sugar grain surface, light bleached background, with grey, cloud-like marbling. Quarried near Drama.
- Used as wall cladding, in bathrooms and shops.
- The most important stone export to China and the rest of the world for the last 30 years.
- Includes reflector plate



VOLAKAS (similar to illustration)

Model	VOLAKAS	NSH 35 VO	NSH 65 VO	NSH 85 VO	NSH 115 VO	NSH 145 VO	NSH 165 VO
EAN		40 41056 01588 0	40 41056 01589 7	40 41056 01590 3	40 41056 01591 0	40 41056 01592 7	40 41056 02851 4
E-Number		189 653	189 654	189 655	189 656	189 657	231 946
Technical Data							
Power supply	V	1/N/PE~230 50 Hz	1/N/PE~230 50 Hz	1/N/PE~230 50 Hz	1/N/PE~230 50 Hz	1/N/PE~230 50 Hz	1/N/PE~230 50 Hz
Connected load	W	350	650	850	1150	1450	1650
Dimensions H x W	cm	40 x 60	40 x 100	50 x 100	60 x 100	60 x 125	60 x 135
Depth / incl. projection	cm	3.0 / 7.0	3.0 / 7.0	3.0 / 7.0	3.0 / 7.0	3.0 / 7.0	3.0 / 7.0
Weight	kg	21.0	35.0	44.0	52.0	62.0	70.0

JURA

- Trade name taken from the German Jurassic mountains. Brown-grey to light-grey and pale yellow, it is quarried in the Treuchtlinger Revier.
- Used on floors, walls, stairs, window sills and for edging to floor coverings.
- Well-known throughout Central Europe for many centuries.
- Includes reflector plate

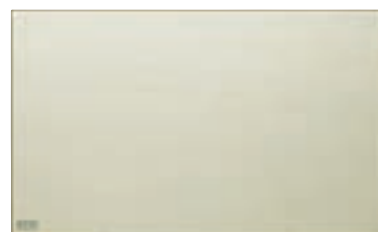


JURA (similar to illustration)

Model	JURA	NSH 35 JA	NSH 65 JA	NSH 85 JA	NSH 115 JA	NSH 145 JA	NSH 165 JA
EAN		40 41056 01583 5	40 41056 01584 2	40 41056 01585 9	40 41056 01586 6	40 41056 01587 3	40 41056 02852 1
E-Number		189 648	189 649	189 650	189 651	189 652	231 947
Technical Data							
Power supply	V	1/N/PE~230 50 Hz	1/N/PE~230 50 Hz	1/N/PE~230 50 Hz	1/N/PE~230 50 Hz	1/N/PE~230 50 Hz	1/N/PE~230 50 Hz
Connected load	W	350	650	850	1150	1450	1650
Dimensions H x W	cm	40 x 60	40 x 100	50 x 100	60 x 100	60 x 125	60 x 135
Depth / incl. projection	cm	3.0 / 7.0	3.0 / 7.0	3.0 / 7.0	3.0 / 7.0	3.0 / 7.0	3.0 / 7.0
Weight	kg	21.0	35.0	44.0	52.0	62.0	70.0

MOCCA CREME

- Beige to light-brown, slightly textured, lightly flecked with pale brown inclusions. Quarried near Lissabon.
- Used for interior cladding, flooring and furniture.
- An important export stone, mainly throughout Europe.
- Includes reflector plate



MOCCA CREME (similar to illustration)

Model	MOCCA CREME	NSH 35 MC	NSH 65 MC	NSH 85 MC	NSH 115 MC	NSH 145 MC	NSH 165 MC
EAN		40 41056 01593 4	40 41056 01594 1	40 41056 01595 8	40 41056 01596 5	40 41056 01597 2	40 41056 02853 8
E-Number		189 658	189 659	189 660	189 661	189 662	231 948
Technical Data							
Power supply	V	1/N/PE~230 50 Hz	1/N/PE~230 50 Hz	1/N/PE~230 50 Hz	1/N/PE~230 50 Hz	1/N/PE~230 50 Hz	1/N/PE~230 50 Hz
Connected load	W	350	650	850	1150	1450	1650
Dimensions H x W	cm	40 x 60	40 x 100	50 x 100	60 x 100	60 x 125	60 x 135
Depth / incl. projection	cm	3.0 / 7.0	3.0 / 7.0	3.0 / 7.0	3.0 / 7.0	3.0 / 7.0	3.0 / 7.0
Weight	kg	21.0	35.0	44.0	52.0	62.0	70.0

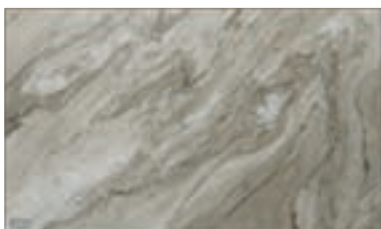


PRINOS (similar to illustration)

PRINOS

- Smooth, almost white fine-grained stone with light-grey or even pale yellow inclusions – from the Isle of Thassos.
- Used for architectural features, sculptures and interiors.
- An important export stone worldwide for more than 50 years.
- Includes reflector plate

Model	PRINOS	NSH 35 PR	NSH 65 PR	NSH 85 PR	NSH 115 PR	NSH 145 PR	NSH 165 PR
EAN		40 41056 01598 9	40 41056 01599 6	40 41056 01600 9	40 41056 01601 6	40 41056 01602 3	40 41056 02854 5
E-Number		189 663	189 664	189 665	189 666	189 667	231 949
Technical Data							
Power supply	V	1/N/PE~230 50 Hz	1/N/PE~230 50 Hz	1/N/PE~230 50 Hz	1/N/PE~230 50 Hz	1/N/PE~230 50 Hz	1/N/PE~230 50 Hz
Connected load	W	350	650	850	1150	1450	1650
Dimensions H x W	cm	40 x 60	40 x 100	50 x 100	60 x 100	60 x 125	60 x 135
Depth / incl. projection	cm	3.0 / 7.0	3.0 / 7.0	3.0 / 7.0	3.0 / 7.0	3.0 / 7.0	3.0 / 7.0
Weight	kg	21.0	35.0	44.0	52.0	62.0	70.0



PALISANDRO (similar to illustration)

PALISANDRO

- Fine-grained crystalline rock in brownish hues, sometimes patterned with cloudy, wavy or striped concentrations of vibrant brown tints. High mica content.
- Background shades of light to dark-brown or blue-grey.
- Used for architectural features, wall cladding, furniture or as thin tiles.
- Exported worldwide for around 40 years.
- Includes reflector plate

Model	PALISANDRO	NSH 35 PA	NSH 65 PA	NSH 85 PA	NSH 115 PA	NSH 145 PA
EAN		40 41056 01608 5	40 41056 01609 2	40 41056 01610 8	40 41056 01611 5	40 41056 01612 2
E-Number		189 673	189 674	189 675	189 676	189 677
Technical Data						
Power supply	V	1/N/PE~230 50 Hz	1/N/PE~230 50 Hz	1/N/PE~230 50 Hz	1/N/PE~230 50 Hz	1/N/PE~230 50 Hz
Connected load	W	350	650	850	1150	1450
Dimensions H x W	cm	40 x 60	40 x 100	50 x 100	60 x 100	60 x 125
Depth / incl. projection	cm	3.0 / 7.0	3.0 / 7.0	3.0 / 7.0	3.0 / 7.0	3.0 / 7.0
Weight	kg	21.0	35.0	44.0	52.0	62.0



SYLVIA ANTIK (similar to illustration)

SYLVIA ANTIK

- Beige to light-brown limestone – almost no marbling – is hammered or brushed, creating an attractive antique effect.
- Used in interiors – particularly suitable for wood cladding or rustic interiors.
- Important export stone – mainly throughout Europe.
- Includes reflector plate

Model	SYLVIA ANTIK	NSH 35 SA	NSH 65 SA	NSH 85 SA	NSH 115 SA	NSH 145 SA	NSH 165 SA
EAN		40 41056 01603 0	40 41056 01604 7	40 41056 01605 4	40 41056 01606 1	40 41056 01607 8	40 41056 02408 0
E-Number		189 668	189 669	189 670	189 671	189 672	223 308
Technical Data							
Power supply	V	1/N/PE~230 50 Hz	1/N/PE~230 50 Hz	1/N/PE~230 50 Hz	1/N/PE~230 50 Hz	1/N/PE~230 50 Hz	1/N/PE~230 50 Hz
Connected load	W	350	650	850	1150	1450	1650
Dimensions H x W	cm	40 x 60	40 x 100	50 x 100	60 x 100	60 x 125	60 x 135
Depth / incl. projection	cm	3.0 / 7.0	3.0 / 7.0	3.0 / 7.0	3.0 / 7.0	3.0 / 7.0	3.0 / 7.0
Weight	kg	21.0	35.0	44.0	52.0	62.0	70.0

BLUE PEARL (LABRADOR)

- Grey-blue, coarse-grained stone of regular texture. Its structure reflects light so that some crystals sparkle light blue depending on angle and position.
- Used for architectural features, sculptures and on façades, also a valued ornamental stone.
- Exported worldwide since 1880 – in every major city façades, shop fronts and foyers feature this stone.
- Includes reflector plate



BLUE PEARL (LABRADOR) (similar to illustration)

Model	BLUE PEARL (LABRADOR)	NSH 35 LA	NSH 65 LA	NSH 85 LA	NSH 115 LA	NSH 145 LA
EAN		40 41056 01613 9	40 41056 01614 6	40 41056 01615 3	40 41056 01616 0	40 41056 01617 7
E-Number		189 678	189 679	189 680	189 681	189 682
Technical Data						
Power supply	V	1/N/PE~230 50 Hz	1/N/PE~230 50 Hz	1/N/PE~230 50 Hz	1/N/PE~230 50 Hz	1/N/PE~230 50 Hz
Connected load	W	350	650	850	1150	1450
Dimensions H x W	cm	40 x 60	40 x 100	50 x 100	60 x 100	60 x 125
Depth / incl. projection	cm	3.0 / 7.0	3.0 / 7.0	3.0 / 7.0	3.0 / 7.0	3.0 / 7.0
Weight	kg	21.0	35.0	44.0	52.0	62.0

VARIOS

- Fine, sugar-grain stone with light background hue – characterised by dark-grey cloudy marbling, with a hint of brown here and there – quarried near Drama.
- Used in living rooms, dining rooms, bathrooms and for shop interiors.
- The most important stone export to China and the rest of the world for the last 30 years.
- Includes reflector plate



VARIOS (similar to illustration)

Model	VARIOS	NSH 35 VA	NSH 65 VA	NSH 85 VA	NSH 115 VA	NSH 145 VA	NSH 165 VA
EAN		40 41056 01718 1	40 41056 01719 8	40 41056 01720 4	40 41056 01721 1	40 41056 01722 8	40 41056 02407 3
E-Number		189 876	189 877	189 878	189 879	189 880	223 307
Technical Data							
Power supply	V	1/N/PE~230 50 Hz	1/N/PE~230 50 Hz	1/N/PE~230 50 Hz	1/N/PE~230 50 Hz	1/N/PE~230 50 Hz	1/N/PE~230 50 Hz
Connected load	W	350	650	850	1150	1450	1650
Dimensions H x W	cm	40 x 60	40 x 100	50 x 100	60 x 100	60 x 125	60 x 135
Depth / incl. projection	cm	3.0 / 7.0	3.0 / 7.0	3.0 / 7.0	3.0 / 7.0	3.0 / 7.0	3.0 / 7.0
Weight	kg	21.0	35.0	44.0	52.0	62.0	70.0

TOWEL RAILS FOR NATURAL STONE HEATINGS

- High-quality, chrome-plated towel rail
- Easy to install
- Installed width: 32 cm
- Upper towel rail: 50 cm
- Lower towel rail: 60 cm



NSH HT Chrom

Model	NSH HT Chrom
EAN	40 41056 02535 3
E-Number	228 958
Description	Towel rail



Area of use

- The glass heating: an attractive heating system in a choice design
- As an efficient heating system for spring and autumn
- Ideal for covering additional heat demand in the living space, bathroom, hallway or in utility rooms

Components

- Glass fronting with large radiation panel spreads pleasant and even heat across the room without creating noise or air turbulence
- Space saving heating system; only 5 cm wall clearance

- Integral on/off switch
- Fully wired
- Free of wear and maintenance
- Convenient room temperature controller for setting time and temperature (accessory)

Installation

- Straightforward and stable wall mounting by one person only
- The wall mounting bracket is fitted to the wall separately from the appliance and can be readjusted later
- Due to the all-round bezel on the back of the appliance, the wall mounting bracket and power supply are no longer visible post-installation

USEFUL INFORMATION ABOUT GLASS HEATERS

Comfortable heat

Direct radiation heat feels very pleasant. Tiled stoves operate on the same principle. They transfer heat without any air movement and therefore without stirring up any dust.

Less energy

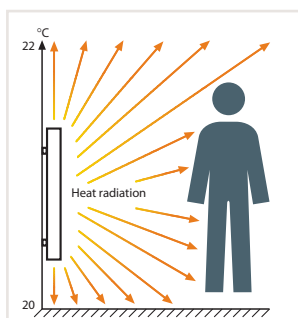
People find radiation heat given off by glass heaters, low-temperature convectors and radiant heaters to be warmer than the heat given off by convection heaters. The room temperature can therefore be set around 2 °C lower without people noticing the difference and energy savings of around 10–15% can be made compared with standard convectors

AEG Haustechnik is happy to assist and will gladly produce a complete quotation, please call +49 5531 702-0

USEFUL INFORMATION ABOUT CRYSTAL MIRROR GLASS HEATER

Crystal mirror glass heater

The crystal mirror glass heater is suitable for use in bathrooms, hallways and dressing rooms as a convenient auxiliary heater. It can fully replace a conventional mirror.



What is the difference between radiation heat and convection heat?

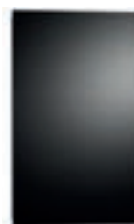
Natural stone heaters, glass heaters, low-temperature convectors and infrared wall-mounted radiators, also known as infrared wave heaters, have a large heating element which emits heat directly. These devices therefore give off more radiation heat than standard convectors and radiators. This directly heats up objects and people in the room without having to first pass through the air in the room.

Convection heaters mainly emit heat to the ambient air.

This form of heating produces air movement (convection) which gradually heats the room.

GLASS HEATER BLACK – NEW –

- Wall mounted radiant heater with glass fronting, frameless
- Even surface temperatures
- Perfectly suited as spot or transitional heater in the bathroom, living space or hallway
- Fully wired
- Straightforward installation by one person only
- May be mounted horizontally or vertically
- On/off switch
- High safety level through 2 high limit safety cut-outs
- 1.05 m long power cable



GH 500 S

Model		GH 300 S	GH 500 S	GH 700 S	GH 900 S
EAN		40 41056 03129 3	40 41056 03130 9	40 41056 03131 6	40 41056 03132 3
E-Number		234 434	234 435	234 436	234 437
Technical Data					
Power supply	V	1/N/PE~230 50 Hz	1/N/PE~230 50 Hz	1/N/PE~230 50 Hz	1/N/PE~230 50 Hz
Type of protection		IP 24	IP 24	IP 24	IP 24
Connected load	W	300	500	700	900
Dimensions H x W	cm	60 x 60	60 x 100	60 x 140	60 x 180
Weight	kg	7.8	13.0	18.2	23.4

GLASS HEATER WHITE – NEW –

- Wall mounted radiant heater with glass fronting, frameless
- Even surface temperatures
- Perfectly suited as spot or transitional heater in the bathroom, living space or hallway
- Fully wired
- Straightforward installation by one person only
- May be mounted horizontally or vertically
- On/off switch
- High safety level through 2 high limit safety cut-outs
- 1.05 m long power cable



GH 500 W

Model		GH 300 W	GH 500 W	GH 700 W	GH 900 W
EAN		40 41056 03133 0	40 41056 03134 7	40 41056 03135 4	40 41056 03136 1
E-Number		234 438	234 439	234 440	234 441
Technical Data					
Power supply	V	1/N/PE~230 50 Hz	1/N/PE~230 50 Hz	1/N/PE~230 50 Hz	1/N/PE~230 50 Hz
Type of protection		IP 24	IP 24	IP 24	IP 24
Connected load	W	300	500	700	900
Dimensions H x W	cm	60 x 60	60 x 100	60 x 140	60 x 180
Weight	kg	7.8	13.0	18.2	23.4

CRYSTAL MIRROR GLASS HEATER – NEW –

- Wall mounted radiant heater with glass fronting, frameless
- Even surface temperatures
- Perfectly suited as spot or transitional heater in the bathroom, living space or hallway
- Can be used as a replacement for conventional bathroom mirrors
- Fully wired
- Straightforward installation by one person only
- May be mounted horizontally or vertically
- On/off switch
- High safety level through 2 high limit safety cut-outs
- 1.05 m long power cable



GH 300 K

Model		GH 300 K	GH 500 K	GH 700 K	GH 900 K
EAN		40 41056 03137 8	40 41056 03138 5	40 41056 03139 2	40 41056 03140 8
E-Number		234 442	234 443	234 444	234 445
Technical Data					
Power supply	V	1/N/PE~230 50 Hz	1/N/PE~230 50 Hz	1/N/PE~230 50 Hz	1/N/PE~230 50 Hz
Type of protection		IP 24	IP 24	IP 24	IP 24
Connected load	W	300	500	700	900
Dimensions H x W	cm	60 x 60	60 x 100	60 x 140	60 x 180
Weight	kg	7.8	13.0	18.2	23.4

Available in the 2nd quarter 2016



RTF-D

WIRELESS ROOM TEMPERATURE CONTROLLER RTF-D

- Wireless room temperature controller with weekly program and digital display
- Convenient control of heating system without laborious cabling
- Easy and intuitive to program
- 5 operating modes available
- Can be used as the master in master/slave operations (pilot control)
- Wireless range inside buildings approx. 25 m
- Temperature can be set to between 5 °C and 30 °C
- May be used for mounting on finished walls or as hand-held transmitter
- Power supply 3 x Micro AAA 1.5 V, part of the standard delivery (3rd battery for backlit display)
- Protection class III, Type of protection IP 30
- Dimensions: 110 x 26 x 110,7 mm, Color: pure white, similar to RAL 9010



RTF-A

WIRELESS ROOM TEMPERATURE CONTROLLER RTF-A

- Wireless room temperature controller with set value adjuster
- Convenient control of heating system without laborious cabling
- 2 operating modes available
- Wireless range inside buildings approx. 25 m
- Temperature adjustment from 5 to 30 °C
- May be used for mounting on finished walls or as hand-held transmitter
- Power supply 2 x Micro AAA 1.5 V, part of the standard delivery
- Protection class III, Type of protection IP 30
- Dimensions: 78,3 x 25,5 x 83,4 mm, Color: pure white, similar to RAL 9010



RTF-SE

SOCKET-TYPE RECEIVER RTF-SE

- Socket receiver, operation with glass or natural stone heaters via an existing socket; ideal for retrofitting
- Self-learn key for easily establishing the wireless connection
- Reliable wireless transfer at 868 MHz
- LED to indicate the current state
- Emergency mode in the case of permanently interrupted wireless connection
- IP 30 protection, safety category II, for consumers in safety category I and II
- Maximum switching current 13 A
- Dimensions: 58,5 x 39 x 126 mm, Color: pure white, similar to RAL 9010



RTF-E UP

FLUSH-MOUNTED RECEIVER RTF-E UP

- Receiver for mounting on unfinished walls with integral strain relief for permanently connecting a storage heater, glass or natural stone heater
- Self-learn key for easily establishing the wireless connection
- Reliable wireless transfer at 868 MHz
- LED to indicate the current state
- Emergency mode in the case of permanently interrupted wireless connection
- IP 30 protection, safety category II, for consumers in safety category I and II
- Maximum switching current 11 A, from 30 °C ambient temperature, 7,5 A
- Dimensions: 81 x 42,5 x 85 mm, Color: pure white, similar to RAL 9010



RTF-E AP

SURFACE-MOUNTED RECEIVER RTF-E AP

- Receiver for mounting on unfinished walls with integral strain relief for permanently connecting a storage heater, glass or natural stone heater
- Self-learn key for easily establishing the wireless connection
- Reliable wireless transfer at 868 MHz
- LED to indicate the current state
- Emergency mode in the case of permanently interrupted wireless connection
- IP 30 protection, safety category II, for consumers in safety category I and II
- Maximum switching current 13 A
- Dimensions: 78,3 x 25,5 x 83,4 mm, Color: pure white, similar to RAL 9010

Model	RTF-D	RTF-A	RTF-SE	RTF-E UP	RTF-E AP
EAN	40 41056 03032 6	40 41056 03033 3	40 41056 03126 2	40 41056 03034 0	40 41056 03035 7
E-Number	233 862	233 863	234 446	233 864	233 865
Description	Wireless room temperature controller with weekly program	Wireless room temperature controller	Socket-type wireless receiver	Wireless receiver, flush-mounted	Wireless receiver, surface-mounted

ELECTRONIC 2-POINT ROOM TEMPERATURE CONTROLLER

- Electronic 2-point room temperature controller (RTE 900 SN)
- Temperature set to between around 5 °C and 40 °C (RTE 900 SN) or around 5 °C and 30 °C (RTE 5050 SN)
- With 2-pin mains switch (RTE 900 SN 1-polig)
- With control LED
- Temperature can be reduced using separate timer
- For flush-mounted assembly in 55-type flush-mounted socket
- **RTE 900 SN:** Suitable for the following switch programs: Busch Jaeger Reflex SI polished alpine white, Merten Atelier 3971 19 polar white and Merten M1 3971 18 RAL 9010 polished
- **RTE 5050 SN:** Installation dimensions of 50 x 50 mm, suitable for virtually all switch programs
- Temperature set to between around 5 °C and 30 °C
- With control LED
- Temperature can be reduced using separate timer
- For flush-mounted assembly in 55-type flush-mounted socket
- Installation dimensions of 50 x 50 mm, suitable for virtually all switch programs



RTE 900 SN



RTE 5050 SN

2-POINT ROOM TEMPERATURE CONTROLLER

- Thermal feedback for high control accuracy and low switching hysteresis
- Temperature can be set to between around 5 °C and 30 °C
- Modern, functional design, in pure white
- With 1-pin ON/OFF mains switch
- Temperature can be reduced using separate timer
- With telltale
- With adjustable restriction of range
- For surface mounting on flush-mounting socket Ø 55 mm
- Thermal feedback for high control accuracy and low switching hysteresis
- Temperature can be set to between around 5 °C and 30 °C
- Modern, functional design, in pure white
- Temperature can be reduced using separate timer
- With telltale
- With adjustable restriction of range
- For surface mounting on flush-mounting socket Ø 55 mm
- Thermal feedback for high control accuracy and low switching hysteresis
- Temperature can be set to between around 5 °C and 30 °C
- Modern, functional design, in pure white
- With 1-pin ON/OFF mains switch
- Temperature can be reduced using separate timer
- With telltale
- With adjustable restriction of range
- For flush mounting in flush-mounting socket Ø 55 mm



RT 601 SN



RT 600



RT 5050 SN / RT 5050

Model	RTE 900 SN	RTE 5050 SN	RT 601 SN	RT 600	RT 5050 SN	RT 5050
EAN	40 14890 75305 8	40 41056 02405 9	40 41056 02398 4	40 41056 02397 7	40 41056 02403 5	40 41056 02402 8
E-Number	184 868	223 305	223 298	223 297	223 303	223 302
Component	Mains switch	Mains switch	Mains switch	–	Mains switch	–
Installation	flush-mounted	flush-mounted	surface-mounted	surface-mounted	flush-mounted	flush-mounted
Switching current/cap. A/W	16/3600	16/3600	10/2300	16/3600	10/2300	10/2300



Area of use

- Low procurement costs and the rapid output of heat are the benefits of convectors.
- They are excellent forms of supplementary heating for bathrooms, kitchens and offices during transition periods.
- But convectors are also a great choice as the only form of heating in rooms, holiday apartments or offices which are only used occasionally.
- Another popular area of use for convectors is in mobile facilities such as office containers, mobile fast-food outlets, on-the-road businesses and much more.
- The frost stat warms smaller exterior rooms, thereby protecting water pipes and sensitive goods against frost damage

Components

- All AEG convectors are fitted with continuously variable temperature control
- The wide range of products available from AEG features the right unit for any purpose and comfort requirement

Installation

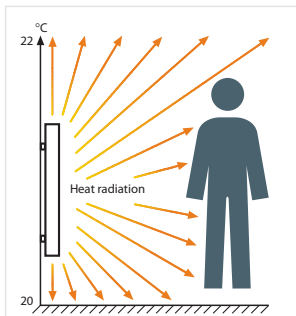
- The units are fitted to the wall with separate metal brackets (the upright convectors can also be operated as standalone units)
- WKL wall-mounted convectors and upright convectors are plug-in variants. The NKE low-temperature convectors and KLE convector strip heaters have a feed cable for permanently connecting to the mains

USEFUL INFORMATION ABOUT DIRECT HEATERS

Infrared short-wave radiant heaters – (direct) heat in a flash with unlimited scope for use

The new range of AEG radiant heaters brings a whole new dimension to targeted and effective heating. The pioneering short-wave technology provides cosy temperatures at the touch of a button – saving energy and without any thermal losses.

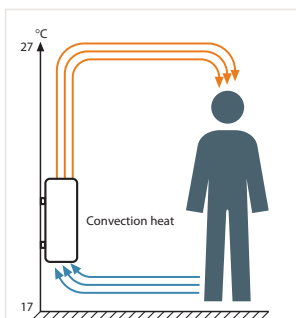
With a power range of 1.5–6 kW, they offer individual heat for balconies and garages, converted basements and outdoor seating areas in the catering and commercial sector. High-frequency infrared wave radiators produce no zeros, are silent, odourless, weather-proof and good-looking units just waiting to be plugged in.



What is the difference between radiation heat and convection heat?

Natural stone heaters, glass heaters, low-temperature convectors and infrared wall-mounted radiators, also known as infrared wave heaters, have a large heating element which emits heat directly. These devices therefore give off more radiation heat than standard convectors and radiators. This directly heats up objects and people in the room without having to first pass through the air in the room.

Convection heaters mainly emit heat to the ambient air. This form of heating produces air movement (convection) which gradually heats the room.



INFRARED WAVE CONVECTORS NKE

- Infrared wave unit with pleasant, large amount of heat radiated for high levels of snugness
- Even distribution of heat through use of radiators offering large surfaces
- Aluminium radiators
- Continuously variable, electronic temperature control with maximum control accuracy of ± 0.1 °C
- Various heating programs can be set, includes frost protection setting
- ECO mode: reduction of 3.5 °C from comfort temperature
- High safety standard thanks to IP 24 splash protection and protection class II
- Flat design: just 12 cm deep, requires little space
- Operating element on top side on right
- Telltale for heating mode
- For horizontal installation, with separate zinc-plated wall bracket
- Connection with shaped plug
- With automatic thermal fuse
- Metal housing, colour: white RAL 9016
- Connection: 1/N~230 V 50 Hz



NKE 103



Model		NKE 103	NKE 153	NKE 203
EAN		40 41056 03224 5	40 41056 03225 2	40 41056 03226 9
E-Number		234 817	234 818	234 819
Dimensions				
Height	cm	450	450	450
Width	cm	595	815	1035
Depth + projection	cm	98 + 22	98 + 22	98 + 22
Technical Data				
Power supply	V	1/N~230 50 Hz	1/N~230 50 Hz	1/N~230 50 Hz
Output	W	1000	1500	2000
With blower		–	–	–
Connection type		Shaped plug	Shaped plug	Shaped plug
Length of connection cable		approx. 1 m	approx. 1 m	approx. 1 m
Type of protection		IP 24	IP 24	IP 24
Weight	kg	6.0	8.1	10.2
Palett: NKE 103 - 20 items; NKE 153 - 13 items; NKE 203 - 11 items				

**DUO-CONVECTORS DKE
(RADIANT AND CONVECTION HEATERS)**



DKE 150

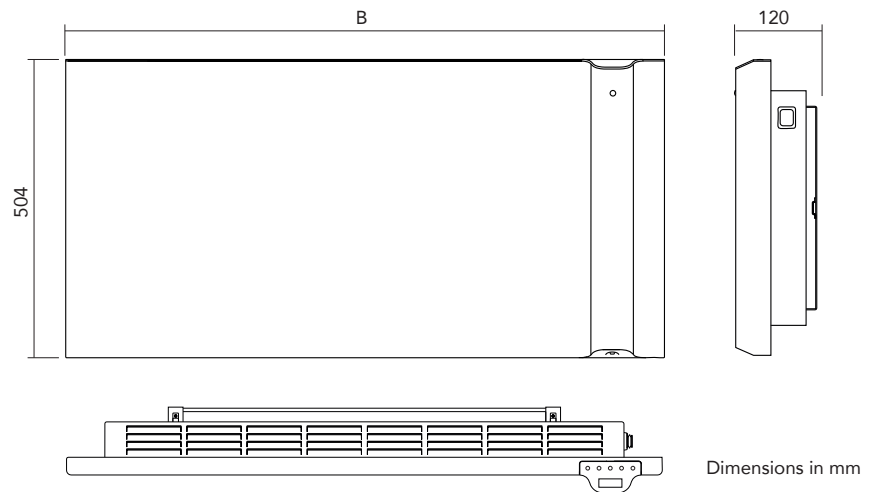


DKE operating element

Display:
Set temperature

- Symbols:**
- Appliance is heating (bottom left)
 - Comfort mode (top left)
 - Efficiency of the selected set temperature (arrow points to the respective efficiency bar on a scale of green to red)

- Radiant panel heaters and convection heaters with pleasant, large area heat radiation for high levels of comfort
- Even heat distribution through large area heater panel
- Two heating systems in a single appliance
- Highly accurate temperature adjustment through user friendly keypad
- Straightforward and practical seven-day programming with three preset programs – one for day-to-day, one for the office and one for weekends away
- Movement sensor which automatically reduces the room temperature when nobody is present
- Economy safety function which puts the appliance into frost protection mode when a window has been left open accidentally
- Indicator displays the power consumption
- **Color: white RAL 9010**



Model		DKE 75	DKE 100	DKE 150	DKE 200
EAN		40 41056 03230 6	40 41056 03231 3	40 41056 03232 0	40 41056 03233 7
E-Number		234 823	234 824	234 825	234 826
Dimensions					
Width B	mm	675	790	1010	1240
Technical Data					
Power supply	V	1/N~230 50 Hz	1/N~230 50 Hz	1/N~230 50 Hz	1/N~230 50 Hz
Output	W	750	1000	1500	2000
Connection type		Shaped plug	Shaped plug	Shaped plug	Shaped plug
Type of protection		IP 24	IP 24	IP 24	IP 24
Weight	kg	6.7	7.7	9.7	11.5
Palett: DKE 75 - DKE 100: 16 Items; DKE 150 - DKE 200: 8 Items					

MOBILE RADIANT HEATER

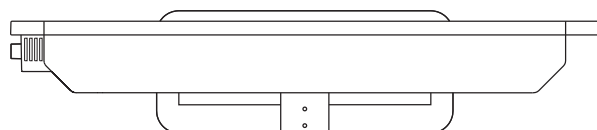
- Radiant panel heater with pleasant, large area heat radiation for high levels of comfort
- Even heat distribution through large area heater panel
- Two output stages, controlled by the adjustable room thermostat (750 W/1500 W)
- Heating indicator
- Control indicator
- Integral mechanical room temperature controller
- Grip mould at the back for easy handling
- Easy to fit wall mounting bracket
- "Dark grey Pantone 425 C" colour; grille in silver
- **IP 24, protection class II**
- Including cable tidy
- Contemporary design
- Pleasant radiated heat



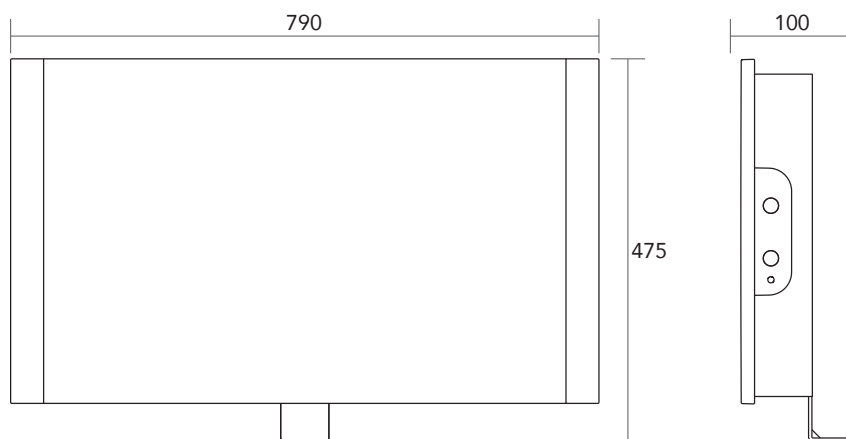
SHG 150



SHG 150 user interface



Dimensions in mm



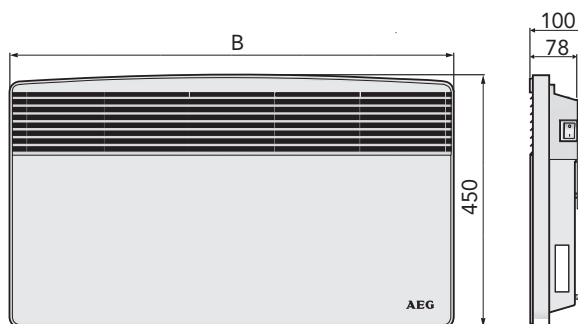
Model	SHG 150	
EAN	40 41056 03235 1	
E-Number	234 828	
Technical Data		
Power supply	V	1/N~230 50 Hz
Output	W	1500
Output stages	W	750 / 1500
With blower		-
Connection type		Shaped plug
Type of protection		IP 24
Weight	kg	6.9
Palett: 21 Items		

**WALL-MOUNTED CONVECTORS WKL
WITH MECHANICAL ROOM TEMPERATURE CONTROLLER**



WKL 2003 S

- Output graded to meet demand
- Temperature selected in continuously variable manner between 6 °C and 30 °C, with frost protection setting
- The temperature controller can be limited
- Mechanical temperature controller
- High-quality stainless steel heater with aluminium fins
- ON/OFF switch on top right of unit
- Operating elements can be read from above
- Separate mounting bracket
- Splash protection IP 24, protection class II
- Housing and fan grate colour: alpine white, similar to RAL 9016
- With automatic reset thermal fuse
- Connection with shaped plug, feed cable 1 m
- VDE, VDE/GS, CE



Dimensions in mm

Model	WKL 503 S	WKL 753 S	WKL 1003 S	WKL 1503 S	WKL 2003 S	WKL 2503 S	WKL 3003 S	
EAN	40 41056 02117 1	40 41056 02118 8	40 41056 02119 5	40 41056 02121 8	40 41056 02123 2	40 41056 02124 9	40 41056 02125 6	
E-Number	220 996	220 997	220 998	221 000	221 002	221 003	221 004	
Dimensions								
Width B	mm	370	445	445	590	740	890	1040
Technical Data								
Power supply	V	1/N~230 50 Hz	1/N~230 50 Hz	1/N~230 50 Hz	1/N~230 50 Hz	1/N~230 50 Hz	1/N~230 50 Hz	
Output	W	500	750	1000	1500	2000	3000	
With blower		-	-	-	-	-	-	
Connection type		Shaped plug	Shaped plug	Shaped plug	Shaped plug	Shaped plug	Shaped plug	
Type of protection		IP 24	IP 24	IP 24	IP 24	IP 24	IP 24	
Weight	kg	3.8	4.4	4.4	5.7	6.8	9.4	
Palett: WKL 503 S 84 items; WKL 753 S 72 items; WKL 1003 S 72 items; WKL 1503 S 56 items; WKL 2003 S 31 items; WKL 2503 S 34 items; WKL 3003 S 28 items								

WALL-MOUNTED CONVECTORS WKL WITH ELECTRONIC ROOM TEMPERATURE CONTROLLER

- Electronic room temperature controller
- Rotary switch for frost protection (around 7°C), ECO: Night-time reduction of around 3 °C during eco mode, 120 min-timer for comfort mode
- User interface with cover flap and LED display for ECO, frost protection and heating mode
- Temperature selected in continuously variable manner between 6 °C and 30 °C, with frost protection setting around 7 °C
- High-quality stainless steel heater with aluminium fins
- ON/OFF switch on top right of unit
- Operating elements can be read from above
- Separate mounting bracket
- Splash protection IP 24, protection class II
- Housing and fan grate colour: alpine white, similar to RAL 9016
- With automatic reset thermal fuse
- Connection with shaped plug, feed cable 1 m
- VDE, VDE/EMV, CE



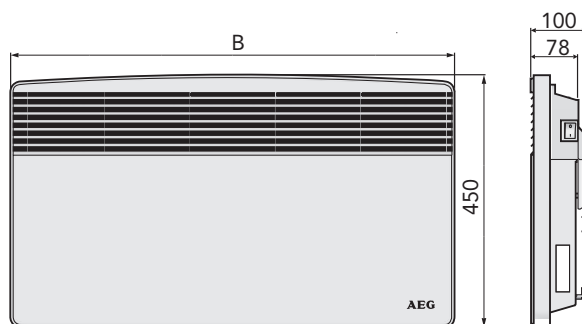
WKL 2003 SE

Electronic room temperature controller

- ON/OFF switch, omnipolar
- Operating modes: frost protection, ECO mode, comfort mode, automatic
- Excellent control characteristics for the following:
 - High levels of user convenience
 - Energy savings as a result of room temperature reduction
- Power cable with mains plug
- Stainless steel body with aluminium fins for improved heat dissipation



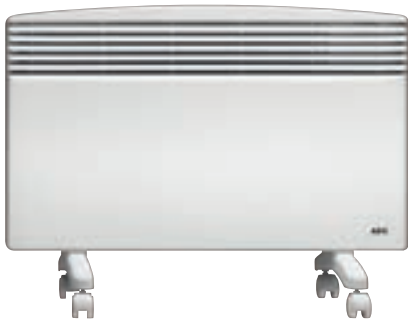
WKL ... SE operating element



Dimensions in mm

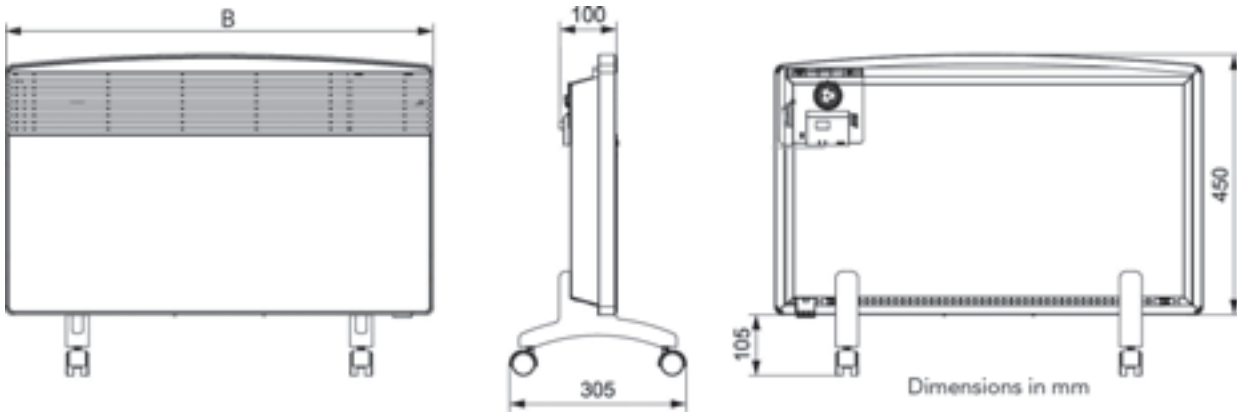
Model	WKL 503 SE	WKL 753 SE	WKL 1003 SE	WKL 1503 SE	WKL 2003 SE	WKL 2503 SE	WKL 3003 SE	
EAN	40 41056 02656 5	40 41056 02608 4	40 41056 02609 1	40 41056 02610 7	40 41056 02611 4	40 41056 02612 1	40 41056 02613 8	
E-Number	229 758	229 759	229 760	229 761	229 762	229 763	229 764	
Dimensions								
Width B	mm	370	445	445	590	740	890	1040
Technical Data								
Power supply	V	1/N~230 50 Hz	1/N~230 50 Hz	1/N~230 50 Hz	1/N~230 50 Hz	1/N~230 50 Hz	1/N~230 50 Hz	
Output	W	500	750	1000	1500	2000	2500	3000
With blower		–	–	–	–	–	–	
Connection type		Shaped plug	Shaped plug	Shaped plug	Shaped plug	Shaped plug	Shaped plug	
Type of protection		IP 24	IP 24	IP 24	IP 24	IP 24	IP 24	
Weight	kg	3.8	4.4	4.4	5.7	6.8	8.1	9.4
Palett: WKL 503 SE 84 items; WKL 753 SE 72 items; WKL 1003 SE 72 items; WKL 1503 SE 56 items; WKL 2003 SE 37 items; WKL 2503 SE 34 items; WKL 3003 SE 28 items								

FREE STANDING FLASH WALL-MOUNTED CONVECTORS WKL WITH MECHANICAL ROOM TEMPERATURE CONTROLLER



WKL 2003 F

- Mechanical temperature controller
- Includes feet with castors
- With fitted pendulum switch as protection from tipping
- Temperature selected in continuously variable manner between 6 °C and 30 °C, with frost protection setting around 7 °C
- The temperature controller can be limited
- High-quality stainless steel heater with aluminium fins
- ON/OFF switch on top right of unit
- Operating elements can be read from above
- Separate mounting bracket
- Splash protection IP 24, protection class II
- Housing and fan grate colour: alpine white, similar to RAL 9016
- With automatic reset thermal fuse
- Connection with shaped plug, feed cable 1.5 m
- TÜV/GS, CE
- Output graded to meet demand



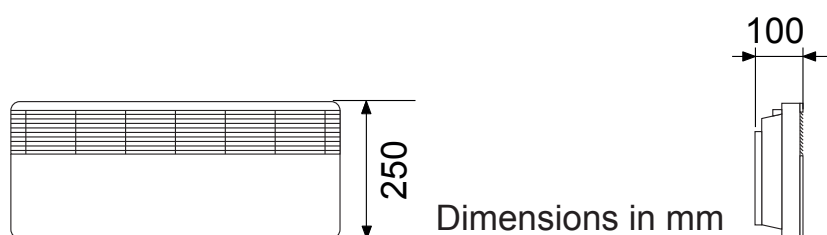
Model	WKL 753 F	WKL 1003 F	WKL 1503 F	WKL 2003 F	WKL 2503 F	
EAN	40 41056 02626 8	40 41056 02627 5	40 41056 02628 2	40 41056 02629 9	40 41056 02630 5	
E-Number	229 796	229 797	229 798	229 799	229 800	
Dimensions						
Width B	mm	445	445	590	740	890
Technical Data						
Power supply	V	1/N~230 50 Hz	1/N~230 50 Hz	1/N~230 50 Hz	1/N~230 50 Hz	1/N~230 50 Hz
Output	W	750	1000	1500	2000	2500
With blower		-	-	-	-	-
Connection type		Shaped plug	Shaped plug	Shaped plug	Shaped plug	Shaped plug
Type of protection		IP 24	IP 24	IP 24	IP 24	IP 24
Weight	kg	4.7	4.7	6.1	7.1	8.4
Palett: WKL 753 F 46 items; WKL 1003 F 48 items; WKL 1503 F 37 items; WKL 2003 F 34 items; WKL 2503 F 28 items						

PLINTH CONVECTOR HEATERS KLE

- Low installation height, just 25 cm high, especially for fitting under low window parapets
- Temperature can be set in continuously variable manner to between around 10 °C and 30 °C, temperature controller can be limited
- High control accuracy thanks to electronic temperature controller
- Sliding switch for 0 position, frost protection (7° C), programme, ECO and comfort mode
- Night-time reduction of around 3.5 °C during ECO mode
- High-quality stainless steel heater with aluminium fins
- With automatic reset thermal fuse
- Protection class II, splash protection IP 24
- Color: white RAL 9016
- Permanent connection, 1 m feed cable



KLE 1002



Model		KLE 502	KLE 1002
EAN		40 41056 01703 7	40 41056 01704 4
E-Number		189 771	189 772
Dimensions			
Height	mm	250	250
Width	mm	662	1110
Depth + projection	mm	78 + 22	78 + 22
Technical Data			
Power supply	V	1/N~230 50 Hz	1/N~230 50 Hz
Output	W	500	1000
With blower		–	–
Connection type		Permanent connection	Permanent connection
Type of protection		IP 24	IP 24
Weight	kg	4.0	5.9
Palett: KLE 502 27 items; KLE 1002 18 items			

BATHROOM HEATERS BHG



BHG 750 W



BHG 1000 W



Operating element **BHG 750 W**

BHG 750 W, BHG 1000 W:

- Bathroom heater and towel dryer in one
- Metal housing
- Electrical temperature control
- Temperature controller can be set infinitely variably between frost protection and approx. 30 °C
- ON/OFF switch
- Splash-protected design IP 24, protection class II
- Simple installation
- Connection with shaped plug, feed cable 1 m
- Color: white, RAL 9016
- Connection: 1/N~230 V 50 Hz
- 2 hour boost function for constant operation. May be saved as day program.
- Stainless steel immersion heater
- LED indicator for boost and heating mode
- Incl. two bathrobe hooks
- Additional bathrobe hooks available as spare parts



BHG 750 C



Operating element **BHG 750 C**

BHG 750 C:

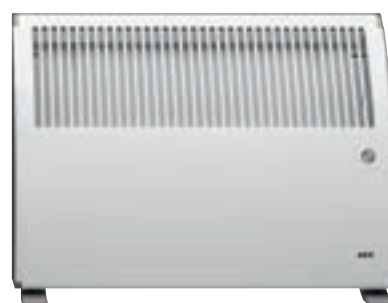
- Bathroom heater and towel dryer in one
- Metal housing
- Electrical temperature control
- Temperature controller can be set infinitely variably between frost protection and approx. 30 °C
- ON/OFF switch
- Splash-protected design IP 24, protection class II
- Simple installation
- Connection with shaped plug, feed cable 1 m
- Color: chrome
- Connection: 1/N~230 V 50 Hz
- 2 hour boost function for constant operation. May be saved as day program.
- Stainless steel immersion heater
- LED indicator for boost and heating mode
- Incl. two bathrobe hooks
- Additional bathrobe hooks available as spare parts

Model		BHG 750 W (white)	BHG 1000 W (white)	BHG 750 C (chrome)
EAN		40 41056 02855 2	40 41056 03031 9	40 41056 02856 9
E-Number		231 950	233 861	231 951
Dimensions				
Height	mm	1453	1781	1658
Width	mm	480	550	600
Depth	mm	100	115	110
Technical Data				
Power supply	V	1/N~230 50 Hz	1/N~230 50 Hz	1/N~230 50 Hz
Output	W	750	1000	750
Connection type		Shaped plug	Shaped plug	Shaped plug
Type of protection		IP 24	IP 24	IP 24
Weight	kg	16	30	24

Palett: BHG 750 W 9 items, BHG 1000 9 items, BHG 750 C 10 items

FREE STANDING CONVECTORS SK

- **SK 204:** convector with 3 heating levels of 750 W, 1250 W and 2000 W, plug-in variant
- **SK 204 T:** convector with 2 heating levels of 1000 W and 2000 W with quietrunning blower for faster distribution of heat
- Temperature selector controller can be set in continuously variable manner to between around 5 °C and 35 °C, with frost protection level
- Safety thanks to overheating protection
- With wall bracket
- Color: white, RAL 9016, grate dark grey
- Protection class II
- Connection cable of around 1.4 m, with mains plug
- Dimensions: height 44 cm, width 60 cm, depth 11 cm



SK 204



SK 204 T

Model	SK 204	SK 204 T
EAN	40 41056 02238 3	40 41056 02239 0
E-Number	222 146	222 147
Technical Data		
Power supply	V 1/N~230 50 Hz	1/N~230 50 Hz
Output	W 2000	2000
Output stages	W 0-750-1250-2000	0-1000-2000
With blower	–	•
Connection type	Shaped plug	Shaped plug
Type of protection	IP 20	IP 20
Weight	kg 4.0	4.5

Palett: SK 204/SK 204 T 44 items

FROST PROTECTION HEATER FW

- The frost protection heater controls the temperature in smaller rooms away from central areas, thereby protecting water pipes or sensitive goods from frost
- Heating output of 500 W
- Selector knob for selecting temperature in continuously variable manner between frost protection at 5 °C and 30 °C
- Safety thermostat can be reset in the event of overheating
- Protection class II, IP 20
- Simple wall mounting
- Metal housing: white, RAL 9016, plastic side parts: grey
- Connection cable of 90 cm, with flat plug
- Dimensions: H 25.0 cm, W 25.0 cm, D 11.0 cm, Weight: 1.0 kg



FW 505

Model	FW 505
EAN	40 41056 02116 4
E-Number	220 995
Technical Data	
Power supply	V 1/N~230 50 Hz
Output	W 500
Output stages	W –
With blower	–
Connection type	Shaped plug
Type of protection	IP 20
Weight	kg 1.0

FW 505 Covering box: 12 items, Palett: 180 items

DIRECT HEATERS
FAN HEATERS



Area of use

- Fan heaters are used to quickly heat up bathrooms, toilet rooms or other small rooms

Components

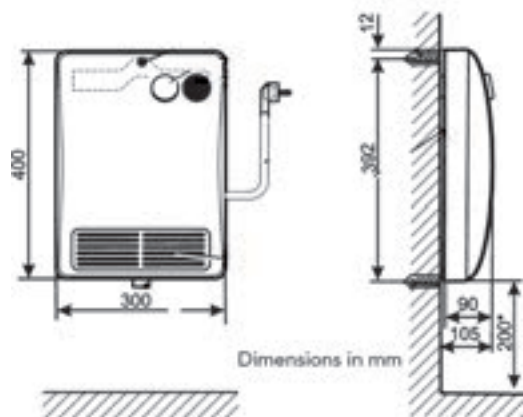
- To ensure quick heat output, the fan heaters are equipped with a powerful blower
- All units have a continuously variable temperature control and some have incorporated timers for operating over particular times
- Safe operation guaranteed in bathrooms thanks to wall mounting and splash protection

Installation

- The units are fitted to the wall using separate metal brackets
- One socket is all that is needed for use

FAN HEATERS IN SOLID-METAL VERSION

- Fan heater for quickly heating up the bathroom
- Very flat design, just 10.5 cm deep
- High-quality solid metal version
- Temperature can be set in continuously variable manner to between frost protection and approx. 30 °C
- Quiet-running tangential blower
- **VH 227:** uncontrolled operation over limited time with 60-minute timer
- **VH 229:** with 24-hour timer
- Connection cable (75 cm) with safety plug
- Spray-protected design IP 23, protection class I
- Color: white



VH 206



VH 227



VH 229

FAN HEATER WITH SHEET STEEL HOUSING

- Maximum safety with high limit safety cut-out
- Fan heater for quickly heating up the bathroom
- Stable sheet metal housing in contemporary design
- Temperature can be set in continuously variable manner to between frost protection and approx. 35 °C
- Connection cable with shaped plug
- Quick to assemble with 3 screws
- Safety in the bathroom thanks to splash protection design IP 23 and protection class II
- Dimensions: H 40.0 cm, W 27.6 cm, D 11.5 cm, weight 3.0 kg
- Color: white



VH 211

Model		VH 206	VH 227	VH 229	VH 211
EAN		40 14890 75038 5	40 14890 75039 2	40 14890 75040 8	40 41056 01052 6
E-Number		184 395	184 398	184 399	187 614
Technical Data					
Power supply	V	1/N/PE~230 50 Hz	1/N/PE~230 50 Hz	1/N/PE~230 50 Hz	1/N~230 50 Hz
Output	W	2000	2000	2000	2000
With blower		•	•	•	•
With 24-hour timer		–	–	•	–
With 60-minute timer		–	•	–	–
Type of protection		IP 23	IP 23	IP 23	IP 23
Weight	kg	4.6	4.7	4.7	4.0

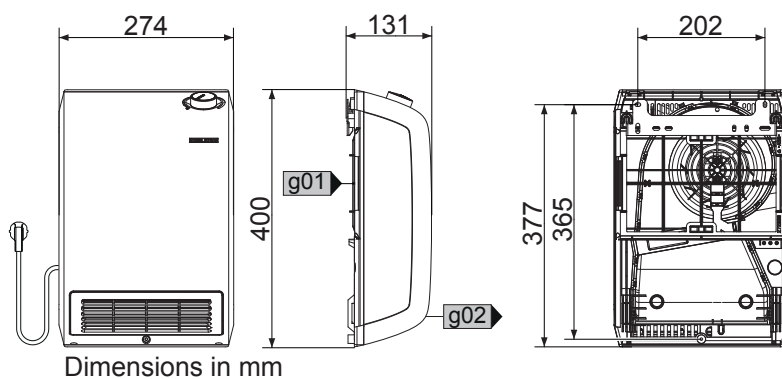
Palett: VH 206 - 229 50 items; VH 211 available until September 2016, Palett: 66 items

FAN HEATER WITH PLASTIC HOUSING – NEW –



VH 212

- Maximum safety thanks to 3-stage safety concept with self-limiting PTC heating elements, temperature limiter and temperature fuse
- With fluff filter in the air intake
- Power cable with profiled plug
- With power cable stowage at the back
- Compact and stable unit in impact-resistant plastic housing
- Infinitely variable temperature selection
- Bathroom safety provided by IP24 splash protection
- Quick installation
- Contemporary design
- Made in Germany



Model	VH 212	
EAN	40 41056 03255 9	
E-Number	234 919	
Technical Data		
Power supply	V	1/N~230 50 Hz
Output	W	2000
With blower		•
With 24-hour timer		–
With 60-minute timer		–
Type of protection		IP 24
Weight	kg	2,5
Available from July 2016. Palett: 35 items		

Area of use

- AEG fan heaters offer quick, mobile heat to living rooms, offices, workshops and much more.
- AEG heated carpets are an interesting alternative to fan heaters for offices in particular. They pleasantly warm up feet using a fraction of the energy

Components

- All fan heaters have several output stages and a separate temperature selector
- The heated carpets are switched on and off using a switch in the mains feed cable



HS 204 ST



HS 204 ST

**With protection
from tipping over**

- Fan heater (upright unit) with protection from tipping over
- Small dimensions, large heating capacity - 2000 W
- Attractive design
- Rotary switch for 0 setting, cold level, 1000 W and 2000 W operation
- Axial blower for high air output
- Temperature can be set in continuously variable manner to between frost protection and approx. 45 °C
- With operating telltale
- With protection against overheating and thermal fuse for maximum safety
- Protection class II
- Maximum protection from tipping over
- Practical recessed grip
- Connection cable with shaped plug
- Color: silver/grey

Covering box: 15 items · Palett: 90 items

HS 203 T



HS 203 T

**With protection
from tipping over**

- Fan heater (upright unit) with protection from tipping over
- Small dimensions, large heating capacity - 2000 W
- Rotary switch for 0 setting, cold level, 1000 W and 2000 W operation
- Axial blower for high air output
- Temperature can be set in continuously variable manner to between frost protection and approx. 45 °C
- With operating telltale
- With protection against overheating and thermal fuse for maximum safety
- Protection class II
- Maximum protection from tipping over
- Practical recessed grip
- Connection cable with shaped plug
- Color: white

Covering box: 16 items · Palett: 128 items

HS 206



HS 206

- Fan heater (upright unit, wall mounting possible)
- Small dimensions, large heating capacity - 2000 W
- Particularly low-noise, quiet operation at the 1000 W level
- Attractive design
- Rotary switch for 0 setting, cold level, 1000 W and 2000 W operation
- Axial blower for high air output
- Temperature can be set in continuously variable manner to between frost protection at 5 °C and approx. 30 °C
- With protection against overheating and thermal fuse for maximum safety
- Protection class II
- Maximum protection provided by safety temperature limiter
- Connection cable 1.5 m with shaped plug, with storage compartment for connection cable
- Color: silver/anthracite
- Protection rating: IP 21
- TÜV GS

Covering box: 4 items · Palett: 80 items

Model		HS 204 ST	HS 203 T	HS 206
EAN		40 41056 01788 4	40 41056 01786 0	40 41056 02659 6
E-Number		189 972	189 970	229 939
Dimensions				
Height	cm	28.0	26.0	28.0
Width	cm	20.3	24.5	23.6
Depth	cm	15.4	13.5	13.5
Technical Data				
Power supply	V	1/N~230 50 Hz	1/N~230 50 Hz	1/N~230 50 Hz
Connected load	W	2000	2000	2000
Output stages	W	0-1000-2000	0-1000-2000	0-1000-2000
Weight	kg	1.6	1.4	1.3
Conformation/Approbation		CE	CE	CE + TÜV GS

FAN HEATER HS 207

- Advanced fan heater with anti-tip protection
- Unique design without visible air grilles
- With protection against overheating and thermal fuse for maximum safety

Exclusive and unique functions:

- SWEET air technology: – distributes the heat evenly without unpleasant draughts
- SILENT-AIR-FLOW – up to 40 % quieter than traditional fan heaters (tested against standard fan heaters)
- Sliding switch for 0-setting, cold level, 900 W and 1800 W
- Upright unit
- Connection cable with shaped plug
- Practical recessed grip

- Protection class II
- With operating telltale
- Type of protection IP 21

Color:

- HS 207 O = orange
- HS 207 B = beige
- HS 207 G = grey

Covering box: 4 items · Palett: 80 items



HS 207 O



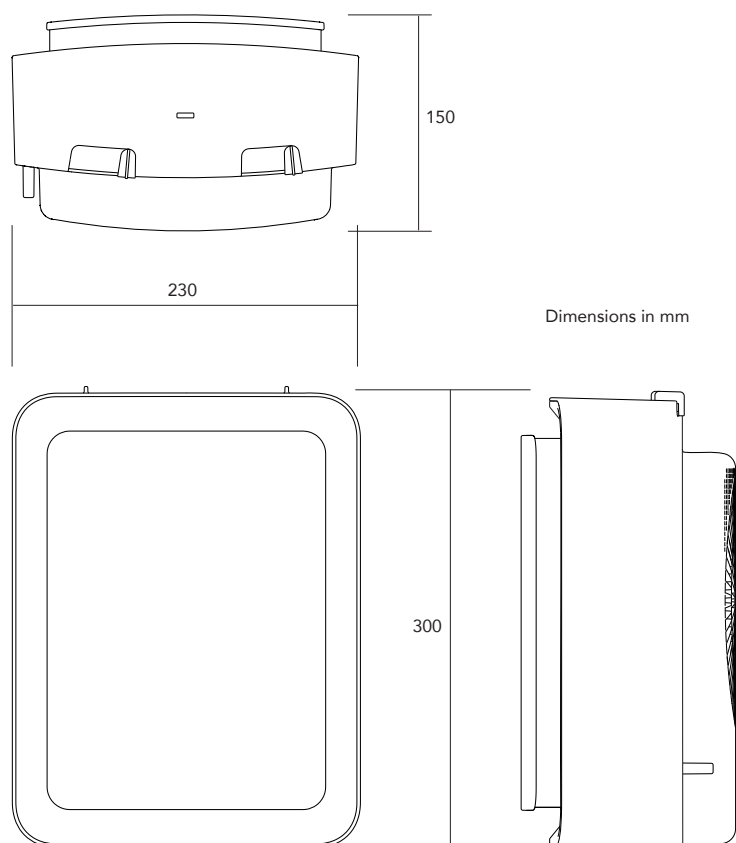
HS 207 B



HS 207 G



User interface sliding switch



Model		HS 207 O	HS 207 B	HS 207 G
EAN		40 41056 03236 8	40 41056 03237 5	40 41056 03238 2
E-Number		234 829	234 830	234 831
Dimensions				
Height	cm	30	30	30
Width	cm	23	23	23
Depth	cm	15	15	15
Technical Data				
Power supply	V	1/N~230 50 Hz	1/N~230 50 Hz	1/N~230 50 Hz
Connected load	W	1800	1800	1800
Output stages	W	Cold air - 900 - 1800	Cold air - 900 - 1800	Cold air - 900 - 1800
Weight	kg	1.5	1.5	1.5
Conformity/Approval		CE	CE	CE

TBF



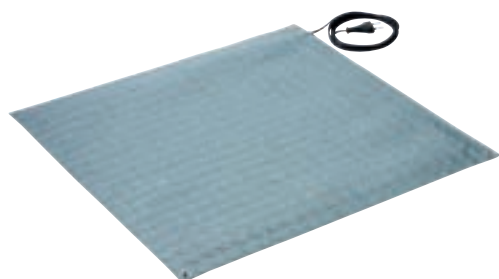
TBF 65

- Rapid heat for areas cold at floor-level
- Carpet surface, for offices and homes
- Quick and energy-saving output of heat
- Available in various sizes

- OFF/ON/OFF sliding switch in the mains connection cable, with flat plug
- Color: grey
- Protection class II

Covering box: 4 items · Palett: 72 items

TBG



TBG 75

- Rapid heat for areas cold at floor-level
- Robust PVC surface for workshops and commerce
- Quick and energy-saving output of heat
- Available in various sizes

- Color: grey
- Protection class II
- Protection rating: IPX 7

Covering box: 4 items · Palett: 72 items

Model		TBF 70	TBF 90	TBG 50	TBG 70
EAN		40 41056 03118 7	40 41056 03119 4	40 41056 03120 0	40 41056 03121 7
E-Number		234 376	234 377	234 378	234 379
Dimensions					
Height	cm	6	6	4	4
Width	cm	500	600	550	550
Depth	cm	800	900	550	750
Technical Data					
Power supply	V	1/N~230 50 Hz	1/N~230 50 Hz	1/N~230 50 Hz	1/N~230 50 Hz
Connected load	W	70	90	50	70
Weight	kg	1.0	1.5	1.5	2.0
Palett	items	64	63	50	64

Area of use

- The ideal source of heat for the bathroom and for occasionally heating adjacent areas
- Rapid heating up and pleasant output of radiation heat ensure a pleasant sense of heat

Components

- The units offer several output stages
- Operated using practical pull switch
- The reflectors can be swung horizontally

Installation

- The units are fitted directly on the wall
- The cable is connected at the side or from a fixed part on the wall

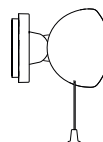
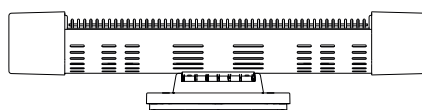
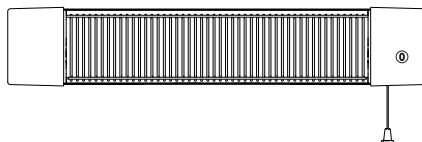


INFRARED QUARTZ RADIANT HEATER IWQ



- Quartz radiant heating element for wall mounting
- Setting angle 0° or 30°
- IWQ 121: with 2 output stages
- IWQ 181: with 3 output stages

- Safe operation in the bathroom thanks to IP 24 splash protection and protection class II
- Color: grey
- Fixed centrally on the back

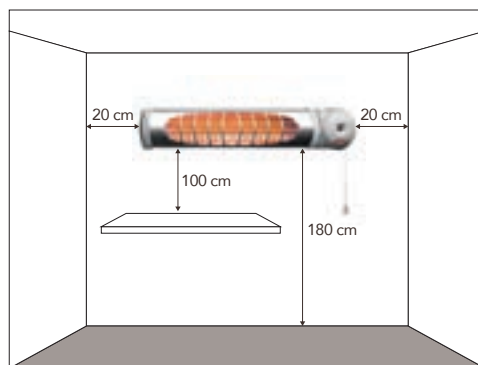


**INFRARED QUARTZ RADIANT HEATER IWQ
RADIANT HEATER FOR BABY CHANGING STATION**



- Front made from heat-resistant aluminium
- Radiant heater for baby changing stations
- Heating tube with metal sheath (no risk of injury to the baby)

- Setting angle 0° up to 40°
- Two-switch system: Pull cord can be mounted in two different positions (double sided)
- Connection: 1.8 m power cable with plug



Model		IWQ 121	IWQ 181	IWQ 60
EAN		40 41056 03227 6	40 41056 03228 3	40 41056 03229 0
E-Number		234 820	234 821	234 822
Dimensions				
Width	mm	530	630	600
Height	mm	125	125	120
Depth	mm	140	140	110
Technical Data				
Power supply	V	1/N~230 50 Hz	1/N~230 50 Hz	1/N/PE~230 50 Hz
Output	W	1200	1800	600
Output stages	W	600-1200	600-1200-1800	600
Connection type		Permanent connection	Permanent connection	Plug
Type of protection		IP 24	IP 24	IP 24
Weight	kg	1.55	2.1	1.2

IWQ 121/181 covering box 4 Items; Palett 80 items. IWQ 60 covering box 6 items; Palett 96 items

Area of use

- The electric mirror heater prevents the mirror surface from fogging over after a shower in the bathroom
- The electric mirror heater can be used with all mirrors in commercial and private bathrooms

Components

- The mirror heater consists of an aluminium-coated heating element for good heat transfer
- The mirror heater is connected to an appropriate power circuit using a 2-wire connection cable

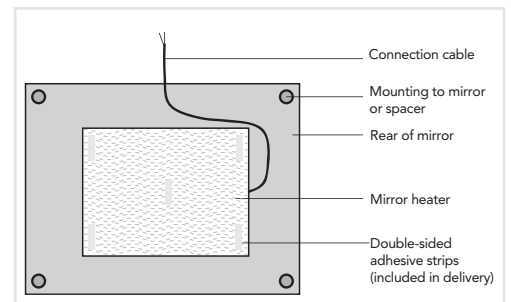
Installation

- The heating element is stuck directly to the rear of the mirror or the wall behind the mirror using the double-sided adhesive tapes provided
- To save energy, the electric connection should use a brief timer. The mirror heater can however also be connected to the lighting



Installation of electric mirror heater

- Before installation, plan positioning accurately as the mirror will only remain clear if positioned near the heating element
- Fit mirror heater directly to rear of mirror or on the wall behind the mirror (only if the mirror does not project too far from the wall)
- The aluminium-coated side must face the mirror
- Do not cut or drill through heating element, the sticking surface must be free of dirt and oil



ELECTRIC MIRROR HEATER SPH



SPH 110

- The electric mirror heater prevents the mirror surface from fogging over after a shower in the bathroom
- Can be used with all mirrors in commercial and private bathrooms
- With aluminium coating for rapid transfer of heat
- Simple to fit, with adhesive strips supplied
- Supply cable approx. 1.5 m for permanent connection



Model	SPH 50		SPH 110	
EAN	40 41056 02346 5		40 41056 02347 2	
E-Number	223 246		223 247	
Dimensions				
Width	mm	450	750	
Height	mm	500	600	
Depth	mm	1.5	1.5	
Technical Data				
Power supply	V	1/N~230 50 Hz	1/N~230 50 Hz	
Connected load	W	50	110	
Weight	kg	0.165	0.325	
SPH 50 Palett: 200 items; SPH 110 Palett: 200 items				

Area of use

- Electric hand dryers are used wherever maximum hygiene and economic viability are the order of the day
- Hand dryers for toilet areas in restaurants and commercial ventures

Components

- Quick drying which is kind on the skin using a powerful blower
- Hygienic, zero-contact switching on and off using infrared sensor technology

Installation

- One electric connection with a 10 A or 16 A fuse is all that is needed for operation
- Innovative installation concept with integrated wall bracket

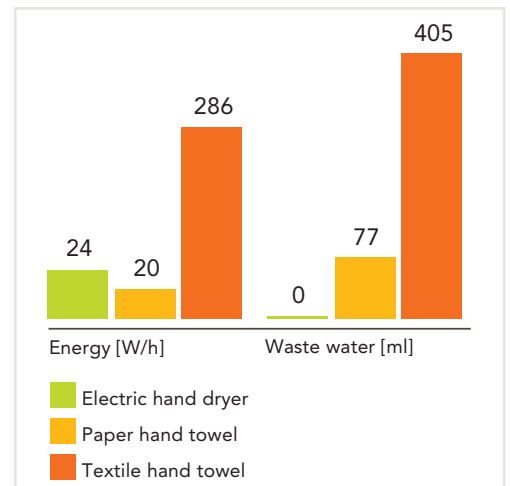


Comparison of various hand-drying systems

If a comparison is made between various hand-drying systems, electric hand dryers are clearly the superior choice.

The units do not have to be continually replenished, do not produce any waste and require no maintenance.

Source: ipi-Institut für Produktforschung und Information GmbH, Esslingen, Germany



HAND DRYERS HE



HE 260 TM

HE 260 TM

- Hygienic drying system in a contemporary design
- Ecological and economical; saves energy and raw materials
- Turbo blower for particularly fast drying

- Robust metal housing
- Zero-contact switching on and off using infrared sensor technology
- Innovative installation concept
- **Type of protection IP 23**, splash protection
- **Protection class II**



HE 260 T

HE 260 T

- Hygienic drying system in a contemporary design
- Ecological and economical; saves energy and raw materials

- Turbo blower for particularly fast drying
- Zero-contact switching on and off using infrared sensor technology
- Innovative installation concept
- **Type of protection IP 23**, splash protection
- **Protection class II**

Model	HE 260 TM		HE 260 T	
EAN	40 41056 01559 0		40 41056 01558 3	
E-Number	187 929		187 928	
Technical Data				
Power supply	V	1/N/PE~230 50 Hz		1/N/PE~230 50 Hz
Output	kW	2.6		2.6
Operating noise	db(A)	68		68
Air flow rate	m³/h	250		250
Infrared proximity switch		•		•
Turbo blower		•		•
Plastic housing / colour		–		white
Metal housing / colour		white		–
Weight	kg	4.2		2.7
Palett: 60 items				

Area of use

- Infrared short-wave radiant heaters for use indoors and out
- Immediate heat within 1 second, no preheating
- No heat loss and very high radiation effectiveness thanks to IR short wave A with penetration which heats the body directly. This is different to medium and long waves which heat the ambient air
- No CO₂ + N_{OX} emissions, therefore well-suited to indoor use
- No noise or odours
- IR short-wave radiant heaters are used outdoors in catering, the hotel trade, commerce, industry, halls and workplaces, public buildings and by private users for terraces, balconies, gardens, conservatories, camping, outbuildings, garages and workshops

Components

- High-quality, sophisticated design
- Output can be set in levels or in a continuously variable manner using special accessories
- Effective, targeted and immediate warmth in 1 second thanks to infrared short-wave technology, IR short wave A (1200 nm)

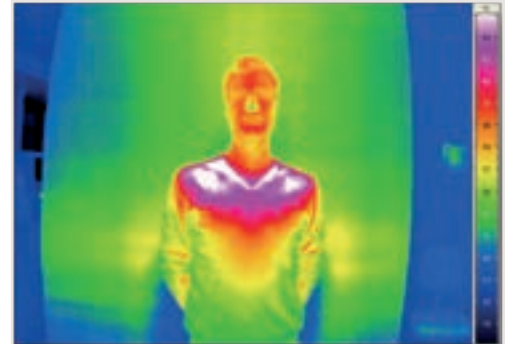
- Targeted warmth can be adjusted using reflectors
- Output range of between 1.5 and 6 kW. Other outputs can be combined
- Shock-resistant, high-efficiency, high-quality gold pipe
- No maintenance required, long service life of the gold pipes: up to 5000 hours
- Golden quartz tubes for high impact resistance
- Special accessories include dimmer (cabled or wireless version)
- The IR short-wave radiators are made from stainless material alone and can therefore be subject to normal ambient influences

Installation

- A retaining bracket is supplied with the infrared short-wave radiators for fitting on a wall or ceiling
- An angular adjustment of around 100° is possible on the radiator. The recommended setting from the wall is max. 45°
- Electric connection depends on model, either plug-in or permanent connection
- The short-wave radiant heater with a Hirschmann plug is wired up to the power supply using two split connection cables, linked using a Hirschmann coupling and plug
- Installation height ≥ 2.1 m

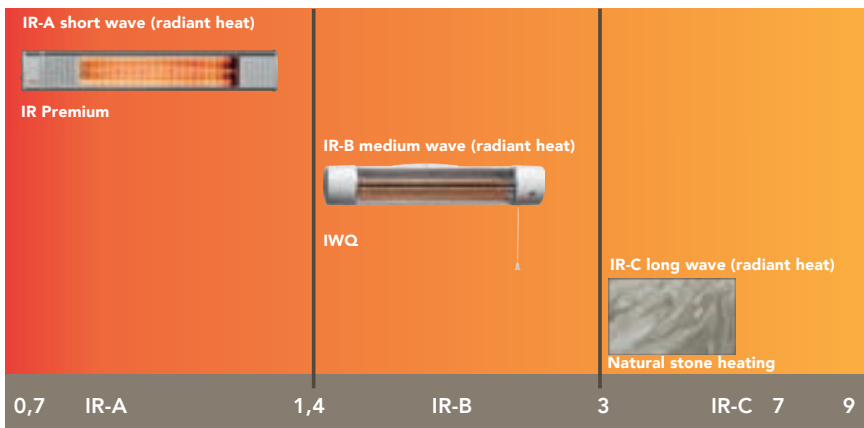


Heat spread at ambient temperature: 20°C, Spacing: ~ 2.0 m – **Before**

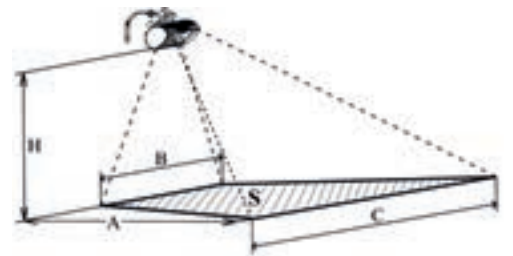


Heat spread at ambient temperature: 20°C, Spacing: ~ 2.0 m – **After**: After approx. 30 seconds IR short waves mainly heat objects, not the surrounding environment

Wave lengths of infrared heat radiation A, B, C



Wave length details in µm



Heating area (S)

Standard values for the heated area at a tilting angle of 45°
(Temperature subject to distance from radiant heater Δ T approx. 5 K - 30 K).

Model	IP class	Location of use	Dimension of heating				
			Height	A	B	C	S
			H	A	B	C	S
			m	m	m	m	m ²
IR Premium 1650	IP 67	unprotected outdoor	2.1	2.7	2.6	4.9	10.1
IR Premium 2000 I W / A	IP 67	unprotected outdoor	2.5	3.2	3.0	5.8	14.1
IR Premium 2000 H I W / A	IP 67	unprotected outdoor	2.5	3.2	3.0	5.8	14.1
IR Premium 2000 IP 44	IP 44	protected outdoor	2.5	3.2	3.0	5.8	14.1
IR Premium 2000 IP 44 W / A	IP 44	protected outdoor	2.5	3.2	3.0	5.8	14.1
IR Premium Plus 1650	IP 65	unprotected outdoor	2.1	2.7	2.6	4.9	10.1
IR Premium Plus 2000	IP 65	unprotected outdoor	2.5	3.2	3.0	5.8	14.1
IR Comfort 1520	IP 20	indoor	2.1	2.7	2.6	4.9	10.1
IR Comfort 2020	IP 20	indoor	2.5	3.2	3.0	5.8	14.1
IR Comfort 2024	IP 24	protected outdoor	2.5	3.2	3.0	5.8	14.1
IR Comfort 2024 H	IP 24	protected outdoor	2.5	3.2	3.0	5.8	14.1
IR Comfort 3024	IP 24	protected outdoor	3.5	4.1	4.3	8.4	25.4

IR PREMIUM

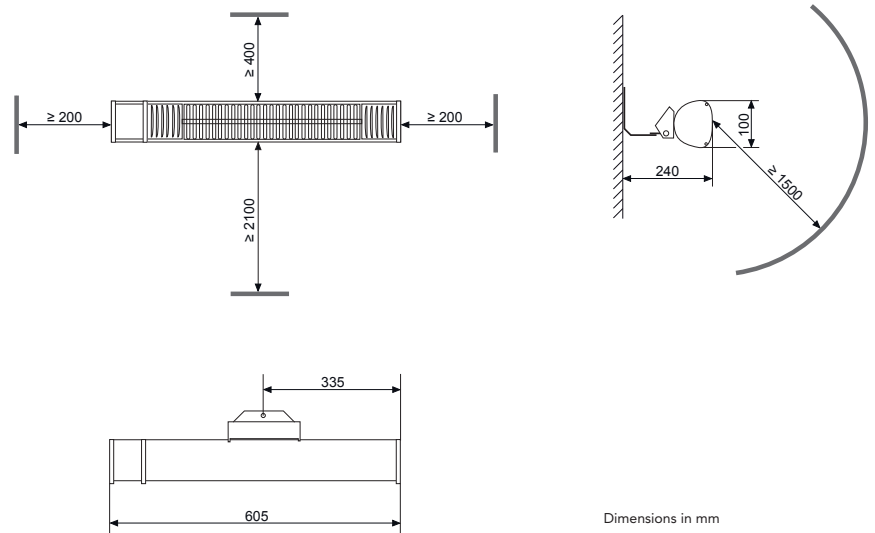


IR Premium 2000



IP 67

- High-quality, sophisticated design
- The short-wave radiant heater is made entirely from non-rusting material and can therefore be subjected to normal environmental influences
- Effective, targeted and immediate heat after 1 second
- The IR short-wave radiant heaters of 2000 W can be installed horizontally or vertically – “Vertical Burn” gold pipe
- **IR Premium 1650** for horizontal installation
- Thermal radiation in infrared range A, short-wave infrared with a power consumption of 1650 W / 2000 W
- **IP 67: Protection against intermittent immersion; IR Premium 2000 H: IP 54: All-round splashproof**
- Depending on installation, fitting and orientation, an area of around 8 – 10 m² (1650 W) or 10 – 12 m² (2000 W) is supplied with thermal radiation
- Power cable with safety plug
- Connection: 1/N/PE~230 V 50 Hz
- **IR Premium 2000 H:** The unit is wired up to the power supply with a split power cable with safety plug, connected by a Hirschmann coupler and plug, when using with special power control accessories, an IR wireless dimmer 2000 and IR 3-level wireless unit are required
- Protection class I
- Color: aluminium (silver)
- Shock-resistant, high-efficiency, high-quality gold pipe
- The special accessories for the radiant heaters include (wireless) dimmers
- Practical information: 2 IR Premium 1650 units with 16 A delay fuse
- Distance from wall with wall bracket: 90 mm



Model	IR Premium 1650	IR Premium 2000	IR Premium 2000 H
EAN	40 41056 02661 9	40 41056 02662 6	40 41056 02663 3
E-Number	229 944	229 945	229 946
Technical Data			
Use	Indoor and outdoor use	Indoor and outdoor use	Indoor and outdoor use
Installation	horizontal	horizontal and vertical	horizontal and vertical
Power supply	V 1/N/PE~230 50 Hz	V 1/N/PE~230 50 Hz	V 1/N/PE~230 50 Hz
Output	W 1650	W 2000	W 2000
Connected load	W 1650	W 2000	W 2000
Power consumption	A 7.0	A 8.5	A 8.5
Fuse protection	A 16 delay fuse/ C automatic fuse	A 16 delay fuse/ C automatic fuse	A 16 delay fuse/ C automatic fuse
Area radiated	m ² 8 to 10	m ² 10 to 12	m ² 10 to 12
Infrared range	nm IR -A (1200)	nm IR -A (1200)	nm IR -A (1200)
Type of protection	IP 67	IP 67	IP 54
Height	mm 100	mm 100	mm 100
Width	mm 605	mm 605	mm 605
Depth without bracket	mm 80	mm 80	mm 80
Weight	kg 2.5	kg 2.5	kg 2.5
Color	Aluminium (silver)	Aluminium (silver)	Aluminium (silver)

Palett: 66 items · IR Premium 1650 while stocks last

IR PREMIUM (COLOR)

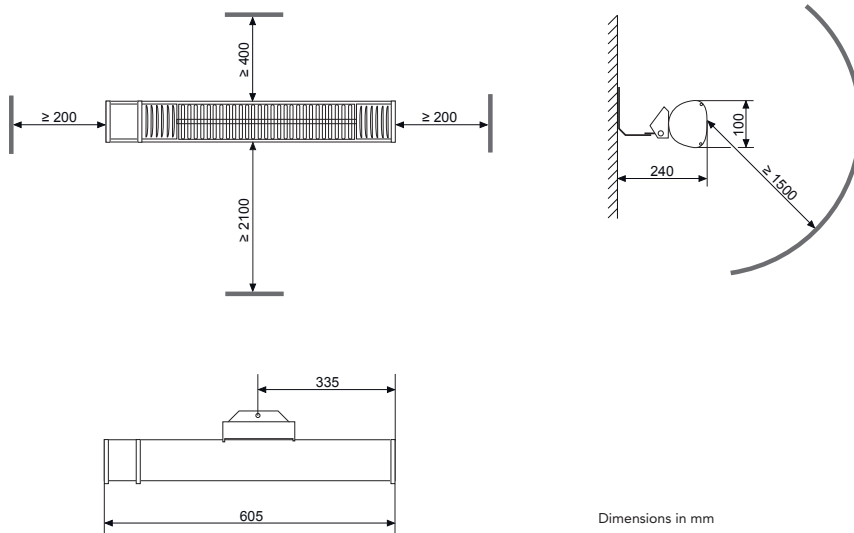
- High-quality, sophisticated design
- The short-wave radiant heater is made entirely from non-rusting material and can therefore be subjected to normal environmental influences
- **For unprotected outdoor use**
- Effective, targeted and immediate heat after 1 second
- The IR short-wave radiant heaters of 2000 W can be installed horizontally or vertically – “Vertical Burn” gold pipe
- Thermal radiation in infrared range A, short-wave infrared with a power consumption of **2000 W**
- **IP 67: Protection against intermittent immersion; IR Premium 2000 H: IP 54: All-round splashproof**
- Depending on installation, fitting and orientation, an area of around **10 – 12 m²** is supplied with thermal radiation
- Power cable with safety plug
- Connection: 1/N/PE~230 V 50 Hz
- **IR Premium 2000 H:** The unit is wired up to the power supply with a split power cable with safety plug, connected by a Hirschmann power coupler and plug, when using with special power control accessories, an IR wireless dimmer 2000 and IR 3-level wireless unit are required
- Protection class I
- Color: aluminium (silver) and **white**
- Shock-resistant, high-efficiency, high-quality gold pipe
- The special accessories for the radiant heaters include (wireless) dimmers
- Distance from wall with wall bracket: **90 mm**



IR Premium 2000 W



IR Premium 2000 A



Dimensions in mm

Special colours (RAL) on request, available at additional cost. Contact your AEG sales representative.

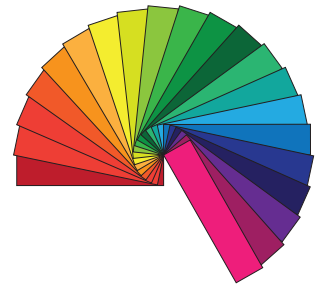


Illustration shows a similar model; colour not representational.
* Offset printing cannot accurately represent RAL colours. Please select your preferred colour from the current RAL swatches

Model	IR Premium 2000 W	IR Premium 2000 A	IR Premium 2000 H W	IR Premium 2000 H A
EAN	40 41056 03209 2	40 41056 03210 8	40 41056 03211 5	40 41056 03212 2
E-Number	234 786	234 787	234 788	234 789
Technical Data				
Use	Indoor and outdoor use	Indoor and outdoor use	Indoor and outdoor use	Indoor and outdoor use
Installation	horizontal and vertical	horizontal and vertical	horizontal and vertical	horizontal and vertical
Power supply	V 1/N/PE~230 50 Hz	1/N/PE~230 50 Hz	1/N/PE~230 50 Hz	1/N/PE~230 50 Hz
Output	W 2000	2000	2000	2000
Connected load	W 2000	2000	2000	2000
Power consumption	A 8.5	8.5	8.5	8.5
Fuse protection	A 16 delay fuse/ C automatic fuse	16 delay fuse/ C automatic fuse	16 delay fuse/ C automatic fuse	16 delay fuse/ C automatic fuse
Area radiated (max.)	m ² 10 - 12	10 - 12	10 - 12	10 - 12
Infrared range	nm IR -A (1200)	IR -A (1200)	IR -A (1200)	IR -A (1200)
Type of protection	IP 67	IP 67	IP 54	IP 54
Height	mm 100	100	100	100
Width	mm 605	605	605	605
Depth without bracket	mm 80	80	80	80
Weight	kg 2.5	2.5	2.5	2.5
Color	Aluminium (white)	Aluminium (anthracite)	Aluminium (white)	Aluminium (anthracite)
Palett: 66 Items				

IR PREMIUM 2000 IP 44



IR Premium 2000 IP 44

- High-quality, sophisticated design
- The short-wave radiant heater is made entirely from non-rusting material and can therefore be subjected to normal environmental influences
- **For protected outdoor use**
- Effective, targeted and immediate heat after 1 second
- The IR short-wave radiant heaters of 2000 W can be installed horizontally or vertically – “Vertical Burn” gold pipe
- Thermal radiation in infrared range A, short-wave infrared with a power consumption of **2000 W**
- **IP 44: All-round splashproof**
- Depending on installation, fitting and orientation, an area of around **10 – 12 m²** is supplied with thermal radiation
- Power cable with safety plug
- Connection: 1/N/PE~230 V 50 Hz
- Shock-resistant, high-efficiency, high-quality gold pipe
- Distance from wall with wall bracket: **90 mm**
- **Color: Aluminium (silver)**
- **Width 500 mm**

IR PREMIUM 1500 IP 44 W / IR PREMIUM 1500 IP 44 A



IR Premium 2000 IP 44 W



IR Premium 2000 IP 44 A

- High-quality, sophisticated design
- The short-wave radiant heater is made entirely from non-rusting material and can therefore be subjected to normal environmental influences
- **For protected outdoor use**
- Effective, targeted and immediate heat after 1 second
- The IR short-wave radiant heaters of 2000 W can be installed horizontally or vertically – “Vertical Burn” gold pipe
- Thermal radiation in infrared range A, short-wave infrared with a power consumption of **2000 W**
- **IP 44: All-round splashproof**
- Depending on installation, fitting and orientation, an area of around **10 – 12 m²** is supplied with thermal radiation
- Power cable with safety plug
- Connection: 1/N/PE~230 V 50 Hz
- Shock-resistant, high-efficiency, high-quality gold pipe
- Distance from wall with wall bracket: **90 mm**
- **Color: White or anthracite**
- **Width: 460 mm**

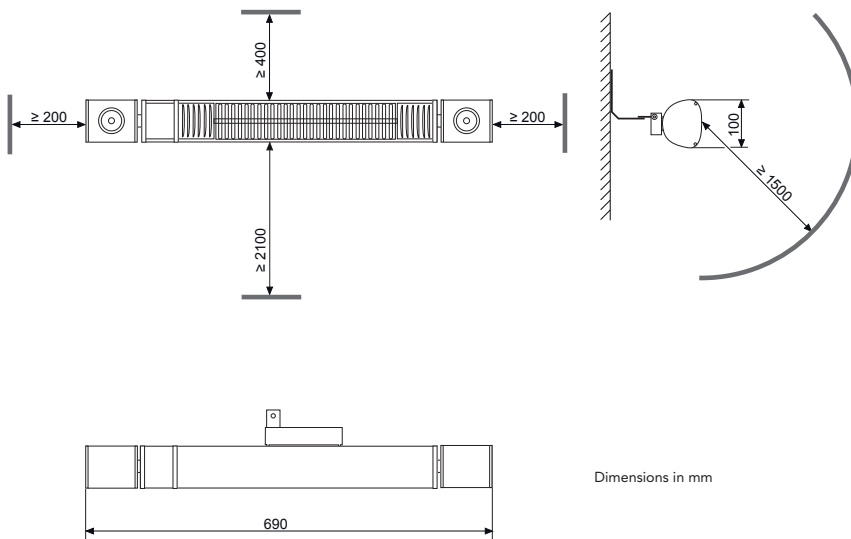
Model	IR Premium 2000 IP 44	IR Premium 1500 IP 44 W	IR Premium 1500 IP 44 A
EAN	40 41056 03213 9	40 41056 03214 6	40 41056 03215 3
E-Number	234 790	234 791	234 792
Technical Data			
Use	Indoor and protected outdoor use	Indoor and protected outdoor use	Indoor and protected outdoor use
Installation	horizontal and vertical	horizontal and vertical	horizontal and vertical
Power supply	V 1/N/PE~230 50 Hz	1/N/PE~230 50 Hz	1/N/PE~230 50 Hz
Output	W 2000	2000	2000
Connected load	W 2000	2000	2000
Power consumption	A 8.5	8.5	8.5
Fuse protection	A 16 delay fuse/ C automatic fuse	16 delay fuse/ C automatic fuse	16 delay fuse/ C automatic fuse
Area radiated (max.)	m ² 10 - 12	10 - 12	10 - 12
Infrared range	nm IR -A (1200)	IR -A (1200)	IR -A (1200)
Type of protection	IP 44	IP 44	IP 44
Height	mm 100	100	100
Width	mm 510	460	460
Depth without bracket	mm 80	80	80
Weight	kg		
Color	Silver	White	Anthracite
Palett: 88 Items			

IR PREMIUM PLUS

- High-quality, sophisticated design
- The IR Premium Plus is a combined heat and light unit with rotating spotlights
- The short-wave radiant heater is made entirely from non-rusting material and can therefore be subjected to normal environmental influences
- Rotating spotlights with an individual rating of 50 W each
- Effective, targeted and immediate heat after 1 second
- Horizontal installation only
- Thermal radiation in infrared range A, short-wave infrared with a power consumption of 1650 W / 2000 W
- Pleasant white light effect
- Jet water protection IP 65
- Depending on installation, fitting and orientation, an area of around 8 – 10 m² (1500 W) or 10 – 12 m² (2000 W) is supplied with thermal radiation
- Power cable with permanent connection (5-core)
- Connection: 1/N/PE~230 V 50 Hz
- Power cable for direct connection
- Protection class I
- Color: Aluminium (silver)
- Shock-resistant, high-efficiency, high-quality gold pipe
- Practical information: 2 IR Premium Plus 1650 units with 16 A delay fuse
- Distance from wall with wall bracket: 90 mm



IR Premium Plus 1650/2000



Model	IR Premium Plus 1650	IR Premium Plus 2000
EAN	40 41056 02664 0	40 41056 02665 7
E-Number	229 947	229 948
Technical Data		
Use	Indoor and protected outdoor use	Indoor and protected outdoor use
Installation	horizontal	horizontal
Power supply	V 1/N/PE~230 50 Hz	1/N/PE~230 50 Hz
Output	W 1650	2000
Connected load	W 1750	2100
Power consumption	A 7.5	9.0
Fuse protection	A 16 delay fuse	16 delay fuse
Area radiated (max.)	m ² 8 to 10	10 to 12
Infrared range	nm IR -A (1200)	IR -A (1200)
Type of protection	IP 65	IP 65
Height	mm 100	100
Width	mm 820	820
Depth without bracket	mm 80	80
Weight	kg 3.6	3.6
Color	Aluminium (silver)	Aluminium (silver)
Palett: 50 items · while stocks last		

IR PREMIUM 6000 TOWER

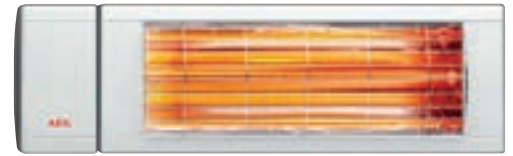

IR Premium 6000 Tower

- High-quality, sophisticated design
- The short-wave radiant heater is made entirely from non-rusting material and can therefore be subjected to normal environmental influences
- Effective, targeted and immediate heat after 1 second
- The IR Premium Tower 6000 is a solid upright unit, featuring 3 individual heaters of the IR Premium 2000 type with "Vertical Burn" pipes, fitted at the top end
- The unit is particularly well suited to providing heat for standing and seated guests in restaurants and hotels
- With large base plate for good stability
- The IR Premium 6000 Tower can be installed in indoor and outdoor areas, but must always be anchored to the floor with screws for safety
- Thermal radiation in infrared range A, short-wave infrared with a power consumption of 3 x 2000 W
- Depending on installation, fitting and orientation, the IR Premium 6000 Tower supplies around 30–36 m² with thermal radiation
- Jet water protection IP 65
- The unit is wired up to the power supply using a 5-core power cable, for connecting to 3-phase current with a 16 or 32 A fuse, 8 m
- Connection: 3/N/PE~400 V 50 Hz
- Protection class I
- Color: aluminium (silver)
- Shock-resistant, high-efficiency, high-quality gold pipes
- Tower dimensions: Ø approx. 130 cm, height between 250 – 270 cm

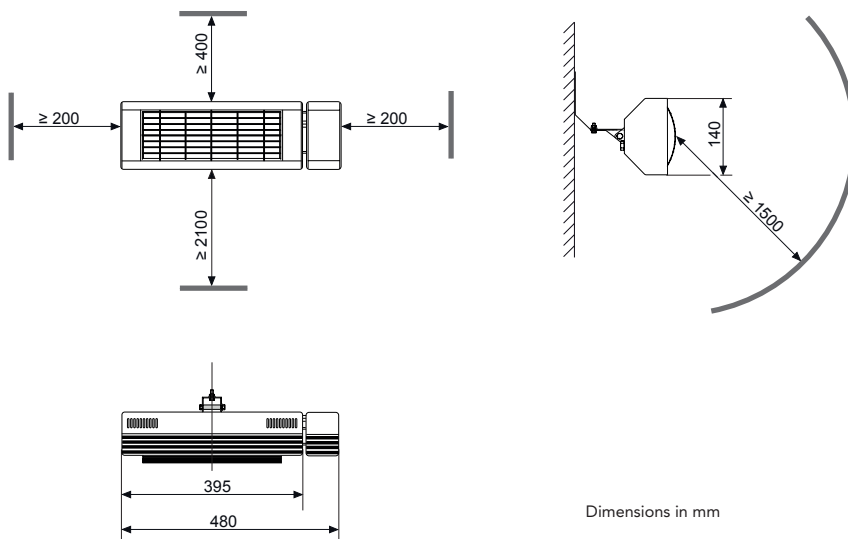
Model	IR Premium 6000 Tower	
EAN	40 41056 02667 1	
E-Number	229 950	
Technical Data		
Use	Indoor and outdoor use	
Installation	vertical	
Power supply	V	3/N/PE~400 50 Hz
Output	W	3 x 2000
Connected load	W	6000
Power consumption	A	25.5
Fuse protection	A	3 x 16 delay fuse/C automatic fuse
Area radiated (max.)	m ²	30 to 36
Infrared range	nm	IR -A (1200)
Type of protection	IP 65	
Height	mm	2700
Width	mm	1300
Depth without bracket	mm	1300
Weight	kg	45.00
Color	Aluminium (silver)	
Palett: 4 items · while stocks last		

IR COMFORT FOR OUTDOOR USE

- High-quality, painted aluminium housing
 - Effective, targeted and immediate heat after 1 second
 - Thermal radiation in infrared range A, short-wave infrared with a power consumption of 2000 W
 - Can be used indoors and outdoors
 - Pleasant white light effect
 - **IP 24: All-round splashproof**
 - Depending on installation, fitting and orientation, an area of around 10 – 12 m² (2000 W) is supplied with thermal radiation
 - Horizontal installation
 - Power cable with safety plug, 3 m
 - Connection: 1/N/PE~230 V 50 Hz
- **IR Comfort 2024 H:** The unit is wired up to the power supply with a split power cable with safety plug, connected by a Hirschmann coupler and plug. When using with special power control accessories, an IR wireless dimmer 2000 and IR 3-level wireless unit are required
 - Protection class I
 - Color: similar to RAL 9010
 - Hana gold pipe
 - The special accessories for the radiant heater **IR Comfort 2024 H** include IR (wireless) dimmers
 - Test mark: TÜV/GS



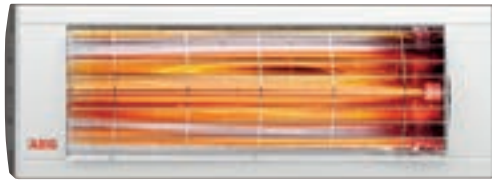
IR Comfort 2024



Dimensions in mm

Model	IR Comfort 2024	IR Comfort 2024 H
EAN	40 41056 02671 8	40 41056 02672 5
E-Number	229 954	229 955
Technical Data		
Use	Indoor and outdoor use	Indoor and outdoor use
Installation	horizontal	horizontal
Power supply	V 1/N/PE~230 50 Hz	1/N/PE~230 50 Hz
Output	W 2000	2000
Connected load	W 2000	2000
Power consumption	A 8.5	8.5
Fuse protection	A 16 delay fuse/C automatic fuse	16 delay fuse/C automatic fuse
Area radiated (max.)	m ² 10 to 12	10 to 12
Infrared range	nm IR -A (1200)	IR -A (1200)
Type of protection	IP 24	IP 24
Height	mm 145	145
Width	mm 480	480
Depth without bracket	mm 110	110
Weight	kg 2.5	2.5
Color	white (similar to RAL 9010)	white (similar to RAL 9010)
Palett: 64 items		

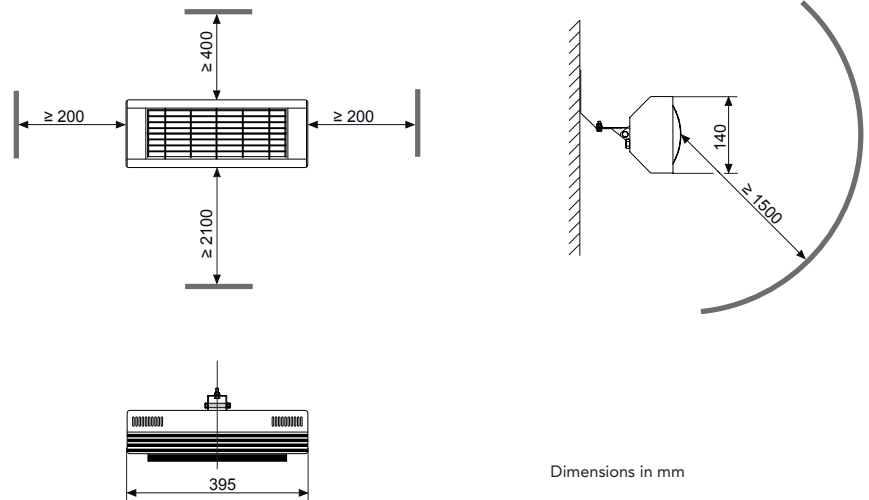
IR COMFORT FOR INDOOR USE



IR Comfort 2020



- High-quality, painted aluminium housing
- Effective, targeted and immediate heat after 1 second
- Thermal radiation in infrared range A, short-wave infrared with a power consumption of 2000 W
- Can be used indoors
- Pleasant white light effect
- Depending on installation, fitting and orientation, an area of around 10 – 12 m² is supplied with thermal radiation
- Horizontal installation
- Power cable with safety plug, 3 m
- Protection class I
- Color: similar to RAL 9010
- Hana gold pipe, Lebensdauer bis zu 5000 Stunden
- The special accessories for the radiant heaters include IR dimmers
- Test mark: TÜV/GS
- Distance from wall with wall bracket: 105 mm



Model	IR Comfort 2020	
EAN	40 41056 02669 5	
E-Number	229 952	
Technical Data		
Use	Indoor use	
Installation	horizontal	
Power supply	V	1/N/PE~230 50 Hz
Output	W	2000
Connected load	W	2000
Power consumption	A	8.5
Fuse protection	A	16 delay fuse
Area radiated (max.)	m ²	10 to 12
Infrared range	nm	IR -A (1200)
Type of protection	IP 20	
Height	mm	145
Width	mm	395
Depth without bracket	mm	110
Weight	kg	2.5
Color	white (similar to RAL 9010)	
Palett: 70 items		

IR KERAMIK – NEW –

- High-quality ceramic heater, painted aluminium housing
- Thermal radiation in infrared range **C** with a power consumption of **1300 W**
- Can be used indoors
- No light emission
- Suitable for rooms up to **20 m²** (Heating up time is around **5 - 10 minutes**)
- Horizontal installation
- **Colors: White, Black**
- Power cable with safety plug, Length of power cable: **1.90 m**



IR Keramik 1300 W



IR Keramik 1300 S

Model	IR Keramik 1300 W	IR Keramik 1300 S
EAN	40 41056 03216 0	40 41056 03217 7
E-Number	234 793	234 794
Technical Data		
Use	Indoor use	Indoor use
Installation	horizontal	horizontal
Power supply	V 1/N/PE~230 50 Hz	V 1/N/PE~230 50 Hz
Output	W 1300	W 1300
Power consumption	A 5.7	A 5.7
Fuse protection	A 10	A 10
Area radiated (max.)	m ² 20	m ² 20
Infrared range	nm IR-C 3 - 9 µm	nm IR-C 3 - 9 µm
Type of protection	IP 20	IP 20
Height	mm 120	mm 120
Width	mm 610	mm 610
Depth without bracket	mm 155	mm 155
Weight	kg 2.3	kg 2.3
Color	White	Black
Palett: 50 Items		

SCHUKO OUTPUT CONTROLLER FOR INFRARED SHORT-WAVE RADIANT HEATERS IR PREMIUM AND IR COMFORT



IR dimmer 3600 S safety

- Output controller to regulate the heat intensity of short-wave infrared radiant heaters – the optimum accessory for all short-wave infrared radiant heaters with a maximum output of up to 3600 W
- Output controller with wave pulse packet control
- With 4 levels (0%, 33%, 66% and 100%)
- Fitted with a separate schuko socket as power output for easier use
- Power cable with safety plug, for connecting with socket as power input
- As it features IP 20 protection, the output controller may only be used in dry indoor areas
- The output controller consists of a housing with a switch and rotary controller for selecting a zone
- Dimensions: 110x117x170 mm (WxHxD)
- Weight: 1.6 kg
- The output controller requires no maintenance
- The output controller enables power to be saved in proportion to the selected output level
- Connection: 1/N/PE~230 V 50 Hz
- Color: silver
- **Meets all general requirements of the EMC Directive**

Model	IR dimmer 3600 S safety
EAN	40 41056 02677 0
E-Number	229 960
Components	with socket, silver
Palett: 90 items · while stocks last	

WIRELESS OUTPUT CONTROLLER FOR INFRARED SHORT-WAVE RADIANT HEATERS IR PREMIUM - H AND IR COMFORT - H

- The bidirectional IR wireless output controller 2000 regulates output at 4 levels (0% / 50% / 75% / 100%) up to a maximum capacity of 2000 W
- Output controller with wave packet control
- The IR wireless output controller 2000 should be fitted in the cable run using a Hirschmann coupler and plug. It is switched using a wireless remote control available separately. The wireless frequency is 868.3 MHz
- The output controller consists of a housing with cooling fins and exterior antenna, as well as 2 power cables fitted with Hirschmann plug and coupler for power input and output
- The output controller has a Hirschmann plug and coupler (STAK 3, STAS 3) which can be easily plugged in to cable runs fitted with Hirschmann components
- Dimensions: 105x33x30 mm (WxHxD)
- The output controller enables power to be saved in proportion to the selected output level
- Protection rating: IP 54
- **Meets all general requirements of the EMC Directive**



IR wireless dimmer 2000

Model	IR wireless dimmer 2000
EAN	40 41056 02681 7
E-Number	229 964
Components	Wireless dimmer 2000 W
Palett: 200 items	

WIRELESS REMOTE CONTROL FOR WIRELESS DIMMERS IR PREMIUM - H AND IR COMFORT - H

- The bidirectional IR wireless remote control is needed to switch the IR wireless dimmer 2000 from a distance of up to 20 m in buildings and up to 200 m in the open
- The wireless remote control can be programmed to a number of wireless dimmers
- The wireless frequency is 868.3 MHz
- The wireless remote control has 3 switches on the front and an LED for providing information on wireless transmission
- A wall bracket to place the remote control in is also provided as standard
- Protection rating: IP 20, suited for indoor use
- Color: IR Funk W (white), IR Funk S (silver/black)
- Dimensions: 75 x 44 x 15 mm (WxHxD)
- Wall bracket dimensions: 85 x 85 x 18 mm (WxHxD)
- Battery: 1 x CR2032 3V (coin cell)



IR Funk W



IR Funk S

Model	IR Funk W	IR Funk S
EAN	40 41056 02682 4	40 41056 02683 1
E-Number	229 965	229 966
Components	Remote control, white	Remote control, silver/black
Palett: 150 items		

MULTI WIRELESS REMOTE CONTROL FOR INFRARED SHORT-WAVE RADIANT HEATERS IR PREMIUM - H AND IR COMFORT - H

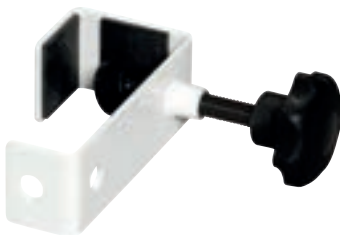


IR Funk Multi BiDi

- The bidirectional IR wireless multi is needed to switch the IR wireless dimmer 2000 from a distance of up to 300 m in the open
- The wireless remote control can be programmed to a number of IR wireless dimmers and has 5 channels which allow up to 5 dimmer groups to be switched individually
- The wireless remote control has 3 buttons for selecting power and one button and LEDs for channel selection on the front. It also features an LED which provides information about wireless transmission.
- A wall bracket to place the remote control in is also provided as standard.
- As it features IP 20 protection, the remote control is only suited to indoor use
- The wireless frequency is 868.3 MHz
- Dimensions: 121x43x23 mm (WxHxD)
- Wall bracket is supplied too
- Battery: 2 x AAA micro
- Color: white

Model	IR Funk Multi BiDi
EAN	40 41056 02962 7
E-Number	232 906
Components	Multi wireless remote control
Palett: 30 items	

IR BAR TYPE CLIP FOR INFRARED SHORT-WAVE RADIANT HEATERS



IR bar-type clip

- Allows short-wave infrared radiant heaters to be installed horizontally or vertically on parasol ribs using a screw and turning knob
- Made of curved steel – glued-in rubber parts improve hold and slip resistance on the clips
- Can be easily fitted and removed using the screw and turning knob
- Dimensions: 90x45x20 mm (WxHxD)
- Color: white

Model	IR bar-type clip
EAN	40 41056 02693 0
E-Number	229 968
Components	Bar-type clip
Palett: 100 items	

GOLD PIPES FOR INFRARED SHORT-WAVE RADIANT HEATERS

- High-quality gold pipe
- Shock-resistant
- High-efficiency with short-wave infrared A (1200 nm)
- Long service life: up to 5000 operating hours



IR Quality gold pipe

Model	ESR 2000 IP 67	ESR 1650	ESR 2000 IP 44	ESR 1500 IP 44	ESR 2020	ESR 2024
EAN	40 41056 03219 1	40 41056 02685 5	40 41056 03218 4	40 41056 03287 0	40 41056 02690 9	40 41056 02691 6
E-Number	234 798	229 970	234 795	235 890	229 975	229 977
Components	Goldpipe for IR Premium 2000, IR Premium 2000 H, IR Premium Plus 2000, IR Premium 6000 Tower	Goldpipe for IR Premium 1650, IR Premium 1650 plus	Goldpipe for IR Premium IP 44	Goldpipe for IR Premium 2000, IP 44 W/A	Goldpipe for IR Comfort 2020	Goldpipe for IR Comfort 2024, IR Comfort 2024 H, IR Comfort 6024

Palett: ESR 2000 IP 67: 10 items; ESR 1650: 11 items; ESR 2000 IP 44: 10 items; ESR 1500 IP 44: items; ESR 2020: 10 items; ESR 2024: 20 items

CERAMIC HEATER FOR IR KERAMIK

- High-quality ceramic heater
- IR-short wave C (3–9 µm)
- Very long service life; up to 20.000 operating hours
- No light emission
- Color: white ESK 650 W
black ESK 650 S



ESK 650 W



ESK 650 S

Model	ESK 650 W	ESK 650 S
EAN	40 41056 03288 7	40 41056 03290 0
E-Number	235 905	235 993
Components	Ceramic heater for IR Keramik 1300 W	Ceramic heater for IR Keramik 1300 S

1. Applicability

- 1.1. All our supplies – also in the future – exclusively take place on the basis of these Terms and Conditions of Delivery and Payment. They are accepted by the Customer at the latest with placing the order however with the acceptance of the first supply, and shall apply for the entire duration of the business relationship. We hereby expressly contradict to any opposing business and purchasing conditions of the Customer. Deviations from our terms/conditions shall be effective only if confirmed by us in writing
- 1.2. General terms and conditions of the customer apply only to that extent, when we agreed them expressly in writing. This written-form requirement cannot be waived.

2. Prices, packaging, terms of payment, sett-off, right of retention

- 2.1. Our offers are non-binding. The agreement is formed only through our written confirmation or through delivery.
- 2.2. The invoice for orders for which no individual fixed price is agreed on is issued on the basis of the list prices applicable on the day of delivery.
- 2.3. Prices and discounts quoted verbally shall be effective only if confirmed by us in writing.
- 2.4. All prices are understood free carrier (FCA) our factories in Holzminden, Eschwege, Poprad, Ayut-thaya and Tianjin including cardboard packaging, or free on board (FOB) at a German port (Incoterms 2010). Should the need for special packaging arise, we reserve the right to charge for this separately and additionally.
- 2.5. Unless otherwise agreed in writing, our invoices shall be paid against prepayment in the currency indicated in the invoice. Unless otherwise agreed in writing, payment in Euros shall be deemed agreed on.
- 2.6. If the products are exported, the Customer will comply with the German export rules and regulations, and point out to its buyers that German export rules and regulations are applicable in the case of an exportation of products. The Customer undertakes to provide the information necessary to obtain an (import) export permit already when the Customer places the order. If at the Customer's request deliveries are passed on without customs clearance, the Customer shall be liable for any additional or extra payments demanded by the German customs authorities. If the exportation of the goods is prohibited or not permitted by the German authorities although such a permit is required, the Customer cannot derive any claims against us from this. The same shall apply if, for reasons that we are not responsible for, the importation of the goods into the country of destination is prevented or delayed by the authorities there.
- 2.7. The Customer is entitled to set off or retain claims only if they are undisputed or have been ascertained legally binding. The Customer shall have a right of retention only if its counterclaims are based on the same contractual relationship.

3. Delivery/acceptance/impossibility performance/delay/take-back

- 3.1. A delivery period specified in the order shall be binding only if confirmed by us in writing. Delivery shall be deemed to have been made within an agreed delivery period if the goods to be delivered have left our plant before the end of the delivery period, or if the Customer is obliged to notify us prior to delivery of his readiness to collect or take delivery of the goods, but has not done so, and we notify the Customer of our readiness to make shipment. In the latter case, delivery shall be deemed to be made when the written notification of readiness to make shipment is mailed by us.
- 3.2. The delivery period shall be extended in a reasonable way if the Customer subsequently requests changes or additions. The same shall apply in the event of the occurrence of unforeseen difficulties

beyond our control, e.g. force majeure, lawful labour disputes, disruptions of business affecting us or our suppliers.

- 3.3. All delivery obligations are subject to timely and proper delivery to us, also of suppliers' parts, if delivery is impossible within the agreed delivery period because of such circumstances or, if no such delivery period is agreed on, within three months of receipt of the order, we can cancel the agreement. The Customer shall not have any claims against us whatsoever in any of these cases, especially no claims to compensation for default damage and no damage claims.
- 3.4. Compensation for any default damage can be demanded by the Customer only in the event of wilful act or gross negligence on our part. This shall not apply if we commit to a binding delivery date in the confirmation of order and culpably fail to deliver on or before such date. In any case of default, our liability shall be limited to the foreseeable loss which typically arises, unless we intentionally violate the agreement or such breach of contract is attributable to us. The foreseeable loss which typically arises will generally not exceed the double amount of the order value affected by default.
- 3.5. In the event of default, we shall have the right to fix a reasonable deadline for the Customer to declare whether he wishes to cancel the agreement and/or demand damages instead of performance. If the Customer does not make a statement within that deadline, his right to cancel the agreement or to demand damages instead of performance shall lapse.
- 3.6. Goods are always shipped for the Customer's account and at the Customer's risk. All risks shall pass over to the Customer as soon as the goods are handed over to the carrier or leave our warehouse for shipment. In all other respects, the Incoterms 2010 shall be applicable.
- 3.7. The fulfilment of this contract has the reservation that no obstacle in form of German, US-American or other applicable national, EU or international provisions of foreign trade legislation and no embargos or sanctions are in force.
- 3.8. If the ordering party has the desire to return defect-free and correctly delivered goods, the ordering party can apply for a take-back. It is in our free discretion to take back or not to take-back the goods in question, especially after verification of age (not older than 6 months) and condition, against a markdown of at least 20% of the value of the goods. The ordering party has to bear all costs related to the take-back

4. Customer's obligation to complain, liability for defects

- 4.1. Our Customer shall not have any claims because of defects of the goods unless the Customer properly performed all of his obligations to inspect the goods and to complain of defects pursuant to sec. 377 HGB (German Commercial Code).
- 4.2. Any transportation or shipping damage is to be reported in writing by the Customer to the carrier immediately upon receipt of the goods. In addition, we are to be informed without undue delay about the damage, if possible by telefax. The Customer shall bear any damage or any loss of rights incurred by the carrier or by us in consequence of failure to make an immediate report.
- 4.3. If a defect which we are responsible for existed already at the time of the passing of the risk, we shall be obliged to remedy the

defect or, at our option, to make substitute delivery. If we are not prepared or able to do so, in particular if this is delayed unreasonably for reasons that we are responsible for, or if remedial action/substitute delivery fails in some other way, the Customer shall have the right – subject to clause 5 of these General Terms of Payment and Delivery – to assert the rights otherwise provided for by law in the event of a defect.

- 4.4. If we remedy a defect, our obligation also includes payment of all expenses to remedy the defect, especially transportation, forwarding, labour and material costs, unless they are increased due to the fact that the defective goods were taken to a different place than the place of performance.
- 4.5. The limitation period for all rights pertaining to defects shall be two years but for use in commercial companies, craft businesses, industrial companies or comparable activities the limitation period shall be one year; in other respects, the statutory provisions shall apply. Any other more extensive statutory warranty rights shall be unaffected by this.
- 4.6. However, the Customer shall have rights of recourse only to the extent that he did not make any agreement with his buyer which goes beyond the statutory rights in the event of a defect

5. Damages

For damage which is not caused to the actual object of delivery itself, we shall be liable on whatever legal basis only:

1. in the full amount of the damage in the case of wilful intent and the case of gross negligence on the part of management and/or executive staff, and also
2. subject to subparagraph 4 in any case of culpable violation of essential contractual obligations and
3. outside such obligations and subject to subparagraph 4 also for gross negligence on the part of persons employed by us for the performance of our contractual obligations, unless we can exonerate ourselves by virtue of trade customs,
4. in the two cases of subparagraph 2 and 3 above, limited to the amount of damage foreseeable and typical for the contract in question,
5. for defects of the goods which were maliciously concealed by us or whose absence was guaranteed by us,
6. for defects of the goods to the extent that the Product Liability Act provides for liability for personal injury or damage to privately used things,
7. in case of any liability based on an injury of life, body or health.

Further claims shall be excluded.

6. Retention of title

- 6.1. We retain title to all goods delivered until all of our current and future claims against the Customer have been discharged.
- 6.2. Any processing or transformation by the Customer of the goods delivered shall always be done for us. If the goods are processed with other things not belonging to us, we acquire co-ownership of the new thing in the proportion of the value of the goods delivered and transformed or processed (final invoice amount including VAT) to the other processed things at the time of processing. In all other respects, the same shall apply to the thing created through processing as to the object of purchase delivered subject to retention of title.

6.3. If the goods delivered are mixed inseparably with other things not belonging to us, we shall acquire co-ownership to the new thing in the proportion of the value of the object of the purchase (final invoice amount including VAT) to the other mixed things at the time of intermixture. If intermixture takes place in such a way that the Customer's thing is to be regarded as the main thing, it is agreed that the Customer shall transfer co-ownership to us on a pro rate basis. The Customer shall safekeep for us the sole ownership or co-ownership thus created.

The Customer assigns to us by way of security especially also those claims which he obtains against a third party through the combination of the goods delivered with a piece of real estate. This claim shall be subject analogously to the above provisions.

6.4. Any pledge and any transfer of title by way of security is inadmissible as long as we retain title. The Customer must inform us promptly of any pledge or other thirdparty seizure of the goods title to which is retained by us or of the assigned claims, and must assist us in every way in the intervention.

6.5. The customer may sell the goods title to which we retain, in the ordinary course of business, but only for immediate payment on delivery or subject to retention of title. The claims arising from the resale or from any other legal reason (insurance, tort, etc.) with respect to the goods title to which we retain (including all claims to payment of the balance on a current account) are hereby assigned already by the Customer with all ancillary claims to us.

6.6. The Customer is obliged at our request to inform the buyers in writing of the assignment and to give us all information necessary to assert our rights against the buyers, to provide documents and to hand over bills of exchange. For this purpose the Customer must allow us to inspect his records in this respect, if necessary.

6.7. The Customer shall have the right until further notice to collect the claims assigned to us. Any assignment or pledge of these claims is admissible only with our written consent. In the event of the discontinuation of payments, failure to honour a check or a bill of exchange made out by the Customer, an application for the institution of insolvency proceedings, or the institution of such proceedings, or in the case of a foreign customer if proceedings similar to insolvency proceedings or judicial or out-of-court composition proceedings are opened, the right to resell the goods and to collect the assigned claims shall end.

6.8. Under any of the circumstances described in clause 6.7, the Customer must give us access to the goods still in his possession, send us an exact list of the goods, separate the goods and hand over the goods to us. We also have the right to demand the assignment of the Customer's claims for possession against third parties or to cancel the agreement. In either case, whether we take back the goods or assert our rights of retention, we need not cancel the agreement. Neither any of these acts nor a pledge of the goods title to which is retained shall constitute a cancellation of the agreement unless this is expressly declared by us.

6.9. If the value of the security existing for us exceeds our total claims by more than 20%, we will at the Customer's written request release an appropriate part of such security at our option.

6.10. The costs for the performance of the co-operation duties set out in clause 6.4 and clause 6.6 in connection with all rights arising from the retention of title and all costs for preserving and storing the goods shall be borne by the customer

7. Labelling of goods, patent guarantee, redemption and environment friendly disposal of electronic devices

Any change in the goods, the removal of device numbers and type designations as well as labels which constitute a designation of origin for the Customer or a third party or could create the impression that the product is a special product are inadmissible unless expressly agreed on in writing by the parties.

Per the EU guideline 2002/96/EC dated January 27, 2003 (Directive of the European Parliament and of the Council on Waste Electrical and Electronic Equipment) and the county-specific regulations released due to this regulation the purchaser as importer / manufacturer according to law inside the member States of the European Union is obliged to disposal or to let disposal the devices, stated in EU-Guideline and in the country-specific regulations, at his own expenses.

8. Place of performance/jurisdiction

The place of jurisdiction and of performance for all mutual services is Holzminden. However, we also have the right to sue at the Customer's domicile. German law is applicable. The applicability of the provisions of the United Nations Convention on the International Sale of Goods (CISG) is expressly excluded

Stiebel Eltron International GmbH,
Limited Liability Company
Registered Office: Holzminden
Register Court: Hildesheim HRB 110397
Management Board:
Rudolf Sonnemann, Karlheinz Reitze,
Dr. Marc-Jan Schutte

Version: 04/2012

www.aeg-haustechnik.com

The current terms and conditions of sale and delivery (domestic) apply.

Despite the information in this product information being put together with great care, we cannot rule out the possibility of mistakes. Statements on the equipment and equipment features are not binding. The equipment features described in this product information are not the agreed properties of our products. Our products are developed on an ongoing basis. Individual equipment features may have since changed or been removed. Please contact our consultants for details of the current equipment features. The photos in the brochure are only examples of use. The photos also contain installation parts, accessories and special equipment which are not supplied as standard. The publisher's consent must be obtained for reprints, even extracts hereof.

The installation of appliances that require wiring on site must be installed by the relevant power supply utility or an authorised electrician, who will also be able to assist you with obtaining any permits required from the respective power supply utility prior to the installation of the appliance.

AEG is a registered trademark under the license from AB Electrolux (publ).

AEG Haustechnik
– International Sales –
c/o Stiebel Eltron International GmbH
Dr.-Stiebel-Straße
D-37603 Holzminden
Telephone: +49 5531 702-0
Telefax: +49 5531 702-95479
info@stiebel-eltron.com
www.aeg-haustechnik.com

Information and sales

AEG
HAUSTECHNIK