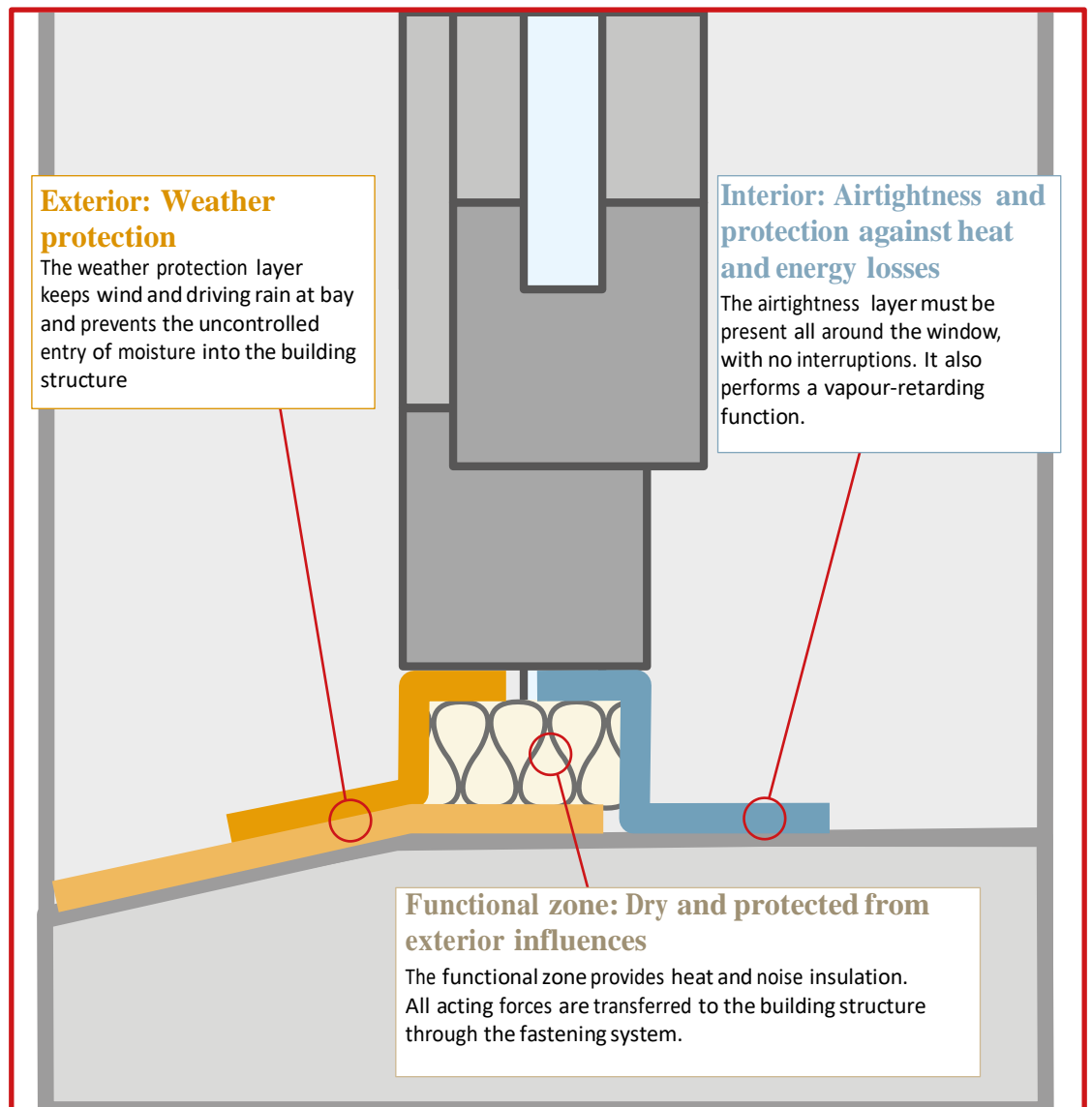


Airtightness Installation Guides



Exterior

Interior

Exterior + Interior

CONTEGA[®] SOLIDO IQ-D

Intelligent full-surface adhesive window sealing tape for interior and exterior use with additional adhesive zone



CONTEGA[®] IQ

Intelligent window sealing tape for interior and exterior use. With the RAL quality seal, product quality monitored by a third-party body



Interior air sealing

CONTEGA[®] SOLIDO SL-D

Full-surface adhesive window sealing tape for interior use with an additional adhesive zone on the fleece side



Additional joint adhesive tapes

CONTEGA FIDEN EXO
Pre-compressed joint sealing tape for exterior use

CONTEGA SOLIDO SL
Full-surface adhesive plaster and window sealing tape for interior use

CONTEGA SOLIDO EXO
Full-surface adhesive plaster and window sealing tape for exterior use

CONTEGA SOLIDO IQ
Intelligent full-surface adhesive window sealing tape for interior and exterior use

Exterior

Interior

Interior air sealing

CONTEGA[®] SL

Double-layer plaster sealing tape with vapour control properties



Exterior + Interior

CONTEGA[®] IQ

Intelligent window sealing tape for interior and exterior use. With the RAL quality seal, product quality monitored by a third-party body.



Additional joint adhesive tapes

CONTEGA FIDEN EXO

Pre-compressed joint sealing tape for exterior use that is open to diffusion and resistant to driving rain

Installation instructions



1

Tape to the frame

Measure the tape (width of opening + 2 x 20 cm) and cut to size. In stages, remove the narrow release paper gradually and glue to the frame in the window sill recess in stages.



2

Fold up in the soffit

Fold the tape into the corners of the soffit approx. 20 cm high, also glue it to the frame.



3

Tape in the soffit

Piece by piece, release the middle release paper and gradually glue the tape in the soffit. While doing so, guide the tape exactly into the corners. Afterwards, press tape firmly.



4

Cut off vertical excess

Cut off excess tape on the vertical soffits with front edge flush with the hard fibrous insulating board.



5

Cut off horizontal excess

Cut back horizontal excess from the tape to 15 mm using a spacer allowing the tape to later take hold above the plaster.



6

Install the window sill

Finished lower window sill made of EXTOSEAL ENCORS. The plasterer to follow sticks the plaster strip to the overhanging tape section. Final protection of soffit provided by installation of a window sill.

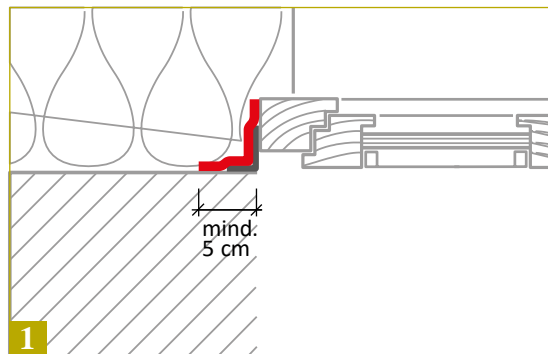
EXTOSEAL ENCORS

Exterior weather protection

Self sealing sill flashing

For use with externally mounted windows

Create a marking in order to achieve a uniform lateral protrusion distance for EXTOSEAL ENCORS at the centre of the window.



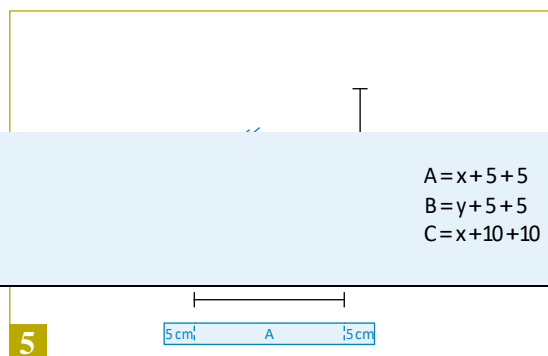
Preparation

Select the width of the tape so that the entire side of the window frame can be covered and that a minimum width of 5 cm of the concrete is covered.



Clean the subsurface

Remove loose material using a brush or vacuum cleaner. Strengthen unstable (e.g. crumbling) subsurfaces with TESCON PRIMER, if necessary.



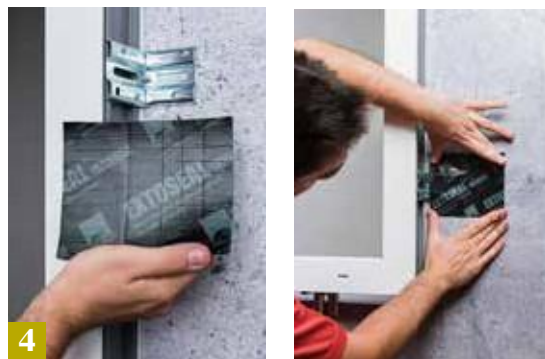
Cut the tape to size

When cutting tape for the bottom and side adhesive tape sections, add 2 x 5 cm to the relevant frame dimension, and add 2 x 10 cm for the top tape piece so that waterproof adhesive bonds can subsequently be created at the corners. If joints are created in a number of parts for a particular side, the tape overlap must be at least 3 cm.



Check the initial situation

The windows and all fasteners must be correctly installed.



Cover brackets

Select the width of EXTOSEAL ENCORS so that brackets are covered by at least 3 cm. The minimum coverage width on the wall is 5 cm. Alternatively, large side lengths can be covered with suitably cut sections of EXTOSEAL ENCORS.



Stick to the window

Create adhesive bonds in a waterproof manner starting at the bottom of the window and working up. Fold the tape to half of its total length and remove the narrow release film strip on one side. Position the tape at the centre of the window and stick in place. Completely remove the narrow release film strip, unfold the adhesive tape and stick it to the window frame.



7

Stick to the wall

To create an adhesive bond with the wall, remove the remaining release film strips and stick the tape to the frame and/or the masonry subsurface. Avoid hollows



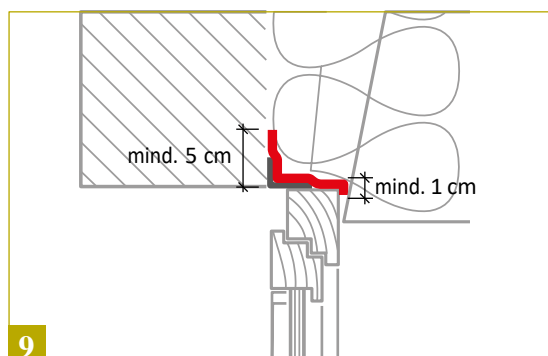
8

Create adhesive joints at the corners

Pre-stretch EXTOSEAL ENCORS uniformly so that the adhesive tape can be stuck around the corners of the



window frame both to the frame and to the masonry/concrete without any tension. After sticking, rub the tape firmly into place using PRESSFIX.



9

Top connection

Guide 1 cm of the upper adhesive joint onto the front of the window frame so that water can run off in waterproof manner. If the distance between the window frame and the wall is greater than 50 mm, it is recommended to use a slope wedge.



10

You're finished!

Installation instructions

→ Situation 1: Window has already been installed



1

Stick to the frame

Begin to carry out the sticking in the corner area. First position approx. 2 cm of the tape on the horizontal part of the frame and stick the adhesive strip to the frame. Guide the tape around the frame corner and stick the tape to the vertical part of the frame. Gradually remove the backing paper while doing so.



2

Stick to the soffit

Gradually remove the second (wide) backing paper strip from the smooth membrane side. Begin to carry out the sticking to the soffit in the corner area. Stick the excess tape to the adjacent soffit side. Stick the tape into the next corner area. Stick the excess tape to the adjacent soffit side.

→ Situation 2: Before the window is installed



1

Stick to the side of the frame

Remove the narrow backing paper strip, position it on the side of the frame flush with the frame edge and then gradually stick in place. The printed side of the tape must be facing upwards here.



2

Stick to the soffit and rub on

Remove the wide backing paper and gradually stick around the circumference of the soffit. Rub using the pro clima PRESSFIX application tool to secure it.

→ Other situations



Masonry gable end wall, creating an airtight joint

Put the vapour retarder in place. Leave slack for expansion so as to allow for relative motion between components. Remove all backing papers from CONTEGA SOLIDO SL. Put the tape in place, gradually stick it, and then rub using the pro clima PRESSFIX application tool to secure it.



Beam penetration in masonry wall

Cut four strips of tape. Remove the narrow backing paper and stick the tape to the first side of the beam. Remove the wide backing paper and stick the tape to the wall. Cut into the tape at the beam corners so that the tape can be stuck to the adjacent beam side. Bond the other sides analogously in an airtight manner.

Installation instructions

→/Situation 1: Before the window is installed



Stick to the side of the frame

Remove the single release film strip on the printed side, position it on the side of the frame and then gradually stick in place. The printed side of the tape must be facing the window (upwards) here.



Corner finishing

Allow CONTEGA SOLIDO SL-D to protrude by about 2 cm in the corner area (length of the corner diagonal of the joint) and stick it in the form of a corner fold.



Stick in the soffit and rub into place

Remove the release film strip on the membrane side (unprinted side) and gradually stick the tape in place on the soffit. Leave slack for expansion so as to allow for relative motion between components. Rub the tape firmly into place using the pro clima PRESSFIX application tool, for example.

↙/Situation 2: Window has already been installed



Stick to the frame

the sticking procedure in the corner area of the frame. First position approx. 2 cm of the tape on the horizontal part of the frame and stick the adhesive strip to the frame. Guide the tape around the frame corner and stick the tape to the vertical part of the frame. Gradually remove the release film while doing so.



Stick to the soffit, allowing for slack

Remove the second (wide) release film strip and gradually stick the tape in place on the soffit. Start sticking the soffit in the corner area. Leave slack for expansion so as to allow for relative motion between components. Stick the tape into the next corner area.



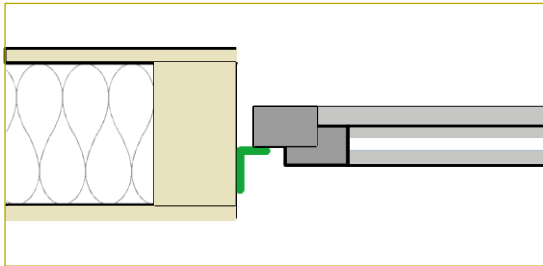
Stick the corners

Apply the tape with an overlap of at least 2 cm in the corner

Note

As an alternative for situation 2, please use CONTEGA SOLIDO SL.

Installation instructions

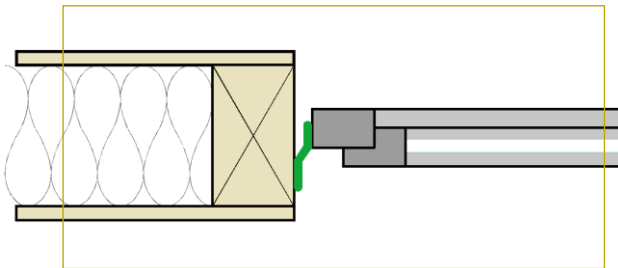


Timber frame construction after window installation

If the window has already been installed, CONTEGA SL is stuck to the frame.



Press the tape onto the soffit and frame to secure it. This work can be carried out more efficiently and in a manner that is kinder to your hands by using the pro clima PRESSFIX application tool.

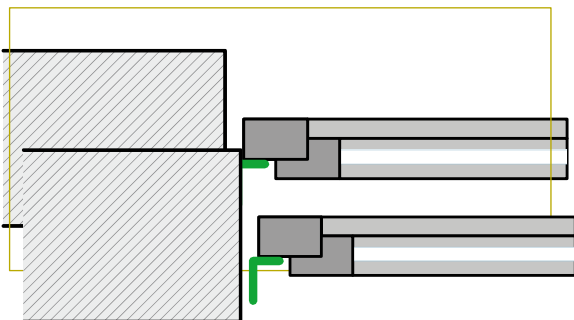


Timber frame construction before window installation

CONTEGA SL has already been installed to the side of the window—for example, by the window installation technician.



Remove the release film, fold the tape in the corner area and stick to one another. Stick the tape in place around the circumference of the soffit in an airtight manner. Press firmly to secure the tape in place.



Masonry construction after window installation

If the window has already been installed, CONTEGA SL is stuck to the frame.



Position the tape on the frame and stick in place. Apply a line of ORCON F or ORCON CLASSIC joint adhesive around the circumference of the soffit in a tight zig-zag pattern. You're now ready for plastering!

Note

If the airtight joint is implemented after plastering, moisture entry into the thermal insulation or disruptions to the construction process may occur.

Installation instructions

→/Situation 1: Window has already been installed



Stick to the frame

Remove the narrow backing paper strip. Put the CONTEGA SOLIDO EXO in place using the full width of the adhesive strip and allowing for an excess of 2 cm beyond the corner of the frame. Stick the excess tape to the adjacent soffit side.



Stick to the soffit allowing for slack

Remove the backing paper strip and gradually stick the tape in place on the soffit. Leave slack for expansion so as to allow for relative motion between components. Stick the tape to the window sill.



Stick the corners and around the circumference of the window

Continue sticking the entire window (frame and soffit) in the same manner. Ensure that the corners are stuck over.

→/Situation 2: Before the window is installed



Stick to the side of the frame

Remove the narrow backing paper strip, position it on the side of the frame flush with the frame edge and then stick in place. The printed side of the tape facing up.



Corner finishing

To ensure that the tape can be simply and securely stuck to the window soffit later on, create corner folds as shown here and stick CONTEGA SOLIDO EXO around the circumference.



Stick to the soffit

Remove the backing paper strip and stick the tape in place around the circumference of the soffit.

Installation instructions

→/Situation 1: Before the window is installed



Stick to the side of the frame

Remove the single release film strip on the printed side, position it on the side of the frame and then gradually stick in place. The printed side of the tape must be facing the window (upwards) here.



Corner finishing

Allow CONTEGA SOLIDO EXO-D to protrude by about 2 cm in the corner area (length of the corner diagonal of the joint) and stick it in the form of a corner fold.



Stick CONTEGA SOLIDO EXO-D in the soffit and rub into place

Remove the release film strip on the membrane side (unprinted side) and gradually stick the tape in place on the soffit. Leave slack for expansion so as to allow for relative motion between components. Rub the tape firmly into place using the pro clima PRESSFIX application tool, for example. Creating a window sill (EXTOSEAL ENCORS).

2: Window has already installed



Stick to the frame

approx. 5-10 cm of the narrow release film strip membrane side (unprinted side). Guide the tape around the frame corner and stick the tape to the vertical part of the frame.



Stick to the soffit, allowing for slack

Remove the second (wide) release film strip and gradually stick the tape in place on the soffit. Start sticking the soffit in the corner area. Leave slack for expansion so as to allow for relative motion between components.



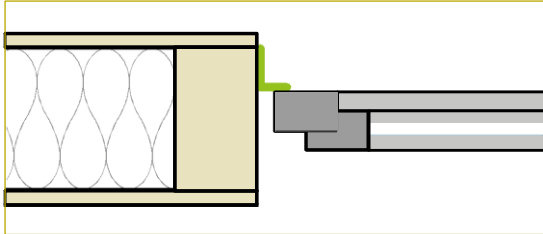
Stick the corners and around the circumference of the window

Continue sticking the rest of the window (frame and soffit) in the same manner. Ensure that the corners are stuck over with at least 2 cm of an overlap. The adhesive bond must be windtight and resistant to driving rain all around.

Note

As an alternative for situation 2, please use CONTEGA SOLIDO EXO.

Installation instructions

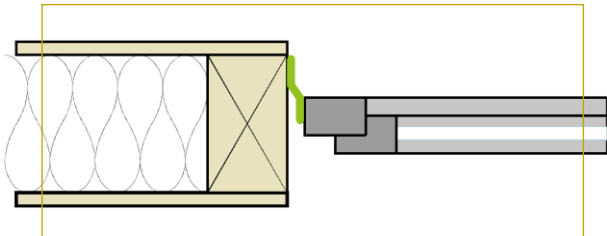


Timber frame construction after window installation

If the window has already been installed, CONTEGA EXO is stuck to the frame.



Press the CONTEGA EXO onto the soffit and frame to secure it. This work can be carried out more efficiently and in a manner that is kinder to your hands by using the pro clima PRESSFIX application tool.

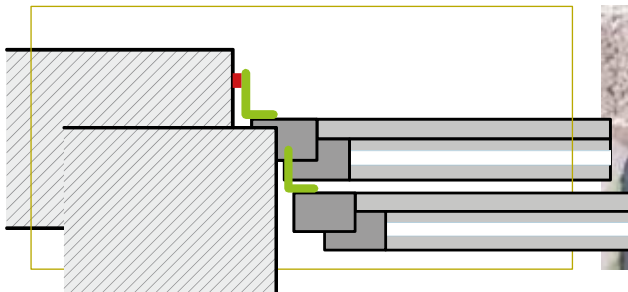


Timber frame construction before window installation

CONTEGA EXO has already been installed to the side of the window – for example, by the window installation.



Remove the release film, fold the tape in the corner area and stick to one another. Stick the tape in place around the circumference of the soffit in a manner that is windtight and resistant to driving rain. Press firmly to secure the tape in place.



Masonry construction after window installation

If the window has already been installed, CONTEGA EXO is stuck to the frame.



Position the tape on the frame and stick in place. Apply a line of ORCON F or ORCON CLASSIC joint adhesive around the circumference of the soffit in a tight zig-zag pattern. You're now ready for plastering!

Engineering hotline

If your working conditions are different, please contact the pro clima Engineering Hotline

→/Situation 1: Before the window is installed



1

Stick to the side of the frame

Remove the narrow release film strip, position it on the side of the frame flush with the frame edge and then stick in place. Stick the tapes to the inside and outside of the windows. NOTE: Ensure that the overlap is waterproof when sticking to the exterior



2

Stick in the soffit and rub into place

Remove the release film strip and stick the tape all around the window.

→/Situation 2: Window has already been installed



1

Cut tape to length

Add approx. 6 - 8 cm (2.5" - 3 1/8") to the width of the underside of the frame and cut this length of CONTEGA SOLIDO IQ. First position approx. 2 cm (7/8") of the tape on the vertical part of the frame and stick the adhesive strip to the frame.



2

Stick to the soffit

Gradually remove the second (wide) release film strip. Start sticking to the soffit in the corner area. Stick the excess tape to the adjacent soffit side. Stick the tape as far as the next corner area. Stick the excess tape to the adjacent soffit side.

→/ Other situations



Joints between membrane and masonry wall

Put the vapour retarder in position. Leave slack for expansion so as to allow for relative motion between components. Remove all backing papers from CONTEGA SOLIDO IQ. Put the tape in place, gradually stick it. Rub tape firmly into place using the pro clima PRESSFIX.



Angular penetrations in masonry / concrete

Remove the narrow backing paper and stick the tape to the first side of the beam. Remove the wide backing paper and stick the tape to the wall. Cut into the tape at the beam corners so that the tape can be stuck to the adjacent beam side. Bond the other sides analogously in an airtight manner. Rub tape firmly into place using the pro clima PRESSFIX.



1

Stick to the side of the frame

Remove the narrow release film strip, position it on the side of the frame flush with the frame edge and then stick in place. Stick the tapes to the inside and outside of the windows. NOTE: Ensure that the overlap is waterproof when sticking to the exterior!



2

Corner finishing

To ensure that the tape can be simply and securely stuck to the window soffit later on, create corner folds as shown here and stick CONTEGA SOLIDO IQ-D around the circumference. The length of the overlap must be around 1.5 times the width of the gap in order to avoid unnecessary folds.



3

Cut and stick in place

When finished, cut the tape with approx. 5 cm of an overlap. Stick the ends to each other on the frame.



4

Stick in the soffit and rub into place

Remove the release film strip and stick the tape all around the window.



5

Rub into place

Rub the tape around the circumference using the pro clima PRESSFIX application tool to secure it.



6

You're finished!

The joint, which is either airtight or resistant to driving rain, is now complete, and the tape can be plastered over.

Installation

→/ **Timber construction: interior and exterior**




Stick the tape to the frame

Before the window is installed, stick CONTEGA IQ onto the side of the window frame with the non-printed side facing the soffit. Press firmly to secure the tape in place.



Corner finishing

To ensure that the tape can be simply and securely stuck to the window soffit later on, create corner folds as shown here.



Stick the ends

To ensure proper airtightness and/or wind sealing, stick the start and end of the CONTEGA IQ tape to each other using a strip of DUPLEX.



Stick the tape in place around the circumference of the soffit

Install the window into the soffit, then remove the release film from CONTEGA IQ and stick the tape in place around the circumference of the soffit in an airtight and/or windtight manner. Press firmly to secure the tape in place. Ensure that the corners created are airtight and/or windtight.

→/ **Masonry construction: interior and exterior**




Stick the tape to the frame

Before the window is installed, stick CONTEGA IQ onto the side of the window frame with the non-printed side facing the soffit. Press firmly to secure the tape in place.



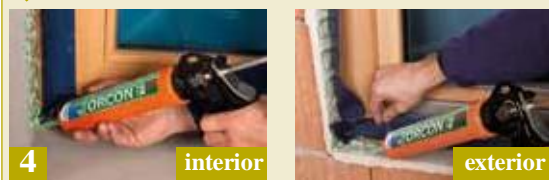
Corner finishing

To ensure that the tape can be simply and securely stuck to the window soffit later on, create corner folds as shown here.



Stick the ends

To ensure proper airtightness and/or wind sealing, stick the start and end of the CONTEGA IQ tape to each other using a strip of DUPLEX.



Stick the tape in place around the circumference of the soffit

Install the window into the soffit, apply an approx. 5 mm thick line of ORCON F or ORCON CLASSIC joint adhesive around the circumference of the soffit in a tight zig-zag pattern, and then place the tape onto the adhesive in an airtight and/or windtight manner. Ensure that the corners created are airtight and/or windtight.

Note

The slack included for expansion automatically becomes active if there is relative motion between building components and provides increased protection against tearing. CONTEGA IQ thus provides optimal protection against leaks that could lead to damage to structures and mould.



Engineering hotline

If your working conditions are different, please contact the pro clima Engineering Hotline

AEROSANA VISCONN

Interior air sealing

Exterior weather protection

Spraying instead of sticking: Quick and easy airtightness

AEROSANA VISCONN

For use as a humidity-variable vapour retarder and airtight layer that can be applied as a spray or using a brush on wall, ceiling and floor surfaces, such as non-plastered masonry or porous panel-form materials.

- Also for the creation of joints to components such as windows, roofs, walls, ceilings and floors.
- Can also be used for strengthening subsurfaces in the case of renovation.
- The humidity-variable diffusion resistance of this product means that it can be used on the interior and exterior of building components.
- Forms a seamless, elastic air-retarding and vapour-retarding protective layer once it has dried.

Advantages

- ✓ Simply spray it on: extremely quick application
- ✓ Particularly on transitions and detail features with lots of edges and corners
- ✓ Reliable in the case of relative motion between building components: remains permanently elastic
- ✓ Sticks to all standard construction surfaces, can also be used as a bonding course
- ✓ Can be plastered, painted and stuck over
- ✓ Covers cracks and joints of up to 20mm width (AEROSANA VISCONN FIBRE)
- ✓ No mixing necessary: ready-to-use, apply straight from the bucket



NEW



AEROSANA VISCONN



Joints with windows, including second waterproof layers/sub-sill flashing

Creation of airtight interior joints and exterior joints that are resistant to driving rain, using either a painting or spraying procedure. Can be used flexibly on fibrous insulation materials (e.g. hemp wool or sheep wool) and on spray foam. Interior and exterior joints tested and confirmed in accordance with the IFT Guideline MO-01/1:2007-01, Section 5.



Installation phase

Example: Tilt and turn window made of plastic, installation flush on the outside, masonry with thermal insulation composite system, new-build project

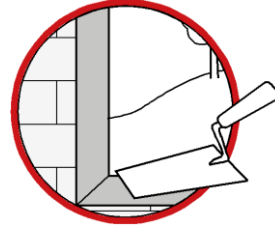
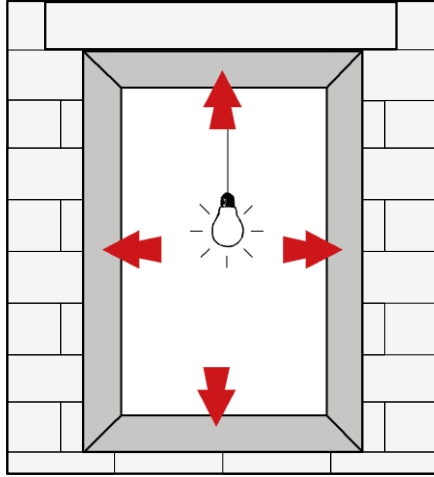


Working steps

1. Check the subsurface
2. Prepare airtightness on the inside
3. Insert the window
4. Insulate the joint
5. Create exterior weather protection
6. Install sub-sill flashing
7. Complete airtightness on the inside

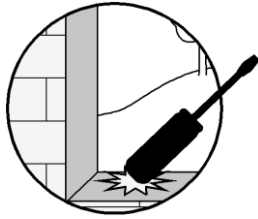
Step 1: Check the subsurface

Example: Tilt and turn window made of plastic, installation flush on the outside, masonry with thermal insulation composite system, new-build project

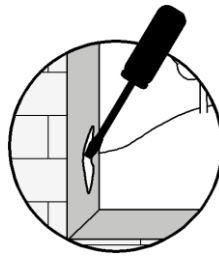


Smooth finish must be present

Check the characteristics of the subsurface



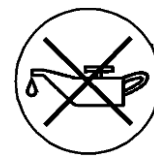
Tap surface carefully



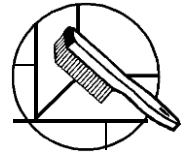
Try to rub surface



Free of frost



Free of grease and oil



Clean / brush off

Step 2: Prepare airtightness on the inside

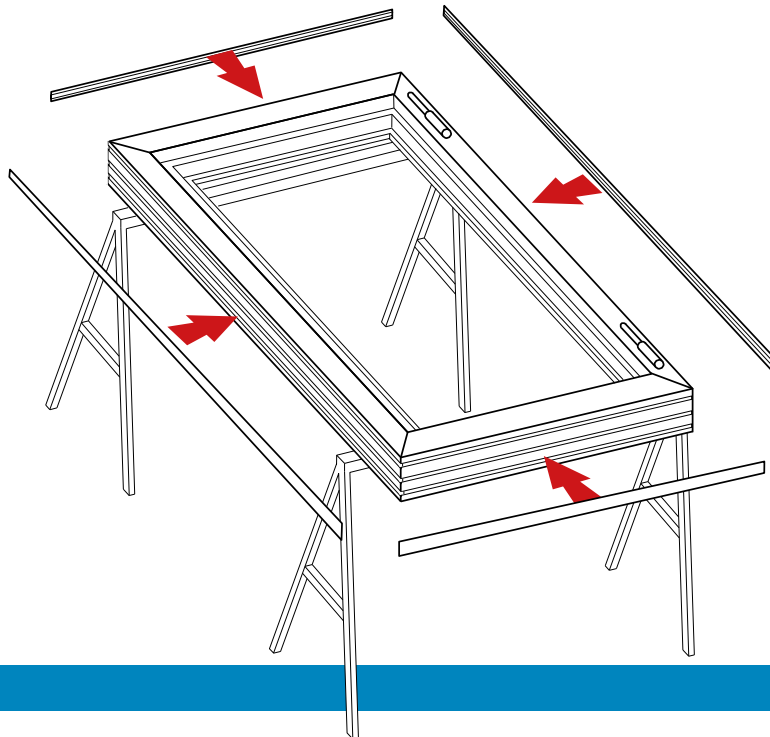
Practical tip

Stick CONTEGA joint adhesive tapes to the frame before installing the window: simple application of the adhesive tape – reliable sealing – valuable time saved!

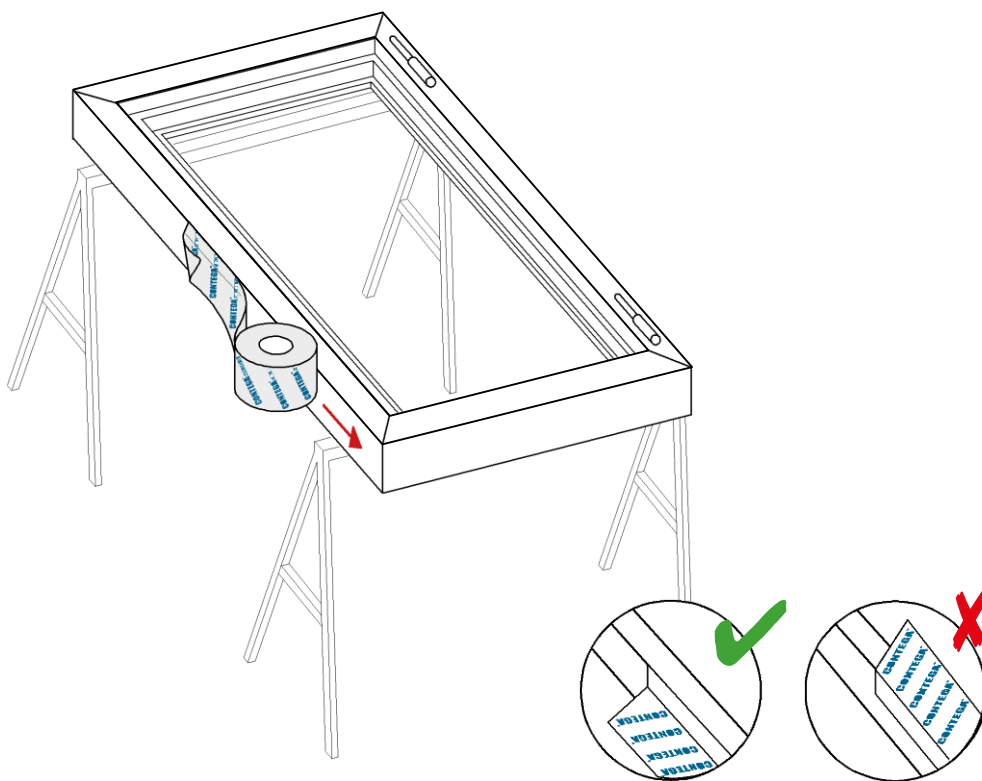
Note

Joints between corners, clip-on profiles, wideners and covering strips are to be carried out in a manner that is airtight and/or resistant to driving rain. Open ends can be closed off with EXTONSEAL ENCORS.

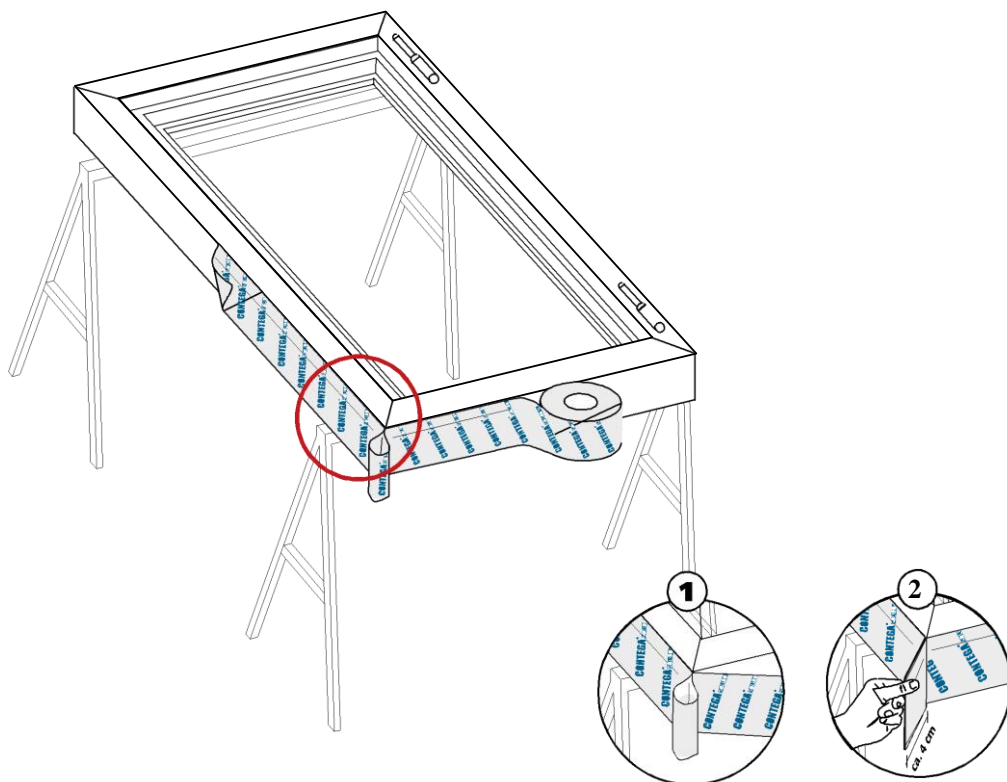
1. If necessary, clip on the frame profile covers and then clean the frame profile



2. Stick CONTEGA SOLIDO SL on the inside of the frame



3. Create the corner slack loops



CONTEGA[®] SOLIDO SL
 Permeable, full-surface adhesive sealing tape for interior use that can be plastered over

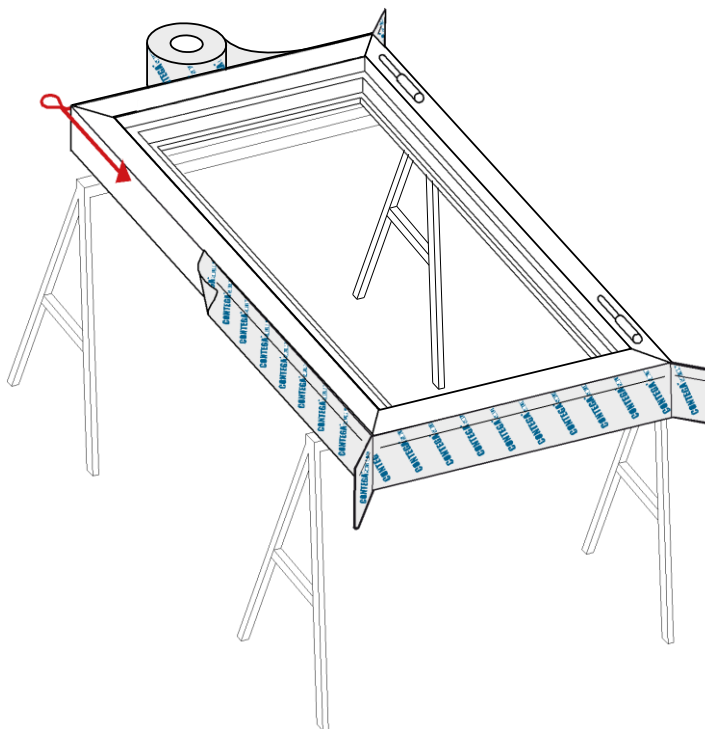



© ift Rosenheim
 Prüfbericht Nr. 16-000527-PRO2
 (PB 1-ED3-020310-4e-01)
 - CONTEGA SOLIDO SL
 - CONTEGA SOLIDO EXO
 nach MO-01/1:2007-01, Abs. 5
 24.06.2016

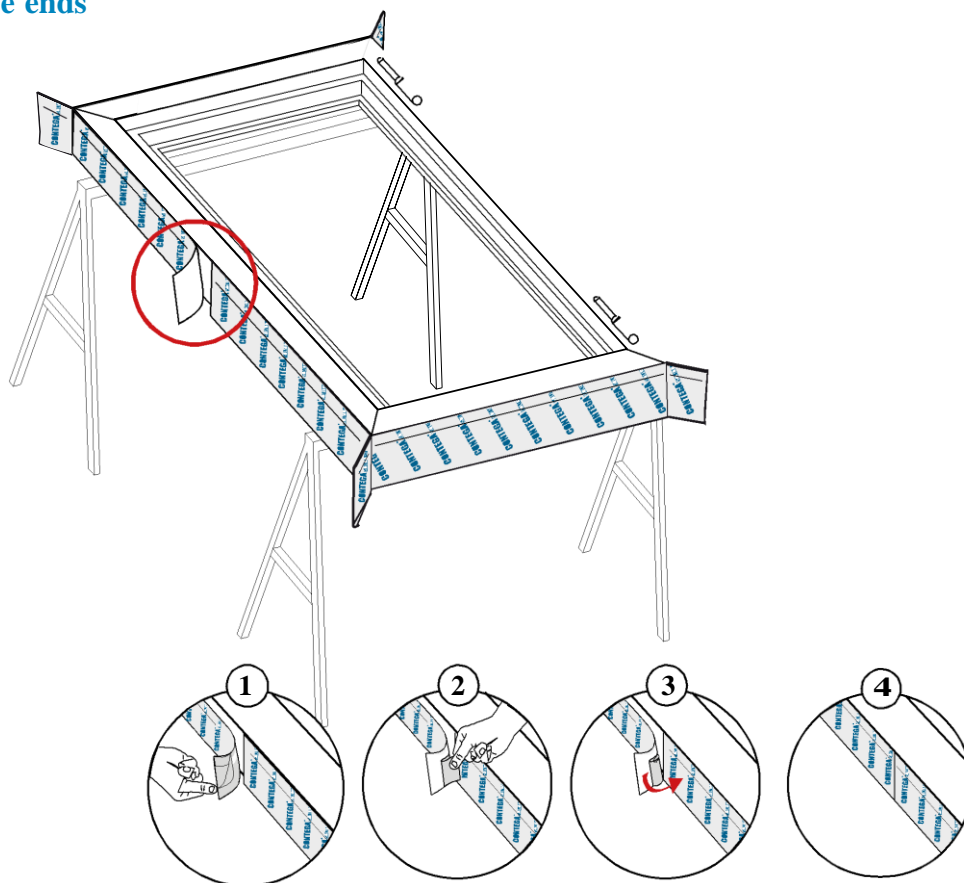
Note

Why create slack loops at the corners? The tape can then be folded after the window has been inserted into the corners of the soffit and can be stuck in a secure, airtight manner. The corner slack loop should be at least 4 cm, i.e. approx. double the joint width.

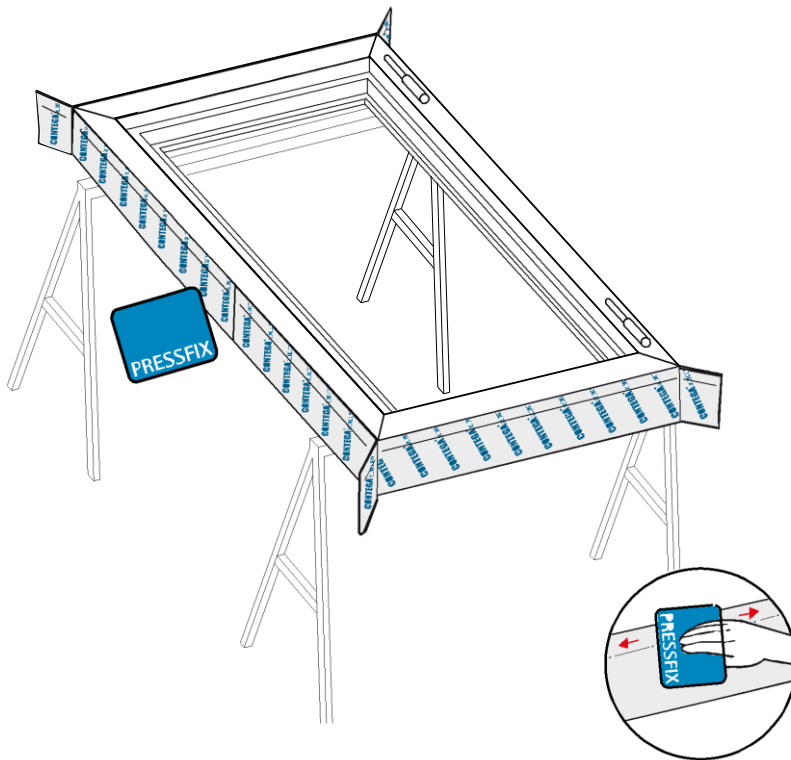
4. Stick CONTEGA SOLIDO SL around the perimeter



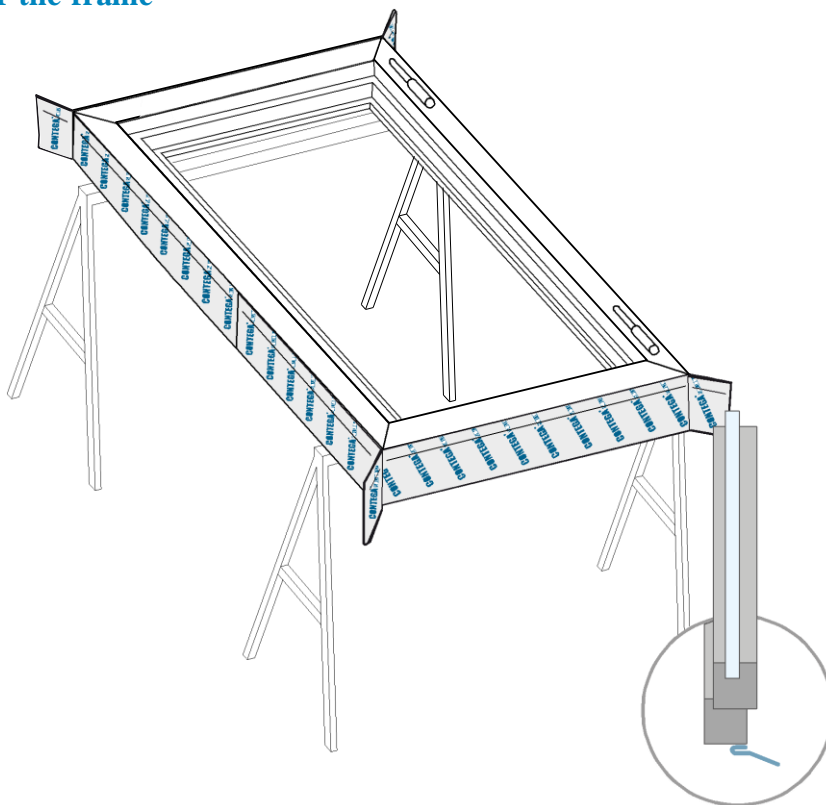
5. Stick the ends



6. Press firmly to secure the adhesive tape



7. Inside of the frame

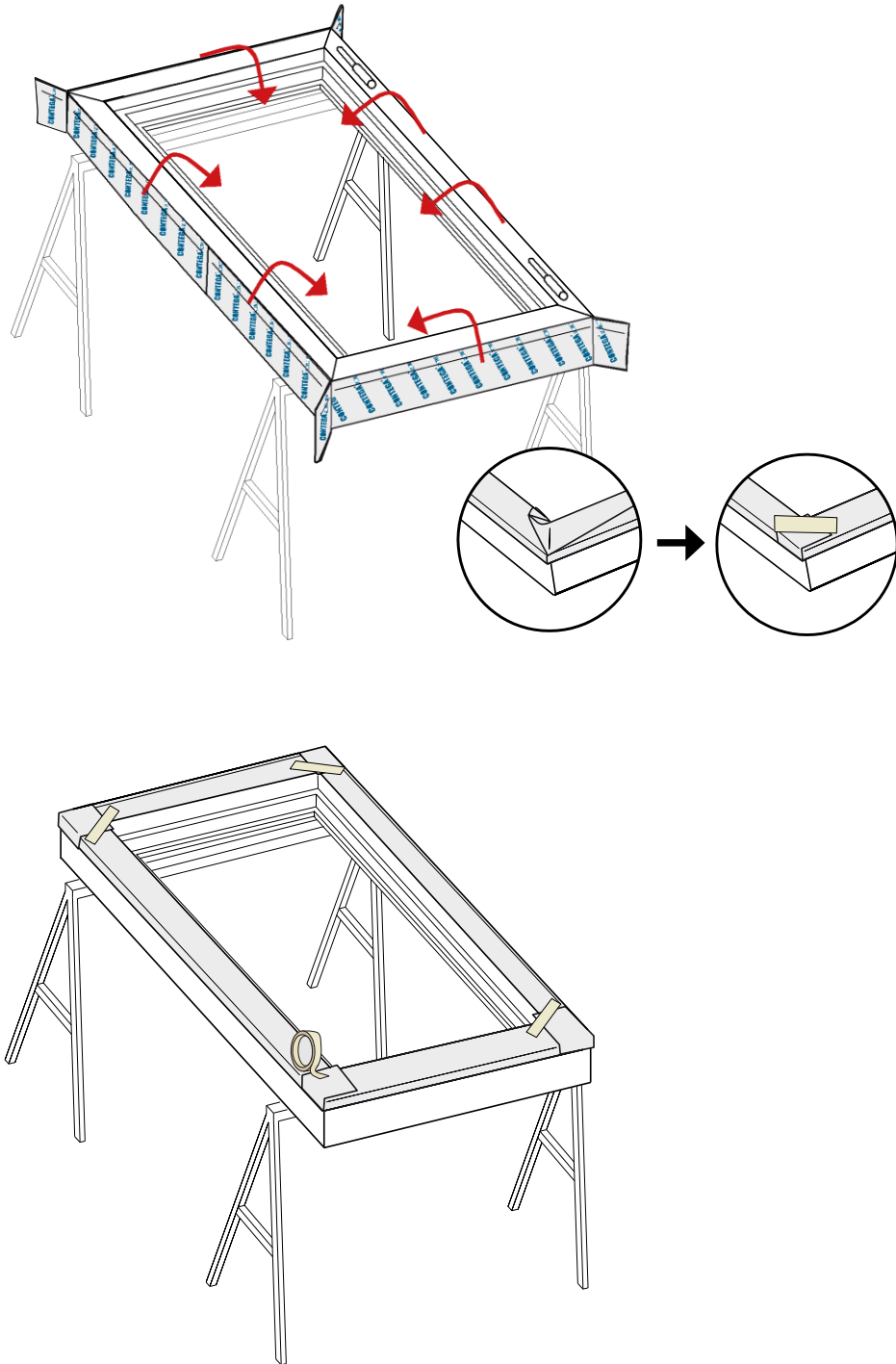


Removable adhesive tape



Practical tip

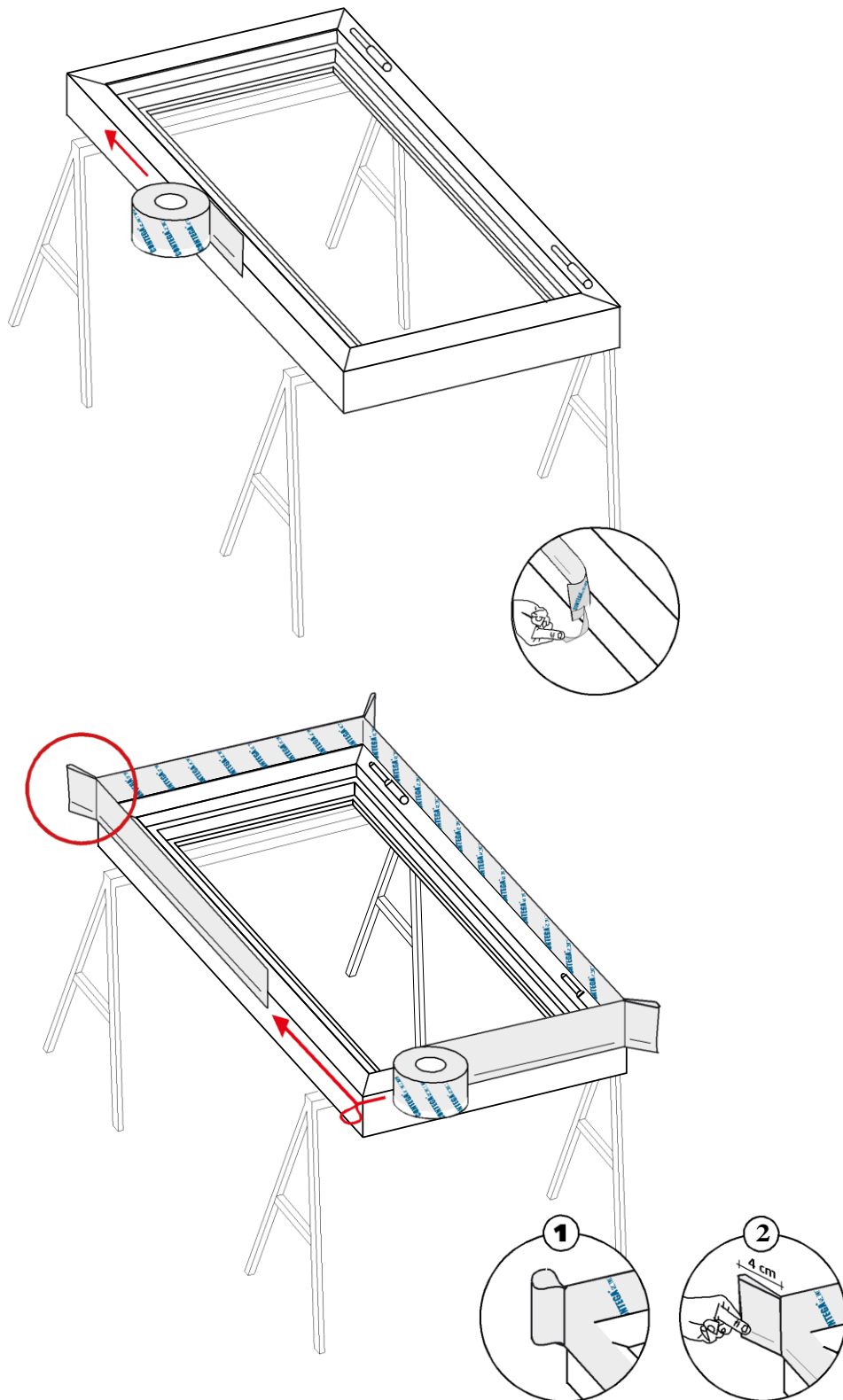
Holding in place with removable adhesive tape makes it easier to slide the window into the window opening.



Product variant

with CONTEGA SOLIDO SL-D

Product variant with additional adhesive zone on the fleece side: No folding over necessary



CONTEGA[®] SOLIDO SL-D

Permeable, full-surface adhesive sealing tape for interior use that can be plastered over



Prüfbericht Nr. 15-003305-P901
 (PB-E03-020310-de-02)
 • CONTEGA SOLIDO SL-D
 • CONTEGA SOLIDO EXD-D
 nach MO-01/1 (2007-01, Abs. 5
 15.03.2016

Note

Why create slack loops at the corners? The tape can then be folded after the window has been inserted into the corners of the soffit and can be stuck in a secure, airtight manner. The corner slack loop should be at least 4 cm, i.e. approx. double the joint width.

Installation phase

Step 2

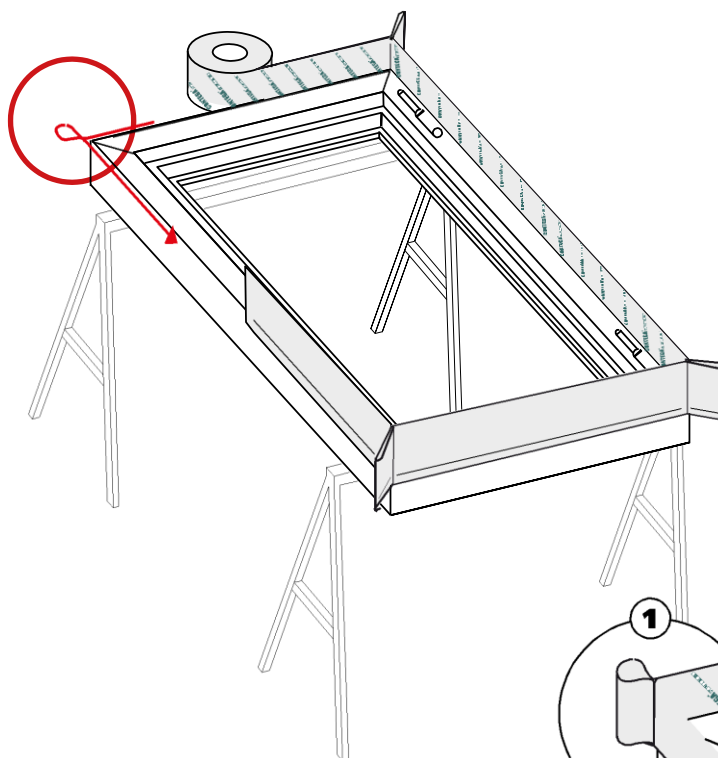
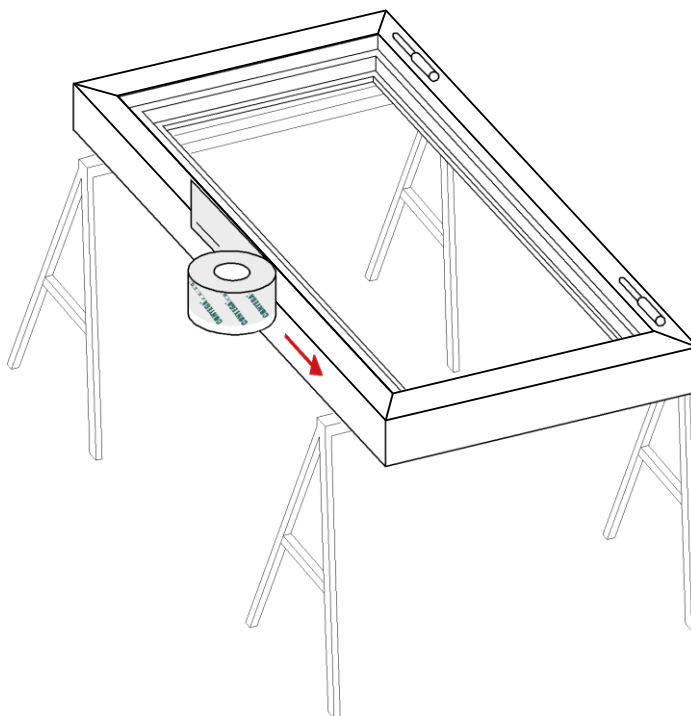
Product variant

with CONTEGA SOLIDO IQ-D

Just one tape for interior and exterior use: Humidity-variable sd value for dry joints. Easier stock management.

CONTEGA[®] SOLIDO IQ-D

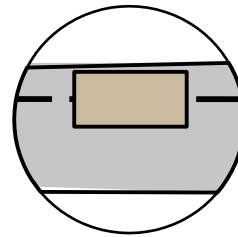
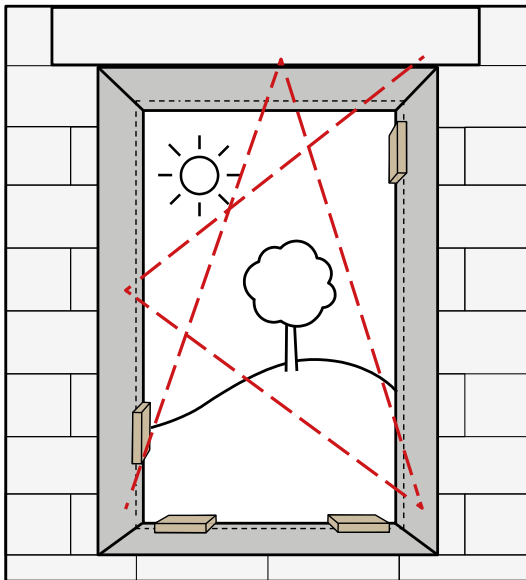
Intelligent full-surface adhesive window sealing tape for interior and exterior use with additional adhesive zone

**Note**

Why create slack loops at the corners? The tape can then be folded after the window has been inserted into the corners of the soffit and can be stuck in a secure, airtight manner. The corner slack should be approx. 4 cm, and at least double the joint width.

Step 3: Insert the window

1. Provide load-transferring as per planning



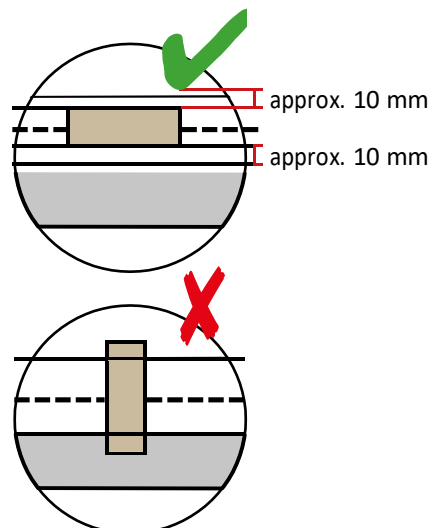
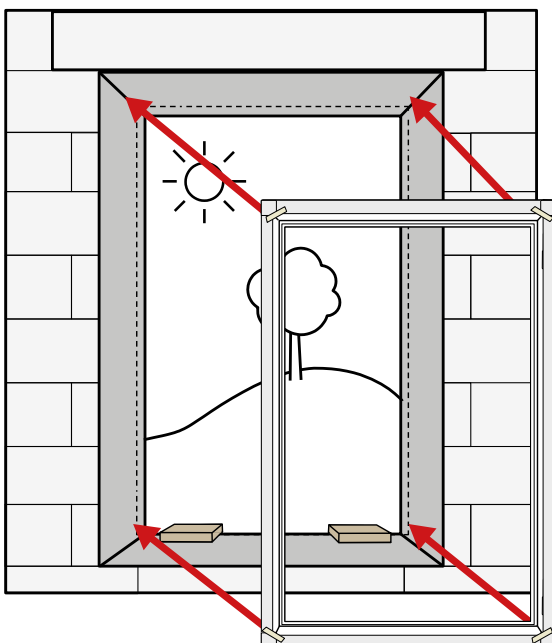
Practical tip

Setting blocks need not be used if appropriately sized, suitable fasteners are used and if the window is placed on a load-bearing insulation material.

Note

The fastening system and load-transferring are dependent on the permitted edge distances, the relevant masonry type and the selected fasteners. The type, position and number of fasteners should be specified as part of planning.

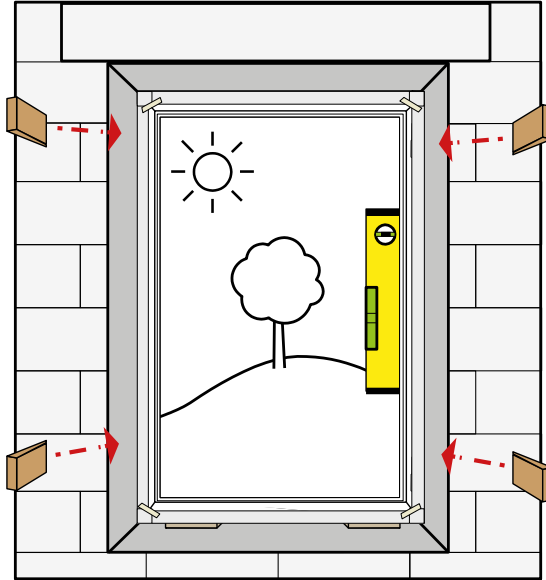
2. Lift the frame into place



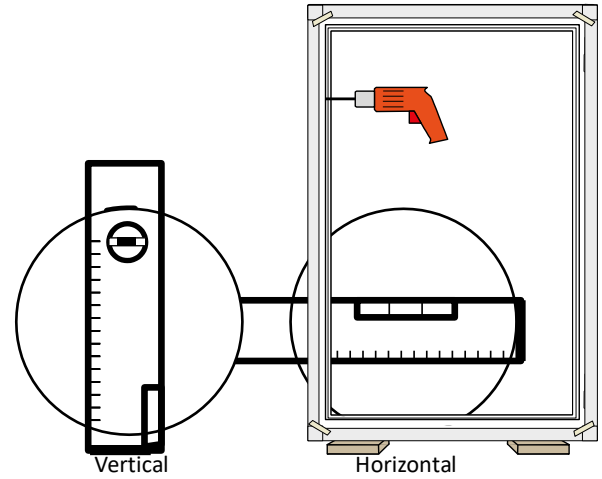
Note

If setting blocks have to be used, they must be pressure-resistant and must keep their shape (hardwood or plastic). They must not protrude beyond the frame.

3. Align the window and fasten in place



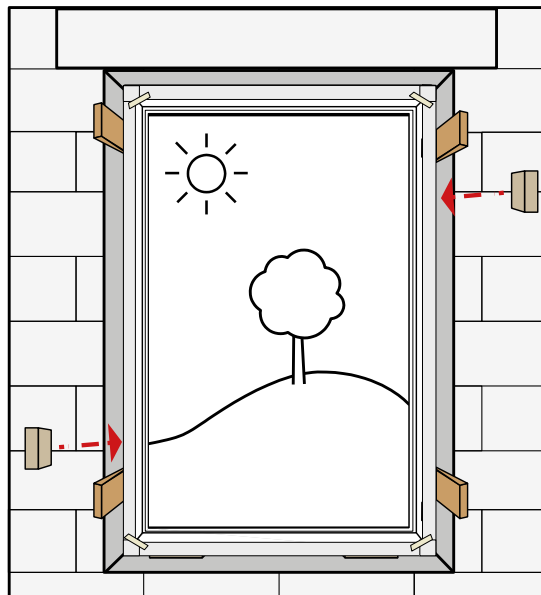
Fastening aids: Wedges, air cushions etc.



Note

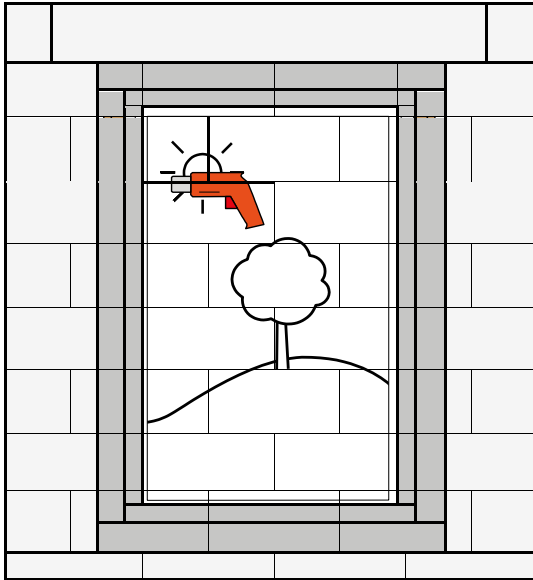
Give consideration to installation heights and facade alignments.

4. Ensure load-transferring is provided

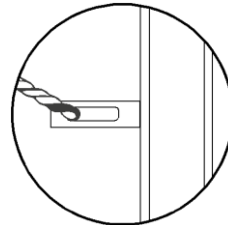


If load-transferring is not carried out by the fastening system, setting blocks at the sides and bottom are generally used. Give consideration to permanent securing of positioning and to a snug fit.

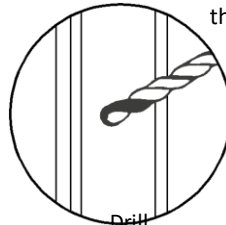
5. Fastening the window



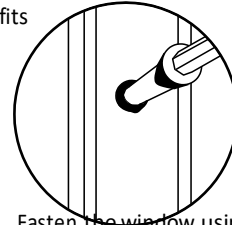
Fastening system: Take into account statics requirements; must be integrated into the window seal. Observe the edge distances of the fasteners, adapt the supporting system if necessary.



Insert dowels into the soffits

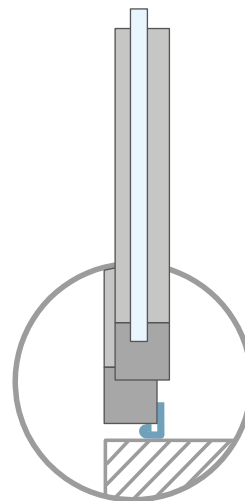
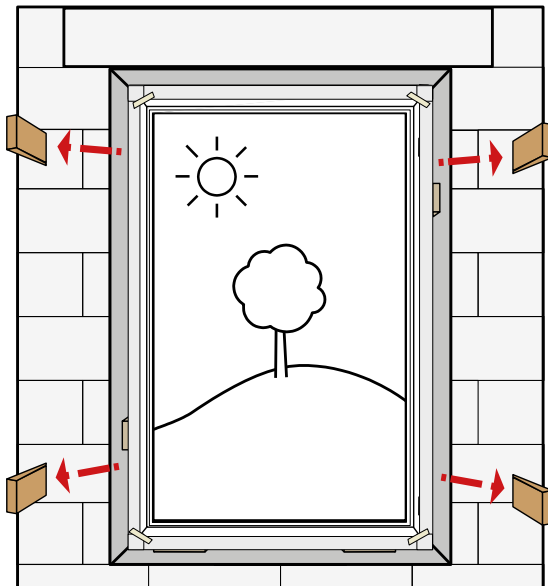


Drill



Fasten the window using a suitable system

6. Remove the fastening aids

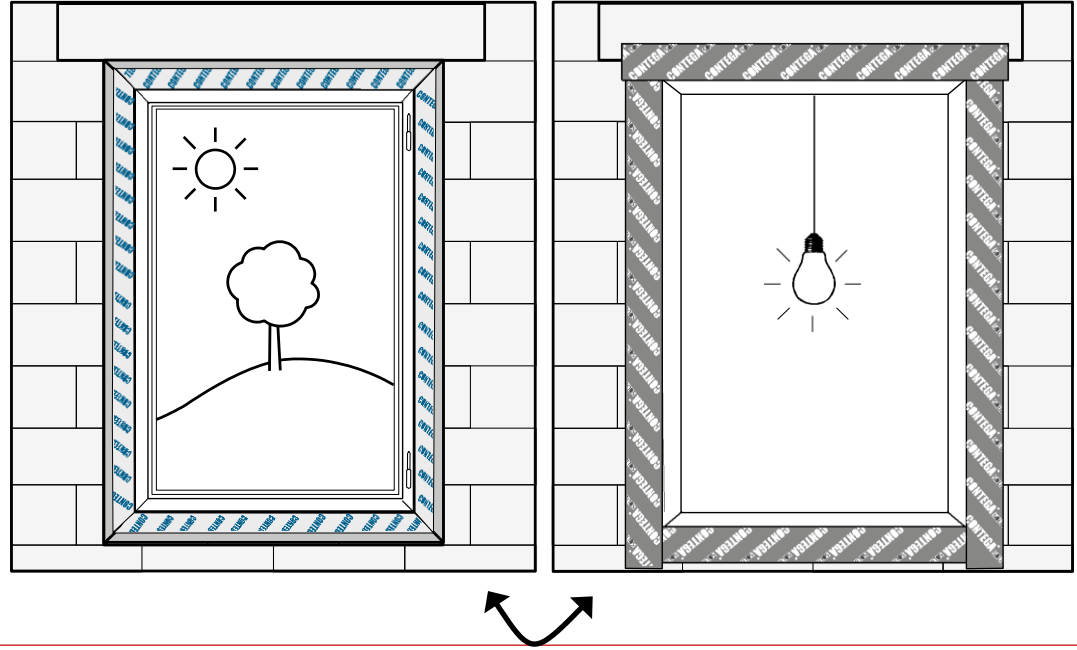


Finished!

Step 4: Insulate the joint

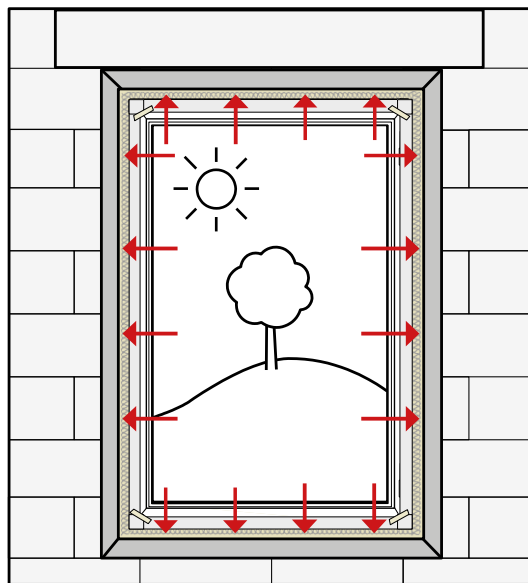
Practical tip

Start inside or outside? Examine the existing situation



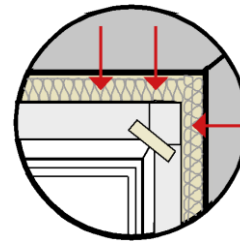
Start sealing inside or outside? Decide based on the local site conditions, such as weather or stage of progress of construction – this does not depend on the pro clima joint adhesive tapes.

1. Fill the joint with insulation material

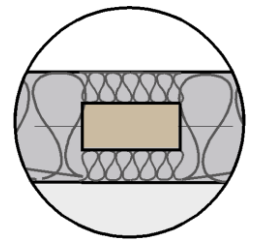


Practical tip

Folding over the joint adhesive tape in advance will make it easier to insert the insulation. Install the insulation material around the profile. This makes it easier to carry out adhesion for the interior and exterior sealing layers.



Fill the joint with insulation material around the perimeter, leaving no cavities

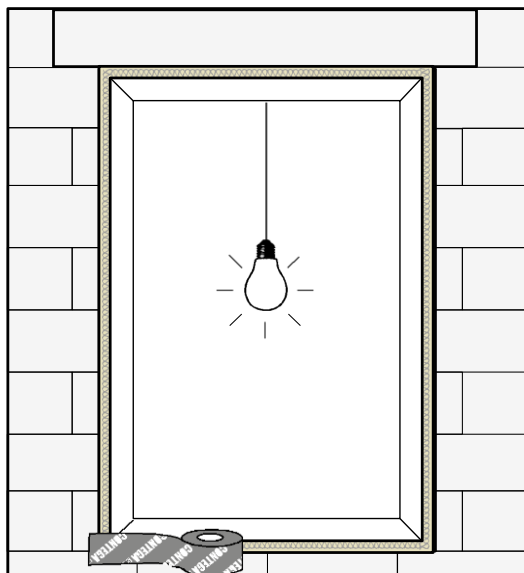


Insulate over setting blocks



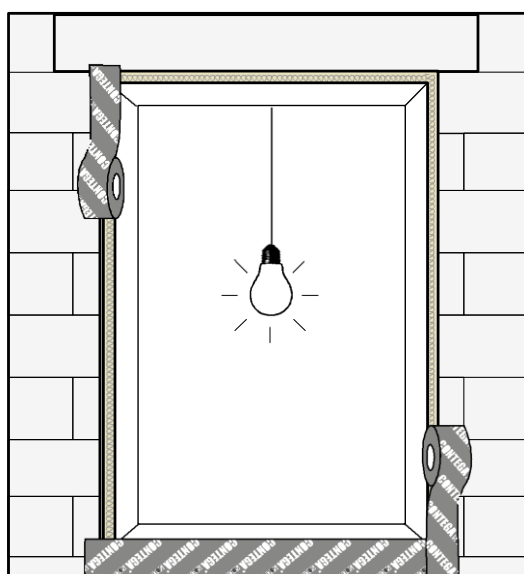
Step 5: Create exterior weather protection

1. Stick the tape in place around the perimeter



Differences in depth between the window profile and the building structure should be stuck over in a manner free of tension and free of gaps.

2. Stick the tape in place around the perimeter

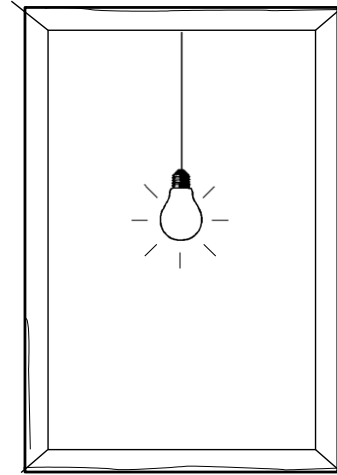
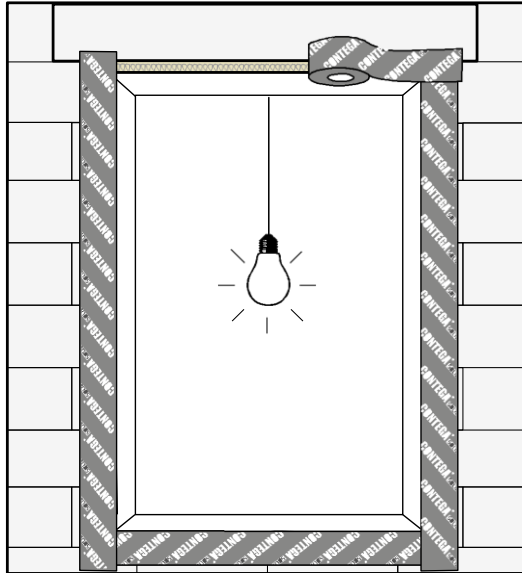


Note

Adhesive joints that are resistant to wind and driving rain can only be achieved if the sealing tape is installed free of folds and break.



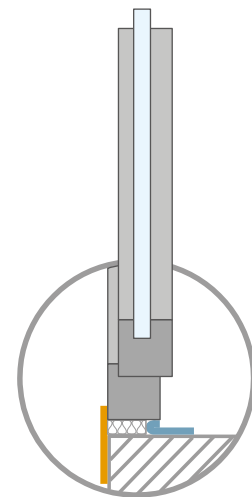
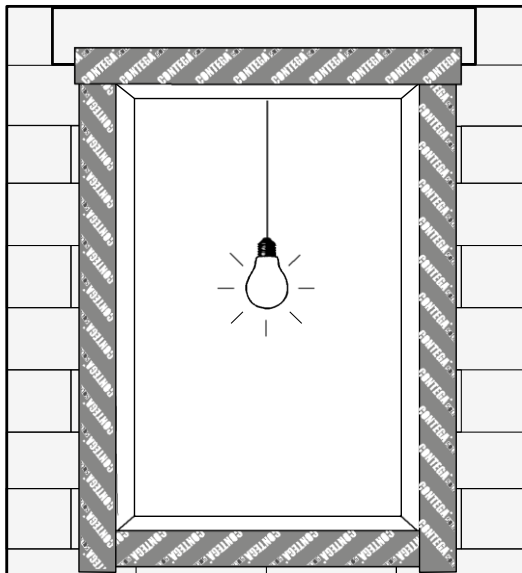
3. Stick the tape in place around the perimeter



Note

Adhesive joints that are resistant to wind and driving rain can only be achieved if the sealing tape is installed free of folds and break.

4. Stick the tape in place around the perimeter

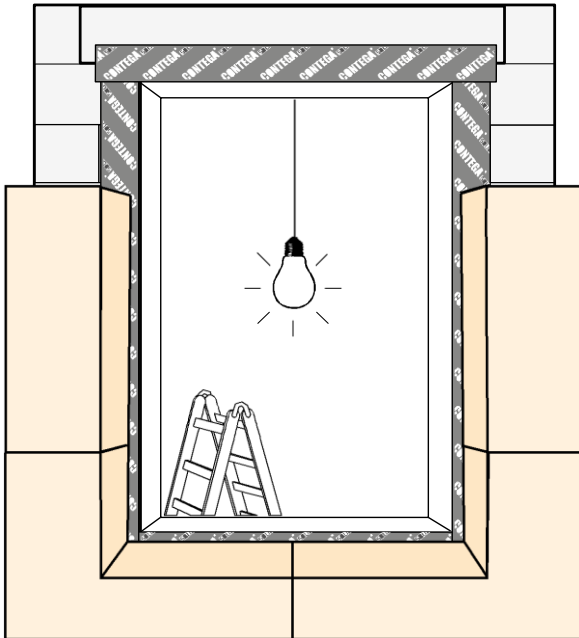


Finished!



Step 6: Install sub-sill flashing

1. Install the thermal insulation composite system in a system-compatible manner



The thermal insulation composite system should be installed in accordance with the technical approval of the selected system. As a result, the following steps for the sub-sill flashing should be adapted for the relevant thermal insulation composite system if necessary.

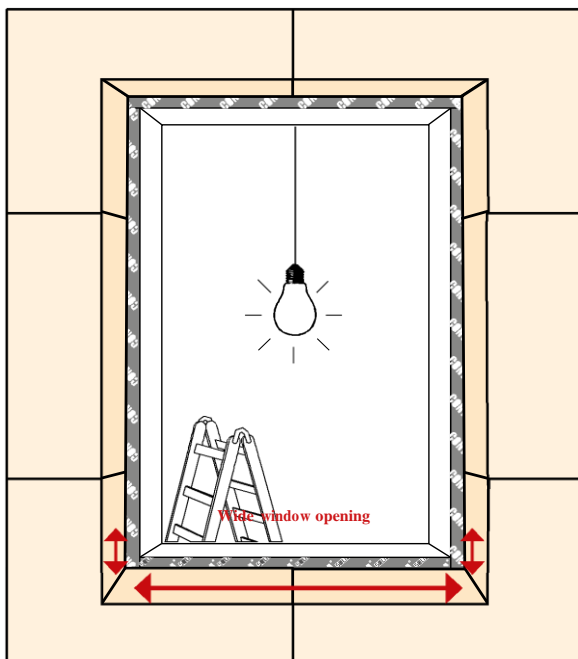
CONTEGA[®] FIDEN EXO
Pre-compressed joint sealing tape for exterior use that is open to diffusion and resistant to driving rain



If soffit insulation and/or the edge profile of the window sill is installed, these can be bonded to the subsurface in a sealed manner using CONTEGA FIDEN EXO.



2. Cut EXTONSEAL ENCORS to size allowing for excess

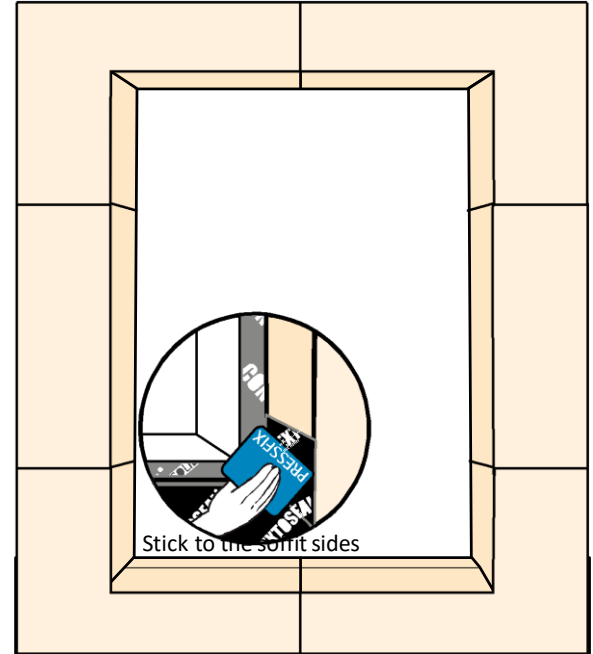
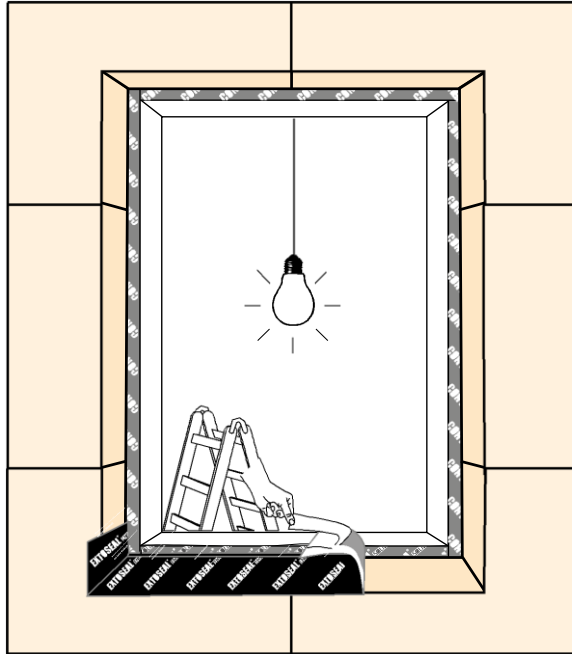




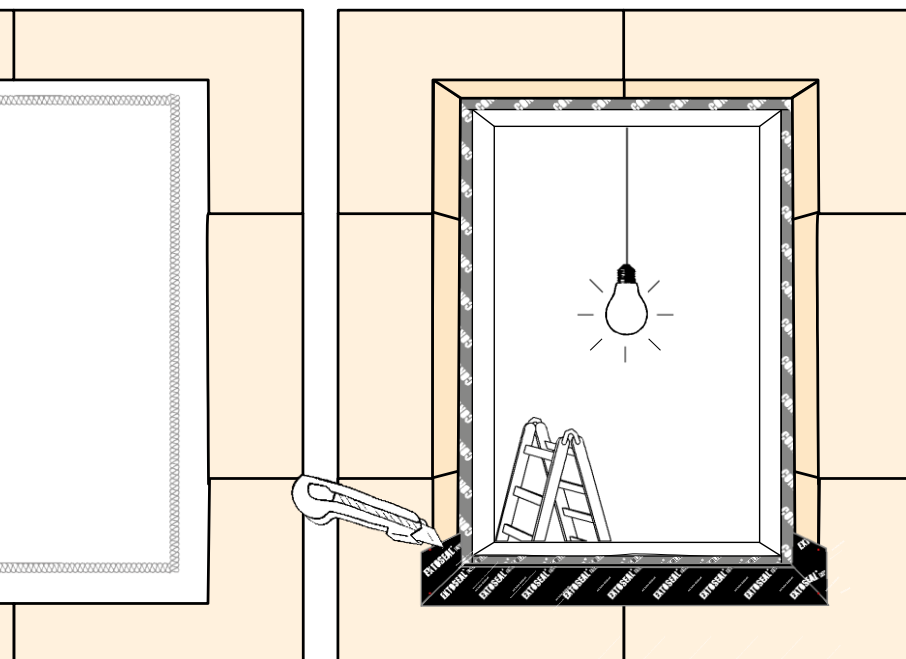
3. Remove the wide release film and stick EXTONSEAL ENCORS into the bottom of the soffit

Note

Stick EXTONSEAL ENCORS into the soffit in such a way that the side with the narrow release film protrudes on the outside. This is subsequently stuck onto the plaster layer or plastering reinforcement beads. Guide the tape exactly into the corners and rub firmly into place.

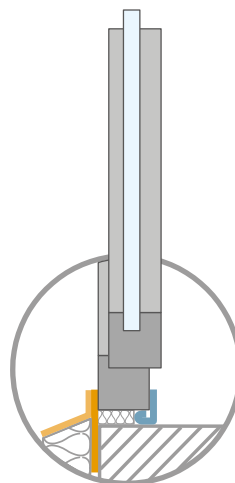
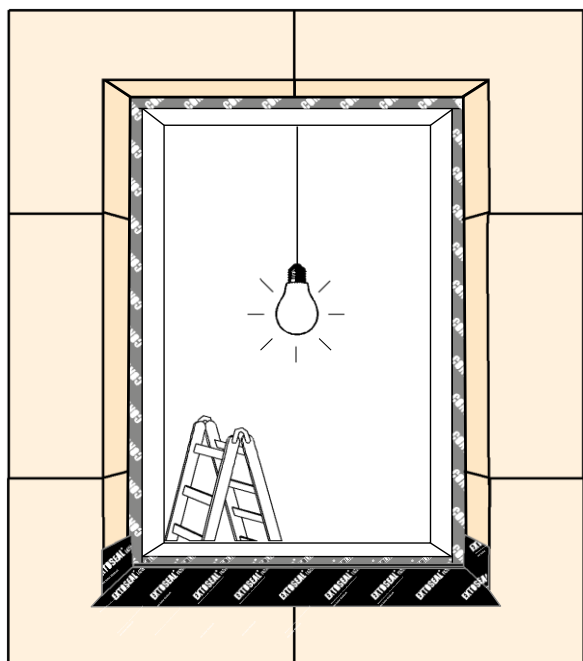


4. Cut off vertical excess



The soffit is to be installed in accordance with the selected thermal insulation composite system. Observe the relevant manufacturer's specifications.

5. Stick EXTONSEAL ENCORS



Note

Guide the tape exactly into the corners and rub firmly into place everywhere.

Note

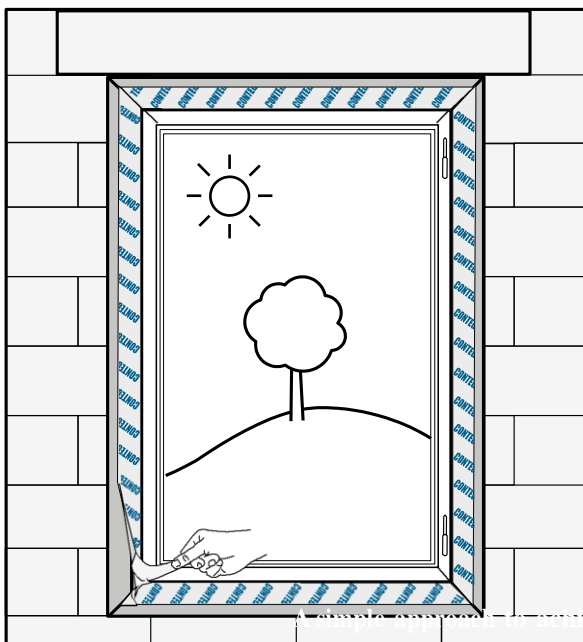
Add a soffit plate to EXTONSEAL ENCORS before plastering, or stick on TESCON VANA in the plastering area, or add suitable reinforcement to the plaster. EXTONSEAL ENCORS is shown as sub-sill flashing in this example; primarily observe the installation instructions of the manufacturer of the thermal insulation composite system.



Finished!

Step 7: Complete airtightness on the inside

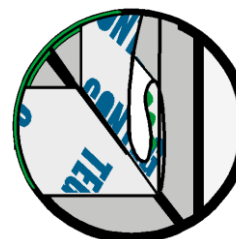
1. Stick the tape around the soffit



Remove the release film



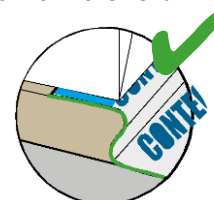
Rub using the PRESSFIX tool to secure



Fasten the corner with ORCON F

Note

Stick the tape with slack to allow for movement.

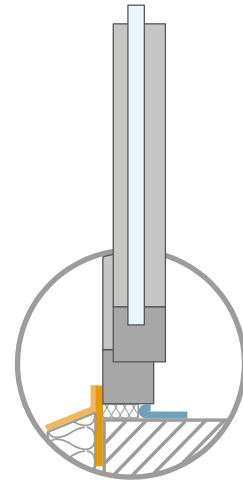
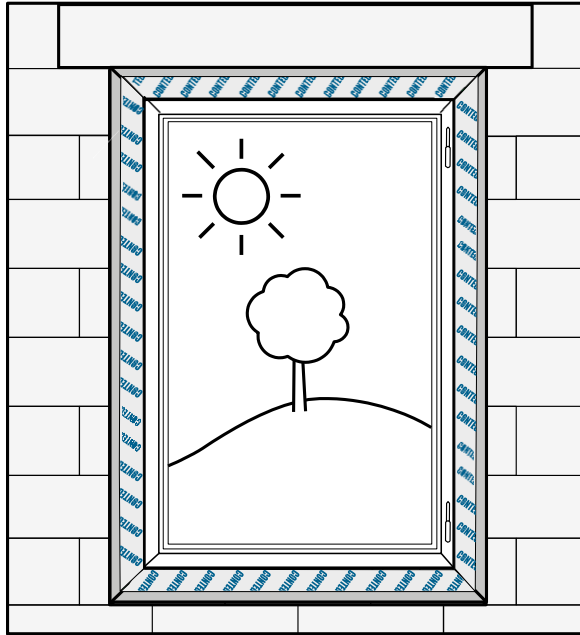


2. Interior airtightness: finished

·
I
n



Finished!





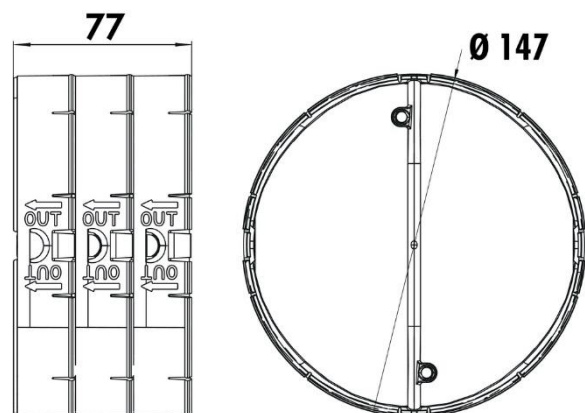
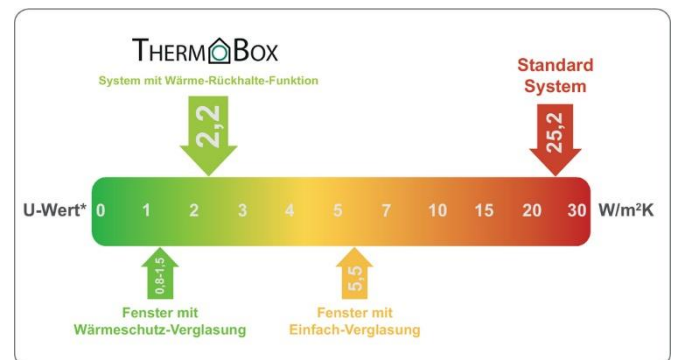
Energy efficient exhaust solutions in the kitchen



Intelligent kitchen exhaust solutions now play a key role in improving your indoor climate. Odour and fat particles, but also moisture, have to be dissipated to the outside air through an air duct. At the same time, the building envelope, especially the core hole created for an exhaust system, have to be energetically sealed.

THERMOBOX maximises the efficiency of an exhaust hood and prevents flow and heat losses when not in operation through the ShutterTec retention system. With a U-value* of 2.2 W/(m²K) the THERMOBOX clearly sets itself apart from the usual insulation values for wall conducts and as a component, it achieves an insulation effect comparable with that of double-glazed windows. In addition, unwanted vibrations and rattling noises due to wind load are avoided.

The Naber® THERMOBOX is available in conjunction with the external blind "Col" as a wall conduct system in Ø 125 and Ø 150 mm. In addition, the THERMOBOX is available as a retrofit kit for existing Naber® wall conducts and is also suitable for vertical installation (exhaust air outlet via the roof).





ProClima ROFLEX 100

Sealing grommets for pipes, \varnothing 100-120 mm (4"-4 3/4"), for interior and exterior use



1. Advantages

- Secure bond, quick and secure sealing
- High-quality EPDM, extremely flexible and elastic, no excess bushing
- Waterproof, also suitable for penetrations in façades and roof linings
- Pipes can still be pulled or pushed
- Construction in adherence with standards: for airtight bonding in accordance with DIN 4108-7, SIA 180 and RE 2020
- Excellent values in hazardous substance testing, has been tested according to the ISO 16000 evaluation scheme

2. Areas of application

For rapid and permanent airtight feedthroughs for pipes through the airtight sealing layer. Can also be used outdoors, e.g. for sub-roofs and for refurbishment vapour check.
Stick with TESCON VANA.

Installation steps

3. General conditions

The bonds should not be subjected to tensile strain. Press firmly to secure the adhesive tapes in place. Ensure that there is sufficient resistance pressure.

Windproof, airtight or rainproof bonding can only be achieved on vapour checks, roof underlays or wall lining membranes that have been laid without folds or creases. Ventilate continuously and systematically to prevent build-up of excessive humidity; use a dryer if necessary.



Clean subsurfaces before sticking. Adhesion to frozen surfaces is not possible. There must be no water-repellent substances (e.g. grease or silicone) on materials to be bonded. Subsurfaces must be sufficiently dry and stable.

Permanent adhesion is achieved on all pro clima interior and exterior membranes, other vapour-check and airtight membranes (e.g. those made of PE, PA, PP and aluminium) as well as other roof and wall lining membranes (e.g. those made of PP and PET).

Bonding and joints are possible on planed and painted wood, hard plastics and metal (e.g. pipes, windows etc.), hard wood-based panels (chipboard, OSB, plywood, MDF and wood-fibre underlay panels). Pre-treatment with TESCON PRIMER is required in the case of adhesion to wood-fibre underlay panels and smooth mineral subsurfaces. Concrete or plaster subsurfaces must not be sandy or crumbling.

The best results in terms of structural stability are achieved on high-quality subsurfaces. It is your responsibility to check the suitability of the subsurface; adhesion tests are recommended in certain cases. Pre-treatment with TESCON PRIMER is recommended in the case of subsurfaces with insufficient stability.



1. Pull the grommet over the pipe and align it

Select a grommet to suit the diameter of the pipe, pull it over the pipe, guide it as far as the subsurface and align it as desired.



2. Stick the grommet and rub it firmly in place

Stick the grommet to the subsurface and rub it firmly in place. Ensure that there is sufficient resistance pressure. This work can be carried out more efficiently and in a manner that is kinder to your hands by using the pro clima PRESSFIX application tool.



3. Also for exterior use

All ROFLEX grommets can also be used in exterior applications, e.g. for external roof insulation. In this case, it is important to use TESCON VANA system adhesive tapes with water-resistant SOLID adhesive.



4. Conduit grommet

ROFLEX 20 is a conduit grommet made from EPDM and an integrated adhesive substrate, which is suitable for pipes with a diameter of 15–30 mm (1/2"–1 3/16"). Pull the grommet over the conduit, gradually remove the release film and then stick the grommet to the subsurface. Rub the grommet firmly in place.



5. Grommet for several conduits

Use of the 'ROFLEX 20 multi' grommet for multiple conduits is recommended if a number of conduits are to be reliably integrated into the airtightness layer.