



TFB3/90 FLOORBOX

Specifications

- Floor box manufactured from galvanised steel
- 25 & 20mm knockouts to accept flexible conduit
- Frame & lid moulded from high impact polycarbonate
- Galvanised lid insert for strength
- Easy grip recessed lifting handle
- Compact design 303 x 221mm floor cut-out
- Clamp fixing for fast installation
- Standard depth 86mm designed to accept standard accessory plates from electrical wholesalers



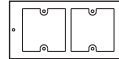

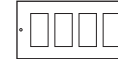

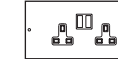
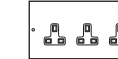
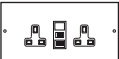


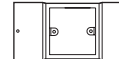

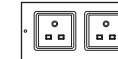
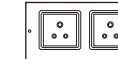
Dimensions

Floor Cut Out:	303 x 221mm
Floor Box Depth:	90mm
Plug Top Clearance:	40mm
Overall Frame & Lid:	313 x 230mm
Frame Lid Recess:	6mm
Accessories Plates:	185 x 89mm

Frame & Lid options for TFB3/90

- PCL12R281** - 12mm Recessed Powder Coated Steel
- PCL20R281** - 20mm Recessed Powder Coated Steel
- SSL12R281** - 12mm Recessed Stainless Steel
- SSL20R281** - 20mm Recessed Stainless Steel

TFB3/90 Accessory Plates

							
STO283 Blank Plate	STO284 RJ45/LJ6C Plate	STO286 2x 1 Gang Accessory Plate	STO287 Standard Twin Accessory Plate	STO288 Alpha Snap Plate	STO289 6x RJ45/LJ6C Data Plate	STO291 Twin Switched Sockets	STO295 Triple Sockets
							
STO291/RCD Twin RCD Protected Sockets	STO294 2x Euro 50x50mm Plate	STO287/FM Flush Standard Twin Plate	STO286/IFM Flush Standard single Plate	STO284/W 4x RJ45/LJ6C Wave Plate	STO291/NSS 2x Non-Standard Sockets	STO291/5A 2x 5 Amp Sockets	