

# allen + roth. cabinetry



## Specification Guide & Parts Directory

August 2023



# TABLE OF CONTENTS

<b>WARRANTY</b> .....	4
<b>DOOR STYLE COLLECTIONS</b>	
AVELEY .....	6
GALWAY .....	6
INNSBROOK .....	6
PORT .....	6
STONEWALL .....	6
BICKERSHIRE .....	7
PATTINGHAM .....	7
GLENLOCH .....	8
MCKELLER .....	8
<b>STANDARD CABINET SPECIFICATIONS</b>	
Certification .....	10
Finishing Systems .....	11
Cabinet Dimensions .....	12
Installation Guidelines .....	16
Essential Construction Package .....	18
Select Construction Package .....	20
Luxury Construction Package .....	22
Construction Package Comparison .....	24
Overlay Dimensions .....	25
<b>CONSTRUCTION OPTIONS</b>	
Legend .....	28
Furniture Ends & Cabinet Front Only Options .....	29
Reduced Depth Cabinet Option .....	30
Increased Depth Cabinet & Void Door Options .....	31
Recessed Toe Kick & Void Top Drawer Options .....	32
Matching Interior Option .....	33
Specialty Door Options .....	34
Open Frame Door Profiles .....	35
Decorative Glass Inserts .....	36
Glass Clip Reference Chart .....	37
<b>WALL CABINETS</b>	
Standard .....	40
With Spice Rack .....	42
Wall Top Hinge .....	42
Microwave .....	43
Blind .....	44
Corner .....	46
Wall Easy Reach .....	47
Wall End Angle .....	47
Specialty .....	48
Range Hoods .....	50
Range Hood Chimney .....	52
Range Hood Blowers .....	53
Accessories .....	56
<b>BASE CABINETS</b>	
One Door Base Cabinets .....	60
One Door Base With Deep Roll Out Trays .....	60
One Door Base With Accessories .....	61
One Door Base With Factory Installed Drawer Organizer .....	62
Two Door Base Cabinets .....	62
Two Door Base With Deep Roll Out Trays .....	63
Two Door Base With Factory Installed Drawer Organizer .....	63
Three Door Base Cabinets .....	64
One Door Full-Height Base Cabinets .....	64
One Door Full-Height Base Cabinets With Deep Roll Out Trays .....	65
One Door Full-Height Base Cabinets With Accessories .....	65
Two Door Full-Height Base Cabinets .....	67
Two Door Full-Height Base Cabinets With Deep Roll Out Trays .....	67
Furniture Drawer Cabinets .....	67
Pedestal Drawer Cabinets .....	68

<b>BASE CABINETS (CONT.)</b>	
Drawer Base Cabinets .....	68
Drawer Base With Factory Installed Drawer Organizer .....	70
Peninsula Cabinets .....	71
Full-Height Peninsula Base Cabinets .....	71
Blind Peninsula Corner Base .....	72
Corner Cabinets .....	73
Blind Corner Base Cabinets .....	76
Full-Height Blind Corner Base Cabinets .....	76
Full-Height Blind Corner with Accessories .....	76
Corner Sink Base Cabinet .....	77
Deep Sink/Range Base Cabinets .....	78
Sink/Cooktop Base Cabinets .....	79
Sink Base With Factory Installed Tilt-Out Tray(s) .....	80
Sink/Cooktop Front .....	81
Specialty .....	82
Accessories .....	84
<b>DESK CABINETS</b>	
Desk Cabinets .....	92
Desk With Wastebasket Pullout .....	92
Desk Drawer Base .....	93
Desk File Pull-Out Cabinets .....	93
Specialty Desk .....	93
Tall Bookshelves .....	94
Wall Bookshelves .....	94
Base Bookshelves .....	95
Accessories .....	95
<b>TALL CABINETS</b>	
Utility Cabinets With Adjustable Shelves .....	98
Utility Cabinets With Deep Roll Out Trays .....	99
Single Oven Cabinets .....	100
Double Oven Cabinets .....	103
Accessories .....	105
<b>VANITY CABINETS</b>	
One Door Vanity Cabinets .....	108
Vanity Base With Wastebasket Pull-Out .....	108
Two Door Vanity Cabinets .....	108
Full-Height Vanity Cabinets .....	109
Vanity Drawer Base .....	109
Vanity Sink Base .....	108
Vanity Combo Sink Base .....	113
Specialty .....	115
Accessories .....	115
Vanity Linen Cabinets .....	116
Vanity Linen Accessories .....	117
<b>MOLDING AND DECORATIVE ACCENTS</b>	
Moldings .....	120
Molding Stacks .....	125
Valances .....	128
Corbels .....	130
Decorative Accents .....	132
Legs .....	133
Posts .....	135
<b>PANELS AND FILLERS</b>	
Panels .....	138
Decorator Matching Doors .....	141
Fillers .....	143
Toe Kick .....	148
Installation Items .....	148
<b>DECORATIVE HARDWARE</b> .....	152
<b>PARTS DIRECTORY</b> .....	162
<b>INDEX</b> .....	208

## WARRANTY, CLAIMS & INFORMATION

### ALLEN + ROTH CABINETRY

#### CONSUMER LIFETIME LIMITED WARRANTY

American Woodmark Corporation, the manufacturer of allen + roth cabinetry, hereby warrants to the original purchaser, for residential applications only, that all cabinets and accessories are free from defects in materials and workmanship. This warranty runs for as long as you own your home and begins upon the date of delivery to you. This warranty is expressly limited to repair or replacement of the defective part at the discretion of the manufacturer and does not include labor for removal or replacement. This warranty does not extend to defects caused by improper handling, storage, installation, assembly or disassembly, intentional damage, product modifications, exposure to the elements including humidity which may result in warping or splitting, accidental misuse, abuse or negligence.

Natural woods may vary in texture, color and woodgrain, and exhibit subtle changes as they age. For example, wood joints may eventually have visible cracking around the joint area and cabinet colors may darken or lighten over time. Sunlight, smoke, moisture, household cleaners and other environmental conditions may cause materials to vary from their original color and/or to warp, split or crack. These variations are considered to be the nature of the material in relation to its environmental exposure and are not covered under this warranty.

#### ADDITIONAL LIMITATIONS AND DISCLAIMERS

***American Woodmark Corporation, the manufacturer of allen + roth cabinetry, makes no other warranties other than those set forth herein and all other warranties are hereby disclaimed. The implied warranties of merchantability and fitness for a particular purpose are limited in duration to the length of the limited warranty period. The limited warranties set forth herein are limited to the first and original buyer and are not transferable thereafter. In no event shall the manufacturer be liable for incidental or consequential damages to the purchaser or to any third party, including, without limitation, damages arising from personal injury, lost profits, loss of business opportunity, loss of property, economic losses, or statutory or exemplary damages, whether from negligence, warranty, strict liability or otherwise.***

Some states do not allow the exclusion or limitation of incidental or consequential damages, or limitations on how long an implied warranty lasts, so the above limitations and exclusions may not apply to you. This warranty gives you specific legal rights, and you may also have other rights, which vary from state to state.

#### CLAIMS

All warranty, missing, or damage claims for cabinets and accessories must be initiated with the Customer Care Team. Please be ready with your order number and a detailed description of any issue present in the cabinets and accessories. Customer Care will determine at their discretion, to either replace defective cabinets and accessories or repair any defects in the cabinets and accessories.

#### LOST OR DAMAGED NO-CHARGE REPLACEMENT PARTS

As with any manufactured and shipped product, transportation damage and defects may occur. Should the unexpected arise, we are here to help. Follow our lost or damaged replacement part process below to ensure your customer has everything they need for their project.

- Have your customer check-in and inspect all cabinetry upon delivery
- Report any shortages or missing items to our Customer Care team within 60 days of delivery
- Report any defects or shipping damages to our Customer Care team within 90 days of delivery

When contacting Customer Care for a no-charge replacement, please ensure you have the original order number and a detailed description of the issue. We will work to get any replacements out to you as quickly as possible.

#### CONTINUOUS IMPROVEMENT

In keeping with our policy of continuous improvement, allen+roth cabinetry reserves the right to change specifications in design and materials as conditions require.

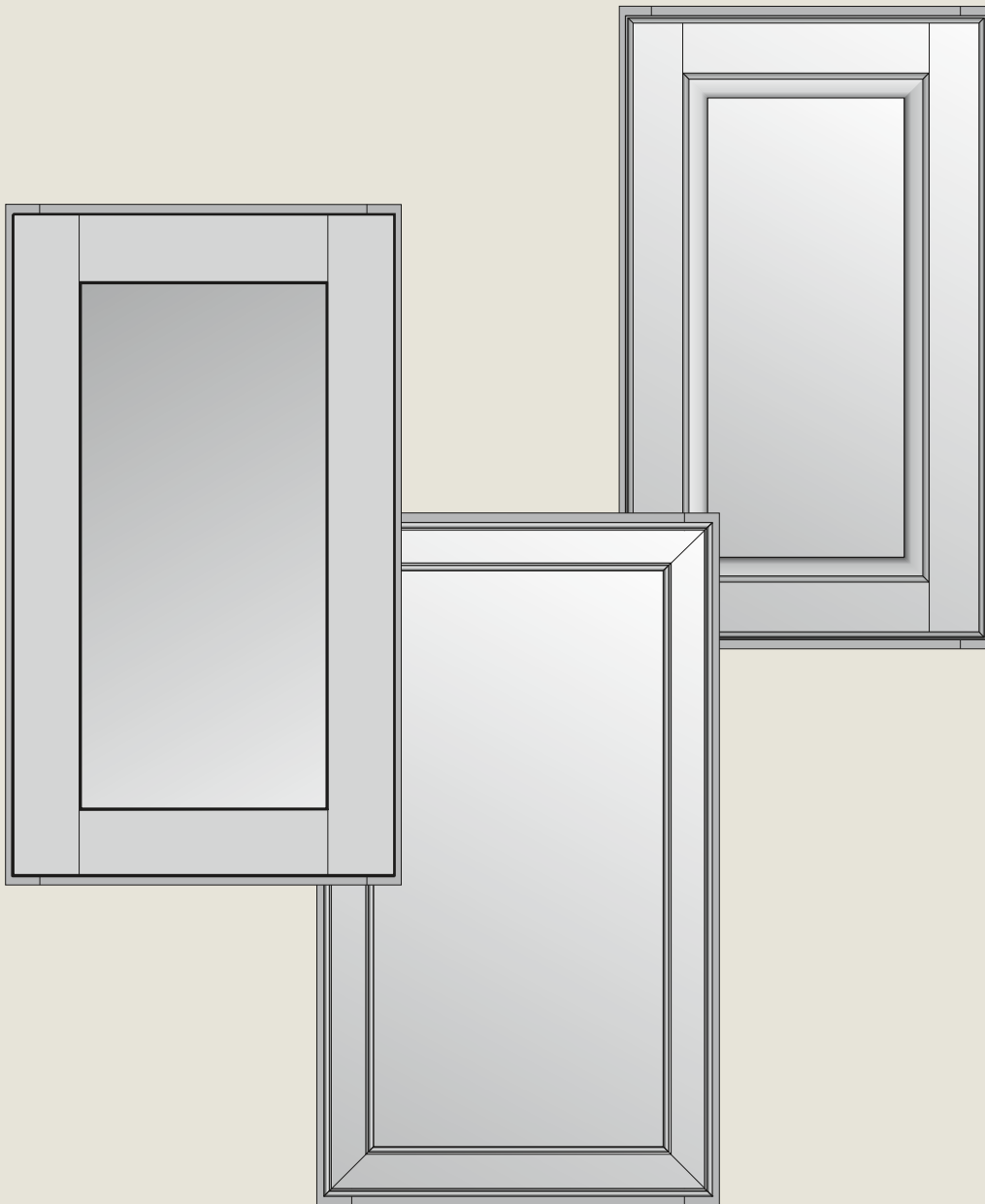
#### INFORMATION

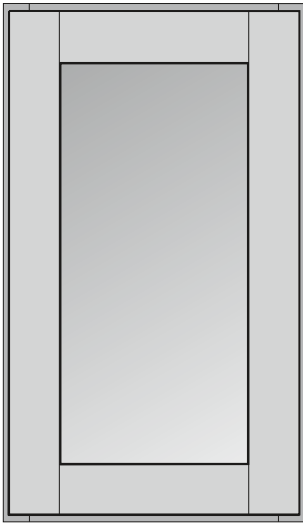
If you would like clarification about any of our products or processes, please call your exclusive allen+roth Customer Care Department at 855-768-4292.

Monday – Friday: 8:00 am – 8:00 pm EST

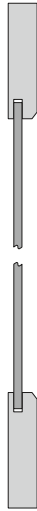
Saturday: 10:00 am – 2:00 pm EST

# Door Styles

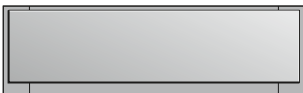




Door



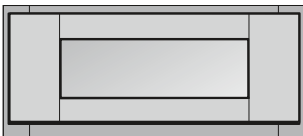
Door  
Cross Section



Kneehole Drawer Front



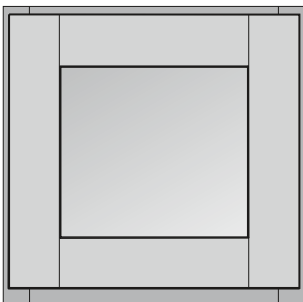
Kneehole Drawer  
Cross Section



Standard Drawer Front



Standard Drawer  
Cross Section



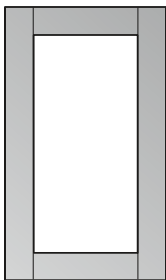
Large Drawer Front



Large Drawer  
Cross Section

**Specialty Door (SD) Availability:**

See pages 34–35 for details and restrictions.



OFD

**CONSTRUCTION NOTES**

Door Panel: Recessed Panel

Drawer Front: 5-Piece Recessed Panel

Door Style: Square

Overlay: Full Overlay

Tall Door Details: No Center Rail on 50" High Doors

Door Stile Width: 3"

Door Rail Width: 3"

**AVELEY**

Bright White Paint

**STYLE CODE**

essential: 60MPS

select: 61MPS

luxury: 62MPS

**GALWAY**

Cool Dark Green Paint

**STYLE CODE**

essential: 60FCS

select: 61FCS

luxury: 62FCS

**INNSBROOK**

Warm Light Wood Stain

**STYLE CODE**

essential: 60MTS

select: 61MTS

luxury: 62MTS

**PORT**

Dark Blue Paint

**STYLE CODE**

essential: 60FBS

select: 61FBS

luxury: 62FBS

**STONEWALL**

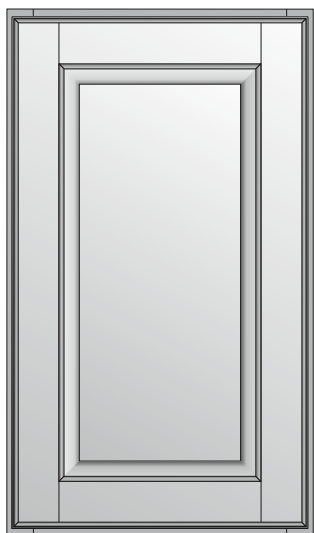
Medium Cool Gray Paint

**STYLE CODE**

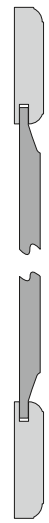
essential: 60MYS

select: 61MYS

luxury: 62MYS



Door



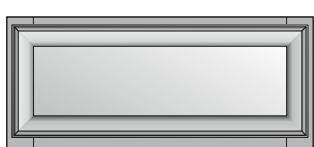
Door Cross Section



Kneehole Drawer Front



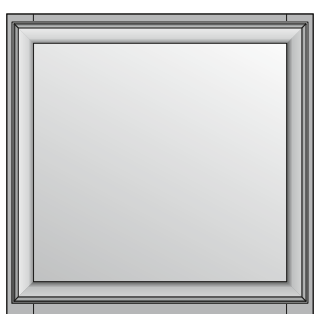
Kneehole Drawer Cross Section



Standard Drawer Front



Standard Drawer Cross Section



Large Drawer Front



Large Drawer Cross Section

**CONSTRUCTION NOTES**

- Door Panel: Raised Panel
- Drawer Front: Decorative Raised Slab
- Door Style: Square
- Overlay: Full Overlay
- Tall Door Details: Center Rail on 50" High Doors
- Door Stile Width: 3"
- Door Rail Width: 3"

**BICKERSHIRE**

White Paint with Dark Gray Glaze

**STYLE CODE**

essential: 63MPQ

select: 64MPQ

luxury: 65MPQ

**PATTINGHAM**

Soft Warm Gray Paint

**STYLE CODE**

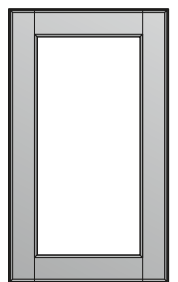
essential: 63MKS

select: 64MKS

luxury: 65MKS

**Specialty Door (SD) Availability:**

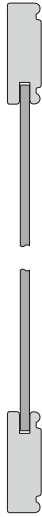
See pages 34–35 for details and restrictions.



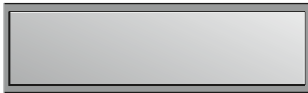
OFD



Door



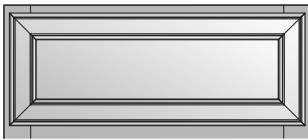
Door  
Cross Section



Kneehole Drawer Front



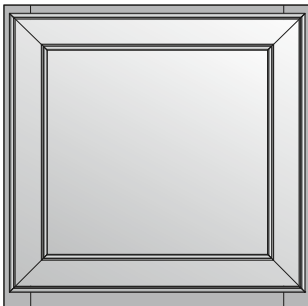
Kneehole Drawer  
Cross Section



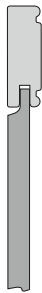
Standard Drawer Front



Standard Drawer  
Cross Section



Large Drawer Front



Large Drawer  
Cross Section

### CONSTRUCTION NOTES

Door Panel: Mitered Flat Panel

Drawer Front: 5-Piece Mitered Flat Panel

Door Style: Square

Overlay: Full Overlay

Tall Door Details: No Center Rail on 50" High Doors

Door Stile Width: 2 1/4"

Door Rail Width: 2 1/4"

## GLENLOCH

White Paint with Dark Gray Glaze

### STYLE CODE

essential: 71MPQ

select: 72MPQ

luxury: 73MPQ

## MCKELLER

Bright White Paint

### STYLE CODE

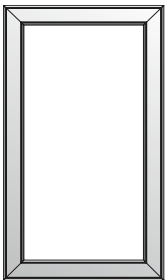
essential: 71MPS

select: 72MPS

luxury: 73MPS

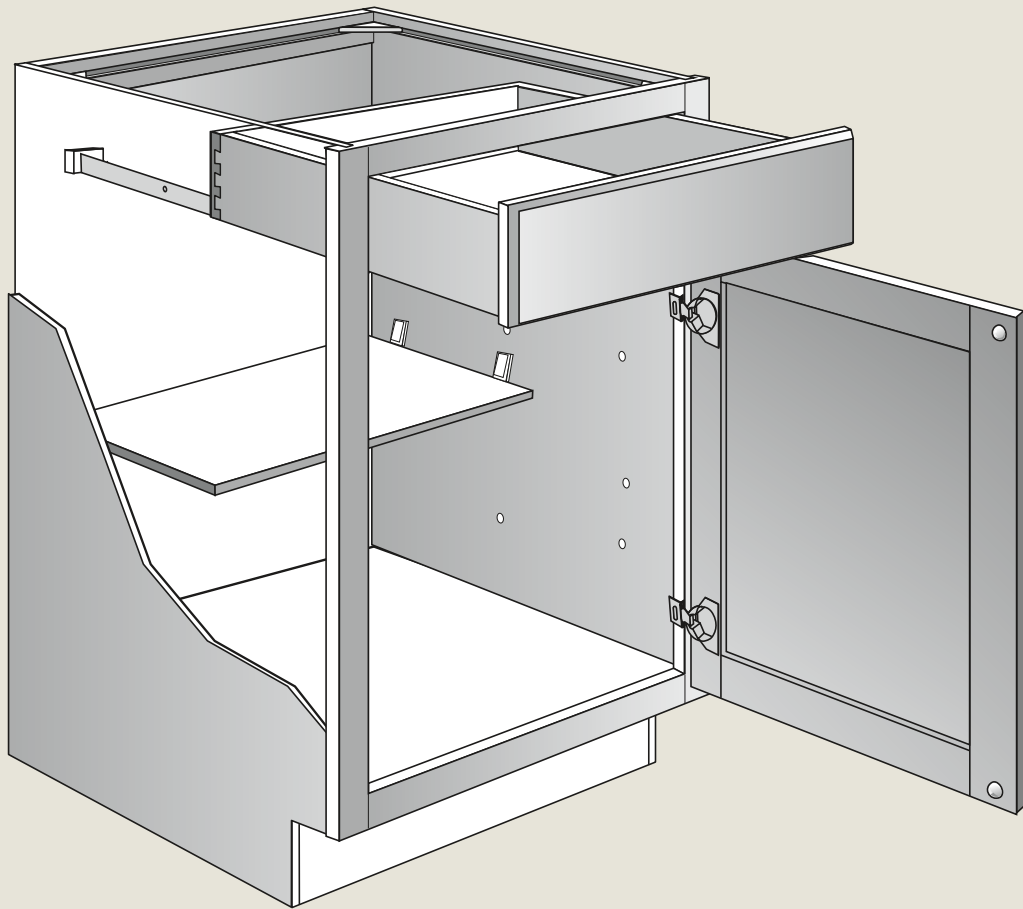
### Specialty Door (SD) Availability:

See pages 34–35 for details and restrictions.



OFD

# Standard Cabinet Specifications





## KCMA CERTIFIED

All cabinetry manufactured by American Woodmark Corporation is certified by the Kitchen Cabinet Manufacturers Association (KCMA).

KCMA sets the American National Standards Institute/ KCMA 161.1- 2000 uniform performance and construction standards for kitchen cabinets. The program is referenced by U.S. Government Agencies, architects, builders, remodelers and other specifiers.

Cabinets that bear the KCMA seal of certification are recognized as a quality product with the ability to perform after a rigorous battery of tests, simulating years of typical household use. Tests are performed by approved third-party independent laboratories.

American Woodmark Corporation, the manufacturer of allen + roth cabinetry is proud to display the KCMA seal of certification for cabinet construction.



## ENVIRONMENTALLY RESPONSIBLE STEWARDSHIP

As a leading U.S. manufacturer of fine cabinetry, American Woodmark Corporation is committed to conducting business in a manner that both protects the environment and safeguards public health and safety. To achieve this end, the company proactively identifies potential environmental risks and monitors compliance with appropriate federal, state, local and internal standards.

The company has received certification by the Kitchen Cabinet Manufacturers Association (KCMA) Environmental Stewardship Program on all products. The certification was awarded based on compliance across a broad range of activity including air quality, product resource management, process resource management, environmental stewardship and community relations.

The company works with all suppliers to encourage sustainable forestry practices. Particle board and plywood are purchased from suppliers that meet the Composite Panel Association requirements for Environmentally Preferable Products including formaldehyde emissions that comply with ANSI Standards.

The company uses leading edge technologies to limit both hazardous and non-hazardous emissions, byproducts, and waste. Ongoing, formal programs identify opportunities for recycling and reusing materials. When waste ultimately requires disposal, steps are taken to minimize the environmental impact.

The American Woodmark Foundation supports local programs serving the community, including activities focused on maintaining the quality of life.

Our company is dedicated to doing our part in the preservation and sustainability of the environment.



KITCHEN CABINET MANUFACTURERS ASSOCIATION  
ENVIRONMENTAL STEWARDSHIP PROGRAM (ESP)  
ALL PRODUCTS IMPACT THE ENVIRONMENT  
FOR ESP PROGRAM CRITERIA, VISIT [KCMA.ORG](http://KCMA.ORG)

## FINISHING SYSTEMS

The finishing systems used on our products are designed to ensure the beauty and durability of our cabinetry. State-of-the-art equipment allows precise sanding, filling and finish coverage of each of our products.

## ENVIRONMENTALLY RESPONSIBLE FINISHING

Our panel finishing system uses only water-based paints and fillers, yielding neither hazardous waste nor water contamination. Our acrylic and urethane materials are 100% solids, dried using high intensity lights, yielding no atmospheric emissions. Our products are extremely resistant to stains and surface damage that can be caused by common household chemicals. Our products exceed KCMA and ANSI standards for resistance to stains like coffee, grape juice and moisture.

## CONTINUOUS IMPROVEMENT

In keeping with our policy of continuous product refinement, American Woodmark Corporation reserves the right to change specifications in design and materials as conditions require.

## CABINET CARE

Remove dust from cabinets frequently with a soft lint-free cloth. The cloth may be slightly dampened with water or a spray type dust remover. Wood cabinet surfaces may be polished once every few months with a high quality, non-oil-based furniture polish. Do not use a paste wax type material. Wax buildup is difficult to remove and will leave a residue that attracts dust and moisture. Polishes containing silicon should not be used. Clean spills immediately. Use a clean cloth and mild soap if necessary. Wipe dry with a clean soft cloth. Do not use detergents, citrus or ammonia based cleaners, steel wool, soap pads or abrasive cleaners on cabinets.

Extra care should be taken that cabinet finishes are not exposed to heat in excess of 200° Fahrenheit. Do not place or mount small appliances beneath wall cabinets. These appliances (such as coffee makers and toasters) can produce excessive heat, which can damage the finish of cabinets. Do not expose doors or drawer fronts to heat created from self-cleaning ovens or ranges.

## ALLOW CABINETS TO AGE BEAUTIFULLY

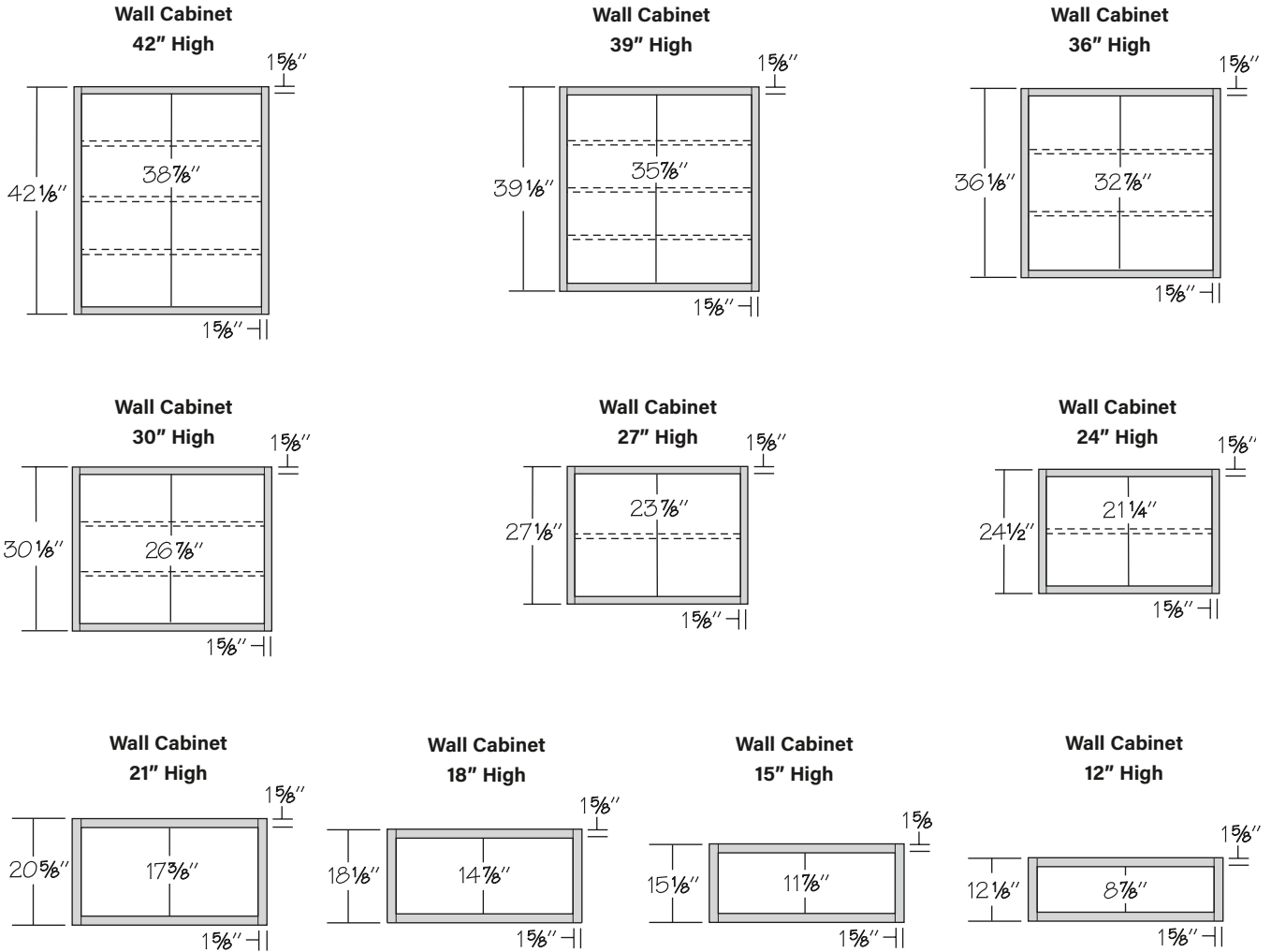
Our cabinets represent the careful selection of woods. While every effort is made to match woodgrain as closely as possible, no two pieces of wood are exactly alike, even from the same tree. These differences in natural color and grain mean that each piece will respond differently to the finishing materials used. For example, close-grained woods absorb less and will vary in color from more open-grained pieces from the very same tree. It's these variations that contribute to the beauty and distinction of quality wood products. However, exposure to sunlight, smoke and chemicals may cause some materials to fade or vary from their original color over time.

This is why cabinets, doors, drawer fronts and accessories added at a later date may not exactly match cabinets installed now. For the same reasons, door samples or displays may not represent the exact color of cabinets received at the time of shipment. Consumers should also read all cleaning agent instructions carefully before application.

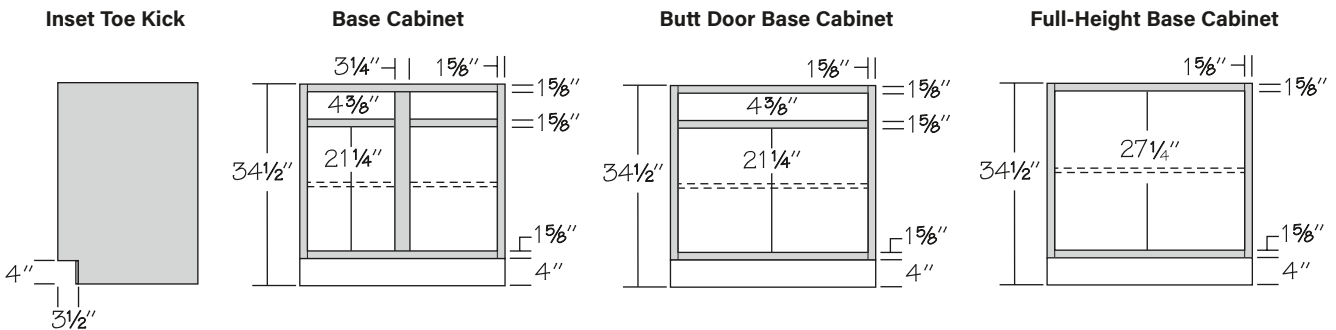
Due to changes that occur from natural and environmental factors a cabinet is exposed to over its lifetime, we cannot be responsible for variations that occur in the finish of wood cabinets as they age.

These illustrations specify dimensions of vertical stiles, horizontal rails, inset toe kick, cabinet heights and standard interior opening heights for Wall, Base, Vanity, Desk and Tall cabinets. Cabinets 39" or wider will feature a 3 1/4" center stile.

### Wall Cabinets



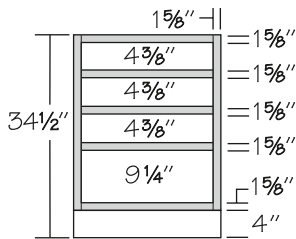
### Base Cabinets



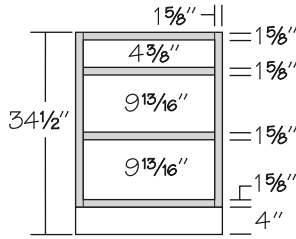
Inset toe kick construction requires BTK8 matching toe kick – must be ordered separately.

## Drawer Base Cabinets

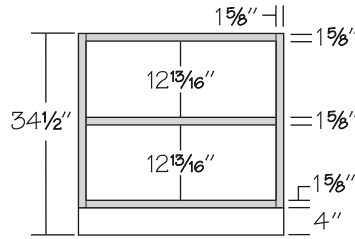
**4 Drawer Base Cabinet**



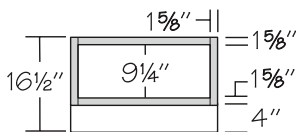
**3 Drawer Base Cabinet**



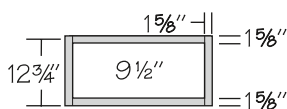
**2 Drawer Base Cabinet**



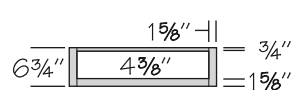
**Pedestal Drawer Cabinet**



**Furniture Drawer Cabinet  
12" High**

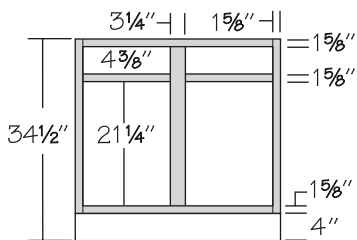


**Furniture Drawer Cabinet  
6" High**

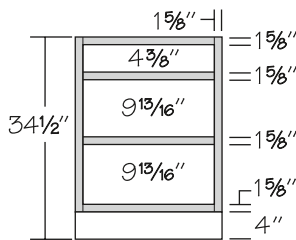


## Vanity Cabinets

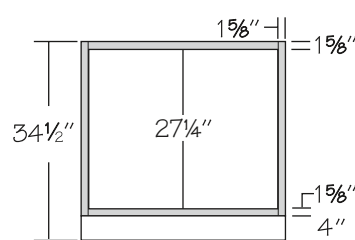
**Vanity Base Cabinet  
Base Height**



**Vanity Drawer Base  
Base Height**

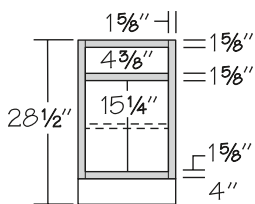


**Vanity Full-Height  
Base Cabinet**

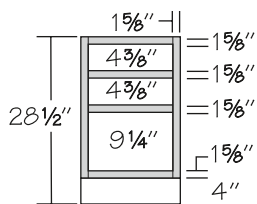


## Desk Cabinets

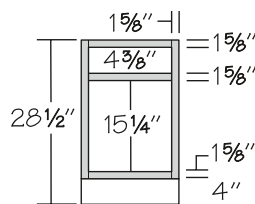
**Desk Base Cabinet**



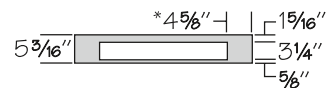
**Desk Drawer Cabinet**



**Desk File Pull Out**



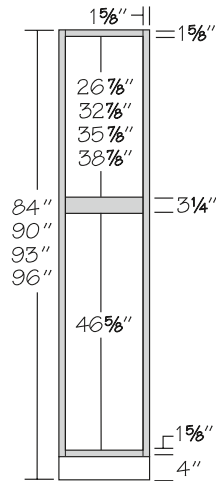
**Kneehole Drawer\***



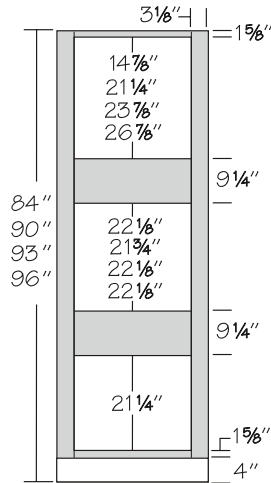
Trimmable in height to 4 3/4"  
\*Dimension for KDC36/33 is 3 1/8"

Tall Cabinets

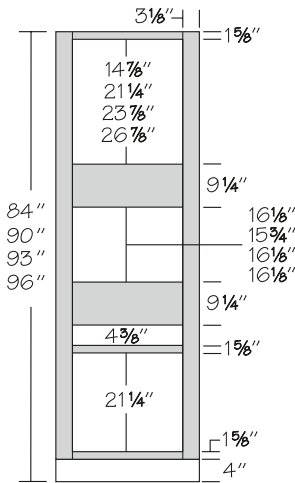
**Utility/Vanity Linen Cabinet**  
2 Doors or 4 Butt Doors



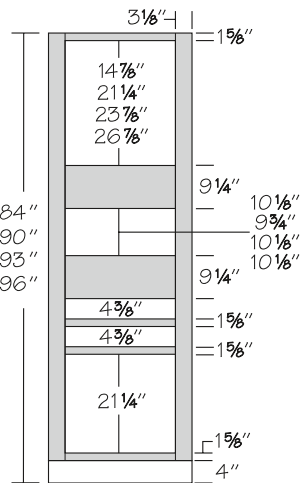
**Single Oven Cabinet**  
4 Butt Doors\*



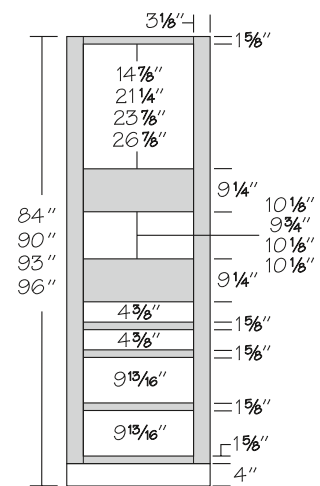
**Single Oven Cabinet**  
4 Butt Doors, 1 Drawer\*



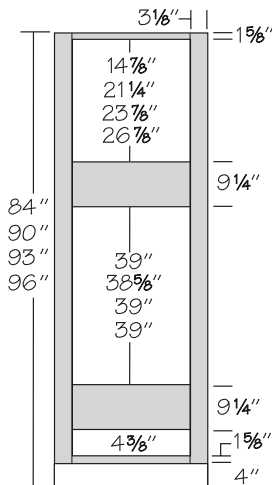
**Single Oven Cabinet**  
4 Butt Doors, 2 Drawers\*



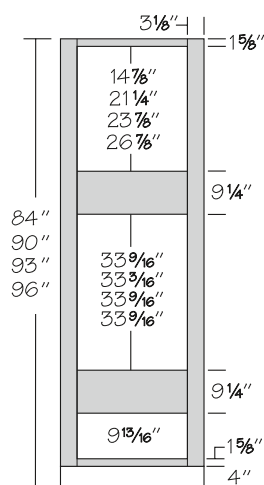
**Single Oven Cabinet**  
2 Butt Doors, 4 Drawers\*



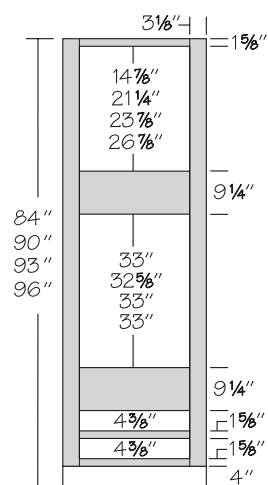
**Double Oven Cabinet**  
1 Drawer\*



**Double Oven Cabinet**  
2 Butt Doors, 1 Large Drawer\*

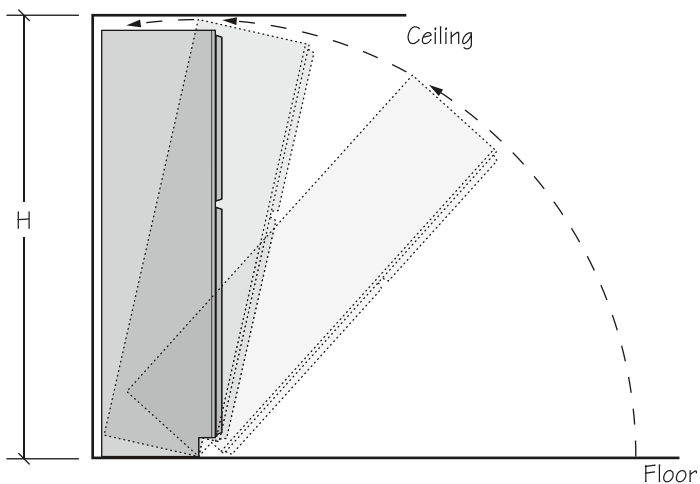


**Double Oven Cabinet**  
2 Butt Doors, 2 Drawers\*



\*Actual height of oven opening shown. For actual width, maximum width and maximum height dimensions, please refer to Cut Out Dimensions Chart in specific cabinet SKU box.

## Ceiling Height Requirements for Tall Cabinets



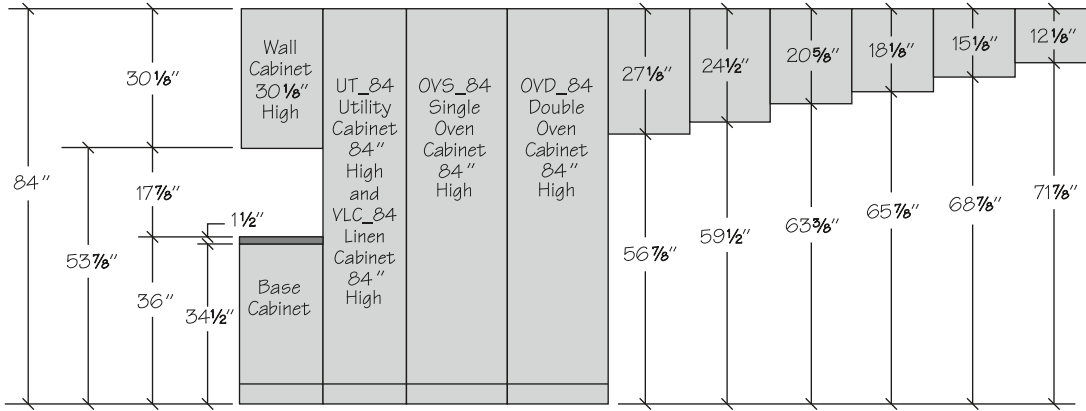
Notes:

- 93" and 96" high Utility cabinets have 4" toe kick assembly shipped inside cabinet.

Cabinet Height	Cabinet Depth	Minimum Ceiling Height H
84"	12"	84 <sup>9</sup> / <sub>16</sub> "
84"	18"	85 <sup>1</sup> / <sub>4</sub> "
84"	20 <sup>3</sup> / <sub>4</sub> "	85 <sup>13</sup> / <sub>16</sub> "
84"	24"	86 <sup>1</sup> / <sub>2</sub> "
90"	12"	90 <sup>1</sup> / <sub>2</sub> "
90"	18"	91 <sup>5</sup> / <sub>16</sub> "
90"	24"	92 <sup>5</sup> / <sub>16</sub> "
93"	12"	93"
93"	18"	93"
93"	24"	93"
96"	12"	96"
96"	18"	96"
96"	24"	96"

These illustrations specify dimensions of the height guidelines for top alignment of Wall and Tall (Linen, Utility and Oven) cabinets installation.

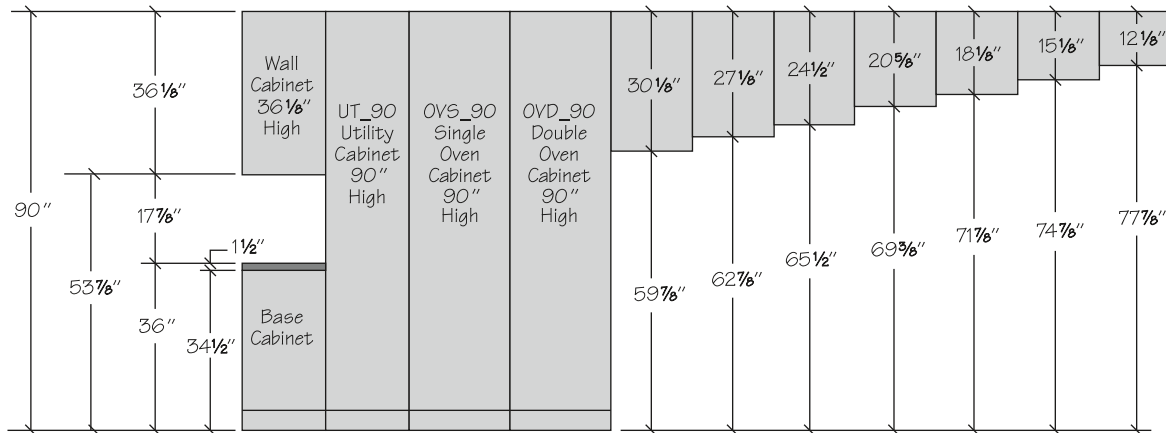
### 84" Top Alignment Cabinet Installation



Notes:

- 84" top alignment cabinet installation includes standard Wall cabinets (30 1/8" high) installed 53 7/8" above the finished floor, allowing 17 7/8" clearance between the Wall cabinets and a standard countertop height of 36".
- Tall cabinetry (Linen, Utility and Oven) is 84" high.
- **When selecting cabinetry for installation above or near any appliance, refer to the appliance manufacturer's specifications for clearance and venting requirements.**

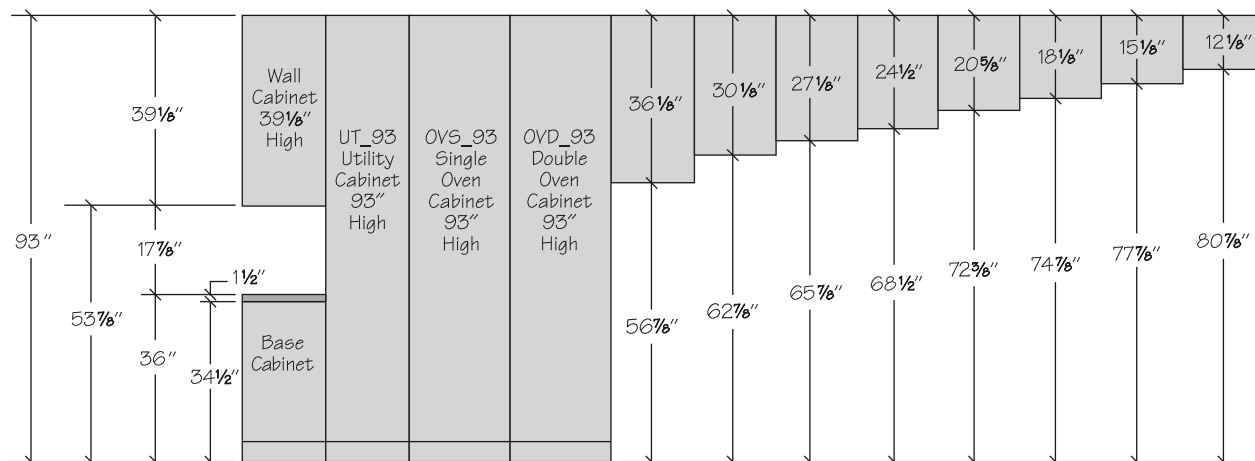
### 90" Top Alignment Cabinet Installation



Notes:

- 90" top alignment cabinet installation includes taller Wall cabinets (36 1/8" high) installed 53 7/8" above the finished floor, allowing 17 7/8" clearance between the Wall cabinets and a standard countertop height of 36".
- Tall cabinetry (Utility and Oven) is 90" high.
- **When selecting cabinetry for installation above or near any appliance, refer to the appliance manufacturer's specifications for clearance and venting requirements.**

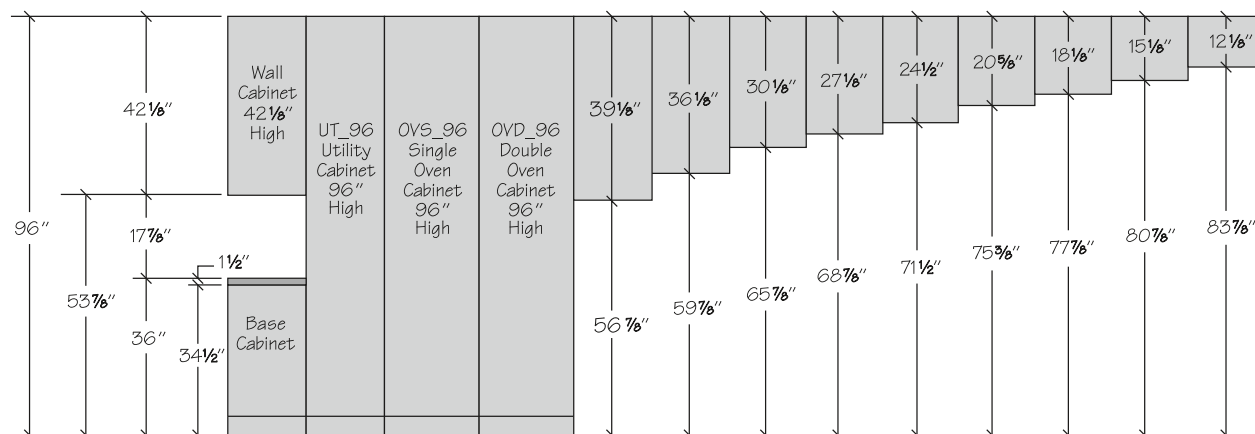
## 93" Top Alignment Cabinet Installation



### Notes:

- 93" top alignment cabinet installation includes Wall cabinets (39 1/8" high) installed 56 7/8" above the finished floor, allowing 17 7/8" clearance between the Wall cabinets and a standard countertop height of 36".
- Tall cabinetry (Utility and Oven) is 93" high.
- **When selecting cabinetry for installation above or near any appliance, refer to the appliance manufacturer's specifications for clearance and venting requirements.**

## 96" Top Alignment Cabinet Installation

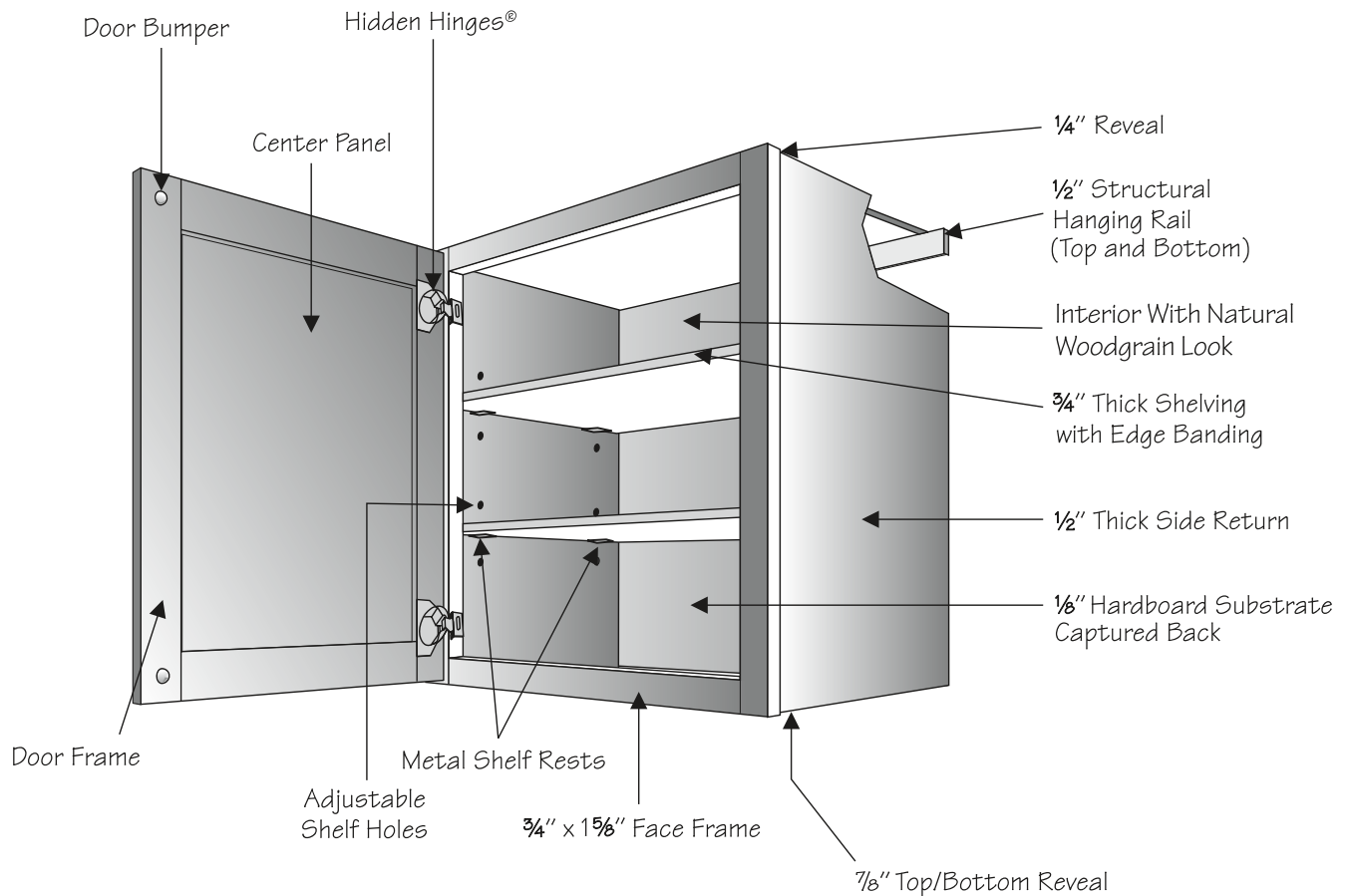


### Notes:

- 96" top alignment cabinet installation includes Wall cabinets (42 1/8" high) installed 53 7/8" above the finished floor, allowing 17 7/8" clearance between the Wall cabinets and a standard countertop height of 36".
- Tall cabinetry (Utility and Oven) is 96" high.
- **When selecting cabinetry for installation above or near any appliance, refer to the appliance manufacturer's specifications for clearance and venting requirements.**



## essential wall construction



### CABINET FACE FRAMES

Cabinet front face frames are made from  $\frac{3}{4}$ " x  $1\frac{5}{8}$ " kiln-dried hardwood and/or engineered materials to prevent warping and provide superior strength, durability and finished appearance. Face frame joints are precision fixtured, pressure fitted and mechanically fastened.

### CABINET SIDE PANELS

Cabinet side panels are  $\frac{1}{2}$ " thick engineered wood. The exterior sides match the cabinet finish and interior sides are finished with a natural woodgrain look. They are captured into a grooved front face frame and secured using high-strength fasteners and glue.

### HINGES

Fully-concealed, 6-way adjustable, self-closing Hidden Hinges.

### CABINET TOPS, BOTTOMS AND FLOORS

Tops, bottoms and floors are  $\frac{1}{2}$ " thick engineered wood. The exteriors and interiors are finished with a natural woodgrain look. They are fitted and glued into the cabinet front face frame grooves, then captured in the grooves of the cabinet side panels.

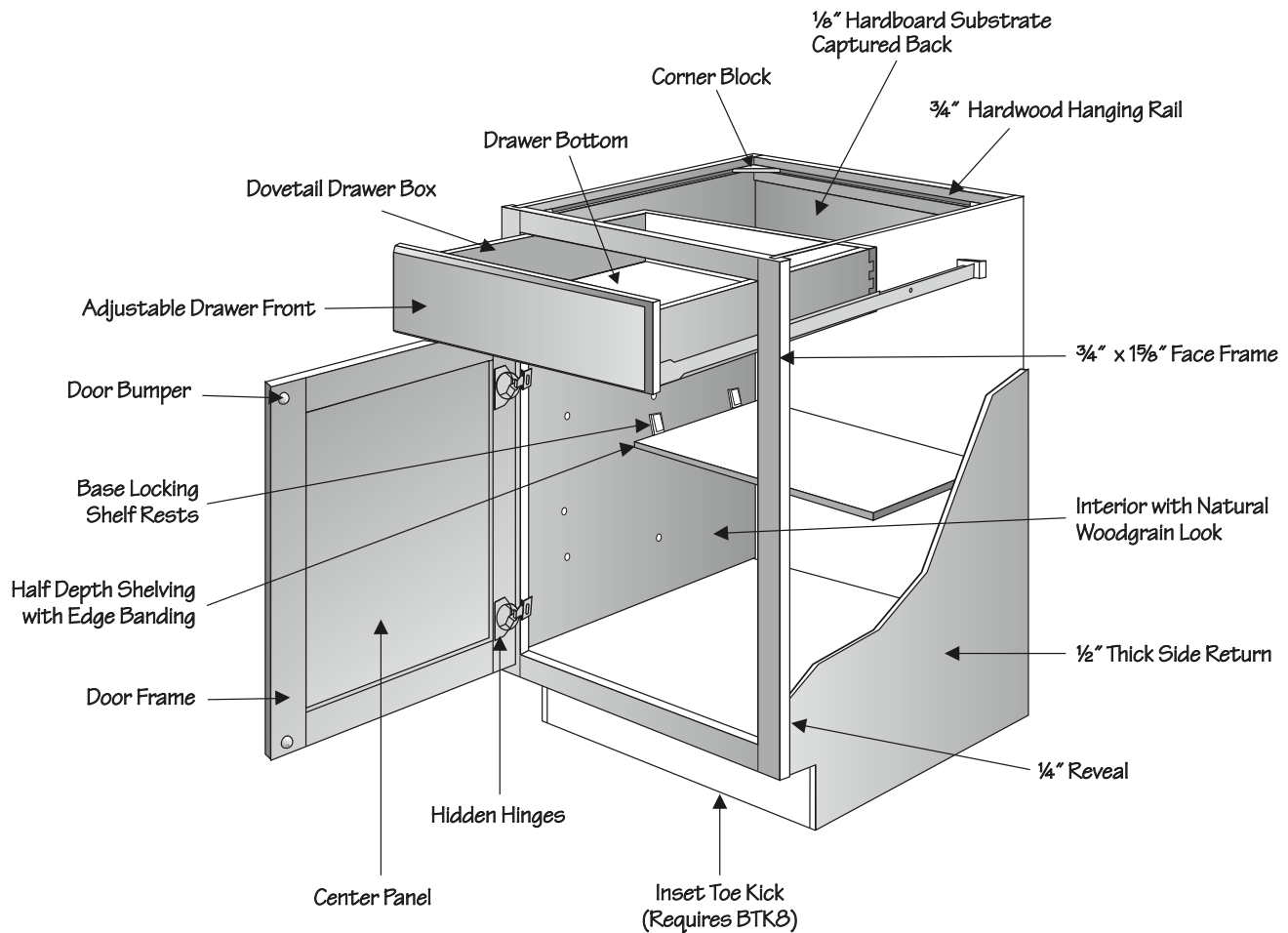
### CABINET BACK

The cabinet back is made from  $\frac{1}{8}$ " thick hardboard substrate. The inside cabinet surface is finished in a natural woodgrain look.

### HANGING RAILS

The base hanging rail is  $\frac{3}{4}$ " thick hardwood, mortise and tenon joined and glued to the cabinet side panels. The wall cabinet hanging rails are  $\frac{1}{2}$ " thick engineered wood, glued and pinned into the cabinet back, cabinet side panels and top/bottom.

## essential base construction



### DRAWER SYSTEMS

All standard drawers are 5/8" thick 18" deep dovetail hardwood with fully captured bottoms and side-mounted drawer glides. All drawers meet KCMA load standards of 15 pounds per square foot.

### DEEP ROLL OUT TRAYS

Deep Roll Out Trays utilize natural finish dovetail hardwood drawers with MDF bottoms. Trays meet KCMA load standards of 15 pounds per square foot. Deep Roll Out Trays feature side-mounted 3/4" access drawer glides.

### CORNER BLOCKS

Corner blocks are attached to help ensure cabinet squareness and allow for proper countertop installation.

### CABINET SHELVES

Cabinet shelves are 3/4" thick engineered wood. The shelves are finished in a natural woodgrain look and are banded on one side with PVC edge banding. Tall and Standard Wall cabinets feature full-depth shelves. Base, Desk and Wall Refrigerator cabinets feature half-depth shelves. All shelves are adjustable and meet KCMA load standards of 15 pounds per square foot.

### SHELF RESTS

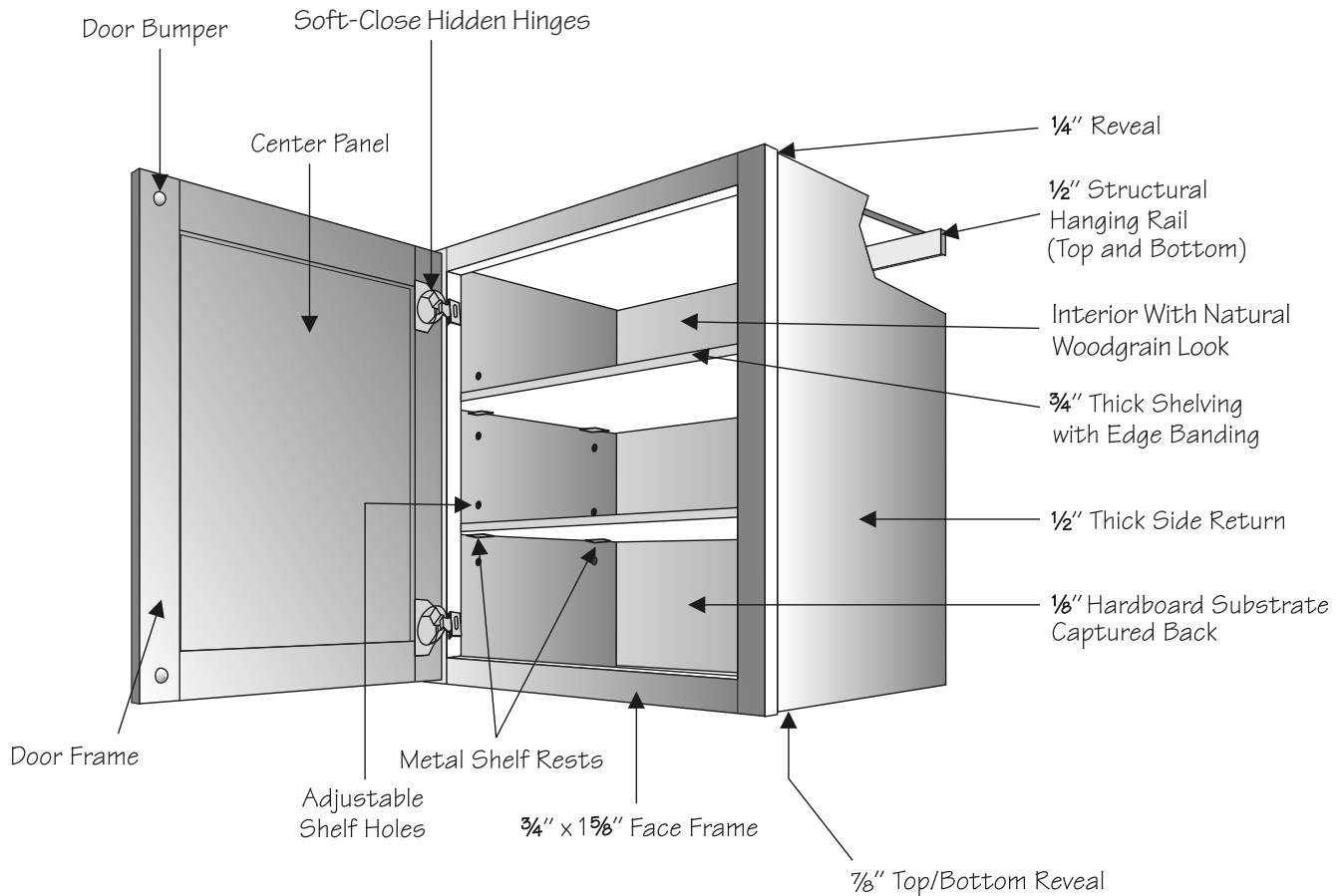
Nickel plated 1/4" steel metal shelf rests are standard on all Wall cabinets and Bookshelves. Clear high-strength polycarbonate clip lock shelf rests are standard on all Base, Desk and Tall cabinets. Clip lock shelf rests lock shelves in place, prevent sliding and allow for easy shelf removal.

### INSET TOE KICK

Inset toe kicks are constructed of 1/2" thick unfinished engineered wood and are 4" high and recessed 3 1/2".

**BTK8 (matching toe kick) required for installation.**

## select wall construction



### CABINET FACE FRAMES

Cabinet front face frames are made from  $\frac{3}{4}$ " x  $1\frac{5}{8}$ " kiln-dried hardwood and/or engineered materials to prevent warping and provide superior strength, durability and finished appearance. Face frame joints are precision fixtured, pressure fitted and mechanically fastened.

### CABINET SIDE PANELS

Cabinet side panels are  $\frac{1}{2}$ " thick engineered wood. The exterior sides match the cabinet finish and interior sides are finished with a natural woodgrain look. They are captured into a grooved front face frame and secured using high-strength fasteners and glue.

### HINGES

Fully-concealed, 6-way adjustable Soft-Close Hidden Hinges.

### CABINET TOPS, BOTTOMS AND FLOORS

Tops, bottoms and floors are  $\frac{1}{2}$ " thick engineered wood. The exteriors and interiors are finished with a natural woodgrain look. They are fitted and glued into the cabinet front face frame grooves, then captured in the grooves of the cabinet side panels.

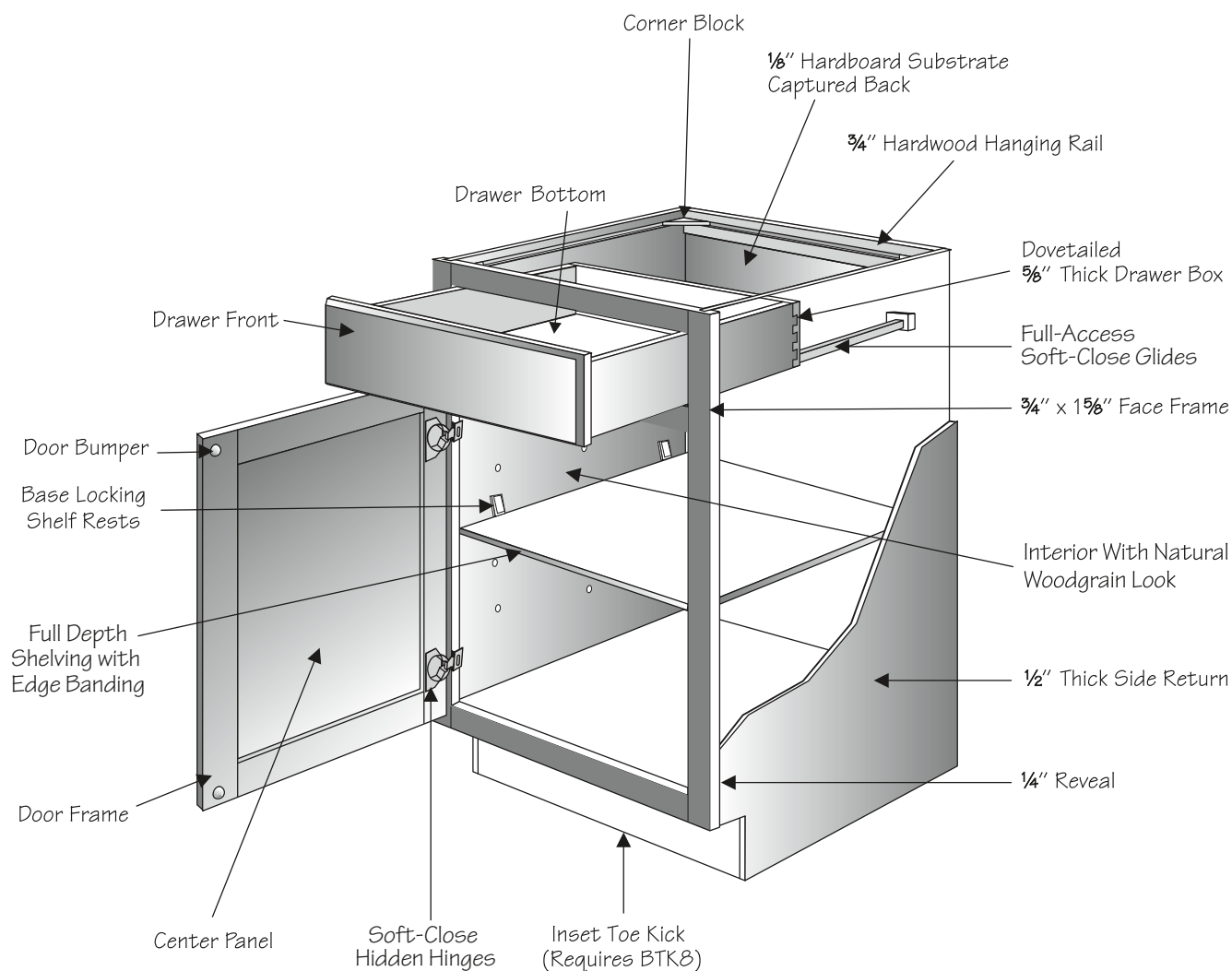
### CABINET BACK

The cabinet back is made from  $\frac{1}{8}$ " thick hardboard substrate. The inside cabinet surface is finished in a natural woodgrain look.

### HANGING RAILS

The base hanging rail is  $\frac{3}{4}$ " thick hardwood, mortise and tenon joined and glued to the cabinet side panels. The wall cabinet hanging rails are  $\frac{1}{2}$ " thick engineered wood, glued and pinned into the cabinet back, cabinet side panels and top/bottom.

## select base construction



### DRAWER SYSTEMS

All standard drawers are 5/8" thick 21" deep dovetail hardwood with fully captured bottoms and Full-Access Soft-Close glides. All drawers meet KCMA load standards of 15 pounds per square foot.

### DEEP ROLL OUT TRAYS

Deep Roll Out Trays utilize natural finish dovetail hardwood drawers with MDF bottoms. Trays meet KCMA load standards of 15 pounds per square foot. Deep Roll Out Trays feature Full-Access Soft-Close glides.

### CORNER BLOCKS

Corner blocks are attached to help ensure cabinet squareness and allow for proper countertop installation.

### CABINET SHELVES

Cabinet shelves are full-depth 3/4" thick engineered wood. The shelves are finished in a natural woodgrain look and are banded on one side with PVC edge banding. All shelves are adjustable and meet KCMA load standards of 15 pounds per square foot.

### SHELF RESTS

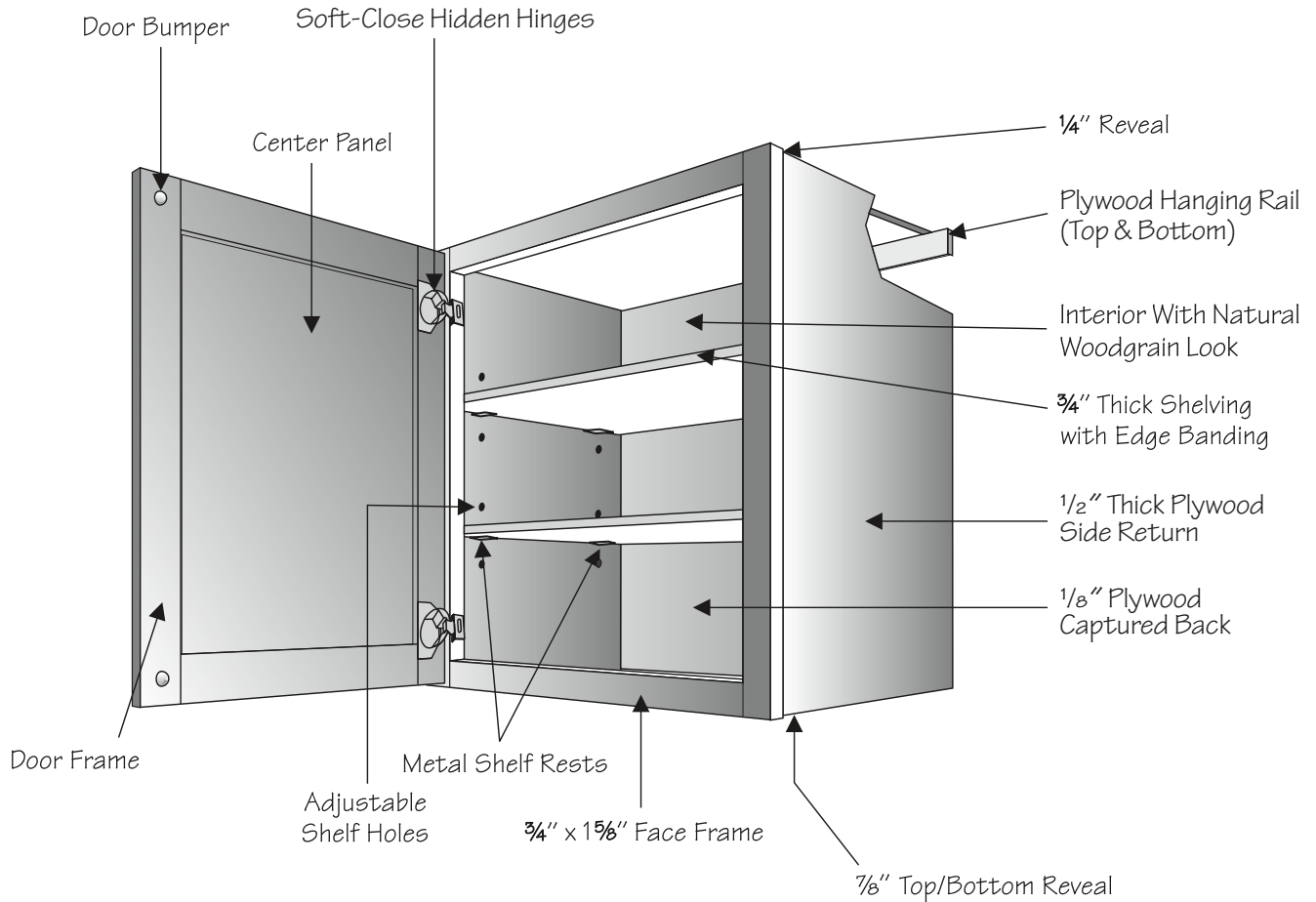
Nickel plated 1/4" steel metal shelf rests are standard on all Wall cabinets and Bookshelves. Clear high-strength polycarbonate clip lock shelf rests are standard on all Base, Desk and Tall cabinets. Clip lock shelf rests lock shelves in place, prevent sliding and allow for easy shelf removal.

### INSET TOE KICK

Inset toe kicks are constructed of 1/2" thick **unfinished** engineered wood and are 4" high and recessed 3 1/2".

**BTK8 (matching toe kick) required for installation.**

## luxury wall construction



### CABINET FRONT FACE FRAMES

Cabinet front face frames are made from  $\frac{3}{4}'' \times 1\frac{5}{8}''$  kiln-dried hardwood and/or engineered materials to prevent warping and provide superior strength, durability and finished appearance. Face frame joints are precision fixtured, pressure fitted and mechanically fastened.

### CABINET SIDE PANELS

Cabinet side panels are  $\frac{1}{2}''$  thick plywood. The exterior sides match the cabinet finish and the interior sides are finished with a natural woodgrain look. They are captured into a grooved front face frame and secured using high-strength fasteners and glue.

### HINGES

Fully-concealed, 6-way adjustable Soft-Close Hidden Hinges.

### CABINET TOPS, BOTTOMS AND FLOORS

Tops, bottoms and floors are  $\frac{1}{2}''$  thick plywood. They are finished with natural woodgrain look. They are fitted and glued into the cabinet front face frame grooves, then captured in the grooves of the cabinet side panels.

### CABINET BACK

The cabinet back is made from  $\frac{1}{8}''$  thick plywood. The inside cabinet surface is finished with natural woodgrain look.

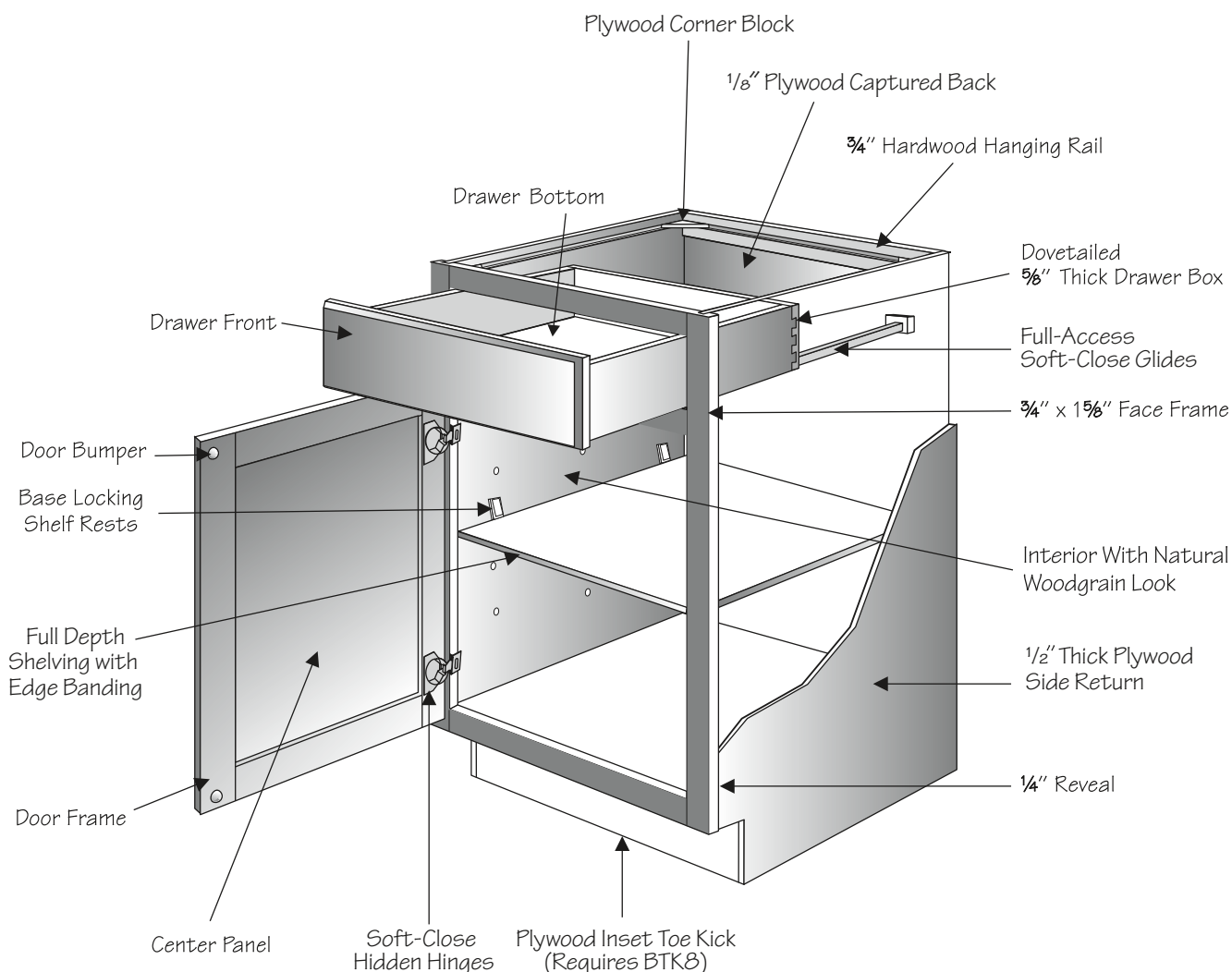
### HANGING RAILS

The base hanging rails are  $\frac{3}{4}''$  thick hardwood, mortise and tenon joined and glued to the cabinet side panels. The Wall cabinet hanging rails are  $\frac{1}{2}''$  thick plywood glued and pinned into the cabinet back, cabinet side panels, and cabinet top and bottom.



Plywood can consist of a combination of veneer and MDF layers to achieve superior product stability and finish quality. Plywood components meet the ANSI/Decorative Hardwoods Association hardwood and decorative plywood standards ([www.decorativehardwoods.org](http://www.decorativehardwoods.org)).

## Luxury base construction



### DRAWER SYSTEMS

All standard drawers are 5/8" thick 21" deep dovetail hardwood with fully captured bottoms and Full-Access Soft-Close glides. All drawers meet KCMA load standards of 15 pounds per square foot.

### DEEP ROLL OUT TRAYS

Deep Roll Out Trays utilize natural finished dovetail hardwood drawers with MDF bottoms. Trays meet KCMA load standards of 15 pounds per square foot. Deep Roll Out Trays feature Full-Access Soft-Close glides.

### CORNER BLOCKS

Corner blocks are made of 1/2" plywood and are attached to help ensure cabinet squareness and allow for proper countertop installation.

### CABINET SHELVES

Cabinet shelves are full-depth 3/4" thick plywood. The shelves are finished in a natural woodgrain look and are banded on one side with PVC edge banding. All shelves are adjustable and meet KCMA load standards of 15 pounds per square foot.

### SHELF RESTS

Nickel plated 1/4" steel metal shelf rests are standard on all Wall cabinets and Bookshelves. Clear high-strength polycarbonate clip lock shelf rests are standard on all Base, Desk and Tall cabinets. Clip lock shelf rests lock shelves in place, prevent sliding and allow for easy shelf removal.

### INSET TOE KICK

Inset Toe Kicks are constructed of 1/2" thick **unfinished** plywood and are 4" high and recessed 3 1/2".

**BTK8 (matching toe kick) required for installation.**



Plywood can consist of a combination of veneer and MDF layers to achieve superior product stability and finish quality. Plywood components meet the ANSI/Decorative Hardwoods Association hardwood and decorative plywood standards ([www.decorativehardwoods.org](http://www.decorativehardwoods.org)).

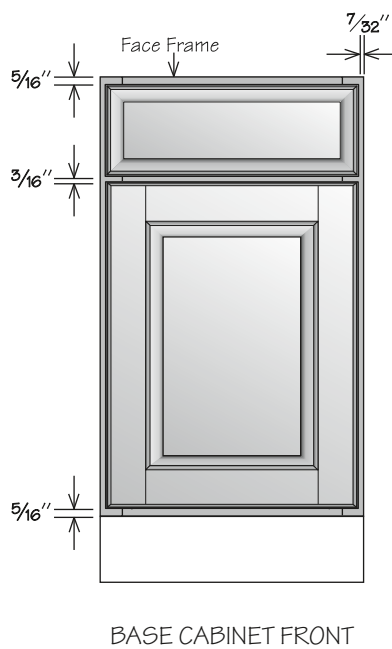
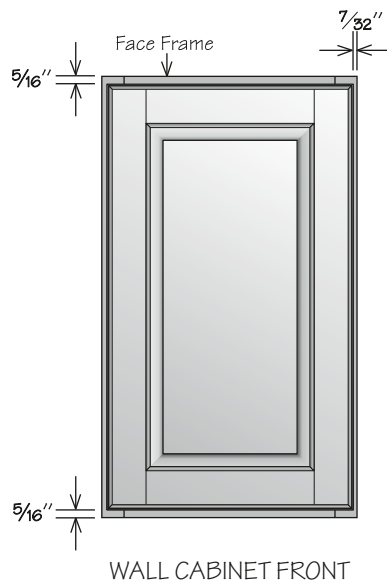
	essential	select	luxury
Drawer Box	18" Deep Dovetail Drawer	21" Deep Dovetail Drawer	
Glide	Side-Mounted	Full-Access Soft-Close	
Roll Out Accessories	21" Dovetailed Side-Mounted Glide with MDF Bottom	21" Dovetail Full-Access Soft-Close Glide with MDF Bottom	
Hinge	6-Way Adjustable Hidden Hinge	6-Way Adjustable Soft-Close Hidden Hinge	
Base, Desk and Refrigerator Wall Cabinet Shelves	$\frac{3}{4}$ " Half-Depth Engineered Wood	$\frac{3}{4}$ " Full-Depth Engineered Wood	$\frac{3}{4}$ " Full-Depth Plywood
Wall and Tall Cabinet Shelves	$\frac{3}{4}$ " Full-Depth Engineered Wood		$\frac{3}{4}$ " Full-Depth Plywood
Wall Cabinet Hanging Rail	$\frac{1}{2}$ " Engineered Wood Top and Bottom Rails		$\frac{1}{2}$ " Plywood Top and Bottom Rails
Base Cabinet Hanging Rail	$\frac{3}{4}$ " Hardwood Top Rail $\frac{1}{2}$ " Engineered Wood Bottom Rail		$\frac{3}{4}$ " Hardwood Top Rail $\frac{1}{2}$ " Plywood Wood Bottom Rail
Inset Toe Kick	$\frac{1}{2}$ " Engineered Wood		$\frac{1}{2}$ " Plywood
Cabinet Back	$\frac{1}{8}$ " Hardboard Substrate Captured		$\frac{1}{8}$ " Plywood Captured
Cabinet Floor	$\frac{1}{2}$ " Engineered Wood		$\frac{1}{2}$ " Plywood
Wall Cabinet Top, Bottom and Sides	$\frac{1}{2}$ " Engineered Wood		$\frac{1}{2}$ " Plywood



Plywood can consist of a combination of veneer and MDF layers to achieve superior product stability and finish quality. Plywood components meet the ANSI/Decorative Hardwoods Association hardwood and decorative plywood standards ([www.decorativehardwoods.org](http://www.decorativehardwoods.org)).

## Full Overlay Dimensions

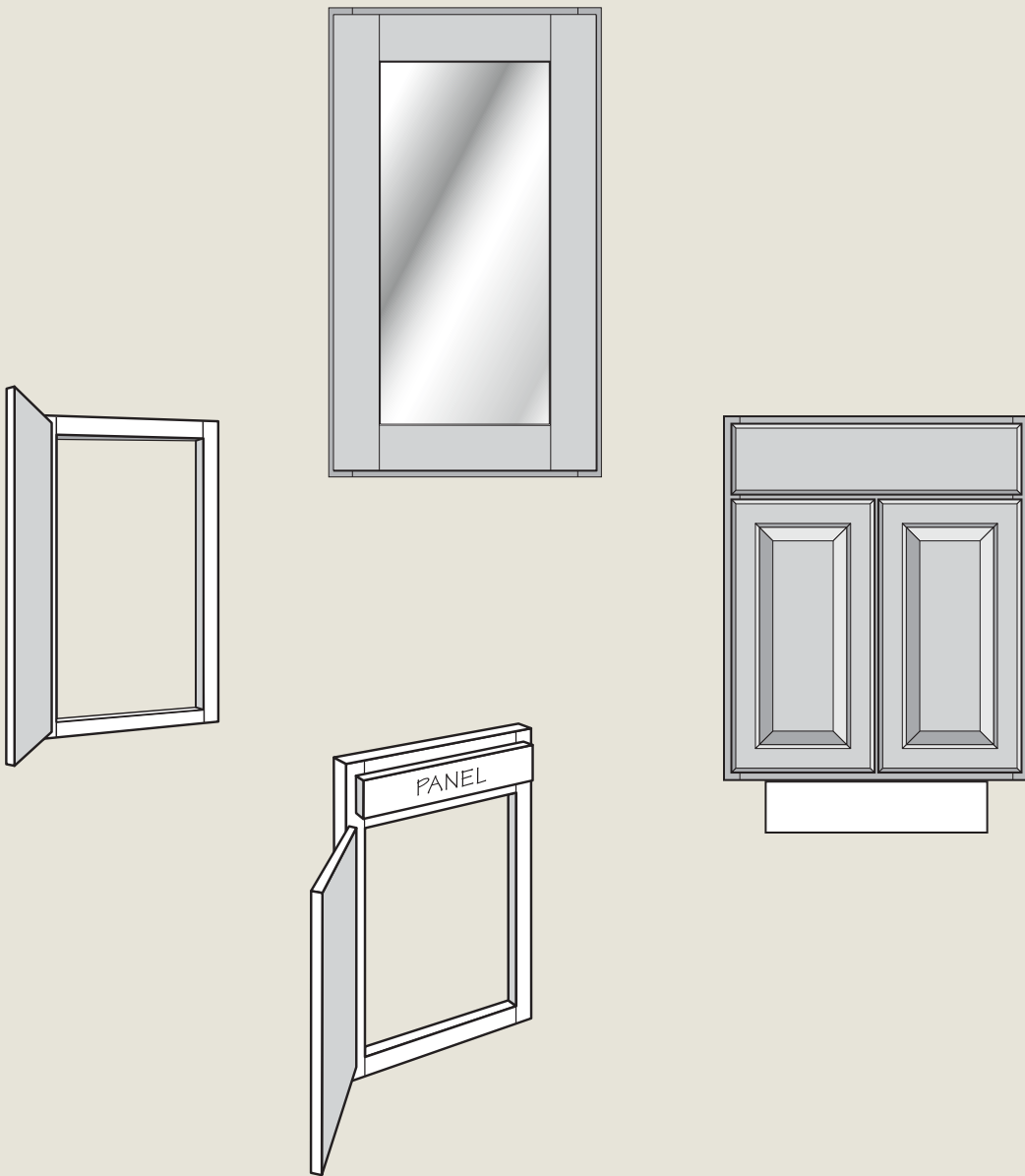
Full Overlay (FOL) doors are sized to cover nearly all of the cabinet face frame. To facilitate proper door operation, include at least a 1" filler between the hinged side of Full Overlay door styles and deeper adjacent objects including cabinets, walls, appliances and countertops.







# Construction Options



Icons used in this guide are shown below and indicate which construction options are available for a particular product.

<b>CFO</b>	Cabinet Front Only Option
<b>FE</b>	Furniture Ends Option
<b>ID</b>	Increased Depth Option
<b>MI</b>	Matching Interior Option
<b>RD</b>	Reduced Depth Option
<b>RTK</b>	Recessed Toe Kick Option
<b>VTD</b>	Void Top Drawer Option
<b>VDO</b>	Void Door Option

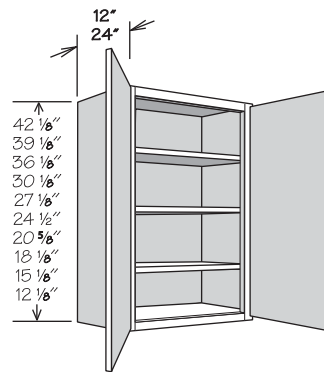
**Example:**

When a square ■ or diamond ◆ symbol is in an option box, it indicates that the construction option is ONLY available for SKUs listed with that symbol.

All options without a symbol are available for all SKUs.

In this example, the ◆ diamond indicates that only W3015 BUTT and W3015 BUTT SD are available with Increased Depth (ID), while the ■ square indicates that only the non-SD cabinets are available with Matching Interior (MI) and Void Door (VDO) options.

**Wall Cabinets • 2 Butt Doors**



<b>CFO</b>
<b>FE</b>
<b>ID</b> ◆
<b>MI</b> ■
<b>RD</b>
<b>VDO</b> ■

**12" DEEP**

- W3015 BUTT ■ ◆
- W3015 BUTT SD ◆

**24" DEEP**

- W3015 X 24DP BUTT ■
- W3015 X 24DP BUTT SD

## Furniture Ends Option

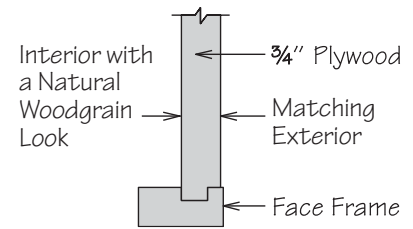
FE

Furniture Ends Option includes:

- ¾" plywood cabinet sides

### Notes:

- Exterior sides feature plywood finished to match specific cabinet box exterior
- Plywood is visible on top and bottom of side panels
- All door styles feature standard interior sides with a natural woodgrain look and matching exterior sides
- Available for individual cabinets except (BEA24 FH) Base End Angle and (WEA12) Wall End Angle cabinets
- Both side panels convert to ¾" plywood sides except Base End Angle (BEA12 FH) cabinets which converts the 12" side panel only
- Cabinets with the Matching Interior Option (MI) or standard matching interior feature plywood side panels finished to match cabinet box exterior
- May be combined with all construction options excluding Cabinet Front Only Option
- End panels are not required for installation of Decorator Matching Doors or the exposed ends of cabinets with the Furniture Ends Option
- Cabinet Angle Molding (CAM8) cannot be used with cabinets with the Furniture Ends Option
- Sink Front Return (SFR R/L) with the Furniture Ends Option will include a rabbetted front edge
- A seam will be visible between stacked cabinets and on 93" and 96" tall cabinets between the toe kick box and the cabinet. Recommendations to conceal this seam:
  - » Use decorative molding (e.g., Batten Molding or Ogee Pilaster Molding)
  - » Use a Column Filler or Wood Tall End Panel
- Plywood can consist of a combination of veneer and MDF layers to achieve superior product stability and finish quality. Plywood components meet the ANSI/HPVA hardwood and decorative plywood standards ([decorativehardwoodsassociation.org](http://decorativehardwoodsassociation.org)).



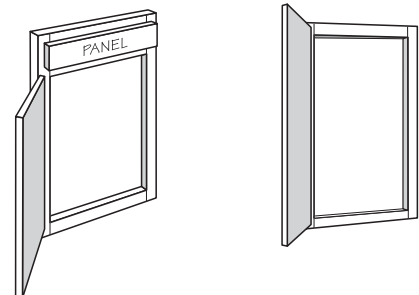
## Cabinet Front Only Option

CFO

The Cabinet Front Only Option is available for most cabinets with a frame.

### Notes:

- Cannot be combined with any construction options
- This option consists of the cabinet frame, door(s), drawer front(s) and hinges
- Toe kicks are not included



# Reduced Depth Option

**RD**

The Reduced Depth Option should be used when ordering less than standard depth cabinets. The Reduced Depth Option is available in 1" increments; minimum depth is 4". Vanity and desk cabinets will reduce to standard reduced depth increments (e.g. vanity cabinets with RD-20 will measure 20" in depth).

**Notes:**

- There is a potential tipping hazard for reduced depth cabinets until they are mounted to a wall
- Peninsula Base cabinets reduced to 11" or less will not have an inset toe kick
- Adjustable shelves are reduced in 1" increments to match Reduced Depth Option selected on cabinet(s)
- Adding the Reduced Depth Option does not remove adjustable shelves (where applicable)
- May be combined with all construction options excluding Increased Depth, Cabinet Front Only or Recessed Toe Kick when cabinets are reduced to 8" or less
- All cabinets reduced to 5" or less will not have an inset toe kick
- Reduced depth restrictions:
  - » 24" Deep Wall Top Hinge cabinets are only available with RD-23 through RD-8
  - » 12" Deep Wall Top Hinge cabinets are only available with RD-11 through RD-8
  - » Base End Angle (BEA12FH) cabinets are only available with RD-23 through RD-18
  - » Knee-hole Drawer cabinets are only available with RD-20 through RD-12
  - » Two-Drawer Base cabinets are only available with RD-23 through RD-21
  - » 24" Deep Furniture Drawer cabinets are only available with RD-23 through RD-13
- When ordering reduced depth accessories, specify the depth of the cabinet for which the accessory is intended (e.g., SK3624 RD-21 would be ordered for a UT3624 X 84 RD-21)

Reduced Depth	Drawer Depth Base and 24" Desk Cabinets	Drawer Depth All Vanity and 21" Desk Cabinets	Deep Roll Out Tray Depth	Toe Kick	Shelf
RD-23	18"	—	18"	YES	YES
RD-22	18"	—	18"	YES	YES
RD-21	18"	—	18"	YES	YES
RD-20	15"	15"	15"	YES	YES
RD-19	15"	15"	15"	YES	YES
RD-18	15"	15"	15"	YES	YES
RD-17	12"	12"	12"	YES	YES
RD-16	12"	12"	12"	YES	YES
RD-15	12"	12"	12"	YES	YES
RD-14	9 7/16"	9 7/16"	9"	YES	YES
RD-13	9 7/16"	9 7/16"	9"	YES	YES
RD-12	9 7/16"	9 7/16"	9"	YES	YES
RD-11 to RD-6	NO DRAWER	NO DRAWER	NOT AVAILABLE	YES	YES
RD-5 or RD-4	NO DRAWER	NO DRAWER	NOT AVAILABLE	NO TOE KICK	YES

## Increased Depth Option

ID

The Increased Depth Option is available for most Wall cabinets up to 36" wide and all Bookshelves. The Increased Depth Option is available in 1" increments; maximum depth is 24"

Orders specifying Increased Depth Option must show the total cabinet depth

Example: Cabinet: W1530

Option: ID-14 (increased to 14" deep).

### Notes:

- May be combined with all construction options excluding Reduced Depth and Cabinet Front Only
- Adjustable shelves are increased in 1" increments to match Increased Depth Option selected on cabinet(s)
- Wall cabinets bookshelves increased to 19" deep and over must be stacked, floor mounted or installed over a refrigerator
- Wall cabinets increased to more than 18" deep must be stacked, floor mounted, or installed over a refrigerator
- All increased depth cabinets must be securely attached in one of the following combinations: to studs in back wall and both sides OR to studs in back wall, one side and top (e.g. two adjacent cabinets or one adjacent cabinet and a wall)

## Void Door Option

VDO

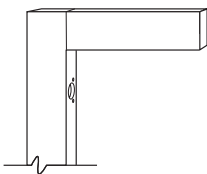
The Void Door Option is available for most wall cabinets. All void door cabinets ship without doors or hinges – center stiles and adjustable shelves will remain. Cabinet frames are pre-drilled for door hinges. All void door wall top hinge cabinets ship without door, lid stays and hinges.

Refer to the descriptions below to select the correct option for your layout:

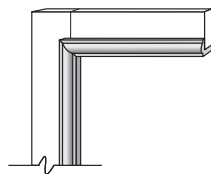
- VDO-DFH (Drilled For Hinges)
- VDO-SBAM (Single Bead Accent Molding)
- VDO-SAM (Shaker Accent Molding)

### Notes for VDO options:

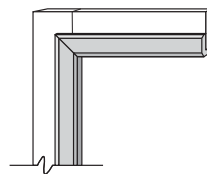
- May be combined with all construction options excluding Cabinet Front Only
- Can be used to create decorative open cabinets
- Decorative accent moldings will conceal hinge holes
- Molding is to be cut and field installed at the job site
- When matching interior is desired, the Matching Interior Option must be selected separately



**VDO-DFH**  
Drilled For Hinges



**VDO-SBAM**  
Single Bead  
Accent  
Molding



**VDO-SAM**  
Shaker Accent  
Molding

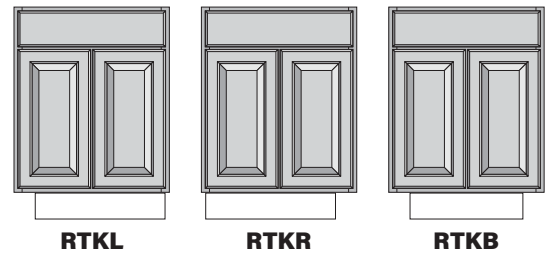
## Recessed Toe Kick Option

**RTK**

The Recessed Toe Kick Option is available on most Base, Desk and Vanity base cabinetry. When the Recessed Toe Kick Option is selected, the end or ends to be recessed must be specified.

### Notes:

- May be combined with all construction options excluding Cabinet Front Only or the Reduced Depth Option when cabinets are reduced to 8" or less
- Recommended for cabinets at the end of a run, especially in island and peninsula designs
- All construction packages feature ½" thick unfinished plywood toe kick box
- Recessed side(s) are recessed 3 ½" to match front of cabinet
- Cabinets with the Recessed Toe Kick option is not flush on the non-recessed side and back
- Blind Corner Base cabinets are only available with the Recessed Toe Kick Both (RTKB) Option
- (BEA24 FH) and (BEA12 FH) Base End Angle, (BPP9) Base Pantry Pull Out, (BPPUS9) Base Pantry Pull Out Utensil Storage, (BTDP9) Base Tray Divider Pull Out, (TB9) and (TB9 TDS) Tray Base cabinets are not available with the Recessed Toe Kick Both Option (RTKB)
- Not available for Peninsula Base cabinets with the Reduced Depth Option of RD-11 and lower
- For Peninsula Base cabinets, the working drawer side indicates the front of the cabinet in order to correctly select Recessed Toe Kick Right (RTKR) or Left (RTKL)
- Peninsula Base cabinets ordered with Recessed Toe Kick Option must be secured to the floor through the cabinet bottom into bracing secured to the floor
- Base toe kick required for front and any exposed side(s)



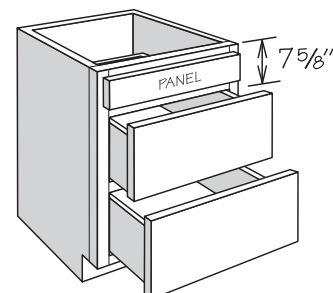
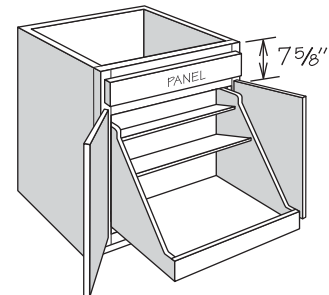
## Void Top Drawer Option

**VTD**

The Void Top Drawer Option is available for most 3 Drawer Base, 4 Drawer Base, Base with Deep Roll Out Trays, Base with Pot & Pan Organizer and Peninsula Base cabinets.

### Notes:

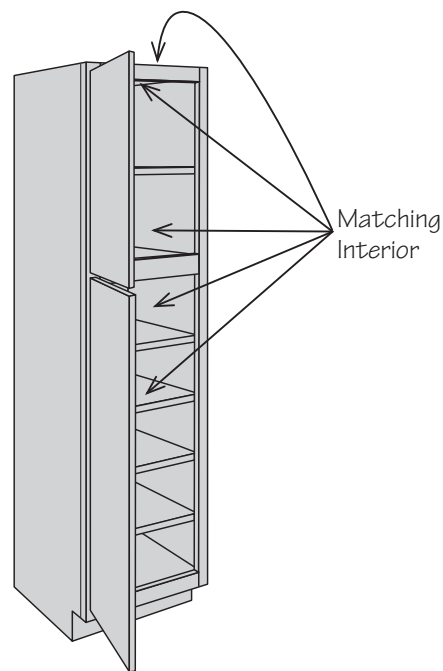
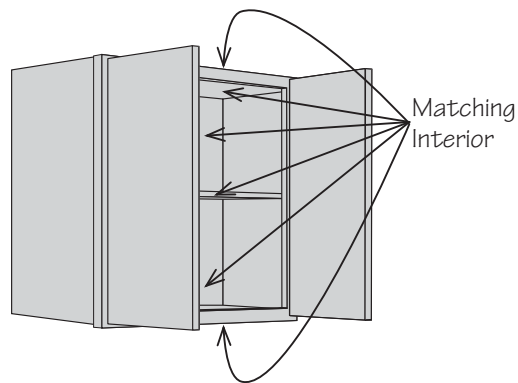
- May be combined with all construction options excluding Cabinet Front Only
- This option removes the drawer body and glide system and replaces it with a false panel on any top drawer(s)
- On cabinets with multiple top drawers, all top drawers will be voided
- When using an appliance, the interior height clearance is 7 5/8" from the top of the cabinet to the top of the door/drawer opening below the voided drawer
- Subtract 1 ½" from width and depth for available top opening – removal of corner blocks may be required
- Removal of the top rail is not recommended
- Refer to appliance manufacturer's specifications for adequate clearances and required installation materials



The Matching Interior Option is available for Wall cabinets (with the exceptions noted below), Utility cabinets, Vanity Linen cabinets, and Refrigerator Return Panels. This option matches the cabinet's interior, top and bottom to that of the cabinet's box exterior.

## Notes:

- **essential** and **select** construction packages feature two-sided engineered wood side panels finished to match cabinet exterior
- **luxury** construction package features two-sided plywood finished to match cabinet exterior
- May be combined with all construction options excluding Cabinet Front Only
- Not available for wall cabinets with a standard matching interior (including all Specialty Door cabinets)
- Recommended for wall cabinets with the Void Door Option (VDO)
- All finished surfaces of the Wall, Utility, and Vanity Linen cabinets will be color matched including shelves, back, interior and exterior of returns, top and bottom
- Interior accessories in Matching Interior cabinets will remain natural finish (e.g., spice rack kit, deep roll out trays)





Specialty Door Option cabinets are available for most wall, utility and vanity linen cabinet sizes. All Specialty Door Option cabinets include Matching Interior as standard. Specialty door options for utility and vanity linen cabinets apply to top door(s) only.

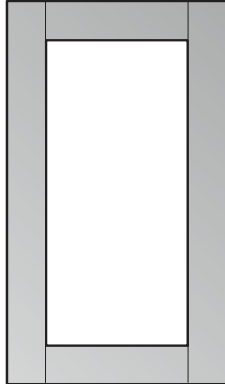
### Open Frame Door (OFD) notes:

- Features door frame only with no center panel
- Decorative glass inserts and appropriate glass clips are shipped separately from the cabinet for field installation – see page 36 for available glass inserts
- See page 35 for door style profiles

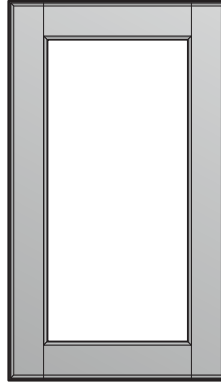
**SPECIALTY DOOR AVAILABILITY BY SIZE**

Cabinet Door Width	Door Height									
	12" High Wall	15" High Wall	18" High Wall	21" High Wall	24" High Wall	27" High Wall	30" High Wall	36" High Wall	39" High Wall	42" High Wall
12" Wide			●		●		●	●	●	●
13" Wide			●		●		●	●	●	●
15" Wide	●	●	●	●	●	●	●	●	●	●
16" Wide	●	●	●	●	●		●	●	●	●
18" Wide	●	●	●	●	●		●	●	●	●
19" Wide	●	●	●	●						
21" Wide			●		●		●	●	●	●
30" Wide		■	■							
36" Wide		■	■							

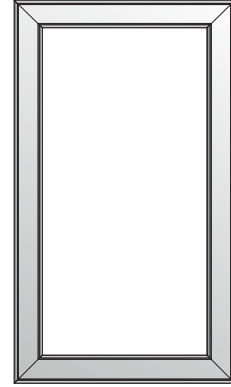
- Available with Specialty Doors
- Wall Top Hinge cabinets only



OFD Profile for  
AVELEY  
GALWAY  
INNSBROOK  
PORT  
STONEWALL



OFD Profile for  
BICKERSHIRE  
PATINGHAM



OFD Profile for  
GLENLOCH  
MCKELLER

### Clear Glass



- 1/8" thick panel
- Clear glass
- Tempered safety glass
- Includes appropriate Decorative Glass Clips
- Order as DGI-\_\_\_\_ CLEAR, refer to Parts Directory for nomenclature and dimensions

### Derbyshire Seeded Glass



- 1/8" thick panel
- Clear seeded glass
- Laminated safety glass
- Includes appropriate Decorative Glass Clips
- Order as DGI-\_\_\_\_ DERBYSHIRE, refer to Parts Directory for nomenclature and dimensions

### Frosted Glass



- 1/8" thick panel
- Frosted glass with etched finish
- Tempered safety glass
- Includes appropriate Decorative Glass Clips
- Order as DGI-\_\_\_\_ FROSTED, refer to Parts Directory for nomenclature and dimensions

### Meredith Glass



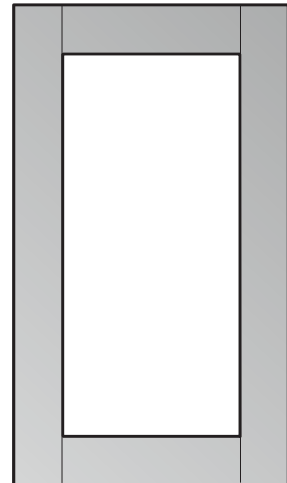
- 1/4" overall thickness (1/8" beveled edge thickness)
- Clear glass design with 1/4" wide beveled edges
- Tempered safety glass
- Includes appropriate Decorative Glass Clips
- Order as DGI-\_\_\_\_ MEREDITH, refer to Parts Directory for nomenclature and dimensions

### Ribbed Glass



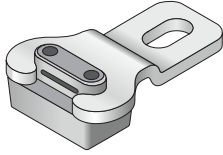
- 1/8" thick panel
- Clear ribbed glass
- Tempered safety glass
- Includes appropriate Decorative Glass Clips
- Not available for Wall Top Hinge Cabinets
- Order as DGI-\_\_\_\_ RIBBED, refer to Parts Directory for nomenclature and dimensions

### Prepped for Glass

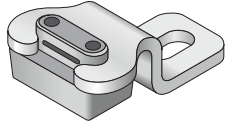


- For customer installed inserts up to 5/8" thick
- Refer to page 35 for standard profiles
- Decorative Glass Clips not included—order separately

## Decorative Glass Clips



CLIP DGI 1/8



CLIP DGI 5/16

Glass Insert	CLIP DGI 1/8	CLIP DGI 5/16
Clear	●	
Derbyshire		●
Frosted	●	
Meredith	●	
Ribbed	●	

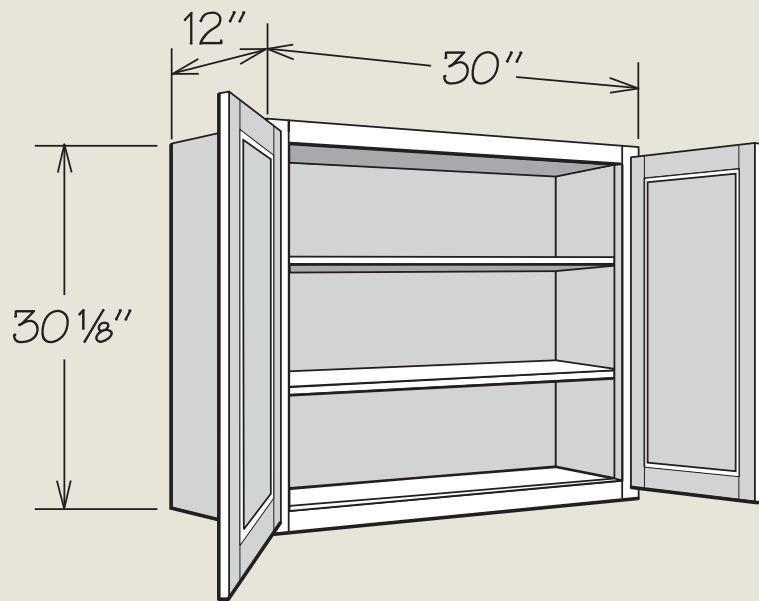
- For installation of decorative glass insert
- Order one bag (six clips) per door

---

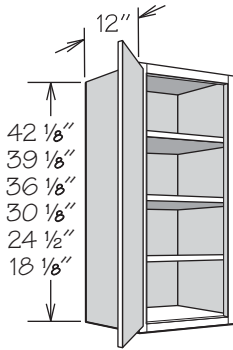
CLIP DGI 1/8  
CLIP DGI 5/16



# Wall Cabinets



## Wall Cabinets • 1 Door



42" High Shown

- Specialty Door cabinets (SD) feature Matching Interior standard and require a specialty door selection
- Must be ordered as hinged left or right
- 18" high wall cabinets are not drilled for adjustable shelf

<b>CFO</b>
<b>FE</b>
<b>ID</b>
<b>MI</b> ■
<b>RD</b>
<b>VDO</b> ■

### 12" DEEP

#### 42"H • 3 shelves

W942 ■  
W1242 ■  
W1542 ■  
W1842 ■  
W2142 ■  
W2242 ■  
W1242 SD  
W1542 SD  
W1842 SD  
W2142 SD

#### 39"H • 3 shelves

W939 ■  
W1239 ■  
W1539 ■  
W1839 ■  
W2139 ■  
W2439 ■  
W1239 SD  
W1539 SD  
W1839 SD  
W2139 SD

#### 36"H • 2 shelves

W936 ■  
W1236 ■  
W1536 ■  
W1836 ■  
W2136 ■  
W2436 ■  
W1236 SD  
W1536 SD  
W1836 SD  
W2136 SD

#### 30"H • 2 shelves

W930 ■  
W1230 ■  
W1530 ■  
W1830 ■  
W2130 ■  
W2430 ■  
W1230 SD  
W1530 SD  
W1830 SD  
W2130 SD

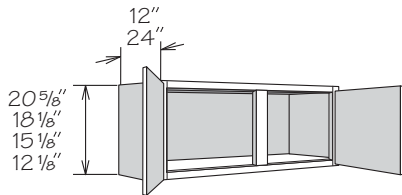
#### 24"H • 1 shelf

W1224 ■  
W1524 ■  
W1824 ■  
W2124 ■  
W1224 SD  
W1524 SD  
W1824 SD  
W2124 SD

#### 18"H • no shelf

W1218 ■  
W1518 ■  
W1818 ■  
W2118 ■  
W1218 SD  
W1518 SD  
W1818 SD  
W2118 SD

## Wall Cabinets • 2 Doors



21" High Shown

- Specialty Door cabinets (SD) feature Matching Interior standard and require a specialty door selection
- 24" deep cabinets must be installed by:
  - » Securely attaching to studs in back wall and both sides or to studs in back wall, one side and top (e.g. two adjacent cabinets or one adjacent cabinet and a wall)
  - » And must be either stacked, floor mounted or installed over a refrigerator
- Not drilled for adjustable shelf

<b>CFO</b>
<b>FE</b>
<b>MI</b> ■
<b>RD</b>
<b>VDO</b> ■

### 12" DEEP

#### 21"H • no shelf

W3921 ■  
W3921 SD

#### 18"H • no shelf

W3918 ■  
W3918 SD

#### 15"H • no shelf

W3915 ■  
W3915 SD

#### 12"H • no shelf

W3912 ■  
W3912 SD

### 24" DEEP

#### 21"H • no shelf

W3921 X 24 DP ■  
W3921 X 24 DP SD

#### 18"H • no shelf

W3918 X 24 DP ■  
W3918 X 24 DP SD

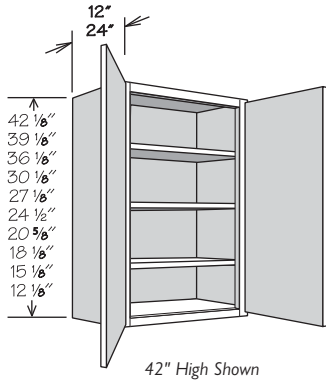
#### 15"H • no shelf

W3915 X 24 DP ■  
W3915 X 24 DP SD

#### 12"H • no shelf

W3912 X 24 DP ■  
W4212 X 24 DP ■  
W3912 X 24 DP SD

## Wall Cabinets • 2 Butt Doors



42" High Shown

- Specialty Door cabinets (SD) feature Matching Interior standard and require a specialty door selection
- 24" deep cabinets must be installed by:
  - » Securely attaching to studs in back wall and both sides or to studs in back wall, one side and top (e.g. two adjacent cabinets or one adjacent cabinet and a wall)
  - » And must be either stacked, floor mounted or installed over a refrigerator
- 21", 18", 15" and 12" high wall cabinets are not drilled for adjustable shelf
- Center shelf support provided for cabinets 30" or wider (where applicable)

<b>CFO</b>
<b>FE</b>
<b>ID</b> ◆
<b>MI</b> ■
<b>RD</b>
<b>VDO</b> ■

### 12" DEEP

#### 42"H • 3 shelves

W2442 BUTT ■◆  
W2742 BUTT ■◆  
W3042 BUTT ■◆  
W3342 BUTT ■◆  
W3642 BUTT ■◆  
W2442 BUTT SD ◆  
W2742 BUTT SD ◆  
W3042 BUTT SD ◆  
W3342 BUTT SD ◆  
W3642 BUTT SD ◆

#### 39"H • 3 shelves

W2439 BUTT ■◆  
W2739 BUTT ■◆  
W3039 BUTT ■◆  
W3339 BUTT ■◆  
W3639 BUTT ■◆  
W2439 BUTT SD ◆  
W2739 BUTT SD ◆  
W3039 BUTT SD ◆  
W3339 BUTT SD ◆  
W3639 BUTT SD ◆

#### 36"H • 2 shelves

W2436 BUTT ■◆  
W2736 BUTT ■◆  
W3036 BUTT ■◆  
W3336 BUTT ■◆  
W3636 BUTT ■◆  
W2436 BUTT SD ◆  
W2736 BUTT SD ◆  
W3036 BUTT SD ◆  
W3336 BUTT SD ◆  
W3636 BUTT SD ◆

#### 30"H • 2 shelves

W2430 BUTT ■◆  
W2730 BUTT ■◆  
W3030 BUTT ■◆  
W3330 BUTT ■◆  
W3630 BUTT ■◆  
W2430 BUTT SD ◆  
W2730 BUTT SD ◆  
W3030 BUTT SD ◆  
W3330 BUTT SD ◆  
W3630 BUTT SD ◆

#### 27"H • 1 shelf

W3027 BUTT ■◆  
W3027 BUTT SD ◆

#### 24"H • 1 shelf

W2424 BUTT ■◆  
W2724 BUTT ■◆  
W3024 BUTT ■◆  
W3324 BUTT ■◆  
W3624 BUTT ■◆  
W2424 BUTT SD ◆  
W2724 BUTT SD ◆  
W3024 BUTT SD ◆  
W3324 BUTT SD ◆  
W3624 BUTT SD ◆

#### 21"H • no shelf

W3021 BUTT ■◆  
W3321 BUTT ■◆  
W3621 BUTT ■◆  
W3021 BUTT SD ◆  
W3321 BUTT SD ◆  
W3621 BUTT SD ◆

#### 18"H • no shelf

W2418 BUTT ■◆  
W2718 BUTT ■◆  
W3018 BUTT ■◆  
W3318 BUTT ■◆  
W3618 BUTT ■◆  
W2418 BUTT SD ◆  
W2718 BUTT SD ◆  
W3018 BUTT SD ◆  
W3318 BUTT SD ◆  
W3618 BUTT SD ◆

#### 15"H • no shelf

W3015 BUTT ■◆  
W3315 BUTT ■◆  
W3615 BUTT ■◆  
W3015 BUTT SD ◆  
W3315 BUTT SD ◆  
W3615 BUTT SD ◆

#### 12"H • no shelf

W3012 BUTT ■◆  
W3312 BUTT ■◆  
W3612 BUTT ■◆  
W3012 BUTT SD ◆  
W3312 BUTT SD ◆  
W3612 BUTT SD ◆

### 24" DEEP

#### 27"H • 1 shelf

W3027 X 24 DP BUTT ■  
W3027 X 24 DP BUTT SD

#### 24"H • 1 shelf

W3024 X 24 DP BUTT ■  
W3324 X 24 DP BUTT ■  
W3624 X 24 DP BUTT ■  
W3024 X 24 DP BUTT SD  
W3324 X 24 DP BUTT SD  
W3624 X 24 DP BUTT SD

#### 21"H • no shelf

W3021 X 24 DP BUTT ■  
W3321 X 24 DP BUTT ■  
W3621 X 24 DP BUTT ■

W3021 X 24 DP BUTT SD  
W3321 X 24 DP BUTT SD  
W3621 X 24 DP BUTT SD

#### 18"H • no shelf

W3018 X 24 DP BUTT ■  
W3318 X 24 DP BUTT ■  
W3618 X 24 DP BUTT ■

W3018 X 24 DP BUTT SD  
W3318 X 24 DP BUTT SD  
W3618 X 24 DP BUTT SD

#### 15"H • no shelf

W3015 X 24 DP BUTT ■  
W3315 X 24 DP BUTT ■  
W3615 X 24 DP BUTT ■

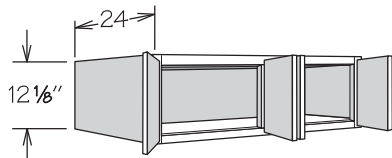
W3015 X 24 DP BUTT SD  
W3315 X 24 DP BUTT SD  
W3615 X 24 DP BUTT SD

#### 12"H • no shelf

W3012 X 24 DP BUTT ■  
W3312 X 24 DP BUTT ■  
W3612 X 24 DP BUTT ■

W3012 X 24 DP BUTT SD  
W3312 X 24 DP BUTT SD  
W3612 X 24 DP BUTT SD

## Wall Cabinets



- Hinged as shown
- Not drilled for adjustable shelf
- Cabinet must be installed by:
  - » Securely attaching to studs in back wall and both sides or to studs in back wall, one side and top (e.g. two adjacent cabinets or one adjacent cabinet and a wall)
  - » And must be either stacked, floor mounted or installed over a refrigerator

<b>CFO</b>
<b>FE</b>
<b>MI</b>
<b>RD</b>
<b>VDO</b>

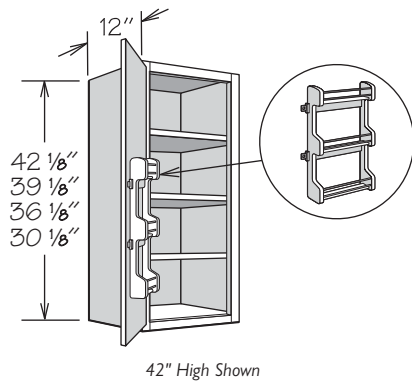
### 4 BUTT DOORS

#### 12"H • no shelves

W4812 X 24 DP BUTT



## Wall Cabinet with Spice Rack • 1 Door



- Spice Rack Kit packaged separately for field installation
- Position adjustable shelves prior to installation
- Kit in natural finish solid wood features chrome rails and three fixed shelves
- Must be ordered as hinged left or right

<b>FE</b>
<b>ID</b>
<b>MI</b>

### 12" DEEP

#### 42"H • 3 shelves

W1542 SR  
W1842 SR  
W2142 SR

#### 36"H • 2 shelves

W1536 SR  
W1836 SR  
W2136 SR

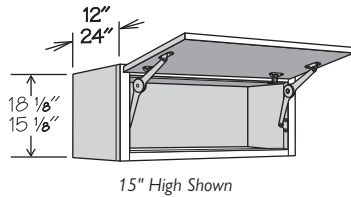
#### 39"H • 3 shelves

W1539 SR  
W1839 SR  
W2139 SR

#### 30"H • 2 shelves

W1530 SR  
W1830 SR  
W2130 SR

## Wall Top Hinge • 1 Door



- Features one pair of factory installed, field adjustable lid stays that supports door securely at any angle up to 105°
- Cabinet can be flipped to open downwards and lid stay can be adjusted to support door
- Door rail and stile configuration and insert panel grain direction will differ from standard wall cabinets
- Specialty Door cabinets (SD) feature Matching Interior standard and require a specialty door selection
- 24" deep cabinets must be installed by:
  - » Securely attaching to studs in back wall and both sides or to studs in back wall, one side and top (e.g. two adjacent cabinets or one adjacent cabinet and a wall)
  - » And must be either stacked, floor mounted or installed over a refrigerator

<b>FE</b>
<b>ID</b> ◆
<b>MI</b> ■
<b>RD</b>
<b>VDO</b> ■

### 12" DEEP

#### 18"H • no shelf

WTH3018 ■ ◆  
WTH3618 ■ ◆  
WTH3018 SD ◆  
WTH3618 SD ◆

#### 15"H • no shelf

WTH3015 ■ ◆  
WTH3615 ■ ◆  
WTH3015 SD ◆  
WTH3615 SD ◆

### 24" DEEP

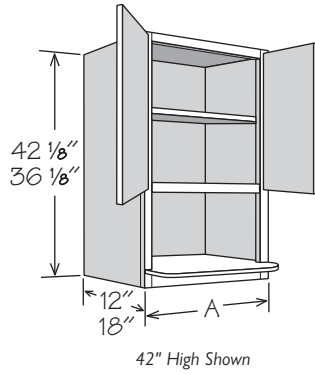
#### 18"H • no shelf

WTH3018 X 24 DP ■  
WTH3618 X 24 DP ■  
WTH3018 X 24 DP SD  
WTH3618 X 24 DP SD

#### 15"H • no shelf

WTH3015 X 24 DP ■  
WTH3615 X 24 DP ■  
WTH3015 X 24 DP SD  
WTH3615 X 24 DP SD

## Wall Microwave Cabinets • 2 Butt Doors

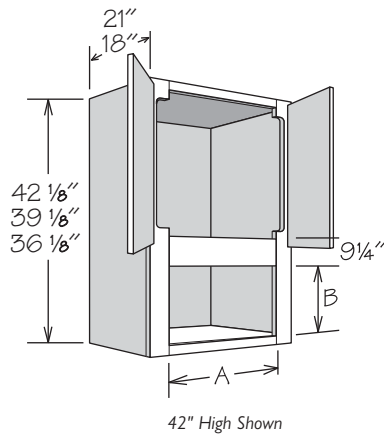


- Must be installed between two adjacent cabinets or a cabinet and a wall
- Cabinet interior and microwave shelf is finished to match cabinet box exterior
- ¾" plywood microwave shelf included for all construction packages
- Designed to accommodate countertop style microwave
- Refer to appliance manufacturer's specifications for adequate clearances
- 36" high not drilled for adjustable shelf

<b>FE</b>
<b>RD</b>
<b>VDO</b>

12" DEEP	A	LOWER FRAME OPENING		
		WIDTH	HEIGHT	DEPTH
<b>36"H • no shelf</b>				
WMSC271236 BUTT	27"	23 ¾"	18 5/8"	17 ¾"
WMSC301236 BUTT	30"	26 ¾"	18 5/8"	17 ¾"
WCMSC241236 BUTT	24"	20 ¾"	15 5/8"	17 ¾"
WCMSC271236 BUTT	27"	23 ¾"	15 5/8"	17 ¾"
<b>18" DEEP</b>				
<b>42"H • 1 shelf</b>				
WMSC271842 BUTT	27"	23 ¾"	15 ¼"	23 ¾"
<b>36"H • no shelf</b>				
WMSC271836 BUTT	27"	23 ¾"	18 5/8"	23 ¾"

## Microwave Wall Cabinets • 2 Butt Doors

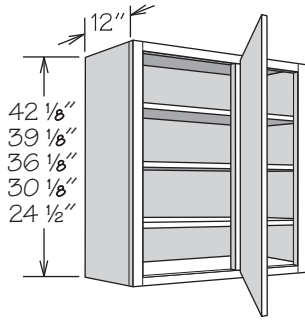


- Must be installed between two cabinets or a cabinet and a wall
- Designed to accommodate microwaves with trim kit
- A cutout exists in the door area where the 3/8" stiles are routed to 1 5/8"
- Refer to appliance manufacturers specifications for adequate clearances
- Not drilled for adjustable shelf

<b>FE</b>
<b>ID</b>
<b>MI</b>
<b>RD</b>

18" DEEP	A	A	B	B
	ACTUAL	MAX.	ACTUAL	MAX.
<b>42"H • no shelf</b>				
WMC301842 BUTT	23 ¾"	28"	12 ¼"	20"
<b>39"H • no shelf</b>				
WMC271839 BUTT	20 ¾"	25"	11 ¾"	19 ½"
WMC301839 BUTT	23 ¾"	28"	11 ¾"	19 ½"
<b>36"H • no shelf</b>				
WMC271836 BUTT	20 ¾"	25"	11 ¾"	19 ½"
WMC301836 BUTT	23 ¾"	28"	11 ¾"	19 ½"
<b>21" DEEP</b>				
<b>42"H • no shelf</b>				
WMC302142 BUTT	23 ¾"	28"	12 ¼"	20"
<b>39"H • no shelf</b>				
WMC272139 BUTT	20 ¾"	25"	11 ¾"	19 ½"
WMC302139 BUTT	23 ¾"	28"	11 ¾"	19 ½"
<b>36"H • no shelf</b>				
WMC272136 BUTT	20 ¾"	25"	11 ¾"	19 ½"
WMC302136 BUTT	23 ¾"	28"	11 ¾"	19 ½"

## Blind Wall Cabinet • 1 Door



42" High Shown

- Cabinet shown as right indicating blind opening is on the right side of cabinet (must be ordered as left or right)
- Includes 1/8" panel to cover blind opening (field trim and install)
- Refer to Blind Wall Cabinet Installation Chart for specifications
- Must order Universal Filler separately
- Specialty Door cabinets (SD) feature Matching Interior standard and require a specialty door selection
- Center shelf support provided for cabinets 30" or wider

CFO
FE
ID
MI
RD
VDO

### 12" DEEP

#### 42"H • 3 shelves

BLW24/2742 ■  
 BLW27/3042 ■  
 BLW30/3342 ■  
 BLW33/3642 ■  
 BLW24/2742 SD  
 BLW27/3042 SD  
 BLW30/3342 SD  
 BLW33/3642 SD

#### 39"H • 3 shelves

BLW24/2739 ■  
 BLW27/3039 ■  
 BLW30/3339 ■  
 BLW33/3639 ■  
 BLW24/2739 SD  
 BLW27/3039 SD  
 BLW30/3339 SD  
 BLW33/3639 SD

#### 36"H • 2 shelves

BLW24/2736 ■  
 BLW27/3036 ■  
 BLW30/3336 ■  
 BLW33/3636 ■  
 BLW24/2736 SD  
 BLW27/3036 SD  
 BLW30/3336 SD  
 BLW33/3636 SD

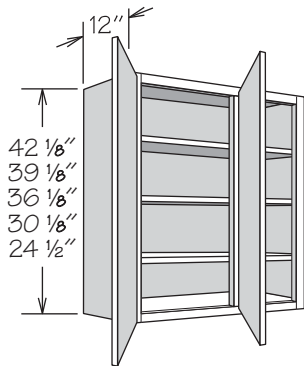
#### 30"H • 2 shelves

BLW24/2730 ■  
 BLW27/3030 ■  
 BLW30/3330 ■  
 BLW33/3630 ■  
 BLW36/3930 ■  
 BLW24/2730 SD  
 BLW27/3030 SD  
 BLW30/3330 SD  
 BLW33/3630 SD

#### 24"H • 1 shelf

BLW24/2724 ■  
 BLW27/3024 ■  
 BLW30/3324 ■  
 BLW33/3624 ■  
 BLW24/2724 SD  
 BLW27/3024 SD  
 BLW30/3324 SD  
 BLW33/3624 SD

## Blind Wall Cabinet • 2 Butt Doors



42" High Shown

- Cabinet shown as right indicating blind opening is on the right side of cabinet (can be reversed in the field)
- Includes 1/8" panel to cover blind opening (field trim and install)
- Refer to Blind Wall Cabinet Installation Chart for specifications
- Must order Universal Filler separately
- Specialty Door cabinets (SD) feature Matching Interior standard and require a specialty door selection
- Center shelf support provided

CFO
FE
ID ◆
MI
RD
VDO

### 12" DEEP

#### 42"H • 3 shelves

BLW36/3942 BUTT ■ ◆  
 BLW39/4242 BUTT ■  
 BLW42/4542 BUTT ■  
 BLW36/3942 BUTT SD ◆  
 BLW39/4242 BUTT SD  
 BLW42/4542 BUTT SD

#### 39"H • 3 shelves

BLW36/3939 BUTT ■ ◆  
 BLW39/4239 BUTT ■  
 BLW42/4539 BUTT ■  
 BLW36/3939 BUTT SD ◆  
 BLW39/4239 BUTT SD  
 BLW42/4539 BUTT SD

#### 36"H • 2 shelves

BLW36/3936 BUTT ■ ◆  
 BLW39/4236 BUTT ■  
 BLW42/4536 BUTT ■  
 BLW36/3936 BUTT SD ◆  
 BLW39/4236 BUTT SD  
 BLW42/4536 BUTT SD

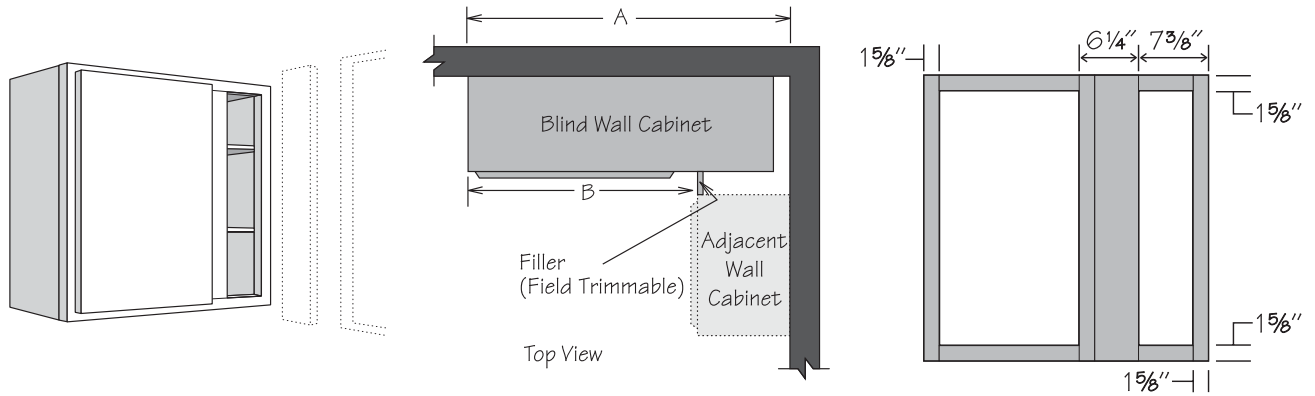
#### 30"H • 2 shelves

BLW36/3930 BUTT ■ ◆  
 BLW39/4230 BUTT ■  
 BLW42/4530 BUTT ■  
 BLW36/3930 BUTT SD ◆  
 BLW39/4230 BUTT SD  
 BLW42/4530 BUTT SD

#### 24"H • 1 shelf

BLW36/3924 BUTT ■ ◆  
 BLW36/3924 BUTT SD ◆

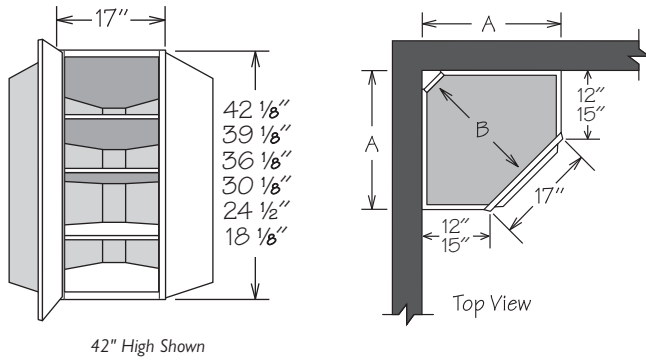
# Blind Wall Cabinet Installation Chart



CABINET	ACTUAL CABINET WIDTH	DOOR OPENING	DOOR(S)	WALL SPACE A			EXPOSED FRAME B	
				MINIMUM SPACE*	MAXIMUM PULL	MAXIMUM SPACE	MINIMUM SPACE*	MAXIMUM SPACE
BLW24/27_	24"	8 3/4"	DR12__	26 1/4"	1 3/4"	28"	14 1/4"	16"
BLW27/30_	27"	11 3/4"	DR15__	29 1/4"	1 3/4"	31"	17 1/4"	19"
BLW30/33_	30"	14 3/4"	DR18__	32 1/4"	1 3/4"	34"	20 1/4"	22"
BLW33/36_	33"	17 3/4"	DR21__	35 1/4"	1 3/4"	37"	23 1/4"	25"
BLW36/3930	36"	20 3/4"	DR2430	38 1/4"	1 3/4"	40"	26 1/4"	28"
BLW36/39_BUTT	36"	20 3/4"	DR12__ BUTT (2)	38 1/4"	1 3/4"	40"	26 1/4"	28"
BLW39/42_BUTT	39"	23 3/4"	DR13__ BUTT (2)	41 1/4"	1 3/4"	43"	29 1/4"	31"
BLW42/45_BUTT	42"	26 3/4"	DR15__ BUTT (2)	44 1/4"	1 3/4"	46"	32 1/4"	34"

\*Dimension requirements do not include optional Overlay Fillers – add 7/8" if Overlay Fillers will be used.

## Corner Wall Cabinets



- Must be ordered as hinged left or right
- Door opening is 11<sup>3</sup>/<sub>4</sub>" wide
- Features a DR15\_ door
- Specialty Door cabinets (SD) feature Matching Interior standard and require a specialty door selection
- 24" high cabinet's shelf is adjustable, not removable
- Glass Shelf Kit is not available for 18" or 24" high cabinets

FE
MI ■
VDO ■

	A	B
12" Deep	24"	21 1/2"
15" Deep	27"	25 3/4"

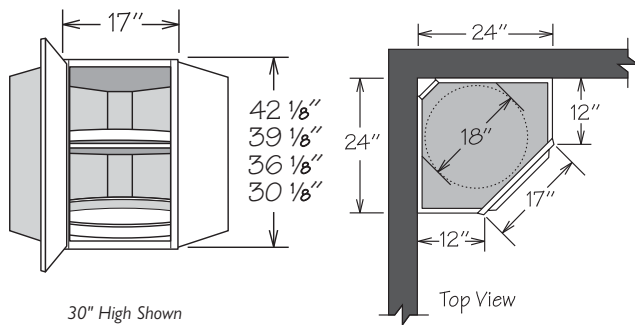
### 12" DEEP

42"H • 3 shelves	39"H • 3 shelves	36"H • 2 shelves	30"H • 2 shelves	24"H • 1 shelf	18"H • no shelf
CW2442 ■	CW2439 ■	CW2436 ■	CW2430 ■	CW2424 ■	CW2418 ■
CW2442 SD	CW2439 SD	CW2436 SD	CW2430 SD	CW2424 SD	CW2418 SD

### 15" DEEP

42"H • 3 shelves	39"H • 3 shelves	36"H • 2 shelves	30"H • 2 shelves	24"H • 1 shelf	18"H • no shelf
CW2742 ■	CW2739 ■	CW2736 ■	CW2730 ■	CW2724 ■	CW2718 ■
CW2742 SD	CW2739 SD	CW2736 SD	CW2730 SD	CW2724 SD	CW2718 SD

## Corner Wall Cabinets • with Wood Spin Units



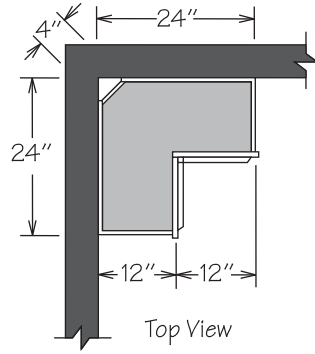
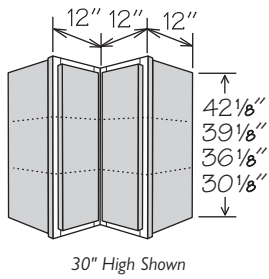
- Must be ordered as hinged left or right
- Door opening is 11<sup>3</sup>/<sub>4</sub>" wide
- Features a DR15\_ door
- Wood Spin Units feature:
  - » One fixed wood spin unit mounted on cabinet floor and all other spin units are attached to 3/4" adjustable shelf
  - » Natural finish with 1" lip
- Specialty Door cabinets (SD) feature Matching Interior standard and require a specialty door selection

FE
MI ■
VDO ■

### WOOD SPIN UNIT

42"H • 3 spin units	39"H • 3 spin units	36"H • 2 spin units	30"H • 2 spin units
CWS2442 WD ■	CWS2439 WD ■	CWS2436 WD ■	CWS2430 WD ■
CWS2442 WD SD	CWS2439 WD SD	CWS2436 WD SD	CWS2430 WD SD

## Wall Easy Reach



- Must be ordered as hinged left or right
- Stile width and outside profile of both doors at door-to-door hinge may vary from standard dimension and profile for proper door function
- Doors open 170°

FE
MI

### 12" DEEP

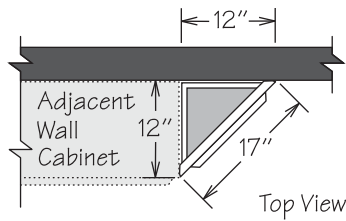
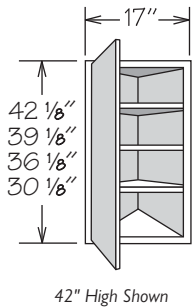
**42"H • 3 shelves**  
WER2442

**39"H • 3 shelves**  
WER2439

**36"H • 2 shelves**  
WER2436

**30"H • 2 shelves**  
WER2430

## Wall End Angle • 1 Door



- Requires 12" x 12" space
- Features a DR15\_ door
- Must be ordered as hinged left or right
- Specialty Door cabinets (SD) feature Matching Interior standard and require a specialty door selection

MI ■
VDO ■

### 12" DEEP

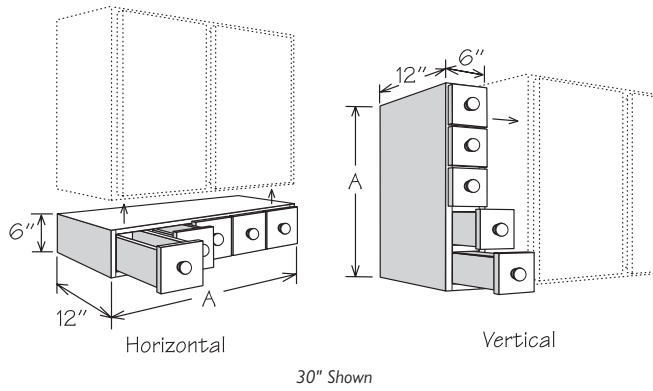
**42"H • 3 shelves**  
WEA1242 ■  
WEA1242 SD

**39"H • 3 shelves**  
WEA1239 ■  
WEA1239 SD

**36"H • 2 shelves**  
WEA1236 ■  
WEA1236 SD

**30"H • 2 shelves**  
WEA1230 ■  
WEA1230 SD

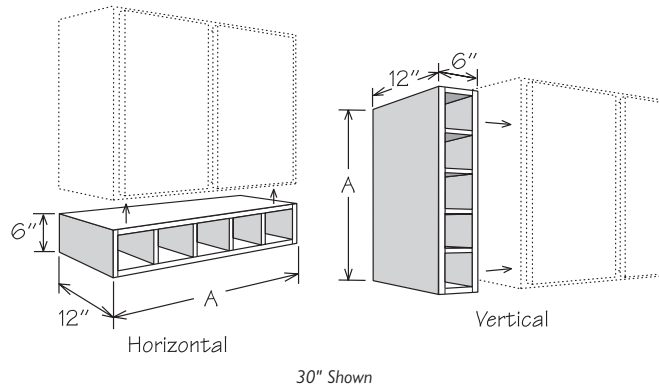
## Spice Drawer Cabinet



- Designed for horizontal or vertical installation
- Vertical installation may require the use of fillers and/or molding which must be ordered separately
- Features veneered engineered wood with 1/2" thick slab drawer fronts for all construction packages
- Flush sides with no face frame or 1/4" reveals
- All wood drawer body with dovetail construction
- AVELEY, BICKERSHIRE, GLENLOCH and MCKELLER door styles feature white porcelain knobs, all other door styles feature matching wood knobs

12" DEEP	A	NUMBER OF DRAWERS
SDC18	18"	3
SDC24	24"	4
SDC30	30"	5
SDC36	36"	6

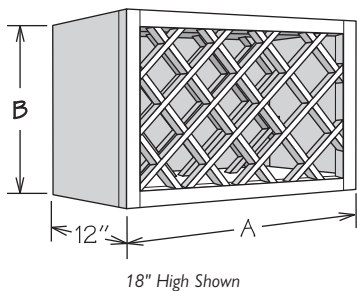
## Storage Cube



- Designed for horizontal or vertical installation
- Vertical installation may require the use of fillers and/or molding which must be ordered separately
- Opening size is 5" wide x 4 1/2" high (horizontal) which will accommodate most wine bottles and various other storage needs
- Features 3/4" veneered engineered wood finished to match cabinet box exterior for all construction packages
- Flush sides with no face frame or 1/4" reveals
- Interior finished to match cabinet box exterior
- Cannot be retrofitted with Spice Drawer Cabinet drawers

12" DEEP	A	NUMBER OF OPENINGS
SC30	30"	5
SC36	36"	6
SC42	42"	7

## Wine Rack Cabinet

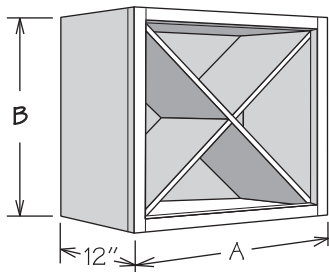


- Interior finished to match cabinet box exterior
- Wine bottle opening is 4" x 4"
- Cabinet must be installed between two adjacent cabinets, one cabinet and a wall, or secured to a cabinet directly above or below

FE

12" DEEP	A	B	NUMBER OF BOTTLES
<b>18"H</b>			
WRC3018	30"	18 1/8"	11
<b>15"H</b>			
WRC3015	30"	15 1/8"	10
WRC3615	36"	15 1/8"	13

## Wine Storage Cabinet

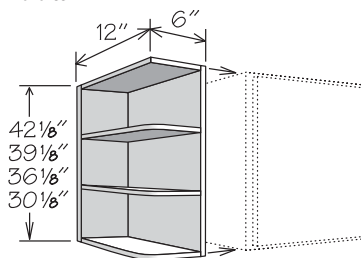


- Interior finished to match cabinet box exterior
- Features 3/4" plywood partitions for all construction packages
- Accent molding recommended – order separately
- Cabinet must be installed between two adjacent cabinets, one cabinet and a wall, or secured to a cabinet directly above or below

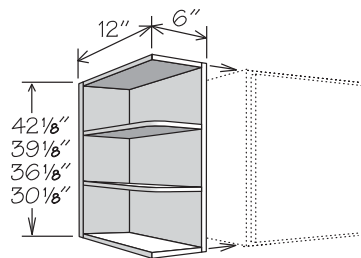
FE

12" DEEP	A	B	NUMBER OF BOTTLES
<b>24"H</b>			
WSC2424	24"	24 1/2"	30
<b>18"H</b>			
WSC1818	18"	18 1/8"	12

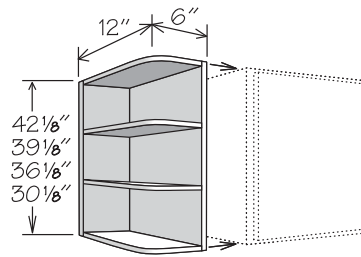
## Shelf End Wall



SQUARE TOP, ROUND BOTTOM (SQT)  
30" High Shown



SQUARE TOP & BOTTOM (SQTb)  
30" High Shown



ROUND TOP & BOTTOM (SEW)  
30" High Shown

- Interior finished to match cabinet box exterior
- Features 1/2" veneered engineered wood back and side for all construction packages
- Top, bottom, and shelves are 3/4" veneered engineered wood for all construction packages
- Rounded shelves feature a 3" radius
- 1/8" screw recommended from inside of adjacent cabinet for installation
- Rounded bottom on SEW\_ SQT does not allow cabinet to be reversed in the field or installation of bottom molding

### 12" DEEP

#### 42"H • 3 shelves

SEW42L SQT  
SEW42R SQT  
SEW42 SQTb  
SEW42

#### 39"H • 3 shelves

SEW39L SQT  
SEW39R SQT  
SEW39 SQTb  
SEW39

#### 36"H • 2 shelves

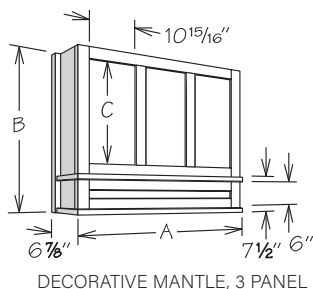
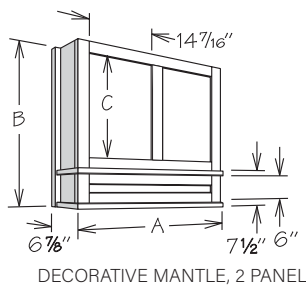
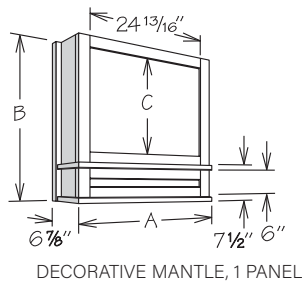
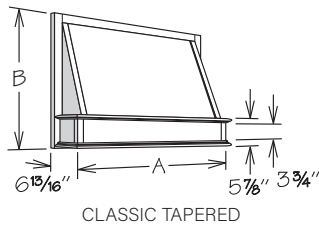
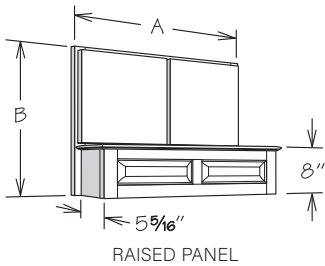
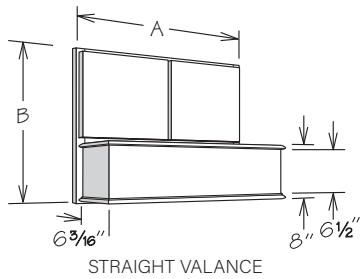
SEW36L SQT  
SEW36R SQT  
SEW36 SQTb  
SEW36

#### 30"H • 2 shelves

SEW30L SQT  
SEW30R SQT  
SEW30 SQTb  
SEW30



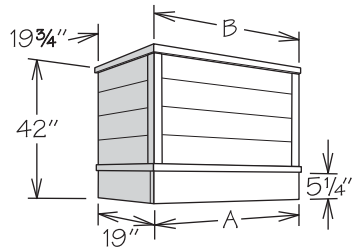
# Wall Range Hood



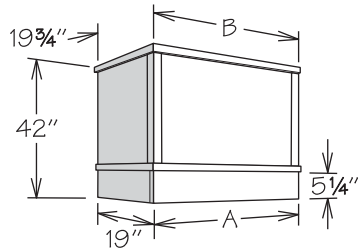
- Must be installed between two wall cabinets
- Silver metallic liner included
- Order range hood blower separately - not for use with RHVENT 960
- All finished surfaces will match cabinet box exterior - glazed door styles will be glazed
- Straight Valance and Raised Panel Range Hoods feature:
  - » Center stile and functioning BUTT doors allow for duct work installation and wiring
  - » Doors will match door style ordered

	A	B	C	DOORS
<b>Straight Valance</b>				
WRH3024 SV	30"	24"	-	(2) DR1515 BUTT
WRH3624 SV	36"	24"	-	(2) DR1815 BUTT
WRH3027 SV	30"	27"	-	(2) DR1518 BUTT
WRH3627 SV	36"	27"	-	(2) DR1818 BUTT
WRH3030 SV	30"	30"	-	(2) DR1521 BUTT
WRH3630 SV	36"	30"	-	(2) DR1821 BUTT
<b>Raised Panel</b>				
WRH3024 RP	30"	24"	-	(2) DR1515 BUTT
WRH3624 RP	36"	24"	-	(2) DR1815 BUTT
WRH3027 RP	30"	27"	-	(2) DR1518 BUTT
WRH3627 RP	36"	27"	-	(2) DR1818 BUTT
WRH3030 RP	30"	30"	-	(2) DR1521 BUTT
WRH3630 RP	36"	30"	-	(2) DR1821 BUTT
<b>Classic Tapered</b>				
WRH3024 CT	30"	24"	-	-
WRH3624 CT	36"	24"	-	-
<b>Decorative Mantle - 1 Panel</b>				
WRH3024 DM	30"	24"	12 5/16"	-
WRH3030 DM	30"	30"	18 5/16"	-
WRH3036 DM	30"	36"	24 5/16"	-
<b>Decorative Mantle - 2 Panel</b>				
WRH3624 DM	36"	24"	12 5/16"	-
WRH3630 DM	36"	30"	18 5/16"	-
WRH3636 DM	36"	36"	24 5/16"	-
<b>Decorative Mantle - 3 Panel</b>				
WRH4236 DM	42"	36"	24 5/16"	-

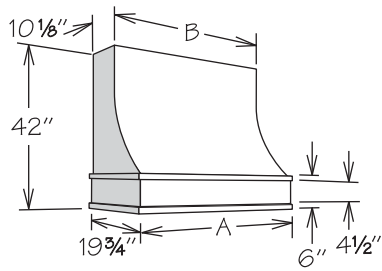
# Range Hood • Integrated Chimney



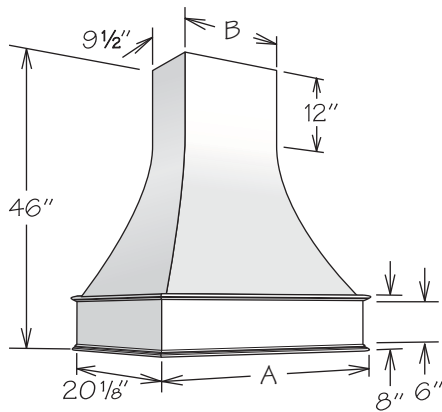
SHIPLAP BOX



MODERN BOX



SLOPED

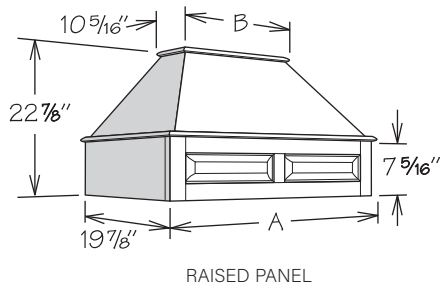
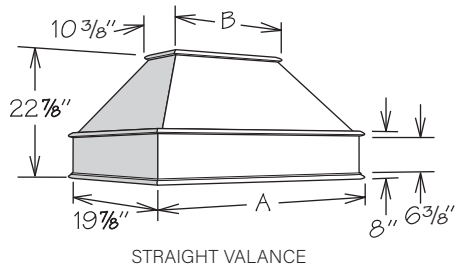


ARTISAN

- All door styles are finished to match cabinet box exterior - glazed door styles will be glazed
- Wall mounted installation only
- Silver metallic liner included - liner specific to range hood and blower ordered
  - » If no blower ordered, RHLNER\_S will be included
- Order range hood blower separately
- Field trimmable in height to 24"
- RH\_SB and RH\_MB include field installed corner molding and removable top molding

	A	B
<b>Shiplap Box</b>		
RH3642 SB	36"	37 1/2"
RH4242 SB	42"	43 1/2"
RH4842 SB	48"	49 1/2"
<b>Modern Box</b>		
RH3642 MB	36"	37 1/2"
RH4242 MB	42"	43 1/2"
RH4842 MB	48"	49 1/2"
<b>Sloped</b>		
RH3642 SL	37 9/16"	34 1/2"
RH4242 SL	43 9/16"	40 1/2"
<b>Artisan</b>		
RH3646 A	38 5/16"	17"
RH4246 A	44 5/16"	23"

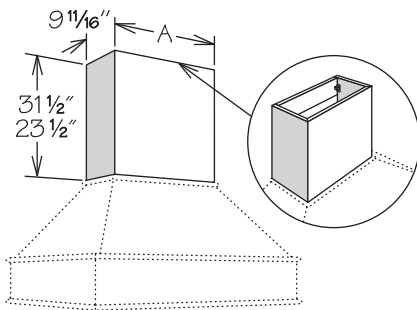
## Range Hood



- All door styles are finished to match cabinet box exterior - glazed door styles will be glazed
- Wall mounted installation only
- Order range hood blower separately
- Silver metallic liner included - liner is specific to range hood and blower ordered
  - » If no blower is ordered, RHLINER\_S will be included
- May be accessorized with Range Hood Chimney - order separately

	A	B
<b>Straight Valance</b>		
RH3624 SV	37 3/4"	18 3/4"
RH4224 SV	43 3/4"	24 3/4"
RH4824 SV	49 3/4"	30 3/4"
<b>Raised Panel</b>		
RH3624 RP	37 3/4"	18 5/16"
RH4224 RP	43 3/4"	24 5/16"
RH4824 RP	49 3/4"	30 5/16"

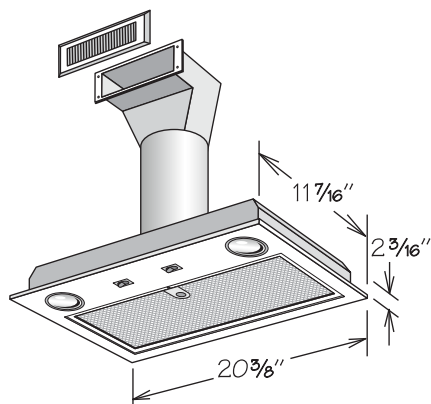
## Range Hood Chimney



- Field trimmable in height
- All door styles feature 3/4" solid wood finished to match cabinet box exterior for all construction packages
- Features two chimney mounting blocks with metal fasteners
- For use with Straight Valance or Raised Panel Range Hoods

<b>23 1/2" HIGH</b>	A	<b>31 1/2" HIGH</b>	A
RHC3623	17 3/8"	RHC3631	17 3/8"
RHC4223	23 3/8"	RHC4231	23 3/8"
RHC4823	29 3/8"	RHC4831	29 3/8"

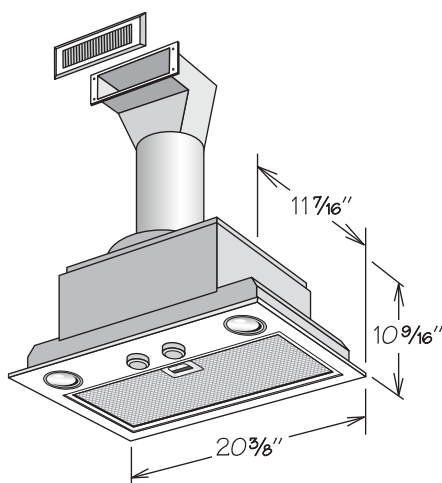
## Range Hood Blower • 260 CFM Recirculating



- Designed for recirculating installation where exhaust is vented back into kitchen
- Includes duct work, metal grille and clips -- field assembly required
- Stainless steel finish
- 2-speed fan provides 260 CFM on high
- Sound level of 7 sones on high
- Features quick-release dishwasher safe aluminum mesh filter
- Includes two 2.8W bright LED lights
- Metal grille measures 11 1/4" x 5 5/16"
- 10" x 3" cutout required for metal grille
- Installation and care instructions included
- Liner not included

RHVENT 260R

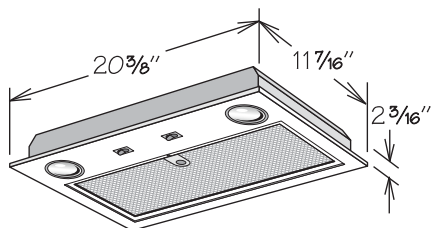
## Range Hood Blower • 400 CFM Recirculating



- Designed for recirculating installation where exhaust is vented back into kitchen
- Includes duct work, metal grille and clips -- field assembly required
- Stainless steel finish
- Energy Star rated
- Features 3-speed rotary switch
- Fan provides 400 CFM on high
- Sound level of 6 sones on high
- Features quick-release dishwasher safe aluminum mesh filter
- Includes two 2.8W bright LED lights
- Unit has master on-off switch and heat sentry will automatically turn unit on when excessive heat is detected
- Metal grille measures 11 1/4" x 5 5/16"
- 10" x 3" cutout required for metal grille
- Installation and care instructions included
- Liner not included

RHVENT 400R

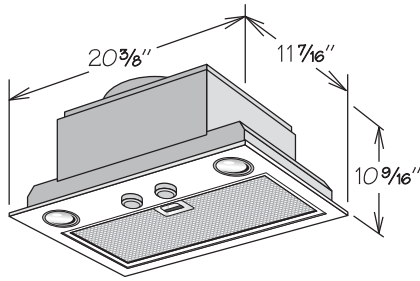
## Range Hood Blower • 260 CFM Vented



- Designed for vented installation where exhaust is vented to exterior of home
- Stainless steel finish
- Requires 7" round duct for venting to exterior (not included)
- 2-speed fan provides 260 CFM on high
- Sound level of 7 sones on high
- Features quick-release dishwasher safe aluminum mesh filter
- Includes two 2.8W bright LED lights
- Installation and care instructions included
- Liner not included

RHVENT 260

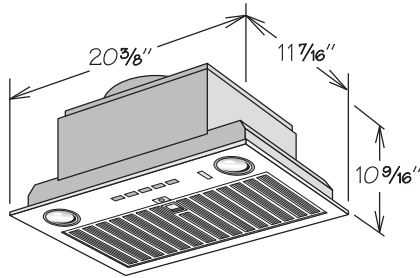
## Range Hood Blower • 400 CFM Vented



- Designed for vented installation where exhaust is vented to exterior of home
- Stainless steel finish
- Energy Star rated
- Features 3-speed rotary switch
- Fan provides 400 CFM on high with rectangular duct and 390 CFM on high with round duct
- Requires 6" vertical round or rectangular 3/4" x 10" duct for venting to exterior (not included)
- Sound level of 6 sones on high
- Features quick-release dishwasher safe aluminum mesh filter
- Includes two 2.8W bright LED lights
- Unit has master on-off switch and heat sentry will automatically turn unit on when excessive heat is detected
- Installation and care instructions included
- Liner not included

RHVENT 400

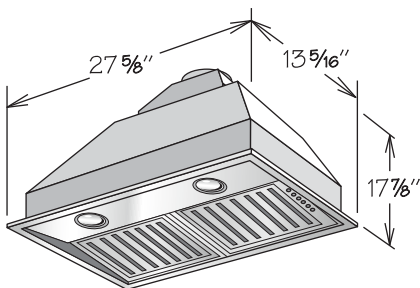
## Range Hood Blower • 600 CFM Vented



- Designed for vented installation where exhaust is vented to exterior of home
- Stainless steel finish
- Features 4-speed back-lit Electronic Soft Touch controls
- Requires 8" round, 6" round or 3/4" x 10" venting to exterior (not included)
- Fan provides 600 CFM on high with round duct or 580 CFM on high with rectangular duct
- Sound level of 9.5 sones on high
- Features quick-release dishwasher safe baffle-style filter with clean filter reminder
- Includes two 3W bright LED lights with 3 lighting levels
- Unit has master on-off switch and heat sentry will automatically turn unit on when excessive heat is detected
- Auto-Sensing option sets CFM to correct level automatically
- Wifi enabled option allows for voice control
- Installation and care instructions included
- Liner not included

RHVENT 600

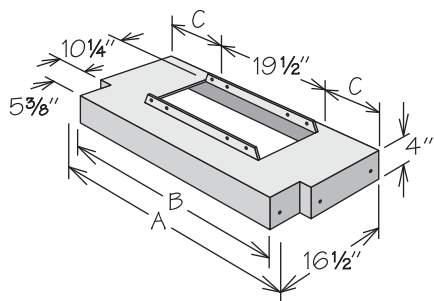
## Range Hood Blower • 960 CFM Vented



- Designed for vented installation where exhaust is vented to exterior of home
- Durable stainless steel with brushed finish
- Requires 7" round duct for venting to exterior (not included)
- Features a 4-speed push-button control to offer greater CFM flexibility; 960 CFM, 660 CFM, 480 CFM and 300 CFM
- Centrifugal blower provides 960 CFM air delivery and sound level of 5.1 sones on high
- Features quick-release dishwasher safe baffle-style filter
- Includes two 4-watt 12v MR16 LED bulbs - daylight
- 10 minute delay off timer
- Installation and care instructions included
- Not designed for use with the following:
  - » Straight Valance Wall Range Hoods
  - » Raised Panel Wall Range Hoods
  - » Classic Tapered Wall Range Hoods
  - » Decorative Mantle Wall Range Hoods
- Liner not included

RHVENT 960

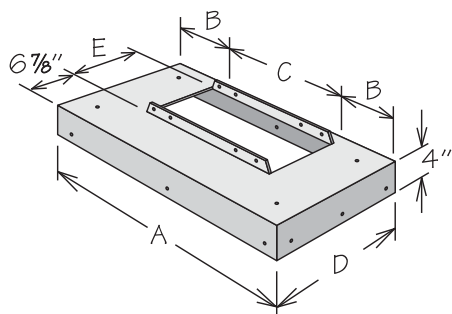
## Tapered Hood Liner



- Liner is silver metallic powder coated metal
- For use with the following Wall Range Hoods:
  - » Straight Valance (WRH\_\_SV)
  - » Raised Panel (WRH\_\_RP)
  - » Classic Tapered (WRH\_\_CT)
  - » Decorative Mantle (WRH\_\_DM)
- One liner included with range hood

	<b>A</b>	<b>B</b>	<b>C</b>
RHLINER 30	29 <sup>15</sup> / <sub>16</sub> "	26 <sup>7</sup> / <sub>16</sub> "	5 <sup>7</sup> / <sub>32</sub> "
RHLINER 36	35 <sup>15</sup> / <sub>16</sub> "	32 <sup>3</sup> / <sub>16</sub> "	8 <sup>7</sup> / <sub>32</sub> "
RHLINER 42	41 <sup>15</sup> / <sub>16</sub> "	38 <sup>1</sup> / <sub>16</sub> "	11 <sup>7</sup> / <sub>32</sub> "

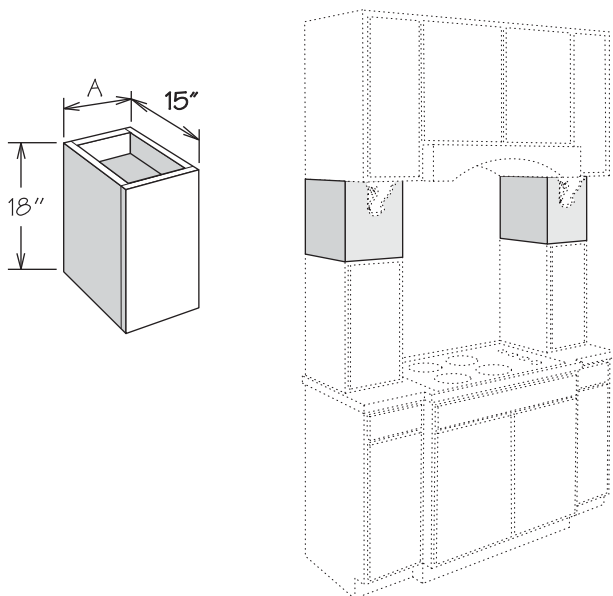
## Straight Valance Hood Liner



- Liner finish is silver metallic powder-coated material
- For use with the following Range Hoods:
  - » Modern Box (RH\_\_MB)
  - » Shiplap Box (RH\_\_SB)
  - » Straight Valance (RH\_\_SV)
  - » Raised Panel (RH\_\_RP)
  - » Sloped (RH\_\_SL)
  - » Artisan (RH\_\_A)
- RHLINER\_S SL1 must be used with RHVENT 960 blower
- RHLINER\_S for use with all blowers except RHVENT 960
- One liner included with range hood (liner is specific to range hood and blower ordered)

	<b>A</b>	<b>B</b>	<b>C</b>	<b>D</b>	<b>E</b>
RHLINER 36S	34 <sup>11</sup> / <sub>32</sub> "	7 <sup>7</sup> / <sub>16</sub> "	19 <sup>1</sup> / <sub>2</sub> "	18 <sup>1</sup> / <sub>4</sub> "	10 <sup>1</sup> / <sub>4</sub> "
RHLINER 42S	40 <sup>1</sup> / <sub>32</sub> "	10 <sup>7</sup> / <sub>16</sub> "	19 <sup>1</sup> / <sub>2</sub> "	18 <sup>1</sup> / <sub>4</sub> "	10 <sup>1</sup> / <sub>4</sub> "
RHLINER 48S	46 <sup>1</sup> / <sub>32</sub> "	13 <sup>7</sup> / <sub>16</sub> "	19 <sup>1</sup> / <sub>2</sub> "	18 <sup>1</sup> / <sub>4</sub> "	10 <sup>1</sup> / <sub>4</sub> "
RHLINER 36S SL1	34 <sup>11</sup> / <sub>32</sub> "	3 <sup>3</sup> / <sub>4</sub> "	26 <sup>13</sup> / <sub>16</sub> "	18 <sup>3</sup> / <sub>16</sub> "	12 <sup>7</sup> / <sub>16</sub> "
RHLINER 42S SL1	40 <sup>1</sup> / <sub>32</sub> "	6 <sup>3</sup> / <sub>4</sub> "	26 <sup>13</sup> / <sub>16</sub> "	18 <sup>3</sup> / <sub>16</sub> "	12 <sup>7</sup> / <sub>16</sub> "
RHLINER 48S SL1	46 <sup>1</sup> / <sub>32</sub> "	9 <sup>3</sup> / <sub>4</sub> "	26 <sup>13</sup> / <sub>16</sub> "	18 <sup>3</sup> / <sub>16</sub> "	12 <sup>7</sup> / <sub>16</sub> "

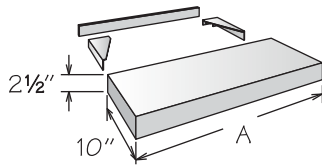
## Plain Box Filler



- Veneered engineered wood for all construction packages
- Features <sup>1</sup>/<sub>4</sub>" reveal
- Trimmable in height to 14 <sup>1</sup>/<sub>8</sub>" tall
- Reversible for left or right installation

	<b>A</b>
WPB91815	9"
WPB121815	12"

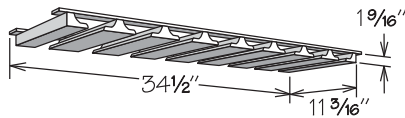
## Floating Shelf



- Not trimmable
- Finished on all sides to match cabinet box exterior
- Features veneered engineered wood top and bottom and solid wood front and sides for all construction packages
- When installed between two cabinets, Furniture Ends (FE) is recommended for adjacent cabinets
- Must be secured to studs in wall
- Installation instructions, mounting brackets and screws included

10" DEEP	A	MAX. LOAD
FLSH2410	24"	30 lbs.
FLSH3010	30"	37 lbs.
FLSH3610	36"	45 lbs.
FLSH4210	42"	52 lbs.
FLSH4810	48"	60 lbs.

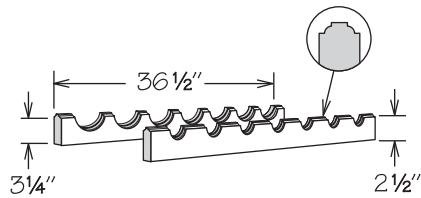
## Stem Glass Holder



- Field trimmable to install below 18", 24", 30", or 36" wide wall cabinet
- All door styles feature solid wood finished to match cabinet box exterior
- Maximum stem glass base is 3/2" in diameter
- Not sized to fit modified depth cabinets

SGH36U

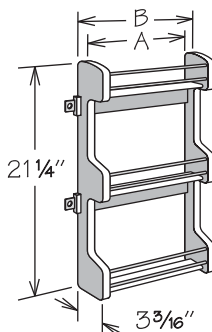
## Wine Rack



- Accommodates seven bottles
- Field trimmable to 24" (five bottles) or 30" (six bottles)
- All door styles feature solid wood finished to match cabinet box exterior

WR36

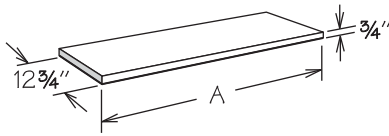
## Spice Rack Kit



- Field installation accessory
- For wall cabinets 30" or higher
- Position cabinet adjustable shelves prior to installation
- Natural finish solid wood with chrome rails
- Three fixed shelves
- SRK15 mounts to 15" wide door
- SRK18 mounts to 18" wide door
- SRK21 mounts to 21" wide door

	A	B
SRK15	9 1/2"	10 1/2"
SRK18	12 1/2"	13 1/2"
SRK21	15 1/2"	16 1/2"

## Finished Shelf

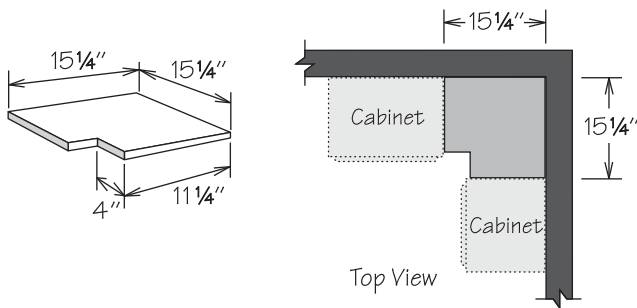


- Standard finished shelves feature veneered engineered wood, edge banded on all sides with top and bottom finished to match cabinet box exterior for all construction packages
- Field trimmable

### STANDARD

	A
FS4812	48 1/4"
FS6012	60 1/4"
FS7212	72 1/4"

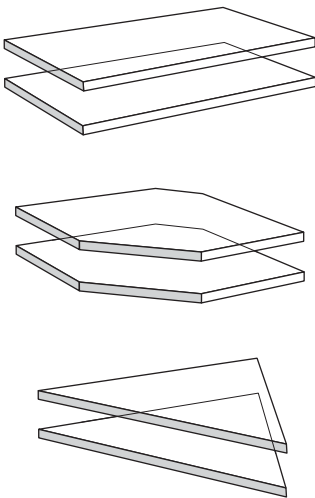
## Blind Corner Closure



- Features 1/2" engineered wood finished with natural woodgrain finish both sides for all construction packages
- Field trimmable

BLC1515

## Glass Shelf Kit



- Glass Shelf Kit includes two 1/4" high-strength tempered glass shelves
- Use existing shelf rests
- Refer to individual SKU box for number of shelves required and/or available
- GSK12 - GSK36 is 10 1/4" deep
- GSK12-15 - GSK36-15 is 13 1/4" deep
- Tempered glass cannot be field trimmed
- Glass Shelf Kits 12" - 24" wide have a 15 lb. per square foot load rating
- Glass Shelf Kits 27" - 36" wide have a 5 lb. per square foot load rating

### 12" DEEP

GSK12  
GSK15  
GSK18  
GSK21  
GSK24  
GSK27  
GSK30  
GSK33  
GSK36  
GSKCW24  
GSKWEA12

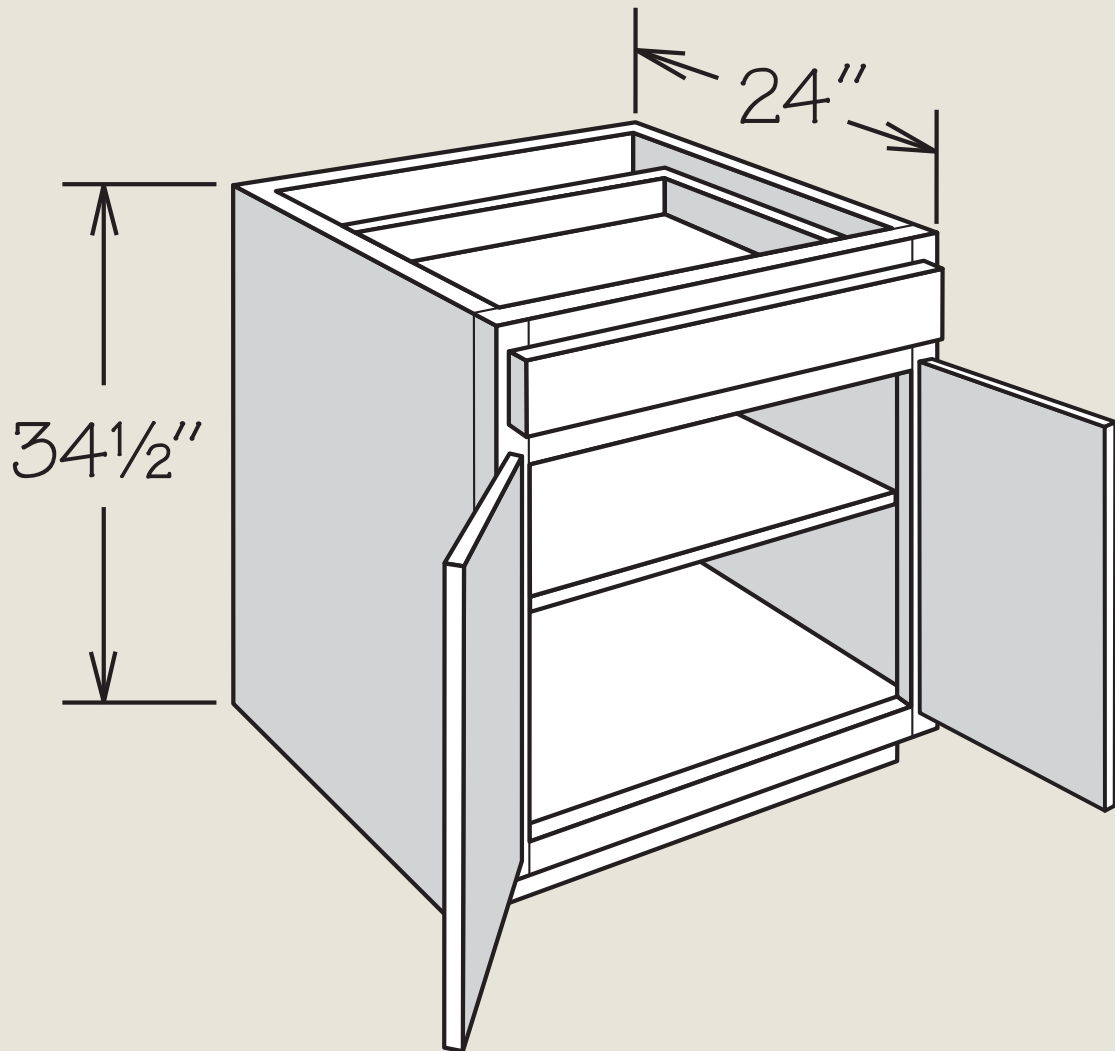
### 15" DEEP

GSK12-15  
GSK15-15  
GSK18-15  
GSK21-15  
GSK24-15  
GSK27-15  
GSK30-15  
GSK33-15  
GSK36-15  
GSKCW27

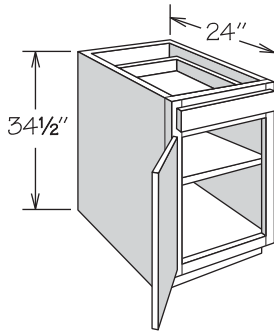




# Base Cabinets



**Base Cabinet • 1 Door and 1 Drawer**



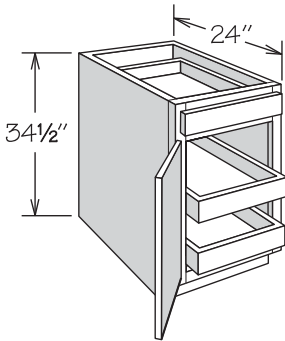
- Adjustable shelf
- Hinged left and can be reversed in the field

<b>CFO</b>
<b>FE</b>
<b>RD</b>
<b>RTK</b>

**1 SHELF**

- B12
- B15
- B18
- B21
- B24

**Base Cabinet • 1 Door, 1 Drawer and Deep Roll Out Trays**



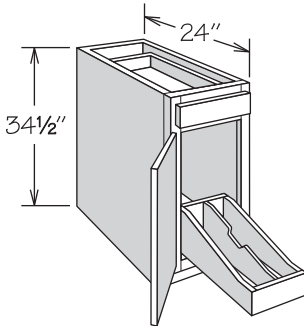
- Deep Roll Out Trays are not adjustable
- Hinged left and can be reversed in the field

<b>FE</b>
<b>RD</b>
<b>RTK</b>
<b>VTD</b>

**2 ROLL OUT TRAYS**

- B12 2FWT
- B15 2FWT
- B18 2FWT
- B21 2FWT
- B24 2FWT

**Base Cabinet • 1 Door, 1 Drawer and Roll-Out Tray Divider**



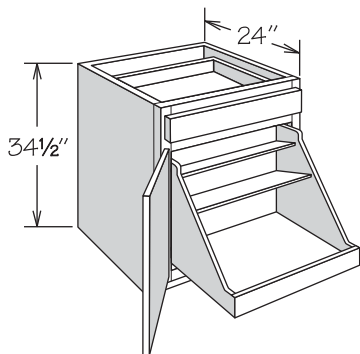
- Roll-Out Tray Divider in natural finish solid wood and wood veneer and dovetail (front only) construction with engineered wood bottom for all construction packages
- B12 ROTD features two compartments (one partition)
- B15 ROTD features three compartments (two partitions)
- Partitions are field installed
- No shelf
- Hinged left and can be reversed in the field

<b>FE</b>
<b>RTK</b>

**ROLL-OUT TRAY DIVIDER**

- B12 ROTD
- B15 ROTD

**Base Cabinet • 1 Door, 1 Drawer and Pot & Pan Organizer**



- Organizer features natural finish solid wood, wood veneer and dovetail (front only) construction with engineered wood bottom for all construction packages
- Top shelf of organizer measures 6 3/8" deep
- Middle shelf of organizer measures 9 3/4" deep
- Hinged left and can be reversed in the field

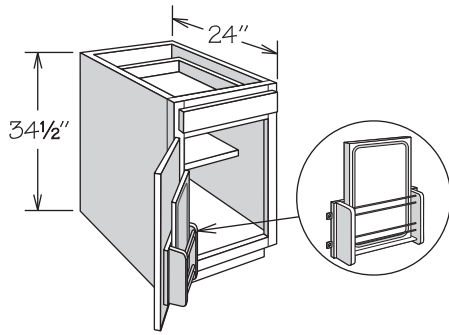
<b>FE</b>
<b>RTK</b>
<b>VTD</b>

**BASE POT & PAN ORGANIZER**

- B24 BPPO

## Base Cabinet • 1 Door, 1 Drawer and Door Kits

FE
RTK



CUTTING BOARD DOOR RACK

- Full-depth adjustable shelf for **select** and **luxury** must be field trimmed to half-depth
- Kits packaged separately for field installation
- Cannot be used with Deep Roll Out Tray(s)
- Plastic Bag Door Storage Kit:
  - » Natural finish solid wood and wood veneer
  - » Removable white plastic tray is NOT dishwasher safe
- Cutting Board Door Rack Kit:
  - » Natural finish solid wood features chrome rails
  - » Solid wood cutting board is NOT dishwasher safe
  - » Cutting board measures 15<sup>15</sup>/<sub>16</sub>" x 10<sup>9</sup>/<sub>16</sub>" x 1<sup>3</sup>/<sub>16</sub>"
- Hinged left and can be reversed in the field

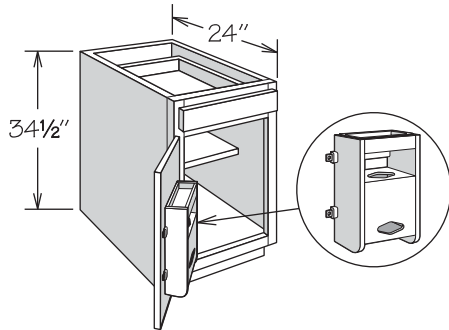
### CUTTING BOARD DOOR RACK KIT

B18 CBDR

### PLASTIC BAG DOOR STORAGE KIT

B15 PBDSU

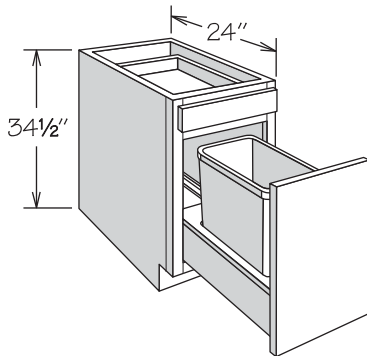
B18 PBDSU



PLASTIC BAG DOOR STORAGE

## Base Cabinet • 1 Drawer and Door with Wastebasket Pull-Out

FE
RTK



1 WASTEBASKET

- Wastebasket rests in a natural finish wood frame
- **essential** wastebasket frame slides on full-access heavy duty glides
- **select** and **luxury** wastebasket frame slides on full-access soft-close heavy duty glides
- BWBB15 features one silver plastic 35-quart capacity bin
- BWBB15-2 features two silver plastic 27-quart capacity bins
- BWBB18-2 and BWBB21-2 feature two silver plastic 35-quart capacity bins
- Decorative hardware strongly recommended

### 1 WASTEBASKET

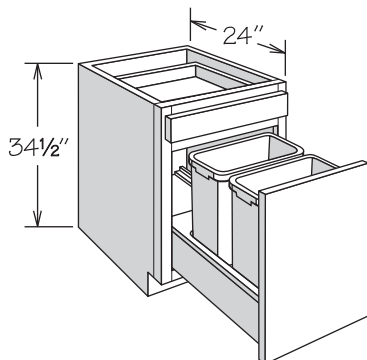
BWBB15

### 2 WASTEBASKETS

BWBB15-2

BWBB18-2

BWBB21-2

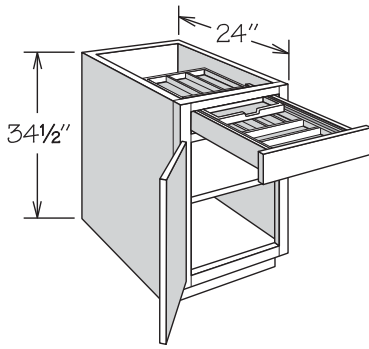


2 WASTEBASKETS

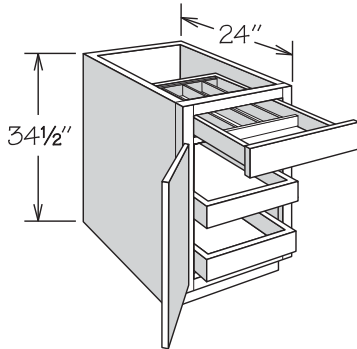
Base Cabinet • Drawer Accesories • 1 Door

**NEW!** **PRODUCT**

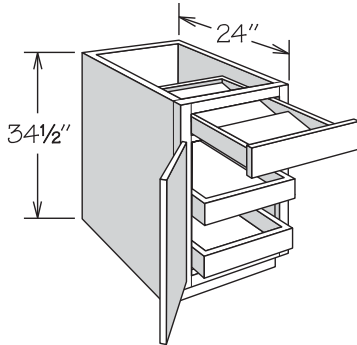
FE
RTK



1 SHELF  
18" Wood Tiered Cutlery Divider Shown



2 ROLL OUT TRAYS  
18" Cutlery Divider Shown



2 ROLL OUT TRAYS  
18" Spice Drawer Insert Shown

- **essential** features solid hardwood dovetail drawer with full access glides
- Cutlery Divider features solid hardwood and plywood in natural finish
- Spice Drawer Insert features solid hardwood and plywood in natural finish and accommodates most spice containers (not included)
- Wood Tiered Cutlery Divider features:
  - » Solid hardwood and plywood in natural finish
  - » Upper section slides independently from drawer
- Refer to specifications on individual cabinets and accessories for more details

WOOD TIERED CUTLERY DIVIDER	UPPER SECTION	LOWER SECTION
15"	5	5
18"	5	6
21"	6	7
24"	7	7

CUTLERY DIVIDER	SECTIONS
15"	4
18"	5
21"	6
24"	6

**1 SHELF**

**Wood Tiered Cutlery Divider**

- B15 WTCD
- B18 WTCD
- B21 WTCD
- B24 WTCD

**Cutlery Divider**

- B15 CD
- B18 CD
- B21 CD
- B24 CD

**Spice Drawer Insert**

- B15 SDI
- B18 SDI
- B21 SDI
- B24 SDI

**2 ROLL OUT TRAYS**

**Wood Tiered Cutlery Divider**

- B15 2FWT WTCD
- B18 2FWT WTCD
- B21 2FWT WTCD
- B24 2FWT WTCD

**Cutlery Divider**

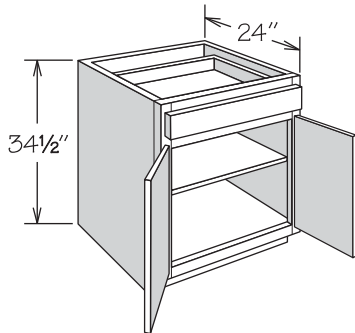
- B15 2FWT CD
- B18 2FWT CD
- B21 2FWT CD
- B24 2FWT CD

**Spice Drawer Insert**

- B15 2FWT SDI
- B18 2FWT SDI
- B21 2FWT SDI
- B24 2FWT SDI

Base Cabinet • 2 Butt Doors and 1 Drawer

CFO
FE
RD
RTK

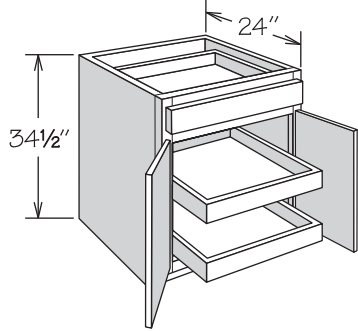


- Full-depth adjustable shelf
- Center support for shelf provided for cabinets 27" or wider

**1 SHELF**

- B24 BUTT
- B27 BUTT
- B30 BUTT
- B33 BUTT
- B36 1TD BUTT

## Base Cabinet • 2 Butt Doors, 1 Drawer and Deep Roll Out Trays



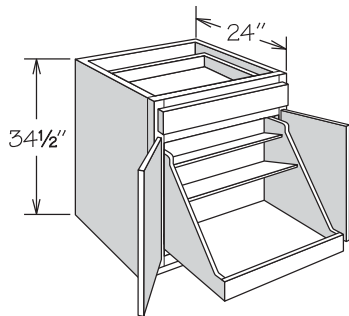
- Deep Roll Out Trays are not adjustable

FE
RD
RTK
VTD

### 2 ROLL OUT TRAYS

B24 2FWT BUTT  
 B27 2FWT BUTT  
 B30 2FWT BUTT  
 B33 2FWT BUTT  
 B36 2FWT 1TD BUTT

## Base Cabinet • 2 Butt Doors, 1 Drawer and Pot & Pan Organizer



- Organizer features natural finish solid wood, wood veneer and dovetail (front only) construction with engineered wood bottom for all construction packages
- Top shelf of organizer measures 6 3/16" deep
- Middle shelf of organizer measures 9 3/4" deep

FE
RTK
VTD

### BASE POT & PAN ORGANIZER

B24 BUTT BPPO  
 B27 BUTT BPPO  
 B30 BUTT BPPO  
 B33 BUTT BPPO  
 B36 1TD BUTT BPPO

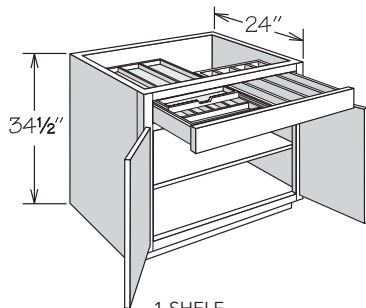
## Base Cabinet • Drawer Accesories • 2 Doors

**NEW!**

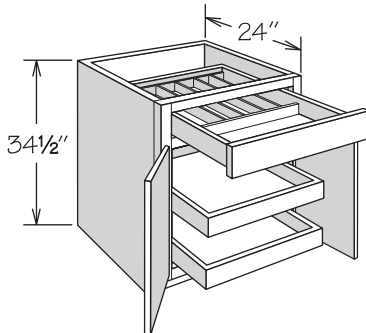
**SIZES**

**NEW!**

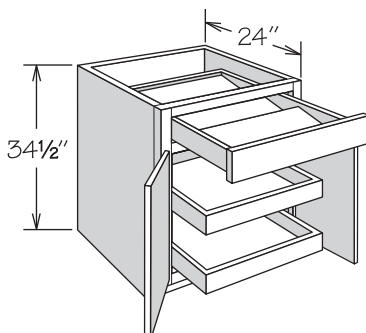
**PRODUCT**



1 SHELF  
 30" Wood Tiered Cutlery Divider Shown



2 ROLL OUT TRAYS  
 24" Cutlery Divider Shown



2 ROLL OUT TRAYS  
 24" Spice Drawer Insert Shown

- **essential** features solid hardwood dovetail drawer with full access glides
- Cutlery Divider features solid hardwood and plywood in natural finish
- Spice Drawer Insert features solid hardwood and plywood in natural finish and accommodates most spice containers (not included)
- Wood Tiered Cutlery Divider features:
  - » Solid hardwood and plywood in natural finish
  - » Upper section slides independently from drawer
  - » Additional cooking utensil section on 30" or wider
- Refer to specifications on individual cabinets and accessories for more details

FE
RTK

WOOD TIERED CUTLERY DIVIDER	UPPER SECTIONS	LOWER SECTIONS	COOKING UTENSIL SECTIONS
24"	7	7	-
30"	5	5	4
36"	5	5	5

CUTLERY DIVIDER	SECTIONS
24"	6
30"	7
36"	8

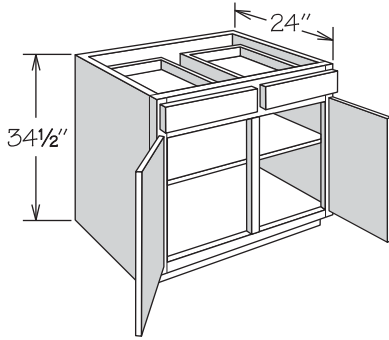
### 1 SHELF

**Wood Tiered Cutlery Divider**  
 B24 BUTT WTCD BUTT  
 B30 BUTT WTCD  
 B36 1TD BUTT WTCD  
**Cutlery Divider**  
 B24 BUTT CD  
 B30 BUTT CD  
 B36 1TD BUTT CD  
**Spice Drawer Insert**  
 B24 BUTT SDI

### 2 ROLL OUT TRAYS

**Wood Tiered Cutlery Divider**  
 B24 2FWT BUTT WTCD  
 B30 2FWT BUTT WTCD  
 B36 1TD 2FWT BUTT WTCD  
**Cutlery Divider**  
 B24 2FWT BUTT CD  
 B30 2FWT BUTT CD  
 B36 1TD 2FWT BUTT CD  
**Spice Drawer Insert**  
 B24 2FWT BUTT SDI

### Base Cabinet • 2 Doors and 2 Drawers



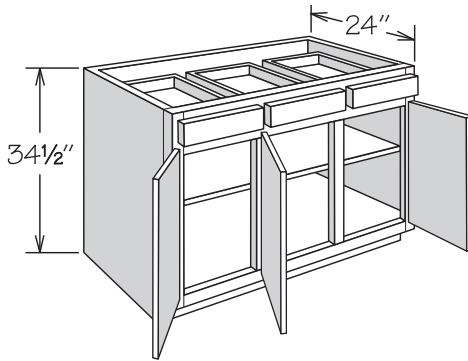
- Adjustable shelf
- Center support for shelf provided

CFO
FE
RD
RTK

#### 1 SHELF

B39  
B42  
B48

### Base Cabinet • 3 Doors and 3 Drawers



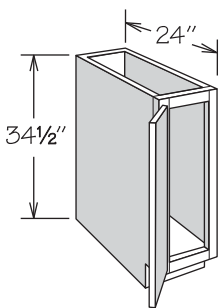
- Adjustable shelf
- Full-depth shelf for **select** and **luxury** must be installed through top of cabinet and cannot be removed through door opening
- Center support for shelf provided
- Hinged as shown – can be reversed in the field

CFO
FE
RD
RTK

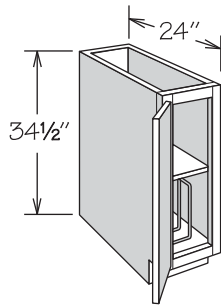
#### 1 SHELF

B45

### Full-Height Base Cabinet • 1 Door



NO SHELF



1 SHELF & TRAY DIVIDER

- Full-height door
- Recessed Toe Kick Option available left (RTKL) or right (RTKR) only
- TB9 TDS is only available with RD-23 though RD-14
- TB9 TDS features full-depth adjustable shelf (S924) for all construction packages and Tray Divider (TD3) packaged separately for field installation
- Hinged left and can be reversed in the field

CFO ■
FE
RD
RTK

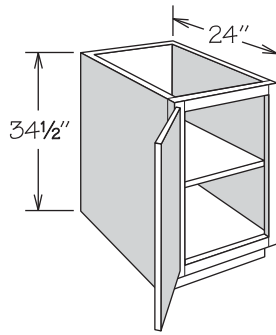
#### NO SHELF

TB9 ■

#### 1 SHELF & TRAY DIVIDER

TB9 TDS

## Full-Height Base Cabinet • 1 Door



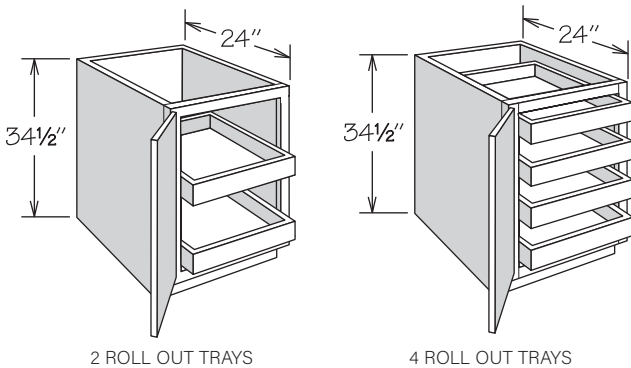
- Adjustable shelf
- Full-height door
- Hinged left and can be reversed in the field

<b>CFO</b>
<b>FE</b>
<b>RD</b>
<b>RTK</b>

### 1 SHELF

B12 FH  
B15 FH  
B18 FH  
B21 FH  
B24 FH

## Full-Height Base Cabinet • 1 Door and Deep Roll Out Trays



2 ROLL OUT TRAYS

4 ROLL OUT TRAYS

- Full-height door
- Deep Roll Out Trays are not adjustable
- Distance between two roll out trays is 10<sup>3</sup>/<sub>16</sub>"
- Distance between four roll out trays is 4<sup>7</sup>/<sub>16</sub>"
- Hinged left and can be reversed in the field

<b>FE</b>
<b>RD</b>
<b>RTK</b>

### 2 ROLL OUT TRAYS

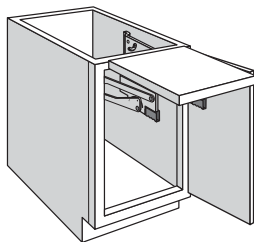
B12 FH 2FWT  
B15 FH 2FWT  
B18 FH 2FWT  
B21 FH 2FWT  
B24 FH 2FWT

### 4 ROLL OUT TRAYS

B12 FH 4FWT  
B15 FH 4FWT  
B18 FH 4FWT  
B21 FH 4FWT  
B24 FH 4FWT

## Full-Height Base Cabinet • 1 Door and Base Mixer Lift

**NEW!** **PRODUCT**



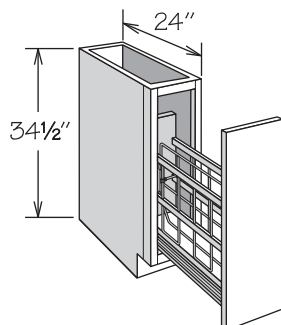
- Full-height door
- Features Furniture Ends standard for all construction packages
- Includes 1<sup>3</sup>/<sub>8</sub>" thick natural finish solid wood shelf and one pair of shock dampening, adjustable tension lifts
- Supports up to 60 pounds
- Cannot be used with Deep Roll Out Tray or adjustable shelf
- Kit packaged separately for field installation

<b>RTK</b>
------------

### BASE MIXER LIFT

B18 FH MLK

## Full-Height Base Cabinet • 1 Door with Tray Divider Pull-Out



- **select** and **luxury** construction packages feature full-access soft-close glides and **essential** features full-access glides
- Full-height door
- Tray divider is adjustable to accommodate various storage solutions
- Decorative hardware strongly recommended
- Recessed Toe Kick Option available left (RTKL) or right (RTKR) only

<b>FE</b>
<b>RTK</b>

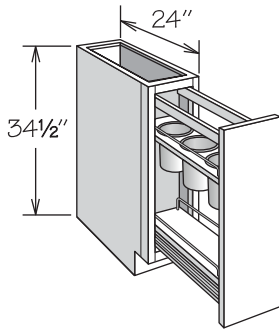
### TRAY DIVIDER PULL-OUT

BTDP9



## Full-Height Base Cabinet • 1 Door with Utensil Storage Pull-Out

FE
RTK



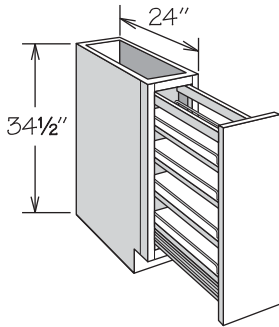
- **select** and **luxury** construction packages feature full-access soft-close glides and **essential** features full-access glides
- Full-height door
- One fixed bottom and one adjustable lower shelf in a natural finish with chrome rails
- One fixed upper shelf in a natural finish with chrome rails and three stainless steel removable storage bins
- Stainless steel bins measure 5¼" wide x 6⅞" deep
- Decorative hardware strongly recommended
- BPPUS9 not available with Recessed Toe Kick Both Option (RTKB)

### UTENSIL STORAGE PULL-OUT

BPPUS9  
BPPUS12

## Full-Height Base Cabinet • 1 Door with Base Pantry Pull-Out

FE
RTK



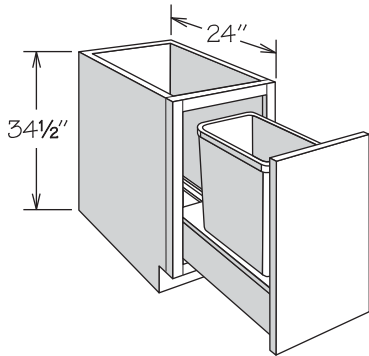
- **select** and **luxury** construction packages feature full-access soft-close glides and **essential** features full-access glides
- Full-height door
- One fixed and three adjustable shelves with chrome rails
- Decorative hardware strongly recommended
- BPP9 not available with Recessed Toe Kick Both Option (RTKB)

### BASE PANTRY PULL-OUT

BPP9  
BPP12

## Full-Height Base Cabinet • 1 Door with Wastebasket Pull-Out

FE
RTK



1 WASTEBASKET

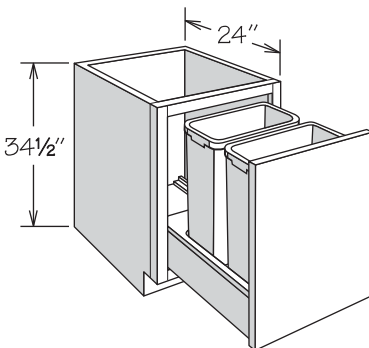
- Full-height door
- Wastebasket rests in a natural finish wood frame
- **essential** wastebasket frame slides on full-access heavy duty glides
- **select** and **luxury** wastebasket frame slides on full-access soft-close heavy duty glides
- BWBB15 FH and BWBB18 FH feature one silver plastic 50-quart capacity bin
- BWBB21-2 FH features two silver plastic 50-quart capacity bins
- Decorative hardware strongly recommended

### 1 WASTEBASKET

BWBB15 FH  
BWBB18 FH

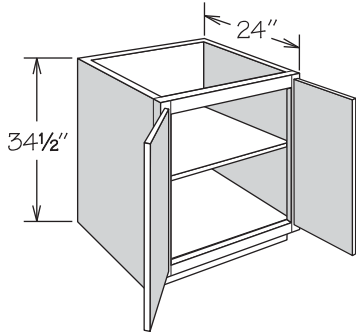
### 2 WASTEBASKETS

BWBB21-2 FH



2 WASTEBASKETS

## Full-Height Base Cabinet • 2 Butt Doors



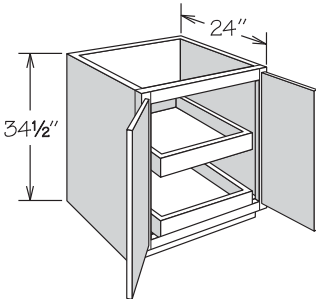
- Adjustable shelf
- Full-height butt doors
- Center support for shelf provided for cabinets 27" or wider

<b>CFO</b>
<b>FE</b>
<b>RD</b>
<b>RTK</b>

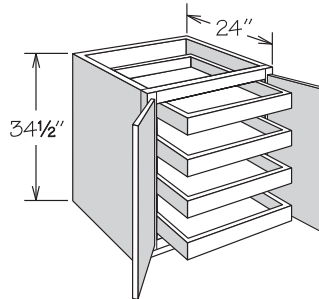
### 1 SHELF

B24 BUTT FH  
B27 BUTT FH  
B30 BUTT FH  
B33 BUTT FH  
B36 BUTT FH

## Full-Height Base Cabinet • 2 Butt Doors and Deep Roll Out Trays



2 ROLL OUT TRAYS



4 ROLL OUT TRAYS

- Full-height doors
- Deep Roll Out Trays are not adjustable
- Distance between two roll out trays is 10 13/16"
- Distance between four roll out trays is 4 7/16"

<b>FE</b>
<b>RD</b>
<b>RTK</b>

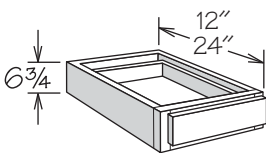
### 2 ROLL OUT TRAYS

B24 BUTT FH 2FWT  
B27 BUTT FH 2FWT  
B30 BUTT FH 2FWT  
B33 BUTT FH 2FWT  
B36 BUTT FH 2FWT

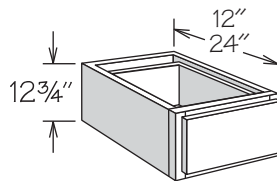
### 4 ROLL OUT TRAYS

B24 BUTT FH 4FWT  
B27 BUTT FH 4FWT  
B30 BUTT FH 4FWT  
B33 BUTT FH 4FWT  
B36 BUTT FH 4FWT

## Furniture Drawer Cabinet • 1 Drawer



6" HIGH



12" HIGH

- 6" high features one standard drawer and 12" high features one large drawer
- 24" deep Furniture Drawer cabinets are only available with RD-23 through RD-13
- Bottom of cabinet frame must be fully supported

<b>CFO</b>
<b>FE</b>
<b>RD ■</b>

### 6" HIGH • 1 DRAWER

#### 12" Deep

FD121206  
FD151206  
FD181206  
FD211206  
FD241206  
FD271206  
FD301206  
FD331206  
FD361206

#### 24" Deep

FD122406 ■  
FD152406 ■  
FD182406 ■  
FD212406 ■  
FD242406 ■  
FD272406 ■  
FD302406 ■  
FD332406 ■  
FD362406 ■

### 12" HIGH • 1 DRAWER

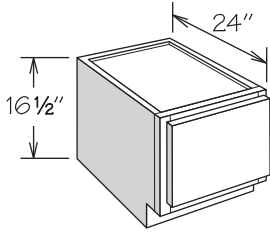
#### 12" Deep

FD121212  
FD151212  
FD181212  
FD211212  
FD241212  
FD271212  
FD301212  
FD331212  
FD361212

#### 24" Deep

FD122412 ■  
FD152412 ■  
FD182412 ■  
FD212412 ■  
FD242412 ■  
FD272412 ■  
FD302412 ■  
FD332412 ■  
FD362412 ■

## Pedestal Drawer Cabinet • 1 Drawer



- One large drawer
- Features solid top

<b>CFO</b>
<b>FE</b>
<b>RD</b>
<b>RTK</b>

### 1 DRAWER

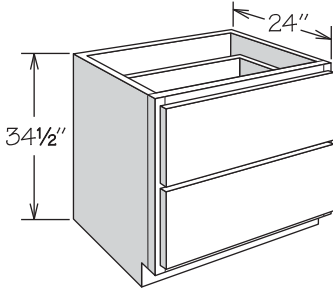
PD1217 1DWR  
 PD1517 1DWR  
 PD1817 1DWR  
 PD2117 1DWR  
 PD2417 1DWR

PD2717 1DWR  
 PD3017 1DWR  
 PD3317 1DWR  
 PD3617 1DWR

## Drawer Base Cabinet • 2 Large Drawers

**NEW!**

**SIZES**



- Two large drawers with extra large drawer fronts
- Drawer body measures 6<sup>5</sup>/<sub>16</sub>" high
- Features 21" deep dovetail drawers with full-access soft-close heavy-duty 132 pound rated glides for all construction packages
- Only available with RD-23 through RD-21

<b>CFO</b>
<b>FE</b>
<b>RD</b>
<b>RTK</b>

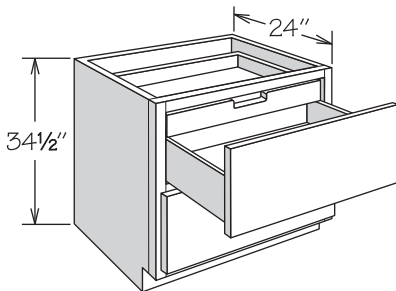
### 2 DRAWERS

DB21 2DWR  
 DB24 2DWR  
 DB27 2DWR  
 DB30 2DWR  
 DB36 2DWR  
 DB33 2DWR

## Drawer Base Cabinet • 2 Drawers with Scalloped Roll Out Tray

**NEW!**

**SIZES**



- Two large drawers with extra large drawer fronts
- Drawer body measures 6<sup>5</sup>/<sub>16</sub>" high
- Features 21" deep dovetail drawers with full-access soft-close heavy-duty 132 pound rated glides for all construction packages
- Scalloped Deep Roll Out Tray with full-access soft-close glides in top opening for all construction packages
- Only available with RD-23 through RD-21

<b>FE</b>
<b>RD</b>
<b>RTK</b>

### 2 DRAWERS

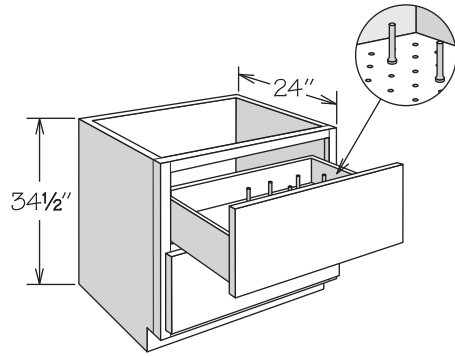
DB21 2DWR SFWT  
 DB24 2DWR SFWT  
 DB27 2DWR SFWT  
 DB30 2DWR SFWT  
 DB33 2DWR SFWT  
 DB36 2DWR SFWT

## Drawer Base Cabinet • 2 Drawers with Peg Dish Organizer

**NEW!**

**SIZES**

<b>FE</b>
<b>RTK</b>



- Two large drawers with extra large drawer fronts
- Drawer body measures 6<sup>5</sup>/<sub>16</sub>" high
- Features 21" deep dovetail drawers with full-access soft-close heavy-duty 132 pound rated glides for all construction packages
- One Peg Dish Organizer Kit (organizer and adjustable pegs) in natural finish, packaged separately for field installation
- Additional pegs (PEG KIT 4 PK) and Peg Dish Organizer Kits (PDO\_) can be ordered separately

### 2 DRAWERS

### PEG COUNT

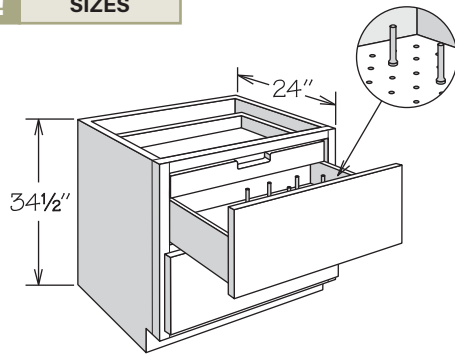
DB21 2DWR PDO	8
DB24 2DWR PDO	12
DB27 2DWR PDO	12
DB30 2DWR PDO	12
DB33 2DWR PDO	12
DB36 2DWR PDO	12

## Drawer Base Cabinet • 2 Drawers with Scalloped Roll Out Tray and Peg Dish Organizer

**NEW!**

**SIZES**

<b>FE</b>
<b>RTK</b>



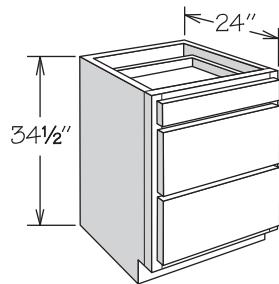
- Two large drawers with extra large drawer fronts
- Drawer body measures 6<sup>5</sup>/<sub>16</sub>" high
- Features 21" deep dovetail drawers with full-access soft-close heavy-duty 132 pound rated glides for all construction packages
- Scalloped Deep Roll Out Tray with full-access soft-close Glides in top opening for all construction packages
- One Peg Dish Organizer Kit (organizer and adjustable pegs) in natural finish, packaged separately for field installation
- Additional pegs (PEG KIT 4 PK) and Peg Dish Organizer Kits (PDO\_) can be ordered separately

### 2 DRAWERS

### PEG COUNT

DB21 2DWR SFWT PDO	8
DB24 2DWR SFWT PDO	12
DB27 2DWR SFWT PDO	12
DB30 2DWR SFWT PDO	12
DB33 2DWR SFWT PDO	12
DB36 2DWR SFWT PDO	12

## Drawer Base Cabinet • 3 Drawers



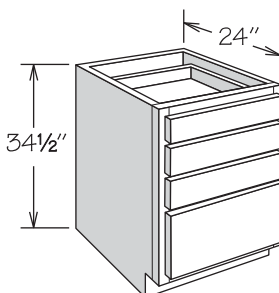
- One standard and two large drawers

<b>CFO</b>
<b>FE</b>
<b>RD</b>
<b>RTK</b>
<b>VTD</b>

### 3 DRAWERS

DB12	DB27
DB15	DB30
DB18	DB33
DB21	DB36 1TD
DB24	

## Drawer Base Cabinet • 4 Drawers



- One large and three standard drawers

<b>CFO</b>
<b>FE</b>
<b>RD</b>
<b>RTK</b>
<b>VTD</b>

### 4 DRAWERS

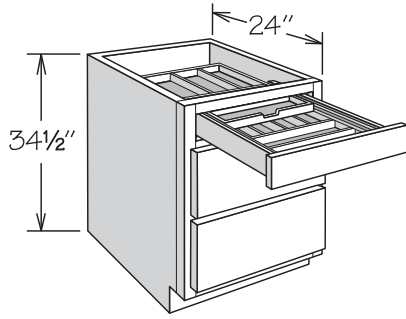
DB12 4DWR
DB15 4DWR
DB18 4DWR
DB21 4DWR
DB24 4DWR

**Drawer Base Cabinet • Drawer Accessories**

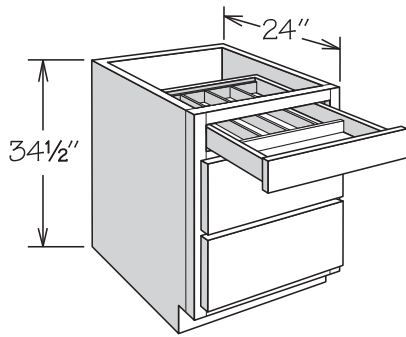
**NEW!** SIZES

**NEW!** PRODUCT

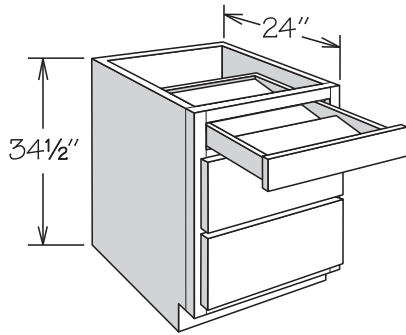
FE
RTK



3 DRAWER  
18" Wood Tiered Cutlery Divider Shown



3 DRAWER  
18" Cutlery Divider Shown



3 DRAWER  
18" Spice Drawer Insert Shown

- Top drawer for **essential** features solid hardwood dovetail drawer with full-access glides and standard construction on remaining drawers
- Cutlery Divider features solid hardwood and plywood in natural finish
- Spice Drawer Insert features solid hardwood and plywood in natural finish and accommodates most spice containers (not included)
- Wood Tiered Cutlery Divider features:
  - » Solid hardwood and plywood in natural finish
  - » Upper section slides independently from drawer
  - » Additional cooking utensil section on 30" or wider
- Refer to specifications on individual cabinets and accessories for more details

WOOD TIERED CUTLERY DIVIDER	UPPER SECTION	LOWER SECTION	COOKING UTENSIL SECTION
15"	5	5	-
18"	5	6	-
21"	6	7	-
24"	7	7	-
30"	5	5	4
36"	5	5	5

CUTLERY DIVIDER	SECTIONS
15"	4
18"	5
21"	6
24"	6
30"	7
36"	8

**3 DRAWER**

**Wood Tiered Cutlery Divider**

- DB15 WTCD
- DB18 WTCD
- DB21 WTCD
- DB24 WTCD
- DB30 WTCD
- DB36 1TD WTCD

**Cutlery Divider**

- DB15 CD
- DB18 CD
- DB21 CD
- DB24 CD
- DB30 CD
- DB36 1TD CD

**Spice Drawer Insert**

- DB15 SDI
- DB18 SDI
- DB21 SDI
- DB24 SDI

**4 DRAWER**

**Wood Tiered Cutlery Divider**

- DB15 4DWR WTCD
- DB18 4DWR WTCD
- DB21 4DWR WTCD
- DB24 4DWR WTCD

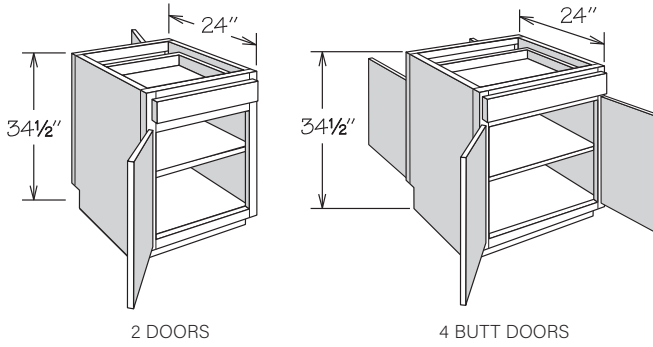
**Cutlery Divider**

- DB15 4DWR CD
- DB18 4DWR CD
- DB21 4DWR CD
- DB24 4DWR CD

**Spice Drawer Insert**

- DB15 4DWR SDI
- DB18 4DWR SDI
- DB21 4DWR SDI
- DB24 4DWR SDI

## Peninsula Base • 1 Drawer



- Full-depth adjustable shelf for all construction packages
- Drawer accessible on one side only
- Panel on opposite side of drawer
- When selecting the Recessed Toe Kick Option, the drawer side indicates the front of the cabinet
- Single door cabinets are hinged left and can be reversed in the field

<b>FE</b>
<b>RD</b>
<b>RTK</b>
<b>VTD</b>

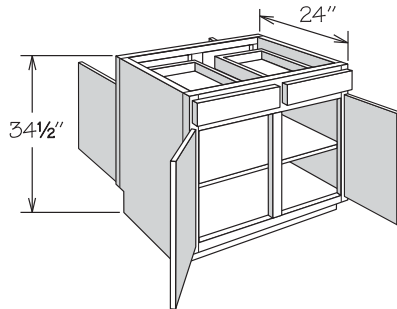
### 2 DOORS

PB12  
PB18  
PB24

### 4 BUTT DOORS

PB24 BUTT  
PB30 BUTT  
PB36 1TD BUTT

## Peninsula Base • 2 Drawers



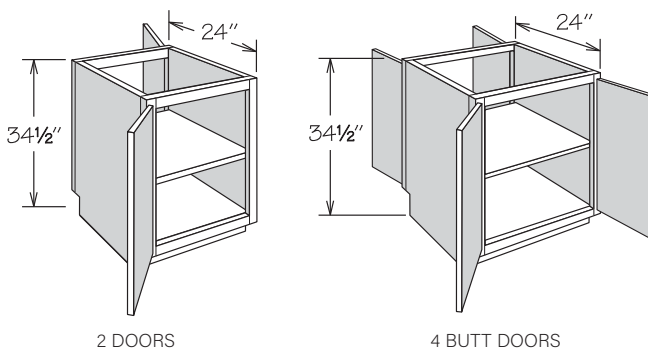
- Full-depth adjustable shelf for all construction packages
- Drawers accessible on one side only
- Features two panels on opposite side of drawers
- When selecting the Recessed Toe Kick Option, the drawer side indicates the front of the cabinet

<b>FE</b>
<b>RD</b>
<b>RTK</b>
<b>VTD</b>

### 4 DOORS

PB42

## Full-Height Peninsula Base



- Full-height doors
- Full-depth adjustable shelf for all construction packages
- Single door cabinets are hinged left and can be reversed in the field

<b>FE</b>
<b>RD</b>
<b>RTK</b>

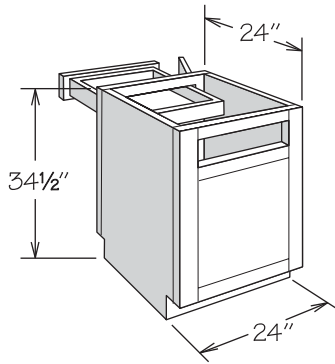
### 2 DOORS

PB12 FH  
PB18 FH

### 4 BUTT DOORS

PB24 BUTT FH  
PB30 BUTT FH  
PB36 BUTT FH

## Blind Peninsula Corner Base



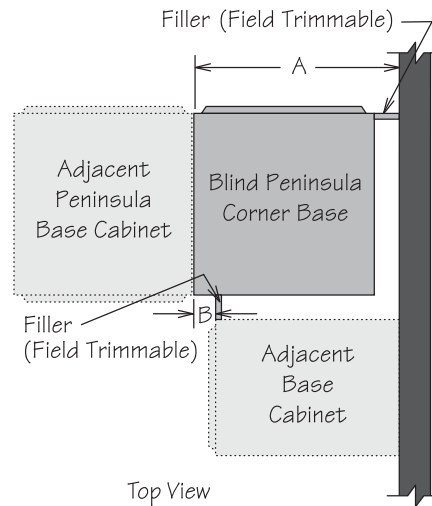
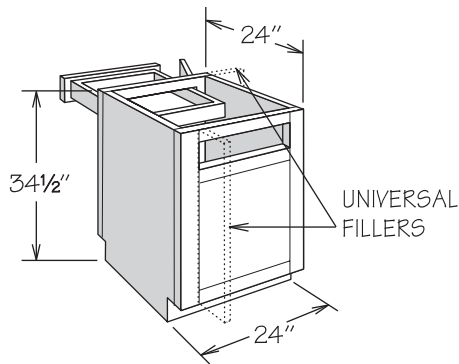
- Full-depth adjustable shelf for all construction packages
- Can be installed left or right
- Universal Fillers are recommended for use between PBC24 and wall and adjoining base cabinet or appliance for hardware clearance and proper door operation
- Cabinet may require pulling from wall – refer to the chart below for specifications
- Roll-out accessories are not recommended
- Must order Universal Fillers separately
- PBC24 is hinged left and can be reversed in the field

<b>FE</b>
<b>RD</b>

**1 DOOR**  
PBC24

**2 DOORS**  
PBC24 BUTT

## Blind Peninsula Corner Base Installation Chart



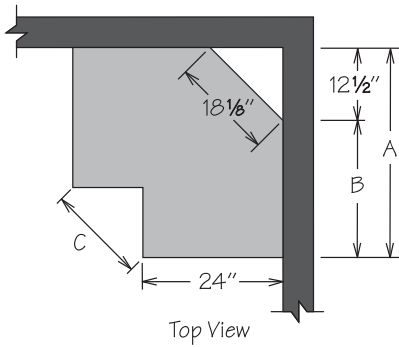
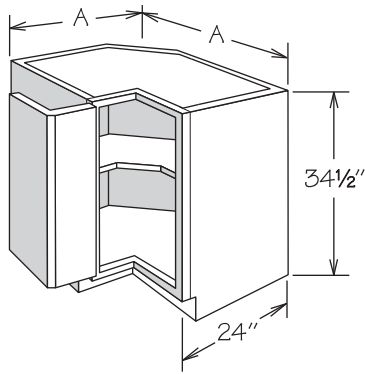
\*Must use these dimensions if optional Overlay Fillers will be used.

Cabinet	Actual Cabinet Width	Door Opening	Door(s)	Wall Space A			Exposed Frame B		Filler (at wall)	
				Min. Space	Max. Pull	Max. Space*	Min. Space	Max. Space*	Min.	Max.*
PBC24	24"	20 3/4"	DR2424	26 1/4"	3/4"	27"	2 1/4"	3"	2 1/4"	3"
PBC24 BUTT	24"	20 3/4"	DR1224 BUTT (2)	26 1/4"	3/4"	27"	2 1/4"	3"	2 1/4"	3"

## Base Easy Reach

**NEW!**

**UPDATE**



- **UPDATE:** Cabinet now features a solid top
- One adjustable half-depth shelf (non-removable) for all construction packages
- All door styles must be ordered hinged left or right
- Sides are finished
- Stile width and outside profile of both doors at door-to-door hinge may vary from standard dimension and profile for proper door function
- Doors open 170°
- Cabinet requires a minimum of 34" to fit through doorway
- Additional space recommended if appliance is installed on the hinge side of this cabinet for proper door operation - decorative hardware should be taken into consideration for the overall depth of appliance

**FE**

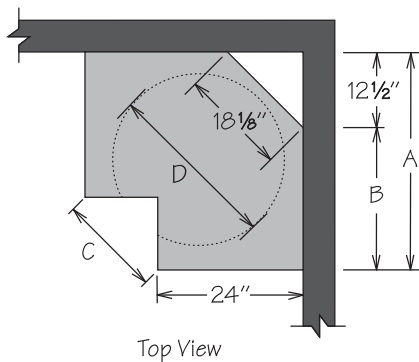
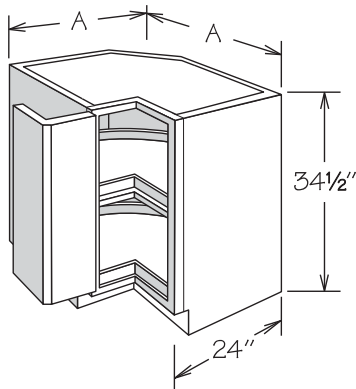
### SHELF

	A	B	C
BER33	33"	20 1/2"	10 7/16"
BER36	36"	23 1/2"	14 5/8"

## Base Super Susan • Wood Spin Unit

**NEW!**

**UPDATE**



- **UPDATE:** Cabinet now features a solid top
- All door styles must be ordered hinged left or right
- Sides are finished
- Stile width and outside profile of both doors at door-to-door hinge may vary from standard dimension and profile for proper door function
- Doors open 170°
- Cabinet requires a minimum of 34" to fit through doorway
- Additional space recommended if appliance is installed on the hinge side of this cabinet for proper door operation - decorative hardware should be taken into consideration for the overall depth of appliance
- Wood Spin Units feature:
  - » One fixed spin unit mounted on cabinet floor
  - » One spin unit attached to 3/4" adjustable shelf
  - » Natural wood finish with 1" lip

**FE**

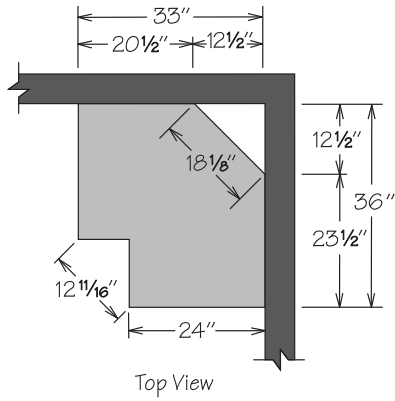
### WOOD SPIN UNIT

	A	B	C	D
BSS33 WD	33"	20 1/2"	10 7/16"	28"
BSS36 WD	36"	23 1/2"	14 5/8"	32"



## Asymmetrical Base Easy Reach NEW! UPDATE

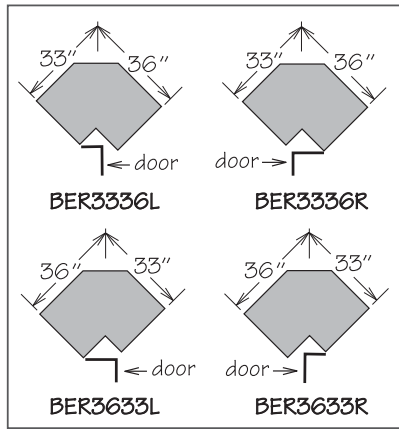
FE



- **UPDATE:** Cabinet now features a solid top
- One adjustable half-depth shelf (non-removable)
- All door styles must be ordered hinged left or right
- Sides are finished
- Stile width and outside profile of both doors at door-to-door hinge may vary from standard dimension and profile for proper door function
- Doors open 170°
- Cabinet requires a minimum of 34" to fit through doorway
- Additional space recommended if appliance is installed on the hinge side of this cabinet for proper door operation - decorative hardware should be taken into consideration for the overall depth of appliance

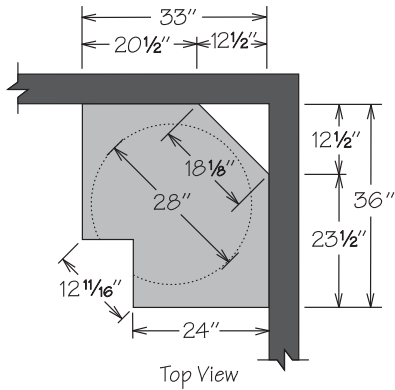
### SHELF

BER3336  
BER3633



## Asymmetrical Base Super Susan • Wood Spin Unit NEW! UPDATE

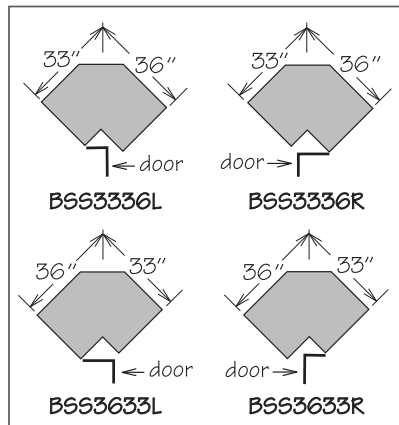
FE



- **UPDATE:** Cabinet now features a solid top
- All door styles must be ordered hinged left or right
- Sides are finished
- Stile width and outside profile of both doors at door-to-door hinge may vary from standard dimension and profile for proper door function
- Doors open 170°
- Cabinet requires a minimum of 34" to fit through doorway
- Additional space recommended if appliance is installed on the hinge side of this cabinet for proper door operation - decorative hardware should be taken into consideration for the overall depth of appliance
- Wood Spin Units feature:
  - » One fixed spin unit mounted on cabinet floor
  - » One spin unit attached to 3/4" adjustable shelf
  - » Natural wood finish with 1" lip

### WOOD SPIN UNIT

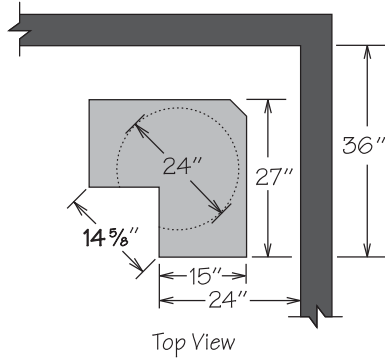
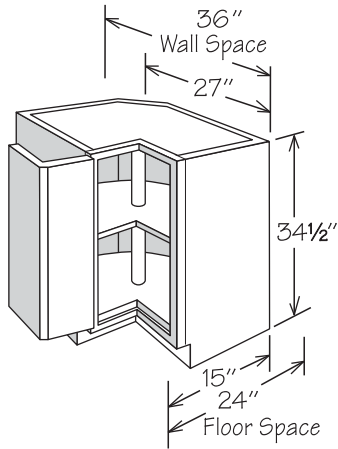
BSS3336 WD  
BSS3633 WD



## Corner Base Carousel • Wood Spin Unit

NEW!

UPDATE

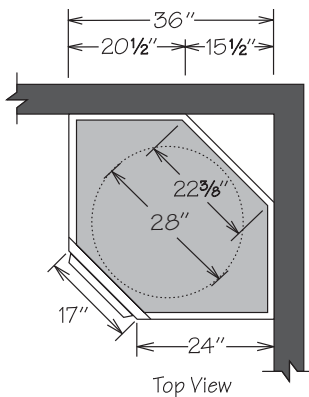
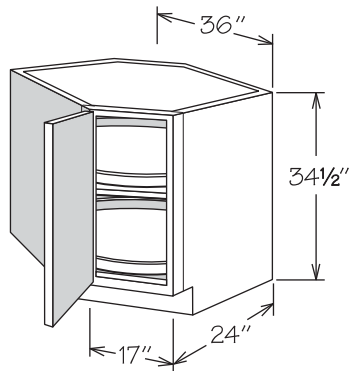


- **UPDATE:** Cabinet now features a solid top
- All door styles must be ordered hinged left or right
- Sides are unfinished
- Stile width and outside profile of both doors at door-to-door hinge may vary from standard dimension and profile for proper door function
- Doors open 170°
- If unit has an exposed side, order end panel separately
- Additional support for countertop in back is necessary
- Additional space recommended if appliance is installed on the hinge side of this cabinet for proper door operation- decorative hardware should be taken into consideration for the overall depth of appliance
- Unit must be pulled to install in a 36" x 36" space
- Wood Spin Units feature:
  - » Two natural finish solid hardwood spin shelves with pole (top shelf adjustable)

### WOOD SPIN UNIT

CAR36 WD

## Corner Base • Wood Spin Unit



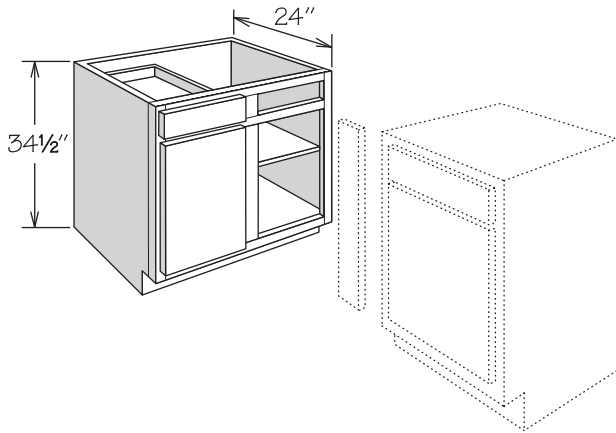
- Hinged left and can be reversed in the field
- Sides are finished
- Cabinet requires a minimum of 34" to fit through doorway
- Additional space recommended if appliance is installed on the hinge side of this cabinet for proper door operation
- Cabinet features solid top
- Wood Spin Units feature:
  - » One fixed spin unit mounted on cabinet floor
  - » One spin unit attached to 34" adjustable shelf
  - » Natural wood finish with 1" lip

FE

### WOOD SPIN UNIT

CBS36 WD

## Blind Corner Base



- Adjustable shelf
- Blind base door and drawer are installed in the left section
- Door and drawer can be reversed in the field as blind sections are identical
- Includes 1/8" panel to cover blind opening (field trim and install)
- Refer to the Blind Corner Base Installation Chart for specifications
- Recessed Toe Kick Both Option (RTKB) available only
- Must order Universal Filler separately
- Center support for shelf provided (excluding BLB36/39)

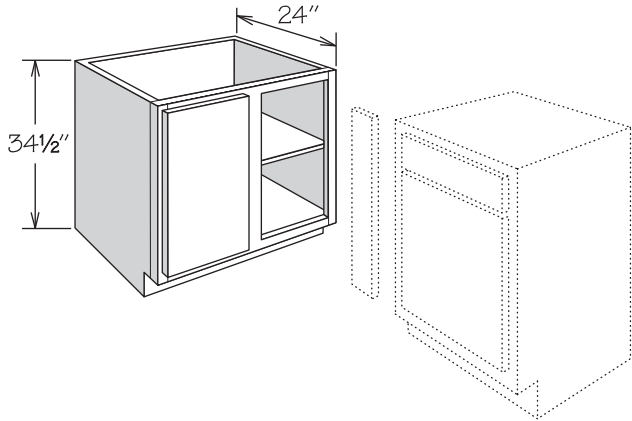
<b>CFO</b>
<b>FE</b>
<b>RD</b>
<b>RTK</b>

### 1 SHELF

BLB36/39  
BLB39/42  
BLB42/45  
BLB45/48  
BLB48/51

## Full Height Blind Corner Base

**NEW! PRODUCT**



- Adjustable Shelf
- Blind base door is installed in the left section
- Door can be reversed in the field as blind sections are identical
- Includes 1/8" panel to cover blind opening (field trim and install)
- Refer to the Blind Corner Base Installation Chart for specifications
- Recessed Toe Kick Both Option (RTKB) available only
- Must order Universal Filler separately
- Center support for shelf provided (excluding BLB36/39)

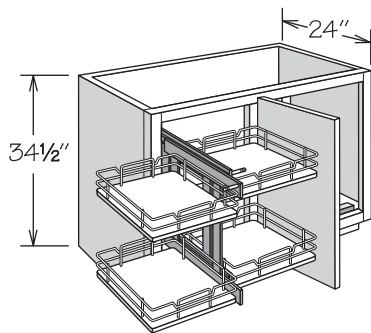
<b>CFO</b>
<b>FE</b>
<b>RD</b>
<b>RTK</b>

### 1 SHELF

BLB45/48 FH  
BLB48/51 FH

## Blind Corner Base • Pull Out Kit

**NEW! PRODUCT**



- Full-height door
- Blind base door is installed in the left section
- Door and Pull Out Kit can be reversed in the field as blind sections are identical
- Includes 1/8" panel to cover blind opening (field trim and install)
- Refer to the Blind Corner Base Installation Chart for specifications
- Recessed Toe Kick Both Option (RTKB) available only
- Pull out kit:
  - » Features two-tiered organizer with four chrome finish wire shelves and engineered wood bottoms with woodgrain look
  - » Features full-extension 100-pound rated glides
  - » Packaged separately for field installation
  - » Mounts to cabinet floor
- Unit requires 19 1/4" of clearance in front of cabinet to pull the unit out, and 12 1/2" of side clearance to slide the unit over
- Baskets are able to be repositioned to allow clearance of deeper adjacent objects up to 26"

<b>FE</b>
<b>RTK</b>

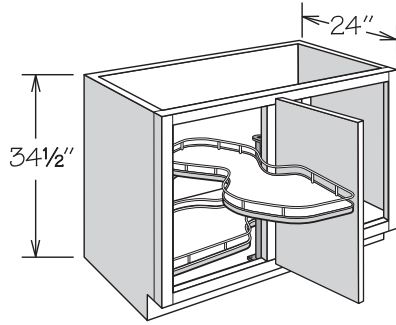
### PULL OUT KIT

BLB45/48 FH POK  
BLB48/51 FH POK

# Blind Corner Base • Swing Out Kit

**NEW! PRODUCT**

**RTK**



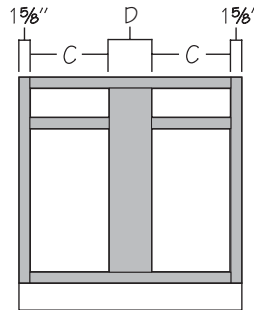
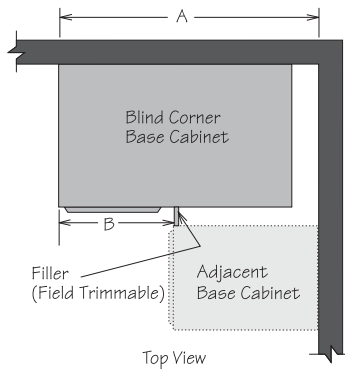
Left Shown

- Full-height door
- Features Furniture Ends standard for all construction packages
- Blind base door is installed in the left section
- Door can be reversed in the field as blind sections are identical, kit is not reversible and must be ordered as left or right
- Includes 1/8" panel to cover blind opening (field trim and install)
- Refer to the Blind Corner Base Installation Chart for specifications
- Recessed Toe Kick Both Option (RTKB) available only
- Pull out kit:
  - » Must be ordered left or right
  - » Features two-tiered organizer with two chrome finish wire shelves and engineered wood bottoms with woodgrain look
  - » Supports up to 45 pounds per shelf
  - » Packaged separately for field installation
  - » Mounts to cabinet side panel and telescopic pole (included)

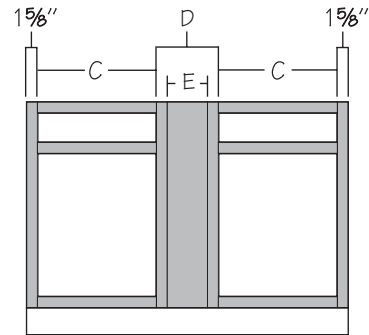
## SWING OUT KIT

BLB45/48 FH SOKL  
 BLB45/48 FH SOKR  
 BLB48/51 FH SOKL  
 BLB48/51 FH SOKR

## Blind Corner Base Installation Chart



BLB36/39 - BLB45/48



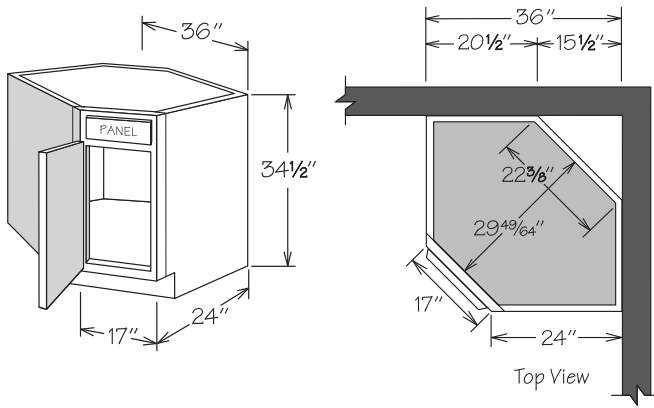
BLB45/48 FH, BLB48/51, BLB48/51 FH

Full Overlay door styles require decorative hardware, which has been calculated into dimensions.

\*Dimension requirements do not include optional Overlay Fillers - add 3/8" if Overlay Fillers will be used, except for BLB48/51 add 1/2".

Cabinet	Actual Cabinet Width	Wall Space A			Exposed Frame B		C Door Opening	Door(s)	D	E
		Minimum Space*	Maximum Pull	Maximum Space	Minimum Space*	Maximum Space				
BLB36/39	27"	38 1/4"	1 3/4"	40"	14 1/4"	16"	8 3/4"	DR1224	6 1/4"	-
BLB39/42	33"	41 1/4"	1 3/4"	43"	17 1/4"	19"	11 3/4"	DR1524	6 1/4"	-
BLB42/45	39"	44 1/4"	1 3/4"	46"	20 1/4"	22"	14 3/4"	DR1824	6 1/4"	-
BLB45/48	45"	47 1/4"	1 3/4"	49"	23 1/4"	25"	17 3/4"	DR2124	6 1/4"	-
BLB45/48 FH	45"	47 1/4"	1 3/4"	49"	23 1/4"	25"	17 3/4"	DR21FH	6 1/4"	3"
BLB48/51	48"	48"	4"	52"	24"	28"	17 3/4"	DR2124	9 1/4"	6"
BLB48/51 FH	48"	48"	4"	52"	24"	28"	17 3/4"	DR21FH	9 1/4"	6"

### Corner Sink Base • 1 Door

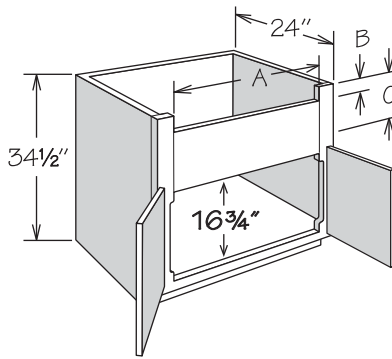


- No shelf
- Sides are finished
- Cabinet requires a minimum of 34" to fit through doorway
- Additional space recommended if appliance is installed on either side of this cabinet for proper appliance door operation
- Cabinet features solid top which must be field cut for sink installation as per manufacturer's specifications
- Maximum sink width is 22 3/8" if cut out is 4" back from face of front frame
- Refer to sink manufacturer's specifications for adequate clearance and required installation materials
- Touch Up Kit included

FE
----

CSB36

### Deep Sink/Range Base • 2 Butt Doors

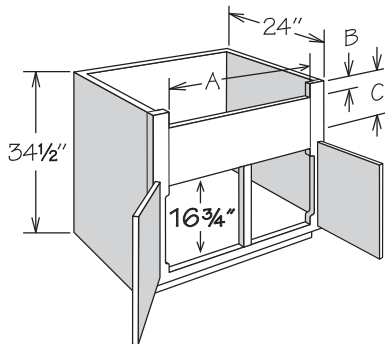


- No shelf
- Accommodates farm sinks
- Apron stiles are 3/8" wide and trimmable
- A cutout exists in the door area where the 3/8" stiles are routed to 1 5/8"
- Refer to sink or appliance manufacturer's specifications for adequate clearance and required installation materials
- Touch Up Kit included

FE
RD
RTK

	A-MIN.	A-MAX.	B	C-MAX
DSB30 BUTT	23 3/4"	28"	2 7/8"	10"
DSB33 BUTT	26 3/4"	31"	2 7/8"	10"
DSB36 BUTT	29 3/4"	34"	2 7/8"	10"

### Deep Sink/Range Base • 2 Doors

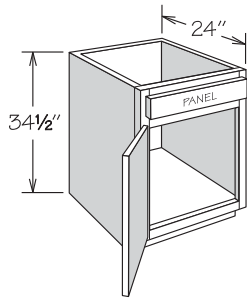


- No shelf
- Accommodates farm sinks
- Apron stiles are 3/8" wide and trimmable
- A cutout exists in the door area where the 3/8" stiles are routed to 1 5/8"
- Refer to sink or appliance manufacturer's specifications for adequate clearance and required installation materials
- Touch Up Kit included

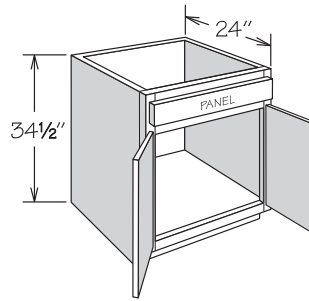
FE
RD
RTK

	A-MIN.	A-MAX.	B	C-MAX
DSB39	32 3/4"	37"	2 7/8"	10"

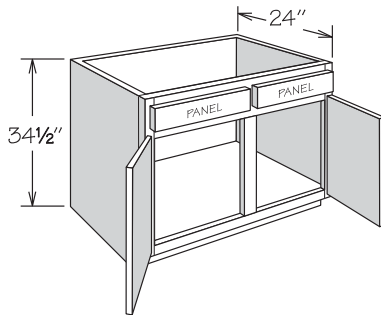
## Sink/Cooktop Base



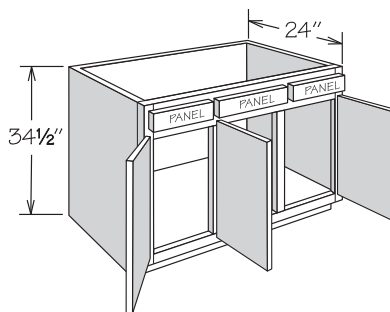
1 DOOR



2 BUTT DOORS



2 DOORS



3 DOORS

- No shelf
- Full-height back
- Subtract 1/2" from width and depth for available sink bowl opening
- Refer to sink or appliance manufacturer's specifications for adequate clearance and required installation materials
- Touch Up Kit included
- Single door cabinets are hinged left and can be reversed in the field

FE
RD
RTK

### 1 DOOR

SB18  
SB21  
SB24

### 2 BUTT DOORS

SB24 BUTT  
SB27 BUTT  
SB30 BUTT  
SB33 BUTT  
SB36 BUTT

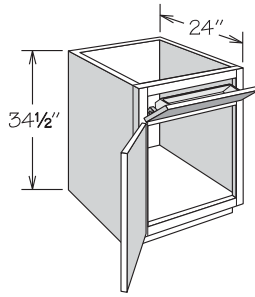
### 2 DOORS

SB39  
SB42  
SB48

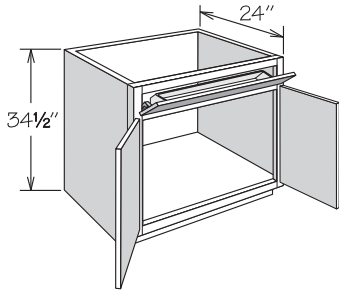
### 3 DOORS

SB45

## Sink Base • 1 Stainless Tilt-Out Tray



1 DOOR



2 BUTT DOORS

- No shelf
- Full-height back
- Subtract 1½" from width and 3¾" from depth for available sink bowl opening
- Tilt-Out Trays are NOT dishwasher safe
- Refer to sink manufacturer's specifications for adequate clearance and required installation materials
- Touch Up Kit included
- Single door cabinets are hinged left and can be reversed in the field

FE
RD
RTK

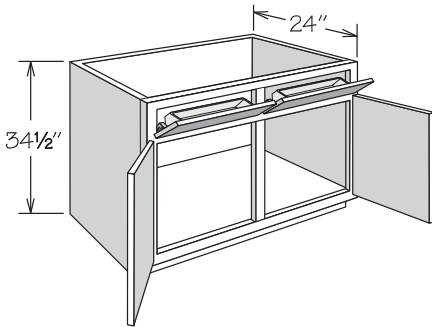
### 1 DOOR

SB18 STO  
SB21 STO  
SB24 STO

### 2 BUTT DOORS

SB24 BUTT STO  
SB27 BUTT STO  
SB30 BUTT STO  
SB33 BUTT STO  
SB36 BUTT STO

## Sink Base • 2 Stainless Tilt-Out Trays



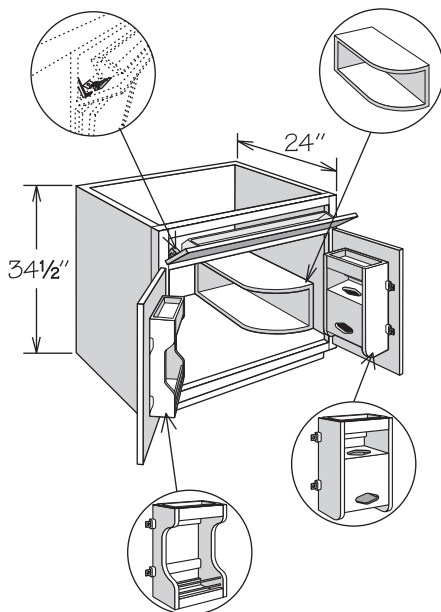
- No shelf
- Full-height back
- Subtract 1½" from width and 3¾" from depth for available sink bowl opening
- Tilt-Out Trays are NOT dishwasher safe
- Refer to sink manufacturer's specifications for adequate clearance and required installation materials
- Touch Up Kit included

FE
RD
RTK

### 2 DOORS

SB39 STO  
SB42 STO  
SB48 STO

## Sink Base Multi-Storage Cabinet



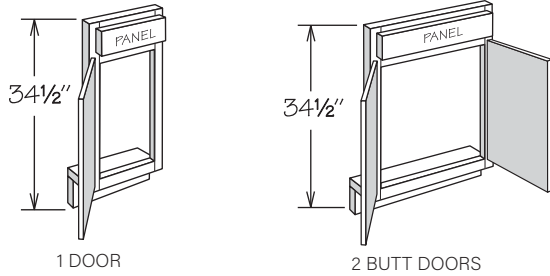
- Full-height back
- Features factory installed Sink Base Door Storage Unit on left door, Plastic Bag Door Storage Unit on right door
- Features one Stainless Tilt-Out Tray
- Sink Base Multi-Storage Shelf (SBMSS) shipped separately for field installation left or right
- Sink Base Multi-Storage Shelf measures 8⅞" wide x 8" high x 17½" deep
- Subtract 1½" from width and 3¾" from depth for available sink bowl opening
- Tilt-Out Trays and Door Storage Unit trays are NOT dishwasher safe
- Refer to sink manufacturer's specifications for adequate clearance and required installation materials
- Touch Up Kit included

FE
RTK

### 2 BUTT DOORS

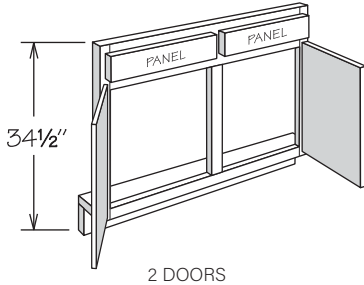
SBMS30 BUTT STO  
SBMS36 BUTT STO

## Sink/Cooktop Front

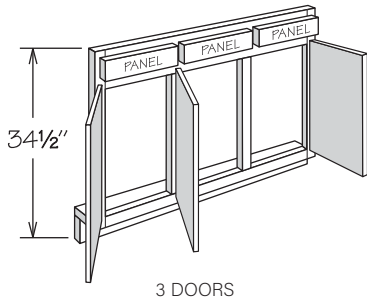


1 DOOR

2 BUTT DOORS



2 DOORS



3 DOORS

- SF45 is hinged as shown – can be reversed in the field
- Order floor and returns separately (field trimming may be required) – refer to Panel Section for availability (pages 138–139)

### 1 DOOR

SF12  
SF15  
SF18  
SF21  
SF24

### 2 BUTT DOORS

SF24 BUTT  
SF27 BUTT  
SF30 BUTT  
SF33 BUTT  
SF36 BUTT

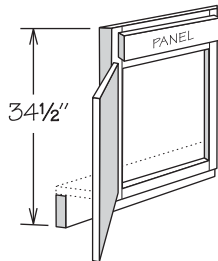
### 2 DOORS

SF39  
SF42  
SF48

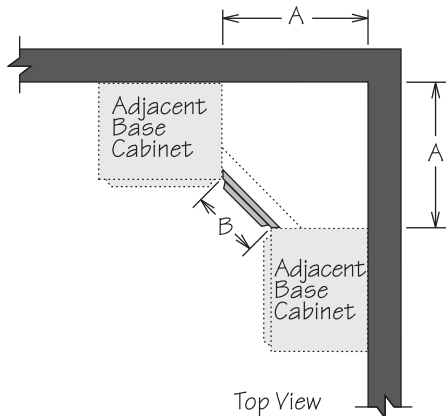
### 3 DOORS

SF45

## Corner Sink Front



- Vertical edges of frame are mitered to attach to adjacent cabinet frames
- Order floor and returns separately (field trimming may be required) – refer to Panel Section for availability (pages 138–139)

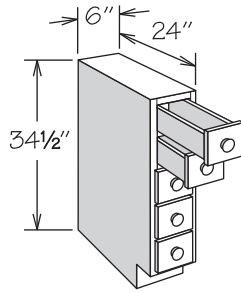


Top View

	A	B
CSF36	35 <sup>31</sup> / <sub>32</sub> "	16 <sup>15</sup> / <sub>16</sub> "
CSF42	42 <sup>11</sup> / <sub>32</sub> "	25 <sup>15</sup> / <sub>16</sub> "



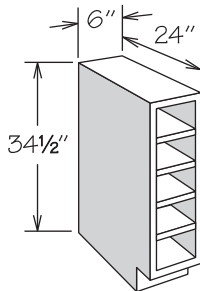
## Base Spice Drawer Cabinet



- Features veneered engineered wood with 1/2" thick slab drawer fronts for all construction packages
- Flush sides with no face frame or 1/4" reveals
- All wood drawer body with dovetail construction
- AVELEY, BICKERSHIRE, GLENLOCH and MCKELLER door styles feature white porcelain knobs, all other door styles feature matching wood knobs

BSDC6

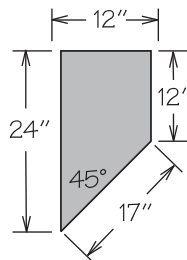
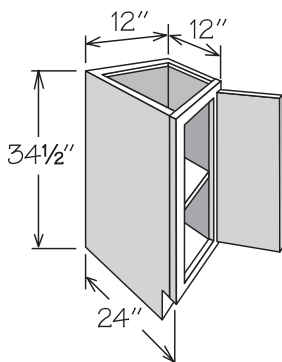
## Base Wine Rack Cabinet



- Features veneered engineered wood with interior and exterior finished to match cabinet exterior for all construction packages
- Accommodates five wine bottles (each opening measures: 5" high x 4 1/2" wide)
- 3/4" sides and shelves
- Flush sides with no face frame or 1/4" reveals
- Cannot be retrofitted with Base Spice drawers

BWRC6

## Base End Angle • 1 Door



- Full-height door
- Adjustable shelf
- Only available with RD-23 through RD-18
- Recessed Toe Kick Option (RTK) only available on 12" side
- Cabinet dimensions are for reference purposes  
ONLY – countertop must be measured and fabricated after cabinet installation

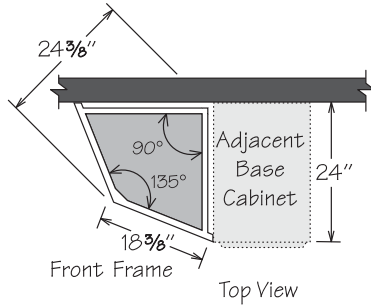
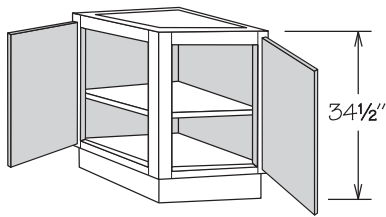
<b>FE</b>
<b>RD</b>
<b>RTK</b>

### 1 SHELF

BEA12L FH  
BEA12R FH

## Base End Angle • 2 Doors

**NEW!** **UPDATE**

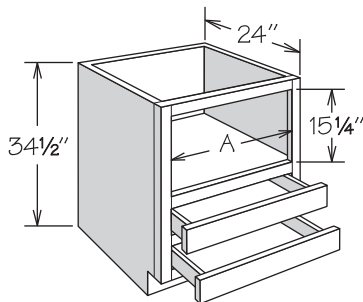


- **UPDATE:** Now features a solid top
- Adjustable shelf
- Requires 24" x 24" space
- Cabinet dimensions are for reference purposes  
ONLY – countertop must be measured and fabricated after cabinet installation

### 1 SHELF

BEA24 FH

## Base Microwave Cabinet • 2 Drawers

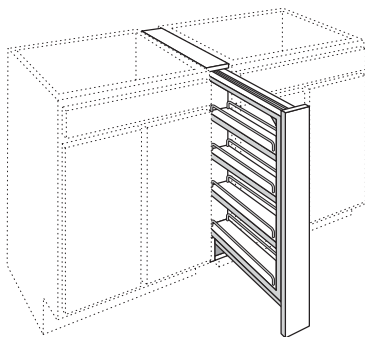


- Microwave opening finished to match cabinet box exterior
- Designed to accommodate countertop style microwave
- Features two standard depth drawers
- Accent molding recommended (order separately)
- Refer to appliance manufacturer's specifications for adequate clearances

<b>FE</b>
<b>RD</b>
<b>RTK</b>

	<b>A</b>
BMC24	20 3/4"
BMC27	23 3/4"
BMC30	26 3/4"

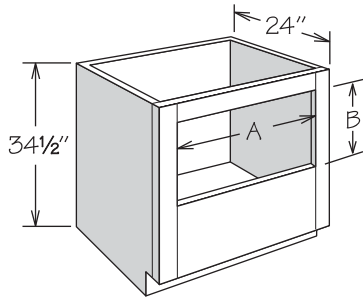
## Base Filler Pull-Out



- **select** and **luxury** construction packages features:
  - » full-access soft-close glides
  - » two fixed and two adjustable wood shelves with chrome rails
- **essential** construction packages features:
  - » full-access glides
  - » one fixed and three adjustable wood shelves with chrome rails
- Must be installed between two base cabinets behind the face frames in 3" (BFP3) or 6" (BFP6) of floor space
- Cannot be installed next to an appliance or at the end of a run
- No side panels or toe kick
- Filler shipped unattached for field installation
- An overlay filler is recommended for full overlay door styles (order separately)
- Decorative hardware strongly recommended

	<b>SHELF WIDTH</b>
BFP3	2 1/8"
BFP6	4 3/4"

## Base Oven Cabinet Universal



- Designed for mounting single oven below countertop
- 3" top rail is field removable and field trimmable
- 3/8" stiles
- Will accommodate certain cooktops (in conjunction with under-counter oven) or drop-in ranges
- Most ovens require a top rail of varying heights to create a finished look and clear the countertop overhang
- Refer to appliance manufacturer's specifications for adequate clearances and required installation materials

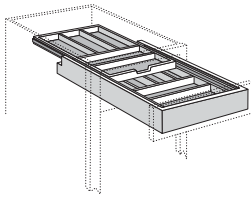
<b>FE</b>
<b>RD</b>
<b>RTK</b>

	<b>A-MIN.</b>	<b>A-MAX.</b>	<b>B-MIN.</b>	<b>B-MAX.*</b>
BOCU27	20 3/4"	24 15/16"	18 1/4"	29"
BOCU30	23 3/4"	27 15/16"	18 1/4"	29"
BOCU33	26 3/4"	30 15/16"	18 1/4"	29"

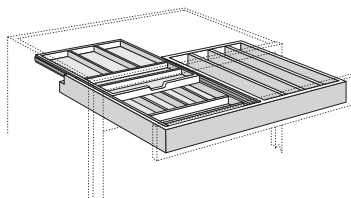
\*Trimming/removal of top rail required

## Wood Tiered Cutlery Divider Kit

**NEW!** **SIZES**



18" Wide Shown

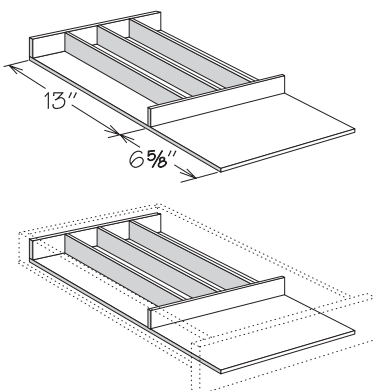


30" Wide Shown

- Available as factory installed for all door styles
- Field installed accessory replaces existing drawer box
- Glides are NOT included; reuse existing drawer glides
- Solid hardwood and plywood in natural finish
- Double-tiered cutlery divider slides independently from drawer
- Can be installed in cabinets with single drawer or side-by-side drawer configurations
- Not sized to fit cabinets with Reduced Depth Option

<b>WIDTH</b>	<b>UPPER SECTIONS</b>	<b>LOWER SECTIONS</b>	<b>COOKING UTENSIL SECTIONS</b>
WTCDAK15	5	5	-
WTCDAK18	5	6	-
WTCDAK21	6	7	-
WTCDAK24	7	7	-
WTCDAK30	5	5	4
WTCDAK36	5	5	5

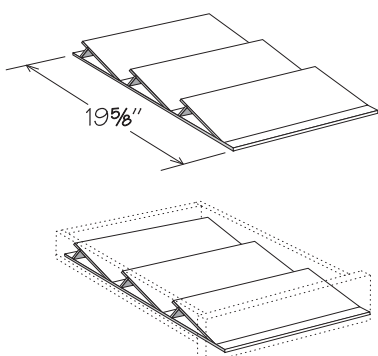
## Cutlery Divider Kit NEW! SIZES



- Available as factory installed for all door styles
- Field installation accessory
- Solid hardwood and plywood in natural finish
- Not sized to fit cabinets with Reduced Depth Option

	NUMBER OF SECTIONS	WIDTH
CDAK15	4	9 3/4"
CDAK18	5	12 3/4"
CDAK21	6	15 3/4"
CDAK24	6	18 3/4"
CDAK30	7	24 3/4"
CDAK36	8	30 3/4"

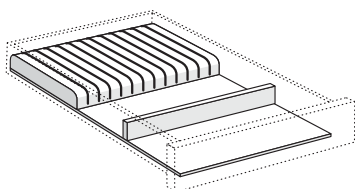
## Spice Drawer Insert Kit NEW! PRODUCT



- Available as factory installed for all door styles
- Field installation accessory
- Solid hardwood and plywood in natural finish
- Accommodates most spice containers (not included)
- Not sized to fit cabinets with Reduced Depth Option

	WIDTH
SDIAK15	9 3/4"
SDIAK18	12 3/4"
SDIAK21	15 3/4"
SDIAK24	18 3/4"

## Knife Block Drawer Insert Kit NEW! PRODUCT

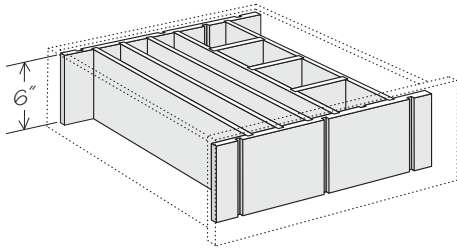


- Field installation accessory
- Solid hardwood in natural finish
- Features knife slots with hilt rest for easy knife removal
- Not sized to fit cabinets with Reduced Depth Option

	NUMBER OF KNIFE SLOTS	WIDTH
KBDIK15	10	9 3/4"
KBDIK18	13	12 3/4"
KBDIK21	16	15 3/4"
KBDIK24	19	18 3/4"

## Adjustable Drawer Divider Kit

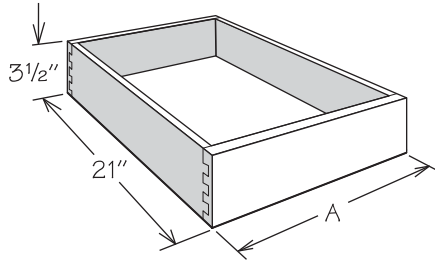
**NEW! PRODUCT**



- For use in large drawers only
- Can be field trimmed in width and depth to accommodate 21" - 36" wide drawers and cabinets with the Reduced Depth Option
- Kit includes:
  - » Front and back panels with grooves
  - » Vertical dividers - two are grooved to accept horizontal dividers
  - » Horizontal dividers
  - » Installation screws

	NUMBER OF VERTICAL DIVIDERS	NUMBER OF HORIZONTAL DIVIDERS
ADDIK21/24	3	3
ADDIK27/30	5	3
ADDIK33/36	6	3

## Deep Roll Out Tray Kit

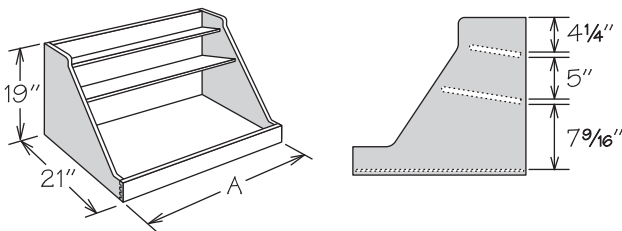


- Field installation accessory
- Natural finish dovetail drawer with engineered wood bottom for all construction packages
- Includes tray, all glide hardware and installation instructions
- DROT drill template is required for all two door cabinets that have a center stile - contact the allen + roth customer care for drill template

**RD**

SINGLE DEEP ROLL OUT TRAY KIT	4 PACK DEEP ROLL OUT TRAY KIT	A
DROT12	DROT12-4K	7 <sup>3</sup> / <sub>4</sub> "
DROT15	DROT15-4K	10 <sup>3</sup> / <sub>4</sub> "
DROT18	DROT18-4K	13 <sup>3</sup> / <sub>4</sub> "
DROT19	-	15 <sup>1</sup> / <sub>4</sub> "
DROT21	DROT21-4K	16 <sup>3</sup> / <sub>4</sub> "
DROT24	DROT24-4K	19 <sup>3</sup> / <sub>4</sub> "
DROT27	DROT27-4K	22 <sup>3</sup> / <sub>4</sub> "
DROT30	DROT30-4K	25 <sup>3</sup> / <sub>4</sub> "
DROT33	DROT33-4K	28 <sup>3</sup> / <sub>4</sub> "
DROT36	DROT36-4K	31 <sup>3</sup> / <sub>4</sub> "

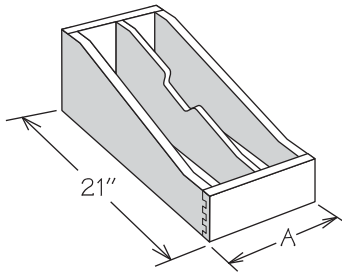
## Base Pot & Pan Organizer Kit



- Field installation accessory
- Organizer features natural finish solid wood, wood veneer and dovetail (front only) construction with engineered wood bottom for all construction packages
- Top shelf of organizer measures 6<sup>3</sup>/<sub>16</sub>" deep
- Middle shelf of organizer measures 9<sup>3</sup>/<sub>4</sub>" deep
- Not sized to fit reduced depth cabinets

	A	BASE CABINET SIZE	OVEN CABINET SIZE
BPPOK24	19 <sup>3</sup> / <sub>4</sub> "	24"	27"
BPPOK27	22 <sup>3</sup> / <sub>4</sub> "	27"	30"
BPPOK30	25 <sup>3</sup> / <sub>4</sub> "	30"	33"
BPPOK33	28 <sup>3</sup> / <sub>4</sub> "	33"	—
BPPOK36	31 <sup>3</sup> / <sub>4</sub> "	36"	—

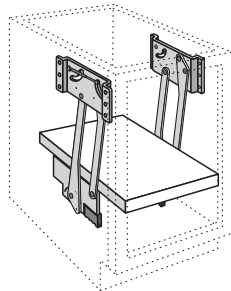
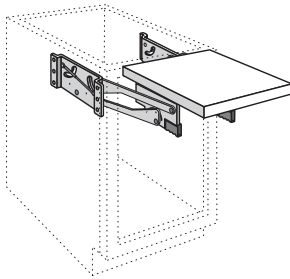
## Roll-Out Tray Divider Kit



- Field installation accessory
- Natural finish solid wood and wood veneer and dovetail (front only) construction with engineered wood bottom for all construction packages
- ROTDK12 features two compartments (one partition)
- ROTDK15 features three compartments (two partitions)
- Partition(s) are field installed
- Not sized to fit reduced depth cabinets

	<b>A</b>	<b>CABINET SIZE</b>
ROTDK12	7 $\frac{3}{4}$ "	12"
ROTDK15	10 $\frac{3}{4}$ "	15"

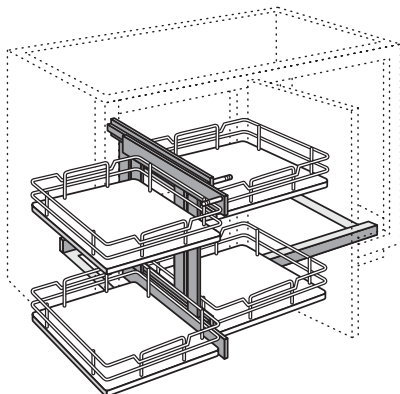
## Base Mixer Lift Kit **NEW!** **PRODUCT**



- Field installation accessory
- Includes 1 $\frac{3}{8}$ " thick natural finish solid wood shelf and one pair of shock dampening, adjustable tension lifts
- Cannot be used with Deep Roll Out Trays or adjustable shelf
- Supports up to 60 pounds
- For use with B18 FH with Furniture Ends Option
- Mounts to cabinet side panels
- Not sized to fit cabinets with Reduced Depth Option

BMLK18

## Blind Base Pull Out Kit **NEW!** **PRODUCT**

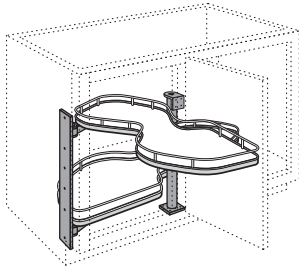


- Field installation accessory
- Can be reversed for left or right installation
- Two-tiered organizer features four chrome finish wire shelves with engineered wood bottoms with woodgrain look
- Features full-extension 100-pound rated glides
- For use with BLB45/48 FH or BLB48/51 FH
- Mounts to cabinet floor
- Unit requires 19 $\frac{1}{4}$ " of clearance in front of cabinet to pull the unit out, and 12 $\frac{1}{2}$ " of side clearance to slide unit over
- Baskets are able to repositioned to allow clearance of deeper adjacent objects up to 26"

BLBPOK45

## Blind Base Swing Out Kit

NEW! PRODUCT



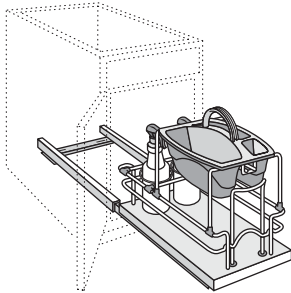
Left Shown

- Field installation accessory
- Kit is not reversible and must be ordered as left or right
- Two-tiered organizer features two chrome finish wire shelves with engineered wood bottoms with woodgrain look
- Supports up to 45 pounds per shelf
- For use with BLB45/48 FH or BLB48/51 FH with Furniture Ends Option
- Mounts to cabinet side panel and telescopic pole (included)
- Not sized to fit cabinets with Reduced Depth Option

BLBSOK45L  
BLBSOK45R

## Cleaning Caddy Pullout Kit

NEW! PRODUCT

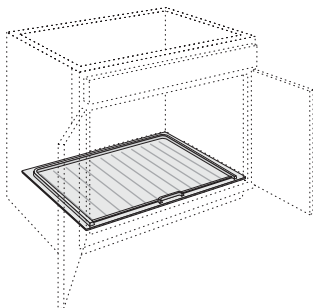


- Field installation accessory
- Features metal and wire CushionClose pull-out organizer with two 1L spray bottles and one removable gray cleaning caddy
- Supports up to 75 pounds
- Unit is configurable so that spray bottles can be installed at the front or back
- For use with 15" or wider base cabinet
- Mounts to cabinet floor
- Available with Reduced Depth Option RD-23 through RD-21

CCPOK

## Sink Base Mat

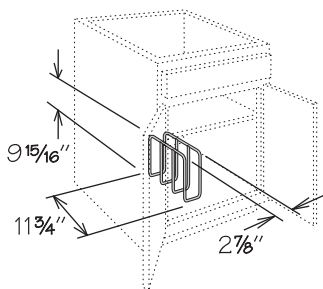
NEW! PRODUCT



- Field installation accessory
- Designed to funnel any leaks or spills out the front of the cabinet while protecting the cabinet floor
- Features flexible material in gray finish - easily trimmable
- Minor field trimming required for use in Deep Sink Base cabinets
- Not sized or trimmable to fit cabinets with Reduced Depth Option
- SBMAT39 is notched for center stile

SBMAT30  
SBMAT33  
SBMAT36  
SBMAT39

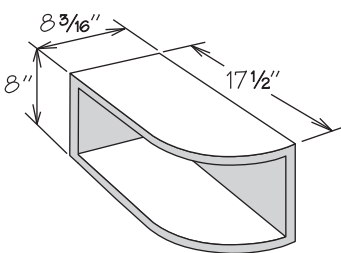
## Cabinet Tray Divider



- Field installation accessory
- Chrome finish
- For use in 24" deep cabinets or cabinets with RD-23 through RD-14
- Mounting hardware included

TD3

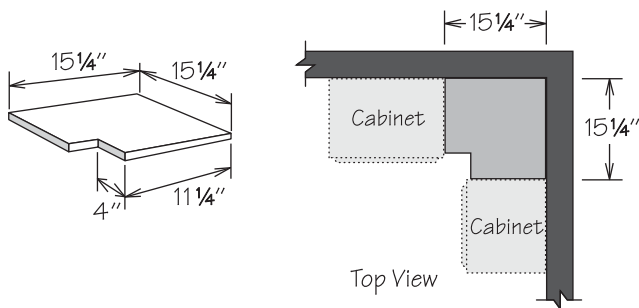
## Sink Base Multi-Storage Shelf



- Field installation accessory
- 3/4" plywood with natural finish for all construction packages
- Invert for left or right installation

SBMSS

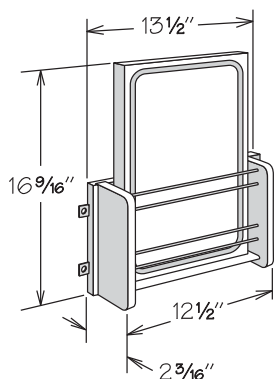
## Blind Corner Closure



- Features 1/2" engineered wood with natural woodgrain finish on both sides for all construction packages
- Field trimmable

BLC1515

## Cutting Board Door Rack Kit

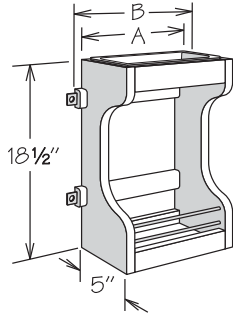


- Field installation accessory
- Natural finish solid wood with chrome rails
- Cannot be used with Deep Roll Out Trays
- Full-depth shelf must be field trimmed to half-depth
- Solid wood cutting board is NOT dishwasher safe
- Cutting board measures 15 15/16" x 10 9/16" x 1 3/16"
- CBDRK18 mounts to 18" or 19" wide base door
- Not sized to fit Deep Sink Base (DSB) cabinet doors

CBDRK18



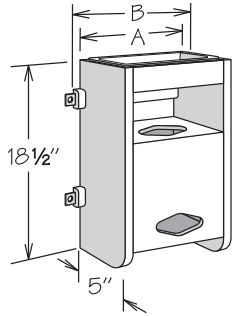
## Sink Base Door Storage Unit



- Field installation accessory
- Natural finish solid wood
- Two fixed shelves
- Cannot be used with Deep Roll Out Trays
- Full-depth shelf must be field trimmed to half-depth
- Removable white plastic tray is NOT dishwasher safe
- SBDSU15 mounts to 15" or 16" wide base door
- SBDSU18 mounts to 18" or 19" wide base door
- Not sized to fit Deep Sink Base (DSB) cabinet doors

	<b>A</b>	<b>B</b>
SBDSU15	9"	10½"
SBDSU18	10½"	13½"

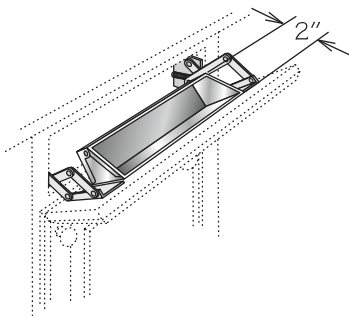
## Plastic Bag Door Storage Unit



- Field installation accessory
- Natural finish solid wood and wood veneer
- Cannot be used with Deep Roll Out Trays
- Full-depth shelf must be field trimmed to half-depth
- Removable white plastic tray is NOT dishwasher safe
- PBDSU15 mounts to 15" or 16" wide base door
- PBDSU18 mounts to 18" or 19" wide base door
- Not sized to fit Deep Sink Base (DSB) cabinet doors

	<b>A</b>	<b>B</b>
PBDSU15	9"	10½"
PBDSU18	10½"	13½"

## Tilt-Out Tray Kit

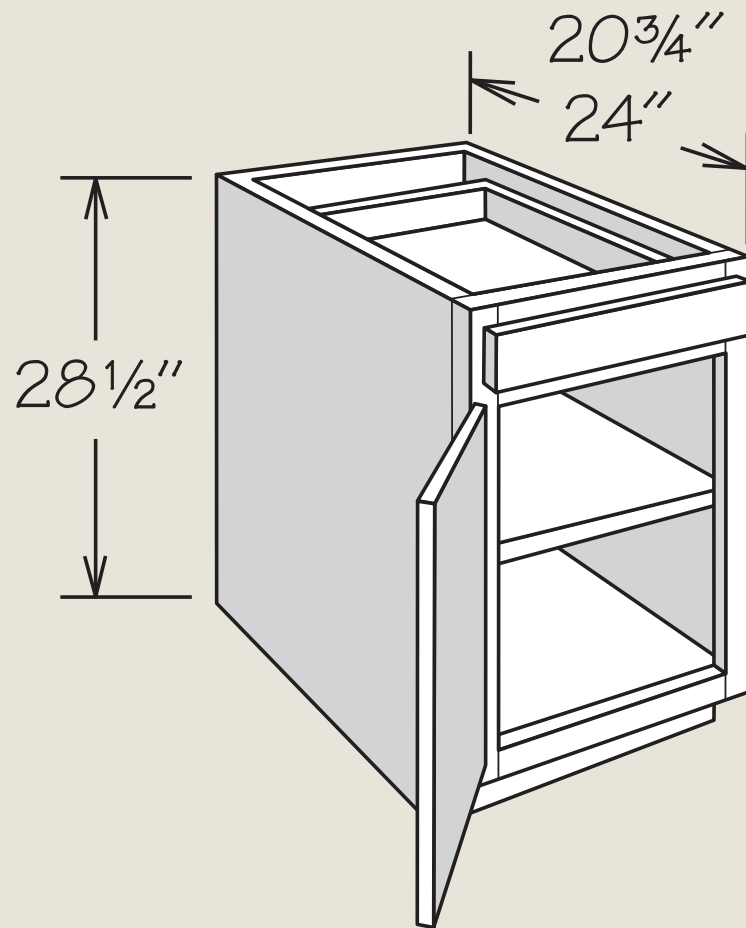


- Field installation accessory
- Kit features tray and one pair of scissor hinges
- Order units individually
- STO TRAY 11:
  - » Order one unit for SB18
- STO TRAY 14:
  - » Order one unit for SB21, SB24, SB27 or CSF42
  - » Order two units for SB39, SB42 or SB48
- STO TRAY 22:
  - » Order one unit for SB30, SB33 or SB36
- Sink front units match sink base sizes as noted above
- Tilt-Out Trays are NOT dishwasher safe

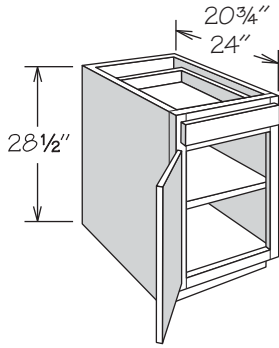
### STAINLESS

STO TRAY 11  
 STO TRAY 14  
 STO TRAY 22

# Desk Cabinets & Bookshelves



## Desk Cabinet • 1 Door and 1 Drawer



- One adjustable shelf
- May be accessorized with one Deep Roll Out Tray
- Deep Roll Out Tray must be mounted on cabinet floor

CFO
FE
RD
RTK

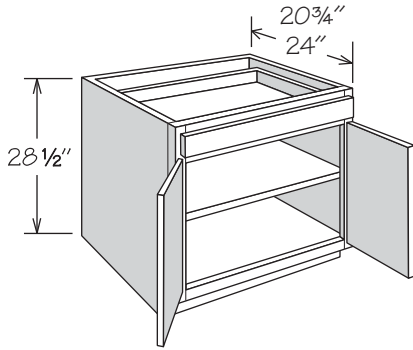
### 24" DEEP

DDOR1224  
DDOR1524  
DDOR1824  
DDOR2124

### 21" DEEP

DDOR1221  
DDOR1521  
DDOR1821  
DDOR2121

## Desk Cabinet • 2 Butt Doors and 1 Drawer



- One adjustable shelf
- May be accessorized with one Deep Roll Out Tray
- Deep Roll Out Tray must be mounted on cabinet floor

CFO
FE
RD
RTK

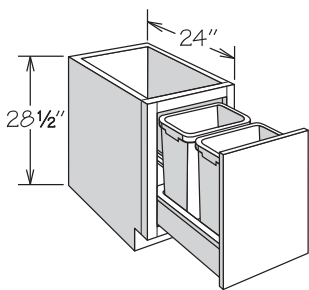
### 24" DEEP

DDOR2424 BUTT

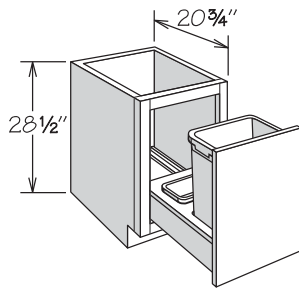
### 21" DEEP

DDOR2421 BUTT

## Desk Cabinet • 1 Door with Wastebasket Pull-Out



2 WASTEBASKETS



1 WASTEBASKET

- Full-height door
- Wastebasket rests in a natural finish wood frame
- **essential** wastebasket frame slides on full-access heavy duty glides
- **select** and **luxury** wastebasket frame slides on full-access soft-close heavy duty glides
- DWBB1824 features two silver plastic 35-quart capacity bins
- DWBB1821 features one silver plastic 35-quart capacity bin and bag storage tray at rear (not dishwasher safe)
- Decorative hardware strongly recommended

FE
RTK

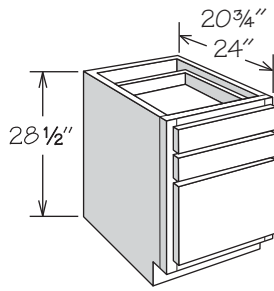
### 24" DEEP • 2 WASTEBASKETS

DWBB1824

### 21" DEEP • 1 WASTEBASKET

DWBB1821

## Desk Drawer Cabinet • 3 Drawers



- One large and two standard drawers
- Large drawer cannot be used as a file drawer

CFO
FE
RD
RTK

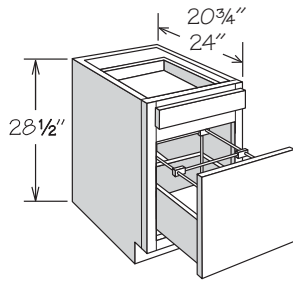
### 24" DEEP

DDR1224  
DDR1524  
DDR1824  
DDR2124  
DDR2424

### 21" DEEP

DDR1221  
DDR1521  
DDR1821  
DDR2121  
DDR2421

## Desk File Pull-Out Cabinet • 1 Door Pull-Out and 1 Drawer



- One standard top drawer
- Features one natural finish wood drawer body attached to door pull-out
- File unit packaged separately for field installation
- Will accept letter or legal-size hanging files

FE
RTK

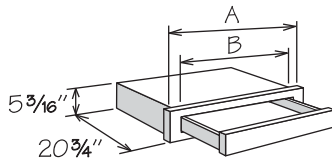
### 24" DEEP

DFDC1824

### 21" DEEP

DFDC1821

## Kneehole Drawer Cabinet

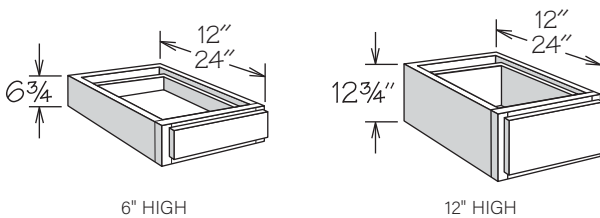


- Designed for desk or vanity application
- Field trimmable in height to 4 3/4"
- Field trimmable in depth to 18" or available with RD-20 through RD-12
- Drawer front complements door style - refer to door style section

RD
----

	A	B	MAX. TRIM
KDC27/21	27"	17 3/4"	21" (3" each side)
KDC33/27	33"	23 3/4"	27" (3" each side)
KDC36/33	36"	29 3/4"	33" (1 1/2" each side)

## Furniture Drawer Cabinet • 1 Drawer



- 6" high features one standard drawer and 12" high features one large drawer
- 24" deep Furniture Drawer cabinets are only available with RD-23 through RD-13
- Bottom of cabinet frame must be fully supported

CFO
FE
RD ■

### 6" HIGH • 1 DRAWER

#### 12" Deep

FD121206  
FD151206  
FD181206  
FD211206  
FD241206  
FD271206  
FD301206  
FD331206  
FD361206

#### 24" Deep

FD122406 ■  
FD152406 ■  
FD182406 ■  
FD212406 ■  
FD242406 ■  
FD272406 ■  
FD302406 ■  
FD332406 ■  
FD362406 ■

### 12" HIGH • 1 DRAWER

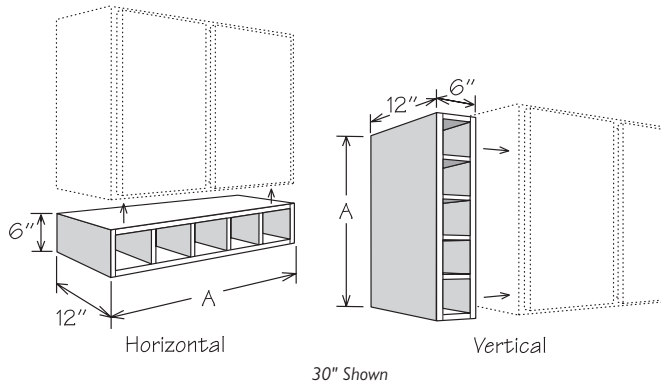
#### 12" Deep

FD121212  
FD151212  
FD181212  
FD211212  
FD241212  
FD271212  
FD301212  
FD331212  
FD361212

#### 24" Deep

FD122412 ■  
FD152412 ■  
FD182412 ■  
FD212412 ■  
FD242412 ■  
FD272412 ■  
FD302412 ■  
FD332412 ■  
FD362412 ■

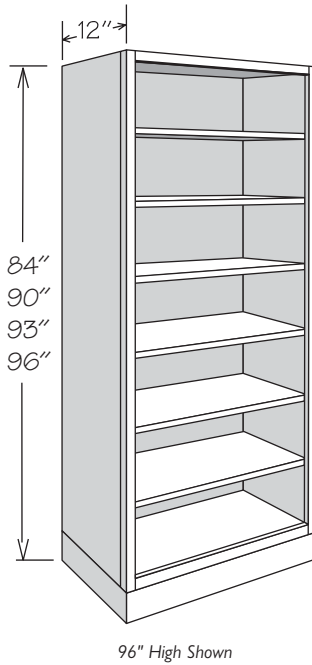
## Storage Cube



- Vertical installation may require the use of fillers and/or molding which must be ordered separately
- Opening size is 5" wide x 4½" high (horizontal) which will accommodate most envelopes and various other office supplies
- Features ¾" veneered engineered wood finished to match cabinet box exterior for all construction packages
- Flush sides with no face frame or ¼" reveals
- Interior finished to match cabinet box exterior
- Cannot be retrofitted with Spice Drawer Cabinet drawers

	<b>A</b>	<b>NUMBER OF OPENINGS</b>
SC30	30"	5
SC36	36"	6
SC42	42"	7

## Tall Bookshelf



- Interior finished to match cabinet box exterior
- Flush furniture toe kick
- Toe kick shipped unattached for 93" and 96" high bookshelves
- Adjustable 2¾" plywood shelves finished to match cabinet box exterior included for all construction packages
- All shelving packaged separately for field installation
- All construction packages feature plywood box construction

<b>FE</b>
<b>ID</b>
<b>RD</b>

### 12" DEEP

#### 96"H • 6 shelves

BSPLY1896  
BSPLY2496  
BSPLY3096  
BSPLY3696

#### 90"H • 6 shelves

BSPLY1890  
BSPLY2490  
BSPLY3090  
BSPLY3690

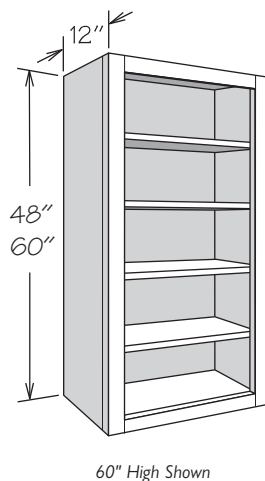
#### 93"H • 6 shelves

BSPLY1893  
BSPLY2493  
BSPLY3093  
BSPLY3693

#### 84"H • 5 shelves

BSPLY1884  
BSPLY2484  
BSPLY3084  
BSPLY3684

## Wall Bookshelf



- Interior finished to match cabinet box exterior
- Adjustable 2¾" plywood shelves finished to match cabinet box exterior included for all construction packages
- All shelving packaged separately for field installation
- All construction packages feature plywood box construction

<b>FE</b>
<b>ID</b>
<b>RD</b>

### 12" DEEP

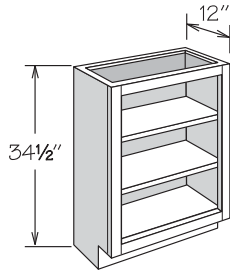
#### 60"H • 4 shelves

BSPLY1860  
BSPLY2460  
BSPLY3060  
BSPLY3660

#### 48"H • 3 shelves

BSPLY1848  
BSPLY2448  
BSPLY3048  
BSPLY3648

## Base Bookshelf



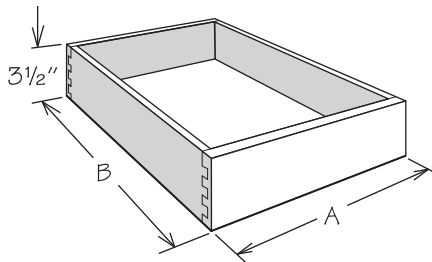
- Interior finished to match cabinet box exterior
- Two adjustable  $2\frac{3}{32}$ " plywood shelves finished to match cabinet box exterior included for all construction packages
- All shelving packaged separately for field installation
- All construction packages feature plywood box construction

FE
ID
RD
RTK

### 12" DEEP

BSPLY2434

## Deep Roll Out Tray Kit



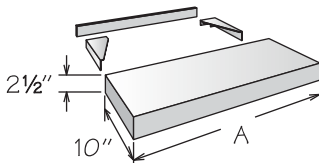
- Field installation accessory
- Natural finish dovetail drawer with engineered wood bottom for all construction packages
- Includes tray, all glide hardware and installation instructions
- Contact allen + roth customer care for drill template

RD
----

### DEEP ROLL OUT TRAY KIT

	A	B
DROT12	7 3/4"	21"
DROT15	10 3/4"	21"
DROT18	13 3/4"	21"
DROT21	16 3/4"	21"
DROT24	19 3/4"	21"
DROT1221	7 3/4"	18"
DROT1521	10 3/4"	18"
DROT1821	13 3/4"	18"
DROT2421	19 3/4"	18"

## Floating Shelf

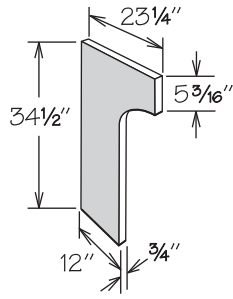


- Not trimmable
- Finished on all sides to match cabinet box exterior
- Constructed of engineered wood top and bottom and solid wood front and sides for all construction packages
- When installed between two cabinets, Furniture Ends (FE) are recommended for adjacent cabinets
- Must be secured to studs in wall
- Installation instructions, mounting brackets, and screws included

### 10" DEEP

	A	MAX. LOAD
FLSH2410	24"	30 lbs.
FLSH3010	30"	37 lbs.
FLSH3610	36"	45 lbs.
FLSH4210	42"	52 lbs.
FLSH4810	48"	60 lbs.

## Desk End Panel

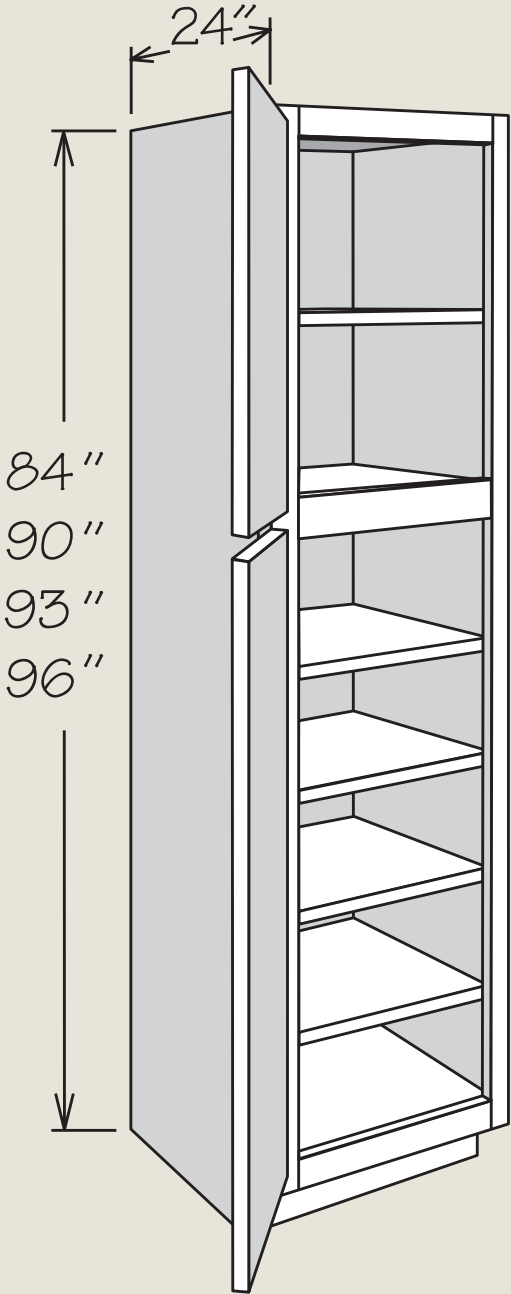


- Features 3/4" veneered engineered wood finished to match cabinet box exterior on both sides for all construction packages
- Recommend QM8 be ordered for installation to ensure proper attachment to wall
- Edge banded on front

### 34 1/2" HIGH

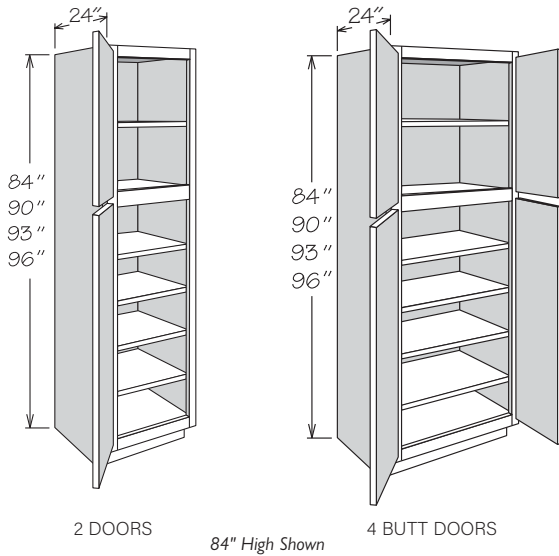
DEP

# Tall Cabinets





## Utility Cabinet • Adjustable Shelves



- Bottom section features four adjustable shelves
- All shelving packaged separately for field installation
- 4" inset toe kick assembly shipped inside 93" and 96" high cabinets, 33" wide x 93" high toe kicks ship as two pieces - seam will be visible between toe kick box and side of cabinet
- Two door cabinets must be ordered hinged left or right
- Specialty Door cabinets (SD) feature Matching Interior standard and require a specialty door selection
- Bottom doors have a center rail for select door styles - refer to door style section

CFO
FE
MI ■
RD

**2 DOORS • 24" DEEP****96" H • 3 Top Shelves**

UT1224 X 96 AS ■  
 UT1524 X 96 AS ■  
 UT1824 X 96 AS ■  
 UT2124 X 96 AS ■  
 UT1224 X 96 AS SD  
 UT1524 X 96 AS SD  
 UT1824 X 96 AS SD  
 UT2124 X 96 AS SD

**93" H • 3 Top Shelves**

UT1224 X 93 AS ■  
 UT1524 X 93 AS ■  
 UT1824 X 93 AS ■  
 UT2124 X 93 AS ■  
 UT1224 X 93 AS SD  
 UT1524 X 93 AS SD  
 UT1824 X 93 AS SD  
 UT2124 X 93 AS SD

**90" H • 2 Top Shelves**

UT1224 X 90 AS ■  
 UT1524 X 90 AS ■  
 UT1824 X 90 AS ■  
 UT2124 X 90 AS ■  
 UT1224 X 90 AS SD  
 UT1524 X 90 AS SD  
 UT1824 X 90 AS SD  
 UT2124 X 90 AS SD

**84" H • 1 Top Shelf**

UT1224 X 84 AS ■  
 UT1524 X 84 AS ■  
 UT1824 X 84 AS ■  
 UT2124 X 84 AS ■  
 UT1224 X 84 AS SD  
 UT1524 X 84 AS SD  
 UT1824 X 84 AS SD  
 UT2124 X 84 AS SD

**4 BUTT DOORS • 24" DEEP****96" H • 3 Top Shelves**

UT2424 X 96 AS BUTT ■  
 UT2724 X 96 AS BUTT ■  
 UT3024 X 96 AS BUTT ■  
 UT3324 X 96 AS BUTT ■  
 UT3624 X 96 AS BUTT ■  
 UT2424 X 96 AS BUTT SD  
 UT2724 X 96 AS BUTT SD  
 UT3024 X 96 AS BUTT SD  
 UT3324 X 96 AS BUTT SD  
 UT3624 X 96 AS BUTT SD

**93" H • 3 Top Shelves**

UT2424 X 93 AS BUTT ■  
 UT2724 X 93 AS BUTT ■  
 UT3024 X 93 AS BUTT ■  
 UT3324 X 93 AS BUTT ■  
 UT3624 X 93 AS BUTT ■  
 UT2424 X 93 AS BUTT SD  
 UT2724 X 93 AS BUTT SD  
 UT3024 X 93 AS BUTT SD  
 UT3324 X 93 AS BUTT SD  
 UT3624 X 93 AS BUTT SD

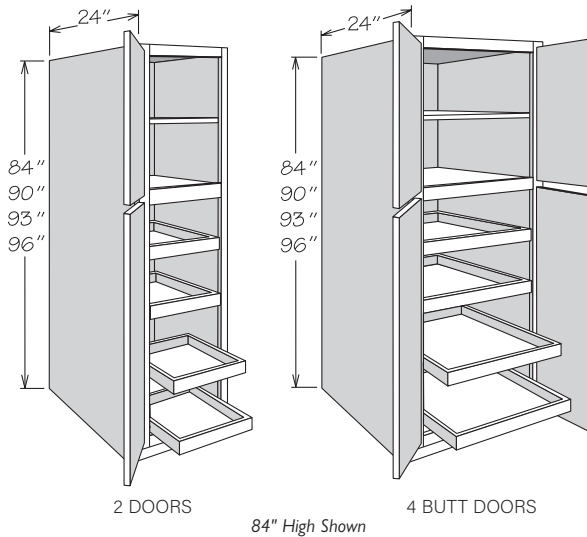
**90" H • 2 Top Shelves**

UT2424 X 90 AS BUTT ■  
 UT2724 X 90 AS BUTT ■  
 UT3024 X 90 AS BUTT ■  
 UT3324 X 90 AS BUTT ■  
 UT3624 X 90 AS BUTT ■  
 UT2424 X 90 AS BUTT SD  
 UT2724 X 90 AS BUTT SD  
 UT3024 X 90 AS BUTT SD  
 UT3324 X 90 AS BUTT SD  
 UT3624 X 90 AS BUTT SD

**84" H • 1 Top Shelf**

UT2424 X 84 AS BUTT ■  
 UT2724 X 84 AS BUTT ■  
 UT3024 X 84 AS BUTT ■  
 UT3324 X 84 AS BUTT ■  
 UT3624 X 84 AS BUTT ■  
 UT2424 X 84 AS BUTT SD  
 UT2724 X 84 AS BUTT SD  
 UT3024 X 84 AS BUTT SD  
 UT3324 X 84 AS BUTT SD  
 UT3624 X 84 AS BUTT SD

## Utility Cabinet • Deep Roll Out Trays



- Bottom section features four Deep Roll Out Trays
- All shelving and Deep Roll Out Trays packaged separately for field installation
- 4" inset toe kick assembly shipped inside 93" and 96" high cabinets, 33" wide x 93" high toe kicks ship as two pieces - seam will be visible between toe kick box and side of cabinet
- Two door cabinets must be ordered hinged left or right
- Specialty Door cabinets (SD) feature Matching Interior standard and require a specialty door selection
- Bottom doors have a center rail for select door styles - refer to door style section

FE
MI ■
RD

### 2 DOORS • 24" DEEP

#### 96" H • 3 Top Shelves

UT1224 X 96 4ROT ■  
 UT1524 X 96 4ROT ■  
 UT1824 X 96 4ROT ■  
 UT2124 X 96 4ROT ■  
 UT1224 X 96 4ROT SD  
 UT1524 X 96 4ROT SD  
 UT1824 X 96 4ROT SD  
 UT2124 X 96 4ROT SD

#### 93" H • 3 Top Shelves

UT1224 X 93 4ROT ■  
 UT1524 X 93 4ROT ■  
 UT1824 X 93 4ROT ■  
 UT2124 X 93 4ROT ■  
 UT1224 X 93 4ROT SD  
 UT1524 X 93 4ROT SD  
 UT1824 X 93 4ROT SD  
 UT2124 X 93 4ROT SD

#### 90" H • 2 Top Shelves

UT1224 X 90 4ROT ■  
 UT1524 X 90 4ROT ■  
 UT1824 X 90 4ROT ■  
 UT2124 X 90 4ROT ■  
 UT1224 X 90 4ROT SD  
 UT1524 X 90 4ROT SD  
 UT1824 X 90 4ROT SD  
 UT2124 X 90 4ROT SD

#### 84" H • 1 Top Shelf

UT1224 X 84 4ROT ■  
 UT1524 X 84 4ROT ■  
 UT1824 X 84 4ROT ■  
 UT2124 X 84 4ROT ■  
 UT1224 X 84 4ROT SD  
 UT1524 X 84 4ROT SD  
 UT1824 X 84 4ROT SD  
 UT2124 X 84 4ROT SD

### 4 BUTT DOORS • 24" DEEP

#### 96" H • 3 Top Shelves

UT2424 X 96 4ROT BUTT ■  
 UT2724 X 96 4ROT BUTT ■  
 UT3024 X 96 4ROT BUTT ■  
 UT3324 X 96 4ROT BUTT ■  
 UT3624 X 96 4ROT BUTT ■  
 UT2424 X 96 4ROT BUTT SD  
 UT2724 X 96 4ROT BUTT SD  
 UT3024 X 96 4ROT BUTT SD  
 UT3324 X 96 4ROT BUTT SD  
 UT3624 X 96 4ROT BUTT SD

#### 93" H • 3 Top Shelves

UT2424 X 93 4ROT BUTT ■  
 UT2724 X 93 4ROT BUTT ■  
 UT3024 X 93 4ROT BUTT ■  
 UT3324 X 93 4ROT BUTT ■  
 UT3624 X 93 4ROT BUTT ■  
 UT2424 X 93 4ROT BUTT SD  
 UT2724 X 93 4ROT BUTT SD  
 UT3024 X 93 4ROT BUTT SD  
 UT3324 X 93 4ROT BUTT SD  
 UT3624 X 93 4ROT BUTT SD

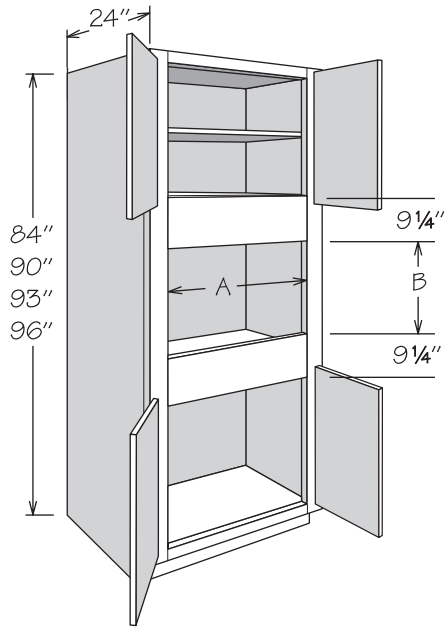
#### 90" H • 2 Top Shelves

UT2424 X 90 4ROT BUTT ■  
 UT2724 X 90 4ROT BUTT ■  
 UT3024 X 90 4ROT BUTT ■  
 UT3324 X 90 4ROT BUTT ■  
 UT3624 X 90 4ROT BUTT ■  
 UT2424 X 90 4ROT BUTT SD  
 UT2724 X 90 4ROT BUTT SD  
 UT3024 X 90 4ROT BUTT SD  
 UT3324 X 90 4ROT BUTT SD  
 UT3624 X 90 4ROT BUTT SD

#### 84" H • 1 Top Shelf

UT2424 X 84 4ROT BUTT ■  
 UT2724 X 84 4ROT BUTT ■  
 UT3024 X 84 4ROT BUTT ■  
 UT3324 X 84 4ROT BUTT ■  
 UT3624 X 84 4ROT BUTT ■  
 UT2424 X 84 4ROT BUTT SD  
 UT2724 X 84 4ROT BUTT SD  
 UT3024 X 84 4ROT BUTT SD  
 UT3324 X 84 4ROT BUTT SD  
 UT3624 X 84 4ROT BUTT SD

## Single Oven Cabinet • 4 Butt Doors



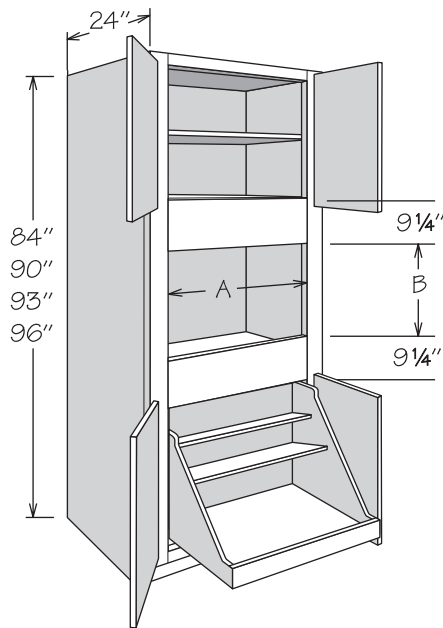
90" High Shown

- Features a solid back
- 3/8" stiles
- All door styles feature self-closing face-mounted hidden hinges
- Shelf packaged separately for field installation
- 4" inset toe kick assembly shipped inside 93" and 96" high cabinets, 33" wide x 93" high toe kicks ship as two pieces - seam will be visible between toe kick box and side of cabinet
- Refer to appliance manufacturer's specifications for adequate clearances and required installation materials

CFO
FE
RD

	A ACTUAL	A MAX.	B ACTUAL	B MAX.
<b>96"H • 3 Top Shelves</b>				
OVS2796 AS BUTT	20 3/4"	25"	22 1/8"	37 3/8"
OVS3096 AS BUTT	23 3/4"	28"	22 1/8"	37 3/8"
OVS3396 AS BUTT	26 3/4"	31"	22 1/8"	37 3/8"
<b>93"H • 2 Top Shelves</b>				
OVS2793 AS BUTT	20 3/4"	25"	22 1/8"	37 3/8"
OVS3093 AS BUTT	23 3/4"	28"	22 1/8"	37 3/8"
OVS3393 AS BUTT	26 3/4"	31"	22 1/8"	37 3/8"
<b>90"H • 1 Top Shelf</b>				
OVS2790 AS BUTT	20 3/4"	25"	21 3/4"	37"
OVS3090 AS BUTT	23 3/4"	28"	21 3/4"	37"
OVS3390 AS BUTT	26 3/4"	31"	21 3/4"	37"
<b>84"H • No Shelf</b>				
OVS2784 BUTT	20 3/4"	25"	22 1/8"	37 3/8"
OVS3084 BUTT	23 3/4"	28"	22 1/8"	37 3/8"
OVS3384 BUTT	26 3/4"	31"	22 1/8"	37 3/8"

## Single Oven Cabinet • 4 Butt Doors and Pot &amp; Pan Organizer



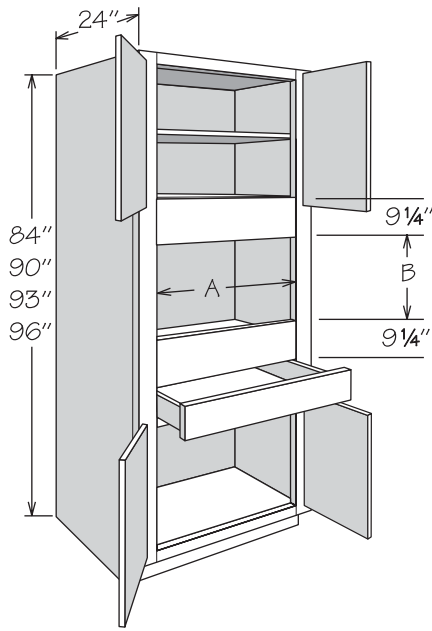
90" High Shown

- Features a solid back
- 3/8" stiles
- All door styles feature self-closing face-mounted hidden hinges
- Shelving and Pot & Pan Organizer packaged separately for field installation
- Organizer features natural finish solid wood, wood veneer and dovetail (front only) construction with engineered wood bottom for all construction packages
- Organizer top shelf measures 6 3/8" deep
- Organizer middle shelf measures 9 3/4" deep
- 4" inset toe kick assembly shipped inside 93" and 96" high cabinets, 33" wide x 93" high toe kicks ship as two pieces - seam will be visible between toe kick box and side of cabinet
- Refer to appliance manufacturer's specifications for adequate clearances and required installation materials

FE
----

	A ACTUAL	A MAX.	B ACTUAL	B MAX.
<b>96"H • 3 Top Shelves</b>				
OVS2796 BUTT BPPO	20 3/4"	25"	22 1/8"	37 3/8"
OVS3096 BUTT BPPO	23 3/4"	28"	22 1/8"	37 3/8"
OVS3396 BUTT BPPO	26 3/4"	31"	22 1/8"	37 3/8"
<b>93"H • 2 Top Shelves</b>				
OVS2793 BUTT BPPO	20 3/4"	25"	22 1/8"	37 3/8"
OVS3093 BUTT BPPO	23 3/4"	28"	22 1/8"	37 3/8"
OVS3393 BUTT BPPO	26 3/4"	31"	22 1/8"	37 3/8"
<b>90"H • 1 Top Shelf</b>				
OVS2790 BUTT BPPO	20 3/4"	25"	21 3/4"	37"
OVS3090 BUTT BPPO	23 3/4"	28"	21 3/4"	37"
OVS3390 BUTT BPPO	26 3/4"	31"	21 3/4"	37"
<b>84"H • No Shelf</b>				
OVS2784 BUTT BPPO	20 3/4"	25"	22 1/8"	37 3/8"
OVS3084 BUTT BPPO	23 3/4"	28"	22 1/8"	37 3/8"
OVS3384 BUTT BPPO	26 3/4"	31"	22 1/8"	37 3/8"

## Single Oven Cabinet • 4 Butt Doors and 1 Drawer



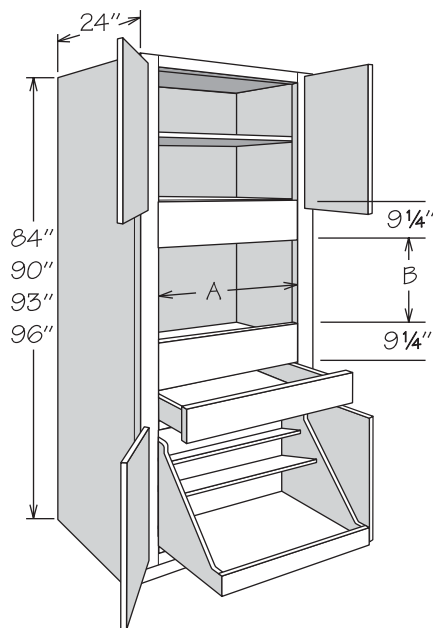
90" High Shown

- Features a solid back
- 3/8" stiles
- All door styles feature self-closing face-mounted hidden hinges
- One standard drawer
- Shelf packaged separately for field installation
- 4" inset toe kick assembly shipped inside 93" and 96" high cabinets, 33" wide x 93" high toe kicks ship as two pieces - seam will be visible between toe kick box and side of cabinet
- Refer to appliance manufacturer's specifications for adequate clearances and required installation materials

<b>CFO</b>
<b>FE</b>
<b>RD</b>

	<b>A</b> <b>ACTUAL</b>	<b>A</b> <b>MAX.</b>	<b>B</b> <b>ACTUAL</b>	<b>B</b> <b>MAX.</b>
<b>96"H • 3 Top Shelves</b>				
OVS2796 AS BUTT 1DWR	20 3/4"	25"	16 1/8"	31 3/8"
OVS3096 AS BUTT 1DWR	23 3/4"	28"	16 1/8"	31 3/8"
OVS3396 AS BUTT 1DWR	26 3/4"	31"	16 1/8"	31 3/8"
<b>93"H • 2 Top Shelves</b>				
OVS2793 AS BUTT 1DWR	20 3/4"	25"	16 1/8"	31 3/8"
OVS3093 AS BUTT 1DWR	23 3/4"	28"	16 1/8"	31 3/8"
OVS3393 AS BUTT 1DWR	26 3/4"	31"	16 1/8"	31 3/8"
<b>90"H • 1 Top Shelf</b>				
OVS2790 AS BUTT 1DWR	20 3/4"	25"	15 3/4"	31"
OVS3090 AS BUTT 1DWR	23 3/4"	28"	15 3/4"	31"
OVS3390 AS BUTT 1DWR	26 3/4"	31"	15 3/4"	31"
<b>84"H • No Shelf</b>				
OVS2784 BUTT 1DWR	20 3/4"	25"	16 1/8"	31 3/8"
OVS3084 BUTT 1DWR	23 3/4"	28"	16 1/8"	31 3/8"
OVS3384 BUTT 1DWR	26 3/4"	31"	16 1/8"	31 3/8"

## Single Oven Cabinet • 4 Butt Doors and 1 Drawer, Pot & Pan Organizer



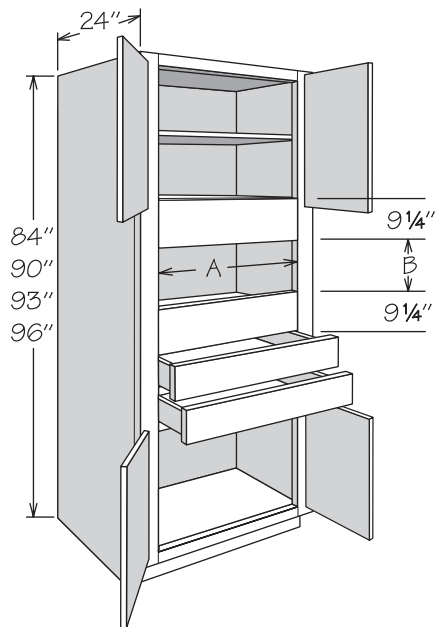
90" High Shown

- Features a solid back
- 3/8" stiles
- All door styles feature self-closing face-mounted hidden hinges
- Full-depth adjustable shelves and 3/4" engineered wood and edge banded on front edge only
- Shelving and Pot & Pan Organizer packaged separately for field installation
- Organizer features natural finish solid wood, wood veneer and dovetail (front only) construction with engineered wood bottom
- Organizer top shelf measures 6 3/8" deep
- Organizer middle shelf measures 9 3/4" deep
- 4" inset toe kick assembly shipped inside 93" and 96" high cabinets, 33" wide x 93" high toe kicks ship as two pieces - seam will be visible between toe kick box and side of cabinet
- Refer to appliance manufacturer's specifications for adequate clearances and required installation materials

<b>FE</b>
-----------

	<b>A</b> <b>ACTUAL</b>	<b>A</b> <b>MAX.</b>	<b>B</b> <b>ACTUAL</b>	<b>B</b> <b>MAX.</b>
<b>96"H • 3 Top Shelves</b>				
OVS2796 BUTT 1DWR BPPO	20 3/4"	25"	16 1/8"	31 3/8"
OVS3096 BUTT 1DWR BPPO	23 3/4"	28"	16 1/8"	31 3/8"
OVS3396 BUTT 1DWR BPPO	26 3/4"	31"	16 1/8"	31 3/8"
<b>93"H • 2 Top Shelves</b>				
OVS2793 BUTT 1DWR BPPO	20 3/4"	25"	16 1/8"	31 3/8"
OVS3093 BUTT 1DWR BPPO	23 3/4"	28"	16 1/8"	31 3/8"
OVS3393 BUTT 1DWR BPPO	26 3/4"	31"	16 1/8"	31 3/8"
<b>90"H • 1 Top Shelf</b>				
OVS2790 BUTT 1DWR BPPO	20 3/4"	25"	15 3/4"	31"
OVS3090 BUTT 1DWR BPPO	23 3/4"	28"	15 3/4"	31"
OVS3390 BUTT 1DWR BPPO	26 3/4"	31"	15 3/4"	31"
<b>84"H • No Shelf</b>				
OVS2784 BUTT 1DWR BPPO	20 3/4"	25"	16 1/8"	31 3/8"
OVS3084 BUTT 1DWR BPPO	23 3/4"	28"	16 1/8"	31 3/8"
OVS3384 BUTT 1DWR BPPO	26 3/4"	31"	16 1/8"	31 3/8"

## Single Oven Cabinet • 4 Butt Doors and 2 Drawers



90" High Shown

- Features a solid back
- 3/8" stiles
- All door styles feature self-closing face-mounted hidden hinges
- Two standard drawers
- Shelf packaged separately for field installation
- 4" inset toe kick assembly shipped inside 93" and 96" high cabinets, 33" wide x 93" high toe kicks ship as two pieces - seam will be visible between toe kick box and side of cabinet
- Refer to appliance manufacturer's specifications for adequate clearances and required installation materials

CFO
FE
RD

	A	A	B	B
	ACTUAL	MAX.	ACTUAL	MAX.

**96"H • 3 Top Shelves**

OVS2796 AS BUTT 2DWR	20 3/4"	25"	10 1/8"	25 3/8"
OVS3096 AS BUTT 2DWR	23 3/4"	28"	10 1/8"	25 3/8"
OVS3396 AS BUTT 2DWR	26 3/4"	31"	10 1/8"	25 3/8"

**93"H • 2 Top Shelves**

OVS2793 AS BUTT 2DWR	20 3/4"	25"	10 1/8"	25 3/8"
OVS3093 AS BUTT 2DWR	23 3/4"	28"	10 1/8"	25 3/8"
OVS3393 AS BUTT 2DWR	26 3/4"	31"	10 1/8"	25 3/8"

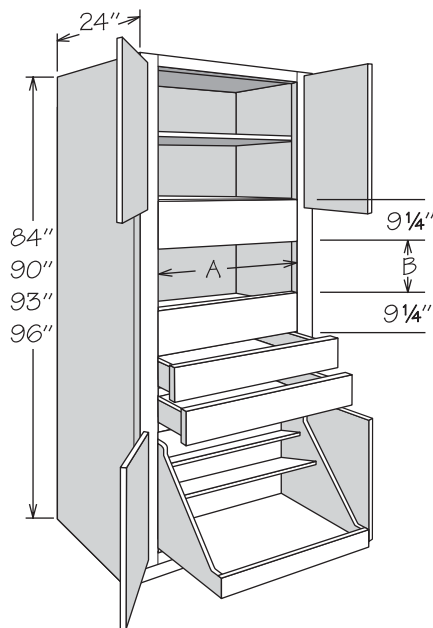
**90"H • 1 Top Shelf**

OVS2790 AS BUTT 2DWR	20 3/4"	25"	9 3/4"	25"
OVS3090 AS BUTT 2DWR	23 3/4"	28"	9 3/4"	25"
OVS3390 AS BUTT 2DWR	26 3/4"	31"	9 3/4"	25"

**84"H • No Shelf**

OVS2784 BUTT 2DWR	20 3/4"	25"	10 1/8"	25 3/8"
OVS3084 BUTT 2DWR	23 3/4"	28"	10 1/8"	25 3/8"
OVS3384 BUTT 2DWR	26 3/4"	31"	10 1/8"	25 3/8"

## Single Oven Cabinet • 4 Butt Doors, 2 Drawers and Pot &amp; Pan Organizer



90" High Shown

- Features a solid back
- 3/8" stiles
- All door styles feature self-closing face-mounted hidden hinges
- Two standard drawers
- Shelving and Pot & Pan Organizer packaged separately for field installation
- Organizer features natural finish solid wood, wood veneer and dovetail (front only) construction with engineered wood bottom
- Organizer top shelf measures 6 3/8" deep
- Organizer middle shelf measures 9 3/4" deep
- 4" inset toe kick assembly shipped inside 93" and 96" high cabinets, 33" wide x 93" high toe kicks ship as two pieces - seam will be visible between toe kick box and side of cabinet
- Refer to appliance manufacturer's specifications for adequate clearances and required installation materials

FE
----

	A	A	B	B
	ACTUAL	MAX.	ACTUAL	MAX.

**96"H • 3 Top Shelves**

OVS2796 BUTT 2DWR BPPO	20 3/4"	25"	10 1/8"	25 3/8"
OVS3096 BUTT 2DWR BPPO	23 3/4"	28"	10 1/8"	25 3/8"
OVS3396 BUTT 2DWR BPPO	26 3/4"	31"	10 1/8"	25 3/8"

**93"H • 2 Top Shelves**

OVS2793 BUTT 2DWR BPPO	20 3/4"	25"	10 1/8"	25 3/8"
OVS3093 BUTT 2DWR BPPO	23 3/4"	28"	10 1/8"	25 3/8"
OVS3393 BUTT 2DWR BPPO	26 3/4"	31"	10 1/8"	25 3/8"

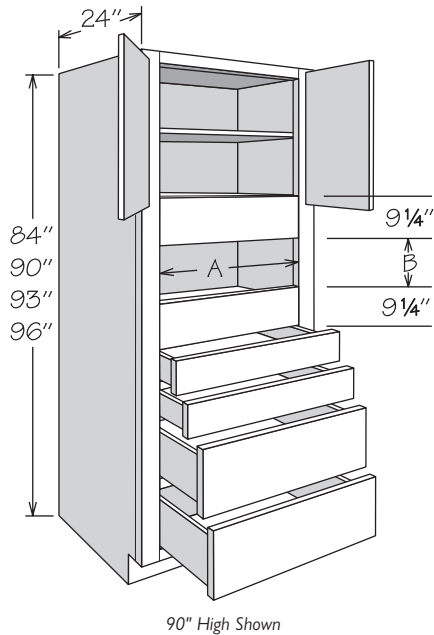
**90"H • 1 Top Shelf**

OVS2790 BUTT 2DWR BPPO	20 3/4"	25"	9 3/4"	25"
OVS3090 BUTT 2DWR BPPO	23 3/4"	28"	9 3/4"	25"
OVS3390 BUTT 2DWR BPPO	26 3/4"	31"	9 3/4"	25"

**84"H • No Shelf**

OVS2784 BUTT 2DWR BPPO	20 3/4"	25"	10 1/8"	25 3/8"
OVS3084 BUTT 2DWR BPPO	23 3/4"	28"	10 1/8"	25 3/8"
OVS3384 BUTT 2DWR BPPO	26 3/4"	31"	10 1/8"	25 3/8"

## Single Oven Cabinet • 2 Butt Doors and 4 Drawers



- Features a solid back
- 3 1/8" stiles
- All door styles feature self-closing face-mounted hidden hinges
- Two standard and two large drawers
- Shelf packaged separately for field installation
- 4" inset toe kick assembly shipped inside 93" and 96" high cabinets, 33" wide x 93" high toe kicks ship as two pieces - seam will be visible between toe kick box and side of cabinet
- Refer to appliance manufacturer's specifications for adequate clearances and required installation materials

<b>CFO</b>
<b>FE</b>
<b>RD</b>

	<b>A</b>	<b>A</b>	<b>B</b>	<b>B</b>
	<b>ACTUAL</b>	<b>MAX.</b>	<b>ACTUAL</b>	<b>MAX.</b>

### 96"H • 3 Top Shelves

OVS2796 AS BUTT 4DWR	20 3/4"	25"	10 1/8"	25 3/8"
OVS3096 AS BUTT 4DWR	23 3/4"	28"	10 1/8"	25 3/8"
OVS3396 AS BUTT 4DWR	26 3/4"	31"	10 1/8"	25 3/8"

### 93"H • 2 Top Shelves

OVS2793 AS BUTT 4DWR	20 3/4"	25"	10 1/8"	25 3/8"
OVS3093 AS BUTT 4DWR	23 3/4"	28"	10 1/8"	25 3/8"
OVS3393 AS BUTT 4DWR	26 3/4"	31"	10 1/8"	25 3/8"

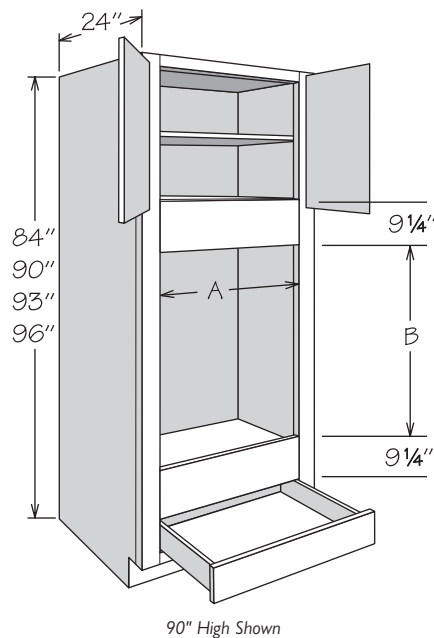
### 90"H • 1 Top Shelf

OVS2790 AS BUTT 4DWR	20 3/4"	25"	9 3/4"	25"
OVS3090 AS BUTT 4DWR	23 3/4"	28"	9 3/4"	25"
OVS3390 AS BUTT 4DWR	26 3/4"	31"	9 3/4"	25"

### 84"H • No Shelf

OVS2784 BUTT 4DWR	20 3/4"	25"	10 1/8"	25 3/8"
OVS3084 BUTT 4DWR	23 3/4"	28"	10 1/8"	25 3/8"
OVS3384 BUTT 4DWR	26 3/4"	31"	10 1/8"	25 3/8"

## Double Oven Cabinet • 2 Butt Doors and 1 Drawer



- Features a solid back
- 3 1/8" stiles
- One standard drawers
- All door styles feature self-closing face-mounted hidden hinges
- Shelf packaged separately for field installation
- 4" inset toe kick assembly shipped inside 93" and 96" high cabinets, 33" wide x 93" high toe kicks ship as two pieces - seam will be visible between toe kick box and side of cabinet
- Refer to appliance manufacturer's specifications for adequate clearances and required installation materials

<b>CFO</b>
<b>FE</b>
<b>RD</b>

	<b>A</b>	<b>A</b>	<b>B</b>	<b>B</b>
	<b>ACTUAL</b>	<b>MAX.</b>	<b>ACTUAL</b>	<b>MAX.</b>

### 96"H • 3 Top Shelves

OVD2796 AS BUTT	20 3/4"	25"	39"	54 1/4"
OVD3096 AS BUTT	23 3/4"	28"	39"	54 1/4"
OVD3396 AS BUTT	26 3/4"	31"	39"	54 1/4"

### 93"H • 2 Top Shelves

OVD2793 AS BUTT	20 3/4"	25"	39"	54 1/4"
OVD3093 AS BUTT	23 3/4"	28"	39"	54 1/4"
OVD3393 AS BUTT	26 3/4"	31"	39"	54 1/4"

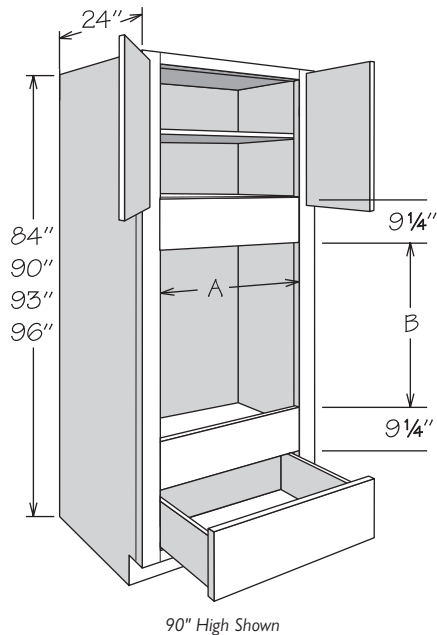
### 90"H • 1 Top Shelf

OVD2790 AS BUTT	20 3/4"	25"	38 5/8"	53 7/8"
OVD3090 AS BUTT	23 3/4"	28"	38 5/8"	53 7/8"
OVD3390 AS BUTT	26 3/4"	31"	38 5/8"	53 7/8"

### 84"H • No Shelf

OVD2784 BUTT	20 3/4"	25"	39"	54 1/4"
OVD3084 BUTT	23 3/4"	28"	39"	54 1/4"
OVD3384 BUTT	26 3/4"	31"	39"	54 1/4"

## Double Oven Cabinet • 2 Butt Doors and 1 Large Drawer



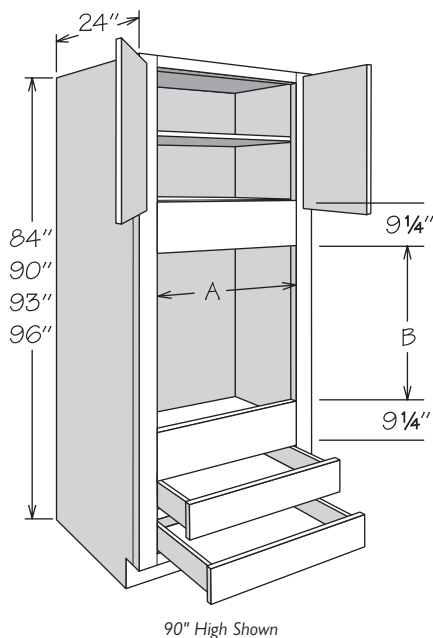
90" High Shown

- Features a solid back
- 3/8" stiles
- All door styles feature self-closing face-mounted hidden hinges
- One large drawer
- Shelf packaged separately for field installation
- 4" inset toe kick assembly shipped inside 93" and 96" high cabinets, 33" wide x 93" high toe kicks ship as two pieces - seam will be visible between toe kick box and side of cabinet
- Refer to appliance manufacturer's specifications for adequate clearances and required installation materials

<b>CFO</b>
<b>FE</b>
<b>RD</b>

	<b>A</b> <b>ACTUAL</b>	<b>A</b> <b>MAX.</b>	<b>B</b> <b>ACTUAL</b>	<b>B</b> <b>MAX.</b>
<b>96"H • 3 Top Shelves</b>				
OVD2796 AS BUTT 1DDWR	20 3/4"	25"	33 9/16"	48 13/16"
OVD3096 AS BUTT 1DDWR	23 3/4"	28"	33 9/16"	48 13/16"
OVD3396 AS BUTT 1DDWR	26 3/4"	31"	33 9/16"	48 13/16"
<b>93"H • 2 Top Shelves</b>				
OVD2793 AS BUTT 1DDWR	20 3/4"	25"	33 9/16"	48 13/16"
OVD3093 AS BUTT 1DDWR	23 3/4"	28"	33 9/16"	48 13/16"
OVD3393 AS BUTT 1DDWR	26 3/4"	31"	33 9/16"	48 13/16"
<b>90"H • 1 Top Shelf</b>				
OVD2790 AS BUTT 1DDWR	20 3/4"	25"	33 3/16"	48 7/16"
OVD3090 AS BUTT 1DDWR	23 3/4"	28"	33 3/16"	48 7/16"
OVD3390 AS BUTT 1DDWR	26 3/4"	31"	33 3/16"	48 7/16"
<b>84"H • No Shelf</b>				
OVD2784 BUTT 1DDWR	20 3/4"	25"	33 9/16"	48 13/16"
OVD3084 BUTT 1DDWR	23 3/4"	28"	33 9/16"	48 13/16"
OVD3384 BUTT 1DDWR	26 3/4"	31"	33 9/16"	48 13/16"

## Double Oven Cabinet • 2 Butt Doors and 2 Drawers



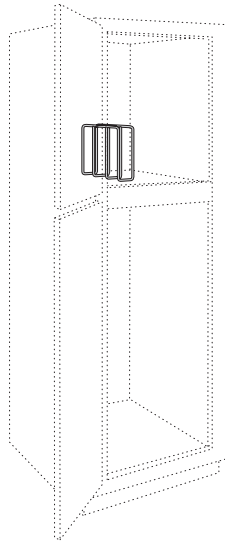
90" High Shown

- Features a solid back
- 3/8" stiles
- All door styles feature self-closing face-mounted hidden hinges
- Two standard drawers
- Shelf packaged separately for field installation
- 4" inset toe kick assembly shipped inside 93" and 96" high cabinets, 33" wide x 93" high toe kicks ship as two pieces - seam will be visible between toe kick box and side of cabinet
- Refer to appliance manufacturer's specifications for adequate clearances and required installation materials

<b>CFO</b>
<b>FE</b>
<b>RD</b>

	<b>A</b> <b>ACTUAL</b>	<b>A</b> <b>MAX.</b>	<b>B</b> <b>ACTUAL</b>	<b>B</b> <b>MAX.</b>
<b>96"H • 3 Top Shelves</b>				
OVD2796 AS BUTT 2DWR	20 3/4"	25"	33"	48 1/4"
OVD3096 AS BUTT 2DWR	23 3/4"	28"	33"	48 1/4"
OVD3396 AS BUTT 2DWR	26 3/4"	31"	33"	48 1/4"
<b>93"H • 2 Top Shelves</b>				
OVD2793 AS BUTT 2DWR	20 3/4"	25"	33"	48 1/4"
OVD3093 AS BUTT 2DWR	23 3/4"	28"	33"	48 1/4"
OVD3393 AS BUTT 2DWR	26 3/4"	31"	33"	48 1/4"
<b>90"H • 1 Top Shelf</b>				
OVD2790 AS BUTT 2DWR	20 3/4"	25"	32 5/8"	47 7/8"
OVD3090 AS BUTT 2DWR	23 3/4"	28"	32 5/8"	47 7/8"
OVD3390 AS BUTT 2DWR	26 3/4"	31"	32 5/8"	47 7/8"
<b>84"H • No Shelf</b>				
OVD2784 BUTT 2DWR	20 3/4"	25"	33"	48 1/4"
OVD3084 BUTT 2DWR	23 3/4"	28"	33"	48 1/4"
OVD3384 BUTT 2DWR	26 3/4"	31"	33"	48 1/4"

## Cabinet Tray Divider

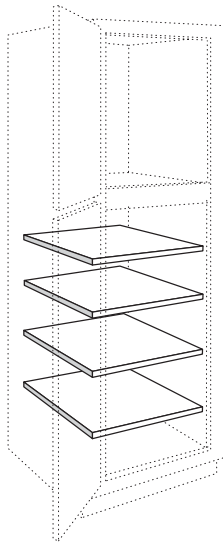


- Field installation accessory
- Chrome finish
- Mounting hardware included
- Overall dimensions: 2 $\frac{7}{8}$ " wide x 9 $\frac{15}{16}$ " high x 1 $\frac{3}{4}$ " deep
- Order Cabinet Tray Dividers individually
- For use in 24" deep cabinets or cabinets with RD-23 through RD-14

RD

TD3

## Adjustable Shelves



- Field installation accessory
- $\frac{3}{4}$ " engineered wood for all construction packages
- Edge banded on front edge only
- CLIP LOCK shelf rests included

MI

RD

### ADJUSTABLE SHELF

#### 24" Deep

S1224  
S1524  
S1824  
S2124  
S2424  
S2724  
S3024  
S3324  
S3624

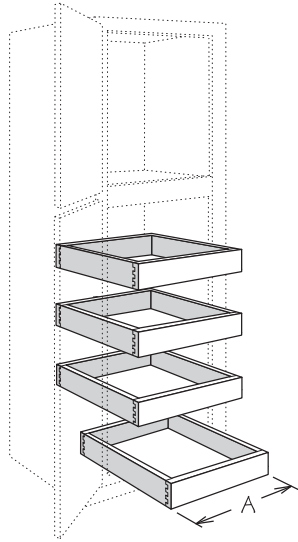
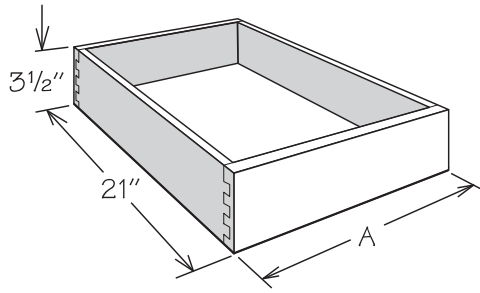
### 4 PACK SHELF KIT

#### 24" Deep

SK1224  
SK1524  
SK1824  
SK2124  
SK2424  
SK2724  
SK3024  
SK3324  
SK3624



## Deep Roll Out Trays



- Field installation accessory
- Natural finish dovetail drawer with engineered wood bottom for all construction packages
- Includes tray, all glide hardware and installation instructions

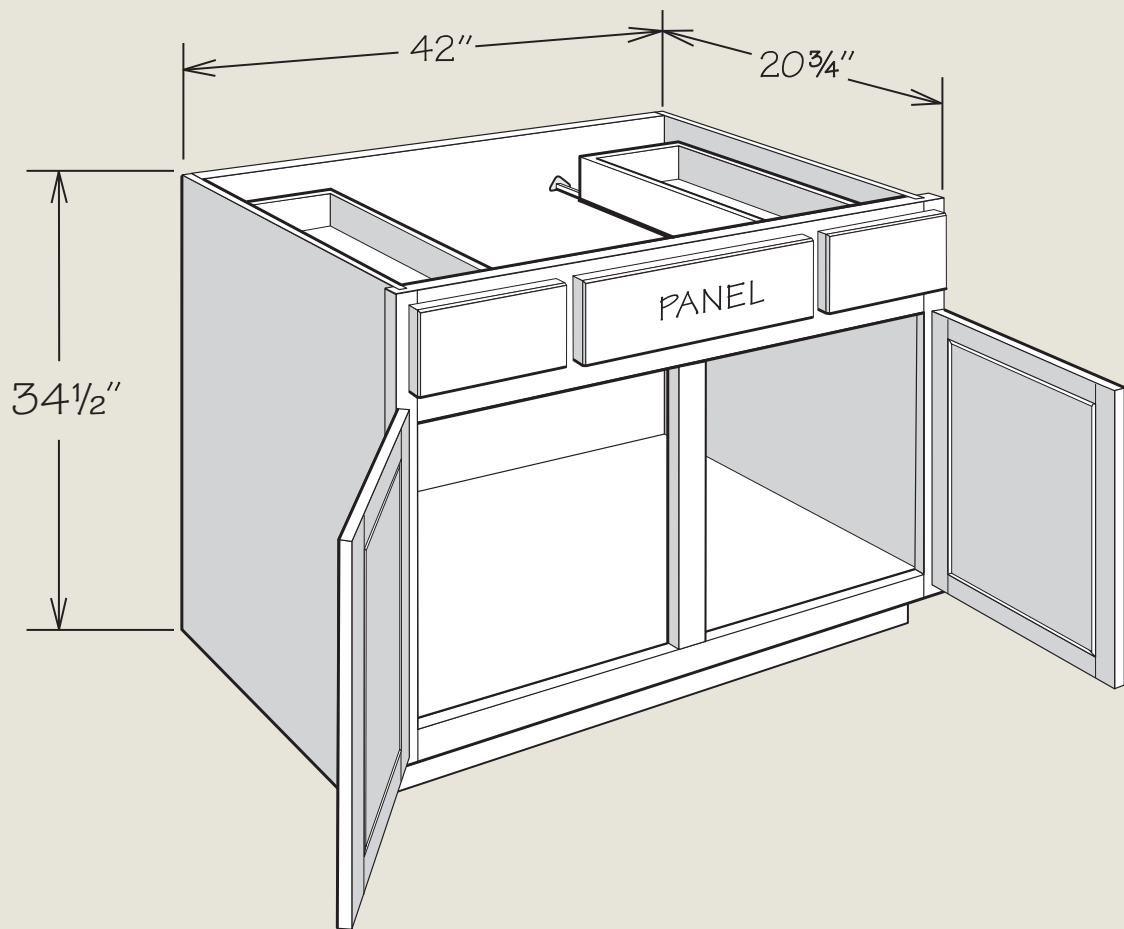
**RD**

### OVEN SIZE

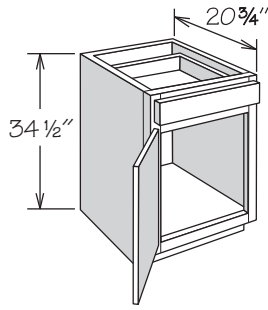
DROT24	OVS27
DROT27	OVS30
DROT30	OVS33

<b>SINGLE DEEP ROLL OUT TRAY KIT</b>	<b>4 PACK DEEP ROLL OUT TRAY KIT</b>	<b>A</b>
DROT12	DROT12-4K	7 3/4"
DROT15	DROT15-4K	10 3/4"
DROT18	DROT18-4K	13 3/4"
DROT21	DROT21-4K	16 3/4"
DROT24	DROT24-4K	19 3/4"
DROT27	DROT27-4K	22 3/4"
DROT30	DROT30-4K	25 3/4"
DROT33	DROT33-4K	28 3/4"
DROT36	DROT36-4K	31 3/4"

# Vanity Cabinets



## Vanity Base • 1 Door

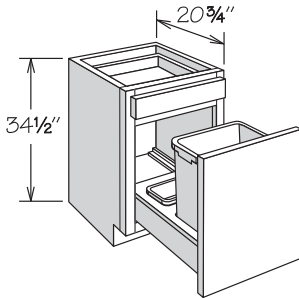


- No shelf
- Door is hinged left and can be reversed in the field
- Not drilled for adjustable shelf

CFO
FE
RD
RTK

VB1234H  
VB1534H  
VB1834H  
VB2134H

## Vanity Base Cabinet • 1 Drawer and 1 Door with Wastebasket Pull-Out

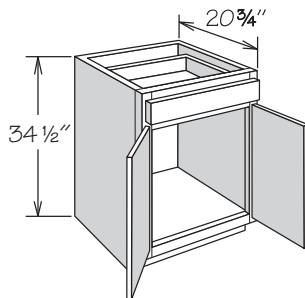


- Wastebasket rests in a natural finish wood frame
- **essential** wastebasket frame slides on full-access heavy duty glides
- **select** and **luxury** wastebasket frame slides on full-access soft-close heavy duty glides
- Features one silver plastic 35-quart capacity bin and bag storage tray at rear (not dishwasher safe)
- Decorative hardware strongly recommended

FE
RTK

VWBB1834H

## Vanity Base • 2 Butt Doors and 1 Drawer

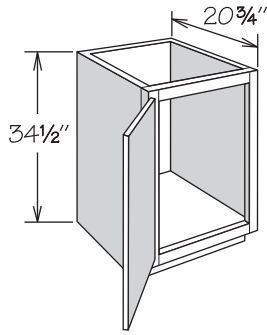


- No shelf
- Not drilled for adjustable shelf

CFO
FE
RD
RTK

VB2434H BUTT  
VB2734H BUTT  
VB3034H BUTT  
VB3334H BUTT  
VB3634H BUTT

## Vanity Full-Height Base • 1 Door

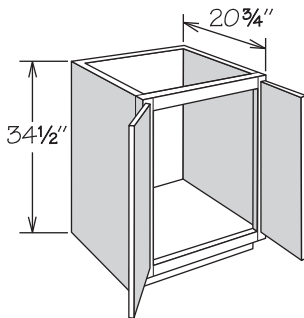


- Full-height door
- No shelf
- Not drilled for adjustable shelf
- Door is hinged left and can be reversed in the field

<b>CFO</b>
<b>FE</b>
<b>RD</b>
<b>RTK</b>

VB1234H FH  
 VB1534H FH  
 VB1834H FH  
 VB2134H FH

## Vanity Full-Height Base • 2 Butt Doors

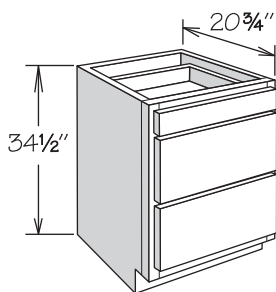


- Full-height doors
- No shelf
- Not drilled for adjustable shelf

<b>CFO</b>
<b>FE</b>
<b>RD</b>
<b>RTK</b>

VB2434H BUTT FH  
 VB3034H BUTT FH  
 VB3634H BUTT FH

## Vanity Drawer Base • 3 Drawers

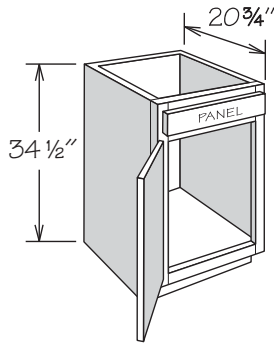


- One standard and two large drawers

<b>CFO</b>
<b>FE</b>
<b>RD</b>
<b>RTK</b>

VDB1234H  
 VDB1534H  
 VDB1834H  
 VDB2134H  
 VDB2434H

## Vanity Sink Base • 1 Door

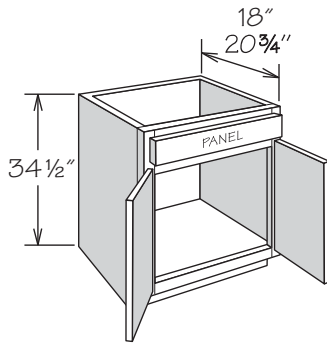


- No shelf
- Subtract 1/2" from depth and width for available sink bowl opening
- Door is hinged left and can be reversed in the field

CFO
FE
RD
RTK

VSB1534H  
VSB1834H  
VSB2134H

## Vanity Sink Base • 2 Butt Doors



- No shelf
- Subtract 1/2" from depth and width for available sink bowl opening

CFO
FE
RD
RTK

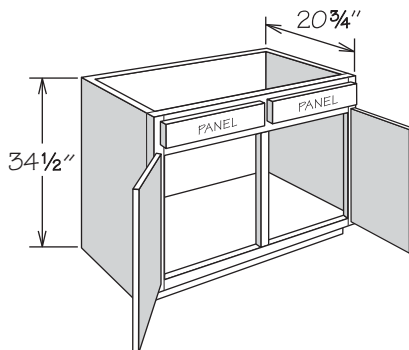
### 20 3/4" DEEP

VSB2434H BUTT  
VSB2734H BUTT  
VSB3034H BUTT  
VSB3334H BUTT  
VSB3634H BUTT

### 18" DEEP

VSB241834H BUTT  
VSB301834H BUTT  
VSB361834H BUTT

## Vanity Sink Base • 2 Doors

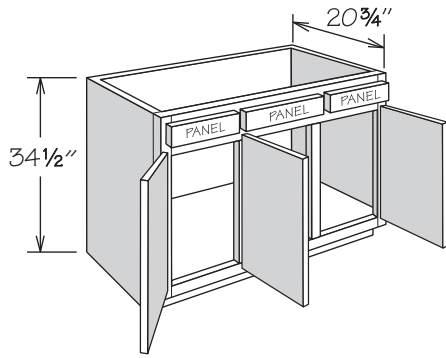


- No shelf
- Subtract 1/2" from depth and width for available sink bowl opening

CFO
FE
RD
RTK

VSB3934H  
VSB4234H

## Vanity Sink Base • 3 Doors

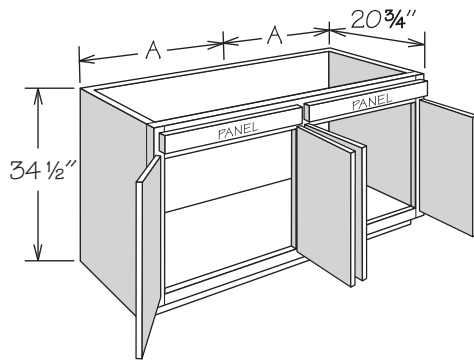


- No shelf
- Subtract 1/2" from depth and width for available sink bowl opening
- Hinged as shown – can be reversed in the field

<b>CFO</b>
<b>FE</b>
<b>RD</b>
<b>RTK</b>

VSB4834H

## Vanity Sink Base • 4 Butt Doors



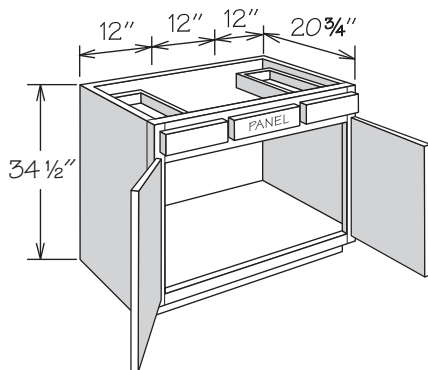
- No shelf
- Subtract 1/2" from depth and each dimension A for available sink bowl openings

<b>CFO</b>
<b>FE</b>
<b>RD</b>
<b>RTK</b>

VSB5434H BUTT  
VSB6034H BUTT

**A**  
27"  
30"

## Vanity Sink Base • 2 Butt Doors and 2 Drawers

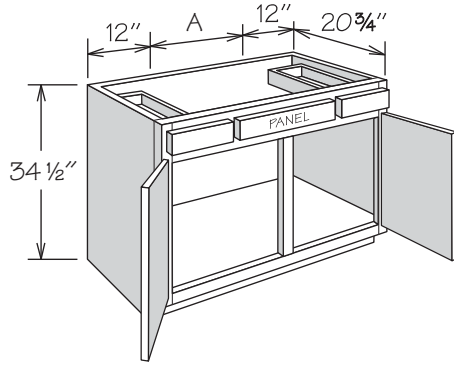


- No shelf
- Top drawer on each side of sink bowl opening
- Subtract 1/2" from depth for available sink bowl opening
- Features two DRB9\_ to accommodate sink bowl opening up to 18"

<b>CFO</b>
<b>FE</b>
<b>RD</b>
<b>RTK</b>

VAN3634H BUTT

## Vanity Sink Base • 2 Doors and 2 Drawers

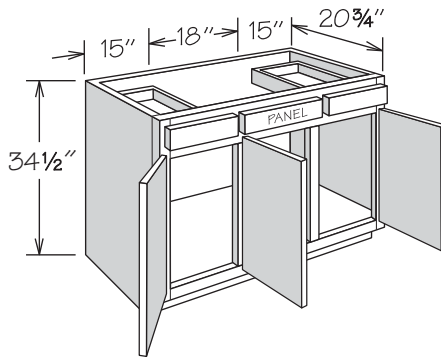


- No shelf
- Top drawer on each side of sink bowl opening
- Subtract 1/2" from depth for available sink bowl opening

CFO
FE
RD
RTK

	A	MAX. SINK OPENING
VAN3934H	15"	18"
VAN4234H	18"	21"

## Vanity Sink Base • 3 Doors and 2 Drawers

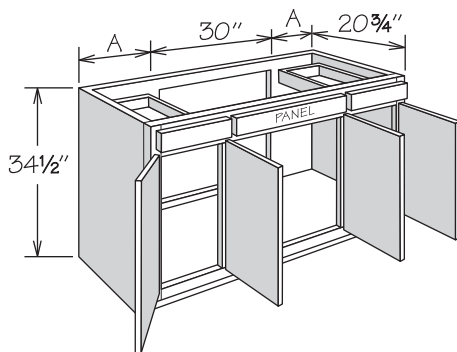


- No shelf
- Top drawer on each side of sink bowl opening
- Subtract 1/2" from depth for available sink bowl opening
- Hinged as shown – can be reversed in the field
- Maximum sink bowl opening is 21" wide

CFO
FE
RD
RTK

VAN4834H

## Vanity Sink Base • 4 Butt Doors and 2 Drawers



- No shelf
- Open area for plumbing access
- Top drawer on each side of sink bowl opening
- Subtract 1/2" from depth for available sink bowl opening
- Maximum sink bowl opening is 33" wide

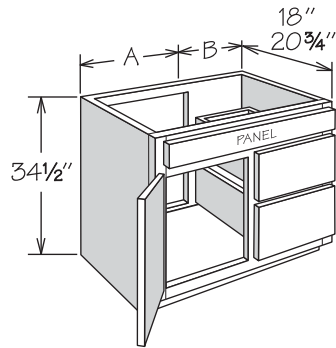
CFO
FE
RD
RTK

	A
VAN5434H BUTT	12"
VAN6034H BUTT	15"

## Vanity Combo Sink Base • 1 Door and 2 Drawers

**NEW!**

**UPDATE**

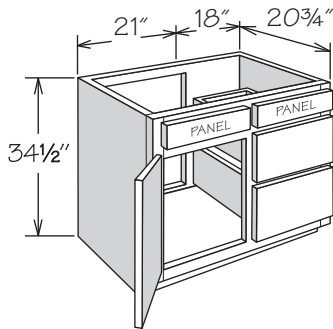


- **UPDATE:** Now features one top panel
- No shelf
- Open area for plumbing access
- Allow for plumbing placement to clear drawers
- Drawers available on right or left side (please specify)
- Cabinet shown is right indicating drawers on the right side of the cabinet
- Subtract 1/2" from depth and overall cabinet width for available sink bowl opening

<b>CFO</b>
<b>FE</b>
<b>RD</b>
<b>RTK</b>

<b>20 3/4" DEEP</b>	<b>18" DEEP</b>	<b>A</b>	<b>B</b>
VSDB2434H	VSDB241834H	12"	12"
VSDB2734H	VSDB271834H	15"	12"
VSDB3034H	VSDB301834H	18"	12"
VSDB3334H	VSDB331834H	21"	12"
VSDB3634H	VSDB361834H	21"	15"

## Vanity Combo Sink Base • 1 Door and 2 Drawers



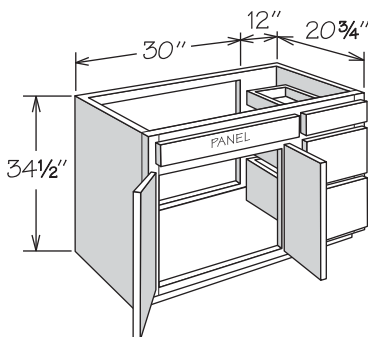
- No shelf
- Open area for plumbing access
- Allow for plumbing placement to clear drawers
- Drawers available on right or left side (please specify)
- Cabinet shown is right indicating drawers on the right side of the cabinet
- Subtract 1/2" from depth and overall cabinet width for available sink bowl opening

<b>CFO</b>
<b>FE</b>
<b>RD</b>
<b>RTK</b>

### **34 1/2" HIGH**

VSDB3934H

## Vanity Combo Sink Base • 2 Butt Doors and 3 Drawers



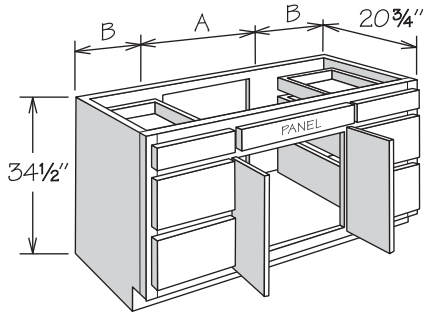
- No shelf
- Open area for plumbing access
- Drawers available on right or left side (please specify)
- Cabinet shown is right indicating drawers on the right side of the cabinet
- Maximum sink bowl opening is 28 1/2" wide
- Requires off center sink bowl opening

<b>CFO</b>
<b>FE</b>
<b>RD</b>
<b>RTK</b>

VSDB4234H BUTT



## Vanity Combo Sink Base • 2 Butt Doors and 6 Drawers

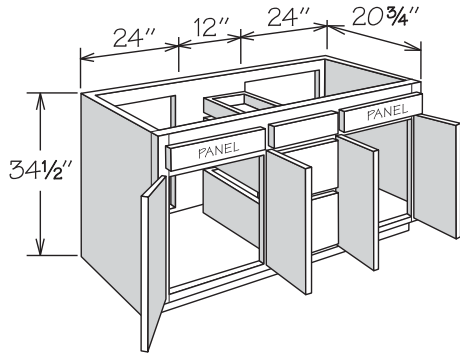


- No shelf
- Open area for plumbing access
- Subtract 1/2" from depth and dimension A for available sink bowl opening

<b>CFO</b>
<b>FE</b>
<b>RD</b>
<b>RTK</b>

	<b>A</b>	<b>B</b>
VSDB4834HD BUTT	24"	12"
VSDB5434HD BUTT	24"	15"
VSDB6034HD BUTT	30"	15"

## Vanity Combo Sink Base • 4 Butt Doors and 3 Drawers

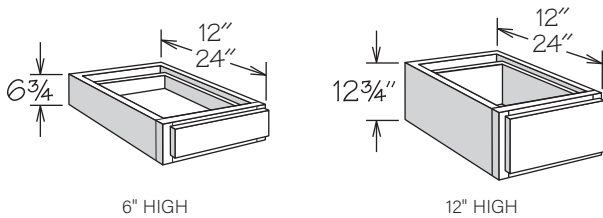


- No shelf
- Open area for plumbing access
- Subtract 1/2" from depth and each 24" dimension for available sink bowl openings

<b>CFO</b>
<b>FE</b>
<b>RD</b>
<b>RTK</b>

VSDB6034HC BUTT

## Furniture Drawer Cabinet • 1 Drawer



- 6" high features one standard drawer and 12" high features one large drawer
- 24" deep Furniture Drawer cabinets are only available with RD-23 through RD-13
- Bottom of cabinet frame must be fully supported

<b>CFO</b>
<b>FE</b>
<b>RD</b> ■

### 6" HIGH • 1 DRAWER

#### 12" Deep

FD121206  
FD151206  
FD181206  
FD211206  
FD241206  
FD271206  
FD301206  
FD331206  
FD361206

#### 24" Deep

FD122406 ■  
FD152406 ■  
FD182406 ■  
FD212406 ■  
FD242406 ■  
FD272406 ■  
FD302406 ■  
FD332406 ■  
FD362406 ■

### 12" HIGH • 1 DRAWER

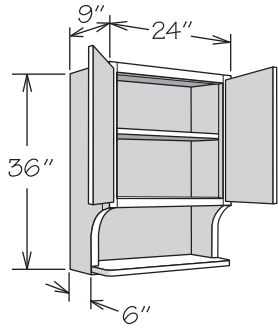
#### 12" Deep

FD121212  
FD151212  
FD181212  
FD211212  
FD241212  
FD271212  
FD301212  
FD331212  
FD361212

#### 24" Deep

FD122412 ■  
FD152412 ■  
FD182412 ■  
FD212412 ■  
FD242412 ■  
FD272412 ■  
FD302412 ■  
FD332412 ■  
FD362412 ■

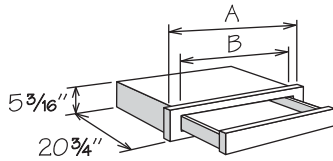
## Valet Cabinet • 2 Butt Doors



- Matching interior standard
- Flush sides with no face frame or ¼" reveals
- Bottom opening: 22½" x 10⅞"
- Features a fixed shelf
- Sides and bottom shelf feature ¾" engineered wood veneered on both sides for all construction packages

VC2436 BUTT

## Kneehole Drawer Cabinet

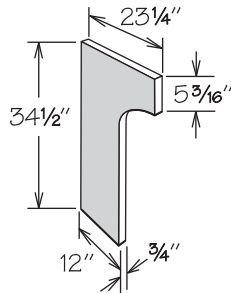


- Designed for desk or vanity application
- Field trimmable in height to 4¾"
- Field trimmable in depth to 18" or available with RD-20 through RD-12
- Drawer front complements door style - refer to door style section

RD

	A	B	MAX. TRIM
KDC27/21	27"	17¾"	21" (3" each side)
KDC33/27	33"	23¾"	27" (3" each side)
KDC36/33	36"	29¾"	33" (1½" each side)

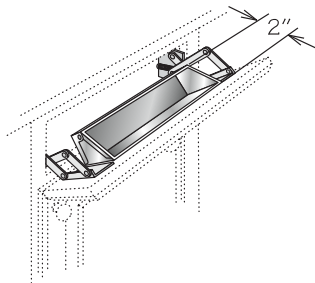
## Desk End Panel



- All construction packages feature ¾" veneered engineered wood finished to match cabinet box exterior on both sides
- Recommend QM8 be ordered for installation to ensure proper attachment to wall
- Field trimmable
- Edge banded on front

DEP

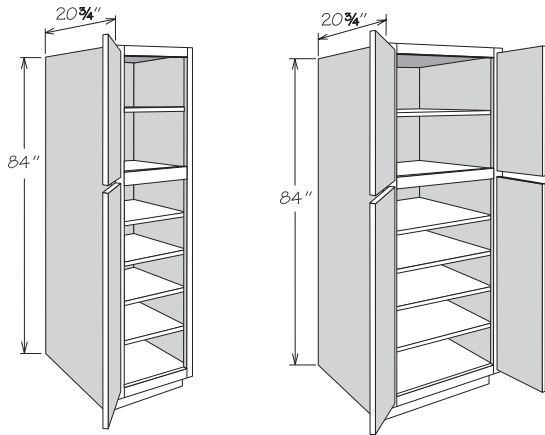
## Tilt-Out Tray Kit



- Field installation accessory
- Kit features tray and one pair of scissor hinges
- For use on existing drawer panels for 20¾" or 18" deep vanity cabinets
- STO TRAY 11:
  - » Order one unit for VSB1834H, VSB4834H (center only), VAN4834H or VSDB3034H (above door only)
- STO TRAY 14:
  - » Order one unit for VSB2134H, VSB2434H, VSB2734H, VSDB3334H (above door only), VSDB3634H (above door only), VSDB4834H or VSDB5434H
  - » Order two units for VSB4234H, VSB5434H or VSDB6034HC
- STO TRAY 22:
  - » Order one unit for VSB3034H, VSB3334H, VSB3634H, VAN5434H, VAN6034H, VSDB4234H or VSDB6034HD
  - » Order two units for VSB6034H
- Tilt-Out Trays are NOT dishwasher safe

STO TRAY 11  
STO TRAY 14  
STO TRAY 22

## Vanity Linen Cabinet • Adjustable Shelves



2 DOOR

4 BUTT DOORS

- Features one full-depth adjustable shelf in top section and four full-depth adjustable shelves in lower section
- Full-depth adjustable shelves are 3/4" engineered wood and edge banded on front edge only
- All shelving packaged separately
- Two door cabinets must be ordered hinged left or right
- Specialty Door cabinets (SD) feature Matching Interior standard and require a specialty door selection
- Bottom doors have a center rail for select door styles - refer to door style section

FE
MI ■
RD

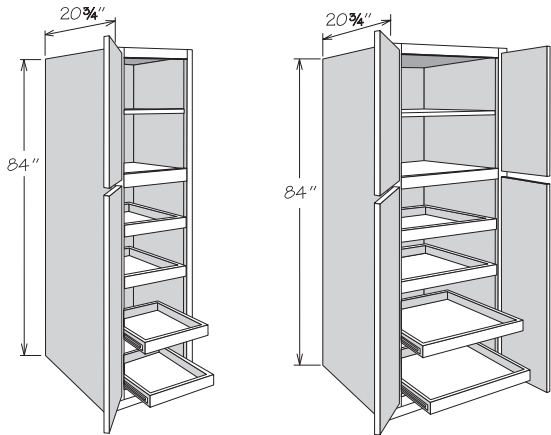
### 2 DOORS

VLC152184 AS ■  
 VLC182184 AS ■  
 VLC152184 AS SD  
 VLC182184 AS SD

### 4 BUTT DOORS

VLC242184 AS BUTT ■  
 VLC242184 AS BUTT SD

## Vanity Linen Cabinet • Deep Roll Out Trays



2 DOOR

4 BUTT DOORS

- Features one full-depth adjustable shelf in top section and four Deep Roll Out Trays in lower section
- Adjustable shelf and Deep Roll Out Trays packaged separately
- Two door cabinets must be ordered hinged left or right
- Specialty Door cabinets (SD) feature Matching Interior standard and require a specialty door selection
- Bottom doors have a center rail for select door styles - refer to door style section

FE
MI ■
RD

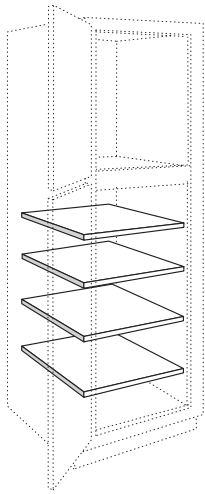
### 2 DOORS

VLC152184 4ROT ■  
 VLC182184 4ROT ■  
 VLC152184 4ROT SD  
 VLC182184 4ROT SD

### 4 BUTT DOORS

VLC242184 4ROT BUTT ■  
 VLC242184 4ROT BUTT SD

## Vanity Linen Cabinet • Adjustable Shelves



- Field installation accessory
- ¾" engineered wood for all construction packages
- Edge banded on front edge only
- CLIP LOCK shelf rests included

<b>MI</b>
<b>RD</b>

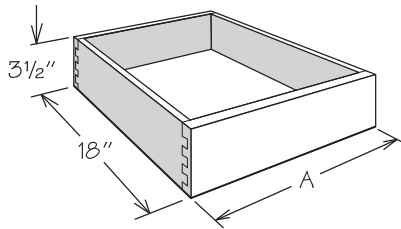
### ADJUSTABLE SHELF

S1221  
S1521  
S1821  
S2421

### 4 PACK SHELF KIT

SK1221  
SK1521  
SK1821  
SK2421

## Vanity Linen Cabinet • Deep Roll Out Trays



- Field installation accessory
- Natural finish dovetail drawer with engineered wood bottom for all construction packages
- Includes tray, all glide hardware and installation instructions

<b>RD</b>
-----------

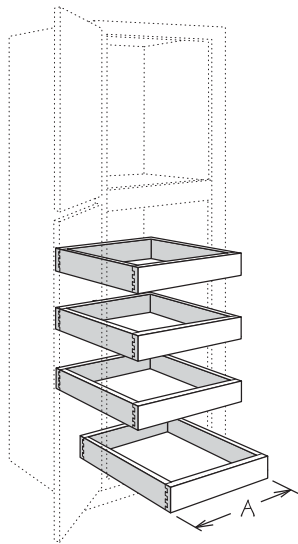
### SINGLE DEEP ROLL OUT TRAY KIT

DROT1521  
DROT1821  
DROT2421

### 4 PACK DEEP ROLL OUT TRAY KIT

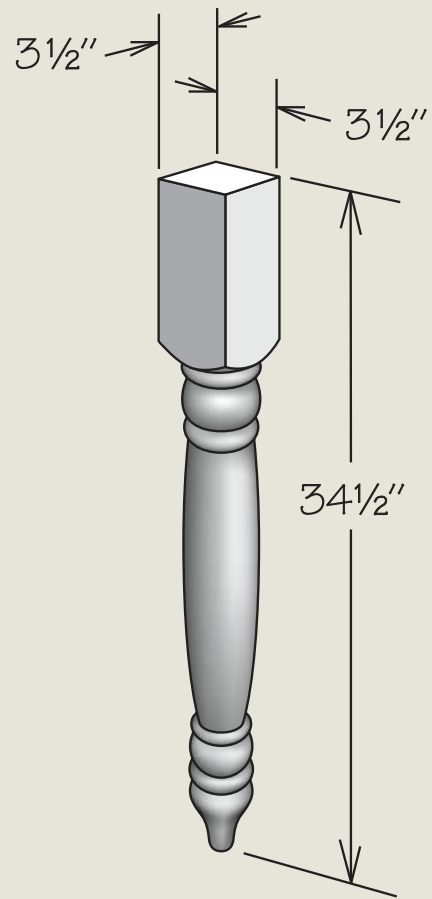
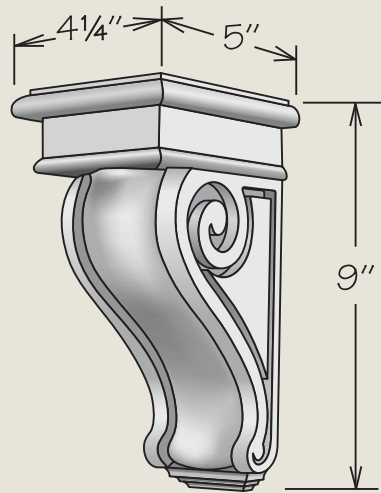
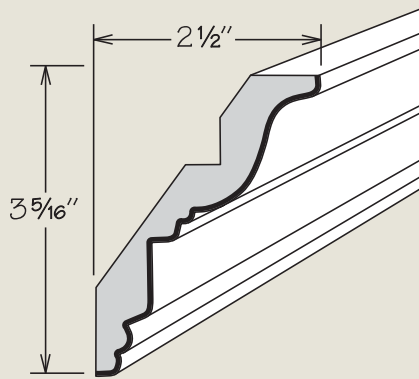
DROT1521-4K  
DROT1821-4K  
DROT2421-4K

**A**  
10¾"  
13¾"  
19¾"

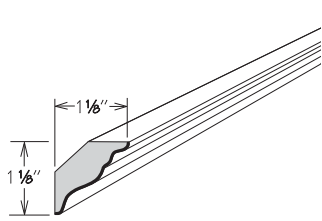




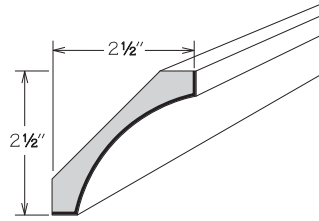
# Molding & Decorative Accents



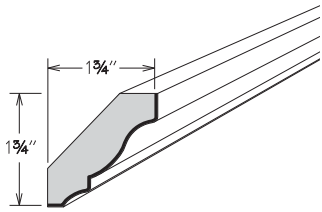
## Crown Molding



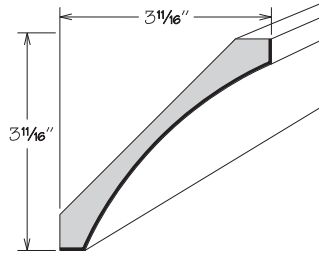
SOFFIT



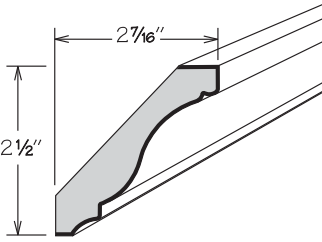
SMALL COVE



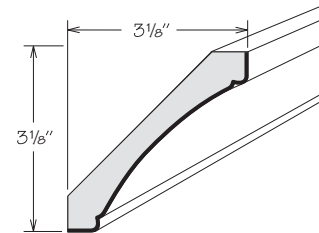
CROWN



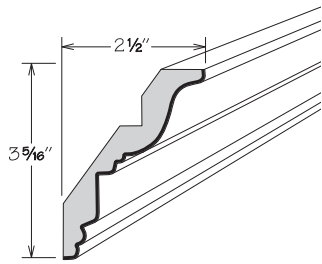
LARGE COVE



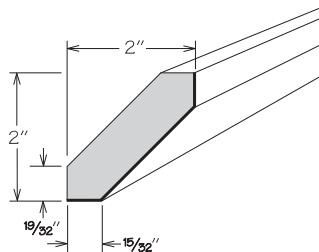
LARGE CROWN



DECORATIVE COVE



TRADITIONAL CLASSIC



ANGLE

- 94" long
- Features solid wood finished to match cabinet box exterior - CM8, DCVM8, LCM8, SCM8 and TCCM8 will be glazed (when applicable)
- TCCM8 may use OGE8, SBIM8, or SIM8 as accent
- Bold line indicates finished surfaces

### SOFFIT

SCM8

### SMALL COVE

SCVM8

### CROWN

CM8

### LARGE COVE

LCVM8

### LARGE CROWN

LCM8

### DECORATIVE COVE

DCVM8

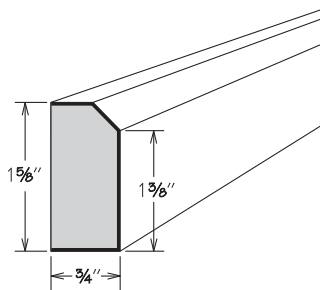
### TRADITIONAL CLASSIC

TCCM8

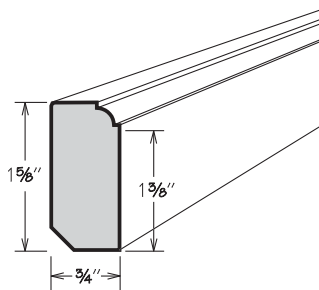
### ANGLE

ACM8

## Edge Molding



CONTEMPORARY TRIM



DECORATIVE TRIM

- 94" long
- Features solid wood finished to match cabinet box exterior - DTCM8 will be glazed (when applicable)
- Can be used as light rail molding (clearing may be required)
- Bold line indicates finished surfaces

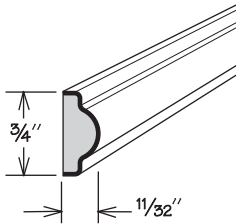
### CONTEMPORARY TRIM

CTM8

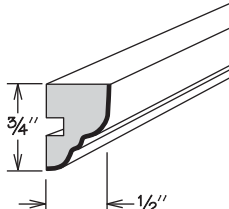
### DECORATIVE TRIM

DCTM8

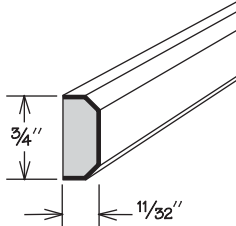
## Inset Molding



SINGLE BEAD



OGEE



SHAKER

- 94" long
- Features solid wood finished to match cabinet box exterior - OGE8 and SBIM8 will be glazed (when applicable)
- May be used as accent on TCCM8 and ILR8
- Bold line indicates finished surfaces

### SINGLE BEAD

SBIM8

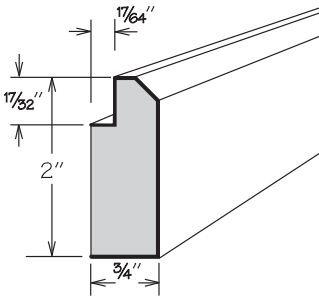
### OGEE

OGE8

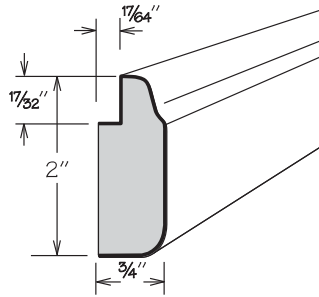
### SHAKER

SIM8

## Mirror Molding



SHAKER



MIRROR

- 94" long
- Features solid wood finished to match cabinet box exterior - MM8 will be glazed (when applicable)
- Bold line indicates finished surfaces - MM8 will be glazed (when applicable)

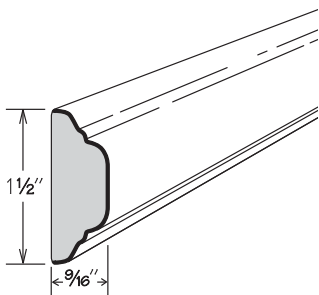
### SHAKER

SMM8

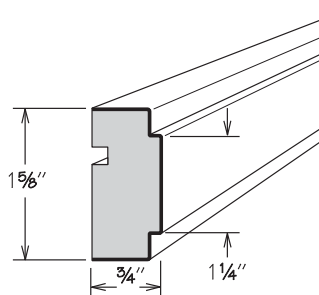
### MIRROR

MM8

## Chair Rail and Specialty Molding



CHAIR RAIL



SQUARE CHAIR RAIL

- 94" long
- Features solid wood finished to match cabinet box exterior - glazed door styles will be glazed
- May be used as vertical decorative molding (i.e. seams between bookshelves or in lieu of an overlay filler)
- LBM8 may be used as light rail molding (clearing required)
- Bold line indicates finished surfaces

### CHAIR RAIL

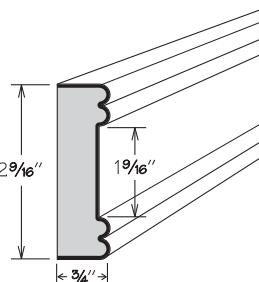
CR8

### SQUARE CHAIR RAIL

SQCR8

### LIBRARY

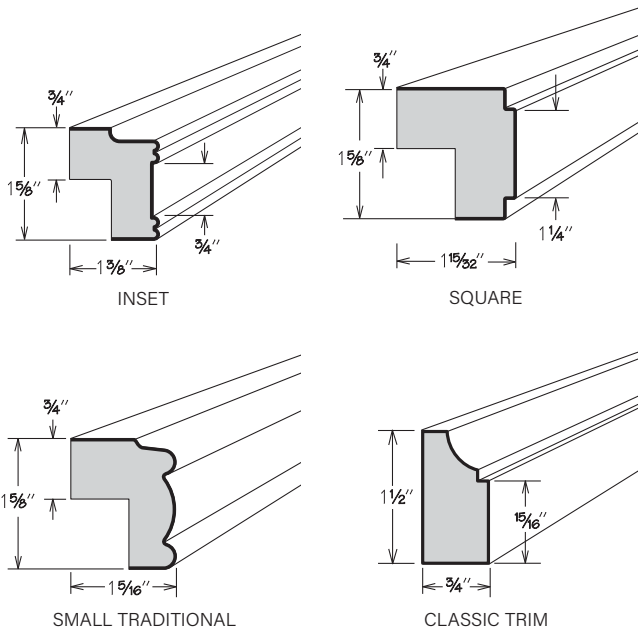
LBM8



LIBRARY



## Light Rail Molding



- 94" long
- Features solid wood finished to match cabinet box exterior - ILR8, STLR8 and SQLR8 will be glazed (when applicable)
- ILR8 and LBM8 may use SBIM8 or SIM8 as accent
- CLTM8 can be used as light rail or edge molding (cleating may be required when used as light rail)
- Bold line indicates finished surfaces

### INSET

ILR8

### SQUARE

SQLR8

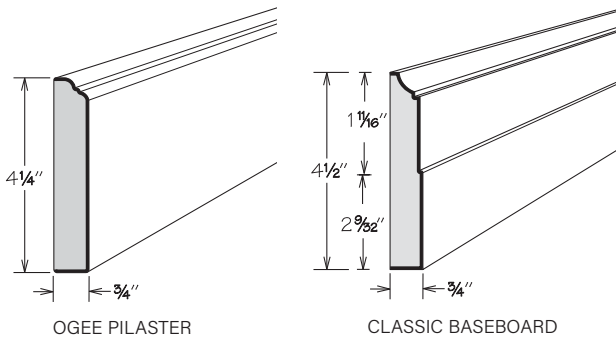
### SMALL TRADITIONAL

STLR8

### CLASSIC TRIM

CLTM8

## Base Molding



- 94" long
- Features solid wood finished to match cabinet box exterior - glazed door styles will be glazed
- For use with furniture toe or top molding applications
- Bold line indicates finished surfaces

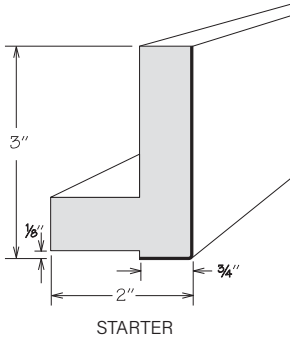
### OGEE PILASTER

OGP8

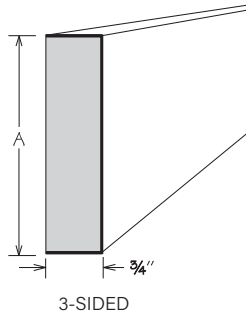
### CLASSIC BASEBOARD

CLBM8

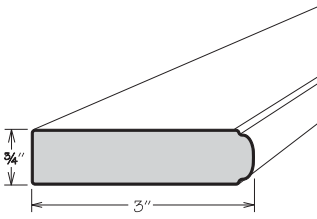
## Molding Stock



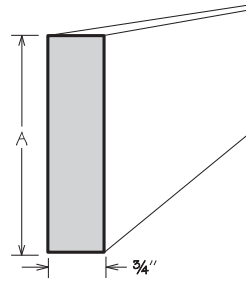
STARTER



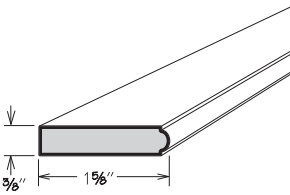
3-SIDED



SINGLE BEAD



4-SIDED

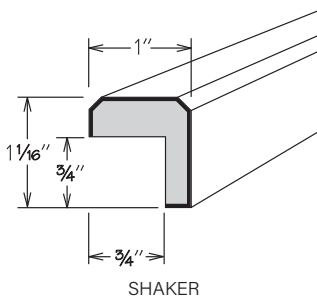


SMALL SINGLE BEAD

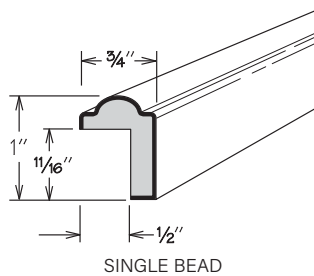
- Features solid wood finished to match cabinet box exterior - SBM8 and SSBM8 will be glazed (when applicable)
- 3-Sided and 4-Sided Stock may also be used in vertical applications (as a filler) or horizontal applications (as furniture toe)
- Bold line indicates finished surfaces

	LENGTH		LENGTH
<b>STARTER</b>		<b>3-SIDED</b>	
STRM8	94"	MSS3S394	94"
<b>SINGLE BEAD</b>		MSS3S694	94"
SBM8	94"	<b>4-SIDED</b>	
<b>SMALL SINGLE BEAD</b>		S4S396	96"
SSBM8	94"	S4S696	96"

## Accent Molding



SHAKER

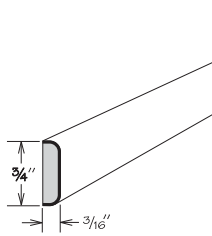


SINGLE BEAD

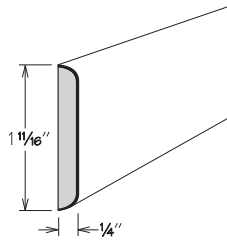
- 94" long
- Features solid wood finished to match cabinet box exterior - SBAM8 will be glazed (when applicable)
- May be used as accent on Wall China, Wine Storage and Base Microwave cabinets
- Bold line indicates finished surfaces

SHAKER	SINGLE BEAD
SAM8	SBAM8

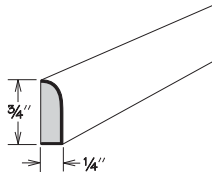
# Trim Molding



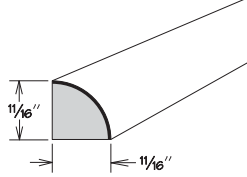
BATTEN



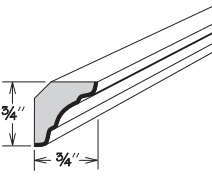
WIDE BATTEN



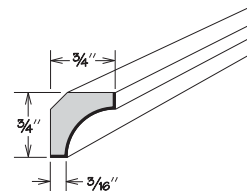
SCRIBE



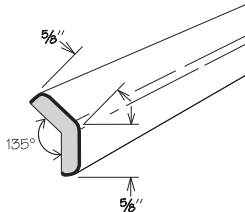
QUARTER ROUND



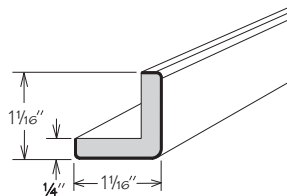
DECORATIVE INSIDE CORNER



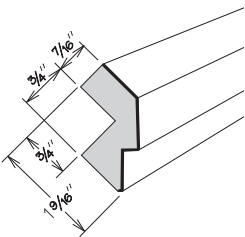
INSIDE CORNER



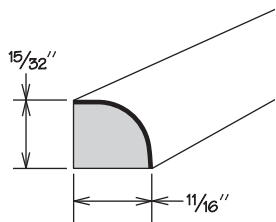
ANGLED OUTSIDE CORNER



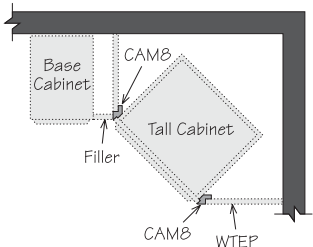
OUTSIDE CORNER



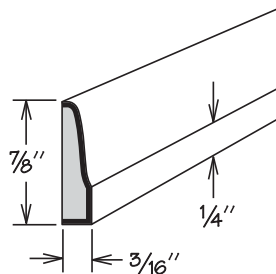
CABINET ANGLE



SHOE



Top View

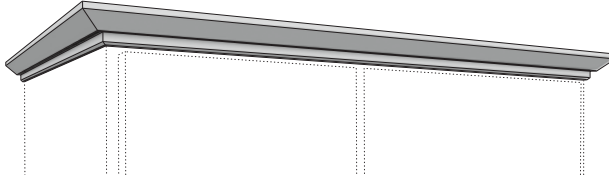
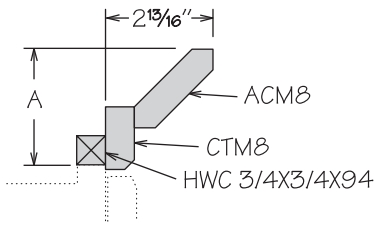


STRAIGHT TRIM MOLDING

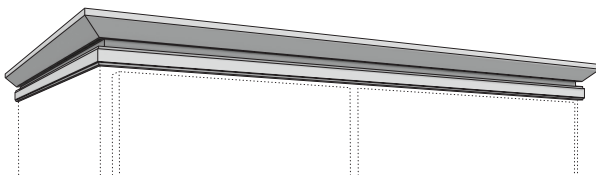
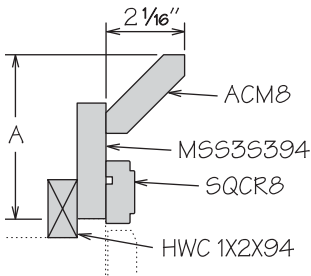
- Features solid wood finished to match cabinet box exterior - ICM8 will be glazed (when applicable)
- Cabinet Angle Molding (CAM8)
  - » Can be used in corner application to place cabinet at 45° angle
  - » Cannot be installed on cabinets with the Furniture Ends Option (FE)
- Bold line indicates finished surfaces

	LENGTH		LENGTH
<b>BATTEN</b>		<b>WIDE BATTEN</b>	
BM8	94"	WBM8	94"
<b>SCRIBE</b>		<b>QUARTER ROUND</b>	
SM8	94"	QR8	94"
SM10	120"		
<b>DECORATIVE INSIDE CORNER</b>		<b>INSIDE CORNER</b>	
ICM8	94"	QM8	94"
<b>ANGLED OUTSIDE CORNER</b>		<b>OUTSIDE CORNER</b>	
AOSC8	94"	OTCM8	94"
<b>CABINET ANGLE</b>		<b>SHOE</b>	
CAM8	94"	SHM8	94"
		<b>STRAIGHT TRIM MOLDING</b>	
		UM8	94"

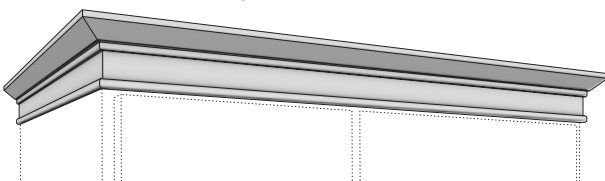
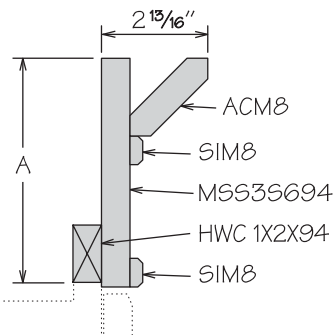
# Molding Stack • Modern



MODERN 100



MODERN 200

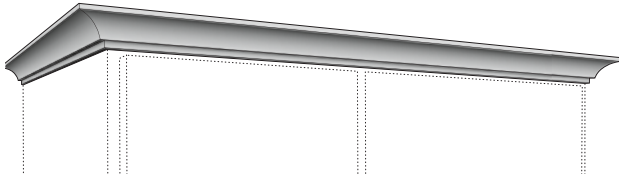
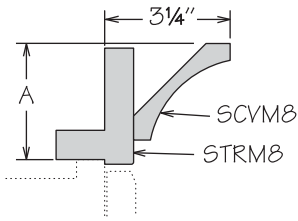


MODERN 300

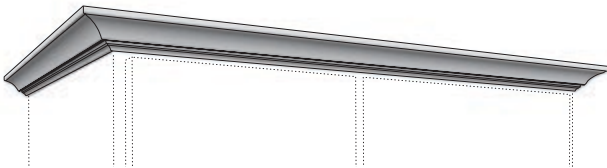
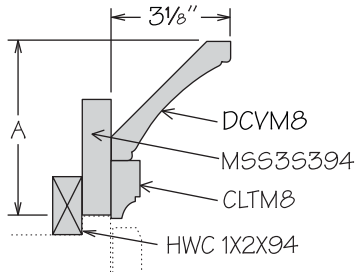
- 94" long
- Features solid wood finished to match cabinet box exterior
- Height dimensions are above the face-frame height when used as shown
- Modern 100 pre-packaged molding kit includes:
  - » ACM8
  - » CTM8
  - » HWC 3/4X3/4X94
- Modern 200 pre-packaged molding kit includes:
  - » ACM8
  - » MSS3S394
  - » SQCR8
  - » HWC 1X2X94
- Modern 300 pre-packaged molding kit includes:
  - » ACM8
  - » SIM8 (2)
  - » MSS3S694
  - » HWC 1X2X94
- Molding Stacks shipped unassembled
- Molding Stacks to be cut, assembled and field installed at job site
- Only one finish can be specified per Molding Stack
- Molding Stack diagram included
- Refer to specifications on individual molding included in molding stack

MODERN	HEIGHT SHOWN	A MIN.	A MAX.
MS MODERN 100	3"	2 3/16"	3"
MS MODERN 200	4 1/4"	3 9/16"	4 1/2"
MS MODERN 300	5 7/8"	5 1/8"	7 3/8"

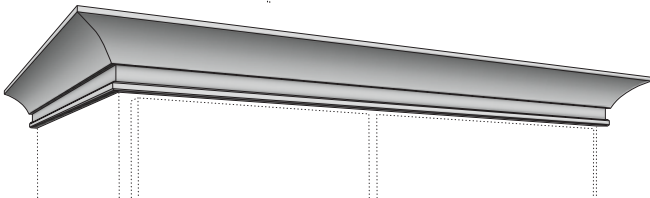
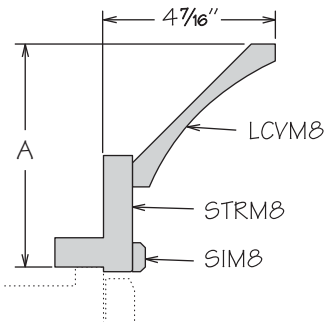
## Molding Stack • Transitional



TRANSITIONAL 100



TRANSITIONAL 200

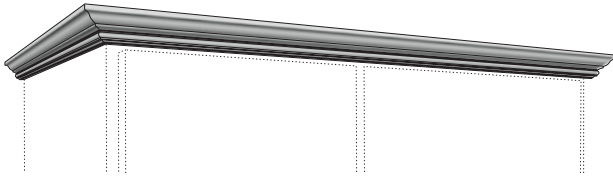
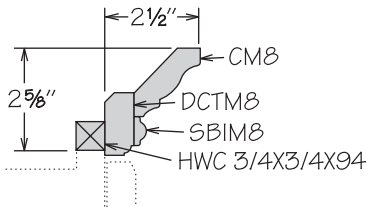


TRANSITIONAL 300

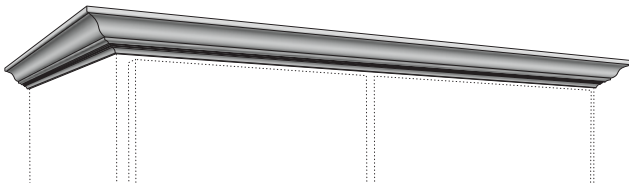
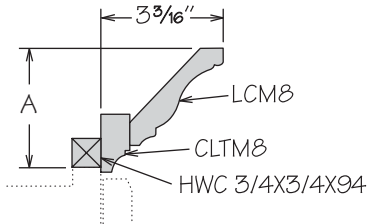
- 94" long
- Features solid wood finished to match cabinet box exterior
- Height dimensions are the above-face-frame height when used as shown
- Transitional 100 pre-packaged molding kit includes:
  - » SCVM8
  - » STRM8
- Transitional 200 pre-packaged molding kit includes:
  - » DCVM8
  - » MSS3S394
  - » CLTM8
  - » HWC 1X2X94
- Transitional 300 pre-packaged molding kit includes:
  - » LCVMB
  - » STRM8
  - » SIM8
- Molding Stacks shipped unassembled
- Molding Stacks to be cut, assembled and field installed at job site
- Only one finish can be specified per Molding Stack
- Molding Stack diagram included
- Refer to specifications on individual molding included in molding stack

TRANSITIONAL	HEIGHT SHOWN	A MIN.	A MAX.
MS TRANSITIONAL 100	3"	2 7/8"	4 3/4"
MS TRANSITIONAL 200	4 1/2"	4 1/2"	5 1/2"
MS TRANSITIONAL 300	5 3/4"	4 5/16"	5 5/16"

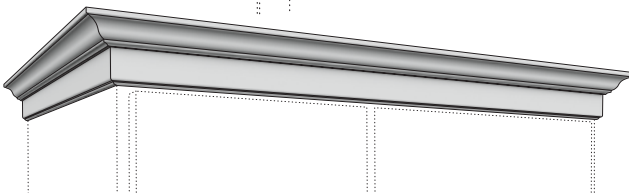
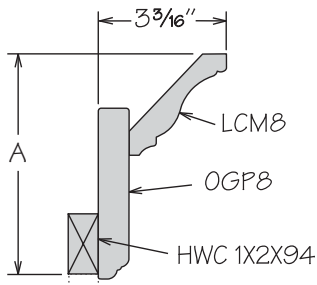
## Molding Stack • Classic



CLASSIC 100



CLASSIC 200

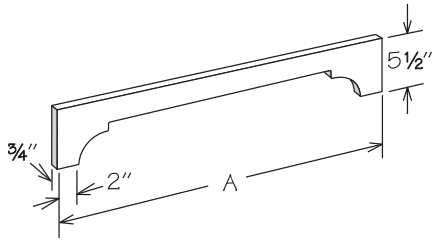


CLASSIC 300

- 94" long
- Features solid wood finished to match cabinet box exterior
- Height dimensions are the above-face-frame height when used as shown
- Classic 100 pre-packaged molding kit includes:
  - » CM8
  - » DCTM8
  - » SBIM8
  - » HWC 3/4X3/4X94
- Classic 200 pre-packaged molding kit includes:
  - » LCM8
  - » CLTM8
  - » HWC 3/4X3/4X94
- Classic 300 pre-packaged molding kit includes:
  - » LCM8
  - » OGP8
  - » HWC 1X2X94
- Molding Stacks shipped unassembled
- Molding Stacks to be cut, assembled and field installed at job site
- Only one finish can be specified per Molding Stack
- Molding Stack diagram included
- Refer to specifications on individual molding included in molding stack

CLASSIC	HEIGHT SHOWN	A MIN.	A MAX.
MS CLASSIC 100	2 5/8"	-	-
MS CLASSIC 200	3 1/16"	2 15/16"	3 5/16"
MS CLASSIC 300	5 1/2"	4 1/8"	6"

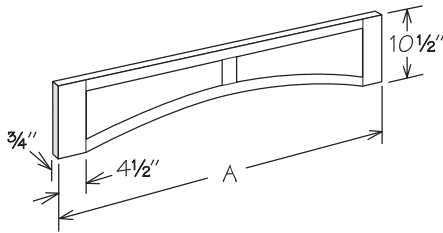
## Crown Valance



- Field trimmable
- Features solid wood finished to match cabinet box exterior
- Dimension from height of arch to top of valance is 2 1/4"

	<b>A</b>	<b>MAX. TRIM</b> (1 1/2" each end)
V30 CR	30 1/4"	27 1/4"
V36 CR	36 1/4"	33 1/4"
V42 CR	42 1/4"	39 1/4"
V48 CR	48 1/4"	45 1/4"
V60 CR	60 1/4"	57 1/4"
V72 CR	72 1/4"	69 1/4"

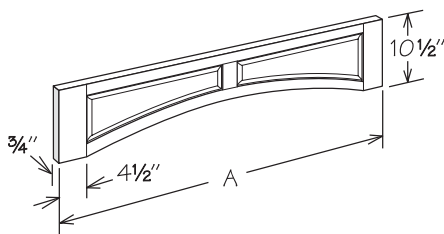
## Flat Panel Arched Valance



- Field trimmable
- Features solid wood finished to match cabinet box exterior - glazed door styles will be glazed
- Dimension from height of arch to top of valance is 8 1/2"

	<b>A</b>	<b>MAX. TRIM</b> (3" each end)	<b>NUMBER OF PANELS</b>
V36 FP	36"	30"	2
V42 FP	42"	36"	2
V48 FP	48"	42"	2
V54 FP	54"	48"	3
V60 FP	60"	54"	3
V66 FP	66"	60"	3
V72 FP	72"	66"	3

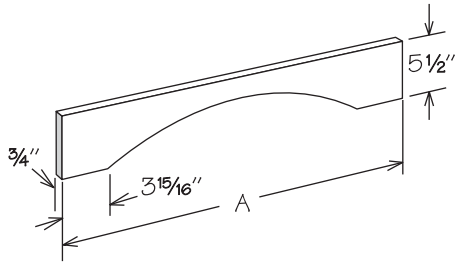
## Raised Panel Arched Valance



- Field trimmable
- Features solid wood finished to match cabinet box exterior - glazed door styles will be glazed
- Dimension from height of arch to top of valance is 8 1/2"

	<b>A</b>	<b>MAX. TRIM</b> (3" each end)	<b>NUMBER OF PANELS</b>
V36 RP	36"	30"	2
V42 RP	42"	36"	2
V48 RP	48"	42"	2
V54 RP	54"	48"	3
V60 RP	60"	54"	3
V66 RP	66"	60"	3
V72 RP	72"	66"	3

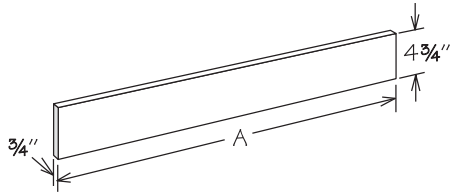
## Shaker Valance



- Field trimmable
- Features solid wood finished to match cabinet box exterior
- Dimension from height of arch to top of valance is 2 1/4"

	<b>A</b>	<b>MAX. TRIM</b> (3/8" each end)
V30 SH	30 1/4"	24"
V36 SH	36 1/4"	30"
V42 SH	42 1/4"	36"
V48 SH	48 1/4"	42"
V60 SH	60 1/4"	54"
V72 SH	72 1/4"	66"

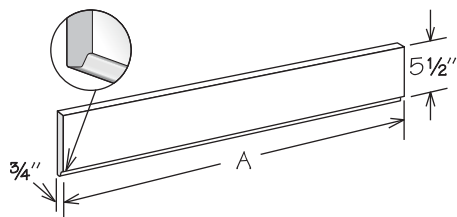
## Straight Valance



- Field trimmable
- Features solid wood finished to match cabinet box exterior

	<b>A</b>
V48 S	48 1/4"
V72 S	72 1/4"

## Traditional Valance

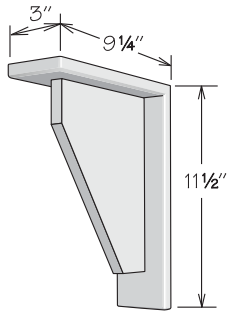


- Field trimmable
- Features solid wood finished to match cabinet box exterior - glazed door styles will be glazed

	<b>A</b>
V36 T	36 1/4"
V72 T	72 1/4"
V96 T	96 1/4"



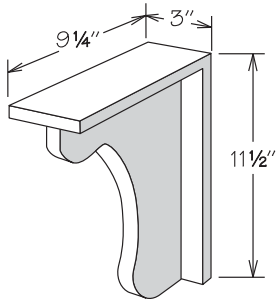
## Angled Corbel



- Features 5/8" solid wood finished to match cabinet box exterior  
- glazed door styles will be glazed
- For decorative use only

AS12

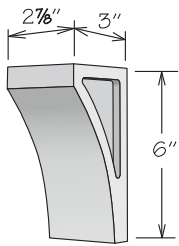
## Curved Corbel



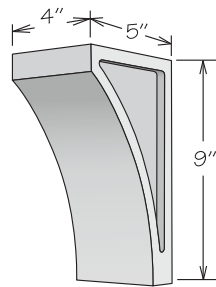
- Features 5/8" solid wood finished to match cabinet box exterior  
- glazed door styles will be glazed
- For decorative use only

CS12

## Cove Corbels



SMALL



MEDIUM

- Features solid wood finished to match cabinet box exterior -  
glazed door styles will be glazed
- Recessed mounting clips included
- For decorative use only

**SMALL**

CC36

**SMALL NARROW**

CC26

**MEDIUM**

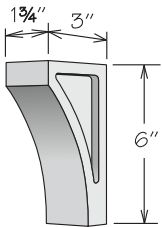
CC49

**MEDIUM NARROW**

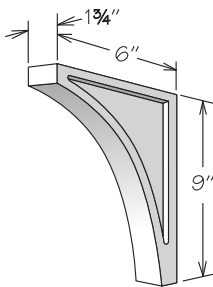
CC29

**LARGE NARROW**

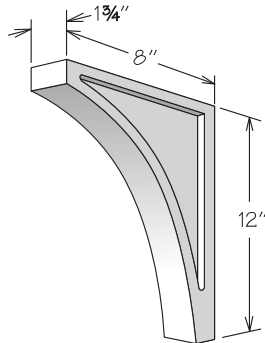
CC212



SMALL NARROW

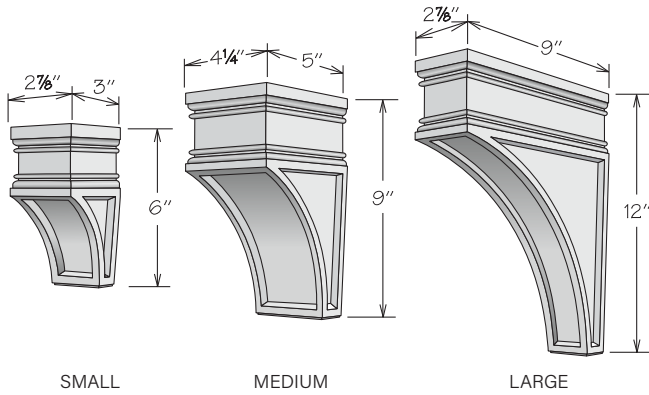


MEDIUM NARROW



LARGE NARROW

## Valencia Corbels



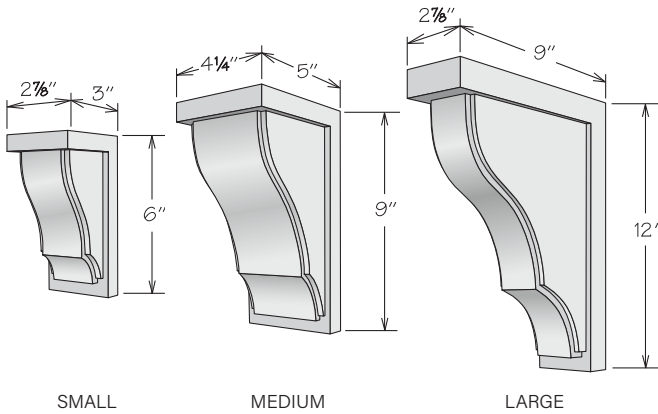
- Features solid wood finished to match cabinet box exterior - glazed door styles will be glazed
- Recessed mounting clips included
- For decorative use only

**SMALL**  
VC36

**LARGE**  
VC312

**MEDIUM**  
VC49

## Finley Corbels



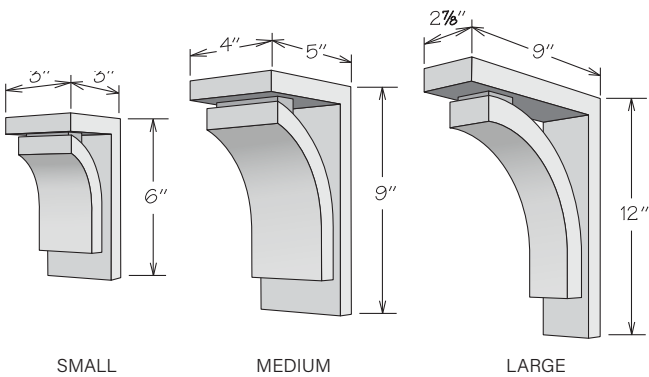
- Features solid wood finished to match cabinet box exterior - glazed door styles will be glazed
- Recessed mounting clips included
- For decorative use only

**SMALL**  
FC36

**LARGE**  
FC312

**MEDIUM**  
FC49

## Prairie Corbels



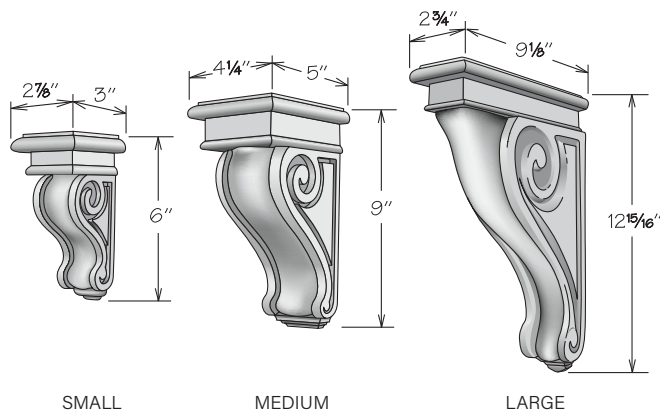
- Features solid wood finished to match cabinet box exterior
- Recessed mounting clips included
- For decorative use only

**SMALL**  
PC36

**LARGE**  
PC312

**MEDIUM**  
PC49

## Rosette Corbels



- Features solid wood finished to match cabinet box exterior - glazed door styles will be glazed
- Recessed mounting clips included
- For decorative use only

**SMALL**

RC36

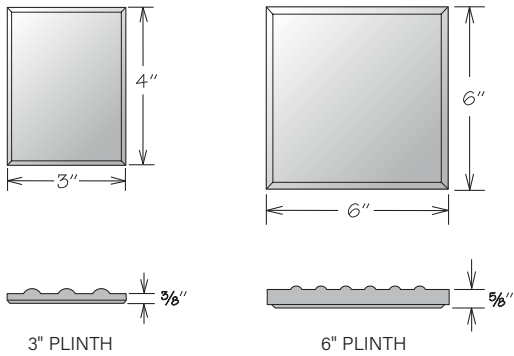
**LARGE**

RC313

**MEDIUM**

RC49

## Fluted Plinth Blocks



- Features solid wood finished to match cabinet box exterior - glazed door styles will be glazed
- For use with Fluted Beaded Fillers

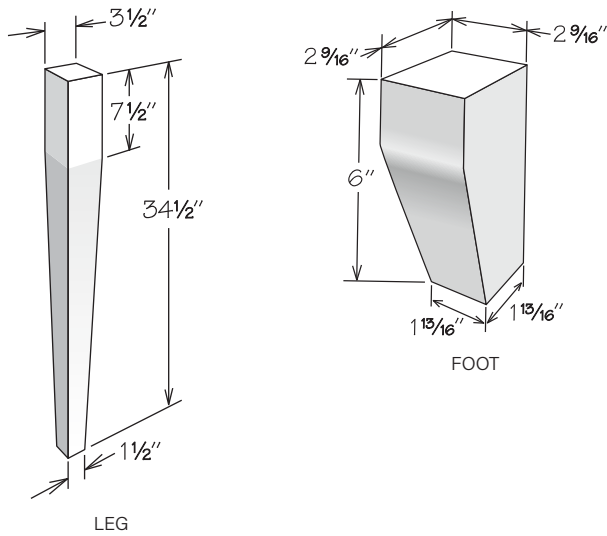
**3" PLINTH**

FB3X4 PLINTH

**6" PLINTH**

FB6X6 PLINTH

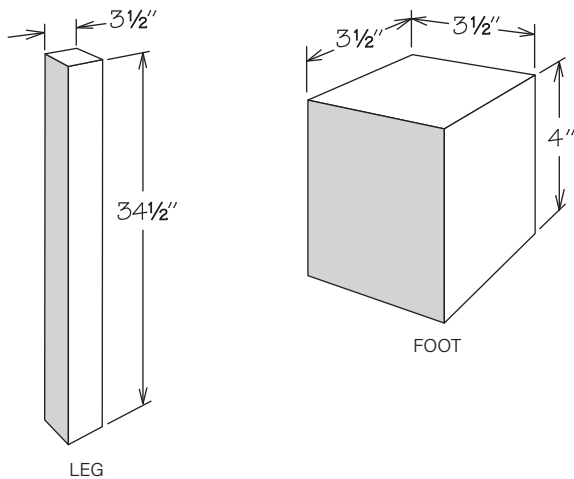
## Base Tapered Leg and Foot



- Features solid wood finished to match cabinet box exterior
- Base Tapered Leg is tapered on all sides and is field trimmable
- Base Tapered Foot is tapered on two sides and is field trimmable to 4" high

<b>LEG</b>	<b>FOOT</b>
BTPL	TPF

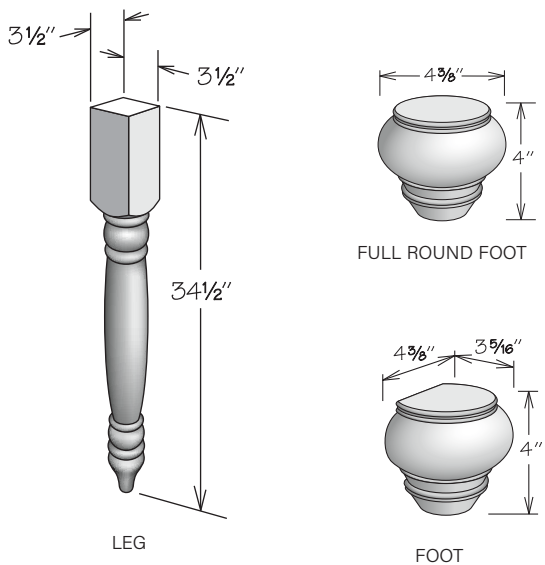
## Base Square Leg and Foot



- Features solid wood finished to match cabinet box exterior
- Base Square Leg is field trimmable

<b>LEG</b>	<b>FOOT</b>
BSQL	BSQF

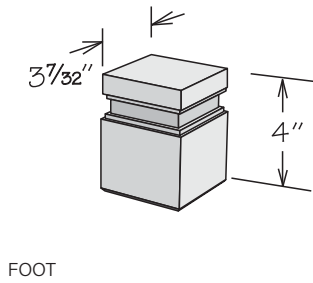
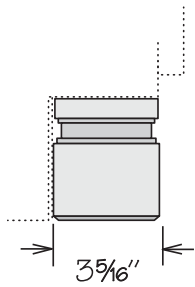
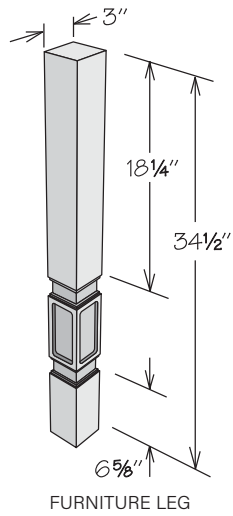
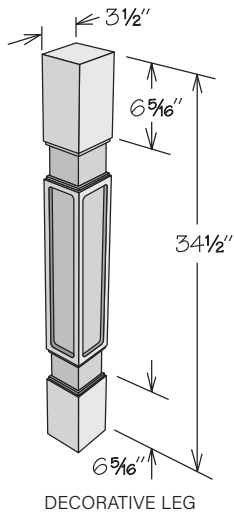
## Base Turned Leg and Feet



- Features solid wood finished to match cabinet box exterior - glazed door styles will be glazed
- Base Turned Leg is field trimmable to 28 1/2" high

<b>LEG</b>	<b>FULL ROUND FOOT</b>
BTL	ATF-FR
<b>FOOT</b>	
ATF	

## Parker Legs and Foot



- Features solid wood finished to match cabinet box exterior - glazed door styles will be glazed
- Legs are field trimmable

### DECORATIVE LEG

PDL

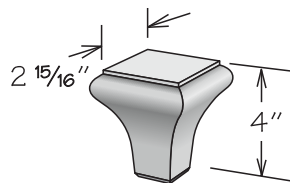
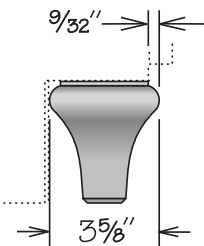
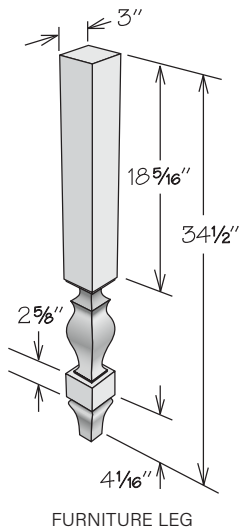
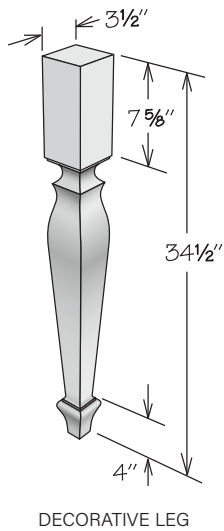
### FURNITURE LEG

PFL

### FOOT

PDF

## Chantilly Legs and Foot



- Features solid wood finished to match cabinet box exterior - glazed door styles will be glazed
- Legs are field trimmable

### DECORATIVE LEG

CDL

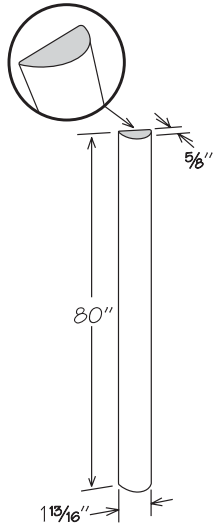
### FURNITURE LEG

CFL

### FOOT

CDF

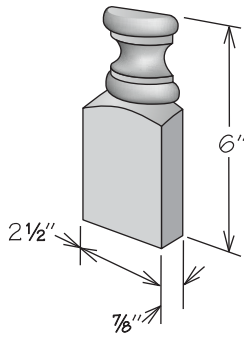
## Split Post



- Features solid wood finished to match cabinet box exterior
- Field trimmable
- Use with Traditional Split Block to create design element
- Must be mounted to a Universal Filler (order separately)

### **SPLIT POST** SPLT POST80 P

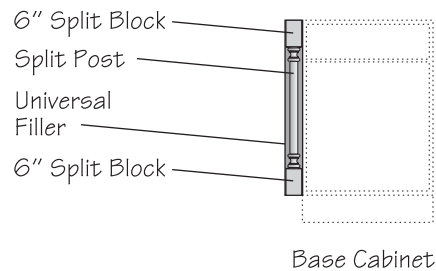
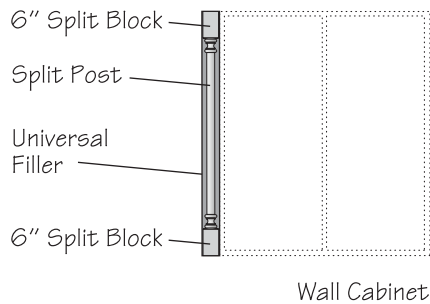
## Traditional Split Block



- Features solid wood finished to match cabinet box exterior - glazed door styles will be glazed
- For floor or wall application
- Use with Split Post to create design element
- Must be mounted to a Universal Filler (order separately)

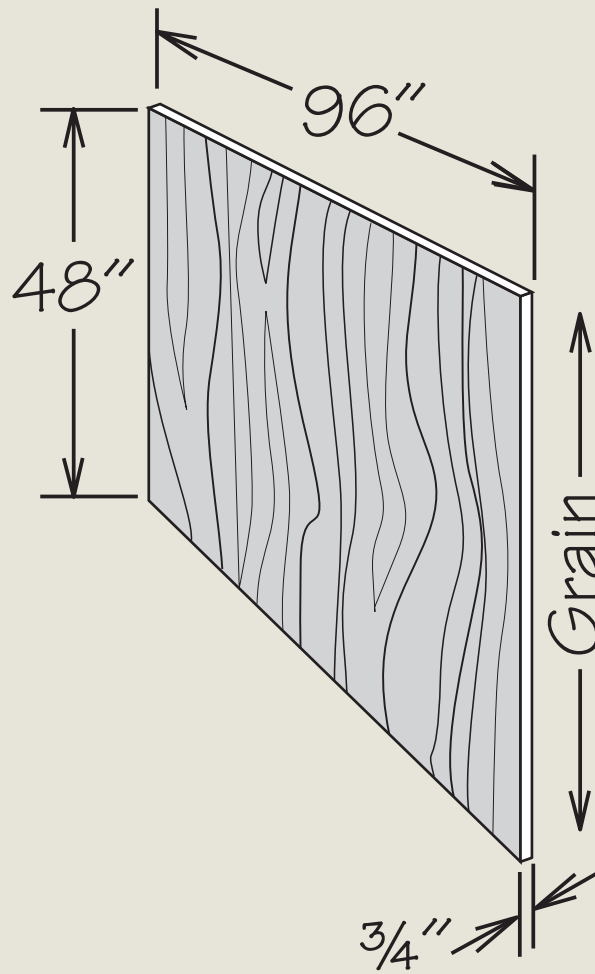
### **SPLIT BLOCK** SPLT BLOCK26 T

## Suggested Design Applications



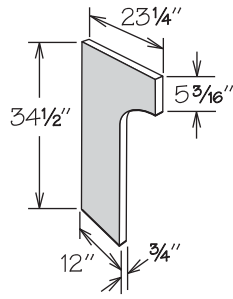


# Panels, Fillers & Installation Items





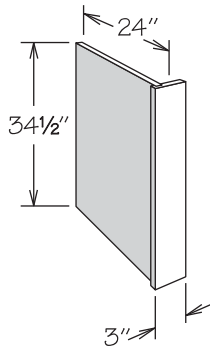
## Desk End Panel



- All construction packages feature 3/4" engineered wood with both sides finished to match cabinet box exterior
- Recommend QM8 be ordered for installation to ensure proper attachment to wall
- Field trimmable
- Edge banded on front

DEP

## Dishwasher Return

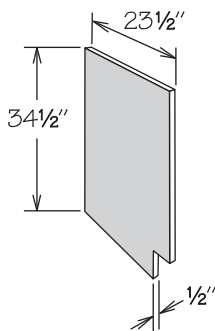


- **essential** and **select** feature 1/2" engineered wood with outside finished to match cabinet box exterior and inside with a natural woodgrain look
- **luxury** features 1/2" plywood with outside finished to match cabinet box exterior and inside with a natural woodgrain look
- Reversible for left or right installation
- Solid wood front for all construction packages
- Wall attachment block included
- Front filler can be trimmed to a minimum of 1" wide
- Can be notched for toe kick in the field

FE

DWR3

## Sink/Vanity Front Return

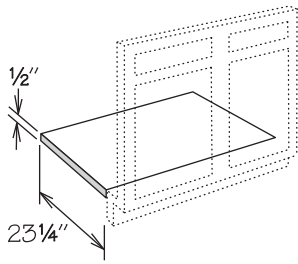


- **essential** and **select** feature 1/2" engineered wood with outside finished to match cabinet box exterior and inside with a natural woodgrain look
- **luxury** features 1/2" plywood with outside finished to match cabinet box exterior and inside with a natural woodgrain look
- Specify left or right
- Attaching blocks included
- SFR (R/L) with the Furniture Ends Option (FE) will include a rabbeted front edge
- Field trimmable

FE

SFRR  
SFRL

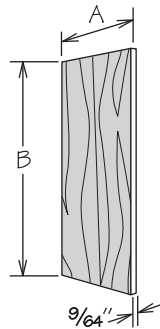
## Sink/Vanity Front Floor



- All construction packages feature 1/2" engineered wood with one side finished with a natural woodgrain look
- 1/2" oversize in width
- FL36X36 to be used for CSF36 (field trim to fit)
- FL48X48 to be used for CSF42 (field trim to fit)
- Field trimmable

FL24  
FL36  
FL36X36  
FL48  
FL48X48  
FL60  
FL72

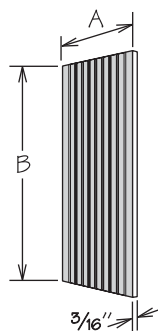
## Paneling



- All construction packages feature 3/4" engineered wood with one side finished to match cabinet box exterior
- TEP120 will feature plywood with vertical grain - finished on one side to match cabinet box exterior for all construction packages
- Field trimmable, can be notched for toe kick

WOOD	A	B
WEP30	11 1/4"	30 1/8"
WEP42	11 1/4"	42 1/8"
WEP48	11 1/4"	48"
WEP1542	14 1/4"	42 1/8"
BEP34	23 1/4"	34 1/2"
TEP84	23 1/4"	84"
TEP96	23 1/4"	96"
TEP120	23 1/4"	120"
FP4834	48"	34 1/2"
FP4896	48"	96"
FP9634	96"	34 1/2"
FP9648	96"	48"

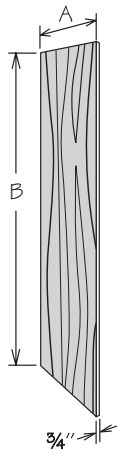
## Grooved Paneling



- Grooved every 1 1/2" on one side
- All construction packages feature 3/16" plywood with one side finished to match cabinet box exterior - glazed door styles will be glazed
- FP9634 Grooved Paneling is shipped as two 48" wide x 34 1/2" high panels
- Field trimmable, can be notched for toe kick

	A	B
WEP30 GROOVED	11 1/4"	30 1/8"
WEP42 GROOVED	11 1/4"	42 1/8"
WEP48 GROOVED	11 1/4"	48"
WEP1542 GROOVED	14 1/4"	42 1/8"
BEP34 GROOVED	23 1/4"	34 1/2"
TEP84 GROOVED	23 1/4"	84"
TEP96 GROOVED	23 1/4"	96"
FP4834 GROOVED	48"	34 1/2"
FP4896 GROOVED	48"	96"
FP9634 GROOVED	96"	34 1/2"

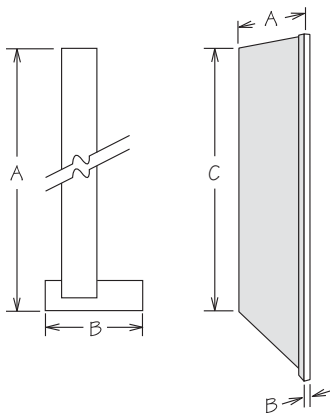
## Wood End Panel



- All construction packages feature 3/4" engineered wood with one side finished to match cabinet box exterior
- Edge banded on both long edges
- Field trimmable, can be notched for toe kick

WOOD	A	B
WBEP	24"	34 1/2"
WTEP84	24"	84"
WTEP96	24"	96"
WTEP120	24"	120"
DWTEP84	32"	84"
DWTEP96	32"	96"

## Refrigerator Return • 1/2" Panel

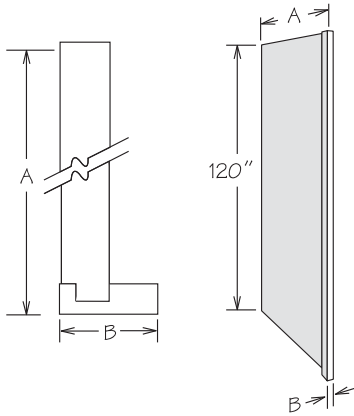


- **essential** and **select** feature 1/2" engineered wood with outside finished to match cabinet box exterior and inside with a natural woodgrain look
- **luxury** features 1/2" plywood with outside finished to match cabinet box exterior and inside with a natural woodgrain look
- Reversible for left or right installation
- Solid wood front for all construction packages
- Front filler can be trimmed to a minimum of 1" wide
- Field trimmable in height, can be notched for toe kick

FE
MI
RD ■

	A	B	C
RR84	24"	1 5/8"	84"
RR384	24"	3"	84"
RR96	24"	1 5/8"	96"
RR396	24"	3"	96"
RR84 X 32DP ■	32"	1 5/8"	84"
RR384 X 32DP ■	32"	3"	84"
RR96 X 32DP ■	32"	1 5/8"	96"
RR396 X 32DP ■	32"	3"	96"

## Refrigerator Return • 3/4" Panel

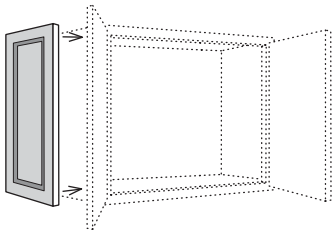


- **essential** and **select** feature 3/4" engineered wood with both sides finished to match cabinet box exterior
- **luxury** features 3/4" plywood with both sides finished to match cabinet box exterior
- Reversible for left or right installation
- Solid wood front for all construction packages
- Front filler can be trimmed to a minimum of 1" wide
- Field trimmable in height, can be notched for toe kick

RD ■

	A	B
RR120FL	24"	1 5/8"
RR3120FL	24"	3"
RR120FL X 32DP ■	32"	1 5/8"
RR3120FL X 32DP ■	32"	3"

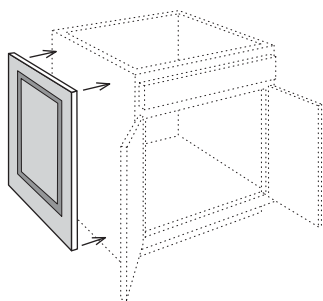
## Decorator Matching Doors • Wall Cabinets



- Furniture Ends Option (FE) or WEP30/WEP42 panel is recommended for installation
- Attaches to side of wall cabinet
- Matches style and finish of cabinet doors
- Panel thickness is 3/4"
- Refer to Parts Directory for dimensions

DMDW18  
DMDW24  
DMDW30  
DMDW36  
DMDW39  
DMDW42

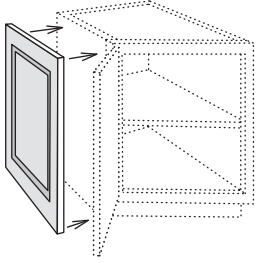
## Decorator Matching Doors • Base Cabinets



- **UPDATE:** Now features a DR24FH for better alignment
- Furniture Ends Option (FE) or BEP34 panel is recommended for installation
- Attaches to side of 24" deep base cabinet
- Matches style and finish of cabinet doors
- Panel thickness is 3/4"
- Refer to Parts Directory for dimensions

DMDB

## Decorator Matching Doors • Base End Angle Cabinets

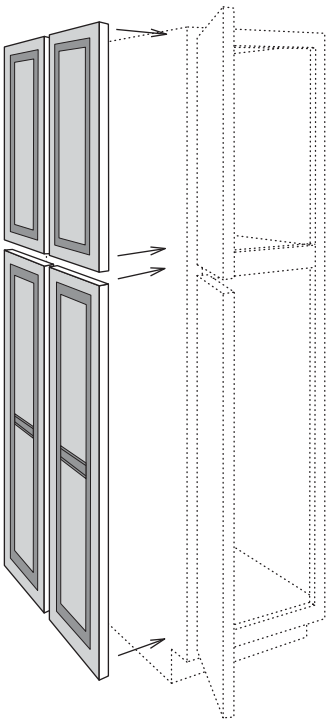


- Furniture Ends Option (FE) or WEP42 panel is recommended for installation
- Attaches to side of BEA12 or BS2434
- Matches style and finish of cabinet doors
- Panel thickness is 3/4"
- Refer to Parts Directory for dimensions

---

DMDBEA12

## Decorator Matching Doors • Tall Cabinets



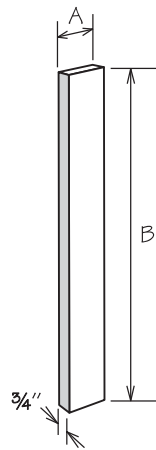
- Furniture Ends Option (FE) or TEP84/TEP96 panel is recommended for installation
- Attaches to side of utility or oven cabinet
- Matches style and finish of cabinet doors
- Panel thickness is 3/4"
- Features four doors
- Bottom doors have a center rail for select door styles - refer to door style section
- Refer to Parts Directory for dimensions

---

### 24" DEEP

DMDT8424  
DMDT9024  
DMDT9324  
DMDT9624

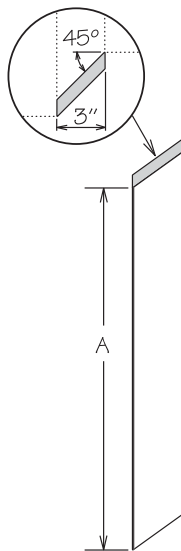
## Universal Filler



- Features 3/4" solid wood for all construction packages
- UF\_ finished on front and all four edges
- S3S\_ finished on one side and all four edges
- Field trimmable

WOOD	A	B
UF3	3"	30 1/2"
UF6	6"	30 1/2"
UF342	3"	42 1/8"
UF642	6"	42 1/8"
UF380	3"	80"
UF680	6"	80"
UF392	3"	92"
UF692	6"	92"
S3S396	3"	96"
S3S696	6"	96"
S4S396	3"	96"
S4S696	6"	96"
UF3120	3"	120"

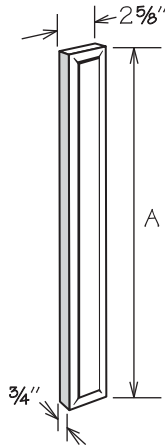
## Universal Filler Extension



- Features 3/4" solid wood for all construction packages
- Finished on front and all four edges to match cabinet box exterior
- Field trimmable

	A
UF E3	30 1/2"
UF E342	42 1/8"

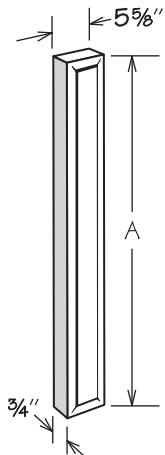
### 3" Overlay Filler



- Outside profile matches outside profile of door - see next page for details
- Features 3/4" solid wood for all construction packages
- All edges are finished to match cabinet box exterior - glazed door styles will be glazed, excluding slab overlay fillers
- Indicate door style when ordering
- Not field trimmable
- Must be mounted to a Universal Filler, BFP3 Base Filler Pull Out or Column Filler (order separately)

WOOD	A
WOF312	11 9/16"
WOF315	14 9/16"
WOF318	17 9/16"
WOF321	20"
WOF324	23 7/8"
WOF327	26 1/2"
WOF330	29 1/2"
WOF336	35 1/2"
WOF339	38 1/2"
WOF342	41 1/2"
BOF3	29 7/8"
TOF384	79 3/8"
TOF390	85 3/8"
TOF393	88 3/8"
TOF396	91 3/8"

### 6" Overlay Filler



- Features 3/4" solid wood for all construction packages
- Outside profile matches outside profile of door - see next page for details
- All edges are finished to match cabinet box exterior- glazed door styles will be glazed, excluding slab overlay fillers
- Indicate door style when ordering
- Not field trimmable
- Must be mounted to a Universal Filler or BFP6 Base Filler Pull Out (order separately)

WOOD	A
BOF6	29 7/8"

# Overlay Filler Profiles

**PROFILE FOR:**

- BICKERSHIRE
- PATTINGHAM



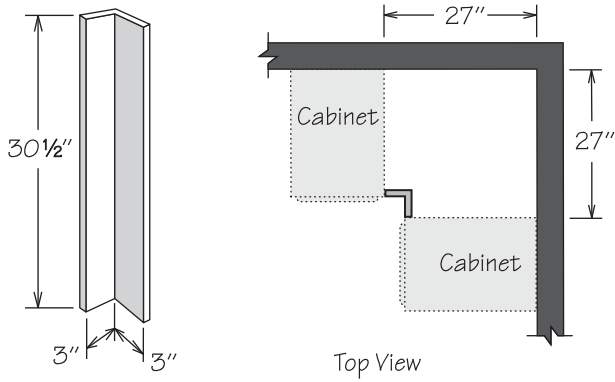
**PROFILE FOR:**

- AVELEY
- GALWAY
- GLENLOCH
- INNSBROOK
- MCKELLER
- PORT
- STONEWALL





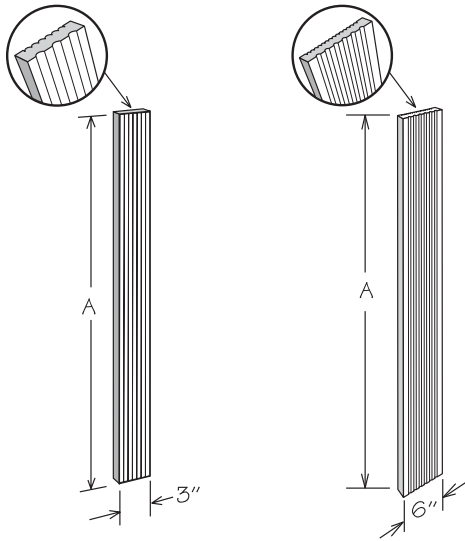
## Base Corner Filler



- 3/4" solid wood for all construction packages
- Finished on front and all four edges to match cabinet box exterior
- Field trimmable

BCF27

## Fluted Beaded Filler • Reversible



- Filler is fluted on one side and beaded on reverse side
- Finished on all sides to match cabinet box exterior - glazed door styles will be glazed
- 3/4" solid wood for all construction packages
- Apply decorative blocks for accent
- Field trimmable
- Ensure correct side is exposed when installed

### 3" WIDE

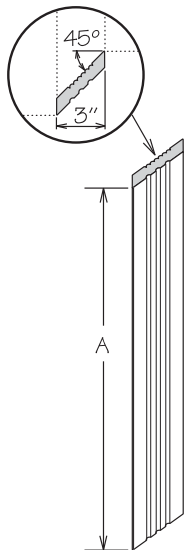
### A

FBF3	30 1/2"
FBF342	42 1/8"
FBF384	84"
FBF396	96"

### 6" WIDE

FBF6	30 1/2"
FBF642	42 1/8"
FBF684	84"
FBF696	96"

## Fluted Beaded Filler Extension • Reversible

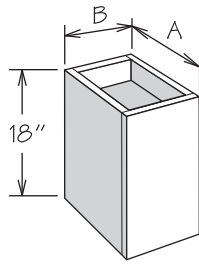


- For wall or base application
- Filler is fluted on one side and beaded on reverse side
- Finished all sides to match cabinet box exterior - glazed door styles will be glazed
- 3/4" solid wood for all construction packages
- Apply 3" wide decorative blocks for accent
- Field trimmable
- Ensure correct side is exposed when installed

### A

FBF E3	30 1/2"
FBF E342	42 1/8"

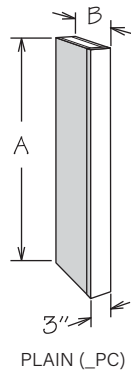
## Plain Box Filler



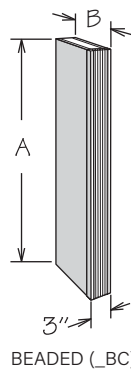
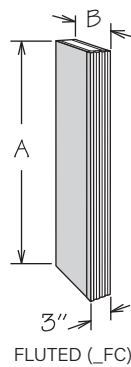
- Veneered engineered wood finished to match cabinet box exterior for all construction packages
- Features 1/4" reveal
- Trimmable in height to 14 1/8" tall
- Reversible for left or right installation

	A	B
WPB91815	15"	9"
WPB121815	15"	12"

## Column Filler

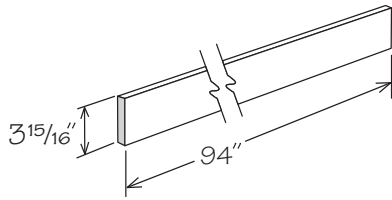


- Veneered engineered wood finished to match cabinet box exterior for all construction packages - glazed door styles will be glazed, excluding Plain Column Fillers
- 3" wide x 3/4" thick solid wood front
- Sides are flush with face
- Reversible for left or right installation
- Top and bottom edges of returns are edge banded
- Apply overlay filler or 3" wide decorative blocks for accent
- Field trimmable to any depth
- Field trimmable in height noted below:
  - » W\_C31530 field trimmable to 27 1/8", 24 1/2", 20 5/8" 18 1/8", 15 1/8", or 12 1/8"
  - » W\_C31542 field trimmable to 39 1/8" or 36 1/8"
  - » W\_C31560 field trimmable to 54" or 48"
  - » B\_C32734 field trimmable to 31 1/8" or 28 1/2"
  - » T\_C32796 field trimmable to 93" or 90"
  - » T\_C32784 not trimmable in height



PLAIN	A	B
<b>Wall</b>		
WPC31530	30 1/8"	15"
WPC31542	42 1/8"	15"
WPC31560	60"	15"
<b>Base</b>		
BPC32734	34 1/2"	27"
<b>Tall</b>		
TPC32784	84"	27"
TPC32796	96"	27"
<b>FLUTED</b>		
<b>Wall</b>		
WFC31530	30 1/8"	15"
WFC31542	42 1/8"	15"
WFC31560	60"	15"
<b>Base</b>		
BFC32734	34 1/2"	27"
<b>Tall</b>		
TFC32784	84"	27"
TFC32796	96"	27"
<b>BEADED</b>		
<b>Wall</b>		
WBC31530	30 1/8"	15"
WBC31542	42 1/8"	15"
WBC31560	60"	15"
<b>Base</b>		
BBC32734	34 1/2"	27"
<b>Tall</b>		
TBC32784	84"	27"
TBC32796	96"	27"

## Base Toe Kick



- Features engineered wood finished on one side to match cabinet box exterior
- Putty Stick and Touch Up Marker are recommended for exposed ends

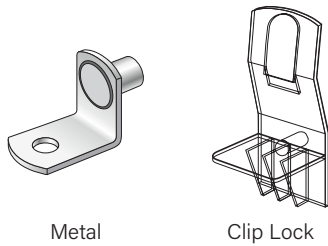
### WOOD

BTK8

### A

3 15/16"

## Shelf Rests



Metal

Clip Lock

- Metal shelf rests are nickel plated steel
- Clip Lock shelf rests are molded clear high-strength polycarbonate

### QTY.

#### Bookshelves & Wall Shelves

SHELF REST METAL 4PK

4

SHELF REST METAL 12

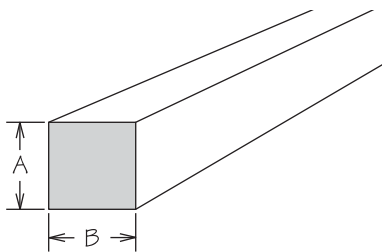
12

#### 3/4" Base & Tall Shelves

CLIP LOCK SHELF 3/4 4 PK

4

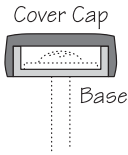
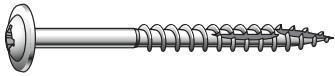
## Cleat



- HWC 1/2X1/2X94 and HWC 3/4X3/4X94 are shipped in two 47" long pieces
- Unfinished

	A	B	LENGTH
HWC 1/2X1/2X94	1/2"	1/2"	94"
HWC 3/4X3/4X94	3/4"	3/4"	94"
HWC 1X2X94	3/4"	1 1/2"	94"
HWC 2X4X96	1 1/2"	3 1/2"	96"

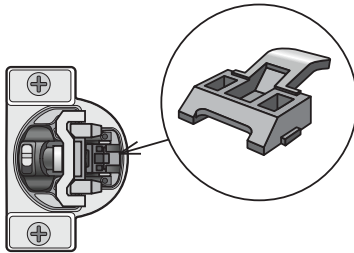
## Screws & Screw Cover Caps



- Installation screws are Phillips panhead 2½" long
- COVER CAP \_\_\_ used to conceal head of installation screw
- COVER CAP 10MM \_\_\_ used to conceal predrilled holes in cabinet backs

	<b>QTY.</b>
SCREW INST 2.5 BX100	100
COVER CAP TAN	50
COVER CAP WHT	50
COVER CAP 10MM TAN	4
COVER CAP 10MM WHT	4

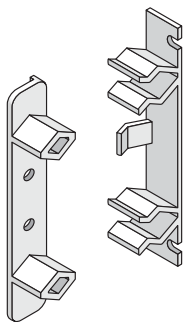
## Hinge Restriction Clip



- Limits door opening to 86° to avoid contact with adjacent objects
- For use on soft-close hinges only
- Package includes 10 per bag (1 required per hinge)
- Cannot be used on cabinets with roll out accessories

HINGE CC ANG RES CLP

## Dummy Drawer Front Fastener



- For installation of one dummy drawer front
- Kit contents:
  - » Two sets of DDF Fasteners
  - » Eight screws
  - » One instruction sheet
- Please refer to cabinet specifications as some cabinets will require more than one kit

DDF FASTENER

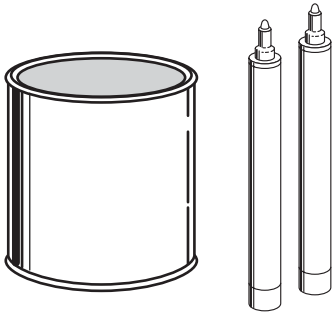
## Spray Stain



- SPRAY STAIN TINTED available for all finishes
- SPRAY STAIN CLEAR for use as top coat
- Indicate door style when ordering
- 11 ounce aerosol spray can

SPRAY STAIN CLEAR  
SPRAY STAIN TINTED

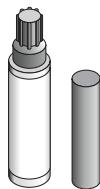
## Stain



- STAIN PINT (QUART) for use on AVELEY, GALWAY, INNSBROOK, MCKELLER, PATTINGHAM, PORT AND STONEWALL
- STAIN GLAZED PINT (QUART) for use on BICKERSHIRE AND GLENLOCH
  - » STAIN GLAZED PINT includes one STAIN PINT and two STAIN GLAZED PENS
  - » STAIN GLAZED QUART includes one STAIN QUART and four STAIN GLAZED PENS
- STAIN TOP COAT strongly recommended for application over ALL finishes (order separately)
- STAIN GLAZED PENS for use on all glazed stains and glazed painted finishes, includes 2 pens
- Indicate door style when ordering
- PINT covers approximately 40 square feet
- QUART covers approximately 80 square feet
- Instructions included

STAIN PINT  
STAIN QUART  
STAIN GLAZED PINT  
STAIN GLAZED QUART  
STAIN GLAZED PENS  
STAIN TOP COAT PINT  
STAIN TOP COAT QUART

## Putty Stick & Marker

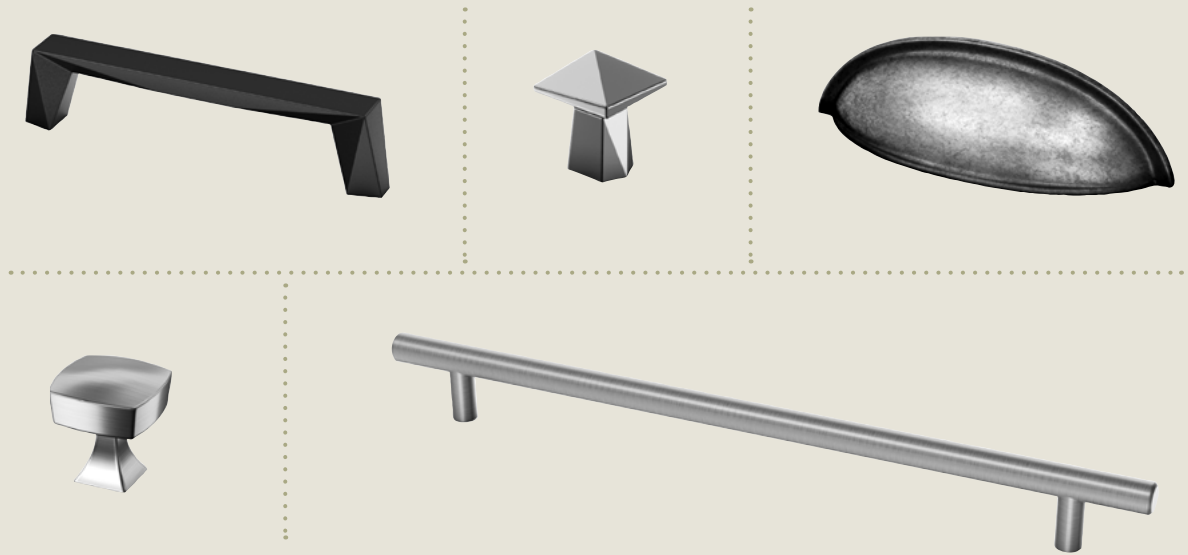


- Indicate door style when ordering
- Refer to chart to order correct QTY
- Putty Stick – for filling minor dents, gouges, and scratches made during or after installation
- Touch Up Marker – adds color to minor surface scratches

PUTTY STICK EXT QTY1  
PUTTY STICK EXT QTY2  
PUTTY STICK INTERIOR  
TU MARKER EXT QTY1  
TU MARKER EXT QTY2  
TU MARKER INTERIOR

DOOR STYLE	PUTTY STICK	TU MARKER
AVELEY	PUTTY STICK EXT QTY2	TU MARKER EXT QTY2
BICKERSHIRE	PUTTY STICK EXT QTY1	TU MARKER EXT QTY2
GALWAY	PUTTY STICK EXT QTY1	TU MARKER EXT QTY1
GLENLOCH	PUTTY STICK EXT QTY2	TU MARKER EXT QTY2
INNSBROOK	PUTTY STICK EXT QTY1	TU MARKER EXT QTY1
MCKELLER	PUTTY STICK EXT QTY1	TU MARKER EXT QTY2
PATTINGHAM	PUTTY STICK EXT QTY1	TU MARKER EXT QTY1
PORT	PUTTY STICK EXT QTY1	TU MARKER EXT QTY1
STONEWALL	PUTTY STICK EXT QTY1	TU MARKER EXT QTY1

# Decorative Hardware



## RESTRICTIONS

- NR12** Not recommended on regular 12" drawers
- NR15** Not recommended drawers on regular 15" or 12" drawers
- NR12LG** Not recommended on large 12" drawers
- NR15LG** Not recommended on large 15" or 12" drawers
- NRKDC** Not recommended on kneehole drawers

## KEY POINTS

- Knobs and pulls are grouped in three convenient price tiers
- allen + roth Cabinetry does not recommend drilling through any door or drawer front joint for installation of decorative hardware
- Door and drawer fronts must be adjusted before installing decorative hardware
- Select door styles have limitations on certain decorative hardware which are indicated with restriction-specific icons and a list of door style(s) which are restricted.
- Restrictions may differ on regular and large drawer fronts based on center panel dimensions for each door style

## EXAMPLE

### Restriction:

<b>NR12</b>	ANY DOOR STYLE
<b>NR12LG</b>	ANY DOOR STYLE
<b>NR15LG</b>	AVELEY, GALWAY, GLENLOCH, INNSBROOK, MCKELLER, PORT, STONEWALL

### Explanation:

This specific hardware is not recommended on 12" regular or large drawers for any door style. Also, this specific hardware is not recommended on 12" or 15" large drawers for the AVELEY, GALWAY, GLENLOCH, INNSBROOK, MCKELLER, PORT, STONEWALL door styles.

## Antic



**Tier 3**  
**Antic Pull**  
**Polished Chrome**  
PULL 6797PC

128mm Center • Overall Length: 5 13/16"



**Tier 3**  
**Antic Pull**  
**Satin Nickel**  
PULL 6797SN

128mm Center • Overall Length: 5 13/16"



**Tier 3**  
**Antic Pull**  
**Vintage Nickel**  
PULL 6797VN

128mm Center • Overall Length: 5 13/16"



**Tier 3**  
**Antic Pull**  
**Modern Brushed Gold**  
PULL 6797MG

128mm Center • Overall Length: 5 13/16"



**Tier 3**  
**Antic Pull**  
**Matte Black**  
PULL 6797MB

128mm Center • Overall Length: 5 13/16"

**NR12** AVELEY, GALWAY, INNSBROOK, PORT, STONEWALL

**NR12LG** AVELEY, GALWAY, INNSBROOK, PORT, STONEWALL



**Tier 3**  
**Antic Knob**  
**Polished Chrome**  
KNOB 6798PC



**Tier 3**  
**Antic Knob**  
**Satin Nickel**  
KNOB 6798SN



**Tier 3**  
**Antic Knob**  
**Vintage Nickel**  
KNOB 6798VN



**Tier 3**  
**Antic Knob**  
**Modern Brushed Gold**  
KNOB 6798MG



**Tier 3**  
**Antic Knob**  
**Matte Black**  
KNOB 6798MB

## Briolette



**Tier 3**  
**Briolette Pull**  
**Polished Chrome**  
PULL 2272PC

128mm Center • Overall Length: 5 3/4"



**Tier 3**  
**Briolette Pull**  
**Satin Nickel**  
PULL 2272SN

128mm Center • Overall Length: 5 3/4"



**Tier 3**  
**Briolette Pull**  
**Modern Brushed Gold**  
PULL 2272MG

128mm Center • Overall Length: 5 3/4"



**Tier 3**  
**Briolette Pull**  
**Brushed Copper**  
PULL 2272CP

128mm Center • Overall Length: 5 3/4"



**Tier 3**  
**Briolette Pull**  
**Matte Black**  
PULL 2272MB

128mm Center • Overall Length: 5 3/4"

**NR12** AVELEY, GALWAY, INNSBROOK, PORT, STONEWALL

**NR12LG** AVELEY, GALWAY, INNSBROOK, PORT, STONEWALL



**Tier 3**  
**Briolette Knob**  
**Polished Chrome**  
KNOB 2271PC



**Tier 3**  
**Briolette Knob**  
**Satin Nickel**  
KNOB 2271SN



**Tier 3**  
**Briolette Knob**  
**Modern Brushed Gold**  
KNOB 2271MG



**Tier 3**  
**Briolette Knob**  
**Brushed Copper**  
KNOB 2271CP



**Tier 3**  
**Briolette Knob**  
**Matte Black**  
KNOB 2271MB

## Radiant



**Tier 3**  
Radiant Pull  
Satin Nickel  
PULL 0318SN

128mm Center • Overall Length: 5 3/4"



**Tier 3**  
Radiant Pull  
Weathered Nickel  
PULL 0318WN

128mm Center • Overall Length: 5 3/4"



**Tier 3**  
Radiant Pull  
Modern Brushed Gold  
PULL 0318MG

128mm Center • Overall Length: 5 3/4"



**Tier 3**  
Radiant Pull  
Verona Bronze  
PULL 0318VB

128mm Center • Overall Length: 5 3/4"



**Tier 3**  
Radiant Pull  
Matte Black  
PULL 0318MB

128mm Center • Overall Length: 5 3/4"

**NR12** AVELEY, GALWAY, INNSBROOK, PORT, STONEWALL

**NR12LG** AVELEY, GALWAY, INNSBROOK, PORT, STONEWALL



**Tier 3**  
Radiant Knob  
Satin Nickel  
KNOB 0319SN



**Tier 3**  
Radiant Knob  
Weathered Nickel  
KNOB 0319WN



**Tier 3**  
Radiant Knob  
Modern Brushed Gold  
KNOB 0319MG



**Tier 3**  
Radiant Knob  
Verona Bronze  
KNOB 0319VB



**Tier 3**  
Radiant Knob  
Matte Black  
KNOB 0319MB

## Trillion



**Tier 3**  
Trillion Pull  
Polished Chrome  
PULL 0875PC

128mm Center • Overall Length: 5 1/2"



**Tier 3**  
Trillion Pull  
Satin Nickel  
PULL 0875SN

128mm Center • Overall Length: 5 1/2"



**Tier 3**  
Trillion Pull  
Vintage Nickel  
PULL 0875VN

128mm Center • Overall Length: 5 1/2"



**Tier 3**  
Trillion Pull  
Modern Brushed Gold  
PULL 0875MG

128mm Center • Overall Length: 5 1/2"



**Tier 3**  
Trillion Pull  
Matte Black  
PULL 0875MB

128mm Center • Overall Length: 5 1/2"

**NR12** AVELEY, GALWAY, INNSBROOK, PORT, STONEWALL

**NR12LG** AVELEY, GALWAY, INNSBROOK, PORT, STONEWALL



**Tier 3**  
Trillion Knob  
Polished Chrome  
KNOB 0876PC



**Tier 3**  
Trillion Knob  
Satin Nickel  
KNOB 0876SN



**Tier 3**  
Trillion Knob  
Vintage Nickel  
KNOB 0876VN



**Tier 3**  
Trillion Knob  
Modern Brushed Gold  
KNOB 0876MG



**Tier 3**  
Trillion Knob  
Matte Black  
KNOB 0876MB



## Marquise



**Tier 3**  
**Marquise Pull - 6 7/8"**  
**Polished Chrome**  
 PULL 4213PC

160mm Center • Overall Length: 6 7/8"



**Tier 3**  
**Marquise Pull - 6 7/8"**  
**Satin Nickel**  
 PULL 4213SN

160mm Center • Overall Length: 6 7/8"



**Tier 3**  
**Marquise Pull - 6 7/8"**  
**Modern Brushed Gold**  
 PULL 4213MG

160mm Center • Overall Length: 6 7/8"



**Tier 3**  
**Marquise Pull - 6 7/8"**  
**Brushed Copper**  
 PULL 4213CP

160mm Center • Overall Length: 6 7/8"



**Tier 3**  
**Marquise Pull - 6 7/8"**  
**Matte Black**  
 PULL 4213MB

160mm Center • Overall Length: 6 7/8"

**NR12** AVELEY, GALWAY, INNSBROOK, PORT, STONEWALL

**NR12LG** AVELEY, GALWAY, INNSBROOK, PORT, STONEWALL



**Tier 3**  
**Marquise Pull - 5 9/16"**  
**Polished Chrome**  
 PULL 4212PC

128mm Center • Overall Length: 5 9/16"



**Tier 3**  
**Marquise Pull - 5 9/16"**  
**Satin Nickel**  
 PULL 4212SN

128mm Center • Overall Length: 5 9/16"



**Tier 3**  
**Marquise Pull - 5 9/16"**  
**Modern Brushed Gold**  
 PULL 4212MG

128mm Center • Overall Length: 5 9/16"



**Tier 3**  
**Marquise Pull - 5 9/16"**  
**Brushed Copper**  
 PULL 4212CP

128mm Center • Overall Length: 5 9/16"



**Tier 3**  
**Marquise Pull - 5 9/16"**  
**Matte Black**  
 PULL 4212MB

128mm Center • Overall Length: 5 9/16"

**NR12** AVELEY, GALWAY, INNSBROOK, PORT, STONEWALL

**NR12LG** AVELEY, GALWAY, INNSBROOK, PORT, STONEWALL

## Halo



**Tier 2**  
**Halo Knob**  
**Polished Chrome**  
 KNOB 3106PC



**Tier 2**  
**Halo Knob**  
**Satin Nickel**  
 KNOB 3106SN



**Tier 2**  
**Halo Knob**  
**Modern Brushed Gold**  
 KNOB 3106MG



**Tier 2**  
**Halo Knob**  
**Brushed Copper**  
 KNOB 3106CP



**Tier 2**  
**Halo Knob**  
**Matte Black**  
 KNOB 3106MB

## Rectangular



**Tier 2**  
**Rectangular Pull**  
**Polished Chrome**  
 PULL 3502PC  
 96mm Center • Overall Length: 4 13/16"



**Tier 2**  
**Rectangular Pull**  
**Satin Nickel**  
 PULL 3502SN  
 96mm Center • Overall Length: 4 13/16"



**Tier 2**  
**Rectangular Pull**  
**Vintage Nickel**  
 PULL 3502VN  
 96mm Center • Overall Length: 4 13/16"



**Tier 2**  
**Rectangular Pull**  
**Modern Brushed Gold**  
 PULL 3502MG  
 96mm Center • Overall Length: 4 13/16"



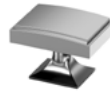
**Tier 2**  
**Rectangular Pull**  
**Matte Black**  
 PULL 3502MB  
 96mm Center • Overall Length: 4 13/16"



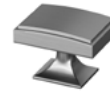
**Tier 2**  
**Rectangular Knob**  
**Polished Chrome**  
 KNOB 3503PC



**Tier 2**  
**Rectangular Knob**  
**Satin Nickel**  
 KNOB 3503SN



**Tier 2**  
**Rectangular Knob**  
**Vintage Nickel**  
 KNOB 3503VN



**Tier 2**  
**Rectangular Knob**  
**Modern Brushed Gold**  
 KNOB 3503MG



**Tier 2**  
**Rectangular Knob**  
**Matte Black**  
 KNOB 3503MB

## Beaded



**Tier 2**  
**Beaded Pull**  
**Satin Nickel**  
 PULL 3562SN  
 96mm Center • Overall Length: 4 1/2"



**Tier 2**  
**Beaded Pull**  
**Weathered Nickel**  
 PULL 3562WN  
 96mm Center • Overall Length: 4 1/2"



**Tier 2**  
**Beaded Pull**  
**Modern Brushed Gold**  
 PULL 3562MG  
 96mm Center • Overall Length: 4 1/2"



**Tier 2**  
**Beaded Pull**  
**Verona Bronze**  
 PULL 3562VB  
 96mm Center • Overall Length: 4 1/2"



**Tier 2**  
**Beaded Pull**  
**Matte Black**  
 PULL 3562MB  
 96mm Center • Overall Length: 4 1/2"

## Stamped



**Tier 2**  
**Stamped Knob**  
**Satin Nickel**  
 KNOB 3563SN



**Tier 2**  
**Stamped Knob**  
**Weathered Nickel**  
 KNOB 3563WN



**Tier 2**  
**Stamped Knob**  
**Modern Brushed Gold**  
 KNOB 3563MG



**Tier 2**  
**Stamped Knob**  
**Verona Bronze**  
 KNOB 3563VB



**Tier 2**  
**Stamped Knob**  
**Matte Black**  
 KNOB 3563MB

## Bow



**Tier 2**  
**Bow Pull - 7 13/16"**  
**Polished Chrome**  
 PULL 3129PC  
 5" Center • Overall Length: 7 13/16"

**Tier 2**  
**Bow Pull - 7 13/16"**  
**Satin Nickel**  
 PULL 3129SN  
 5" Center • Overall Length: 7 13/16"

**Tier 2**  
**Bow Pull - 7 13/16"**  
**Modern Brushed Gold**  
 PULL 3129MG  
 5" Center • Overall Length: 7 13/16"

**Tier 2**  
**Bow Pull - 7 13/16"**  
**Brushed Copper**  
 PULL 3129CP  
 5" Center • Overall Length: 7 13/16"

**Tier 2**  
**Bow Pull - 7 13/16"**  
**Matte Black**  
 PULL 3129MB  
 5" Center • Overall Length: 7 13/16"

**NR12** AVELEY, GALWAY, INNSBROOK, PORT, STONEWALL  
**NR12LG** AVELEY, GALWAY, INNSBROOK, PORT, STONEWALL



**Tier 1**  
**Bow Pull - 6 3/16"**  
**Polished Chrome**  
 PULL 3128PC  
 96mm Center • Overall Length: 6 3/16"

**Tier 1**  
**Bow Pull - 6 3/16"**  
**Satin Nickel**  
 PULL 3128SN  
 96mm Center • Overall Length: 6 3/16"

**Tier 1**  
**Bow Pull - 6 3/16"**  
**Modern Brushed Gold**  
 PULL 3128MG  
 96mm Center • Overall Length: 6 3/16"

**Tier 1**  
**Bow Pull - 6 3/16"**  
**Brushed Copper**  
 PULL 3128CP  
 96mm Center • Overall Length: 6 3/16"

**Tier 1**  
**Bow Pull - 6 3/16"**  
**Matte Black**  
 PULL 3128MB  
 96mm Center • Overall Length: 6 3/16"

## Tempo



**Tier 2**  
**Tempo Pull**  
**Polished Chrome**  
 PULL 0323PC  
 128mm Center • Overall Length: 5 7/16"

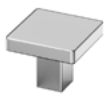
**Tier 2**  
**Tempo Pull**  
**Satin Nickel**  
 PULL 0323SN  
 128mm Center • Overall Length: 5 7/16"

**Tier 2**  
**Tempo Pull**  
**Modern Brushed Gold**  
 PULL 0323MG  
 128mm Center • Overall Length: 5 7/16"

**Tier 2**  
**Tempo Pull**  
**Brushed Copper**  
 PULL 0323CP  
 128mm Center • Overall Length: 5 7/16"

**Tier 2**  
**Tempo Pull**  
**Matte Black**  
 PULL 0323MB  
 128mm Center • Overall Length: 5 7/16"

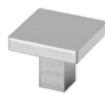
**NR12** AVELEY, GALWAY, INNSBROOK, PORT, STONEWALL  
**NR12LG** AVELEY, GALWAY, INNSBROOK, PORT, STONEWALL



**Tier 2**  
**Tempo Knob**  
**Polished Chrome**  
 KNOB 0322PC



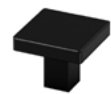
**Tier 2**  
**Tempo Knob**  
**Satin Nickel**  
 KNOB 0322SN



**Tier 2**  
**Tempo Knob**  
**Modern Brushed Gold**  
 KNOB 0322MG



**Tier 2**  
**Tempo Knob**  
**Brushed Copper**  
 KNOB 0322CP



**Tier 2**  
**Tempo Knob**  
**Matte Black**  
 KNOB 0322MB

## Cup



**Tier 2**  
Cup Pull  
Satin Nickel  
PULL 3105SN  
3" Center • Overall Length: 4 5/8"



**Tier 2**  
Cup Pull  
Weathered Nickel  
PULL 3105WN  
3" Center • Overall Length: 4 5/8"



**Tier 2**  
Cup Pull  
Modern Brushed Gold  
PULL 3105MG  
3" Center • Overall Length: 4 5/8"



**Tier 2**  
Cup Pull  
Verona Bronze  
PULL 3105VB  
3" Center • Overall Length: 4 5/8"



**Tier 2**  
Cup Pull  
Matte Black  
PULL 3105MB  
3" Center • Overall Length: 4 5/8"

**NRKDC** AVELEY, GALWAY, INNSBROOK, PORT, STONEWALL

## Classic



**Tier 1**  
Classic Pull  
Satin Nickel  
PULL 3172SN  
3" Center • Overall Length: 5 5/8"



**Tier 1**  
Classic Pull  
Verona Bronze  
PULL 3172VB  
3" Center • Overall Length: 5 5/8"



**Tier 1**  
Classic Pull  
Matte Black  
PULL 3172MB  
3" Center • Overall Length: 5 5/8"



**Tier 1**  
Classic Knob  
Satin Nickel  
KNOB 3173SN



**Tier 1**  
Classic Knob  
Weathered Nickel  
KNOB 3173WN



**Tier 1**  
Classic Knob  
Modern Brushed Gold  
KNOB 3173MG



**Tier 1**  
Classic Knob  
Verona Bronze  
KNOB 3173VB



**Tier 1**  
Classic Knob  
Matte Black  
KNOB 3173MB

## Toggle



**Tier 1**  
Toggle Knob  
Satin Nickel  
KNOB 3239SN



**Tier 1**  
Toggle Knob  
Verona Bronze  
KNOB 3239VB



**Tier 1**  
Toggle Knob  
Matte Black  
KNOB 3239MB

## Twisted Crescent



**Tier 1**  
**Twisted Crescent Pull**  
**Satin Nickel**  
 PULL 3122SN

96mm Center • Overall Length: 5 1/16"



**Tier 1**  
**Twisted Crescent Pull**  
**Verona Bronze**  
 PULL 3122VB

96mm Center • Overall Length: 5 1/16"



**Tier 1**  
**Twisted Crescent Pull**  
**Matte Black**  
 PULL 3122MB

96mm Center • Overall Length: 5 1/16"

## Button



**Tier 1**  
**Button Knob**  
**Satin Nickel**  
 KNOB 3213SN



**Tier 1**  
**Button Knob**  
**Verona Bronze**  
 KNOB 3213VB



**Tier 1**  
**Button Knob**  
**Matte Black**  
 KNOB 3213MB

## Ringed



**Tier 1**  
**Ringed Arch Pull**  
**Satin Nickel**  
 PULL 3672SN

3" Center • Overall Length: 5 1/2"



**Tier 1**  
**Ringed Arch Pull**  
**Verona Bronze**  
 PULL 3672VB

3" Center • Overall Length: 5 1/2"



**Tier 1**  
**Ringed Arch Pull**  
**Matte Black**  
 PULL 3672MB

3" Center • Overall Length: 5 1/2"

**NR12** AVELEY, GALWAY, INNSBROOK, PORT, STONEWALL

**NR12LG** AVELEY, GALWAY, INNSBROOK, PORT, STONEWALL



**Tier 1**  
**Ringed Knob**  
**Satin Nickel**  
 KNOB 3673SN

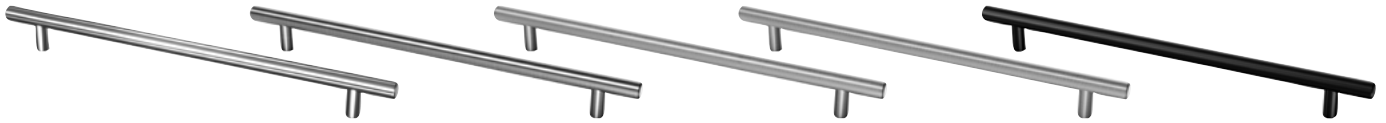


**Tier 1**  
**Ringed Knob**  
**Verona Bronze**  
 KNOB 3673VB



**Tier 1**  
**Ringed Knob**  
**Matte Black**  
 KNOB 3673MB

# T-Bar



**Tier 3**  
**T-Bar Pull - 12 7/16"**  
**Polished Chrome**  
 PULL 4730PC  
 256mm Center  
 Overall Length: 12 7/16"

**Tier 3**  
**T-Bar Pull - 12 7/16"**  
**Satin Nickel**  
 PULL 4730SN  
 256mm Center  
 Overall Length: 12 7/16"

**Tier 3**  
**T-Bar Pull - 12 7/16"**  
**Modern Brushed Gold**  
 PULL 4730MG  
 256mm Center  
 Overall Length: 12 7/16"

**Tier 3**  
**T-Bar Pull - 12 7/16"**  
**Brushed Copper**  
 PULL 4730CP  
 256mm Center  
 Overall Length: 12 7/16"

**Tier 3**  
**T-Bar Pull - 12 7/16"**  
**Matte Black**  
 PULL 4730MB  
 256mm Center  
 Overall Length: 12 7/16"

<b>NR12</b>	ANY DOOR STYLE
<b>NR12LG</b>	ANY DOOR STYLE
<b>NR15LG</b>	AVELEY, GALWAY, GLENLOCH, INNSBROOK, MCKELLER, PORT, STONEWALL



**Tier 2**  
**T-Bar Pull - 8 5/8"**  
**Polished Chrome**  
 PULL 4712PC  
 160mm Center • Overall Length: 8 5/8"

**Tier 2**  
**T-Bar Pull - 8 5/8"**  
**Satin Nickel**  
 PULL 4712SN  
 160mm Center • Overall Length: 8 5/8"

**Tier 2**  
**T-Bar Pull - 8 5/8"**  
**Modern Brushed Gold**  
 PULL 4712MG  
 160mm Center • Overall Length: 8 5/8"

**Tier 2**  
**T-Bar Pull - 8 5/8"**  
**Brushed Copper**  
 PULL 4712CP  
 160mm Center • Overall Length: 8 5/8"

**Tier 2**  
**T-Bar Pull - 8 5/8"**  
**Matte Black**  
 PULL 4712MB  
 160mm Center • Overall Length: 8 5/8"

<b>NR12</b>	AVELEY, GALWAY, GLENLOCH, INNSBROOK, MCKELLER, PORT, STONEWALL
<b>NR12LG</b>	AVELEY, GALWAY, INNSBROOK, PORT, STONEWALL



**Tier 1**  
**T-Bar Pull - 5 5/16"**  
**Polished Chrome**  
 PULL 4701PC  
 3" Center • Overall Length: 5 5/16"

**Tier 1**  
**T-Bar Pull - 5 5/16"**  
**Satin Nickel**  
 PULL 4701SN  
 3" Center • Overall Length: 5 5/16"

**Tier 1**  
**T-Bar Pull - 5 5/16"**  
**Modern Brushed Gold**  
 PULL 4701MG  
 3" Center • Overall Length: 5 5/16"

**Tier 1**  
**T-Bar Pull - 5 5/16"**  
**Brushed Copper**  
 PULL 4701CP  
 3" Center • Overall Length: 5 5/16"

**Tier 1**  
**T-Bar Pull - 5 5/16"**  
**Matte Black**  
 PULL 4701MB  
 3" Center • Overall Length: 5 5/16"



**Tier 1**  
**T-Bar Knob**  
**Polished Chrome**  
 KNOB 4703PC

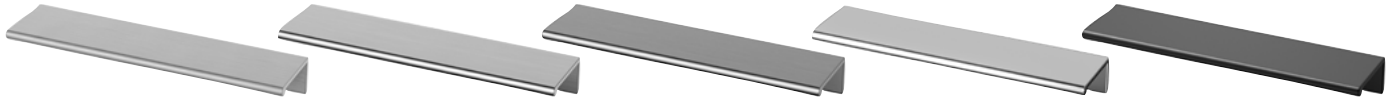
**Tier 1**  
**T-Bar Knob**  
**Satin Nickel**  
 KNOB 4703SN

**Tier 1**  
**T-Bar Knob**  
**Modern Brushed Gold**  
 KNOB 4703MG

**Tier 1**  
**T-Bar Knob**  
**Brushed Copper**  
 KNOB 4703CP

**Tier 1**  
**T-Bar Knob**  
**Matte Black**  
 KNOB 4703MB

# Tab



**Tier 3**  
**Tab Pull - 6"**  
**Polished Chrome**  
 PULL 1060PC  
 Overall Length: 6"

**Tier 3**  
**Tab Pull - 6"**  
**Satin Nickel**  
 PULL 1060SN  
 Overall Length: 6"

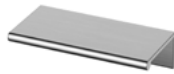
**Tier 3**  
**Tab Pull - 6"**  
**Modern Brushed Gold**  
 PULL 1060MG  
 Overall Length: 6"

**Tier 3**  
**Tab Pull - 6"**  
**Brushed Copper**  
 PULL 1060CP  
 Overall Length: 6"

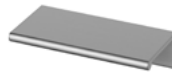
**Tier 3**  
**Tab Pull - 6"**  
**Matte Black**  
 PULL 1060MB  
 Overall Length: 6"



**Tier 2**  
**Tab Pull - 3"**  
**Polished Chrome**  
 PULL 1055PC  
 Overall Length: 3"



**Tier 2**  
**Tab Pull - 3"**  
**Satin Nickel**  
 PULL 1055SN  
 Overall Length: 3"



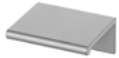
**Tier 2**  
**Tab Pull - 3"**  
**Modern Brushed Gold**  
 PULL 1055MG  
 Overall Length: 3"



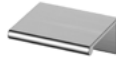
**Tier 2**  
**Tab Pull - 3"**  
**Brushed Copper**  
 PULL 1055CP  
 Overall Length: 3"



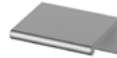
**Tier 2**  
**Tab Pull - 3"**  
**Matte Black**  
 PULL 1055MB  
 Overall Length: 3"



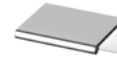
**Tier 1**  
**Tab Pull - 1 3/4"**  
**Polished Chrome**  
 PULL 1050PC  
 Overall Length: 1 3/4"



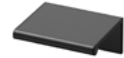
**Tier 1**  
**Tab Pull - 1 3/4"**  
**Satin Nickel**  
 PULL 1050SN  
 Overall Length: 1 3/4"



**Tier 1**  
**Tab Pull - 1 3/4"**  
**Modern Brushed Gold**  
 PULL 1050MG  
 Overall Length: 1 3/4"

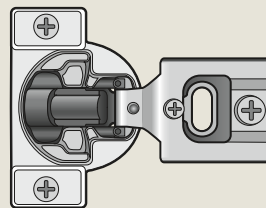
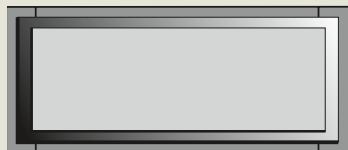
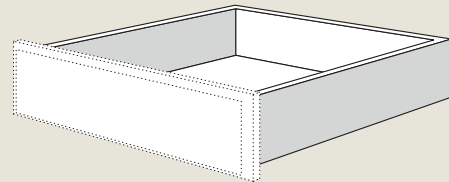
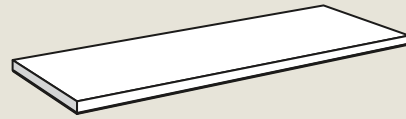
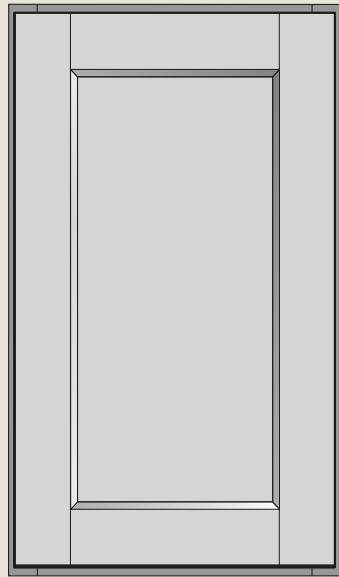


**Tier 1**  
**Tab Pull - 1 3/4"**  
**Brushed Copper**  
 PULL 1050CP  
 Overall Length: 1 3/4"



**Tier 1**  
**Tab Pull - 1 3/4"**  
**Matte Black**  
 PULL 1050MB  
 Overall Length: 1 3/4"

# Parts Directory





## Parts Directory Contents

The parts directory conveniently combines all three construction packages. All dimensions are found on pages 193–197.

### Wall Cabinets

Standard.....	164
With Spice Rack.....	164
Wall Top Hinge.....	165
Wall End Angle.....	166
Blind.....	166
Corner.....	166
Wall Easy Reach.....	167
Refrigerator.....	167
Microwave.....	167
Wall Range Hood.....	168

### Base Cabinets

Furniture Drawers.....	169
Pedestal Drawers.....	169
Standard.....	170
With Deep Roll Out Trays.....	170
With Door Accessory.....	170
With Roll Out Tray Divider.....	170
With Wastebaskets.....	170
Base Pot and Pan Organizer.....	170
Peninsula.....	170
With Cutlery Divider Kit.....	172
With Spice Drawer Insert Kit.....	172
With Wood Tiered Cutlery Divider Kit.....	172
Blind Corner.....	174
Blind Peninsula Corner.....	174
With Full Height Door.....	176
Base End Angle.....	177

### Drawer Base Cabinets

Two Drawer Base.....	178
Three Drawer.....	178
Three Drawer With Drawer Organizer.....	179
Four Drawer.....	179
Four Drawer With Drawer Organizer.....	180
Spice Drawer Cabinet.....	180
Base Microwave.....	180

### Sink Base Cabinets

Corner Sink Base, Corner Sink Front.....	181
Sink/Cooktop Base and Front.....	181
Sink with Tilt-Out Tray(s).....	181
Sink Base Multi-Storage Cabinet.....	181

### Corner Base Cabinets.....

### Tall Cabinets

Utility With Adjustable Shelves.....	183
Utility With Deep Roll Out Trays.....	184
Double Oven.....	186
Single Oven.....	186

### Desk Cabinets

Desk Door.....	174
With Wastebasket(s).....	177
Desk File Pullout.....	177
Desk Drawer Base.....	177
Kneehole Drawer.....	180

### Vanity Cabinets

Vanity Linen.....	190
Vanity Base.....	190
Vanity Wastebasket.....	190
Vanity Sink Base with Top Drawer.....	190
Vanity Combo Sink Base.....	191
Vanity Sink Base.....	192
Vanity Drawer Base.....	192

### Dimensions

Doors.....	193
Shelves.....	194
Glass Inserts.....	195
Roll Out Accessories.....	196
Drawer Fronts.....	196
Drawer Bodies.....	197

### Accessories

Miscellaneous Parts.....	199
--------------------------	-----

## Parts Directory Legend

DOOR NOMENCLATURE LEGEND	
DR__	Square doors must be ordered as hinged left (invert for right hinging) or as no drill Example: SKU: DR1230 Option: Left Hinge
DR_SD	Square Specialty Doors are used for Open Frame Door options Example: SKU: DR1230 SD Option: OFD - Open Frame Door Option: Left Hinge
DR_FH	Full-Height Door for Full-Height Base, Full-Height Peninsula Base and Full-Height Vanity Base Example: SKU: DR15 FH Option: Left Hinge
DR_V	Deep Sink Base Door Example: SKU: DR1521V Option: Left Hinge

DRAWER/PANEL FRONT NOMENCLATURE LEGEND	
DDF__	Drawer/Panel Front for Base, Vanity or Desk cabinet
DDF__M	Large Drawer Front for Drawer Base, Vanity or Desk cabinet
DDFOV__	Drawer Front for OVD__ (AS) BUTT
DDFKDC__	Drawer Front for Kneehole Drawer cabinet
DDF__2DB	Drawer Front for 2 Drawer Base cabinet

DRAWER BODY NOMENCLATURE LEGEND	
DRB__	Dovetail drawer box with Full-Access Soft-Close glides
DRB__M	Deep Dovetail drawer box with Full-Access Soft-Close glides

ADJUSTABLE SHELVING NOMENCLATURE LEGEND	
<b>Adjustable Shelving Notes:</b> Bookshelves and Microwave Wall Cabinet replacement shelves feature Matching Interior standard - MI and MI PLY Shelving NOT available Specialty Door cabinets feature Matching Interior standard, replacement shelves must be ordered as __" SHELF MI or __" SHELF MI PLY	
__" SHELF 3/4	essential and select 3/4" Adjustable Shelf for Wall, Base and 24" Deep Refrigerator Wall cabinets <b>Example: 12" SHELF 3/4</b>
__" SHELF 24DP 3/4	select 3/4" Full Depth Adjustable Shelf for Base cabinets and 24" Deep Refrigerator Wall cabinets <b>Example: 30" SHELF 24DP 3/4</b>
__" SHELF PLY	luxury 3/4" Plywood Adjustable Shelf for Wall cabinets <b>Example: 12" SHELF PLY</b>
__" SHELF 24DP PLY	luxury 3/4" Plywood Full-Depth Adjustable Shelf for Base cabinets and 24" Deep Refrigerator Wall cabinets <b>Example: 30" SHELF 24DP PLY</b>
__" SHELF MI PLY	luxury Matching Interior 3/4" Plywood Adjustable Plywood Shelving, add MI before PLY <b>Example: 12" SHELF MI PLY</b>
__" SHELF MI	essential & select For Matching Interior 3/4" Plywood Adjustable Plywood Shelving, add MI before PLY <b>Example: 12" SHELF MI</b>

SKU	QTY	DOOR / SPECIALTY DOOR		GLASS INSERT	QTY	ADJUSTABLE SHELF	
		PART NAME	PART NAME	PART NAME		essential & select 60, 61, 63, 64, 71, 72	luxury 62, 65, 73
						*PART NAME	*PART NAME
<b>STANDARD WALL • 12" HIGH</b>							
W3012 BUTT	2	DR1512 BUTT	DR1512 BUTT SD	DGI-1512 BUTT	-	N/A	N/A
W3312 BUTT	2	DR1612 BUTT	DR1612 BUTT SD	DGI-1612 BUTT	-	N/A	N/A
W3612 BUTT	2	DR1812 BUTT	DR1812 BUTT SD	DGI-1812 BUTT	-	N/A	N/A
W3912	2	DR1912	DR1912 SD	DGI-1912	-	N/A	N/A
<b>STANDARD WALL • 15" HIGH</b>							
W3015 BUTT	2	DR1515 BUTT	DR1515 BUTT SD	DGI-1515 BUTT	-	N/A	N/A
W3315 BUTT	2	DR1615 BUTT	DR1615 BUTT SD	DGI-1615 BUTT	-	N/A	N/A
W3615 BUTT	2	DR1815 BUTT	DR1815 BUTT SD	DGI-1815 BUTT	-	N/A	N/A
W3915	2	DR1915	DR1915 SD	DGI-1915	-	N/A	N/A
<b>STANDARD WALL • 18" HIGH</b>							
W1218	1	DR1218	DR1218 SD	DGI-1218	-	N/A	N/A
W1518	1	DR1518	DR1518 SD	DGI-1518	-	N/A	N/A
W1818	1	DR1818	DR1818 SD	DGI-1818	-	N/A	N/A
W2118	1	DR2118	DR2118 SD	DGI-2118	-	N/A	N/A
W2418 BUTT	2	DR1218 BUTT	DR1218 BUTT SD	DGI-1218 BUTT	-	N/A	N/A
W2718 BUTT	2	DR1318 BUTT	DR1318 BUTT SD	DGI-1318 BUTT	-	N/A	N/A
W3018 BUTT	2	DR1518 BUTT	DR1518 BUTT SD	DGI-1518 BUTT	-	N/A	N/A
W3318 BUTT	2	DR1618 BUTT	DR1618 BUTT SD	DGI-1618 BUTT	-	N/A	N/A
W3618 BUTT	2	DR1818 BUTT	DR1818 BUTT SD	DGI-1818 BUTT	-	N/A	N/A
W3918	2	DR1918	DR1918 SD	DGI-1918	-	N/A	N/A
<b>STANDARD WALL • 21" HIGH</b>							
W3021 BUTT	2	DR1521 BUTT	DR1521 BUTT SD	DGI-1521 BUTT	-	N/A	N/A
W3321 BUTT	2	DR1621 BUTT	DR1621 BUTT SD	DGI-1621 BUTT	-	N/A	N/A
W3621 BUTT	2	DR1821 BUTT	DR1821 BUTT SD	DGI-1821 BUTT	-	N/A	N/A
W3921	2	DR1921	DR1921 SD	DGI-1921	-	N/A	N/A
<b>STANDARD WALL • 24" HIGH</b>							
W1224	1	DR1224	DR1224 SD	DGI-1224	1	12" SHELF 3/4	12" SHELF PLY
W1524	1	DR1524	DR1524 SD	DGI-1524	1	15" SHELF 3/4	15" SHELF PLY
W1824	1	DR1824	DR1824 SD	DGI-1824	1	18" SHELF 3/4	18" SHELF PLY
W2124	1	DR2124	DR2124 SD	DGI-2124	1	21" SHELF 3/4	21" SHELF PLY
W2424 BUTT	2	DR1224 BUTT	DR1224 BUTT SD	DGI-1224 BUTT	1	24" SHELF 3/4	24" SHELF PLY
W2724 BUTT	2	DR1324 BUTT	DR1324 BUTT SD	DGI-1324 BUTT	1	27" SHELF 3/4	27" SHELF PLY
W3024 BUTT	2	DR1524 BUTT	DR1524 BUTT SD	DGI-1524 BUTT	1	30" SHELF 3/4	30" SHELF PLY
W3324 BUTT	2	DR1624 BUTT	DR1624 BUTT SD	DGI-1624 BUTT	1	33" SHELF 3/4	33" SHELF PLY
W3624 BUTT	2	DR1824 BUTT	DR1824 BUTT SD	DGI-1824 BUTT	1	36" SHELF 3/4	36" SHELF PLY
<b>STANDARD WALL • 27" HIGH</b>							
W3027 BUTT	2	DR1527 BUTT	DR1527 BUTT SD	DGI-1527 BUTT	1	30" SHELF 3/4	30" SHELF PLY
<b>STANDARD WALL • 30" HIGH</b>							
W930	1	DR930	N/A	N/A	2	9" SHELF 3/4	9" SHELF PLY
W1230	1	DR1230	DR1230 SD	DGI-1230	2	12" SHELF 3/4	12" SHELF PLY
W1530	1	DR1530	DR1530 SD	DGI-1530	2	15" SHELF 3/4	15" SHELF PLY
W1830	1	DR1830	DR1830 SD	DGI-1830	2	18" SHELF 3/4	18" SHELF PLY
W2130	1	DR2130	DR2130 SD	DGI-2130	2	21" SHELF 3/4	21" SHELF PLY
W2430	1	DR2430	N/A	N/A	2	24" SHELF 3/4	24" SHELF PLY
W2430 BUTT	2	DR1230 BUTT	DR1230 BUTT SD	DGI-1230 BUTT	2	24" SHELF 3/4	24" SHELF PLY
W2730 BUTT	2	DR1330 BUTT	DR1330 BUTT SD	DGI-1330 BUTT	2	27" SHELF 3/4	27" SHELF PLY
W3030 BUTT	2	DR1530 BUTT	DR1530 BUTT SD	DGI-1530 BUTT	2	30" SHELF 3/4	30" SHELF PLY
W3330 BUTT	2	DR1630 BUTT	DR1630 BUTT SD	DGI-1630 BUTT	2	33" SHELF 3/4	33" SHELF PLY
W3630 BUTT	2	DR1830 BUTT	DR1830 BUTT SD	DGI-1830 BUTT	2	36" SHELF 3/4	36" SHELF PLY
<b>WALL WITH SPICE RACK • 30" HIGH</b>							
W1530 SR	1	DR1530	N/A	N/A	2	15" SHELF 3/4	15" SHELF PLY
W1830 SR	1	DR1830	N/A	N/A	2	18" SHELF 3/4	18" SHELF PLY
W2130 SR	1	DR2130	N/A	N/A	2	21" SHELF 3/4	21" SHELF PLY

\*For Matching Interior Adjustable Shelf, refer to Parts Directory Legend

SKU	QTY	DOOR / SPECIALTY DOOR		GLASS INSERT	QTY	ADJUSTABLE SHELF	
		PART NAME	PART NAME	PART NAME		essential & select 60, 61, 63, 64, 71, 72	luxury 62, 65, 73
						*PART NAME	*PART NAME
<b>STANDARD WALL • 36" HIGH</b>							
W936	1	DR936	N/A	N/A	2	9" SHELF 3/4	9" SHELF PLY
W1236	1	DR1236	DR1236 SD	DGI-1236	2	12" SHELF 3/4	12" SHELF PLY
W1536	1	DR1536	DR1536 SD	DGI-1536	2	15" SHELF 3/4	15" SHELF PLY
W1836	1	DR1836	DR1836 SD	DGI-1836	2	18" SHELF 3/4	18" SHELF PLY
W2136	1	DR2136	DR2136 SD	DGI-2136	2	21" SHELF 3/4	21" SHELF PLY
W2436	1	DR2436	N/A	N/A	2	24" SHELF 3/4	24" SHELF PLY
W2436 BUTT	2	DR1236 BUTT	DR1236 BUTT SD	DGI-1236 BUTT	2	24" SHELF 3/4	24" SHELF PLY
W2736 BUTT	2	DR1336 BUTT	DR1336 BUTT SD	DGI-1336 BUTT	2	27" SHELF 3/4	27" SHELF PLY
W3036 BUTT	2	DR1536 BUTT	DR1536 BUTT SD	DGI-1536 BUTT	2	30" SHELF 3/4	30" SHELF PLY
W3336 BUTT	2	DR1636 BUTT	DR1636 BUTT SD	DGI-1636 BUTT	2	33" SHELF 3/4	33" SHELF PLY
W3636 BUTT	2	DR1836 BUTT	DR1836 BUTT SD	DGI-1836 BUTT	2	36" SHELF 3/4	36" SHELF PLY
<b>WALL WITH SPICE RACK • 36" HIGH</b>							
W1536 SR	1	DR1536	N/A	N/A	2	15" SHELF 3/4	15" SHELF PLY
W1836 SR	1	DR1836	N/A	N/A	2	18" SHELF 3/4	18" SHELF PLY
W2136 SR	1	DR2136	N/A	N/A	2	21" SHELF 3/4	21" SHELF PLY
<b>WALL CABINET • 39" HIGH</b>							
W939	1	DR939	N/A	N/A	3	9" SHELF 3/4	9" SHELF PLY
W1239	1	DR1239	DR1239 SD	DGI-1239	3	12" SHELF 3/4	12" SHELF PLY
W1539	1	DR1539	DR1539 SD	DGI-1539	3	15" SHELF 3/4	15" SHELF PLY
W1839	1	DR1839	DR1839 SD	DGI-1839	3	18" SHELF 3/4	18" SHELF PLY
W2139	1	DR2139	DR2139 SD	DGI-2139	3	21" SHELF 3/4	21" SHELF PLY
W2439	1	DR2439	N/A	N/A	3	24" SHELF 3/4	24" SHELF PLY
W2439 BUTT	2	DR1239 BUTT	DR1239 BUTT SD	DGI-1239 BUTT	3	24" SHELF 3/4	24" SHELF PLY
W2739 BUTT	2	DR1339 BUTT	DR1339 BUTT SD	DGI-1339 BUTT	3	27" SHELF 3/4	27" SHELF PLY
W3039 BUTT	2	DR1539 BUTT	DR1539 BUTT SD	DGI-1539 BUTT	3	30" SHELF 3/4	30" SHELF PLY
W3339 BUTT	2	DR1639 BUTT	DR1639 BUTT SD	DGI-1639 BUTT	3	33" SHELF 3/4	33" SHELF PLY
W3639 BUTT	2	DR1839 BUTT	DR1839 BUTT SD	DGI-1839 BUTT	3	36" SHELF 3/4	36" SHELF PLY
<b>WALL WITH SPICE RACK • 39" HIGH</b>							
W1539 SR	1	DR1539	N/A	N/A	3	15" SHELF 3/4	15" SHELF PLY
W1839 SR	1	DR1839	N/A	N/A	3	18" SHELF 3/4	18" SHELF PLY
W2139 SR	1	DR2139	N/A	N/A	3	21" SHELF 3/4	21" SHELF PLY
<b>STANDARD WALL • 42" HIGH</b>							
W942	1	DR942	N/A	N/A	3	9" SHELF 3/4	9" SHELF PLY
W1242	1	DR1242	DR1242 SD	DGI-1242	3	12" SHELF 3/4	12" SHELF PLY
W1542	1	DR1542	DR1542 SD	DGI-1542	3	15" SHELF 3/4	15" SHELF PLY
W1842	1	DR1842	DR1842 SD	DGI-1842	3	18" SHELF 3/4	18" SHELF PLY
W2142	1	DR2142	DR2142 SD	DGI-2142	3	21" SHELF 3/4	21" SHELF PLY
W2442	1	DR2442	N/A	N/A	3	24" SHELF 3/4	24" SHELF PLY
W2442 BUTT	2	DR1242 BUTT	DR1242 BUTT SD	DGI-1242 BUTT	3	24" SHELF 3/4	24" SHELF PLY
W2742 BUTT	2	DR1342 BUTT	DR1342 BUTT SD	DGI-1342 BUTT	3	27" SHELF 3/4	27" SHELF PLY
W3042 BUTT	2	DR1542 BUTT	DR1542 BUTT SD	DGI-1542 BUTT	3	30" SHELF 3/4	30" SHELF PLY
W3342 BUTT	2	DR1642 BUTT	DR1642 BUTT SD	DGI-1642 BUTT	3	33" SHELF 3/4	33" SHELF PLY
W3642 BUTT	2	DR1842 BUTT	DR1842 BUTT SD	DGI-1842 BUTT	3	36" SHELF 3/4	36" SHELF PLY
<b>WALL WITH SPICE RACK • 42" HIGH</b>							
W1542 SR	1	DR1542	N/A	N/A	2	15" SHELF 3/4	15" SHELF PLY
W1842 SR	1	DR1842	N/A	N/A	2	18" SHELF 3/4	18" SHELF PLY
W2142 SR	1	DR2142	N/A	N/A	3	21" SHELF 3/4	21" SHELF PLY
<b>WALL TOP HINGE • 15" HIGH</b>							
WTH3015	1	DR3015 WTH	DR3015 WTH SD	DGI-1530	-	N/A	N/A
WTH3615	1	DR3615 WTH	DR3615 WTH SD	DGI-1536	-	N/A	N/A
<b>WALL TOP HINGE • 15" HIGH X 24" DEEP</b>							
WTH3015 X 24DP	1	DR3015 WTH	DR3015 WTH SD	DGI-1530	-	N/A	N/A
WTH3615 X 24DP	1	DR3615 WTH	DR3615 WTH SD	DGI-1536	-	N/A	N/A
<b>WALL TOP HINGE • 18" HIGH</b>							
WTH3018	1	DR3018 WTH	DR3018 WTH SD	DGI-1830	-	N/A	N/A
WTH3618	1	DR3618 WTH	DR3618 WTH SD	DGI-1836	-	N/A	N/A

SKU	QTY	DOOR / SPECIALTY DOOR		GLASS INSERT	QTY	ADJUSTABLE SHELF	
		PART NAME	PART NAME	PART NAME		essential & select 60, 61, 63, 64, 71, 72	luxury 62, 65, 73
						*PART NAME	*PART NAME
<b>WALL TOP HINGE - 18" HIGH X 24" DEEP</b>							
WTH3018 X 24DP	1	DR3018 WTH	DR3018 WTH SD	DGI-1830	-	N/A	N/A
WTH3618 X 24DP	1	DR3618 WTH	DR3618 WTH SD	DGI-1836	-	N/A	N/A
<b>WALL END ANGLE</b>							
WEA1230	1	DR1530	DR1530 SD	DGI-1530	2	WEA SHELF 3/4	WEA SHELF PLY
WEA1236	1	DR1536	DR1536 SD	DGI-1536	2	WEA SHELF 3/4	WEA SHELF PLY
WEA1239	1	DR1539	DR1539 SD	DGI-1539	3	WEA SHELF 3/4	WEA SHELF PLY
WEA1242	1	DR1542	DR1542 SD	DGI-1542	3	WEA SHELF 3/4	WEA SHELF PLY
<b>BLIND WALL - 24" HIGH</b>							
BLW24/2724	1	DR1224	DR1224 SD	DGI-1224	1	24" SHELF 3/4	24" SHELF PLY
BLW27/3024	1	DR1524	DR1524 SD	DGI-1524	1	27" SHELF 3/4	27" SHELF PLY
BLW30/3324	1	DR1824	DR1824 SD	DGI-1824	1	30" SHELF 3/4	30" SHELF PLY
BLW33/3624	1	DR2124	DR2124 SD	DGI-2124	1	33" SHELF 3/4	33" SHELF PLY
BLW36/3924 BUTT	2	DR1224 BUTT	DR1224 BUTT SD	DGI-1224 BUTT	1	36" SHELF 3/4	36" SHELF PLY
<b>BLIND WALL - 30" HIGH</b>							
BLW24/2730	1	DR1230	DR1230 SD	DGI-1230	2	24" SHELF 3/4	24" SHELF PLY
BLW27/3030	1	DR1530	DR1530 SD	DGI-1530	2	27" SHELF 3/4	27" SHELF PLY
BLW30/3330	1	DR1830	DR1830 SD	DGI-1830	2	30" SHELF 3/4	30" SHELF PLY
BLW33/3630	1	DR2130	DR2130 SD	DGI-2130	2	33" SHELF 3/4	33" SHELF PLY
BLW36/3930	1	DR2430	N/A	N/A	2	36" SHELF 3/4	36" SHELF PLY
BLW36/3930 BUTT	2	DR1230 BUTT	DR1230 BUTT SD	DGI-1230 BUTT	2	36" SHELF 3/4	36" SHELF PLY
BLW39/4230 BUTT	2	DR1330 BUTT	DR1330 BUTT SD	DGI-1330 BUTT	2	39" SHELF 3/4	39" SHELF PLY
BLW42/4530 BUTT	2	DR1530 BUTT	DR1530 BUTT SD	DGI-1530 BUTT	2	42" SHELF 3/4	42" SHELF PLY
<b>BLIND WALL - 36" HIGH</b>							
BLW24/2736	1	DR1236	DR1236 SD	DGI-1236	2	24" SHELF 3/4	24" SHELF PLY
BLW27/3036	1	DR1536	DR1536 SD	DGI-1536	2	27" SHELF 3/4	27" SHELF PLY
BLW30/3336	1	DR1836	DR1836 SD	DGI-1836	2	30" SHELF 3/4	30" SHELF PLY
BLW33/3636	1	DR2136	DR2136 SD	DGI-2136	2	33" SHELF 3/4	33" SHELF PLY
BLW36/3936 BUTT	2	DR1236 BUTT	DR1236 BUTT SD	DGI-1236 BUTT	2	36" SHELF 3/4	36" SHELF PLY
BLW39/4236 BUTT	2	DR1336 BUTT	DR1336 BUTT SD	DGI-1336 BUTT	2	39" SHELF 3/4	39" SHELF PLY
BLW42/4536 BUTT	2	DR1536 BUTT	DR1536 BUTT SD	DGI-1536 BUTT	2	42" SHELF 3/4	42" SHELF PLY
<b>BLIND WALL - 39" HIGH</b>							
BLW24/2739	1	DR1239	DR1239 SD	DGI-1239	3	24" SHELF 3/4	24" SHELF PLY
BLW27/3039	1	DR1539	DR1539 SD	DGI-1539	3	27" SHELF 3/4	27" SHELF PLY
BLW30/3339	1	DR1839	DR1839 SD	DGI-1839	3	30" SHELF 3/4	30" SHELF PLY
BLW33/3639	1	DR2139	DR2139 SD	DGI-2139	3	33" SHELF 3/4	33" SHELF PLY
BLW36/3939 BUTT	2	DR1239 BUTT	DR1239 BUTT SD	DGI-1239 BUTT	3	36" SHELF 3/4	36" SHELF PLY
BLW39/4239 BUTT	2	DR1339 BUTT	DR1339 BUTT SD	DGI-1339 BUTT	3	39" SHELF 3/4	39" SHELF PLY
BLW42/4539 BUTT	2	DR1539 BUTT	DR1539 BUTT SD	DGI-1539 BUTT	3	39" SHELF 3/4	39" SHELF PLY
<b>BLIND WALL - 42" HIGH</b>							
BLW24/2742	1	DR1242	DR1242 SD	DGI-1242	3	24" SHELF 3/4	24" SHELF PLY
BLW27/3042	1	DR1542	DR1542 SD	DGI-1542	3	27" SHELF 3/4	27" SHELF PLY
BLW30/3342	1	DR1842	DR1842 SD	DGI-1842	3	30" SHELF 3/4	30" SHELF PLY
BLW33/3642	1	DR2142	DR2142 SD	DGI-2142	3	33" SHELF 3/4	33" SHELF PLY
BLW36/3942 BUTT	2	DR1242 BUTT	DR1242 BUTT SD	DGI-1242 BUTT	3	36" SHELF 3/4	36" SHELF PLY
BLW39/4242 BUTT	2	DR1342 BUTT	DR1342 BUTT SD	DGI-1342 BUTT	3	39" SHELF 3/4	39" SHELF PLY
BLW42/4542 BUTT	2	DR1542 BUTT	DR1542 BUTT SD	DGI-1542 BUTT	3	42" SHELF 3/4	42" SHELF PLY
<b>CORNER WALL - 18" HIGH</b>							
CW2418	1	DR1518	DR1518 SD	DGI-1518	-	N/A	N/A
CW2718	1	DR1518	DR1518 SD	DGI-1518	-	N/A	N/A
<b>CORNER WALL - 24" HIGH</b>							
CW2424	1	DR1524	DR1524 SD	DGI-1524	-	N/A	N/A
CW2724	1	DR1524	DR1524 SD	DGI-1524	-	N/A	N/A
<b>CORNER WALL - 30" HIGH</b>							
CW2430	1	DR1530	DR1530 SD	DGI-1530	2	CW SHELF ADJ 3/4	CW SHELF ADJ PLY
CW2730	1	DR1530	DR1530 SD	DGI-1530	2	CW27 SHELF ADJ 3/4	CW27 SHELF ADJ PLY
CWS2430 WD	1	DR1530	DR1530 SD	DGI-1530	2	CWS24 SHELF WD NP	CWS24 SHLF WD NP PLY

\*For Matching Interior Adjustable Shelf, refer to Parts Directory Legend

SKU	QTY	DOOR / SPECIALTY DOOR		GLASS INSERT	QTY	ADJUSTABLE SHELF	
		PART NAME	PART NAME	PART NAME		essential & select 60, 61, 63, 64, 71, 72	luxury 62, 65, 73
						*PART NAME	*PART NAME
<b>CORNER WALL - 36" HIGH</b>							
CW2436	1	DR1536	DR1536 SD	DGI-1536	2	CW SHELF ADJ 3/4	CW SHELF ADJ PLY
CW2736	1	DR1536	DR1536 SD	DGI-1536	2	CW27 SHELF ADJ 3/4	CW27 SHELF ADJ PLY
CWS2436 WD	1	DR1536	DR1536 SD	DGI-1536	2	CWS24 SHELF WD NP	CWS24 SHLF WD NP PLY
<b>CORNER WALL - 39" HIGH</b>							
CW2439	1	DR1539	DR1539 SD	DGI-1539	3	CW SHELF ADJ 3/4	CW SHELF ADJ PLY
CW2739	1	DR1539	DR1539 SD	DGI-1539	3	CW27 SHELF ADJ 3/4	CW27 SHELF ADJ PLY
CWS2439 WD	1	DR1539	DR1539 SD	DGI-1539	3	CWS24 SHLF WD NP	CWS24 SHLF WD NP PLY
<b>CORNER WALL - 42" HIGH</b>							
CW2442	1	DR1542	DR1542 SD	DGI-1542	3	CW SHELF ADJ 3/4	CW SHELF ADJ PLY
CW2742	1	DR1542	DR1542 SD	DGI-1542	3	CW27 SHELF ADJ 3/4	CW27 SHELF ADJ PLY
CWS2442 WD	1	DR1542	DR1542 SD	DGI-1542	3	CWS24 SHELF WD NP	CWS24 SHLF WD NP PLY
<b>WALL EASY REACH</b>							
WER2430	1 1	DR1230 WER DRILL DR1230 WER ND	N/A	N/A	2	WER SHELF 3/4	WER SHELF PLY
WER2436	1 1	DR1236 WER DRILL DR1236 WER ND	N/A	N/A	2	WER SHELF 3/4	WER SHELF PLY
WER2439	1 1	DR1239 WER DRILL DR1239 WER ND	N/A	N/A	3	WER SHELF 3/4	WER SHELF PLY
WER2442	1 1	DR1242 WER DRILL DR1242 WER ND	N/A	N/A	3	WER SHELF 3/4	WER SHELF PLY
<b>WALL REFRIGERATOR - 12" HIGH X 24" DEEP</b>							
W3012 X 24 DP BUTT	2	DR1512 BUTT	DR1512 BUTT SD	DGI-1512 BUTT	-	N/A	N/A
W3312 X 24 DP BUTT	2	DR1612 BUTT	DR1612 BUTT SD	DGI-1612 BUTT	-	N/A	N/A
W3612 X 24 DP BUTT	2	DR1812 BUTT	DR1812 BUTT SD	DGI-1812 BUTT	-	N/A	N/A
W3912 X 24 DP	2	DR1912	DR1912 SD	DGI-1912	-	N/A	N/A
W4212 X 24 DP	2	DR2112	N/A	N/A	-	N/A	N/A
W4812 X 24 DP BUTT	4	DR1212 BUTT	N/A	N/A	-	N/A	N/A
<b>WALL REFRIGERATOR - 15" HIGH X 24" DEEP</b>							
W3015 X 24 DP BUTT	2	DR1515 BUTT	DR1515 BUTT SD	DGI-1515 BUTT	-	N/A	N/A
W3315 X 24 DP BUTT	2	DR1615 BUTT	DR1615 BUTT SD	DGI-1615 BUTT	-	N/A	N/A
W3615 X 24 DP BUTT	2	DR1815 BUTT	DR1815 BUTT SD	DGI-1815 BUTT	-	N/A	N/A
W3915 X 24 DP	2	DR1915	DR1915 SD	DGI-1915	-	N/A	N/A
<b>WALL REFRIGERATOR - 18" HIGH X 24" DEEP</b>							
W3018 X 24 DP BUTT	2	DR1518 BUTT	DR1518 BUTT SD	DGI-1518 BUTT	-	N/A	N/A
W3318 X 24 DP BUTT	2	DR1618 BUTT	DR1618 BUTT SD	DGI-1618 BUTT	-	N/A	N/A
W3618 X 24 DP BUTT	2	DR1818 BUTT	DR1818 BUTT SD	DGI-1818 BUTT	-	N/A	N/A
W3918 X 24 DP	2	DR1918	DR1918 SD	DGI-1918	-	N/A	N/A
<b>WALL REFRIGERATOR - 21" HIGH X 24" DEEP</b>							
W3021 X 24 DP BUTT	2	DR1521 BUTT	DR1521 BUTT SD	DGI-1521	-	N/A	N/A
W3321 X 24 DP BUTT	2	DR1621 BUTT	DR1621 BUTT SD	DGI-1621	-	N/A	N/A
W3621 X 24 DP BUTT	2	DR1821 BUTT	DR1821 BUTT SD	DGI-1821	-	N/A	N/A
W3921 X 24DP	2	DR1921	DR1921 SD	DGI-1921	-	N/A	N/A
<b>WALL REFRIGERATOR - 24" HIGH X 24" DEEP</b>							
W3024 X 24 DP BUTT	2	DR1524 BUTT	DR1524 BUTT SD	DGI-1524 BUTT	1	30" SHELF 24DP 3/4	30" SHELF 24DP PLY
W3324 X 24 DP BUTT	2	DR1624 BUTT	DR1624 BUTT SD	DGI-1624 BUTT	1	33" SHELF 24DP 3/4	33" SHELF 24DP PLY
W3624 X 24 DP BUTT	2	DR1824 BUTT	DR1824 BUTT SD	DGI-1824 BUTT	1	36" SHELF 24DP 3/4	36" SHELF 24DP PLY
<b>WALL REFRIGERATOR - 27" HIGH X 24" DEEP</b>							
W3027 X 24 DP BUTT	2	DR1527 BUTT	DR1527 BUTT SD	DGI-1527	1	30" SHELF 24DP 3/4	30" SHELF 24DP PLY
<b>COMPACT WALL MICROWAVE</b>							
WCMSC241236 BUTT	2	DR1218 BUTT	N/A	N/A	-	N/A	N/A
WCMSC271236 BUTT	2	DR1318 BUTT	N/A	N/A	-	N/A	N/A
<b>WALL MICROWAVE - 36" HIGH</b>							
WMC271836 BUTT	2	DR1315 BUTT	N/A	N/A	-	N/A	N/A
WMC272136 BUTT	2	DR1315 BUTT	N/A	N/A	-	N/A	N/A
WMC301836 BUTT	2	DR1515 BUTT	N/A	N/A	-	N/A	N/A
WMC302136 BUTT	2	DR1515 BUTT	N/A	N/A	-	N/A	N/A

SKU	QTY	DOOR / SPECIALTY DOOR		GLASS INSERT	QTY	ADJUSTABLE SHELF	
		PART NAME	PART NAME	PART NAME		essential & select 60, 61, 63, 64, 71, 72	luxury 62, 65, 73
						*PART NAME	*PART NAME
<b>WALL MICROWAVE - 36" HIGH</b>							
WMSC271236 BUTT	2	DR1315 BUTT	N/A	N/A	-	N/A	N/A
WMSC271836 BUTT	2	DR1315 BUTT	N/A	N/A	-	N/A	N/A
WMSC301236 BUTT	2	DR1515 BUTT	N/A	N/A	-	N/A	N/A
<b>WALL MICROWAVE - 39" HIGH</b>							
WMC271839 BUTT	2	DR1318 BUTT	N/A	N/A	-	N/A	N/A
WMC272139 BUTT	2	DR1318 BUTT	N/A	N/A	-	N/A	N/A
WMC301839 BUTT	2	DR1518 BUTT	N/A	N/A	-	N/A	N/A
WMC302139 BUTT	2	DR1518 BUTT	N/A	N/A	-	N/A	N/A
<b>WALL MICROWAVE - 42" HIGH</b>							
WMC301842 BUTT	2	DR1521 BUTT	N/A	N/A	-	N/A	N/A
WMC302142 BUTT	2	DR1521 BUTT	N/A	N/A	-	N/A	N/A
<b>WALL MICROWAVE - 42" HIGH</b>							
WMSC271842 BUTT	2	DR1324 BUTT	N/A	N/A	1	WMSC2718 TOP SHELF	WMSC2718 TOPSHELFLY
<b>WALL RANGE HOOD - 24" HIGH</b>							
WRH3024 RP / WRH3024 SV	2	DR1515 BUTT	N/A	N/A	-	N/A	N/A
WRH3624 RP / WRH3624 SV	2	DR1815 BUTT	N/A	N/A	-	N/A	N/A
<b>WALL RANGE HOOD - 27" HIGH</b>							
WRH3027 RP / WRH3027 SV	2	DR1518 BUTT	N/A	N/A	-	N/A	N/A
WRH3627 RP / WRH3627 SV	2	DR1818 BUTT	N/A	N/A	-	N/A	N/A
<b>WALL RANGE HOOD - 30" HIGH</b>							
WRH3030 RP / WRH3030 SV	2	DR1521 BUTT	N/A	N/A	-	N/A	N/A
WRH3630 RP / WRH3630 SV	2	DR1821 BUTT	N/A	N/A	-	N/A	N/A

\*For Matching Interior Adjustable Shelf, refer to Parts Directory Legend

SKU	QTY	DRAWER FRONT	DRAWER BODY	
		PART NAME	essential 60, 63, 71	select & luxury 61, 62, 64, 65, 72, 73
			PART NAME	PART NAME
<b>FURNITURE DRAWER • 12" DEEP • 6" HIGH</b>				
FD121206	1	DDF12	DRB12 X 9DP DT SG	DRB12 X 9DP DT FD
FD151206	1	DDF15	DRB15 X 9DP DT SG	DRB15 X 9DP DT FD
FD181206	1	DDF18	DRB18 X 9DP DT SG	DRB18 X 9DP DT FD
FD211206	1	DDF21	DRB21 X 9DP DT SG	DRB21 X 9DP DT FD
FD241206	1	DDF24	DRB24 X 9DP DT SG	DRB24 X 9DP DT FD
FD271206	1	DDF27	DRB27 X 9DP DT SG	DRB27 X 9DP DT FD
FD301206	1	DDF30	DRB30 X 9DP DT SG	DRB30 X 9DP DT FD
FD331206	1	DDF33	DRB33 X 9DP DT SG	DRB33 X 9DP DT FD
FD361206	1	DDF36	DRB36 X 9DP DT SG	DRB36 X 9DP DT FD
<b>FURNITURE DRAWER • 24" DEEP • 6" HIGH</b>				
FD122406	1	DDF12	DRB12 X 21DP DT SG	DRB12 X 21DP DT FD
FD152406	1	DDF15	DRB15 X 21DP DT SG	DRB15 X 21DP DT FD
FD182406	1	DDF18	DRB18 X 21DP DT SG	DRB18 X 21DP DT FD
FD212406	1	DDF21	DRB21 X 21DP DT SG	DRB21 X 21DP DT FD
FD242406	1	DDF24	DRB24 X 21DP DT SG	DRB24 X 21DP DT FD
FD272406	1	DDF27	DRB27 X 21DP DT SG	DRB27 X 21DP DT FD
FD302406	1	DDF30	DRB30 X 21DP DT SG	DRB30 X 21DP DT FD
FD332406	1	DDF33	DRB33 X 21DP DT SG	DRB33 X 21DP DT FD
FD362406	1	DDF36	DRB36 X 21DP DT SG	DRB36 X 21DP DT FD
<b>FURNITURE DRAWER • 12" DEEP • 12" HIGH</b>				
FD121212	1	DDF12M	DRB12M X 9DP DT SG	DRB12M X 9DP DT FD
FD151212	1	DDF15M	DRB15M X 9DP DT SG	DRB15M X 9DP DT FD
FD181212	1	DDF18M	DRB18M X 9DP DT SG	DRB18M X 9DP DT FD
FD211212	1	DDF21M	DRB21M X 9DP DT SG	DRB21M X 9DP DT FD
FD241212	1	DDF24M	DRB24M X 9DP DT SG	DRB24M X 9DP DT FD
FD271212	1	DDF27M	DRB27M X 9DP DT SG	DRB27M X 9DP DT FD
FD301212	1	DDF30M	DRB30M X 9DP DT SG	DRB30M X 9DP DT FD
FD331212	1	DDF33M	DRB33M X 9DP DT SG	DRB33M X 9DP DT FD
FD361212	1	DDF36M	DRB36M X 9DP DT SG	DRB36M X 9DP DT FD
<b>FURNITURE DRAWER • 24" DEEP • 12" HIGH</b>				
FD122412	1	DDF12M	DRB12M X 21DP DT SG	DRB12M X 21DP DT FD
FD152412	1	DDF15M	DRB15M X 21DP DT SG	DRB15M X 21DP DT FD
FD182412	1	DDF18M	DRB18M X 21DP DT SG	DRB18M X 21DP DT FD
FD212412	1	DDF21M	DRB21M X 21DP DT SG	DRB21M X 21DP DT FD
FD242412	1	DDF24M	DRB24M X 21DP DT SG	DRB24M X 21DP DT FD
FD272412	1	DDF27M	DRB27M X 21DP DT SG	DRB27M X 21DP DT FD
FD302412	1	DDF30M	DRB30M X 21DP DT SG	DRB30M X 21DP DT FD
FD332412	1	DDF33M	DRB33M X 21DP DT SG	DRB33M X 21DP DT FD
FD362412	1	DDF36M	DRB36M X 21DP DT SG	DRB36M X 21DP DT FD
<b>PEDESTAL DRAWER</b>				
PD1217 1DWR	1	DDF12M	DRB12M X 21DP DT SG	DRB12M X 21DP DT FD
PD1517 1DWR	1	DDF15M	DRB15M X 21DP DT SG	DRB15M X 21DP DT FD
PD1817 1DWR	1	DDF18M	DRB18M X 21DP DT SG	DRB18M X 21DP DT FD
PD2117 1DWR	1	DDF21M	DRB21M X 21DP DT SG	DRB21M X 21DP DT FD
PD2417 1DWR	1	DDF24M	DRB24M X 21DP DT SG	DRB24M X 21DP DT FD
PD2717 1DWR	1	DDF27M	DRB27M X 21DP DT SG	DRB27M X 21DP DT FD
PD3017 1DWR	1	DDF30M	DRB30M X 21DP DT SG	DRB30M X 21DP DT FD
PD3317 1DWR	1	DDF33M	DRB33M X 21DP DT SG	DRB33M X 21DP DT FD
PD3617 1DWR	1	DDF36M	DRB36M X 21DP DT SG	DRB36M X 21DP DT FD



SKU	QTY	DOOR		ADJUSTABLE SHELF, DROT AND/OR ACCESSORY		
		PART NAME	QTY	essential 60, 63, 71	select 61, 64, 72	luxury 62, 65, 73
				*PART NAME	*PART NAME	*PART NAME
<b>STANDARD BASE</b>						
B12	1	DR1224	1	12" SHELF 3/4	12" SHELF 24DP 3/4	12" SHELF 24DP PLY
B15	1	DR1524	1	15" SHELF 3/4	15" SHELF 24DP 3/4	15" SHELF 24DP PLY
B18	1	DR1824	1	18" SHELF 3/4	18" SHELF 24DP 3/4	18" SHELF 24DP PLY
B21	1	DR2124	1	21" SHELF 3/4	21" SHELF 24DP 3/4	21" SHELF 24DP PLY
B24	1	DR2424	1	24" SHELF 3/4	24" SHELF 24DP 3/4	24" SHELF 24DP PLY
B24 BUTT	2	DR1224 BUTT	1	24" SHELF 3/4	24" SHELF 24DP 3/4	24" SHELF 24DP PLY
B27 BUTT	2	DR1324 BUTT	1	27" SHELF 3/4	27" SHELF 24DP 3/4	27" SHELF 24DP PLY
B30 BUTT	2	DR1524 BUTT	1	30" SHELF 3/4	30" SHELF 24DP 3/4	30" SHELF 24DP PLY
B33 BUTT	2	DR1624 BUTT	1	33" SHELF 3/4	33" SHELF 24DP 3/4	33" SHELF 24DP PLY
B36 1TD BUTT	2	DR1824 BUTT	1	36" SHELF 3/4	36" SHELF 24DP 3/4	36" SHELF 24DP PLY
B39	2	DR1924	1	39" SHELF 3/4	39" SHELF 24DP 3/4	39" SHELF 24DP PLY
B42	2	DR2124	1	42" SHELF 3/4	42" SHELF 24DP 3/4	42" SHELF 24DP PLY
B45	3	DR1524	1	45" SHELF 3/4	45" SHELF 24DP 3/4	45" SHELF 24DP PLY
B48	2	DR2424	1	48" SHELF 3/4	48" SHELF 24DP 3/4	48" SHELF 24DP PLY
<b>BASE WITH TWO DEEP ROLL OUT TRAYS</b>						
B12 2FWT	1	DR1224	2	DROT12	DROT12	DROT12
B15 2FWT	1	DR1524	2	DROT15	DROT15	DROT15
B18 2FWT	1	DR1824	2	DROT18	DROT18	DROT18
B21 2FWT	1	DR2124	2	DROT21	DROT21	DROT21
B24 2FWT	1	DR2424	2	DROT24	DROT24	DROT24
B24 2FWT BUTT	2	DR1224 BUTT	2	DROT24	DROT24	DROT24
B27 2FWT BUTT	2	DR1324 BUTT	2	DROT27	DROT27	DROT27
B30 2FWT BUTT	2	DR1524 BUTT	2	DROT30	DROT30	DROT30
B33 2FWT BUTT	2	DR1624 BUTT	2	DROT33	DROT33	DROT33
B36 1TD 2FWT BUTT	2	DR1824 BUTT	2	DROT36	DROT36	DROT36
<b>BASE WITH DOOR ACCESSORY</b>						
B15 PBDSU	1	DR1524	1	15" SHELF 3/4	15" SHELF 24DP 3/4	15" SHELF 24DP PLY
B18 PBDSU	1	DR1824	1	18" SHELF 3/4	18" SHELF 24DP 3/4	18" SHELF 24DP PLY
B18 CBRD	1	DR1824	1	18" SHELF 3/4	18" SHELF 24DP 3/4	18" SHELF 24DP PLY
<b>BASE WITH ROLL OUT TRAY DIVIDER</b>						
B12 ROTD	1	DR1224	1	ROTDK12	ROTDK12	ROTDK12
B15 ROTD	1	DR1524	1	ROTDK15	ROTDK15	ROTDK15
<b>BASE WITH BOTTOM MOUNT WASTEBASKET(S)</b>						
BWBB15	1	DR1524 ND	1	BWBB15 FOL KIT	BWBB15 FOL KIT	BWBB15 FOL KIT
BWBB15-2	1	DR1524 ND	1	BWBB15-2 FOL KIT	BWBB15-2 FOL KIT	BWBB15-2 FOL KIT
BWBB18-2	1	DR1824 ND	1	BWBB18-2 FOL KIT	BWBB18-2 FOL KIT	BWBB18-2 FOL KIT
BWBB21-2	1	DR2124 ND	1	BWBB21-2 FOL KIT	BWBB21-2 FOL KIT	BWBB21-2 FOL KIT
<b>BASE POT AND PAN ORGANIZER CABINET</b>						
B24 BPPO	1	DR2424	1	BPPOK24	BPPOK24	BPPOK24
B24 BUTT BPPO	2	DR1224 BUTT	1	BPPOK24	BPPOK24	BPPOK24
B27 BUTT BPPO	2	DR1324 BUTT	1	BPPOK27	BPPOK27	BPPOK27
B30 BUTT BPPO	2	DR1524 BUTT	1	BPPOK30	BPPOK30	BPPOK30
B33 BUTT BPPO	2	DR1624 BUTT	1	BPPOK33	BPPOK33	BPPOK33
B36 1TD BUTT BPPO	2	DR1824 BUTT	1	BPPOK36	BPPOK36	BPPOK36
<b>PENINSULA BASE</b>						
PB12	2	DR1224	1	12" SHELF PB 3/4	12" SHELF PB 3/4	12" SHELF PB PLY
PB18	2	DR1824	1	18" SHELF PB 3/4	18" SHELF PB 3/4	18" SHELF PB PLY
PB24	2	DR2424	1	24" SHELF PB 3/4	24" SHELF PB 3/4	24" SHELF PB PLY
PB24 BUTT	4	DR1224 BUTT	1	24" SHELF PB 3/4	24" SHELF PB 3/4	24" SHELF PB PLY
PB30 BUTT	4	DR1524 BUTT	1	30" SHELF PB 3/4	30" SHELF PB 3/4	30" SHELF PB PLY
PB36 1TD BUTT	4	DR1824 BUTT	1	36" SHELF PB 3/4	36" SHELF PB 3/4	36" SHELF PB PLY
PB42	4	DR2124	1	42" SHELF PB 3/4	42" SHELF PB 3/4	42" SHELF PB PLY

SKU	QTY	DRAWER / PANEL FRONT		DRAWER BODY	
		PART NAME	QTY	essential 60, 63, 71	select & luxury 61, 62, 64, 65, 72, 73
				PART NAME	PART NAME
<b>STANDARD BASE</b>					
B12	1	DDF12	1	DRB12 X 18DP DT SG	DRB12 X 21DP DT FD
B15	1	DDF15	1	DRB15 X 18DP DT SG	DRB15 X 21DP DT FD
B18	1	DDF18	1	DRB18 X 18DP DT SG	DRB18 X 21DP DT FD
B21	1	DDF21	1	DRB21 X 18DP DT SG	DRB21 X 21DP DT FD
B24	1	DDF24	1	DRB24 X 18DP DT SG	DRB24 X 21DP DT FD
B24 BUTT	1	DDF24	1	DRB24 X 18DP DT SG	DRB24 X 21DP DT FD
B27 BUTT	1	DDF27	1	DRB27 X 18DP DT SG	DRB27 X 21DP DT FD
B30 BUTT	1	DDF30	1	DRB30 X 18DP DT SG	DRB30 X 21DP DT FD
B33 BUTT	1	DDF33	1	DRB33 X 18DP DT SG	DRB33 X 21DP DT FD
B36 1TD BUTT	1	DDF36	1	DRB36 X 18DP DT SG	DRB36 X 21DP DT FD
B39	2	DDF19	2	DRB19 X 18DP DT SG	DRB19 X 21DP DT FD
B42	2	DDF21	2	DRB21 X 18DP DT SG	DRB21 X 21DP DT FD
B45	3	DDF15	3	DRB15 X 18DP DT SG	DRB15 X 21DP DT FD
B48	2	DDF24	2	DRB24 X 18DP DT SG	DRB24 X 21DP DT FD
<b>BASE WITH TWO DEEP ROLL OUT TRAYS</b>					
B12 2FWT	1	DDF12	1	DRB12 X 18DP DT SG	DRB12 X 21DP DT FD
B15 2FWT	1	DDF15	1	DRB15 X 18DP DT SG	DRB15 X 21DP DT FD
B18 2FWT	1	DDF18	1	DRB18 X 18DP DT SG	DRB18 X 21DP DT FD
B21 2FWT	1	DDF21	1	DRB21 X 18DP DT SG	DRB21 X 21DP DT FD
B24 2FWT	1	DDF24	1	DRB24 X 18DP DT SG	DRB24 X 21DP DT FD
B24 2FWT BUTT	1	DDF24	1	DRB24 X 18DP DT SG	DRB24 X 21DP DT FD
B27 2FWT BUTT	1	DDF27	1	DRB27 X 18DP DT SG	DRB27 X 21DP DT FD
B30 2FWT BUTT	1	DDF30	1	DRB30 X 18DP DT SG	DRB30 X 21DP DT FD
B33 2FWT BUTT	1	DDF33	1	DRB33 X 18DP DT SG	DRB33 X 21DP DT FD
B36 1TD 2FWT BUTT	1	DDF36	1	DRB36 X 18DP DT SG	DRB36 X 21DP DT FD
<b>BASE WITH DOOR ACCESSORY</b>					
B15 PBDSU	1	DDF15	1	DRB15 X 18DP DT SG	DRB15 X 21DP DT FD
B18 PBDSU	1	DDF18	1	DRB18 X 18DP DT SG	DRB18 X 21DP DT FD
B18 CBDR	1	DDF18	1	DRB18 X 18DP DT SG	DRB18 X 21DP DT FD
<b>BASE WITH ROLL OUT TRAY DIVIDER</b>					
B12 ROTD	1	DDF12	1	DRB12 X 18DP DT SG	DRB12 X 21DP DT FD
B15 ROTD	1	DDF15	1	DRB15 X 18DP DT SG	DRB15 X 21DP DT FD
<b>BASE WITH BOTTOM MOUNT WASTEBASKET(S)</b>					
BWBB15	1	DDF15	1	DRB15 X 21DP DT SG	DRB15 X 21DP DT FD
BWBB15-2	1	DDF15	1	DRB15 X 21DP DT SG	DRB15 X 21DP DT FD
BWBB18-2	1	DDF18	1	DRB18 X 21DP DT SG	DRB18 X 21DP DT FD
BWBB21-2	1	DDF21	1	DRB21 X 21DP DT SG	DRB21 X 21DP DT FD
<b>BASE POT AND PAN ORGANIZER CABINET</b>					
B24 BPPO	1	DDF24	1	DRB24 X 18DP DT SG	DRB24 X 21DP DT FD
B24 BUTT BPPO	1	DDF24	1	DRB24 X 18DP DT SG	DRB24 X 21DP DT FD
B27 BUTT BPPO	1	DDF27	1	DRB27 X 18DP DT SG	DRB27 X 21DP DT FD
B30 BUTT BPPO	1	DDF30	1	DRB30 X 18DP DT SG	DRB30 X 21DP DT FD
B33 BUTT BPPO	1	DDF33	1	DRB33 X 18DP DT SG	DRB33 X 21DP DT FD
B36 1TD BUTT BPPO	1	DDF36	1	DRB36 X 18DP DT SG	DRB36 X 21DP DT FD
<b>PENINSULA BASE</b>					
PB12	2	DDF12	1	DRB12 X 18DP DT SG	DRB12 X 21DP DT FD
PB18	2	DDF18	1	DRB18 X 18DP DT SG	DRB18 X 21DP DT FD
PB24	2	DDF24	1	DRB24 X 18DP DT SG	DRB24 X 21DP DT FD
PB24 BUTT	2	DDF24	1	DRB24 X 18DP DT SG	DRB24 X 21DP DT FD
PB30 BUTT	2	DDF30	1	DRB30 X 18DP DT SG	DRB30 X 21DP DT FD
PB36 1TD	2	DDF36	1	DRB36 X 18DP DT SG	DRB36 X 21DP DT FD
PB42	4	DDF21	1	DRB21 X 18DP DT SG	DRB21 X 21DP DT FD

SKU	QTY	DOOR		ADJUSTABLE SHELF, DROT AND/OR ACCESSORY		
		PART NAME	QTY	essential 60, 63, 71	select 61, 64, 72	luxury 62, 65, 73
				*PART NAME	*PART NAME	*PART NAME
<b>STANDARD BASE WITH CUTLERY DIVIDER</b>						
B15 CD	1	DR1524	1	15" SHELF 3/4 CDAK15	15" SHELF 24DP 3/4 CDAK15	15" SHELF 24DP PLY CDAK15
B18 CD	1	DR1824	1	18" SHELF 3/4 CDAK18	18" SHELF 24DP 3/4 CDAK18	18" SHELF 24DP PLY CDAK18
B21 CD	1	DR2124	1	21" SHELF 3/4 CDAK21	21" SHELF 24DP 3/4 CDAK21	21" SHELF 24DP PLY CDAK21
B24 CD	1	DR2424	1	24" SHELF 3/4 CDAK24	24" SHELF 24DP 3/4 CDAK24	24" SHELF 24DP PLY CDAK24
B24 BUTT CD	2	DR1224 BUTT	1	24" SHELF 3/4 CDAK24	24" SHELF 24DP 3/4 CDAK24	24" SHELF 24DP PLY CDAK24
B30 BUTT CD	2	DR1524 BUTT	1	30" SHELF 3/4 CDAK30	30" SHELF 24DP 3/4 CDAK30	30" SHELF 24DP PLY CDAK30
B36 1TD BUTT CD	2	DR1824 BUTT	1	36" SHELF 3/4 CDAK36	36" SHELF 24DP 3/4 CDAK36	36" SHELF 24DP PLY CDAK36
<b>BASE WITH TWO DEEP ROLL OUT TRAYS AND CUTLERY DIVIDER</b>						
B15 2FWT CD	1	DR1524	2	DROT15 CDAK15	DROT15 CDAK15	DROT15 CDAK15
B18 2FWT CD	1	DR1824	2	DROT18 CDAK18	DROT18 CDAK18	DROT18 CDAK18
B21 2FWT CD	1	DR2124	2	DROT21 CDAK21	DROT21 CDAK21	DROT21 CDAK21
B24 2FWT CD	1	DR2424	2	DROT24 CDAK24	DROT24 CDAK24	DROT24 CDAK24
B24 2FWT BUTT CD	2	DR1224 BUTT	2	DROT24 CDAK24	DROT24 CDAK24	DROT24 CDAK24
B30 2FWT BUTT CD	2	DR1524 BUTT	1	DROT30 CDAK30	DROT30 CDAK30	DROT30 CDAK30
B36 1TD 2FWT BUTT CD	2	DR1824 BUTT	1	DROT36 CDAK36	DROT36 CDAK36	DROT36 CDAK36
<b>STANDARD BASE WITH FACTORY INSTALLED SPICE DRAWER INSERT</b>						
B15 SDI	1	DR1524	1	15" SHELF 3/4 SDIAK15	15" SHELF 24DP 3/4 SDIAK15	15" SHELF 24DP PLY SDIAK15
B18 SDI	1	DR1824	1	18" SHELF 3/4 SDIAK18	18" SHELF 24DP 3/4 SDIAK18	18" SHELF 24DP PLY SDIAK18
B21 SDI	1	DR2124	1	21" SHELF 3/4 SDIAK21	21" SHELF 24DP 3/4 SDIAK21	21" SHELF 24DP PLY SDIAK21
B24 SDI	1	DR2424	1	24" SHELF 3/4 SDIAK24	24" SHELF 24DP 3/4 SDIAK24	24" SHELF 24DP PLY SDIAK24
B24 BUTT SDI	2	DR1224 BUTT	1	24" SHELF 3/4 SDIAK24	24" SHELF 24DP 3/4 SDIAK24	24" SHELF 24DP PLY SDIAK24
<b>BASE WITH TWO SLIDING SHELVES AND FACTORY INSTALLED SPICE DRAWER INSERT</b>						
B15 2FWT SDI	1	DR1524	2	DROT15 SDIAK15	DROT15 SDIAK15	DROT15 SDIAK15
B18 2FWT SDI	1	DR1824	2	DROT18 SDIAK18	DROT18 SDIAK18	DROT18 SDIAK18
B21 2FWT SDI	1	DR2124	2	DROT21 SDIAK21	DROT21 SDIAK21	DROT21 SDIAK21
B24 2FWT SDI	1	DR2424	2	DROT24 SDIAK24	DROT24 SDIAK24	DROT24 SDIAK24
B24 2FWT BUTT SDI	2	DR1224 BUTT	2	DROT24 SDIAK24	DROT24 SDIAK24	DROT24 SDIAK24
<b>STANDARD BASE WITH WOOD TIERED CUTLERY DIVIDER</b>						
B15 WTCD	1	DR1524	1	15" SHELF 3/4	15" SHELF 24DP 3/4	15" SHELF 24DP PLY
B18 WTCD	1	DR1824	1	18" SHELF 3/4	18" SHELF 24DP 3/4	18" SHELF 24DP PLY
B21 WTCD	1	DR2124	1	21" SHELF 3/4	21" SHELF 24DP 3/4	21" SHELF 24DP PLY
B24 WTCD	1	DR2424	1	24" SHELF 3/4	24" SHELF 24DP 3/4	24" SHELF 24DP PLY
B24 BUTT WTCD	2	DR1224 BUTT	1	24" SHELF 3/4	24" SHELF 24DP 3/4	24" SHELF 24DP PLY
B30 BUTT WTCD	2	DR1524 BUTT	1	30" SHELF 3/4	30" SHELF 24DP 3/4	30" SHELF 24DP PLY
B36 1TD BUTT WTCD	2	DR1824 BUTT	1	36" SHELF 3/4	36" SHELF 24DP 3/4	36" SHELF 24DP PLY

\*For Matching Interior Adjustable Shelf, refer to Parts Directory Legend

SKU	QTY	DRAWER / PANEL FRONT		DRAWER BODY / ACCESSORY	
		PART NAME	QTY	essential 60, 63, 71	select & luxury 61, 62, 64, 65, 72, 73
				PART NAME	PART NAME
<b>STANDARD BASE WITH CUTLERY DIVIDER</b>					
B15 CD	1	DDF15	1	DRB15 X 21DP DT FD	DRB15 X 21DP DT FD
B18 CD	1	DDF18	1	DRB18 X 21DP DT FD	DRB18 X 21DP DT FD
B21 CD	1	DDF21	1	DRB21 X 21DP DT FD	DRB21 X 21DP DT FD
B24 CD	1	DDF24	1	DRB24 X 21DP DT FD	DRB24 X 21DP DT FD
B24 BUTT CD	1	DDF24	1	DRB24 X 21DP DT FD	DRB24 X 21DP DT FD
B30 BUTT CD	1	DDF30	1	DRB30 X 18DP DT SG	DRB30 X 21DP DT FD
B36 1TD BUTT CD	1	DDF36	1	DRB36 X 18DP DT SG	DRB36 X 21DP DT FD
<b>BASE WITH TWO DEEP ROLL OUT TRAYS AND CUTLERY DIVIDER</b>					
B15 2FWT CD	1	DDF15	1	DRB15 X 21DP DT FD	DRB15 X 21DP DT FD
B18 2FWT CD	1	DDF18	1	DRB18 X 21DP DT FD	DRB18 X 21DP DT FD
B21 2FWT CD	1	DDF21	1	DRB21 X 21DP DT FD	DRB21 X 21DP DT FD
B24 2FWT CD	1	DDF24	1	DRB24 X 21DP DT FD	DRB24 X 21DP DT FD
B24 2FWT BUTT CD	1	DDF24	1	DRB24 X 21DP DT FD	DRB24 X 21DP DT FD
B30 2FWT BUTT CD	1	DDF30	1	DRB30 X 18DP DT SG	DRB30 X 21DP DT FD
B36 1TD 2FWT BUTT CD	1	DDF36	1	DRB36 X 18DP DT SG	DRB36 X 21DP DT FD
<b>STANDARD BASE WITH FACTORY INSTALLED SPICE DRAWER INSERT</b>					
B15 SDI	1	DDF15	1	DRB15 X 21DP DT FD	DRB15 X 21DP DT FD
B18 SDI	1	DDF18	1	DRB18 X 21DP DT FD	DRB18 X 21DP DT FD
B21 SDI	1	DDF21	1	DRB21 X 21DP DT FD	DRB21 X 21DP DT FD
B24 SDI	1	DDF24	1	DRB24 X 21DP DT FD	DRB24 X 21DP DT FD
B24 BUTT SDI	1	DDF24	1	DRB24 X 21DP DT FD	DRB24 X 21DP DT FD
<b>BASE WITH TWO SLIDING SHELVES AND FACTORY INSTALLED SPICE DRAWER INSERT</b>					
B15 2FWT SDI	1	DDF15	1	DRB15 X 21DP DT FD	DRB15 X 21DP DT FD
B18 2FWT SDI	1	DDF18	1	DRB18 X 21DP DT FD	DRB18 X 21DP DT FD
B21 2FWT SDI	1	DDF21	1	DRB21 X 21DP DT FD	DRB21 X 21DP DT FD
B24 2FWT SDI	1	DDF24	1	DRB24 X 21DP DT FD	DRB24 X 21DP DT FD
B24 2FWT BUTT SDI	1	DDF24	1	DRB24 X 21DP DT FD	DRB24 X 21DP DT FD
<b>STANDARD BASE WITH WOOD TIERED CUTLERY DIVIDER</b>					
B15 WTCD	1	DDF15	1	WTCDFD15	WTCDFD15
B18 WTCD	1	DDF18	1	WTCDFD18	WTCDFD18
B21 WTCD	1	DDF21	1	WTCDFD21	WTCDFD21
B24 WTCD	1	DDF24	1	WTCDFD24	WTCDFD24
B24 BUTT WTCD	1	DDF24	1	WTCDFD24	WTCDFD24
B30 BUTT WTCD	1	DDF30	1	WTCDFD30	WTCDFD30
B36 1TD BUTT WTCD	1	DDF36	1	WTCDFD36	WTCDFD36

SKU	QTY	DOOR		ADJUSTABLE SHELF, DROT AND/OR ACCESSORY		
		PART NAME	QTY	essential 60, 63, 71	select 61, 64, 72	luxury 62, 65, 73
				*PART NAME	*PART NAME	*PART NAME
<b>BASE WITH TWO DEEP ROLL OUT TRAYS AND WOOD TIERED CUTLERY DIVIDER</b>						
B15 2FWT WTC	1	DR1524	2	DROT15	DROT15	DROT15
B18 2FWT WTC	1	DR1824	2	DROT18	DROT18	DROT18
B21 2FWT WTC	1	DR2124	2	DROT21	DROT21	DROT21
B24 2FWT WTC	1	DR2424	2	DROT24	DROT24	DROT24
B24 2FWT BUTT WTC	2	DR1224 BUTT	2	DROT24	DROT24	DROT24
B30 2FWT BUTT WTC	2	DR1524 BUTT	2	DROT30	DROT30	DROT30
B36 1TD 2FWT BUTT WTC	2	DR1824 BUTT	2	DROT36	DROT36	DROT36
<b>BLIND CORNER</b>						
BLB36/39	1	DR1224	1	27" SHELF 3/4	27" SHELF 24DP 3/4	27" SHELF 24DP PLY
BLB39/42	1	DR1524	1	33" SHELF 3/4	33" SHELF 24DP 3/4	33" SHELF 24DP PLY
BLB42/45	1	DR1824	1	39" SHELF 3/4	39" SHELF 24DP 3/4	39" SHELF 24DP PLY
BLB45/48	1	DR2124	1	45" SHELF 3/4	45" SHELF 24DP 3/4	45" SHELF 24DP PLY
BLB48/51	1	DR2124	1	48" SHELF 3/4	48" SHELF 24DP 3/4	48" SHELF 24DP PLY
<b>BLIND PENINSULA CORNER</b>						
PBC24	1	DR2424	1	24" SHELF PB 3/4	24" SHELF PB 3/4	24" SHELF PB PLY
PBC24 BUTT	2	DR1224 BUTT	1	24" SHELF PB 3/4	24" SHELF PB 3/4	24" SHELF PB PLY
<b>DESK DOOR - 21" DEEP</b>						
DDOR1221	1	DR1218	1	12" SHELF 3/4	12" SHELF 21DP 3/4	12" SHELF 21DP PLY
DDOR1521	1	DR1518	1	15" SHELF 3/4	15" SHELF 21DP 3/4	15" SHELF 21DP PLY
DDOR1821	1	DR1818	1	18" SHELF 3/4	18" SHELF 21DP 3/4	18" SHELF 21DP PLY
DDOR2121	1	DR2118	1	21" SHELF 3/4	21" SHELF 21DP 3/4	21" SHELF 21DP PLY
DDOR2421 BUTT	2	DR1218 BUTT	1	24" SHELF 3/4	24" SHELF 21DP 3/4	24" SHELF 21DP PLY
<b>DESK DOOR - 24" DEEP</b>						
DDOR1224	1	DR1218	1	12" SHELF 3/4	12" SHELF 24DP 3/4	12" SHELF 24DP PLY
DDOR1524	1	DR1518	1	15" SHELF 3/4	15" SHELF 24DP 3/4	15" SHELF 24DP PLY
DDOR1824	1	DR1818	1	18" SHELF 3/4	18" SHELF 24DP 3/4	18" SHELF 24DP PLY
DDOR2124	1	DR2118	1	21" SHELF 3/4	21" SHELF 24DP 3/4	21" SHELF 24DP PLY
DDOR2424 BUTT	2	DR1218 BUTT	1	24" SHELF 3/4	24" SHELF 24DP 3/4	24" SHELF 24DP PLY

SKU	QTY	DRAWER / PANEL FRONT		DRAWER BODY / ACCESSORY	
		PART NAME	QTY	essential 60, 63, 71	select & luxury 61, 62, 64, 65, 72, 73
				PART NAME	PART NAME
<b>BASE WITH TWO DEEP ROLL OUT TRAYS AND WOOD TIERED CUTLERY DIVIDER</b>					
B15 2FWT WTCD	1	DDF15	1	WTCDFD15	WTCDFD15
B18 2FWT WTCD	1	DDF18	1	WTCDFD18	WTCDFD18
B21 2FWT WTCD	1	DDF21	1	WTCDFD21	WTCDFD21
B24 2FWT WTCD	1	DDF24	1	WTCDFD24	WTCDFD24
B24 2FWT BUTT WTCD	1	DDF24	1	WTCDFD24	WTCDFD24
B30 2FWT BUTT WTCD	1	DDF30	1	WTCDFD30	WTCDFD30
B36 1TD 2FWT BUTT WTCD	1	DDF36	1	WTCDFD36	WTCDFD36
<b>BLIND CORNER</b>					
BLB36/39	1	DDF12	1	DRB12 X 18DP DT SG	DRB12 X 21DP DT FD
BLB39/42	1	DDF15	1	DRB15 X 18DP DT SG	DRB15 X 21DP DT FD
BLB42/45	1	DDF18	1	DRB18 X 18DP DT SG	DRB18 X 21DP DT FD
BLB45/48	1	DDF21	1	DRB21 X 18DP DT SG	DRB21 X 21DP DT FD
BLB48/51	1	DDF21	1	DRB21 X 18DP DT SG	DRB21 X 21DP DT FD
<b>BLIND PENINSULA CORNER</b>					
PBC24	1	DDF24	1	DRB24 X 18DP DT SG	DRB24 X 21DP DT FD
PBC24 BUTT	1	DDF24	1	DRB24 X 18DP DT SG	DRB24 X 21DP DT FD
<b>DESK DOOR - 21" DEEP</b>					
DDOR1221	1	DDF12	1	DRB12 X 18DP DT SG	DRB12 X 21DP DT FD
DDOR1521	1	DDF15	1	DRB15 X 18DP DT SG	DRB15 X 21DP DT FD
DDOR1821	1	DDF18	1	DRB18 X 18DP DT SG	DRB18 X 21DP DT FD
DDOR2121	1	DDF21	1	DRB21 X 18DP DT SG	DRB21 X 21DP DT FD
DDOR2421 BUTT	1	DDF24	1	DRB24 X 18DP DT SG	DRB24 X 21DP DT FD
<b>DESK DOOR - 24" DEEP</b>					
DDOR1224	1	DDF12	1	DRB12 X 18DP DT SG	DRB12 X 21DP DT FD
DDOR1524	1	DDF15	1	DRB15 X 18DP DT SG	DRB15 X 21DP DT FD
DDOR1824	1	DDF18	1	DRB18 X 18DP DT SG	DRB18 X 21DP DT FD
DDOR2124	1	DDF21	1	DRB21 X 18DP DT SG	DRB21 X 21DP DT FD
DDOR2424 BUTT	1	DDF24	1	DRB24 X 18DP DT SG	DRB24 X 21DP DT FD

SKU	QTY	DOOR		ADJUSTABLE SHELF, DROT AND/OR ACCESSORY		
		PART NAME	QTY	essential 60, 63, 71	select 61, 64, 72	luxury 62, 65, 73
				*PART NAME	*PART NAME	*PART NAME
<b>FULL-HEIGHT BASE</b>						
TB9	1	DR9FH		N/A	N/A	N/A
B12 FH	1	DR12FH	1	12" SHELF 3/4	12" SHELF 24DP 3/4	12" SHELF 24DP PLY
B15 FH	1	DR15FH	1	15" SHELF 3/4	15" SHELF 24DP 3/4	15" SHELF 24DP PLY
B18 FH	1	DR18FH	1	18" SHELF 3/4	18" SHELF 24DP 3/4	18" SHELF 24DP PLY
B21 FH	1	DR21FH	1	21" SHELF 3/4	21" SHELF 24DP 3/4	21" SHELF 24DP PLY
B24 FH	1	DR24FH	1	24" SHELF 3/4	24" SHELF 24DP 3/4	24" SHELF 24DP PLY
B24 BUTT FH	2	DR12BUTT FH	1	24" SHELF 3/4	24" SHELF 24DP 3/4	24" SHELF 24DP PLY
B27 BUTT FH	2	DR13BUTT FH	1	27" SHELF 3/4	27" SHELF 24DP 3/4	27" SHELF 24DP PLY
B30 BUTT FH	2	DR15BUTT FH	1	30" SHELF 3/4	30" SHELF 24DP 3/4	30" SHELF 24DP PLY
B33 BUTT FH	2	DR16BUTT FH	1	33" SHELF 3/4	33" SHELF 24DP 3/4	33" SHELF 24DP PLY
B36 BUTT FH	2	DR18BUTT FH	1	36" SHELF 3/4	36" SHELF 24DP 3/4	36" SHELF 24DP PLY
<b>FULL-HEIGHT BASE WITH ACCESSORY</b>						
TB9 TDS	1	DR9FH	1	9" SHELF 24DP 3/4	9" SHELF 24DP 3/4	9" SHELF 24DP PLY
BTDP9	1	DR9FH ND	1	BTDP9 KIT	BTDP9 KIT	BTDP9 KIT
BPP9	1	DR9FH ND	1	BPP9 KIT	BPP9 KIT	BPP9 KIT
BPP12	1	DR12FH ND	1	BPP12 KIT	BPP12 KIT	BPP12 KIT
BPPUS9	1	DR9FH ND	1	BPPUS9 KIT	BPPUS9 KIT	BPPUS9 KIT
BPPUS12	1	DR12FH ND	1	BPPUS12 KIT	BPPUS12 KIT	BPPUS12 KIT
<b>FULL-HEIGHT BASE WITH TWO DEEP ROLL OUT TRAYS</b>						
B12 FH 2FWT	1	DR12FH	2	DROT12	DROT12	DROT12
B15 FH 2FWT	1	DR15FH	2	DROT15	DROT15	DROT15
B18 FH 2FWT	1	DR18FH	2	DROT18	DROT18	DROT18
B21 FH 2FWT	1	DR21FH	2	DROT21	DROT21	DROT21
B24 FH 2FWT	1	DR24FH	2	DROT24	DROT24	DROT24
B24 BUTT FH 2FWT	2	DR12BUTT FH	2	DROT24	DROT24	DROT24
B27 BUTT FH 2FWT	2	DR13BUTT FH	2	DROT27	DROT27	DROT27
B30 BUTT FH 2FWT	2	DR15BUTT FH	2	DROT30	DROT30	DROT30
B33 BUTT FH 2FWT	2	DR16BUTT FH	2	DROT33	DROT33	DROT33
B36 BUTT FH 2FWT	2	DR18BUTT FH	2	DROT36	DROT36	DROT36
<b>FULL-HEIGHT BASE WITH FOUR DEEP ROLL OUT TRAYS</b>						
B12 FH 4FWT	1	DR12FH	4	DROT12	DROT12	DROT12
B15 FH 4FWT	1	DR15FH	4	DROT15	DROT15	DROT15
B18 FH 4FWT	1	DR18FH	4	DROT18	DROT18	DROT18
B21 FH 4FWT	1	DR21FH	4	DROT21	DROT21	DROT21
B24 FH 4FWT	1	DR24FH	4	DROT24	DROT24	DROT24
B24 BUTT FH 4FWT	2	DR12BUTT FH	4	DROT24	DROT24	DROT24
B27 BUTT FH 4FWT	2	DR13BUTT FH	4	DROT27	DROT27	DROT27
B30 BUTT FH 4FWT	2	DR15BUTT FH	4	DROT30	DROT30	DROT30
B33 BUTT FH 4FWT	2	DR16BUTT FH	4	DROT33	DROT33	DROT33
B36 BUTT FH 4FWT	2	DR18BUTT FH	4	DROT36	DROT36	DROT36
<b>FULL-HEIGHT BASE MIXER LIFT</b>						
B18 FH MLK	1	DR21FH	1	BMLK18	BMLK18	BMLK18
<b>FULL-HEIGHT BASE WITH BOTTOM MOUNT WASTEBASKET(S)</b>						
BWBB15 FH	1	DR15FH ND	1	BWBB15 FH FOL KIT	BWBB15 FH FOL KIT	BWBB15 FH FOL KIT
BWBB18 FH	1	DR18FH ND	1	BWBB18 FH FOL KIT	BWBB18 FH FOL KIT	BWBB18 FH FOL KIT
BWBB21-2 FH	1	DR21FH ND	1	BWBB21-2 FH FOL KIT	BWBB21-2 FH FOL KIT	BWBB21-2 FH FOL KIT
<b>FULL-HEIGHT BLIND BASE</b>						
BLB45/48 FH	1	DR21FH	1	45" SHELF 3/4	45" SHELF 24DP 3/4	45" SHELF 24DP PLY
BLB48/51 FH	1	DR21FH	1	48" SHELF 3/4	48" SHELF 24DP 3/4	48" SHELF 24DP PLY
<b>FULL-HEIGHT BLIND BASE - PULL OUT KIT</b>						
BLB45/48 FH POK	1	DR21FH	1	BLBPOK45	BLBPOK45	BLBPOK45
BLB48/51 FH POK	1	DR21FH	1	BLBPOK45	BLBPOK45	BLBPOK45
<b>FULL-HEIGHT BLIND BASE - SWING OUT KIT</b>						
BLB45/48 FH SOKL	1	DR21FH	1	BLBSOK45L	BLBSOK45L	BLBSOK45L
BLB45/48 FH SOKR	1	DR21FH	1	BLBSOK45R	BLBSOK45R	BLBSOK45R
BLB48/51 FH SOKL	1	DR21FH	1	BLBSOK45L	BLBSOK45L	BLBSOK45L
BLB48/51 FH SOKR	1	DR21FH	1	BLBSOK45R	BLBSOK45R	BLBSOK45R

\*For Matching Interior Adjustable Shelf, refer to Parts Directory Legend

SKU	QTY	DOOR		ADJUSTABLE SHELF, DROT AND/OR ACCESSORY		
		PART NAME	QTY	essential & select 60, 63, 71	essential & select 60, 63, 71	luxury 62, 65, 73
				*PART NAME	*PART NAME	*PART NAME
<b>BASE END ANGLE</b>						
BEA12FH	1	DR15FH	1	BEA12 SHELF	BEA12 SHELF	BEA12 SHELF PLY
BEA24FH	2	DR18FH	1	BEA SHELF	BEA SHELF	BEA SHELF PLY
<b>FULL-HEIGHT PENINSULA BASE</b>						
PB12 FH	2	DR12FH	1	12" SHELF PB	12" SHELF PB 3/4	12" SHELF PB PLY
PB18 FH	2	DR18FH	1	18" SHELF PB	18" SHELF PB 3/4	18" SHELF PB PLY
PB24 BUTT FH	4	DR12BUTT FH	1	24" SHELF PB	24" SHELF PB 3/4	24" SHELF PB PLY
PB30 BUTT FH	4	DR15BUTT FH	1	30" SHELF PB	30" SHELF PB 3/4	30" SHELF PB PLY
PB36 BUTT FH	4	DR18BUTT FH	1	36" SHELF PB	36" SHELF PB 3/4	36" SHELF PB PLY

SKU	QTY	DRAWER FRONT		DRAWER BODY	
		PART NAME	PART NAME	essential 60, 63, 71	select & luxury 61, 62, 64, 65, 72, 73
				PART NAME	PART NAME
<b>DESK FILE PULL OUT CABINET</b>					
DFDC1821	1	DDF18	DRB18 X 18DP DT SG	DRB18 X 21DP DT FD	
	1	DR1818 ND	DRB18M X 18DP DT SG	DRB18M X 21DP DT FD	
	1		DFDC FILE UNIT 21	DFDC FILE UNIT 21	
DFDC1824	1	DDF18	DRB18 X 18DP DT SG	DRB18 X 18DP DT FD	
	1	DR1818 ND	DRB18M X 18DP DT SG	DRB18M X 21DP DT FD	
	1		DFDC FILE UNIT 24	DFDC FILE UNIT 24	
<b>DESK WITH BOTTOM MOUNT WASTEBASKET(S)</b>					
DWBB1821	1	DR1824 ND	DWBB1821 FOL KIT	DWBB1821 FOL KIT	
DWBB1824	1	DR1824 ND	DWBB1824 FOL KIT	DWBB1824 FOL KIT	
<b>DESK DRAWER BASE CABINET - 21" DEEP</b>					
DDR1221	2	DDF12	DRB12 X 18DP DT SG	DRB12 X 18DP DT FD	
	1	DDF12M	DRB12M X 18DP DT SG	DRB12M X 18DP DT FD	
DDR1521	2	DDF15	DRB15 X 18DP DT SG	DRB15 X 18DP DT FD	
	1	DDF15M	DRB15M X 18DP DT SG	DRB15M X 18DP DT FD	
DDR1821	2	DDF18	DRB18 X 18DP DT SG	DRB18 X 18DP DT FD	
	1	DDF18M	DRB18M X 18DP DT SG	DRB18M X 18DP DT FD	
DDR2121	2	DDF21	DRB21 X 18DP DT SG	DRB21 X 18DP DT FD	
	1	DDF21M	DRB21M X 18DP DT SG	DRB21M X 18DP DT FD	
DDR2421	2	DDF24	DRB24 X 18DP DT SG	DRB24 X 18DP DT FD	
	1	DDF24M	DRB24M X 18DP DT SG	DRB24M X 18DP DT FD	
<b>DESK DRAWER BASE CABINET - 24" DEEP</b>					
DDR1224	2	DDF12	DRB12 X 18DP DT SG	DRB12 X 21DP DT FD	
	1	DDF12M	DRB12M X 18DP DT SG	DRB12M X 21DP DT FD	
DDR1524	2	DDF15	DRB15 X 18DP DT SG	DRB15 X 21DP DT FD	
	1	DDF15M	DRB15M X 18DP DT SG	DRB15M X 21DP DT FD	
DDR1824	2	DDF18	DRB18 X 18DP DT SG	DRB18 X 21DP DT FD	
	1	DDF18M	DRB18M X 18DP DT SG	DRB18M X 21DP DT FD	
DDR2124	2	DDF21	DRB21 X 18DP DT SG	DRB21 X 21DP DT FD	
	1	DDF21M	DRB21M X 18DP DT SG	DRB21M X 21DP DT FD	
DDR2424	2	DDF24	DRB24 X 18DP DT SG	DRB24 X 21DP DT FD	
	1	DDF24M	DRB24M X 18DP DT SG	DRB24M X 21DP DT FD	



SKU	QTY	DRAWER FRONT		DRAWER BODY	
		PART NAME	essential 60, 63, 71	select & luxury 61, 62, 64, 65, 72, 73	
			PART NAME	PART NAME	PART NAME
<b>BASE MICROWAVE CABINET</b>					
BMC24	2	DDF24	DRB24 X 18DP DT SG	DRB24 X 21DP DT FD	
BMC27	2	DDF27	DRB27 X 18DP DT SG	DRB27 X 21DP DT FD	
BMC30	2	DDF30	DRB30 X 18DP DT SG	DRB30 X 21DP DT FD	
<b>KNEEHOLE DRAWER CABINET</b>					
KDC27/21	1	DDFKDC27/21	DRBKDC27X 15DP DT SG	DRBKDC27X 15DP DT FD	
KDC33/27	1	DDFKDC33/27	DRBKDC33X 15DP DT SG	DRBKDC33X 15DP DT FD	
KDC36/33	1	DDFKDC36/33	DRBKDC36X 15DP DT SG	DRBKDC36X 15DP DT FD	
<b>BASE SPICE DRAWER CABINET</b>					
BSDC6	5	DDF SDC	DRB6 BSDC6	DRB6 BSDC6	
<b>SPICE DRAWER CABINET</b>					
SDC18	3	DDF SDC	DRB6 SDC30	DRB6 SDC30	
SDC24	4	DDF SDC	DRB6 SDC30	DRB6 SDC30	
SDC30	5	DDF SDC	DRB6 SDC30	DRB6 SDC30	
SDC36	6	DDF SDC	DRB6 SDC30	DRB6 SDC30	
<b>TWO DRAWER BASE CABINET</b>					
DB21 2DWR	2	DDF21 2DB	DRB21 HD X 21DPDTFD	DRB21 HD X 21DPDTFD	
DB24 2DWR	2	DDF24 2DB	DRB24 HD X 21DPDTFD	DRB24 HD X 21DPDTFD	
DB27 2DWR	2	DDF27 2DB	DRB27 HD X 21DPDTFD	DRB27 HD X 21DPDTFD	
DB30 2DWR	2	DDF30 2DB	DRB30 HD X 21DPDTFD	DRB30 HD X 21DPDTFD	
DB33 2DWR	2	DDF33 2DB	DRB33 HD X 21DPDTFD	DRB33 HD X 21DPDTFD	
DB36 2DWR	2	DDF36 2DB	DRB36 HD X 21DPDTFD	DRB36 HD X 21DPDTFD	
<b>TWO DRAWER BASE CABINET WITH PEG DISH ORGANIZER</b>					
DB21 2DWR PDO	2	DDF21 2DB	DRB21 HD X 21DPDTFD	DRB21 HD X 21DPDTFD	
DB24 2DWR PDO	2	DDF24 2DB	DRB24 HD X 21DPDTFD	DRB24 HD X 21DPDTFD	
DB27 2DWR PDO	2	DDF27 2DB	DRB27 HD X 21DPDTFD	DRB27 HD X 21DPDTFD	
DB30 2DWR PDO	2	DDF30 2DB	DRB30 HD X 21DPDTFD	DRB30 HD X 21DPDTFD	
DB33 2DWR PDO	2	DDF33 2DB	DRB33 HD X 21DPDTFD	DRB33 HD X 21DPDTFD	
DB36 2DWR PDO	2	DDF36 2DB	DRB36 HD X 21DPDTFD	DRB36 HD X 21DPDTFD	
<b>TWO DRAWER BASE CABINET WITH SCALLOPED FULL WIDTH TRAY</b>					
DB21 2DWR SFWT	2	DDF21 2DB	DRB21 HD X 21DPDTFD	DRB21 HD X 21DPDTFD	
	1		SDROT21	SDROT21	
DB24 2DWR SFWT	2	DDF24 2DB	DRB24 HD X 21DPDTFD	DRB24 HD X 21DPDTFD	
	1		SDROT24	SDROT24	
DB27 2DWR SFWT	2	DDF27 2DB	DRB27 HD X 21DPDTFD	DRB27 HD X 21DPDTFD	
	1		SDROT27	SDROT27	
DB30 2DWR SFWT	2	DDF30 2DB	DRB30 HD X 21DPDTFD	DRB30 HD X 21DPDTFD	
	1		SDROT30	SDROT30	
DB33 2DWR SFWT	2	DDF33 2DB	DRB33 HD X 21DPDTFD	DRB33 HD X 21DPDTFD	
	1		SDROT33	SDROT33	
DB36 2DWR SFWT	2	DDF36 2DB	DRB36 HD X 21DPDTFD	DRB36 HD X 21DPDTFD	
	1		SDROT36	SDROT36	
<b>TWO DRAWER BASE CABINET WITH SCALLOPED FULL WIDTH TRAY &amp; PEG DISH ORGANIZER</b>					
DB21 2DWR SFWT PDO	2	DDF21 2DB	DRB21 HD X 21DPDTFD	DRB21 HD X 21DPDTFD	
	1		SDROT21	SDROT21	
DB24 2DWR SFWT PDO	2	DDF24 2DB	DRB24 HD X 21DPDTFD	DRB24 HD X 21DPDTFD	
	1		SDROT24	SDROT24	
DB27 2DWR SFWT PDO	2	DDF27 2DB	DRB27 HD X 21DPDTFD	DRB27 HD X 21DPDTFD	
	1		SDROT27	SDROT27	
DB30 2DWR SFWT PDO	2	DDF30 2DB	DRB30 HD X 21DPDTFD	DRB30 HD X 21DPDTFD	
	1		SDROT30	SDROT30	
DB33 2DWR SFWT PDO	2	DDF33 2DB	DRB33 HD X 21DPDTFD	DRB33 HD X 21DPDTFD	
	1		SDROT33	SDROT33	
DB36 2DWR SFWT PDO	2	DDF36 2DB	DRB36 HD X 21DPDTFD	DRB36 HD X 21DPDTFD	
	1		SDROT36	SDROT36	

SKU	QTY	DRAWER FRONT		DRAWER BODY	
		PART NAME	essential 60, 63, 71	select & luxury 61, 62, 64, 65, 72, 73	
			PART NAME	PART NAME	
<b>THREE DRAWER BASE CABINET</b>					
DB12	1	DDF12	DRB12 X 18DP DT SG	DRB12 X 21DP DT FD	
	2	DDF12M	DRB12M X 18DP DT SG	DRB12M X 21DP DT FD	
DB15	1	DDF15	DRB15 X 18DP DT SG	DRB15 X 21DP DT FD	
	2	DDF15M	DRB15M X 18DP DT SG	DRB15M X 21DP DT FD	
DB18	1	DDF18	DRB18 X 18DP DT SG	DRB18 X 21DP DT FD	
	2	DDF18M	DRB18M X 18DP DT SG	DRB18M X 21DP DT FD	
DB21	1	DDF21	DRB21 X 18DP DT SG	DRB21 X 21DP DT FD	
	2	DDF21M	DRB21M X 18DP DT SG	DRB21M X 21DP DT FD	
DB24	1	DDF24	DRB24 X 18DP DT SG	DRB24 X 21DP DT FD	
	2	DDF24M	DRB24M X 18DP DT SG	DRB24M X 21DP DT FD	
DB27	1	DDF27	DRB27 X 18DP DT SG	DRB27 X 21DP DT FD	
	2	DDF27M	DRB27M X 18DP DT SG	DRB27M X 21DP DT FD	
DB30	1	DDF30	DRB30 X 18DP DT SG	DRB30 X 21DP DT FD	
	2	DDF30M	DRB30M X 18DP DT SG	DRB30M X 21DP DT FD	
DB33	1	DDF33	DRB33 X 18DP DT SG	DRB33 X 21DP DT FD	
	2	DDF33M	DRB33M X 18DP DT SG	DRB33M X 21DP DT FD	
DB36 1TD	1	DDF36	DRB36 X 18DP DT SG	DRB36 X 21DP DT FD	
	2	DDF36M	DRB36M X 18DP DT SG	DRB36M X 21DP DT FD	
<b>THREE DRAWER BASE CABINET WITH FACTORY INSTALLED CUTLERY DIVIDER</b>					
DB15 CD	1	DDF15	DRB15 X 21DP DT FD	DRB15 X 21DP DT FD	
	2	DDF15M	DRB15M X 18DP DT SG	DRB15M X 21DP DT FD	
DB18 CD	1	DDF18	DRB18 X 21DP DT FD	DRB18 X 21DP DT FD	
	2	DDF18M	DRB18M X 18DP DT SG	DRB18M X 21DP DT FD	
DB21 CD	1	DDF21	DRB21 X 21DP DT FD	DRB21 X 21DP DT FD	
	2	DDF21M	DRB21M X 18DP DT SG	DRB21M X 21DP DT FD	
DB24 CD	1	DDF24	DRB24 X 21DP DT FD	DRB24 X 21DP DT FD	
	2	DDF24M	DRB24M X 18DP DT SG	DRB24M X 21DP DT FD	
DB30 CD	1	DDF30	DRB30 X 21DP DT FD	DRB30 X 21DP DT FD	
	2	DDF30M	DRB30M X 18DP DT SG	DRB30M X 21DP DT FD	
DB36 1TD CD	1	DDF36	DRB36 X 21DP DT FD	DRB36 X 21DP DT FD	
	2	DDF36M	DRB36M X 18DP DT SG	DRB36M X 21DP DT FD	
<b>THREE DRAWER BASE WITH FACTORY INSTALLED SPICE DRAWER</b>					
DB15 SDI	1	DDF15	DRB15 X 21DP DT FD	DRB15 X 21DP DT FD	
	2	DDF15M	DRB15M X 18DP DT SG	DRB15M X 21DP DT FD	
DB18 SDI	1	DDF18	DRB18 X 21DP DT FD	DRB18 X 21DP DT FD	
	2	DDF18M	DRB18M X 18DP DT SG	DRB18M X 21DP DT FD	
DB21 SDI	1	DDF21	DRB21 X 21DP DT FD	DRB21 X 21DP DT FD	
	2	DDF21M	DRB21M X 18DP DT SG	DRB21M X 21DP DT FD	
DB24 SDI	1	DDF24	DRB24 X 21DP DT FD	DRB24 X 21DP DT FD	
	2	DDF24M	DRB24M X 18DP DT SG	DRB24M X 21DP DT FD	
<b>THREE DRAWER BASE CABINET WITH FACTORY INSTALLED WOOD TIERED CUTLERY DIVIDER</b>					
DB15 WTC	1	DDF15	WTCDFD15	WTCDFD15	
	2	DDF15M	DRB15M X 18DP DT SG	DRB15M X 21DP DT FD	
DB18 WTC	1	DDF18	WTCDFD18	WTCDFD18	
	2	DDF18M	DRB18M X 18DP DT SG	DRB18M X 21DP DT FD	
DB21 WTC	1	DDF21	WTCDFD21	WTCDFD21	
	2	DDF21M	DRB21M X 18DP DT SG	DRB21M X 21DP DT FD	
DB24 WTC	1	DDF24	WTCDFD24	WTCDFD24	
	2	DDF24M	DRB24M X 18DP DT SG	DRB24M X 21DP DT FD	
DB30 WTC	1	DDF30	WTCDFD30	WTCDFD30	
	2	DDF30M	DRB30M X 18DP DT SG	DRB30M X 21DP DT FD	
DB36 1TD WTC	1	DDF36	WTCDFD36	WTCDFD36	
	2	DDF36M	DRB36M X 18DP DT SG	DRB36M X 21DP DT FD	

SKU	QTY	DRAWER FRONT	DRAWER BODY	
		PART NAME	essential 60, 63, 71	select & luxury 61, 62, 64, 65, 72, 73
			PART NAME	PART NAME
<b>FOUR DRAWER BASE CABINET</b>				
DB12 4DWR	3	DDF12	DRB12 X 18DP DT SG	DRB12 X 21DP DT FD
	1	DDF12M	DRB12M X 18DP DT SG	DRB12M X 21DP DT FD
DB15 4DWR	3	DDF15	DRB15 X 18DP DT SG	DRB15 X 21DP DT FD
	1	DDF15M	DRB15M X 18DP DT SG	DRB15M X 21DP DT FD
DB18 4DWR	3	DDF18	DRB18 X 18DP DT SG	DRB18 X 21DP DT FD
	1	DDF18M	DRB18M X 18DP DT SG	DRB18M X 21DP DT FD
DB21 4DWR	3	DDF21	DRB21 X 18DP DT SG	DRB21 X 21DP DT FD
	1	DDF21M	DRB21M X 18DP DT SG	DRB21M X 21DP DT FD
DB24 4DWR	3	DDF24	DRB24 X 18DP DT SG	DRB24 X 21DP DT FD
	1	DDF24M	DRB24M X 18DP DT SG	DRB24M X 21DP DT FD

SKU	QTY	DRAWER FRONT	DRAWER BODY		
		PART NAME	essential 60, 63, 71	QTY	select & luxury 61, 62, 64, 65, 72, 73
			PART NAME		PART NAME
<b>FOUR DRAWER BASE CABINET WITH FACTORY INSTALLED CUTLERY DIVIDER</b>					
DB15 4DWR CD	1	DDF15	DRB15 X 21DP DT FD	-	-
	2	DDF15	DRB15 X 18DP DT SG	3	DRB15 X 21DP DT FD
	1	DDF15M	DRB15M X 18DP DT SG	1	DRB15M X 21DP DT FD
DB18 4DWR CD	1	DDF18	DRB18 X 21DP DT FD	-	-
	2	DDF18	DRB18 X 18DP DT SG	3	DRB18 X 21DP DT FD
	1	DDF18M	DRB18M X 18DP DT SG	1	DRB18M X 21DP DT FD
DB21 4DWR CD	1	DDR21	DRB21 X 21DP DT FD	-	-
	2	DDF21	DRB21 X 18DP DT SG	3	DRB21 X 21DP DT FD
	1	DDF21M	DRB21M X 18DP DT SG	1	DRB21M X 21DP DT FD
DB24 4DWR CD	1	DDF24	DRB24 X 21DP DT FD	-	-
	2	DDF24	DRB24 X 18DP DT SG	3	DRB24 X 21DP DT FD
	1	DDF24M	DRB24M X 18DP DT SG	1	DRB24M X 21DP DT FD
<b>FOUR DRAWER BASE WITH FACTORY INSTALLED SPICE DRAWER INSERT</b>					
DB15 4DWR SDI	3	DDF15	DRB15 X 21DP DT FD	-	-
	1	DDF15M	DRB15 X 18DP DT SG	3	DRB15 X 21DP DT FD
	1	DDF15M	DRB15M X 18DP DT SG	1	DRB15M X 21DP DT FD
DB18 4DWR SDI	3	DDF18	DRB18 X 21DP DT FD	-	-
	1	DDF18M	DRB18 X 18DP DT SG	3	DRB18 X 21DP DT FD
	1	DDF18M	DRB18M X 18DP DT SG	1	DRB18M X 21DP DT FD
DB21 4DWR SDI	3	DDF21	DRB21 X 21DP DT FD	-	-
	1	DDF21M	DRB21 X 18DP DT SG	3	DRB21 X 21DP DT FD
	1	DDF21M	DRB21M X 18DP DT SG	1	DRB21M X 21DP DT FD
DB24 4DWR SDI	3	DDF24	DRB24 X 21DP DT FD	-	-
	1	DDF24M	DRB24 X 18DP DT SG	3	DRB24 X 21DP DT FD
	1	DDF24M	DRB24M X 18DP DT SG	1	DRB24M X 21DP DT FD
<b>FOUR DRAWER BASE CABINET WITH FACTORY INSTALLED WOOD TIERED CUTLERY DIVIDER</b>					
DB15 4DWR WTCD	1	DDF15	WTCDFD15	1	WTCDFD15
	2	DDF15	DRB15 X 18DP DT SG	2	DRB15 X 21DP DT FD
	1	DDF15M	DRB15M X 18DP DT SG	1	DRB15M X 21DP DT FD
DB18 4DWR WTCD	1	DDF18	WTCDFD18	1	WTCDFD18
	2	DDF18	DRB18 X 18DP DT SG	2	DRB18 X 21DP DT FD
	1	DDF18M	DRB18M X 18DP DT SG	1	DRB18M X 21DP DT FD
DB21 4DWR WTCD	1	DDF21	WTCDFD21	1	WTCDFD21
	2	DDF21	DRB21 X 18DP DT SG	2	DRB21 X 21DP DT FD
	1	DDF21M	DRB21M X 18DP DT SG	1	DRB21M X 21DP DT FD
DB24 4DWR WTCD	1	DDF24	WTCDFD24	1	WTCDFD24
	2	DDF24	DRB24 X 18DP DT SG	2	DRB24 X 21DP DT FD
	1	DDF24M	DRB24M X 18DP DT SG	1	DRB24M X 21DP DT FD

\*For Matching Interior Adjustable Shelf, refer to Parts Directory Legend

SKU	QTY	DOOR	QTY	DRAWER FRONT / PANEL
		PART NAME		PART NAME
<b>CORNER SINK BASE</b>				
CSB36	1	DR1524	1	DDF15
<b>CORNER SINK FRONT</b>				
CSF36	1	DR1524	1	DDF15
CSF42	1	DR2424	1	DDF24
<b>SINK/COOKTOP BASE AND FRONT</b>				
SF12	1	DR1224	1	DDF12
SF15	1	DR1524	1	DDF15
SB18 / SF18	1	DR1824	1	DDF18
SB21 / SF21	1	DR2124	1	DDF21
SB24 / SF24	1	DR2424	1	DDF24
SB24 BUTT / SF24 BUTT	2	DR1224 BUTT	1	DDF24
SB27 BUTT / SF27 BUTT	2	DR1324 BUTT	1	DDF27
SB30 BUTT / SF30 BUTT	2	DR1524 BUTT	1	DDF30
SB33 BUTT / SF33 BUTT	2	DR1624 BUTT	1	DDF33
SB36 BUTT / SF36 BUTT	2	DR1824 BUTT	1	DDF36
SB39 / SF39	2	DR1924	2	DDF19
SB42 / SF42	2	DR2124	2	DDF21
SB45 / SF45	3	DR1524	3	DDF15
SB48 / SF48	2	DR2424	2	DDF24
<b>SINK BASE WITH FACTORY INSTALLED TILT-OUT TRAY(S)</b>				
SB18 STO	1	DR1824	1	DDF18 DRILL
SB21 STO	1	DR2124	1	DDF21 DRILL
SB24 STO	1	DR2424	1	DDF24 DRILL
SB24 BUTT STO	2	DR1224 BUTT	1	DDF24 DRILL
SB27 BUTT STO	2	DR1324 BUTT	1	DDF27 DRILL
SB30 BUTT STO	2	DR1524 BUTT	1	DDF30 DRILL
SB33 BUTT STO	2	DR1624 BUTT	1	DDF33 DRILL
SB36 BUTT STO	2	DR1824 BUTT	1	DDF36 DRILL
SB39 STO	2	DR1924	2	DDF19 DRILL
SB42 STO	2	DR2124	2	DDF21 DRILL
SB48 STO	2	DR2424	2	DDF24 DRILL
<b>SINK BASE MULTI-STORAGE CABINET</b>				
SBMS30 BUTT STO	2	DR1524 BUTT	1	DDF30 DRILL
SBMS36 BUTT STO	2	DR1824 BUTT	1	DDF36 DRILL
<b>DEEP SINK/RANGE BASE</b>				
DSB30 BUTT	2	DR1521V BUTT	-	N/A
DSB33 BUTT	2	DR1621V BUTT	-	N/A
DSB36 BUTT	2	DR1821V BUTT	-	N/A
DSB39	2	DR1921V BUTT	-	N/A

SKU	QTY	DOOR		SPIN UNIT	
		PART NAME	QTY	PART NAME	QTY
<b>CORNER BASE</b>					
BER33 (L/R)	1	DR930 BER DRILL	-	N/A	
	1	DR930 BER ND			
BER3336L	1	DR930 BER DRILL	-	N/A	
	1	DR1230 BER ND			
BER3336R	1	DR1230 BER DRILL	-	N/A	
	1	DR930 BER ND			
BER36 (L/R)	1	DR1230 BER DRILL	-	N/A	
	1	DR1230 BER ND			
BER3633L	1	DR1230 BER DRILL	-	N/A	
	1	DR930 BER ND			
BER3633R	1	DR930 BER DRILL	-	N/A	
	1	DR1230 BER ND			
BSS33 (L/R) WD	1	DR930 BER DRILL	2	BSS33 SHLF WD NP PLY	
	1	DR930 BER ND			
BSS3336L WD	1	DR930 BER DRILL	2	BSS3336 SHLFWDNP PLY	
	1	DR1230 BER ND			
BSS3336R WD	1	DR1230 BER DRILL	2	BSS3336 SHLFWDNP PLY	
	1	DR930 BER ND			
BSS36 (L/R) WD	1	DR1230 BER DRILL	2	BSS36 SHLF WD NP PLY	
	1	DR1230 BER ND			
BSS3633L WD	1	DR1230 BER DRILL	2	BSS3633 SHLFWDNP PLY	
	1	DR930 BER ND			
BSS3633R WD	1	DR930 BER DRILL	2	BSS3633 SHLFWDNP PLY	
	1	DR1230 BER ND			
CAR36 (L/R) WD	1	DR1230 BER DRILL	2	CAR36 SHELF WD	
	1	DR1230 BER ND	1	BSSCWSCAR T-SHAFT FE	
			1	WOOD SPIN SHELF HDW	
CBS36 WD	1	DRCBS36	2	CBS36 SHLF WD NP PLY	

\*For Matching Interior Adjustable Shelf, refer to Parts Directory Legend

SKU	QTY	DOOR	SPECIALTY DOOR	GLASS INSERT	QTY	ADJUSTABLE SHELF / DROT
		PART NAME	PART NAME	PART NAME		*PART NAME
<b>UTILITY WITH ADJUSTABLE SHELVES - 24" DEEP X 84" HIGH</b>						
UT1224 X 84 AS	1	DR1230	DR1230 SD	DGI-1230	5	S1224
	1	DR1250				
UT1524 X 84 AS	1	DR1530	DR1530 SD	DGI-1530	5	S1524
	1	DR1550				
UT1824 X 84 AS	1	DR1830	DR1830 SD	DGI-1830	5	S1824
	1	DR1850				
UT2124 X 84 AS	1	DR2130	DR2130 SD	DGI-2130	5	S2124
	1	DR2150				
UT2424 X 84 AS BUTT	2	DR1230 BUTT	DR1230 BUTT SD	DGI-1230 BUTT	5	S2424
	2	DR1250 BUTT				
UT2724 X 84 AS BUTT	2	DR1330 BUTT	DR1330 BUTT SD	DGI-1330 BUTT	5	S2724
	2	DR1350 BUTT				
UT3024 X 84 AS BUTT	2	DR1530 BUTT	DR1530 BUTT SD	DGI-1530 BUTT	5	S3024
	2	DR1550 BUTT				
UT3324 X 84 AS BUTT	2	DR1630 BUTT	DR1630 BUTT SD	DGI-1630 BUTT	5	S3324
	2	DR1650 BUTT				
UT3624 X 84 AS BUTT	2	DR1830 BUTT	DR1830 BUTT SD	DGI-1830 BUTT	5	S3624
	2	DR1850 BUTT				
<b>UTILITY WITH ADJUSTABLE SHELVES - 24" DEEP X 90" HIGH</b>						
UT1224 X 90 AS	1	DR1236	DR1236 SD	DGI-1236	6	S1224
	1	DR1250				
UT1524 X 90 AS	1	DR1536	DR1536 SD	DGI-1536	6	S1524
	1	DR1550				
UT1824 X 90 AS	1	DR1836	DR1836 SD	DGI-1836	6	S1824
	1	DR1850				
UT2124 X 90 AS	1	DR2136	DR2136 SD	DGI-2136	6	S2124
	1	DR2150				
UT2424 X 90 AS BUTT	2	DR1236 BUTT	DR1236 BUTT SD	DGI-1236 BUTT	6	S2424
	2	DR1250 BUTT				
UT2724 X 90 AS BUTT	2	DR1336 BUTT	DR1336 BUTT SD	DGI-1336 BUTT	6	S2724
	2	DR1350 BUTT				
UT3024 X 90 AS BUTT	2	DR1536 BUTT	DR1536 BUTT SD	DGI-1536 BUTT	6	S3024
	2	DR1550 BUTT				
UT3324 X 90 AS BUTT	2	DR1636 BUTT	DR1636 BUTT SD	DGI-1636 BUTT	6	S3324
	2	DR1650 BUTT				
UT3624 X 90 AS BUTT	2	DR1836 BUTT	DR1836 BUTT SD	DGI-1836 BUTT	6	S3624
	2	DR1850 BUTT				
<b>UTILITY WITH ADJUSTABLE SHELVES - 24" DEEP X 93" HIGH</b>						
UT1224 X 93 AS	1	DR1239	DR1239 SD	DGI-1239	7	S1224
	1	DR1250				
UT1524 X 93 AS	1	DR1539	DR1539 SD	DGI-1539	7	S1524
	1	DR1550				
UT1824 X 93 AS	1	DR1839	DR1839 SD	DGI-1839	7	S1824
	1	DR1850				
UT2124 X 93 AS	1	DR2139	DR2139 SD	DGI-2139	7	S2124
	1	DR2150				
UT2424 X 93 AS BUTT	2	DR1239 BUTT	DR1239 BUTT SD	DGI-1239 BUTT	7	S2424
	2	DR1250 BUTT				
UT2724 X 93 AS BUTT	2	DR1339 BUTT	DR1339 BUTT SD	DGI-1339 BUTT	7	S2724
	2	DR1350 BUTT				
UT3024 X 93 AS BUTT	2	DR1539 BUTT	DR1539 BUTT SD	DGI-1539 BUTT	7	S3024
	2	DR1550 BUTT				
UT3324 X 93 AS BUTT	2	DR1639 BUTT	DR1639 BUTT SD	DGI-1639 BUTT	7	S3324
	2	DR1650 BUTT				
UT3624 X 93 AS BUTT	2	DR1839 BUTT	DR1839 BUTT SD	DGI-1839 BUTT	7	S3624
	2	DR1850 BUTT				

SKU	QTY	DOOR	SPECIALTY DOOR	GLASS INSERT	QTY	ADJUSTABLE SHELF / DROT
		PART NAME	PART NAME	PART NAME		*PART NAME
<b>UTILITY WITH ADJUSTABLE SHELVES - 24" DEEP X 96" HIGH</b>						
UT1224 X 96 AS	1	DR1242	DR1242 SD	DGI-1242	7	S1224
	1	DR1250				
UT1524 X 96 AS	1	DR1542	DR1542 SD	DGI-1542	7	S1524
	1	DR1550				
UT1824 X 96 AS	1	DR1842	DR1842 SD	DGI-1842	7	S1824
	1	DR1850				
UT2124 X 96 AS	1	DR2142	DR2142 SD	DGI-2142	7	S2124
	1	DR2150				
UT2424 X 96 AS BUTT	2	DR1242 BUTT	DR1242 BUTT SD	DGI-1242 BUTT	7	S2424
	2	DR1250 BUTT				
UT2724 X 96 AS BUTT	2	DR1342 BUTT	DR1342 BUTT SD	DGI-1342 BUTT	7	S2724
	2	DR1350 BUTT				
UT3024 X 96 AS BUTT	2	DR1542 BUTT	DR1542 BUTT SD	DGI-1542 BUTT	7	S3024
	2	DR1550 BUTT				
UT3324 X 96 AS BUTT	2	DR1642 BUTT	DR1642 BUTT SD	DGI-1642 BUTT	7	S3324
	2	DR1650 BUTT				
UT3624 X 96 AS BUTT	2	DR1842 BUTT	DR1842 BUTT SD	DGI-1842 BUTT	7	S3624
	2	DR1850 BUTT				
<b>UTILITY WITH DEEP ROLL OUT TRAYS - 84" HIGH</b>						
UT1224 X 84 4ROT	1	DR1230	DR1230 SD	DGI-1230	1	S1224
	1	DR1250			4	DROT12
UT1524 X 84 4ROT	1	DR1530	DR1530 SD	DGI-1530	1	S1524
	1	DR1550			4	DROT15
UT1824 X 84 4ROT	1	DR1830	DR1830 SD	DGI-1830	1	S1824
	1	DR1850			4	DROT18
UT2124 X 84 4ROT	1	DR2130	DR2130 SD	DGI-2130	1	S2124
	1	DR2150			4	DROT21
UT2424 X 84 4ROT BUTT	2	DR1230 BUTT	DR1230 BUTT SD	DGI-1230 BUTT	1	S2424
	2	DR1250 BUTT			4	DROT24
UT2724 X 84 4ROT BUTT	2	DR1330 BUTT	DR1330 BUTT SD	DGI-1330 BUTT	1	S2724
	2	DR1350 BUTT			4	DROT27
UT3024 X 84 4ROT BUTT	2	DR1530 BUTT	DR1530 BUTT SD	DGI-1530 BUTT	1	S3024
	2	DR1550 BUTT			4	DROT30
UT3324 X 84 4ROT BUTT	2	DR1630 BUTT	DR1630 BUTT SD	DGI-1630 BUTT	1	S3324
	2	DR1650 BUTT			4	DROT33
UT3624 X 84 4ROT BUTT	2	DR1830 BUTT	DR1830 BUTT SD	DGI-1830 BUTT	1	S3624
	2	DR1850 BUTT			4	DROT36
<b>UTILITY WITH DEEP ROLL OUT TRAYS - 90" HIGH</b>						
UT1224 X 90 4ROT	1	DR1236	DR1236 SD	DGI-1236	2	S1224
	1	DR1250			4	DROT12
UT1524 X 90 4ROT	1	DR1536	DR1536 SD	DGI-1536	2	S1524
	1	DR1550			4	DROT15
UT1824 X 90 4ROT	1	DR1836	DR1836 SD	DGI-1836	2	S1824
	1	DR1850			4	DROT18
UT2124 X 90 4ROT	1	DR2136	DR2136 SD	DGI-2136	2	S2124
	1	DR2150			4	DROT21
UT2424 X 90 4ROT BUTT	2	DR1236 BUTT	DR1236 BUTT SD	DGI-1236 BUTT	2	S2424
	2	DR1250 BUTT			4	DROT24
UT2724 X 90 4ROT BUTT	2	DR1336 BUTT	DR1336 BUTT SD	DGI-1336 BUTT	2	S2724
	2	DR1350 BUTT			4	DROT27
UT3024 X 90 4ROT BUTT	2	DR1536 BUTT	DR1536 BUTT SD	DGI-1536 BUTT	2	S3024
	2	DR1550 BUTT			4	DROT30
UT3324 X 90 4ROT BUTT	2	DR1636 BUTT	DR1636 BUTT SD	DGI-1636 BUTT	2	S3324
	2	DR1650 BUTT			4	DROT33
UT3624 X 90 4ROT BUTT	2	DR1836 BUTT	DR1836 BUTT SD	DGI-1836 BUTT	2	S3624
	2	DR1850 BUTT			4	DROT36

\*For Matching Interior Adjustable Shelf, refer to Parts Directory Legend

SKU	QTY	DOOR	SPECIALTY DOOR	GLASS INSERT	QTY	ADJUSTABLE SHELF / DROT
		PART NAME	PART NAME	PART NAME		*PART NAME
<b>UTILITY WITH DEEP ROLL OUT TRAYS • 93" HIGH</b>						
UT1224 X 93 4ROT	1	DR1239	DR1239 SD	DGI-1239	3	S1224
	1	DR1250			4	DROT12
UT1524 X 93 4ROT	1	DR1539	DR1539 SD	DGI-1539	3	S1524
	1	DR1550			4	DROT15
UT1824 X 93 4ROT	1	DR1839	DR1839 SD	DGI-1839	3	S1824
	1	DR1850			4	DROT18
UT2124 X 93 4ROT	1	DR2139	DR2139 SD	DGI-2139	3	S2124
	1	DR2150			4	DROT21
UT2424 X 93 4ROT BUTT	2	DR1239 BUTT	DR1239 BUTT SD	DGI-1239 BUTT	3	S2424
	2	DR1250 BUTT			4	DROT24
UT2724 X 93 4ROT BUTT	2	DR1339 BUTT	DR1339 BUTT SD	DGI-1339 BUTT	3	S2724
	2	DR1350 BUTT			4	DROT27
UT3024 X 93 4ROT BUTT	2	DR1539 BUTT	DR1539 BUTT SD	DGI-1539 BUTT	3	S3024
	2	DR1550 BUTT			4	DROT30
UT3324 X 93 4ROT BUTT	2	DR1639 BUTT	DR1639 BUTT SD	DGI-1639 BUTT	3	S3324
	2	DR1650 BUTT			4	DROT33
UT3624 X 93 4ROT BUTT	2	DR1839 BUTT	DR1839 BUTT SD	DGI-1839 BUTT	3	S3624
	2	DR1850 BUTT			4	DROT36
<b>UTILITY WITH DEEP ROLL OUT TRAYS • 96" HIGH</b>						
UT1224 X 96 4ROT	1	DR1242	DR1242 SD	DGI-1242	3	S1224
	1	DR1250			4	DROT12
UT1524 X 96 4ROT	1	DR1542	DR1542 SD	DGI-1542	3	S1524
	1	DR1550			4	DROT15
UT1824 X 96 4ROT	1	DR1842	DR1842 SD	DGI-1842	3	S1824
	1	DR1850			4	DROT18
UT2124 X 96 4ROT	1	DR2142	DR2142 SD	DGI-2142	3	S2124
	1	DR2150			4	DROT21
UT2424 X 96 4ROT BUTT	2	DR1242 BUTT	DR1242 BUTT SD	DGI-1242 BUTT	3	S2424
	2	DR1250 BUTT			4	DROT24
UT2724 X 96 4ROT BUTT	2	DR1342 BUTT	DR1342 BUTT SD	DGI-1342 BUTT	3	S2724
	2	DR1350 BUTT			4	DROT27
UT3024 X 96 4ROT BUTT	2	DR1542 BUTT	DR1542 BUTT SD	DGI-1542 BUTT	3	S3024
	2	DR1550 BUTT			4	DROT30
UT3324 X 96 4ROT BUTT	2	DR1642 BUTT	DR1642 BUTT SD	DGI-1642 BUTT	3	S3324
	2	DR1650 BUTT			4	DROT33
UT3624 X 96 4ROT BUTT	2	DR1842 BUTT	DR1842 BUTT SD	DGI-1842 BUTT	3	S3624
	2	DR1850 BUTT			4	DROT36



SKU	QTY	DOOR		ADJUSTABLE SHELF		DRAWER FRONT	DRAWER BODY		
		PART NAME	QTY	*PART NAME	QTY		PART NAME	essential 60, 63, 71	select & luxury 61, 62, 64, 65, 72, 73
								PART NAME	PART NAME
<b>DOUBLE OVEN CABINETS WITH 2 BUTT DOORS, 1 DRAWER - 84" HIGH</b>									
OVD2784 BUTT	2	DR1318 BUTT	-	N/A	1	DDFOV27	DRB24 X 18DP DT SG	DRB24 X 21DP DT FD	
OVD3084 BUTT	2	DR1518 BUTT	-	N/A	1	DDFOV30	DRB27 X 18DP DT SG	DRB27 X 21DP DT FD	
OVD3384 BUTT	2	DR1618 BUTT	-	N/A	1	DDFOV33	DRB30 X 18DP DT SG	DRB30 X 21DP DT FD	
<b>DOUBLE OVEN CABINETS WITH 2 BUTT DOORS, 1 DRAWER - 90" HIGH</b>									
OVD2790 AS BUTT	2	DR1324 BUTT	1	S2724	1	DDFOV27	DRB24 X 18DP DT SG	DRB24 X 21DP DT FD	
OVD3090 AS BUTT	2	DR1524 BUTT	1	S3024	1	DDFOV30	DRB27 X 18DP DT SG	DRB27 X 21DP DT FD	
OVD3390 AS BUTT	2	DR1624 BUTT	1	S3324	1	DDFOV33	DRB30 X 18DP DT SG	DRB30 X 21DP DT FD	
<b>DOUBLE OVEN CABINETS WITH 2 BUTT DOORS, 1 DRAWER - 93" HIGH</b>									
OVD2793 AS BUTT	2	DR1327 BUTT	2	S2724	1	DDFOV27	DRB24 X 18DP DT SG	DRB24 X 21DP DT FD	
OVD3093 AS BUTT	2	DR1527 BUTT	2	S3024	1	DDFOV30	DRB27 X 18DP DT SG	DRB27 X 21DP DT FD	
OVD3393 AS BUTT	2	DR1627 BUTT	2	S3324	1	DDFOV33	DRB30 X 18DP DT SG	DRB30 X 21DP DT FD	
<b>DOUBLE OVEN CABINETS WITH 2 BUTT DOORS, 1 DRAWER - 96" HIGH</b>									
OVD2796 AS BUTT	2	DR1330 BUTT	2	S2724	1	DDFOV27	DRB24 X 18DP DT SG	DRB24 X 21DP DT FD	
OVD3096 AS BUTT	2	DR1530 BUTT	2	S3024	1	DDFOV30	DRB27 X 18DP DT SG	DRB27 X 21DP DT FD	
OVD3396 AS BUTT	2	DR1630 BUTT	2	S3324	1	DDFOV33	DRB30 X 18DP DT SG	DRB30 X 21DP DT FD	
<b>DOUBLE OVEN CABINETS WITH 2 BUTT DOORS AND 1 LARGE DRAWER - 84" HIGH</b>									
OVD2784 BUTT 1DDWR	2	DR1318 BUTT	-	N/A	1	DDF27M	DRB24M X 18DP DT SG	DRB24M X 21DP DT FD	
OVD3084 BUTT 1DDWR	2	DR1518 BUTT	-	N/A	1	DDF30M	DRB27M X 18DP DT SG	DRB27M X 21DP DT FD	
OVD3384 BUTT 1DDWR	2	DR1618 BUTT	-	N/A	1	DDF33M	DRB30M X 18DP DT SG	DRB30M X 21DP DT FD	
<b>DOUBLE OVEN CABINETS WITH 2 BUTT DOORS AND 1 LARGE DRAWER - 90" HIGH</b>									
OVD2790 AS BUTT 1DDWR	2	DR1324 BUTT	1	S2724	1	DDF27M	DRB24M X 18DP DT SG	DRB24M X 21DP DT FD	
OVD3090 AS BUTT 1DDWR	2	DR1524 BUTT	1	S3024	1	DDF30M	DRB27M X 18DP DT SG	DRB27M X 21DP DT FD	
OVD3390 AS BUTT 1DDWR	2	DR1624 BUTT	1	S3324	1	DDF33M	DRB30M X 18DP DT SG	DRB30M X 21DP DT FD	
<b>DOUBLE OVEN CABINETS WITH 2 BUTT DOORS AND 1 LARGE DRAWER - 93" HIGH</b>									
OVD2793 AS BUTT 1DDWR	2	DR1327 BUTT	2	S2724	1	DDF27M	DRB24M X 18DP DT SG	DRB24M X 21DP DT FD	
OVD3093 AS BUTT 1DDWR	2	DR1527 BUTT	2	S3024	1	DDF30M	DRB27M X 18DP DT SG	DRB27M X 21DP DT FD	
OVD3393 AS BUTT 1DDWR	2	DR1627 BUTT	2	S3324	1	DDF33M	DRB30M X 18DP DT SG	DRB30M X 21DP DT FD	
<b>DOUBLE OVEN CABINETS WITH 2 BUTT DOORS AND 1 LARGE DRAWER - 96" HIGH</b>									
OVD2796 AS BUTT 1DDWR	2	DR1330 BUTT	2	S2724	1	DDF27M	DRB24M X 18DP DT SG	DRB24M X 21DP DT FD	
OVD3096 AS BUTT 1DDWR	2	DR1530 BUTT	2	S3024	1	DDF30M	DRB27M X 18DP DT SG	DRB27M X 21DP DT FD	
OVD3396 AS BUTT 1DDWR	2	DR1630 BUTT	2	S3324	1	DDF33M	DRB30M X 18DP DT SG	DRB30M X 21DP DT FD	
<b>SINGLE OVEN CABINETS WITH 4 BUTT DOORS - 84" HIGH</b>									
OVS2784 BUTT	2	DR1318 BUTT	-	N/A	-	N/A	N/A	N/A	
	2	DR1324 BUTT	-						
OVS3084 BUTT	2	DR1518 BUTT	-	N/A	-	N/A	N/A	N/A	
	2	DR1524 BUTT	-						
OVS3384 BUTT	2	DR1618 BUTT	-	N/A	-	N/A	N/A	N/A	
	2	DR1624 BUTT	-						
<b>SINGLE OVEN CABINETS WITH 4 BUTT DOORS - 90" HIGH</b>									
OVS2790 AS BUTT	4	DR1324 BUTT	1	S2724	-	N/A	N/A	N/A	
OVS3090 AS BUTT	4	DR1524 BUTT	1	S3024	-	N/A	N/A	N/A	
OVS3390 AS BUTT	4	DR1624 BUTT	1	S3324	-	N/A	N/A	N/A	
<b>SINGLE OVEN CABINETS WITH 4 BUTT DOORS - 93" HIGH</b>									
OVS2793 AS BUTT	2	DR1327 BUTT	2	S2724	-	N/A	N/A	N/A	
	2	DR1324 BUTT	-						
OVS3093 AS BUTT	2	DR1527 BUTT	2	S3024	-	N/A	N/A	N/A	
	2	DR1524 BUTT	-						
OVS3393 AS BUTT	2	DR1627 BUTT	2	S3324	-	N/A	N/A	N/A	
	2	DR1624 BUTT	-						
<b>SINGLE OVEN CABINETS WITH 4 BUTT DOORS - 96" HIGH</b>									
OVS2796 AS BUTT	2	DR1330 BUTT	2	S2724	-	N/A	N/A	N/A	
	2	DR1324 BUTT	-						
OVS3096 AS BUTT	2	DR1530 BUTT	2	S3024	-	N/A	N/A	N/A	
	2	DR1524 BUTT	-						
OVS3396 AS BUTT	2	DR1630 BUTT	2	S3324	-	N/A	N/A	N/A	
	2	DR1624 BUTT	-						

\*For Matching Interior Adjustable Shelf, refer to Parts Directory Legend

SKU	QTY	DOOR		ADJUSTABLE SHELF		DRAWER FRONT		DRAWER BODY	
		PART NAME	QTY	*PART NAME	QTY	PART NAME	essential 60, 63, 71	select & luxury 61, 62, 64, 65, 72, 73	
							PART NAME	PART NAME	
<b>SINGLE OVEN CABINETS WITH 4 BUTT DOORS AND 1 POT AND PAN ORGANIZER - 84" HIGH</b>									
OVS2784 BUTT BPP0	2	DR1318 BUTT	-	N/A	-	N/A	N/A	N/A	
	2	DR1324 BUTT	1	BBPOK24	-	N/A	N/A	N/A	
OVS3084 BUTT BPP0	2	DR1518 BUTT	-	N/A	-	N/A	N/A	N/A	
	2	DR1524 BUTT	1	BPP0K27	-	N/A	N/A	N/A	
OVS3384 BUTT BPP0	2	DR1618 BUTT	-	N/A	-	N/A	N/A	N/A	
	2	DR1624 BUTT	1	BPP0K30	-	N/A	N/A	N/A	
<b>SINGLE OVEN CABINETS WITH 4 BUTT DOORS AND 1 POT AND PAN ORGANIZER - 90" HIGH</b>									
OVS2790 BUTT BPP0	4	DR1324 BUTT	1	S2724	-	N/A	N/A	N/A	
			1	BPP0K24	-	N/A	N/A	N/A	
OVS3090 BUTT BPP0	4	DR1524 BUTT	1	S3024	-	N/A	N/A	N/A	
			1	BPP0K27	-	N/A	N/A	N/A	
OVS3390 BUTT BPP0	4	DR1624 BUTT	1	S3324	-	N/A	N/A	N/A	
			1	BPP0K30	-	N/A	N/A	N/A	
<b>SINGLE OVEN CABINETS WITH 4 BUTT DOORS AND 1 POT AND PAN ORGANIZER - 93" HIGH</b>									
OVS2793 BUTT BPP0	2	DR1327 BUTT	2	S2724	-	N/A	N/A	N/A	
	2	DR1324 BUTT	1	BPP0K24	-	N/A	N/A	N/A	
OVS3093 BUTT BPP0	2	DR1527 BUTT	2	S3024	-	N/A	N/A	N/A	
	2	DR1524 BUTT	1	BPP0K27	-	N/A	N/A	N/A	
OVS3393 BUTT BPP0	2	DR1627 BUTT	2	S3324	-	N/A	N/A	N/A	
	2	DR1624 BUTT	1	BPP0K30	-	N/A	N/A	N/A	
<b>SINGLE OVEN CABINETS WITH 4 BUTT DOORS AND 1 POT AND PAN ORGANIZER - 96" HIGH</b>									
OVS2796 BUTT BPP0	2	DR1330 BUTT	2	S2724	-	N/A	N/A	N/A	
	2	DR1324 BUTT	1	BPP0K24	-	N/A	N/A	N/A	
OVS3096 BUTT BPP0	2	DR1530 BUTT	2	S3024	-	N/A	N/A	N/A	
	2	DR1524 BUTT	1	BPP0K27	-	N/A	N/A	N/A	
OVS3396 BUTT BPP0	2	DR1630 BUTT	2	S3324	-	N/A	N/A	N/A	
	2	DR1624 BUTT	1	BPP0K30	-	N/A	N/A	N/A	
<b>SINGLE OVEN CABINETS WITH 2 BUTT DOORS 4 DRAWERS - 84" HIGH</b>									
OVS2784 BUTT 4DWR	2	DR1318 BUTT	-	N/A	2	DDF27	DRB24 X 18DP DT SG	DRB24 X 21DP DT FD	
					2	DDF27M	DRB24M X 18DP DT SG	DRB24M X 21DP DT FD	
OVS3084 BUTT 4DWR	2	DR1518 BUTT	-	N/A	2	DDF30	DRB27 X 18DP DT SG	DRB27 X 21DP DT FD	
					2	DDF30M	DRB27M X 18DP DT SG	DRB27M X 21DP DT FD	
OVS3384 BUTT 4DWR	2	DR1618 BUTT	-	N/A	2	DDF33	DRB30 X 18DP DT SG	DRB30 X 21DP DT FD	
					2	DDF33M	DRB30M X 18DP DT SG	DRB30M X 21DP DT FD	
<b>SINGLE OVEN CABINETS WITH 2 BUTT DOORS 4 DRAWERS - 90" HIGH</b>									
OVS2790 AS BUTT 4DWR	2	DR1324 BUTT	1	S2724	2	DDF27	DRB24 X 18DP DT SG	DRB24 X 21DP DT FD	
					2	DDF27M	DRB24M X 18DP DT SG	DRB24M X 21DP DT FD	
OVS3090 AS BUTT 4DWR	2	DR1524 BUTT	1	S3024	2	DDF30	DRB27 X 18DP DT SG	DRB27 X 21DP DT FD	
					2	DDF30M	DRB27M X 18DP DT SG	DRB27M X 21DP DT FD	
OVS3390 AS BUTT 4DWR	2	DR1624 BUTT	1	S3324	2	DDF33	DRB30 X 18DP DT SG	DRB30 X 21DP DT FD	
					2	DDF33M	DRB30M X 18DP DT SG	DRB30M X 21DP DT FD	
<b>SINGLE OVEN CABINETS WITH 2 BUTT DOORS 4 DRAWERS - 93" HIGH</b>									
OVS2793 AS BUTT 4DWR	2	DR1327 BUTT	2	S2724	2	DDF27	DRB24 X 18DP DT SG	DRB24 X 21DP DT FD	
					2	DDF27M	DRB24M X 18DP DT SG	DRB24M X 21DP DT FD	
OVS3093 AS BUTT 4DWR	2	DR1527 BUTT	2	S3024	2	DDF30	DRB27 X 18DP DT SG	DRB27 X 21DP DT FD	
					2	DDF30M	DRB27M X 18DP DT SG	DRB27M X 21DP DT FD	
OVS3393 AS BUTT 4DWR	2	DR1627 BUTT	2	S3324	2	DDF33	DRB30 X 18DP DT SG	DRB30 X 21DP DT FD	
					2	DDF33M	DRB30M X 18DP DT SG	DRB30M X 21DP DT FD	
<b>SINGLE OVEN CABINETS WITH 2 BUTT DOORS 4 DRAWERS - 96" HIGH</b>									
OVS2796 AS BUTT 4DWR	2	DR1330 BUTT	2	S2724	2	DDF27	DRB24 X 18DP DT SG	DRB24 X 21DP DT FD	
					2	DDF27M	DRB24M X 18DP DT SG	DRB24M X 21DP DT FD	
OVS3096 AS BUTT 4DWR	2	DR1530 BUTT	2	S3024	2	DDF30	DRB27 X 18DP DT SG	DRB27 X 21DP DT FD	
					2	DDF30M	DRB27M X 18DP DT SG	DRB27M X 21DP DT FD	
OVS3396 AS BUTT 4DWR	2	DR1630 BUTT	2	S3324	2	DDF33	DRB30 X 18DP DT SG	DRB30 X 21DP DT FD	
					2	DDF33M	DRB30M X 18DP DT SG	DRB30M X 21DP DT FD	

SKU	QTY	DOOR		ADJUSTABLE SHELF		DRAWER FRONT	DRAWER BODY	
		PART NAME	QTY	*PART NAME	QTY		essential 60, 63, 71	select & luxury 61, 62, 64, 65, 72, 73
							PART NAME	PART NAME
<b>SINGLE OVEN CABINETS WITH 4 BUTT DOORS AND 1 DRAWER - 84" HIGH</b>								
OVS2784 BUTT 1DWR	2	DR1318 BUTT	-	N/A	1	DDF27	DRB24 X 18DP DT SG	DRB24 X 21DP DT FD
	2	DR1324 BUTT						
OVS3084 BUTT 1DWR	2	DR1518 BUTT	-	N/A	1	DDF30	DRB27 X 18DP DT SG	DRB27 X 21DP DT FD
	2	DR1524 BUTT						
OVS3384 BUTT 1DWR	2	DR1618 BUTT	-	N/A	1	DDF33	DRB30 X 18DP DT SG	DRB30 X 21DP DT FD
	2	DR1624 BUTT						
<b>SINGLE OVEN CABINETS WITH 4 BUTT DOORS AND 1 DRAWER - 90" HIGH</b>								
OVS2790 AS BUTT 1DWR	4	DR1324 BUTT	1	S2724	1	DDF27	DRB24 X 18DP DT SG	DRB24 X 21DP DT FD
OVS3090 AS BUTT 1DWR	4	DR1524 BUTT	1	S3024	1	DDF30	DRB27 X 18DP DT SG	DRB27 X 21DP DT FD
OVS3390 AS BUTT 1DWR	4	DR1624 BUTT	1	S3324	1	DDF33	DRB30 X 18DP DT SG	DRB30 X 21DP DT FD
<b>SINGLE OVEN CABINETS WITH 4 BUTT DOORS AND 1 DRAWER - 93" HIGH</b>								
OVS2793 AS BUTT 1DWR	2	DR1327 BUTT	2	S2724	1	DDF27	DRB24 X 18DP DT SG	DRB24 X 21DP DT FD
	2	DR1324 BUTT						
OVS3093 AS BUTT 1DWR	2	DR1527 BUTT	2	S3024	1	DDF30	DRB27 X 18DP DT SG	DRB27 X 21DP DT FD
	2	DR1524 BUTT						
OVS3393 AS BUTT 1DWR	2	DR1627 BUTT	2	S3324	1	DDF33	DRB30 X 18DP DT SG	DRB30 X 21DP DT FD
	2	DR1624 BUTT						
<b>SINGLE OVEN CABINETS WITH 4 BUTT DOORS AND 1 DRAWER - 96" HIGH</b>								
OVS2796 AS BUTT 1DWR	2	DR1330 BUTT	2	S2724	1	DDF27	DRB24 X 18DP DT SG	DRB24 X 21DP DT FD
	2	DR1324 BUTT						
OVS3096 AS BUTT 1DWR	2	DR1530 BUTT	2	S3024	1	DDF30	DRB27 X 18DP DT SG	DRB27 X 21DP DT FD
	2	DR1524 BUTT						
OVS3396 AS BUTT 1DWR	2	DR1630 BUTT	2	S3324	1	DDF33	DRB30 X 18DP DT SG	DRB30 X 21DP DT FD
	2	DR1624 BUTT						
<b>SINGLE OVEN CABINETS WITH 4 BUTT DOORS, 1 DRAWER AND 1 POT &amp; PAN ORGANIZER - 84" HIGH</b>								
OVS2784 BUTT 1DWR BPPO	2	DR1318 BUTT	-	N/A	1	DDF27	DRB24 X 18DP DT SG	DRB24 X 21DP DT FD
	2	DR1324 BUTT	1	BPPOK24				
OVS3084 BUTT 1DWR BPPO	2	DR1518 BUTT	-	N/A	1	DDF30	DRB27 X 18DP DT SG	DRB27 X 21DP DT FD
	2	DR1524 BUTT	1	BPPOK27				
OVS3384 BUTT 1DWR BPPO	2	DR1618 BUTT	-	N/A	1	DDF33	DRB30 X 18DP DT SG	DRB30 X 21DP DT FD
	2	DR1624 BUTT	1	BPPOK30				
<b>SINGLE OVEN CABINETS WITH 4 BUTT DOORS, 1 DRAWER AND 1 POT &amp; PAN ORGANIZER - 90" HIGH</b>								
OVS2790 BUTT 1DWR BPPO	4	DR1324 BUTT	1	S2724	1	DDF27	DRB24 X 18DP DT SG	DRB24 X 21DP DT FD
			1	BPPOK24				
OVS3090 BUTT 1DWR BPPO	4	DR1524 BUTT	1	S3024	1	DDF30	DRB27 X 18DP DT SG	DRB27 X 21DP DT FD
			1	BPPOK27				
OVS3390 BUTT 1DWR BPPO	4	DR1624 BUTT	1	S3324	1	DDF33	DRB30 X 18DP DT SG	DRB30 X 21DP DT FD
			1	BPPOK30				
<b>SINGLE OVEN CABINETS WITH 4 BUTT DOORS, 1 DRAWER AND 1 POT &amp; PAN ORGANIZER - 93" HIGH</b>								
OVS2793 BUTT 1DWR BPPO	2	DR1327 BUTT	2	S2724	1	DDF27	DRB24 X 18DP DT SG	DRB24 X 21DP DT FD
	2	DR1324 BUTT	1	BPPOK24				
OVS3093 BUTT 1DWR BPPO	2	DR1527 BUTT	2	S3024	1	DDF30	DRB27 X 18DP DT SG	DRB27 X 21DP DT FD
	2	DR1524 BUTT	1	BPPOK27				
OVS3393 BUTT 1DWR BPPO	2	DR1627 BUTT	2	S3324	1	DDF33	DRB30 X 18DP DT SG	DRB30 X 21DP DT FD
	2	DR1624 BUTT	1	BPPOK30				
<b>SINGLE OVEN CABINETS WITH 4 BUTT DOORS, 1 DRAWER AND 1 POT &amp; PAN ORGANIZER - 96" HIGH</b>								
OVS2796 BUTT 1DWR BPPO	2	DR1330 BUTT	2	S2724	1	DDF27	DRB24 X 18DP DT SG	DRB24 X 21DP DT FD
	2	DR1324 BUTT	1	BPPOK24				
OVS3096 BUTT 1DWR BPPO	2	DR1530 BUTT	2	S3024	1	DDF30	DRB27 X 18DP DT SG	DRB27 X 21DP DT FD
	2	DR1524 BUTT	1	BPPOK27				
OVS3396 BUTT 1DWR BPPO	2	DR1630 BUTT	2	S3324	1	DDF33	DRB30 X 18DP DT SG	DRB30 X 21DP DT FD
	2	DR1624 BUTT	1	BPPOK30				

\*For Matching Interior Adjustable Shelf, refer to Parts Directory Legend

SKU	QTY	DOOR		ADJUSTABLE SHELF		DRAWER FRONT	DRAWER BODY	
		PART NAME	QTY	*PART NAME	QTY		essential 60, 63, 71	select & luxury 61, 62, 64, 65, 72, 73
							PART NAME	PART NAME
<b>SINGLE OVEN CABINETS WITH 4 BUTT DOORS AND 2 DRAWERS • 84" HIGH</b>								
OVS2784 BUTT 2DWR	2	DR1318 BUTT	-	N/A	2	DDF27	DRB24 X 18DP DT SG	DRB24 X 21DP DT FD
	2	DR1324 BUTT						
OVS3084 BUTT 2DWR	2	DR1518 BUTT	-	N/A	2	DDF30	DRB27 X 18DP DT SG	DRB27 X 21DP DT FD
	2	DR1524 BUTT						
OVS3384 BUTT 2DWR	2	DR1618 BUTT	-	N/A	2	DDF33	DRB30 X 18DP DT SG	DRB30 X 21DP DT FD
	2	DR1624 BUTT						
<b>SINGLE OVEN CABINETS WITH 4 BUTT DOORS AND 2 DRAWERS • 90" HIGH</b>								
OVS2790 AS BUTT 2DWR	4	DR1324 BUTT	1	S2724	2	DDF27	DRB24 X 18DP DT SG	DRB24 X 21DP DT FD
OVS3090 AS BUTT 2DWR	4	DR1524 BUTT	1	S3024	2	DDF30	DRB27 X 18DP DT SG	DRB27 X 21DP DT FD
OVS3390 AS BUTT 2DWR	4	DR1624 BUTT	1	S3324	2	DDF33	DRB30 X 18DP DT SG	DRB30 X 21DP DT FD
<b>SINGLE OVEN CABINETS WITH 4 BUTT DOORS AND 2 DRAWERS • 93" HIGH</b>								
OVS2793 AS BUTT 2DWR	2	DR1327 BUTT	2	S2724	2	DDF27	DRB24 X 18DP DT SG	DRB24 X 21DP DT FD
	2	DR1324 BUTT						
OVS3093 AS BUTT 2DWR	2	DR1527 BUTT	2	S3024	2	DDF30	DRB27 X 18DP DT SG	DRB27 X 21DP DT FD
	2	DR1524 BUTT						
OVS3393 AS BUTT 2DWR	2	DR1627 BUTT	2	S3324	2	DDF33	DRB30 X 18DP DT SG	DRB30 X 21DP DT FD
	2	DR1624 BUTT						
<b>SINGLE OVEN CABINETS WITH 4 BUTT DOORS AND 2 DRAWERS • 96" HIGH</b>								
OVS2796 AS BUTT 2DWR	2	DR1330 BUTT	2	S2724	2	DDF27	DRB24 X 18DP DT SG	DRB24 X 21DP DT FD
	2	DR1324 BUTT						
OVS3096 AS BUTT 2DWR	2	DR1530 BUTT	2	S3024	2	DDF30	DRB27 X 18DP DT SG	DRB27 X 21DP DT FD
	2	DR1524 BUTT						
OVS3396 AS BUTT 2DWR	2	DR1630 BUTT	2	S3324	2	DDF33	DRB30 X 18DP DT SG	DRB30 X 21DP DT FD
	2	DR1624 BUTT						
<b>SINGLE OVEN CABINETS WITH 4 BUTT DOORS, 2 DRAWERS AND 1 POT &amp; PAN ORGANIZER • 84" HIGH</b>								
OVS2784 BUTT 2DWR BPP0	2	DR1318 BUTT		N/A	2	DDF27	DRB24 X 18DP DT SG	DRB24 X 21DP DT FD
	2	DR1324 BUTT	1	BBPOK24				
OVS3084 BUTT 2DWR BPP0	2	DR1518 BUTT		N/A	2	DDF30	DRB27 X 18DP DT SG	DRB27 X 21DP DT FD
	2	DR1524 BUTT	1	BPP0K27				
OVS3384 BUTT 2DWR BPP0	2	DR1618 BUTT		N/A	2	DDF33	DRB30 X 18DP DT SG	DRB30 X 21DP DT FD
	2	DR1624 BUTT	1	BPP0K30				
<b>SINGLE OVEN CABINETS WITH 4 BUTT DOORS, 2 DRAWERS AND 1 POT &amp; PAN ORGANIZER • 90" HIGH</b>								
OVS2790 BUTT 2DWR BPP0	4	DR1324 BUTT	1	S2724	2	DDF27	DRB24 X 18DP DT SG	DRB24 X 21DP DT FD
			1	BPP0K24				
OVS3090 BUTT 2DWR BPP0	4	DR1524 BUTT	1	S3024	2	DDF30	DRB27 X 18DP DT SG	DRB27 X 21DP DT FD
			1	BPP0K27				
OVS3390 BUTT 2DWR BPP0	4	DR1624 BUTT	1	S3324	2	DDF33	DRB30 X 18DP DT SG	DRB30 X 21DP DT FD
			1	BPP0K30				
<b>SINGLE OVEN CABINETS WITH 4 BUTT DOORS, 2 DRAWERS AND 1 POT &amp; PAN ORGANIZER • 93" HIGH</b>								
OVS2793 BUTT 2DWR BPP0	2	DR1327 BUTT	2	S2724	2	DDF27	DRB24 X 18DP DT SG	DRB24 X 21DP DT FD
	2	DR1324 BUTT	1	BPP0K24				
OVS3093 BUTT 2DWR BPP0	2	DR1527 BUTT	2	S3024	2	DDF30	DRB27 X 18DP DT SG	DRB27 X 21DP DT FD
	2	DR1524 BUTT	1	BPP0K27				
OVS3393 BUTT 2DWR BPP0	2	DR1627 BUTT	2	S3324	2	DDF33	DRB30 X 18DP DT SG	DRB30 X 21DP DT FD
	2	DR1624 BUTT	1	BPP0K30				
<b>SINGLE OVEN CABINETS WITH 4 BUTT DOORS, 2 DRAWERS AND 1 POT &amp; PAN ORGANIZER • 96" HIGH</b>								
OVS2796 BUTT 2DWR BPP0	2	DR1330 BUTT	2	S2724	2	DDF27	DRB24 X 18DP DT SG	DRB24 X 21DP DT FD
	2	DR1324 BUTT	1	BPP0K24				
OVS3096 BUTT 2DWR BPP0	2	DR1530 BUTT	2	S3024	2	DDF30	DRB27 X 18DP DT SG	DRB27 X 21DP DT FD
	2	DR1524 BUTT	1	BPP0K27				
OVS3396 BUTT 2DWR BPP0	2	DR1630 BUTT	2	S3324	2	DDF33	DRB30 X 18DP DT SG	DRB30 X 21DP DT FD
	2	DR1624 BUTT	1	BPP0K30				

SKU	QTY	DOOR			QTY	ADJUSTABLE SHELF
		PART NAME	PART NAME	PART NAME		*PART NAME
<b>VANITY LINEN CABINETS - WITH ADJUSTABLE SHELVES</b>						
VLC152184 AS	1	DR1530	DR1530 SD	DGI-1530	5	S1521
	1	DR1550				
VLC182184 AS	1	DR1830	DR1830 SD	DGI-1830	5	S1821
	1	DR1850				
VLC242184 AS BUTT	2	DR1230 BUTT	DR1230 BUTT SD	DGI-1230 BUTT	5	S2421
	2	DR1250 BUTT				
<b>VANITY LINEN CABINETS - WITH DEEP ROLL OUT TRAYS</b>						
VLC152184 4ROT	1	DR1530	DR1530 SD	DGI-1530	1	S1521
	1	DR1550			4	DROT1521
VLC182184 4ROT	1	DR1830	DR1830 SD	DGI-1830	1	S1821
	1	DR1850			4	DROT1821
VLC242184 4ROT BUTT	2	DR1230 BUTT	DR1230 BUTT SD	DGI-1230 BUTT	1	S2421
	2	DR1250 BUTT			4	DROT2421

SKU	QTY	DOOR	QTY	DRAWER BODY		QTY	DRAWER FRONT
		PART NAME		essential 60, 63, 71	select & luxury 61, 62, 64, 65, 72, 73		PART NAME
				PART NAME	PART NAME		
<b>VANITY BASE - 34 1/2" HIGH</b>							
VB1234H	1	DR1224	1	DRB12 X 18DP DT SG	DRB12 X 18DP DT FD	1	DDF12
VB1534H	1	DR1524	1	DRB15 X 18DP DT SG	DRB15 X 18DP DT FD	1	DDF15
VB1834H	1	DR1824	1	DRB18 X 18DP DT SG	DRB18 X 18DP DT FD	1	DDF18
VB2134H	1	DR2124	1	DRB21 X 18DP DT SG	DRB21 X 18DP DT FD	1	DDF21
VB2434H BUTT	2	DR1224 BUTT	1	DRB24 X 18DP DT SG	DRB24 X 18DP DT FD	1	DDF24
VB2734H BUTT	2	DR1324 BUTT	1	DRB27 X 18DP DT SG	DRB27 X 18DP DT FD	1	DDF27
VB3034H BUTT	2	DR1524 BUTT	1	DRB30 X 18DP DT SG	DRB30 X 18DP DT FD	1	DDF30
VB3334H BUTT	2	DR1624 BUTT	1	DRB33 X 18DP DT SG	DRB33 X 18DP DT FD	1	DDF33
VB3634H BUTT	2	DR1824 BUTT	1	DRB36 X 18DP DT SG	DRB36 X 18DP DT FD	1	DDF36
<b>VANITY BASE WASTEBASKET - 34 1/2" HIGH</b>							
VWBB1834H	1	DR1824 ND	1	DRB18 X 18DP DT SG VWBB1834H FOL KIT	DRB18 X 18DP DT FD VWBB1834H FOL KIT	1	DDF18
<b>VANITY SINK BASE WITH TOP DRAWERS - 34 1/2" HIGH</b>							
VAN3634H BUTT	2	DR1824 BUTT	2	DRB10 X 18DP DT SG	DRB10 X 18DP DT FD	3	DDF12
VAN3934H	2	DR1924	2	DRB12 X 18DP DT SG	DRB12 X 18DP DT FD	2	DDF12
						1	DDF15
VAN4234H	2	DR2124	2	DRB12 X 18DP DT SG	DRB12 X 18DP DT FD	2	DDF12
						1	DDF18
VAN4834H	2	DR1524	2	DRB15 X 18DP DT SG	DRB15 X 18DP DT FD	2	DDF15
	1	DR1824				1	DDF18
VAN5434H BUTT	2	DR1224	2	DRB12 X 18DP DT SG	DRB12 X 18DP DT FD	2	DDF12
	2	DR1524 BUTT				1	DDF30
VAN6034H BUTT	2	DR1524	2	DRB15 X 18DP DT SG	DRB15 X 18DP DT FD	2	DDF15
	2	DR1524 BUTT				1	DDF30

\*For Matching Interior Adjustable Shelf, refer to Parts Directory Legend

SKU	QTY	DOOR	QTY	DRAWER BODY		QTY	DRAWER FRONT
		PART NAME		essential & select 60, 63, 71	select & luxury 61, 62, 64, 65, 72, 73		PART NAME
				*PART NAME	*PART NAME		
<b>VANITY COMBO SINK BASE - 18" DEEP X 34 1/2" HIGH</b>							
VSDB241834H	1	DR1224	2	DRB12M X 15DP DT SG	DRB12M X 15DP DT FD	2	DDF12 DDF24
VSDB271834H	1	DR1524	2	DRB12M X 15DP DT SG	DRB12M X 15DP DT FD	2	DDF12M DDF27
VSDB301834H	1	DR1824	2	DRB12M X 15DP DT SG	DRB12M X 15DP DT FD	2	DDF12M DDF30
VSDB331834H	1	DR2124	2	DRB12M X 15DP DT SG	DRB12M X 15DP DT FD	2	DDF12M DDF33
VSDB361834H	1	DR2124	2	DRB15M X 15DP DT SG	DRB15M X 15DP DT FD	2	DDF15M DDF36
<b>VANITY COMBO SINK BASE - 34 1/2" HIGH</b>							
VSDB2434H	1	DR1224	2	DRB12M X 18DP DT SG	DRB12M X 18DP DT FD	2	DDF12 DDF24
VSDB2734H	1	DR1524	2	DRB12M X 18DP DT SG	DRB12M X 18DP DT FD	2	DDF12M DDF27
VSDB3034H	1	DR1824	2	DRB12M X 18DP DT SG	DRB12M X 18DP DT FD	2	DDF12M DDF30
VSDB3334H	1	DR2124	2	DRB12M X 18DP DT SG	DRB12M X 18DP DT FD	2	DDF12M DDF33
VSDB3634H	1	DR2124	2	DRB15M X 18DP DT SG	DRB15M X 18DP DT FD	2	DDF15M DDF36
VSDB3934H	1	DR2124	2	DRB18M X 18DP DT SG	DRB18M X 18DP DT FD	1	DDF21 DDF18 DDF18M
VSDB4234H BUTT	2	DR1524 BUTT	1	DRB12 X 18DP DT SG	DRB12 X 18DP DT FD	1	DDF30
			2	DRB12M X 18DP DT SG	DRB12M X 18DP DT FD	1	DDF12
			2			2	DDF12M
VSDB4834HD BUTT	2	DR1224 BUTT	2	DRB12 X 18DP DT SG	DRB12 X 18DP DT FD	1	DDF24
			4	DRB12M X 18DP DT SG	DRB12M X 18DP DT FD	2	DDF12
			4			4	DDF12M
VSDB5434HD BUTT	2	DR1224 BUTT	2	DRB15 X 18DP DT SG	DRB15 X 18DP DT FD	1	DDF24
			4	DRB15M X 18DP DT SG	DRB15M X 18DP DT FD	2	DDF15
			4			4	DDF15M
VSDB6034HC BUTT	4	DR1224 BUTT	1	DRB12 X 18DP DT SG	DRB12 X 18DP DT FD	2	DDF24
			2	DRB12M X 18DP DT SG	DRB12M X 18DP DT FD	1	DDF12
			2			2	DDF12M
VSDB6034HD BUTT	2	DR1524 BUTT	2	DRB15 X 18DP DT SG	DRB15 X 18DP DT FD	1	DDF30
			4	DRB15M X 18DP DT SG	DRB15M X 18DP DT FD	2	DDF15
			4			4	DDF15M

SKU	QTY	DOOR		DRAWER FRONT	
		PART NAME	QTY	PART NAME	QTY
<b>VANITY SINK BASE - 34 1/2" HIGH</b>					
VSB1534H	1	DR1524	1	DDF15	
VSB1834H	1	DR1824	1	DDF18	
VSB2134H	1	DR2124	1	DDF21	
VSB2434H BUTT	2	DR1224 BUTT	1	DDF24	
VSB2734H BUTT	2	DR1324 BUTT	1	DDF27	
VSB3034H BUTT	2	DR1524 BUTT	1	DDF30	
VSB3334H BUTT	2	DR1624 BUTT	1	DDF33	
VSB3634H BUTT	2	DR1824 BUTT	1	DDF36	
VSB4234H	2	DR2124	2	DDF21	
VSB3934H	2	DR1924	2	DDF19	
VSB4834H	2	DR1524	2	DDF15	
	1	DR1824	1	DDF18	
VSB5434H BUTT	4	DR1324 BUTT	2	DDF27	
VSB6034H BUTT	4	DR1524 BUTT	2	DDF30	
<b>VANITY SINK BASE - 18" DEEP X 34 1/2" HIGH</b>					
VSB241834H BUTT	2	DR1224 BUTT	1	DDF24	
VSB301834H BUTT	2	DR1524 BUTT	1	DDF30	
VSB361834H BUTT	2	DR1824 BUTT	1	DDF36	
<b>VANITY FULL-HEIGHT BASE - 34 1/2" HIGH</b>					
VB1234H FH	1	DR12FH	-	N/A	
VB1534H FH	1	DR15FH	-	N/A	
VB1834H FH	1	DR18FH	-	N/A	
VB2134H FH	1	DR21FH	-	N/A	
VB2434H BUTT FH	2	DR12BUTT FH	-	N/A	
VB3034H BUTT FH	2	DR15BUTT FH	-	N/A	
VB3634H BUTT FH	2	DR18BUTT FH	-	N/A	
<b>VALET CABINET</b>					
VC2436 BUTT	2	DR1224 BUTT	-	N/A	

SKU	QTY	DRAWER FRONT		DRAWER BODY	
		PART NAME	PART NAME	essential 60, 63, 71	select & luxury 61, 62, 64, 65, 72, 73
<b>BASE HEIGHT VANITY DRAWER BASE - 34 1/2" HIGH</b>					
VDB1234H	1	DDF12	DRB12 X 18DP DT SG		DRB12 X 18DP DT FD
	2	DDF12M	DRB12M X 18DP DT SG		DRB12M X 18DP DT FD
VDB1534H	1	DDF15	DRB15 X 18DP DT SG		DRB15 X 18DP DT FD
	2	DDF15M	DRB15M X 18DP DT SG		DRB15M X 18DP DT FD
VDB1834H	1	DDF18	DRB18 X 18DP DT SG		DRB18 X 18DP DT FD
	2	DDF18M	DRB18M X 18DP DT SG		DRB18M X 18DP DT FD
VDB2134H	1	DDF21	DRB21 X 18DP DT SG		DRB21 X 18DP DT FD
	2	DDF21M	DRB21M X 18DP DT SG		DRB21M X 18DP DT FD
VDB2434H	1	DDF24	DRB24 X 18DP DT SG		DRB24 X 18DP DT FD
	2	DDF24M	DRB24M X 18DP DT SG		DRB24M X 18DP DT FD

DOORS	
Specialty Doors, Solid Doors & ND Doors are the same dimension	
PART NAME	DIMENSION
<b>50" HIGH</b>	
DR1250	11 9/16" x 49 1/4"
DR1250 BUTT	11 23/32" x 49 1/4"
DR1350 BUTT	13 7/32" x 49 1/4"
DR1550	14 9/16" x 49 1/4"
DR1550 BUTT	14 23/32" x 49 1/4"
DR1650 BUTT	16 7/32" x 49 1/4"
DR1850	17 9/16" x 49 1/4"
DR1850 BUTT	17 23/32" x 49 1/4"
DR2150	20 9/16" x 49 1/4"
<b>42" HIGH</b>	
DR942	8 9/16" x 41 1/2"
DR1242	11 9/16" x 41 1/2"
DR1242 BUTT	11 23/32" x 41 1/2"
DR1242 WER DRILL	10 3/4" x 41 1/2"
DR1242 WER ND	10 3/4" x 41 1/2"
DR1342 BUTT	13 7/32" x 41 1/2"
DR1542	14 9/16" x 41 1/2"
DR1542 BUTT	14 23/32" x 41 1/2"
DR1642 BUTT	16 7/32" x 41 1/2"
DR1842	17 9/16" x 41 1/2"
DR1842 BUTT	17 23/32" x 41 1/2"
DR2142	20 9/16" x 41 1/2"
<b>39" HIGH</b>	
DR939	8 9/16" x 38 1/2"
DR1239	11 9/16" x 38 1/2"
DR1239 BUTT	11 23/32" x 38 1/2"
DR1239 WER DRILL	10 3/4" x 38 1/2"
DR1239 WER ND	10 3/4" x 38 1/2"
DR1339 BUTT	13 7/32" x 38 1/2"
DR1539	14 9/16" x 38 1/2"
DR1539 BUTT	14 23/32" x 38 1/2"
DR1639 BUTT	16 7/32" x 38 1/2"
DR1839	17 9/16" x 38 1/2"
DR1839 BUTT	17 23/32" x 38 1/2"
DR2139	20 9/16" x 38 1/2"

DOORS	
Specialty Doors, Solid Doors & ND Doors are the same dimension	
PART NAME	DIMENSION
<b>36" HIGH</b>	
DR936	8 9/16" x 35 1/2"
DR1236	11 9/16" x 35 1/2"
DR1236 BUTT	11 23/32" x 35 1/2"
DR1236 WER DRILL	10 3/4" x 35 1/2"
DR1236 WER ND	10 3/4" x 35 1/2"
DR1336 BUTT	13 7/32" x 35 1/2"
DR1536	14 9/16" x 35 1/2"
DR1536 BUTT	14 23/32" x 35 1/2"
DR1636 BUTT	16 7/32" x 35 1/2"
DR1836	17 9/16" x 35 1/2"
DR1836 BUTT	17 23/32" x 35 1/2"
DR2136	20 9/16" x 35 1/2"
<b>30" HIGH</b>	
DR930	8 9/16" x 29 1/2"
DR930 BER DRILL	7 3/4" x 29 7/8"
DR930 BER ND	7 3/4" x 29 7/8"
DR1230	11 9/16" x 29 1/2"
DR1230 BUTT	11 23/32" x 29 1/2"
DR1230 BER DRILL	10 3/4" x 29 7/8"
DR1230 BER ND	10 3/4" x 29 7/8"
DR1230 WER DRILL	10 3/4" x 29 1/2"
DR1230 WER ND	10 3/4" x 29 1/2"
DR1330 BUTT	13 7/32" x 29 1/2"
DR1530	14 9/16" x 29 1/2"
DR1530 BUTT	14 23/32" x 29 1/2"
DR1630 BUTT	16 7/32" x 29 1/2"
DR1830	17 9/16" x 29 1/2"
DR1830 BUTT	17 23/32" x 29 1/2"
DR2130	20 9/16" x 29 1/2"
DR2430	23 9/16" x 29 1/2"
<b>27" HIGH</b>	
DR1327 BUTT	13 7/32" x 26 1/2"
DR1527 BUTT	14 23/32" x 26 1/2"
DR1627 BUTT	16 7/32" x 26 1/2"
<b>24" HIGH</b>	
DR1224	11 9/16" x 23 7/8"
DR1224 BUTT	11 23/32" x 23 7/8"
DR1324 BUTT	13 7/32" x 23 7/8"
DR1524	14 9/16" x 23 7/8"
DR1524 BUTT	14 23/32" x 23 7/8"
DR1624 BUTT	16 7/32" x 23 7/8"
DR1824	17 9/16" x 23 7/8"
DR1824 BUTT	17 23/32" x 23 7/8"
DR2124	20 9/16" x 23 7/8"

DOORS	
Specialty Doors, Solid Doors & ND Doors are the same dimension	
PART NAME	DIMENSION
<b>21" HIGH</b>	
DR1521 BUTT	14 23/32" x 20"
DR1521V BUTT	14 23/32" x 20"
DR1621 BUTT	16 7/32" x 20"
DR1621V BUTT	16 7/32" x 20"
DR1821 BUTT	17 23/32" x 20"
DR1821V BUTT	17 23/32" x 20"
DR1921	19 1/16" x 20"
DR1921V	19 1/16" x 20"
<b>18" HIGH</b>	
DR1218	11 9/16" x 17 1/2"
DR1218 BUTT	11 23/32" x 17 1/2"
DR1318 BUTT	13 7/32" x 17 1/2"
DR1518	14 9/16" x 17 1/2"
DR1518 BUTT	14 23/32" x 17 1/2"
DR1618 BUTT	16 7/32" x 17 1/2"
DR1818	17 9/16" x 17 1/2"
DR1818 BUTT	17 23/32" x 17 1/2"
DR1918	19 1/16" x 17 1/2"
DR2118	20 9/16" x 17 1/2"
DR3018 WTH	29 1/2" x 17 9/16"
DR3618 WTH	35 1/2" x 17 9/16"
<b>15" HIGH</b>	
DR1515 BUTT	14 23/32" x 14 1/2"
DR1615 BUTT	16 7/32" x 14 1/2"
DR1815 BUTT	17 23/32" x 14 1/2"
DR1915	19 1/16" x 14 1/2"
DR3015 WTH	29 1/2" x 14 9/16"
DR3615 WTH	35 1/2" x 14 9/16"
<b>12" HIGH</b>	
DR1212 BUTT	11 23/32" x 11 1/2"
DR1512 BUTT	14 23/32" x 11 1/2"
DR1612 BUTT	16 7/32" x 11 1/2"
DR1812 BUTT	17 23/32" x 11 1/2"
DR1912	19 1/16" x 11 1/2"
DR2112	20 9/16" x 11 1/2"



DOORS	
Specialty Doors, Solid Doors & ND Doors are the same dimension	
PART NAME	DIMENSION
<b>FULL-HEIGHT DOORS</b>	
DR9FH	8 9/16" x 29 7/8"
DR12FH	11 9/16" x 29 7/8"
DR12BUTT FH	11 23/32" x 29 7/8"
DR13BUTT FH	13 7/32" x 29 7/8"
DR15FH	14 9/16" x 29 7/8"
DR15BUTT FH	14 23/32" x 29 7/8"
DR16BUTT FH	16 7/32" x 29 7/8"
DR18FH	17 9/16" x 29 7/8"
DR18BUTT FH	17 23/32" x 29 7/8"
DR21FH	20 9/16" x 29 7/8"
DR24FH	23 9/16" x 29 7/8"
DRCBS36	14 9/16" x 29 7/8"
<b>DECORATOR DOORS</b>	
DMDB	23 9/16" x 29 7/8"
DMDBEA12	11 9/16" x 29 7/8"
DMDW18	11 9/16" x 17 1/2"
DMDW24	11 9/16" x 23 7/8"
DMDW30	11 9/16" x 29 1/2"
DMDW36	11 9/16" x 35 1/2"
DMDW39	11 9/16" x 38 1/2"
DMDW42	11 9/16" x 41 1/2"
DMDT8424	11 9/16" x 29 1/2" 11 9/16" x 49 1/4"
DMDT9024	11 9/16" x 35 1/2" 11 9/16" x 49 1/4"
DMDT9324	11 9/16" x 38 1/2" 11 9/16" x 49 1/4"
DMDT9624	11 9/16" x 41 1/2" 11 9/16" x 49 1/4"

SHELVES	
PART NAME	DIMENSION
9" SHELF 3/4	7 1/4" x 10 1/4" x 3/4"
9" SHELF PLY	7 1/4" x 10 1/4" x 3/4"
9" SHELF 24DP 3/4	7 3/16" x 22 3/16" x 3/4"
9" SHELF 24DP PLY	7 3/16" x 22 3/16" x 3/4"
12" SHELF 3/4	10 1/4" x 10 1/4" x 3/4"
12" SHELF PB 3/4	10 3/16" x 22 3/16" x 3/4"
12" SHELF PB PLY	10 3/16" x 22 3/16" x 3/4"
12" SHELF PLY	10 1/4" x 10 1/4" x 3/4"
12" SHELF 24DP 3/4	10 3/16" x 22 1/8" x 3/4"
15" SHELF 3/4	13 1/4" x 10 1/4" x 3/4"
15" SHELF PLY	13 1/4" x 10 1/4" x 3/4"
15" SHELF 24DP 3/4	13 3/16" x 22 1/8" x 3/4"
18" SHELF 3/4	16 1/4" x 10 1/4" x 3/4"
18" SHELF PB 3/4	16 3/16" x 22 3/16" x 3/4"
18" SHELF PB PLY	16 3/16" x 22 3/16" x 3/4"
18" SHELF PLY	16 1/4" x 10 1/4" x 3/4"
18" SHELF 24DP 3/4	16 3/16" x 22 1/8" x 3/4"
21" SHELF 3/4	19 1/4" x 10 1/4" x 3/4"
21" SHELF PLY	19 1/4" x 10 1/4" x 3/4"
21" SHELF 24DP 3/4	19 3/16" x 22 1/8" x 3/4"
24" SHELF 3/4	22 1/4" x 10 1/4" x 3/4"
24" SHELF PB 3/4	22 3/16" x 22 3/16" x 3/4"
24" SHELF PB PLY	22 3/16" x 22 3/16" x 3/4"
24" SHELF PLY	22 1/4" x 10 1/4" x 3/4"
24" SHELF 24DP 3/4	22 3/16" x 22 1/8" x 3/4"
27" SHELF 3/4	25 1/4" x 10 1/4" x 3/4"
27" SHELF PLY	25 1/4" x 10 1/4" x 3/4"
27" SHELF 24DP 3/4	25 1/4" x 22 1/8" x 3/4"
30" SHELF 3/4	28 1/4" x 10 1/4" x 3/4"
30" SHELF PB 3/4	28 3/16" x 22 3/16" x 3/4"
30" SHELF PB PLY	28 3/16" x 22 3/16" x 3/4"
30" SHELF PLY	28 1/4" x 10 1/4" x 3/4"
30" SHELF 24DP 3/4	28 1/4" x 22 1/8" x 3/4"
33" SHELF 3/4	31 1/4" x 10 1/4" x 3/4"
33" SHELF PLY	31 1/4" x 10 1/4" x 3/4"
33" SHELF 24DP 3/4	31 1/4" x 22 1/8" x 3/4"
36" SHELF 3/4	34 1/4" x 10 1/4" x 3/4"
36" SHELF PB 3/4	34 3/16" x 22 3/16" x 3/4"
36" SHELF PB PLY	34 3/16" x 22 3/16" x 3/4"
36" SHELF PLY	34 1/4" x 10 1/4" x 3/4"
36" SHELF 24DP 3/4	34 1/4" x 22 1/8" x 3/4"
39" SHELF 3/4	37 1/4" x 10 1/4" x 3/4"
39" SHELF PLY	37 1/4" x 10 1/4" x 3/4"
39" SHELF 24DP 3/4	37 1/4" x 22 1/8" x 3/4"
42" SHELF 3/4	40 1/4" x 10 1/4" x 3/4"
42" SHELF PB 3/4	40 3/16" x 22 3/16" x 3/4"
42" SHELF PB PLY	40 3/16" x 22 3/16" x 3/4"
42" SHELF PLY	40 1/4" x 10 1/4" x 3/4"
42" SHELF 24DP 3/4	40 1/4" x 22 1/8" x 3/4"

SHELVES	
PART NAME	DIMENSION
45" SHELF 24DP 3/4	43 1/4" x 22 1/8" x 3/4"
45" SHELF 3/4	43 1/4" x 10 1/4" x 3/4"
45" SHELF PLY	43 1/4" x 10 1/4" x 3/4"
48" SHELF 24DP 3/4	46 1/4" x 22 1/8" x 3/4"
48" SHELF 3/4	46 1/4" x 10 1/4" x 3/4"
48" SHELF PLY	46 1/4" x 10 1/4" x 3/4"
BS18 SHELF _PK	16 1/4" x 10 1/4" x 23/32"
BS24 SHELF _PK	22 1/4" x 10 1/4" x 23/32"
BS30 SHELF _PK	28 1/4" x 10 1/4" x 23/32"
BS36 SHELF _PK	34 1/4" x 10 1/4" x 23/32"
S1521	13 3/16" x 18 7/8" x 3/4"
S1821	16 3/16" x 18 7/8" x 3/4"
S2421	22 3/16" x 18 7/8" x 3/4"
S1224	10 3/16" x 22 1/8" x 3/4"
S1524	13 3/16" x 22 1/8" x 3/4"
S1824	16 3/16" x 22 1/8" x 3/4"
S2124	19 3/16" x 22 1/8" x 3/4"
S2424	22 3/16" x 22 1/8" x 3/4"
S2724	25 3/16" x 22 1/8" x 3/4"
S3024	28 3/16" x 22 1/8" x 3/4"
S3324	31 3/16" x 22 1/8" x 3/4"
S3624	34 3/16" x 22 1/8" x 3/4"
WMSC2718 TOP SHELF	25 1/4" x 16 1/4" x 3/4"
WMSC2718 TOPSHELFPLY	25 1/4" x 16 1/4" x 3/4"

GLASS INSERTS		
PART NAME	71, 72, 73	60, 61, 62, 63, 64, 65
<b>42" HIGH</b>		
DGI-1242	8" x 37 15/16"	6 21/64" x 36 25/64"
DGI-1242 BUTT	8" x 37 15/16"	6 21/64" x 36 25/64"
DGI-1342 BUTT	9 1/2" x 37 15/16"	7 53/64" x 36 25/64"
DGI-1542	11" x 37 15/16"	9 21/64" x 36 25/64"
DGI-1542 BUTT	11" x 37 15/16"	9 21/64" x 36 25/64"
DGI-1642 BUTT	12 1/2" x 37 15/16"	10 53/64" x 36 25/64"
DGI-1842	14" x 37 15/16"	12 21/64" x 36 25/64"
DGI-1842 BUTT	14" x 37 15/16"	12 21/64" x 36 25/64"
DGI-1942	15 1/2" x 37 15/16"	13 53/64" x 36 25/64"
DGI-2142	17" x 37 15/16"	15 21/64" x 36 25/64"
<b>39" HIGH</b>		
DGI-1239	8" x 34 15/16"	6 21/64" x 33 25/64"
DGI-1239 BUTT	8" x 34 15/16"	6 21/64" x 33 25/64"
DGI-1339 BUTT	9 1/2" x 34 15/16"	7 53/64" x 33 25/64"
DGI-1539	11" x 34 15/16"	9 21/64" x 33 25/64"
DGI-1539 BUTT	11" x 34 15/16"	9 21/64" x 33 25/64"
DGI-1639 BUTT	12 1/2" x 34 15/16"	10 53/64" x 33 25/64"
DGI-1839	14" x 34 15/16"	12 21/64" x 33 25/64"
DGI-1839 BUTT	14" x 34 15/16"	12 21/64" x 33 25/64"
DGI-2139	17" x 34 15/16"	15 21/64" x 33 25/64"
<b>36" HIGH</b>		
DGI-1236	8" x 31 15/16"	6 21/64" x 30 25/64"
DGI-1236 BUTT	8" x 31 15/16"	6 21/64" x 30 25/64"
DGI-1336 BUTT	9 1/2" x 31 15/16"	7 53/64" x 30 25/64"
DGI-1536	11" x 31 15/16"	9 21/64" x 30 25/64"
DGI-1536 BUTT	11" x 31 15/16"	9 21/64" x 30 25/64"
DGI-1636 BUTT	12 1/2" x 31 15/16"	10 53/64" x 30 25/64"
DGI-1836	14" x 31 15/16"	12 21/64" x 30 25/64"
DGI-1836 BUTT	14" x 31 15/16"	12 21/64" x 30 25/64"
DGI-1936	15 1/2" x 31 15/16"	13 53/64" x 30 25/64"
DGI-2136	17" x 31 15/16"	15 21/64" x 30 25/64"
<b>30" HIGH</b>		
DGI-1230	8" x 25 15/16"	6 21/64" x 24 25/64"
DGI-1230 BUTT	8" x 25 15/16"	6 21/64" x 24 25/64"
DGI-1330 BUTT	9 1/2" x 25 15/16"	7 53/64" x 24 25/64"
DGI-1530	11" x 25 15/16"	9 21/64" x 24 25/64"
DGI-1530 BUTT	11" x 25 15/16"	9 21/64" x 24 25/64"
DGI-1630 BUTT	12 1/2" x 25 15/16"	10 53/64" x 24 25/64"
DGI-1830	14" x 25 15/16"	12 21/64" x 24 25/64"
DGI-1830 BUTT	14" x 25 15/16"	12 21/64" x 24 25/64"
DGI-1930	15 1/2" x 25 15/16"	13 53/64" x 24 25/64"
DGI-2130	17" x 25 15/16"	15 21/64" x 24 25/64"
<b>27" HIGH</b>		
DGI-1527 BUTT	11" x 22 15/16"	9 21/64" x 21 25/64"

GLASS INSERTS		
PART NAME	71, 72, 73	60, 61, 62, 63, 64, 65
<b>24" HIGH</b>		
DGI-1224	8" x 20 5/16"	6 21/64" x 18 49/64"
DGI-1224 BUTT	8" x 20 5/16"	6 21/64" x 18 49/64"
DGI-1324 BUTT	9 1/2" x 20 5/16"	7 53/64" x 18 49/64"
DGI-1524	11" x 20 5/16"	9 21/64" x 18 49/64"
DGI-1524 BUTT	11" x 20 5/16"	9 21/64" x 18 49/64"
DGI-1624 BUTT	12 1/2" x 20 5/16"	10 53/64" x 18 49/64"
DGI-1824	14" x 20 5/16"	12 21/64" x 18 49/64"
DGI-1824 BUTT	14" x 20 5/16"	12 21/64" x 18 49/64"
DGI-1924	15 1/2" x 20 5/16"	13 53/64" x 18 49/64"
DGI-2124	17" x 20 5/16"	15 21/64" x 18 49/64"
<b>21" HIGH</b>		
DGI-1521 BUTT	11" x 16 7/16"	9 21/64" x 14 57/64"
DGI-1621 BUTT	12 1/2" x 16 7/16"	10 53/64" x 14 57/64"
DGI-1821 BUTT	14" x 16 7/16"	12 21/64" x 14 57/64"
DGI-1921	15 1/2" x 16 7/16"	13 53/64" x 14 57/64"
<b>18" HIGH</b>		
DGI-1218	8" x 13 15/16"	6 21/64" x 12 25/64"
DGI-1218 BUTT	8" x 13 15/16"	6 21/64" x 12 25/64"
DGI-1318 BUTT	9 1/2" x 13 15/16"	7 53/64" x 12 25/64"
DGI-1518	11" x 13 15/16"	9 21/64" x 12 25/64"
DGI-1518 BUTT	11" x 13 15/16"	9 21/64" x 12 25/64"
DGI-1618 BUTT	12 1/2" x 13 15/16"	10 53/64" x 12 25/64"
DGI-1818	14" x 13 15/16"	12 21/64" x 12 25/64"
DGI-1818 BUTT	14" x 13 15/16"	12 21/64" x 12 25/64"
DGI-1918	15 1/2" x 13 15/16"	13 53/64" x 12 25/64"
DGI-2118	17" x 13 15/16"	15 21/64" x 12 25/64"
<b>15" HIGH</b>		
DGI-1515 BUTT	11" x 10 15/16"	9 21/64" x 9 25/64"
DGI-1615 BUTT	12 1/2" x 10 15/16"	10 53/64" x 9 25/64"
DGI-1815 BUTT	14" x 10 15/16"	12 21/64" x 9 25/64"
DGI-1915	15 1/2" x 10 15/16"	13 53/64" x 9 25/64"
<b>12" HIGH</b>		
DGI-1512 BUTT	11" x 7 15/16"	9 21/64" x 6 25/64"
DGI-1612 BUTT	12 1/2" x 7 15/16"	10 53/64" x 6 25/64"
DGI-1812 BUTT	14" x 7 15/16"	12 21/64" x 6 25/64"
DGI-1912	15 1/2" x 7 15/16"	13 53/64" x 6 25/64"

ROLL OUT ACCESSORIES	
PART NAME	DIMENSION
<b>ROLL OUT TRAYS</b>	
DROT12	7 3/4" x 21" x 3 1/2"
DROT15	10 3/4" x 21" x 3 1/2"
DROT18	13 3/4" x 21" x 3 1/2"
DROT21	16 3/4" x 21" x 3 1/2"
DROT24	19 3/4" x 21" x 3 1/2"
DROT27	22 3/4" x 21" x 3 1/2"
DROT30	25 3/4" x 21" x 3 1/2"
DROT33	28 3/4" x 21" x 3 1/2"
DROT36	31 3/4" x 21" x 3 1/2"
DROT1221	7 3/4" x 18" x 3 1/2"
DROT1521	10 3/4" x 18" x 3 1/2"
DROT1821	13 3/4" x 18" x 3 1/2"
DROT2421	19 3/4" x 18" x 3 1/2"
<b>BASE POT &amp; PAN ORGANIZERS</b>	
BPPOK24	19 3/4" X 19" X 21"
BPPOK27	22 3/4" X 19" X 21"
BPPOK30	25 3/4" X 19" X 21"
BPPOK33	28 3/4" X 19" X 21"
BPPOK36	31 3/4" X 19" X 21"
<b>ROLL OUT TRAY DIVIDERS</b>	
ROTDK12	7 3/4" x 21"
ROTDK15	10 3/4" x 21"

DRAWER FRONTS	
PART NAME	DIMENSION
<b>STANDARD DRAWER FRONT</b>	
DDF12	11 9/16" x 5 13/16"
DDF15	14 9/16" x 5 13/16"
DDF18	17 9/16" x 5 13/16"
DDF19	19 1/16" x 5 13/16"
DDF21	20 9/16" x 5 13/16"
DDF24	23 9/16" x 5 13/16"
DDF27	26 9/16" x 5 13/16"
DDF30	29 9/16" x 5 13/16"
DDF33	32 9/16" x 5 13/16"
DDF36	35 9/16" x 5 13/16"
DDFOV27	26 9/16" x 7 7/16"
DDFOV30	29 9/16" x 7 7/16"
DDVOV33	32 9/16" x 7 7/16"
DDF18 DRILL	17 9/16" x 5 13/16"
DDF19 DRILL	19 1/16" x 5 13/16"
DDF21 DRILL	20 9/16" x 5 13/16"
DDF24 DRILL	23 9/16" x 5 13/16"
DDF27 DRILL	26 9/16" x 5 13/16"
DDF30 DRILL	29 9/16" x 5 13/16"
DDF33 DRILL	32 9/16" x 5 13/16"
DDF36 DRILL	35 9/16" x 5 13/16"
<b>LARGE DRAWER FRONT</b>	
DDF12M	11 9/16" x 11 27/32"
DDF15M	14 9/16" x 11 27/32"
DDF18M	17 9/16" x 11 27/32"
DDF21M	20 9/16" x 11 27/32"
DDF24M	23 9/16" x 11 27/32"
DDF27M	26 9/16" x 11 27/32"
DDF30M	29 9/16" x 11 27/32"
DDF33M	32 9/16" x 11 27/32"
DDF36M	35 9/16" x 11 27/32"
<b>2DB DRAWER FRONT</b>	
DDF30 2DB	29 9/16" x 14 27/32"
DDF36 2DB	35 9/16" x 14 27/32"
<b>MISC DRAWER FRONT</b>	
DDFKDC27/21	20 9/16" x 4 7/16"
DDFKDC33/27	26 9/16" x 4 7/16"
DDFKDC36/33	32 9/16" x 4 7/16"
DDF SDC	5 11/16" x 5 1/2" x 1/2"

essential DRAWER BODIES	
PART NAME	DIMENSION
<b>18" DEEP</b>	
DRB10 X 18DP DT SG	6 7/32" x 3 21/32" x 18"
DRB12 X 18DP DT SG	7 23/32" x 3 21/32" x 18"
DRB12M X 18DP DT SG	7 23/32" x 6 3/4" x 18"
DRB15 X 18DP DT SG	10 23/32" x 3 21/32" x 18"
DRB15M X 18DP DT SG	10 23/32" x 6 3/4" x 18"
DRB18 X 18DP DT SG	13 23/32" x 3 21/32" x 18"
DRB18M X 18DP DT SG	13 23/32" x 6 3/4" x 18"
DRB19 X 18DP DT SG	14 23/32" x 3 21/32" x 18"
DRB21 X 18DP DT SG	16 23/32" x 3 21/32" x 18"
DRB21M X 18DP DT SG	16 23/32" x 6 3/4" x 18"
DRB24 X 18DP DT SG	19 23/32" x 3 21/32" x 18"
DRB24M X 18DP DT SG	19 23/32" x 6 3/4" x 18"
DRB27 X 18DP DT SG	22 23/32" x 3 21/32" x 18"
DRB27M X 18DP DT SG	22 23/32" x 6 3/4" x 18"
DRB30 X 18DP DT SG	25 23/32" x 3 21/32" x 18"
DRB30M X 18DP DT SG	25 23/32" x 6 3/4" x 18"
DRB33 X 18DP DT SG	28 23/32" x 3 21/32" x 18"
DRB33M X 18DP DT SG	28 23/32" x 6 3/4" x 18"
DRB36 X 18DP DT SG	31 23/32" x 3 21/32" x 18"
DRB36M X 18DP DT SG	31 23/32" x 6 3/4" x 18"
<b>15" DEEP</b>	
DRB10 X 15DP DT SG	6 7/32" x 3 21/32" x 15"
DRB12 X 15DP DT SG	7 23/32" x 3 21/32" x 15"
DRB12M X 15DP DT SG	7 23/32" x 6 3/4" x 15"
DRB15 X 15DP DT SG	10 23/32" x 3 21/32" x 15"
DRB15M X 15DP DT SG	10 23/32" x 6 3/4" x 15"
DRB18 X 15DP DT SG	13 23/32" x 3 21/32" x 15"
DRB18M X 15DP DT SG	13 23/32" x 6 3/4" x 15"
DRB19 X 15DP DT SG	14 23/32" x 3 21/32" x 15"
DRB21 X 15DP DT SG	16 23/32" x 3 21/32" x 15"
DRB21M X 15DP DT SG	16 23/32" x 6 3/4" x 15"
DRB24 X 15DP DT SG	19 23/32" x 3 21/32" x 15"
DRB24M X 15DP DT SG	19 23/32" x 6 3/4" x 15"
DRB27 X 15DP DT SG	22 23/32" x 3 21/32" x 15"
DRB27M X 15DP DT SG	22 23/32" x 6 3/4" x 15"
DRB30 X 15DP DT SG	25 23/32" x 3 21/32" x 15"
DRB30M X 15DP DT SG	25 23/32" x 6 3/4" x 15"
DRB33 X 15DP DT SG	28 23/32" x 3 21/32" x 15"
DRB33M X 15DP DT SG	28 23/32" x 6 3/4" x 15"
DRB36 X 15DP DT SG	31 23/32" x 3 21/32" x 15"
DRB36M X 15DP DT SG	31 23/32" x 6 3/4" x 15"
DRBKDC27X 15DP DT SG	16 23/32" x 2 11/32" x 15"
DRBKDC33X 15DP DT SG	22 23/32" x 2 11/32" x 15"
DRBKDC36X 15DP DT SG	28 23/32" x 2 11/32" x 15"

essential DRAWER BODIES	
PART NAME	DIMENSION
<b>12" DEEP</b>	
DRB10 X 12DP DT SG	7 23/32" x 3 21/32" x 12"
DRB12 X 12DP DT SG	7 23/32" x 3 21/32" x 12"
DRB12M X 12DP DT SG	7 23/32" x 6 3/4" x 12"
DRB15 X 12DP DT SG	10 23/32" x 3 21/32" x 12"
DRB15M X 12DP DT SG	10 23/32" x 6 3/4" x 12"
DRB18 X 12DP DT SG	13 23/32" x 3 21/32" x 12"
DRB18M X 12DP DT SG	13 23/32" x 6 3/4" x 12"
DRB19 X 12DP DT SG	14 23/32" x 3 21/32" x 12"
DRB21 X 12DP DT SG	16 23/32" x 3 21/32" x 12"
DRB21M X 12DP DT SG	16 23/32" x 6 3/4" x 12"
DRB24 X 12DP DT SG	19 23/32" x 3 21/32" x 12"
DRB24M X 12DP DT SG	19 23/32" x 6 3/4" x 12"
DRB27 X 12DP DT SG	22 23/32" x 3 21/32" x 12"
DRB27M X 12DP DT SG	22 23/32" x 6 3/4" x 12"
DRB30 X 12DP DT SG	25 23/32" x 3 21/32" x 12"
DRB30M X 12DP DT SG	25 23/32" x 6 3/4" x 12"
DRB33 X 12DP DT SG	28 23/32" x 3 21/32" x 12"
DRB33M X 12DP DT SG	28 23/32" x 6 3/4" x 12"
DRB36 X 12DP DT SG	31 23/32" x 3 21/32" x 12"
DRB36M X 12DP DT SG	31 23/32" x 6 3/4" x 12"
DRBKDC27X 12DP DT SG	16 23/32" x 2 11/32" x 12"
DRBKDC33X 12DP DT SG	22 23/32" x 2 11/32" x 12"
DRBKDC36X 12DP DT SG	28 23/32" x 2 11/32" x 12"
<b>9" DEEP</b>	
DRB10 X 9DP DT SG	7 23/32" x 3 21/32" x 9"
DRB12 X 9DP DT SG	7 23/32" x 3 21/32" x 9"
DRB12M X 9DP DT SG	7 23/32" x 6 3/4" x 9"
DRB15 X 9DP DT SG	10 23/32" x 3 21/32" x 9"
DRB15M X 9DP DT SG	10 23/32" x 6 3/4" x 9"
DRB18 X 9DP DT SG	13 23/32" x 3 21/32" x 9"
DRB18M X 9DP DT SG	13 23/32" x 6 3/4" x 9"
DRB19 X 9DP DT SG	14 23/32" x 3 21/32" x 9"
DRB21 X 9DP DT SG	16 23/32" x 3 21/32" x 9"
DRB21M X 9DP DT SG	16 23/32" x 6 3/4" x 9"
DRB24 X 9DP DT SG	19 23/32" x 3 21/32" x 9"
DRB24M X 9DP DT SG	19 23/32" x 6 3/4" x 9"
DRB27 X 9DP DT SG	22 23/32" x 3 21/32" x 9"
DRB27M X 9DP DT SG	22 23/32" x 6 3/4" x 9"
DRB30 X 9DP DT SG	25 23/32" x 3 21/32" x 9"
DRB30M X 9DP DT SG	25 23/32" x 6 3/4" x 9"
DRB33 X 9DP DT SG	28 23/32" x 3 21/32" x 9"
DRB33M X 9DP DT SG	28 23/32" x 6 3/4" x 9"
DRB36 X 9DP DT SG	31 23/32" x 3 21/32" x 9"
DRB36M X 9DP DT SG	31 23/32" x 6 3/4" x 9"
DRBKDC27X 9DP DT SG	16 23/32" x 2 11/32" x 9"
DRBKDC33X 9DP DT SG	22 23/32" x 2 11/32" x 9"
DRBKDC36X 9DP DT SG	28 23/32" x 2 11/32" x 9"

select & luxury DRAWER BODIES	
PART NAME	DIMENSION
<b>21" DEEP</b>	
DRB12 X 21DP DT FD	8 1/16" x 3 1/2" x 21"
DRB12M X 21DP DT FD	8 1/16" x 7" x 21"
DRB15 X 21DP DT FD	11 1/16" x 3 1/2" x 21"
DRB15M X 21DP DT FD	11 1/16" x 7" x 21"
DRB18 X 21DP DT FD	14 1/16" x 3 1/2" x 21"
DRB18M X 21DP DT FD	14 1/16" x 7" x 21"
DRB19 X 21DP DT FD	15 9/16" x 3 1/2" x 21"
DRB21 X 21DP DT FD	17 1/16" x 3 1/2" x 21"
DRB21M X 21DP DT FD	17 1/16" x 7" x 21"
DRB24 X 21DP DT FD	20 1/16" x 3 1/2" x 21"
DRB24M X 21DP DT FD	20 1/16" x 7" x 21"
DRB27 X 21DP DT FD	23 1/16" x 3 1/2" x 21"
DRB27M X 21DP DT FD	23 1/16" x 7" x 21"
DRB30 X 21DP DT FD	26 1/16" x 3 1/2" x 21"
DRB30M X 21DP DT FD	26 1/16" x 7" x 21"
DRB33 X 21DP DT FD	29 1/16" x 3 1/2" x 21"
DRB33M X 21DP DT FD	29 1/16" x 7" x 21"
DRB36 X 21DP DT FD	32 1/16" x 3 1/2" x 21"
DRB36M X 21DP DT FD	32 1/16" x 7" x 21"
<b>18" DEEP</b>	
DRB10 X 18DP DT FD	7 1/16" x 3 1/2" x 18"
DRB12 X 18DP DT FD	8 1/16" x 3 1/2" x 18"
DRB12M X 18DP DT FD	8 1/16" x 7" x 18"
DRB15 X 18DP DT FD	11 1/16" x 3 1/2" x 18"
DRB15M X 18DP DT FD	11 1/16" x 7" x 18"
DRB18 X 18DP DT FD	14 1/16" x 3 1/2" x 18"
DRB18M X 18DP DT FD	14 1/16" x 7" x 18"
DRB19 X 18DP DT FD	15 9/16" x 3 1/2" x 18"
DRB21 X 18DP DT FD	17 1/16" x 3 1/2" x 18"
DRB21M X 18DP DT FD	17 1/16" x 7" x 18"
DRB24 X 18DP DT FD	20 1/16" x 3 1/2" x 18"
DRB24M X 18DP DT FD	20 1/16" x 7" x 18"
DRB27 X 18DP DT FD	23 1/16" x 3 1/2" x 18"
DRB27M X 18DP DT FD	23 1/16" x 7" x 18"
DRB30 X 18DP DT FD	26 1/16" x 3 1/2" x 18"
DRB30M X 18DP DT FD	26 1/16" x 7" x 18"
DRB33 X 18DP DT FD	29 1/16" x 3 1/2" x 18"
DRB33M X 18DP DT FD	29 1/16" x 7" x 18"
DRB36 X 18DP DT FD	32 1/16" x 3 1/2" x 18"
DRB36M X 18DP DT FD	32 1/16" x 7" x 18"

select & luxury DRAWER BODIES	
PART NAME	DIMENSION
<b>15" DEEP</b>	
DRB10 X 15DP DT FD	7 1/16" x 3 1/2" x 15"
DRB12 X 15DP DT FD	8 1/16" x 3 1/2" x 15"
DRB12M X 15DP DT FD	8 1/16" x 7" x 15"
DRB15 X 15DP DT FD	11 1/16" x 3 1/2" x 15"
DRB15M X 15DP DT FD	11 1/16" x 7" x 15"
DRB18 X 15DP DT FD	14 1/16" x 3 1/2" x 15"
DRB18M X 15DP DT FD	14 1/16" x 7" x 15"
DRB19 X 15DP DT FD	15 9/16" x 3 1/2" x 15"
DRB21 X 15DP DT FD	17 1/16" x 3 1/2" x 15"
DRB21M X 15DP DT FD	17 1/16" x 7" x 15"
DRB24 X 15DP DT FD	20 1/16" x 3 1/2" x 15"
DRB24M X 15DP DT FD	20 1/16" x 7" x 15"
DRB27 X 15DP DT FD	23 1/16" x 3 1/2" x 15"
DRB27M X 15DP DT FD	23 1/16" x 7" x 15"
DRB30 X 15DP DT FD	26 1/16" x 3 1/2" x 15"
DRB30M X 15DP DT FD	26 1/16" x 7" x 15"
DRB33 X 15DP DT FD	29 1/16" x 3 1/2" x 15"
DRB33M X 15DP DT FD	29 1/16" x 7" x 15"
DRB36 X 15DP DT FD	32 1/16" x 3 1/2" x 15"
DRB36M X 15DP DT FD	32 1/16" x 7" x 15"
DRBKDC27X 15DP DT FD	16 23/32" x 2 11/32" x 15"
DRBKDC33X 15DP DT FD	22 23/32" x 2 11/32" x 15"
DRBKDC36X 15DP DT FD	28 23/32" x 2 11/32" x 15"
<b>12" DEEP</b>	
DRB10 X 12DP DT FD	7 1/16" x 3 1/2" x 12"
DRB12 X 12DP DT FD	8 1/16" x 3 1/2" x 12"
DRB12M X 12DP DT FD	8 1/16" x 7" x 12"
DRB15 X 12DP DT FD	11 1/16" x 3 1/2" x 12"
DRB15M X 12DP DT FD	11 1/16" x 7" x 12"
DRB18 X 12DP DT FD	14 1/16" x 3 1/2" x 12"
DRB18M X 12DP DT FD	14 1/16" x 7" x 12"
DRB19 X 12DP DT FD	15 9/16" x 3 1/2" x 12"
DRB21 X 12DP DT FD	17 1/16" x 3 1/2" x 12"
DRB21M X 12DP DT FD	17 1/16" x 7" x 12"
DRB24 X 12DP DT FD	20 1/16" x 3 1/2" x 12"
DRB24M X 12DP DT FD	20 1/16" x 7" x 12"
DRB27 X 12DP DT FD	23 1/16" x 3 1/2" x 12"
DRB27M X 12DP DT FD	23 1/16" x 7" x 12"
DRB30 X 12DP DT FD	26 1/16" x 3 1/2" x 12"
DRB30M X 12DP DT FD	26 1/16" x 7" x 12"
DRB33 X 12DP DT FD	29 1/16" x 3 1/2" x 12"
DRB33M X 12DP DT FD	29 1/16" x 7" x 12"
DRB36 X 12DP DT FD	32 1/16" x 3 1/2" x 12"
DRB36M X 12DP DT FD	32 1/16" x 7" x 12"
DRBKDC27X 12DP DT FD	16 23/32" x 2 11/32" x 12"
DRBKDC33X 12DP DT FD	22 23/32" x 2 11/32" x 12"
DRBKDC36X 12DP DT FD	28 23/32" x 2 11/32" x 12"

select & luxury DRAWER BODIES	
PART NAME	DIMENSION
<b>9" DEEP</b>	
DRB10 X 9DP DT FD	7 1/16" x 3 1/2" x 9 7/16"
DRB12 X 9DP DT FD	8 1/16" x 3 1/2" x 9 7/16"
DRB12M X 9DP DT FD	8 1/16" x 7" x 9 7/16"
DRB15 X 9DP DT FD	11 1/16" x 3 1/2" x 9 7/16"
DRB15M X 9DP DT FD	11 1/16" x 7" x 9 7/16"
DRB18 X 9DP DT FD	14 1/16" x 3 1/2" x 9 7/16"
DRB18M X 9DP DT FD	14 1/16" x 7" x 9 7/16"
DRB19 X 9DP DT FD	15 9/16" x 3 1/2" x 9 7/16"
DRB21 X 9DP DT FD	17 1/16" x 3 1/2" x 9 7/16"
DRB21M X 9DP DT FD	17 1/16" x 7" x 9 7/16"
DRB24 X 9DP DT FD	20 1/16" x 3 1/2" x 9 7/16"
DRB24M X 9DP DT FD	20 1/16" x 7" x 9 7/16"
DRB27 X 9DP DT FD	23 1/16" x 3 1/2" x 9 7/16"
DRB27M X 9DP DT FD	23 1/16" x 7" x 9 7/16"
DRB30 X 9DP DT FD	26 1/16" x 3 1/2" x 9 7/16"
DRB30M X 9DP DT FD	26 1/16" x 7" x 9 7/16"
DRB33 X 9DP DT FD	29 1/16" x 3 1/2" x 9 7/16"
DRB33M X 9DP DT FD	29 1/16" x 7" x 9 7/16"
DRB36 X 9DP DT FD	32 1/16" x 3 1/2" x 9 7/16"
DRBKDC27X 9DP DT FD	16 23/32" x 2 11/32" x 9 7/16"
DRBKDC33X 9DP DT FD	22 23/32" x 2 11/32" x 9 7/16"
DRBKDC36X 9DP DT FD	28 23/32" x 2 11/32" x 9 7/16"

2 DRAWER BASE DRAWER BODIES	
PART NAME	DIMENSION
DRB21 HD X 21DPDTFD	17 1/32" x 7 3/8" x 21"
DRB24 HD X 21DPDTFD	20 1/32" x 7 3/8" x 21"
DRB27 HD X 21DPDTFD	23 1/32" x 7 3/8" x 21"
DRB30 HD X 21DPDTFD	26 1/32" x 7 3/8" x 21"
DRB33 HD X 21DPDTFD	29 1/32" x 7 3/8" x 21"
DRB36 HD X 21DPDTFD	32 1/32" x 7 3/8" x 21"
DRB21 HD X 18DPDTFD	17 1/32" x 7 3/8" x 18"
DRB24 HD X 18DPDTFD	20 1/32" x 7 3/8" x 18"
DRB27 HD X 18DPDTFD	23 1/32" x 7 3/8" x 18"
DRB30 HD X 18DPDTFD	26 1/32" x 7 3/8" x 18"
DRB33 HD X 18DPDTFD	29 1/32" x 7 3/8" x 18"
DRB36 HD X 18DPDTFD	32 1/32" x 7 3/8" x 18"

MISC DRAWER BODIES	
PART NAME	DIMENSION
DRB6 BSDC6	4 29/32" x 22 15/16" x 4 3/4"
DRB6 SDC30	4 29/32" x 10 15/16" x 4 3/4"

Miscellaneous Parts & Accessories

essential Hinges	
PART NAME	DESCRIPTION
HINGE 170 FRAMED	Door-to-frame hinge for BER, BSS, CAR or WER cabinet
HINGE ER	Hinge that connects bifold doors for BER, BSS, CAR or WER cabinet
HINGE FOL 6WY 45	Hinge with 6-Way Adjustment
HINGE FOL OVEN 45	Hinge for Facemount Oven Applications
HINGE TILT OUT 45	Hinge for Factory Installed Tilt-Out Tray

select & luxury Hinges	
PART NAME	DESCRIPTION
HINGE 170 FRAMED	Door-to-frame hinge for BER, BSS, CAR or WER cabinet
HINGE ER	Hinge that connects bifold doors for BER, BSS, CAR or WER cabinet
HINGE TILT OUT 45	Hinge for Factory Installed Tilt-Out Tray
HINGE FOL CC6WY 45	Hinge with 6-Way Adjustment and Soft-Close for BICKERSHIRE, GLENLOCH, MCKELLER and PATTINGHAM door styles
HINGE FOL CC6WY 45DP	Hinge with 6-Way Adjustment and Soft-Close for AVELEY, GALWAY, INNSBROOK, PORT and STONEWALL door styles
HINGE FOL CCOVEN 45	Hinge with Soft-Close for Facemount Oven Applications
HINGE FOL 6WY 45	Hinge with 6-Way Adjustment for Wall Top Hinge cabinets (WTH)
HINGE CC ANG RES CLP	Door Opening Angle Restriction Clip, 86 Degrees (for use on Integrated Soft-Close Hinges Only, 10 per pack)
HINGE SPACER SHIM	Spacer Shim installed between the Hinge and Face Frame, adds inward left/right adjustment (for use on all hinges as needed, 10 per pack)

Glides/Tracks/Channels for essential 24" Deep Base & 24" Deep Roll Out Trays	
PART NAME	DESCRIPTION
CHANNEL SS1 L	Left channel for side-mount Deep Roll Out Tray
CHANNEL SS1 R	Right channel for side-mount Deep Roll Out Tray
TRACK GA 21L	Left track for side-mount Deep Roll Out Tray or Base cabinet
TRACK GA 21R	Right track for side-mount Deep Roll Out Tray or Base cabinet
CHANNEL 21L	Left channel for side-mount Base cabinet
CHANNEL 21R	Right channel for side-mount Base cabinet
GLIDE DROTCL24	Left Soft-Close Glide for Scalloped Full Width Tray (SDROT) on 2 Drawer Base cabinet
GLIDE DROTCCR24	Right Soft-Close Glide for Scalloped Full Width Tray (SDROT) on 2 Drawer Base cabinet
GLIDE FD NCL24	Left Glide for Factory Installed Drawer Accessory cabinet – top drawer only
GLIDE FD NCR24	Right Glide for Factory Installed Drawer Accessory cabinet – top drawer only
GLIDE FD NCL24	Left Glide for Factory Installed Drawer Accessory cabinet – top drawer only
GLIDE FD NCR24	Right Glide for Factory Installed Drawer Accessory cabinet – top drawer only

Glides for select & luxury 24" Deep Base & 24" Deep Roll Out Trays	
PART NAME	DESCRIPTION
GLIDE FD CCL24	Left Soft-Close Glide for 24" deep Base
GLIDE FD CCR24	Right Soft-Close Glide for 24" deep Base
GLIDE DROTCL24	Left Soft-Close Glide for DROT, BPPOK, ROTDK, SDROT
GLIDE DROTCCR24	Right Soft-Close Glide for DROT, BPPOK, ROTDK, SDROT

Glides for essential, select & luxury Two Drawer Bases & Wastebasket Cabinets	
PART NAME	DESCRIPTION
GLIDE HD CCL21	Left Soft-Close Glide for RD 2DB'S or 21" Deep Desk Wastebasket Cabinets
GLIDE HD CCR21	Right Soft-Close Glide for RD 2DB'S or 21" Deep Desk Wastebasket Cabinets
GLIDE HD FAL21	Left Full Access Glide for RD 2DB'S or 21" Deep Desk Wastebasket Cabinets
GLIDE HD FAR21	Right Full Access Glide for RD 2DB'S or 21" Deep Desk Wastebasket Cabinets
GLIDE HD CCL24	Left Soft-Close Glide for 2 Drawer Base or Wastebasket Cabinets
GLIDE HD CCR24	Right Soft-Close Glide for 2 Drawer Base or Wastebasket Cabinets
GLIDE HD FAL24	Left Full Access Hidden Glide for 2 Drawer Base or Wastebasket Cabinets
GLIDE HD FAR24	Right Full Access Hidden Glide for 2 Drawer Base or Wastebasket Cabinets

Tracks/Channels for essential 21" Deep Desk, Vanity and Vanity Linen Cabinets	
PART NAME	DESCRIPTION
CHANNEL V L	Left channel for 21" deep Vanity, Desk, or Vanity Linen side mount DROT
CHANNEL V R	Right channel for 21" deep Vanity, Desk or Vanity Linen side mount DROT
TRACK V L	Left track for 21" deep Vanity, Desk, or Vanity Linen side mount DROT
TRACK V R	Right track for 21" deep Vanity, Desk or Vanity Linen side mount DROT
GLIDE HD CCL21	Left CushionClose Glide for Vanity Wastebasket Cabinets
GLIDE HD CCR21	Right CushionClose Glide for Vanity Wastebasket Cabinets

Tracks/Channels for select & luxury 21" Deep Desk, Vanity and Vanity Linen Cabinets	
PART NAME	DESCRIPTION
GLIDE DROTCLVLC	Left CushionClose Glide for 21" deep Vanity, Desk or Vanity Linen DROTCC
GLIDE DROTCCVLC	Right CushionClose Glide for 21" deep Vanity, Desk or Vanity Linen DROTCC
GLIDE FD CCLVAN21	Left CushionClose Glide (21" deep Vanity/Desk)
GLIDE FD CCRVAN21	Right CushionClose Glide (21" deep Vanity/Desk)
GLIDE HD CCL21	Left CushionClose Glide for Vanity Wastebasket Cabinets
GLIDE HD CCR21	Right CushionClose Glide for Vanity Wastebasket Cabinets

Miscellaneous Parts & Accessories

Glides for select & luxury 18" Deep Knee-hole Drawer Cabinet

PART NAME	DESCRIPTION
GLIDE FD CCL18	Left Soft-Close Glide for 18" deep Knee-hole Drawer
GLIDE FD CCR18	Right Soft-Close Glide for 18" deep Knee-hole Drawer

Tracks/Channels for essential 18" Deep Knee-hole Drawer Cabinet

PART NAME	DESCRIPTION
CHANNEL V 18L	Left channel for 18" deep Knee-hole Drawer
CHANNEL V 18R	Right channel for 18" deep Knee-hole Drawer
TRACK GA 16L	Left track for 18" deep Knee-hole Drawer
TRACK GA 16R	Right track for 18" deep Knee-hole Drawer

Wood Spin Shelf Units for essential & select Construction Package

PART NAME	DESCRIPTION
BSS33 SHELF WD NP	Wood spin unit and shelf for BSS33 WD (2 required)
BSS3336 SHELF WD NP	Wood spin unit and shelf for BSS3336 WD (2 required)
BSS36 SHELF WD NP	Wood spin unit and shelf for BSS36 WD (2 required)
BSS3633 SHELF WD NP	Wood spin unit and shelf for BSS3633 WD (2 required)
CBS36 SHELF WD NP	Wood spin unit and shelf for CBS36 WD (2 required)
CWS24 SHELF WD NP	Wood spin unit and shelf for CWS2430 WD, CWS2436 WD and CWS2442 WD (2 required)
CWS24 SHELFWDNPMI	Wood spin unit and Matching Interior shelf for CWS2430 WD, CWS2436 WD and CWS2442 WD

Tilt-Out Tray Kits (Field Installed)

PART NAME	DESCRIPTION
BSS33 SHLF WD NP PLY	Wood spin unit and shelf for BSS33 WD (2 required)
BSS3336 SHLFWDNP PLY	Wood spin unit and shelf for BSS3336 WD (2 required)
BSS36 SHLF WD NP PLY	Wood spin unit and shelf for BSS36 WD (2 required)
BSS3633 SHLFWDNP PLY	Wood spin unit and shelf for BSS3633 WD (2 required)
CBS36 SHLF WD NP PLY	Wood spin unit and shelf for CBS36 WD (2 required)
CWS24 SHLF WD NP PLY	Wood spin unit and shelf for CWS2430 WD, CWS2436 WD and CWS2442 WD (2 required)
CWS24 SHELFWDNPMIPLY	Wood spin unit and Matching Interior shelf for CWS2430 WD, CWS2436 WD and CWS2442 WD (2 required)

Clips/Brackets

PART NAME	DESCRIPTION
BRACKET CHAN B	Back bracket for side-mount glides
BRACKET GL HD BOT	Bottom bracket for 2 Drawer Base or Wastebasket Cabinets
BRACKET GL B DROT FAL	Left back bracket for DROT CushionClose Glides
BRACKET GL B DROT FAR	Right back bracket for DROT CushionClose Glides
BRACKET GL PBC L FG	Left back bracket for Peninsula Base Corner (PBC) Full-Extension Hidden Glide
BRACKET GL PBC R FG	Right back bracket for Peninsula Base Corner (PBC) Full-Extension Hidden Glide
BRACKET GL BD RDL FG	Left back bracket for any bottom drawer that uses the GLIDE FD CCL___ W/EXT (excluding PB, PBC, 2DB)
BRACKET GL BD RDR FG	Right back bracket for any bottom drawer that uses the GLIDE FD CCR___ W/EXT (excluding PB, PBC, 2DB)
BRACKET GL BD UNI FG	Left/Right back bracket for any bottom drawer that uses the Full-extension Glide (excluding PB, PBC, 2DB)
BRACKET GL BD UNI FG	Left/Right back bracket for any bottom drawer that use the GLIDE FD CC___ (excluding PB, PBC, 2DB)
BRACKET GL PB L FG	Left back bracket for Peninsula Base Full-Extension Hidden Glide
BRACKET GL PB R FG	Right back bracket for Peninsula Base Full-Extension Hidden Glide
BRACKET GL UD RDL FG	Left back bracket for any upper drawer(s) that uses the GLIDE FD CCL___ W/EXT (excluding PB, PBC, 2DB)
BRACKET GL UD RDR FG	Right back bracket for any upper drawer(s) that uses the GLIDE FD CCR___ W/EXT (excluding PB, PBC, 2DB)
BRACKET GL UD UNI FG	Left/Right back bracket for any upper drawer(s) that use the GLIDE FD CC___ (excluding PB, PBC, 2DB)
BRACKET RD DROT L FA	Left back bracket for reduced depth GLIDE DROTCC___ and DROT___21
BRACKET RD DROT R FA	Right back bracket for reduced depth GLIDE DROTCCR___ and DROT___21
BRACKET RED DP REAR	Back bracket for reduced depth Side-Mounted Glide
BRACKETDROT FRT MTL	Front bracket for GLIDE DROTCC___24 & GLIDE DROTCC___21
CLIP HD DRB BACK L	Left back bracket for 2 Drawer Base and Wastebasket Cabinets
CLIP HD DRB BACK R	Right back bracket for 2 Drawer Base and Wastebasket Cabinets
CLIP DDF	Drawer front clip
CLIP LOCK 3/4 4 PK	Package of four locking shelf rests for Base and Tall cabinet shelves
CLIP REAR SHELF	Middle shelf rest for 30" or wider Wall cabinet shelf
CLIP SHELF NP SPIN	Locking shelf clip for NP Spin Units (Base 4 required, Wall 5 required)
DRB HD MOUNT CLIP L	Left drawer release clip for 2 Drawer Base or Wastebasket Cabinets
DRB HD MOUNT CLIP R	Right drawer release clip for 2 Drawer Base or Wastebasket Cabinets
DRB MOUNT CLIP L FD	Drawer release clip for Left Soft-Close Glide
DRB MOUNT CLIP R FD	Drawer release clip for Right Soft-Close Glide
DROTFA MOUNT CLIP L	Left release clip for GLIDE DROTCC___24 and DROT___21
DROTFA MOUNT CLIP R	Right release clip for GLIDE DROTCC___24 and DROT___21
MOUNT BRACKET GA SS1	Bracket for Side-Mounted Channels
SHELF REST METAL 12	Package of twelve metal shelf rests for Wall or Bookshelf shelves
SHELF REST METAL 4PK	Package of four metal shelf rests for Wall or Bookshelf shelves
SHELF SUPT ADJ BASE	Middle shelf rest for 27" or wider Base cabinet shelf
SPACER GL BD FRT FG	Front drawer clip for bottom drawer on DB___cabinets (excluding 2DB)
SPACER GL KDC FRT FG	Front drawer clip for KDC

Miscellaneous Parts & Accessories

Miscellaneous	
PART NAME	DESCRIPTION
BASE CORNER BLOCK WD	Plywood corner block
BFP3 FRONT FILLER	Filler for BFP3 Base Filler Pull Out
BFP6 FRONT FILLER	Filler for BFP6 Base Filler Pull Out
BPP9 KIT	Kit for BPP9 Base Pantry Pull Out
BPP12 KIT	Kit for BPP12 Base Pantry Pull Out
BTDP9 KIT	Kit for BTDP9 Base Tray Divider Pull Out
BPPUS12 KIT	Kit for BPPUS12 Base Pull Out Utensil Storage
BPPUS9 KIT	Kit for BPPUS9 Base Pull Out Utensil Storage
BUMPER CLEAR	Door bumper (Strip of 4 bumpers)
BUMPER CLEAR 55	Door bumper (Strip of 55 bumpers)
BUMPER CLEAR DWR	Drawer bumper (Strip of 4 bumpers)
BWBB15 FH FOL KIT	Wastebasket kit for FOL BWBB15 FH
BWBB15 FOL KIT	Wastebasket kit for FOL BWBB15
BWBB15-2 FOL KIT	Wastebasket kit for FOL BWBB15-2
BWBB18 FH FOL KIT	Wastebasket kit for FOL BWBB18 FH
BWBB18-2 FOL KIT	Wastebasket kit for FOL BWBB18-2
BWBB21-2 FH FOL KIT	Wastebasket kit for FOL BWBB21-2 FH
BWBB21-2 FOL KIT	Wastebasket kit for FOL BWBB21-2
COVER CAP 10MM TAN	Tan cover cap for cabinet backs (4 per pack)
COVER CAP 10MM WHT	White cover cap for cabinet backs (4 per pack)
DWBB1821 FOL KIT	Wastebasket kit for FOL DWBB18v21
DWBB1824 FOL KIT	Wastebasket kit for FOL DWBB1824
DFDC FILE UNIT 21	File unit for DFDC1821
DFDC FILE UNIT 24	File unit for DFDC1824
FRAME SPACER BPP9	Unit stabilizer and frame spacer for BPP9, BPP12 & BTDP9
KNOB SDC	Wooden knob for SDC/BSDC6
LATCH TILT OUT TRAY	Replacement Latch for Factory Installed Tilt-Out Tray (1 required)
PDO30	Peg Dish Organizer for 30" 2 Drawer Base
PDO36	Peg Dish Organizer for 36" 2 Drawer Base
PEG KIT 4 PK	Package of 4 pegs for Peg Dish Organizer
ROT DIVIDER KIT	Divider for ROTDK12/ROTDK15
ROT PROTECTOR	End plastic protector on Deep Roll Out Trays (2 required per DROT)
SDROT30	Scalloped Deep Roll Out Tray for DB30 2DWR
SDROT36	Scalloped Deep Roll Out Tray for DB36 2DWR
TRAY ST TILT OUT 11	Stainless Tray ONLY for Factory Installed Tilt-Out
TRAY ST TILT OUT 14	Stainless Tray ONLY for Factory Installed Tilt-Out
TRAY ST TILT OUT 24	Stainless Tray ONLY for Factory Installed Tilt-Out
VWBB1834H FOL KIT	Wastebasket kit for VWBB1834H
WASTEBASKET 27QT SLV	Silver 27-Quart trashcan
WASTEBASEKT 35QT SLV	Silver 35-Quart trashcan
WASTEBASEKT 50QT SLV	Silver 50-Quart trashcan
WOOD SPIN HOLE PLUG	Access hole plug for wood spin shelf on CBS and CWS cabinets
WTH DOOR STAY	One Door Stay for Wall Top Hinge cabinet
WTH DR STAY BRK	One Door Bracket for WTH DOOR STAY
WTH FR STAY BRK	One Frame bracket for WTH DOOR STAY
WTH HEX KEY BAG	One Hex Key for WTH DOOR STAY

Miscellaneous Shelving	
PART NAME	DESCRIPTION
BS18 SHELF 1PK	Single Shelf for BSPLY18
BS18 SHELF 4PK	4 Pack Shelf Kit for BSPLY18
BS24 SHELF 1PK	Single Shelf for BSPLY24
BS24 SHELF 4PK	4 Pack Shelf Kit for BSPLY24
BS30 SHELF 1PK	Single Shelf for BSPLY30
BS30 SHELF 4PK	4 Pack Shelf Kit for BSPLY30
BS36 SHELF 1PK	Single Shelf for BSPLY36
BS36 SHELF 4PK	4 Pack Shelf Kit for BSPLY36
WCMSC2412 SHELF	Microwave shelf for WCMSC241236 BUTT
WCMSC2712 SHELF	Microwave shelf for WCMSC271236 BUTT
WMSC2712 SHELF	Microwave shelf for WMSC271236 BUTT
WMSC2718 SHELF	Microwave shelf for WMSC271836 BUTT / WMSC271842 BUTT
WMSC3012 SHELF	Microwave shelf for WMSC301236

Screws	
PART NAME	DESCRIPTION
SCREW CHANNEL	Channel installation screw (2 per channel)
SCREW DDF	Drawer front installation screw
SCREW DDF 5PC	Screw for 5-piece drawer fronts
SCREW DDF SDC 7/8"	SDC drawer front installation screw (1 per drawer body)
SCREW EXTENDER RD	Screw for RD extender (1 per extender)
SCREW GLIDE FD	Adjustment screw for Full-Access Hidden Glide (1 per glide)
SCREW HINGE/DR	Hinge-to-door screw (2 per door)
SCREW HINGE/FR	Hinge-to-frame screw (1 per hinge)
SCREW TRACK	Track screw (6 per track)



## essential Replacement Parts For 24" Deep Base And Desk Drawers

PART NAME	DESCRIPTION
DRB__ x 18DP DT SG	Small dovetail drawer body
DRB__M x 18DP DT SG	Large dovetail drawer body
CHANNEL 21L	Left channel for drawer - attaches to cabinet (qty 1 per drawer)
CHANNEL 21R	Right channel for drawer - attaches to cabinet (qty 1 per drawer)
TRACK GA 21L	Left track for drawer - attaches to drawer body (qty 1 per drawer)
TRACK GA 21R	Right track for drawer - attaches to drawer body (qty 1 per drawer)
BRACKET CHAN B	Back bracket for channel - attaches channel to cabinet (qty 2 per drawer)
SCREW CHANNEL	Channel screw - attaches channel to face frame (qty 1 per drawer)
SCREW TRACK	Track screw - attaches track to drawer body (qty 3 per drawer)

## essential Replacement Parts For 21" Deep Vanity And Desk Drawers

PART NAME	DESCRIPTION
DRB__ x 18DP DT SG	Small dovetail drawer body
DRB__M x 18DP DT SG	Large dovetail drawer body
CHANNEL V L	Left channel for drawer - attaches to cabinet (qty 1 per drawer)
CHANNEL V R	Right channel for drawer - attaches to cabinet (qty 1 per drawer)
TRACK V L	Left track for drawer - attaches to drawer body (qty 1 per drawer)
TRACK V R	Right track for drawer - attaches to drawer body (qty 1 per drawer)
BRACKET CHAN B	Back bracket for channel - attaches channel to cabinet (qty 2 per drawer)
SCREW CHANNEL	Channel screw - attaches channel to face frame (qty 1 per drawer)
SCREW TRACK	Track screw - attaches track to drawer body (qty 3 per drawer)

## essential Replacement Parts For 18" Deep Vanity/Kneehole Drawers

PART NAME	DESCRIPTION
DRB__ x 15DP DT SG	Small dovetail drawer body
DRB__M x 15DP DT SG	Large dovetail drawer body
DRBKDC_X 15DP DT SG	Kneehole drawer body
CHANNEL V 18L	Left channel for drawer - attaches to cabinet (qty 1 per drawer)
CHANNEL V 18R	Right channel for drawer - attaches to cabinet (qty 1 per drawer)
TRACK GA 16L	Left track for drawer - attaches to drawer body (qty 1 per drawer)
TRACK GA 16R	Right track for drawer - attaches to drawer body (qty 1 per drawer)
BRACKET CHAN B	Back bracket for channel - attaches channel to cabinet (qty 2 per drawer)
SCREW CHANNEL	Channel screw - attaches channel to face frame (qty 1 per drawer)
SCREW TRACK	Track screw - attaches track to drawer body (qty 3 per drawer)

## essential Replacement Parts For Wastebasket Pullout

PART NAME	DESCRIPTION
BWBB__ FOL KIT	Base Bottom Mounted Wastebasket Kit (includes all installation items)
DWBB18__ FOL KIT	Desk Bottom Mounted Wastebasket Kit (includes all installation items)
VWBB1834H FOL KIT	Vanity Bottom Mounted Wastebasket Kit (includes all installation items)
GLIDE HD FAL21	Left Full-Access Heavy Duty Glide for DWBB1821, VWBB1834H (qty 1 per pullout)
GLIDE HD FAL24	Left Full-Access Heavy Duty Glide for BWBB__, DWBB1824 (qty 1 per pullout)
GLIDE HD FAR21	Right Full-Access Heavy Duty Glide for DWBB1821, VWBB1834H (qty 1 per pullout)
GLIDE HD FAR24	Right Full-Access Heavy Duty Glide for BWBB__, DWBB1824 (qty 1 per pullout)
CLIP HD DRB BACK L	Left back clip for wastebasket pullout (qty 1 per glide)
CLIP HD DRB BACK R	Right back clip for wastebasket pullout (qty 1 per glide)
SCREW GLIDE FD	Screw that attaches glide brackets to front face frame of cabinet (qty 1 per glide)
SCREW TRACK	Screw that attaches the door to the drawer box using "L" brackets (qty 2 per bracket)
SCREW BRACKET DDF	Attaches "L" bracket to drawer front (qty 2 per bracket)
SCREW BRACKET DRB	Attaches "L" bracket to drawer box (qty 2 per bracket)
BRACKET GLIDE HD BOT	Heavy Duty Glide back bracket - mounts to cabinet floor (qty 1 per glide)
DDF BRACKET FOL	Metal "L" bracket for FOL door attachment (qty 4 per door)
DDF BRACKET CCAP FOL	Plastic "L" bracket cover cap for DDF BRACKET FOL (qty 1 per bracket)
WASTEBASKET 27QT SLV	Silver 27 quart wastebasket
WASTEBASKET 35QT SLV	Silver 35 quart wastebasket
WASTEBASKET 50QT SLV	Silver 50 quart wastebasket

essential Replacement Parts For 24" Deep DROT'S/BPPOK'S/ROTDK'S	
PART NAME	DESCRIPTION
DROT_	Deep Dovetail Deep Roll Out Tray Kit
CHANNEL SS1L	Left channel for deep roll out tray - attaches to cabinet (qty 1 per drawer)
CHANNEL SS1R	Right channel for deep roll out tray - attaches to cabinet (qty 1 per drawer)
TRACK GA 21L	Left track for deep roll out tray - attaches to drawer body (qty 1 per drawer)
TRACK GA 21R	Right track for deep roll out tray - attaches to drawer body (qty 1 per drawer)
BRACKET CHAN B	Back bracket for channel - attaches channel to cabinet (qty 2 per drawer)
SCREW CHANNEL	Channel screw - attaches channel to face frame (qty 1 per deep roll out tray)
SCREW TRACK	Track screw - attaches track to drawer body (qty 3 per drawer)
SCREW TRACK	Track screw - attaches track to drawer body (qty 3 per drawer)

essential Replacement Parts For 21" Deep VLC DROT'S	
PART NAME	DESCRIPTION
DROT_21	Deep Dovetail Deep Roll Out Tray Kit
CHANNEL V L	Left channel for deep roll out tray - attaches to cabinet (qty 1 per drawer)
CHANNEL V R	Right channel for deep roll out tray - attaches to cabinet (qty 1 per drawer)
TRACK V L	Left track for deep roll out tray - attaches to drawer body (qty 1 per drawer)
TRACK V R	Right track for deep roll out tray - attaches to drawer body (qty 1 per drawer)
BRACKET CHAN B	Back bracket for channel - attaches channel to cabinet (qty 2 per drawer)
SCREW CHANNEL	Channel screw - attaches channel to face frame (qty 1 per deep roll out tray)
SCREW TRACK	Track screw - attaches track to drawer body (qty 3 per drawer)
SCREW TRACK	Track screw - attaches track to drawer body (qty 3 per drawer)

essential Replacement Parts For Two Drawer Base Drawers	
PART NAME	DESCRIPTION
DRB__ HD x 21DPDTFD	Drawer body - release clips attached
GLIDE HD CCL24	Left CushionClose Glide (qty 1 per drawer)
GLIDE HD CCR24	Right CushionClose Glide (qty 1 per drawer)
CLIP HD DRB BACK L	Left back bracket for drawer glide (qty 1 per drawer)
CLIP HD DRB BACK R	Right back bracket for drawer glide (qty 1 per drawer)
BRACKET GL HD BOT	Bottom bracket for glide (qty 2 per drawer)
SCREW GLIDE FD	Screw to attach front clip for drawer (qty 2 per drawer)
DRB HD MOUNT CLIP L	Left drawer release clip for drawer glide - included with replacement drawer body (qty 1 per drawer)
DRB HD MOUNT CLIP R	Right drawer release clip for drawer glide - included with replacement drawer body (qty 1 per drawer)

select & luxury Replacement Parts For 24" Deep Base And Desk Drawers

PART NAME	DESCRIPTION
DRB__ x 21DP DT FD	Small drawer body - release clips attached
DRB__M x 21DP DT FD	Large drawer body - release clips attached
GLIDE FD CCL24	Left CushionClose Glide (qty 1 per drawer)
GLIDE FD CCR 24	Right CushionClose Glide (qty 1 per drawer)
BRACKET GL BD UNI FG	Back bracket for any bottom drawer (qty 2 per drawer)
BRACKET GL UD UNI FG	Back bracket for any upper drawer (qty 2 per drawer)
SCREW GLIDE FD	Screw to attach front clip for drawer (qty 2 per drawer)
DRB MOUNT CLIP L FD	Left drawer release clip for drawer glide - included with replacement drawer body (qty 1 per drawer)
DRB MOUNT CLIP R FD	Right drawer release clip for drawer glide - included with replacement drawer body (qty 1 per drawer)

select & luxury Replacement Parts For 21" Deep Vanity And Desk Drawers

PART NAME	DESCRIPTION
DRB__ x 18DP DT FD	Small drawer body - release clips attached
DRB__M x 18DP DT FD	Large drawer body - release clips attached
GLIDE FD CCL VAN21	Left CushionClose Glide (qty 1 per drawer)
GLIDE FD CCR VAN21	Right CushionClose Glide (qty 1 per drawer)
BRACKET GL BD UNI FG	Back bracket for any bottom drawer (qty 2 per drawer)
BRACKET GL UD UNI FG	Back bracket for any upper drawer (qty 2 per drawer)
SCREW GLIDE FD	Screw to attach front clip for drawer (qty 2 per drawer)
DRB MOUNT CLIP L FD	Left drawer release clip for drawer glide - included with replacement drawer body (qty 1 per drawer)
DRB MOUNT CLIP R FD	Right drawer release clip for drawer glide - included with replacement drawer body (qty 1 per drawer)

select & luxury Replacement Parts For 18" Deep Vanity/Kneehole Drawers

PART NAME	DESCRIPTION
DRB__ x 15DP DT FD	Small dovetail drawer body
DRB__M x 15DP DT FD	Large dovetail drawer body
DRBKDC_X 15DP DT FD	Small drawer body - release clips attached
GLIDE FD CCL18	Left CushionClose Glide (qty 1 per drawer)
GLIDE FD CCR 18	Right CushionClose Glide (qty 1 per drawer)
BRACKET GL BD UNI FG	Back bracket for any bottom drawer (qty 2 per drawer)
BRACKET GL UD UNI FG	Back bracket (qty 2 per drawer)
SCREW GLIDE FD	Screw to attach front clip for drawer (qty 2 per drawer)
DRB MOUNT CLIP L FD	Left drawer release clip for drawer glide - included with replacement drawer body (qty 1 per drawer)
DRB MOUNT CLIP R FD	Right drawer release clip for drawer glide - included with replacement drawer body (qty 1 per drawer)

select & luxury Replacement Parts For Wastebasket Pullout

NOMENCLATURE	DESCRIPTION
BWBB__ FOL KIT	Base Bottom Mounted Wastebasket Kit (includes all installation items)
DWBB18__ FOL KIT	Desk Bottom Mounted Wastebasket Kit (includes all installation items)
VWBB1834H FOL KIT	Vanity Bottom Mounted Wastebasket Kit (includes all installation items)
GLIDE HD CCL21	Left CushionClose Heavy Duty Glide for DWBB1821, VWBB1834H (qty 1 per pullout)
GLIDE HD CCR21	Right CushionClose Heavy Duty Glide for DWBB1821, VWBB1834H (qty 1 per pullout)
GLIDE HD CCL24	Left CushionClose Heavy Duty Glide for BWBB__, DWBB1824 (qty 1 per pullout)
GLIDE HD CCR24	Right Cushion Close Heavy Duty Glide for BWBB__, DWBB1824 (qty 1 per pullout)
CLIP HD DRB BACK L	Left back clip for wastebasket pullout (qty 1 per glide)
CLIP HD DRB BACK R	Right back clip for wastebasket pullout (qty 1 per glide)
SCREW GLIDE FD	Screw that attaches glide brackets to front face frame of cabinet (qty 1 per glide)
SCREW TRACK	Screw that attaches the door to the drawer box using "L" brackets (qty 2 per bracket)
SCREW BRACKET DDF	Attaches "L" bracket to drawer front (qty 2 per bracket)
SCREW BRACKET DRB	Attaches "L" bracket to drawer box (qty 2 per bracket)
BRACKET GLIDE HD BOT	Heavy Duty Glide back bracket - mounts to cabinet floor (qty 1 per glide)
DDF BRACKET FOL	Metal "L" bracket for FOL door attachment (qty 4 per door)
DDF BRACKET CCAP FOL	Plastic "L" bracket cover cap for DDF BRACKET FOL (qty 1 per bracket)
WASTEBASKET 27QT SLV	Silver 27 quart wastebasket
WASTEBASKET 35QT SLV	Silver 35 quart wastebasket
WASTEBASKET 50QT SLV	Silver 50 quart wastebasket

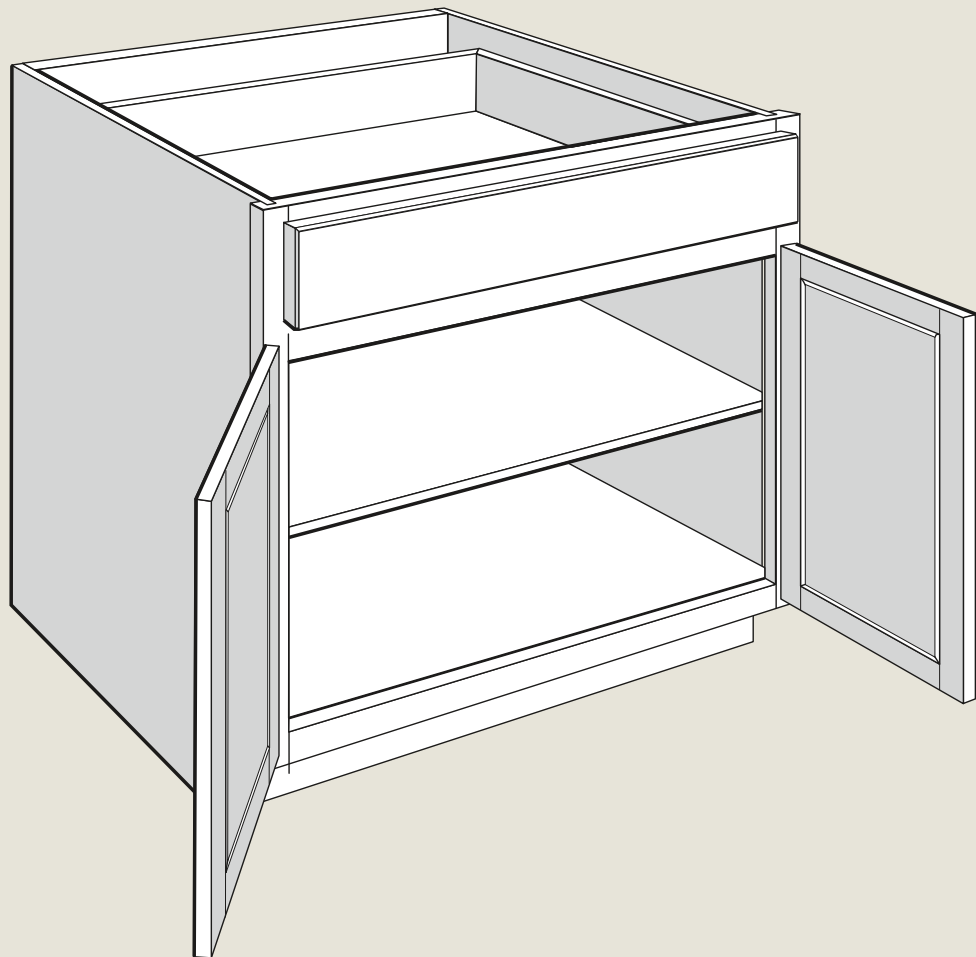
select & luxury Replacement Parts For 24" Deep DROT'S/BPPOK'S/ROTDK'S	
PART NAME	DESCRIPTION
DROT_	Deep Roll Out Tray Kit (ships with ALL installation hardware)
GLIDE DROTCLL24	Left CushionClose Glide (qty 1 per roll out tray)
GLIDE DROTCCR24	Right CushionClose Glide (qty 1 per roll out tray)
SCREW GLIDE CC	Attachement screws for front brackets (2 per roll out tray)
BRACKET GL B DROTUNI	Back bracket for drawer glide (qty 2 per roll out tray)
BRACKETDROT FRT MTL	Front bracket for drawer glide - will ship with attachement screws (qty 2 per roll out tray)
DROTFA MOUNT CLIP L	Left release clip for roll out tray
DROTFA MOUNT CLIP R	Right release clip for roll out tray
SCREW TRACK	Track screw - attaches track to drawer body (qty 3 per drawer)

select & luxury Replacement Parts For 21" Deep VLC DROT'S	
PART NAME	DESCRIPTION
DROT__21	Deep Roll Out Tray Kit (ships with ALL installation hardware)
GLIDE FD CCL VAN21	Left CushionClose Glide (qty 1 per roll out tray)
GLIDE FD CCR VAN21	Right CushionClose Glide (qty 1 per roll out tray)
SCREW GLIDE CC	Attachment screws for front brackets (2 per roll out tray)
BRACKET RD DROT L FA	Left back bracket for drot glide (qty 1 per roll out tray)
BRACKET RD DROT R FA	Right back bracket for drot glide (qty 1 per roll out tray)
BRACKETDROT FRT MTL	Front bracket for drawer glide - will ship with attachment screws (qty 2 per roll out tray)
DROTFA MOUNT CLIP L	Left release clip for roll out tray
DROTFA MOUNT CLIP R	Right release clip for roll out tray

select & luxury Replacement Parts For Two Drawer Base Drawers	
PART NAME	DESCRIPTION
DRB__ HD x 21DPDTFD	Drawer body - release clips attached
GLIDE HD CCL24	Left CushionClose Glide (qty 1 per drawer)
GLIDE HD CCR24	Right CushionClose Glide (qty 1 per drawer)
CLIP HD DRB BACK L	Left back bracket for drawer glide (qty 1 per drawer)
CLIP HD DRB BACK R	Right back bracket for drawer glide (qty 1 per drawer)
BRACKET GL HD BOT	Bottom bracket for glide (qty 2 per drawer)
SCREW GLIDE FD	Screw to attach front clip for drawer (qty 2 per drawer)
DRB HD MOUNT CLIP L	Left drawer release clip for drawer glide - included with replacement drawer body (qty 1 per drawer)
DRB HD MOUNT CLIP R	Right drawer release clip for drawer glide - included with replacement drawer body (qty 1 per drawer)



# Index



	SKU	PAGE
<b>A</b>		
Accent Turned Foot	ATF	133
Accent Turned Foot, Full Round	ATF-FR	133
Adjustable Drawer Divider Insert Kit	ADDIK__	86
Adjustable Shelf Kit	S/SK__	105, 117
Angle Crown Molding	ACM8	120
Angled Corbel	AS12__	130
Angled Outside Corner Molding	AOSC8	124
Asymmetrical Base Easy Reach	BER__	74
Asymmetrical Base Super Susan with Wood Spin Units	BSS__ WD	74
<b>B</b>		
Base Bookshelf	BSPLY2434	95
Base Cabinet Construction, essential	-	19
Base Cabinet Construction, luxury	-	23
Base Cabinet Construction, select	-	21
Base Cabinet Decorator Matching Doors	DMDB	141
Base Cabinet Dimensions	-	13
Base Cabinet Mixer Lift	FH MLK	65
Base Cabinet No Drawer	TB9	64
Base Cabinet Tray Divider Pull-Out	BTDP9	65
Base Cabinet Two Vertical Deep Roll Out Trays	B____2FWT	60, 63
Base Cabinet with 1 Door and Factory Installed Drawer Organizers	B__	62
Base Cabinet with 2 Doors and Factory Installed Drawer Organizers	B__ BUTT __	63
Base Cabinet with Cutting Board Door Rack Kit	B18 CBDR	61
Base Cabinet with Factory Installed Roll-Out Tray Divider	B__ROTD	60
Base Cabinet with Plastic Bag Door Storage Kit	B__ PBDSU	61
Base Cabinet, 1 Factory Installed Wastebasket	BWBB15__	61
Base Cabinet, 2 Factory Installed Wastebaskets	BWBB__-2	61
Base Cabinet, Standard with 2 Butt Doors	B__	62
Base Cabinet, Standard with Center Stile	B__	64
Base Cabinet, Standard with One Door	B__	60
Base Cabinet, with 3 Doors	B45	64
Base Column Filler	B_C__	147
Base Corner Filler	BCF27	146
Base Easy Reach	BER__	73
Base End Angle Decorator Matching Door	DMDBEA12	142
Base End Angle	BEA__ FH	82
Base Filler Pull-Out	BFP__	83
Base Microwave Cabinet	BMC__	83
Base Mixer Lift Kit	BMLK18	87
Base Oven Cabinet Universal	BOCU__	84
Base Pantry Pull-Out	BPP__	66
Base Pot & Pan Organizer Kit	BPPOK__	86
Base Pot and Pan Organizer Cabinet	B____BPPO	60, 63
Base Spice Drawer Cabinet	BSDC6	82
Base Square Foot	BSQF	133
Base Square Leg	BSQL	133
Base Super Susan with Wood Spin Units	BSS__ WD	73
Base Tapered Leg	BTPL	133

	SKU	PAGE
Base Toe Kick	BTK8	148
Base Turned Leg	BTL	133
Base Utensil Storage Pull-Out	BPPUS__	66
Base Wine Rack Cabinet	BWRC6	82
Batten Molding	BM8	124
Blind Base Swing Out Kit	BLBSOK45__	88
Blind Corner Base Installation Chart	-	77
Blind Corner Base	BLB__	76
Blind Corner Closure	BLC__	57
Blind Corner Closure	BLC1515	89
Blind Peninsula Corner Base	PBC__	72
Blind Wall Cabinet	BLW__	44
Blind Wall Cabinet Dimensions	-	45
Blind Wall Cabinet Installation Chart	-	45
<b>C</b>		
Cabinet Angle Molding	CAM8	124
Cabinet Care	-	11
Cabinet Dimensions	-	12
Cabinet Front Only Option	CFO	29
Cabinet Specifications	-	9
Cabinet Tray Divider	TD3	89, 105
Ceiling Height Requirements	-	14
Chair Rail Molding	CR8	121
Chantilly Decorative Foot	CDF	134
Chantilly Decorative Leg	CDL	134
Chantilly Furniture Leg	CFL	134
Classic Baseboard Molding	CLBM8	122
Classic Molding Stack	MS CLASSIC__	127
Classic Trim Molding	CLTM8	122
Cleaning Caddy Pullout Kit	CCPOK	88
Cleat	HWC__	148
Construction Option Examples	-	28
Construction Option Legend	-	28
Construction Package Comparison Chart	-	24
Contemporary Trim Molding	CTM8	120
Contents, Parts Directory	-	162
Corner Base Carousel	CAR36 WD	75
Corner Base with Wood Spin Units	CBS36 WD	75
Corner Sink Base	CSB36	78
Corner Sink Front	CSF__	81
Corner Wall Cabinets	CW__	46
Cover Caps	COVER CAP	149
Crown Molding - Builder	CM8 BLD	125
Crown Molding	CM8	120
Crown Valance	V__ CR	128
Curved Corbel	CS12__	130
Cutlery Divider Kit	CDAK__	85
Cutting Board Door Rack Kit	CBDRK18	89



	SKU	PAGE
<b>D</b>		
Decorative Cove Molding	DCVM8	120
Decorative Glass Clips	CLIP DGI __	37
Decorative Inside Corner Molding	ICM8	124
Decorative Trim Molding	DCTM8	120
Deep Roll Out Tray 4 Pack Kit, Utility	DROT____-4K	106
Deep Roll Out Tray 4 Pack Kit, Vanity Linen	DROT____21-4K	117
Deep Roll Out Tray Kit	DROT__	86, 106
Deep Roll Out Tray Kit	DROT__	117
Deep Sink Base Cabinet	DSB_	78
Deep Sink/Range Base Cabinet	DSB__	78
Desk Cabinet Dimensions	-	13
Desk Cabinet with Wastebasket Pull-Out, 21" Deep	DWBB1821__	92
Desk Cabinet with Wastebasket Pull-Out, 24" Deep	DWBB1824__	92
Desk Door Cabinet, 21" Deep	DDO__21	92
Desk Door Cabinet, 24" Deep	DDO__24	92
Desk Drawer Cabinet, 21" Deep	DDR__21	93
Desk Drawer Cabinet, 24" Deep	DDR__24	93
Desk End Panel	DEP	115, 138
Desk File Pull-Out Cabinet, 21" Deep	DFDC1821__	93
Desk File Pull-Out Cabinet, 24" Deep	DFDC1824__	93
Dishwasher Return	DWR3	138
Double Oven Cabinet, 1 Drawer	OVD__ BUTT	103
Double Oven Cabinet, 1 Large Drawer	OVD__ BUTT 1DDWR	104
Double Oven Cabinet, 2 Drawers	OVD__ BUTT 2DWR	104
Drawer Base Cabinet w/ Scalloped Tray	DB__ 2DWR SFWT	68
Drawer Base Cabinet, 2 Drawers	DB__ 2DWR	68
Drawer Base Cabinet Dimensions	-	13
Drawer Base Cabinet w/ Peg Dish Organizer and Scalloped Tray	DB__ 2DWR SFWT PDO	69
Drawer Base Cabinet w/Peg Dish Organizer	DB__2DWR PDO	69
Drawer Base Cabinet, 3 Drawers	DB__	69
Drawer Base Cabinet, 4 Drawers	DB__ 4DWR	69
Dummy Drawer Front Fastener	DDF FASTENER	149
<b>E</b>		
Environmentally Responsible Stewardship	-	10
<b>F</b>		
Filler, Plain Box	WPB__	55
Finished Shelf	FS__	57
Finishing System Specifications	-	11
Flat Panel Arched Valance	V__ FP	128
Floating Shelf	FLSH__	56, 95
Fluted Beaded Filler Extension	FBF E3__	146
Fluted Beaded Filler	FBF__	146
Full-Height Base Cabinet with Tray Divider and Shelf	TB9 TDS	64
Full-Height Base Cabinet, 1 Factory Installed Wastebasket	BWBB__ FH	66
Full-Height Base Cabinet, 2 Butt Doors	B__ FH	67
Full-Height Base Cabinet, 2 Factory Installed Wastebaskets	BWBB21-2 FH	66

	SKU	PAGE
Full-Height Base Cabinet	B__ FH	65
Full-Height Base w/Four Deep Roll Out Trays	B__ FH __4FWT	65
Full-Height Base w/Four Deep Roll Out Trays	B__ FH __4FWT	67
Full-Height Base w/Two Deep Roll Out Trays	B__ FH __2FWT	67
Full-Height Base w/Two Deep Roll Out Trays	B__ FH __2FWT	65
Full-Height Peninsula Base	PB__ FH	71
Furniture Drawer Cabinet	FD__	67, 93, 114
Furniture Ends Option	FE	29
<b>G</b>		
Glass Insert	DGI__	36
Glass Shelf Kit	GSK__	57
Grooved End Panel	_EP__ GROOVED	139
<b>H</b>		
Hinge Restriction Clip	HINGE CC ANG RES CLP	149
<b>I</b>		
Increased Depth Option	ID	31
Inset Light Rail Molding	ILR8	122
Inside Corner Molding	QM8	124
Installation Guidelines	-	16
<b>K</b>		
KCMA Certification	-	10
Kneehole Drawer Cabinet	KDC__	93, 115
Knife Block Drawer Insert Kit	KBDIK__	85
<b>L</b>		
Large Cove Molding	LCVM8	120
Large Finley Corbel	FC312	131
Large Narrow Cove Corbel	CC212	130
Large Prairie Corbel	PC312	131
Large Rosette Corbel	RC313	132
Large Valencia Corbel	VC312	131
Library Light Rail Molding	LBM8	122
<b>M</b>		
Matching Interior Option	MI	33
Medium Cove Corbel	CC49	130
Medium Finley Corbel	FC49	131
Medium Narrow Cove Corbel	CC29	130
Medium Prairie Corbel	PC49	131
Medium Rosette Corbel	RC49	132
Medium Valencia Corbel	VC49	131
Microwave Wall	WMC__	43
Mirror Molding	MM8	121
Modern Molding Stack	MS MODERN ____	125
Molding Stock, 3-Sided	MSS3S____	123

	SKU	PAGE
<b>O</b>		
Ogee Molding	OGE8	121
Ogee Pilaster Molding	OGP8	122
Open Frame Door Option	OFD	35
Outside Corner Molding	OTCM8	124
Oven Cabinet, Single	OVS__	100
Overlay Dimensions	-	25
Overlay Filler	_OF__	144
<b>P</b>		
Parker Decorative Foot	PDF	134
Parker Decorative	PDL	134
Parker Furniture Leg	PFL	134
Parts Directory Contents	-	162
Parts Directory Section	-	161
Pedestal Drawer Cabinet	PD__	68
Peninsula Base Cabinet	PB__	71
Plain Box Filler	WPB__	147
Plastic Bag Door Storage Unit	PBDSU__	90
Plinth Block - 3"	_B3X4 PLINTH	132
Plinth Block - 6"	_B6X6 PLINTH	132
Putty Stick	PUTTY STICK	150
<b>Q</b>		
Quarter Round Molding	QR8	124
<b>R</b>		
Raised Panel Arched Valance	V__ RP	128
Range Hood Blower	RHVENT__	55
Range Hood Chimney	RHC__	52
Range Hood, Raised Panel	RH__ RP	52
Range Hood, Straight Valance	RH__ SV	52
Recessed Toe Kick Option	RTK	32
Reduced Depth Option	RD	30
Refrigerator Return Panel	RR__	140
Roll-Out Tray Divider Kit	ROTD__	87
<b>S</b>		
Screws, Installation	SCREW	149
Scribe Molding	SM8	124
Scribe Molding	SM10	124
Shaker Accent Molding	SAM	123
Shaker Chair Rail Molding	SQCR8	121
Shaker Insert Molding	SIM8	121
Shaker Mirror Molding	SMM8	121
Shaker Valance	V__ SH	129
Shelf, Adjustable	S/SK__	105, 117
Shelf End Wall, Round Top and Bottom	SEW__	49
Shelf End Wall, Square Top and Bottom	SEW__ SQTB	49
Shelf End Wall, Square Top and Round Bottom	SEW__ SQT	49
Shelf, Floating	FLSH__	56, 95
Shelf Rests	SHELF REST	148

	SKU	PAGE
Shoe Molding	SHM8	124
Single Bead Accent Molding	SBAM8	123
Single Bead Insert Molding	SBIM8	121
Single Bead Molding	SBM8	123
Single Oven Cabinet, with 2 Butt Doors, 4 Drawers	OVS__ BUTT 4DWR	103
Single Oven Cabinet, with 4 Butt Doors, 1 Drawer	OVS__ BUTT 1DWR	101
Single Oven Cabinet, with 4 Butt Doors, 1 Drawer & Pot & Pan Organizer	OVS__ BUTT 1DWR __BPPO	101
Single Oven Cabinet, with 4 Butt Doors, 2 Drawers	OVS__ BUTT 2DWR	102
Single Oven Cabinet, with 4 Butt Doors, 2 Drawers, Pot & Pan Organizer	OVS__ BUTT 2DWR __BPPO	102
Single Oven Cabinet, with Base Pot & Pan Organizer	OVS__ BUTT BPPO	100
Sink Base Door Storage Unit	SBDSU__	90
Sink Base Multi-Storage Cabinet	SBMS__ BUTT STO	80
Sink Base Multi-Storage Shelf	SBMSS	89
Sink Base with One Factory Installed Tilt-Out Tray(s)	SB__ STO	80, 80
Sink/Cooktop Base Cabinet	SB__	79
Sink/Cooktop Front	SF__	81
Sink/Vanity Front Floor	FL__	139
Sink/Vanity Front Return	SFR	138
Small Cove Corbel	CC36	130
Small Cove Molding	SCVM8	120
Small Finley Corbel	FC36	131
Small Narrow Cove Corbel	CC26	130
Small Prairie Corbel	PC36	131
Small Rosette Corbel	RC36	132
Small Single Bead Molding	SSBM8	123
Small Traditional Light Rail Molding	STLR8	122
Small Valencia Corbel	VC36	131
Soffit Crown Molding	SCM8	120
Specialty Door Options	SD	34
Spice Drawer Cabinet	SDC__	48
Spice Drawer Insert Kit	S DIAK__	85
Spice Rack Kit	SRK__	56
Split Post	SPLT POST80 P	135
Spray Stain	SPRAY STAIN	150
Square Inset Light Rail Molding	SQILR8	122
Stain	STAIN	150
Stainless Tilt-Out Tray Kit	STO TRAY	90
Starter Molding	STRM8	123
Stem Glass Holder	SGH36U	56
Stock, 4-Sided	S4S__	123
Storage Cube	SC__	48, 94
Straight Valance	V__ S	129
<b>T</b>		
Tall Bookshelves	BSPLY__	94
Tall Cabinet Decorator Matching Doors	DMDT__	142
Tall Cabinet Dimensions	-	14
Tall Column Filler	T_C__	147
Tapered Foot	TPF	133

	SKU	PAGE
Textured Finished Shelf	FS__	57
Tilt-Out Tray Kit	STO TRAY__	115
Touchup Marker	TU MARKER	150
Traditional Classic Crown Molding	TCCM8	120
Traditional Split Block	SPLT BLOCK26	135
Traditional Valance	V__T	129
Transitional Molding Stack	MS TRANSITIONAL ____	126
<b>U</b>		
Universal Filler Extension	UF E3__	143
Universal Filler	UF__	143
Utility Cabinet, 12" Deep, with Adjustable Shelves	UT__ 12 X __ AS	98
Utility Cabinet, 24" Deep, with Adjustable Shelves	UT__ 24 X __ AS	98
Utility Cabinet with Deep Roll Out Trays	UT____4ROT	99
<b>V</b>		
Valet Cabinet	VC2436 BUTT	115
Vanity Base Cabinet with Wastebasket Pull-Out, 34 1/2" High	VWBB1834H	108
Vanity Base, One Door	VB__	108
Vanity Base, Two Butt Doors	VB__BUTT	108
Vanity Base with Full-Height Door, 34 1/2" High	VB__ 34H FH	109
Vanity Combo Sink Base, 34 1/2" High	VSDB__34H	113
Vanity Drawer Base, 34 1/2" High	VDB__34H	109
Vanity Linen Cabinet, with Adjustable Shelves	VLC__ AS	116
Vanity Linen Cabinet, with Deep Roll Out Trays	VLC____ DROT	116
Vanity Sink Base, 34 1/2" High	VSB/VAN__34H	110
Void Door Option	VDO__	31
Void Top Drawer Option	VTD	32
<b>W</b>		
Wall Bookshelves	BSPLY__	94
Wall Cabinet Construction, essential	-	18
Wall Cabinet Construction, luxury	-	22
Wall Cabinet Construction, select	-	20
Wall Cabinet Dimensions	-	12
Wall Cabinet, Standard	W__	40
Wall Cabinet with Spice Rack	W__ SR	42
Wall Column Filler	W_C__	147
Wall Easy Reach	WER__	47
Wall End Angle Cabinet	WEA12__	47
Wall Microwave Cabinet, with Shelf	WMSC__	43
Wall Range Hood, Arched Valance	WRH__ AV	50
Wall Range Hood, Classic Tapered	WRH__ CT	50
Wall Range Hood, Decorative Mantle	WRH__ DM	50
Wall Range Hood, Straight Valance	WRH__ SV	50
Wall Top Hinge Cabinet	WTH__	42
Warranty Information	-	4
Wide Batten Molding	WBM8	124
Wine Rack Cabinet	WRC__	48
Wine Rack	WR36	56

	SKU	PAGE
Wine Storage Cabinet	WSC__	49
Wood End Panel	_EP__	139
Wood Tall End Panel	WTEP__	140
Wood Tiered Cutlery Divider Kit	WTCDAK__	84





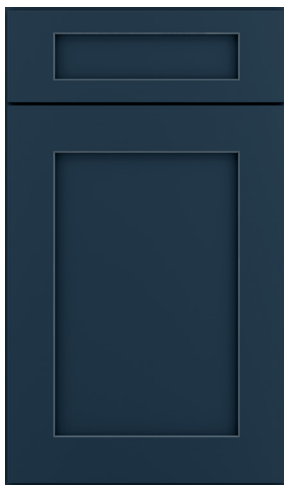
AVELEY



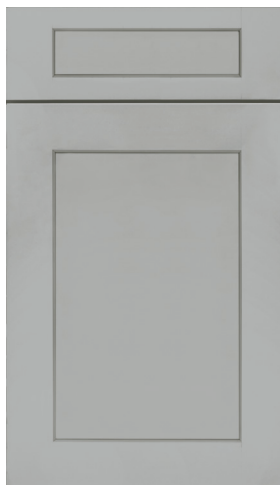
INNSBROOK



GALWAY



PORT



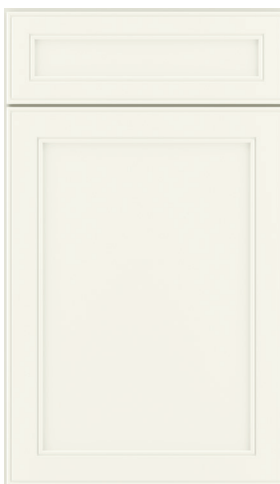
STONEWALL



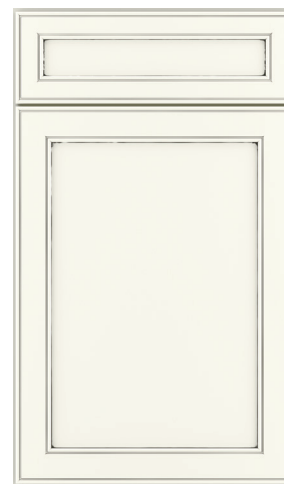
BICKERSHIRE



PATTINGHAM



McKELLER



GLENLOCH



EXCLUSIVELY AT



Printed in U.S.A. ©2023 AWC 0823 6,500 AR98312 allenandrothcabinetry.com

©2023 Lowe's. LOWE'S and Gable Mansard Design are registered trademarks of LF, LLC. All are used with permission.