

MD77ROT RATE OF TURN INDICATOR

- Clear and Easily Read Dial Display
- Rate of Turn up to 30°/min
- Panel or Bulkhead Mounted
- Touch Controls
- Local and Remote Dimming Control
- Automatic Detection of Previously Lost Data
- Digital NMEA 0183



OVERVIEW

The MD77ROT from MARINE DATA is a NMEA-based Rate of Turn Indicator, displaying the Rate in degrees per minute. Housed in a robust, compact aluminium enclosure with a touch panel for background and pointer illumination, the MD77ROT is ideal for any vessel.

The MD77ROT provides a clear and easy to read 118 mm diameter analogue dial display graduated in 1 degree per minute rate increments. Rate range: Up to 30 degrees per minute to Port and Starboard.

Compact and rugged, the MD77ROT offers a solution for locations where the available space is limited and may be either bulkhead or panel mounted. Finished in jet black to complement other marine navigation equipment.

The MD77ROT from MARINE DATA: flexible in application, easy to install and simple to maintain.

SPECIAL FEATURES

- Automatic warning of lost valid rate of turn data
- Automatic detection of previously lost rate of turn data without a reset required
- Local and Remote dimming control

APPLICATIONS

- To display Rate of Turn (ROT) data transmitted from NMEA 0183 compatible marine equipment at a convenient location

RELATED PRODUCTS & SYSTEMS

- MD77ROT120 Version with 120°/min rate range
- MD94DDU Data Distribution Unit
- Rudder Angle Indicator System



AMI Marine Ltd
+44(0)2380 480 450
sales@amimarine.com
amimarine.com

MARINE DATA SYSTEMS LTD. reserves the right to make changes to its products and specifications without notice. Printer-friendly version. ©MARINE DATA 2016 ver04 rev06



SPECIFICATIONS

...navigation with innovation

PHYSICAL

- Weight: 1.25 kg (on bracket)
- Dimensions: H 166 mm; W 200 mm; D 87 mm (on bracket)
Fascia 144 x 144 mm; dial Ø 118 mm
140mm square panel cut-out
- Mounting: Panel mounted or optional Bulkhead mounted
- Connections: 1 x data cable to 15-pin D-sub plug
- Construction: Aluminium alloy enclosure, Polycarbonate face
- Finish: RAL9005 Jet Black, fine texture

ELECTRICAL

- Power Supply: 24 V dc (18-28 V); 6 W
- Data Input: Digital RS422; NMEA 0183; 4800, 9600, 19200, 38000 Baud; auto-selecting
- Data Sentences: NMEA 0183 ROT Rate of Turn Data
- Outputs: External Alarm Loop (optional)
- Cable: Supplied with 2.5 m multi-core data cable

OPERATIONAL

- Performance: $\pm 0.5^\circ/\text{min}$ accuracy; Alignment rate in excess of 40° per second
- Illumination: Backlit white
- Display: Rate of Turn, dial scale graduated in 1° per minute rate increments: full scale deflection $35^\circ/\text{min}$
- Error Indication: Loss of Valid Data: Pointer assumes a vertical downward position and illumination flashes (alert condition)

ENVIRONMENTAL

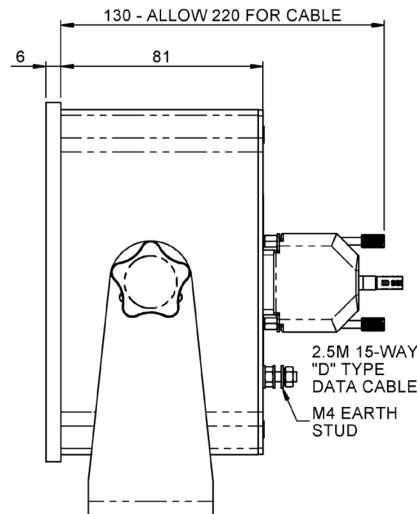
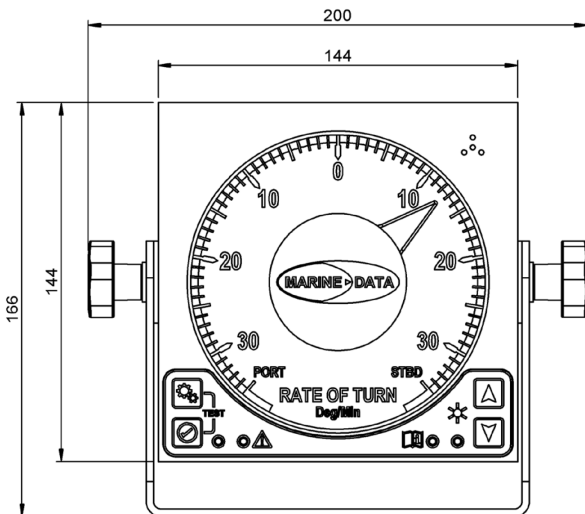
- IP rating: IP54
- Operating temp: -15°C to $+55^\circ\text{C}$
- Storage temp: -25°C to $+70^\circ\text{C}$
- RoHS: Compliant
- Magnetic: Magnetic Permeability: Category 'A'
- Compass: Safe Distance 100 cm

APPROVALS

- Complies with: IEC60945
IEC61162-1 (NMEA)
- Type Approval: Germanischer Lloyd (GL)

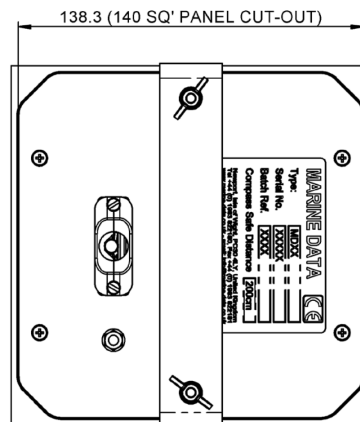
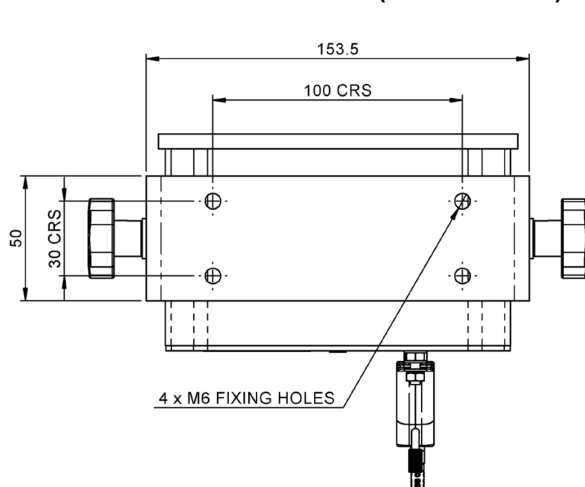
ADDITIONAL INFORMATION

- Supplied: Panel mounting kit
- Option: Remote Dimmer Control (0-24 V dc)
- Accessory: Bulkhead mounting bracket kit



ALL DIMENSIONS MM

TRUNNION MOUNT (ACCESSORY)



PANEL MOUNT (SUPPLIED)

AMI Marine Ltd
+44(0)2380 480 450
sales@amimarine.com
amimarine.com



MARINE DATA SYSTEMS LTD. reserves the right to make changes to its products and specifications without notice. Printer-friendly version. ©MARINE DATA 2016 ver04 rev06

