

We set your
electronics on
the **right track!**



... more than 50 years of enclosure experience

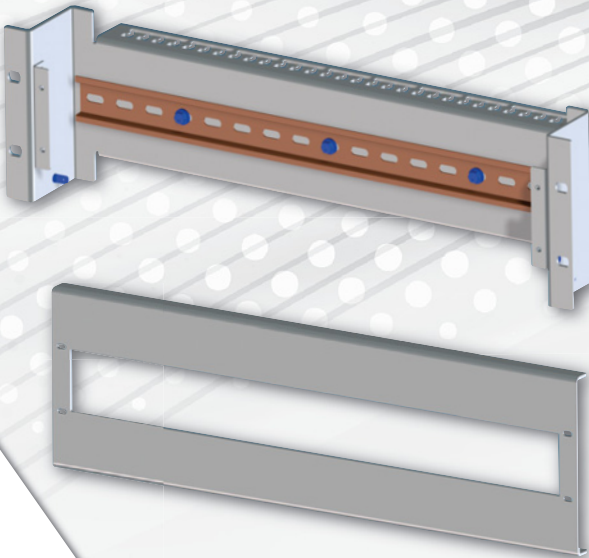
19" top hat rail support 3 U



- for recessed installation of top hat rail enclosures on the 19" level of cabinets, racks or enclosures
- equipped with top hat rail TS 35 (width: 425 mm)
- integrated cable support and strain relief by cable tie bar
- different colours and surfaces available

19" top hat rail support 3 U

for circuit breakers acc. to DIN 43880



- for installation of circuit breakers on the 19" level of cabinets, racks or enclosures
- equipped with top hat rail TS 35 (width: 425 mm)
- integrated cable support and strain relief by cable tie bar
- max. 22,5 Hp (1 HP = 18 mm)
- cover / contact protection with cut-out (408 x 46 mm) available

Please contact your local distributor for more details:



 commercial@apra-norm.fr  info@apra.hu
 sales@comtel.co.il  info@el-microwave.com



19" mounting plate 3 U

- for recessed installation of components on the 19" level of cabinets, racks or enclosures
- equipped with mounting plate (width: 425 mm)
- integrated cable support and strain relief by cable tie bar
- cover / contact protection available

Top hat rail installation kit for integration of top hat rails in 19" plug-in units

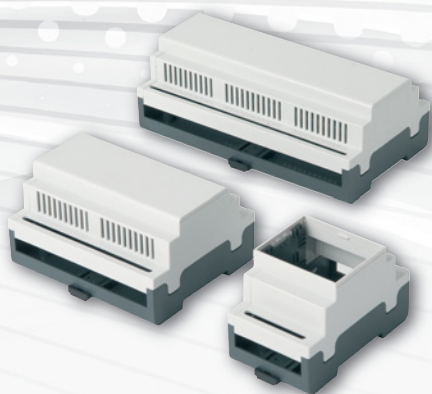
- kit with top hat rail, mounting brackets and mounting material
- front panel with cut-out for components available



Configuration sample: top hat installation kit installed in 19" plug-in unit with front panel and handles

Good things often come in small packages

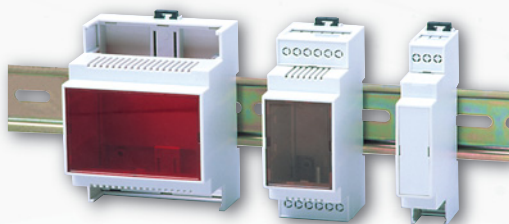
Enclosure system "apra Rail DB"



- sturdy enclosure acc. to DIN EN 43880 (modular enclosure)
- mounting on top hat rail or wall mounting
- width: from 1 to 12 modules
- open version for front panel or version with closed front
- parts can be assembled without tools
- snap-in front panels available
- safe fixing of PCB in horizontal / vertical position due to use of separate PCB fixings

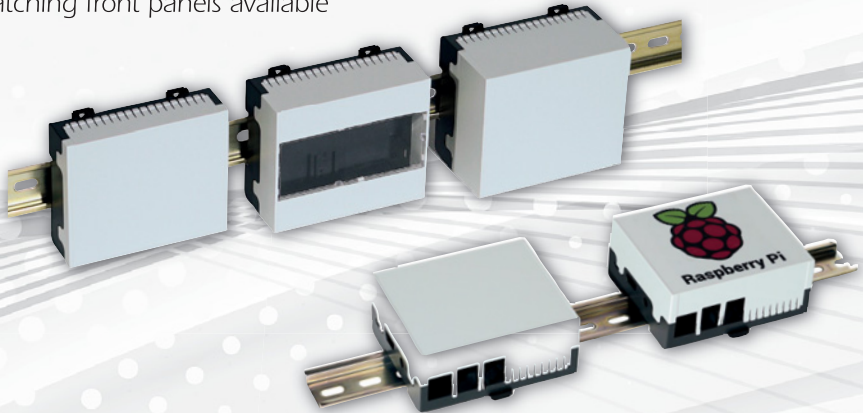
Enclosure system "apra Rail MB"

- mounting on top hat rail or wall mounting
- width: from 1 to 12 modules
- parts can be assembled without tools
- height of enclosure can be increased using extensions
- snap-in front panels, extensions and terminal covers available

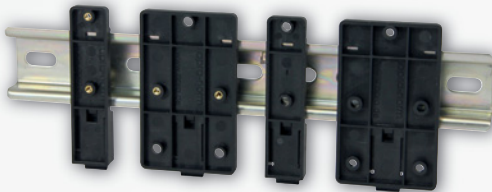


Enclosure system “apra Rail DB-FMH”

- mounting on top hat rail or wall mounting
- heights: 33 mm, 48 mm, 63 mm
- width: 4 modules (72 mm) and 6 modules (107 mm)
- open version for front panel or version with closed front
- flat top shell
- parts can be assembled without tools
- matching front panels available



Bracket / adapter for top hat rail



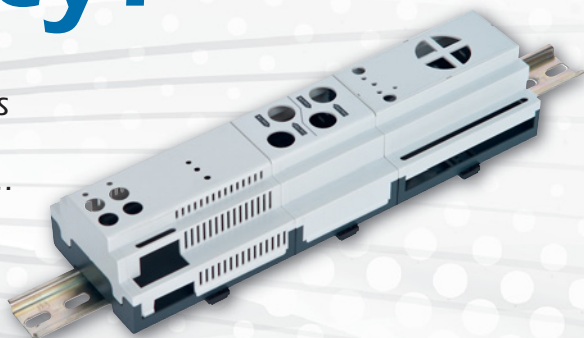
- quick, safe and sturdy fixing of small enclosures, circuit boards and other components on top hat rails and support rails
- can easily be fixed to the enclosure's rear panel either from inside or outside
- different sizes and versions available

Please contact your local distributor for more details:

Anything else you fancy?

Our standard solutions
don't work for you?
No problem, because...

... we make
it happen!



Many of our top hat rail enclosures can be customised for specific requirements like cut-outs for plugs or switches, ventilation, displays or changes in contours. The possibilities are virtually unlimited:

- ✓ higher quantities
- ✓ different colours
- ✓ mechanical treatment
- ✓ modification of injection moulding tools
- ✓ printing
- ✓ front foils and keypads



Just ask us - we will be
pleased to advise you:
+49 (0)6592/204-0



... more than 50 years of enclosure experience



apra-norm Elektromechanik GmbH

Bei der untersten Mühle 5 ■ 54552 Mehren ■ sales@apra.de ■ www.apra.de