

KITCHEN RETAIL

APPLIANCES 2014



KITCHEN RETAIL APPLIANCES 2014

AEG

 **AEG**
perfekt in form und funktion

'Simplicity is not, of course, the simplest thing to achieve. It is always the result of considering a very great number of small details.'

Hans Strohmeier
Senior Design Manager
AEG



Today, award winning AEG continues to stretch the vision of what is possible, by bringing together superior technology and inspired design. The Neue Kollektion represents the latest embodiment of our principles. Seamlessly integrated with the way we live today, it advances kitchen appliance technology further towards being Perfekt in Form und Funktion.

Over 125 years of innovation

125
YEARS OF
EXCELLENCE

A LASTING LEGACY

125 YEARS OF AEG

AEG

COMPETENCE

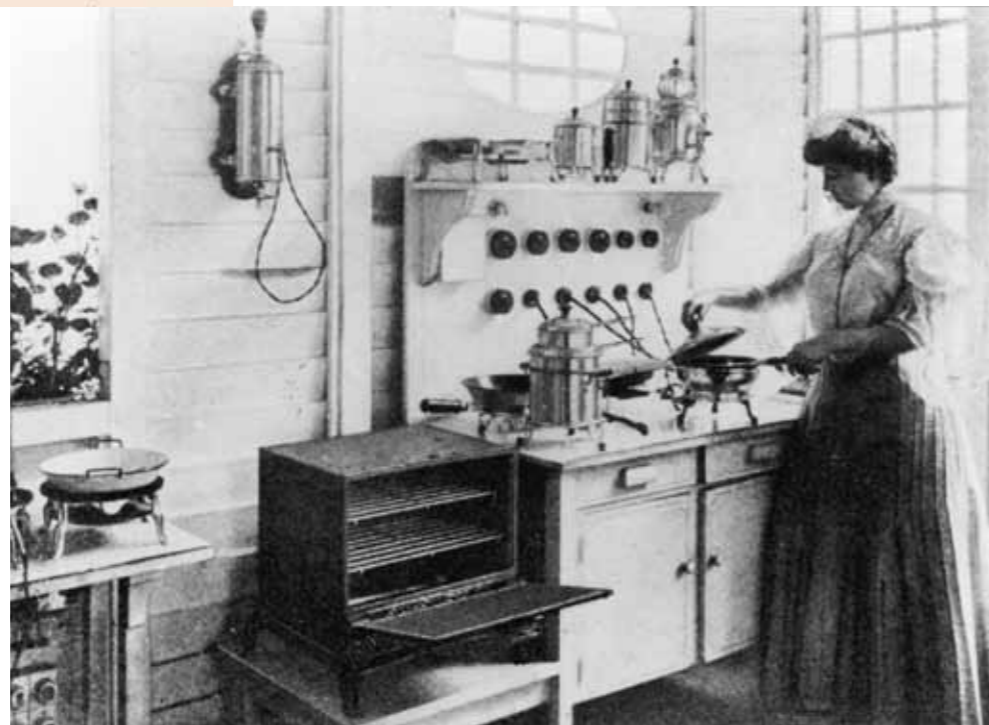
03

INTRODUCTION

A CULTURE OF INNOVATION



Since the formation of AEG we've never been frightened of leading the way. Our innovations have changed the lives of generations and product after product have promised innovative technology for home solutions.



Contents

125 years of AEG	2	Cleaning	
Cooking		Integrated Dishwashers	106
Ovens		Freestanding Dishwashers	111
Maxiklasse™	16	Cooling	
Pyroluxe®	20	Wine	120
ProCombi	28	Perfektfit™ and Side by Side	124
Built-In Double ovens	32	Freestanding	
Built-Under Double Ovens	34	Fridge Freezers	130
Cookers	35	Cabinet Fridges and Freezers	140
Hobs		Undercounter Fridges and Freezers	144
MaxiSight Induction	41	Built-In	
MaxiSense Induction	44	Fridge Freezers	149
CrystalLine	50	Fridges and Freezers	160
Ceramic	56	Laundry	
Gas	62	Built-In	
Hoods		Washing Machines	178
Designer Hoods	74	Washer Dryers	179
Designer Chimney Hoods	75	Freestanding	
Standard	79	Washing Machines	184
Compact Range		Dryers	190
Ovens	88	Washer Dryers	196
Coffee Machine	89		
Combination Microwaves	90		
Warming Drawers	91		
Microwaves	94		
Accessories	98		

*Full instructions for installation are found in the product user manuals, or at www.aeg.co.uk

Why AEG?

With our award winning Germanic design and build quality, AEG understand that the kitchen is increasingly becoming the heart of the home. Your kitchen appliances are essential tools that will be used for many years every day and so it is worth choosing a brand that will deliver you exceptional results in performance as well as looking stunning with its seamless design: hence perfect alignment in stainless steel and black glass is offered across the whole range.

OVENS

Our beautiful ovens feature an impressive XXL capacity. This means that we can offer you 5 shelves of completely even cooking and thanks to our ThermiC° hot air system, you can cook savoury and sweet at the same time with no transfer of flavour. For that all important Christmas feast, we tried and tested our ovens and you can comfortably cook a meal for 12 with all the trimmings!

Our impressive oven range offers you the latest options in innovation including multifunction steam, pyrolytic and CuliSense (the clever oven that thinks for itself!)



HOBS

AEG offer you stunning designs across all our hobs, with designer gas hobs, sleek ceramic and stunning induction hobs. Have you ever considered induction, the fastest growing hob technology, offering the ultimate in controllability and energy efficiency?

Induction is so easy to keep clean, plus we also offer you exciting cooking solutions with bridging functions, which facilitate sophisticated cooking with grill plates or fish kettles.



FRIDGES AND FREEZERS

The ProFresh technology in our fridges and freezers ensures that your seasonal produce is kept in optimum condition for longer. Our extra tall built in fridge freezers offer you maximum storage space meaning fewer trips to the shops and our stunning designer PerfektFit™ fridge freezer with wine cooler makes a real statement, perfect for entertaining and will align seamlessly within your kitchen units.



HOODS

Our hoods complement our ovens and hobs beautifully. Our stunning designer hoods make a real statement as well as offering you the most efficient extraction solutions to keep your open plan living as fresh as possible.

DISHWASHERS

The unsung heroes of many kitchens, our AEG dishwashers offer you a greater internal capacity (10 litres more than the average) with outstanding cleaning performance thanks to our extra satellite spray arm, giving you sparkling results. For open plan living, our dishwashers have also been awarded the Quietmark award.



LAUNDRY

Whether in your kitchen or your utility room, our AEG laundry range offers you robust, well-built machines designed to treat your garments with the utmost care, with special programmes that offer the gentlest cleaning your softest cashmeres and silk scarves.

Our tumble dryers have been awarded the Gold Woolmark award, plus our range uses an incredible 50% less energy than a standard A rated dryer.



Cooking

Great cooking is both an art and a science. It's your artistry on show, and we're here to back you up with advanced technology and an extensive range. Including the largest-in-class MaxiKlasse™ oven, the ProCombi Steam Oven and our MaxiSense Induction Hob.



Ovens

MaxiKlasse™	16
Pyroluxe	20
ProCombi	28
Built-In Double Ovens	32
Built-Under Double Ovens	34
Cookers	35

Hobs

MaxiSight® Induction	41
MaxiSense® Induction	44
CrystalLine	50
Ceramic	56
Gas	62

Hoods

Designer Hoods	74
Designer Chimney Hoods	75
Standard	79

Compact Range

Ovens	88
Coffee Machine	89
Combination Microwaves	90
Warming Drawers	91
Microwaves	94
Accessories	98

Ovens

The heart of the kitchen

The heart of every kitchen is the oven, where heat works its magic, turning raw ingredients into wonderful food and aromas.

As you challenge yourself and hone your cooking skills, your oven must be infinitely adaptable, capable of exceedingly delicate adjustment, yet also amazingly durable.

The starting point for our design brief is the use of very high grade materials. You won't always see them, but you'll know they're there in the feeling of strength and balance, and the quiet, unruffled way an AEG oven does its work, year after year. It's that high quality frame that enables our ovens to introduce outstanding technical features.

Visually, our built-in range of ovens from our Neue Kollektion has a sophisticated control panel within vertical lines, held by flowing horizontal lines: like an 'H' on its side. Whilst the interface is information-rich and extremely powerful in what it enables the user to do, its design is pure and simple: so using it never feels complicated. For example, the number of different materials is kept to a minimal two: glass and steel. The displays are red when lit, as on all appliances in the Neue Kollektion – so that there is just one key 'accent' colour throughout the kitchen.

Design Awards
Gold Award Winner,
Design Awards 2011



The Gold Award is the highest classification for products in the Product Innovation Award categories at the Design Awards 2011, organised by Designer magazine.

Products achieving the Gold standard have been judged to be real innovators within their particular product category, delivering something genuinely new to the market.

13 of our products have been awarded Gold in the kitchen category.



Ovens range

Multifunction - The very best in traditional cooking

BE5304001M



9 traditional cooking functions with XXL capacity

BE3003001M



8 traditional cooking functions with XXL capacity

PyroLuxe® Plus - Because nobody likes cleaning their oven

BY9314001M



CuliSense AutoCook with PyroLuxe cleaning

BP8314001M



PyroLuxe® cleaning with touch controls

BP7304001M



PyroLuxe® cleaning with digital controls

BP5014301M



PyroLuxe® cleaning with 25% steam cooking function

BP5304001M



PyroLuxe® cleaning with illuminated retractable controls

BP3003001M



PyroLuxe® cleaning with retractable controls

BP8715001M / BP8615001M



PyroLuxe® cleaning with touch controls and side opening door (left or right)

Steam - For the ultimate taste experience

BS9314001M



ProCombi steam - Multifunctional with three steam settings and navigational controls and 100 saved recipes / programmes

BS8314001M



ProCombi steam - Multifunctional with three steam settings and 100 saved recipes / programmes

BS7304001M



ProCombi steam - Multifunctional with three steam settings and 25 saved recipes / programmes

Built-in Double Ovens - Large capacity with no compromises

DC7003000M



XXL capacity with 10 main oven functions and 8 top oven functions

DC4003000M



XXL capacity with 8 main oven functions and 5 top oven functions

DE4003000M



XXL capacity with 2 main oven functions and 5 top oven functions

Built-under Double Ovens

NC7003000M



XXL capacity with 10 main oven functions and 8 top oven functions

NC4003000M



XXL capacity with 2 main oven functions and 5 top oven functions

Cookers - A perfect combination

49332i-MN



Induction hob with XXL capacity oven: 4 top oven functions and 9 bottom oven functions

49002V-MN



Ceramic hob with XXL capacity oven: 4 top oven functions and 9 bottom oven functions

More room for perfect results The AEG MaxiKlasse oven has extra large capacity - our largest standard single oven, with up to 5 shelf positions. With greater room and our ThermiC°. Hot Air cooking system more hot air is circulated to every corner of the oven at a precise temperature for perfectly even cooking, wherever the food is placed.



TRUE FAN

Our true fan cooking system gently circulates hot air through the oven cavity, allowing you to cook sweet and savoury at the same time with no transfer of flavour and taste. As the oven heats up faster, lower temperatures and shorter cooking times are used to achieve those delicious results.



THERMIC° HOT AIR

Our exclusive ThermiC° hot air cooking technology ensures precise heat circulation and exact temperature control. The result is perfect cooking in every corner. On any shelf. In any position.



DEFROST

Defrost your frozen food gently in half the usual time. Air is gently circulated around the oven cavity quickly, defrosting your food hygienically.



CONVENTIONAL

Top and bottom elements heat the oven providing traditional cooking on one shelf position, which is ideal for baking breads or fruitcakes.



TURBO GRILLING

This clever function gives an authentic spit roast effect without the mess. Heat from the top elements is circulated by the fan, sealing and crisping the food.



PIZZA SETTING

Ensures bases are properly cooked. Designed to ensure pastry bases, quiches and pizzas are cooked to your taste.



BOTTOM HEAT

Oven is heated by the bottom element only. Foods are gently reheated, ideal for pies and pastries as it keeps the pastry crisp. This function is also ideal for plate warming.



TOP HEAT

Oven is heated by top element only. Ideal for the Shepherd's pie, or lasagne that just require gentle browning.



GRILL

Fully controllable powerful grill, ideal for family sized portions of food.



ECONOMY GRILLING

Fully controllable economy grill, suitable for smaller quantities.



SLOW COOK

Come home to a slow cooked roast or casserole. Two slow cook options, dependent on quantity of food being cooked. Food is initially sealed and then cooked at the low temperature to tenderise the ingredients.



KEEP WARM

This option maintains a temperature of 80°C, perfect for keeping food warm until ready to serve, without drying the food



FROZEN FOODS

Cook straight from frozen. All-round intense heat ensures your frozen food is correctly defrosted and cooked at the same time.



ROASTING

Economical setting for roasting large joints or poultry. Simply select the appropriate cooking time depending on the weight of the food and the oven automatically switches off once the cooking is complete.



FAST HEAT UP

No waiting for your oven to reach full heat, eliminating the need for preheating, great for those quick convenience meals.



MOIST FAN BAKING

Allows you to create your light and fluffy fatless sponges and baked soufflés to perfection. Moisture is retained within the oven thus achieving light fluffy results whilst using the oven in a more economical way.



MAXI TRAY

The largest fitted oven tray available. In real terms, that means 20% more cookies from a single bake. Naturally each one will be perfectly golden and crunchy.



EXTRA LARGE CAPACITY

Our large XXL MaxiKlasse™ oven has more usable space which allows you to cook on all 5 levels simultaneously, which means you can bake 150 cookies at the same time.



MAXISIGHT FLOOD LIGHT

A larger viewing window and inclined floodlight, for a clearer view of your cooking progress.



CORE TEMPERATURE SENSOR

Measures the precise cooking temperature inside the food, for perfect results every time.



PYROLUXE PLUS

A total self-cleaning function, that heats up to 500°C and turns food residue to ash.



ANTI FINGERPRINT STAINLESS STEEL

Eliminates unsightly fingerprints from the appliance, for an effortless clean look.

REGENERATE

Steam is used to gently heat food up and keep it warm.

DOUGH PROVING

Creates the perfect environment to assist bread baking by proving your yeast mixture correctly.

BREAD BAKING

Optimum temperature and environment for baking yeast mixtures. Using radiant heat and steam to bake a variety of loaves to your taste.

PRESERVING AND DRYING

Suitable for drying foods like herbs, mushrooms and chillies.

DIAMOND ENAMEL LINERS

Enamel interior, durable and easy to clean.

PROSIGHT TOUCH CONTROL

Provides instant feedback, easy to use and looks sleek in the kitchen.

CULISENSE

Advises you of the perfect temperature and duration to cook your food. All food types may be found in the 5 food categories.

ISO FRONT DOOR

The door has a special heat reflective coating so the outside of the door is cooler to the touch.

PERFEKTENTRY

PerfektEntry for total flexibility. OptiFlex™ shelf runners which are shaped to make it easier to select and adjust the cooking level you require.

NAVISIGHT

LCD and touch-dial navigation controls provide quick access to pre-programmed recipes and oven functions.

BE5304001M

MaxiKlasse™ oven with our SoftMotion™ Soft Close door.



BE3003001M

MaxiKlasse™ multifunction single oven.



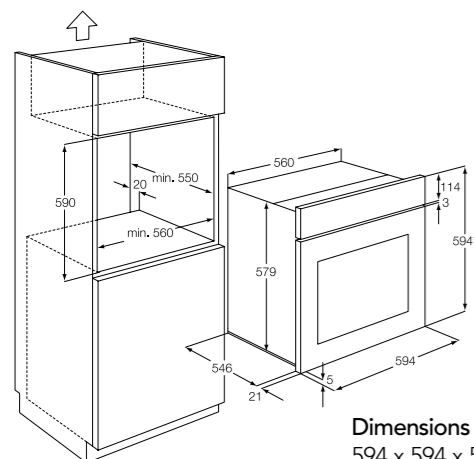
Energy Capacity
 Capacity
Oven functions
 ThermiC[®] air
 Defrost
 Conventional
 Turbo Grilling
 Pizza
 Bottom Heat
 Top Heat
 Grill
 Anti fingerprint
 2 YEAR GUARANTEE

- Our SoftMotion™, soft close door automatically closes when the door reaches a certain angle, in a smooth, soft and elegant movement: premium design.
- Sleek and stylishly designed our OptiSight illuminated retractable controls and interactive LCD display provide instant feedback.
- Multifunction cooking combines all the benefits of Hot Air cooking with other functions, like conventional cooking, enabling you to achieve your desired result.
- To help you reach perfection the core temperature sensor measures the precise cooking temperature deep inside the food.
- Our extra large oven accommodates a large turkey and the ThermiC[®] hot air cooking system ensures mouth watering results are achieved.
- AntiStick oven shelves have a special coating which prevents grease sticking. Simply clean with hot water.
- PerfektEntry, effortless shelf insertion means it is easy to select the desired cooking level.
- MaxiView enables you to see at a glance the progress of your meal, enhanced by the FloodLight.
- IsoFront[®] oven door with three panes of glass for cooler exterior temperatures.

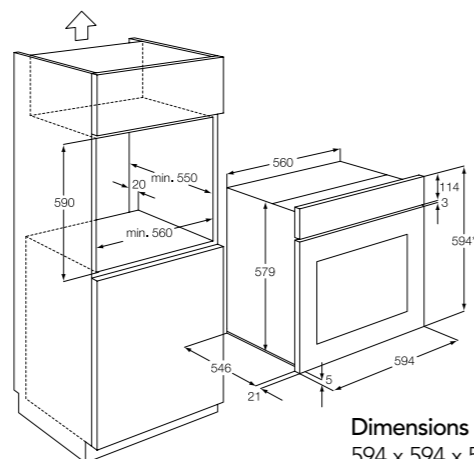
Also available in BE5304001B Black

Energy Capacity
 Capacity
Oven functions
 ThermiC[®] air
 Defrost
 Conventional
 Turbo Grilling
 Pizza
 Bottom Heat
 Top Heat
 Grill
 Anti fingerprint
 2 YEAR GUARANTEE

- Our new extra large oven accommodates a large turkey and the ThermiC[®] hot air cooking system ensures mouth watering results are achieved.
- Multifunction cooking combines all the benefits of Hot Air cooking with other functions, like conventional cooking, enabling you to achieve your desired result.
- AntiStick oven shelves have a special coating which prevents grease sticking. Simply clean with hot water.
- Diamond glazed enamel interior, durable and easy to clean.
- MaxiView enables you to see at a glance the progress of your meal, enhanced by the FloodLight.
- PerfektEntry, effortless shelf insertion means it is easy to select the desired cooking level.
- UniSight™ retractable rotary controls provide a flush finish for easy cleaning with a clear and interactive LCD display.
- IsoFront[®] oven door with three panes of glass for cooler exterior temperatures.



Dimensions (HxWxD) in mm
594 x 594 x 567



Dimensions (HxWxD) in mm
594 x 594 x 567





Pyroluxe® Ovens

Ovens / MaxiKlasse™ Pyroluxe® Plus

Nobody likes cleaning their oven, our energy efficient Pyroluxe® Plus appliances are not only extremely efficient when cooking but also when self-cleaning. Energy consumption is up to 20%* lower than the requirements for efficiency Class A.

Pyroluxe® Plus cleans thoroughly enough to impress the most particular of cooks. The self-cleaning function heats the oven up to 500°C.

At this temperature, all food residue is turned to ash, with no unpleasant odours or chemical cleaning agents. Simply wipe out the ash with a damp cloth. Variable cycles depending on the cleaning need. Some models have more than one cleaning cycle which varies in time depending on how dirty the oven is. Whether it is lightly or heavily soiled these clever ovens will clean themselves to look as good as new – fully automatic self-cleaning at the touch of a button. There is even a cleaning reminder on some models.

*20% more economical (only 0.79 kWh) than the threshold limit (<1000 kWh) for energy class A (DIN EN 50304/DIN EN 60350)



Ovens / Maxiklasse™ Pyroluxe® Plus with Autocook CuliSense

BY9314001M

CuliSense oven with Pyroluxe® Plus cleaning.

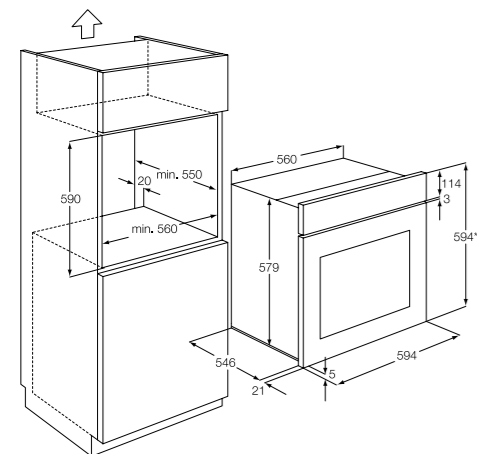
A_{30%} Energy **(XXL)** Capacity

Oven functions

ThermiC[®] air, Defrost, Conventional, Turbo grilling, Pizza, Bottom heat, Fast grill, Grill, Core temp sensor, Pyroluxe, Slow cook, Keep warm, Fast heat up, DRYING, ANTI FINGERPRINT, Moist baking, Frozen food, Eco roasting

2 YEAR GUARANTEE

- Multifunction single oven with digital auto-cooking. The advanced sensor system detects the volume of food in the oven and based on the food category selected, together with the time it takes to heat up, automatically selects the optimum cooking function and precise temperature and time to achieve the perfect result.
- NaviSight™ navigational controls make oven operation intuitively simple.
- Total self-cleaning oven with our PyroLuxe® programmes, dependent on how dirty the oven is there are various programmes to select. Also the oven will remind you to clean it.
- CleanAir Control removes unpleasant smells and is maintenance free. Ideal for open plan living.
- To help you reach perfection the core temperature sensor measures the precise cooking temperature deep inside the food.
- AntiStick oven shelves have a special coating which prevents grease sticking. Simply clean with hot water.
- IsoFront® top oven door with four panes of glass for cooler exterior temperatures.
- 100 saved recipes/programmes.



Dimensions (HxWxD) in mm
594 x 594 x 567

Ovens / Maxiklasse™ Pyroluxe® Plus

BP8314001M

Pyroluxe® Plus oven, the ultimate in oven cleaning with ProSight touch controls.



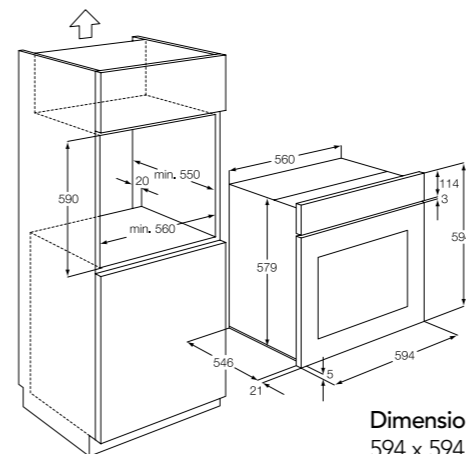
A_{30%} Energy **(XXL)** Capacity

Oven functions

ThermiC[®] air, Pyroluxe, Defrost, Conventional, Turbo grill, Pizza, Bottom heat, Top heat, Core temp sensor, Grill, Slow cook, Keep warm, Frozen food, Eco roasting, Fast heat up, True fan, ANTI FINGERPRINT

2 YEAR GUARANTEE

- ProSight touch controls are easy to use and look sleek in the kitchen.
- Multifunction cooking combines all the benefits of hot air cooking with other functions, like conventional cooking, enabling you to achieve your desired result.
- Our SoftMotion™, soft close door automatically closes when the door reaches a certain angle.
- Our extra large oven accommodates a large turkey and the ThermiC[®] hot air cooking system ensures mouth watering results are achieved.
- To make the most of the oven, the MaxiTray provided allows you to cook 20% more cookies.
- To help you reach perfection the core temperature sensor measures the precise cooking temperature deep inside the food.
- AntiStick oven shelves have a special coating which prevents food sticking. Simply clean with hot water.
- PerfektEntry, effortless shelf insertion means it is easy to select the desired cooking level.
- MaxiView enables you to see at a glance the progress of your meal, enhanced by the FloodLight.
- IsoFront® oven door with four panes of glass for cooler exterior temperatures.



Dimensions (HxWxD) in mm
594 x 594 x 567

BP7304001M

Pyroluxe® Plus oven, the ultimate in oven cleaning with ProSight touch controls.



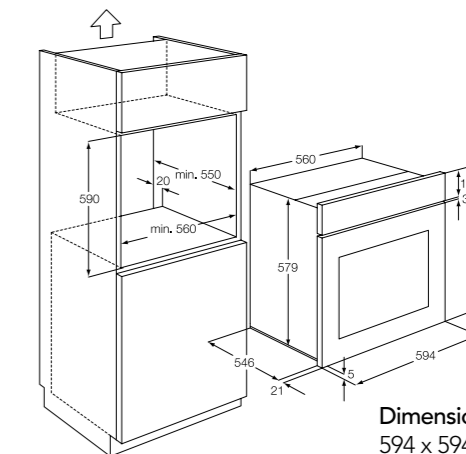
A_{30%} Energy **(XXL)** Capacity

Oven functions

ThermiC[®] air, Pyroluxe, Defrost, Conventional, Turbo grill, Bottom heat, Top heat, Grilling, Core temp sensor, Slow cook, Keep warm, Frozen food, Eco roasting, Fast heat up, Pizza, ANTI FINGERPRINT

2 YEAR GUARANTEE

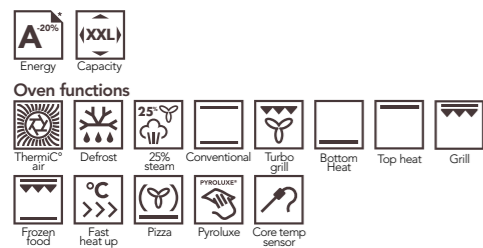
- Our SoftMotion™, soft close door automatically closes when the door reaches a certain angle, in a smooth, soft and elegant movement: premium design.
- To make the most of the oven, the MaxiTray provided allows you to cook 20% more cookies.
- To help you reach perfection the core temperature sensor measures the precise cooking temperature deep inside the food.
- Our extra large oven accommodates a large turkey and the ThermiC[®] hot air cooking system ensures mouth watering results are achieved.
- Multifunction cooking combines all the benefits of Hot Air cooking with other functions, like conventional cooking, enabling you to achieve your desired result.
- AntiStick oven shelves have a special coating which prevents food sticking. Simply clean with hot water.
- PerfektEntry, effortless shelf insertion means it is easy to select the desired cooking level.
- MaxiView enables you to see at a glance the progress of your meal, enhanced by the FloodLight.
- IsoFront® oven door with four panes of glass for cooler exterior temperatures.



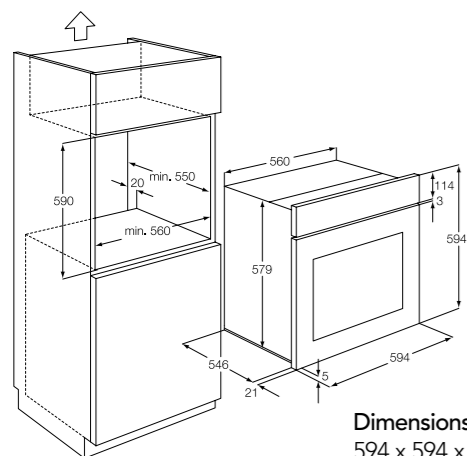
Dimensions (HxWxD) in mm
594 x 594 x 567

BP5014301M

Pyroluxe® Plus oven with Steam Cooking.



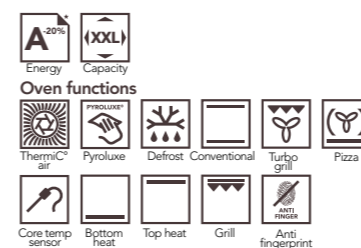
- Quarter Steam + Heat functions combines 25% steam and 75% hot air to ensure food is golden brown on the outside and succulent on the inside
- Our SoftMotion™, soft close door automatically closes when the door reaches a certain angle, in a smooth, soft and elegant movement: premium design.
- Sleek and stylishly designed our OptiSight illuminated retractable controls and interactive LCD display provide instant feedback.
- Multifunction cooking combines all the benefits of Hot Air cooking with other functions, like conventional cooking, enabling you to achieve your desired result.
- To help you reach perfection the core temperature sensor measures the precise cooking temperature deep inside the food.
- Our extra large oven accommodates a large turkey and the ThermiC® hot air cooking system ensures mouth watering results are achieved.
- Oven shelves have a special chrome coating which prevents grease sticking. Simply clean with hot water.
- PerfektEntry, effortless shelf insertion means it is easy to select the desired cooking level.
- MaxiView enables you to see at a glance the progress of your meal, enhanced by the FloodLight.
- IsoFront® oven door with four panes of glass for cooler exterior temperatures.



Dimensions (HxWxD) in mm
594 x 594 x 567

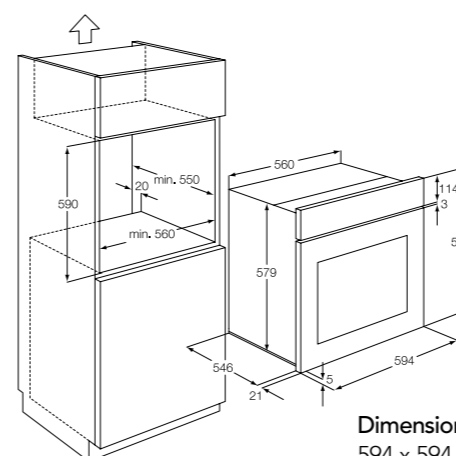
BP5304001M

Pyroluxe® Plus oven, the ultimate in oven cleaning with built-in cleaning reminder.



- Our SoftMotion™, soft close door automatically closes when the door reaches a certain angle, in a smooth, soft and elegant movement: premium design.
- Sleek and stylishly designed our OptiSight illuminated retractable controls and interactive LCD display provide instant feedback.
- Multifunction cooking combines all the benefits of Hot Air cooking with other functions, like conventional cooking, enabling you to achieve your desired result.
- To help you reach perfection the core temperature sensor measures the precise cooking temperature deep inside the food.
- Our extra large oven accommodates a large turkey and the ThermiC® hot air cooking system ensures mouth watering results are achieved.
- AntiStick oven shelves have a special coating which prevents grease sticking. Simply clean with hot water.
- PerfektEntry, effortless shelf insertion means it is easy to select the desired cooking level.
- MaxiView enables you to see at a glance the progress of your meal, enhanced by the FloodLight.
- IsoFront® oven door with four panes of glass for cooler exterior temperatures.

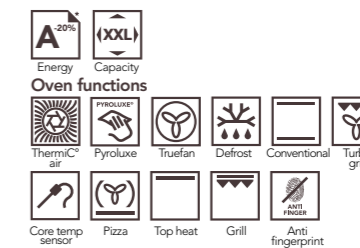
Also available in BP5304001B Black and BP5304001W White



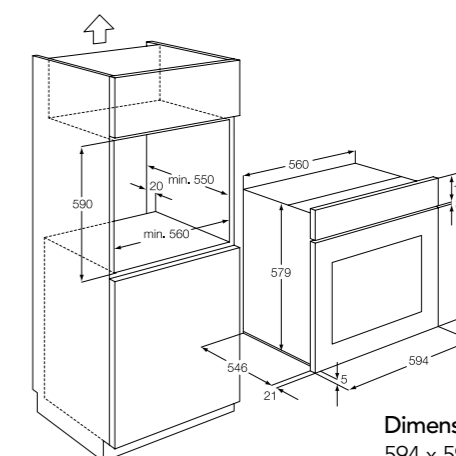
Dimensions (HxWxD) in mm
594 x 594 x 567

BP3003001M

Pyroluxe® Plus oven, the ultimate in oven cleaning with built-in cleaning reminder.



- Our extra large oven accommodates a large turkey and the ThermiC® hot air cooking system ensures mouth watering results are achieved.
- Multifunction cooking combines all the benefits of Hot Air cooking with other functions, like conventional cooking, enabling you to achieve your desired result.
- AntiStick oven shelves have a special coating which prevents grease sticking. Simply clean with hot water.
- MaxiView enables you to see at a glance the progress of your meal, enhanced by the FloodLight.
- PerfektEntry, effortless shelf insertion means it is easy to select the desired cooking level.
- UniSight™ retractable rotary controls provide a flush finish for easy cleaning with a clear and interactive LCD display.
- IsoFront® oven door with four panes of glass for cooler exterior temperatures.



Dimensions (HxWxD) in mm
594 x 594 x 567

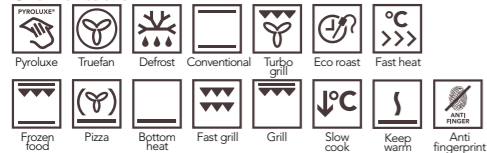
BP8715001M / BP8615001M

Side opening Pyroluxe® Plus oven.



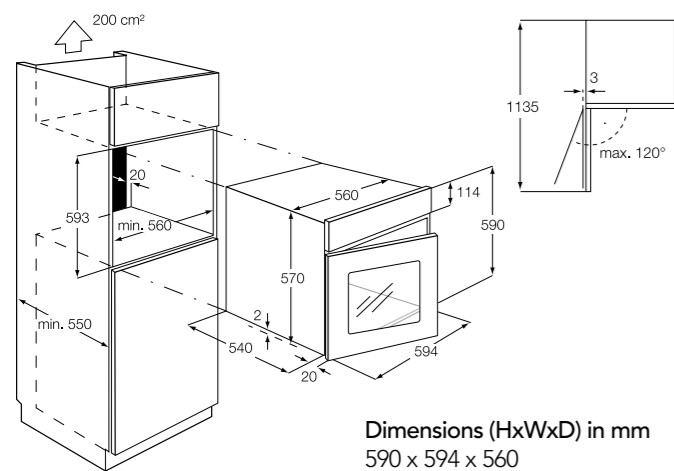
Energy

Oven functions



- Side opening door allowing easy access to the food.
- Total self-cleaning oven with our PyroLuxe® programmes, dependent on how dirty the oven is there are various programmes to select. Also the oven will remind you to clean it.
- Multifunction cooking combines all the benefits of true fan cooking with other functions, like conventional cooking, enabling you to achieve your desired result.
- ProSight touch controls are easy to use and look sleek in the kitchen.
- To help you reach perfection the core temperature sensor measures the precise cooking temperature deep inside the food.
- Stay in total control of your cooking with our fully programmable oven timer.
- IsoFront® oven door with four panes of glass for cooler exterior temperatures.

Also available in
 BP8715001M Left hand hinge, handle on the right
 BP8615001M Right hand hinge, handle on the left



Dimensions (HxWxD) in mm
 590 x 594 x 560



Multifunction Ovens with Steam

Ovens / MaxiKlasse™ Procombi™ Steam

A world of culinary possibilities

The fusion of steam and heat creates a recipe for success. It's a combination that delivers superior results all round, with soft, tender food on the inside, and a crisp, golden finish on the outside. This versatile cooking technique is now available with the ProCombi™ Steam Oven - in a full size or compact model - so you can achieve perfect results at home.

The complete professional cooking tool

As well as combining steam and heat you will also have the additional cooking functions found on our multifunction ovens. This ProCombi™ oven not only steams and bakes but allows you to slow cook, bake and grill in the usual way. Elevate conventionally baked and roasted dishes to new culinary heights with our unique air flow technology, ThermiC° hot air system. Evenly cooked perfection in every corner.



QUARTER STEAM + HEAT

25% steam and 75% hot air are combined to create irresistible flavours. Food is golden brown on the outside and succulent on the inside.

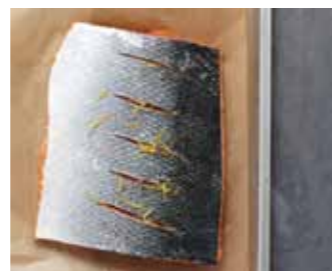
Perfect for: Homemade bread, meat, poultry, lasagne and your favorite recipes.



HALF STEAM + HEAT

50% steam and 50% heat is the best way to cook while conserving the texture and moisture of the food.

Perfect for: Soufflés, casseroles and fresh or frozen convenience meals.



FULL STEAM

Using 100% steam the gentle heat evenly penetrates food making for tasty, healthy dishes. The food retains a higher level of nutrients, vitamins and minerals, while natural colours, flavours and textures are enhanced.

Perfect for: Fish, rice, vegetables and fruit.

Steam cleaning programme

A special preset programme helps you to loosen food residue inside the oven for easier cleaning.

Not just a steam oven, you can roast, bake, grill and slow cook with our steam oven too.

Your steam oven can roast, bake, grill and slow cook as well as cook with steam. By combining steam and heat at the same time, you can achieve that holy grail of cooking – moist on the inside, crispy and golden on the outside.

The art is knowing how to combine the kinds of cooking for the dish you're creating.

Day	Dish	Time	Oven setting
Monday	Moussaka	60 minutes	25% steam
Tuesday	Pasta Gratin	45 minutes	25% steam
Wednesday	Convenience Meal	25 minutes	50% steam
Thursday	Pizza	10 minutes	Pizza setting
Friday	Poached Salmon	30 minutes	100% steam
Saturday	Paella	60 minutes	100% steam
Sunday	Roast Chicken	20 minutes	25% steam
	Roast Potatoes	45 minutes	25% steam
	Fruit Tart		25% steam



BS9314001M

ProCombi™ Steam oven with NaviSight™ controls.



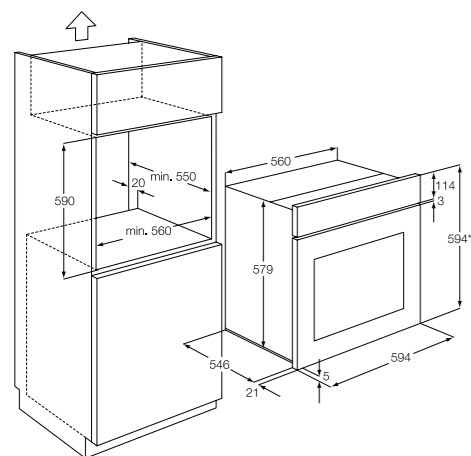
A_{20%} Energy Capacity **(XXL)**

Oven functions

- Steam
- 50% steam
- 25% steam
- ThermiC° air
- Defrost
- Conventional
- Turbo grill
- Bottom heat
- Top heat
- Grill
- Slow cook
- Keep warm
- Frozen food
- Eco roasting
- Pizza
- Fast heat up
- Anti fingerprint
- Moist fan baking

2 YEAR GUARANTEE

- NaviSight™ navigational controls make oven operation intuitively simple.
- Automatic food cooking programmes help you to achieve your desired results without thinking about which cooking function or temperature.
- Multifunction oven lets you cook foods as you like, together with steam options so you can create food that is golden brown on the outside and deliciously succulent on the inside.
- Our SoftMotion™, soft close door automatically closes when the door reaches a certain angle.
- Enhanced quality and premium design with our stainless steel ProFrame™, evident every time you open the oven.
- Our new extra large oven accommodates a large turkey and the ThermiC° hot air cooking system ensures mouth watering results are achieved.
- To make the most of the oven, the MaxiTray provided allows you to cook 20% more cookies.
- To help you reach perfection the core temperature sensor measures the precise cooking temperature deep inside the food.
- PerfektEntry, effortless shelf insertion means it is easy to select the desired cooking level.



Dimensions (HxWxD) in mm
594 x 594 x 567

BS8314001M

ProCombi™ multifunction steam oven with ProSight touch controls.



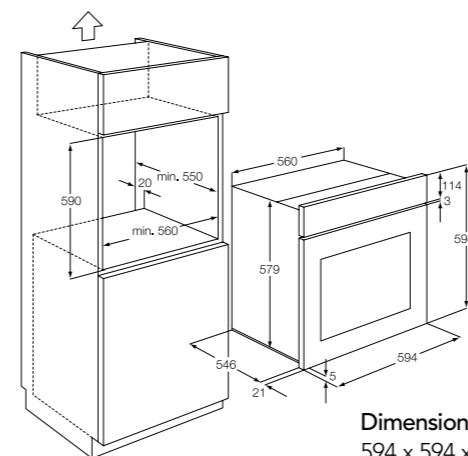
A_{20%} Energy Capacity **(XXL)**

Oven functions

- Steam
- 50% steam
- 25% steam
- ThermiC° air
- Defrost
- Conventional
- Turbo grill
- Bottom heat
- Top heat
- Grill
- Slow cook
- Keep warm
- Frozen food
- Eco roasting
- Pizza
- Fast heat up
- Anti fingerprint
- Moist fan baking

2 YEAR GUARANTEE

- ProSight touch controls are easy to use and look sleek in the kitchen.
- Multifunction oven lets you cook foods as you like, together with steam options so you can create food that is golden brown on the outside and deliciously succulent on the inside.
- Our SoftMotion™, soft close door automatically closes when the door reaches a certain angle, in a smooth, soft and elegant movement: premium design.
- Our new extra large oven accommodates a large turkey and the ThermiC° hot air cooking system ensures mouth watering results are achieved.
- To make the most of the oven, the MaxiTray provided allows you to cook 20% more cookies.
- To help you reach perfection the core temperature sensor measures the precise cooking temperature deep inside the food.
- PerfektEntry, effortless shelf insertion means it is easy to select the desired cooking level.
- 100 saved recipes / programmes.



Dimensions (HxWxD) in mm
594 x 594 x 567

BS7304001M

ProCombi™ Steam oven with ProSight touch controls.



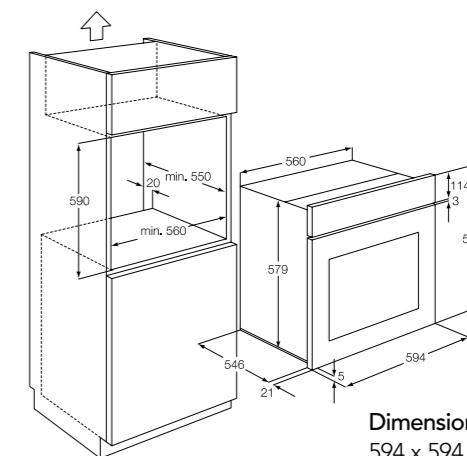
A_{20%} Energy Capacity **(XXL)**

Oven functions

- Steam
- 50% steam
- 25% steam
- ThermiC° air
- Defrost
- Conventional
- Turbo grill
- Bottom heat
- Top heat
- Grill
- Slow cook
- Keep warm
- Frozen food
- Eco roasting
- Pizza
- Fast heat up
- Anti fingerprint
- Moist fan baking

2 YEAR GUARANTEE

- ProSight touch controls are easy to use and look sleek in the kitchen.
- Multifunction oven lets you cook foods as you like, together with steam options so you can create food that is golden brown on the outside and deliciously succulent on the inside.
- Our SoftMotion™, soft close door automatically closes when the door reaches a certain angle, in a smooth, soft and elegant movement: premium design.
- Enhanced quality and premium design with our stainless steel ProFrame™, evident every time you open the oven.
- Our new extra large oven accommodates a large turkey and the ThermiC° hot air cooking system ensures mouth watering results are achieved.
- To make the most of the oven, the MaxiTray provided allows you to cook 20% more cookies.
- To help you reach perfection the core temperature sensor measures the precise cooking temperature deep inside the food.
- PerfektEntry, effortless shelf insertion means it is easy to select the desired cooking level.
- 25 saved recipes / programmes.



Dimensions (HxWxD) in mm
594 x 594 x 567

Double Ovens and Freestanding Cookers

Double ovens

Our AEG double ovens offer you an additional cooking compartment, giving you total flexibility in your kitchen. Our range of built-in double ovens are installed in column at eye-level, alternatively, our range of built-under double ovens will fit neatly under the work surface. For even more flexibility you can combine our built-under ovens in column with our compact products.

Freestanding cookers

Designed to fit seamlessly into your kitchen layout, our freestanding cookers hold the same design principles as our single oven range, and feature a variety of cooking programmes and functions. The two large cavities provide you with complete cooking flexibility, and are large enough to hold a turkey and all the trimmings for your family feast. With an induction or ceramic hob incorporated, its the perfect combination for any home.

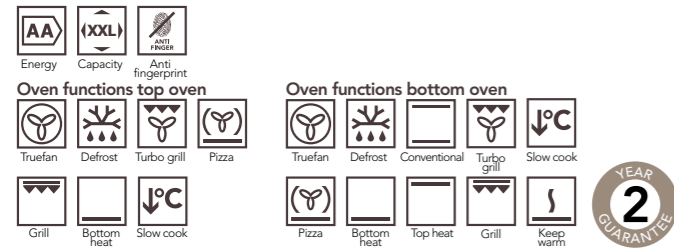
 AA Energy efficiency

All our double ovens are extremely efficient and have an AA energy rating in both compartments, meaning whichever oven you decide to use, you are guaranteed excellent energy efficiency.

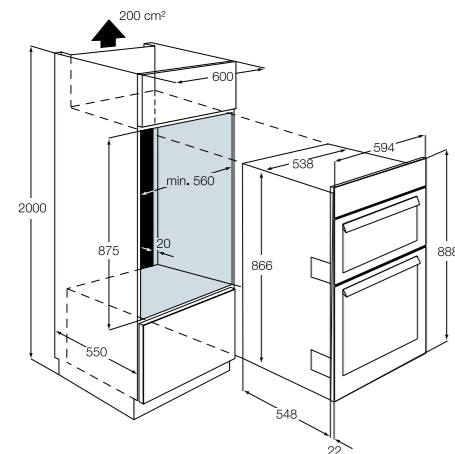


DC7003000M

High performance built-in double oven with interactive digital cooking display.



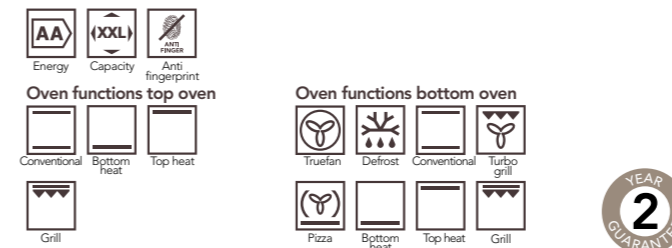
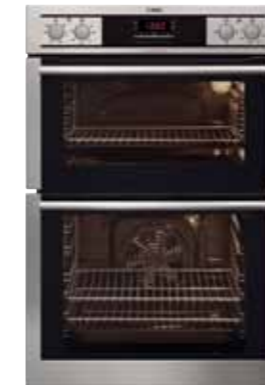
- Our sleek and stylish ProSight panel enables you to operate both ovens with just one set of controls for fast, simple access and cooking function selection. The Interactive LCD display provides instant feedback.
- Interactive digital cooking recommends the ideal cooking temperature for the function selected and keeps you informed on the cooking process.
- Multifunction main oven with all the benefits of true fan and conventional cooking. Use different functions to get the best results for what you are cooking.
- Our true fan cooking system gently circulates hot air through the oven cavity allowing you to cook sweet and savoury foods at the same time, on any shelf position, with no transfer of flavour or taste, ensuring mouth watering results are achieved.
- Large capacity top and bottom ovens offer total flexibility and space for cooking lots of dishes.
- CataLuxe® liners in both ovens, an aid to cleaning.
- MaxiView, enables you to see at a glance the progress of your meal.
- AA energy rating in both ovens for optimum efficiency.
- Stay in control of your cooking with the fully programmable timer.



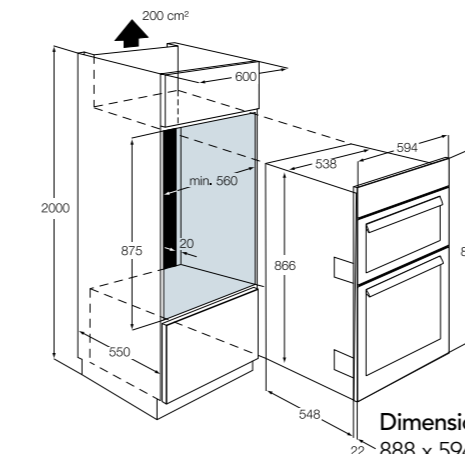
Dimensions (HxWxD) in mm
888 x 594 x 548

DC4003000M

High performance built-in double oven with retractable controls.



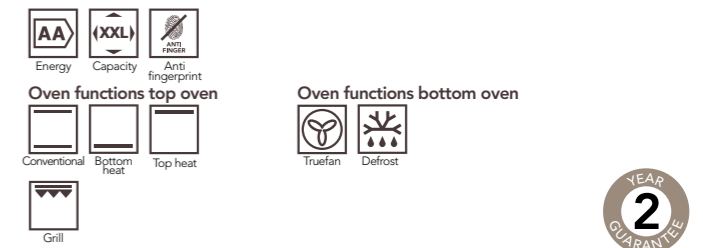
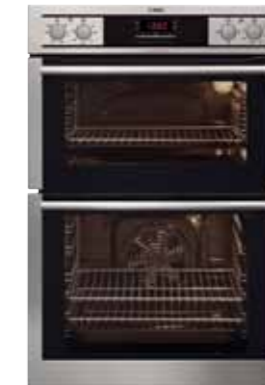
- Multifunction main oven with all the benefits of true fan and conventional cooking. Use different functions to get the best results for what you are cooking.
- Our true fan cooking system gently circulates hot air through the oven cavity allowing you to cook sweet and savoury foods at the same time, on any shelf position, with no transfer of flavour or taste, ensuring mouth watering results are achieved.
- CataLuxe® liners in both ovens, an aid to cleaning.
- MaxiView, enables you to see at a glance the progress of your meal.
- AA energy rating in both ovens for optimum efficiency.
- Stay in control of your cooking with the fully programmable timer.
- UniSight™ retractable rotary controls provide a flush finish for easy cleaning with a clear and interactive LCD display.
- Large capacity top and bottom ovens offer total flexibility and space for cooking lots of dishes.



Dimensions (HxWxD) in mm
888 x 594 x 548

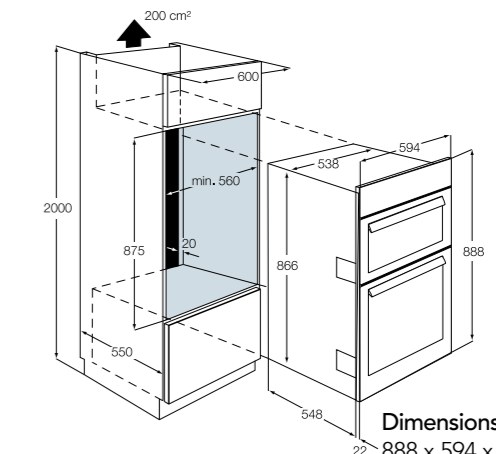
DE4003000M

High performance built-in double oven with true fan cooking.



- MaxiView, enables you to see at a glance the progress of your meal.
- Our true fan cooking system gently circulates hot air through the oven cavity allowing you to cook sweet and savoury foods at the same time, on any shelf position, with no transfer of flavour or taste, ensuring mouth watering results are achieved.
- Diamond glazed enamel interior, durable and easy to clean.
- AA energy rating in both ovens for optimum efficiency.
- Stay in control of your cooking with the fully programmable timer.
- UniSight™ retractable rotary controls provide a flush finish for easy cleaning with a clear and interactive LCD display.
- Large capacity top and bottom ovens offer total flexibility and space for cooking lots of dishes.

Also available in
DE4003000B Black



Dimensions (HxWxD) in mm
888 x 594 x 548

Ovens / Built-under Double Ovens

NC7003000M

High performance built-under double oven with interactive digital cooking and touch controls.



Energy Capacity Anti fingerprint

Oven functions top oven: Truefan, Defrost, Turbo grill, Pizza, Bottom heat, Top heat, Grill, Slow cook

Oven functions bottom oven: Truefan, Defrost, Conventional, Turbo grill, Slow cook, Pizza, Conventional, Top heat, Grill, Keep warm

2 YEAR GUARANTEE

- Our sleek and stylish ProSight panel enables you to operate both ovens with just one set of controls for fast, simple access and cooking function selection. The Interactive LCD display provides instant feedback.
- Interactive digital cooking recommends the ideal cooking temperature for the function selected.
- Our true fan cooking system gently circulates hot air through the oven cavity allowing you to cook sweet and savoury foods at the same time, on any shelf position, with no transfer of flavour or taste, ensuring mouth watering results are achieved.
- Multifunction main oven with all the benefits of true fan and conventional cooking. Use different functions to get the best results for what you are cooking.
- Large capacity top and bottom ovens offer total flexibility and space for cooking lots of dishes.
- CataLuxe® liners in both ovens, an aid to cleaning.
- MaxiView, enables you to see at a glance the progress of your meal.
- AA energy rating in both ovens for optimum efficiency.
- Stay in control of your cooking with the fully programmable timer.

NC4003000M

High quality built-under double oven with true fan cooking.



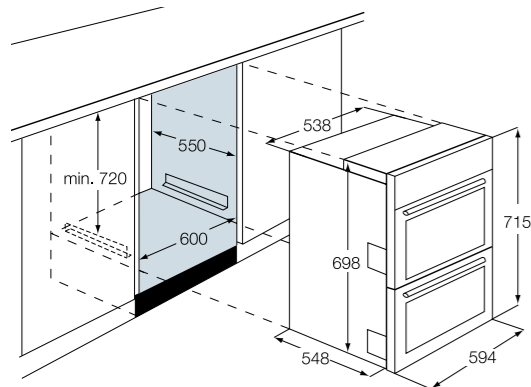
Energy Capacity Anti fingerprint

Oven functions top oven: Conventional, Bottom heat, Top heat, Grill

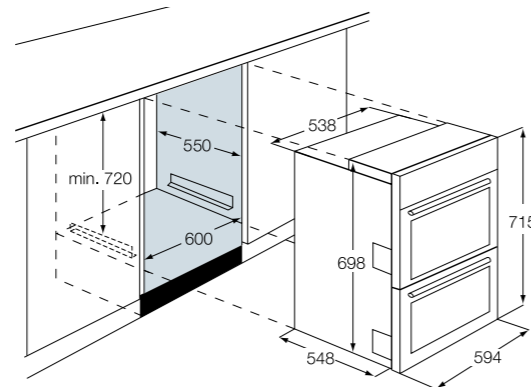
Oven functions bottom oven: Truefan, Defrost

2 YEAR GUARANTEE

- CataLuxe® liners in both ovens, an aid to cleaning.
- MaxiView, enables you to see at a glance the progress of your meal.
- Our true fan cooking system gently circulates hot air through the oven cavity allowing you to cook sweet and savoury foods at the same time, on any shelf position, with no transfer of flavour or taste, ensuring mouth watering results are achieved.
- A energy rating in both ovens for optimum efficiency.
- UniSight™ retractable rotary controls provide a flush finish for easy cleaning with a clear and LCD display.
- Large capacity top and bottom ovens offer total flexibility and space for cooking lots of dishes.



Dimensions (HxWxD) in mm
715 x 594 x 548



Dimensions (HxWxD) in mm
715 x 594 x 548

Cookers / MaxiKlasse™ Cookers

49332i-MN

Touch control MaxiKlasse™ multifunction cooker with MaxiSense® induction hob.



Energy Width MaxiSense™ Direktouch Anti fingerprint

Oven functions top oven: Conventional, Bottom heat, Top heat, Grill

Oven functions main oven: Truefan, Defrost, Conventional, Turbo grill, Pizza, Top heat, Slow cook, Fast heat, Keep warm

Best Buy Which? Cookers March 2012

5 YEAR GUARANTEE

- Our MaxiSense® induction hob has flexible sections ensuring pots and pans have maximum space and choice of position. A tagine or fish kettle for example can comfortably be placed across two zones.
- Our MaxiKlasse™ main oven accommodates a large turkey and our Hot Air cooking system ensures mouth watering results are achieved.
- Multifunction cooking in main oven combines all the benefits of Hot Air cooking with other functions, like conventional cooking, enabling you to achieve your desired result.
- IsoFront® oven doors with three panes of glass for cooler exterior touch temperature.
- CataLuxe® liners in both ovens helps you to keep your oven clean.
- Touch controls for both hob and oven functionality offer precise operation, give a flush finish to the cooker and are easy to wipe clean.
- Stop + Go allows you to reduce all the zones to Keep Warm setting and back again - all at the touch of a button. Ideal for unexpected interruptions.
- For added safety the residual heat indicators warn when the hob is still hot after cooking.

49002V-MN

Touch control MaxiKlasse™ multifunction cooker with ceramic hob.



Energy Width Direktouch Anti fingerprint

Oven functions top oven: Conventional, Bottom heat, Top heat, Grill

Oven functions bottom oven: Truefan, Defrost, Conventional, Turbo grill, Pizza, Fast grill, Slow cook, Fast heat, Keep warm

5 YEAR GUARANTEE

- Our MaxiKlasse™ main oven accommodates a large turkey and our Hot Air cooking system ensures mouth watering results are achieved.
- Multifunction cooking in main oven combines all the benefits of Hot Air cooking with other functions, like conventional cooking, enabling you to achieve your desired result.
- To help you reach perfection the core temperature sensor measures the precise cooking temperature deep inside the food.
- CataLuxe® liners in both ovens helps you to keep your oven clean.
- IsoFront® oven doors with three panes of glass for cooler exterior touch temperature.
- Stay in control of your cooking with the fully programmable main oven timer.
- Touch controls for both hob and oven functionality offer precise operation, give a flush finish to the cooker and are easy to wipe clean.
- 4 HiLight cooking zones in a variety of sizes including a triple zone gives you great flexibility.
- For added safety the residual heat indicators warn when the hob is still hot after cooking.

Did you know that induction is over 90% energy efficient vs gas at 50%?

Dimensions (HxWxD) in mm
900 x 596 x 600

Dimensions (HxWxD) in mm
900 x 596 x 600

Hobs

Choosing a hob is very much a matter of personal preference, so our Neue Kollektion offers a wide range. Gas is instant with fully automatic ignition, while electric ceramic and induction hobs take control to a whole new level of sophistication.

Cooking without limits

With the MaxiSense® induction hob, you no longer have to limit your choice of cooking pan to the circle on the hob. Just place the pan so that it covers a cross, and MaxiSense® adjusts to heat precisely that size and shape.

Gas on glass

The Neue Kollektion's gas on glass hobs offer a beautifully balanced composition of glass and stainless steel, ideal for integrating into a high-end worktop. Alternatively, our professional-looking pure stainless steel range is both durable and elegant, with a low profile ideal for flush mounting.

Your perfect combination

The CrystalLine range lets you build a professional-standard cooking area precisely to your needs, with options including induction wok, gas and even induction Teppanyaki. With their unique glass-bar design and DirekTouch instant control interfaces, the modules combine to stunning effect, whichever you choose.



Hobs

Induction



DIREKTOUCH

Touch controls for quick and precise heat level selection.



ROTARY CONTROLS

DirekTouch Rotary controls for quick, precise heat level selection.



BRIDGING ZONES

Bridge function links two zones creating a larger zone for versatile cooking.



OPTIHEAT

Shows 3 levels of residual heat on each cooking zone.



MAXISENSE

Gives you greater flexibility as pans can be positioned at any position as long as the cross is covered. Perfect for oversized pans.



MAXISIGHT

TFT colour display that ensures you can see every important detail at a glance.



STOP+GO

Reduces all zones to a keep warm setting if cooking is interrupted. Press again and zones return to previous heat levels.



WOK

Induction wok hob, designed for a large wok that accompanies the hob.



CHILD LOCK

Controls can be locked for additional safety and prevent alteration to cooking selection.



COUNT-UP TIMER

Set a reminder or use the count-up timer to keep in control of your cooking.



OKO TIMER

Energy saving timer that switches off the zone and uses residual heat to complete the last few minutes of cooking.

Gas



NO. OF BURNERS

Number of burners on the hob.



WOK

Wok rest and large burner provides maximum heat for wok cooking on gas.



AUTOMATIC IGNITION

Steel capped control knob with an integral ignition.

Ceramic



DUAL ZONE

Automatic hob recognition for two pan sizes.



MULTI-PURPOSE ZONE

Multi-purpose zone for hob cooking flexibility. Ideal for larger pots.



TOUCH CONTROL

Precise and immediate temperature control at your fingertips.



TRIPLE ZONE

Automatic hob recognition for up to three pan sizes.



RESIDUAL HEAT INDICATOR

Shows you the level of residual heat on each zone after cooking.

Induction Hobs

Induction technology is the fastest, safest and most energy-efficient way to cook on a hob, heating the pan directly with no pre-heating required.

MaxiSense® induction hobs look stunning too, with their sleek, smooth designs – perfect for the most beautiful kitchens.



Nothing is faster
MaxiSense® induction is simply the quickest way to cook, capable of bringing a pan to the boil faster than a comparable gas or conventional electric hob.



Precision power
Heat can be adjusted and controlled precisely with extreme sensitivity. It can be very powerful indeed, or just gentle enough to melt chocolate directly in the pan.



Extra safe
All AEG induction hobs feature automatic pan recognition. By sensing a pan's shape and size, it ensures only the base is heated, leaving the surrounding area always safe to touch.

AEG

INDUCTION

Induction technology

Coils create a magnetic field that adapts to the size and shape of the cookware, heating just its bottom – while surrounding areas remain cool. Up to 90% of the energy used goes into heating your pan.

Traditional heating technologies

A high share of energy is wasted by heating up the entire cooking circle and surrounding air. On a gas hob, only up to 55% of the energy used goes into heating your pan.



MaxiSight™ Induction

AEG has a range of MaxiSight™ induction hobs, with all the benefits of induction and the flexibility of MaxiZones.



MaxiSight™ Range

Featuring a colour hob display, MaxiSight™ gives clear, at-a-glance feedback for each zone, with count-down and count-up timers, temperature and progress indicators.



Bridging Function

On some models two individual zones can be bridged and function as one with just one temperature selection and timer. Perfect for larger dishes such as fish kettles.



Complete Control

Induction technology keeps you in complete control of your cooking. Temperatures are controlled instantly with a simple touch.



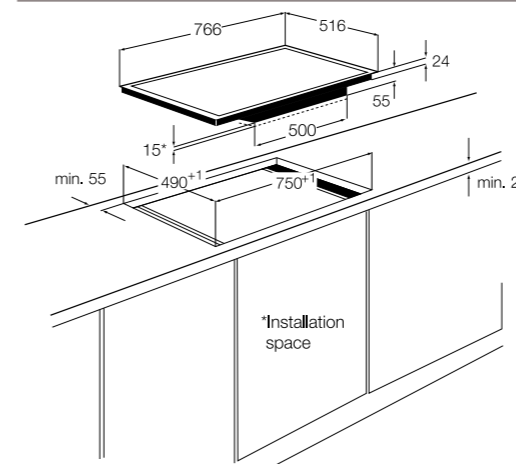
Induction Hobs / MaxiSight™

HK884400XG

Extra wide MaxiSight™ induction hob with 4 MaxiSense® sections.



- The MaxiSight™ TFT colour display ensures that you can see every important detail at a glance.
- 4 MaxiSense® sections giving more flexibility to cooking.
- DirekTouch controls for quick, precise heat level selection.
- AutoMax quickly brings the hob to the boil, then automatically reduces to the preselected power level.
- Power Booster for intense rapid heat up.
- Öko Timer, save energy by setting the timer which cleverly switches off the zone and uses residual heat to complete the last few minutes of cooking.
- Stop+Go reduces all zones to a keep warm setting if cooking is interrupted. When you return to cooking, Stop+Go remembers the selected settings.
- Set a reminder with the timer, or glance at the count-up timer to keep in control of your cooking.
- OptiHeat control with 3 levels of residual heat on each cooking zone.
- Controls can be locked for additional safety and prevent alteration to cooking selection.

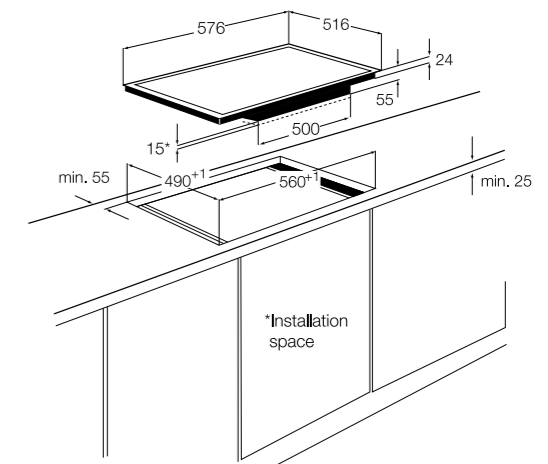


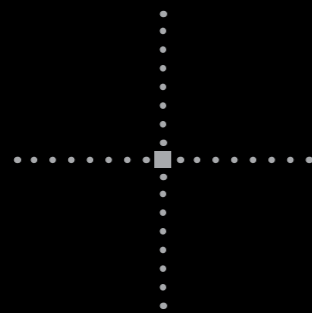
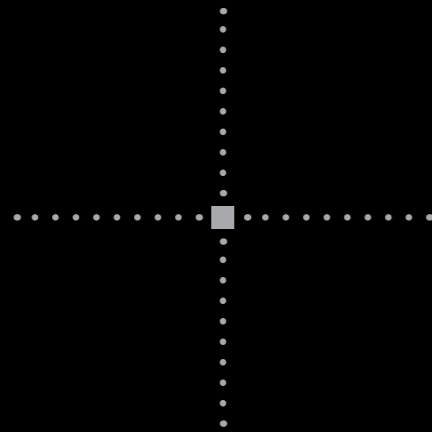
HK683320XG

MaxiSight™ induction hob with bridging function.

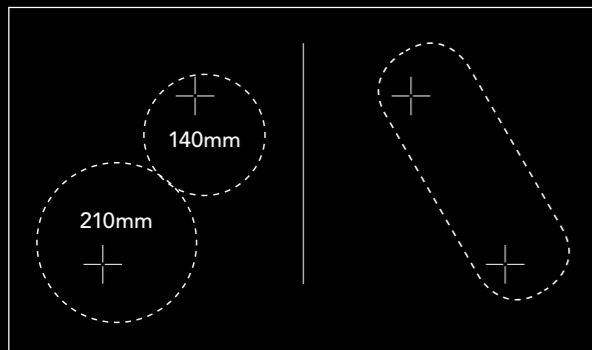


- The MaxiSight™ TFT colour display ensures that you can see every important detail at a glance.
- Bridge function links the two sections creating a larger section for versatile cooking.
- 2 MaxiSense® sections and 1 large zone giving more flexibility to cooking.
- DirekTouch controls for quick, precise heat level selection.
- AutoMax quickly brings the hob to the boil, then automatically reduces to the preselected power level.
- Power Booster for intense rapid heat up.
- Öko Timer, save energy by setting the timer which cleverly switches off the zone and uses residual heat to complete the last few minutes of cooking.
- Stop+Go reduces all zones to a keep warm setting if cooking is interrupted. When you return to cooking, Stop+Go remembers the selected settings.
- Set a reminder with the timer, or glance at the count-up timer to keep in control of your cooking.
- OptiHeat control with 3 levels of residual heat on each cooking zone.
- Controls can be locked for additional safety and prevent alteration to cooking selection.





Borderless cooking with MaxiSense® means that you can use the cookware required for precision work. It's perfect for specialist cooking styles that require large, unusual shaped items such as a fish kettle, griddle pan or wok.



MaxiSense® – Total Flexibility

MaxiSense® isn't limited by standard circle zones. So now you can use long shaped and bigger pans when entertaining. All you have to do is ensure the pan covers the cross mark.



Design that always looks good
All AEG induction hobs are made of resilient, high quality black glass, so whichever style you choose, it will be a beautiful complement to any modern kitchen.



No limits cooking
The MaxiSense® hob gives you more freedom to create. Just place each pot so that it touches a cross and MaxiSense® adjusts to heat precisely that size and shape.



DirekTouch control
MaxiSense® is controlled by DirekTouch, instantly-responsive fingertip controls, letting you set and adjust temperature to an exceptionally high degree of accuracy, with just one touch.



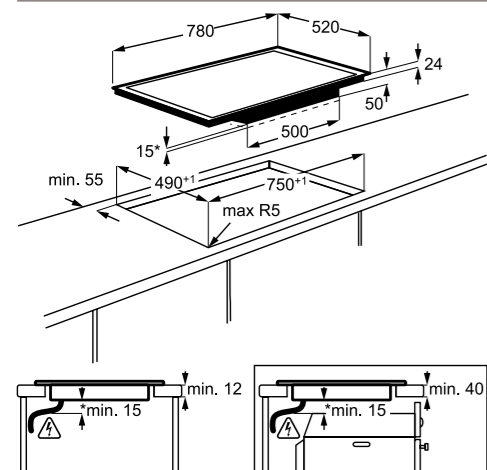
reddot design award
winner 2011

HK874400FB

Extra Wide 80cm MaxiSense® Induction Purehob with bridging function



- Beautiful unique Purehob with a pure black glass design.
- Illuminated controls and zones visible only when needed.
- Four MaxiSense® zones offering total cooking flexibility.
- DirekTouch Rotary controls for quick, precise heat level selection.
- Bridge function enables the linking of zones creating a larger cooking section for versatile cooking.
- AutoMax quickly brings the hob to the boil, then automatically reduces to the preselected power level.
- Power booster for intense rapid heat up.
- Öko Timer, save energy by setting the timer which cleverly switches off the zone and uses residual heat to complete the last few minutes of cooking.
- Stop+Go reduces all zones to a keep warm setting if cooking is interrupted. When you return to cooking, Stop+Go remembers the selected settings.
- OptiHeat control with three levels of residual heat on each cooking zone.
- Controls can be locked for additional safety and prevent alteration to cooking selection

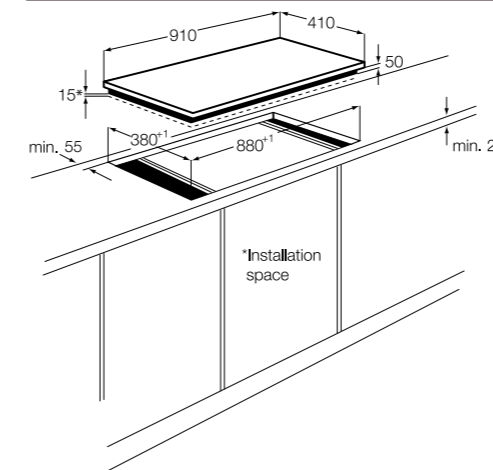


HK953400FB

90cm MaxiSense® Induction hob with AutoMax feature.



- Extra wide slim depth hob creating a stylish look in your kitchen. Ideal for island installation.
- 3 MaxiSense® sections suitable for total cooking flexibility.
- DirekTouch controls for quick, precise heat level selection.
- AutoMax quickly brings the hob to the boil, then automatically reduces to the preselected power level.
- Power Booster for intense rapid heat up.
- Öko Timer, save energy by setting the timer which cleverly switches off the zone and uses residual heat to complete the last few minutes of cooking.
- Stop+Go reduces all zones to a keep warm setting if cooking is interrupted. When you return to cooking, Stop+Go remembers the selected settings.
- OptiHeat control with 3 levels of residual heat on each cooking zone.
- Controls can be locked for additional safety and prevent alteration to cooking selection.

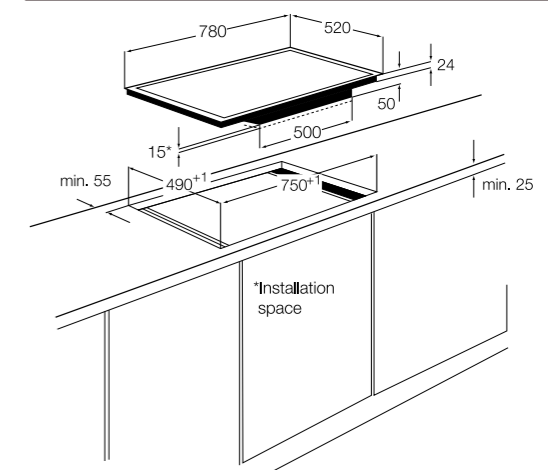


HK854400FB

80cm MaxiSense® induction hob with Stop + Go feature.

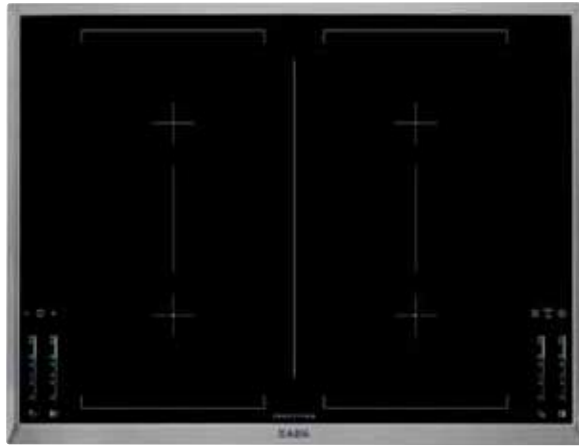


- Huge 80cm wide cooking space.
- 4 MaxiSense® sections suitable for total cooking flexibility.
- DirekTouch controls for quick, precise heat level selection.
- AutoMax quickly brings the hob to the boil, then automatically reduces to the preselected power level.
- Power Booster for intense rapid heat up.
- Öko Timer, save energy by setting the timer which cleverly switches off the zone and uses residual heat to complete the last few minutes of cooking.
- Stop+Go reduces all zones to a keep warm setting if cooking is interrupted. When you return to cooking, Stop+Go remembers the selected settings.
- OptiHeat control with 3 levels of residual heat on each cooking zone.
- Controls can be locked for additional safety and prevent alteration to cooking selection.



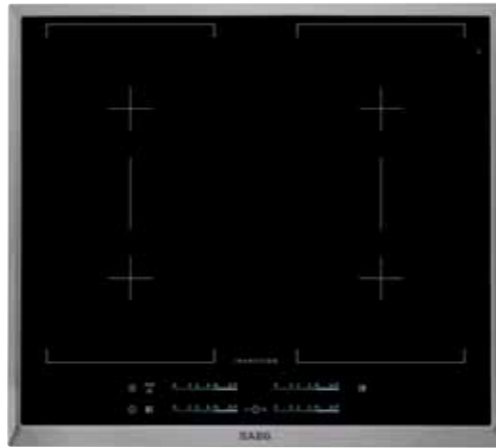
HK764403XB

71cm MaxiSense® induction hob with DirekTouch controls.



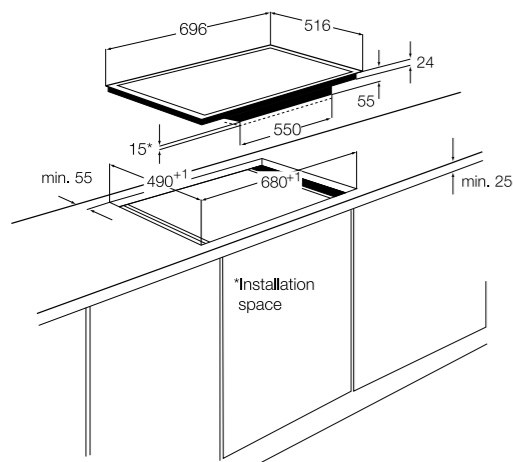
HK654400XB

60cm MaxiSense® induction hob with bridging function.



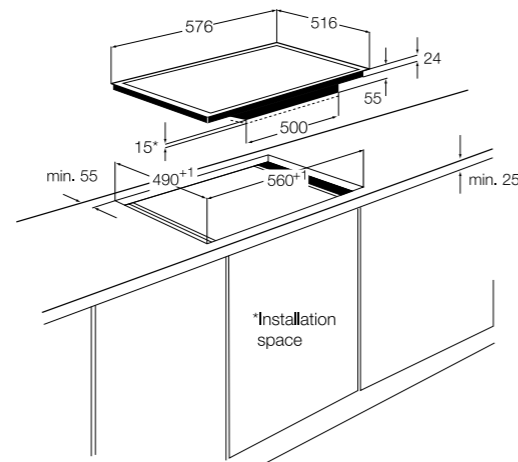
- Plenty of cooking space with this extra wide induction hob.
- 4 MaxiSense® sections suitable for total cooking flexibility.
- DirekTouch controls for quick, precise heat level selection.
- Bridge function links the two sections creating a larger section for versatile cooking.
- AutoMax quickly brings the hob to the boil, then automatically reduces to the preselected power level.
- Power Booster for intense rapid heat up.
- Öko Timer, save energy by setting the timer which cleverly switches off the zone and uses residual heat to complete the last few minutes of cooking.
- Stop+Go reduces all zones to a keep warm setting if cooking is interrupted. When you return to cooking, Stop+Go remembers the selected settings.
- Set a reminder with the timer, or glance at the count-up timer to keep in control of your cooking.
- OptiHeat control with 3 levels of residual heat on each cooking zone.
- Controls can be locked for additional safety and prevent alteration to cooking selection.

Frameless, bevelled edge hob also available HK764400FB.



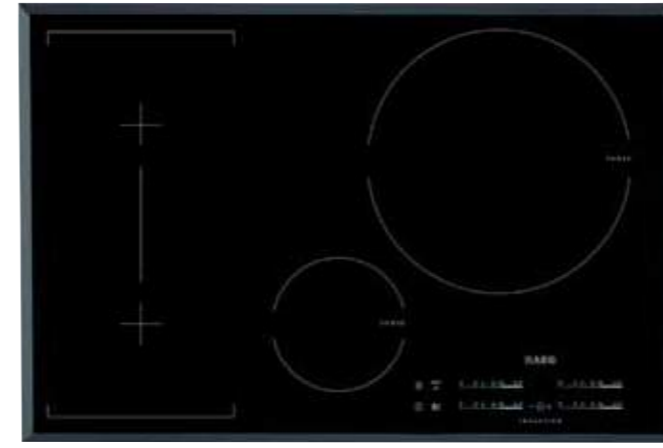
- 4 MaxiSense® sections suitable for total cooking flexibility.
- Bridge function links the two sections creating a larger section for versatile cooking.
- DirekTouch controls for quick, precise heat level selection.
- AutoMax quickly brings the hob to the boil, then automatically reduces to the preselected power level.
- Power Booster for intense rapid heat up.
- Öko Timer, save energy by setting the timer which cleverly switches off the zone and uses residual heat to complete the last few minutes of cooking.
- Stop+Go reduces all zones to a keep warm setting if cooking is interrupted. When you return to cooking, Stop+Go remembers the selected settings.
- Set a reminder with the timer, or glance at the count-up timer to keep in control of your cooking.
- OptiHeat control with 3 levels of residual heat on each cooking zone.
- Controls can be locked for additional safety and prevent alteration to cooking selection.

Frameless, bevelled edge hob also available HK654400FB.

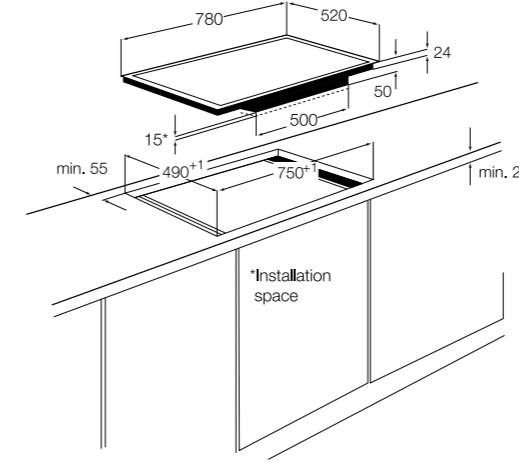


HK854320FB

Extra wide 80cm induction hob with DirekTouch controls.



- 2 MaxiSense® sections suitable for total cooking flexibility.
- Bridge function links the two sections creating a larger section for versatile cooking.
- Touch controls give a flush finish to the hob, they offer precise operation and are easy to wipe clean.
- DirekTouch controls for quick, precise heat level selection.
- AutoMax quickly brings the hob to the boil, then automatically reduces to the preselected power level.
- Power Booster for intense rapid heat up.
- Öko Timer, save energy by setting the timer which cleverly switches off the zone and uses residual heat to complete the last few minutes of cooking.
- Stop+Go reduces all zones to a keep warm setting if cooking is interrupted. When you return to cooking, Stop+Go remembers the selected settings.
- Set a reminder with the timer, or glance at the count-up timer to keep in control of your cooking.
- OptiHeat control with 3 levels of residual heat on each cooking zone.
- Controls can be locked for additional safety and prevent alteration to cooking selection.

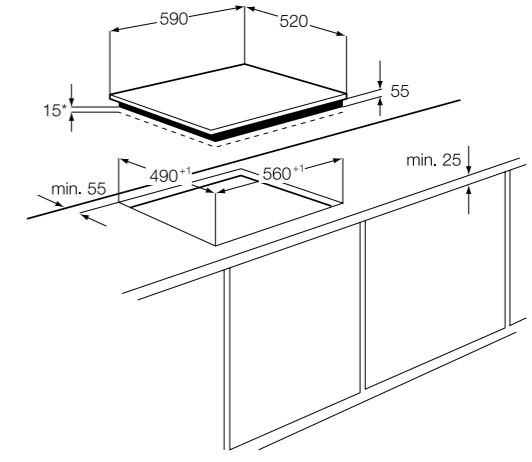


HK654200FB

Standard 60cm induction hob with DirekTouch controls.



- DirekTouch controls for quick, precise heat level selection.
- AutoMax quickly brings the hob to the boil, then automatically reduces to the preselected power level.
- Power Booster for intense rapid heat up.
- Öko Timer, save energy by setting the timer which cleverly switches off the zone and uses residual heat to complete the last few minutes of cooking.
- Stop+Go reduces all zones to a keep warm setting if cooking is interrupted. When you return to cooking, Stop+Go remembers the selected settings.
- Set a reminder with the timer, or glance at the count-up timer to keep in control of your cooking.
- OptiHeat control with 3 levels of residual heat on each cooking zone.
- Controls can be locked for additional safety and prevent alteration to cooking selection.

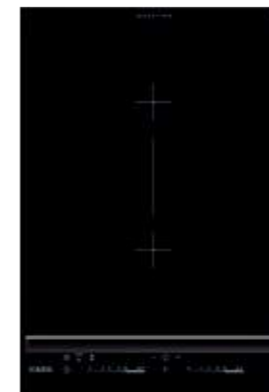




Customise Your Cooking

The Crystalline range lets you build a bespoke cooking area that allows you to mix up fuel types to tailor precisely to your cooking styles, with options including induction wok, gas and even Teppanyaki. With their unique glass-bar design, the modules combine to stunning effect, whichever you choose.

Crystalline modules:



1 Induction hob



2 Teppanyaki



3 Induction wok



4 Gas wok on glass



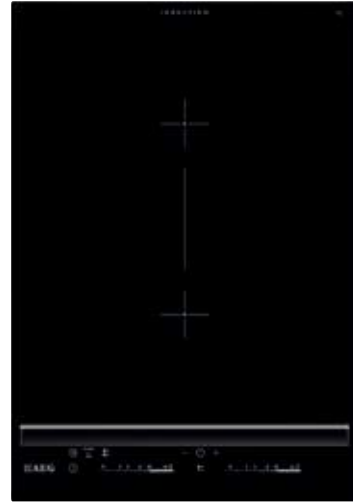
5 Gas on glass



6 Glass ceramic

HC452400EB

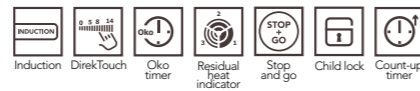
CrystalLine MaxiSense® 2 zone induction hob with bridging function



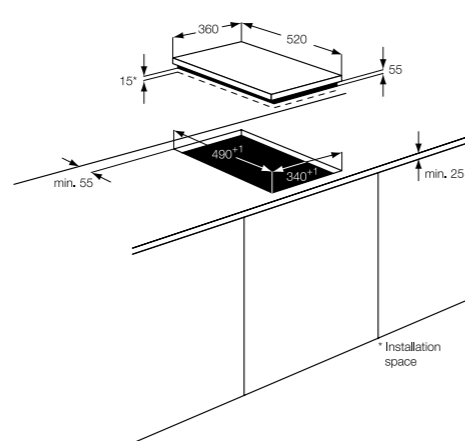
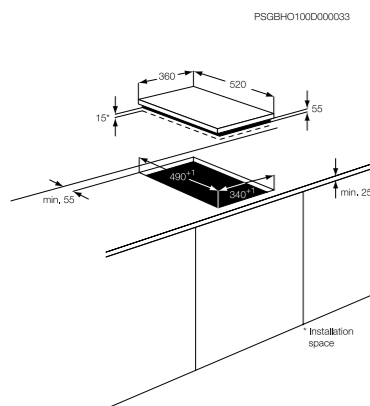
- Stylish glass bar that magnifies the display for precise hob control, offering the ultimate in design.
- Bridge function links the two sections creating a larger section for versatile cooking.
- DirekTouch controls for quick, precise heat level selection.
- Öko Timer, save energy by setting the timer which cleverly switches off the zone and uses residual heat to complete the last few minutes of cooking.
- Stop+Go reduces all zones to a keep warm setting if cooking is interrupted. When you return to cooking, Stop+Go remembers the selected settings.
- Set a reminder with the minute minder or at a glance the count-up timer keeps you in control of your cooking.
- Residual heat indicator.
- Controls can be locked for additional safety and prevent alteration to cooking selection.

HC452600EB

CrystalLine Teppanyaki with DirekTouch



- Stylish glass bar that magnifies the display for precise hob control, offering the ultimate in design.
- Our reverse induction technology heats up very quickly enabling you to cook directly on the surface.
- Easy to clean surface offering real cooking flexibility, perfect for meat, fish and vegetables.
- Two separate temperature zones for cooking different food.
- DirekTouch controls for quick, precise heat level selection.
- Öko Timer, save energy by setting the timer which cleverly switches off the zone and uses residual heat to complete the last few minutes of cooking.
- Set a reminder with the minute minder or at a glance the count-up timer keeps you in control of your cooking.
- Residual heat indicator.
- Controls can be locked for additional safety and prevent alteration to cooking selection.
- Cleaning function, heats hob to required temperature to aid cleaning process.

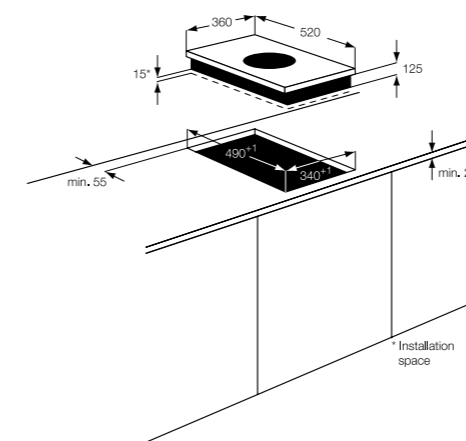


HC451500EB

CrystalLine Induction Wok with DirekTouch controls and compatible wok



- Stylish glass bar that magnifies the display for precise hob control, offering the ultimate in design.
- Induction wok for the ultimate stir fries due to the advance induction technology designed for a large wok that accompanies the hob.
- DirekTouch controls for quick, precise heat level selection.
- Öko Timer, save energy by setting the timer which cleverly switches off the zone and uses residual heat to complete the last few minutes of cooking.
- Stop+Go reduces all zones to a keep warm setting if cooking is interrupted. When you return to cooking, Stop+Go remembers the selected settings.
- Residual heat indicator.
- Controls can be locked for additional safety and prevent alteration to cooking selection.
- Includes induction wok pan.

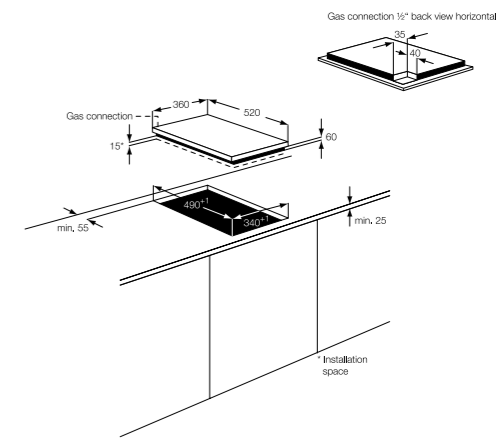


HC411520GB

CrystalLine gas Wok burner with steel capped rotary control.



- For high performance cooking our specially designed Wok burner provides maximum heat enabling you to create authentic stir-fries.
- Stylish glass bar that magnifies the display for precise hob control, offering the ultimate in design.
- Steel capped rotary controls enhancing the overall design.
- Designer cast iron pan supports that enhance the hob, creating a design feature in your kitchen.
- Front controls with automatic integrated ignition for easy operation.



HC412000GB

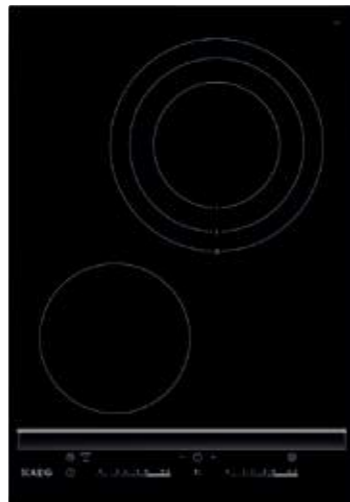
CrystallLine 2 burner gas hob with cast iron pan support.



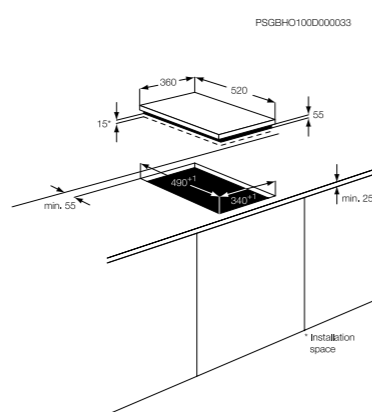
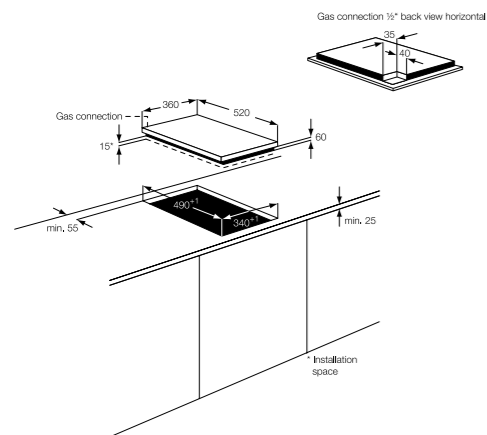
- Offering 2 different size burners, this gas hob has a rapid burner perfect for use with larger pans and a semi-rapid burner that is ideal for everyday cooking.
- Stylish glass bar that magnifies the display for precise hob control, offering the ultimate in design.
- Steel capped rotary controls enhancing the overall design.
- Designer cast iron pan supports that enhance the hob, creating a design feature in your kitchen.
- Front controls with automatic integrated ignition for easy operation.

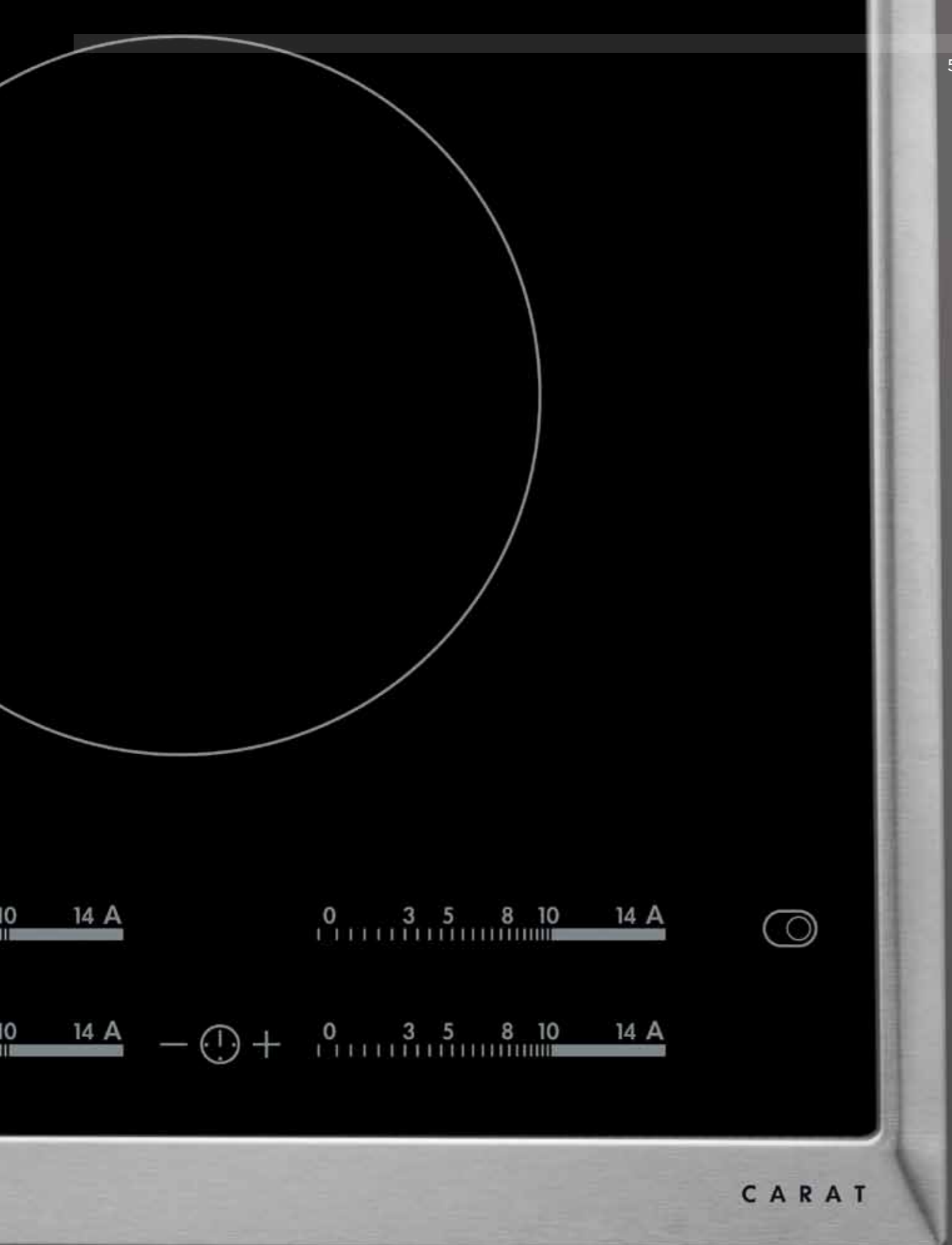
HC452020EB

CrystallLine 2 zone ceramic hob with DirekTouch controls.



- Stylish glass bar that magnifies the display for precise hob control, offering the ultimate in design.
- DirekTouch controls for quick, precise heat level selection.
- Flexible triple zone to accommodate a variety of different sized pans.
- Öko Timer, save energy by setting the timer which cleverly switches off the zone and uses residual heat to complete the last few minutes of cooking.
- Stop+Go reduces all zones to a keep warm setting if cooking is interrupted. When you return to cooking, Stop+Go remembers the selected settings.
- Set a reminder with the minute minder or at a glance the count-up timer keeps you in control of your cooking.
- Residual heat indicator.
- Controls can be locked for additional safety and prevent alteration to cooking selection.





Ceramic Hobs

Ceramic hobs have a heat element under toughened glass. When switched on, the element heats up and the zone glows red. Our ceramic hobs have flexible zones for a variety of cooking needs.



Beautifully sleek in your kitchen.
Our ceramic hobs are made from a single sheet of black glass, and give you a streamlined look in your kitchen.



Simple to clean.
Spills and splashes can be easily wiped away with a damp cloth, no need for scrubbing or soaking.



Touch control.
The touch controls are simple to operate and are highly responsive, putting you in total control of your cooking.

Ceramic Hobs

56

HK955070FB

90cm wide ceramic hob with 5 HiLight zones.



HK854080FB

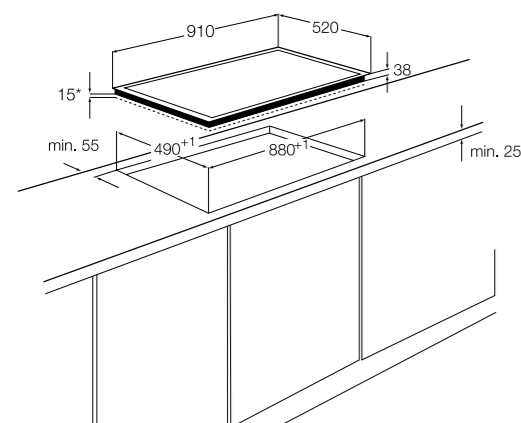
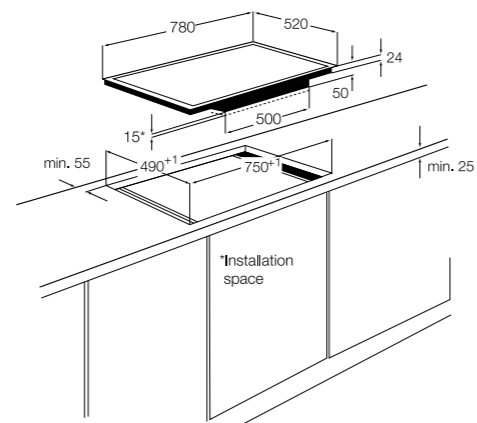
80cm wide ceramic hob with 4 HiLight zones.



- 5 HiLight zones with a variety of different sized zones including one triple zone and one multipurpose zone.
- DirekTouch controls for, quick, precise heat level selection.
- Residual heat indicator on each cooking zone.
- Öko Timer, save energy by setting the timer which cleverly switches off the zone and uses residual heat to complete the last few minutes of cooking.
- AutoMax quickly brings the hob to the boil, then automatically reduces to the preselected power level.
- Stop+Go reduces all zones to a keep warm setting if cooking is interrupted. When you return to cooking, Stop+Go remembers the selected settings.
- Set a reminder with the timer, or glance at the count-up timer to keep in control of your cooking.
- Controls can be locked for additional safety and prevent alteration to cooking selection.



- 4 HiLight zones with a variety of different sized zones including one triple zone and one multipurpose zone.
- DirekTouch controls for, quick, precise heat level selection.
- Residual heat indicator on each cooking zone.
- Öko Timer, save energy by setting the timer which cleverly switches off the zone and uses residual heat to complete the last few minutes of cooking.
- Set a reminder with the timer, or glance at the count-up timer to keep in control of your cooking.
- Controls can be locked for additional safety and prevent alteration to cooking selection.



Ceramic Hobs

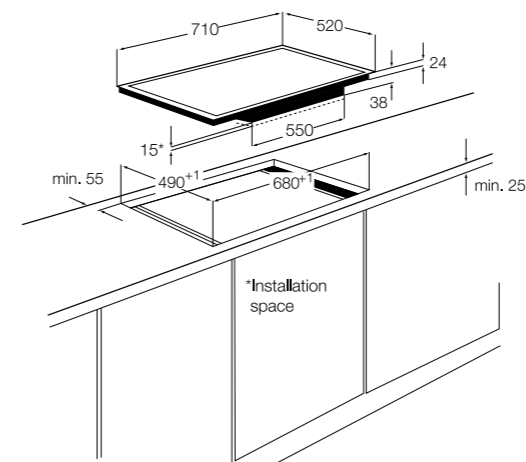
57

HK764070FB

70cm wide ceramic hob with DirekTouch controls.

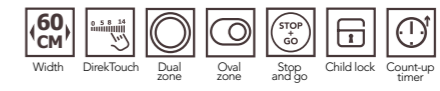


- 4 HiLight zones with a variety of different sized zones including one triple zone and one multipurpose zone.
- DirekTouch controls for, quick, precise heat level selection.
- Residual heat indicator on each cooking zone.
- Öko Timer, save energy by setting the timer which cleverly switches off the zone and uses residual heat to complete the last few minutes of cooking.
- AutoMax quickly brings the hob to the boil, then automatically reduces to the preselected power level.
- Stop+Go reduces all zones to a keep warm setting if cooking is interrupted. When you return to cooking, Stop+Go remembers the selected settings.
- Set a reminder with the timer, or glance at the count-up timer to keep in control of your cooking.
- Controls can be locked for additional safety and prevent alteration to cooking selection.

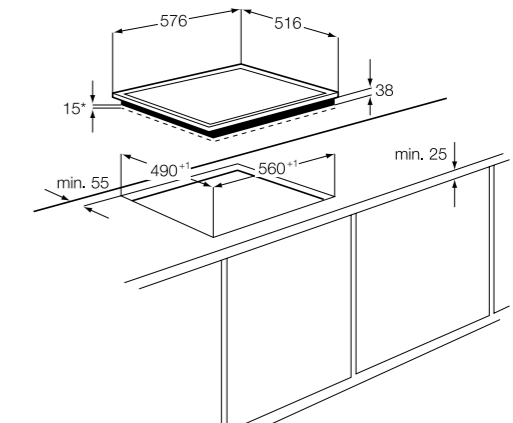


HK634060XB

60cm wide OptiFit® ceramic hob with Stop + Go.



- 4 HiLight zones with a variety of different sized zones including one dual zone and one multipurpose zone.
- Touch controls give a flush finish to the hob, they offer precise operation and are easy to wipe clean.
- Stylish ceramic hob with our OptiFit® stainless steel frame, for a designer installation.
- AutoMax quickly brings the hob to the boil, then automatically reduces to the preselected power level.
- Set a reminder with the timer, or glance at the count-up timer to keep in control of your cooking.
- Stop+Go reduces all zones to a keep warm setting if cooking is interrupted. When you return to cooking, Stop+Go remembers the selected settings.
- For added safety the residual heat indicators warn when the hob is still hot after cooking.
- Controls can be locked for additional safety and prevent alteration to cooking selection.



Ceramic Hobs

HK634030FB

60cm wide ceramic hob with AutoMax feature.



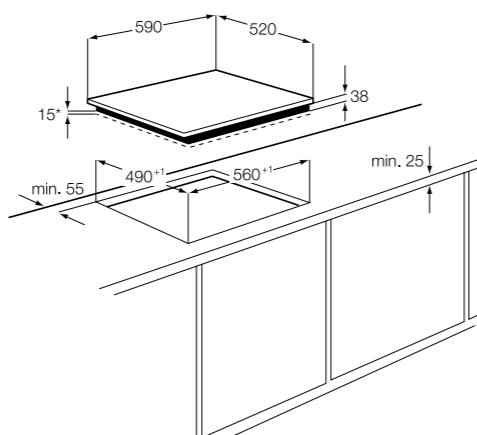
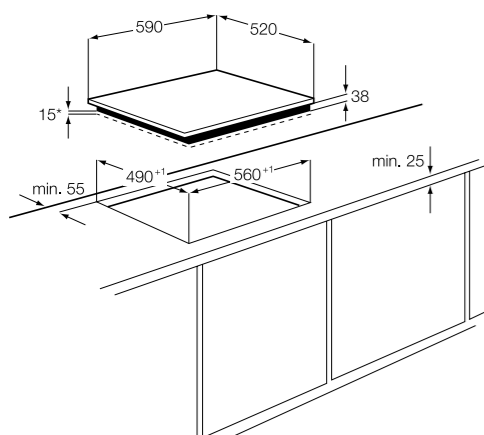
- 4 HiLight zones with a variety of different sized zones including one triple zone and one dual zone.
- Touch controls give a flush finish to the hob, they offer precise operation and are easy to wipe clean.
- AutoMax quickly brings the hob to the boil, then automatically reduces to the preselected power level.
- Set a reminder with the timer, or minute minder.
- Stop+Go reduces all zones to a keep warm setting if cooking is interrupted. When you return to cooking, Stop+Go remembers the selected settings.
- For added safety the residual heat indicators warn when the hob is still hot after cooking.
- Controls can be locked for additional safety and prevent alteration to cooking selection.

HK624010FB

Ceramic hob with Touch Controls.



- 4 HiLight cooking zones with a variety of different sized zones, including one dual zone.
- Touch controls give a flush finish to the hob, they offer precise operation and are easy to wipe clean.
- For added safety the residual heat indicators warn when the hob is still hot after cooking.
- Controls can be locked for additional safety and prevent alteration to cooking selection.
- Our flexible dual zone allows you to control how much of the zone heats up depending on the size of the pan you're using.





Gas Hobs

To create a design statement with your hob, our Neue Kollektion features a range of elegant, gas on glass, Semi-flush gas on glass hobs and a premium quality range of ultraflat stainless steel gas hobs.



Gas on Glass Design
The ultimate design statement. Stylish cast iron pan supports combined with the sleek black glass and the versatility and precision of gas cooking.



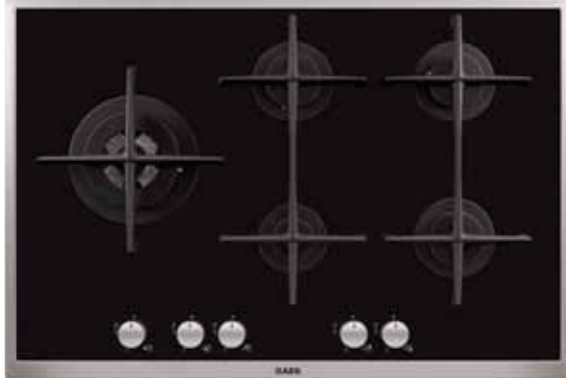
Semi-flush Perfect Integration
Our Semi-flush gas on glass hobs appear to be integrated into the worktop, giving your kitchen a perfect harmony.



OptiFit® Premium Frame
The new OptiFit® frame provides a premium stainless steel frame that allows easy installation as well as protecting the glass surface.

HG795540XB

Designer 75cm semi-flush gas on glass hob with side wok burner.



HG795440XB

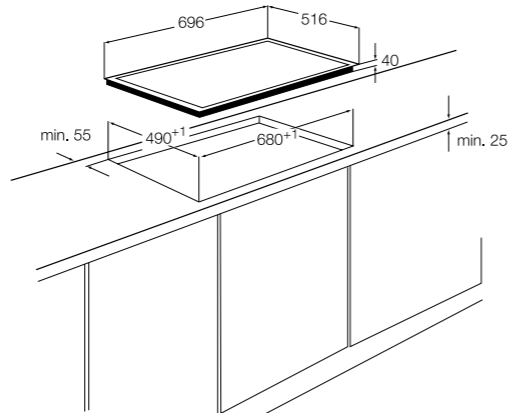
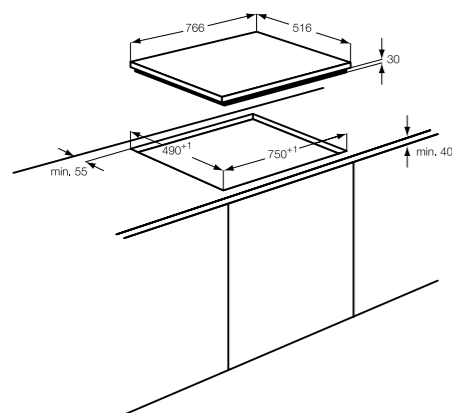
Designer 70cm semi-flush gas on glass hob with central wok burner.



- 5 burner gas hob featuring our side wok burner, maximising the usable cooking space, and a variety of different size burners for all your cooking needs.
- Stylish gas on glass hob with our OptiFit® stainless steel frame, for a designer installation.
- Steel capped rotary controls for a premium quality look and feel.
- Designer cast iron pan supports that enhance the hob, creating a professional appearance in your kitchen.
- Special LED heat intensity indicators that get brighter the higher the temperature selected.
- For high performance cooking our specially designed wok burner provides maximum heat enabling you to create authentic stir-fries.
- Front controls with automatic integrated ignition for easy operation.



- Central wok burner surrounded by a variety of different sized burners including a simmer burner ideally suited to smaller sized pans.
- For high performance cooking our specially designed wok burner provides maximum heat enabling you to create authentic stir-fries.
- Special LED heat intensity indicators that get brighter the higher the temperature selected.
- Designer cast iron pan supports that enhance the hob, creating a professional appearance in your kitchen.
- Steel capped rotary controls for a premium quality look and feel.
- Stylish gas on glass hob with our OptiFit® stainless steel frame, for a designer installation.
- Front controls with automatic integrated ignition for easy operation.

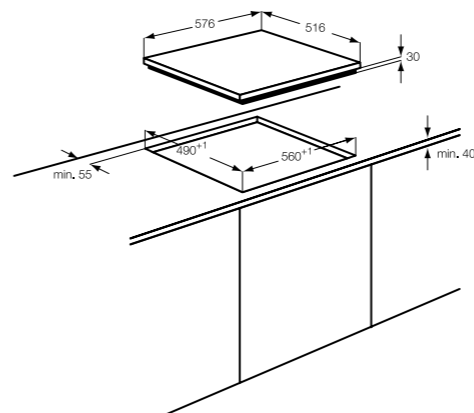


HG694340XB

Designer 60cm semi-flush gas on glass hob with OptiFit® stainless steel frame.



- 4 burner gas hob maximising the usable cooking space, and a variety of different size burners for all your cooking needs.
- Stylish gas on glass hob with our OptiFit® stainless steel frame, for a designer installation.
- Steel capped rotary controls for a premium quality look and feel.
- Designer cast iron pan supports that enhance the hob, creating a professional appearance in your kitchen.
- Special LED heat intensity indicators that get brighter the higher the temperature selected.
- For high performance cooking our specially designed wok burner provides maximum heat enabling you to create authentic stir-fries.
- Front controls with automatic integrated ignition for easy operation.

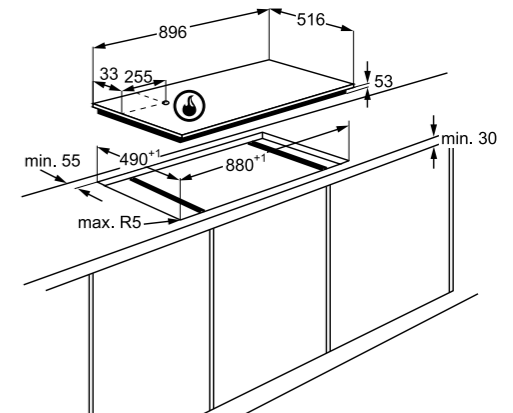


HG995440XB

Designer 90cm semi-flush gas on glass hob with OptiFit® stainless steel frame.



- 5 burners in a variety of sizes including our powerful rapid burner ideal for larger pans as well as a gentle simmer burner.
- Stylish gas on glass hob with our OptiFit® stainless steel frame, for a designer installation.
- Special LED heat intensity indicators that get brighter the higher the temperature selected.
- Designer cast iron pan supports that enhance the hob, creating a professional appearance in your kitchen.
- Steel capped rotary controls for a premium quality look and feel.
- Front controls with automatic integrated ignition for easy operation.



Gas Hobs / Gas on Glass

64

HG795440NB

70cm wide Gas on Glass hob with cast iron supports.



HG694340NB

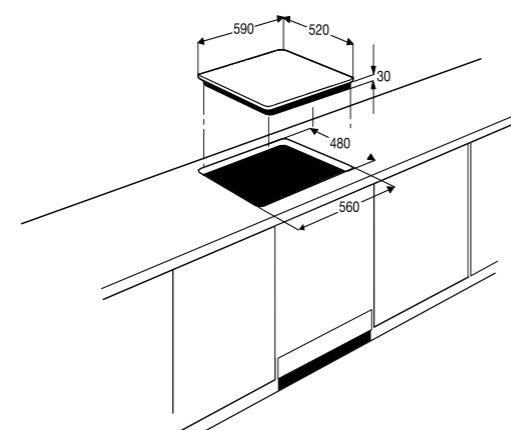
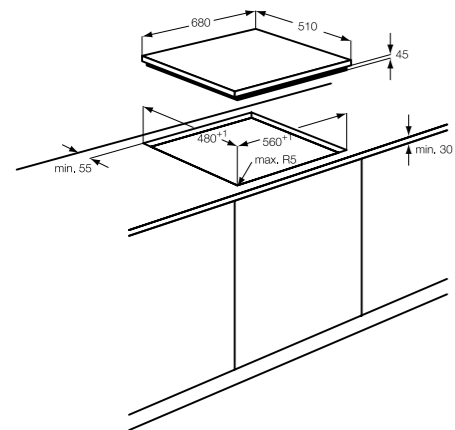
60cm Gas on Glass hob with cast iron pan supports.



- Gas on Glass is a great design feature and easier to keep clean.
- Centre wok burner surrounded by 5 different sized burners including a simmer burner.
- Gas on glass hob, the ultimate style statement in your kitchen.
- Special LED heat intensity indicators that get brighter the hotter the temperature.
- Cast iron pan supports, with a removable wok support.
- Front controls with automatic integrated ignition for easy operation.
- Steel capped rotary controls for a premium quality and look.

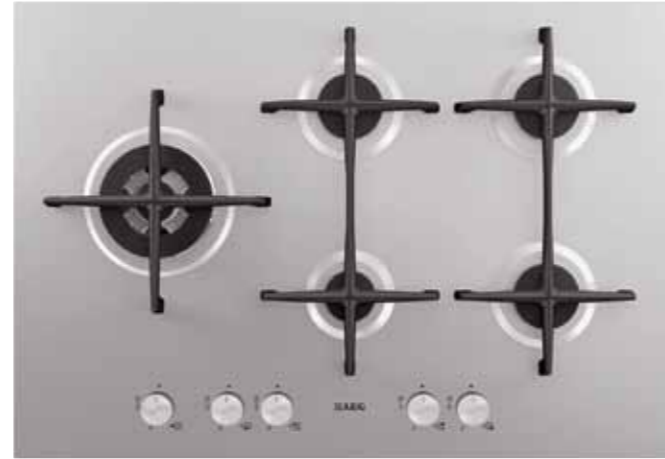
Also available in HG995440NB 90cm wide.

- Gas on Glass is a great design feature and easier to keep clean.
- 4 burners in a variety of sizes.
- Special LED heat intensity indicators that get brighter the hotter the temperature.
- Cast iron pan supports.
- Front controls with automatic integrated ignition for easy operation.
- Steel capped rotary controls for a premium quality and look.

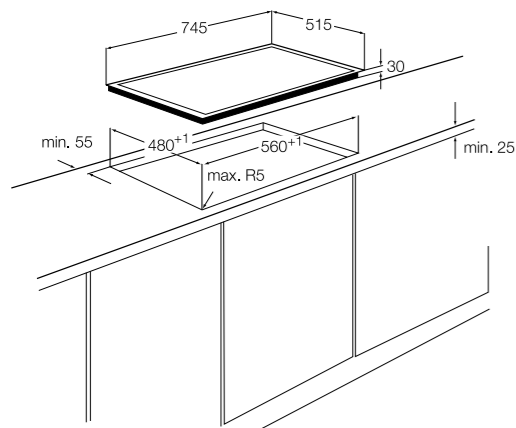


HG755520UM

Stunning UltraFlat designer gas hob with side wok burner.



- 5 burner gas hob featuring our side wok burner, maximising the usable cooking space, and a variety of different size burners for all your cooking needs.
- Stunning flat sheet of stainless steel with minimalist designer appearance.
- Steel capped rotary controls for a premium quality look and feel.
- Designer cast iron pan supports that enhance the hob, creating a professional appearance in your kitchen.
- For high performance cooking our specially designed Wok burner provides maximum heat enabling you to create authentic stir-fries.
- Front controls with automatic integrated ignition for easy operation.

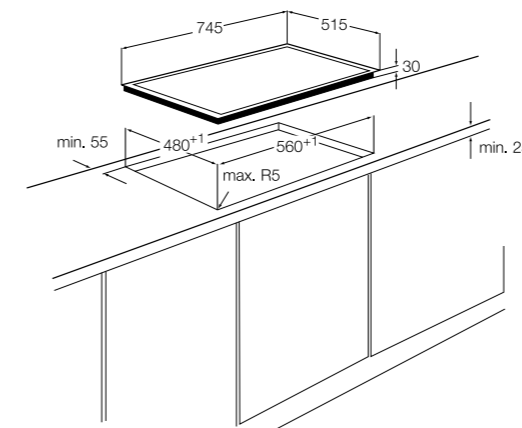


HG755420UM

Designer UltraFlat 75cm stainless steel hob with 5 burners.

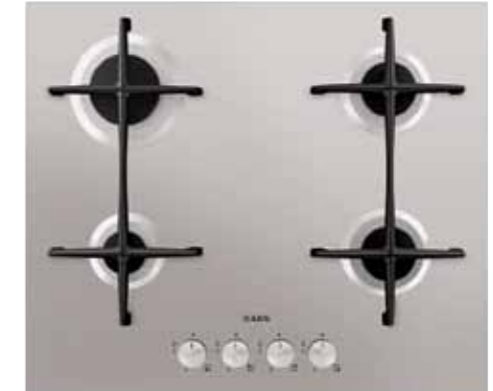


- Central wok burner surrounded by a variety of different sized burners including a simmer burner ideally suited to smaller sized pans.
- For high performance cooking our specially designed Wok burner provides maximum heat enabling you to create authentic stir-fries.
- Stunning flat sheet of stainless steel with a minimalist designer appearance.
- Designer cast iron pan supports that enhance the hob, creating a professional appearance in your kitchen.
- Steel capped rotary controls for a premium quality look and feel.
- Front controls with automatic integrated ignition for easy operation.

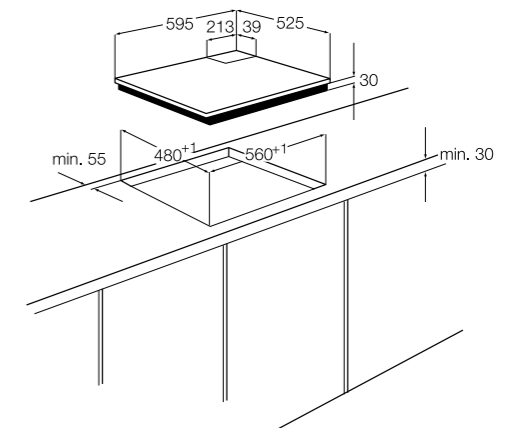


HG654320UM

Designer UltraFlat 60cm stainless steel hob with 4 burners.



- Stunning flat sheet of stainless steel with a minimalist designer appearance.
- Designer cast iron pan supports that enhance the hob, creating a design feature in your kitchen.
- Steel capped rotary controls for a premium quality look and feel.
- 4 burners in a variety of sizes including our powerful rapid burner ideal for larger pans as well as a gentle simmer burner.
- Front controls with automatic integrated ignition for easy operation.



HG956440SM

Extra wide 90cm stainless steel gas hob with 6 burners.



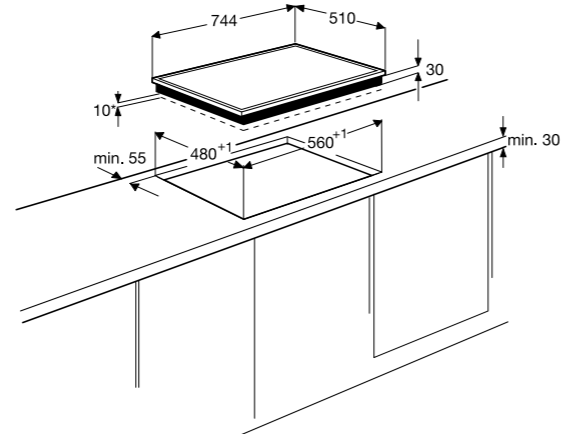
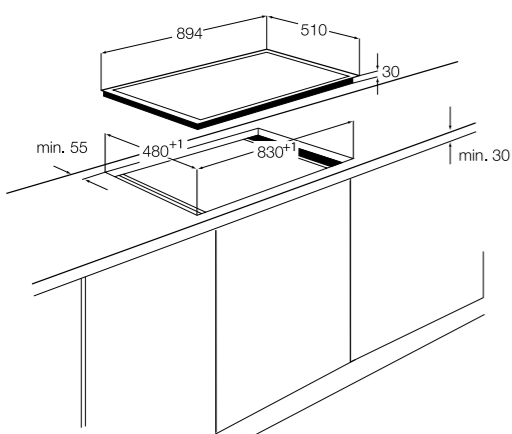
- Extra wide hob with versatile centre section for total cooking flexibility. Ideal for bain maries or individual saucepans.
- 6 burners in a variety of sizes including a powerful wok burner as well as a gentle simmer burner.
- High quality stainless steel flat design for ease of cleaning.
- Special LED heat intensity indicators that get brighter the hotter the temperature.
- Cast iron pan supports, with a removable wok support, for a professional appearance.
- Steel capped rotary controls for a premium quality look and feel.
- Front controls with automatic integrated ignition for easy operation.

HG755440SM

75cm wide stainless steel gas hob with 5 burners.



- Centre wok burner surrounded by a variety of different sized burners including a simmer burner.
- For high performance cooking our specially designed wok burner provides maximum heat enabling you to create authentic stir-fries.
- High quality stainless steel flat design for ease of cleaning.
- Special LED heat intensity indicators that get brighter the hotter the temperature.
- Cast iron pan supports, with a removable wok support, for a professional appearance.
- Steel capped rotary controls for a premium quality look and feel.
- Front controls with automatic integrated ignition for easy operation.

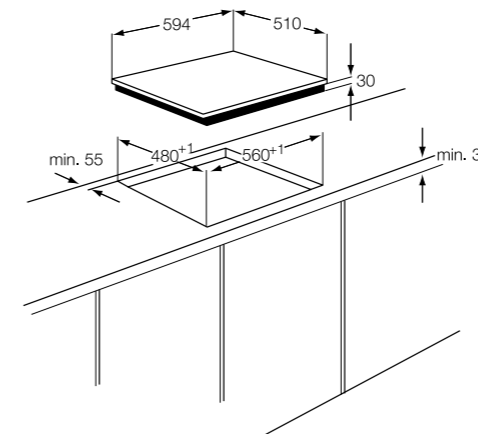


HG654440SM

Stainless steel 60cm gas hob with wok burner.



- High quality stainless steel flat design for ease of cleaning.
- Steel capped rotary controls for a premium quality look and feel.
- Special LED heat intensity indicators that get brighter the hotter the temperature.
- 4 burners in a variety of sizes including a powerful wok burner as well as a gentle simmer burner.
- Cast iron pan supports, with a removable wok support, for a professional appearance.
- Front controls with automatic integrated ignition for easy operation.

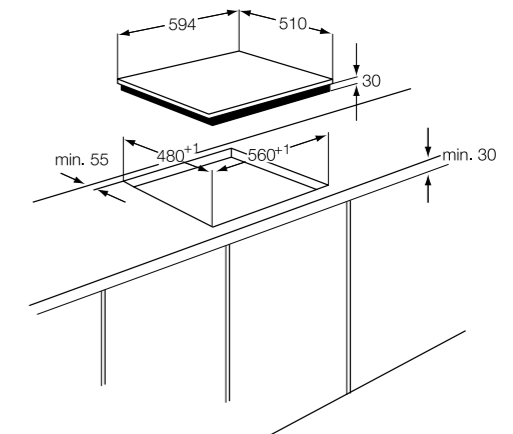


HG654320NM

60cm stainless steel gas hob with cast iron pan supports.



- High quality stainless steel flat design for ease of cleaning.
- Steel capped rotary controls for a premium quality look and feel.
- 4 burners in a variety of sizes including our powerful rapid burner ideal for larger pans as well as a gentle simmer burner.
- Cast iron pan supports, for a professional appearance.
- Front controls with automatic integrated ignition for easy operation.



Hoods

Our hoods seamlessly balance glass and stainless steel in precise, sculptural composition, to align perfectly with the rest of the kitchen.



Top Efficiency

Our ActiveHeat Sensor monitors kitchen conditions so that the right extraction rate is used, no matter how intense the cooking process.



LED Lighting

Crisp bright illumination, or a gentle glow? Dimmer-controlled LED lighting means you can adjust the effect at the touch of a fingertip.



DirekTouch Display

With our glass touch display, instant control is always at your fingertips.



reddot design award
winner 2011

A masterpiece of precision

A cooker hood has a job to do, but there is no reason why it should not look visually stunning at the same time. Our Neue Kollektion hoods balance glass and stainless steel in precise, sculptural composition, to align perfectly with the rest of the kitchen.

COOKER HOODS, THE BASICS

The new cooker hoods from AEG aerate your kitchen, deal with humidity, heat, odours and food particles in the most efficient way. Whether you prefer to be discreet or to make a bold statement in the kitchen, we can help you choose a cooker hood that suits your style.

HANDLING HUMIDITY

When using your hob, water evaporates into the air so that it becomes humid.

If the water particles are not dealt with, they transport grease and odour around your kitchen and home. The new AEG range has been designed to remove water particles from the air as they rise from the hob, keeping your kitchen fresh and clean.

MANAGING ODOURS

Aromas from the kitchen can get everybody excited about what's going to arrive on the table, lingering odour from past meals on the other hand are not so enticing. When you invest in an AEG hood, you invest in a fresh and pleasant kitchen environment. If not used in venting mode AEG's odour filters (activated carbon filters) ensure that lingering odours are a memory of the past. They are available in single-use versions (disposable) or as reusable versions (suitable for rinsing/regeneration) for selected extractor hoods.

DEALING WITH GREASE

Whenever you fry something, grease particles dissipate in the air and settle on surfaces throughout your kitchen. These are the perfect breeding grounds for bacteria and are very difficult to get rid of. AEG grease filters are designed to trap the grease particles contained in the vapour when air passes through the filter. Depending on the filter type, grease filters must be replaced (disposable filters) or cleaned (long life filters).



INCREASED ILLUMINATION

Hobs are often positioned against the wall in kitchens, and in many cases they are located in the corner of the room. This is not the lightest part of the kitchen.

Furthermore, if you have an extractable hood even less light reaches the hob area. AEG top models use the latest in long-life, energy efficient LED lighting, to ensure high visibility of your cooking area. The advanced dimmer controls enable you to choose the light that suits the particular time of the day.

DIFFERENT OPTIONS FOR DIFFERENT KITCHENS

Depending on the design and size of your kitchen, you can choose from a wide range of attractive designs and widths. AEG's Neue Kollektion offers you Island, Chimney, Wall, Ceiling, Retractable Table-Top and Built-In hoods to answer all your specific needs.



Choosing the right hood for your needs

When it comes to choosing your cooker hood there are some things you will have to consider such as the size of your kitchen, the existing ventilation system and the position of the hob. Once you know this, you can then choose the best design for your kitchen from the AEG Neue Kollektion. Make sure your house is equipped to suit your desired hood.

HOW BIG IS YOUR KITCHEN?

Air needs to continuously circulate to help prevent grease and odour particles from settling on surfaces. And in smaller kitchens the air becomes saturated with particles more quickly than in larger kitchens. Therefore, the first thing you need to consider when you are looking for a hood is the size of your kitchen.

CALCULATE THE RIGHT SIZED HOOD

To calculate hood size you need to measure the size of your room (L x W) and the height (H) of the ceiling. When you multiply these two figures together you get the volume of your kitchen (L x W x H). Once you know the volume of your kitchen you need to multiply it by the minimum (6 m³/h) and the maximum (12 m³/h) air circulation factors. In a 16 m³ kitchen with a 2.5 m high ceiling this is expressed as:

$$16 \times 2.5 \times 6 = 240$$

$$16 \times 2.5 \times 12 = 480$$

This means you need a hood that can filter at a rate of 240 m³/h at low speed and 480 m³/h at high speed.



WHERE IS THE HOOD LOCATED IN THE ROOM?

Your choice of fan will also be affected by its position in the room and the ventilation system you have. For example, a wall mounted or a built-under hood, will not work on a kitchen island. If you are fitting a hood over an island it is also more likely that air will be recirculated into your kitchen rather than expelled outdoors, due to the location of the ventilation system.

60 dB WHISPER QUIET

AEG's powerful hoods make a real difference to your kitchen environment, ensuring that it is a fresher, more peaceful place to cook or relax.



530 M³/HR EXTRACTION RATES

This is the level at which the cooker hood clears cooking vapours from the kitchen environment. Operation is measured in cubic metres per hour and are in accordance with IEC standards.

16 M³ OPTIMUM EFFICIENCY

To optimise efficiency and performance of the cooker hood it is important to select the correct hood with an appropriate extraction rate for your kitchen environment. To help ensure you select the correct cooker hood we have added an icon to each hood showing the maximum size of the room each one is suitable for.



X66453BV0 / X69453BV0

Sophisticated and premium design in beautiful black glass.



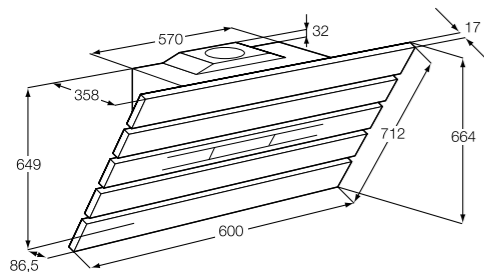
490 M³/HR
 60 dB
 16 M²
 SH



- Our electronic glass touch controls with LED display ensures quick, direct access is always at your fingertips.
- Electronic 4 speed control including Intensive setting with perimeter extraction drawing air from every angle.
- Our ActiveHeat sensor automatically adjusts the fan speed so its always at the optimum level.
- Our aluminium grease filters can be washed in the dishwasher.
- Twin halogen lights for improved hob illumination.
- Charcoal filter included for recirculation.

Available in
 X69453BV0 90cm black glass
 X66453BV0 60cm black glass

Accessories for ducting
 K1000X - 30cm high stainless steel chimney piece
 K9693X - 99cm high stainless steel chimney piece



Safety distance
 400mm Electric
 400mm Gas

X66543MV0 / X69453MV0

Sophisticated and premium design in stunning stainless steel.



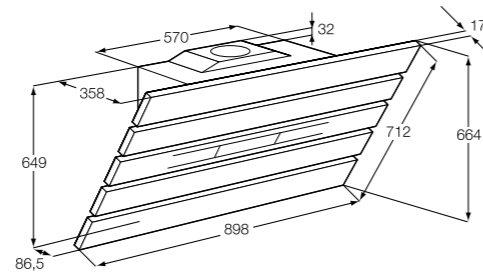
490 M³/HR
 60 dB
 16 M²
 SH



- Our electronic glass touch controls with LED display ensures quick, direct access is always at your fingertips.
- Electronic 4 speed control including Intensive setting with perimeter extraction drawing air from every angle.
- Our ActiveHeat sensor automatically adjusts the fan speed so its always at the optimum level.
- Our aluminium grease filters can be washed in the dishwasher.
- Twin halogen lights for improved hob illumination.
- Charcoal filter included for recirculation.

Available in
 X69453MV0 90cm stainless steel
 X66453MV0 60cm stainless steel

Accessories for ducting
 K1000X - 30cm high stainless steel chimney piece
 K9693X - 99cm high stainless steel chimney piece



Safety distance
 400mm Electric
 400mm Gas

X91384Mi0

Elegant stainless steel island hood with designer glass panel.

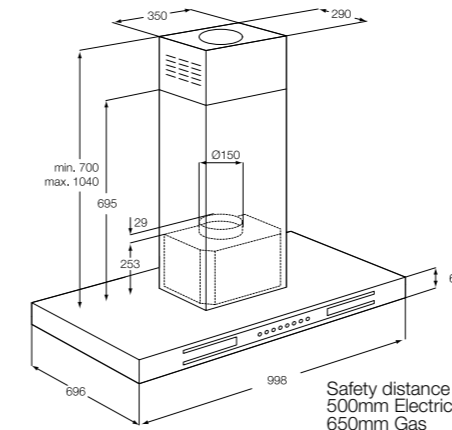


640 M³/HR
 68 dB
 20 M²
 SH



- Our electronic glass touch controls with LED display ensures quick, direct access is always at your fingertips.
- Electronic 4 speed control including Intensive setting with perimeter extraction drawing air from every angle.
- Our ActiveHeat sensor automatically adjusts the fan speed so its always at the optimum level.
- Our aluminium grease filters can be washed in the dishwasher.
- Twin halogen lights for improved hob illumination.
- Charcoal filter included for recirculation.

Available in
 X91384Mi0 100cm



Safety distance
 500mm Electric
 650mm Gas

X69453MD0

Designer hood in stainless steel with glass panel aligning to our kitchen appliances.

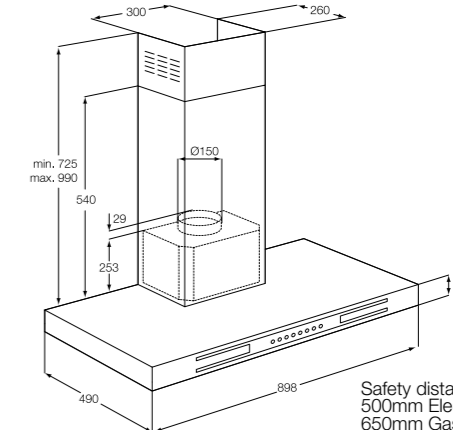


470 M³/HR
 63 dB
 16 M²
 SH



- Our electronic glass touch controls with LED display ensures quick, direct access is always at your fingertips.
- Electronic 4 speed control including Intensive setting to clear cooking vapours quickly and efficiently.
- Our ActiveHeat sensor automatically adjusts the fan speed so its always at the optimum level.
- Our aluminium grease filters can be washed in the dishwasher.
- Charcoal filter included for recirculation.
- Suitable for low ceiling heights when installed over an electric hob.

Available in
 X69453MD0 90cm
 X67453MD0 70cm
 X66453MD0 60cm



Safety distance
 500mm Electric
 650mm Gas

Di9814-M

Stainless steel designer hood with inclined glass side canopies.



- Electronic touch controls with LED display for precise control.
- Electronic 4 speed control including Intensive setting to clear cooking vapours quickly and efficiently.
- Halogen lights for improved hob illumination.
- Delayed switch off timer and auto safety switch off.
- Our aluminium grease filters can be washed in the dishwasher.
- Charcoal filter included for recirculation.
- Suitable for low ceiling heights when installed over an electric hob.

Available in
Di9814-M 100cm island hood

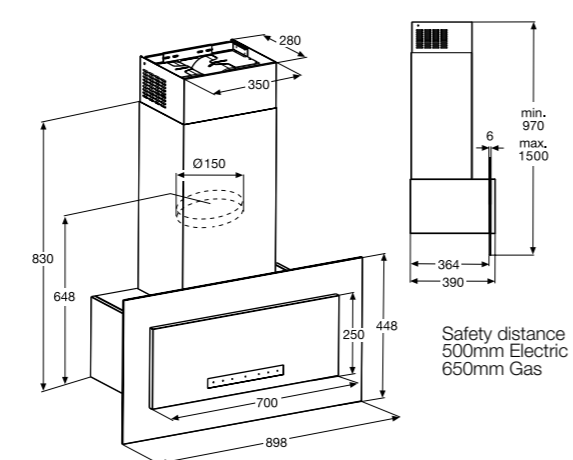
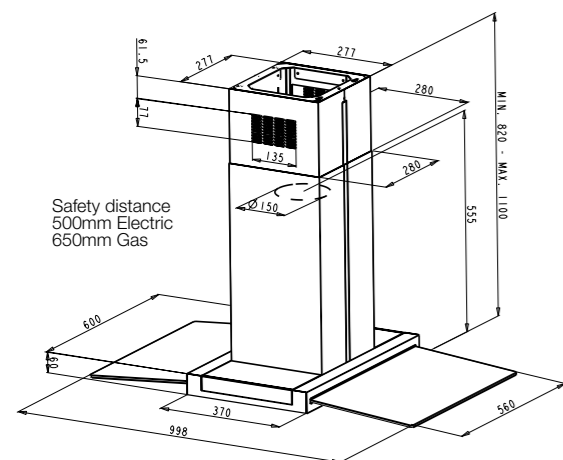
DD9893-M

High performance glass and stainless steel designer hood.



- Electronic 4 speed control including Intensive setting to clear cooking vapours quickly and efficiently.
- Our SilenceTech motor technology ensures quiet operation.
- Electronic touch controls with LED display for precise control.
- Halogen lights for improved hob illumination.
- Delayed switch off timer and auto safety switch off.
- Our aluminium grease filters can be washed in the dishwasher.
- Longlife charcoal filter included for recirculation.
- Suitable for low ceiling heights when installed over an electric hob.

Available in
DD9893-M 90cm



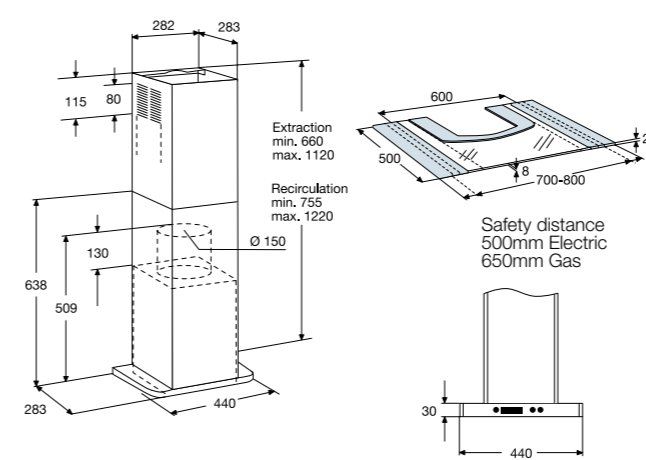
HD6470-M-M

Stainless steel and glass chimney hood with extendable side panels.



- Our specially designed stainless steel side panels ensure this hood is flexible in width to align perfectly with your kitchen.
- Electronic 3 speed touch button control.
- Our special electronic saturation indicators remind you when it's time to clean the filters.
- Twin halogen lights for improved hob illumination.
- Our aluminium grease filters can be washed in the dishwasher.
- Long life charcoal filter included for recirculation.
- Suitable for low ceiling heights when installed over an electric hob.

Available in
HD6470M 60cm extending to 70cm or 80cm



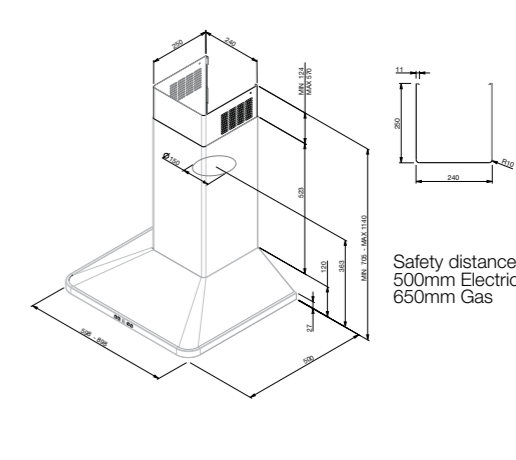
DK4490-M / DK4460-M

Stylish stainless steel chimney hood with LED display.



- Electronic 4 speed control including Intensive setting to clear cooking vapours quickly and efficiently.
- Our special electronic saturation indicators remind you when its time to clean the filters.
- Twin halogen lights for improved hob illumination.
- Our aluminium grease filters can be washed in the dishwasher.
- Charcoal filter included for recirculation.
- Suitable for low ceiling heights when installed over an electric hob.

Available in
DK4490-M 90cm
DK4460-M 60cm



HC5690-M

Stainless steel chimney hood.



520 M³/HR
62 dB
12 M²



- Electronic 4 speed control including Intensive setting to clear cooking vapours quickly and efficiently.
- Our special electronic saturation indicators remind you when its time to clean the filters.
- Twin halogen lights for improved hob illumination.
- Delayed switch off timer and auto safety switch off.
- Our aluminium grease filters can be washed in the dishwasher.
- Longlife charcoal filter included for recirculation.
- Suitable for low ceiling heights when installed over an electric hob.

Available in
HC5690-M 90cm

HC3360-M

Stainless steel chimney hood.

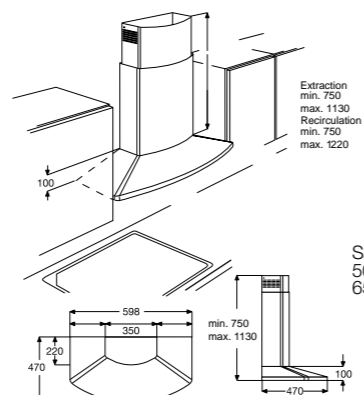
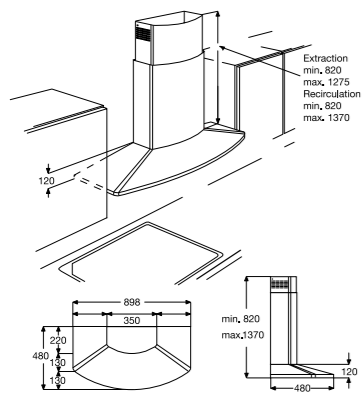


410 M³/HR
62 dB
12 M²



- Electronic 3 speed touch button control.
- Twin halogen lights for improved hob illumination.
- Our aluminium grease filters can be washed in the dishwasher.
- Long life charcoal filter included for recirculation.
- Suitable for low ceiling heights when installed over an electric hob.

Available in
HC3360-M 60cm



X79283MG0

Ceiling mounted hood.

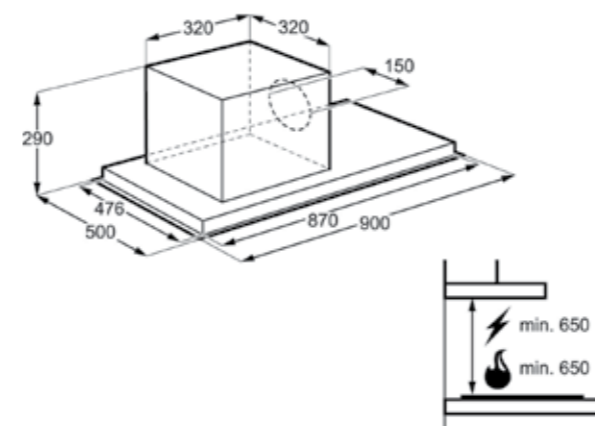


780 M³/HR
67 dB
20 M²



- 90cm Ceiling mounted hood
- Electronic 4 speed push button controls including Intensive setting to clear cooking vapours quickly and efficiently
- Four Halogen Spotlights for improved hob illumination.
- Our aluminium grease filters can be washed in the dishwasher.
- Remote control included.

Available in
X79283MG0



DH1690-M

Beautiful stainless steel downdraught extractor hood.

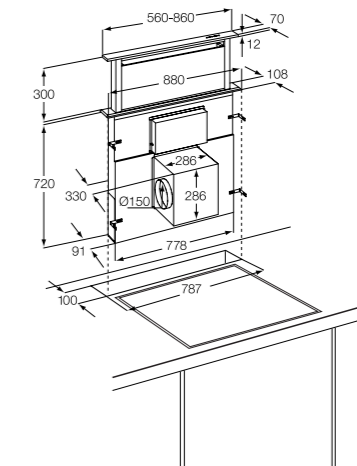


900 M³/HR
58 dB
ssSH?



- Our special downdraught extractor retracts neatly back into the worksurface when not in use. Great for island installation or with our slim depth 90cm MaxiSense hob.
- Highly efficient extraction rate to clear cooking vapours quickly and efficiently.
- Electronic 4 speed push button controls.
- Our aluminium grease filters can be washed in the dishwasher.
- Charcoal filter included for recirculation.

Available in
DH1690-M 90cm downdraught



DL7275-M9

Stainless steel canopy hood.

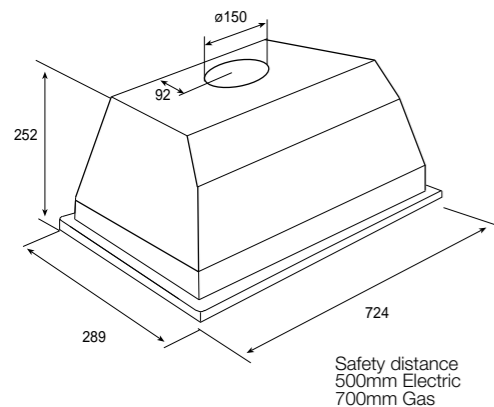


440 M³/HR
64 dB
16 M²



- Stainless steel 80cm canopy hood perfectly concealed within furniture designed to match your kitchen.
- 4 speed slider control including Intensive setting to clear cooking vapours quickly and efficiently.
- Twin halogen lights for improved hob illumination.
- Our aluminium grease filters can be washed in the dishwasher.
- Charcoal filter included for recirculation.
- Suitable for low ceiling heights when installed over an electric hob.

Available in
DL7275-M9 80cm Canopy hood



DF6164-M

Semi-integrated telescopic hood with stainless steel trim.

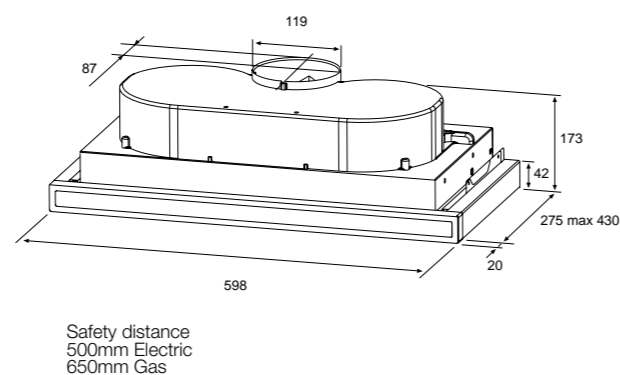


324 M³/HR
63 dB
12 M²



- Semi-integrated telescopic hood designed to sit into a unit to match your kitchen.
- Variable 3 speed slider control.
- Twin halogen lights for improved hob illumination.
- Our aluminium grease filters can be washed in the dishwasher.
- Charcoal filter included for recirculation.
- Suitable for low ceiling heights when installed over an electric hob.

Available in
DF6164-M 60cm telescopic hood



DE6261-ML

Integrated hood.

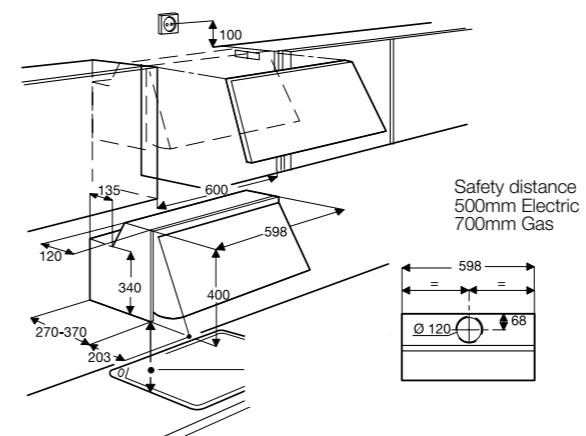


300 M³/HR
56 dB
12 M²



- Integrated hood designed to sit behind a furniture panel creating a seamless look in your kitchen.
- Electronic slider control with intensive setting to clear cooking vapours quickly and efficiently.
- Twin halogen lights for improved hob illumination.
- Our aluminium grease filters can be washed in the dishwasher.
- Charcoal filter included for recirculation.
- Suitable for low ceiling heights when installed over an electric hob.

Available in
DE6261-ML 60cm Integrated hood





Compact Range

Our compact ovens provide perfect performance, in concentrated form and alignment with all the features of their full-sized counterparts.

A comprehensive range includes steam and multifunction ovens, as well as combi microwaves, coffee machines and warming drawers.



Concentrated Performance
Our compact ovens have all the features of their full-sized counterparts. Choose from steam or multifunction ovens to combi microwaves and coffee machines.



Bespoke Customisation
Create your perfect layout, arranging items however you like: a horizontal run, a vertical stack, or perhaps a group of four? The choice is yours.



Design Harmony
The compact range matches all our standard-size kitchen appliances in design and perfectly aligns with all single ovens in our range, for a premium touch to your kitchen.

Performance, concentrated

The new AEG compact range offers powerful performance in a small design. Simply select the combination of appliances to best suit your needs and space, from steam only or multifunction ovens to combi and grill microwaves. Or how about a coffee machine or warming drawer to complete your kitchen?

With AEG Compact, an extended range of options means you should never have to compromise on fitting in everything you need. Our compact ovens have all the features of their full-sized counterparts, but concentrated into a smaller space... there is even a Compact Pyroluxe® Plus oven, the ultimate in oven cleaning.

Bespoke customisation

So you can achieve your ideal combination and your perfect layout, ranging items however you like... a horizontal run, a vertical stack, or perhaps a group of four? With AEG Compact, you can create your own style - perfection.

Group of four



Horizontal run



Vertical stack



Compact vertical stack





Compact Ovens

Introducing the compact range

The new AEG Compact range offers powerful performance in a small design. Simply select the combination of appliances to best suit your needs and space.



STEAM

Uses 100% steam, retains moisture and nutritional values in the food you cook. Ideal for cooking rice fish vegetables and fruit.



50% STEAM

50% steam and 50% heat helps conserve the texture and humidity of the food. Ideal for casseroles, souffles and re-heating dishes.



25% STEAM

25% steam and 75% heat locks in moisture and browns the outside for irresistible flavours.



TRUE FAN

Gently circulates hot air through the oven cavity, allowing you to cook sweet and savoury dishes at the same time without transfer of flavours.



DEFROST

Air is gently circulated around the oven cavity quickly, defrosting your food hygienically.



MOIST FAN BAKING

Moisture is retained within the oven thus achieving light and fluffy results, perfect for light sponges and souffles.



TURBO GRILLING

Gives you an authentic spit roast effect without the mess. Heat from the top is circulated by the fan, sealing and crisping foods.



CORE TEMPERATURE SENSOR

Measures the precise cooking temperature deep inside the food, taking the guesswork out of the cooking and ensures consistent results every time.



GRILL

Fully controllable powerful grill, ideal for family sized portions of food.



ANTI FINGERPRINT STAINLESS STEEL

A coating on all AEG stainless steel products, eliminates unsightly fingerprint marks ensuring your product looks effortlessly clean.



KEEP WARM

Maintains a temperature of 80°C, ideal temperature for keeping food warm, without drying it out.



FAST HEAT UP

No waiting for your oven to reach full heat, eliminating the need for preheating, great for those quick convenience meals.



SOFTMOTION

The door will close itself softly and quietly, when it reaches a certain angle.



COMBI MICROWAVE

Combines traditional microwave and a fan oven functions.



MICROWAVE AND GRILL

Combines traditional microwave and grill functions.



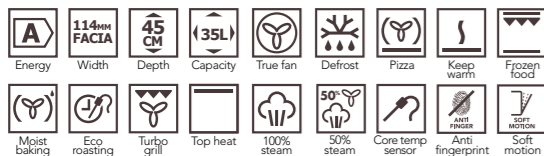
MICROWAVE

Powerful solo microwave with 5 power levels.

Compact Range / Multifunction with Steam Ovens

KS8404001M

Compact ProCombi™ Steam oven with ProSight™ touch control.



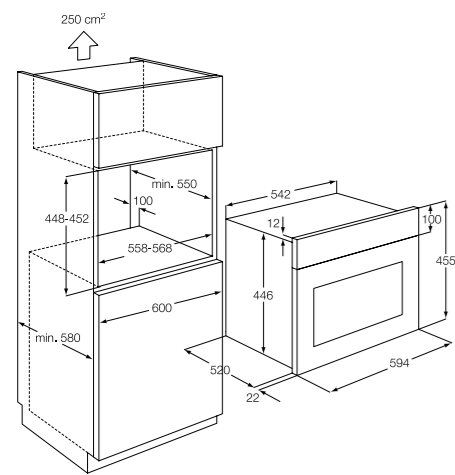
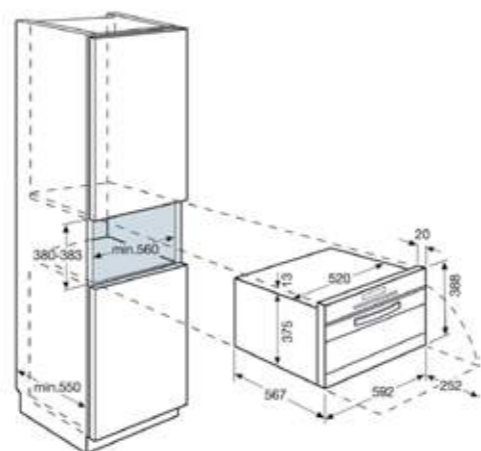
- Combining steam with heat. The compact ProCombi multifunction oven uses a combination of steam and heat to enhance flavours and textures.
- 100% - steam. Steam's gentle heat evenly penetrates food making for tasty, healthy dishes.
- Quarter steam and heat. 25% steam and 75% heat are combined to create irresistible flavours. Perfect for cooking bread, poultry, gratins, lasagne and other pasta bake dishes.
- Cooks using a combination of 50% steam and 50% heat. Introducing a higher level of steam into your cooking helps conserve the texture and humidity of the food. Perfect for cooking souffles and casseroles, also recommended for convenience foods and reheating dishes as the steam prevents food from drying out.
- Multifunction oven lets you cook foods as you like, together with steam options so you can create food that is golden brown on the outside and deliciously succulent on the inside.
- 20 pre-set recipes for different oven functions.

KS8100001M

38cm Compact ProCombi™ Steam oven with ProSight™ touch control.



- Combining steam with heat. The compact ProCombi multifunction oven uses a combination of steam and heat to enhance flavours and textures.
- 100% - steam. Steam's gentle heat evenly penetrates food making for tasty, healthy dishes.
- Quarter steam and heat. 25% steam and 75% heat are combined to create irresistible flavours. Perfect for cooking bread, poultry, gratins, lasagne and other pasta bake dishes.
- Cooks using a combination of 50% steam and 50% heat. Introducing a higher level of steam into your cooking helps conserve the texture and humidity of the food. Perfect for cooking souffles and casseroles, also recommended for convenience foods and reheating dishes as the steam prevents food from drying out.
- Multifunction oven lets you cook foods as you like, together with steam options so you can create food that is golden brown on the outside and deliciously succulent on the inside.
- 44 pre-set recipes for different oven functions.



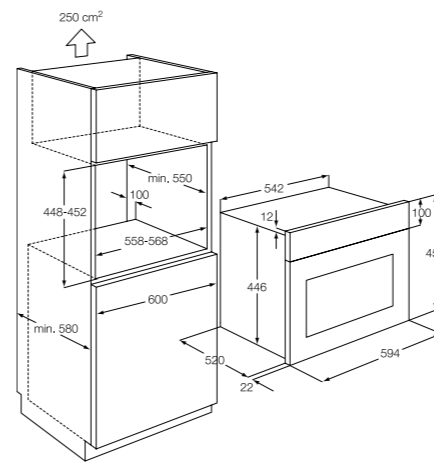
Compact Range / Multifunction Oven Coffee Machine

KE8404001M

Compact multifunction oven.



- Multifunction oven with all the benefits of True fan cooking as well as many other functions to get the best results for your food.
- Our SoftMotion™, soft close door automatically closes when the door reaches a certain angle, in a smooth, soft and elegant movement: premium design.
- To help you reach perfection the core temperature sensor measures the precise cooking temperature deep inside the food.
- The ChildLock prevents the appliance being used by young ones, and ChildLock guards against accidental changes to oven settings.
- 20 pre-set recipes / auto programmes for different oven functions.
- ProSight touch controls are easy to use and look sleek in the kitchen.
- Keep warm function maintains a temperature of 80°C, the optimum temperature for keeping food warm until ready to serve, without drying or spoiling.
- Grilling functions for browning and crisping food.
- Fast heat up - No waiting for your oven to reach full heat, eliminating the need for preheating, great for those quick convenience meals.
- Anti-fingerprint stainless steel.

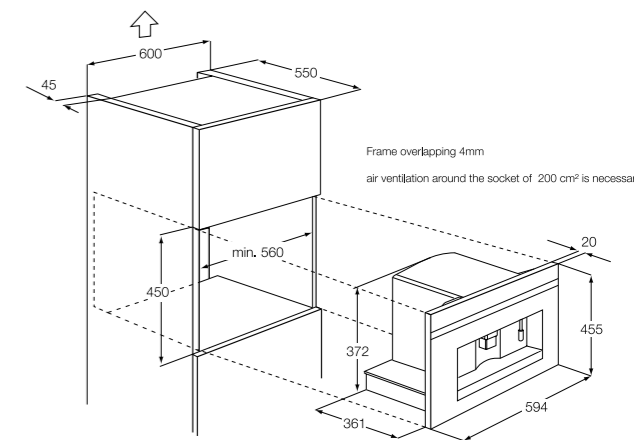


PE4541M

Compact bean to cup coffee machine.



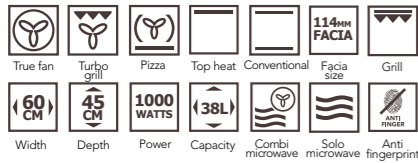
- Have authentic Italian coffee at home at the touch of a button.
- ProSight touch control operation. Easy to use and look sleek in the kitchen.
- Uses fresh coffee beans for an authentic taste.
- Fully automatic preprogrammed machine offering a selection of coffee including espresso, long and a mug.
- Steam/water spout for milk frothing to create an authentic cappuccino, latte or hot chocolate.
- Coffee machine mounted on telescopic runners for easy access.
- Multi cup jug option for up to 6 cups of coffee in one go.
- Sensor and LED indicator for water refilling of used coffee drawer emptying.
- Anti-fingerprint stainless steel.



Compact Range / Combination Microwaves

KM8403001M

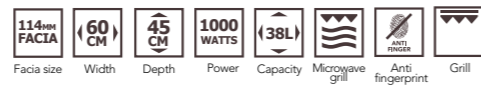
Combination microwave with fan cooking. Aligns with ovens.



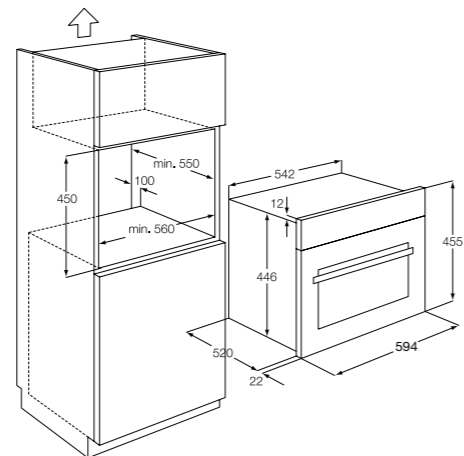
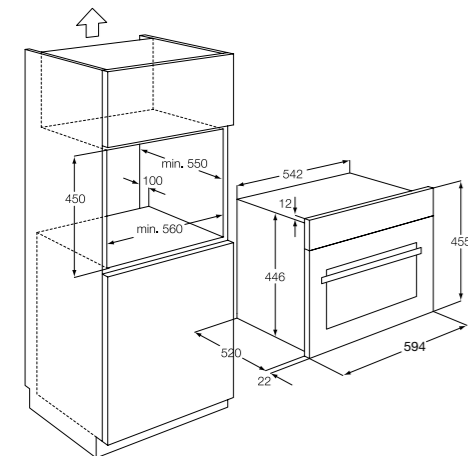
- Combination microwave with the browning and crisping effect of grilling or fan cooking, giving you speed and fantastic results.
- Combination microwave oven with true fan cooking for total flexibility.
- ProSight touch controls with fully interactive LCD display which is easy to operate.
- Take away the guesswork, with the autoweight cooking and defrosting programmes, all you need to do is enter the weight and let the microwave do the rest.
- A powerful 1000W microwave with 5 power levels for cooking flexibility.
- With the touch of a button, our Quick Start function cooks for 30 seconds.
- Controls can be locked for additional safety and prevent alteration to cooking selection.
- Oven furnished with shelf supports, baking tray and chrome wire shelf.
- Suitable for undercounter installation.
- Fully built-in or built-under, no kit required.

KR8403001M

Microwave with grill. Aligns with ovens.



- Microwave duo and 1900W grill to crisp and brown dishes, for fantastic results.
- ProSight touch controls with fully interactive LCD display which is easy to operate.
- Take away the guesswork, with the autoweight cooking and defrosting programmes, all you need to do is enter the weight and let the microwave do the rest.
- With the touch of a button, our Quick Start function cooks for 30 seconds.
- A powerful 1000W microwave with 5 power levels for cooking flexibility.
- Controls can be locked for additional safety and prevent alteration to cooking selection.
- Oven furnished with shelf supports, baking tray and chrome wire shelf.
- Suitable for undercounter installation.
- Fully built in or built under, no kit required.



Compact Range / Warming Drawers

KD91404E

Warming drawer with push/pull mechanism.



- 6 place setting.
- Stylish steel warming drawer with push/pull mechanism for a flush finish in your kitchen.
- Antifingerprint stainless steel.
- Ideal for keeping hot food warm until you are ready to serve without drying food out.
- Plate warming at 60°C food will stay warmer for longer on pre-warmed plates.
- Warming cups and glasses at 40°C, hot liquids will not cool down as quickly when served in pre-warmed cups.

KD91403E

Warming drawer for 6 place settings.



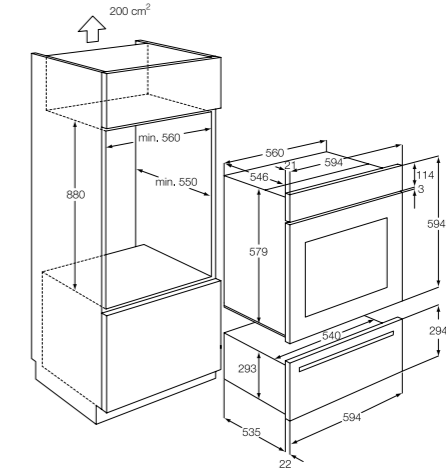
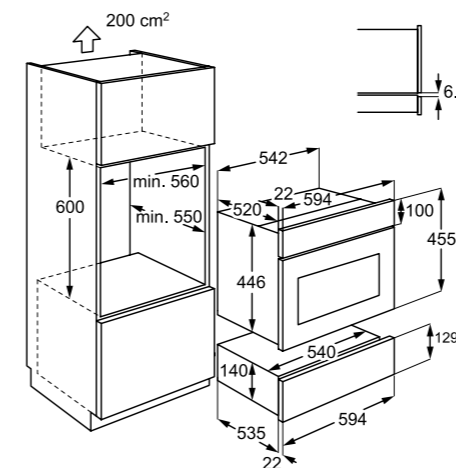
- 6 place setting.
- Antifingerprint stainless steel.
- Ideal for keeping hot food warm until you are ready to serve without drying food out.
- Plate warming at 60°C food will stay warmer for longer on pre-warmed plates.
- Warming cups and glasses at 40°C, hot liquids will not cool down as quickly when served in pre-warmed cups.

KD92903E

Warming drawer for 12 place settings.



- 12 place setting.
- Antifingerprint stainless steel.
- Ideal for keeping hot food warm until you are ready to serve without drying food out.
- Plate warming at 60°C food will stay warmer for longer on pre-warmed plates.
- Warming cups and glasses at 40°C, hot liquids will not cool down as quickly when served in pre-warmed cups.



Microwaves

Microwave – Grill – Defrost – Reheat

Our high-end Neue Kollektion microwave ovens provide a versatile range of cooking solutions in your kitchen. Flexibility is the key. You can microwave, grill, defrost, re-heat or select the convection function. And all this functionality can be used in any combination you desire.

The perfect partner for your oven

Combine a microwave with your traditional oven for the definitive answer to your cooking needs. In addition to conventional cooking methods, you can gently heat liquids without using precious hob space, as well as speed up the cooking process by par-cooking dishes or defrosting meat and fish.

Perfect results with automatic programming

Whether you're defrosting, cooking or grilling your food, our new microwave ovens can be depended upon time after time. They're automatically programmed to deal with a range of different dishes and foods at the touch of a button. Simply select the food type, weight and the microwave does the rest.

Optimal access and ideal cooking capacity

With an expansive XXL cavity size inside our top-of-the-range models, you can prepare large dishes. And it's easy to load and unload heavy plates and trays with the drop-down door.

Stainless-steel interior finish

Our microwaves feature our SOLO range - microwave only; DUO range - microwave and grill flexibility; and our COMBI range - microwave or grilling combined with fan cooking for fantastic results.

Quick start control

Enables you to cook for 30 seconds at full power at the touch of a single button, ideal for common tasks such as warming up drinks. Can be pressed up to 5 times continuously for convenience. All our microwaves are fully built in so no additional building in kits are required. Selected models can be built under counter and all models can be built in column, offering flexibility to fit into your kitchen.



Microwaves / Duo with grill

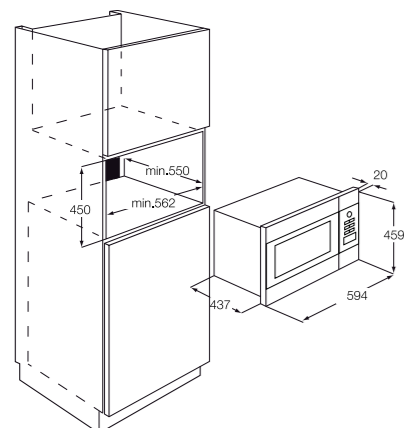
94

MCD2664E-M

Large 26L anti-fingerprint stainless steel duo microwave and grill.



- Combine the microwave and 1000W grill to crisp and brown dishes, for fantastic results.
- 900W microwave with 5 power levels for cooking flexibility.
- Our Active display allows you to change settings whilst the microwave is operating for added versatility.
- Take away the guesswork, with the autoweight cooking and defrosting programmes, all you need to do is enter the weight and let the microwave do the rest.
- With the touch of one button, the Quick Start function cooks for 30 seconds.
- Glass turntable.
- Fully built-in, no kit required.
- Controls can be locked for additional safety and prevent alteration to cooking selection.
- Suitable for undercounter installation.



* Frame overlapping above and below 4,5mm

Microwaves / Duo with grill

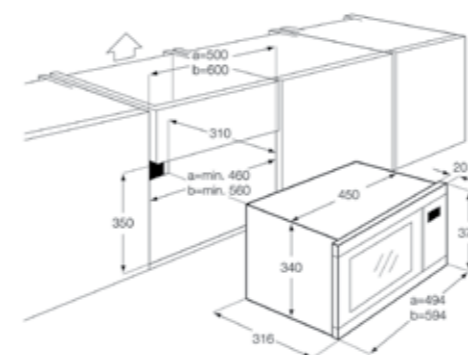
95

MCD1763E-M

17L anti-fingerprint stainless steel duo microwave and grill.

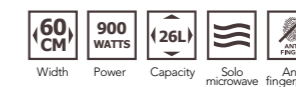


- Combine the microwave and 1000W grill to crisp and brown dishes, for fantastic results.
- 800W microwave with 5 power levels for cooking flexibility.
- Our Active display allows you to change settings whilst the microwave is operating for added versatility.
- Take away the guesswork, with the autoweight cooking and defrosting programmes, all you need to do is enter the weight and let the microwave do the rest.
- With the touch of one button, the Quick Start function cooks for 30 seconds.
- Glass turntable.
- Fully built in, no kit required.
- Controls can be locked for additional safety and prevent alteration to cooking selection.
- Suitable for wall cupboard installation.



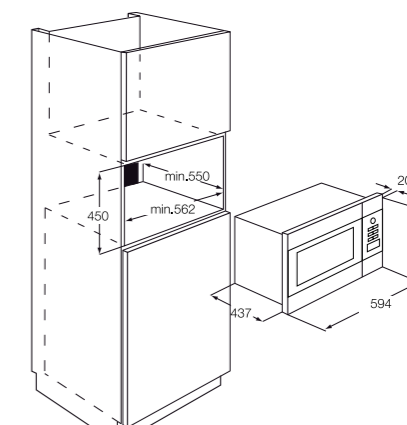
MC2664E-M

Large 26L anti-fingerprint stainless steel microwave.



- For larger plates and dishes, this large 26 litre microwave fits within a 60cm standard niche.
- 900W microwave with 5 power levels for cooking flexibility.
- Our Active display allows you to change settings whilst the microwave is operating for added versatility.
- Take away the guesswork, with the autoweight cooking and defrosting programmes, all you need to do is enter the weight and let the microwave do the rest.
- With the touch of one button, the Quick Start function cooks for 30 seconds.
- Controls can be locked for additional safety and prevent alteration to cooking selection.
- Glass turntable.
- Fully built in, no kit required.
- Suitable for undercounter installation.

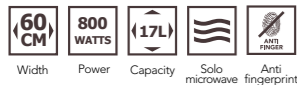
Also available in
MC2664E-W White
MC2664E-B Black



* Frame overlapping above and below 4,5mm

MC1763E-M

High performance 17L microwave in 60cm width.



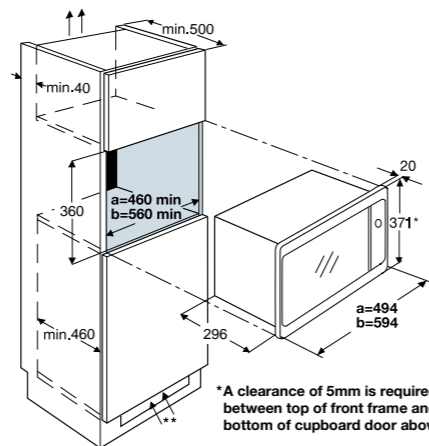
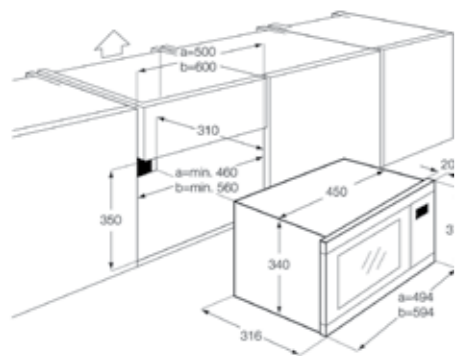
- To fit within a standard niche, this 60cm wide microwave can accommodate all your microwave needs.
- 800W microwave with 5 power levels for cooking flexibility.
- Our Active display allows you to change settings whilst the microwave is operating for added versatility.
- Take away the guesswork, with the autoweight cooking and defrosting programmes, all you need to do is enter the weight and let the microwave do the rest.
- With the touch of one button, the Quick Start function cooks for 30 seconds.
- Controls can be locked for additional safety and prevent alteration to cooking selection.
- Glass turntable.
- Fully built in, no kit required.
- Suitable for wall cupboard installation.

MC1753E-M

High performance 17L microwave in 50cm width.



- To fit within a smaller niche, this 50cm wide microwave is perfect for bespoke kitchens.
- 800W microwave with 5 power levels for cooking flexibility.
- With an active display you can change settings whilst the microwave is operating.
- Take away the guesswork, with the autoweight cooking and defrosting programmes, all you need to do is enter the weight and let the microwave do the rest.
- With the touch of one button, the Quick Start function cooks for 30 seconds.
- Controls can be locked for additional safety and prevent alteration to cooking selection.
- Glass turntable.
- Fully built in, no kit required.
- Suitable for wall cupboard installation.



*A clearance of 5mm is required between top of front frame and bottom of cupboard door above.





MaxiSense® Plancha Grill

To enable you to enjoy the precision and control of the MaxiSense® hob when griddling food, we have developed the MaxiSense® Plancha Grill. This professional griddle distributes and retains heat evenly for perfect results. Simply combine the Plancha Grill with any MaxiSense® hob that has the 'Bridge' function - enabling you to griddle to perfection over two cooking zones.

Maxi-grill 944 189 319



Fusion Induction Wok

A tool to extend the abilities of MaxiSense® is the Fusion Induction Wok, a unique wok support giving fast, focused heat for optimum wok cooking performance.

Our Fusion Induction Wok can be used with any Induction hob with a minimum zone width of 20cm and our CrystalLine module ceramic hob.

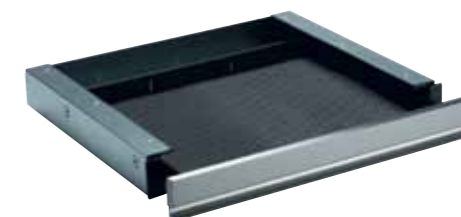
Fusion wok 944 189 320



CrystalLine Griddle Plate

A specially designed griddle plate that can be used together with our ceramic CrystalLine modular hobs. This griddle evenly distributes and retains heat for perfect grilling. With an antistick coating and special feet, it's very practical and easy to clean.

C-grill 944 189 325



KD6070M BI Compact Drawer

This special drawer is designed to be used in conjunction with our compact oven KS8100001M.

In stylish anti fingerprint stainless steel, with recessed handle and anti-slip mat, it's perfect for storing oven accessories.



TR1LFV

One set of fully extendable telescopic shelf runners suitable for use with our new MaxiKlasse™ oven range.

TR1LFSTV

One set of fully extendable telescopic shelf runners suitable for use with our new MaxiKlasse™ Steam Ovens.

Cleaning

All our dishwashers, large and small, are designed with serious cooks in mind. For this reason we strive to provide you with the most thorough and efficient clean, as well as providing plenty of space for all your utensils, from your toughest pans and trays, to your most delicate glass and crystal.

Cleaning

Integrated Dishwashers	106
Freestanding Dishwashers	111



Dishcare

ProClean™: for everything from fine crystal to fish kettles

Why make do with a few basic pots and pans when there are so many wonderful possibilities for your batterie de cuisine? Our ProClean™ dishwashers are designed to take it all in their stride. They have a larger tub with an extra 10 litres of space, so it's easier to find a place for even those strangely shaped odds and ends and enough space to take a 34cm dish. Plus an innovative satellite spray arm, which whirls around reaching the nooks and crannies other dishwashers might miss, for impeccable cleaning whatever the load.



Quiet efficiency

You may have just a few dishes to clean, or a party's worth. Either way, you'll find our dishwasher range is our quietest ever, with most models having A+, AA or above ratings for energy and efficiency, and they all give uncompromising performance, whatever the load. No fuss, no noise, no waste..



ProClean™: Proven to clean better

The independent German test institute, LGA, has awarded us the 'Fit for Daily use' certificate for our new ProClean™ range. This accolade confirms that our latest dishwashers are optimised for better loading and cleaning results during everyday use.

Automatic programme

It's almost inevitable that each dishwasher load features a different combination of dishes and pans, which require a different intensity of cleaning. ProClean™ has an automatic programme that adjusts the temperature and the programme length depending on the soil level of your load, giving you the very best results for the minimum energy consumption.



FitsAll

There's every chance that guests won't notice your dishwasher is even there. Our Neue Kollektion dishwashers have been designed to guarantee seamless integration into your kitchen. The new structure and fulcrum hinges provide perfect furniture alignment (with no need to cut any plinth height between 4 and 14 cm). What's more, all our dishwashers have adjustable feet. So your dishwasher can sit harmoniously with any kitchen furniture and in any niche.



Dishwashers

ProClean™ dishwashers are designed to take everything from fine crystal to fish kettles.



TIME BEAM

Our dishwashers are really quiet. So our fully integrated dishwashers project a beam of light onto the floor to tell you when its running. It changes to green once the cycle has finished.



AUTO OFF

This function completely eliminates energy use in standby mode, representing a breakthrough in energy efficiency.



SENSORLOGIC

Uses two sensors to measure the size of load and soiling of dishes, electronically fine tuning the selected programme to the specific needs of the wash loads.



PROZONE

Ideal for the most challenging cleaning, with water pressure up to 3 times higher and temperature up to 25% higher in the lower basket.



FLEXILIFT

Allows you to adjust the upper basket position whether its empty or full, depending on your load and the space needed.



CAPACITY

Capacity is based on 'IEC' standard place settings. This standard allows you to compare the capacity of dishwashers using a common measure.



MULTITAB

Adjusts the time and temperature of the wash phases for sparkling results.



XXL TUB

Our ProClean dishwasher has a larger tub with an extra 10 litres of space, more capacity for those strangely shaped items.



WATER CONSUMPTION

Our dishwashers use the minimum amount of water needed to wash the load, saving energy.



FLEXISPRAY

Satellite spray arm with third ceiling arm for impeccable cleaning whatever the load.



LED DISPLAY

For programme selection with time remaining and progress indication.



EXTRA HYGIENE

Extends the final rinse, useful for chopping boards and cooking utensils.



SOFTSPIKES

Gives your glasses and cups extra stability when moving the basket and during cleaning.



PROBOOST

Increases jet water pressure for extra cleaning effectiveness when you need it.



GLASS CARE

Glass programme suitable for all dishwasher-safe glassware.

DRYTECH

Gives an improved drying result by removing the steam from the dishwasher leaving your dishes drier.

LUXURY HOLD

Auto-balancing hinges mean the door will hold its position at any angle, with any door furniture weight from 1.5kg to 10kg, for easier loading and unloading.

Dishcare / Fully integrated ProClean™ 60cm

106

F99015ViOP

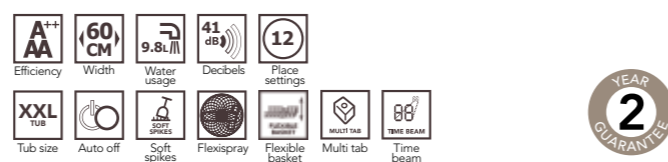
Our quietest ever fully integrated Sensorlogic ProClean™ Dishwasher.



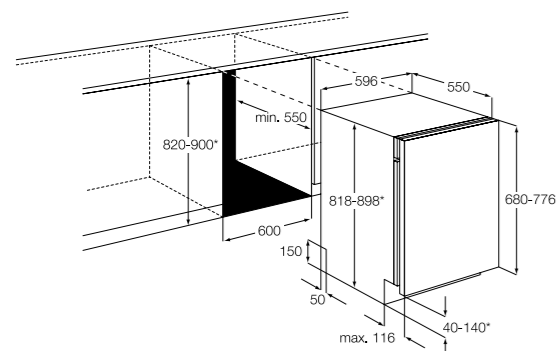
- This dishwasher is really quiet. Our unique Timebeam projects the programme time remaining on to the floor.
- 9 wash programmes including ProZone for the most challenging cleaning, with water pressure up to 3 times higher and temperature up to 25% higher in the lower basket.
- Our ProBoost increases jet water pressure for extra cleaning effectiveness when you need it.
- The Auto Off function completely eliminates energy use in the standby mode.
- ProClean™ XXL tub with FlexiSpray satellite spray arm and third ceiling spray arm for impeccable cleaning whatever the load.
- Our new ProClean™ FlexiLift baskets offer additional flexibility with foldable plate racks in the bottom basket. The new SoftSpikes in the upper basket give glasses and cups extra stability when moving the basket and when cleaning.
- Luxury Hold auto-balancing hinges mean the door will hold its position at any angle for easier loading and unloading.
- Programmes: 30min60° & 50min55° quickwashes, Auto 45°-70°, Eco50°, Pro70° intensive, ExtraSilent, Glass45°, ProZone, rinse & hold.

F88060ViOP

Sensorlogic ProClean™ fully integrated Dishwasher with Timebeam.

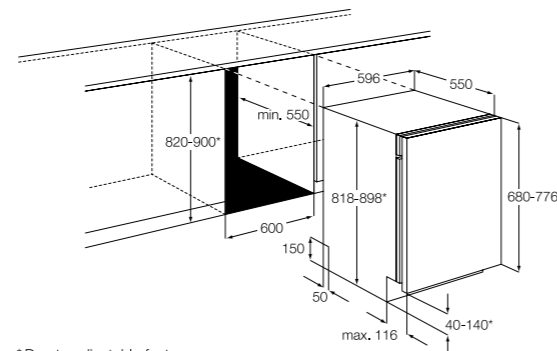


- This dishwasher is really quiet. Our Timebeam projects the programme time remaining on to the floor.
- 8 wash programmes including 2 quickwash options. 30min60° washing 4 place setting in just 30 minutes or 50min55° washing a full load in just 50 minutes. Whilst still achieving an 'A' wash performance!
- The Auto Off function completely eliminates energy use in the standby mode.
- ProClean™ XXL tub with FlexiSpray satellite spray arm and third ceiling spray arm for impeccable cleaning whatever the load.
- Our new ProClean™ FlexiLift baskets offer additional flexibility with foldable plate racks in the bottom basket. The new SoftSpikes in the upper basket give glasses and cups extra stability when moving the basket and when cleaning.
- Luxury Hold auto-balancing hinges mean the door will hold its position at any angle for easier loading and unloading.
- Programmes: 30min 60° & 50min 55° quickwashes, Auto 45°-70°, Eco50, Pro70° intensive, Glass 45°, ExtraSilent, rinse & hold.



* Due to adjustable feet
Plinth height, if appliance height is 820: 40 - 140mm
Plinth height, if appliance height is 900: 120 - 220mm

Accessories kit: max. appliance height up to 940mm
Plinth height, if appliance height is 940: 160 - 260mm



* Due to adjustable feet
Plinth height, if appliance height is 820: 40 - 140mm
Plinth height, if appliance height is 900: 120 - 220mm

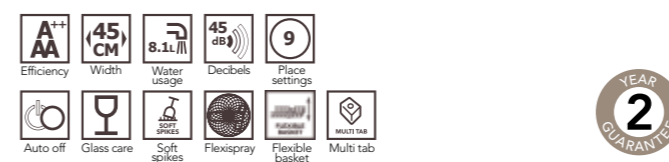
Accessories kit: max. appliance height up to 940mm
Plinth height, if appliance height is 940: 160 - 260mm

Dishcare / Fully integrated ProClean™ 45cm
Semi integrated ProClean™ 60cm

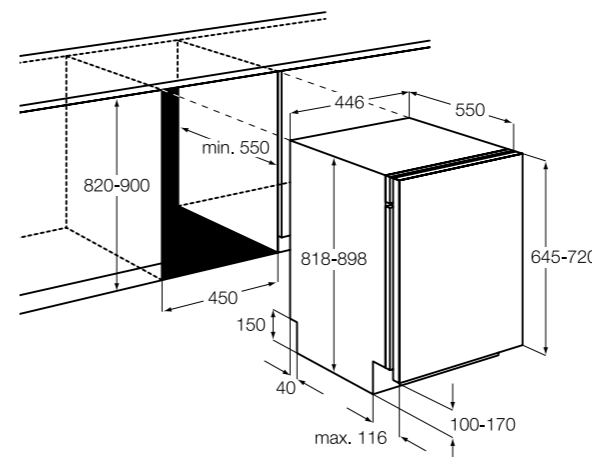
107

F78400ViOP

Slimline fully integrated Dishwasher featuring ProClean™.

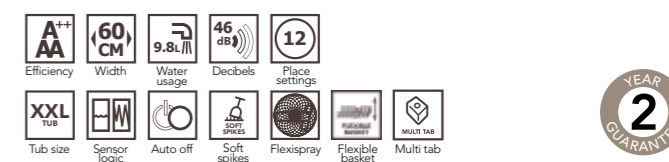


- ProClean™ FlexiSpray satellite spray arm and third ceiling spray arm for impeccable cleaning whatever the load.
- 8 wash programmes including our Auto 45°-70° programme. Ideal for washing anything from glasses to roasting dishes.
- This dishwasher is really quiet so it projects a tiny red or green beam onto the floor to tell you when it's running and when it's finished.
- The Auto Off function completely eliminates energy use in the standby mode.
- Luxury Hold auto-balancing hinges mean the door will hold its position at any angle for easier loading and unloading.
- Our bottom basket has foldable plate racks, great for pots and pans. The new SoftSpikes in the upper basket give glasses and cups extra stability when moving the basket and when cleaning.
- Programmes: 30min 60° & 50min 55° quickwashes, Auto 45°-70°, Eco50°, Pro70° intensive, Glass 45°, ExtraSilent, rinse & hold.

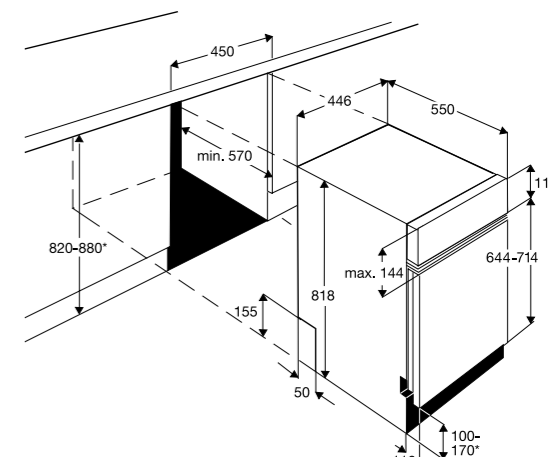


F6504iMOP

Stunning Semi integrated ProClean™ Dishwasher with Sensorlogic.



- ProClean™ XXL tub with FlexiSpray satellite spray arm and third ceiling spray arm for impeccable cleaning whatever the load.
- Our new ProClean™ FlexiLift baskets have a special wave design ensuring items of all shapes and sizes can be securely placed within the basket for perfect cleaning results.
- 5 wash programmes including our AutoSense programme. Ideal for washing anything from glasses to roasting dishes.
- The Auto Off function completely eliminates energy use in the standby mode.
- Luxury Hold auto-balancing hinges mean the door will hold its position at any angle for easier loading and unloading.
- Our DryTech system gives an improved drying result by removing steam from the dishwasher.
- Programmes: 30min 60°, AutoSense, Eco50°, ExtraSilent, Pro70°, Oko plus.



Dishcare / Fully integrated ProClean™ 60cm

F55002ViOP

Fully integrated Sensorlogic ProClean™ dishwasher with AutoOff function.



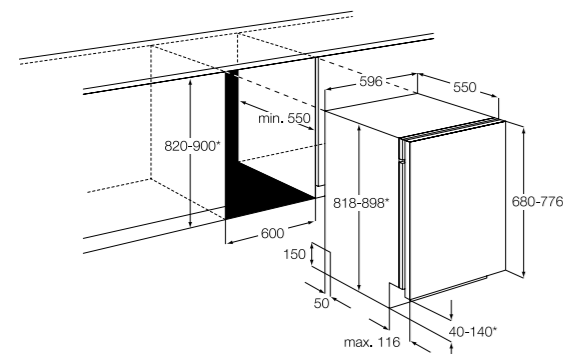
- ProClean™ XXL tub with FlexiSpray satellite spray arm and third ceiling spray arm for impeccable cleaning whatever the load.
- 5 wash programmes including our Auto 45° -70° programme. Ideal for washing anything from glasses to roasting dishes.
- The Auto Off function completely eliminates energy use in the standby mode.
- This dishwasher is really quiet so it projects a tiny red or green beam onto the floor to tell you when it's running and when it's finished.
- Our new ProClean™ FlexiLift baskets have a special wave design ensuring items of all shapes and sizes can be securely placed within the basket for perfect cleaning results.
- Luxury Hold auto-balancing hinges mean the door will hold its position at any angle for easier loading and unloading.
- Programmes: 30min 60° quickwash, Auto 45°-70°, Eco50° with prerinse, Pro70° intensive, rinse & hold.

F34502ViO

Fully integrated dishwasher with push button controls.

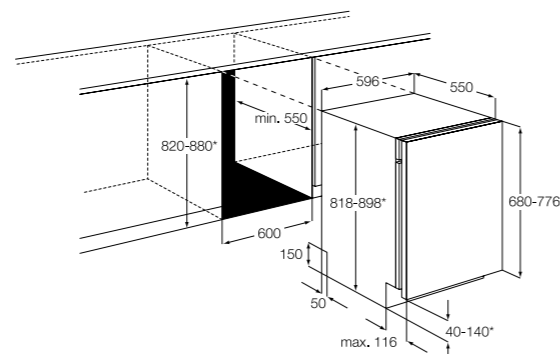


- 4 wash programmes including our Pro70° intensive wash for an ultra clean finish on pots and pans.
- Our DryTech system gives an improved drying result by removing steam from the dishwasher.
- You may have just a few dishes to clean, with Auto half load our dishwasher automatically reduces water and energy, giving uncompromised performance.
- For additional flexibility our cup shelves in the top basket can be folded neatly away when not needed.
- Programmes: Eco50° with prerinse, Normal 65° with prerinse, Eco50° intensive, rinse & hold.



Due to adjustable feet
Plinth height, if appliance height is 820: 40 - 140mm
Plinth height, if appliance height is 900: 120 - 220mm

Accessories kit: max. appliance height up to 940mm
Plinth height, if appliance height is 940: 160 - 260mm



Due to adjustable feet
Plinth height, if appliance height is 820: 40 - 140mm
Plinth height, if appliance height is 880: 120 - 220mm

Accessories kit: max. appliance height up to 940mm
Plinth height, if appliance height is 940: 160 - 260mm

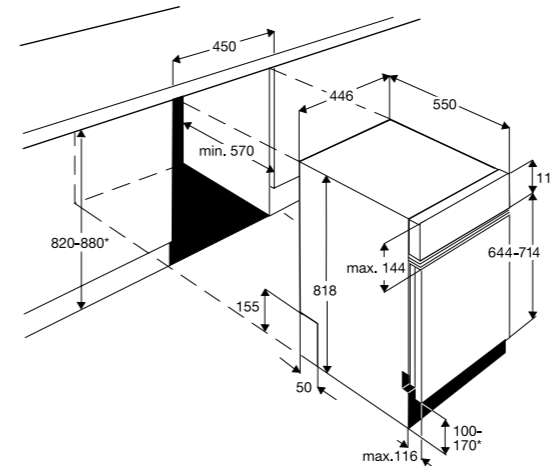
Dishcare / Fully integrated ProClean™ Slimline and Compact

F55402ViOP

Slimline fully integrated dishwasher featuring ProClean™.



- ProClean™ FlexiSpray satellite spray arm and third ceiling spray arm for impeccable cleaning whatever the load.
- 5 wash programmes including our Auto 45°-70° programme. Ideal for washing anything from glasses to roasting dishes.
- This dishwasher is really quiet so it projects a tiny red or green beam onto the floor to tell you when it's running and when it's finished.
- The Auto Off function completely eliminates energy use in the standby mode.
- Luxury Hold auto-balancing hinges mean the door will hold its position at any angle for easier loading and unloading.
- Our bottom basket has foldable plate racks, great for pots and pans.
- Programmes: 30min 60°, Auto 45°-70°, Eco50°, Pro70° rinse & hold.

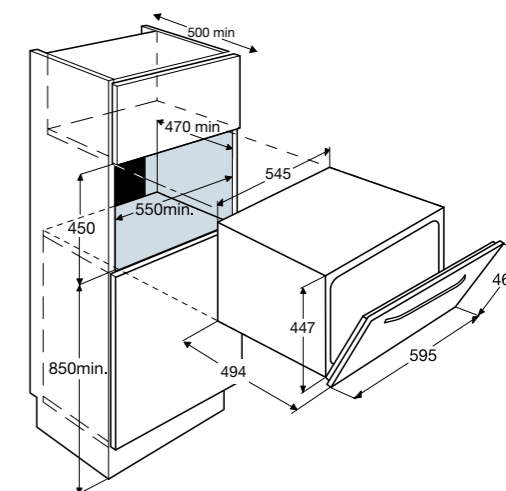


F55200ViO

Slimline fully integrated dishwasher featuring ProClean™.



- Ideal for smaller households or apartments where kitchen space is at a premium.
- Mix and match with our full range of compact appliances, this dishwasher offers installation flexibility - In line, In column or Undercounter.
- 5 wash programmes including Auto 45°-70° programme. Ideal for washing anything from glasses to roasting dishes.
- With our delay start feature you choose when the programme starts.
- Optional stainless steel door available.
- Programmes: Auto 45°-70°, ExtraSilent, Eco55°, Pro70° intensive, quick 50.





Dishcare / ProClean™ Dishwashers 60cm

F99009M0P

Our quietest, full size Sensorlogic ProClean™ dishwasher with advanced LCD display.



- 9 wash programmes including a special ExtraSilent programme reducing noise levels to just 37dB our quietest dishwasher ever.
- Our special ProZone wash programme is ideal for the most challenging cleaning, with water pressure up to 3 times higher and temperature up to 25% higher in the lower basket.
- ProClean® XXL tub with FlexiSpray satellite spray arm and third ceiling spray arm for impeccable cleaning whatever the load.
- Our new FlexiLift baskets offer additional flexibility with foldable plate racks in the bottom basket. The new SoftSpikes in the upper basket give glasses and cups extra stability when moving the basket and when cleaning.
- Luxury Hold auto-balancing hinges mean the door will hold its position at any angle for easier loading and unloading.
- Our DryTech system gives an improved drying result by removing steam from the dishwasher.
- Programmes: 30min60° & 50min55° quickwashes, Auto 45°-70°, Eco50° with prerinse, Pro70° intensive, ExtraSilent, Glass45°, ProZone, rinse & hold.

Also available in White F99009WOP

F88072W0P

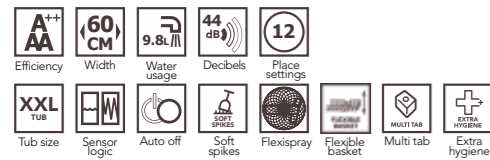
Full size Sensorlogic ProClean™ dishwasher with touch control.



- 8 wash programmes including our Auto 45°-70° programme. Ideal for washing anything from glasses to roasting dishes.
- ProClean® XXL tub with FlexiSpray satellite spray arm and third ceiling spray arm for impeccable cleaning whatever the load.
- ProZone, a special programme for the most challenging cleaning, with water pressure up to 3 times higher and temperature up to 25% higher in the lower basket.
- Luxury Hold auto-balancing hinges mean the door will hold its position at any angle for easier loading and unloading.
- Our new FlexiLift baskets offer additional flexibility with foldable plate racks in the bottom basket. The new SoftSpikes in the upper basket give glasses and cups extra stability when moving the basket and when cleaning.
- Our DryTech system gives an improved drying result by removing steam from the dishwasher.
- ExtraHygiene option extends the final rinse, useful for household items where hygiene is of the utmost importance such as chopping boards and carving knives.
- Programmes: 30min60° Auto45°-70°, Eco 50°, ExtraSilent, Glass45°, Pro 70°, ProZone, rinse & hold.

F77012W0P

Sensorlogic ProClean™ full size dishwasher with push button control.

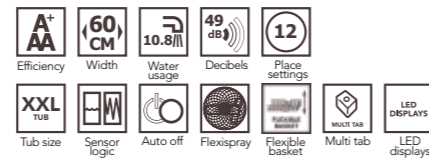


- Sensorlogic ProClean® full size dishwasher with push button control.
- 7 wash programmes including 2 quickwash options. 30min60° washing 4 place setting in just 30 minutes or 50min55° washing a full load in just 50minutes. Whilst still achieving an 'A' wash performance!
- The Auto Off function completely eliminates energy use in the standby mode.
- ProClean® XXL tub with FlexiSpray satellite spray arm and third ceiling spray arm for impeccable cleaning whatever the load.
- Our new FlexiLift baskets offer additional flexibility with foldable plate racks in the bottom basket. For additional flexibility our cup shelves in the top basket can be folded neatly away when not needed.
- Luxury Hold auto-balancing hinges mean the door will hold its position at any angle for easier loading and unloading.
- Our DryTech system gives an improved drying result by removing steam from the dishwasher.
- ExtraHygiene options extends the final rinse, useful for household items where hygiene is of the utmost importance such as chopping boards and carving knives.
- Programmes: 30min60°, 60min55°, AutoSense, Eco50°, Pro70°, ExtraSilent, rinse & hold.

Also available in Stainless Steel F77012M0P

F55020W0P

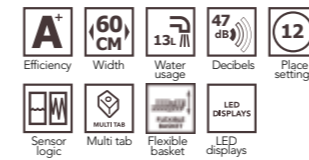
Full size ProClean™ dishwasher with LED display.



- ProClean® XXL tub with FlexiSpray satellite spray arm and third ceiling spray arm for impeccable cleaning whatever the load.
- 5 wash programmes including 30min60° washing 4 place setting in just 30 minutes whilst still achieving an 'A' wash performance!
- The Auto Off function completely eliminates energy use in the standby mode.
- Our new FlexiLift baskets offer additional flexibility with foldable plate racks in the bottom basket. For additional flexibility our cup shelves in the top basket can be folded neatly away when not needed.
- Luxury Hold auto-balancing hinges mean the door will hold its position at any angle for easier loading and unloading.
- Our DryTech system gives an improved drying result by removing steam from the dishwasher.
- Multitab option adjusts the time and temperature of the wash phases for sparkling results every time.
- Programmes: 30min60° quickwash, Auto 45°-70°, Bio50° with prerinse, Pro70° intensive, rinse & hold.

F45013W0

Full size dishwasher with LED display.



- 5 wash programmes including our Auto 45°-70° programme. Ideal for washing anything from glasses to roasting dishes.
- Our bottom basket has foldable plate racks, great for pots and pans. For additional flexibility our cup shelves in the top basket can be folded neatly away when not needed.
- LED display for programme selection with time remaining and progress indication.
- Our DryTech system gives an improved drying result by removing steam from the dishwasher.
- With our delay start feature you choose when the programme starts.
- Programmes: 30min60° quickwash, Auto 45°-70°, Eco50°, Pro70° intensive, rinse & hold.

F88419W0P

Slimline ProClean™ dishwasher with central LED display.



- ProClean® FlexiSpray satellite spray arm and third ceiling spray arm for impeccable cleaning whatever the load.
- 8 wash programmes including our Auto 45°-70° programme. Ideal for washing anything from glasses to roasting dishes.
- The Auto Off function completely eliminates energy use in the standby mode.
- Our bottom basket has foldable plate racks, great for pots and pans. The new SoftSpikes in the upper basket give glasses and cups extra stability when moving the basket and when cleaning.
- Luxury Hold auto-balancing hinges mean the door will hold its position at any angle for easier loading and unloading.
- Our special ProZone wash programme is ideal for the most challenging cleaning, with water pressure up to 3 times higher and temperature up to 25% higher in the lower basket.
- ExtraHygiene options extends the final rinse, useful for household items where hygiene is of the utmost importance such as chopping boards and carving knives.
- Programmes: 30min60° & 50min55° quickwashes, Auto 45°-70°, Eco50°, Pro70° intensive, ExtraSilent, Glass45°, ProZone.



Cooling

Fresh food, full of flavour and nutrients, is essential both for serious cooking and for our health. The AEG ProFresh fridge freezer addresses this need, offering appliances that stay frost-free while keeping your food at its best. Two independent circuits cool the refrigerator and freezer compartments separately, keeping the freezer free of frost while maintaining the refrigerated food's natural moisture, thereby preserving its quality and maintaining vitamin content.

Cooling

Wine	120
PerfektFit™ and Side by Side	124

Freestanding

Fridge Freezers	130
Cabinet Fridges and Freezers	140
Undercounter Fridges and Freezers	144

Built-In

Fridge Freezers	149
Fridges and Freezers	160

Slow down time



LONGFRESH STORAGE

Special drawers in selected models can be set individually to create conditions ideal for different food types. Food will stay fresh, preserving the vitamins and nutritional value of the food for up to three times longer than in a conventional fridge.



COOLMATIC

Quickly chill large amounts of fresh food, such as the weekly shop, at the optimum storage temperature.



FROSTMATIC

Frostmatic - ideal for freezing fresh food quickly, preserving flavour, nutritional value and colour.



NO FROST

The freezer compartment automatically defrosts itself, so there is no frost build up of ice.



ENERGY EFFICIENCY

Our high performance technology saves energy too. Our A+ models use up to 20% less energy than a standard A-class appliance, whilst the A++ models use 25% less than A+ models.



DYNAMICAIR

Incorporates a powerful fan which automatically activates to ensure that fridge temperatures are maintained at the desired level.



MULTIAIRFLOW

Ensures food stays fresher for longer as temperatures and humidity levels are extremely stable.



CLEANAIR CONTROL

Uses charcoal filter to purify the air and reduce odours. So flavours can't be transferred between wrapped and unwrapped foods.



FRESHBOX WITH QUICKCHILL

Selected models within the range include a dedicated pull-out drawer for longer and better storage of fresh meat and fish. QuickChill can be activated: by activating Coolmatic and opening the QuickChill slot, the temperature in the drawer reaches 0.5°C: the best condition to chill quickly the food without freezing it.



SOFT RISE LED'S

LED lighting inside the fridge with 'rise on' effect for crisp contemporary illumination.



LCD

Advanced LCD display with touch controls allows you to set features and temperatures precisely.



TEMPERATURE ALARM

If the temperature rises too high a visible and audible alarm alerts you.



HOLIDAY FUNCTION

This allows you to keep the fridge shut and empty for extended periods, such as holidays, without the formation of odours.



CHILD LOCK

This useful function allows you to lock the controls panel, preventing any accidental changes being made by small children.



4 STAR FREEZING

You can safely freeze fresh food and store frozen food safely for up to one year.



FRESHBOX

Fresh fish and meat stay fresher for longer in the dedicated freshbox drawer.

FROST FREE

Never defrost your freezer again. Frost free freezers also offer efficient and effective freezing with quicker, more even freezing for better food preservation.

PRO-FRESH

For accurate temperature control in the fridge freezer for superb food preservation.

MINUTE MINDER

This function can be used to set an acoustic alarm after a desired time period i.e. as a reminder to remove bottles left to chill.



Wine cooling

Fine wines call for perfect storage conditions. Top quality wine is a precious investment that deserves to be treated with care. Our wine cellars are designed to provide constant, optimum conditions, for as long as it takes for your wine to reach its peak of perfection, be it your red or white wine.

The right temperature, for white and red wine.

Our AEG wine cellars have two separate temperature zones, so you can either use one to store your red and the other for white, or alternatively use one to prepare wine for serving. The temperature range is designed to allow you to serve your wine at your preferred temperature.

For a full red, for example, you might choose 16-18°C; for a lighter one, slightly cooler. Champagne could be served as cold as 6°C, but most top quality white wines would benefit from being brought gently to around 10-12°C.

AEG recommend that white wine is stored at temperatures between 7-10°C and red wine is stored at temperatures between 10-13°C.

It is not just temperature that is important for optimal wine storage. Humidity and light are also key factors. Our AEG wine cellars maintain the correct humidity level, to prevent corks from drying out.

The K-glass doors not only allow you to see inside to check your bottles but filter out ultra-violet rays that could harm the contents. There is even an anti-vibration system, to ensure that the wine matures in perfect stillness.



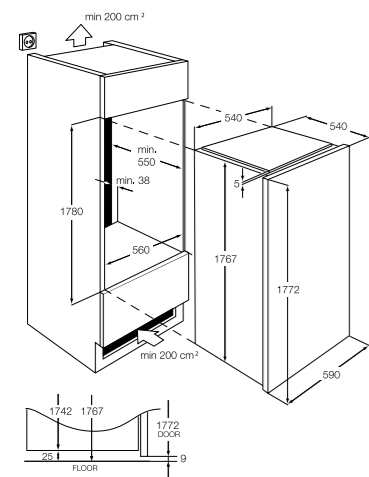
Cooling / Wine

SWD81800G1

In-column large capacity Stainless Steel Wine Cooler with dual temperature regulation for red and white wines.



- LCD touch controls, combined with an Air Circulation Fan system, ensures optimal wine storage for different types of wine with the possibility to personalise the split between each temperature zone.
- Electronic controls including Door Open Alarm which sounds if the door is inadvertently left open.
- Coolmatic function to rapidly chill several bottles of wine.
- Internal LED lighting illuminates the wine cellar but does not generate heat when in operation.
- Humidity levels are maintained to prevent corks from drying out.
- 6 full width stylish wooden shelves for stable and correct bottle storage of up to 99 bottles (75cl).
- Right hinged door opening.



Dimensions (HxWxD) in mm
1780 x 560 x 550



PerfektFit™ and Side by Side

122

AEG offer the ultimate cooling solutions for your kitchen, Make a design statement with a stunning stainless steel PerfektFit™ fridge freezer - with or without wine cooler. Designed to be flush at 60cm, it will align seamlessly with your kitchen furniture, and complement the flow of your kitchen design.

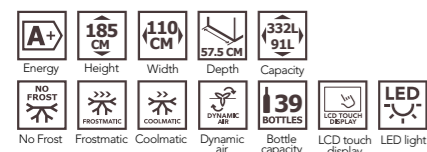
The American-style stainless steel food centre with A+ energy efficiency features a full length fridge and freezer for huge storage capacity, and features a water cooler and ice dispenser.



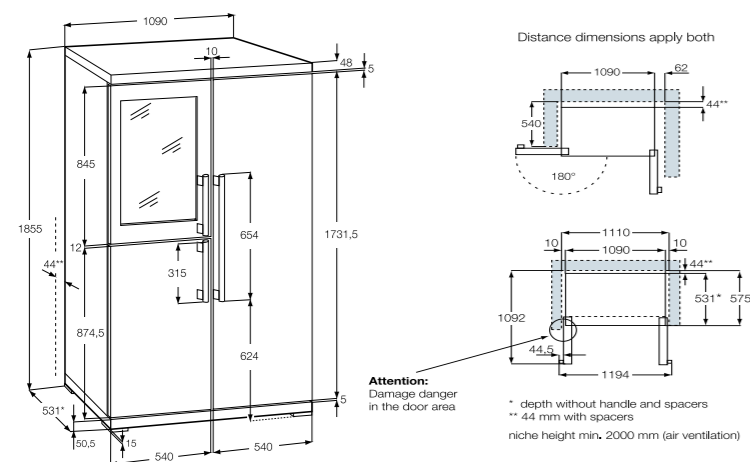
123

S95800XTM0

PerfektFit™ fridge freezer with wine cellar and A+ energy - this freestanding fridge freezer fits perfectly in line with your kitchen furniture.



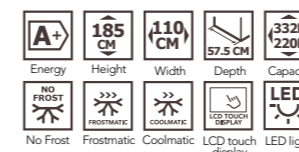
- Our AEG PerfektFit™ fridge freezer adds style and provides perfect food and wine storage solutions, whilst fitting neatly amongst your kitchen furniture due to its slim depth.
- Our Air Circulation fan system within the wine cellar ensures that constant temperature is maintained allowing up to 39 bottles (75cl) to be stored correctly on the 4 wooden shelves.
- LCD touch controls ensure precise temperature and function setting, including useful features such as Frostmatic, Coolmatic, child lock, door open alarm and high temperature alarm.
- DynamicAir cooling means that a powerful fan automatically activates to ensure that fridge temperatures are maintained at the desired level and food is cooled, preserving food quality.
- An extra large, telescopic salad drawer with divider provides a large amount of space for the weekly shop of fresh vegetables and salad.
- Soft Rise LED lighting gives a premium and modern feel to the fridge. LED lights are long lasting, consume less energy and do not give off heat, which may affect food storage.
- Our Frost Free freezer means you never have to defrost your freezer again, whilst your food is easily identified saving you a chore.
- Maximum freezer storage space with the 4 transparent freezer drawers ensuring that your frozen food is easy to identify and select.
- Flexible storage is possible with the inclusion of 2 glass freezer shelves, remove the freezer drawers and use the glass shelves to accommodate extra large food items.



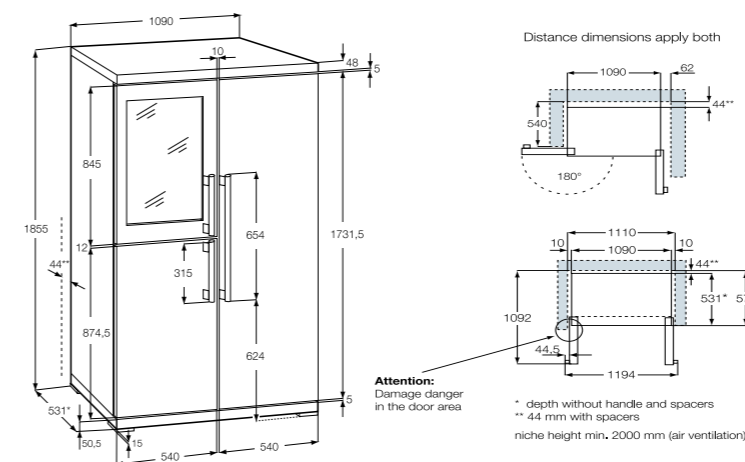
Dimensions (HxWxD) in mm
1855 x 1110 x 57.5

S95500XNM0

PerfektFit™ fridge freezer with A+ energy efficiency - this freestanding fridge freezer fits perfectly in line with your kitchen furniture.



- Our AEG PerfektFit™ fridge freezer adds style and provides perfect food storage solutions whilst fitting neatly amongst your kitchen furniture due to its slim depth.
- LCD touch controls ensure precise temperature and function setting, including useful features such as Frostmatic, Coolmatic, child lock, door open alarm and high temperature alarm.
- DynamicAir cooling means that a powerful fan automatically activates to ensure that fridge temperature is maintained at the desired level and food is cooled, preserving food quality.
- An extra large, telescopic salad drawer with divider provides a large amount of space for the weekly shop of fresh vegetables and salad.
- Soft Rise LED lighting gives a premium and modern feel to the fridge. LED lights are long lasting, consume less energy and do not give off heat, which may affect food storage.
- Our Frost Free freezer means you never have to defrost your freezer again, whilst your food is easily identified saving you a chore.
- Maximum freezer storage space with the 5 transparent freezer drawers and 2 compartments ensuring that your frozen food is easy to identify and select.
- Our Frost Free freezer allows you total storage flexibility with the option of simply removing the storage drawers and using one or six glass shelves to accommodate large food items such as an extra large turkey.

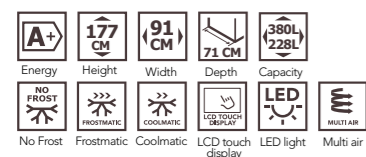


Dimensions (HxWxD) in mm
1855 x 1110 x 57.5

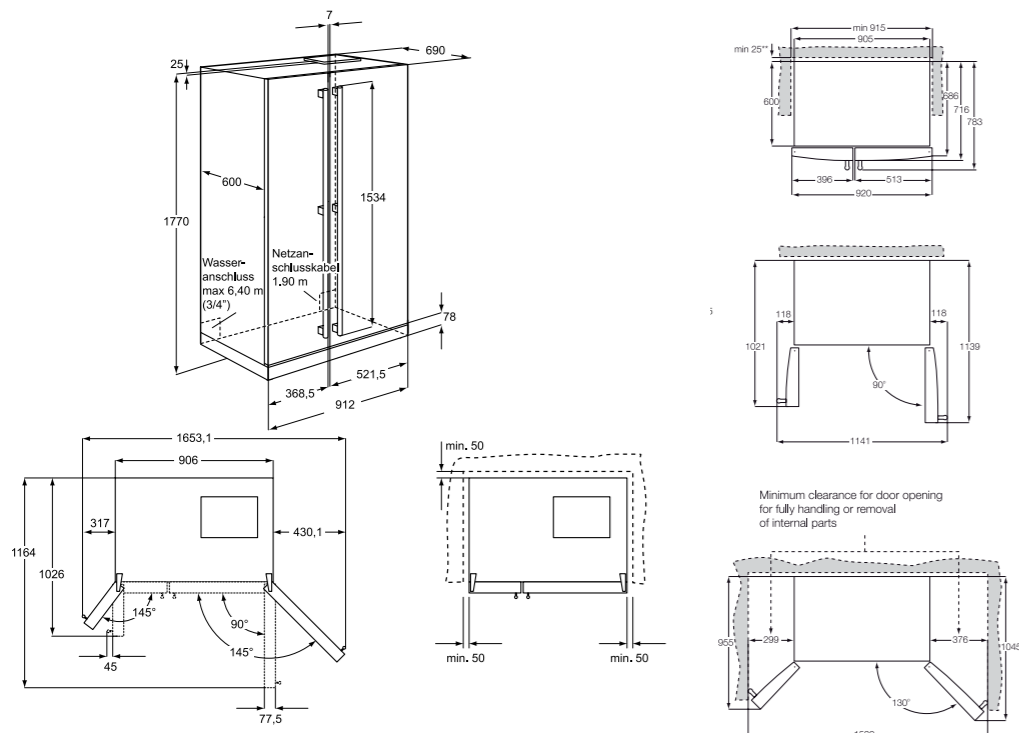
Cooling / Side by Side

S96090XVM1

American-style stainless steel food centre with A+ energy efficiency.



- LCD touch controls ensure precise temperature and function setting, including useful features such as Frostmatic, Coolmatic, child lock, door open alarm and high temperature alarm.
- Multi-Airflow cooling gives extremely stable and even temperature and humidity levels, combined with fast temperature recovery and chilling of fresh food to ensure food stays fresher for longer, meaning you waste less.
- The variable temperature drawer will keep food in temperatures as low as 0°C. This means that food stays fresh, preserving the vitamins and nutritional value of the food for up to three times longer than in a conventional fridge.
- An extra large, telescopic salad drawer with divider provides a large amount of space for the weekly shop of fresh vegetables and salad.
- Soft Rise LED lighting gives a premium and modern feel to the fridge. LED lights are long lasting, consume less energy and do not give off heat, which may affect food storage.
- Our Frost Free freezer allows you total storage flexibility with the combination of 3 glass shelves, 2 freezer drawers, plus the 4 shelves in the freezer drawer.



Dimensions (HxWxD) in mm
1770 x 912 x 783



Freestanding fridge freezers

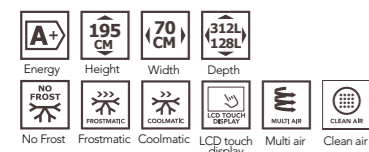
Our range of freestanding fridge freezers have been designed to harmonise with the other AEG appliances in your kitchen. With arched doors in line with the latest design trends, in anti-fingerprint stainless steel enhanced with an interior design featuring metal profiles on glass shelves and door balconies, these models will add a design-led feel to any kitchen.

Our Frost Free fridge-freezer range has been designed to impress externally as well as internally. Our stainless steel models feature a professional and distinctive bar handle.



S94400CTX0

Large capacity A+ energy rated Frost Free fridge freezer with in-door LCD.



- The large capacity and impressive dimensions of this model mean that it is a credible alternative to an American-style fridge freezer - especially for those with restricted access or smaller kitchens - giving a stylish look to your kitchen but with less space.
- In-door LCD touch controls ensure precise temperature and function setting, including useful features such as Frostmatic, Coolmatic, Child Lock and High Temperature Alarm.
- Multi-Airflow cooling gives extremely stable and even temperature and humidity levels, combined with fast temperature recovery and chilling of fresh food to ensure food stays fresher for longer, meaning that you waste less.
- Our CleanAir Control system filters the air and reduces odours thus eliminating food odours from items such as strong smelling cheese or fish.
- With our Frost Free freezer you never have to defrost your freezer again, saving you a chore.
- A+ energy rating means that this model is highly energy efficient, using 20% less energy than a standard A rated model. Minimising impact on the environment and saving you money.

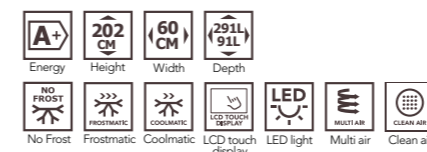
Available in
S94400CTX0 Stainless steel



Dimensions (HxWxD) in mm
1950 x 695 x 696

S83600CMW0 / M0

High performance A+ energy rated Frost Free fridge freezer with in-door LCD.



- In-door LCD touch controls ensure precise temperature and function setting, including useful features such as Frostmatic, Child Lock and High Temperature Alarm.
- Multi-Airflow cooling gives extremely stable and even temperature and humidity levels, combined with fast temperature recovery and chilling of fresh food to ensure food stays fresher for longer, meaning that you waste less.
- Soft Rise LED lighting gives a premium and modern feel to the fridge. Our LED's are long lasting, consume less energy and do not give off heat which may affect food storage.
- Our CleanAir Control system filters the air and reduces odours thus eliminating food odours from items such as strong smelling cheese or fish.
- With our Frost Free freezer you never have to defrost your freezer again, saving you a chore.
- A+ energy rating means that this model is highly energy efficient, using 20% less energy than a standard A rated model. Minimising impact on the environment and saving you money.

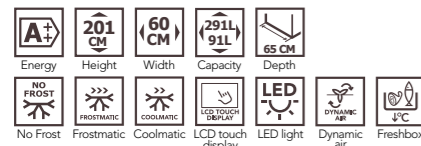
Available in
S83600CMW0 White
S83600CMM0 Stainless steel



Dimensions (HxWxD) in mm
2025 x 595 x 658

S83800CTW0 / M0

Ultra energy efficient A++ rated Frost Free fridge freezer.



- A++ energy rating means that this model is highly energy efficient, using 40% less energy than a standard A rated model. Minimising impact on the environment and saving you money.
- LCD Touch controls ensure precise temperature and function setting, including useful features such as Frostmatic, Coolmatic, Child Lock and High Temperature Alarm.
- DynamicAir cooling means that a powerful fan automatically activates to ensure that the fridge temperature is maintained at the desired level and food is cooled quickly, preserving it's quality.
- Soft Rise LED lighting gives a premium and modern feel to the fridge. Our LED's are long lasting, consume less energy and do not give off heat which may affect food storage.
- Our FreshBox provides a dedicated area for longer and better storage of fresh meat and fish, ensuring that they stay fresh for longer.
- Our Frost Free freezer means that you never have to defrost your freezer again, whilst your food is easily identified saving you a chore.

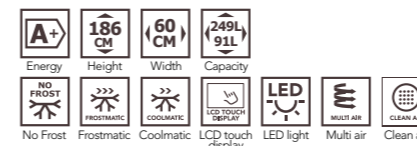
Available in
S83800CTW0 White
S83800CTMO Stainless Steel



Dimensions (HxWxD) in mm
2010 x 595 x 658

S83200CMW0 / M0

High performance A+ energy rated Frost Free fridge freezer with in-door LCD.



- In-door LCD touch controls ensure precise temperature and function setting, including useful features such as Frostmatic, Child Lock and High Temperature Alarm.
- Multi-Airflow cooling gives extremely stable and even temperature and humidity levels, combined with fast temperature recovery and chilling of fresh food to ensure food stays fresher for longer, meaning that you waste less.
- Soft Rise LED lighting gives a premium and modern feel to the fridge. Our LED's are long lasting, consume less energy and do not give off heat which may affect food storage.
- Our CleanAir Control system filters the air and reduces odours thus eliminating food odours from items such as strong smelling cheese or fish.
- Our Frost Free freezer means that you never have to defrost your freezer again, whilst your food is easily identified saving you a chore.
- A+ energy rating means that this model is highly energy efficient, using 20% less energy than a standard A rated model. Minimising impact on the environment and saving you money.

Available in
S83200CMW0 White
S83200CMM0 Stainless steel



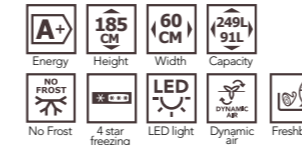
Dimensions (HxWxD) in mm
1865 x 595 x 658



Cooling / Combi-bottom Fridge Freezers

S73400CTW1 / S1

A+ energy rated Frost Free fridge freezer.



- Our ProFresh technology means that our Frost Free fridge freezer has two cooling systems, one for the fridge and one for the freezer. This means that the temperature is more accurately controlled in either section preventing your food from deteriorating through over cooling of air from the freezer.
- Our Frost Free freezer means you never have to defrost your freezer again, whilst your food is easily identified saving you a chore.
- A+ energy rating means that this model is highly energy efficient, using 20% less energy than a standard A rated model. Minimising impact on the environment and saving you money.
- Dynamic Air cooling means that a powerful fan automatically activates to ensure that the fridge temperature is maintained at the desired level and food is cooled quickly, preserving food quality.
- Our Freshbox provides a dedicated area for longer and better storage of fresh meat and fish, ensuring that they stay fresher for longer.
- Our simple to use electronics, with fast freeze function, ensures that you can set the fridge freezer to your desired temperature.
- The internal LED lighting ensures easy visibility and a modern feel to the fridge. Our LED's are long lasting, consume less energy and do not give off heat which may affect food storage.
- Full width glass shelves with metal look trim, strong, durable and easy to clean whilst helping to maintain low temperatures following door open and closure.
- 4 star freezer enables you to freeze a quantity of fresh food and safely store frozen food for up to 1 year.

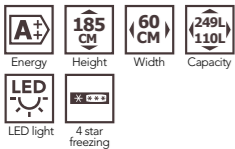
Available in
S73400CTW1 White
S73400CTS1 Stainless steel



Dimensions (HxWxD) in mm
1850 x 595 x 658

S53600CSW0 / S0

Ultra energy efficient A++ rated fridge freezer.



- A++ energy rating means that this model is highly energy efficient, using 40% less energy than a standard A rated model. Minimising impact on the environment and saving you money.
- Adjustable temperature control for your food storage.
- The internal LED lighting ensures easy visibility and a modern feel to the fridge. Our LED's are long lasting, consume less energy and do not give off heat which may affect food storage.
- Full width covered dairy compartment is ideal for butter and cheese storage, so you can serve these straight from the fridge.
- 4 star freezer enables you to freeze a quantity of fresh food and safely store frozen food for up to 1 year.
- Maximum freezer storage space with the 3 transparent freezer drawers ensuring that your frozen food is easy to identify and select.

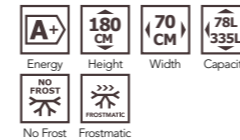
Available in
S53600CSW0 White
S53600CSS0 Stainless steel



Dimensions (HxWxD) in mm
1850 x 595 x 648

S74100DTX0

A+ energy rated Frost Free fridge freezer with top freezer.



- Our ProFresh technology means that our Frost Free fridge freezer has two cooling systems, one for the fridge and one for the freezer. This means that the temperature is more accurately controlled in either section preventing your food from deteriorating through over cooling of air from the freezer.
- Our Frost Free freezer means you never have to defrost your freezer again, whilst your food is easily identified saving you a chore.
- A+ energy rating means that this model is highly energy efficient, using 20% less energy than a standard A rated model. Minimising impact on the environment and saving you money.
- Electronic temperature control with Frostmatic function, ideal for freezing fresh food.
- Find food easily with the bright internal halogen lighting.

Available in
S74100DTX0 Stainless steel

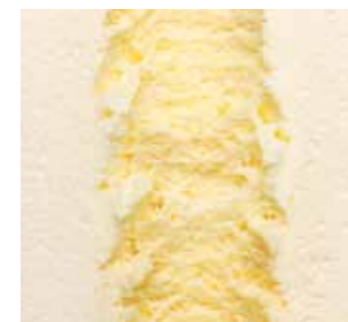


Dimensions (HxWxD) in mm
1800 x 695 x 696



Cabinet fridges and freezers

Our Cabinet range has been designed to impress externally as well as internally. With full-height arched doors in line with the latest design trends and anti-fingerprint stainless steel, enhanced with an interior design that is illuminated by LED lighting and includes metal profiles on glass shelves and door balconies. Our stainless steel models feature a professional and distinctive bar handle, whilst the white models have a shorter vertical handle with metal insert.

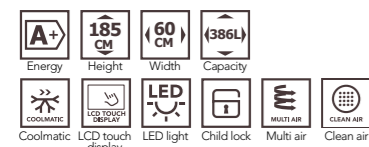


Cooling / Cabinet Fridge

140

S54000KMWO / X0

Large capacity A+ energy rated cabinet fridge.



- LCD Touch controls ensure precise temperature and function setting, including useful features such as Coolmatic, Holiday Function, Child Lock and Minute Minder.
- A+ energy rating means that this model is highly energy efficient, using 20% less energy than a standard A rated model. Minimising impact on the environment and saving you money.
- Soft Rise LED lighting gives a premium and modern feel to the fridge. Our LED's are long lasting, consume less energy and do not give off heat which may affect food storage.
- Multi-Airflow cooling gives extremely stable and even temperature and humidity levels, combined with fast temperature recovery and chilling of fresh food to ensure food stays fresher for longer, meaning that you waste less.
- Our CleanAir Control system filters the air and reduces odours thus eliminating food odours from items such as strong smelling cheese or fish.
- The 2 large telescopic salad drawers provide a large amount of space for the weekly shop of fresh vegetables and salad.

Available in
S54000KMWO White
S54000KMXX0 Stainless steel



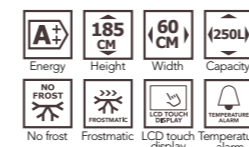
Dimensions (HxWxD) in mm
1850 x 595 x 658

Cooling / Cabinet Freezer

141

A72710GNW0 / X0

Large capacity A+ rated Frost Free cabinet freezer.



- With our Frost Free freezer you never have to defrost your freezer again, saving you a chore.
- On-door LCD touch controls ensure precise temperature and function setting, including useful features such as Frostmatic, Child Lock and High Temperature Alarm.
- A+ energy rating means that this model is highly energy efficient, using 20% less energy than a standard A rated model. Minimising impact on the environment and saving you money.
- Maximum freezer storage space with the 6 transparent freezer drawers and 2 compartments ensuring that your frozen food is easy to identify and select.
- Our Frost Free freezer allows you total storage flexibility with the option of simply removing the storage drawer/s and using one or six of the glass shelves to accommodate large food items such as an extra large turkey.

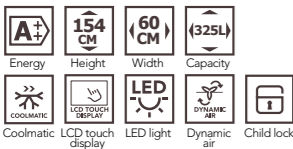
Available in
A72710GNW0 White
A72710GNX0 Stainless steel



Dimensions (HxWxD) in mm
1850 x 595 x 658

S63300KDW0 / X0

Ultra energy efficient A++ rated cabinet fridge.



- A++ energy rating means that this model is highly energy efficient, using 40% less energy than a standard A rated model. Minimising impact on the environment and saving you money.
- LCD Touch controls ensure precise temperature and function setting, including useful features such as Coolmatic, Holiday Function, Child Lock and Minute Minder.
- Soft Rise LED lighting gives a premium and modern feel to the fridge. Our LED's are long lasting, consume less energy and do not give off heat which may affect food storage.
- DynamicAir cooling means that a powerful fan automatically activates to ensure that the fridge temperature is maintained at the desired level and food is cooled, preserving food quality.

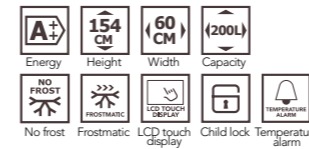
Available in
S63300KDW0 White
S63300KDX0 Stainless steel



Dimensions (HxWxD) in mm
1540 x 595 x 658

A72010GNW0 / X0

Ultra energy efficient A++ energy rated Frost Free cabinet freezer.



- Our Frost Free freezer means you never have to defrost your freezer again, whilst your food is easily identified saving you a chore.
- LCD Touch controls ensure precise temperature and function setting, including useful features such as Frostmatic, Child Lock and High Temperature Alarm.
- A++ energy rating means that this model is highly energy efficient, using 25% less energy than a standard A+ rated model. Minimising impact on the environment and saving you money.
- Maximum freezer storage space with the 5 transparent freezer drawers and 2 compartments ensuring that your frozen food is easy to identify and select.
- Our Frost Free freezer allows you total storage flexibility with the option of simply removing the storage drawer/s and using one or two of the glass shelves to accommodate large food items such as an extra large turkey.

Available in
A72010GNW0 White
A72010GNX0 Stainless steel



Dimensions (HxWxD) in mm
1540 x 595 x 658

S71700TSW0 / X0

Ultra energy efficient A++ rated undercounter Larder fridge.



- A++ energy rating means that this model is highly energy efficient, using 40% less energy than a standard A rated model. Minimising impact on the environment and saving you money.
- Adjustable temperature control for your food storage.
- Full width covered dairy compartment is ideal for butter and cheese storage, so you can serve these straight from the fridge.
- Full width glass shelves with metal-look trim, strong, durable and easy to clean whilst helping to maintain low temperatures following door open and closure.

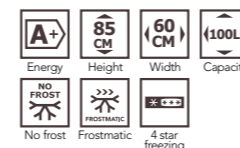
Available in
 S71700TSW0 White
 S71700TSX0 Stainless steel with silver sides



Dimensions (HxWxD) in mm
 850 x 595 x 635

A81000TNW0 / X0

A+ energy rated Frost Free under counter freezer.



- Our Frost Free freezer means you never have to defrost your freezer again, whilst your food is easily identified saving you a chore.
- A+ energy rating means that this model is highly energy efficient, using 20% less energy than a standard A rated model. Minimising impact on the environment and saving you money.
- Electronic temperature control maintaining a stable temperature.
- Frostmatic function is ideal for freezing fresh food quickly, preserving flavour, nutritional value and colour.
- 4 star freezer enables you to freeze a quantity of fresh food and safely store frozen food for up to 1 year.
- Maximum freezer storage space with the 3 transparent freezer drawers ensuring that your frozen food is easy to identify and select.

Available in
 A81000TNW0 White
 A81000TNX0 Stainless steel with silver sides



Dimensions (HxWxD) in mm
 850 x 595 x 635

A71101TSX0

A++ energy rated under counter freezer.



- A++ energy rating means that this model is highly energy efficient, using 40% less energy than a standard A rated model. Minimising impact on the environment and saving you money.
- Electronic temperature control to maintain a stable temperature
- Frostmatic function is ideal for freezing fresh food quickly, preserving flavour, nutritional value and colour.
- 4 star freezer enables you to freeze a quantity of fresh food and safely store frozen food for up to 1 year.
- Maximum freezer storage space with the 3 transparent freezer drawers ensuring that your frozen food is easy to identify and select.

Available in
 A71101TSX0 Stainless steel with silver sides



Dimensions (HxWxD) in mm
 850 x 595 x 635



Built-in Fridge Freezers

Internal Design

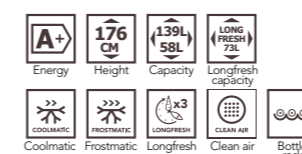
The AEG range features an improved internal design for your food storage. Clean colours, metal-look trims, full width glass shelves and transparent freezer drawers for stylish internal design for your food storage. Flexible food storage is enhanced with half depth glass shelves in addition to full width, and a sliding door shelf.



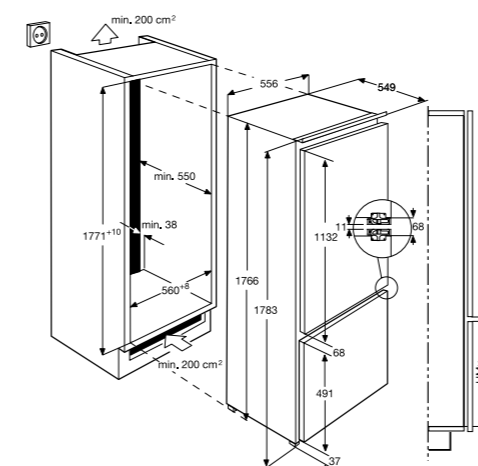
Cooling / LongFresh Fridge Freezer

SCZ71800F0

In-column fridge freezer with A+ energy and LongFresh storage.



- Our AEG fridge freezer offers the ultimate in food storage compartments, combining larger food storage, LongFresh drawers and 2 freezer drawers.
- Our CleanAir control system filters the air and reduces odours thus eliminating food odours from items such as strong smelling cheese or fish.
- A+ energy rating means that this model is highly energy efficient, using 20% less energy than a standard A rated model. Minimising impact on the environment and saving you money.
- Our textured plastic shelf, designed to support bottles horizontally ensures that bottles can be laid flat without rolling.
- Full width glass shelves with metal-look trim, strong, durable and easy to clean helping to maintain low temperatures following door open and closure together with 2 half depth shelves which can be used as a single shelf or as 2 slim depth shelves for the storage of tall items.
- Full width covered dairy compartment is ideal for butter and cheese storage, so they can be served straight from the fridge.

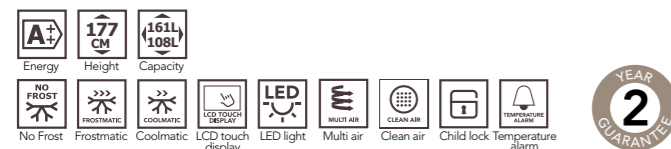


Dimensions (HxWxD) in mm
1780 x 560 x 550

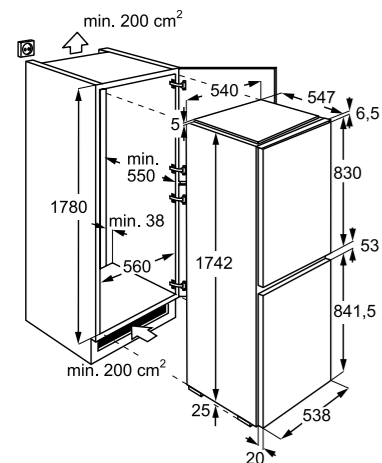


SCT81800S0 - Never defrost again!

Highly energy efficient A++ energy rated 50:50 Frost Free fridge freezer with electronic touch control electronics and MultiAirflow cooling.



- Our Frost Free freezer means you never have to defrost your freezer again, whilst your food is easily identified saving you a chore.
- LCD touch controls ensure precise temperature and function setting, including useful features such as Frostmatic, Coolmatic, Child Lock, Door Open Alarm and High Temperature Alarm.
- Our ProFresh technology means that our Frost Free fridge freezers have two cooling systems, one for the fridge and one for the freezer. This means that the temperature is more accurately controlled in either section preventing your food from deteriorating through over cooling of air from the freezer.
- Multi-Airflow cooling gives extremely stable and even temperature and humidity levels, combined with fast temperature recovery and chilling of fresh food to ensure food stays fresher for longer, meaning that you waste less.
- Soft Rise LED lighting gives a premium and modern feel to the fridge. Our LED's are long lasting, consume less energy and do not give off heat which may affect food storage.
- A++ energy rating means that this model is highly energy efficient, using 25% less energy than a standard A+ rated model. Minimising impact on the environment and saving you money.
- Our CleanAir control system filters the air and reduces odours thus eliminating food odours from items such as strong smelling cheese or fish.
- Maximum freezer storage space with the 4 transparent freezer drawers ensuring that your frozen food is easy to identify and select.
- Our Frost Free freezer allows you total storage flexibility with the option of simply removing the storage drawers and using one or two of the glass shelves to accommodate large food items such as an extra large turkey.



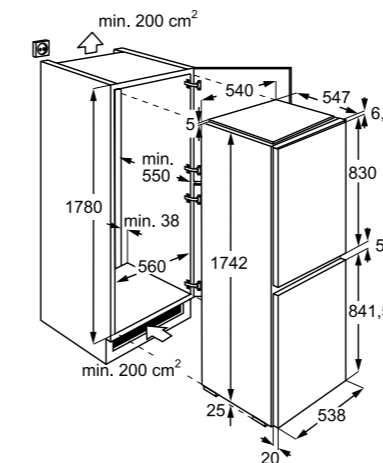
Dimensions (HxWxD) in mm
1780 x 560 x 550

SCN71800S1 - Never defrost again!

In-column 50:50 split ProFresh Frost Free fridge freezer with A+ energy efficiency and electronic touch controls for precise temperature regulation.



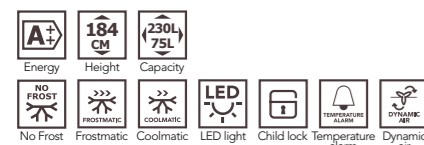
- Our Frost Free freezer means you never have to defrost your freezer again, whilst your food is easily identified saving you a chore.
- LCD touch controls ensure precise temperature and function setting, including useful features such as Frostmatic, Coolmatic, Child Lock, Door Open Alarm and High Temperature Alarm.
- Our ProFresh technology means that our Frost Free fridge freezers have two cooling systems, one for the fridge and one for the freezer. This means that the temperature is more accurately controlled in either section preventing your food from deteriorating through over cooling of air from the freezer.
- Soft Rise LED lighting gives a premium and modern feel to the fridge. Our LED's are long lasting, consume less energy and do not give off heat which may affect food storage.
- A+ energy rating means that this model is highly energy efficient, using 20% less energy than a standard A rated model. Minimising impact on the environment and saving you money.
- Our CleanAir control system filters the air and reduces odours thus eliminating food odours from items such as strong smelling cheese or fish.
- Maximum freezer storage space with the 4 transparent freezer drawers ensuring that your frozen food is easy to identify and select.
- Our Frost Free freezer allows you total storage flexibility with the option of simply removing the storage drawers and using one or two of the glass shelves to accommodate large food items such as an extra large turkey.



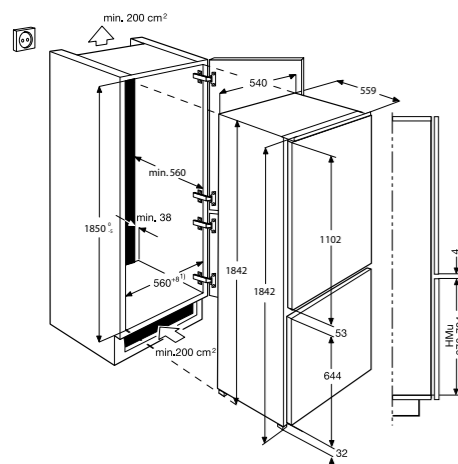
Dimensions (HxWxD) in mm
1780 x 560 x 550

SCT81900S0 - Never defrost again!

In-column Highly energy efficient Extra Tall ProFresh Frost Free Fridge Freezer with A++ energy efficiency.



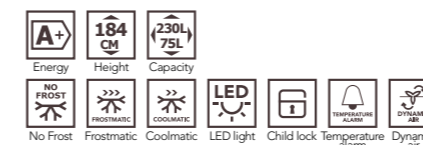
- A++ energy rating means that this model is highly energy efficient, using 25% less energy than a standard A+ rated model. Minimising impact on the environment and saving you money.
- Our AEG Extra Tall fridge freezer maximising the space within your furniture housing, providing you with more useful and much needed food storage space, allowing you to store more food and shop less often.
- Our Frost Free freezer means that you never have to defrost your freezer again, whilst your food is easily identified saving you a chore.
- Our ProFresh technology means that our Frost Free fridge freezers have two cooling systems, one for the fridge and one for the freezer. This means that the temperature is more accurately controlled in either section preventing your food from deteriorating through over cooling of air from the freezer.
- Electronic temperature controls including useful features such as Frostmatic, Coolmatic, Child Lock and High Temperature Alarm.
- DynamicAir cooling means that a powerful fan automatically activates to ensure that fridge temperatures are maintained at the desired level and food is cooled, preserving food freshness.
- Soft Rise LED lighting gives a premium and modern feel to the fridge. Our LED's are long lasting, consume less energy and do not give off heat which may affect food storage.
- 3 transparent freezer drawers making it quick and easy to identify and select food.
- Our Frost Free freezer allows you total storage flexibility with the option of simply removing the storage drawer/s and using the glass shelf to accommodate large food items such as an extra large turkey.



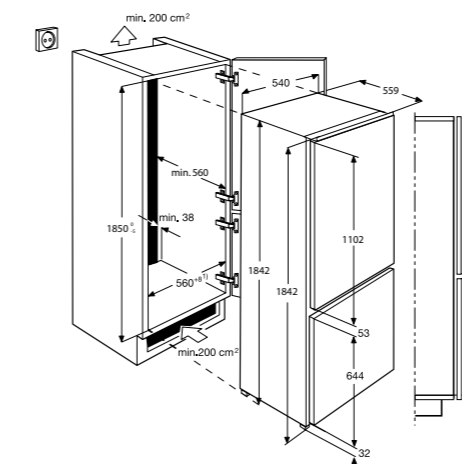
Dimensions (HxWxD) in mm
1850 x 560 x 550

SCT71900S0 - Never defrost again!

In-column extra tall ProFresh Frost Free fridge freezer with A+ energy efficiency and electronic temperature control.



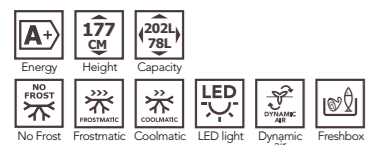
- Our AEG extra tall fridge freezer maximises the space within your furniture housing, providing you with more useful and much needed food storage space, allowing you to store more food and shop less often.
- Our Frost Free freezer means you never have to defrost your freezer again, whilst your food is easily identified saving you a chore.
- Our ProFresh technology means that our Frost Free fridge freezers have two cooling systems, one for the fridge and one for the freezer. This means that the temperature is more accurately controlled in either section preventing your food from deteriorating through over cooling of air from the freezer.
- Electronic temperature controls including useful features such as Frostmatic, Coolmatic, Child Lock and High Temperature Alarm.
- DynamicAir cooling means that a powerful fan automatically activates to ensure that fridge temperatures are maintained at the desired level and food is cooled, preserving food freshness.
- Soft Rise LED lighting gives a premium and modern feel to the fridge. Our LED's are long lasting, consume less energy and do not give off heat which may affect food storage.
- A+ energy rating means that this model is highly energy efficient, using 20% less energy than a standard A rated model. Minimising impact on the environment and saving you money.
- 3 transparent freezer drawers making it quick and easy to identify and select food.
- Our Frost Free freezer allows you total storage flexibility with the option of simply removing the storage drawers and using the glass shelf to accommodate large food items such as an extra large turkey.



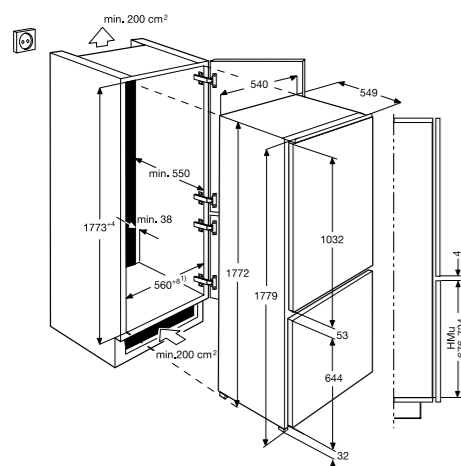
Dimensions (HxWxD) in mm
1850 x 560 x 550

SCT71800S1 - Never defrost again!

In-column 70:30 split ProFresh Frost Free fridge freezer with A+ energy and touch control electronics.



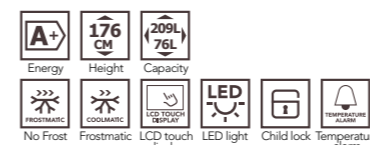
- With our Frost Free freezer you never have to defrost your freezer again.
- Our ProFresh technology means that our Frost Free fridge freezers have two cooling systems, one for the fridge and one for the freezer. This means that the temperature is more accurately controlled in either section preventing your food from deteriorating through over cooling of air from the freezer.
- DynamicAir cooling means that a powerful fan automatically activates to ensure that fridge temperature is maintained at the desired level and food is cooled quickly, preserving food quality.
- A+ energy rating means that this model is highly energy efficient, using 20% less energy than a standard A rated model. Minimising impact on the environment and saving you money.
- LCD touch controls ensure precise temperature and function setting, including useful features such as Frostmatic, Coolmatic, child lock, Door Open Alarm and High Temperature Alarm.
- Our Freshbox provides a dedicated area for longer and better food storage of fresh meat and fish, ensuring that they stay fresher for longer.
- Full width glass shelves with metal-look trim, strong, durable and easy to clean whilst helping to maintain low temperatures following door open and closure.
- Soft Rise LED lighting gives a premium and modern feel to the fridge. LED lights long lasting, consume less energy and do not give off heat, which may affect food storage.
- 3 transparent freezer drawers making it quick and easy to identify and select food.
- Our Frost Free freezer allows you total storage flexibility with the option of simply removing the storage drawers and using the glass shelf to accommodate large food items such as an extra large turkey.



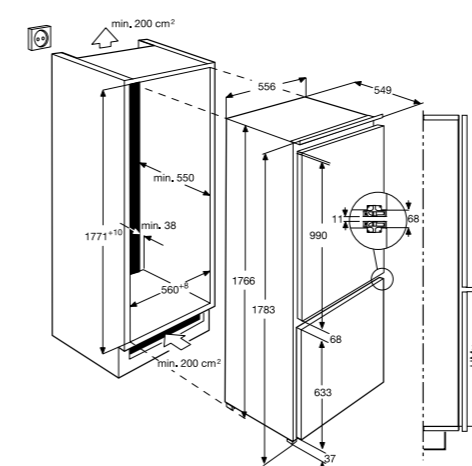
Dimensions (HxWxD) in mm
1780 x 560 x 550

SCS71800F0

In-column 70:30 split Fridge Freezer with A+ energy efficiency and electronic touch controls for precise temperature regulation.



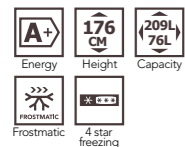
- LCD touch controls ensure precise temperature and function setting, including useful features such as Frostmatic, Coolmatic, Child Lock, Door Open Alarm and High Temperature Alarm.
- Soft Rise LED lighting gives a premium and modern feel to the fridge. LED lights long lasting, consume less energy and do not give off heat, which may affect food storage.
- Frostmatic function is ideal for freezing a quantity of fresh food quickly, preserving flavour, nutritional value and colour.
- A+ energy rating means that this model is highly energy efficient, using 20% less energy than a standard A rated model. Minimising impact on the environment and saving you money.
- Full width glass shelves with metal-look trim, strong, durable and easy to clean whilst helping to maintain low temperatures following door open and closure.
- Full width covered dairy compartment is ideal for butter and cheese storage, so these can be served straight from the fridge.
- 3 transparent freezer drawers making it quick and easy to identify and select food.



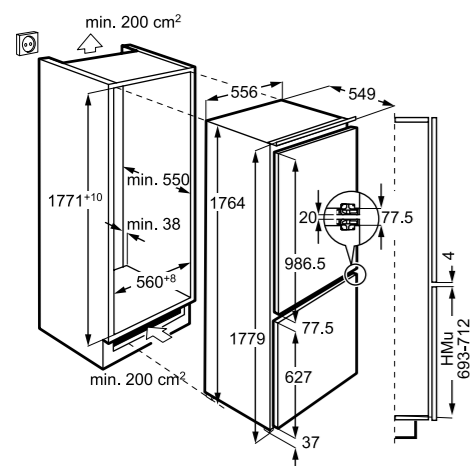
Dimensions (HxWxD) in mm
1780 x 560 x 550

SCS51800F0

In-column 70:30 split fridge freezer with A+ energy efficiency.



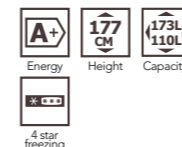
- Adjustable temperature control for your food storage.
- A+ energy rating means that this model is highly energy efficient, using 20% less energy than a standard A rated model. Minimising impact on the environment and saving you money.
- Frostmatic function is ideal for freezing fresh food quickly, preserving flavour, nutritional value and colour.
- Full width glass shelves with metal-look trim, strong, durable and easy to clean whilst helping to maintain low temperatures following door open and closure.
- Full width covered dairy compartment is ideal for butter and cheese storage, so they can be served straight from the fridge.
- Half width sliding door shelf providing versatile storage space.
- 4 star freezer enables you to freeze a quantity of fresh food and safely store frozen food for up to 1 year.
- 3 transparent freezer drawers making it quick and easy to identify and select food.



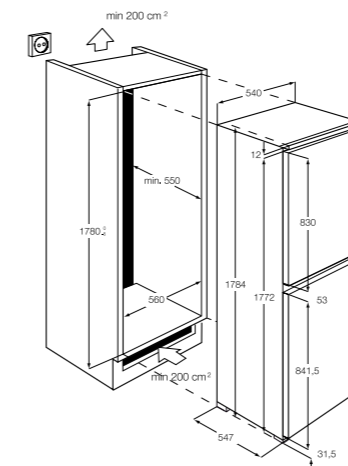
Dimensions (HxWxD) in mm
1780 x 560 x 550

SCS51810S0

In-column 50:50 split fridge freezer with A+ energy efficiency.



- Adjustable temperature control for your food storage.
- A+ energy rating means that this model is highly energy efficient, using 20% less energy than a standard A rated model. Minimising impact on the environment and saving you money.
- Full width glass shelves with metal-look trim, strong, durable and easy to clean whilst helping to maintain low temperatures following door open and closure.
- Full width covered dairy compartment is ideal for butter and cheese storage, so they can be served straight from the fridge.
- Half width sliding door shelf providing versatile storage space.
- 4 star freezer enables you to freeze a quantity of fresh food and safely store frozen food for up to 1 year.
- Maximum freezer storage space with the 4 transparent freezer drawers ensuring that your frozen food is easy to identify and select.



Dimensions (HxWxD) in mm
1780 x 560 x 550



Built-in Fridges and Freezers

Flexible installation

AEG offers a wide range of different sized built-in cooling appliances to suit every kitchen design, from built-under appliances to models that can be installed in-column at eye level.

Built-under models are designed to fit under the standard kitchen worktop allowing you to maximize on worktop space whilst the Door-on-Door hinge fixing ensures a robust and sturdy furniture door fitting.



SKS58200F0

Fully integrated under-counter larder fridge with A+ energy rating uses 20% less energy than a standard A rated fridge.



- Adjustable temperature control for your food storage.
- Full width glass shelves with metal look trim, strong, durable and easy to clean whilst helping to maintain low temperatures following door open and closure.
- Full width recessed salad drawer with 2 glass lids makes the best use of the space available.
- Full width covered dairy compartment is ideal for butter and cheese storage, so they can be served straight from the fridge.
- Half width sliding door shelf provides versatile storage space.

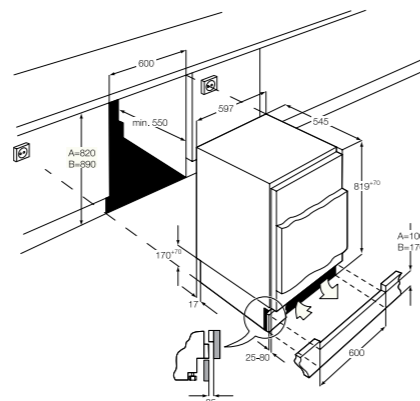
Matching freezer: AGS58210F0/AGN58200F0

SKS58240F0

Fully integrated under-counter fridge with a 4-star freezer compartment and A+ energy rating.



- Our 4 star freezer compartment enables you to freeze a quantity fresh food and safely store frozen food for up to 1 year.
- A+ energy rating means that this model is highly energy efficient, using 20% less energy than a standard A rated model. Minimising impact on the environment and saving you money.
- Adjustable temperature control for your food storage.
- Full width glass shelves with metal-look trim, strong, durable and easy to clean whilst helping to maintain low temperatures following door open and closure.
- Full width recessed salad drawer with 2 glass lids makes the best use of the space available.
- Full width covered dairy compartment is ideal for butter and cheese storage, so they can be served straight from the fridge.
- Half width sliding door shelf provides versatile storage space.



Dimensions (HxWxD) in mm
820 x 600 x 550

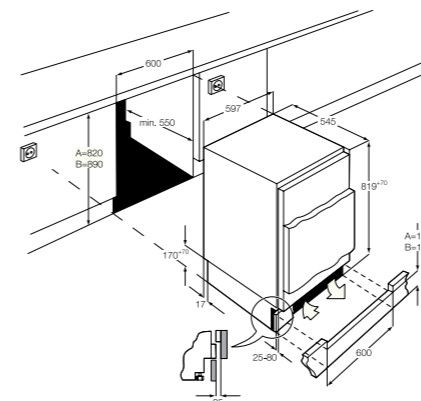
AGN58210F0

Fully Integrated Frost Free under-counter freezer with A+ energy rating.



- With our Frost Free freezer you never have to defrost your freezer again.
- A+ energy rating means that this model is highly energy efficient, using 20% less energy than an A rated model. Minimising impact on the environment and saving you money.
- 4 star freezer allows you to freeze a quantity of fresh food and safely store frozen food for up to 1 year.
- Frostmatic function is ideal for freezing fresh food quickly, preserving flavour, nutritional value and colour.
- 3 large transparent freezer drawers making it quick and easy to identify and select food.
- Temperature rise indicator with audible alarm alerts if the temperature rises, such as after a power cut, whilst the door open alarm sounds if the door is inadvertently left open.

Matching Fridge: SKS58200F0



Dimensions (HxWxD) in mm
820 x 600 x 550

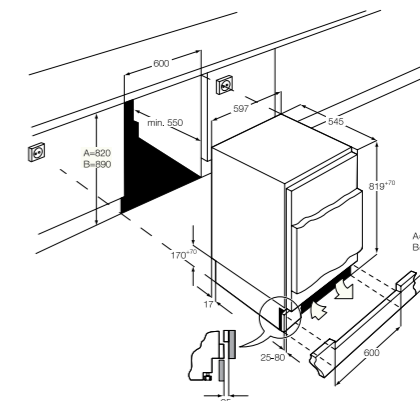
AGS58200F0

Fully integrated under-counter freezer with A+ energy rating uses 20% less energy than a standard A rated freezer.



- 4 star freezer enables you to freeze a quantity of fresh food and safely store frozen food for up to 1 year.
- Frostmatic function is ideal for freezing fresh food quickly, preserving flavour, nutritional value and colour.
- 3 large transparent freezer drawers give lots of storage space and make it easy to identify and select food.
- 1 shallow transparent freezer drawer, ideal for open freezing for soft fruits or pizza storage.
- Temperature rise indicator with audible alarm alerts if the temperature rises, such as during a power cut, whilst the door open alarm sounds if the door is inadvertently left open.

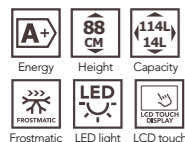
Matching Fridge: SKS58200F0



Dimensions (HxWxD) in mm
820 x 600 x 550

SKS58840S2

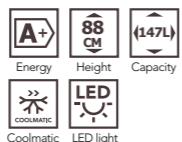
In-column fridge with 4-star freezer compartment and A+ energy rating.



- Convenient 4 star freezer compartment enables you to freeze a quantity of fresh food and safely store frozen food for up to 1 year.
- A+ energy rating means that this model is highly energy efficient, using 20% less energy than a standard A rated model. Minimising impact on the environment and saving you money.
- Our simple easy to use electronics, with Frostmatic function, ensures that you can set the fridge to your desired temperature.
- Soft Rise LED lighting gives a premium and modern feel to the fridge. Our LED's are long lasting, consume less energy and do not give off heat, which may affect food storage.
- Full width glass shelves with metal-look trim, strong, durable and easy to clean helping to maintain low temperatures following door open and closure.
- Full width covered dairy compartment is ideal for butter and cheese storage, so they can be served straight from the fridge.
- Half width sliding door shelf providing versatile storage space.

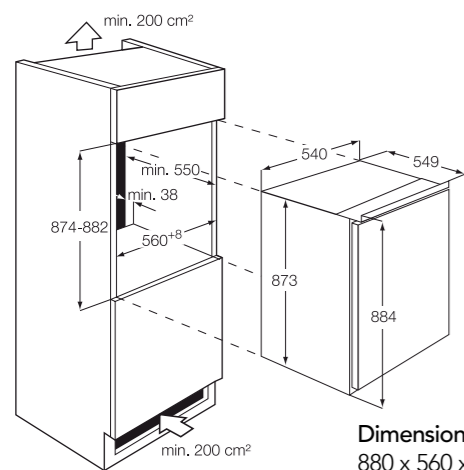
SKS58800S2

In-column larger fridge with A+ energy rating and electronic controls.

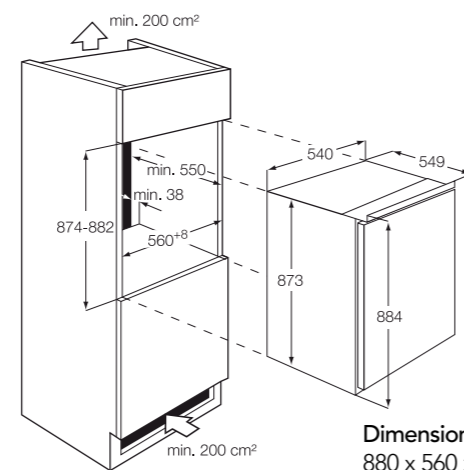


- Our simple easy to use electronics, with Coolmatic function, ensures that you can set the fridge to your desired temperature.
- A+ energy rating means that this model is highly energy efficient, using 20% less energy than a standard A rated model. Minimising impact on the environment and saving you money.
- Soft Rise LED lighting gives a premium and modern feel to the fridge. Our LED's are long lasting, consume less energy and do not give off heat, which may affect food storage.
- Full width glass shelves with metal-look trim, strong, durable and easy to clean helping to maintain low temperatures following door open and closure.
- Full width covered dairy compartment is ideal for butter and cheese storage, so they can be served straight from the fridge.
- Half width sliding door shelf providing versatile storage space.

Matching Freezer: AGS58800S0



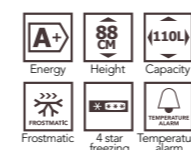
Dimensions (HxWxD) in mm
880 x 560 x 550



Dimensions (HxWxD) in mm
880 x 560 x 550

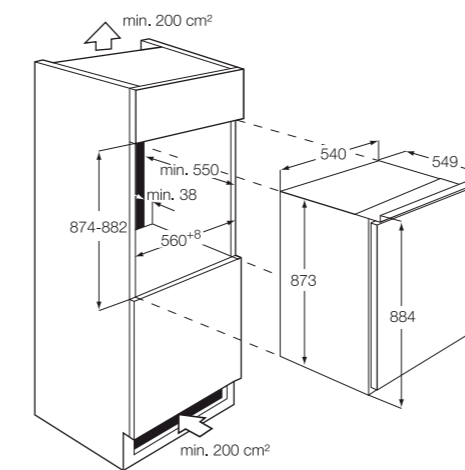
AGS58800S0

In-column freezer with A+ energy and electronic controls.



- Our simple easy to use electronics, with Frostmatic function, ensures that you can set the freezer to your desired temperature.
- A+ energy rating means that this model is highly energy efficient, using 20% less energy than a standard A rated model. Minimising impact on the environment and saving you money.
- 4 star freezer enables you to freeze a quantity of fresh food and safely store frozen food for up to 1 year.
- Frostmatic is ideal for freezing fresh food quickly, preserving flavour, nutritional value and colour.
- Maximum freezer storage space with the 4 transparent freezer drawers ensuring that your frozen food is easy to identify and select.
- Temperature rise indicator with audible alarm alerts if the temperature rises, such as after a power cut, whilst the door open alarm sounds if the door is inadvertently left open.

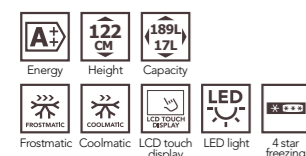
Matching Fridge: SKS58800S2



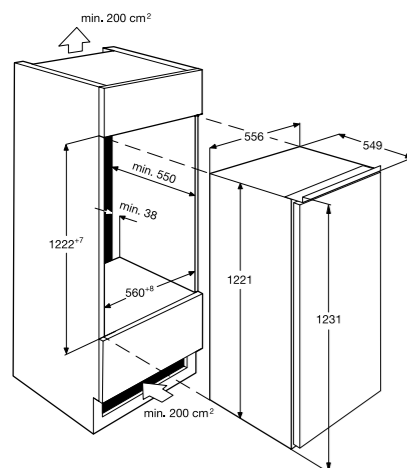
Dimensions (HxWxD) in mm
880 x 560 x 550

SKS81240F0

In-column fridge with 4-star freezer compartment and A++ energy.



- Convenient 4 star freezer compartment enables you to freeze a quantity of fresh food and safely store frozen food for up to 1 year.
- A++ energy rating means that this model is highly energy efficient, using 25% less energy than a standard A+ rated model. Minimising impact on the environment and saving you money.
- LCD Touch controls ensure precise temperature and function setting, including useful features such as Coolmatic, Frostmatic, Child Lock and Holiday Function.
- Soft Rise LED lighting gives a premium and modern feel to the fridge. Our LED's are long lasting, consume less energy and do not give off heat which may affect food storage.
- 2 full width glass shelves with metal-look trim, strong, durable and easy to clean helping to maintain low temperatures following door open and closure together with 2 half depth shelves which can be used as a single shelf or as 2 slim depth shelves for the storage of tall items.
- Full width covered dairy compartment is ideal for butter and cheese storage, allowing you to serve these straight from the fridge.
- Half width sliding door shelf providing versatile storage space.



Dimensions (HxWxD) in mm
880 x 560 x 550

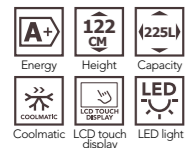


Cooling / 1225mm Fridge

166

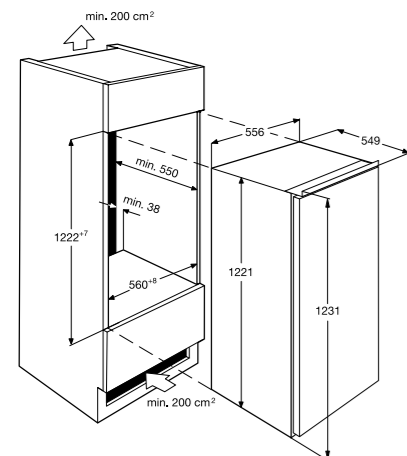
SKS71200F0

In-column larder fridge with an A+ energy rating and electronic touch controls precise temperature regulation.



- LCD touch controls ensure precise temperature and function setting, including useful features such as Coolmatic, Holiday Function, Child Lock and Minute Minder.
- A+ energy rating means that this model is highly energy efficient, using 20% less energy than a standard A rated model. Minimising impact on the environment and saving you money.
- Soft Rise LED lighting gives a premium and modern feel to the fridge. Our LED's are long lasting, consume less energy and do not give off heat, which may affect food storage.
- Full width glass shelves with metal-look trim, strong, durable and easy to clean helping to maintain low temperatures following door open and closure together with 2 half depth shelves which can be used as a single shelf or as 2 slim depth shelves for the storage of tall items.
- Full width covered dairy compartment is ideal for butter and cheese storage, so they can be served straight from the fridge.
- Half width sliding door shelf providing versatile storage space.

Matching Freezer: AGN71200F0



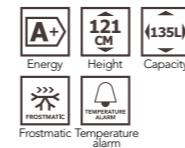
Dimensions (HxWxD) in mm
1225 x 560 x 550

Cooling / 1225mm Freezer

167

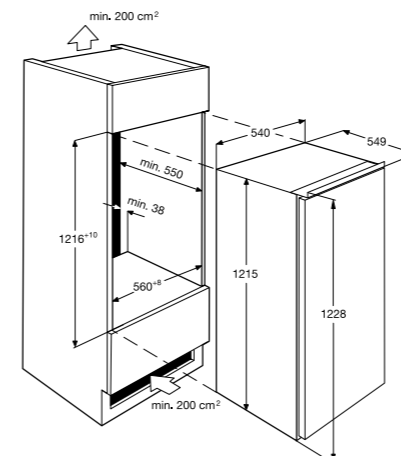
AGN71200F0

In-column Frost Free freezer with an A+ energy rating and electronic touch controls for precise temperature regulation.



- Our Frost Free freezer means you never have to defrost your freezer again, whilst your food is easily identified saving you a chore.
- A+ energy rating means that this model is highly energy efficient, using 20% less energy than a standard A rated model. Minimising impact on the environment and saving you money.
- LCD touch controls ensure precise temperature and function setting, including useful features such as Frostmatic, Holiday Function, Child Lock and Minute Minder.
- Frostmatic function is ideal for freezing fresh food quickly, preserving flavour, nutritional value and colour.
- Maximum freezer storage space with the 4 transparent freezer drawers and 1 compartment ensuring that your frozen food is easy to identify and select.
- Temperature rise indicator with audible alarm alerts if the temperature rises, such as after a power cut, whilst the door open alarm sounds if the door is inadvertently left open.
- Our Frost Free freezer allows you total storage flexibility with the option of simply removing the storage drawers and using the one or four of the glass shelves to accommodate large food items such as an extra large turkey.

Matching Fridge: SKS71200F0



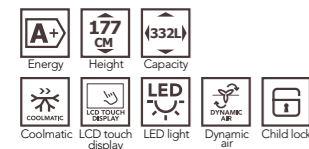
Dimensions (HxWxD) in mm
1225 x 560 x 550

Cooling / 1780mm Fridge

168

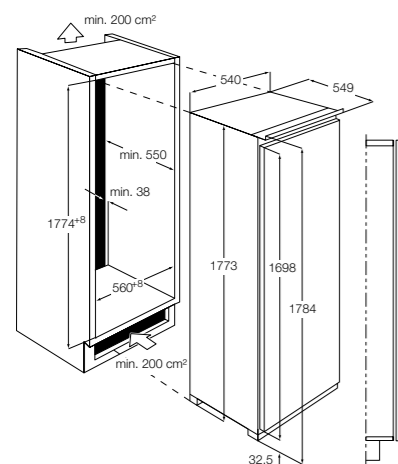
SKD71800F0

Large capacity in-column larder fridge with A+ energy, electronic touch controls and DynamicAir cooling.



- DynamicAir Cooling means that a powerful fan automatically activates to ensure that fridge temperature is maintained at the desired level and food is cooled quickly, preserving food quality.
- LCD touch controls ensure precise temperature and function setting, including useful features such as Coolmatic, Holiday Function, Child Lock and Minute Minder.
- A+ energy rating means that this model is highly energy efficient, using 20% less energy than a standard A rated model. Minimising impact on the environment and saving you money.
- An extra large, telescopic salad drawer with divider provides a large amount of space for the weekly shop of fresh vegetables and salad.
- Soft Rise LED lighting gives a premium and modern feel to the fridge. Our LED's are long lasting, consume less energy and do not give off heat, which may affect food storage.
- Full width glass shelves with metal-look trim, strong, durable and easy to clean helping to maintain low temperatures following door open and closure together with 2 half depth shelves which can be used as a single shelf or as 2 slim depth shelves for the storage of tall items.
- Full width covered dairy compartment is ideal for butter and cheese storage, so they can be served straight from the fridge.
- Half width sliding door shelf providing versatile storage space.

Matching Freezer: AGN71800F0



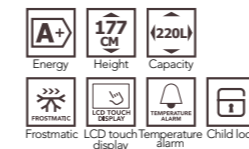
Dimensions (HxWxD) in mm
1780 x 560 x 550

Cooling / 1780mm Freezer

169

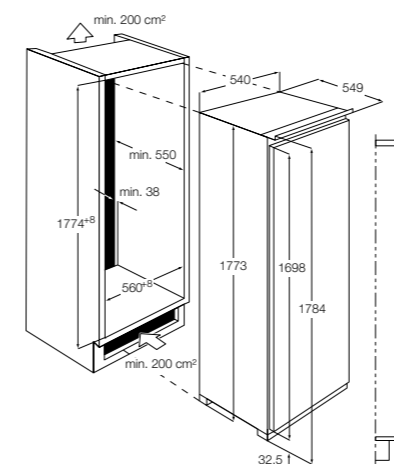
AGN71800F0

Large capacity in-column Frost Free freezer with A+ energy and electronic touch controls for precise temperature regulation.



- Our Frost Free freezer means you never have to defrost your freezer again, whilst your food is easily identified saving you a chore.
- A+ energy rating means that this model is highly energy efficient, using 20% less energy than a standard A rated model. Minimising impact on the environment and saving you money.
- LCD touch controls ensure precise temperature and function setting, including useful features such as Frostmatic, Child Lock, Door Open Alarm and High Temperature Alarm.
- Frostmatic function is ideal for freezing fresh food quickly, preserving flavour, nutritional value and colour.
- Maximum freezer storage space with the 5 transparent freezer drawers and 2 compartments ensuring that your frozen food is easy to identify and select.
- Temperature rise indicator with audible alarm alerts if the temperature rises, such as after a power cut, whilst the door open alarm sounds if the door is inadvertently left open.
- Our Frost Free freezer allows you total storage flexibility with the option of simply removing the storage drawers and using the one or six of the glass shelves to accommodate large food items such as an extra large turkey.

Matching Fridge: SKD71800F0



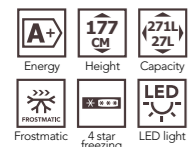
Dimensions (HxWxD) in mm
1780 x 560 x 550

Cooling / 1780mm Fridge

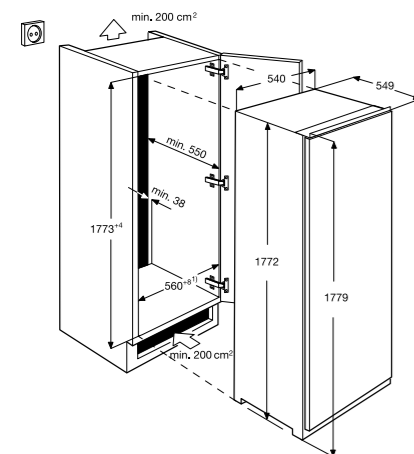
170

SKS61840S1

Large capacity in-column fridge with 4-star freezer compartment and A+ energy.



- Convenient 4 star freezer compartment with a glass shelf enables you to freeze a quantity of fresh food and safely store frozen food for up to 1 year.
- A+ energy rating means that this model is highly energy efficient, using 20% less energy than a standard A rated model. Minimising impact on the environment and saving you money.
- An extra large, telescopic salad drawer with divider provides a large amount of space for the weekly shop of fresh vegetables and salad.
- Our simple easy to use electronics, with Frostmatic function, ensures that you can set the fridge to your desired temperature.
- Soft Rise LED lighting gives a premium and modern feel to the fridge. Our LED's are long lasting, consume less energy and do not give off heat, which may affect food storage.
- Full width glass shelves with metal-look trim, strong, durable and easy to clean helping to maintain low temperatures following door open and closure.
- Full width covered dairy compartment is ideal for butter and cheese storage, so they can be served straight from the fridge.



Dimensions (HxWxD) in mm
1780 x 560 x 550

Cooling / 1780mm LongFresh Fridge

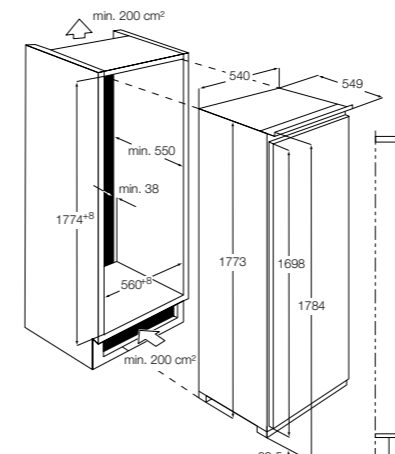
171

SKZ71800F0

Large capacity in-column fridge with A+ energy and LongFresh storage.



- 2 full width LongFresh drawers give you dedicated storage space for fresh salad, fruits and vegetables.
- Full width drawer designed specifically for the storage of fresh fish and meat, ideal for the weekly shop from the local butchers.
- Our CleanAir Control system uses a charcoal filter to purify the air and reduce odours thus eliminating food odours from items such as strong smelling cheese or fish.
- A+ energy rating means that this model is highly energy efficient, using 20% less energy than a standard A rated model. Minimising impact on the environment and saving you money.
- Our textured plastic shelf, designed to support bottles horizontally ensures that bottles can be laid flat without rolling.
- Full width glass shelves with metal-look trim, strong, durable and easy to clean helping to maintain low temperatures following door open and closure together with 2 half depth shelves which can be used as a single shelf or as 2 slim depth shelves for the storage of tall items.
- Full width covered dairy compartment is ideal for butter and cheese storage, so they can be served straight from the fridge.
- Half width sliding door shelf providing versatile storage space.



Dimensions (HxWxD) in mm
1780 x 560 x 550

Laundry

All our appliances take exceptional care of your clothes, whether your load is small or large, with stubborn stains or delicates, making sure they stay looking newer for longer. Choose from our state-of-the-art washing machines or the ultimate space saving practicality of a washer dryer.

Built-In

Washing Machines	178
Washer Dryers	179

Freestanding

Washing Machines	184
Dryers	190
Washer Dryers	196

Built-in laundry

Our range of built-in laundry appliances are designed to fit seamlessly into your kitchen, behind cabinet doors for an uninterrupted and clean look. Whether you choose a washing machine or washer dryer you can be confident that your all fabrics, from cotton to cashmere, will be washed and dried with the greatest of care.



Built-in laundry

176

Washing Machines & Washer dryers



WASH CAPACITY

All of our built-in appliances have a generous 7kg drum capacity. The large drum offers more space for the movement of delicates, and the extra room allows you to get large loads done all at once, saving both time and energy.



WASH & DRY CAPACITY

Our built-in Washer Dryers let you automatically wash and dry up to 4kg in a single, fully automatic operation.



SPIN SPEED

Choose a spin speed to suit your needs. We estimate that a 200rpm increase in spin speed will reduce tumble drying time by 10 minutes.



ENERGY EFFICIENCY

By incorporating advanced technologies, AEG appliances are able to minimise energy usage and reduce running costs.



WASH PERFORMANCE

With a standard wash performance rating of 'A', you can rest assured that whatever built-in appliance you choose, you're going to get great wash results.



SPIN PERFORMANCE

The higher the spin performance rating, the more efficient your machine will be in removing excess water from the load.



OPTISENSE

Optisense wash technology automatically adjusts the cycle time, water usage and energy consumption to adapt to each load.



TIME DELAY

With a delay start of up to 20 hours you can programme the machine to finish the wash cycle when it is most convenient for you.



SOFTCOOL

Our wool programme has an extremely gentle drum movement and a function called SoftCool. After washing, a special cool down phase begins to help prevent 'chill-shock' before the cold rinse; helping to reduce the risk of shrinkage.



EASY IRON PLUS

Our Easy Iron Plus programme reduces creasing by up to 50% by automatically adjusting the water level and spin speed.



XL DOOR

Our built-in appliances have an extra large porthole to make loading easier.

177

Gentle but thorough

TIME CONTROL

Our Time Control feature offers two time-save options. Reduce the wash cycle time by up to 60% by selecting either the quick or very quick option. Perfect for lightly soiled clothes that you need in a hurry.

SENSITIVE OPTION

Our sensitive option is designed for people who have sensitive skin or allergies. It automatically increases the water level in the main wash whilst reducing drum rotation preventing the build up of excess soapsuds. Any residual detergent is removed with an additional rinse automatically added to the wash programme.

STAIN TREATMENT

Our detergent drawers have a specific compartment for stain removal products, to ensure that stain treatments are dispensed into the drum at the correct time and temperature, ensuring the most effective stain removal.

REFRESH

Refresh up to 3kg of laundry at 30°C in 30 minutes. Perfect for 'worn once' or lightly soiled clothes.

SILENCE SYSTEM PLUS

Our washing machines and washer dryers combine outstanding performance values, convincing washing results, and ultra-quiet operation. All this is engineered to fit into one single standard-sized appliance, requiring only a single water connection, one power source and one drain connection.

AUTOMATIC DRYING PROGRAMMES

The washer dryer can be programmed to dry automatically after the washing has finished. Just set the required dryness level or drying time when you select the washing programme (Cottons or Synthetics) and press Start. There are different drying programmes for Cottons and Synthetics. Both end with a 10 min. cool-down phase followed by a 30 min. anti-crease phase after the programme has ended. These two drying programmes can also be selected independently, so that you can use the washer dryer as a tumble dryer.

LCD DISPLAY

With a clear LCD display, you can see the status of the wash program with ease.

DOUBLE GLASS FOR SAFETY

During the washing process, the water (depending on chosen programme) can get hot. The double glass design ensures that the heat stays inside the drum.

L61470BI

Fully integrated washing machine for perfect fabric care.

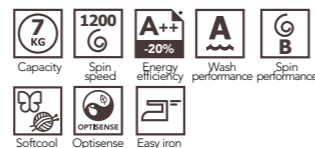


*20% more energy efficient compared to the limit of energy class A+ machine.

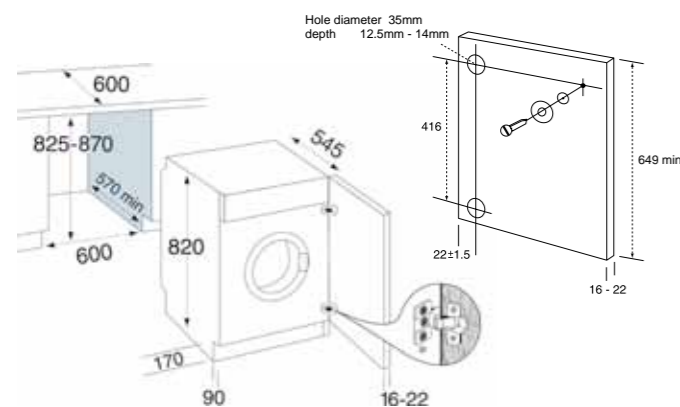
- Advance fuzzy logic senses the size of the wash load and uses the right amount of water and energy whilst delivering the best wash results.
- Wool plus programme helps reduce wool shrinkage by gradually reducing the temperature before the rinse phase.
- Advanced controls with LCD display for programme confirmation and audible signal for programme end.
- A dedicated stain option dispenses stain removing treatment at 40°C making it more effective.
- Easy iron plus programme actively reduces creasing in fabrics for shorter ironing times.
- Take control of your washing, with our super quick option, which allows you to reduce the wash cycle time depending on how clean your clothes are.
- Our specially designed refresh programme, for up to 3kg of clothing at 30°C in just 30 minutes.

L61271BI

Fully integrated washing machine for perfect fabric care.



- Advanced controls with LCD display for programme confirmation and audible signal for programme end.
- Wool plus programme helps reduce wool shrinkage by gradually reducing the temperature before the rinse phase.
- Easy iron plus programme actively reduces creasing in fabrics for shorter ironing times.
- A dedicated stain option dispenses stain removing treatment at 40°C making it more effective.
- Take control of your washing, with our super quick option, which allows you to reduce the wash cycle time depending on how clean your clothes are.
- Our specially designed refresh programme, for up to 3kg of clothing at 30°C in just 30 minutes.

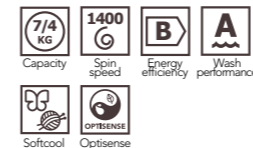


Dimensions (HxWxD) in mm
820 x 596 x 544

Dimensions (HxWxD) in mm
820 x 596 x 544

L61470WDBI

Fully integrated washer dryer for a complete wash to dry solution.

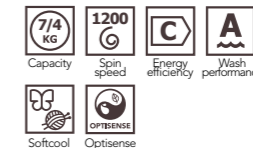


- Flexible programming to choose between washing and total wash to dry solution.
- Advanced controls with LCD display for programme confirmation and audible signal for programme end.
- Dedicated wash programmes for different fabric types including delicates and handwash for total fabric care. Together with advanced fuzzy logic the perfect wash and rinse results are delivered regardless of the wash load size.
- Our specially designed refresh programme, for up to 3kg of clothing at 30°C in just 30 minutes.
- A dedicated stain option dispenses stain removing treatment at 40°C making it more effective.
- Extra rinse option for sensitive skin, for effective removal of residual soap suds.
- Built-in tumble dryer with two drying programmes for different fabric types to ensure perfect drying result providing total fabric care.
- Take control of your washing, with our super quick option, which allows you to reduce the wash cycle time depending on how clean your clothes are.

Dimensions (HxWxD) in mm
820 x 596 x 544

L61271WDBI

Fully integrated washer dryer for a complete wash to dry solution.



- Flexible programming to choose between washing and total wash to dry solution.
- Built-in tumble dryer with two drying programmes for different fabric types to ensure perfect drying result providing total fabric care.
- Dedicated wash programmes for different fabric types including delicates and handwash for total fabric care. Together with advanced fuzzy logic the perfect wash and rinse results are delivered regardless of the wash load size.
- Advanced controls with LCD display for programme confirmation and audible signal for programme end.
- A dedicated stain option dispenses stain removing treatment at 40°C making it more effective.
- Extra rinse option for sensitive skin, for effective removal of residual soap suds.
- Take control of your washing, with our super quick option, which allows you to reduce the wash cycle time depending on how clean your clothes are.
- Our specially designed refresh programme, for up to 3kg of clothing at 30°C in just 30 minutes.

Dimensions (HxWxD) in mm
820 x 596 x 544

Freestanding laundry

AEG freestanding laundry appliances are designed to deliver superior cleaning results, time after time. The advanced technology in the range delivers you outstanding energy efficiency, the gentlest fabric care and cutting-edge design for the ultimate laundry appliance.



Washing Machines

Precise and gentle care



WASH CAPACITY

Ranging from 7kg to 10kg, our Washing Machine drum capacities are generous. Large drums offer more space for the movement of delicates, and the extra space allows you to get large loads done all at once, saving both time and energy.



SPIN SPEED

Choose a spin speed to suit your needs. We estimate that a 200rpm increase in spin speed will reduce tumble-drying time by 10 minutes.



ENERGY EFFICIENCY

By incorporating advanced technologies, AEG appliances are able to minimise energy usage and reduce running costs.



WASH PERFORMANCE

With a standard wash performance rating of 'A', you can rest assured that whatever freestanding appliance you choose, you're going to get great wash results.



SPIN PERFORMANCE

The higher the spin performance rating, the more efficient your machine will be in removing excess water from the load.



OPTISENSE

Optisense wash technology automatically adjusts the cycle time, water usage and energy consumption to adapt to each load. Your clothing will stay looking newer for longer – current tests show that OptiSense can give 30% better protection from wear and tear than a standard washing machine.



ADVANCED WASHING TECHNOLOGY

Machines with ProTex Plus have been developed with a unique continuous shower system that guarantees even full loads receive consistent cleaning throughout. The wash is quickly saturated with water, preventing any chance of detergent staining at the beginning of a cycle.



TIME DELAY

With a delay start of up to 20 hours you can programme the machine to finish the wash cycle when it is most convenient for you.



WEIGHT SENSOR

Our premium models feature a weight sensor that detects the weight of your load and advise on the amount of detergent you need to achieve perfect results. As you load the drum, the display will indicate the recommended maximum load for the chosen programme and the actual weight of laundry in the drum.



AUTO OFF

Our Auto Off function automatically switches off your machine when the programme has finished, for zero energy consumption.



STEAM

Use our Steam programmes to decrease and refresh all fabric types, including dry clean only garments.



INVERTER MOTOR

Inverter motors work without brushes, and run quietly, efficiently and reliably. Coupled with our vibration-absorbing cabinet design, the inverter motor helps our Silent System Plus machines to operate exceptionally quietly.

XXL DOOR

Our XXL ProTex washing machines have a 340mm door opening, making loading and unloading very convenient. The door also opens to 160°, ensuring it can be easily moved out of the way to make loading easier.

PROTEX DRUM

This innovative special patterned drum incorporates a higher number of smaller holes to treat fabrics with greater care.

Silent, safe operation

LOGICONTROL

Our unique LogiControl™ display allows you to control washing, rinsing and cycle settings intuitively, as well as showing you the progress of the wash cycle.

SILENT SYSTEM PLUS

Designed with pioneering noise reduction technology (including insulation layers and a purpose-designed inverter motor), our ProTex Plus washing machines have been developed for exceptionally quiet operation.

EXTRA SILENT NIGHT PROGRAMME

At only 47 dB, our Extra Silent programme has no intermediate spins and ends in Rinse Hold - perfect for use at night. There are a total of 6 rinses to ensure full rinsing efficiency despite the lack of intermediate spins.

PROTECTION FROM WATER DAMAGE AND LEAKS

To protect against water damage, this washing machine has the Aqua-Control system. Its double-walled inlet hose and overflow prevention system stops water from leaking. But if some water does leak, the alarm and water detection switch in the sealed base alerts you straightaway, so you can instantly take control of the situation.

LED DRUM LIGHT

An LED drum light gives you a clear view of the entire drum.

TIME CONTROL

Our Time Control feature offers two time-save options. Reduce the wash cycle time by up to 60% by selecting either the quick or very quick option. Perfect for lightly soiled clothes that you need in a hurry.

REFRESH

Refresh up to 3kg of laundry at 30°C in 30 minutes. Perfect for 'worn once' or lightly soiled clothes.

ANTI-ALLERGY

Our ProTex Plus washing machines have an outstanding hygiene programme certified by the British Allergy Foundation. The anti-allergy programme ensures the temperature is constantly maintained above 60°C by repeatedly re-heating during the wash phase resulting in exceptional hygiene and the complete removal of various allergens. The British Allergy Foundation has recommended that our machines be awarded with the seal of approval for house dust mite, cat and dog and pollen allergens.

The test results conclude;
Mite activity inhibition: 97%
Mite allergens removal: 98.7%
Cat allergens removal: 99.3%
Dog allergens removal: 100%
Pollen allergens removal: 100%

ENVIRONMENTALLY FRIENDLY

All ProTex washing machines offer our Super Eco cold wash programme. It is specifically designed for cold wash gel to give an effective wash performance at low temperatures, and reduces energy consumption by 83% when compared to a regular 40°C synthetics wash programme.

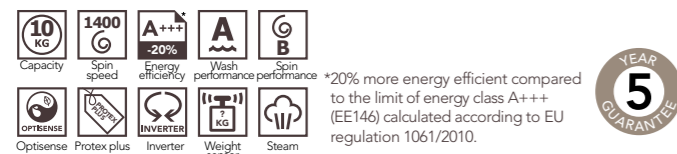
STAIN TREATMENT

Our detergent drawers have a specific compartment for stain removal products, to ensure that stain treatments are dispensed into the drum at the correct time and temperature, ensuring the most effective stain removal.

Laundry / Washing Machines

L88409FL2

Stylish '8 series' 1400rpm washing machine with extra large 10kg capacity.



- Our special ProTex 10kg drum is designed to gently wash your clothes, you can wash your king size duvets or bed linens comfortably.
- Our ProTex OptiSense wash system is so clever you can wash one item or a full 10kg load using the optimum amount of water and energy, whilst saving you time.
- Our advanced weight sensor tells you the exact load size you've put in and recommends how much detergent to use.
- Our special steam programmes refresh your clothes including "dry clean only", removing odours and reducing creasing.
- The brushless construction of our Inverter motor is extremely energy efficient, long lasting and significantly reduces noise - the quietest machine we've ever made.
- Best in class energy rating, A-50% with Auto Off function.
- Our special anti-allergy function, certified by the British Allergy Foundation, provides outstanding hygiene wash performance.
- Wool plus programme helps reduce wool shrinkage by gradually reducing the temperature before the rinse phase.
- A dedicated fourth compartment in the soap drawer dispenses stain removing treatment at 40°C making it more effective.

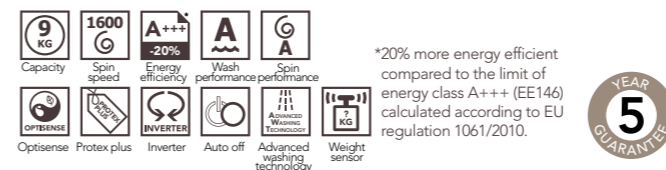


Dimensions (HxWxD) in mm
850 x 600 x 605

Laundry / Washing Machines

L98699FL

Stunning '9 series' 1600rpm washing machine with LogiControl™ touch display.

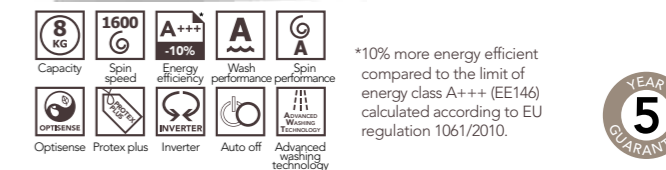


- Our special ProTex 9kg drum is designed to gently wash your clothes, you can wash your king size duvets or bed linens comfortably.
- Our ProTex OptiSense wash system is so clever you can wash one item or a full 9kg load using the optimum amount of water and energy, whilst saving you time.
- Our advanced weight sensor tells you the exact load size you've put in and recommends how much detergent to use.
- Our special steam programmes refresh your clothes including "dry clean only", removing odours and reducing creasing.
- Our state-of-the-art LogiControl™ touch display is simple to use, ensures precise control and gives clear text feedback.
- The brushless construction of our Inverter motor is extremely energy efficient, long lasting and significantly reduces noise - the quietest machine we've ever made.
- Best in class energy rating, A-50% with Auto Off function.
- Our special anti-allergy function, certified by the British Allergy Foundation, provides outstanding hygiene wash performance.
- Our memory function enables you to store your favourite wash programme and options for selection at the touch of a button.

Dimensions (HxWxD) in mm
850 x 600 x 605

L87680FL

Stylish '8 series' 1600rpm washing machines with special steam programmes.

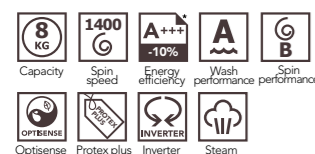


- Our special steam programmes refresh your clothes including "dry clean only", removing odours and reduce creasing.
- Our special ProTex 8kg drum is designed to gently wash your clothes, you can wash your king size duvets or bed linens comfortably.
- Our ProTex OptiSense wash system is so clever you can wash one item or a full 8kg load using the optimum amount of water and energy, whilst saving you time.
- Our special anti-allergy programme, certified by the British Allergy Foundation, provides outstanding hygiene wash performance.
- The brushless construction of our Inverter motor is extremely energy efficient, long lasting and significantly reduces noise level.
- Best in class energy rating A-40% with Auto Off function.
- Super Eco wash programme combined with cold wash detergent saves an astonishing 83% energy compared to normal 40°C easy care wash.
- Wool plus programme helps reduce wool shrinkage by gradually reducing the temperature before the rinse phase.
- A dedicated fourth compartment in the soap drawer dispenses stain removing treatment at 40°C making it more effective.

Dimensions (HxWxD) in mm
850 x 600 x 605

L76485FL

'7 series' 1400rpm washing machine with inverter motor for ultra quiet operation.



*10% more energy efficient compared to the limit of energy class A+++ (EE146) calculated according to EU regulation 1061/2010.



- Our special ProTex 8kg drum is designed to gently wash your clothes, you can wash your king size duvets or bed linens comfortably.
- Our ProTex OptiSense wash system is so clever you can wash one item or a full 8kg load using the optimum amount of water and energy, whilst saving you time.
- Our special steam programmes refresh your clothes including "dry clean only", removing odours and reducing creasing.
- The brushless construction of our Inverter motor is extremely energy efficient, long lasting and significantly reduces noise - the quietest machine we've ever made.
- Super Eco wash programme combined with cold wash detergent saves an astonishing 83% energy compared to normal 40°C easy care wash.
- Our special anti-allergy function, certified by the British Allergy Foundation, provides outstanding hygiene wash performance.
- Wool plus programme helps reduce wool shrinkage by gradually reducing the temperature before the rinse phase.
- A dedicated fourth compartment in the soap drawer dispenses stain removing treatment at 40°C making it more effective.

Also available in:

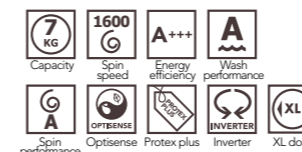
L76285FL - Same specification as the L76485FL except 1200rpm spin speed



Dimensions (HxWxD) in mm
850 x 600 x 605

L75670FL

'7 series' 1600rpm washing machines with inverter motor for silent operations.



- Our ProTex OptiSense wash system is so clever you can wash one item or a full 7kg load using the optimum amount of water and energy, whilst saving you time.
- Our special ProTex 7kg drum is designed to gently wash your clothes, you can wash your double duvets or bed linens comfortably.
- The brushless construction of our Inverter motor is extremely energy efficient, long lasting and significantly reduces noise level.
- A-30% energy rating with Super Eco wash programme for the perfect wash results with cold wash detergent saving an astonishing 83% energy compared to normal 40°C easy care wash.
- Wool plus programme helps reduce wool shrinkage by gradually reducing the temperature before the rinse phase.
- A dedicated fourth compartment in the soap drawer dispenses stain removing treatment at 40°C making it more effective.
- Take control of your washing, with our time save option, which allows you to reduce the wash cycle time depending on how clean your clothes are.

Also available in

L75270FL - Same specification as the L75670FL except 1200rpm spin speed, B efficiency rated for spin.

Dimensions (HxWxD) in mm
850 x 600 x 605

L76475FL

'7 series' 1400rpm washing machine with inverter motor for ultra quiet operation.



*10% more energy efficient compared to the limit of energy class A+++ (EE146) calculated according to EU regulation 1061/2010.



- Our special ProTex 7kg drum is designed to gently wash your clothes, you can wash your king size duvets or bed linens comfortably.
- Our ProTex OptiSense wash system is so clever you can wash one item or a full 7kg load using the optimum amount of water and energy, whilst saving you time.
- The brushless construction of our Inverter motor is extremely energy efficient, long lasting and significantly reduces noise - the quietest machine we've ever made.
- Super Eco wash programme combined with cold wash detergent saves an astonishing 83% energy compared to normal 40°C easy care wash.
- Our special anti-allergy function, certified by the British Allergy Foundation, provides outstanding hygiene wash performance.
- Wool plus programme helps reduce wool shrinkage by gradually reducing the temperature before the rinse phase.
- A dedicated fourth compartment in the soap drawer dispenses stain removing treatment at 40°C making it more effective.

Dimensions (HxWxD) in mm
850 x 600 x 522

Gentle but thorough



PROTEX DRUM

Delicates like synthetics or knitwear need added care during tumble drying. Our ProTex dryers give the best possible protection against wear and fading, to keep your garments looking newer for longer. Our ProTex dryer range features a new soft pattern drum design, and in combination with special airflow system, guarantees gentle treatment and uniform drying.



SENSIDRY HEAT PUMP

Our SensiDry® range of tumble dryers uses an advanced heat pump technology and powerful inverter motor allowing them to use lower temperatures, drying more efficiently, as well as more gently. So it is not a surprise that this range uses an incredible 50% less energy than a standard A rated dryer.



Woolmark
gold certification

WOOLMARK

Our ProTex dryers have one of the gentlest wool programmes ever. The precise drum movement control achieved by the advanced inverter motor technology makes the wool programme truly remarkable and so gentle that it has been awarded the prestigious Woolmark gold certification. The ProTex soft drum design, XXL extra large drum and special airflow system ensures uniform drying with reduced creasing.



AUTO OFF

Our Auto Off function automatically switches off your machine when the programme has finished, for zero energy consumption.



CREASE PREVENTION

The ProTex XXL extra large drum has enough space for the clothes inside ensuring less creasing and tangling. The three lifters in the drum along with reverse tumble action ensure better tumbling and results in uniform drying and less creasing.

Gentle and silent

LOGICONTROL

Our unique LogiControl™ display allows you to control washing, rinsing and cycle settings intuitively, as well as showing you the progress of the wash cycle.

LED DRUM LIGHT

An LED drum light gives you a clear view of the entire drum.

XXL DOOR

The XXL drum has wide 380mm porthole making it extremely easy to load and unload even your large duvets. Our double-glazed glass door in our ProTex Plus tumble dryers, ensures the exterior touch temperature is always extremely cool. It offers an elegant design feature that's a perfect match for our ProTex washing machines.

DUVET PROGRAMME

A perfect matching programme to the washing machines, you can now dry your duvets in the ProTex range of tumble dryers after washing them! The reduced heat setting during the drying phase ensures that it is extra gentle and the duvets keep looking fresh and new saving those expensive trips to the dry cleaners. The XXL drum with large door opening makes it very easy to load and unload your duvets.

COMBINE APPLIANCES

A stacking kit developed for our new generation of tumble dryers is truly universal. It will make it possible to combine any of our full-size ProTex dryers and full-size ProTex washing machines. The pull out shelf is strong enough to take the weight of a laundry basket and is also ideal for folding your laundry.



T96699IH

Sensidry '9 series' tumble dryer with LogiControl™ display.



- Our special ProTex XXL 9kg drum is designed to gently and evenly dry your clothes.
- A-50% energy efficiency - 50% more energy efficient than energy class A - the most energy efficient machine we've ever made.
- The brushless construction of our Inverter motor allows for precise drum rotation control giving shorter times and gentler drying.
- We have received the Woolmark gold certification for extra gentle wool care.
- Our state-of-the-art LogiControl™ display is simple to use, ensures precise control and gives clear text feedback.
- After the drying cycle has finished the anticrease option intermittently rotates your clothes to reduce creasing.
- Our memory functions enable you to store your favourite drying programme and options for selection at the touch of a button.



Dimensions (HxWxD) in mm
850 x 600 x 580

T86580IH

Sensidry '8 series' tumble dryer with inverter motor for gentle care.

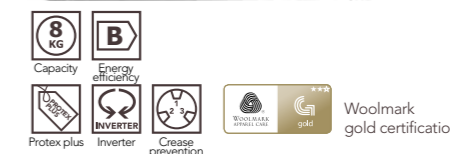


- Our special ProTex XXL 8kg drum is designed to gently and evenly dry your clothes.
- A-50% energy efficiency - 50% more energy efficient than energy class A - the most energy efficient machine we've ever made.
- We have received the Woolmark gold certification for extra gentle wool care.
- The brushless construction of our Inverter motor allows for precise drum rotation control giving shorter times and gentler drying.
- Our advanced LogiControl™ display with push buttons is simple to use and ensures precise control.
- After the drying cycle has finished the anticrease option intermittently rotates your clothes to reduce creasing.

Dimensions (HxWxD) in mm
850 x 600 x 580

T86280IC

'8 series' sensor condenser dryer with inverter motor for gentle care.

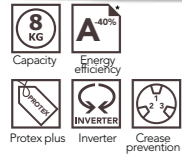


- Our special ProTex XXL 8kg drum is designed to gently and evenly dry your clothes.
- The brushless construction of our Inverter motor allows for precise drum rotation control giving shorter times and gentler drying.
- We have received the Woolmark gold certification for extra gentle wool care.
- Achieve the drying result you require. Our sensor programmes automatically switch off when the clothes are dry to the level you select, for better fabric care.
- Our advanced LogiControl™ display with push buttons is simple to use and ensures precise control.
- After the drying cycle has finished the anticrease option intermittently rotates your clothes to reduce creasing.
- 20 hr delay start to finish drying clothes when you need them.

Dimensions (HxWxD) in mm
850 x 600 x 580

T76485AH

Sensidry '7 series' tumble dryer with A-40% energy efficiency.



- A-40% energy efficiency - 40% more energy efficient than energy class A.
- Achieve the drying result you require. Our sensor programmes automatically switch off when the clothes are dry to level you select, for better fabric care.
- Our special ProTex XXL 8kg drum is designed to gently and evenly dry your clothes.
- Our medium LCD display with push button is easier to use, showing drying progress and time remaining.
- After the drying cycle has finished the anticrease option intermittently rotates your clothes to reduce creasing.

Dimensions (HxWxD) in mm
850 x 600 x 580

T75280AC

'7 series' sensor condenser dryer for efficient drying.



- Achieve the drying result you require. Our sensor programmes automatically switch off when the clothes are dry to the level you select, for better fabric care.
- Our special ProTex XXL 8kg drum is designed to gently and evenly dry your clothes.
- Our medium LCD display with push button is easier to use, showing drying progress and time remaining.
- After the drying cycle has finished the anticrease option intermittently rotates your clothes to reduce creasing.
- 20hr delay start to finish drying clothes when you need them.

Dimensions (HxWxD) in mm
850 x 600 x 580

T65270AC

Condenser dryer with ProTex soft drum.



- Advanced controls with LCD display for programme confirmation and audible signal for programme end.
- Achieve the drying result you require. Our sensor programmes automatically switch off when the clothes are dry to the level you select, for better fabric care.
- Our special ProTex 7kg drum is designed to gently and evenly dry your clothes.
- After the drying cycle has finished the anticrease option intermittently rotates your clothes to reduce creasing.

Dimensions (HxWxD) in mm
850 x 600 x 580

T65170AV

Vented dryer with ProTex soft drum.



- Achieve the drying result you require. Our sensor programmes automatically switch off when the clothes are dry to the level you select, for better fabric care.
- Our special ProTex 7kg drum is designed to gently and evenly dry your clothes.
- After the drying cycle has finished the anticrease option intermittently rotates your clothes to reduce creasing.

Dimensions (HxWxD) in mm
844 x 600 x 580

Washer Dryers

Gentle but thorough



WASH & DRY CAPACITY

Our built-in Washer Dryers let you automatically wash and dry up to 7kg in a single, fully automatic operation.



ENERGY EFFICIENCY

By incorporating advanced technologies, AEG appliances are able to minimise energy usage and reduce running costs.



WASH PERFORMANCE

With a standard wash performance rating of 'A', you can rest assured that whatever freestanding appliance you choose, you're going to get great wash results.



OPTISENSE

Optisense wash technology automatically adjusts the cycle time, water usage and energy consumption to adapt to each load.

Your clothing will stay looking newer for longer – current tests show that OptiSense can give 30% better protection from wear and tear than a standard washing machine.



ADVANCED WASHING TECHNOLOGY

Machines with ProTex Plus have been developed with a unique continuous shower system that guarantees even full loads receive consistent cleaning throughout. The wash is quickly saturated with water, preventing any chance of detergent staining at the beginning of a cycle.



Woolmark gold certification

WOOLMARK

Our top end washer dryer use advanced inverter motor technology and along with the special wool dry programme delivers the most gentle drying results possible. It is so gentle that it has been awarded the prestigious Woolmark Gold certification.



STEAM

Use our Steam programmes to decrease and refresh all fabric types, including dry clean only garments.

PROTEX DRUM

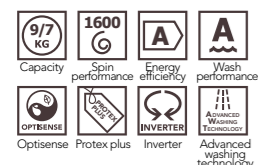
This innovative special patterned drum incorporates a higher number of smaller holes to treat fabrics with greater care.

1 HOUR WASH TO DRY WATER SAFETY

Ideal for clothes that you need quickly. The ultra quick 1hour wash to dry programme can wash and dry 1kg of laundry in just 60 minutes!

L87695WD

Stylish '8 series' 1600rpm washer dryer with special steam programmes.



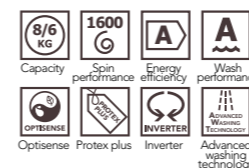
- Saves valuable space with the combined washer dryer
- Our special steam programmes refresh your clothes including "dry clean only", removing odours and reduce creasing.
- Our special ProTex 9kg drum is designed to gently wash your clothes or wash to dry up to 7kg wash load
- Our ProTex OptiSense wash system is so clever you can wash one item or a full 9kg load using the optimum amount of water and energy, whilst saving you time.
- Ultra quick 1kg wash to dry programme for complete wash to dry solution with in 59 minutes.
- The brushless construction of our Inverter motor is extremely energy efficient, long lasting and significantly reduces noise level.
- Best in class wash to dry energy rating A
- Super Eco wash programme combined with cold wash detergent saves an astonishing 83% energy compared to normal 40°C easy care wash.
- Wool plus programme helps reduce wool shrinkage by gradually reducing the temperature before the rinse phase.
- A dedicated fourth compartment in the soap drawer dispenses stain removing treatment at 40°C making it more effective.



Dimensions (HxWxD) in mm
850 x 600 x 605v

L77685WD

'7 series' plus 1600rpm washer dryer with inverter motor for silent operations.

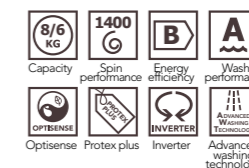


- Saves valuable space with the combined washer dryer
- Our ProTex OptiSense wash system is so clever you can wash one item or a full 8kg load using the optimum amount of water and energy, whilst saving you time.
- Our special ProTex 8kg drum is designed to gently wash your clothes, or wash to dry up to 6kg wash load
- Ultra quick 1kg wash to dry programme for complete wash to dry solution with in 59 minutes.
- The brushless construction of our Inverter motor is extremely energy efficient, long lasting and significantly reduces noise level.
- A wash to dry energy rating with Super Eco wash programme for the perfect wash results with cold wash detergent saving an astonishing 83% energy compared to normal 40°C easy care wash.
- Wool plus programme helps reduce wool shrinkage by gradually reducing the temperature before the rinse phase.
- Take control of your washing, with our time save option, which allows you to reduce the wash cycle time depending on how clean your clothes are.

Dimensions (HxWxD) in mm
850 x 600 x 605

L75480WD

'7 series' 1400rpm washer dryer with inverter motor for silent operations.



- Saves valuable space with the combined washer dryer
- Our ProTex OptiSense wash system is so clever you can wash one item or a full 8kg load using the optimum amount of water and energy, whilst saving you time.
- Our special ProTex 8kg drum is designed to gently wash your clothes, or wash to dry up to 6kg wash load
- Ultra quick 1kg wash to dry programme for complete wash to dry solution with in 59 minutes.
- The brushless construction of our Inverter motor is extremely energy efficient, long lasting and significantly reduces noise level.
- A wash to dry energy rating with Super Eco wash programme for the perfect wash results with cold wash detergent saving an astonishing 83% energy compared to normal 40°C easy care wash.
- Wool plus programme helps reduce wool shrinkage by gradually reducing the temperature before the rinse phase.
- Take control of your washing, with our time save option, which allows you to reduce the wash cycle time depending on how clean your clothes are.

Dimensions (HxWxD) in mm
850 x 600 x 605



At Daylesford, we're passionate about real food – fresh, seasonal and, most importantly, delicious. Our commitment has been rewarded with over 60 national and international awards in the last three years alone. Our organic farm in Gloucestershire is home to our market garden, our bakery and our creamery as well as all our animals – and our beautiful cookery school. Equipped with state of the art AEG facilities, and surrounded by rolling countryside and acres of working farm land. The Cookery School at Daylesford is housed in a painstakingly restored Cotswold-stone barn. A course at our cookery school will reveal a range of techniques, recipes and skills to help you make the most of delicious seasonal ingredients, all straight from our farm. We offer a wide range of courses for every level from complete beginner to the most proficient home cook.

Daylesford Farmshop & Café, Daylesford near Kingham, Gloucestershire GL56 0YG
www.daylesford.com
 01608 731700
thefarm@daylesfordorganic.com



Steamed marmalade pudding



Serves 2

Ingredients:

- 2 Oranges
- 1 Egg
- 15g Brown sugar
- 50g Self-raising flour
- 50g Butter
- 50ml Pouring cream
- 50g Caster sugar



Two worlds collide here with an unctuous, steamed pudding and sweet, sticky oranges. Steamed puddings are a stalwart in every traditional kitchen repertoire, this recipe leaves behind the heavy, one dimensional reputation and replaces it with a light and sticky pudding that is a joy to eat.

Method

Zest the oranges, reserving the zest. Heat the juice of one orange and the sugar gently until the sugar dissolves. Pour the syrup into a small pudding basin and allow to cool while you make the rest of the mixture.

Cream together the butter and sugar until pale, light and fluffy. In a separate bowl, crack and beat the egg. Add the egg to the butter mixture slowly, whisking through. Add the juice of the remaining orange and the zest of both. Fold in the sieved flour to finish the batter and pour over the syrup.

Cover with a double layer of greaseproof paper, secured with an elastic band and steam using full steam setting for 45 minutes. Remove and allow to rest before turning out and finishing with pouring cream.



To view a video demonstrating how to cook this dish, scan the QR code.



School of Wok is a leading Oriental and Asian cookery school headquartered in Central London, spreading our love and excitement of Eastern cuisine from our flagship school in Covent Garden, centred in the heart of a trendy foodie area and a stone's throw from Chinatown.

Our Covent Garden HQ boasts two state-of-the-art AEG kitchens where we host a variety of classes and corporate events, covering many different cuisines, including Chinese, Vietnamese, Indian, Thai and Japanese. All customers will be 100% involved in the preparation and cooking of ingredients, with everyone getting a go at mastering the handling of a wok... as well as eating the food of course.

61 Chandos Place, London WC2N 4HG
www.schoolofwok.co.uk
 0207 240 8818
sales@schoolofwok.co.uk



Steamed seabass with crushed soya beans and chilli sauce



Serves 2

Ingredients:

- 1 Whole Seabass
- 1-2 Heaped tbsp salted soya beans
- 2 Cloves garlic
- 1 Birdseye chilli
- 2 Spring onions
- Handful of coriander

The Sauce

- 1 tsp Chilli bean paste / chilli paste
- 1 tbsp Hoisin sauce
- 1-2 Capfuls rice wine
- 1 Ladle of stock / hot water
- 1 Dash dark soy sauce



Method

Finely chop the garlic and Birdseye chilli and place in separate prep bowls. Finely chop the spring onion and coriander and place in a small prep bowl. Wash the fish and pat dry. Mix the sauces together in a bowl. Lightly crush the soya beans.

Place the fish in the steam oven at full steam using the following timings as a general rule of thumb: Allow 7-12 minutes depending on the size of the fish (small fish [<300g] 7-8 minutes, medium fish [300g-500g] 9-10 minutes and large fish [500g-750g] 10-15 minutes).

Whilst the fish is cooking, heat 2 tablespoons vegetable oil in a wok to high heat. Once smoking hot, add the garlic and chillies, and immediately add the soya beans. Stir-fry on medium heat for 30 seconds. Now bring the wok to a high heat all 'The Sauce' ingredients to the wok. Continue to stir-fry on a high heat. Bring the sauce to a vigorous boil. If necessary, thicken with some corn flour paste. Stir gently and then pour on top of the fish once the fish is cooked.

* If sauce is too thick, add a dash of hot water to the wok whilst cooking through. If too thin, use corn flour paste to thicken.

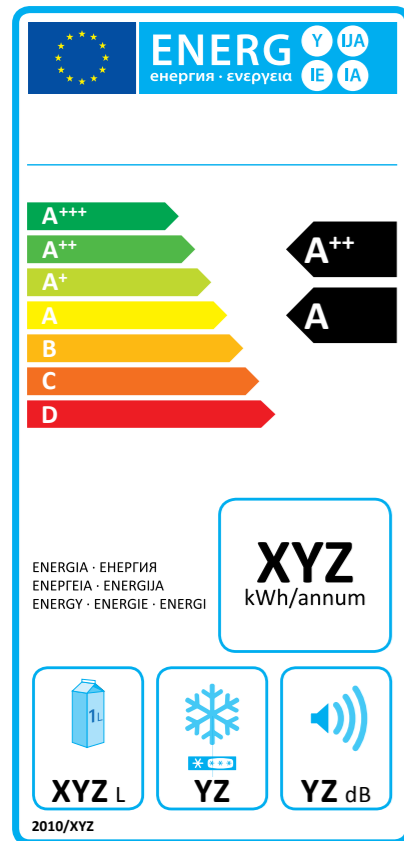
Serve on a large plate and garnish with plenty of spring onion and coriander



To view a video demonstrating how to cook this dish, scan the QR code.

Energy Information / EU Energy Efficiency Information

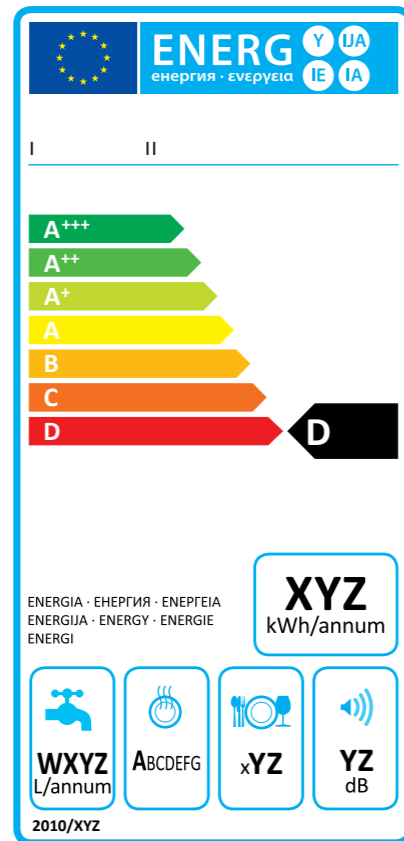
For refrigerators and freezers, as well as stating the energy efficiency class (A+++ - most efficient, 'D' - least efficient) the label also gives the annual electricity consumption (i.e. running cost) freezing capacity, noise level and the usable storage capacity.



Example of refrigeration energy label.

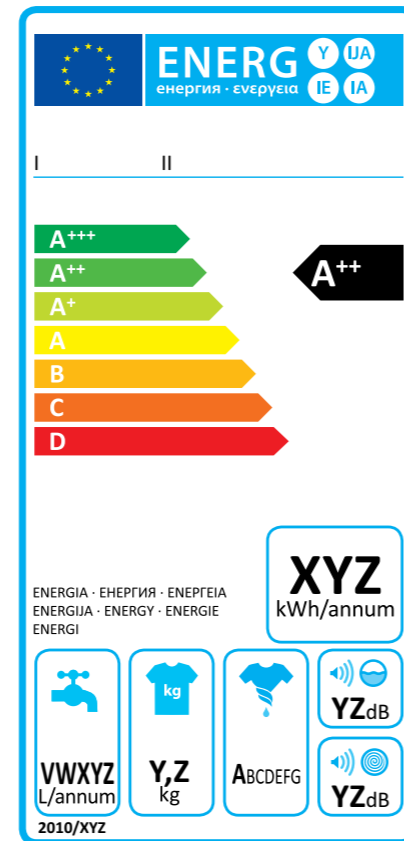
For electric ovens, as well as stating the energy efficiency ('A' - most efficient, 'G' - least efficient), the label also states the energy consumption (in kWh) and the useable volume of the oven. If the oven is a double oven it will carry this information for both ovens.

For dishwashers, as well as stating the energy efficiency class (A+++ - most efficient, 'D' - least efficient) the label also states the annual water consumption (lts), drying efficiency, place settings and noise level.



Example of dishwasher energy label.

For washing machines, as well as stating the energy efficiency class (A+++ - most efficient, 'D' - least efficient) the label also states the annual water consumption (lts), load size (kg), spin speed efficiency and the washing & spinning noise levels.



Example of washing machine energy label.

This scheme, which covers refrigerators, freezers, washing machines, tumble dryers, dishwashers and electric ovens is designed to offer consumers a standardised method of choosing the most energy efficient appliances.

After Sales Support / Customer Care

WARRANTY

AEG appliances come with a 12 month warranty from date of purchase. When you register your new appliance your warranty will be extended to 2 or 5 years (depending on model). During your warranty period you are protected against the cost of parts, call-out and labour charges. All work is carried out by our national network of approved AEG engineers.

You can register your appliance by completing the warranty registration card enclosed with your appliance, calling our dedicated warranty registration phone number printed on the card, or online at www.aeg.co.uk



For additional peace of mind you have the option to extend your guarantee even further with our AEG Protection Plan. You'll be protected against damage caused by accident from the moment you join and if one of our approved engineers can't fix it, you could receive a brand new replacement. This coverage is provided by our specialist insurers Domestic and General.

To find out more visit www.aeg.co.uk or call **0800 479 0775**

CUSTOMER SERVICE

Should you need to contact us about your product we have a dedicated AEG customer service team to help. Our team is based in the AEG UK head office and can be contacted by phone on **08445 611 611** or via www.aeg.co.uk

LOCAL SERVICE, NATIONWIDE

Our national network of Service Force agents provide product maintenance, genuine parts and repairs for all AEG Major Appliances. Genuine AEG parts ensure you continue to experience the excellent performance you expect from your AEG product.

If you require a visit from one of our agents for your Major Appliance please call our Service Force team on **08445 616 616**.

SERVICE FORCE

AEG Major Appliances
Addington Way
Luton LU4 9QQ
Telephone: 08445 611 611

AEG Major Appliances is a division of Electrolux plc.
Registered in England, No. 2331516.
Registered Office, Addington Way,
Luton LU4 9QQ

AEG Major Appliances,
Long Mile Road
Dublin 12
Tel: 00353 1 4090750

Registered in Ireland, No. 9118.
Registered Office, Long Mile Road, Dublin 12.

www.aeg.co.uk

PRODUCT INFORMATION

Here you can view the full range of AEG appliances, compare models, find your nearest dealer, download product manuals and download our detailed brochures and specifications. If you want to know more about your new appliance, register your warranty or have a product issue, you can contact our Customer Services or use our online troubleshooter.



FIND A DEALER

Find your nearest AEG stockist using our online store locator. Just enter your details (postcode or town), select the distance from your location, and click 'search' and a list of your nearest AEG dealers will appear.

Our dealers are experts in all things AEG, they will be able to answer any questions you have on the range, advise you on the most suitable products for your needs and give you the opportunity to see and touch the products (Some dealers have live kitchens so live demo's may be available.) Ask your local store for details before purchasing.

AEG SHOP

Purchase official AEG accessories and spares for your appliances at the AEG online shop. The store is simple and convenient to use, you can track your orders and place repeat orders to save you time.

There is an extensive range of AEG designed equipment to complement and enhance your experience of your appliances. You will find everything from specialist Induction hob accessories to replacement filters, spare light bulbs, cooling shelves and dishwasher baskets, all designed and approved by AEG.

www.aeg.co.uk/shop

AEG STEAM APP

We have launched the AEG Steam app to help you get started with your ProCombi steam oven. The app takes you through features, functions and helpful quick tips to help you get the best from your appliance.

You will also find recipes for all three steam settings which vary in difficulty and give you a flavour of what is possible with your oven.

Our app is available for ipad users. To download the free app, search 'AEG Steam Cooking' in the app store.



www.aeg.co.uk



To get the latest AEG news follow us
on facebook www.facebook.com/aeg

 **AEG**
perfekt in form und funktion