

Built-in Appliances

2014/2015

Ultimate flexibility

Cooking that is designed around you with our FlexInduction hob.

Discover FlexInduction on p34

Energy efficient hoods

Reduce your energy consumption with our latest hoods.

Find out how on p56

Perfect results for 13 settings

Our latest dishwashers can clean all the dishes used in a three-course meal for 13 people with just 6 litres of water – less than a full kitchen sink.

Learn more on p80



BOSCH

Invented for life

Who are Bosch?

Meet Karl... ...the Bosch Engineer

Karl has devoted his working life to Bosch and has helped us design new products, develop new technologies and ensure that feedback from customers continues to help shape our products of the future.

His detailed knowledge of our products and long experience can now, for the first time, be accessed by customers who are looking to purchase a new appliance.

In each section throughout this brochure – home laundry, dishwashers and refrigeration – **Karl has written a useful Q&A guide that identifies the most important factors you should consider when purchasing a new appliance.**



“I have always acted according to the principle that it is better to lose money than trust. The integrity of my promises, the belief in the value of my products and in my word of honour have always had a higher priority to me than a transitory profit.”

Robert Bosch, 1921

For over 125 years, the Bosch name has been synonymous with engineering excellence. Our home appliances are renowned for their quality, reliability and performance which derives from our inherent, unflagging commitment and the painstaking thoroughness with which every unit is made. As you would expect from German engineering, there are no gimmicks or frills with our products – just pure, clean lines and beautiful, functional simplicity that will enhance any kitchen.

For the fourth year running, **Bosch has received a prestigious Which? Award – Best Home Appliance Brand for 2014.** Our success is the fifth time in six years that we have received a coveted Which? Award that independently recognises Bosch’s outstanding quality and customer experience. No other brand has won this accolade as many times and four years running is a record.

The values that shaped Robert Bosch’s vision for his new company in 1886 are the same principles that guide the business today; never lose the trust of your customers, look after your staff and partners and change things for the better. It’s what has kept Bosch at the forefront of the home appliance industry and what will keep it there in the future.

Bosch is a Superbrand – and that’s official! Over 1,200 brands were independently scored for quality, reliability and distinctiveness and Bosch came 11th overall. The result not only puts Bosch on the prestigious Superbrands list for 2014, but also endorses the brand’s reputation and provides additional reassurance when choosing Bosch.



Contents.

Customer service	02-03
Green Technology inside	04-05

Ovens	06-29
Why choose Bosch?	09
Cooking programmes	12
Logixx single oven	14
Logixx compact oven	16
Logixx steam combination oven	18
At a glance	20-29

Hobs	30-49
Induction hobs	32-35
Why choose Bosch?	33
Logixx FlexInduction hob	34
Gas hobs	36-39
Why choose Bosch?	36
Exxcel gas hob	38
At a glance	40-49

Hoods	50-63
Why choose Bosch?	51
Our range	52
Exxcel chimney hood	56
At a glance	58-63

Home Laundry	64-73
Why choose Bosch?	67
Logixx washing machine	70
Logixx washer dryer	72
At a glance	73

Dishwashers	74-83
Why choose Bosch?	76
Classixx dishwasher	80
At a glance	82-83

Refrigeration	84-100
Why choose Bosch?	86
Logixx fridge freezer	90
Logixx single door fridge	92
Logixx single door freezer	94
At a glance	96-100

Specifications	101-149
----------------	---------



Service you can depend on.

For help with your home appliance,
trust Bosch Customer Service.

Arrange an engineer visit.

Our appliances are manufactured to the highest standards, but if you do need a visit from an engineer we are here to help. We have teams of locally based engineers around the country – employed and trained by Bosch*. This gives them unrivalled expertise and knowledge of our appliances. We repair appliances both in and out of guarantee. All repairs are analysed in advance by a technical team so that the parts likely to be needed to complete the repair are sent to the engineer's van the night before the visit.

To arrange an engineer visit to your home please call:

0344 892 8979

Lines are open 24 hours.

You can also arrange an engineer visit online by visiting:

www.bosch-home.co.uk/bookonline

Product advice.

If you need help using programmes or features, or need assistance selecting a new Bosch appliance from our current range, our product advice team can help.

You can call us on
0344 892 8979 or visit:

www.bosch-home.co.uk
for frequently asked questions
and help videos.

Visit the Bosch online store.

Find a comprehensive selection of accessories to help you get the most out of your appliance, along with our full range of replacement spare parts and cleaning and care products at the Bosch online store.

You can also purchase Tassimo hot drinks machines, vacuum cleaners, irons, steam stations, kettles, toasters and food preparation appliances directly from us online.



You can call us on
0344 892 8979 or visit:
www.bosch-home.co.uk/store

Calls will be answered 24 hours a day, seven days a week.
You can contact our specialist advisors Monday to Friday
8am to 8pm, Saturday 8am to 4pm and Sunday 9am to 3pm.

Accessories.

Many appliances can be enhanced with optional extras, such as telescopic rails for ovens or special cookware for hobs.

When buying a Bosch home appliance, you know you are purchasing a quality, reliable product. However many appliances are used daily, so need cleaning and maintaining to keep them looking great and operating at peak performance.

Every one of our cleaning and care products has been thoroughly tested and approved for safe and effective use on your Bosch home appliance.

Replacement spare parts.

We keep in stock a comprehensive range of replacement spare parts for our appliances for up to ten years. All our parts are original spare parts, not copies.

Highly commended service.

Bosch Customer Service is proud to be recognised in the Domestic and General Total Excellence and Quality awards. These prestigious awards are voted for by our customers.

In our latest results 94.6%** of customers said our service was excellent or good. This meant Bosch received the Highly Commended accolade.



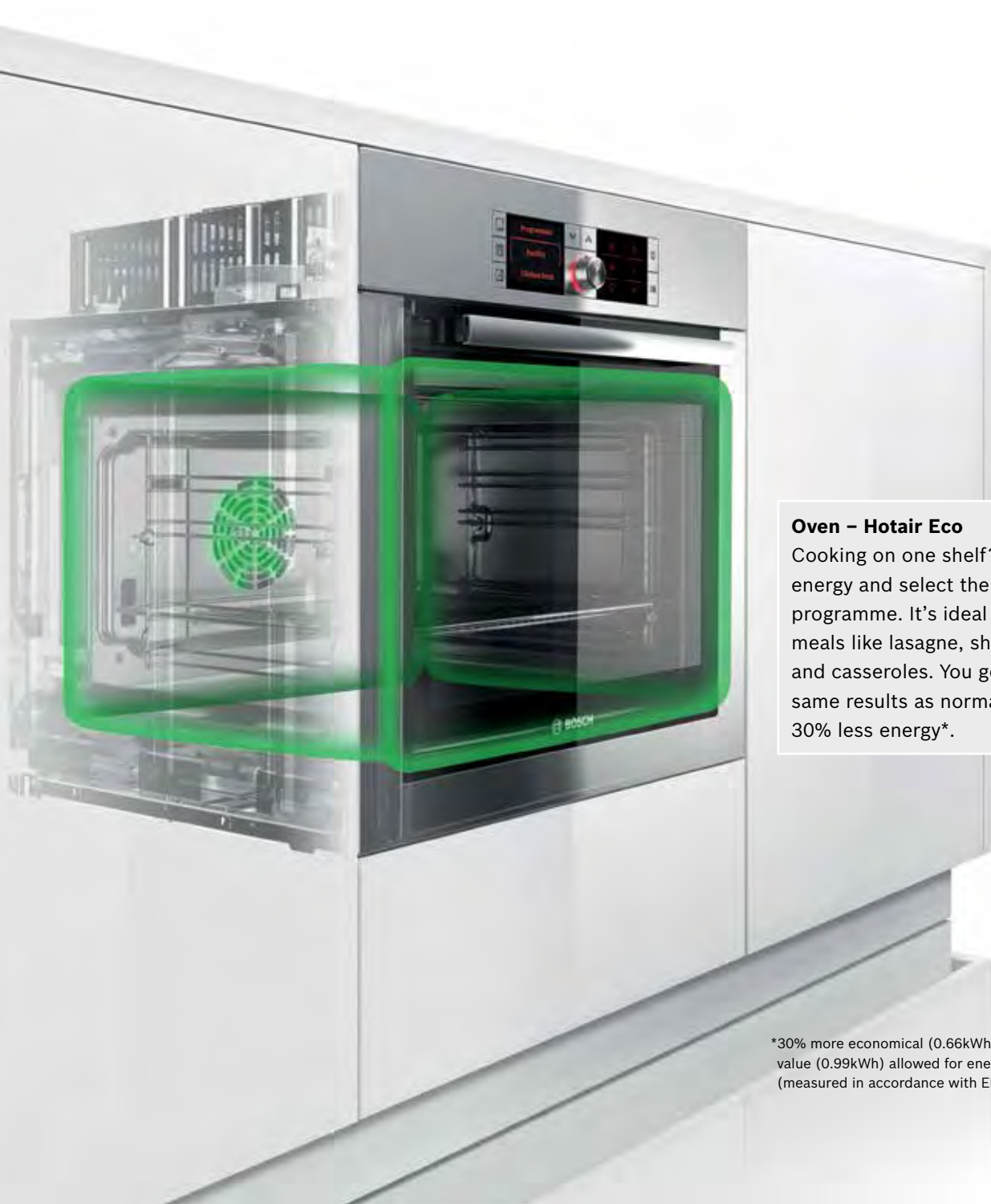
* In some remote areas we may use an approved service partner where the repair process may vary.

** Domestic and General Survey 2014.

Calls are charged at the basic rate. Please check with your telephone service provider for exact charges.

Sustainably produced. Economical in use.

One of our guiding principles has been to design new technologies that save our customers time and effort, but also save energy and natural resources to minimise the impact of modern lifestyles on the environment.



Oven – Hotair Eco

Cooking on one shelf? Then save energy and select the Hotair Eco programme. It's ideal for one shelf meals like lasagne, shepherd's pie and casseroles. You get exactly the same results as normal, just with 30% less energy*.

*30% more economical (0.66kWh) than the maximum value (0.99kWh) allowed for energy efficiency class A (measured in accordance with EN 50304).



You can easily identify our most sustainable and energy efficient products throughout this brochure as they will have a 'Green Technology inside' symbol displayed next to them.

The difference that Green Technology can make in helping you live an easier, more convenient and more sustainable life can be seen in all of our appliances.



Fridge freezer A++

Our A++ energy rated fridge freezers, which are available from our Exxcel range, cost as little as £35 per year** to run in electricity.



Dishwasher – AquaStar

AquaStar dishwashers use just 6 litres of water (that's less than a sink full) to clean 13 place settings (for a three-course meal).

**Based on KIS87AF30G using 226kWh as stated on the EU energy certificate at £0.154 per kWh.

Ovens.

Using the highest quality stainless steel and glass, our ovens and compact appliances combine beautifully to deliver a timeless, elegant and stylish finish to any kitchen with sleek, co-ordinated lines and matching panels.

Logixx ●●●●●

Our premium range.

Cutting-edge design meets advanced technologies. The widest range of specialist cooking programmes, digital temperature and other controls ensure perfect results every time. As well as brilliant results, save time with self-cleaning functions and use up to 30%* less energy with the innovative Hotair Eco programme.

Exxcel ●●●●○

Our essential range.

Advanced technology with energy and labour-saving features, that make it easier to get perfect results with less effort. Combined with electronic displays and smooth designs.

Classixx ●●●○○

Our practical range.

Entry level models that combine practical features and Bosch build quality in a consistent, value for money package.

To view our full range of ovens, visit www.bosch-home.co.uk



Single ovens



Double ovens



Compact ovens

*30% more economical (0.66kWh) than the maximum value (0.99kWh) allowed for energy efficiency class A (measured in accordance with EN 50304).



Save energy. Same results cooked with less energy.

By cooking on just one shelf level, Hotair Eco gives perfect results and uses up to 30% less energy*.



Why choose Bosch?

Most people generally use just one shelf when they use their oven. A great example of this would be when cooking a lasagne or shepherd's pie. This means energy is being used to provide optimum heat to all shelves when it may not be needed. Whilst it doesn't impact on the end result, we felt there must be a smarter way to cook.

Our research led to the development of the Hotair Eco cooking programme for all those times when you just cook on one shelf.

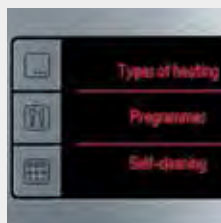
It works by optimising the heat in the oven around the single shelf used, thereby reducing the energy required to generate the heat by up to 30%*. Also it doesn't affect the performance of the oven, so whatever you're cooking, it comes out perfectly every time.

*30% more economical (0.66kWh) than the maximum value (0.99kWh) allowed for energy efficiency class A (measured in accordance with EN 50304).



Gently does it.

No crash, no bang, no wallop. A busy kitchen doesn't need to be a noisy one. By integrating a hidden mechanism into our ovens, we have created **SoftClose** Doors that gently, quietly and safely close. Another simple and stunning addition to our ovens that makes them, well, simply more stunning.



At last, something in the kitchen that will clean itself.

No need to bring out the elbow grease. Ovens with a **pyrolytic self-cleaning** cycle are heated to 480°C reducing any spillages to ash which can then simply be wiped away once cooled.



Proper cooking that is as easy as popping something in the microwave.

Simply choose the right recipe from around 70 programmes, enter the food weight and **AutoCook** works out the optimal time, temperature and even shelf position for you. And it will turn itself off at the end of the cooking time so there's no chance of over-cooking your food.



Lock in the goodness.

By cooking food more gently, a steam oven locks in more of its natural vitamins and minerals. So it doesn't just taste better, it's healthier too. Steam oven technology cooks vegetables, meats and fish perfectly, as well as being ideal for reheating meals or leftovers without drying them out.

How do I choose the right oven?

The kitchen lies at the heart of every home, so it makes sense to consider all the options carefully when it comes to buying a new or replacement oven. There are many types to choose from, including single, double, multifunction, combination and steam. By answering some of the most common questions below, you should be able to quickly identify the right oven that will deliver exactly what you want. To help you choose the right oven for your home **Karl, the Bosch Engineer** has answered some of your most frequently asked questions.

Q: How can I use my oven more efficiently?

A: By selecting the right programme, depending on what and how you are cooking, you will be able to ensure you can reduce your energy consumption with no impact on the end cooking result. For example, if you are cooking a one shelf meal – such as lasagne, pies or a casserole – select Hotair Eco and you will use up to 30% less energy*. When you roast meats, select the Hotair grilling function which has a rotisserie effect and uses 35-40% less energy than traditional roasting.

Q: Will the oven I choose meet all my cooking needs?

A: Yes. Our multifunction ovens offer a highly diverse range of specialist cooking programmes and functions. AutoCook contains 68 different programmes and works out temperature and cooking times for you – all you need to do is enter the weight and the AutoCook programme does the rest. There are also specialist settings to cook perfect pizzas, breads, pies, cakes and roasts.

Q: What are the benefits of a compact appliance?

A: Compact appliances are a great alternative to double ovens if the second oven offers little functionality. As well as being multifunctional, your compact appliance has been designed to perfectly complement** the single oven you choose – giving your kitchen a stylish finish, especially when also paired with warming drawers and coffee machines. Our compact appliance range includes microwaves, microwave combinations and steam ovens.

* 30% more economical (0.66kWh) than the maximum value (0.99kWh) allowed for energy efficiency class A (measured in accordance with EN 50304).

** Use models from the same range group (e.g. Logixx) together for optimum coordination. For side-by-side oven and compact installation, use only the HBG78R950B single oven.

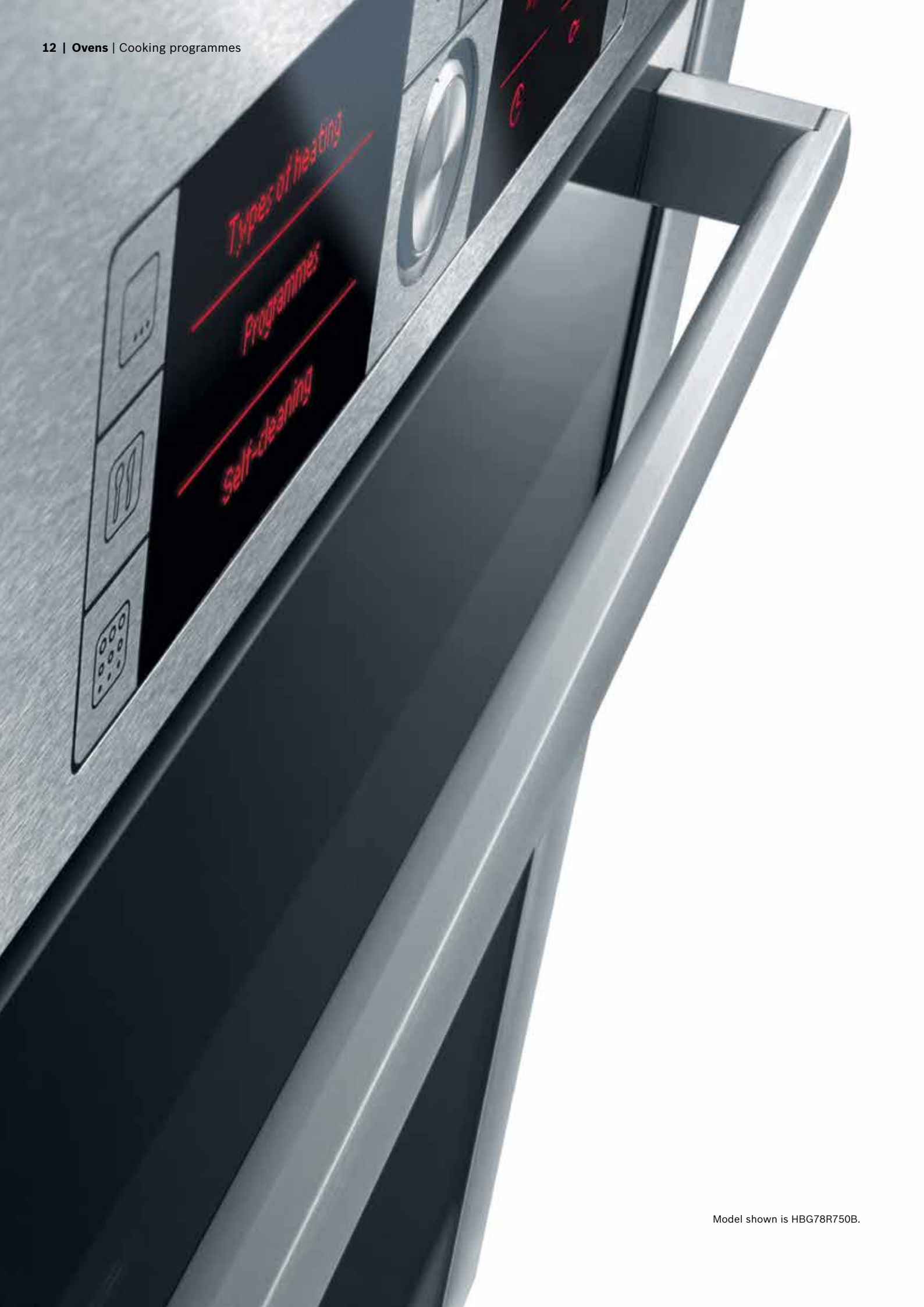
Q: What other useful features might I need?

A: Whilst many of us love cooking, few of us look forward to cleaning the oven afterwards. But this chore has been made redundant for anyone choosing a Bosch pyrolytic oven. Selecting the pyrolytic self-cleaning cycle heats the oven to 480°C and after cooling down, all you need to do is simply wipe away any spillages that will have been reduced to ash. Ovens with EcoClean liners and an EcoClean self-cleaning programme also reduce the amount of elbow grease you need to use to keep your oven in showroom condition – though not as effectively or as easily as the pyrolytic self-cleaning cycle.

Q: What does a steam oven offer that a conventional oven doesn't?

A: Steam cooking locks in more nutrients (vitamins and minerals), as well as more flavour, so food is often tastier if steam cooked. As well as being perfect for vegetables and fish, modern steam ovens are also surprisingly versatile and models that also offer Hotair cooking can be used for perfectly cooked meats and even bread.





Choosing the right cooking programme.

Our modern ovens offer a range of specialist programmes designed to ensure ideal conditions and perfect end results, whatever you're cooking.



Defrost.

Meats, bread, cream cakes and other foods defrosted more evenly than a microwave.



Pizza setting.

Get an authentic pizza – crisp base and moist topping. Also great for quiches, tarts and frozen foods.



Hydrobaking.

Locks the moisture into the oven cavity for perfectly moist bread and cakes.



Plate warming.

Pre-heated crockery keeps food warmer for longer – making every meal a little more special.

3D Hotair cooking.

By maintaining the right temperature across all three shelf levels, consistently even cooking results are achieved.

Hotair Eco.

For all those times you cook using just one shelf level, Hotair Eco gives perfect results and uses up to 30% less energy*.

Hotair grilling.

By operating alternately, the grill and fan create a rotisserie effect, perfect for creating crisp meats and poultry, while using up to 50% less energy than traditional roasting.

Intensive heat.

Extra heat from below without pre-heating – perfect for flans or when using tin, porcelain or glass containers with poorer heat conductivity.

Bottom heat only.

Only the bottom element is heated – ideal for pastry cases, bain-marie cooking and reheating.

AutoCook.

68 cooking programmes that work out the time, temperature and shelf position for you.

Fast heat.

Pre-heats the oven approximately 30% faster when you need to get cooking in a hurry.

*30% more economical (0.66kWh) than the maximum value (0.99kWh) allowed for energy efficiency class A (measured in accordance with EN 50304).

Cook. And clean. At the touch of a button.

Easy to use and easy to maintain. This oven has a range of programmes designed to achieve outstanding results, and cleaning is even easier as the oven cleans itself with pyrolytic self-cleaning.



Logixx single oven HBG78R750B



Key features

- LCD digital clear text display
- Electronic clock timer with automatic on/off programmer
- Pyrolytic self-cleaning
- SoftClose door
- Control panel lock
- 5 shelf levels
- 65 litres
- 14 functions
- Hotair Eco



Save time and make cleaning the oven a pleasure instead of a chore with pyrolytic self-cleaning.

Gently does it.

It's all in the detail. The **SoftClose** door mechanism controls the close action of the door so it closes gently, quietly and safely, without slamming shut.

Easiest way to clean your oven.

The ultimate in self-cleaning power. **Pyrolytic self-cleaning** heats the oven up to around 480°C, which reduces dirt and grease deposits to dust that can easily be wiped away.

Stylish display.

A combined approach for easy operation and elegance. The **LCD digital clear** text and **LED symbol** displays make it easy to choose your options and stay in control when you're cooking, while the metal touch controls make it easy to select the function.



The little oven with big ideas.

Offering the same functionality as a traditional oven, compact ovens with integrated microwaves also offer the speed of microwave functions for faster cooking when needed. There's extra versatility with the steaming programme and the pyrolytic self-cleaning programme means it cleans up afterwards too.



Logixx compact oven with microwave HBC86P753B

Key features

- Electronic clock timer with automatic on/off programmer
- LCD digital clear text display
- Control panel lock
- 3 shelf levels
- 42 litres
- Pyrolytic self-cleaning
- 15 functions
- 70 automatic functions
- Microwave and Hotair options



Choose a single oven and compact oven with microwave for extra space and flexibility.

Large capacity.

The compact oven with microwave is ideal if you are pushed for space, as it still functions as an oven and has a **42 litre** capacity with 3 shelf levels. It's bigger than the second oven on a double oven, so rather than opting for a double oven, choosing a single oven and compact oven with microwave will give you extra space and give you the flexibility with its wide range of programmes.

Best of both.

The wide range of functions mean that it's like having a fast second oven. With more capacity than the second oven on a double oven, this compact packs in fast microwave programmes as well as normal oven programmes.

Cleaning made easy.

The easiest way to clean the oven. **Pyrolytic self-cleaning** heats the oven up to around 480°C, which reduces dirt and grease deposits to dust that can easily be wiped away.



Steam it, bake it, warm it and clean it.

For tastier, more nutritious food, this versatile compact appliance brings loads to the table and is easy to clean.



Logixx steam combination oven
HBC36D754B



Key features

- LCD digital clear text display
- Electronic clock timer
- Control panel lock
- 4 shelf levels
- 35 litres
- 9 cooking functions
- Steam cooking
gentle cooking
- Combination cooking
hot air and steam
- Cleaning programme
easy cleaning
- Descaling programme
easy maintenance



By cooking food more gently, our steam oven locks in more of the natural vitamins and minerals. So it doesn't just taste better, it's healthier too.

Taste the difference.

By cooking food more gently, our steam oven locks in more of the natural vitamins and minerals. So it doesn't just taste better, it's healthier too.

Hot air and steam, a recipe for success.

Combination cooking combines steam with hot air so you can cook a wide variety of food, such as bread, meat and fish for instance, keeping them moist on the inside but brown and crispy on the outside.

Steam through the cleaning.

For easy cleaning that requires minimum elbow grease, add washing-up liquid to the recessed water bowl in the oven and run the **cleaning programme**. Then simply wipe down the walls. Your steam combination oven is easily maintained, just select the **Descaling programme** and follow the on-screen instructions.





At a glance | Single ovens.



Logixx single oven HBG78R750B
HBG78R950B smaller control panel



Key Features

- LCD digital clear text display
- SoftClose door
- Pyrolytic self-cleaning function *cleans the oven*
- Electronic clock timer with automatic on/off programmer
- Control panel lock
- 14 cooking functions
- Hotair Eco *one shelf cooking*
- 5 shelf levels
- Oven capacity: 65 litres



Exccel single oven HBG73R550B



Key Features

- SoftClose door
- Pyrolytic self-cleaning function *cleans the oven*
- Electronic clock timer with automatic on/off programmer
- Control panel lock
- 9 cooking functions
- Hotair Eco *one shelf cooking*
- 5 shelf levels
- Oven capacity: 65 litres



Classixx single oven HBA63B251B
HBA63B261B black



Key Features

- Pyrolytic self-cleaning function *cleans the oven*
- Electronic clock timer with automatic on/off programmer
- Control panel lock
- 6 cooking functions
- Hotair Eco *one shelf cooking*
- 5 shelf levels
- Oven capacity: 65 litres



Classixx single oven HBA64B251B



Key Features

- Pyrolytic self-cleaning function
- Electronic clock timer with automatic on/off programmer
- Control panel lock
- 9 cooking functions
- Hotair Eco *one shelf cooking*
- 5 shelf levels
- Oven capacity: 60 litres



Exccel single oven HBG53R550B
HBG53R560B black
HBG53R520B white



Key Features

- EcoClean® self-cleaning function *helps clean the oven*
- Electronic clock timer with automatic on/off programmer
- Control panel lock
- 8 cooking functions
- 5 shelf levels
- Oven capacity: 67 litres



Exccel single oven HBG33B550B



Key Features

- SoftClose door
- EcoClean® Liners (back)
- Electronic clock timer with automatic on/off programmer
- Control panel lock
- 8 cooking functions
- Hotair Eco *one shelf cooking*
- 5 shelf levels
- Oven capacity: 67 litres

Single ovens.



**Exxxel single oven HBL33B550B
HBR33B550B right hinged door**



Key Features

- EcoClean® Liners (back)
- Electronic clock timer with automatic on/off programmer
- Control panel lock
- 8 cooking functions
- 5 shelf levels
- Oven capacity: 67 litres



**Classixx single oven HBA43B251B
HBA43B261B black**



Key Features

- EcoClean® Liners (back, side, roof)
- Electronic clock timer with automatic on/off programmer
- Control panel lock
- 5 cooking functions
- 5 shelf levels
- Oven capacity: 67 litres



**Logixx single oven
HBA23B150B**



Key Features

- EcoClean® Liners (back)
- Electronic clock timer with automatic on/off programmer
- Control panel lock
- 5 cooking functions
- 5 shelf levels
- Oven capacity: 67 litres



**Classixx single oven
HBA13R150B**



Key Features

- Electronic clock timer with automatic on/off programmer
- Control panel lock
- 4 cooking functions
- 5 shelf levels
- Oven capacity: 67 litres



**Classixx single oven HBA13B150B
HBA13B160B black
HBA13B120B white**



Key Features

- Electronic clock timer with automatic on/off programmer
- Control panel lock
- 4 cooking functions
- 5 shelf levels
- Oven capacity: 67 litres

Double ovens.



Logixx double oven HBM56B551B



Main lower oven

- EcoClean® self-cleaning programme *helps clean the oven*
- Electronic clock timer with automatic on/off programmer
- Control panel lock
- 10 cooking functions
- Hotair Eco *one shelf cooking*
- 5 shelf levels
- Large oven capacity: 67 litres
- Energy efficiency class: A -30%

Top oven

- EcoClean® self-cleaning programme *helps clean the oven*
- 4 cooking functions
- 2 shelf levels
- Oven capacity: 35 litres
- Energy efficiency class: A

Exxcel double oven HBM53R550B



Main lower oven

- EcoClean® self-cleaning programme *helps clean the oven*
- Electronic clock timer with automatic on/off programmer
- Control panel lock
- 8 cooking functions
- 5 shelf levels
- Large oven capacity: 67 litres
- Energy efficiency class: A -20%

Top oven

- EcoClean® self-cleaning programme *helps clean the oven*
- 3 cooking functions
- 2 shelf levels
- Oven capacity: 35 litres
- Energy efficiency class: A

Exxcel double oven HBM13B550B



Main lower oven

- EcoClean® Liners (back)
- Electronic clock timer with automatic on/off programmer
- Control panel lock
- 2 cooking functions
- 5 shelf levels
- Large oven capacity: 71 litres
- Energy efficiency class: A -20%

Top oven

- EcoClean® Liners (back, roof)
- 2 cooking functions
- 2 shelf levels
- Oven capacity: 35 litres
- Energy efficiency class: A

Classixx double oven HBM43B250B HBM43B260B black



Main lower oven

- EcoClean® Liners (back, side, roof)
- Electronic clock timer with automatic on/off programmer
- Control panel lock
- 5 cooking functions
- 5 shelf levels
- Large oven capacity: 67 litres
- Energy efficiency class: A -20%

Top oven

- EcoClean® Liners (back, side, roof)
- 3 cooking functions
- 2 shelf levels
- Oven capacity: 35 litres
- Energy efficiency class: A

Double ovens.



Classixx double oven
HBM43B150B



Main lower oven

- EcoClean® Liners (back)
- Electronic clock timer with automatic on/off programmer
- Control panel lock
- 5 cooking functions
- 5 shelf levels
- Large oven capacity: 67 litres
- Energy efficiency class: A -20%

Top oven

- EcoClean® Liners (back, roof)
- 3 cooking functions
- 2 shelf levels
- Oven capacity: 35 litres
- Energy efficiency class: A

Classixx double oven HBM13B251B
HBM13B261B black
HBM13B221B white



Main lower oven

- EcoClean® Liners (back)
- Electronic clock timer with automatic on/off programmer
- Control panel lock
- 2 cooking functions
- 5 shelf levels
- Large oven capacity: 71 litres
- Energy efficiency class: A -20%

Top oven

- EcoClean® Liners (back, roof)
- 2 cooking functions
- 2 shelf levels
- Oven capacity: 35 litres
- Energy efficiency class: A

Exccel built-under double oven
HBN53R550B



Main lower oven

- EcoClean® self-cleaning programme *helps clean the oven*
- Electronic clock timer with automatic on/off programmer
- Control panel lock
- 8 cooking functions
- 3 shelf levels
- Large oven capacity: 50 litres
- Energy efficiency class: A

Top oven

- EcoClean® Liners (back, side, roof)
- 3 cooking functions
- 2 shelf levels
- Oven capacity: 35 litres
- Energy efficiency class: A

Double ovens and steam ovens.



Classix built-under double oven
HBN43B250B
HBN43B260B black



Main lower oven

- EcoClean® Liners (back, side, roof)
- Electronic clock timer with automatic on/off programmer
- Control panel lock
- 5 cooking functions
- 3 shelf levels
- Large oven capacity: 50 litres
- Energy efficiency class: A

Top oven

- EcoClean® Liners (back, side, roof)
- 3 cooking functions
- 2 shelf levels
- Oven Capacity: 35 litres
- Energy efficiency class: A



Classix built-under double oven
HBN13B251B
HBN13B261B black
HBN13B221B white



Main lower oven

- EcoClean® Liners (back)
- Electronic clock timer with automatic on/off programmer
- Control panel lock
- 2 cooking functions
- 3 shelf levels
- Large oven capacity: 56 litres
- Energy efficiency class: A

Top oven

- EcoClean® Liners (back, roof)
- 2 cooking functions
- 2 shelf levels
- Oven Capacity: 35 litres
- Energy efficiency class: A



Logixx combination steam oven
HBC36D754B



Key Features

- LCD digital clear text display
- Electronic clock timer
- Control panel lock
- 5 main functions
- 1 memory function
- 70 automatic programmes
- Cleaning programme
- Descaling programme
- 11 automatic combination programmes
- 4 shelf levels
- Oven capacity: 35 litres



Exxcel compact steam oven
HBC34D554B



Key Features

- Electronic clock timer
- Control panel lock
- 4 main functions
- 40 automatic programmes
- 4 shelf levels
- Cleaning programme
- Descaling programme
- Oven capacity: 35 litres



Exxcel compact steam oven
HBC24D553B

Key Features

- Electronic clock timer
- Control panel lock
- 2 main functions
- 20 automatic programmes
- 4 shelf levels
- Descaling programme
- Oven capacity: 38 litres



Exxcel wall steam oven HMT85DL53B

Key Features

- Electronic clock timer
- 1 main function
- 20 automatic programmes
- 3 shelf levels
- Oven capacity: 22 litres

Microwaves and coffee machine.



Logixx compact oven with integrated microwave HBC86P753B

Key Features

- LCD digital clear text display
- Pyrolytic self-cleaning function
- Electronic clock timer with automatic on/off programmer
- 12 main functions
- 44 automatic combination programmes
- 3 shelf levels
- Oven capacity: 42 litres



**Exxcel compact microwave combination oven HBC84E653B
HBC84E663B black
HBC84E623B white**

Key Features

- Control panel lock
- Catalytic back liner *less cleaning*
- 6 main functions
- 11 automatic combination programmes
- 4 shelf levels
- Oven capacity: 36 litres
- Maximum microwave power level: 1000W



Exxcel compact microwave oven HMT35M653B

Key Features

- 5 weight automatic cooking programmes
- 4 weight automatic defrost programmes
- 2 memory functions
- Oven capacity: 36 litres
- Maximum microwave power level: 1000W



Exxcel compact microwave oven with grill HMT85GL53B

Key Features

- 3 main functions
- 4 automatic cooking programmes
- 3 automatic defrost programmes
- 3 automatic combination programmes
- 2 memory functions
- Oven capacity: 21 litres
- Maximum microwave power level: 900W
- 1300W quartz grill function



**Exxcel compact microwave oven HMT85ML53B
HMT85ML63B black**

Key Features

- Electronic clock timer
- 4 weight automatic cooking programmes
- 3 weight automatic defrost programmes
- 2 memory functions
- Oven capacity: 21 litres
- Maximum microwave power level: 900W



Exxcel bean-to-cup coffee centre TCC778K751B

Key Features

- 'one touch' function for: latte, macchiato, cappuccino and white coffee
- High-quality LCD display with interactive menu
- aromaDouble Shot – extra strong coffee without compromise in aroma
- Individually adjustable temperatures for coffee (3 levels) and hot water (4 levels), individually adjustable grinding degree (4 levels)
- Display of remaining cups before cleaning or descaling
- Removable 2.5 litre water tank and 0.7 litre milk container

Microwaves.



**Exxel compact microwave oven
HMT84G651B**

Key Features

- 3 weight automatic cooking programmes
- 4 weight automatic defrost programmes
- 1 weight automatic combination programme
- 1 memory function
- Oven capacity: 25 litres
- Maximum microwave power level: 900W



**Exxel compact microwave oven
HMT84G654B**

Key Features

- 3 weight automatic cooking programmes
- 4 weight automatic defrost programmes
- 1 weight automatic combination programme
- 1 memory function
- Oven capacity: 25 litres
- Maximum microwave power level: 900W



**Exxel compact microwave oven
HMT84M651B**

Key Features

- Electronic clock timer
- 3 weight automatic cooking programmes
- 4 weight automatic defrost programmes
- 1 memory function
- Oven capacity: 25 litres
- Maximum microwave power level: 900W



**Exxel compact microwave oven
HMT84M664B black
HMT84M624B white**

Key Features

- Electronic clock timer
- 4 weight automatic defrost programmes
- 1 memory function
- Oven capacity: 25 litres
- Maximum microwave power level: 900W



**Exxel compact microwave oven
with grill HMT84M654B**

Key Features

- Electronic clock timer
- 4 weight automatic defrost programmes
- 1 memory function
- Oven capacity: 25 litres
- Maximum microwave power level: 900W



**Exxel compact microwave oven
with grill HMT75G654B**

Key Features

- Electronic clock timer
- 1 weight automatic combination programme
- 4 weight automatic defrost programmes
- 1 memory function
- Oven capacity: 20 litres
- Maximum microwave power level: 800W

Microwaves and warming drawers.



**Exxel compact microwave oven
HMT75M651B**

Key Features

- Electronic clock timer
- 3 weight automatic combination programmes
- 4 weight automatic defrost programmes
- 1 memory function
- Oven capacity: 17 litres
- Maximum microwave power level: 800W



**Exxel compact microwave oven
HMT75M654B**

Key Features

- Electronic clock timer
- 3 weight automatic cooking programmes
- 1 weight automatic combination programmes
- 4 weight automatic defrost programmes
- 1 memory function
- Oven capacity: 20 litres
- Maximum microwave power level: 800W



**Exxel compact microwave oven
HMT75M664B black
HMT75M624B white**

Key Features

- Electronic clock timer
- 4 weight automatic defrost programmes
- 1 memory function
- Oven capacity: 20 litres
- Maximum microwave power level: 800W



**Compact microwave oven
HMT75M551B**

Key Features

- 3 weight automatic cooking programmes
- 4 weight automatic defrost programmes
- 1 memory function
- Oven capacity: 17 litres
- Maximum microwave power level: 800W



**29cm high warming drawer
HSC290652B**

Key Features

- Soft close
- 4 functions: dough proving, defrost, hold warm, plate warming
- Can accommodate up to: 40 plates 120 espresso cups
- Drawer interior volume: 52 litres



**14cm high warming drawer
HSC140P51B silver
HSC140P61B black
HSC140P21B white**

Key Features

- Push-pull opening mechanism
- 4 functions: dough proving, defrost, hold warm, plate warming
- Can accommodate up to: 12 plates 80 espresso cups
- Drawer interior volume: 20 litres



**14cm high warming drawer
HSC140652B**

Key Features

- Soft close
- 4 functions: dough proving, defrost, hold warm, plate warming
- Can accommodate up to: 12 plates 80 espresso cups
- Drawer interior volume: 20 litres



**Storage drawer
HSC140A51**

Key Features

- Push-pull opening mechanism
- Drawer interior volume: 23 litres

Freestanding microwaves.



Compact microwave oven
HMT84M451B brushed steel
HMT84M461B black
HMT84M421B white

Key Features

- 25 litre capacity
- Maximum microwave power level: 900W
- 3 weight automatic cooking programmes
- 4 weight automatic defrost programmes
- 1 memory function



Compact microwave oven
HMT75M451B brushed steel
HMT75M461B black
HMT75M421B white

Key Features

- Can be installed under a wall cupboard
- 17 litre capacity
- Maximum microwave power level: 800W
- 3 weight automatic cooking programmes
- 4 weight automatic defrost programmes
- 1 memory function



Compact microwave oven with grill
HMT75G451B

Key Features

- 17 litre capacity
- Maximum microwave power level: 800W
- 1000W quartz grill function
- Microwave combination cooking
- 1 weight automatic combination programme
- 3 weight automatic cooking programmes
- 4 weight automatic defrost programmes
- 1 memory function



Compact microwave oven
HMT72M450B

Key Features

- Can be installed under a wall cupboard
- 17 litre capacity
- Maximum microwave power level: 800W



Compact microwave oven with grill
HMT72G450B

Key Features

- 17 litre capacity
- Maximum microwave power level: 800W
- 1000W quartz grill function
- Microwave combination cooking

Hobs.

There is a wide range of gas, induction and ceramic hobs to choose from. As you would expect from Bosch, all are made using high quality materials, are easy to use and add versatility, style and elegance to any kitchen.



Logixx ●●●●●

Our premium range.

Cutting-edge style meets advanced technologies. And all beautifully designed to make an attractive design feature to any kitchen, while providing versatile functionality.

Exxcel ●●●●○

Our essential range.

Advanced technology with a broad range of extra features that save time and energy in the kitchen, so you deliver perfect results with less effort.

Classixx ●●●○○

Our practical range.

Entry level models that combine practical features and Bosch build quality in a consistent, value for money package.

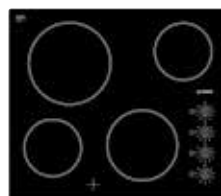
To view our full range of hobs, visit www.bosch-home.co.uk



Induction hobs



Gas hobs



Ceramic hobs



Domino hobs

Which type of hob should I get?

Your hob is likely to be used as much as, if not more than, your oven. To help you choose the right hob for your home **Karl, the Bosch Engineer** has answered some of your most frequently asked questions.

Q: Which type of hob is the fastest?

A: Induction hobs are the fastest. They can boil liquids nearly twice as fast as gas* and nearly three times faster than ceramic electric hobs.

Q: Which is the most energy efficient?

A: Whilst gas is cheaper to use than electricity, a lot of the heat is wasted. Induction hobs only heat the area in contact with the base of the pan and, as they heat the contents faster, they are also the most energy efficient way of cooking.



Q: Which is the easiest type of hob to install?

A: Gas hobs need to be installed by a registered gas engineer and most electric hobs need to be installed by a qualified electrician. At Bosch, however, we have one induction hob (product code P1A611B68B) that can be installed as simply as plugging in any electrical appliance.

Q: Are there any differences in the design or style of the hobs?

A: Yes. Induction and ceramic electric hobs have contemporary touch controls, whereas gas hobs have dial controls. Within gas hobs there are a wide selection of designs and materials, including tempered glass bases and brushed steel bases, as well as different colours.

Q: Do I need any special pots or pans?

A: All pots and pans are suitable for use on ceramic electric or gas hobs. Induction hobs require special 'ferrous pans' as these are magnetic, which is what makes induction heat work. If you're not sure if your existing pans are ferrous, simply hold up a fridge magnet to the base of the pan and if it sticks, you can use it on an induction hob.

Q: Which is the easiest type of hob to clean?

A: Because induction hobs only heat the base of the pan, the glass around the zone remains cool so any spillages do not burn on and can simply be wiped away. We have made many of the pan supports on our gas hobs dishwasher safe, so if you prefer cooking with gas then this saves you time and effort in keeping the supports clean.

*Based on time required to heat 2 litres of water at 15°C to 90°C using Bosch hobs.

Twice as fast as gas.

Induction hobs can heat food and boil water nearly twice as fast as gas and three times faster than ceramic hobs*. And as they're also more energy efficient, you'll save money as well as time.



*Based on time required to heat 2 litres of water at 15°C to 90°C using Bosch hobs.

Why choose Bosch?

As well as reducing cooking times and increasing your control, induction is a more intelligent heat source. Rather than using heating elements under the glass to heat the pan, induction actually heats the base of the pan - this means the hob glass around the cooking zone remains cool to touch. Any spillages are therefore more easily dealt with as they don't burn on and can be simply wiped away.



More control at your fingertips.

Set the correct temperature with a single touch thanks to **DirectSelect**. No more scrolling up or down, just simply press one button to select the right heat level.



Express cooking.

Induction cooking with a turbo boost. The **Boost function** allows you to increase the power of the cooking zone by 50% – perfect for large pots and pans or when you're in a hurry.



Clean up in an instant.

In case of any spills, simply select the **Freeze function** which freezes all the heat settings so you can thoroughly wipe and clean the hob surface. To restore the previous heat settings simply touch the button again!



Cooking that's designed around you.

Ultimate flexibility with our new FlexInduction hob. One, two or three pots, or even a large casserole: the new Bosch **FlexInduction** leaves it up to you. At the flick of a switch, you can combine two induction zones into a large induction surface on which you can cook the way you want.



Logixx FlexInduction hob with DirectSelect
PIZ975N17E



Key features

- 5 Induction cooking zones:
2 x FlexInduction zones,
each with 2 Induction zones,
1 x central triple zone
- 17 power levels
- DirectSelect Plus
for easy operation
- Boost setting for all zones
extra power
- Freeze function
freezes the settings
- Timer for all zones
stay in control
- 2 stage Hh residual heat
indicator for each zone
extra safety
- Profile trim



FlexInduction is great for roaster pans and poaching as well as large grill pans.

Save time.

Nearly three times faster than ceramic and twice as fast as gas, **induction** cooking wins hands down when it comes to cooking with speed.

Easy to use.

Giving you ultimate control, the **DirectSelect** control panel allows you to choose the heat setting straight away without having to move through the range.

Easy to clean.

Automatic pan recognition only heats up the base of the pan and not the rest of the zone, which doesn't waste energy and leaves the rest of the hob cool to touch. Keeping the hob cooler makes it safer and also prevents spillages from burning on so it's easy to clean.



Why choose Bosch?



Chef's Recommendation.

The hob of choice in most professional kitchens, modern gas hobs are as stylish as they are practical. Our German-designed gas hobs are available in a range of different colours and styles, and come with cast iron pan supports that are either front or side mounted. With ignition built-in to the controls, all it takes is one action to ignite and set the hob to the correct cooking level.



A touch of the Orient.

Powerful, dual ring **wok burners** are perfect for oriental cooking. They deliver a boost both in power and speed, but can also be used very effectively at lower settings when required.



Safety you can rely on.

A **Quick Stop main switch** allows all gas burners on the hob to be turned off quickly and locked if needed, for instance if you have to answer the phone or door.



Now you're cooking on gas.

Professional performance, stunning good looks and ultimate control.

A gas hob delivers instant heat and is easy to adjust and control, making it a favourite in professional kitchens up and down the country.

With a wide selection of widths and finishes to choose from, a gas hob can add as much stylish elegance as practical functionality to any kitchen.



Wok and roll.

Stunning good looks and clever design combined with the ultimate control of gas cooking, deliver a professional performance.

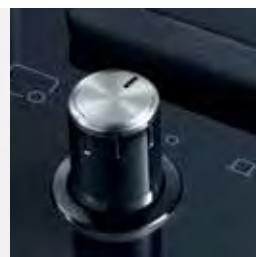


Exxcel gas hob PPS816M91E

75 cm

Key features

- 1 wok style burner for high speed cooking
- Quick Stop main switch cuts off all burners
- Ignition via controls one hand ignition
- Flame failure safety device cuts off gas should flame go out
- Suitable for flush or surface mounting
- Tempered glass base



Smart design and ultimate control with gas.

Smart design.

Square design pan supports don't just look good, but provide more stability for pots and pans. Cleverly designed to fit together, they are separate pieces which make them easy to handle and clean. The elegant **tempered glass** base allows for a choice of surface mounting for quick and easy installation, or flush mounting which gives a continuous sleek worktop effect.

Easy to control.

Front mounted controls are more easily accessible and ignition is built into the dials, so you can ignite and power the hob in one action, making it even easier to control the hob.

Wok style burner.

Powerful **wok style burners** produce extra power, which is perfect for the high-speed cooking required in oriental foods.





 **BOSCH**



boost 

flex

0

0

4

0

4
low

5

6
med

7

At a glance | FlexInduction hobs.

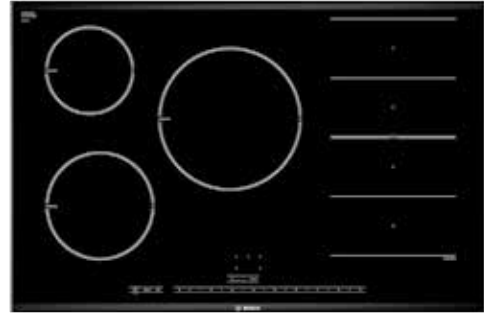


Logixx 5 zone ceramic FlexInduction hob PIZ975N17E



Key Features

- DirectSelect for easy operation
- Control panel lock
- Boost setting for all zones
- Profile trim (front facette with side trim)
- Variable 17-stage power settings for each zone
- Timer for all zones
- 2 stage Hh residual heat indicator for each zone
- Freeze function
- 5 Induction cooking zones
- 2 x FlexInduction zones with different usage possibilities:
 - 2 single Induction zones of 380cm² or
 - 1 flexible Induction zone of 760cm²
- Central 32cm triple zone
- 916mm



Logixx 5 zone ceramic FlexInduction hob PIP875N17E



Key Features

- DirectSelect for easy operation
- Control panel lock
- Boost setting for all zones
- Profile trim (front facette with side trim)
- Variable 17-stage power settings for each zone
- Timer for all zones
- 2 stage Hh residual heat indicator for each zone
- Freeze function
- 5 Induction cooking zones
- 1 x FlexInduction zones with different usage possibilities:
 - 2 single Induction zones of 380cm² or
 - 1 flexible Induction zone of 760cm²
- 816mm



Logixx 4 zone ceramic FlexInduction hob PIV675N17E



Key Features

- DirectSelect for easy operation
- Control panel lock
- Boost setting for all zones
- Profile trim (front facette with side trim)
- Variable 17-stage power settings for each zone
- Timer for all zones
- 2 stage Hh residual heat indicator for each zone
- Freeze function
- 4 Induction cooking zones
- 2 x FlexInduction zone with different usage possibilities:
 - 2 single Induction zones of 480cm² or
 - 1 flexible Induction zone of 960cm²
- 606mm

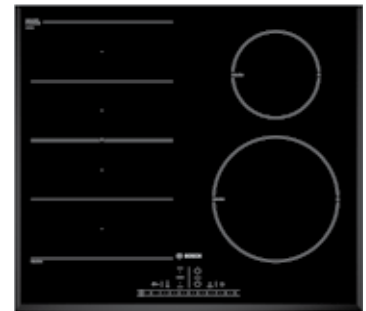


Logixx 4 zone ceramic FlexInduction hob PIN675N17E



Key Features

- DirectSelect for easy operation
- Control panel lock
- Boost setting for all zones
- Profile trim (front facette with side trim)
- Variable 17-stage power settings for each zone
- Timer for all zones
- 2 stage Hh residual heat indicator for each zone
- Freeze function
- 4 Induction cooking zones
- 1 x FlexInduction zone with different usage possibilities:
 - 2 single Induction zones of 480cm² or
 - 1 flexible induction zone of 960cm²
- 606mm



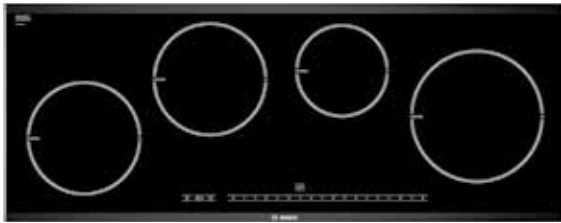
Logixx 4 zone ceramic FlexInduction hob PIN651F17E



Key Features

- DirectSelect for easy operation
- Control panel lock
- Boost setting for all zone
- Three sided bevelled frameless finish
- Variable 17-stage power settings for each zone
- Timer for all zones
- 2 stage Hh residual heat indicator for each zone
- Freeze function
- 4 Induction cooking zones
- 1 x FlexInduction zone with different usage possibilities:
 - 2 single Induction zones of 480cm² or
 - 1 flexible induction zone of 960cm²
- 592mm

Induction hobs.

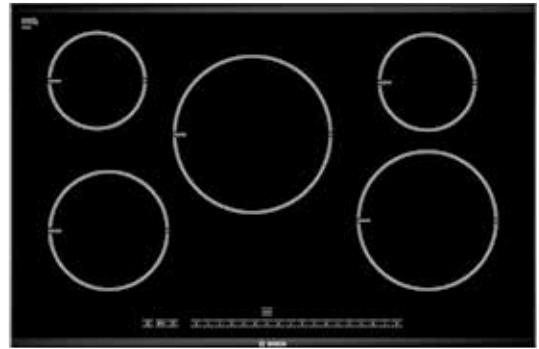


Logixx 4 zone ceramic Induction hob
PIE975N14E



Key Features

- DirectSelect
for easy operation
- Control panel lock
- Boost setting for all zones
- Profile trim (front facette with side trim)
- Variable 17-stage power settings for each zone
- Timer for all zones
- 2 stage Hh residual heat indicator for each zone
- Freeze function
- 4 Induction cooking zones
- 916mm

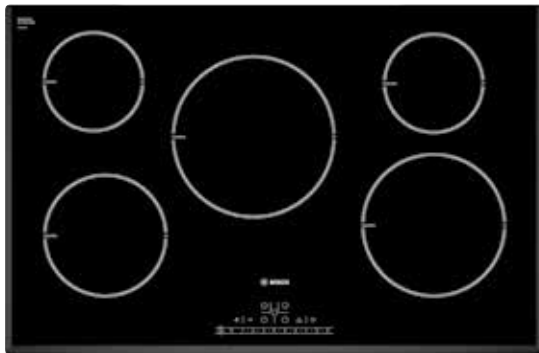


Logixx 5 zone ceramic Induction hob
PIM875N14E



Key Features

- DirectSelect
for easy operation
- Control panel lock
- Boost setting for all zones
- Profile trim (front facette with side trim)
- Variable 17-stage power settings for each zone
- Timer for all zones
- 2 stage Hh residual heat indicator for each zone
- Freeze function
- 5 Induction cooking zones
- 816mm

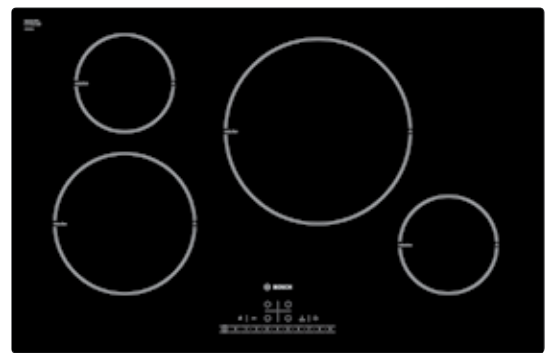


Exccel 5 zone ceramic Induction hob
PIM851F17E



Key Features

- DirectSelect
for easy operation
- Control panel lock
- Boost setting for all zones
- Three sided bevelled frameless finish
- Variable 17-stage power settings for each zone
- Timer for all zones
- 2 stage Hh residual heat indicator for each zone
- Freeze function
- Energy consumption display
- 5 Induction cooking zones
- 802mm



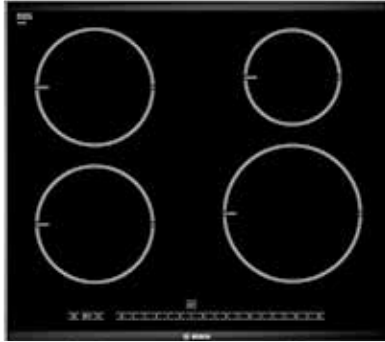
Classixx 4 zone ceramic Induction hob
PIL811F17E



Key Features

- DirectSelect
for easy operation
- Control panel lock
- Boost setting for all zones
- Frameless design
- Variable 17-stage power settings for each zone
- Timer for all zones
- 2 stage Hh residual heat indicator for each zone
- Freeze function
- Energy consumption display
- 4 Induction cooking zones
- 802mm

Induction hobs.

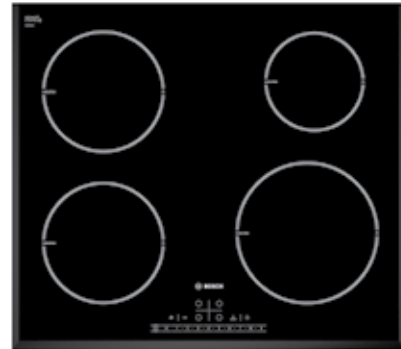


Logixx 4 zone ceramic Induction hob
PIE675N14E



Key Features

- DirectSelect
for easy operation
- Control panel lock
- Boost setting for all zones
- Profile trim (front facette with side trim)
- Variable 17-stage power settings for each zone
- Timer for all zones
- 2 stage Hh residual heat indicator for each zone
- Freeze function
- 4 Induction cooking zones
- 606mm

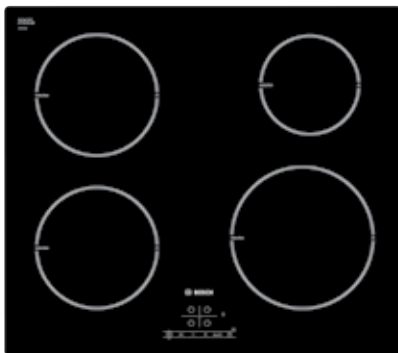


Exxxel 4 zone ceramic Induction hob
PIE651F17E



Key Features

- DirectSelect
for easy operation
- Control panel lock
- Boost setting for all zones
- Three sided bevelled frameless finish
- Variable 17-stage power settings for each zone
- Timer for all zones
- 2 stage Hh residual heat indicator for each zone
- Freeze function
- Energy consumption display
- 4 Induction cooking zones
- 592mm

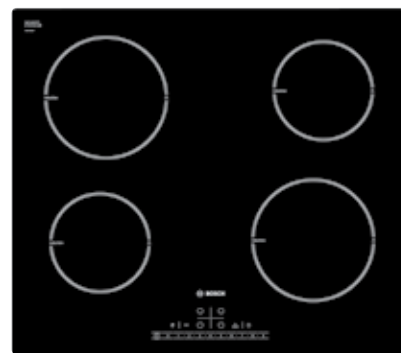


Classixx 4 zone ceramic Induction hob
PIE611B17E



Key Features

- Touch control
- Control panel lock
- Boost setting for all zones
- Frameless design
- Variable 17-stage power settings for each zone
- Timer for all zones
- 2 stage Hh residual heat indicator for each zone
- 4 Induction cooking zones
- 592mm



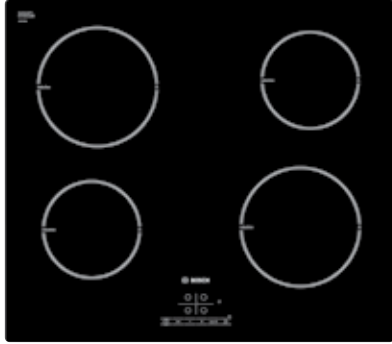
Classixx 4 zone ceramic Induction hob
PIA611F18E



Key Features

- Directselect
for easy operation
- Control panel lock
- Boost setting for all zones
- Frameless design
- Variable 17-stage power settings for each zone
- Timer for all zones
- 2 stage Hh residual heat indicator for each zone
- Freeze function
- Energy consumption display
- 4 Induction cooking zones
- 592mm

Induction and ceramic hobs.

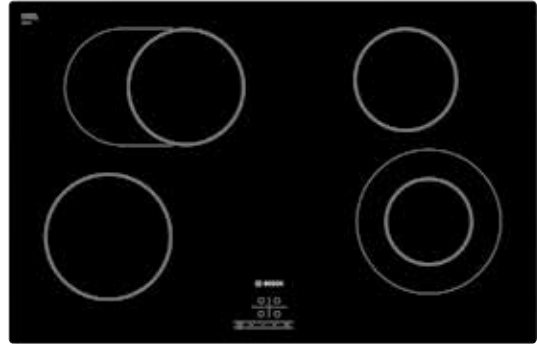


Classixx 4 zone ceramic Induction hob
PIA611B68B



Key Features

- Touch control
- Control panel lock
- Boost setting for all zones
- Cable and 13A plug
- just plug it in*
- Frameless design
- Variable 17-stage power settings for each zone
- Timer for all zones
- 2 stage Hh residual heat indicator for each zone
- 4 Induction cooking zones
- 592mm

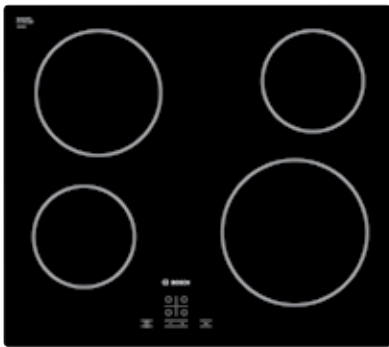


Classixx 4 zone Quick-Therm ceramic hob
PKN811D17E



Key Features

- Touch control
- Control panel lock
- Frameless design
- Variable 17-stage power settings for each zone
- 2 stage Hh residual heat indicator for each zone
- 2 dual/extendable zones
- 4 Quick-Therm cooking zones
- 802mm

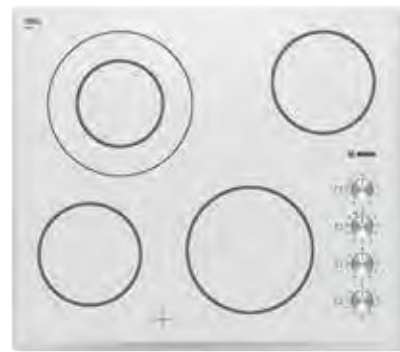


Classixx 4 zone QuickTherm ceramic hob
PKE611D17E



Key Features

- Touch control
- Control panel lock
- Frameless design
- Variable 17-stage power settings for each zone
- Residual heat indicator for each zone
- 4 Quick-Therm cooking zones
- 592mm



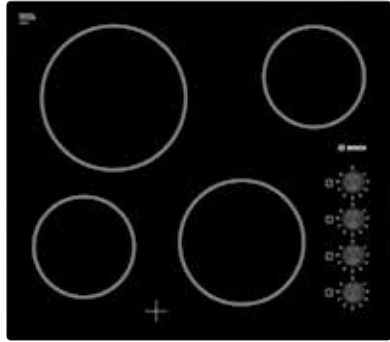
Classixx 4 zone QuickTherm ceramic hob
PKF659C17E



Key Features Frameless design

- Side control dials
- Variable 9-stage power settings for each zone
- Residual heat indicator for each zone
- 1 dual/extendable zone
- 4 Quick-Therm cooking zones
- 592mm

Induction, ceramic and gas hobs.



Classixx 4 zone QuickTherm ceramic hob
PKE611C17E



Key Features

- Frameless design
- Side control dials
- Variable 9-stage power settings for each zone
- Residual heat indicator for each zone/extra safety
- 4 Quick-Therm cooking zones
- 592mm



4 zone sealed plate electric hob NCT615C01 brushed steel
NCT612C01 white
NCT616C01 black

Key Features

- Variable 9-stage power settings for each zone
- Side control dials
- 4 super fast sealed cooking plates
- 580mm



Exxcel 5 burner gas hob with wok style burner
PPS816M91E

Key Features

- 1 wok style burner
extra power for high speed cooking
- Quick stop main switch
cuts off all burners
- Tempered hard glass base
- Ignition via control dials
one hand ignition
- Flame failure safety device
- Suitable for surface mounting or flush fitting installation
- 752mm



Exxcel 5 burner gas hob with frameless design
PPS916B91E

Key Features

- 1 wok style burner
extra power for high speed cooking
- Triple-circuit wok burner
- Tempered hard glass base
- Ignition via control dials
one hand ignition
- Flame failure safety device
- Suitable for surface mounting or flush fitting installation
- 915mm

Gas hobs.



Exxcel 4 burner gas hob with frameless design
 PPP616M91E black
 PPP612M91E white

Key Features

- Quick stop main switch
cuts off all burners
- Tempered hard glass base
- Ignition via control dials
one hand ignition
- Flame failure safety device
- Suitable for surface mounting or flush fitting installation
- 590mm



Exxcel 5 burner gas hob with wok style central burner
 PCR715M90E

Key Features

- 1 dual control wok burner
- Quick stop main switch
cuts off all burners
- Brushed steel base
- Ignition via control dials
one hand ignition
- Flame failure safety device
- 702mm



Exxcel 4 burner gas hob with wok style burner
 PCH615M90E

Key Features

- 1 wok style burner
extra power for high speed cooking
- Quick stop main switch
cuts off all burners
- Brushed steel base
- Ignition via control dials
one hand ignition
- Flame failure safety device
- 582mm



Classixx 5 burner gas hob with wok style central burner
 PPQ716B91E

Key Features

- 1 wok style burner
extra power for high speed cooking
- Quick stop main switch
cuts off all burners
- Tempered hard glass base
- Ignition via control dials
one hand ignition
- Flame failure safety device
- 710mm

Gas hobs.



**Classixx 4 burner gas hob
PPP616B91E**

Key Features

- Tempered hard glass base
- Quick stop main switch
cuts off all burners
- Tempered hard glass base
- Ignition via control dials
one hand ignition
- Flame failure safety device
- 590mm



**Classixx 5 burner gas hob with wok style central burner
PCS815B90E**

Key Features

- 1 dual control wok burner
range from simmer to high speed cooking
- Brushed steel base
- Ignition via control dials
one hand ignition
- 762mm



**Classixx 5 burner gas hob with wok style central burner
PCR915B91E**

Key Features

- 1 wok style burner
extra power for high speed cooking
- Brushed steel base
- Ignition via control dials
one hand ignition
- 915mm



**Classixx 4 burner gas hob PCP615B90B brushed steel
PCP612B90E white
PCP616B90E black**

Key Features

- Brushed steel base
- Ignition via control dials
one hand ignition
- 582mm

Gas hobs.



**Classixx 5 burner gas hob with wok style central burner
PCQ715B90E**

Key Features

- 1 wok style burner
extra power for high speed cooking
- Brushed steel base
- Ignition via control dials
one hand ignition
- 702mm



**Classixx 4 burner gas hob
POP616B81E**

Key Features

- Tempered hard glass base
- Ignition via control dials
one hand ignition
- 590mm



**Classixx 4 burner gas hob with wok
style burner PBH615B90E**

Key Features

- 1 wok style burner
extra power for high speed cooking
- Brushed steel base
- Ignition via control dials
one hand ignition
- 580mm



**Classixx 4 burner gas hob with wok
style burner PBP615B90E**

Key Features

- Brushed steel base
- Ignition via control dials
one hand ignition
- 580mm

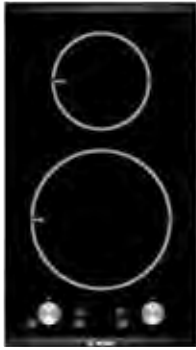


**Classixx 4 burner gas hob
PBP615B80E brushed steel
PBP612B80E white
PBP616B80E black**

Key Features

- Brushed steel base
- Ignition via control dials
one hand ignition
- 580mm

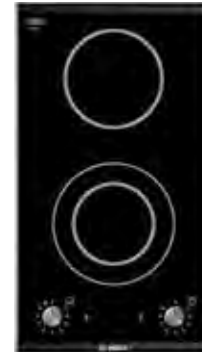
Domino hobs.



**Logixx 2 zone ceramic Induction hob
PIE375C14E**

Key Features

- 2 stage residual heat indicator
- Variable 9-stage power settings for each zone
- 2 Induction cooking zones
- Control dials
- 306mm



**Logixx 2 zone Quick-Therm ceramic hob
PKF375V14E**

Key Features

- 2 stage residual heat indicator
- 1 dual/extendable zone
- Variable 9-stage power settings for each zone
- 2 Quick-Therm cooking zones
- Control dials
- 306mm



**Logixx wok style domino gas hob with ceramic base
PRA326B70E**

Key Features

- 1 dual control wok burner
range from simmer to high speed cooking
- Ceramic glass base with brushed steel front trim
- Dishwasher safe
- Ignition via control dials
one hand ignition
- 1 gas burner: wok burner
- Control dials
- 306mm



**Logixx 2 burner domino gas hob with ceramic base
PRB326B70E**

Key Features

- Ceramic glass base with brushed steel front trim
- Dishwasher safe
- Ignition via control dials
one hand ignition
- 2 gas burners: 1 high speed burner, 1 standard burner
- Control dials
- 306mm

Hoods.

Offering a blend of function and form, Bosch hoods deliver quiet, effective extraction that makes the kitchen and home a more pleasant environment. Either match them to the interior style with a bold design statement, or complement a more minimalist look with an integrated model.

Exxcel ●●●●○

Our essential range.

Advanced technology with a broad range of extra features, including soft touch buttons, quiet motors and stylish, halogen accent lighting.

Classixx ●●●○○

Our practical range.

Entry-level models that combine practical features and Bosch build quality in a consistent, value for money package.

To view our full range of hoods, visit www.bosch-home.co.uk



Island hoods



Flat glass hoods



Curved glass hoods



Angled hoods



Integrated hoods



Why shout when you can whisper?

Relax in a quieter kitchen with family and friends.

The motors in all of our hoods need to deliver powerful performance for maximum extraction, but that doesn't mean your home environment has to suffer. We have designed state-of-the-art motors in most hoods that generate noise levels of just 45 decibels*, which is about the same level of sound as a quiet conversation. And our quietest model delivers a library quiet peacefulness of just 40 decibels**.

* (45dB(A) re 20µPa sound pressure).

** (40dB(A) re 20µPa sound pressure).

Controls on actual model may vary, check bosch-home.co.uk for details.

Why choose Bosch?



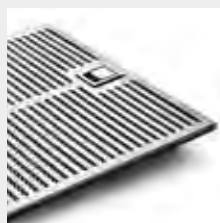
Let there be light.

High or low voltage spots create an attractive, bright, even illumination of your cooking area, with the added advantage of lasting longer than standard bulbs.



Fresh thinking.

Metal grease filters efficiently filter grease and other solid particles out of the extracted air. To make sure they operate at maximum efficiency, they should be cleaned around twice a month by hand or in the dishwasher.



Designer looks.

The filter is concealed behind a stylish **brushed steel cover** with a brushed steel handle to hide grease build up, for a really sleek finish.

A cooker hood design for every kitchen.

With a wide variety of sizes, types and finishes to choose from, it's easy to find the right cooker hood to perfectly match your kitchen.



Model shown is DWB06W452B/DWW06W450B.



Island.

A stylish choice designed to perfectly complement an island hob installation.



Box style.

Chimney hoods in a box design are available in slim or super-slim versions. Included in the range are models with beveled lower edges for a really super-slim appearance.



Angled.

The angled design doesn't restrict headroom.



Curved glass.

Metal and glass for a contemporary look, curved to give smooth lines.



Flat glass.

A linear design in contemporary materials for a stylish kitchen.



Pyramid.

Impress with classic lines and gently inclined contours.



Canopy.

Designed to be fully integrated in cabinets/chimneys and is therefore never seen.



Telescopic.

Extends when in use and slides neatly away when not in operation.



Integrated.

Pull out when in use and close to neatly conceal when not in operation.



Conventional.

Mounted under cabinets and always visible, allowing you to keep your storage space.

Selecting the right hood for your kitchen.

If you love cooking at home, you'll know that an effective extraction method is needed to help get rid of moisture and remove odours, so that your kitchen and other areas of the home remain pleasant, relaxing environments. The short guide below takes you through the key factors you should consider when purchasing any new cooker hood. To help you choose the right hood for your home **Karl, the Bosch Engineer** has answered some of your most frequently asked questions.

Q: What types of hoods do you offer?

A: All Bosch cooker hoods offer extraction and recirculation.

Extraction

Ducting out is the most effective method of extraction but means the hood needs to be set on an outside wall, or have access to one. Air is then ducted out through a small outlet of up to 150mm diameter.

Recirculation

If ducting out is not possible, the hood can be purchased with a recirculating kit accessory. This works by extracting odours and grease and then returning purified air to the room. By using both charcoal and grease filters, recirculation is still an effective method of removing odours and moisture.

Q: What type of controls are available?

A: We have a wide range of controls available, including touch controls, rocker switches and push buttons. You should have no trouble matching the buttons and fascia of your preferred cooker hood to the rest of your kitchen.

Q: What type of filters can I choose and how often do I need to clean them?

A: We have three main types of filter:

Metal grease filters

Metal grease filters efficiently remove grease and other solid particles out of the air. Like most of our filters, they need to be cleaned about twice a month to keep them operating effectively.

Brushed steel filters

We also have standard metal filters which are located behind a stylish brushed steel cover. This hides grease and keeps the finish of the hood sleek.

Telescopic hoods have an indicator light that comes on when the filters need to be cleaned. If you have a hood that uses recirculating, the charcoal filters will need to be replaced from time to time.

Q: Do I need to think about lighting?

A: Yes. Not only will good lighting on the hood help illuminate the cooking area, it can also enhance the overall lighting of the kitchen to create a range of moods. You can choose models with LED strip lighting or low energy halogen lights. Some models also have dimmer switches that provide greater control on light levels, such as bright for when you're working in the kitchen and softer lighting to create a more relaxed mood for meal times.



Built with a sixth sense for saving.

Our most energy efficient hood ever. The brushless friction-free motor and energy saving LED lights reduce energy consumption by 82% compared to a similar five-year-old model, without compromising results.*



Exxcel Island hood DIB091U51B



Key features

- Electronic control
- Electronic power level display
- Grease and charcoal filter saturation indicators
- EcoSensor
- Designed for ceiling mounted installation
- Height adjustable chimney sections
- Soft touch button control for extractor speeds and light
- 3 power levels and 2 intensive settings
- Automatic intensive revert
- LED lights
- Softlight dimmer function
- Fluorescent mood lighting
- Additional noise reduction insulation
- 3 removable metal grease filter cassettes



*Same power setting, same extraction rate, halogen lights.



Our hoods deliver maximum performance whilst using minimal energy.

Energy saving. Thinking inside the box.

Our EcoSilence Drive brushless friction-free motor and energy saving LED lights reduce energy consumption by up to 80% compared to a similar five-year-old model, without compromising results.*

In this light, even your electricity bill looks good.

Energy efficient **LED lighting** can be adjusted for bright illumination to work under, or lower illumination for ambient mood lighting in the kitchen. High-efficiency LED lights make both your kitchen and energy bill look good – especially over the hood's lifetime with a 40-year service life.

Controls you can be confident with.

Immediately select the function you want with our different touch controls, rocker switches and push buttons. Even our basic electronic controls offer helpful features for efficient handling.

*Same power setting, same extraction rate, halogen lights.

At a glance | Hoods.



Exxxel island chimney hood with glass canopy DIA098E50B



Key Features

- Electronic control
- Soft touch button control
- Designed for ceiling mounted installation
- 4 x 20W low energy halogen lights
- 2 removable metal grease filter cassettes *for easy cleaning*
- Suitable for ducted or recirculating operation



Exxxel island chimney hood DIB091U51B



Key Features

- Electronic control
- Soft touch button control
- Designed for ceiling mounted installation
- 3 power levels and 2 intensive settings
- LED lights
- Additional noise reduction insulation
- 3 removable metal grease filter cassettes *for easy cleaning*
- Suitable for ducted or recirculating operation



Exxxel angled chimney hood DWK098E51B



Key Features

- Electronic control
- Soft touch button control
- Designed for ceiling mounted installation
- 3 power levels and 2 intensive settings
- LED lights
- Softlight dimmer function
- 2 removable metal grease filter cassettes *for easy cleaning*
- Suitable for ducted or recirculating operation



Exxxel glass hood DWA097E51B



Key Features

- Electronic control
- Soft touch button control
- Designed for wall mounted installation
- 3 power levels and 2 intensive settings
- LED lights
- 1 removable metal grease filter cassette *for easy cleaning*
- Suitable for ducted or recirculating operation



Exxxel glass hood DWA067E51B



Key Features

- Electronic control
- Soft touch button control
- Designed for wall mounted installation
- 3 power levels and 2 intensive settings
- LED lights
- 1 removable metal grease filter cassette *for easy cleaning*
- Suitable for ducted or recirculating operation



Exxxel glass hood DWA078E50B



Key Features

- Electronic control
- Soft touch button control
- Designed for wall mounted installation
- 3 power levels and 2 intensive settings
- LED lights
- 1 removable metal grease filter cassette *for easy cleaning*
- Suitable for ducted or recirculating operation

Hoods.



Classixx glass hood
DWA094W51B



Key Features

- Rocker switch control
- Designed for wall mounted installation
- 3 power levels
- 2 x 20W halogen lights
- 1 removable metal grease filter cassette *for easy cleaning*
- Suitable for ducted or recirculating operation



Classixx glass hood
DWA064W51B



Key Features

- Rocker switch control
- Designed for wall mounted installation
- 3 power levels
- 2 x 20W halogen lights
- 1 removable metal grease filter cassette *for easy cleaning*
- Suitable for ducted or recirculating operation



Classixx glass hood
DWA094W50B



Key Features

- Rocker switch control
- Designed for wall mounted installation
- 3 power levels
- 2 x 20W halogen lights
- 1 removable metal grease filter cassette *for easy cleaning*
- Suitable for ducted or recirculating operation



Classixx glass hood
DWA074W50B



Key Features

- Rocker switch control
- Designed for wall mounted installation
- 3 power levels
- 2 x 20W halogen lights
- 1 removable metal grease filter cassette *for easy cleaning*
- Suitable for ducted or recirculating operation



Classixx glass hood
DWA06W450B



Key Features

- Rocker switch control
- Designed for wall mounted installation
- 3 power levels
- 2 x high volt halogen spot G9 20W
- 1 removable metal grease filter cassette *for easy cleaning*
- Suitable for ducted or recirculating operation



Exxxel box style hood
DWB098E51B



Key Features

- Soft touch button control
- Designed for wall mounted installation
- 3 power levels and 2 intensive settings
- LED lights
- 3 removable metal grease filter cassettes *for easy cleaning*
- Suitable for ducted or recirculating operation

Hoods.



Classixx box style hood
DWB097A50B



Key Features

- Soft touch button control
- Designed for wall mounted installation
- 3 power levels and intensive setting
- LED lights
- 3 removable metal grease filter cassettes *for easy cleaning*
- Suitable for ducted or recirculating operation



Classixx box style hood
DWB067A50B



Key Features

- Soft touch button control
- Designed for wall mounted installation
- 3 power levels and intensive setting
- LED lights
- 2 removable metal grease filter cassettes *for easy cleaning*
- Suitable for ducted or recirculating operation



Classixx chimney extractor hood
DWB09W452B



Key Features

- Rocker switch control
- Designed for wall mounted installation
- 3 power levels
- 2 x 28W lights
- 3 removable metal grease filter cassettes *for easy cleaning*
- Suitable for ducted or recirculating operation



Classixx chimney extractor hood
DWB06W452B



Key Features

- Rocker switch control
- Designed for wall mounted installation
- 3 power levels
- 2 x 28W lights
- 2 removable metal grease filter cassettes *for easy cleaning*
- Suitable for ducted or recirculating operation



Classixx box style hood
DWB094W50B



Key Features

- Rocker switch control
- Designed for wall mounted installation
- 3 power levels
- 2 x 20W
- 3 removable metal grease filter cassettes *for easy cleaning*
- Suitable for ducted or recirculating operation



Classixx box style hood
DWB074W50B



Key Features

- Rocker switch control
- Designed for wall mounted installation
- 3 power levels
- 2 x 20W
- 2 removable metal grease filter cassettes *for easy cleaning*
- Suitable for ducted or recirculating operation

Hoods.



Classixx box style hood
DWB064W50B



Key Features

- Rocker switch control
- Designed for wall mounted installation
- 3 power levels
- 2 x halogen lights
- 2 removable metal grease filter cassettes *for easy cleaning*
- Suitable for ducted or recirculating operation



Classixx box style hood
DWW097A50B



Key Features

- Soft touch button control
- Designed for wall mounted installation
- 3 power levels and 2 intensive settings
- LED lights
- 3 removable metal grease filter cassettes *for easy cleaning*
- Suitable for ducted or recirculating operation



Classixx chimney extractor hood
DWW077A50B



Key Features

- Soft touch button control
- Designed for wall mounted installation
- 3 power levels and intensive setting
- LED lights
- 2 removable metal grease filter cassettes *for easy cleaning*
- Suitable for ducted or recirculating operation



Classixx chimney extractor hood
DWW067A50B



Key Features

- Soft touch button control
- Designed for wall mounted installation
- 3 power levels and intensive setting
- 2 x 25W halogen lights
- 2 removable metal grease filter cassettes *for easy cleaning*
- Suitable for ducted or recirculating operation



Classixx pyramid chimney hood
DWW09W460B



Key Features

- Rocker switch control
- Designed for wall mounted installation
- 3 power levels
- 2 x 40W lights
- 3 removable metal grease filter cassettes *for easy cleaning*
- Suitable for ducted or recirculating operation



Classixx pyramid chimney hood
DWW09W450B



Key Features

- Rocker switch control
- Designed for wall mounted installation
- 3 power levels
- 2 x 40W lights
- 3 removable metal grease filter cassettes *for easy cleaning*
- Suitable for ducted or recirculating operation

Hoods.



**Classixx pyramid chimney hood
DWW07W450B**



Key Features

- Rocker switch control
- Designed for wall mounted installation
- 3 power levels
- 2 x 28W lights
- 2 removable metal grease filter cassettes *for easy cleaning*
- Suitable for ducted or recirculating operation



**Classixx pyramid chimney hood
DWW06W460B**



Key Features

- Rocker switch control
- Designed for wall mounted installation
- 3 power levels
- 2 x 28W lights
- 2 removable metal grease filter cassettes *for easy cleaning*
- Suitable for ducted or recirculating operation



**Classixx pyramid chimney hood
DWW06W450B**



Key Features

- Rocker switch control
- Designed for wall mounted installation
- 3 power levels
- 2 x 28W lights
- 2 removable metal grease filter cassettes *for easy cleaning*
- Suitable for ducted or recirculating operation



**Telescopic hood
DHI965VGB**



Key Features

- Electronic control
- Soft touch button control
- Grease and charcoal filter saturation indicator
- 3 power levels and intensive setting
- 3 x 20W low energy halogen lights
- Softlight dimmer function
- 2 removable metal grease filter cassettes *for easy cleaning*
- Suitable for ducted or recirculating operation



**Telescopic hood
DHI665VGB**



Key Features

- Electronic control
- Soft touch button control
- Grease and charcoal filter saturation indicator
- 3 power levels and intensive setting
- 2 x 20W low energy halogen lights
- Softlight dimmer function
- 2 removable metal grease filter cassettes *for easy cleaning*
- Suitable for ducted or recirculating operation



**Telescopic hood
DHI635HGB**



Key Features

- Rocker switch control
- 3 power levels
- 2 x 40W bulbs
- Double filter system
- 2 removable metal grease filter cassettes *for easy cleaning*
- Suitable for ducted or recirculating operation

Hoods.



**Integrated extractor hood
DHE645MGB**



Key Features

- Rocker switch control
- For installation between cupboards
- 3 power levels
- 2 x 40W bulbs
- 2 removable metal grease filter cassettes *for easy cleaning*
- Suitable for ducted or recirculating operation



**Integrated extractor hood
DHE635BGB**



Key Features

- Rocker switch control
- For installation between cupboards
- 3 power levels
- 1 x 40W bulbs
- Paper grease filter
- Suitable for ducted or recirculating operation



**Canopy hood
DHL545SGB**



Key Features

- Slider switch control
- For installation under an overhead canopy kitchen unit
- 3 power levels and intensive setting
- 2 x 20W low energy halogen lights
- 2 removable metal grease filter cassettes *for easy cleaning*
- Suitable for ducted or recirculating operation



**Canopy hood
DHL535BGB**



Key Features

- Rocker switch control
- For installation under an overhead canopy kitchen unit
- 2 power levels and intensive setting
- 2 x 40W bulbs
- Paper grease filter
- Suitable for ducted or recirculating operation



**Built-under conventional hood
DHU625MGB**



Key Features

- Push button control
- Designed for wall mounted installation or suspended beneath a reduced height wall cupboard
- 3 power levels
- 2 x 20W low energy halogen lights
- 2 removable metal grease filter cassettes *for easy cleaning*
- Suitable for ducted or recirculating operation



**Built-under conventional hood
DHU635PGB brushed steel
DHU632PGB white
DHU636PGB black**



Key Features

- Rocker switch control
- Designed for wall mounted installation or suspended beneath a reduced height wall cupboard
- 3 power levels
- 1 x 40W bulb
- Paper grease filter
- Suitable for ducted or recirculating operation

Home laundry.

Our range of built-in home laundry appliances now saves you even more water, energy and time. With clever new functions available across the range, it also means getting great cleaning results is even easier.

Logixx ●●●●●

Our premium range.

Cutting-edge design meets advanced technologies. Unique innovations combine with energy efficiency to deliver outstanding performance that also saves you time, water and money.

Exxcel ●●●●○

Our essential range.

Broad range of specialist programmes deliver high performance and effortless convenience to enhance your lifestyle.

Classixx ●●●●○

Our practical range.

Entry level models that combine practical features and Bosch build quality in a consistent, value for money package.

To view our full home laundry range, visit www.bosch-home.co.uk



Washing machines



Washer dryers



Home laundry

We take the chore out of laundry.

Because we care that our appliances are both as efficient as possible to protect the environment and as convenient as possible to make your life easier, a Bosch washer dryer can wash and dry almost double the amount of laundry per load (4kg) than a standard washer dryer (2.5kg).



Model shown is WIS28441GB.
Illustration only. Actual model may vary.

Why choose Bosch?

This means you can keep on top of the laundry basket, spend more time doing things you really love, and know that every time you put a washload on you're saving water and energy.

The Logixx washer dryer uses just 79 litres of water to wash and dry a 4kg load. A standard washer dryer uses 100 litres to wash and dry a 2.5kg load. This means you can get twice the laundry done and get on with the more exciting things in life whilst saving water.



Washed and dried to perfection.

Programme a wash and dry in one go. Thanks to advanced **sensor drying**, load the machine and you'll come back to perfectly dry clothes. Plus, the programme automatically turns off once the sensors detect the laundry is dry, so you'll save energy and minimise the risk of damage through over-heating.



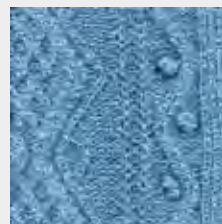
Give your laundry a boost.

When you need lightly soiled items more quickly, press the **Flexi Time** button once to reduce the wash time by 30% without compromising the cleaning performance. And for very lightly soiled items, pressing it twice speeds it up faster still.



Wash more, iron less.

On both washing machines and washer dryers, the **reduced ironing** function delivers a gentler tumble during the spin cycle. As a result, your clothes come out less creased, which makes ironing them a lot quicker and easier.



Hand wash in the machine.

The **woollens hand wash programme** is so gentle that even the most delicate laundry can now be conveniently washed in the machine. It has a soft wash action and a specialised reduced spin of just 27rpm so hand wash items keep their shape.

How do I choose the perfect washing machine?

You rely on your washing machine to keep pace with your family's laundry needs and to make sure your clothes always come out looking as good as the day you bought them, so it pays to spend a little time making sure you get the right one for your lifestyle. To help you choose the right washing machine for your home **Karl, the Bosch Engineer** has answered some of your most frequently asked questions.

Q: What size drum should I choose?

A: Machines with larger drums can take 7kg+ of washing. A typical 7kg load is made up of 35 men's shirts, or king size bed linen including 4 pillow cases. A 2kg load is typically made up of 10 men's shirts or the clothes you'd wear in a normal day. If you need to wash larger loads, consider a machine with at least a 7kg capacity.

Q: Can you save me time?

A: No-one wants to spend more time doing the laundry. And for the really time-pressed, we've created a 15 minute Super Quick 15 programme that still delivers perfect results.

Q: Do I need all of these programmes?

A: If you've invested a lot of money in your clothes or household linens, you can easily avoid destroying or damaging them by choosing the machine with the most programmes in your budget. Hand wash, delicates, silk, woollens, sports or other specialist programmes give the best possible care to specific items.

Q: What detergent gets the best results?

A: All detergents – when used with correct dosage – deliver good results. Powders and gels give more flexibility to get dosage levels correct, whereas tablets and liquitabs are more convenient. Liquids dissolve quickly and give good results at lower temperatures.

Q: Do I need to sort the laundry?

A: You should always sort your laundry by colour and care type and try washing similar colours and fabrics together. Spending a small amount of time sorting your laundry will ensure you get better washing results.

Q: How do I know which spin speed to choose?

A: Many machines allow you to change the speed of the spin on certain programmes. Higher spin speeds mean more moisture is spun out of the load and your clothes dry faster – handy if you need them in a hurry.

Q: How do I know it's exactly right for my home?

A: Whether you or your family members have allergies, play lots of sport, wear delicate clothing or have other specific needs, you can usually find a machine that can cope with whatever you throw at it. Most machines now come with a child lock on the door and control panel to protect them from wandering little fingers.



Never miss out on wearing your favourite outfit again.

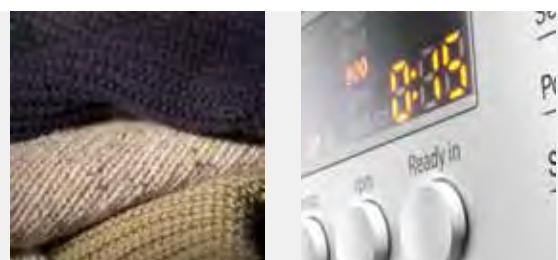
Everything that you need to take care of your family's laundry, from large capacity for large loads, to a range of programmes for different fabrics, and a quick 15 minute programme for when you need your washing quickly.



Logixx washing machine WIS28441GB



- | | |
|---------------------|--|
| Spin | - 1400rpm |
| Key features | - Super Quick 15
15 minute wash programme |
| | - 3D AquaSpa wash system
faster water penetration |
| | - Reduced Ironing
less creasing |
| | - Wool programme
gentle washing |
| | - Large LED display
stay in control |
| | - Time delay/Time remaining
flexible laundry |



Ideal for families and busy households, the large 7kg capacity means you can wash more laundry in one go.

Wash more laundry.

Ideal for families and busy households, the large 7kg capacity means you can wash more laundry in one go. A typical 7kg load could be made up of king size bed linen, including 4 pillow cases or 35 men's shirts. So whether you have lots of laundry that needs washing, or you prefer to do fewer loads but with larger amounts, large capacity will make laundry easier.

Easy to use.

The large **LED display** allows you to select programmes, add options easily and monitor you laundry's progress so you can stay in control of your laundry.

Extra convenience.

Time delay allows you to delay your washing so it's ready when you need it to be. You can keep adding to it throughout the day and run it at night – ideal for making the most of night time tariffs.



Load. Close. Press. The simplest way to clean and dry laundry.

The Logixx washer dryer uses just half the water consumption of a standard washer dryer, and washes and dries almost double the amount of laundry.

No more hanging around.

Intelligent sensor electronics take the guess work out of drying your laundry. **Autodry** monitors your laundry and switches the programme off once your laundry is dry. You can programme a wash and dry in one go and come back to perfectly washed and dried laundry.

Save time.

Super Quick 15 turns around a full wash in just 15 minutes. Designed for a lightly soiled 2kg load (that's roughly one outfit or 10 men's shirts), this cycle packs in a wash, two rinse cycles and improved rinse spinning making it one of the shortest complete wash programmes of any machine on the market.

At your command.

The simple but effective **time delay** allows you to delay your laundry so it is washed and dried for when you want it. Ideal for taking advantage of cheaper energy tariffs.

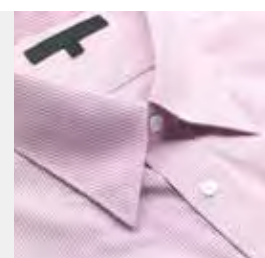
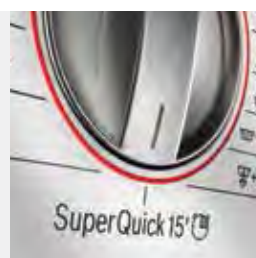


Logixx washer dryer WKD28540GB



Spin Key features

- 1400rpm
- Super Quick 15
15 minute wash programme
- Flexi Time
reduce wash times
- Reduced Ironing
less creasing
- Wool
gentle washing
- Time delay/Time remaining
flexible laundry



At a glance | Built-in home laundry.



Logixx washing machine WIS28441GB



Key Features

- 1400rpm
- Super Quick 15
15 minute wash programme
- AquaPlus
better rinsing
- Reduced Ironing
less creasing
- Wool
gentle washing
- Large LED display
stay in control

Logixx washing machine WIS24141GB



Key Features

- 1200rpm
- Super Quick 15
15 minute wash programme
- Reduced Ironing
less creasing
- Wool
gentle washing

Logixx washer dryer WKD28540GB



Key Features

- 1400rpm
- Super Quick 15
15 minute wash programme
- Flexi Time
reduce wash times
- Reduced Ironing
less creasing
- Wool
gentle washing
- Time delay/time remaining
flexible laundry



Exxcel automatic washer dryer WKD28350GB



Key Features

- 1400rpm
- Wool
gentle washing
- Time delay/time remaining
flexible laundry

Dishwashers.

Save more time, energy and water than ever before.

Logixx ●●●●●

Our premium range.

Cutting-edge design meets advanced technologies. Exceptionally quiet with additional storage flexibility and versatile programming. Delivers optimum cleaning performance that is both energy and water efficient.

Exxcel ●●●●○

Our essential range.

Advanced technology with energy and water saving features ensure you save time, money and resources.

Classixx ●●●○○

Our practical range.

Entry level models that combine practical features and Bosch build quality in a consistent, value for money package.

To view our full dishwasher range, visit www.bosch-home.co.uk



Semi-integrated dishwashers



Fully-integrated dishwashers



Slimline dishwashers



Why choose Bosch?



Whisper quiet washing.

Bosch dishwashers are amongst the quietest in the world. With revolutionary **EcoSilence Drive™** there are dishwashers in the range at 41 decibels*. That's even quieter than a bee and less intrusive. So you can relax whilst your dishwasher quietly does all the hard work.



Power where you need it.

The **Intensive Zone** option delivers an intensive wash to items on the bottom basket, whilst the top basket carries on as normal. Perfect for cleaning dirty pots or pans with tough, burnt on stains in the same load as delicate items.



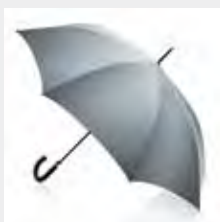
Do things by half.

Get hygienically clean dishes in half the time with **VarioSpeed**. When you need things a little quicker, selecting VarioSpeed will cut every programme time in half (except quick wash 45°C) and still deliver brilliantly clean results.



Take it to the top.

Create extra space for larger items by washing all cutlery, utensils and small dishes in the unique **VarioDrawer Plus** – a third storage level at the top of the dishwasher.



10-year anti-rust warranty

Our appliances are made from top quality materials and in addition to our standard appliance warranty, we provide a **free of charge warranty** against rusting-through of the dishwasher's inner cavity.



*41dB (re 1pW). SMI69T25GB and SMV69T30GB operate at 41 decibels in the standard Economy 50°C programme.

Save water every load.

It takes just 6 litres* of water for our AquaStar dishwashers to clean 13 place settings for a three-course meal**. That's less water than it takes to fill a kitchen sink.

Our AquaStar 6L technology is available on all three of our Exxcel dishwashers and as well as saving water, with their A++ rating for energy efficiency they can save you money on your energy bills too.



- * 6 litre water consumption on standard Economy 50°C programme.
- ** Three-course meal as defined by dinner, soup and dessert plate, cup and saucer, glass, knife, fork, soup, tea and dessert spoons for each place setting as well as 1 serving plate, 2 serving bowls, 2 serving spoons, 1 serving fork and 1 sauce spoon.

How do I choose the right dishwasher for me?

Dishwashers save you the chore of washing-up by hand, and also help keep your kitchen looking cleaner and clutter free. We have two different sizes of built-in dishwashers you can choose from: standard or slimline. The slimline 45cm dishwasher is capable of washing a surprisingly large number of dishes using a wide range of programmes. To help you choose the right dishwasher for your home **Karl, the Bosch Engineer** has answered some of your most frequently asked questions.

Q: Which is the best cleaning method – by hand or in a dishwasher?

A: Tap water used for hand washing is generally not a very high temperature, and washing up liquid is relatively mild because both come into contact with your skin. Dishwashers, on the other hand, heat water up to over 70°C which is more effective at removing bacteria, and dishwasher detergent contains different ingredients that target stains and food residues. Some of our dishwashers also have a Hygiene option, which uses a longer, hotter, final rinse for chopping and cooking utensils. In short, you'll get better results with less effort from a dishwasher than from handwashing.

Q: How much space do I need for a dishwasher?

A: Our range of slimline dishwashers are the same height and depth as full size models, but at 45cm across are just two-thirds of the width and perfect for slotting into narrow spaces. A slimline dishwasher will hold either 9 or 10 place settings. The full size models are 60cm in width and can hold 12, 13 or 14 place settings.

Q: Which size is best for me?

A: If you use a lot of dishes, for example if you have a large family or you regularly cook and entertain at home, you should consider a full size dishwasher as these can easily hold up to 13 or 14 three-course dinner place settings. Their flexible settings also allow you to use them for larger pots and pans, as well as delicate items such as glassware.

If you live on your own, or in a smaller household with limited space, then a slimline model might cope with all your dishwashing needs.

Q: Will the dishwasher be able to replace the 'elbow grease' sometimes required to hand wash?

A: Yes – your Bosch dishwasher has a range of programmes to make sure all your dishes come out brilliantly clean. For example, you can safely put delicate glassware at the top of the dishwasher and dirty pans at the bottom. The pans get an intensive clean and the glasses a gentler one with our Intensive zone programme. The programmes, which are explained in a little more detail on page 58, can also sense automatically how dirty the load is and adapt the wash accordingly.



Q: Do I need to stack the dishwasher in a certain way to get the best results?

A: To get the best results, we recommend larger dishes and tall items go in the bottom rack, with their dirty surfaces facing the centre and any openings facing down. The top rack should be reserved for smaller items, such as cups or glasses, or those that are less dirty. The top basket can be adjusted when fully loaded to create extra space if needed for taller or bigger items in the bottom rack. The racks that keep plates securely in place can also be folded down so you can get larger items or pans cleaned more easily. If you have a dishwasher with a VarioDrawer, then you can put all the cutlery in there, including large utensils and wide handled items. This gives these items a better wash and frees up space in the bottom basket as no cutlery basket is required.

Q: What's the difference between semi integrated and fully integrated?

A: Fully integrated dishwashers – either slimline or full size – are completely hidden behind the door for a seamless built-in look. Therefore you have to open the door to access the dishwasher controls. Semi integrated dishwashers are only available in full size models and have the control panel on display. This is a feature some people prefer as it means you don't have to open the cabinet to switch it on or select a programme.

Q: Will I have to wait for ages for the dishwasher to finish every time?

A: No. By activating the VarioSpeed and VarioSpeed Plus options, you can significantly reduce running times. Using this feature, our Logixx models will wash and dry a full load in just over an hour. Our Quick Wash 45 programme will wash a light load in just over half an hour.

Bosch recommend Finish.

Bosch have tested and recommend using Finish dishwashing products. For an amazing shine and clean on all your dishes and cookware, Bosch recommend new Finish Quantum with PowerGel.



Clean 13 full place settings in just 6 litres of water.

Our dishwashers can clean a full load of dishes with just 6 litres of water (that wouldn't even fill a kitchen sink). That's a starter, main and dessert for 13 people* cleaned perfectly.



Classixx dishwasher SMI53E05GB



Key features

- VarioFlex baskets
flexible loading
- 5 programmes
a wash for every load
- VarioSpeed
faster wash times



*Three-course meal as defined by dinner, soup and dessert plate, cup and saucer, glass, knife, fork, soup, tea and dessert spoons for each place setting as well as 1 serving plate, 2 serving bowls, 2 serving spoons, 1 serving fork and 1 sauce spoon.



When you need the dishes sooner.

VarioSpeed cuts programme time in half. This option is available on most wash programmes (except quick wash 45°) and still delivers the same great results. With this option, the Economy 50°C programme takes just over an hour and a half.

Easy loading.

Larger baskets and foldable racks make it easy to fit more in and to load everything securely. The **3-stage Rackmatic™ system** in the basket means you can move the basket up even when it's full to make it easier to add taller items in the bottom basket.

2 washes in 1.

Delivering an intensive 70°C wash on the bottom basket whilst the top basket carries on as normal. Selecting the **Intensive zone option** will clean baked-on pots and pans in the bottom basket, and delicate glasses and dishes in the top basket at the same time. There's no need to wash two loads or slip on the rubber gloves and wash the rest of the dishes up by hand.



At a glance | Built-in dishwashers.



Logixx 60cm semi integrated dishwasher
SMI69T25UK brushed steel



Key Features

- 6 programmes
a wash for every load
- EcoSilence drive™
only 41 decibels
- Stainless steel Piezo touch control
- VarioFlexPlus baskets
flexible loading

Exxcel 60cm semi integrated dishwasher
SMI53E05GB brushed steel



Key Features

- 5 programmes
a wash for every load
- VarioSpeed
faster wash times
- VarioFlex basket
flexible loading

Classixx 60cm semi integrated dishwasher
SMI50C05GB brushed steel
SMI50C06GB black
SMI50C02GB white



Key Features

- 5 programmes
a wash for every load
- VarioSpeed
faster wash times
- Vario basket
flexible loading



Logixx 60cm fully integrated dishwasher
SMV69T30UK black



Key Features

- 6 programmes
a wash for every load
- VarioDrawerPlus
- VarioFlexPlus baskets
flexible loading

Exxcel 60cm fully integrated dishwasher
SMV65E00GB brushed steel



Key Features

- 6 programmes
a wash for every load
- VarioSpeed
faster wash times
- VarioFlexPlus baskets
flexible loading

Exxcel 60cm fully integrated dishwasher
SBV65E00GB brushed steel



Key Features

- 6 programmes
a wash for every load
- VarioSpeed
faster wash times
- VarioFlexPlus baskets
flexible loading

Built-in dishwashers.



Classixx 60cm fully integrated dishwasher
SMV53A00GB silver



Key Features

- 5 programmes
a wash for every load
- VarioSpeed
faster wash times
- VarioFlex basket
flexible loading



Classixx 60cm fully integrated dishwasher
SMV50C00GB black



Key Features

- 5 programmes
a wash for every load
- Vario baskets
flexible loading



Logixx 45cm fully integrated dishwasher
SPV68L00GB silver



Key Features

- 6 programmes
a wash for every load
- VarioSpeed
faster wash times
- VarioFlex basket
flexible loading



Classixx 45cm fully integrated dishwasher
SPV40C00GB black



Key Features

- 4 programmes
a wash for every load
- VarioSpeed
faster wash times
- Vario baskets
flexible loading

Refrigeration.

Save more, waste less. Our new range of fridge freezers save you money thanks to their energy efficiency ratings. They are also packed with innovative technology to keep your food fresher for longer, so you'll throw out less and save on your weekly shopping bill too. Use our buyer's guide on page 88 to find the right one for you.

Logixx ●●●●●

Our premium range.

Cutting-edge design meets advanced technologies. All Logixx models are packed with energy efficient and labour saving features that save valuable time, effort and money – perfect for modern, busy households.

Exxcel ●●●●○

Our essential range.

The Exxcel range combines energy efficient performance with convenient storage and superior food preservation.

Classixx ●●●●○

Our practical range.

Entry level models that combine practical features and Bosch build quality.

To view our full refrigeration range, visit www.bosch-home.co.uk



Fridges



Freezers



Fridge freezers



Built-in fridges



Built-in freezers



Under counter fridges



Under counter freezers



Why choose Bosch?



Another job off the list.

Never worry about having to defrost the freezer again. The **NoFrost** system prevents the build up of ice by automatically initiating the defrost operation as required. This also helps to maintain the appliance's energy efficiency.



Fresher for up to twice as long.

To keep fruit and vegetables fresher for longer, you need to store them at both the right temperature and humidity levels. The **HydroFresh™** drawer allows you to adjust and set exactly the right humidity level for the fruit and vegetables you have, so they stay fresher for up to twice as long.



Extra safe storage at the touch of a button.

Activating the **SuperFreeze** function before you go shopping lowers the temperature for a short period, so anything new put in the freezer is frozen quickly. **SuperCool** on your fridge performs a similar task, keeping everything at the right storage temperature.



Quietly does it.

As there could be many small, and larger, hands opening and shutting the fridge door, it's nice to know that we've integrated **SoftClosing** doors in many models. Smooth, controlled closing and no slamming means there's one less bang, crash or wallop to worry about at home. Plus the door cannot be left open inadvertently.



Keep cool when the electric bill arrives.

365 days a year, 24 hours a day fridges and freezers are always on. In fact, they make up for around 17% of the electricity used in the home, or even more if it's a particularly old model.*

That's why we design our fridges and freezers to be as energy efficient as possible, and we're proud to be able to offer so many energy efficient fridges and freezers right across our range.

It might seem odd to replace something that isn't broken but you may actually save by upgrading your fridge and freezer. Our A++ energy rated fridge freezers, which are available from our Exxcel range, cost as little as £35** per year in electricity.



* Source: www.sust-it.net.

** Based on KIS87AF30G using 226kWh as stated on the EU energy certificate at £0.154 per kWh.

Finding the right fridge freezer for me.

Making the right choice of fridge freezer is crucial as it is going to be the most important, and most used, appliance in your kitchen. As well as available space, you also need to make sure the appliance fits in with the way you will feed yourself, family and friends. To help you choose the right fridge freezer for your home **Karl, the Bosch Engineer** has answered some of your most frequently asked questions.

Q. What's the first thing I should consider?

A. The first thing to consider is: do you want more space in either your fridge or freezer? Built-in fridge freezers can offer various options, from a 50/50 split to the larger fridge, or a smaller freezer option with a 70/30 split. If you are replacing a fridge freezer additionally, it is important to measure the cabinet and door sizes to ensure they will fit your new fridge freezer. Ventilation is very important as a properly ventilated machine will be more energy efficient.

Q. There are lots of different models with different capacities.

How do I know which is the right one for me?

A. If you live on your own, in a small household or tend to eat out more than at home, then a built-in fridge with an ice box might be sufficient. If you buy a lot of frozen food products, or regularly cook and freeze a large amount of homemade food, then it probably won't be enough. Separate, taller appliances provide the most capacity, though a tall fridge freezer has the benefit of having as much capacity as two separate smaller models and is more energy efficient. If you live in a large household, you are likely to undertake a large weekly shop. Therefore you may need a large capacity model, such as an American-style fridge freezer.

Q. What do all the functions mean – surely one fridge freezer is pretty much the same as another?

A. Whilst they may all look the same, there are little changes inside – and those changes can make a big difference. A large part of any household budget is spent on the weekly food shop – so it's important that your food and drink is stored in optimum conditions to reduce the cost and frustration of having to throw things out unused. That's why we've developed specialist drawers like CrisperBox (for fruit and vegetables) and ChillerBox (for meat and fish) to keep food fresher for longer.

Q. Do I need all these fancy extras?

A. We don't design things to be fancy extras – we put them there because they make life easier. For example, SoftClosing Doors ensure that whoever closes the fridge, does so gently and quietly. By developing NoFrost technology, we save you the time and chore of defrosting the freezer. With no frost in the interior, we ensure the peak energy efficiency of the appliance is maintained, saving money on your bills too.

Q. Should I pay much attention to energy efficiency ratings?

A. Yes. Whichever model you choose, it will be on all day, every day and will be constantly using electricity that you will be billed for. Our A++ fridge freezers cost as little as £35 a year in electricity charges.



Save time with flexible storage. And save money too.

Put away the weekly shop more easily, and get what you need faster too, thanks to height adjustable shelves and fully extendible drawers. And because this fridge freezer is rated A++ for energy efficiency, you'll save money as well as time.



Logixx fridge freezer KIN86AD30G



Key features

- HydroFresh drawer™
 fresher fruit and vegetables
- SuperFreeze
 faster freezing
- SuperCooling
 faster cooling
- Electronic temperature control
 precise temperature control
- LED light
 perfect illumination
- SoftClose door
 smooth controlled door closure



Gently does it.

The soft controlled closure of the door adds the finishing touch to this fridge freezer and keeps items secure in the door when it's closing. Also, the door cannot be inadvertently left open.

No more defrosting.

By preventing ice formation, **NoFrost** ensures the freezer will never need to be defrosted again. Not only does that save you time, but it saves energy because there's no ice build-up insulating the inside of the freezer, which makes it work harder.

Double the freshness.

The **HydroFresh vegetable drawer™** features a humidity controller which allows you to lock in moisture. This preserves vitamins and flavour in fruit and vegetables so they last up to twice as long. You save time by making fewer shopping trips, and as food lasts longer it's less likely to be thrown away.



Save money 24-7 and save on trips to the shops too.

Costing less than £1.50 per month* in electricity to run, this A++ fridge saves energy. It has lots of space, and the height adjustable shelves and fully extendible drawers make it easy to put the shopping away.



Logixx fridge KIR81AF30G



Key features

- Electronic LED display
- Freshsense – intelligent sensor technology
precise temperature control
- HydroFresh – humidity controlled salad container
keep fruit and vegetables fresh

*Based on KIR81AF30G using 116kWh as stated on the EU energy certificate at £0.154 per kWh.



Soft closing door.

The fridge door closes quietly, gently and safely, so items stay securely fastened in the door, helping to make things a little calmer in a busy kitchen. The controlled closure prevents the door from ever being left open.

Fresher fruit and vegetables.

The two vegetable drawers have rippled bases to allow air to circulate, keeping fruit and vegetables as fresh as the day you bought them for longer.

Easier access.

It's even easier to reach right to the back of the drawer because the telescopic rails allow the drawer to come all the way out.



Cooling technology where the money savings stack up.

Costing less than £4 per month* in electricity to run, this A+ freezer is high in space but low in running costs.



Logixx freezer GIN38A55GB



Key features

- SuperFreeze
faster freezing
- Electronic temperature control
precise temperature control
- BigBox
perfect for storing bulky items
- LED light
perfect illumination
- SoftClose door
smooth controlled door closure



*Based on GIN38A55GB using 311kWh as stated on the EU energy certificate at £0.154 per kWh.

More space.

Extra spacious with 5 drawers and 2 compartments, you will find it easy to fit everything in – perfect for busy households. The extra large **BigBox** is big enough for the Christmas turkey and any other large bulky items.

No more defrosting.

NoFrost technology prevents ice building up, ensuring the freezer will never need to be defrosted again. This saves you time and saves energy, because there's no ice inside the freezer making it work harder.

Soft closing door.

The freezer door closes quietly and gently, helping to make things a little calmer in a busy kitchen. No more incidences of the freezer door being left open.



At a glance | Built-in refrigeration.



Logixx fridge freezer KIN86AD30G



Key Features

- SoftClose door
smooth controlled door closure
- HydroFresh drawer™
 fresher fruit & vegetables
- SuperFreeze
faster freezing
- Bright interior LED fridge light
- Dimensions (H x W x D):
177.2 x 55.8 x 54.5cm
- Niche dimensions (H x W x D):
177.5 x 56 x 55cm

Logixx built-in fridge-freezer KIN85AF30G



Key Features

- HydroFresh drawer™
 fresher fruit & vegetables
- SuperFreeze
faster freezing
- Bright interior LED fridge light
- Dimensions (H x W x D):
177.2 x 55.8 x 54.5cm
- Niche dimensions (H x W x D):
177.5 x 56 x 55cm

Exccel built-in fridge-freezer KIS87AF30G



Key Features

- HydroFresh drawer™
 fresher fruit & vegetables
- SuperFreeze
faster freezing
- Bright interior LED fridge light
- Dimensions (H x W x D):
177.2 x 55.8 x 54.5cm
- Niche dimensions (H x W x D):
177.5 x 56 x 55cm



Exccel built-in fridge-freezer KIS86AF30G



Key Features

- HydroFresh drawer™
 fresher fruit & vegetables
- SuperFreeze
faster freezing
- Bright interior LED fridge light
- Dimensions (H x W x D):
177.2 x 55.8 x 54.5cm
- Niche dimensions (H x W x D):
177.5 x 56 x 55cm

Classixx built-in fridge-freezer KIV38A51GB



Key Features

- LED electronic control
Vegetable box
keep fruit & vegetables fresh
- Dimensions (H x W x D):
177.2 x 54.1 x 54.5cm
- Niche dimensions (H x W x D):
177.5 x 56.2 x 55cm

Classixx built-in fridge-freezer KIV32A50GB



Key Features

- LED electronic control
Vegetable box
keep fruit & vegetables fresh
- Dimensions (H x W x D):
177.2 x 54.1 x 54.5cm
- Niche dimensions (H x W x D):
177.5 x 56.2 x 55cm

Built-in refrigeration.



Classixx built-in fridge-freezer
KIV32X22GB



Key Features

- LED electronic control
- Vegetable box
keep fruit & vegetables fresh
- Dimensions (H x W x D):
177.2 x 54.1 x 54.5cm
- Niche dimensions (H x W x D):
177.5 x 56.2 x 55cm



Classixx built-in fridge-freezer
KIV38X22GB



Key Features

- LED electronic control
- Vegetable box
keep fruit & vegetables fresh
- Dimensions (H x W x D):
177.2 x 54.1 x 54.5cm
- Niche dimensions (H x W x D):
177.5 x 56.2 x 55cm



Logixx built-in fridge
KIR81AF30G



Key Features

- LED electronic control
- Vegetable boxes
keep fruit & vegetables fresh
- Dimensions (H x W x D):
177.2 x 55.8 x 54.5cm
- Niche dimensions (H x W x D):
177.5 x 56 x 55cm



Logixx built-in tall freezer
GIN38A55GB



Key Features

- SoftClose door
smooth controlled door closure
- LED electronic control
- Bright interior LED freezer light
- Dimensions (H x W x D):
177.2 x 55.6 x 54.5cm
- Niche dimensions (H x W x D):
177.5 x 56 x 55cm



Exxcel built-in fridge with ice box
KIL82AF30G



Key Features

- LED electronic control
- Vegetable boxes
keep fruit & vegetables fresh
- Dimensions (H x W x D):
177.2 x 55.8 x 54.5cm
- Niche dimensions (H x W x D):
177.5 x 56 x 55cm



Exxcel built-in fridge with ice box
KIL72AF30G fully integrated



Key Features

- HydroFresh drawer™
 fresher fruit & vegetables
- SuperFreeze
faster freezing
- Bright interior LED fridge light
- Dimensions (H x W x D):
157.7 x 55.8 x 54.5cm
- Niche dimensions (H x W x D):
158 x 56 x 55cm

Built-in refrigeration.



Logixx built-in fridge with ice box KIL42AD40G fully integrated

Key Features

- HydroFresh drawer™
 fresher fruit & vegetables
- Bright interior LED fridge light
- Dimensions (H x W x D):
122.1 x 55.8 x 54.5cm
- Niche dimensions (H x W x D):
122.5 x 56 x 55cm



Exxxel built-in fridge KIR41AF30G

Energy A++ 33 dB

Key Features

- LED electronic control
- Vegetable box
 keep fruit & vegetables fresh
- Dimensions (H x W x D):
122.1 x 55.8 x 54.5cm
- Niche dimensions (H x W x D):
122.5 x 56 x 55cm



Exxxel built-in fridge with ice box KIL42AF30G

Energy A++ 37 dB

Key Features

- LED electronic control
- Vegetable box
 keep fruit & vegetables fresh
- Dimensions (H x W x D):
122.1 x 55.8 x 54.5cm
- Niche dimensions (H x W x D):
122.5 x 56 x 55cm



Exxxel built-in fridge KIR31AF30G

Energy A++ 33 dB

Key Features

- HydroFresh drawer™
 fresher fruit & vegetables
- Bright interior LED fridge light
- Dimensions (H x W x D):
102.1 x 55.8 x 54.5cm
- Niche dimensions (H x W x D):
102.5 x 56 x 55cm



Exxxel built-in fridge with ice box KIL32AF30G fully integrated

Energy A++ 37 dB

Key Features

- HydroFresh drawer™
 fresher fruit & vegetables
- Bright interior LED fridge light
- Dimensions (H x W x D):
102.1 x 55.8 x 54.5cm
- Niche dimensions (H x W x D):
102.5 x 56 x 55cm



Classixx built-in fridge KIR24V20GB

Energy A* 34 dB

Key Features

- Right hinged door, door reversible
- Vegetable box
 keep fruit & vegetables fresh
- Dimensions (H x W x D):
122.1 x 54.1 x 54.2cm
- Niche dimensions (H x W x D):
122.5 x 56 x 55cm

Built-in refrigeration.



Exxxel built-in fridge
KIR21AF30G



Key Features

- LED electronic control
- Vegetable box
keep fruit & vegetables fresh
- Dimensions (H x W x D):
87.4 x 55.8 x 54.5cm
- Niche dimensions (H x W x D):
88 x 56 x 55cm



Exxxel built-in freezer
GID18A50GB



Key Features

- Right hinged door, door reversible
- SuperFreeze
faster freezing
- Dimensions (H x W x D):
87.4 x 54.1 x 54.2cm
- Niche dimensions (H x W x D):
88 x 56 x 55cm



Exxxel built-in fridge
KUL15A60GB



Key Features

- Day light
bright interior fridge light (1 x 25W)
- Vegetable box
keep fruit & vegetables fresh
- Dimensions (H x W x D):
82 x 59.8 x 54.8cm
- Niche dimensions (H x W x D):
82 x 60 x 55cm



Classixx built-in fridge
KIR18V20GB



Key Features

- Right hinged door, door reversible
- Vegetable box
keep fruit & vegetables fresh
- Dimensions (H x W x D):
87.4 x 54.1 x 54.2cm
- Niche dimensions (H x W x D):
88 x 56 x 55cm

Built-in refrigeration.



Classix built-in freezer
GID18A20GB



Key Features

- Right hinged door, door reversible
- SuperFreeze
faster freezing
- Dimensions (H x W x D):
87.4 x 54.1 x 54.2cm
- Niche dimensions (H x W x D):
88 x 56 x 55cm



Exxcel built under fridge
KUR15A50GB



Key Features

- Day light
bright interior fridge light
- Vegetable box
keep fruit & vegetables fresh
- Dimensions
(H x W x D): 82 x 59.8 x 54.8cm
- Niche dimensions
(H x W x D): 82 x 60 x 55cm



Exxcel built under freezer
GUD15A50GB



Key Features

- Right hinged door, door reversible
- SuperFreeze
faster freezing
- Dimensions
(H x W x D): 82 x 59.8 x 54.8cm
- Niche dimensions
(H x W x D): 82 x 60 x 55cm

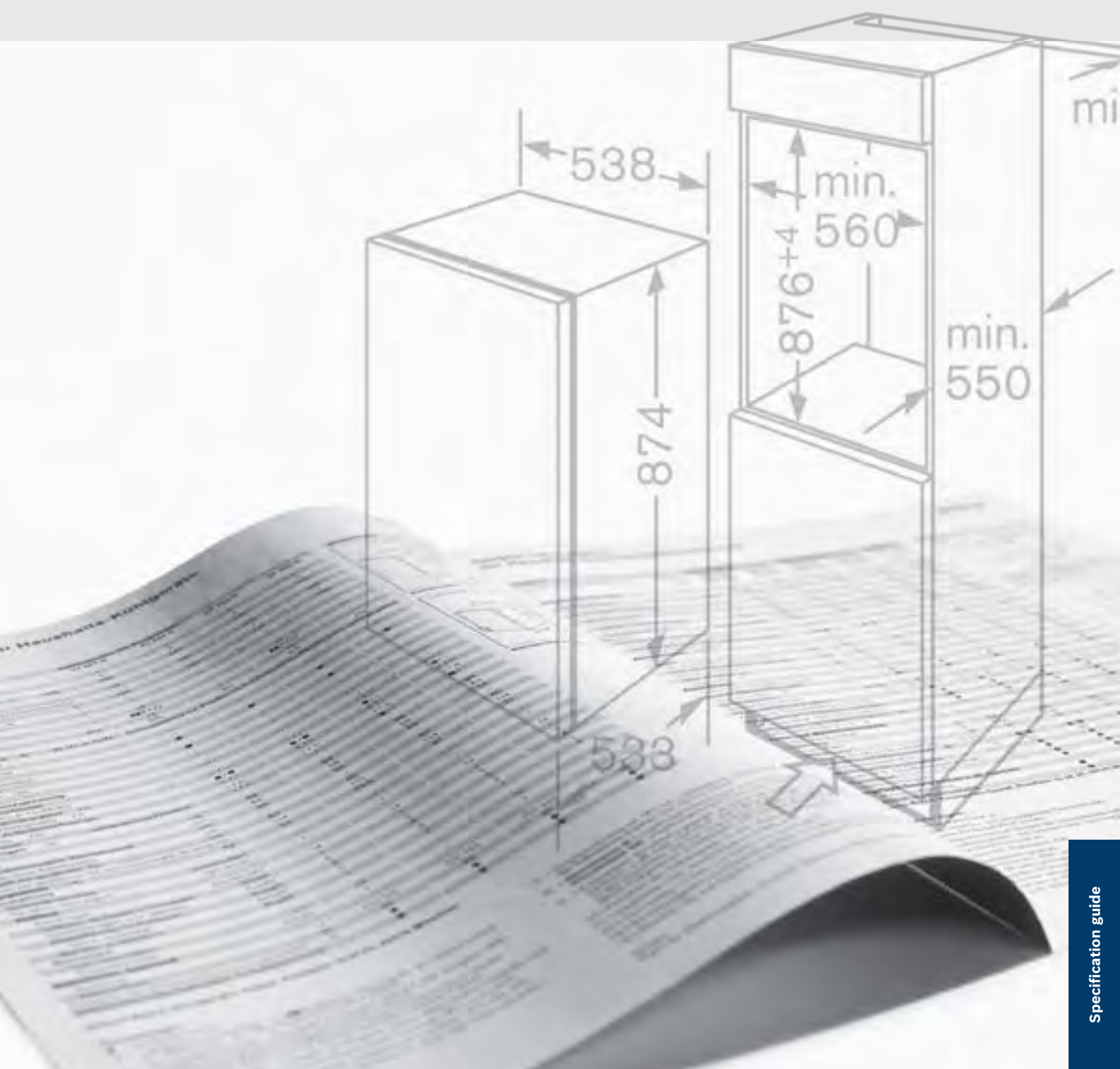
Product installation and specification guide

2014/2015



BOSCH

Invented for life



Installation tips

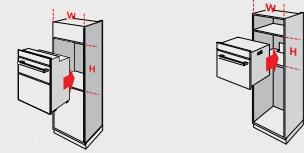
Ovens, microwaves and hobs

Flexibility to choose the way you want to cook

Whether you're creating a feast for fifteen, steaming a healthy meal, cooking for one or popping on a frozen meal, Bosch appliances have the flexibility to do the job.

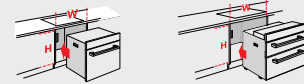
Built-in single and double ovens

The beauty of built-in ovens is that they can be housed in a variety of positions. For optimum convenience, install in standard tall cabinets at a level to suit the main users. Install single ovens alone, or together with a combination oven/microwave, built-in microwave, steam or combination steam oven. Hobs need to be bought separately.



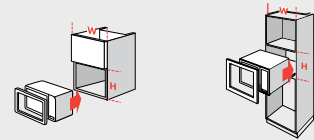
Built-under single and double ovens

Single ovens can also be installed under the work surface, directly below the hob, or apart from it. Bosch also offers double ovens that are specifically designed for installation under the work surface. Hobs need to be bought separately.



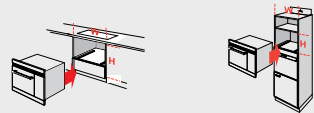
Compact steam, combination ovens and combination microwave ovens

Compact appliances offer a range of combination or specialist functions – for example steam cooking is one of the healthiest methods of cooking available – and are ideal if space is at a premium. If you have more room, they're perfect for providing extra capacity and flexibility above or alongside a suitable built-in single oven. Build in to a standard tall or base cabinet with or without a warming drawer.



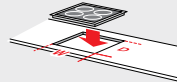
Standard built-in microwaves

Depending on the model, you can install into a tall housing, or in a wall cupboard. Wall cupboard models are available in 50cm or 60cm widths, and all come with installation/trim kit.



Hobs

Choose from gas, induction, ceramic or sealed plate. Available in 5 widths: 30, 60, 70, 80 or 90cm.



Quick checklist

Ovens

- Standard single oven
- Double oven
- Built-under
- Built-in at eye level

Self-cleaning function

- Pyrolytic self-cleaning function
- EcoClean® self-cleaning programme

Steam oven/combination oven/ combination microwave

- Steam combination oven
- Steamer
- Combination oven
- Combination microwave

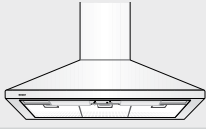

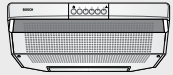
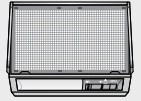
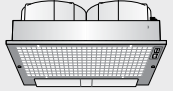
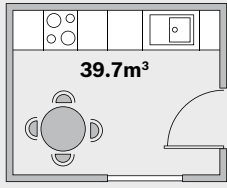
Built-in

- Built-under
- Built-in wall cupboard installation
- 50cm wide
- 60cm wide

Hobs

- Gas
- Induction
- Ceramic
- Sealed plate
- 30cm wide
- 60cm wide
- 70cm wide
- 80cm wide
- 90cm wide

Installation tips

Hoods	
<p>Keep air fresh and free of cooking smells Extractor hoods are an integral part of a clean and fresh working kitchen environment. Not only do Bosch extractor hoods look good and add a professional touch to your kitchen, they also deal quietly and efficiently with the key tasks of eliminating unwanted odours and removing grease and moisture from the kitchen.</p>	
<p>Chimney extractor hoods Choose between wall-mounted models or an island version to create a striking focal point in the kitchen. Some models are further enhanced by glass canopies. Available 60, 70 and 90cm wide.</p>	
<p>Chimney extractor easy mounting system Installing your new cooker hood in the kitchen is quick and straightforward with the patented easy mounting system. The self-levelling fixing rings allow you to precision adjust the horizontal position of the hood by up to a 6mm radius.</p>	
<p>Slimline extractor Ideal where an unobtrusive extractor is required. Built into a wall cabinet above the hob, it can be extended when in use, and retracted when not. Use the special handle profile accessory, or if you prefer, a matching pelmet from your kitchen supplier. 60 or 90cm wide.</p>	
<p>Conventional extractor hoods Ideal where space is at a premium, these 14cm tall extractors can be mounted directly to the wall or suspended beneath a reduced height wall cupboard. 60cm wide.</p>	
<p>Integrated extractor hoods Integrated extractor hoods are designed to be mounted between two cabinets with a matching furniture door affixed to the front.</p>	
<p>Canopy extractor hoods Designed to fit discreetly into the base of a wall cupboard, or specially designed furniture canopy with operation from below. 60cm wide.</p>	
<p>Choosing the correct extractor As a guideline, the air in the room should be changed 6-12 times per hour. Calculate the floor area in square metres and multiply by the height of the room in metres. Then divide the maximum extraction rate (not freeblowing) of the hood selected by the figure calculated above. The resulting figure should be at least 7, but preferably as close to 12 as possible.</p>	
<p>Example Kitchen (H x W x D) metres 2.1 x 4.5 x 4.2 = 39.7m³. Assume 10 air changes per hour – multiply 39.7m³/h by 10 = 397m³/h. Choose a hood capable of extracting at least this amount of air per hour – e.g. DWB097A50B (max ducted extraction rate 460m³ per hour).</p> <p>To avoid excessive noise, try to select a model which meets the above requirements on an intermediate speed, rather than at the highest speed.</p>	 <p>39.7m³</p> <p>10 x 39.7m³ = 397m³</p>

Quick checklist	
<p>Type of hood</p> <ul style="list-style-type: none"> <input type="checkbox"/> Chimney <input type="checkbox"/> Slimline <input type="checkbox"/> Conventional <input type="checkbox"/> Integrated <input type="checkbox"/> Canopy 	<ul style="list-style-type: none"> <input type="checkbox"/> Ducted <input type="checkbox"/> Re-circulated <input type="checkbox"/> Size <input type="checkbox"/> Size of kitchen

Ducted or recirculation mode?

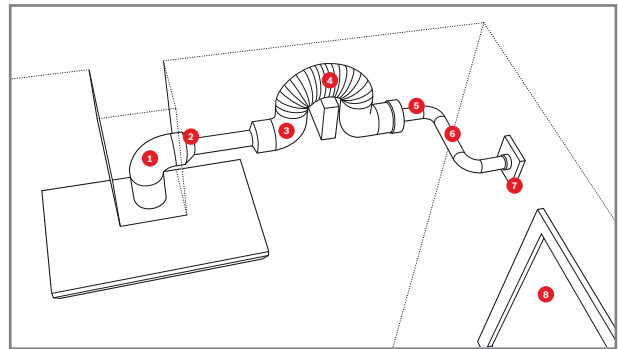
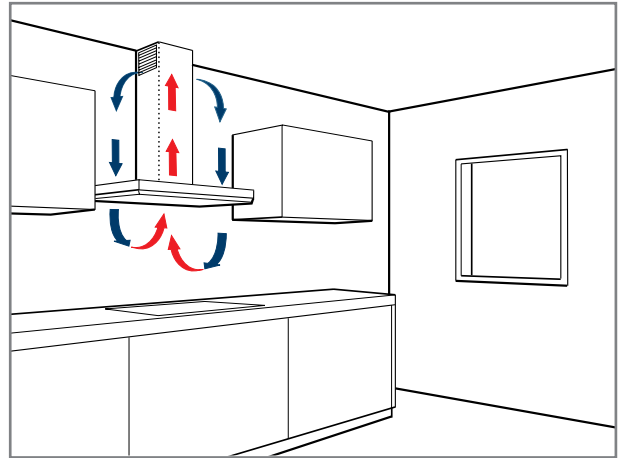
Ducted extraction

Ducting out is the most effective method of extraction if the hood can be sited on an outside wall, or an outside wall can be reached via ducting. The main difference between ducted and recirculation cooker hoods is that ducted systems can extract steam and odours, as well as grease. All our extractors are now standardized to a 150mm diameter outlet for easier installation. Use of 120/125mm diameter ducting is also possible, but will result in reduced air flow and increased noise. Use of 100mm diameter ducting is not recommended.

The following points should be observed for optimum ducted extraction results:

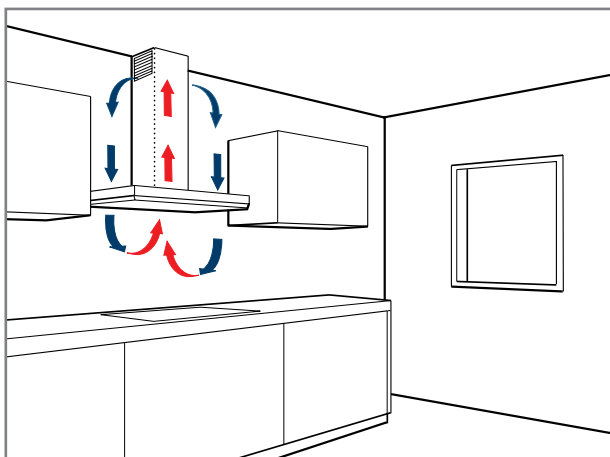
1. Ensure any pipe elbow bends are at least 30cm from the hood ducting opening.
2. Avoid reducing the diameter or area of the ducting.
3. Use wide-angled pipe elbows, but keep the number used to a minimum.
4. Only install pipes with smooth, even inner surfaces. If a flexible hose has to be used, ensure it is pulled tight to smooth out the ridges before fixing.
5. Avoid reducing the diameter or area of the ducting.
6. Use ducting pipes with a diameter of at least 120mm, but ideally 150mm.
7. Keep piping to a minimum – use the most direct route to external outlet.
8. Make sure that there is an adequate supply of fresh air to replace the air ducted out of the kitchen i.e. windows that can be opened, doors to adjacent rooms, air bricks.

Problems with installation may occur if points 1 to 8 are not observed.



Recirculation kit

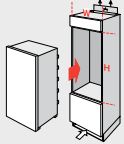
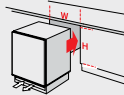
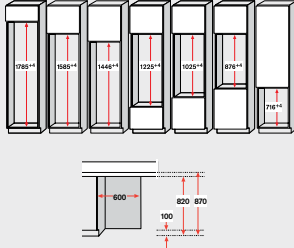
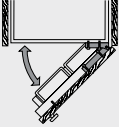
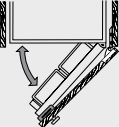
Cooker hoods with recirculation are energy-efficient and much easier to install. Air is passed through the metal filter to extract the grease and then through a special charcoal filter, which removes odours. The purified air is then returned to the room. As no ducting openings are necessary, this is an energy efficient method of extraction as no energy can escape (ie. cool air in the summer or warm air in the winter), making it a good choice for low energy houses. The kit contains all you need to set the hood up for recirculation and installation is relatively easy. Check each model for details on the appropriate recirculation kit accessory.



Tips and hints

1. Calculate the extraction capacity needed.
2. Choose a hood with at least the same width of your hob.
3. Ensure efficient pipe ducting installation.
4. The hood should be installed at a minimum of 65cm above a gas hob or 55cm above an electric hob.
5. To effectively remove cooking odours from your kitchen, switch the hood on 5-10 minutes prior to cooking.
6. Leave the hood to run at a low setting after cooking has finished for 5-10 minutes to remove any lingering odours. Or simply select the Automatic After Running function, which enables the hood to continue running at a low speed for 10 minutes before automatically turning itself off (available on selected models).
7. Regularly clean metal grease filters to ensure optimum extraction performance. All of our metal grease filters, brushed steel filters and rim ventilation filters are dishwasher-proof.

Installation tips

Integrated cooling	
<p>Individual, versatile and low on energy consumption</p> <p>Bosch's range of fridges and freezers is as varied as today's lifestyle. With an impressive range of features and models on offer, there is something to suit everyone's shopping and cooking habits.</p>	
<p>Built-in fridges and freezers, integrated</p> <p>These models are designed to be built into standard cabinets. Door panels matching your kitchen cabinets are bolted to the appliance doors so that they blend in perfectly. Please ensure that recess height is correct. Door panels and cabinets should be obtained from your kitchen cabinet supplier.</p>	
<p>Built-under fridges and freezers, integrated</p> <p>These models can be built under a continuous worktop between two cabinets, or at the end of a row of cabinets. A furniture door blends your appliance with the rest of your kitchen.</p>	
<p>Recess dimensions</p> <p>Built-under models permit variable plinth heights and are therefore suitable for different worktop heights. Dimensions (H x W): 100 x 600mm, 820 x 600mm, 870 x 600mm. Ventilation is through the plinth, no worktop cutting required.</p>	
<p>Hinge systems</p> <p>Flat hinges</p> <p>This innovative easy-to-fit hinge system requires no extra drilling and permanently secures the appliance door to the furniture door. Offers a generous opening angle of 115° and features automatic door closing at an angle of less than 20°. Some models feature SoftClose doors, a damping system that means you can push your door to and it will close silently without a 'clunk', and it will never swing back open.</p>	<p>Flat-type hinge system</p> 
<p>Sliding hinges</p> <p>A sliding hinge, attached to a slide connector is pre-fitted in the factory, this allows the appliance door to be coupled with the furniture door. It offers adjustment in depth and height for precise fitting.</p>	<p>Sliding hinge system</p> 

Quick checklist	
<p>Type</p> <ul style="list-style-type: none"> <input type="checkbox"/> Built-in fridge, integrated <input type="checkbox"/> Built-in freezer, integrated <input type="checkbox"/> Built-in fridge freezer, integrated <input type="checkbox"/> Built-under fridge, integrated <input type="checkbox"/> Built-under freezer, integrated 	<ul style="list-style-type: none"> <input type="checkbox"/> Height: <input type="checkbox"/> Width: <p>Hinge system</p> <ul style="list-style-type: none"> <input type="checkbox"/> Flat hinge system <input type="checkbox"/> Sliding hinge system

Installation tips

Dishwashers

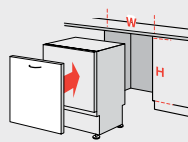
Integrated and semi-integrated dishwashers

Energy and water-efficient with outstanding performance, Bosch integrated dishwashers quietly do all the hard work for you behind closed doors.

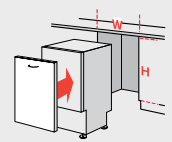
Fully integrated dishwashers

These models can be built under a worktop or sink drainer, between two units or at the end of a run of units. A furniture door is mounted on the appliance door so that the dishwasher is indistinguishable from other kitchen cabinets. Choose from full size 60cm wide, or slimline 45cm wide.

60cm wide



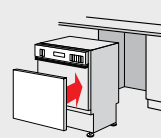
45cm wide



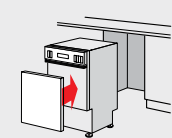
Semi-integrated dishwashers

A furniture door is mounted on the appliance door, so all that is seen of the dishwasher itself is the stylish control panel. Can be built under a worktop or sink drainer, between two units or at the end of a run of units. Available full size 60cm wide.

60cm wide

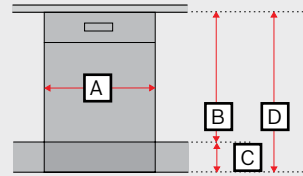


45cm wide



Built-in dimensions (60m wide)

If you have a recess height of 81.5 – 87.5cm, plan for an 81cm dishwasher. The appliance feet may be screwed out to a total height of 87.5cm. Or, if you have a recess height of 86.5 – 92.5cm plan for an 86cm dishwasher. The appliance feet screw out to a total height of 92.5cm.



Quick checklist

Type

Fully integrated dishwasher

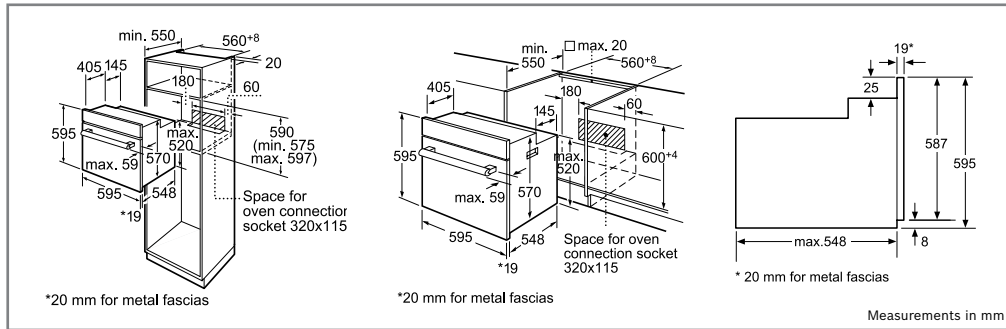
- 60cm wide
- 45cm wide

Semi-integrated dishwasher (60cm wide)

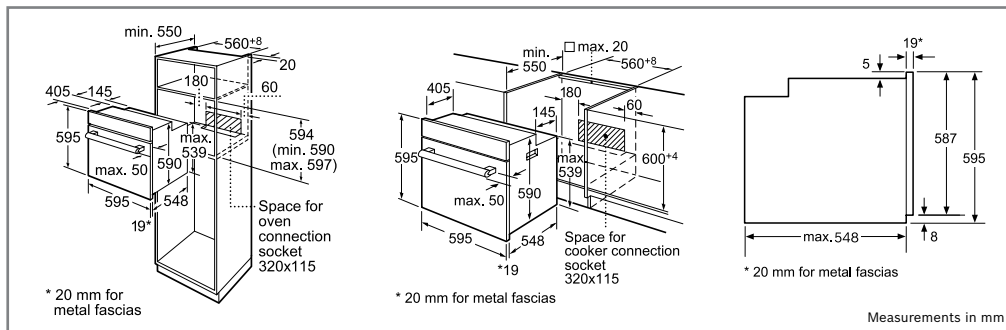
- 81cm high
- 86cm high

Ovens technical diagrams

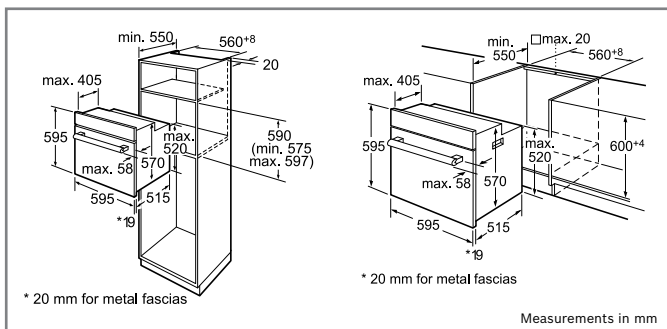
Single and double ovens



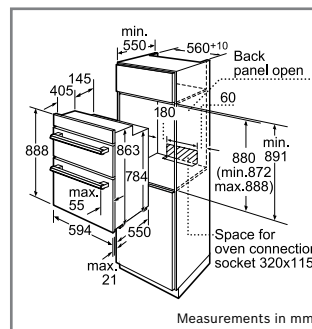
Single ovens built in and built under (except HBG78R950B & HBA64B251B)



HBG78R950B only

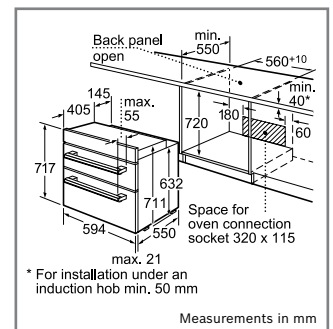


HBA64B251B only



Built-in double ovens

HBM56B551B | HBM53R550B |
HBM43B150B | 43B2.0B |
13B2.1B



Built-under double ovens

HBN53R550B | 43B2.0B |
13B2.1B

HBA13B150B	HBA13R150B	HBA64B251B
HBA13B160B	-	-
HBA13B120B	-	-
-	-	●
-	-	-
-	-	●
-	-	-
-	-	-
-	-	●
-	-	●
-	-	-
-	-	-
115	115	115
Single	Single	Single
-	-	-
Standard	With metal cap	With metal cap
-	-	-
●	●	●
●	-	-
●	●	●
-	-	-
●	●	●
-	-	●
●	●	-
●	●	●
-	-	-
●	●	●
-	-	-
-	-	1
-	2	-
-	-	●
-	-	-
1	1	1
-	-	-
-	-	-
-	-	-
●/-	●/-	-
●	●	●
●	●	●
5	5	5
-	-	-
-	-	-
●	●	●
●	●	●
●	●	●
-	-	●
●	●	●
●	●	-
-	-	-
-	-	●
-	-	-
-	-	-
●	●	●
-	-	-
●	●	●
-	-	-
-	-	-
-	-	-
-	-	●
-	-	-
-	●	●
-	-	3
-	-	-
329x482x420	329x482x420	329x482x375
67	67	60
A-20%	A-20%	A-10%
Hot Air	Hot Air	Hot Air
0.79	0.79	0.71
-	-	0.91
Large	Large	Medium
44	44	43
1350	1350	1245
150	150	95
2900	2900	3580
-	-	-
1	1	1
1	1	-
2	2	2
-	-	-
●	●	-
-	-	-
-	●	-
-	-	-
HEZ338357	HEZ338357	-
HEZ333003	HEZ333003	HEZ333000

● = Yes
 - = No

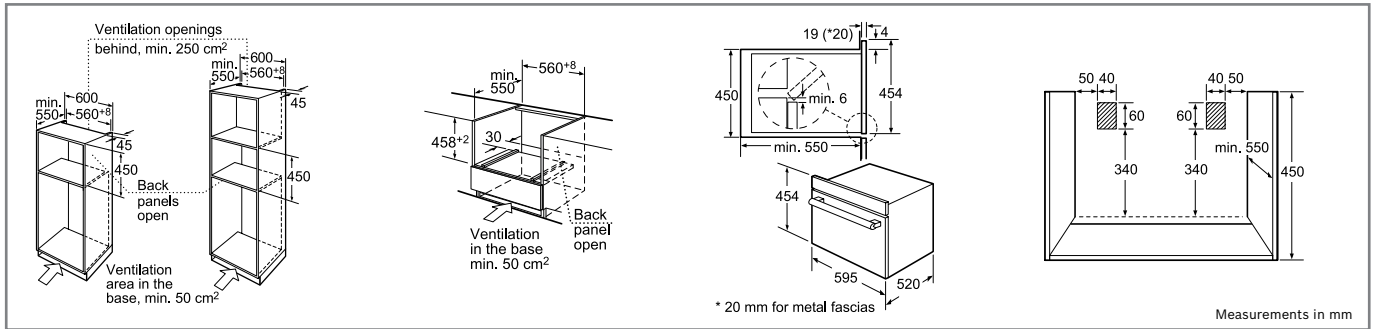
All models comply with COMMISSION REGULATION (EC) No 1275/2008 with regard to ecodesign requirements for standby and off mode electric power consumption.

¹ According to EN50304:2009

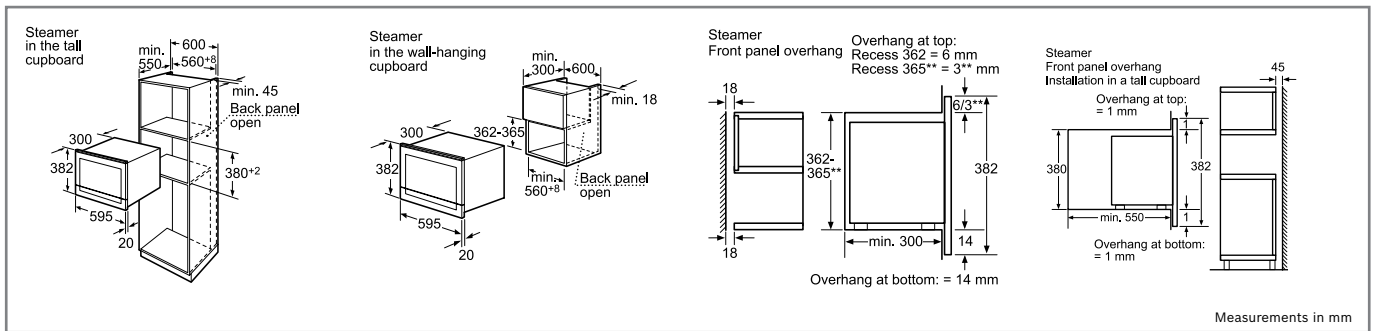
² A -20%: Model is 20% more economical than the threshold value for cavity size consumption.

Compact appliances technical diagrams

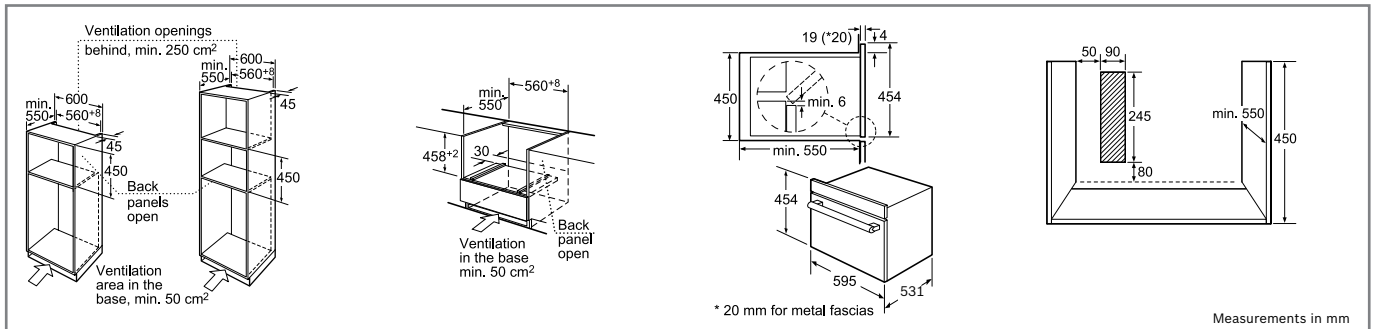
Steam ovens, compact ovens with integrated microwave, microwave combination ovens



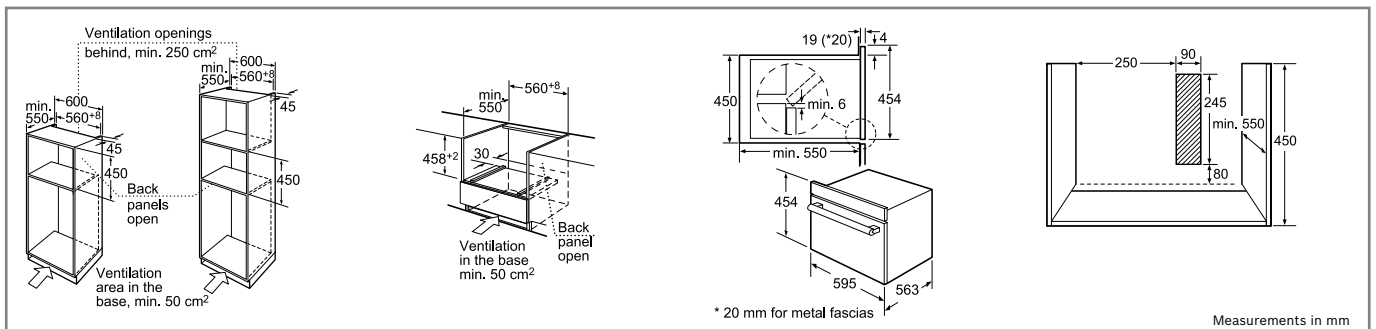
Steam ovens HBC36D754B | HBC24D553B | HBC34D554B



Steam oven HMT85DL53B



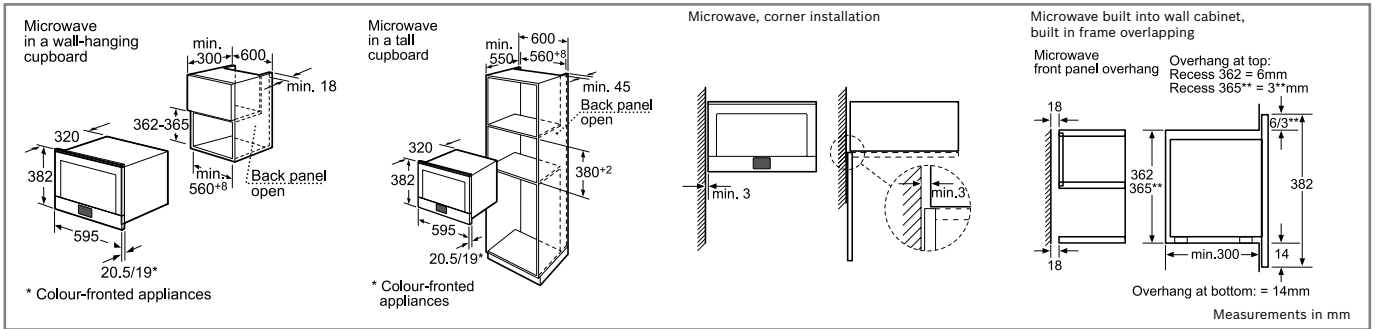
Compact oven with integrated microwave HBC86P753B



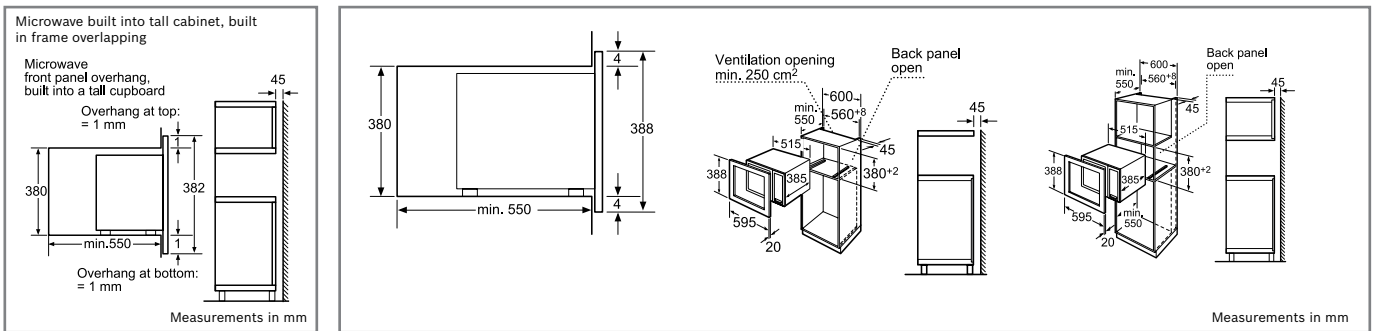
Microwave and microwave combination ovens HMT35M653B | HBC84E6.3B

Compact appliances technical diagrams

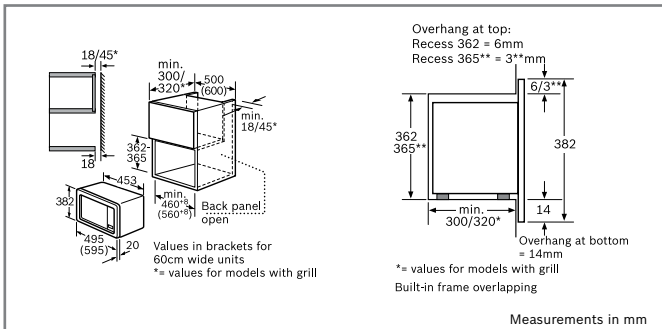
Steam ovens, compact ovens with integrated microwave, microwave combination ovens



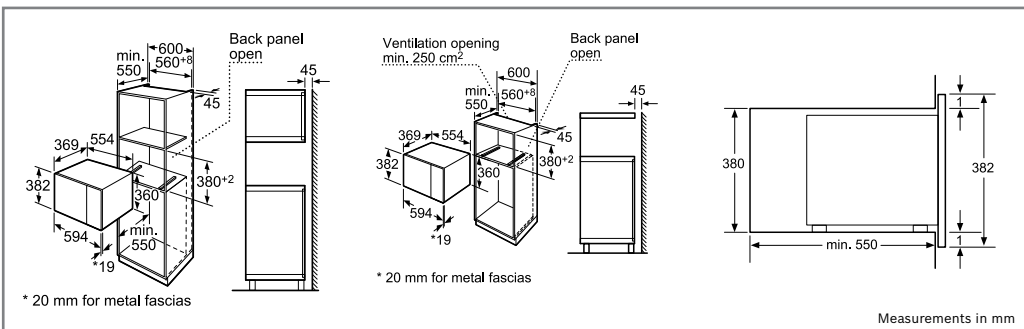
Microwaves HMT85GL53B | HMT85ML53B | HMT85ML63B



HMT85GL53B | HMT85ML53B | HMT84G651B | HMT84M6.1B | HMT85ML63B



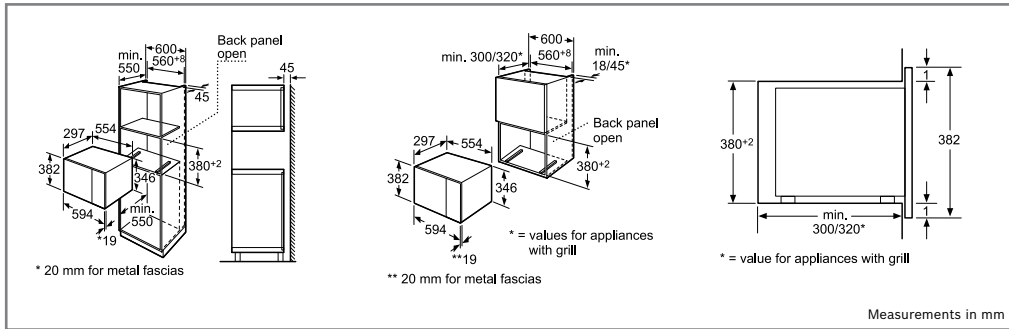
HMT75G651B | HMT75M6.1B | HMT75M551B



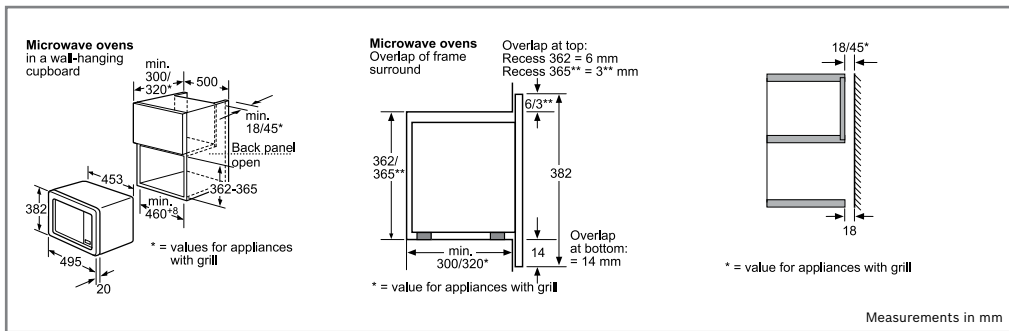
HMT84G654

Compact appliances technical diagrams

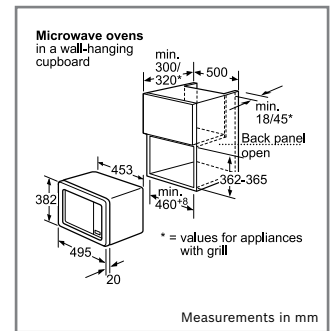
Steam ovens, compact ovens with integrated microwave, microwave combination ovens



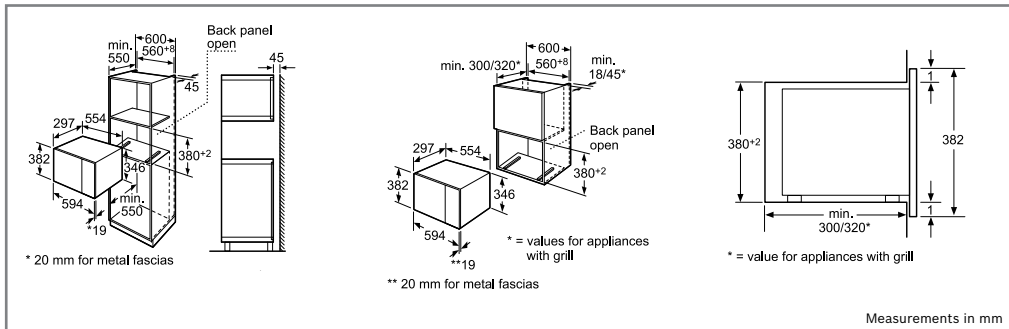
HMT75M6.4B



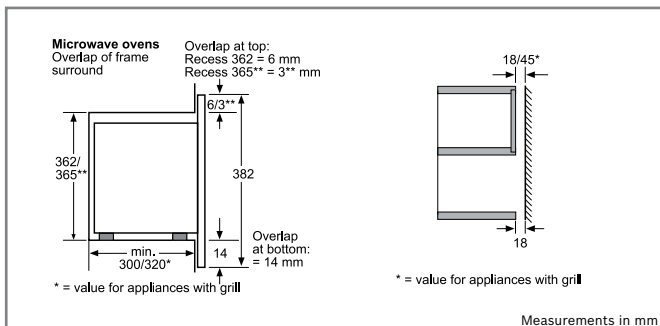
HMT75M651B



HMT75M551B



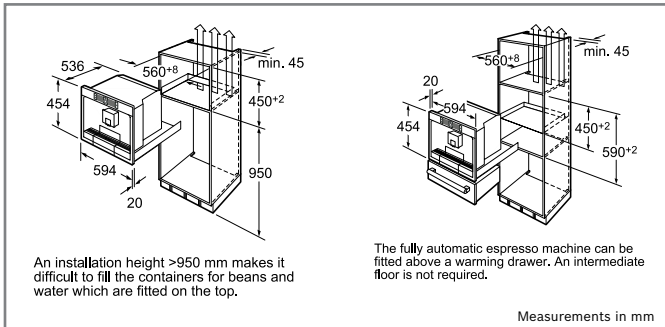
HMT75G654B



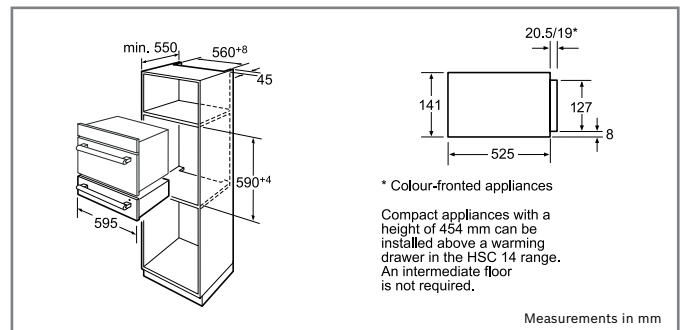
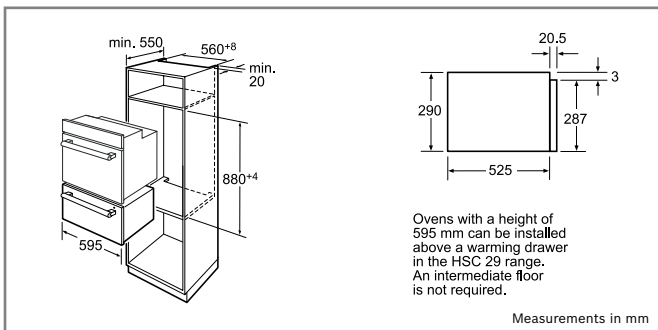
HMT75M551

Compact appliances technical diagrams

Steam ovens, compact ovens with integrated microwave, microwave combination ovens



Coffee maker TCC78K751B



Warming drawers

HSC290652B installed with 60cm high single oven

HSC140652B | HSC140P.1B* | HSC14A51* installed with 45cm high compact oven. *As per diagrams except without handle

Steam ovens

	Logix	Excel		
	HBC36D754B	HBC34D554B	HBC24D553B	HMT85DL53B
Stainless steel				
KEY FEATURES				
Electronic control	●	●	●	●
Digital clear text display	●	-	-	-
Digital temperature display with proposal	●	-	-	-
Digital symbol & function display	●	-	-	-
Heating up / residual heat indicator	●	●	●	●
Actual temperature display	●	-	-	-
Automatic safety switch off	●	●	●	●
DESIGN				
Control panel height mm	96	96	96	-
Display window	Twin	Single	Single	Single
Central illuminated control dial	●	-	-	-
Metal Touch buttons	●	-	-	-
Touch control	-	●	●	●
Control dials with metal cap	-	●	●	●
Straight bar handle	●	●	●	-
Steel handle fixing blocks	●	●	●	-
U-shape glass on metal door design	●	●	●	●
Drop down door	●	●	●	-
Left hinged door	-	-	-	●
FEATURES				
Electronic clock timer	●	●	●	●
Retractable control dial(s)	1	2	2	2
Interior lights, halogen	1	1	-	-
Interior lights	-	-	1	1
Control panel lock	●	●	●	-
Smooth/ribbed steel oven interior	●/-	●/-	●/-	-/●
Removable wire shelf support rails	●	●	●	-
Number of shelf positions	4	4	4	3
Full glass inner door	●	●	●	●
Double glazed doors	●	●	●	●
Tank empty indicator	●	●	●	●
PROGRAMMES / FUNCTIONS				
Hot Air Cooking	●	●	-	-
Defrost	●	-	-	-
Steam	●	●	●	●
Hotair & Steam combined	●	●	-	-
Reheating	●	●	-	-
Dough proving	●	-	-	-
Low temperature cooking	●	-	-	-
Plate warming	●	-	-	-
Keep warm	●	-	-	-
Cleaning programme	●	●	-	-
Descaling programme	●	●	●	●
Memory function	●	-	-	-
Automatic programmes	70	40	20	20
PERFORMANCE / TECHNICAL INFORMATION				
Useable oven capacity	L 35	35	38	22
Cavity dimensions	HxWxD in mm 265x325x402	265x325x402	265x325x439	239x311x288
Installation in tall housing	●	●	●	●
Installation in base unit / under worksurface	●	●	●	-
Installation in 60cm wide wall unit	-	-	-	●
Hotair / combination temperature range	°C 30-230	30-230	-	-
Hotair / combination temperature range	°C 120-230	120-230	-	-
Steam temperature range	°C 35-100	35-100	35-100	40-100
Energy efficiency rating	A-20%	A-20%	-	-
Efficiency declared on	Hotair	Hotair	-	-
Energy consumption Hotair	kWh 0.6	0.595	-	-
Cavity size classification	Medium	Medium	-	-
Time to cook standard load	mins. 39.5	39.5	-	-
External water tank	●	●	●	●
Water tank capacity	L 1.3	1.3	1.3	0.9
Steam generation	Inside cavity	Inside cavity	Inside cavity	Inside cavity
Nominal voltage	V 220-240	220-240	220-240	220-240
Total connected loading	W 1900	1900	1900	1250
Cable length	cm 180	180	180	180
GB plug	●	●	●	●
External cooling fan	●	●	●	●
Appliance weight (kg)	25.3	26.5	23.4	13.3
Safety Approved	●	●	●	●
STANDARD ACCESSORIES				
Gastronorm 1/2 perforated tray, 40mm deep	-	-	-	1
Gastronorm 1/2 solid tray, 40mm deep	-	-	-	1
Gastronorm 2/3 perforated tray, 40mm deep	1	1	-	-
Gastronorm 1/3 solid tray, 40mm deep	1	1	-	-
Gastronorm 2/3 perforated tray, 40mm deep	1	1	1	-
Gastronorm 2/3 solid tray, 28mm deep	1	1	-	-
Gastronorm 2/3 solid tray, 40mm deep	-	-	1	-
Wire shelf	1	1	-	-
OPTIONAL ACCESSORIES				
Décor strip, approx. 594mm wide, 22mm high	HEZ860050	HEZ860050	HEZ860050	-

● = Yes

- = No

* According to norm EN50304:2009

Compact ovens with integrated microwave

	Logix
	HBC86P753B
Stainless steel	
KEY FEATURES	
Electronic control	●
Digital clear text display	●
Digital temperature display with proposal	●
Digital symbol & function display	●
Heating up / residual heat indicator	●/●
Actual temperature display	●
Automatic safety switch off	●
Pyrolytic self cleaning function	●
DESIGN	
Control panel height mm	96
Display window	Twin
Central illuminated control dial	●
Metal touch controls	●
Straight bar handle	●
Steel handle fixing blocks	●
U-shape glass on metal door design	●
Drop down door	●
FEATURES	
Electronic clock timer with automatic on/off programmer	●
Retractable control dial(s)	1
Main on/off switch	●
Interior lights, halogen	1
Electronic door lock	●
Control panel lock	●/●
Moulded enamelled oven interior	●
Number of shelf positions	3
Triple glazed door	●
Heat reflective glass	●
PROGRAMMES / FUNCTIONS	
3D Hot Air Cooking	●
Full width variable grill	●
Half width variable grill	●
Convection grilling	●
Hotair grilling	●
Conventional top & bottom heat	●
Bottom heat	●
Intensive heat	●
Microwave	●
Combination operation	●
Microwave combination – high	●
Microwave combination – low	●
Plate warming	●
Keep warm	●
Low temperature cooking	●
Auto Cook cooking programmes	12
Auto Cook defrosting programmes	14
Auto Cook combination programmes	44
Programmable stages	3
Memory function	6
Fast heat	●
PERFORMANCE / TECHNICAL INFORMATION	
Useable oven capacity	L 42
Cavity dimensions	HxWxD in mm 221x424x363
Installation in tall housing	●
Installation in base unit / under worksurface	●
Maximum oven temperature	°C 300
Microwave Inverter technology	●
Microwave distribution	Stirrer fan
Maximum microwave power	W 1000
Number of microwave power levels	5
Nominal voltage	V 220-240
Total connected loading	W 3600
Cable length	cm 180
External cooling fan	●
Appliance weight	kg 39.7
Safety Approved	●
STANDARD ACCESSORIES	
Full width enamelled pan	1
Wire pan insert	1
Wire shelves	1
OPTIONAL ACCESSORIES	
Décor strip, approx. 594mm wide, 22mm high	HEZ860050

● = Yes

Microwave combination ovens and microwaves

	Excel											
	HBC84E653B	HMT35M653B	HMT85GL53B	HMT85ML53B	HMT84G651B	HMT84G654B	HMT84M651B	HMT84M654B	HMT75G654B	HMT75M651B	HMT75M654B	HMT75M551B
Stainless steel	HBC84E653B	HMT35M653B	HMT85GL53B	HMT85ML53B	HMT84G651B	HMT84G654B	HMT84M651B	HMT84M654B	HMT75G654B	HMT75M651B	HMT75M654B	HMT75M551B
Black	HBC84E663B	-	-	HMT85ML63B	-	-	-	HMT84M664B	-	-	HMT75M664B	-
White	HBC84E623B	-	-	-	-	-	-	HMT84M624B	-	-	HMT75M624B	-
KEY FEATURES												
Electronic control	●	●	●	●	●	●	●	●	●	●	●	●
DESIGN												
Control panel height mm	96	96	-	-	-	-	-	-	-	-	-	-
Display window	Single	Single	Single	Single	-	-	-	-	-	-	-	-
Control dials with metal cap	●	●	●	●	-	●	●	●	●	-	●	-
Control dials standard	-	-	-	-	●	●	●	●	-	●	-	●
Touch control	●	●	●	●	-	-	-	●	●	-	●	-
Push buttons	●	●	●	●	-	-	-	●	●	-	●	-
Straight bar handle	●	●	-	-	-	-	-	-	-	-	-	-
Steel handle fixing blocks	●	●	-	-	-	-	-	-	-	-	-	-
U-shape glass on metal door design	●	●	-	-	-	-	-	-	-	-	-	-
Drop down door	●	●	-	-	-	-	-	-	-	-	-	-
Left hinged door	-	-	●	●	●	●	●	●	●	●	●	●
FEATURES												
Electronic clock timer	●	●	●	●	●	●	●	●	●	●	●	●
Retractable control dial(s)	2	1	1	1	1	1	1	1	1	1	1	1
Fixed Controls	-	-	-	-	-	1	-	-	-	-	-	-
Interior lights, halogen	1	1	-	-	-	-	-	-	-	-	-	-
Interior lights standard	-	-	1	1	1	1	1	1	1	1	1	1
Control panel lock	●	●	-	-	-	-	-	-	-	-	-	-
Stainless steel interior	●	●	●	●	●	●	●	●	●	●	●	●
Number of shelf positions	4	-	-	-	-	-	-	-	-	-	-	-
EcoClean® back liner	●	-	-	-	-	-	-	-	-	-	-	-
Quartz grill	●	-	●	-	●	-	-	-	●	-	-	-
PROGRAMMES / FUNCTIONS												
Hot Air Cooking	●	-	-	-	-	-	-	-	-	-	-	-
Full width variable grill	Quartz	-	Quartz	-	Quartz	-	-	-	Quartz	-	-	-
Half width variable grill	●	-	-	-	-	-	-	-	-	-	-	-
Convection grilling	●	-	-	-	-	-	-	-	-	-	-	-
Hotair grilling	●	-	-	-	-	-	-	-	-	-	-	-
Microwave	●	●	●	●	●	●	●	●	●	●	●	●
Combination operation	●	-	●	-	●	-	-	-	-	-	-	-
Automatic cooking programmes	-	5	4	4	3	3	3	3	3	3	3	3
Automatic defrost programmes	4	4	3	3	4	4	4	4	4	4	4	4
Automatic combination programmes	11	-	3	-	1	1	-	-	1	-	-	-
Programmable steps	3	3	3	3	-	-	-	-	-	-	-	-
Memory function	-	2	2	2	1	1	1	1	1	1	1	1
Fast heat	●	-	-	-	-	-	-	-	-	-	-	-
PERFORMANCE / TECHNICAL INFORMATION												
Useable oven capacity	L	36	36	21	21	25	25	25	25	20	17	20
Cavity dimensions	HxWxD in mm	242x430x345	242x430x345	220x350x270	220x350x270	215x337x354	208x328x369	215x337x354	208x328x369	221x308x298	194x290x274	221x308x298
Installation in tall housing	●	●	●	●	●	●	●	●	●	●	●	●
Installation in base unit / under worksurface	●	●	-	-	-	-	-	-	-	-	-	-
Installation 60cm wide wall unit	-	-	●	●	-	●	-	●	●	●	●	-
Installation 50cm wide wall unit	-	-	-	-	-	-	-	-	-	-	-	●
Maximum oven temperature	°C	250	-	-	-	-	-	-	-	-	-	-
Microwave Inverter technology	●	●	●	●	-	-	-	-	-	-	-	-
Microwave distribution	Stirrer	Stirrer	Stirrer	Stirrer	Turntable	Turntable	Turntable	Turntable	Turntable	Turntable	Turntable	Turntable
Turntable diameter	mm	-	-	-	315	315	315	315	255	245	255	245
Maximum microwave power	W	1000	1000	900	900	900	900	900	800	800	800	800
Number of microwave power levels		5	5	5	5	5	5	5	5	5	5	5
Nominal voltage	V	220-240	220-240	230	230	230	230-240	230	230-240	230-240	230	230-240
Total connected loading	W	3240	1220	1990	1220	1450	1450	1450	1270	1270	1270	1270
Cable length	cm	150	150	150	150	130	130	130	130	130	130	130
GB plug	-	●	●	●	●	●	●	●	●	●	●	●
External cooling fan	●	●	●	●	●	●	●	●	●	●	●	●
Appliance weight (kg)		34	19.9	23	19	20	18	18	17	17	18	16
Safety Approved	●	●	●	●	●	●	●	●	●	●	●	●
STANDARD ACCESSORIES												
Glass pan	-	-	1	-	-	-	-	-	-	-	-	-
Enamelled pan	1	-	-	-	-	-	-	-	-	-	-	-
Wire rack	-	-	1	-	-	-	-	-	-	-	-	-
Wire shelves	1	-	-	-	-	-	-	-	-	-	-	-
Turntable	-	-	-	-	●	●	●	●	●	●	●	●
OPTIONAL ACCESSORIES												
Steel Décor strip, approx. 594mm wide, 22mm high	HEZ860050	HEZ860050	-	-	-	-	HEZ86D000	-	HEZ86D000	HEZ86D000	-	HEZ86D000
Black Décor strip, approx. 594mm wide, 22mm high	HEZ860060	-	-	-	-	-	-	-	-	-	-	-

● = Yes

- = No

Coffee maker

Logixx	
Stainless steel	TCC78K751B
KEY FEATURES	
Electronic control	●
Electronic display	●
Digital clear text display	●
Sensoflow System	●
Aroma pressure system	●
Auto Valve System	●
DESIGN	
Control panel height mm	96
Display window	Twin
Central illuminated control dial	●
Metal Touch buttons	●
Automatic or manual access to water/bean containers	●
FEATURES	
Main on/off switch	●
Container empty warning indicators	●
Cleaning / descaling / filter warning indicators	●
Ceramic coffee grinders	●/●/●
Number of grinding grades	●
Cup illumination	4
Height adjustable coffee outlet	●
Bean container / Ground coffee container	●
Removable, insulated milk container	●/●
Removable water tank	●
Information button	●
Adjustable automatic switch off setting	●
Integrated water filter	●
Removable spillage collection tray	●
Removable used coffee grounds collection container	●
PROGRAMMES / FUNCTIONS	
White coffee	1 cup
Personalised milk beverage	1 cup
Milk foam	1 cup
Hot water	1 cup
Hot milk	1 cup
Coffee	1 or 2 cup
Espresso	1 or 2 cup
Cappuccino	1 cup
Latte Macchiato	1 cup
Cream Center	●
One touch function for milk drinks	●
Number of Coffee grinding processes	2
Number of Coffee with milk processes	4
Coffee strength options	3
Coffee serving size options	3
Coffee temperature options	3
Hot water temperature options	4
Milk foam/frothing function	●/●
Hot Milk function	●
Number of water hardness settings	4
Cream Center cleaning	●
Cleaning / descaling / combined programmes	●/●/●
Milk system rinse setting	●
PERFORMANCE / TECHNICAL INFORMATION	
Minimum installation height	mm 950
Installation in a tall housing	●
Installation via telescopic chassis	●
Milk container capacity	L 0.7
Cup height	mm 70-150
Brewing chamber volume	g 7-11
Bean container capacity	g 1000
Ground coffee container capacity	spoons 2
Water tank capacity	L 2.5
Aroma pressure system brewing pressure	bar 7
Drip tray capacity	14 servings
Coffee grounds waste container capacity	14 servings
Nominal voltage	V 220-240
Total connected loading	W 1700
Cable length	cm 150
GB plug	●
Appliance weight	kg 27.0
Safety Approved	●
STANDARD ACCESSORIES	
Cleaning tablets	●
Descaling tablets	●
Water hardness testing strip	●
Brita "intenza" water filter	●
OPTIONAL ACCESSORIES	
Décor strip, approx. 594mm wide, 22mm high	HEZ860050

● = Yes
- = No

Warming and storage drawers

	HSC290652B	HSC140652B	HSC140P51B	HSC140A51
Stainless steel	-	-	-	-
Black	-	-	HSC140P61B	-
White	-	-	HSC140P21B	-
KEY FEATURES				
Electronic control	●	●	●	-
Soft close mechanism	●	●	-	-
DESIGN				
Install independently	●	●	●	●
Install with compact appliance	-	●	●	●
Install with a single oven	●	●	●	●
Straight bar handle	●	●	-	-
Colour coordinated handle fixing blocks	●	●	-	-
Push-Pull opening mechanism	-	-	●	●
FEATURES				
Operating indicator light	●	●	●	-
Rotary temperature control dial	●	●	●	-
Number of settings	4	4	4	-
Maximum temperature	°C 80	80	80	-
Minimum temperature	°C 30	30	30	-
Toughened glass drawer base	●	●	●	-
Maximum loading	plates 40	12	12	-
Maximum loading	espresso cups 120	80	80	-
Maximum weight capacity	kg 25	25	25	15
PERFORMANCE / TECHNICAL INFORMATION				
Drawer interior volume	L 52	20	20	23
Interior drawer dimensions	224x465x457	95x465x457	95x465x457	108x465x457
Installation in a tall housing	●	●	●	●
Installation under work surface	●	●	●	●
Nominal voltage	V 220-240	220-240	220-240	-
Total connected loading	W 810	810	810	-
Cable length	cm 150	150	150	-
GB plug	●	●	●	-
Appliance weight	kg 25.2	18.5	18.5	12.3
Safety Approved	●	●	●	●

● = Yes
- = No

Vertical built-in possibilities

	Built-in below	Built-in above			
		Microwave HMT85* HMT35*	Microwave HMT75 HMT84	Compact oven with microwave HBC86* / 84*	Steam appliances HBC36 HBC26 / 24
Microwave	HMT85* / 35*	✓	✓	✓	✓
Microwave	HMT75	✓	✓	✓	✓
	HMT84				
Compact oven with microwave	HBC86* / 84*	✓	✓	✓	✓
60cm oven		✓	✓	✓	✓
Steam appliances	HBC36 / 24	X	✓	X	✓
Dishwasher		X	✓	X	✓
Cooling appliance		✓	✓	✓	✓

*These appliances generate microwave power via Inverter Technology (saving time and energy). If a steam appliance or a dishwasher is built-in underneath, steam or moisture might adversely affect the inverter electronics. This applies also for the following combination from bottom to top: steam appliance – warming drawer – microwave with inverter technology.

Freestanding microwave specifications

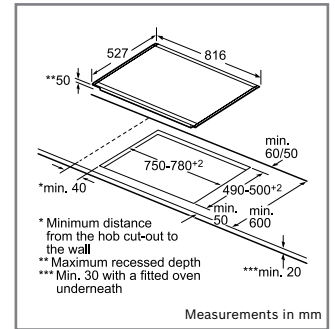
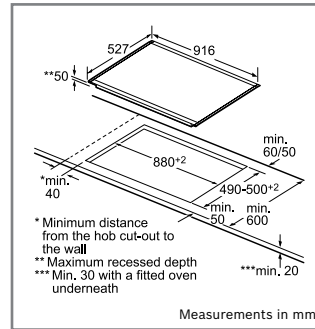
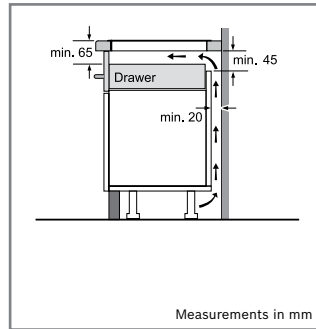
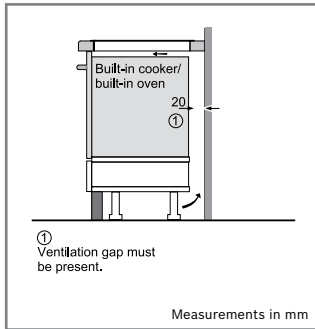
		HMT75M451B	HMT75G451B	HMT72M450B	HMT72G450B	HMT84M451B
Brushed steel		HMT75M451B	HMT75G451B	HMT72M450B	HMT72G450B	HMT84M451B
Black		HMT75M461B	-	-	-	HMT84M461B
White		HMT75M421B	-	-	-	HMT84M421B
KEY FEATURES						
Electronic controls		●	●	-	-	●
DESIGN						
Colour co-ordinated controls		●	●	●	●	●
Left hinged door		●	●	●	●	●
Door open button		●	●	●	●	●
FEATURES						
Electronic clock		●	●	-	-	●
Push button controls		●	●	-	-	●
Retractable controls		●	●	-	-	●
Rotary controls		-	-	●	●	-
99 minute timer		●	●	-	-	●
60 minute timer		-	-	●	●	-
Interior light		●	●	●	●	●
Glass turntable		●	●	●	●	●
Stainless steel interior		-	●	-	-	-
Lacquered interior		●	-	●	●	●
PROGRAMMES/FUNCTIONS						
Microwave		●	●	●	●	●
Quartz grill		-	●	-	●	-
Microwave combination cooking		-	●	-	●	-
Weight automatic programmes		7	8	-	-	7
Microwave/grill combination programmes		-	3	-	2	-
Memory function		●	●	-	-	●
PERFORMANCE/TECHNICAL						
Oven capacity	L	17	17	17	17	25
Oven interior dimensions (HxWxD)	mm	194x290x274	194x290x274	194x290x274	194x290x274	215x337x354
Can be installed under a wall unit		●	-	●	-	-
Microwave distribution		Turntable	Turntable	Turntable	Turntable	Turntable
Turntable diameter	mm	245	245	245	245	315
Microwave power levels		5	5	5	5	5
Maximum microwave power level	watts	800	800	800	800	900
Grill power	watts	-	1000	-	1000	-
Cable length	cm	130	130	130	130	130
GB plug		●	●	●	●	●
Total connected load	watts	1270	1270	1270	1270	1450
Voltage	volts	230	230	230	230	230
CE/VDE approved		●	●	●	●	●
Appliance weight	kg	13.6	13.6	13.6	13.6	17.0
Weight including packaging		15.0	15.0	15.0	15.0	19.0
STANDARD ACCESSORIES						
Wire grid		-	1	-	1	-

● = Yes

- = No

Electric hobs technical diagrams

Induction, Quick Therm and domino hobs

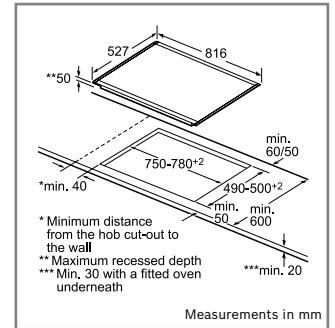
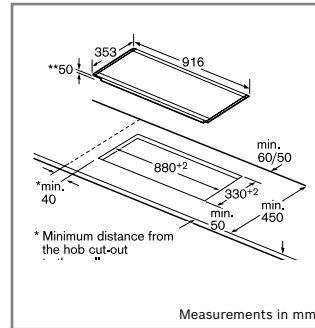
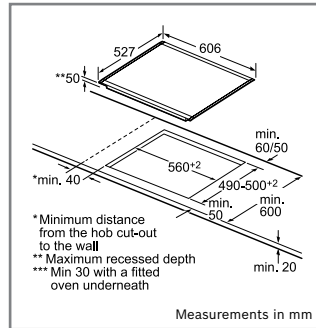
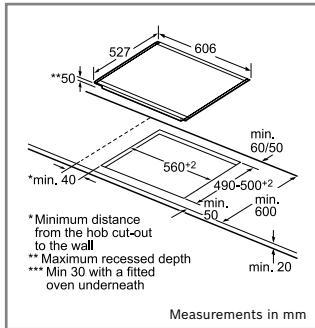


Induction all models

Induction all models

PIZ975N17E

PIP875N17E

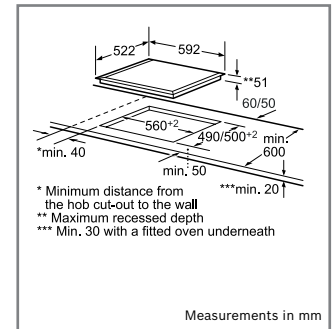
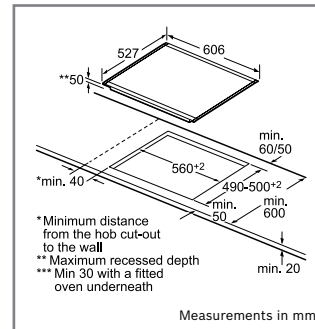
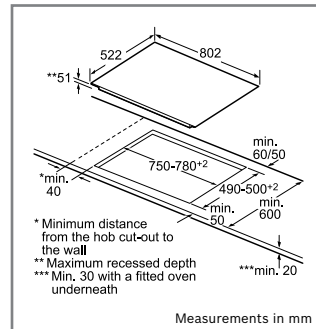
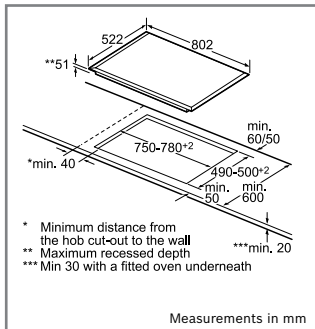


PIV675N17E

PIN675N17E

PIE975N14E

PIM875N14E

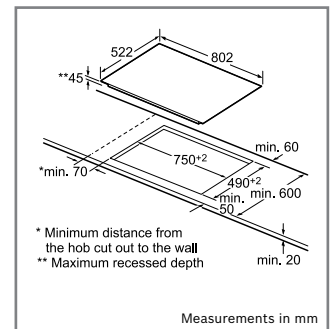
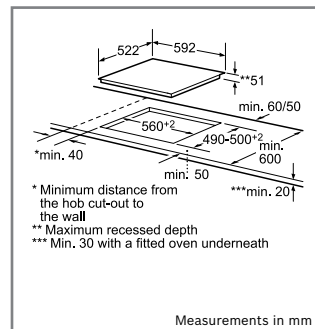
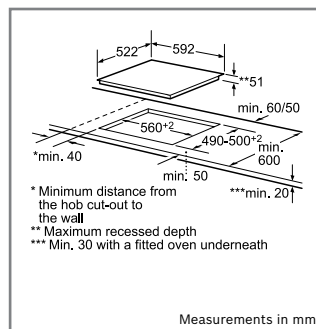
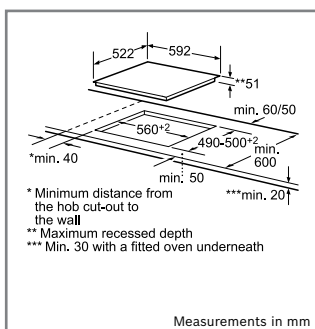


PIM851F17E

PIL811F17E

PIE675N14E

PIN651F17E | PIE651F17E



PIE611B17E

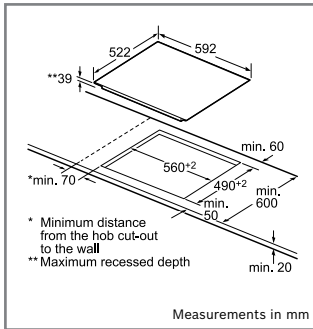
PIA611F18E

PIA611B68B

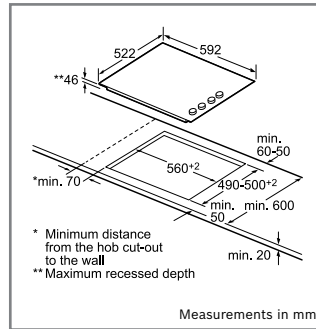
PKN811D17E

Electric hobs technical diagrams

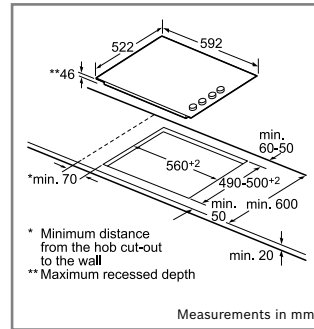
Induction, Quick Therm and domino hobs



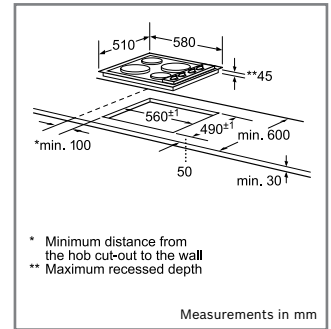
PKE611D17E



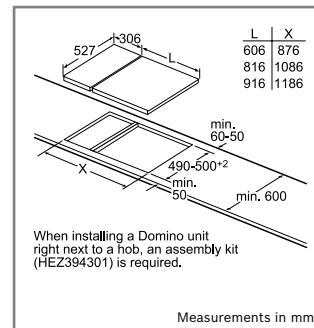
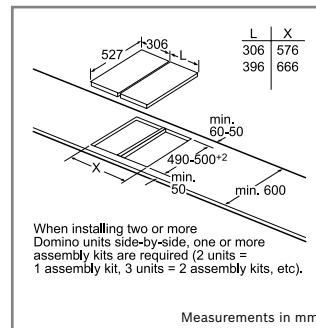
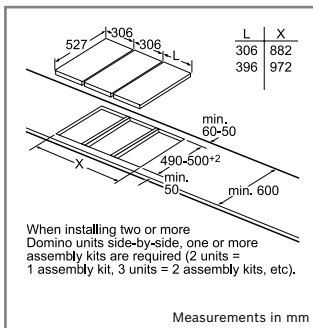
PKF659C17E



PKE611C17E



NCT61.C01



We try to keep up to date with constant technological improvements, so from time to time we may update installation guidelines. Therefore we strongly recommend that you download the latest installation guidelines from www.bosch-home.co.uk. Line drawings are for guidance only, and we recommend that you refer to the latest installation guidelines. Though every care is taken to ensure instructions are correct at the time of printing, Bosch cannot accept responsibility for incorrect planning or installation as a result of the use of these line drawings.

Domino combination possibilities with corresponding device and cutout dimensions

Width type:	30	40	60	70	80	90
Device width:	306	396	606	710	816	916

	A	B	C	D	L	X			
2x30,		306		306		-		612	576
1x30, 1x40		306		396		-		702	666
1x30, 1x60		306		606		-		912	876
1x30, 1x70		306		710		-		1016	980
1x30, 1x80		306		816		-		1122	1086
1x30, 1x90		306		916		-		1222	1186
2x40		396		396		-		792	756
1x40, 1x60		396		606		-		1002	966
1x40, 1x70		396		710		-		1106	1070
1x40, 1x80		396		816		-		1212	1176
1x40, 1x90		396		916		-		1312	1276
3x30		306		306	306	-		918	882
2x30, 1x40		306		306	396	-		1008	972
2x30, 1x60		306		306	606	-		1218	1182
2x30, 1x70		306		306	710	-		1322	1286
2x30, 1x80		306		306	816	-		1428	1392
2x30, 1x90		306		306	916	-		1528	1492
1x30, 2x40		306		396	396	-		1098	1062
1x30, 1x40, 1x60		306		396	606	-		1308	1272
1x30, 1x40, 1x70		306		396	710	-		1412	1376
1x30, 1x40, 1x80		306		396	816	-		1518	1482
1x30, 1x40, 1x90		306		396	916	-		1618	1582
2x40, 1x60		396		396	606	-		1398	1362
4x30		306		306	306	306		1224	1188
3x30, 1x40		306		306	306	396		1314	1278

Electric hobs specifications

	FLEXINDUCTION				INDUCTION								
	Logixx												
Black glass, brushed steel trim	PIZ975N17E	PIP875N17E	PIV675N17E	PIN675N17E	PIN651F17E	PIE975N14E	PIM875N14E						
Black glass													
KEY FEATURES													
Electronic control	●	●	●	●	●	●	●	●					
DirectSelect operation	DirectSelect Plus	DirectSelect Plus	DirectSelect Plus	DirectSelect Plus	DirectSelect Plus	DirectSelect Plus	DirectSelect Plus	DirectSelect Plus					
Electronic power level display	●	●	●	●	●	●	●	●					
Safety cut-out switch off	●	●	●	●	●	●	●	●					
Control panel lock	●	●	●	●	●	●	●	●					
Boost setting	●	●	●	●	●	●	●	●					
QuickStart function	-	-	-	-	●	-	-	-					
ReStart function	-	-	-	-	●	-	-	-					
Energy Consumption Display	-	-	-	-	●	-	-	-					
Automatic pan recognition	●	●	●	●	●	●	●	●					
Connection Current Management	-	-	-	-	-	-	-	-					
DESIGN													
Hob width (mm)	916	816	606	606	592	916	816						
Front controls	●	●	●	●	●	●	●	●					
Touch control	●	●	●	●	●	●	●	●					
Metal control dials	-	-	-	-	-	-	-	-					
Can be installed with a Bosch domino hob	●	●	●	●	●	●	●	●					
All around trim	●	●	●	●	-	●	●	●					
Three sided bevelled frameless finish	-	-	-	-	●	-	-	-					
Frameless	-	-	-	-	-	-	-	-					
FEATURES													
Number of power levels	17	17	17	17	17	17	17	17					
Main on/off switch	●	●	●	●	●	●	●	●					
Timer for all zones	●	●	●	●	●	●	●	●					
Residual heat indicators	Hh	Hh	Hh	Hh	Hh	Hh	Hh	Hh					
Freeze function	●	●	●	●	●	●	-	-					
Small utensil detection	●	●	●	●	-	●	●	●					
PERFORMANCE / TECHNICAL INFORMATION													
Number of cooking zones	5	5	4	4	4	4	5						
Number of FlexInduction cooking zones	4	1	2	1	1	-	-						
Triple ring induction zone	●	-	-	-	-	-	-						
Number of dual / extendible zones	-	-	-	-	-	-	-						
Left zone FlexInduction connected (max. kW/Area mm)	3.3	380x200	-	3.3	400x240	3.3	400x240	3.7	240x400	-	-	-	-
Left front zone max. power & diameter (kW & mm)	-	-	2.2	180	-	-	-	-	-	1.8	180	1.8	180
Left back zone max. power & diameter (kW & mm)	-	-	1.4	145	-	-	-	3.8	200x240	1.8	180	1.4	145
Centre zones FlexInduction connected (max. kW/Area mm)	-	-	-	-	-	-	-	-	-	-	-	-	-
Centre zone max. power & diameter (kW & mm)	3.3, 2.2, 2.6	320, 260, 210	2.2	240	-	-	-	-	-	-	-	2.2	240
Centre front zone max. power & diameter (kW & mm)	-	-	-	-	-	-	-	-	-	-	-	-	-
Centre back zone max. power & diameter (kW & mm)	-	-	-	-	-	-	-	-	-	-	-	-	-
Right zone FlexInduction connected (max. kW/Area mm)	3.3	380x200	3.6	380x200	3.3	400x240	-	-	-	-	-	-	-
Right front zone max. power & diameter (kW & mm)	-	-	-	-	-	2.2	210	-	-	2.2	210	2.2	210
Right back zone max. power & diameter (kW & mm)	-	-	-	-	-	1.4	145	1.8	145	1.4	145	1.4	145
Nominal voltage (V)	220-240	220-240	220-240	220-240	220-240	220-240	220-240	220-240	220-240	220-240	220-240	220-240	220-240
Maximum power output (W)	10800	7200	7200	7200	7200	7200	7200	7200	7200	7200	7200	7200	7200
Cable length (in cm)	110	110	110	110	110	110	110	110	110	110	110	110	110
13A UK plug	-	-	-	-	-	-	-	-	-	-	-	-	-
Appliance weight (kg)	20.0	16.0	14.0	12.0	11.9	11.9	11.9	11.9	11.9	12.0	12.0	14.0	14.0
Safety Approved	●	●	●	●	●	●	●	●	●	●	●	●	●
OPTIONAL ACCESSORIES													
Connecting strip	HEZ394301	HEZ394301	HEZ394301	HEZ394301	HEZ394301	-	-	-	-	HEZ394301	HEZ394301	HEZ394301	HEZ394301
Set of four pans	HEZ390042	HEZ390042	HEZ390042	HEZ390042	HEZ390042	HEZ390042	HEZ390042	HEZ390042	HEZ390042	HEZ390042	HEZ390042	HEZ390042	HEZ390042

● = Yes

- = No

DOMINO

Excel		Classix		Logix		Excel		Classix		Logix					
PIM851F17E		PIL811F17E		PIE675N14E		PIE651F17E		PIE611B17E		PIA611F18E		PIA611B68B		PIE375C14E	
●		●		●		●		●		●		●		●	
DirectSelect		DirectSelect		DirectSelect Plus		DirectSelect		-		DirectSelect		-		-	
●		●		●		●		●		●		●		●	
●		●		●		●		●		●		●		●	
●		●		●		●		-		●		-		-	
●		●		-		●		●		●		●		●	
●		●		-		●		●		●		●		-	
●		●		-		●		-		●		-		-	
●		●		●		●		●		●		●		●	
-		-		-		-		-		●		●		-	
802		802		606		592		592		592		592		306	
●		●		●		●		●		●		●		●	
●		●		●		●		●		●		●		-	
-		-		-		-		-		-		-		●	
●		●		●		●		●		●		●		●	
-		-		●		-		-		-		-		●	
●		●		-		●		●		-		-		-	
-		●		-		-		●		●		●		-	
17		17		17		17		17		17		17		9	
●		●		●		●		●		●		●		●	
●		●		●		●		●		●		●		-	
Hh		Hh		Hh		Hh		Hh		Hh		Hh		Hh	
-		-		●		-		-		-		-		-	
●		●		●		●		●		●		●		●	
5		4		4		4		4		4		4		2	
-		-		-		-		-		-		-		-	
-		-		-		-		-		-		-		-	
-		-		-		-		-		-		-		-	
1.8	180	2.2	210	1.8	180	1.8	180	1.8	180	1.4	145	1.4	145	-	-
1.4	145	1.4	145	1.8	180	1.8	180	1.8	180	1.8	180	1.8	180	-	-
-	-	-	-	-	-	-	-	-	-	-	-	-	-	-	-
2.2	240	-	-	-	-	-	-	-	-	-	-	-	-	-	-
-	-	-	-	-	-	-	-	-	-	-	-	-	-	3.3	210
-	-	-	-	-	-	-	-	-	-	-	-	-	-	1.8	145
-	-	-	-	-	-	-	-	-	-	-	-	-	-	-	-
2.2	210	1.4	145	2.2	210	2.2	210	2.2	210	1.8	180	1.8	180	-	-
1.4	145	2.4	280	1.4	145	1.4	145	1.4	145	1.4	145	1.4	145	-	-
220-240		220-240		220-240		220-240		220-240		220-240		220-240		220-240	
7200		7200		7200		7200		7200		4600		2990		3600	
110		110		110		110		110		110		110		110	
-		-		-		-		-		-		●		-	
14.0		14.0		12.0		11.0		11.0		11.0		10.0		10.0	
●		●		●		●		●		●		●		●	
-		-		HEZ394301		-		-		-		-		HEZ394301	
HEZ390042		HEZ390042		HEZ390042		HEZ390042		HEZ390042		HEZ390042		HEZ390042		-	

Electric hobs specifications

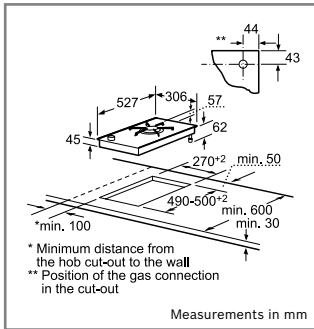
	QUICK-THERM				SEALED PLATE				DOMINO				
	Classixx		Classixx		Classixx		Classixx		Logixx				
Black Glass, Brushed steel trim	-	-	-	-	-	-	-	-	-	PKF375V14E			
White Glass	-	-	-	-	-	-	-	-	-	-			
Black Glass	PKN811D17E	PKE611D17E	-	-	PKE611C17E	-	-	-	-	-			
Brushed steel	-	-	-	-	-	-	-	NCT615C01	-	-			
White	-	-	-	-	-	-	-	NCT612C01	-	-			
Black	-	-	-	-	-	-	-	NCT616C01	-	-			
KEY FEATURES													
Electronic control	●	●	-	-	-	-	-	-	-	-			
Electronic power level display	●	●	-	-	-	-	-	-	-	-			
Safety cut-out switch off	●	●	-	-	-	-	-	-	-	-			
DESIGN													
Hob width (mm)	802	592	592	592	580	580	580	580	306	306			
Side controls	-	-	●	●	●	●	●	●	-	-			
Front controls	●	●	-	-	-	-	-	-	●	●			
Touch control	●	●	-	-	-	-	-	-	-	-			
Metal control dials	-	-	-	-	-	-	-	-	●	●			
Standard controls - steel coloured	-	-	●	●	●	●	●	●	-	-			
Standard controls - colour coordinated	-	-	-	-	●	●	●	●	-	-			
Profile trim (Front Facette with side trim)	-	-	●	●	-	-	-	-	●	●			
Can be installed with a Bosch domino hob	●	●	●	●	●	●	●	●	●	●			
Frameless	●	●	-	-	●	●	●	●	-	-			
FEATURES													
Number of power levels	17	17	9	9	9	9	9	9	9	9			
Main on/off switch	●	●	-	-	-	-	-	-	●	●			
Power on indicator	●	●	-	-	-	-	-	-	-	-			
Residual heat indicators	Hh	Hh	Hh	Hh	Hh	Hh	Hh	Hh	Hh	Hh			
PERFORMANCE / TECHNICAL INFORMATION													
Number of cooking zones	4	4	4	4	4	4	4	4	2	2			
Number of dual / extendible zones	2	-	1	1	-	-	-	-	1	1			
Left front zone power & diameter	kW & mm	2	180	1.2	145	1.2	145	1.2	145	2.0	180	-	-
Left back zone power & diameter	kW & mm	1.8, 2.6	170, 265	2	180	0.75, 2.2	120, 210	2.2	210	1.5	145	-	-
Centre front zone power & diameter	kW & mm	-	-	-	-	-	-	-	-	-	-	0.8-2.0	120-180
Centre back zone power & diameter	kW & mm	-	-	-	-	-	-	-	-	-	-	1.2	145
Right front zone power & diameter	kW & mm	0.75, 2.2	120, 210	2.2	210	2	180	2	180	1.5	145	-	-
Right back zone power & diameter	kW & mm	1.2	145	1.2	145	1.2	145	1.2	145	2.0	180	-	-
Nominal voltage	V	220-240	220-240	220-240	220-240	220-240	220-240	220-240	220-240	220-240	220-240	220-240	220-240
Total connected electrical load	W	7500	6600	6600	6600	6600	6600	6600	7000	3200	3200	3200	3200
Cable length	cm	-	-	-	-	-	-	-	100	100	100	100	100
Appliance weight	kg	11.0	7.0	8.0	8.0	8.0	8.0	8.0	11.0	4.7	4.7	4.7	4.7
Safety Approved	●	●	●	●	●	●	●	●	●	●	●	●	●
OPTIONAL ACCESSORIES													
Connecting strip	-	-	-	-	-	-	-	-	-	-	-	-	HEZ394301

● = Yes

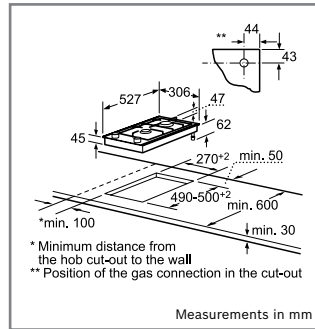
- = No

Gas hobs technical diagrams

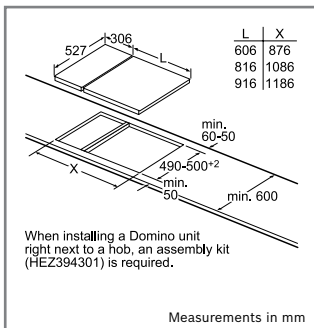
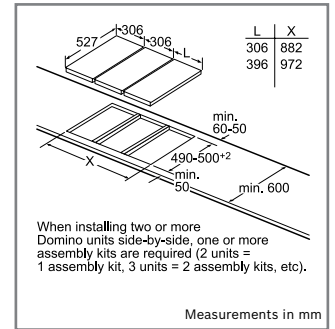
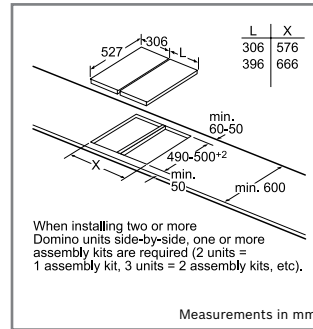
Standard and domino gas hobs



PRA326B70E



PRB326B70E



Gas hobs technical diagrams

Standard and domino gas hobs

Domino combination possibilities with corresponding device and cutout dimensions

Width type: 30 40 60 70 80 90
Device width: 306 396 606 710 816 916

			A B C D L X					
2x30,			306	306	-	-	612	576
1x30,	1x40		306	396	-	-	702	666
1x30,	1x60		306	606	-	-	912	876
1x30,	1x70		306	710	-	-	1016	980
1x30,	1x80		306	816	-	-	1122	1086
1x30,	1x90		306	916	-	-	1222	1186
2x40			396	396	-	-	792	756
1x40,	1x60		396	606	-	-	1002	966
1x40,	1x70		396	710	-	-	1106	1070
1x40,	1x80		396	816	-	-	1212	1176
1x40,	1x90		396	916	-	-	1312	1276
3x30			306	306	306	-	918	882
2x30,	1x40		306	306	396	-	1008	972
2x30,	1x60		306	306	606	-	1218	1182
2x30,	1x70		306	306	710	-	1322	1286
2x30,	1x80		306	306	816	-	1428	1392
2x30,	1x90		306	306	916	-	1528	1492
1x30,	2x40		306	396	396	-	1098	1062
1x30,	1x40,	1x60	306	396	606	-	1308	1272
1x30,	1x40,	1x70	306	396	710	-	1412	1376
1x30,	1x40,	1x80	306	396	816	-	1518	1482
1x30,	1x40,	1x90	306	396	916	-	1618	1582
2x40,	1x60		396	396	606	-	1398	1362
4x30			306	306	306	306	1224	1188
3x30,	1x40		306	306	306	396	1314	1278

Gas hobs specifications

	Excel				Classix						
				PCR715M90E	PCH615M90E				PCR915B91E	PCS815B90E	PCQ715B90E
Stainless steel / Stainless steel trim	-	-	-	-	-	-	-	-	-	-	-
Black/Premium black	PPS816M91E	PPS916B91E	PPP616M91E	-	-	PPQ716B91E	POP616B81E	PPP616B91E	-	-	-
White/Premium white	-	-	PPP612M91E	-	-	-	-	-	-	-	-
KEY FEATURES											
Number of wok style burners	1	1	-	1	1	1	-	-	1	1	1
Dual control wok burner	-	-	-	●	-	-	-	-	-	●	-
Quick-Stop Main Switch	●	●	●	●	●	-	-	-	-	-	-
DESIGN											
Hob width (mm)	752	915	590	702	582	710	590	590	915	762	702
Side controls	-	-	-	-	-	-	●	-	-	-	-
Front controls	●	●	●	●	●	●	-	●	●	●	●
Ceramic glass base	●	●	-	-	-	-	-	-	-	-	-
Design trim (Front Facette with steel finish side trim)	-	-	-	-	-	-	-	-	-	-	-
Tempered glass base	●	●	●	-	-	●	●	●	-	-	-
Metal/Steel base	-	-	-	●	●	-	-	-	●	●	●
Surface / Flush Fitting Installation	●/●	●/●	●/●	●/-	●/-	●/●	●/-	●/●	●/-	●/-	●/-
FEATURES											
Variable power levels	●	●	●	●	●	●	●	●	●	●	●
Ignition via control dials	●	●	●	●	●	●	●	●	●	●	●
Flame failure safety device	●	●	●	●	●	●	●	●	●	●	●
Cast iron pan supports	number 5	5	4	2	2	5	-	4	3	3	2
Enamelled pan supports	number -	-	-	-	-	-	2	-	-	-	-
Low profile single piece burners	-	-	-	-	-	-	-	-	-	-	-
Two piece burners	●	●	●	●	●	●	●	●	●	●	●
PERFORMANCE / TECHNICAL INFORMATION											
Number of cooking zones	5	5	4	5	4	5	4	4	5	5	5
Left burner power	kW 4.0	4.0	-	-	-	-	-	-	-	5.0	-
Front left zone power	kW -	-	1.7	1.0	3.3	1.0	3.0	1.7	3.0	-	1.0
Back zone left power	kW -	-	1.7	1.7	1.7	1.7	1.7	1.7	1.0	-	1.7
Centre/Centre front zone power	kW 1.0	1.0	-	5.0	-	4.0	-	-	4.5	1.0	4.0
Centre back zone power	kW 1.7	1.7	-	-	-	-	-	-	-	1.7	-
Front right zone power	kW 1.7	1.7	1.0	1.7	1.0	1.7	1.0	1.0	1.7	1.7	1.7
Back right zone power	kW 3.0	3.0	3.0	3.0	3.0	3.0	1.7	3.0	1.7	3.0	3.0
Pre-set for natural gas	●	●	●	●	●	●	●	●	●	●	●
Nominal voltage	V 220-240	220-240	220-240	220-240	220-240	220-240	220-240	220-240	220-240	220-240	220-240
Maximum gas power output load	W 11400	11400	7400	12400	9000	11400	7400	7400	11900	12400	12400
Total connected electrical load	W 0.6	0.6	0.6	0.6	0.6	0.6	0.6	0.6	0.6	0.6	0.6
Cable length	cm 100	100	100	100	100	100	100	100	150	100	100
GB plug	-	-	-	-	-	-	-	-	-	-	-
Appliance weight	kg 18.1	18.1	13.1	14.0	10.8	18.1	11.3	13.1	16.3	13.8	14.0
Safety Approved	●	●	●	●	●	●	●	●	●	●	●
STANDARD ACCESSORY											
LPG jets	28-30/37mbar	28-30/37mbar	28-30/37mbar	28-30/37mbar	28-30/37mbar	28-30/37mbar	28-30/37mbar	28-30/37mbar	28-30/37mbar	28-30/37mbar	28-30/37mbar
OPTIONAL ACCESSORIES											
Connecting Strip	-	-	-	-	-	-	-	-	-	-	-

● = Yes

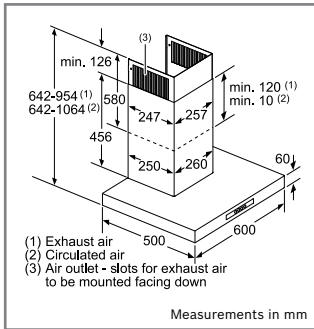
- = No

DOMINO GAS HOBS

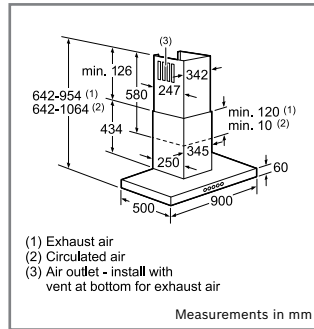
Logixx					
PCP615B90B	PBH615B90E	PBP615B90E	PBP615B80E	PRB326B70E	PRA326B70E
PCP616B90E	-	-	PBP616B80E	-	-
PCP612B90E	-	-	PBP612B80E	-	-
-	1	-	-	-	1
-	-	-	-	-	●
-	-	-	-	-	-
582	580	580	580	306	306
-	●	●	●	-	-
●	-	-	-	●	●
-	-	-	-	●	●
-	-	-	-	●	●
-	-	-	-	-	-
●	●	●	●	-	-
●/-	●/-	●/-	●/-	●/-	●/-
●	●	●	●	●	●
●	●	●	●	●	●
●	●	●	●	●	●
2	2	2	-	1	1
-	-	-	2	-	-
-	-	-	-	●	-
●	●	●	●	-	-
4	4	4	4	2	1
-	-	-	-	-	-
1.7	3.3	3.0	3.0	-	-
1.7	1.7	1.7	1.7	-	-
-	-	-	-	1.9	6.0
-	-	-	-	2.8	-
1.0	1.0	1.0	1.0	-	-
3.0	1.7	1.7	1.7	-	-
●	●	●	●	●	●
220-240	220-240	220-240	220-240	220-240	220-240
7400	7700	7400	7400	4700	6000
0.6	0.6	0.6	0.6	0.6	0.6
100	100	100	100	100	100
-	-	-	-	-	-
9.7	10.0	9.5	7.3	7.0	8.6
●	●	●	●	●	●
28-30/37mbar	28-30/37mbar	28-30/37mbar	28-30/37mbar	28-30/37mbar	28-30/37mbar
-	-	-	-	HEZ394301	HEZ394301

Hoods technical diagrams

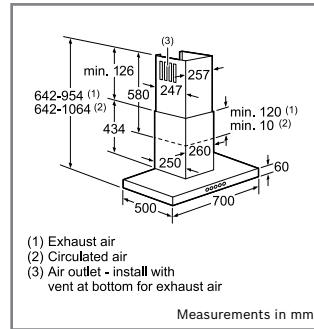
Chimney hoods



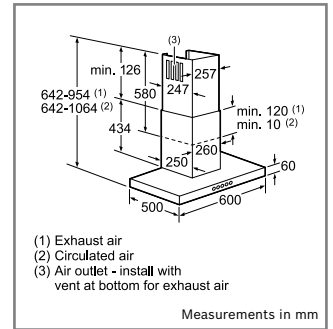
DWB06W452B



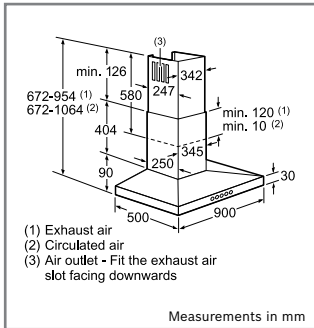
DWB094W50B



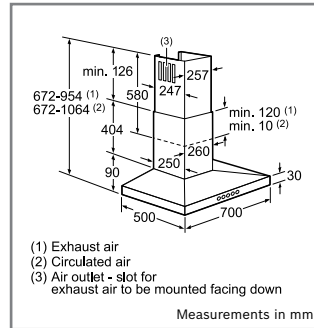
DWB074W50B



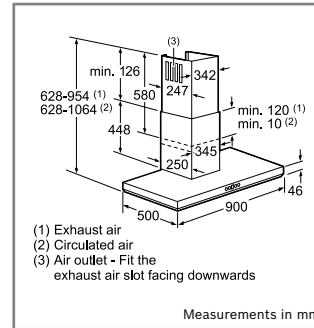
DWB064W50B



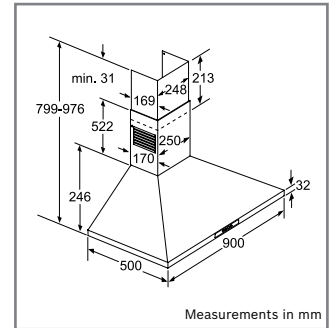
DWW097A50B



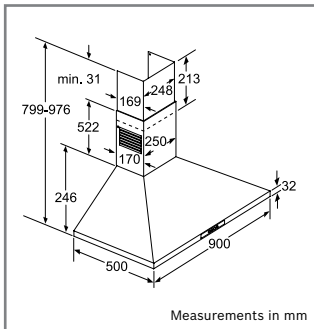
DWW077A50B



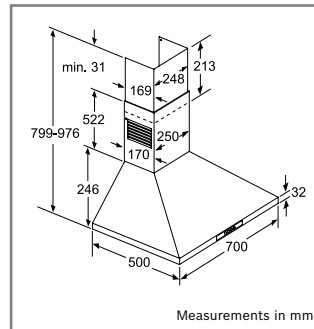
DWW067A50B



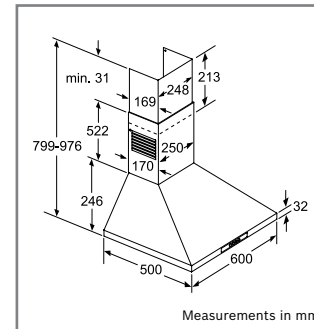
DWW09W460B



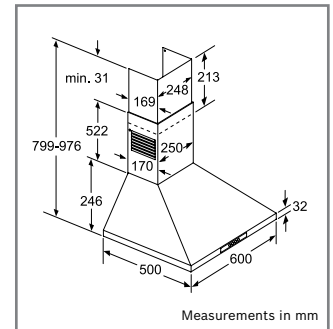
DWW09W450B



DWW07W450B



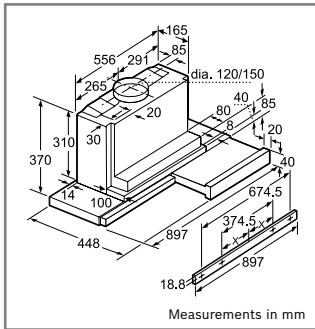
DWW06W460B



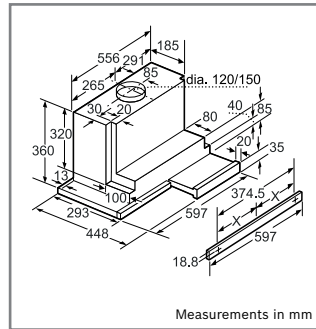
DWW06W450B

Hoods technical diagrams

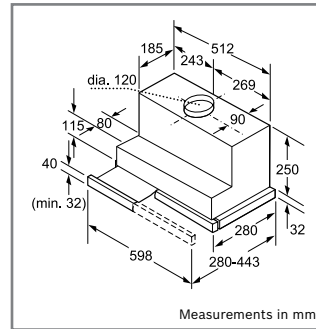
Telescopic, canopy, integrated and conventional hoods



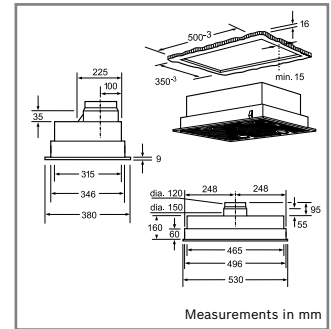
DHI965VGB



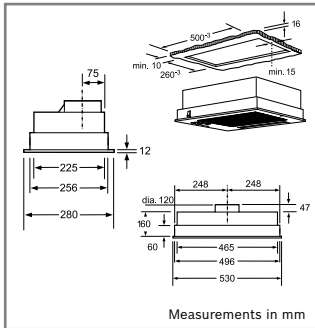
DHI665VGB



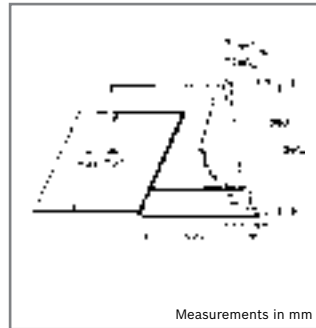
DHI635HGB



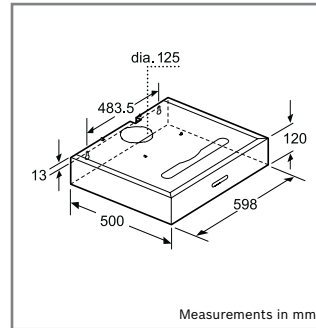
DHL545SGB



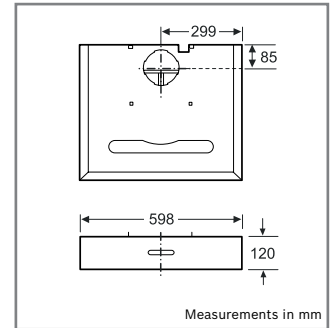
DHL535BGB



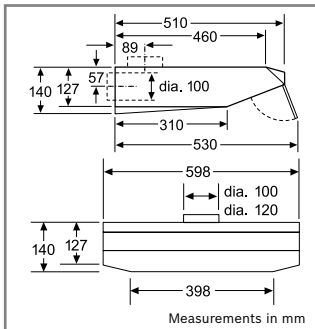
DHE635BGB | DHE645MGB



DHU625MGB



DHU625MGB



DHU635PGB | 636PGB | 632PGB

Hoods specifications

	ISLAND		ANGLED		CHIMNEY		Classix				
	Excel										
	DIA098E50B	DIB091U51B	DWK098E51B	DWA097E51B	DWA067E51B	DWA078E50B	DWA094W51B	DWA064W51B	DWA094W50B	DWA074W50B	DWA064W50B
Brushed steel or grey glass	-	-	-	-	-	-	-	-	-	-	-
Black or black glass	-	-	-	-	-	-	-	-	-	-	-
White or white glass	-	-	-	-	-	-	-	-	-	-	-
Silver metallic lacquer	-	-	-	-	-	-	-	-	-	-	-
KEY FEATURES											
Electronic control	●	●	●	●	●	●	-	-	-	-	-
Electronic power level display	●	●	●	●	●	●	-	-	-	-	-
Interval operation	-	-	-	-	-	-	-	-	-	-	-
Rim ventilation	-	-	-	-	-	-	-	-	-	-	-
Grease filter saturation indicator	-	-	-	-	-	-	-	-	-	-	-
Charcoal filter saturation indicator	-	-	-	-	-	-	-	-	-	-	-
DESIGN											
Appliance width	mm 900	900	900	900	600	600	900	600	900	700	600
Wall mounted installation	-	-	●	●	●	●	●	●	●	●	●
Ceiling mounted installation	●	●	-	-	-	-	-	-	-	-	-
Install in, between or under furniture carcass	-	-	-	-	-	-	-	-	-	-	-
Height adjustable chimney sections	●	●	●	●	●	●	●	●	●	●	●
Canopy/Box height	mm 52	46	387	57	57	52	57	57	52	52	52
Adjustable vapour screen	-	-	-	-	-	-	-	-	-	-	-
Variable control position	-	-	-	-	-	-	-	-	-	-	-
Steel finish profile/handle	-	-	-	-	-	-	-	-	-	-	-
Glass canopy	●	-	●	●	●	●	●	●	●	●	●
FEATURES											
Metal touch control	-	-	-	-	-	-	-	-	-	-	-
Soft touch metal button control	●	●	●	●	●	●	-	-	-	-	-
Push button control	-	-	-	-	-	-	-	-	-	-	-
Rocker switch control	-	-	-	-	-	-	●	●	●	●	●
Slider switch control	-	-	-	-	-	-	-	-	-	-	-
Power levels	3	3	3	3	3	3	3	3	3	3	3
Intensive setting	●	●	●	●	●	●	-	-	-	-	-
Automatic intensive revert	●	●	●	●	●	●	-	-	-	-	-
15W LED light strips	-	-	-	-	-	-	-	-	-	-	-
3W low energy LED light	4	4	2	2	2	2	-	-	-	-	-
20W low energy halogen lights	-	-	-	-	-	-	2	2	2	2	2
25W halogen spotlights	-	-	-	-	-	-	-	-	-	-	-
28W halogen bulbs	-	-	-	-	-	-	-	-	-	-	-
40W bulbs	-	-	-	-	-	-	-	-	-	-	-
Softlight with dimmer function	-	-	-	-	-	-	-	-	-	-	-
Fluorescent mood lighting	-	-	-	-	-	-	-	-	-	-	-
Automatic after running	mins. -	1-9	10	10	10	10	-	-	-	-	-
Additional noise reduction insulation	-	●	-	-	-	-	-	-	-	-	-
Double filter system	-	-	-	-	-	-	-	-	-	-	-
Steel filter cover	-	-	-	-	-	-	-	-	-	-	-
Steel filter cover solid (rim ventilation)	-	-	-	-	-	-	-	-	-	-	-
Cosmetic steel filter cover	-	-	-	-	-	-	-	-	-	-	-
Number of metal grease filter cassettes	2	3	2	1	1	1	1	1	1	1	1
Paper grease filter	-	-	-	-	-	-	-	-	-	-	-
PERFORMANCE / TECHNICAL INFORMATION											
Easy installation system	-	-	●	●	●	●	●	●	●	●	●
Suitable for ducted operation	●	●	●	●	●	●	●	●	●	●	●
Suitable for recirculating operation	●	●	●	●	●	●	●	●	●	●	●
Extraction rate in m ³ /h ^(1,2)											
- ducted / recirculating at power level 1	260 / 170	290 / 190	220 / 170	230 / 150	230 / 150	230 / 150	200 / 130	200 / 130	200 / 130	200 / 130	200 / 130
- ducted / recirculating at power level 2	370 / 250	460 / 350	340 / 260	340 / 240	340 / 240	340 / 240	300 / 200	300 / 200	300 / 200	300 / 200	300 / 200
- ducted / recirculating at power level 3	450 / 290	640 / 400	420 / 310	440 / 300	440 / 300	440 / 300	450 / 290	450 / 290	450 / 290	450 / 290	450 / 290
- ducted / recirculating, intensive setting	800 / 360	1010 / 480	740 / 380	680 / 360	680 / 360	680 / 360	-/-	-/-	-/-	-/-	-/-
Max noise level (sound pressure) based on dBA re 20 µPa ^(1,3)											
- ducted / recirculating at power level 1	29 / 45	28 / 43	31 / 45	31 / 42	31 / 42	31 / 42	33 / 39	33 / 40	33 / 39	33 / 40	33 / 40
- ducted / recirculating at power level 2	40 / 53	39 / 53	39 / 54	39 / 51	40 / 51	40 / 51	39 / 49	39 / 50	39 / 49	39 / 50	39 / 50
- ducted / recirculating at power level 3	45 / 56	47 / 57	44 / 56	45 / 55	45 / 56	45 / 56	48 / -	48 / 57	48 / 56	48 / 57	48 / 57
- ducted / recirculating, intensive setting	55 / 61	54 / 60	54 / 61	51 / 57	50 / 58	50 / 58	-/-	-/-	-/-	-/-	-/-
Noise level (sound power) based on dB(A) re 1 pW ^(1,4)											
- ducted / recirculating at power level 1	43 / 59	42 / 57	45 / 59	45 / 56	45 / 56	45 / 56	47 / 53	47 / 54	47 / 53	47 / 54	47 / 54
- ducted / recirculating at power level 2	54 / 67	53 / 67	53 / 68	53 / 65	54 / 65	54 / 65	53 / 63	53 / 64	53 / 63	53 / 64	53 / 64
- ducted / recirculating at power level 3	59 / 67	61 / 71	58 / 70	59 / 69	59 / 70	59 / 70	62 / 70	62 / 71	62 / 70	62 / 71	62 / 71
- ducted / recirculating, intensive setting	71 / 74	70 / 75	70 / 75	68 / 73	69 / 73	69 / 73	-/-	-/-	-/-	-/-	-/-
Pipe outlet diameter	mm 120 / 150	120 / 150	120 / 150	120 / 150	150 / 120	150 / 120	120 / 150	120 / 150	150 / 120	150 / 120	150 / 120
Min. distance above an electric hob	mm 550	550	400	550	550	550	550	550	550	550	550
Min. distance above a gas hob pan supports	mm 650	650	500	650	650	650	650	650	650	650	650
Motor power	W 160	260	160	130	130	130	130	130	130	130	130
Total electrical loading	W 172	272	166	136	136	136	170	170	170	170	170
Nominal Voltage	V 220-240	220-240	220-240	220-240	220-240	220-240	220-240	220-240	220-240	220-240	220-240
Power cable length	cm 130	130	130	130	130	130	130	130	130	130	130
GB plug	●	●	●	●	●	●	●	●	●	●	●
Appliance weight	kg 35	30	27	19	17	18	19	17	19	16	17
Safety approved	●	●	●	●	●	●	●	●	●	●	●
OPTIONAL ACCESSORIES											
900x720mm stainless steel back panel	-	-	-	-	-	-	-	-	-	-	-
700x720mm stainless steel back panel	-	-	-	-	-	-	-	-	-	-	-
600x720mm stainless steel back panel	-	-	-	-	-	-	-	-	-	-	-
Steel finish profile/handle - solid	-	-	-	-	-	-	-	-	-	-	-
Steel finish profile/handle with control opening	-	-	-	-	-	-	-	-	-	-	-
Paper grease filters	-	-	-	-	-	-	-	-	-	-	-
Recirculating kit (needed if recirculating)	DHZ5365	DHZ5385	DHZ5325	DHZ5325	DHZ5325	DHZ5325	DHZ5325	DHZ5325	DHZ5325	DHZ5325	DHZ5325
Charcoal odour filter (needed if recirculating)	-	-	-	-	-	-	-	-	-	-	-
Décor panel white	-	-	-	-	-	-	-	-	-	-	-
Décor panel black	-	-	-	-	-	-	-	-	-	-	-

● = Yes

- = No

¹ Air flow and noise declarations made in line with CECEC Code Of Conduct

² Measured according to EN61591 on largest pipe diameter

³ Sound pressure measured according to EN60704-2-13 on largest pipe diameter

⁴ Sound power measured according to EN60704-3 on largest pipe diameter

⁵ Recirculating kit for Black glass model only

All models comply with COMMISSION REGULATION (EC) No 1275/2008 with regard to ecodesign requirements for standby and off mode electric power consumption.

Hoods specifications

	BOX			CHIMNEY		BOX				CHIMNEY		PYRAMID
	<i>Excel</i>	<i>Classix</i>										
	DWB098E51B	DWB097A50B	DWB067A50B	DWB09W452B	DWB06W452B	DWB094W50B	DWB074W50B	DWB064W50B	DWB097A50B	DWB077A50B	DWB067A50B	
Brushed steel or grey glass	-	-	-	-	-	-	-	-	-	-	-	-
Black or black glass	-	-	-	-	-	-	-	-	-	-	-	DWW09W460B
White or white glass	-	-	-	-	-	-	-	-	-	-	-	-
Silver metallic lacquer	-	-	-	-	-	-	-	-	-	-	-	-
KEY FEATURES												
Electronic control	●	●	●	-	-	-	-	-	●	●	●	-
Electronic power level display	●	●	●	-	-	-	-	-	●	●	●	-
Interval operation	-	-	-	-	-	-	-	-	-	-	-	-
Rim ventilation	-	-	-	-	-	-	-	-	-	-	-	-
Grease filter saturation indicator	-	-	-	-	-	-	-	-	-	-	-	-
Charcoal filter saturation indicator	-	-	-	-	-	-	-	-	-	-	-	-
DESIGN												
Appliance width	mm 900	900	600	900	600	900	700	600	900	700	600	900
Wall mounted installation	●	●	●	●	●	●	●	●	●	●	●	●
Ceiling mounted installation	-	-	-	-	-	-	-	-	-	-	-	-
Install in, between or under furniture carcass	-	-	-	-	-	-	-	-	-	-	-	-
Height adjustable chimney sections	●	●	●	●	●	●	●	●	●	●	●	-
Canopy/Box height	mm 46	46	46	60	60	60	60	60	90	90	90	246
Adjustable vapour screen	-	-	-	-	-	-	-	-	-	-	-	-
Variable control position	-	-	-	-	-	-	-	-	-	-	-	-
Steel finish profile/handle	-	-	-	-	-	-	-	-	-	-	-	-
Glass canopy	-	-	-	-	-	-	-	-	-	-	-	-
FEATURES												
Metal touch control	-	-	-	-	-	-	-	-	-	-	-	-
Soft touch metal button control	●	●	●	-	-	-	-	-	●	●	●	-
Push button control	-	-	-	-	-	-	-	-	-	-	-	-
Rocker switch control	-	-	-	●	●	●	●	●	-	-	-	●
Slider switch control	-	-	-	-	-	-	-	-	-	-	-	-
Power levels	3	3	3	3	3	3	3	3	3	3	3	3
Intensive setting	●	-	●	-	-	-	-	-	●	●	●	-
Automatic intensive revert	●	●	●	-	-	-	-	-	●	●	●	-
15W LED light strips	-	-	-	-	-	-	-	-	-	-	-	-
3W low energy LED light	3	3	2	-	-	-	-	-	3	2	2	-
20W low energy halogen lights	-	-	-	-	-	2	2	2	-	-	-	-
25W halogen spotlights	-	-	-	-	-	-	-	-	-	-	-	-
28W halogen bulbs	-	-	-	2	2	-	-	-	-	-	-	2
40W bulbs	-	-	-	-	-	-	-	-	-	-	-	-
Softlight with dimmer function	-	-	-	-	-	-	-	-	-	-	-	-
Fluorescent mood lighting	-	-	-	-	-	-	-	-	-	-	-	-
Automatic after running	mins. 10	-	-	-	-	-	-	-	-	-	-	-
Additional noise reduction insulation	●	-	-	-	-	●	-	-	●	-	-	-
Double filter system	-	-	-	-	-	-	-	-	-	-	-	-
Steel filter cover	-	-	-	-	-	-	-	-	-	-	-	-
Steel filter cover solid (rim ventilation)	-	-	-	-	-	-	-	-	-	-	-	-
Cosmetic steel filter cover	-	-	-	-	-	-	-	-	-	-	-	-
Number of metal grease filter cassettes	3	3	2	3	2	3	2	2	3	2	2	3
Paper grease filter	-	-	-	-	-	-	-	-	-	-	-	-
PERFORMANCE / TECHNICAL INFORMATION												
Easy installation system	●	●	●	-	-	●	●	●	●	●	●	-
Suitable for ducted operation	●	●	●	●	●	●	●	●	●	●	●	●
Suitable for recirculating operation	●	●	●	●	●	●	●	●	●	●	●	●
Extraction rate in m ³ /h ^(1,2)												
- ducted / recirculating at power level 1	260 / 180	250 / 160	240 / 150	260 / 170	260 / 170	210 / 130	210 / 120	210 / 120	250 / 160	240 / 150	240 / 150	230 / 150
- ducted / recirculating at power level 2	380 / 300	360 / 280	350 / 240	360 / 240	360 / 240	320 / 210	310 / 200	310 / 200	360 / 280	350 / 240	350 / 240	290 / 190
- ducted / recirculating at power level 3	460 / 360	460 / 350	440 / 300	450 / 300	450 / 300	470 / 330	460 / 290	460 / 290	460 / 350	440 / 300	440 / 300	400 / 230
- ducted / recirculating, intensive setting	860 / 460	730 / 430	690 / 360	-/-	-/-	-/-	-/-	-/-	730 / 430	690 / 360	690 / 360	-/-
Max noise level (sound pressure) based on dBA re 20 µPa ^(1,3)												
- ducted / recirculating at power level 1	29 / 43	29 / 40	31 / 42	38 / 45	38 / 45	29 / 36	32 / 39	32 / 39	29 / 40	31 / 42	31 / 42	41 / 42
- ducted / recirculating at power level 2	36 / 51	34 / 49	39 / 51	44 / 51	44 / 51	35 / 46	39 / 48	39 / 48	34 / 49	39 / 51	39 / 51	46 / 49
- ducted / recirculating at power level 3	41 / 54	40 / 54	44 / 55	48 / 55	48 / 55	44 / 55	48 / 56	48 / 56	40 / 54	44 / 55	44 / 55	51 / 53
- ducted / recirculating, intensive setting	49 / 59	50 / 58	54 / 59	-/-	-/-	-/-	-/-	-/-	50 / 58	54 / 59	54 / 59	-/-
Noise level (sound power) based on dB(A) re 1 pW ^(1,4)												
- ducted / recirculating at power level 1	43 / 57	43 / 54	45 / 56	52 / 59	52 / 59	43 / 50	46 / 53	46 / 53	43 / 54	45 / 56	45 / 56	55 / 56
- ducted / recirculating at power level 2	50 / 65	48 / 63	53 / 65	58 / 65	58 / 65	49 / 60	53 / 62	53 / 62	48 / 63	53 / 65	53 / 65	60 / 63
- ducted / recirculating at power level 3	55 / 68	54 / 68	58 / 69	63 / 69	63 / 69	58 / 69	62 / 70	62 / 70	54 / 68	58 / 69	58 / 69	65 / 67
- ducted / recirculating, intensive setting	68 / 73	64 / 72	68 / 73	-/-	-/-	-/-	-/-	-/-	64 / 72	68 / 73	-/-	-/-
Pipe outlet diameter	mm 120 / 150	120 / 150	120 / 150	150 / 120	150 / 120	150 / 120	150 / 120	150 / 120	120 / 150	150 / 120	120 / 150	150 / 120
Min. distance above an electric hob	mm 550	550	550	550	550	550	550	550	550	550	550	550
Min. distance above a gas hob pan supports	mm 650	650	650	650	650	650	650	650	650	650	650	650
Motor power	W 160	130	130	100	100	130	130	130	130	130	130	95
Total electrical loading	W 169	139	136	160	160	170	170	170	139	136	136	155
Nominal Voltage	V 220-240	220-240	220-240	220-240	220-240	220-240	220-240	220-240	220-240	220-240	220-240	220-240
Power cable length	cm 130	130	130	130	130	130	130	130	130	130	130	130
GB plug	●	●	●	●	●	●	●	●	●	●	●	●
Appliance weight	kg 22	20	15	13	12	19	14	15	20	14	15	15
Safety approved	●	●	●	●	●	●	●	●	●	●	●	●
OPTIONAL ACCESSORIES												
900x720mm stainless steel back panel	-	-	-	DHZ9551	-	-	-	-	-	-	-	-
700x720mm stainless steel back panel	-	-	-	-	-	-	-	-	-	-	-	-
600x720mm stainless steel back panel	-	-	-	-	DHZ6551	-	-	-	-	-	-	-
Steel finish profile/handle - solid	-	-	-	-	-	-	-	-	-	-	-	-
Steel finish profile/handle with control opening	-	-	-	-	-	-	-	-	-	-	-	-
Paper grease filters	-	-	-	-	-	-	-	-	-	-	-	-
Recirculating kit (needed if recirculating)	DHZ5345	DHZ5345	DHZ5325	DHZ5325	DHZ5325	DHZ5345	DHZ5325	DHZ5325	DHZ5345	DHZ5325	DHZ5325	DHZ5275
Charcoal odour filter (needed if recirculating)	-	-	-	-	-	-	-	-	-	-	-	-
Décor panel white	-	-	-	-	-	-	-	-	-	-	-	-
Décor panel black	-	-	-	-	-	-	-	-	-	-	-	-

● = Yes

- = No

¹ Air flow and noise declarations made in line with CECEC Code Of Conduct

² Measured according to EN61591 on largest pipe diameter

³ Sound pressure measured according to EN60704-2-13 on largest pipe diameter

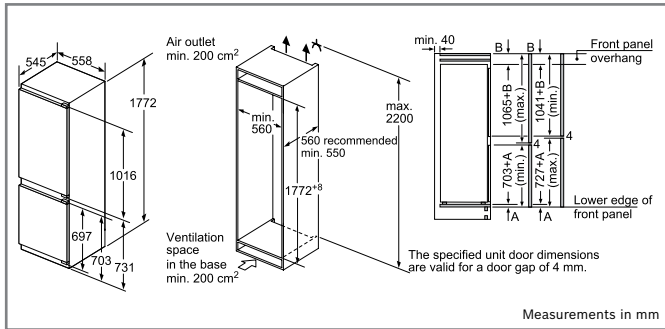
⁴ Sound power measured according to EN60704-3 on largest pipe diameter

TELESCOPIC				INTEGRATED					CANOPY		CONVENTIONAL	
DWW09W450B	DWW07W450B	-	DWW06W450B	-	-	-	-	-	-	-	DHU625MGB	DHU635PGB
-	-	DWW06W460B	-	-	-	-	-	-	-	-	-	DHU636PGB
-	-	-	-	DHI965VGB	DHI665VGB	DHI635HGB	DHE645MGB	DHE635BGB	DHL545SGB	DHL535BGB	-	DHU632PGB
-	-	-	-	●	●	-	-	-	-	-	-	-
-	-	-	-	●	●	-	-	-	-	-	-	-
-	-	-	-	●	●	-	-	-	-	-	-	-
-	-	-	-	●	●	-	-	-	-	●	-	●
-	-	-	-	●	●	-	-	-	-	-	-	-
900	700	600	600	897	597	598	598	599	530	530	598	598
●	●	●	●	-	-	-	●	●	-	-	-	-
-	-	-	-	-	-	-	-	-	-	-	●	●
-	-	-	-	●	●	●	-	-	●	●	-	-
246	246	246	246	-	-	-	-	-	-	-	-	●
-	-	-	-	●	●	-	-	-	-	-	-	-
-	-	-	-	-	-	●	-	-	-	-	-	-
-	-	-	-	-	-	-	-	-	-	-	-	-
-	-	-	-	●	●	-	-	-	-	-	-	-
-	-	-	-	-	-	-	-	-	-	-	●	-
●	●	●	●	-	-	●	●	●	-	●	-	●
-	-	-	-	-	-	-	-	-	●	-	-	-
3	3	3	3	3	3	3	3	3	3	2	3	3
-	-	-	-	●	●	-	-	-	●	-	-	-
-	-	-	-	●	●	-	-	-	-	-	-	-
-	-	-	-	-	-	-	-	-	-	-	-	-
-	-	-	-	3	2	-	-	-	2	-	2	-
-	-	-	-	-	-	-	-	-	-	-	-	-
2	2	2	2	-	-	2	2	1	-	2	-	1
-	-	-	-	-	-	-	-	-	-	-	-	-
-	-	-	-	●	●	-	-	-	-	-	-	-
-	-	-	-	-	-	-	-	-	-	-	-	-
-	-	-	-	10	10	-	-	-	-	-	-	-
-	-	-	-	-	-	-	-	-	-	-	-	-
-	-	-	-	-	-	-	-	●	-	-	-	-
-	-	-	-	-	-	-	-	-	-	-	-	-
3	2	2	2	2	2	2	2	1	2	1	2	1
-	-	-	-	-	-	-	-	●	-	●	-	●
-	-	-	-	-	-	-	-	-	-	-	-	-
●	●	●	●	●	●	●	●	●	●	●	●	●
●	●	●	●	●	●	●	●	●	●	●	●	●
230 / 150	230 / 150	230 / 150	230 / 150	230 / 170	230 / 170	250 / 200	170 / 140	140 / 120	260 / 220	150 / 130	135 / 45	120 / 75
290 / 190	290 / 190	290 / 190	290 / 190	350 / 250	350 / 250	310 / 250	250 / 230	190 / 170	350 / 310	210 / 180	170 / 55	155 / 100
400 / 230	400 / 230	400 / 230	400 / 230	450 / 330	450 / 330	400 / 300	360 / 300	280 / 230	400 / 340	- / -	280 / 70	190 / 150
- / -	- / -	- / -	- / -	700 / 430	700 / 430	- / -	- / -	- / -	500 / 380	280 / 240	- / -	- / -
41 / 42	41 / 42	43 / 42	42 / 42	36 / 41	36 / 41	45 / 48	37 / 38	40 / 44	41 / 45	41 / 41	tbc / tbc	42 / 43
46 / 49	46 / 49	48 / 49	47 / 49	41 / 47	41 / 47	49 / 52	45 / 49	46 / 51	47 / 53	48 / 48	tbc / tbc	46 / 47
51 / 53	51 / 53	53 / 53	52 / 53	47 / 52	47 / 52	52 / 66	52 / 54	54 / 56	50 / 55	- / -	57 / tbc	52 / 53
- / -	- / -	- / -	- / -	50 / 57	50 / 57	- / -	- / -	- / -	57 / 59	54 / 55	- / -	- / -
55 / 56	55 / 56	57 / 56	56 / 56	48 / 53	48 / 53	57 / 60	49 / 50	52 / 56	53 / 57	53 / 53	47 / 60	54 / 55
60 / 63	60 / 63	62 / 63	61 / 63	53 / 59	53 / 59	61 / 64	57 / 61	58 / 63	59 / 65	60 / 60	54 / 62	58 / 59
65 / 67	65 / 67	67 / 67	66 / 67	59 / 64	59 / 64	64 / 68	64 / 66	66 / 68	62 / 67	-	65 / 66	64 / 65
- / -	- / -	- / -	- / -	62 / 69	62 / 69	- / -	- / -	- / -	69 / 71	66 / 67	- / -	- / -
150 / 120	150 / 120	150 / 120	150 / 120	150 / 120	150 / 120	120	120	120	120 / 150	120	120	120 / 100
550	550	550	550	430	430	430	650	650	650	650	500	650
650	650	650	650	650	650	650	650	650	650	650	650	650
95	95	95	95	200	200	100	210	130	270	170	140	85
155	155	155	155	260	240	160	270	160	310	230	180	115
220-240	220-240	220-240	220-240	220-240	220-240	220-240	220-230	220-230	220-240	220-240	220-240	220-240
130	130	130	130	130	130	130	130	130	130	130	130	130
●	●	●	●	●	●	●	●	●	●	●	●	●
10	11	9	8	15	12	9	9	7	8	5	8	8
●	●	●	●	●	●	●	●	●	●	●	●	●
DHZ9551	-	-	-	-	-	-	-	-	-	-	-	-
-	DHZ7551	-	-	-	-	-	-	-	-	-	-	-
-	-	-	DHZ6551	-	-	-	-	-	-	-	-	-
-	-	-	-	DHZ4950	DHZ4650	-	-	-	-	-	-	-
-	-	-	-	DHZ4955	DHZ4655	-	-	-	-	-	-	-
-	-	-	-	-	-	-	-	DHZ2100	-	DHZ2100	-	DHZ2100
DHZ5275	DHZ5275	DHZ5275	DHZ5275	DHZ4505	DHZ4505	-	-	-	-	-	-	-
-	-	-	-	-	-	-	DSZ11AF	DSZ11AF	DHZ7305	DHZ7304	DHZ2400	DHZ1100
-	-	-	-	-	-	-	-	-	-	-	-	-
-	-	-	-	-	-	-	-	-	-	-	-	-

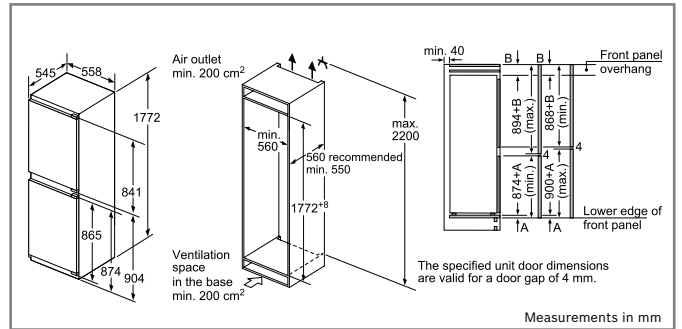
Integrated cooling technical diagrams

Fridge freezers, fridges and freezers

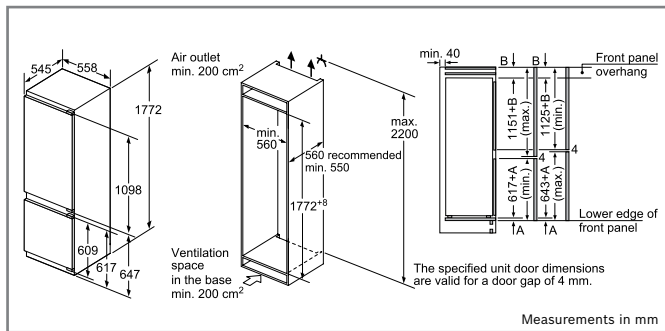
Please refer to the Freestanding Appliances brochure for American-style fridge freezers.



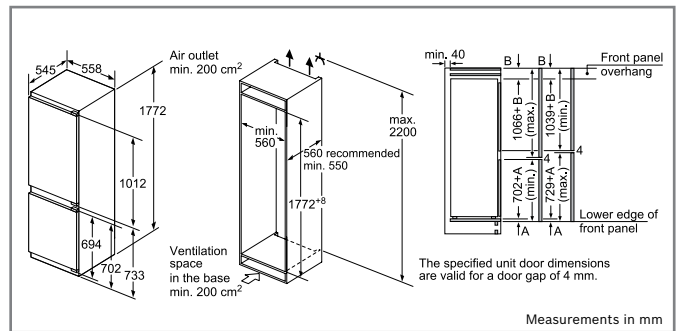
KIN86AD30G



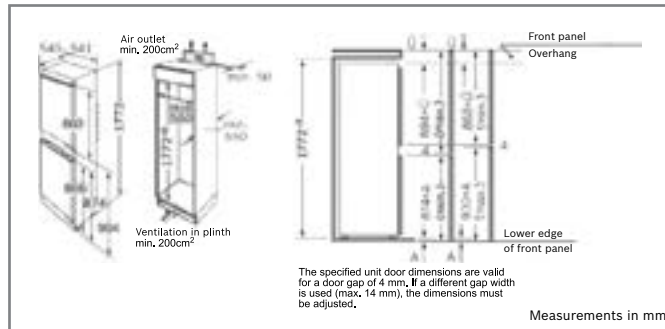
KIN85AF30G



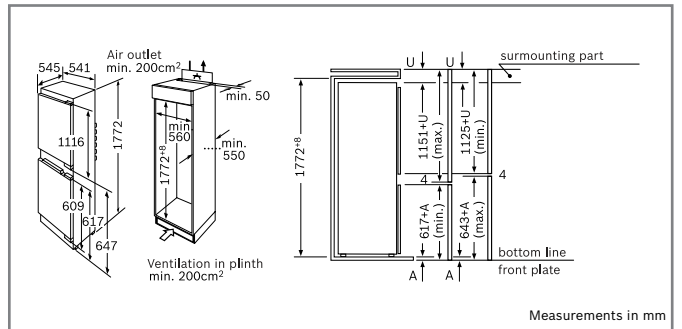
KIS87AF30G



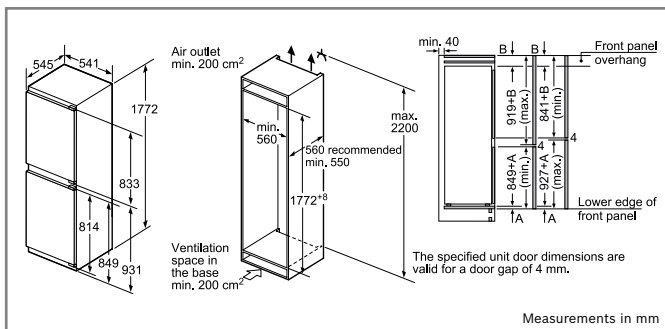
KIS86AF30G



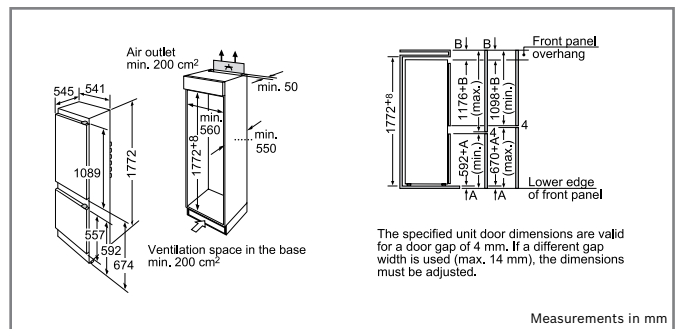
KIV32A50GB



KIV38A51GB



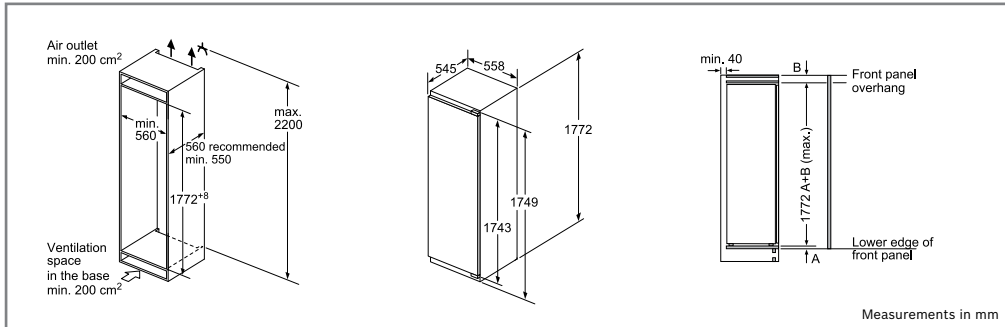
KIV32X22GB



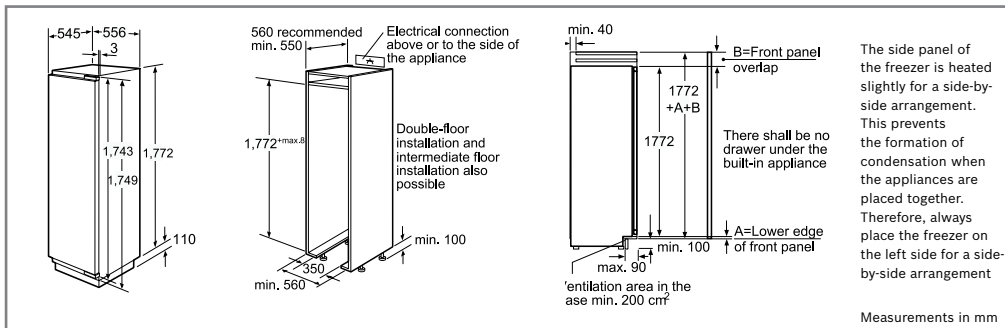
KIV38X22GB

Integrated cooling technical diagrams

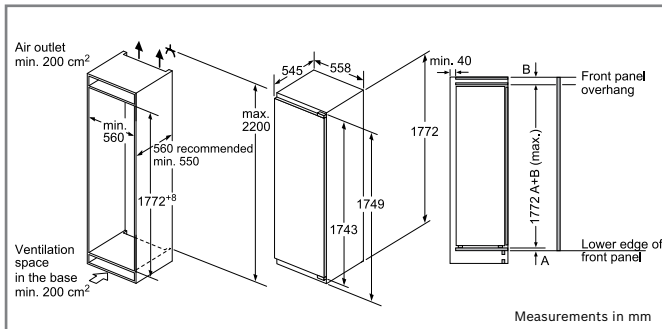
Fridge freezers, fridges and freezers



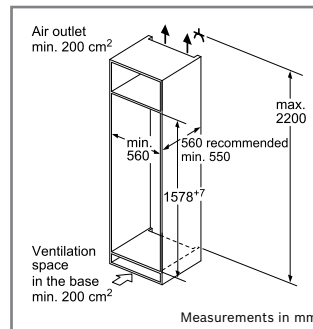
KIR81AF30G



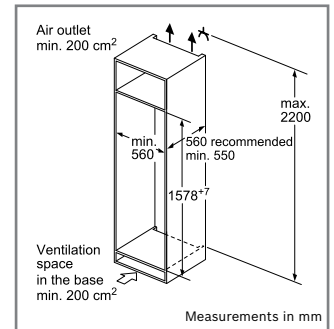
GIN38A55GB



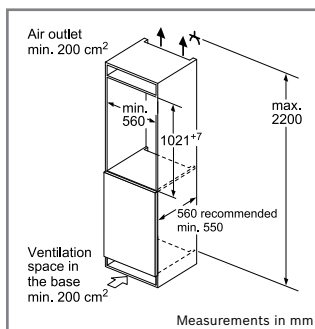
KIL82AF30G



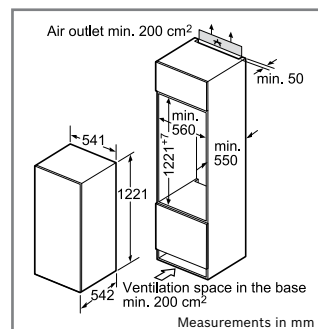
KIL72AF30G



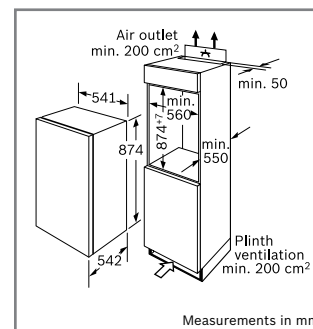
KIL42AD40G



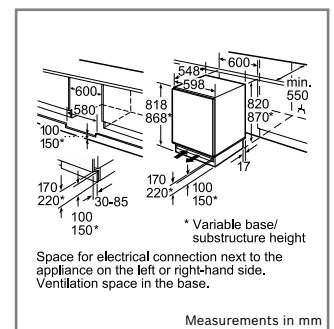
KIR31AF30G | KIL32AF30G



KIR41AF30G | KIL42AF30G | KIR24V20G



KIR21AF30G | GID18A50GB | GID18A20GB | KIR18V20GB



KUR15A50GB | KUL15A60GB | GUD15A50GB

Integrated cooling specifications

BUILT-IN FRIDGES
AND FREEZERS

	AMERICAN STYLE			BUILT-IN FRIDGE FREEZERS									
	Exxel	Classix	Logix	Exxel	Classix	Logix	Exxel	Classix	Logix	Exxel	Classix	Logix	
Stainless steel look													
Black	KAN58A55GB	KAD62V40GB	KAN62V41GB										
White				KIN86AD30G	KIN85AF30G	KIS87AF30G	KIS86AF30G	KIV32A50GB	KIV38A51GB	KIV32X22GB	KIV38X22GB	KIR81AF30G	
PERFORMANCE AND CONSUMPTION													
Energy efficiency class	A+	A+	A+	A++	A+	A++	A++	A+	A+	A+	A+	A++	
Annual energy consumption kWh	460	455	497	221	232	225	218	283	275	283	275	116	
Total unit net capacity litres	510	604	604	255	246	270	265	257	277	255	277	319	
Refrigerator net capacity litres	346	385	385	188	154	209	195	165	218	162	217	319	
Freezer net capacity litres	164	177	219	67	92	61	74	92	58	93	59	-	
Noise level dB (re 1pW)	45	44	44	39	39	35	35	40	40	40	40	37	
DESIGN FEATURES													
Colour of sides	Black	Chrome inox-metallic	Chrome Inox-metallic	-	-	-	-	-	-	-	-	-	
Type of handle	Vertical bar handle	Vertical bar handle	Vertical bar handle	-	-	-	-	-	-	-	-	-	
Door hinge	Left and right	Left and right	Left and right	-	-	-	-	-	-	-	-	-	
Type of hinge	-	-	-	SoftClose	Flat hinge	Flat hinge	Flat hinge	Flat hinge	Flat hinge	Flat hinge	Sliding hinge	Sliding hinge	
Reversible Door, Hinged on right	-	-	-	●	●	●	●	●	●	●	●	●	
Light Wattage - Refrigerator	-	-	-	-	-	-	-	1x25 Watt	1x25 Watt	1x15 Watt	1x15 Watt	-	
Light	-	-	-	-	-	-	-	-	-	-	-	-	
LED light	-	-	-	●	●	●	●	-	-	-	-	●	
Number of compressors	1	1	1	1	1	1	1	1	1	1	1	1	
Number of cooling circuits	1	2	2	2	2	2	2	1	1	1	1	1	
Number of evaporators	-	2	2	1	1	1	1	1	-	-	-	-	
Number of temperature zones fridge	-	-	-	-	1	-	1	1	1	1	1	-	
FOOD FRESHNESS SYSTEMS													
Range of temperatures °C	4-8	4-8	4-8	4-8	4-8	4-8	4-8	4-8	4-8	4-8	4-8	4-8	
Interior ventilation through plinth	-	-	-	-	●	-	-	-	-	-	-	-	
Humidity control drawer	-	●	-	●	●	●	●	●	●	●	●	●	
Anti Bacterial	-	●	●	-	-	-	-	-	-	-	-	-	
Food preservation containers	CoolBox	CoolBox	CoolBox	HydroFresh	HydroFresh	Crisper Box	Crisper Box	Crisper Box	Crisper Box	Crisper Box	Crisper Box	Hydrofresh	
MultiAirflow system	●	●	●	-	-	-	-	-	-	-	-	-	
KEY FEATURES - FRIDGE SECTION													
No. of temperature zones fridge	1	1	1	1	1	1	1	1	1	1	1	-	
Number of vegetable containers with ribbed bottom and humidity control	-	-	-	-	2	1	1	1	1	1	1	-	
Number of shelves in fridge compartment	-	-	-	5	4	5	5	4	5	3	5	-	
Number of glass safety shelves in fridge compartment	3	4	4	-	-	-	-	-	-	-	-	7	
Number of adjustable shelves in fridge compartment	2	3	3	4	3	4	4	3	4	2	4	6	
Type of shelves	Stationary	Full Extension	Full Extension	-	-	-	-	-	-	-	-	-	
Drawers with telescopic rails	-	Partial Extension	Partial Extension	-	-	-	-	-	-	-	-	-	
Number of door bins in fridge	2	2	2	-	-	-	-	-	-	-	-	-	
Tilt-out door bins in fridge	-	-	-	-	●	-	●	●	●	●	●	-	
Number of door shelves	-	-	-	5	4	5	4	4	-	-	-	-	
Number of containers in fridge compartment	-	-	-	3	2	3	4	-	-	-	-	6	
EasyLift flexible shelf in door	-	●	●	-	-	-	-	-	-	-	-	-	
Fast cooling switch	●	●	●	●	●	●	●	-	-	-	-	●	
Included accessories	-	-	-	-	-	-	-	-	-	-	-	2 x egg tray	
KEY FEATURES - FREEZER SECTION													
Star rating	-	-	-	★ ★ ★ ★	★ ★ ★ ★	★ ★ ★ ★	★ ★ ★ ★	★ ★ ★ ★	★ ★ ★ ★	★ ★ ★ ★	★ ★ ★ ★	No	
Number of freezer draws	-	-	-	3	4	2	4	4	3	4	3	-	
NoFrost system	Full	Full	Full	Full	Full	No	No	No	No	No	No	No	
Fast freezing switch	●	●	●	●	●	●	●	●	●	-	-	-	
Shelf adjustability	-	●	-	-	-	-	-	-	-	-	-	-	
Automatic motor-driven ice-maker	●	●	●	-	-	-	-	-	-	-	-	-	
Water filter replacement indicator	●	-	-	-	-	-	-	-	-	-	-	-	
Water tank	●	●	-	-	-	-	-	-	-	-	-	-	
Dispenser - crushed ice, ice cubes, quick ice, water, water filter	●	●	-	-	-	-	-	-	-	-	-	-	
Included accessories	-	1 x connection hose, 1 egg tray	-	-	2 x ice packs, 1 x butter dish, 2 x egg tray, 1 x ice cube tray	2 x ice packs, 2 x egg tray, 1 x ice cube tray	2 x ice packs, 1 x butter dish, 2 x egg tray, 1 x ice cube tray	2 x ice packs, 1 x butter dish, 2 x egg tray, 1 x ice cube tray	2 x ice packs, 1 x butter dish, 2 x egg tray, 1 x ice cube tray	2 x ice packs, 1 x butter dish, 2 x egg tray, 1 x ice cube tray	1 x butter dish	1 x butter dish	-
FUNCTIONS													
Electronic display	2 x LED display	2 x LED display	2 x LED display	-	-	-	-	-	-	-	-	-	
Temperature display fridge	-	-	-	-	LED display	LED display	LED display	LED display	LED display	-	-	-	
Warning / malfunction signal	Visual and audible	Visual and audible	Visual and audible	Warning signal door open	Visual	-	-	-	-	-	-	-	
Door opened indicator	-	-	-	●	●	●	●	-	-	-	-	-	
DIMENSION AND INSTALLATION													
Climate class	SN-T	SN-T	SN-T	SN-ST	SN-ST	SN-T	SN-ST	SN-ST	SN-ST	ST	ST	SN-T	
Height of the product mm	1800	1756	1756	1772	1772	1772	1772	1772	1772	1772	1772	1772	
Width of the product mm	900	910	910	556	538	556	541	541	541	541	541	558	
Depth of the product mm	674	725	725	545	533	545	545	545	545	545	545	545	
Width with opened door 90° mm	-	-	-	600	600	600	600	600	600	600	600	-	
Depth with open door 90° mm	1144	1158	1158	1140	1140	1140	1140	1140	1140	1140	1140	1140	
Maximum height for installation mm	-	-	-	-	-	-	-	-	-	-	-	1775	
Maximum width for installation mm	-	-	-	-	-	-	-	-	-	-	-	560	
Depth for installation mm	-	-	-	-	-	-	-	-	-	-	-	550	
Maximum adjustability feet	-	-	-	-	-	-	-	-	-	-	-	-	

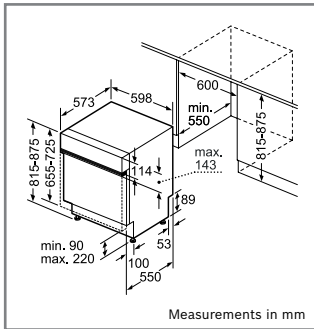
● = Yes
- = No

BUILT-UNDER FRIDGES/FREEZERS

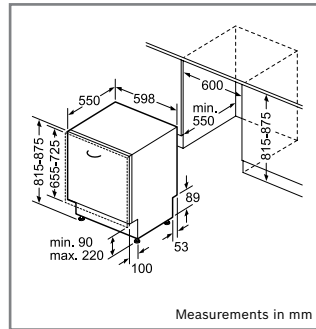
Excel								Classix	Excel				Classix	Excel	
GIN38A55GB	KIL42AD40G	KIL82AF30G	KIL72AF30G	KIR41AF30G	KIL42AF30G	KIR31AF30G	KIL32AF30G	KIR24V20GB	KIR21AF30G	GID18A50GB	KUL15A60GB	KIR18V20GB	GID18A20GB	KUR15A50GB	GUD15A50GB
A+	A+++	A++	A++	A++	A++	A++	A++	A+	A++	A+	A++	A+	A+	A+	A+
310	114	209	196	105	172	100	159	131	97	192	140	122	192	118	184
212	195	286	248	211	195	172	154	221	144	94	123	150	94	137	98
-	180	252	214	211	180	172	139	221	144	-	108	150	-	131	-
212	15	34	34	-	16	-	15	0	-	94	15	0	94	0	98
40	34	36	36	33	37	33	37	34	33	36	38	34	36	38	38
-	-	-	-	-	-	-	-	-	-	-	-	-	-	-	-
-	-	-	-	-	-	-	-	-	-	-	-	-	-	-	-
-	-	-	-	-	-	-	-	-	-	-	-	-	-	-	-
Soft close hinge	Flat hinge	Flush-folding	Flat hinge	Flush-folding	Flush-folding	Flat hinge	Flat hinge	Sliding hinge	Flat hinge	Flat hinge	Flat hinge	Sliding hinge	Sliding hinge	Flat hinge	Flat hinge
●	●	●	●	●	●	●	●	●	●	●	●	●	●	●	●
-	-	-	-	-	-	-	-	-	-	-	-	-	-	-	-
-	-	-	-	-	-	-	-	●	-	-	●	●	-	●	-
●	●	●	●	●	●	●	●	●	●	-	-	-	-	-	-
1	1	1	1	1	1	1	1	1	1	1	1	1	1	1	1
1	1	1	1	1	1	1	1	1	1	1	1	1	1	1	1
-	-	-	-	-	-	-	-	-	-	-	-	-	-	-	-
-	-	-	-	-	-	-	-	-	-	-	-	-	-	-	-
-	-	4-8	-	4-8	4-8	-	-	-	-	-	-	-	-	-	-
-	-	-	-	-	-	-	-	-	-	-	-	-	-	-	-
-	●	●	●	●	●	●	●	●	●	-	●	●	-	●	-
-	-	-	-	-	-	-	-	-	-	-	-	-	-	-	-
-	Hydrofresh	Hydrofresh	Hydrofresh	Hydrofresh	Hydrofresh	Hydrofresh	Hydrofresh	-	Hydrofresh	-	-	-	-	-	-
-	-	-	-	-	-	-	-	-	-	-	-	-	-	-	-
-	-	-	-	-	-	-	-	-	-	-	-	-	-	-	-
-	-	-	-	-	-	-	-	1	-	-	-	-	-	-	-
-	-	-	-	-	-	-	-	6	-	-	-	-	-	-	-
-	5	5	4	6	5	5	4	-	4	-	2	4	-	3	-
-	4	4	3	5	4	4	3	5	3	-	1	3	-	3	-
-	-	-	-	-	-	-	-	-	-	-	-	-	-	-	-
-	-	-	-	-	-	-	-	-	-	-	-	-	-	-	-
-	-	-	-	-	-	5	5	-	4	-	-	-	-	-	-
-	●	-	●	-	-	●	●	●	-	-	-	-	-	-	-
-	5	-	5	-	-	-	-	-	-	-	3	4	-	3	-
-	1	6	1	5	5	-	-	-	-	-	2	1	-	2	-
-	-	-	-	-	-	-	-	-	-	-	-	-	-	-	-
-	-	-	-	-	-	-	-	-	-	-	-	-	-	-	-
-	-	●	-	●	●	-	-	-	-	-	-	-	-	-	-
-	1 x egg tray	2 x egg tray, 1 x ice cube tray	2 x egg tray, 1 x ice cube tray	2 x egg tray	2 x egg tray, 1 x ice cube tray	2 x egg tray,	2 x egg tray, 1 x ice cube tray	-	2 x egg tray	-	1 x egg tray, 1 x ice cube tray	1 x butter dish	-	1 x egg tray	-
-	-	-	-	-	-	-	-	-	-	-	-	-	-	-	-
-	★★★★	★★★★	★★★★	No	★★★★	-	★★★★	-	-	-	★★★★	-	-	-	-
5	1	1	1	-	1	-	1	-	-	4	-	-	4	-	3
Full	No	No	No	No	No	-	No	-	-	-	-	-	-	-	-
●	-	-	-	-	-	-	-	-	-	●	-	-	●	-	●
-	-	-	-	-	-	-	-	-	-	-	-	-	-	-	-
-	-	-	-	-	-	-	-	-	-	-	-	-	-	-	-
-	-	-	-	-	-	-	-	-	-	-	-	-	-	-	-
-	1 x egg tray	-	-	-	-	-	-	1 x egg tray	-	2 x ice packs, 1 x berry tray, 1 x ice cube tray	-	-	2 x ice packs, 1 x berry tray, 1 x ice cube tray	-	2 x ice packs, 1 x ice cube tray
-	-	-	-	-	-	-	-	-	-	-	-	-	-	-	-
-	-	-	-	-	-	-	-	-	-	-	-	-	-	-	-
Warning function freezer, Warning signal door open	-	-	-	-	-	-	-	-	-	Audible, Visual	-	-	-	-	-
-	-	-	-	-	-	-	-	-	-	-	-	-	-	-	●
SN-T	SN-ST	SN-ST	SN-ST	SN-T	SN-ST	SN-T	SN-T	SN-ST	SN-ST	SN-ST	SN-ST	SN-ST	SN-ST	SN-ST	SN-ST
1772	1221	1772	1577	1221	1221	1021	1021	1221	874	874	820	874	874	820	820
556	558	558	558	558	558	558	558	541	558	541	598	541	541	598	598
545	545	545	545	545	545	545	545	542	545	542	548	542	542	548	548
-	-	-	-	-	-	-	-	-	-	-	-	-	-	-	-
1140	1140	1140	1140	1140	1140	1140	1140	1140	1140	1140	1150	1140-	1140	1150	1150
1775	1225	1775	1580	1225	1225	1025	1025	-	880	-	-	-	-	-	-
560	560	560	560	560	560	560	560	-	560	-	-	-	-	-	-
550	550	550	550	550	550	550	550	-	550	-	-	-	-	-	-
-	-	-	-	-	-	-	-	-	-	-	50	-	-	50	50

Dishwasher technical diagrams

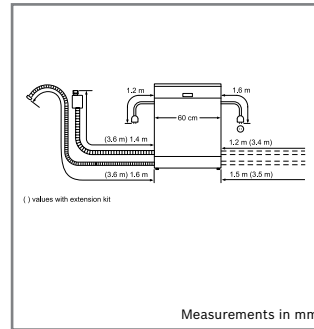
Semi integrated, fully integrated and slimline dishwashers



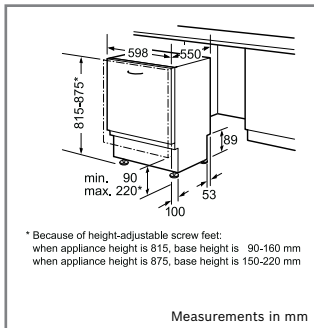
Semi integrated dishwashers



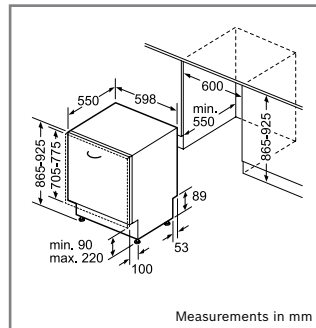
Fully integrated dishwashers



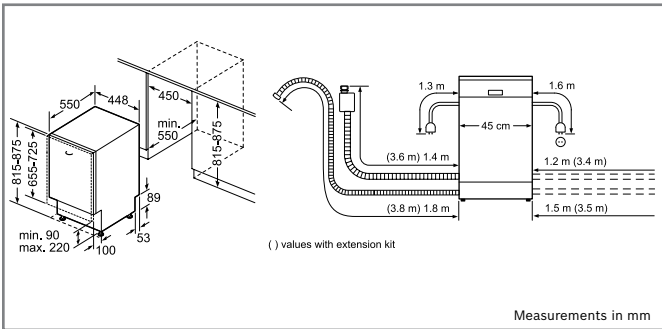
All 60cm dishwasher connection dimensions



SMV65E00GB



SBV65E00GB



SPV68L00GB | SPV40C00GB

Dishwasher specifications

	SEMI-INTEGRATED				FULLY-INTEGRATED		
	Logixx	Excel	Classixx		Logixx	Excel	
Stainless steel	SMI69T25GB	SMI53E05GB	-	SMI50C05GB	-	-	SMV65E00GB
Black	-	-	-	-	SMI50C06GB	SMV69T30GB	-
White	-	-	SMI50C02GB	-	-	-	-
PERFORMANCE							
Reference programme for measurements	Economy 50	Economy 50	Economy 50	Economy 50	Economy 50	Economy 50	Economy 50
Energy efficiency class	A++	A++	A+	A+	A+	A++	A++
Total annual energy consumption ¹	kWh 266	262	290	290	290	266	262
Total annual water consumption ¹	litres 2660	1680	3360	3360	3360	2660	1680
Energy consumption ²	kWh 0.93	0.92	1.02	1.02	1.02	0.93	0.92
Water consumption ²	litres 9.5	6.0	12.0	12.0	12.0	9.5	6.0
Number of place settings	14	13	12	12	12	14	13
Cleaning performance class	A	A	A	A	A	A	A
Drying efficiency class	A	A	A	A	A	A	A
Noise level (dB(A) re 1 pW)	41	46	48	48	48	41	44
Total cycle time of reference programme	min 195	185	195	195	195	195	185
PROGRAMMES/ FUNCTIONS							
Number of programmes	6	5	5	5	5	6	6
Number of options	4	3	2	2	2	4	4
Number of different wash temperatures	5	4	4	4	4	5	5
List of programmes	Auto 65-75°C, Auto 45-65°C, Auto 35-45°C, Economy 50°C, Quick Wash 45°C, Pre Rinse	Intensive 70°C, Auto 45-65°C, Economy 50°C, Quick Wash 45°C, Pre Rinse	Intensive 70°C, Auto 45-65°C, Economy 50°C, Quick Wash 45°C, Pre Rinse	Intensive 70°C, Auto 45-65°C, Economy 50°C, Quick Wash 45°C, Pre Rinse	Intensive 70°C, Auto 45-65°C, Economy 50°C, Quick Wash 45°C, Pre Rinse	Auto 65-75°C, Auto 45-65°C, Auto 35-45°C, Economy 50°C, Quick Wash 45°C, Pre Rinse	Intensive 70°C, Auto 45-65°C, Economy 50°C, Delicate 40°C, Quick Wash 45°C, Pre Rinse
Additional special options	Intensive Zone, VarioSpeed Plus, HygienePlus, ExtraDry	Intensive Zone, VarioSpeed, Half Load	VarioSpeed, Half Load	VarioSpeed, Half Load	VarioSpeed, Half Load	Intensive Zone, VarioSpeed Plus, HygienePlus, ExtraDry	Intensive Zone, VarioSpeed, Hygiene, ExtraDry
FLEXIBLE DESIGN ELEMENTS							
VarioDrawer	VarioDrawer Plus	-	-	-	-	VarioDrawer Plus	-
Basket Description	VarioFlex Plus	VarioFlex	Vario	Vario	Vario	VarioFlex Plus	VarioFlex Plus
Adjustable upper basket	3-stage Rackmatic	3-stage Rackmatic	Adjustable when empty	Adjustable when empty	Adjustable when empty	3-stage Rackmatic™	3-stage Rackmatic™
Cup shelves upper/ lower baskets	2/2	2/-	-	-	-	2/2	2/2
Largest loadable dish upper/ lower basket	cm 21/30	27/30	22/30	22/30	22/30	21/30	27/30
INNOVATIONS AND TECHNOLOGY							
Drying system	Heat exchanger	Heat exchanger	Residual heat	Residual heat	Residual heat	Heat exchanger	Heat exchanger
Load Sensor	●	●	●	●	●	●	●
AquaSensor	●	●	●	●	●	●	●
Detergent aware	●	●	●	●	●	●	●
DosageAssist	●	●	●	●	●	●	●
DuoPower spray arm	-	-	-	-	-	-	-
DESIGN FEATURES							
Start delay time max	hours 24	24	24	24	24	24	24
Flood protection system	AquaStop 24hr	AquaStop 24hr	AquaStop 24hr	AquaStop 24hr	AquaStop 2 4hr	AquaStop 24hr	AquaStop 24hr
Time remaining indicator	●	●	●	●	●	●	●
End of cycle indicator	Acoustic	-	-	-	-	Acoustic	Acoustic
Salt light indicator	●	●	●	●	●	●	●
Rinse aid light indicator	●	●	●	●	●	●	●
Safety features	Door lock	Control panel lock, Door lock	Door lock	Door lock	Door lock	Door lock	Door lock
Self cleaning filter system	●	●	●	●	●	●	●
TECHNICAL SPECIFICATIONS							
Maximum adjustability feet	cm 6	6	6	6	6	6	6
Depth with open door 90 degree	cm 115.5	115.0	115.5	115.5	115.5	115.5	115.5
Length electrical supply cord	cm 170	170	170	170	170	170	170
Length inlet hose	cm 140	140	140	140	140	140	140
Length outlet hose	cm 170	170	170	170	170	170	170
Height of the product	cm 81.5	81.5	81.5	81.5	81.5	81.5	81.5
Width of the product	cm 59.8	59.8	59.8	59.8	59.8	59.8	59.8
Depth of the product	cm 57.3	57.3	57.3	57.3	57.3	55	55
Net weight	kg 45	42	33	33	33	47	40
Gross weight	kg 47	44	35	35	35	49	42
Water softener ³	●	●	●	●	●	●	●
Maximum accepted water hardness	DH 50°DH	50°DH	50°DH	50°DH	50°DH	50°DH	50°DH
Maximum temperature for water intake	°C 60	60	60	60	60	60	60
Minimum height for installation	cm 81.5	81.5	81.5	81.5	81.5	81.5	81.5
Maximum height for installation	cm 87.5	87.5	87.5	87.5	87.5	87.5	87.5
Minimum width for installation	cm 60	60	60	60	60	60	60
Maximum width for installation	cm 60	60	60	60	60	60	60
Maximum depth for installation	cm 57.3	55	57.3	57.3	57.3	55	55
Included accessories	Large item spray head, Steam protection plate	Large item spray head, Steam protection plate	Large item spray head, Steam protection plate	Large item spray head, Steam protection plate	Large item spray head, Steam protection plate	Large item spray head, Steam protection plate	Large item spray head, Steam protection plate
Optional accessories (see below)	SGZ1010, SMZ5001, SMZ5002, SMZ5003, SMZ5005, SMZ5100	SGZ1010, SMZ5001, SMZ5002, SMZ5003, SMZ5005	SGZ1010, SMZ5001, SMZ5002, SMZ5003, SMZ5006	SGZ1010, SMZ2044, SMZ5001, SMZ5002, SMZ5003, SMZ5006, SMZ5025	SGZ1010, SMZ5001, SMZ5002, SMZ5003, SMZ5006	SGZ1010, SMZ5001, SMZ5002, SMZ5003, SMZ5005, SMZ5100	SGZ1010, SMZ5001, SMZ5002, SMZ5003, SMZ5005
EAN code	4242002751887	4242002708652	4242002643458	4242002643465	4242002643441	4242002751863	4242002708669

● = Yes

- = No

Key to accessories

SGZ1010: Aquastop extension
 SMZ2044: Stainless steel door and plinth panel
 SMZ5001: Bottle and small parts holders
 SMZ5002: Silver polishing cassette
 SMZ5003: Drop hinge for tall cabinets
 SMZ5005: Stainless steel panel strips
 SMZ5006: Stainless steel panel strips
 SMZ5025: Stainless steel decor conversion kit
 SMZ5100: Adjustable cutlery basket

Notes

¹ Based on 280 standard cleaning cycles using cold water fill, including consumption of the standby mode.

² The consumption per cleaning cycle of the "Eco 50" programme using cold water fill.

³ We would recommend our dishwashers are connected to the mains water supply where possible. However, they may also be connected to an external water softener as long as the water softener produces softened water of less than 1.1 mmol/litre (7.0°) and the water softener in the appliance is turned off. Please contact product advice for further information.

When using an external water softener unit, you will need to set the 'Refill Salt' indicator to zero otherwise over-softening of the water will take place which will result in corrosion of your glassware.

Water pressure required: 0.5-10 Bar. Flow rate: 10 litres per minute. Inlet valve connected directly to 3/4" screwed joint.

All Bosch built-in dishwashers are suitable for use with doors from 3.5kg-8.5kg if the correct door springs are installed.

Dishwasher specifications

	FULLY-INTEGRATED			45CM	
	Exxcel	Classix		Logixx	Classix
Stainless steel	SBV65E00GB	SMV53A00GB	-	SPV68L00GB	-
Black	-	-	SMV50C00GB	-	SPV40C00GB
White	-	-	-	-	-
PERFORMANCE					
Reference programme for measurements	Economy 50	Economy 50	Economy 50	Economy 50	Economy 50
Energy efficiency class	A++	A+	A+	A+	A+
Total annual energy consumption ¹	kWh 262	290	290	237	220
Total annual water consumption ¹	litres 1680	3360	3360	2520	2520
Energy consumption ²	kWh 0.92	1.02	1.02	0.84	0.78
Water consumption ²	litres 6.0	12.0	12.0	9.0	9.0
Number of place settings	13	12	12	10	9
Cleaning performance class	A	A	A	A	A
Drying efficiency class	A	A	A	A	A
Noise level (dB(A) re 1 pW)	44	46	50	46	48
Total cycle time of reference programme	min 185	195	195	170	170
PROGRAMMES/ FUNCTIONS					
Number of programmes	6	5	5	6	4
Number of options	4	2	1	2	1
Number of different wash temperatures	5	4	4	5	3
List of programmes	Intensive 70°C, Auto 45-65°C, Economy 50°C, Delicate 40°C, Quick Wash 45°C, Pre Rinse	Intensive 70°C, Auto 45-65°C, Economy 50°C, Quick Wash 45°C, Pre Rinse	Intensive 70°C, Normal 65°C, Economy 50°C, Quick Wash 45°C, Pre Rinse	Intensive 70°C, Auto 45-65°C, Economy 50°C, Delicate 40°C, Quick Wash 45°C, Pre Rinse	Intensive 70°C, Economy 50°C, Quick Wash 45°C, Pre Rinse
Additional special options	Intensive Zone, VarioSpeed, Hygiene, ExtraDry	VarioSpeed, Half Load	Half Load	Intensive Zone, VarioSpeed	VarioSpeed
FLEXIBLE DESIGN ELEMENTS					
VarioDrawer	-	-	-	VarioDrawer	-
Basket Description	VarioFlex Plus	VarioFlex	Vario	VarioFlex	Vario
Adjustable upper basket	3-stage Rackmatic™	3-stage Rackmatic™	Adjustable when empty	3-stage Rackmatic™	Adjustable when empty
Cup shelves upper/ lower baskets	2/2	2/-	-	1/-	1/-
Largest loadable dish upper/ lower basket	cm 29/33	27/30	22/30	19/30	27/30
INNOVATIONS AND TECHNOLOGY					
Drying system	Heat exchanger	Residual heat	Residual heat	Heat exchanger	Heat exchanger
Load Sensor	●	●	●	●	●
AquaSensor	●	●	-	●	●
Detergent aware	●	●	●	●	●
DosageAssist	●	●	●	●	●
DuoPower spray arm	-	-	-	●	●
DESIGN FEATURES					
Start delay time max	hours 24	24	9	24	9
Flood protection system	AquaStop 24hr	AquaStop 24hr	AquaStop 24hr	AquaStop 24hr	AquaStop 24hr
Time remaining indicator	●	●	-	●	-
End of cycle indicator	Acoustic	Acoustic	Acoustic	Acoustic	Acoustic
Salt light indicator	●	●	●	●	●
Rinse aid light indicator	●	●	●	●	●
Safety features	Door lock	Door lock	Door lock	Door lock	Door lock
Self cleaning filter system	●	●	●	●	●
TECHNICAL SPECIFICATIONS					
Maximum adjustability feet	cm 6	6	6	6	6
Depth with open door 90 degree	cm 120.5	115.5	115.5	115.0	115.0
Length electrical supply cord	cm 170	170	170	170	170
Length inlet hose	cm 140	140	140	140	140
Length outlet hose	cm 170	170	170	170	170
Height of the product	cm 86.5	81.5	81.5	81.5	81.5
Width of the product	cm 59.8	59.8	59.8	44.8	44.8
Depth of the product	cm 55	55	55	55	55
Net weight	kg 41	36	32	32	29
Gross weight	kg 44	38	34	34	31
Water softener ³	●	●	●	●	●
Maximum accepted water hardness	DH 50°DH	50°DH	35°DH	50°DH	35°DH
Maximum temperature for water intake	°C 60	60	60	60	60
Minimum height for installation	cm 86.5	81.5	81.5	81.5	81.5
Maximum height for installation	cm 92.5	87.5	87.5	87.5	87.5
Minimum width for installation	cm 60	60	60	45	45
Maximum width for installation	cm 60	60	60	45	45
Maximum depth for installation	cm 55	55	55	55	55
Included accessories	Large item spray head, Steam protection plate	Large item spray head, Steam protection plate	Large item spray head, Steam protection plate	Large item spray head, Steam protection plate	Large item spray head, Steam protection plate
Optional accessories (see below)	SGZ1010, SMZ5001, SMZ5002, SMZ5003	SGZ1010, SMZ5001, SMZ5002, SMZ5003, SMZ5006	SGZ1010, SMZ5001, SMZ5002, SMZ5003, SMZ5006	SGZ1010, SMZ5001, SMZ5002, SMZ5003, SMZ5005	SGZ1010, SMZ5001, SMZ5002, SMZ5003, SMZ5005
EAN code	4242002708485	4242002643410	4242002643427	4242002692142	4242002671413

● = Yes
- = No

Key to accessories

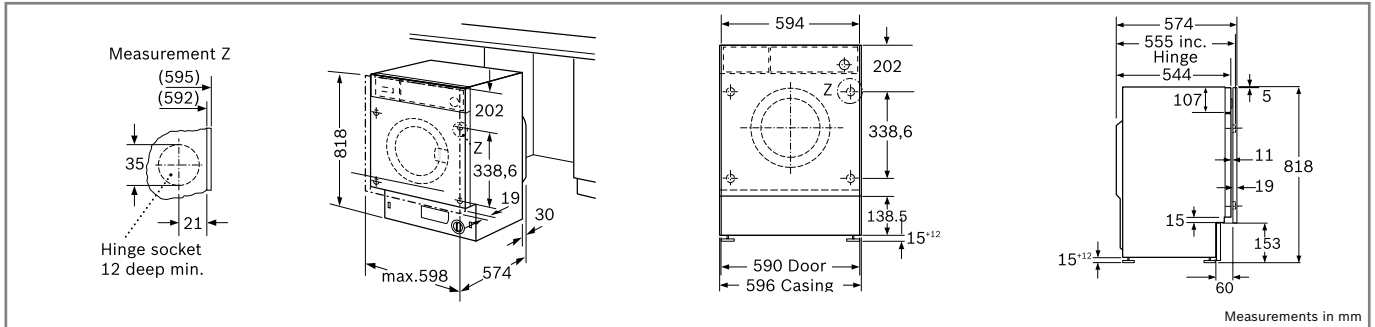
SGZ1010: Aquastop extension
SMZ2044: Stainless steel door and plinth panel
SMZ5001: Bottle and small parts holders
SMZ5002: Silver polishing cassette
SMZ5003: Drop hinge for tall cabinets
SMZ5005: Stainless steel panel strips
SMZ5006: Stainless steel panel strips
SMZ5025: Stainless steel decor conversion kit
SMZ5100: Adjustable cutlery basket

Notes

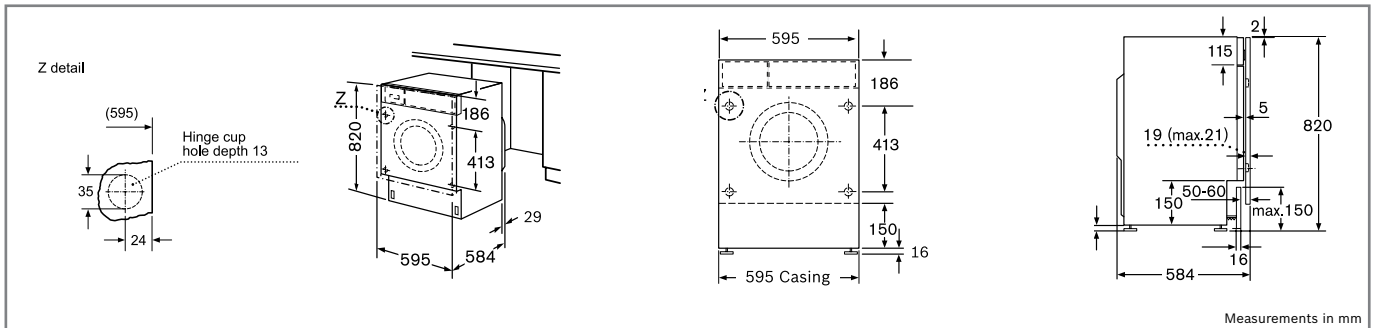
¹ Based on 280 standard cleaning cycles using cold water fill, including consumption of the standby mode.
² The consumption per cleaning cycle of the "Eco 50" programme using cold water fill.
³ We would recommend our dishwashers are connected to the mains water supply where possible. However, they may also be connected to an external water softener as long as the water softener produces softened water of less than 1.1 mmol/litre (7.0°e) and the water softener in the appliance is turned off. Please contact product advice for further information.
When using an external water softener unit, you will need to set the 'Refill Salt' indicator to zero otherwise over-softening of the water will result in corrosion of your glassware.
Water pressure required: 0.5-10 Bar. Flow rate: 10 litres per minute. Inlet valve connected directly to 3/4" screwed joint.
All Bosch built-in dishwashers are suitable for use with doors from 3.5kg-8.5kg if the correct door springs are installed.

Home laundry technical diagrams

Washing machines and washer dryers



WIS28441GB | WIS24141GB



WKD28540GB | WKD28350GB

Home laundry specifications

WASHING MACHINES

	Logixx	
White	WIS28441GB	WIS24141GB
PERFORMANCE		
Energy efficiency class	A+	A+
Capacity cotton	kg 7.0	7.0
Maximum spin speed	rpm 1400	1200
Moisture content% on dry load after max. spin	53	59
Washing performance class	A	A
Spin drying performance class	B	C
Energy consumption annual	kWh/annum 220	220
Ø Energy consumption 40 °C cotton programme (partial load)	kWh 0.86	0.86
Ø Energy consumption 60 °C cotton programme (full load)	kWh 0.95	0.95
Ø Energy consumption 60 °C cotton programme (partial load)	kWh 1.01	1.01
Water consumption annual	l/annum 11000	11000
Average washing time cotton 40°C (partial load)	135	135
Average washing time cotton 60°C (full load)	min 165	165
Average washing time cotton 60°C (partial load)	160	160
Drum volume	l 55	55
Noise level washing (dB)	46	46
Noise level spinning (dB)	64	63
PROGRAMMES/FUNCTIONS		
Standard Programmes		
Cottons	●	●
Easy-care programme	●	●
Wool programme	●	●
Delicates / Silk	●	●
Rinse	●	●
Spin	●	●
Empty	●	●
Specialist Programmes		
Superquick 15	●	-
Powerwash 60	●	-
Sensitive	●	-
Sportswear	●	-
Dark wash	●	-
Power Wash 60	●	-
Mixed Load	●	●
Options		
Pre Wash	●	●
Wash plus	●	●
Reduced Ironing	●	●
Aqua plus	●	●
Variable Temperature	●	●
Variable Spin	●	-
Spin speed reduction	-	●
KEY FEATURES		
Express Wash System	●	●
ADDITIONAL FEATURES		
softSurge Drum	●	●
Time delay	24	-
Time remaining	●	-
Foam Detection System	●	●
Safeguard Monitoring System	●	●
Noise Insulation	●	●
Water Protection system	Aquastop	Aquastop
TECHNICAL INFORMATION		
Dimensions (HxWxD) (exc door)	81.8 x 60 x 55.5	81.8 x 60 x 55.5
Display	LED Display	-
Cabinet Colour	white	white
Door Colour	white	white
Door Opening	130	130
Door Hinge	left-hand	left-hand
Length of supply cord	cm 225	225
Fully Integrable	●	●
EAN Code	4242002805719	4242002805726
OPTIONAL ACCESSORIES		
Height Adjustment	WMZ20440	WMZ20440
Connecting Piece	WMZ20470	WMZ20470
Floor Securing Kit	WMZ2200	WMZ2200
Extension for water inlet	WMZ2380	WMZ2380



● = Yes
- = No



WASHER DRYER



	Logixx	Excel
White	WKD28540GB	WKD28350GB
PERFORMANCE		
Energy efficiency class	B	B
Capacity cotton (kg) washing	6.0	6.0
Capacity cotton (kg) drying	3.0	3.0
Maximum spin speed (rpm)	1400	1400
Washing performance class	A	A
Energy consumption (wash and dry of full wash load)	kWh 4.86	4.86
Energy consumption (wash only)	kWh 1.02	1.02
Total annual energy consumption (Washing and drying 200 full loads)	kWh 972	972
Total annual water consumption (Washing only 200 full loads)	10400	10400
Water consumption (wash and dry full wash load)	l 80	80
Total annual water consumption (Washing and drying 200 full loads)	l 19000	19000
Total annual energy consumption (Washing only 200 full loads)	kWh 204	204
Average washing time cotton 60°C (full load)	min 212	212
Drum volume	l 52	52
Noise level washing	dB 57	57
Noise level spinning	dB 74	74
Noise level drying	dB 60	60
PROGRAMMES		
Standard programmes		
Cottons	●	●
Easy-care programme	●	●
Wool programme	●	●
Delicates / Silk	●	●
Intensive Dry	●	●
Gentle Dry	●	●
Rinse	●	●
Spin	●	●
Empty	●	●
Specialist programmes		
SuperQuick15	●	-
Night Wash	●	-
Sportswear	●	-
Sensitive	●	-
Mixed load	●	●
Fluff Removal Programme	●	●
Options		
Wash plus	●	●
Reduced Ironing	●	●
Rinse plus	●	●
Pre wash	●	●
Variable temperature	●	●
Variable spin	●	●
Spin speed reduction	●	●
Flexi Time	●	●
KEY FEATURES		
Full Electronic Control Dial for all wash and special programmes	●	●
Time selection options	●	●
ADDITIONAL FEATURES		
Aquatronic Wash System	●	●
Time Delay	24 hours	24 hours
Foam Detection System	●	●
Safeguard monitoring system	●	●
Child Lock	●	●
Water Protection system	Multiple water protection	AquaSecure
TECHNICAL INFORMATION		
Dimensions of the product (exc door)	cm 82 x 59.5 x 58.4	82 x 59.5 x 58.4
Length electrical supply cord	cm 220.00	220.00
Display	LED	LED
Cabinet Colour	white	white
Door Colour	white	white
Door Opening	95	95
Door Hinge	Left-hand	Left-hand
Fully Integrable	●	●
EAN code	4242002554594	4242002553740
OPTIONAL ACCESSORIES		
Connecting Piece (between appliance and 90cm worktop)	WMZ20470	WMZ20470
Floor Securing Kit	WMZ2200	WMZ2200
Extension for water inlet	WMZ2380	WMZ2380

● = Yes
- = No

Built-in ovens accessories

	Description	Accessory Nr.	HBG78R950B	HBG78R750B	HBG73R550B	HBA63B251B HBA63B261B	HBA64B251B	HBG53R570B HBG53R550B HBG53R560B	HBG33B550B	HBL33B550B	HBR33B550B	HBA43B251B HBA43B261B
	3 level telescopic rails, with stop	HEZ338357	●	●	●	●	-	●	●	●	-	●
	Extra deep enamelled roasting pan	HEZ333003	●	●	●	●	●	●	●	●	●	●

	Description	Accessory Nr.	HBA23B150B	HBA13R150B	HBA13B150B HBA13B160B HBA13B120B	HBM56B551B	HBM53R550B	HBM13B550B	HBM43B250B HBM43B260B	HBM43B150B	HBM13B251B HBM13B261B HBM13B221B	HBN53R550B
	3 level telescopic rails, with stop	HEZ338357	●	●	-	●	●	●	●	-	●	-
	Extra deep enamelled roasting pan	HEZ333003	●	●	●	●	●	●	●	●	●	●


	Description	Accessory Nr.	HBN43B250B HBN43B260B	HBN13B221B HBN13B251B HBN13B261B
	3 level telescopic rails, with stop	HEZ338357	-	-
	Extra deep enamelled roasting pan	HEZ333003	●	●


Compact appliances accessories

Description	Accessory Nr.	HBC36D754B	HBC34D554B	HBC24D553B	HMT85DL53B	HBC86P753B	HBC84E623B	HBC84E653B	HBC84E663B	HMT35M653B	HMT85GL53B	HMT85ML53B HMT85ML63B	HMT84G651B
Steel décor strip, approx. 594mm wide, 22mm high	HEZ860050	●	●	●	-	●	-	●	-	●	-	-	-
Black décor strip, approx. 594mm wide, 22mm high	HEZ860060	-	-	-	-	-	-	-	●	-	-	-	-

Description	Accessory Nr.	HMT84G654B	HMT84M651B	HMT84M664B HMT84M624B	HMT84M654B	HMT75G654B	HMT75M651B	HMT75M654B	HMT75M664B HMT75M624B	HMT75M551B	TCC78K751B
Steel décor strip, approx. 594mm wide, 22mm high	HEZ860050	-	-	-	-	-	-	-	-	-	●
Black décor strip, approx. 594mm wide, 22mm high	HEZ860060	-	-	-	-	-	-	-	-	-	-

Gas hobs accessories

	Description	Accessory Nr.	PPS816M91E	PPS916B91E	PPP616M91E PPP612M91E	PCR715M90E	PCH615M90E	PPQ716B91E	PPP616B91E	POP616B81E	PCR915B91E	PCS815B90E
	Connecting strip	HEZ394301	-	-	-	-	-	-	-	-	-	-

	Description	Accessory Nr.	PCQ715B90E	PCP615B90B PCP616B90E PCP612B90E	PBH615B90E	PBP615B90E	PBP615B80E PBP616B80E PBP612B80E	PRA326B90E	PRB326B90E
	Connecting strip	HEZ394301	-	-	-	-	-	●	●

Hoods accessories

	Description	Accessory Nr.	DIA098E50B	DIB091U51B	DWK098E51B	DWA097E51B DWA067E51B	DWA078E50B	DWA094W51B DWA064W51B	DWA094W50B DWA074W50B DWA064W50B	DWB098E51B	DWB097A50B DWB067A50B	DWB09W452B DWB06W452B
	Recirculating kit (needed if recirculating)	DHZ5145	-	-	-	-	-	-	-	-	-	-
	Recirculating kit (needed if recirculating)	DHZ5325	-	-	●	●	●	●	●	-	●	●
	Recirculating kit (needed if recirculating)	DHZ5345	-	-	-	-	-	-	-	●	-	-
	Recirculating kit (needed if recirculating)	DHZ5365	●	-	-	-	-	-	-	-	-	-
	Recirculating kit (needed if recirculating)	DHZ5385	-	●	-	-	-	-	-	-	-	-
	Recirculating kit (needed if recirculating)	DHZ5595	-	-	-	-	-	-	-	-	-	-
	Recirculating kit (needed if recirculating)	DSZ5100	-	-	-	-	-	-	-	-	-	-
	Recirculating kit (needed if recirculating)	DHZ5275	-	-	-	-	-	-	-	-	-	-
	900 x 720mm brushed steel back panel	DHZ9551	-	-	-	-	-	-	-	-	-	-
	700 x 720mm brushed steel back panel	DHZ7551	-	-	-	-	-	-	-	-	-	-
	600 x 720mm brushed steel back panel	DHZ6551	-	-	-	-	-	-	-	-	-	-
	Decor panel black	DSZ0660	-	-	-	-	-	-	-	-	-	-
	Decor panel white	DSZ0620	-	-	-	-	-	-	-	-	-	-

Integrated cooling accessories



Description	Accessory Nr.	KAD62V40GB	KAN62V41GB	KAN58A55GB
Water filter	640565	-	-	●
Water filter	644845	●	-	-

Dishwasher accessories

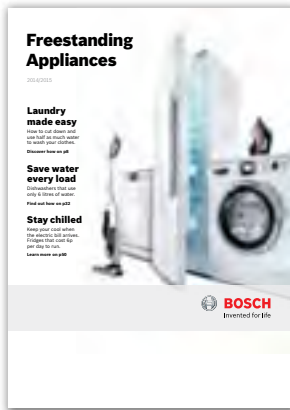
Description	Accessory Nr.	SMI69T25GB	SMI53E05GB	SMI50C02GB	SMI50C05GB	SMI50C06GB	SMV69T30GB	SMV65E00GB	SBV65E00GB
Aquastop extension	SGZ1010	●	●	●	●	●	●	●	●
Stainless steel door and plinth panel	SMZ2044	-	-	-	●	-	-	-	-
Bottle and small parts holders	SMZ5001	●	●	●	●	●	●	●	●
Silver polishing cassette	SMZ5002	●	●	●	●	●	●	●	●
Drop hinge for tall cabinets	SMZ5003	●	●	●	●	●	●	●	●
Stainless steel panel strips	SMZ5005	●	●	-	-	-	●	●	-
Stainless steel panel strips	SMZ5006	-	-	●	●	●	-	-	-
Stainless steel decor conversion kit	SMZ5025	-	-	-	●	-	-	-	-
Adjustable cutlery basket	SMZ5100	●	-	-	-	-	●	-	-

Description	Accessory Nr.	SMV53A00GB	SMV50C00GB	SPV68L00GB	SPV40C00GB
Aquastop extension	SGZ1010	●	●	●	●
Stainless steel door and plinth panel	SMZ2044	-	-	-	-
Bottle and small parts holders	SMZ5001	●	●	●	●
Silver polishing cassette	SMZ5002	●	●	●	●
Drop hinge for tall cabinets	SMZ5003	●	●	●	●
Stainless steel panel strips	SMZ5005	-	-	●	●
Stainless steel panel strips	SMZ5006	●	●	-	-

Home laundry accessories

	Description	Accessory Nr.	WIS28441GB	WIS24141GB	WKD28540GB	WKD28350GB
	Floor securing component	WMZ2200	●	●	●	●
	Adjustment kit for higher work surfaces (850mm to 870mm)	WMZ20470	●	●	●	●
	Extension for cold water inlet/Aquastop	WMZ2380	●	●	●	●
	Height adjustable feet	WMZ20440	●	●	-	-

Download a copy of our freestanding catalogue online at www.bosch-home.co.uk or call **0344 892 8979**



Contact Bosch Customer Service

To arrange an engineer visit, obtain product advice or order replacement spare parts or accessories visit www.bosch-home.co.uk or call **0344 892 8979**

Republic of Ireland customers should visit www.bosch-home.ie to arrange an engineer's visit, or to order spare parts and accessories, or call **(01) 450 2655**

Follow us on:



Bosch Home UK



@BoschHomeUK

Bosch

Grand Union House
Old Wolverton Road, Wolverton
Milton Keynes MK12 5PT
www.bosch-home.co.uk

Origo (Republic of Ireland)

Magna Drive, Magna Business Park
City West, Dublin 24
Tel: (0)1 4666700 Fax: (0)1 4666706
www.origo.ie
www.bosch-home.ie

Calls are charged at the basic rate, please check with your telephone service provider for exact charges.

Disclaimer: This brochure is current as from the publication date and supersedes all previous brochures for these products. This brochure should not be regarded as an infallible guide nor as an offer for sale of any particular product. Whilst BSH Home Appliances Ltd believes that all information contained within this brochure is correct at the time of going to print, no representation or warranty, express or implied, is or will be made and no responsibility or liability is or will be accepted by BSH Home Appliances Ltd in relation to the accuracy or completeness of this information and any liability is expressly disclaimed. To the extent permitted by law, BSH Home Appliances Ltd expressly excludes: i) all conditions, warranties and other terms which might otherwise be implied by statute, common law or the law of equity and ii) any liability for any direct, indirect or consequential loss or damage (including, without limitation, damages for loss of business or loss of profits) arising in contract, tort or otherwise from the use of or reliance on any information contained within this brochure or from any action or decision taken as a result of such use or reliance. BSH Home Appliances Ltd reserves the right to modify technical data and all other information contained within this brochure without notice. All rights reserved. No part of this publication may be reproduced in any form or without the prior written permission of BSH Home Appliances Ltd. All colour variations are due to the limitations of the printing process. This brochure is printed on environment-friendly chlorine-free bleached paper.

October 2014

