



# Indesit

Appliance Collection

2012/13

# The Indesit brand is evolving... To make your life easier!

With continuous focus on product design, respect for the environment and developing simple intelligent functionality. Indesit appliances are growing up.

For this reason Indesit is one of the major brands in the UK and across Europe. These appliances ease the pressures of modern life and take the hassle out of everyday chores. Efficient, reliable and easy to use, they are full of innovative solutions that make your life easier.

Simple and smart appliances designed to create more time for life so you can enjoy the things you really love: this is Indesit's philosophy and something we will continue working towards, always.



ONLINE EXTRA: Inspiring roomsets, exclusive competitions and tips to help you to enjoy your Indesit appliances fully – all to make your life easier! [www.indesit.co.uk](http://www.indesit.co.uk)



Find us on **Facebook**. Search **Indesitweworkyouplay**



Find us on **YouTube**. Search **[www.youtube.com/indesitbrand](http://www.youtube.com/indesitbrand)**



Find us on **Twitter**. Search **@IndesitUK**

## Contents

4-5	<b>Introduction</b>	42-52	<b>Cookers</b>	68	<b>Microwave Oven</b>
6-21	<b>Laundry</b>	53-58	<b>Ovens</b>	69-89	<b>Specifications</b>
22-27	<b>Dishwashing</b>	59-64	<b>Hobs</b>	90-91	<b>Service Promise</b>
28-41	<b>Cooling</b>	65-67	<b>Hoods</b>		



# Reasons to believe in Indesit

## Introducing the Indesit range...

**Choice is important** to us all. Not only how we spend our time but also in how we look, how our homes look and what makes us individuals.

Choose from a complete range of **freestanding** or **built-in** appliances for **laundry, dishwashing, cooling, cookers, ovens, hobs** and **hoods**. To make life easier these appliances offer modern, **stylish** finishes with **flexible** capacities and a host of **time and energy saving solutions**.

Choice is key at Indesit. Choose to make a statement in the home with our freestanding options or opt for a sleek finish with our built-in range and hide the business end of the kitchen. Either way there is an **appliance for everyone**.

### Efficiency

At Indesit our appliances are designed with the environment and energy efficiency in mind. From laundry to cooling, every category is feature packed with appliances to save you time, energy and money.

### Reliability

We are so confident in our products that we offer a 5 years free parts guarantee on every Indesit appliance. Our commitment to making everyday life easier does not stop when the appliance is bought – Indesit's after sales care is second to none.



### Functionality

All of our appliances are designed to offer solutions to make life easier but are also simple to use and stylish in appearance. Thanks to our easy to use displays and programmes, Indesit has a solution for every lifestyle – no matter what space is available.



**1** An Indesit appliance is sold every 25 seconds.

**2** In the last year Indesit have won **30 Which? Best Buys** across 9 different categories. We were also short listed for **Best Home Appliance Brand 2012** at the Which? Awards.



**3** Indesit are the only brand to have **sport** running through its veins, with **unique washing and drying solutions** for sportswear.

**4** Indesit are the **proud sponsors** in the UK of **Arsenal FC**, in France **Paris St Germain** and in Italy **AC Milan**.





## Reasons to believe **Washing the facts**

### 1 PRIME

Our most sophisticated washing machine yet! Our Prime washing machines offer **contemporary design** with the **ultimate in advanced features**.

- Massive 9kg capacity – our biggest load yet.
- Innovative Technology allows for optimal wash results with minimum consumption of energy, water and time. Not only that but it's super silent as well.
- Our Gold Woolmark certification looks after even the most delicate of clothing and with A++ Energy rating this machine really is genuinely efficient!
- Large porthole allows for greater visibility.
- Ergonomically designed handles providing ease of grip.
- Instant door release means it opens when the programme has finished.

### 2 Washing Machines

We have **refreshed** our **laundry** platform with a new look team that is even **more efficient** – with a host of **new features** that will **save** even more **time, energy and money!**

#### PROGRAMMES

##### Water Balance System

This intelligent programme is designed to save water through sophisticated sensors adapting the amount of water used to the load size ensuring minimum waste but maximum performance during each load cycle!

##### New 20°C Zone

Three innovative 20°C cycles offer excellent washing results each time through enhanced drum agitation during the early part of the wash cycle activating the detergent ensuring efficient results even at cold temperatures.

##### Energy Saver Option

Use up to 70% less energy than the standard cotton cycle by washing lightly soiled garments at lower temperatures.

##### High Performance Sports Wash Programmes

First ever washing machine with specialist programmes dedicated to sports wear and sports shoes, giving incredible results whilst saving time and effort of hand washing.

##### Digital Assistance

Large digital interface provides total control with up to date information on the progress of your wash.

#### Time is precious!

##### Delay Timer

With our delay timer of up to 24 hours there's no need to plan everyday life around the household chores. Prepare the load; add the detergent, set the programme, and the machine will start at a chosen time.

##### Speedy Wash

If something needs washing in a hurry, this super speedy 15 minute wash programme washes lightly soiled garments in just 15 minutes.

### 3 Washer Dryers

**Why just wash when you can dry too?** Our range of washer dryers can wash and dry up to a **massive 6kg** in one cycle.

Our washer dryers **ALL** feature the **unique high performance sports wash programmes!**

#### PROGRAMMES

##### Humidity Sensor Drying

Practical solutions that take the guesswork out of drying! An automatic sensor in the drum monitors the moisture levels and stops the drum when the clothes are perfectly dry on the chosen setting, ensuring clothes stay good as new.

##### Iron: Damp enough so ironing is easier.

**Hanger:** Ideal for cupboard hanging to reduce creasing.

**Cupboard:** Completely dry and ready to put away.

**Extra Dry:** Ready to wear and go!

##### Express Wash and Dry

A time saving programme designed for those people with busy lifestyles needing to wash and dry small loads in just 45 minutes!

### 4 Tumble Dryers

Feature packed and easy to use, Indesit's tumble dryers help **save time and money**, whilst designed to **co-ordinate** perfectly with Indesit washing machines. Capacities range from a **huge 8kg** to the smaller, more **compact 3kg** – there is something to suit everyone's needs.

#### PROGRAMMES

##### Sports Shoe Rack

Unique shoe rack ensures perfect drying of trainers, while protecting them from moving around.

##### Humidity Sensor Drying

Multiple sensors measure air temperature and moisture inside the drum. You get the maximum control over your drying and it's also great for your energy bills.

##### Select From Four Levels Of Sensor Drying

**Iron:** Damp enough so ironing is easy.

**Hanger:** Ideal for cupboard hanging to reduce creasing.

**Cupboard:** Completely dry and ready to fold and put away.

**Extra Dry:** Ready to wear and go!

##### Eco Time

A programme dedicated to drying small loads in a short time, thereby optimizing energy consumption. Allowing small loads to dry in just 60 minutes!

### 5 Condenser vs vented: What's the difference?

Indesit offer a range of tumble dryer solutions to fit lifestyle and needs; including condenser and vented – but what is the difference?

**Vented dryers** take the steam extracted from damp clothes and pipes it outside of the home. The pipe can be fitted into an outside wall or simply hung out of a window. If this option is not possible...

**Condenser dryers** do not need a vent hose, they can be placed anywhere in the home. The internal condensing system collects moisture in an easy to empty water bottle at the top of the machine. If using a main drains option (standard on Indesit dryers), there is no need to empty.

## PRIME 9kg digital washing machines



PWE91672W White



### Unique highlights

- Smart Technology
- Express 15 minute wash
- MixCool 30°C
- Jeans & Shirts
- Duvets & Outdoor Wear
- Wool & Delicates
- Special Sports: Shoes, Light, Intensive

### Main features of range

- Number of programmes: 16
- Max wash capacity: 9kg
- Large digital display
- Cool wash
- Easy Iron option
- Easy rinse
- Variable temperature & spin
- Delay timer: up to 24 hours
- Water consumption: 69 litres
- Energy consumption: 1.36kWh

### Colours available in:

White, White/Silver

### Dimensions:

H85 W59.5 D60cm



PWE91472S  
White/Silver



PWE91272W  
White

## 8kg digital washing machines



IWE81481S ECO Silver



### Unique highlights

- Eco Time
- Energy Saver
- 20 minute Refresh Wash
- Jeans
- Outdoor Wear
- Water Balance
- Special Sports: Shoes, Light, Intensive

### Main features of range

- Number of programmes: 16
- Max wash capacity: 8kg
- Large digital display
- Easy Iron option
- Variable temperature & spin
- Delay timer: up to 24 hours
- Water consumption: 69 litres

### Colours available in:

Silver

### Dimensions:

H85 W59.5 D60cm



IWE81281 ECO  
White



IWE81281S ECO  
Silver



IWE81281K ECO  
Black

\*Models shown above

### Choose your model 9kg washing machines

Model	Colour	Capacity (kg)	Spin Speed (rpm)	Wash Consumption (l)	Rating	Energy Consumption (kWh)
*PWE91672W	White	9	1600	69	AA+++	1.36
*PWE91472S	White/Silver	9	1400	69	AA+++	1.36
PWE91472W	White	9	1400	69	AA+++	1.36
*PWE91272W	White	9	1200	69	AA+++	1.36

Ratings • Washing performance • Energy efficiency • Spin efficiency

\*Models shown above

### Choose your model 8kg washing machines

Model	Colour	Capacity (kg)	Spin Speed (rpm)	Wash Consumption (l)	Rating	Energy Consumption (kWh)
*IWE81481S ECO	Silver	8	1400	69	AA+B	1.34
*IWE81281K ECO	Black	8	1200	69	AA+B	1.36
*IWE81281S ECO	Silver	8	1200	69	AA+B	1.36
*IWE81281 ECO	White	8	1200	69	AA+B	1.36

Ratings • Washing performance • Energy efficiency • Spin efficiency

## 7kg digital washing machines



IWD7145S Silver

Eco Time AAB

### Unique highlights

- Eco Time
- Express 15 minute wash
- Jeans
- Outdoor Wear
- Silk
- Special Sports: Shoes, Light, Intensive

### Main features of range

- Number of programmes: 16
- Max wash capacity: 7kg
- Small digital display
- Intensive Wash
- Variable temperature & spin
- Delay timer: up to 24 hours
- Water consumption: 60 litres

### Colours available in:

White, Silver, Black

### Dimensions:

H85 W59.5 D53.5cm



IWD7145K Black



IWD7145 White

\*Models shown above

### Choose your model 7kg washing machines

Model	Colour	Capacity (kg)	Spin Speed (rpm)	Wash Consumption (l)	Rating	Energy Consumption (kWh)
*IWD7145K	Black	7	1400	60	AAB	1.33
*IWD7145S	Silver	7	1400	60	AAB	1.33
*IWD7145	White	7	1400	60	AAB	1.33
IWD7125IS ECO	Silver	7	1200	60	AA+B	1.33

Ratings • Washing performance • Energy efficiency • Spin efficiency

## 6kg washing machines



IWC61651 ECO White

Eco Time AA+A

### Unique highlights

- Eco Time
- 20 minute Refresh Wash
- Jeans
- Wool & Delicates
- Energy Saver
- Water Balance
- Special Sports: Shoes, Light, Intensive

### Main features of range

- Number of programmes: 16
- Max wash capacity: 6kg
- LED Display
- Intensive Wash
- Extra rinse
- Variable temperature & spin
- Delay timer: up to 12 hours
- Water consumption: 44 litres

### Colours available in:

White, Silver

### Dimensions:

H85 W59.5 D53.5cm



IWC6145S Silver



IWC6125 White



IWC6105 White

\*Models shown above

### Choose your model 6kg washing machines

Model	Colour	Capacity (kg)	Spin Speed (rpm)	Wash Consumption (l)	Rating	Energy Consumption (kWh)
IWC61651S ECO	Silver	6	1600	44	AA+A	1.02
*IWC61651 ECO	White	6	1600	44	AA+A	1.02
*IWC6145S	Silver	6	1400	44	AAB	1.14
IWC6145	White	6	1400	44	AAB	1.14
IWC6125S	Silver	6	1200	44	AAB	1.14
*IWC6125	White	6	1200	44	AAB	1.14
*IWC6105	White	6	1000	44	AAC	1.14

Ratings • Washing performance • Energy efficiency • Spin efficiency

## Integrated washing machines



IWME126 White



### Unique highlights

- Time4You express wash
- Wool
- Silk
- Special Sports: Shoes, Light, Intensive
- Integrated & easy to install

### Main features of range

- Number of programmes: 16
- Max wash capacity: 6kg
- Spin speed: 1200rpm
- LED display
- Intensive wash
- Easy Iron option
- Variable temperature & spin
- Delay timer: up to 9 hours
- Water consumption: 52 litres
- Energy consumption: 1.02kWh

### Ratings

- Washing performance: **A**
- Energy efficiency: **A**
- Spin efficiency: **B**

### Colours available in:

White

### Dimensions:

H82 W59.5 D55cm



IWME147 White



### Unique highlights

- Time4You express wash
- Wool
- Silk
- Special Sports: Shoes, Light, Intensive
- Integrated & easy to install

### Main features of range

- Number of programmes: 16
- Max wash capacity: 7kg
- Spin speed: 1400rpm
- LED display
- Intensive wash
- Easy Iron option
- Variable temperature & spin
- Delay timer: up to 9 hours
- Water consumption: 60 litres
- Energy consumption: 1.19kWh

### Ratings

- Washing performance: **A**
- Energy efficiency: **A**
- Spin efficiency: **B**

### Colours available in:

White

### Dimensions:

H82 W59.5 D55cm

## PRIME washer dryer



PWDE8147S White/Silver



### Unique highlights

- Smart Technology
- Express 45 minute wash and dry
- MixCool 30°C
- Jeans & Shirts
- Wool & Delicates
- Special Sports Shoes
- 4 level Sensor Drying system

### Main features of range

- Number of programmes: 16
- Max wash capacity: 8kg
- Max wash & dry capacity: 6kg
- Intensive wash
- Easy Iron option
- Variable temperature & spin
- Water consumption: 69 litres
- Water & dry consumption: 103 litres
- Energy consumption: 1.46kWh

### Colours

White, White/Silver

### Dimensions

H85 W59.5 D60cm



PWDC8127W White

\*Models shown above

### Choose your model Prime washer dryers

Model	Colour	Max Wash & Dryer Capacity (kg)	Spin speed (rpm)	Wash & Dry consumption (l)	Display	Delay Timer (hrs)	Rating	Energy Consumption (kWh)
*PWDE8147S	White/Silver	8+6	1400	103	Digital	24	ABB	1.46
*PWDC8127W	White	8+6	1200	103	LED	9	ABB	1.46

Ratings • Washing performance • Energy efficiency • Spin efficiency



## 7+5kg digital washer dryers



IWDE7145K Black



### Unique highlights

- Eco Time
- Express 45 minutes wash & dry
- Jeans
- Wool & Delicates
- Special Sports: Shoes, Light, Intensive
- 3 level Sensor Drying system

### Main features of range

- Number of programmes: 16
- Max wash capacity: 7kg
- Max wash & dry capacity: 5kg
- Large digital display
- Intensive Wash
- Easy Iron option
- Variable temperature & spin
- Delay timer: up to 24 hours
- Water consumption: 60 litres
- Energy consumption: 1.33kWh

### Colours available in:

White, Silver, Black

**Dimensions:**  
H85 W59.5 D53.5cm



IWDE7145B  
White

IWDE7125S  
Silver

\*Models shown above

Choose your model 7+5kg washer dryers						
Model	Colour	Max Wash & Dry Capacity (kg)	Spin speed (rpm)	Wash & Dry Consumption (l)	Rating	Energy Consumption (kWh)
*IWDE7145K	Black	7+5	1400	102	ABB	1.33
*IWDE7145B	White	7+5	1400	102	ABB	1.33
*IWDE7125S	Silver	7+5	1200	104	ABB	1.33

Ratings • Washing performance • Energy efficiency • Spin efficiency

## 7+5kg digital washer dryers



IWDD7143 White



### Unique highlights

- Eco Time
- Express 45 minutes wash & dry
- Jeans
- Wool & Delicates
- Special Sports: Shoes, Light, Intensive
- 3 level Sensor Drying system

### Main features of range

- Number of programmes: 16
- Max wash capacity: 7kg
- Max wash & dry capacity: 5kg
- Small digital display
- Intensive Wash
- Variable temperature & spin
- Delay timer: up to 24 hours
- Water consumption: 60 litres
- Energy consumption: 1.33kWh

### Colours available in:

White, Silver

**Dimensions:**  
H85 W59.5 D53.5cm



IWDD7123S  
Silver

IWDD7123  
White

\*Models shown above

Choose your model 7+5kg washer dryers						
Model	Colour	Max Wash & Dry Capacity (kg)	Spin speed (rpm)	Wash & Dry Consumption (l)	Rating	Energy Consumption (kWh)
*IWDD7143	White	7+5	1400	102	ABB	1.33
*IWDD7123S	Silver	7+5	1200	104	ABB	1.33
*IWDD7123	White	7+5	1200	104	ABB	1.33

Ratings • Washing performance • Energy efficiency • Spin efficiency



## 6+5kg washer dryers†



IWDC6125 White



IWDC6125S  
Silver



IWDC6105  
White

EcoTime ABB

### Unique highlights

- Eco time
- Express 45 minutes wash & dry
- Jeans
- Wool & Delicates
- Special Sports: Shoes, Light, Intensive
- 3 level Sensor Drying system

### Main features of range

- Number of programmes: 16
- Max wash capacity: 6kg
- Max wash & dry capacity: 6+5kg
- LED Display
- Intensive Wash
- Variable temperature & spin
- Delay timer: up to 12 hours
- Water consumption: 52 litres
- Energy consumption: 1.12kWh

### Colours available in:

White, Silver

### Dimensions:

H85 W59.5 D53.5cm

## Integrated 6+5kg washer dryers



IWDE126 White

INTEGRATED ABB

### Unique highlights

- Delicates
- Special Sports: Shoes, Light, Intensive
- 4 level Sensor Drying system
- Integrated

### Main features of range

- Number of programmes: 16
- Max wash capacity: 6kg
- Max wash & dry capacity: 5kg
- LED display
- Intensive wash
- Easy Iron option
- Variable temperature & spin
- Delay timer: up to 9 hours
- Water consumption: 52 litres
- Wash & dry consumption: 86 litres
- Energy consumption: 1.12kWh

### Ratings

- Washing performance: **A**
- Energy efficiency: B
- Spin efficiency: B

### Colours available in:

White

### Dimensions:

H82 W59.5 D55cm

\*Models shown above

### Choose your model 6+5kg washer dryers

Model	Colour	Wash & Dry Capacity (kg)	Spin speed (rpm)	Wash & Dry Consumption (l)	Rating	Energy Consumption (kWh)
*IWDC6125S	Silver	6+5	1200	86	ABB	1.12
*IWDC6125	White	6+5	1200	86	ABB	1.12
*IWDC6105	White	6+4†	1000	84	ABC	1.12

Ratings • Washing performance • Energy efficiency • Spin efficiency

## 8kg digital condenser sensor tumble dryers



IDCE8450BK Black



IDCE8450BS  
Silver



IDCE8450B  
White

Eco Time **B**

### Unique highlights

- Eco Time
- Digital display
- Jeans, Wool & Delicates
- Outdoor Wear
- Special Sports: Shoes, Light, Intensive
- 4 level Sensor Drying system
- Sports rack included

### Main features of range

- Number of programmes: 16
- Max dry capacity: 8kg
- Mains drain option
- Dual tumble direction
- Refresh cycle
- Delay timer: up to 24 hours
- Easy Iron option
- Pre & Post Crease Care
- High & low settings
- Easily accessible top water bottle
- Energy consumption: 4.49kWh

### Rating

- Energy efficiency: **B**

### Colours available in:

White, Silver, Black

### Dimensions:

H85 W59.5 D58.4cm

## 8kg condenser tumble dryers



IDCA8350 White

Eco Time

### Unique highlights

- Eco Time
- Wool
- Special Sports: Shoes, Light, Intensive
- Sports rack included
- 3 level Sensor Drying system

### Main features of range

- Number of programmes: 16
- Max dry capacity: 8kg
- Mains drain option
- Dual tumble direction
- Delay timer: up to 9 hours
- Refresh cycle
- Pre & Post Crease Care
- High & low settings
- 150 minutes timed drying
- Easily accessible top water bottle
- LED display

### Ratings

- Energy consumption: 5.12kWh
- Energy efficiency: C

### Colours available in:

White, Silver

### Dimensions:

H85 W59.5 D58.4cm



IDC85K Black



IDC85S  
Silver



IDC85  
White

### Unique highlights

- 160 minutes timed drying

### Main features of range

- Max dry capacity: 8kg
- Mains drain option
- Dual tumble direction
- Removable filter
- Refresh cycle
- Easily accessible top water bottle

### Ratings

- Energy consumption: 5.12kWh
- Energy efficiency: C

### Colours available in:

White, Silver, Black

### Dimensions:

H85 W59.5 D58.4cm

## 7kg vented tumble dryers



IDVA735S Silver



IDVA735  
White

Eco Time

### Unique highlights

- Eco Time
- Wool
- Special Sports: Shoes, Light, Intensive
- Sports rack included
- 3 level Sensor Drying system

### Main features of range

- Number of programmes: 16
- Max dry capacity: 7kg
- Dual tumble direction
- Refresh cycle
- Pre & Post Crease Care
- Delay timer: up to 9 hours
- High & low settings
- 150 minutes timed drying
- Vent hose included

### Ratings

- Energy consumption: 3.98kWh
- Energy efficiency: C

Colours available in: White, Silver

### Dimensions:

H85 W59.5 D58.4cm



IDV75S Silver



IDV75  
White

### Unique highlights

- 120 minutes timed drying

### Main features of range

- Max drying capacity: 7kg
- Dual tumble direction
- Removable filter
- Refresh cycle
- Vent kit included

### Ratings

- Energy consumption: 3.98kWh
- Energy efficiency: C

Colours available in: White, Silver

### Dimensions:

H85 W59.5 D58.4cm

## Compact vented & spin tumble dryers



IS31V White



ISDP429 White



ISDG428 White

### Unique highlights

- 120 minutes timed drying
- Compact size

### Main features of range

- Max drying capacity: 3kg
- Number of heat settings: 2
- Front venting
- Removable filter
- Vent hose included

### Ratings

- Energy consumption: 1.89kWh
- Energy efficiency: D

IS31V: Dual tumble direction

Colours available in: White

### Dimensions:

H67 W49 D48cm

### Unique highlights

- Compact size
- Safety door
- Automatic pump drainage

### Main features of range

- Max drying capacity: 4kg
- Stainless steel drum
- Drain hose included
- Carrying handles: 2
- 2800rpm spin speed

### Ratings

- Energy consumption: 0.0216kWh
- Energy efficiency: C

Colours available in: White

### Dimensions:

H62 W34.8 D34.8cm

### Unique highlights

- Compact size
- Safety door

### Main features of range

- Max dry capacity: 4kg
- Gravity drainage
- Stainless steel drum
- Carrying handles: 2
- 2800rpm spin speed

### Ratings

- Energy consumption: 0.0216kWh
- Energy efficiency: C

Colours available in: White

### Dimensions:

H60 W34.8 D34.8cm



## Reasons to believe Dishwashing the facts

1

### Dishwashing

Indesit dishwashers have been fully maximized inside to provide up to **14 place settings** and maximum loading flexibility, with height adjustable upper and lower baskets, designed to make **optimal use of internal space**, with sliding cutlery baskets so there is **more space for plates and less need for those rubber gloves!**



2

### The ultimate in compact living!

Where space is a problem choose from either the slimline or **compact table top dishwasher**. Both are feature packed and will co-ordinate perfectly with all other appliances. Not only compact, these solutions are **energy efficient** too. Our IDS105 holds a Waterwise accreditation proving it uses **less than 1.08 litres of water per place setting!**



## 3 PROGRAMMES

### Time4You

This A-rated 60° programme washes and dries dishes in just over an hour. Right first time, without compromise and as a good as an intensive wash.

### Intelligent Spraying System

Evenly distributed water is pressurised in a spray over the dishes that significantly reduces noise levels with no reduction in washing powder. It's our quietest dishwasher yet.

### Prime Technology

Our Prime dishwashers minimize energy and water consumption while guaranteeing optimal wash results in the least time possible. A sophisticated sensor detects the level of food particles in the dishwasher and consequently sets the jet pressure, temperature and number of rinses in order to obtain impeccable wash results whilst using only the necessary quantities of energy and water.

### Rapid 35

Our quickest wash ever for when those unexpected guests turn up! Perfect for lightly soiled dishes, Indesit's rapid wash means dishes are clean in just 35 minutes!

### Delicates

With the delicates option, on all Indesit dishwashers, the electronic temperature control avoids extreme variations of heat while the water-pressure control ensures a delicate wash, keeping those delicate glasses safe.

### Save time for fun!

#### Delay Timer

Indesit digital dishwashers come with up to 24 hour delay timer meaning you simply load the dishwasher; add the detergent, select the programme and Indesit will do the rest at a time that suits you.



# PRIME dishwasher



IDP148MD Open



IDP148MD White



IDP148MD Digital Display

AA+A

### Unique highlights

- Speed washes
- Intensive wash
- Eco 50°C
- Delicates 45°C

### Main features of range

- Number of place settings: 14
- 4 wash temperatures
- Half load
- Adjustable wash temperatures
- Wash phase indicator light
- Rinse and salt indicator lights
- Height adjustable upper basket
- Sliding cutlery basket
- Self balancing door
- Water consumption: 12 litres
- Energy consumption: 1.03kWh

### Ratings

- Energy efficiency: **A+**
- Wash performance: **A**
- Drying efficiency: **A**
- Sound level: 49dB(A)

### Colours available in:

White

### Dimensions:

H85 W60 D60cm

\*Models shown above

## Freestanding full size & slimline dishwashers



IDF125K Open



IDF125K Silver



IDF125 White

AAA

### Unique highlights

- Time4You
- Intensive 65°C
- Eco 50°C
- Rapid wash – 35 minutes
- Soak

### Main features of range

- Number of place settings: 12
- Number of programmes: 5
- LED Display
- Wash phase indicator lights
- Rinse & salt indicator lights
- Height adjustable upper basket
- Sliding cutlery basket
- Self balancing door
- Water consumption: 12 litres
- Energy consumption: 1.05kWh

### Ratings

- Energy efficiency: **A**
- Wash performance: **A**
- Drying efficiency: **A**
- Sound level: 53dB(A)

### Colours available in:

White, Silver, Black

### Dimensions:

H85 W60 D60cm



IDS105S Open



IDS105K Black



IDS105 White

AAA



### Unique highlights

- Compact size, just 45cm wide
- Intensive 65°C
- Eco 50°C
- Rapid Wash – 35 minutes
- Soak

### Main features of range

- Number of place settings: 10
- Number of programmes: 5
- LED Display
- Wash phase indicator lights
- Rinse & salt indicator lights
- Height adjustable upper basket
- Sliding cutlery basket
- Soft to touch door opening
- Self balancing door
- Water consumption: 10 litres
- Energy consumption: 0.92kWh

### Ratings:

- Energy efficiency: **A**
- Wash performance: **A**
- Drying efficiency: **A**
- Sound level: 53dB(A)

### Colours available in:

White, Silver, Black

### Dimensions:

H85 W45 D60cm

## Table top dishwashers



ICD661 Open



ICD661 White

AAA

### Unique highlights

- Speed: 35 minute wash
- Intensive 70°C
- Eco 55°C
- Delicates 45°C
- Normal
- Soak

### Main features of range

- Number of place settings: 6
- Number of programmes: 6
- LED Display
- Delay timer: up to 8 hours
- Wash phase indicator lights
- Rinse & salt indicator lights
- Sliding cutlery basket
- Self balancing door
- Water consumption: 8.5 litres
- Energy consumption: 0.63kWh

### Ratings:

- Energy efficiency: **A**
- Wash performance: **A**
- Drying efficiency: **A**
- Sound level: 55dB(A)

### Colours available in:

White/Silver

### Dimensions:

H44 W55 D50cm



## Integrated full size dishwashers



DIF16 Open



DIF16  
White



### Unique highlights

- Standard water consumption only 12 litres
- Rapid wash – 35 minutes
- Intensive wash
- Eco 50°C
- Delicates 45°C
- Integrated

### Main features of range

- Number of place settings: 12
- Number of programmes: 6
- LED display
- Adjustable wash temperatures
- Height adjustable upper basket
- Sliding cutlery basket
- Soft pull door opening system
- Natural drying
- Self balancing door
- Water consumption: 12 litres
- Energy consumption: 1.05kWh

### Ratings

- Energy efficiency: **A**
- Wash performance: **A**
- Drying efficiency: **A**
- Sound level: 53dB(A)

### Colours available in:

White

### Dimensions:

H82-90 W59.5 D57cm



DIF04 Open



DIF04  
White



### Unique highlights

- Standard water consumption only 12 litres
- Intensive wash
- Eco 50°C
- Integrated

### Main features of range

- Number of place settings: 12
- Number of programmes: 4
- LED display
- Adjustable wash temperatures
- Sliding cutlery basket
- Soft pull door opening system
- Natural drying
- Self balancing door
- Water consumption: 12 litres
- Energy consumption: 1.03kWh

### Ratings

- Energy efficiency: **A**
- Wash performance: **A**
- Drying efficiency: **A**
- Sound level: 53dB(A)

### Colours available in:

White

### Dimensions:

H82-90 W59.5 D57cm

## Semi integrated full size dishwasher



DPG15IX Open



DPG15WH  
White

DPG15IX  
Stainless Steel



### Unique highlights

- Standard water consumption only 12 litres
- Rapid wash – 35 minutes
- Intensive wash
- Eco 50°C
- Semi integrated

### Main features of range

- Number of place settings: 12
- Number of programmes: 5
- Adjustable wash temperatures
- Height adjustable upper basket
- Sliding cutlery basket
- Soft pull door opening system
- Natural drying
- Water consumption: 12 litres
- Energy consumption: 1.03kWh

### Ratings

- Energy efficiency: **A**
- Wash performance: **A**
- Drying efficiency: **A**
- Sound level: 53dB(A)

### Colours available in:

White, Stainless Steel

### Dimensions:

H82-90 W59.5 D57cm

## Integrated slimline dishwasher



DIS04 Open



DIS04  
White



### Unique highlights

- Standard water consumption only 10 litres
- Intensive wash
- Eco 50°C
- Integrated
- Compact size, just 45cm wide

### Main features of range

- Number of place settings: 10
- Number of programmes: 4
- LED display
- Adjustable wash temperatures
- Height adjustable upper basket
- Sliding cutlery basket
- Water consumption: 10 litres
- Energy consumption: 0.92kWh

### Ratings

- Energy efficiency: **A**
- Wash performance: **A**
- Drying efficiency: **A**
- Sound level: 54dB(A)

### Colours available in:

White

### Dimensions:

H82-90 W44.5 D57cm



## Reasons to believe **Cooling** the facts

### 1 Cooling

Our cooling range is jam packed with features that cater for all needs. Whether it's size or type of fridge, we've got it covered. Our **'Water Through The Door'** 60cm Fridge-freezer will suit both thirst and storage needs and if space is an issue, our integrated range will provide a **smart solution**. One thing all our cooling range has in common? **More technology and less energy!**

### 2 No Frost vs Static

**No Frost** fridges and freezers use **Dynamic Air Control** which ensures the temperature is kept the same on each shelf. No moisture will be present in the fridge, so say goodbye to food odours. No frost **prevents the formation of ice** so there is **no need** to think about **defrosting** the freezer.

**Static** fridges and freezers have a higher level of humidity which means **food will not dry out** and doesn't need to be covered. These ranges are generally less expensive and **operate silently**.

### 3 PROGRAMMES

#### Variety Of Choice

With Indesit there is something for everyone and cooling is no exception. Choose from a wide variety of colours and widths for flexible storage solutions.

#### Hygiene Control

With this state of the art antibacterial protection technology, a coating on the inside of the fridge protects against bacteria, for the safest environment for food.

#### Super Cool/Super Freeze

This function lowers the internal temperature of both the fridge and freezer to rapidly cool new groceries.

#### Dynamic Air Control

Is an innovative technology that improves the air flow around the fridge ensuring cool, consistent temperatures at every shelf level, reducing condensation build-up meaning the food stays fresher for longer.

#### Twin Light

This light is placed at the front of this appliance and allows the whole space to be visible so food does not obstruct your view. Solutions to make everyday life easier.

#### Digital Display

This premium innovative digital display not only looks good but allows for ultimate control over the internal environment of your appliance.

#### Bottle Chill

The bottle chill function lowers the temperature in the top freezer drawer just long enough to chill a bottle of wine to its perfect serving temperature. A buzzer signals when the bottle reaches the best temperature.



#### Slim fit!

When space really is limited, Indesit's skinny range of fridge freezers are the perfect solution. **Feature packed and only 55cm wide!** All are available in white, silver or black, we don't disappoint on choice.



## 60cm and 70cm Water Through The Door



**BIAA13FKWD (60cm)**  
White



**BAAN40FNFSWD (70cm)**  
Silver



### Unique highlights

- Reservoir dispenser
- Total No Frost
- Extra large bottle shelf

### Main features of range

- Transparent salad crisper
- Supper Cool/Freeze (70cm only)
- Safety glass shelves
- Changeable water dispenser
- Hygiene Control
- Egg tray
- Ice3: integrated ice trays

### Rating

- Energy efficiency: **A+**

### Colours available in:

- 60cm** White, Black
- 70cm** Silver

### Dimensions:

H187.5 W60 / 70 D68.5cm



**BIAA13FWD (60cm)**  
Open



**BAAN40FNFSWD (70cm)**  
Open

## 60cm Total No Frost fridge freezers



**BIAA12F** Open



**BIAA12F** White



### Unique highlights

- Total No Frost
- Maxi bottle shelf
- Variety of colours & heights to choose from
- Thinner shelves to make more room for your fresh food

### Main features of range

- 2 salad crispers
- Safety glass shelves
- Hygiene Control
- Reversible doors
- Ice3: integrated ice trays

### Rating

- Energy efficiency: **A+**

### Colours available in:

White, Silver, Black

### Dimensions:

H175-187 W60 D65.5cm



**BIAA134F**  
White



**BIAA134F**  
Open



**BIAA12FK**  
Black



**BIAA12FK**  
Open

\*Models shown above

### Choose your model 60cm and 70cm Water Through The Door

Model	Colour	Height (cm)	Fridge Gross Capacity (l)	Freezer Gross Capacity (l)	Fridge Shelves	Freezer Drawers	Energy Consumption (kWh/24 hrs)	Sound Level dB(A)	Rating
*BIAA13FWD	White	187.5	212	88	4	3	0.81	44	A+
*BAAN40FNFSWD	Silver	190	274	274	4	3	0.93	47	A+

Rating • Energy efficiency

\*Models shown above

### Choose your model Total No Frost fridge freezers

Model	Colour	Height (cm)	Fridge Gross Capacity (l)	Freezer Gross Capacity (l)	Fridge Shelves	Freezer Drawers	Energy Consumption (kWh/24 hrs)	Sound Level dB(A)	Rating
*BIAA134F	White	187.5	184	113	3	4	0.82	44	A+
BIAA12FSI	Silver	175	184	88	3	3	0.78	44	A+
*BIAA12FK	Black	175	184	88	3	3	0.78	44	A+
*BIAA12F	White	175	184	88	3	3	0.78	44	A+

Rating • Energy efficiency

## 60cm fridge freezers



BIAA134X Open

BIAA134X Stainless Steel

A+

### Unique highlights

- Energy Saving Recommended
- Maxi bottle shelf
- Variety of colours & heights to choose from

### Main features of range

- 2 salad crispers
- Safety glass shelves
- Hygiene Control
- Reversible doors
- Ice3: integrated ice trays

### Rating

- Energy efficiency: A+

### Colours available in:

White, Silver, Stainless Steel

### Dimensions:

H150-187 W60 D65.5cm



BIAA10 White

BIAA10 Open

BIAA12SI Silver

BIAA12SI Open

BIAA134SI Silver

BIAA134SI Open

\*Models shown above

### Choose your model 60cm fridge freezers

Model	Colour	Height (cm)	Fridge Gross Capacity (l)	Freezer Gross Capacity (l)	Fridge Shelves	Freezer Drawers	Energy Consumption (kWh/24 hrs)	Sound Level dB(A)	Rating
*BIAA134X	Stainless Steel	187	185	135	3	4	0.76	41	A+
*BIAA134SI	Silver	187	185	135	3	4	0.76	41	A+
BIAA134	White	187	185	135	3	4	0.76	41	A+
*BIAA12SI	Silver	175	185	116	3	3	0.75	41	A+
BIAA12	White	175	185	116	3	3	0.75	41	A+
BIAA10SI	Silver	150	185	68	3	2	0.65	39	A+
*BIAA10	White	150	185	68	3	2	0.65	39	A+

Rating • Energy efficiency

## Top mount fridge freezers



TAAN6FNFSI Open

TAAN6FNFSI Silver

A+

### Unique highlights

- Eco Function
- Maxi bottle shelf
- 70cm wide
- Top mount freezer

### Main features of range

- Fridge gross capacity: 319 litres
- Freezer gross capacity: 96 litres
- Holiday Setting
- 2 salad crispers
- Super Cool/Freeze
- Egg tray
- Safety glass shelves
- Hygiene Control
- Reversible doors
- Energy consumption: 0.9kWh/24 hrs

### Rating

- Energy efficiency: A+

### Colours available in:

Silver

### Dimensions:

H190 W70 D68.5cm



## 55cm fridge freezers



NCAA55  
White

NCAA55 Open



NCAA55S  
Silver

NCAA55S Open

A+

### Unique highlights

- 55cm wide
- Space saving width with plenty of storage
- Super Freeze

### Main features of range

- Fridge gross capacity: 155 litres
- Freezer gross capacity: 73 litres
- Safety glass shelves
- 2 salad crispers
- Egg tray
- Hygiene Control
- Reversible doors
- Ice3: integrated ice trays
- Energy consumption: 0.69kWh/24 hrs
- Sound level: 42dB(A)

### Rating

- Energy efficiency: **A+**

### Colours available in:

White, Silver

### Dimensions:

H157 W54.5 D58cm

## 55cm fridge freezers



CAA55SI  
Silver

CAA55K  
Black

CAA55 Open

A+

### Unique highlights

- 55cm wide fridge freezer
- Space saving width with plenty of storage
- Super Freeze

### Main features of range

- Fridge gross capacity: 155 litres
- Freezer gross capacity: 105 litres
- Safety glass shelves
- 2 salad crispers
- Egg tray
- Reversible doors
- Energy consumption: 0.73kWh/24 hrs
- Sound level: 42dB(A)

### Rating

- Energy efficiency: **A+**

### Colours available in:

White, Silver, Black

### Dimensions:

H174 W54.5 D58cm



RAA24SI  
Silver

RAA24 Open

A+

### Unique highlights

- Maxi bottle shelf
- 55cm
- Top mount freezer
- Total No Frost

### Main features of range

- Fridge gross capacity: 184 litres
- Freezer gross capacity: 42 litres
- Full width salad crispers
- Safety glass shelves
- Bottle holder
- Egg tray
- Reversible doors
- Energy consumption: 0.67kWh/24 hrs
- Sound level: 45dB(A)

### Rating

- Energy efficiency: **A+**

### Colours available in:

White, Silver

### Dimensions:

H139 W54.5 D60.6cm

## Integrated 55cm fridge freezers



INC325AA Open



### Unique highlights

- Integrated
- 50/50 split fridge to freezer
- Safety glass shelves
- Automatic fridge defrost

### Main features of range

- Fridge gross capacity: 155 litres
- Freezer gross capacity: 105 litres
- 2 salad crispers
- Hygiene Control
- Egg tray
- Reversible doors
- 2 ice cube trays
- 4 freezer drawers
- Bottleshelf
- Energy consumption: 0.84kWh/24 hrs
- Sound level: 43dB(A)

### Rating

- Energy efficiency: **A+**

### Colours available in:

White

### Dimensions:

H177.2 W54.3 D55cm



INCB31AA Open



### Unique highlights

- Integrated
- 70/30 split fridge to freezer
- Safety glass shelves

### Main features of range

- Fridge gross capacity: 200 litres
- Freezer gross capacity: 75 litres
- 1 large glass salad crispers
- Hygiene Control
- Egg tray
- Reversible doors
- Ice cube tray
- Bottleshelf
- Energy consumption: 0.76kWh/24 hrs
- Sound level: 39dB(A)

### Rating

- Energy efficiency: **A+**

### Colours available in:

White

### Dimensions:

H177 W54 D54.8cm

## Over counter fridges & freezers



SIAA12SI Silver



SIAA12 Open



SIAA10 Open



### Unique highlights

- Maxi bottle shelf
- Light Xtra – a powerful light
- External grab handle
- Tall fridge with lots of space

### Main features of range

- Safety glass shelves
- Full width salad crispers
- Hygiene Control
- Egg tray
- Reversible door

Colours available in: White, Silver

### Dimensions:

H150-175 W60 D65cm



UIAA12 White



UIAA12 Open



UIAA10 Open



### Unique highlights

- External grab handle
- **Total No Frost model available – UIAA12F below**
- Tall freezer with lots of space

### Main features of range

- High temperature warning light
- Super Freeze option
- Reversible door
- Ice3: integrated ice trays

Colours available in: White, Silver

### Dimensions:

H150-175 W60 D65cm

\*Models shown above

### Choose your model over counter fridges & freezers

Model	Type	Colour	Height (cm)	Fridge Gross Capacity (l)	Freezer Gross Capacity (l)	Fridge Shelves	Drawers/Flaps	Energy Consumption (kWh/24 hrs)	Sound Level dB(A)	Rating
*SIAA12SI	Fridge	Silver	175	346	–	5	–	0.41	42	A+
*SIAA12	Fridge	White	175	346	–	5	–	0.41	42	A+
*SIAA10	Fridge	White	150	286	–	4	–	0.39	42	A+
UIAA12F	Freezer	White	175	–	245	–	5/2	0.82	44	A+
UIAA12SI	Freezer	Silver	175	–	270	–	5/2	0.77	44	A+
*UIAA12	Freezer	White	175	–	270	–	5/2	0.77	44	A+
*UIAA10	Freezer	White	150	–	225	–	4/2	0.70	44	A+

Rating • Energy efficiency

## Under counter fridges & freezers



TLAA10S Silver



TZAA10S Open



TLAA10S Open

TFAA10S Silver

TFAA10S Open



TZAA10S Silver

A+

### Unique highlights

- Choose from either a compact fridge (TLAA10) or a fridge with a freezer box (TFAA10)

### Main features of range

- Safety glass shelves
- Full width salad crispers
- Egg tray
- Reversible door

### Colours available in:

Silver

### Rating:

Energy efficiency: **A+**

### Dimensions:

H85 W55 D58cm

A+

### Unique highlights

- Compact freezer
- Ice tray

### Main features of range

- 4 freezer drawers
- Super Freeze option
- High temperature warning light
- Reversible door

### Colours available in:

White, Silver

### Rating:

Energy efficiency: **A+**

### Dimensions:

H85 W54.5 D60cm

\*Models shown above

### Choose your model under counter fridges and freezers

Model	Type	Colour	Height (cm)	Fridge Gross Capacity (l)	Freezer Gross Capacity (l)	Fridge Shelves	Drawers /Flaps	Energy Consumption (kWh/24 hrs)	Sound Level dB(A)	Rating
*TLAA10S	Fridge	Silver	85	130	–	3	–	0.33	41	A+
*TFAA10S	Fridge with freezer box	Silver	85	103	15	2	1	0.5	39	A+
*TZAA10S	Freezer	Silver	85	–	85	–	4	0.5	40	A+

Rating • Energy efficiency

## Built-in fridges & freezers



INS1612 Open



INF1412 Open



A+

### Unique highlights

- Built-in to a column
- Safety glass shelves

### Main features of range

- Fridge gross capacity: 147 litres
- Salad crisper
- Adjustable thermostat
- Automatic defrost
- Hygiene Control
- Reversible door
- Energy consumption: 0.35kWh/24 hrs

### Rating:

Energy efficiency: **A+**

### Dimensions:

H87.5 W54.3 D55cm



A+

### Unique highlights

- Built-in to a column

### Main features of range

- Freezer gross capacity: 102 litres
- Adjustable thermostat
- Super Freeze option & indicator light
- Reversible door
- 2 ice cube trays
- 3 drawers, 1 flap
- Energy consumption: 0.55kWh/24 hrs

### Rating:

Energy efficiency: **A+**

### Dimensions:

H87.5 W54.3 D55cm



## Under counter integrated fridges & freezer



INTS1612 Open



INTSZ1612 Open

## Under counter integrated fridges & freezer



INFS1212 Open



### Unique highlights

- Integrated
- Easy to install
- Antibacterial

### Main features of range

- 2 safety glass shelves
- 1 full width salad crisper
- Adjustable thermostat
- Automatic defrost
- Fan assisted ventilation
- Reversible door
- Bottleshelf
- Egg holder
- 1 ice cube tray

### Rating

Energy efficiency: **A+**

### Dimensions:

H87.5 W58 D54.5cm



### Unique highlights

- Integrated
- Easy to install
- Antibacterial

### Main features of range

- 1 safety glass shelf
- 1 full width salad crisper
- Adjustable thermostat
- Automatic defrost
- Fan assisted ventilation
- Reversible doors
- Bottleshelf
- Egg holder
- 1 ice cube tray

### Rating

Energy efficiency: **A+**

### Dimensions:

H81.5 W58 D54.5cm



### Unique highlights

- Compact freezer
- Integrated
- Easy to install

### Main features of range

- 1 freezer drawer, 2 flaps
- Super Freeze option & indicator light
- Fan assisted ventilation
- Reversible door
- 1 ice cube tray

### Rating

Energy efficiency: **A+**

### Dimensions:

H81.5 W58 D54.5cm

\*Models shown above

### Choose your model under counter fridge & freezers

Model	Type	Height (cm)	Fridge Gross Capacity (l)	Freezer Gross Capacity (l)	Fridge Shelves	Freezer Draws/Flaps	Energy Consumption (kWh/24 hrs)	Sound Level dB(A)	Rating
*INTS1612	Fridge	87.5	127	—	2	—	0.35	39	A+
*INTSZ1612	Fridge with freezer box	87.5	83	19	1	1	0.51	40	A+
*INFS1212	Freezer	87.5	—	86	1	3	0.50	44	A+

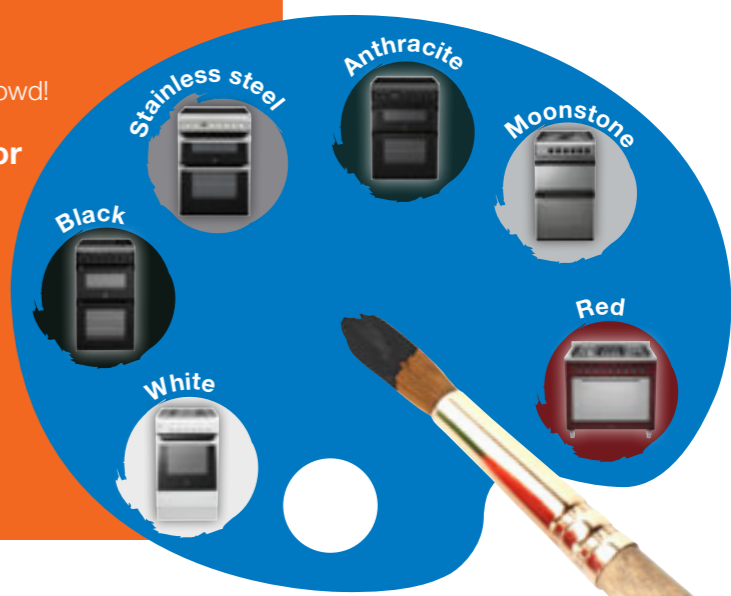
Rating • Energy efficiency

## Reasons to believe **Cooking** the facts

**1** **Cooking**  
From **budding chefs** to **keen amateurs**, there is a cooker designed with every need in mind. Our cookers combine elegance, sturdiness and functionality for easier use and a longer life.

**2** **Wide Choice**  
**Single, twin, double or range cookers.** Typically a single oven will allow one meal to be cooked at a time, whereas a twin oven gives the option of a separate grill and oven, ideal for a Saturday fry-up! For the more experienced chef there is the double oven, giving the flexibility of cooking two separate dishes at one time. Or for the real pro, choose one of the gorgeous range cookers available in either **gloss Black** or stunning **Red**, to make a real statement!  
**The new ergonomic controls** add a **premium look** and feel to any kitchen, so choose from a **wide variety of exclusive colours**, or even an **LED clock display** to create a real focal point in any kitchen!

**3** **A rainbow of colours**  
Stand out from the white box crowd! Our 90cm range cookers come in either a high **gloss Black** or **stunning Red!**  
Even the smaller cookers have a wide variety of exclusive colours to choose from. Our 50-60cm cookers are available in **Stainless Steel, White exclusive Moonstone Silver, Black** or another exclusive colour **Anthracite!**



## **4** PROGRAMMES

### How to make cooking simple.

Choose from a wide range of features to make everyday life easier...

#### Ceramic Hobs

Indesit ceramic hobs offer increased efficiency and faster heat than solid plate hobs. They are also easy to use and clean with a sleek surface to wipe away spills.

#### Wok Burner

Our wok burner offers a powerful 3.25kW dual flame. This ensures the wok gets heat underneath and around the pan for a perfect stir-fry.

#### Flame Supervision Device

The entire Indesit cooking range features Flame Supervision Device technology, which automatically cuts off the gas supply in the event of the flame blowing out.

#### Variable Grill

The twin or double oven feature of variable grill, gives maximum flexibility, whilst saving time and money.

#### Minute Minder

Simply set the time for as long as needed and let the oven do the hard work. Wait for the ping! And your meal will be ready. With an easy to read LED display, it can't go wrong.

## 90cm dual fuel range cookers



KP9F11SRG Red



KP9F11SKG Black



Professional styling



Cast iron pan supports



New easy grip handle



### Unique highlights

- Wok Burner
- Flame Supervision Device
- Unique colour options

### Main features of range

#### Gas Hob

- 5 burners including wok burner
- Automatic ignition
- Cast iron pan supports
- Hob LPG convertible – kit included

#### Electric Oven

- Conventional oven with variable grill
- Oven capacity: 68 litres
- Energy consumption: 1.19kWh
- Minute minder
- Grill tray
- Oven light
- Enamel lining

#### Rating

- Energy efficiency: B (oven only)

#### Colours available in:

Black, Red

#### Dimensions:

H85 W90 D60cm

## 60cm range cookers



KDP60C Stainless Steel



### Unique highlights

- Sleek ceramic hob
- LED clock
- Minute minder

### Main features of range

#### Ceramic hob

- Easy clean hob with 4 zones

#### Top electric oven

- Conventional oven with variable twin grill
- Oven capacity: 35 litres
- Energy consumption: 0.99kWh

#### Main electric oven

- Fan oven
- Oven capacity: 65 litres
- Energy consumption: 1.19kWh
- Oven light

#### Other features

- Grill pan & handle
- Enamel lining

#### Rating

- Energy efficiency: B/B

#### Colours available in:

Stainless Steel

#### Dimensions:

H90 W60 D60cm



KDP60SE Stainless Steel



### Unique highlights

- Flame Supervision Device
- LED clock
- Minute minder

### Main features of range

#### Gas hob

- 4 powerful gas burners
- Electronic ignition
- Glass lid with safety cut off
- Twin enamelled pan supports
- Hob LQP convertible kit included

#### Top electric oven

- Conventional oven with variable twin grill
- Oven capacity: 35 litres
- Energy consumption: 0.99kWh

#### Main electric oven

- Fan oven
- Oven capacity: 65 litres
- Energy consumption: 1.19kWh
- Oven light

#### Other features

- Grill pan & handle
- Enamel lining

#### Rating

- Energy efficiency: B/B

#### Colours available in:

Stainless Steel

#### Dimensions:

H90 W60 D60cm



## 60cm double oven cookers



ID60C2X Stainless Steel



ID60E2W White



ID60G2A Anthracite



ID60C2W  
White

ID60C2A  
Anthracite



ID60G2X  
Stainless Steel

ID60G2W  
White



### Unique highlights

- Sleek ceramic hob
- LED clock
- Minute minder

### Unique highlights

- Solid plate
- LED clock
- Minute minder

### Unique highlights

- Flame Supervision Device
- LED clock
- Minute minder

### Unique highlights

- Sleek ceramic hob
- Handy storage compartment
- Minute minder

### Unique highlights

- Handy storage compartment

### Main features of range

#### Ceramic hob

- Easy clean hob with 4 zones

#### Top electric oven

- Conventional oven with variable twin grill
- Oven capacity: 35 litres
- Energy consumption: 0.99kWh

#### Main electric oven

- Fan oven
- Oven capacity: 65 litres
- Energy consumption: 1.19kWh
- Oven light

#### Other features

- Grill pan & handle

#### Rating

- Energy efficiency: B/B

#### Colours available in:

White, Stainless Steel, Black, Anthracite

#### Dimensions:

H90 W60 D60cm

### Main features of range

#### Solid plate hob

- Easy clean hob with 4 zones

#### Top electric oven

- Conventional oven with variable twin grill
- Oven capacity: 35 litres
- Energy consumption: 0.99kWh

#### Main electric oven

- Fan oven
- Oven capacity: 65 litres
- Energy consumption: 1.19kWh
- Oven light

#### Other features

- Grill pan & handle

#### Rating

- Energy efficiency: B/B

#### Colours available in:

White

#### Dimensions:

H90 W60 D60cm

### Main features of range

#### Gas hob

- 4 powerful gas burners
- Electronic ignition
- Glass lid with safety cut off
- Twin enamelled pan supports
- LPG converted kit included

#### Top gas oven

- Gas oven with variable grill
- Oven capacity: 26 litres

#### Main gas oven

- Conventional gas oven
- Oven capacity: 57 litres
- Oven light

#### Other features

- Grill pan & handle
- Electronic ignition to hob & oven

#### Colours available in:

White, Stainless Steel, Anthracite

#### Dimensions:

H90 W60 D60cm

## 60cm electric single cavity cookers



IS60C1W White



IS60C1X  
Stainless Steel



IS60EW White

### Unique highlights

- Sleek ceramic hob
- Handy storage compartment
- Minute minder

### Unique highlights

- Handy storage compartment

### Main features of range

#### Ceramic hob

- Easy clean hob with 4 zones

#### Electric oven

- Fan assisted with combined grill
- Oven capacity: 56 litres
- Energy consumption: 0.78kWh
- Grill pan & handle
- Oven light

#### Rating

- Energy efficiency: A

#### Colours available in:

White, Stainless Steel

#### Dimensions:

H90 W60 D60cm

### Main features of range

#### Solid plate hob

- Easy clean hob with 4 fast heat solid plates

#### Electric oven

- Fan assisted with combined grill
- Oven capacity: 56 litres
- Energy consumption: 0.78kWh
- Grill pan & handle
- Oven light

#### Rating

- Energy efficiency: A

#### Colours available in:

White

#### Dimensions:

H90 W60 D60cm

## 60cm dual fuel & gas single cavity cookers



IS60D1X Stainless Steel



IS60G1W White



### Unique highlights

- Flame Supervision Device
- Handy storage compartment
- Minute minder

### Main features of range

#### Gas Hob

- 4 powerful gas burners
- Electronic ignition
- Twin enamelled pan supports
- Hob LPG convertible – kit included

#### Electric oven

- Multifunction 5 oven: Conventional, Fan assisted, Grill, Fan grilling, Top element only
- Oven capacity: 56 litres
- Energy consumption: 0.87kWh
- Grill pan & handle
- Oven light

### Rating

- Energy efficiency: B

### Colours available in:

Stainless Steel

### Dimensions:

H90 W60 D60cm



### Unique highlights

- Flame Supervision Device
- Handy storage compartment
- Minute minder

### Main features of range

#### Gas hob

- 4 powerful gas burners
- Twin enamelled pan supports
- Electronic ignition

#### Gas oven

- Combined grill
- Oven capacity: 58 litres
- Grill pan & handle
- Oven light
- LPG convertible – kit included
- Electronic ignition to oven & hob

### Colours available in:

White

### Dimension:

H90 W60 D60cm

## 50cm electric double oven cookers



ID50C1K Black



ID50C1W White



### Unique highlights

- Sleek ceramic hob
- Compact size
- Time to end mechanical knob

### Main features of range

#### Ceramic hob

- Easy clean hob with 4 zones

#### Top electric oven

- Conventional oven with variable twin grill
- Oven capacity: 28 litres
- Energy consumption: 0.99kWh

#### Main electric oven

- Fan oven
- Oven capacity: 54 litres
- Energy consumption: 0.99kWh
- Oven light

#### Other features

- Grill pan & handle

### Rating

- Energy efficiency: B/C

### Colours available in:

White, Black

### Dimensions:

H90 W50 D60cm



ID50E1W White



ID50E1X Stainless Steel



### Unique highlights

- Compact size
- Time to end mechanical knob

### Main features of range

#### Solid plate hob

- Easy clean hob with 4 zones

#### Top electric oven

- Conventional oven with variable twin grill
- Oven capacity: 28 litres
- Energy consumption: 0.99kWh

#### Main electric oven

- Fan oven
- Oven capacity: 54 litres
- Energy consumption: 0.99kWh
- Oven light

#### Other features

- Grill pan & handle

### Rating

- Energy efficiency: B/C

### Colours available in:

White, Stainless Steel

### Dimensions:

H90 W50 D60cm

## 50cm electric twin cavity cookers



IT50CM Moonstone



IT50CA Anthracite

IT50C1X Stainless Steel

IT50CW White



### Unique highlights

- Sleek ceramic hob
- Separate grill for flexibility
- Minute minder option on Stainless Steel only

### Main features of range

#### Ceramic hob

- Easy clean hob with 4 zones

#### Top cavity

- Electric fully variable grill
- Grill pan & handle
- Grill capacity: 28 litres

#### Electric oven

- Conventional oven
- Oven capacity: 58 litres
- Oven light
- Energy consumption: 0.99kWh

### Rating

- Energy efficiency: B

### Colours available in:

White, Stainless Steel, Anthracite, Moonstone

### Dimensions:

H90 W50 D60cm



IT50EIX Stainless Steel



IT50EA Anthracite

IT50EM Moonstone

IT50EW White



### Unique highlights

- Separate grill for flexibility
- Minute minder option on Stainless Steel only

### Main features of range

#### Solid plate hob

- Easy clean hob with 4 fast heat solid plates

#### Top cavity

- Electric fully variable grill
- Grill pan & handle
- Grill capacity: 28 litres

#### Electric oven

- Convertible oven
- Oven capacity: 58 litres
- Oven light
- Energy consumption: 0.99kWh

### Rating

- Energy efficiency: B

### Colours available in:

White, Stainless Steel, Anthracite, Moonstone, Silver

### Dimensions:

H90 W50 D60cm

## 50cm dual fuel & gas twin cavity cookers



IT50D1X Stainless Steel



### Unique highlights

- Flame Supervision Device
- Minute minder
- Compact size

### Main features of range

#### Gas hob

- 4 powerful gas burners
- Twin enamelled pan supports
- LPG convertible – kit included

#### Top cavity

- Electric fully variable grill
- Grill pan & handle
- Grill capacity: 28 litres

#### Electric oven

- Conventional oven
- Oven capacity: 28 litres
- Oven light
- Energy consumption: 0.99kWh

#### Other features

- Electric ignition to oven & hob

### Rating

- Energy efficiency: B

### Colours available in:

Stainless Steel

### Dimensions:

H90 W50 D60cm



IT50GA Anthracite



IT50G1X Stainless Steel

IT50GW White



### Unique highlights

- Flame Supervision Device
- Minute minder option on Stainless Steel only
- Compact size

### Main features of range

#### Gas hob

- 4 powerful gas burners
- Twin enamelled pan supports

#### Top cavity

- Gas fully variable grill
- Grill pan & handle
- Grill capacity: 19 litres

#### Gas main oven

- Conventional oven
- Oven capacity: 41 litres

#### Other features

- LPG convertible – kit included

### Colours available in:

White, Stainless Steel, Anthracite

### Dimensions:

H90 W50 D60cm



## 50cm single cavity cookers



IS50EA Anthracite



IS50D1X Stainless Steel



IS50GW White



IS50E1X  
Stainless Steel

IS50EW  
White



IS50G1X  
Stainless Steel



### Unique highlights

- Minute minder option on Stainless Steel only
- Handy storage compartment
- Compact size

### Main features of range

#### Solid plate hob

- Easy clean hob
- 4 fast heat solid plates

#### Electric oven

- Conventional oven with combined grill
- Oven capacity: 58 litres
- Oven light
- Energy consumption: 0.99kWh

#### Rating

- Energy efficiency: B

#### Colours available in:

White, Stainless Steel, Anthracite

#### Dimensions:

H90 W50 D60cm

### Unique highlights

- Flame Supervision Device
- Minute minder
- Handy storage compartment
- Compact size

### Main features of range

#### Gas hob

- 4 powerful gas burners
- Twin enamelled pan supports

#### Electric oven

- Conventional oven with combined grill
- Oven capacity: 58 litres
- Oven light

#### Other features

- Hob LPG convertible – kit included
- Electronic ignition to oven & hob

#### Rating

- Energy efficiency: B

#### Colours available in:

Stainless Steel

#### Dimension:

H90 W50 D60cm

### Unique highlights

- Flame supervision Device
- Minute minder option on Stainless Steel only
- Handy storage compartment
- Compact size

### Main features of range

#### Gas hob

- 4 powerful gas burners
- Twin enamelled pan supports

#### Gas oven

- Combined grill
- Oven capacity: 58 litres
- Grill pan & handle

#### Other features

- LPG convertible – kit include
- Electronic ignition to oven & hob

#### Colours available in:

White, Stainless Steel

#### Dimensions:

H90 W50 D60cm

## Reasons to believe Built-In Ovens the facts

# 1

### Built-In ovens

Indesit's range of single and double ovens combine stylish looks, ease of use and functionality to make cooking simple and enjoyable. A choice of ovens built-in to a column or built-under a worktop, all with a wide range of colour options, there is an oven to match every kitchen design.

#### Why choose a built-in oven?

Nearly all of our ovens are either A or AA rated, offering a stylish and energy efficient cooking solution. One advantage with built-in appliances is that you can choose a different style, position and fuel for your hob compared to your oven, for maximum flexibility.



# 2

## PROGRAMMES

### Many of our built-in ovens feature multifunction cooking!

These programmes make cooking much easier, but what does each function do for you?

#### Conventional

Top and bottom heat, perfectly concentrating heat in the middle of the oven, great for roasts.

#### Multi-level

Useful for when there is a variety of dishes to cook on different racks, without mixing smells and tastes.

#### Grill/Half Grill

Top heat only: perfect for cheese on toast and finishing off your pasta bake.

#### Fan Grilling (Gratin)

The combination of fan and grill ensures meals cook evenly inside and out. This mode works best with pork, lamb and poultry.

#### Speedy Barbecue

Perfect for an indoor barbecue! Meat, fish and vegetables well toasted without the smoke and mess.

#### Freezy Cook

Ideal for cooking frozen food quickly. The oven does not need to be pre-heated, therefore saving time.

#### Baking

Perfect for pastries and cakes: an even heat to help cakes rise to perfection.

#### Pizza

Similar to a traditional pizza oven this programme heats up very quickly, using mostly the bottom element to make sure the pizza base is crispy.

#### Easy Cleaning Options

No-one likes cleaning their oven so choose from either easy clean enamel lines or catalytic liners which keep your oven clean by absorbing all the fat and greasy deposits.

#### Electronic Programmable Timer

The programmable timer allows for the start and finish times to be pre-set. This suits the demands of a busy lifestyle.

## Built-in double ovens



FIMDE23IXS Stainless Steel



### Unique highlights

- Electronic Programmable Timer
- Built-in to a column

### Main features of range

#### Top oven

- Electric conventional oven
- Twin variable grill
- Oven capacity: 35 litres
- Maximum temperature: 220°C

#### Main oven

- Conventional, Fan assisted, Grill/Half grill, Fan grilling
- Quick defrost function
- Oven capacity: 65 litres
- Maximum temperature: 230°C

#### Other features

- 2 thermostat lights
- Double glazed oven doors
- Catalytic oven liners

### Rating

- Energy efficiency: **A/A**

### Colours available in:

Stainless Steel

### Dimensions:

H88.7 W59.7 D57.5cm



FIMD23IXS Stainless Steel



FIMD23BKS  
Black

FIMD23WHS  
White



### Unique highlights

- Electronic Programmable Timer
- Built-in to a column

### Main features of range

#### Top oven

- Electric conventional oven
- Twin variable grill
- Oven capacity: 35 litres
- Maximum temperature: 220°C

#### Main oven

- Fan assisted
- Quick defrost function
- Oven capacity: 65 litres
- Maximum temperature: 230°C

#### Other features

- 2 thermostat lights
- Double glazed oven doors
- Catalytic oven liners

### Rating

- Energy efficiency: **A/A**

### Colours available in:

White, Stainless Steel, Black

### Dimensions:

H88.7 W59.7 D57.5cm

## Built-under double ovens



FIMU23WHS White



FIMU23IXS  
Stainless Steel

FIMU23BKS  
Black



### Unique highlights

- Electronic Programmable Timer
- Built-under a worktop
- Can replace a single oven under a worktop

### Main features of range

#### Top oven

- Electric conventional oven
- Twin variable grill
- Oven capacity: 33 litres
- Maximum temperature: 220°C

#### Main oven

- Electric fan oven
- Quick defrost function
- Oven capacity: 51 litres
- Maximum temperature: 230°C

#### Other features

- 2 thermostat lights
- Double glazed oven doors
- Catalytic oven liners

### Rating

- Energy efficiency: **B/B**

### Colours available in:

White, Stainless Steel, Black

### Dimensions:

H87-89 W59.7 D57.8cm

# PRIME single ovens



IF89KAIXS Stainless Steel



### Unique highlights

- Multifunction Cooking
- Electronic programmable timer
- Easy clean enamel finish

### Main features of range

- Thermostat with indicator light
- Oven capacity: 58 litres
- LED interface

### Rating

- Energy efficiency: **A**

### Colours available in:

Stainless Steel

### Dimensions:

H85 W59.5 D60cm



IF63KAIXS  
Stainless Steel



IF51KAIXS  
Stainless Steel

# Digital single ovens



FIM88KGPAIXS Stainless Steel



### Unique highlights

- Multifunction Cooking
- Electronic programmable timer
- Easy clean enamel finish
- Choice of colours including gloss black

### Main features of range

- Air flow cooling fan
- Thermostat with indicator light
- Easy to use controls
- LED interface

### Rating

- Energy efficiency: **A**

### Colours available in:

White, Stainless Steel, Black

### Dimensions:

H60 W60 D54.5cm



FIM73KCAIXS  
Stainless Steel



FIM53KABKS  
Black



FIM33KAWHS  
White

## Pyrolytic Cleaning

Our self cleaning pyrolytic option! The powerful self cleaning oven automatically locks the triple glazed door, the oven heats up to 500°C and burns off all the fat and food residue leaving just a small pile of ash to wipe away. The best part is it costs less than 50p per cycle, so throw away those rubber gloves.

\*Models shown above

### Choose your model Digital single ovens

Model	Colour	Number of Programmes	Multifunction Programmes	Oven Capacity (l)	Cleaning	Rating
*FIM88KGPAIXS	Stainless Steel	8	Conventional, Multi-level, Grill, Fan grilling, Freasy cook, Speedy Barbecue, Pizza, Keep warm	58	Pyrolytic	<b>A</b>
*FIM73KCAIXS	Stainless Steel	7	Conventional, Multi-level, Grill, Fan grilling, Fast cooking, Baking, Pizza	58	Catalytic Liners	<b>A</b>
FIM53KAIXS	Stainless Steel	5	Conventional, Multi-level, Grill, Fan grilling, Top element only	58	Enamel Finish	<b>A</b>
*FIM53KABKS	Black					<b>A</b>
FIM53KAWHS	White					<b>A</b>
FIM33KAIXS	Stainless Steel	3	Fan, Grill, Fan grilling	58	Enamel Finish	<b>A</b>
*FIM33KABKS	Black					<b>A</b>
*FIM33KAWHS	White					<b>A</b>

Rating • Energy efficiency

\*Models shown above

### Choose your model Prime single ovens

Model	Colour	Number of Programmes	Multifunction Programmes	Oven Capacity (l)	Cleaning	Rating
*IF89KAIXS	Stainless Steel	8	Conventional, Multi-level, Grill (variable), Fan grilling, Top element only, Speedy Barbecue, Freasy Cook, Pizza	58	Enamel Finish	<b>A</b>
*IF63KAIXS	Stainless Steel	6	Conventional, Multi-level, Grill, Fan grilling, Baking, Pizza	58	Enamel Finish	<b>A</b>
*IF51KAIXS	Stainless Steel	5	Conventional, Multi-level, Grill, Fan grilling, Top element only	58	Enamel Finish	<b>A</b>

Rating • Energy efficiency



# Single ovens



FIM31KAIX Stainless Steel



### Unique highlights

- Minute minder
- Choice of cooking functions including fan grilling

### Main features of range

- Air flow cooling fan
- Thermostat with indicator light
- Easy to use controls

### Rating

- Energy efficiency: **A**

### Colours available in:

White, Stainless Steel, Black

### Dimensions:

H60 W60 D54.5cm



FIM21KBWH  
White



FIM21KBBK  
Black

\*Models shown above

Choose your model Single ovens							
Model	Colour	Number of Programmes	Multifunction Programmes	Variable Grill	Oven Capacity (l)	Cleaning	Rating
*FIM31KAIX FIM31KABK FIM31KAWH	Stainless Steel Black White	4	Fan, Grill, Fan grilling, Defrost	✓	58	Enamel Finish	<b>A</b>
FIM21KBIX *FIM21KBBK *FIM21KBWH	Stainless Steel Black White	4	Conventional, Grill, Top element only, Lower element only	–	62	Enamel Finish	B

Rating • Energy efficiency

# Reasons to believe Hobs and Hoods the facts

## 1

### Hobs

We all have features in mind when looking for the perfect hob – how powerful it is or perhaps how easy it is to clean. Indesit has it covered with a large range of gas, electric and induction hobs in a variety of colours to perfectly match other appliances in the kitchen. Space is often a hurdle, which is why Indesit has introduced a 75cm hob to its range, giving 15cm more cooking space than the standard 60cm width. The advantage of this 75cm hob is that it can be inserted into a 60cm cut out which means the hob can be changed, giving more space, but without disrupting the kitchen.

### PROGRAMMES

#### Domino Hobs

These slimline hobs are ideal for those kitchens with limited worktop space. Indesit has introduced gas and ceramic options to choose from, or even mix and match for a completely customised hob solution. Domino fitting strips are also available for a perfectly coordinated look.

#### Flame Supervision Device

The Indesit cooking range features models with Flame Supervision Device technology, which automatically cuts off the gas supply in the event of the flame blowing out.

#### Powerful Wok Burners

Our wok burners offer a powerful 3.5kW dual flame. This ensures the wok gets heat underneath and around the pan for the perfect stir-fry.

#### Pan Supports

The new ergonomically designed pan supports allow for a more secure and stable cooking experience. They are also easy to remove to allow for quick and easy cleaning of the hob.



## 2

### Hoods

The Indesit collection offers a range of hoods to fit with all kitchen styles, from designer glass chimney hoods to integrated hidden hoods. Keep the cooking environment steam and odour free whilst using the light from the hood to focus on food preparation or provide a little mood lighting when entertaining. The perfect addition to the kitchen.

### PROGRAMMES

#### Perfect Extraction

Need a powerful hood? Take the extraction rate of the hood and divide it by the volume of the kitchen in cubic meters. The higher the better, but as long as the result is over 6 then the hood is perfect.

Always keep in mind the size of the kitchen when picking a hood, as the smaller the kitchen but larger the extraction, the nosier it will appear to be.

#### Filters

Our metallic filters can be washed in warm water with a little washing up liquid to keep them functioning and looking like new.

# PRIME induction hob



VIA640CS Black Frameless



### Unique highlights

- Induction
- Touch control for easier cooking regulation

### Main features of range

- 4 Induction zones:
  - 2 x 2.2kW
  - 2 x 1.4kW
- 9 power levels
- Child safety lock

### Colours available in:

Black Frameless

### Dimensions:

H5.1 W59 D52cm

# Ceramic & solid plate hobs



VRA640XS Stainless Steel Frame



VRM640MIX Stainless Steel Frame



PIM604IX Stainless Steel



VRA640CS Frameless



VRM640MC Frameless



PIM604WH White



### Unique highlights

- Touch control for easier cooking
- Easy clean ceramic surface

### Main features of range

- 4 ceramic zones:
  - 1 super rapid
  - 1 rapid
  - 2 standard
- 9 power levels
- Child safety lock
- Residual heat indicator lights

### Colours available in:

Stainless Steel, Frameless

### Dimensions:

VRA640X:  
H4.8 W57.4 D50.4cm

VRA640C:  
H4.6 W59 D52cm



### Unique highlights

- Easy clean ceramic surface
- Controls match ovens

### Main features of range

- 4 ceramic zones:
  - 2 rapid
  - 2 standard
- 12 power levels
- Residual heat indicator lights
- Easy to use controls

### Colours available in:

Stainless Steel, Frameless

### Dimensions:

VRM640MIX:  
H4.8 W57.4 D50.4cm

VRM640MC:  
H4.6 W59 D52cm



### Unique highlights

- Easy clean surface
- Controls match ovens

### Main features of range

- 4 solid plates:
  - 2 semi rapid
  - 2 rapid
- 6 power levels
- On/off indicator light

### Colours available in:

Stainless Steel, White

### Dimensions:

H3.3 W58 D51cm

## Indesit's Solution to the Kitchen Revolution!

An Induction hob is a speedy, clean, cooking machine. OK, gas is fast and controllable, but Induction is faster and equally controllable with benefits. Boiling a pint of water takes just 90 seconds! Gas romps in at 3.5 minutes!

It's cleaner and safer too! It works by using a magnetic field and only heats the pan, the surrounding area does not get hot so no more mess. Most pans work with Induction just try sticking a fridge magnet on the bottom and if it sticks, it'll work. Simple!

And the very best thing is they are so easy to clean you get more time to enjoy doing the things you like.



# PRIME gas hob



IP751SCIX Stainless Steel



### Unique highlights

- Dual Wok Burner
- Flame Supervision Device
- Choice of widths

### Main features of range

- Powerful gas burners
- Automatic ignition
- Front controls for easier flame regulation
- Easy glide pan supports

**Colours available in:**  
Stainless Steel

**Dimensions:**  
H3.3 W60-70 D51cm



IP641SCIX  
Stainless Steel



IP640SIX  
Stainless Steel

# Gas hobs



PIM750ASTIX Stainless Steel



### Unique highlights

- Triple ring Wok Burner (on PIM750ASTIX)
- Flame Supervision Device
- Matching oven aesthetic – see pages 57-58

### Main features of range

- Powerful gas burners
- Easy glide enamel pan supports
- Easy to use controls

**Colours available in:**  
Stainless Steel, Black, White

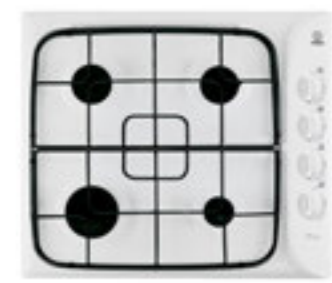
**Dimensions:**  
H3.3 W60-68 D51cm



PIM640ASIX  
Stainless Steel



PIM640ASBK  
Black



PIM640ASWH  
White

\*Models shown above

### Choose your model Prime gas hobs

Model	Colour	Width (cm)	Number of burners	Pan Supports	Wok Burner (3.5kW)	Ignition
*IP751SCIX	Stainless Steel	75	5	3 cast iron	Dual	Automatic
*IP641SCIX	Stainless Steel	60	4	2 cast iron	Dual	Automatic
*IP640SIX	Stainless Steel	60	4	2 enamel	–	Automatic

\*Models shown above

### Choose your model Gas hobs

Model	Colour	Width (cm)	Number of burners	Enamel Pan Supports	Wok Burner (3.6kW)	Ignition
*PIM750ASTIX	Stainless Steel	68	5	3	Triple	Automatic
*PIM640ASIX	Stainless Steel	58	4	2	–	Push button
*PIM640ASBK	Black	58	4	2	–	Push button
*PIM640ASWH	White	58	4	2	–	Push button



## PRIME domino hobs



DP2GSIX Stainless Steel



DP2RIX Stainless Steel



### Unique highlights

- Flame Supervision Device
- Compact size
- Controls match Prime ovens

### Main features of range

- 2 gas burners
- Automatic ignition
- Front controls for easier flame regulation
- Easy glide enamel pan support

### Colours available in:

Stainless Steel

### Dimensions:

H4.1 W28.8 D51cm



### Unique highlights

- Easy clean surface
- Compact size
- Controls match Prime ovens

### Main features of range

- 2 ceramic zones
- Zone on/off indicator
- Child safety lock
- Front controls for easier cooking regulation

### Colours available in:

Stainless Steel

### Dimensions:

H4.6 W28.8 D51cm

## Designer chimney hood



H593LIX Stainless Steel

### Unique highlights

- Designer look
- Electronic push button control
- Washable aluminium filters

### Main features of range

- 3 speeds
- 450 m<sup>3</sup>/hr extraction rate
- 2 x 20 watt lights
- Sound level 57dB(A)

### Colours available in:

Stainless Steel

### Dimensions:

H81-112 W60-90 D51.5cm

\*Models shown above

### Choose your model

Model	Colour	Width (cm)
*H593LIX	Stainless Steel	90
H573LIX	Stainless Steel	70
H563LIX	Stainless Steel	60

## Chimney hoods



H391FIX Stainless Steel



H961FIX Stainless Steel & Glass



H361BK  
Black

### Unique highlights

- Carbon filters included
- Electronic push button control

### Main features of range

- 3 speeds
- 420 m<sup>3</sup>/hr extraction rate
- 2 x 40 watt lights
- Sound level: 61dB(A)

### Colours available in:

Stainless Steel, Black

### Dimensions:

H36 W60-90 D42cm

### Unique highlights

- Carbon filters included
- Electronic push button control

### Main features of range

- 3 speeds
- 400 m<sup>3</sup>/hr extraction rate
- 2 x 20 watt halogen lights
- Sound level: 61dB(A)

### Colours available in:

Stainless Steel & Glass

### Dimensions:

H113 W60 D45cm

## Integrated & visor hoods



H661.1 Integrated



H1612IX Stainless Steel



H1612WH  
White



H1612BK  
White

### Unique highlights

- Slider controls
- Integrated

### Main features of range

- 3 speeds
- 240 m<sup>3</sup>/hr extraction rate
- 2 x 40 watt lights
- Sound level: 59dB(A)

### Colours available in:

Neutral Grey

### Dimensions:

H40 W60 D27cm

### Unique highlights

- Slider controls
- Visor hood

### Main features of range

- 3 speeds
- 250 m<sup>3</sup>/hr extraction rate
- 2 x 40 watt lights
- Sound level: 60dB(A)

### Colours available in:

White, Stainless Steel, Black

### Dimensions:

H13.2 W60 D51cm

\*Models shown above

### Choose your model

Model	Colour	Width (cm)
*H391FIX	Stainless Steel	90
H361FIX	Stainless Steel	60
*H361BK	Black	60
*H961FIX	Stainless Steel + Glass	60

# PRIME microwave oven



MWI22.1X Stainless Steel

### Unique highlights

- 5 power levels
- End of cooking signal

### Main features of range

- Number of cooking functions: 3
  - Grill
  - Microwave
  - Microwave grilling
- Grill on/off indicator
- Mechanical control
- Digital display
- Microwave capacity: 20 litres

**Colours available in:**  
Stainless Steel

**Dimensions:**  
H38.8 W59.4 D34.5cm

# Specifications

## Contents:

Washing Machines	page 70-71
Washer Dryers	page 72-73
Tumble Dryers	page 74
Dishwashers	page 75
Fridge Freezers	page 76-78
Fridges	page 79-80
Freezers	page 79-80
Freestanding Range & Cookers	page 81
Twin & Single Cavity Cookers	page 82-83
Double Ovens	page 84
Single Ovens	page 85-86
Prime Microwave Oven	page 86
Hobs	page 87-88
Hoods & Splashbacks	page 89



MWI222.1X Stainless Steel

### Unique highlights

- 5 power levels
- End of cooking signal

### Main features of range

- Number of cooking functions: 3
  - Grill
  - Microwave
  - Microwave grilling
- Grill on/off indicator
- Mechanical control
- Digital Display
- Microwave capacity: 25 litres

**Colours available in:**  
Stainless Steel

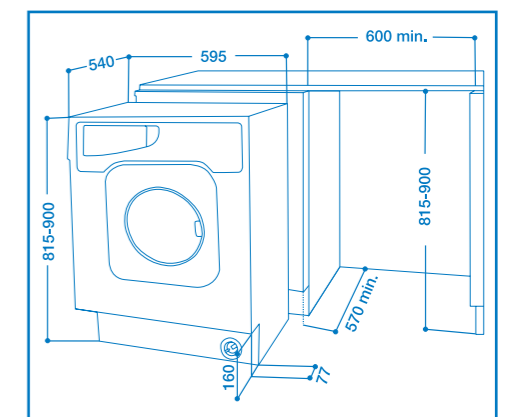
**Dimensions:**  
H36.8 W59.4 D47cm



Model	9kg Prime Washing Machines			8kg Washing Machines		7kg Washing Machines	
	PWE91672W	PWE91472S PWE91472W	PWE91272W	IWE81481S ECO	IWE81281K ECO IWE81281S ECO IWE81281 ECO	IWD7145K IWD7145S IWD7145	IWD7125IS ECO
<b>Page Number</b>	8	8	8	9	9	10	10
<b>Specifications</b>							
Appliance Height x Width x Depth (cm)	85x59.9x61.6	85x59.5x61.6	85x59.5x61.6	85x59.9x61.6	85x59.5x60	85x59.5x53.5	85x59.5x53.5
Net Weight (kg)	72	72	72	73.4	73.4	67	67
Packaged Height x Width x Depth (cm)	89x65x65.5	89x65x65.5	89x65x65.5	89x64x65	89x64x65	89x64x59	89x65x59
Total Weight (kg)	74	74	74	75	75	68.9	68.9
Spin Speed (rpm)	1600	1400	1200	1400	1200	1400	1200
Max Load Capacity (kg)	9	9	9	8	8	7	7
Number of Wash Programmes	16	16	16	16	16	16	16
<b>Features</b>							
Automatic Water Level Control	•	•	•	•	•	•	•
Detergent Recycling System	•	•	•	•	•	•	•
Instant Door Release	•	•	•	•	•	•	•
Load Balancing System	•	•	•	•	•	•	•
Safety Delay to Door Lock	•	•	•	•	•	•	•
Stand by Function	•	•	•	•	•	•	•
Type of Display	Digital	Digital	Digital	Digital	Digital	Digital	Digital
<b>Wash Options</b>							
0°C – 90°C Adjustable Thermostat	•	•	•	•	•	•	•
Cool Wash	•	•	•				
Daily Wash							•
Delay Timer	Up to 24 hrs	Up to 24 hrs	Up to 24 hrs	Up to 24 hrs	Up to 24 hrs	Up to 24 hrs	Up to 24 hrs
Delicates/Silk	•	•	•	•	•	•	•
Duvet	•	•	•				
Easy Iron	•	•	•	•	•		
Eco Time				•	•	•	•
Express Wash	•	•	•	•	•	•	•
Extra Rinse	•	•	•	•	•	•	•
Intensive				•	•	•	•
Jeans	•	•	•	•	•	•	•
MixCool 30°C	•	•	•				
Outdoor Wear	•	•	•	•	•		
Shirts	•	•	•				
Smart Technology Mode	•	•	•				
Sports Intensive				•	•	•	•
Sports Light				•	•	•	•
Sports Shoes	•	•	•	•	•	•	•
Variable Temperature & Spin	•	•	•	•	•	•	•
Wool	•	•	•	•	•	•	•
<b>Performance</b>							
Washing Performance Rating	A	A	A	A	A	A	A
Energy Efficiency Rating	A++	A++	A++	A+	A+	A	A+
Spin Efficiency Rating	A	A	A	B	B	B	B
Energy Consumption (kWh)	1.35	1.35	1.36	1.36	1.36	1.33	1.33
Water Consumption (litres)	77	77	77	69	69	60	60
Water Remaining After Spin (%) (as a percentage of dry weight of wash)	44	44	46	53	53	53	53
<b>Colour</b>	White	White/Silver White	White	Silver White	Black Silver White	Black Silver White	Silver White

Model	6kg Washing Machines			
	IWC61851S ECO IWC61851 ECO	IWC6145S IWC6145	IWC6125S IWC6125	IWC6105
<b>Page Number</b>	11	11	11	11
<b>Specifications</b>				
Appliance Height x Width x Depth (cm)	85x59.5x53.5	85x59.5x53.5	85x59.5x53.3	85x59.5x53.5
Net Weight (kg)	67	66	66	66
Packaged Height x Width x Depth (cm)	89x65x59	89x65x58	89x65x58	89x65x58
Total Weight (kg)	68.9	69.3	69.3	69.3
Spin Speed (rpm)	1600	1400	1200	1000
Max Load Capacity (kg)	6	6	6	6
Number of Wash Programmes	16	16	16	16
<b>Features</b>				
Automatic Water Level Control	•	•	•	•
Detergent Recycling System	•	•	•	•
Load Balancing System	•	•	•	•
Safety Delay to Door Lock	•	•	•	•
Soak & Rain Wash Action	•	•	•	•
Stand by Function	•	•	•	•
Type of Display	LED	LED	LED	LED
<b>Wash Options</b>				
0°C – 90°C Adjustable Thermostat	•	•	•	•
Delay Timer	Up to 12 hrs	Up to 12 hrs	Up to 12 hrs	Up to 12 hrs
Delicates/Silk	•	•	•	•
Eco Time	•	•	•	•
Express Wash	•	•	•	•
Extra Rinse	•	•	•	•
Intensive	•	•	•	•
Jeans	•	•	•	•
Sports Intensive	•	•	•	•
Sports Light	•	•	•	•
Sports Shoes	•	•	•	•
Variable Temperature & Spin	•	•	•	•
Wool	•	•	•	•
<b>Performance</b>				
Washing Performance Rating	A	A	A	A
Energy Efficiency Rating	A+	A	A	A
Spin Efficiency Rating	A	B	B	C
Energy Consumption (kWh)	1.02	1.14	1.14	1.14
Water Consumption (litres)	44	44	44	44
Water Remaining After Spin (%) (as a percentage of dry weight of wash)	44	53	53	62
<b>Colour</b>	Silver White	Silver White	Silver White	White

Model	Integrated	
	IWME126	IWME147
<b>Page Number</b>	12	12
<b>Specifications</b>		
Appliance Height x Width x Depth (cm)	85x59.5x53.5	85x59.5x53.5
Net Weight (kg)	68	68
Packaged Height x Width x Depth (cm)	89x65x59.5	89x65x59.5
Total Weight (kg)	70	70
Spin Speed (rpm)	1200	1200
Max Load Wash Capacity (kg)	6	6
Number of Wash Programmes	20	20
<b>Features</b>		
180° Opening Door	•	•
Automatic Water Level Control		
Detergent Recycling System	•	•
Load Balancing System	•	•
Safety Delay to Door Lock	•	•
Soak & Rinse Wash Action	•	•
Stand by Function		
Type of Display	LED	LED
<b>Wash Options</b>		
0°C – 90°C Adjustable Thermostat	•	•
Daily Wash	•	•
Delay Timer	Up to 9 hrs	Up to 9 hrs
Delicates	•	•
Easy Iron	•	•
Eco Time		
Express Wash		
Extra Rinse	•	•
Intensive	•	•
Jeans		
Rinse Hold		
Sports Clothes	•	•
Sports Intensive		
Sports Light		
Sports Shoes	•	•
Time4You Wash/Flash Cotton	•	•
Variable Temperature & Spin	•	•
Wool	•	•
<b>Performance</b>		
Washing Performance Rating	A	A
Energy Efficiency Rating	A	A
Spin Efficiency Rating	B	B
Energy Consumption (kWh)	0.93	0.93
Water Consumption (litres)	64	64
Water Remaining After Spin (%) (as a percentage of dry weight of wash)	52	52
<b>Colour</b>	White	White



IWME126

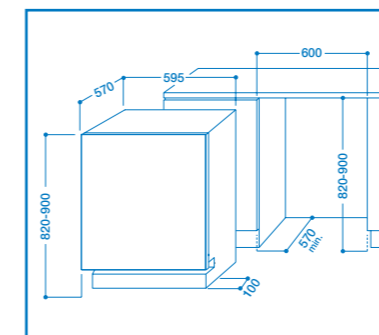
	8+6kg Prime Washer Dryers	
Model	PWDE8147S	PWDC8127W
<b>Page Number</b>	13	13
<b>Specifications</b>		
Appliance Height x Width x Depth (cm)	85x59.5x61.6	85x59.5x61.6
Net Weight (kg)	72	72
Packaged Height x Width x Depth (cm)	89x65x65.5	89x65x65.5
Total Weight (kg)	74	74
Spin Speed (rpm)	1400	1200
Max Load Wash Capacity (kg)	8	8
Max Load Drying Capacity (kg)	6	6
Number of Wash Programmes	16	16
<b>Features</b>		
Automatic Sensor Drying Levels	3	3
Automatic Water Level Control	•	•
Detergent Recycling System	•	•
Dual Tumble Direction	•	•
Instant Door Release	•	•
Load Balancing System	•	•
Safety Delay to Door Lock	•	•
Self Clean Pump	•	•
Soak & Rain Wash Action	•	•
Type of Display	Digital	LED
<b>Wash &amp; Dry Options</b>		
Wash & Dry Capacity	6kg	6kg
0°C – 90°C Adjustable Thermostat	•	•
Cool Wash	•	•
Delay Timer	Up to 24 hrs	Up to 9 hrs
Delicates/Silk	•	•
Easy Iron	•	•
Express Wash & Dry	•	•
Intensive	•	•
Jeans	•	•
MixCool 30°C	•	•
Shirts	•	•
Smart Technology Mode	•	•
Sports Shoes	•	•
Variable Temperature & Spin	•	•
Wool	•	•
<b>Performance</b>		
Washing Performance Rating	A	A
Energy Efficiency Rating	B	B
Spin Efficiency Rating	B	B
Wash Energy Consumption (kWh)	1.46	1.46
Wash & Dry Energy Consumption (kWh)	6.48	6.48
Water Consumption (litres)	69	69
Wash & Dry Water Consumption (litres)	103	105
Water Remaining After Spin (%) (as a percentage of dry weight of wash)	54	54
<b>Colour</b>	White/Silver	White

	7+5kg Washer Dryers				6+5kg Washer Dryers*		Integrated
Model	IWDE7145K IWDE7145B	IWDE7125S	IWDD7143	IWDD7123 IWDD7123S	IWDC6125C IWDC6125	IWDC6105	IWDE126
<b>Page Number</b>	14	14	15	15	16	16	17
<b>Specifications</b>							
Appliance Height x Width x Depth (cm)	85x59.5x53.5	85x59.5x53.5	85x59.5x53.5	85x59.5x53.5	85x59.5x53.5	85x59.5x53.5	85x59.5x53.5
Net Weight (kg)	64	64	64	64	64	64	68
Packaged Height x Width x Depth (cm)	89x65x59	89x65x59	89x65x59	89x65x59	89x65x59	89x65x59	89x65x59.5
Total Weight (kg)	65.9	65.9	65.9	65.9	65.9	65.9	70
Spin Speed (rpm)	1400	1200	1400	1200	1200	1000	1200
Max Load Wash Capacity (kg)	7	7	7	7	6	6	6
Max Load Drying Capacity (kg)	5	5	5	5	5	4	5
Number of Wash Programmes	16	16	16	16	16	16	16+4
<b>Features</b>							
Automatic Sensor Drying Levels	3	3	3	3	3	3	3
Automatic Water Level Control	•	•	•	•	•	•	•
Detergent Recycling System	•	•	•	•	•	•	•
Dual Tumble Direction	•	•	•	•	•	•	•
Load Balancing System	•	•	•	•	•	•	•
Safety Delay to Door Lock	•	•	•	•	•	•	•
Self Cleaning Pump	•	•	•	•	•	•	•
Soak & Rain Wash Action	•	•	•	•	•	•	•
Type of Display	Digital	Digital	Digital	Digital	LED	LED	LED
<b>Wash &amp; Dry Options</b>							
Wash & Dry Capacity	5kg	5kg	5kg	5kg	5kg	4kg	5kg
0°C - 90°C Adjustable Thermostat	•	•	•	•	•	•	•
Daily Wash							•
Delay Timer	Up to 24 hrs	Up to 24 hrs	Up to 24 hrs	Up to 24 hrs	Up to 12 hrs	Up to 12 hrs	Up to 9 hrs
Delicates/Silk	•	•	•	•	•	•	•
Easy Iron	•	•	•	•	•	•	•
Eco Time	•	•	•	•	•	•	•
Express Wash & Dry	•	•	•	•	•	•	•
Intensive	•	•	•	•	•	•	•
Jeans	•	•	•	•	•	•	•
Sports Clothes							•
Sports Intensive	•	•	•	•	•	•	•
Sports Light	•	•	•	•	•	•	•
Sports Shoes	•	•	•	•	•	•	•
Time4You Wash							•
Variable Spin	•	•	•	•	•	•	1200-600
Variable Temperature	•	•	•	•	•	•	•
Wool	•	•	•	•	•	•	•
<b>Performance</b>							
Washing Performance Rating	A	A	A	A	A	A	A
Energy Efficiency Rating	B	B	B	B	B	B	B
Spin Efficiency Rating	B	B	B	B	B	C	B
Wash Energy Consumption (kWh)	1.33	1.33	1.33	1.33	1.12	1.12	1.14
Wash & Dry Energy Consumption (kWh)	5.32	5.46	5.32	5.46	4.78	4.54	4.78
Water Consumption (litres)	60	60	60	60	52	52	64
Wash & Dry Water Consumption (litres)	102	104	102	104	86	84	96
Water Remaining After Spin (%) (as a percentage of dry weight of wash)	48	54	54	54	52	59	52
<b>Colour</b>	Silver White	Black Silver White	Silver White	Silver White	Silver White	White	White

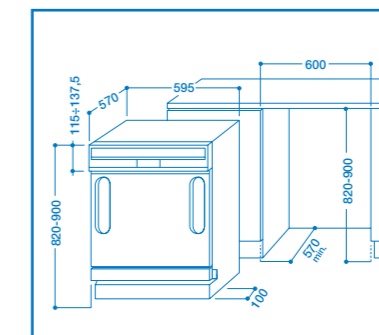
\*Except IWDC6105 with 4kg dry capacity

Model	Condenser Dryers			Vented Tumble Dryers			Spin Dryers	
	IDCE8450BK IDCE8450BS IDCE8450B	IDCA8350	IDC85K IDC85S IDC85	IDVA735S IDVA735	IDV75S IDVA735	IS31V	ISDP429	ISDG428
<b>Page Number</b>	18	19	19	20	20	21	21	21
<b>Specifications</b>								
Appliance Height x Width x Depth (cm)	85x59.5x58.4	85x59.5x58.4	85x59.5x58.4	85x59.5x58.4	85x59.5x58.4	67x49x48	62x34.5x34.5	62x34.5x34.5
Net Weight (kg)	34.7	34.7	34.7	34.7	34.7	20.6	20.6	20.6
Packaged Height x Width x Depth (cm)	89x64x67	89x64x67	89x64x67	89x64x61	89x64x61	77x59x58	72x44.5x44.5	72x44.5x44.5
Total Weight (kg)	37	37	37	37	37	23.1	23.1	23.1
Max Drying Capacity (kg)	8	8	8	7	7	3	4	4
Number of Heat Settings	2	2	2	2	2	2		
Type of Tumble Dryer	Condenser	Condenser	Condenser	Vented	Vented	Vented	Spin	Spin
<b>Features</b>								
Automatic Sensor Drying Levels	4	3		3				
Easily Accessible Top Water Bottle	•	•	•					
Mains Drain Option	•	•	•					
Removable Filter	•	•	•	•				
Sports Rack Included	•	•	•	•				
Tumble Direction	Dual	Dual	Dual	Dual	Dual	Dual		
Type of Display	Digital	LED		LED				
Vent Hose Included				•	•	•		
Venting Position				Rear	Rear	Front		
<b>Drying Options</b>								
Cupboard Dry (cotton)	•	•	•					
Cupboard Dry (synthetics)	•	•	•					
Delay Timer	Up to 24 hrs	Up to 9 hrs		Up to 9 hrs				
Delicates & Silks	•							
Easy Iron	•							
Eco Time	•	•		•				
Hanger Dry (cotton)	•							
Iron Dry (cotton)	•	•		•				
Iron Dry (synthetics)	•	•		•				
Jeans	•							
Outdoor Wear	•							
Pre & Post Crease Care	•	•		•				
Ready to Wear (cotton)	•	•		•				
Refresh	•	•	•	•	•			
Sports Intensive	•	•		•				
Sports Light	•	•		•				
Sports Shoes	•	•		•				
Timed Drying (mins)	N/A	150	160	150	120	120		
Wool	•	•		•				
<b>Performance</b>								
Energy Efficiency Rating	B	C	C	C	C	D		
Energy Consumption (kWh)	4.49	5.12	5.12	3.98	3.98	1.89	0.021	0.021
<b>Colour</b>	Black Silver White	Silver White	Black Silver White	Silver White	Silver White	White	White	White

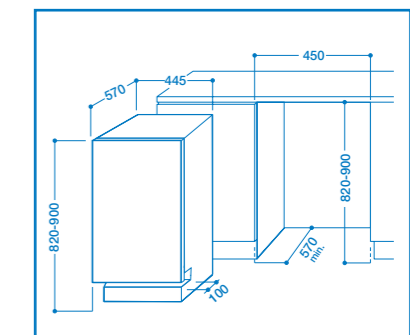
Model	Prime Dishwasher	Freestanding Dishwashers		Table Top Dishwasher	Integrated Dishwashers		
	Full Size	Full Size	Slimline	Full Size	Semi-integrated	Slimline	
<b>Page Number</b>	24	25	25	25	26	26	27
<b>Specifications</b>							
Appliance Height x Width x Depth (cm)	85x60x60	85x60x60	85x45x60	43.8x55x50	82-90x59.5x57	82-90x59.5x57	82-90x44.5x57
Net weight (kg)	47	47	39.5	22.5	39	39	34
Package Height x Width x Depth (cm)	91x65x68	91x65x68	89x50x68	53x56x61	91x65x68	91x65x68	88.2x49.5x65.5
Total Weight (kg)	49	49.6	44	27.5	42	42	39
<b>Features</b>							
3 Level Filtering System	•						
All in One Option	•						
Concealed Heating Element	•	•	•	•			
Delay Timer	Up to 24 hrs			Up to 8 hrs			
Delicates (45°C)	•			•	•		
Eco Wash (50°C)	•	•		55°C	•	•	•
Half Load	•						
Height Adjustable Top Basket	•	•	•		•	•	•
Intensive Wash (65°C)	•	•		70°C	•	•	•
Normal Wash	•			•	•	•	•
Time4You		•					
Number of Programmes	7	5	5	6	6	4	5
On/Off Button	•	•	•	•	•	•	•
On/Off Warning Light	•	•	•	•	•	•	•
Overflow Protection	•	•	•	•	•	•	•
Place Settings	14	12	10	6	12	12	10
Removable Cutlery Basket	•	•	•	•	•	•	•
Rinse & Salt Indicator Light	•	Salt	Salt	•			
Self Balancing Door	•	•	•	•	•	•	•
Sliding Cutlery Basket	•	•	•	•	•	•	•
Smart Daily	•						
Smart Sixty	•						
Soak Wash	•	•	•	•	•	•	•
Speed Wash	25 minutes	35 minutes	35 minutes	35 minutes	35 minutes		35 minutes
Speed + Intensive	•						
Speed + Normal	•						
Type of Display	Digital	LED	LED	LED	LED	LED	LED
Type of Drying	Natural	Natural	Natural	Natural	Natural	Natural	Natural
Wash Temperature (°C)	45/50/55/65	40-70	40-70	40-70	40/45/50/70	40/50/70	40/55/70
<b>Performance</b>							
Energy Rating	<b>A+</b>	<b>A</b>	<b>A</b>	<b>A</b>	<b>A</b>	<b>A</b>	<b>A</b>
Energy Consumption Normal Cycle (kWh)	1.03	1.05	0.92	0.63	1.05	1.05	0.81
Wash Performance Rating	<b>A</b>	<b>A</b>	<b>A</b>	<b>A</b>	<b>A</b>	<b>A</b>	<b>A</b>
Water Consumption (litres)	12	12	10	8.5	12	12	10
Drying Efficiency Rating	<b>A</b>	<b>A</b>	<b>A</b>	<b>A</b>	<b>A</b>	<b>A</b>	<b>A</b>
Noise Level (dB(A))	49	53	53	55	53	55	54
<b>Colour</b>	White	Black White Silver	Black White Silver	Silver/White	Integrated	Integrated	Stainless Steel White



DIF16 - DIF04



DPG15



DIS04



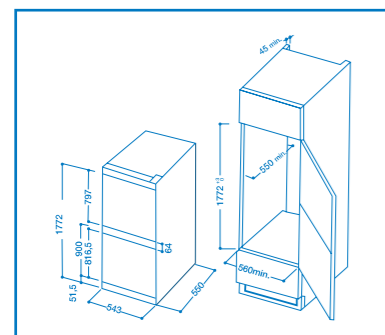
Fridge Freezers  
Specifications

70cm Fridge Freezers	
Model	BAAN40FNFSWD
<b>Page Number</b>	30
<b>Specifications</b>	
Appliance Height x Width x Depth (cm)	190x70x68.5
Net Weight (kg)	78
Packaged Height x Width x Depth (cm)	194x75x73
Total Weight (kg)	82
Total Gross Capacity (litres/cu ft)	415/14.7
Total Net Capacity (litres/cu ft)	379/13.3
Fridge Gross Capacity (litres/cu ft)	291/10.5
Fridge Net Capacity (litres/cu ft)	274/10.1
Freezer Gross Capacity (litres/cu ft)	124/4.4
Freezer Net Capacity (litres/cu ft)	92/3.1
<b>Features</b>	
Child Lock	
External Handle	•
Holiday Setting	•
Open Door Alarm	•
Removable Egg Rack	•
Stand by Function	•
Partial No Frost	•
Twin Thermostat Control	
Type of Display	LED
<b>Fridge Features</b>	
Eco Function	•
Extra Large Bottle Shelves	•
Flex Cool Box	•
Hygiene Control	•
Internal Light	•
Number of Fridge Shelves	4
Number of Salad Crispers	1
Safety Glass Shelves	•
Super Cool	•
Drinks Dispenser	•
<b>Freezer Features</b>	
Ice3	•
Number of Freezer Drawers	3
On/Off Indicator Light	•
Super Freeze Option	•
Total No Frost Freezer	•
<b>Performance</b>	
Efficiency Class	<b>A+</b>
Energy Consumption (kWh/24 hrs)	0.93
Conservation after Power Failure (hrs)	18
Number of Stars for Freezer	★★★★
Freezing Capacity (kg/24 hrs)	14
Noise Level (dB(A))	47
<b>Colour</b>	Silver

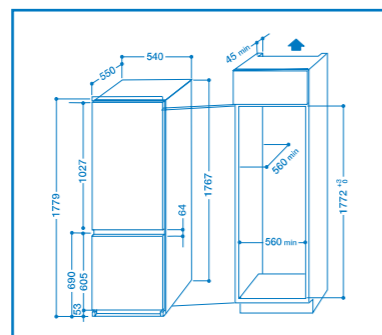
Fridge Freezers  
Specifications

Model	60cm Water Through The Door	60cm Total No Frost Fridge Freezers			60cm Fridge Freezers	
	BIAA13FWD	BIAA134F	BIAA12FK BIAA12FSI BIAA12F	BIAA134 BIAA134SI BIAA134X	BIAA12 BIAA12SI	BIAA10 BIAA10SI
<b>Page Number</b>	30	31	31	32	32	32
<b>Specifications</b>						
Appliances Height x Width x Depth (cm)	187x60x65.5	187x60x65.5	175x60x65.5	187x60x65.5	175x60x65.5	150x60x65.5
Net Weight (kg)	70.9	70.9	64	68.5	63.5	60.5
Packaged Height x Width x Depth (cm)	193x66.5x71.5	193x66.5x71.5	181x67x72	193x66.5x71.5	181x67x72	156x67x72
Total Weight (kg)	73.7	73.7	67.8	71.3	67.3	64
Total Gross Capacity (litres/cu ft)	300/10.6	297/10.4	272/9.6	320/9.0	301/10.7	253/7.2
Total Net Capacity (litres/cu ft)	283/10	269/9.4	255/9	292/8.2	272/9.7	230/6.5
Fridge Gross Capacity (litres/cu ft)	212/7.5	184/6.4	184/6.5	185/5.2	185/5.2	185/5.2
Fridge Net Capacity (litres/cu ft)	210/7.4	182/6.4	182/6.4	182/5.1	182/6.5	182/5.1
Freezer Gross Capacity (litres/cu ft)	88/3.1	113/3.9	88/3.1	135/4.8	116/4.1	68/4
Freezer Net Capacity (litres/cu ft)	73/2.6	87/3.0	73/2.6	110/3.9	90/2.5	48/1.3
<b>Features</b>						
Reversible Doors	•	•	•	•	•	•
Single Thermostat Control	•	•	•	•	•	•
<b>Fridge Features</b>						
Eco Function						
Hygiene Control	•	•	•	•	•	•
Internal Light	•	•	•	•	•	•
Number of Fridge Shelves	4	3	3	3	3	3
Number of Salad Crispers	2	2	2	2	2	2
Safety Glass Shelves	•	•	•	•	•	•
Water Dispenser	•					
<b>Freezer Features</b>						
Ice3	•	•	•	•	•	•
Number of Freezer Drawers	4 transparent	4 transparent	3 transparent	2 transparent	3 transparent	2 transparent
Number of Freezer Flaps				2 transparent		
<b>Performance</b>						
Efficiency Class	<b>A+</b>	<b>A+</b>	<b>A+</b>	<b>A+</b>	<b>A+</b>	<b>A+</b>
Energy Consumption (kWh/24 hrs)	0.81	0.82	0.78	0.76	0.75	0.65
Conservation after Power Failure (hrs)	11	11	13	15	19	17
Number of Stars for Freezer	★★★★	★★★★	★★★★	★★★★	★★★★	★★★★
Freezing Capacity (kg/24 hrs)	6	6	4	2	2	2
Noise Level (dB(A))	44	44	44	41	41	39
<b>Colour</b>	White	White Silver	White Black Silver	White Black Stainless Steel	White Silver	White Silver

Model	Top Mount Fridge Freezers		55cm Fridge Freezers		Integrated 55cm Fridge Freezers	
	TAAN6FNFSI	RAA24SI RAA24	NCAA55S NCAA55	CAA55K CAA55SI CAA55	INC325AA	INCB31AA
<b>Page Number</b>	33	34	34	35	36	36
<b>Specifications</b>						
Appliance Height x Width x Depth (cm)	190x70x68	139x55x60	174x55x58	174x55x58	177.2x54.3x55	177.9x54x55
Net Weight (kg)	75	43	56	56	44	57
Packaged Height x Width x Depth (cm)	194x75x73	142x59x64	178x59x65	178x59x65	181x65x59	184.2x59.8x64.4
Total Weight (kg)	79	44.5	58	58	46	59.2
Total Gross Capacity (litres/cu ft)	415/14.7	226/8.0	228/8.1	260/9.1	260	275/9.7
Total Net Capacity (litres/cu ft)	378/13.3	222/7.9	217/7.7	235/8.3	235	255/9.0
Fridge Gross Capacity (litres/cu ft)	319/11.3	184/6.5	155/5.5	155/5.5	155	200/7.0
Fridge Net Capacity (litres/cu ft)	316/11.2	180/6.4	150/5.3	150/5.3	150	198/6.9
Freezer Gross Capacity (litres/cu ft)	96/3.4	42/1.5	73/2.6	105/3.7	105	75/2.6
Freezer Net Capacity (litres/cu ft)	62/2.4	42/1.5	67/2.4	85/3	85	57/2
<b>Features</b>						
CFC Free					•	•
Doors Open Beyond 90°					•	•
Holiday Setting	•					
Independent Fridge/Freezer Controls	•					
Removable Egg Rack					•	•
Reversible Doors	•	•	•	•	•	•
Single Thermostat Control	•	•	•	•	•	•
Special Hinges for Integrated Doors					•	•
<b>Fridge Features</b>						
Auto Defrost Fridge	•	•	•	•	•	•
Chiller Compartment – Fresh Box	•	•				
Eco Function	•					
Hygiene Control	•					•
Internal Light	•	•	•	•	•	•
Number of Fridge Shelves	3	3	3	3	3	3
Number of Salad Crispers	2	1	2	2	2	2
Safety Glass Shelves	•	•	•	•	•	•
Super Cool	•					
<b>Freezer Features</b>						
Ice Cube Trays	•	•	•	•	2	2
Ice Party						
Ice3						
Number of Freezer Drawers			3 transparent	4 transparent	4	2
Number of Freezer Flaps						1
Number of Freezer Shelves	1	1				
On/off Indicator Light	•					
Super Freeze Option	•		•	•		
Partial No Frost Freezer	•					
<b>Performance</b>						
Efficiency Class	<b>A+</b>	<b>A+</b>	<b>A+</b>	<b>A+</b>	<b>A+</b>	<b>A+</b>
Energy Consumption (kWh/24 hrs)	0.9	0.67	0.69	0.73	0.84	0.76
Conservation after Power Failure (hrs)	9	14	13	13	15	16
Number of Stars for Freezer	★☆☆	★☆☆	★☆☆	★☆☆	★☆☆	★☆☆
Freezing Capacity (kg/24 hrs)	3	2.5	2	2	4.5	2
Noise Level (dB(A))	46	45	42	42	55	39
<b>Colour</b>						
	Silver	Silver White	Black Silver White	Black Silver White	Integrated	Integrated



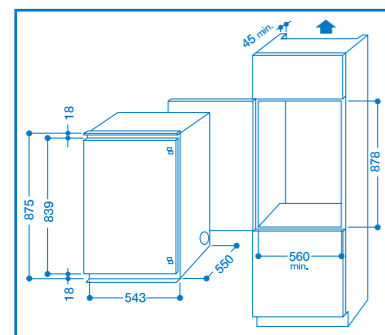
INC325AA



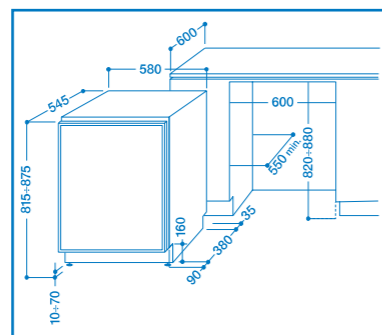
INCB31AA

Model	Over Counter Fridges		Over Counter Freezers			Under Counter Freestanding Fridges & Freezers		
	SIA12SI SIAA12	SIAA10	UIAA12F	UIAA12 UIAA12SI	UIAA10	TLAA10S	TFAA10S	TZAA10S
<b>Page Number</b>	37	37	37	37	37	38	38	38
<b>Specifications</b>								
Appliance Height x Width x Depth (cm)	175x60x65	150x60x65	175x60x65	175x60x65.6	150x60x65.6	85x55x58	85x55x58	85x55x58
Net Weight (kg)	57.3	51.4	64	64	58.6	29	30	33
Packaged Height x Width x Depth (cm)	180x66x71.5	155x66x71.5	180x66x71.5	180x66x71.5	155x66x71.5	88x57x58	88x57x58	88x57x58
Total Weight (kg)	60.1	54	66.8	66.8	61.2	31	32	35
Total Gross Capacity (litres/cu ft)	346/12.4	286/10.1	245/8.6	270/9.5	225/7.9	130/4.6	118/4.2	85/3.0
Total Net Capacity (litres/cu ft)	342/12.3	282/10	220/7.8	235/8.4	194/6.9	126/4.5	111/3.9	77/2.7
Fridge Gross Capacity (litres/cu ft)	346/12.4	286/10.1				130/4.6	103/3.6	
Fridge Net Capacity (litres/cu ft)	342/12.3	282/10				126/4.5	96/3.4	
Freezer Gross Capacity (litres/cu ft)			245/8.6	270/9.5	225/7.9		15/0.5	85/3.0
Freezer Net Capacity (litres/cu ft)			220/7.8	235/8.4	194/6.9		15/0.5	77/2.7
<b>Features</b>								
Reversible Doors	•	•	•	•	•	•	•	•
Single Thermostat Control	•	•	•	•	•	•	•	•
<b>Fridge Features</b>								
Auto Defrost Fridge	•	•				•	•	
Chiller Compartment – Fresh Box						1		
Hygiene Control	•	•						
Interior Light	Light Xtra	Light Xtra						
Number of Fridge Shelves	5	4				2	1	
Safety Glass Shelves	•	•				•	•	
Salad Crisper	1	1				•	1	
<b>Freezer Features</b>								
Ice Cube Trays							•	•
Ice3			•	•	•			
Number of Freezer Drawers			5 transparent	5 transparent	4 transparent			4 transparent
Number of Freezer Flaps			2 transparent	2 transparent	2 transparent		1	
On/Off Indicator Light			•	•	•			•
Super Freeze Indicator Light			•	•	•			•
Super Freeze Option			•	•	•			
<b>Performance</b>								
Efficiency Class	<b>A+</b>	<b>A+</b>	<b>A+</b>	<b>A+</b>	<b>A+</b>	<b>A+</b>	<b>A+</b>	<b>A+</b>
Energy Consumption (kWh/24 hrs)	0.41	0.39	0.82	0.77	0.7	0.33	0.5	0.5
Conservation after Power Failure (hrs)			8	20	17		9	13
Number of Stars for Freezer			★☆☆	★☆☆	★☆☆		★☆☆	★☆☆
Freezing Capacity (kg/24 hrs)			11	14	20		2	4
Noise Level (dB(A))	43	43	44	44	41	41	39	40
<b>Colour</b>								
	Silver White	White	White	Silver White	White	Silver White	Silver White	Silver White

Model	Built-In Fridges & Freezers		Under Counter Integrated Fridges & Freezers		
	INS1612	INF1412	INTS1612	INTSZ1612	INFS1212
<b>Page Number</b>	39	39	40	40	41
<b>Specifications</b>					
Appliance Height x Width x Depth (cm)	87.5x54.3x55	87.5x54.3x55	81-87.5x58x54.5	81-87.5x58x54.5	81.5-87.5x58x54.5
Net Weight (kg)	29	32	29	30	31
Packaged Height x Width x Depth (cm)	92x57.5x62.5	92x57.5x61.5	86x61.5x59.5	86x61.5x59.5	86x61.5x59.5
Total Weight (kg)	30.36	33.56	30.38	31.38	32.3
Total Gross Capacity (litres/cu ft)	147/5.1	102/3.6	139/4.9	102/3.6	86/3
Total Net Capacity (litres/cu ft)	144/5.0	84/3	123/4.3	98/3.5	63/2.2
Fridge Gross Capacity (litres/cu ft)	147/5.1		139/4.9	83/2.9	
Fridge Net Capacity (litres/cu ft)	144/5.0		123/4.3	79/2.8	
Freezer Gross Capacity (litres/cu ft)		102/3.6		19/0.7	86/3
Freezer Net Capacity (litres/cu ft)		84/3		19/0.7	63/2.2
<b>Features</b>					
Adjustable Feet			•	•	
CFC Free	•		•	•	
Doors Open Beyond 90°			•	•	
Reversible Doors	•	•	•	•	•
Single Thermostat Control	•	•	•	•	•
Special Hinges for Integrated Doors	•		•	•	
<b>Fridge Features</b>					
Auto Defrost Fridge	•		•	•	
Fan Assisted Ventilation			•	•	
Hygiene Control	•				
Interior Light	•		•	•	
Number of Fridge Shelves	3		2	1	
Removable Egg Rack	•		•	•	
Safety Glass Shelves	•		•	•	
Salad Crisper	•		•	•	
<b>Freezer Features</b>					
Freezer Compartments				1	
Ice Cube Trays				1	
Ice Tray		2			1
Number of Freezer Drawers		3			1
Number of Freezer Flaps		1			2
Super Freeze Indicator Light		•			•
Super Freeze Option		•			•
<b>Performance</b>					
Efficiency Class	<b>A+</b>	<b>A+</b>	<b>A+</b>	<b>A+</b>	<b>A+</b>
Energy Consumption (kWh/24 hrs)	0.35	0.55	0.34	0.51	0.5
Energy Consumption (kWh/year)	128		125	186	184
Conservation After Power Failure (hrs)		14		11	14
Number of Stars for Freezer		***		***	***
Freezing Capacity (kg/24 hrs)		9		2	6
<b>Colour</b>	Integrated	Integrated	Integrated	Integrated	Integrated



INS1612 - INF1412



INT1612 - INTSZ1612 - INFS1212

Model	Range Cookers	60cm Range Cookers		60cm Double Oven Cookers			50cm Double Oven Cookers	
	Dual Fuel	Ceramic	Dual Fuel	Ceramic	Solid Plate	Gas	Ceramic	Solid Plate
Model	KP9F11SKG KP9F11SRG	KDP60C	KDP60SE	ID60C2X ID60C2A ID60C2W	ID60E2W	ID60G2A ID60G2W ID60G2X	ID50C1K ID50C1W	ID50E1W ID50E1X
<b>Page Number</b>	44	45	45	46	46	46	49	49
<b>Specifications</b>								
Oven Type	Electric	Electric	Electric	Electric	Electric	Gas	Electric	Electric
Hob Type	Gas	Ceramic	Gas	Ceramic	Solid Plate	Gas	Ceramic	Solid Plate
Grill Type	Electric	Electric	Electric	Electric	Electric	Gas	Electric	Electric
Appliance Height x Width x Depth (cm)	90x90x60	90x60x60	90x60x60	90x60x61	90x60x61	90x60x60	90x50x60	90x50x60
Net Weight (kg)	62	55	53.7	57	53.85	53.5	48	48
Packaged Height x Width x Depth (cm)	100x96x69	100x66x73	100x66x73	100x66x73	100x66x73	100x57x69	100x57x69	100x57x69
Total Weight (kg)	69.5	61.5	60.2	63	60.35	60	51	51
Viewing Window	Oven	Main Oven	Main Oven	Main Oven	Main Oven	Oven	Oven	Oven
<b>Hob Features</b>								
Electric Zones		4 Ceramic		4 Ceramic	4 Solid Plate		4 Ceramic	4 Solid Plate
Flame Supervision Device	•		•					
Gas Burners	5		4			4		
Hob Hot Indicators		•		•			•	
Lid with Safety Cut Off			•		•			
Oval Dual Zone								
Pan Supports	Cast Iron		Enamel			Enamel		
Wok Burner (3.25kW)	•							
<b>Grill Features</b>								
Grill Pan with Detachable Handle		•	•	•	•	•	•	•
Grill Tray	•							
<b>Main Oven</b>								
Energy Consumption (kWh)	1.19	1.19	1.19	1.19	1.19		0.99	0.99
Energy Efficiency	B	B	B	B	B		B	B
Grill Type	Combined							
Minute Minder	•	•	•	•	•			•
Oven Capacity (litres)	68	65	65	65	65	57	54	54
Oven Light	•	•	•	•	•	•	•	•
Oven Position		Bottom	Bottom	Bottom	Bottom	Bottom	Bottom	Bottom
Oven Type	Conventional electric	Fan oven	Fan oven	Fan oven	Fan oven	Traditional gas	Fan oven	Fan oven
Shelves	1	2	2	2	2	2	2	2
<b>Secondary Oven/Cavity</b>								
Energy Consumption (kWh)		0.99	0.99	0.99		0.99	0.99	0.99
Energy Efficiency		B	B	B			C	C
Oven Capacity (litres)		35	35	35	35	26	28	28
Oven Position		Top	Top	Top	Top	Top	Top	Top
Oven Type		Conventional electric	Conventional electric	Conventional electric	Conventional electric	Traditional gas	Conventional electric	Conventional electric
Shelves		1	1	1	1	1	1	1
Variable Grill		Twin	Twin	Twin	•	Twin	Twin	Twin
<b>Other Features</b>								
Mains Ignition	•		•		•			
Easy Clean Enamel Interior	•	•	•	•	•	•	•	•
LPG Convertible	•				•			
LPG Kit Included	•							
LPG kit available free of charge as a spare part*			•		•			
Height Adjustable	to 93cm	to 93cm	to 93cm	to 93cm	to 93cm	to 93cm	to 93cm	to 93cm
<b>Colour</b>	Black Red	Stainless Steel	Stainless Steel	Stainless Steel Anthracite White	White	Stainless Steel Anthracite White	Black White	Stainless Steel White

Freestanding 50cm Twin Cavity Cookers  
Specifications

Model	50cm Twin Cavity Cookers						
	Ceramic		Solid Plate		Dual Fuel	Gas	
	IT50C1X	IT50CA IT50CM IT50CW	IT50E1X	IT50EA IT50EM IT50EW	IT50D1X	IT50G1X	IT50GA IT50G1X IT50GW
<b>Page Number</b>	50	50	50	50	51	51	51
<b>Specifications</b>							
Oven Type	Electric	Electric	Electric	Electric	Electric	Gas	Gas
Hob Type	Ceramic	Ceramic	Solid Plate	Solid Plate	Gas	Gas	Gas
Grill Type	Electric	Electric	Electric	Electric	Electric	Gas	Gas
Appliance Height x Width x Depth (cm)	90x50x60	90x50x60	90x50x60	90x50x60	90x50x60	90x50x60	90x50x60
Net Weight (kg)	48	48	48	48	46	46	46
Packaged Height x Width x Depth (cm)	100x57x69	100x57x69	100x57x69	100x57x69	100x57x69	100x57x69	100x57x69
Total Weight (kg)	51	51	51	51	49	49	49
Viewing Window	Oven	Oven	Oven	Oven	Oven	Oven	Oven
<b>Hob Features</b>							
Electric Zones	4 Ceramic	4 Ceramic	4 Solid Plate	4 Solid Plate			
Flame Supervision Device					•	•	•
Gas Burners					4	4	4
Hob Hot Indicators	4	4	1	1			
Pan Supports					Enamel	Enamel	Enamel
<b>Grill Features</b>							
Grill Pan with Detachable Handle	•	•	•	•	•	•	•
Variable Grill	•	•	•	•	•	•	•
<b>Main Oven Cavity</b>							
Energy Consumption (kWh)	0.99	0.99	0.99	0.99	0.99		
Energy Efficiency	B	B	B	B	B		
Minute Minder	•	•	•	•	•	•	•
Oven Capacity (litres)	58	58	58	58	58	41	41
Oven Light	•	•	•	•	•		
Oven Type	Conventional electric	Conventional electric	Conventional electric	Conventional electric	Conventional electric	Traditional gas	Traditional gas
Shelves	2	2	2	2	2	2	2
<b>Other Features</b>							
Mains Ignition					•	•	•
Easy Clean Enamel Interior	•	•	•	•	•	•	•
LPG Convertible					•	•	•
LPG Kit Included					•	•	•
Height Adjustable to 91.5cm	•	•	•	•	•	•	•
<b>Colour</b>	Stainless Steel	Anthracite Moonstone White	Stainless Steel	Anthracite Moonstone White	Stainless Steel	Stainless Steel	Anthracite Stainless Steel White

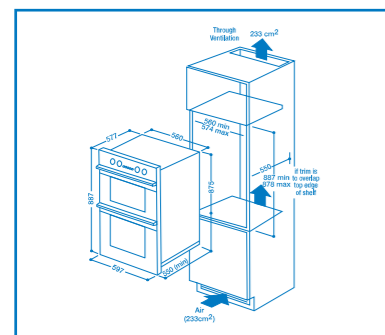
Freestanding 60cm & 50cm Single Cavity Cookers  
Specifications

Model	60cm Single Cavity Cookers				50cm Single Cavity Cookers				
	Ceramic	Solid Plate	Dual Fuel	Gas	Solid Plate		Dual Fuel	Gas	
	IS60C1X IS60C1W	IS60EW	IS60DIX	IS60G1W	IS50E1X	IS50EA IS50EW	IS50D1X	IS50G1X	IS50GW
<b>Page Number</b>	47	47	48	48	52	52	52	52	52
<b>Specifications</b>									
Oven Type	Electric	Electric	Electric Multifunction	Gas	Electric	Electric	Electric	Gas	Gas
Hob Type	Ceramic	Solid Plate	Gas	Gas	Sealed Plate	Sealed Plate	Gas	Gas	Gas
Grill Type	Electric	Electric	Electric	Gas	Electric	Electric	Electric	Gas	Gas
Appliance Height x Width x Depth (cm)	90x60x60	90x60x60	90x60x60	90x60x60	90x50x60	90x50x60	90x50x60	90x50x60	90x50x60
Net Weight (kg)	48.6	48.6	48.6	48.6	45	45	45	45	45
Package Height x Width x Depth (cm)	100x66x68	100x66x68	100x66x68	100x66x68	95x57x69	95x57x69	95x57x69	95x57x69	95x57x69
Total Weight (kg)	52.1	52.1	52.1	52.1	48	48	48	48	48
Viewing Window	Oven	Oven	Oven	Oven	Oven	Oven	Oven	Oven	Oven
Storage Compartment	•	•	•	•	•	•	•	•	•
<b>Hob Features</b>									
Electric Zones	4 Ceramic	4 Solid Plate			4 Solid Plate	4 Solid Plate			
Flame Supervision Device			•	•			•	•	•
Gas Burners			4	4			4	4	4
Hob Hot Indicators	•	•			•	•			
Pan Supports			Enamel	Enamel			Enamel	Enamel	Enamel
<b>Grill Features</b>									
Grill Pan with Detachable Handles	•	•	•	•					
Grill Tray					•	•	•	•	•
Variable Tray					•	•	•	•	•
<b>Main Oven Cavity</b>									
Combined Grill	•	•	•	•	•	•	•	•	•
Energy Consumption (kWh)	0.78	0.78	0.87		0.99	0.99	0.99		
Energy Efficiency	A	A	B		B	B	B		
Minute Minder	•	•	•	•	•	•	•	•	•
Oven Capacity (litres)	56	56	56	58	58	58	58	58	58
Oven Light	•	•	•	•	•	•	•	•	•
Oven Type Shelves	Fan assisted	Fan	Multifunction 5	Traditional gas	Conventional electric	Conventional electric	Conventional electric	Traditional gas	Traditional gas
<b>Other Features</b>	2	2	2	2	1	1	1	1	1
Easy Clean Enamel Interior			•	•	•	•	•	•	•
LPG Convertible	•	•	•	•	•	•	•	•	•
LPG Kit Included			•	•			•	•	•
Height Adjustable to 91.5cm			•	•			•	•	•
<b>Colour</b>	Stainless Steel White	White	Stainless Steel	White	Stainless Steel	Anthracite White	Stainless Steel	Stainless Steel	White

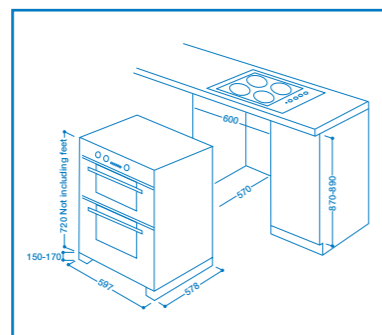


Double Ovens  
Specifications

Model	Double Ovens		
	FIMDE23IXS	FIMD23IXS FIMD23BKS FIMD23WHS	FIMU23IXS FIMU23BKS FIMU23WHS
<b>Page Number</b>	54	54	55
<b>Specifications</b>			
Appliance Height x Width x Depth (cm)	88.7x59.7x57.7	88.7x59.7x57.7	87-89x59.7x57.8
Net Weight (kg)	44.5	44.5	44.35
Packaged Height x Width x Depth (cm)	96x66x73	96x66x73	86x66x73
Total Weight (kg)	49.4	49.4	48.85
<b>Top Oven</b>			
Electric	•	•	•
Conventional	•	•	•
Grill	•	•	•
Full & Half Grill	•	•	•
Variable Grilling	•	•	•
Shelves	1	1	1
Grill Pan/Grid	1	1	1
Thermostat	•	•	•
<b>Main Oven</b>			
Fan Oven	•	•	•
Fan Assisted	•	•	•
Conventional Oven	•	•	•
Electronic Programmable Timer	•	•	•
Full & Half Grill	•	•	•
Fan Grilling	•	•	•
Defrost	•	•	•
Shelves	2	2	2
Oven Light	•	•	•
Thermostat	•	•	•
<b>Features</b>			
Double Glazed Oven Doors	•	•	•
Air Flow Cooling Fan	•	•	•
Catalytic Oven Liners	•	•	•
<b>Performance</b>			
<b>Top Oven</b>			
Energy Efficiency Rating	A	A	B
Heating function used to determine the energy rating	Conventional	Conventional	Conventional
Energy Consumption (standardized load): Natural Convection (kWh)	0.79	0.79	0.88
Forced Air (kWh)			
Oven Capacity (litres)	35	35	33
Oven Size (litres): Small (12<35) / Medium (35<65) / Large (>65)	Medium	Medium	Small
Biggest Baking Area (cm²)	841.5	841.5	841.5
Maximum Oven Temperature (°C)	220	220	220
<b>Main Oven</b>			
Energy Efficiency Rating	A	A	B
Heating function used to determine the energy rating	Fan	Fan	Fan
Energy Consumption (standardized load): Natural Convection (kWh)	0.99	0.99	1.12
Forced Air (kWh)			
Oven Capacity (litres)	65	65	51
Oven Size (litres): Small (12<35) / Medium (35<65) / Large (>65)	Medium	Medium	Medium
Biggest Baking Area (cm²)	750	750	750
Maximum Oven Temperature (°C)	230	230	230
<b>Colour</b>	Stainless Steel	Stainless Steel Black White	Stainless Steel Black White



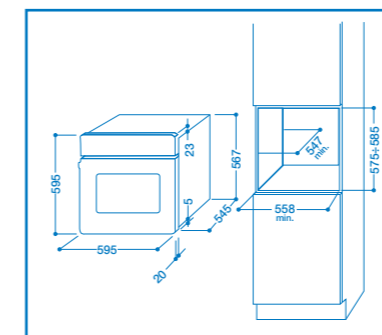
FIMDE23IXS – FIMD23IXS – FIMD23BKS



FIMU23IXS – FIMU23WHS

Prime Single Ovens  
Specifications

Model	Prime Single Ovens		
	IF89KAIXS	IF63KAIXS	IF51KAIXS
<b>Page Number</b>	56	56	56
<b>Specifications</b>			
Appliance Height x Width x Depth (cm)	59.5x59.5x54.5	59.5x59.5x54.5	59.5x59.5x54.5
Net Weight (kg)	27.6	27.6	27.6
Packaged Height x Width x Depth (cm)	66x63x65	66x63x65	66x63x65
Total Weight (kg)	41	41	41
<b>Features &amp; Functions</b>			
Air Flowing Cooling Fan	•	•	•
Baking	•	•	•
Conventional	•	•	•
Easy Clean Enamel Finish	•	•	•
Electronic Programmable Timer	•	•	•
Fan	•	•	•
Fan Grilling	•	•	•
Freazy Cook	•	•	•
Glazed Oven Door	3	3	3
Grill	Variable	•	•
Grill Pan/Grid	•	•	•
Minute Minder	•	•	•
Multi-level	•	•	•
Oven Light	•	•	•
Pizza	•	•	•
Wire shelf	•	•	•
Speed Barbecue	•	•	•
Thermostat with Indicator Light	•	•	•
Top Element Only	•	•	•
<b>Performance</b>			
Energy Efficiency Rating	A	A	A
Heating function used to determine the energy rating	Fan	Fan	Conventional
Energy Consumption (standardized load): Natural Convection (kWh)	0.97		0.99
Forced Air (kWh)	0.79	0.83	
Oven Capacity (litres)	56	56	56
Oven Size (litres): Small (12<35) / Medium (35<65) / Large (>65)	Medium	Medium	Medium
Biggest Baking Area (cm²)	1150	1150	1150
Maximum Oven Temperature (°C)	240	240	240
<b>Colour</b>	Stainless Steel	Stainless Steel	Stainless Steel

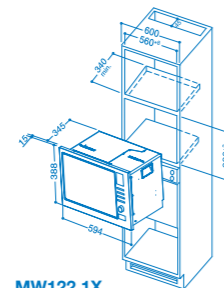


IF89KAIXS – IF63KAIXS – IF51KAIXS

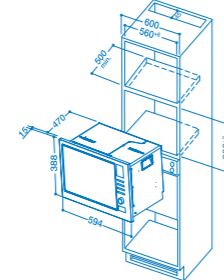
Model	Single Ovens					
	FIM88KGAIXS	FIM73KCAIXS	FIM53KAIXS FIM53KABKS FIM53KAWHS	FIM33KAIXS FIM33KABKS FIM33KAWHS	FIM31KAIX FIM31KABK FIM31KAWH	FIM21KBIX FIM21KBBK FIM21KBWH
<b>Page Number</b>	57	57	57	57	58	58
<b>Specifications</b>						
Appliance Height x Width x Depth (cm)	59.5x59.5x54.5	59.5x59.5x54.5	59.5x59.5x54.5	59.5x59.5x54.5	59.5x59.5x54.5	59.5x59.5x54.5
Net Weight (kg)	38.9	30.1	34	32	27.6	27.6
Packaged Height x Width x Depth (cm)	66.5x63x66	66x63x65	66x63x65	66x63x65	66x63x65	66x63x65
Total Weight (kg)	42.4	31.7	37.5	35.5	41	41
<b>Features and Functions</b>						
Air Flow Cooling Fan	•	•	•	•	•	•
Baking	•	•	•	•	•	•
Conventional	•	•	•	•	•	•
Easy Clean Enamel Finish	Pyrolytic Cleaning		•	•		
Catalytic Liners		•				
Electronic Programmable Timer	•	•	•	•	•	•
Fan				•	•	
Fan Grilling	•	•	•	•	•	•
Fast Cooking		•				
Freasy Cook	•					
Glazed Oven Door	4	3	3	3	2	2
Grill	•	•	•	Variable	Variable	•
Grill Pan/Grid	•	•	•	•	•	•
Lower Element Only						•
Minute Minder					•	•
Multi-Level	•	•	•			
Oven Light	•	•	•	•	•	•
Pizza	•	•	•	•	•	•
Wire Shelf	•	•	•	•	•	•
Speed Barbecue	•	•	•	•	•	•
Thermostat with Indicator Light	•	•	•	•	•	•
Top Element Only			•			•
Keep Warm	•					
<b>Performance</b>						
Energy Efficiency Rating	<b>A</b>	<b>A</b>	<b>A</b>	<b>A</b>	<b>A</b>	B
Heating function used to determine the energy rating	Fan	Fan	Fan	Fan	Fan	Conventional
Energy Consumption (standardised load):						
Natural Convection (kWh)	0.97	0.97	1.06	0.83	0.85	0.85
Forced Air (kWh)	0.79	0.79	0.98			
Oven Capacity (litres)	56	56	56	56	56	60
Oven Size (litres): Small (12<35) / Medium (35<65) / Large (>65)	Medium	Medium	Medium	Medium	Medium	Medium
Biggest Baking Area (cm²)	1150	1150	1150	1150	1150	1150
Maximum Oven Temperature (°C)	240	240	240	240	240	240
<b>Colour</b>	Stainless Steel	Stainless Steel	Stainless Steel Black White	Stainless Steel Black White	Stainless Steel Black White	Stainless Steel Black White

**Prime Microwave Oven**

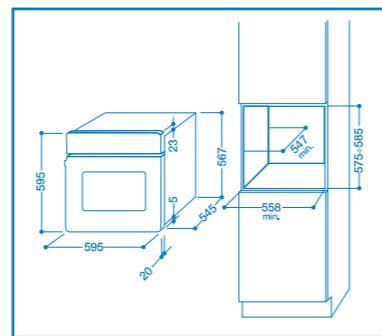
Model	MW112.IX	MW222.IX
<b>Page Number</b>	68	68
<b>Specifications</b>		
Appliance Height x Width x Depth (cm)	38.8x59.4x34.5	38.8x59.4x47
Net Weight (kg)	21.13	21.5
Packaged Height x Weight x Depth (cm)	44.5x65x40.9	53.3x65.5x53.6
Total Weight (kg)	18.75	25
<b>Functions</b>	3	3
Max Output (Watts)	900	900
Power Levels	5	5
<b>Performance</b>		
Control	Mechanical	Mechanical
Capacity (litres)	20	25
<b>Colour</b>	Stainless Steel	Stainless Steel



MW112.IX

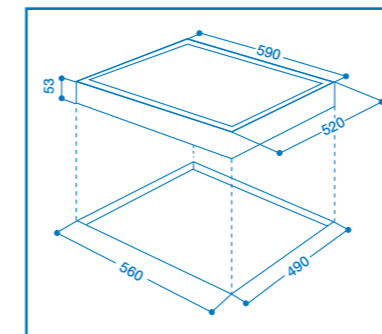


MW222.IX

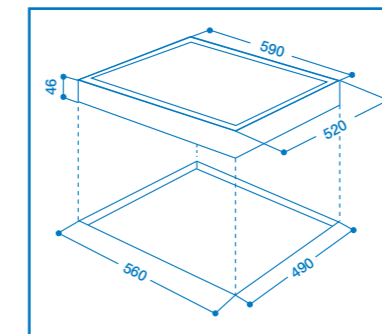


FIM88KGAIXS – FIM73KCAIXS – FIM53KAIXS  
– FIM53KABKS – FIM53KAWHS – FIM33KAIXS  
– FIM33KABKS – FIM33KAWHS – FIM31KAIX –  
FIM31KABK – FIM31KAWH – FIM21KBIX –  
FIM21KBBK – FIM21KBWH

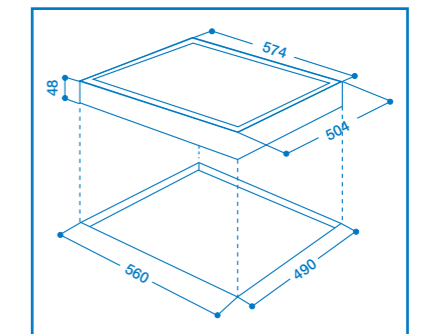
Model	Prime Induction Hob	Electric Hobs				Prime Domino Hobs	
	VIA640CS	VRA640XS	VRA640CS	VRM640MIX VRM640MC	PIM604IX PIM604WH	DP2GSIX	DP2RIX
<b>Page Number</b>	60	61	61	61	61	64	64
<b>Specifications</b>							
Appliance Height x Width x Depth (cm)	5.1x59x52	4.8x57.4x50.4	4.6x59x52	4.8x57.4x50.4 4.6x59x52	3.3x58x51	4.1x28.8x51	4.6x28.8x51
Net Weight (kg)	12.1	8.8	9	9.1	10.5	4	4
Packaged Height x Width x Depth (cm)	9x68x58	9x68x58	9x68x58	12x68x58	15x64x56	11.7x33x27.2	11.7x33x57.2
Total Weight (kg)	12.5	9.9	10.2	9.5	11	4.4	4.4
Type	Induction	Ceramic	Ceramic	Ceramic	Sealed Plate Electric	Gas	Electric
No of Burners / Zones	4	4	4	4	4	2	2
Front						Standard 1.0	Standard 1.2
Front Left (kW)	2.2	Standard (1.2)	Standard (1.2)	Standard (1.2)	Rapid (2.0)		
Front Right (kW)	1.4	Rapid (1.8)	Rapid (1.8)	Rapid (1.8)	Semi Rapid (1.5)		
Back Left (kW)	1.4	Super (2.3)	Super (2.3)	Rapid (1.8)	Semi Rapid (1.5)		
Back Right (kW)	2.2	Standard (1.4)	Standard (1.4)	Standard (1.4)	Rapid (2.0)		
Back						Rapid 3	Rapid 1.7
<b>Features</b>							
Flame Supervision Device						•	
Ignition	Touch Control					Elec Push Button	Electric Knob
LPG Conversion Kit						•	
Number of Pan Supports						1	
On/Off Indicator Light	•	•	•	•	•		
Power Levels	9	9	9	12	6		
Residual Heat Indicators	4	4	4	4			2
Type of Pan Supports						Enamel	
<b>Colour</b>	Black Frameless	Stainless Steel	Black Frameless	Stainless Steel Frameless	Stainless Steel White	Stainless Steel	Stainless Steel



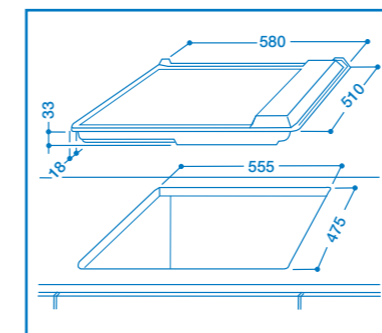
VIA640CS



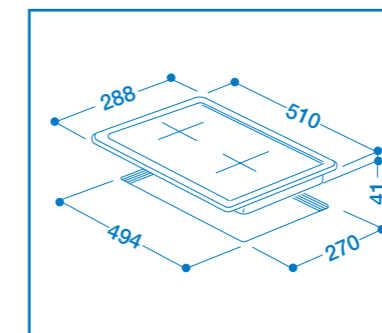
VRM640MC



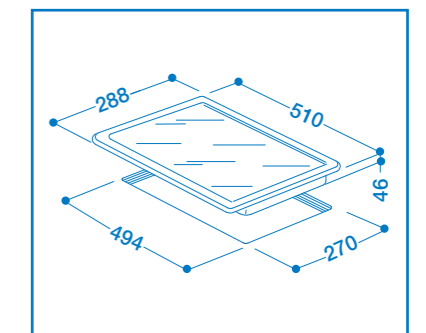
VRA640XS – VRM640MIX



PIM604IX – PIM604WH

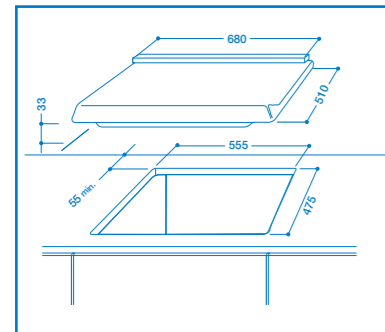


DP2GSIX

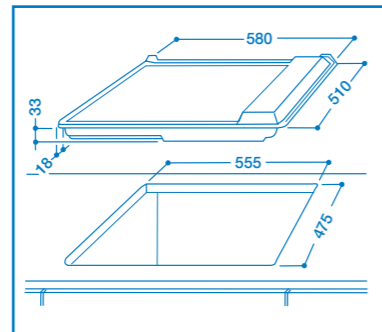


DP2RIX

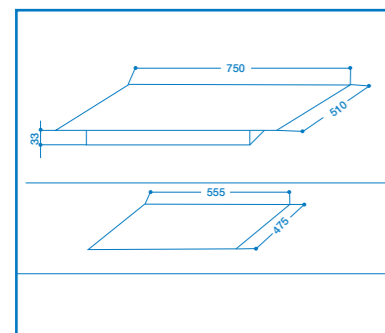
Model	Prime Gas Hobs			Gas Hobs	
	IP751SCIX	IP641SCIX	IP640SIX	PIM750ASTIX	PIM640ASIX PIM640ASBK PIM640ASWH
<b>Page Number</b>	62	62	62	63	63
<b>Specifications</b>					
Appliance Height x Width x Depth (cm)	3.3x75x51	3.3x59x51	3.3x59x51	3.3x68x51	3.3x58x51
Net Weight (kg)	11.5	8.9	8.9	11.5	8.7
Packaged Height x Width x Depth (cm)	16x79.5x55.5	17x64x56	17x64x56	16x73x57	15x64x56
Total Weight (kg)	12.2	9.5	9.5	12.2	9.3
Type	Gas	Gas	Gas	Gas	Gas
No of Burners / Zones	5	4	4	5	4
Front Left (kW)	Standard (1.0)	Semi Rapid (1.65)	Semi Rapid (1.65)	Standard (1.0)	Rapid (3.0)
Front Right (kW)	Semi Rapid (1.65)	Standard (1.0)	Standard (1.0)	Semi Rapid (1.9)	Standard (1.0)
Centre (kW)	Wok (3.5)			Triple Ring (3.6)	
Back Left (kW)	Rapid (2.6)	Semi Rapid (1.65)	Semi Rapid (1.65)	Rapid (2.6)	Semi Rapid (1.9)
Back Right (kW)	Semi Rapid (1.65)	Wok (3.5)	Wok (3.5)	Semi Rapid (1.9)	Semi Rapid (1.9)
<b>Features</b>					
Flame Supervision Device	•	•	•	•	•
Ignition	Automatic	Automatic	Automatic	Automatic	Electric Push Button
LPG Conversion Kit	•	•	•	•	•
Number of Pan Supports	3	2	2	3	2
Type of Pan Supports	Cast Iron	Cast Iron	Enamel	Enamel	Enamel
<b>Colour</b>	Stainless Steel	Stainless Steel	Stainless Steel	Stainless Steel	Stainless Steel Black White



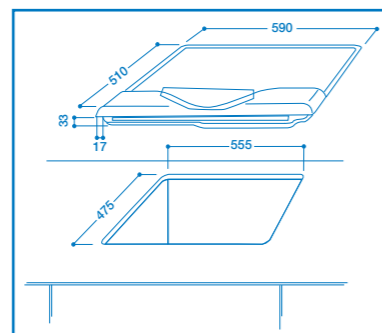
PIM750ASTIX



PIM640ASIX – PIM640ASBK – PIM640ASWH

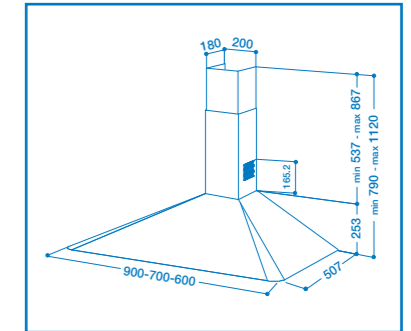


IP751SCIX



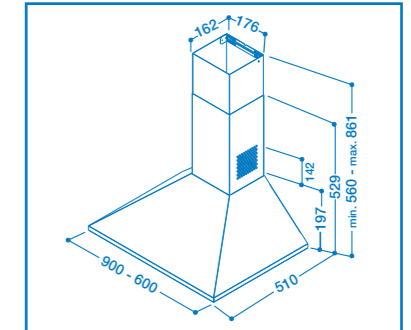
IP641SCIX – IP640SIX

Model	Chimney Hoods				
	H593LIX	H573LIX	H563LIX	H391FIX	H361FIX H361BK
<b>Page Number</b>	65	65	65	66	66
<b>Specifications</b>					
Appliance Height x Width x Depth (cm)	79-112x 90x50.7	79-112x 70x50.7	79-112x 60x50.7	56-91x90x51	56-86.1x 59.8x51
Net Weight (kg)	12.1	10.9	10.15	12.1	5.8
Packaged Height x Width x Depth (cm)	62x99.5x39	62x82x39	62x76x39	62x99.5x39	54x67x32
Total Weight (kg)	16.1	13.3	12.55	16.1	8.2
<b>Features</b>					
Carbon Filter Included				•	•
Ducting Size (mm)	120	120	120	150	150
Extraction Rate (m³/hr)	450	450	450	420	420
Light (Watts)	2x40	2x40	2x40	2x40	2x40
Metallic Grease Filters	3	2	2	2	2
Sound Level (dB(A))	45	45	45	47	47
Speeds	3	3	3	3	3
<b>Colour</b>	Stainless Steel	Stainless Steel	Stainless Steel	Stainless Steel	Stainless Steel Black

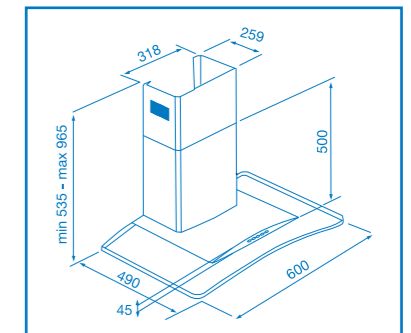


H593LIX – H573LIX – H563LIX

Model	Glass Hood	Integrated	Visor
	H961FIX	H661.1	H1612IX H1612BK H1612WH
<b>Page Number</b>	66	67	67
<b>Specifications</b>			
Appliance Height x Width x Depth (cm)	113x60x45	40x59.9x27	14x60x48.2
Net Weight (kg)	13.1	8.6	5.35
Packaged Height x Width x Depth (cm)	61.5x69x43	48x66x33	57x65x18.3
Total Weight (kg)	16.1	9.9	5.85
<b>Features</b>			
Carbon Filter Included	•		
Ducting Size (mm)	150	120	125
Extraction Rate (m³/hr)	400	240	250
Light (Watts)	2x20	2x40	2x40
Metallic Grease Filters		1	1
Sound Level (dB(A))	47	59	49
Speeds	3	3	3
<b>Colour</b>	Stainless Steel Glass	Neutral Grey	Stainless Steel Black White



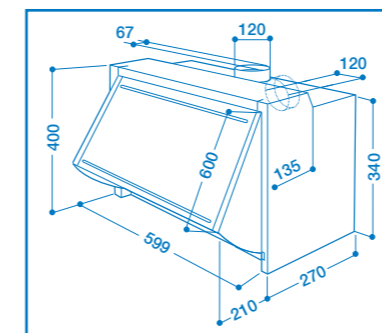
H391IX – H361FIX – H361BK



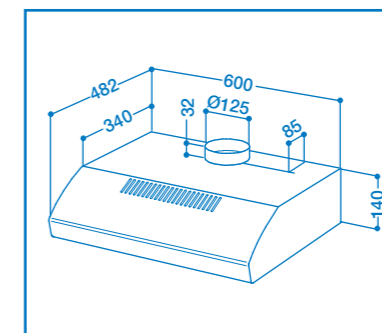
H961FIX

Model	Splashbacks	
	BSS90	BSS60
<b>Specifications</b>		
Height* x Width x Depth (cm)	75x90x1	75x60x1

\*This is the fitted height. Overall height including fixing point is 79cm.



H661.1



H1612IX - H1612BK - H1612WH

## Quality from start to finish

At the heart of all we do.

Quality is not just a company choice.  
Quality is an essential requirement.

At all stages of the creation of an electrical appliance, everyone's job is to achieve the highest quality: at the initial design stage; at the subsequent development stage; in the choice of raw material suppliers; in all plant's production processes up to and including technical assistance service when the electrical appliance is in the customer's home. The quality that guarantees the success of our products is a procedure we all carry together.

Indesit is the first white goods manufacturer to gain SGS\* multi-site certification with **ISO 9001: 2008 Quality Management System**. Internationally recognised, it demonstrates our commitment to service, quality and customer satisfaction.

\*Société Générale de Surveillance

## Invest in people and product.

**£18 M** invested  
since 2005

an average of £3 M per year

Since 2006, **500 designers**  
have spent **12,000 hours**  
in quality training courses

in Research and Development

Shop floor workers involved in quality  
involvement programmes with

**180** specific working teams

### All appliances are tested to stimulate up to 10 years of use:

For example our washing machines have to go through this rigorous testing before they get to your homes:

**30,000** door opening & closing operations

**50,000** interface interactions

**50,000** knob turns

**2,500** dispenser drawer open & closes

**1,250** wash cycles



## Our promise to you

Our commitment to making your life easier does not stop once you have bought your appliance. Indesit's after sales care is second to none.

### Invest in people and product.

#### Rest assured – you're covered



Your Indesit appliance is covered for a full 12 months by our own parts and labour warranty. Now you are also covered for 5 years FREE parts too, when you use our local Indesit engineers. They only fit genuine replacement parts and we guarantee their work for 90 days.

#### Appointments to suit you – not us

You can choose between morning or afternoon appointments with the option of the engineer's first or last visit of the day. We will also send you a text message with a 2 hour time slot on the morning of your appointment. Saturday appointments are also available in some areas.

#### Local engineers – nationwide

We have the largest white goods service team in the United Kingdom and Republic of Ireland with fully qualified Indesit engineers to ensure you receive fast, reliable local service.

#### Call us at your convenience – 364 days a year

Indesit service is second to none. You can call us when you need us, including weekends and bank holidays on **UK 08448 224 224** or **ROI 0818 31 34 13**. Alternatively book online any time at [www.indesitservice.co.uk](http://www.indesitservice.co.uk)

#### Your peace of mind – total protection

For a small monthly outlay you can ensure that we continue to provide repair protection – including new for old product replacement for your appliance, after your warranty expires. Please call **UK 08448 226 226** or **ROI 012 30 02 33** for more information.

#### Caring for your Indesit – looking good for life

We have a wide range of accessories to protect and enhance your appliance as well as Professional Home Care cleaning products to keep it looking good and functioning efficiently throughout its life. Please call **UK 08448 225 225** or **ROI 0818 31 34 13** for more information. Alternatively buy online as [www.indesitservice.co.uk](http://www.indesitservice.co.uk)

#### Fridge Care Spray (500ml Spray)

Code: **C00091581**

A professional, no rinse cleaning spray with an antibacterial action that removes grease and disinfects all internal surfaces.



#### Deep Cleansing Oven Care (500ml Spray)

Code: **C00091618**

Dissolves grease and grime build up, without scrubbing to professionally deep clean your oven.



#### Ceramic Hob Care (500ml Spray)

Code: **C00091587**

Rapidly dissolves all build-up and other residue on glass ceramic hobs leaving it in showroom condition.



#### Limescale and Detergent Remover (Pack of 12)

Code: **C00090908**

Suitable for Washing Machines\*/ Washer Dryers and Dishwashers. Protects your appliance from the harmful effects of limescale build up and hygienically cleans all internal components as well as eliminating bad odours.



\*Not suitable for Top Loading Washing Machines



## The **Indesit** Appliance Collection.

Indesit Company  
Morley Way  
Peterborough  
PE2 9JB

**Production Information Line:**

**UK: 08000 921 922**

**ROI: 0818 365 008**

[www.indesit.co.uk](http://www.indesit.co.uk)

In accordance with its policy of progressive product design and environmental protection, Indesit Company Ltd reserves the right to alter specifications and use quality recycled components. To confirm that the specification and/or functions required are still current on the selected model please call the Product Information Line prior to purchase. Every attempt has been made to ensure an accurate colour representation.

All specification correct at time of going to print.