

*Providing the World Bulk Material Handling Industry
with Productive, Safe and Reliable "Complete Conveyor Solutions."*

Skirt & Dust Control Sealing Systems



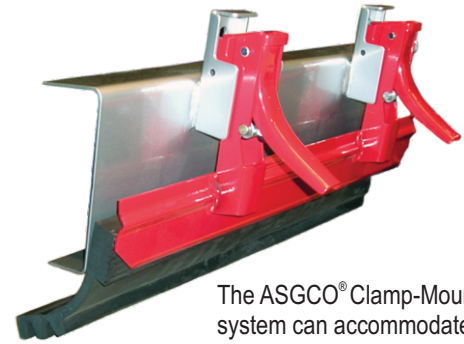
CLAMP-MOUNT® SKIRT SEALING SYSTEMS



Clamp-Mount® Skirt Sealing System

Our Clamp-Mount® Skirting Clamps helps eliminate spillage and dust in the conveyor transfer point. The Clamp-Mount® installs easily and allows for one person to replace or reposition skirt rubber.

- **Increase Conveyor Performance** - by helping to eliminate spillage and dust in the loading zone.
- **Reduce Downtime** - by the simple clamp adjustment and release to allow repositioning or changing out skirting in minutes versus hours, without tools.
- **Rugged Construction** - of our 9" (225mm) high by 24" (600mm) long clamp provide effective locking ability for any type of skirting material.



The ASGCO® Clamp-Mount® system can accommodate 20°, 35°, and 45° idlers.

Clamp-Mount® Units		
Part Number	Description	Wt. Lbs.
ASG-CK-1 <small>(Single Locking Clamp-Mount®)</small>	Single Locking Lever Clamp-Mount® I with two (2) Standard Keepers Two (2) lineal feet	5.2
ASG-CK-2 <small>(Double Handle Clamp-Mount®)</small>	Double Locking Lever Clamp-Mount® II with two (2) Standard Keepers Two (2) lineal feet	7.85
Clamp-Mount® Replacement Parts		
ASG-KP-4	Replacement Keeper Includes Stud & Pivot	.05

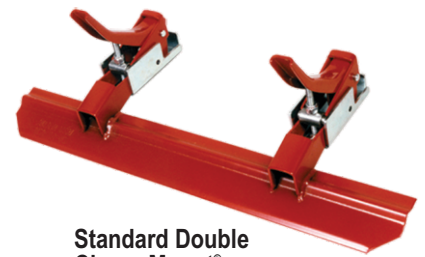
Contact ASGCO® for information on our Low Boy™ Low Profile Clamp-Mount® System.

For quality sealing results, use Clamp-Mount® on a vertical chute wall with 1" ORG compound. For superior sealing, combine Clamp Mount® with ASGCO's Support Plate and either ORG (3/4" or 1/2" thick) or 6" or 8" Tri-Seal™ or Multi-Seal™.

Clamp-Mount® System (Double Handle) with ASGCO® Skirting					
Part Number	Skirting Type Sealing Compound	Thickness	Width	Wt. Lbs.	
ADS-ORG-2546-BC-2	Dura-Seal ORG Compound	1"	6"	6.22	
ADS-ORG-2548-BC-2	Dura-Seal ORG Compound	1"	8"	7.06	
ADS-ORG-1906-BC-2	Dura-Seal ORG Compound	3/4"	6"	5.69	
ADS-ORG-1908-BC-2	Dura-Seal ORG Compound	3/4"	8"	6.31	
ADS-ORG-1276-BC-2	Dura-Seal ORG Compound	1/2"	6"	5.13	
ADS-ORG-1278-BC-2	Dura-Seal ORG Compound	1/2"	8"	5.54	
ADS-B&R-2546-BC-2	Dura-Seal B & R Compound	1"	6"	6.3	
ADS-B&R-2548-BC-2	Dura-Seal B & R Compound	1"	8"	7.16	
ATS-TRI-2546-SC-2	TRI-SEAL 60 DURO	1"	6"	5.7	
ATS-TRI-2548-SC-2	TRI-SEAL 60 DURO	1"	8"	6.3	
AMS-MTI-2228-SC-2	Multi-Seal 55 Duro	7/8"	8"	6.5	
AMS-MTI-2228-SC-2-EP	Multi-Seal EPDM (400)	7/8"	8"	6.5	



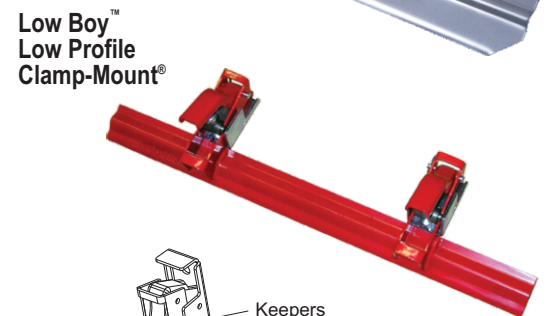
Single Handle Clamp-Mount®



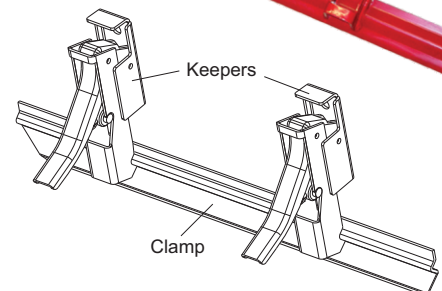
Standard Double Clamp-Mount®



Stainless Steel Clamp-Mount®



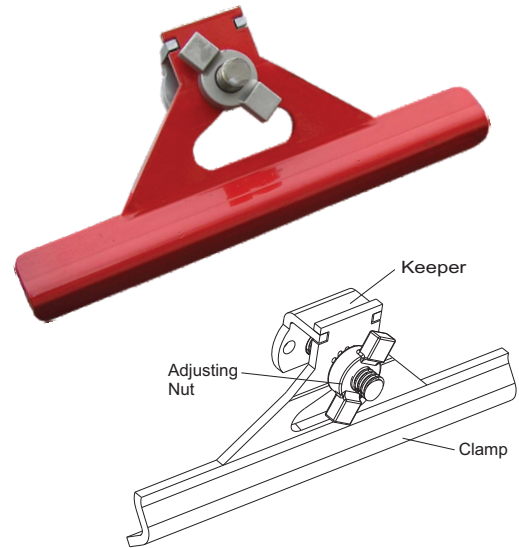
Low Boy™ Low Profile Clamp-Mount®



Clamp-Mount® MDX (Mine Duty)

Our **Clamp-Mount® MDX** skirting clamps help eliminate spillage and dust in the conveyor transfer point. The Clamp-Mount® MDX installs easily and allows for one person to replace or reposition skirting rubber.

- **Increase Conveyor Performance** – by helping to eliminate spillage and dust in the loading zone.
- **Reduce Downtime** – by the simple clamp adjustment and release to allow repositioning or changing out skirting in minutes versus hours, without tools.
- **Mine Duty Construction** – 18" (457.2mm) or 24" (609.6mm) heavy duty clamp system with keeper, fabricated from 3/8" (9.525mm) thick steel.
- **Easy Adjustment** – Patent pending adjustment nut is cast stainless steel.
- **Versatile** – Can be used with any of ASGCO® sealing compounds.



Keeper & Nut Feature:

The keeper and nut features a 1" Acme thread which can be adjusted by using a hammer or a wrench.

- **Will Automatically Adjust** – To any thickness from 1/4" to 1 1/4".
- **Mine Duty Style**

Clamp-Mount® MDX Units		
Part Number	Description	Wt. Lbs.
ASG-CK1-MDX	Mine Duty Clamp-Mount® 18" long	10.4
ASG-CK1-MDX2	Mine Duty Clamp-Mount® 24" long	11
Clamp-Mount® MDX Replacement Parts		
ASG-MDX-KP	MDX Keeper	0.5
ASG-MDX-NUT	MDX Clamp Nut	0.5

Tri-Seal™, Multi-Seal™, SX3™

Tri-Seal™ Skirting

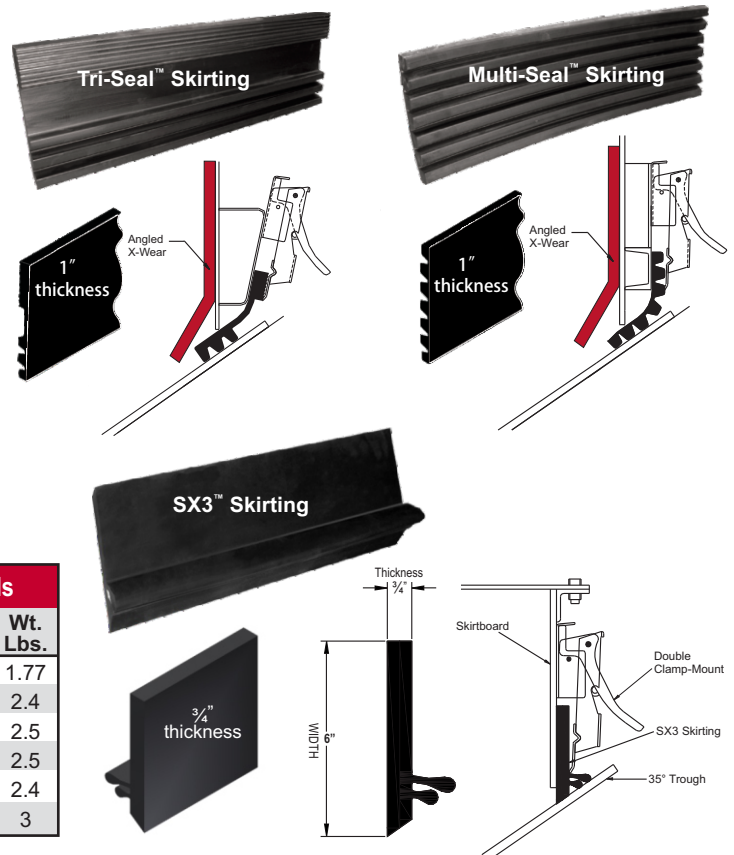
- **Triple Sealing** - action uses 3 deterrents to stop fines and dust from escaping the load zone.
- **Works Great** - on conveyors where dust is a problem, in below ground and above ground mining, pulp and paper.

Multi-Seal™ Skirting

- **Multiple Sealing** - action is adjustable, and can be reversed for the full life of the skirting material.
- **Works Great** - where you need flexibility and dust is a problem.

SX3™ Conveyor Skirtboard Sealing Compound

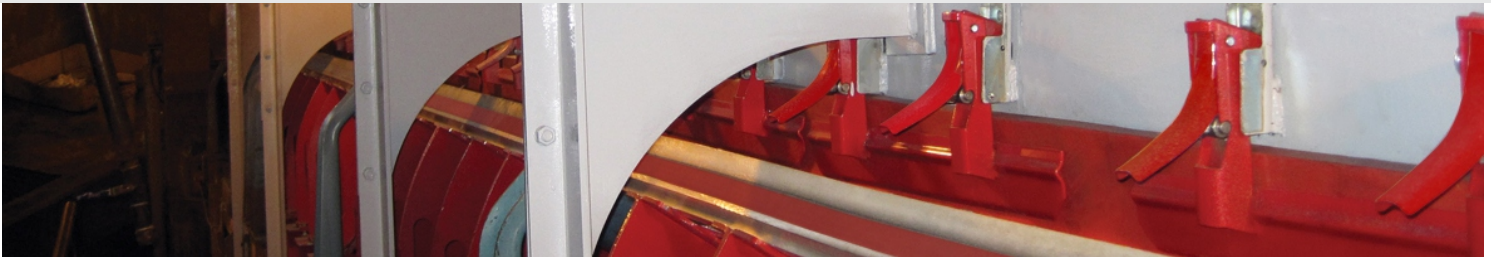
- **Three Points Sealing** - uses uniquely designed 55 durometer EPDM to stop fines and dust from escaping the load zone.
- **Works Great** - on conveyors where dust and fines are an issue, in below ground and above ground mining, pulp and paper and gypsum.
- **Effective Sealing** - on high speed belts



Tri-Seal™, Multi-Seal™ & SX3™ Replacement Sealing Compounds				
Part Number	Skirting Type Sealing Compound	Thick-ness	Width	Wt. Lbs.
ATS-TRI-2546-S	Tri-seal (60) Durometer	1"	6"	1.77
ATS-TRI-2548-S	Tri-Seal (60) Durometer	1"	8"	2.4
AMS-MTI-2228-S	Multi-Seal 55 Duro	7/8"	8"	2.5
AMS-MTI-2228-S-EPDM	Multi-Seal 55 Duro EPDM	7/8"	8"	2.5
ASG-DCI-8	DCI Replacement Skirting	3/8"	8"	2.4
ASG-SX3-1906-B	Triple Seal Skirting	3/4"	6"	3

6" and 8" wide by 50' rolls are available on all styles of skirting.

ASGCO® SEALING COMPOUNDS



Dura-Seal™ (ORG) and B&R Dura Seal™

Our **Dura-Seal™** product is the toughest and most cut resistant material available for skirt-board sealing.

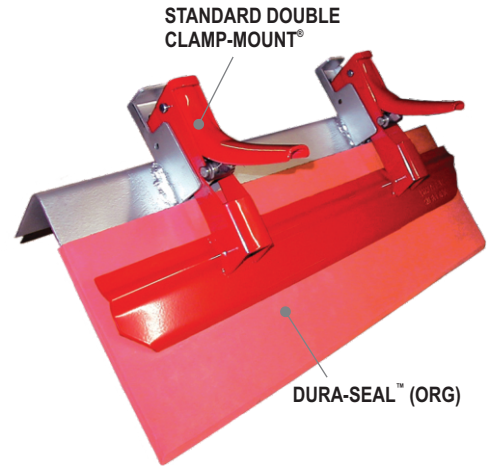
Dura-Seal™ (ORG) Skirting

- **Abrasive and Cut Resistant** - Dura-Seal™ is the toughest and most cut resistant 45-durometer-rubber material available anywhere
- **Works Great** - in abrasive and impact area conditions where cut and gauge is a problem as seen in hard rock mining.

B & R Dura-Seal™ (ORG 45) Skirting

B&R Dura-Seal™ for optimum sealing and minimum wear on the conveyor belt, engineered for harsh environments.

- **Dura-Seal™ (ORG 45)** - compound for optimum sealing and minimum wear on the belt.
- **Dura-Seal™ (60)** - compound for best wear and impact resistance
- **Exceptional Sealing** - in abrasive and impact area conditions where cut and gauge is a problem as seen in hard rock mining.

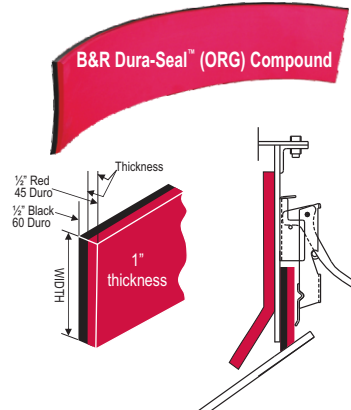
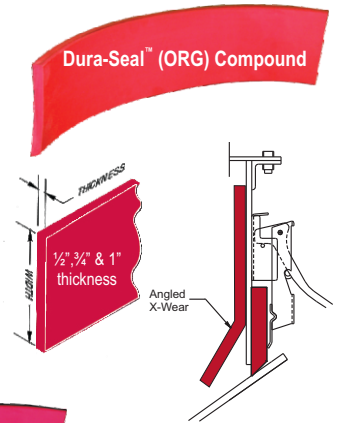


Dura-Seal Replacement Sealing Compound Std. Bevel Cut				
Part Number	Skirting Type Sealing Compound	Thick-ness	Width	Wt. Lbs.
ADS-ORG-2544-B	Dura-Seal ORG Compound	1"	4"	1.46
ADS-ORG-2545-B	Dura-Seal ORG Compound	1"	5"	1.88
ADS-ORG-2546-B	Dura-Seal ORG Compound	1"	6"	2.3
ADS-ORG-2548-B	Dura-Seal ORG Compound	1"	8"	3.13
ADS-ORG-1904-B	Dura-Seal ORG Compound	3/4"	4"	1.14
ADS-ORG-1905-B	Dura-Seal ORG Compound	3/4"	5"	1.45
ADS-ORG-1906-B	Dura-Seal ORG Compound	3/4"	6"	1.76
ADS-ORG-1908-B	Dura-Seal ORG Compound	3/4"	8"	2.39
ADS-ORG-1274-B	Dura-Seal ORG Compound	1/2"	4"	0.78
ADS-ORG-1275-B	Dura-Seal ORG Compound	1/2"	5"	0.99
ADS-ORG-1276-B	Dura-Seal ORG Compound	1/2"	6"	1.2
ADS-ORG-1278-B	Dura-Seal ORG Compound	1/2"	8"	1.62
ADS-B&R-2544-B	Dura-Seal B & R Compound	1"	4"	1.51
ADS-B&R-2545-B	Dura-Seal B & R Compound	1"	5"	1.94
ADS-B&R-2546-B	Dura-Seal B & R Compound	1"	6"	2.37
ADS-B&R-2548-B	Dura-Seal B & R Compound	1"	8"	3.23

6" and 8" wide by 50' rolls are available on all styles of skirting.

ASGCO®'s Skirtboard Sealing Systems:

- Provides Highly Reliable, Positive Seal
- Slashes Clean-up Costs
- Reduces Material Waste
- Improves Safety
- Reduces Damage to Belts/Components
- Provides Easy Installation/Adjustment

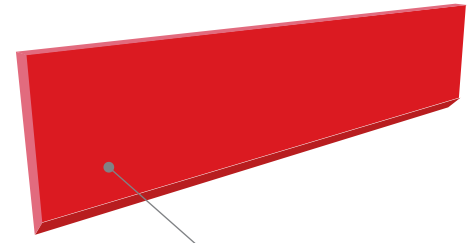


Dura-Tuff™ Urethane Conveyor Skirtboard Sealing

ASGCO®'s Dura-Tuff™ Urethane Conveyor Skirting is made of an extremely tough 62 durometer polyurethane skirting that lasts an average of 3-5 times longer than rubber skirting equivalents.

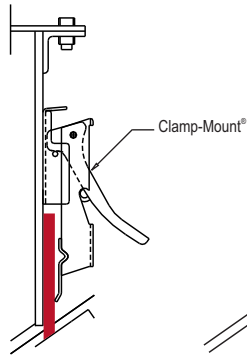
Dura-Tuff™ is available in 50' rolls with a beveled edge that matches the troughing angle of your belt, eliminating the "break-in" adjustment and providing an even greater advantage.

- **Abrasive and Cut Resistant** - Dura-Tuff™ is the toughest and most cut resistant 62 durometer polyurethane material available anywhere.
- **Works Great** - in abrasive and impact area conditions where cut and gouge is a problem, as seen in hard rock and iron ore mining.
- **Effective Sealing** - on high speed belts
- **Excellent for Hard Rock Mining** - such as granite, trap rock, iron ore, oil sands, and copper and gold ore mining conveying applications.
- **Internal Wear Liners** - available in Armorite®, X-Wear™ Mine Duty, X-Wear™ Ceramic and X-Wear™ AR 400 Steel.

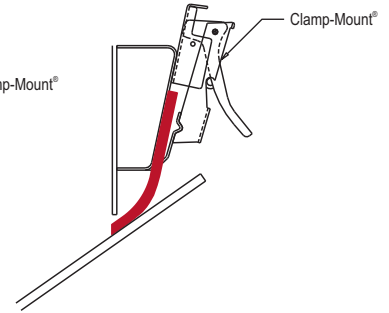


LASTS 3-5 TIMES LONGER - than rubber skirting equivalents

Dura-Tuff™ used with Clamp-Mount®



Dura-Tuff™ used with Clamp-Mount® and Support Plate

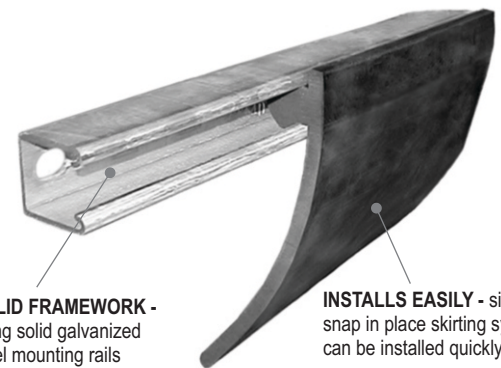


Dura-Tuff™ Urethane Skirting		
Part Number	Size	Durometer
ASG-DT-1/2X6X50-B	1/2"x6"x50'	62
ASG-DT-1/2X8X50-B	1/2"x8"x50'	62

E-Z Mount®

E-Z Mount® dust sealing and containment skirting system provides an effective and economical solution to prevent dust and material from escaping the conveyor load zone. E-Z Mount® is a simple snap in place skirting system that can be installed quickly and easily into most conveyors systems.

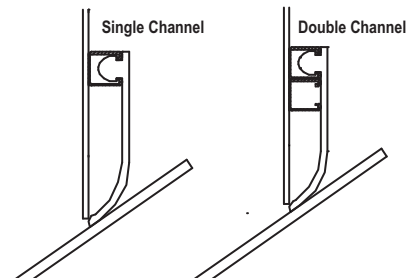
- **Simple and Effective** - solution to help eliminate dust and material losses in the load zone.
- **Abrasion Resistant** - 60 durometer rubber compound is used to apply minimal pressure to the belts surface to create a great seal.
- **Solid Framework** - using solid galvanized steel mounting rails that get welded to the side of the chute provides the framework to snap the E-Z Mount® into place.



SOLID FRAMEWORK - using solid galvanized steel mounting rails

INSTALLS EASILY - simple snap in place skirting system can be installed quickly

E-Z Mount® Channel System				
Part Number	Thickness	Description	Width	Wt. Lbs.
E-Z Mount® Single Channel System				
AEM-EZM-0958-SCH-1	3/8	Single Channel System	8	2
E-Z Mount® Double Channel System				
AEM-EZM-0958-SCH-2	3/8	Double Channel System	8	6
E-Z Mount® Replacement Rubber				
AEM-EZM-0958-S	3/8	Rubber Only	8	91



DUST CURTAINS / CHUTE TAIL BOX

Dust Curtains

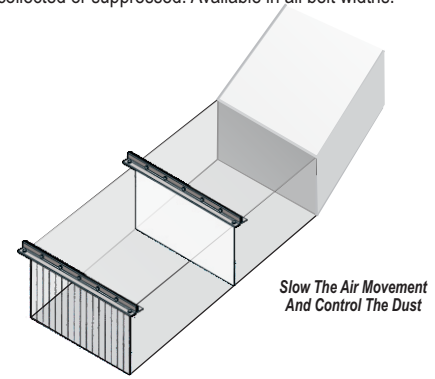
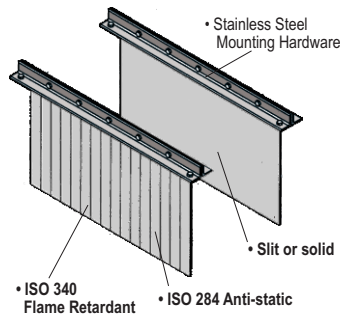
Dust Curtains help in the reduction of dust throughout the transfer point. These curtains outlast and outperform standard rubber curtains due to the ISO materials used by ASGCO®.

- **Allows Dust to Settle** - by slowing the air velocity down and allowing the airborne dust and particles to fall to the belt.
- **ISO 340 Anti-Static / ISO 284 Flame Retardant** - materials are used in the PVC and 2 ply fabricate constructed curtains.
- **Simple Adjustment** - and installation allows the curtains to conform to the angle of repose of the material on the belt, normally 1" (25.4mm) above the material.



ASGCO® Curtains should be hung approx. 18" apart, forming "dead" areas where dust can settle and be collected or suppressed. Available in all belt widths.

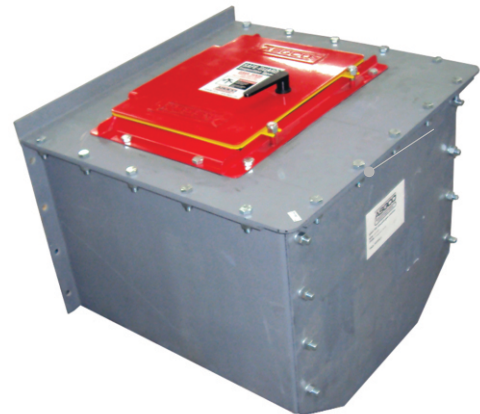
Dust Curtains		
Part Number	Belt Width	Wt. Lbs.
ASG-DUST-CURT-18	18	10
ASG-DUST-CURT-24	24	13
ASG-DUST-CURT-30	30	17
ASG-DUST-CURT-36	36	20
ASG-DUST-CURT-42	42	23
ASG-DUST-CURT-48	48	27
ASG-DUST-CURT-54	54	30
ASG-DUST-CURT-60	60	33
ASG-DUST-CURT-72	72	39
ASG-DUST-CURT-84	84	46
ASG-DUST-CURT-96	96	52



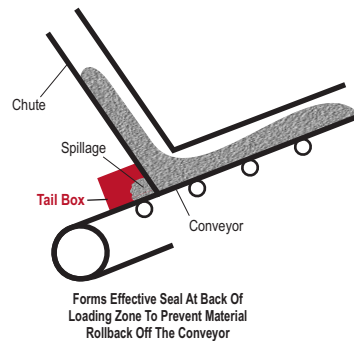
Chute Tail Box

The **Chute Tail Box** is designed to form an effective seal at the back of the loading zone to prevent material rollback to the tail section of the conveyor.

- **Prevent Material Roll Back** - by forming a sealing area for the material to collect and then travel up the conveyor.
- **Avoids Material Build-Up** – at the tail end of the conveyor.
- **Simplifies Cleanup** – by being able to return material to the belt through our inspection door mounted at the top of the box.



Chute Tail Box		
Part Number	Belt Width	
	in	mm
M-ASG-TBOX-18	18	450
M-ASG-TBOX-24	24	600
M-ASG-TBOX-30	30	750
M-ASG-TBOX-36	36	900
M-ASG-TBOX-42	42	1070
M-ASG-TBOX-48	48	1200
M-ASG-TBOX-54	54	1350
M-ASG-TBOX-60	60	1500
M-ASG-TBOX-72	72	1800
M-ASG-TBOX-84	84	2100
M-ASG-TBOX-96	96	2400



Forms Effective Seal At Back Of Loading Zone To Prevent Material Rollback Off The Conveyor

Chute Tail Box

Forms an effective seal at the back of the loading zone to prevent material roll back off the conveyor.

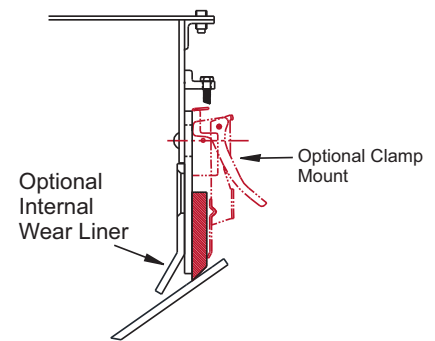
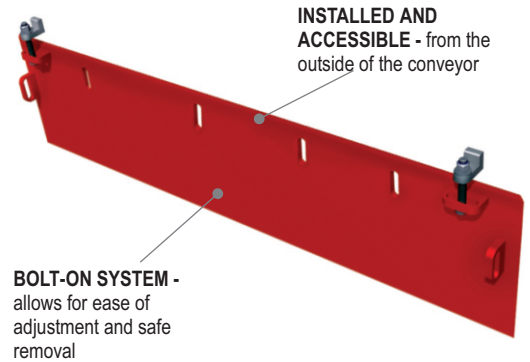
- **Field-Welded** - onto the rear of the chute wall to ensure a precise fit and an effective seal
- **Inspection Door** - mounted at the top of the box for safe inspection and access

EXTERNAL WEAR LINER SYSTEM / PREMIUM SKIRTBOARD RUBBER

External Wear Liners / Skirtboard System

ASGCO®'s **External Wear Liners / Skirtboard System** – Installed and accessible from the outside of the conveyor transfer point means never having to enter the internal (confined space) skirtboard to service internal liners again!

- **Safer Installation** - and maintenance - prevents confined space entry.
- **Easily Adjusted** - the external adjustable bolt-on system allows for ease of adjustment and safe removal.
- **External Wear Liners** - available in Mild Steel, AR 400 Steel or Stainless Steel in 4ft and 6ft lengths. Also available with external Clamp-Mount™ options.
- **Reduces Conveyor Downtime** - improves the performance of the liners and sealing system without additional costs.
- **Retrofit** - to existing skirtboard and or added to new.
- **Internal Wear Liners** - available in Armorite®, X-Wear™ Mine Duty, X-Wear™ Ceramic and X-Wear™ AR 400 Steel.



External Skirtboard/Wear Liner System		
Part Number	Description	Wt. Lbs.
ASG-ESB-48x11	4 ft Long External Skirtboard	0
ASG-ESB-72x11	6 ft Long External Skirtboard	0

Premium Skirtboard Rubber

ASGCO®'s **Premium Skirtboard Rubber** is ideal for skirting conveyor belt systems, mounting pads, sealing strips and other general industrial and construction uses. Our Premium press cured skirtboard rubber manufacturing process guarantees consistent gauge, width and quality unlike extruded products. All roll sizes are clearly marked for easy identification.



Skirtboard comes in 50 ft. rolls.

Premium Skirtboard Rubber (Price Per Roll 1000 PIW Tensile 50 Ft.)			
Part Number	Thickness	Width	Wt. Lbs.
ASG-5560-1/2X4-H	1/2"	4"	63
ASG-5560-1/2X5-H	1/2"	5"	79
ASG-5560-1/2X6-H	1/2"	6"	96
ASG-5560-1/2X8-H	1/2"	8"	114
ASG-5560-1/2X10-H	1/2"	10"	140
ASG-5560-3/8X4-H	3/8"	4"	49
ASG-5560-3/8X5-H	3/8"	5"	56
ASG-5560-3/8X6-H	3/8"	6"	72
ASG-5560-3/8X8-H	3/8"	8"	90
ASG-5560-3/8X10-H	3/8"	10"	117
ASG-5560-3/4X6-H	3/4"	6"	150

*Pre-paid freight on all Premium Skirtboard Rubber orders over \$2,500 USD

TECHNICAL DATA	
Durometer	60 +/-5
Tensile Strength	1,200
Temperature Range	-25°F to +175°F
Elongation	350%
Composition	Abrasion-resistant SBR/GUM

