

## PREFACE

1.This master price list of MS1-125 was newly prepared and the prices herein will be effective on orders received by us and after April 9, 2003.

Any price list of MS1-125 issued previously is no longer valid.

2.This master price list is based on US\$ and EUR, and the prices are per a piece, not per sales unit.

3.Prices and sales unit in this master price list may be changed without prior notice.

**HYOSUNG MOTORS & MACHINERY INC.**

## **REFERENCE**

1.The detailed specifications of each model are referred by the persons who are in charge of overseas marketing team, Hyosung.

2.Special demand

When you order any colored parts, please add color code to the end of parts number and it will be helpful to register your parts order.

※ Color code

**CMB : MIDNIGHT BLACK**

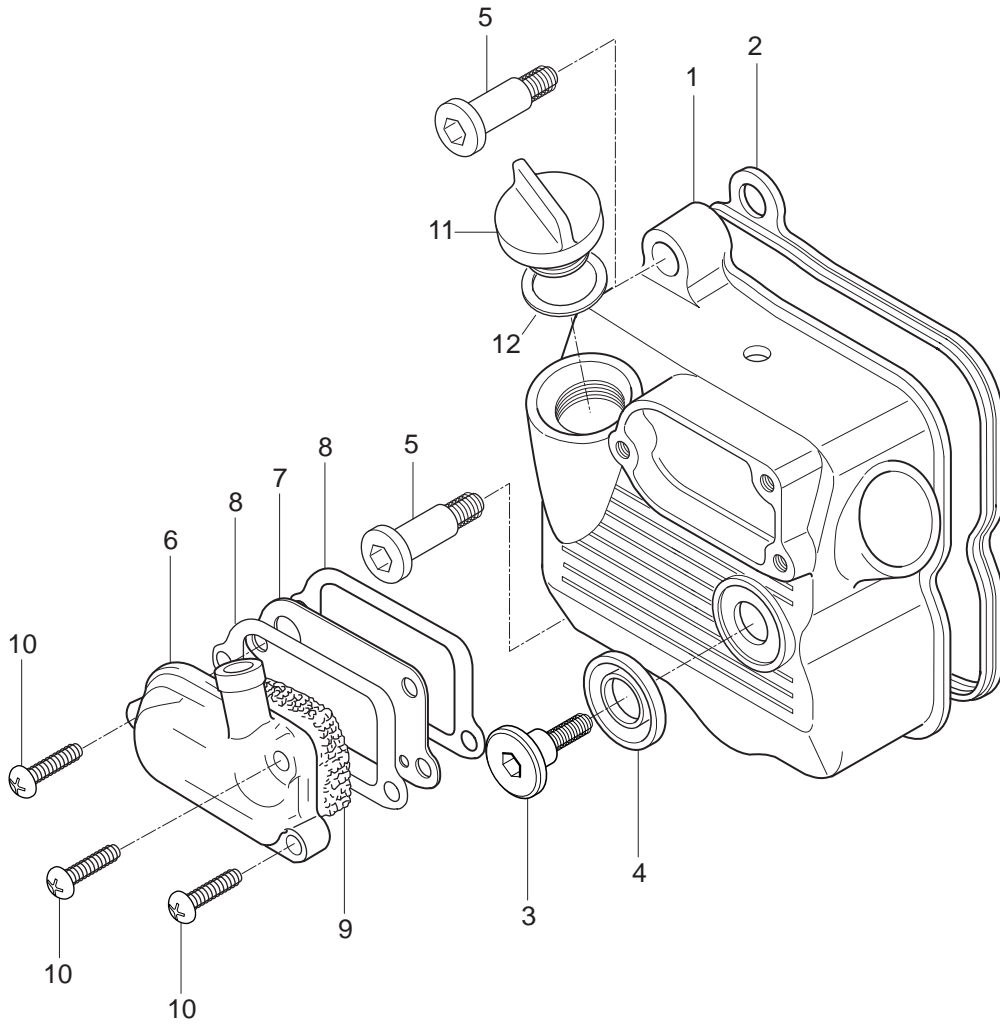
**CDB : DEEP BLUE**

**CPR : PEARL CANDY RED**

**CSS : STARDUST SIVER METALLIC**

**HYOSUNG**

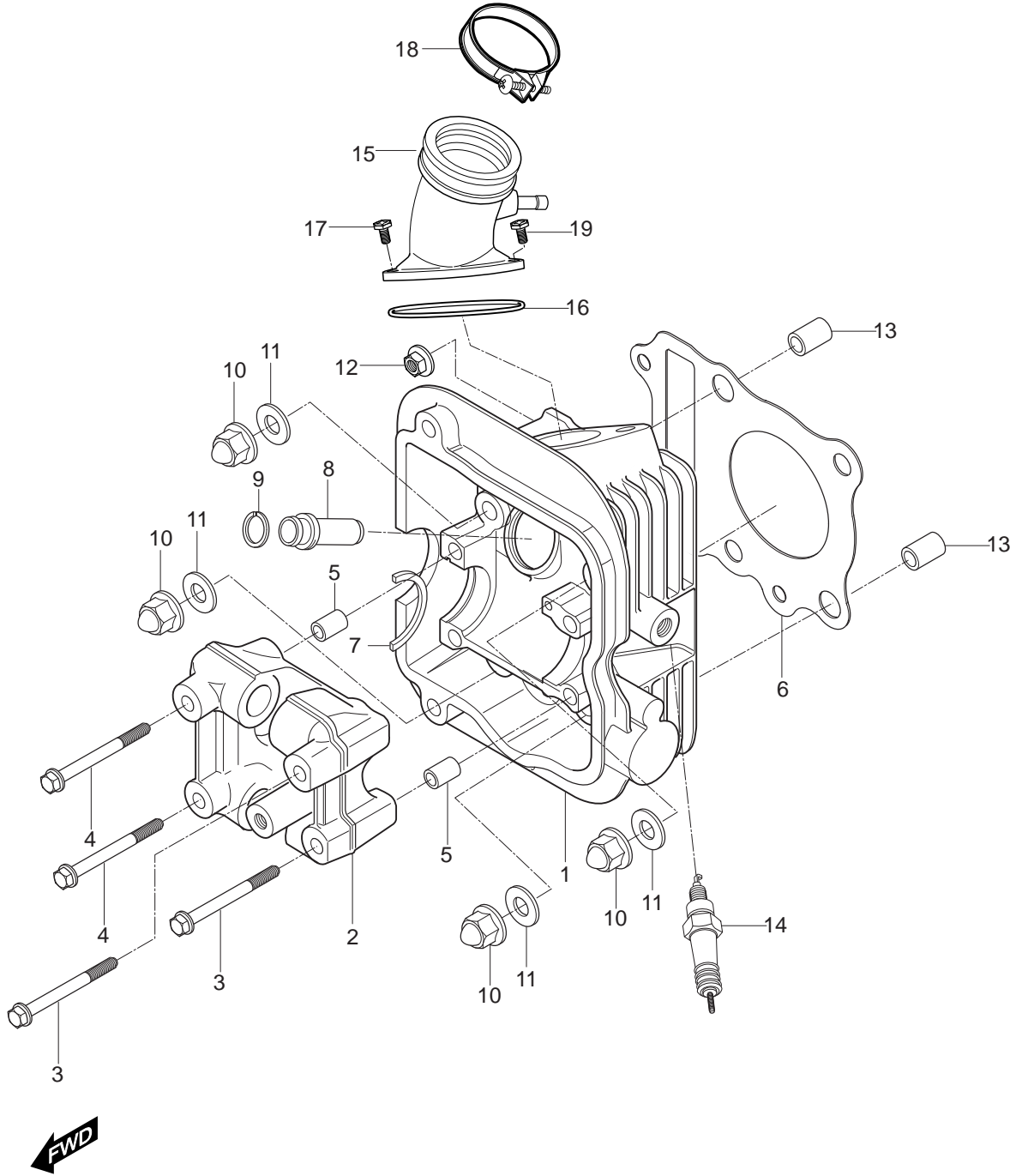
FIG 1



# FIG 1. CYLINDER HEAD COVER

REF. NO.	PARTS NO.			PARTS NAME	Q`TY	REMARKS	REC.Q'TY /
	DOMESTIC	MEU01	MG01				100 Motorcycles
							(PCS)
01-01	11171HL7300	11171HL7300	11171HL7300	COVER, cylinder head	1		
01-02	11173HF4502	11173HF4502	11173HF4502	GASKET, cylinder head cover	1		
01-03	09106-07009	09106-07009	09106-07009	BOLT, cylinder head cover No.1(M7x17.5)	1		
01-04	09161H11008	09161H11008	09161H11008	WASHER, cylinder head cover	1		
01-05	09106H07017	09106H07017	09106H07017	BOLT, cylinder head cover No.2(M7x31)	2		
01-06	11176HF4500	11176HF4500	11176HF4500	COVER, breather	1		
01-07	11178HF4500	11178HF4500	11178HF4500	GASKET, breather cover No.1	1		
01-08	11179HF4501	11179HF4501	11179HF4501	GASKET, breather cover No.2	2		
01-09	11186HF4500	11186HF4500	11186HF4500	SEPARATER, oil breather	1		
01-10	02112-15205	02112-15205	02112-15205	BOLT, breather head(M15x20)	3		
01-11	09259-2000903P	09259-2000903P	09259-2000903P	PLUG, engine oil filler	1		
01-12	09280H17003	09280H17003	09280H17003	O-RING, engine oil filler plug	1		

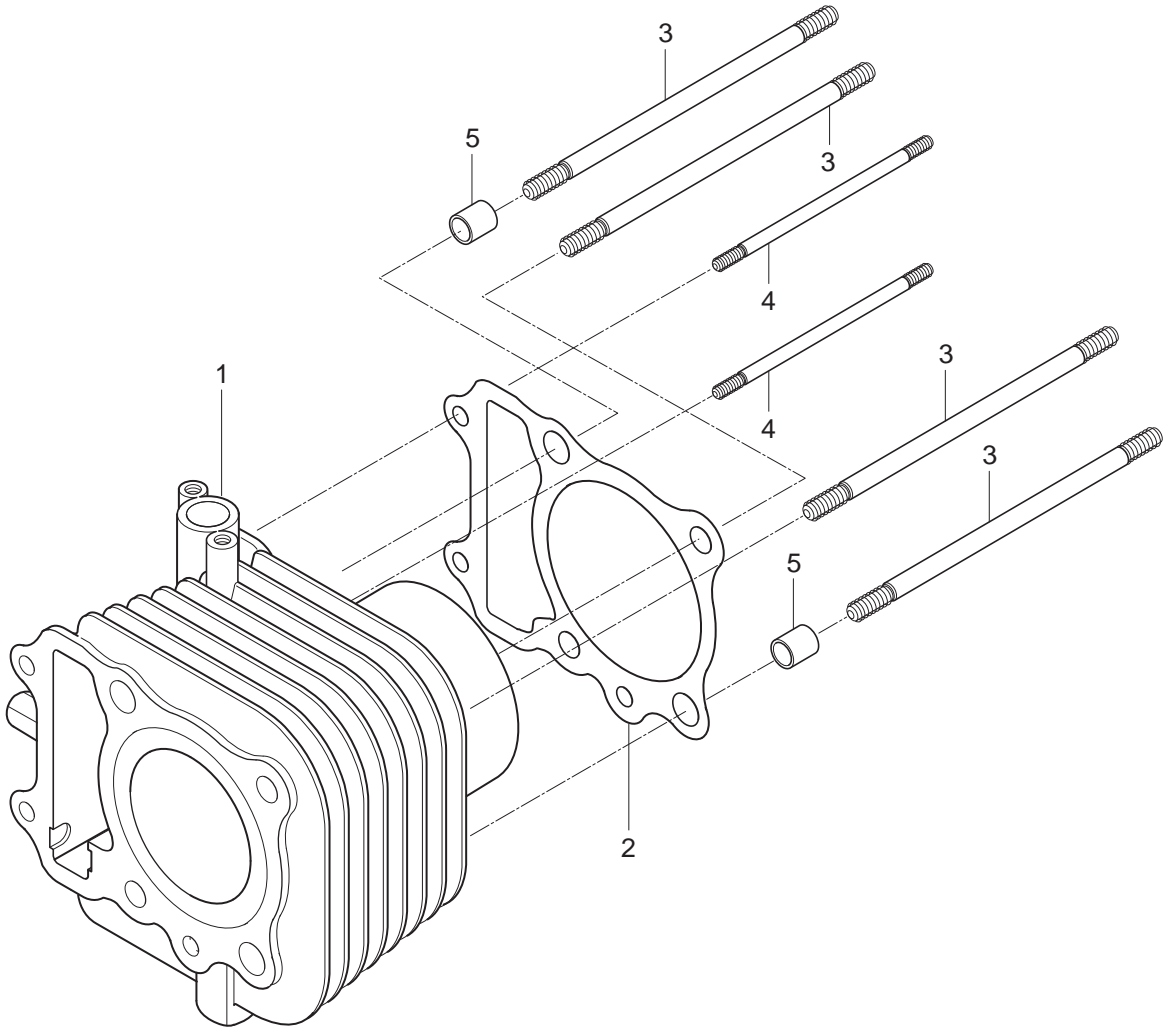
FIG 2



## FIG 2. CYLINDER HEAD

REF. NO.	PARTS NO.			PARTS NAME	Q'TY	REMARKS	REC.Q'TY (PCS)
	DOMESTIC	MEU01	MG01				
02-01	11110HL7301PCH	11110HL7301PCH	11110HL7301PCH	HEAD COMP, cylinder	1		2
02-02	11121HF4502PCH	11121HF4502PCH	11121HF4502PCH	HOUSING, camshaft	1		
02-03	01517-06505	01517-06505	01517-06505	BOLT, camshaft housing No.1(M6x50)	2		
02-04	01517-06605	01517-06605	01517-06605	BOLT, camshaft housing No.2(M6x60)	2		
02-05	09206-08001	09206-08001	09206-08001	KNOCK PIN, camshaft holder	2		
02-06	11141HL7300	11141HL7300	11141HL7300	GASKET, cylinder head	1		10
02-07	09390H32001	09390H32001	09390H32001	C-RING, camshaft	1		
02-08	11115HF4500	11115HF4500	11115HF4500	GUIDE, valve	2		
02-09	09381-10004	09381-10004	09381-10004	SNAP RING, valve guide	2		10
02-10	09159-08049	09159-08049	09159-08049	NUT, cylinder head stud(M8)	4		
02-11	09168-08021	09168-08021	09168-08021	GASKET, cylinder head nut	4		
02-12	08316-16068	08316-16068	08316-16068	NUT, cylinder(M6)	2		
02-13	04213-11129	04213-11129	04213-11129	KNOCK PIN, cylinder	2		
02-14	09482-01144	09482-01144	09482-01144	PLUG, spark(DR8EA)	1		30
02-15	13110HL7304	13110HL7304	13110HL7304	PIPE COMP, intake	1		10
02-16	09280H32006	09280H32006	09280H32006	O-RING, intake pipe	1		
02-17	02122-06168	09139H06021	09139H06021	SCREW, intake pipe(M6x16)	1		
02-18	09402-44207	09402-44207	09402-44207	CLAMP, intake pipe	1		
02-19	02122-06168	09139H06021	09139H06021	SCREW, intake pipe(M6x16)	1		

FIG 3

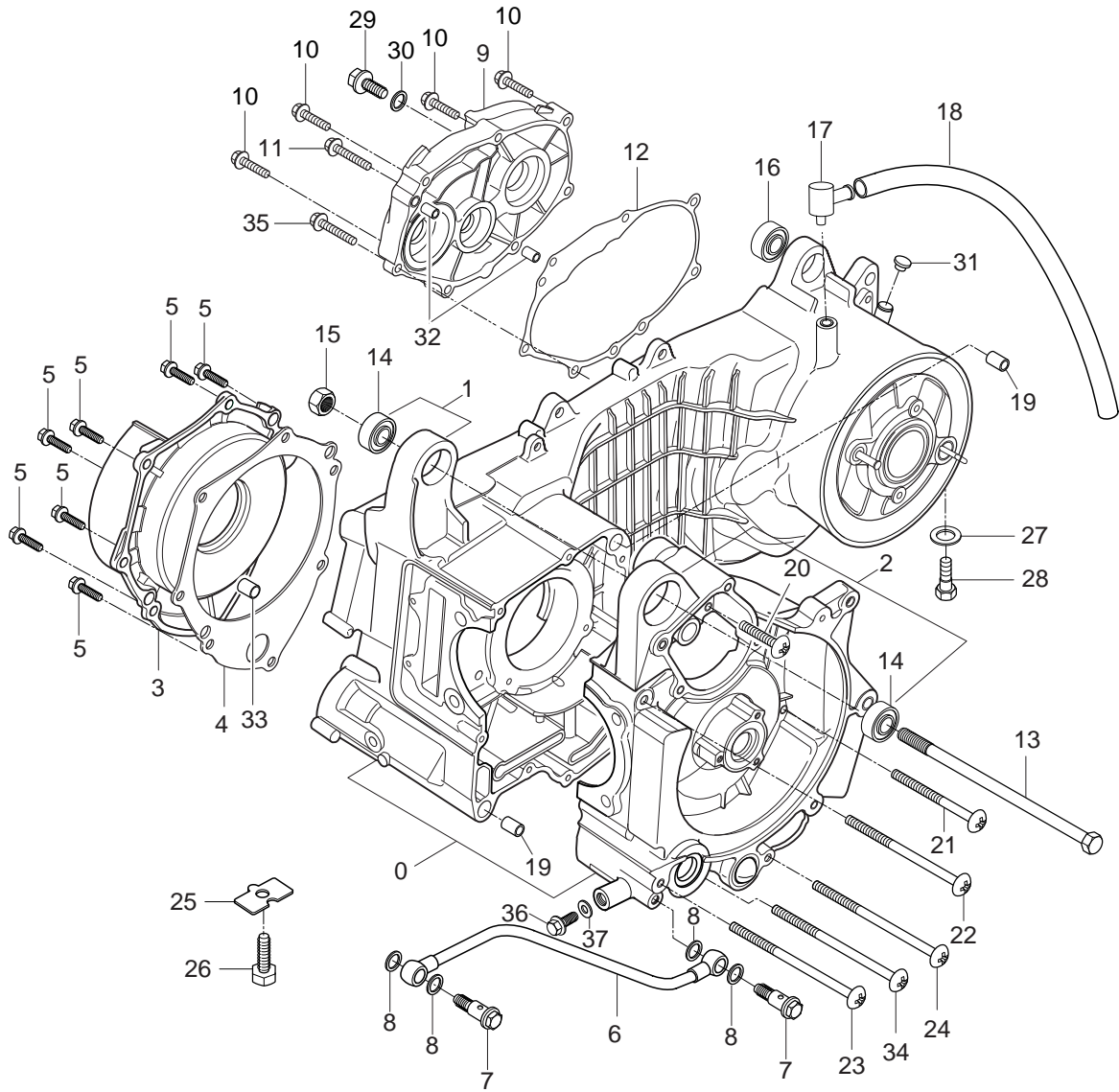


# FIG 3. CYLINDER

REF.	PARTS NO.			PARTS NAME	Q`TY	REMARKS	REC.Q'TY
NO.	DOMESTIC	MEU01	MG01				(PCS)
03-01	11210HL7301PCY	11210HL7301PCY	11210HL7301PCY	CYLINDER COMP	1		2
03-02	11241HF4501	11241HF4501	11241HF4501	GASKET, cylinder	1		30
03-03	09108H08072	09108H08072	09108H08072	BOLT, cylinder head stud	4		
03-04	01421-06958	01421-06958	01421-06958	BOLT, cylinder stud(M6x95)	2		
03-05	04213-11149	04213-11149	04213-11149	KNOCK PIN, cylinder	2		



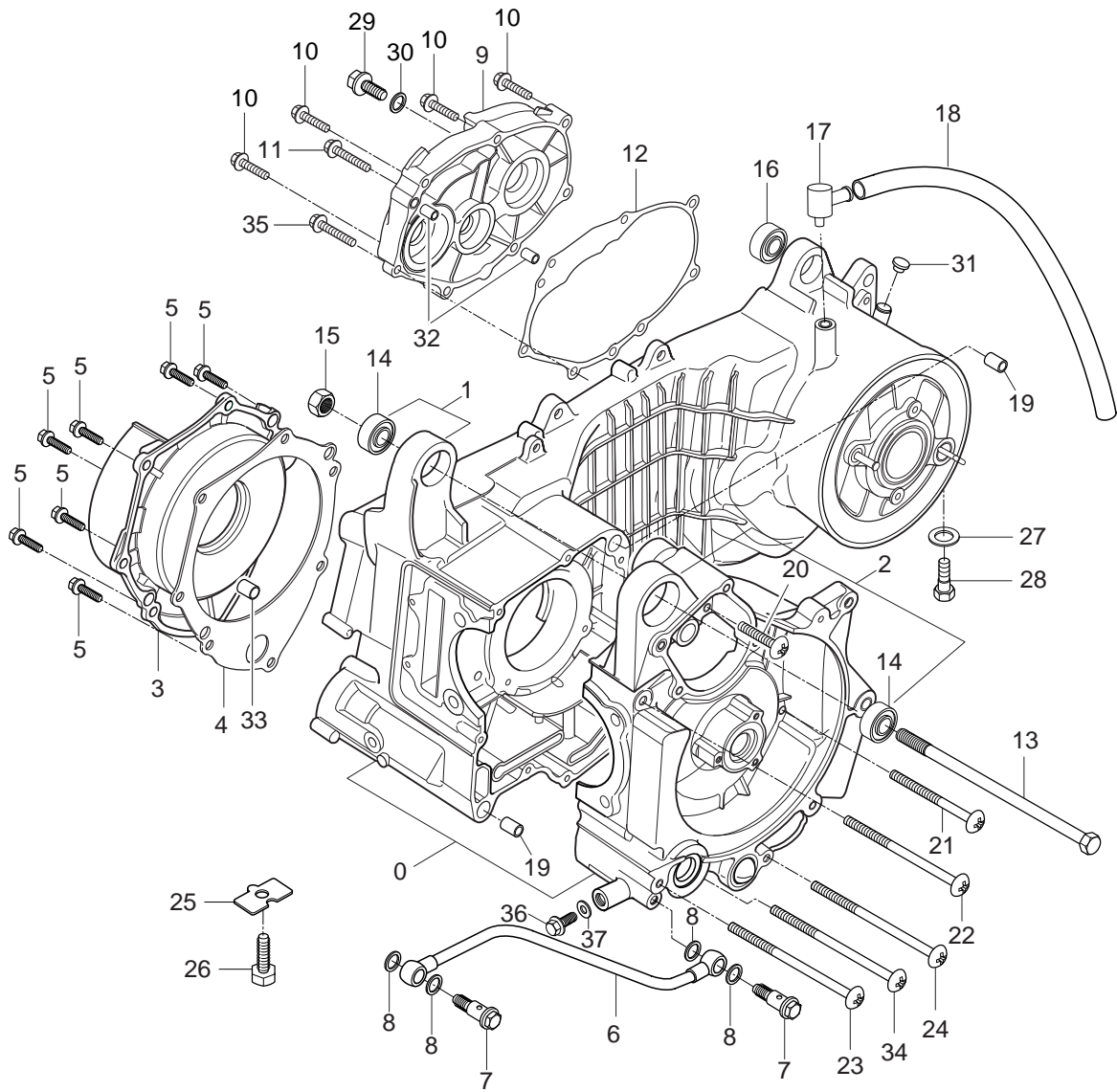
FIG 4



# FIG 4. CRANKCASE & GEAR BOX COVER

REF. NO.	PARTS NO.			PARTS NAME	Q'TY	REMARKS	REC.Q'TY (PCS)
	DOMESTIC	MEU01	MG01				
04-00	11300HL7300HPA	11300HL7300HPA	11300HL7300HPA	CRANKCASE ASS'Y	1		
04-01	11310HL7304HPA	11310HL7304HPA	11310HL7304HPA	CRANKCASE R ASS'Y	1		2
04-02	11320HL7302HPA	11320HL7302HPA	11320HL7302HPA	CRANKCASE L ASS'Y	1		2
04-03	11421HF4502PCR	11421HF4502PCR	11421HF4502PCR	COVER, crank shaft, R	1		
04-04	11422HF4502	11422HF4502	11422HF4502	GASKET, crank shaft cover R(NA)	1		
04-05	01547-06258	01547-06258	01547-06258	SCREW, crank shaft cover R(M6×25)	7		
04-06	11280HF4501	11280HF4501	11280HF4501	PIPE COMP, oil	1		
04-07	09360H10034	09360H10034	09360H10034	UNION, oil pipe	2		
04-08	09168-08008	09168-08008	09168-08008	GASKET, oil pipe union upper	4		5
04-09	11431HF4504PCR	11431HF4504PCR	11431HF4504PCR	COVER, gear box	1		2
04-10	07120-06308	07120-06308	07120-06308	BOLT, gear box cover(M6x30)	5		
04-11	07120-06408	07120-06408	07120-06408	BOLT, gear box cover(M6x40)	1		
04-12	11484HF4503	11484HF4503	11484HF4503	GASKET, gear box cover(NA)	1		10
04-13	09100-12028	09100-12028	09100-12028	BOLT, engine mounting(M12x185)	1		
04-14	09319-12036	09319-12036	09319-12036	BUSH, engine mounting	2		4
04-15	08310-11126	08310-11126	08310-11126	NUT, engine mounting(M12)	1		
04-16	09319-10032	09319-10032	09319-10032	BUSH, rear shock absorber	1		
04-17	16910-09401	16910-09401	16910-09401	UNION COMP, breather hose	1		
04-18	09343H04001	09343H04001	09343H04001	HOSE, breather	1		
04-19	04213-13189	04213-13189	04213-13189	PIN, crank case knock	2		
04-20	02112-06308	02112-06308	02112-06308	SCREW, crank case(M6×30)	1		
04-21	02112-06658	02112-06658	02112-06658	SCREW, crank case(M6×65)	3		
04-22	02112-06758	02112-06758	02112-06758	SCREW, crank case(M6×75)	1		
04-23	02112-06908	02112-06908	02112-06908	SCREW, crank case(M6×85)	1		
04-24	02112-06958	02112-06958	02112-06958	SCREW, crank case(M6×95)	1		
04-25	11319-05200	11319-05200	11319-05200	PLATE, oil gallery plug	1		
04-26	01107-06106	01107-06106	01107-06106	BOLT, oil gallery plate(M6×10)	1		

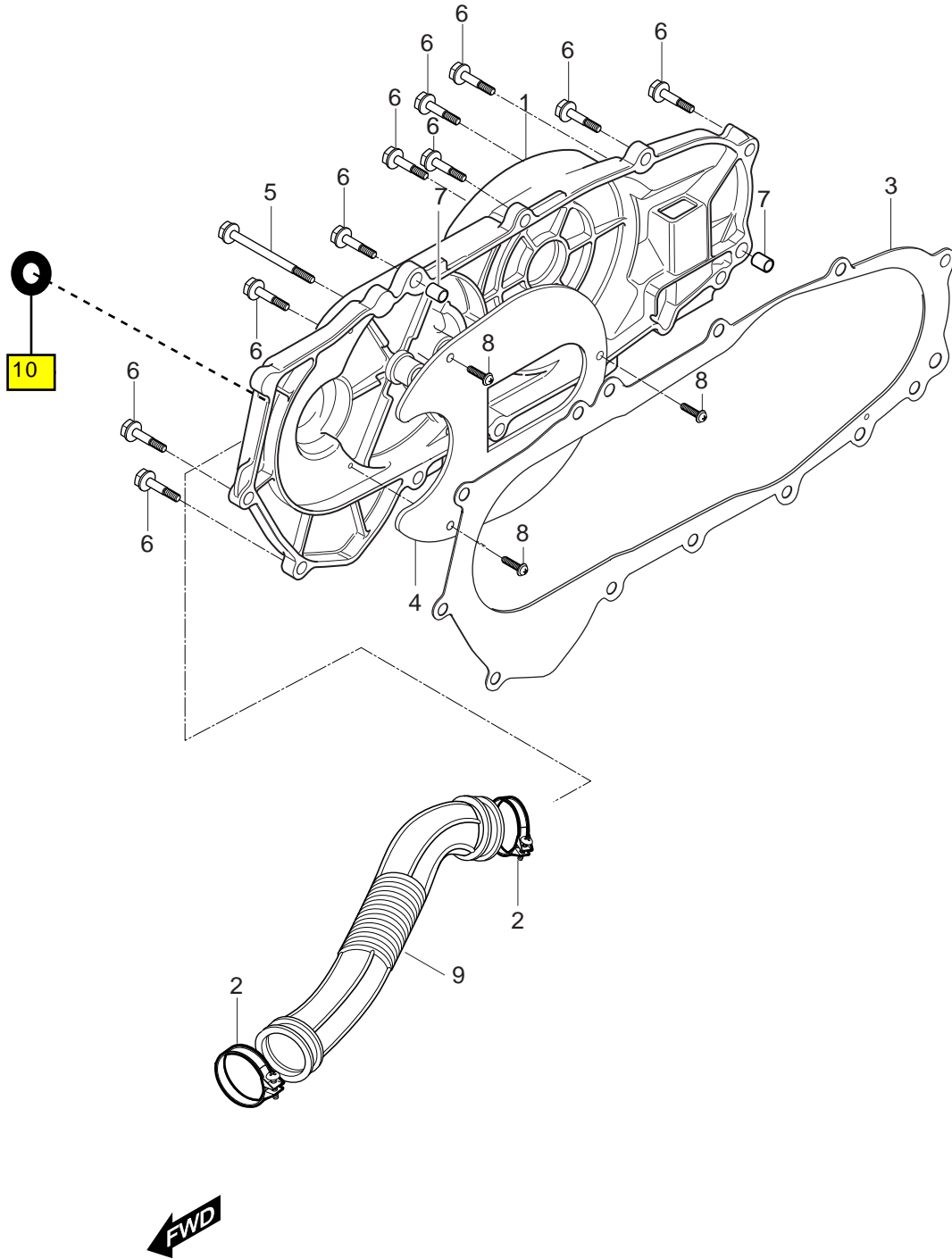
FIG 4



# FIG 4. CRANKCASE & GEAR BOX COVER

REF.	PARTS NO.			PARTS NAME	Q'TY	REMARKS	REC.Q'TY
NO.	DOMESTIC	MEU01	MG01				(PCS)
04-27	09168H10003	09168H10003	09168H10003	GASKET, T/M oil drain	1		5
04-28	09247-100A8	09247-100A8	09247-100A8	PLUG, oil drain	1		
04-29	01514-08128	01514-08128	01514-08128	PLUG, oil lever	1		2
04-30	09168-08008	09168-08008	09168-08008	GASKET, T/M oil lever	1		
04-31	09250H11005	09250H11005	09250H11005	PLUG, oil filler	1		
04-32	04213-09129	04213-09129	04213-09129	PIN, gear box cover	2		
04-33	04213-09129	04213-09129	04213-09129	PIN, crank shaft cover knock	2		
04-34	02112-06908	02112-06908	02112-06908	SCREW, crankcase(M6×90)	2		
04-35	07120-06358	07120-06358	07120-06358	BOLT, gear box cover(M6x35)	1		
04-36	09247-100A8	09247-100A8	09247-100A8	PLUG, oil check	1		
04-37	09161-10009	09161-10009	09161-10009	GASKET, oil check plug	1		

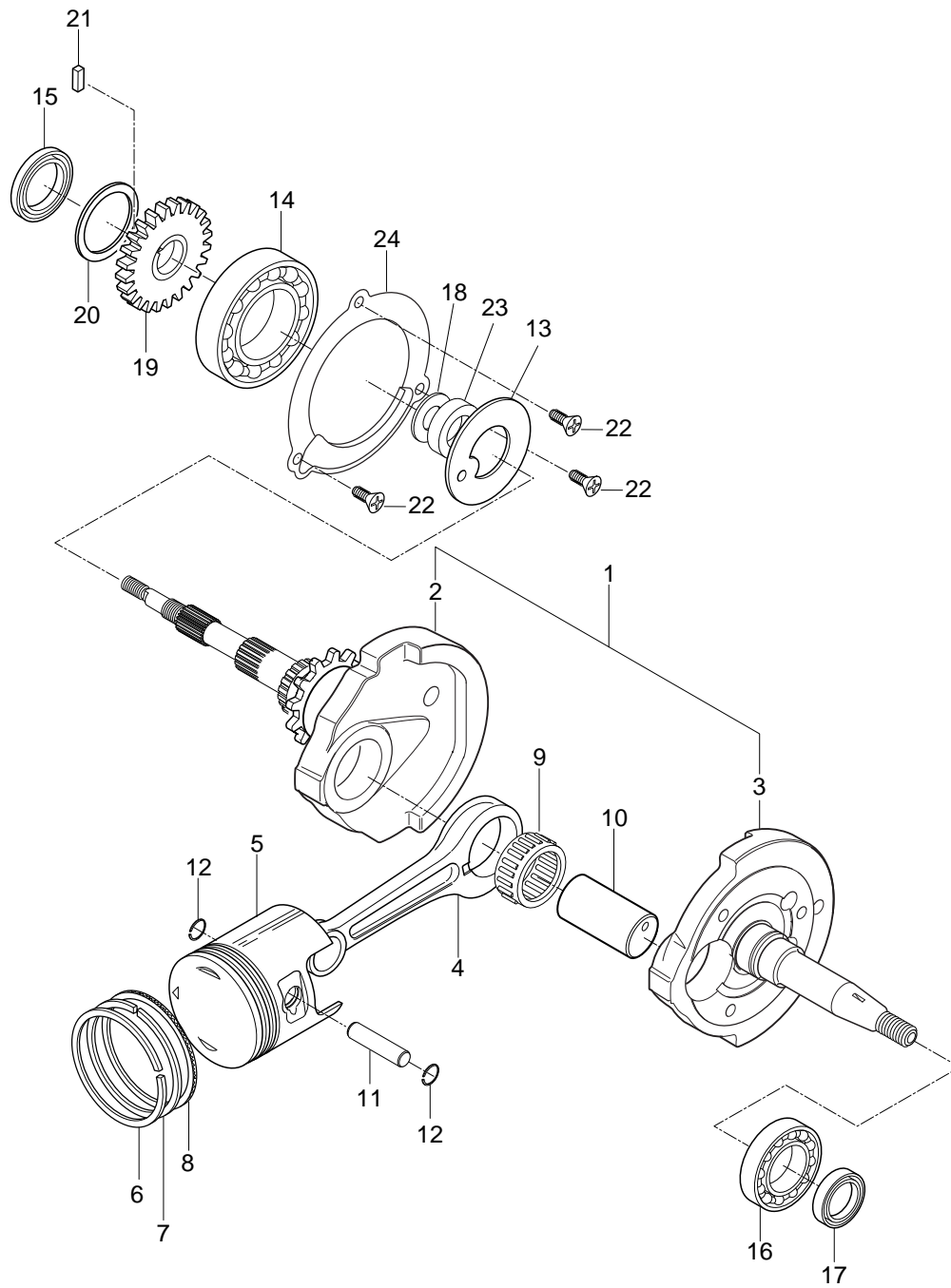
FIG 5



# FIG 5. CLUTCH COVER

REF. NO.	PARTS NO.			PARTS NAME	Q'TY	REMARKS	REC.Q'TY (PCS)
	DOMESTIC	MEU01	MG01				
05-01	11341HL730203P	11341HL730203P	11341HL730203P	COVER COMP, clutch	1		2
05-02	09402-36207	09402-36207	09402-36207	CLAMP, connecting tube	2		
05-03	11485HF4501	11485HF4501	11485HF4501	GASKET, clutch cover(NA)	1		10
05-04	11346HF4500	11346HF4500	11346HF4500	PLATE, clutch cover air intake pipe	1		
05-05	01547-06508	01547-06508	01547-06508	BOLT, clutch cover center(M6×50)	1		
05-06-01	01547-06208	01547-06208	01547-06208	BOLT, clutch cover(M6x20)	10		
05-06-02	01547-06208	09139H06021	09139H06021	BOLT,clutch cover	1		
05-07	04213-13189	04213-13189	04213-13189	PIN, clutch cover knock	2		
05-08	02112-35088	02112-35088	02112-35088	SCREW,cover air intake pipe(M5×8)	3		
05-09	13831HK3101	13831HK3101	13831HK3101	TUBE, connecting	1		
05-10	09285-14001	09285-14001	09285-14001	OIL SEAL, kick shaft	1		

FIG 6

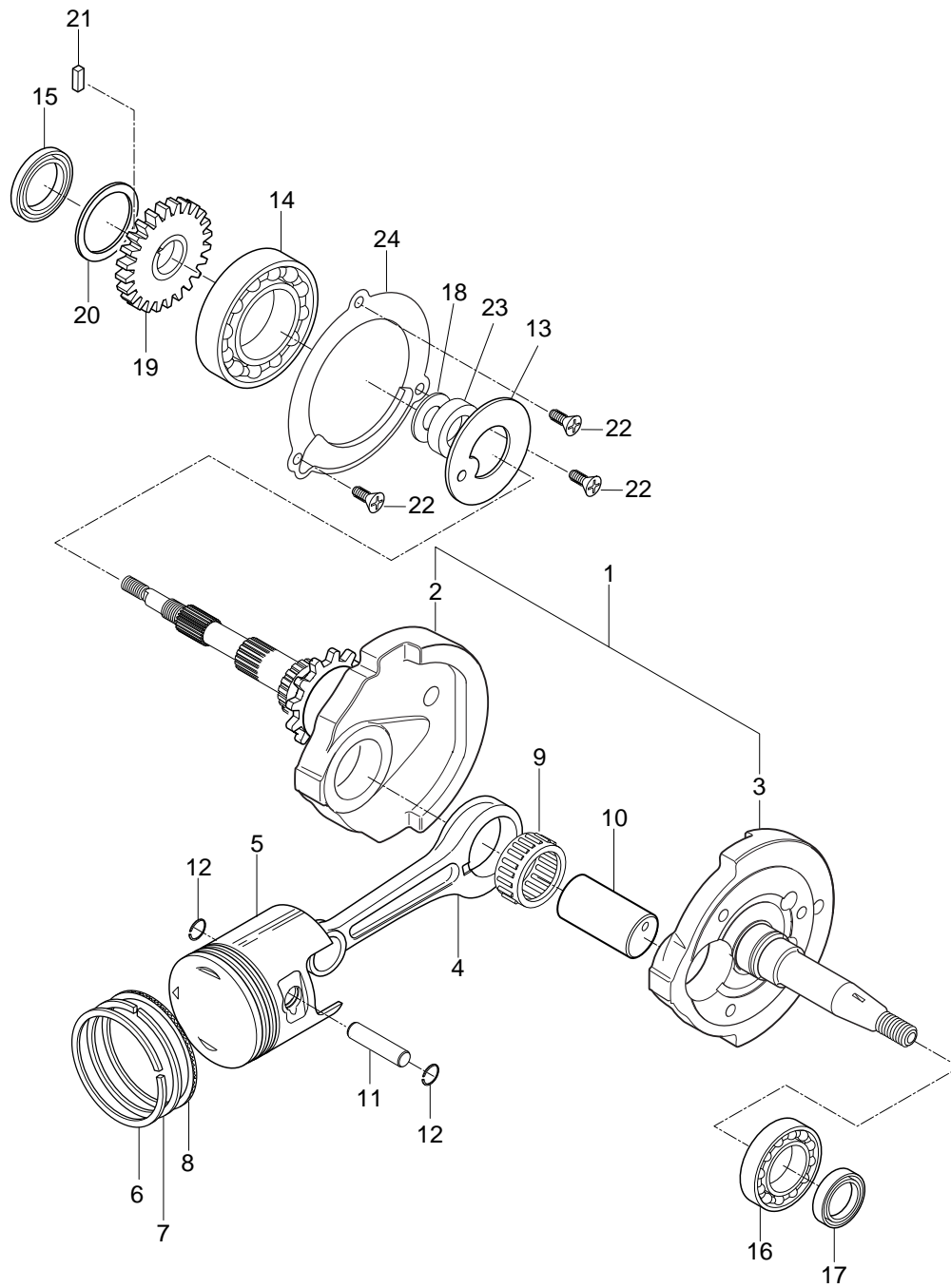


# FIG 6. CRANK SHAFT

REF. NO.	PARTS NO.			PARTS NAME	Q`TY	REMARKS	REC.Q'TY (PCS)
	DOMESTIC	MEU01	MG01				
06-01	12200HL7304HPA	12200HL7304HPA	12200HL7304HPA	CRANKSHAFT ASS'Y	1		
06-02	12221HL7303CSA	12221HL7303CSA	12221HL7303CSA	CRANKSHAFT, R	1		
06-03	12261HL7303CSA	12261HL7303CSA	12261HL7303CSA	CRANKSHAFT, L	1		
06-04	12161HF45000BO	12161HF45000BO	12161HF45000BO	ROD, connecting	1		5
06-05	12111HL7301PPS	12111HL7301PPS	12111HL7301PPS	PISTON	1		14
06-06	12141-16E00	12141-16E00	12141-16E00	RING, piston 1st	1		14
06-07	12142-16E00	12142-16E00	12142-16E00	RING, piston 2nd	1		14
06-08	12144-16E00	12144-16E00	12144-16E00	RING, piston oil	1		14
06-09	09263H28003	09263H28003	09263H28003	BEARING, crank pin(28x36x16)	1		5
06-10	12211HL7300888	12211HL7300888	12211HL7300888	PIN, crank	1		5
06-11	12151-30B00	12151-30B00	12151-30B00	PIN, piston	1		5
06-12	09381-15001	09381-15001	09381-15001	CIRCLIP, piston pin	2		30
06-13	12510HL7300	12510HL7300	12510HL7300	PLATE COMP, crankshaft oil guide	1		
06-14	09262H35072	09262H35072	09262H35072	BEARING, crankshaft,R(35x72x16)	1		4
06-15	09283H26002	09283H26002	09283H26002	SEAL, crankshaft R oil(28x46x6)	1		6
06-16	09262H25062	09262H25062	09262H25062	BEARING, crankshaft L(25x62x17)	1		4
06-17	09283H19002	09283H19002	09283H19002	SEAL, crankshaft L oil(20x28x6)	1		6
06-18-01	12223HF4500060	12223HF4500060	12223HF4500060	SHIM, crankshaft R	1	NOT SALE	
06-18-02	12223HF4500065	12223HF4500065	12223HF4500065	SHIM, crankshaft R	1	NOT SALE	
06-18-03	12223HF4500070	12223HF4500070	12223HF4500070	SHIM, crankshaft R	1		
06-18-04	12223HF4500075	12223HF4500075	12223HF4500075	SHIM, crankshaft R	1	NOT SALE	
06-18-05	12223HF4500080	12223HF4500080	12223HF4500080	SHIM, crankshaft R	1	NOT SALE	
06-18-06	12223HF4500085	12223HF4500085	12223HF4500085	SHIM, crankshaft R	1	NOT SALE	
06-18-07	12223HF4500090	12223HF4500090	12223HF4500090	SHIM, crankshaft R	1	NOT SALE	
06-18-08	12223HF4500095	12223HF4500095	12223HF4500095	SHIM, crankshaft R	1	NOT SALE	
06-18-09	12223HF4500100	12223HF4500100	12223HF4500100	SHIM, crankshaft R	1	NOT SALE	
06-18-10	12223HF4500105	12223HF4500105	12223HF4500105	SHIM, crankshaft R	1	NOT SALE	



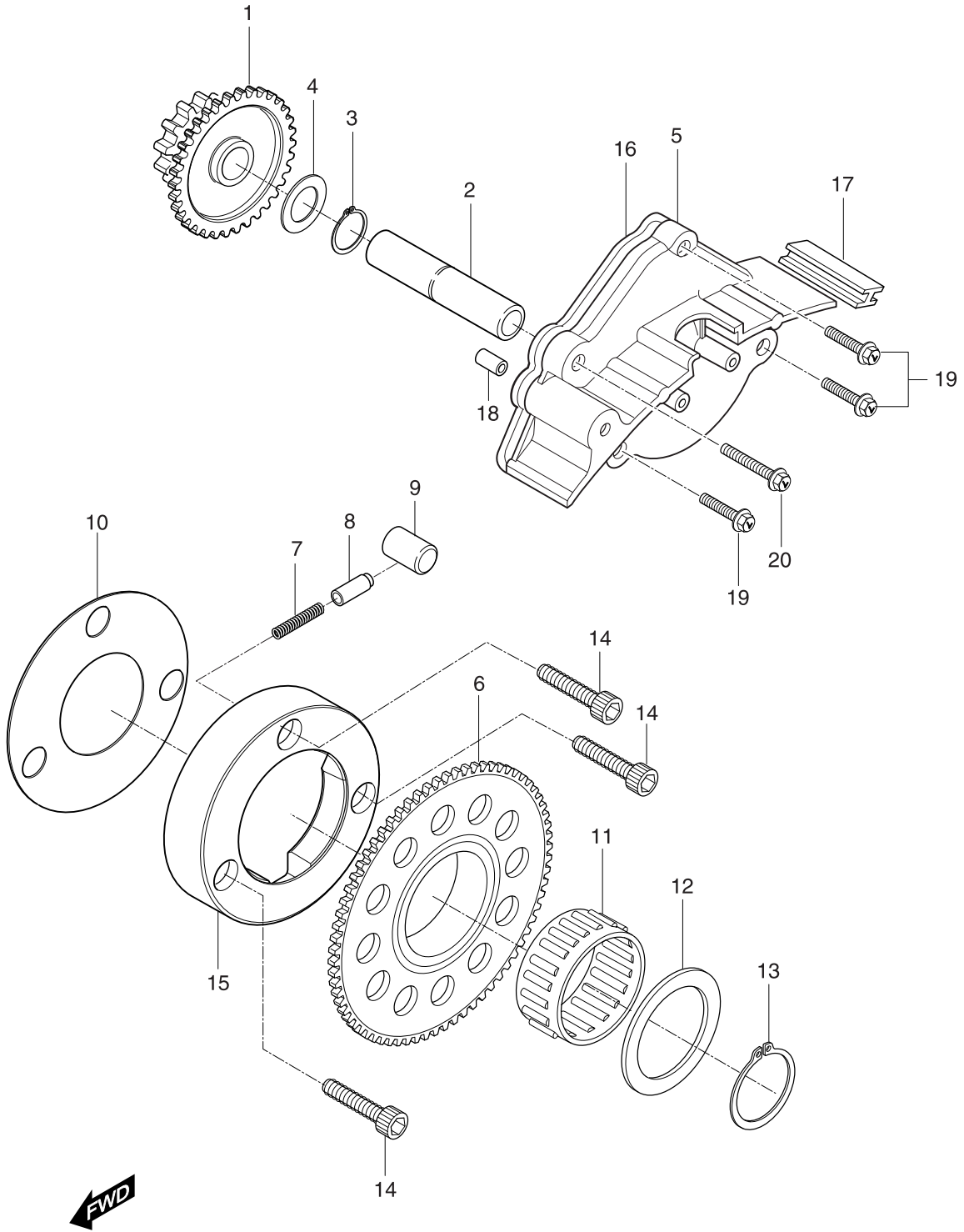
FIG 6



# FIG 6. CRANK SHAFT

REF.	PARTS NO.			PARTS NAME	Q`TY	REMARKS	REC.Q'TY
NO.	DOMESTIC	MEU01	MG01				(PCS)
06-18-11	12223HF4500110	12223HF4500110	12223HF4500110	SHIM, crankshaft R	1	NOT SALE	
06-19	16321HF4502	16321HF4502	16321HF4502	GEAR, oil pump drive	1		4
06-20	09280H20003	09280H20003	09280H20003	O-RING, oil pump drive gear	1		4
06-21	04221-04069	04221-04069	04221-04069	PIN, oil pump drive gear	1		
06-22	02142-06128	02142-06128	02142-06128	SCREW, oil reserve plate(M6×12)	3		
06-23	09180H42007	09180H42007	09180H42007	SPACER, oil guide plate	1		
06-24	12521HL7300	12521HL7300	12521HL7300	PLATE, oil reserve	1		

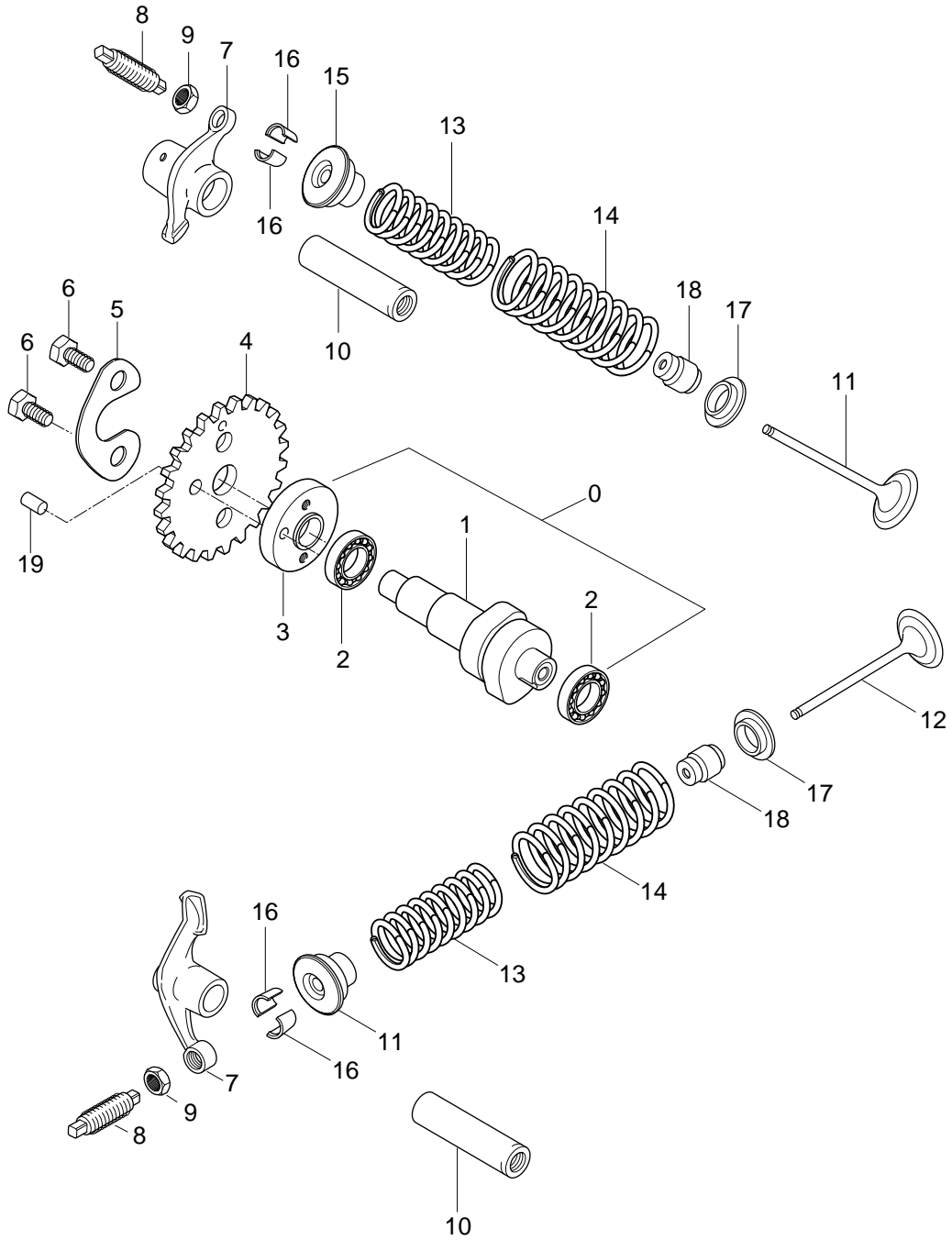
FIG 7



# FIG 7. STARTER CLUTCH

REF. NO.	PARTS NO.			PARTS NAME	Q'TY	REMARKS	REC.Q'TY (PCS)
	DOMESTIC	MEU01	MG01				
07-01	12611-05300	12611-05300	12611-05300	GEAR, starter idle	1		2
07-02	12612HF4500	12612HF4500	12612HF4500	SHAFT, starter idle gear	1		
07-03	08331-31139	08331-31139	08331-31139	CIRCLIP, starter idle gear	1		
07-04	09160-13010	09160-13010	09160-13010	WASHER, starter idle gear	1		
07-05	11382HF450203P	11382HF450203P	11382HF450203P	CAP, start idle gear	1		2
07-06	12620HF4500	12620HF4500	12620HF4500	GEAR COMP, starter clutch	1		
07-07	09440-03004	09440-03004	09440-03004	SPRING, starter clutch	1		
07-08	12633-05300	12633-05300	12633-05300	PIECE, starter clutch roller push	3		
07-09	09261-10003	09261-10003	09261-10003	ROLLER, starter clutch	3		
07-10	12649HF4500	12649HF4500	12649HF4500	SHIM, starter clutch hub	3		
07-11	09263H32001	09263H32001	09263H32001	BEARING, starter clutch gear	1		5
07-12	08211-32381	08211-32381	08211-32381	WASHER, starter clutch gear	1		
07-13	08331-31329	08331-31329	08331-31329	CIRCLIP, starter clutch gear	1		
07-14	09106-06030	09106-06030	09106-06030	BOLT, starter clutch(M6X16)	3		
07-15	12630HF4500	12630HF4500	12630HF4500	HUB COMP, starter clutch1	1		
07-16	11383HF4502	11383HF4502	11383HF4502	GASKET, starter idle gear cap	1		
07-17	11384HF4500	11384HF4500	11384HF4500	CUSHION, starter idle gear cap	1		
07-18	04213-09129	04213-09129	04213-09129	PIN, starter idle gear cap	1		
07-19	01547-06258	01547-06258	01547-06258	SCREW, starter idle gear cap(M6×25)	3		
07-20	01547-06358	01547-06358	01547-06358	SCREW, starter idle gear cap(M6×35)	1		

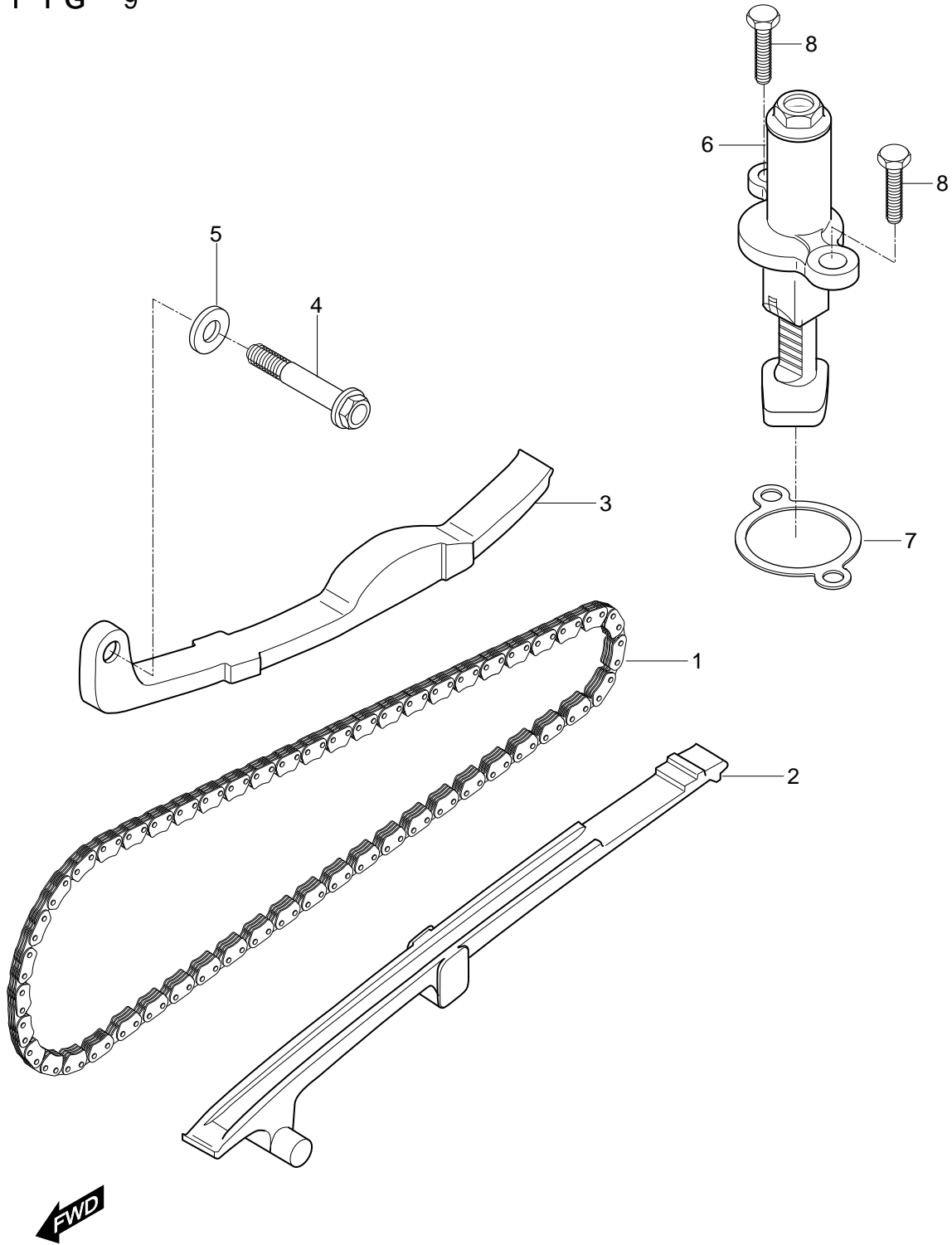
FIG 8



# FIG 8. CAM SHAFT

REF. NO.	PARTS NO.			PARTS NAME	Q'TY	REMARKS	REC.Q'TY (PCS)
	DOMESTIC	MEU01	MG01				
08-00	12710HL7300HPA	12710HL7300HPA	12710HL7300HPA	CAMSHAFT ASS'Y(08-1,2,3,4,5,6,19)	1		5
08-01	12710HL7300888	12710HL7300888	12710HL7300888	CAMSHAFT	2		
08-02	08113-60020	08113-60020	08113-60020	BEARING, camshaft 6002 C3(15x32x9)	1		5
08-03	12713HF4500	12713HF4500	12713HF4500	FLANGE, camshaft	1		5
08-04	12741HF4500	12741HF4500	12741HF4500	SPROCKET, camshaft	1		5
08-05	12747-30A00	12747-30A00	12747-30A00	WASHER, sprocket	2		
08-06	09111-06032	09111-06032	09111-06032	BOLT, sprocket(M6x10.5)	2		
08-07	12841HF4501	12841HF4501	12841HF4501	ARM, valve rocker	2		
08-08	12842-49201	12842-49201	12842-49201	SCREW, tappet adjusting(M5x18.5)	2		
08-09	12843-27A00	12843-27A00	12843-27A00	NUT, tappet adjusting(M5)	2		
08-10	12861HF4501	12861HF4501	12861HF4501	SHAFT, valve rocker arm	1		
08-11	12911HL7300	12911HL7300	12911HL7300	VALVE, intake	1		5
08-12	12912HL7300	12912HL7300	12912HL7300	VALVE, exhaust	2		5
08-13	12921HF4500	12921HF4500	12921HF4500	SPRING, valve inner	2		
08-14	12922HF4500	12922HF4500	12922HF4500	SPRING, valve outer	2		
08-15	12931HF4500	12931HF4500	12931HF4500	RETAINER, valve spring	4		
08-16	12932HD6300	12932HD6300	12932HD6300	COTTER, valve	2		
08-17	12933HF4501	12933HF4501	12933HF4501	SEAT, valve spring	2		
08-18	09289-05008	09289-05008	09289-05008	OIL SEAL, valve stem(5x10x8)	1		
08-19	09261-05005	09261-05005	09261-05005	PIN, sprocket knock	1		

FIG 9

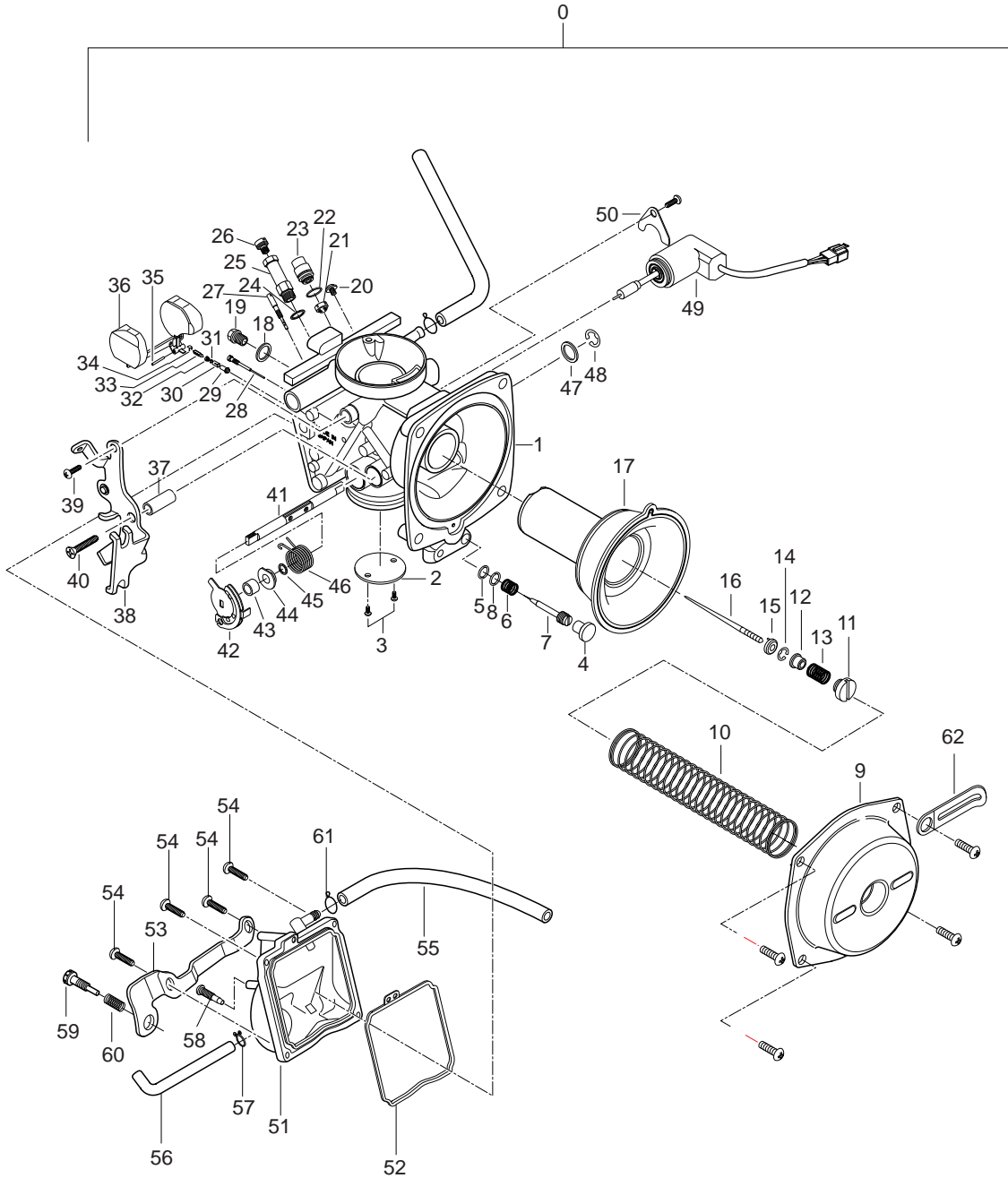


# FIG 9. CAM CHAIN

REF.	PARTS NO.			PARTS NAME	Q`TY	REMARKS	REC.Q'TY
NO.	DOMESTIC	MEU01	MG01				(PCS)
09-01	12760HF4500	12760HF4500	12760HF4500	CHAIN COMP, camshaft drive	1		3
09-02	12771HF4500	12771HF4500	12771HF4500	GUIDE, camchain	1		5
09-03	12811HF4500	12811HF4500	12811HF4500	TENSIONER, camchain	1		5
09-04	12812-30A00	12812-30A00	12812-30A00	BOLT, camchain tensioner(M6x32)	1		6
09-05	09168-06004	09168-06004	09168-06004	WASHER, camchain tensioner	1		
09-06	12830H93B00	12830H93B00	12830H93B00	ADJUSTER ASS'Y, tensioner	1		5
09-07	12837H19B11	12837H19B11	12837H19B11	GASKET, tensioner adjuster	1		10
09-08	01104-06205	01104-06205	01104-06205	BOLT, tensioner adjuster(M6x20)	2		



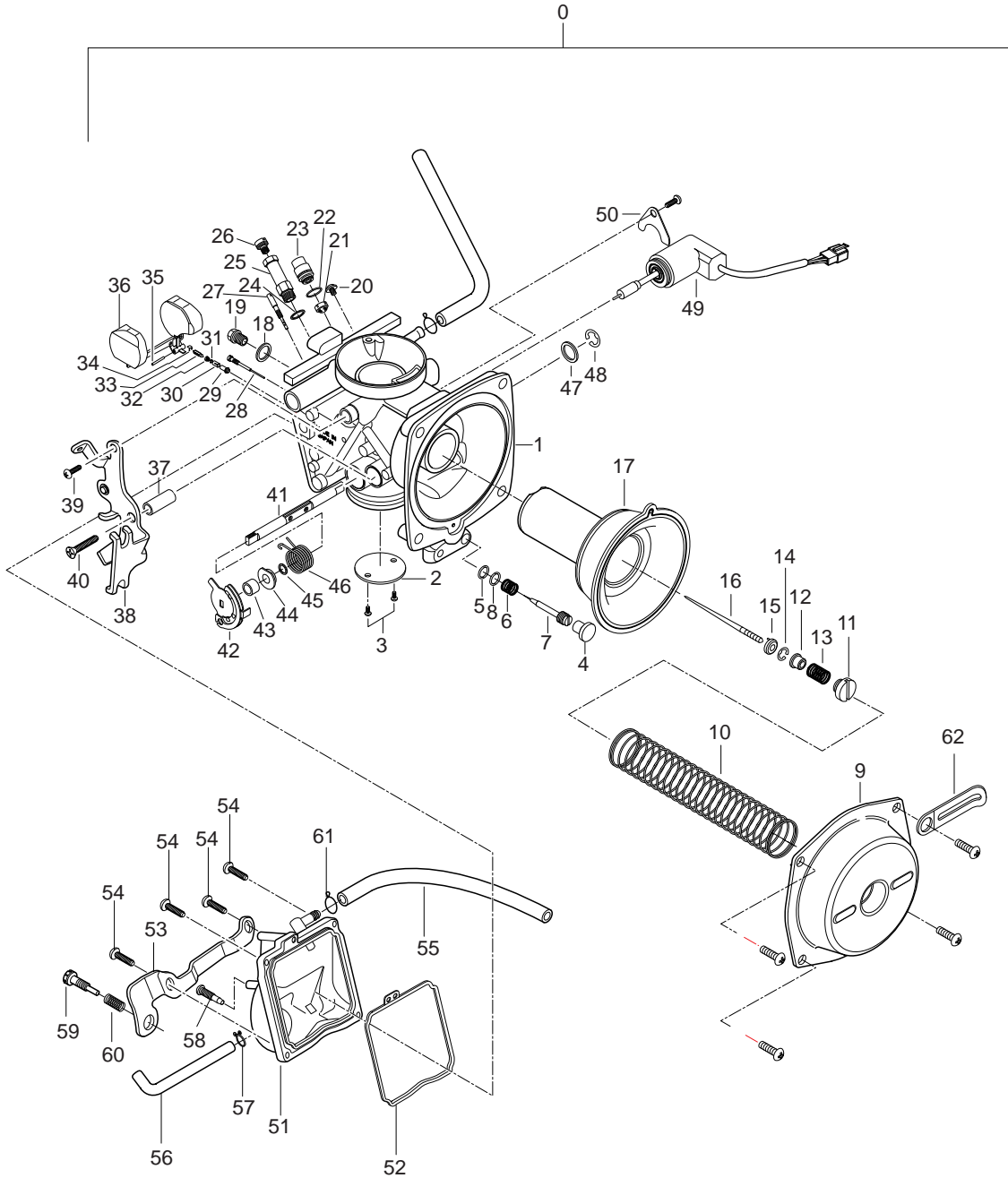
FIG 10



# FIG 10. CARBURETOR

REF. NO.	PARTS NO.			PARTS NAME	Q'TY	REMARKS	REC.Q'TY (PCS)
	DOMESTIC	MEU01	MG01				
10-00	13200HL7301	13200HL7301	13200HL7301	CARBURETOR ASS'Y	1		2
10-01	13301HL7300	13301HL7300	13301HL7300	.MIXING BODY ASS'Y	1		
10-02	13386-09410	13386-09410	13386-09410	.THROTTLE VALVE	1		
10-03	13268-37420	13268-37420	13268-37420	.SCREW	2		
10-04	02112-05107	02112-05107	02112-05107	.PLUG	1		
10-05	13305HL7300	13305HL7300	13305HL7300	.O-RING	1		
10-06	13306HL7300	13306HL7300	13306HL7300	.SPRING(CO)	1		
10-07	13307HL7300	13307HL7300	13307HL7300	.ADJUSTER	1		
10-08	13308HL7300	13308HL7300	13308HL7300	.WASHER	1		
10-09	13309HL7300	13309HL7300	13309HL7300	.DIAPHRAGM COVER	1		
10-10	13311HG5100	13311HG5100	13311HG5100	.SPRING(CO)	1		
10-11	13311HL7300	13311HL7300	13311HL7300	.SCREW	1		
10-12	13312HL7300	13312HL7300	13312HL7300	.RING	1		
10-13	13313HL7300	13313HL7300	13313HL7300	.SPRING(CO)	1		
10-14	13314HL7300	13314HL7300	13314HL7300	.E-RING	1		
10-15	13315HL7300	13315HL7300	13315HL7300	.RING	1		
10-16	13316HL7300	13316HL7300	13316HL7300	.JET NEEDLE(JN)	1		
10-17	13434-30650	13434-30650	13434-30650	.DIAPHRAGM ASS'Y	1		
10-18	13318HL7300	13318HL7300	13318HL7300	.WASHER	1		
10-19	13319HL7300	13319HL7300	13319HL7300	.SCREW	1		
10-20	13320HL7300	13320HL7300	13320HL7300	.SCREW	1		
10-21	13321HL7300	13321HL7300	13321HL7300	.NEEDLE(AB)	1	NOT SALE	
10-22	13322HL7300	13322HL7300	13322HL7300	.WASHER	1	NOT SALE	
10-23	13323HL7300	13323HL7300	13323HL7300	.SCREW	1	NOT SALE	
10-24	13324HL7300	13324HL7300	13324HL7300	.WASHER	1		
10-25	13325HL7300	13325HL7300	13325HL7300	.SCREW	1		
10-26	13326HL7300	13326HL7300	13326HL7300	.MAIN JET(MJ)	1		

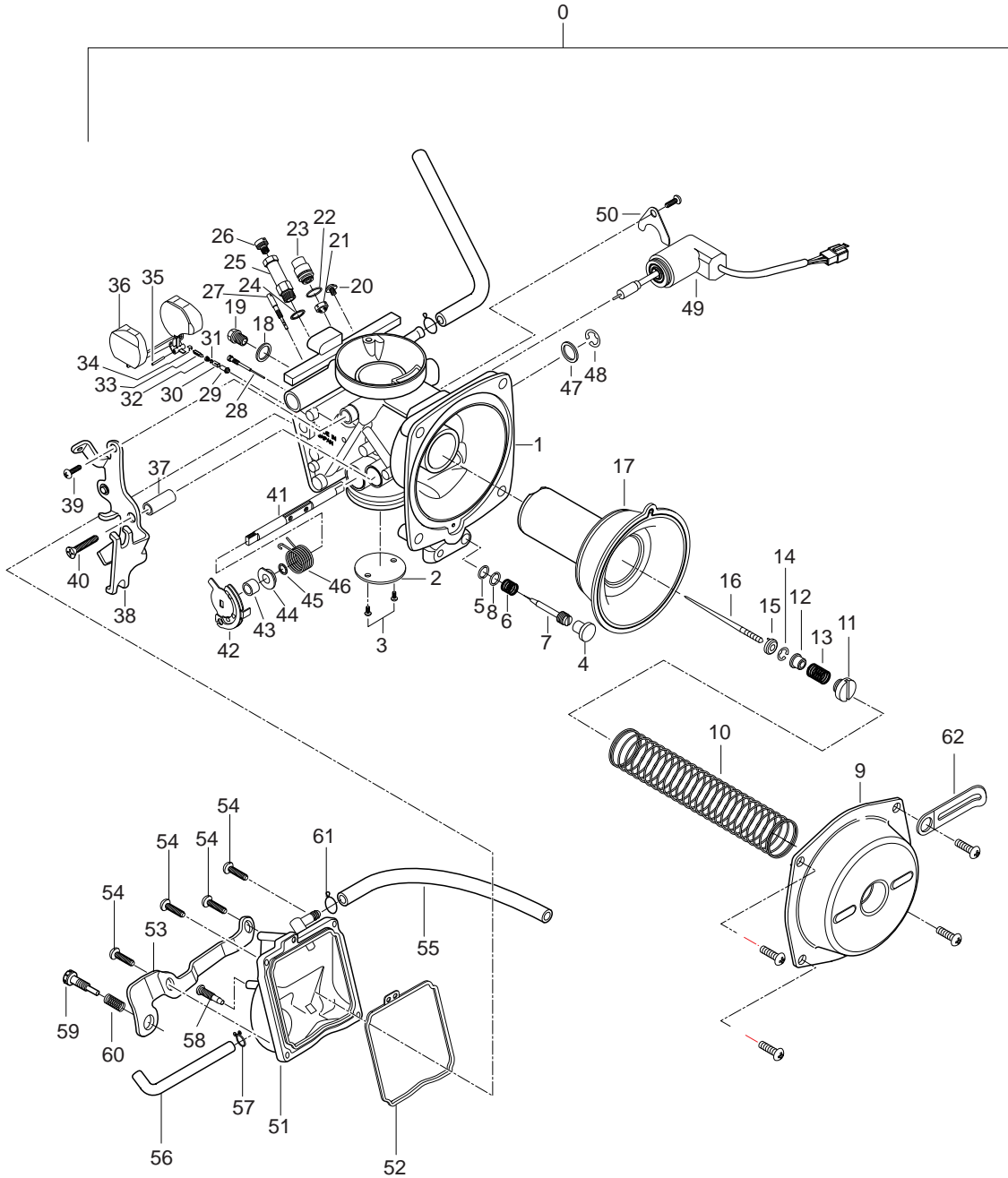
FIG 10



# FIG 10. CARBURETOR

REF. NO.	PARTS NO.			PARTS NAME	Q'TY	REMARKS	REC.Q'TY (PCS)
	DOMESTIC	MEU01	MG01				
10-27	13327HL7300	13327HL7300	13327HL7300	.PILOT JET(PJ)	1		
10-28	13328HL7300	13328HL7300	13328HL7300	.PILOT AIR JET(PAJ)	1		
10-29	13329HL7300	13329HL7300	13329HL7300	.VALVE SEAT(VS)	1	NOT SALE	
10-30	13330HL7300	13330HL7300	13330HL7300	.FILTER	1		
10-31	13331HL7300	13331HL7300	13331HL7300	.O-RING	1		
10-32	13332HL7300	13332HL7300	13332HL7300	.SCREW	1	NOT SALE	
10-33	13333HL7300	13333HL7300	13333HL7300	.NEEDLE VALVE	1		
10-34	13334HL7300	13334HL7300	13334HL7300	.CLIP	1	NOT SALE	
10-35	13335HL7300	13335HL7300	13335HL7300	.PIN	1		
10-36	13336HL7300	13336HL7300	13336HL7300	.FLOAT ASS'Y	1		
10-37	13337HL7300	13337HL7300	13337HL7300	.SPACER	1		
10-38	13338HL7300	13338HL7300	13338HL7300	.BRACKET ASS'Y	1		
10-39	13339HL7300	13339HL7300	13339HL7300	.SCREW	1		
10-40	13340HL7300	13340HL7300	13340HL7300	.SCREW	1		
10-41	13341HL7300	13341HL7300	13341HL7300	.GUIDE	1	NOT SALE	
10-42	13342HL7300	13342HL7300	13342HL7300	.LEVER ASS'Y	1		
10-43	13343HL7300	13343HL7300	13343HL7300	.SPACER	1		
10-44	13344HL7300	13344HL7300	13344HL7300	.RING	1		
10-45	13345HL7300	13345HL7300	13345HL7300	.SEAL	1		
10-46	13346HL7300	13346HL7300	13346HL7300	.SPRING(CO)	1		
10-47	13347HL7300	13347HL7300	13347HL7300	.WASHER	1		
10-48	13348HL7300	13348HL7300	13348HL7300	.E-RING	1		
10-49	13349HL7300	13349HL7300	13349HL7300	.THERMO ELEMENT ASS'Y	1		
10-50	13350HL7300	13350HL7300	13350HL7300	.PLATE	1		
10-51	13351HL7300	13351HL7300	13351HL7300	.FLOAT BODY ASS'Y	1		
10-52	13352HL7300	13352HL7300	13352HL7300	.O-RING	1		
10-53	13353HL7300	13353HL7300	13353HL7300	.PLATE	1		

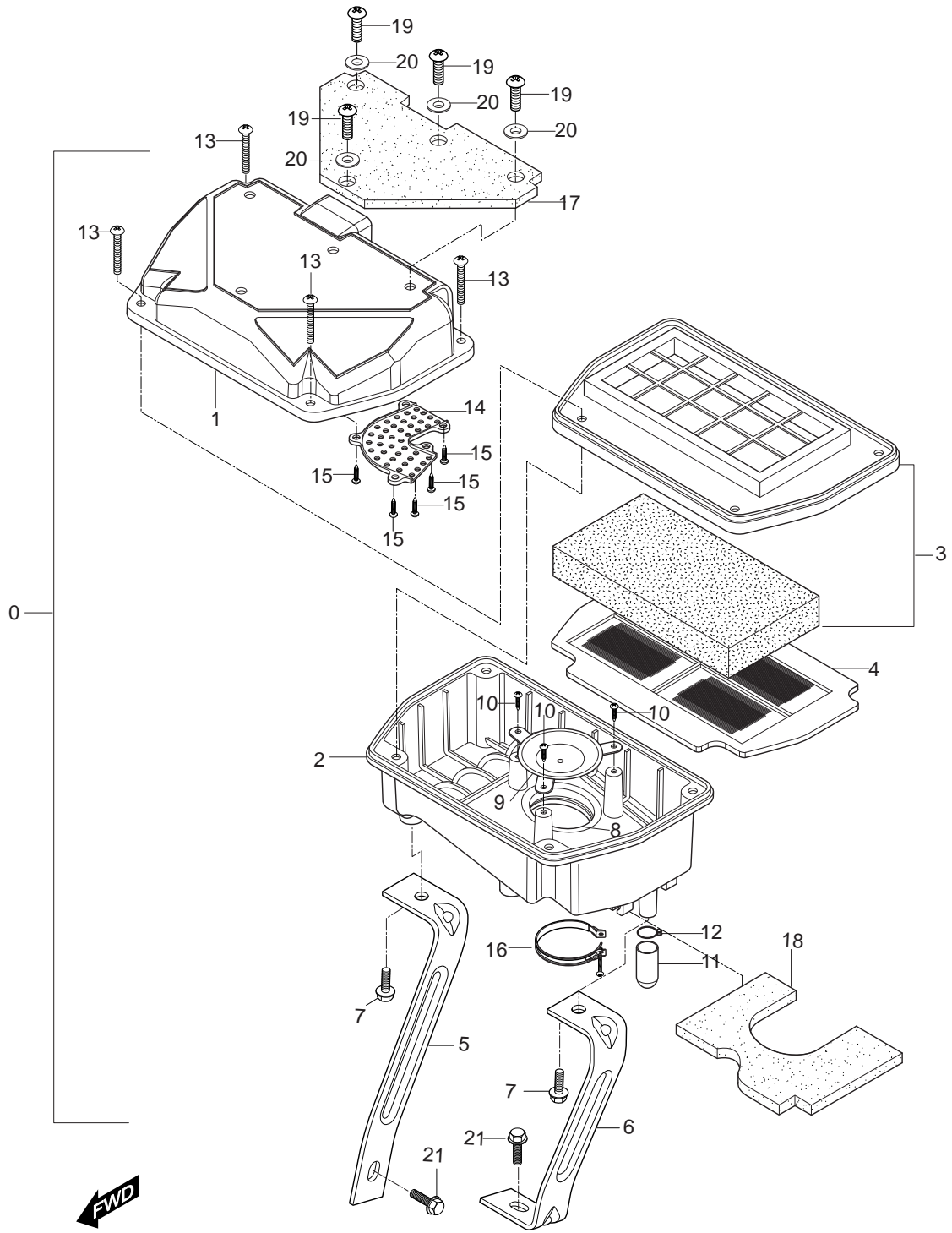
FIG 10



# FIG 10. CARBURETOR

REF.	PARTS NO.			PARTS NAME	Q`TY	REMARKS	REC.Q'TY
NO.	DOMESTIC	MEU01	MG01				(PCS)
10-54	13354HL7300	13354HL7300	13354HL7300	.SCREW	4		
10-55	13355HL7300	13355HL7300	13355HL7300	.OVERFLOW HOSE	1		
10-56	13356HL7300	13356HL7300	13356HL7300	.DRAIN HOSE	1		
10-57	13357HL7300	13357HL7300	13357HL7300	.CLIP	1	NOT SALE	
10-58	13358HL7300	13358HL7300	13358HL7300	.SCREW	1		
10-59	13359HL7300	13359HL7300	13359HL7300	.ADJUST SCREW	1		
10-60	13360HL7300	13360HL7300	13360HL7300	.SPRING	1		
10-61	13361HL7300	13361HL7300	13361HL7300	.CLIP	1	NOT SALE	

FIG 11



# FIG 11. AIR CLEANER

REF. NO.	PARTS NO.			PARTS NAME	Q'TY	REMARKS	REC.Q'TY (PCS)
	DOMESTIC	MEU01	MG01				
11-00	13700HL7303	13700HL7303	13700HL7303	CLEANER ASS'Y, air	1		5
11-01	13720HL7301	13720HL7301	13720HL7301	CASE COMP, air cleaner	1		
11-02	13740HL7300SET	13740HL7300SET	13740HL7300SET	CAP COMP, air cleaner	1		
11-03	13780HL7300	13780HL7300	13780HL7300	FILTER COMP, air cleaner	1		
11-04	13750HL7300	13750HL7300	13750HL7300	TRAP COMP, frame	1	NOT SALE	
11-05	13743HL7303	13743HL7303	13743HL7303	BRACKET, air cleaner No.1	1		
11-06	13744HL7303	13744HL7303	13744HL7303	BRACKET, air cleaner No.2	1		
11-07	01134-05106	01134-05106	01134-05106	BOLT, air cleaner bracket(M5×10)	2		
11-08	13881HL7300	13881HL7300	13881HL7300	TUBE, outlet	1		
11-09	13891HL7300	13891HL7300	13891HL7300	PLATE, air cleaner	1	NOT SALE	
11-10	03241-05168	03241-05168	03241-05168	SCREW, air cleaner plate(M5×16)	3		
11-11	13895HF4500	13895HF4500	13895HF4500	PLUG, oil drain	1		
11-12	09401-14301	09401-14301	09401-14301	CIRCUP, oil drain	1		
11-13	02142-05305	02142-05305	02142-05305	BOLT, air cleaner(M5×30)	4		
11-14	13893HL7300	13893HL7300	13893HL7300	CAP, inlet guide	1	NOT SALE	
11-15	03241-05168	03241-05168	03241-05168	SCREW, inlet guide cap(M5×16)	5		
11-16	09402-56208	09402-56208	09402-56208	CLAMP, outlet tube	1		
11-17	13861HL7301	13861HL7301	13861HL7301	SEAT, air cleaner case	1		
11-18	13871HL7301	13871HL7301	13871HL7301	SILENCER, air cleaner	1		
11-19	03511-04105	03511-04105	03511-04105	SCREW, air cleaner seat(M4×10)	4		
11-20	13724-41D40	13724-41D40	13724-41D40	WASHER, air cleaner seat	4		
11-21	01137-06128	01137-06128	01137-06128	BOLT, air cleaner bracket(M6×12)	2		

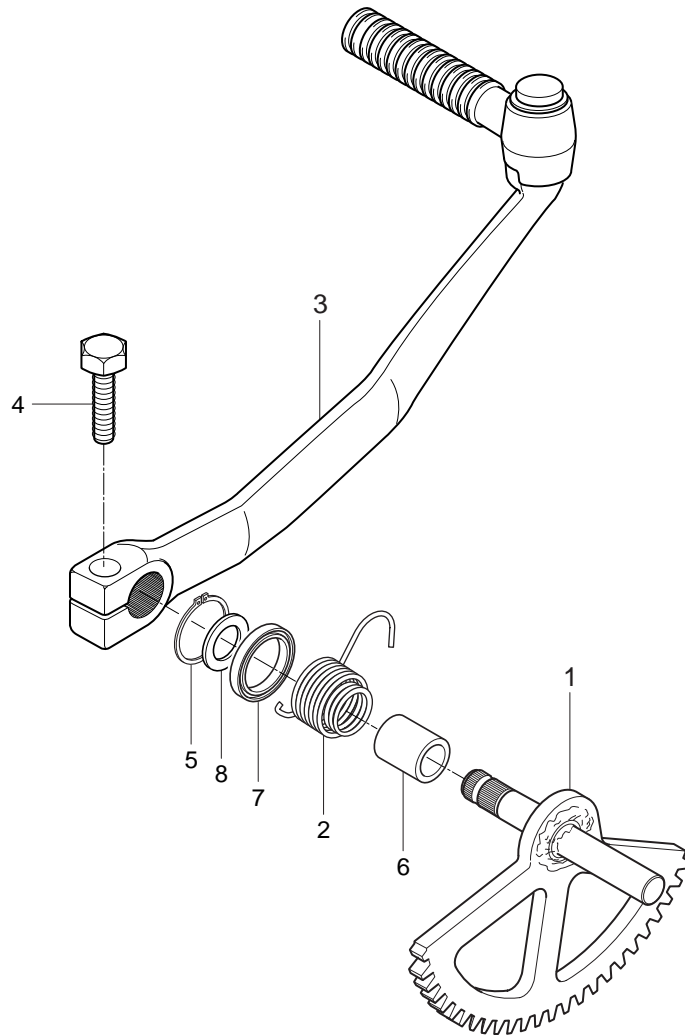




# FIG 12. MUFFLER

REF. NO.	PARTS NO.			PARTS NAME	Q`TY	REMARKS	REC.Q'TY (PCS)
	DOMESTIC	MEU01	MG01				
12-00	14300HL7320PAH	14300HL7320PAH	14300HL7320PAH	MUFFLER ASS'Y	1	NOT SALE	5
12-01	14310HL7301PAM	14310HL7320PAM	14310HL7320PAM	MUFFLER COMP	1		
12-02	01137-08355	01137-08355	01137-08355	BOLT, muffler support(M8x35)	2		
12-03	09160-08064	09160-08064	09160-08064	WASHER, muffler support	2		
12-04	14773H41D00	14773H41D00	14773H41D00	SPACER, muffler brkt	2		
12-05	09320H12058	09320H12058	09320H12058	CUSHION, muffler brkt	2		
12-06-01	09100H06008	09100H06008	09100H06008	BOLT, exhaust connector(M6×20)	2		
12-06-02	09100H06008	09139H06021	09139H06021	SCREW	1		
12-07-01	08313-11068	08313-11068	08313-11068	NUT, exhaust connector(M6)	2		
12-07-02	08313-11068			NUT, exhaust pipe(M8)	1		
9+	14150HL7301PAM	14150HL7301PAM	14150HL7301PAM	PIPE COMP, exhaust	1		5
12-09	14181HF4501	14181HF4501	14181HF4501	GASKET, exhaust pipe	1		18
12-10	08316-26086	08316-26086	08316-26086	NUT, exhaust pipe(M8)	2		
12-11	14780HL7300PLA	14780HL7300PLA	14780HL7300PLA	COVER COMP, muffler	1		5
12-12-01	01421-08258	01421-08258	01421-08258	STUD BOLT, exhaust pipe(M8x25)	1		
12-12-02	09139H08044	09139H08045	09139H08045	SCREW,exhaust pipe	1		
12-13	14183HL7300	14183HL7300	14183HL7300	COVER, muf body tail	1		
12-14	09119H06001	09119H06001	09119H06001	BOLT, muffler cover	2		
12-15	07110-06108	07110-06108	07110-06108	BOLT, tail cover(M6×10)	4		
12-16	14182HL7300	14182HL7300	14182HL7300	GASKET, exhaust flange connector	1		10
12-17	09403-19404	09403-19404	09403-19404	CLAMP, rear brake hose	1		
12-18	02142-06165	02142-06165	02142-06165	SCREW, Rr brake hose clamp No1.(M6×16)	1		

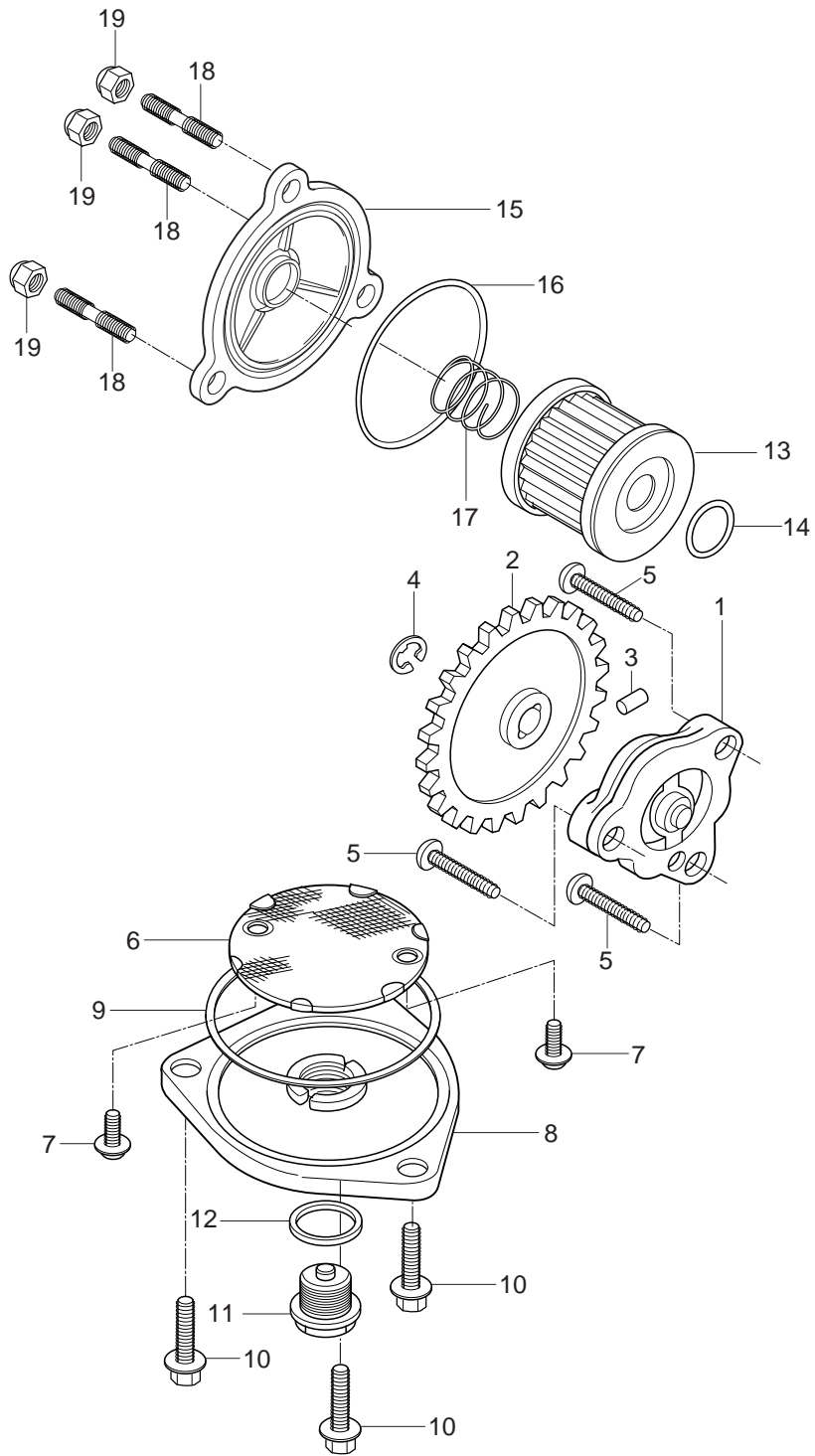
FIG 13



# FIG 13. KICK STARTER

REF.	PARTS NO.			PARTS NAME	Q`TY	REMARKS	REC.Q'TY
NO.	DOMESTIC	MEU01	MG01				(PCS)
13-01	26210HF4502	26210HF4502	26210HF4502	SHAFT COMP, kick starter	1		3
13-02	09448H30016	09448H30016	09448H30016	SPRING, kick starter return	1		2
13-03	26300HF4500	26300HF4500	26300HF4500	LEVER ASS'Y, kick starter	1		2
13-04	01107-08208	01107-08208	01107-08208	BOLT, kick starter lever(M8x20)	1		
13-05	08331-31149	08331-31149	08331-31149	CIRCLIP, kick shaft	1		
13-06	09300-14011	09300-14011	09300-14011	BUSH, kick starter shaft	1		
13-07	09285-14001	09285-14001	09285-14001	SEAL, kick shaft oil	1		
13-08	09160-21005	09160-21005	09160-21005	WASHER	1	NOT SALE	

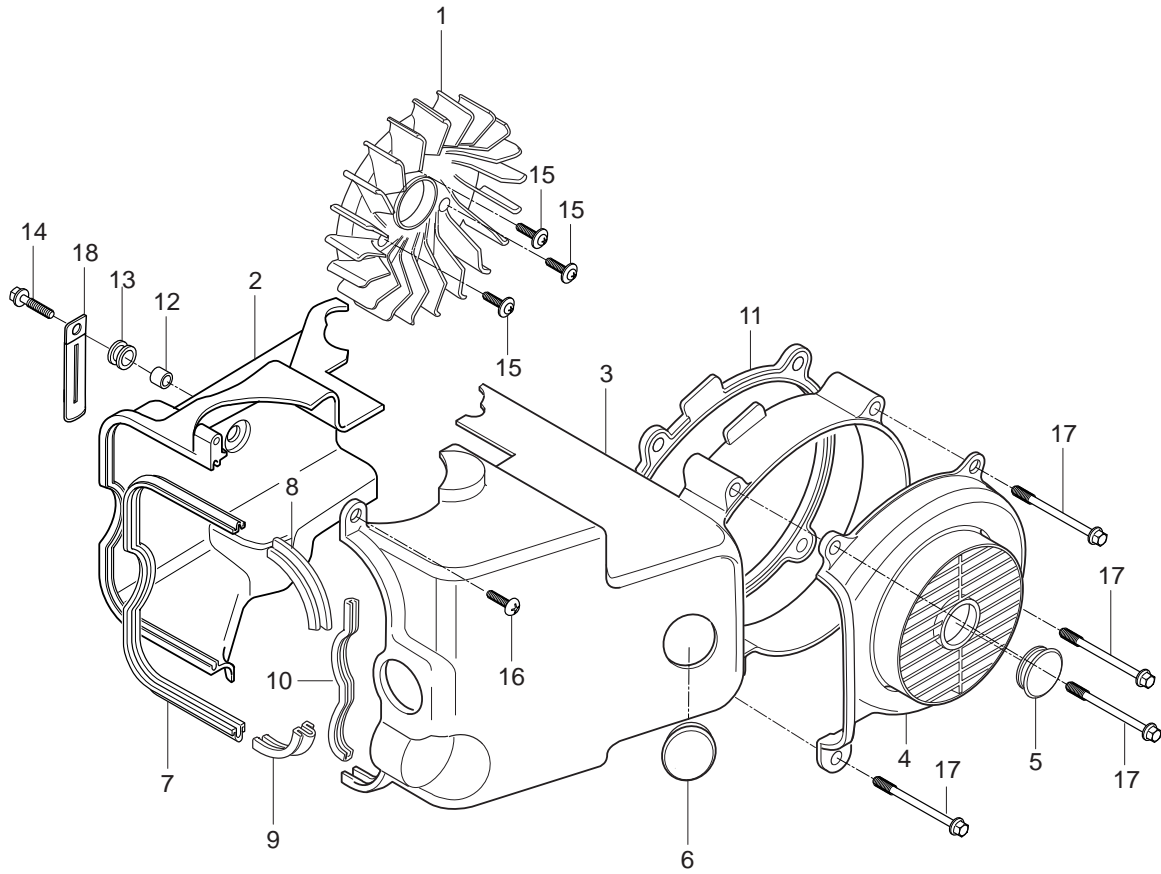
FIG 14



# FIG 14. OIL PUMP

REF. NO.	PARTS NO.			PARTS NAME	Q'TY	REMARKS	REC.Q'TY (PCS)
	DOMESTIC	MEU01	MG01				
14-01	16400-42A01	16400-42A01	16400-42A01	PUMP ASS'Y, oil	1		<b>3</b>
14-02	16331HF4504	16331HF4504	16331HF4504	GEAR, oil pump driven	1		<b>4</b>
14-03	09261-02008	09261-02008	09261-02008	PIN, oil pump driven gear	1		
14-04	08332-11069	08332-11069	08332-11069	CIRCLIP, oil pump driven gear	1		
14-05	02112-06258	02112-06258	02112-06258	SCREW, engine oil pump(M6x25)	3		
14-06	16520-05202	16520-05202	16520-05202	STRAINER COMP, engine oil	1		
14-07	02112-95126	02112-95126	02112-95126	SCREW, engine oil strainer(M5x12)	2		
14-08	16523-05200	16523-05200	16523-05200	CAP, oil strainer	1		<b>5</b>
14-09	09280-60005	09280-60005	09280-60005	O-RING, oil strainer cap	1		<b>5</b>
14-10	01547-06208	01547-06208	01547-06208	BOLT, oil strainer cap(M6x30)	3		
14-11	09247-14002	09247-14002	09247-14002	PLUG, oil drain	1		<b>5</b>
14-12	09168H14003	09168H14003	09168H14003	GASKET, drain plug	1		
14-13	16510-05240	16510-05240	16510-05240	FILTER COMP, engine oil	1		<b>20</b>
14-14	09280-13004	09280-13004	09280-13004	O-RING, oil filter	1		<b>10</b>
14-15	16512HF450103P	16512HF450103P	16512HF450103P	CAP, oil filter	1		
14-16	09280-54001	09280-54001	09280-54001	O-RING, oil filter cap	1		
14-17	09440-18002	09440-18002	09440-18002	SPRING, oil filter cap	1		
14-18	01421-06128	01421-06128	01421-06128	STUD BOLT, oil filter ca p(M6x12)	3		
14-19	08313-11068	08313-11068	08313-11068	NUT, oil filter cap(M6)	3		

FIG 15

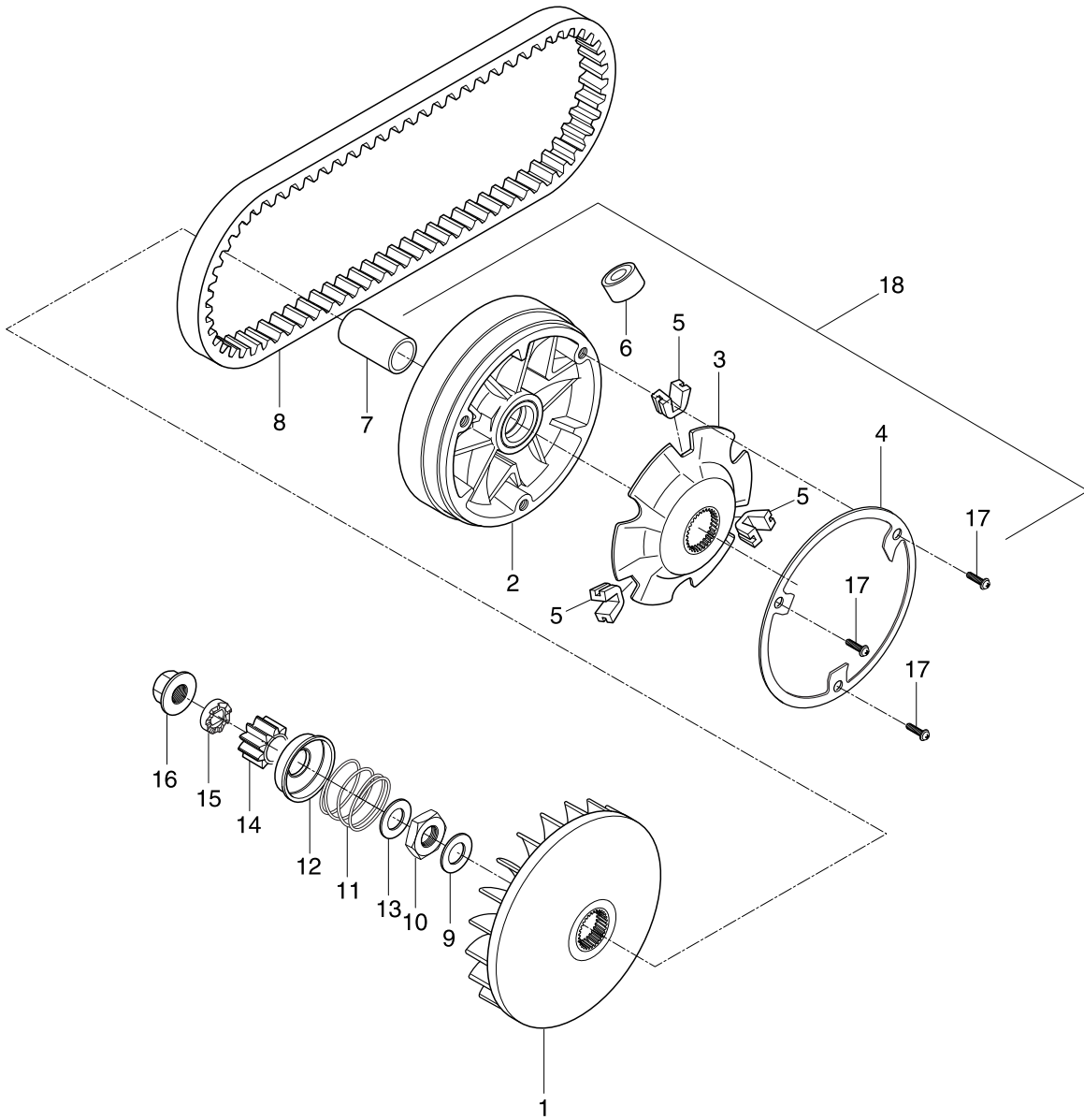


# FIG 15. COWLING FAN

REF. NO.	PARTS NO.			PARTS NAME	Q'TY	REMARKS	REC.Q'TY (PCS)
	DOMESTIC	MEU01	MG01				
15-01	17110HF4501	17110HF4501	17110HF4501	FAN COMP, cooling	1		3
15-02	17121HF4502	17121HF4502	17121HF4502	COWLING, cylinder	1		2
15-03	17130HF4500	17130HF4500	17130HF4500	COWLING COMP, fan	1		3
15-04	17150HF4500	17150HF4500	17150HF4500	CAP COMP, fan cowling	1		3
15-05	09250H27001	09250H27001	09250H27001	PLUG, cowling fan cap	1		
15-06	09250H30003	09250H30003	09250H30003	PLUG, cowling fan	1		
15-07	17122HF4500	17122HF4500	17122HF4500	MOLD, cylinder cowling	1		
15-08	17137HF4500	17137HF4500	17137HF4500	MOLD, fan cowling No.1	1		
15-09	17138HF4500	17138HF4500	17138HF4500	MOLD, fan cowling No.2	1		
15-10	17139HF4500	17139HF4500	17139HF4500	MOLD, fan cowling No.3	1		
15-11	17133HF4502	17133HF4502	17133HF4502	DAMPER, fan cowling	1		
15-12	09180-06011	09180-06011	09180-06011	SPACER, cylinder cowling	1		
15-13	09320-09016	09320-09016	09320-09016	CUSHION, cylinder cowling	1		
15-14	01517-06205	01517-06205	01517-06205	BOLT, cylinder cowling(M6x20)	1		
15-15	02112-16166	02112-16166	02112-16166	SCREW, cooling fan(M6x16)	3		
15-16	03151-06205	03151-06205	03151-06205	SCREW, fan cowling No.2(M6x20)	1		
15-17	01517-06505	01517-06505	01517-06505	BOLT, fan cowling No.1(M6x50)	4		
15-18	09404-06405	09404-06405	09404-06405	CLAMP,breather hose cap	1		



FIG 16

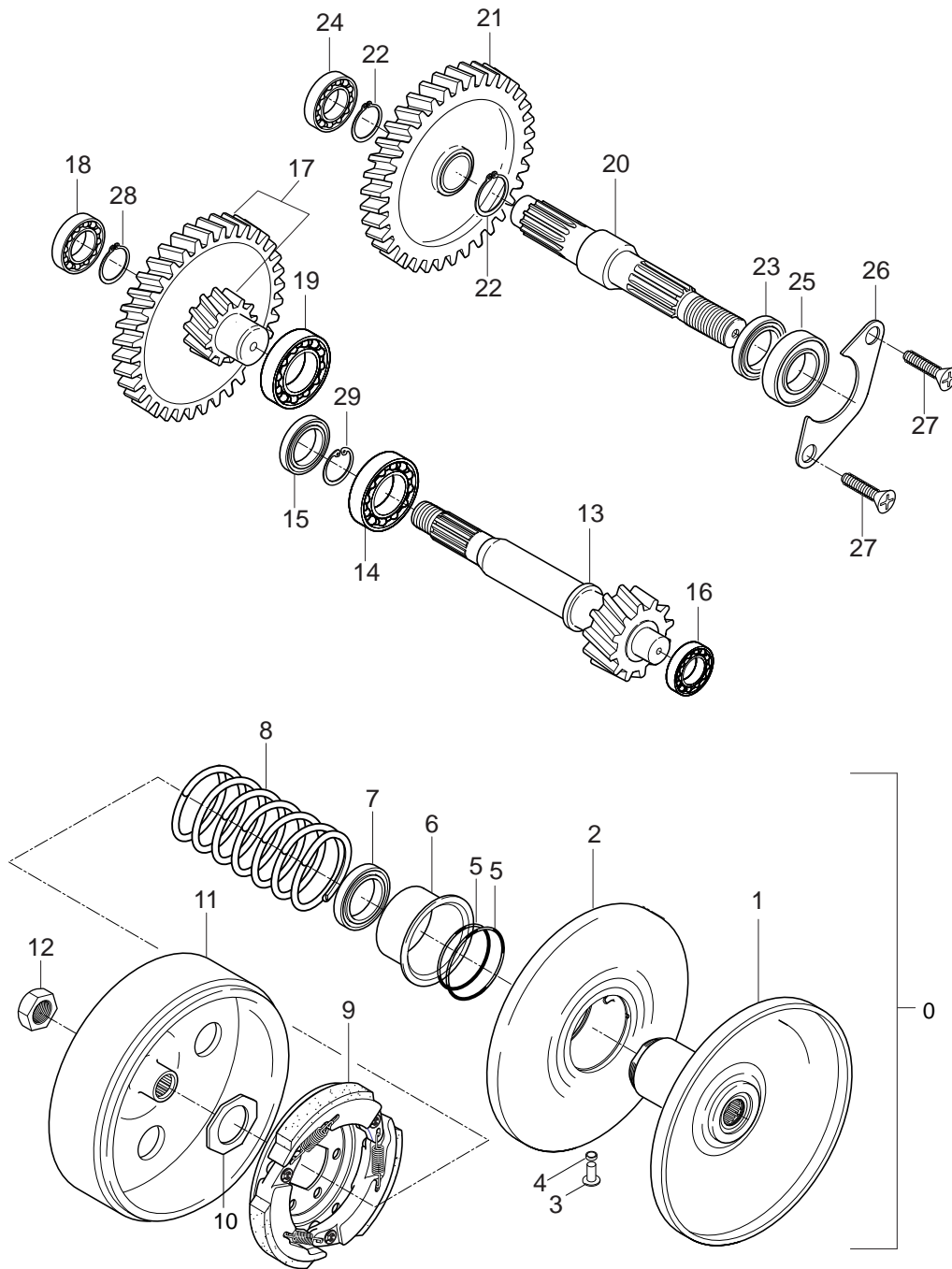


**FWD**

# FIG 16. TRANS MISSION(1)

REF.	PARTS NO.		PARTS NAME	Q'TY	REMARKS	REC.Q'TY
NO.	DOMESTIC	MEU01	MG01			(PCS)
16-01	21110HF4500	21110HF4500	21110HF4500	FACE COMP, fixed drive	1	
16-02	21120HF4502	21120HF4502	21120HF4502	FACE COMP, movable drive	1	<b>3</b>
16-03	21431HF4500	21431HF4500	21431HF4500	PLATE, movable drive	1	
16-04				COVER, movable drive	0	ΣM4CF42A851104856 ~
16-05	21481HF4500	21481HF4500	21481HF4500	DAMPER, movable drive plate	3	<b>6</b>
16-06	21650HG2620HPA	21650HG2620HPA	21650HG2620HPA	ROLLER ASS'Y, movable drive	6	<b>60</b>
16-07	21127HF4501	21127HF4501	21127HF4501	SPACER, movable drive	1	
16-08	27601HF4500	27601HF4500	27601HF4500	V-BELT, drive	1	<b>14</b>
16-09	09164H16001	09164H16001	09164H16001	WASHER, fixed drive face	1	
16-10	09140-16014	09140-16014	09140-16014	NUT, fixed drive face	1	
16-11	09440H29003	09440H29003	09440H29003	SPRING, kick driven gear	1	<b>2</b>
16-12	26292HL7302	26292HL7302	26292HL7302	HOLDER, kick driven	1	
16-13	08221-25355	08221-25355	08221-25355	WASHER, kick driven gear spring	1	
16-14	26280HF4501	26280HF4501	26280HF4501	GEAR COMP, kick starter driven	1	<b>3</b>
16-15	26291HF4500	26291HF4500	26291HF4500	STARTER, kick	1	<b>2</b>
16-16	08316-26108	08316-26108	08316-26108	NUT, kick starter(M10)	1	
16-17	02142-04108	02142-04108	02142-04108	SCREW, movable drive(M4x10)	3	
16-18	21120HL7300HPA	21120HL7300HPA	21120HL7300HPA	FACE MOVABLE DRIVE ASS'Y	1	

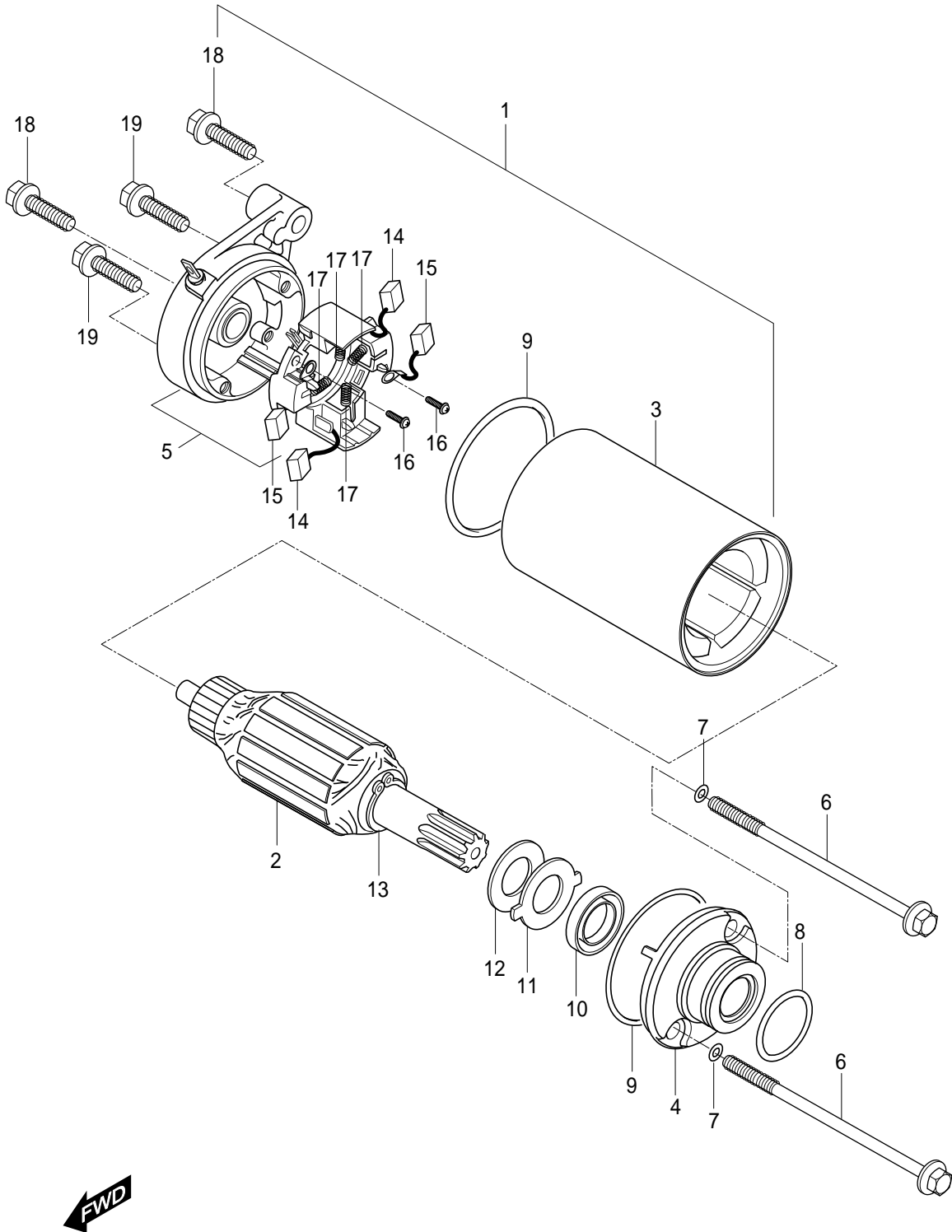
FIG 17



# FIG 17. TRANS MISSION(2)

REF.	PARTS NO.			PARTS NAME	Q'TY	REMARKS	REC.Q'TY
NO.	DOMESTIC	MEU01	MG01				(PCS)
17-00	21200HL7300	21200HL7320	21200HL7320	PULLEY ASS'Y, driven,174420	1		3
17-01	21210HF4502	21210HF4502	21210HF4502	FACE COMP, fixed driven	1		
17-02	21240HF4500	21240HF4500	21240HF4500	FACE COMP, movable driven	3		
17-03	09201-05006	09201-05006	09201-05006	PIN, movable driven	3		
17-04	09180-05042	09180-05042	09180-05042	SPACER, movable driven pin	2		
17-05	09280-41005	09280-41005	09280-41005	O-RING, movable driven	1		
17-06	21471-03A03	21471-03A03	21471-03A03	SHEET, movable driven	2		
17-07	09284-34002	09284-34002	09284-34002	SEAL, movable driven oil(M33x39x3)	1		4
17-08	09440H49002	09440H49002	09440H49002	SPRING, movable driven	1		
17-09	21501HL7320	21501HL7320	21501HL7320	CLUTCH ASS'Y, shoe(NA)	1		
17-10	09140H28004	09140H28004	09140H28004	NUT, clutch shoe(M28)	1		
17-11	21220HF4502	21220HF4502	21220HF4502	HOUSING COMP, clutch	1		
17-12	08316-26108	08316-26108	08316-26108	NUT, clutch housing	1		
17-13	24131HF4503	24131HF4503	24131HF4503	SHAFT, drive	1		3
17-14	08110-62040	08110-62040	08110-62040	BEARING, drive shaft R 6204(20x47x14)	1		3
17-15	09283H17004	09283H17004	09283H17004	OIL SEAL, drive shaft(17x28x5)	1		
17-16	08110-62010	08110-62010	08110-62010	BEARING, drive shaft L 6201(12x32x10)	1		
17-17	24150HF4502HPA	24150HF4502HPA	24150HF4502HPA	SHAFT ASS'Y, idle,246,287	1		3
17-18	08113-62010	08113-62010	08113-62010	BEARING, idle shaft R 6201 C3(12x32x10)	1		5
17-19	08113-60040	08113-60040	08113-60040	BEARING, idle shaft L 6004 C3(20x47x14)	1		
17-20	24141HF4533	24141HF4533	24141HF4533	SHAFT, rear axle	1		3
17-21	24371HF4500	24371HF4500	24371HF4500	GEAR, final driven	1		
17-22	08331-31229	08331-31229	08331-31229	CIRCLIP, final driven gear	2		
17-23	09283-27010	09283-27010	09283-27010	SEAL, axle shaft oil(27x40x6)	1		
17-24	08110-62030	08110-62030	08110-62030	BEARING, axle shaft R 6203(17x40x12)	1		5
17-25	09262H22001	09262H22001	09262H22001	BEARING, axle shaft L (25x50x14)	1		5
17-26	24751HF4500	24751HF4500	24751HF4500	RETAINER, axle shaft bearing	1		
17-27	02122-06168	02122-06168	02122-06168	SCREW, bearing retainer(M6x16)	2		
17-28	08331-31209	08331-31209	08331-31209	CIRCLIP, idle gear	1		
17-29	08331-41479	08331-41479	08331-41479	CIRCLIP, drive shaft r bearing	1		

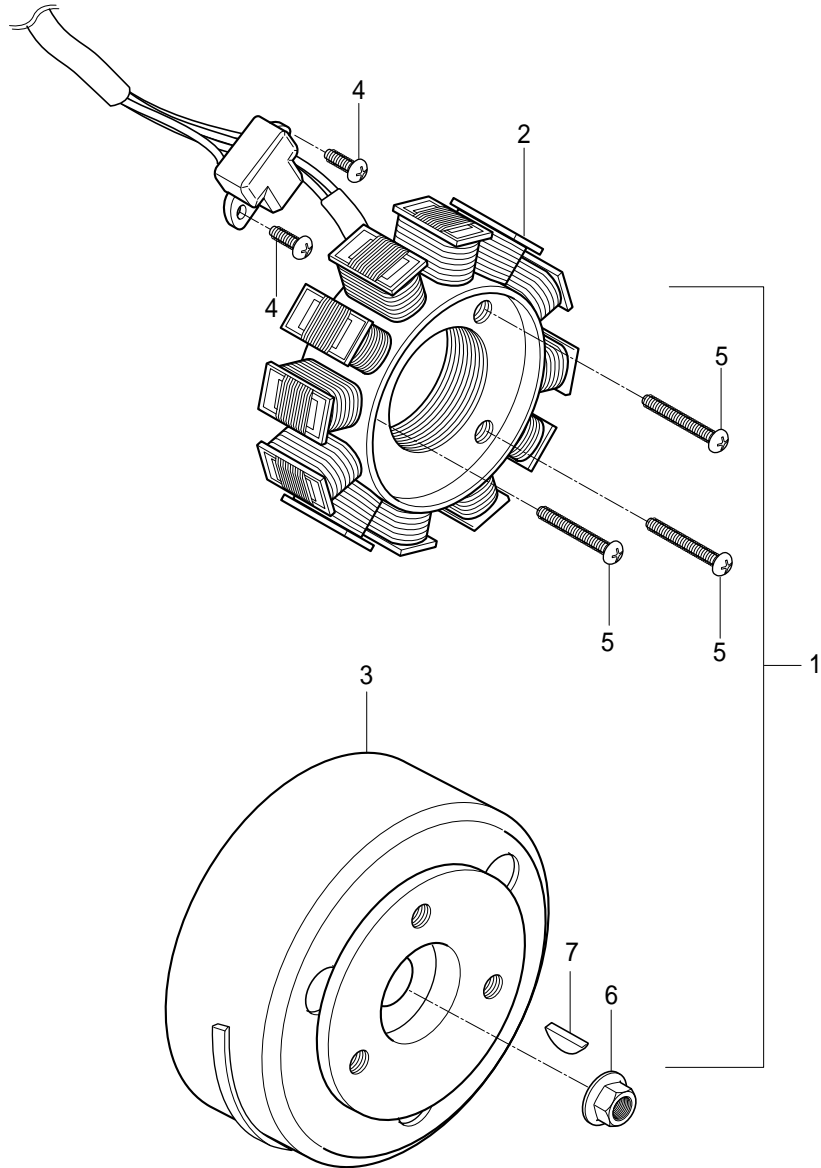
FIG 18



# FIG 18. STARTING MOTOR

REF.	PARTS NO.			PARTS NAME	Q'TY	REMARKS	REC.Q'TY
NO.	DOMESTIC	MEU01	MG01				(PCS)
18-01	31100HL7300	31100HL7300	31100HL7300	MOTOR ASS'Y, starting	1		5
18-02	31310-11D10	31310-11D10	31310-11D10	.ARMATURE ASS'Y, starter	1		
18-03	31110HD6300	31110HD6300	31110HD6300	.YOKE ASS'Y, starter	1		
18-04	31150-42A01	31150-42A01	31150-42A01	.HOUSING ASS'Y, starter	1		
18-05	31175HL7300	31175HL7300	31175HL7300	.FRAME ASS'Y, commutator	1		
18-06	31281-32C10	31281-32C10	31281-32C10	.BOLT, through	2		
18-07	31156-38300	31156-38300	31156-38300	.O-RING	2		
18-08	09280-24001	09280-24001	09280-24001	.O-RING	1		
18-09	31264-35C10	31264-35C10	31264-35C10	.O-RING	2		
18-10	31153-49210	31153-49210	31153-49210	.SEAL, oil	1		
18-11	31361-32C00	31361-32C00	31361-32C00	.PLATE, lock	1		
18-12	31361-38300	31361-38300	31361-38300	.WASHER, plate lock	1		
18-13	31361-10200	31361-10200	31361-10200	.RING, shaft snap	1		
18-14	31132-32C10	31132-32C10	31132-32C10	.BRUSH SUB-ASS'Y, starter	2		
18-15	31131-32C20	31131-32C20	31131-32C20	.BRUSH, starter	2		
18-16	31114-32C10	31114-32C10	31114-32C10	.SCREW	2		
18-17	31135-32C10	31135-32C10	31135-32C10	.SPRING, compression coil	4		
18-18	01547-06308	01547-06308	01547-06308	BOLT, starting motor(M6X30)	2		
18-19	01547-06358	01547-06358	01547-06358	BOLT, starting motor(M6X35)	2		

FIG 19

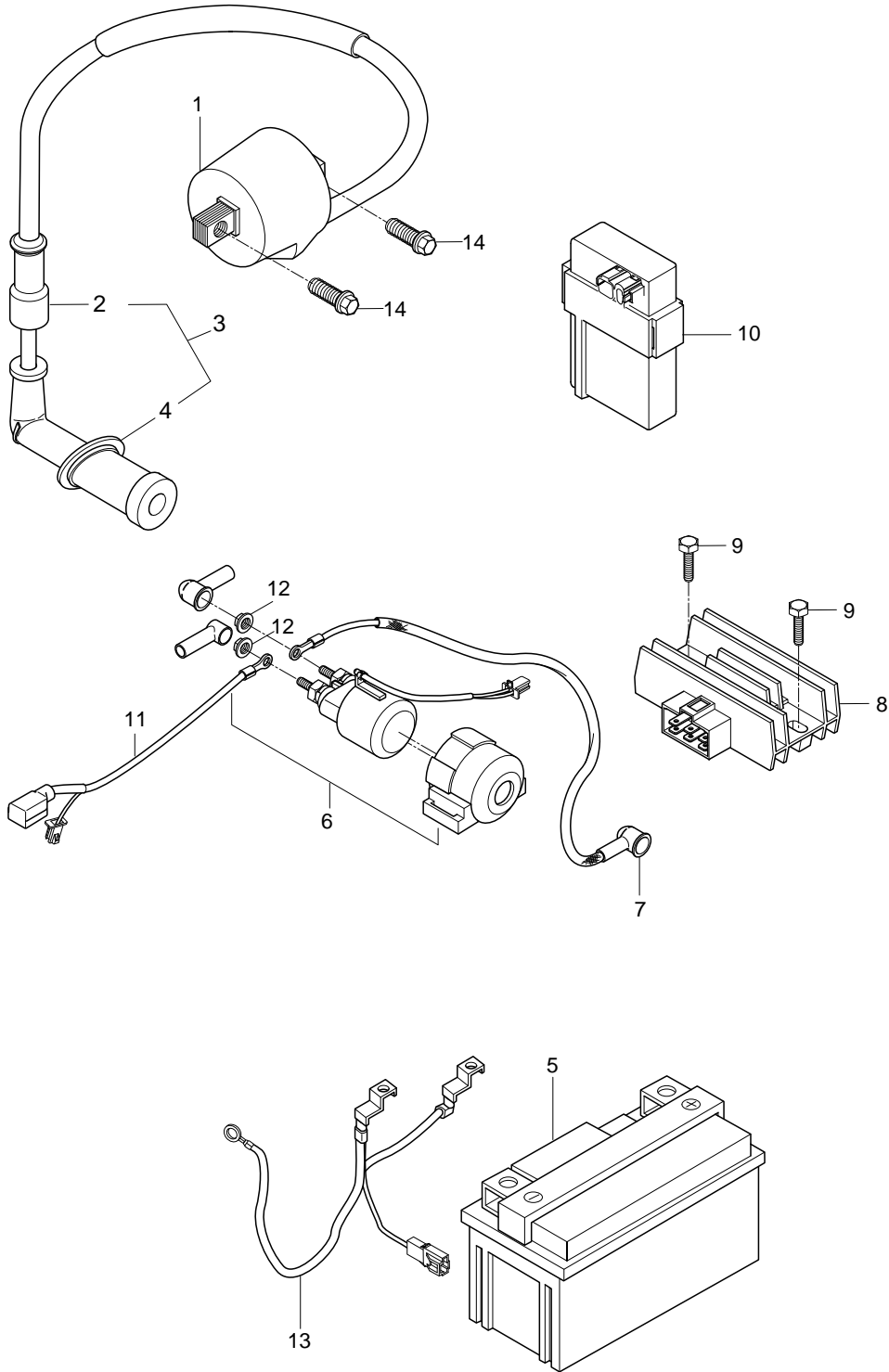


# FIG 19. MAGNETO

REF.	PARTS NO.			PARTS NAME	Q`TY	REMARKS	REC.Q'TY
NO.	DOMESTIC	MEU01	MG01				(PCS)
19-01	32100HF4500	32100HF4500	32100HF4500	MAGNETO ASS'Y	1		<b>4</b>
19-02	32101HF4500	32101HF4500	32101HF4500	STATOR ASS'Y	1		
19-03	32102HF4500	32102HF4500	32102HF4500	ROTOR ASS'Y	1		
19-04	02112-05128	02112-05128	02112-05128	SCREW, pick up coil(M5x12)	2		
19-05	02112-05258	02112-05258	02112-05258	SCREW, magneto stator(M5x25)	3		
19-06	09159H12001	09159H12001	09159H12001	NUT, magneto flywheel(M12)	1		
19-07	08341-31039	08341-31039	08341-31039	KEY, magneto	1		<b>10</b>



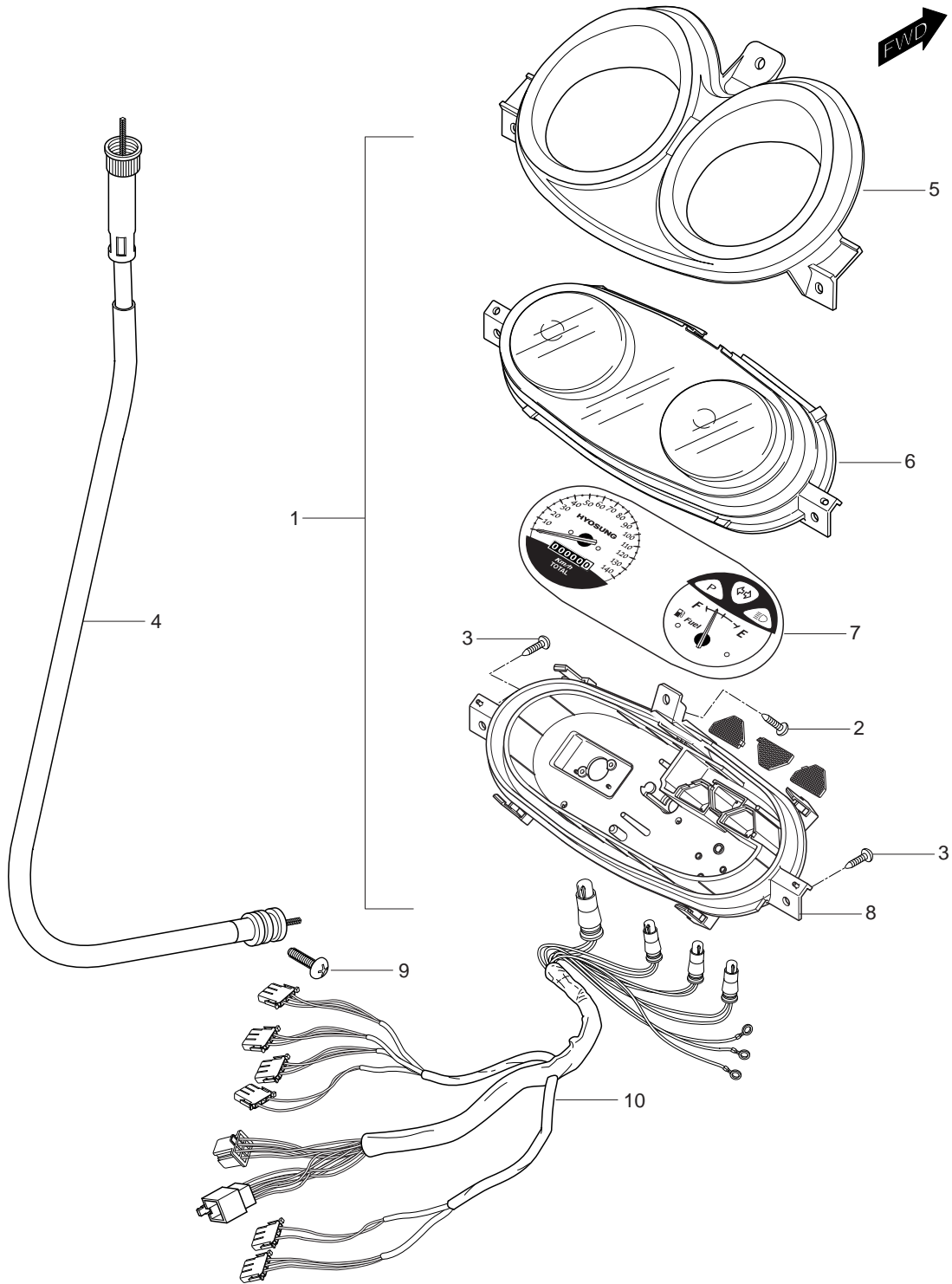
FIG 20



# FIG 20. BATTERY & ELECTRICAL

REF.	PARTS NO.			PARTS NAME	Q'TY	REMARKS	REC.Q'TY
NO.	DOMESTIC	MEU01	MG01				(PCS)
20-01	33410HK3101	33410HK3101	33410HK3101	COIL ASS'Y, ignition	1		5
20-02	33541HF4500	33541HF4500	33541HF4500	SEAL, spark plug	1		
20-03	33500HF4501	33500HF4501	33500HF4501	CAP ASS'Y, spark plug	1		10
20-04	33541HF4501	33541HF4501	33541HF4501	CAP , spark plug	1		
20-05	33610-06C11	33610-06C11	33610-06C11	BATTERY ASS'Y(12V 6AH)	1		10
20-06	31800HG5100	31800HG5100	31800HG5100	RELAY ASS'Y, starter motor	1		4
20-07	33850HL7300	33850HL7300	33850HL7300	LEAD WIRE, starter motor	1		5
20-08	32800H01413	32800H01413	32800H01413	RECTIFIER REGULATOR ASS'Y	1		2
20-09	09128-06035	09128-06035	09128-06035	BOLT, rectifier regulator	2		
20-10	32900HL7303	32900HL7351	32900HL7351	CDI UNIT	1		5
20-11	33840HL7300	33840HL7300	33840HL7300	LEADWIRE, battery plus	1		5
20-12	08316-26066	08316-26066	08316-26066	NUT, starter motor relay terminal(M6)	2		
20-13	33860HL7300	33860HL7300	33860HL7300	LEAD WIRE, battery minus	1		
20-14	01134-06208	01134-06208	01134-06208	BOLT, ignition(M6x20)	2		

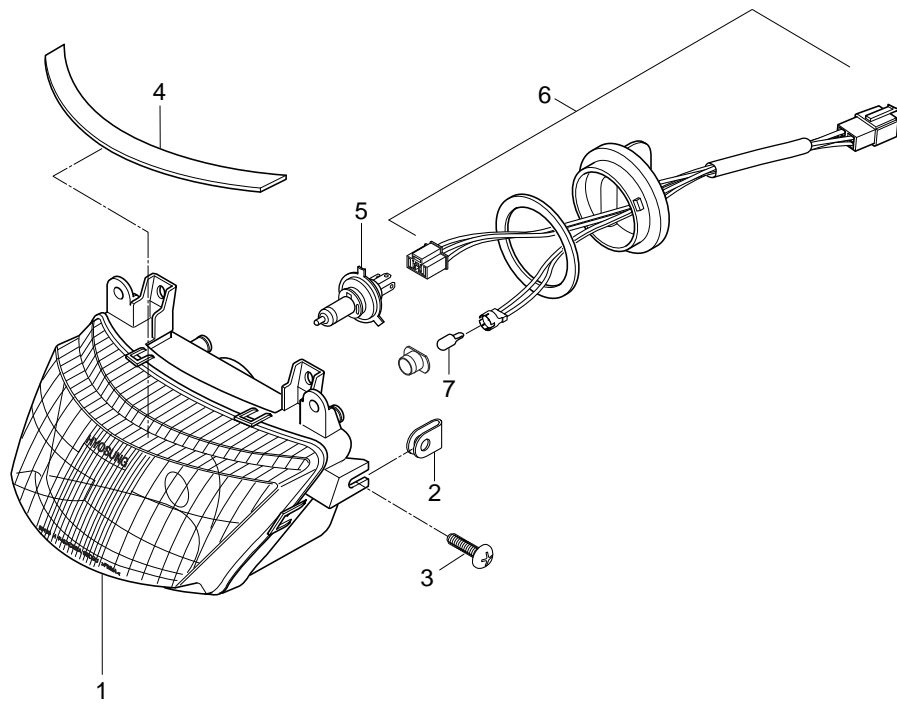
FIG 21



# FIG 21. SPEEDOMETER

REF.	PARTS NO.		PARTS NAME		Q'TY	REMARKS	REC.Q'TY
NO.	DOMESTIC	MEU01	MG01				(PCS)
21-01	34100HL7301	34100HL7350	34100HL7350	SPEEDO METER ASS'Y	1		5
21-02	03241-05126	03241-05126	03241-05126	SCREW, speedo meter(M5x12)	1		
21-03	03241-05206	03241-05206	03241-05206	SCREW, speedo meter(M5x20)	2		
21-04	34910HB1101	34910HB1101	34910HB1101	CABLE ASS'Y, speedo meter	1		5
21-05	34210HL7300	34210HL7300	34210HL7300	.DECORATION, speedo meter	1		
21-06	34150HG2600	34150HG2600	34150HG2600	.WINDOW CASE	1		
21-07	34112HL7300	34112HL7300	34112HL7300	.DIAL	1	품번등록 요망	
21-08	34160HG2600	34160HG2600	34160HG2600	.CASE, SUB	1		
21-09	02112-05168	02112-05168	02112-05168	SCREW, speedometer cable(M5X16)	1		
21-10	34170HL7300	34170HL7300	34170HL7300	.WIRING ASS'Y	1	품번등록 요망	

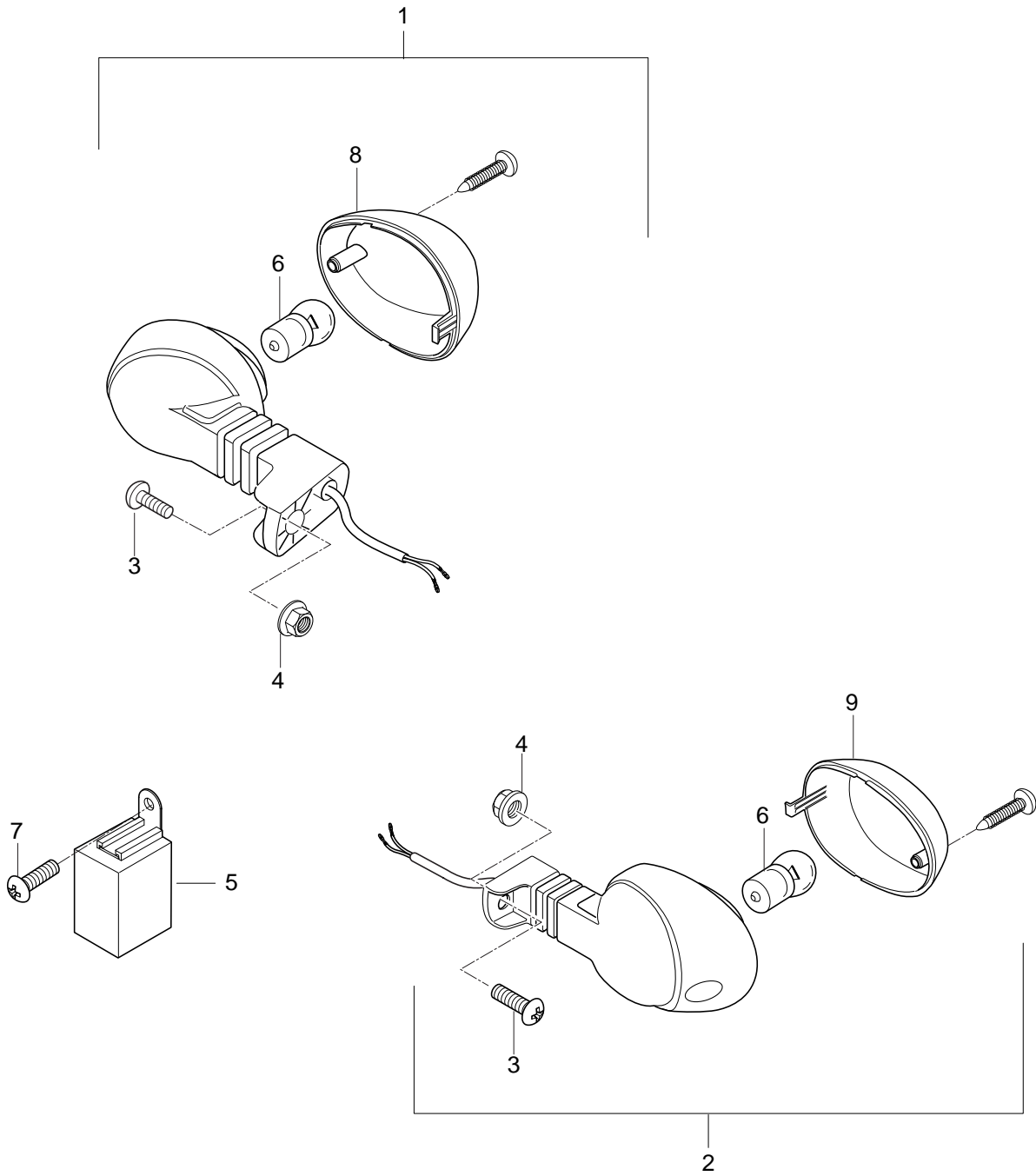
FIG 22



# FIG 22. HEAD LAMP

REF.	PARTS NO.			PARTS NAME	Q`TY	REMARKS	REC.Q'TY
NO.	DOMESTIC	MEU01	MG01				(PCS)
22-01	35100HF4502	35100HF4520	35100HF4520	HEAD LAMP ASS'Y	1		8
22-02	09148-06020	09148-06020	09148-06020	NUT, head lamp(M6)	2		
22-03	01517-06166	01517-06166	01517-06166	BOLT, head lamp(M6x6)	2		
22-04	35192HL7300	35192HL7300	35192HL7300	CUSHION, head lamp	1		
22-05	09471-12100	09471-12100	09471-12100	BULB, head lamp(12V HS1 35/35W)	1		
22-06	35130HF4500	35130HF4500	35130HF4500	CORD ASS'Y	1	품번등록 요망	
22-07	09471-12110	09471-12110	09471-12110	BULB, position lamp(12V5W)	1		

FIG 23

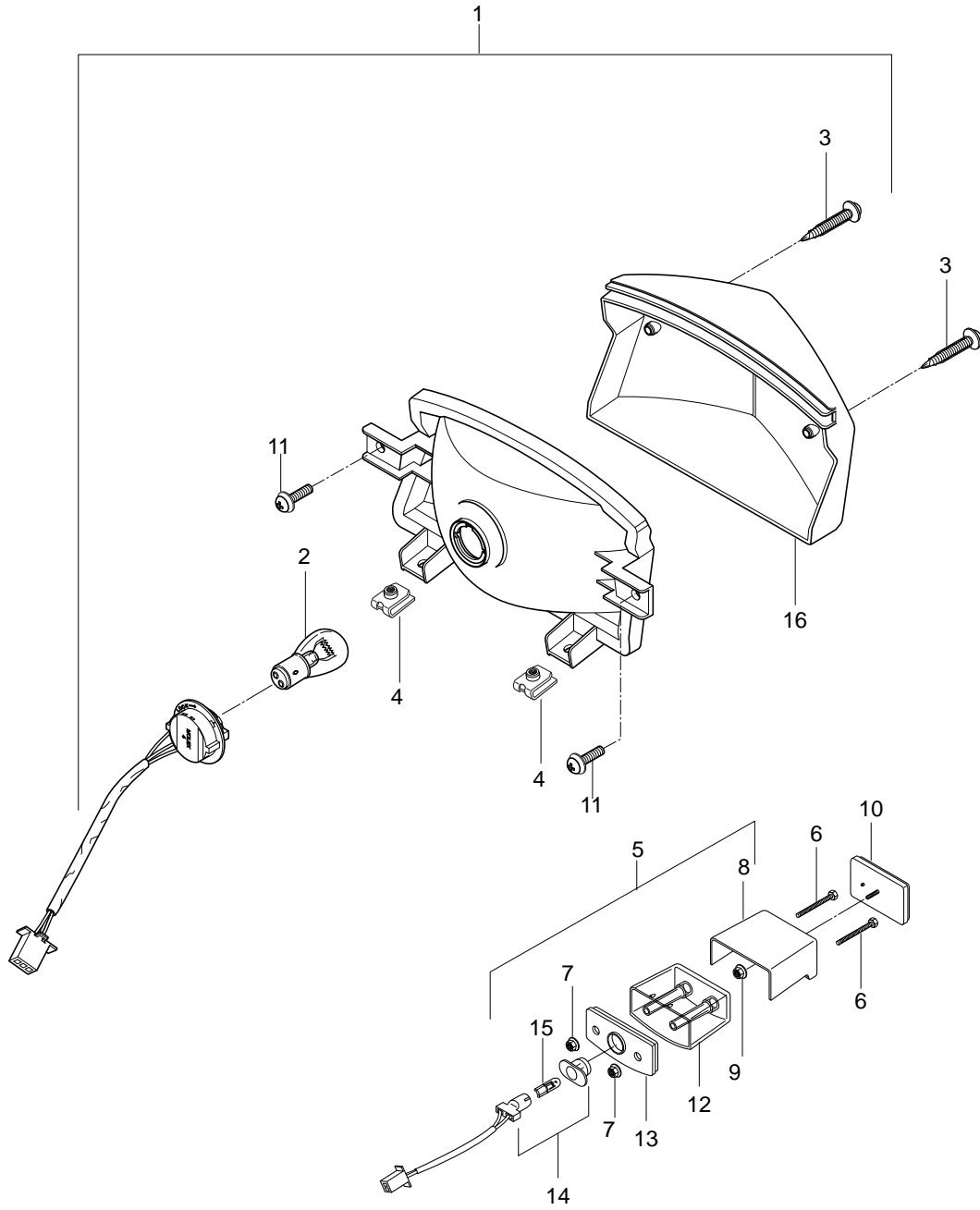


## FIG 23. REAR TURNSIGNAL LAMP

REF.	PARTS NO.			PARTS NAME	Q'TY	REMARKS	REC.Q'TY
NO.	DOMESTIC	MEU01	MG01				(PCS)
23-01	35603HL7300	35603HL7300	35603HL7300	LAMP ASS'Y, rear turnsignal,R	1		<b>10</b>
23-02	35604HL7300	35604HL7300	35604HL7300	LAMP ASS'Y, rear turnsignal,L	1		<b>10</b>
23-03	02142-06203	02142-06203	02142-06203	SCREW, rear turnsignal(M6X20)	2		
23-04	08316-26066	08316-26066	08316-26066	NUT, rear turnsignal	2		
23-05	38610HL7300	38610HL7350	38610HL7350	RELAY ASS'Y, hazard	1		<b>10</b>
23-06	09471-12142	09471-12142	09471-12142	BULB, rear turnsignal(12V R10W)	2		
23-07	02112-06128	02112-06128	02112-06128	SCREW, hazard relay	1		
23-08	35652HL7300	35652HL7300	35652HL7300	LENS, rear turnsignal R	1		
23-09	35672HL7300	35672HL7300	35672HL7300	LENS, rear turnsignal L	1		



FIG 24

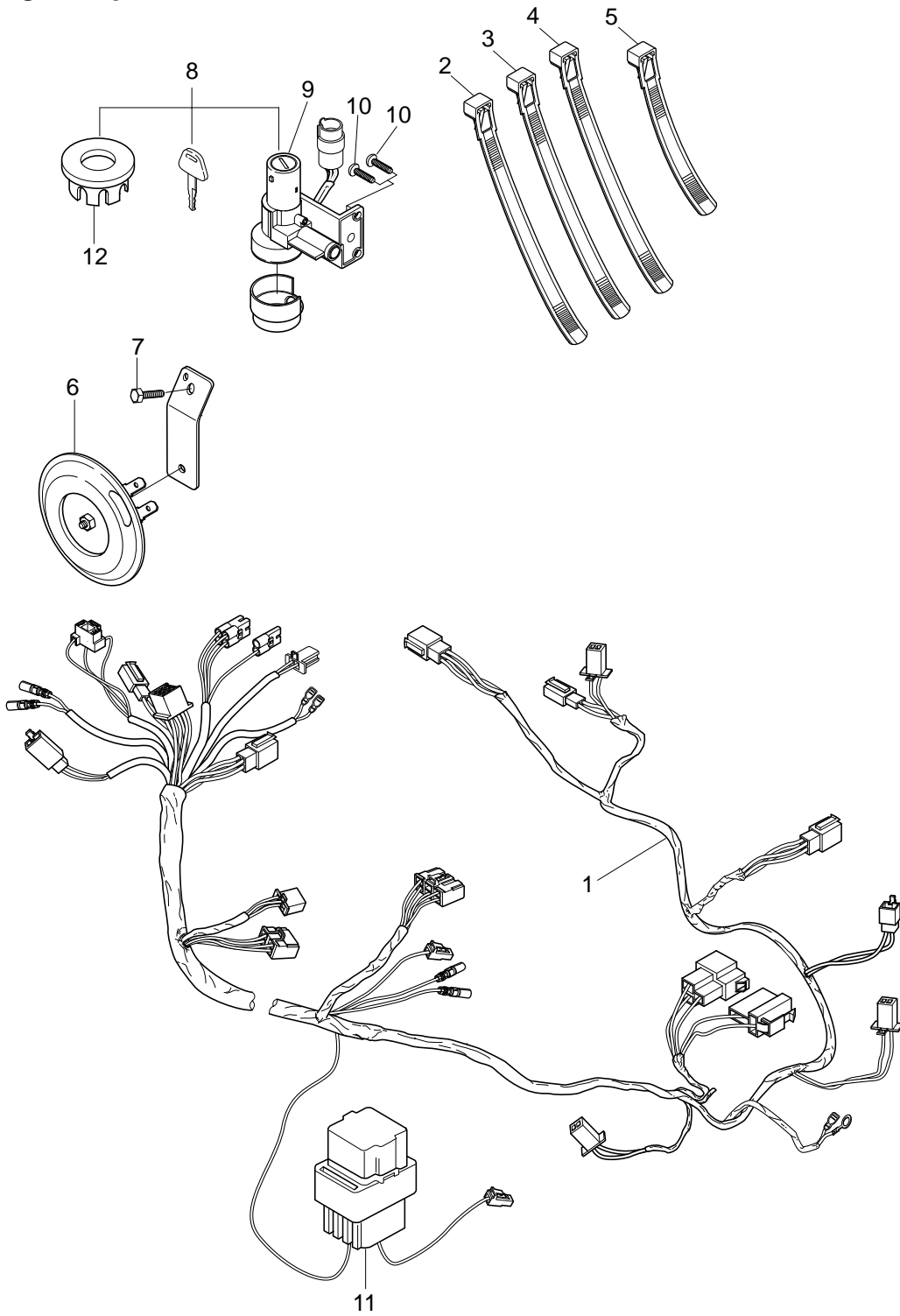


**FWD**

# FIG 24. REAR COMBINATION LAMP

REF.	PARTS NO.			PARTS NAME	Q'TY	REMARKS	REC.Q'TY
NO.	DOMESTIC	MEU01	MG01				(PCS)
24-01	35710HL7300	35710HL7350	35710HL7350	LAMP ASS'Y, tail & stop	1		<b>10</b>
24-02	09471-12047	09471-12047	09471-12047	BULB, tail & stop(12V.21/5W)	1		
24-03	03211-04166	03211-04166	03211-04166	SCREW, tail & stop lens(M4x16)	2		
24-04	09148-05039	09148-05039	09148-05039	NUT, tail & stop lamp(M5)	2		
24-05	35910HL7300	35910HL7350	35910HL7350	LAMP ASS'Y, license plate	1		<b>5</b>
24-06	01107-05605	01107-05605	01107-05605	BOLT, license lamp(M5x60)	2		<b>10</b>
24-07	08316-26055	08316-26055	08316-26055	NUT, license lamp(M5)	2		
24-08	35915HL7300	35915HL7300	35915HL7300	COVER, license lamp	1		
24-09	08316-26055	08316-26055	08316-26055	NUT, rear reflex reflector(M5)	1		
24-10	35970-17303	35970-17303	35970-17303	REFLEX REFLECTOR ASS'Y, rear	1		<b>4</b>
24-11	09136-05040	09136-05040	09136-05040	SCREW, tail & stop lamp	2		
24-12	35911HG5800	35911HG5800	35911HG5800	LENS, license	1		
24-13	35912HG5800	35912HG5800	35912HG5800	HOUSING, license	1		<b>5</b>
24-14	35916HG5800	35916HG5800	35916HG5800	CORD ASS'Y	1		
24-15	09471-12150	09471-12150	09471-12150	BULB, license lamp(12V/5W)	1		
24-16	35712HL7300	35712HL7300	35712HL7300	LENS, tail & stop lamp	1		

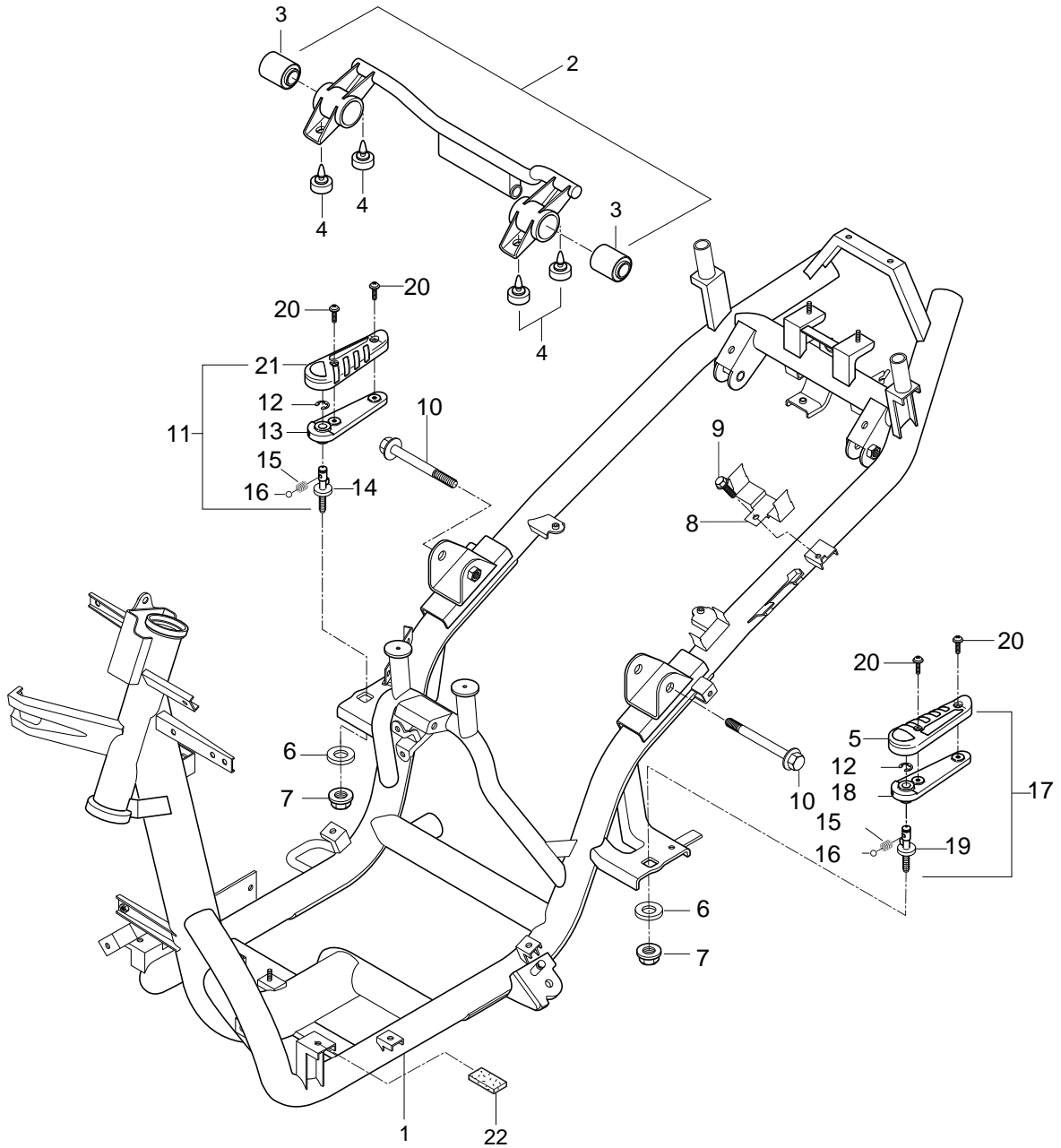
FIG 25



# FIG 25. WIRING HARNESS

REF.	PARTS NO.			PARTS NAME	Q`TY	REMARKS	REC.Q'TY
NO.	DOMESTIC	MEU01	MG01				(PCS)
25-01	36610HL7303	36610HL7351	36610HL7351	HARNESS,wiring	1		2
25-02	09407-254A1	09407-254A1	09407-254A1	CLAMP, wiring harness	7		
25-03	09407-14403	09407-14403	09407-14403	CLAMP, wiring harness	3		
25-04	09407-11401	09407-11401	09407-11401	CLAMP, wiring harness	2		
25-05	09407-22402	09407-22402	09407-22402	CLAMP, wiring harness	3	NOT SALE	
25-06	38500HE7100	38500HG7800	38500HG7800	HORN ASS'Y	1		2
25-07	02112-36128	02112-36128	02112-36128	BOLT, horn(M6X12)	1		
25-08	37000HG2630	37000HG2630	37000HG2630	KEY SET	1		4
25-09	37000HG2630	37000HG2630	37000HG2630	LOCK ASS'Y, steering	1	NTO SALE	
25-10	09128-06005	09128-06005	09128-06005	SCREW,steering lock	1		
25-10		09139H06016	09139H06016	SCREW,steering lock	1		
25-11	36740HF4500	36740HF4500	36740HF4500	.FUSE ASS'Y	1		
25-12	37155HJ6130	37155HJ6130	37155HJ6130	.CAP, steering lock	1		

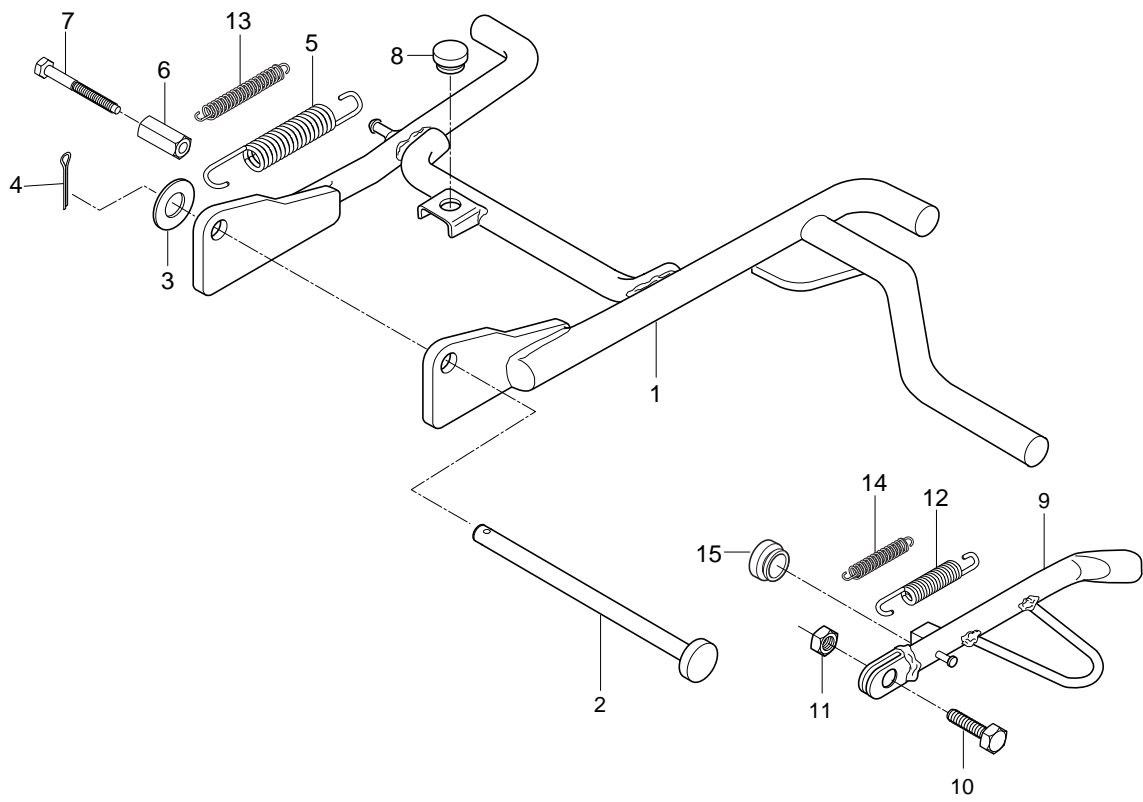
FIG 26



# FIG 26. FRAME

REF. NO.	PARTS NO.			PARTS NAME	Q`TY	REMARKS	REC.Q'TY (PCS)
	DOMESTIC	MEU01	MG01				
26-01	41100HL7304PAM	41100HL7350PAM	41100HL7350PAM	FRAME COMP	1		1
26-02	61100HL7302HPA	61110HL7302HPA	61110HL7302HPA	LINK,engine mounting ass'y(26-2,3,4)	1		
26-03	09319H12060	09319H12060	09319H12060	BUSH,engine mtg(L=5)	2		6
26-04	09321H12030	09321H12030	09321H12030	CUSHION, engine mtg link	4		12
26-05	43561HF4502	43561HF4502	43561HF4502	.RUBBER COMP, pillion footrest L	1		
26-06	09160-10068	09160-10068	09160-10068	WASHER, frm & pillion brkt	2		
26-07	08319-31106	08319-31106	08319-31106	NUT, frm & pillion brkt (M10)	2		
26-08	41327HE6100	41327HE6100	41327HE6100	PLATE, cdi	1		
26-09	01517-06128	01517-06128	01517-06128	BOLT, plate cdi(M6x2)	1		
26-10	09103-12067	09103-12067	09103-12067	BOLT, engine mtg link (L=70)	2		10
26-11	43500HL7301HPA	43500HL7301HPA	43500HL7301HPA	FOOTREST ASS'Y, pillion R	1		10
26-12	08332-11095	08332-11095	08332-11095	.E-RING, pillion footrest	2	NOT SALE	
26-13	43610HL7301	43610HL7301	43610HL7301	.PLATE, pillion footrest R	1		
26-14	43821HL7301	43821HL7301	43821HL7301	.JOINT, pillion footrest R	1	NOT SALE	
26-15	09440-05005	09440-05005	09440-05005	.SPRING, pillion footrest	2	NOT SALE	
26-16	06112-07004	06112-07004	06112-07004	.BALL, pillion footrest	2	NOT SALE	
26-17	43600HL7301HPA	43600HL7301HPA	43600HL7301HPA	FOOTREST ASS'Y, pillion L	1		10
26-18	43710HL7301	43710HL7301	43710HL7301	.PLATE, pillion footrest L	1		
26-19	43831HL7301	43831HL7301	43831HL7301	.JOINT, pillion footrest L	1	NOT SALE	
26-20	02142-05165	02142-05165	02142-05165	SCREW, pillion footrest(M5x16)	4		
26-21	43551HF4502	43551HF4502	43551HF4502	.RUBBER COMP, pillion footrest R	1		
26-22	44215HF1601	44215HF1601	44215HF1601	CHSHION, frm & leg shield RR	1	NOT SALE	

FIG 27

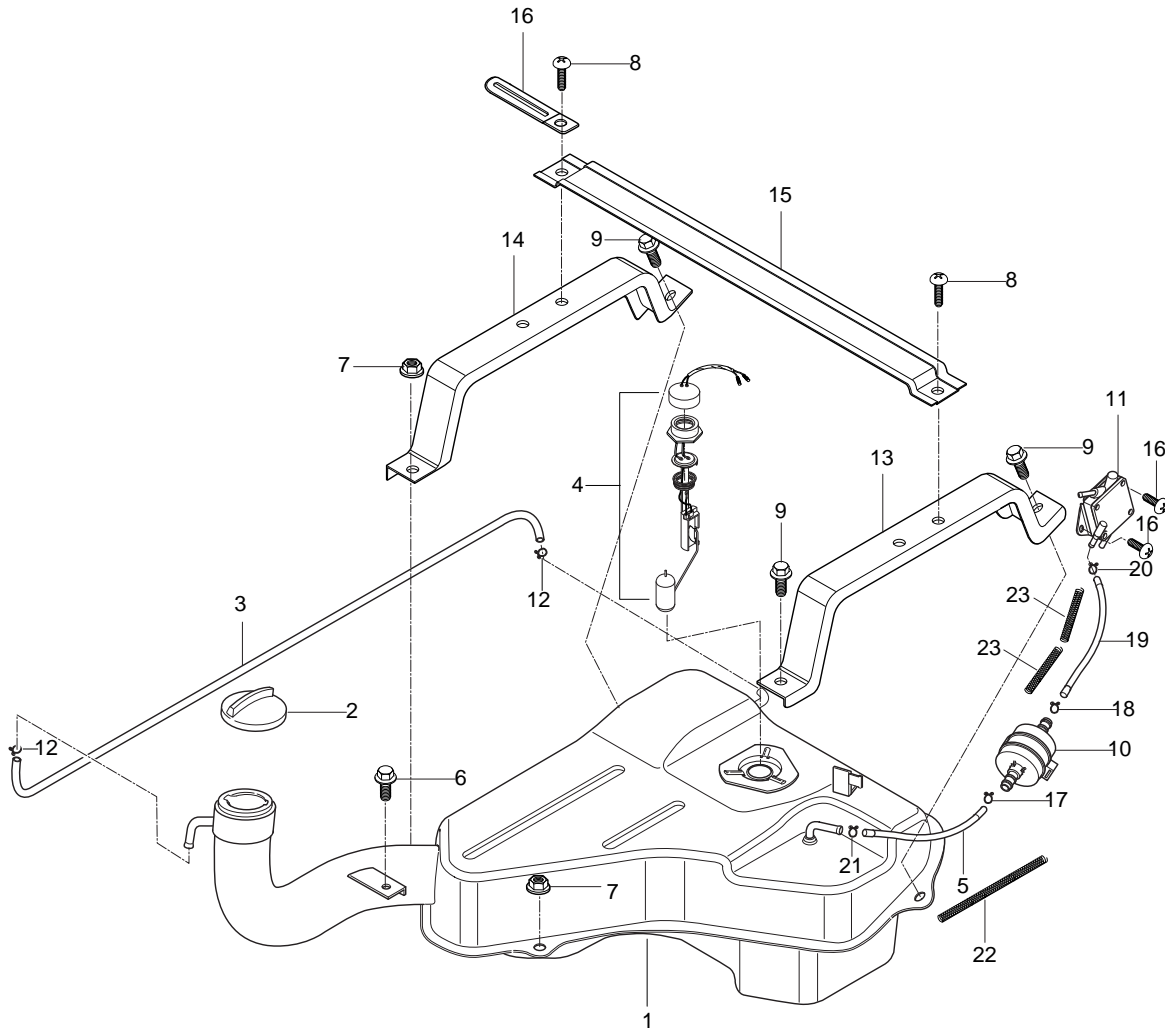


# FIG 27. CENTER STAND

REF.	PARTS NO.			PARTS NAME	Q'TY	REMARKS	REC.Q'TY
NO.	DOMESTIC	MEU01	MG01				(PCS)
27-01	42110HL7302	42110HL7302	42110HL7302	STAND COMP, center	1		5
27-02	42211HF4500	42211HF4500	42211HF4500	SHAFT, center stand pivot	1		
27-03	08322-11106	08322-11106	08322-11106	WASHER, center stand	1		
27-04	09204-02003	09204-02003	09204-02003	COTTER PIN, center stand	1		
27-05	09443-17005	09443-17005	09443-17005	SPRING, center stand	1		
27-06	09140-06007	09140-06007	09140-06007	NUT, center stand spring(M6)	1		
27-07	09100-06078	09100-06078	09100-06078	BOLT, center stand spring(M6x25)	1		
27-08	09321-10002	09321-10002	09321-10002	CUSHION, center stand	1		
27-09	42310HL7303	42310HL7303	42310HL7303	STAND COMP, prop	1		2
27-10	09100-10031	09100-10031	09100-10031	BOLT, prop stand(M10x30)	1		
27-11	08313-11107	08313-11107	08313-11107	NUT, prop stand(M10)	1		
27-12	09443-14036	09443-14036	09443-14036	SPRING, prop stand	1		
27-13	09443-10001	09443-10001	09443-10001	SPRING, center stand inner	1		
27-14	09443-06001	09443-06001	09443-06001	SPRING, prop stand inner	1		
27-15	09321-10002	09321-10002	09321-10002	CUSHION, prop stand	1		



FIG 28



# FIG 28. FUEL TANK

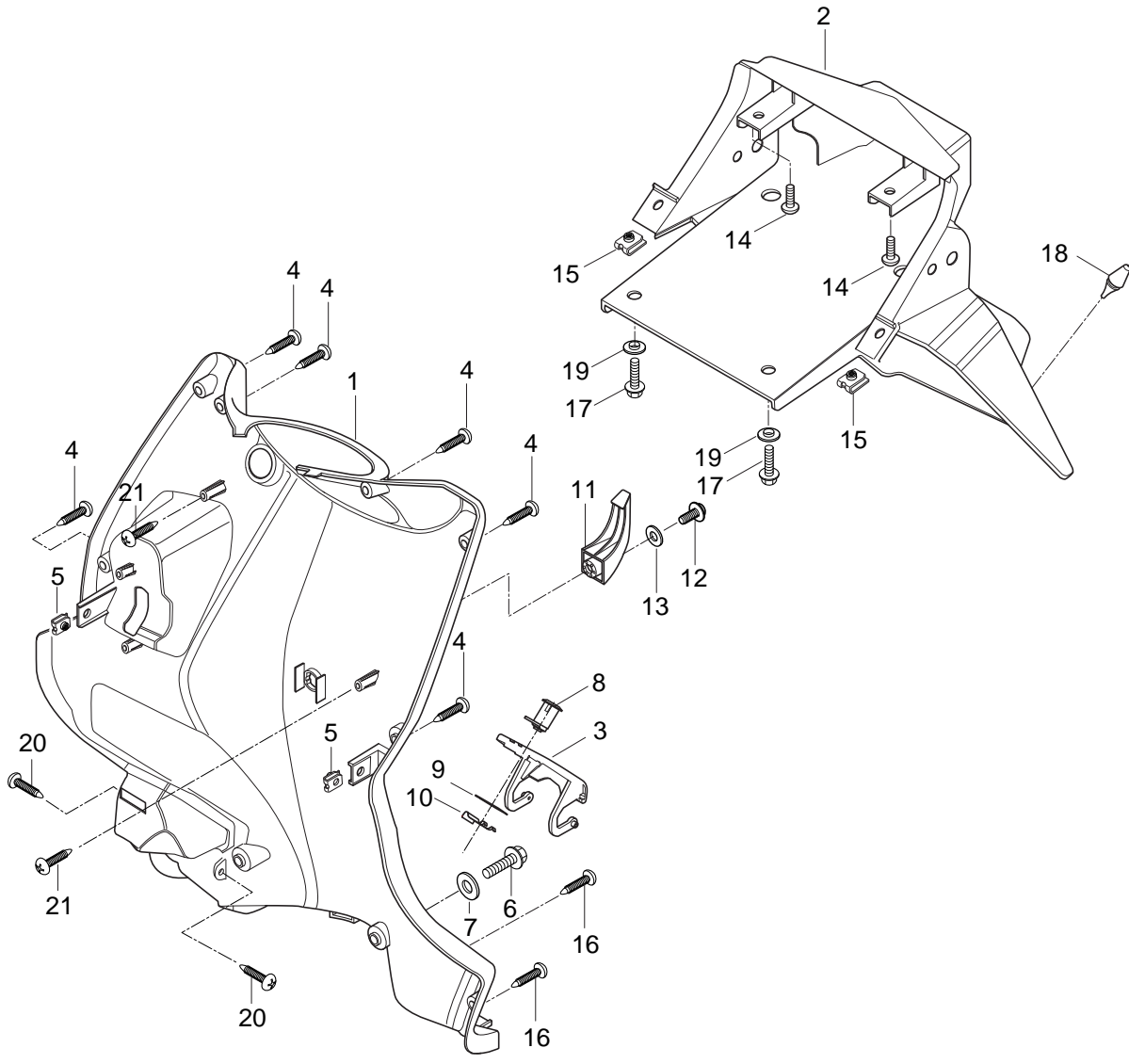
REF. NO.	PARTS NO.			PARTS NAME	Q'TY	REMARKS	REC.Q'TY (PCS)
	DOMESTIC	MEU01	MG01				
28-01	44110HL7308PAM	44110HL7308PAM	44110HL7308PAM	TANK COMP, fuel	1		3
28-02	44200HK2701	44200HK2701	44200HK2701	CAP SET, fuel tank	1		5
28-03	44236HL7302	44236HL7302	44236HL7302	HOSE, air vent	1		5
28-04	34810HL7300	34810HL7300	34810HL7300	GAUGE ASS'Y, fuel sender	1		10
28-05	44199HL7302	44199HL7302	44199HL7302	HOSE, fuel strainer inlet(L=170)	1		5
28-06	01517-06125	01517-06125	01517-06125	BOLT, fuel tank innet(M6x12)	1		
28-07	08316-26066	08316-26066	08316-26066	NUT, leg shield rr &fuel tank(M6)	2		
28-08	02142-06126	02142-06126	02142-06126	BOLT, leg shield rr ctr plate(M6x12)	2		
28-09	01517-06125	01517-06125	01517-06125	BOLT, leg shield rr plate(M6x12)	3		
28-10	44910HG2600	44910HG2600	44910HG2600	STRAINER COMP, fuel	1		4
28-11	15100HL7300	15100HL7300	15100HL7300	PUMP ASS'Y fuel	1		5
28-12	09401H11401	09401H11401	09401H11401	CLIP, fuel inlet air vent hose	2		
28-13	41553HL7300	41553HL7300	41553HL7300	PLATE, leg shield rr L	1		5
28-14	41552HL7300	41552HL7300	41552HL7300	PLATE, leg shield rr R	1		5
28-15	41551HL7300	41551HL7300	41551HL7300	PLATE, leg shield rr center	1		5
28-16	02112-06166	02112-06166	02112-06166	SCREW, fuel pump(M6x16)	2		
28-17	09401-10401	09401-10401	09401-10401	CLIP, fuel inlet hose No2	1		
28-18	09401-10401	09401-10401	09401-10401	CLIP, fuel outlet hose No1	1		
28-19	44199H11202	44199H11202	44199H11202	HOSE, fuel strainer outlet(L=350)	1		
28-20	09401H11401	09401H11401	09401H11401	CLIP, fuel outlet hose No2	1		
28-21	09401H11401	09401H11401	09401H11401	CLIP, fuel inlet hose No1	1		
28-22	09440-13019	09440-13019	09440-13019	SPRING, fuel strainer inlet hose (L=180)	1		
28-23	09440-13019	09440-13019	09440-13019	SPRING, fuel strainer outlet hose (L=180)	2		



# FIG 29. SEAT

REF.	PARTS NO.			PARTS NAME	Q'TY	REMARKS	REC.Q'TY
NO.	DOMESTIC	MEU01	MG01				(PCS)
29-01	45100HL7303	45100HL7303	45100HL7303	SEAT SET, front	1		3
29-02	46410HL73010S3	46410HL73010S3	46410HL73010S3	COVER COMP, rear carrier	1		5
29-03	46420HL7302	46420HL7302	46420HL7302	CARRIER COMP, rear	1		3
29-04	07110-08708	07110-08708	07110-08708	BOLT, carrier cover & carrier (M8x70)	2		10
29-05	01517-06258	01517-06258	01517-06258	BOLT, rear carrier & frm (M6x25)	2		10
29-06	45285HL7302	45285HL7302	45285HL7302	BRACKET, seat support	1		5
29-07	08316-16068	08316-16068	08316-16068	NUT, brkt seat support(M6)	2		
29-08	09111H06014	09111H06014	09111H06014	BOLT, seat support bracket	1		5
29-09	08316-16068	08316-16068	08316-16068	NUT, seat support bracket	1		
29-10	45220HG2601	45220HG2601	45220HG2601	LOCK, seat striker	1		
29-11	09111-06019	09111-06019	09111-06019	BOLT, seat striker & frm	1		
29-12	08316-26066	08316-26066	08316-26066	NUT, seat striker lock(M6)	2		
29-13	09443H06006	09443H06006	09443H06006	SPRING, seat striker lock NO.3 & frm	1		
29-14	45280HL7300	45280HL7300	45280HL7300	CABLE ASS'Y, seat lock	1		5
29-15	45551HL7300	45551HL7300	45551HL7300	PLATE, seat striker lock NO.3	1		5
29-16	02142-06108	02142-06108	02142-06108	SCREW, rr carrier & cover(M6x10)	4		
29-17	08322-11088	08322-11088	08322-11088	WASHER, carrier cover & carrier	2		
29-18	09180H06067	09180H06067	09180H06067	SPACER, carrier & side cover	2		

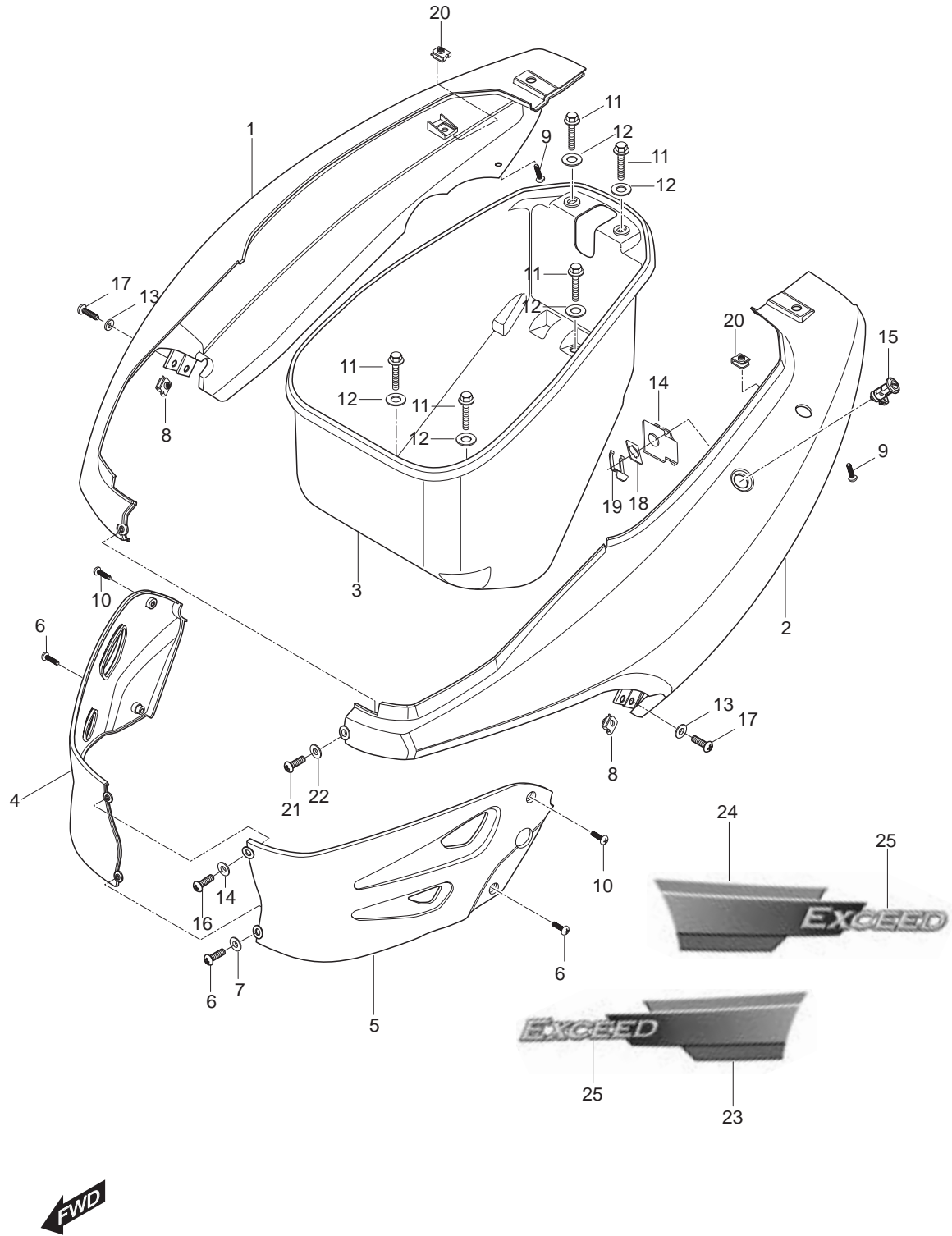
FIG 30



# FIG 30 COVER LEGSHIELD & REAR FENDER

REF. NO.	PARTS NO.			PARTS NAME	Q'TY	REMARKS	REC.Q'TY (PCS)
	DOMESTIC	MEU01	MG01				
30-01	92111HL730226B	92111HL730226B	92111HL730226B	COVER, leg shield	1		10
30-02	63111HL7301	63111HL7301	63111HL7301	FENDER, rear upper	1		5
30-03	92112HL730226B	92112HL730226B	92112HL730226B	COVER, fuel tank & leg shield	1		10
30-04	03241-05166	03241-05166	03241-05166	SCREW, leg shield cover & front(M5x16)	6		
30-05	09148-05039	09148-05039	09148-05039	NUT, leg shield lower front & leg shield cover	2		
30-06	01517-06205	01517-06205	01517-06205	BOLT, leg shield cover & frame(M6x20)	2		
30-07	09160-06056	09160-06056	09160-06056	WASHER, leg shield cover & frame	2		
30-08	44200HF4510	44200HF4510	44200HF4510	LOCK ASS'Y, fuel tank	1	NOT SALE	
30-09	92413HF4501	92413HF4501	92413HF4501	WASHER, fuel tank cover	1		
30-10	92414HF4500	92414HF4500	92414HF4500	LOCK, fuel tank key	1		
30-11	92113HL730026B	92113HL730026B	92113HL730026B	HOOK, leg shield cover	1		5
30-12	02142-06255	02142-06255	02142-06255	SCREW, leg shield cover hook(M6x25)	1		
30-13	09160-06019	09160-06019	09160-06019	WASHER, leg shield cover hook	1		
30-14	02142-05166	02142-05166	02142-05166	SCREW, rear fender up & rear combi(M5x16)	2		
30-15	09148-05039	09148-05039	09148-05039	NUT, rear fender up	2		
30-16	03241-04166	03241-04166	03241-04166	SCREW, leg shield cover & lower ft	4		
30-17	01517-06166	01517-06166	01517-06166	BOLT, rear fender up & frame ft(M6x16)	2		
30-18	09321-06023	09321-06023	09321-06023	CUSHION, license plate	1		
30-19	09169-06032	09169-06032	09169-06032	WASHER, rear fender up & frame ft	2		
30-20	03241-04128	03241-04128	03241-04128	SCREW, leg shield cover & fuel tank cover(M4x2)	2		
30-21	03241-05166	03241-05166	03241-05166	SCREW, frame & leg shield cover(M5x16)	2		

FIG 31

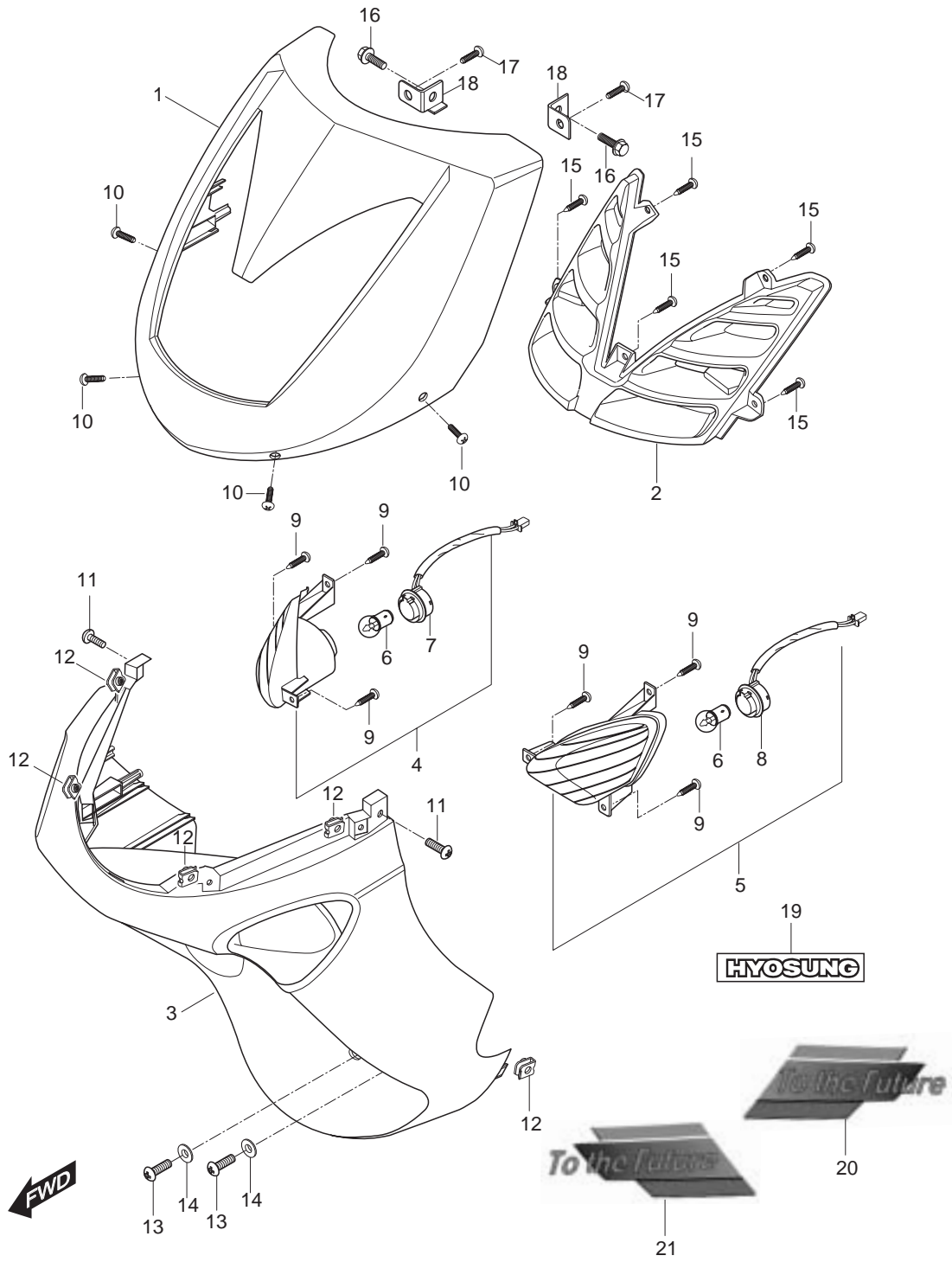


# FIG 31. SIDE COVER

REF.	PARTS NO.			PARTS NAME	Q'TY	REMARKS	REC.Q'TY
NO.	DOMESTIC	MEU01	MG01				(PCS)
31-01-01	47111HF7302	47111HL7302	47111HL7302	COVER, side R(CDB,CMB,CPR,CSS)	1	SELECTION	10
31-02-01	47211HL7303	47211HL7303	47211HL7303	COVER, side L(CDB,CMB,CPR,CSS)	1	SELECTION	10
31-03	91311HL730226B	91311HL730226B	91311HL730226B	BOX, helmet	1		5
31-04	47151HL730126B	47151HL730126B	47151HL730126B	COVER, side front R	1		10
31-05	47251HL730226B	47251HL730226B	47251HL730226B	COVER, side front L	1		10
31-06	02142-06166	02142-06166	02142-06166	SCREW, side cover ft & leg shield rr	3		
31-07	09160-06057	09160-06057	09160-06057	WASHER, side cover ft & frame ft up	1		
31-08	09148-05039	09148-05039	09148-05039	NUT, side cover(M5)	4		
31-09	02142-05166	02142-05166	02142-05166	SCREW, side cover & rr fender up(M5x16)	2		
31-10	02142-05166	02142-05166	02142-05166	SCREW, side cover front(M5x16)	2		
31-11	09160-06006	09160-06006	09160-06006	WASHER, helmet box ft	5		
31-12	01517-06168	01517-06168	01517-06168	BOLT, helmet box(M6x16)	5		
31-13	09169-06032	09169-06032	09169-06032	WASHER, side cover & frame ctr	2		
31-14	09160-06057	09160-06057	09160-06057	WASHER, side cover ft & frame ft up	1		
31-15	45700HG2630	45700HG2630	45700HG2630	LOCK ASS'Y, seat	1		
31-16	02142-06166	02142-06166	02142-06166	SCREW, side cover ft & frame ft up	1		
31-17	02142-06166	02142-06166	02142-06166	SCREW, side cover & frame center	2		
31-18	92413HF4501	92413HF4501	92413HF4501	WASHER, key set	1		
31-19	92414HF4500	92414HF4500	92414HF4500	LOCK KEY, set	1		
31-20	09148-05039	09148-05039	09148-05039	NUT, side cover rear	2		
31-21	02142-06166	02142-06166	02142-06166	SCREW, side cover & frame ft	1		
31-22	09160-06057	09160-06057	09160-06057	WASHER, side cover & frame ft	1		
31-23-01	68134HL730000A	68134HL730000A	68134HL730000A	TAPE, side cover R(PR)	1	NOT SALE	
31-23-02	68134HL730000B	68134HL730000B	68134HL730000B	TAPE, side cover R(MB)	1	NOT SALE	
31-24-01	68136HL730000A	68136HL730000A	68136HL730000A	TAPE, side cover L(PR)	1	NOT SALE	
31-24-02	68136HL730000B	68136HL730000B	68136HL730000B	TAPE, side cover L(MB)	1	NOT SALE	
31-25	68130HL7300CR	68130HL7300CR		EMBLEM, side cover	2		
31-26-01			68130HL735003P	EMBLEM, side cover (DB,MB,PR)	2		
31-27-02			68130HL7350120	EMBLEM, side cover (SS)	2		



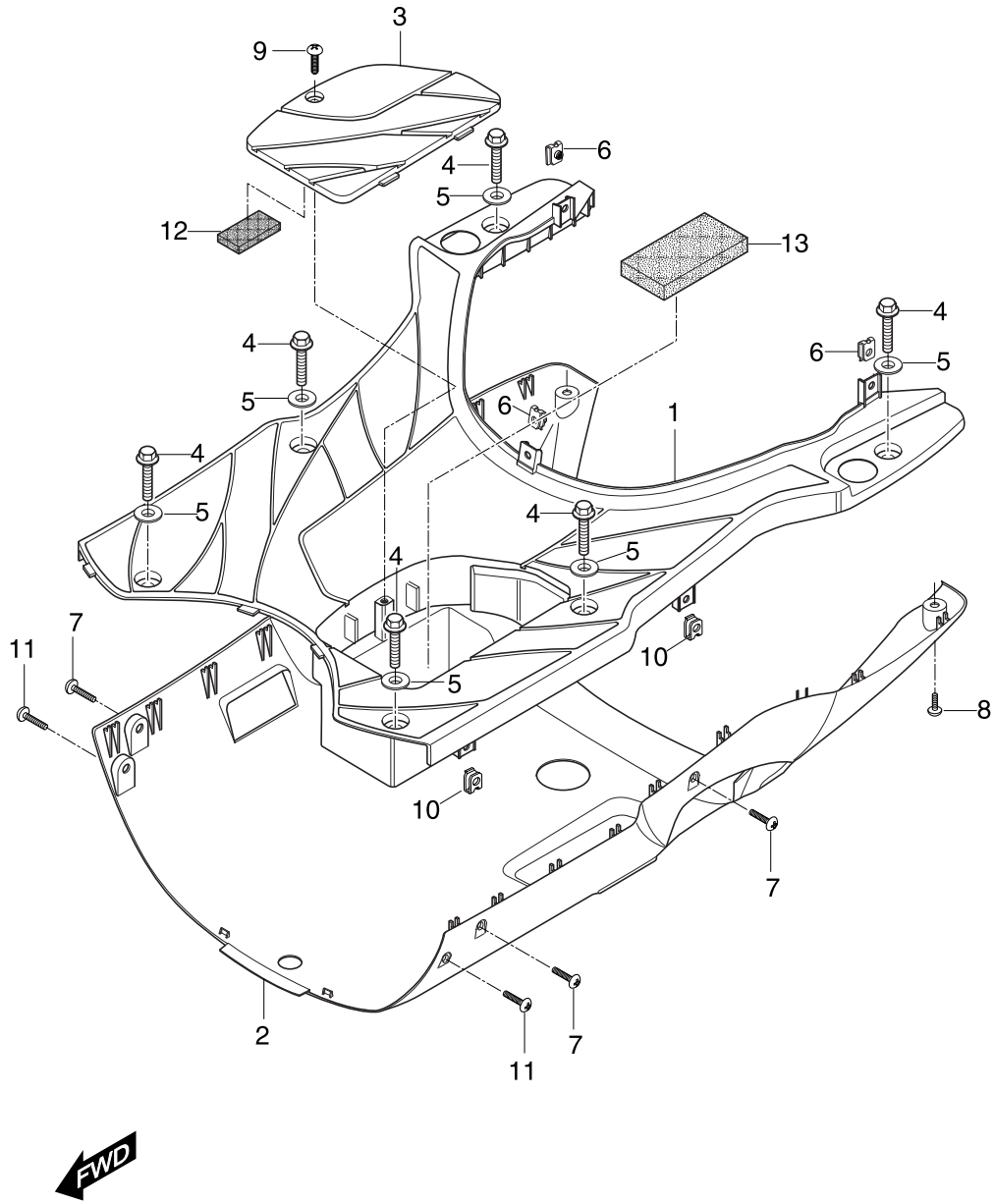
FIG 32



# FIG 32. LEG SHIELD FRONT

REF. NO.	PARTS NO.			PARTS NAME	Q`TY	REMARKS	REC.Q'TY (PCS)
	DOMESTIC	MEU01	MG01				
32-01-01	48111HL7302	48111HL7302	48111HL7302	SHIELD, leg front(CDB,CMB,CPR,CSS)	1	SELECTION	10
32-01-02	48211HL7302	48211HL7302	48211HL7302	SHIELD, leg shield front(CDB,CMB,CPR,CSS)	1	SELECTION	10
32-01-03	48137HL7302	48137HL7302	48137HL7302	SHIELD, leg lower front(CDB,CMB,CPR,CSS)	1	SELECTION	10
32-04	35601HL7300	35601HL7350	35601HL7350	LAMP ASS'Y, front turnsignal R	1		10
32-05	35602HL7300	35602HL7350	35602HL7350	LAMP ASS'Y, front turnsignal L	1		10
32-06	09471-12114	09471-12114	09471-12114	.BULB, front turnsignal (12V10W)	2		
32-07	35618HL7300	35618HL7300	35618HL7300	.SOCKET ASS'Y, front turnsignal R	1		5
32-08	35638HL7300	35638HL7300	35638HL7300	.SOCKET ASS'Y, front turnsignal L	1		5
32-09	03241-05166	03241-05166	03241-05166	SCREW, turnsignal lamp(M5×16)	6		
32-10	02142-05166	02142-05166	02142-05166	SCREW, leg shield front & leg low fr(M5×16)	4		
32-11	02142-05166	02142-05166	02142-05166	SCREW, leg shield low ft ft & cov leg(M5×16)	2		
32-12	09148-05039	09148-05039	09148-05039	NUT, leg shield low ft(M5)	6		
32-13	02142-06166	02142-06166	02142-06166	SCREW, leg shield low ft center(M6×16)	2		
32-14	09169-06032	09169-06032	09169-06032	WASHER, leg shield low ft center	2		
32-15	03241-05166	03241-05166	03241-05166	SCREW, deco & leg shield ft(M5×16)	5		
32-16	01517-06166	01517-06166	01517-06166	BOLT, head lamp plate & head lamp(M6×16)	2		
32-17	02142-06166	02142-06166	02142-06166	SCREW, head lamp plate & leg shield ft(M6×16)	2		
32-18	48112HL7301	48112HL7301	48112HL7301	PLATE, head lamp & leg ft	2		10
32-19	68120HL730003P	68120HL730003P	68120HL730003P	EMBLEM, leg shield front(DB,MB,PR)	1		
32-19-01	68120HL7300120	68120HL7300120	68120HL7300120	EMBLEM, leg shield front(SS)	1		

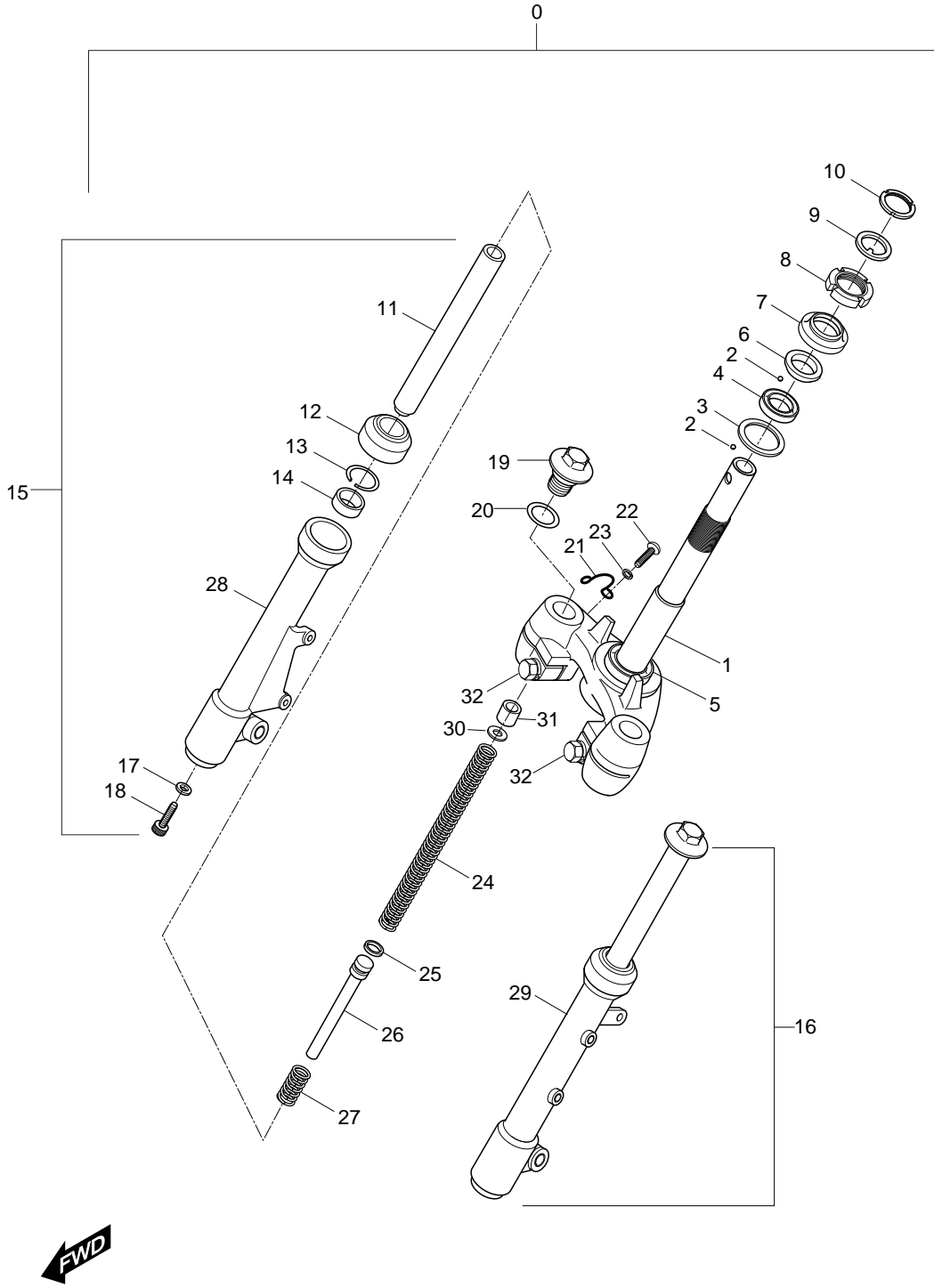
FIG 33



## FIG 33. LEG SHIELD REAR

REF.	PARTS NO.			PARTS NAME	Q'TY	REMARKS	REC.Q'TY
NO.	DOMESTIC	MEU01	MG01				(PCS)
33-01	48121HL7303	48121HL7303	48121HL7303	SHIELD, leg rear	1		5
33-02-01	48147HL7302	48147HL7302	48147HL7302	SHIELD, leg lower rear(0DB,0MB,0PR,0SS)	1		10
33-03	48122HL7300	48122HL7300	48122HL7300	COVER, battery	1		5
33-04	01517-06205	01517-06205	01517-06205	BOLT, leg shield rr & frame(M6x20)	6		
33-05	09160-06056	09160-06056	09160-06056	WASHER, leg shield rr & frame	6		
33-06	09148-05039	09148-05039	09148-05039	NUT, leg shield rr & side cover ft(M5)	3		
33-07	02142-05166	02142-05166	02142-05166	SCREW, leg shield low & leg shield rr(M5x16)S	4		
33-08	03241-05166	03241-05166	03241-05166	CREW, leg shield low & leg shield rr(M5x16)	2		
33-09	02142-06166	02142-06166	02142-06166	SCREW, battery cover(M6x16)	1		
33-10	09148-05039	09148-05039	09148-05039	NUT, leg shield rr & lower(M5)	4		
33-11	02142-05166	02142-05166	02142-05166	SCREW, leg shield lower rr & lower ft(M5x16)	2		
33-12	44613HE7100	44613HE7100	44613HE7100	CUSHION, battery cover	1		
33-13	41589HG5900	41589HG5900	41589HG5900	CUSHION, leg shield rr & battery	1		

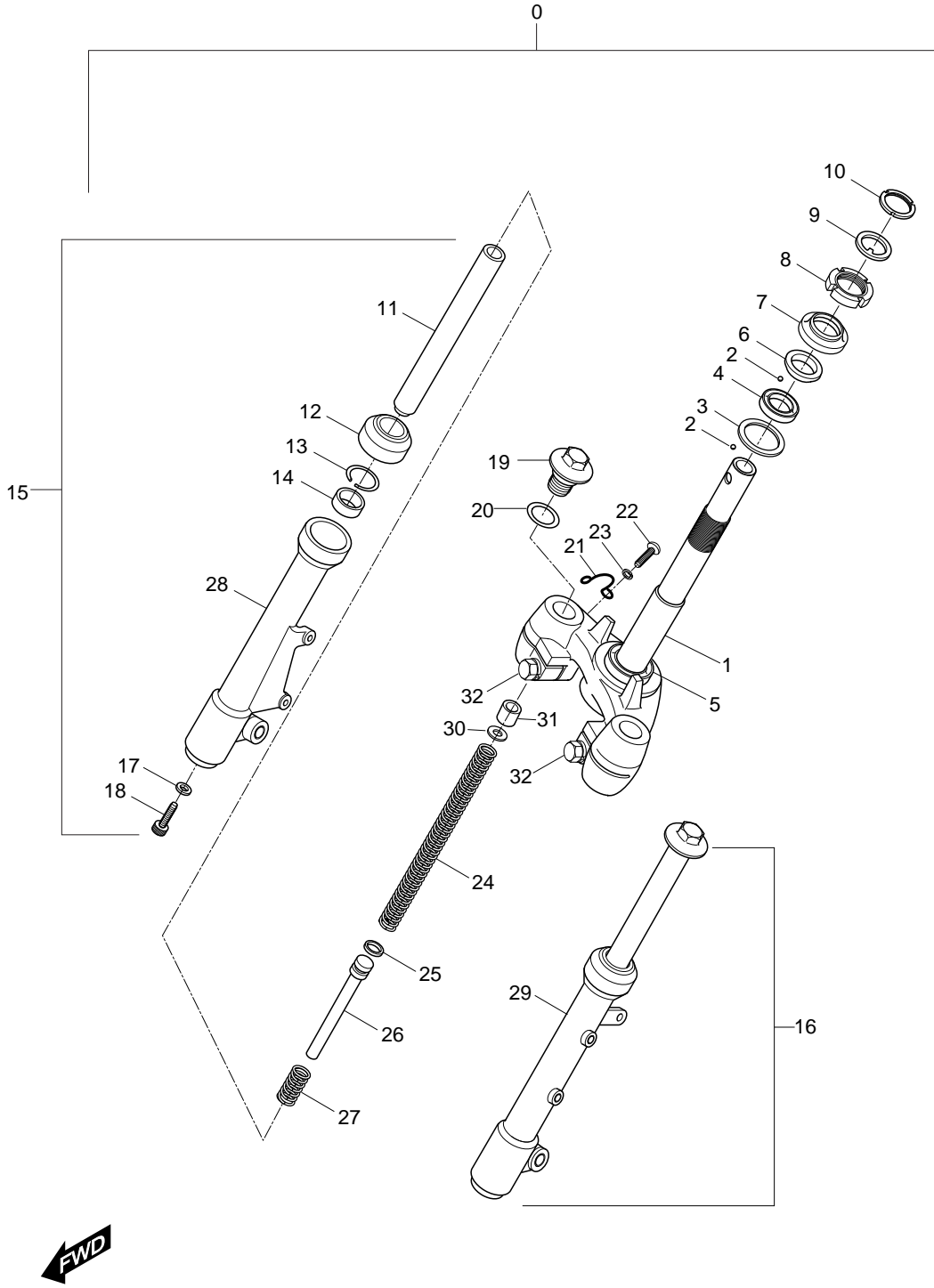
FIG 34



# FIG 34. FRONT FORK

REF. NO.	PARTS NO.			PARTS NAME	Q'TY	REMARKS	REC.Q'TY (PCS)
	DOMESTIC	MEU01	MG01				
34-00	51100HL7300HPA	51100HL7300HPA	51100HL7300HPA	FORK ASS'Y, front	1		
34-01	51410HL7300	51410HL7300	51410HL7300	STEM, front fork steering	1		3
34-02	06111-06004	06111-06004	06111-06004	BALL, steering steel	47		282
34-03	51612-04000	51612-04000	51612-04000	RACE, steering inner lower	1		5
34-04	51611-20002	51611-20002	51611-20002	RACE, steering inner upper	1		5
34-05	51622-04000	51622-04000	51622-04000	RACE, steering outer lower	1		5
34-06	51621-28000	51621-28000	51621-28000	RACE, steering outer upper	1		5
34-07	51643-25001	51643-25001	51643-25001	DUST SEAL, steering upper	1		
34-08	51631-28000	51631-28000	51631-28000	NUT, steering stem(M25)	1		
34-09	09166-26001	09166-26001	09166-26001	WASHER, steering stem lock	1		
34-10	51632-02400	51632-02400	51632-02400	NUT, steering stem lock(M25)	1		
34-11	51111HF4500	51111HF4500	51111HF4500	FORK, pipe	2		
34-12	51173HF4500	51173HF4500	51173HF4500	DUST	2		
34-13	51156HF4500	51156HF4500	51156HF4500	STOPPER RING, oil seal	2		
34-14	51153HF4500	51153HF4500	51153HF4500	OIL SEAL, front fork	2		
34-15	51210HL7300	51210HL7300	51210HL7300	DAMPER ASS'Y, front fork R	1		5
34-16	51220HL7300	51220HL7300	51220HL7300	DAMPER ASS'Y, front fork L	1		5
34-17	90544H93B00	90544H93B00	90544H93B00	WASHER	1		
34-18	51147HF4500	51147HF4500	51147HF4500	BOLT SOCKET	2		
34-19	51351HF4500	51351HF4500	51351HF4500	BOLT FORK	2		
34-20	51181HF4500	51181HF4500	51181HF4500	O-RING, fork bolt	2		
34-21	51452HE6101	51452HE6101	51452HE6101	GUIDE, brake hose	1		
34-22	02112-46168	02112-46168	02112-46168	SCREW, brake hose guide(M46x16)	1		
34-23	51353HF4500	51353HF4500	51353HF4500	WASHER, under bracket	2		
34-24	51171HL7300	51171HL7300	51171HL7300	SPRING	2	NOT SALE	
34-25	51196HF4500	51196HF4500	51196HF4500	PISTON LING	2	NOT SALE	
34-26	51146HF4500	51146HF4500	51146HF4500	PIPE, seat	2	NOT SALE	

FIG 34

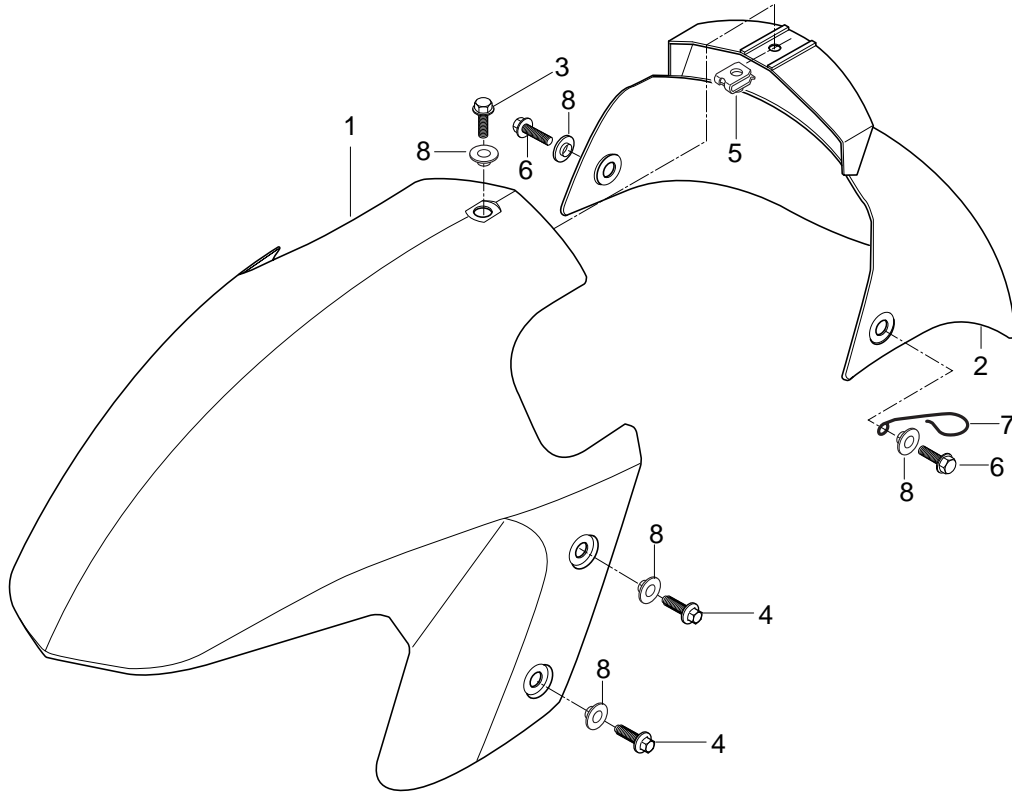


# FIG 34. FRONT FORK

REF.	PARTS NO.			PARTS NAME	Q`TY	REMARKS	REC.Q'TY
NO.	DOMESTIC	MEU01	MG01				(PCS)
34-27	51177HF4500	51177HF4500	51177HF4500	REBOUND SPRING	2	NOT SALE	
34-28	51421HL7300	51421HL7300	51421HL7300	BOTTOM CASE, front fork R	1	품번등록 요망	
34-29	51521HL7300	51521HL7300	51521HL7300	BOTTOM CASE, front fork L	1	품번등록 요망	
34-30	51175HL7300	51175HL7300	51175HL7300	WASHER, main spring	2	NOT SALE	
34-31	51174HL7300	51174HL7300	51174HL7300	SPACER, main spring	2	NOT SALE	
34-32	09100H08260	09100H08260	09100H08260	BOLT, under brkt(M8x25)	2		



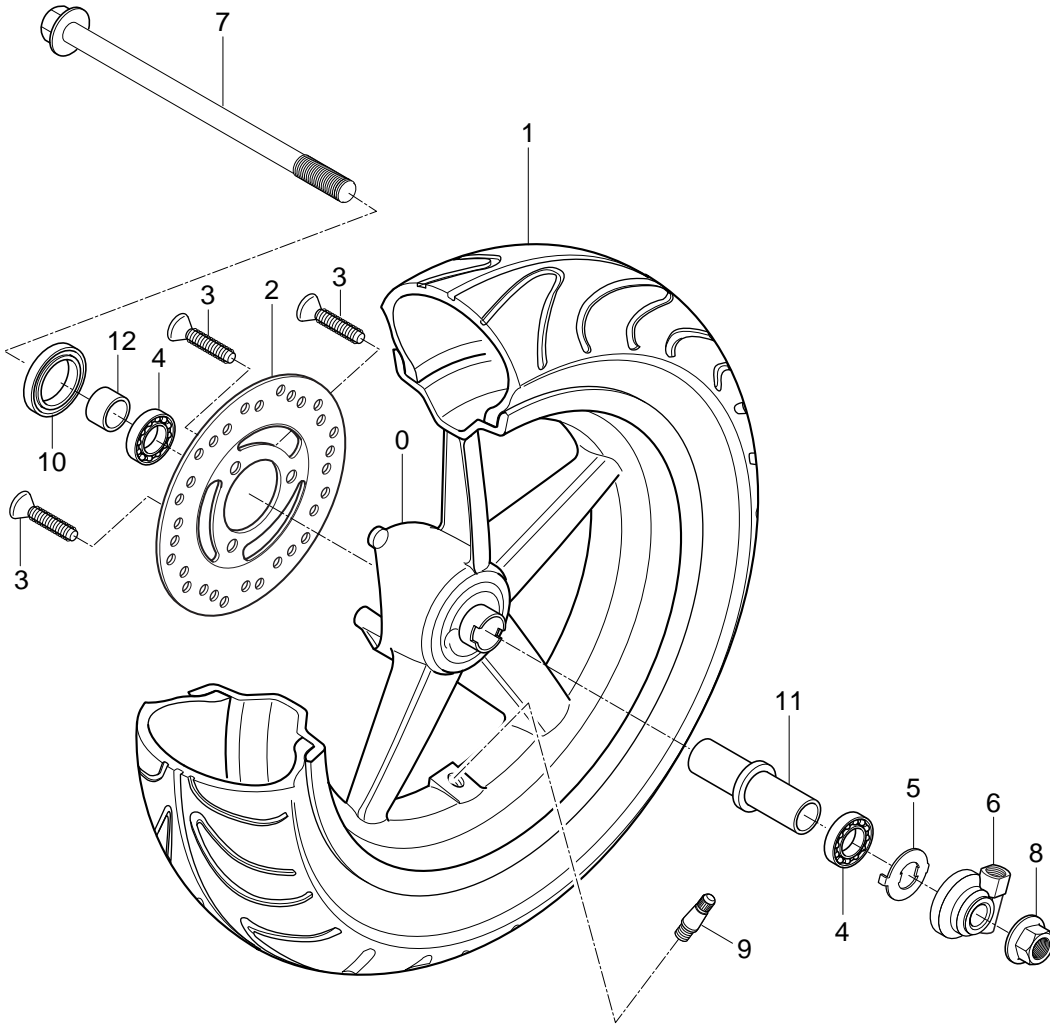
FIG 35



# FIG 35. FRONT FENDER

REF.	PARTS NO.			PARTS NAME	Q`TY	REMARKS	REC.Q'TY
NO.	DOMESTIC	MEU01	MG01				(PCS)
35-01-01	53111HL7300	53111HL7300	53111HL7300	FENDER, front front(0DB,0MB,0PR,0SS)	1	SELECTION	<b>10</b>
35-02-01	53112HL7300	53112HL7300	53112HL7300	FENDER, front rear(0DB,0MB,0PR,0SS)	1	SELECTION	<b>10</b>
35-03	01104-06205	01104-06205	01104-06205	BOLT, fender front front & rear(M6x20)	1		
35-04	01517-06125	01517-06125	01517-06125	BOLT, fender front front(M6x12)	4		
35-05	09148-06020	09148-06020	09148-06020	NUT, fender front rear(M6)	1		
35-06	01517-06125	01517-06125	01517-06125	BOLT, fender front rear(M6x12)	2		
35-07	51418HF4501	51418HF4501	51418HF4501	GUIDE, speedometer cable	1		
35-08	09169-06034	09169-06034	09169-06034	WASHER, fender front & rear	7		

FIG 36



# FIG 36. FRONT WHEEL

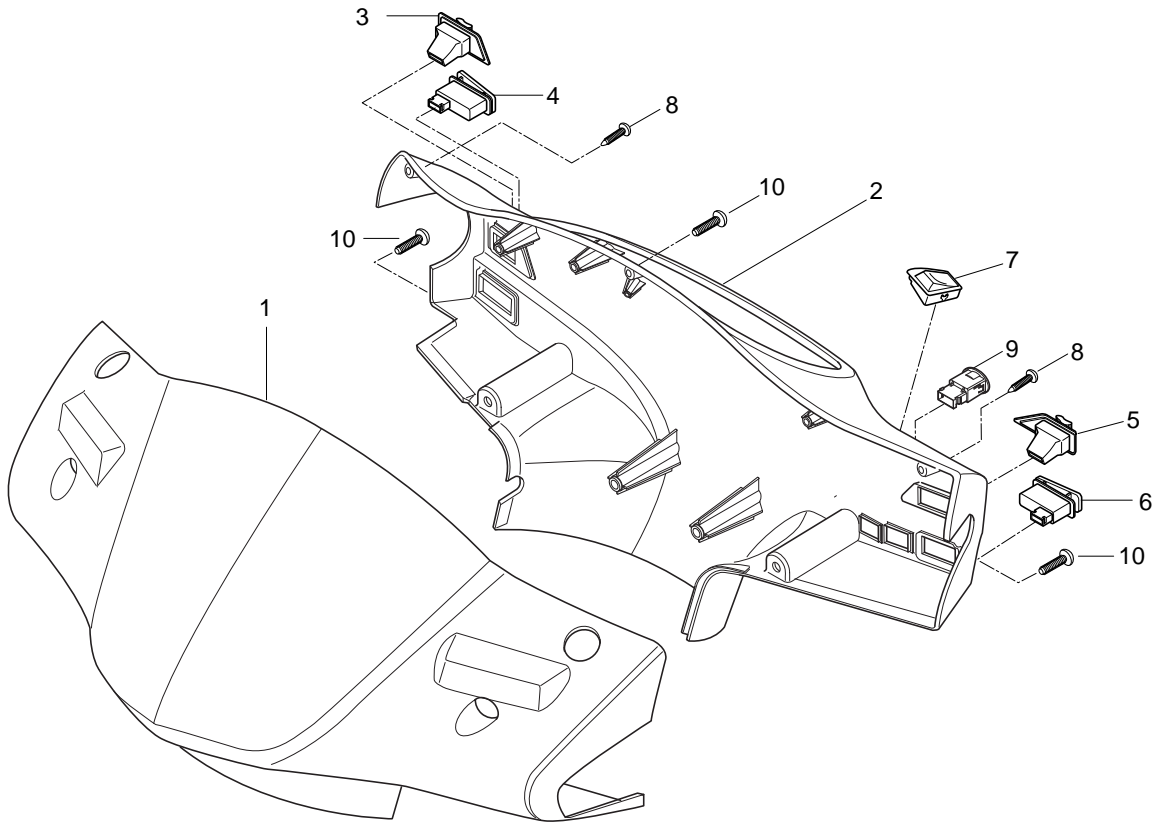
REF.	PARTS NO.			PARTS NAME	Q'TY	REMARKS	REC.Q'TY
NO.	DOMESTIC	MEU01	MG01				(PCS)
36-00	54140HF4500	54140HF4500	54140HF4500	WHEEL COMP, front(3.00x12)	1		4
36-01	55109HF4500	55109HF4500	55109HF4500	TIRE SET, front(120/70-12 56J)	1		10
36-02	59211HF4530	59211HF4530	59211HF4530	DISC, front brake	1		4
36-03	59421-03A01	59421-03A01	59421-03A01	BOLT, front brake disc(M8x20)	3		
36-04	08143-62017	08143-62017	08143-62017	BEARING, front wheel(6201Z)	2		
36-05	09160-06065	09160-06065	09160-06065	THRUST WASHER, speedometer	1		
36-06	54600HF4501	54600HF4501	54600HF4501	BOX ASS'Y, speedometer gear	1		6
36-07	54711HF4501	54711HF4501	54711HF4501	AXLE, front	1		5
36-08	08319-31128	08319-31128	08319-31128	NUT, front axle(M12)	1		
36-09	55220-29C20	55220-29C20	55220-29C20	VALVE ASS'Y	1		
36-10	09285H18001	09285H18001	09285H18001	DUST SEAL, front hub bearing	1		
36-11	54730HF4500	54730HF4500	54730HF4500	SPACER COMP, front wheel	1		
36-12	54741HF4500	54741HF4500	54741HF4500	SPACER, front axle L	1		



# FIG 37. HANDLE BAR

REF.	PARTS NO.			PARTS NAME	Q'TY	REMARKS	REC.Q'TY
NO.	DOMESTIC	MEU01	MG01				(PCS)
37-01	56100HL7301	56100HL7301	56100HL7301	HANDLE BAR COMP	1		2
37-02	56500HL7350	56500HL7350	56500HL7350	MIRROR ASS'Y, RR view,R	1		
37-03	56600HL7301	56600HL7350	56600HL7350	MIRROR ASS'Y, RR view,L	1		
37-04	09103H10101	09103H10101	09103H10101	BOLT, handle bar set(M10x53)	1		
37-05	56213HE7100	56213HE7100	56213HE7100	SPACER, handle bar set	1		
37-06	08319-31108	08319-31108	08319-31108	NUT, handle bar set(M10)	1		
37-07	03241-05166	03241-05166	03241-05166	SCREW, handle bar & handle cover RR(M5×16)	4		
37-08	58300HL7300	58300HL7300	58300HL7300	CABLE ASS'Y, throttle	1		5
37-09	01517-06166	01517-06166	01517-06166	SCREW, handle bar & turn signal(M6×16)	1		
37-10	09160-06017	09160-06017	09160-06017	WASHER, handle balancer	1		
37-10-01	08322-21068	08322-21068	08322-21068	WASHER,handle balancer	1		
37-11	56275-34400	56275-34400	56275-34400	SPACER, handle balancer	2		
37-12	56520HL7300	56520HL7300	56520HL7300	CAP, mirror nut	2	NOT SALE	
37-13	56700HL7302	56700HL7302	56700HL7302	BOLT, RR view mirroir R	1		5
37-14	56800HL7302	56800HL7302	56800HL7302	BOLT, RR view mirroir L	1		5
37-15	56271-49400	56271-49400	56271-49400	BALANCER, handle bar	2		
37-16	56274-05350	56274-05350	56274-05350	CAP, handle bar balancer	2		
37-17	02132-06405	02132-06405	02132-06405	SCREW, handle bar balancer(M6×40)	2		10
37-18	56501HL7300	56501HL7350	56501HL7350	MIRROR SET	1		10

FIG 38

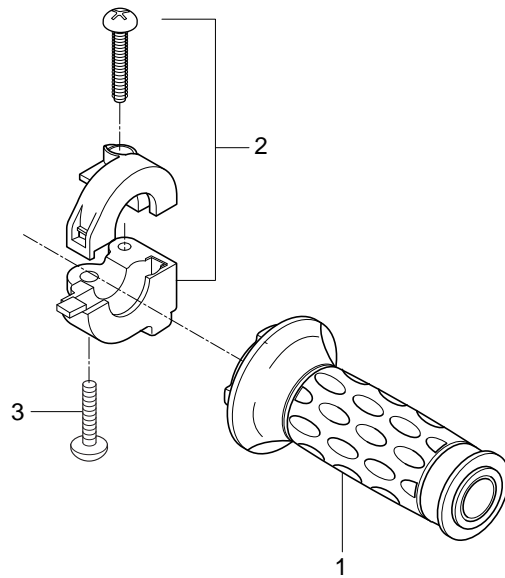
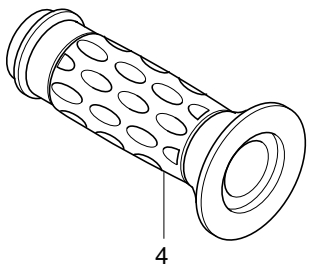


# FIG 38. HANDLE COVER

REF.	PARTS NO.			PARTS NAME	Q'TY	REMARKS	REC.Q'TY
NO.	DOMESTIC	MEU01	MG01				(PCS)
38-01	56311HL7302	56311HL7302	56311HL7302	COVER, handle front(CDB,CMB,CPR,CSS)	1		5
38-02	56321HL730126B	56321HL730126B	56321HL730126B	COVER, handle rear	1		5
38-03	37210HF4500	37210HF4500	37210HF4500	SWITCH ASS'Y, lighting	1		4
38-04	37220HE6100	37220HE6100	37220HE6100	SWITCH ASS'Y, start	1		4
38-05	37410HF4530	37410HF4530	37410HF4530	SWITCH ASS'Y, turn signal	1		4
38-06	37420HE6100	37420HE6100	37420HE6100	SWITCH ASS'Y, horn	1		4
38-07	37430HE6100	37430HE6100	37430HE6100	SWITCH ASS'Y, dimmer	1		4
38-08	03241-04166	03241-04166	03241-04166	SCREW, handle cover rr & ft(M4x16)	2		
38-09	37860HL7300	37860HL7300	37860HL7300	SWITCH ASS'Y, hazard	1		10
38-10	03241-05166	03241-05166	03241-05166	SCREW, handle cover rr & handle cover ft(M5x16)	3		



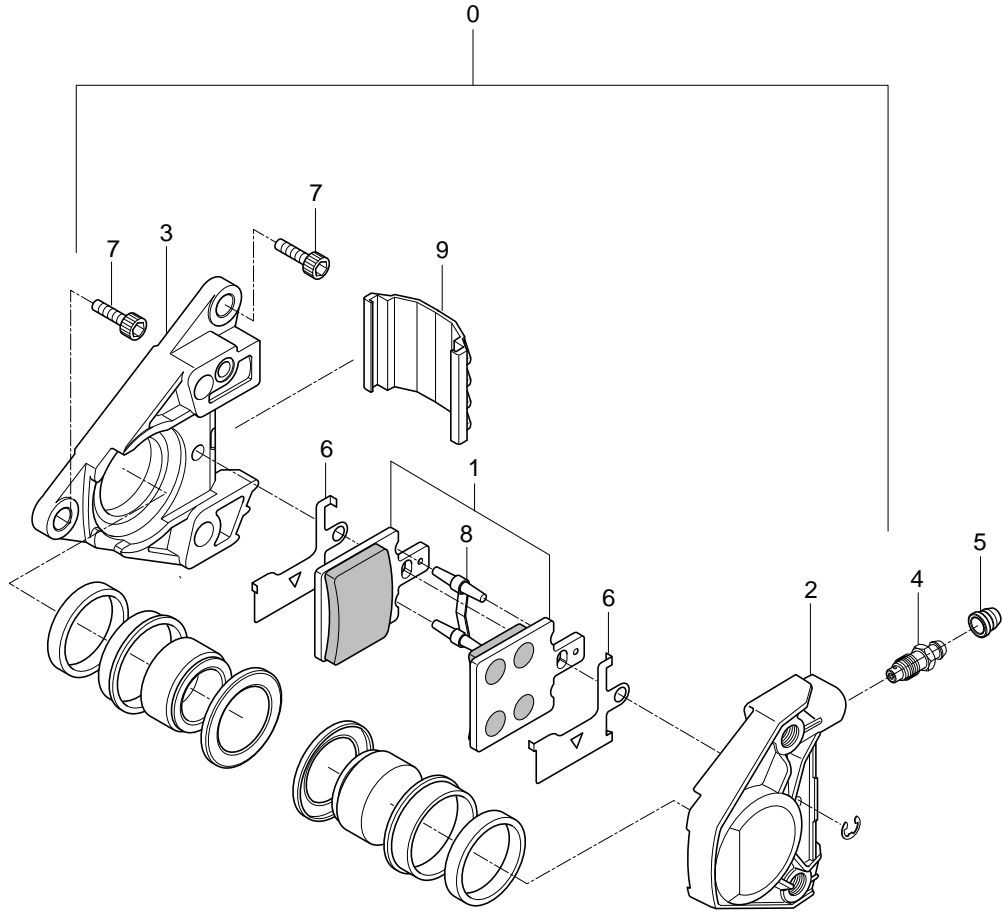
FIG 39



# FIG 39. HANDLE LEVER

REF.	PARTS NO.			PARTS NAME	Q`TY	REMARKS	REC.Q'TY
NO.	DOMESTIC	MEU01	MG01				(PCS)
39-01	57110HF4500	57110HF4500	57110HF4500	GRIP COMP, throttle	1		2
39-02	57100HF4500	57100HF4500	57100HF4500	CASE ASS'Y, throttle	1		
39-03	09136-05040	09136-05040	09136-05040	SCREW, throttle	1		
39-04	57211HF4500	57211HF4500	57211HF4500	GRIP, L	1		2

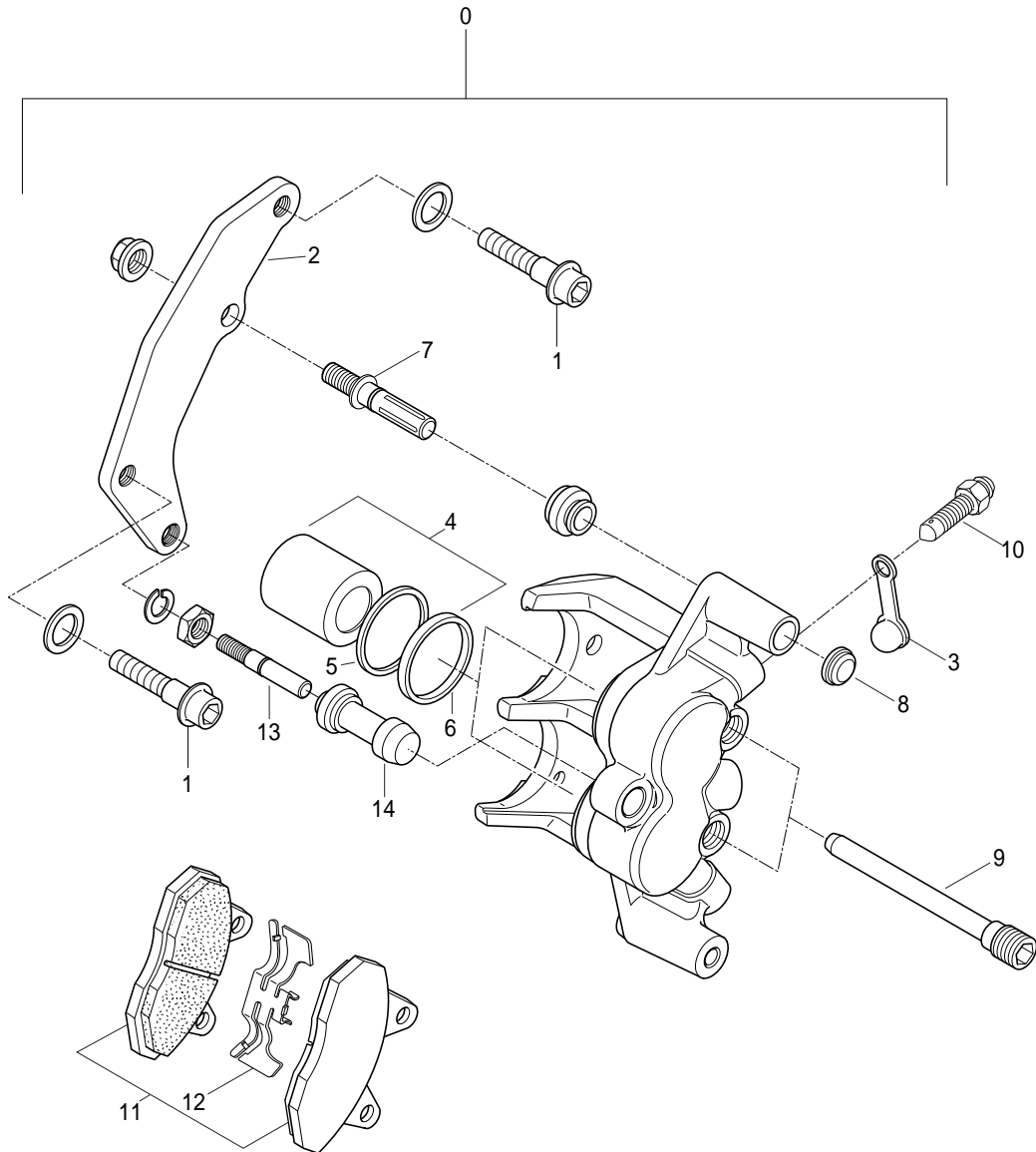
FIG 40



# FIG 40. CALIPER

REF.	PARTS NO.			PARTS NAME	Q'TY	REMARKS	REC.Q'TY
NO.	DOMESTIC	MEU01	MG01				(PCS)
40-00	59300HF4500	59300HF4500	59300HF4500	CALIPER ASS'Y	1		4
40-01	59311HF4500	59311HF4500	59311HF4500	PAD SET, caliper	1		
40-02	59360HF4500	59360HF4500	59360HF4500	.HOUSING, caliper R	1	NOT SALE	
40-03	59370HF4500	59370HF4500	59370HF4500	.HOUSING, caliper L	1	NOT SALE	
40-04	59121HF4500	59121HF4500	59121HF4500	.BREATHER	1		
40-05	59122HF4500	59122HF4500	59122HF4500	.CAP, breather	1		
40-06	59315HF4500	59315HF4500	59315HF4500	.SPRING	2		
40-07	01177-08268	01177-08268	01177-08268	BOLT, caliper(M8x26)	2		
40-08	59316HF4500	59316HF4500	59316HF4500	.GUIDE, pad	1	NTO SALE	
40-09	59317HF4500	59317HF4500	59317HF4500	.CAP, caliper	1	NTO SALE	

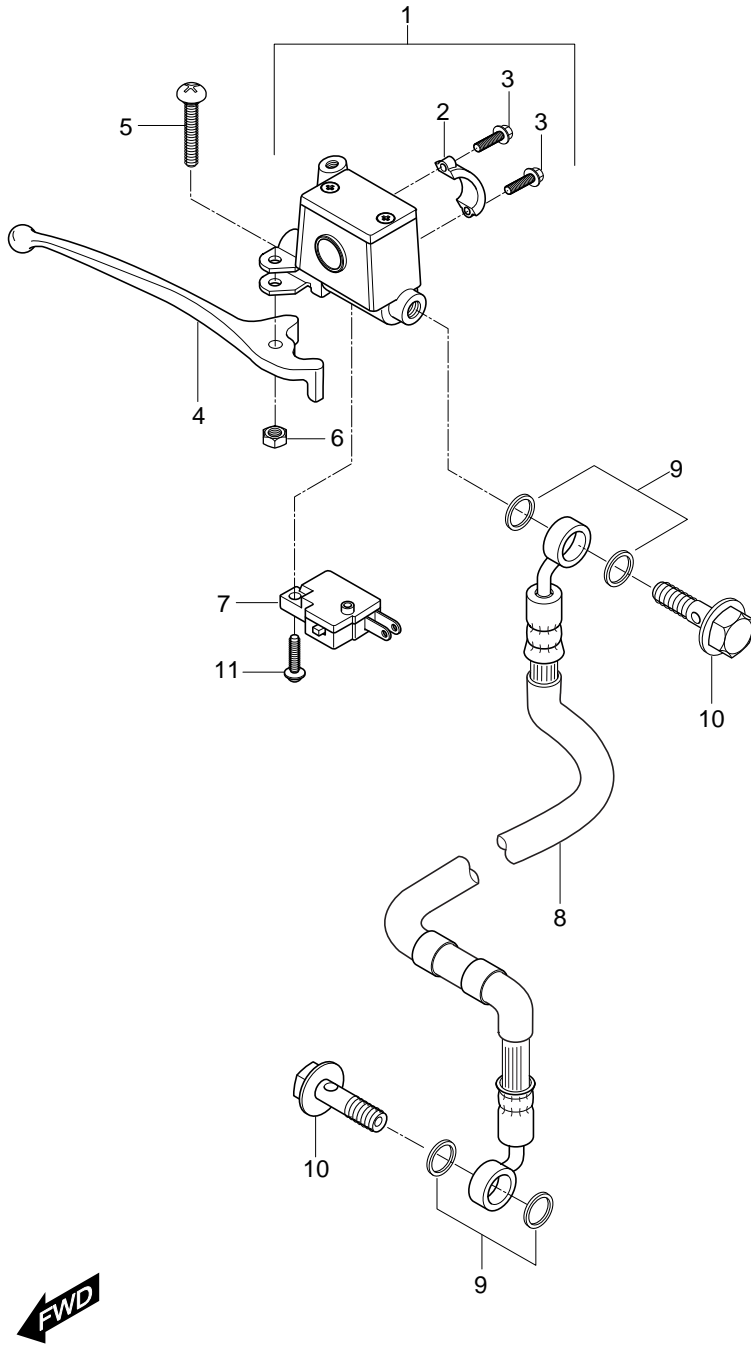
FIG 41



# FIG 41. CALIPER

REF. NO.	PARTS NO.		PARTS NAME	Q'TY	REMARKS	REC.Q'TY (PCS)
	DOMESTIC	MEU01				
41-00	59300HG5100	59300HG5100	59300HG5100	CALIPER ASS'Y, rear	1	
41-00-A	59300HG5112	59300HG5112	59300HG5112	CALIPER ASS'Y, rear	1	KM4CF42AX61104858 ~
41-01	07120-08308	07120-08308	07120-08308	BOLT, calipers	2	
41-02	59350HG5100	59350HG5100	59350HG5100	.CARRIER, caliper	1	NOT SALE
41-03	59122HG5100	59122HG5100	59122HG5100	.CAP	1	NOT SALE
41-04	59303HG5100	59303HG5100	59303HG5100	.PISTON SET, caliper	1	NOT SALE
41-05	59107HG5100	59107HG5100	59107HG5100	.SEAL, piston	1	NOT SALE
41-06	59308HG5100	59308HG5100	59308HG5100	.BOOT, pistom	1	NOT SALE
41-07	59305HG5100	59305HG5100	59305HG5100	.AXLE No.1	1	NOT SALE
41-08	59312HG5100	59312HG5100	59312HG5100	.BOOT	1	NOT SALE
41-09	59302HG5100	59302HG5100	59302HG5100	.AXLE, caliper pad	2	NOT SALE
41-10	59121HG5100	59121HG5100	59121HG5100	.BREATHER	1	NOT SALE
41-11	59301HG5100	59301HG5100	59301HG5100	.PAD COMP, caliper	1	
41-11-A	59301HP9500	59301HP9500	59301HP9500	.PAD COMP, caliper(8.4t)	1	KM4CF42AX61104858 ~
41-12	59315HG5100	59315HG5100	59315HG5100	.SPRING	1	NOT SALE
41-13	59306HG5100	59306HG5100	59306HG5100	.AXLE No.2	1	NOT SALE
41-14	59313HG5100	59313HG5100	59313HG5100	.INSULATOR, caliper	1	NOT SALE

FIG 42

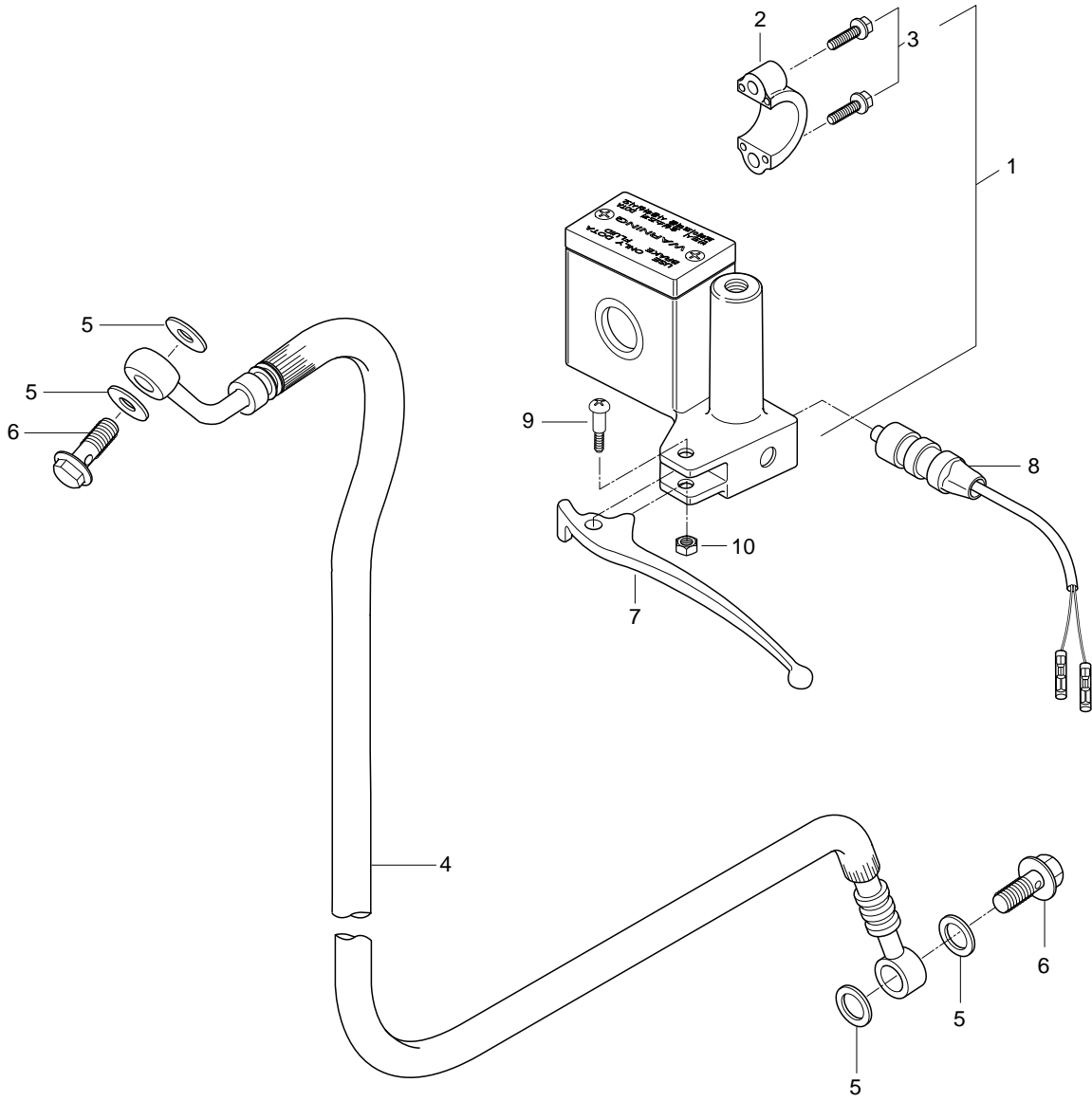


# FIG 42. FRONT MASTER CYLINDER

REF.	PARTS NO.			PARTS NAME	Q'TY	REMARKS	REC.Q'TY
NO.	DOMESTIC	MEU01	MG01				(PCS)
42-01	59600HL7300	59600HL7300	59600HL7300	CYLINDER ASS'Y, master	1		<b>5</b>
42-02	59671-35C00	59671-35C00	59671-35C00	.HOLDER, master cylinder	1		
42-03	01107-35C00	01107-35C00	01107-35C00	BOLT, front brake	2		
42-04	57421HF4501	57421HF4501	57421HF4501	LEVER, brake front	1		<b>30</b>
42-05	57431-13010	57431-13010	57431-13010	SCREW, brake lever pivot	1		
42-06	08319-21065	08319-21065	08319-21065	NUT, brake lever pivot(M6)	1		
42-07	57460-17C00	57460-17C00	57460-17C00	SWITCH ASS'Y, stop	1		<b>20</b>
42-08	59480HL7300	59480HL7300	59480HL7300	HOSE COMP, front brake	1		<b>5</b>
42-09	09161-10005	09161-10005	09161-10005	WASHER, brake fluid	4		
42-10	09360-10039	09360-10039	09360-10039	BOLT, brake fluid	2		
42-11	02112-74108	02112-74108	02112-74108	SCREW, stop switch(M4x10)	1		



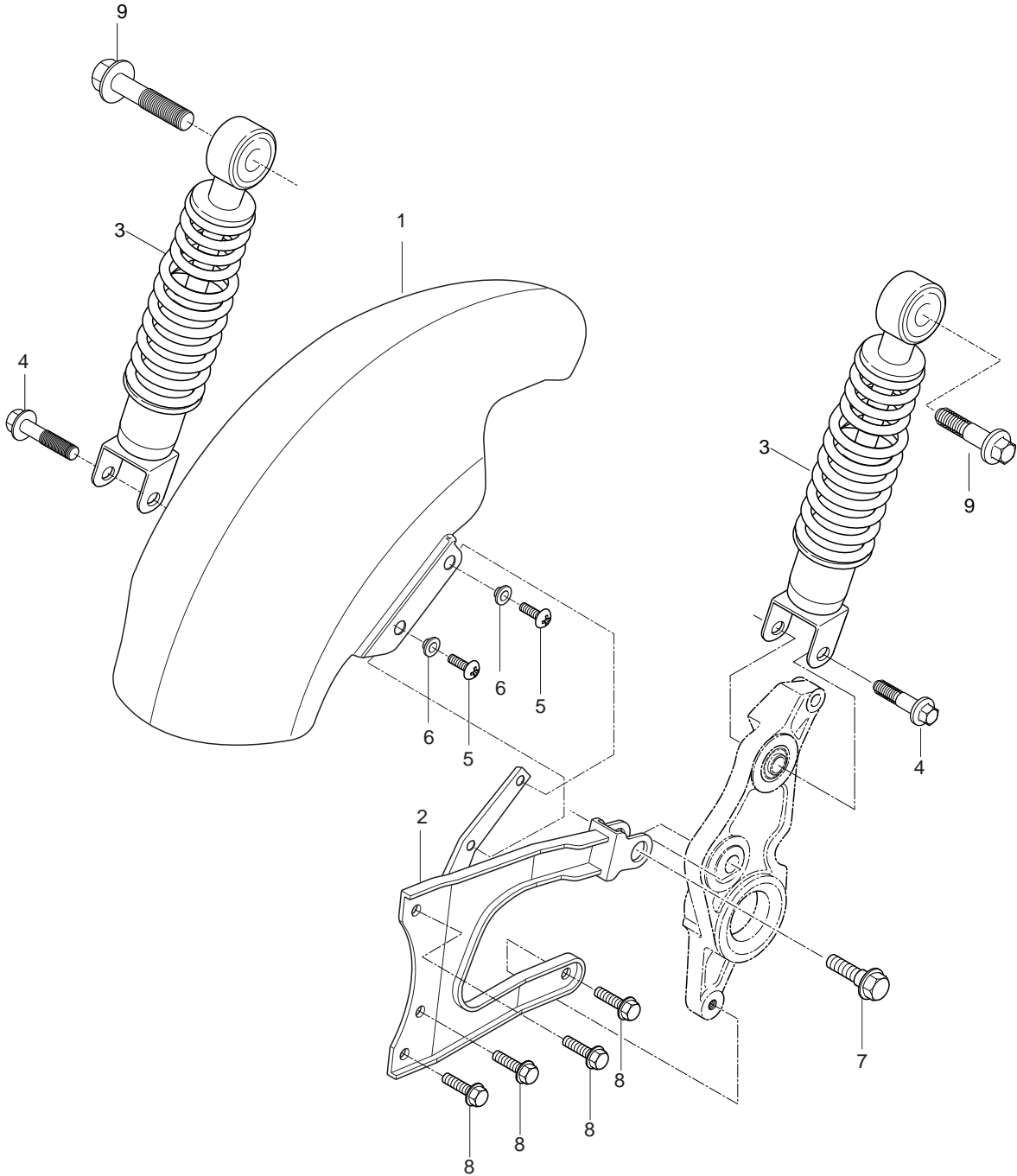
FIG 43



# FIG 43. REAR MASTER CYLINDER

REF.	PARTS NO.			PARTS NAME	Q'TY	REMARKS	REC.Q'TY
NO.	DOMESTIC	MEU01	MG01				(PCS)
43-01	69600HL7301	69600HL7301	69600HL7301	CYLINDER ASS'Y, master	1		5
43-02	59671-35C00	59671-35C00	59671-35C00	.HOLDER, master cylinder	1		
43-03	01107-35C00	01107-35C00	01107-35C00	.BOLT, ft brake	2		
43-04	69480HL7302	69480HL7302	69480HL7302	HOSE COMP, rr brake	1		5
43-05	09161-10005	09161-10005	09161-10005	WASHER, brake fluid	4		
43-06	09360-10039	09360-10039	09360-10039	BOLT, brake hose	2		
43-07	57621HF4530	57621HF4530	57621HF4530	LEVER, brake rear	1		
43-08	57460HL7300	57460HL7300	57460HL7300	SWITCH ASS'Y, rear stoper	1		
43-09	57431-13010	57431-13010	57431-13010	SCREW, rear brake lever pivot	1		
43-10	08319-21065	08319-21065	08319-21065	NUT, rear brake lever pivot(M6)	1		

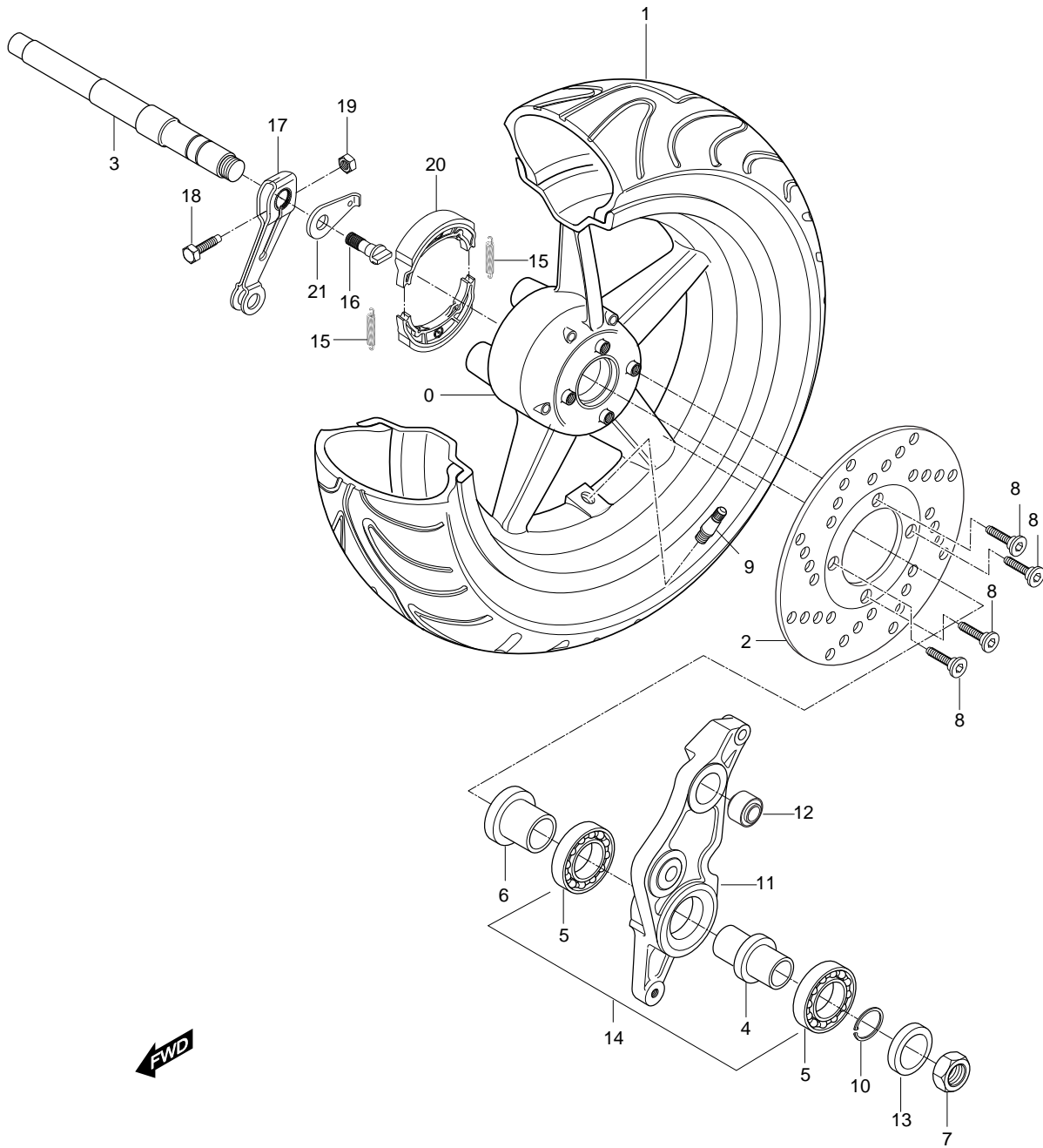
FIG 44



# FIG 44. REAR FENDER

REF.	PARTS NO.			PARTS NAME	Q'TY	REMARKS	REC.Q'TY
NO.	DOMESTIC	MEU01	MG01				(PCS)
44-01	63115HL7301	63115HL7301	63115HL7301	REAR, fender front	1		5
44-02	62320HF4531	62320HF4531	62320HF4531	BRACKET COMP, rear suspension arm	1		
44-03	62100HL7301	62100HL7301	62100HL7301	ABSORBER ASS'Y, rear shock	2		5
44-04	09103-10019	09103-10019	09103-10019	BOLT, rear shock absorber lower(M10x35)	2		
44-05	02142-06165	02142-06165	02142-06165	SCREW, rear fender front(M6x16)	2		
44-06	09169-06034	09169-06034	09169-06034	WASHER, rear fender front	2		
44-07	09103-10019	09103-10019	09103-10019	BOLT, rear sus arm & sus arm brkt	1		
44-08	01517-08208	01517-08208	01517-08208	BOLT, braket comp rear suspension(M8x16)	2		
44-08-01	01137-08355	01137-08355	01137-08355	BOLT, baket comp rr suspension	2		
44-09	61181-02C00	61181-02C00	61181-02C00	BOLT, rear shock absorber upper(M10x40)	2		

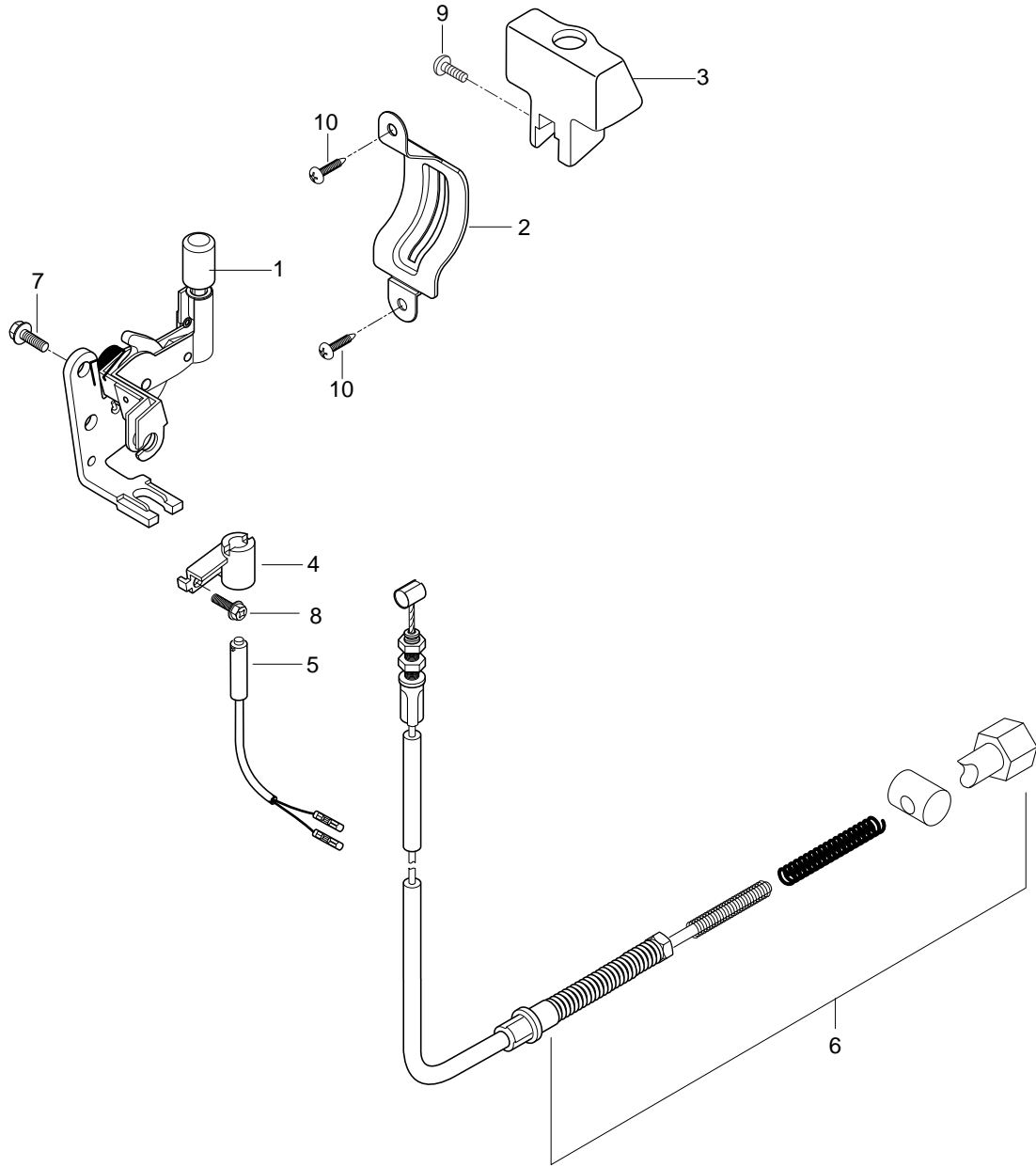
FIG 45



# FIG 45. REAR WHEEL

REF. NO.	PARTS NO.			PARTS NAME	Q'TY	REMARKS	REC.Q'TY (PCS)
	DOMESTIC	MEU01	MG01				
45-00	64150HL7300	64150HL7300	64150HL7300	WHEEL COMP, REAR	1		3
45-01	65109HF4500	65109HF4500	65109HF4500	TIRE,REAR(130/70-12 59J)	1		10
45-02	69211HF4530	69211HF4530	69211HF4530	DISC, rear brake	1		
45-03	24141HF4533	24141HF4533	24141HF4533	SHAFT, rear axle	1		
45-04	64751HL7300	64751HL7300	64751HL7300	SPACER, rear suspension arm NO.1	1		
45-05	08130-60047	08130-60047	08130-60047	BEARING, rear suspension arm(6204DD)	2		
45-06	64752HL7300	64752HL7300	64752HL7300	SPACER, rear suspension arm NO.2	1		
45-07	09159H14008	09159H14008	09159H14008	NUT, rear axle	1		
45-08	59421-03A01	59421-03A01	59421-03A01	BOLT, rear disc	4		
45-09	55220-29C20	55220-29C20	55220-29C20	VALVE ASS'Y	1		
45-10	08331-41429	08331-41429	08331-41429	CIRCLIP, rear sus arm	1		
45-11	62311HL7303HPA	62311HL7303HPA	62311HL7303HPA	ARM, rear suspension	1		3
45-12	09319-10032	09319-10032	09319-10032	BUSH, rear suspension arm	1		
45-13	64753HL7300	64753HL7300	64753HL7300	SPACER, rear axle nut	1		
45-14	62311HL7303HPA	62311HL7303HPA	62311HL7303HPA	ARM ASS'Y, rear suspension	1		
45-15	09443H08025	09443H08025	09443H08025	SPRING	2		
45-16	64441HF4500	64441HF4500	64441HF4500	CAM, rear brake	1		
45-17	64451HF4500	64451HF4500	64451HF4500	LEVER, rear brake cam	1		2
45-18	09100-06139	09100-06139	09100-06139	BOLT, rear brake cam lever	1		
45-19	08316-16068	08316-16068	08316-16068	NUT, rear brake cam lever(M6)	1		
45-20	64400HK3100	64400HK3100	64400HK3100	SHOE SET, rear brake	1		30
45-21	64492HE7100	64492HE7100	64492HE7100	PLATE, drive lining indicator	1		

FIG 46



# FIG 46. PARKING BRAKE

REF.	PARTS NO.			PARTS NAME	Q'TY	REMARKS	REC.Q'TY
NO.	DOMESTIC	MEU01	MG01				(PCS)
46-01	57800HL7301	57800HL7301	57800HL7301	BODY ASS'Y, parking brake	1		5
46-02	57860HL7300	57860HL7300	57860HL7300	SEAL COMP, leg shield cover	1		5
46-03	57810HL7300	57810HL7300	57810HL7300	KNOB COMP, parking brake	1		5
46-04	57870HL7303	57870HL7303	57870HL7303	BRACKET COMP, parking brake switch	1		
46-05	37290HL7300	37290HL7300	37290HL7300	SWITCH ASS,Y, parking brake	1		5
46-06	58800HL7300	58800HL7300	58800HL7300	CABLE ASS'Y, brake lock	1		5
46-07	01517-06166	01517-06166	01517-06166	BOLT, parking brake body	1		
46-08	02112-05108	02112-05108	02112-05108	SCREW, stop switch bracket(M5x10)	1		
46-09	02112-05108	02112-05108	02112-05108	SCREW, parking brake knob(M5x10)	1		
46-10	03241-05106	03241-05106	03241-05106	SCREW, leg shield cover & seal(M5x10)	2		