

The Product Overview



Overhead travelling cranes

HB light crane systems

Jib cranes

Electric wire rope hoists

Electric chain hoists

Lightweight mobile gantries

Monorail trolley track for linear material flow

ABUS
CRANE SYSTEMS

Contents

Overhead travelling cranes: pages 4 to 7	Load capacity: up to 120 t Span: up to 40 m (depending on load capacity) Applications: area-coverage material handling Characteristics: comprehensive standard and optional equipment to suit individual applications
HB light crane systems: pages 8 to 11	Load capacity: up to 2 t Span: up to 22 m (depending on load capacity) Applications: area-coverage and linear point-to-point material handling Characteristics: versatile and adaptable, designed for modular extension, wide range of suspensions, low headroom, comprehensive standard and optional equipment
Jib cranes: pages 12 to 15	Load capacity: up to 6.3 t Jib length: up to approx. 10 m Applications: localised swept area coverage Characteristics: slewing range up to 360°, depending on model
Electric wire rope hoists: pages 16 to 19	Load capacity: up to 120 t Characteristics: favourable dimensions, comprehensive standard and optional equipment
Electric chain hoists: pages 20 to 21	Load capacity: up to 4 t Characteristics: low headroom, dual lifting speeds as standard feature, ready for installation, comprehensive standard and optional equipment
Lightweight mobile gantries: page 22	Load capacity: up to 2 t Characteristics: with four steerable stop rollers, easy to move, height and width can be adapted to customers' requirements
Monorail trolley track for linear material flow: page 23	Load capacity: up to 16 t Characteristics: allows flexible and individual planning, many options for fixing, extensive standard and optional equipment
Accessories: pages 24 to 25	ABUS optional equipment
Services: pages 26 to 27	ABUS services

ABUS overhead travelling cranes. The solution for difficult tasks.

ABUS ZLK double-girder travelling crane





ABUS overhead travelling cranes can lift, handle and lower loads of up to 120 tonnes. Five main types are available: these include single-girder travelling cranes, double-girder travelling cranes for heavy-duty work and wide spans and underslung travelling cranes for buildings with special conditions. The fourth main type is the wall travelling crane whilst the fifth is the single girder semi-goliath crane, installed on a separate crane track beneath the other types in order to optimise material handling.

- **Load capacity:** up to 120 t max.
- **Span:** up to 40 m
(depending on load capacity)
- **Applications:** mainly for area-coverage material handling within buildings
- **Characteristics:** comprehensive standard and optional equipment to suit individual applications



ABUS EWL wall travelling crane

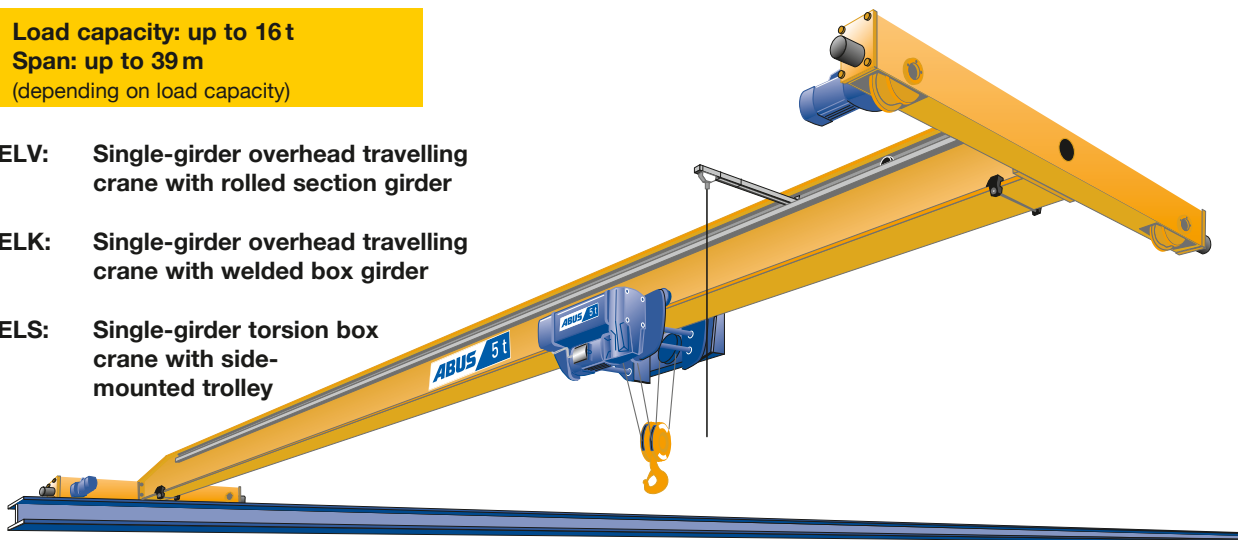


ABUS ELK single-girder travelling cranes

ABUS single-girder overhead travelling cranes

Load capacity: up to 16 t
Span: up to 39 m
(depending on load capacity)

- ELV:** Single-girder overhead travelling crane with rolled section girder
- ELK:** Single-girder overhead travelling crane with welded box girder
- ELS:** Single-girder torsion box crane with side-mounted trolley

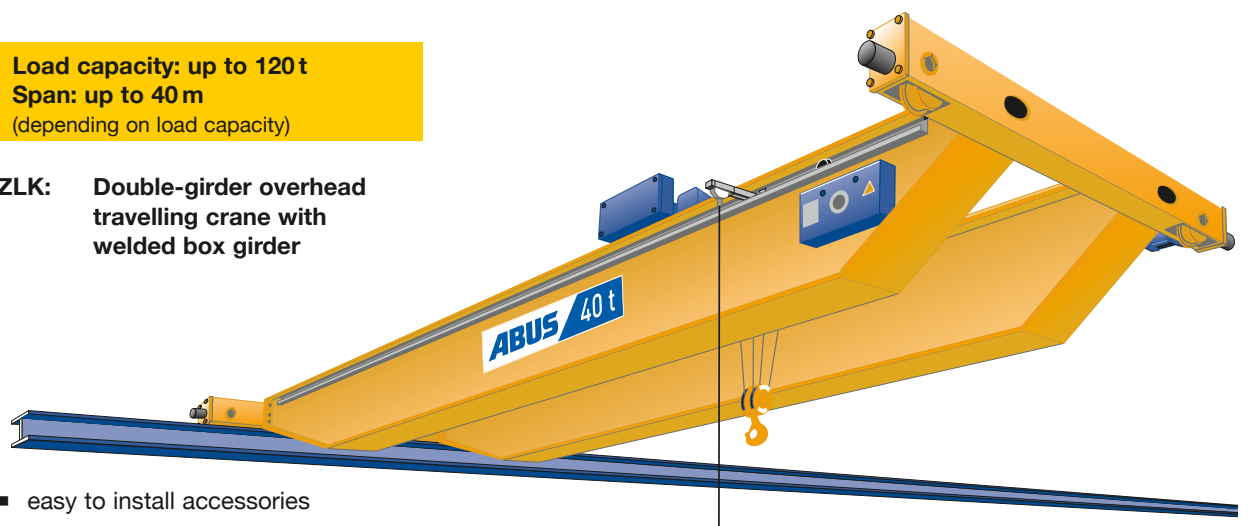


- wide range of connection variants for optimum adaptation to local conditions
- very high hook positions possible

ABUS double-girder overhead travelling cranes

Load capacity: up to 120 t
Span: up to 40 m
(depending on load capacity)

- ZLK:** Double-girder overhead travelling crane with welded box girder

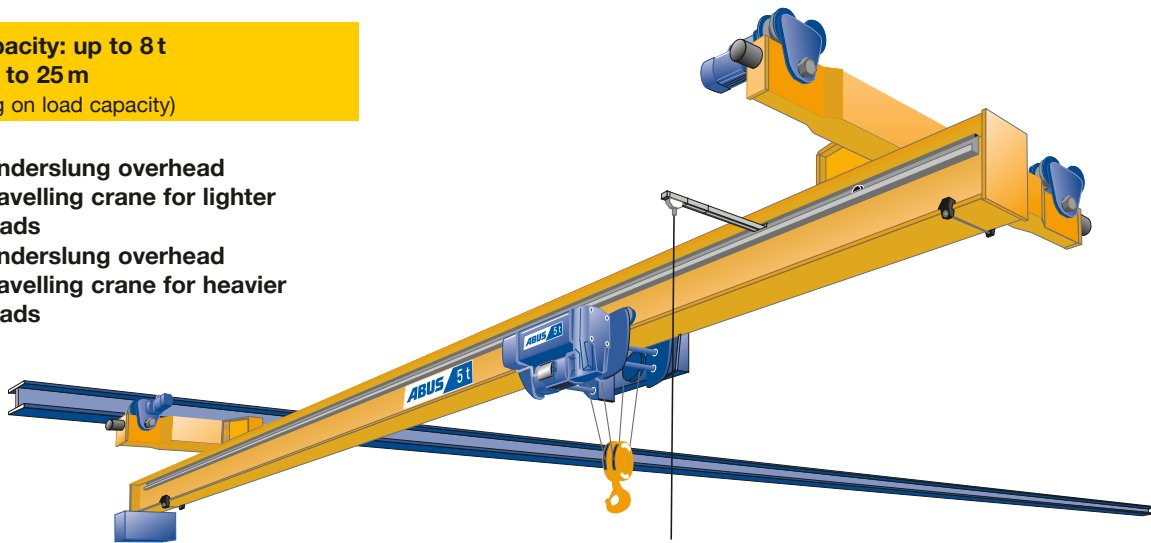


- easy to install accessories
- high crane and trolley travel speeds possible
- wide range of connection variants for optimum adaptation to local conditions
- very high hook positions possible

ABUS underslung overhead travelling cranes

Load capacity: up to 8 t
Span: up to 25 m
 (depending on load capacity)

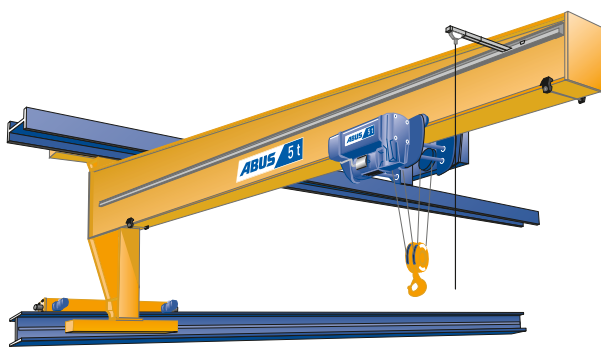
- DLVM:** Underslung overhead travelling crane for lighter loads
- EDL:** Underslung overhead travelling crane for heavier loads



- crane track mounted on ceiling
- the ideal solution for buildings with difficult or tight conditions
- short side approach dimensions, allowing optimum utilization of building width

ABUS EWL wall travelling crane

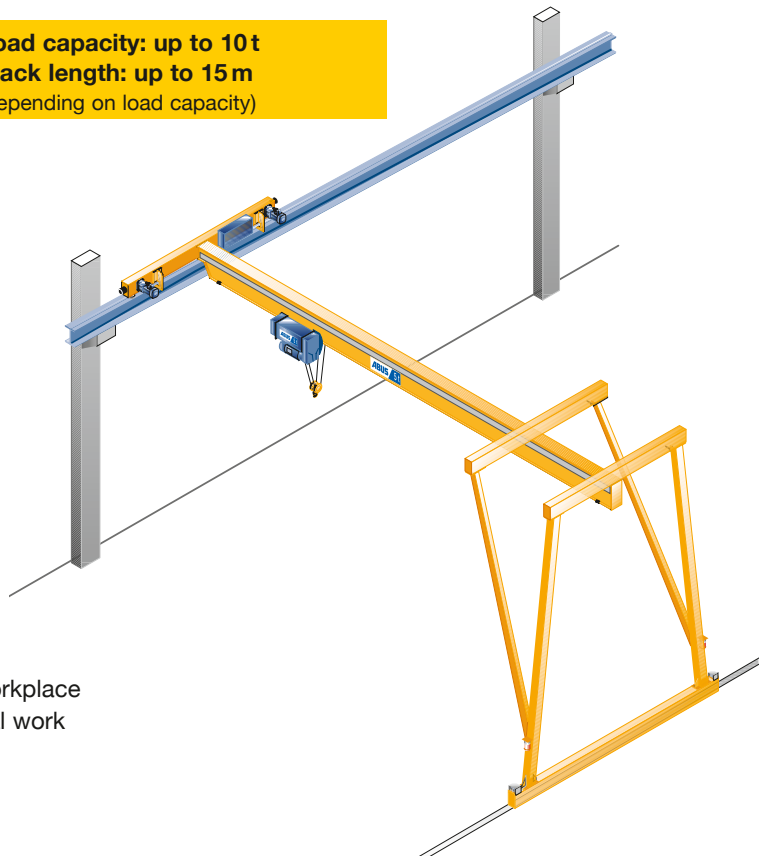
Load capacity: up to 5 t
Track length: up to 12 m



- installed on its own track beneath other types of travelling crane
- ideal for use as a workplace crane serving several work stations

ABUS single-girder semi-goliath crane (box girder) EHPK

Load capacity: up to 10 t
Track length: up to 15 m
 (depending on load capacity)



ABUS HB light crane system. You can always extend a really smart system.

ABUS EHB single-girder crane



1: ABUS ZHB-X
stooled up
double-girder
crane



2: ABUS ZHB
double-girder
crane





ABUS HB is a modular system which allows you to build up a complete tailor-made material handling solution to suit your requirements. The system can be adapted to the conditions and dimensions of almost any application and reliably mounted on a wide variety of different ceilings.

The main advantage of an ABUS HB system is that it can easily be extended and adapted at any time, allowing it to grow with your business.



6: ABUS single girder rolling beam crane system EHB-I



5: ABUS double girder rolling beam crane system ZHB-I

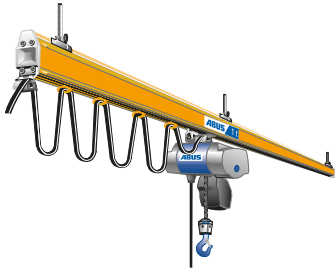


4: ABUS EHB-X stooled up single girder crane



3: ABUS monorail

for linear point-to-point coverage

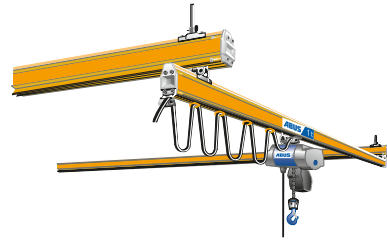


Load capacity: up to 2 t

ABUS monorail

- curves are possible on the track
- low headroom
- wide suspension spacing
- optional electric cross travel

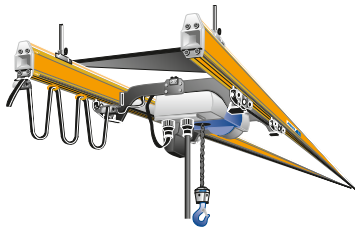
for area coverage



Load capacity: up to 1,25 t
Crane girder length: up to 10 m
(depending on load capacity)

ABUS EHB single-girder crane

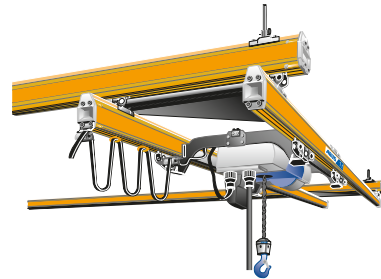
- very light crane; ideal for use in lightweight buildings
- easy to move manually
- low headroom
- short end approach dimensions
- wide suspension spacing



Load capacity: up to 2 t

ABUS double-rail

- wide suspension spacing
- chain hoist installed between rails for improved lift height
- optional electric cross travel
- optional mobile control

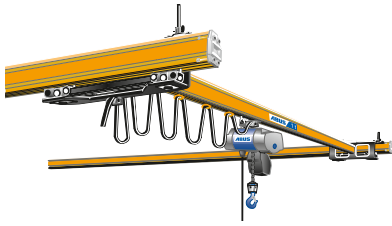


Load capacity: up to 2 t
Crane girder length: up to 12 m
(depending on load capacity)

ABUS ZHB double-girder crane

- chain hoist installed between crane girders for improved lift height
- very low headroom
- optional electric long + cross travel
- optional mobile control

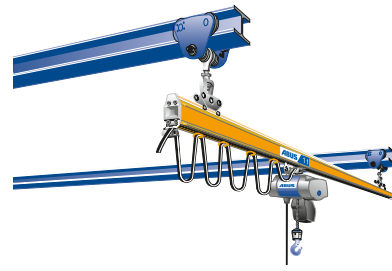
for area coverage



Load capacity: up to 1 t
Crane girder length: up to 8 m
 (depending on load capacity)

ABUS EHB-X stooled up single-girder crane

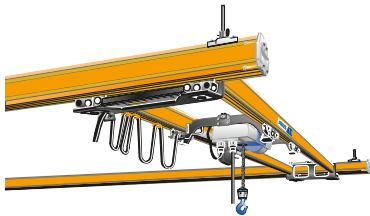
- stooled up crane for optimum use of available space
- easy to move manually
- ultra low headroom
- short end approach dimensions
- wide suspension spacing
- optional electric long + cross travel
- optional mobile control



Load capacity: up to 1 t
Crane girder length: up to 10 m
 (depending on load capacity)

ABUS single girder rolling beam crane system EHB-I

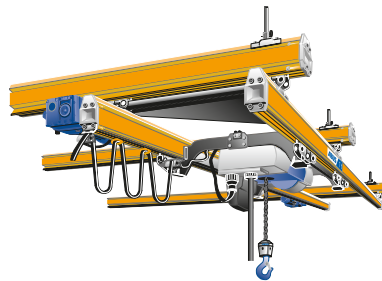
- Very low self weight, ideal for lightweight construction buildings
- easy to move manually
- standard 'I' beams utilised as downshop crane tracks
- favourable approach dimensions



Load capacity: up to 2 t
Crane girder length: up to 8 m
 (depending on load capacity)

ABUS ZHB-X stooled up double-girder crane

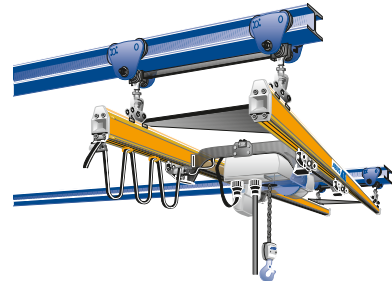
- stooled up crane for optimum use of available space
- ultra low headroom
- wide maximum suspension spacing
- optional electric long + cross travel
- optional mobile control



Load capacity: up to 1.6 t
Crane girder length: up to 22 m
 (depending on load capacity)

ABUS ZHB-3 double-girder crane

- long crane spans possible
- lower headroom compared with EOT
- wide suspension spacing
- electric long + cross travel
- optional mobile control



Load capacity: up to 2 t
Crane girder length: up to 12 m
 (depending on load capacity)

ABUS double girder rolling beam crane system ZHB-I

- High load capacity
- Particularly favourable hook heights due to the arrangement of the chain hoist stooled up between the crane beams
- standard 'I' beams utilised as downshop crane tracks
- Electrically powered motions (Option)
- Mobile pendant controller (Option)

ABUS jib cranes.

A sound basis for efficient material handling.

ABUS VS
pillar jib crane



ABUS VW
wall jib crane



ABUS LS
pillar jib crane



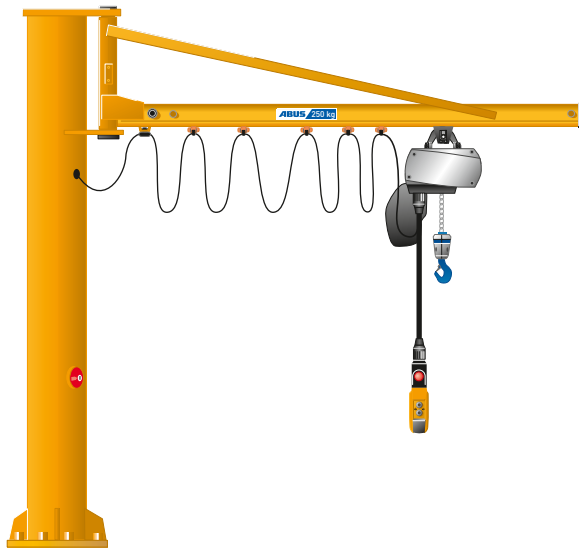
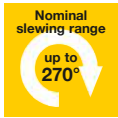


ABUS VS pillar jib crane

ABUS jib cranes are extremely versatile units which can easily be adapted to the customer's specific requirements. For example, jib cranes can be mounted on floors, walls or existing supports. Electric wire rope or chain hoists are available as options, as are electric cross travel and electric slewing gear.

- **Load capacity:** up to 6.3 t max.
- **Jib length:** up to approx. 10 m (depending on load capacity)
- **Applications:** swept area coverage
- **Characteristics:** can be installed in any position, slewing range up to 360°, depending on model

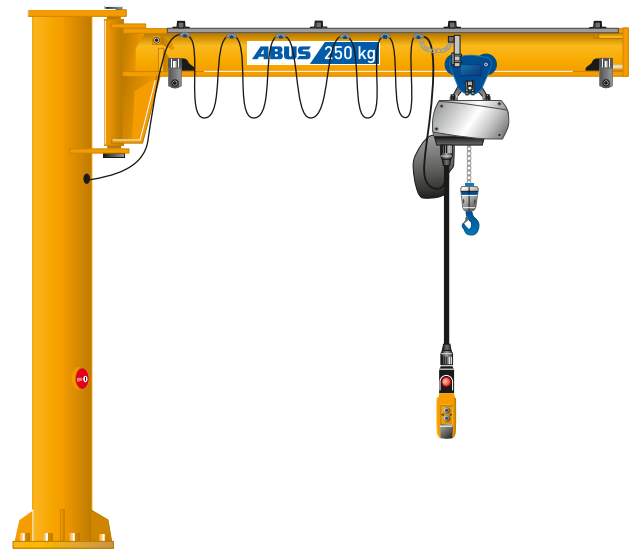
ABUS jib cranes



Load capacity: up to 1 t
Jib length: up to 7 m (depending on load capacity)

ABUS LS pillar jib crane

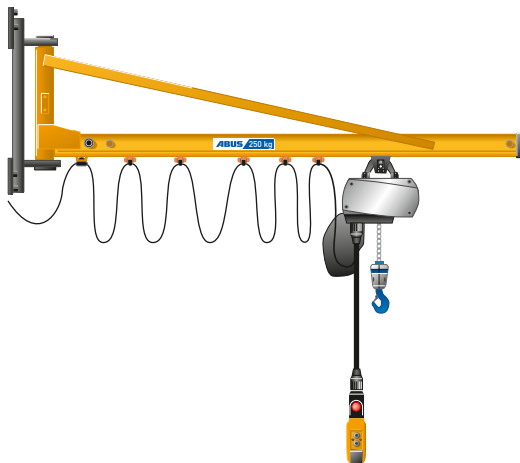
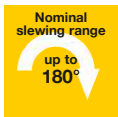
- light self weight; can be installed even if floor or foundation conditions are difficult
- almost effortless push trolley travel



Load capacity: up to 0.5 t
Jib length: up to 7 m (depending on load capacity)

ABUS LSX pillar jib crane

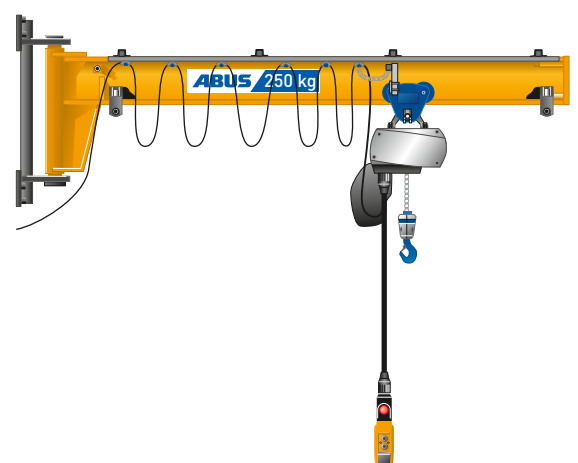
- smooth-running jib for easy manual operation
- optimal highest hook position
- optional electric cross travel



Load capacity: up to 1 t
Jib length: up to 7 m (depending on load capacity)

ABUS LW wall jib crane

- relatively light weight; can also be installed in lightweight buildings
- trolley very easy to move by hand

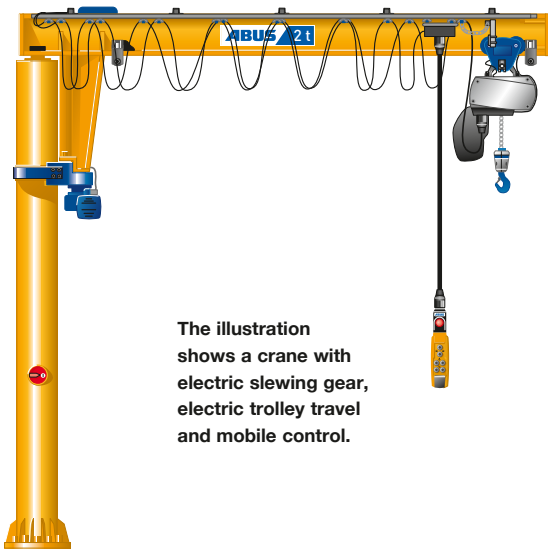


Load capacity: up to 0.5 t
Jib length: up to 7 m (depending on load capacity)

ABUS LWX wall jib crane

- smooth-running jib for easy manual operation
- optimal highest hook position
- optional electric cross travel

ABUS jib cranes

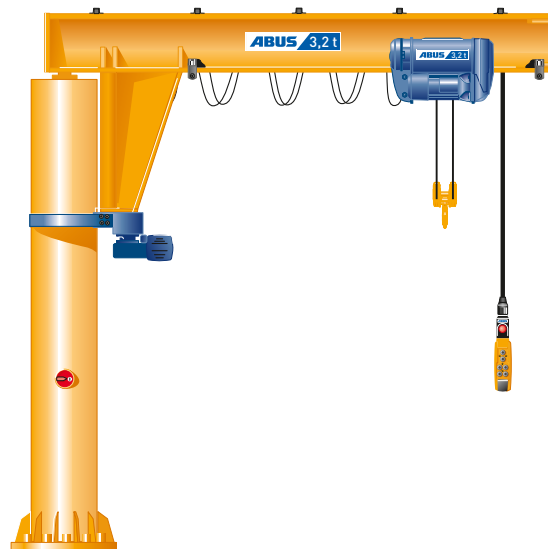


The illustration shows a crane with electric slewing gear, electric trolley travel and mobile control.

Load capacity: up to 4 t
Jib length: up to 10 m (depending on load capacity)

ABUS VS pillar jib crane with electric chain hoist

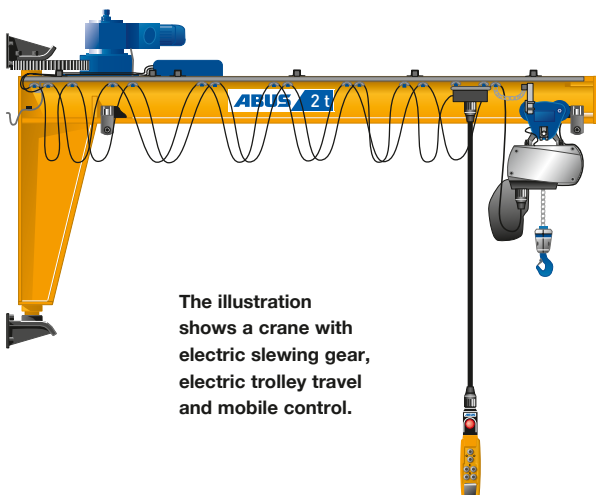
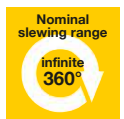
- low headroom offers optimal highest hook position
- optional electric slewing gear
- optional electric cross travel
- optional mobile control



Load capacity: up to 6,3 t
Jib length: up to 10 m (depending on load capacity)

ABUS VS pillar jib crane with electric wire rope hoist

- low headroom offers optimal highest hook position
- electric slewing gear
- electric cross travel
- mobile control

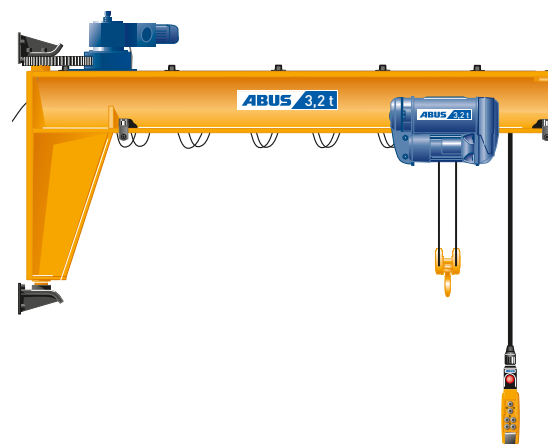


The illustration shows a crane with electric slewing gear, electric trolley travel and mobile control.

Load capacity: up to 4 t
Jib length: up to 10 m (depending on load capacity)

ABUS VW wall jib crane with electric chain hoist

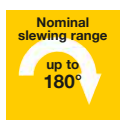
- low headroom offers optimal highest hook position
- optional electric slewing gear
- optional electric cross travel
- optional mobile control



Load capacity: up to 5 t
Jib length: up to 10 m (depending on load capacity)

ABUS VW wall jib crane with electric wire rope hoist

- low headroom offers optimal highest hook position
- electric slewing gear
- electric cross travel
- mobile control



ABUS electric wire rope hoists. For sensitive handling of heavy loads.



ABUS electric wire rope hoists are the central components of crane systems for handling heavy loads. They feature motors, brakes, transmissions and electrical and electronic systems that have all

been tried and tested over many years of arduous service. Standard precision travel and lifting speeds allow the power and speed available to be gauged precisely. ABUS electric wire rope hoists are also

extremely user friendly, featuring compact design, very easy maintenance and easy plug-in connectors.



**ABUS type E
electric wire
rope hoists**

- **Load capacity:** up to 120 t max.
- **Characteristics:** favourable dimensions, comprehensive standard and optional equipment



This ABUS type DB electric wire rope hoist has a walkable service platform for even easier maintenance.



The ABUS type E electric wire rope hoist: a compact solution for single-girder travelling cranes.



This installation benefits from the ultra low headroom design of the ABUS type DQA wire rope hoist.

ABUS electric wire rope hoists for single-girder travelling cranes



Load capacity: up to 5 t

Modular wire rope hoist

- Modular design
- Frequency converter operated cross travel and hoist motor
- Anti-sway control for the movement of goods in sensitive areas



Load capacity: up to 16 t

Type E · monorail trolley

- compact design
- two direct-driven trolleys without open gears
- trolley can be adapted to different flange widths



Load capacity: up to 10 t

Type S · Side-mounted trolley

- reeving beside crane bridge for optimum maximum hook height



Load capacity: up to 25 t

Type U · Bottom flange trolley

- can be used on a monorail track with normal rolled section girders
- direct-driven trolleys without open gears
- 8 wheel end carriages for reduced wheel loads

ABUS electric wire rope hoists for double-girder travelling cranes

Load capacity: up to 63 t

Type D · Standard Crab Unit

- articulated end carriage connection for firm four-wheel contact
- two direct drives for trolley without open gears
- walkable service platform optional



Load capacity: up to 40 t

Type DA · Low headroom crab unit

- Stooled down for minimal headroom dimensions.
- For use where very little space is available above the crane.



Load capacity: up to 40 t

Type DQA · Stooled-down Crab Unit

- ultra low headroom design
- articulated end carriage connection for firm four-wheel contact
- two direct drives for trolley without open gears



Load capacity: up to 120 t

Type Z · Twin Drive Crab Unit

- with twin hoist
- articulated end carriage connection for firm four-wheel contact
- two direct drives for trolley without open gears
- walkable service platform optional



Load capacity: up to 80 t

Type ZA · Low headroom crab unit

- Stooled down for minimal headroom dimensions.
- For use where very little space is available above the crane.



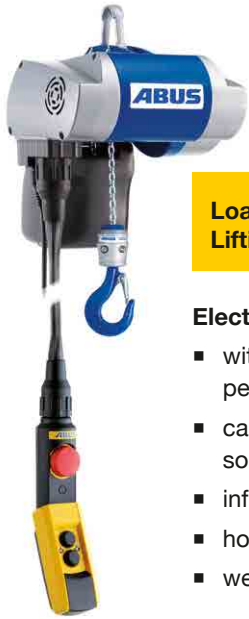
ABUS electric chain hoists. Reliable links in the material handling chain.



In stationary installations, with push trolleys or electric trolleys, ABUS electric chain hoists have a number of extremely useful, user-oriented advantages. These include a very low headroom design for optimum utilisation of available space, a standard precision lifting speed for sensitive lifting and lowering operations and brake linings with a long service life. Under normal conditions, the unit can complete 1 million full-load braking operations before adjustment is required.

- **Load capacity:** up to 4 t max.
- **Characteristics:** low headroom, dual lifting speeds as standard feature, ready for installation, comprehensive standard and optional equipment

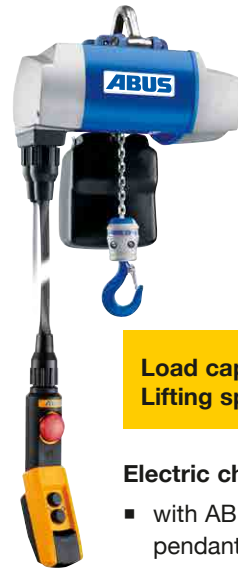
ABUS electric chain hoists



Load capacity: up to 200 kg
Lifting speed: up to 12 m/min

Electric chain hoist ABUCompact GMC

- with ABUCommander push button pendant as standard equipment
- can be connected to 230 V power socket (single phase)
- infinitely variable lifting speed
- hook path: 3/6/10/20 m
- weight: approx. 10 kg / 12 kg



Load capacity: up to 630 kg
Lifting speed: up to 20 m/min

Electric chain hoist ABUCompact GM2

- with ABUCommander push button pendant as standard equipment
- 2 lifting speeds as standard feature



Load capacity: up to 2500 kg
Lifting speed: up to 16 m/min

Electric chain hoist ABUCompact GM6

- with ABUCommander push button pendant as standard equipment
- 2 lifting speeds as standard feature



Load capacity: up to 1250 kg
Lifting speed: up to 20 m/min

Electric chain hoist ABUCompact GM4

- with ABUCommander push button pendant as standard equipment
- 2 lifting speeds as standard feature

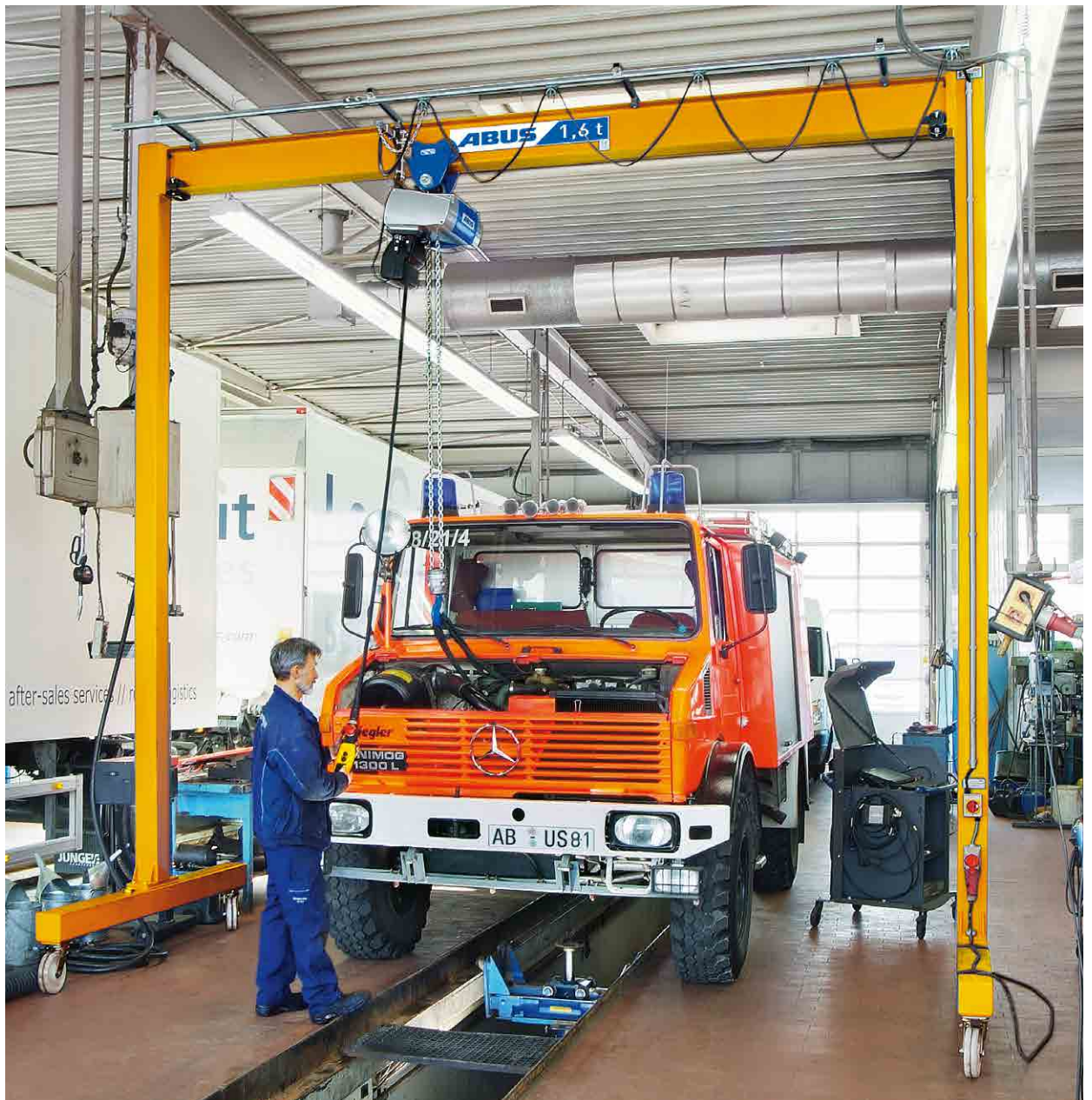
Load capacity: up to 4000 kg
Lifting speed: up to 20 m/min

Electric chain hoist ABUCompact GM8

- with ABUCommander push button pendant as standard equipment
- 2 lifting speeds as standard feature



ABUS lightweight mobile gantries. Take it where you need it.



With the ABUS lightweight mobile gantry, you can mobilize the lifting power of an ABUS electric chain hoist. The crane is designed for loads up to two tonnes and features four steerable stop rollers for easy handling. Lifting power is always available where you need it. Depending on the load capacity required, the maximum overall width is up to 7.9 m and the maximum overall height up to 5 m. If necessary, the ABUS lightweight mobile gantry is also easy to dismantle.

- **Load capacity:** up to 2 t max.
- **Applications:** mobile
- **Characteristics:** easy to move and dismantle, with four steerable stop rollers (two with 90° direction locks)

ABUS monorail trolley track

Solutions for a linear point-to-point movement of large loads



ABUS monorail trolley tracks are the ideal solution for those applications where a linear material flow is needed. Application-specific options for fixing the system onto existing ceiling constructions or portal supports fixed on the floor allow optimised solutions for the transport of loads. ABUS electric chain hoists with a push-pull or a powered trolley are used for load capacities up to 4 t. ABUS electric wire rope hoists type E are used for larger load capacities.

Thanks to an extensive range of standard and optional equipment, such as the ABUS radio remote control system, loads can be moved in an easier and more flexible manner.



- **Load capacity:** up to 16t max.
- **Field of application:** linear point-to-point transport
- **Characteristics:** allows flexible and individual planning, many options for fixing, extensive standard and optional equipment

Anything else you need? The ABUS accessories range.

With the accessories in the ABUS range, you can tailor an ABUS crane to meet your specific requirements. The equipment available, ranging from energy chains and radio remote controls to lighting and load measurement systems, should be sufficient to meet all your needs.



The **ABUS tandem control system** allows the crane operator to control two electrically coupled travelling cranes at the same time. Ideally, the ABUS radio remote control system should be used in combination with the tandem control system. With this control configuration, two crane operators can control the two cranes separately, or one operator can control both cranes, either separately or together.



Radio remote control give crane operators greater freedom of movement, allowing them to choose the position which gives the best view of their working area and effectively saving time. ABUS offers radio remote controls with joystick or compact push-button hand held transmitter. ABUS radio remote controls are also suitable for multiuser operation, with parallel access to several cranes.



AZS smooth starting units and **SU-2 smooth switching relays** are the ideal accessories for the smooth handling of sensitive loads and goods using pole-changing drive systems. These electronic systems operate to control crane and trolley travel sensitively with adjustable acceleration and improved deceleration characteristics. Depending on individual requirements, the system can also be used separately for crane or trolley travel.



ABUS crane lighting systems effectively illuminate the working space under a crane, avoiding the shadows normally cast by crane girders working beneath normal factory lighting. Application-specific requirements include the following: Floodlight with impact-resistant halogen flashlight, crane lights with metal halide high-pressure lamp and LED lamps.





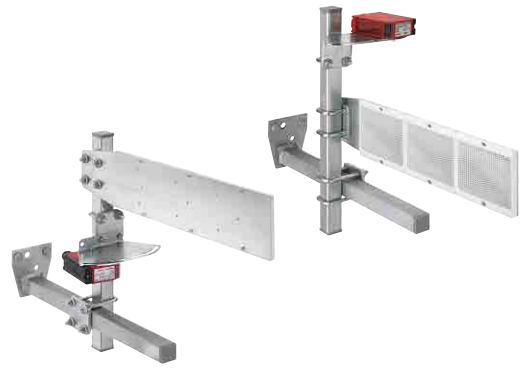
LED matrix display

Load measurement systems

LIS-SE: Load measurement and evaluation system that measures the voltage and current on all three phases of the hoist motor. Optional functions: load population recorder.



LIS-SV: this load indicator system offers all the functions of the LIS-SE system, but uses load measurement sensors in addition to motor current measurements. This system is an attractive proposition for systems with several hoists where the overall total load of all hoists needs to be limited. Measurement accuracy increases systemically, with the resultant load able to be shown on the pendant handset display or LED matrix display.



Anti-collision device

The ABUS anti-collision device protects cranes, preventing accidental collision via photoelectric distance measurement. Automatic switch-over to a lower speed as the two hoists approach each other is a standard feature.

A shut-down function can be incorporated. ABUS can also supply collision prevention devices designed to maintain a specified minimum spacing and other special designs.

Important: Not suitable to be used for distancing required because of structural reasons. In such cases the light barrier system may be composed of fail-safe components and check and malfunction indicators.



ABUS cross-type limit switches

limit long travel and cross travel, automatically slowing or stopping the crane or the hoist at the end of the track. These limit switches may also be applied for crane zoning if it is necessary to divert a hoist on a crane around a prohibited area. The switch is operated by a switching lug installed on the crane track or on the crane bridge.

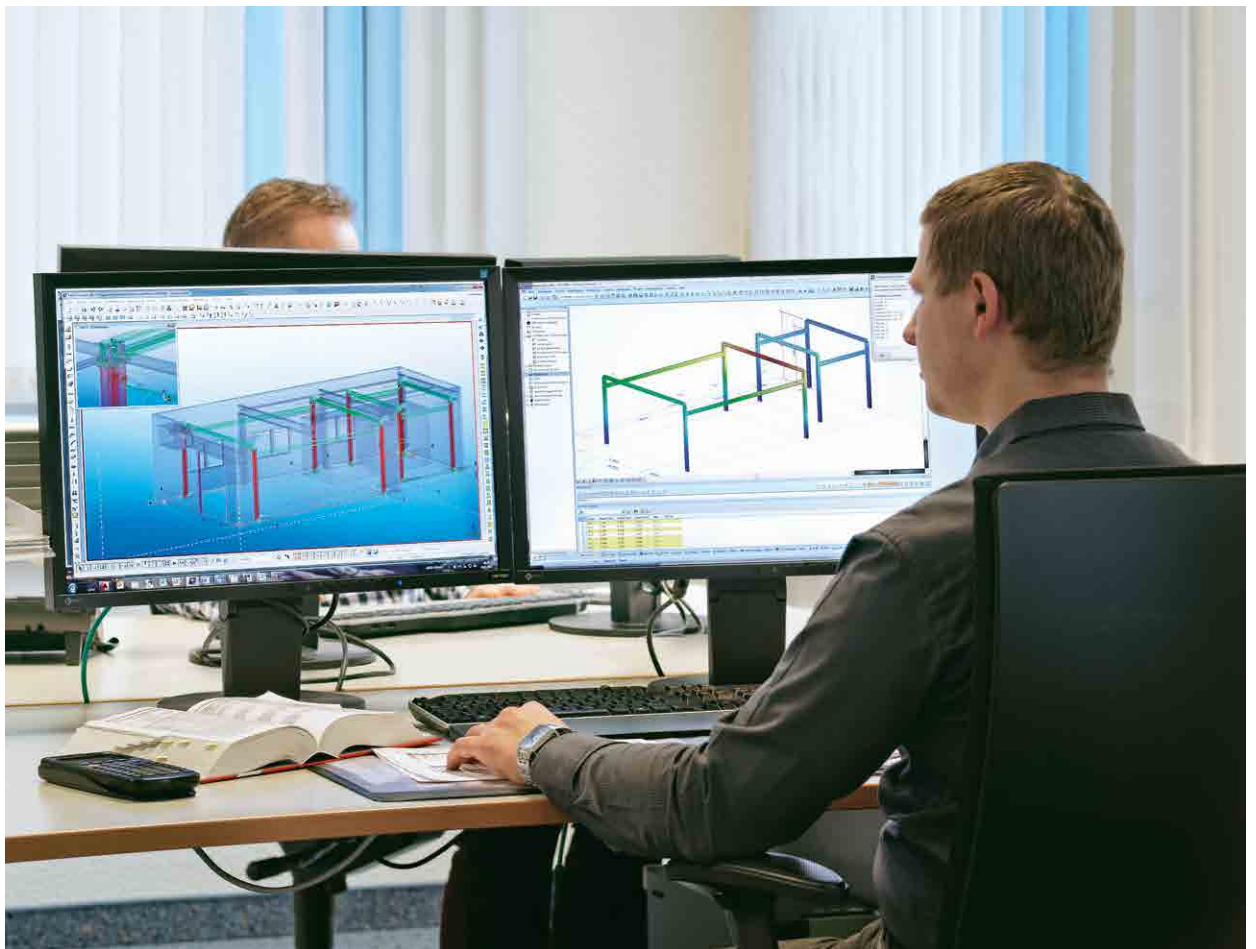
Other available options:

- ABUControl (modular crane control)
- Direction labelling
- Spring reel
- Frequency converter ABULiner
- Synchronization control
- Load handling devices
- Platform / walkway
- Weighing device

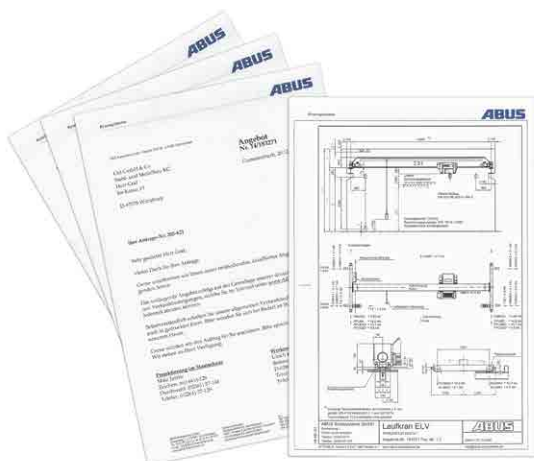
Further details available on the website

Good design is a matter of detail. Good service too.

Precise and reliable right down to the last detail. Computer-aided design systems give a clear overview at all stages in the project.



Comprehensive and reliable: each proposal includes thoroughly prepared technical documentation.



Comprehensive advice, consistently applied, lays a solid foundation for the design of any crane system. Our computer-aided design team uses a continuous database for all stages from initial stocktaking through to planning and design. The result is a proposal with full technical documentation precisely in accordance with your requirements. Our proposals form a reliable basis for your decision to purchase a modern, high-performance indoor crane system.

ABUS Service is a standard feature of ABUS quality.

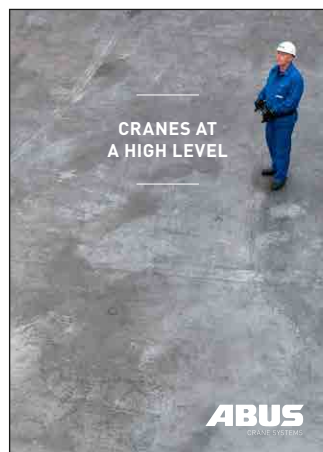


The ABUS all-inclusive service package offers greater safety and helps save costs. Apart from regular servicing, the package includes a number of other services which would normally result in additional cost. In addition, early diagnosis and regular maintenance by trained ABUS service staff systematically improve the availability of your crane system. ABUS service packages are also available for cranes and hoists produced by other companies.

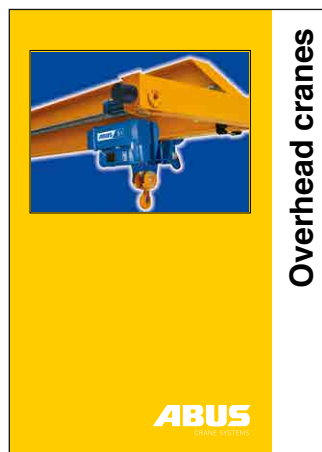
- ABUS representatives in more than 50 countries
- Express spare parts delivery

Further product information...

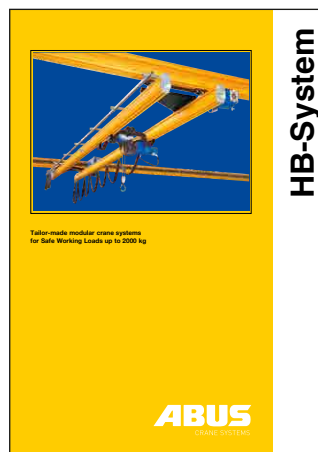
... regarding the ABUS product range can be forwarded to you on request. They are also available to view and download directly from our homepage.



ABUS Image brochure



Overhead cranes



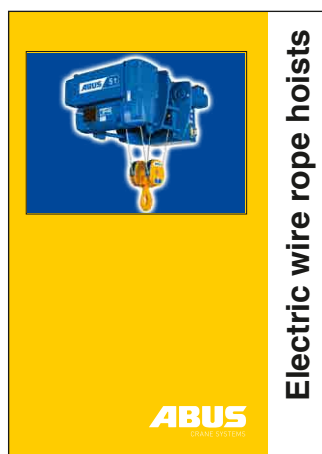
HB system



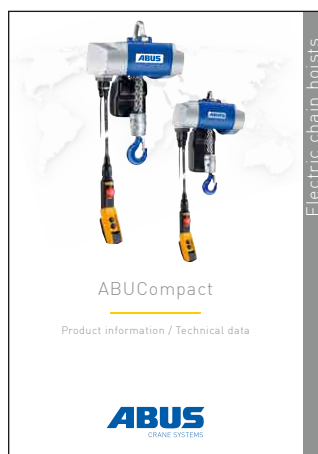
HB support structures



Jib cranes



Electric wire rope hoists



Electric chain hoists



Mobile gantries

Please send your enquiry to

fax to: +49 2261 37-247

by email to: info@abuscranes.com

Name: _____

Company: _____

Street: _____

Postcode/Town: _____

Phone: _____

E-Mail: _____

Date: _____ Signature: _____