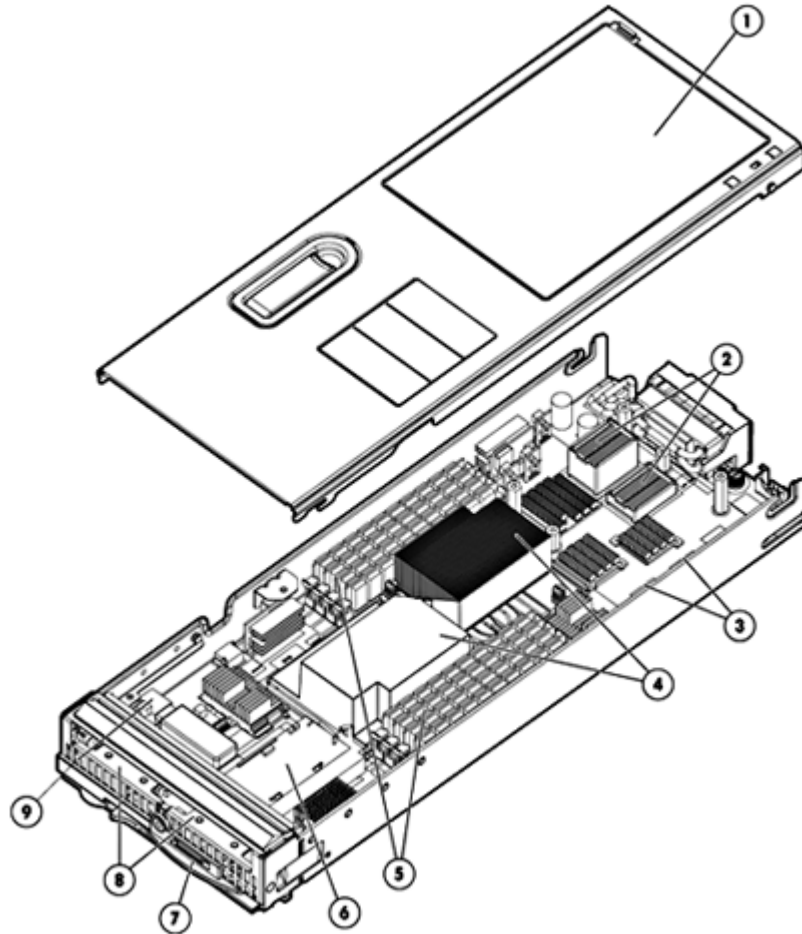


# QuickSpecs

## HP ProLiant BL465c Generation 6 (G6) Server Blade

### Overview



HP ProLiant BL465c Generation 6 (G6) Server Blade

- |  |   |
|--|---|
| 1. Access panel  | 6. Smart Array E200i storage controller (optional battery-backed write cache) |
| 2. Two (2) mezzanine I/O expansion slots   | 7. Local I/O connector  |
| 3. Two (2) multifunction Gigabit Ethernet network adapter ports                                      | 8. Two (2) small form factor (SFF) hot-plug hard drive bays                   |
| 4. Up to two (2) AMD Opteron™ 2400 Series processors   | 9. Internal USB connector   |
| 5. Eight (8) PC2-5300 Registered DIMM (DDR2-667) or PC2-6400 Registered DIMM (DDR2-800) memory slots |   |

### What's New

- Support for HP NC553m 10Gb 2-port FlexFabric Adapter

### At A Glance

This document covers the HP ProLiant BL465c G6 server blade only. For more information on HP BladeSystem c-Class Enclosures and HP BladeSystem c-Class Interconnect and Mezzanine Components, please see the following:

- HP BladeSystem c3000 Enclosure QuickSpecs:



# QuickSpecs

## HP ProLiant BL465c Generation 6 (G6) Server Blade

### Overview

[http://h18000.www1.hp.com/products/quickspecs/12790\\_div/12790\\_div.html](http://h18000.www1.hp.com/products/quickspecs/12790_div/12790_div.html)

- HP BladeSystem c7000 Enclosure QuickSpecs:  
[http://h18000.www1.hp.com/products/quickspecs/12810\\_div/12810\\_div.html](http://h18000.www1.hp.com/products/quickspecs/12810_div/12810_div.html)
- HP BladeSystem c-Class Interconnect and Mezzanine Components:  
<http://h18004.www1.hp.com/products/blades/components/c-class-interconnects.html>  
<http://h18004.www1.hp.com/products/blades/components/c-class-adapters.html>

The HP ProLiant BL465c G6 delivers uncompromising performance and expandability, industry-leading management tools, and the latest technologies for dense compute environments.

HP ProLiant BL465c G6 server blade includes:

- **Processor:**
  - Up to two (2) Six-Core AMD Opteron™ 2400 series processors
  - Supports up to 2.6 GHz, 2.2 GHz HyperTransport™; 512 KB Level 2 cache memory per core; 6 MB Level 3 cache
  - AMD Dual Dynamic Power Management™ for optimum performance and reduced power consumption
  - ServerWorks HT-1000 and HT-2100 chipsets
- **Memory:**
  - Up to 64 GB of memory, supported by eight (8) slots of PC2-5300 Registered DIMMs at 667 MHz or 32 GB of memory, supported by eight (8) slots of PC2-6400 Registered DIMMs at 800 MHz
  - Supporting memory interleaving (2:1)
- **Storage Controller:**
  - Integrated Smart Array E200i RAID controller with 64 MB cache (with optional battery-backed write cache with an upgrade to 128 MB cache (BBWC)). Supports RAID 0, 1.
- **Internal Drive Support:**
  - Up to two (2) small form factor (SFF) SAS or SATA hot plug hard disk drives
- **Network Controller:**
  - Two (2) embedded NC370i Multifunction Gigabit Ethernet Server Adapters
  - One (1) additional 10/100 network adapter dedicated to iLO 2 Management

**NOTE:** The Gigabit Ethernet adapters transmit from the server only at 2000 Mbps, full duplex per port. For more information, see the "Network Controller" item in Standards Features section.
- **Mezzanine Support:**
  - Two (2) I/O expansion mezzanine slots
  - Supports up to (2) mezzanine cards
    - Dual-Port FlexFabric Adapter mezzanine option
    - Dual-Port Fibre Channel Mezzanine options for SAN connectivity
    - iSCSI Ethernet mezzanine option for optimized iSCSI connectivity
    - Ethernet server adapter mezzanine options for additional network ports
    - 4X DDR InfiniBand (IB) Mezzanine (20 Gb/s) options for low latency server interconnectivity (based on Mellanox technology)
    - I/O Accelerator mezzanine options for high transaction rate local storage
    - SAS mezzanine option for external direct attach and shared SAS storage
- **Internal USB Support:**
  - One (1) internal USB 2.0 connector for security key devices and USB drive keys
- **Form Factor:**
  - HP ProLiant BL465c G6 server blade plugs into the BladeSystem c3000 and c7000 enclosures
- **Infrastructure Management:**
  - This server blade requires the latest version of the Onboard Administrator firmware. This firmware release may also require other subsystem firmware upgrades. For information on the latest firmware versions, please see the Blades Firmware Maintenance website at: <http://h18004.www1.hp.com/products/blades/components/c-class-compmatrix.html>
  - HP Integrated Lights-Out 2 (iLO 2) management processor for simplified server setup, health monitoring and recovery,



# QuickSpecs

## HP ProLiant BL465c Generation 6 (G6) Server Blade

### Overview

power and thermal control, and lights-out remote administration.

- HP Insight Control, a product option, delivers essential infrastructure management that can help save time and money by making it easy to deploy, migrate, monitor, control and optimize your IT infrastructure through a single, simple management console. Insight Control supports both Windows and Linux-based central management servers.
- HP Insight Dynamics for ProLiant, a product option, is an integrated command center that enables IT Staff personnel to continuously analyze and optimize a converged infrastructure, while automating and reducing the cost of common data center tasks by as much as 40 percent. This ultimately enables them to dynamically keep pace with the organization's changing business requirements.
- **Operating Systems and Virtualization Software:**
  - Supports Windows, RHEL, SLES, Solaris, VMware ESX, Citrix XenServer
- **Enclosures:**
  - HP offers three different c-Class server blade enclosures to meet your individual needs:
    - The HP BladeSystem c7000 rack enclosure is 10U high and holds up to sixteen (16) ProLiant BL465c G6 servers plugged vertically.
    - The HP BladeSystem c3000 rack enclosure is 6U high and holds up to eight (8) HP ProLiant BL465c G6 servers plugged horizontally.
  - Server blades, storage blades, and interconnect modules are all designed to fit into the c7000 and c3000 enclosures.
  - For additional enclosure information, please see:  
<http://h18004.www1.hp.com/products/blades/components/enclosures/c-class/index.html>.
- **Warranty:**
  - This product is covered by a global limited warranty and supported by HP Services and a worldwide network of HP Authorized Channel Partners. Hardware diagnostic support and repair is available for three years from date of purchase. Support for software and initial setup is available for 90 days from date of purchase. Enhancements to warranty services are available through HP Care Pack services or customized service agreements. Hard drives have either a one year or three year warranty; refer to specific hard drive QuickSpecs for details.  
**NOTE:** Server warranty includes 3-year Parts, 3- year Labor, 3-year on-site support. Warranty repairs may be accomplished through the use of Customer Self Repair (CSR) parts. These parts fall into two categories: 1) Mandatory CSR parts are designed for easy replacement. A travel and labor charge will result when customers decline to replace a Mandatory CSR part; 2) Optional CSR parts are also designed for easy replacement but may involve added complexity. Customers may choose to have HP replace Optional CSR parts at no charge. Additional information regarding worldwide limited warranty and technical support is available at:  
<http://h18004.www1.hp.com/products/servers/platforms/warranty/index.html>



# QuickSpecs

## HP ProLiant BL465c Generation 6 (G6) Server Blade

### Standard Features

**NOTE:** For the Standard Features shipped in the "Factory Integrated Models", please see the "Configuration Information - Factory Integrated Models" section.

<b>Processor</b>	<b>Six-Core Processors</b> AMD Opteron™ processor Model 2435 (2.6 GHz, 6 MB L3 Cache, 75W ACP) AMD Opteron processor Model 2427 (2.2 GHz, 6 MB L3 Cache, 75W ACP) Low Power AMD Opteron processor Model 2425 HE (2.1 GHz, 6 MB L3 Cache 55W ACP) <b>NOTE:</b> AMD Opteron 2400 series processors are 64-bit, six-core, and support AMD Virtualization™. <b>NOTE:</b> Processor wattage references reflect Average CPU Power (ACP). For more information on ACP visit: <a href="http://www.amd.com/powernow">http://www.amd.com/powernow</a> .
------------------	--

---

<b>Upgradeability</b>	Upgradeable to dual (2) processors
-----------------------	------------------------------------

---

<b>Cache Memory</b>	512 KB Level 2 cache memory per core 6 MB Level 3 cache memory
---------------------	---

---

<b>Chipset</b>	ServerWorks HT-1000 and HT-2100
----------------	---------------------------------

---

<b>Memory</b>	Type	PC2-5300 DDR2 Registered DIMMs at 667 MHz PC2-6400 DDR2 Registered DIMMs at 800 MHz
	Standard	2 GB (2 x 1 GB)
	Maximum	64 GB (8 x 8 GB) at 667 MHz 32 GB (8 x 4 GB) at 800 MHz

**NOTE:** Memory must be installed in pairs.

---

<b>Network Controller</b>	Two (2) embedded NC370i Multifunction Gigabit Ethernet Server Adapters with TCP/IP Offload Engine, iSCSI boot, and optional accelerated iSCSI One (1) additional 10/100 network adapter dedicated to iLO 2 management
---------------------------	--

**NOTE:** The Gigabit Ethernet adapters transmit from the server only at 2000 Mbps, full duplex per port.

**NOTE:** The iSCSI offload feature of the embedded multifunction adapter requires the HP Accelerated iSCSI Pack. For more information, please see the QuickSpecs at:

[http://h18000.www1.hp.com/products/quickspecs/12466\\_div/12466\\_div.html](http://h18000.www1.hp.com/products/quickspecs/12466_div/12466_div.html)



# QuickSpecs

## HP ProLiant BL465c Generation 6 (G6) Server Blade

### Standard Features

**Multifunction Networking** The embedded multifunction NC370i combines standard Gigabit Ethernet networking, TCP/IP offload engine (TOE) acceleration, iSCSI boot, and optional accelerated iSCSI into a single adapter.

- TOE moves the processing of data in the TCP protocol stack from the server CPU to the network card, freeing CPU cycles for other activities. With TOE, network communications are improved, and server efficiency is increased. The NC370i offers TOE for Microsoft® Windows 2000 and 2003 environments.
- The iSCSI network boot (iSCSI boot) allows the BL465c G6 to boot from a remote operating system (OS) image located on a storage area network (SAN) within a Red Hat or SUSE Linux environment. The BL465c G6 uses an iSCSI firmware image (iSCSI boot option ROM) making the remote disk drive appear as a local, bootable C: drive. The BL465c G6 is configured to connect to and boot from the iSCSI target disk on the network and download the OS image from the iSCSI target disk. The iSCSI boot option ROM is supplied by HP at no cost. The additional cost and mezzanine slot usage of an add-in iSCSI HBA card is not required. Additionally, the HP iSCSI boot solution includes scripts to significantly simplify the installation process.

---

**I/O Expansion Slots** Two I/O expansion mezzanine slots (One x8 and one x4 PCI Express)

---

**Integrated Manageability** HP Integrated Lights-Out 2 (iLO 2) management processor

---

<b>Storage Controller</b>	Smart Array E200i Controller	64 MB memory module supports RAID 0,1 Available upgrades: 128 MB with Battery-backed write cache
---------------------------	------------------------------	---

---

<b>Maximum Internal Storage</b>	Hot Plug SAS	1.2TB SAS	2 x 600GB Serial SCSI
	Hot Plug SATA	1TB SATA	2 x 500GB Serial ATA

---

**Graphics** Integrated ATI RN-50 1280 x 1024 x 16M color (32 MB DDR1 memory)

---

<b>Graphics Resolution Supported</b>	Resolution	1280 x 1024, 16.7M, 64k, 256, 16
	Color	1024 x 768, 16.7M, 64k, 256, 16
	Depths	800 x 600, 16.7M, 64k, 256, 16
		640 x 480, 16.7M, 64k, 256, 16



# QuickSpecs

## HP ProLiant BL465c Generation 6 (G6) Server Blade

### Standard Features

#### Fibre Channel Support

Two (2) optional dual-port Fibre Channel HBAs are supported by the HP ProLiant BL465c G6. Each mezzanine circuit board connects directly to the server blade system board. These Fibre Channel HBAs are available via option kits and must be ordered separately.

HBA mezzanine card option kits:

Emulex LPe1105 4Gb Fibre Channel Host Bus Adapter for c-Class BladeSystem (PN 403621-B21)

- Based on the same field-proven ASIC, firmware, and driver technology as Emulex's renowned LPe1150 HBA, the Emulex LPe1105-HP is fully driver compatible with all Emulex HBAs

QLogic QMH2462 4Gb Fibre Channel Host Bus Adapter for c-Class BladeSystem (PN 403619-B21)

- Uses common drivers which means that customers can standardize on one QLogic driver whether they are using the QMH2462 or other HBAs powered by QLogic

Emulex and QLogic Fibre Channel HBAs for HP BladeSystem c-Class feature:

- Optimal performance utilizing PCI Express
- 4/2/1Gb/s auto negotiating speeds (4Gb HBAs)
- Dual-ports for redundant path connections
- Up to two FC HBAs per server blade providing redundant FC HBA support
- Optimized for HP StorageWorks and supported by third party SAN vendors
- Support for Microsoft® Windows® and Linux operating system environments

---

#### Compatible SAN

HP ProLiant BL465c G6 server blades are optimized for HP StorageWorks MSA, EVA, and XP  
HP ProLiant BL465c G6 server blades are compatible with select 3rd party SANs (please see blade storage page for more details:

<http://h18004.www1.hp.com/products/blades/components/c-class-sans.html>)

---

#### HP Virtual Connect

HP Virtual Connect simplifies server connectivity to LANs and SANs, and reduces costs. Unique HP Flex-10 technology makes maximum use of 10Gb Ethernet bandwidth by allowing multiple ports within a single Industry Standard connection that can be dynamically tuned to meet individual server requirements. HP Virtual Connect Enterprise Manager (VCEM) provides a central console to administer connections and workloads for thousands of servers. For more information on Virtual Connect Ethernet, Fibre Channel and management options see: [www.hp.com/go/virtualconnect](http://www.hp.com/go/virtualconnect)

---

#### HP Insight management software

HP Insight Foundation

Managing the growing number of servers can be complex and expensive for your organization. IT managers need to address changing business needs with tools that meet the challenges of managing today's complex Datacenters.

HP provides management solutions that are designed to simplify a server's installation, configuration and maintenance throughout the entire server lifecycle. This provides the customer with higher levels of operational efficiency and highly reliable systems: <http://www.hp.com/go/foundation>.

The foundation pack includes:

- HP Management DVD



# QuickSpecs

## HP ProLiant BL465c Generation 6 (G6) Server Blade

### Standard Features

- HP ProLiant Smart Update Firmware DVD
- SmartStart version supported (minimum): SmartStart 8.5.  
<http://www.hp.com/servers/smartstart>

**NOTE:** In an effort to support reducing our environmental impact, the HP Insight Foundation Suite for ProLiant media will be available as a selectable option for this server at time of order of a Factory Integrated Model. This will allow customers to order the number of media kits that best meet their needs and eliminate receiving unnecessary duplicate media.

**HP Integrated Lights-Out (iLO)** HP Integrated Lights-Out (iLO) simplifies server setup, health monitoring, power and thermal control, and lights-out remote administration of ProLiant ML, DL, and BL servers. HP iLO functions without additional software and can be accessed from any location via a web browser. HP iLO works hand-in-hand with HP Systems Insight Manager, Insight Control, and Insight Dynamics for ProLiant, helping customers unleash the value of the ProLiant platform and deliver the highest possible quality of IT service. For more information, visit: [www.hp.com/go/iLO](http://www.hp.com/go/iLO)

**HP Insight Control** HP Insight Control, a product option, delivers essential infrastructure management that can help save time and money by making it easy to deploy, migrate, monitor, remote control, and optimize your IT infrastructure through a single, simple management console.

Two versions of Insight Control are available, to serve environments requiring either a Linux-based or a Windows-based central management server: HP Insight Control for Linux, and HP Insight Control. See [www.hp.com/go/insightcontrol](http://www.hp.com/go/insightcontrol)

HP Insight Control includes one year of 24 x 7 HP Software Technical Support and Update Service ensuring rapid access to HP support staff and proactive delivery of software updates. For more information about this service, please visit: <http://www.hp.com/services/insight>.

**HP Insight Dynamics for ProLiant** HP Insight Dynamics for ProLiant, a product option, is an integrated command center that enables IT Staff personnel to continuously analyze and optimize a converged infrastructure, while automating and reducing the cost of common data center tasks by as much as 40 percent. As a powerfully integrated by design toolkit to accelerate complex technology projects and simplify daily operations that ultimately enable IT Staff personnel to dynamically keep pace with the organizations changing business requirements. It enables them to plan capacity and power continuously, balance across physical and virtual resources, and ensure cost-effective high availability. It also enables IT organizations to provision infrastructure consistently and automatically from pools of shared resources using a self-service portal. Resources provisioned can range from a single virtual machine to complex multi-tier environments and their associated physical and virtual resource requirements. In addition to the previous functional benefits, it also provides a cost-effective disaster recovery for physical and virtual environments that works with HP StorageWorks Continuous Access software for both the Enterprise Virtual Array and the XP storage array allowing application environments to be reactivated in minutes with the touch of a button to a remote location.



# QuickSpecs

## HP ProLiant BL465c Generation 6 (G6) Server Blade

### Standard Features

**NOTE:** For more information, visit:  
<http://www.hp.com/go/insightdynamics>

#### High Performance Clusters

- HP Cluster Platforms HP Cluster Platforms are specifically engineered, factory-integrated large-scale ProLiant clusters optimized for High Performance Computing, with a choice of servers, networks and software. Operating system options include specially priced offerings for Red Hat Enterprise Linux and Novell SLES, as well as Microsoft Windows HPC Server. A Cluster Platform Configurator simplifies ordering. <http://www.hp.com/go/clusters>
- HP HPC Interconnects High Performance Computing (HPC) interconnect technologies are available for this server as part of the HP Cluster Platform portfolio. These high-speed InfiniBand and Gigabit interconnects are fully supported by HP when integrated within an HP cluster. Flexible, validated solutions can be defined with the help of configuration tools.  
<http://www.hp.com/techservers/clusters/ucp/index.html>
- HP Cluster Management Utility HP Cluster Management Utility (CMU) is an HP-licensed and HP-supported suite of tools that are used to manage large-scale Linux ProLiant systems. CMU includes software for the centralized provisioning, management and monitoring of nodes. CMU makes the administration of clusters user friendly, efficient, and effective. <http://www.hp.com/go/cmu>
- HP HPC Linux Value Pack HP HPC Linux Value Pack (Value Pack) is an HP-licensed and HP-supported specially priced software bundle for the development and deployment of applications on HPC Cluster Platforms. Value Pack includes the Platform LSF workload scheduler, the HP-MPI parallelization library, the HP Unified Parallel C compiler and the HP Shmem library, as well as the execution environments for the libraries and compiler. [HP HPC Linux Value Pack](#)

#### Operating Systems and Virtualization Software

- [Microsoft Windows Server](#)
- [Microsoft Windows Server Hyper-V](#)
- [Red Hat Enterprise Linux \(RHEL\)](#)
- [SUSE Linux Enterprise Server \(SLES\)](#)
- [Solaris 10 for x86/x64 based Systems](#)
- [VMware ESX](#)
- [Citrix XenServer](#)

**NOTE:** For more information on HP's Certified and Supported ProLiant Servers for OS and Virtualization Software and latest listing of software drivers available for your server including, how to purchase from HP, please visit our OS Support Site at: <http://www.hp.com/go/supportos> and our driver download page: <http://www.hp.com/support/BL465cG6>





# QuickSpecs

## HP ProLiant BL465c Generation 6 (G6) Server Blade

### Standard Features

#### Availability

Dual-Port Fibre Channel Mezzanine Card for redundant SAN connection  
Two embedded Gigabit Ethernet adapters for redundant LAN connections  
Two hot-plug SAS/SATA hard drive bays and integrated RAID (Smart Array E200i) controller on every server blade (Battery-backed write cache is optional.)  
Redundant ROM on each server blade  
Multiple mezzanine I/O expansion  
ECC Memory  
Network adapter teaming (network fault tolerance, transmit load balancing, switch-assisted load balancing)

#### Industry Standard Compliance

ACPI 2.0 Compliant  
PCI 2.2 Compliant  
WOL Support  
Microsoft® Logo certifications  
USB 2.0 Support

#### Security

Power-on password  
Administrator's password  
Integrated Lights-Out 2 has 12 customizable user accounts and SSL encryption  
Integrated Lights-Out 2 can be disabled via a Global Setting

#### Factory Express Portfolio for Servers and Storage

HP Factory Express offers configuration, customization, integration and deployment services for HP servers and storage products. Customers can choose how their factory solutions are built, tested, integrated, shipped and deployed.

Factory Express offers service packages for simple configuration, racking, installation, complex configuration and design services as well as individual factory services, such as image loading, asset tagging, and custom packaging. HP products supported through Factory Express include a wide array of servers and storage: HP Integrity, HP ProLiant, HP ProLiant Server Blades, HP BladeSystem, HP 9000 servers as well as the MSAxxxx, VA7xxx, EVA, XP, rackable tape libraries and configurable network switches.

For more information on Factory Express services on your specific server model please contact your sales representative or go to: <http://www.hp.com/go/factory-express>.

#### HP Enterprise Configurator

The HP eConfigure Enterprise Configurator now provides factory default racking for our HP hardware portfolio. This approach is aligned with our strategic direction to meet the needs and expectations of our valued customers. If you require "custom" rack configuration, please contact HP's Customer Business Center or an Authorized Partner for assistance. <http://www.hp.com/products/configurator>.



### Service and Support

#### Service and Support

#### **HP Care Pack Services: Packaged server and storage services for increased uptime, productivity and ROI**

When you buy HP server and storage products and solutions, it's also a good time to think about what levels of support you may need. Our portfolio of service options reduce deployment and management worries while helping you get the most out of your server and storage investments. We take a holistic approach to your environment, bridging servers, blades, storage, software and network infrastructures with our packaged HP Care Pack Services for servers and storage.

#### **Protect your business beyond warranty**

When it comes to robustness and reliability, standard computing equipment warranties have matured along with technology. Good news that can also create problems stemming from depending on standard warranties designed to only protect against product defects and some downtime causes. Using a standard approach to warranty uplifts, such as HP Care Pack Services, helps reduce downtime risks and provides operational consistency for mission-critical and standard business computing.

#### **HP Care Pack Services: Upgrading or extending standard server and storage warranties cost effectively**

HP Care Pack Services offer a standard reactive hardware and software support services suite sold separately, or combined with our Support Plus and Support Plus 24 services. The portfolio also provides a combination of integrated proactive and reactive services, such as Proactive 24 Service and Critical Service. In addition with HP Proactive Select, you can acquire the specific proactive constancy and technical services. HP Proactive Select menu offers a broad set of service options that you can mix and match depending on your specific requirements. Proactive service options include offers for server, storage, network, SAN device, software, environment and education services.

HP server and storage lifecycle support services offers a full spectrum of customer care-from technology support to complex migrations to complete managed services. HP Factory Express provides customization, integration and deployment services for turnkey solutions. HP Education Services offer flexible, comprehensive training on to help your IT staff get the most out of your server and storage investments. HP Financial solutions extend innovative financing and cost-effective asset management programs-from purchase to equipment retirement.

Learn more: [www.hp.com/services/servers](http://www.hp.com/services/servers) and [www.hp.com/services/storage](http://www.hp.com/services/storage)

**NOTE:** Care Pack Services availability may vary by product and country.

HP Care Pack Services are sold by HP and HP Authorized Service Partners:

- Services for customers purchasing from HP or an enterprise reseller are quoted using HP order configuration tools.
- Customers purchasing from a commercial reseller can find HP Care Pack Services at <http://www.hp.com/go/lookuptool>



# QuickSpecs

## HP ProLiant BL465c Generation 6 (G6) Server Blade

### Service and Support

#### Recommended HP Care Pack Services for optimal satisfaction with your HP product

##### Recommended Services **3-Year HP Hardware Support Onsite Call-to-Repair (CTR) Service, 6- or 24-hour**

Provides your IT manager with a team of support specialists who will quickly begin troubleshooting the system to help return the hardware to operating condition within 6 or 24 hours of the initial service request to the HP Global Solution Center.

HP is committed to repairing your hardware within a maximum of six or twenty four hours. The benefits include:

- Improved system uptime
- Predictable repair times
- More effective IT resource planning
- Consistent level of hardware support across your multi-technology systems

<http://h20195.www2.hp.com/V2/GetPDF.aspx/5981-6636ENN>

##### **3-Year HP Hardware Support Onsite Service, 4-hour response, 24x7**

Provides you with rapid remote support and if required an HP authorized representative who will arrive on site any time and day of the year to begin hardware maintenance service within 4 hours of the service request being logged.

This service provides a trained HP service specialist to perform an installation that meets HP quality standards, for:

- Help improve or maintain system uptime
- Convenient onsite support
- Committed response time

<http://h20195.www2.hp.com/V2/GetPDF.aspx/5982-6547EEE>

##### **HP ProLiant Server Hardware Installation**

Provides for the basic hardware installation of HP branded servers, storage devices and networking options to assist you in bringing your new hardware into operation in a timely and professional manner.

- Expedited installation, with all service prerequisites met before the installation is performed
- Installation in accordance with manufacturer's specifications, enhancing the supportability of your HP-installed hardware and software
- Service delivery at a mutually scheduled time
- Allows your IT resources to stay focused on their core tasks and priorities
- Availability of an HP service specialist to answer questions during the onsite delivery of this service

<http://h20195.www2.hp.com/V2/GetPDF.aspx/5981-9356EN>



### Service and Support

#### Optional HP Care Pack Services that will enhance your HP product experience

##### Optional Services

##### HP Enhanced Network Installation & Startup for BladeSystem Switches

Provides for the configuration and testing of BladeSystem Ethernet interconnect switches to facilitate proper implementation of network protocols and access to advanced features.

<http://h20195.www2.hp.com/V2/GetPDF.aspx/4aa0-5969ENW>

##### 3-Year HP Proactive 24

As an alternative to our recommended support level, for customers who want enhanced operational effectiveness and proactive problem identification:

Provides improved stability, availability and operational effectiveness with an integrated hardware and software support service that combines industry-leading reactive technical assistance with proactive account services, giving your IT manage support from a team of service specialists.

<http://h20195.www2.hp.com/V2/GetPDF.aspx/4AA0-1614ENUC>

##### HP Proactive Select Service

Customer needs on demand access to consulting, technical proactive services and education courses

Provides a flexible way to purchase HP best-in-class consultancy and technical services. You can buy Proactive Select Service Credits when you purchase your hardware and then use the credits over the next 12 months.

<http://h20195.www2.hp.com/V2/GetPDF.aspx/4AA2-3842ENN>

---

##### eSupport

HP eSupport is a portfolio of technology-based services that assist you with managing your business environment - from the desktop to the data center.

##### Support Portal

The HP support portal provides one-stop access to the information, tools and services you need to manage the daily operations of your IT environment.

##### Features include:

- Access to self-solve tools (including search technical knowledge base)
- Efficient logging and tracking of support cases
- Collaboration with other business and IT professionals
- Download of patches and drivers
- Access to diagnostic tools
- Proactive notification of relevant information

Access to certain features of the support portal requires an HP service agreement. To access the support portal, visit: <http://www.hp.com/support>

HP Insight Remote Support software delivers secure remote support for your HP Servers and Storage, 24 X 7, so you can spend less time solving problems and more time focused on your business. You can have your systems remotely monitored for hardware failure using secure technology that's been proven at thousands of companies around the world. In many cases, you can avoid problems before they occur.



# QuickSpecs

## HP ProLiant BL465c Generation 6 (G6) Server Blade

### Service and Support

---

#### Customer Technical Training

In today's cost-conscious business environment, IT professionals, developers, consultants and users face an interesting challenge: how to keep up with the latest technologies and expand important skills while delivering profitable results on current projects. To help address this challenge, HP offers innovative training solutions that help keep you up-to-date on virtualization, server, storage, Insight Control, Citrix, Microsoft® and open source/Linux-related topics-while spending less time away from business-critical activities.

---

#### HP Services Awards

HP Technology Services continues to be recognized for service and support excellence by customers, partners, industry organizations and publications around the world. Recent honors and award reflect our services team's dedications, technical expertise, professionalism and uncompromising commitment to customer satisfaction.

---

#### Additional Services Information

To learn more on HP ProLiant servers, HP BladeSystem servers and HP StorageWorks storage products, please contact your HP sales representative or HP Authorized Channel Partner. Or visit: [www.hp.com/services/proliant](http://www.hp.com/services/proliant) or [www.hp.com/services/bladepystem](http://www.hp.com/services/bladepystem) or <http://www.hp.com/hps/storage>



# QuickSpecs

## HP ProLiant BL465c Generation 6 (G6) Server Blade

### Models

#### Six-Core Models

**NOTE:** Not all models are available in all regions. Check with your local country HP offices for availability.

**NOTE:** For the Standard Features shipped in the "Factory Integrated Models", please see the "Configuration Information - Factory Integrated Models" section.

<p><b>HP ProLiant BL465c G6 2435 6C 4G 1P 539791-xx1</b></p>	<p><b>Processor(s)</b> One of the following depending on model</p>	<p>(1) AMD Opteron™ processor Model 2435 (2.6 GHz) (1) AMD Opteron processor Model 2427 (2.2 GHz) (1) Low Power AMD Opteron processor Model 2425 HE (2.1 GHz)</p>
<p><b>HP ProLiant BL465c G6 2427 6C 4G 1P 539794-B21</b></p>	<p><b>Cache Memory</b> One of the following depending on model</p>	<p>512 KB Level 2 cache memory per core 6 MB Level 3 cache memory</p>
<p><b>HP ProLiant BL465c G6 2425HE 6C 4G 1P 539797-B21</b></p>	<p><b>Memory</b></p>	<p>4 GB (2 x 2 GB) PC2-6400, Registered DDR2-800</p>
	<p><b>Network Adapter</b></p>	<p>Two (2) embedded NC370i Multifunction Gigabit Ethernet Server Adapters and one (1) additional 10/100 server adapter dedicated to iLO 2 management</p>
	<p><b>Storage Controller</b></p>	<p>Smart Array E200i Controller with 64MB (optional battery-backed write cache)</p>
	<p><b>Hard Drives</b></p>	<p>No drives included; (2) SFF SAS/SATA drive bays</p>
	<p><b>Internal Storage</b></p>	<p>Up to 1.2TB SAS Up to 1TB SATA</p>
	<p><b>Optical Drive</b></p>	<p>None</p>
	<p><b>Form Factor</b></p>	<p>Up to 8 half-height blades supported in the HP BladeSystem c3000 Enclosure Up to 16 half-height blades supported in HP BladeSystem c7000 Enclosure</p>

---

Country Code Key      xx=20                      Brazil



# QuickSpecs

## HP ProLiant BL465c Generation 6 (G6) Server Blade

### Configuration Information - Factory Integrated Models

**NOTE:** This section lists some of the steps required to configure a Factory Integrated Model. To ensure only valid configurations are ordered, HP recommends the use of an HP approved configurator. Contact your local sales representative for information on CTO product offerings and requirements.

**NOTE:** HP does not allow factory integration of options into standard models listed above.

Configure-to-order servers must start with a CTO Chassis.

**NOTE:** FIO indicates that this option is a factory installable option.

### Step 1: Base Server Blade Configuration

HP Models	HP ProLiant BL465c G6 Configure-to-order Server	539800-B21
	<b>Configurable Model ships with:</b>	
	Two (2) embedded NC370i Multifunction Gigabit Ethernet Servers Adapters and one (1) additional 10/100 network adapter dedicated to iLO 2 management	
	Integrated Smart Array E200i RAID controller	
	<b>NOTE:</b> Controller cache module selection is required. Select either the standard 64 MB module or the optional 128 MB module in step 2 below.	
	Two (2) small form factor (SFF) SAS/SATA hot plug hard drive bays	
	HP Integrated Lights-Out 2 management processor	

### Step 2: Choose Required Options (one of the following from each list unless otherwise noted)

HP Processors	<b>For single processor configuration choose:</b> <b>NOTE:</b> If two (2) processors are desired, select one xxxxxx-L21 and one xxxxxx-B21.	
	AMD Opteron™ 2435 2.6GHz Six Core 75 Watts BL465c G6 Factory Integrated Processor Option Kit	539792-L21
	AMD Opteron™ 2427 2.2GHz Six Core 75 Watts BL465c G6 Factory Integrated Processor Option Kit	539795-L21
	AMD Opteron™ 2425HE 2.10GHz Six Core 55 Watts BL465c G6 Factory Integrated Processor Option Kit	539798-L21
HP Memory	HP 2GB (2x1GB) Single Rank PC2-6400 (DDR2-800) Registered Memory Kit	497763-B21
	HP 4GB (2x2GB) Single Rank PC2-6400 (DDR2-800) Registered Memory Kit	497765-B21
	HP 8GB (2x4GB) Dual Rank PC2-6400 (DDR2-800) Registered Memory Kit	497767-B21
	HP 8GB (2x4GB) Dual Rank x4 PC2-6400 (DDR2-800) Registered Low Power Memory Kit	504351-B21
	HP 16GB (2x8GB) Dual Rank PC2-5300 (DDR2-667) Registered Memory Kit	408855-B21
	HP 64GB (8x8GB) Dual Rank PC2-5300 (DDR2-667) Registered Memory Kit	495605-B21
	<b>NOTE:</b> Must be installed in pairs.	
HP Storage Controller Cache	HP Smart Array E200/64 2-ports Int PCIe x4 FIO SAS Controller	405102-B21
	HP 128MB SA641/642/E200 Battery Backed Write Cache	351580-B21
	<b>NOTE:</b> Supports the Smart Array E200i Controller, Smart Array 641 Controller, and Smart Array 642 Controller.	



# QuickSpecs

## HP ProLiant BL465c Generation 6 (G6) Server Blade

---

### *Configuration Information - Factory Integrated Models*

#### Step 3: Choose Additional Options for Factory Integration

**NOTE:** For additional Core Options and Additional Options please see options sections below. For additional options, including server blade enclosures interconnect and mezzanine options and power subsystem options; please see the following QuickSpecs:

HP BladeSystem c3000 Enclosure QuickSpecs:

[http://h18000.www1.hp.com/products/quickspecs/12790\\_div/12790\\_div.html](http://h18000.www1.hp.com/products/quickspecs/12790_div/12790_div.html)

HP BladeSystem c7000 Enclosure QuickSpecs:

[http://h18000.www1.hp.com/products/quickspecs/12810\\_div/12810\\_div.html](http://h18000.www1.hp.com/products/quickspecs/12810_div/12810_div.html)

and HP BladeSystem c-Class Interconnect and Mezzanine Components:

<http://h18004.www1.hp.com/products/blades/components/c-class-interconnects.html>

<http://h18004.www1.hp.com/products/blades/components/c-class-adapters.html>





# QuickSpecs

## HP ProLiant BL465c Generation 6 (G6) Server Blade

### Core Options

**NOTE:** Some options may not be integrated at the factory. To ensure only valid configurations are ordered, HP recommends the use of an HP approved configurator. Contact your local sales representative for additional information.

#### HP Ethernet Mezzanine Options

#### Gigabit Ethernet Mezzanines

HP NC325m PCI Express Quad Port 1Gb Server Adapter for c-Class BladeSystem 416585-B21

**NOTE:** If the NC325m is installed in mezzanine slot 1 of a half-height server, connectivity will be provided on only 2 of the 4 ports.

HP NC326m PCI Express Dual Port 1Gb Server Adapter for c-Class BladeSystem 406771-B21

HP NC360m Dual Port 1GbE BL-c Adapter 445978-B21

HP NC364m Quad Port 1GbE BL-c Adapter 447883-B21

**NOTE:** If the NC364m is installed in mezzanine slot 1 of a half-height server, connectivity will be provided on only 2 of the 4 ports.

HP NC382m Dual Port 1GbE Multifunction BL-c Adapter 453246-B21

QLogic iSCSI Dual Port Adapter with Virtual Connect for c-Class BladeSystem 488074-B22

**NOTE:** The Gigabit Ethernet adapters above transmit from the server at 2000 Mbps, full duplex per port. For more information, see the "Network Controller" segment in the Standards Features section.

#### 10 Gigabit Ethernet Mezzanines

**NOTE:** A 10 Gigabit Ethernet adapter is required for each server blade connecting to a 10Gb interconnect in bays 3-8 (HP BladeSystem c7000 Enclosure) or bays 2-4 (HP BladeSystem c3000 Enclosure).

**NOTE:** Each 10 Gigabit Ethernet adapter requires a minimum of 2GB of server memory.

**NOTE:** Each 10 Gigabit Ethernet adapter supports linking at 1000Mbps or 10000Mbps when not connected to a Flex-10 enabled module and will link with all current 1Gb switches at 1Gb.

**NOTE:** The ROM Based Setup Utility (RBSU) feature allows for the configuring of a FlexFabric Adapter to any of the supported protocols. For example iSCSI to FCoE (Fibre Channel over Ethernet). Note that a HP Virtual Connect profile takes precedence over the setting in this menu. Also, some FlexFabric Adapters may require that network boot be enabled in order to configure the protocol. If the protocol is configured without enabling network boot with certain FlexFabric Adapters, the protocol may not take effect. Once the protocol has taken effect on the first boot after configuring this option, network boot may be disabled if desired.

HP NC522m Dual Port Flex-10 10GbE Multifunction BL-c Adapter 467801-B21

HP NC532m Dual Port Flex-10 10GbE Multifunction BL-c Adapter 467799-B21

HP NC542m Dual Port Flex-10 10GbE Multifunction BL-c Adapter 539857-B21

HP NC550m 10GbE 2-port PCIe x8 Flex-10 Ethernet Adapter 581204-B21

HP NC551m Dual Port FlexFabric 10Gb Converged Network Adapter 580151-B21

HP BLc NC552m Flex-10GbE Dual Port Adapter 610609-B21

HP NC553m 10Gb 2-port FlexFabric Adapter 613431-B21



# QuickSpecs

## HP ProLiant BL465c Generation 6 (G6) Server Blade

### Core Options

HP Fibre Channel Mezzanine Options	4Gb Fibre Channel Mezzanines	
	Emulex LPe1105 4Gb Fibre Channel Host Bus Adapter for c-Class BladeSystem	403621-B21
	QLogic QMH2462 4Gb Fibre Channel Host Bus Adapter for c-Class BladeSystem	403619-B21

HP Processors	HP BL465c G6 AMD Opteron™ 2435 (2.60GHz/6-core/6MB/75W) Processor Kit	539792-B21
	HP BL465c G6 AMD Opteron™ 2427 (2.20GHz/6-core/6MB/75W) Processor Kit	539795-B21
	HP BL465c G6 AMD Opteron™ 2425HE (2.10GHz/6-core/6MB/55W) Processor Kit	539798-B21

HP Memory	HP 2GB (2x1GB) Single Rank PC2-6400 (DDR2-800) Registered Memory Kit	497763-B21
	HP 4GB (2x2GB) Single Rank PC2-6400 (DDR2-800) Registered Memory Kit	497765-B21
	HP 8GB (2x4GB) Dual Rank PC2-6400 (DDR2-800) Registered Memory Kit	497767-B21
	HP 8GB (2x4GB) Dual Rank x4 PC2-6400 (DDR2-800) Registered Low Power Memory Kit	504351-B21
	HP 16GB (2x8GB) Dual Rank PC2-5300 (DDR2-667) Registered Memory Kit	408855-B21
	HP 64GB (8x8GB) Dual Rank PC2-5300 (DDR2-667) Registered Memory Kit	495605-B21

**NOTE:** Must be installed in pairs.

### HP Hard Drives

**NOTE:** The components of a storage subsystem (e.g. the drive, the HBA/controller, firmware, and the server backplane) should operate at the same data transfer rate or the system bandwidth will be negotiated down to an acceptable level for all components.

**NOTE:** Hard drives have either a one year or three year warranty; refer to the specific hard drive QuickSpecs for details.

#### SAS Hot Plug SFF (2.5-inch) Enterprise (ENT) Drives

HP 600GB 6G SAS 10K rpm SFF (2.5-inch) Dual Port Enterprise 3yr Warranty Hard Drive	581286-B21
HP 450GB 6G SAS 10K rpm SFF (2.5-inch) Dual Port Enterprise 3yr Warranty Hard Drive	581284-B21
HP 300GB 6G SAS 10K rpm SFF (2.5-inch) Dual Port Enterprise 3yr Warranty Hard Drive	507127-B21
HP 146GB 6G SAS 15K rpm SFF (2.5-inch) Dual Port Enterprise 3yr Warranty Hard Drive	512547-B21
HP 146GB 6G SAS 10K rpm SFF (2.5-inch) Dual Port Enterprise 3yr Warranty Hard Drive	507125-B21
HP 72GB 6G SAS 15K rpm SFF (2.5-inch) Dual Port Enterprise 3yr Warranty Hard Drive	512545-B21

#### SAS Hot Plug SFF (2.5-inch) Midline (MDL) Drives

HP 500GB 6G SAS 7.2K rpm SFF (2.5-inch) Dual Port Midline 1yr Warranty Hard Drive	507610-B21
---	------------

**NOTE:** Please see the QuickSpecs for Technical Specifications and additional information:

[http://h18000.www1.hp.com/products/quickspecs/12244\\_div/12244\\_div.html](http://h18000.www1.hp.com/products/quickspecs/12244_div/12244_div.html) (Worldwide)



# QuickSpecs

## HP ProLiant BL465c Generation 6 (G6) Server Blade

---

### Core Options

#### SATA Hot Plug SFF (2.5-inch) Entry (ETY) Drives

HP 250GB 3G SATA 5.4K rpm SFF (2.5-inch) Entry 1yr Warranty Hard Drive 460355-B21

HP 120GB 1.5G SATA 5.4K rpm SFF (2.5-inch) Entry 1yr Warranty Hard Drive 458924-B21

#### SATA Hot Plug SFF (2.5-inch) Midline (MDL) Drives

HP 500GB 3G SATA 7.2K rpm SFF (2.5-inch) Midline 1yr Warranty Hard Drive 507750-B21

HP 160GB 3G SATA 7.2K rpm SFF (2.5-inch) Midline 1yr Warranty Hard Drive 530888-B21

**NOTE:** Please see the [Please see the QuickSpecs for Technical Specifications and additional information:](#)

[http://h18000.www1.hp.com/products/quickspecs/13021\\_div/13021\\_div.html](http://h18000.www1.hp.com/products/quickspecs/13021_div/13021_div.html)  
(Worldwide)



# QuickSpecs

## HP ProLiant BL465c Generation 6 (G6) Server Blade

### Additional Options

**NOTE:** Some options may not be integrated at the factory. To ensure only valid configurations are ordered, HP recommends the use of an HP approved configurator. Contact your local sales representative for additional information.

<b>HP Insight software</b>	<b>HP Insight Control</b>	
	HP Insight Control including 1yr 24x7 Technical Support and Updates Electronic License	T9074BAE
	HP Insight Control including 1yr 24x7 Technical Support and Updates Single Server License	452148-B22
	<b>NOTE:</b> For additional license kits please see the QuickSpecs at: <a href="http://h18000.www1.hp.com/products/quickspecs/12631_div/12631_div.html">http://h18000.www1.hp.com/products/quickspecs/12631_div/12631_div.html</a>	
	HP Insight Software Media Kit	436222-B21
	<b>NOTE:</b> Insight Software DVD media without licenses. Contains Insight Control, Insight Dynamics and Virtual Connect Enterprise Manager. Uses an integrated installer to perform quick and accurate software installation and updates.	
	<b>NOTE:</b> Licenses ship without media. The HP Insight Control Media Kit can be ordered separately, or can be downloaded at: <a href="http://www.hp.com/go/insightupdates">http://www.hp.com/go/insightupdates</a> .	
	<b>NOTE:</b> Electronic licenses can be used to purchase multiple licenses with a single activation key, and is available in all countries except China and Japan. Customers in China and Japan should order the physical equivalent.	
	<b>NOTE:</b> Customer will receive a license entitlement certificate, which must be redeemed online or via fax in order to obtain the license activation key(s). Includes one year of 24 x 7 HP Software Technical Support & Update Service.	
	<b>NOTE:</b> For additional license kits, including bundles with HP BladeSystem enclosures, please see the Insight Control QuickSpecs at: <a href="http://h18004.www1.hp.com/products/quickspecs/12631_div/12631_div.html">http://h18004.www1.hp.com/products/quickspecs/12631_div/12631_div.html</a>	
	<b>HP Insight Control for Linux</b>	
	HP Insight Control for Linux including 1yr 24x7 Support Single Server License	TC209A
	HP Insight Control for Linux including 1yr 24x7 Support Electronic License	TC213AAE
	<b>NOTE:</b> This part number can be purchased as a single license or as multiple licenses with a single activation key. Customer will receive a license entitlement certificate via e-mail. The license entitlement certificate must be redeemed online or via fax in order to obtain the license activation key(s). Includes one year of 24 x 7 HP Software Technical Support and Update Service.	
	<b>NOTE:</b> Electronic LTUs are only available through limited points of sales; if not available, order a printed license entitlement certificate instead.	
	HP Insight Control for Linux Media Kit	TC208A
	<b>NOTE:</b> Media pack DVD contains the ISO image for HP Insight Control for Linux, HP Systems Insight Manager, HP Insight Control power management, HP Insight Control virtual machine management, and an integrated installer. Servers must be acquired separately.	
	<b>NOTE:</b> This Media pack is optional because the latest ISO image and latest updates may be downloaded at no cost from: <a href="http://www.hp.com/go/ic-linux">http://www.hp.com/go/ic-linux</a> (click on Download button).	
	<b>NOTE:</b> Licenses ship without media. The Media Kit for Insight Control for Linux can be ordered separately, or can be downloaded at: <a href="http://www.hp.com/go/ic-linux">http://www.hp.com/go/ic-linux</a> (click on Download button).	
	<b>NOTE:</b> Electronic licenses can be used to purchase multiple licenses with a single activation key, and are available in all countries except China and Japan. Customers in China and Japan should order the physical equivalent.	



# QuickSpecs

## HP ProLiant BL465c Generation 6 (G6) Server Blade

### Additional Options

**NOTE:** Customer will receive a license entitlement certificate, which must be redeemed online or via fax in order to obtain the license activation key(s). Includes one year of 24 x 7 HP Software Technical Support Service.

**NOTE:** For additional License Kits, including electronic licensing options, please see the QuickSpecs at:

[http://h18000.www1.hp.com/products/quickspecs/13019\\_div/13019\\_div.html](http://h18000.www1.hp.com/products/quickspecs/13019_div/13019_div.html)

#### HP Integrated Lights-Out (iLO) Advanced for BladeSystem Remote Management

HP iLO Advanced for BladeSystem including 1yr 24x7 Support Single Server License 512488-B21

**NOTE:** Electronic licenses can be used to purchase multiple licenses with a single activation key, and is available in all countries except China and Japan. Customers in China and Japan should order the physical equivalent.

**NOTE:** Customer will receive a license entitlement certificate, which must be redeemed online or via fax in order to obtain the license activation key(s). Includes one year of 24 x 7 HP Software Technical Support Service.

**NOTE:** For additional license kits please see the HP Integrated Lights-Out 2 QuickSpecs at:

[http://h18000.www1.hp.com/products/quickspecs/12362\\_div/12362\\_div.html](http://h18000.www1.hp.com/products/quickspecs/12362_div/12362_div.html)

#### HP Insight Control server deployment

HP Insight Control Server Deployment including 1yr 24x7 Support Electronic License T9082AAE

HP Insight Control Server Deployment including 1yr 24x7 Support Single Server License 452151-B21

**NOTE:** Licenses ship without media. The Insight Control Media Kit can be ordered separately, or can be downloaded at: <http://www.hp.com/go/insightupdates>.

**NOTE:** Electronic licenses can be used to purchase multiple licenses with a single activation key, and is available in all countries except China and Japan. Customers in China and Japan should order the physical equivalent.

**NOTE:** Customer will receive a license entitlement certificate, which must be redeemed online or via fax in order to obtain the license activation key(s). Includes one year of 24 x 7 HP Software Technical Support Service.

**NOTE:** For additional license kits please see the Insight Control QuickSpecs at: [http://h18004.www1.hp.com/products/quickspecs/12631\\_div/12631\\_div.html](http://h18004.www1.hp.com/products/quickspecs/12631_div/12631_div.html)

### High Performance Clusters

HP Cluster Management Utility Compute Node License 436284-B21

**NOTE:** This part number can be used to purchase one certificate for multiple licenses with a single activation key. Each license is for one node (server). Customer will receive a printed end user license agreement and license entitlement certificate via physical shipment. The license entitlement certificate must be redeemed online in order to obtain a license key.

**NOTE:** For additional license kits please see the QuickSpecs at:

[http://h18004.www1.hp.com/products/quickspecs/12612\\_div/12612\\_div.html](http://h18004.www1.hp.com/products/quickspecs/12612_div/12612_div.html)

HP Cluster Management Utility Media and Management License 433257-B21

**NOTE:** Order a minimum of one license per cluster to purchase media including software and documentation, which will be delivered to the customer, and also licenses CMU management. No license key is delivered or required.

**NOTE:** For additional license kits please see the QuickSpecs at:

[http://h18004.www1.hp.com/products/quickspecs/12612\\_div/12612\\_div.html](http://h18004.www1.hp.com/products/quickspecs/12612_div/12612_div.html)

HP HPC Linux Value Pack One Processor License TC293A

**NOTE:** This part number can be used to purchase one certificate for multiple licenses



# QuickSpecs

## HP ProLiant BL465c Generation 6 (G6) Server Blade

### Additional Options

with a single activation key. Each license is for one socket (a.k.a. processor). Customer will receive a printed end user license agreement and license entitlement certificate via physical shipment. The license entitlement certificate must be redeemed online in order to obtain a license key.

**NOTE:** For additional license kits please see the QuickSpecs at:

[http://h18004.www1.hp.com/products/quickspecs/13485\\_div/13485\\_div.html](http://h18004.www1.hp.com/products/quickspecs/13485_div/13485_div.html)

HP HPC Linux Value Pack Media

TC294A

**NOTE:** This part number can be used to purchase media including software and documentation, which will be delivered to the customer.

**NOTE:** For additional license kits please see the QuickSpecs at:

[http://h18004.www1.hp.com/products/quickspecs/13485\\_div/13485\\_div.html](http://h18004.www1.hp.com/products/quickspecs/13485_div/13485_div.html)

---

HP Storage Controllers	HP Smart Array P700m/512 4-ports Ext PCIe x8 SAS Controller	508226-B21
	HP Smart Array P700m/256 4-ports Ext PCIe x8 SAS Controller	507925-B21

**NOTE:** Please see the QuickSpecs for Technical Specifications and additional information:

[http://h18000.www1.hp.com/products/quickspecs/13175\\_div/13175\\_div.html](http://h18000.www1.hp.com/products/quickspecs/13175_div/13175_div.html)  
(Worldwide)

#### Optional Upgrade

HP 128MB SA641/642/E200 Battery Backed Write Cache

351580-B21

**NOTE:** Supports the Smart Array E200i Controller.

---

HP I/O Expansion Options	HP StorageWorks 80GB IO Accelerator for BladeSystem c-Class	AJ876A
	HP StorageWorks 160GB IO Accelerator for BladeSystem c-Class	AJ877A
	HP StorageWorks 320GB IO Accelerator for BladeSystem c-Class	AJ878A

**NOTE:** Please see the QuickSpecs for Technical Specifications and additional information:

[http://h18000.www1.hp.com/products/quickspecs/13220\\_div/13220\\_div.html](http://h18000.www1.hp.com/products/quickspecs/13220_div/13220_div.html)

---

HP c-Class Mezzanines Options	<b>HP InfiniBand Mezzanine Options</b>	
	HP 4X DDR IB Dual Port Mezzanine HCA for HP BladeSystem c-Class	448262-B21



# QuickSpecs

## HP ProLiant BL465c Generation 6 (G6) Server Blade

### Additional Options

HP Ultrium Tape Blades	HP StorageWorks SB1760c Tape Blade	AQ697A
	<b>NOTE:</b> LTO-4 Ultrium technology	
	HP StorageWorks SB920c Tape Blade	AJ401A
	<b>NOTE:</b> LTO-3 Ultrium technology	
HP StorageWorks Ultrium 448c Tape Blade	HP StorageWorks Ultrium 448c Tape Blade	440947-B21
	<b>NOTE:</b> LTO-2 Ultrium tape technology	
	<b>NOTE:</b> Please see the QuickSpecs for Technical Specifications and additional configuration information at:	
	<a href="http://h18000.www1.hp.com/products/quickspecs/12729_div/12729_div.html">http://h18000.www1.hp.com/products/quickspecs/12729_div/12729_div.html</a>	
HP StorageWorks Storage Blades	HP StorageWorks LTO-5 SB3000c Tape Blade	BS580A
	<b>NOTE:</b> Please see the for Technical Specifications and additional information at:	
	<a href="http://h18000.www1.hp.com/products/quickspecs/12729_div/12729_div.html">http://h18000.www1.hp.com/products/quickspecs/12729_div/12729_div.html</a> (Worldwide)	
	HP StorageWorks SB40c Storage Blade and HP LeftHand VSA bundle	AT459A
<b>NOTE:</b> Includes the SB40c Storage Blade and a single LeftHand P4000 VSA license. LeftHand VSA software is installed in a virtual machine on a VMware ESX host server adjacent to the SB40c.		
HP StorageWorks D2200sb PCIe Storage Blade	HP StorageWorks D2200sb PCIe Storage Blade	AP880A
	<b>NOTE:</b> The HP PCI Express Mezzanine Pass-Thru Card (P/N 431643-B21) is required to support the HP StorageWorks D2200sb PCIe Storage Blade with the BL620c G7. Up to two storage blades are supported per server mix and match (Ultrium Tape, D2200sb PCIe Storage, and/or PCI Expansion Blades).	
	<b>NOTE:</b> The HP PCI Express Mezzanine Pass-Thru Card can be placed in mezzanine slot 2 and/or 3.	
	<b>NOTE:</b> Please see the HP StorageWorks D2200sb PCIe Storage Blade QuickSpecs for technical specifications and additional information at:	
<a href="http://h18006.www1.hp.com/storage/bladesystem/index.html">http://h18006.www1.hp.com/storage/bladesystem/index.html</a>		
HP Expansion Blade	HP PCI Expansion Blade	448018-B21
	<b>NOTE:</b> Ships with one pre-installed PCI-X connect board. Also includes one PCIe connect board which requires installation.	
	<b>NOTE:</b> Please see the QuickSpecs Technical Specifications and additional configuration information at:	
	<a href="http://h18000.www1.hp.com/products/quickspecs/12753_div/12753_div.html">http://h18000.www1.hp.com/products/quickspecs/12753_div/12753_div.html</a>	



# QuickSpecs

## HP ProLiant BL465c Generation 6 (G6) Server Blade

### Additional Options

HP USB and SD Options	HP USB 2-Button Optical Scroll Mouse (Carbonite/Silver)	DC172B
	HP USB 04 Standard Keyboard	DT528A#ABA
	HP 2GB USB Flash Media Drive Key Kit	608447-B21

**NOTE:** HP qualified blank USB key for use with HP ProLiant servers that support the VMware virtualization environment and other HP value-add software like SmartStart. HP recommends this industry standard USB flash device for use with VMware ESXi. USB device must be installed in the internal slot of the ProLiant server for use with VMware ESXi. Refer to [HP VMware Getting Started Guide](#) for installation instructions.

### HP Care Pack Services

**NOTE:** The HP Care Pack service part numbers below for ProLiant BL c-Class server blades, cover the server blade and all HP branded hardware options qualified for the server, purchased at the same time or afterwards, internal to the server.

#### Hardware Services On-site Service

4-Hour On-site Service, 5-Day x 13-Hour Coverage, 3 Years, Electronic	UK065E
4-Hour On-site Service, 7-Day x 24-Hour Coverage, 3 Years, Electronic	UK066E
6-Hour Call to Repair, On-site Service, 7-Day x 24-Hour Coverage, 3 Years, Electronic	UK067E





# QuickSpecs

## HP ProLiant BL465c Generation 6 (G6) Server Blade

### Memory

#### DIMM installation guidelines:

1. All DIMMs must be PC2-5300 Registered DDR2 DIMMs (667 MHz) or PC2-6400 Registered DDR2 DIMMs (800 MHz).
2. Both DIMM slots in a memory bank must be populated.
3. Both DIMMs in a memory bank must be identical.
4. Processor 1 memory bank A must always be populated.
5. DIMM banks are active only when the corresponding processor socket is populated.
6. If installing only one bank on a processor, populate the bank physically farthest from the processor.
7. If mixing DIMM sizes on the same processor, the largest capacity DIMMs must be populated in the bank physically farthest from the processor. The smallest capacity DIMMs must be populated in the bank physically nearest the processor.
8. For optimal performance in most applications, populate the first memory bank for every populated processor socket.

#### HP ProLiant BL465c G6 Server Blade

##### Standard Memory

2048 MB (2 x 1024 MB) or 4096 MB (2 x 2048 MB) of PC2-5300, or 4096 MB (2 x 2048 MB) of PC2-6400, Registered DDR2 ECC DIMMs.

##### Standard Memory Plus Optional Memory

Up to 51200 MB or 53248 of PC2-5300 or 28672 MB PC2-6400, Registered DDR2 ECC DIMMs. Memory is available with the installation of optional PC2-5300 or PC2-6400, Registered DDR2 DIMM memory expansion kits.

##### Standard Memory Replaced with Optional Memory

Up to 65536 MB of PC2-5300 or 32678 MB PC2-6400, Registered DDR2 ECC DIMMs. Memory is available with the removal of standard memory and the installation of optional PC2-5300 or PC2-6400, Registered DDR2 DIMM memory expansion kits.

Memory		Slot							
		1A	2A	3B	4B	5C	6C	7D	8D
Standard	4096 MB	2048 MB	2048 MB	Empty	Empty	Empty	Empty	Empty	Empty
Optional	28672 MB	2048 MB	2048 MB	4096 MB	4096 MB	4096 MB	4096 MB	4096 MB	4096 MB
Maximum	32678 MB	4096 MB	4096 MB	4096 MB	4096 MB	4096 MB	4096 MB	4096 MB	4096 MB
Optional	51200 MB	8192 MB	8192 MB	1024 MB	1024 MB	8192 MB	8192 MB	8192 MB	8192 MB
Optional	53248 MB	8192 MB	8192 MB	2048 MB	2048 MB	8192 MB	8192 MB	8192 MB	8192 MB
Maximum	65536 MB	8192 MB	8192 MB	8192 MB	8192 MB	8192 MB	8192 MB	8192 MB	8192 MB

#### HP Memory

Following are memory options available from HP:

HP 2GB (2x1GB) Single Rank PC2-6400 (DDR2-800) Registered Memory Kit	497763-B21
HP 4GB (2x2GB) Single Rank PC2-6400 (DDR2-800) Registered Memory Kit	497765-B21
HP 8GB (2x4GB) Dual Rank PC2-6400 (DDR2-800) Registered Memory Kit	497767-B21
HP 8GB (2x4GB) Dual Rank x4 PC2-6400 (DDR2-800) Registered Low Power Memory Kit	504351-B21
HP 16GB (2x8GB) Dual Rank PC2-5300 (DDR2-667) Registered Memory Kit	408855-B21
HP 64GB (8x8GB) Dual Rank PC2-5300 (DDR2-667) Registered Memory Kit	495605-B21

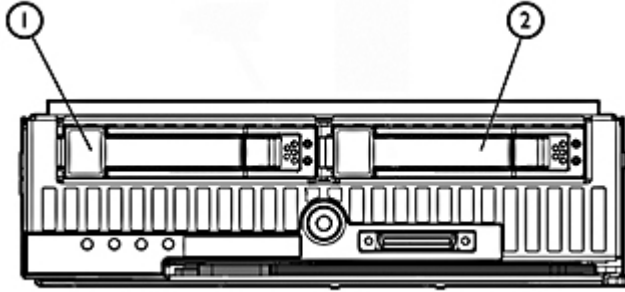
**NOTE:** Must be installed in pairs.



# QuickSpecs

## HP ProLiant BL465c Generation 6 (G6) Server Blade

### Storage



1-2 2 x SFF SAS or SATA Hot Plug Hard Drives

#### Hard Drives

**NOTE:** The components of a storage subsystem (e.g. the drive, the HBA/controller, firmware, and the server backplane) should operate at the same data transfer rate or the system bandwidth will be negotiated down to an acceptable level for all components.

**NOTE:** Hard drives have either a one year or three year warranty; refer to the specific hard drive QuickSpecs for details.

#### SAS Hot Plug SFF (2.5-inch) Enterprise (ENT) Drives

	Quantity Supported	Position Supported	Controller
600GB 6G SAS 10K DP	2	1-2	Smart Array E200i Controller
450GB 6G SAS 10K DP			
300GB 6G SAS 10K DP			
146GB 6G SAS 15K DP			
146GB 6G SAS 10K DP			
72GB 6G SAS 15K DP			

#### SAS Hot Plug SFF (2.5-inch) Midline (MDL) Drives

	Quantity Supported	Position Supported	Controller
500GB 6G SAS 7.2K DP	2	1-2	Smart Array E200i Controller

#### SATA Hot Plug SFF (2.5-inch) Midline (MDL) Drives

	Quantity Supported	Position Supported	Controller
500GB 3G SATA 7.2K	2	1-2	Smart Array E200i Controller
160GB 3G SATA 7.2K			

#### SATA Hot Plug SFF (2.5-inch) Entry (ETY) Drives

	Quantity Supported	Position Supported	Controller
250GB 3G SATA 5.4K	2	1-2	Smart Array E200i Controller
120GB 1.5G SATA 5.4K			



# QuickSpecs

## HP ProLiant BL465c Generation 6 (G6) Server Blade

### Technical Specifications

<b>System Unit</b>	<b>Dimensions</b> (H x W x D)	7.154 x 2.19 x 20.058 in (18.17 x 5.56 x 50.95 cm)	
	<b>Weight</b> (approximate)	Maximum (all hard drives and processors installed)	14.20 lb (6.44 kg)
		Minimum (one hard drive and processor installed)	10.75 lb (4.87 kg)
	<b>Power Specifications</b>	For power specifications including Input Requirements, BTU Rating, and Power Supply Output, please see the HP BladeSystem c-Class Enclosures QuickSpecs located at URL: HP BladeSystem c3000 Enclosure QuickSpecs: <a href="http://h18000.www1.hp.com/products/quickspecs/12790_div/12790_div.html">http://h18000.www1.hp.com/products/quickspecs/12790_div/12790_div.html</a> HP BladeSystem c7000 Enclosure QuickSpecs: <a href="http://h18000.www1.hp.com/products/quickspecs/12810_div/12810_div.html">http://h18000.www1.hp.com/products/quickspecs/12810_div/12810_div.html</a>  To review typical system power ratings use the HP BladeSystem Power Sizer which is available via the online tool located at URL: <a href="http://www.hp.com/go/ bladesystem/powercalculator">http://www.hp.com/go/ bladesystem/powercalculator</a>	
<b>System Inlet Temperature</b>	Operating	Operating	10° to 35°C (50° to 95°F) at sea level with an altitude derating of 1.0°C per every 305 m (1.8°F per every 1000 ft) above sea level to a maximum of 3050 m (10,000 ft), no direct sustained sunlight. Maximum rate of change is 10°C/hr (18°F/hr). The upper limit may be limited by the type and number of options installed. System performance may be reduced if operating with a fan fault or above 30°C (86°F).
		Non-operating	-30° to 60°C (-22° to 140°F). Maximum rate of change is 20°C/hr (36°F/hr).
<b>Relative Humidity</b> (non-condensing)	Operating	Operating	10 to 90% relative humidity (Rh), 28°C (82.4°F) maximum wet bulb temperature, non-condensing.
		Non-operating	5 to 95% relative humidity (Rh), 38.7°C (101.7°F) maximum wet bulb temperature, non-condensing.
<b>Altitude</b>	Operating	Operating	3050 m (10,000 ft). This value may be limited by the type and number of options installed.
		Non-operating	Maximum allowable altitude change rate is 457 m/min (1500 ft/min).
<b>Acoustic Noise</b>	For acoustic noise specifications, please see the HP BladeSystem c-Class Enclosures QuickSpecs located at URL: HP BladeSystem c3000 Enclosure QuickSpecs: <a href="http://h18000.www1.hp.com/products/quickspecs/12790_div/12790_div.html">http://h18000.www1.hp.com/products/quickspecs/12790_div/12790_div.html</a>		



# QuickSpecs

## HP ProLiant BL465c Generation 6 (G6) Server Blade

### Technical Specifications

HP BladeSystem c7000 Enclosure QuickSpecs:  
[http://h18000.www1.hp.com/products/quickspecs/12810\\_div/12810\\_div.html](http://h18000.www1.hp.com/products/quickspecs/12810_div/12810_div.html)

---

Smart Array E200i Controller	Disk Drive and Enclosure Interface	3G SAS (Serial Attached SCSI) 1.5G SATA (Serial Advanced Technology Attachment)
	SAS Connectors	2 internal (SFF8484) x4 wide port connectors
	Cache Memory Speed	DDR-1/266 MHz provides up to 4.2 GB/s maximum bandwidth.
	Server Interface	x4 2.5G PCIe provides 2 GB/s maximum bandwidth.
	SAS Speed	x2 3 G SAS provides 600 MB/s maximum bandwidth.
	Cache Memory	40-bit 64 MB or 128 MB cache: ECC protection, battery-backed, and transportable
	Logical Drives Supported	Up to 32 logical volumes
	Maximum Logical Drive Capacity	500 GB (2 x 250 GB)
	Host Memory Addressing	64-bit, supporting greater than 4 GB server memory space
	RAID Support	RAID 1 (Mirroring) RAID 0 (Striping)
	Upgradeable Firmware	Upgradeable Firmware

---

Embedded NC370i Multifunction Gigabit Ethernet Server Adapter	Network Processor	Broadcom 5706
	Data Transfer Method	100MHz PCI-X
	Network Transfer Rate	2000 Mb/s full duplex <b>NOTE:</b> The Gigabit Ethernet adapters above transmit from the server only at 2000 Mbps, full duplex per port. For more information, see the "Network Controller" segment in the Standards Features section.
	IEEE Compliance	802.1p, 802.1Q, 802.3, 802.3ad, and 802.3x
Standard Features	<ul style="list-style-type: none"><li>● TCP/IP offload engine (TOE) for Microsoft Windows 2003</li><li>● iSCSI Boot</li><li>● Optional accelerated iSCSI</li><li>● 9K Jumbo frames</li><li>● TCP/IP checksum offload (TCO)</li><li>● Large send offload (LSO)</li><li>● Interrupt coalescence</li><li>● Dual address cycles (DAC)</li><li>● Wake-on-LAN (WOL)</li><li>● Pre-boot execution environment (PXE)</li><li>● ProLiant Teaming including Network Fault Tolerance, Transmit Load Balancing, and Switch-Assisted Load Balancing</li><li>● IPv6 packet transmit and receive (excluding all offload capabilities); IPv6 aware SNMPv1 agents for Microsoft Windows</li></ul>	

---



# QuickSpecs

## HP ProLiant BL465c Generation 6 (G6) Server Blade

### Technical Specifications

HP Integrated Lights-Out 2 (iLO 2) integrated on system board	Architecture	32-bit PCI-based health and remote management ASIC	
	Processor	32-bit RISC processor core running at 66MHz	
	Upgradeability	Option firmware upgradeable via Flash ROM	
	Operating System Support	Microsoft Windows Server 2008 Standard Edition (32bit and 64bit)	
		Microsoft Windows Server 2008 Enterprise Edition (32bit and 64bit)	
		Microsoft Windows Server 2003 and Windows Server 2003 R2, and Windows Server 2003 for Extended Systems Standard Edition, Enterprise Edition	
		Red Hat Enterprise Linux 5.4 (32bit and 64bit)	
		SUSE LINUX Enterprise Server 11 (32bit and 64bit)	
		SUSE LINUX Enterprise Server 10 (32bit and 64bit)	
		VMware ESX 4.0	
		VMware ESX 3.5.0	
		Microsoft Windows XP Professional Edition	
		Microsoft Windows Vista Business and Ultimate Editions	
Red Hat Enterprise Linux Desktop 5.00			
SUSE Linux Enterprise Desktop 11			
SUSE Linux Enterprise Desktop 10			
Client Browser Support	Microsoft Internet Explorer 7		
	Microsoft Internet Explorer 6		
	Firefox 3.5 (on supported Windows and Linux systems) Firefox 3.0 (on supported Windows and Linux systems)		
Command Line Support	Telnet, Secure Shell and serial port access		
	Secure Socket Layer Secure Shell version 2 (Password and certificate)		
Security	Advanced Encryption Standard (AES) and Triple Data Encryption Standard (3DES) on browser, CLP and XML scripting interface RC4 encryption of video		
Directory Support Services	Active Directory v1.0 (Windows 2003)		
Driver Support	Health Driver (HP ProLiant iLO 2 Management Controller Driver) iLO Management Channel Interface Driver		
Management protocols supported	SNMP 2, IPMI 2.0 (KCS interface), DMTF Server Management Command Line Protocol Specification (SM CLP), DMTF Web Services Management Specification (WS Management)		



# QuickSpecs

## HP ProLiant BL465c Generation 6 (G6) Server Blade

---

### Technical Specifications

#### Environment-friendly Products and Approach

#### End-of-life Management and Recycling

Hewlett-Packard offers end-of-life HP product return, trade-in, and recycling programs in many geographic areas. For trade-in information, please go to: <http://www.hp.com/go/green>. To recycle your product, please go to: <http://www.hp.com/go/green> or contact your nearest HP sales office. Products returned to HP will be recycled, recovered or disposed of in a responsible manner.

The EU WEEE directive (2002/95/EC) requires manufacturers to provide treatment information for each product type for use by treatment facilities. This information (product disassembly instructions) is posted on the Hewlett Packard web site at: <http://www.hp.com/go/green>. These instructions may be used by recyclers and other WEEE treatment facilities as well as HP OEM customers who integrate and re-sell HP equipment.

---

© Copyright 2011 Hewlett-Packard Development Company, L.P.

The information contained herein is subject to change without notice.

Microsoft and Windows NT are US registered trademarks of Microsoft Corporation.  
AMD is a US registered trademark of AMD Corporation.

The only warranties for HP products and services are set forth in the express warranty statements accompanying such products and services. Nothing herein should be construed as constituting an additional warranty. HP shall not be liable for technical or editorial errors or omissions contained herein.

For hard drives, 1GB = 1 billion bytes. Actual formatted capacity is less.

