



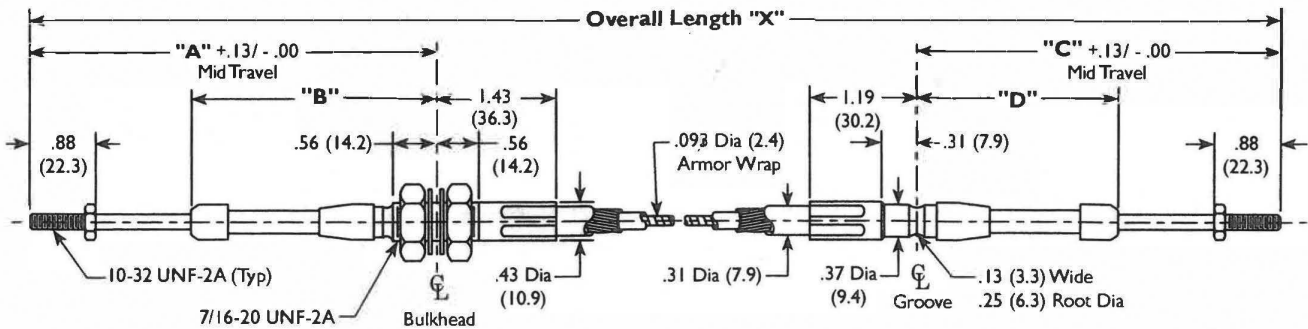
# 30 Series Armor Core Push-Pull Control

Typical applications include throttle controls, activating electrical relays or hydraulic valves and shifting hydrostatic transmissions.  
6" minimum bend radius.

Control Length (Inches)	"X"
Up to 60.00	± .31
60.01 to 120.00	± .50
120.01 to 240.00	± .75
Above 240.00	± 1.00

Travel	Bulkhead Type Fitting		Grooved Type Fitting		Input Load Pounds (kg)
	"A"	"B"	"C"	"D"	
1"	4.38 (111.2)	3.00 (76.2)	3.80 (96.5)	2.49 (63.2)	40 (18.1)
2"	5.87 (149.1)	4.00 (101.6)	5.31 (134.9)	3.49 (88.6)	30 (13.6)
3"	7.38 (187.4)	5.00 (127.0)	6.80 (172.7)	4.49 (114.0)	20 (9.1)
4"	8.87 (225.3)	6.00 (152.4)	8.31 (211.1)	5.49 (139.4)	10 (4.5)
5"	10.38 (263.6)	7.00 (177.8)	9.80 (248.9)	6.49 (164.8)	5 (2.3)
6"	11.77 (298.9)	8.00 (203.2)	11.31 (287.3)	7.49 (190.2)	5 (2.3)

All Dimensions are Inches (mm)



# 40 Series Armor Core Push-Pull Control

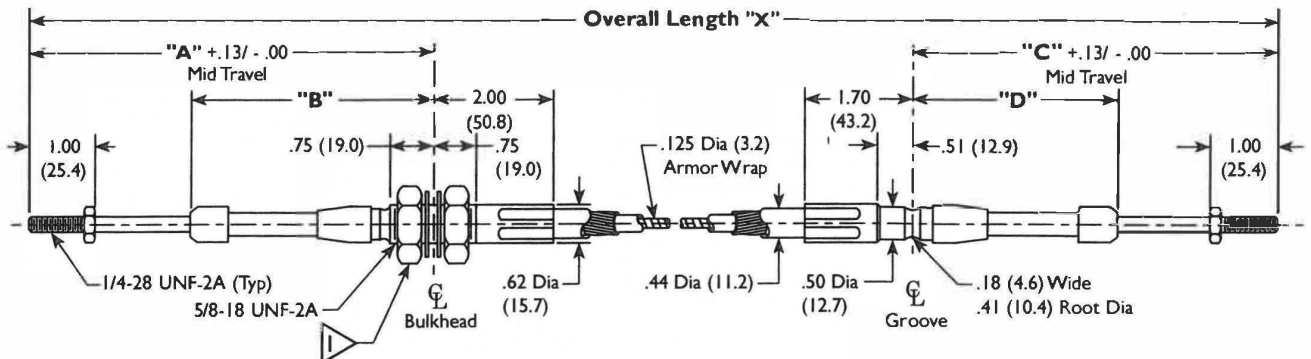
Typical applications include drum controls, throttle controls (cement mixers), shifting hydrostatic transmissions or activating hydraulic valves.  
8" minimum bend radius.

Control Length (Inches)	"X"
Up to 60.00	± .31
60.01 to 120.00	± .50
120.01 to 240.00	± .75
Above 240.00	± 1.00

Travel	Bulkhead Type Fitting		Grooved Type Fitting		Input Load Pounds (kg)
	"A"	"B"	"C"	"D"	
1"	4.62 (117.3)	3.19 (81.0)	4.00 (101.6)	2.56 (65.0)	120 (54.4)
2"	6.13 (155.7)	4.19 (106.4)	5.50 (139.7)	3.56 (90.4)	90 (40.8)
3"	7.62 (193.5)	5.19 (131.8)	7.00 (177.8)	4.56 (115.8)	75 (34.0)
4"	9.13 (231.9)	6.19 (157.2)	8.50 (215.9)	5.56 (141.2)	65 (29.5)
5"	10.62 (269.7)	7.19 (182.6)	10.00 (254.0)	6.56 (166.6)	60 (27.2)
6"	12.13 (308.1)	8.19 (208.0)	11.50 (292.1)	7.56 (192.0)	60 (27.2)

All Dimensions are Inches (mm)

**NOTE:**  
Nuts fit over seals (typ)



Prices subject to change without notice. **ASK FOR QUANTITY DISCOUNT**



## 60 Series Armor Core Push-Pull Control

Typical applications include shifting hydrostatic or heavy duty transmissions or activating hydraulic valves.


10" minimum bend radius.

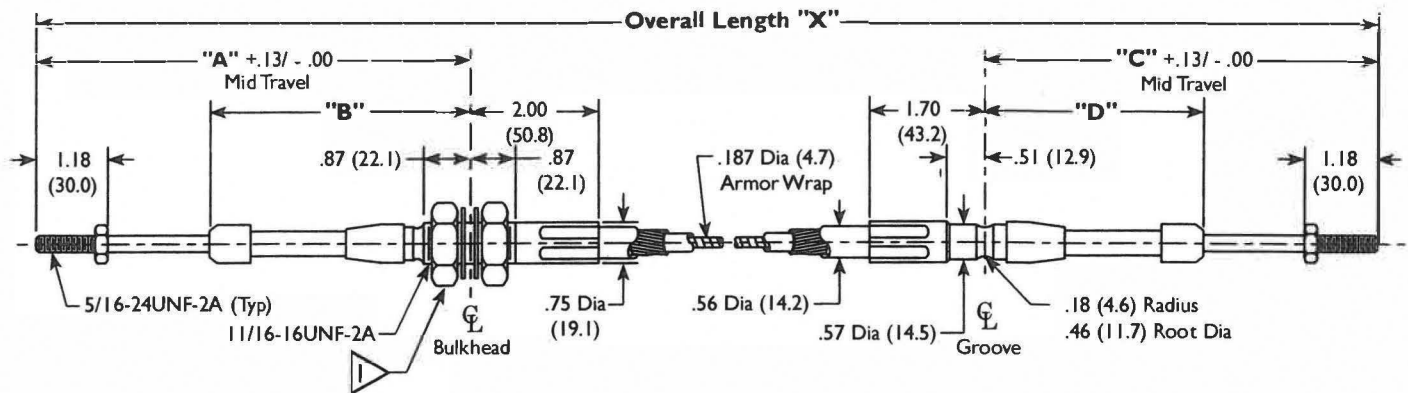
Control Length (Inches)	"X"
Up to 60.00	± .31
60.01 to 120.00	± .50
120.01 to 240.00	± .75
Above 240.00	± 1.00

Travel	Bulkhead Type Fitting		Grooved Type Fitting		Input Load Pounds (kg)
	"A"	"B"	"C"	"D"	
1"	5.08 (129.0)	3.38 (85.8)	4.38 (111.2)	2.68 (68.1)	220 (99.8)
2"	6.56 (166.6)	4.38 (111.2)	5.87 (149.1)	3.68 (93.5)	200 (90.7)
3"	8.06 (204.7)	5.38 (136.6)	7.38 (187.4)	4.68 (118.9)	170 (77.1)
4"	9.56 (242.8)	6.38 (162.0)	8.87 (225.3)	5.68 (144.3)	140 (63.5)
5"	11.06 (280.9)	7.38 (187.4)	10.38 (263.6)	6.68 (169.7)	110 (49.9)
6"	12.56 (319.0)	8.38 (212.8)	11.87 (301.5)	7.68 (195.1)	80 (36.3)

All Dimensions are Inches (mm)

**NOTE:**

 Nuts fit over seals (typ)



**ASK FOR QUANTITY DISCOUNT** Prices subject to change without notice.

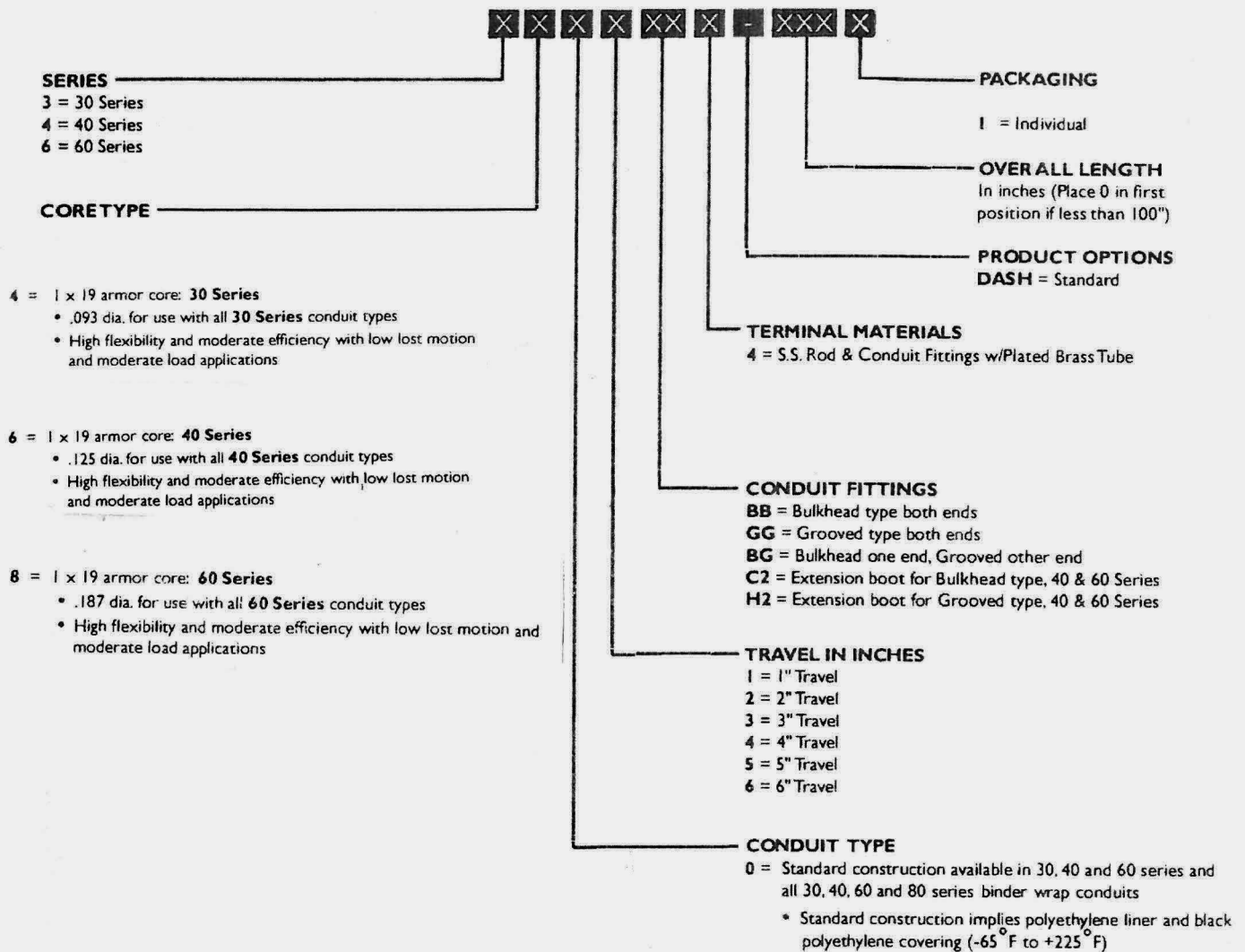
**BAUM** HYDRAULICS CORPORATION

1-800-228-9222 / e-mail: [sales@baumhydraulics.com](mailto:sales@baumhydraulics.com)

Fax: 1-800-832-2522 / [www.baumhydraulics.com](http://www.baumhydraulics.com) / © Baum Hydraulics Corporation



# Push-Pull Cable Part Number Codes



Prices subject to change without notice. **ASK FOR QUANTITY DISCOUNT**

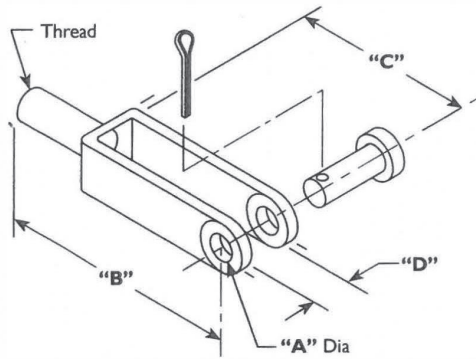
**1-800-228-9222 / e-mail: sales@baumhydraulics.com**  
 Fax: 1-800-832-2522 / www.baumhydraulics.com / © Baum Hydraulics Corporation

**BAUM** HYDRAULICS  
 CORPORATION





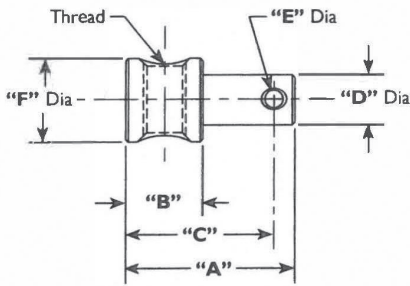
**Clevis Assembly**



30 Series (10-32 Thread)				
Part Number	"A" Dia	"B"	"C"	"D"
06-1500-04	.187 (4.8)	1.56 (39.7)	1.00 (25.4)	.187 (4.8)
06-1500-05	.25 (6.3)	2.00 (50.8)	1.25 (31.7)	.281 (7.1)
40 Series (1/4-28 Thread)				
06-1500-01	.25 (6.3)	2.00 (50.8)	1.25 (31.7)	.281 (7.1)
06-1500-02	.31 (7.9)	2.25 (57.1)	1.44 (36.5)	.343 (8.7)
06-1500-03	.38 (9.7)	2.50 (63.5)	1.62 (41.1)	.437 (11.1)
60 Series (5/16-24 Thread)				
06-1500-06	.25 (6.3)	2.00 (50.8)	1.25 (31.7)	.281 (7.1)
06-1500-07	.31 (7.9)	2.25 (57.1)	1.44 (36.5)	.343 (8.7)
80 Series (3/8-24 Thread)				
06-1500-08	.38 (9.7)	2.50 (63.5)	1.62 (41.1)	.437 (11.1)
06-1500-09	.50 (12.7)	3.00 (76.2)	1.88 (47.8)	.562 (14.3)

All Dimensions are in inches (mm)

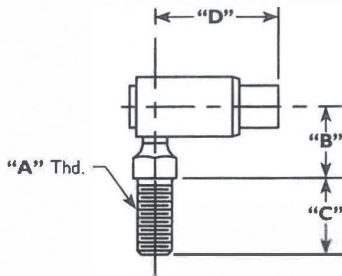
**Pivot**



20 and 30 Series (10-32 Thread)						
Part Number	"A" Dia	"B"	"C"	"D" Dia	"E" Dia	"F" Dia
02-1601-01	.718 (18.2)	.375 (9.5)	.611 (15.5)	.187 (4.7)	.081 (2.0)	.43 (10.9)
02-1601-02	.625 (15.9)	.315 (8.0)	.496 (12.6)	.250 (6.3)	.081 (2.0)	.43 (10.9)
02-1601-03	.781 (19.8)	.310 (7.8)	.645 (16.4)	.250 (6.3)	.081 (2.0)	.43 (10.9)
02-1601-06	.750 (19.0)	.380 (9.6)	.656 (16.6)	.230 (5.8)	.093 (2.4)	.43 (10.9)
40 Series (1/4-28 Thread)						
02-1601-04	.906 (23.0)	.562 (14.3)	.743 (18.9)	.312 (7.9)	.081 (2.0)	.50 (12.7)
60 Series (5/16-24 Thread)						
02-1601-05	1.265 (32.1)	.578 (14.7)	1.109 (28.1)	.375 (9.5)	.136 (3.4)	.63 (16.0)

All Dimensions are in inches (mm)

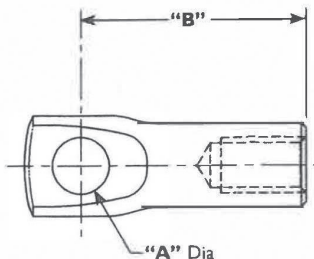
**Ball Joint**



30 Series				
Part Number	"A" Thd	"B"	"C"	"D"
08-0005-01	1/4-28	.47 (11.9)	.56 (14.2)	.91 (23.1)
08-0005-02	10-32	.47 (11.9)	.44 (11.2)	.91 (23.1)
08-0005-03	10-32	.47 (11.9)	.44 (11.2)	.91 (23.1)
40 Series				
08-0004-01	1/4-28	.47 (11.9)	.56 (14.2)	.97 (24.6)
60 Series				
08-0021-01	5/16-24	.59 (15.0)	.69 (17.5)	1.25 (31.7)

All Dimensions are in inches (mm)

**Terminal Eye**



40 Series (1/4-28 Thread)		
Part Number	"A" Dia	"B"
02-1600-22	.255 (6.5)	1.00 (25.4)
02-1600-35	.193 (4.9)	1.00 (25.4)
02-1600-58	.265 (6.7)	1.50 (38.1)

All Dimensions are in inches (mm)

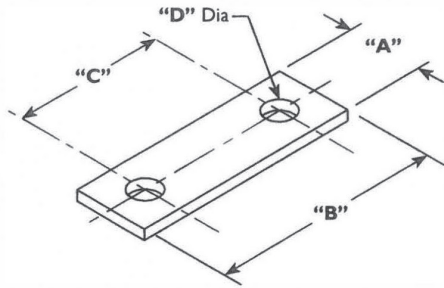
**ASK FOR QUANTITY DISCOUNT** Prices subject to change without notice.





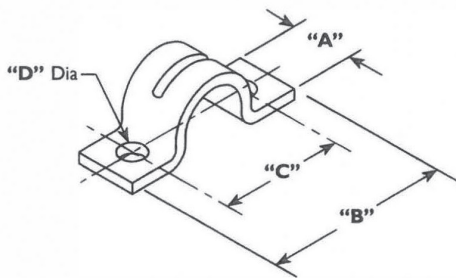
# Accessories

## Shim



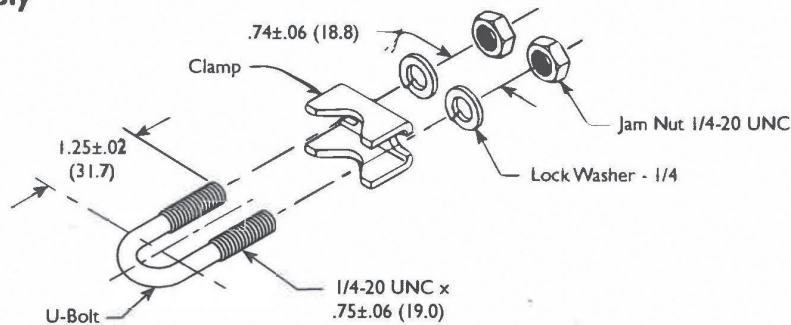
30 Series				
Part Number	"A"	"B"	"C"	"D" Dia
08-0010-01	.50 (12.7)	1.50 (38.1)	1.00 (25.4)	.203 (5.1)
40 Series				
08-0010-02	.50 (12.7)	1.50 (38.1)	1.00 (25.4)	.218 (5.5)
60 Series				
08-0010-03	.62 (15.7)	1.75 (44.4)	1.25 (31.7)	.281(7.1)

## Clamps



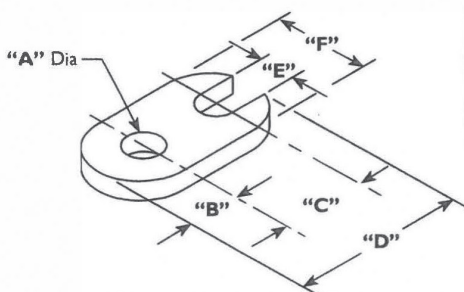
30 Series				
Part Number	"A"	"B"	"C"	"D" Dia
08-0009-01	.50 (12.7)	1.50 (38.1)	1.00 (25.4)	.203 (5.1)
40 Series				
08-0009-02	.50 (12.7)	1.50 (38.1)	1.00 (25.4)	.218 (5.5)
60 Series				
08-0009-03	.62 (15.7)	1.75 (44.4)	1.25 (31.7)	.281(7.1)

## U-Bolt Assembly



40 and 60 Series	
Part Number	
01-5000-14	

## Brackets

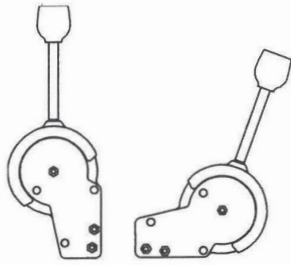


30 Series						
Part Number	"A" Dia	"B"	"C"	"D"	"E"	"F"
08-0008-01	.281 (7.1)	.38 (9.6)	.62 (15.7)	1.29 (32.8)	.272 (6.9)	.62 (15.7)
08-0008-02	.406 (10.3)	.38 (9.6)	.62 (15.7)	1.29 (32.8)	.272 (6.9)	.62 (15.7)

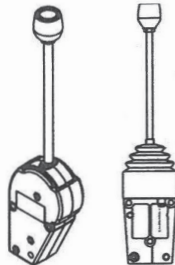
Prices subject to change without notice. **ASK FOR QUANTITY DISCOUNT**

# DESIGNING YOUR SYSTEM Simple as 1-2-3-4

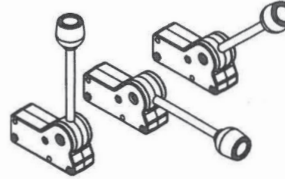
## 1 - Which Control Do You Need?



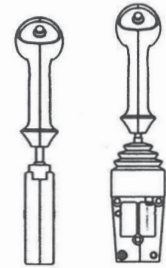
Single Axis Adjustable Handle RVC



Single Axis & Dual Axis RVC

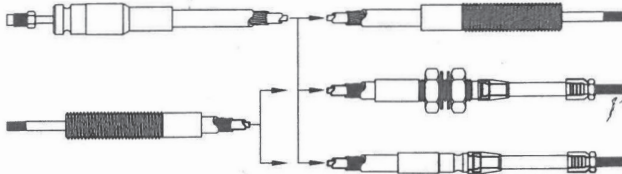


Mini Single & Dual Axis RVC

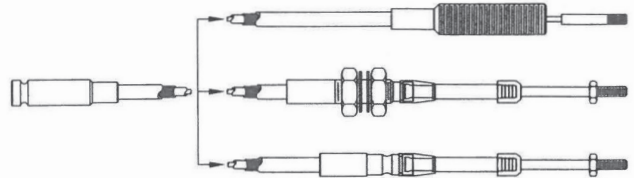


Electric Switch Lever RVC

## 2 - Which Cable Fits Your Application?

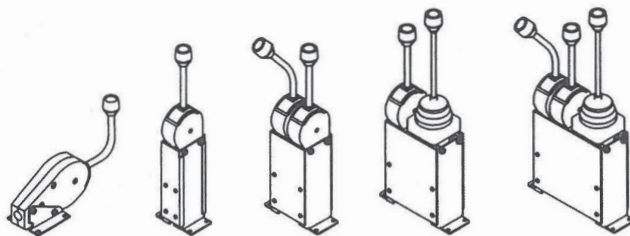


RVC Cable Assemblies

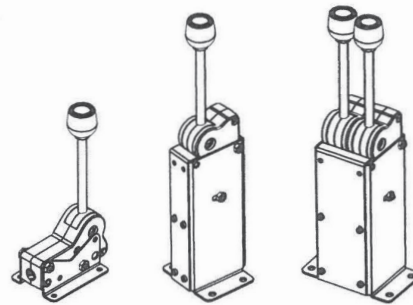


Mini RVC Cable Assemblies

## 3 - Select Your Mounting System

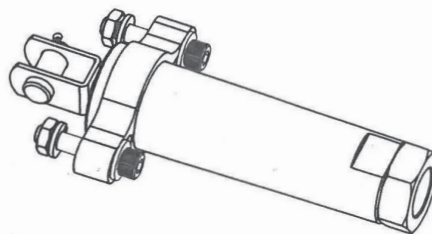


RVC Mounting Systems



Mini RVC Mounting Systems

## 4 - Select Your Connection Kit



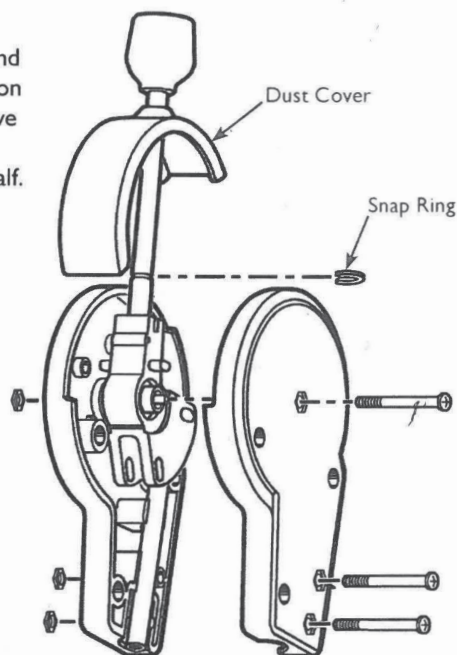
RVC Connection Kits

**ASK FOR QUANTITY DISCOUNT** Prices subject to change without notice.

The handle position of our Adjustable Handle RVC can be field converted from "Standard" to "70° Offset" in 5 easy steps.

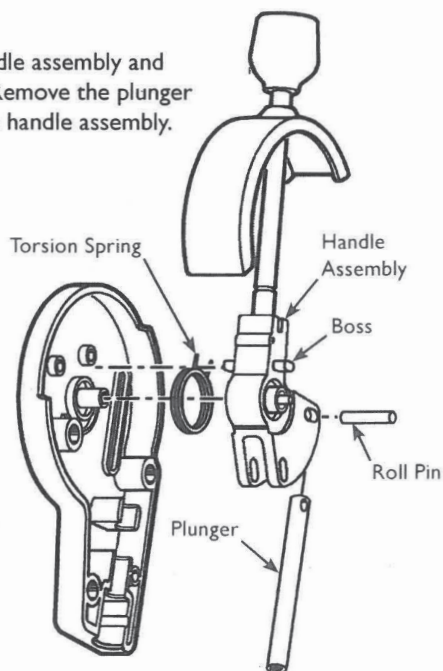
### Step 1

Remove snap ring and slide dust cover up on handle shaft. Remove 3 screws and nuts then remove case half.



### Step 2

Remove the handle assembly and torsion spring. Remove the plunger and roll pin from handle assembly.



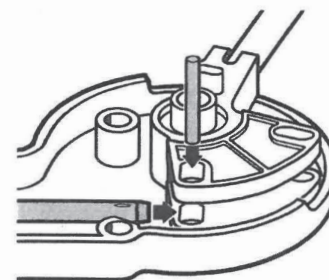
### Step 3

Replace the torsion spring in the new 70° offset position. Be sure the legs on the torsion spring straddle the post as shown here. Replace the handle assembly. The boss on the handle assembly must fit between the legs of the torsion spring. (Note: On center and end locking controls, depress the red button on handle to seat lever assembly properly within detent position.)



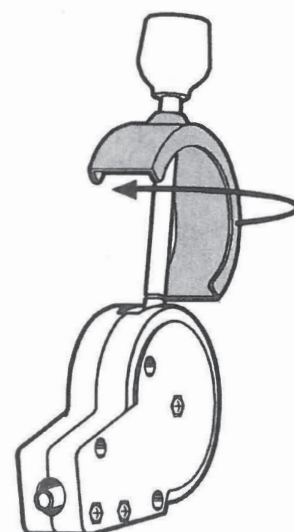
### Step 4

Replace the plunger and roll pin.



### Step 5

Replace the case. (Note: On center and end locking controls, depress the red button on handle to seat lever assembly properly within detent position.) Re-install the 3 screws and nuts and tighten. Rotate dust cover 180° on shaft and press over case assembly. Replace snap ring.



Prices subject to change without notice. **ASK FOR QUANTITY DISCOUNT**





# I - Which Control Do You Need?

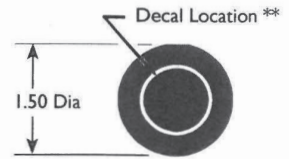
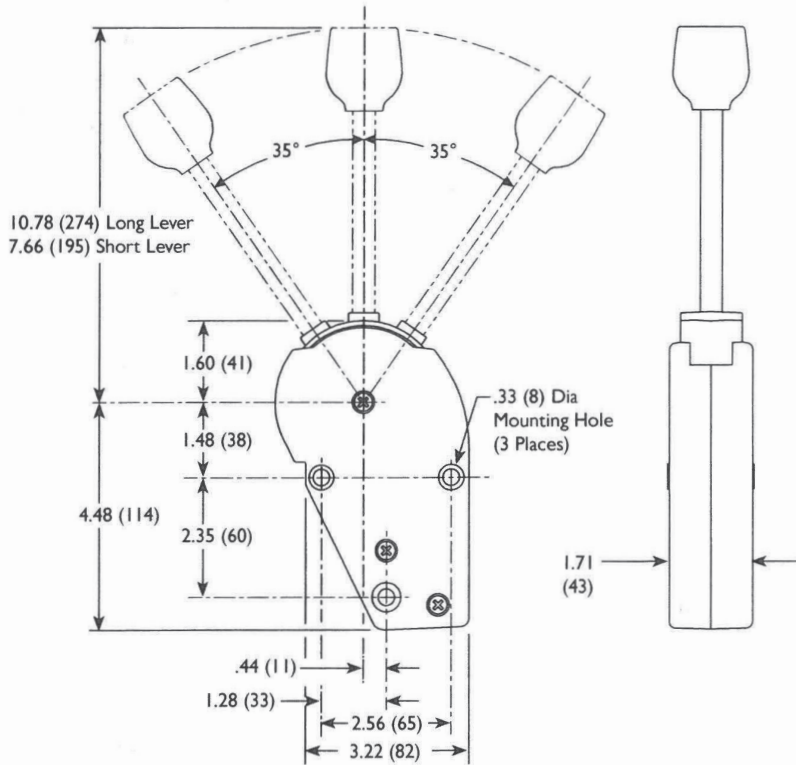
## Non-Locking Single Axis Remote Valve Control

Available in Black Composite.

Max Load 100 lbs, Cable Travel (from center) ±0.76

Custom bent levers for higher volume available, contact factory representative.

All Dimensions Are Inches (mm)



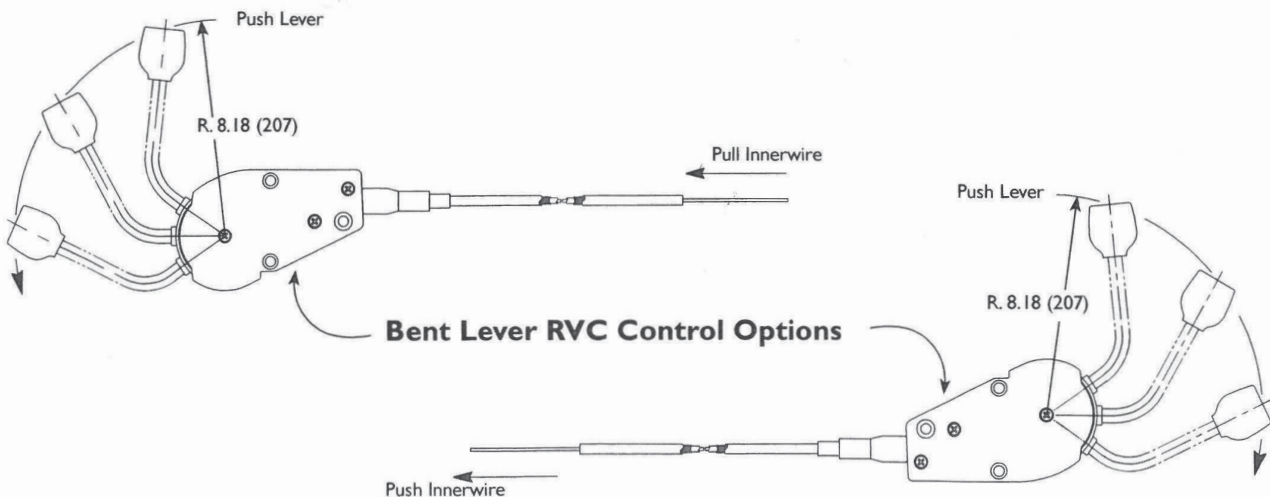
### Knob Detail

Black Knob with Fixed Black Insert



\*\*Decal Sheet  
(Shipped with Control)

Description	Wescon P/N
Non-Locking Straight Lever (Short)	08-6010-01
Non-Locking Straight Lever (Long)	08-6010-02
Non-Locking Bent Lever (Push Lever-Pull Innerwire)	08-6010-03
Non-Locking Bent Lever (Push Lever-Push Innerwire)	08-6010-04



ASK FOR QUANTITY DISCOUNT

Prices subject to change without notice.

**BAUM** HYDRAULICS CORPORATION

1-800-228-9222 / e-mail: sales@baumhydraulics.com  
Fax: 1-800-832-2522 / www.baumhydraulics.com / © Baum Hydraulics Corporation

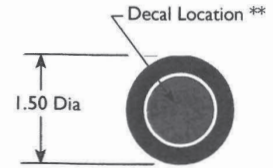
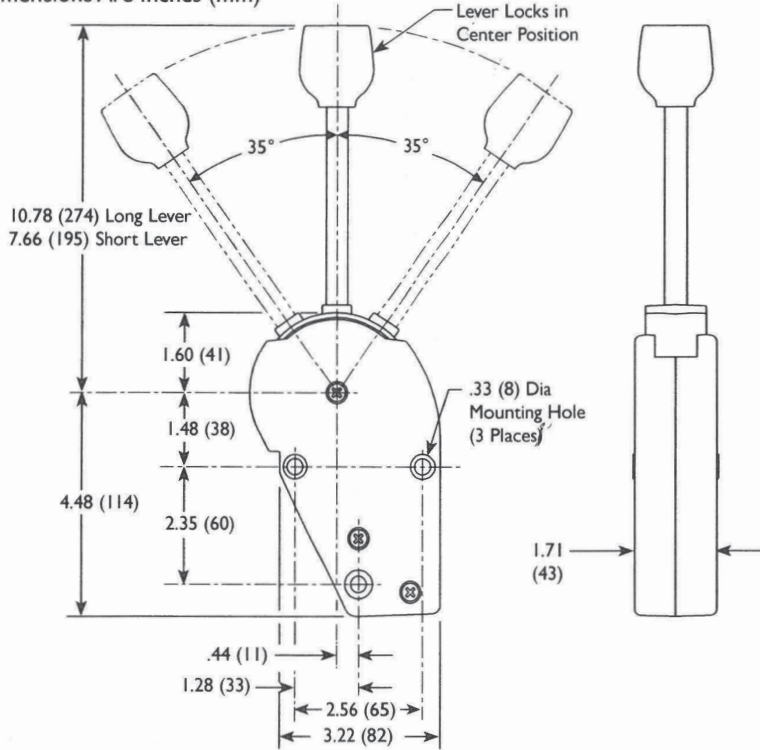
**Center Locking Single Axis Remote Valve Control**

Available in Black Composite.

Max Load 100 lbs, Cable Travel (from center) ±0.76

Custom bent levers for higher volume available, contact factory representative.

All Dimensions Are Inches (mm)



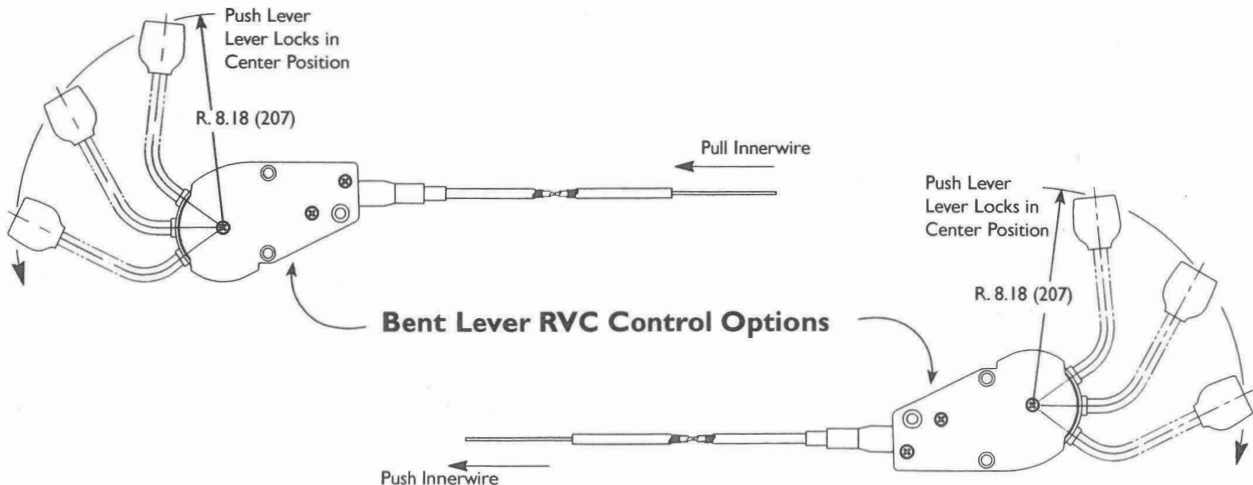
**Knob Detail**

Black Knob with Red Release Button



**\*\*Decal Sheet**  
(Shipped with Control)

Description	Wescon P/N
Center Locking Straight Lever (Short)	08-6011-01
Center Locking Straight Lever (Long)	08-6011-02
Center Locking Bent Lever (Push Lever-Pull Innerwire)	08-6011-03
Center Locking Bent Lever (Push Lever-Push Innerwire)	08-6011-04



Prices subject to change without notice. **ASK FOR QUANTITY DISCOUNT**

**Non-Locking Dual Axis "Composite" Remote Valve Control**

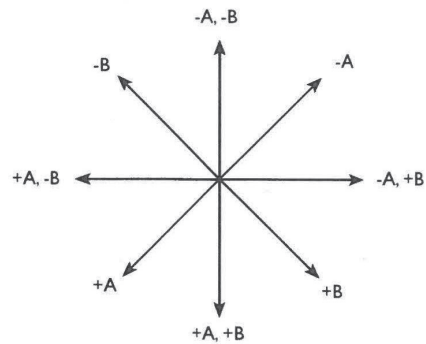
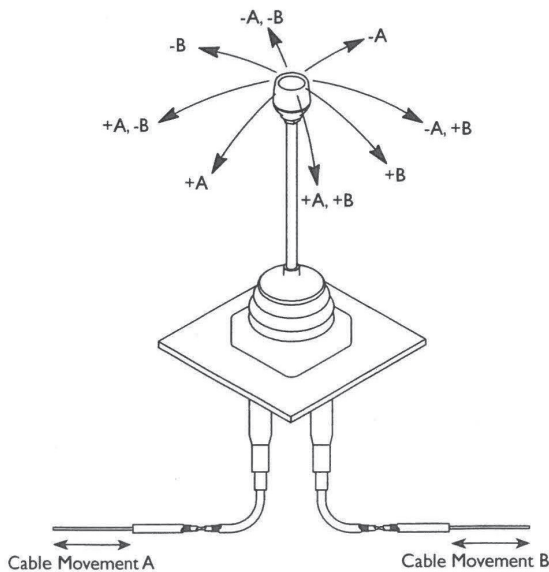
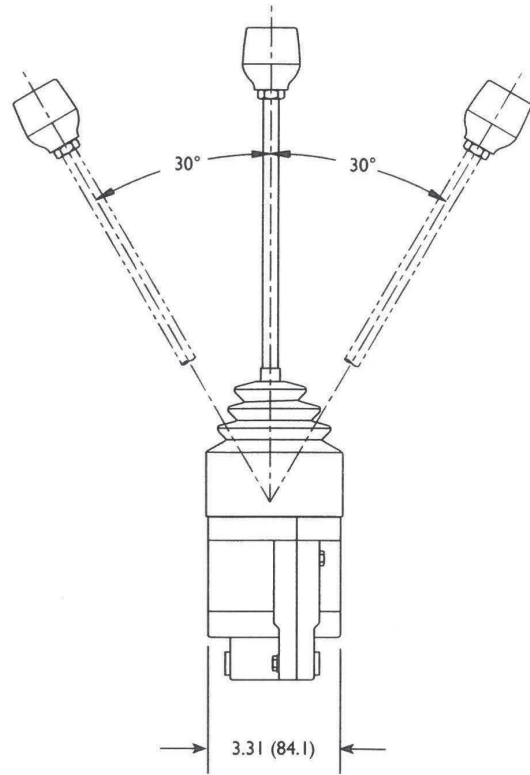
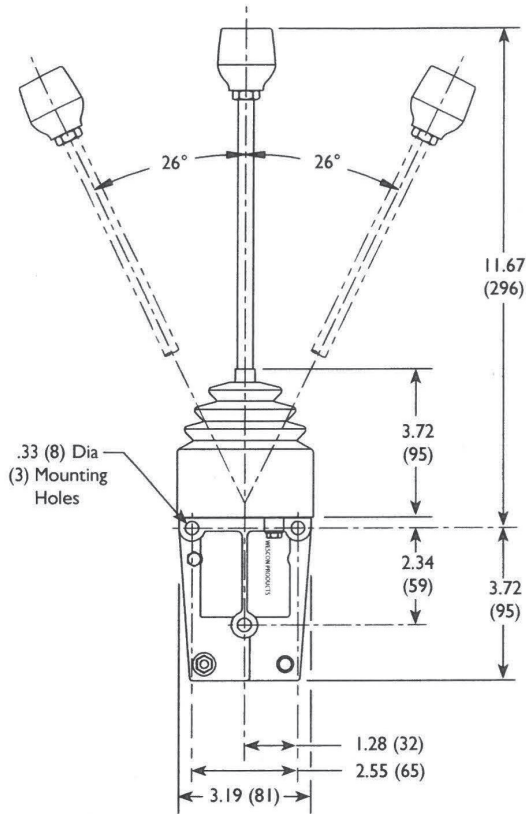
Max Load 100 lbs, Cable Travel (from center) ±0.62

Wescon Part No. 08-5900-14

All Dimensions Are Inches (mm)

**Note:**

Install control with three 5/16-18 UNC fasteners and torque to a maximum of 75 inch-lbs.



+ = Extended  
- = Retracted

**ASK FOR QUANTITY DISCOUNT** Prices subject to change without notice.

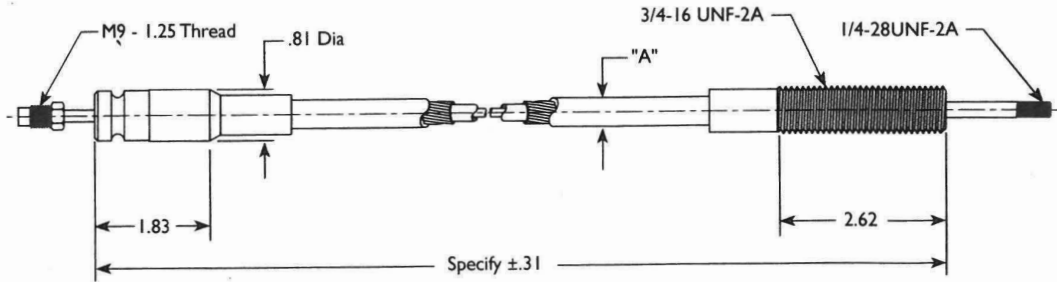




## 2 - Which Cable Fits Your Application?

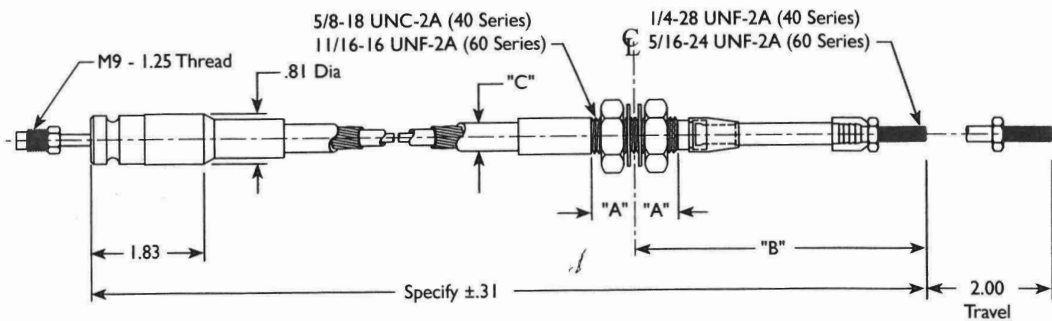
Wescon recommends 40 Series Cable Assemblies for Use with Remote Valve Controls

**Style 1 - RVC Head Adapter with Connection Kit Attachment Fitting** (use with standard RVC only)



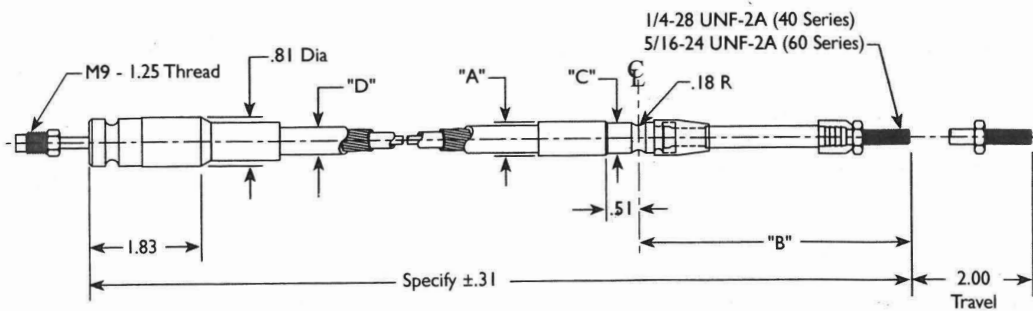
Part Number	"A"
40 Series	.44
60 Series	.56

**Style 2 - RVC Head Adapter with Bulkhead Swivel Fitting 2" Travel** (use with standard RVC only)



Part Number	"A"	"B"	"C"
40 Series	.75	5.13	.44
60 Series	.87	5.56	.56

**Style 3 - RVC Head Adapter with Grooved Swivel Fitting 2" Travel** (use with standard RVC only)



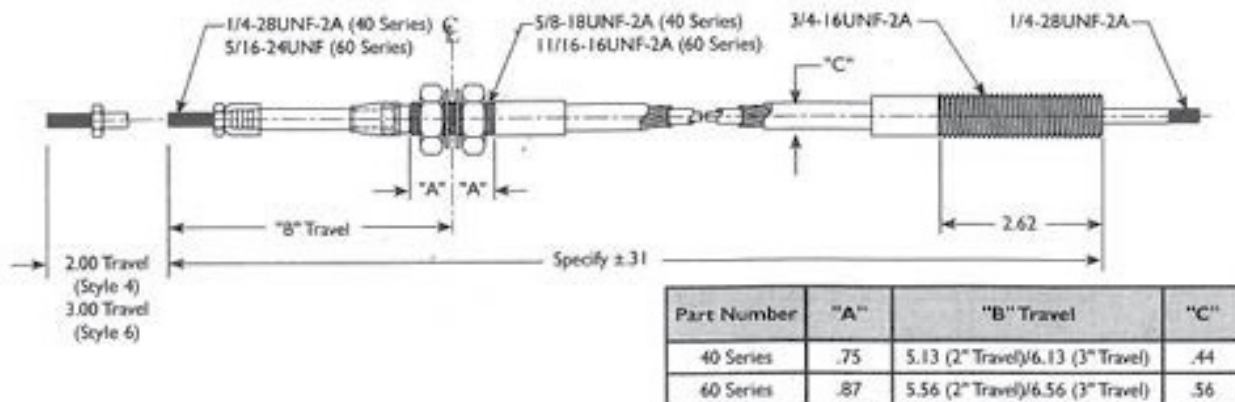
Part Number	"A"	"B"	"C"	"D"
40 Series	.56	4.50	.50 Dia	.44
60 Series	.75	4.88	.57 Dia	.56

Prices subject to change without notice. **ASK FOR QUANTITY DISCOUNT**

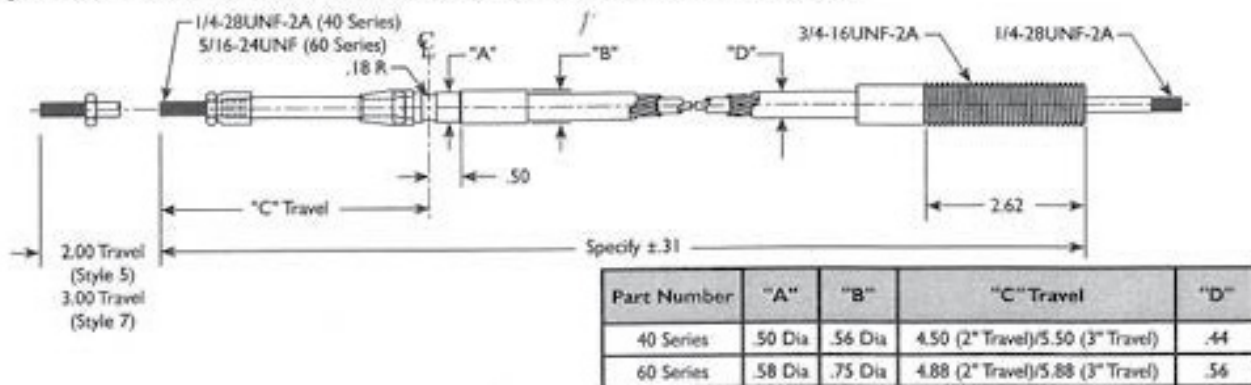
**WESCON**

## 2 - Which Cable Fits Your Application?

### Styles 4 & 6 - Bulkhead Swivel Fitting with Connection Kit Attachment Fitting



### Styles 5 & 7 - Grooved Swivel Fitting with Connection Kit Attachment Fitting



**WESCON**

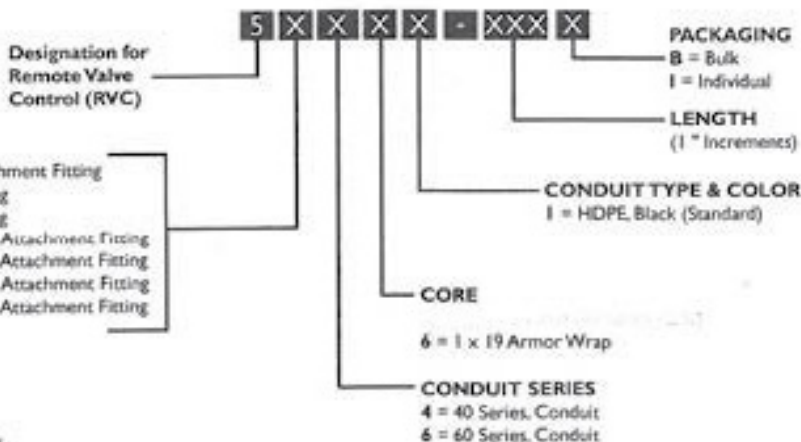
## Remote Valve Control Cable Part Number Codes

**STYLE**

- 1 = RVC Head Adapter with Connection Kit Attachment Fitting
- 2 = RVC Head Adapter with Bulkhead Swivel Fitting
- 3 = RVC Head Adapter with Grooved Swivel Fitting
- 4 = 2" Travel Bulkhead Swivel with Connection Kit Attachment Fitting
- 5 = 2" Travel Grooved Swivel with Connection Kit Attachment Fitting
- 6 = 3" Travel Bulkhead Swivel with Connection Kit Attachment Fitting
- 7 = 3" Travel Grooved Swivel with Connection Kit Attachment Fitting

**EXAMPLE:**

P.N. 53461-088B RVC Head Adapter One End with Grooved Swivel Fitting Opposite End, 40 Series Conduit, 1 x 19 Armor Wrap Core, Black HDPE Conduit Covering, 88 Inches Long, Bulk Pack



**ASK FOR QUANTITY DISCOUNT** Prices subject to change without notice.

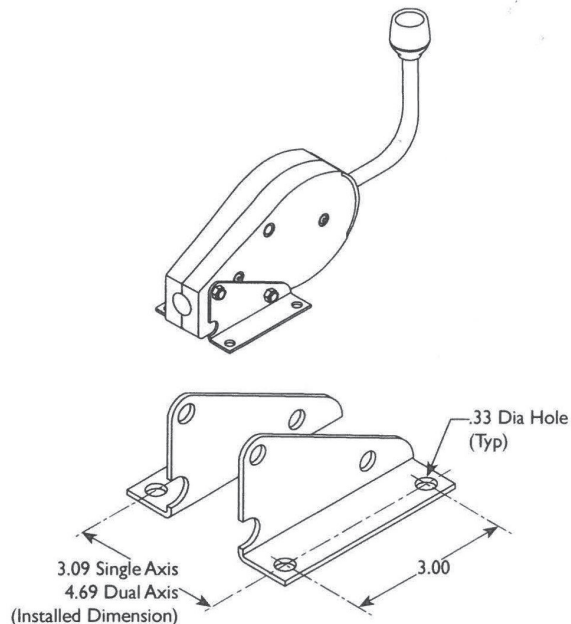
**BAUM HYDRAULICS CORPORATION**

1-800-228-9222 / e-mail: [sales@baumhydraulics.com](mailto:sales@baumhydraulics.com)

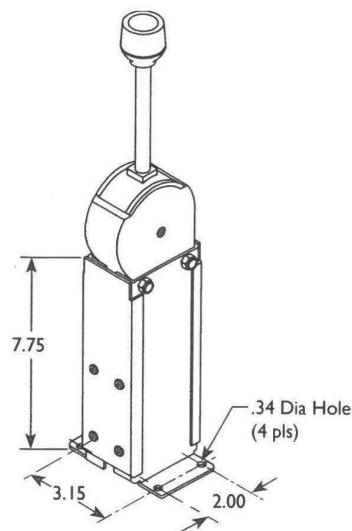
Fax: 1-800-832-2522 / [www.baumhydraulics.com](http://www.baumhydraulics.com) / © Baum Hydraulics Corporation

**WESCON****3 - Select Your Mounting System****07-0006-01 - RVC Mounting Bracket**

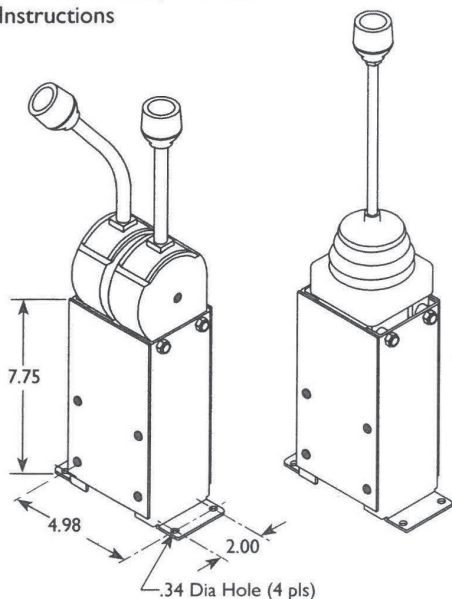
- Made to Accommodate:
  - (1) Single Axis RVC or
  - (1) Dual Axis RVC
- Fasteners not Included

**07-0004-01****Single RVC Tower Assy Kit**

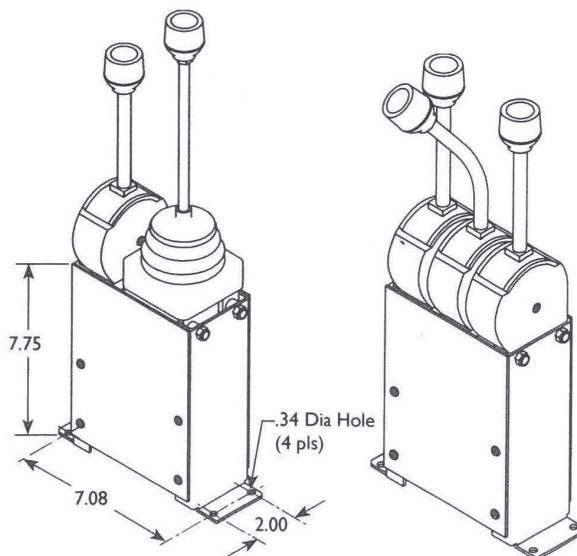
- Made to Accommodate:
  - (1) Single Axis RVC
- Kit Includes Assembly Hardware and Instructions

**07-0004-02****Dual RVC Tower Assy Kit**

- Made to Accommodate:
  - (2) Single Axis RVC or
  - (1) Dual Axis RVC
- Kit Includes Assembly Hardware and Instructions

**07-0004-03 - Triple RVC Tower Assy Kit**

- Made to Accommodate:
  - (3) Single Axis RVC or
  - (1) Dual Axis RVC and (1) Single Axis RVC
- Kit Includes Assembly Hardware and Instructions

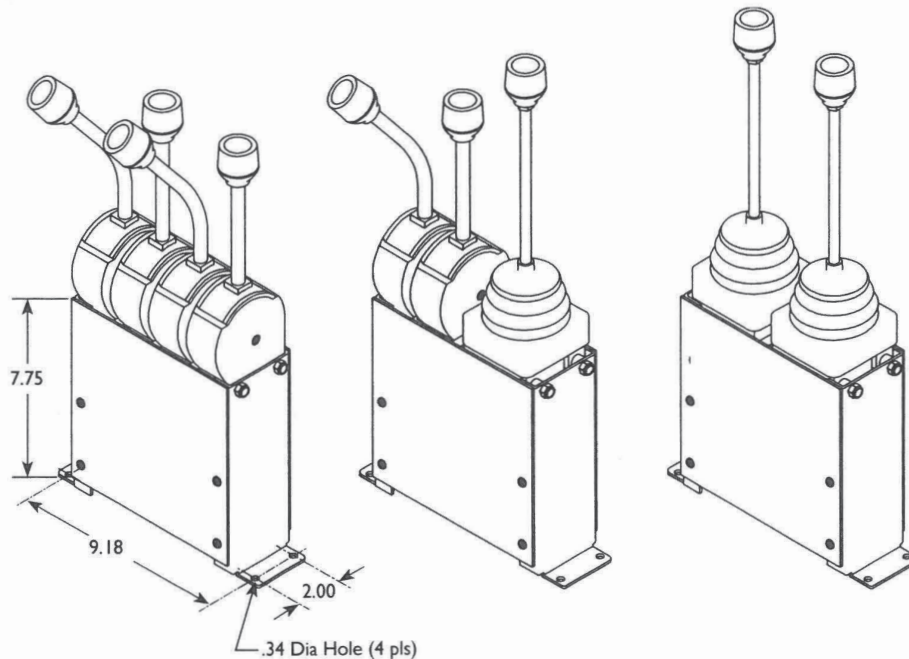


Prices subject to change without notice. **ASK FOR QUANTITY DISCOUNT**

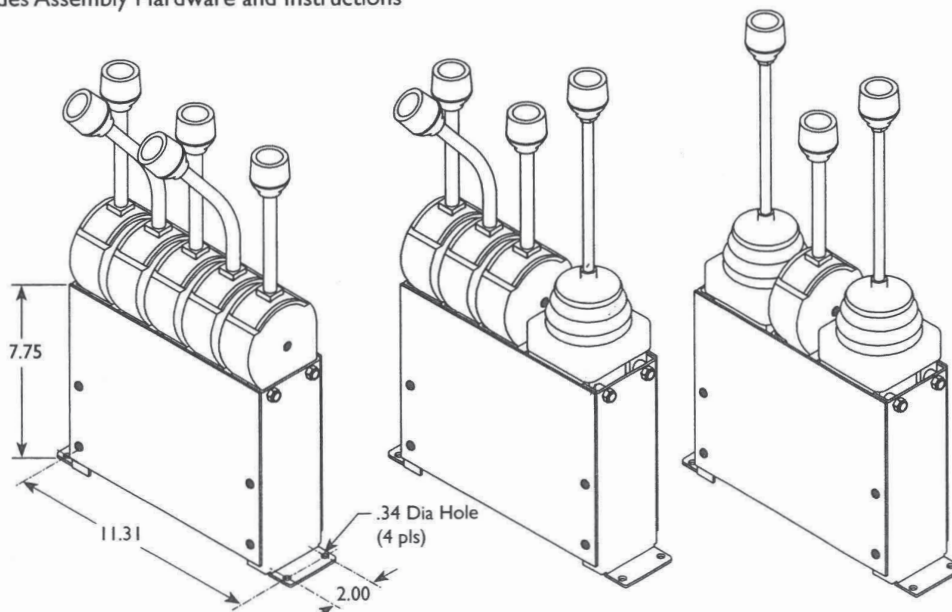


**07-0004-04 - Quad RVC Tower Assy Kit**

- Made to Accommodate:
  - (4) Single Axis RVC or
  - (1) Dual Axis RVC and (2) Single Axis RVC or
  - (2) Dual Axis RVC
- Kit Includes Assembly Hardware and Instructions

**07-0004-05 - Quint RVC Tower Assy Kit**

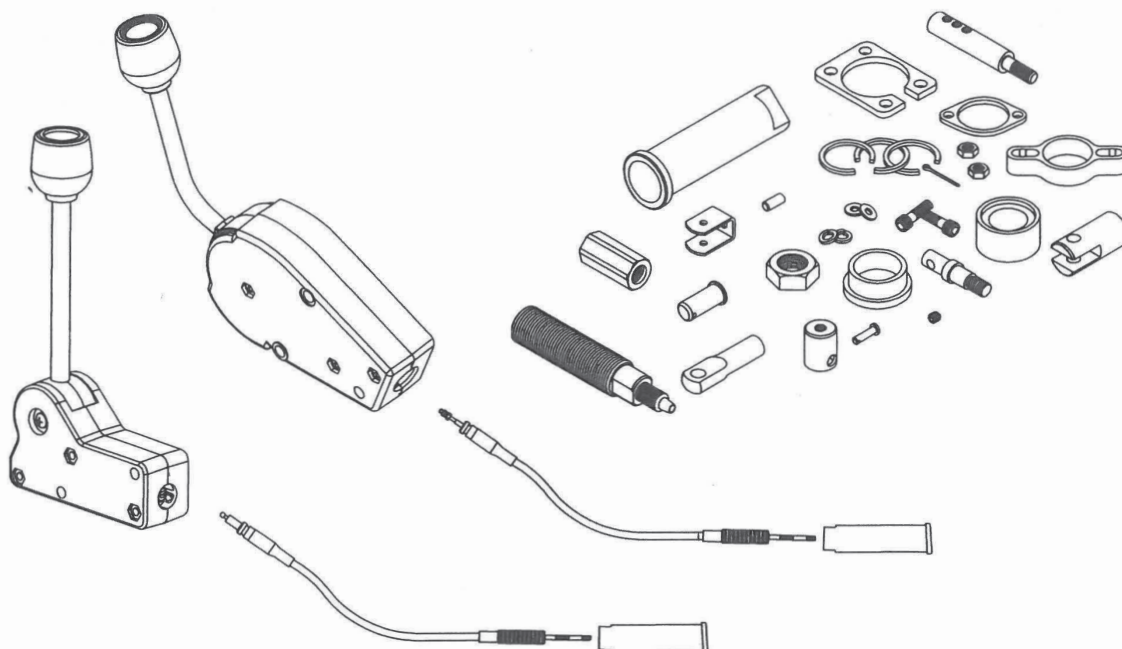
- Made to Accommodate:
  - (5) Single Axis RVC or
  - (1) Dual Axis RVC and (3) Single Axis RVC or
  - (2) Dual Axis RVC and (1) Single Axis RVC
- Kit Includes Assembly Hardware and Instructions



**ASK FOR QUANTITY DISCOUNT** Prices subject to change without notice.

WESCON

## 4 - Select Your Connection Kit



VALVE MANUFACTURER	VALVE MANUFACTURER PART NUMBER	WESCON PART NUMBER
Bosch/Rex Roth	30-S2, MP-18 (F.E.) M4-12-1X (F.E.)	01-5000-13 01-5001-75
Brand	34BFT4S (F.E.) 34BHFT4S (R.E.) 34A058730 (R.E.) TS112, 212, 312 (F.E.)	01-5000-33 01-5000-99 01-5001-15 01-5001-44
Bucher	HDS15 (F.E.)	01-5001-101
Parker/ Commercial	A-20, PC25, DAV-20 (F.E.) A-20, PC25 (R.E.) VA-35 (R.E.) VA-35 (F.E.) C101 & C102 Pump (F.E.) G101 & G102 Pump (F.E.) G103 & G104 Pump (F.E.)	01-5000-10 01-5000-11 01-5000-29 01-5000-36 01-5000-71 01-5001-14 01-5000-41
Cross	BA, BC, CA, DC, SS (F.E.)	01-5000-28
Energy	CVSD, CVP, CVA-200 (F.E.)	01-5000-12
Parker/Gresen	25P, CP, CS, V20, V42 (F.E.) V12 (F.E.) V20 (F.E.) V20 Spring Return (R.E.) V30 (F.E.)	01-5000-12 01-5000-25 01-5000-66 01-5001-39 01-5000-20

VALVE MANUFACTURER	VALVE MANUFACTURER PART NUMBER	WESCON PART NUMBER
Husco	5000 (F.E.) 6000 (F.E.)	01-5000-78 01-5000-25
Kontak	KA-18 (F.E.) KA-18 (F.E.)	01-5000-31* 01-5000-43
Parker	VDPI1, VDPI2 (F.E.)	01-5000-25
Permco	DMD25, DM640 (F.E.) DMD-200, 300, 400 (F.E.)	01-5000-88 01-5001-46
Prince	RD4100 (F.E.) SV Series (F.E.) SV Series (R.E.) 20, 20P (R.E.) LVR, LVT, LVS (F.E.)	01-5000-46 01-5000-82 01-5000-85 01-5001-09 01-5001-35
Racine	3/8 (F.E.)	01-5000-20
Salami	VDM06 (F.E.)	01-5001-71
Sauer-Danfoss	PVG32	01-5001-102
Tyrone	T101/T102 (F.E.)	01-5000-88
Walvoil	DLSM8 (F.E.) SDS 150	01-5000-73 01-5001-89
Williams	Dump Pump	01-5000-42

\* Fits Kontak Cable Only  
(F.E.) - Front Entry  
(R.E.) - Rear Entry

Prices subject to change without notice. **ASK FOR QUANTITY DISCOUNT**

1-800-228-9222 / e-mail: sales@baumhydraulics.com  
Fax: 1-800-832-2522 / www.baumhydraulics.com / © Baum Hydraulics Corporation

**BAUM** HYDRAULICS  
CORPORATION

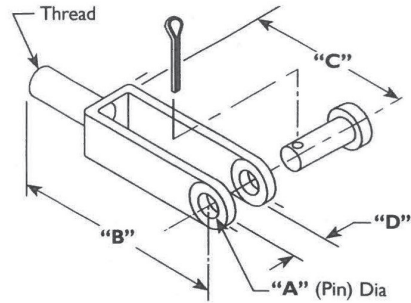




**Clevis Assembly**

All Dimensions Are Inches (mm)

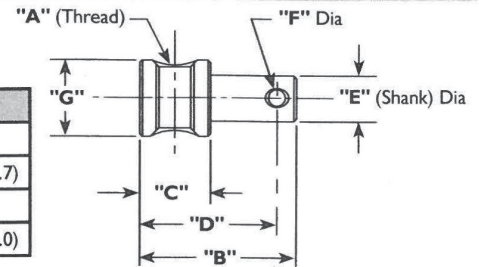
Part Number	"A"	"B"	"C"	"D"
40 Series (1/4-28 Thread)				
06-1500-01	1/4 (6.4)	2 (50.8)	1 1/4 (31.8)	9/32 (7.1)
06-1500-02	5/16 (7.9)	2 1/4 (57.2)	1 7/16 (36.5)	11/32 (8.7)
06-1500-03	3/8 (9.5)	2 1/2 (63.5)	1 5/8 (41.3)	7/16 (11.1)
60 Series (5/16-24 Thread)				
06-1500-06	1/4 (6.4)	2 (50.8)	1 1/4 (31.8)	9/32 (7.1)
06-1500-07	5/16 (7.9)	2 1/4 (57.2)	1 7/16 (36.5)	11/32 (8.7)



**Pivot**

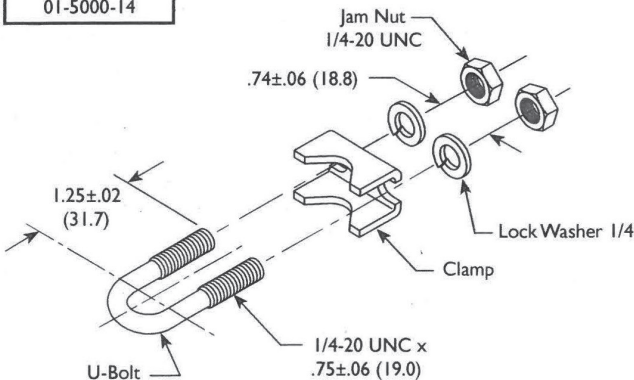
All Dimensions Are Inches (mm)

Part Number	"A"	"B"	"C"	"D"	"E"	"F"	"G"
40 Series							
02-1601-04	1/4-28	.906 (23.0)	.562 (14.3)	.743 (18.9)	.312 (7.9)	.081 (2.1)	.50 (12.7)
60 Series							
02-1601-05	5/16-24	1.265 (32.1)	.578 (14.7)	1.109 (28.2)	.375 (9.5)	.136 (3.5)	.63 (16.0)



**U-Bolt Assembly**

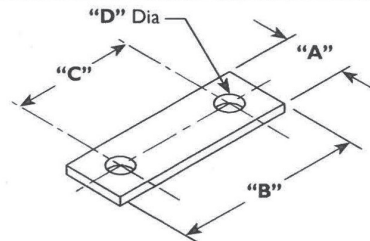
40 & 60 Series
01-5000-14



**Shim**

All Dimensions Are Inches (mm)

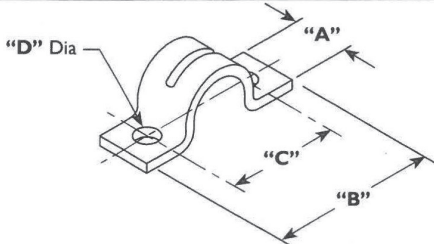
Part Number	"A"	"B"	"C"	"D"
40 Series				
08-0010-02	.50 (12.7)	1.50 (38.1)	1.00 (25.4)	.218 (5.5)
60 Series				
08-0010-03	.62 (15.7)	1.75 (44.4)	1.25 (31.8)	.281 (7.1)



**Clamps**

All Dimensions Are Inches (mm)

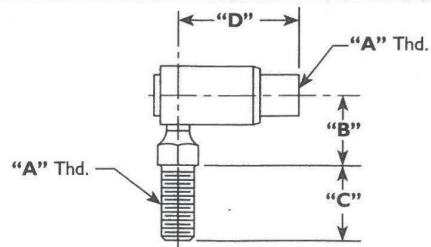
Part Number	"A"	"B"	"C"	"D"
40 Series				
08-0009-02	.50 (12.7)	1.50 (38.1)	1.00 (25.4)	.218 (5.5)
60 Series				
08-0009-03	.62 (15.7)	1.75 (44.4)	1.25 (31.8)	.281 (7.1)



**Ball Joint (Style I only)**

All Dimensions Are Inches (mm)

Part Number	"A"	"B"	"C"	"D"
40 Series				
08-0004-01	1/4-28	.50 (12.7)	.56 (14.2)	.97 (24.6)
60 Series				
08-0021-01	5/16-24	.59 (15.0)	.69 (17.5)	1.25 (31.8)



**ASK FOR QUANTITY DISCOUNT** Prices subject to change without notice.





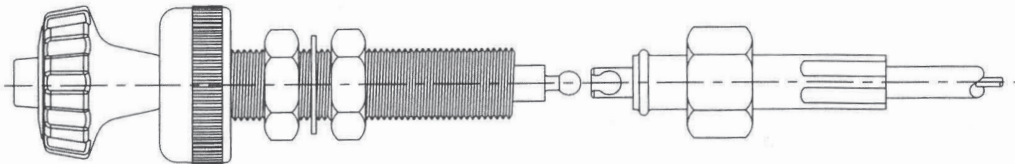
## "Standard" Vernier Controls

### MICRO ADJUSTABLE VERNIER CONTROL

STANDARD DESIGN INCLUDES:

- Two Piece Construction
- Black Long Lay Conduit
- Includes Friction Locknut and Red Push Button Cover
- 3" Travel with .085 S.S. Wire
- Can be Cut to Length in the Field
- Individually Packaged
- Max Recommended Working Load 25 Lbs.

Part Number	Length
953A02-BIS060I	5 Feet Long
953A02-BIS120I	10 Feet Long
953A02-BIS180I	15 Feet Long
953A02-BIS240I	20 Feet Long
953A02-BIS300I	25 Feet Long
953A02-BIS360I	30 Feet Long



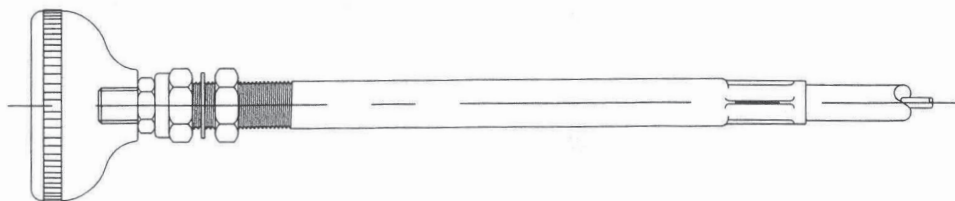
## "Standard" PTO Controls

### PTO CONTROL

STANDARD DESIGN INCLUDES:

- Double Wound Bowden Conduit for Greater Flexibility and Strength
- Red Phenolic Knob with "PTO" in White Shipped in Bulk
- 5" Travel with .085 S.S. Wire
- Includes Conduit Clamp Kit (01-5000-09)
- Individually Packaged

Part Number	Length
976IK-B3S-060I	5 Feet Long
976IK-B3S-120I	10 Feet Long
976IK-B3S-180I	15 Feet Long
976IK-B3S-240I	20 Feet Long
976IK-B3S-300I	25 Feet Long
976IK-B3S-360I	30 Feet Long



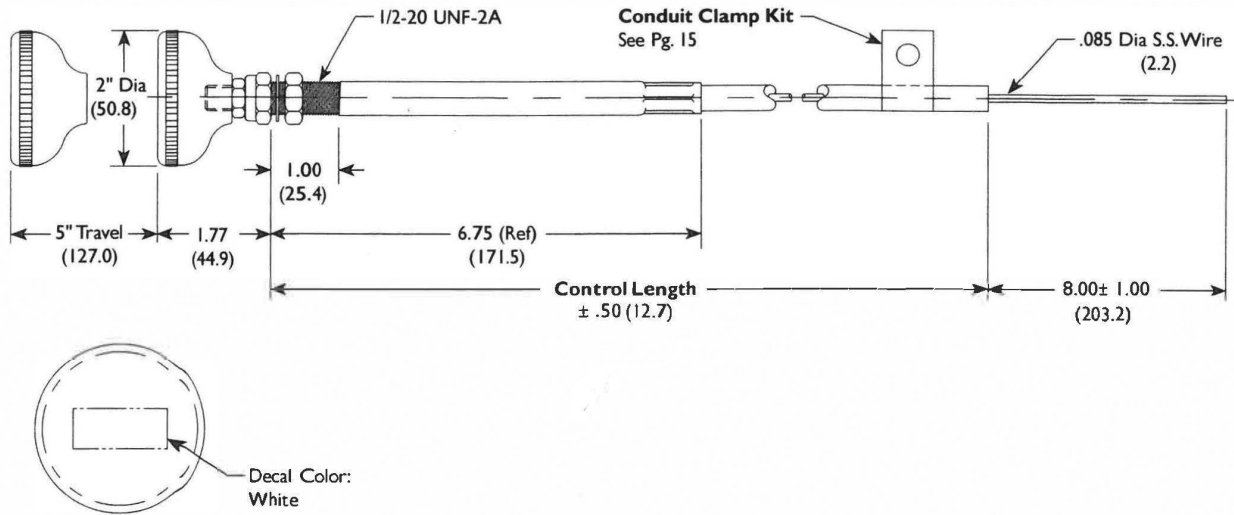
Prices subject to change without notice. **ASK FOR QUANTITY DISCOUNT**



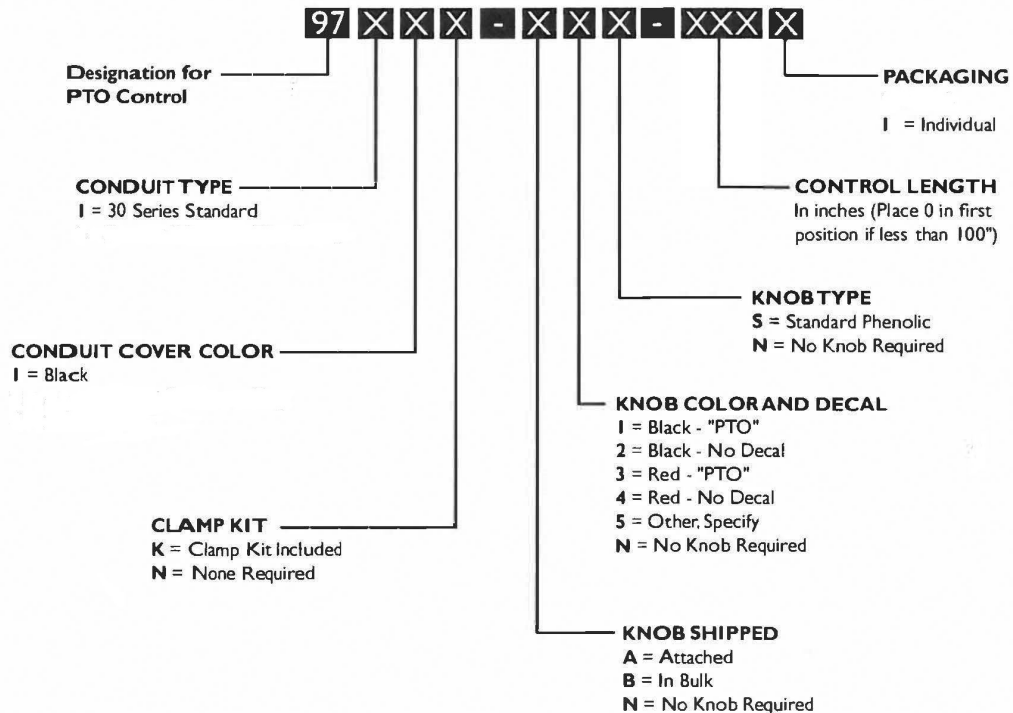
# "Custom" PTO Control

Built rugged for long service life and efficient operation in harsh environments. Options include various colors, brands of knobs and conduits.

**Available in 30 series long lay or double wound conduit only.  
5" travel only.**



## Part No. Code - "Custom" PTO Controls



**ASK FOR QUANTITY DISCOUNT** Prices subject to change without notice.



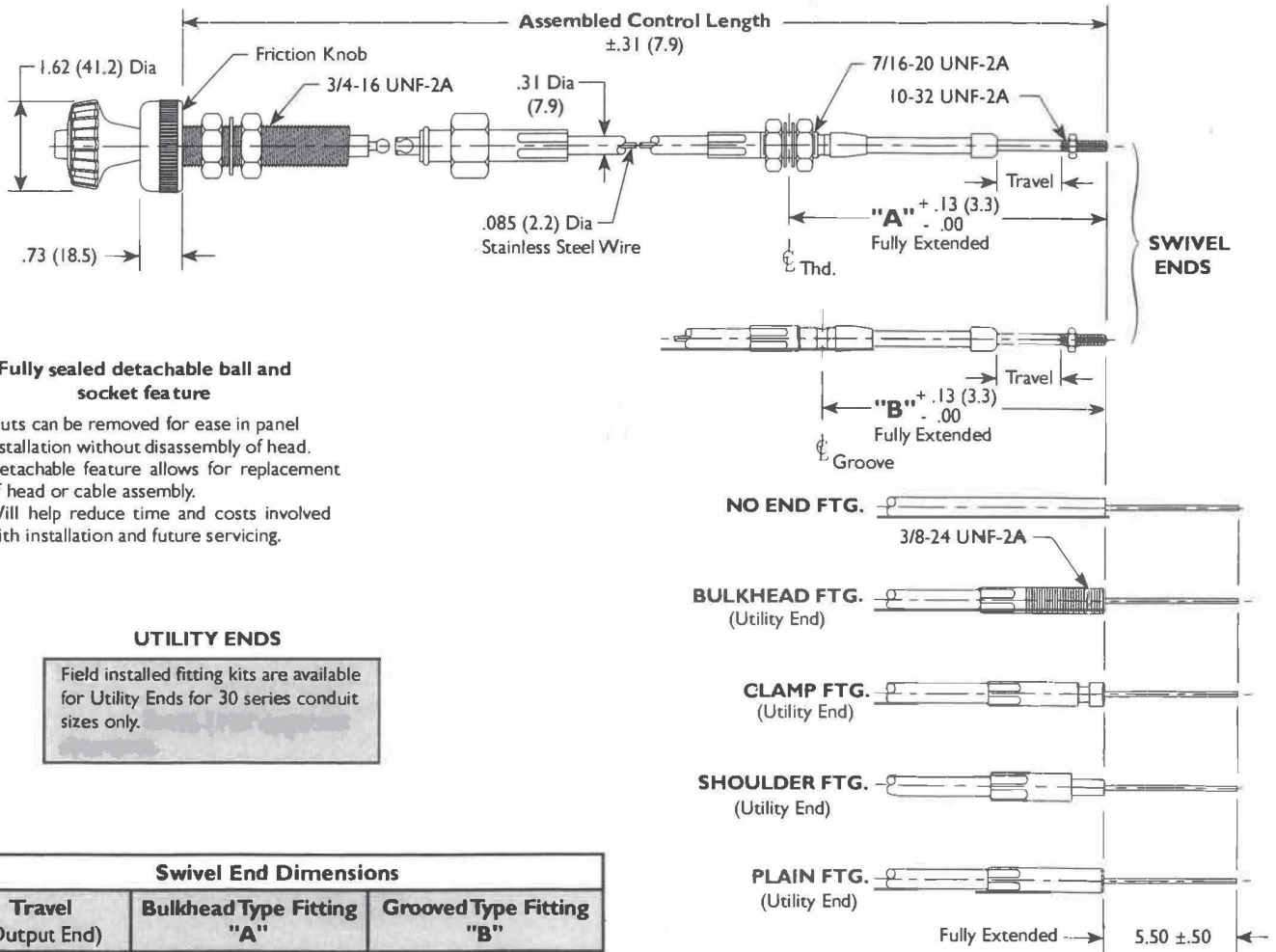
# “Custom” 30 Series Vernier Control

## 30 SERIES VERNIER CONTROL

### STANDARD CONSTRUCTION INCLUDES:

- .085 (2.2) Dia. Stainless Steel Wire
- .31 (7.9) Dia. Conduit
- 3" Travel in Head End
- 1", 2" or 3" Travel @ Swivel End (3" Travel Standard)
- Max Recommended Working Load 25 Lbs.

These controls are designed for use in applications where extremely precise settings, such as engine RPM's, are required. The "Red Button" in the center of the knob allows for "Coarse Adjustment". It also doubles as an "Emergency Button", by depressing it, you can return the Vernier to idle position in one quick stroke. The black outer portion of the knob is used for fine adjustment. The standard friction knob locks the control, totally eliminating creep. The fully threaded high strength composite body and internal lock ball design (which is captured and cannot fall out) provides increased load range and extended plunger life. The head can be disconnected to allow for easy installation of the Vernier by removing one nut.



### Fully sealed detachable ball and socket feature

- Nuts can be removed for ease in panel installation without disassembly of head.
- Detachable feature allows for replacement of head or cable assembly.
- Will help reduce time and costs involved with installation and future servicing.

### UTILITY ENDS

Field installed fitting kits are available for Utility Ends for 30 series conduit sizes only.

Swivel End Dimensions		
Travel (Output End)	Bulkhead Type Fitting "A"	Grooved Type Fitting "B"
1" (25.4)	4.88 (123.9)	4.30 (109.2)
2" (50.8)	6.87 (174.5)	6.31 (160.3)
3" (76.2)	8.88 (225.6)	8.30 (210.8)

Prices subject to change without notice. **ASK FOR QUANTITY DISCOUNT**





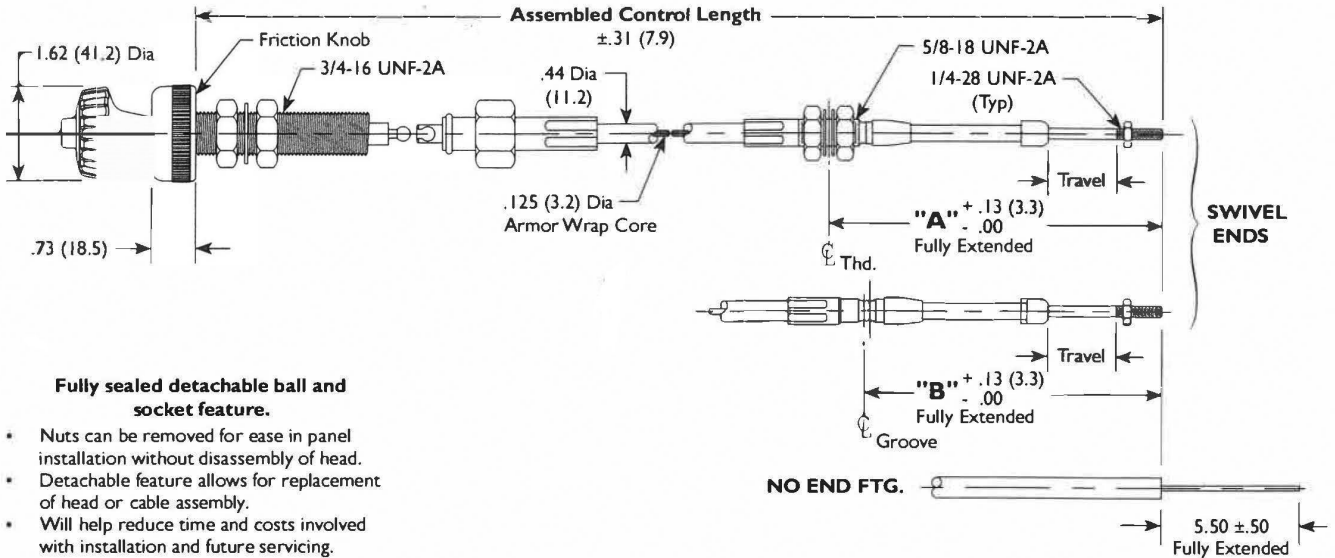
# "Custom" 40 Series Vernier Control

## 40 SERIES VERNIER CONTROL

STANDARD CONSTRUCTION INCLUDES:

- .125 (3.2) Dia. Armor Wrap Core
- .44 (11.2) Dia. Conduit
- 3" Travel in Head End
- 1", 2" or 3" Travel @ Swivel End (3" Travel Standard)
- Max Recommended Working Load 25 Lbs.

Swivel End Dimensions		
Travel (Output End)	Bulkhead Type Fitting "A"	Grooved Type Fitting "B"
1" (25.4)	5.13 (130.3)	4.50 (114.3)
2" (50.8)	7.13 (181.1)	6.50 (165.1)
3" (76.2)	9.13 (231.9)	8.50 (215.9)

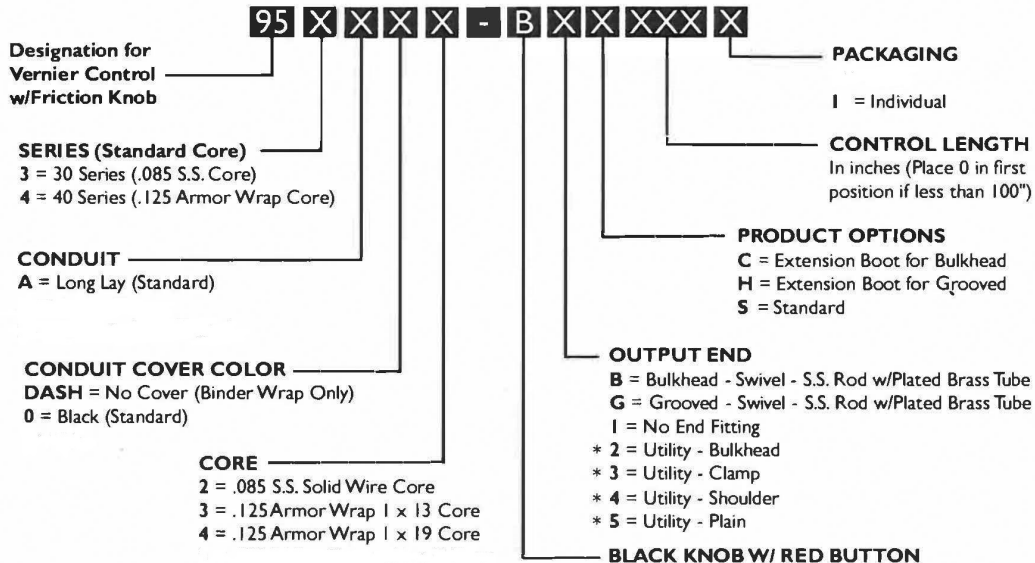


**Fully sealed detachable ball and socket feature.**

- Nuts can be removed for ease in panel installation without disassembly of head.
- Detachable feature allows for replacement of head or cable assembly.
- Will help reduce time and costs involved with installation and future servicing.



## Part No. Code - "Custom" Vernier Controls



\* Not available in 40 Series

**ASK FOR QUANTITY DISCOUNT** Prices subject to change without notice.



**1-800-228-9222 / e-mail: sales@baumhydraulics.com**  
Fax: 1-800-832-2522 / www.baumhydraulics.com / © Baum Hydraulics Corporation



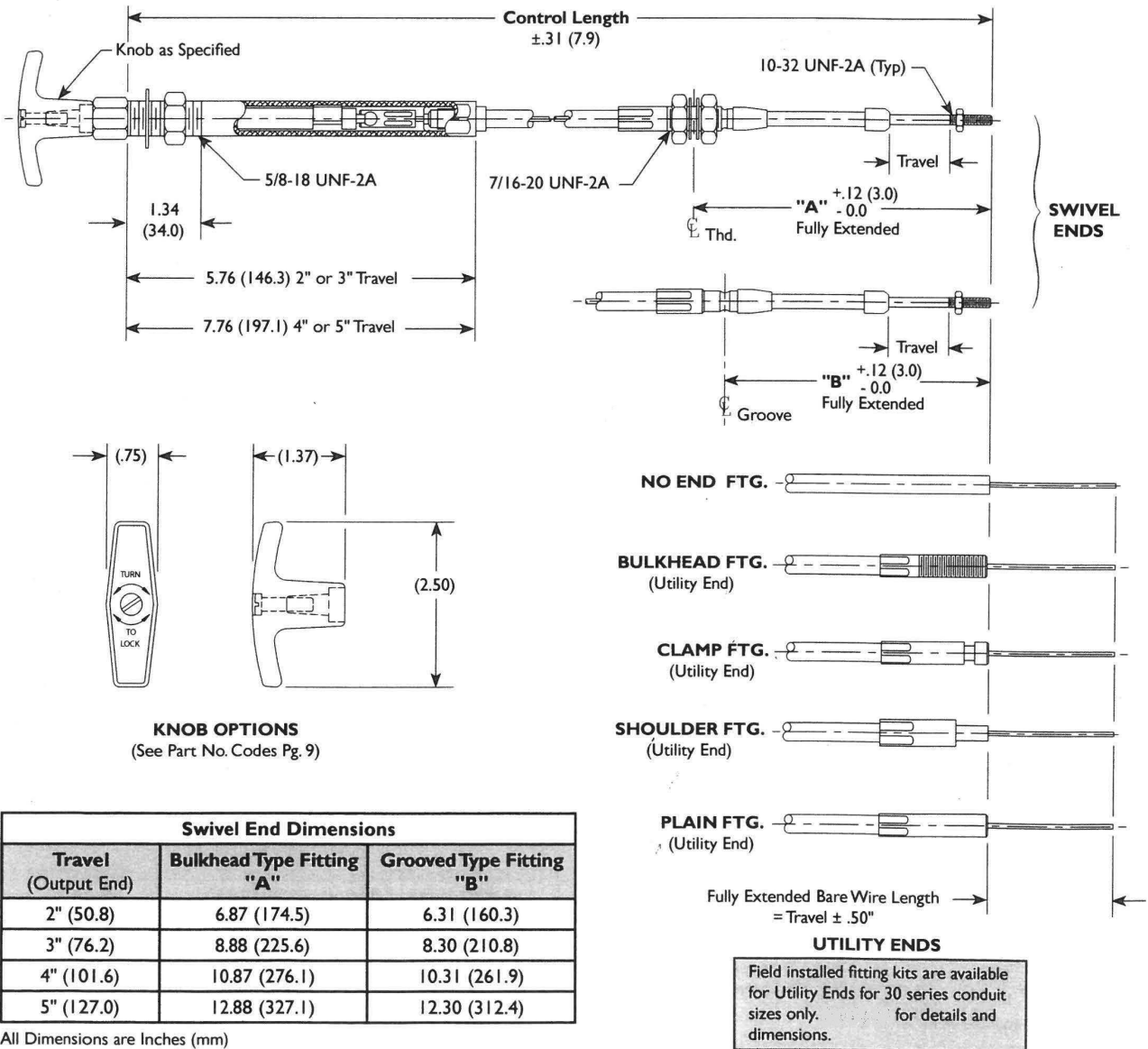
# 30 Series Turn-To-Lock Controls

## 30 SERIES CONTROL

STANDARD CONSTRUCTION INCLUDES:

- .085 (2.2) Dia. Stainless Steel Wire
- .31 (7.9) Dia. Conduit
- 3" or 5" Travel @ Handle End
- 2", 3", 4" or 5" Travel @ Swivel End
- 30 Series is Wescon's Standard Turn-To-Lock Control System

These controls are designed for use in applications where severe vibration may occur. By turning the "T" Knob either clockwise or counterclockwise the new Turn-To-Lock design will withstand vibration and has the capacity to hold greater loads than competitive designs. Unlike other designs, we have no metal to metal contact, thereby reducing wear in the unit. The control head is available in 3 or 5 inch travels which can accommodate a 1 to 5 inch travel at the output end. Wescon's new patented Turn-To-Lock control requires less torque to lock and unlock, has a rod seal to keep out contaminants and is temperature tested for a wide range of applications.



Prices subject to change without notice. **ASK FOR QUANTITY DISCOUNT**





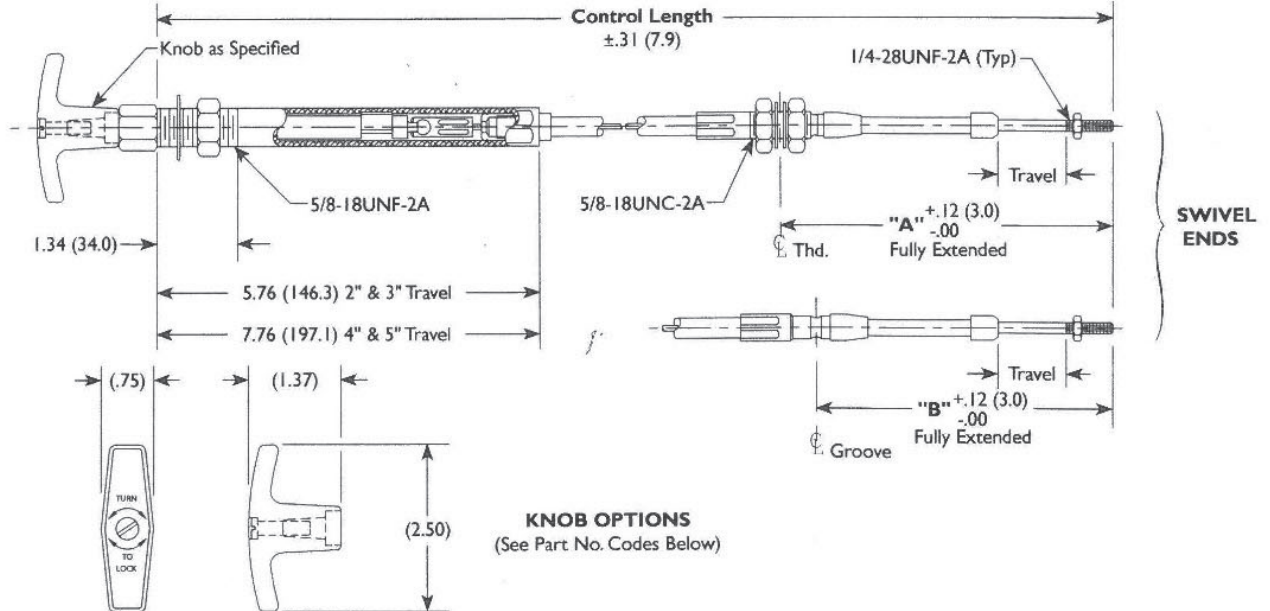
# 40 Series Turn-To-Lock Control

## 40 SERIES CONTROL

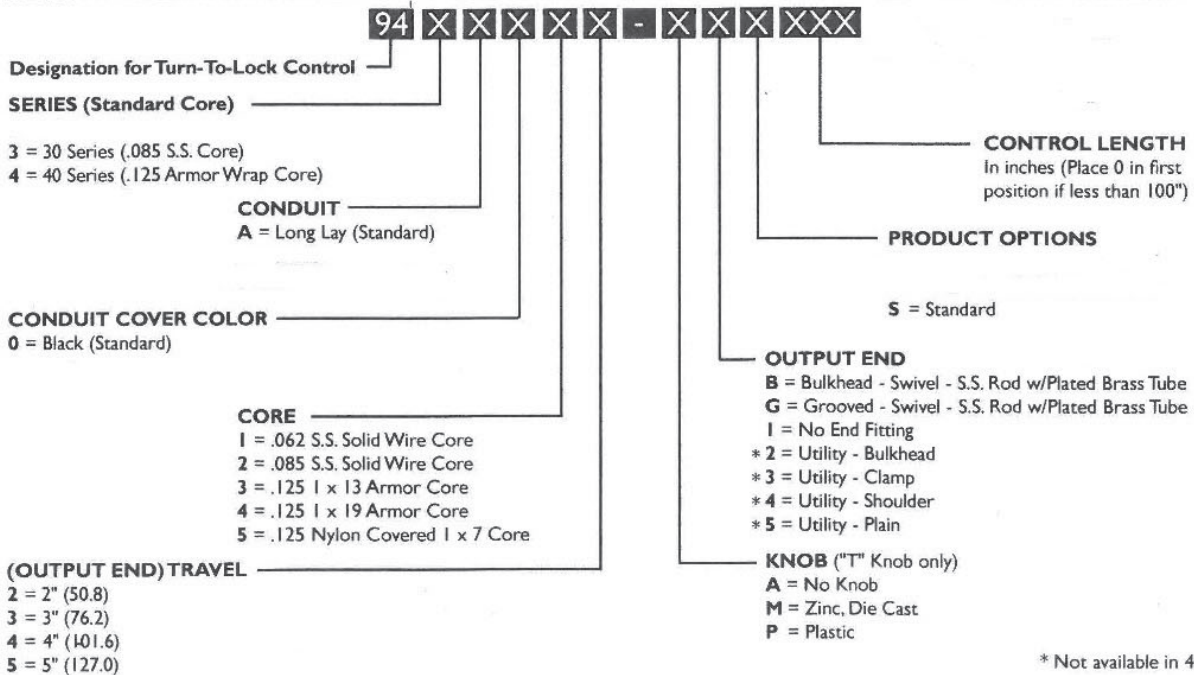
STANDARD CONSTRUCTION INCLUDES:

- .125 (3.2) Dia. Armor Wrap Core
- .44 (11.2) Dia. Conduit
- 3" or 5" Travel @ Handle End
- 2", 3", 4" or 5" Travel @ Swivel End

Swivel End Dimensions		
Travel (Output End)	Bulkhead Type Fitting "A"	Grooved Type Fitting "B"
2" (50.8)	7.13 (181.1)	6.50 (165.1)
3" (76.2)	9.13 (231.9)	8.50 (215.9)
4" (101.6)	11.13 (282.7)	10.50 (266.5)
5" (127.0)	13.13 (333.5)	12.50 (317.5)



## Part No. Code - Turn-To-Lock Controls



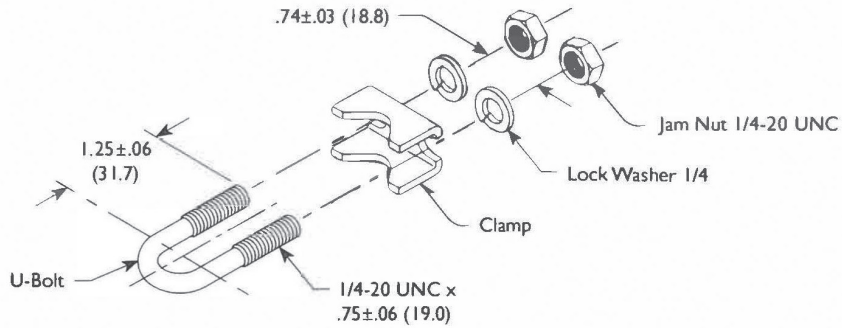
ASK FOR QUANTITY DISCOUNT Prices subject to change without notice.





**U-Bolt Assembly**

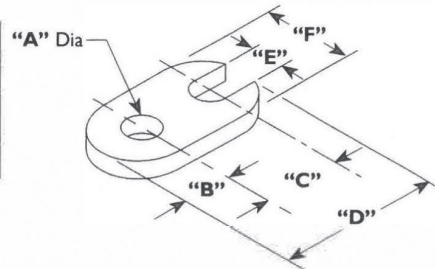
40 and 60 Series
Part Number
01-5000-14



**Brackets**

30 Series						
Part Number	"A" Dia	"B"	"C"	"D"	"E"	"F"
08-0008-01	.281 (7.1)	.38 (9.6)	.62 (15.7)	1.29 (32.8)	.272 (6.9)	.62 (15.7)
08-0008-02	.406 (10.3)	.38 (9.6)	.62 (15.7)	1.29 (32.8)	.272 (6.9)	.62 (15.7)

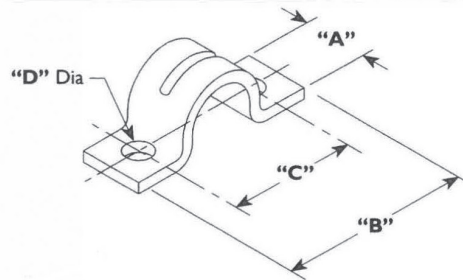
All Dimensions are Inches (mm)



**Clamps**

30 Series				
Part Number	"A"	"B"	"C"	"D" Dia
08-0009-01	.50 (12.7)	1.50 (38.1)	1.00 (25.4)	.203 (5.1)
40 Series				
08-0009-02	.50 (12.7)	1.50 (38.1)	1.00 (25.4)	.218 (5.5)

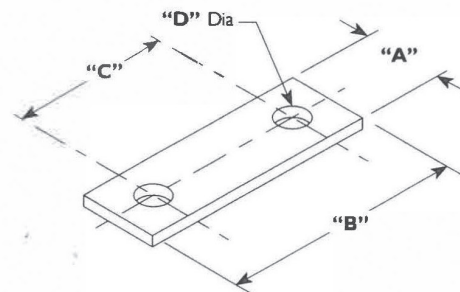
All Dimensions are Inches (mm)



**Shim**

30 Series				
Part Number	"A"	"B"	"C"	"D" Dia
08-0010-01	.50 (12.7)	1.50 (38.1)	1.00 (25.4)	.203 (5.1)
40 Series				
08-0010-02	.50 (12.7)	1.50 (38.1)	1.00 (25.4)	.218 (5.5)

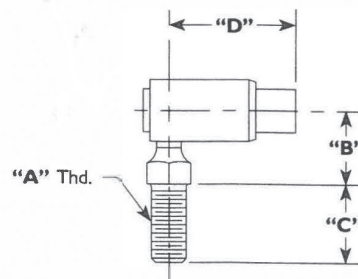
All Dimensions are Inches (mm)



**Ball Joint**

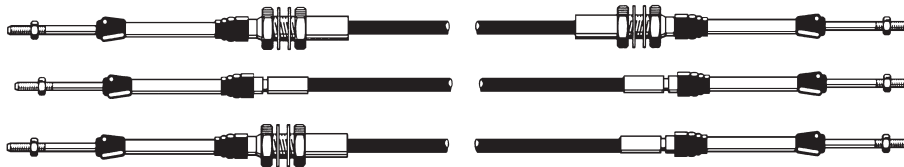
30 Series				
Part Number	"A" Thd	"B"	"C"	"D"
08-0005-01	1/4-28	.47 (11.9)	.56 (14.2)	.91 (23.1)
08-0005-02	10-32	.47 (11.0)	.44 (11.2)	.91 (23.1)
40 Series				
08-0004-01	1/4-28	.50 (12.7)	.56 (14.2)	.97 (24.6)

All Dimensions are Inches (mm)



Prices subject to change without notice. **ASK FOR QUANTITY DISCOUNT**

CONTROL CABLES FOR FARM EQUIPMENT1



Part Number
<b>ALLIS CHALMERS</b>
1180699
1180700
1192127
1304731
1326337
1328811
1339931
<b>CASE</b>
A59446
A75815
D47328
D52915
H165670
H165688
H169920
H26220
H265470
H329441
H337659
H358200
H381756
H381764
H393165
H416123
H433339
H433340
H550426
H551705
H556290
H559690
H559708
H566919
H569160
H588376
H590166
H592493
H592501
H592584
H593798
H593806
H640979
H644401
H645853
H663641
H663658
L101033
L101549
L110913
L112447
L112448
L112449
L112450
L112451
L114592
L116740
L12450
L12487
L14299
L32679
L33717
L35895
L40314
L42534
L42992
L43242
L43243
L49673
L51160
L60145
Q127025
R569160
S219334
S225083
W11224

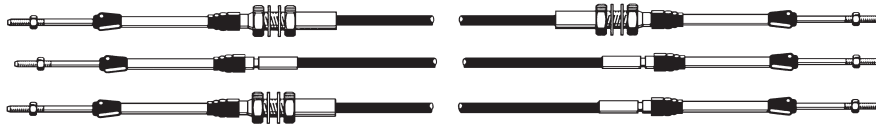
Part Number
<b>CMC</b>
M8352
M8584
M9120
M9257
M9322
M9668
<b>JOHN DEERE CONSTRUCTION</b>
AT102246
AT102247
AT102248
AT102284
AT103148
AT117018
AT196237
AT43015
AT43960
AT45532
AT53873
AT55621
AT60330
AT60406
AT62375
AT62376
AT63305
AT67679
AT69360
AT74867
AT77593
AT80296
AT83335
AT83337
AT83372
AT83373
AE29483
AE29484
AE37757
AE37758
AE45503
AE45890
AH76369
AH76767
AH76769
AH76830
AH76831
AH76832
AH76833
AH76834
AH76835
AH76836
AH76837
AH76855
AH94489
AH94490
AH94491
AH94492
AH94493
AH94494
AH94495
AH94496
AH94497
AH94498
AH96717
AH96718
AH97916
AH97917
AN122033
AN122251
AN122252
AN190170

Part Number
<b>JOHN DEERE FARM EQUIPMENT WIDROWER, Model No. 2320</b>
AE37757 (High - Low)
<b>WINDROWER, Model No. 3320, 2420</b>
AE37758
<b>WINDROWER, Model No. 3430, 3830</b>
AE45890 (Gear Shift)
<b>WINDROWER, Model No. 5200, 5400, 5440, 5460, 5720, 5820</b>
AE29483
<b>COTTON STRIPPER, Model No. 283</b>
AN122251
AN122033
<b>COTTON STRIPPER, Model No. 9940</b>
AN190170
AN122252
<b>FORAGE HARVESTER, Model # 5200, 5400</b>
AE29484 (Shifting Cable)
AE29483 (Range)
<b>FORAGE HARVESTER, Model No. 5440, 5460, 5720, 5820</b>
AH76369 (Hydraulic Stat. Drive)
<b>COMBINE, Model No. 3300</b>
AH76855 (Gear Shift)
<b>COMBINE, Model No. 4400, 4420</b>
AH76767 (Gear Shift)
AH76769 (Gear Shift)
<b>COMBINE, Model No. 6600 GEAR SHIFT</b>
AH76830 (Belt Drive)
AH76834 (Hydraulic Stat. Drive)
<b>SHIFT RANGE</b>
AH76831 (Belt Drive Variable)
AH76835 (Hydraulic Stat. Drive)
AH76369 (Hydraulic Stat. Drive)
<b>COMBINE, Model No. 6620 RANGE SHIFT</b>
AH94489 (Posi-Torque Drive)
AH94491 (Hydraulic Stat. Drive)
<b>GEAR SHIFT</b>
AH94490 (Posi-Torque Drive)
AH94492 (Hydraulic Stat. Drive)
<b>REVERSER CONTROL - 610301</b>
AH96717 (Hydraulic Stat. Drive)
<b>COMBINE, Model No. 6622 HCYCLE SPRAYER</b>
AH97916
AH97917
AH96718
<b>COMBINE, Model No. 7700</b>
AH76369 (Hydraulic Stat. Drive)
<b>GEAR SHIFT</b>
AH76832 (Belt Drive)
AH76836 (Hydraulic Stat. Drive)
<b>RANGE SHIFT</b>
AH76833 (Belt Drive)
AH76837 (Hydraulic Stat. Drive)
<b>COMBINE, Model No. 7720 RANGE SHIFT</b>
AH94493 (Posi-Torque Drive)
AH94495 (Hydraulic Stat. Drive)
<b>GEAR SHIFT</b>
AH94494 (Posi-Torque Drive)
AH94496 (Hydraulic Stat. Drive)
<b>REVERSER CONTROL</b>
AH96717 (Hydraulic Stat. Drive)

Part Number
<b>FARMHAND</b>
302845-000-0076
302845-000-0084
7530-2
7530-3
7530-4
7597-1
7597-13
7597-14
7597-15
7597-16
<b>INTERNATIONAL HARVESTER</b>
151909C91
165507C91
193280C1
214885H1
302702C91
344266C91
344267C91
354649C91
364535C91
371080C91
394552C1
400753C91
420023C91
423078C1
437156C1
439100C1
439101C1
439102C1
439103C1
463510C1
463511C1
484950C91
503153C91
503607C91
516965C1
518365C1
643523C92
65887C91
660843C91
664710C1
664844C91
667826C91
769857C91
795705C91
796830C1
863586C2
863728C1
864830C1
864831C1
866687C1
867205C1
870874C1
871300C1
871301C1
879044C91
880133C1
<b>HESSTON</b>
7022205
741892
741934
7721004
7741424
7826027
7826134
7893704
797829
8021487

Part Number
<b>KOEHRING</b>
1291-25
1291-35
1291-38
1291-40
1291-55
1222-136
<b>Massey Ferguson</b>
280537M1
1465-881-M91
586-969-M1
537-703-M1
<b>MF44B Wheel Loader (ITALY)</b>
727-516-M91
<b>4WD Tractor, Model No. 4840, 4880</b>
586-969-M1
537-703-M1
<b>860 Combine</b>
280537M1
<b>NEW HOLLAND</b>
257410
528006
591364
597134
603113
609605
612250
612662
624133
635037
642442
644688
647158
647709
678608
678609
697562
707424
710412
790615
<b>STEIGER</b>
01-3901
01-4252
01-4481
02-4973X1
47-3739
60-4331T2
<b>VERSATILE</b>
10992
18731
20028
22498
35404
35405
35420
49192
75382
76559
76625
77525
90826
108422
<b>WHITE</b>
1511663
30-3069869
30-3069877
30-3069885
30-3329208
30-3403483

ASK FOR QUANTITY DISCOUNT Prices subject to change without notice.



WE HAVE AVAILABLE THE O.E.M. CABLE NUMBERS LISTED ON THE PREVIOUS AND FOLLOWING PAGE. CALL FOR PRICES.

Part Number	Part Number	Part Number	Part Number	Part Number	Part Number	
<b>A.L. LEE CORP.</b> (Mine Equip. Co.) 038011-003-0136.0 038011-003-0144.0 048711-000-060.0 048711-000-0136.0 068357-003-0096.0	<b>Challenge (Cont'd)</b> 1340246 1340247 1340248 1340249 1340250 1340252 1340253 1340254 1340255 1340256 1340257 1340264 1340266 1340267 1340268 1340274 1340275 1340276 1340277 1340282	<b>CLARK (Cont'd)</b> 2550560 2553486 2675546 3675483 3675518 3675546 442344 5204702 5205985 5207413 5207414 5207418 5207455 5308053 5308054 5340177 991134 992538	<b>DIAMOND REO</b> 619-H4 653-H4 695-H4 835-H4 836-H4 882-H4 883-H4 1009-H4 1032-H4 1033-H4 1120-H4 1121-H4 1129-H4 1130-H4 1134-H4 1196-H4 1257-H4 1422-H4	<b>FMC</b> 49J0059 50J0930 50J0974 50J1028 50J1029 59A0576 59A0878 62W3147	<b>INDUSTRIAL IRRIGATION</b> 43820-3-60	
<b>AMERICAN COLEMAN</b> Yardspotters - Airline Two Tugs 22721C9 56186	1340266 1340267 1340268 1340274 1340275 1340276 1340277 1340282	<b>CMC (Mixers)</b> M3119 M8351 M8392 M8393 M8484 M8485 M8486 M8487 M8488 M8684 M9036 M9908	<b>ERICKSON CORP.</b> 27-1539	GALLION Mfg.-Crane 068357-002-0064.0 293134 D104154 D104158 D104282 D108793 D112726 D112728 D113509 D114899 D117279 D119001 D130964 D142191 D150611 H031081 H039454 H052683 H056343 H057168 H057168-A H062102A H086671 H089086 H153524 H161231 H30966 H31081 H31263 H44075-A H46381 H52683 H56343 H57168-A H74523 H74524 H86671 H89086 H91795	<b>JAEGER, MCNEILUS, &amp; T.L. SMITH -</b> Cement Mixer MTM00805 MTM00806 MTM00807 MTM00808 MTM00809 MTM00810 MTM00811 MTM00812 MTM00813 MTM00814 MTM00815 MTM00816 MTM00817 MTM00821 MTM00822 MTM00823 MTM00824 MTM00825 MTM00826 MTM00827 MTM00828 MTM00829 MTM00835 MTM00836 MTM00837 MTM00838 MTM00839 MTM00840 MTM00841 MTM00842 MTM00843 MTM00844 MTM00845 MTM00846 MTM00847 MTM00848 MTM00849 MTM00850 MTM00851 MTM00852 MTM00853 MTM00854 MTM00855 MTM00856 MTM00857 MTM00858 MTM00859	
<b>AMERICAN SNOWBLAST</b> 80741 80834 80894 81161	1340344 1340345 1340346 1340352 1340353 1340355 1340362 1340382 1340397	<b>COLT INDUSTRIES</b> Quincy Compressors 42BC-36 42BC-40 42BC-45 42BC-50 42BC-66 239-0457	<b>FEDERAL MOGUL</b> (Target Prod. Div.) Concrete Saws & Road Resurfacers OP700213 OP700330	<b>FMC</b> A1J0060 18J5313 23658 26A201 28J2204 29F59 31J1886 31J2299 31J2950 31J3024 31J3031 31J391 31J518 32J1929 32J1991 32J996 36A0752 36J1588 36J2206 36J3279 37A1610 37A1611 38J0614 38J1018 39J0663 39J0785 41J0212 41J0364 41J0463 41J1378 41J1381 41J1389 41J1390 41J1412 41J1721 41J1722 41N0361 4183683 43J0940 45F0062 45J1208 46J1404 47F0028 47J2025	H039454 H052683 H056343 H057168 H057168-A H062102A H086671 H089086 H153524 H161231 H30966 H31081 H31263 H44075-A H46381 H52683 H56343 H57168-A H74523 H74524 H86671 H89086 H91795	<b>JARVIS CLARK</b> (John Clark) 037912-003-0096.0 048711-000-0030.0
<b>ARROW</b> Concrete Hammers - Mobile Unit 4001392 4001557	1340397	<b>DART</b> (Curbmaster, Inc.) 43B-8 63B-108 301127-2-216 63B-90 63B-144	<b>HELLSTAR CORP.</b> 98-01-015 98-01-028	<b>GMC</b> 2017896 2025698 2046166 687894 688798 693921 697380 698924 702650 724019	<b>CABLES BUILT TO YOUR SPECIFICATION</b>	
<b>BIG A (RICKEL)</b> 015719 027520 028548	<b>CLARK</b> 1057430 1550181 1550832 1550833 1550834 1564793 1570245 1648244 1648245 1668527 1668528 1668818	<b>DIAMOND REO</b> 2227-H4-323 2227-H4-330 2227-H4-343 2227-H4-345 2227-H4-350 2227-H4-357 2966-T3-1 2966-T3-2 2966-T3-3 2966-T3-4 2966-T3-5 2966-T3-6 592-H4-1 592-H4-2 592-H4-3 592-H4-4 592-H4-5 592-H4-6 592-H4-7 592-H4-8 592-H4-9 592-H4-10 592-H4-11 592-H4-12 594-H4	<b>GROVE CRANE</b> 7246000428 7246000431 7246000446 7246000459 7246000469 7246000472 7246000544 7246000642	<b>CALL US FOR A PRICE QUOTE</b>		
<b>BROCKWAY -</b> Motor Trucks 250274 250278 250291 250301 250346 250409 250435 517690 526143	1668888 1675930 1668889 1697532 1697533 1701163 1701164 1748430 1748435 1758863 1763229 1763230 1766906 1768340 1779092 1798711 1798712 1906155 1909059 1909952 1914678 1921250 1928460 1929825 1990521 2305072 2305073 2501423 2501424 2506507 2516784 2536709					
<b>BRODERSON MFG.</b> Mobile Crane and Hammers 0-600-6312 0-600-40188 0-600-40222 0-600-66316	<b>CEDAR RAPIDS, INC.</b> (IOWA MFG.) Road Pavers and Rock Crushers 45675-007-01 45675-007-02 45675-007-003					
<b>CENTRAL MINING</b> EQUIPMENT 83153 (11 Foot) 83153 (12 Foot)	<b>CHALLENGE COOK</b> 1340222 1340228 1340232 1340233 1340234 1340235 1340236 1340237 1340238 1340239 1340240 1340245					

Prices subject to change without notice. **ASK FOR QUANTITY DISCOUNT**

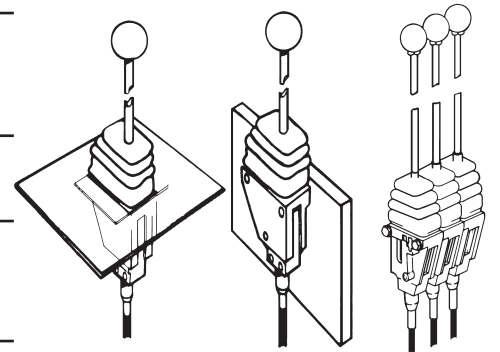


CONTROL CABLES FOR HEAVY EQUIPMENT



Part Number	Part Number	Part Number	Part Number	Part Number	Part Number
HAGIE Mfg.-Sprayer 785004	HARNISHFEGER (Cont'd)	HYSTER (Cont'd)	MACK TRUCK	PITMAN MFG. 267004260	RIMPULL CORP. - Mining Trucks
HARNISHFEGER CORPORATION	6Q11-D80	393085	27RC229P1	102-6372-3	180-245-156-120
6Q11-D1	6Q11-D81	75400	27RC229P2	102-7244-1	180-245-156-156
6Q11-D2	6Q11-D82	82217	27RC229P3	102-7244-2	2-151-002415
6Q11-D3	6Q11-D83	KOEHRING	27RC229P4	102-7244-3	RIVINIUS, INC.
6Q11-D10	6Q156-D2	061080751	27RC229P5	102-7244-4	60657200
6Q11-D11	6Q156-D3	1291-9	27RC229P6	102-7244-5	609546000
6Q11-D12	6Q156-D4	1291-65	27RC229P7	102-7244-6	61105000
6Q11-D13	6Q156-D5	1291-66	27RC229P8	102-7244-7	61128000
6Q11-D15	6Q156-D6	1291-67	27RC29307	102-7244-8	T. J. SMITH
6Q11-D16	6Q156-D7	1291-71	27RC29307P2	102-7244-9	Railroad Shuttle
6Q11-D17	6Q156-D8	1291-73	27RC29307P3	102-7244-10	Wagon - Yardspotter
6Q11-D20	6Q156-D9	1291-79	27RC29307P4	102-7244-11	- Cline Truck
6Q11-D24	6Q156-D10	1291-80	27RC318P1	102-7244-12	2-151-008841
6Q11-D27	6Q156-D11	1291-87	27RC318P2	102-7244-13	2-151-010302
6Q11-D28	6Q156-D12	1291-88	27RC318P3	102-7244-14	2-151-013445
6Q11-D29	6Q156-D13	1291-89	27RC318P5	102-7244-15	2-151-016876
6Q11-D30	6Q156-D14	1291-90	27RC318P6	102-7244-12	2-151-021139
6Q11-D31	6Q156-D15	1291-91	27RC318P7	102-7244-13	2-151-022415
6Q11-D32	6Q156-D16	1291-91	27RC318P8	102-7244-14	2-151-024360
6Q11-D33	6Q156-D17	1291-93	27RC318P9	102-7244-15	2-151-024901
6Q11-D34	6Q156-D18	1291-96	27RC318P9	102-7244-16	2-151-027265
6Q11-D35	6Q156-D19	1291-97	27RC320P1	102-7244-17	2-151-029675
6Q11-D36	6Q156-D20	1291-98	27RC320P2	102-7244-18	TOWMOTOR CORP.
6Q11-D37	6Q156-D21	1291-104	27RC320P3	102-7244-19	339491
6Q11-D38	6Q156-D22	1291-105	27RC321P1	102-7244-20	683181
6Q11-D39	6Q156-D23	1291-110	27RC321P2	102-7244-21	VERMEER
6Q11-D40	6Q156-D24	1291-111	27RC321P3	102-7244-22	10609-001
6Q11-D41	6Q156-D25	1291-113	27RC39304P1	102-7244-23	15787-01
6Q11-D42	6Q156-D26	1291-114	27RC39306	102-7244-24	2777-001
6Q11-D43	6Q156-D27	1291-124	27RC39AP1	102-7244-25	2778-001
6Q11-D44	6Q25901	1291-125	27RC39AP2	102-7554-1	2779-001
6Q11-D45	6Q249010	1291-127	27RC39AP3	102-7554-2	2780-001
6Q11-D46	HOUGH INTERNAT'L	1291-130	27RC39AP4	102-7554-3	2781-001
6Q11-D47	1213765C1	1291-132	27RC39AP5	102-7554-4	2782-001
6Q11-D48	65887C91	1291-133	27RC39AP6	102-7554-5	2783-001
6Q11-D49	879044C91	1291-134	MCKEE BROTHERS	102-7554-6	2807-001
6Q11-D50	880133C1	1291-135	37913-3-96	102-7554-7	2810-001
6Q11-D51	885321C1	1291-136	38013-3-72	102-7554-8	64099-001
6Q11-D52	HYSTER	1291-144	MCNEILUS - Mixer	107-172-6	64100-001
6Q11-D53	125470	1291-148	115017	107-172-8	WABCO
6Q11-D54	132974	1291-156	115022	107-172-12	PB2680
6Q11-D55	133758	1291-166	OTTAWA TRUCK -	107-282-6	PB3556
6Q11-D56	180695	A130105	Yardspotter	298-00155-47	PB4278
6Q11-D57	181678	KRESS CORP.	53109321	298-0156-47	PB4441
6Q11-D58	184626	Mining Equipment	53518146	298-0221-47	
6Q11-D59	203578	20083	53518147		
6Q11-D60	213895	24100	90001180		
6Q11-D61	228155	27421	90001588		
6Q11-D62	249288	28715	90001589		
6Q11-D63	249440	29324	90714079		
6Q11-D64	249776	61227	SS1295		
6Q11-D65	249777	66243	PETTIBONE CORP.		
6Q11-D66	249778	LOCKWOOD CORP.	08-7552		
6Q11-D67	249779	117053-5	32247-9		
6Q11-D68	250783	47540-84	CM-23-28		
6Q11-D69	253821	47540-120	CM-23-44		
6Q11-D70	253822	L-00541-00101	L-7653		
6Q11-D71	262468	L-00541-00106	L-7653-4		
6Q11-D72	262469	L00541-0092	LA-560-3		
6Q11-D73	390317	L004427-6315	LL-3331-1		
6Q11-D74	390318	L004627-03832	PORTADRILL		
6Q11-D75	390396	PO4754-00072	038013-003-0084.0		
6Q11-D76	391661	MACK TRUCK	038013-003-0120.0		
6Q11-D77	391662	21QB3158	038013-003-0144.0		
6Q11-D78	391875	21QB3158P2	038013-003-0156.0		
6Q11-D79	391876	21QB3158P3	038013-003-0168.0		
6Q11-D79	392014	27RC150	038013-003-0180.0		
		27RC152	038013-003-0200.0		
			038013-003-0204.0		
			038013-003-0216.0		
			038013-003-0260.0		
			038013-003-0264.0		

Choose From Three Control Head Mountings



Flush Mounting Side Mounting Banked Together







NOTES: \_\_\_\_\_ W29

Lined area for notes, consisting of 20 horizontal lines.

*Prices subject to change without notice.*

**ASK FOR QUANTITY DISCOUNT**

**1-800-228-9222 / e-mail: sales@baumhydraulics.com**  
Fax: 1-800-832-2522 / www.baumhydraulics.com / © Baum Hydraulics Corporation

**BAUM** **HYDRAULICS**  
CORPORATION

# NOTES:

---

---

---

---

---

---

---

---

---

---

---

---

---

---

---

---

---

---

---