

GAME CHANGER

BIXOLON



10 x **NO.1**
MOBILE
RECEIPT
PRINTER
MANUFACTURER



POS PRINTERS



Thermal POS

Eliminating the need for ink cartridges and ribbons, Thermal POS technology is ideal for use in point of sale systems to quickly and accurately print receipts. Allowing greater flexibility, thermal POS printers can handle high volumes of transactions with user-friendly interfaces.



Impact POS

Dot-Matrix Printers are known for their robust construction, making them suitable for use in harsh environments and restaurant kitchens. Dot-matrix printers can withstand high temperatures, humidity, and other challenging conditions.



mPOS

BIXOLON supports mPOS hub technology to consolidate USB peripheral management to enable business continuity with additional web and cloud-based printing features.

MOBILE PRINTERS



Mobile Receipt

Capable of printing receipts and invoices on-the-go, these compact, portable Receipt Printers are perfect for use in settings such as proof of delivery and queue busting.



Mobile Label

Designed to print high-quality barcodes, text, images on labels while on the move. These small and rugged Mobile Label printers can be easily transported and used in a variety of applications including shipping, specimen labelling, asset management and more.



Mobile Printer Sled

Compatible with third party Pin Entry Devices (PED), BIXOLON Mobile Printer Sled offers enhanced accessibility to provide flexible payment printing capabilities.

LABEL PRINTERS



Industrial Label

BIXOLON's range of highly reliable, ruggedised Industrial Label Printers are perfectly suited to high-volume label printing for mission-critical operations in extreme work environments. Providing user-centered features such as standalone printing, Twin Functions™ and remote manageability.



Desktop Label

BIXOLON's Desktop Label Printers support printing on 2-inch or 4-inch media with multiple-interfaces options. These space-saving printing solutions, offer high quality text, barcode, QR code, logo labelling to suit any budget.



Speciality Label

BIXOLON's Speciality Label Printing range includes a two-in-one stand alone label printing solution and a desktop direct thermal linerless label printer which allows eco-friendly printing and cutting of various paper lengths for a range of applications.



UPS EXPRESS
TRACKING # 1Z 390 041 03 0090 1024

Order # 008
0000-012

LINERLESS PRINTERS



Linerless Desktop Label

Exclusively built for permanent adhesive linerless labelling, BIXOLON's 4-inch Desktop Linerless Label printers offer high quality text, barcode, QR code, logo printing on various label lengths.



Linerless Thermal POS

BIXOLON's highly reliable, 2-inch and 3-inch Direct Thermal Linerless POS printers combine quality linerless label printing with anti-jamming functionality. Ideal for food order labelling, retail price tags and more.



Linerless Mobile

BIXOLON's Mobile Receipt and Label Printers with linerless labelling functionality are packed with value-added features to suit any application from shipping and delivery note.

RFID PRINTERS



Industrial RFID

BIXOLON's industrial RFID printer offers robust designs, with full colour LCD displays and multi-interface options for heavy duty operations.



Desktop RFID

Highly reliable, compact Thermal Transfer Desktop RFID label printing solution boosts productivity with mid-volume labelling.



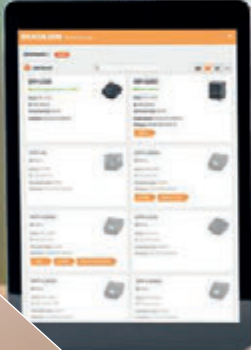
Mobile RFID

Compact and ergonomic mobile printer supports UHF RFID print and encode technologies on-the-move.

KIOSK PRINTERS



BIXOLON's portfolio of 2 and 3-inch open frame, next generation Receipt and Ticket kiosk printing mechanisms are designed for standalone self-service kiosk installations for a range of applications. These compact, low profile, highly reliable kiosk mechanisms with flexible mountings and options such as bezels and presenters are the ideal solution to create a truly unique packed kiosk system.





XPM™, XCM™

BIXOLON’s web-based printer profile management software XPM™ offers the ability to remotely control an unlimited number of registered printers. It supports access to XPM.Bixelon.com directly from any major browser through a range of wired/wireless connectivity options. XCM™ is an agent App allowing legacy, non-network interface models and locally wired printers to connect to the XPM™ server.



Label Artist™ Mobile

Label Artist™ Mobile allows users to easily edit and print labels from their chosen iOS™ or Android™ device to a BIXOLON printer using Bluetooth or Wi-Fi. A USB connection is also supported for Android™ devices.



Web Print SDK

Web Print SDK provides a set of Javascript APIs businesses can utilize to build a browser-based, multi-platform solutions which enables direct printing from Windows and Apple iOS platformed web browsers to BIXOLON printers.

Web Print SDK for Windows

- OS: Windows XP, Windows VISTA, Windows 7, Windows 8, Windows 10
- Interface: Serial, USB, Ethernet, Bluetooth and WLAN
- Browser: All major browsers

Web Print SDK for iOS

- OS: iOS 10.0 or later
- Interface: Ethernet, Bluetooth and WLAN
- Browser: Web Print SDK



SOTI Connect

A dedicated range of BIXOLON label printers are certified with SOTI Connect, an IoT solution providing complete lifecycle management to IoT devices within an organization. BIXOLON printers paired with SOTI Connect can be quickly deployed and managed, reducing the time-to-market for IoT initiatives.



Driver for SAP®

BIXOLON supports fast and simple direct label printing capabilities from the SAP® Smart Form without the need for additional software or middleware.



Network Auto Installer

Network Auto Installer supports a one-click-installation of printer drivers (Seagull) by automatically detecting and retrieving the IP information of active printers currently connected to the same network as the host device. Designed for printers in Windows based environments.



XI

XI(BIXOLON Interpreter) is an optional programming language that enables users to develop an application using BASIC which customizes printers to fit their unique labelling requirements. The printers can be programmed to produce labels using input data from peripherals directly connected to the printer, such as Electronic Scales, Barcode Scanners or Keyboards. XI also stores received log data as text format.



XM7 Series

SPP-L3000

Print Characteristics		
Print Method	Direct Thermal	Direct Thermal
Print Speed	XM7-40, XM7-30: Up to 5 ips (127 mm/sec - Liner, Linerless) XM7-20: Up to 6 ips (152 mm/sec - Liner, Linerless)	Up to 5 ips (127 mm/sec - Liner, Linerless)
Print Resolution	203 dpi	203 dpi
Print Width	XM7-40: Up to 104 mm, XM7-30: Up to 72 mm, XM7-20: Up to 48 mm	Up to 72 mm
Sensing	Paper End, Gap, Black Mark, Paper Cover Open, Peel-off	Paper End, Gap, Black Mark, Paper Cover Open, Peel-off
Media Characteristics		
Media Type	Liner, Notch, Receipt Optional: Linerless, RFID Tag (XM7-40R only)	Liner, Linerless (Optional)
Media Width	XM7-40: 50 ~ 112 mm, XM7-30: 25 ~ 80 mm, XM7-20: 25 ~ 58 mm	25 ~ 80 mm
Media Roll Diameter	XM7-40, XM7-30: Up to 66 mm, XM7-20: Up to 57 mm	Up to 66 mm
Media Thickness	0.07 ~ 0.19 mm	0.07 ~ 0.19 mm
Media Inner Core	19 mm, 12 mm	19 mm, 12 mm
Supply Method	Easy Paper Loading	Easy Paper Loading
Physical Characteristics		
Dimensions (W x L x H)	XM7-40: 158 x 186 x 82 mm (6.23 x 7.33 x 3.23 inch) XM7-30: 119 x 180 x 79 mm (4.69 x 7.09 x 3.12 inch) XM7-20: 93 x 168 x 69 mm (3.66 x 6.61 x 2.72 inch)	119 x 159 x 79 mm (4.67 x 6.26 x 3.12 inch)
Weight	XM7-40: Including battery: approx. 1,090 g (2.41 lbs), Paper: approx. 360 g (0.79 lbs.) XM7-30: Including battery: 795 g (1.76 lbs.), Paper: 260 g (0.58 lbs.) XM7-20: Including battery: 600 g (1.32 lbs.), Paper: 120g (0.26 lbs.)	Including battery: 694 g (1.53 lbs.) Paper: 257 g (0.57 lbs.)
Electrical	EnergyStar Certified, USB Type-C Power delivery charging support XM7-40: 7.2 V Li-ion, 6800 mAh (Nominal) Smart Battery, Rechargeable XM7-30: Standard: 7.2 V Li-ion, 3400 mAh (Nominal) Smart Battery, Rechargeable Optional: 7.3 V Li-ion, 2850 mAh (Nominal), Rechargeable XM7-20: Standard: 7.3 V Li-ion, 2850 mAh (Nominal), Rechargeable, Optional: 7.2 V Li-ion, 3400 mAh (Nominal) Smart Battery, Rechargeable	Standard: 7.3 V Li-ion, 2850 mAh (Nominal), Rechargeable, (Charging time: Up to 2.5 hrs) Optional: 7.2 V Li-ion, 3400 mAh (Nominal) Smart Battery, Rechargeable, (Charging time: Up to 3 hrs) EnergyStar Certified, USB Type-C Power delivery charging support
Peeler	Supported	Supported
Media Holder	Yes (Inner core: 19 mm)	Yes (Inner core: 19 mm)
Display	TFT LCD (IPS, 240 x 320 pixels)	FSTN LCD (200 x 100 pixels)
Performance Characteristics		
Memory	128 MB SDRAM, 256 MB Flash 256 MB SDRAM, 512 MB Flash (Optional)	128 MB SDRAM, 256 MB Flash 256 MB SDRAM, 512 MB Flash (Optional)
Interface	Standard: USB V2.0 HS + Serial Optional: USB V2.0 HS + Serial + Bluetooth or WLAN or Dual (Bluetooth + WLAN) WLAN: 802.11a/b/g/n (Infrastructure, Ad-hoc, Wi-Fi Direct, SoftAP) - WEP40/104, WPA1/2 (PSK, EAP) Easy Bluetooth Pairing™ via NFC	Standard: USB V2.0 HS + Serial Optional: USB V2.0 HS + Serial + Bluetooth or WLAN or Dual (Bluetooth + WLAN) WLAN: 802.11a/b/g/n (Infrastructure, Ad-hoc, Wi-Fi Direct, SoftAP) - WEP40/104, WPA1/2 (PSK, EAP) Easy Bluetooth Pairing™ via NFC
Environment Characteristics		
Temperature	Operating: -15 ~ 50°C (5 ~ 122°F), Storage: -30 ~ 70°C (-22 ~ 158°F)	Operating: -15 ~ 50°C (5 ~ 122°F), Storage: -30 ~ 70°C (-22 ~ 158°F)
Humidity	Operating: 10 ~ 80% RH	Operating: 10 ~ 80% RH
Sealing	IP54	IP54
Drop Rate	XM7-40: 1.8 m (6 ft.), XM7-30, XM7-20: 2.1 m (7 ft.)	2.1 m (7 ft.)
Software		
Emulation	SLCS, BPL-Z™, BPL-C™, BXL / POS, XM7-40R (RFID): SLCS, BPL-Z™	SLCS, BPL-Z™, BPL-C™
Driver / Utility	Windows Driver (Europlus/Seagull), Linux/Mac CUPS Driver, Virtual COM USB Driver, Utility Program, Bartender UL, OPOS/JPOS Driver, Device Driver for SAP®, Network Auto Installer	Windows Driver (Europlus/Seagull), Linux/Mac CUPS Driver, Virtual COM USB Driver, Utility Program, Bartender UL, OPOS/JPOS Driver, Device Driver for SAP®, Network Auto Installer
Developer Tools	Android/iOS/Windows SDK, Linux SDK, Xamarin SDK, Web Print SDK, Cordova Plugin, MAUI SDK, Flutter Plugin, React Native SDK	Android/iOS/Windows SDK, Linux SDK, Xamarin SDK, Web Print SDK, Cordova Plugin, MAUI SDK, Flutter Plugin, React Native SDK
Design & Print	Label Artist-III™, Label Artist™ Mobile (Android, iOS), mPrint App (Android, iOS)	Label Artist-III™, Label Artist™ Mobile (Android, iOS), mPrint App (Android, iOS)
MDM (Optional)	BIXOLON Profile Manager - XPM™, XCM™ (Windows, Android), SOTI Connect supported	BIXOLON Profile Manager - XPM™, XCM™ (Windows, Android), SOTI Connect supported
Fonts / Graphics / Symbolologies		
Fonts	Bitmap Fonts (10 SLCS™, 16 BPL-Z™, 7 BPL-C™), Scalable Fonts (1 SLCS™, 1 BPL-Z™), 23 Code page, Unicode supported (UTF-8, UTF-16LE, UTF-16BE)	Bitmap Fonts (10 SLCS™, 16 BPL-Z™, 7 BPL-C™), Scalable Fonts (1 SLCS™, 1 BPL-Z™), 23 Code page, Unicode supported (UTF-8, UTF-16LE, UTF-16BE)
Graphics	Supporting user-defined fonts, graphics, formats, layouts and logos	Supporting user-defined fonts, graphics, formats, layouts and logos
Barcode Symbolologies	1D: Codabar, Code 11, Code 39, Code 93, Code 128, EAN-13, EAN-8, Industrial 2-of-5, Interleaved 2-of-5, Logmars, MSI, Plessey, Postnet, GS1 DataBar (RSS-14), Standard 2-of-5, UPC/EAN extensions, UPC-A, UPC-E, IMB 2D: Aztec, Codablock, Code 49, Data Matrix, MaxiCode, MicroPDF417, PDF417, QR code, TLC 39	1D: Codabar, Code 11, Code 39, Code 93, Code 128, EAN-13, EAN-8, Industrial 2-of-5, Interleaved 2-of-5, Logmars, MSI, Plessey, Postnet, GS1 DataBar (RSS-14), Standard 2-of-5, UPC/EAN extensions, UPC-A, UPC-E, IMB 2D: Aztec, Codablock, Code 49, Data Matrix, MaxiCode, MicroPDF417, PDF417, QR code, TLC 39
Accessories / Supplies		
Standard Accessories	XM7-40, XM7-30: Belt Strap, Smart Battery, AC/DC Adapter, Power Cord, Media Disk (Inner core: 12mm) XM7-20: Belt Strap, Battery, AC/DC Adapter, Power Cord, Media Disk (Inner core: 12mm)	Belt Strap, Battery, AC/DC Adapter, Power Cord, Media Disk (Inner core: 12mm)
Optional Accessories	Case, Shoulder Strap, Battery (XM7-30 only), Smart Battery (XM7-20 only), Single Battery Charger, Single Docking Cradle, Quad Battery Charger, Quad Docking Cradle, Vehicle Adapter, Vehicle Holder, RAM Mount Vehicle Holder, Serial/USB Cable, Fixed Serial/USB Cable, USB A to C Cable	Smart Battery, Shoulder Strap, Single Battery Charger, Quad Battery Charger, Serial/USB Cable, Fixed Serial/USB Cable, RAM mount Vehicle-Holder, Vehicle Charger
Supplies	Compatible with B-linerless™ BIXOLON's flexible and ecological linerless label consumables	Compatible with B-linerless™ BIXOLON's flexible and ecological linerless label consumables
RFID (XM7-40R only)		
Frequency	UHF, 865 ~ 868 MHz (EU), 902 ~ 928 MHz (KR, USA)	-
Transmit Power	1W	-
Modulation	ASK	-
Protocol	ISO 18000-6C (EPC Class1 Gen2)	-
Tag Pitch	Min 16 mm	-



SPP-L410



SPP-L310

Print Characteristics

Print Method	Direct Thermal	Direct Thermal
Print Speed	Up to 4 ips (102 mm/sec - Liner) Up to 3 ips (76 mm/sec - Linerless)	Up to 5 ips (127 mm/sec - Liner) Up to 4 ips (102 mm/sec - Linerless)
Print Resolution	203 dpi	203 dpi
Print Width	Up to 104 mm	Up to 72 mm
Sensing	Paper End, Gap, Black Mark, Paper Cover Open	Paper End, Gap, Black Mark, Paper Cover Open

Media Characteristics

Media Type	Liner, Linerless (Optional)	Liner, Linerless (Optional)
Media Width	112 mm / 105 mm (Optional)	80 mm Optional 58 / 62 / 66 / 70 / 74 mm
Media Roll Diameter	Up to 56 mm	Up to 49 mm
Media Thickness	0.07 ~ 0.19 mm	0.07 ~ 0.19 mm
Media Inner Core	-	-
Supply Method	Easy Paper Loading	Easy Paper Loading

Physical Characteristics

Dimensions (W x L x H)	143 x 138 x 66 mm (5.63 x 5.44 x 2.60 inch)	105 x 126 x 58 mm (4.14 x 4.97 x 2.29 inch)
Weight	Including battery: 530 g (1.17 lbs.) Paper: 242 g (0.53 lbs.)	Including battery: 385 g (0.85 lbs.) Paper: 133 g (0.29 lbs.)
Electrical	7.3 V Li-ion, 2850 mAh (Nominal), Rechargeable Charging time: Up to 4 hrs EnergyStar Certified	7.3 V Li-ion, 2850 mAh (Nominal), Rechargeable Charging time: Up to 4 hrs EnergyStar Certified
Peeler	-	-
Media Holder	-	-
Display	-	-

Performance Characteristics

Memory	128 MB SDRAM, 256 MB Flash 256 MB SDRAM, 512 MB Flash (Optional)	128 MB SDRAM, 256 MB Flash 256 MB SDRAM, 512 MB Flash (Optional)
Interface	Standard: USB V2.0 HS + Serial Optional: USB V2.0 HS + Serial + Bluetooth or WLAN WLAN: 802.11a/b/g/n (Infrastructure, Ad-hoc, Wi-Fi Direct, SoftAP) - WEP40/104, WPA1/2 (PSK, EAP) Easy Bluetooth Pairing™ via NFC	Standard: USB V2.0 HS + Serial Optional: USB V2.0 HS + Serial + Bluetooth or WLAN WLAN: 802.11a/b/g/n (Infrastructure, Ad-hoc, Wi-Fi Direct, SoftAP) - WEP40/104, WPA1/2 (PSK, EAP) Easy Bluetooth Pairing™ via NFC

Environment Characteristics

Temperature	Operating: -15 ~ 50°C (5 ~ 122°F), Storage: -30 ~ 70°C (-22 ~ 158°F)	Operating: -15 ~ 50°C (5 ~ 122°F), Storage: -30 ~ 70°C (-22 ~ 158°F)
Humidity	Operating: 10 ~ 80% RH	Operating: 10 ~ 80% RH
Sealing	IP54	IP54
Drop Rate	1.8 m (6 ft.)	1.8 m (6 ft.)

Software

Emulation	SLCS, BPL-Z™, BPL-C™	SLCS, BPL-Z™, BPL-C™
Driver / Utility	Windows Driver (Europlus/Seagull), Linux/Mac CUPS Driver, Virtual COM USB Driver, Utility Program, Bartender UL, OPOS/JPOS Driver, Device Driver for SAP®, Network Auto Installer	Windows Driver (Europlus/Seagull), Linux/Mac CUPS Driver, Virtual COM USB Driver, Utility Program, Bartender UL, OPOS/JPOS Driver, Device Driver for SAP®, Network Auto Installer
Developer Tools	Android/iOS/Windows SDK, Linux SDK, Xamarin SDK, Cordova Plugin, MAUI SDK, Flutter Plugin, React Native SDK	Android/iOS/Windows SDK, Linux SDK, Xamarin SDK, Cordova Plugin, MAUI SDK, Flutter Plugin, React Native SDK
Design & Print	Label Artist-II™, Label Artist™ Mobile (Android, iOS), mPrint App (Android, iOS)	Label Artist-II™, Label Artist™ Mobile (Android, iOS), mPrint App (Android, iOS)
MDM (Optional)	-	-

Fonts / Graphics / Symbologies

Fonts	Bitmap Fonts (10 SLCS™, 16 BPL-Z™, 7 BPL-C™), Scalable Fonts (1 SLCS™, 1 BPL-Z™), 23 Code page, Unicode supported (UTF-8, UTF-16LE, UTF-16BE)	Bitmap Fonts (10 SLCS™, 16 BPL-Z™, 7 BPL-C™), Scalable Fonts (1 SLCS™, 1 BPL-Z™), 23 Code page, Unicode supported (UTF-8, UTF-16LE, UTF-16BE)
Graphics	Supporting user-defined fonts, graphics, formats, layouts and logos	Supporting user-defined fonts, graphics, formats, layouts and logos
Barcode Symbologies	1D: Codabar, Code 11, Code 39, Code 93, Code 128, EAN-13, EAN-8, Industrial 2-of-5, Interleaved 2-of-5, Logmars, MSI, Plessey, Postnet, GS1 DataBar (RSS-14), Standard 2-of-5, UPC/EAN extensions, UPC-A, UPC-E, IMB 2D: Aztec, Codablock, Code 49, Data Matrix, MaxiCode, MicroPDF417, PDF417, QR code, TLC 39	1D: Codabar, Code 11, Code 39, Code 93, Code 128, EAN-13, EAN-8, Industrial 2-of-5, Interleaved 2-of-5, Logmars, MSI, Plessey, Postnet, GS1 DataBar (RSS-14), Standard 2-of-5, UPC/EAN extensions, UPC-A, UPC-E, IMB 2D: Aztec, Codablock, Code 49, Data Matrix, MaxiCode, MicroPDF417, PDF417, QR code, TLC 39

Accessories / Supplies

Standard Accessories	Belt Clip, Battery, Battery Charger, Power Cord	Belt Clip, Battery, Battery Charger, Power Cord
Optional Accessories	Belt Strap, Shoulder Strap, Single Battery Cradle, Quad Battery Charger, Vehicle Charger, Serial/USB Cable, RAM Mount Vehicle Holder, Case	Belt Strap, Shoulder Strap, Single Battery Cradle, Quad Battery Charger, Vehicle Charger, Serial/USB Cable, Vehicle-Holder, RAM mount Vehicle-Holder, Case, Protective Case, Detachable Media Holder
Supplies	Compatible with B-linerless™ BIXOLON's flexible and ecological linerless label consumables	Compatible with B-linerless™ BIXOLON's flexible and ecological linerless label consumables



SPP-R410

SPP-R310

SPP-R200III

Print Characteristics			
Print Method	Direct Thermal	Direct Thermal	Direct Thermal
Print Speed	Up to 90 mm/sec (Receipt) Up to 60 mm/sec (Linerless)	Up to 100 mm/sec (Receipt) Up to 80 mm/sec (Linerless)	Up to 100 mm/sec (Receipt) Up to 80 mm/sec (Linerless)
Print Resolution	203 dpi	203 dpi	203 dpi
Print Width	Up to 104 mm	Up to 72 mm	Up to 48 mm
Sensing	Paper End Paper Cover Open Black Mark (Optional positioning) Gap (Optional)	Paper End Paper Cover Open Black Mark (Optional positioning) Gap (Optional)	Paper End Paper Cover Open
Media Characteristics			
Media Type	Receipt, Liner, Linerless (Optional)	Receipt, Liner, Linerless (Optional)	Receipt, Liner, Linerless (Optional)
Media Width	112 mm / 105 mm (Optional)	80 mm	58 mm / 50 mm (Optional)
Media Roll Diameter	Up to 57 mm	Up to 50 mm	Up to 40 mm
Media Thickness	0.07 ± 0.005 mm	0.07 ± 0.005 mm	0.07 ± 0.005 mm
Supply Method	Easy Paper Loading	Easy Paper Loading	Easy Paper Loading
Physical Characteristics			
Dimensions (W x L x H)	143 x 138 x 66 mm (5.63 x 5.44 x 2.60 inch)	105 x 126 x 58 mm (4.14 x 4.97 x 2.29 inch)	79.5 x 124.5 x 44.1 mm (3.13 x 4.9 x 1.74 inch)
Weight	Including battery: 530 g (1.17 lbs.) Paper: 242 g (0.53 lbs.)	Including battery: 385 g (0.85 lbs.) Including MSR: 405 g (0.9 lbs.) Paper: 133 g (0.29 lbs.)	Including battery: 228 g (0.50 lbs.) Including MSR: 238 g (0.52 lbs.)
Electrical	7.3 V Li-ion, 2850 mAh (Nominal), Rechargeable Charging time: Up to 4 hrs EnergyStar Certified	7.3 V Li-ion, 2850 mAh (Nominal), Rechargeable Charging time: Up to 4 hrs EnergyStar Certified	7.4 V Li-ion, 1200 mAh, Rechargeable Charging time: Up to 2.5 hrs EnergyStar Certified
Performance Characteristics			
Memory	8 MB SDRAM, 4 MB Flash	8 MB SDRAM, 4 MB Flash	8 MB SDRAM, 4 MB Flash
Interface	Standard: USB V2.0 FS + Serial Optional: USB V2.0 FS + Serial + Bluetooth or WLAN WLAN: 802.11a/b/g/n (Infrastructure, Ad-hoc, Wi-Fi Direct, SoftAP) - WEP40/104, WPA1/2 (PSK, EAP) Easy Bluetooth Pairing™ via NFC	Standard: USB V2.0 FS + Serial SPP-R310plus: USB V2.0 FS + Serial + Bluetooth or WLAN WLAN: 802.11a/b/g/n (Infrastructure, Ad-hoc, Wi-Fi Direct, SoftAP) - WEP40/104, WPA1/2 (PSK, EAP) Easy Bluetooth Pairing™ via NFC	Standard: USB V2.0 FS + Serial SPP-R200IIIplus: USB V2.0 FS + Serial + Bluetooth or WLAN WLAN: 802.11a/b/g/n (Infrastructure, Ad-hoc, Wi-Fi Direct, SoftAP) - WEP40/104, WPA1/2 (PSK, EAP) Easy Bluetooth Pairing™ via NFC
Environment Characteristics			
Temperature	Operating: -15 ~ 50°C (5 ~ 122°F), Storage: -30 ~ 70°C (-22 ~ 158°F)	Operating: -15 ~ 50°C (5 ~ 122°F), Storage: -30 ~ 70°C (-22 ~ 158°F)	Operating: -15 ~ 50°C (5 ~ 122°F), Storage: -30 ~ 70°C (-22 ~ 158°F)
Humidity	Operating: 10 ~ 80% RH	Operating: 10 ~ 80% RH	Operating: 10 ~ 80% RH
Sealing	IP54	IP54	IP43 (IP54 with protective case)
Drop Rate	1.8 m (6 ft.)	1.8 m (6 ft.)	2.1 m (7 ft.) / 1.5 m (5 ft.) for MSR model
Software			
Emulation	BXL / POS	BXL / POS	BXL / POS
Driver / Utility	Windows Driver, OPOS/JPOS Driver, Linux/Mac CUPS Driver, Utility Program, Network Auto Installer	Windows Driver, OPOS/JPOS Driver, Linux/Mac CUPS Driver, Utility Program, Network Auto Installer	Windows Driver, OPOS/JPOS Driver, Linux/Mac CUPS Driver, Utility Program, Network Auto Installer
Developer Tools	Android/iOS/Windows SDK, Linux SDK, Xamarin SDK, Web Print SDK, Cordova Plugin, MAUI SDK, Flutter Plugin, React Native SDK	Android/iOS/Windows SDK, Linux SDK, Xamarin SDK, Web Print SDK, Cordova Plugin, MAUI SDK, Flutter Plugin, React Native SDK	Android/iOS/Windows SDK, Linux SDK, Xamarin SDK, Web Print SDK, Cordova Plugin, MAUI SDK, Flutter Plugin, React Native SDK
Design & Print	mPrint App (Android, iOS)	mPrint App (Android, iOS)	mPrint App (Android, iOS)
Fonts / Graphics / Symbolologies			
Character Size	Font A: 12 x 24, Font B: 9 x 17, Font C: 9 x 24, KOR, CHN, JPN: 24 x 24	Font A: 12 x 24, Font B: 9 x 17, Font C: 9 x 24, KOR, CHN, JPN: 24 x 24	Font A: 12 x 24, Font B: 9 x 17, Font C: 9 x 24, KOR, CHN, JPN: 24 x 24
Characters Per Line	Font A: 69, Font B, C: 92, KOR, CHN, JPN: 34	Font A: 48, Font B, C: 64, KOR, CHN, JPN: 24	Font A: 32, Font B, C: 42, KOR, CHN, JPN: 16
Character Sets	Alphanumeric: 95 Expanded Graphics: 128 x 33 page International: 32 Optional Unicode supported (UTF-8, UTF-16LE, UTF-16BE)	Alphanumeric: 95 Expanded Graphics: 128 x 33 page International: 32 Optional Unicode supported (UTF-8, UTF-16LE, UTF-16BE)	Alphanumeric: 95 Expanded Graphics: 128 x 33 page International: 32 Optional Unicode supported (UTF-8, UTF-16LE, UTF-16BE)
Graphics	Supporting user-defined fonts, graphics, formats, layouts, and logos	Supporting user-defined fonts, graphics, formats, layouts, and logos	Supporting user-defined fonts, graphics, formats, layouts, and logos
Barcode Symbolologies	1D: Codabar, Code 39, Code 93, Code 128, EAN-8, EAN-13, ITF, UPC-A, UPC-E 2D: Aztec, Data Matrix, GS1 Databar, MaxiCode, PDF417, QR code	1D: Codabar, Code 39, Code 93, Code 128, EAN-8, EAN-13, ITF, UPC-A, UPC-E 2D: Aztec, Data Matrix, GS1 Databar, MaxiCode, PDF417, QR code	1D: Codabar, Code 39, Code 93, Code 128, EAN-8, EAN-13, ITF, UPC-A, UPC-E 2D: Aztec, Data Matrix, GS1 Databar, MaxiCode, PDF417, QR code
Accessories / Supplies			
Standard Accessories	Belt Clip, Battery, Battery Charger, Power Cord, Paper	Belt Clip, Battery, Battery Charger, Power Cord, Paper	Belt Clip, Battery, Battery Charger, Power Cord
Optional Accessories	Belt Strap, Shoulder Strap, Single Battery Cradle, Quad Battery Charger, Vehicle Charger, Serial/USB Cable, RAM Mount Vehicle Holder, Case	Belt Strap, Case, Protective Case, Shoulder Strap, Single Battery Cradle, Quad Battery Charger, Vehicle Charger, Vehicle Holder, RAM Mount Vehicle Holder, Serial/USB Cable	Belt Strap, Case, Protective Case, Shoulder Strap, Battery Pack_V2 (with outer contacts), Single Battery Cradle, Single Docking Cradle, Quad Battery Charger, Quad Docking Cradle, Vehicle Charger, Vehicle Holder, Serial/USB Cable
Supplies	Compatible with B-linerless™ BIXOLON's flexible and ecological linerless label consumables	Compatible with B-linerless™ BIXOLON's flexible and ecological linerless label consumables	Compatible with B-linerless™ BIXOLON's flexible and ecological linerless label consumables
Integrated Card Reader (Optional)			
MSR	-	3 Track (T-DES/DUKPT (Optional))	3 Track (T-DES/DUKPT (Optional))



SPP-R210

SPP-C300

SPP-C200

SPP-A200

Print Characteristics				
Print Method	Direct Thermal	Direct Thermal	Direct Thermal	Direct Thermal
Print Speed	Up to 90 mm/sec (Receipt) Up to 60 mm/sec (Linerless)	Up to 50 mm/sec	Up to 80 mm/sec	Up to 80 mm/sec
Print Resolution	203 dpi	203 dpi	203 dpi	203 dpi
Print Width	Up to 48 mm	Up to 72 mm	Up to 48 mm	Up to 48 mm
Sensing	Paper End, Paper Cover Open	Paper End	Paper End	Paper End
Media Characteristics				
Media Type	Receipt, Linerless (Optional)	Receipt	Receipt	Receipt
Media Width	58 mm	80 mm	58 mm	58 mm
Media Roll Diameter	Up to 30 mm	Up to 50 mm	Up to 40 mm	Up to 30 mm
Media Thickness	0.07 ± 0.005 mm	0.07 ± 0.005 mm	0.07 ± 0.005 mm	0.07 ± 0.005 mm
Supply Method	Easy Paper Loading	Easy Paper Loading	Easy Paper Loading	Easy Paper Loading
Physical Characteristics				
Dimensions (W x L x H)	79 x 116 x 36.5 mm (3.11 x 4.57 x 1.44 inch)	104.4 x 126 x 55.5 mm (4.11 x 4.96 x 2.19 inch)	79.5 x 115.5 x 45 mm (3.13 x 4.55 x 1.77 inch)	82.8 x 149 x 41 mm (3.26 x 5.87 x 1.61 inch)
Weight	Including MSR + battery: 232 g (0.51 lbs.)	Including battery: 290.5 g (0.64 lbs.) Paper: 133 g (0.29 lbs.)	Including battery: 224 g (0.49 lbs.) Paper: 57 g (0.13 lbs.)	Including battery: 240 g (0.53 lbs.)
Electrical	7.4 V Li-ion, 1200 mAh, Rechargeable Charging time: Up to 2.5 hrs	3.6 V Li-ion, 3000 mAh, Rechargeable Charging time: Up to 3.5 hrs, EnergyStar Certified, USB Type-C charging support	3.6 V Li-ion, 3000 mAh, Rechargeable Charging time: Up to 3.5 hrs, EnergyStar Certified, USB Type-C charging support	7.4 V Li-ion, 1200 mAh, Rechargeable Charging time: Up to 2.5 hrs
Performance Characteristics				
Memory	8 MB SDRAM, 4 MB Flash	8 MB SDRAM, 4 MB Flash	8 MB SDRAM, 4 MB Flash	8 MB SDRAM, 4 MB Flash
Interface	Standard: USB V2.0 FS Optional: USB V2.0 FS + Bluetooth	USB + Bluetooth (Classic + LE)	USB + Bluetooth (Classic + LE)	Standard: USB V2.0 FS
Environment Characteristics				
Temperature	Operating: -15 ~ 50°C (5 ~ 122°F) Storage: -30 ~ 70°C (-22 ~ 158°F)	Operating: -15 ~ 50°C (5 ~ 122°F) Storage: -30 ~ 70°C (-22 ~ 158°F)	Operating: -15 ~ 50°C (5 ~ 122°F) Storage: -30 ~ 70°C (-22 ~ 158°F)	Operating: -15 ~ 50°C (5 ~ 122°F) Storage: -30 ~ 70°C (-22 ~ 158°F)
Humidity	Operating: 10 ~ 80% RH	Operating: 10 ~ 80% RH	Operating: 10 ~ 80% RH	Operating: 10 ~ 80% RH
Sealing	IP54 (with protective case)	IP42	IP42	-
Drop Rate	2.1 m (7 ft.)	1.2 m (4 ft.)	1.5 m (5 ft.)	1 m (3.3 ft.)
Software				
Emulation	BXL / POS	BXL / POS	BXL / POS	BXL / POS
Driver / Utility	Windows Driver, OPOS/JPOS Driver, Linux/Mac CUPS Driver, Utility Program, Network Auto Installer	Windows Driver, OPOS/JPOS Driver, Linux/Mac CUPS Driver, Utility Program	Windows Driver, OPOS/JPOS Driver, Linux/Mac CUPS Driver, Utility Program	-
Developer Tools	Android/iOS/Windows SDK, Linux SDK, Xamarin SDK, Cordova Plugin, MAUI SDK, Flutter Plugin, React Native SDK	Android/iOS/Windows SDK, Linux SDK, Xamarin SDK, Cordova Plugin, Web Print SDK, MAUI SDK, Flutter Plugin, React Native SDK	Android/iOS/Windows SDK, Linux SDK, Xamarin SDK, Cordova Plugin, Web Print SDK, MAUI SDK, Flutter Plugin, React Native SDK	-
Design & Print	mPrint App (Android, iOS)	mPrint App (Android, iOS)	mPrint App (Android, iOS)	-
Fonts / Graphics / Symbologies				
Character Size	Font A: 12 x 24, Font B: 9 x 17, Font C: 9 x 24, KOR, CHN, JPN: 24 x 24	Font A: 12 x 24, Font B: 9 x 17, Font C: 9 x 24, KOR, CHN, JPN: 24 x 24	Font A: 12 x 24, Font B: 9 x 17, Font C: 9 x 24, KOR, CHN, JPN: 24 x 24	Font A: 12 x 24, Font B: 9 x 17, Font C: 9 x 24, KOR, CHN, JPN: 24 x 24
Characters Per Line	Font A: 32, Font B, C: 42, KOR, CHN, JPN: 16	Font A: 48, Font B, C: 64, KOR, CHN, JPN: 24	Font A: 32, Font B, C: 42, KOR, CHN, JPN: 16	Font A: 32, Font B, C: 42, KOR, CHN, JPN: 16
Character Sets	Alphanumeric: 95 Expanded Graphics: 128 x 33 page International: 32 Optional Unicode supported (UTF-8, UTF-16LE, UTF-16BE)	Alphanumeric: 95 Expanded Graphics: 128 x 33 page International: 32	Alphanumeric: 95 Expanded Graphics: 128 x 33 page International: 32	Alphanumeric: 95 Expanded Graphics: 128 x 33 page International: 32
Graphics	Supporting user-defined fonts, graphics, formats, layouts, and logos	Supporting user-defined fonts, graphics, formats, layouts, and logos	Supporting user-defined fonts, graphics, formats, layouts, and logos	Supporting user-defined fonts, graphics, formats, layouts, and logos
Barcode Symbologies	1D: Codabar, Code 39, Code 93, Code 128, EAN-8, EAN-13, ITF, UPC-A, UPC-E 2D: Aztec, Data Matrix, MaxiCode, PDF417, QR code	1D: Codabar, Code 39, Code 93, Code 128, EAN-8, EAN-13, ITF, UPC-A, UPC-E 2D: Aztec, Data Matrix, GS1 Databar, MaxiCode, PDF417, QR code	1D: Codabar, Code 39, Code 93, Code 128, EAN-8, EAN-13, ITF, UPC-A, UPC-E 2D: Aztec, Data Matrix, GS1 Databar, MaxiCode, PDF417, QR code	1D: Codabar, Code 39, Code 93, Code 128, EAN-8, EAN-13, ITF, UPC-A, UPC-E 2D: Aztec, Data Matrix, MaxiCode, PDF417, QR code
Accessories / Supplies				
Standard Accessories	Belt Clip, Battery, Battery Charger, Power Cord	Belt Clip, USB Type-C Cable, Battery	Belt Clip, USB Type-C Cable, Battery	Belt Clip, Battery, Battery Charger, Power Cord, Paper
Optional Accessories	Belt Strap, Case, Protective Case, Battery Pack_V2 (with outer contacts), Single Battery Cradle, Single Docking Cradle, Quad Battery Charger, Quad Docking Cradle, Wall Mount (for Quad Battery Charger), Vehicle Charger, Vehicle Holder, USB Cable	-	-	Single Battery Cradle, Quad Battery Charger, Wall Mount (for Quad Battery Charger), Belt Clip
Supplies	-	-	-	-
Integrated Card Reader (Optional)				
MSR	3 Track (T-DES/DUKPT (Optional))	-	-	-

LABEL PRINTERS



XT5-40



XT5-40NR



XT3-40

XT5-40 Series

Print Characteristics		XT5-40 Series		XT3-40	
Print Method	Thermal Transfer, Direct Thermal			Thermal Transfer, Direct Thermal	
Print Speed	XT5-40: Up to 14 ips (356 mm/sec), XT5-43: Up to 10 ips (254 mm/sec)			XT3-40: Up to 8 ips (203 mm/sec), XT3-43: Up to 6 ips (152 mm/sec)	
Print Resolution	XT5-40: 203 dpi, XT5-43: 300 dpi			XT3-40: 203 dpi, XT3-43: 300 dpi	
Print Width	XT5-40: 104 mm, XT5-43: 105.7mm			XT3-40 : 108 mm, XT3-43 : 105.7 mm	
Print Length	XT5-40: Up to 4,000 mm, XT5-43: Up to 2,500 mm			XT3-40: Up to 4,000 mm, XT3-43: Up to 2,000 mm	
Sensor	Transmissive (Adjustable), Reflective (Adjustable), Ribbon-End, Head Open			Transmissive (Adjustable), Reflective (Adjustable), Ribbon-End, Head Open	
Media Characteristics		XT5-40 Series		XT3-40	
Media Type	Gap, Black Mark, Notch, Continuous, Fan-Fold			Gap, Black Mark, Notch, Continuous, Fan-Fold	
Media Width	25 ~ 114 mm			20 ~ 114 mm	
Media Roll Diameter	Up to 203 mm			Up to 203 mm	
Media Thickness	0.06 ~ 0.30 mm			0.06 ~ 0.25 mm	
Supply Method	Easy Paper Loading			Easy Paper Loading	
Inner Core	38.1 ~ 76.2 mm, 25.4 mm (Optional)			25.4 ~ 76.2 mm	
Ribbon Characteristics		XT5-40 Series		XT3-40	
Ribbon Type	Wax, Wax/Resin, Resin, Outside, Inside			Wax, Wax/Resin, Resin, Outside, Inside	
Ribbon Width	50 ~ 110 mm			40 ~ 110 mm	
Ribbon Length	Up to 450 m			Up to 450 m	
Core Inner Diameter	25.4 mm			25.4 mm	
Physical Characteristics		XT5-40 Series		XT3-40	
Dimensions (W x L x H)	STD: 269 x 490 x 324 mm (10.59 x 19.29 x 12.76 inch) Rewinder: 269 x 490 x 407 mm (10.59 x 19.29 x 16.02 inch)			STD: 240 x 430.5 x 276.7 mm (9.44 x 16.94 x 10.89 inch) Rewinder: 240 x 430.5 x 326.7 mm (9.44 x 16.94 x 12.86 inch)	
Weight	STD: 13.98 kg (30.82 lbs.) Rewinder: 17.98 kg (39.64 lbs.)			STD: 9.3 kg (20.5 lbs.) Rewinder: 11.88 kg (26.19 lbs.)	
Electrical	Internal Power Adaptor 100-120 V/200-240 V AC, 50/60 Hz			EnergyStar Certified, Internal Power Adaptor 100-240 V AC, 50-60 Hz	
Display	XT5-40: 3.5-inch HVGA (262K Colors) TFT LCD XT5-40N: 4.3-inch CTP TFT LCD			2.4-inch Color TFT LCD	
Performance Characteristics		XT5-40 Series		XT3-40	
Memory	512 MB SDRAM, 512 MB Flash			128 MB SDRAM, 128 MB Flash	
Interface	① USB + Serial + Ethernet + 2 USB Host ports ② USB + Serial + Parallel or GPIO + Ethernet + 2 USB Host ports ③ USB + WLAN + Ethernet + 2 USB Host ports ④ USB + WLAN + Parallel or GPIO + Ethernet + 2 USB Host ports ⑤ USB + Bluetooth + Ethernet + 2 USB Host ports ⑥ USB + Bluetooth + Parallel or GPIO + Ethernet + 2 USB Host ports Ethernet: 10/100/1000 Mbps (1Gbps) WLAN: 802.11a/b/g/n (Infrastructure, Ad-hoc, Wi-Fi Direct, SoftAP) - WEP40/104, WPA1/2 (PSK, EAP) GPIO: DB15 (Female), 5/24 V, 4 GPI, 8 GPO			Standard: USB + USB Host + Serial + Ethernet Optional: ① USB + USB Host + Serial+Ethernet + Parallel ② USB + USB Host + Serial+Ethernet + Parallel + Bluetooth ③ USB + USB Host + Serial+Ethernet + Parallel + WLAN ④ USB + USB Host + Serial+Ethernet + Bluetooth ⑤ USB + USB Host + Serial+Ethernet + WLAN Ethernet: 10/100 Mbp WLAN: 802.11a/b/g/n (Infrastructure, Ad-hoc, Wi-Fi Direct, SoftAP) - WEP40/104, WPA1/2 (PSK, EAP) * WLAN & Bluetooth: Dongle type not supported	
Real Time Clock	Supported			Supported	
Environment Characteristics		XT5-40 Series		XT3-40	
Temperature	Operating: 5 ~ 40°C (41 ~ 104°F) , Storage: -20 ~ 60°C (-4 ~ 140°F)			Operating: 5 ~ 40°C (41 ~ 104°F), Storage: -20 ~ 60°C (-4 ~ 140°F)	
Humidity	Operating: 10 ~ 80% RH, Storage: 10 ~ 90% RH			Operating: 10 ~ 80% RH, Storage: 10 ~ 90% RH	
Software		XT5-40 Series		XT3-40	
Emulation	SLCS™, BPL-Z™, BPL-E™, BPL-D™ (Optional)			SLCS™, BPL-Z™, BPL-E™, BPL-D™ (Optional)	
Driver / Utility	Windows Driver (Europlus/Seagull), Linux/Mac CUPS Driver, Virtual COM USB/Ethernet Driver, Utility Program, OPOS/JPOS Driver, Bartender Ultralite for BIXOLON, Device Driver for SAP®, Network Auto Installer, XI (Optional)			Windows Driver (Europlus/Seagull), Linux/Mac CUPS Driver, Virtual COM USB/Ethernet Driver, Utility Program, OPOS/JPOS Driver, Bartender Ultralite for BIXOLON, Network Auto Installer, Device Driver for SAP®	
Developer Tools	Android/iOS/Windows SDK, Linux SDK, Xamarin SDK, Web Print SDK, XI (Optional), Cordova Plugin, MAUI SDK, Flutter Plugin, React Native SDK			Android/iOS/Windows SDK, Linux SDK, Xamarin SDK, Web Print SDK, XI (Optional), Cordova Plugin, MAUI SDK, Flutter Plugin, React Native SDK	
Design & Print	Label Artist-H™, Label Artist™ Mobile (Android, iOS), mPrint App (Android, iOS)			Label Artist-H™, Label Artist™ Mobile (Android, iOS), mPrint App (Android, iOS)	
MDM (Optional)	BIXOLON Profile Manager - XPM™, XCM™ (Windows, Android), SOTI Connect supported			BIXOLON Profile Manager - XPM™, XCM™ (Windows, Android)	
Fonts / Graphics / Symbolologies		XT5-40 Series		XT3-40	
Fonts	Bitmap Fonts (10 SLCS™, 16 BPL-Z™, 5 BPL-E™, 9 BPL-D™), Scalable Fonts (1 SLCS™, 1 BPL-Z™, 1 BPL-D™), 23 Code page, Unicode supported (UTF-8, UTF-16LE, UTF-16BE)			Bitmap Fonts (10 SLCS™, 16 BPL-Z™, 5 BPL-E™), Scalable Fonts (1 SLCS™, 1 BPL-Z™), 23 Code page,Unicode supported (UTF-8, UTF-16LE, UTF-16BE)	
Graphics	Supporting user-defined fonts, graphics, formats and logos			Supporting user-defined fonts, graphics, formats and logos	
Barcode Symbolologies	1D: Codabar, Code 11, Code 39, Code 93, Code 128, EAN-13, EAN-8, Industrial 2-of-5, Interleaved 2-of-5, Logmars, MSI, Plessey, Postnet, GS1 DataBar (RSS-14), Standard 2-of-5, UPC/EAN extensions, UPC-A, UPC-E, IMB 2D: Aztec, Codablock, Code 49, Data Matrix, MaxiCode, MicroPDF417, PDF417, QR code, TLC 39			1D: Codabar, Code 11, Code 39, Code 93, Code 128, EAN-13, EAN-8, Industrial 2-of-5, Interleaved 2-of-5, Logmars, MSI, Plessey, Postnet, GS1 DataBar (RSS-14), Standard 2-of-5, UPC/EAN extensions, UPC-A, UPC-E, IMB 2D: Aztec, Codablock, Code 49, Data Matrix, MaxiCode, MicroPDF417, PDF417, QR code, TLC 39	
Accessories / Supplies		XT5-40 Series		XT3-40	
Standard Accessories	-			USB cable	
Optional Accessories	Peeler, Auto Cutter, Rewinder, 1" I.D. Core media supply hanger, Serial cable, Parallel cable, USB cable			Peeler, Auto Cutter, Rewind (Liner Take-up only, Internal, Max.OD 130mm), Serial cable, Parallel cable	
Supplies	Compatible with B-ribbon™			Compatible with B-ribbon™	
RFID		XT5-40 Series		XT3-40	
Frequency	UHF, 865 ~ 868 MHz (EU), 902 ~ 928 MHz (KR, USA)			-	
Transmit Power	1W			-	
Modulation	ASK			-	
Protocol	ISO 18000-6C (EPC Class1 Gen2)			-	
Auto Cutter	Optional			-	
Tag Pitch	Min 16 mm			-	



XQ-840



XL5-40

Print Characteristics		
Print Method	Direct Thermal	Direct Thermal
Print Speed	XQ-840: Up to 6 ips (152 mm/sec), XQ-843: Up to 4 ips (100 mm/sec)	XL5-40: Up to 6 ips (152 mm/sec), XL5-43: Up to 5 ips (127 mm/sec)
Print Resolution	XQ-840: 203 dpi, XQ-843: 300 dpi	XL5-40: 203 dpi, XL5-43: 300 dpi
Print Width	XQ-840: Up to 108 mm, XQ-843: Up to 105.7 mm	XL5-40: Up to 108 mm, XL5-43: Up to 105.7 mm
Print Length	Up to 1,000 mm	30 - 1,000 mm
Sensor	Transmissive, Reflective (Adjustable), Head Open	Gap (Fixed) / Black mark (Adjustable), Head Open, Paper Taken Sensor
Media Characteristics		
Media Type	Gap, Black Mark, Notch, Continuous, Fan-Fold	Linerless : Continuous, Black Mark Liner : Gap, Black Mark, Fan-Fold
Media Width	15 ~ 118 mm	20 ~ 114 mm
Media Roll Diameter	Up to 130 mm	Up to 127 mm
Media Thickness	0.06 ~ 0.20 mm	0.09 ~ 0.20 mm
Supply Method	Easy Paper Loading	-
Inner Core	25.4 ~ 38.1 mm	38.1 mm (1.5 inch) - Recommended, 25.4 mm (1 inch)
Ribbon Characteristics		
Ribbon Type	-	-
Ribbon Width	-	-
Ribbon Length	-	-
Core Inner Diameter	-	-
Physical Characteristics		
Dimensions (W x L x H)	194 x 273 x 212 mm (7.63 x 10.74 x 8.34 inch)	186 x 287.7 x 173 mm (7.32 x 11.33 x 6.81)
Weight	2.2 kg (4.85 lbs.)	2.8kg (6.17lb.)
Electrical	EnergyStar Certified, External Power Adaptor 100-240 V AC, 50/60 Hz	EnergyStar Certified, External Power Adaptor 100-240 V AC, 50/60 Hz
Display	8-inch IPS TFT LCD (800 x 1280 pixels) Android 7.0	Standard: None Optional: FSTN LCD (200 x 100 pixels)
Camera	5MP Auto focus	-
Performance Characteristics		
Memory	Printer: 64 MB SDRAM, 128 MB Flash Tablet: 1 GB RAM, 8GB Flash	Standard: 64 MB SDRAM, 128 MB Flash Optional: ① 64 MB SDRAM, 128 MB Flash ② 256 MB SDRAM, 256 MB Flash
Interface	Tablet: 2 USB Host ports + Ethernet + WLAN + Bluetooth 2 USB Host ports: For scanner or keyboard or mouse WLAN: 802.11a/b/g/n (Infrastructure, Ad-hoc, Wi-Fi Direct, SoftAP) - WEP40/104, WPA1/2 (PSK, EAP)	Standard: USB + USB Host Optional: ① USB + USB Host + WLAN ② USB + USB Host + Bluetooth ③ USB + USB Host + Serial + Ethernet ④ USB + USB Host + Serial + Ethernet + WLAN ⑤ USB + USB Host + Serial + Ethernet + Bluetooth WLAN: 802.11a/b/g/n (Infrastructure, Ad-hoc, Wi-Fi Direct, SoftAP) - WEP40/104, WPA1/2 (PSK, EAP) Ethernet: 10/100Mbps
Real Time Clock	Supported (Optional)	Supported (Optional)
Environment Characteristics		
Temperature	Operating: 0 ~ 40°C (32 ~ 104°F), Storage: -20 ~ 60°C (-4 ~ 140°F)	Operating: 0 ~ 40°C (32 ~ 104°F), Storage: -20 ~ 60°C (-4 ~ 140°F)
Humidity	Operating: 10 ~ 80% RH, Storage: 10 ~ 90% RH	Operating: 10 ~ 80% RH, Storage: 10 ~ 90% RH
Software		
Emulation	SLCS™, BPL-Z™, BPL-E™, BXL/POS	SLCS™, BPL-Z™, BPL-E™, BPL-D™(Optional)
Driver / Utility	BIXOLON Utility, BIXOLON Downloader, Amazon Appstore	Windows Driver (Europlus/Seagull), Linux/Mac CUPS Driver, Virtual COM USB/Ethernet Driver, Utility Program, OPOS/JPOS Driver, Bartender Ultralite for BIXOLON, Label Artist-II™, Device Driver for SAP®, Network Auto Installer
Developer Tools	Android SDK, Xamarin SDK (Android), Web Print SDK (Android), Cordova Plugin (Android), MAUI SDK (Android), Flutter Plugin (Android), React Native SDK (Android)	Android/iOS/Windows SDK, Linux SDK, Xamarin SDK, Web Print SDK, XI (Optional), Cordova Plugin, MAUI SDK, Flutter Plugin, React Native SDK
Design & Print	Label Artist™ Mobile, Food Labelling App, BIXOLON Pass Through, mPrint App	Label Artist-II™, Label Artist™ Mobile (Android, iOS), mPrint App (Android, iOS)
MDM (Optional)	BIXOLON Profile Manager - XCM™ (Android)	BIXOLON Profile Manager - XPM™, XCM™ (Windows, Android), SOTI Connect supported
Fonts / Graphics / Sybologies		
Fonts	Bitmap Fonts (10 SLCS™, 16 BPL-Z™, 5 BPL-E™), Scalable Fonts (1 SLCS™, 1 BPL-Z™), 23 Code page, Unicode supported (UTF-8, UTF-16LE, UTF-16BE)	Bitmap Fonts (10 SLCS™, 16 BPL-Z™, 5 BPL-E™), Scalable Fonts (1 SLCS™, 1 BPL-Z™), 23 Code page, Unicode supported (UTF-8, UTF-16LE, UTF-16BE)
Graphics	Supporting user-defined fonts, graphics, formats and logos	Supporting user-defined fonts, graphics, formats and logos
Barcode Sybologies	1D: Codabar, Code 11, Code 39, Code 93, Code 128, EAN-13, EAN-8, Industrial 2-of-5, Interleaved 2-of-5, Logmars, MSI, Plessey, Postnet, GS1 DataBar (RSS-14), Standard 2-of-5, UPC/EAN extensions, UPC-A, UPC-E, IMB 2D: Aztec, Codablock, Code 49, Data Matrix, MaxiCode, MicroPDF417, PDF417, QR code, TLC 39	1D: Codabar, Code 11, Code 39, Code 93, Code 128, EAN-13, EAN-8, Industrial 2-of-5, Interleaved 2-of-5, Logmars, MSI, Plessey, Postnet, GS1 DataBar (RSS-14), Standard 2-of-5, UPC/EAN extensions, UPC-A, UPC-E, IMB 2D: Aztec, Codablock, Code 49, Data Matrix, MaxiCode, MicroPDF417, PDF417, QR code, TLC 39
Accessories / Supplies		
Standard Accessories	-	USB cable
Optional Accessories	Peeler, Auto Cutter	Serial cable
Supplies	-	Compatible with B-linerless™ BIXOLON's flexible and ecological linerless label consumables

LABEL PRINTERS



XD5-40d



XD5-40t



XD5-40tR



XD3-40d



XD3-40t

XD5-40 Series

XD3-40 Series

Print Characteristics	
Print Method	XD5-40d: Direct Thermal, XD5-40t: Thermal Transfer or Direct Thermal
Print Speed	XD5-40d: Up to 7 ips (178 mm/sec), XD5-43t: Up to 5 ips (127 mm/sec) XD5-40t: Up to 6 ips (152 mm/sec), XD5-43t: Up to 4 ips (102 mm/sec)
Print Resolution	XD5-40d, 40t: 203 dpi, XD5-43d, 43t: 300 dpi
Print Width	XD5-40t: Up to 108 mm, XD5-43t: Up to 105.7 mm
Print Length	Up to 1,000 mm
Sensor	Transmissive (Fixed), Reflective (Adjustable), Head Open
Media Characteristics	
Media Type	Gap, Black Mark, Notch, Continuous, Fan-Fold
Media Width	15 ~ 118 mm
Media Roll Diameter	Up to 127 mm
Media Thickness	0.06 ~ 0.20 mm
Supply Method	Easy Paper Loading
Inner Core	25.4 ~ 38.1 mm
Ribbon Characteristics	
Ribbon Type	Wax, Wax/Resin, Resin, Outside
Ribbon Width	33 ~ 110 mm
Ribbon Length	Up to 300 m
Core Inner Diameter	25.4 mm, 12.7 mm
Physical Characteristics	
Dimensions (W x L x H)	XD5-40d: 194 x 248 x 169 mm (7.64 x 9.76 x 6.65 inch) XD5-40t: 210 x 284 x 188 mm (8.3 x 11.2 x 7.4 inch)
Weight	XD5-40d: 1.89 kg (4.17 lbs.), XD5-40t: 2.48 kg (5.46 lbs.)
Electrical	EnergyStar Certified, External Power Adaptor 100-240 V AC, 50/60 Hz
Display	XD5-40d & XD5-40t: Standard: None Optional: FSTN LCD (200 x 100 pixels) XD5-40tR: Standard: FSTN LCD (200 x 100 pixels)
Performance Characteristics	
Memory	Standard: 64 MB SDRAM, 128 MB Flash Optional: ① 64 MB SDRAM, 128 MB Flash ② 256 MB SDRAM, 256 MB Flash XD5-40tR (RFID): Standard: 256 MB SDRAM, 256 MB Flash
Interface	Standard: USB + USB Host Optional: ① USB + USB Host + Serial + Ethernet ② USB + USB Host + Serial + Ethernet + WLAN ③ USB + USB Host + Serial + Ethernet + Bluetooth XD5-40tR (RFID): Standard: USB + USB Host + Serial + Ethernet Optional: ① USB + USB Host + Serial + Ethernet + WLAN ② USB + USB Host + Serial + Ethernet + Bluetooth WLAN: 802.11a/b/g/n (Infrastructure, Ad-hoc, Wi-Fi Direct, SoftAP) - WEP40/104, WPA1/2 (PSK, EAP) Ethernet: 10/100Mbps
Real Time Clock	Supported (Optional)
Environment Characteristics	
Temperature	Operating: XD5-40d: 0 ~ 40°C (32 ~ 104°F), XD5-40t: 5 ~ 40°C (41 ~ 104°F) Storage: -20 ~ 60°C (-4 ~ 140°F)
Humidity	Operating: 10 ~ 80% RH, Storage: 10 ~ 90% RH
Software	
Emulation	SLCS™, BPL-Z™, BPL-E™, BPL-D™ (Optional)
Driver / Utility	Windows Driver (Europlus/Seagull), Linux/Mac CUPS Driver, Virtual COM USB/Ethernet Driver, Utility Program, OPOS/JPOS Driver, Bartender Ultralite for BIXOLON, Device Driver for SAP®, Network Auto Installer, XI (Optional)
Developer Tools	Android/iOS/Windows SDK, Linux SDK, Xamarin SDK, Web Print SDK, Cordova Plugin, MAUI SDK, Flutter Plugin, React Native SDK
Design & Print	Label Artist-II™, Label Artist™ Mobile (Android, iOS), mPrint App (Android, iOS)
MDM (Optional)	BIXOLON Profile Manager - XPM™, XCM™ (Windows, Android), SOTI Connect supported
Fonts / Graphics / Symbologies	
Fonts	Bitmap Fonts (10 SLCS™, 16 BPL-Z™, 5 BPL-E™, 9 BPL-D™), 23 Code page, Scalable Fonts (1 SLCS™, 1 BPL-Z™, 1 BPL-E™), Unicode supported (UTF-8, UTF-16LE, UTF-16BE)
Graphics	Supporting user-defined fonts, graphics, formats and logos
Barcode Symbologies	1D: Codabar, Code 11, Code 39, Code 93, Code 128, EAN-13, EAN-8, Industrial 2-of-5, Interleaved 2-of-5, Logmars, MSI, Plessey, Postnet, GS1 DataBar (RSS-14), Standard 2-of-5, UPC/EAN extensions, UPC-A, UPC-E, IMB 2D: Aztec, Codablock, Code 49, Data Matrix, MaxiCode, MicroPDF417, PDF417, QR code, TLC 39
Accessories / Supplies	
Standard Accessories	USB cable
Optional Accessories	Peeler, Auto Cutter, External Paper Supply, Serial cable
Supplies	B-ribbon™, B-band™
RFID	
Frequency	UHF, 865 ~ 868 MHz (EU), 902 ~ 928 MHz (KR, USA)
Transmit Power	1W
Modulation	ASK
Protocol	ISO 18000-6C (EPC Class1 Gen2)
Auto Cutter	Optional
Tag Pitch	Min 16 mm



SLP-TX400

SLP-TX420

Print Characteristics		
Print Method	Thermal Transfer, Direct Thermal	Thermal Transfer, Direct Thermal
Print Speed	SLP-TX400: Up to 7 ips (178 mm/sec) SLP-TX403: Up to 5 ips (127 mm/sec)	SLP-TX420: Up to 7 ips (178 mm/sec) SLP-TX423: Up to 5 ips (127 mm/sec)
Print Resolution	SLP-TX400: 203 dpi SLP-TX403: 300 dpi	SLP-TX420: 203 dpi SLP-TX423: 300 dpi
Print Width	SLP-TX400: Up to 108 mm SLP-TX403: Up to 105.7 mm	SLP-TX420: Up to 108 mm SLP-TX423: Up to 105.7 mm
Print Length	Up to 1,000 mm	Up to 2,000 mm
Sensor	Transmissive, Reflective (Adjustable), Ribbon-End, Head Open	Transmissive, Reflective (Adjustable), Ribbon-End, Head Open
Media Characteristics		
Media Type	Gap, Black Mark, Notch, Continuous, Fan-Fold	Gap, Black Mark, Notch, Continuous, Fan-Fold
Media Width	25 ~ 112 mm	20 ~ 110 mm
Media Roll Diameter	Up to 130 mm	Up to 130 mm
Media Thickness	0.06 ~ 0.20 mm	0.06 ~ 0.20 mm
Supply Method	Easy Paper Loading	Easy Paper Loading
Inner Core	25.4 ~ 38.1 mm	25.4 ~ 38.1 mm
Ribbon Characteristics		
Ribbon Type	Wax, Wax/Resin, Resin, Outside	Wax, Wax/Resin, Resin, Outside
Ribbon Width	33 ~ 110 mm	110 mm
Ribbon Length	Up to 300 m	Up to 74 m
Core Inner Diameter	25.4 mm, 12.7 mm	12.7 mm
Physical Characteristics		
Dimensions (W x L x H)	214 x 310 x 195 mm (8.42 x 12.20 x 7.67 inch)	200 x 252 x 173 mm (7.87 x 9.92 x 6.81 inch)
Weight	2.85 kg (6.28 lbs.)	2.35 kg (5.18 lbs.)
Electrical	EnergyStar Certified, External Power Adaptor 100-240 V AC, 50/60 Hz	EnergyStar Certified, External Power Adaptor 100-240 V AC, 50/60 Hz
Display	-	-
Performance Characteristics		
Memory	64 MB SDRAM, 128 MB Flash	64 MB SDRAM, 128 MB Flash
Interface	① USB + Serial + Parallel ② USB + Serial + Ethernet + USB Host * Compatible with WLAN(802.11a/b/g/n/ac) or Bluetooth Dongle via a USB Host Port	① USB + Serial + Parallel ② USB + Serial + Ethernet + USB Host ③ USB + USB Host + Bluetooth * Compatible with WLAN Dongle(802.11a/b/g/n/ac) via a USB Host Port
Real Time Clock	Supported (Optional)	Supported (Optional)
Environment Characteristics		
Temperature	Operating: 5 ~ 40°C (41 ~ 104°F) Storage: -20 ~ 60°C (-4 ~ 140°F)	Operating: 5 ~ 40°C (41 ~ 104°F) Storage: -20 ~ 60°C (-4 ~ 140°F)
Humidity	Operating: 10 ~ 80% RH Storage: 10 ~ 90% RH	Operating: 10 ~ 80% RH Storage: 10 ~ 90% RH
Software		
Emulation	SLCS™, BPL-Z™, BPL-E™, BPL-D™ (Optional)	SLCS™, BPL-Z™, BPL-E™, BPL-D™ (Optional)
Driver / Utility	Windows Driver (Europlus/Seagull), Linux/Mac CUPS Driver, Virtual COM USB/Ethernet Driver, Utility Program, OPOS/JPOS Driver, Bartender Ultralite for BIXOLON, Device Driver for SAP®, Network Auto Installer	Windows Driver (Europlus/Seagull), Linux/Mac CUPS Driver, Virtual COM USB/Ethernet Driver, Utility Program, OPOS/JPOS Driver, Bartender Ultralite for BIXOLON, Device Driver for SAP®, Network Auto Installer
Developer Tools	Android/iOS/Windows SDK, Linux SDK, Xamarin SDK, Web Print SDK, Cordova Plugin, MAUI SDK, Flutter Plugin, React Native SDK	Android/iOS/Windows SDK, Linux SDK, Xamarin SDK, Web Print SDK, Cordova Plugin, MAUI SDK, Flutter Plugin, React Native SDK
Design & Print	Label Artist-II™, Label Artist™ Mobile (Android, iOS), mPrint App (Android, iOS)	Label Artist-II™, Label Artist™ Mobile (Android, iOS), mPrint App (Android, iOS)
MDM (Optional)	SOTI Connect supported	SOTI Connect supported
Fonts / Graphics / Symbolologies		
Fonts	Bitmap Fonts (10 SLCS™, 16 BPL-Z™, 5 BPL-E™), Scalable Fonts (1 SLCS™, 1 BPL-Z™), 23 Code page, Unicode supported (UTF-8, UTF-16LE, UTF-16BE)	Bitmap Fonts (10 SLCS™, 16 BPL-Z™, 5 BPL-E™), Scalable Fonts (1 SLCS™, 1 BPL-Z™), 23 Code page, Unicode supported (UTF-8, UTF-16LE, UTF-16BE)
Graphics	Supporting user-defined fonts, graphics, formats and logos	Supporting user-defined fonts, graphics, formats and logos
Barcode Symbolologies	1D: Codabar, Code 11, Code 39, Code 93, Code 128, EAN-13, EAN-8, Industrial 2-of-5, Interleaved 2-of-5, Logmars, MSI, Plessey, Postnet, GS1 DataBar (RSS-14), Standard 2-of-5, UPC/EAN extensions, UPC-A, UPC-E, IMB 2D: Aztec, Codablock, Code 49, Data Matrix, MaxiCode, MicroPDF417, PDF417, QR code, TLC 39	1D: Codabar, Code 11, Code 39, Code 93, Code 128, EAN-13, EAN-8, Industrial 2-of-5, Interleaved 2-of-5, Logmars, MSI, Plessey, Postnet, GS1 DataBar (RSS-14), Standard 2-of-5, UPC/EAN extensions, UPC-A, UPC-E, IMB 2D: Aztec, Codablock, Code 49, Data Matrix, MaxiCode, MicroPDF417, PDF417, QR code, TLC 39
Accessories / Supplies		
Optional Accessories	Peeler, Auto Cutter, External Paper Supply, WLAN Dongle (Consensus required), Serial cable, Parallel cable, USB cable	Peeler, Auto Cutter, External Paper Supply, WLAN Dongle (Consensus required), Serial cable, Parallel cable, USB cable
Supplies	B-ribbon™, B-band™	B-ribbon™, B-band™



SLP-DX420



SLP-DL410



SLP-DL410KV

SLP-DL410 Series

Print Characteristics		SLP-DL410 Series	
Print Method	Direct Thermal	Direct Thermal	
Print Speed	SLP-DX420: Up to 7 ips (178 mm/sec) SLP-DX423: Up to 5 ips (127 mm/sec)	SLP-DL410: Up to 5 ips (127 mm/sec) SLP-DL413: Up to 5 ips (127 mm/sec)	
Print Resolution	SLP-DX420: 203 dpi SLP-DX423: 300 dpi	SLP-DL410: 203 dpi SLP-DL413: 300 dpi	
Print Width	SLP-DX420: Up to 108 mm SLP-DX423: Up to 105.7 mm	SLP-DL410: Up to 108 mm SLP-DL413: Up to 105.7 mm	
Print Length	Up to 1,000 mm	Up to 2,000 mm	
Sensor	Transmissive, Reflective (Adjustable), Head Open	Transmissive, Reflective (Adjustable), Head Open	
Media Characteristics		SLP-DL410 Series	
Media Type	Gap, Black Mark, Notch, Continuous, Fan-Fold	Gap, Black Mark, Notch, Continuous, Fan-Fold	
Media Width	20 ~ 110 mm	25 ~ 116 mm	
Media Roll Diameter	Up to 130 mm	External roll media options up to 150 mm to 205 mm	
Media Thickness	0.06 ~ 0.20 mm	0.06 ~ 0.20 mm	
Supply Method	Easy Paper Loading	-	
Inner Core	25.4 ~ 38.1 mm	-	
Ribbon Characteristics		SLP-DL410 Series	
Ribbon Type	-	-	
Ribbon Width	-	-	
Ribbon Length	-	-	
Core Inner Diameter	-	-	
Physical Characteristics		SLP-DL410 Series	
Dimensions (W x L x H)	194 x 243 x 171 mm (7.63 x 9.56 x 6.73 inch)	177 x 150 x 148.5 mm (6.97 x 5.91 x 5.85 inch)	
Weight	2.20 kg (4.85 lbs.)	1.6 kg (3.53 lbs.) SLP-DL410KV: 1.73 kg (3.81 lbs.)	
Electrical	EnergyStar Certified, External Power Adaptor 100-240 V AC, 50/60 Hz	EnergyStar Certified, Internal Power Adaptor 100-240 V AC, 50/60 Hz SLP-DL410KV: Internal Power Converter, Input DC12 V 6.0 A, Output DC24 V 2.5 A, LPC-4000	
Performance Characteristics		SLP-DL410 Series	
Memory	64 MB SDRAM, 128 MB Flash	64 MB SDRAM, 128 MB Flash	
Interface	① USB + Serial + Parallel ② USB + Serial + Ethernet + USB Host ③ USB + USB Host + Bluetooth * Compatible with WLAN Dongle(802.11a/b/g/n/ac) via a USB Host Port	Standard: USB + USB Host Optional: ① USB + USB Host + Ethernet ② USB + USB Host + Ethernet + Bluetooth ③ USB + USB Host + Bluetooth * Compatible with WLAN Dongle(802.11a/b/g/n/ac) via a USB Host Port	
Real Time Clock	Supported (Optional)	Supported (Optional)	
Environment Characteristics		SLP-DL410 Series	
Temperature	Operating: 0 ~ 40°C (32 ~ 104°F) Storage: -20 ~ 60°C (-4 ~ 140°F)	Operating: 0 ~ 40°C (32 ~ 104°F) Storage: -20 ~ 60°C (-4 ~ 140°F)	
Humidity	Operating: 10 ~ 80% RH Storage: 10 ~ 90% RH	Operating: 10 ~ 80% RH Storage: 10 ~ 90% RH	
Software		SLP-DL410 Series	
Emulation	SLCS™, BPL-Z™, BPL-E™, BPL-D™ (Optional)	SLCS™, BPL-Z™, BPL-E™, BPL-D™ (Optional)	
Driver / Utility	Windows Driver (Europlus/Seagull), Linux/Mac CUPS Driver, Virtual COM USB/Ethernet Driver, Utility Program, OPOS/JPOS Driver, Bartender Ultralite for BIXOLON, Device Driver for SAP®, Network Auto Installer	Windows Driver (Europlus/Seagull), Linux/Mac CUPS Driver, Virtual COM USB/Ethernet Driver, Utility Program, OPOS/JPOS Driver, Bartender Ultralite for BIXOLON, SAP® Device Driver, Network Auto Installer	
Developer Tools	Android/iOS/Windows SDK, Linux SDK, Xamarin SDK, Web Print SDK, Cordova Plugin, MAUI SDK, Flutter Plugin, React Native SDK	Android/iOS/Windows SDK, Linux SDK, Xamarin SDK, Web Print SDK, Cordova Plugin, MAUI SDK, Flutter Plugin, React Native SDK	
Design & Print	Label Artist-ii™, Label Artist™ Mobile (Android, iOS), mPrint App (Android, iOS)	Label Artist-ii™, Label Artist™ Mobile (Android, iOS), mPrint App (Android, iOS)	
MDM(Optional)	SOTI Connect supported	SOTI Connect supported	
Fonts / Graphics / Symbologies		SLP-DL410 Series	
Fonts	Bitmap Fonts (10 SLCS™, 16 BPL-Z™, 5 BPL-E™), Scalable Fonts (1 SLCS™, 1 BPL-Z™), 23 Code page, Unicode supported (UTF-8, UTF-16LE, UTF-16BE)	Bitmap Fonts (10 SLCS™, 16 BPL-Z™, 5 BPL-E™), Scalable Fonts (1 SLCS™, 1 BPL-Z™), 23 Code page, Unicode supported (UTF-8, UTF-16LE, UTF-16BE)	
Graphics	Supporting user-defined fonts, graphics, formats and logos	Supporting user-defined fonts, graphics, formats and logos	
Barcode Symbologies	1D: Codabar, Code 11, Code 39, Code 93, Code 128, EAN-13, EAN-8, Industrial 2-of-5, Interleaved 2-of-5, Logmars, MSI, Plessey, Postnet, GS1 DataBar (RSS-14), Standard 2-of-5, UPC/EAN extensions, UPC-A, UPC-E, IMB 2D: Aztec, Codablock, Code 49, Data Matrix, MaxiCode, MicroPDF417, PDF417, QR code, TLC 39	1D: Codabar, Code 11, Code 39, Code 93, Code 128, EAN-13, EAN-8, Industrial 2-of-5, Interleaved 2-of-5, Logmars, MSI, Plessey, Postnet, GS1 DataBar (RSS-14), Standard 2-of-5, UPC/EAN extensions, UPC-A, UPC-E, IMB 2D: Aztec, Codablock, Code 49, Data Matrix, MaxiCode, MicroPDF417, PDF417, QR code, TLC 39	
Accessories / Supplies		SLP-DL410 Series	
Standard Accessories	-	SLP-DL410KV: Cigar Jack Cable	
Optional Accessories	Peeler, Auto Cutter, External Paper Supply, WLAN Dongle (Consensus required), Serial cable, Parallel cable, USB cable	Peeler, Auto Cutter, External Paper Supply, External Power Adaptor (Not for SLP-DL410KV), WLAN Dongle (Consensus required), USB cable	



SLP-TX220

SLP-DX220

Print Characteristics		
Print Method	Thermal Transfer, Direct Thermal	Direct Thermal
Print Speed	SLP-TX220: Up to 6 ips (152 mm/sec) SLP-TX223: Up to 4 ips (100 mm/sec)	SLP-DX220: Up to 6 ips (152 mm/sec) SLP-DX223: Up to 4 ips (100 mm/sec)
Print Resolution	SLP-TX220: 203 dpi SLP-TX223: 300 dpi	SLP-DX220: 203 dpi SLP-DX223: 300 dpi
Print Width	SLP-TX220: Up to 54 mm SLP-TX223: Up to 56.9 mm	Up to 2,000 mm
Print Length	Up to 2,000 mm	Up to 2,000 mm
Sensor	Transmissive, Reflective (Adjustable), Head Open	Transmissive, Reflective (Adjustable), Head Open
Media Characteristics		
Media Type	Gap, Black Mark, Notch, Continuous, Fan-Fold	Gap, Black Mark, Notch, Continuous, Fan-Fold
Media Width	15 ~ 60 mm	Standard: 15 ~ 60 mm Peeler: 15 ~ 58 mm
Media Roll Diameter	Up to 130 mm	Up to 130 mm
Media Thickness	0.06 ~ 0.20 mm	0.06 ~ 0.20 mm
Supply Method	Easy Paper Loading	Easy Paper Loading
Inner Core	12.5 ~ 38.1 mm	12.5 ~ 38.1 mm
Ribbon Characteristics		
Ribbon Type	Wax, Wax/Resin, Resin, Outside	-
Ribbon Width	58 mm	-
Ribbon Length	Up to 74 m	-
Core Inner Diameter	12.7 mm	-
Physical Characteristics		
Dimensions (W x L x H)	144 x 252 x 173 mm (5.67 x 9.92 x 6.81 inch)	120 x 230 x 170 mm (4.72 x 9.05 x 6.69 inch)
Weight	1.71 kg (3.77 lbs.)	1.36 kg (2.99 lbs.)
Electrical	EnergyStar Certified, External Power Adaptor 100-240 V AC, 50/60 Hz	EnergyStar Certified, External Power Adaptor 100-240 V AC, 50/60 Hz
Performance Characteristics		
Memory	64 MB SDRAM, 128 MB Flash	64 MB SDRAM, 128 MB Flash
Interface	Standard: USB + Serial Optional: ① USB + Ethernet + USB Host ② USB + USB Host + Bluetooth * Compatible with WLAN Dongle(802.11a/b/g/n/ac) via a USB Host Port	Standard: USB + Serial Optional: ① USB + Ethernet + USB Host ② USB + USB Host + Bluetooth * Compatible with WLAN Dongle(802.11a/b/g/n/ac) via a USB Host Port
Real Time Clock	Supported (Optional)	Supported (Optional)
Environment Characteristics		
Temperature	Operating: 5 ~ 40°C (41 ~ 104°F), Storage: -20 ~ 60°C (-4 ~ 140°F)	Operating: 0 ~ 40°C (32 ~ 104°F), Storage: -20 ~ 60°C (-4 ~ 140°F)
Humidity	Operating: 10 ~ 80% RH, Storage: 10 ~ 90% RH	Operating: 10 ~ 80% RH, Storage: 10 ~ 90% RH
Software		
Emulation	SLCS™, BPL-Z™, BPL-E™, BPL-D™(Optional)	SLCS™, BPL-Z™, BPL-E™, BPL-D™(Optional)
Driver / Utility	Windows Driver (Europlus/Seagull), Linux/Mac CUPS Driver, Virtual COM USB/Ethernet Driver, Utility Program, OPOS/JPOS Driver, Bartender Ultralite for BIXOLON, Device Driver for SAP®, Network Auto Installer	Windows Driver (Europlus/Seagull), Linux/Mac CUPS Driver, Virtual COM USB/Ethernet Driver, Utility Program, OPOS/JPOS Driver, Bartender Ultralite for BIXOLON, Device Driver for SAP®, Network Auto Installer
Developer Tools	Android/iOS/Windows SDK, Linux SDK, Xamarin SDK, Web Print SDK, Cordova Plugin, MAUI SDK, Flutter Plugin, React Native SDK	Android/iOS/Windows SDK, Linux SDK, Xamarin SDK, Web Print SDK, Cordova Plugin, MAUI SDK, Flutter Plugin, React Native SDK
Design & Print	Label Artist-III™, Label Artist™ Mobile (Android, iOS), mPrint App (Android, iOS)	Label Artist-III™, Label Artist™ Mobile (Android, iOS), mPrint App (Android, iOS)
MDM (Optional)	SOTI Connect supported	SOTI Connect supported
Fonts / Graphics / Symbologies		
Fonts	Bitmap Fonts (10 SLCS™, 16 BPL-Z™, 5 BPL-E™), Scalable Fonts (1 SLCS™, 1 BPL-Z™), 23 Code page, Unicode supported (UTF-8, UTF-16LE, UTF-16BE)	Bitmap Fonts (10 SLCS™, 16 BPL-Z™, 5 BPL-E™), Scalable Fonts (1 SLCS™, 1 BPL-Z™), 23 Code page, Unicode supported (UTF-8, UTF-16LE, UTF-16BE)
Graphics	Supporting user-defined fonts, graphics, formats and logos	Supporting user-defined fonts, graphics, formats and logos
Barcode Symbologies	1D: Codabar, Code 11, Code 39, Code 93, Code 128, EAN-13, EAN-8, Industrial 2-of-5, Interleaved 2-of-5, Logmars, MSI, Plessey, Postnet, GS1 DataBar (RSS-14), Standard 2-of-5, UPC/EAN extensions, UPC-A, UPC-E, IMB 2D: Aztec, Codablock, Code49, Data Matrix, MaxiCode, MicroPDF417, PDF417, QR Code, TLC39	1D: Codabar, Code 11, Code 39, Code 93, Code 128, EAN-13, EAN-8, Industrial 2-of-5, Interleaved 2-of-5, Logmars, MSI, Plessey, Postnet, GS1 DataBar (RSS-14), Standard 2-of-5, UPC/EAN extensions, UPC-A, UPC-E, IMB 2D: Aztec, Codablock, Code49, Data Matrix, MaxiCode, MicroPDF417, PDF417, QR Code, TLC39
Accessories / Supplies		
Optional Accessories	Peeler, Auto Cutter, External Paper Supply, WLAN Dongle (Consensus required), Serial cable, USB cable	Peeler, Auto Cutter, WLAN Dongle (Consensus required), Serial cable, USB cable
Supplies	B-ribbon™, B-band™	-



SRP-Q300 Series

SRP-QE300

Print Characteristics		
Print Method	Direct Thermal	Direct Thermal
Print Speed	SRP-Q300, Q300H, Q300B: Up to 220 mm/sec	SRP-QE300: Up to 200 mm/sec
Print Resolution	SRP-Q300, Q300H, Q300B: 180 dpi SRP-Q302, Q302H, Q302B: 203 dpi	SRP-QE300: 180 dpi SRP-QE302: 203 dpi
Print Width	Up to 72 mm	Up to 72 mm
Sensor	Paper End, Cover Open	Paper End, Cover Open
Media Characteristics		
Media Type	Receipt	Receipt
Media Width	80 mm Optional 58 mm	80 mm Optional 58 mm
Media Roll Diameter	Up to 80 mm	Up to 80 mm
Media Thickness	0.05 ~ 0.08 mm	0.05 ~ 0.08 mm
Supply Method	Easy Paper Loading	Easy Paper Loading
Physical Characteristics		
Dimensions (W x L x H)	SRP-Q300: 128 x 125 x 125 mm (5.03 x 4.92 x 4.92 inch) SRP-Q300H: 128 x 125 x 160.2 mm (5.03 x 4.92 x 6.30 inch) SRP-Q300B: 128 x 125 x 169.2 mm (5.03 x 4.92 x 6.66 inch)	128 x 125 x 125 mm (5.03 x 4.92 x 4.92 inch)
Weight	SRP-Q300: 1.23 kg (2.71 lbs.) SRP-Q300H: 1.38 kg (3.04 lbs) SRP-Q300B: 1.72 kg (3.79 lbs)	1.13 kg (2.49 lbs.)
Electrical	EnergyStar Certified, External Power Adaptor 100-240 V AV, 50/60 Hz, 24 V Li-ion, 2850 mAh (Nominal), Rechargeable, Charging time: Up to 4.0 hrs (SRP-Q300B Only)	EnergyStar Certified, External Power Adaptor 100-240 V AV, 50/60 Hz
Drawer Port	2 ports (Via y-type adaptor)	2 ports (Via y-type adaptor)
Performance Characteristics		
Memory	-	-
NV Image Memory	768 Kbytes (Mono)	768 Kbytes (Mono)
Receive Buffer	4 Kbytes	4 Kbytes
User Define Buffer	12 Kbytes	12 Kbytes
Interface	SRP-Q300 / Q300B: Standard: USB V2.0 FS + Ethernet + 1 USB only Charging port Optional: ① Standard + WLAN ¹ ② Standard + Bluetooth SRP-Q300H: 4 USB Host ports (V2.0 HS) + 1 Device port (V2.0 HS) + 1 USB only Charging port + Ethernet + Bluetooth / WLAN ² WLAN ¹ : 802.11a/b/g/n (Infrastructure, Ad-hoc, Wi-Fi Direct, SoftAP) - WEP40/104, WPA1/2 (PSK, EAP) WLAN ² : 802.11a/ac/b/g/n USB dongle type (Optional)	USB V2.0 FS + Ethernet
Environment Characteristics		
Temperature	Operating: 0 ~ 40°C (32 ~ 104°F), Storage: -20 ~ 60°C (-4 ~ 140°F)	Operating: 0 ~ 40°C (32 ~ 104°F), Storage: -20 ~ 60°C (-4 ~ 140°F)
Humidity	Operating: 10 ~ 80% RH, Storage: 10 ~ 90% RH	Operating: 10 ~ 80% RH, Storage: 10 ~ 90% RH
Software		
Emulation	BXL / POS	BXL / POS
Driver / Utility	Windows Driver, OPOS/JPOS Driver, Linux/Mac CUPS Driver, Virtual COM USB/Ethernet Driver, Utility Program, Network Auto Installer SRP-Q300H: Utility Program	Windows Driver, OPOS/JPOS Driver, Linux/Mac CUPS Driver, Virtual COM USB/Ethernet Driver, Utility Program
Developer Tools	Android/iOS/Windows SDK, Linux SDK, Xamarin SDK, Web Print SDK, Cordova Plugin SRP-Q300H: B-gate iOS/Android/Windows SDK, Chrome SDK, B-gate SDK_Cloud Server Print, B-gate SDK_Web App Print, MAUI SDK, Flutter Plugin, React Native SDK	Android/iOS/Windows SDK, Linux SDK, Xamarin SDK, Web Print SDK (Android, iOS), Cordova Plugin, MAUI SDK, Flutter Plugin, React Native SDK
Design & Print	mPrint App (Android, iOS)	mPrint App (Android, iOS)
MDM (Optional)	BIXOLON Profile Manager - XPM™, XCM™ (Windows, Android)	-
Fonts/Graphics/Symbologies		
Character Size	Font A: 12 x 24, Font B: 9 x 17, Font C: 9 x 24, KOR, CHN, JPN: 24 x 24	Font A: 12 x 24, Font B: 9 x 17, Font C: 9 x 24, KOR, CHN, JPN: 24 x 24
Characters Per Line	SRP-Q300, Q300H, Q300B: Font A: 42, Font B, C: 56, KOR, CHN, JPN: 21 SRP-Q302, Q302H, Q302B: Font A: 48, Font B, C: 64, KOR, CHN, JPN: 24	SRP-QE300: Font A: 42, Font B, C: 56, KOR, CHN, JPN: 21 SRP-QE302: Font A: 48, Font B, C: 64, KOR, CHN, JPN: 24
Character Sets	Alphanumeric: 95 Extended Graphics: 128 x 35 page International: 32 Unicode: UTF-8, UTF-16, UTF-32	Alphanumeric: 95 Extended Graphics: 128 x 35 page International: 32
Graphics	Supporting user-defined fonts, graphics, formats and logos	Supporting user-defined fonts, graphics, formats and logos
Barcode Symbologies	1D: Coda Bar, Code 39, Code 93, Code 128, EAN-8, EAN-13, ITF, UPC-A, UPC-E 2D: Data Matrix, GS1-128, GS1 DataBar Stacked / Omnidirectional / Truncated / Limited / Expanded, PDF417, QR code	1D: Coda Bar, Code 39, Code 93, Code 128, EAN-8, EAN-13, ITF, UPC-A, UPC-E 2D: Data Matrix, GS1-128, GS1 DataBar Stacked / Omnidirectional / Truncated / Limited / Expanded, PDF417, QR code
Accessories / Supplies		
Standard Accessories	USB A-B Cable 1.8 m	USB A-B Cable 1.8 m
Optional Accessories	Tablet stand (RTS-Q300), Mini LCD Display (BCD-3000), External buzzer, B-Melodist, Powered A-B USB Y Cable (1.2/4.8 m), USB to Serial cable, WLAN Dongle	Tablet stand (RTS-Q300), External buzzer, B-Melodist



SRP-Q200



B

BGT-100P

Print Characteristics		
Print Method	Direct Thermal	Direct Thermal
Print Speed	Up to 250 mm/sec	BGT-100P: Up to 300 mm/sec BGT-102P: Up to 270 mm/sec
Print Resolution	203 dpi	BGT-100P: 180 dpi BGT-102P: 203 dpi
Print Width	Up to 54 mm	Up to 72 mm
Sensor	Paper End, Cover Open	Paper End, Paper Near End, Cover Open
Media Characteristics		
Media Type	Receipt	Receipt
Media Width	58.0 mm	80 mm Optional 58 mm
Media Roll Diameter	Up to 60 mm	Up to 83 mm
Media Thickness	0.05 ~ 0.08 mm	0.05 ~ 0.08 mm
Supply Method	Easy Paper Loading	Easy Paper Loading
Physical Characteristics		
Dimensions (W x L x H)	103 x 104 x 109 mm (4.03 x 4.10 x 4.24 inch)	145 x 200 x 146 mm (5.70 x 7.87 x 5.74 inch)
Weight	0.61 kg (1.34 lbs.)	1.56 kg (3.43 lbs.)
Electrical	EnergyStar Certified, External Power Adaptor 100-240 V AV, 50/60 Hz	EnergyStar Certified, External Power Adaptor 100-240 V AV, 50/60 Hz
Drawer Port	2 ports (Via y-type adaptor)	2 ports (Via y-type adaptor)
Performance Characteristics		
Memory	-	64 MB SDRAM, 256 MB Flash
NV Image Memory	768 Kbytes (mono)	768 Kbytes (Mono)
Receive Buffer	4 Kbytes	4 Kbytes
User Define Buffer	12 Kbytes	12 Kbytes
Interface	Standard: ① USB V2.0 FS + Serial ② USB V2.0 FS + Ethernet Optional: ① USB V2.0 FS + Ethernet + WLAN ② USB V2.0 FS + Ethernet + Bluetooth WLAN: 802.11a/b/g/n (Infrastructure, Ad-hoc, Wi-Fi Direct, SoftAP) - WEP40/104, WPA1/2 (PSK, EAP)	3 USB Host ports (V2.0 HS) + 1 device port (V2.0 HS) + 1 USB Host with charging + Ethernet + Bluetooth + WLAN WLAN: 802.11a/b/g/n USB dongle type (Optional)
Environment Characteristics		
Temperature	Operating: 0 ~ 40°C (32 ~ 104°F) Storage: -20 ~ 60°C (-4 ~ 140°F)	Operating: 0 ~ 40°C (32 ~ 104°F) Storage: -20 ~ 60°C (-4 ~ 140°F)
Humidity	Operating: 10 ~ 80% RH Storage: 10 ~ 90% RH	Operating: 10 ~ 80% RH Storage: 10 ~ 90% RH
Software		
Emulation	BXL / POS	BXL / POS
Driver / Utility	Windows Driver, OPOS/JPOS Driver, Linux/Mac CUPS Driver, Virtual COM USB/Ethernet Driver, Utility Program	BGT-100P/102P: Windows Driver, Utility Program
Developer Tools	Android/iOS/Windows SDK, Linux SDK, Xamarin SDK, Web Print SDK (Android, iOS), Cordova Plugin, MAUI SDK, Flutter Plugin, React Native SDK	BGT-100P/102P: B-gate iOS/Android/Windows SDK, B-gate SDK_Cloud Server Print, B-gate SDK_Web App Print, Web Print SDK, MAUI SDK, Flutter Plugin, React Native SDK
Design & Print	mPrint App (Android, iOS)	-
MDM (Optional)	-	BIXOLON Profile Manager - XPM™, XCM™ (Windows, Android)
Fonts/Graphics/Symbologies		
Character Size	Font A: 12 x 24, Font B: 9 x 17, Font C: 9 x 24, KOR, CHN, JPN: 24 x 24	Font A: 12 x 24, Font B: 9 x 17, Font C: 9 x 24, KOR, CHN, JPN: 24 x 24
Characters Per Line	Font A: 36, Font B, C: 48, KOR, CHN, JPN: 18	BGT-100P: Font A: 42, Font B, C: 56, KOR, CHN, JPN: 21 BGT-102P: Font A: 48, Font B, C: 64, KOR, CHN, JPN: 24
Character Sets	Alphanumeric: 95 Extended Graphics: 128 x 35 page International: 32	Alphanumeric: 95 Extended Graphics: 128 x 33 page International: 32
Graphics	Supporting user-defined fonts, graphics, formats and logos	Supporting user-defined fonts, graphics, formats and logos
Barcode Symbologies	1D: Coda Bar, Code39, Code93, Code128, EAN-8, EAN-13, ITF, UPC-A, UPC-E 2D: Data Matrix, PDF417, QR Code	1D: Coda Bar, Code 39, Code 93, Code 128, EAN-8, EAN-13, ITF, UPC-A, UPC-E 2D: Data Matrix, PDF417, QR code
Accessories / Supplies		
Standard Accessories	USB A-B Cable 1.8 m	USB A-B Cable 1.8 m
Optional Accessories	External buzzer, B-Melodist, Serial Cable (9-9 pin)	Built-in SMPS, Vertical stand, Wall mount, Splash Proof Cover, External buzzer, B-Melodist, USB to Serial cable, WLAN Dongle



SRP-S300



SRP-S300



SRP-S320

SRP-S300 Series

Print Characteristics		SRP-S300 Series	
Print Method	Direct Thermal (Front Exit)	Direct Thermal	
Print Speed	Up to 200 mm/sec	SRP-S300L/LX: Up to 170 mm/sec, SRP-S300R: Up to 300 mm/sec, SRP-S320: Up to 150 mm/sec	
Print Resolution	203 dpi	203 dpi	
Print Width	Up to 32 / 48 / 72 mm	SRP-S300: Up to 80 / 72 / 60 / 48 / 32 mm, SRP-S320: Up to 72 / 60 / 48 / 32 mm	
Sensor	Paper End, Black Mark, Cover Open, Paper Taken, Gap	SRP-S300: Paper End, Black Mark, Cover Open, Paper Taken (Option), Paper Near End (Receipt Only) SRP-S320: Paper End, Black Mark, Cover Open, Paper Taken	
Media Characteristics		SRP-S300 Series	
Media Type	Linerless Extreme, Restick, Liner Label (Gap, Black Mark, Notch, Continuous)	SRP-S300L/T: Re-stick, SRP-S300LX/TX, SRP-S320: Linerless Extreme, SRP-S300R: Receipt	
Media Width	40 / 58 / 80 mm	Standard: 80 mm, SRP-S300 Optional: 40 / 58 / 62 / 83 mm, SRP-S320 Optional: 40 / 58 / 62 mm	
Media Roll Diameter	Up to 103 mm	SRP-S300: Up to 103 mm, SRP-S320: Up to 120 mm	
Media Thickness	BXL / POS - 0.06 ~ 0.09 mm, SLCS / BPL-Z™ / BPL-C™ - 0.06 ~ 0.15 mm	0.06 ~ 0.09 mm	
Supply Method	Easy Paper Loading	Easy Paper Loading	
Physical Characteristics		SRP-S300 Series	
Dimensions (W x L x H)	144 x 158 x 210 mm (5.67 x 6.22 x 8.27 inch)	SRP-S300: 156 x 210 x 160 mm (6.14 x 8.27 x 6.30 inch) SRP-S320: 156 x 227 x 161 mm (6.14 x 8.94 x 6.34 inch)	
Weight	2.00 kg (4.40 lbs.)	SRP-S300: 2.00 kg (4.40 lbs.), SRP-S320: 2.20 kg (4.85 lbs.)	
Electrical	Energy Star Certified, External Power Supply Housed Internally (Adaptor 24 V/2.5 A)	Energy Star Certified, External Power Supply Housed Internally (Adaptor 24 V/2.5 A)	
Display	2 inch Color TFT LCD	-	
Drawer Port	2 ports (Via y-type adaptor)	SRP-S300: 2 Ports (Via y-type adaptor), SRP-S320: N/A	
Performance Characteristics		SRP-S300 Series	
Memory	128 MB SDRAM, 256 MB Flash / 256 MB SDRAM, 512 MB Flash (Optional)	-	
NV Image Memory	768 Kbytes (Mono)	SRP-S300: 256 Kbytes (Mono), SRP-S320: 768 Kbytes (Mono)	
Receive Buffer	4 Kbytes	4 Kbytes	
User Define Buffer	12 Kbytes	12 Kbytes	
Interface	Standard: USB V2.0 HS + 1 USB Host port + Ethernet + Serial Optional: ① USB V2.0 HS + 1 USB Host port + Ethernet + Serial + WLAN ② USB V2.0 HS + 1 USB Host port + Ethernet + Serial + Bluetooth WLAN: 802.11a/b/g/n (Infrastructure, Ad-hoc, Wi-Fi Direct, SoftAP) - WEP40/104, WPA1/2 (PSK, EAP)	SRP-S300: Standard: USB V2.0 FS Optional: ① USB V2.0 FS + Serial ② USB V2.0 FS + Parallel ③ USB V2.0 FS + Ethernet ④ USB V2.0 FS + WLAN ¹ ⑤ USB V2.0 FS + Bluetooth ⑥ USB V2.0 FS + Powered USB SRP-S320: Standard: USB V2.0 FS + Ethernet Optional: ① USB V2.0 FS + Ethernet + Serial ② USB V2.0 FS + Ethernet + WLAN ¹ ③ USB V2.0 FS + Ethernet + Bluetooth SRP-S300Hi, 320Hi (B-gate Hub Interface): 3 USB Host ports (V2.0 HS) + 1 USB charging port + 1 Device port (V2.0 HS) + Ethernet + WLAN ² WLAN ¹ : 802.11a/b/g/n (Infrastructure, Ad-hoc, Wi-Fi Direct, SoftAP) - WEP40/104, WPA1/2 (PSK, EAP) WLAN ² : 802.11a/ac/b/g/n USB dongle type (Optional)	
Environment Characteristics		SRP-S300 Series	
Temperature	Operating: 0 ~ 40°C (32 ~ 104°F), Storage: -20 ~ 60°C (-4 ~ 140°F)	Operating: 0 ~ 40°C (32 ~ 104°F), Storage: -20 ~ 60°C (-4 ~ 140°F)	
Humidity	Operating: 10 ~ 80% RH, Storage: 10 ~ 90% RH	Operating: 10 ~ 80% RH, Storage: 10 ~ 90% RH	
Sealing	IP23	IP21	
Software		SRP-S300 Series	
Emulation	BXL / POS, SLCS, BPL-Z™, BPL-C™	BXL / POS	
Driver / Utility	BXL / POS - Windows Driver, OPOS/JPOS Driver, Linux/Mac CUPS Driver, Virtual COM USB/Ethernet Driver, Utility Program, Network Auto Installer SLCS, BPL-Z™, BPL-C™ - Windows Driver (Europlus/Seagull), OPOS/JPOS Driver, Utility Program, Linux/Mac CUPS Driver, Virtual COM USB/Ethernet Driver, Bartender UltraLite for BIXOLON, Label Artist-IT™, SAP® Device Driver	Windows Driver, OPOS/JPOS Driver, Linux/Mac CUPS Driver, Virtual COM USB/Ethernet Driver, Utility Program, Network Auto Installer SRP-S300/320Hi: Utility Program	
Developer Tools	Android/iOS/Windows SDK, Linux SDK, Xamarin SDK, Web Print SDK, Cordova Plugin, MAUI SDK, Flutter Plugin, React Native SDK	Android/iOS/Windows SDK, Linux SDK, Xamarin SDK, Web Print SDK, Cordova Plugin SRP-S300 / 320Hi: B-gate iOS/Android/Windows SDK, Chrome SDK, B-gate SDK_Cloud Server Print, B-gate SDK_Web App Print, MAUI SDK, Flutter Plugin, React Native SDK	
Design & Print	BXL / POS - mPrint App (Android, iOS) SLCS, BPL-Z™, BPL-C™ - mPrint App (Android, iOS), Label Artist™ Mobile (Android, iOS)	mPrint App (Android, iOS); B-gate Not Supported	
MDM (Optional)	BIXOLON Profile Manager - XPM™, XCM™ (Windows, Android)	BIXOLON Profile Manager - XPM™, XCM™ (Windows, Android)	
Fonts/Graphics/Symbologies		SRP-S300 Series	
Character Size	BXL / POS: Font A: 12 x 24, Font B: 9 x 17, Font C: 9 x 24, KOR, CHN, JPN: 24 x 24 SLCS, BPL-Z™, BPL-C™: Bitmap Fonts (10 SLCS™, 16 BPL-Z™), Scalable Fonts (1 SLCS™, 1 BPL-Z™, 7 BPL-C™), 23 Code page, Unicode Supported (UTF-8, UTF-16LE, UTF-16BE)	Font A: 12 x 24, Font B: 9 x 17, Font C: 9 x 24, KOR, CHN, JPN: 24 x 24	
Characters Per Line	Font A: 42, Font B, C: 56, KOR, CHN, JPN: 21	SRP-S300: Font A: 48, Font B, C: 64, SRP-S320: Font A: 42, Font B, C: 56, KOR, CHN, JPN: 21	
Character Sets	Alphanumeric: 95 Extended Graphics: 128 x 35 page International: 32	Alphanumeric: 95 Extended Graphics: 128 x 33 page International: 32	
Graphics	Supporting user-defined fonts, graphics, formats, and logos BXL / POS: 1D: Code Bar, Code 39, Code 93, Code 128, EAN-8, EAN-13, ITF, UPC-A, UPC-E 2D: Data Matrix, PDF417, QR code	Supporting User-Defined Fonts, Graphics, Formats and Logos 1D: Code Bar, Code 39, Code 93, Code 128, EAN-8, EAN-13, ITF, UPC-A, UPC-E 2D: Data Matrix, PDF417, QR code	
Barcode Symbologies	SLCS, BPL-Z™, BPL-C™: 1D: Codabar, Code 11, Code 39, Code 93, Code 128, EAN-8, EAN-13, Industrial 2-of-5, Interleaved 2-of-5, Logmars, MSI, Plessey, Postnet, GS1 DataBar (RSS-14), Standard 2-of-5, UPC/EAN extensions, UPC-A, UPC-E, IMB 2D: Aztec, Codablock, Code 49, Data Matrix, MaxiCode, MicroPDF417, PDF417, QR code, TLC 39		
Accessories / Supplies		SRP-S300 Series	
Standard Accessories	2-inch Partition (58/40 mm), USB A-B Cable 1.8 m	SRP-S300: 2-inch Partition (62/58/40 mm), 3 inch Partition (83 mm) SRP-S320: 2-inch Partition (62/58/40 mm), USB A-B Cable 1.8 m	
Optional Accessories	Serial Cable (9-9 pin)	External buzzer, B-Melodist (SRP-S300 only), USB to Serial cable, WLAN Dongle, Powered USB (0.5/1.2 m - SRP-S300 only), Serial Cable (9-9/25-9 pin)	
Supplies	B-linerless™ BIXOLON's flexible and ecological linerless label consumables	B-linerless™ BIXOLON's flexible and ecological linerless label consumables	



SRP-S200



SRP-F310II

Print Characteristics		
Print Method	Direct Thermal (Front Exit)	Direct Thermal (Front Exit)
Print Speed	Up to 150 mm/sec	Up to 350 mm/sec
Print Resolution	203 dpi	SRP-F310II: 180 dpi (512 dots), SRP-F312II: 203 dpi (576 dots), SRP-F313II: 203 dpi (640 dots)
Print Width	Up to 54 / 32 mm	SRP-F310II: Up to 72 mm, SRP-F312II: Up to 72 mm, SRP-F313II: Up to 80 mm
Sensor	Paper End, Black Mark, Cover Open, Paper Taken	Paper End, Paper Near End, Cover Open
Media Characteristics		
Media Type	Re-stick	Receipt
Media Width	58 mm, Optional 40 mm	80 mm, Optional 83 mm
Media Roll Diameter	Up to 103 mm	Up to 105 mm
Media Thickness	0.06 ~ 0.09 mm	0.05 ~ 0.08 mm
Supply Method	Easy Paper Loading	Easy Paper Loading
Physical Characteristics		
Dimensions (W x L x H)	128 x 156 x 196 mm (5.03 x 6.14 x 7.71 inch)	154 x 203 x 148 mm (6.06 x 7.99 x 5.82 inch)
Weight	1.80 kg (3.96 lbs.)	2.00 kg (4.40 lbs.)
Electrical	Energy Star Certified, External Power Supply Housed Internally (Adaptor 24 V/2.5 A)	EnergyStar Certified, External Power Supply Housed Internally (Adaptor 24 V/2.5 A, 50/60 Hz)
Drawer Port	-	2 ports (Via y-type adaptor)
Performance Characteristics		
Memory	-	-
NV Image Memory	768 Kbytes (Mono)	768 Kbytes (Mono)
Receive Buffer	4 Kbytes	4 Kbytes
User Define Buffer	12 Kbytes	12 Kbytes
Interface	USB V2.0 FS + Ethernet + Serial	Standard: USB V2.0 FS + Ethernet Optional: ① USB V2.0 FS + Ethernet + Serial ② USB V2.0 FS + Ethernet + Dual Serial ③ USB V2.0 FS + Ethernet + Parallel ④ USB V2.0 FS + Ethernet + WLAN ¹ ⑤ USB V2.0 FS + Ethernet + Bluetooth ⑥ USB V2.0 FS + Ethernet +Powered USB SRP-F310IIHi (B-gate Hub Interface): 3 USB Host ports (V2.0 HS) + 1 Device port (V2.0 HS) + 1 USB Host with charging + Ethernet + WLAN ² WLAN ¹ : 802.11a/b/g/n (Infrastructure, Ad-hoc, Wi-Fi Direct, SoftAP) - WEP40/104, WPA1/2 (PSK, EAP) WLAN ² : 802.11a/ac/b/g/n USB dongle type (Optional)
Environment Characteristics		
Temperature	Operating: 0 ~ 40°C (32 ~ 104°F), Storage: -20 ~ 60°C (-4 ~ 140°F)	Operating: 0 ~ 40°C (32 ~ 104°F), Storage: -20 ~ 60°C (-4 ~ 140°F)
Humidity	Operating: 10 ~ 80% RH, Storage: 10 ~ 90% RH	Operating: 10 ~ 80% RH, Storage: 10 ~ 90% RH
Sealing	IP23	IP12
Software		
Emulation	BXL / POS	BXL / POS
Driver / Utility	Windows Driver, OPOS/JPOS Driver, Linux/Mac CUPS Driver, Virtual COM USB/Ethernet Driver, Utility Program, Network Auto Installer	Windows Driver, OPOS/JPOS Driver, Linux/Mac CUPS Driver, Virtual COM USB/Ethernet Driver, Utility Program, Network Auto Installer SRP-F310IIHi: Utility Program
Developer Tools	Android/iOS/Windows SDK, Linux SDK, Xamarin SDK, Web Print SDK, Cordova Plugin, MAUI SDK, Flutter Plugin, React Native SDK	Android/iOS/Windows SDK, Linux SDK, Xamarin SDK, Web Print SDK, Cordova Plugin SRP-F310IIHi: B-gate iOS/Android/Windows SDK, Chrome SDK, B-gate SDK_Cloud Server Print, B-gate SDK_Web App Print, MAUI SDK, Flutter Plugin, React Native SDK
Design & Print	mPrint App (Android, iOS): B-gate Not Supported	mPrint App (Android, iOS)
MDM (Optional)	-	BIXOLON Profile Manager - XPM™, XCM™ (Windows, Android)
Fonts / Graphics / Symbologies		
Character Size	Font A: 12 x 24, Font B: 9 x 17, Font C: 9 x 24, KOR, CHN, JPN: 24 x 24	Font A: 12 x 24, Font B: 9 x 17, Font C: 9 x 24, KOR, CHN, JPN: 24 x 24
Characters Per Line	Font A: 36, Font B, C: 48, KOR, CHN, JPN: 18	SRP-F310II: Font A: 42, Font B, C: 56, KOR, CHN, JPN: 21 SRP-F312II: Font A: 48, Font B, C: 64, KOR, CHN, JPN: 24 SRP-F313II: Font A: 53, Font B, C: 71, KOR, CHN, JPN: 26
Character Sets	Alphanumeric: 95 Extended Graphics: 128 x 35 page International: 32	Alphanumeric: 95 Extended Graphics: 128 x 35 page International: 32
Graphics	Supporting user-defined fonts, graphics, formats, and logos	Supporting user-defined fonts, graphics, formats and logos
Barcode Symbologies	1D: Coda Bar, Code 39, Code 93, Code 128, EAN-8, EAN-13, ITF, UPC-A, UPC-E 2D: Data Matrix, PDF417, QR code	1D: Coda Bar, Code39, Code93, Code128, EAN-8, EAN-13, ITF, UPC-A, UPC-E 2D: Data Matrix, PDF417, QR Code
Accessories / Supplies		
Standard Accessories	40 mm Partition, USB A-B Cable 1.8 m	3-inch Partition (83 mm), USB A-A Cable 1.8 m
Optional Accessories	External buzzer, USB to Serial cable, Serial Cable (9-9 pin)	External buzzer, B-Melodist, USB to Serial cable, WLAN Dongle, Powered USB (0.5/1.2 m), Serial Cable (9-9/25-9 pin), Parallel Cable
Supplies	B-linerless™ BIXOLON's flexible and ecological linerless label consumables	-

*** Specified Paper: TF50KS-E (Paper thickness: 65µm) - Nippon Paper industries / PD 150R (Paper thickness: 75µm) - New Oji Paper / PD 160R (Paper thickness: 75µm) - New Oji Paper / P350 (Paper thickness: 62µm) - Kansaki Specialty Paper (USA)



SRP-380



SRP-350plusV

Print Characteristics		
Print Method	Direct Thermal	Direct Thermal
Print Speed	SRP-380, 382: Up to 350 mm/sec	SRP-350plusV: Up to 400 mm/sec SRP-352plusV: Up to 370 mm/sec
Print Resolution	SRP-380: 180 dpi SRP-382: 203 dpi	SRP-350plusV: 180 dpi SRP-352plusV: 203 dpi
Print Width	SRP-380, 382: Up to 72 mm	Up to 72 mm
Sensor	Paper End, Paper Near End, Cover Open, Visibility Intelligence Sensor	Paper End, Paper Near End, Cover Open, Visibility Intelligence Sensor
Media Characteristics		
Media Type	Receipt	Receipt
Media Width	80 mm Optional 58 mm	80 mm Optional 58 mm
Media Roll Diameter	Up to 83 mm	Up to 83 mm
Media Thickness	0.05 ~ 0.08 mm	0.05 ~ 0.08 mm
Supply Method	Easy Paper Loading	Easy Paper Loading
Physical Characteristics		
Dimensions (W x L x H)	147 x 200 x 148 mm (5.79 x 7.87 x 5.82 inch)	145 x 200 x 146 mm (5.70 x 7.87 x 5.74 inch)
Weight	SRP-380, 382: 1.56 kg (3.43 lbs.)	1.6 kg (3.52 lbs.)
Electrical	EnergyStar Certified, External Power Adaptor 100-240 V AV, 50/60 Hz	EnergyStar Certified, External Power Adaptor 100-240 V AV, 50/60 Hz
Drawer Port	2 ports (Via y-type adaptor)	2 ports (Via y-type adaptor)
Performance Characteristics		
Memory	-	64 Mb SDRAM, 64 Mb Flash
NV Image Memory	SRP-380, 382: 768 Kbytes (Mono)	768 Kbytes (Mono)
Receive Buffer	4 Kbytes	4 Kbytes
User Define Buffer	12 Kbytes	12 Kbytes
Interface	Standard: USB V2.0 FS Optional: ① USB V2.0 FS + Ethernet ② USB V2.0 FS + Serial ③ USB V2.0 FS + Dual Serial ④ USB V2.0 FS + Parallel ⑤ USB V2.0 FS + WLAN ⑥ USB V2.0 FS + Bluetooth ⑦ USB V2.0 FS + Powered USB WLAN: 802.11a/b/g/n (Infrastructure, Ad-hoc, Wi-Fi Direct, SoftAP) - WEP40/104, WPA1/2 (PSK, EAP)	Standard: USB V2.0 FS + Ethernet Optional: ① USB V2.0 FS + Ethernet + Serial ② USB V2.0 FS + Ethernet + Dual Serial ③ USB V2.0 FS + Ethernet + Parallel ④ USB V2.0 FS + Ethernet + WLAN ¹ ⑤ USB V2.0 FS + Ethernet + Bluetooth ⑥ USB V2.0 FS + Ethernet + Powered USB WLAN: 802.11a/b/g/n (Infrastructure, Ad-hoc, Wi-Fi Direct, SoftAP) - WEP40/104, WPA1/2 (PSK, EAP)
Environment Characteristics		
Temperature	Operating: 0 ~ 40°C (32 ~ 104°F) Storage: -20 ~ 60°C (-4 ~ 140°F)	Operating: 0 ~ 40°C (32 ~ 104°F) Storage: -20 ~ 60°C (-4 ~ 140°F)
Humidity	Operating: 10 ~ 80% RH Storage: 10 ~ 90% RH	Operating: 10 ~ 80% RH Storage: 10 ~ 90% RH
Software		
Emulation	BXL / POS	BXL / POS
Driver / Utility	Windows Driver, OPOS/JPOS Driver, Linux/Mac CUPS Driver, Virtual COM USB/Ethernet Driver, Utility Program, Network Auto Installer	Windows Driver, OPOS/JPOS Driver, Linux/Mac CUPS Driver, Virtual COM USB/Ethernet Driver, Utility Program, Network Auto Installer
Developer Tools	Android/iOS/Windows SDK, Linux SDK, Windows Runtime SDK, Xamarin SDK, Web Print SDK, Cordova Plugin, MAUI SDK, Flutter Plugin, React Native SDK	Android/iOS/Windows SDK, Linux SDK, Xamarin SDK, Web Print SDK, Cordova Plugin, MAUI SDK, Flutter Plugin, React Native SDK
Design & Print	mPrint App (Android, iOS)	mPrint App (Android, iOS)
MDM (Optional)	BIXOLON Profile Manager - XPM™, XCM™ (Windows, Android)	BIXOLON Profile Manager - XPM™, XCM™ (Windows, Android)
Fonts/Graphics/Symbologies		
Character Size	Font A: 12 x 24, Font B: 9 x 17, Font C: 9 x 24, KOR, CHN, JPN: 24 x 24	Font A: 12 x 24, Font B: 9 x 17, Font C: 9 x 24, KOR, CHN, JPN: 24 x 24
Characters Per Line	SRP-380: Font A: 42, Font B, C: 56, KOR, CHN, JPN: 21 SRP-382: Font A: 48, Font B, C: 64, KOR, CHN, JPN: 24	SRP-350plusV: Font A: 42, Font B, C: 56, KOR, CHN, JPN: 21 SRP-352plusV: Font A: 48 Font B, C: 64, KOR, CHN, JPN: 24
Character Sets	Alphanumeric: 95 Extended Graphics: 128 x 35 page International: 32 Unicode: UTF-8, UTF-16, UTF-32	Alphanumeric: 95 Extended Graphics: 128 x 35 page International: 32
Graphics	Supporting user-defined fonts, graphics, formats and logos	Supporting user-defined fonts, graphics, formats, and logos
Barcode Symbologies	1D: Coda Bar, Code 39, Code 93, Code 128, EAN-8, EAN-13, ITF, UPC-A, UPC-E 2D: Data Matrix, GS1-128, GS1 DataBar Stacked / Omnidirectional / Truncated / Limited / Expanded, PDF417, QR code	1D: Coda Bar, Code 39, Code 93, Code 128, EAN-8, EAN-13, ITF, UPC-A, UPC-E 2D: Data Matrix, PDF417, QR code
Accessories / Warranty		
Standard Accessories	2-inch Partition (58 mm), USB A-B Cable 1.8 m	RJ12 6pin cable Adapter (Male to Female), USB A-B Cable 1.8 m
Optional Accessories	Splash cover, External buzzer, B-Melodist, Powered USB (0.5/1.2 m), Powered A-B USB Y Cable (1.2/4.8 m), Serial Cable (9-9/25-9 pin)	Built-in SMPS, Vertical stand, Wall mount, Splash Proof Cover, External buzzer, B-Melodist, Powered USB (0.5/1.2 m), Serial Cable (9-9/25-9 pin), Parallel Cable
Warranty	Extended warranty (Optional)	2 Years



SRP-350plusIII



SRP-350V

Print Characteristics		
Print Method	Direct Thermal	Direct Thermal
Print Speed	SRP-350plusIII: Up to 300 mm/sec SRP-352plusIII: Up to 270 mm/sec	SRP-350V: Up to 300 mm/sec SRP-352V: Up to 270 mm/sec
Print Resolution	SRP-350plusIII: 180 dpi SRP-352plusIII: 203 dpi	SRP-350V: 180 dpi SRP-352V: 203 dpi
Print Width	Up to 72 mm	Up to 72 mm
Sensor	Paper End, Paper Near End, Cover Open	Paper End, Paper Near End, Cover Open, Visibility Intelligence Sensor
Media Characteristics		
Media Type	Receipt	Receipt
Media Width	80 mm Optional 58 mm	80 mm Optional 58 mm
Media Roll Diameter	Up to 83 mm	Up to 83 mm
Media Thickness	0.05 ~ 0.08 mm	0.05 ~ 0.08 mm
Supply Method	Easy Paper Loading	Easy Paper Loading
Physical Characteristics		
Dimensions (W x L x H)	145 x 200 x 146 mm (5.70 x 7.87 x 5.74 inch)	145 x 204 x 146 mm (5.70 x 8.03 x 5.74 inch)
Weight	1.56 kg (3.43 lbs.)	1.6 kg (3.52 lbs.)
Electrical	EnergyStar Certified, External Power Adaptor 100-240 V AV, 50/60 Hz	EnergyStar Certified, External Power Adaptor 100-240 V AV, 50/60 Hz
Drawer Port	2 ports (Via y-type adaptor)	2 ports (Via y-type adaptor)
Performance Characteristics		
Memory	-	64 Mb SDRAM, 64 Mb Flash
NV Image Memory	768 Kbytes (Mono)	256 Kbytes (Mono)
Receive Buffer	4 Kbytes	4 Kbytes
User Define Buffer	12 Kbytes	12 Kbytes
Interface	Standard: USB V2.0 FS + Ethernet Optional: ① USB V2.0 FS + Ethernet + Serial ② USB V2.0 FS + Ethernet + Parallel ③ USB V2.0 FS + Ethernet + WLAN ¹ ④ USB V2.0 FS + Ethernet + Bluetooth ⑤ USB V2.0 FS + Ethernet + Powered USB WLAN: 802.11a/b/g/n (Infrastructure, Ad-hoc, Wi-Fi Direct, SoftAP) - WEP40/104, WPA1/2 (PSK, EAP)	Standard: USB V2.0 FS Optional: ① USB V2.0 FS + Serial ② USB V2.0 FS + Parallel ③ USB V2.0 FS + Ethernet ④ USB V2.0 FS + Dual Serial
Environment Characteristics		
Temperature	Operating: 0 ~ 40°C (32 ~ 104°F) Storage: -20 ~ 60°C (-4 ~ 140°F)	Operating: 0 ~ 40°C (32 ~ 104°F) Storage: -20 ~ 60°C (-4 ~ 140°F)
Humidity	Operating: 10 ~ 80% RH Storage: 10 ~ 90% RH	Operating: 10 ~ 80% RH Storage: 10 ~ 90% RH
Software		
Emulation	BXL / POS	BXL / POS
Driver / Utility	Windows Driver, OPOS/JPOS Driver, Linux/Mac CUPS Driver, Virtual COM USB/Ethernet Driver, Utility Program, Network Auto Installer	Windows Driver, OPOS/JPOS Driver, Linux/Mac CUPS Driver, Virtual COM USB/Ethernet Driver, Utility Program, Network Auto Installer
Developer Tools	Android/iOS/Windows SDK, Linux SDK, Windows Runtime SDK, Xamarin SDK, Web Print SDK, Cordova Plugin, MAUI SDK, Flutter Plugin, React Native SDK	Android/iOS/Windows SDK, Linux SDK, Xamarin SDK, Web Print SDK, Cordova Plugin, MAUI SDK, Flutter Plugin, React Native SDK
Design & Print	mPrint App (Android, iOS)	mPrint App (Android, iOS)
MDM (Optional)	BIXOLON Profile Manager - XPM™, XCM™ (Windows, Android)	-
Fonts/Graphics/Symbologies		
Character Size	Font A: 12 x 24, Font B: 9 x 17, Font C: 9 x 24, KOR, CHN, JPN: 24 x 24	Font A: 12 x 24, Font B: 9 x 17, Font C: 9 x 24, KOR, CHN, JPN: 24 x 24
Characters Per Line	SRP-350plusIII: Font A: 42, Font B, C: 56, KOR, CHN, JPN: 21 SRP-352plusIII: Font A: 48, Font B, C: 64, KOR, CHN, JPN: 24	SRP-350V: Font A: 42, Font B, C: 56, KOR, CHN, JPN: 21 SRP-352V: Font A: 48, Font B, C: 64, KOR, CHN, JPN: 24
Character Sets	Alphanumeric: 95 Extended Graphics: 128 x 35 page International: 32	Alphanumeric: 95 Extended Graphics: 128 x 35 page International: 32
Graphics	Supporting user-defined fonts, graphics, formats, and logos	Supporting user-defined fonts, graphics, formats, and logos
Barcode Symbologies	1D: Coda Bar, Code 39, Code 93, Code 128, EAN-8, EAN-13, ITF, UPC-A, UPC-E 2D: Data Matrix, PDF417, QR code	1D: Coda Bar, Code39, Code93, Code128, EAN-8, EAN-13, ITF, UPC-A, UPC-E 2D: Data Matrix, PDF417, QR Code
Accessories		
Standard Accessories	RJ12 6pin cable Adapter (Male to Female), USB A-B Cable 1.8 m	USB A-B Cable 1.8 m
Optional Accessories	Built-in SMPS, Vertical stand, Wall mount, Splash Proof Cover, External buzzer, B-Melodist, Powered USB (0.5/1.2 m), Serial Cable (9-9/25-9 pin), Parallel Cable	Built-in SMPS, Vertical stand, Wall mount, Splash Proof Cover, External buzzer, B-Melodist, Serial Cable (9-9/25-9 pin), Parallel Cable



SRP-350III



SRP-330III

Print Characteristics		
Print Method	Direct Thermal	Direct Thermal
Print Speed	SRP-350III: Up to 250 mm/sec SRP-352III: Up to 230 mm/sec	SRP-330III: Up to 250 mm/sec SRP-332III: Up to 250 mm/sec
Print Resolution	SRP-350III: 180 dpi SRP-352III: 203 dpi	SRP-330III: 180 dpi SRP-332III: 203 dpi
Print Width	Up to 72 mm	Up to 72 mm
Sensor	Paper End, Paper Near End, Cover Open	Paper End, Cover Open
Media Characteristics		
Media Type	Receipt	Receipt
Media Width	80 mm Optional 58 mm	80 mm Optional 58 mm
Media Roll Diameter	Up to 83 mm	Up to 80 mm
Media Thickness	0.05 - 0.08 mm	0.05 - 0.08 mm
Supply Method	Easy Paper Loading	Easy Paper Loading
Physical Characteristics		
Dimensions (W x L x H)	145 x 204 x 146 mm (5.70 x 8.03 x 5.74 inch)	145 x 195 x 146 mm (5.72 x 7.79 x 5.74 inch)
Weight	1.55 kg (3.41 lbs.)	1.6 kg (3.52 lbs.)
Electrical	EnergyStar Certified, External Power Adaptor 100-240 V AV, 50/60 Hz	EnergyStar Certified, External Power Adaptor 100-240 V AV, 50/60 Hz
Drawer Port	2 ports (Via y-type adaptor)	2 ports (Via y-type adaptor)
Performance Characteristics		
Memory	-	128 Mb SDRAM, 64 Mb Flash
NV Image Memory	256 Kbytes (Mono)	768 Kbytes (Mono)
Receive Buffer	4 Kbytes	4 Kbytes
User Define Buffer	12 Kbytes	12 Kbytes
Interface	Standard: USB V2.0 FS Optional: ① USB V2.0 FS + Serial ② USB V2.0 FS + Parallel ③ USB V2.0 FS + Ethernet ④ USB V2.0 FS + Dual Serial	① USB V2.0 FS + Ethernet + Serial ② USB V2.0 FS + Serial ③ USB V2.0 FS + Parallel ④ USB V2.0 FS + Dual Serial
Environment Characteristics		
Temperature	Operating: 0 ~ 40°C (32 ~ 104°F) Storage: -20 ~ 60°C (-4 ~ 140°F)	Operating: 0 ~ 40°C (32 ~ 104°F) Storage: -20 ~ 60°C (-4 ~ 140°F)
Humidity	Operating: 10 ~ 80% RH Storage: 10 ~ 90% RH	Operating: 10 ~ 80% RH Storage: 10 ~ 90% RH
Software		
Emulation	BXL / POS	BXL / POS
Driver / Utility	Windows Driver, OPOS/JPOS Driver, Linux/Mac CUPS Driver, Virtual COM USB/Ethernet Driver, Utility Program	Windows Driver, OPOS/JPOS Driver, Linux/Mac CUPS Driver, Virtual COM USB/Ethernet Driver, Utility Program, Network Auto Installer
Developer Tools	Android/iOS/Windows SDK, Linux SDK, Xamarin SDK, Web Print SDK, Cordova Plugin, MAUI SDK, Flutter Plugin, React Native SDK	Android/iOS/Windows SDK, Linux SDK, Xamarin SDK, Web Print SDK, Cordova Plugin, MAUI SDK, Flutter Plugin, React Native SDK
Design & Print	mPrint App (Android, iOS)	mPrint App (Android, iOS)
MDM (Optional)	-	-
Fonts / Graphics / Symbologies		
Character Size	Font A: 12 x 24, Font B: 9 x 17, Font C: 9 x 24, KOR, CHN, JPN: 24 x 24	Font A: 12 x 24, Font B: 9 x 17, Font C: 9 x 24, KOR, CHN, JPN: 24 x 24
Characters Per Line	SRP-350III: Font A: 42, Font B, C: 56, KOR, CHN, JPN: 21 SRP-352III: Font A: 48, Font B, C: 64, KOR, CHN, JPN: 24	SRP-330III: Font A: 42, Font B, C: 56, KOR, CHN, JPN: 21 SRP-332III: Font A: 48, Font B, C: 64, KOR, CHN, JPN: 24
Character Sets	Alphanumeric: 95 Extended Graphics: 128 x 33 page International: 32	Alphanumeric: 95 Extended Graphics: 128 x 35 page International: 32
Graphics	Supporting user-defined fonts, graphics, formats and logos	Supporting user-defined fonts, graphics, formats, and logos
Barcode Symbologies	1D: Coda Bar, Code39, Code93, Code128, EAN-8, EAN-13, ITF, UPC-A, UPC-E 2D: Data Matrix, PDF417, QR Code	1D: Coda Bar, Code39, Code93, Code128, EAN-8, EAN-13, ITF, UPC-A, UPC-E 2D: Data Matrix, PDF417, QR Code
Accessories		
Standard Accessories	USB A-B Cable 1.8 m	2-inch Partition (58 mm), USB A-B Cable 1.8 m
Optional Accessories	Built-in SMPS, Vertical stand, Wall mount, Splash Proof Cover, External buzzer, B-Melodist, Serial Cable (9-9/25-9 pin), Parallel Cable	External buzzer, B-Melodist, Serial Cable (9-9/25-9 pin), Parallel Cable
Warranty		
Warranty	-	2 Years



SRP-330II

SRP-275III

STP-103III

Print Characteristics			
Print Method	Direct Thermal	9 Pin Serial Dot Matrix	Direct Thermal
Print Speed	Up to 220 mm/sec	Up to 5.1 lps (at 40 columns)	Up to 80 mm/sec
Print Resolution	SRP-330II: 180 dpi SRP-332II: 203 dpi	80 dpi (Horizontal) 144 dpi (Vertical)	203 dpi
Print Width	Up to 72 mm	Up to 63.5 mm	Up to 48 mm
Sensor	Paper End, Cover Open	Paper End, Paper Near End, Wall Mounting Paper Near End, Rear Cover Open, Black Mark	Paper End, Paper Near End, Cover Open
Media Characteristics			
Media Type	Receipt	Receipt	Receipt
Media Width	80 mm Optional 58 mm	76.5 mm	57.5 mm
Media Roll Diameter	Up to 80 mm	Up to 83 mm	Up to 60 mm
Media Thickness	0.05 ~ 0.08 mm	0.06 ~ 0.085 mm	0.05 ~ 0.08 mm
Supply Method	Easy Paper Loading	Easy Paper Loading	Easy Paper Loading
Physical Characteristics			
Dimensions (W x L x H)	145 x 198 x 146 mm (5.72 x 7.79 x 5.74 inch)	160 x 239 x 157 mm (6.29 x 9.40 x 6.18 inch)	116 x 180 x 90 mm (4.56 x 7.08 x 3.54 inch)
Weight	1.37 kg (3.02 lbs.)	A: 2.4 kg (5.29 lbs.) C: 2.5 kg (5.51 lbs.)	450 g (0.99 lbs.)
Electrical	EnergyStar Certified, External Power Adaptor 100-240 V AV, 50/60 Hz	EnergyStar Certified, External Power Supply Housed Internally (Adaptor 24V/2.5A), 50/60Hz	External Power Adaptor 100-240V AV, 50/60Hz
Drawer Port	2 ports (Via y-type adaptor)	2 ports (Via y-type adaptor)	2 ports (Via y-type adaptor)
Performance Characteristics			
NV Image Memory	768 Kbytes (Mono)	256 Kbytes (Mono)	256 Kbytes (Mono)
Receive Buffer	4 Kbytes	64 Kbytes	64 Kbytes
User Define Buffer	12 Kbytes	64 Kbytes	12 Kbytes
Interface	① USB V2.0 FS + Ethernet + Serial ② USB V2.0 FS + Serial ③ USB V2.0 FS + Parallel ④ USB V2.0 FS + Dual Serial	① USB V2.0 FS + Serial + Ethernet* ② USB V2.0 FS + Parallel ③ USB V2.0 FS + Serial * DHCP enabled	① USB V2.0 FS + Serial ② USB V2.0 FS + Parallel
Environment Characteristics			
Temperature	Operating: 0 ~ 40°C (32 ~ 104°F) Storage: -20 ~ 60°C (-4 ~ 140°F)	Operating: 0 ~ 40°C (32 ~ 104°F) Storage: -20 ~ 60°C (-4 ~ 140°F)	Operating: 0 ~ 40°C (32 ~ 104°F) Storage: -20 ~ 60°C (-4 ~ 140°F)
Humidity	Operating: 10 ~ 80% RH Storage: 10 ~ 90% RH	Operating: 10 ~ 80% RH Storage: 10 ~ 90% RH	Operating: 10 ~ 80% RH Storage: 10 ~ 90% RH
Software			
Emulation	BXL / POS	BXL / POS	BXL / POS
Driver / Utility	Windows Driver, OPOS/JPOS Driver, Linux/Mac CUPS Driver, Virtual COM USB/Ethernet Driver, Utility Program	Windows Driver, OPOS/JPOS Driver, Linux/Mac CUPS Driver, Virtual COM USB/Ethernet Driver, Utility Program	Windows Driver, OPOS/JPOS Driver, Linux/Mac CUPS Driver, Virtual COM USB Driver, Utility Program
Developer Tools	Android/iOS/Windows SDK, Linux SDK, Xamarin SDK, Web Print SDK, Cordova Plugin, MAUI SDK, Flutter Plugin, React Native SDK	Android/iOS/Windows SDK, Linux SDK, Xamarin SDK, Web Print SDK, Cordova Plugin, MAUI SDK, Flutter Plugin, React Native SDK	Android SDK, Linux SDK, Web Print SDK (Android)
Design & Print	mPrint App (Android, iOS)	-	-
MDM (Optional)	-	BIXOLON Profile Manager - XPM™, XCM™ (Windows, Android)	-
Fonts / Graphics / Symbolgies			
Character Size	Font A: 12 x 24, Font B: 9 x 17, Font C: 9 x 24, KOR, CHN, JPN: 24 x 24	Font A: 9 x 9, Font B: 7 x 9, KOR: 17 x 9, CHN: 16 x 16	Font A: 12 x 24, Font B: 9 x 17, Font C: 9 x 24, KOR, CHN, JPN: 24 x 24
Characters Per Line	SRP-330II: Font A: 42, Font B, C: 56, KOR, CHN, JPN: 21 SRP-332II: Font A: 48, Font B, C: 64, KOR, CHN, JPN: 24	Font A: 35 Font B: 40 KOR: 20 CHN: 22	Font A: 32, Font C: 42, KOR, CHN, JPN: 16
Character Sets	Alphanumeric: 95 Extended Graphics: 128 x 33 page International: 32	-	Alphanumeric: 95 Extended Graphics: 128 x 33 page International: 32
Graphics	Supporting user-defined fonts, graphics, formats and logos	Supporting user-defined fonts, graphics, formats and logos	Supporting user-defined fonts, graphics, formats and logos
Barcode Symbolgies	1D: Coda Bar, Code39, Code93, Code128, EAN-8, EAN-13, ITF, UPC-A, UPC-E 2D: Data Matrix, PDF417, QR Code	-	-
Accessories			
Standard Accessories	2-inch Partition (58 mm), USB A-B Cable 1.8 m	-	USB A-B Cable 1.8 m, Serial Cable (25-9 pin), Parallel Cable
Optional Accessories	External buzzer, B-Melodist, Serial Cable (9-9/25-9 pin), Parallel Cable	Wall Mount, Splash Proof Cover, Ribbon Cartridge, B-Melodist, External Buzzer, USB A-B Cable 1.8m	External buzzer, B-Melodist



Comparison Table of Linerless Printers

	SRP-S3000	SRP-S300 Series				SRP-S200
		SRP-S300TX, SRP-S320TX	SRP-S300T	SRP-S300LX	SRP-S300L	
Taken Sensor	•	•	•	•	•	•
Linerless Re-stick	•	•	•	•	•	•
Linerless Extreme	•	•		•		
Liner Label	•					

BCD-2000 BCD-3000

Display	BCD-2000	BCD-3000
Display Method	STN LCD	STN LCD
Display Color Background / Text (Image)	Blue / White	Blue / White
Active Area (W) x (H) mm	118.5 x 45.5	96 x 19.2
Visual Area (W) x (H) mm	127.2 x 33.9	99 x 24
Brightness (cd/m ²)	100	100
Character Number (Letters) x (Lines)	30 x 4	20 x 2
Character Type(Set)	95 Alphanumeric, 6 International	95 Alphanumeric, 6 International
Character Pattern (W) x (H) dot	8 x 16, 9 x 17	8 x 16
Character Size (W) x (H) mm	4.24 x 8.48	4.8 x 9.6
Character Space (mm)	0.03	0.05
Receive Buffer (byte)	1K	1K
Emulation	ESC/POS, CD5220, UTC Enhance, UTC Standard, PD6000	ESC/POS, CD5220, UTC Enhance, UTC Standard, PD6000

Comparison Table of SRP-Q300 Series

	SRP-QE300	SRP-Q300	SRP-Q300B	SRP-Q300H
Description	Economy Ver.	mPOS Printer	Q300 Built in Battery	B-gate mPOS Hub with Q300
Speed	Up to 200 mm/sec	Up to 220 mm/sec		
Sealing	IP21	IP21	None	
Dimension	128 x 125 x 125 mm (5.03 x 4.92 x 4.92 inch)		128 x 125 x 169.2 mm (5.03 x 4.92 x 6.66 inch)	128 x 125 x 160.2 mm (5.03 x 4.92 x 6.30 inch)
Weight	1.13 kg (2.49 lbs.)	1.23 kg (2.71 lbs.)	1.72 kg (3.79 lbs.)	1.38 kg (3.04 lbs)
Interface	USB V2.0 FS + Ethernet	Standard: USB V2.0 FS + Ethernet + 1 USB only Charging port Optional: ① Standard + WLAN ¹ ② Standard + Bluetooth WLAN ¹ : 802.11a/b/g/n (Infrastructure, Ad-hoc, Wi-Fi Direct, SoftAP) - WEP40/104, WPA1/2 (PSK, EAP)		4 USB Host ports (V2.0 HS) + 1 Device port (V2.0 HS) + 1 USB only Charging port + Ethernet + Bluetooth / WLAN ² WLAN ² : 802.11a/ac/b/g/n USB dongle type (Optional)
NFC		Supported		
Unicode	Not supported	Supported		
BCD-3000		Supported		

Electrical

Electrical	BCD-2000	BCD-3000
Voltage	USB: 5VDC ± 5% (USB Bus Power) RS232: 5VDC ~ 24VDC	USB: 5VDC ± 5% (USB Bus Power) RS232: 5VDC ± 5%
Current	500mA	500mA
Interface	RS232/USB	RS232 (for SRP-Q300 only) / USB

Software

Software	BCD-2000	BCD-3000
Driver	Windows Driver, OPOS Driver	Windows Driver, OPOS Driver
SDK	Android SDK, iOS SDK	Windows SDK, Android SDK, iOS SDK

Exterior

Exterior	BCD-2000	BCD-3000
Body Color	Ivory / Dark-Gray	Ivory / Black
Rotation Angle	Horizontal: +/-180° Vertical: 52° (5 positions)	Vertical: 35°
Overall Dimension (W x L x H) mm	BCD-2000A/AU: 162.5 x 97.6 x 167 ~ 521 BCD-2000N/NU: 161 x 75.8 x 153~507 BCD-2000DS: 220.4 x 105.4 x 174~528 BCD-2000WA/WAU: 162.5 x 166 x 189 BCD-2000WN/WNU: 161 x 152 x 178 BCD-2000WS: 220.4 x 173 x 193	130 x 110.3 x 68.5
Product weight (g)	850	250

Environment & Reliability

Environment & Reliability	BCD-2000	BCD-3000
Operating Temperature	0 ~ 40 °C (32 ~ 104 °F)	0 ~ 40 °C (32 ~ 104 °F)
Operating Humidity	10 ~ 80 %	10 ~ 80 %
Storage Temperature	-20 ~ 55 °C (-4 ~ 131 °F)	-20 ~ 55 °C (-4 ~ 131 °F)
Storage Humidity	10 ~ 90 %	10 ~ 90 %
Reliability (Display) (hours)	50,000 (Backlight)	50,000 (Backlight)

On board Type

Model	On board
STP-103III	① USB V2.0 FS + Serial ② USB V2.0 FS + Parallel
SRP-330II	① USB V2.0 FS + Ethernet + Serial ② USB V2.0 FS + Serial ③ USB V2.0 FS + Parallel ④ USB V2.0 FS + Dual Serial
BGT-100P	3 USB Host ports (V2.0 HS) + 1 device port (V2.0 HS) + 1 USB Host with charging + Ethernet + Bluetooth + WLAN
SRP-Q300 Series	Standard: USB V2.0 FS + Ethernet + 1 USB only Charging port Optional: ① Standard + WLAN ¹ ② Standard + Bluetooth
SRP-QE300	USB V2.0 FS + Ethernet
SRP-Q300H	4 USB Host ports (V2.0 HS) + 1 Device port (V2.0 HS) + 1 USB only Charging port + Ethernet + Bluetooth / WLAN
SRP-275III	① USB V2.0 FS + Serial + Ethernet ② USB V2.0 FS + Parallel ③ USB V2.0 FS + Serial
SRP-S3000	Standard: USB V2.0 HS + 1 USB Host port + Ethernet + Serial Optional: ① USB V2.0 HS + 1 USB Host port + Ethernet + Serial + WLAN ② USB V2.0 HS + 1 USB Host port + Ethernet + Serial + Bluetooth
SRP-330III	① USB + Ethernet + Serial ② USB + Serial ③ USB + Parallel ④ USB + Dual Serial

Interface Card Reference

Model	On board	Serial		Parallel		S + USB	USB		Ethernet	Bluetooth	WLAN	B-gate
		IFA-S V2	IFJ-SD	IFJ-S	IFA-P	IFJ-P	IFA-SU	IFA-U	IFJ-PW	IFJ-E	IFJ-Ba	IFJ-WDa
SRP-270	-	•				•	•					
SRP-350III	USB		•	•					•			
SRP-350plusIII	USB, Ethernet		•	•				•		•		
SRP-F310II	USB, Ethernet		•	•				•		•		•
SRP-380	USB		•	•				•	•	•		
SRP-S300	USB		•	•				•	•	•		•
SRP-350V	USB		•	•					•			
SRP-350plusV	USB, Ethernet		•	•				•		•		•



BK5-31

BK3-31 Series

BK3-21

Print Characteristics			
Print Method	Direct Thermal	Direct Thermal	Direct Thermal
Print Speed	Up to 150 mm/s	Up to 250 mm/s	Up to 250 mm/s
Print Resolution	203 dpi	203 dpi	203 dpi
Print Width	12 / 48 / 54 / 72 / 80 mm	12 / 48 / 54 / 72 mm	12 / 48 / 54 mm
Sensor	Paper End, Cover Open, Near End, Black Mark, Gap Sensor	Paper End, Cover Open, Near End, Black Mark	Paper End, Cover Open, Near End, Black Mark
Media Characteristics			
Media Type	Ticket, Label (Gap, Black Mark)	Receipt, Ticket	Receipt
Media Width	20 / 58 / 60 / 80 / 83 mm	20 / 58 / 60 / 80 / 83 mm	20 / 58 / 60 mm
Media Roll Diameter	130 / 150 mm	BK3-31: 80 / 102 / 120 / 150 mm, BK3-32: Up to 250 mm	80 / 102 / 120 mm
Media Thickness	0.05 ~ 0.20 mm	0.05 ~ 0.12 mm	0.05 ~ 0.12 mm
Supply Method	Easy Paper Loading	Easy Paper Loading	Easy Paper Loading
Physical Characteristics			
Dimensions (W x L x H)	BK5-31: Media Roll Diameter Φ130: 130 x 181 x 123 mm Media Roll Diameter Φ150: 130 x 188 x 130 mm	BK3-31: Media Roll Diameter Φ80: 130 x 130 x 91 mm Media Roll Diameter Φ102: 130 x 137 x 99 mm Media Roll Diameter Φ120: 130 x 144 x 105 mm Media Roll Diameter Φ150: 130 x 160 x 105 mm BK3-31: Media Roll Diameter Φ80: 130 x 159 x 91 mm (Vertical) Media Roll Diameter Φ102: 130 x 167 x 99 mm Media Roll Diameter Φ120: 130 x 173 x 105 mm Media Roll Diameter Φ150: 130 x 189 x 105 mm BK3-32: Media Roll Diameter Φ250: 130 x 339 x 145 mm	BK3-21: Media Roll Diameter Φ80: 109 x 130 x 91 mm Media Roll Diameter Φ102: 109 x 137 x 99 mm Media Roll Diameter Φ120: 109 x 144 x 105 mm BK3-21: Media Roll Diameter Φ80: 109 x 160 x 91 mm (Vertical) Media Roll Diameter Φ102: 109 x 167 x 99 mm Media Roll Diameter Φ120: 109 x 173 x 105 mm
	Weight	780 g	BK3-31: 700 g, BK3-32: 1,470 g
Electrical	100-240 V AV, 50/60 Hz	100-240 V AV, 50/60 Hz	100-240 V AV, 50/60 Hz
Lever Direction	Right	Left, Right	Right
Mount Direction	Horizontal	BK3-31: Horizontal / Vertical, BK3-32: Horizontal	Horizontal / Vertical
Performance Characteristics			
NV Image Memory	256 Kbytes (Mono)	256 Kbytes (Mono)	256 Kbytes (Mono)
Receive Buffer	64 Kbytes	64 Kbytes	64 Kbytes
User Define Buffer	12 Kbytes	12 Kbytes	12 Kbytes
Interface	USB V2.0 FS + Serial	Standard: USB V2.0 FS + Serial Optional: USB V2.0 FS + Serial + Ethernet	USB V2.0 FS+ Serial
Connector Type	Power	DC-Jack or 2P Connector	DC-Jack or 2P Connector
	USB	USB B type or 4P Connector	USB B type (Default)
	Serial	9P Male or 5P Connector	9P Male or 5P Connector
Environment Characteristics			
Temperature	Operating: -20 ~ 60 °C (-4 ~ 140 °F) ※ Optimal printing performances and maximum reliability will be obtained between 0 and 40 °C Storage: -20 ~ 60 °C (-4 ~ 140 °F)	Operating: -20 ~ 60 °C (-4 ~ 140 °F) ※ Optimal printing performances and maximum reliability will be obtained between 0 and 40 °C Storage: -20 ~ 60 °C (-4 ~ 140 °F)	Operating: -20 ~ 60 °C (-4 ~ 140 °F) ※ Optimal printing performances and maximum reliability will be obtained between 0 and 40 °C Storage: -20 ~ 60 °C (-4 ~ 140 °F)
Humidity	Operating: 10 ~ 95 % (non-condensing) Storage: 10 ~ 95 % (non-condensing) excluding paper	Operating: 10 ~ 95 % (non-condensing) Storage: 10 ~ 95 % (non-condensing) excluding paper	Operating: 10 ~ 95 % (non-condensing) Storage: 10 ~ 95 % (non-condensing) excluding paper
Software			
Emulation	BXL / POS	BXL / POS	BXL / POS
Driver / Utility	Windows Driver, OPOS Driver, Linux / Mac CUPS Driver, Utility Program	Windows Driver, OPOS Driver, Linux / Mac CUPS Driver, Utility Program, Network Auto Installer	Windows Driver, OPOS Driver, Linux / Mac CUPS Driver, Utility Program, Network Auto Installer
Developer Tools	Android SDK, Windows SDK, Linux SDK, Web Print SDK (Windows, Android)	Android SDK, Windows SDK, Linux SDK	Android SDK, Windows SDK, Linux SDK
Fonts / Graphics / Symbolologies			
Character Size	Font A: 12 x 24 Font B: 9 x 17 Font C: 9 x 24 KOR, CHN, JPN: 24 x 24 Print width 12 mm : Font A: 8 Font B, C: 10, KOR, CHN, JPN: 4 Print width 48 mm : Font A: 32 Font B, C: 42, KOR, CHN, JPN: 16 Print width 54 mm : Font A: 36 Font B, C: 48, KOR, CHN, JPN: 18 Print width 72 mm : Font A: 48 Font B, C: 64, KOR, CHN, JPN: 24	Font A: 12 x 24 Font B: 9 x 17 Font C: 9 x 24 KOR, CHN, JPN: 24 x 24 Print width 12 mm : Font A: 8 Font B, C: 10, KOR, CHN, JPN: 4 Print width 48 mm : Font A: 32 Font B, C: 42, KOR, CHN, JPN: 16 Print width 54 mm : Font A: 36 Font B, C: 48, KOR, CHN, JPN: 18 Print width 72 mm : Font A: 48 Font B, C: 64, KOR, CHN, JPN: 24	Font A: 12 x 24 Font B: 9 x 17 Font C: 9 x 24 KOR, CHN, JPN: 24 x 24 Print width 12 mm : Font A: 8 Font B, C: 10, KOR, CHN, JPN: 4 Print width 48 mm : Font A: 32 Font B, C: 42, KOR, CHN, JPN: 16 Print width 54 mm : Font A: 36 Font B, C: 48, KOR, CHN, JPN: 18 Print width 72 mm : Font A: 48 Font B, C: 64, KOR, CHN, JPN: 18
Characters Per Line (Paper Width)			
Character Sets	Alphanumeric: 95 Extended Graphics: 128 x 35 page International: 32	Alphanumeric: 95 Extended Graphics: 128 x 35 page International: 32	Alphanumeric: 95 Extended Graphics: 128 x 35 page International: 32
Graphics	Supporting user-defined fonts, graphics, formats and logos	Supporting user-defined fonts, graphics, formats and logos	Supporting user-defined fonts, graphics, formats and logos
Barcode Symbolologies	1D: Coda Bar, Code 39, Code 93, Code 128, EAN-8, EAN-13, ITF, UPC-A, UPC-E	1D: Coda Bar, Code 39, Code 93, Code 128, EAN-8, EAN-13, ITF, UPC-A, UPC-E	1D: Coda Bar, Code 39, Code 93, Code 128, EAN-8, EAN-13, ITF, UPC-A, UPC-E
	2D: Data Matrix, GS1-128, GS1 DataBar Stacked / Omnidirectional / Truncated / Limited / Expanded, PDF417, QR code	2D: Data Matrix, GS1-128, GS1 DataBar Stacked / Omnidirectional / Truncated / Limited / Expanded, PDF417, QR code	2D: Data Matrix, GS1-128, GS1 DataBar Stacked / Omnidirectional / Truncated / Limited / Expanded, PDF417, QR code
Accessories			
Optional Accessories	SMPS (DC Jack), SMPS (2P Connector), Male to Male type Serial Cable, 5P to Male type Serial Cable, USB A-B Cable 1.8 m, Power Cord	SMPS (DC Jack), SMPS (2P Connector), Male to Male type Serial Cable, 5P to Male type Serial Cable, USB A-B Cable 1.8 m, Power Cord	SMPS (DC Jack), SMPS (2P Connector), Male to Male type Serial Cable, 5P to Male type Serial Cable, USB A-B Cable 1.8 m, Power Cord
Option			
Bezel	Type	Non-Bezel / Standard-Bezel (4 types)	Non-Bezel / Standard-Bezel (4 types) / LED-Bezel (Green)
Presenter (BK3-31 Series only, LED-Bezel default)	Paper Stock Direction	-	Upper
	Media Width	-	80 mm
	Media Thickness	-	0.05 ~ 0.10 mm
	Media Length	-	50 ~ 250 mm
	Ejection Speed	-	250 mm/s (Max)
Ticket (BK3-31 Series only)	Media Width	-	60 mm
	Media Thickness	-	0.05 ~ 0.15 mm
	Print Speed	-	Up to 130 mm/s
	Thermal Print Head (TPH) Reliability	-	50 km
	Auto Cutter Reliability	-	0.3 Million Cuts

B-linerless™

The B-linerless™ label is an environmental friendly labelling solution eliminating the requirement of silicon liner backing waste on its labels. Available in two different adhesive strengths - B-linerless™ Permanent and B-linerless™ Re-stick.



Product Line		B-linerless™ Permanent						
Model Name		BL-PM058-01	BL-PM080-01	BL-PM112-01	BL-PP080-01	BL-PP058-01	BL-PP080-02	BL-PL100-02
Applicable models		SPP-R200III, XM7-20, SRP-S3000	SPP-R310, SPP-L310, SPP-L3000, SRP-S3000	SPP-R410, SPP-L410, XM7-40	SRP-S300 Series, SRP-S3000	XL5-40, SRP-S300 Series, SRP-S3000	XL5-40, SRP-S300 Series, SRP-S3000	XL5-40
Dimensions of the product	width (mm)	58	80	112	80	58	80	100
	length (m)	10	17	24	80	70	70	100
Number of rolls in carton		200	30	30	5	40	24	18

Product Line		B-linerless™ Restick			
Model Name		BL-RP040-01	BL-RP040-02	BL-RP058-01	BL-RP080-01
Applicable models		SRP-S200, SRP-S300 Series, SRP-S3000			SRP-S300 Series, SRP-S3000
Dimensions of the product	width (mm)	40	40	58	80
	length (m)	82	82	82	82
Number of rolls in carton		30	30	12	30

B-band™

B-band™ are hardwearing printable wristbanding solutions available in Lux and Flex versions. Ideal for patient identification in hospitals, ticketing in amusement park, parties/events, as well as crop management.



B-band™ Lux		B-band™ Flex	
	Nylon material		Polypropylene material
	Luxurious Touch		Flexible Touch
	Anti allergic reaction for infants use - MSDS Certified		MSDS certified
	Runproof from humidity, temperature or alcohol		Waterproof

	Length	Color
Adult	20 x 270 mm (0.8 x 10.6 inch)	White, Blue, Green, Pink
Child	20 x 178 mm (0.8 x 7 inch)	
Infant	20 x 153 mm (0.8 x 6 inch)	

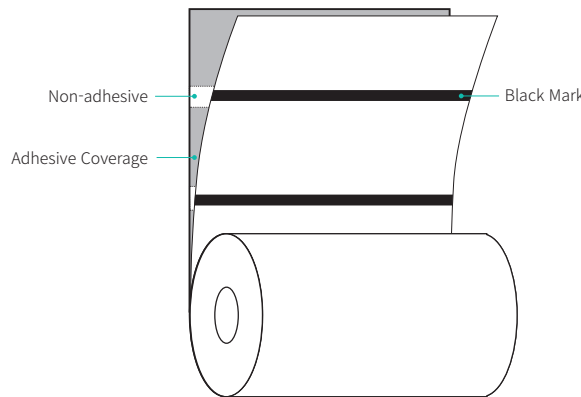
B-post Label™

B-post Label™ is a label solution featuring an adhesive-free black mark on the reverse of the label, making it ideal for printing labels of various sizes for the Postal Industry.



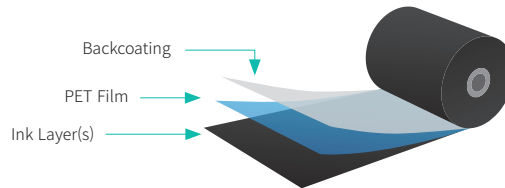
Cost-Efficiency

- Reduces the amount of printing hardware required to print various labels on different types of media
- Using only one printer enables space utilization
- Enhances productivity enabling easy media changes for different applications
- Maintains the high performance of the Auto Cutter by cutting on a non-glued position on a label of continuous length



B-ribbon™

The B-ribbon™ can be used with BIXOLON Thermal Transfer Label Printers consisting of Wax, Wax/Resin and Resin types.



	B-Ribbon™ WAX		B-Ribbon™ WAX-RESIN		B-Ribbon™ RESIN	
	Premium	Standard	Premium	Standard	Premium	Standard
Model Name	BR-WX12	BR-WX11	BR-WR12	BR-WR11	BR-RS12	BR-RS11
Inner Core	0.5 or 1 inch	0.5 or 1 inch	0.5 or 1 inch	0.5 or 1 inch	0.5 or 1 inch	0.5 or 1 inch
Width	30 ~ 110 mm	30 ~ 110 mm	30 ~ 110 mm	30 ~ 110 mm	30 ~ 110 mm	30 ~ 110 mm
Length	300, 450, 600 m	300, 450, 600 m	300, 450, 600 m	300, 450, 600 m	300, 450, 600 m	300, 450, 600 m
Print Resistance	38	30	58	50	85	80
PET Film	4.5 µm	4.5 µm	4.5 µm	4.5 µm	4.5 µm	4.5 µm
INK	Wax	Wax	Wax-Resin	Wax-Resin	Resin	Resin
Melting Point	65°C / 149°F	65°C / 149°F	85°C / 185°F	75°C / 167°F	80°C / 176°F	80°C / 176°F
Back Coating	Silicon based	Silicon based	Silicon based	Silicon based	Silicon based	Silicon based
Coefficient of Friction	Kd < 0.2	Kd < 0.2	Kd < 0.2	Kd < 0.2	Kd < 0.2	Kd < 0.2
Ribbon Thickness	< 9 µm	< 9 µm	< 9 µm	< 9 µm	< 9 µm	< 9 µm
Storage	12 months recommended	12 months recommended	12 months recommended	12 months recommended	12 months recommended	12 months recommended
Humidity	20 ~ 80%	20 ~ 80%	20 ~ 80%	20 ~ 80%	20 ~ 80%	20 ~ 80%
Temperature	5 ~ 35°C (40 ~ 95°F)	5 ~ 35°C (40 ~ 95°F)	5 ~ 35°C (40 ~ 95°F)	5 ~ 35°C (40 ~ 95°F)	5 ~ 35°C (40 ~ 95°F)	5 ~ 35°C (40 ~ 95°F)
Printing Quality and Speed						
Sharpness	85	80.00	95.00	90.00	95.00	95.00
Blackness	2.00	2.10	2.10	2.10	1.70	2.00
Printing Speed	Up to 12 ips	Up to 12 ips	Up to 12 ips	Up to 12 ips	Up to 10 ips	Up to 10 ips
Vertical Barcode	75.00	60.00	90.00	85.00	95.00	95.00
Horizontal Barcode	100.00	100.00	100.00	100.00	100.00	100.00
Resistance						
Mechanical	55.00	40.00	70.00	60.00	95.00	95.00
Solvents	0.00	0.00	0.00	0.00	60.00	50.00
Heat	100°C (212°F)	60°C (140°F)	150°C (302°F)	100°C (212°F)	180°C (356°F)	180°C (356°F)
Light	7.5	7.5	7.5	7.5	7.5	7.5
Water	100	100	100	100	100	100

To give the convenience with the best printer solution on the market, BIXOLON provides full support for industry standard development platforms.



		Mobile Printers										Label Printers											
		XM7 Series	SPP-L3000	SPP-L410	SPP-L310	SPP-R410	SPP-R310	SPP-R200III	SPP-R210	SPP-C300	SPP-C200	XT5-40 Series	XT3-40	XQ-840	XL5-40	XD5-40 Series	XD3-40 Series	SLP-TX400	SLP-TX420	SLP-DX420	SLP-DL410 Series	SLP-TX220	SLP-DX220
Windows Driver	Windows Server 2008 32 bit / 64 bit	●	●	●	●	●	●	●	●	●	●	●	●		●	●	●	●	●	●	●	●	●
	Windows Server 2008 R2 64 bit	●	●	●	●	●	●	●	●	●	●	●	●		●	●	●	●	●	●	●	●	●
	Windows 7 32 bit / 64 bit	●	●	●	●	●	●	●	●	●	●	●	●		●	●	●	●	●	●	●	●	●
	Windows 8 32 bit / 64 bit	●	●	●	●	●	●	●	●	●	●	●	●		●	●	●	●	●	●	●	●	●
	Windows Server 2012 64 bit	●	●	●	●	●	●	●	●	●	●	●	●		●	●	●	●	●	●	●	●	●
	Windows 10 32bit / 64 bit	●	●	●	●	●	●	●	●	●	●	●	●		●	●	●	●	●	●	●	●	●
	Windows 11 64 bit	●	●	●	●	●	●	●	●	●	●	●	●		●	●	●	●	●	●	●	●	●
OPOS Driver	Windows Server 2008 32 bit / 64 bit	●	●	●	●	●	●	●	●	●	●	●	●		●	●	●	●	●	●	●	●	●
	Windows Server 2008 R2 64 bit	●	●	●	●	●	●	●	●	●	●	●	●		●	●	●	●	●	●	●	●	●
	Windows 7 32 bit / 64 bit	●	●	●	●	●	●	●	●	●	●	●	●		●	●	●	●	●	●	●	●	●
	Windows 8 32 bit / 64 bit	●	●	●	●	●	●	●	●	●	●	●	●		●	●	●	●	●	●	●	●	●
	Windows Server 2012 64 bit	●	●	●	●	●	●	●	●	●	●	●	●		●	●	●	●	●	●	●	●	●
	Windows 10 32bit / 64 bit	●	●	●	●	●	●	●	●	●	●	●	●		●	●	●	●	●	●	●	●	●
	Windows 11 64 bit	●	●	●	●	●	●	●	●	●	●	●	●		●	●	●	●	●	●	●	●	●
JPOS Driver	Windows 7 32 bit / 64 bit	●	●	●	●	●	●	●	●	●	●	●	●		●	●	●	●	●	●	●	●	●
	Windows 8 32 bit / 64 bit	●	●	●	●	●	●	●	●	●	●	●	●		●	●	●	●	●	●	●	●	●
	Windows 10 32bit / 64 bit	●	●	●	●	●	●	●	●	●	●	●	●		●	●	●	●	●	●	●	●	●
	Windows 11 64 bit	●	●	●	●	●	●	●	●	●	●	●	●		●	●	●	●	●	●	●	●	●
Linux CUPS Driver	Linux Kernel 2.6.32 and later	●	●	●	●	●	●	●	●	●	●	●	●		●	●	●	●	●	●	●	●	●
Linux SDK	Linux Kernel 2.6.32 and later	●	●	●	●	●	●	●	●	●	●	●	●		●	●	●	●	●	●	●	●	●
Mac Driver	Mac OS X 10.7, 10.8	●	●	●	●	●	●	●	●	●	●	●	●		●	●	●	●	●	●	●	●	●
	Mac OS X 10.9	●	●	●	●	●	●	●	●	●	●	●	●		●	●	●	●	●	●	●	●	●
	Mac OS X 10.10 and later	●	●	●	●	●	●	●	●	●	●	●	●		●	●	●	●	●	●	●	●	●
Virtual COM Driver	Virtual COM USB Driver	●	●	●	●					●	●	●	●		●	●	●	●	●	●	●	●	●
	Virtual COM Ethernet Driver									●	●	●	●		●	●	●	●	●	●	●	●	●
Web Print SDK	Windows 7 32 bit / 64 bit	●	●			●	●			●	●	●	●		●	●	●	●	●	●	●	●	●
	Windows 8 32 bit / 64 bit	●	●			●	●			●	●	●	●		●	●	●	●	●	●	●	●	●
	Windows 10 32bit / 64 bit	●	●			●	●			●	●	●	●		●	●	●	●	●	●	●	●	●
	Windows 11 64 bit																						
	Android 6.0 and later	●	●			●	●			●	●	●	●		●	●	●	●	●	●	●	●	●
iOS SDK	iOS 9.0 and later	●	●	●	●	●	●	●	●	●	●	●	●		●	●	●	●	●	●	●	●	●
Android SDK	Android 2.3 and later																						
	Android 3.1 and later	●	●	●	●							●	●	●	●	●	●	●	●	●	●	●	●
	Android 3.2 and later																						
	Android 6.0 and later					●	●	●	●	●	●												
Windows SDK	Windows XP 32 bit / 64 bit	●	●	●	●	●	●	●	●	●	●	●	●		●	●	●	●	●	●	●	●	●
	Windows Server 2003 32 bit / 64 bit	●	●	●	●	●	●	●	●	●	●	●	●		●	●	●	●	●	●	●	●	●
	Windows VISTA 32 bit / 64 bit	●	●	●	●	●	●	●	●	●	●	●	●		●	●	●	●	●	●	●	●	●
	Windows Server 2008 32 bit / 64 bit	●	●	●	●	●	●	●	●	●	●	●	●		●	●	●	●	●	●	●	●	●
	Windows Server 2008 R2 64 bit	●	●	●	●	●	●	●	●	●	●	●	●		●	●	●	●	●	●	●	●	●
	Windows 7 32 bit / 64 bit	●	●	●	●	●	●	●	●	●	●	●	●		●	●	●	●	●	●	●	●	●
	Windows 8 32 bit / 64 bit	●	●	●	●	●	●	●	●	●	●	●	●		●	●	●	●	●	●	●	●	●
	Windows Server 2012 64 bit	●	●	●	●	●	●	●	●	●	●	●	●		●	●	●	●	●	●	●	●	●
	Windows 10 32bit / 64bit	●	●	●	●	●	●	●	●	●	●	●	●		●	●	●	●	●	●	●	●	●
	Windows 11 64bit	●	●	●	●	●	●	●	●	●	●	●	●		●	●	●	●	●	●	●	●	●
Windows SDK (CE/Mobile)	Windows CE 5.0 and later	●	●	●	●	●	●	●	●	●	●	●	●		●	●	●	●	●	●	●	●	●
	Windows Mobile 5.0 and later	●	●	●	●	●	●	●	●	●	●	●	●		●	●	●	●	●	●	●	●	●
Xamarin / MAUI SDK	Windows 10 32 bit / 64 bit	●	●	●	●	●	●	●	●	●	●	●	●		●	●	●	●	●	●	●	●	●
	Windows 11 64 bit	●	●	●	●	●	●	●	●	●	●	●	●		●	●	●	●	●	●	●	●	●
	Android 6.0 and later.	●	●	●	●	●	●	●	●	●	●	●	●	●	●	●	●	●	●	●	●	●	●
Cordova Plugin	iOS 12.0 and later	●	●	●	●	●	●	●	●	●	●	●	●		●	●	●	●	●	●	●	●	●
	Windows 10 32 bit / 64 bit	●	●	●	●	●	●	●	●	●	●	●	●		●	●	●	●	●	●	●	●	●
	Android 6.0 and later	●	●	●	●	●	●	●	●	●	●	●	●	●	●	●	●	●	●	●	●	●	●
	iOS 12.0 and later	●	●	●	●	●	●	●	●	●	●	●	●		●	●	●	●	●	●	●	●	●
React Native SDK	Windows 10 build 14393 or later	●	●	●	●	●	●	●	●	●	●	●	●		●	●	●	●	●	●	●	●	●
	Android 6.0 and later	●	●	●	●	●	●	●	●	●	●	●	●	●	●	●	●	●	●	●	●	●	●
	iOS 12.0 and later	●	●	●	●	●	●	●	●	●	●	●	●		●	●	●	●	●	●	●	●	●
Flutter Plugin	Android 6.0 and later	●	●	●	●	●	●	●	●	●	●	●	●		●	●	●	●	●	●	●	●	●
	iOS 12.0 and later	●	●	●	●	●	●	●	●	●	●	●	●		●	●	●	●	●	●	●	●	●
XPM™ (Optional)	Windows 10 64 bit	●	●								●	●	●		●	●	●	●	●	●	●	●	●
	Windows 11 64 bit	●	●								●	●	●		●	●	●	●	●	●	●	●	●
	Windows Server 2012 64 bit	●	●								●	●	●		●	●	●	●	●	●	●	●	●
XCM™ (Optional)	Windows Server 2016 64 bit	●	●								●	●	●		●	●	●	●	●	●	●	●	●
	Windows VISTA 32 bit / 64 bit	●	●								●	●	●		●	●	●	●	●	●	●	●	●
	Windows 7 32 bit / 64 bit	●	●								●	●	●		●	●	●	●	●	●	●	●	●
	Windows 8 32 bit / 64 bit	●	●								●	●	●		●	●	●	●	●	●	●	●	●
	Windows 10 32bit / 64bit	●	●								●	●	●		●	●	●	●	●	●	●	●	●
SOTI Connect Device Driver for SAP®	Windows 11 64bit	●	●								●	●	●		●	●	●	●	●	●	●	●	●
	Android 6.0 and later	●	●								●	●	●		●	●	●	●	●	●	●	●	●

* SDK: Software Development Kit



		B-GATE & POS Printers																Kiosk Printers & Peripherals		
		SRP-Q300 Series	SRP-QE300	SRP-Q200	BGT-100P	SRP-S3000	SRP-S300 Series	SRP-S200	SRP-F310II	SRP-380	SRP-350 plusV	SRP-350 plusIII	SRP-350V	SRP-350III	SRP-330III	SRP-330II	SRP-275III	STP-103III	BK5-31/BK3 Series	BCD-2000/3000
Windows Driver	Windows Server 2008 32 bit / 64 bit	•	•	•	•	•	•	•	•	•	•	•	•	•	•	•	•	•	•	•
	Windows Server 2008 R2 64 bit	•	•	•	•	•	•	•	•	•	•	•	•	•	•	•	•	•	•	•
	Windows 7 32 bit / 64 bit	•	•	•	•	•	•	•	•	•	•	•	•	•	•	•	•	•	•	•
	Windows 8 32 bit / 64 bit	•	•	•	•	•	•	•	•	•	•	•	•	•	•	•	•	•	•	•
	Windows Server 2012 64 bit	•	•	•	•	•	•	•	•	•	•	•	•	•	•	•	•	•	•	•
	Windows 10 32bit / 64 bit	•	•	•	•	•	•	•	•	•	•	•	•	•	•	•	•	•	•	•
OPOS Driver	Windows 11 64 bit	•	•	•	•	•	•	•	•	•	•	•	•	•	•	•	•	•	•	•
	Windows Server 2008 32 bit / 64 bit	•	•	•	•	•	•	•	•	•	•	•	•	•	•	•	•	•	•	•
	Windows Server 2008 R2 64 bit	•	•	•	•	•	•	•	•	•	•	•	•	•	•	•	•	•	•	•
	Windows 7 32 bit / 64 bit	•	•	•	•	•	•	•	•	•	•	•	•	•	•	•	•	•	•	•
	Windows 8 32 bit / 64 bit	•	•	•	•	•	•	•	•	•	•	•	•	•	•	•	•	•	•	•
	Windows 10 32bit / 64 bit	•	•	•	•	•	•	•	•	•	•	•	•	•	•	•	•	•	•	•
JPOS Driver	Windows 11 64 bit	•	•	•	•	•	•	•	•	•	•	•	•	•	•	•	•	•	•	•
	Windows 7 32 bit / 64 bit	•	•	•	•	•	•	•	•	•	•	•	•	•	•	•	•	•	•	•
	Windows 8 32 bit / 64 bit	•	•	•	•	•	•	•	•	•	•	•	•	•	•	•	•	•	•	•
	Windows 10 32bit / 64 bit	•	•	•	•	•	•	•	•	•	•	•	•	•	•	•	•	•	•	•
Linux CUPS Driver	Linux Kernel 2.6.32 and later	•	•	•	•	•	•	•	•	•	•	•	•	•	•	•	•	•	•	•
	Linux SDK	•	•	•	•	•	•	•	•	•	•	•	•	•	•	•	•	•	•	•
Mac Driver	Mac OS X 10.7, 10.8	•	•	•	•	•	•	•	•	•	•	•	•	•	•	•	•	•	•	•
	Mac OS X 10.9	•	•	•	•	•	•	•	•	•	•	•	•	•	•	•	•	•	•	•
Virtual COM Driver	Mac OS X 10.10 and later	•	•	•	•	•	•	•	•	•	•	•	•	•	•	•	•	•	•	•
	Virtual COM USB Driver	•	•	•	•	•	•	•	•	•	•	•	•	•	•	•	•	•	•	•
Web Print SDK	Virtual COM Ethernet Driver	•	•	•	•	•	•	•	•	•	•	•	•	•	•	•	•	•	•	•
	Windows 7 32 bit / 64 bit	•	•	•	•	•	•	•	•	•	•	•	•	•	•	•	•	•	•	•
	Windows 8 32 bit / 64 bit	•	•	•	•	•	•	•	•	•	•	•	•	•	•	•	•	•	•	•
	Windows 10 32bit / 64 bit	•	•	•	•	•	•	•	•	•	•	•	•	•	•	•	•	•	•	•
	Windows 11 64 bit	•	•	•	•	•	•	•	•	•	•	•	•	•	•	•	•	•	•	•
	Android 6.0 and later	•	•	•	•	•	•	•	•	•	•	•	•	•	•	•	•	•	•	•
iOS SDK	iOS 12.0 and later	•	•	•	•	•	•	•	•	•	•	•	•	•	•	•	•	•	•	•
	iOS 9.0 and later	•	•	•	•	•	•	•	•	•	•	•	•	•	•	•	•	•	•	•
Android SDK	Android 2.3 and later	•	•	•	•	•	•	•	•	•	•	•	•	•	•	•	•	•	•	•
	Android 3.1 and later	•	•	•	•	•	•	•	•	•	•	•	•	•	•	•	•	•	•	•
	Android 3.2 and later	•	•	•	•	•	•	•	•	•	•	•	•	•	•	•	•	•	•	•
	Android 6.0 and later	•	•	•	•	•	•	•	•	•	•	•	•	•	•	•	•	•	•	•
Windows SDK	Windows XP 32 bit / 64 bit	•	•	•	•	•	•	•	•	•	•	•	•	•	•	•	•	•	•	•
	Windows Server 2003 32 bit / 64 bit	•	•	•	•	•	•	•	•	•	•	•	•	•	•	•	•	•	•	•
	Windows VISTA 32 bit / 64 bit	•	•	•	•	•	•	•	•	•	•	•	•	•	•	•	•	•	•	•
	Windows Server 2008 32 bit / 64 bit	•	•	•	•	•	•	•	•	•	•	•	•	•	•	•	•	•	•	•
	Windows Server 2008 R2 64 bit	•	•	•	•	•	•	•	•	•	•	•	•	•	•	•	•	•	•	•
	Windows 7 32 bit / 64 bit	•	•	•	•	•	•	•	•	•	•	•	•	•	•	•	•	•	•	•
	Windows 8 32 bit / 64 bit	•	•	•	•	•	•	•	•	•	•	•	•	•	•	•	•	•	•	•
	Windows Server 2012 64 bit	•	•	•	•	•	•	•	•	•	•	•	•	•	•	•	•	•	•	•
	Windows 10 32bit / 64bit	•	•	•	•	•	•	•	•	•	•	•	•	•	•	•	•	•	•	•
Windows SDK (CE/Mobile)	Windows 11 64bit	•	•	•	•	•	•	•	•	•	•	•	•	•	•	•	•	•	•	•
	Windows CE 5.0 and later	•	•	•	•	•	•	•	•	•	•	•	•	•	•	•	•	•	•	•
Xamarin / MAUI SDK	Windows Mobile 5.0 and later	•	•	•	•	•	•	•	•	•	•	•	•	•	•	•	•	•	•	•
	Windows 10 32 bit / 64 bit	•	•	•	•	•	•	•	•	•	•	•	•	•	•	•	•	•	•	•
	Windows 11 64 bit	•	•	•	•	•	•	•	•	•	•	•	•	•	•	•	•	•	•	•
Cordova Plugin	Android 6.0 and later	•	•	•	•	•	•	•	•	•	•	•	•	•	•	•	•	•	•	•
	iOS 12.0 and later	•	•	•	•	•	•	•	•	•	•	•	•	•	•	•	•	•	•	•
	Windows 10 build 14393 or later	•	•	•	•	•	•	•	•	•	•	•	•	•	•	•	•	•	•	•
React Native SDK	Android 6.0 and later	•	•	•	•	•	•	•	•	•	•	•	•	•	•	•	•	•	•	•
	iOS 12.0 and later	•	•	•	•	•	•	•	•	•	•	•	•	•	•	•	•	•	•	•
Flutter Plugin	Android 6.0 and later	•	•	•	•	•	•	•	•	•	•	•	•	•	•	•	•	•	•	•
	iOS 12.0 and later	•	•	•	•	•	•	•	•	•	•	•	•	•	•	•	•	•	•	•
XPM™ (Optional)	Windows 10 64 bit	•	•	•	•	•	•	•	•	•	•	•	•	•	•	•	•	•	•	•
	Windows 11 64 bit	•	•	•	•	•	•	•	•	•	•	•	•	•	•	•	•	•	•	•
	Windows Server 2012 64 bit	•	•	•	•	•	•	•	•	•	•	•	•	•	•	•	•	•	•	•
	Windows Server 2016 64 bit	•	•	•	•	•	•	•	•	•	•	•	•	•	•	•	•	•	•	•
XCM™ (Optional)	Windows VISTA 32 bit / 64 bit	•	•	•	•	•	•	•	•	•	•	•	•	•	•	•	•	•	•	•
	Windows 7 32 bit / 64 bit	•	•	•	•	•	•	•	•	•	•	•	•	•	•	•	•	•	•	•
	Windows 8 32 bit / 64 bit	•	•	•	•	•	•	•	•	•	•	•	•	•	•	•	•	•	•	•
	Windows 10 32bit / 64bit	•	•	•	•	•	•	•	•	•	•	•	•	•	•	•	•	•	•	•
SOTI Connect Device Driver for SAP®	Windows 11 64bit	•	•	•	•	•	•	•	•	•	•	•	•	•	•	•	•	•	•	•
	Android 6.0 and later	•	•	•	•	•	•	•	•	•	•	•	•	•	•	•	•	•	•	•

* SDK: Software Development Kit

GAME CHANGER

