



# GSR | GSB Professional **HEAVY DUTY**

GSR 10.8V-35 | GSB 10.8V-35 | GSR 10.8V-35 HX



Robert Bosch Power Tools GmbH  
70538 Stuttgart  
GERMANY

[www.bosch-pt.com](http://www.bosch-pt.com)

1 609 92A 5M4 (2020.03) AS / 22

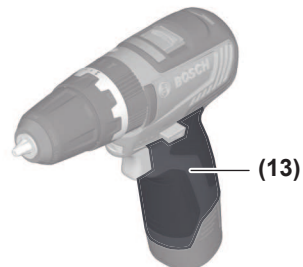
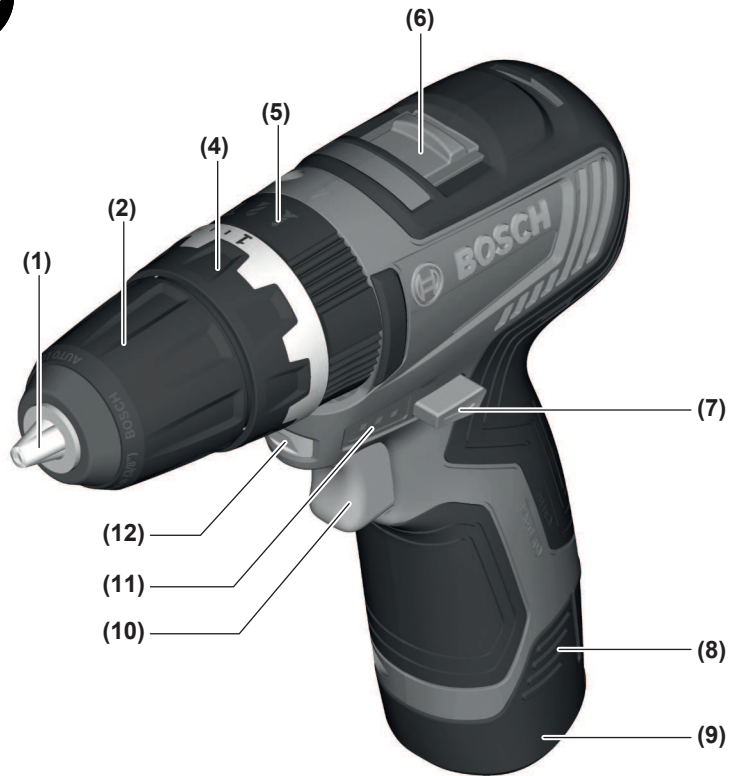


1 609 92A 5M4

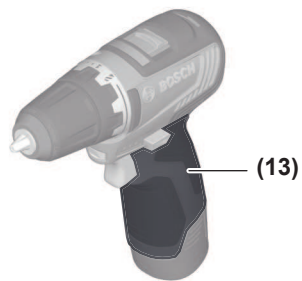
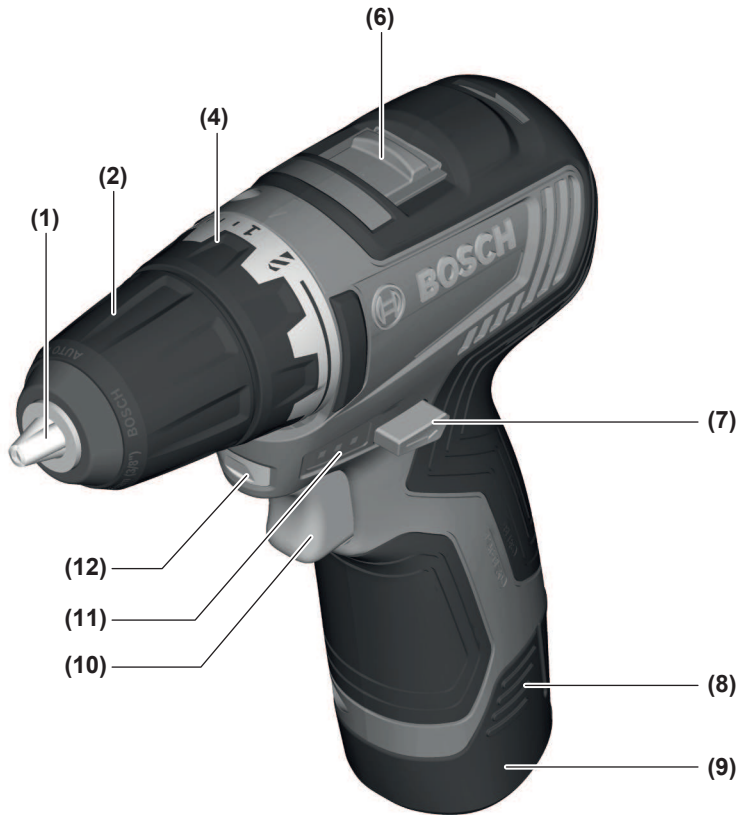
en Original instructions  
ko 사용 설명서 원본



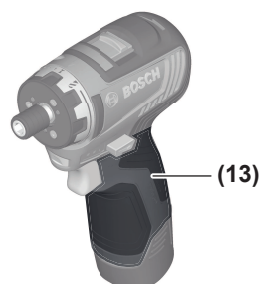
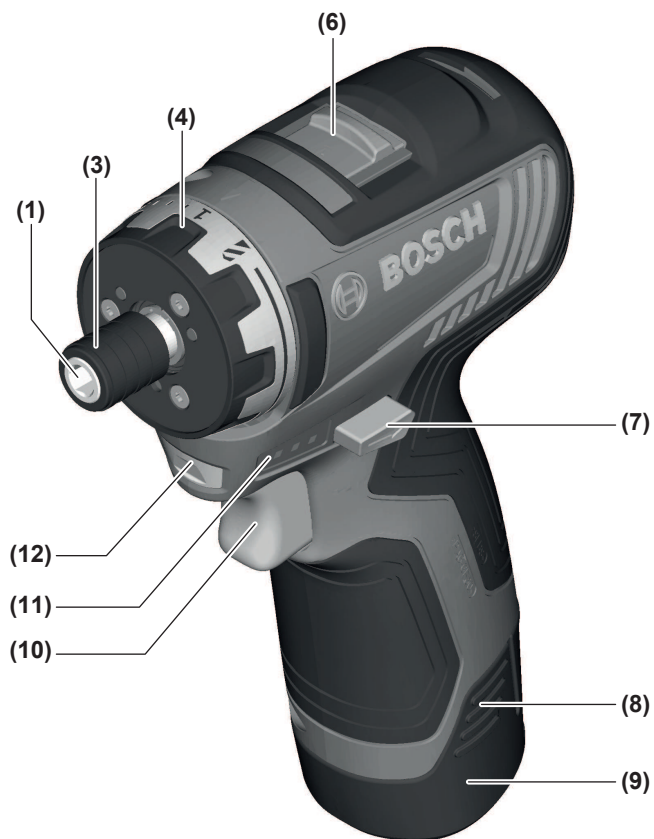
English ..... Page 8  
한국어 ..... 페이지 16



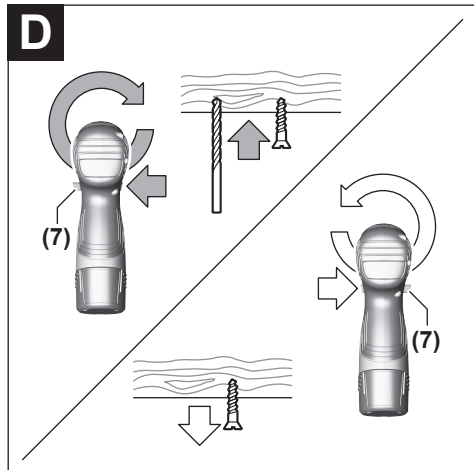
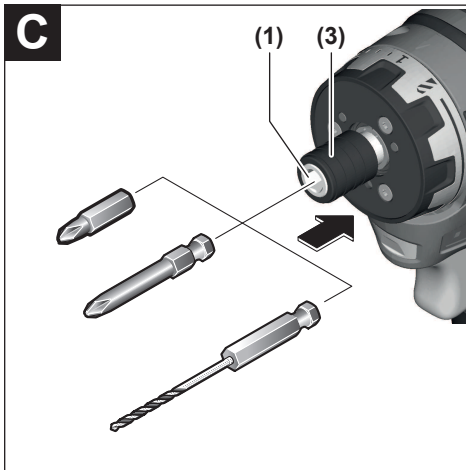
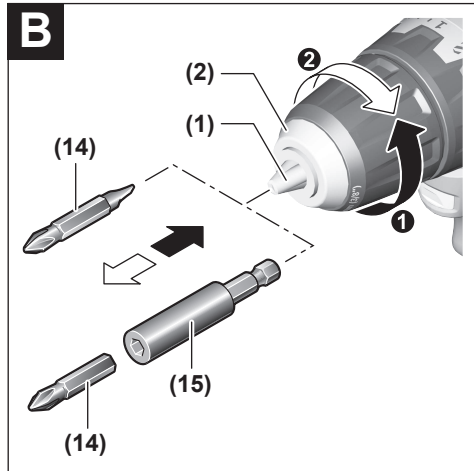
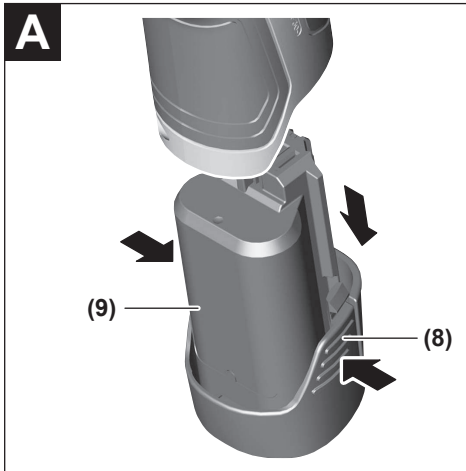
**GSB 10.8V-35**

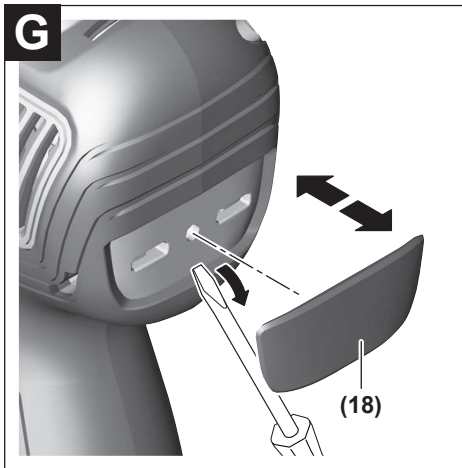
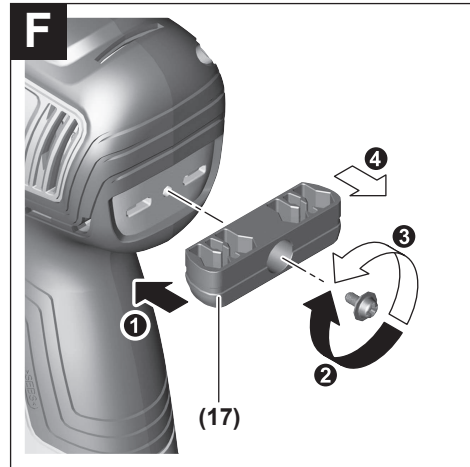
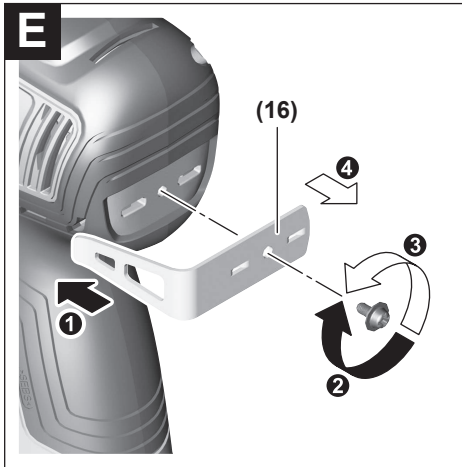


### GSR 10.8V-35



**GSR 10.8V-35 HX**





# English

## Safety instructions

### General Power Tool Safety Warnings

**⚠ WARNING** Read all safety warnings, instructions, illustrations and specifications provided with this power tool. Failure to follow all instructions listed below may result in electric shock, fire and/or serious injury.

**Save all warnings and instructions for future reference.**

The term "power tool" in the warnings refers to your mains-operated (corded) power tool or battery-operated (cordless) power tool.

#### Work area safety

- ▶ **Keep work area clean and well lit.** Cluttered or dark areas invite accidents.
- ▶ **Do not operate power tools in explosive atmospheres, such as in the presence of flammable liquids, gases or dust.** Power tools create sparks which may ignite the dust or fumes.
- ▶ **Keep children and bystanders away while operating a power tool.** Distractions can cause you to lose control.

#### Electrical safety

- ▶ **Power tool plugs must match the outlet. Never modify the plug in any way. Do not use any adapter plugs with earthed (grounded) power tools.** Unmodified plugs and matching outlets will reduce risk of electric shock.
- ▶ **Avoid body contact with earthed or grounded surfaces, such as pipes, radiators, ranges and refrigerators.** There is an increased risk of electric shock if your body is earthed or grounded.
- ▶ **Do not expose power tools to rain or wet conditions.** Water entering a power tool will increase the risk of electric shock.
- ▶ **Do not abuse the cord. Never use the cord for carrying, pulling or unplugging the power tool. Keep cord away from heat, oil, sharp edges or moving parts.** Damaged or entangled cords increase the risk of electric shock.
- ▶ **When operating a power tool outdoors, use an extension cord suitable for outdoor use.** Use of a cord suitable for outdoor use reduces the risk of electric shock.
- ▶ **If operating a power tool in a damp location is unavoidable, use a residual current device (RCD) protected supply.** Use of an RCD reduces the risk of electric shock.

#### Personal safety

- ▶ **Stay alert, watch what you are doing and use common sense when operating a power tool. Do not use a power tool while you are tired or under the influence of drugs, alcohol or medication.** A moment of inatten-

tion while operating power tools may result in serious personal injury.

- ▶ **Use personal protective equipment. Always wear eye protection.** Protective equipment such as a dust mask, non-skid safety shoes, hard hat or hearing protection used for appropriate conditions will reduce personal injuries.
- ▶ **Prevent unintentional starting. Ensure the switch is in the off-position before connecting to power source and/or battery pack, picking up or carrying the tool.** Carrying power tools with your finger on the switch or energising power tools that have the switch on invites accidents.
- ▶ **Remove any adjusting key or wrench before turning the power tool on.** A wrench or a key left attached to a rotating part of the power tool may result in personal injury.
- ▶ **Do not overreach. Keep proper footing and balance at all times.** This enables better control of the power tool in unexpected situations.
- ▶ **Dress properly. Do not wear loose clothing or jewellery. Keep your hair and clothing away from moving parts.** Loose clothes, jewellery or long hair can be caught in moving parts.
- ▶ **If devices are provided for the connection of dust extraction and collection facilities, ensure these are connected and properly used.** Use of dust collection can reduce dust-related hazards.
- ▶ **Do not let familiarity gained from frequent use of tools allow you to become complacent and ignore tool safety principles.** A careless action can cause severe injury within a fraction of a second.

#### Power tool use and care

- ▶ **Do not force the power tool. Use the correct power tool for your application.** The correct power tool will do the job better and safer at the rate for which it was designed.
- ▶ **Do not use the power tool if the switch does not turn it on and off.** Any power tool that cannot be controlled with the switch is dangerous and must be repaired.
- ▶ **Disconnect the plug from the power source and/or remove the battery pack, if detachable, from the power tool before making any adjustments, changing accessories, or storing power tools.** Such preventive safety measures reduce the risk of starting the power tool accidentally.
- ▶ **Store idle power tools out of the reach of children and do not allow persons unfamiliar with the power tool or these instructions to operate the power tool.** Power tools are dangerous in the hands of untrained users.
- ▶ **Maintain power tools and accessories. Check for misalignment or binding of moving parts, breakage of parts and any other condition that may affect the power tool's operation. If damaged, have the power tool repaired before use.** Many accidents are caused by poorly maintained power tools.



- ▶ **Keep cutting tools sharp and clean.** Properly maintained cutting tools with sharp cutting edges are less likely to bind and are easier to control.
- ▶ **Use the power tool, accessories and tool bits etc. in accordance with these instructions, taking into account the working conditions and the work to be performed.** Use of the power tool for operations different from those intended could result in a hazardous situation.
- ▶ **Keep handles and grasping surfaces dry, clean and free from oil and grease.** Slippery handles and grasping surfaces do not allow for safe handling and control of the tool in unexpected situations.

#### Battery tool use and care

- ▶ **Recharge only with the charger specified by the manufacturer.** A charger that is suitable for one type of battery pack may create a risk of fire when used with another battery pack.
- ▶ **Use power tools only with specifically designated battery packs.** Use of any other battery packs may create a risk of injury and fire.
- ▶ **When battery pack is not in use, keep it away from other metal objects, like paper clips, coins, keys, nails, screws or other small metal objects, that can make a connection from one terminal to another.** Shorting the battery terminals together may cause burns or a fire.
- ▶ **Under abusive conditions, liquid may be ejected from the battery; avoid contact. If contact accidentally occurs, flush with water. If liquid contacts eyes, additionally seek medical help.** Liquid ejected from the battery may cause irritation or burns.
- ▶ **Do not use a battery pack or tool that is damaged or modified.** Damaged or modified batteries may exhibit unpredictable behaviour resulting in fire, explosion or risk of injury.
- ▶ **Do not expose a battery pack or tool to fire or excessive temperature.** Exposure to fire or temperature above 130°C may cause explosion.
- ▶ **Follow all charging instructions and do not charge the battery pack or tool outside the temperature range specified in the instructions.** Charging improperly or at temperatures outside the specified range may damage the battery and increase the risk of fire.

#### Service

- ▶ **Have your power tool serviced by a qualified repair person using only identical replacement parts.** This will ensure that the safety of the power tool is maintained.
- ▶ **Never service damaged battery packs.** Service of battery packs should only be performed by the manufacturer or authorized service providers.

### Safety information for drills and screwdrivers

#### Safety instructions for all operations

- ▶ **Wear ear protectors when impact drilling.** Exposure to noise can cause hearing loss.

- ▶ **Hold the power tool by insulated gripping surfaces, when performing an operation where the cutting accessory or fasteners may contact hidden wiring.** Cutting accessory or fasteners contacting a "live" wire may make exposed metal parts of the power tool "live" and could give the operator an electric shock.

#### Safety instructions when using long drill bits

- ▶ **Never operate at higher speed than the maximum speed rating of the drill bit.** At higher speeds, the bit is likely to bend if allowed to rotate freely without contacting the workpiece, resulting in personal injury.
- ▶ **Always start drilling at low speed and with the bit tip in contact with the workpiece.** At higher speeds, the bit is likely to bend if allowed to rotate freely without contacting the workpiece, resulting in personal injury.
- ▶ **Apply pressure only in direct line with the bit and do not apply excessive pressure.** Bits can bend causing breakage or loss of control, resulting in personal injury.

#### Additional safety warnings

- ▶ **Hold the power tool securely.** When tightening and loosening screws be prepared for temporarily high torque reactions.
  - ▶ **Secure the workpiece.** A workpiece clamped with clamping devices or in a vice is held more secure than by hand.
  - ▶ **Use suitable detectors to determine if there are hidden supply lines or contact the local utility company for assistance.** Contact with electric cables can cause fire and electric shock. Damaging gas lines can lead to explosion. Breaking water pipes causes property damage.
  - ▶ **Always wait until the power tool has come to a complete stop before placing it down.** The application tool can jam and cause you to lose control of the power tool.
  - ▶ **In case of damage and improper use of the battery, vapours may be emitted. The battery can set alight or explode.** Ensure the area is well ventilated and seek medical attention should you experience any adverse effects. The vapours may irritate the respiratory system.
  - ▶ **Do not open the battery.** There is a risk of short-circuiting.
  - ▶ **The battery can be damaged by pointed objects such as nails or screwdrivers or by force applied externally.** An internal short circuit may occur, causing the battery to burn, smoke, explode or overheat.
  - ▶ **Only use the battery with products from the manufacturer.** This is the only way in which you can protect the battery against dangerous overload.
- Protect the battery against heat, e.g. against continuous intense sunlight, fire, dirt, water and moisture.** There is a risk of explosion and short-circuiting.
- ▶ **Switch the power tool off immediately if the application tool becomes blocked. Be prepared for high torque reactions which cause kickback.** The application tool becomes blocked when it becomes jammed in



the workpiece or when the power tool becomes overloaded.

## Product Description and Specifications



### Read all the safety and general instructions.

Failure to observe the safety and general instructions may result in electric shock, fire and/or serious injury.

Please observe the illustrations at the beginning of this operating manual.

### Intended use

The power tool is intended for driving and loosening screws and for drilling in wood, metal, ceramic and plastic. The GSB is also designed for impact drilling in brick, masonry and stone.

### Product Features

The numbering of the product features refers to the diagram of the power tool on the graphics page.

#### (1) Tool holder

- (2) Keyless chuck
- (3) Locking sleeve (**GSR 10.8V-35 HX**)
- (4) Torque presetting ring
- (5) Operating mode presetting ring (GSB)
- (6) Gear selector switch
- (7) Rotational direction switch
- (8) Battery release button<sup>A)</sup>
- (9) Rechargeable battery<sup>A)</sup>
- (10) On/off switch
- (11) Battery charge indicator
- (12) "PowerLight" lamp
- (13) Handle (insulated gripping surface)
- (14) Screwdriver bit<sup>A)</sup>
- (15) Universal bit holder<sup>A)</sup>
- (16) Belt clip<sup>A)</sup>
- (17) Bit holder<sup>A)</sup>
- (18) Colour clip<sup>A)</sup>

A) Accessories shown or described are not included with the product as standard. You can find the complete selection of accessories in our accessories range.

### Technical Data

Cordless drill/driver		GSB 10.8V-35	GSR 10.8V-35	GSR 10.8V-35 HX
Article number		<b>3 601 JY9 0..</b>	<b>3 601 JH8 0..</b>	<b>3 601 JY9 1..</b>
Rated voltage	V=	10.8	10.8	10.8
No-load speed <sup>A)</sup>				
- First gear	min <sup>-1</sup>	0-460	0-460	0-460
- Second gear	min <sup>-1</sup>	0-1750	0-1750	0-1750
Impact rate <sup>A)</sup>	min <sup>-1</sup>	26250	-	-
Max. torque, hard/soft screw-driving application according to ISO 5393 <sup>A)</sup>	Nm	35/20	35/20	35/20
Max. drilling diameter (first/second gear)				
- Masonry	mm	10	-	-
- Steel	mm	10	10	10
- Wood	mm	32	32	32
Chuck capacity	mm	0.8-10	0.8-10	-
Tool holder	mm	-	-	6.35 ¼"
Max. screw diameter	mm	8	8	8
Weight according to EPTA-Procedure 01:2014 <sup>A)</sup>	kg	1.0-1.2	0.93-1.2	0.75-1.0
Recommended ambient temperature during charging	°C	0 to +35	0 to +35	0 to +35
Permitted ambient temperature during operation <sup>B)</sup> and during storage	°C	-20 to +50	-20 to +50	-20 to +50
Recommended rechargeable batteries		GBA 10.8V...	GBA 10.8V...	GBA 10.8V...

Cordless drill/driver	GSB 10.8V-35	GSR 10.8V-35	GSR 10.8V-35 HX
Recommended chargers	GAL 12... GAX 18...	GAL 12... GAX 18...	GAL 12... GAX 18...

A) Depends on battery in use

B) Limited performance at temperatures <0 °C

## Assembly

- **Remove the battery from the power tool before carrying out work on the power tool (e.g. maintenance, changing tool, etc.). The battery should also be removed for transport and storage.** There is risk of injury from unintentionally pressing the on/off switch.

### Charging the Battery

- **Use only the chargers listed in the technical data.** Only these chargers are matched to the lithium-ion battery of your power tool.

**Note:** The battery is supplied partially charged. To ensure full battery capacity, fully charge the battery in the charger before using your power tool for the first time.

The lithium-ion battery can be charged at any time without reducing its service life. Interrupting the charging process does not damage the battery.

The lithium-ion battery is protected against deep discharge by the "Electronic Cell Protection (ECP)". When the battery is discharged, the power tool is switched off by means of a protective circuit: The application tool no longer rotates.

- **Do not continue to press the On/Off switch after the power tool has automatically switched off.** The battery can be damaged.

Follow the instructions on correct disposal.

### Removing the battery (see figure A)

To remove the battery (9), press both release buttons (8) and pull the battery downwards out of the power tool. **Do not use force to do this.**

### Changing the tool

- **Remove the battery from the power tool before carrying out work on the power tool (e.g. maintenance, changing tool, etc.). The battery should also be removed for transport and storage.** There is risk of injury from unintentionally pressing the on/off switch.

### Inserting the application tool: GSR 10.8V-35 HX (see figure C)

Pull the locking sleeve (3) back, guide the application tool into the tool holder (1) as far as it will go and release the locking sleeve (3) to lock the application tool.

**Please note that the locking interface is optimized for the most commonly used application tool dimension in the individual country of use.**

### Inserting the application tool: GSB 10.8V-35/GSR 10.8V-35 (see figure B)

Open the keyless chuck (2) by turning it in the direction of rotation ① until the tool can be inserted. Insert the tool.

Firmly tighten the keyless chuck (2) by turning it by hand in the direction of rotation ②. This will automatically lock the drill chuck.

The lock will disengage again if you turn the sleeve in the opposite direction to remove the tool.

### Removing the application tool: GSR 10.8V-35 HX

Pull the locking sleeve (3) back and pull the application tool out of the holder (1).

### Dust/Chip Extraction

Dust from materials such as lead-containing coatings, some wood types, minerals and metal can be harmful to one's health. Touching or breathing-in the dust can cause allergic reactions and/or lead to respiratory infections of the user or bystanders.

Certain dust, such as oak or beech dust, is considered carcinogenic, especially in connection with wood-treatment additives (chromate, wood preservative). Materials containing asbestos may only be worked by specialists.

- Provide for good ventilation of the working place.
- It is recommended to wear a P2 filter-class respirator.

Observe the relevant regulations in your country for the materials to be worked.

- **Avoid dust accumulation at the workplace.** Dust can easily ignite.

## Operation

### Starting Operation

#### Inserting the battery

**Note:** The use of batteries unsuitable for your power tool can lead to malfunctions or damage to the power tool.

Set the rotational direction switch (7) to the middle position to avoid unintentionally switching it on. Insert the charged battery (9) into the handle until you feel it engage and it is flush with the handle.

#### Setting the rotational direction (see figure D)


The rotational direction switch (7) is used to change the rotational direction of the power tool. However, this is not possible while the on/off switch (10) is being pressed.


**Right rotation:** To drill and to drive in screws, press the rotational direction switch (7) through to the left stop.

**Left rotation:** To loosen and unscrew screws, press the rotational direction switch (7) through to the right stop.

#### Preselecting the Torque

The torque presetting ring (4) can be used to preselect the required torque in 20 stages. When the correct setting is

used, the application tool will be stopped when the screw is driven flush into the material or once the set torque has been reached. In position  the overload clutch is deactivated, e.g. for drilling.

When unscrewing screws, you can select a higher setting or set the tool to the  symbol.

### Mechanical gear selection

► **Only operate the gear selector (6) when the power tool is not in use.**

You can preselect two speed ranges with the gear selector (6).

#### Gear I:

Low speed range; for screwdriving or working with a large drilling diameter.

#### Gear II:

High speed range; for working with a small drilling diameter.

### Setting the Operating Mode



#### Drilling GSR

Set the torque presetting ring (4) to the "drilling" symbol.

#### GSB

Set the operating mode presetting ring (5) to the "drilling" symbol.



#### Screwdriving GSR

Set the torque presetting ring (4) to the required torque.

#### GSB

Set the operating mode presetting ring (5) to the "screwdriving" symbol.

Set the torque presetting ring (4) to the required torque.



#### Impact drilling (GSB)

Set the operating mode presetting ring (5) to the "impact drilling" symbol.

### Adjusting the Speed/Impact Rate

You can adjust the speed/impact rate of the power tool when it is on by pressing in the on/off switch (10) to varying extents.

Applying light pressure to the on/off switch (10) results in a low rotational speed/impact rate. Applying increasing pressure to the switch increases the speed/impact rate.

### Switching on/off

To **start** the power tool, press and hold the on/off switch (10).

To **switch off** the power tool, release the on/off switch (10).

### Fully automatic spindle lock (Auto-Lock)

The drill spindle, and therefore the tool holder (1), are locked when the on/off switch (10) is not pressed.

This enables screws to be screwed in even when the battery (9) is empty and allows the power tool to be used as a screwdriver.

### Battery charge-control indicator

When the on/off switch (10) is pressed in halfway or completely, the battery charge-control indicator (11) indicates the charge condition of the battery for several seconds. The indicator consists of three green LEDs.

The three LEDs of the battery charge-control indicator (11) and the lamp (12) flash urgently when the temperature of the battery falls or rises outside the operating temperature range of -20 to +50 °C.

LED	Capacity
Continuous light 3 x green	≥ 76%
Continuous light 2 x green	51–75 %
Continuous light 1 x green	26–50 %
Slowly flashing light 1 x green	≤ 25%

### Temperature-dependent overload protection

In normal conditions of use, the power tool cannot be overloaded. If there is an extreme overload, the power tool switches off until the optimal operating temperature range is reached again.

This status is indicated by the three battery charge indicator (11) LEDs flashing in a chase sequence. The LEDs turn off if the power tool has reached the optimum operating temperature again.

### Practical advice

► **Only apply the power tool to the screw/nut when the tool is switched off.** Rotating tool inserts can slip off.

After working at a low speed for an extended period, you should operate the power tool at the maximum speed for approximately three minutes without load to cool it down.

When drilling into metal, only use sharpened HSS drills (HSS = high-speed steel) which are in perfect condition. The **Bosch** accessory range guarantees appropriate quality.

Before screwing larger, longer screws into hard materials, it is advisable to pre-drill a pilot hole with the core diameter of the thread to approx. 2/3 of the screw length.

### Belt clip (see figure E)

You can use the belt clip (16) to hang the power tool on a belt, for example. You then have both hands free and the power tool is always within easy reach.

### Bit holder (see figure F)

You can place screwdriver bits in the bit holder (17) for storage.

### Colour clip (see figure G)

The colour clip (18) can only be used if the belt clip (16) or bit holder are not fitted.

## Maintenance and Service

### Maintenance and Cleaning

- ▶ **Remove the battery from the power tool before carrying out work on the power tool (e.g. maintenance, changing tool, etc.). The battery should also be removed for transport and storage.** There is risk of injury from unintentionally pressing the on/off switch.
- ▶ **To ensure safe and efficient operation, always keep the power tool and the ventilation slots clean.**

### After-Sales Service and Application Service

Our after-sales service responds to your questions concerning maintenance and repair of your product as well as spare parts. You can find explosion drawings and information on spare parts at: [www.bosch-pt.com](http://www.bosch-pt.com)

The Bosch product use advice team will be happy to help you with any questions about our products and their accessories.

In all correspondence and spare parts orders, please always include the 10-digit article number given on the nameplate of the product.

#### Cambodia

Robert Bosch (Cambodia) Co., Ltd  
Unit 8BC, GT Tower, 08th Floor, Street 169,  
Czechoslovakia Blvd, Sangkat Veal Vong  
Khan 7 Makara, Phnom Penh  
VAT TIN: 100 169 511  
Tel.: +855 23 900 685  
Tel.: +855 23 900 660  
[www.bosch.com.kh](http://www.bosch.com.kh)

#### People's Republic of China

##### China Mainland

Bosch Power Tool (China) Co. Ltd.  
Bosch Service Center  
567, Bin Kang Road  
Bin Kang District  
Hangzhou, Zhejiang Province  
China 310052  
Tel.: (0571) 8887 5566 / 5588  
Fax: (0571) 8887 6688 x 5566# / 5588#  
E-Mail: [bsc.hz@cn.bosch.com](mailto:bsc.hz@cn.bosch.com)  
[www.bosch-pt.com.cn](http://www.bosch-pt.com.cn)

#### HK and Macau Special Administrative Regions

Robert Bosch Co. Ltd.  
21st Floor, 625 King's Road  
North Point, Hong Kong  
Customer Service Hotline: +852 2101 0235  
Fax: +852 2590 9762  
E-Mail: [info@hk.bosch.com](mailto:info@hk.bosch.com)  
[www.bosch-pt.com.hk](http://www.bosch-pt.com.hk)

#### India

Bosch Service Center  
69, Habibullah Road, (Next to PSBB School), T. Nagar  
Chennai-600077  
Phone: (044) 64561816

Bosch Service Center  
18, Community Center  
Phase 1, Mayapuri  
New Delhi-110064  
Phone: (011) 43166190

#### Indonesia

PT Robert Bosch  
Palma Tower 10th Floor  
Jalan RA Kartini II-S Kaveling 6  
Pondok Pinang, Kebayoran Lama  
Jakarta Selatan 12310  
Tel.: (21) 3005-5800  
[www.bosch-pt.co.id](http://www.bosch-pt.co.id)

#### Malaysia

Robert Bosch Sdn. Bhd.(220975-V) PT/SMY  
No. 8A, Jalan 13/6  
46200 Petaling Jaya  
Selangor  
Tel.: (03) 79663194  
Toll-Free: 1800 880188  
Fax: (03) 79583838  
E-Mail: [kiathoe.chong@my.bosch.com](mailto:kiathoe.chong@my.bosch.com)  
[www.bosch-pt.com.my](http://www.bosch-pt.com.my)

#### Pakistan

Robert Bosch Middle East FZE – Pakistan Liaison Office  
2nd Floor Plaza # 10, CCA Block, DHA Phase 5  
Lahore, 54810  
Phone: +92(303)4444311  
Email: [Faisal.Khan@bosch.com](mailto:Faisal.Khan@bosch.com)

#### Philippines

Robert Bosch, Inc.  
28th Floor Fort Legend Towers,  
3rd Avenue corner 31st Street,  
Fort Bonifacio, Global City,  
1634 Taguig City  
Tel.: (632) 8703871  
Fax: (632) 8703870  
[www.bosch-pt.com.ph](http://www.bosch-pt.com.ph)

#### Singapore

Powerwell Service Centre Ptd Ltd  
Bosch Authorised Service Centre (Power Tools)  
4012 Ang Mo Kio Ave 10, #01-02 TECHplace  
Singapore 569628  
Tel.: 6452 1770  
Fax: 6452 1760  
E-Mail: [ask@powerwellsc.com](mailto:ask@powerwellsc.com)  
[www.powerwellsc.com](http://www.powerwellsc.com)  
[www.bosch-pt.com.sg](http://www.bosch-pt.com.sg)

#### Thailand

Robert Bosch Ltd.  
FYI Center Tower 1, 5th Floor,  
2525 Rama IV Road, Klongtoei,  
Bangkok 10110  
Tel.: 02 0128888  
Fax: 02 0645802  
[www.bosch.co.th](http://www.bosch.co.th)

Bosch Service – Training Centre  
 La Salle Tower Ground Floor Unit No.2  
 10/11 La Salle Moo 16  
 Srinakharin Road  
 Bangkaew, Bang Plee  
 Samutprakarn 10540  
 Tel.: 02 7587555  
 Fax: 02 7587525

#### **Vietnam**

Branch of Bosch Vietnam Co., Ltd in HCMC  
 14th floor, Deutsches Haus, 33 Le Duan  
 Ben Nghe Ward, District 1, Ho Chi Minh City  
 Tel.: (028) 6258 3690  
 Fax: (028) 6258 3692 - 6258 3694  
 Hotline: (028) 6250 8555  
 Email: tuvankhachhang-pt@vn.bosch.com  
 www.bosch-pt.com.vn

#### **Bahrain**

EA Juffali and Brothers for Technical Equipment Company.  
 Kingdom of Bahrain, Al Aker - Block 0624 - Road 2403 -  
 Building 0055D  
 Phone: +97317704537  
 Fax: +973177045257  
 Email: h.berjas@ejb.com.sa

#### **Egypt**

RBEG-LLC  
 22 Kamal Eldin Hussein  
 Sheraton Heliopolis  
 11799 Cairo  
 E-mail: boschegypt.powertools@eg.bosch.com

#### **Iran**

Robert Bosch Iran  
 3rd Floor, No 3, Maadiran Building  
 Aftab St., Khodami St., Vanak Sq.  
 Tehran 1994834571  
 Phone: +9821- 86092057

#### **Iraq**

Sahba Technology Group  
 Al Muthana airport road  
 Baghdad  
 Phone Bagdad: +964 (0) 7 901 930366  
 Phone Dubai: +971 (0) 4 422 1898  
 Email: duraid@sahbatechnology.com

#### **Jordan**

Roots Arabia – Jordan  
 Al-Hurriyah Street, Al-Muqabalein  
 Amman 11623, Jordan  
 P.O. Box: 110068  
 Tel. : +962 6 4398990  
 E-mail: bosch@rootsjordan.com

#### **Kuwait**

Shuwaikh Industrial Area, Block 1, Plot 16, Street 3rd  
 P.O. Box 164 – Safat 13002  
 Phone: +965 - 2496 88 88  
 Fax: +965 - 2481 08 79  
 E-mail: josephkr@aaalmutawa.com

#### **Lebanon**

Tehini Hana & Co. S.A.R.L.  
 P.O. Box 90-449  
 Jdeideh 1202 2040  
 Dora-Beirut  
 Phone: +9611255211  
 Email: service-pt@tehini-hana.com

#### **Libya**

El Naser for Workshop Tools  
 Swanee Road, Alfalah Area  
 Tripoli  
 Phone: +218 21 4811184

#### **Oman**

Malatan Trading & Contracting LLC  
 P.O. Box 131, Ruwi, Muscat  
 Postal Code: 112, Sultanate of Oman  
 Phone: +968 2479 4035/4089/4901  
 Mob: +968-91315465  
 Fax: +968 2479 4058  
 E-Mail: sudhirkumar@malatan.net

#### **Qatar**

International Construction Solutions W L L  
 P. O. Box 51, Doha  
 Phone: +974 40065458  
 Fax: +974 4453 8585  
 Email: csd@icsdoha.com

#### **Saudi Arabia**

Juffali Technical Equipment Co. (JTECO)  
 P.O.Box: 1049 – Jeddah 21431 – KSA  
 Jeddah: 00966 (0) 12 692 0770 – Ext 433  
 Riyadh: 00966 (0) 11 409 3976 – Ext-30/34/39  
 Dammam: 00966 (0) 13 833 9565  
 E-mail: M.Zreik@ejb.com.sa

#### **Syria**

Dallal Establishment for Power Tools  
 Damascus. Baramkeh street - Ibn Amer street,  
 Phone: +963112241006 or 009631122414009  
 Mobile: 00963991141005  
 Email: rita.dallal@hotmail.com

#### **United Arab Emirates**

Central Motors & Equipment,  
 P.O. Box 26255, Dubai  
 Dubai: 00971 (0) 4 3090920/3090930  
 Abu Dhabi: 00971 (0) 2 4017745  
 Sharjah: 00971 (0) 6 5932777  
 Al Ain: 00971 (0) 3 7157419  
 E- Mail: Mallappa.Madari@centralmotors.ae

#### **Yemen**

Abu Alrejal Trading Corporation  
 P.O. Box : 17024 , Zubeiry St.  
 Sana'a, Yemen  
 Tel: +967-1-20 20 10  
 Fax: +967-1-47 19 17  
 E-mail: tech-tools@abualrejal.com/yahya@abualrejal.com

**Ethiopia**

Forever plc  
Kebele 2,754, BP 4806,  
Addis Ababa  
Phone: +251 111 560 600  
Email: foreverplc@ethionet.et

**Ghana**

Robert Bosch Ghana Limited  
21 Kofi Annan Road Airport Residential Area Accra  
Tel. +233 (0)3027 94616

**Kenya**

Robert Bosch East Africa Ltd  
Mpaka Road P.O. Box 856  
00606 Nairobi

**Nigeria**

Robert Bosch Nigeria Ltd.  
52–54 Isaac John Street P.O. Box  
GRA Ikeja – Lagos

**Tanzania**

Diesel & Autoelectric Service Ltd.  
117 Nyerere Rd., P.O. Box 70839  
Vingunguti 12109, Dar Es Salaam  
Phone: +255 222 861 793/794

**Australia, New Zealand and Pacific Islands**

Robert Bosch Australia Pty. Ltd.  
Power Tools  
Locked Bag 66  
Clayton South VIC 3169  
Customer Contact Center  
Inside Australia:  
Phone: (01300) 307044  
Fax: (01300) 307045  
Inside New Zealand:  
Phone: (0800) 543353  
Fax: (0800) 428570  
Outside AU and NZ:  
Phone: +61 3 95415555  
www.bosch-pt.com.au  
www.bosch-pt.co.nz

**Republic of South Africa****Customer service**

Hotline: (011) 6519600

**Gauteng – BSC Service Centre**

35 Roper Street, New Centre  
Johannesburg  
Tel.: (011) 4939375  
Fax: (011) 4930126  
E-Mail: bsctools@icon.co.za

**KZN – BSC Service Centre**

Unit E, Almar Centre  
143 Crompton Street  
Pinetown  
Tel.: (031) 7012120  
Fax: (031) 7012446  
E-Mail: bsc.dur@za.bosch.com

**Western Cape – BSC Service Centre**

Democracy Way, Prosperity Park  
Milnerton  
Tel.: (021) 5512577  
Fax: (021) 5513223  
E-Mail: bsc@zsd.co.za

**Bosch Headquarters**

Midrand, Gauteng  
Tel.: (011) 6519600  
Fax: (011) 6519880  
E-Mail: rbsa-hq.pts@za.bosch.com

**Armenia, Azerbaijan, Georgia**

Robert Bosch Ltd.  
David Agmashenebeli ave. 61  
0102 Tbilisi, Georgia  
Tel. +995322510073  
www.bosch.com

**Kyrgyzstan, Mongolia, Tajikistan, Turkmenistan, Uzbekistan**

TOO "Robert Bosch" Power Tools, After Sales Service  
Muratbaev Ave., 180  
050012, Almaty, Kazakhstan  
Service Email: service.pt.ka@bosch.com  
Official Website: www.bosch.com, www.bosch-pt.com

**Transport**

The contained lithium-ion batteries are subject to the Dangerous Goods Legislation requirements. The batteries are suitable for road-transport by the user without further restrictions.

When shipping by third parties (e.g.: by air transport or forwarding agency), special requirements on packaging and labelling must be observed. For preparation of the item being shipped, consulting an expert for hazardous material is required.

Dispatch battery packs only when the housing is undamaged. Tape or mask off open contacts and pack up the battery in such a manner that it cannot move around in the packaging. Please also observe the possibility of more detailed national regulations.

**Disposal**

Power tools, rechargeable batteries, accessories and packaging should be sorted for environmental-friendly recycling.



Do not dispose of power tools and batteries/rechargeable batteries into household waste!

**Battery packs/batteries:****Li-ion:**

Please observe the notes in the section on transport (see "Transport", page 15).

## 한국어

### 안전 수칙

#### 전동공구 일반 안전 수칙

**⚠ 경고** 본 전동공구와 함께 제공된 모든 안전경고, 지시사항, 그림 및 사양을 숙지하십시오. 다음의 지시 사항을 준수하지 않으면 감전, 화재, 또는 심각한 부상을 초래할 수 있습니다.

**앞으로 참고할 수 있도록 이 안전수칙과 사용 설명서를 잘 보관하십시오.**

다음에서 사용되는 "전동공구"라는 개념은 전원에 연결하여 사용하는 (전선이 있는) 전동 기기나 배터리를 사용하는 (전선이 없는) 전동 기기를 의미합니다.

#### 작업장 안전

- ▶ **작업장을 항상 깨끗이 하고 조명을 밝게 하십시오.** 작업장 환경이 어수선하거나 어두우면 사고를 초래할 수 있습니다.
- ▶ **가연성 유체, 가스 또는 분진이 있어 폭발 위험이 있는 환경에서 전동공구를 사용하지 마십시오.** 전동공구는 분진이나 증기에 접화하는 스파크를 일으킬 수 있습니다.
- ▶ **전동공구를 사용할 때 구경꾼이나 어린이 혹은 다른 사람이 작업장에 접근하지 못하게 하십시오.** 다른 사람이 주의를 산만하게 하면 기기에 대한 통제력을 잃기 쉽습니다.

#### 전기에 관한 안전

- ▶ **전동공구의 전원 플러그가 전원 콘센트에 잘 맞아야 합니다.** 플러그를 절대 변경시켜서는 안 됩니다. (접지된) 전동공구를 사용할 때 어댑터 플러그를 사용하지 마십시오. 변형되지 않은 플러그와 잘 맞는 콘센트를 사용하면 감전의 위험을 줄일 수 있습니다.
- ▶ **파이프 끈, 라디에이터, 레인지, 냉장고와 같은 접지 표면에 몸이 닿지 않도록 하십시오.** 몸에 닿을 경우 감전될 위험이 높습니다.
- ▶ **전동공구를 비에 맞지 않게 하고 습기 있는 곳에 두지 마십시오.** 전동공구에 물이 들어가면 감전될 위험이 높습니다.
- ▶ **전원 코드를 잘못 사용하는 일이 없도록 하십시오.** 전원 코드를 잡고 전동공구를 운반해서는 안 되며, 콘센트에서 전원 플러그를 뽑을 때 전원 코드를 잡아 당겨서는 절대로 안 됩니다. 전원 코드가 열과 오일에 접촉하는 것을 피하고, 날카로운 모서리나 기기의 가동 부위에 닿지 않도록 주의 하십시오. 손상되거나 영긴 전원 코드는 감전을 유발할 수 있습니다.
- ▶ **실외에서 전동공구로 작업할 때는 실외용으로 적당히 연장 전원 코드만을 사용하십시오.** 실외용 연장 전원 코드를 사용하면 감전의 위험을 줄일 수 있습니다.

- ▶ **전동공구를 습기 찬 곳에서 사용해야 할 경우에는 누전 차단기를 사용하십시오.** 누전 차단기를 사용하면 감전 위험을 줄일 수 있습니다.

#### 사용자 안전

- ▶ **신중하게 작업하며, 전동공구를 사용할 때 경솔하게 행동하지 마십시오.** 피로한 상태이거나 약물 복용 및 음주한 후에는 전동공구를 사용하지 마십시오. 전동공구를 사용할 때 잠이라도 주의가 산만해지면 중상을 입을 수 있습니다.
- ▶ **작업자 안전을 위한 장치를 사용하십시오.** 항상 보안경을 착용하십시오. 전동공구의 종류와 사용에 따라 먼지 보호 마스크, 미끄러지지 않는 안전화, 안전모 또는 귀마개 등의 안전한 복장을 하면 상해의 위험을 줄일 수 있습니다.
- ▶ **실수로 기기가 작동되지 않도록 주의하십시오.** 전동공구를 전원엔 연결하거나 배터리를 끼우기 전에, 혹은 기기를 들거나 운반하기 전에, 전원 스위치가 꺼져 있는지 다시 확인하십시오. 전동공구를 운반할 때 전원 스위치에 손가락을 대거나 전원 스위치가 켜진 상태에서 전원을 연결하면 사고 위험이 높습니다.
- ▶ **전동공구를 사용하기 전에 조절하는 톨이나 키 등을 빼 놓으십시오.** 회전하는 부위에 있는 톨이나 키로 인해 상처를 입을 수 있습니다.
- ▶ **자신을 과신하지 마십시오.** 불안정한 자세를 피하고 항상 평형을 이룬 상태로 작업하십시오. 안정된 자세와 평형한 상태로 작업해야만이 의외의 상황에서 도 전동공구를 안전하게 사용할 수 있습니다.
- ▶ **알맞은 작업복을 입으십시오.** 헐렁한 복장을 하거나 장신구를 착용하지 마십시오. 머리나 옷이 가동하는 기기 부위에 가까이 닿지 않도록 주의 하십시오. 헐렁한 복장, 장신구 혹은 긴 머리는 가동 부위에 말려 사고를 초래할 수 있습니다.
- ▶ **분진 추출장치나 수거장치의 조립이 가능한 경우, 이 장치가 연결되어 있는지, 제대로 작동이 되는지 확인하십시오.** 이러한 분진 추출장치를 사용하면 분진으로 인한 사고 위험을 줄일 수 있습니다.
- ▶ **툴을 자주 사용한다고 해서 안주하는 일이 없게 하고 공구의 안전 수칙을 무시하지 않도록 하십시오.** 부주의하게 취급하여 순간적으로 심각한 부상을 입을 수 있습니다.

#### 전동공구의 올바른 사용과 취급

- ▶ **기기를 과부하 상태에서 사용하지 마십시오.** 작업할 때 이에 적당한 전동공구를 사용하십시오. 알맞은 전동공구를 사용하면 지정된 성능 한도 내에서 더 효율적으로 안전하게 작업할 수 있습니다.
- ▶ **전원 스위치가 고장 난 전동공구를 사용하지 마십시오.** 전원 스위치가 작동되지 않는 전동공구는 위험하므로, 반드시 수리를 해야 합니다.
- ▶ **전동공구를 조정하거나 액세서리 부품 교환 혹은 공구를 보관할 때, 항상 전원 콘센트에서 플러그를 미리 빼어 놓거나 배터리를 분리하십시오.** 이러한 조치는 실수로 전동공구가 작동하게 되는 것을 예방합니다.



- ▶ 사용하지 않는 전동공구는 어린이 손이 닿지 않는 곳에 보관하고, 전동공구 사용에 익숙지 않거나 이 사용 설명서를 읽지 않은 사람은 기기를 사용해서는 안됩니다. 경험이 없는 사람이 전동공구를 사용하면 위험합니다.
- ▶ 전동공구 및 액세서리를 조심스럽게 관리하십시오. 가동 부위가 하자 없이 정상적인 기능을 하는지, 걸리는 부위가 있는지, 혹은 전동공구의 기능에 중요한 부품이 손상되지 않았는지 확인하십시오. 손상된 기기의 부품은 전동공구를 다시 사용하기 전에 반드시 수리를 맡기십시오. 제대로 관리하지 않은 전동공구의 경우 많은 사고를 유발합니다.
- ▶ 절단 공구를 날카롭고 깨끗하게 관리하십시오. 날카로운 절단면이 있고 잘 관리된 절단공구는 걸리는 경우가 드물고 조절하기도 쉽습니다.
- ▶ 전동공구, 액세서리, 장착하는 공구 등을 사용할 때, 이 지시 사항과 특별히 기종 별로 나와있는 사용 방법을 준수하십시오. 이때 작업 조건과 실시하려는 작업 내용을 고려하십시오. 원래 사용 분기가 아닌 다른 작업에 전동공구를 사용할 경우 위험한 상황을 초래할 수 있습니다.
- ▶ 손잡이 및 잡는 면을 건조하게 유지하고, 오일 및 그리스가 묻어 있지 않도록 깨끗하게 하십시오. 손잡이 또는 잡는 면이 미끄러우면 예상치 못한 상황에서 안전한 취급 및 제어가 어려워집니다.

#### 충전 전동공구의 올바른 사용과 취급

- ▶ 배터리를 충전할 때 제조 회사가 추천하는 충전기만을 사용하여 재충전해야 합니다. 특정 제품의 배터리를 위하여 제조된 충전기에 적합하지 않은 다른 배터리를 충전할 경우 화재 위험이 있습니다.
- ▶ 각 전동공구용으로 나와있는 배터리만을 사용하십시오. 다른 종류의 배터리를 사용하면 상해를 입거나 화재를 초래할 수 있습니다.
- ▶ 배터리를 사용하지 않을 때는, 각 극을 자극 할 수 있는 페이퍼 클립, 동전, 열쇠, 못, 나사 등 유사한 금속성 물체와 멀리하여 보관하십시오. 배터리 극 사이에 쇼트가 일어나 화상을 입거나 화재를 야기할 수 있습니다.
- ▶ 배터리를 잘못 사용하면 누수가 생길 수 있습니다. 누수가 생긴 배터리에 닿지 않도록 하십시오. 피부에 접촉하게 되었을 경우 즉시 물로 씻으십시오. 유체가 눈에 닿았을 경우 바로 의사와 상담하십시오. 배터리에서 나오는 유체는 피부에 자극을 주거나 화상을 입힐 수 있습니다.
- ▶ 손상된 배터리 또는 공구를 사용하지 마십시오. 손상되었거나 개조된 배터리는 예기치 못한 특성으로 인해 화재, 폭발 또는 부상의 위험을 초래할 수 있습니다.
- ▶ 배터리 또는 공구가 화기 또는 지나치게 높은 온도에 노출되지 않도록 하십시오. 화기 또는 130 °C 이상의 온도에 노출되면 폭발할 위험이 있습니다.
- ▶ 충전 지침을 준수하고 지침에 제시된 범위를 벗어난 온도에서 충전하지 마십시오. 제시된 범위

를 벗어난 부적절한 온도에서 충전할 경우 배터리가 손상되어 화재 발생의 위험이 증가됩니다.

#### 서비스

- ▶ 전동공구 수리는 반드시 전문 인력에게 맡기고, 수리 정비 시 보쉬 순정 부품만을 사용하십시오. 그렇게 함으로써 기기의 안전성을 오래 유지할 수 있습니다.
- ▶ 손상된 배터리는 절대 수리하지 마십시오. 배터리 수리는 제조사 또는 공인 서비스센터에서만 진행할 수 있습니다.

#### 드릴 머신과 스크류 드라이버 관련 안전 수칙

##### 모든 작업에 대한 안전 수칙

- ▶ 임팩 드릴링 작업 시 방음 보호구를 착용하십시오. 소음에 노출되면 청력을 상실할 수 있습니다.
- ▶ 절단용 액세서리 또는 파스너가 숨겨진 배선에 접촉할 가능성이 있는 작업을 수행할 경우, 전동공구의 절연된 손잡이 면만 잡으십시오. 절단용 액세서리 또는 파스너가 "전류가 흐르는" 전선에 접촉되면, 전동공구의 노출된 금속 부품에 "전류가 흐르는" 상태로 만들어 작업자가 감전될 수 있습니다.

##### 긴 드릴 비트를 사용할 경우 안전 수칙

- ▶ 절대 드릴 비트의 최대 정격 속도를 초과한 고속에서 작업하지 마십시오. 고속으로 작업할 경우, 비트가 구부러져 가공물에 닿지 않은 상태에서도 회전하면서 부상을 입을 수 있습니다.
- ▶ 드릴링 시에는 항상 낮은 속도에서 작업을 시작하여 비트의 끝이 가공물에 닿도록 하십시오. 고속으로 작업할 경우, 비트가 구부러져 가공물에 닿지 않은 상태에서도 회전하면서 부상을 입을 수 있습니다.
- ▶ 비트가 작동하는 부분에만 압력을 가하고 과도한 압력을 주지 마십시오. 비트가 구부러져 파손되거나 통제력을 잃어 부상을 입을 수 있습니다.

##### 추가 안전 경고사항

- ▶ 전동 공구를 잘 잡으십시오. 스크류를 조이거나 풀 때 잠깐 동안 높은 반력 토크가 발생할 수 있습니다.
- ▶ 작업물을 잘 고정하십시오. 고정장치나 기계 바이스에 끼워서 작업하면 손으로 잡는 것보다 더 안전합니다.
- ▶ 보이지 않는 부위에 에너지 배선 및 배관 여부를 확인하려면 적당한 탐지기를 사용하거나 담당 전력 공급회사에 문의하십시오. 전선에 접하게 되면 화재나 전기 충격을 야기할 수 있습니다. 가스관을 손상시키면 폭발 위험이 있습니다. 수도관을 파손하게 되면 재산 피해를 야기할 수 있습니다.
- ▶ 전동공구를 내려놓기 전에 기기가 완전히 멈추었는지 확인하십시오. 삽입공구가 걸리거나 전동공구에 대한 통제가 어려워질 수 있습니다.
- ▶ 배터리가 손상되었거나 잘못 사용될 경우 증기가 발생할 수 있습니다. 배터리에서 화재가 발생하

거나 폭발할 수 있습니다. 작업장을 환기시키고, 필요한 경우 의사와 상담하십시오. 증기로 인해 호흡기가 자극될 수 있습니다.

- ▶ 배터리를 분해하지 마십시오. 단락이 발생할 위험이 있습니다.
- ▶ 못이나 스크류 드라이버 같은 뾰족한 물체 또는 외부에서 오는 충격 등으로 인해 축전지가 손상될 수 있습니다. 내부 단락이 발생하여 배터리가 타거나 연기가 발생하고, 폭발 또는 과열될 수 있습니다.
- ▶ 제조사의 배터리 제품만 사용하십시오. 그래야만 배터리 과부하의 위험을 방지할 수 있습니다.



배터리를 태양 광선 등 고열에 장시간 노출되지 않도록 하고 불과 오염물질, 물, 수분이 있는 곳에 두지 마십시오. 폭발 및 단락의 위험이 있습니다.



- ▶ 톨 홀더에 끼워진 비트가 물리면 즉시 전동공구 스위치를 끄십시오. 반동을 유발할 수 있는 강한 반동력이 생길 수 있습니다. 전동공구가 과부하된 상태이거나 또는 작업하려는 소재에 걸렸을 경우 비트가 물립니다.

## 제품 및 성능 설명



모든 안전 수칙과 지침을 숙지하십시오. 다음의 안전 수칙과 지침을 준수하지 않으면 화재 위험이 있으며 감전 혹은 중상을 입을 수 있습니다.

사용 설명서 앞 부분에 제시된 그림을 확인하십시오.

## 규정에 따른 사용

본 전동공구는 나사를 돌려 끼우거나 푸는 작업, 목재, 금속, 세라믹 및 플라스틱에 드릴 작업 용도로 사용됩니다. GSB는 벽돌, 벽 및 암석에서 임팩트 드릴 작업에도 사용할 수 있습니다.

## 제품의 주요 명칭

제품의 주요 명칭에 표기되어 있는 번호는 기기 그림이 나와있는 면을 참고하십시오.

- (1) 톨 홀더
- (2) 키레스 척
- (3) 잠금 슬리브 (GSR 10.8V-35 HX)
- (4) 토크 설정 다이얼
- (5) 작동 모드 설정 링 (GSB)
- (6) 기어 선택 스위치
- (7) 회전방향 선택 스위치
- (8) 배터리 해제 버튼<sup>A)</sup>
- (9) 배터리<sup>A)</sup>
- (10) 전원 스위치
- (11) 배터리 충전상태 표시기
- (12) "PowerLight" 램프
- (13) 손잡이 (절연된 손잡이 부위)
- (14) 스크류 드라이버 비트<sup>A)</sup>
- (15) 유니버설 홀더<sup>A)</sup>
- (16) 벨트 고정클립<sup>A)</sup>
- (17) 비트 홀더<sup>A)</sup>
- (18) 컬러 클립<sup>A)</sup>

A) 도면이나 설명서에 나와있는 액세서리는 표준 공급부품에 속하지 않습니다. 전체 액세서리는 저희 액세서리 프로그램을 참고하십시오.

## 제품 사양

충전 드릴		GSB 10.8V-35	GSR 10.8V-35	GSR 10.8V-35 HX
제품 번호		3 601 JJ9 0..	3 601 JH8 0..	3 601 JJ9 1..
정격 전압	V=	10.8	10.8	10.8
무부하 속도 <sup>A)</sup>				
- 1단	min <sup>-1</sup>	0-460	0-460	0-460
- 2단	min <sup>-1</sup>	0-1750	0-1750	0-1750
타격 속도 <sup>A)</sup>	min <sup>-1</sup>	26250	-	-
ISO 5393에 따른 경질/연질 스크류 작업 시 최대 토크 <sup>A)</sup>	Nm	35/20	35/20	35/20
최대 드릴 Ø (1단/2단)				
- 벽돌	mm	10	-	-
- 철재	mm	10	10	10
- 목재	mm	32	32	32
드릴 척 클램핑 범위	mm	0.8-10	0.8-10	-
톨 홀더	mm	-	-	6.35 ¼"
최대 스크류 Ø	mm	8	8	8

충전 드릴		GSB 10.8V-35	GSR 10.8V-35	GSR 10.8V-35 HX
EPTA-Procedure 01:2014에 따른 중량 <sup>A)</sup>	kg	1.0-1.2	0.93-1.2	0.75-1.0
충전 시 권장되는 주변 온도	°C	0 ... +35	0 ... +35	0 ... +35
작동 시 <sup>B)</sup> 및 보관 시 허용되는 주변 온도	°C	-20 ... +50	-20 ... +50	-20 ... +50
권장 배터리		GBA 10.8V...	GBA 10.8V...	GBA 10.8V...
권장하는 충전기		GAL 12... GAX 18...	GAL 12... GAX 18...	GAL 12... GAX 18...

A) 사용하는 배터리에 따라 상이

B) 온도 <0 °C일 때 출력 제한

## 조립

- ▶ 전동공구에 각종 작업(보수 정비 및 액세서리 교환 등)을 하거나 전동공구를 운반하거나 보관할 경우 배터리를 전동공구에서 빼십시오. 실수로 전원 스위치가 작동하게 되면 상해를 입을 위험이 있습니다.

### 배터리 충전하기

- ▶ 기술자료에 기재되어 있는 충전기만 사용하십시오. 귀하의 전동공구에 사용된 리튬이온 배터리에 맞춰진 충전기들입니다.

**지침:** 배터리는 일부 충전되어 공급됩니다. 배터리의 성능을 완전하게 보장하기 위해서는 처음 사용하기 전에 배터리를 충전기에 완전히 충전하십시오. 리튬이온 배터리는 항상 충전할 수 있으며, 이로 인해 수명이 단축되지 않습니다. 충전을 하다 중간에 중지해도 배터리가 손상되지 않습니다.

리튬 이온 배터리는 “Electronic Cell Protection (ECP)” (전자 셀 보호) 기능이 있어 과도하게 방전되지 않습니다. 배터리가 방전되면 안전 스위치가 작동하여 전동공구가 꺼지고 비트가 더 이상 움직이지 않습니다.

- ▶ 전동공구가 자동으로 작동이 중단된 경우 전원 스위치를 계속 누르지 마십시오. 배터리가 손상될 수 있습니다.

폐기처리에 관련된 지시 사항을 준수하십시오.

### 배터리 분리하기(그림 A 참조)

배터리 (9) 를 분리하려면 양쪽의 배터리 해제 버튼 (8) 을 누른 상태에서 배터리를 전동공구 아래쪽으로 당겨내십시오. 무리하게 힘을 가하지 마십시오.

### 액세서리의 교환

- ▶ 전동공구에 각종 작업(보수 정비 및 액세서리 교환 등)을 하거나 전동공구를 운반하거나 보관할 경우 배터리를 전동공구에서 빼십시오. 실수로 전원 스위치가 작동하게 되면 상해를 입을 위험이 있습니다.

### 비트 장착하기: GSR 10.8V-35 HX(그림 C 참조)

잠금 슬리브 (3) 를 뒤로 당기고 비트를 톨 홀더 (1) 안으로 끝까지 밀어 넣습니다. 비트를 고정하려면 잠금 슬리브 (3) 를 다시 놓으면 됩니다.

**잠금 장치는 해당 국가에서 비트의 너비가 가장 넓은 치수에 맞춰져 있음에 유의하십시오.**

### 비트 장착하기: GSB 10.8V-35/GSR 10.8V-35(그림 B 참조)

공구가 삽입될 때까지 키레스 척 (2) 을 회전 방향 ①로 돌려 푸십시오. 공구를 끼우십시오.

키레스 척 (2) 의 슬리브를 손으로 힘을 가해 회전 방향 ②로 돌려 잠그십시오. 이를 통해 드릴 척은 자동으로 잠깁니다.

비트를 빼기 위해 슬리브를 반대 방향으로 돌리면 잠금 상태가 다시 해제됩니다.

### 비트 분리하기: GSR 10.8V-35 HX

잠금 슬리브 (3) 를 뒤쪽으로 당긴 후, 어댑터 (1) 에서 비트를 분리합니다.

### 분진 및 톱밥 추출장치

납 성분을 포함한 페인트나 몇몇 나무 종류, 또는 광물 성분 그리고 철과 같은 재료의 분진은 건강을 해칠 수 있습니다. 이 분진을 만지거나 호흡할 경우, 사용자나 주변 사람들은 알레르기 반응이나 호흡기 장애를 일으킬 수 있습니다.

떡갈나무나 너도밤나무와 같은 특정한 분진은 암을 유발시키며, 특히 목재 처리용으로 사용되는 부가 원료(크로마트, 목재 보호제)와 혼합되면 암을 유발시키게 됩니다. 석면 성분을 포함한 재료는 오직 전문가가 작업을 해야 합니다.

- 작업장의 통풍이 잘 되도록 하십시오.
- 필터등급 P2에 해당되는 호흡 마스크를 사용하십시오.

작업용 재료에 관해 국가가 지정한 규정을 고려하십시오.

- ▶ 작업장에 분진이 쌓이지 않도록 하십시오. 분진이 쉽게 발화할 수 있습니다.

## 작동

### 기계 시동

#### 배터리 장착하기

**지침:** 전동공구에 적합하지 않은 배터리를 사용하면 전동공구에 기능 장애가 생겨 기기가 손상될 수 있습니다.

회전방향 선택 스위치 (7) 를 중앙에 위치시키면, 의도치 않게 전원이 켜지는 것을 방지할 수 있습니다. 충전된 배터리 (9) 를 손잡이 안에 넣고 제대로 걸리는 느낌이 들 때까지 정확하게 장착합니다.


#### 회전방향 설정하기(그림 D 참조)


회전방향 선택 스위치 (7) 를 이용해 전동공구의 회전방향을 변경할 수 있습니다. 전원 스위치 (10) 가 눌린 상태에서는 변경할 수 없습니다.

**우회전:** 드릴 작업 및 볼트를 돌려 끼우려면 회전방향 선택 스위치 (7) 를 좌측 끝까지 누르십시오.

**좌회전:** 볼트를 풀거나 돌려 빼려면 회전방향 선택 스위치 (7) 를 우측 끝까지 미십시오.

#### 토크 설정하기

토크 설정 링 (4) 을 이용하여 필요한 토크를 20단계에서 사전에 선택할 수 있습니다. 올바르게 설정하면, 나사못이 작업물과 평면이 되게 끼워지거나 설정된 토크에 이르게 되면 드릴 비트가 자동으로 정지합니다.  위치에서 과부하 클러치는 비활성화됩니다(예: 드릴 작업).

나사를 돌려 빼낼 때 필요에 따라 더 높게 설정되도록 선택하거나  기호로 설정하십시오.

#### 기계식 기어 선택

▶ 전동공구가 정지된 상태에서만 기어 선택 스위치 (6) 를 누르십시오.

기어 선택 스위치 (6) 를 이용해 두 개의 회전 영역을 사전 선택할 수 있습니다.

#### 기어 I단:

저속 범위; 스크류 작업과 드릴 직경이 넓은 곳에 작업할 경우.

#### 기어 II단:

높은 속도범위; 가는 드릴 비트로 작업할 때.

#### 작동 모드 설정하기



#### 드릴 작업

##### GSR

토크 설정 링 (4) 을 돌려 “드릴 작업” 기호로 두십시오.

##### GSB

작동 모드 설정 링 (5) 위치는 항상 “드릴 작업” 기호로 두십시오.



#### 스크류 작업

##### GSR

토크 설정 링 (4) 을 돌려 원하는 토크로 설정하십시오.

##### GSB

작동 모드 설정 링 (5) 위치는 항상 “스크류 작업” 기호로 두십시오.

토크 설정 링 (4) 을 돌려 원하는 토크로 설정하십시오.



#### 임팩트 드릴 작업(GSB)

작동 모드 설정 링 (5) 위치는 항상 “임팩트 드릴 작업” 기호로 두십시오.

#### 속도/타격을 조절하기

전원이 켜진 전동공구의 속도/타격률은 전원 스위치 (10) 를 움직이는 정도에 따라 자유롭게 조절할 수 있습니다.

전원 스위치 (10) 쪽으로 약간만 밀면 낮은 속도/타격률이 설정됩니다. 좀 더 세게 누르면 속도/타격률이 증가합니다.

#### 전원 스위치 작동

전동공구를 작동하려면 전원 스위치 (10) 를 누르고 누른 상태를 유지하십시오.

전동공구의 스위치를 끄려면 전원 스위치 (10) 에서 손을 떼면 됩니다.

#### 전자동 스프인들 잠금장치(Auto-Lock)

전원 스위치 (10) 를 누르지 않은 상태에서는 드릴 스프인들과 톨 홀더 (1) 가 잠겨 있습니다.

이로 인해 방전 상태의 배터리 (9) 로 나사못을 조이는 것과 전동공구를 스크류 드라이버로 사용하는 것이 가능합니다.

#### 배터리 충전상태 표시기

배터리 충전상태 표시기 (11) 는 전원 스위치 (10) 를 몇 초 동안 절반 또는 끝까지 누르면 배터리 충전 상태를 보여주며, 3개의 녹색 LED로 구성되어 있습니다.

배터리 충전상태 표시기 (11) 및 램프 (12) 의 3개 LED는 배터리 온도가 작동 온도 범위 -20 ~ +50 °C 사이를 벗어나는 경우에 빠르게 깜박입니다.

LED	용량
연속등 3 x 녹색	≥76 %
연속등 2 x 녹색	51-75 %
연속등 1 x 녹색	26-50 %
느린 깜박등 1 x 녹색	≤25 %

#### 온도에 따른 과부하 방지 기능

규정에 맞게 사용할 때 전동공구의 과부하를 방지할 수 있습니다. 과도한 부하가 발생한 경우, 전동공구가 다시 최적의 작동 온도 영역에 이를 때까지 전동공구 작동을 차단합니다.

이러한 상태는 배터리 충전상태 표시기 (11) 의 세 개의 LED 작동 램프를 통해 표시됩니다. LED는 전동공구가 다시 최적의 작동 온도에 도달하면 꺼집니다.

#### 사용 방법

▶ 전동공구의 스위치가 꺼진 상태에서만 볼트/너트에 대십시오. 회전하는 드릴 비트가 미끄러질 수 있습니다.

낮은 회전속도로 장시간 작업한 후에는 냉각을 위해 전동공구를 약 3분간 최대 회전속도로 공회전시키십시오.

금속에 드릴 작업을 할 경우에는 항상 하자가 없는 날카로운 HSS 드릴 비트(HSS = 하이 스피드 스틸)만 사용하십시오. **Bosch** 액세서리 제품군은 이에 상응하는 품질을 보증합니다.

경질 작업 소재에 크고 긴 스크류를 끼우기 전에, 나사산의 중심 직경으로 스크류 길이의 약 2/3 에 해당하는 깊이로 초기 드릴 작업을 하는 것이 좋습니다.

### 벨트 고정클립(그림 E 참조)

벨트 고정클립 (16) 으로 이 전동공구를 벨트에 매달아 놓을 수 있습니다. 그러면 두 손을 자유로이 사용할 수 있으며 어느 때나 이 전동공구를 사용할 수 있습니다.

### 비트 홀더(그림 F 참조)

비트 홀더 (17) 에 스크류 드라이버 비트를 보관하기 위한 용도로 끼워둘 수 있습니다.

### 컬러 클립(그림 G 참조)

컬러 클립 (18) 은 벨트 고정클립 (16) 또는 비트 홀더 가 조립되지 않은 경우에만 사용할 수 있습니다.

## 보수 정비 및 서비스

### 보수 정비 및 유지

- ▶ 전동공구에 각종 작업(보수 정비 및 액세서리 교환 등)을 하거나 전동공구를 운반하거나 보관할 경우 배터리를 전동공구에서 빼십시오. 실수로 전원 스위치가 작동하게 되면 상해를 입을 위험이 있습니다.
- ▶ 안전하고 올바른 작동을 위하여 전동공구와 전동공구의 통풍구를 항상 깨끗이 하십시오.

### AS 센터 및 사용 문의

AS 센터에서는 귀하 제품의 수리 및 보수정비, 그리고 부품에 관한 문의를 받고 있습니다. 대체 부품에 관한 분해 조립도 및 정보는 인터넷에서도 찾아볼 수 있습니다 - [www.bosch-pt.com](http://www.bosch-pt.com)

보수 사용 문의 팀에서는 보수의 제품 및 해당 액세서리에 관한 질문에 가까이 답변 드릴 것입니다.

문의나 대체 부품 주문 시에는 반드시 제품 네임 플레이트에 있는 10자리의 부품번호를 알려 주십시오.

콜센터  
080-955-0909

### 운반

포함되어 있는 리튬이온 배터리는 위험물 관련 규정을 따라야 합니다. 별도의 요구사항 없이 배터리를 사용자가 직접 도로 상에서 운반할 수 있습니다.

제3자를 통해 운반할 경우(항공 운송이나 운송 회사 등) 포장과 표기에 관한 특별한 요구 사항을 준수해야 합니다. 이 경우 발송 준비를 위해 위험물 전문가와 상담해야 합니다.

표면이 손상되지 않은 배터리만 사용하십시오. 배터리의 접촉 단자면을 덮어 붙인 상태로 내부에서 움직이지 않도록 배터리를 포장하십시오. 또한 이와 관련한 국내 규정을 준수하십시오.

### 처리



전동공구, 배터리, 액세서리 및 포장은 환경 친화적인 방법으로 재활용할 수 있도록 분류하십시오.



전동공구와 충전용 배터리/배터리를 가정용 쓰레기로 처리하지 마십시오!

### 충전용 배터리/배터리:

#### 리튬이온:

운반 단락에 나와 있는 지침을 참고하십시오 (참조 „운반“, 페이지 21).

## Licenses

### Copyright © 2009–2016 ARM LIMITED

All rights reserved.

Redistribution and use in source and binary forms, with or without modification, are permitted provided that the following conditions are met:

- Redistributions of source code must retain the above copyright notice, this list of conditions and the following disclaimer.
- Redistributions in binary form must reproduce the above copyright notice, this list of conditions and the following disclaimer in the documentation and/or other materials provided with the distribution.
- Neither the name of ARM nor the names of its contributors may be used to endorse or promote products derived from this software without specific prior written permission.

THIS SOFTWARE IS PROVIDED BY THE COPYRIGHT HOLDERS AND CONTRIBUTORS "AS IS" AND ANY EXPRESS OR IMPLIED WARRANTIES, INCLUDING, BUT NOT LIMITED TO, THE IMPLIED WARRANTIES OF MERCHANTABILITY AND FITNESS FOR A PARTICULAR PURPOSE ARE DISCLAIMED. IN NO EVENT SHALL THE COPYRIGHT OWNER OR CONTRIBUTORS BE LIABLE FOR ANY DIRECT, INDIRECT, INCIDENTAL, SPECIAL, EXEMPLARY, OR CONSEQUENTIAL DAMAGES (INCLUDING, BUT NOT LIMITED TO, PROCUREMENT OF SUBSTITUTE GOODS OR SERVICES; LOSS OF USE, DATA, OR PROFITS; OR BUSINESS INTERRUPTION) HOWEVER CAUSED AND ON ANY THEORY OF LIABILITY, WHETHER IN CONTRACT, STRICT LIABILITY, OR TORT (INCLUDING NEGLIGENCE OR OTHERWISE) ARISING IN ANY WAY OUT OF THE USE OF THIS SOFTWARE, EVEN IF ADVISED OF THE POSSIBILITY OF SUCH DAMAGE.

### Copyright © 2015, Infineon Technologies AG

All rights reserved.

Redistribution and use in source and binary forms, with or without modification, are permitted provided that the following conditions are met:

- Redistributions of source code must retain the above copyright notice, this list of conditions and the following disclaimer.
- Redistributions in binary form must reproduce the above copyright notice, this list of conditions and the following disclaimer in the documentation and/or other materials provided with the distribution.
- Neither the name of the copyright holders nor the names of its contributors may be used to endorse or promote products derived from this software without specific prior written permission.

THIS SOFTWARE IS PROVIDED BY THE COPYRIGHT HOLDERS AND CONTRIBUTORS "AS IS" AND ANY EXPRESS OR IMPLIED WARRANTIES, INCLUDING, BUT NOT LIMITED TO, THE IMPLIED WARRANTIES OF MERCHANTABILITY AND FITNESS FOR A PARTICULAR PURPOSE ARE DISCLAIMED. IN NO EVENT SHALL THE COPYRIGHT OWNER OR CONTRIBUTORS BE LIABLE FOR ANY DIRECT, INDIRECT, INCIDENTAL, SPECIAL, EXEMPLARY, OR CONSEQUENTIAL DAMAGES (INCLUDING, BUT NOT LIMITED TO, PROCUREMENT OF SUBSTITUTE GOODS OR SERVICES; LOSS OF USE, DATA, OR PROFITS; OR BUSINESS INTERRUPTION) HOWEVER CAUSED AND ON ANY THEORY OF LIABILITY, WHETHER IN CONTRACT, STRICT LIABILITY, OR TORT (INCLUDING NEGLIGENCE OR OTHERWISE) ARISING IN ANY WAY OUT OF THE USE OF THIS SOFTWARE, EVEN IF ADVISED OF THE POSSIBILITY OF SUCH DAMAGE.