



FACSIMILE EQUIPMENT

PARTS REFERENCE LIST

MODEL: MFC7420 / 7820N

DCP 7020

(For U.S.A / Canada / Brazil)

© Copyright Brother 2004

All rights reserved

No part of this publication may be reproduced in any form
or by any means without permission in writing from the
publisher.

Specifications are subject to change without prior notice.

NOTES FOR USING THIS PARTS REFERENCE LIST

1. In the case of ordering parts, it needs mentioning the following items:

- (1) Code
- (2) Q' ty
- (3) Description
- (4) Recommend (The \checkmark mark is attached to recommend parts at this column.)
- (5) Symbol (PCB No., Revision, and Parts location mounted on the PCB.)

Note: No orders without Parts Code or Tool No. can be accepted.

[Example]

(1)	(2)	(3)	(4)	(5)		
REF.NO.	CODE	Q' TY	DESCRIPTION	RECOMMEND	SYMBOL	REMARKS

2. Design-changed parts:

When the parts are changed, any one of the following symbols is mentioned in the REMARKS column.

CHG (chg): The part is changed to a new part.

ADD (add): The part is newly added.

DEL (del): The part is deleted.

Symbol in capital letters indicates that the change is the latest one in the page.

3. Parts change will be informed by the technical information.

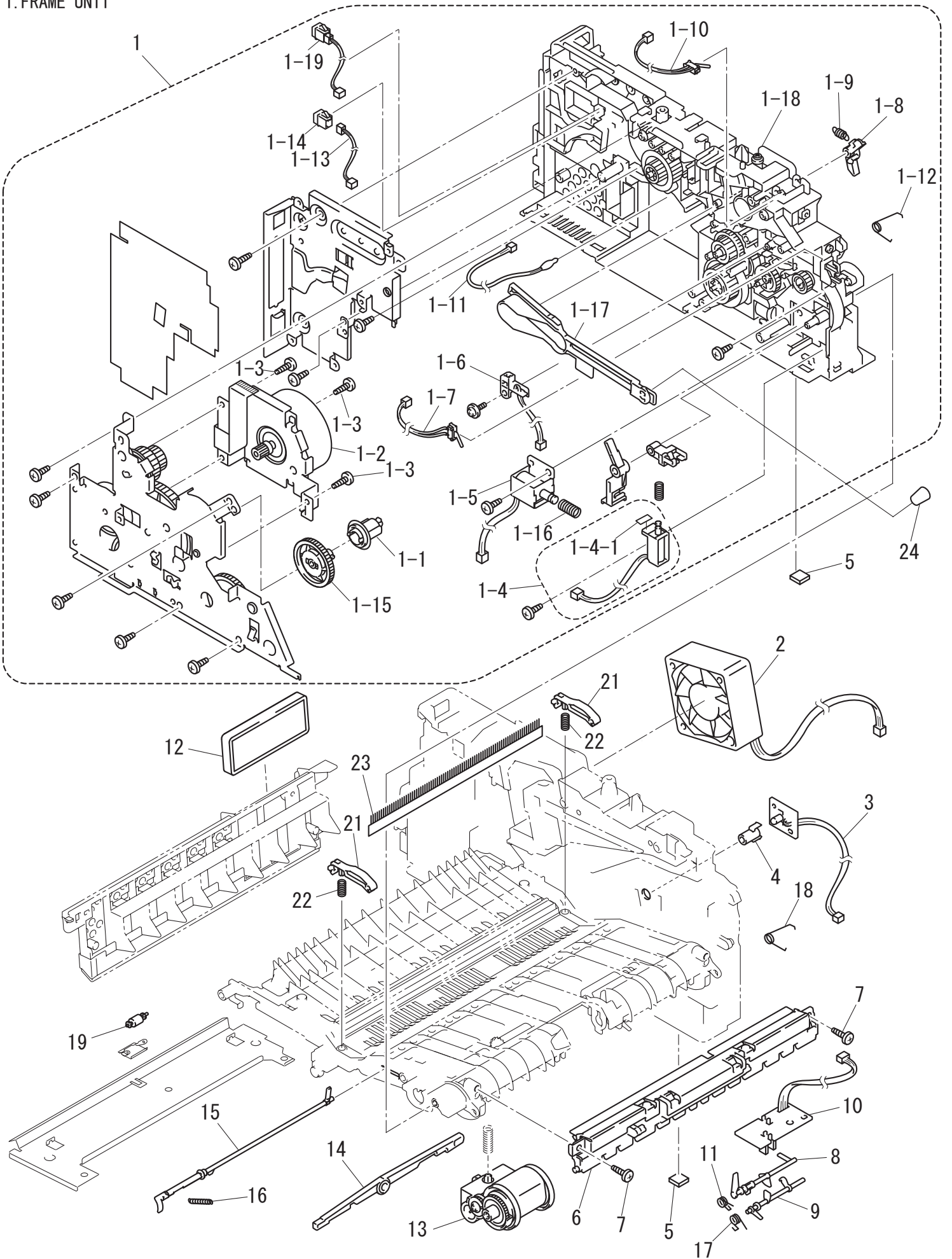
COUNTRIES

U.S.A. ---- USA

CANADA ---- CAN

BRAZIL ---- BRA

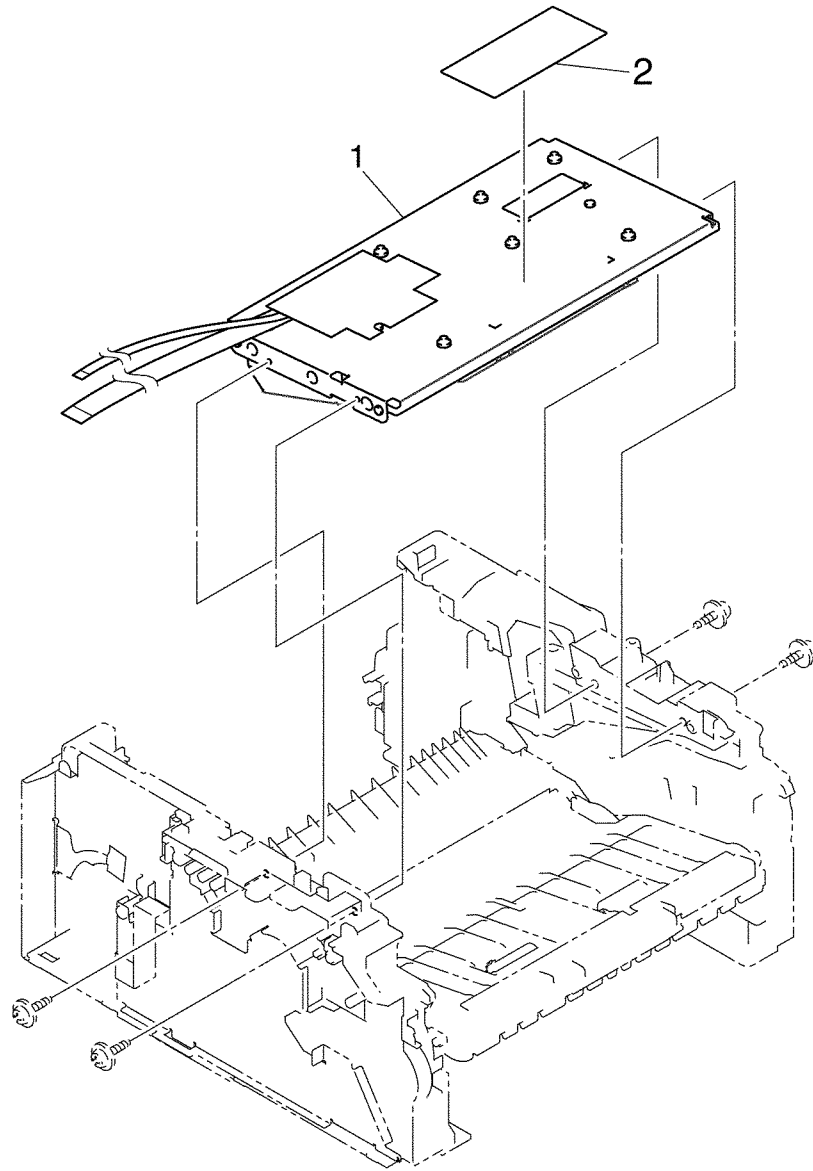
1. FRAME UNIT



LIST1(FRAME UNIT)

REF No.	CODE	Q'TY	DESCRIPTION	RECOMMEND	REMARKS
4	LF9386001	4	MAIN FRAME L ASSY-S, DCP7020, MFC7420		del
1	LS3983001	1	MAIN FRAME L ASSY, DCP7020, MFC7420		CHG
1	LX2538001	1	MAIN FRAME L ASSY-SV, DCP7020, MFC7420		CHG
4	LF9387001	4	MAIN FRAME L ASSY-S, MFC7820N		del
1	LS3984001	1	MAIN FRAME L ASSY, MFC7820N		CHG
1	LX2537001	1	MAIN FRAME L ASSY-SV, MFC7820N		CHG
1-1	LM4227001	1	DEVELOP JOINT		
1-2	LM4341001	1	MAIN MOTOR ASSY		
1-3	087320616	3	TAPTITE CUP S M3X6		
1-4	LM4238001	1	P/R SOLENOID ASSY		chg
1-4-1	LU7353001	1	SOL DAMPER SHEET		add
1-5	LM4234001	1	F/R SOLENOID ASSY		chg
1-6	LJ9740001	1	TONER SENSOR PCB ASSY		
1-7	LG5845001	1	COVER SENSOR ASSY		
1-8	LM4260001	1	NEW TONER ACTUATOR		
1-9	LM4261001	1	NEW TONER ACTUATOR SPRING		
1-10	LG5832001	1	NEW TONER SENSOR ASSY		
1-11	LG5834001	1	THERMISTOR ASSY		add
1-12	LM6480001	1	PINCH SPRING L		chg
1-13	LJ9744001	1	THERMISTOR RELAY HARNESS		add
1-13	LM9014001	4	THERMISTOR RELAY HARNESS-S		del
1-14	LJ9745001	1	THERMISTOR HARNESS JOINT		add
1-14	LM9013001	4	THERMISTOR HARNESS JOINT-S		del
1-15	LM4225001	1	DEVELOP DRIVE GEAR		add
1-16	LM4633001	1	SOLENOID RELEASE SPRING ALL		add
1-17	LM4249001	1	DRIVE RELEASE CAM		add
1-18	LM4733001	1	MAIN FRAME L SUB ASSY (WITHOUT GEARS)		add
1-19	LT0974001	1	THERMISTOR HARNESS UNIT		add
2	LF6856001	1	FAN MOTOR 60 UNIT		
3	LJ9747001	1	TONER LED PCB ASSY		
4	LM4267001	1	LED HOLDER		
5	LJ7403001	2	RUBBER FOOT		
6	LM4275001	1	SUB CHUTE ASSY		
7	085411216	2	TAPTITE BIND B M4X12		
8	LM4282001	1	REGIST FRONT ACTUATOR		
9	LM4283001	1	TAIL EDGE ACTUATOR		
10	LJ9751001	1	REGIST SENSOR PCB ASSY		
11	LM4285001	1	REGIST FRONT SPRING		
12	LU0922001	1	FILTER 2 ASSY		chg
13	LM4300001	1	PICKUP ROLLER HOLDER ASSY		
14	LM6482001	1	LINK LEVER		chg
15	LM4284001	1	REGIST REAR ACTUATOR		
16	LM4286001	1	REGIST REAR SPRING		
17	LM4287001	1	TAIL EDGE SPRING		add
18	LM6481001	1	PINCH SPRING R		chg
19	LJ7432001	1	CLEANER PINCH ROLLER ASSY L		add
20			N/A		
21	LM4357001	2	TRANSFER ARM		add
22	LM4358001	2	TRANSFER ARM SPRING		add
23	LM4595001	1	ANTI-STATIC BRUSH ALL JPS		add
24	LU1323001	1	RUBBER SPACER ALL		ADD

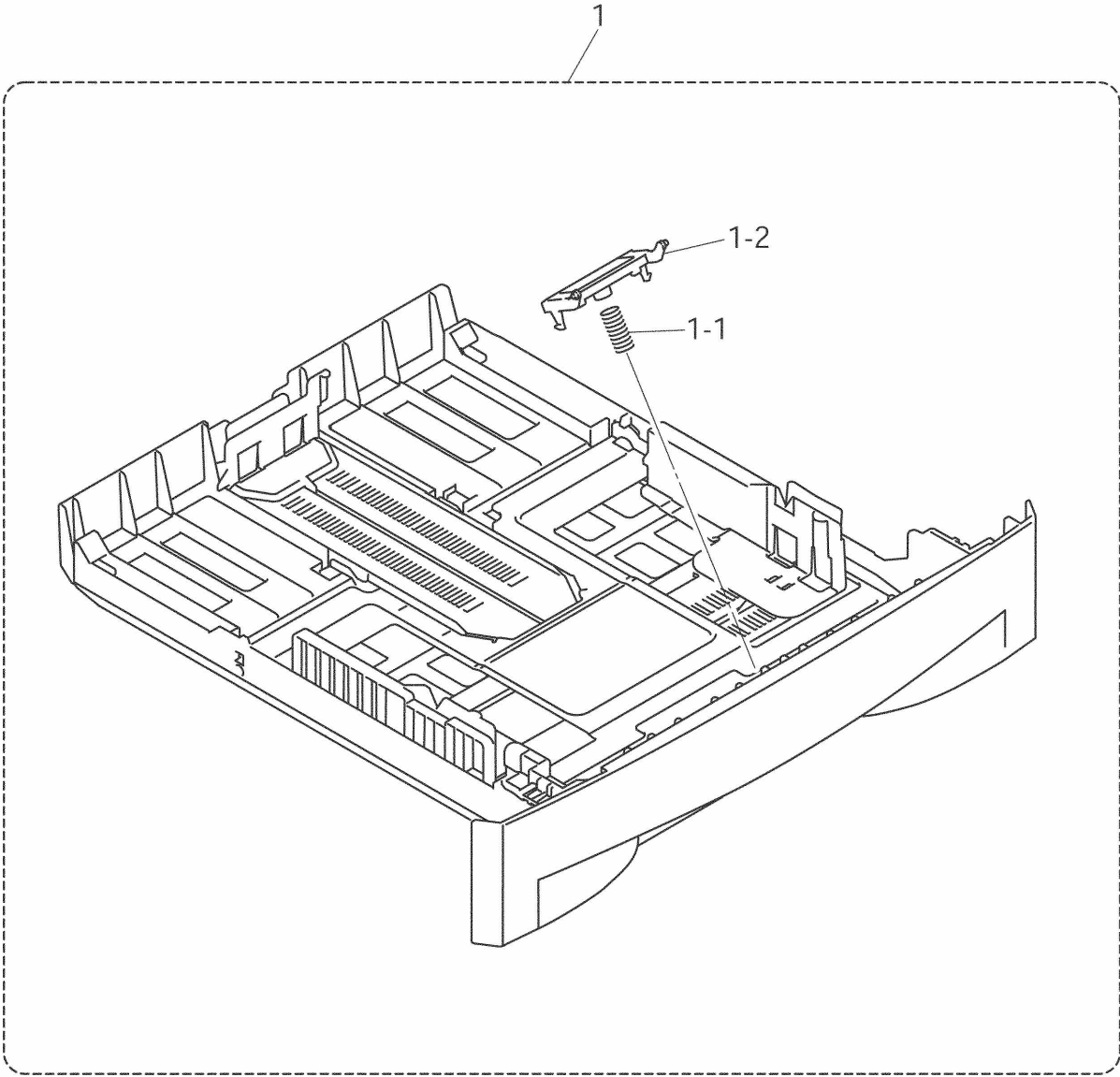
2. LASER UNIT



List2(LASER UNIT)

REF No.	CODE	Q'TY	DESCRIPTION	RECOMMEND	REMARKS
1	LM4578001	1	LASER UNIT(SP)		
2	LJ0908001	1	LASER CAUTION LABEL		

3. PAPER TRAY

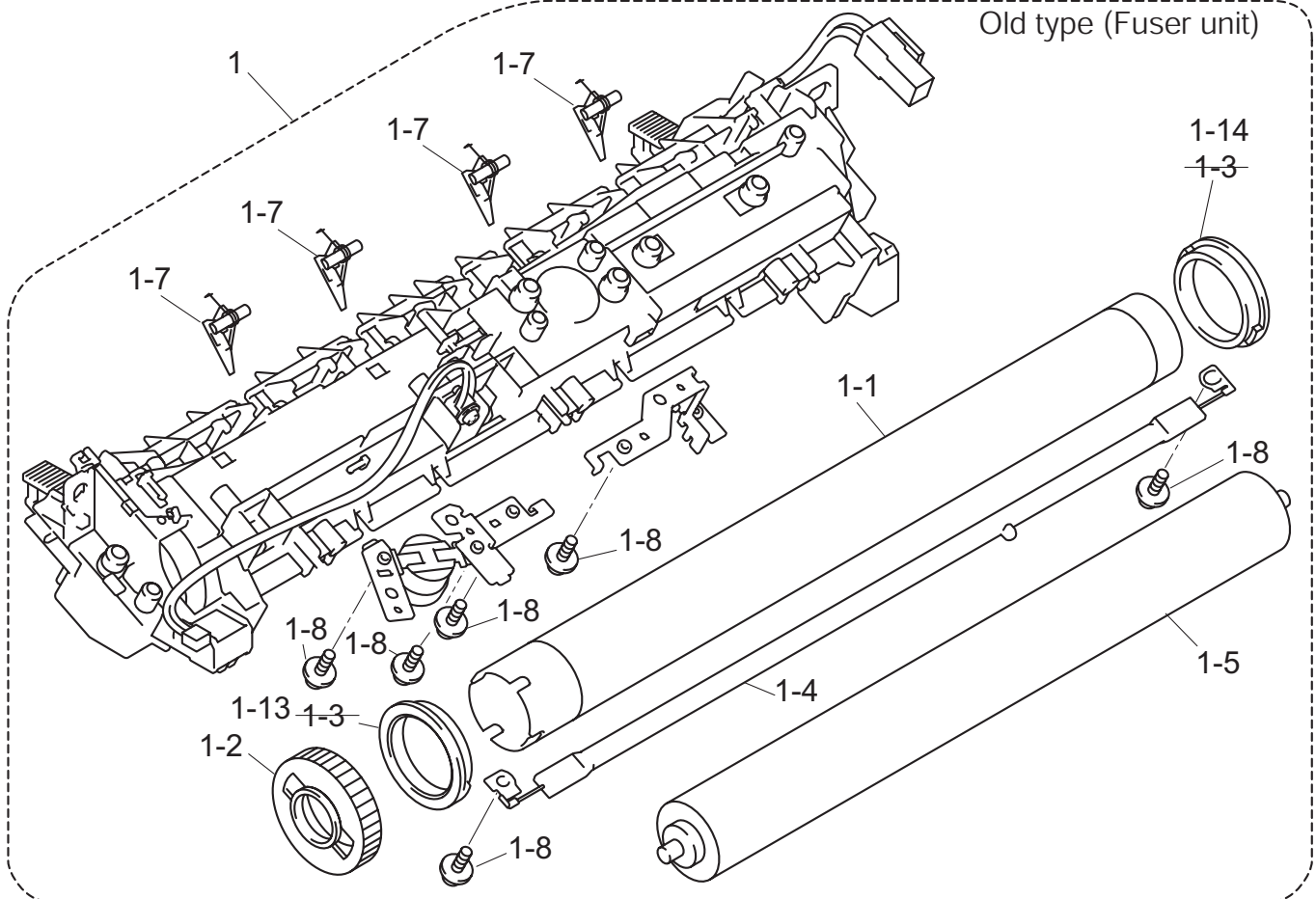


List3(PAPER TRAY)

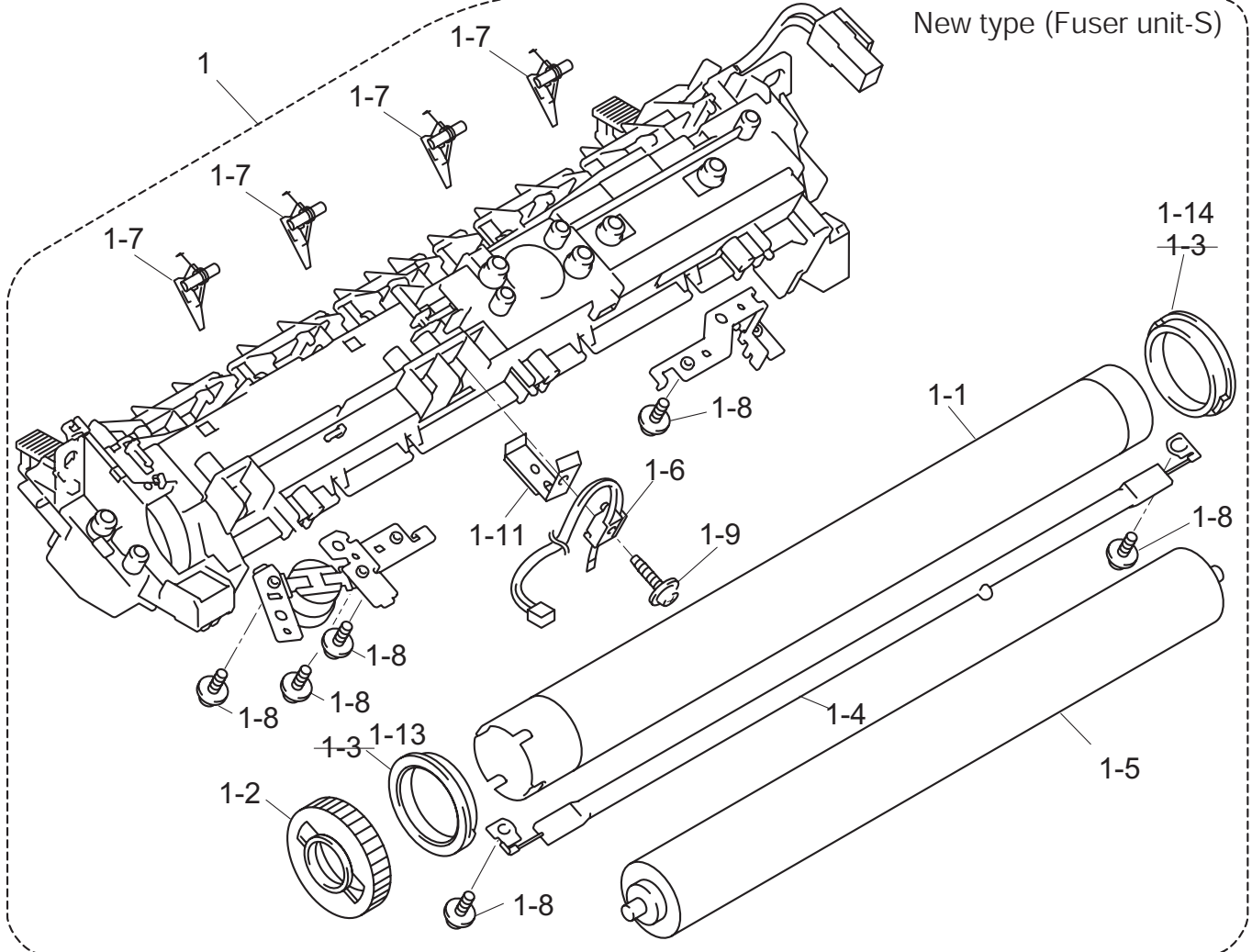
REF No.	CODE	Q'TY	DESCRIPTION	RECOMMEND	REMARKS
1	LM6331001	1	PAPER TRAY ASSY, GRAY(1581), DCP7020, MFC7420		CHG
1	LM6331002	1	PAPER TRAY ASSY, GRAY(1736), MFC7820N		CHG
1-1	LM4146001	1	SEPARATION PAD SPRING		
1-2	LM4143001	1	SEPARATION PAD HOLDER ASSY		

4. FIXING UNIT

Old type (Fuser unit)



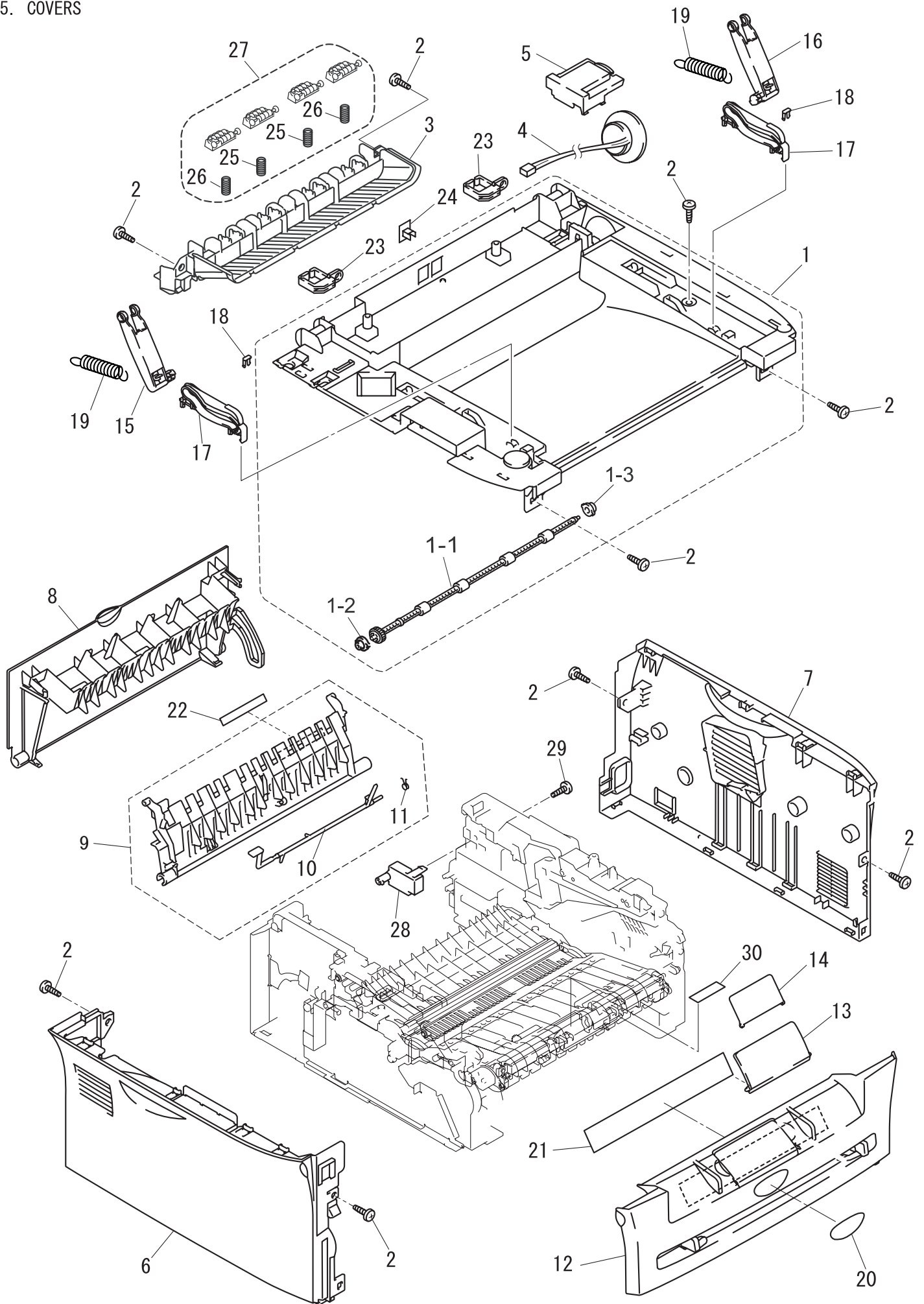
New type (Fuser unit-S)



LIST4(FIXING UNIT)

REF No.	CODE	Q'TY	DESCRIPTION	RECOMMEND	REMARKS
1	LM6721001	1	FUSER UNIT 115V I-10/5 (SP)	√	CHG
1	LM6722001	1	FUSER UNIT 115V S-10/5 (SP)	√	CHG
4	LM4960004	4	FUSER UNIT 230V I-10/5 (SP) FOR BRA	√	del
4	LM4962004	4	FUSER UNIT 230V S-10/5 (SP) FOR BRA	√	del
1-1	LM4009001	1	HEAT ROLLER		
1-2	LM4010001	1	HR GEAR		
4-3	LM4011004	2	HR BUSH		DEL
1-4	LM4012001	1	HALOGEN HEATER 115V		
4-4	LM4022004	4	HALOGEN HEATER 230V FOR BRA		del
1-5	LM4013001	1	PRESSURE ROLLER		
1-6	LM4865001	1	THERMISTOR ASSY-S		chg
1-7	LM4994001	4	SEPARATE CLAW ASSY 10/1		chg
1-8	LM3855001	6	SCREW, PAN (S/P WASHER) M3X8		
1-9	087311216	1	TAPTITE CUP B M3X12		
4-10	LM4997004	4	SEPARATE CLAW ASSY 10/2		del
1-11	LM6305001	1	THERMISTOR CLEANER ASSY2		chg
4-12	087310816	4	TAPTITE CUP B M3X8		del
1-13	LM6735001	1	HR BUSH L		ADD
1-14	LM6736001	1	HR BSH R		ADD

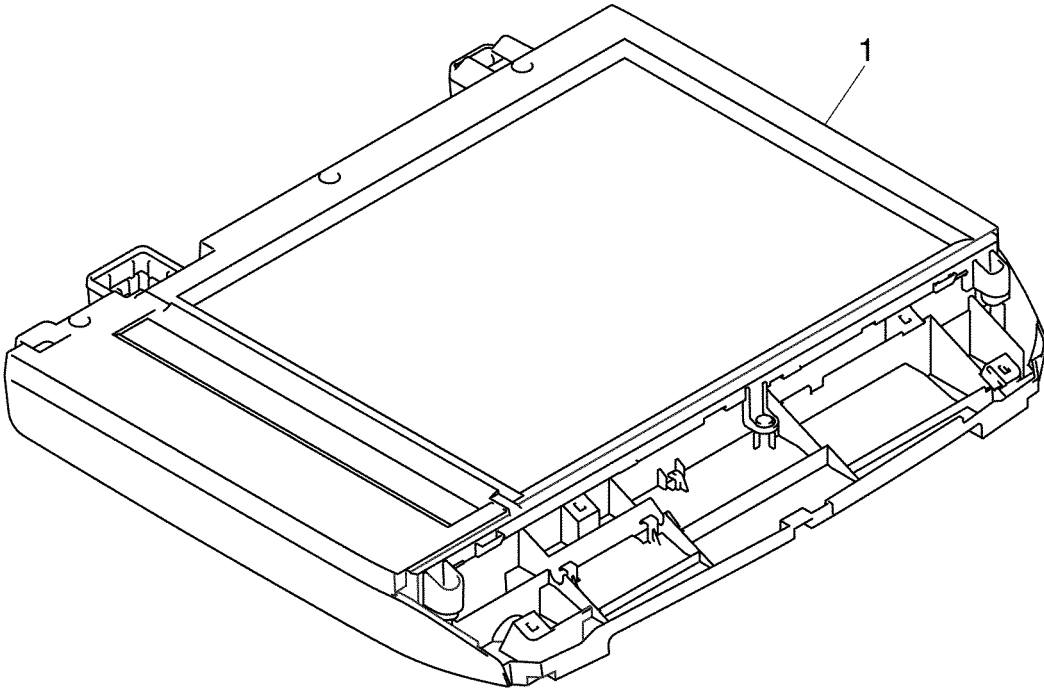
5. COVERS



LIST5(COVERS)

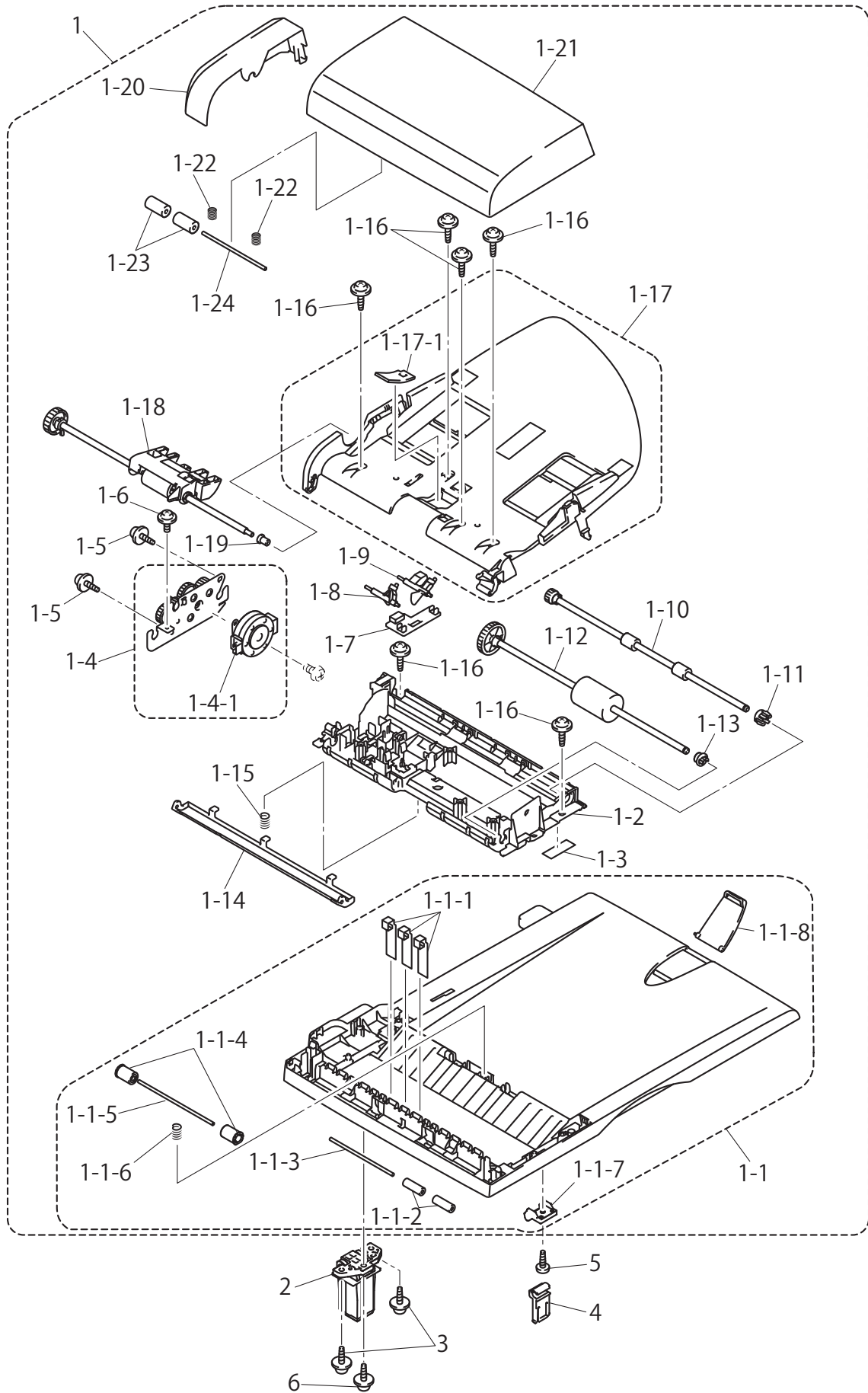
REF No.	CODE	Q'TY	DESCRIPTION	RECOMMEND	REMARKS
1	LF9873001	1	JOINT COVER ASSY, GRAY(1581), DCP7020		chg
1	LF9871001	1	JOINT COVER ASSY, GRAY(1581), MFC7420		chg
1	LF9871002	1	JOINT COVER ASSY, GRAY(1736), MFC7820N		chg
1-1	LM4105001	1	EJECT ROLLER ASSY		add
1-2	LM4108001	1	BUSH L		add
1-3	LM4107001	1	BUSH R		add
2	085411216	9	TAPTITE BIND B M4X12		
3	LF6136001	1	INNER CHUTE, GRAY(1581), DCP7020, MFC7420		
3	LF6136002	1	INNER CHUTE, GRAY(1736), MFC7820N		
4	LG5842001	1	SPEAKER ASSY		
5	LF6630001	1	SPEAKER COVER, GRAY(1581), DCP7020, MFC7420		
5	LF6630002	1	SPEAKER COVER, GRAY(1736), MFC7820N		
6	LF6137001	1	SIDE COVER L, GRAY(1581), DCP7020, MFC7420		
6	LF6248002	1	SIDE COVER L, GRAY(1736), MFC7820N		
7	LF6138001	1	SIDE COVER R, GRAY(1581), DCP7020, MFC7420		
7	LF6138002	1	SIDE COVER R, GRAY(1736), MFC7820N		
8	LF9412001	1	REAR COVER, GRAY(1581), DCP7020, MFC7420		chg
8	LF9412002	1	REAR COVER, GRAY(1736), MFC7820N		chg
9	LM6321001	1	REAR CHUTE COVER ASSY		CHG
10	LM6320001	1	PAPER EJECT ACTUATOR3		chg
11	LM6309001	1	EJECT ACTUATOR SPRING3		chg
12	LF6140001	1	FRONT COVER ASSY, GRAY(1581), DCP7020, MFC7420		
12	LF6140002	1	FRONT COVER ASSY, GRAY(1736), MFC7820N		
13	LF6143001	1	PAPER STOPPER L, GRAY(1581), DCP7020, MFC7420		
13	LF6143002	1	PAPER STOPPER L, GRAY(1736), MFC7820N		
14	LF6144001	1	PAPER STOPPER S, GRAY(1581), DCP7020, MFC7420		
14	LF6144002	1	PAPER STOPPER S, GRAY(1736), MFC7820N		
15	LF6145001	1	PULL ARM L		
16	LF6146001	1	PULL ARM R		
17	LF6147001	2	PULL ARM GUIDE		
18	LF6148001	2	LOCK CLAW		
19	LF6149001	2	PULL ARM SPRING		
20	LM4162001	1	BROTHER EMBLEM, DCP7020, MFC7420		
20	LM4162002	1	BROTHER EMBLEM, MFC7820N		
21	LP2695001	1	PROCESS U OP LABEL 2		chg
22	LM7050001	1	HEATER CAUTION LABEL 2		chg
23	LF6745001	2	CORD HOOK, MFC7420, MFC7820N		
24	----		NOT USED		
25	----		N/A		chg
26	----		N/A		chg
27	LM6598001	1	PINCH ROLLER SP ASSY 3		chg
28	LM4568001	1	REAR COVER STOPPER		add
29	085411216	1	TAPTITE BIND B M4X12		add
30	LU0233001	1	CAUTION LABEL S 13X40		add

6. DOCUMENT SCANNER



List6(DOCUMENT SCANNER)

REF No.	CODE	Q'TY	DESCRIPTION	RECOMMEND	REMARKS
1	LP2370001	1	SCANNER UNIT(SP), GRAY(1581), DCP7020, MFC7420		CHG
1	LP2370002	1	SCANNER UNIT(SP), GRAY(1736), MFC7820N		CHG



LIST7(ADF)

REF No.	CODE	Q'TY	DESCRIPTION	RECOMMEND	REMARKS
1	LS0936001	1	ADF UNIT (SP), DCP7020, MFC7420 **	√	CHG
1	LS0936002	1	ADF UNIT (SP), MFC7820N **	√	CHG
1-1	LS0265001	1	DOCUMENT COVER SUB ASSY, GRAY(1581), DCP7020, MFC7420 *		chg
1-1	LS0265002	1	DOCUMENT COVER SUB ASSY, GRAY(1736), MFC7820N *		chg
1-1-1	LF6864001	3	PRESSURE ROLLER FILM		
1-1-2	LE9733001	2	PRESSURE ROLLER		
1-1-3	LE2471001	1	PRESSURE ROLLER SHAFT		
1-1-4	UL6244002	2	EJECTION ROLLER		
1-1-5	LE9735001	1	PRESSURE ROLLER SHAFT		
1-1-6	LE6206001	1	EJECTION SPRING		
1-1-7	LF6165001	1	HINGE ARM		
1-1-8	LF6166001	1	DOCUMENT STOPPER, GRAY(1581), DCP7020, MFC7420		
1-1-8	LF6166002	1	DOCUMENT STOPPER, GRAY(1736), MFC7820N		
1-2	LF6168001	1	LOWER DOCUMENT CHUTE		
1-3	LF6865001	1	LOWER DOCUMENT CHUTE FILM		
1-4	LS0268001	1	DRIVE FRAME ASSY *		chg
1-4-1	LF6172001	1	ADF MOTOR ALL		
1-5	087311016	2	TAPTITE CUP B M3X10		
1-6	087320616	1	TAPTITE CUP S M3X6		
1-7	LG5847001	1	ADF SENSOR PCB ASSY		
1-8	LF5217001	1	ACTUATOR, R		
1-9	LF4967001	1	ACTUATOR, F		
1-10	LF6577001	1	EJECTION ROLLER ASSY		
1-11	LF4230001	1	BUSHING		
1-12	LF6579001	1	LF ROLLER ASSY		
1-13	UF0026001	1	RESIN BUSHING		
1-14	LF5225001	1	DOCUMENT HOLD		chg
1-15	LF5226001	1	DOCUMENT HOLD SPRING		
1-16	087311016	6	TAPTITE CUP B M3X10		
1-17	LF6173001	1	UPPER DOCUMENT CHUTE ASSY		
1-17-1	LF7135001	1	SEPARATION RUBBER		
1-18	LF6582001	1	SEPARATE ROLLER SHAFT ASSY		
1-19	UF9949001	1	SEPARATE ROLLER BUSHING		
1-20	LF6177001	1	GEAR COVER, GRAY(1581), DCP7020, MFC7420		
1-20	LF6177002	1	GEAR COVER, GRAY(1736), MFC7820N		
1-21	LF6179001	1	ADF COVER, GRAY(1581), DCP7020, MFC7420		
1-21	LF6179002	1	ADF COVER, GRAY(1736), MFC7820N		
1-22	LE2472001	2	LF SPRING		
1-23	UF9009001	2	PRESSER ROLLER		
1-24	LE2471001	1	PRESSURE ROLLER SHAFT		
2	LF6846001	1	HINGE ASSY L		
3	087311016	2	TAPTITE CUP B M3X10		chg
4	LF4976002	1	HINGE		
5	085411216	1	TAPTITE BIND B M4X12		
6	087321217	1	TAPTITE CUP S M3X12 **		add

** The following two parts have to be replaced at the same time.

(Refer to PCI:1000002132 for details.)

- ADF UNIT(SP)

- TAPTITE CUP S M3X12

* The following three parts have to be replaced at the same time.

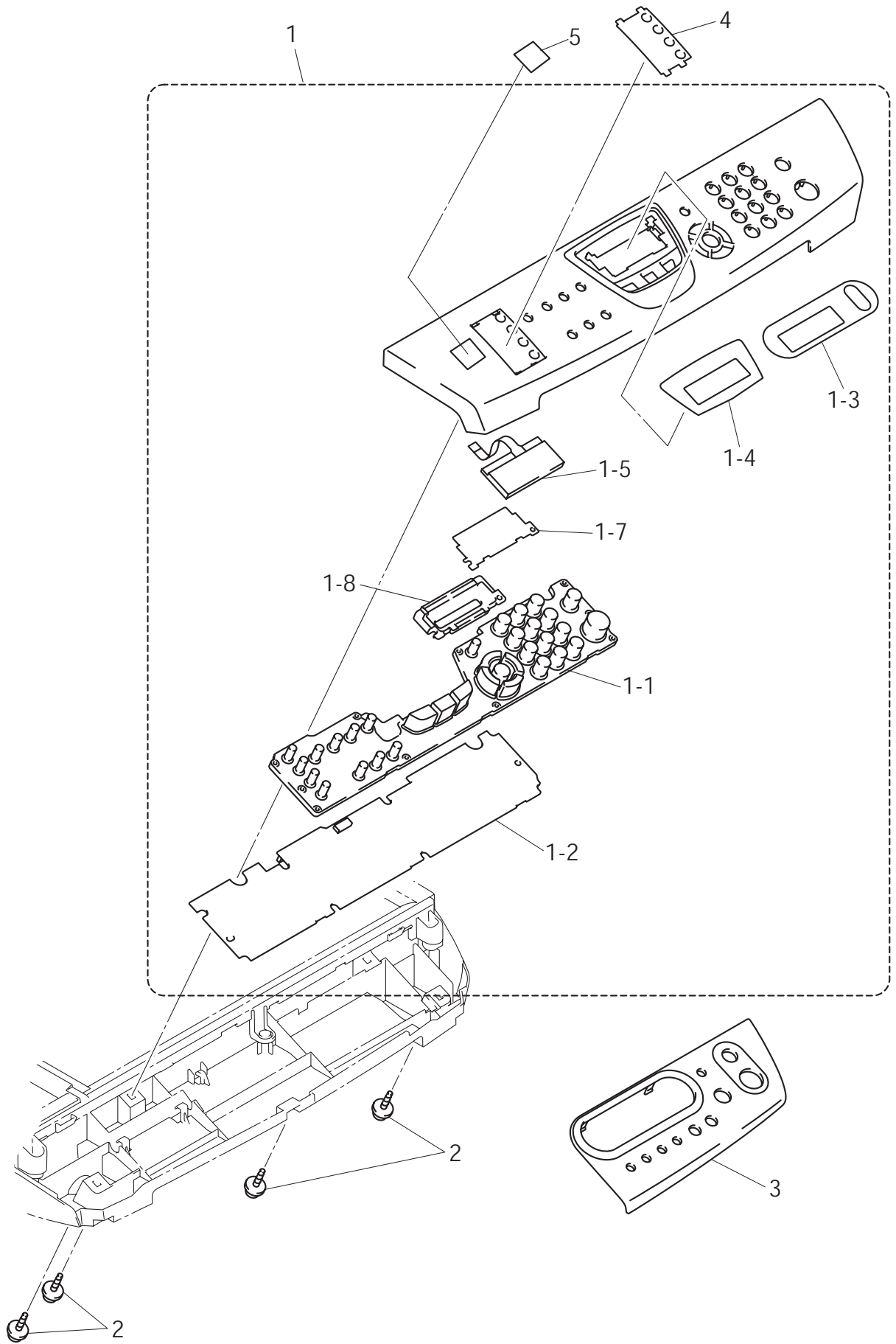
(Refer to PCI:1000002132 for details.)

- DOCUMENT COVER SUB ASSY

- DRIVE FRAME ASSY

- TAPTITE CUP S M3X12

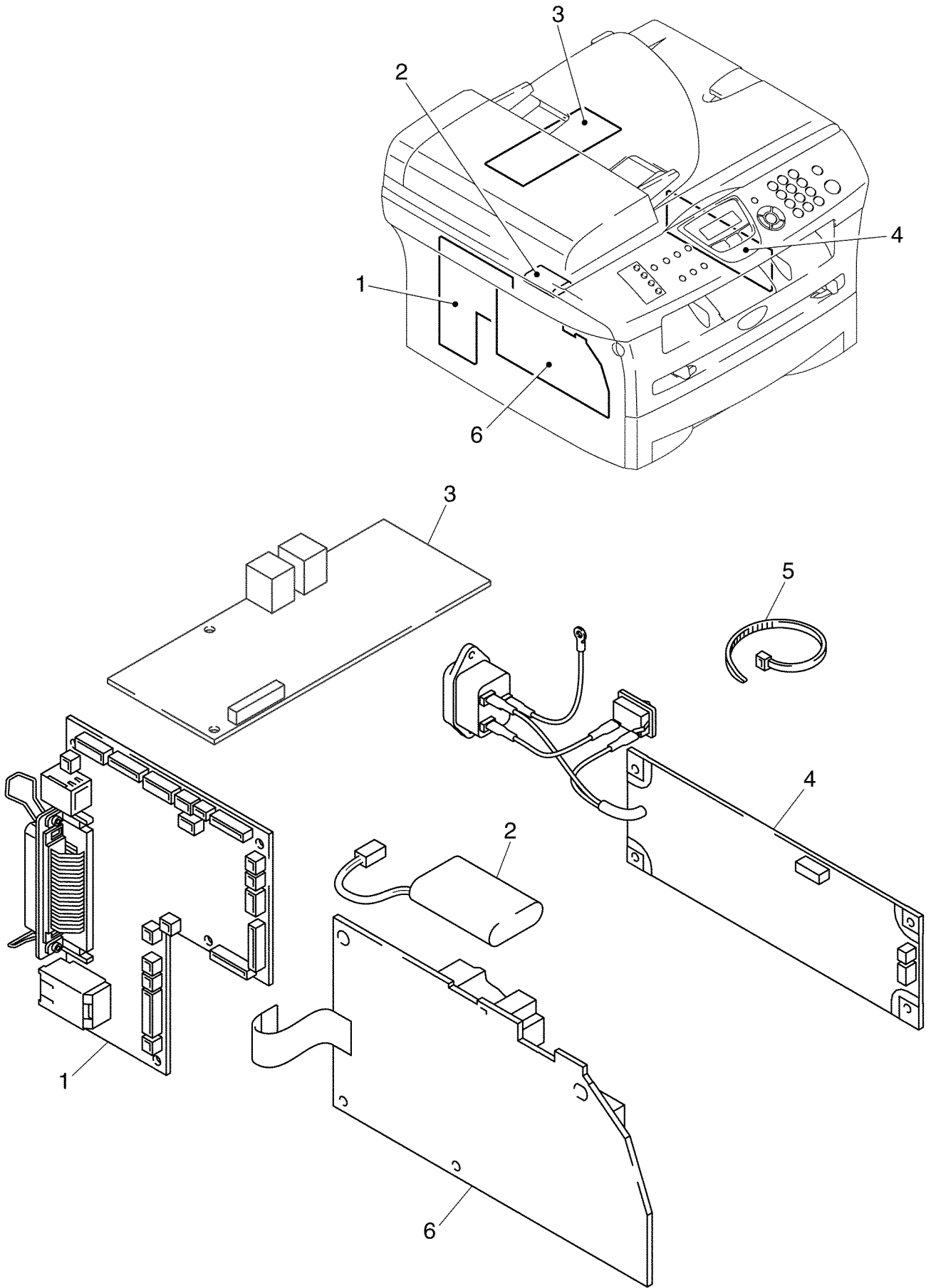
8. PANEL



LIST8(PANEL)

REF No.	CODE	Q'TY	DESCRIPTION	RECOMMEND	SYMBOL	REMARKS
1	LF6270001	1	PANEL UNIT, GRAY(1581), DCP7020			
1	LF6181001	1	PANEL UNIT, GRAY(1581), MFC7420 FOR US/CAN			
1	LF6249002	1	PANEL UNIT, GRAY(1736), MFC7820N FOR US/CAN			
1	LF6805001	1	PANEL UNIT, GRAY(1581), MFC7420 FOR BRA			
1	LF6989001	1	PANEL UNIT, GRAY(1736), MFC7820N FOR BRA			
1-1	LF6261001	1	RUBBER KEY, PRINTED, DCP7020			
1-1	LF6184001	1	RUBBER KEY, PRINTED, MFC7420, MFC7820N			
1-2	LG5917001	1	PANEL PCB ASSY, DCP7020		B53K796	
1-2	LG5114001	1	PANEL PCB ASSY, MFC7420		B53K788	
1-2	LG5114002	1	PANEL PCB ASSY, MFC7820N		B53K788	
1-3	LF6263001	1	LCD SHEET, DCP7020	√		
1-4	LF6186001	1	LCD SHEET, MFC7420	√		
1-4	LF6251001	1	LCD SHEET, MFC7820N	√		
1-5	LG6348001	1	LCD, DCP7020, MFC7420			chg
1-5	LG6347001	1	LCD, MFC7820N			chg
(1-6)	085310816	2	TAPTITE BIND B M3X8, DCP7020			
1-7	LF6188001	1	DIFFUSION FILM, MFC7820N			
1-8	LF6189001	1	BACKLIGHT GUIDE, MFC7820N			
2	087311016	4	TAPTITE CUP B M3X10			
3	LF6272001	1	PRINTED DCP COVER, DCP7020			
4	LF6190001	1	ADDRESS LABEL, MFC7420, MFC7820N			
5	LU0234001	1	CAUTION LABEL S 30X30			ADD

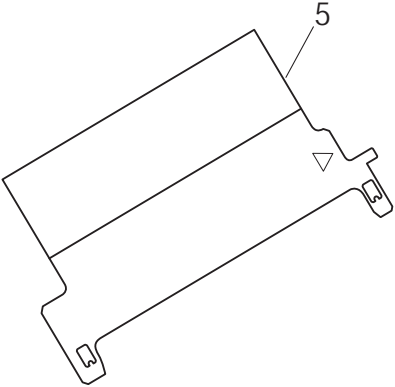
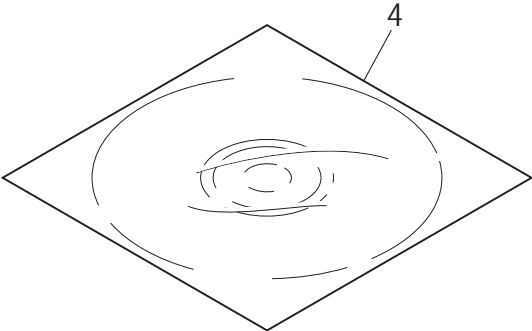
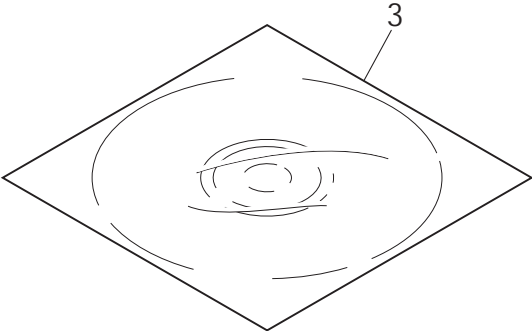
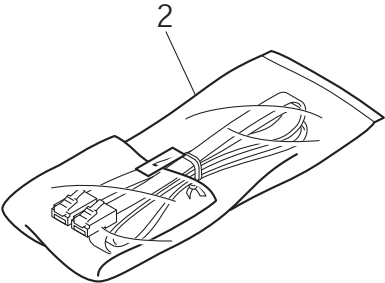
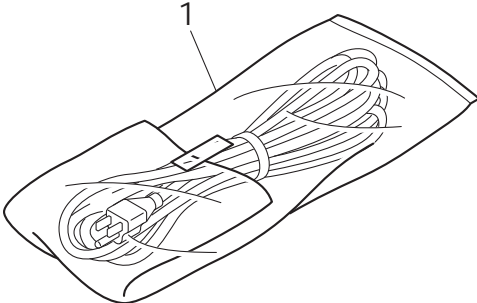
9. PCB



LIST9(PCB)

REF No.	CODE	Q'TY	DESCRIPTION	RECOMMEND	SYMBOL	REMARKS
1	LG5922001	1	MAIN PCB ASSY, DCP7020	√	B53K774	
1	LG6432001	1	MAIN PCB ASSY-S, DCP7020	√	B53K774	add
1	LG6655001	1	MAIN PCB ASSY-SV, DCP7020	√	B53K834	add
1	LG5861001	1	MAIN PCB ASSY, MFC7420 FOR US/CAN	√	B53K774	
1	LG6431001	1	MAIN PCB ASSY-S, MFC7420 FOR US/CAN	√	B53K774	add
1	LG6654001	1	MAIN PCB ASSY-SV, MFC7420 FOR US/CAN	√	B53K834	add
1	LG5918001	1	MAIN PCB ASSY, MFC7820N FOR US/CAN	√	B53K790	
1	LG6430001	1	MAIN PCB ASSY-S, MFC7820N FOR US/CAN	√	B53K790	add
1	LG6798001	1	MAIN PCB ASSY-SV, MFC7820N FOR US/CAN	√	B53K835	add
1	LG5861004	1	MAIN PCB ASSY, MFC7420 FOR BRA	√	B53K774	
1	LG6431004	1	MAIN PCB ASSY-S, MFC7420 FOR BRA	√	B53K774	add
1	LG6654004	1	MAIN PCB ASSY-SV, MFC7420 FOR BRA	√	B53K834	add
1	LG5918004	1	MAIN PCB ASSY, MFC7820N FOR BRA	√	B53K790	
1	LG6430004	1	MAIN PCB ASSY-S, MFC7820N FOR BRA	√	B53K790	add
1	LG6798004	1	MAIN PCB ASSY-SV, MFC7820N FOR BRA	√	B53K834	add
2	LG5921001	1	BATTERY ASSY, MFC7820N			
3	LT0866001	1	NCU PCB ASSY, MFC7420 FOR US	√	B57T013	CHG
3	LT0867001	1	NCU PCB ASSY, MFC7820N FOR US	√	B57T013	CHG
3	LT0866002	1	NCU PCB ASSY, MFC7420 FOR CAN	√	B57T013	CHG
3	LT0867002	1	NCU PCB ASSY, MFC7820N FOR CAN	√	B57T013	CHG
3	LG6190003	1	NCU PCB ASSY, MFC7420 FOR BRA	√	B53K786	chg
3	LG6190004	1	NCU PCB ASSY, MFC7820N FOR BRA	√	B53K786	chg
4	LG5871001	1	PS PCB UNIT, 115V FOR US/CAN/BRA			chg
4	LG6191001	1	PS PCB UNIT FOR BRA			del
5	LJ8657001	1	BINDER 2.3X79			
6	LJ9708001	1	HIGH-VOLTAGE PS PCB ASSY			

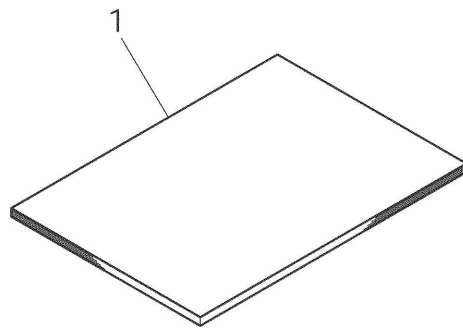
10.ACCESSORIES



LIST10(Accessories)

REF No.	CODE	Q'TY	DESCRIPTION	RECOMMEND	REMARKS
1	LG4400001	1	AC CORD BAG ASSY, LF FOR US/CAN	√	
1	LT0914001	1	AC CORD BAG ASSY, LF FOR BRA	√	chg
2	LG3077001	1	TELEPHONE LINE CORD, MFC7420, MFC7820N		
3	LF6549001	1	CD-ROM ASSY, DCP7020 <Windows>		
3	LF6527001	1	CD-ROM ASSY, MFC7420/MFC7820N FOR US/CAN <Windows>		
3	LF6550001	1	CD-ROM ASSY, DCP7020 <Macintosh>		
3	LF6978001	1	CD-ROM ASSY, MFC7420/MFC7820N FOR US/CAN/BRA <Macintosh>		chg
3	LF6587001	1	CD-ROM ASSY, MFC7420/MFC7820N FOR BRA <Windows>		
3	LF6977001	4	CD-ROM ASSY, MFC7420/MFC7820N FOR BRA <Macintosh>		del
4	LS0471001	1	CD-ROM ASSY VISTA, DCP7020/MFC7420/7820N FOR US/CAN		chg
4	LS0464001	1	CD-ROM ASSY VISTA, MFC7420/7820N FOR BRA		chg
5	LU1185001	1	DRUM CLEANING SHEET KIT		ADD

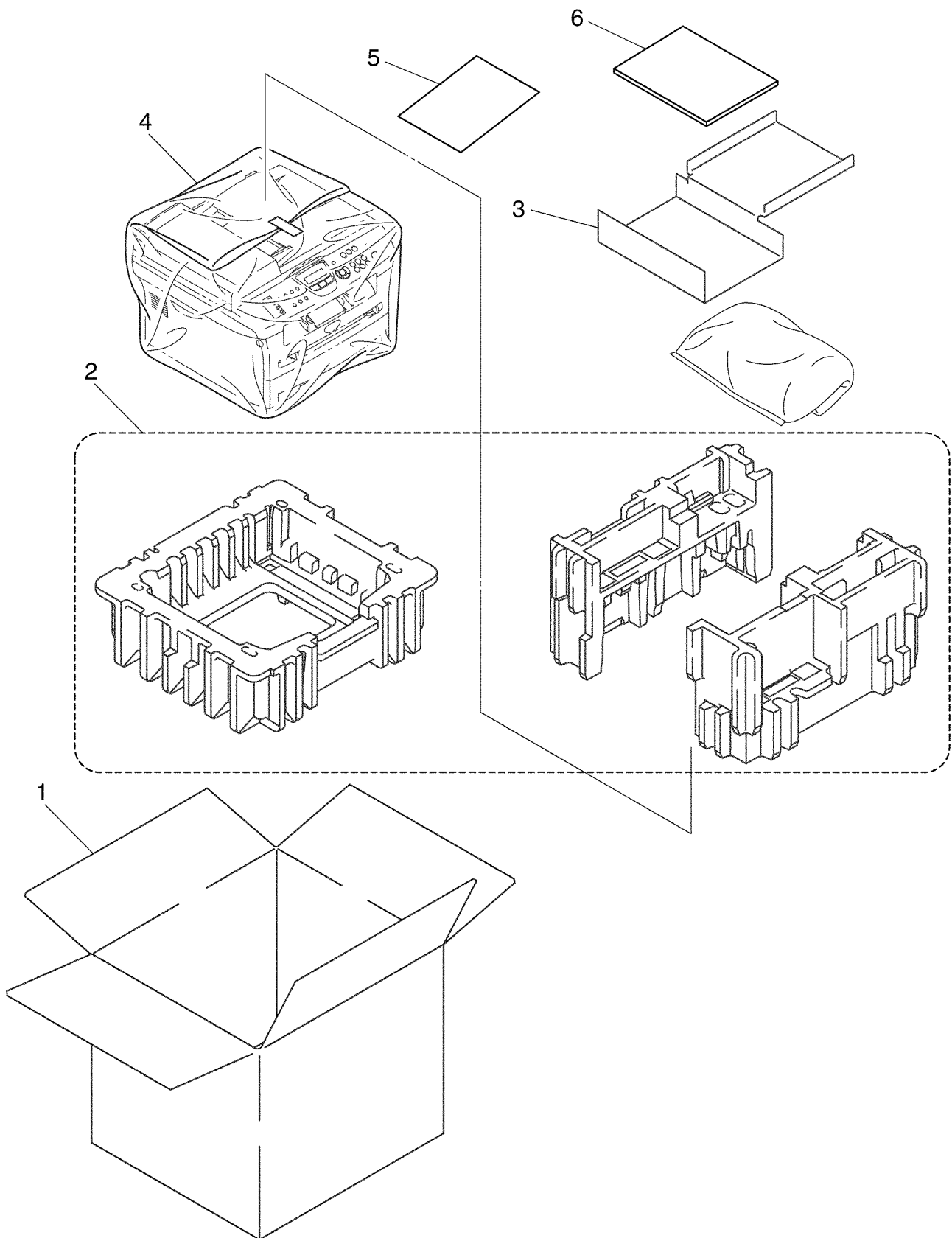
11. PRINTED MATERIALS



List11(PRINTED MATERIALS)

REF No.	CODE	Q'TY	DESCRIPTION	RECOMMEND	REMARKS
1	LF6552001	1	USER'S GUIDE, DCP7020 <ENGLISH>		
1	LF6530001	1	USER'S GUIDE, DCP7420, MFC7820N FOR US/CAN <ENGLISH>		
1	LF6552002	1	USER'S GUIDE, DCP7020 FOR CAN <FRENCH>		
1	LF6530002	1	USER'S GUIDE, MFC7420, MFC7820N FOR CAN <FRENCH>		
(2)	LF9444001	1	FRENCH SEAL, DCP7020 FOR CAN		CHG
(2)	LF9445001	1	FRENCH SEAL, MFC7420 FOR CAN		CHG
(2)	LF9446001	1	FRENCH SEAL, MFC7820N FOR CAN		CHG

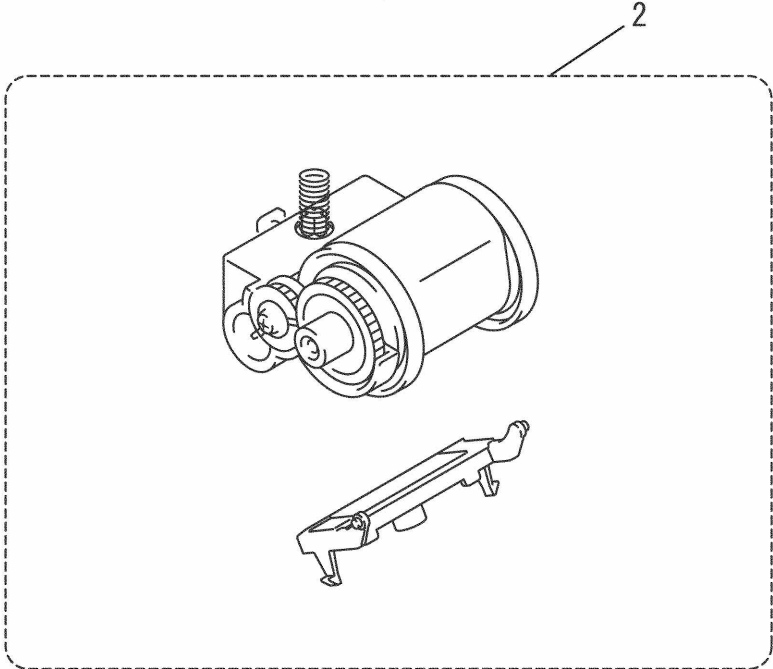
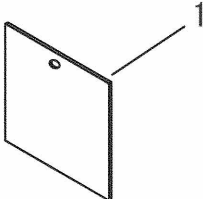
12. PACKING MATERIALS



List12(PACKING MATERIALS)

REF No.	CODE	Q'TY	DESCRIPTION	RECOMMEND	REMARKS
1	LF6554001	1	CARTON, BROTHER, DCP7020	√	
1	LF6532001	1	CARTON, BROTHER, MFC7420	√	
1	LF6681001	1	CARTON, BROTHER, MFC7820N	√	
2	LF6195001	1	POLYSTYRENE PAD ASSY		
3	LF6199001	1	OPTION CARTON		
4	LJ5583001	1	BAG, 800X900H		
5	UU0456001	1	PROTECTION PAPER		
6	LF6557001	1	QUICK SETUP GUIDE, DCP7020 <ENGLISH>		
6	LF6535001	1	QUICK SETUP GUIDE, MFC7420/MFC7820N FOR US/CAN <ENGLISH>		
6	LF6557002	1	QUICK SETUP GUIDE, DCP7020 FOR CAN <FRENCH>		
6	LF6535002	1	QUICK SETUP GUIDE, MFC7420/MFC7820N FOR CAN <FRENCH>		

13. OTHERS



List13(OTHERS)

REF No.	CODE	Q'TY	DESCRIPTION	RECOMMEND	REMARKS
1	LM4726001	1	CHECK JIG		
2	LM6291001	1	PAPER FEEDING KIT		CHG

brother®

PL-FAX100
8C5A03
Ver. AM-1