

bizhub PRO 1100

Specification & Installation Guide


Nov. 03, 2018



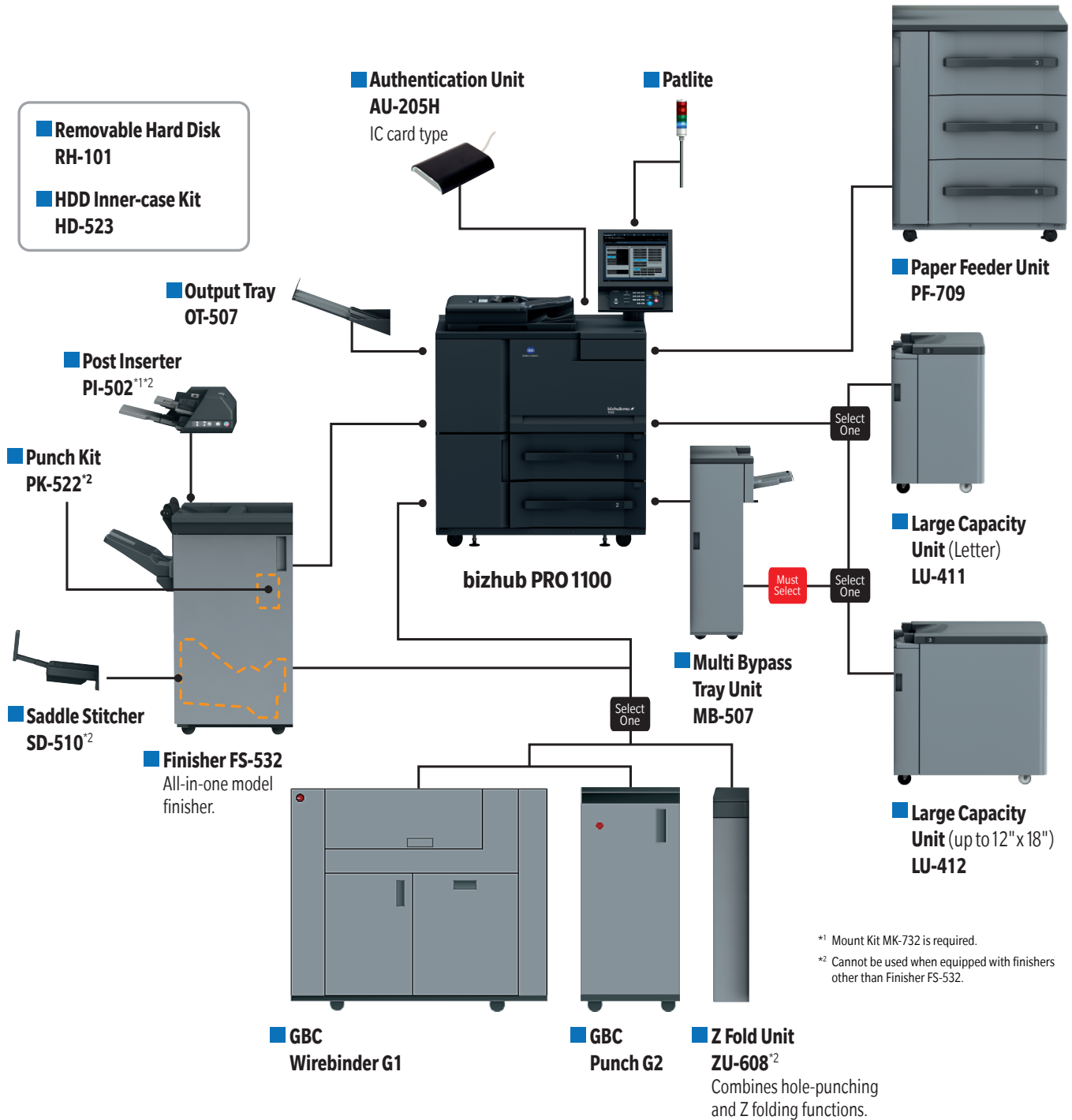
KONICA MINOLTA

Engine Specifications	
Type	Console Type
Color	Monochrome
Method	LED electrostatic copying system
Print speed	
	Per Minute
8.5" x 11" bw single side	100 ppm
11" x 17" bw single side	56 ppm
12" x 18" bw single side	40 ppm
8.5" x 11" bw duplex	100 ppm (50 sheets per minute)
11" x 17" bw duplex	55 ppm (27.5 sheets per minute)
	Per Hour
8.5" x 11" bw single side	6,000 pph
11" x 17" bw single side	3,300 pph
Duty Cycle	2,250,000 Maximum monthly copy/print volume supported under standard vendor supplied service. Defines the upper end of the expected customer volume for the device. Customers should consider multiple machines if average monthly volume approaches duty cycle on continual basis.
Resolution	
	Print 1,200 x 1,200
	Scan 600 x 600
Media handling	
	Paper Size
Min.	182 x 139 mm (95 x 132 mm with PF-709)
Max.	Standard: 324 x 463 mm Optional: 324 x 483 mm (only with LU-411)
Paper Weight	40 – 300 gsm (up to 350 gsm with PF-709 , middle tray only)
Image Loss	Leading/trailing edge: 3/2 mm or less, Right/left edge: 2 mm or less
Max. Printable area	Standard: 314 x 463 mm (Optional: 314 x 483 mm with LU-412)
Memory	
Engine Memory	8 GB (shared with the controller)
Hard Disk	1 TB (shared with the controller)

continued

Engine Specifications	
Gradation	256 grayscale
Warm-Up Time	390 sec. or less
First-Page Output Time	3.4 sec (8.5" x 11")
Noise	
Under Operation	79 dB (Lwa)
Stand-by	59 dB (Lwa)
Operation Area (Panel)	LCD Touch panel (diagonal 15 inch) + Hard Key
Developing Type	Dual-component reverse magnetic brush development method
Transfer Type	Belt transfer
Separator Type	Reversing roller with torque limiter
Cleaning Type	Rubber cleaning plate + rotational brush
Fusing Type	Roller fusing system with halogen lamp heating and NIP technology (variable pressure), Hard roller as standard.
Dimension(W x D x H)	39" x 35.8" x 45.7"
Main Body Weight	Approx. 749.5 lb (340 kg)
Power Source	Own power supply, NEMA 6-20R 
Power Requirements	Single-phase three-wire AC 208 V to 240V, 16 A, 60 Hz
Power Consumption	
Maximum	3,840 W or less (AC208 V to 240 V, PF-709 + Main body + FS-532)
Energy Consumption Efficiency	
Environment	Energy Star
Security	ISO 15408 EAL3
Operating Environment	Temperature 50°F to 86°F Humidity 10% to 80%RH (with no condensation)

System Configurations



*1 Mount Kit MK-732 is required.

*2 Cannot be used when equipped with finishers other than Finisher FS-532.

MAIN BODY AND PAPER INPUT

Engine	PF-709	MB-507	LU-411	LU-412
X				
X	X			
X		O	X	
X		O		X

FINISHING

Config. No											AC Power to be Connected to
1	Main body	FS-532									—
2	Main body	FS-532	PK-522								—
3	Main body	FS-532	SD-510								—
4	Main body	FS-532	PI-502								—
5	Main body	FS-532	PK-522	SD-510							—
6	Main body	FS-532	PK-522	PI-502							—
7	Main body	FS-532	SD-510	PI-502							—
8	Main body	FS-532	PK-522	SD-510	PI-502						—
9	Main body	ZU-608	FS-532								External (ZU-608)
10	Main body	ZU-608	FS-532	PK-522							External (ZU-608)
11	Main body	ZU-608	FS-532	SD-510							External (ZU-608)
12	Main body	ZU-608	FS-532	PI-502							External (ZU-608)
13	Main body	ZU-608	FS-532	PK-522	SD-510						External (ZU-608)
14	Main body	ZU-608	FS-532	PK-522	PI-502						External (ZU-608)
15	Main body	ZU-608	FS-532	SD-510	PI-502						External (ZU-608)
16	Main body	ZU-608	FS-532	PK-522	SD-510	PI-502					External (ZU-608)
33	Main body	OT-507									—
34	Main body	RU-518*1	MK-737	GBC Punch G2	MK-737	FS-532					External (RU-518, GBC Punch G2)
35	Main body	RU-518*1	MK-737	GBC Punch G2	MK-737	FS-532	PI-502				External (RU-518, GBC Punch G2)
36	Main body	RU-518*1	MK-737	GBC Punch G2	MK-737	FS-532	PK-522				External (RU-518, GBC Punch G2)
37	Main body	RU-518*1	MK-737	GBC Punch G2	MK-737	FS-532	SD-510				External (RU-518, GBC Punch G2)
38	Main body	RU-518*1	MK-737	GBC Punch G2	MK-737	FS-532	PI-502	SD-510			External (RU-518, GBC Punch G2)
39	Main body	RU-518*1	MK-737	GBC Punch G2	MK-737	FS-532	PI-502	PK-522			External (RU-518, GBC Punch G2)
40	Main body	RU-518*1	MK-737	GBC Punch G2	MK-737	FS-532	PK-522	SD-510			External (RU-518, GBC Punch G2)
41	Main body	RU-518*1	MK-737	GBC Punch G2	MK-737	FS-532	PI-502	PK-522	SD-510		External (RU-518, GBC Punch G2)
42	Main body	RU-518*1	MK-737	GBC Punch G2	MK-737	GBC WireBinder G1	FS-532				External (RU-518, GBC Punch G2, GBC WireBinder G1)

continued

FINISHING *continued*

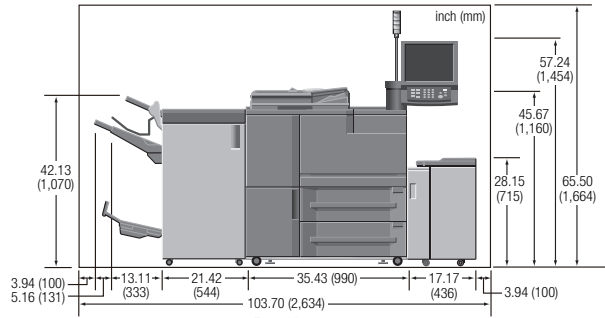
Config. No											AC Power to be Connected to
43	Main body	RU-518*1	MK-737	GBC Punch G2	MK-737	GBC WireBinder G1	FS-532	PI-502			External (RU-518, GBC Punch G2, GBC WireBinder G1)
44	Main body	RU-518*1	MK-737	GBC Punch G2	MK-737	GBC WireBinder G1	FS-532	PK-522			External (RU-518, GBC Punch G2, GBC WireBinder G1)
45	Main body	RU-518*1	MK-737	GBC Punch G2	MK-737	GBC WireBinder G1	FS-532	SD-510			External (RU-518, GBC Punch G2, GBC WireBinder G1)
46	Main body	RU-518*1	MK-737	GBC Punch G2	MK-737	GBC WireBinder G1	FS-532	PI-502	SD-510		External (RU-518, GBC Punch G2, GBC WireBinder G1)
47	Main body	RU-518*1	MK-737	GBC Punch G2	MK-737	GBC WireBinder G1	FS-532	PI-502	PK-522		External (RU-518, GBC Punch G2, GBC WireBinder G1)
48	Main body	RU-518*1	MK-737	GBC Punch G2	MK-737	GBC WireBinder G1	FS-532	PK-522	SD-510		External (RU-518, GBC Punch G2, GBC WireBinder G1)
49	Main body	RU-518*1	MK-737	GBC Punch G2	MK-737	GBC WireBinder G1	FS-532	PI-502	PK-522	SD-510	External (RU-518, GBC Punch G2, GBC WireBinder G1)
50	Main body	OT-510									—

*1 HM-103 can be connected arbitrarily to RU-518.

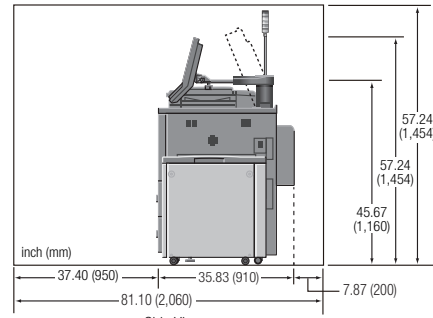
bizhub PRO 1100	Main body
DF-702	Automatic document feeder (standard)
LU-411	Large capacity paper feed unit
LU-412	Large capacity paper feed unit
PF-709	Large capacity paper feed unit (Roller)
SD-510	Saddle stitch unit
PK-522	Punch kit
MK-732	PI-502 Relay conveyance kit
FS-532	Finisher
PI-502	Post inserter
ZU-608	Z-fold unit
HD-523	Inner HDD kit
RH-101	Removable HDD kit
AU-205H	Various IC card authentication device
MB-507	Multi bypass unit
OT-507	Exit tray unit
	GBC Punch G2
	GBC WireBinder G1
Patlite	Status Light Kit For bizhub PRESS Models

Space Requirements inches (mm)

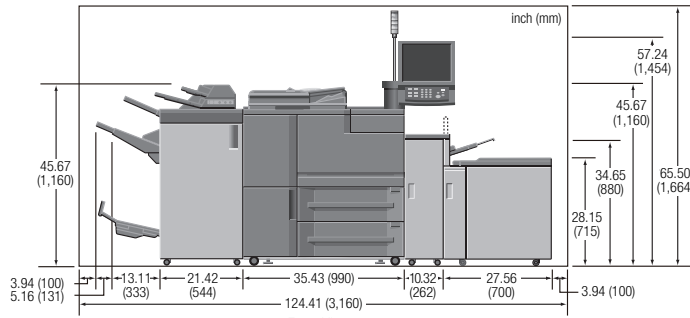
Allow sufficient space around and behind the machine to allow for sufficient air flow, facilitating print operation, changing parts, and periodic inspection.



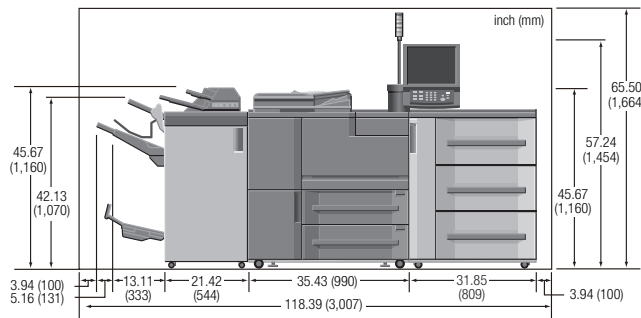
bizhub PRO 1100 + FS-532 + SD-510 + LU-411



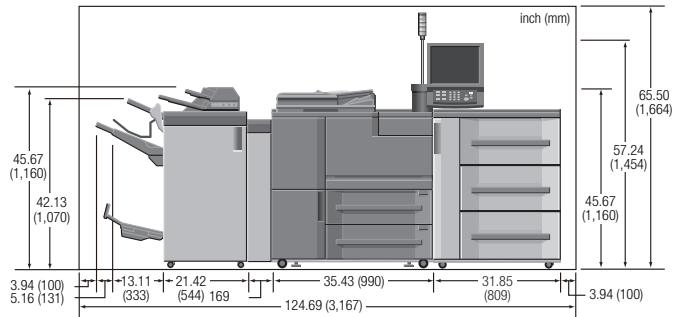
bizhub PRO 1100 + Patlite + LU-412



bizhub PRO 1100 + FS-532 + PI-502 + SD-510 + MB-507 + LU-412



bizhub PRO 1100 + FS-532 + PI-502 + SD-510 + PF-709



bizhub PRO 1100 + FS-532 + PI-502 + SD-510 + ZU-608 + PF-709


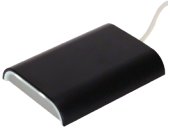
System Specifications	
Standard Paper Trays	Standard
Capacity	2 x 1,500 sheets
Paper Weight	40 – 300 gsm
Paper Size	SRA3, A3, B4, ISOB4, SRA4S, A4, A4S, B5, ISOB5, B5S, A5, 12" x 18", 11" x 17", 9" x 11", 8.5" x 14", 8.5" x 11", 8.5" x 11"S, 5.5" x 8.5", 8" x 13", 8K, 16K, 16KS, Custom size paper, Tab paper (A4, 8.5" x 11")
Min.	182 x 139 mm
Max.	324 x 463 mm


Automatic Duplex	Standard
Product Name	ADU
Type	Automatic duplex unit included in the main body
Media size	SRA3, A3, B4, ISOB4, SRA4S, A4, A4S, B5, ISOB5, B5S, A5, 12" x 18", 11" x 17", 8.5" x 14", 8.5" x 11", 8.5" x 11"S, 5.5" x 8.5", 5.5" x 8.5"S) 8" x 13", 8K, 16K, 16KS Custom size paper
Min.	95 x 139 mm
Max.	324 x 483 mm
Media Type	Fine, Plain, Book/News, Blank Insert
Media Weight	40 – 300 gsm
Tray Capacity	Endless

continued


System Specifications	
DF-702 Automatic Document Feeder	Standard
Product Name	DF-702
Tray Capacity	150 sheets (80 gsm)
Original Weight Simplex	35 – 210 gsm
Original Weight Duplex	50 – 210 gsm
Original Size	5.5" x 8.5" – 11" x 17"
Min.	128 x 139.7 mm
Max.	297 x 431.8 mm
Scan Speed	
Full Color/600 dpi	Simplex : 60 ppm Duplex : 120 ppm
Black and White/600 dpi	Simplex : 75 ppm Duplex : 150 ppm
Full Color/200, 300, 400 dpi	Simplex : 90 ppm Duplex : 180 ppm
Black and White/200, 300, 400 dpi	Simplex : 90 ppm Duplex : 180 ppm
Resolution	200 dpi, 300 dpi, 400 dpi, 600 dpi
Originals	<p>Non-feedable originals: OHP film, blueprint master, label paper, offset master, bonded original, fine paper of 35 – 201 gsm</p> <p>Originals, feedable under certain conditions: Recycle paper/Straw paper/Postcard/Thermal paper (Heat sensitive paper)/Multi hole originals/Custom size originals/Coated paper/Letterhead/Folded originals (Half-folded, Z-folded originals etc.)</p>
Mixed Originals	Yes
Dimensions (W x D x H)	24.33" x 22.63" x 5.12"
Weight	Approx. 39.24 lb (17.8 kg)
Power Source	From main body
Power Consumption	78.3 W or less

RH-101 Removable HDD Kit	Optional
Product Name	RH-101
Type	HDD housing to mount machine's original HDDs on top of engine
Power Source	From main body


System Specifications	
HD-523 Inner Case kit with HDD	Optional
	
Product Name	HD-523
Type	Inner HDD kit
Required	For RH-101
Power Source	12 VDC, 5VDC (supplied from main body)
AU-205H IC Card Reader	Optional
	
Product Name	AU-205H
Type	Various IC card certification device
Dimensions (W x H x D)	2.79" x 3.66" x 0.63"
Weight	0.25 lb
Power Source	From main body

Accessories	
PF-709 Paper Feed Unit	Option
Product Name	PF-709
	
Type	3 Tray Large Capacity Paper Feeding Unit, Friction Feed
Compatibility	bizhub PRO 1100
Media Size	SRA3, A3, B4, ISOB4, SRA4S, A4, A4S, B5, ISOB5, B5S, A5, 12" x 18", 11" x 17", 8.5" x 14", 8.5" x 11", 8.5" x 11"S, 5.5" x 8.5", 8" x 13", 8K, 16K, 16KS, Custom size paper, Tab paper (A4, 8.5" x 11)
Min.	95 x 139 mm
Max.	324 x 463 mm
Media type	Fine, Plain, Book/News, Blank Insert
Media Weight	40 – 300 gsm for top and bottom tray
	Up to 350 gsm with center tray
Tray Capacity	2,000 sheets
Dimension (W x D x H)	31.75" x 30.75" x 41"
Weight	Approx. 330.70 lb
Power Source	From main body; DC36V, 24V, 12V, 5V
Power Consumption	Less than 100 W


continued

Accessories	
LU-411 8.5" x 11" LCT	Option
Product Name	LU-411
	
Type	Large Capacity Paper Feeding Unit 8.5" x 11"
Compatibility	bizhub PRO 1100
Media Size	A4, B5, ISOB5, 8.5" x 11", 9" x 11", 16K, Tab paper (A4, 8.5" x 11"), Custom paper
Min.	250 x 176 mm
Max.	314 x 229 mm
Media Type	Fine, Plain, Book/News, Blank Insert
Media Weight	40 – 300 gsm
Tray Capacity	5,000 sheets (64 gsm) 4,500 sheets (80 gsm)
Dimension (W x D x H)	17.25" x 25.25" x 28"
Weight	Approx. 66.13 lb (30 kg)
Power Source	From main body
Power Consumption	Less than 70W


continued

Accessories	
LU-412 12" x 18" LCT	Option
Product Name	LU-412
	
Type	Large Capacity Paper Feeding Unit 12" x 18"
Compatibility	bizhub PRO 1100
Media size	SRA3, A3, B4, ISOB4, A4, A4S, SRA4S, 12" x 18", 11" x 17", 9" x 11", 8.5" x 14", 8.5" x 11, 8.5" x 11"S, 8" x 13", 8K, Tab paper (A4, 8.5" x 11") , Custom paper
Min.	195 x 203 mm
Max.	324 x 483 mm
Media Type	Fine, Plain, Book/News, Blank Insert
Media Weight	40 – 300 gsm
Tray Capacity	4,500 sheets (64 gsm) 4,000 sheets (80 gsm)
Dimension (W x D x H)	28.03" x 26.16" x 27.55"
Weight	Approx. 94.80 lb (43 kg)
Power Source	From main body
Power Consumption	Less than 70W


continued

Accessories	
MB-507 Bypass Tray	Option
Product Name	MB-507
	
Type	Multi bypass unit
Compatibility	bizhub PRO 1100
Media size	SRA3, A3, B4, SRA4S, A4, A4S, B5, B5S, A5, 12" x 18", 11" x 17", 9" x 11", 8.5" x 14", 8.5" x 11", 8.5" x 11"S, 5.5" x 8.5"S) 8" x 13", 8K, 16K, 16KS, Custom size paper, Tab paper (A4, 8.5" x 11")
Min.	100 x 148 mm
Max.	324 x 483 mm
Media Type	Fine, Plain, Book/News, Blank Insert, Tab, Postcard
Media Weight	40 – 300 gsm
Tray Capacity	250 sheets (80 gsm)
Dimension	
When the bypass is stored (W x D x H)	11.65" x 25.03" x 39.17"
When the bypass is in use (W x D x H)	23.62" x 25.09" x 34.64"
Weight	Approx. 74.95 lb (34 kg)
Power Source	From main body
Power Consumption	Less than 100W
Note:	For installation LU-411 or LU-412 necessary

continued

Accessories	
OT-507 Output Tray	Option
Product Name	OT-507
	
Type	Paper exit tray
Compatibility	bizhub PRO 1100
Media Size	
Min.	95 x 135 mm
Max.	324 x 463 mm
Media Type	Plain, Fine
Media Weight	62 – 300 gsm
Tray Capacity	150 sheets (80 gsm)
Dimension	18.25" x 9.25" x 18"
When output tray is stored (W x D x H)	13.46" x 17.95" x 6.69"
When output tray is pulled out (W x D x H)	18.50" x 17.95" x 9.02"
Weight	Approx. 4.75 lb (tray only 1.75 lb)

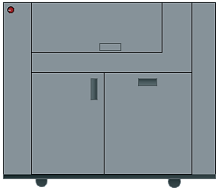
continued

Accessories	
GBC Punch G2 – Multi (GBC) Punching Unit	Option
Product Name	GBC Punch G2
	
Type	GBC puncher
Modes	Bypass mode, Punch mode
Bypass Mode	
Media Size	Min.: 95 – 139 mm Max.: 324 – 483 mm
Media Weight	40 – 350 gsm
Punch Mode	
Media Size	LTR LEF, LTR SEF, LTR SEF Double Punch Statement LEF Legal SEF Ledger SEF, Ledger SEF Double Punch A4 LE, A4 SEF, A4 SEF Double Punch A5 LEF A3 SEF, A3 SEF Double Punch Tab Stock – LTR, with 3,4,5,8 and 10 tabs Statement, with 3 and 5 tabs A4, with 5 and 10 tabs A5, with 3 and 5 tabs
Media Type	Fine, Plain, Book/News, Blank Insert
Media Weight	Plain: 75 – 300 gsm
Punch Precision	Hole size: ± 2% or less Position: ± 0.5 mm or less
Output Performance	Delivery Registration: ± 2 mm or less Delivery Speed Variance: ± 2% Punch trash capacity approximately 20,000 cycles
Other Specifications	
Options	GBC Die Sets - see next page
Dimension (W x D x H)	17.5" x 30.5" x 40.2"
Weight	Approximately 210 lb (123 kg)
Power Source	Own power supply (5-15R)
Power Consumption	440 W


continued

Accessories
GBC Die Sets
2/4 Hole Die – 8mm
3 Hole Die – 8mm
3 Hole Die – 8mm HD
3/5/7 Hole Die – 8mm
CombBind Die – 19H
CombBind Die – 19/21H HD
Oval Coil Die – 43/44H
Round Coil Die – 43/44H
Round Coil Die – 44/47H HD
Round Wire Die 2:1 – 32H
Round Wire Die 3:1 – 21H
Square Wire Die 2:1
Square Wire Die 3:1
VeloBind 11 Hole Die – Ltr
eWire Round Die
eWire Square Die

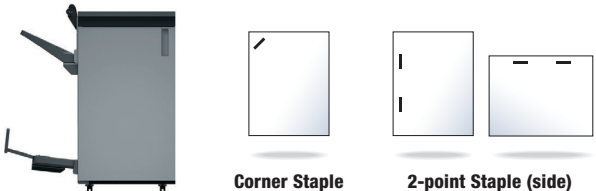
continued

Accessories				
GBC WireBinder G1		Option		
Product Name	GBC WireBinder G1			
				
Type	Auto wire binder			
Modes	Bypass mode, Binding mode			
Bypass Mode				
Media Size	Min.: 95 – 139 mm Max.: 324 – 483 mm			
Media Weight	40 – 350 gsm			
Binding Mode				
Media Size	LTR LEF, A4 LEF			
Media Type	Fine, Plain, Book/News, Blank Insert			
Media Weight	Plain: 75–300 gsm Covers: 176 gsm–300 gsm Clear cover: 7mil (clear covers should only be post inserted)			
Numbers of sheets per book	From 7 to 80 sheets (75 gsm)			
Bound book output capacity	Spool Size A, B, C – 35 books or less Spool Size D – 30 books or less Spool Size E – 25 books or less			
Spool Specifications	Book Diameter	Max. Book Thickness	Books Per Spool	No. of Sheets/Books
	1/4" (Size A)	3mm	522 Books	7-30 sheets
	5/16" (Size B)	5mm	325 Books	31-50 sheets
	3/8" (Size C)	6mm	256 Books	51-60 sheets
	7/16" (Size D)	7mm	184 Books	61-70 sheets
	1/2" (Size E)	8mm	136 Books	71-80 sheets
All available in Black, White and Silver				
Other Specifications				
Required	GBC Punch G2 and one of the following die sets: eWire Round Die or eWire Square Die			
Dimension (W x D x H)	47" x 29" x 40"			
Weight	Approximately 510 lb (231.5 kg)			
Power Source	Own power supply (5-15R)			
Power Consumption	350 W or less			

continued

Accessories	
ZU-608 - Z-Fold Unit	
Product Name	ZU-608
	
Type	Folding device for Z-Fold and Punching
Modes	Straight Mode, Fold Mode
Compatibility	bizhub PRO 1100
Straight Mode	
Media Size Min.	95 x 139 mm
Media Size Max.	324 x 383 mm
Media Type	Fine, Plain, Book/News, Blank Insert
Media Weight	40 – 350 gsm
Fold Mode	
Function	Z-Fold
Media Size	A3, B4, 11" x 17", 8.5" x 14", 8K
Media Type	Plain, Fine
Media Weight	60 – 91 gsm
Punch Mode	
Function	2 and 3 hole punching
Media Size	A3, B4, ISOB4, SRA4S, A4, A4S, B5, ISOB5, B5S, A5, 11" x 17", 9" x 11", 8.5" x 14", 8.5" x 11", 8.5" x 11"S, 5.5" x 8.5", 8.5" x 8.5"S,*1, 8" x 13", 8K, 16K, 16KS
Media Type	Plain, Fine
Media Weight	60 – 91 gsm
Other Specification	
Dimension (W x D x H)	6.65" x 25.98" x 36.61"
Weight	Approx. 84 lb (38kg)
Power Source	From main body
Power Consumption	Less than 120VA

continued

Accessories	
FS-532 Staple Finisher with AiO Options	Option
Product Name	FS-532
	 <p style="text-align: center;"> Corner Staple 2-point Staple (side) </p>
Type	The Finisher with Staple Function with All in One Options
Compatibility	bizhub PRO 1100, bizhub PRESS 1052/1250/1250P
Straight Exit Mode	
Function	Exit paper without treatment on the main tray
Media Size	SRA3, A3, B4, ISOB4, SRA4S, A4, A4S, B5, ISOB5, B5S, A5, 12" x 18", 11" x 17", 9" x 11", 8.5" x 14", 8.5" x 11", 8.5" x 11"S, 5.5" x 8.5", 8" x 13", 5.5" x 8.5S, 8K, 16K, 16KS, Tab paper (A4, 8.5" x 11")
Min.	95 x 139 mm
Max.	324 x 483 mm
Media Type	Fine, Plain, Book/News, Blank Insert
Media Weight	40 – 350 gsm
Tray Capacity	Without SD-510 Printing direction length 320 mm or longer 2,000 sheets 250 to 319 mm 4,200 sheets 249 mm or shorter 750 sheets (Paper weight 72 to 81 gsm)
Off Set Mode	
Function	Exit Paper Each set copy 15 mm shift on the main tray.
Media Size	
Min.	95 x 133 mm
Max.	324 x 483 mm
Media Type	Fine, Plain, Book/News, Blank Insert
Media Weight	40 – 350 gsm
Tray Capacity	Printing direction length 320 mm or longer 1,500 sheets 250 to 319 mm 1,500 sheets 249 mm or shorter 750 sheets (Paper weight 72 to 81 gsm)

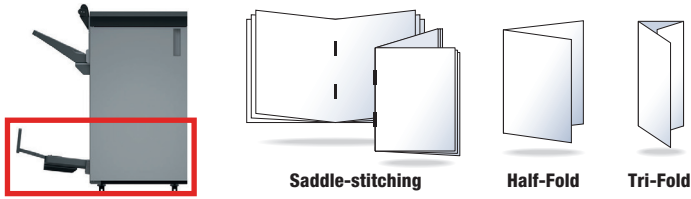
continued

Accessories								
Staple Mode								
Function	After staple, exit the paper on the man tray							
Media size	SRA3, A3, B4, ISOB4, SRA4S, A4, A4S, B5, ISOB5, A5, 12" x 18", 11" x 17", 9" x 11", 8.5" x 14", 8.5" x 11", 8.5" x 11"S, 5.5" x 8.5", 8" x 13", 8K, 16K, Tab paper*2 (A4, 8.5" x 11"), Custom size							
Min.	139 x 203 mm							
Max.	324 x 483 mm							
Media Type	Fine, Plain, Book/News, Blank Insert							
Media Weight	50 – 300 gsm							
Staple Page	FS-532 Staple Capability							
		Number of staple sheets						
		Plain		Fine			Plain Paper/Except Fine	
	Media Weight	less than 400 mm	400 mm or more	320 mm or less	321 to 399 mm	400 mm or more	less than 400 mm	400 mm or more
	40–49 gsm	–	–	–	–	–	–	–
	50–61 gsm	100	50	50	20	–	35	35
	62–74 gsm	100	50	50	20	–	35	35
	75–80 gsm	100	50	30	30	30	35	35
	81–91 gsm	60	50	30	30	30	35	35
	92–135 gsm	50	50	30	30	30	30	30
	136–162 gsm	40	40	30	30	30	25	25
163–216 gsm	25	25	25	25	25	20	20	
217–244 gsm	25	25	25	25	25	15	15	
245–300 gsm	10	10	10	10	10	10	10	
301–350 gsm	–	–	–	–	–	–	–	
Staple Position	1 position of parallel staple at front corner 2 position 1 position of 45° staple at rear corner							
Tray Capacity	2 – 9 stapled sheets: 150 sets (paper length max: 364 mm) 75 sets (less than 182 and more than 364mm) 10 - 20 stapled sheets: 50 sets 21 - 30 stapled sheets: 30 sets 31 - 40 stapled sheets: 25 sets 41 - 50 stapled sheets: 20 sets 51 - 60 stapled sheets: 15 sets 61 - 100 stapled sheets: 10 sets							
Sub Tray Mode								
Function	Exit paper without treatment on the sub tray.							
Media Size								
Min.	95 x 139 mm							
Max.	324 x 483 mm							
Media Type	Fine, Plain, Book/News, Blank Insert							
Media Weight	40 – 350 gsm							
Tray Capacity	300 sheets							

continued

Accessories	
Optional	Punch kit (PK-522) Post inserter (PI-502) Saddle Stitch Unit (SD-510)
Dimension (W x D x H)	21.41" x 28.46" x 42.40" (excl. Main tray) Width incl. Main tray (retracted): 34.49" Width incl. Main tray (extended): 39.49" Height with PI-502: 46.77"
Weight	Approx. 163.14 lb (74 kg)
Power Source	From main body
Power Consumption	144 W or less


continued

Accessories	
SD-510 Saddle Stitch Unit	Option
Product Name	SD-510
	 <p>The diagram illustrates the SD-510 Saddle Stitch Unit, which is highlighted with a red box. To its right, three examples of output are shown: 'Saddle-stitching' (a booklet with two pages), 'Half-Fold' (a single sheet folded in half), and 'Tri-Fold' (a single sheet folded into three sections).</p>
Type	Optional Saddle Stitch & Fold Unit for FS-532
Compatibility	FS-532
Booklet Mode	
Function	Center fold and saddle stitch, output to paper output tray
Media Size	SRA3, A3, B4, ISOB4, SRA4S, A4S, B5S, 12" x 18", 11" x 17", 8.5" x 14", 8.5" x 11"S, 8" x 13", 8K, 16KS, Custom size
Min.	120 x 240 mm
Max.	324 x 483 mm
Media Type	Fine, Plain, Book/News, Blank Insert
Media Weight	Content Sheets: 50 – 216 gsm Cover Sheets: 50 – 300 gsm (with limitation on media type)
Staple Page	50 – 61 gsm: 25 sheets 62 – 80 gsm: 20 sheets 81 – 91 gsm: 16 sheets 92 - 216 gsm: 5 sheets 217 -244 gsm: Cover only 245 – 300 gsm: Cover only 1 sheet of 50 to 216 gsm paper is treated as 1 sheet 1 sheet of more than 217 paper is treated as 5 sheets
Staple Position	adjustable (60 – 148.5 mm)
Tray Capacity	Saddle Stitch 2 to 5 sheets : 35 sets 6 to 10 sheets : 25 sets 11 to 20 sheets : 15 sets 20 to 25 sheets : 15 sets
Main Tray Capacity	With SD-510 Printing direction length 320 mm or longer 2,000 sheets 250 to 319 mm 3,000 sheets 249 mm or shorter 750 sheets (Paper weight 72 to 81 gsm)

continued



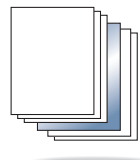
Accessories	
Center Folding Mode	
Function	Center Fold, output on booklet tray
Media size	SRA3, A3, B4, ISOB4, SRA4S, A4S, B5S, 12" x 18", 11" x 17", 8.5" x 14", 8.5" x 11"S, 8" x 13", 8K, 16KS, Custom size
Min.	120 x 240 mm
Max.	324 x 483 mm
Media Type	Fine, Plain, Book/News, Blank Insert
Media Weight	50 – 216 gsm
Multi-fold Capacity	50 – 216 gsm: 1 - 5 sheets 217 – 300 gsm: 1 sheet
Fold tray Capacity	1 – 5 sheets: 35 sets
Letter Fold-In Mode	
Function	Trifold, output on paper tray
Media Size	8.5" x 11"
Media Type	Fine, Plain, Book/News, Blank Insert
Media Weight	50 – 105 gsm
Multi-fold Capacity	3 sheets (50 – 91 gsm) 1 sheet (92 – 105 gsm)
Fold tray Capacity	1 sheet : 50 sets 2 sheets : 40 sets 3 sheets : 30 sets
Optional	Punch kit (PK-522) Post inserter (PI-502)
Dimension (W x D x H)	11.06" x 23.50" x 20.87" Installed within FS-532
Weight	Approx. 50 lb (22.6 kg) (excl. output tray) Output Tray: 8.3 lb (3.8kg)
Power Source	From Main Body
Power Consumption	40 W or less

continued

Accessories	
PK-522 Punch Kit	Option
Product Name	PK-522
	
Function	2/3 hole punching (Selectable)
Compatibility	FS-532
Media Size	A3, B4, SRA4S, A4, A4S, B5, B5S, A5, ISOB4, ISOB5, 11" x 17", 8.5" x 14", 8.5" x 11", 8.5" x 11"S, 5.5" x 8.5S*1, 5.5" x 8.5", 9" x 11", 8" x 13", 8K, 16K, 16KS
Media Type	Fine, Plain, Book/News, Blank Insert
Media Weight	60 – 300 gsm
Hole Diameter	2 holes: 6.5 mm/80 mm 3 holes: 6.5 mm/80 mm
Adjustment	± 5.0 mm
Accuracy	0.2 mm
Dimension (W x H x D)	6.14" x 7.13" x 23.31"
Weight	Approx. 9.92 lb (4.5 kg)
Power Source	From main body
Power Consumption	Less than 40 W

*1 Only bizhub PRO 1100 with MB-507

continued

Accessories	
PI-502 - Post Inserter	Option
Product Name	PI-502
	   <p style="text-align: center;">Cover Sheets Interleaved Sheets</p>
Type	Cover Paper feeding Tray (2 trays)
Compatibility	FS-612, FS-607, FS-531, FS-532
Upper Tray	
Media Size	A4, A4S, B5, ISOB5, B5S, A5, 9" x 11", 8.5" x 11", 8.5" x 11"S, 5.5" x 8.5", 16K, 16KS
Min.	182 x 139 mm
Max.	324 x 297 mm
Media Type	Fine, Plain, Book/News, Blank Insert
Media Weight	50 – 200 gsm
Tray Capacity	200 sheets or 30 mm height
Lower Tray	
Media Size	SRA3, A3, B4, ISOB4, SRA4S, A4, A4S, B5, ISOB5, B5S, A5, 12" x 18", 11" x 17", 9" x 11", 8.5" x 14", 8.5" x 11", 8.5" x 11"S, 5.5" x 8.5", 8" x 13", 8K, 16K, 16KS
Min.	182 x 139 mm
Max.	324 x 482 mm
Media Type	Fine, Plain, Book/News, Blank Insert
Media Weight	50 – 300 gsm
Tray Capacity	200 sheets or 30 mm height
Dimension (W x D x H)	20.12" x 24.41" x 8.66"
Weight	Approx. 23.15 lb (10.5kg)
Power Source	From main body
Power Consumption	30 W or less

Internal Controller	
Type	Built-in type
Power Source	From main body
Resolution	Print: 1,200 x 1,200 dpi, 600 dpi x 600 dpi Scan: 200 dpi, 300 dpi, 400 dpi, 600 dpi
CPU	Pentium G3420 3.2 GHz
Memory	8GB (DDR3 U-DIMM X2) 1600 MHz
HDD	1 TB (SATA/7,200 rpm/3.5 inch)
Interface	Ethernet 1000BASE-T/100BASE-TX/10BASE-T, USB 2.0 device, USB 3.0 host
Network protocol	TCP/IP (LPR, RAW socket), IPX/SPX (NDS, Bindery), NetBEUI, IPP, AppleTalk, WSD, Bonjour, SMB
PDL	PCL5E/XL (PCL6)/Adobe PostScript3 (PS3020)/PDF directprint (PDF Ver.1.7)/TIFF (TIFF Ver.6) direct print/PPML (Ver 2.2)
Resident fonts	PCL AGFA Contract 80 outline fonts (Symbol set 45 types), Line Printer 1 outline fonts (10 types) PS Adobe 136 outline fonts
Driver	PCL6/PS PPD/PS Plug-In
OS	PCL Windows Vista (x86, x64), Windows Server 2008/R2 (x86, x64), Windows Server 2012/R2 (x86, x64), Windows 7 (x86, x64), Windows 8 (x86/x64), Windows 8.1 (x86, x64), Windows 10 PS PPD Windows Vista (x86, x64), Windows Server 2008/R2 (x86, x64), Windows Server 2012/R2 (x86, x64), Windows 7 (x86, x64), Windows 8 (x86/x64), Windows 8.1 (x86, x64), Windows 10 Mac OS X 10.3/10.4 (Special Driver) Mac OS X 10.5/10.6/10.7/10.8/10.9/10.10 (Special Driver) Linux CUPS (English only) PS Plug-in Windows Vista (x86, x64), Windows Server 2008/R2 (x86, x64), Windows Server 2012/R2 (x86, x64), Windows 7 (x86, x64), Windows 8 (x86/x64), Windows 8.1 (x86, x64) Mac OS X 10.5/10.6/10.7/10.8/10.9/10.10
Linux Compatible	CUPS by PS PPD
NIC Multi Port Reception	Print data can be received via multi port
Output Form Setup	Output form can be setup port by port
Network Security	SSL possible to print out, IP sec compatible
Internet ISW	FW to upgrade the machine can be downloaded from the servers of sales companies via Internet
Printer Driver Function	
Driver	PCL6, PS PPD, PS Plug-In

Scan Functions	
Original Type	Sheet/Book/Solid objects
Max. Original Size	11" x 17" (279.4 x 432 mm)
Solid Object	Thickness: Max. 30 mm Weight: Max. 15 lb (6.8 kg)
Original Feed Base	Left rear base
Reading Resolution	200, 300, 400, 600 dpi
Scanning Speed	See DF-702 specs
Interface	Ethernet (1000Base-T/100Base-TX/10Base-T)
Scan Method	Scan-to-HDD Scan-to-FTP, Scan-to-PC Scan-to-Email Scan-to-WebDAV Scan-to-USB HDD-to-FTP/SMB/WebDAV LDAP supported Twain Scan
Scan File Format	TIFF/PDF/Encrypted PDF/XPS/Compact PDF/JPEG
Real Mode Twain	Supported

NEW JOB Centro/Color Centro

New screen design for Job Centro/Color Centro

The Job Centro/Color Centro screens have been switched to a graphical user interface (GUI) design, in line with the "Grid & Solid" concept proposed by Konica Minolta Design Center.

Improved Job Centro/Color Centro functions Job Centro

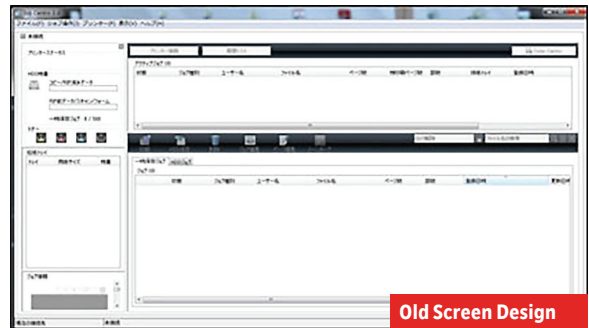
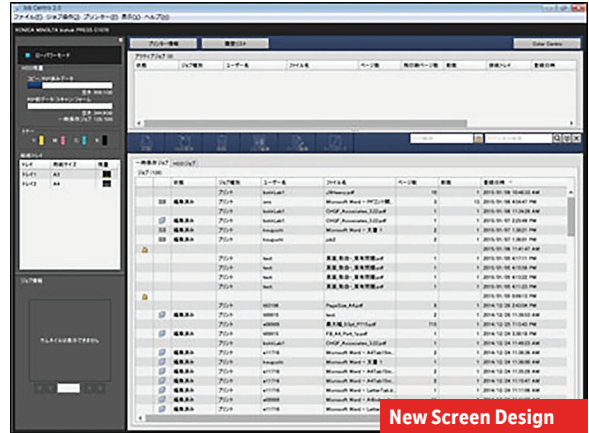
- Enables the same settings as printer drivers
- Enables editing of hot folder settings
- Enables device management

Job Centro/Color Centro supported models

- bizhub PRESS C1100/C1085
- bizhub PRESS C1070/C1060
- bizhub PRO 1100

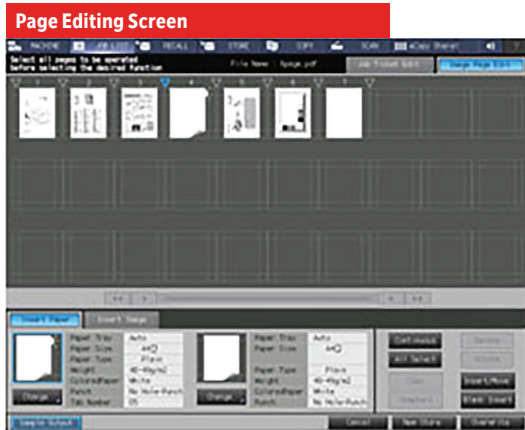
Color Centro

- Enables users to use the tone curve adjustment function

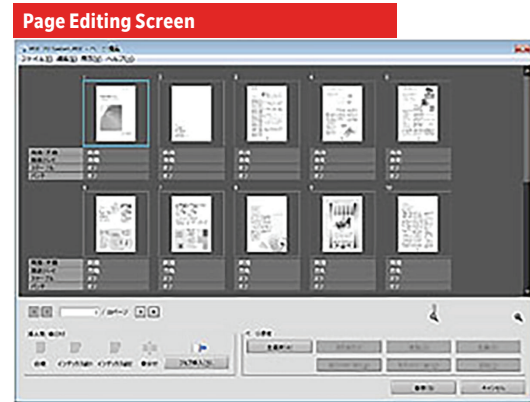


NEW JOB Centro/Color Centro *continued*

New Unit Panel Screen



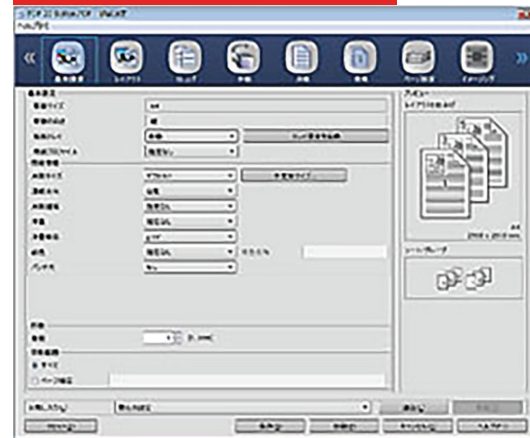
Job Centro Screen



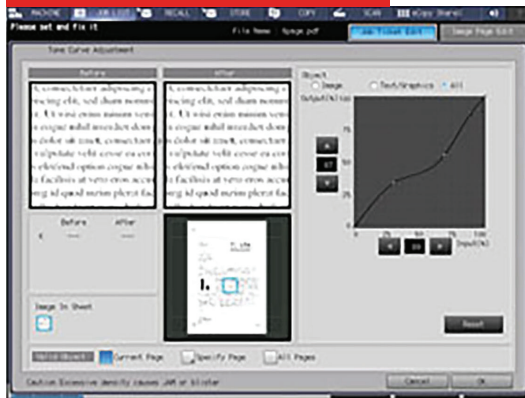
Job Ticket Editing Screen



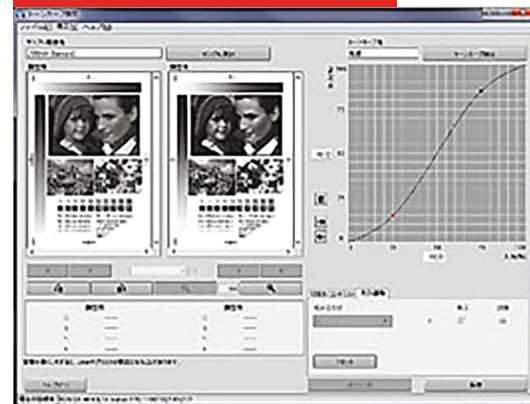
Job Ticket Editing Screen



Tone Curve Editing Screen



Tone Curve Editing Screen



The Main Unit Panel and Job Centro editing can now be operated in the same way.

Consumables		
Toner		
	TN016	Toner for bizhub PRO 1100
	Yield	82,000 prints @ 5% coverage
Developer		
	DV012	Developer for bizhub PRO 1100
	Yield	900,000 prints
Drum		
	DR012	Drum for bizhub PRO 1100
	Yield	900,000 prints
Staples for FS-532		
	SK-703	A4RCWY1
	Compatibility	FS-532
	Content	5 x 5,000 pcs
Staples for SD-510		
	SK-602	14YK
	Compatibility	SD-510
	Content	3 x 5,000 pcs
Ring Binder for GP-502		
	RB-101	Ring Binding Element for GP-502 (black, navy, clear, white)
	Compatibility	GP-502
	Content	1,000 pcs

Item Numbers	
Engine	
bizhub PRO 1100	A799011
Accessories	
Paper Feed Unit PF-709	A7W7WY1
A4 Large capacity unit LU-411	A870WY1
SRA3 Large capacity unit LU-412	A872WY1
Paper exit tray OT-507	A79CWY1
Staple Finisher w/AiO Options FS-532	A4F3WY2
Post Insertion for FS-532 PI-502	A04HWY2
Saddle Stitcher for FS-532 SD-510	A4F4WY1
Punch kit for FS-532 PK-522	A4FAW12
FS-532 with PK/SD	A4F3W13
Mounting Kit for PI-502 MK-732	A4F5WY1
Z-folding Unit ZU-608	A4F8WY2
Inner Case Kit with HDD HD-523	A874WY1
Removable HDD Kit RH-101	A0W6WY2
Patlite Indication Lamp	LES402A
AU-205H Various ID Card Authentication Device	R5427000136466
Consumables	
Toner TN-016	A88J130
Developer DV-012	A88J500
Drum DR-012	A3VVP00
Staple Cartridge (3x5000) SK-602	14YK
Staple cartridge for FS-532 SK-703	A4RCWY1

SD-510 Supported Media Weight and Sizes

Saddle Stitch

	Paper width 279.4 or more			Paper width less than 279.4		
Paper Weight (gsm)	Fine quality paper	Coated paper	Other	Fine quality paper	Coated paper	Other
40–49	Constrained	Not supported	Not supported	Not supported	Not supported	Not supported
50–61	25 sheets	Not supported	25 sheets	Not supported	Not supported	Not supported
62–74	20 sheets	Not supported	20 sheets	Not supported	Not supported	Not supported
75–80	20 sheets	Not supported	20 sheets	10 sheets	Not supported	10 sheets
81–91	16 sheets	Not supported	16 sheets	10 sheets	Not supported	10 sheets
92–105	5 sheets	Not supported	5 sheets	5 sheets	Not supported	5 sheets
106–135	5 sheets	Not supported	5 sheets	5 sheets	Not supported	5 sheets
136–162	5 sheets	Not supported	5 sheets	5 sheets	Not supported	5 sheets
163–216	5 sheets	Not supported	5 sheets	5 sheets	Not supported	5 sheets
217–244	Coversheet only	Not supported	Coversheet only	Not supported	Not supported	Not supported
245–300	Coversheet only	Not supported	Coversheet only	Not supported	Not supported	Not supported
301–350	Not supported	Not supported	Not supported	Not supported	Not supported	Not supported

Center Fold

	Paper width 279.4 or more			Paper width less than 279.4		
Paper Weight (gsm)	Fine quality paper	Coated paper	Other	Fine quality paper	Coated paper	Other
40–49	Not supported	Not supported	Not supported	Not supported	Not supported	Not supported
50–61	5 sheets	Not supported	5 sheets	Not supported	Not supported	Not supported
62–74	5 sheets	Not supported	5 sheets	Not supported	Not supported	Not supported
75–80	5 sheets	Not supported	5 sheets	5 sheets	Not supported	5 sheets
81–91	5 sheets	Not supported	5 sheets	5 sheets	Not supported	5 sheets
92–105	5 sheets	Not supported	5 sheets	5 sheets	Not supported	5 sheets
106–135	5 sheets	Not supported	5 sheets	5 sheets	Not supported	5 sheets
136–162	5 sheets	Not supported	5 sheets	5 sheets	Not supported	5 sheets
163–216	5 sheets	Not supported	5 sheets	5 sheets	Not supported	5 sheets
217–244	1 sheet	Not supported	1 sheet	1 sheet	Not supported	1 sheet
245–300	1 sheet	Not supported	1 sheet	1 sheet	Not supported	1 sheet
301–350	Not supported	Not supported	Not supported	Not supported	Not supported	Not supported

SD-510 Supported Media Weight and Sizes *continued***Letter Fold-in**

	Size Not Specified		
Paper Weight (gsm)	Fine quality paper	Coated paper	Other
40–49	Not supported	Not supported	Not supported
50–61	3 sheets	Not supported	3 sheets
62–74	3 sheets	Not supported	3 sheets
75–80	3 sheets	Not supported	3 sheets
81–91	3 sheets	Not supported	3 sheets
92–105	1 sheet	Not supported	1 sheet
106–135	Not supported	Not supported	Not supported
136–162	Not supported	Not supported	Not supported
163–216	Not supported	Not supported	Not supported
217–244	Not supported	Not supported	Not supported
245–300	Not supported	Not supported	Not supported
301–350	Not supported	Not supported	Not supported

FS-532 Staple Capability

Staple Page							
	Plain		Fine			Plain Paper/except Fine	
Media weight	Length: less than 400 mm	Length: 400 mm or more	Length: less than 320 mm	321 to 399 mm	Length: 400 mm or more	Length: less than 400 mm	Length: 400 mm or more
40 – 49 gsm	-	-	-	-	-	-	-
50 – 61 gsm	100	50	50	20	-	35	35
62 – 74 gsm	100	50	50	20	-	35	35
75 – 80 gsm	100	50	30	30	30	35	35
81 – 91 gsm	60	50	30	30	30	35	35
92 – 135 gsm	50	50	30	30	30	30	30
136 – 162 gsm	40	40	30	30	30	25	25
163 – 216 gsm	25	25	25	25	25	20	20
217 – 244 gsm	25	25	25	25	25	15	15
245 – 300 gsm	10	10	10	10	10	10	10
301 – 350 gsm	-	-	-	-	-	-	-

Finishing Productivity bizhub PRO 1100

FS-532

Mode	Size	Mode	number of sheets	Finishing Productivity
Straight paper exit Shift paper exit	8.5" x 11	Simplex	–	100%
	11" x 17"	Simplex	–	100%
2 Position Staple Right corner staple Left corner staple	8.5" x 11	Simplex	2 Sheets	100%
			10 Sheets	100%
			100 Sheets	100%
	11" x 17"	Simplex	2 Sheets	65%
			10 Sheets	87%
			50 Sheets	96%
2 Position Staple Center 2 position	8.5" x 11	Simplex	2 Sheets	44%
			10 Sheets	100%
			100 Sheets	100%
	11" x 17"	Simplex	2 Sheets	48%
			10 Sheets	81%
			50 Sheets	94%

SD-510

Mode	Size	Mode	Number of Sheets	Finishing Productivity
Half Fold & Staple	8.5" x 11"	Duplex	2 Sheets	55%
			10 Sheets	86%
			20 Sheets	93%
	11" x 17"	Duplex	2 Sheets	64%
			10 Sheets	90%
			20 Sheets	95%
Half fold	8.5" x 11"	Duplex	1 Sheet	69%
			3 Sheets	87%
	11" x 17"	Duplex	1 Sheet	78%
			3 Sheets	91%

PK-522

Mode	Size	Mode	number of sheets	Finishing Productivity
Punch	8.5" x 11	Simplex	1 Sheet	100%
	11" x 17"		1 Sheet	100%

Finishing Productivity bizhub PRO 1100 *continued*

ZU-608

Mode	Size	Mode	number of sheets	Finishing Productivity
Z-Fold	8.5" x 14	Simplex	1 Sheet	55%
	11" x 17"		1 Sheet	56%
Punch	8.5" x 11		1 Sheet	85%
	11" x 17"		1 Sheet	100%

GP-501

Mode	Size	Mode	number of sheets	Finishing Productivity
Multi Punch	8.5" x 11	Simplex	—	100%

GP-502

Mode	Size	Mode	number of sheets	Finishing Productivity
Ring binder	8.5" x 11	Simplex	7 Sheets	21%
			52 Sheets	64%
			102 Sheets	76%
		Duplex	7 Sheets	34%
			52 Sheets	76%
			102 Sheets	84%

Recommended Papers			
Category	Product Name	Paper Weight (gsm)	Remark
Bond	Domtar First Choice Multiuse	90	Recommended Paper A
	Domtar First Choice Cover & Card	176	Recommended Paper B
	Hammermill Fore MP	75	Recommended Paper A
	Hammermill Color Copy	120	Recommended Paper A
	Digital Cover Photo White Boise X9	60	Recommended Paper B
Recycled	Hammermill Great White Copy (30% Post-Consumer Fiber)	75	Recommended Paper A
	Boise ASPEN 100 Recycle	75	Recommended Paper A
Cover	Domtar First Choice Cover & Card	176	Recommended Paper B
Tab	Springhill Digital Index	199	Recommended Paper B
Transparency	Folex BG71	92-135	
Label	Avery 5160	136-216	
	Avery 5352	136-216	
NCR	Appleton NCR Paper Xero/Form II		

Recommended paper A: Evaluation standard paper for Japan, North America and Europe

Recommended paper B: Paper which can be fed (Reliability evaluation is not target). Long grain paper is recommended for 49 gsm or less, and short grain paper is recommended for 217 gsm or more.

Paper Weight Conversion Chart					
Paper Weight	Bond	Book	Bristol	Cover	Index
40 – 49 gsm	11 – 13 lb	27 – 33 lb	18 – 22 lb	15 – 18 lb	22 – 27 lb
50 – 61 gsm	14 – 16 lb	34 – 41 lb	23 – 28 lb	19 – 23 lb	28 – 34 lb
62 – 74 gsm	17 – 20 lb	42-50 lb	29-34 lb	24 – 27 lb	35-41 lb
75-91 gsm	21 – 24 lb	51 – 61 lb	35 – 42 lb	28-34 lb	42 – 50 lb
92 -135 gsm	25-36 lb	62 – 91 lb	43-62 lb	35 – 50 lb	51 – 75 lb
136 – 162 gsm	37 -43 lb	92 -109 lb	63 – 74 lb	51 – 60 lb	76-90 lb
163-2 16 gsm	44 – 57 lb	110 – 146 lb	75 – 99 lb	61 – 80 lb	91 -119 lb
217 – 244 gsm	58 – 65 lb	147 -165 lb	100 – 111 lb	81 – 90 lb	120-135 lb
245-300 gsm	66 – 80 lb	166 – 203 lb	112 – 137 lb	91 -111 lb	136-166 lb
301-350 gsm	81 – 93 lb	204 – 237 lb	138 – 160 lb	112 – 129 lb .	167 -194 lb
Paper Weight	Tag	A – Book	B – Book	Duodecimo	Octavo
40-49 gsm	25-30 lb	22-27 kg	33-40 .5 kg	34.5-42 kg	24-29 kg
50-61 gsm	31 – 37 lb	27.5 – 33.5 kg	41 – 50.5 kg	42.5 – 52.5 kg	29.5 – 36.5 kg
62 – 74 gsm	38 – 45 lb	34-40 .5 kg	51 – 61.5 kg	53-63 .5 kg	37 -44 kg
75-91 gsm	46 – 56 lb	41 -50 kg	62 – 75.5 kg	64 – 78 kg	44.5 – 54.5 kg
92-135 gsm	57 – 83 lb	50.5 – 74 kg	76-112 kg	78.5 -116 kg	55-80 .5 kg
136 – 162 gsm	84 – 100 lb	74.5 – 89 kg	112.5 – 134.5 kg	116.5 -139 kg	81 – 96.5 kg
163-2 16 gsm	101 – 133 lb	89.5-119 kg	135-179 kg	139.5 – 185.5 kg	97 – 129 kg
217 -244 gsm	134 -150 lb	119.5 -134 kg	179.5 – 202.5 kg	186 – 209.5 kg	129.5 – 145.5, kg
245-300 gsm	151 -184 lb	134.5 – 165 kg	203-249 kg	210-258 kg	146-179 kg
301-350 gsm	185 – 215 lb	165.5 – 192.5 kg	249.5 – 290.5 kg	258.5 – 301 kg	179.5 – 209 kg

Security

Of all the resources in today's business and professional world, your data can be the most valuable – and also the most vulnerable. Because information assets are critical, a company needs to effectively protect against the many security risks it faces.

These include:

1. Prevent Leaks of proprietary, confidential or personal information
2. Prevent unauthorized use of equipment
3. Effective data encryption
4. Protect data from being altered, duplicated or deleted
5. Prevent unauthorized access to data via the Internet
6. Protect against cyber attacks
7. Manage log history

To help ensure that your data is protected the bizhub PRO 1100 offers the following security measures that can be enabled by an authorized Konica Minolta service representative.

Quick Security Setting

Administrator Password

Turn the administrator authentication function on, and specify the administrator password.

Quick IP Filtering

Restricts access to the machine by means of IP address (IPv4/IPv6) or subnet mask.

Password Rules Setting

Limits the number of password characters more strictly than usual.

Web Utilities Setting

Select whether to use the Web Utilities function.

PSWC Setting

Select whether to use the PageScope Web Connection function.

Security Warning Display

Select whether to display the Security Setting Warning screen.

HDD Management Settings

Delete Temp. Data Setting: Allowing the Overwriting of Temporary Data

Specify whether or not to overwrite the temporary image data on the memory when the data is no longer needed, and also the erase mode for the data to be overwritten.

Delete All Data Setting: Setting the Erase Mode for Overwriting All Data for Deletion

Select the desired erase mode to delete all the data on the HDD or the non-volatile memory of this machine with a specific data. Also execute deleting all the data. Use this function when disposing of the machine.

Delete Hold Job: Deleting Jobs on Hold

Use this function to delete hold jobs.

Delete HDD Job: Deleting Jobs Saved on HDD

Use this function to delete the jobs saved on the HDD.

Delete a Secure Job: Deleting the Secure Job

Delete a secure job.

HDD Restore/Backup: Backing Up and Restoring HDD Data

You can back up job data saved on HDD, hold job data, and Image Controller settings data to external storage media connectable using USB connection, as well as restore backup data to the HDD of the machine.

HDD Encryption Setting: Setting the HDD Encryption Function

You can specify whether or not to use the HDD encryption function.

HDD Job Auto Delete Period: Setting the Time to Delete HDD Jobs Automatically

Set a time when the Hold Jobs and HDD Jobs are deleted automatically. The default setting is **[Save]**.

Enhanced Security Mode: Setting the Enhanced Security Mode (ON/OFF)

Use the Enhanced Security mode when the machine is connected to a local area network, or to external networks through a telephone line or other means. An administrator determined for the machine management should follow the instructions set forth in the Security Operation Guide, so that users can have a safe operating environment.

A authorized Konica Minolta service representative should set a CE password for CE authentication and administrator password on the machine. The service representative uses the CE password for CE works. The administrator, who obtains the administrator password from the service representative, uses that password to make settings related to the Enhanced Security mode.

Partnership.

Konica Minolta can help give shape to your ideas and partner with you to achieve your corporate objectives. Contact us to realize opportunities in:

Information Management

Enterprise Content Management (ECM)
Document Management
Automated Workflow Solutions
Business Process Automation
Security and Compliance
Mobility
eDiscovery Services

IT Services

Application Services
Cloud Services
IT Security
Managed IT Services
IT Consulting & Projects

Technology

Office Multifunction Business Solutions
Commercial and Production Printers
3D Printers
Wide Format Printers
Laptops, Desktops and Computer Hardware
Servers and Networking Equipment
Managed Print Services (MPS)
Managed Enterprise Services

For complete information on Konica Minolta products and solutions, please visit: CountOnKonicaMinolta.com

©2018 KONICA MINOLTA BUSINESS SOLUTIONS U.S.A., INC. All rights reserved. Reproduction in whole or in part without written permission is prohibited. KONICA MINOLTA, the KONICA MINOLTA logo, bizhub and Giving Shape to Ideas are registered trademarks or trademarks of KONICA MINOLTA, INC. All other product and brand names are trademarks or registered trademarks of their respective companies or organizations. All features and functions described here may not be available on some products. Design & specifications are subject to change without notice.



KONICA MINOLTA

KONICA MINOLTA BUSINESS SOLUTIONS U.S.A., INC.
100 Williams Drive, Ramsey, New Jersey 07446

CountOnKonicaMinolta.com



Item #: PRO1100SeriesSIG
11/03/2018-A