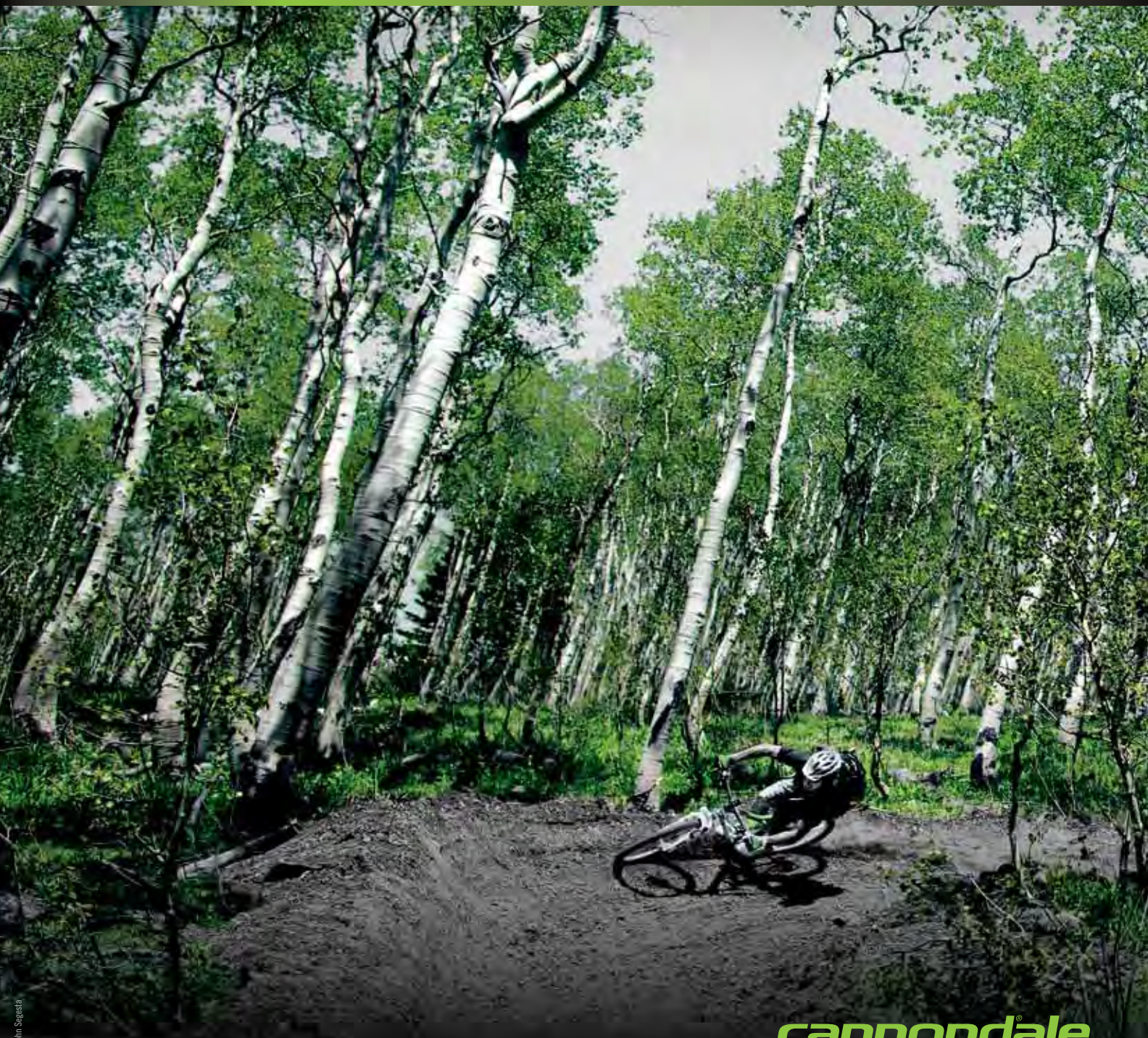


2011 BICYCLES



cannondale

2011 GET READY FOR BETTER.

**BETTER SUSPENSION. BETTER HANDLING. BETTER WEIGHT.
BETTER EFFICIENCY. BETTER STIFFNESS. BETTER COMFORT.
BETTER STYLE. BETTER PERFORMANCE. BETTER RIDE.
NO MATTER WHAT ASPECT OF CYCLING YOU VALUE MOST,
WE'VE FIGURED OUT A WAY TO MAKE IT BETTER.**

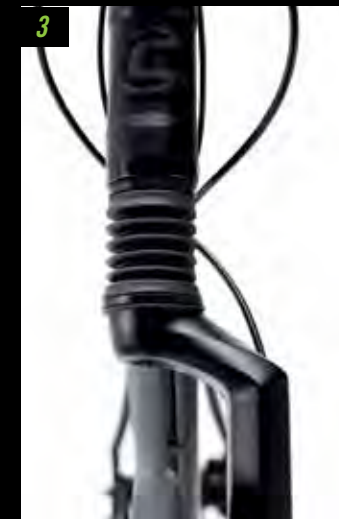
1 OVERMOUNTAIN BIKES
OverMountain does what "all-mountain" can't. For anyone who's ever wished they could ride their XC bike to the top of the hill and their long-travel bike back down, we present the OverMountain bikes; a family of dual-travel, dual-personality superbikes so versatile and so capable that they needed a category all their own.

2 SCALPEL
Simply put, the all-new Scalpel is the lightest, stiffest, fastest, winningest dual-suspension XC race bike in the world. Featuring the legendary Zero Pivot suspension system, BallisTec carbon construction and a full complement of System Integrated components, the Scalpel is the ultimate race weapon for World Cup warriors.

3 BAD BOY SOLO
If you're looking for the baddest, blackest bike on the block, look no further. With its stealthy tube shapes, black on black color scheme and head-turning HeadShok Solo single-legged suspension fork, the new Bad Boy Solo is a rolling understatement of style and attitude.

4 SUPERSIX
Whether carrying Ivan Basso to victory in the 2010 Giro d'Italia, or Peter Sagan to stage victories and the Best Young Rider classification in the Tour of California, the SuperSix is living up to its reputation as one of the best road racing machines on the planet. Phenomenal stiffness-to-weight, surprising comfort and Cannondale's famous lively, communicative ride-feel create a bike that feels like an extension of your body. Don't settle for the dead, wooden feel of other carbon bikes. Connect. With SuperSix.

5 CAAD10
How could we improve on the finest aluminum road frame in the world, the CAAD9? Simple. We completely redesigned it, making it even lighter, stiffer, and smoother. At a mere 1150 grams, with incredible power transfer and the bump eating smoothness of the SAVE micro-suspension system, the CAAD10 is going to give some of our competitors fits trying to explain why someone would want to pay so much more for their heavier, harsher carbon race frames.



For more information check out our website at www.cannondale.com

OVERMOUNTAIN

DOES WHAT “ALL-MOUNTAIN” CAN’T.



CLAYMORE



JEKYL



SCARLET

The new OverMountain category from Cannondale is a family of go anywhere, ride anything, two-bikes-in-one superbikes that actually do what “all-mountain” bikes can only claim to do; excel at both climbing AND descending.

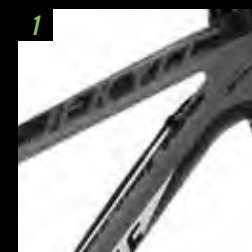
Until now, the “all-mountain” category has been synonymous with “compromise”— what’s good for going up is not so good for going down and vice versa. They demand different things — different travel, different suspension response, different geometry. That’s the inherent challenge of designing “all-mountain” bikes; working with one frame, one shock and one geometry forces you to choose what aspects of performance must be sacrificed to gain performance elsewhere.

Cannondale’s engineers realized that in order to break out of the boundaries and compromises that define the “all-mountain” category, they would have to create something new. We needed bikes that were light and stiff enough to satisfy the climbers, yet tough and precise enough to thrill the descenders. We needed bikes that could actually adapt to the differing demands of climbing versus descending; bikes that could instantly change their travel, damping, and geometry, all at the flick of a switch. Bikes that truly are two different bikes in one package. The result was OverMountain.

Work less on the climbs. Rip harder on the descents. Smile more everywhere.

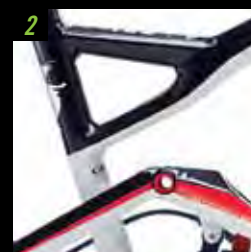
Mountain biking just got a lot more fun.

Key OverMountain Technologies:



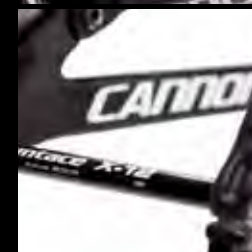
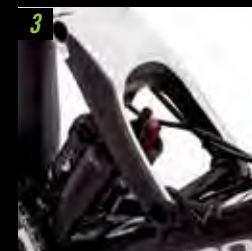
1 BALLISTEC CARBON CONSTRUCTION

With fibers developed for military ballistic armoring and resins developed for carbon baseball bats, **BallisTec** carbon is seriously tough stuff. Lighter and stiffer than aluminum, stronger and more durable than steel, **BallisTec** carbon can shake off rock strikes and impacts that would cripple the competition and their carbon “shields”. Launch with confidence.



2 SMARTFORMED ALLOY CONSTRUCTION

Cannondale’s three decades of aluminum expertise are evident in the alloy **OverMountain** bikes. Sophisticated **SmartForming** techniques deliver incredibly precise wall thickness distribution and tube shapes, concentrating material exactly where needed to maximize strength and stiffness, while removing every last extraneous gram from the structure. Unlike the putty-and-paint “smooth” welds of the competition, Cannondale’s legendary double-pass smooth welds eliminate stress risers, creating the strongest possible joints. Combine both with a heat-treat process that creates a true unibody structure, and you’ve got simply the finest aluminum frames money can buy.



3 ECS-TC (ENHANCED CENTER STIFFNESS-TORSION CONTROL) SYSTEM

A frame is only as stiff as its weakest parts. On dual suspension bikes, the weakest parts are often the crucial bearings and links that join the swingarm to the front triangle. The vague, imprecise sensation felt on so many bikes is caused by the subtle flex and movement that occurs in the connecting hardware as the loads on the bike shift from side-to-side. To create bikes that respond instantly to rider input and deliver unprecedented sensitivity and feedback, we designed a five-part system to eliminate flex and soft play in the bearings and links.

Ultra Wide Bearing Placement

Just like you are more stable standing with your feet apart than together, the further apart you can place cartridge bearings, the better they support each other and the stiffer the system can be. The **ECS-TC** system has the widest link-bearing spacing of any bike in the industry.

Double-Stacked Rear Dropout Pivot Bearings

At the rear dropout pivots, we double-stack the bearings, placing two side-by-side in each pivot. This greatly increases the seat stays’ ability to resist twisting loads, making for an incredibly solid feeling swingarm.



X-12 Rear Thru-axle

Thru-axles are stiffer. We’ve integrated the **Syntaxe X-12** thru-axle and dropout system to provide the stiffness of a 12 mm thru-axle with the quick wheel changes and ease of use of a quick release wheel.

Double-Clamped 15 mm Thru-axles

With the **ECS-TC** system, 15 mm thru-axles are used for the swingarm pivot and both shock link pivots. By placing the bearings in the frame, then clamping the ends of the link to both sides of the axle, the axle becomes a structural part of the link/swingarm, tying the two sides together and radically increasing its ability to resist twisting loads.

Collet Shim Bearing Preload

An innovative bearing preload system eliminates any freeplay between the bearings and the links.



4 DYAD RT2 DUAL SHOCK

The heart of **OverMountain** is a radical new dual rear shock, the **FOX DYAD RT2**. For the first time ever, two completely different shocks are housed in one package: **Elevate** - a shorter travel, smaller volume air shock for rolling and climbing terrain, and **Flow** - a longer travel, high volume, linear air shock for aggressive descents. Each has its own dedicated damping circuit, fully optimized for its intended terrain and activated by a handlebar mounted lever. Rather than trying to make one shock do everything, we were free to create separate suspension responses for different needs - active and super efficient for the flats and climbs, ultra plush and bottomless for the descents. Switching between **Elevate** and **Flow** also changes the bike’s sag height and geometry, keeping the rider in the proper position for the terrain: steep and forward for powering up, low and stable for shredding down. It is fundamentally like having two different bikes available to you at the flick of a switch.

Elevate your soul and let it flow.

CLAYMORE

THE ULTIMATE OVERMOUNTAIN MEGABIKE.

CLAYMORE. NAMED AFTER THE CLAUDHEAMH MÒR, THE LEGENDARY TWO-HANDED SCOTTISH BROADSWORD. FOR WARRIORS. PREPARE FOR BATTLE.

BURLY BUT LIGHT

Almost 30 years of aluminum expertise and our **SmartFormed** aluminum allows us to design and craft a frame that is up to the rigors of **OverMountain** riding while also remaining remarkably lightweight.

CLAYMORE SUSPENSION SYSTEM

The radical **DYAD RT2** dual shock and **Claymore's** linear-to-progressive link leverage ratio are optimized for each other, providing incredible small bump response, traction and efficiency in the **Elevate** mode, and a fluid, bottomless feel in **Flow** mode.

ATTITUDE ADJUST

The two-position shock mount allows the base geometry to be adjusted to suit the terrain and riding style. Then switching between the **DYAD** shock's two settings alters the **Claymore's** geometry on the fly: low and stable for flowing descents, steep and forward for efficient climbing.



CLAYMORE 1

FRAME Claymore, 180/110 mm, SmartFormed alloy, BB30, ISCG03, Diablo head tube	SHIFTERS SRAM X9	BRAKES Avid Elixir X0 carbon, 203/185 mm
SUSPENSION (R/F) Fox Dyad RT2/Fox 36 Talas RC2 FIT, 180 mm, 200R	REAR DERAILLEUR SRAM X0, 10-speed	TIRES Schwalbe Fat Albert Pace/TrailStar, 2.4" tubeless ready
WHEELS Mavic CrossMax SX, tubeless	CRANK SRAM S1400, BB30, 39/26	SIZES S, M, L, X

Magnesium White (gloss) (WHT).



CLAYMORE 2

FRAME Claymore, 180/110 mm, SmartFormed alloy, BB30, ISCG03, Diablo head tube	SHIFTERS Shimano SLX	BRAKES Avid Elixir CR, 203/185 mm
SUSPENSION (R/F) Fox Dyad RT2/Fox 36 Talas RC2 FIT, 180 mm, 200R	REAR DERAILLEUR Shimano XT, 10-speed	TIRES Schwalbe Fat Albert Pace/TrailStar, 2.4" tubeless ready
WHEELS SunRingle Charger Pro, tubeless ready	CRANK SRAM S1400, BB30, 39/26	SIZES S, M, L, X

Jet Black (gloss) (BLK).



CLAYMORE 3

FRAME Claymore, 180/110 mm, SmartFormed alloy, BB30, ISCG03, Diablo head tube	SHIFTERS SRAM X7	BRAKES Avid Elixir R, 203/185 mm
SUSPENSION (R/F) Fox Dyad RT2/Fox 36 Talas R, 180 mm, 200R	REAR DERAILLEUR SRAM X9 alloy, 10-speed	TIRES Kenda Nevegal folding, 2.35"
WHEELS Sun EQ27, 32 hole	CRANK TruVativ Fire-X AM 36/24 2.2	SIZES S, M, L, X

Jet Black (matte) (BBQ).

JEKYLL

**THE GO ANYWHERE, RIDE ANYTHING,
TWO-BIKES-IN-ONE SUPERBIKE.**

**INDULGE BOTH SIDES OF YOUR PERSONALITY –
NO POTIONS NEEDED. WITH THE REVOLUTIONARY
DYAD SHOCK, JEKYLL IS BACK WITH A VENGEANCE
AND REWRITING THE RULES ONCE AGAIN.**



1 JEKYLL SUSPENSION SYSTEM

The radical **DYAD RT2** dual shock and the **Jekyll's** linear-to-progressive link leverage ratio are optimized for each other, providing incredible small bump response, traction and efficiency in the **Elevate** mode, and a fluid, bottomless feel in **Flow** mode.

2 GET CONNECTED

Your frame is only as stiff as its weakest parts. **Jekyll's** 5-part **ECS-TC** (Enhanced Center-Stiffness, Torsion Control) system eliminates unwanted flex and play in the links and pivots, unifying the frame and delivering unmatched responsiveness and control.

3 LIGHT AND TOUGH

In either **BallisTec** carbon or sophisticated **SmartFormed** alloy, the incredibly light, unbelievably tough **Jekyll** frames let you climb with the whippets, but descend with the pitbulls.

JEKYLL ULTIMATE

FRAME Jekyll, 150/90mm, BallisTec Hi-MOD Carbon, BB30, ISCG03, 1.5 Si head tube
SUSPENSION (R/F) Fox Dyad RT2/Fox 32 Talas RLC FIT, 150 mm 15QR
WHEELS CrankBrothers Cobalt, tubeless

SHIFTERS SRAM XX
REAR DERAILLEUR SRAM XX, 10-speed
CRANK Cannondale Hollowgram SL, BB30, 39/26

Exposed Carbon w/Magnesium White accents (matte) (BB0).
BRAKES Avid Elixir X0 carbon, 185/185 mm
TIRES Schwalbe Nobby Nic PaceStar, 2.4" tubeless ready
SIZES S, M, L, X



JEKYLL CARBON 1

FRAME Jekyll, 150/90mm, BallisTec Hi-MOD Carbon, BB30, ISCG03, 1.5 Si head tube
SUSPENSION (R/F) Fox Dyad RT2/Fox 32 Talas RLC FIT, 150 mm 15QR
WHEELS SunRingle BlackFlag Pro, tubeless ready

SHIFTERS Shimano XT
REAR DERAILLEUR Shimano XTR, 10-speed
CRANK FSA SL-K BB30, 44/32/24

Magnesium White w/Berserker Green accents (gloss) (WHT2).
BRAKES Avid Elixir CR Carbon, 185/185 mm
TIRES Schwalbe Nobby Nic PaceStar, 2.4" tubeless ready
SIZES S, M, L, X



JEKYLL CARBON 2

FRAME Jekyll, 150/90mm, BallisTec Hi-MOD Carbon, BB30, ISCG03, 1.5 Si head tube
SUSPENSION (R/F) Fox Dyad RT2/Fox 32 Talas RL, 150 mm, 15QR
WHEELS SunRingle BlackFlag Expert +, tubeless ready

SHIFTERS SRAM X9
REAR DERAILLEUR SRAM X9, 10-speed
CRANK FSA Afterburner BB30, 44/32/24

Charcoal Grey w/et Black accents (matte) (GRY).
BRAKES Avid Elixir CR, 185/185 mm
TIRES Schwalbe Nobby Nic PaceStar, 2.4" tubeless ready
SIZES S, M, L, X



JEKYLL 3

FRAME Jekyll, 150/90mm, SmartFormed Alloy, BB30, ISCG03, 1.5 Si head tube
SUSPENSION (R/F) Dyad RT2/Fox 32 Talas RL, 150 mm, 15QR
WHEELS DT Swiss M480, 32 hole

Ultra Blue w/Single Malt Brown accents (gloss) (BLU).

SHIFTERS Shimano XT
REAR DERAILLEUR Shimano XT, 10-speed
CRANK FSA Afterburner BB30, 44/32/24



Magnesium White w/Red and Black accents (gloss) (WHT).

BRAKES Avid Elixir CR, 185/185 mm
TIRES Schwalbe Nobby Nic PaceStar, 2.4" tubeless ready
SIZES S, M, L, X



John Sagesta



JEKYLL 4

FRAME Jekyll, 150/90mm, SmartFormed Alloy, BB30, ISCG03, 1.5 Si head tube
SUSPENSION (R/F) Fox Dyad RT2/Fox 32 Float RL, 150 mm, 15QR
WHEELS Mavic XM317, 32 hole

Magnesium White w/Red and Black accents (gloss) (WHT).

SHIFTERS SRAM X7
REAR DERAILLEUR SRAM X9, 9-speed
CRANK Fire-X 3.3, 44/32/22



Vintage Moss w/Magnesium White accents (gloss) (GRN).

BRAKES Avid Elixir R, 185/185 mm
TIRES Kenda Nevegal folding, 2.35"
SIZES S, M, L, X



JEKYLL 5

FRAME Jekyll, 150/90mm, SmartFormed Alloy, BB30, ISCG03, 1.5 Si head tube
SUSPENSION (R/F) Fox Dyad RT2/RockShox Revelation, 150 mm, Dual Air, All Travel, 15 mm thru
WHEELS Sun SR25, 32 hole

Orange Spice, Magnesium White (gloss) (ORG).

SHIFTERS SRAM X7
REAR DERAILLEUR SRAM X7, 9-speed
CRANK Fire-X 3.1, 44/32/22



Magnesium White w/Red and Black accents (gloss) (WHT).

BRAKES Avid Elixir 3, 185/185 mm
TIRES Kenda Nevegal folding, 2.35"
SIZES S, M, L, X

LEFTY/HEADSHOK

WHY LEFTY?

Lighter. Stronger. Stiffer. Smoother. No matter what other fork you are riding, Lefty is better. The radical Lefty front suspension system has had people scratching their heads for over ten years now. It's time to set the record straight.

Lefty is LIGHTER.

The Lefty Speed Carbon weighs an unbelievable 2.64 lbs. At just 3.11 lbs, the heaviest model in the Lefty lineup is lighter than most competitors' lightest race offerings.

Lefty is STRONGER.

Cross country weight meets dirt jumper tough. Lefty's unconventional inverted design, with its oversized steerer, massive outer tube and beefy dual crowns, allows even the lightest Lefty to go head to head in destructive testing with forks designed for much more abusive riding.

Lefty is STIFFER.

Lefty's stout structure combined with its "square in a square" stanchion design allow it to post deflection numbers comparable to the burliest thru-axle forks, while weighing less than the lightest XC forks.

Lefty is SMOOTHER.

The heart of the Lefty design, Cannondale's patented 88 Needle Bearing Technology keeps the suspension rolling fluidly, regardless of load. Hard braking, impacts, and steering forces have no effect on the shock's ability to move, keeping the wheel tracking the ground and the rider in total control.



LEFTY W/PBR

GLOVE-FRIENDLY PUSH BUTTON LOCKOUT AND REBOUND ADJUST. EQUIPPED WITH POPTOP BLOW-OFF THRESHOLD LOCKOUT PISTON.

LEFTY CARBON W/XLR

XLoc REMOTE HYDRAULIC LOCKOUT AND REBOUND ADJUST. EQUIPPED WITH POPTOP BLOW-OFF THRESHOLD LOCKOUT PISTON.

CONVENTION IS FOR THE WEAK.

QUANTUM LEAPS IN ENGINEERING AND PERFORMANCE ONLY COME WHEN YOU CAST OFF CONVENTIONAL DESIGN. FREE YOURSELF FROM THE HERD.



1 DON'T SLIDE, ROLL Rather than sliding on traditional bushings, Lefty rolls on precision-ground needle bearings and hardened steel races, eliminating friction and allowing Lefty's suspension to stay plush and active in all situations. Regular bushings can bind and limit fork movement precisely when you need it most.

2 OPI (ONE PIECE INTEGRATION) Our complex 3D forging process, used for parts like the OPI inner leg, the OPI outer leg/clamp, and the OPI Stem/Steerer, integrates multiple parts into single forged pieces, drastically reducing weight and increasing strength.

3 SUPERIOR DESIGN Lefty's inverted double clamp design is stiffer, stronger and lighter than the traditional single crown designs. System Integrate with the Si Stem/Steerer for the lightest, most precise front suspension system available anywhere.

LEARN MORE AT WWW.CANNONDALE.COM

LEFTY/HEADSHOK



LEFTY MAX

140 MM OF TRAVEL
ALL-MOUNTAIN RIDING

MODEL	LEFTY MAX CARBON XLR
STRUCTURE	Filament-wound Carbon Fiber outer leg, OPI inner leg
DAMPER	XLR remote lockout, rebound adj, blowoff threshold
SPRING	SOLO AIR w/self adjusting neg spring
WEIGHT	2.99 lbs / 1356 grams



LEFTY ULTRA

120 MM OF TRAVEL
TRAIL RIDING / MARATHON RACING

MODEL	LEFTY ULTRA CARBON PBR
STRUCTURE	Filament-wound Carbon Fiber outer leg, OPI inner leg
DAMPER	PBR push button lockout, rebound adj, blowoff threshold
SPRING	SOLO AIR w/self adjusting neg spring
WEIGHT	2.78 lbs / 1259 grams



LEFTY ULTRA PBR

STRUCTURE	OPI Alloy outer leg, OPI inner leg
DAMPER	PBR push button lockout, rebound adj, blowoff threshold
SPRING	SOLO AIR w/self adjusting neg spring
WEIGHT	3.07 lbs / 1392 grams



LEFTY 29'ER

90 MM OF TRAVEL
XC RACING / TRAIL RIDING

MODEL	LEFTY 29'ER CARBON XLR
STRUCTURE	Filament-wound Carbon Fiber outer leg, OPI inner leg
DAMPER	XLR remote lockout, rebound adj, blowoff threshold
SPRING	SOLO AIR w/self adjusting neg spring
WEIGHT	2.94 lbs / 1333 grams



LEFTY 29'ER CARBON PBR

STRUCTURE	Filament-wound Carbon Fiber outer leg, OPI inner leg
DAMPER	PBR push button lockout, rebound adj, blowoff threshold
SPRING	SOLO AIR w/self adjusting neg spring
WEIGHT	3.04 lbs / 1379 grams



LEFTY 29'ER PBR

STRUCTURE	OPI Alloy outer leg, OPI inner leg
DAMPER	PBR push button lockout, rebound adj, blowoff threshold
SPRING	SOLO AIR w/self adjusting neg spring
WEIGHT	3.11 lbs / 1410 grams



LEFTY SPEED

100 MM OF TRAVEL
XC RACING

MODEL	LEFTY SPEED CARBON XLR
STRUCTURE	Filament-wound Carbon Fiber outer leg, OPI inner leg
DAMPER	XLR remote lockout, rebound adj, blowoff threshold
SPRING	SOLO AIR w/self adjusting neg spring
WEIGHT	2.76 lbs / 1251 grams



LEFTY SPEED CARBON PBR

STRUCTURE	Filament-wound Carbon Fiber outer leg, OPI inner leg
DAMPER	PBR push button lockout, rebound adj, blowoff threshold
SPRING	SOLO AIR w/self adjusting neg spring
WEIGHT	2.64 lbs / 1197 grams



LEFTY SPEED XLR

STRUCTURE	OPI Alloy outer leg, OPI inner leg
DAMPER	XLR remote lockout, rebound adj, blowoff threshold
SPRING	SOLO AIR w/self adjusting neg spring
WEIGHT	3.08 lbs / 1397 grams



LEFTY SPEED PBR

STRUCTURE	OPI Alloy outer leg, OPI inner leg
DAMPER	PBR push button lockout, rebound adj, blowoff threshold
SPRING	SOLO AIR w/self adjusting neg spring
WEIGHT	2.94 lbs / 1333 grams



FATTY

80 MM OF TRAVEL
XC RACING / TRAIL RIDING

MODEL	FATTY DLR80
TRAVEL	80 mm
STRUCTURE	Air Formed OPI Fatty Blades
DAMPER	DLR - oil damped, lockout lever, rebound adjust
SPRING	Cartridge Air Spring, coil negative
WEIGHT	2.80 lbs / 1270 grams



SOLO DL50

TRAVEL	50 mm
STRUCTURE	Air Formed OPI Fatty Blades
DAMPER	DL - oil damped, lockout lever
SPRING	Coil Spring/elastomer
WEIGHT	2.98 lbs / 1351 grams



FATTY SOLO DL50

TRAVEL	50 mm
STRUCTURE	OPI Solo Blade
DAMPER	DL - oil damped, lockout lever
SPRING	Coil Spring/elastomer
WEIGHT	3.2 lbs / 1451 grams

RZ ONE TWENTY

DISTILLED TO PERFECTION.

SIMPLICITY HAS ITS MERITS. THE RZ ONE TWENTY'S REFINED MODIFIED SINGLE PIVOT SUSPENSION DESIGN DELIVERS A RIDE THAT IS SUPREMELY BALANCED, EFFICIENT AND PRECISE.

STAGED TRAVEL

Refined single pivot design delivers optimal suspension performance throughout the travel, ultra plush at the start, then linear and efficient through the middle of the stroke, then gets progressively firmer at the end for a bottomless feel.

ALUMINUM CRAFTING

From the **OPI** (One Piece Integrated) Backbone to the **SmartFormed** aluminum and trademark double-pass welds, RZ One Twenty is the pinnacle of aluminum crafting.

SUPERB HANDLING

The **RZ's** geometry splits the difference between our more aggressive **Jekyll** and racy **Scalpel**. Quick enough for technical trail riding, stable enough to keep you out of trouble while dropping your favorite sketchy section.



RZ ONE TWENTY 1

FRAME RZ One Twenty, 120 mm, SmartFormed alloy, BB30, 1.5 Si head tube
SUSPENSION (R/F) RockShox Monarch RT3/Lefty Ultra PBR, 120 mm
WHEELS Mavic XM317, 32 hole

Magnesium White w/Red and Black accents (gloss) (WHT).
SHIFTERS SRAM X9
REAR DERAILLEUR SRAM X9, 10-speed
CRANK FSA Afterburner 386 BB30, 39-27

Jet Black (matte) (BBQ).
BRAKES Avid Elixir R Carbon, 185/160 mm
TIRES Schwalbe Rocket Ron Performance, 2.1" folding
SIZES S, M, L, X



RZ ONE TWENTY 2

FRAME RZ One Twenty, 120 mm, SmartFormed alloy, BB30, 1.5 Si head tube
SUSPENSION (R/F) Fox RP2/Lefty Ultra PBR, 120 mm
WHEELS Mavic XM317, 32 hole

Berserker Green (gloss) (GRN).
SHIFTERS Shimano XT
REAR DERAILLEUR Shimano XT, 10-speed
CRANK Shimano M552, 42/32/24

Fine Silver (gloss) (SLV).
BRAKES Hayes Stroker Trail Carbon, 180/160 mm
TIRES Kenda Slant 6, 2.1", folding
SIZES S, M, L, X



RZ ONE TWENTY 3

FRAME RZ One Twenty, 120 mm, SmartFormed alloy, BB30, 1.5 Si head tube
SUSPENSION (R/F) X Fusion 02 RL2/ RockShox Recon Silver TK, 120 mm, 20 mm thru
WHEELS Mavic XM317, 32 hole

SHIFTERS SRAM X7
REAR DERAILLEUR SRAM X9, 9-speed
CRANK Shimano M542, 44/32/22

Nu Team Blue (gloss) (BLU).



Jet Black (gloss) (BLK).

BRAKES Avid Elixir 3, 180/160 mm
TIRES Kenda Slant 6 wire bead, 2.1"
SIZES S, M, L, X



RZ ONE TWENTY 4

FRAME RZ One Twenty, 120 mm, SmartFormed alloy, BB30, 1.5 Si head tube
SUSPENSION (R/F) X Fusion 02 RL2/ RST Deuce Air, 120 mm, 15 mm thru
WHEELS Maddux, 32 hole

SHIFTERS Shimano Deore
REAR DERAILLEUR Shimano Deore, 9-speed
CRANK Shimano M430-8, 44/32/22

Race Red (gloss) (RED).



Magnesium White w/Red and Black accents (gloss) (WHT).

BRAKES Shimano M445 (hydraulic disc), 180/160 mm
TIRES Kenda Slant 6 wire bead, 2.1"
SIZES S, M, L, X



Chris Millman

SCALPEL

ZERO PIVOTS, ZERO COMPETITION.

THE LIGHTEST, STIFFEST, MOST EFFICIENT DUAL SUSPENSION XC RACE BIKE ON THE PLANET. THE SCALPEL ISN'T JUST IN A CLASS BY ITSELF - IT'S ATTENDING AN ENTIRELY DIFFERENT SCHOOL.



1 ZERO PIVOT
No bearings, no bushings, nothing to add weight or cause play, just chain stays and seat stays engineered to flex along a given path, providing 80 mm of plush, progressive travel.

2 SYSTEM INTEGRATION
Scalpel achieves unheard of levels of light weight and efficiency by System Integration design. We craft components to work together, like the Lefty fork and Si Stem/Steerer, or the Si/SL Hollowgram crankset with our BB30 system.

3 BALLISTEC CARBON
Lighter and stiffer than aluminum, more dent resistant than steel, BallisTec carbon can shake off rock strikes and impacts that would destroy Scalpel's flimsy competition. And the Scalpel frame weighs just 1580 grams complete with shock.

SCALPEL ULTIMATE

FRAME Scalpel, 80 mm, BallisTec Hi-MOD Carbon, BB30, 1.5 Si head tube	SHIFTERS SRAM XX	BRAKES SRAM XX, 160/140 mm
SUSPENSION (R/F) RockShox Monarch RT3/Lefty Speed Carbon XLR, 100 mm	REAR DERAILLEUR SRAM XX, 10-speed	TIRES Schwalbe, Racing Ralph PaceStar 2.1" (F), Furious Fred PaceStar 2.0" (R)
WHEELS DT Swiss XCR 1.2 Custom	CRANK Cannondale Hollowgram SL, 42-28 w/XX chainrings	SIZES S, M, L, X

Team Replica (gloss) (REP).



SCALPEL 1

FRAME Scalpel, 80 mm, BallisTec Hi-MOD Carbon, BB30, 1.5 Si head tube
SUSPENSION (R/F) Fox RP23 BoostValve/Lefty Speed Carbon PBR, 100 mm
WHEELS Mavic CrossMax SLR Lefty, tubeless

SHIFTERS Shimano XTR
REAR DERAILLEUR Shimano XTR, 10-speed
CRANK FSA SL-K 386 BB30, 42-27

BRAKES Magura Marta SL Carbon, 160/140 mm
TIRES Schwalbe Racing Ralph PaceStar, 2.1" tubeless ready
SIZES S, M, L, X

WORLD CHAMPIONSHIPS



Adam Campbell



SCALPEL 2

FRAME Scalpel, 80 mm, BallisTec Hi-MOD Carbon, BB30, 1.5 Si head tube
SUSPENSION (R/F) RockShox Monarch RT3/Lefty Speed XLR, 100 mm
WHEELS SunRingle BlackFlag Pro, 24 hole, tubeless ready

SHIFTERS SRAM XO
REAR DERAILLEUR SRAM XO, 10-speed
CRANK FSA Afterburner 386 BB30, 42-27

BRAKES Avid Elixir CR carbon, 160/140 mm
TIRES Schwalbe Racing Ralph PaceStar, 2.1" tubeless ready
SIZES S, M, L, X

Charcoal Grey w/ Jet Black accents (gloss) (GRY).



SCALPEL 3

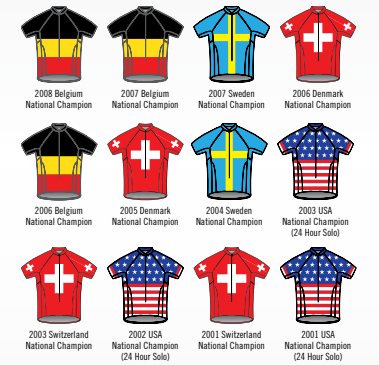
FRAME Scalpel 80 mm-zero pivot, BallisTec, Hi-MOD carbon, BB30, 1.5 Si head tube
SUSPENSION (R/F) Lefty Speed w/PBR, 100 mm
WHEELS DT Swiss XCR 1.7 Custom

SHIFTERS Shimano SLX
REAR DERAILLEUR Shimano XT, 10-speed
CRANK FSA Afterburner 386 BB30, 42-27

BRAKES Avid Elixir R, 160/140 mm
TIRES Schwalbe Racing Ralph PaceStar, 2.1" tubeless ready
SIZES S, M, L, X

Jet Black w/Magnesium White accents (gloss) (BLK).

NATIONAL CHAMPIONSHIPS



FLASH CARBON

950 GRAMS OF IMPOSSIBLE.

THE WORLD'S BEST HARDTAIL. LIGHTER THAN MOST ELITE CARBON ROADBIKES, TOUGHER THAN MOST ALUMINUM BIKES, STIFFER AND MORE COMPLIANT THAN TITANIUM. SCIENCE FICTION BECOMES ENGINEERING FACT.

SAVE MICRO-SUSPENSION SYSTEM

Flattened **SAVE** cross-sections and sophisticated carbon layup on the **Flash** chain stays, seat stays and seatpost act like a micro-suspension system, deflecting vertically to absorb trail shock and vibration, while staying extremely rigid laterally for power transfer and confident cornering.

BALLISTEC CARBON TECHNOLOGY

BallisTec carbon and sophisticated layup techniques deliver unmatched toughness and the world's best stiffness-to-weight ratio.*

* Frame independently tested at Zedler Fahrradtechnik, February 27, 2009.

SYSTEM INTEGRATION

Ignoring the common "bolt-on" spec' mentality, our System Integration design approach (**Lefty** fork, **OPI** Stem/Steerer, and **Hollowgram Si SL** cranks) produces an overall weight that our competitors can only dream of.



FLASH ULTIMATE

FRAME Flash, BallisTec Hi-MOD Carbon, SAVE, BB30 1.5 Si head tube
FORK Lefty Speed Carbon XLR, 100 mm
WHEELS DT Swiss XCR 1.2 Custom

SHIFTERS SRAM XX
REAR DERAILLEUR SRAM XX, 10-speed
CRANK Cannondale Hollowgram SL, 42-28 w/XX chainrings

BRAKES SRAM XX, 160/140 mm
TIRES Schwalbe, Racing Ralph PaceStar 2.1" (F), Furious Fred PaceStar 2.0" (R)
SIZES S, M, L, X

Team Replica (gloss) (REP).



Ego Promotion/Maasewerd

PALMARÉS



FLASH HI-MOD 1

FRAME Flash, BallisTec Hi-MOD Carbon, SAVE, BB30 1.5 Si head tube
FORK Lefty Speed Carbon PBR, 100 mm
WHEELS Mavic CrossMax SLR Lefty, tubeless

SHIFTERS Shimano XTR
REAR DERAILLEUR Shimano XTR, 10-speed
CRANK FSA K-Force 386 BB30, 42-27

Magnesium White w/Jet Black accents (gloss) (WHT).
BRAKES Magura Marta SL Carbon, 160/140 mm
TIRES Schwalbe Racing Ralph PaceStar, 2.1" tubeless ready
SIZES S, M, L, X

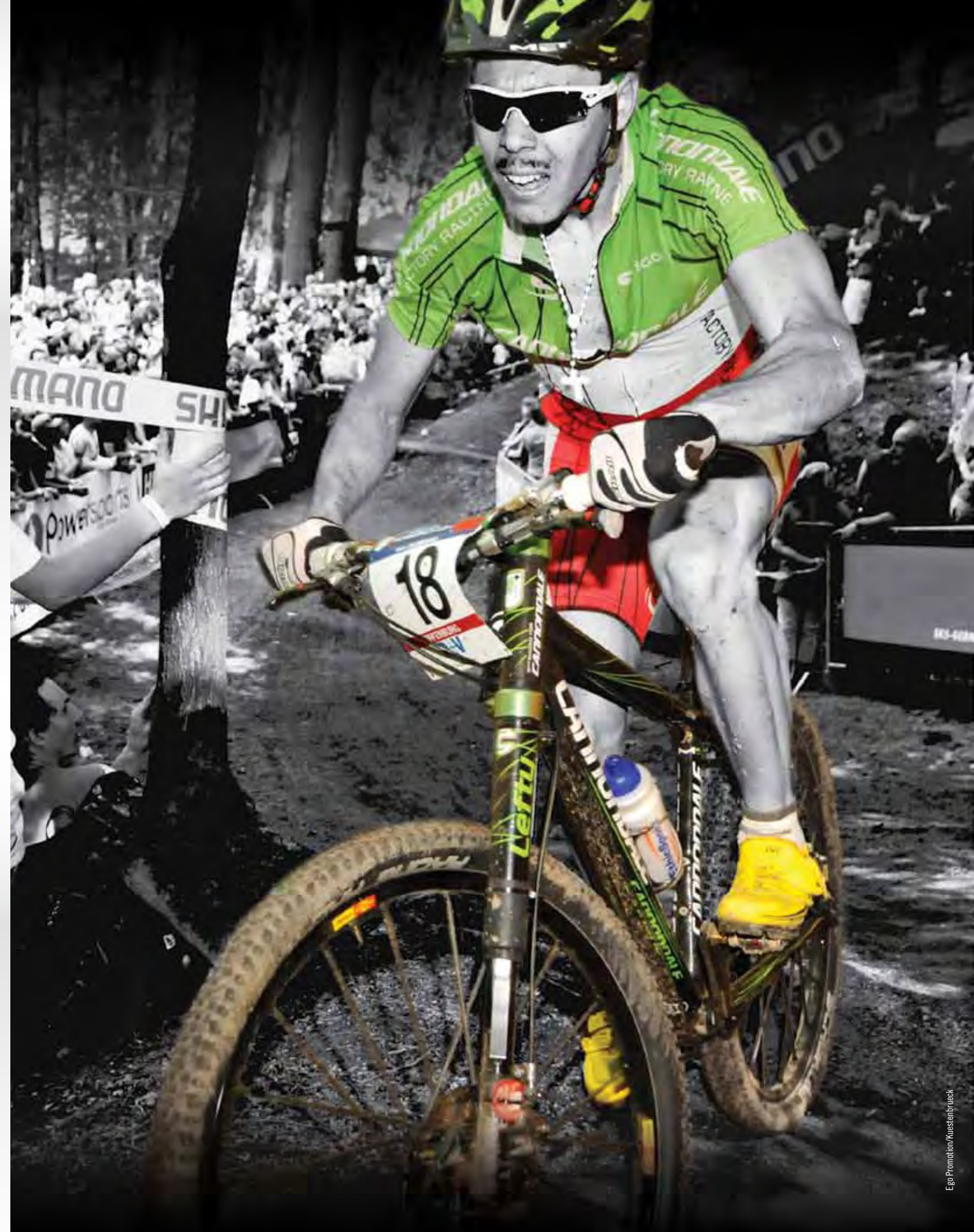


FLASH CARBON 4

FRAME Flash, BallisTec Carbon, SAVE, BB30 1.5 Si head tube
FORK Lefty Speed PBR, 100 mm
WHEELS Mavic XM317, 32 hole

SHIFTERS SRAM X7
REAR DERAILLEUR SRAM X9, 10-speed
CRANK SRAM S1400 BB30, 42-27

Race Red w/Magnesium White accents (gloss) (RED).
BRAKES Avid Elixir R, 160/160 mm
TIRES Schwalbe Rocket Ron Performance, 2.1" folding
SIZES S, M, L, X



FLASH

PURE AND SIMPLE.

AN ALUMINUM CLONE OF OUR BOUNDARY-BREAKING FLASH CARBON, THE FLASH ALLOY IS EVERYTHING YOU NEED AND NOTHING YOU DON'T.

SUPER LIGHT WEIGHT

At 1450 grams, Flash Alloy is lighter than most of our competitor's carbon offerings.

CANNONDALE ALUMINUM

Flash's sophisticated SmartFormed tubing manipulation and our trademark double-pass smooth welds reflect our almost 30 years of aluminum supremacy.

SAVE MICRO-SUSPENSION SYSTEM

Careful shaping and wall thickness manipulation on the chain stays and seat stays allows them to deflect vertically while remaining stiff laterally and torsionally, absorbing shock and enhancing control.



FLASH F1

Magnesium White (gloss) (WHT).

FRAME Flash, SmartFormed Alloy, SAVE, BB30, 1.5 Si head tube

SHIFTERS SRAM X7

BRAKES Avid Elixir R, 160/160 mm

FORK Lefty Speed PBR, 100 mm

REAR DERAILLEUR SRAM X9, 10-speed

TIRES Kenda Small Block Eight, 2.1", folding

WHEELS Mavic XM317, 32 hole

CRANK FSA Afterburner 386 BB30, 39/27

SIZES S, M, L, X



FLASH F2

Race Red (gloss) (RED).

FRAME Flash, SmartFormed Alloy, SAVE, BB30, 1.5 Si head tube

SHIFTERS Shimano SLX

BRAKES Shimano BR-M505, 160/160 mm

FORK Lefty Speed PBR, 100 mm

REAR DERAILLEUR Shimano XT, 9-speed

TIRES Kenda Small Block Eight, 2.1", folding

WHEELS Mavic XM317, 32 hole

CRANK Shimano M542, 44/32/22

SIZES S, M, L, X



FLASH F3

Jet Black (matte) (BBQ).

Magnesium White (gloss) (WHT).

FRAME Flash, SmartFormed Alloy, SAVE, BB30, 1.5 head tube

SHIFTERS SRAM X7

BRAKES Hayes Ryde Comp, 160/160 mm

FORK Fatty DLR80, 80 mm

REAR DERAILLEUR SRAM X7, 9-speed

TIRES Kenda Slant 6, 2.1"

WHEELS Maddux DC3.0, double wall w/eyelet, 32 hole

CRANK Shimano FC-M430-8, 44/32/22

SIZES S, M, L, X



TRAIL SL / TRAIL

GET ON THE TRAIL.

YOUR JOURNEY BEGINS HERE. WELCOME TO THE WORLD OF TWO WHEELS AND FAT TIRES. YOUR TRAIL AWAITS. WHERE IT TAKES YOU IS ENTIRELY UP TO YOU.

RACE GEOMETRY

Trail SL is a racer through and through. It shares the geometry and many of the features of its Flash brethren.

ALUMINUM CRAFTING

Trail and Trail SL's mechanically formed aluminum and our trademark double-pass smooth welds highlight Cannondale's aluminum expertise.

SAVE MICRO-SUSPENSION SYSTEM

Optimized chain stay and seat stay shaping provides lateral rigidity while providing vertical compliance for bump absorption and comfort with no loss in power transfer.



TRAIL SL 2

Nu Team Blue (gloss) (BLU).

Jet Black (gloss) (BLK).

FRAME Trail SL, Optimized 6061 Alloy, SAVE, 1.5" head tube

SHIFTERS Shimano Deore Trigger

BRAKES Shimano BR-M445 Hydraulic Disc, 160/160 mm

FORK RockShox Recon Silver TK, 100 mm

REAR DERAILLEUR Shimano Deore, 9-speed

TIRES Kenda Small Block 8, 2.1"

WHEELS Maddux DC3.0, double wall w/eyelet, 28/32 hole

CRANK Shimano FC-M430-8, 44/32/22

SIZES S, M, L, X, J



TRAIL SL 3

Jet Black (matte) (BBQ).

Magnesium White (gloss) (WHT).

FRAME Trail SL, Optimized 6061 Alloy, SAVE, 1.5" head tube

SHIFTERS SRAM X5

BRAKES Tektro Draco SL Custom Hydraulic Disc, 160/160 mm

FORK RST Deuce Coil, 100 mm, 15 mm thru

REAR DERAILLEUR SRAM X5, 9-speed

TIRES Kenda Small Block 8, 2.1"

WHEELS Maddux DC3.0, double wall w/eyelet, 28/32 hole

CRANK Shimano FC-M430-8, 44/32/22

SIZES S, M, L, X, J



TRAIL SL 4

Race Red (gloss) (RED).

Fine Silver (matte) (SLV).

FRAME Trail SL, Optimized 6061 Alloy, SAVE, 1.5" head tube

SHIFTERS Shimano Alivio

BRAKES Promax Orange Mechanical Disc, 160/160 mm

FORK RST Deuce TNL, 100 mm

REAR DERAILLEUR Shimano Alivio, 8-speed

TIRES Kenda Small Block 8, 2.1"

WHEELS Alex DC4.5, double wall, 28/32 hole

CRANK Shimano FC-M361, 42/32/22

SIZES S, M, L, X, J



TRAIL 5

Nu Team Blue (gloss) (BLU).

FRAME Trail, double butted 6061 Alloy, SAVE, 1-1/8" head tube
FORK RST Gila Pro TNL, 100 mm
WHEELS Alex DC4.5, double wall, 32 hole

SHIFTERS Shimano Alivio
REAR DERAILLEUR Shimano Alivio, 8-speed
CRANK FC-M311, 42/32/22



Jet Black (gloss) (BLK2).

BRAKES Promax Orange Mechanical Disc, 160/160 mm
TIRES Kenda Small Block 8, 2.1"
SIZES S, M, L, X, J



TRAIL 6

Soldier of Fortune (matte) (GRN).

FRAME Trail, double butted 6061 Alloy, SAVE, 1-1/8" head tube
FORK RST Gila T, 100 mm
WHEELS Alex DC4.5, double wall, 32 hole

SHIFTERS Shimano Acera
REAR DERAILLEUR Shimano Acera, 8-speed
CRANK FC-M191, 42/34/24



Magnesium White (matte) (WHT).

BRAKES Tektro Novela Mechanical Disc, 160/160 mm
TIRES Kenda Small Block 8, 2.1"
SIZES S, M, L, X, J



FLASH CARBON 29'ER



GO BIGGER.

FROM THE SEA OTTER CLASSIC TO THE 2745 MILE TOUR DIVIDE, THE FLASH'S BIG WHEELS JUST KEEP ON TURNIN'. ROLL ON.



1 BALLISTEC CARBON FIBER
Lighter and stiffer than aluminum, more dent resistant than steel, the super tough **BallisTec** carbon can shake off rock strikes and impacts that would destroy **Flash's** lightweight competition.

2 SAVE MICRO-SUSPENSION SYSTEM
Flattened **SAVE** cross-sections and sophisticated carbon layup on the **Flash** rear stays and seatpost act like a micro-suspension system, deflecting vertically to absorb trail shock, while staying extremely rigid laterally for power transfer and confident cornering.

3 LEFTY SYSTEM INTEGRATION
29'er fans have figured out that the **Lefty's** incredible stiffness, plushness and feathery light weight make it the perfect solution for 29'er front ends. When System Integrated with the ultra-light, ultra-stiff **OPI** Stem/Steerer it's an almost unfair advantage.

FLASH HI-MOD 29'ER 1

Exposed Carbon w/Magnesium White accents (matte) (BBQ).

FRAME Flash 29'er, BallisTec Hi-MOD Carbon, SAVE, BB30 1.5 Si head tube

SHIFTERS SRAM XO

BRAKES SRAM XO, 185/160 mm

FORK Lefty 29'er Carbon XLR, 90 mm

REAR DERAILLEUR SRAM XO, 10-speed

TIRES Schwalbe Racing Ralph PaceStar, 2.25" tubeless ready

WHEELS Stan's ZTR Arch 29'er, 32 hole

CRANK Cannondale Hollowgram SL, 39-26 w/XX chainring

SIZES M, L, X



FLASH CARBON 29'ER 2

Magnesium White w/Jet Black accents (gloss) (WHT).

FRAME Flash, BallisTec Carbon, SAVE, BB30 1.5 Si head tube

SHIFTERS SRAM X9

BRAKES Avid Elixir CR carbon, 185/160 mm

FORK Lefty 29'er Carbon PBR, 90 mm

REAR DERAILLEUR SRAM X9, 10-speed

TIRES Schwalbe Racing Ralph PaceStar, 2.25" tubeless ready

WHEELS Stan's ZTR Arch 29'er, 32 hole

CRANK FSA SL-K 386 BB30, 39-27

SIZES M, L, X



FLASH 29'ER 1

Jet Black (gloss) (BLK).

FRAME Flash, SmartFormed Alloy, SAVE, BB30 1.5 Si head tube

SHIFTERS SRAM X7

BRAKES Avid Elixir R, 185/160 mm

FORK Lefty 29'er PBR, 90 mm

REAR DERAILLEUR SRAM X9, 10-speed

TIRES Kenda Small Block 8, 2.1"

WHEELS Sun EQ25 29'er, welded w/eyelet, 32 hole

CRANK FSA Afterburner 386 BB30, 39-27

SIZES M, L, X



FLASH CARBON 29'ER 3

Magnesium White w/Race Red accents (gloss) (RED).

FRAME Flash, BallisTec Carbon, SAVE, BB30 1.5 Si head tube

SHIFTERS SRAM X7

BRAKES Avid Elixir CR, 185/160 mm

FORK Lefty 29'er PBR, 90 mm

REAR DERAILLEUR SRAM X9, 10-speed

TIRES Schwalbe Racing Ralph PaceStar, 2.25" tubeless ready

WHEELS Sun EQ25 29'er, welded w/eyelet, 32 hole

CRANK FSA Afterburner 386 BB30, 39-27

SIZES M, L, X



FLASH 29'ER 2

Magnesium White (gloss) (WHT).

FRAME Flash, SmartFormed Alloy, SAVE, BB30 1.5 Si head tube

SHIFTERS Shimano SLX

BRAKES Shimano BR-505 hydraulic disc, 160/160 mm

FORK Lefty 29'er PBR, 90 mm

REAR DERAILLEUR Shimano XT, 10-speed

TIRES Kenda Small Block 8, 2.1"

WHEELS Sun SR25 29'er, welded w/eyelet, 32 hole

CRANK Shimano M542, 44/32/22

SIZES M, L, X

TRAIL SL 29'ER

WANNA TRY SOMETHING NEW?

TRAIL SL 29'ER MAKES AN IDEAL FIRST MOUNTAIN BIKE. THE BIG WHEELS ROLL OVER OBSTACLES WITH EASE, ABSORB BUMPS AND MAINTAIN MOMENTUM BETTER. GIVE YOURSELF AN EDGE.

RELAXED RACE GEOMETRY

Trail SL 29'er geometry features a slightly longer wheelbase and slacker head angle than the Flash for a stable, confidence-inspiring ride.

SAVE MICRO-SUSPENSION SYSTEM

Optimized chain stay and seat stay shaping provides lateral rigidity while providing vertical compliance for bump absorption and comfort with no loss in power transfer.

SINGLE-SPEED SIMPLICITY

For those who crave purity, simplicity and flow, the Trail SL 29'er is offered in a single-speed version with a 1.5" Fatty Rigid fork. If the mood hits, vertical dropouts and an eccentric BB mean that you can run full gears with just a quick swap of the derailleur hanger.



TRAIL SL 29'ER 2

Race Red (gloss) (RED).

Jet Black (matte) (BBQ).

FRAME Trail SL 29'er, Optimized 6061 alloy, SAVE, 1.5" head tube

SHIFTERS Shimano Deore

BRAKES Shimano BR-M445 hydraulic disc, 160/160 mm

FORK RST Deuce 29 Air, 80 mm

REAR DERAILLEUR Shimano Deore, 9-speed

TIRES Kenda Small Block 8, 2.1"

WHEELS Maddux DC3.0, 29'er, double wall w/eyelet, 32 hole

CRANK Shimano FC-M430-8 Octalink, 44/32/22

SIZES M, L, X



TRAIL SL 29'ER 3

Lightning White (gloss) (WHT).

FRAME Trail SL 29'er SS, Optimized 6061 alloy, SAVE, 1.5" head tube, Ecc. BB

SHIFTERS N/A

BRAKES Promax Orange Mechanical Disc, 160/160 mm

FORK Cannondale Fatty Rigid 29'er

GEARING 33 x 20 T

TIRES Kenda Small Block 8, 2.1"

WHEELS Maddux DC3.0, 29'er, double wall w/eyelet, 32 hole

CRANK TruVativ Isoflow 1.0g SS, 33T

SIZES M, L, X



TRAIL SL 29'ER 4

Berserker Green (gloss) (GRN).

Fine Silver (matte) (SLV).

FRAME Trail SL 29'er, Optimized 6061 alloy, SAVE, 1.5" head tube

SHIFTERS Shimano Alivio

BRAKES Promax Orange Mechanical Disc, 160/160 mm

FORK RST Deuce 29 TNL, 80 mm

REAR DERAILLEUR Shimano Alivio, 8-speed

TIRES Kenda Small Block 8, 2.1"

WHEELS Alex DC4.5, 29'er, double wall, 32 hole

CRANK FSA Alpha Drive, 42/32/22

SIZES M, L, X



SUPERSIX

WHERE ENGINEERING BECOMES ART.

CHAMPION OF THE 2010 GIRO D'ITALIA.
HERO OF THE TOUR OF CALIFORNIA.
AT JUST 890 GRAMS, WITH UNMATCHED
STIFFNESS-TO-WEIGHT AND AN ALIVE,
COMMUNICATIVE RIDE-FEEL,
SUPERSIX IS ENGINEERED TO WIN.



1 POWER TRANSFER BEATBOX
Massively oversized **Beatbox** BB area paired with the super-stiff and light **Hollowgram Si SL BB30** crank system delivers the torsional rigidity needed to turn the twisting loads from the cranks into blistering speed.

2 HOURGLASS REAR STAYS
Hourglass stays allow the vertical compliance necessary to maintain confident control over less-than-perfect surfaces, and the comfort required to deliver maximum performance after long days in the saddle.

3 DEEP RADIUS HEADTUBE
Deep radius head tube and 1-1/8" to 1.5" tapered carbon steerer fork provide maximum torsional stiffness for precise steering and wicked sprinting. Molded carbon headset cups replace aluminum for weight savings.

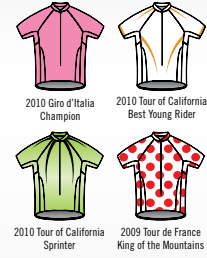
SUPERSIX HI-MOD TEAM

FRAME SuperSix Hi-MOD, BB30	SHIFTERS Campagnolo Super Record QS Carbon ErgoShifters, 11-speed	BRAKES Campagnolo Super Record D-Skeleton
FORK SuperSix, Hi-MOD full carbon, 1-1/8" - 1.5" steerer	REAR DERAILLEUR Campagnolo Super Record, 11-speed	TIRES Schwalbe Ultrremo ZX, 700 x 23c
WHEELS Mavic Cosmic Carbone SR	CRANK Cannondale Hollowgram SL BB30, 53/39 (Includes 50/34 rings & spider)	SIZES 48, 50, 52, 54, 56, 58, 60, 63cm

Liquigas Team Replica (gloss) (LIQ).



PALMARÉS



SUPERSIX HI-MOD DI2

FRAME SuperSix Hi-MOD, BB30, internal Di2 routing

FORK SuperSix, Hi-MOD full carbon, 1-1/8"-1.5" steerer

WHEELS Mavic Ksyrium SR

SHIFTERS Shimano Di2

REAR DERAILLEUR Shimano Di2

CRANK Cannondale Hollowgram SL BB30, 53/39 (Includes 50/34 rings and spider)

BRAKES Shimano Dura-Ace 7900

TIRES Schwalbe Ultrero ZX, 700 x 23c

SIZES 48, 50, 52, 54, 56, 58, 60, 63cm

Matte Carbon, White accents (CRB).



SUPERSIX HI-MOD 1 DURA-ACE

FRAME SuperSix Hi-MOD, BB30

FORK SuperSix, Hi-MOD full carbon, 1-1/8"-1.5" steerer

WHEELS Ksyrium SL, black

SHIFTERS Shimano Dura-Ace 7900

REAR DERAILLEUR Shimano Dura-Ace 7900

CRANK Cannondale Hollowgram SL BB30, 53/39 (Includes 50/34 rings and spider)

BRAKES Shimano Dura-Ace 7900

TIRES Schwalbe Ultrero ZX, 700 x 23c

SIZES 48, 50, 52, 54, 56, 58, 60, 63cm

Magnesium White, Jet Black (gloss) (WHT).



SUPERSIX HI-MOD 2 RED

FRAME SuperSix Hi-MOD, BB30

FORK SuperSix, Hi-MOD full carbon, 1-1/8"-1.5" steerer

WHEELS Mavic Ksyrium Elite

SHIFTERS SRAM RED

REAR DERAILLEUR SRAM RED

CRANK SRAM RED w/Cannondale graphics, BB30, 50/34

Matte Carbon, White accents (CRB).



SRAM RED w/Cannondale graphics, BB30, 53/39

Magnesium White, Jet Black (gloss) (WHT).

BRAKES SRAM RED

TIRES Schwalbe Ultrero ZX, 700 x 23c

SIZES 48, 50, 52, 54, 56, 58, 60, 63cm



SUPERSIX 1 DURA-ACE

Jet Black Matte w/outline decals (matte) (BLK).

FRAME SuperSix Carbon, BB30

FORK SuperSix, full carbon, 1-1/8"-1.5" steerer, alloy dropouts

WHEELS Mavic Equipe

SHIFTERS Shimano Dura-Ace 7900

REAR DERAILLEUR Shimano Dura-Ace 7900

CRANK FSA SL-K Light Carbon BB30, 50/34



FSA SL-K Light Carbon BB30, 53/39



Magnesium White, Race Red (gloss) (RED).

BRAKES Shimano Ultegra 6700

TIRES Schwalbe Durano S, 700 x 23c, folding

SIZES 48, 50, 52, 54, 56, 58, 60, 63cm



SUPERSIX 4 RIVAL

Magnesium White and Orange (gloss) (ORG).

FRAME SuperSix Carbon, BB30

FORK SuperSix, full carbon, 1-1/8"-1.5" steerer, alloy dropouts

WHEELS Mavic Aksium

SHIFTERS SRAM Rival

REAR DERAILLEUR SRAM Rival

CRANK SRAM Force BB30, 50/34



SRAM Force BB30, 53/39



Jet Black Matte w/outline decals (matte) (BLK).

BRAKES SRAM dual pivot

TIRES Schwalbe Durano, 700 x 23c, folding

SIZES 48, 50, 52, 54, 56, 58, 60, 63cm



SUPERSIX 3 ULTEGRA

Race Red (gloss) (RED).

FRAME SuperSix Carbon, BB30

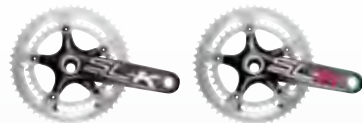
FORK SuperSix, full carbon, 1-1/8"-1.5" steerer, alloy dropouts

WHEELS Mavic Aksium

SHIFTERS Shimano Ultegra 6700

REAR DERAILLEUR Shimano Ultegra 6700

CRANK FSA SL-K Light Carbon BB30, 50/34



FSA SL-K Light Carbon BB30, 53/39



Blue Tinted Clear Coat (gloss) (BLU).

BRAKES Tektro R580, dual pivot, cartridge pad

TIRES Schwalbe Durano, 700 x 23c, folding

SIZES 48, 50, 52, 54, 56, 58, 60, 63cm



SUPERSIX 5 105

Team Replica (gloss) (REP).

FRAME SuperSix Carbon, BB30

FORK SuperSix, full carbon, 1-1/8"-1.5" steerer, alloy dropouts

WHEELS Shimano RS10

SHIFTERS Shimano 105 5700

REAR DERAILLEUR Shimano 105 5700

CRANK FSA Gossamer Pro BB30, 50/34



FSA Gossamer Pro BB30, 53/39



Exposed Carbon (matte) (CRB).

BRAKES Tektro R580, dual pivot, cartridge pad

TIRES Schwalbe Lugano, 700 x 23c, folding

SIZES 48, 50, 52, 54, 56, 58, 60, 63cm

CAAD10



FSA SL-K Light Carbon BB30, 53/39



PERFORMANCE TO THE POWER OF X.

CAAD10, THE WORLD'S MOST ADVANCED ALUMINUM ROAD FRAME. AT JUST 1150 GRAMS, SIZE 56, IT IS LIGHTER, STIFFER AND SMOOTHER THAN COMPETITORS' ELITE CARBON FRAMES.



1 SUPERLIGHT CAAD10 FORK
Housed in our externally machined, tapered head tube, the 390 gram, 1-1/8" to 1-1/4" tapered carbon steerer fork features offset dropouts, allowing more fork angle for vertical compliance without affecting the razor sharp handling

2 SAVE REAR STAYS
Comfort meets acceleration. Rear stays are shaped and butted to allow them to flex vertically but stay extremely stiff laterally. Wide seat stay spacing at top tube junction also improves lateral stiffness.

3 OPTIMIZED TOP TUBE
For maximum torsional rigidity, the massive, horizontally ovalized top tube measures a huge 47.5 x 42 mm where it meets the head tube, narrows through the middle for knee clearance, then widens again to meet the seat stays.

CAAD10 1 DURA-ACE

Black Anodized (matte) (BLA).

Race Red (gloss) (RED).

FRAME CAAD10, SmartFormed 6069 Alloy, BB30

SHIFTERS Shimano Dura-Ace 7900

BRAKES Shimano Ultegra 6700

FORK CAAD10, full carbon, 1-1/8"-1-1/4" steerer

REAR DERAILLEUR Shimano Dura-Ace 7900

TIRES Schwalbe Durano S, 700 x 23c, folding

WHEELS Shimano RS80

CRANK FSA SL-K Light Carbon BB30, 50/34

SIZES 48, 50, 52, 54, 56, 58, 60, 63cm



CAAD10 3 ULTEGRA

FRAME CAAD10, SmartFormed 6069 Alloy, BB30
FORK CAAD10, full carbon, 1-1/8"-1-1/4" steerer
WHEELS Mavic Aksium

SHIFTERS Shimano Ultegra 6700
REAR DERAILLEUR Shimano Ultegra 6700
CRANK FSA SL-K Light Carbon BB30, 50/34

Berserker Green (gloss) (GRN).



FSA SL-K Light Carbon BB30, 53/39



Magnesium White (gloss) (WHT).

BRAKES Tektro R580, dual pivot, cartridge pad
TIRES Schwalbe Lugano, 700 x 23c, folding
SIZES 48, 50, 52, 54, 56, 58, 60, 63cm



Terezy Arystos-Navone Studios



CAAD10 4 RIVAL

FRAME CAAD10, SmartFormed 6069 Alloy, BB30
FORK CAAD10, full carbon, 1-1/8"-1-1/4" steerer
WHEELS Shimano RS10

SHIFTERS SRAM Rival
REAR DERAILLEUR SRAM Rival
CRANK SRAM Force BB30, 50/34

Magnesium White, Indigo Blue (gloss) (BLU).



SRAM Force BB30, 53/39



Jet Black, Magnesium White (gloss) (BLK).

BRAKES SRAM dual pivot
TIRES Schwalbe Lugano, 700 x 23c, folding
SIZES 48, 50, 52, 54, 56, 58, 60, 63cm



CAAD10 5 105

FRAME CAAD10, SmartFormed 6069 Alloy, BB30
FORK CAAD10, full carbon, 1-1/8"-1-1/4" steerer
WHEELS Shimano RS10

SHIFTERS Shimano 105 5700
REAR DERAILLEUR Shimano 105 5700
CRANK FSA Gossamer Pro BB30, 50/34

Race Red (gloss) (RED).



FSA Gossamer Pro BB30, 53/39



Jet Black (gloss) (BLK).

BRAKES Tektro R580, dual pivot, cartridge pad
TIRES Schwalbe Lugano, 700 x 23c, folding
SIZES 48, 50, 52, 54, 56, 58, 60, 63cm

CAAD8

RACE-WINNING PEDIGREE.

THE LIGHTEST FRAME IN ITS CLASS, CAAD8 IS PACKED WITH FEATURES DRAWN DIRECTLY FROM ITS GIRO D'ITALIA-WINNING ANCESTORS. ANDIAMO!

CANNONDALE ALUMINUM EXPERTISE

With taper-butted, shaped tubes joined by our trademark double pass smooth welds, the CAAD8 continues our tradition of aluminum mastery.

HEADS-UP RACE GEOMETRY

The CAAD8 shares the proven race geometry of its more expensive brethren but with a slightly taller head tube for a more relaxed riding position.

HOURLASS SEAT STAYS

The Hourglass shape of the seat stays offers significant vertical compliance for comfort and control over rough surfaces, while remaining laterally rigid for solid power transfer and confident handling.



CAAD8 5 105

Jet Black (gloss) (BLK).

Magnesium White w/Race Red (gloss) (WHT).

FRAME CAAD8, Optimized 6061 Alloy, BB30

SHIFTERS Shimano 105 5700

BRAKES Tektro R580, dual pivot, cartridge pad

FORK Cannondale Ultra Carbon, carbon blades

REAR DERAILLEUR Shimano 105 5700

TIRES Schwalbe Lugano, 700 x 23c

WHEELS Alex RC24

CRANK FSA Gossamer BB30, 50/34

SIZES 48, 51, 54, 56, 58, 61cm



Finalist in *Bicycling* magazine's highly competitive 2010 Editors' Choice Awards in the Entry-Level Road category.



FSA Omega Mega Exo, 50/39/30



CAAD8 6 TIAGRA

Jet Black (matte) (BBQ).

Magnesium White w/Indigo Blue (gloss) (WHT).

FRAME CAAD8, Optimized 6061 Alloy, BB30

SHIFTERS Shimano Tiagra

BRAKES Cannondale C4 w/cartridge pads

FORK Cannondale Ultra Carbon, carbon blades

REAR DERAILLEUR Shimano Tiagra

TIRES Schwalbe Lugano, 700 x 23c

WHEELS Maddux DRX 4000

CRANK FSA Omega Mega Exo, 50/34

SIZES 48, 51, 54, 56, 58, 61cm



FSA Vero, 50/39/30



CAAD8 7 SORA

Race Red w/White (gloss) (RED).

Magnesium White w/Charcoal Grey (gloss) (WHT).

FRAME CAAD8, Optimized 6061 Alloy, BB30

SHIFTERS Shimano Sora

BRAKES Cannondale C4 w/cartridge pads

FORK Cannondale Ultra Carbon, carbon blades

REAR DERAILLEUR Shimano Sora

TIRES Schwalbe Lugano, 700 x 23c

WHEELS Maddux DRX 4000

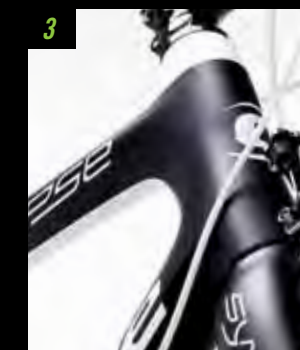
CRANK FSA Vero, 50/34

SIZES 48, 51, 54, 56, 58, 61cm

SYNAPSE

GO LONG.

BUILT FOR THE LONG HAUL AND PERFECTED ON THE COBBLES OF THE NORTHERN CLASSICS, SYNAPSE WON BICYCLING MAGAZINE'S 2010 "BEST PLUSH BIKE" AWARD AND TOP VELO "CYCLOSPORTIF BIKE OF THE YEAR".



1 SAVE MICRO-SUSPENSION SYSTEM

Careful shaping and carbon layup creates a rear stay assembly that is able to deflect vertically, absorbing tremendous amounts of road shock and vibration while staying extremely rigid laterally for power transfer and confident cornering.

2 SAVE FORK BLADES

Full carbon fork from steerer to dropouts with integrated **SAVE** features creates a micro-suspension system that is elegantly simple and doesn't require the additional weight of bumpers or inserts.

3 PERFORMANCE GEOMETRY

A taller head tube (2-2.5 cm more than **SuperSix**), a longer wheelbase and relaxed angles produce a more upright riding position and a confidence-inspiring ride which avoids the sluggish feel of many "comfort" road bikes.

SYNAPSE HI-MOD 1 DURA-ACE

Exposed Carbon (matte) (CRB).

Magnesium White w/Race Red (gloss) (WHT).

FRAME Synapse, Hi-MOD, SAVE, BB30

SHIFTERS Shimano Dura-Ace 7900

BRAKES Shimano Dura-Ace 7900

FORK Synapse, Hi-MOD full carbon, SAVE, 1-1/8"

REAR DERAILLEUR Shimano Dura-Ace 7900

TIRES Schwalbe Ultramo ZX, 700 x 25c, folding

WHEELS Mavic Ksyrium SL, black

CRANK Cannondale Hollowgram SL BB30, 50/34

SIZES 48, 51, 54, 56, 58, 61cm



Chris Millman



FSA SL-K Light Carbon BB30, 52/39/30



SYNAPSE CARBON 3 ULTEGRA

Race Red w/Magnesium White (gloss) (RED).

Charcoal Grey w/Magnesium White (gloss) (GRY).

FRAME Synapse Carbon, SAVE, BB30

SHIFTERS Shimano Ultegra 6700

BRAKES Shimano Ultegra 6700

FORK Synapse, full carbon, SAVE, alloy dropouts, 1-1/8"

REAR DERAILLEUR Shimano Ultegra 6700

TIRES Schwalbe Durano, 700 x 25c, folding

WHEELS DT Swiss R-1700

CRANK FSA SL-K Light Carbon BB30, 50/34

SIZES 48, 51, 54, 56, 58, 61cm



Bicycling magazine
2010 Editors' Choice
Winner "Best Plush Bike"



France's Top Vélo Issue #5
named the Synapse Hi-MOD
"Cyclosportive Bike of the Year!"



SYNAPSE HI-MOD 2 RED

Magnesium White w/Race Red (gloss) (WHT).

Exposed Carbon (matte) (CRB).

FRAME Synapse, Hi-MOD, SAVE, BB30

SHIFTERS SRAM RED

BRAKES SRAM RED

FORK Synapse, Hi-MOD full carbon, SAVE, 1-1/8"

REAR DERAILLEUR SRAM RED

TIRES Schwalbe Durano 700 x 25c, folding

WHEELS Mavic Ksyrium Elite

CRANK FSA SL-K Light Carbon BB30, 50/34

SIZES 48, 51, 54, 56, 58, 61cm



SYNAPSE CARBON 4 RIVAL

Indigo Blue (gloss) (BLU).

Race Red w/Magnesium White (gloss) (RED).

FRAME Synapse Carbon, SAVE, BB30

SHIFTERS SRAM Rival

BRAKES SRAM dual pivot

FORK Synapse, full carbon, SAVE, alloy dropouts, 1-1/8"

REAR DERAILLEUR SRAM Rival

TIRES Schwalbe Durano, 700 x 25c, folding

WHEELS Mavic Aksium

CRANK FSA Gossamer Pro BB30, 50/34

SIZES 48, 51, 54, 56, 58, 61cm



SYNAPSE CARBON 5 105

FRAME Synapse Carbon, SAVE, BB30
FORK Synapse, full carbon, SAVE, alloy dropouts, 1-1/8"
WHEELS Shimano RS10

SHIFTERS Shimano 105 570
REAR DERAILLEUR Shimano 105 5700
CRANK FSA Gossamer Pro BB30, 50/34

Berserker Green (gloss) (GRN).



Jet Black (gloss) (BLK).

BRAKES Tektro R580, dual pivot, cartridge pad
TIRES Schwalbe Lugano, 700 x 25c, folding
SIZES 48, 51, 54, 56, 58, 61cm



FSA Gossamer Pro BB30, 52/39/30



SYNAPSE ALLOY 5 105

FRAME Synapse, Optimized 6061 alloy, SAVE, BB30
FORK Synapse, SAVE, carbon blades, 1-1/8"
WHEELS Shimano RS10

SHIFTERS Shimano 105 5700
REAR DERAILLEUR Shimano 105 5700
CRANK FSA Gossamer BB30, 50/34

Magnesium White w/Indigo Blue (gloss) (WHT).



Jet Black w/White (gloss) (BLK).

BRAKES Tektro 580, long reach, dual pivot, cartridge pad
TIRES Schwalbe Lugano, 700 x 25c
SIZES 48, 51, 54, 56, 58, 61cm



FSA Gossamer BB30, 50/39/30



SYNAPSE ALLOY 6 TIAGRA

FRAME Synapse, Optimized 6061 alloy, SAVE
FORK Synapse, SAVE, carbon blades, 1-1/8"
WHEELS Maddux DRX 4000

SHIFTERS Shimano Tiagra
REAR DERAILLEUR Shimano Tiagra
CRANK FSA Omega MegaExo, 50/34

Indigo Blue w/White (gloss) (BLU).



Magnesium White w/Race Red (gloss) (WHT).

BRAKES Cannondale C4, long reach, dual pivot, cartridge pad
TIRES Schwalbe Lugano, 700 x 25c
SIZES 48, 51, 54, 56, 58, 61cm



FSA Omega Mega Exo, 50/39/30



SYNAPSE CARBON 6 APEX

FRAME Synapse Carbon, SAVE
FORK Synapse, full carbon, SAVE, alloy dropouts, 1-1/8"
WHEELS Shimano RS00A

SHIFTERS SRAM Apex
REAR DERAILLEUR SRAM Apex WiFLi
CRANK SRAM S150 Compact, 50/34

Charcoal Grey (matte) (GRY).



Indigo Blue (gloss) (BLU).

BRAKES SRAM Apex
TIRES Schwalbe Lugano, 700 x 25c, folding
SIZES 48, 51, 54, 56, 58, 61cm



SYNAPSE ALLOY 7 SORA

FRAME Synapse, Optimized 6061 alloy, SAVE
FORK Synapse, SAVE, carbon blades, 1-1/8"
WHEELS Maddux DRX 4000

SHIFTERS Shimano Sora
REAR DERAILLEUR Shimano Sora
CRANK FSA Vero, 50/39/30

Race Red w/White (gloss) (RED).



Jet Black w/White (gloss) (BLK).

BRAKES Cannondale C4, long reach, dual pivot, cartridge pad
TIRES Schwalbe Lugano, 700 x 25c
SIZES 48, 51, 54, 56, 58, 61cm

SLICE

FIND YOUR NEW FAST.

THE QUEEN K. THE LAVA FIELDS. ALI'I DRIVE AND PALANI. WORLD RECORDS AND THE GIRO D'ITALIA. SLICE'D. AND DICED.

LIGHTEST AERO FRAME

Unmatched in stiffness-to-weight, the 1290 grams Hi-MOD is the world's lightest production aero frame. Sick of aero bikes that don't climb? Get on a Slice.

RIDE SMOOTHER. RUN FRESHER

Aerodynamics aren't worth a thing if you can't maintain the aero position or are too beat up to run. Slice's SAVE rear stay micro-suspension system deflects vertically to absorb road shock while staying extremely stiff laterally and torsionally.

SUPERB GEOMETRY

Tired of nervous, twitchy-handling aero bikes? The Slice descends as well as it climbs. The refined geometry and a two-position aero seatpost enable riders to find their perfect aero position. Stable, neutral handling and SAVE features help them maintain it.



SLICE HI-MOD SRAM RED

FRAME Slice, Hi-MOD, SAVE, BB30

FORK Slice Aero, Hi-MOD full carbon

WHEELS Mavic Cosmic Carbon SL

SHIFTERS SRAM 1090 R2C

REAR DERAILLEUR SRAM RED

CRANK Cannondale Hollowgram SL BB30, 53/39 w/Aero Spider and SRAM TT rings

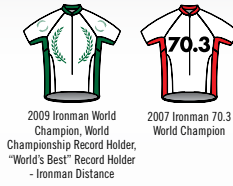
BRAKES SRAM RED

TIRES Schwalbe Ultremo ZX, 700 x 23c

SIZES 51, 54, 56, 58, 60cm

Jet Black (matte) (BBQ).





SLICE 3 ULTEGRA

Magnesium White (gloss) (WHT).

FRAME Slice Carbon, SAVE, BB30
FORK Slice Aero, full carbon
WHEELS Mavic Cosmic Elite

SHIFTERS Shimano Ultegra 6700
REAR DERAILLEUR Shimano Ultegra 6700
CRANK Vision TriMax Carbon TT BB30, 53/39

BRAKES Shimano Ultegra 6700
TIRES Schwalbe Durano S, 700 x 23c, folding
SIZES 51, 54, 56, 58, 60cm



SLICE 4 RIVAL

Magnesium White (gloss) (WHT).

FRAME Slice Carbon, SAVE, BB30
FORK Slice Aero, full carbon
WHEELS Fulcrum Racing 7

SHIFTERS SRAM 1090 R2C
REAR DERAILLEUR SRAM Rival
CRANK FSA Trimax Pro BB30, 52/38

BRAKES SRAM Dual Pivot
TIRES Schwalbe Lugano, 700 x 23c, folding
SIZES 51, 54, 56, 58, 60cm



SLICE 5 105

Magnesium White (gloss) (WHT).

FRAME Slice Carbon, SAVE, BB30
FORK Slice Aero, full carbon
WHEELS Shimano R500A

SHIFTERS Microshift Shimano-compatible bar-end
REAR DERAILLEUR Shimano 105 5700
CRANK FSA Gossamer Pro BB30, 53/39

BRAKES Tektro R520
TIRES Schwalbe Lugano, 700 x 23c, folding
SIZES 51, 54, 56, 58, 60cm

SUPERX



SHEER AND UTTER DOMINANCE.

BLENDING THE CARBON TECHNOLOGY OF OUR FLASH WITH THE RACE PROVEN GEOMETRY OF THE CAAD9 CROSS, SUPERX IS A RECIPE FOR DOMINATION. THIS SEASON'S FORECAST: IT'S GONNA REIGN.



1 BALLISTEC CARBON FIBER
SuperX is crafted from BallisTec carbon fiber. Developed for ballistic armoring, this allows SuperX to shrug off rock impacts that would cripple other carbon frames.

2 SAVE REAR MICRO-SUSPENSION SYSTEM
SAVE rear stays with flattened cross-sections and sophisticated carbon layup act as a micro-suspension system, keeping you in control and fresh on the most rugged winter courses.

3 OVERSIZED HEAD TUBE
Tapered, oversized head tube houses a 1-1/8" to 1-1/4" tapered carbon steerer fork for maximum strength and steering precision.

SUPERX SRAM RED

Berserker Green (gloss) (GRN).

FRAME SuperX, BallisTec Hi-MOD carbon, SAVE, BB30

SHIFTERS SRAM RED

BRAKES FSA SLX

FORK SuperX, BallisTec Hi-MOD carbon, 1-1/8" to 1-1/4"

REAR DERAILLEUR SRAM RED

TIRES Vittoria EVO XM Cross Tubular

WHEELS ZIPP 303 Cyclocross Tubular

CRANK Cannondale Hollowgram SL BB30, 46/36

SIZES 44, 48, 52, 54, 56, 58cm



CAADX

HEED THE CALL.

WHETHER JUMPING INTO THE FALL MADNESS OF CYCLOCROSS OR SIMPLY LOOKING FOR A SUPREMELY VERSATILE BIKE FOR TRAINING, COMMUTING OR ADVENTURING, THE CAADX CYCLOCROSS BIKE IS THE PERFECT CHOICE.

HEADS-UP RACE GEOMETRY

The CAADX has a slightly taller head tube and slightly slacker head tube angle than the SuperX, providing a more upright position and super stable handling.

CANNONDALE ALUMINUM EXPERTISE

With taper-butted, shaped tubes joined by our trademark double pass smooth welds, CAADX continues our tradition of aluminum mastery.

HOURLASS STAYS

The hourglass shape of the seat stays offers significant vertical compliance for key comfort and control over the harsh ruts and mud of 'cross, while remaining laterally rigid for solid power transfer and confident handling.



SUPERX SRAM RIVAL

Berserker Green (gloss) (GRN).

FRAME SuperX, BallisTec Hi-MOD carbon, SAVE, BB30

SHIFTERS SRAM Rival

BRAKES FSA SLK

FORK SuperX, BallisTec Hi-MOD carbon, 1-1/8" to 1-1/4"

REAR DERAILLEUR SRAM Rival

TIRES Continental CX RACE, 700 x 35c

WHEELS Mavic Ksyrium Equipe

CRANK FSA SL-K Light Carbon BB30, 46/36

SIZES 44, 48, 52, 54, 56, 58cm



CAADX SRAM RIVAL

Race Red (gloss) (RED).

FRAME CAADX Cyclocross, Optimized 6061 alloy, BB30

SHIFTERS SRAM Rival

BRAKES TRP EuroX

FORK Cannondale Ultra X, carbon blades, 1-1/8"

REAR DERAILLEUR SRAM Rival

TIRES Continental Cyclocross Speed, 700 x 35c

WHEELS Maddux DRX 6000

CRANK FSA Gossamer Pro BB30, 46/36

SIZES 44, 48, 51, 54, 56, 58, 61cm

HELPING THE PLANET HELP ITSELF.



CAADX 105

Brushed Aluminum (RAW).

FRAME CAADX Cyclocross, Optimized 6061 alloy, BB30

SHIFTERS Shimano 105 5700

BRAKES Tektro CR720

FORK Cannondale Ultra X, carbon blades, 1-1/8"

REAR DERAILLEUR Shimano 105 5700

TIRES Continental Cyclocross Speed, 700 x 35c

WHEELS Maddux DRX 6000

CRANK FSA Gossamer BB30, 46/36

SIZES 44, 48, 51, 54, 56, 58, 61cm



CAADX TIAGRA

Jet Black (matte) (BBQ).

FRAME CAADX Cyclocross, Optimized 6061 alloy, BB30

SHIFTERS Shimano Tiagra

BRAKES Tektro CR520

FORK Cannondale Ultra X, carbon blades, 1-1/8"

REAR DERAILLEUR Shimano Tiagra

TIRES Continental Cyclocross Speed, 700 x 35c

WHEELS Maddux DRX 6000

CRANK FSA Omega Mega Exo, 46/36

SIZES 44, 48, 51, 54, 56, 58, 61cm



FSA Omega Mega Exo, 50/39/30

John Sagasta

RIDE A BIKE. ANY BIKE.

For errands. For exercise. For fun. An oft-quoted fact is that 40% of all trips from home are less than 2 miles and 90% of them are made by car. Replacing one of these trips by bike is an easy start. Pick your route to work, to school, to the gym or to the grocery store. Or consider ditching the gym and riding outside in the summer. The benefits soon pile up: from rediscovering your neighborhood and the freedom of your childhood bike rides, to being active, getting fitter, spending less on gas and unhitching yourself from a car-only mentality.

We encourage you to ride a bike, any bike, and to help us support others who do the same.

SUPPORTING PEOPLE FOR BIKES


Imagine one million people signing a petition in support of a better future for bicycling in the United States. We've partnered with People for Bikes to make that happen. By sending a unified message to our elected leaders, the media and the public, we can tell them that bicycling is important. With your help, we can ensure that our sport is properly promoted, funded and supported. More rider friendly communities, bike lanes and bike paths equal safety and fitness for all of us. Sign the pledge today at <http://www.peopleforbikes.org/>

SUPPORTING BIKES BELONG

We're supporting Bikes Belong and its mission to get more people riding bicycles. Since 1999, they've focused their efforts on advocating for more funding for new bicycle facilities that would increase bike riding, boost public health and strengthen the bike business. Their goal: creating safe places to ride so more people will bike, and bike more often. Learn more at: <http://www.bikesbelong.org/>

SUPPORTING IMBA (INTERNATIONAL MOUNTAIN BIKE ASSOCIATION)

Cannondale's support of IMBA helps ensure that mountain bikers everywhere continue to have the land access rights, quality trails, and commitment to advocacy that makes the sport truly fun and enjoyable. Cannondale was one of the first sponsors of IMBA in 1991 and is proud to continue its support of the organization. What would you do without trails? <http://www.imba.com/>

 @ridecannondale

 facebook.com/ridecannondale

 www.cannondale.com

QUICK

QUICK: YOU'VE ARRIVED.

WHETHER SPEEDING DOWN THE WEST SIDE BIKE PATH OR CRUISING A WEST COAST CHARITY RIDE, QUICK IS A GORGEOUS EXPRESSION OF SPEED IN A LUXURIOUS WRAPPING OF STYLE.

FLAT BARS RULE

With stunning styling and ride-all-day performance, Quick proves that speed, style and performance aren't exclusive to the drop bar crowd.

VIBRATION DAMPING STAYS

Optimized chain stay and seat stay shaping provides bump absorption, comfort and enhanced control with no loss in power transfer.

LIGHT AND STYLISH

Whether the Quick, the lighter Quick SL or the radical Quick Carbon, these sleekly-styled frames are the lightest in class, making the bike nimble, responsive and a breeze to carry up stairs.



QUICK CARBON 1

Uni-directional Carbon (matte) (CRB).

FRAME Quick, full carbon, BB30

SHIFTERS Shimano SL-R770

BRAKES Tektro Mini-V w/cartridge pads

FORK Quick, full carbon, Si

REAR DERAILLEUR Shimano Ultegra 6700, 10-speed

TIRES Kenda Kwick Roller Sport, 700 X 28c

WHEELS Formula XERO Element CXR

CRANK FSA SLK BB30 Compact, 50/34

SIZES S, M, L, X, J



Chris Whittman



QUICK CARBON 2

Uni-directional Carbon (matte) (CRB).

FRAME Quick, full carbon, BB30

SHIFTERS Shimano SL-R770

BRAKES Tektro Mini-V w/cartridge pads

FORK Quick, full carbon, Si

REAR DERAILLEUR Shimano 105 5700, 10-speed

TIRES Kenda Kwick Roller Sport, 700 X 28c

WHEELS Formula XERO Element CXR

CRANK FSA Gossamer BB30 Triple, 52/39/30

SIZES S, M, L, X, J



QUICK 1

Brushed Aluminum (gloss) (RAW).

FRAME Quick SL, Optimized 6061 alloy, SAVE

SHIFTERS Shimano SL-R770

BRAKES Tekro RX5 Mini V-Brakes

FORK Quick, carbon blades, 1-1/8" steerer

REAR DERAILLEUR Shimano 105 5700, 10-speed

TIRES Continental Sport Contact, 700 x 32c

WHEELS Element Xero C2

CRANK Shimano 105 5700 triple, 50/39/30

SIZES S, M, L, X, J



QUICK 2

Jet Black (gloss) (BLK).

FRAME Quick SL, Optimized 6061 alloy, SAVE

SHIFTERS Shimano SL-R440

BRAKES Tekro RX5 Mini V-Brakes

FORK Quick, carbon blades, 1-1/8" steerer

REAR DERAILLEUR Shimano Tiagra, 9-speed

TIRES Continental Sport Contact, 700 x 32c

WHEELS Element Xero C3

CRANK Shimano Tiagra triple, 50/39/30

SIZES XS (26"), S, M, L, X, J



QUICK 3

Indigo Blue (gloss) (BLU).

FRAME Quick SL, Optimized 6061 alloy, SAVE

SHIFTERS Shimano Alivio

FORK Quick, carbon blades, 1-1/8" steerer

REAR DERAILLEUR Shimano Deore, 9-speed

WHEELS Element Xero C3

CRANK Shimano M431, 48/36/26



Magnesium White (gloss) (WHT).

BRAKES Tekro RX1 Mini V-Brakes

TIRES Continental City Contact, 700 x 32c

SIZES S, M, L, X, J



QUICK 4

Charcoal Grey (gloss) (GRY).

FRAME Quick, double butted 6061 alloy, SAVE

SHIFTERS Shimano Alivio

FORK Quick, carbon blades, 1-1/8" steerer

REAR DERAILLEUR Shimano Alivio, 8-speed

WHEELS Element Xero C3

CRANK Shimano M131, 48/38/28



Jet Black (gloss) (BLK).

BRAKES Tekro TX 120 V-Brakes

TIRES Kenda Kwick Trax, 700 X 38c

SIZES XS (26"), S, M, L, X, J



QUICK 5

Fine Silver (gloss) (SLV).

FRAME Quick CX, Optimized 6061 alloy, SAVE

SHIFTERS Shimano Altus

FORK Quick 6061 Alloy

REAR DERAILLEUR Shimano Altus, 8-speed

WHEELS Jalco DT 21

CRANK Shimano M131, 48/38/28



Goodnight Green (matte) (GRN).

BRAKES Tekro TX 120 V-Brakes

TIRES Kenda Kwick Trax, 700 X 38c

SIZES S, M, L, X, J

QUICK CX

STYLISH AND RUGGED. SLEEK AND DURABLE.

QUICK CX IS A BEAUTIFUL CONTRADICTION, OFFERING MOUNTAIN BIKE STABILITY AND CITY BIKE NIMBLENESS IN ONE PACKAGE - PERFECT FOR VENTURING OFF THE BEATEN PATH.

TRAVEL IN STYLE

Sleek, functional tube shapes make a statement on the streets but are up to the challenge of excursions on rougher roads and bike trails.

VIBRATION DAMPING STAYS

Optimized chain stay and seat stay shaping provides bump absorption, comfort and enhanced control with no loss in power transfer.

HEADS-UP RIDING

Quick CX geometry delivers an upright riding position for increased comfort, visibility and enjoyment. Relax and enjoy the ride.



QUICK CX 1

FRAME Quick CX HeadShok, Optimized 6061 alloy, SAVE

FORK HeadShok Fatty DL50 w/Lock Out

WHEELS Maddux Disc X320 w/eyelets

SHIFTERS Shimano Deore

REAR DERAILLEUR Shimano SLX, 9-speed

CRANK Shimano M521, 48/36/26

Brushed Aluminum (gloss) (RAW).

BRAKES Shimano M505 Hydraulic Disc

TIRES Continental Double Fighter II, 700 x 37c

SIZES S, M, L, X, J



QUICK CX 2

FRAME Quick CX, Optimized 6061 alloy, SAVE

FORK RST Neon Pro Custom 1.5" Trekking TnL Lockout, 50 mm

WHEELS Maddux Disc X320 w/eyelets

Race Red (gloss) (RED).

SHIFTERS Shimano Alivio

REAR DERAILLEUR Shimano Deore, 9-speed

CRANK Shimano M431, 48/36/26

BRAKES Shimano M445 hydraulic disc

TIRES Continental Double Fighter II, 700 x 37c

SIZES S, M, L, X, J



QUICK CX 3

FRAME Quick CX, Optimized 6061 alloy, SAVE

FORK RST Neon Pro Custom 1.5" Trekking ML Lockout, 50 mm

WHEELS Maddux Disc X320 w/eyelets

Lightning White (gloss) (WHT).

SHIFTERS Shimano Acera

REAR DERAILLEUR Shimano Alivio, 8-speed

CRANK Shimano M171, 48/38/28

BRAKES Tektro Novela mechanical disc

TIRES Continental Double Fighter II, 700 x 37c

SIZES S, M, L, X, J



QUICK CX 4

FRAME Quick CX, Optimized 6061 alloy, SAVE

FORK Fatty Rigid Disc

WHEELS Maddux Disc X320 w/eyelets

Jet Black (gloss) (BLK).

SHIFTERS Shimano Altus

REAR DERAILLEUR Shimano Acera, 8-speed

CRANK Shimano M171, 48/38/28

BRAKES Tektro Novela mechanical disc

TIRES Continental Double Fighter II, 700 x 37c

SIZES S, M, L, X, J

ADVENTURE

LUXURIOUS, FAST AND FRIENDLY.

COMMUTING ONE DAY, RUNNING ERRANDS THE NEXT, BIKING WITH THE KIDS OR TAKING A SPIN ON A WEEKEND GETAWAY, ADVENTURE IS READY TO HANDLE IT ALL.

RIDER-TAILORED GEOMETRY

Adventure has our most upright rider position, aimed at maximum comfort without being sluggish. We also ensure that at the correct seat height you can still touch the ground comfortably without losing the ability to ride efficiently.

LUXURIOUS TRAPPINGS

Soft touch grips and quick release levers combined with a super plush sprung saddle give the Adventure a luxurious feel.

TOOL-FREE STEM ADJUSTMENT

Rider position customizes easily with a quick and secure lever-action adjustable stem.



ADVENTURE 1

Jet Black (gloss) (BLK).

FRAME Adventure, double butted 6061 alloy

SHIFTERS Shimano Nexus, twist type

BRAKES Cannondale V Brake w/modulator

FORK Adventure Trail Si suspension, alloy, 35 mm

REAR HUB Shimano Nexus Premium 8-speed internal rear

TIRES Kenda Kwick Trax, 700 x 38c

WHEELS Cannondale C3, double wall, alloy

CRANK FSA Single Ring, 38

SIZES S, M, L, X, J



ADVENTURE 2

Indigo Blue (gloss) (BLU).

FRAME Adventure, double butted 6061 alloy

SHIFTERS Shimano Revo, twist type

FORK Adventure Trail Si suspension, steel, 35 mm

REAR DERAILLEUR Shimano Alivio, 8-speed

WHEELS Cannondale C3, double wall, alloy

CRANK Shimano M191, 48/38/28

Charcoal Gray (gloss) (GRY).

BRAKES Cannondale V Brake w/modulator

TIRES Kenda Kwick Trax, 700 x 38c

SIZES S, M, L, X, J



ADVENTURE 3

Jet Black (gloss) (BLK).

FRAME Adventure, double butted 6061 alloy

SHIFTERS Shimano Revo, twist type

FORK RST Sofi T, 50 mm

REAR DERAILLEUR Shimano Acera, 8-speed

WHEELS Cannondale C3, double wall, alloy

CRANK Shimano M191, 48/38/28

Goodnight Green (gloss) (GRN).

BRAKES Cannondale V Brake w/modulator

TIRES Kenda Kwick Trax, 700 x 38c

SIZES S, M, L, X, J



ADVENTURE 3-26"

Goodnight Green (gloss) (GRN).

FRAME Adventure, double butted 6061 alloy, for 26" wheels

SHIFTERS Shimano Revo, twist type

FORK RST Sofi T 26", 50 mm

REAR DERAILLEUR Shimano Acera, 8-speed

WHEELS Cannondale C3, double wall, alloy, 26"

CRANK Shimano M191, 48/38/28

Jet Black (gloss) (BLK).

BRAKES Cannondale V Brake w/modulator

TIRES Kenda NP1 signature, 26 x 1.25"

SIZES S, M, L, X, J

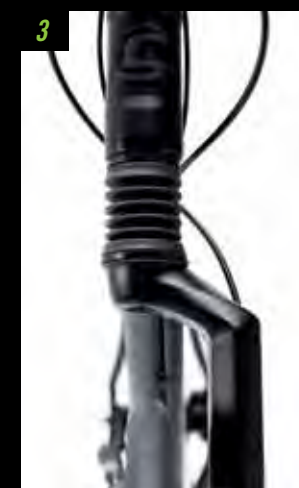


BAD BOY



THE PERFECT ANTI-BLING STATEMENT.

AT HOME UNDER THE LIGHTS OF AN UPTOWN ART STUDIO OR CHAINED UP OUTSIDE A DOWNTOWN DIVE BAR. STEALTH FIGHTER-INSPIRED. FLY UNDER THE RADAR.



1 STYLISH INTEGRATION
True to the Bad Boy ethos and style, the handlebar and stem are 3D forged into one piece using our OPI technology.

2 SAVE STAYS
Optimized chain stay shaping provides lateral rigidity while providing bump absorption and comfort. Ease the sting of the rough city streets without any loss in power transfer.

3 BAD-ASS FORK OPTIONS
Bad Boy is available with the radical single-legged **HeadShok Solo DL50** with 50 mm of travel, hydraulic damping and lockout. Other models feature **Solo** rigid or **Fatty** rigid.

BAD BOY SOLO HEADSHOK

Jet Black (matte) (BBQ).

FRAME Bad Boy Stealth, Optimized 6061 alloy, HeadShok

SHIFTERS Shimano Deore

BRAKES Shimano M505 hydraulic disc

FORK HeadShok Solo DL50, OPI

REAR DERAILLEUR Shimano SLX, 9-speed

TIRES Schwalbe Kojak Race Guard, 700 x 28c

WHEELS Maddux SR300

CRANK Shimano M431, 48/36/26 Custom Bad Boy

SIZES S, M, L, X



BAD BOY SOLO

Jet Black (matte) (BBQ).

FRAME Bad Boy Urban, Optimized 6061 alloy

SHIFTERS Shimano Deore

BRAKES Shimano M445 hydraulic disc

FORK Cannondale Solo DL50, OPI, 1-1/8"

REAR DERAILLEUR Shimano Deore, 9-speed

TIRES Schwalbe Kojak Race Guard, 700 x 28c

WHEELS Maddux SR300

CRANK Shimano M431, 48/36/26 Custom Bad Boy

SIZES S, M, L, X



BAD BOY

Jet Black (matte) (BBQ).

FRAME Bad Boy Urban, Optimized 6061 alloy

SHIFTERS Shimano Altus

BRAKES Tektro Novela mechanical disc

FORK Cannondale Fatty Rigid, 1-1/8"

REAR DERAILLEUR Shimano Alivio, 8-speed

TIRES Schwalbe Kojak Race Guard, 700 x 28c

WHEELS Maddux SR300

CRANK Shimano M361, 48/38/28 Custom Bad Boy

SIZES S, M, L, X

TANDEM

DOUBLE THE FUN. DOUBLE THE THRILL.

MORE POWER. MORE SPEED. MORE THRILLS AND COMPANY TO BOOT. TWO IS THE MAGIC NUMBER.

LIGHTEST AND STIFFEST

It's the lightest, most torsionally rigid tandem on the market. No squirrely flex when powering out of the saddle. Responsive handling and sure-footed tracking when bombing the descents. Pure speed, pure confidence, pure performance.

OPTIMIZED COCKPITS

A taller head tube and shorter top tube give the captain better control and more comfort while the stoker gets increased stand over clearance.

CANNONDALE ALUMINUM

A structure as long as a tandem is the perfect challenge for our aluminum skills. The box section Boom Tube, oversized chain stays and dropouts and smooth welds showcase our expertise.



ROAD TANDEM 2

Lightning White (gloss) (WHT).

FRAME CAAD Tandem, Optimized 6061 alloy, 700c

SHIFTERS Shimano Ultegra 6700

BRAKES Avid BB7 Road Disc

FORK Fatty R Tandem rigid

REAR DERAILLEUR Shimano Ultegra 6700, 10-speed

TIRES Continental Ultra GatorSkin, 700 x 28c

WHEELS Sun ME14A w/eyelet and machined sidewall, 40 hole

CRANK FSA Gossamer Tandem, 53/39/30

SIZES MS, LS, XS, JM

HOOLIGAN

ART ON WHEELS.

RULE THE URBAN JUNGLE. POUND CITY POTHOLE. HOP CURBS AND OBSTACLES. FLATLAND. HOOLIGAN DOES IT ALL.

20" WHEELS

20" wheels accelerate faster and make Hooligan a compact, easily stored bike for those small city apartments.

ONE SIZE FITS ALL

The low standover, custom seatpost and adjustable stem allow Hooligan to accommodate all sizes of rider and all styles of riding, from upright and comfy to dropped and aggressive.

DELTA V FRAME

For the types of riding the Hooligan might encounter, our Delta V frame configuration has proven to be the lightest and strongest, while the improved standover allows plenty of clearance for agile street moves.



HOOLIGAN 3

Jet Black (matte) (BBO).

Magnesium White (gloss) (WHT).

FRAME Hooligan Delta V, Urban Compact, 6061 alloy, 20" wheel

SHIFTERS SRAM I Motion, 3-speed

BRAKES AVID BB5, mechanical disc

FORK Cannondale Solo Rigid

REAR HUB SRAM I Motion, 3-speed

TIRES Schwalbe Kojak 1.35" race guard

WHEELS Jalco X320 Disc, 20"

CRANK FSA Vero Double Bash Guard, RED anodized 42

SIZES One Size



John Segesta



HOOLIGAN 8

Magnesium White (gloss) (WHT).

FRAME Hooligan Delta V, Urban Compact, 6061 alloy, 20" wheel

SHIFTERS Shimano Alivio

BRAKES Tektro Novela Mechanical Disc

FORK Cannondale Fatty Rigid

REAR DERAILLEUR Shimano 2300, 8-speed

TIRES Kenda Kwest 1.5"

WHEELS Jalco X320 Disc, 20"

CRANK FSA Tempo Double Bash Guard 42

SIZES One Size

	CLAYMORE 1	CLAYMORE 2	CLAYMORE 3	JEKYLL ULTIMATE	JEKYLL CARBON 1
Code	1VA1	1VA2	1VA3	1VA0	1VN1
Frame	Claymore, 180/110 mm, SmartFormed alloy, BB30, ISCG03, Diablo 1.5 Si head tube	Claymore, 180/110 mm, SmartFormed alloy, BB30, ISCG03, Diablo 1.5 Si head tube	Claymore, 180/110 mm, SmartFormed alloy, BB30, ISCG03, Diablo 1.5 Si head tube	Jekyll, 150/90 mm, BallisTec Hi-MOD Carbon, BB30, ISCG03, 1.5 Si head tube	Jekyll, 150/90 mm, BallisTec Hi-MOD Carbon, BB30, ISCG03, 1.5 Si head tube
Fork	Fox 36 Talas RC2 FIT, 180 mm, 20QR thru axle, 1.5"	Fox 36 Talas R, 180 mm, 20QR thru axle, 1.5"	Fox 36 Talas R, 180 mm, 20QR thru axle, 1.5"	Fox 32 Talas RLC FIT, 150 mm, 15QR thru axle, 1.5"	Fox 32 Talas RLC FIT, 150 mm, 15QR thru axle, 1.5"
Rear Shock	Fox DYAD RT2 dual shock 180/110 mm	Fox DYAD RT2 dual shock 180/110 mm	Fox DYAD RT2 dual shock 180/110 mm	Fox DYAD RT2 dual shock 150/90 mm	Fox DYAD RT2 dual shock 150/90 mm
Rims	Mavic CrossMax SX, tubeless	SunRingle Charger Pro, tubeless ready	Sun EQ27, 32 hole	CrankBrothers Cobalt, tubeless	SunRingle BlackFlag Pro, tubeless ready
Hubs	Mavic CrossMax SX, 20 mm front, 142 x 12 mm rear	SunRingle Charger Pro, 20 mm front, 142 x 12 mm rear	Formula, 32 hole, thru20 front, 142 x 12 mm rear	CrankBrothers Cobalt, 15 mm front, 142 x 12 mm rear	SunRingle BlackFlag Pro, 24 hole, 15 mm front, 142 x 12 mm rear
Spokes	Mavic CrossMax SX	SunRingle Charger Pro	DT Swiss Champion BLK 1.8 mm	CrankBrothers Cobalt	SunRingle BlackFlag Pro
Tires	Schwalbe Fat Albert Pace/TrailStar, 2.4" tubeless ready	Schwalbe Fat Albert Pace/TrailStar, 2.4" tubeless ready	Kenda Nevegal folding, 2.35	Schwalbe Nobby Nic PaceStar, 2.4" tubeless ready	Schwalbe Nobby Nic PaceStar, 2.4" tubeless ready
Pedals	N/A	N/A	N/A	N/A	N/A
Crank	SRAM S1400, BB30, 39/26	SRAM S1400, BB30, 39/26	TruVativ Fire-X AM 36/24 2.2	Cannondale Hollowgram SL, BB30, 39/26	FSA SL-K BB30, 44/32/24
Bottom Bracket	SRAM, BB30	SRAM, BB30	Included	Cannondale BB30	FSA BB30
Chain	KMC X10SL, 10-speed	Shimano HG74, 10-speed	KMC X10, 10-speed	KMC X10SL, 10-speed	Shimano HG74, 10-speed
Rear Cogs	Shimano XT, 11-36, 10-speed	Shimano SLX, 11-36, 10-speed	Shimano SLX, 11-36, 10-speed	SRAM XX, 11-36, 10-speed	Shimano XT, 11-36, 10-speed
Front Derailleur	Shimano SLX	Shimano SLX	Shimano SLX	SRAM XX	Shimano XT
Rear Derailleur	SRAM X0	Shimano XT	SRAM X9	SRAM XX	Shimano XTR
Shifters	SRAM X9	Shimano SLX	SRAM X7	SRAM XX	Shimano XT
Handlebar	Syntaxe Vector 680 mm, zero rise, carbon	Cannondale C2 riser, 680 x 20 mm, 2014 alloy	Cannondale C2 riser, 680 x 20 mm, 2014 alloy	Syntaxe Vector, 680 x 0 mm, zero rise, carbon	FSA SL-K riser, 680 x 18 mm
Stem	Syntaxe Force, 1.5", 31.8	Cannondale C3, 1.5", 31.8	Cannondale C3 1.5", 31.8	Syntaxe Force 1.5", 31.8"	Cannondale C2 1.5", 31.8
Headset	Tange Seiki 1.5", Integrated	Tange Seiki 1.5", Integrated	Tange Seiki 1.5", Integrated	Tange Seiki 1.5", Integrated	Tange Seiki 1.5", Integrated
Brakes	Avid Elixir X0 carbon, 203/185 mm	Avid Elixir CR, 203/185 mm	Avid Elixir R, 203/185 mm	Avid Elixir X0 carbon, 185/185 mm	Avid Elixir CR Carbon, 185/185 mm
Brake Levers	Avid Elixir X0 carbon	Avid Elixir CR	Avid Elixir R	Avid Elixir X0 carbon	Avid Elixir CR Carbon
Saddle	Prologo X10 CrMo	Prologo Vertigo CrMo	Cannondale Stage CrMo	Fi'zi:k Tundra2 Crb	Fi'zi:k Gobi Mg
Seatpost	RockShox Reverb 31.6 x 385 mm height adjustable	Cannondale C2 31.6 x 350 mm	Cannondale C2 31.6 x 350 mm	RockShox Reverb 31.6 x 385 mm height adjustable	RockShox Reverb 31.6 x 385 mm height adjustable
Sizes	S, M, L, X	S, M, L, X	S, M, L, X	S, M, L, X	S, M, L, X
Color 1 (code)	Magnesium White (gloss) (WHT).	Jet Black (gloss) (BLK).	Jet Black (matte) (BBQ).	Exposed Carbon w/Magnesium White accents (matte) (BBD).	Magnesium White w/Berserker Green accents (gloss) (WHT2).
Extras	Cannondale alloy locking grips w/closed end	Cannondale alloy locking grips w/closed end	Cannondale alloy locking grips w/closed end	Cannondale alloy locking grips w/closed end	Cannondale alloy locking grips w/closed end

	JEKYLL CARBON 2	JEKYLL 3	JEKYLL 4	JEKYLL 5	RZ ONE TWENTY 1
Code	1VN2	1VN3	1VN4	1VN5	1VL1
Frame	Jekyll, 150/90 mm, BallisTec Hi-MOD Carbon, BB30, ISCG03, 1.5 Si head tube	Jekyll, 150/90 mm, SmartFormed Alloy, BB30, ISCG03, 1.5 Si head tube	Jekyll, 150/90 mm, SmartFormed Alloy, BB30, ISCG03, 1.5 Si head tube	Jekyll, 150/90 mm, SmartFormed Alloy, BB30, ISCG03, 1.5 Si head tube	RZ One Twenty, 120 mm, SmartFormed Alloy, BB30, 1.5 Si head tube
Fork	Fox 32 Talas RL w/Custom Lockout Threshold, 150 mm, 15QR thru axle, 1.5"	Fox 32 Talas RL w/Custom Lockout Threshold, 150 mm, 15QR thru axle, 1.5"	Fox 32 Float RL w/Custom Lockout Threshold, 150 mm, 15QR thru axle, 1.5"	Fox 32 Talas RL w/Custom Lockout Threshold, 150 mm, 15QR thru axle, 1.5"	Lefty Ultra PBR, 120 mm, OPI, Solo Air
Rear Shock	Fox DYAD RT2 dual shock 150/90 mm	Fox DYAD RT2 dual shock 150/90 mm	Fox DYAD RT2 dual shock 150/90 mm	Fox DYAD RT2 dual shock 150/90 mm	RockShox Monarch RT3
Rims	SunRingle BlackFlag Expert +, tubeless ready	DT Swiss M480, 32 hole	Mavic XM317, 32 hole	Sun SR25, 32 hole	Mavic XM317, 32 hole
Hubs	SunRingle BlackFlag PrExpert +, 24 hole, 15 mm front, 142 x 12 mm rear	Formula, 15 mm front, 142 x 12 mm rear	Formula, 15 mm front, 142 x 12 mm rear	Formula, 15 mm front, 142 x 12 mm rear	Lefty SL front, Shimano M525 rear
Spokes	SunRingle BlackFlag Expert +	DT Swiss Champion	DT Swiss Champion	DT Swiss Champion	DT Swiss Competition
Tires	Schwalbe Nobby Nic PaceStar, 2.4" tubeless ready	Schwalbe Nobby Nic PaceStar, 2.4" tubeless ready	Kenda Nevegal folding, 2.35"	Kenda Nevegal folding, 2.35"	Schwalbe Rocket Ron Performance, 2.25" folding
Pedals	N/A	N/A	N/A	N/A	N/A
Crank	FSA Afterburner BB30, 44/32/24	FSA Afterburner BB30, 44/32/24	Fire-X 3.3, 44/32/22	Fire-X 3.1, 44/32/22	FSA Afterburner 386 BB30, 39-27
Bottom Bracket	FSA BB30	FSA BB30	Included	Included	FSA BB30
Chain	KMC X10SL, 10-speed	Shimano HG74, 10-speed	KMC X9, 9-speed	KMC X9, 9-speed	KMC X10SL, 10-speed
Rear Cogs	Shimano SLX, 11-36, 10-speed	Shimano SLX, 11-36, 10-speed	SRAM PG-950, 11-34, 9-speed	SRAM PG-950, 11-34, 9-speed	Shimano SLX, 11-36, 10-speed
Front Derailleur	SRAM X7	Shimano SLX	Shimano SLX	Shimano SLX	SRAM X9
Rear Derailleur	SRAM X9	Shimano XT	SRAM X9	SRAM X7	SRAM X9
Shifters	SRAM X9	Shimano XT	SRAM X7	SRAM X7	SRAM X9
Handlebar	Cannondale C2 riser, 680 x 20 mm, 2014 alloy	Cannondale C2 riser, 680 x 20 mm, 2014 alloy	Cannondale C3 riser, 680 x 20 mm, 6061 alloy	Cannondale C3 riser, 680 x 20 mm, 6061 alloy	Cannondale C2 riser, 680 x 20 mm, 2014 alloy
Stem	Cannondale C2, 1.5", 31.8	Cannondale C2, 1.5", 31.8	Cannondale C4, 1.5", 31.8	Cannondale C4, 1.5", 31.8	Cannondale OPI adjustable, 6 degree, 31.8
Headset	Tange Seiki 1.5", Integrated	Tange Seiki 1.5", Integrated	Tange Seiki 1.5", Integrated	Tange Seiki 1.5", Integrated	Cannondale HeadShok Si
Brakes	Avid Elixir CR, 185/185 mm	Avid Elixir CR, 185/185 mm	Avid Elixir R, 185/185 mm	Avid Elixir 3, 185/185 mm	Avid Elixir R Carbon, 185/160 mm
Brake Levers	Avid Elixir CR	Avid Elixir CR	Avid Elixir CR	Avid Elixir 3	Avid Elixir R Carbon
Saddle	Cannondale Stage CrMo	Cannondale Stage CrMo	Cannondale Stage CrMo	Cannondale Stage 2	Prologo X10 CrMo
Seatpost	Cannondale C2, 31.6 x 350 mm	Cannondale C2, 31.6 x 350	Cannondale C2, 31.6 x 350	Cannondale C4, 31.6 x 400	Cannondale C2, 31.6 x 400
Sizes	S, M, L, X	S, M, L, X	S, M, L, X	S, M, L, X	S, M, L, X
Color 1 (code)	Charcoal Grey w/Jet Black accents (matte) (GRY).	Ultra Blue w/Single Malt Brown accents (gloss) (BLU).	Vintage Moss w/Magnesium White accents (gloss) (GRN).	Orange Spice, Magnesium White (gloss) (ORL).	Jet Black (matte) (BBQ).
Color 2 (code)		Magnesium White w/Red and Black accents (gloss) (WHT).	Magnesium White w/Red and Black accents (gloss) (WHT).	Magnesium White w/Red and Black accents (gloss) (WHT).	Magnesium White w/Red and Black accents (gloss) (WHT).
Extras	Cannondale alloy locking grips w/closed end	Cannondale alloy locking grips w/closed end	Cannondale alloy locking grips w/closed end	Cannondale alloy locking grips w/closed end	Cannondale alloy locking grips w/closed end

	RZ ONE TWENTY 2	RZ ONE TWENTY 3	RZ ONE TWENTY 4	SCALPEL ULTIMATE	SCALPEL 1
Code	1VL2	1VL3	1VL4	1VP0	1VP1
Frame	RZ One Twenty, 120 mm, SmartFormed Alloy, BB30, 1.5 Si head tube	RZ One Twenty, 120 mm, SmartFormed Alloy, BB30, 1.5 Si head tube	RZ One Twenty, 120 mm, SmartFormed Alloy, BB30, 1.5 Si head tube	Scalpel, 80 mm, BallisTec Hi-MOD full carbon, Zero Pivot, BB30, 1.5 Si head tube	Scalpel, 80 mm, BallisTec Hi-MOD full carbon, Zero Pivot, BB30, 1.5 Si head tube
Fork	Lefty Ultra PBR, 120 mm, OPI, Solo Air	RockShox Recon Silver TK, 120 mm, Solo Air, lockout, rebound, 20 mm thru axle, 1.5"	RST Deuce Air, 120 mm, lockout, rebound, 15 mm thru axle, 1.5"	Lefty Speed Carbon XLR, 100 mm, OPI, Solo Air	Lefty Speed Carbon PBR, 100 mm, OPI, Solo Air
Rear Shock	Fox RP2	X Fusion 02 RL2	X Fusion 02 RL2	RockShox Monarch RT3	Fox RP23 w/Boost Valve
Rims	Mavic XM317, 32 hole	Mavic XM317, 32 hole	Maddux, 32 hole	DT Swiss XCR 1.2 Custom, 24 hole front, 28 hole rear	Mavic CrossMax SLR Lefty, tubeless
Hubs	Lefty SL front, Shimano M525 rear	Formula 20 mm front, Shimano M475 rear	Formula, DC51 front, DC22 rear	Cannondale Lefty SL front, DT Swiss 190 rear	Mavic CrossMax SLR Lefty
Spokes	DT Swiss Competition	DT Swiss Champion	DT Swiss Champion	DT Swiss Aerospeed	Mavic CrossMax SLR Lefty
Tires	Kenda Slant 6, 2.1", folding	Kenda Slant 6, 2.1", wire bead	Kenda Slant 6, 2.1", wire bead	Schwalbe Furious Fred PaceStar, 26 x 2.0" tubeless ready	Schwalbe Racing Ralph PaceStar, 2.1" tubeless ready
Pedals	N/A	Wellgo Platform	Wellgo Platform	N/A	N/A
Crank	Shimano M552, 42/32/24	Shimano M542, 44/32/22	Shimano M430-8, 44/32/22	Cannondale Hollowgram SL, 42-28 w/XX chainrings	FSA SL-K 386 BB30, 42-27
Bottom Bracket	Included	Included	Included	Cannondale BB30	FSA BB30
Chain	KMC X10, 10-sped	KMC X9, 9-speed	KMC X9, 9-speed	KMC X10SL, 10-speed	Shimano M980, 10-speed
Rear Cogs	Shimano SLX, 11-36, 10-speed	SRAM PG-950, 11-34, 9-speed	SRAM PG-950, 11-34, 9-speed	SRAM XX, 11-36, 10-speed	Shimano XTR, 11-36, 10-speed
Front Derailleur	Shimano SLX	Shimano Deore	Shimano Alivio	SRAM XX	Shimano XTR
Rear Derailleur	Shimano XT	SRAM X9	Shimano Deore	SRAM XX	Shimano XTR
Shifters	Shimano XT	SRAM X7	Shimano Deore	SRAM XX	Shimano XTR
Handlebar	Cannondale C2 riser, 680 x 20 mm, 2014 alloy	Cannondale C3 riser, 680 x 20 mm, 6061 alloy	Cannondale C3 riser, 680 x 20 mm, 6061 alloy	FSA K-Force flat 600 mm	FSA SL-K flat 620 mm
Stem	Cannondale C1 HeadShok, 31.8	Cannondale C2, 1.5", 31.8	Cannondale C3, 1.5", 31.8	Cannondale OPI adjustable, -5 degree, 31.8	Cannondale OPI adjustable, -5 degree, 31.8
Headset	HeadShok	Tange Seiki, 1.5", Integrated	Tange Seiki, 1.5", Integrated	Cannondale HeadShok Si	Cannondale HeadShok Si
Brakes	Hayes Stroker Trail Carbon, 180/160 mm	Avid Elixir 3, 180/160 mm	Shimano M445, 180/160 mm	SRAM XX, 160/140 mm	Magura Marta SL, 160/140 mm
Brake Levers	Hayes Stroker Trail Carbon	Avid Elixir 3	Shimano M445	SRAM XX	Magura Marta SL
Saddle	Prologo X10 STN	Cannondale Stage 2	Cannondale Stage 2	Fi'zi:k Antares Tundra2 Crb	Fi'zi:k Tundra2 Km
Seatpost	Cannondale C2, 31.6 x 400	Cannondale C4, 31.6 x 400	Cannondale C4, 31.6 x 400	FSA K-Force 25 mm offset, 31.6 x 400	Fi'zi:k Cyrano, 31.6 x 400
Sizes	S, M, L, X	S, M, L, X	S, M, L, X	S, M, L, X	S, M, L, X
Color 1 (code)	Berserker Green (gloss) (GRN).	Jet Black (gloss) (BLK).	Race Red (gloss) (RED).	Team Replica (gloss) (REP).	Magnesium White w/Jet Black accents (gloss) (WHT).
Color 2 (code)	Fine Silver (gloss) (SLV).	Nu Team Blue (gloss) (BLU).	Magnesium White w/Red and Black accents (gloss) (WHT).		
Extras	Cannondale alloy locking grips w/closed end	Cannondale alloy locking grips w/closed end	Cannondale alloy locking grips w/closed end	Cannondale foam locking grips	Cannondale foam locking grips

	SCALPEL 2	SCALPEL 3	FLASH ULTIMATE	FLASH HI-MOD 1	FLASH CARBON 4
Code	1VP2	1VP3	1FS0S	1FS1S	1FS4S
Frame	Scalpel, 80 mm, BallisTec Hi-MOD full carbon, Zero Pivot, BB30, 1.5 Si head tube	Scalpel, 80 mm, BallisTec Hi-MOD full carbon, Zero Pivot, BB30, 1.5 Si head tube	Flash, BallisTec Hi-MOD Carbon, SAVE, BB30, 1.5 Si head tube	Flash, BallisTec Hi-MOD Carbon, SAVE, BB30, 1.5 Si head tube	Flash, BallisTec Carbon, SAVE, BB30, 1.5 Si head tube
Fork	Lefty Speed XLR, 100 mm, OPI, Solo Air	Lefty Speed PBR, 100 mm, OPI, Solo Air	Lefty Speed Carbon XLR, 100 mm, OPI, Solo Air	Lefty Speed Carbon PBR, 100 mm, OPI, Solo Air	Lefty Speed PBR, 100 mm, OPI, Solo Air
Rear Shock	RockShox Monarch RT3	Fox RP2	N/A	N/A	N/A
Rims	SunRingle BlackFlag Pro, 24 hole, tubeless ready	DT Swiss XCR 1.7 Custom, 24 hole	DT Swiss XCR 1.2 Custom, 24 hole front, 28 hole rear	DT Swiss XCR 1.2 Custom, 24 hole front, 28 hole rear	Mavic CrossMax SLR Lefty, tubeless
Hubs	SunRingle BlackFlag Pro Lefty	Lefty SL front, DT Swiss 340 rear	Lefty SL front, DT Swiss 340 rear	Cannondale Lefty SL front, DT Swiss 190 rear	Mavic CrossMax SLR Lefty
Spokes	SunRingle BlackFlag Pro	DT Swiss Competition	DT Swiss Aerospeed	DT Swiss Aerospeed	Mavic CrossMax SLR Lefty
Tires	Schwalbe Racing Ralph PaceStar, 2.1" tubeless ready	Schwalbe Rocket Ron Performance, 2.1" tubeless ready	Schwalbe Furious Fred PaceStar, 2.0" tubeless ready rear	Schwalbe Racing Ralph PaceStar, 2.1" tubeless ready	Schwalbe Racing Ralph PaceStar, 2.1" tubeless ready
Pedals	N/A	N/A	N/A	N/A	N/A
Crank	FSA Afterburner 386 BB30, 42-27	FSA Afterburner 386 BB30, 42-27	FSA Afterburner 386 BB30, 42-27	Cannondale Hollowgram SL, 42-28 w/XX chainrings	FSA K-Force 386 BB30, 42-27
Bottom Bracket	FSA BB30	FSA BB30	FSA BB30	Cannondale BB30	FSA BB30
Chain	KMC X10SL, 10-speed	KMC X10SL, 10-speed	KMC X10SL, 10-speed	KMC X10SL, 10-speed	KMC X10SL, 10-speed
Rear Cogs	Shimano XT, 11-36, 10-speed	Shimano SLX, 11-36, 10-speed	SRAM XX, 11-36, 10-speed	SRAM XX, 11-36, 10-speed	Shimano XTR, 11-36, 10-speed
Front Derailleur	SRAM X9	Shimano SLX	SRAM XX	SRAM XX	SRAM X7
Rear Derailleur	SRAM X0	Shimano XT	SRAM XX	SRAM XX	SRAM X9
Shifters	SRAM X0	Shimano SLX	SRAM XX	SRAM XX	SRAM X7
Handlebar	Cannondale C2 riser, 620 x 3 mm, 2014 alloy	Cannondale C2 riser, 620 x 3 mm, 2014 alloy	FSA K-Force flat 600 mm	FSA SL-K flat 620 mm	Cannondale C2 riser, 620 x 3 mm, 2014 alloy
Stem	Cannondale OPI adjustable, -5 degree, 31.8	Cannondale OPI adjustable, -5 degree, 31.8	Cannondale OPI adjustable, -5 degree, 31.8	Cannondale OPI adjustable, -5 degree, 31.8	Cannondale C2, 31.8
Headset	Cannondale HeadShok Si	HeadShok	Cannondale HeadShok Si	Cannondale HeadShok Si	Cannondale HeadShok Si
Brakes	Avid Elixir CR carbon, 160/140 mm	Avid Elixir R, 160/140 mm	SRAM XX, 160/140 mm	SRAM XX, 160/140 mm	Avid Elixir R, 160/160 mm
Brake Levers	Avid Elixir CR carbon	Avid Elixir R	SRAM XX	SRAM XX	Avid Elixir R, 160/160 mm
Saddle	Fi'zi:k Tundra2 Mg	Fi'zi:k Tundra2 Mg	Fi'zi:k Antares Crb	Fi'zi:k Tundra2 Km	Prologo X10 STN
Seatpost	Fi'zi:k Cyrano, 31.6 x 400 mm	Fi'zi:k Cyrano, 31.6 x 400 mm	Flash Carbon, 27.2 x 420 mm w/SAVE	Flash Carbon 27.2 x 420 mm w/SAVE	Cannondale C2, 27.2 x 400 mm
Sizes	S, M, L, X	S, M, L, X	S, M, L, X	S, M, L, X	S, M, L, X
Color 1 (code)	Charcoal Grey w/Jet Black accents (gloss) (GRY).	Jet Black w/Magnesium White accents (gloss) (BLK).	Team Replica (gloss) (REP).	Magnesium White w/Red and Black accents (gloss) (WHT).	Race Red w/Magnesium White accents (gloss) (RED).
Extras	Cannondale alloy locking grips w/closed end	Cannondale alloy locking grips w/closed end	Cannondale foam locking grips	Cannondale foam locking grips	Cannondale foam locking grips

	RZ ONE TWENTY 2	RZ ONE TWENTY 3	RZ ONE TWENTY 4	SCALPEL ULTIMATE	SCALPEL 1
Code	1VL2	1VL3	1VL4	1VP0	1VP1
Frame	RZ One Twenty, 120 mm, SmartFormed Alloy, BB30, 1.5 Si head tube	RZ One Twenty, 120 mm, SmartFormed Alloy, BB30, 1.5 Si head tube	RZ One Twenty, 120 mm, SmartFormed Alloy, BB30, 1.5 Si head tube	Scalpel, 80 mm, BallisTec Hi-MOD full carbon, Zero Pivot, BB30, 1.5 Si head tube	Scalpel, 80 mm, BallisTec Hi-MOD full carbon, Zero Pivot, BB30, 1.5 Si head tube
Fork	Lefty Ultra PBR, 120 mm, OPI, Solo Air	RockShox Recon Silver TK, 120 mm, Solo Air, lockout, rebound, 20 mm thru axle, 1.5"	RST Deuce Air, 120 mm, lockout, rebound, 15 mm thru axle, 1.5"	Lefty Speed Carbon XLR, 100 mm, OPI, Solo Air	Lefty Speed Carbon PBR, 100 mm, OPI, Solo Air
Rear Shock	Fox RP2	X Fusion 02 RL2	X Fusion 02 RL2	RockShox Monarch RT3	Fox RP23 w/Boost Valve
Rims					

	FLASH F1	FLASH F2	FLASH F3	TRAIL SL 2	TRAIL SL 3
Code	1FA1	1FA2	1FA3	1FS2	1FS3
Frame	Flash, SmartFormed alloy, SAVE, BB30, 1.5 Si head tube	Flash, SmartFormed alloy, SAVE, BB30, 1.5 Si head tube	Flash, SmartFormed alloy, SAVE, BB30, 1.5 Si head tube	Trail SL, Optimized 6061 alloy, SAVE, 1.5" head tube	Trail SL, Optimized 6061 alloy, SAVE, 1.5" head tube
Fork	Lefty Speed PBR, 100 mm, OPI, Solo Air	Lefty Speed PBR, 100 mm, OPI, Solo Air	Fatty DLR80, 80 mm, OPI	RockShox Recon Silver TK, 100 mm, Solo Air, lockout, rebound, 1.5"	RST Deuce Coil, 100 mm, coil/elastomer, lockout, rebound, 1.5"
Rims	Mavic XM317, 32 hole	Mavic XM317, 32 hole	Maddux DC3.0, double wall w/eyelet, 32 hole	Maddux DC3.0, double wall w/eyelet, 28 hole front, 32 hole rear	Maddux DC3.0, double wall w/eyelet, 28 hole front, 32 hole rear
Hubs	Lefty SL front, SRAM X9 rear	Lefty SL front, Shimano M525 rear	Shimano, M475 front, M475 rear	Formula, DC20 front, DC22 rear	Formula, DC20 front, DC22 rear
Spokes	DT Swiss Competition	DT Swiss Champion	DT Swiss Champion	Stainless Steel Black Spokes 15g	Stainless Steel Black Spokes 15g
Tires	Kenda Small Block 8, 2.1", folding	Kenda Small Block 8, 2.1", folding	Kenda Slant 6, 2.1", wire bead	Kenda Small Block 8, 2.1", wire bead	Kenda Small Block 8, 2.1", wire bead
Pedals	N/A	N/A	FPD Alloy Platform	VP Platform w/steel cage	VP Platform w/steel cage
Crank	FSA Afterburner 386 BB30, 39/27	Shimano M542, 44/32/22	Shimano FC-M430-8, 44/32/22	Shimano FC-M430-8, 44/32/22	Shimano FC-M430-8, 44/32/22
Bottom Bracket	FSA BB30	Included	Shimano ES-25 Octalink	Shimano ES-25 Octalink	Shimano ES-25 Octalink
Chain	KMC X10SL, 10-speed	KMC X9, 9-speed	KMC X9, 9-speed	Shimano HG53, 9-speed	Shimano HG53, 9-speed
Rear Cogs	Shimano SLX, 11-36, 10-speed	SRAM PG-970, 11-34, 9-speed	SRAM PG-950, 11-34, 9-speed	SRAM PG-950, 11-32, 9-speed	SRAM PG-950, 11-34, 9-speed
Front Derailleur	SRAM X7	Shimano Deore	Shimano Deore	Shimano Alivio	SRAM X5
Rear Derailleur	SRAM X9	Shimano XT	SRAM X7	Shimano Deore	SRAM X5
Shifters	SRAM X7	Shimano SLX	SRAM X7	Shimano Deore	SRAM X5
Handlebar	Cannondale C2 riser, 620 x 3 mm, 2014 alloy	Cannondale C2 riser, 620 x 3 mm, 2014 alloy	Cannondale C3 riser, 680 x 20 mm, 6061 alloy	Cannondale C3 riser, 680 x 20 mm, 6061 alloy	Cannondale C3 riser, 680 x 20 mm, 6061 alloy
Stem	Cannondale OPI adjustable, -5 degree, 31.8	Cannondale C1 HeadShok, 31.8	Cannondale C1 HeadShok, 31.8	Cannondale C4 1.5", 31.8	Cannondale C4 1.5", 31.8
Headset	Cannondale HeadShok Si	Cannondale HeadShok Si	Cannondale HeadShok Si	Tange Custom 1.5"	Tange Custom 1.5"
Brakes	Avid Elixir R, 160/160 mm	Shimano BR-M505, 160/160 mm	Hayes Ryde Comp, 160/160 mm	Shimano BR-M445 Hydraulic Disc, 160/160 mm	Tektro Draco SL Custom Hydraulic Disc, 160/160 mm
Brake Levers	Avid Elixir R	Shimano BR-M505	Hayes Ryde Comp	Shimano BR-M445	Tektro Draco SL
Saddle	Prologo X10 STN	Cannondale Stage 2	Cannondale Stage 2	Cannondale Stage 2	Cannondale Stage 2
Seatpost	Cannondale C2, 27.2 x 400 mm	Cannondale C2, 27.2 x 400 mm	Cannondale C4, 31.6 x 400 mm	Cannondale C3, 31.6 x 350 mm, 400 (L, X, J)	Cannondale C3, 31.6 x 350 mm, 400 (L, X, J)
Sizes	S, M, L, X	S, M, L, X	S, M, L, X	S, M, L, X, J	S, M, L, X, J
Color 1 (code)	Magnesium White (gloss) (WHT).	Race Red (gloss) (RED).	Jet Black (matte) (BBQ).	Jet Black (gloss) (BLK).	Jet Black (matte) (BBQ).
Color 2 (code)			Magnesium White (gloss) (WHT).	Nu Team Blue (gloss) (BLU).	Magnesium White (gloss) (WHT).
Extras	Cannondale alloy locking grips w/closed end	Cannondale alloy locking grips w/closed end	Cannondale alloy locking grips w/closed end	Cannondale alloy locking grips w/closed end	Cannondale alloy locking grips w/closed end

	FLASH CARBON 29'ER 3	FLASH 29'ER 1	FLASH 29'ER 2	TRAIL SL 29'ER 2	TRAIL SL 29'ER 3
Code	1FS293S	1FA291	1FA292	1FS292	1FS293
Frame	Flash 29'er, BallisTec Carbon, SAVE, BB30, 1.5 Si head tube	Flash 29'er, SmartFormed alloy, SAVE, BB30, 1.5 Si head tube	Flash 29'er, SmartFormed alloy, SAVE, BB30, 1.5 Si head tube	Trail SL 29'er, Optimized 6061 alloy, SAVE, 1.5" head tube	Trail SL 29'er SS, Optimized 6061 alloy, SAVE, 1.5" head tube
Fork	Lefty 29'er PBR, 90 mm, OPI, Solo Air	Lefty 29'er PBR, 90 mm, OPI, Solo Air	Lefty 29'er PBR, 90 mm, OPI, Solo Air	RST Deuce 29 Air, 80 mm, lockout, rebound, 1.5"	RST Deuce 29 Air, 80 mm, lockout, rebound, 1.5"
Rims	Sun EQ25, welded, w/eyelet, 29'er, 32 hole	Sun EQ25, welded, w/eyelet, 29'er, 32 hole	Sun EQ25, welded, w/eyelet, 29'er, 32 hole	Maddux DC3.0 29'er, double wall w/eyelet, 32 hole	Maddux DC3.0 29'er, double wall w/eyelet, 32 hole
Hubs	Cannondale Lefty SL front, SRAM X9 rear	Cannondale Lefty SL front, SRAM X9 rear	Cannondale Lefty SL front, Shimano M529 rear	Formula DC20 front, Shimano M529 rear	Formula DC20 front, DC52 rear
Spokes	DT Swiss Competition BLK 2 mm	DT Swiss Competition	DT Swiss Champion	Stainless Steel, black, 15g	Stainless Steel, black, 15g
Tires	Schwalbe Racing Ralph PaceStar, 2.25" tubeless ready	Kenda Small Block 8, 29 x 2.1"	Kenda Small Block 8, 29 x 2.1"	Kenda Small Block 8, 29 x 2.1", wire bead	Kenda Small Block 8, 29x2.1", wire bead
Pedals	N/A	N/A	Wellgo Platform	VP Platform with steel cage	VP Platform with steel cage
Crank	FSA Afterburner 386 BB30, 39-27	FSA Afterburner 386 BB30, 39-27	Shimano M542, 44/32/22	Shimano FC-M430-8 Octalink, 44/32/22	TruVatiV Isoflow 1.0g SS, 33T
Bottom Bracket	FSA BB30	FSA BB30	Included	Shimano ES-25 Octalink	Tange Seiki LN-3912
Chain	KMC X10SL, 10-speed	KMC X10SL, 10-speed	KMC X10SL	Shimano HG53, 9-speed	KMC Z-99 SS
Rear Cogs	Shimano SLX, 11-36, 10-speed	Shimano SLX HG81-10, 11-36, 10-speed	SRAM PG-950 11-34, 9-speed	Shimano HG-61, 12-36, 9-speed	Formula 20
Front Derailleur	SRAM X7	SRAM X7	Shimano Deore	Shimano Alivio	N/A
Rear Derailleur	SRAM X9	SRAM X9	Shimano XT	Shimano Deore	N/A
Shifters	SRAM X7	SRAM X7	Shimano SLX	Shimano Deore Trigger	N/A
Handlebar	Cannondale C2 flat, 680 mm, 2014 alloy	Cannondale C2 flat, 680 mm, 2014 alloy	Cannondale C3 riser, 31.8 x 20 mm, 6061 alloy	Cannondale C3 riser, 680 x 20 mm, 6061 alloy	Cannondale C3 riser, 680 x 20 mm, 6061 alloy
Stem	Cannondale OPI adjustable, -5 degree, 31.8	Cannondale OPI adjustable, -5 degree, 31.8	Cannondale C1 HeadShok, 31.8	Cannondale C4 1.5", 31.8	Cannondale C4 1.5", 31.8
Headset	HeadShok	HeadShok	HeadShok	Tange Custom 1.5"	Tange Custom 1.5"
Brakes	Avid Elixir CR, 185/160 mm	Avid Elixir R, 185/160 mm	Shimano BR-M505, 160/160 mm	Shimano BR-M445 Hydraulic Disc, 160/160 mm	Promax Orange Mechanical Disc, 160/160 mm
Brake Levers	Avid Elixir CR	Avid Elixir R	Shimano BR-M505	Shimano BR-M445	Cannondale
Saddle	Prologo X10 Cro-Mo	Prologo X10 STN	Cannondale Stage 2	Cannondale Stage 2	Cannondale Stage 2
Seatpost	Cannondale C2, 27.2 x 400	Cannondale C2, 27.2 x 400	Cannondale C2, 27.2 x 400	Cannondale C3, 31.6 x 400	Cannondale C3, 31.6 x 400
Sizes	M, L, X	M, L, X	M, L, X	M, L, X	M, L, X
Color 1 (code)	Magnesium White w/Race Red accents (gloss) (RED).	Jet Black (gloss) (BLK).	Magnesium White (gloss) (WHT).	Jet Black (matte) (BBQ).	Lightning White (gloss) (WHT).
Color 2 (code)				Race Red (gloss) (RED).	
Extras	Cannondale foam locking grips	Cannondale alloy locking grips w/closed end	Cannondale alloy locking grips w/closed end	Cannondale alloy locking grips w/closed end	Cannondale alloy locking grips w/closed end

	TRAIL SL 4	TRAIL 5	TRAIL 6	FLASH HI-MOD 29'ER 1	FLASH CARBON 29'ER 2
Code	1FS4	1FS5	1FS6	1FS291S	1FS292S
Frame	Trail SL, Optimized 6061 alloy, SAVE, 1.5" head tube	Trail, double butted 6061 alloy, SAVE, 1-1/8" head tube	Trail, double butted 6061 alloy, SAVE, 1-1/8" head tube	Flash 29'er, BallisTec Hi-MOD Carbon, SAVE, BB30 1.5 Si head tube	Flash 29'er, BallisTec Carbon, SAVE, BB30 1.5 Si head tube
Fork	RST Deuce TNL, 100 mm, coil/elastomer, lockout, 1.5"	RST Gila Pro TNL, 100 mm, coil/elastomer, lockout, 1-1/8"	RST Gila T, 100 mm, coil w/ elastomer, 1-1/8"	Lefty 29'er Carbon XLR, 90 mm, OPI, Solo Air	Lefty 29'er Carbon PBR, 90 mm, OPI, Solo Air
Rims	Alex DC4.5, double wall, 28 hole front, 32 hole rear	Alex DC4.5, double wall, 32 hole	Alex DC4.5, double wall, 32 hole	DT Swiss XCR 1.2 Custom, 24 hole front, 28 hole rear	DT Swiss XCR 1.2 Custom, 24 hole front, 28 hole rear
Hubs	Formula, DC20 front, DC22 rear	Formula, DC20 front, DC22 rear	Formula, DC20 front, DC22 rear	Cannondale Lefty SL front, DT Swiss 240S rear	Cannondale Lefty SL front, Sun Dirty Flea rear
Spokes	Stainless Steel Black Spokes 15g	Stainless Steel Black Spokes 15g	Stainless Steel Black Spokes 15g	DT AeroSpeed	DT Swiss Competition BLK 2 mm
Tires	Kenda Small Block 8, 2.1", wire bead	Kenda Small Block 8, 2.1", wire bead	Kenda Small Block 8, 2.1", wire bead	Schwalbe Racing Ralph PaceStar, 2.25" tubeless ready	Schwalbe Racing Ralph PaceStar, 2.25" tubeless ready
Pedals	VP Platform w/steel cage	FPD Platform w/steel cage	FPD Platform w/steel cage	N/A	N/A
Crank	Shimano FC-M361, 42/32/22	Shimano, FC-M311, 42/32/22	Shimano, FC-M191, 42/34/24	Cannondale Hollowgram SL, 39-26 w/XX chainrings	FSA SL-K 386 BB30, 39-27
Bottom Bracket	Tange Seiki LN-3912	Tange Seiki LN-3912	Tange Seiki LN-3912	Cannondale BB30	FSA BB30
Chain	KMC Z-72, 8-speed	KMC Z-72, 8-speed	KMC Z-72, 8-speed	KMC X10SL 111 links	KMC X10SL
Rear Cogs	Sun Race M66, 12-32, 8-speed	Sun Race M66 12-32, 8-speed	Sun Race M56 12-32, 8-speed	Shimano XT M771-10, 11-36	Shimano XT, 11-36, 10-speed
Front Derailleur	Shimano FD-M311	Shimano FD-M311	Shimano FD-M190	SRAM X9	SRAM X9
Rear Derailleur	Shimano Alivio	Shimano Alivio	Shimano Acera	SRAM X0	SRAM X9
Shifters	Shimano Alivio	Shimano Alivio	Shimano Acera	SRAM X0	SRAM X9
Handlebar	Cannondale C3 riser, 680 x 20 mm, 6061 alloy	Cannondale C4 riser, 660 x 30 mm, 6061 alloy	Cannondale C4 riser, 660 x 30 mm, 6061 alloy	TruVatiV Stylo World Cup Flat, 680 mm	TruVatiV Stylo World Cup Flat, 680 mm
Stem	Cannondale C4 1.5", 31.8	Cannondale C4 by UNO, 31.8	Cannondale C4 by UNO, 31.8	Cannondale OPI adjustable, -5 degree, 31.8	Cannondale OPI adjustable, -5 degree, 31.8
Headset	Tange Custom 1.5"	Tange ER2 Slim Stack	Tange ER2 Slim Stack	HeadShok	HeadShok
Brakes	Promax Orange Mechanical Disc, 160/160 mm	Promax Orange Mechanical Disc, 160/160 mm	Tektro Novela Mechanical Disc, 160/160 mm	Avid Elixir X0 carbon, 185/160 mm	Avid Elixir CR carbon, 185/160 mm
Brake Levers	Cannondale	Cannondale	Cannondale	Avid Elixir X0 carbon	Avid Elixir CR carbon
Saddle	Cannondale Stage 2	Cannondale Stage 2	Cannondale Stage 2	Fi'zi:k Tundra2 Mg	Prologo X10 Cro-Mo
Seatpost	Cannondale C3, 31.6 x 350 mm, 400 (L, X, J)	Cannondale C4, 31.6 mm	Cannondale C4, 31.6 mm	Flash Carbon, 27.2 x 420 w/SAVE	Flash Carbon, 27.2 x 420 w/SAVE
Sizes	S, M, L, X, J	S, M, L, X, J	S, M, L, X, J	M, L, X	M, L, X
Color 1 (code)	Race Red (gloss) (RED).	Jet Black (gloss) (BLK2).	Soldier of Fortune (matte) (GRN).	Exposed Carbon w/Magnesium White accents (matte) (BBQ).	Magnesium White w/Jet Black accents (gloss) (WHT).
Color 2 (code)	Fine Silver (matte) (SLV).	Nu Team Blue (gloss) (BLU).	Magnesium White (gloss) (WHT).		
Extras	Cannondale Dual Density grips	Cannondale Dual Density grips	Cannondale Dual Density grips	Cannondale foam locking grips	Cannondale foam locking grips

	TRAIL SL 29'ER 4	SUPERSIX HI-MOD TEAM	SUPERSIX HI-MOD Di2	SUPERSIX HI-MOD 1 DURA-ACE	SUPERSIX HI-MOD 2 RED
Code	1FS294	1RSH0D	1RSH1D	1RSH1D	1RSH2D, 1RSH2C
Frame	Trail SL 29'er, Optimized 6061 alloy, SAVE, 1.5" head tube	SuperSix, Hi-Mod full carbon, BB30, SAVE	SuperSix, Hi-Mod full carbon, BB30, SAVE, Di2 specific	SuperSix, Hi-Mod full carbon, BB30, SAVE	SuperSix, Hi-Mod full carbon, BB30, SAVE
Fork	RST Deuce 29 TNL, 80 mm, coil/elastomer, hydraulic lockout, 1.5"	SuperSix, Hi-Mod full carbon, 1-1/8"-1.5" tapered steerer	SuperSix, Hi-MOD full carbon, 1-1/8"-1.5" tapered steerer	SuperSix, Hi-MOD full carbon, 1-1/8"-1.5" tapered steerer	SuperSix, Hi-MOD full carbon, 1-1/8"-1.5" tapered steerer
Rims	Alex DC4.5 29'er, double wall, 32 hole	Mavic Cosmic Carbone SR, clincher	Mavic Kyrium SL, black	Mavic Kyrium SL, black	Mavic Ksyrium Elite
Hubs	Formula DC20 front, DC22 rear	Mavic Cosmic Carbone SR	Mavic Kyrium SL, black	Mavic Kyrium SL, black	Mavic Ksyrium Elite
Spokes	Stainless Steel, black, 15g	Mavic Cosmic Carbone SR	Mavic Kyrium SL, black	Mavic Kyrium SL, black	Mavic Ksyrium Elite
Tires	Kenda Small Block 8, 29 x 2.1", wire bead	Schwalbe Ultrero ZX, 700 x 23c	Schwalbe Ultrero ZX, 700 x 23c	Schwalbe Ultrero ZX, 700 x 23c	Schwalbe Ultrero ZX, 700 x 23c
Pedals	VP Platform with steel cage	N/A	N/A	N/A	N/A
Crank	FSA Alpha Drive, 42/32/22	Cannondale Hollowgram SL BB30, FSA CA-11 rings, 53/39 (50/34 rings and spider included)	Cannondale Hollowgram SL BB30, FSA DA-79 rings, 53/39 (50/34 rings and spider included)	Cannondale Hollowgram SL BB30, FSA DA-79 rings, 53/39 (50/34 rings and spider included)	SRAM RED w/Cannondale graphics, BB30, 53/39 (Option: compact 50/34)
Bottom Bracket	Tange Seiki LN-3912	Cannondale Hollowgram SL, ceramic bearings	Cannondale Hollowgram SL, ceramic bearings	Cannondale Hollowgram SL, ceramic bearings	SRAM BB30
Chain	KMC Z-72, 8-speed	Campagnolo Record, 11-speed	Shimano Dura-Ace 7900	Shimano Dura-Ace 7900	SRAM PC-1070
Rear Cogs	Sun Race M66, 12-34, 8-speed	Campagnolo Super Record, 12-25, 11-speed	Shimano Dura-Ace 7900, 11-25	Shimano Dura-Ace 7900, 11-25	SRAM PG-1070, 11-26
Front Derailleur	Shimano FD-M311	Campagnolo Super Record, 34.9 mm clamp, 11-speed	Shimano Di2, 34.9 mm clamp	Shimano Dura-Ace 7900, 34.9 mm clamp	SRAM RED, 34.9 mm clamp
Rear Derailleur	Shimano Alivio	Campagnolo Super Record, 11-speed	Shimano Di2	Shimano Dura-Ace 7900	SRAM RED
Shifters	Shimano Alivio	Campagnolo Super Record QS Carbon ErgoShifters, 11-speed	Shimano Di2	Shimano Dura-Ace 7900	SRAM RED
Handlebar	Cannondale C3 riser, 680 x 20 mm, 6061 alloy	FSA K-Force Light Nano K Carbon Compact	FSA K-Force Carbon Compact	FSA K-Force Carbon Compact	FSA Wing Pro Compact
Stem	Cannondale C4 1.5", 31.8	FSA OS-99 CSI, 31.8	FSA OS-99 CSI, 31.8	FSA OS-99 CSI, 31.8	FSA SL-K, 31.8
Headset	Tange Custom 1.5"	SuperSix, 1.5 lower bearing, 30 mm carbon, w/5 mm hidden alloy top cover	SuperSix, 1.5 lower bearing, 30 mm carbon, w/5 mm hidden alloy top cover	SuperSix, 1.5 lower bearing, 30 mm carbon, w/5 mm hidden alloy top cover	SuperSix, 1.5 lower bearing, 30 mm carbon, w/5 mm hidden alloy top cover
Brakes	Promax Orange Mechanical Disc, 160/160 mm	Campagnolo Super Record D-Skeleton	Shimano Dura-Ace 7900	Shimano Dura-Ace 7900	SRAM RED
Brake Levers	Cannondale	Campagnolo Super Record	Shimano Dura-Ace 7900	Shimano Dura-Ace 7900	SRAM RED
Saddle	Cannondale Stage 2	Fi'zi:k Antares, Team Rep, carbon rails	Fi'zi:k Antares, Kium rails	Fi'zi:k Antares, Kium rails	Fi'zi:k Antares, Mg rails
Seatpost	Cannondale C3, 31.6 x 400	FSA K-Force Carbon SP-RK-160, 31.6 mm, 350 mm	FSA K-Force Carbon SP-RK-160, 31.6 mm, 350 mm	FSA K-Force Carbon SP-RK-160, 31.6 mm, 350 mm	FSA SLK Carbon SP-RK-260, 31.6 mm, 350 mm
Sizes	M, L, X	48, 50, 52, 54, 56, 58, 60, 63cm	48, 50, 52, 54, 56, 58, 60, 63cm	48, 50, 52, 54, 56, 58, 60, 63cm	48, 50, 52, 54, 56, 58, 60, 63cm
Color 1 (code)	Berserker Green (gloss) (GRN).	Liquigas Team Replica (gloss) (LIQ).	Matte Carbon, White accents (CRB).	Magnesium White, Jet Black (gloss) (WHT).	Matte Carbon, White accents (CRB).
Color 2 (code)	Fine Silver (matte) (SLV).				Magnesium White, Jet Black (gloss) (WHT).
Extras	Cannondale Dual Density Grips	Compact Kit	Di2 Charger, power cable and Battery, Compact Kit, Di2 Satellite shift for top of the bar	Compact Kit	

	<i>SUPERSIX 1 DURA-ACE</i>	<i>SUPERSIX 3 ULTEGRA</i>	<i>SUPERSIX 4 RIVAL</i>	<i>SUPERSIX 5 105</i>	<i>CAAD10 1 DURA-ACE</i>
Code	1RSS10, 1RSS1C	1RSS3D, 1RSS3C	1RSS4D, 1RSS4C	1RSS5D, 1RSS5C	1RAX1D, 1RAX3C
Frame	SuperSix, full carbon, BB30, SAVE	SuperSix, full carbon, BB30, SAVE	SuperSix, full carbon, BB30, SAVE	SuperSix, full carbon, BB30, SAVE	CAAD10, Smartformed 6069 Alloy, SAVE, BB30
Fork	SuperSix, full carbon, 1-1/8"-1.5" tapered steerer, alloy dropouts	SuperSix, full carbon, 1-1/8"-1.5" tapered steerer, alloy dropouts	SuperSix, full carbon, 1-1/8"-1.5" tapered steerer, alloy dropouts	SuperSix, full carbon, 1-1/8"-1.5" tapered steerer, alloy dropouts	CAAD10, full carbon, 1-1/8" to 1-1/4" tapered steerer
Rims	Mavic Equipe	Mavic Aksium	Mavic Aksium	Shimano RS10	Shimano RS80
Hubs	Mavic Equipe	Mavic Aksium	Mavic Aksium	Shimano RS10	Shimano RS80
Spokes	Mavic Equipe	Mavic Aksium	Mavic Aksium	Shimano RS10	Shimano RS80
Tires	Schwalbe Durano S, 700 x 23c, folding	Schwalbe Durano, 700 x 23c, folding	Schwalbe Durano, 700 x 23c, folding	Schwalbe Lugano, 700 x 23c, folding	Schwalbe Durano S, 700 x 23c, folding
Pedals	N/A	N/A	N/A	N/A	N/A
Crank	FSA SL-K Light Carbon, BB30, 53/39 (Option: compact 50/34)	FSA SL-K Light Carbon, BB30, 53/39 (Option: compact 50/34)	SRAM Force Carbon, BB30, 53/39 (Option: compact 50/34)	FSA Gossamer Pro, BB30, 53/39 (Option: compact 50/34)	FSA SL-K Light Carbon, BB30, 53/39 (Option: compact 50/34)
Bottom Bracket	FSA BB30	FSA BB30	SRAM BB30	FSA BB30	FSA BB30
Chain	Shimano Ultegra 6700	Shimano Ultegra 6700	KMC DX10SC	Shimano 105 5700	Shimano Ultegra 6700
Rear Cogs	Shimano Ultegra 6700, 11-25	Shimano Ultegra 6700, 11-25	SRAM PG-1070, 11-26	Shimano 105 5700, 11-25	Shimano Ultegra 6700, 11-25
Front Derailleur	Shimano Dura-Ace 7900, 34.9 mm clamp	Shimano Ultegra 6700, 34.9 mm clamp	SRAM Rival, 34.9 mm clamp	Shimano 105 5700, 34.9 mm clamp	Shimano Ultegra 6700 braze-on
Rear Derailleur	Shimano Dura-Ace 7900	Shimano Ultegra 6700	SRAM Rival	Shimano 105 5700	Shimano Dura-Ace 7900
Shifters	Shimano Dura-Ace 7900	Shimano Ultegra 6700	SRAM Rival	Shimano 105 5700	Shimano Dura-Ace 7900
Handlebar	FSA Wing Pro Compact	Cannondale C2 Compact	Cannondale C2 Compact	Cannondale C2 Compact	Cannondale C2 Compact
Stem	FSA SLK, 31.8	Cannondale C2, 31.8	Cannondale C2, 31.8	Cannondale C2, 31.8	Cannondale C2, 31.8
Headset	SuperSix, 1.5 lower bearing, 30 mm carbon, w/5 mm hidden alloy top cover	SuperSix, 1.5 lower bearing, 30 mm carbon, w/5 mm hidden alloy top cover	SuperSix, 1.5 lower bearing, 30 mm carbon, w/5 mm hidden alloy top cover	SuperSix, 1.5 lower bearing, 30 mm alloy, w/5 mm hidden top cover	CAAD10, 1-1/4" lower bearing, 25 mm carbon top cap
Brakes	Shimano Ultegra 6700	Tektro R580, dual pivot, cartridge pad	SRAM dual pivot	Shimano 105 5700	Shimano Ultegra 6700
Brake Levers	Shimano Ultegra 6700	Shimano Ultegra 6700	SRAM Rival	Shimano 105 5700	Shimano Dura-Ace 7900
Saddle	Fi'zi:k Arione Mg rails	Fi'zi:k Arione Mg rails	Prologo Scratch Pro T2.0	Prologo Kappa Pas	Fi'zi:k Arione Mg rails
Seatpost	FSA SLK Carbon SP-RK-260, 31.6 mm, 350 mm	Cannondale C2, UD Carbon, 31.6 mm, 300 mm	Cannondale C2, UD Carbon, 31.6 mm, 300 mm	Cannondale C2, UD Carbon, 31.6 mm, 300 mm	Cannondale C2, UD Carbon, 27.2 mm, 300 mm
Sizes	48, 50, 52, 54, 56, 58, 60, 63cm	48, 50, 52, 54, 56, 58, 60, 63cm	48, 50, 52, 54, 56, 58, 60, 63cm	48, 50, 52, 54, 56, 58, 60, 63cm	48, 50, 52, 54, 56, 58, 60, 63cm
Color 1 (code)	Jet Black Matte w/outline decals (matte) (BLK)	Blue Tinted Clear Coat (gloss) (BLU)	Jet Black Matte w/outline decals (matte) (BLK)	Exposed Carbon (matte) (CRB)	Black Anodized (matte) (BLA)
Color 2 (code)	Magnesium White, Race Red (gloss) (RED)	Race Red (gloss) (RED)	Magnesium White and Orange (gloss) (ORG)	Team Replica (gloss) (REP)	Race Red (gloss) (RED)
Extras					

	<i>CAAD10 3 ULTEGRA</i>	<i>CAAD10 4 RIVAL</i>	<i>CAAD10 5 105</i>	<i>CAAD8 5 105</i>	<i>CAAD8 6 TIAGRA</i>
Code	1RAX3D, 1RAX3C	1RAX4D, 1RAX4C	1RAX5D, 1RAX5C	1RAX8C, 1RAX8T	1RAX6C, 1RAX6T
Frame	CAAD10, Smartformed 6069 Alloy, SAVE, BB30	CAAD10, Smartformed 6069 Alloy, SAVE, BB30	CAAD10, Smartformed 6069 Alloy, SAVE, BB30	CAAD8, Optimized 6061 Alloy, BB30	CAAD8, Optimized 6061 Alloy
Fork	CAAD10, full carbon, 1-1/8" to 1-1/4" tapered steerer	CAAD10, full carbon, 1-1/8" to 1-1/4" tapered steerer	CAAD10, full carbon, 1-1/8" to 1-1/4" tapered steerer	Cannondale Ultra, Carbon Blades, 1-1/8"	Cannondale Ultra, Carbon Blades, 1-1/8"
Rims	Mavic Aksium	Shimano RS10	Shimano RS10	Alex RC24	Maddux DRX 4000
Hubs	Mavic Aksium	Shimano RS10	Shimano RS10	Formula RB-51, 28 hole front, RB-52, 32 hole rear	Formula RB-51, 32 hole front, RB-52, 32 hole rear
Spokes	Mavic Aksium	Shimano RS10	Shimano RS10	Stainless Steel, bladed	Stainless Steel
Tires	Schwalbe Lugano, 700 x 23c, folding	Schwalbe Lugano, 700 x 23c, folding	Schwalbe Lugano, 700 x 23c, folding	Schwalbe Lugano, 700 x 23c	Schwalbe Lugano, 700 x 23c
Pedals	N/A	N/A	N/A	N/A	N/A
Crank	FSA SL-K Light Carbon, BB30, 53/39 (Option: compact 50/34)	SRAM Force Carbon, BB30, 53/39 (Option: compact 50/34)	FSA Gossamer Pro, BB30, 53/39 (Option: compact 50/34)	FSA Gossamer, BB30, 50/34 (Option: triple 50/39/30)	FSA Omega MegaExo, 50/34 (Option: triple 50/39/30)
Bottom Bracket	FSA BB30	SRAM BB30	FSA BB30	FSA BB30	FSA MegaExo
Chain	Shimano Ultegra 6700	KMC DX10SC	Shimano 105 5700	Shimano 105 5700	KMC 9-speed
Rear Cogs	Shimano Ultegra 6700, 11-25	SRAM PG-1070, 11-26	Shimano 105 5700, 12-27	Shimano 105 5700, 12-27	SRAM PG-950, 12-26
Front Derailleur	Shimano Ultegra 6700 braze-on	SRAM Rival, braze-on	Shimano 105 5700, braze-on	Shimano 105 5700, 34.9 mm clamp	Shimano Tiagra, 34.9 clamp
Rear Derailleur	Shimano Ultegra 6700	SRAM Rival	Shimano 105 5700	Shimano 105 5700	Shimano Tiagra
Shifters	Shimano Ultegra 6700	SRAM Rival	Shimano 105 5700	Shimano 105 5700	Shimano Tiagra
Handlebar	Cannondale C3 Compact	Cannondale C3 Compact	Cannondale C3 Compact	Cannondale C3 Compact	Cannondale C4 Compact
Stem	Cannondale C3, 31.8	Cannondale C3, 31.8	Cannondale C3, 31.8	Cannondale C3, 31.8	Cannondale C4, 31.8
Headset	CAAD10, 1-1/4" lower bearing, 25 mm carbon top cap	CAAD10, 1-1/4" lower bearing, 25 mm carbon top cap	CAAD10, 1-1/4" lower bearing, 25 mm carbon top cap	CAAD10, 1-1/4" lower bearing, 25 mm carbon top cap	CAAD10, 1-1/4" lower bearing, 25 mm carbon top cap
Brakes	Tektro R580, dual pivot, cartridge pad	SRAM dual pivot	Shimano 105 5700	Tektro R580, dual pivot, cartridge pad	Cannondale C4 w/cartridge pads and cold forged retainer
Brake Levers	Shimano Ultegra 6700	SRAM Rival	Shimano 105	Shimano 105 5700	Shimano Tiagra
Saddle	Prologo Scratch Pro T2.0	Prologo Kappa Pas	Prologo Kappa Pas	Cannondale Stage w/Crmo Rails	Cannondale Stage w/Steel Rails
Seatpost	Cannondale C2, UD Carbon, 27.2 mm, 300 mm	Cannondale C2, UD Carbon, 31.6 mm, 300 mm	Cannondale C3, Carbon wrap, 27.2 mm, 300 mm	Cannondale C3, Carbon wrap, 31.6 mm, 300 mm	Cannondale C4 alloy, 31.6 mm, 300 mm
Sizes	48, 50, 52, 54, 56, 58, 60, 63cm	48, 50, 52, 54, 56, 58, 60, 63cm	48, 50, 52, 54, 56, 58, 60, 63cm	48, 51, 54, 56, 58, 61cm	48, 51, 54, 56, 58, 61cm
Color 1 (code)	Berserker Green (gloss) (GRN)	Jet Black, Magnesium White (gloss) (BLK)	Jet Black (gloss) (BLK)	Jet Black (gloss) (BLK)	Jet Black (matte) (BBQ)
Color 2 (code)	Magnesium White (gloss) (WHT)	Magnesium White, Indigo Blue (gloss) (BLU)	Race Red (gloss) (RED)	Magnesium White w/Race Red (gloss) (WHT)	Magnesium White w/Indigo Blue (gloss) (WHT)
Extras					

	<i>CAAD8 7 SORA</i>	<i>SYNAPSE HI-MOD 1 DURA-ACE</i>	<i>SYNAPSE HI-MOD 2 SRAM RED</i>	<i>SYNAPSE CARBON 3 ULTEGRA</i>	<i>SYNAPSE CARBON 4 RIVAL</i>
Code	1RA87C, 1RA87T	IRCL1C	IRCL2C	IRCS3C, IRCS3T	IRCS4C
Frame	CAAD8, Optimized 6061 Alloy	Synapse, HI-MOD full carbon, SAVE, BB30	Synapse, HI-MOD full carbon, SAVE, BB30	Synapse, full carbon, SAVE, BB30	Synapse, full carbon, SAVE, BB30
Fork	Cannondale Ultra, Carbon Blades, 1-1/8"	Synapse, HI-MOD full carbon, SAVE, 1-1/8"	Synapse, HI-MOD full carbon, SAVE, 1-1/8"	Synapse, full carbon, SAVE, 1-1/8", alloy dropouts	Synapse, full carbon, SAVE, 1-1/8", alloy dropouts
Rims	Maddux DRX 4000	Mavic Ksyrium SL, black	Mavic Ksyrium Elite	DT Swiss R-1700	Mavic Aksium
Hubs	Formula RB-51 front, RB-52 rear, 32 hole	Mavic Ksyrium SL, black	Mavic Ksyrium Elite	DT Swiss R-1700	Mavic Aksium
Spokes	Stainless Steel	Mavic Ksyrium SL, black	Mavic Ksyrium Elite	DT Swiss R-1700	Mavic Aksium
Tires	Schwalbe Lugano, 700 x 23c	Schwalbe Ultremo ZX, 700 x 25c, folding	Schwalbe Ultremo ZX, 700 x 25c, folding	Schwalbe Durano 700 x 25c, folding	Schwalbe Durano, 700 x 25c, folding
Pedals	N/A	N/A	N/A	N/A	N/A
Crank	FSA Vero, 50/34 (Option: triple 50/39/30)	Cannondale Hollowgram SL BB30, 50/34, FSA DA-79 chainrings	SRAM RED w/Cannondale graphics, BB30, 50/34	FSA SL-K Light Carbon, BB30, 50/34 (Option: triple 52/39/30)	FSA Gossamer Pro BB30, 50/34
Bottom Bracket	FSA	Cannondale BB30, ceramic bearings	SRAM RED, BB30	FSA BB30	FSA BB30
Chain	KMC 9-speed	Shimano Dura-Ace 7900	KMC X10 SL	Shimano Ultegra 6700	KMC DX10SC
Rear Cogs	SRAM PG-950, 12-26	Shimano Dura-Ace 7900, 11-28	SRAM PG-1070, 11-28	Shimano Ultegra 6700, 11-28	SRAM PG-1070, 11-28
Front Derailleur	Shimano Sora, 34.9 clamp	Shimano Dura-Ace 7900 braze-on	SRAM RED, Braze On	Shimano Ultegra 6700, braze-on	SRAM Rival, braze-on
Rear Derailleur	Shimano Sora	Shimano Dura-Ace 7900	SRAM RED	Shimano Ultegra 6700	SRAM Rival
Shifters	Shimano Sora	Shimano Dura-Ace 7900	SRAM RED	Shimano Ultegra 6700	SRAM Rival
Handlebar	Cannondale C4 Compact	FSA SL-K Compact	FSA Wing Pro Compact	FSA Wing Compact	FSA Wing Compact
Stem	Cannondale C4, 31.8 mm	FSA SLK, 31.8	FSA SLK, 31.8	FSA OS-150, 31.8	Cannondale C2, 31.8
Headset	CAAD10, 1-1/4" lower bearing, 25 mm carbon top cap	Synapse Si, 25 mm carbon top cap	Synapse Si, 25 mm carbon top cap	Synapse Si, 25 mm carbon top cap	Synapse Si, 25 mm top cap
Brakes	Cannondale C4 w/cartridge pads and cold forged retainer	Shimano Dura-Ace 7900	SRAM RED	Shimano Ultegra 6700	SRAM dual pivot
Brake Levers	Shimano Sora	Shimano Dura-Ace 7900	SRAM RED	Shimano Ultegra 6700	SRAM Rival
Saddle	Cannondale Stage w/Steel Rails	Fi'zi:k Aliante Gamma w/K:ium rails	Fi'zi:k Aliante Delta Mg rails	Fi'zi:k Aliante Delta Mg rails	Prologo Scratch Pro T2.0
Seatpost	Cannondale C4 alloy, 31.6 mm, 300 mm	Synapse SAVE HI-MOD, 275 mm	Synapse SAVE HI-MOD, 275 mm	Synapse SAVE carbon, 275 mm	Synapse SAVE carbon, 275 mm
Sizes	48, 51, 54, 56, 58, 61cm	48, 51, 54, 56, 58, 61cm	48, 51, 54, 56, 58, 61cm	48, 51, 54, 56, 58, 61cm	48, 51, 54, 56, 58, 61cm
Color 1 (code)	Race Red w/White (gloss) (RED)	Exposed Carbon (matte) (CRB)	Exposed Carbon (matte) (CRB)	Charcoal Grey w/Magnesium White (gloss) (GRY)	Indigo Blue (gloss) (BLU)
Color 2 (code)	Magnesium White w/Charcoal Grey (gloss) (WHT)	Magnesium White w/Race Red (gloss) (WHT)	Magnesium White w/Race Red (gloss) (WHT)	Race Red w/Magnesium White (gloss) (RED)	Race Red w/Magnesium White (gloss) (RED)
Extras					

	<i>SYNAPSE CARBON 5 105</i>	<i>SYNAPSE CARBON 6 APEX</i>	<i>SYNAPSE ALLOY 5 105</i>	<i>SYNAPSE ALLOY 6 TIAGRA</i>	<i>SYNAPSE ALLOY 7 SORA</i>
Code	IRCS5C, IRCS5T	IRCS6C	IRAS5C, IRAS5T	IRAS6C, IRAS6T	IRAS7T
Frame	Synapse, full carbon, SAVE, BB30	Synapse Carbon, BB30	Synapse, Optimized 6061 Alloy, BB30, SAVE	Synapse, Optimized 6061 Alloy, SAVE	Synapse, Optimized 6061 Alloy, SAVE
Fork	Synapse, full carbon, SAVE, 1-1/8", alloy dropouts	Synapse SAVE, full carbon, alloy dropouts	Synapse SAVE, carbon blades, 1-1/8"	Synapse SAVE, carbon blades, 1-1/8"	Synapse SAVE, carbon blades, 1-1/8"
Rims	Shimano RS10	Shimano R500A	Shimano RS10	Maddux DRX 4000	Maddux DRX 4000
Hubs	Shimano RS10	Shimano R500A	Shimano RS10	Formula RB-51 front, RB-52 rear, 32 hole	Formula RB-51 front, RB-52 rear, 32 hole
Spokes	Shimano RS10	Shimano R500A	Shimano RS10	Stainless Steel	Stainless Steel
Tires	Schwalbe Lugano, 700 x 25c, folding	Schwalbe Lugano, 700 x 25c, folding	Schwalbe Lugano, 700 x 25c	Schwalbe Lugano, 700 x 25c	Schwalbe Lugano, 700 x 25c
Pedals	N/A	N/A	N/A	N/A	N/A
Crank	FSA Gossamer Pro, BB30, 50/34 (Option: triple 52/39/30)	SRAM S150 Compact, 50/34	FSA Gossamer, BB30, 50/34 (Option: triple 50/39/30)	FSA Omega MegaExo, 50/34 (Option: triple 50/39/30)	FSA Vero, 50/39/30
Bottom Bracket	FSA BB30	SRAM Powerspline w/BB30 adaptor	FSA BB30	FSA MegaExo	FSA
Chain	Shimano 105 5700	KMC DX-10	Shimano 105 5700	KMC 9-speed	KMC 9-speed
Rear Cogs	Shimano 105 5700, 12-25	SRAM Apex, 11-32	Shimano 105 5700, 11-28	SRAM PG-950, 12-26	SRAM PG-950, 12-26
Front Derailleur	Shimano 105 5700, braze-on	SRAM Apex, braze-on	Shimano 105 5700, 34.9 mm clamp	Shimano Tiagra	Shimano Sora
Rear Derailleur	Shimano 105 5700	SRAM Apex WFLI	Shimano 105 5700	Shimano Tiagra	Shimano Sora
Shifters	Shimano 105 5700	SRAM Apex	Shimano 105 5700	Shimano Tiagra	Shimano Sora
Handlebar	FSA Wing Compact	FSA Wing Compact	Cannondale C3 Compact	Cannondale C4 Compact	Cannondale C4 Compact
Stem	Cannondale C2, 31.8	Cannondale C3, 31.8	Cannondale C3, 31.8	Cannondale C4, 31.8	Cannondale C4, 31.8
Headset	Synapse Si, 25 mm top cap	Synapse Si, 25 mm top cap	Synapse Si, 25 mm top cap	Synapse Si, 25 mm top cap	Synapse Si, 25 mm top cap
Brakes	Tektro R580, dual pivot, cartridge pad	SRAM Apex	Tektro R580, dual pivot, cartridge pad long reach	Cannondale C4 w/cartridge pads, long reach	Cannondale C4 w/cartridge pads, long reach
Brake Levers	Shimano 105 5700	SRAM Apex	Shimano 105 5700	Shimano Tiagra	Shimano Sora
Saddle	Prologo Kappa Pas	Cannondale Stage w/Crmo Rails	Cannondale Stage w/Crmo Rails	Cannondale Stage w/Steel Rails	Cannondale Stage w/Steel Rails
Seatpost	Synapse SAVE carbon, 275 mm	Synapse SAVE carbon, 275 mm	Cannondale C3, carbon wrapped, 27.2 mm, 300 mm	Cannondale C4, alloy, 27.2 mm, 300 mm	Cannondale C4, alloy, 27.2 mm, 300 mm
Sizes	48, 51, 54, 56, 58, 61cm	48, 51, 54, 56, 58, 61cm	48, 51, 54, 56, 58, 61cm	48, 51, 54, 56, 58, 61cm	48, 51, 54, 56, 58, 61cm
Color 1 (code)	Jet Black (gloss) (BLK)	Indigo Blue (gloss) (BLU)	Jet Black w/White (gloss) (BLK)	Indigo Blue w/White (gloss) (BLU)	Jet Black w/White (gloss) (BLK)
Color 2 (code)	Berserker Green (gloss) (GRN)	Charcoal Grey (matte) (GRY)	Magnesium White w/Indigo Blue (gloss) (WHT)	Magnesium White w/Race red (gloss) (WHT)	Race Red w/White (gloss) (RED)
Extras					

	SLICE HI-MOD SRAM RED	SLICE 3 ULTEGRA	SLICE 4 RIVAL	SLICE 5 105	SUPERX SRAM RED
Code	1RM2D	1RM3D	1RM4D	1RM5D	1XR00C
Frame	Slice, Hi-MOD full carbon, SAVE, BB30	Slice, full carbon, SAVE, BB30	Slice, full carbon, SAVE, BB30	Slice, full carbon, SAVE, BB30	SuperX, BallisTec Hi-MOD full carbon, SAVE, BB30
Fork	Slice Aero, Hi-MOD full carbon, 1-1/8"	Slice Aero, full carbon, 1-1/8"	Slice Aero, full carbon, 1-1/8"	Slice Aero, full carbon, 1-1/8"	SuperX, BallisTec Hi-MOD full carbon, 1-1/8" to 1-1/4" tapered steerer
Rims	Mavic Cosmic Carbone SL	Mavic Cosmic Elite	Fulcrum Racing 7	Shimano R500A	SuperX, BallisTec Hi-MOD full carbon, 1-1/8" to 1-1/4" tapered steerer
Hubs	Mavic Cosmic Carbone SL	Mavic Cosmic Elite	Fulcrum Racing 7	Shimano R500A	ZIPP 303 Cyclocross Tubular
Spokes	Mavic Cosmic Carbone SL	Mavic Cosmic Elite	Fulcrum Racing 7	Shimano R500A	ZIPP 303 Cyclocross Tubular
Tires	Schwalbe Ultrero ZX, 700 x 23c	Schwalbe Durano S, 700 x 23c, folding	Schwalbe Lugano, 700 x 23c, folding	Schwalbe Lugano, 700 x 23c, folding	Vittoria EVO XM Cross Tubular
Pedals	N/A	N/A	N/A	N/A	N/A
Crank	Cannondale Hollowgram SL BB30, 53/39 w/Aero Spider and SRAM TT rings	Vision TriMax Carbon TT BB30, 53/39	FSA Trimax Pro BB30, 52/38	FSA Gossamer Pro BB30, 53/39	FSA SL-K Light Carbon BB30, 46/36
Bottom Bracket	Cannondale BB30	FSA BB30	FSA BB30	FSA BB30	FSA BB30
Chain	SRAM PC-1070	Shimano Ultegra 6700	KMC DX10	Shimano 105 5700	KMC X10SL
Rear Cogs	SRAM PG-1070, 12-26	Shimano Ultegra 6700, 12-25	SRAM PG-1070, 12-25	Shimano 105 5700, 12-25	SRAM PG-1070, 12-26
Front Derailleur	SRAM RED, braze-on	Shimano Ultegra 6700, braze-on	SRAM Rival, braze-on	Shimano 105 5700, braze-on	SRAM RED, braze-on
Rear Derailleur	SRAM RED	Shimano Ultegra 6700	SRAM Rival	Shimano 105 5700	SRAM RED
Shifters	SRAM 1090 R2C	Shimano Ultegra 6700	SRAM Dual R2C	Microshift Shimano-compatible bar-end	SRAM RED
Handlebar	FSA Vision OS Carbon Base Bar w/Vision Vector Carbon Extensions	FSA Vision OS Alloy Base Bar w/Vision Vector Carbon Extensions	Cannondale C3 Aero bar, 31.8, w/Profile T2 Carbon clip-ons	Cannondale C3 Aero bar, 31.8, w/Profile T2 clip-ons	FSA Energy
Stem	FSA SLK, 31.8	Cannondale C2, 31.8	Cannondale C3, 31.8	Cannondale C3, 31.8	FSA SLK, 31.8
Headset	Slice, Si, 8 mm carbon top cap	Slice, Si, 15 mm top cap	Slice, Si, 15 mm top cap	Slice, Si, 15 mm top cap	Cannondale SuperX, 1 1/8"
Brakes	SRAM RED	Shimano Dual Pivot	SRAM Dual Pivot	Tektro R520	FSA SLK
Brake Levers	FSA BL Aero	FSA BL Aero	Alloy aero levers	Alloy aero levers	SRAM RED
Saddle	Fi'zi:k Arione TRI2 w/Kium rails	Fi'zi:k Arione TRI2, Mg Rails	Fi'zi:k Arione TRI2, Mg Rails	Fi'zi:k Arione TRI2, Mg Rails	Fi'zi:k Tundra 2, Kium Rails
Seatpost	Cannondale Slice Carbon Aero Hi-MOD, 2 position, 350 mm	Cannondale Slice Carbon Aero, 2 position, 350 mm	Cannondale Slice Carbon Aero, 2 position, 350 mm	Cannondale Slice Carbon Aero, 2 position, 350 mm	FSA SLK, 27.2 mm, 350 mm
Sizes	51, 54, 56, 58, 60cm	51, 54, 56, 58, 60cm	51, 54, 56, 58, 60cm	51, 54, 56, 58, 60cm	44, 48, 52, 54, 56, 58cm
Color 1 (code)	Jet Black (matte) (BBQ).	Magnesium White (gloss) (WHT).	Magnesium White (gloss) (WHT).	Magnesium White (gloss) (WHT).	Berserker Green (gloss) (GRN).
Color 2 (code)					
Extras					

	QUICK CARBON 2	QUICK 1	QUICK 2	QUICK 3	QUICK 4
Code	QORC2T	1QR1	1QR2	1QR3	1QR4
Frame	Quick, full carbon, BB30 Si	Quick SL, Optimized 6061 Alloy, SAVE	Quick SL, Optimized 6061 Alloy, SAVE	Quick SL, Optimized 6061 Alloy, SAVE	Quick, butted 6061 alloy, SAVE
Fork	Quick, full carbon, Si, 1-1/8" steerer	Quick, carbon blades, 1 1/8" steerer	Quick, carbon blades, 1 1/8" steerer	Quick, carbon blades, 1 1/8" steerer	Quick, carbon blades, 1 1/8" steerer
Rims	Formula XERO Element CXR	Element Xero C2	Element Xero C3	Element Xero C3	Element Xero C3
Hubs	Formula XERO Element CXR	Element Xero C2	Element Xero C3	Element Xero C3	Element Xero C3
Spokes	Formula XERO Element CXR	Element Xero Bladed Stainless	Element Xero Stainless	Element Xero Stainless	Element Xero Stainless
Tires	Kenda Kwick Roller Sport, 700 X 28c	Continental Sport Contact, 700 x 32c	Continental Sport Contact, 700 x 32c	Continental City Contact, 700 x 32c	Kenda Kwick Trax, 700 X 38c
Pedals	Wellgo alloy cage	Quick Alloy w/Kraton, by Wellgo	Quick Alloy w/Kraton, by Wellgo	Quick Alloy w/Kraton, by Wellgo	Quick Reinforced Composite w/Kraton, by Wellgo
Crank	FSA Gossamer BB30 Triple, 52/39/30	Shimano 105 triple, 50/39/30	Shimano Tiagra triple, 50/39/30	Shimano M431, 48/36/26	Shimano M131, 48/38/28
Bottom Bracket	FSA BB30	Shimano 105	Shimano Tiagra	Tange Cartridge	Tange Cartridge
Chain	KMC X10SL, 10-speed	KMC X10, 10-speed	KMC Z99, 9-speed	KMC Z99, 9-speed	KMC Z72, 8-speed
Rear Cogs	SRAM PG-1070, 12-27	Shimano 105, 12-27	SRAM PG-950, 12-26	SRAM PG-950, 12-26	SunRace CSM668, 11-32
Front Derailleur	Shimano 105, braze-on	Shimano R773	Shimano R443	Shimano Alivio M431	Shimano M191
Rear Derailleur	Shimano 105	Shimano 105	Shimano Tiagra	Shimano Deore M591	Shimano Alivio M410
Shifters	Shimano SL-R770, 10-speed	Shimano SL-R770, 10-speed	Shimano SL-R440, 9-speed	Shimano Alivio M430, 9-speed	Shimano Alivio M410, 8-speed
Handlebar	Cannondale C3, butted 6061 alloy, 25 mm rise	Cannondale C3, butted 6061 alloy, 25 mm rise	Cannondale C3, butted 6061 alloy, 25 mm rise	Cannondale C4, 6061 alloy, 25 mm rise	Cannondale C4, 6061 alloy, 25 mm rise
Stem	Cannondale C3, 31.8	Cannondale C3, 31.8	Cannondale C3, 31.8	Cannondale C4, 31.8	Cannondale C4, 31.8
Headset	Tange Integrated w/25 mm top cover	Tange Custom Si	Tange Custom Si	Tange Custom Si	Tange Custom Si
Brakes	Tektro Mini-V w/cartridge pads	Tektro RX5 Mini V-Brakes	Tektro RX5 Mini V-Brakes	Tektro RX1 Mini V-Brakes	Tektro TX 120 V-Brakes
Brake Levers	Tektro 3-finger	Tektro MT5.0 Carbon	Tektro R392A w/Kraton insert	Tektro R392A w/Kraton insert	Tektro R392A w/Kraton insert
Saddle	Cannondale Quick Ergo High Performance	Cannondale Quick Ergo Performance	Cannondale Quick Ergo Performance	Cannondale Quick Ergo Performance	Cannondale Quick Ergo Performance
Seatpost	SAVE full carbon	Cannondale C2 2014 Alloy, 2 bolt, 27.2 mm	Cannondale C3 6061 Alloy, 2 bolt, 27.2 mm	Cannondale C4 6061 Alloy, 27.2 mm	Cannondale C4 6061 Alloy, 27.2 mm
Sizes	S, M, L, X, J	S, M, L, X, J	XS (26"), S, M, L, X, J	S, M, L, X, J	XS (26"), S, M, L, X, J
Color 1 (code)	Uni-directional Carbon (matte) (CRB).	Brushed Aluminum (gloss) (RAW).	Jet Black (gloss) (BLK).	Indigo Blue (gloss) (BLU).	Jet Black (gloss) (BLK).
Color 2 (code)				Magnesium White (gloss) (WHT).	Charcoal Grey (gloss) (GRY).
Extras	Cannondale Lock On Ergo grips	Cannondale Lock On Ergo Performance grips, w/bar ends	Cannondale Lock On Ergo Performance grips	Cannondale Lock On Ergo Performance grips	Cannondale Ergo Performance grips

	SUPERX SRAM RIVAL	CAADX SRAM RIVAL	CAADX 105	CAADX TIAGRA	QUICK CARBON 1
Code	1XC4C	1XR4C	1XR5C	1XR6C, 1XR6T	QORC1C
Frame	SuperX, BallisTec Hi-MOD full carbon, SAVE, BB30	CAADX Cyclocross, Optimized 6061 Alloy, BB30	CAADX Cyclocross, Optimized 6061 Alloy, BB30	CAADX Cyclocross, Optimized 6061 Alloy	Quick, full carbon, BB30 Si
Fork	SuperX, BallisTec Hi-MOD full carbon, 1-1/8" to 1-1/4" tapered steerer	Cannondale Ultra X, carbon blades, 1-1/8"	Cannondale Ultra X, carbon blades, 1-1/8"	Cannondale Ultra X, carbon blades, 1-1/8"	Quick, full carbon, Si, 1-1/8" steerer
Rims	Mavic Ksyrium Equipe	Maddux DRX 6000	Maddux DRX 6000	Maddux DRX 6000	Formula XERO Element CXR
Hubs	Mavic Ksyrium Equipe	Formula RB-91 front, RB-32 rear, 32 hole	Formula RB-51 front, RB-52 rear, 32 hole	Formula RB-51 front, RB-52 rear, 32 hole	Formula XERO Element CXR
Spokes	Mavic Ksyrium Equipe	Stainless Steel XD Black	Stainless Steel XD Black	Stainless Steel XD Black	Formula XERO Element CXR
Tires	Continental CX RACE, 700 X 35c	Continental Cyclocross Speed, 700 x 35c	Continental Cyclocross Speed, 700 x 35c	Continental Cyclocross Speed, 700 x 35c	Kenda Kwick Roller Sport, 700 X 28c
Pedals	N/A	Wellgo Composite body Alloy Cage	Wellgo Composite body Alloy Cage	Wellgo Composite body Alloy Cage	Wellgo alloy cage
Crank	FSA SL-K Light Carbon BB30, 46/36	FSA SL-K Light Carbon BB30, 46/36	FSA Gossamer BB30, 46/36	FSA Omega Mega Exo, 46/36, Option: FSA Omega Mega Exo, 50/39/30	FSA SLK BB30 Compact MegaExo, 50/34
Bottom Bracket	FSA BB30	FSA BB30	FSA BB30	FSA Mega Exo	FSA BB30
Chain	KMC X10	KMC X10	Shimano 105 5700	Shimano HG-53	KMC X10SL, 10-speed
Rear Cogs	SRAM PG 1070, 12-27	SRAM PG 1070, 12-27	Shimano 105 5700, 12-25	SRAM PG 950, 12-26	SRAM PG-1070, 12-27
Front Derailleur	SRAM Rival, braze on	SRAM Rival, 34.9 mm clamp	Shimano 105 5700, braze-on	Shimano Tiagra, 34.9 mm clamp	Shimano 105, braze-on
Rear Derailleur	SRAM Rival	SRAM Rival	Shimano 105 5700	Shimano Tiagra Triple	Shimano Ultegra 6700
Shifters	SRAM Rival	SRAM Rival	Shimano 105 5700	Shimano Tiagra	Shimano SL-R770, 10-speed
Handlebar	FSA Energy	ControlTech Elite	ControlTech Elite	ControlTech Elite	Cannondale C3, 6061 alloy, 20 mm rise
Stem	Cannondale C2, 31.8	Cannondale C3, 31.8	Cannondale C4, 31.8	Cannondale C4, 31.8	Cannondale C3, 31.8
Headset	Cannondale SuperX, 1 1/8"	CAADX, Si, 1 1/8"	CAADX, Si, 1 1/8"	CAADX, Si, 1 1/8"	Tange Integrated w/25 mm top cover
Brakes	FSA SLK	TRP EuroX	Tektro CR720, black	Tektro CR520, silver	Tektro Mini-V w/cartridge pads
Brake Levers	SRAM Rival	SRAM Rival	Shimano 105 5700	Shimano Tiagra	Tektro 3-finger
Saddle	Fi'zi:k Tundra 2, Mg Rails	Cannondale w/Crmo Rails	Cannondale w/Crmo Rails	Cannondale w/Crmo Rails	Cannondale Quick Ergo High Performance
Seatpost	Cannondale C2, UD Carbon, 27.2 mm, 300 mm	Cannondale C3, Alloy, 31.6 mm, 300 mm	Cannondale C3, Alloy, 31.6 mm, 300 mm	Cannondale C3, Alloy, 31.6 mm, 300 mm	SAVE full carbon
Sizes	44, 48, 52, 54, 56, 58cm	44, 48, 51, 54, 56, 58, 61cm	44, 48, 51, 54, 56, 58, 61cm	44, 48, 51, 54, 56, 58, 61cm	S, M, L, X, J
Color 1 (code)	Berserker Green (gloss) (GRN).	Race Red (gloss) (RED).	Brushed Aluminum (RAW).	Jet Black (matte) (BBQ).	Uni-directional Carbon (matte) (CRB).
Color 2 (code)					
Extras					Cannondale Lock On Ergo grips

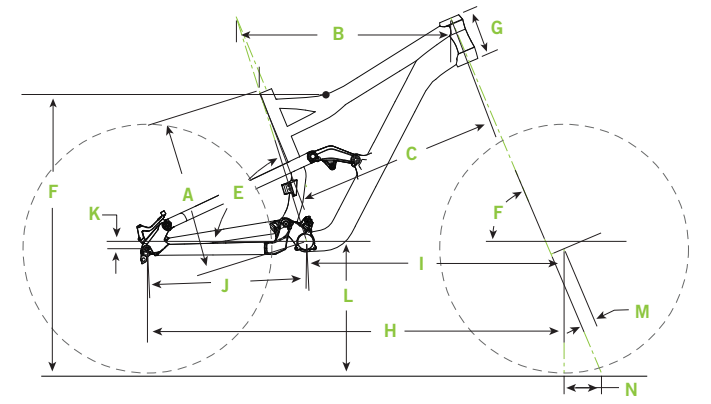
	QUICK 5	QUICK CX 1	QUICK CX 2	QUICK CX 3	QUICK CX 4
Code	1QR5	1QRX1	1QRX2	1QRX3	1QRX4
Frame	Quick, butted 6061 alloy, SAVE	Quick CX Si, Optimized 6061 Alloy, SAVE, HeadShok	Quick CX, Optimized 6061 Alloy, SAVE, 1.5" head tube	Quick CX, Optimized 6061 Alloy, SAVE, 1.5" head tube	Quick CX Rigid, Optimized 6061 Alloy, SAVE, 1-1/8" Si head tube
Fork	Quick, 6061 Alloy, 1 1/8" steerer	HeadShok Fatty DL50 w/lockout, OPI	RST Neon Pro Custom 1.5" Trekking TnL Lockout, 50 mm	RST Neon Pro Custom 1.5" Trekking ML Lockout, 50 mm	Fatty Rigid Disc
Rims	Jalco DT 21	Element Xero C2	Element Xero C2	Maddux Disc X320 w/eyelets	Maddux Disc X320 w/eyelets
Hubs	Formula RM21 front, FM22 rear	Element Xero C2	Element Xero C2	Shimano M435 Alivio centerlock disc	Formula DC20 front, DC22 rear
Spokes	Stainless 15g	Stainless Steel XD Black w/Red Nipples	Stainless Steel XD Black w/Red Nipples	Stainless Steel XD Black w/Red Nipples	Stainless Steel XD Black w/Red Nipples
Tires	Kenda Kwick Trax, 700 X 38c	Continental Double Fighter II, 700 x 37c	Continental Double Fighter II, 700 x 37c	Continental Double Fighter II, 700 x 37c	Continental Double Fighter II, 700 x 37c
Pedals	Quick Reinforced Composite w/Kraton, by Wellgo	Wellgo, Platform type, Reinforced Resin	Wellgo, Platform type, Reinforced Resin	Wellgo, Platform type, Reinforced Resin	Wellgo, Platform type, Reinforced Resin
Crank	Shimano M131, 48/38/28	Shimano M521, 48/36/26	Shimano M431, 48/36/26	Shimano M171, 48/38/28	Shimano M171, 48/38/28
Bottom Bracket	Tange Cartridge	Shimano Octalink	Tange Seiki Cartridge BB	Tange Seiki Cartridge BB	Tange Seiki Cartridge BB
Chain	KMC Z72, 8-speed	Shimano HG-53, 9-speed	Shimano HG-53, 9-speed	KMC-Z82, 8-speed	KMC-Z82, 8-speed
Rear Cogs	SunRace CSM668, 11-32	Shimano-HG30, 11-32	Shimano-HG30, 11-32	Sunrace CSG66, 11-32	Sunrace CSG66, 11-32
Front Derailleur	Shimano M191	Shimano Alivio M431	Shimano Alivio M431	Shimano Alivio M191	Shimano Alivio M191
Rear Derailleur	Shimano Altus M310	Shimano SLX M662 Shadow	Shimano Deore M592 Shadow	Shimano Alivio M410	Shimano Acera M360
Shifters	Shimano Alivio M310, 8-speed	Shimano Deore M590, 9-speed	Shimano Alivio M430, 9-speed	Shimano Acera M360, 8-speed	Shimano Altus M310, 8-speed
Handlebar	Cannondale C4, 6061 alloy, 25 mm rise	Cannondale C3, 6061 butted alloy, 20 mm rise, 600 mm	Cannondale C3, 6061 butted alloy, 20 mm rise, 600 mm	Cannondale C4 6061 alloy, 25 mm rise, 600 mm	Cannondale C4 6061 alloy, 25 mm rise, 600 mm
Stem	Cannondale C4, 31.8	Cannondale C3 HeadShok 3-D Forged	Cannondale C3 1.5" 3-D Forged	Cannondale C3 1.5" 3-D Forged	Cannondale C4
Headset	Tange Custom Si	Tange Custom HeadShok	Tange Custom 1.5"	Tange Custom 1.5"	Tange 1 1/8"
Brakes	Tektro TX 120 V-Brakes	Shimano M505 Hydraulic Disc	Shimano M445 Hydraulic Disc	Tektro Novela Mechanical Disc	Tektro Novela Mechanical Disc
Brake Levers	Cannondale CBL 8.0	Shimano M505 Hydraulic Disc	Shimano M445 Hydraulic Disc	Cannondale CBL 8.0	Cannondale CBL 8.0
Saddle	Cannondale Quick Ergo Performance	Cannondale Quick CX Ergo	Cannondale Quick CX Ergo	Cannondale Quick CX Ergo	Cannondale Quick CX Ergo
Seatpost	Cannondale C4 6061 alloy, 27.2 mm, 350 mm	Cannondale C3, 2 bolt, alloy, 31.6, 350 mm	Cannondale C3, 2 bolt, alloy, 31.6, 350 mm	Cannondale C4, alloy, 31.6, 350 mm	Cannondale C4, alloy, 31.6, 350 mm
Sizes	S, M, L, X, J	S, M, L, X, J	S, M, L, X, J	S, M, L, X, J	S, M, L, X, J
Color 1 (code)	Goodnight Green (matte) (GRN).	Brushed Aluminum (gloss) (RAW).	Race Red (gloss) (RED).	Lightning White (gloss) (WHT).	Jet Black (gloss) (BLK).
Color 2 (code)	Fine Silver (gloss) (SLV).				
Extras	Cannondale Ergo Performance grips	Cannondale Cityscape Urban Lock On grips	Cannondale Cityscape Urban Lock On grips	Cannondale Cityscape Urban Lock On grips	Cannondale Cityscape Urban grips

	ADVENTURE 1	ADVENTURE 2	ADVENTURE 3	ADVENTURE 3 26"	ROAD TANDEM 2
Code	IAS1	IAS2	IAS3	ICS3	9RT2
Frame	Adventure, double butted 6061 alloy	Adventure, double butted 6061 alloy	Adventure, double butted 6061 alloy	Adventure, double butted 6061 alloy,	CAAD Tandem, Optimized 6061 alloy, 700c
Fork	Adventure Trail Si suspension, 35 mm, alloy 1-1/8" steerer	Adventure Trail Si suspension, 35 mm, steel 1-1/8" steerer	RST Sofi T, 50 mm, 1-1/8" steerer	RST Sofi T 26", 50 mm, 1-1/8" steerer	Fatty R Tandem rigid, 1-1/8" steerer
Rims	Cannondale C3, double wall, alloy	Cannondale C3, double wall, alloy	Cannondale C3, double wall, alloy	Cannondale C3, double wall, alloy, 26"	Sun ME14A w/eyelet and machined sidewall, 40 hole
Hubs	Formula FM-21 front, Shimano Nexus Premium 8-speed internal rear	Formula FM-21 front, FM-22 rear	Formula FM-21 front, FM-22 rear	Formula FM-21 front, FM-22 rear	White Industries Mi6 Disc
Spokes	Stainless, 15g	Stainless, 15g	Stainless, 15g	Stainless, 15g	DT Swiss Champion, 14g
Tires	Kenda Kwick Trax, 700 x 38c	Kenda Kwick Trax, 700 x 38c	Kenda Kwick Trax, 700 x 38c	Kenda NPJ signature, 26 x 2.1"	Continental Ultra GatorSkin, 700 x 28c
Pedals	FPD Resin w/Kraton Insert	FPD Resin w/Kraton Insert	FPD Resin w/Kraton Insert	FPD Resin w/Kraton Insert	N/A
Crank	FSA Single Ring, 38	Shimano M191, 48/38/28	Shimano M191, 48/38/28	Shimano M191, 48/38/28	FSA Gossamer Tandem, 53/39/30
Bottom Bracket	Tange cartridge type	Tange cartridge type	Tange cartridge type	Tange cartridge type	FSA MegaExo
Chain	KMC for single speed	KMC 8-speed	KMC 8-speed	KMC 8-speed	Shimano 105, KMC 8-speed timing
Rear Cogs	N/A	Sunrace CSM668, 11-32	Sunrace CSM668, 11-32	Sunrace CSM668, 11-32	IRD 10-speed, 11-32
Front Derailleur	N/A	Shimano M-191	Shimano M-191	Shimano M-191	Shimano Ultegra 6700
Rear Derailleur	N/A	Shimano Alivio	Shimano Acera	Shimano Acera	Shimano Ultegra 6700
Shifters	Shimano Nexus, twist type, 8-speed	Shimano Revo, twist type, 8-speed	Shimano Revo, twist type, 8-speed	Shimano Revo, twist type, 8-speed	Shimano Revo, twist type, 8-speed
Handlebar	Cannondale C4, 50 mm rise, alloy	Cannondale C4, 50 mm rise, alloy	Cannondale C4, 50 mm rise, alloy	Cannondale C4, 50 mm rise, alloy	FSA Gossamer, 31.8 front, Stoker rear
Stem	Tranz X Comfort Grip, Tool-free Adjustment	Tranz X Comfort Grip, Tool-free Adjustment	Tranz X Comfort Grip, Tool-free Adjustment, quill type	Tranz X Comfort Grip, Tool-free Adjustment, quill type	Cannondale C3 front, 31.8 Stoker rear
Headset	Tange Integrated	Tange Integrated	Semi-integrated cartridge, threaded	Semi-integrated cartridge, threaded	Tange Integrated
Brakes	Cannondale V Brake w/modulator	Cannondale V Brake w/modulator	Cannondale V Brake w/modulator	Cannondale V Brake w/modulator	Avid BB7 Road Disc
Brake Levers	Shimano Nexus, 4 finger	Cannondale, 4 finger w/Kraton comfort insert	Cannondale, 4 finger w/Kraton comfort insert	Cannondale, 4 finger w/Kraton comfort insert	Shimano Ultegra
Saddle	Cannondale Ultra Comfort	Cannondale Ultra Comfort	Cannondale Ultra Comfort	Cannondale Ultra Comfort	Fi'zi:k Aliante Delta Mg
Seatpost	Cannondale Suspension, 40 mm travel, 27.2, 350 mm	Cannondale Suspension, 40 mm travel, 27.2, 350 mm	Cannondale Suspension, 40 mm travel, 27.2, 350 mm	Cannondale Suspension, 40 mm travel, 27.2, 350 mm	Thomson Elite
Sizes	S, M, L, X, J	S, M, L, X, J	S, M, L, X, J	S, M, L, X, J	MS, LS, XS, JM
Color 1 (code)	Jet Black (gloss) (BLK)	Indigo Blue (gloss) (BLU)	Jet Black (gloss) (BLK)	Jet Black (gloss) (BLK)	Lightning White (gloss) (WHT)
Color 2 (code)		Charcoal Gray (gloss) (GRY)	Goodnight Green (gloss) (GRN)	Goodnight Green (gloss) (GRN)	
Extras	Cannondale Ergo Lock-On grips, Tranz X Comfort Grip quick release skewers and quick release seat binder	Cannondale Ergo Lock-On grips, Tranz X Comfort Grip quick release skewers and quick release seat binder	Cannondale Ergo Lock-On grips, Tranz X Comfort Grip quick release skewers and quick release seat binder	Cannondale Ergo Lock-On grips, Tranz X Comfort Grip quick release skewers and quick release seat binder	Cannondale Ergo Lock-On grips, Tranz X Comfort Grip quick release skewers and quick release seat binder

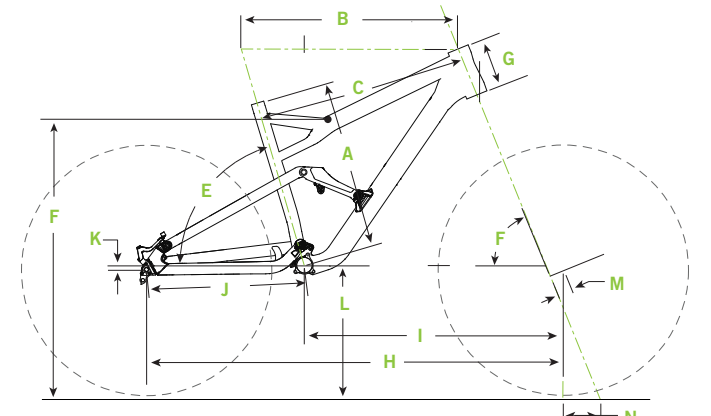
	BAD BOY SOLO HEADSHOK	BAD BOY SOLO	BAD BOY	HOOLIGAN 3	HOOLIGAN 8
Code	IBS1	IBS4	IBS5	OHL3	OHL8
Frame	Bad Boy Stealth, Optimized 6061 Alloy, HeadShok	Bad Boy Urban, Optimized 6061 alloy	Bad Boy Urban, Optimized 6061 alloy	Hooligan Delta V, Urban Compact, 6061 alloy, 20" wheel	Hooligan Delta V, Urban Compact, 6061 alloy, 20" wheel
Fork	HeadShok Solo DL50, lockout, OPI	Cannondale Solo, 1 1/8"	Cannondale Fatty Rigid, 1 1/8"	Cannondale Solo Rigid	Cannondale Fatty Rigid, 1 1/8"
Rims	Maddux SR300	Maddux SR300	Maddux SR300	Jalco X320 Disc, 20"	Jalco X320 Disc, 20"
Hubs	Cannondale Lefty front, Shimano M525 Deore rear	Cannondale Lefty front, Formula DC22 rear	Formula DC20 front, DC22 rear	Cannondale Lefty SL front, SRAM I Motion 3-speed rear	Formula DC20 front, DC22 rear
Spokes	Stainless XD Black	Stainless XD Black	Stainless XD Black	Stainless Steel XD Black, 15g	Stainless Steel XD Black, 15g
Tires	Schwalbe Kojak Race Guard, 700 x 28c	Schwalbe Kojak Race Guard, 700 x 28c	Schwalbe Kojak Race Guard, 700 x 28c	Schwalbe Kojak 1.35" race guard	Kenda Kwest 1.5"
Pedals	Cannondale Octopus Urban by Wellgo	Wellgo Platform, Resin, Cromo Axle	Wellgo Platform, Resin, Cromo Axle	Cannondale Octopus Urban, by Wellgo	VP Platform with steel cage
Crank	Shimano M431, 48/36/26 Custom Bad Boy	Shimano M431, 48/36/26 Custom Bad Boy	Shimano M361, 48/38/28 Custom Bad Boy	FSA Vero, Dual Bash Guard, 42t	FSA Vero, Dual Bash Guard, 42t
Bottom Bracket	Tange Cartridge, JIS	Tange Cartridge, JIS	Tange Cartridge, JIS	Tange cartridge type	Tange cartridge type
Chain	KMC X9 Nano Black, 9-speed	KMC X9 Nano Black, 9-speed	KMC Z51 Nano Black, 8-speed	KMC Nano Black	KMC Z72
Rear Cogs	Sunrace CSM969, 11-32, black	Sunrace CSM969, 11-32, black	Sunrace CSM668, 11-32, black	N/A	Sunrace CSM969, 11-32, black
Front Derailleur	Shimano Deore M590	Shimano Deore M590	Shimano Altus M191	N/A	N/A
Rear Derailleur	Shimano SLX M662	Shimano Deore M592, Shadow	Shimano Alivio M410	N/A	Shimano 2300, 8-speed
Shifters	Shimano Deore M590, 9-speed	Shimano Deore M590, 9-speed	Shimano Altus M310, 8-speed	SRAM I Motion, 3-speed	Shimano Alivio M410
Handlebar	Cannondale Si Urban OPI Stem/Handlebar	Cannondale Urban, 5 mm Rise	Cannondale Urban, 6061, Flat	Cannondale C3, butted 6061 alloy, 25 mm rise	Cannondale C3, butted 6061 alloy, 25 mm rise
Stem	Cannondale Si Urban OPI Stem/Handlebar	Cannondale C4, 31.8	Cannondale C4, 31.8	Satori Race Fit Adjustable 1 1/8"	Satori Race Fit Adjustable 1 1/8"
Headset	Tange Custom HeadShok	Tange Custom Si 1 1/8"	Tange Custom Si 1 1/8"	Tange Integrated	Tange Integrated
Brakes	Shimano M505 Hydraulic Disc	Shimano M445 Hydraulic Disc	Tektro Novela Mechanical Disc	AVID BB5, Mechanical Disc	Tektro Novela Mechanical Disc
Brake Levers	Shimano M505	Shimano M445	Cannondale CBL 8.0	Cannondale 2 finger	Cannondale 2 finger
Saddle	Cannondale Bad Boy Urban	Cannondale Bad Boy Urban	Cannondale Bad Boy Urban	Cannondale Custom	Cannondale Custom
Seatpost	Cannondale C2, 2 bolt, alloy, 31.6, 350 mm	Cannondale C4 6061 alloy, 31.6, 350 mm	Cannondale C4 6061 alloy, 31.6, 350 mm	Cannondale Hooligan, 31.6 x 520 mm	Cannondale Hooligan, 31.6 x 520 mm
Sizes	S, M, L, X	S, M, L, X	S, M, L, X	One Size	One Size
Color 1 (code)	Jet Black (matte) (BBQ)	Jet Black (matte) (BBQ)	Jet Black (matte) (BBQ)	Jet Black (matte) (BBQ)	Magnesium White (gloss) (WHT)
Color 2 (code)				Magnesium White (gloss) (WHT)	
Extras	Cannondale Cityscape Urban Lock-On grips, Black Chrome	Cannondale Cityscape Urban Lock-On grips, Black Chrome	Cannondale Cityscape Urban Lock-On grips, Black Chrome	Cannondale Cityscape Urban Lock-On grips	Cannondale Cityscape Urban Lock-On grips

FULL SUSPENSION MOUNTAIN GEOMETRY

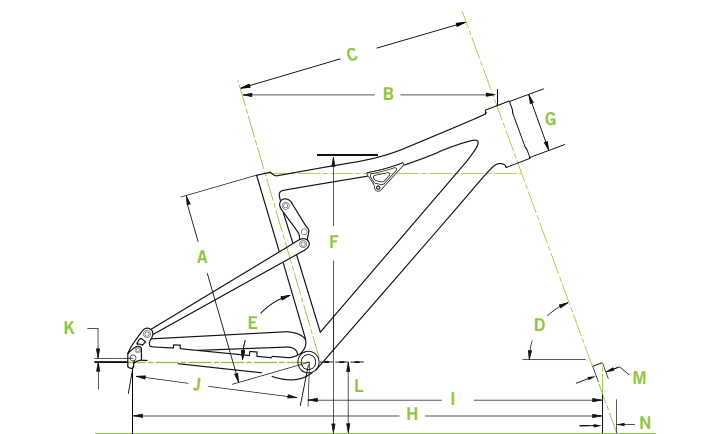
		CLAYMORE			
SPECIFICATIONS		SMALL	MEDIUM	LARGE	X-LARGE
A	Seat Tube Length (cm/in)	39.5/15.6	43.0/16.9	47.0/18.5	51.0/20.1
B	Top Tube Horizontal (cm/in)	54.9/21.6	58.2/22.9	61.1/24.1	64.3/25.3
C	Top Tube Actual (cm/in)	52.9/20.8	55.6/21.9	58.2/22.9	61.3/24.1
D	Head Tube Angle Hi BB	66.5°	67.0°	★	★
D	Head Tube Angle Low BB	65.5°	66.0°	★	★
E	Seat Tube Angle Effective	73.0°	72.6°	72.1°	71.8°
F	Standover Hi BB (cm/in)	73.7/29.0	75.6/29.8	78.2/30.8	80.7/31.8
F	Standover Low BB (cm/in)	72.6/28.6	74.5/29.3	77.1/30.3	79.6/31.3
G	Head Tube Length (cm/in)	11.5/4.5	13.0/5.1	14.0/5.5	15.0/5.9
H	Wheelbase (cm/in)	110.9/43.7	113.2/44.6	115.7/45.6	118.5/46.7
I	Front Center (cm/in)	67.6/26.6	69.9/27.5	72.4/28.5	75.2/29.6
J	Chain Stay Length (cm/in)	43.3/17.0	★	★	★
K	Bottom Bracket Drop Hi BB (cm/in)	2.0/0.8	★	★	★
K	Bottom Bracket Drop Low BB (cm/in)	0.8/0.3	★	★	★
L	Bottom Bracket Height Hi BB (cm/in)	35.8/14.1	★	★	★
L	Bottom Bracket Height Low BB (cm/in)	34.6/13.6	★	★	★
M	Fork Rake (cm/in)	3.9/1.5	★	★	★
N	Trail (cm/in)	10.5/4.1	10.2/4.0	10.2/4.0	10.2/4.0



		JEKYLL			
SPECIFICATIONS		SMALL	MEDIUM	LARGE	X-LARGE
A	Seat Tube Length (cm/in)	43.2/17.0	45.7/18.0	48.3/19.0	50.8/20.0
B	Top Tube Horizontal (cm/in)	55.6/21.9	58.8/23.1	61.4/24.2	64.2/25.3
C	Top Tube Actual (cm/in)	53.4/21.0	56.4/22.2	59.1/23.3	61.8/24.3
D	Head Tube Angle	67.7°	67.8°	67.9°	68.0°
E	Seat Tube Angle Effective	73.6°	★	★	73.5°
F	Standover (cm/in)	75.2/29.6	75.3/29.6	76.4/30.1	77.7/30.6
G	Head Tube Length (cm/in)	13.4/5.3	★	★	16.0/6.3
H	Wheelbase (cm/in)	110.0/43.3	113.1/44.5	115.5/45.5	118.4/46.6
I	Front Center (cm/in)	67.2/26.5	70.3/27.7	72.7/28.6	75.6/29.8
J	Chain Stay Length (cm/in)	42.8/16.9	★	★	★
K	Bottom Bracket Drop (cm/in)	1.2/0.5	★	★	★
L	Bottom Bracket Height (cm/in)	35.0/13.8	★	★	★
M	Fork Rake (cm/in)	4.0/1.6	★	★	★
N	Trail (cm/in)	9.5/3.8	9.5/3.8	9.4/3.7	9.3/3.7



		RZ ONE TWENTY			
SPECIFICATIONS		SMALL	MEDIUM	LARGE	X-LARGE
A	Seat Tube Length (cm/in)	43.2/17.0	45.7/18.0	48.3/19.0	50.9/20.0
B	Top Tube Horizontal (cm/in)	56.0/22.0	58.7/23.1	61.3/24.1	64.1/25.2
C	Top Tube Actual (cm/in)	53.5/21.1	56.2/22.1	59.1/23.3	61.9/24.4
D	Head Tube Angle	69.0°	★	★	★
E	Seat Tube Angle Effective	73.5°	★	★	★
F	Standover (cm/in)	73.1/28.8	76.0/29.9	76.1/30.0	76.0/29.9
G	Head Tube Length (cm/in)	13.4/5.3	★	★	16.0/6.3
H	Wheelbase (cm/in)	107.6/42.4	110.3/43.4	113.0/44.5	116.0/45.7
I	Front Center (cm/in)	65.2/25.7	67.8/26.7	70.5/27.8	73.5/28.9
J	Chain Stay Length (cm/in)	42.5/16.7	★	★	★
K	Bottom Bracket Drop (cm/in)	0.0/0.0	★	★	★
L	Bottom Bracket Height (cm/in)	33.0/13.0	★	★	★
M	Fork Rake (cm/in)	4.5/1.8	★	★	★
N	Trail (cm/in)	7.8/3.1	★	★	★



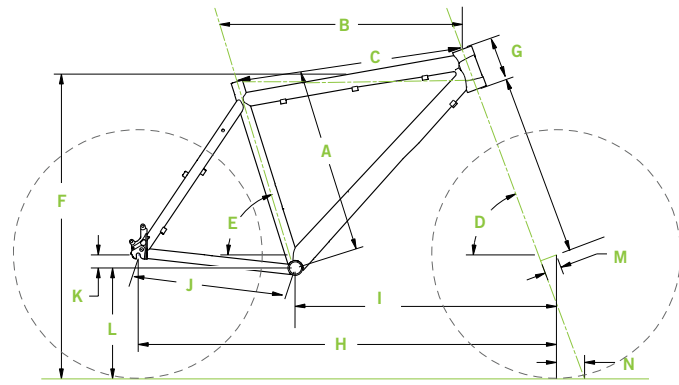
		SCALPEL			
SPECIFICATIONS		SMALL	MEDIUM	LARGE	X-LARGE
A	Seat Tube Length (cm/in)	40.5/15.9	43.5/17.1	48.2/19.0	53.2/20.9
B	Top Tube Horizontal (cm/in)	55.5/21.9	58.5/23.0	61.5/24.2	64.0/25.2
C	Top Tube Actual (cm/in)	53.4/21.0	56.2/22.1	59.5/23.4	62.7/24.7
D	Head Tube Angle	69.3	69.8	★	70.0
E	Seat Tube Angle Effective	74.0	★	★	★
F	Standover (cm/in)	75.9/29.9	75.7/29.8	75.4/29.7	75.4/29.7
G	Head Tube Length (cm/in)	13.4/5.3	★	★	★
H	Wheelbase (cm/in)	107.4/42.3	110.0/43.3	112.8/44.4	115.1/45.3
I	Front Center (cm/in)	65.0/25.6	67.7/26.6	70.4/27.7	72.7/28.6
J	Chain Stay Length (cm/in)	42.4/16.7	★	★	★
K	Bottom Bracket Drop (cm/in)	1.2/0.5	★	★	★
L	Bottom Bracket Height (cm/in)	31.8/12.5	★	★	★
M	Fork Rake (cm/in)	4.5/1.8	★	★	★
N	Trail (cm/in)	7.7/3.0	7.5/2.9	7.4/2.9	7.2/2.8

★ Indicates same as previous

HARDTAIL MOUNTAIN GEOMETRY

FLASH CARBON FLASH

SPECIFICATIONS	SMALL	MEDIUM	LARGE	X-LARGE
A Seat Tube Length (cm/in)	38.0/15	43.3/17	47.5/18.7	52.5/20.7
B Top Tube Horizontal (cm/in)	55.0/21.7	58.5/23	61.4/24.2	62.9/24.8
C Top Tube Actual (cm/in)	53.8/21.2	56.3/22.2	58.9/23.2	60.8/23.9
D Head Tube Angle	70.0°	★	★	★
E Seat Tube Angle Effective	73.5°	73.5°	73.0°	72.5°
F Standover (cm/in)	74.4/29.3	77.0/30.3	78.9/31.1	81.3/32
G Head Tube Length (cm/in)	13.4/5.3	★	★	★
H Wheelbase (cm/in)	104.9/41.3	108.4/42.6	110.8/43.6	111.7/44
I Front Center (cm/in)	62.7/24.7	66.2/26.1	68.6/27	69.5/27.4
J Chain Stay Length (cm/in)	42.4/16.7	★	★	★
K Bottom Bracket Drop (cm/in)	3.0/1.2	★	★	★
L Bottom Bracket Height (cm/in)	29.5/11.6	★	★	★
M Fork Rake (cm/in)	4.5/1.8	★	★	★
N Trail (cm/in)	7.0/2.8	★	★	★



TRAIL SL

SPECIFICATIONS	SMALL	MEDIUM	LARGE	X-LARGE
A Seat Tube Length (cm/in)	38.0/15	43.3/17	47.5/18.7	52.5/20.7
B Top Tube Horizontal (cm/in)	55.0/21.7	58.4/23	61.4/24.2	62.9/24.8
C Top Tube Actual (cm/in)	53.9/21.2	56.3/22.2	58.9/23.2	60.4/23.8
D Head Tube Angle	70.0°	★	★	★
E Seat Tube Angle Effective	73.5°	73.5°	73.0°	72.5°
F Standover (cm/in)	74.3/29.3	76.8/30.2	78.8/31	82.6/32.5
G Head Tube Length (cm/in)	11.4/4.5	★	★	★
H Wheelbase (cm/in)	104.7/41.2	108.2/42.6	110.6/43.5	111.7/44
I Front Center (cm/in)	62.6/24.6	66.0/26	68.4/26.9	69.5/27.4
J Chain Stay Length (cm/in)	42.4/16.7	★	★	★
K Bottom Bracket Drop (cm/in)	3.5/1.4	★	★	★
L Bottom Bracket Height (cm/in)	29.0/11.4	★	★	★
M Fork Rake (cm/in)	4.5/1.8	★	★	★
N Trail (cm/in)	7.0/2.8	★	★	★

TRAIL

SPECIFICATIONS	SMALL	MEDIUM	LARGE	X-LARGE	X-LARGE
A Seat Tube Length (cm/in)	38.0/15	43.3/17	47.5/18.7	52.5/20.7	57.0/22.4
B Top Tube Horizontal (cm/in)	55.1/21.7	58.4/23	61.4/24.2	63.0/24.8	63.6/25
C Top Tube Actual (cm/in)	53.8/21.2	56.7/22.3	58.9/23.2	60.5/23.8	61.3/24.1
D Head Tube Angle	70.0°	★	★	★	★
E Seat Tube Angle Effective	73.5°	73.5°	73.0°	72.5°	72.5°
F Standover (cm/in)	73.8/29.1	76.9/30.3	79.2/31.2	82.2/32.4	85.7/33.7
G Head Tube Length (cm/in)	10.5/4.1	11.5/4.5	12.2/4.8	13.5/5.3	16.5/6.5
H Wheelbase (cm/in)	104.7/41.2	108.2/42.6	110.6/43.5	111.7/44	112.4/44.3
I Front Center (cm/in)	62.6/24.6	66.0/26	68.5/27	69.5/27.4	70.3/27.7
J Chain Stay Length (cm/in)	42.4/16.7	★	★	★	★
K Bottom Bracket Drop (cm/in)	3.5/1.4	★	★	★	★
L Bottom Bracket Height (cm/in)	29.0/11.4	★	★	★	★
M Fork Rake (cm/in)	4.5/1.8	★	★	★	★
N Trail (cm/in)	7.0/2.8	★	★	★	★

FLASH CARBON 29'ER FLASH 29'ER

SPECIFICATIONS	MEDIUM	LARGE	X-LARGE
A Seat Tube Length (cm/in)	43.3/17	47.5/18.7	52.5/20.7
B Top Tube Horizontal (cm/in)	59.3/23.3	62.2/24.5	64.1/25.2
C Top Tube Actual (cm/in)	57.8/22.8	59.7/23.5	61.2/24.1
D Head Tube Angle	71.0°	71.0°	71.5°
E Seat Tube Angle Effective	73.5°	73.0°	72.5°
F Standover (cm/in)	80.9/31.9	82.9/32.6	85.3/33.6
G Head Tube Length (cm/in)	13.4/5.3	13.4/5.3	11.4/4.5
H Wheelbase (cm/in)	108.8/42.8	111.1/43.7	111.8/44
I Front Center (cm/in)	65.2/25.7	67.5/26.6	68.2/26.9
J Chain Stay Length (cm/in)	44.4/17.5	★	★
K Bottom Bracket Drop (cm/in)	6.5/2.6	★	★
L Bottom Bracket Height (cm/in)	30.5/12	★	★
M Fork Rake (cm/in)	4.5/1.8	★	★
N Trail (cm/in)	8.0/3.1	8.0/3.1	7.6/3

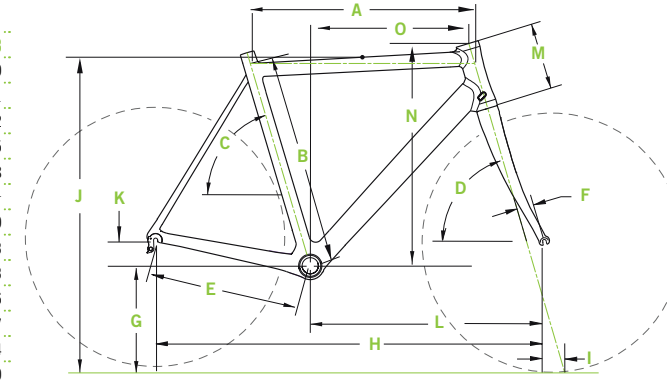
TRAIL SL 29'ER

SPECIFICATIONS	MEDIUM	LARGE	X-LARGE
A Seat Tube Length (cm/in)	43.3/17	47.5/18.7	52.5/20.7
B Top Tube Horizontal (cm/in)	58.3/23	61.3/24.1	63.0/24.8
C Top Tube Actual (cm/in)	56.5/22.2	58.8/23.1	60.4/23.8
D Head Tube Angle	70.0°	★	★
E Seat Tube Angle Effective	73.5°	73.0°	72.5°
F Standover (cm/in)	80.0/31.5	82.0/32.3	84.4/33.2
G Head Tube Length (cm/in)	★	★	★
H Wheelbase (cm/in)	112.5/44.3	113.5/44.7	★
I Front Center (cm/in)	65.4/25.7	67.7/26.7	68.8/27.1
J Chain Stay Length (cm/in)	★	★	★
K Bottom Bracket Drop (cm/in)	★	★	★
L Bottom Bracket Height (cm/in)	★	★	★
M Fork Rake (cm/in)	★	★	★
N Trail (cm/in)	★	★	★

ROAD GEOMETRY

SUPERSIX / CAAD10

SPECIFICATIONS	48	50	52	54	56	58	60	63
A Horizontal Top Tube Length (cm)	51.5	52.5	53.5	54.5	56.0	57.5	59.0	60.0
B Measured Size (cm)*	46	48	50	52	54	56	58	61
C Seat Tube Angle (degrees)	74.5	74.5	74	73.5	73.5	73	72.5	72
D Head Tube Angle (degrees)	72	72.5	73	73	73	73.5	73.5	73.5
E Chain Stay Length (cm)	40.5	★	★	★	★	★	40.8	40.8
F Fork Rake (cm)	4.5	★	★	★	★	★	★	★
G Bottom Bracket Height (cm)	26.5	26.5	26.5	26.8	26.8	27.0	27.0	27.0
H Wheelbase (cm)	95.9	96.6	96.8	97.5	99.2	99.6	100.1	101.3
I Trail (cm)	6.2	5.9	5.6	5.6	5.6	5.3	5.3	5.3
J Standover at Top Tube Midpoint (cm)	74	75.3	76.5	78.5	80.1	82.2	83.8	86.6
K Bottom Bracket Drop (cm)	7.2	7.2	7.2	6.9	6.9	6.7	6.7	6.7
L Front Center Distance (cm)	56.5	57.2	57.4	58.0	59.7	60.1	61.0	61.4
M Head Tube Length (cm)	11	11.5	12.0	14.0	15.5	17.5	19.0	22.0
N Stack (cm)**	51.7	52.3	52.9	54.6	56.0	57.9	59.3	62.2
O Reach (cm)	36.8	37.8	38.2	38.3	39.4	39.9	40.4	39.9



* The measured size is from the center of the bottom bracket to the top of the top tube, measured along the seat tube axis.
 All sizes have a slightly sloping top tube.
 ** Stack is measured vertically from the center of the BB to the top of the head tube, reach is measured horizontally from the center of the BB to the top of the head tube.

CAAD8

SPECIFICATIONS	48	51	54	56	58	61
A Horizontal Top Tube Length (cm)	51	53	54.5	56	57.5	59.5
B Measured Size (cm)*	45	49	52	54	57	59
C Seat Tube Angle (degrees)	75	74.5	73.5	73.5	73	72.5
D Head Tube Angle (degrees)	72	72.5	73	73	73.5	73.5
E Chain Stay Length (cm)	40.8	★	★	★	★	★
F Fork Rake (cm)	5	5	4.5	★	★	★
G Bottom Bracket Height (cm)	26.5	26.5	26.8	270	270	26.5
H Wheelbase (cm)	96.6	97.9	97.8	99.3	99.9	101.3
I Trail (cm)	5.7	5.4	5.6	5.6	5.3	5.3
J Standover at Top Tube Midpoint (cm)	74.6	76.8	79.2	80.8	82.9	85.7
K Bottom Bracket Drop (cm)	7.2	7.2	6.9	6.9	6.7	6.7
L Front Center Distance (cm)	56.9	58.2	58.0	59.5	60.0	61.5
M Head Tube Length (cm)	12.5	14.0	15.5	17.0	19.0	22.0
N Stack (cm)**	52.9	54.5	56.0	57.4	59.3	62.2
O Reach (cm)	36.3	37.6	37.9	38.9	39.4	40.0

SLICE

SPECIFICATIONS	51	54	56	58	60
A Horizontal Top Tube Length (cm)	50.5	53.5	55	56.5	58
B Measured Size (cm)*	50	51.5	53.5	55.5	57.5
C Seat Tube Angle (degrees)	*variable	variable	variable	variable	variable
D Head Tube Angle (degrees)	71.5	71.5	72	72	72
E Chain Stay Length (cm)	40	★	★	★	★
F Fork Rake (cm)	4.5	★	★	★	★
G Bottom Bracket Height (cm)	26.5	26.5	26.5	26.5	26.5
H Wheelbase (cm)	95.4	98.5	99.7	101.3	102.6
I Trail (cm)	6.5	6.5	6.2	6.2	6.2
J Standover at Top Tube Midpoint (cm)	74.9	76.4	78.3	80.2	82.2
K Bottom Bracket Drop (cm)	7.2	★	★	★	★
L Front Center Distance (cm)	56.5	59.6	60.7	62.3	63.9
M Head Tube Length (cm)	9	10.5	12.5	14.5	17
N Stack (cm)**	**49.4	50.9	52.9	54.8	57.2
O Reach (cm)	37.1	39.8	40.7	41.7	42.5

SYNAPSE CARBON

SPECIFICATIONS	48	51	54	56	58	61
A Horizontal Top Tube Length (cm)	51	52.5	54	56	58	60
B Measured Size (cm)*	42	45	48	51	53	56
C Seat Tube Angle (degrees)	74.5	74	74	73.5	73	72.5
D Head Tube Angle (degrees)	71	72	72	72.5	73	73
E Chain Stay Length (cm)	41	★	★	★	★	★
F Fork Rake (cm)	5.0	5.0	4.5	★	★	★
G Bottom Bracket Height (cm)	26.5	26.5	26.8	26.8	27.0	27.0
H Wheelbase (cm)	97.0	97.5	98.7	99.9	101.1	102.6
I Trail (cm)	6.3	5.7	6.2	5.9	5.6	5.6
J Standover at Top Tube Midpoint (cm)	72.1	74.4	77.1	79.1	81.1	83.4
K Bottom Bracket Drop (cm)	7.2	★	★	★	★	★
L Front Center Distance (cm)	57.1	57.6	58.7	59.9	61.0	62.5
M Head Tube Length (cm)	13	14.5	16.5	18	20	22
N Stack (cm)**	53.0	54.8	56.6	58.2	60.1	62.0
O Reach (cm)	35.5	36.3	37.4	38.6	39.6	40.5

* The Slice seat post has two positions for mounting the saddle. A full range of angles from 73 to 78 degrees is achievable depending on the rider's preference and/or the event.
 If you ride a 56 road frame, you should choose a size 56 Slice frame.
 All sizes have 700c wheels.

SYNAPSE ALLOY

SPECIFICATIONS	48	51	54	56	58	61
A Horizontal Top Tube Length (cm)	51	52.5	54	56	58	60
B Measured Size (cm)*	44	47	50	53	55	58
C Seat Tube Angle (degrees)	74.5	74	74	73.5	73	72.5
D Head Tube Angle (degrees)	70.5	72	72	72.5	73	73
E Chain Stay Length (cm)	41.5	★	★	★	★	★
F Fork Rake (cm)	5.0	★	★	★	★	★
G Bottom Bracket Height (cm)	26.5	26.5	26.8	26.8	27.0	27.0
H Wheelbase (cm)	97.9	98.0	99.8	100.9	102.1	103.6
I Trail (cm)	6.6	5.7	5.7	5.4	5.1	5.1
J Standover at Top Tube Midpoint (cm)	73.2	75.6	78.1	80.2	82.2	84.5
K Bottom Bracket Drop (cm)	7.2	7.2	6.9	6.9	6.7	6.7
L Front Center Distance (cm)	57.5	57.6	59.3	60.4	61.5	63.0
M Head Tube Length (cm)	13	14.5	16.5	18	20	22
N Stack (cm)**	52.9	54.8	56.4	58.0	59.9	61.9
O Reach (cm)	35.5	36.4	37.5	38.7	39.7	40.6

SUPERX

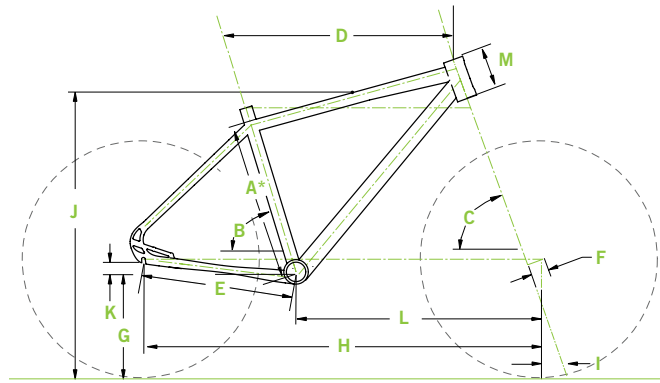
SPECIFICATIONS	44	48	52	54	56	58
A Horizontal Top Tube Length (cm)	51	52	54	55	57	59
B Measured Size (cm)*	44	48	52	54	56	58
C Seat Tube Angle (degrees)	75	74	73.5	73.5	73	73
D Head Tube Angle (degrees)	69	69.5	71.5	72	72.5	73
E Chain Stay Length (cm)	43	★	★	★	★	★
F Fork Rake (cm)	4.5	★	★	★	★	★
G Bottom Bracket Height (cm)	28.1	★	★	★	★	★
H Wheelbase (cm)	101.7	101.4	101.1	101.7	102.6	104.7
I Trail (cm)	8.5	8.4	7.0	6.7	6.4	6.4
J Standover at Top Tube Midpoint (cm)	74.9	77.0	80.4	82.2	83.6	85.5
K Bottom Bracket Drop (cm)	6.7	★	★	★	★	★
L Front Center Distance (cm)	59.6	59.3	59.0	59.6	60.5	62.6
M Head Tube Length (cm)	10	11	13.5	15	16	18
N Stack (cm)**	51.8	52.9	56.0	57.6	58.8	60.7
O Reach (cm)	37.1	36.8	37.4	37.9	39.0	40.5

CAADX

SPECIFICATIONS	44	48	51	54	56	58	61
A Horizontal Top Tube Length (cm)	51.5	52.5	53.5	54.5	56.0	57.5	59.0
B Measured Size (cm)*	44	47	50	53	55	57	60
C Seat Tube Angle (degrees)	75	74.5	74	73.5	73	73	72.5
D Head Tube Angle (degrees)	70.5	70.5	71	72	72.5	72.5	72.5
E Chain Stay Length (cm)	43.2	43.2	43.2	43.2	43.2	43.2	43.2
F Fork Rake (cm)	5.0	★	★	★			

RECREATION / URBAN GEOMETRY

		QUICK CARBON				
SPECIFICATIONS		SMALL	MEDIUM	LARGE	X-LARGE	JUMBO
A*	Measured Size (cm/in)*	38.5/15.2	41/16.1	46/18.1	51/20.1	57/22.4
B	Seat Tube Angle	75	76	74.5	73	72.5
C	Head Tube Angle	71	71	71.5	72	72.5
D	Horizontal Top Tube Length (cm)	53.5	53.5	56	58.5	62
E	Chain Stay Length (cm)	43	43	★	★	★
F	Fork Rake (cm)	5.0	5.0	★	★	★
G	Bottom Bracket Height (cm)	27.4	27.4	27.4	27.4	27.4
H	Wheelbase (cm)	101.4	102.3	103.9	104.8	107.5
I	Trail (cm)	6.6	6.5	6.2	5.9	5.6
J	Standover Height (cm)	73.8	75.0	78.7	82.8	87.0
K	Bottom Bracket Drop (cm)	7.0	★	★	★	★
L	Front Center (cm)	59.5	60.4	61.9	62.8	65.4
M	Head Tube Length (cm)	14	13	16	19	22



*Measured size is from the center of the bottom bracket to the top of the top tube, measured along the seat tube axis.

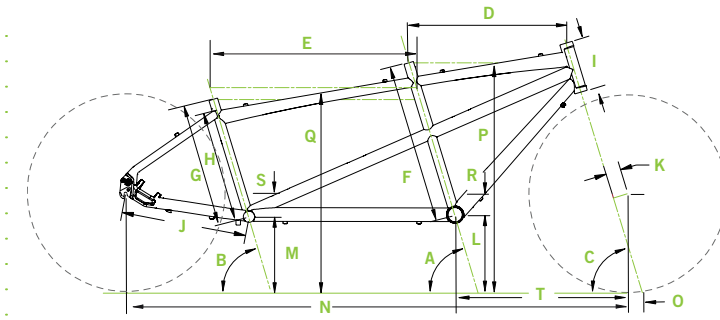
		QUICK SL QUICK					QUICK CX HEADSHOK					QUICK CX					
SPECIFICATIONS		X-SMALL	SMALL	MEDIUM	LARGE	X-LARGE	JUMBO	SMALL	MEDIUM	LARGE	X-LARGE	JUMBO	SMALL	MEDIUM	LARGE	X-LARGE	JUMBO
A*	Measured Size (cm/in)*	32.0/12.6	38.5/15.2	41.0/16.1	46.0/18.1	51.0/20.1	57.0/22.4	40.2/15.8	44.2/17.4	48.2/19.5	52.2/20.5	56.2/22.1	40.2/15.8	44.2/17.4	48.2/19.5	52.2/20.5	56.2/22.1
B	Seat Tube Angle	76	75	75	74.5	73	72.5	74	73.5	73	73	72.5	74	73.5	73	73	72.5
C	Head Tube Angle	70.5	70.5	70.5	71	71.5	72	69	69	70	70.5	71.5	69	69	70	70.5	71.5
D	Horizontal Top Tube Length (cm)	50.5	53.5	54.5	56	58.5	62	54	55	56.5	58	60.5	54	55	56.5	58	60.5
E	Chain Stay Length (cm)	43.5	★	★	★	★	★	45	★	★	★	★	45	★	★	★	★
F	Fork Rake (cm)	5.0	★	★	★	★	★	4.5	★	★	★	★	4.5	★	★	★	★
G	Bottom Bracket Height (cm)	27.4	★	★	★	★	★	28.0	★	★	★	★	28.0	★	★	★	★
H	Wheelbase (cm)	100.5	102.4	103.7	104.7	105.7	108.4	104.9	105.8	106.2	107.5	108.6	104.9	105.8	106.2	107.5	108.6
I	Trail (cm)	6.2	6.9	6.9	6.6	6.2	5.9	8.5	8.5	7.8	7.5	6.9	8.5	8.5	7.8	7.5	6.9
J	Standover Height (cm)	68.9	74.5	75.9	79.3	83.1	87.3	75.3	77.9	80.0	82.4	85.0	75.3	77.9	80.0	82.4	85.0
K	Bottom Bracket Drop (cm)	5.1	7.0	★	★	★	★	6.7	★	★	★	★	6.7	★	★	★	★
L	Front Center (cm)	57.5	60.0	61.1	62.2	63.2	65.9	60.7	61.6	62.1	63.3	64.5	60.7	61.6	62.1	63.3	64.5
M	Head Tube Length (cm)	14	14	15	17	20	23	11.4	★	★	★	★	14	15	16	17	18

		ADVENTURE					ADVENTURE 26"				
SPECIFICATIONS		SMALL	MEDIUM	LARGE	X-LARGE	JUMBO	SMALL	MEDIUM	LARGE	X-LARGE	JUMBO
A*	Seat Tube Length Overall (cm/in)	35.6/14.0	40.6/16.0	45.7/18.0	53.3/21.0	61.0/24.0	35.6/14.0	40.6/16.0	45.7/18.0	53.3/21.0	61.0/24.0
B	Seat Tube Angle	70	★	★	★	★	70	★	★	★	★
C	Head Tube Angle	69	★	★	★	★	69	★	★	★	★
D	Horizontal Top Tube Length (cm)	56.5	57.2	58	59	60	55	55.7	56.5	58	59.5
E	Chain Stay Length (cm)	46.5	★	★	★	★	45.7	★	★	★	★
F	Fork Rake (cm)	4.5	★	★	★	★	4.5	★	★	★	★
G	Bottom Bracket Height (cm)	28.0	★	★	★	★	30.3	★	★	★	★
H	Wheelbase (cm)	105.4	106.2	107.1	108.2	109.4	104.2	105.0	105.9	107.6	109.2
I	Trail (cm)	8.5	★	★	★	★	8.5	★	★	★	★
J	Standover Height (cm)	70	73.2	77.2	82.2	86.3	70.8	73.9	77.8	82.7	86.7
K	Bottom Bracket Drop (cm)	6.8	★	★	★	★	4.5	★	★	★	★
L	Front Center (cm)	59.8	60.6	61.4	62.3	63.7	59.8	60.6	61.4	62.3	63.7
M	Head Tube Length (cm)	13.6	13.6	15.6	17.1	17.1	13.6	13.6	15.6	17.1	17.1

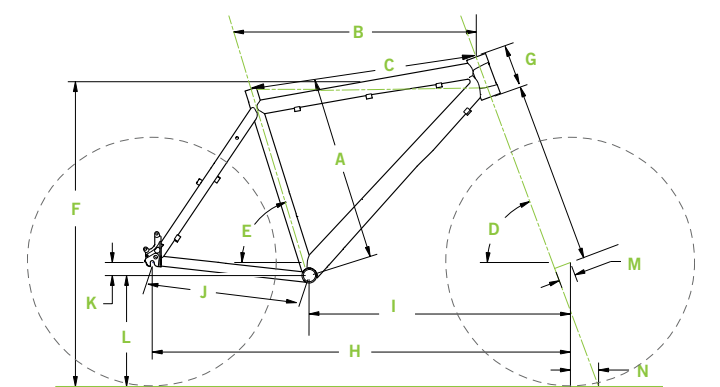
★ Indicates same as previous

RECREATION / URBAN GEOMETRY

		TANDEM			
SPECIFICATIONS		M/S	L/S	X/S	J/M
A	Front Seat Tube Angle (degrees)	73	★	★	★
B	Rear Seat Tube Angle (degrees)	73	★	★	★
C	Head Tube Angle (degrees)	73	★	★	★
D	Horizontal Front Top Tube Length (in/cm)	21.5/54.5	22.0/56.0	22.6/57.5	23.6/60.0
E	Horizontal Rear Top Tube Length (in/cm)	28.6/72.6	★	★	★
F	Front Seat Tube Overall Length (in/cm)	19.0/48.3	20.0/50.8	22.0/55.9	23.0/58.4
G	Rear Seat Tube Overall Length (in/cm)	17.0/43.2	★	★	★
H	Rear Seat Tube Measured Length (in/cm)	15.6/39.7	15.6/39.7	17.0/43.2	19.0/48.3
I	Head Tube Length (in/cm)	5.9/15.0	6.5/16.5	7.1/18.0	7.9/20.0
J	Chain Stay Length (in/cm)	17.4/44.2	★	★	★
K	Fork Rake (in/cm)	2.1/5.3	★	★	★
L	Front Bottom Bracket Height (in/cm)	10.8/27.4	★	★	★
M	Rear Bottom Bracket Height (in/cm)	10.5/26.7	★	★	★
N	Wheelbase (in/cm)	68.4/173.6	69.0/175.1	69.5/176.6	71.0/180.4
O	Trail (in/cm)	2.0/5.1	★	★	★
P	Front Standover at Top Tube midpoint (in/cm)	28.2/71.7	30.6/77.7	31.6/80.3	32.5/82.6
Q	Rear Standover at Top Tube midpoint (in/cm)	25.4/64.6	26.3/66.8	27.6/70.2	29.5/74.0
R	Front Bottom Bracket Drop (in/cm)	2.9/7.4	★	★	★
S	Rear Bottom Bracket Drop (in/cm)	3.2/8.1	★	★	★
T	Front Center Distance (in/cm)	22.9/58.3	23.5/59.7	24.1/61.2	25.1/63.7



		HOOLIGAN ONE SIZE
SPECIFICATIONS		
A	Seat Tube Length (cm/in)	35.0/14.6
B	Top Tube Horizontal (cm/in)	58.0
C	Top Tube Actual (cm/in)	54.7/21.5
D	Head Tube Angle	70
E	Seat Tube Angle Effective	73
F	Standover (cm/in)	60
G	Head Tube Length (cm/in)	17.1
H	Wheelbase (cm/in)	106
I	Front Center (cm/in)	66.2
J	Chain Stay Length (cm/in)	40
K	Bottom Bracket Drop (cm/in)	3.6
L	Bottom Bracket Height (cm/in)	30.5
M	Fork Rake (cm/in)	4.5
N	Trail (cm/in)	2.6



		BAD BOY HEADSHOK				BAD BOY			
SPECIFICATIONS		SMALL	MEDIUM	LARGE	X-LARGE	SMALL	MEDIUM	LARGE	X-LARGE
A	Seat Tube Length (cm/in)	39/15.4	46/18.1	51/20.1	56/22.0	39/15.4	46/18.1	51/20.1	56/22.0
B	Top Tube Horizontal (cm/in)	55	57.5	60	62	55	57.5	60	62
C	Top Tube Actual (cm/in)	52.1/20.5	54.7/21.5	57.3/22.6	59.7/23.5	52.1/20.5	54.7/21.5	57.3/22.6	59.7/23.5
D	Head Tube Angle	70	71	★	★	70	71	★	★
E	Seat Tube Angle Effective	74.5	73.5	73	72.5	74.5	73.5	73	72.5
F	Standover (cm/in)	77	80.4	82.6	84.7	73.9	78.2	81.4	84.5
G	Head Tube Length (cm/in)	11.4	★	★	★	13	15	17	19
H	Wheelbase (cm/in)	104.4	105.8	108.1	109.8	104.4	105.8	108.1	109.8
I	Front Center (cm/in)	61.4	62.8	65.1	66.8	61.4	62.8	65.1	66.8
J	Chain Stay Length (cm/in)	43.5	★	★	★	43.5	★	★	★
K	Bottom Bracket Drop (cm/in)	5.1	★	★	★	5.1	★	★	★
L	Bottom Bracket Height (cm/in)	29.5	★	★	★	73.9	78.2	81.4	84.5
M	Fork Rake (cm/in)	4.5	★	★	★	4.5	★	★	★
N	Trail (cm/in)	7.8	7.2	★	★	7.8	7.2	★	★

★ Indicates same as previous

SCARLET

BUILT FOR WOMEN WHO RIP.

**WORK LESS ON THE CLIMBS.
SHRED HARDER ON THE DESCENTS.
SMILE MORE EVERYWHERE.
WITH SCARLET, A SPLIT PERSONALITY
IS A VERY GOOD THING.**

SCARLET SUSPENSION SYSTEM

The radical **DYAD RT2** dual shock and **Scarlet's** shock linkage were designed for each other, providing incredible smoothness, traction and efficiency in the **Elevate** mode, and a fluid, bottomless feel in **Flow** mode. Climb faster, descend better.

GET CONNECTED

Control equals confidence. Confidence equals speed. Scarlet's 5-part **ECS-TC** (Enhanced Center-Stiffness, Torsion Control) system eliminates unwanted flex and play in the links and pivots, unifying the frame and delivering unmatched responsiveness and control.

WOMEN'S GEOMETRY

We strongly believe that your bike shouldn't limit your riding, so we designed **Scarlet** with details like a lower standover height and a shorter reach that matches a women's physique. Rock it with confidence.



SCARLET 1

Jet Black (matte) (BBQ).

FRAME Scarlet 150/90 mm, SmartFormed Alloy, ISCG03, BB30, 1.5 Si headtube	SHIFTERS Shimano XT	BRAKES Avid Elixir CR, 185/185 mm
SUSPENSION (R/F) Fox Dyad RT2/Fox 32 Talas RL, 150 mm, 15QR	REAR DERAILLEUR Shimano XT, 10-speed	TIRES Schwalbe Nobby Nic PaceStar, 2.4", folding
WHEELS DT Swiss 445, 32 hole	CRANK FSA Afterburner BB30, 44/32/22	SIZES P, S, M



SCARLET 2

Magnesium White (gloss) (WHT).

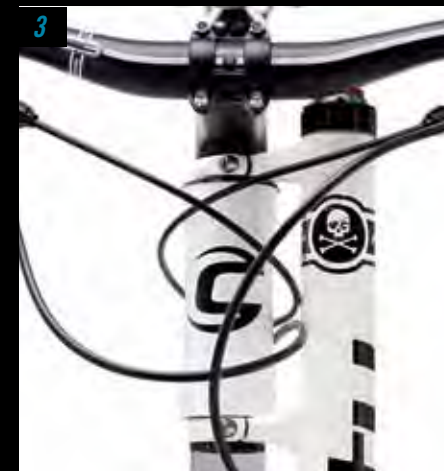
FRAME Scarlet 150/90 mm, SmartFormed Alloy, ISCG03, BB30, 1.5 Si headtube	SHIFTERS SRAM X7	BRAKES Hayes Stroker Ryde Comp, 185/160 mm
SUSPENSION (R/F) Fox Dyad RT2/RockShox Revelation, 150 mm, Dual Air, All Travel, 15 mm thru	REAR DERAILLEUR SRAM X7, 9-speed	TIRES Kenda Nevegal, 2.35", folding
WHEELS SunRingle SR25, 32 hole	CRANK TruVativ FireX 3.1, 44/24/22	SIZES P, S, M

LEXI



LOVES TO GET DIRTY.

THE ULTIMATE WOMEN'S BIKE FOR MARATHON RACING AND ALL-DAY RIDING. GO AHEAD, GET DIRTY.



1 SIZE-SPECIFIC SHOCK LINK

Instead of just lowering the shock mount, we created an entirely different linkage so that Lexi's smaller frames maintain the refined leverage ratios and shock performance of our larger frames.

2 OPI BACKBONE, ONE-PIECE INTEGRATION

Lexi's seat tube, BB shell and swingarm pivot are 3D forged as one piece, eliminating excess material and providing uniform grain alignment throughout for extreme strength in this crucial area.

3 MUSCLE LESS, RIDE MORE

Lexi's front end features our System Integration approach which designs parts in harmony to enhance weight saving and performance. The benefit to you is a light, nimble front end that you won't have to muscle around.

LEXI 1

Magnesium White (gloss) (WHT).

FRAME Lexi, 120 mm, SmartFormed Alloy, BB30, 1.5 Si headtube
SUSPENSION (R/F) RockShox Monarch RT3/Lefty Ultra PBR, 120 mm
WHEELS DT Swiss 1.7, 24/28 hole

SHIFTERS SRAM X7
REAR DERAILLEUR SRAM X9, 10-speed
CRANK FSA Comet 386 BB30, 39/27

BRAKES Hayes Stroker Trail Carbon SL, 160/160 mm
TIRES Kenda Slant 6, 2.1", folding
SIZES P, S, M



LEXI 2

Soldier of Fortune (matte) (GRN).

FRAME Lexi, 120 mm, SmartFormed Alloy, BB30, 1.5 Si headtube	SHIFTERS Shimano SLX	BRAKES Avid Elixir 3, 185/160 mm
SUSPENSION (R/F) RockShox Monarch RT/ RockShox Recon Silver TK, 120 mm, 20 mm thru	REAR DERAILLEUR Shimano XT, 10-speed	TIRES Kenda Slant 6, 2.1", folding
WHEELS Maddux DC 3.0, double wall w/eyelet, 28 hole	CRANK Shimano M542, 44/32/22	SIZES P, S, M



LEXI 3

Jet Black (gloss) (BLK).

FRAME Lexi, 120 mm, SmartFormed Alloy, BB30, 1.5 Si headtube	SHIFTERS Shimano Deore	BRAKES Shimano M486, 185/160 mm, hydraulic disc
SUSPENSION (R/F) X Fusion 02 RL2/ RST Deuce Air, 120 mm	REAR DERAILLEUR Shimano Deore, 10-speed	TIRES Kenda Slant 6, 2.1", folding
WHEELS Maddux DC 3.0, double wall w/eyelet, 28 hole	CRANK Shimano M420, 44/32/22	SIZES P, S, M

FLASH WOMEN'S

GO AHEAD, CHICK SOMEONE.

DON'T BE SHY ABOUT BLOWING RIGHT BY SOMEONE, WITH A SMILE ON YOUR FACE AND A POLITE "HEY, NICE RIDE". THEN YOU'RE GONE.

SUPER LIGHT WEIGHT

At 1450 grams, **Flash Alloy** is lighter than most of our competitor's carbon offerings.

CANNONDALE ALUMINUM

Flash's sophisticated **SmartFormed** tubing manipulation and our trademark double pass smooth welds reflect our almost 30 years of aluminum supremacy.

SAVE MICRO SUSPENSION SYSTEM

Careful shaping and wall thickness manipulation on the rear stays allows them to deflect vertically while remaining stiff laterally and torsionally, absorbing shock and enhancing control.



FLASH

Jet Black (gloss) (BLK).

FRAME Flash Women's, SmartFormed Alloy, SAVE, BB30, 1.5 Si headtube	SHIFTERS SRAM X7	BRAKES Avid Elixir 3, 160/160 mm
FORK Fatty DLR80, 80 mm	REAR DERAILLEUR SRAM X9, 10-speed	TIRES Kenda Small Block 8, 2.1"
WHEELS Maddux DC 3.0, double wall w/eyelet, 28 hole	CRANK FSA Comet 386 BB30, 39/27	SIZES P, S, M, T

TRAIL SL/TRAIL WOMEN'S

BLAZE YOUR OWN TRAIL.

THIS IS WHERE YOU START.
WHERE YOUR TRAIL TAKES YOU
AFTER THAT IS UP TO YOU.

GO CONFIDENTLY

Our Women's Trail is crafted with attention to the details that women riders need such as a lower standover height for increased confidence, lighter suspension springs for lighter riders and stable handling for a reassuring ride.

ALUMINUM CRAFTING

Trail and Trail SL's mechanically formed aluminum and our trademark double pass smooth welds highlight Cannondale's aluminum expertise.

SAVE MICRO SUSPENSION SYSTEM

Optimized chain stay and seat stay shaping provides lateral rigidity while providing vertical compliance for bump absorption and comfort with no loss in power transfer.



TRAIL SL 2

Magnesium White (gloss) (WHT).

FRAME Trail SL Women's, Optimized 6061 alloy, SAVE, 1.5" headtube

SHIFTERS Shimano Alivio

BRAKES Shimano M445 hydraulic disc, 160/160 mm

FORK RockShox Recon Silver TK, 100 mm

REAR DERAILLEUR Shimano Deore, 9 speed

TIRES Kenda Small Block 8, 2.1"

WHEELS Maddux DC 3.0, double wall w/eyelet, 28 hole

CRANK Shimano M420, 44/32/22

SIZES P, S, M, T



TRAIL SL 3

Cabernet (matte) (CAB).

FRAME Trail SL Women's, Optimized 6061 alloy, SAVE, 1.5" headtube

SHIFTERS SRAM X5

FORK RST Deuce Coil, 100 mm, softer spring

REAR DERAILLEUR SRAM X5, 9-speed

WHEELS Maddux DC 3.0, double wall w/eyelet, 28 hole

CRANK Shimano M420, 44/32/22



Pearl White (gloss) (WHT).

BRAKES Tektro Draco SL hydraulic disc, 160/160 mm

TIRES Kenda Small Block 8, 2.1"

SIZES P, S, M, T



TRAIL 5

Fine Silver (matte) (SLV).

FRAME Trail, double butted 6061 alloy, SAVE, 1-1/8" headtube

SHIFTERS Shimano Alivio

FORK RST Gila Pro TNL, 100 mm, softer spring

REAR DERAILLEUR Shimano Alivio, 8-speed

WHEELS Alex DC 4.5, double wall, 28 hole

CRANK Shimano M311, 44/32/22



Jet Black (gloss) (BLK).

BRAKES Promax CD7.0 mechanical disc, 160/160 mm

TIRES Kenda Small Block 8, 2.1"

SIZES P, S, M, T



TRAIL 6

Goodnight Green (matte) (GRN).

FRAME Trail, double butted 6061 alloy, SAVE, 1-1/8" headtube

SHIFTERS Shimano M310, trigger w/optical display

FORK RST Gila T, 80 mm, softer spring

REAR DERAILLEUR Shimano Acera, 8 speed

WHEELS Alex DC 4.5, double wall, 28 hole

CRANK Shimano M311, 42/32/22



Magnesium White (gloss) (WHT).

BRAKES Tektro Novela, mechanical disc, 160/160 mm

TIRES Kenda Small Block 8, 2.1"

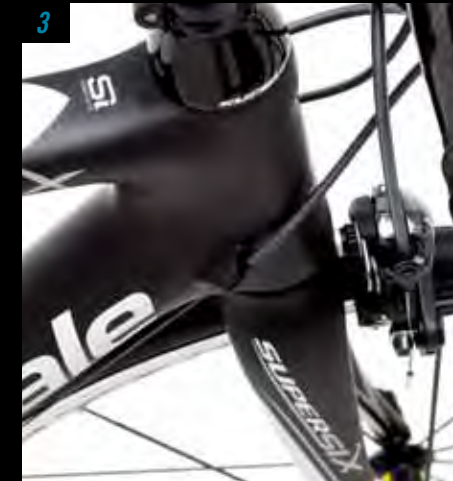
SIZES P, S, M, T

SUPERSIX WOMEN'S



BEATING THE BOYS NEVER LOOKED SO GOOD.

**FOR WOMEN RACERS EVERYWHERE.
WOMEN WHO LIVE TO PIN ON A NUMBER.
WOMEN WHO LIVE TO GO FAST.
WOMEN WHO FIT TRAINING INTO LIFE.
SUPER SIX IS OUR SALUTE TO YOU.**



1 POWER TRANSFER BEATBOX
Massively oversized Beatbox BB area paired with super-stiff and light BB30 system delivers the torsional rigidity needed to turn the twisting loads from the cranks into forward momentum.

2 HOURLASS STAYS
Hourglass stays allow the vertical compliance necessary to maintain confident control over less-than-perfect surfaces, and the comfort required to deliver maximum performance after long days in the saddle.

3 ULTIMATE CONTROL
Deep radius head tube and 1-1/8" to 1-1/2" tapered carbon steerer fork provide maximum torsional stiffness for precise steering and wicked sprinting. Molded carbon headset cups replace aluminum for weight savings.

SUPERSIX 1 DURA-ACE

Uni-Directional Carbon (matte) (CRB).

FRAME SuperSix Carbon Women's, BB30

SHIFTERS Shimano Dura-Ace 7900

BRAKES Shimano Dura-Ace 7900

FORK SuperSix, full carbon, 1-1/8"-1.5" steerer, alloy dropouts

REAR DERAILLEUR Shimano Dura-Ace 7900

TIRES Schwalbe Durano S, 700 x 23c, folding

WHEELS Mavic Ksyrium Elite

CRANK FSA SL-K Light Carbon Compact, 50/34

SIZES 44, 48, 51, 54cm



SUPERSIX 3 ULTEGRA

Magnesium White (gloss) (WHT).

FRAME SuperSix Carbon Women's, BB30	SHIFTERS Shimano Ultegra 6700	BRAKES Shimano Ultegra 6700
FORK SuperSix, full carbon, 1-1/8"-1.5" steerer, alloy dropouts	REAR DERAILLEUR Shimano Ultegra 6700	TIRES Schwalbe Durano S, 700 x 23c, folding
WHEELS Mavic Ksyrium Equipe	CRANK FSA SL-K Light Carbon Compact, 50/34	SIZES 44, 48, 51, 54cm



SUPERSIX 5 105

Jet Black (gloss) (BLK).

FRAME SuperSix Carbon Women's, BB30	SHIFTERS Shimano 105 5700	BRAKES Shimano 105 5700
FORK SuperSix, full carbon, 1-1/8"-1.5" steerer, alloy dropouts	REAR DERAILLEUR Shimano 105 5700	TIRES Schwalbe Lugano, 700 x 23c, folding
WHEELS Shimano RS10	CRANK FSA Gossamer Pro BB30 Compact, 50/34	SIZES 44, 48, 51, 54cm

CAAD10 WOMEN'S

PERFORMANCE TO THE POWER OF X(X).

IF YOU'RE LOOKING FOR AN ALUMINUM FRAME THAT PUTS MOST CARBON FRAMES TO SHAME, CAAD10 IS THE ANSWER.

RIDE ALL DAY

SAVE rear stays are shaped and butted to create a micro-suspension system which absorbs road shock without losing power. Wide seat stay spacing at top tube junction also improves lateral stiffness.

SUPERLIGHT CAAD10 FORK

Housed in our externally machined, tapered headtube, the superlight 1-1/8" to 1-1/4" tapered carbon steerer fork features offset dropouts, allowing more fork angle for increased comfort without affecting the razor sharp handling.

WOMEN'S GEOMETRY

We strongly believe that your bike shouldn't limit your riding, so we designed CAAD10 with details like a taller head tube to balance women's proportionately higher saddle height, shorter reach and a fork rake that minimizes toe overlap.



CAAD10 4 RIVAL

Brushed Aluminum (gloss) (RAW).

Magnesium White w/Ruby Red (gloss) (WHT).

FRAME CAAD10 Women's, SmartFormed 6069 alloy, BB30

SHIFTERS SRAM Rival w/reach adjust

BRAKES SRAM dual pivot

FORK CAAD10, full carbon, 1-1/8"-1-1/4" steerer

REAR DERAILLEUR SRAM Rival

TIRES Schwalbe Lugano, 700 x 23c, folding

WHEELS Shimano RS10

CRANK SRAM Force Carbon BB30 Compact, 50/34

SIZES 44, 48, 51, 54cm



Adam Coppola



CAAD10 5 105

Jet Black (gloss) (BLK).

Magnesium White w/Berserker Green Pearl (gloss) (WHT).

FRAME CAAD10 Women's, SmartFormed 6069 alloy, BB30

SHIFTERS Shimano 105 5700

BRAKES Tektro R580, dual pivot, cartridge pad

FORK CAAD10, full carbon, 1-1/8"-1-1/4" steerer

REAR DERAILLEUR Shimano 105 5700

TIRES Schwalbe Lugano, 700 x 23c, folding

WHEELS Shimano RS10

CRANK FSA Gossamer Pro BB30 Compact, 50/34

SIZES 44, 48, 51, 54cm

SLICE WOMEN'S

THE BEST MULTISPORT BIKE IN THE WORLD. IN YOUR SIZE.

THE SLICE HELPED CHRISSIE WELLINGTON AND MIRINDA CARFRAE DOMINATE THE 2009 IRONMAN WORLD CHAMPIONSHIPS, COMFORTABLY SETTING COURSE RECORDS IN THE PROCESS. GET READY TO DOMINATE.

RIDE SMOOTHER. RUN FRESHER

Aerodynamics aren't worth a thing if you can't maintain the aero position or are too beat up to run. Slice's SAVE rear stay micro-suspension system deflects vertically to absorb road shock while staying extremely stiff laterally and torsionally.

CONFIDENT HANDLING

Unlike the nervous, twitchy handling of some aero frames, the Slice's geometry is designed to provide stable and confidence-inspiring handling while in the aero position, allowing you to relax and focus on your ride.

RINNY'S ROCKETSHIP

So that more riders can benefit from the speed and light weight of the Slice we've added a size 47, equipped with 650c wheels. Mirinda loves it!



SLICE 4 RIVAL

Magnesium White (gloss) (WHT).

FRAME Slice Carbon Women's, SAVE, BB30

SHIFTERS SRAM 1090 R2C

BRAKES SRAM dual pivot

FORK Slice Aero, full carbon

REAR DERAILLEUR SRAM Rival

TIRES Schwalbe Lugano, 700 x 23c

WHEELS Mavic Kysium Equipe (650c, 700c)

CRANK FSA Trimax Pro BB30, 52/38

SIZES 47 (650c), 51, 54cm



SLICE 5 105

Magnesium White (gloss) (WHT).

FRAME Slice Carbon Women's, SAVE, BB30

SHIFTERS MicroShift, Shimano compatible

BRAKES Tektro R520 w/cartridge pads

FORK Slice Aero, full carbon

REAR DERAILLEUR Shimano 105 5700

TIRES Schwalbe Lugano, 700 x 23c, folding

WHEELS Maddux Aero G40 (650c, 700c)

CRANK FSA Gossamer Pro BB30 Compact, 50/34 (51-54cm), 53/39 (47cm)

SIZES 47 (650c), 51, 54cm

SYNAPSE WOMEN'S

PERFORMANCE MEETS COMFORT.

DISCOVER THAT THERE ARE
NO LIMITS TO WHAT YOU CAN DO.

AWARD-WINNING

Word is getting around: Synapse's comfort and performance features were recognized by the cogniscenti of *Bicycling* magazine when it beat out a field of competitors to win the Editors' Choice Best Women's Road Bike award.

PERFORMANCE GEOMETRY

A taller head tube than the Women's SuperSix, a longer wheelbase and relaxed angles produce a more upright riding position and a confidence-inspiring ride which avoids the sluggish feel of many "comfort" road bikes.

SAVE MICRO SUSPENSION SYSTEM

Careful shaping and carbon layup of the rear stays and fork blades absorb road shock and vibration while staying extremely rigid laterally for power transfer and confident cornering.



SYNAPSE HI-MOD 1 DURA-ACE

Jet Black, Magnesium White (gloss) (BLK).

FRAME Synapse Women's, Hi-MOD, SAVE, BB30

SHIFTERS Shimano Dura-Ace 7900

BRAKES Shimano Dura-Ace 7900

FORK Synapse, Hi-MOD full carbon, SAVE, 1-1/8"

REAR DERAILLEUR Shimano Dura-Ace 7900

TIRES Schwalbe Ultramo ZX, 700 x 25c, folding

WHEELS Mavic Ksyrium SL

CRANK FSA SL-K Carbon Light BB30 Compact, 50/34

SIZES 44, 48, 51, 54cm





SYNAPSE CARBON 3 ULTEGRA

Indigo Blue, Fine Silver (gloss) (BLU).

FRAME Synapse Carbon Women's, SAVE, BB30

SHIFTERS Shimano Ultegra 6700

BRAKES Shimano Ultegra 6700

FORK Synapse, full carbon, SAVE, alloy dropouts, 1-1/8"

REAR DERAILLEUR Shimano Ultegra 6700

TIRES Schwalbe Durano, 700 x 25c, folding

WHEELS Shimano RS80

CRANK FSA SL-K Carbon Light BB30 Compact, 50/34

SIZES 44, 48, 51, 54cm



SYNAPSE CARBON 5 105

Orange Spice, Magnesium White (gloss) (ORG).

FRAME Synapse Carbon Women's, SAVE, BB30

SHIFTERS Shimano 105 5700

BRAKES Shimano 105 5700

FORK Synapse, full carbon, SAVE, alloy dropouts, 1-1/8"

REAR DERAILLEUR Shimano 105 5700

TIRES Schwalbe Lugano, 700 x 25c, folding

WHEELS Shimano RS10

CRANK FSA Gossamer Pro BB30 Compact, 50/34

SIZES 44, 48, 51, 54cm



SYNAPSE CARBON 4 RIVAL

Cabernet, Magnesium White (gloss) (CAB).

FRAME Synapse Carbon Women's, SAVE, BB30

SHIFTERS SRAM Rival w/Reach Adjust

BRAKES SRAM dual pivot

FORK Synapse, full carbon, SAVE, alloy dropouts, 1-1/8"

REAR DERAILLEUR SRAM Rival WiFLi

TIRES Schwalbe Durano, 700 x 25c, folding

WHEELS Mavic Aksium Race

CRANK FSA Gossamer Pro BB30 Compact, 50/34

SIZES 44, 48, 51, 54cm



SYNAPSE CARBON 6 APEX

Charcoal Grey, Pearl White (gloss) (GRY).

FRAME Synapse Carbon Women's, SAVE

SHIFTERS SRAM Apex

BRAKES SRAM Apex

FORK Synapse, full carbon, SAVE, alloy dropouts, 1-1/8"

REAR DERAILLEUR SRAM Apex WiFLi

TIRES Schwalbe Lugano, 700 x 25c

WHEELS Shimano R500A

CRANK SRAM S150 Compact, 50/34

SIZES 44, 48, 51, 54cm



SYNAPSE ALLOY WOMEN'S

FIND YOUR INNER CYCLIST.

WHETHER YOU'RE TEMPTED BY THE LURE OF COMMUTING, THAT LONG-PROMISED CHARITY RIDE OR A LATE SUMMER WOMEN'S-ONLY TRIATHLON, SYNAPSE IS THE ANSWER.

CANNONDALE ALUMINUM

Modeled after our award-winning Synapse Carbon, Synapse Alloy features our sophisticated tubing manipulation and trademark double pass smooth welds. Strong and super light.

SPORTING VERSATILITY

Synapse Alloy's rack mounts and fender clearance expand its versatility to commuting and lightweight touring without sacrificing its sporting soul. Put this baby to work!

ENJOY THE RIDE

Synapse' light and efficient alloy frame makes climbing a delight while it's stable and reliable geometry brings out the fun of descending.



FSA Gossamer BB30 Triple, 52/39/30



SYNAPSE ALLOY 5 105

Brushed Aluminum (gloss) (RAW).

Magnesium White (gloss) (WHT).

FRAME Synapse Women's, Optimized 6061 alloy, SAVE, BB30

SHIFTERS Shimano 105 5700

BRAKES Tektro R538, long reach, cartridge pads

FORK Synapse, SAVE, carbon blades, 1-1/8"

REAR DERAILLEUR Shimano 105 5700

TIRES Schwalbe Lugano, 700 x 25c

WHEELS Shimano RS10

CRANK FSA Gossamer BB30 Compact, 50/34

SIZES 44, 48, 51, 54cm



Shimano Tiagra Triple, 50/39/30



SYNAPSE ALLOY 6 TIAGRA

Pearl White (gloss) (WHT).

Jet Black (gloss) (BLK).

FRAME Synapse Women's, Optimized 6061 alloy, SAVE

SHIFTERS Shimano Tiagra

BRAKES Cannondale C4 w/cartridge pads

FORK Synapse, SAVE, carbon blades, 1-1/8"

REAR DERAILLEUR Shimano Tiagra

TIRES Schwalbe Lugano, 700 x 25c

WHEELS Maddux R3.0, 28 hole

CRANK Shimano Tiagra Compact, 50/34

SIZES 44, 48, 51, 54cm



FSA Vero, 50/39/30



SYNAPSE ALLOY 7 SORA

Egyptian Blue (gloss) (BLU).

Magnesium White (gloss) (WHT).

FRAME Synapse Women's, Optimized 6061 alloy, SAVE

SHIFTERS Shimano Sora

BRAKES Cannondale C4 w/cartridge pads

FORK Synapse, SAVE, carbon blades, 1-1/8"

REAR DERAILLEUR Shimano Sora

TIRES Schwalbe Lugano, 700 x 25c

WHEELS Maddux R3.0, 28 hole

CRANK FSA Vero Compact, 50/34

SIZES 44, 48, 51, 54cm

QUICK WOMEN'S

QUICK: IT'S YOUR TIME.

**SPEEDY COMMUTER. OUTDOOR GYM.
TWO-WHEELED FREEDOM.**

HEADS-UP RIDING

Quick geometry delivers an upright riding position for increased comfort, visibility and enjoyment. Relax and enjoy the ride.

ALL DAY COMFORT

SAVE rear stays are shaped to absorb road vibration, increase comfort and enhance control.

MADE FOR YOU

We design bikes to account for women's shorter torsos and longer legs. This translates into a shorter top tube for your shorter reach, a taller head tube to balance proportionately taller seat height, and a fork rake which minimizes toe overlap, to name a few.



Chris Millman



QUICK CARBON 1

Uni-directional Carbon (matte) (CRB).

FRAME Quick full carbon Women's, BB30

SHIFTERS Shimano SL-770

BRAKES TRP CX9 Mini-V w/cartridge pads

FORK Quick, full carbon, Si

REAR DERAILLEUR Shimano Ultegra 6700, 10-speed

TIRES Kenda Kwick Roller Sport, 700 x 28c

WHEELS Formula XERO Element CXR

CRANK FSA SLK Light BB30 Compact, 50/34

SIZES S, T

QUICK CARBON 2

Uni-directional Carbon (matte) (CRB).

FRAME Quick full carbon Women's, BB30

SHIFTERS Shimano SL-770

BRAKES TRP CX9 Mini-V w/cartridge pads

FORK Quick, full carbon, Si

REAR DERAILLEUR Shimano 105 5700, 10-speed

TIRES Kenda Kwick Roller Sport, 700 x 28c

WHEELS Formula XERO Element CXR

CRANK FSA Gossamer Pro BB30 Triple, 52/39/30

SIZES S, T



QUICK 1

Brushed Aluminum (gloss) (RAW).

FRAME Quick SL Women's, Optimized 6061 alloy, SAVE

SHIFTERS Shimano SL-770

BRAKES Tektro RX5 Mini V-Brakes

FORK Quick, carbon blades, 1-1/8" steerer

REAR DERAILLEUR Shimano 105 5700, 10-speed

TIRES Continental Sport Contact, 700 x 32c

WHEELS Element Xero C2

CRANK Shimano 105 5700 triple, 30/39/50

SIZES P, S, T



QUICK 2

Carbernet (gloss) (CAB).

FRAME Quick SL Women's, Optimized 6061 alloy, SAVE

SHIFTERS Shimano SL-R440

BRAKES Tektro RX5 Mini V-Brakes

FORK Quick, carbon blades, 1-1/8" steerer

REAR DERAILLEUR Shimano Tiagra, 9-speed

TIRES Continental Sport Contact, 700 x 32c

WHEELS Element Xero C3

CRANK Shimano Tiagra triple, 30/39/50

SIZES XS (26"), P, S, T



QUICK 3

Jet Black (gloss) (BLK).

FRAME Quick SL Women's, Optimized 6061 alloy, SAVE

SHIFTERS Shimano Alivio

BRAKES Tektro RX1 Mini V-Brakes

FORK Quick, carbon blades, 1-1/8" steerer

REAR DERAILLEUR Shimano Deore, 9-speed

TIRES Continental City Contact, 700 x 32c

WHEELS Element Xero C3

CRANK Shimano M431, 26/36/48

SIZES P, S, T



Magnesium White (gloss) (WHT).

BRAKES Tektro RX1 Mini V-Brakes

TIRES Continental City Contact, 700 x 32c

SIZES P, S, T



QUICK 4

Fine Silver (matte) (SLV).

FRAME Quick Women's, double butted 6061 alloy, SAVE

SHIFTERS Shimano Alivio

FORK Quick, carbon blades, 1-1/8" steerer

REAR DERAILLEUR Shimano Alivio, 8-speed

WHEELS Element Xero C3

CRANK Shimano M131, 28/38/48



Pearl White (gloss) (WHT).

BRAKES Tektro TX 120 V-Brakes

TIRES Kenda Kwick Trax, 700 X 38c

SIZES XS (26"), P, S, T



QUICK 5

Egyptian Blue (gloss) (BLU).

FRAME Quick Women's, double butted 6061 alloy, SAVE

SHIFTERS Shimano Acera

FORK Quick, carbon blades, 1-1/8" steerer

REAR DERAILLEUR Shimano Alivio, 8-speed

WHEELS Jalco DT 21

CRANK Shimano M131, 28/38/48



Pearl White (gloss) (WHT).

BRAKES Tektro TX 120 V-Brakes

TIRES Kenda Kwick Trax, 700 X 38c

SIZES P, S, T



Chris Milliman

ADVENTURE WOMEN'S

GO GRACEFULLY.

CRUISING THE GREENWAY WITH FRIENDS, PICKING UP FRESH BREAD AT THE FARMERS MARKET OR A SPIN ACROSS TOWN TO CHECK OUT THE CHERRY BLOSSOMS. WHAT'S YOUR ADVENTURE?

RIDER-TAILORED GEOMETRY

Adventure has our most upright rider posture aimed at maximum comfort without being sluggish. We also ensure that at the correct seat height the rider can still touch the ground comfortably without losing the ability to ride efficiently.

LUXURIOUS TRAPPINGS

Soft touch grips and quick release levers combined with a super plush sprung saddle give the **Adventure** a luxurious feel.

STEP THROUGH FRAME

For the ultimate in convenience **Adventure** also comes in a reassuring **Step Through** frame design.



ADVENTURE 1

FRAME Adventure Women's, double butted 6061 alloy
FORK Adventure Trail Si suspension, 35 mm
WHEELS Cannondale C3, double wall, alloy

SHIFTERS Shimano Nexus twist type
REAR HUB Shimano Nexus Premium 8-speed internal rear
CRANK FSA Single Ring, 38

Magnesium White (gloss) (WHT).
BRAKES Cannondale V Brake w/modulator
TIRES Kenda Kwick Trax, 700 x 38c
SIZES S, T



ADVENTURE 2

FRAME Adventure Women's, double butted 6061 alloy
FORK Adventure Trail Si suspension, steel, 35 mm
WHEELS Cannondale C3, double wall, alloy

Cabernet (gloss) (CAB).
SHIFTERS Shimano Revo twist type
REAR DERAILLEUR Shimano Alivio, 8-speed
CRANK Shimano M191, 48/38/28



Fine Silver (gloss) (SLV).
BRAKES Cannondale V Brake w/modulator
TIRES Kenda Kwick Trax, 700 x 38c
SIZES S, T



ADVENTURE 3

FRAME Adventure Women's, double butted 6061 alloy
FORK RST Sofi T, 50 mm
WHEELS Cannondale C3, double wall, alloy

Jet Black (gloss) (BLK).
SHIFTERS Shimano Revo twist type
REAR DERAILLEUR Shimano Acera, 8-speed
CRANK Shimano M191, 48/38/28



Pearl White (gloss) (WHT).
BRAKES Cannondale V Brake w/modulator
TIRES Kenda Kwick Trax, 700 x 38c
SIZES S, T



ADVENTURE 3-26"

FRAME Adventure Women's, double butted 6061 alloy, for 26" wheels, step thru
FORK RST Sofi T 26", 50 mm
WHEELS Cannondale C3, double wall, alloy, 26"

Pearl White (gloss) (WHT).
SHIFTERS Shimano Revo twist type
REAR DERAILLEUR Shimano Acera, 8-speed
CRANK Shimano M191, 48/38/28



Jet Black (gloss) (BLK).
BRAKES Cannondale V Brake w/modulator
TIRES Kenda NPJ signature, 26 x 1.25"
SIZES S, T

	SCARLET 1	SCARLET 2	LEXI 1	LEXI 2	LEXI 3
Code	1VNW1	1VNW2	1VLW1	1VLW2	1VLW3
Frame	Scarlet, 150/90 mm, SmartFormed Alloy, BB30, ISCG03, 1.5 Si headtube	Scarlet, 150/90 mm, SmartFormed Alloy, BB30, ISCG03, 1.5 Si headtube	Lexi, 120 mm, SmartFormed Alloy, BB30, 1.5 Si headtube	Lexi, 120 mm, SmartFormed Alloy, BB30, 1.5 Si headtube	Lexi, 120 mm, SmartFormed Alloy, BB30, 1.5 Si headtube
Fork	Fox 32 Talas RL w/Custom Lockout Threshold, 150 mm, 15QR thru axle, 1.5"	RockShox Revelation, 150 mm, Dual Air, All Travel, lockout, rebound, 15 mm thru axle, 1.5"	Lefty Ultra PBR, 120 mm, OPI, Solo Air	RockShox Recon Silver TK, 120 mm, Solo Air, lockout, rebound, 20 mm thru axle, 1.5"	RST Deuce Air, 120 mm, lockout, rebound, 15 mm thru axle, 1.5"
Rear Shock	Fox DYAD RT2 dual shock, 150/90 mm	Fox DYAD RT2 dual shock, 150/90 mm	RockShox Monarch RT3	RockShox Monarch RT	X Fusion 02 RL2
Rims	DT Swiss 445, 32 hole	SunRingle SR25, 32 hole	DT Swiss 1.7, 24 hole front, 28 hole rear	Maddux DC3.0, double wall w/eyelet, 28 hole	Maddux DC3.0, double wall w/eyelet, 28 hole
Hubs	Formula DC71, 15 mm front, DHL-142, 142 x 12 mm rear	Formula DC51, 15 mm front, DHL-142, 142 x 12 mm rear	Lefty SL front, DT Swiss 280 rear	Formula, DC51 front, DC22 rear	Formula, DC51 front, DC22 rear
Spokes	DT Swiss Champion	DT Swiss Champion	DT Swiss Competition	DT Swiss Competition	DT Swiss Competition
Tires	Schwalbe Nobby Nic PaceStar, 26 x 2.4", folding	Kenda Nevegal, 26 x 2.35", folding	Kenda Slant 6, 26 x 2.1", folding	Kenda Slant 6, 26 x 2.1", folding	Kenda Slant 6, 26 x 2.1", folding
Pedals	N/A	N/A	N/A	FPD Alloy Platform	FPD Alloy Platform
Crank	FSA Afterburner BB30, 44/32/22	TruVatiV FireX 3.1, 44/24/22	FSA Comet 386 BB30, 39/27	Shimano M542, 44/32/22	Shimano M430, 8-speed, 44/32/22
Bottom Bracket	FSA BB30	TruVatiV PowerSpine	FSA BB30	Included	Included
Chain	Shimano HG74, 10-speed	KMC X9, 9-speed	KMC X10SL, 10-speed	KMC X9, 9-speed	KMC X9, 9-speed
Rear Cogs	Shimano SLX 11-36, 10-speed	SRAM PG-970, 11-34, 9-speed	Shimano SLX 11-36, 10-speed	SRAM PG-950, 11-34, 9-speed	SRAM PG-950, 11-34, 9-speed
Front Derailleur	Shimano SLX	Shimano SLX	SRAM X7	Shimano SLX	Shimano SLX
Rear Derailleur	Shimano XT	SRAM X7, 9-speed	SRAM X9	Shimano XT	Shimano XT
Shifters	Shimano XT	SRAM X7, 3 x 9	SRAM X7	Shimano SLX	Shimano SLX
Handlebar	Cannondale C2 riser, 640 x 20 mm, 2014 alloy	Cannondale C2 riser, 640 x 20 mm, 2014 alloy	Cannondale C2 riser, 640 x 20 mm, 2014 alloy	Cannondale C2 riser, 640 x 20 mm, 2014 alloy	Cannondale C2 riser, 640 x 20 mm, 2014 alloy
Stem	Cannondale C2, 1.5", 31.8	Cannondale C4, 1.5", 31.8	Cannondale OPI adjustable, 6 degree, 31.8	Cannondale C3, 1.5", 31.8	Cannondale C3, 1.5", 31.8
Headset	Tange Seiki 1.5", Integrated	Tange Seiki 1.5", Integrated	HeadShok	Tange Seiki 1.5", Integrated	Tange Seiki 1.5", Integrated
Brakes	Avid Elixir CR, 185/185 mm	Hayes Stroker Ryde Comp, 185/160 mm	Hayes Stroker Trail Carbon SL, 160/160 mm	Avid Elixir 3, 180/160 mm	Shimano M486, hydraulic disc, 185/160 mm
Brake Levers	Avid Elixir CR	Hayes Stroker Ryde Comp	Hayes Stroker Trail Carbon	Avid Elixir 3	Shimano
Saddle	Prologo Vertigo Max Dea, ProT 2.0 rails	Prologo Vertigo Max Dea, ProT 2.0 rails	Prologo Vertigo Max Dea, ProT 2.0 rails	Prologo Vertigo Max Dea, ProT 2.0 rails	Cannondale Women's XC, Cro-Mo rails
Seatpost	Cannondale C2, 31.6 x 350	Cannondale C3, 31.6 x 350	Cannondale C2, 31.6 x 400	Cannondale C3, 31.6 x 400	Cannondale C3, 2 bolt
Sizes	P, S, M	P, S, M	P, S, M	P, S, M	P, S, M
Color 1 (code)	Jet Black (matte) (BBQ).	Magnesium White (gloss) (WHT).	Magnesium White (gloss) (WHT).	Soldier of Fortune (matte) (GRN).	Jet Black (gloss) (BLK).
Color 2 (code)					
Extras	Cannondale Dual Density Lock-On grips	Cannondale Dual Density Lock-On grips	Cannondale Dual Density Lock-On grips	Cannondale Dual Density Lock-On grips	Cannondale Dual Density, w/Lock-On grips

	FLASH WOMEN'S	TRAIL SL 2	TRAIL SL 3	TRAIL 5	TRAIL 6
Code	1FAW	1FSW2	1FSW3	1FSW5	1FSW6
Frame	Flash Women's, SmartFormed alloy, SAVE, BB30, 1.5 Si head tube	Trail SL Women's, Optimized 6061 alloy, SAVE, 1.5" headtube	Trail SL Women's, Optimized 6061 alloy, SAVE, 1-1/8" headtube	Trail Women's, double butted 6061 alloy, SAVE, 1-1/8" headtube	Trail Women's, double butted 6061 alloy, SAVE, 1-1/8" headtube
Fork	Fatty DLR80, 80 mm, OPI	RockShox Recon Silver TK, 100 mm, Solo Air, lockout, rebound, 1.5"	RST Deuce Coil, 100 mm, softer spring/elastomer, lockout, rebound, 1.5"	RST Gila Pro TNL, 100 mm, softer spring/elastomer, lockout, 1-1/8"	RST Gila T, 100 mm, softer spring/elastomer, 1-1/8"
Rims	Maddux DC3.0, double wall w/eyelet, 28 hole	Maddux DC3.0, double wall w/eyelet, 28 hole	Maddux DC3.0, double wall w/eyelet, 28 hole	Alex DC4.5, double wall, 28 hole	Alex DC4.5, double wall, 28 hole
Hubs	Formula, DC20 front, DC22 rear	Formula, DC20 front, DC22 rear	Formula, DC20 front, DC22 rear	Formula, DC20 front, DC22 rear	Formula, DC20 front, DC22 rear
Spokes	DT Swiss Competition	Stainless Steel	Stainless Steel	Stainless Steel	Stainless Steel
Tires	Kenda Small Block 8, 26 x 2.1", folding	Kenda Small Block 8, 26 x 2.1"	Kenda Small Block 8, 26 x 2.1"	Kenda Small Block 8, 26 x 2.1"	Kenda Small Block 8, 26 x 2.1"
Pedals	FPD alloy platform	VP Platform w/steel cage	VP Platform w/steel cage	FPD Platform w/steel cage	FPD Platform w/steel cage
Crank	FSA Comet 386 BB30, 39/27	Shimano M420, 44/32/22	Shimano M420, 44/32/22	Shimano M311, 44/32/22	Shimano M311, 42/32/22
Bottom Bracket	FSA BB30	Shimano Octalink	Shimano Octalink	Tange Cartridge, 68 mm	Tange Cartridge, 68 mm
Chain	KMC X10SL, 10-speed	Shimano HG53, 9-speed	KMC, 9-speed	KMC Z72, 8-speed	KMC Z72, 8-speed
Rear Cogs	Shimano SLX 11-36, 10-speed	SRAM PG-950, 11-32, 9-speed	SRAM PG-950, 11-34, 9-speed	Sun Race M66 12-32, 8-Speed	Sun Race M56 11-32, 8-Speed
Front Derailleur	SRAM X7	Shimano Deore	SRAM X5	Shimano M311	Shimano M190
Rear Derailleur	SRAM X9	Shimano Alivio	SRAM X5	Shimano Alivio	Shimano Acera
Shifters	SRAM X7	Shimano Deore	SRAM X5	Shimano Alivio	Shimano Alivio
Handlebar	Cannondale C2 riser, 640 x 20 mm, 2014 alloy	Cannondale C3 riser, 620 x 20 mm, 6061 double butted	Cannondale C3 riser, 620 x 20 mm, 6061 double butted	Cannondale C4 riser, 620 x 30 mm, 6061 alloy	Cannondale C4 riser, 620 x 30 mm, 6061 alloy
Stem	Cannondale C2 HeadShok, 31.8	Cannondale C4, 1.5", 31.8	Cannondale C4, 1.5", 31.8	Cannondale C4 by UNO, 31.8	Cannondale C4 by UNO, 31.8
Headset	HeadShok	Tange Custom 1.5"	Tange Custom 1.5"	Tange ER2 Slim Stack	Tange ER2 Slim Stack
Brakes	Avid Elixir 3, 160/160 mm	Shimano M445 hydraulic disc, 160/160 mm	Tektro Draco SL hydraulic disc, 160/160 mm	Promax CD7.0 Mechanical disc, 160/160 mm	Tektro Novela, Mechanical disc, 160/160 mm
Brake Levers	Avid Elixir 3	Shimano M445	Tektro Draco SL	Cannondale C4, 2 finger	Cannondale C4, 2 finger
Saddle	Prologo Vertigo Max Dea, ProT 2.0 rails	Cannondale Women's XC w/Airflow	Cannondale Women's XC w/Airflow	Cannondale Women's XC w/Airflow	Cannondale Women's XC w/Airflow
Seatpost	Cannondale C2, 31.6 x 350 mm	Cannondale C3, 31.6 x 350 mm	Cannondale C3, 31.6 x 350 mm	Cannondale C4, 31.6 x 350 mm	Cannondale C4, 31.6 x 350 mm
Sizes	P, S, M, T	P, S, M, T	P, S, M, T	P, S, M, T	P, S, M, T
Color 1 (code)	Jet Black (Gloss) (BLK).	Magnesium White (gloss) (WHT).	Cabernet (matte) (CAB).	Jet Black (gloss) (BLK).	Goodnight Green (matte) (GRN).
Color 2 (code)			Pearl White (gloss) (WHT).	Fine Silver (matte) (SLV).	Magnesium White (gloss) (WHT).
Extras	Cannondale Dual Density Lock-On grips	Cannondale Dual Density Lock-On grips	Cannondale Dual Density Lock-On grips	Cannondale Dual Density grips	Cannondale Dual Density grips

	SUPERSIX 1 DURA-ACE	SUPERSIX 3 ULTEGRA	SUPERSIX 5 105	CAAD10 4 RIVAL	CAAD10 5 105
Code	1RWS1C	1RWS3C	1RWS5C	1RWX4C	1RWX5C
Frame	SuperSix Women's, full carbon, BB30, SAVE	SuperSix Women's, full carbon, BB30, SAVE	SuperSix Women's, full carbon, BB30, SAVE	CAAD10 Women's, Smartformed 6069 Alloy, SAVE, BB30	CAAD10 Women's, Smartformed 6069 Alloy, SAVE, BB30
Fork	SuperSix, full carbon, 1-1/8"-1.5" tapered steerer, alloy dropouts	SuperSix, full carbon, 1-1/8"-1.5" tapered steerer, alloy dropouts	SuperSix, full carbon, 1-1/8"-1.5" tapered steerer, alloy dropouts	CAAD10, full carbon, 1-1/8" to 1-1/4" tapered steerer	CAAD10, full carbon, 1-1/8" to 1-1/4" tapered steerer
Rims	Mavic Ksyrium Elite	Mavic Ksyrium Equipe	Shimano RS10	Shimano RS10	Shimano RS10
Hubs	Mavic Ksyrium Elite	Mavic Ksyrium Equipe	Shimano RS10	Shimano RS10	Shimano RS10
Spokes	Mavic Ksyrium Elite	Mavic Ksyrium Equipe	Shimano RS10	Shimano RS10	Shimano RS10
Tires	Schwalbe Ultrero Zx, 700 x 23c, folding	Schwalbe Durano S, 700 x 23c, folding	Schwalbe Lugano, 700 x 23c, folding	Schwalbe Lugano, 700 x 23c, foldable	Schwalbe Lugano, 700 x 23c, foldable
Pedals	N/A	N/A	N/A	N/A	N/A
Crank	FSA SL-K Light Carbon BB30, 50/34	FSA SL-K Light Carbon BB30, 50/34	Shimano 105 5700	SRAM Force Carbon, BB30, 50/34	FSA Gossamer Pro BB30, 50/34
Bottom Bracket	FSA BB30	FSA BB30	Shimano 105 5700, 11-28	SRAM BB30	FSA BB30
Chain	Shimano Dura-Ace 7900	Shimano Ultegra	Shimano 105 5700, 34.9 mm clamp	KMC DX-10SC	Shimano 105 5700
Rear Cogs	Shimano Dura-Ace 7900, 11-28	Shimano Ultegra 6700, 11-28	Shimano 105 5700	SRAM PG-1070, 11-28	Shimano 105 5700, 11-28
Front Derailleur	Shimano Dura-Ace 7900, 34.9 mm clamp	Shimano Ultegra 6700, 34.9 mm clamp	Shimano 105 5700	SRAM Rival	Shimano 105 5700, 34.9 mm clamp
Rear Derailleur	Shimano Dura-Ace 7900	Shimano Ultegra 6700	Shimano 105	SRAM Rival	Shimano 105 5700
Shifters	Shimano Dura-Ace 7900	Shimano Ultegra 6700	Shimano 105	SRAM Rival w/reach adjust	Shimano 105 5700
Handlebar	FSA SL-K Wing Compact, Carbon	Cannondale C2 Women's Compact Wing, AI-7050, Butted	Cannondale C3 Women's Compact Wing, AI-6061 Butted	Cannondale C3 Women's Compact Wing, AI-6061 Butted	Cannondale C3 Women's Compact, AI-6061 Butted
Stem	FSA SL-K, 6 degree, 31.8	Cannondale C2, 6 degree, 31.8	Cannondale C3, 6 degree, 31.8	Cannondale C3, 6 degree, 31.8	Cannondale C3, 6 degree, 31.8
Headset	SuperSix, 1.5 lower bearing, 30 mm carbon w/5 mm hidden alloy top cover	SuperSix, 1.5 lower bearing, 30 mm carbon, w/5 mm hidden alloy top cover	SuperSix, 1.5 lower bearing, 30 mm alloy, w/5 mm hidden top cover	CAAD10, 1-1/4" lower bearing, 25 mm carbon top cap	CAAD10, 1-1/4" lower bearing, 25 mm carbon top cap
Brakes	Shimano Dura-Ace 7900	Shimano Ultegra 6700	Shimano 105 5700	SRAM Caliper w/SwissStop brake pads	Tektro R580, dual pivot, cartridge pad
Brake Levers	Shimano Dura-Ace 7900	Shimano Ultegra 6700	Shimano 105 5700	SRAM Rival w/reach adjust	Shimano 105 5700
Saddle	Fi'zi:k Vesta, Kium rails	Fi'zi:k Vesta, Manganese rails	Prologo Kappa Dea, ProT 2.0 rails	Prologo Kappa Dea, ProT 2.0 rails	Prologo Kappa Dea, ProT 2.0 rails
Seatpost	FSA SLK Carbon SP-RK-260, 31.6 mm, 350 mm	Cannondale C2, UD Carbon, 31.6 mm, 300 mm	Cannondale C2, UD Carbon, 31.6 mm, 300 mm	Cannondale C2, UD Carbon, 31.6 mm, 300 mm	Cannondale C3, Carbon wrap, 27.2 mm, 300 mm
Sizes	44, 48, 51, 54cm	44, 48, 51, 54cm	44, 48, 51, 54cm	44, 48, 51, 54cm	44, 48, 51, 54cm
Color 1 (code)	Uni-Directional Carbon (matte) (CRB).	Magnesium White (gloss) (WHT).	Jet Black (gloss) (BLK).	Brushed Aluminum (gloss) (RAW).	Jet Black (gloss) (BLK).
Color 2 (code)				Magnesium White w/Ruby Red (gloss) (WHT).	Magnesium White w/Berserker Green Pearl (gloss) (WHT).
Extras	Velo 2.5 mm Suede w/gel backing	Velo 2.5 mm Suede w/gel backing	Velo 2.5 mm Suede w/gel backing	Velo 2.5 mm Suede w/gel backing	Velo 2.5 mm Suede w/gel backing

	SLICE 4 RIVAL	SLICE 5 105	SYNAPSE HI-MOD 1 DURA-ACE	SYNAPSE CARBON 3 ULTEGRA	SYNAPSE CARBON 4 RIVAL
Code	1RWM4D	1RWM5C	1RWL1C	1RWC3C	1RWC4C
Frame	Slice Women's, full carbon, SAVE, BB30	Slice Women's, full carbon, SAVE, BB30	Synapse Women's, HI-MOD full carbon, SAVE, BB30	Synapse Women's, full carbon, SAVE, BB30	Synapse Women's, full carbon, SAVE, BB30
Fork	Slice Aero, full carbon, 1-1/8"	Slice Aero, full carbon, 1-1/8"	Synapse, HI-MOD full carbon, SAVE, 1-1/8"	Synapse, full carbon, SAVE, 1-1/8"	Synapse, full carbon, SAVE, 1-1/8"
Rims	Mavic Ksyrium Equipe (650c, 700c)	Maddux Aero G40 (650c, 700c)	Mavic Ksyrium SL	Shimano RS80	Mavic Aksium Race
Hubs	Mavic Ksyrium Equipe	Formula RB51, 24 hole front, Formula RB52, 28 hole rear	Mavic Ksyrium SL	Shimano RS80	Mavic Aksium Race
Spokes	Mavic Ksyrium Equipe	DT Swiss Champion	Mavic Ksyrium SL	Shimano RS80	Mavic Aksium Race
Tires	Schwalbe Lugano, 700 x 23c, folding / Maxxis Xenith, 650 x 23c, folding	Schwalbe Lugano, 700 x 23c, folding / Maxxis Xenith, 650 x 23c, folding	Schwalbe Ultrero ZX, 700 x 25c, folding	Schwalbe Durano, 700 x 25c, folding	Schwalbe Durano, 700 x 25c, folding
Pedals	N/A	N/A	N/A	N/A	N/A
Crank	FSA Trimax Pro BB30, 52/38	FSA Gossamer Pro BB30, 50/34 (650c, 53/39)	FSA SL-K Carbon Light BB30, 50/34	FSA SL-K Carbon Light BB30, 50/34	FSA Gossamer Pro BB30, 50/34
Bottom Bracket	FSA BB30	FSA BB30	FSA BB30	FSA BB30	FSA BB30
Chain	KMC DX-10SC	Shimano 105 5700	Shimano Dura-Ace 7900	Shimano Ultegra 6700	KMC DX-10SC w/missing link
Rear Cogs	SRAM PG-1070, 11-26	Shimano 105 5700, 11-28	Shimano Dura-Ace 7900, 11-28	Shimano Ultegra 6700, 11-28	SRAM PG-1050, 11-32
Front Derailleur	SRAM Rival	Shimano 105 5700, braze-on	Shimano Dura-Ace 7900, braze-on	Shimano Ultegra 6700, braze-on	SRAM Rival
Rear Derailleur	SRAM Rival	Shimano 105 5700	Shimano Dura-Ace 7900	Shimano Ultegra 6700	SRAM Rival WiFLi
Shifters	SRAM RTC TT 1090	Microshift Shimano-compatible bar-end	Shimano Dura-Ace 7900	Shimano Ultegra 6700	SRAM Rival w/Reach Adjust
Handlebar	3T Aura Carbon, 40 cm	Cannondale C3 Aero bar, 31.8, w/Profile T2 clip-ons	3T Ergonova Team Carbon	3T Ergonova Pro	3T Ergonova Pro
Stem	3T ARX Pro, 6 degree	Cannondale C3, 6 degree	3T ARX Team, 6 degree, 31.8	3T ARX Pro, 6 degree, 31.8	3T ARX Pro, 6 degree, 31.8
Headset	Slice, Si, 15 mm top cap	Slice, Si, 15 mm top cap	Synapse Si, 25 mm carbon top cap	Synapse Si, 25 mm carbon top cap	Synapse Si, 25 mm carbon top cap
Brakes	SRAM Caliper w/SwissStop brake pads	Tektro R520 w/cartridge pads	Shimano Dura-Ace 7900	Shimano Ultegra 6700	SRAM Caliper w/SwissStop brake pads
Brake Levers	Promax Aero	Promax Aero	Shimano Dura-Ace 7900	Shimano Ultegra 6700	SRAM Rival w/Reach Adjust
Saddle	Prologo Kappa Dea, ProT 2.0 rails	Prologo Kappa Dea, ProT 2.0 rails	Fi'zi:k Vesta, Kium rails	Fi'zi:k Vesta, Manganese rails	Prologo Kappa Dea, ProT 2.0 rails
Seatpost	Cannondale Slice Carbon Aero, 2 position, 350 mm	Cannondale Slice Carbon Aero, 2 position, 350 mm	Synapse SAVE HI-MOD, 275 mm	Synapse SAVE carbon, 275 mm	Synapse SAVE carbon, 275 mm
Sizes	47 (650c), 51, 54cm	47 (650c), 51, 54cm	44, 48, 51, 54cm	44, 48, 51, 54cm	44, 48, 51, 54cm
Color 1 (code)	Magnesium White (gloss) (WHT).	Magnesium White (gloss) (WHT).	Jet Black, Magnesium White (gloss) (BLK).	Indigo Blue, Fine Silver (gloss) (BLU).	Cabernet, Magnesium White (gloss) (CAB).
Color 2 (code)					Magnesium White, Jet Black, Ruby Red (gloss) (WHT).
Extras	Seatpost water bottle mount, Velo 2.5 mm Suede w/gel backing	Seatpost water bottle mount, Velo 2.5 mm Suede w/gel backing	Velo 2.5 mm Suede w/gel backing	Velo 2.5 mm Suede w/gel backing	Velo 2.5 mm Suede w/gel backing

	SYNAPSE CARBON 5 105	SYNAPSE CARBON 6 APEX	SYNAPSE ALLOY 5 105	SYNAPSE ALLOY 6 TIAGRA	SYNAPSE ALLOY 7 SORA
Code	1RWCS5	1RWCG6	1RWAS5, 1RWAST	1RWAG6, 1RWAGT	1RWAT7, 1RWAT7T
Frame	Synapse Women's, full carbon, SAVE, BB30	Synapse Women's, full carbon, SAVE	Synapse Women's, Optimized 6061 Alloy, BB30, SAVE	Synapse Women's, Optimized 6061 Alloy, SAVE	Synapse Women's, Optimized 6061 Alloy, SAVE
Fork	Synapse, full carbon, SAVE, 1-1/8"	Synapse, full carbon, SAVE, 1-1/8"	Synapse SAVE, carbon blades, 1-1/8"	Synapse SAVE, carbon blades, 1-1/8"	Synapse SAVE, carbon blades, 1-1/8"
Rims	Shimano RS10	Shimano R500A	Shimano RS10	Maddux R3.0, 28 hole	Maddux R3.0, 28 hole
Hubs	Shimano RS10	Shimano R500A	Shimano RS10	Formula RB51 front, RB52 rear	Formula RB51 front, RB52 rear
Spokes	Shimano RS10	Shimano R500A	Shimano RS10	DT Swiss Champion	DT Swiss Champion
Tires	Schwalbe Lugano, 700 x 25c, folding	Schwalbe Lugano, 700 x 25c	Schwalbe Lugano, 700 x 25c	Schwalbe Lugano, 700 x 25c	Schwalbe Lugano, 700 x 25c
Pedals	N/A	N/A	N/A	N/A	N/A
Crank	FSA Gossamer Pro BB30, 50/34	SRAM S150 Compact, 50/34	FSA Gossamer BB30, 50/34 Option: triple, 52/39/30	Shimano Tiagra, 50/34, Option: triple, 52/39/30	FSA Vero, 50/34 Option: triple, 52/39/30
Bottom Bracket	FSA BB30	SRAM Powerspline	FSA BB30	Included	FSA Powerdrive
Chain	Shimano 105 5700	KMC DX-10SC	Shimano 105 5700	SRAM PG-950, 12-26	KMC X9, 9-speed
Rear Cogs	Shimano 105 5700, 11-25	SRAM PG-1050, 11-32	Shimano 105 5700, 11-25	KMC X9, 9-speed	SRAM PG-950, 12-26
Front Derailleur	Shimano 105 5700, braze-on	SRAM Apex	Shimano 105 5700, 34.9 clamp	Shimano Sora, 34.9 clamp	Shimano Sora, 34.9 clamp
Rear Derailleur	Shimano 105 5700	SRAM Apex WiFLi	Shimano 105 5700	Shimano Tiagra	Shimano Sora
Shifters	Shimano 105 5700	SRAM Apex w/reach adjust	Shimano 105 5700	Shimano Tiagra	Shimano Sora
Handlebar	Cannondale C2 Women's Compact Wing, Al-7050, Butted	Cannondale C3 Women's Compact Wing, Al-6061 Butted	Cannondale C3 Women's Compact Wing, Al-6061 Butted	Cannondale C4 Women's Compact, Al-6061 Butted	Cannondale C4 Women's Compact, Al-6061 Butted
Stem	Cannondale C3, 6 degree, 31.8	Cannondale C3, 6 degree, 31.8	Cannondale C3, 6 degree, 31.8	Cannondale C4, 6 degree, 31.8	Cannondale C4, 6 degree, 31.8
Headset	Synapse Si, 25 mm top cap	Synapse Si, 25 mm top cap	Synapse Si, 25 mm top cap	Synapse Si, 25 mm top cap	Synapse Si, 25 mm top cap
Brakes	Shimano 105 5700	Tektro R580, dual pivot, cartridge pad	Tektro R538, dual pivot, cartridge pad, long reach	Cannondale C4 w/cartridge pads	Cannondale C4 w/cartridge pads
Brake Levers	Shimano 105 5700	Shimano 105 5700	Shimano 105 5700	Shimano Tiagra	Shimano Sora
Saddle	Prologo Kappa Dea, ProT 2.0 rails	Cannondale Raven Women's, Cro-Mo rails	Cannondale Raven Women's, Cro-Mo rails	Cannondale Raven Women's	Cannondale Raven Women's
Seatpost	Synapse SAVE carbon, 275 mm	Synapse SAVE carbon, 275 mm	Cannondale C3, carbon wrapped, 27.2 mm, 300 mm	Cannondale C4, alloy, 27.2 mm, 300 mm	Cannondale C4, alloy, 27.2 mm, 300 mm
Sizes	44, 48, 51, 54cm	44, 48, 51, 54cm	44, 48, 51, 54cm	44, 48, 51, 54cm	44, 48, 51, 54cm
Color 1 (code)	Orange Spice, Magnesium White (gloss) (ORG)	Charcoal Grey, Pearl White (gloss) (GRY)	Brushed Aluminum (gloss) (RAW)	Jet Black (gloss) (BLK)	Egyptian Blue (gloss) (BLU)
Color 2 (code)	Magnesium White, Jet Black, Ruby Red (gloss) (WHT)	Magnesium White, Jet Black, Blue (gloss) (WHT)	Magnesium White (gloss) (WHT)	Pearl White (gloss) (WHT)	Magnesium White (gloss) (WHT)
Extras	Velo 2.5 mm Suede w/gel backing	Velo 2.5 mm Suede w/gel backing	Velo 2.5 mm Suede w/gel backing	Velo 2.5 mm Suede w/gel backing	Velo 2.5 mm Suede w/gel backing

	QUICK CARBON 1	QUICK CARBON 2	QUICK 1	QUICK 2	QUICK 3
Code	0QWC1C	0QWC2T	1QRW1	1QRW2	1QRW3
Frame	Quick full carbon Women's, Si, BB30	Quick full carbon Women's, Si, BB30	Quick SL Women's, Optimized 6061 Alloy, SAVE	Quick SL Women's, Optimized 6061 Alloy, SAVE	Quick SL Women's, Optimized 6061 Alloy, SAVE
Fork	Quick, full carbon, Si, 1-1/8" steerer	Quick, full carbon, Si, 1-1/8" steerer	Quick, carbon blades, 1 1/8" steerer	Quick, carbon blades, 1 1/8" steerer	Quick, carbon blades, 1 1/8" steerer
Rims	Formula XERO Element CXR	Formula XERO Element CXR	Element Xero C2	Element Xero C3	Element Xero C3
Hubs	Formula XERO Element CXR	Formula XERO Element CXR	Element Xero C2	Element Xero C3	Element Xero C3
Spokes	Formula XERO Element CXR	Formula XERO Element CXR	Element Xero Bladed Stainless	Element Xero Stainless	Element Xero Stainless
Tires	Kenda Kwick Roller Sport, 700 x 28c	Kenda Kwick Roller Sport, 700 x 28c	Continental Sport Contact, 700 x 32c	Continental Sport Contact, 700 x 32c	Continental City Contact, 700 x 32c
Pedals	Wellgo alloy platform, alloy spindle	Wellgo alloy platform, alloy spindle	Quick Alloy w/Kraton, by Wellgo	Quick Alloy w/Kraton, by Wellgo	Quick Alloy w/Kraton, by Wellgo
Crank	FSA SLK Light BB30 Compact, 50/34	FSA Gossamer Pro BB30 Triple, 52/39/30	Shimano 105 triple, 30/39/50	Shimano Tiagra triple, 30/39/50	Shimano M431, 26/36/48
Bottom Bracket	FSA BB30	FSA BB30	Shimano 105	Shimano Tiagra	Tange Cartridge
Chain	KMC X10SL, 10-speed	KMC X10SL, 10-speed	KMC X10, 10-speed	KMC Z99, 9-speed	KMC Z99, 9-speed
Rear Cogs	SRAM PG-1070, 12-27	SRAM PG-1070, 12-27	Shimano 105, 12-27	SRAM PG-950, 12-26	SRAM PG-950, 12-26
Front Derailleur	Shimano Ultegra	Shimano 105	Shimano R773	Shimano R443	Shimano Alivio M431
Rear Derailleur	Shimano Ultegra	Shimano 105	Shimano 105	Shimano Tiagra	Shimano Deore M591
Shifters	Shimano SL-R770, 10-speed	Shimano SL-R770, 10-speed	Shimano SL-R770, 10-speed	Shimano SL-R440, 9-speed	Shimano Alivio M430, 9-speed
Handlebar	Cannondale C3, butted 6061 alloy, 25 mm rise	Cannondale C3, butted 6061 alloy, 25 mm rise	Cannondale C3, butted 6061 alloy, 25 mm rise	Cannondale C3, butted 6061 alloy, 25 mm rise	Cannondale C4, 6061 alloy, 25 mm rise
Stem	Cannondale C3, 31.8	Cannondale C3, 31.8	Cannondale C3, 31.8	Cannondale C3, 31.8	Cannondale C4, 31.8
Headset	Tange Integrated w/25 mm top cover	Tange Integrated w/25 mm top cover	Tange Custom Si	Tange Custom Si	Tange Custom Si
Brakes	TRP CX9 Mini-V w/cartridge pads	TRP CX9 Mini-V w/cartridge pads	Tektro RX5 Mini V-Brakes	Tektro RX5 Mini V-Brakes	Tektro RX1 Mini V-Brakes
Brake Levers	Tektro ML940, Carbon lever	Tektro ML940, Carbon lever	Tektro MT5.0 Carbon	Tektro R381A short reach w/Kraton insert	Tektro R381A short reach w/Kraton insert
Saddle	Cannondale Quick Ergo High Performance, Women's	Cannondale Quick Ergo High Performance, Women's	Cannondale Quick Ergo Performance, Women's	Cannondale Quick Ergo Performance, Women's	Cannondale Quick Ergo Performance, Women's
Seatpost	SAVE full carbon	SAVE full carbon	Cannondale C2 2014 Alloy, 2 bolt, 27.2 mm	Cannondale C3 6061 Alloy, 2 bolt, 27.2 mm	Cannondale C4 6061 Alloy, 27.2 mm
Sizes	S, T	S, T	P, S, T	XS (26"), P, S, T	P, S, T
Color 1 (code)	Uni-directional Carbon (matte) (CRB)	Uni-directional Carbon (matte) (CRB)	Brushed Aluminum (gloss) (RAW)	Carbernet (gloss) (CAB)	Jet Black (gloss) (BLK)
Color 2 (code)					Magnesium White (gloss) (WHT)
Extras	Cannondale Lock On Ergo grips	Cannondale Lock On Ergo grips	Cannondale Lock On Ergo Performance grips, w/bar ends	Cannondale Lock On Ergo Performance grips	Cannondale Lock On Ergo Performance grips

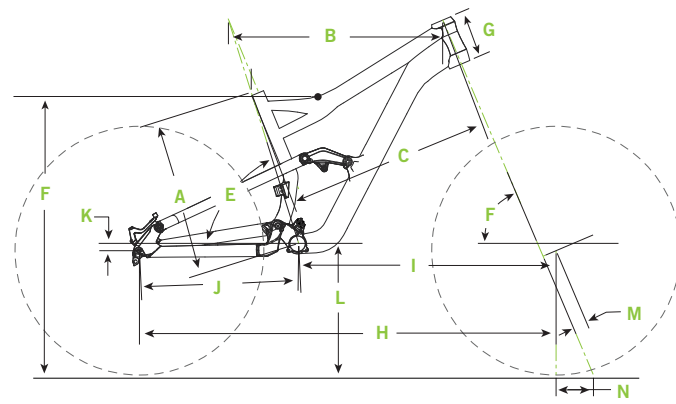
	QUICK 4	QUICK 5
Code	1QRW4	1QRW5
Frame	Quick Women's, butted 6061 alloy, SAVE	Quick Women's, butted 6061 alloy, SAVE
Fork	Quick, carbon blades, 1 1/8" steerer	Quick, 6061 Alloy, 1 1/8" steerer
Rims	Element Xero C3	Jalco DT 21
Hubs	Element Xero C3	Formula RM21 front, FM22 rear
Spokes	Element Xero Stainless	Stainless 15g
Tires	Kenda Kwick Trax, 700 x 38c	Kenda Kwick Trax, 700 x 38c
Pedals	Quick Reinforced Composite w/Kraton, by Wellgo	Quick Reinforced Composite w/Kraton, by Wellgo
Crank	Shimano M131, 28/38/48	Shimano M131, 28/38/48
Bottom Bracket	Tange Cartridge	Tange Cartridge
Chain	KMC Z72, 8-speed	KMC Z72, 8-speed
Rear Cogs	SunRace CSM668, 11-32	SunRace CSM668, 11-32
Front Derailleur	Shimano M191	Shimano M191
Rear Derailleur	Shimano Alivio M410	Shimano Alivio M410
Shifters	Shimano Alivio M410, 8-speed	Shimano Alivio M310, 8-speed
Handlebar	Cannondale C4, 6061 alloy, 25 mm rise	Cannondale C4, 6061 alloy, 25 mm rise
Stem	Cannondale C4, 31.8	Cannondale C4, 31.8
Headset	Tange Custom Si	Tange Custom Si
Brakes	Tektro TX 120 V-Brakes	Tektro TX 120 V-Brakes
Brake Levers	Tektro R381A short reach w/Kraton insert	Tektro R381A short reach w/Kraton insert
Saddle	Cannondale Quick Ergo Performance, Women's	Cannondale Quick Ergo Performance, Women's
Seatpost	Cannondale C4 6061 Alloy, 27.2 mm	Cannondale C4 6061 Alloy, 27.2 mm, 350 mm
Sizes	XS (26"), P, S, T	P, S, T
Color 1 (code)	Fine Silver (matte) (SLV)	Egyptian Blue (gloss) (BLU)
Color 2 (code)	Pearl White (gloss) (WHT)	Pearl White (gloss) (WHT)
Extras	CannondaleErgo Performance grips	CannondaleErgo Performance grips

	ADVENTURE 1	ADVENTURE 2	ADVENTURE 3	ADVENTURE 3 26"
Code	1ASW1	1ASW2	1ASW3	1CSW3
Frame	Adventure Women's step-thru, double butted 6061 alloy	Adventure Women's step-thru, double butted 6061 alloy	Adventure Women's step-thru, double butted 6061 alloy	Adventure Women's step-thru, double butted 6061 alloy, for 26" wheels
Fork	Adventure Trail Si suspension, 35 mm, alloy 1-1/8" steerer	Adventure Trail Si suspension, 35 mm, steel 1-1/8" steerer	RST Sofi T, 50 mm, 1-1/8" steerer	RST Sofi T 26", 50 mm, 1-1/8" steerer
Rims	Cannondale C3, double wall, alloy	Cannondale C3, double wall, alloy	Cannondale C3, double wall, alloy	Cannondale C3, double wall, alloy, 26"
Hubs	Formula FM-21 front, Shimano Nexus Premium 8-speed internal rear	Formula FM-21 front, FM-22 rear	Formula FM-21 front, FM-22 rear	Formula FM-21 front, FM-22 rear
Spokes	Stainless, 15g	Stainless, 15g	Stainless, 15g	Stainless, 15g
Tires	Kenda Kwick Trax, 700 x 38c	Kenda Kwick Trax, 700 x 38c	Kenda NPJ signature, 26 x 1.25"	Kenda NPJ signature, 26 x 1.25"
Pedals	FPD Resin w/Kraton Insert	FPD Resin w/Kraton Insert	FPD Resin w/Kraton Insert	FPD Resin w/Kraton Insert
Crank	FSA Single Ring, 38	Shimano M191, 48/38/28	Shimano M191, 48/38/28	Shimano M191, 48/38/28
Bottom Bracket	Tange cartridge type	Tange cartridge type	Tange cartridge type	Tange cartridge type
Chain	KMC 8-speed	KMC 8-speed	KMC 8-speed	KMC 8-speed
Rear Cogs	N/A	Sunrace CSM668, 11-32	Sunrace CSM668, 11-32	Sunrace CSM668, 11-32
Front Derailleur	N/A	Shimano M-191	Shimano M-191	Shimano M-191
Rear Derailleur	N/A	Shimano Alivio	Shimano Acera	Shimano Acera
Shifters	Shimano Nexus Twist Type	Shimano Revo Twist Type, 8-speed	Shimano Revo Twist Type, 8-speed	Shimano Revo Twist Type, 8-speed
Handlebar	Women's Cannondale C4, 50 mm rise, alloy	Women's Cannondale C4, 50 mm rise, alloy	Women's Cannondale C4, 50 mm rise, alloy	Women's Cannondale C4, 50 mm rise, alloy
Stem	Tranz X Comfort Grip, Tool-free Adjustment	Tranz X Comfort Grip, Tool-free Adjustment, quill type	Tranz X Comfort Grip, Tool-free Adjustment, quill type	Tranz X Comfort Grip, Tool-free Adjustment, quill type
Headset	FSA Semi Integrated	Tange Integrated	Semi-integrated cartridge, threaded	Semi-integrated cartridge, threaded
Brakes	Cannondale V Brake w/modulator	Cannondale V Brake w/modulator	Cannondale V Brake w/modulator	Cannondale V Brake w/modulator
Brake Levers	Shimano Nexus, 4 finger	Cannondale, 4 finger w/Kraton comfort insert	Cannondale, 4 finger w/Kraton comfort insert	Cannondale, 4 finger w/Kraton comfort insert
Saddle	Women's Cannondale Ultra Comfort	Women's Cannondale Ultra Comfort	Women's Cannondale Ultra Comfort	Women's Cannondale Ultra Comfort
Seatpost	Cannondale Suspension, 40 mm travel	Cannondale Suspension, 40 mm travel	Cannondale Suspension, 40 mm travel	Cannondale Suspension, 40 mm travel
Sizes	S, T	S, T	S, T	S, T
Color 1 (code)	Magnesium White (gloss) (WHT)	Cabernet (gloss) (CAB)	Jet Black (gloss) (BLK)	Jet Black (gloss) (BLK)
Color 2 (code)		Fine Silver (gloss) (SLV)	Pearl White (gloss) (WHT)	Pearl White (gloss) (WHT)
Extras	Cannondale Ergo Lock-On grips, Tranz X Comfort Grip quick release skewers and quick release seat binder	Cannondale Ergo Lock-On grips, Tranz X Comfort Grip quick release skewers and quick release seat binder	Cannondale Ergo Lock-On grips, Tranz X Comfort Grip quick release skewers and quick release seat binder	Cannondale Ergo Lock-On grips, Tranz X Comfort Grip quick release skewers and quick release seat binder

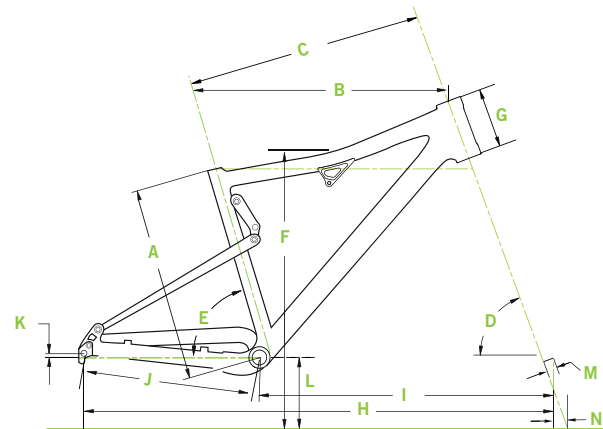


WOMEN'S FULL SUSPENSION GEOMETRY

SPECIFICATIONS		SCARLET		
		PETITE	SMALL	MEDIUM
A	Seat Tube Length (cm/in)	40.7/16.0	43.2/17.0	45.7/18.0
B	Top Tube Horizontal (cm/in)	54.0/21.3	55.6/21.9	57.2/22.5
C	Top Tube Actual (cm/in)	52.1/20.5	53.4/21.0	54.9/21.6
D	Head Tube Angle	67.6°	67.7°	67.8°
E	Seat Tube Angle Effective	73.7°	73.6°	★
F	Standover (cm/in)	71.8/28.3	72.4/28.5	73.0/28.7
G	Head Tube Length (cm/in)	13.4/5.3	★	★
H	Wheelbase (cm/in)	108.6/42.8	110.0/43.3	113.1/44.5
I	Front Center (cm/in)	65.8/25.9	67.2/26.5	70.3/27.7
J	Chain Stay Length (cm/in)	42.8/16.9	★	★
K	Bottom Bracket Drop (cm/in)	1.2/0.5	★	★
L	Bottom Bracket Height (cm/in)	35.0/13.8	★	★
M	Fork Rake (cm/in)	4.0/1.6	★	★
N	Trail (cm/in)	9.6/3.8	9.5/3.8	9.5/3.8



SPECIFICATIONS		LEXI		
		PETITE	SMALL	MEDIUM
A	Seat Tube Length (cm/in)	40.6/16.0	43.2/17.0	45.7/18.0
B	Top Tube Horizontal (cm/in)	53.0/20.9	56.0/22.0	57.5/22.6
C	Top Tube Actual (cm/in)	50.8/20.0	53.5/21.1	55.0/21.7
D	Head Tube Angle	68.5°	69.0°	69.0°
E	Seat Tube Angle Effective	73.5°	★	★
F	Standover (cm/in)	72.9/28.7	73.1/28.8	75.9/29.9
G	Head Tube Length - (cm/in)	13.4/5.3	★	★
H	Wheelbase (cm/in)	105.2/41.4	107.6/42.4	109.1/43.0
I	Front Center (cm/in)	62.8/24.7	65.2/25.7	66.6/26.2
J	Chain Stay Length (cm/in)	42.5/16.7	★	★
K	Bottom Bracket Drop (cm/in)	0.0/0.0	★	★
L	Bottom Bracket Height (cm/in)	33.0/13.0	★	★
M	Fork Rake (cm/in)	4.5/1.8	★	★
N	Trail (cm/in)	8.2/3.2	7.8/3.1	7.8/3.1



WOMEN'S HARDTAIL GEOMETRY

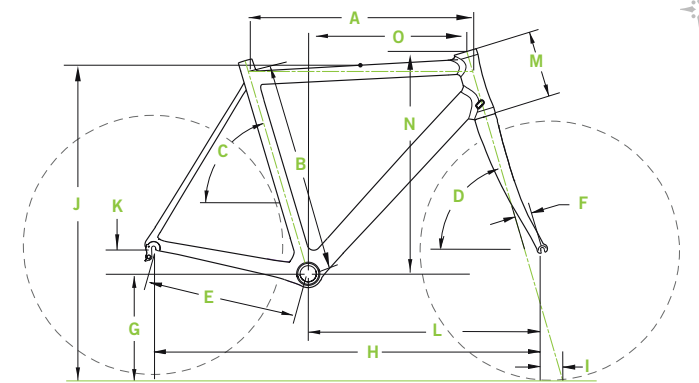
SPECIFICATIONS	FLASH WOMEN'S				TRAIL SL WOMEN'S				TRAIL WOMEN'S				
	PETITE	SMALL	MEDIUM	TALL	PETITE	SMALL	MEDIUM	TALL	PETITE	SMALL	MEDIUM	TALL	
A	Seat Tube Length (cm/in)	35.0/13.8	38.0/15	41.5/16.3	45.0/17.7	35.0/13.8	38.0/15	41.5/16.3	45.0/17.7	35.0/13.8	38.0/15	41.5/16.3	45.0/17.7
B	Top Tube Horizontal (cm/in)	52.5/20.7	55.0/21.7	57.0/22.4	59.0/23.2	52.0/20.5	55.0/21.7	57.5/22.6	58.9/23.2	52.1/20.5	55.1/21.7	57.1/22.5	58.9/23.2
C	Top Tube Actual (cm/in)	52.9/20.8	53.8/21.2	55.1/21.7	56.7/22.3	52.8/20.8	53.9/21.2	55.6/21.9	56.7/22.3	52.6/20.7	53.8/21.2	55.3/21.8	56.7/22.3
D	Head Tube Angle	70.0°	★	★	★	70.0°	★	★	★	70.0°	★	★	★
E	Seat Tube Angle Effective	75.0°	73.5°	★	★	75.0°	★	★	★	75.0°	73.5°	★	★
F	Standover (cm/in)	73.1/28.8	74.4/29.3	76.1/30	77.8/30.6	72.9/28.7	74.3/29.3	76.0/29.9	77.7/30.6	72.4/28.5	73.8/29.1	76.0/29.9	77.9/30.7
G	Head Tube Length (cm/in)	13.4/5.3	★	★	★	11.4/4.5	★	★	★	10.5/4.1	★	★	11.5/4.5
H	Wheelbase (cm/in)	103.8/40.9	104.9/41.3	106.9/42.1	108.9/42.9	103.4/40.7	104.7/41.2	107.3/42.2	108.7/42.8	103.4/40.7	104.7/41.2	106.9/42.1	108.7/42.8
I	Front Center (cm/in)	61.6/24.3	62.7/24.7	64.7/25.5	66.7/26.3	61.3/24.1	62.6/24.6	65.1/25.6	66.5/26.2	61.3/24.1	62.6/24.6	64.7/25.5	66.5/26.2
J	Chain Stay Length (cm/in)	42.4/16.7	★	★	★	42.4/16.7	★	★	★	42.4/16.7	★	★	★
K	Bottom Bracket Drop (cm/in)	3.0/1.2	★	★	★	3.5/1.4	★	★	★	3.5/1.4	★	★	★
L	Bottom Bracket Height (cm/in)	29.5/11.6	★	★	★	29.0/11.4	★	★	★	29.0/11.4	★	★	★
M	Fork Rake (cm/in)	4.5/1.8	★	★	★	4.5/1.8	★	★	★	4.5/1.8	★	★	★
N	Trail (cm/in)	7.0/2.8	★	★	★	7.0/2.8	★	★	★	7.0/2.8	★	★	★

★ Indicates same as previous

WOMEN'S ROAD GEOMETRY

SPECIFICATIONS		SUPERSIX WOMEN'S CAAD10 WOMEN'S			
		44	48	51	54
A	Horizontal Top Tube Length (cm)	50.5	51.5	52.0	53.5
B	Measured Size (cm)*	42	46	49	52
C	Seat Tube Angle (degrees)	76	74.5	74.5	73.5
D	Head Tube Angle (degrees)	70.5	72	72.5	73
E	Chain Stay Length (cm)	40.5	★	★	★
F	Fork Rake (cm)	4.5	★	★	★
G	Bottom Bracket Height (cm)	26.5	26.5	26.5	26.8
H	Wheelbase (cm)	96.3	95.9	96.1	96.3
I	Trail (cm)	7.2	6.2	5.9	5.6
J	Standover at Top Tube Midpoint (cm)	71.3	74	76.3	78.9
K	Bottom Bracket Drop (cm)	7.2	★	★	★
L	Front Center Distance (cm)	57	56.5	56.7	56.9
M	Head Tube Length (cm)	10.5	11	13	15
N	Stack (cm)	50.5	51.5	53.5	55.6
O	Reach (cm)	36.4	36.9	37.0	37.0

* The measured size is from the center of the bottom bracket to the top of the top tube, measured along the seat tube axis. All sizes have a slightly sloping top tube.



SPECIFICATIONS	SLICE WOMEN'S			SYNAPSE CARBON WOMEN'S				SYNAPSE ALLOY WOMEN'S				
	47	51	54	44	48	51	54	44	48	51	54	
Wheel Size	650c	700c	700c	700c	★	★	★	700c	★	★	★	
A	Horizontal Top Tube Length (cm)	49.5	50.5	53.5	50	51	52.5	53.5	50	51	52	53
B	Measured Size (cm)	46	50	51.5	38	42	45	49	40	44	47	50
C	Seat Tube Angle (degrees)*	variable	variable	variable	76	74.5	74	74	76	76	74	74
D	Head Tube Angle (degrees)	71	71.5	71.5	70.5	71	72	72.5	70.5	70.5	72	72
E	Chain Stay Length (cm)	37	40	40	41	★	★	★	41.5	★	★	★
F	Fork Rake (cm)	4.0	4.5	4.5	5.0	★	★	★	5.0	★	★	★
G	Bottom Bracket Height (cm)	26.5	★	★	26.5	★	★	★	26.5	★	★	★
H	Wheelbase (cm)	92	95.4	98.5	97.2	97.0	97.5	98.2	97.7	97.9	98.0	99.3
I	Trail (cm)	6.6	6.5	6.5	6.6	6.3	5.7	5.4	66.3	66.3	56.9	56.9
J	Standover at Top Tube Midpoint (cm)	71.9	74.9	76.4	68.8	72.1	74.4	77.0	71.6	73.2	75.6	77.0
K	Bottom Bracket Drop (cm)	5	7.2	7.2	7.2	★	★	★	72.0	72.0	72.0	69.0
L	Front Center Distance (cm)	55.6	56.5	59.6	57.3	57.1	57.6	58.3	57.3	57.5	57.6	58.8
M	Head Tube Length (cm)	10.3	9	10.5	12.5	13	14.5	16	13	13	14.5	16
N	Stack (cm)	47.8	49.4	50.9	52.4	53.0	54.8	56.4	52.9	52.9	54.8	54.5
O	Reach (cm)	36.5	37.1	39.8	35.3	35.5	36.3	37.1	35.4	36.8	36.4	37.6

* The Slice seat post has two positions for mounting the saddle. A full range of angles from 73 to 78 degrees is achievable depending on the rider's preference and/or the event. * The measured size is from the center of the bottom bracket to the top of the top tube, measured along the seat tube axis.

★ Indicates same as previous

WARNINGS!

Bicycling has risks of serious injury or death that cannot be completely avoided. Risk can be minimized by: Reading and following all warnings and instructions in owner's manuals, owner's manual supplements, always wearing a helmet, practice and step-by-step learning, riding in control and within your capabilities.

Catalog text and descriptions are marketing materials, not instructions or guidelines for use!

Visit <http://www.cannondale.com/bikes/tech/safety> for warnings, technical documents, and safety guidelines.

Warning: Reflectors are not a substitute for proper lights. It is your responsibility to equip your bicycle with all state and locally mandated lights. Riding at dawn, at dusk, at night or at other times of poor visibility without a bicycle lighting system which meets local and state laws and without reflectors is dangerous and may result in serious injury or death.

If you ride your bike before dawn or after dusk, your bicycle must be equipped with lights so that you can see the road and avoid road hazards, and so that others can see you. Traffic laws treat

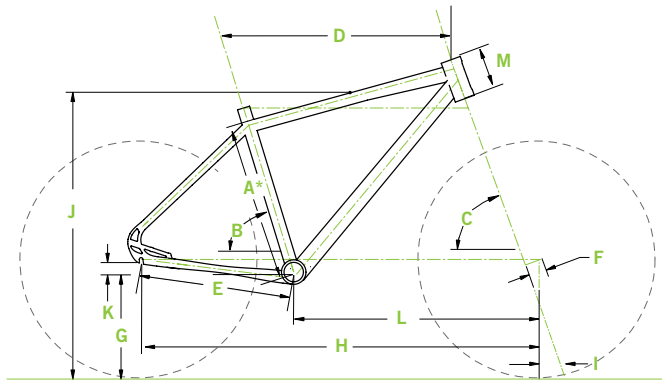
bicycles like any other vehicle. That means you must have a white front and a red rear light operating if you are riding after dusk. Your bike dealer can recommend a battery or generator powered lighting system appropriate to your needs.

Cannondale also strongly urges you to use a flashing light or strobe. All of us at Cannondale who ride at night or in conditions of lower visibility use flashers. They can save your life

Please note: Despite our nagging, members of the Liquigas pro road racing team (and other professional sponsored teams) may appear or race without helmets. We don't think it's a good idea, but they are experienced, professional cyclists and they know the risks. They are also adults, so we respect their right to choose. Despite the intransigence of any teams, we strongly advocate the use of helmets on every ride. Wearing a helmet is perhaps your single best defense against a major medical catastrophe while riding, so buckle up!

Warning: Free riding is inherently dangerous. Read Free ride Warning at <http://www.cannondale.com/bikes/tech/safety.html>

WOMEN'S RECREATION GEOMETRY



SPECIFICATIONS	QUICK CARBON WOMEN'S		QUICK SL WOMEN'S			
	SMALL	TALL	XS/26"	PETITE	SMALL	TALL
Wheel Size	700c	700c	26"	700c	700c	700c
A* Measured Size (cm/in)*	38.5/15.2	43.5/17.1	32.0/12.6	33.0/12.9	38.5/15.2	43.5/17.1
B Seat Tube Angle	75	74	76	75	75	74.5
C Head Tube Angle	71	71.5	70.5	71	70.5	71.5
D Horizontal Top Tube Length (cm)	53.5	56	50.5	53.5	53.5	55
E Chain Stay Length (cm)	43	★	43.5	★	★	★
F Fork Rake (cm)	5.0	★	5.0	★	★	★
G Bottom Bracket Height (cm)	27.4	27.4	27.4	★	★	★
H Wheelbase (cm)	101.4	103.9	100.5	101.8	102.4	103.3
I Trail (cm)	6.6	5.9	6.2	6.6	6.9	6.2
J Standover Height (cm)	74.3	78.3	68.9	70.8	74.5	78.5
K Bottom Bracket Drop (cm)	7.0	★	5.1	7.0	★	★
L Front Center (cm)	59.5	60.8	57.5	59.2	60	62.2
M Head Tube Length (cm)	14	17	14	12.5	14	18

*Measured size is from the center of the bottom bracket to the top of the top tube, measured along the seat tube axis.

SPECIFICATIONS	ADVENTURE WOMEN'S		ADVENTURE 26" WOMEN'S	
	SMALL	TALL	SMALL	TALL
A* Seat Tube Length Overall (cm/in)	36.8/14.5	45.7/18.0	36.8/14.5	45.7/18.0
B Seat Tube Angle (degrees)	70	★	70	★
C Head Tube Angle (degrees)	69	★	69	★
D Horizontal Top Tube Length (cm)	55.5	56.5	54	55.5
E Chain Stay Length (cm)	46.5	★	45.7	★
F Fork Rake (cm)	4.5	★	4.5	★
G Bottom Bracket Height (cm)	28.0	★	30.3	★
H Wheelbase (cm)	104.4	105.6	103.3	104.9
I Trail (cm)	8.5	★	8.5	★
J Standover Height (cm)	59.3	★	53.7	★
K Bottom Bracket Drop (cm)	6.8	★	4.5	★
L Front Center (cm)	58.8	60.0	58.0	59.6
M Head Tube Length (cm)	13.6	15.6	13.6	15.6

★ Indicates same as previous

REGISTERED TRADEMARKS © OF THE CYCLING SPORTS GROUP, INC.:

Cannondale, the Cannondale "C" logo, DayTripper, Feel It, Fatty, Gemini, Jekyll, Lefty, Optimo, Perp, Prophet, Scalpel, Slice, Synapse, SystemSix, Hooligan.

TRADEMARKS ™ OF THE CYCLING SPORTS GROUP, INC.:

BB30, CAAD (Cannondale Advanced Aluminum Design), Caffeine, Capo, Chase, CO2, HeadShok, Hi-MOD, Hollowgram, Judge, Just for Women, Moto, PowerPyramid, Quick, Q-Lab, Rize, RZ, Rush, S.A.V.E., Si, SuperSix, System Integration, Taurine, The Cut, BallisTec Carbon, SmartFormed Alloy, ECS-TC (Enhanced Center-Stiffness, Torsion Control) System, Zero Pivot, Lexi, Scarlet, Felicity, Cannondale Factory Racing.

Liquigas-Doimo, FSA, Mavic, Campagnolo, SRM, Speedplay, Schwalbe, Elite, Sci Con CFR: fi:zi:k, RockShox, SRAM, MET, crankbrothers, Avid, Cannondale - Cyclocrossworld.com: Zipp, Prolog, crankbrothers, TRP, Control Tech are sponsorship partners and their trademarks are used with their permission. FOX and FOX RLC are trademarks of FOX Factory Inc. and are used with their permission. Solo Air, RockShox, XLoc and PopTop are trademarks of SRAM and are used with their permission. X-12 is a trademark of Syntace GmbH and is used with their permission. EVO is a trademark of Aprebic Industry Co. Ltd. and used under license.

WWW.CANNONDALE.COM

Please visit cannondale.com to learn more about Cannondale and the 2011 bikes! Specifications subject to change without notice.

Please refer to www.cannondale.com for the most recent specifications.

NO WEIGHTS?

Don't believe the hype. Scales differ, and marketing departments have been known to fib. The best way to compare bike weights is to head to your local bike shop. Grab two comparably spec'd and built bikes, and ask the proprietor for a scale. Hang 'em high, and see who's the lightest.

SPECIAL THANKS GOES TO:

- Ale Di Lullo Photography
- Adam Campbell Photography
- Adam Coppola Photography
- Brian Hodes/Velo Images
- Chris Milliman Photography
- Dan Barham Photography
- Ego promotion/Maasewerd and Kuestenbrueck
- Eric Wynn Photography
- John Segesta/Wahoomedia
- Mike Karcher/Wix Pix
- Navone Studios
- Roberto Bettini Photo
- Sincere Photo and Design
- Tarsey Anastos-Navone Studios
- DH Productions
- Juan Vivo
- Kirsten Begg-Swider
- The Canyons Resort
- Our riders
- Our vendors
- Our dealers
- And you for riding a Cannondale

CANNONDALE AUTHORIZED DISTRIBUTORS

The following lists are subject to change without notice.

BELARUS: Sinij Medved, Osipenko 2, 92, 220053, Minsk, tel: +375 29 621 86 07, email: contact@velozona.by

BULGARIA: KCP Group, 50 Sfakion STR 12131, Greece, tel: +30 210 5317960, fax: +30 210 5317961, email: info@kcp.gr, <http://www.kcp.gr>

CROATIA: Keindl Sport, Reljkoviceva 2, 10000 Zagreb, tel: +385 1 3711 711, fax: +385 13708324, email: info@keindl-sport.com, <http://www.keindl-sport.com>

CZECH REPUBLIC: Aspire Sports s.r.o., Karasek 11, Brno, 62100, tel: +420 532 199 540, fax: +420 532 199 554, email: Marian.Materna@aspire.cz, <http://www.aspire.cz>

CYPRUS: KCP Group, 50 Sfakion STR 12131, Greece, tel: +30 210 5317960, fax: +30 210 5317961, email: info@kcp.gr, <http://www.kcp.gr>

ESTONIA: Extreme Sport AS, Merivälja tee 1, 11911 Tallinn, tel: +372 650 8686, fax: +372 650 8687, email: info@extreme.ee, <http://www.extreme.ee>

GREECE: KCP Group, 50 Sfakion STR 12131, Greece, tel: +30 210 5317960, fax: +30 210 5317961, email: info@kcp.gr, <http://www.kcp.gr>

HUNGARY: Mali Bicycle Technology, Szinesfem u. 22-24, 1211 Budapest, tel: +36-1420-5032, fax: +36-142-0532, email: mail@mali.hu

ICELAND: GA Petursson Ltd., Faxafen 7, 108 Reykjavik, Box 8176, tel: +354 5200 200, fax: +354 5200 301, email: mogens@gap.is, <http://www.gap.is>

KAZAKHSTAN: Limpopo Outdoor, 534 Seifallin Str., Almaty, 050022, tel: 73272617061, fax: 73272617265, email: limpop@nursat.kz, <http://www.limpopo.kz>

LATVIA: SIA Multisport, Garozes street 1 Riga, LV-1004, Juris Mikulens, email: jurism@fans.lv, +371 67626025, fax +371 67892053, <http://www.fans.lv>

MALTA: Pedal Power, 56 Triq Is-Stazzjon, B'Kara BKR 12, Malta, tel: +356 212 27265, fax: +356 212 227265, email: musco@global.net.mt, <http://www.pedpowermalta.com>

POLAND: PGR Sp. Z.O.O., ul Rydygiera 8/bud.20B, lok 227, Warszawa 01-793, tel: +48 22 6699690, email: biuro@grupapgr.pl, <http://www.grupapgr.pl>

ROMANIA: Maros Bike, Aurel Vlaicu no. 120, Cluj Napoca, tel: +40 2644 10779, email: office@marosport.ro, <http://www.marosbike.ro>

RUSSIA: Velomir Group, Lusinovskaya st 53, 115093, Moscow, tel: +74952368278, fax: +74952378463, email: info@velomir.ru

SLOVAKIA: Eximo s.r.o., Trencianska 764/409, 01851 Nova Dubnica, Slovakia, tel: 00421-424430034, fax: 00421424430034, email: eximo@psg.sk

SERBIA: Planet Bike Co. doo, Milosa Obilica 9-11, 37000 Krusevac, tel: +381 37 420000, fax: +381 37 420011, email: office@planetbike.rs, <http://www.planetbike.rs>

SLOVENIA: Sport trade 2000 d.o.o., Celovska 280, Ljubljana, 1000, tel: +386-15104940, fax: +385-151 82163, email: sandi.gabrovsek@siol.net, <http://www.funspots.si>

SLOVAKIA: Aspire Sports s.r.o., Karasek 11, Brno, 62100, tel: +420 532 199 540, fax: +420 532 199 554, email: Marian.Materna@aspire.cz, <http://www.aspire.cz>

TURKEY: Delta Bisiklet HQ, BosnaHersek Cd. 20/D, 06510, Emek Ankara, Turkey, tel: +90312 2236027, fax: +90312 2223492, email: info@deltabisiklet.com, <http://www.deltabisiklet.com>

UKRAINE: Velotrade, Enakievskaya 2E, Kharkov, Ukraine, tel: +38057 7544980, fax: +38057 7544 981, email: maxim_ivanov@velotrade.com.ua, www.veloplaneta.com.ua

EUROPEAN DISTRIBUTORS: distributors@cannondale.com, tel: 0041 61 4879387, fax: 0041 61 4879385 0031-541-573587, fax: 0031-541-514240

EUROPEAN TOURISM/RESORTS: distributors@cannondale.com, tel: 0041 61 4879387, fax: 0041 61 4879385, 0031-541-573587, fax: 0031-541-514240

EUROPEAN APPAREL/ACCESSORIES DEALERS: distributors@cannondale.com, tel: 0041 61 4879387, fax: 0041 61 4879385

INTERNATIONAL SALES: 172 Friendship Village RD, Bedford, PA 15522 USA, tel: 814-623-4391, fax: 814-623-2107, email: international@cannondale.com

ARGENTINA: Lauro Competicion, Avda. San Pedro 577, Buenos Aires, Argentina 01406, tel: 4613-8859, fax: 54-11-4612-8805, email: laurocompeticion@hotmail.com, <http://www.cannondaleargentina.com>

BERMUDA: The New Winners Edge, 34 Church Street, Hamilton HM11, Bermuda, tel: 441-295-6012, fax: 411-292-1904

BOLIVIA: Visal Import & Export, Avenida Banzer #656, Santa Cruz, Bolivia, tel: (591-3) 341 4141, fax: (591-3) 341 4600

BORNEO: Cannaisa, 101 Frankel Ave., Singapore tel/fax: 65-6441-4772, <http://www.www.cannasia.com>

BRAZIL: Cannondale Brasil, Av. Prof. Syla Matos, 370, CEP 04182-010 Sao Paulo Brazil, tel: 2264-2167/2264-2143, <http://www.cannondale.com.br>

BRUNEI: Cannasia, 101 Frankel Ave., Singapore, 458224, tel: 65-6441-4772, email: cannasia@mbox5.singnet.com.sg, <http://www.cannasia.com>

CHILE: Inversiones Intercycles Ltda., Av. Neuva Las Condes, 12.270 #101, Santiago, Chile, South America, tel: 562-215-3470, fax: 562-217-3167, email: cycles@cannondale.cl

CHINA: Kele ShanGu Trading Co. LTD (Shenzhen) F2-28 Arc De Triomphe Str City Valle Shahe West Road 2029 Nanshan Shenzhen PR China, tel: 755-267-54695

COSTA RICA: Xcesso S.A., San José, Costa Rica, tel: 506-2290-5696, fax: 506-2290-3412, email: xcesso@racsa.co.cr

DOMINICAN REPUBLIC: Aro y Pedal, 27 de Febrero #112, Santo Domingo, Dominican Republic, tel: (809) 686-5861, fax: (809) 687-6548, email: aro.pedal2@codetel.net.do

ECUADOR: BikeLife, Shiry N41-206 e Isla Floreana, Quito Ecuador tel: 593-99-217050, fax: 593+22-440312

EL SALVADOR: Grupo Extremo, Blvd Santa Elena Atrium Plata 5y6 Antiquo Cuscattan San Salvador, El Salvador, tel: 502-228-99636

GUAM: Hornet Bicycles, PO Box 8294, Tamuning, Guam 96931, tel: 671-646-9191, fax: 671-646-1900, email: hikko@guamcell.net

GUATEMALA: Bike Center, S. A., 20 Calle 24-67 Zona 10, Paris Plaza, Local 2-3, Guatemala City Guatemala, tel: 502-333-4388, fax: 502-333-7394, email: bikecenter@intelnet.com

HONDURAS: Hondubikes, Col.Humuya Av.Sabana Tegucigalpa, Honduras, tel/fax: 504-239-2192

HONG KONG: Flying Ball Bicycle, Unit G58 Lai Sun Commercial Center, 680 Cheung Sha Wan Road, Kowloon, Hong Kong, tel: 852-238-13661, fax: 852-239-74406, <http://www.flyingball.com>

INDIA: Tube Investments of India, PO Box 5, MTH Rd Ambattur, Chennai 60053, India, tel: 914 428 553492, fax: 914 -428-553757

INDONESIA: Cannasia Pte. Ltd., 101 Frankel Ave., Singapore, 458224, tel: 65-6441-4772, email: cannasia@mbox5.singnet.com.sg, <http://www.cannasia.com>

ISRAEL: O.R Cycling Ltd., 6296, Netanya 42160, tel: +972-(0)-891-7395, email: info@cannondale.co.il, <http://www.cannondale.co.il>

JAMAICA: Hi Tech Industries LTD., 8 Dumfries Road Kingston 10 Jamaica W. Indies, tel: 876 855 8888, fax: 876 978 7414

KOREA: Sanbada Sports, 1F Gungdo Building 278-19, NonHyun-Dong, Seoul, Korea, tel: 822-543-6390, fax: 822-3442-6391, email: sanbada1@unitel.co.kr

KUWAIT: Silicon Valley Group, Cannondale Store, Shuwaikh Industrial Area, Kuwait City, Kuwait tel: 965-482-6723 email: svg@qualitynet.net

LEBANON: VO2 MAX, Asco Center, Sassine, Beirut, Lebanon, tel: 961-132-6111, fax: 961-132-8666, <http://www.vo2maxlb.com>

MALAYSIA: Cannasia Pte. Ltd., 101 Frankel Avenue, Singapore, 458224, tel: 65-6441-4772, cannasia@singnet.com.sg, <http://www.cannasia.com>

MAURITIUS: Emarc Ltd, Old Moka Road, Bell Village, Republic of Mauritius, tel: 230-208-6335, fax: (230) 212-5952

MEXICO: Viansi Triathlon Boutique, Av. Division Del Norte #2957, Col. Rosedal Coyacan, Mexico 04330, D.F., tel: 525-5549-5291, fax: 525-549-5291, http://viansi_bici@infosel.net.mx

NETHERLAND ANTILLES: Tri-Sport N.V., #14B Airport Blvd Simpsonbay, St. Maarten, Netherlands Antilles, tel: (599)545-4385, fax: (599)545-4384, <http://www.trisport@sintmaarten.net>

NEW CALEDONIA: Royal Motors SA., 9, route de la Baie des Dames B.P. 2548, Nouméa, New-Caledonia, 98846, tel: 687 285 912, fax: 687 286 320, <http://www.r.motors@groupedang.nc>

NEW ZEALAND: WH Worrall, 43 Felix Street, Penrose, Auckland, New Zealand; tel: (649) 636 0641; email: office@worrall.co.nz

PANAMA: Latin Bikes S.A., Calle 50 Final y Via Cincuentenario, Edificio Adelina, Local #1, San Francisco, Panama, tel: (507) 60902002

PERU: Cycling S.R.L., Av. Tomas Marsano 2851, Higuiereta-Surco, Lima, Peru, tel/fax: 511-271-0247, <http://www.cycling@terra.com.pe>

PHILIPPINES: Newton Multi-Sales, 689-D Del monte Ave., SFDM Quezon City, Metro Manila, Philippines, 1100, tel: (0632)3725127-28 & 3717231, 5595301, 5595311, fax: (0632) 3735439, email: bike_newton@yahoo.com

PUERTO RICO: TL Bicycle Distributor Inc, Jose A. Lugo, Edif. Mar de Isla Verde Apt 10-Q, San Juan Puerto Rico, 00979, tel: 787 613 1040,

SINGAPORE: Cannasia Pte. Ltd., 101 Frankel Avenue, Singapore 458224, tel: 65-6441-4772, Cannasia@singnet.com.sg, <http://www.cannasia.com>

SOUTH AFRICA: Omnico (PTY) Ltd, Unit 1 B Kimbult Industrial park, 8 Zeiss Road, Honeydew, South Africa, 2170, Lionel Dippenaar, tel: +27(0)117943808, Mobile : +27(0)832587777, lionel@omnico.co.za, <http://www.omnico.co.za>

TAIWAN: Three Peaks Bicycle Company, No. 222 Jin-Xian 8th Rd, Taichung Taiwan, tel: 886-424-368842, <http://www.threepk.com.tw>

THAILAND: Cycobolic 45/39 Soi Atthakrawee 1, Sukhumvit 26 Road (Soi Aree) Bangkok, Thailand 10110 tel:+66815678886 email: thaicann@cannasia.com, <http://www.thaicannasia.com>

TRINIDAD: Motorcycles Etc., 89 Eastern Main Road, Barataria, Trinidad and Tobago, tel: 868-675-2453, fax: 868-675-3816, email: larrya@wow.net

TRINIDAD: Sports & Games 47 Tissue Drive Trincity, Trinidad, tel: 868-640-2507, fax: 868-640-0505

UNITED ARAB EMIRATES: Prozone P.O. Box # 123500 Dubai (United Arab Emirates) tel: +9714 33-88644, fax: +009714 3385552, email: info@prozonetd.com, <http://www.dubaicycles.com>

URUGUAY: Motociclo SA, AV Sayago 1385-CP 12400, Montevideo, Uruguay, tel: 5982 354 20 80

VENEZUELA: Bici Bikes, 2A AV, Ed. Artelito local 5 (WINDCTR) Los Palos Grandes, Caracas, Venezuela 1041, tel: 58-212-286-0285; fax: 58-212-283-7466

VENEZUELA: Bicimania C.A., C.C., M Aven. Bolivar, Porlamar, Margarita Island, Venezuela, tel: 58-295-262-9116, fax: 58-295-262-9116, bicimania@cantv.net