

2012
BICYCLES

cannondale

INTRO

WELCOME TO THE TEAM.

We are extremely proud to have the most innovative athletes as part of the Cannondale team: the precise Liquigas-Cannondale squad, the vivacious Cannondale Factory Racing team, and the mind-bending OverMountain crew. The team also includes record-breaking triathletes and Cyclocross legends. These athletes set the standard, breaking boundaries, leading never following.

But these athletes just scratch the surface of the Cannondale team. There are regional teams, your local shop team and the gang you meet for early morning rides. Few of them truly get acknowledged. But they all understand the value of ride quality and practical engineering. They are our motivation, our compass.

You may not know it, but your team is big, bigger than you think: Ivan Basso climbs the Pyrenees for you. Chrissie Wellington breaks records for you. Tinker Juarez rides every year for you. Tim Johnson slogs through the winter mud for you. Aaron Chase and Mark Weir set trends for you. In addition you have an army of passionate designers, engineers and product managers who are also on your team. None of them settle in the constant pursuit of perfection.

When you pick up a Cannondale bike, the technologies we develop like BallisTec carbon, SAVE micro suspension, Lefty, DYAD RT2, Zero Pivot or BB30 are designed exclusively for you. Whether you cross the finish line on a SuperSix EVO, watch the sun set through the trees on a Scalpel 29'er or take a Bad Girl to the art gallery opening, you will experience the same feeling.

This is what we call the Perfect Ride.

SUPERSIX EVO

SUPER. EVOLVED.

695 GRAMS AND 142.3 NM/DEG/KG.*

BEING THE LIGHTEST IN THE WORLD, WITH THE BEST STIFFNESS-TO-WEIGHT IS IMPRESSIVE. BUT THE TRUE BEAUTY OF EVO IS ITS BALANCE OF LIGHT WITH STRONG, AND STIFF WITH SMOOTH. EVOLVE.



*ZEDLER FAHRRADTECHNIK, 4/11, 56 CM, ULTIMATE FRAME, NORMALIZED TO TOUR MAGAZINE TEST STANDARDS.

ROAD
MOUNTAIN
RECREATION/URBAN
WOMEN'S
SPECIFICATIONS



> LIGHT, STIFF AND STRONG

Our leading edge carbon construction utilizes our **BallisTec** Carbon Technology to create the lightest production road frame ever made, with the best stiffness-to-weight ever measured, with the strength to outperform even most aluminum frames.

> SPEED SAVE VERTICAL COMPLIANCE

Similar to the suspension on an F1 car, the **SPEED SAVE** vertical compliance features are engineered to help the bike roll faster. Subtle flex zones in the rear stays, fork and seat tube improve rolling speed, acceleration, cornering speed and control without negatively affecting power transfer.

> DRAG REDUCTION

The EVO achieves its incredible stiffness and strength with smaller diameter tubes than the competition. This dramatically reduces the EVO's frontal area and reduces drag without the added weight and compromises of aero shaped tubes.

2RS EUD SUPERSIX EVO ULTIMATE

EXPOSED CARBON W/OUTLINE DECALS (MATTE) (ULT)

FRAME	SUPERSIX EVO, BALLISTEC HI-MOD CARBON, SPEED SAVE
FORK	BALLISTEC HI-MOD FULL CARBON, SPEED SAVE
WHEELS	DT SWISS, RRC425F FRONT, RRC525R REAR, CARBON TUBULARS

TIRES	SCHWALBE ULTREMO TUBULAR LIGHT, 700X23C
CRANKS	HOLLOWGRAM SL, BB30, SI RINGS, 53/39 *
DERAILLEURS	SRAM RED

SHIFTERS	SRAM RED
BRAKES	TRP 970SL
SIZES	48, 50, 52, 54, 56, 58, 60, 63CM

*(50/34 RINGS AND SPIDER INCLUDED)



2RSE0D
SUPERSIX EVO TEAM

LIQUIGAS TEAM REPLICA (GLOSS) (LIQ).

FRAME	SUPERSIX EVO, BALLISTEC HI-MOD CARBON, SPEED SAVE	TIRES	MAVIC YKSION, GRIPLINK FRONT AND POWERLINK REAR, 700X23C	SHIFTERS	SRAM RED
FORK	SUPERSIX EVO, BALLISTEC HI-MOD FULL CARBON, SPEED SAVE	CRANKS	HOLLOWGRAM SL, BB30, SRAM RED RINGS, 53/39*	BRAKES	SRAM RED
WHEELS	MAVIC COSMIC CARBONE SLR	DERAILLEURS	SRAM RED	SIZES	48, 50, 52, 54, 56, 58, 60, 63CM

*50/34 RINGS AND SPIDER INCLUDED



2RSE1D
SUPERSIX EVO 1 DURA ACE

MAGNESIUM WHITE W/ JET BLACK (GLOSS) (WHT).

FRAME	SUPERSIX EVO, BALLISTEC HI-MOD CARBON, SPEED SAVE	TIRES	SCHWALBE ULTREMO ZX, 700X23C	SHIFTERS	SHIMANO DURA-ACE 7900
FORK	SUPERSIX EVO, BALLISTEC HI-MOD FULL CARBON, SPEED SAVE	CRANKS	HOLLOWGRAM SL, BB30, FSA DA79 RINGS, 53/39*	BRAKES	SHIMANO DURA-ACE 7900
WHEELS	MAVIC KSYRIUM SL	DERAILLEURS	SHIMANO DURA-ACE 7900	SIZES	48, 50, 52, 54, 56, 58, 60, 63CM

*50/34 RINGS AND SPIDER INCLUDED



2RSE1D
SUPERSIX EVO DI2

EXPOSED CARBON W/ CHARCOAL GREY, WHITE, RED (MATTE) (CRB).

FRAME	SUPERSIX EVO, BALLISTEC HI-MOD CARBON, SPEED SAVE	TIRES	MAVIC YKSION, GRIPLINK FRONT AND POWERLINK REAR, 700X23C	SHIFTERS	SHIMANO DURA-ACE DI2
FORK	SUPERSIX EVO, BALLISTEC HI-MOD FULL CARBON, SPEED SAVE	CRANKS	HOLLOWGRAM SL, BB30, FSA DA79 RINGS, 53/39*	BRAKES	SHIMANO DURA-ACE 7900
WHEELS	MAVIC KSYRIUM SLR	DERAILLEURS	SHIMANO DURA-ACE DI2	SIZES	48, 50, 52, 54, 56, 58, 60, 63CM

*50/34 RINGS AND SPIDER INCLUDED



2RSE2D, 2RSE2C
SUPERSIX EVO 2 SRAM RED

EXPOSED CARBON W/ WHITE, GREEN (GLOSS) (BLK).

MAGNESIUM WHITE W/ JET BLACK (GLOSS) (WHT).

FRAME	SUPERSIX EVO, BALLISTEC HI-MOD CARBON, SPEED SAVE	TIRES	SCHWALBE ULTREMO ZX, 700X23C	SHIFTERS	SRAM RED
FORK	SUPERSIX EVO, BALLISTEC HI-MOD FULL CARBON, SPEED SAVE	CRANKS	SRAM RED W/CANNONDALE GRAPHICS, BB30, 50/34 COMPACT	BRAKES	SRAM RED
WHEELS	MAVIC KSYRIUM ELITE	DERAILLEURS	SRAM RED	SIZES	48, 50, 52, 54, 56, 58, 60, 63CM

*50/34 RINGS AND SPIDER INCLUDED

SUPERSIX

SPEED. RACER.

ROAD
MOUNTAIN
RECREATION/URBAN
WOMEN'S
SPECIFICATIONS

SUPER, DEFINED. WITH TWO GRAND TOUR VICTORIES IN A SINGLE SEASON, THE SUPERSIX HAS WINNING IN ITS BLOOD. GET USED TO WINNING.

VICTORIES & AWARDS



2RS5D

SUPERSIX ULTEGRA D12

FRAME	SUPERSIX, FULL CARBON, D12 SPECIFIC
FORK	SUPERSIX, FULL CARBON
WHEELS	MAVIC KSYRIUM ELITE

TIRES	SCHWALBE DURANO S, 700X23C, FOLDING
CRANKS	FSA SL-K LIGHT CARBON BB30, 50/34
DERAILLEURS	SHIMANO ULTEGRA D12

SHIFTERS	SHIMANO ULTEGRA D12
BRAKES	SHIMANO ULTEGRA 6700
SIZES	48, 50, 52, 54, 56, 58, 60, 63CM

JET BLACK W/ MAGNESIUM WHITE AND CHARCOAL GREY (MATTE) (BBQ).

> RACE-WINNING PEDIGREE

Light and stiff, with an alive, communicative ride-feel, the 2012 SuperSix is the direct descendant of the frame that carried Team Liquigas-Cannondale to victory in the Giro d'Italia and Vuelta a España.

> OVERSIZED FOR POWER TRANSFER

The massively oversized **BeatBox** BB area, 1-1/8" to 1.5" tapered steerer, deep-radius headtube and oversized asymmetric chainstays, deliver point-and-shoot handling, incredible stiffness and maximum power transfer.

> HOURGLASS SEAT STAYS

Curved, hourglass-shaped seat stays allow for vertical deflection and compliance over less than perfect road surfaces. The result is improved control and comfort after long days in the saddle.



OPTION: 53/39



2RSS3D, 2RSS3C

SUPERSIX 3 ULTEGRA

MAGNESIUM WHITE (GLOSS) (WHT).

RACE RED (GLOSS) (RED).

FRAME	SUPERSIX, FULL CARBON	TIRES	SCHWALBE DURANO S, 700X23C, FOLDING	SHIFTERS	SHIMANO ULTEGRA 6700
FORK	SUPERSIX, FULL CARBON	CRANKS	FSA SL-K LIGHT CARBON BB30, 50/34 COMPACT	BRAKES	SHIMANO ULTEGRA 6700
WHEELS	MAVIC KSYRIUM EQUIPE	DERAILLEURS	SHIMANO ULTEGRA 6700	SIZES	48, 50, 52, 54, 56, 58, 60, 63CM



OPTION: 53/39



2RSS5D, 2RSS5C

SUPERSIX 5 105

LIQUIGAS TEAM REPLICA (GLOSS) (REP).

MAGNESIUM WHITE (GLOSS) (WHT).

FRAME	SUPERSIX, FULL CARBON	TIRES	SCHWALBE LUGANO, 700X23C, FOLDING	SHIFTERS	SHIMANO 105 5700
FORK	SUPERSIX, FULL CARBON	CRANKS	FSA GOSSAMER PRO BB30, 50/34 COMPACT	BRAKES	TEKTRO R580
WHEELS	SHIMANO RS10	DERAILLEURS	SHIMANO 105 5700	SIZES	48, 50, 52, 54, 56, 58, 60, 63CM



OPTION: 53/39



2RSS4D, 2RSS4C

SUPERSIX 4 RIVAL

CANNONDALE YELLOW (GLOSS) (YEL).

JET BLACK W/ MAGNESIUM WHITE (MATTE) (BBQ).

FRAME	SUPERSIX, FULL CARBON	TIRES	MAVIC AKSION, 700X23C, FOLDING	SHIFTERS	SRAM RIVAL
FORK	SUPERSIX, FULL CARBON	CRANKS	SRAM S500, BB30, 50/34 COMPACT	BRAKES	SRAM DUAL PIVOT
WHEELS	MAVIC AKSIUM WTS	DERAILLEURS	SRAM RIVAL	SIZES	48, 50, 52, 54, 56, 58, 60, 63CM

2RSS6C

SUPERSIX 6 APEX

JET BLACK (MATTE) (BBQ).

FRAME	SUPERSIX, FULL CARBON	TIRES	SCHWALBE LUGANO, 700X23C, FOLDING	SHIFTERS	SRAM APEX
FORK	SUPERSIX, FULL CARBON	CRANKS	FSA OMEGA BB30, 50/34	BRAKES	SRAM APEX
WHEELS	SHIMANO RS01A	DERAILLEURS	SRAM APEX WIFLI	SIZES	48, 50, 52, 54, 56, 58, 60, 63CM

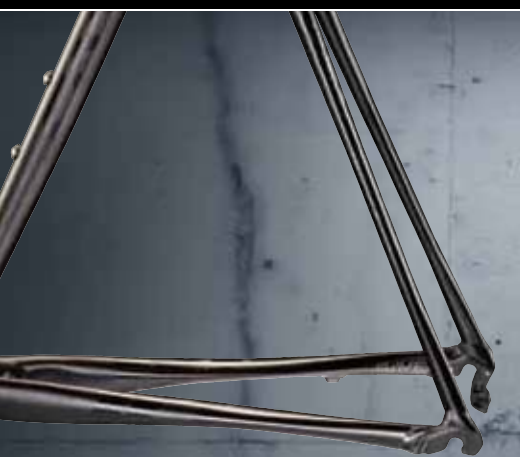
CAAD10

X. FACTOR.

AT JUST 1150 GRAMS*, THE ULTRA-LIGHT CAAD10 HAS A MAGICAL BLEND OF STIFFNESS AND SMOOTHNESS THAT OUTPERFORMS MOST ELITE CARBON FRAMES. HIGH PERFORMANCE ALUMINUM IS BACK.

*SIZE 56, BLACK ANODIZED COLOR COMPLETE WITH HARDWARE

ROAD
MOUNTAIN
RECREATION/URBAN
WOMEN'S
SPECIFICATIONS



> SPEED SAVE ROLLS FASTER

SPEED SAVE features are engineered not simply to make the bike more comfortable but to help the bike roll faster. They deliver improved rolling speed, better acceleration and dramatically faster cornering. Engineered to win.

> TOP TUBE STIFFNESS FOR PRECISION

Steering response and stability are directly related to top tube stiffness. With a cross section of almost 20 cm² at the head tube, CAAD10's top tube is engineered to be stiff. Optimally shaped for increased knee clearance and precise handling. Pin-point steering response with rock solid stability.

> SPEED SAVE FORK

Our new **SPEED SAVE** fork achieves the elusive combination of increased fork angle for shock absorption without increasing the bike's wheelbase. The secret? The dropouts. With a subtle offset to the rear of the tapered carbon blades, the fork maintains its razor sharp handling, eliminating buzz and chatter.

2RAX1D, 2RAX1C

CAAD10 1 DURA-ACE

BLACK ANODIZED (MATTE) (BLA)



OPTION: 53/39

FRAME	CAAD10, SMARTFORMED 6069 ALLOY, SPEED SAVE
FORK	CAAD10, FULL CARBON, SPEED SAVE
WHEELS	SHIMANO RS80

TIRES	SCHWALBE DURANO S, 700X23C, FOLDING
CRANKS	FSA SL-K LIGHT CARBON, BB30, COMPACT 50/34
DERAILLEURS	SHIMANO DURA-ACE 7900

SHIFTERS	SHIMANO DURA-ACE 7900
BRAKES	SHIMANO ULTEGRA 6700
SIZES	48, 50, 52, 54, 56, 58, 60, 63CM



OPTION: 53/39

2RAX3D, 2RAX3C

CAAD10 3 ULTEGRA

MAGNESIUM WHITE (GLOSS) (WHT).

JET BLACK (GLOSS) (BLK).

FRAME	CAAD10, SMARTFORMED 6069 ALLOY, SPEED SAVE	TIRES	MAVIC AKSION, 700X23C, FOLDING	SHIFTERS	SHIMANO ULTEGRA 6700
FORK	CAAD10, FULL CARBON, SPEED SAVE	CRANKS	FSA SL-K LIGHT CARBON, BB30, COMPACT 50/34	BRAKES	SHIMANO ULTEGRA 6700
WHEELS	MAVIC AKSIUM WTS	DERAILLEURS	SHIMANO ULTEGRA 6700	SIZES	48, 50, 52, 54, 56, 58, 60, 63CM



OPTION: 53/39

2RAX5D, 2RAX5C

CAAD10 5 105

LIQUIGAS TEAM REPLICA (GLOSS) (REP).

JET BLACK (MATTE) (BBQ).

FRAME	CAAD10, SMARTFORMED 6069 ALLOY, SPEED SAVE	TIRES	SCHWALBE LUGANO, 700X23C, FOLDING	SHIFTERS	SHIMANO 105 5700
FORK	CAAD10, FULL CARBON, SPEED SAVE	CRANKS	FSA GOSSAMER PRO, BB30, COMPACT 50/34	BRAKES	TEKTRO R580
WHEELS	SHIMANO RS-10	DERAILLEURS	SHIMANO 105 5700	SIZES	48, 50, 52, 54, 56, 58, 60, 63CM



OPTION: 53/39

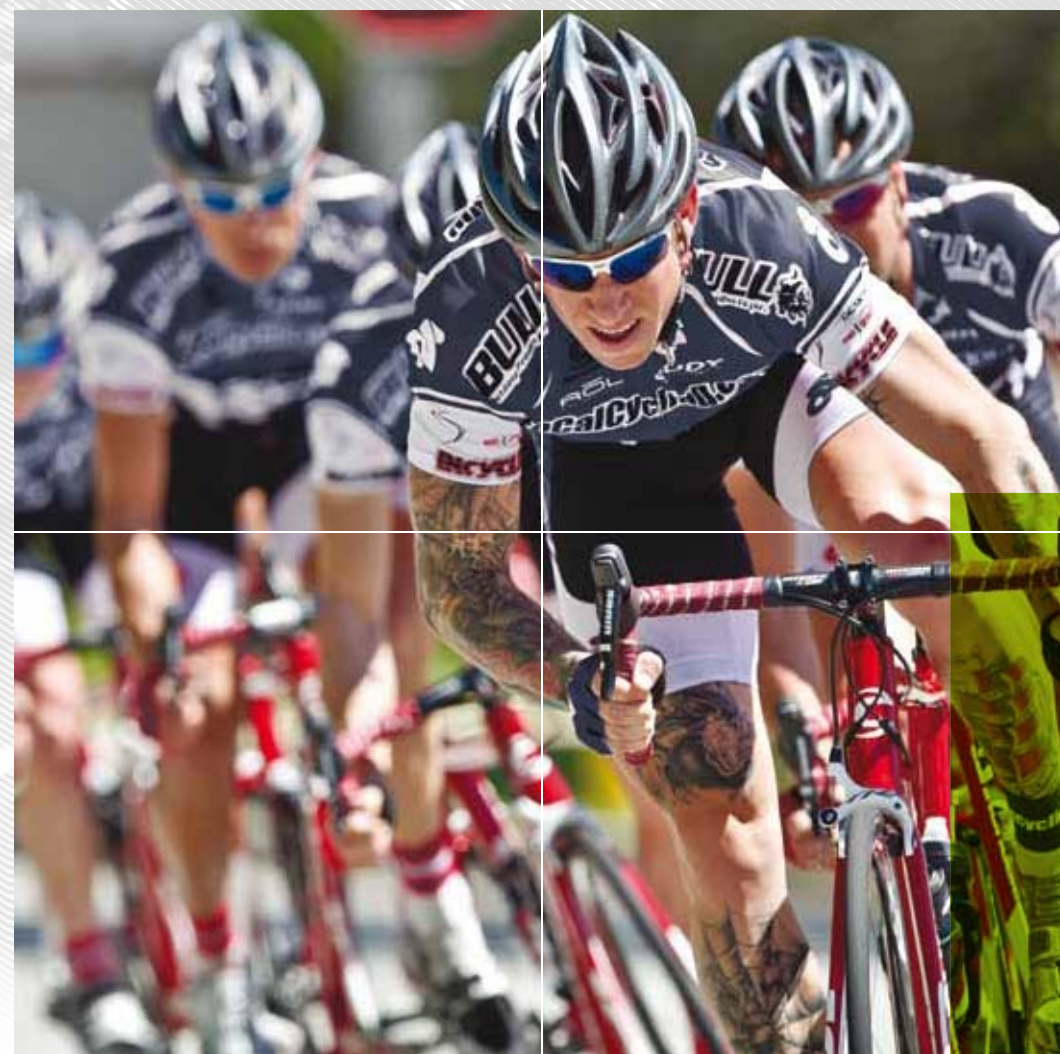
2RAX4D, 2RAX4C

CAAD10 4 RIVAL

40 BLUE W/ 40 ORANGE (GLOSS) (BLU).

BRUSH ALUMINUM (GLOSS) (RAW).

FRAME	CAAD10, SMARTFORMED 6069 ALLOY, SPEED SAVE	TIRES	SCHWALBE LUGANO, 700X23C, FOLDING	SHIFTERS	SRAM RIVAL
FORK	CAAD10, FULL CARBON, SPEED SAVE	CRANKS	SRAM S500 BB30, COMPACT 50/34	BRAKES	SRAM DUAL PIVOT
WHEELS	FULCRUM RACING 7	DERAILLEURS	SRAM RIVAL	SIZES	48, 50, 52, 54, 56, 58, 60, 63CM



ROAD, USA, 03/11.
 "IT'S A FANTASTIC RIDE THAT CAN EASILY HANDLE EVEN THE TOUGHEST RIDES AND BE A SOLID, HIGH-PERFORMANCE, EVERYDAY WORKHORSE."

CAAD8

> LIGHT. SPEED.

ALWAYS GET A GOOD START. TOTALLY REDESIGNED FOR 2012 WITH FEATURES DRAWN FROM THE CAAD10 AND HEADS-UP RACE GEOMETRY, THE LIGHTEST-IN-CLASS CAAD8 BLOWS AWAY THE CONCEPT OF ENTRY LEVEL.



2RA85C

CAAD8 5 105

JET BLACK (GLOSS) (BLK).

NIAGRA BLUE (GLOSS) (BLU).

FRAME NEW CAAD8, OPTIMIZED 6061 ALLOY, SAVE

TIRES SCHWALBE LUGANO, 700X23C, FOLDING

SHIFTERS SHIMANO 105 5700

FORK CANNONDALE ULTRA, CARBON BLADES

CRANKS FSA GOSSAMER, BB30, 50/34

BRAKES TEKTRO R540, DUAL PIVOT, CARTRIDGE PAD

WHEELS MADDUX RS 3.0 SPEED, 32 HOLE

DERAILLEURS SHIMANO 105 5700

SIZES 48, 50, 52, 54, 56, 58, 60, 63CM

> CANNONDALE ALUMINUM EXPERTISE

Double-pass smooth welds, taper-butted tubes and the refined tube-shapes of the CAAD8 showcase our more than 20 years of aluminum frame-building experience.

> HEADS-UP RACE GEOMETRY

The CAAD8 shares the proven race geometry of its more expensive brethren but with a slightly taller headtube for a more relaxed riding position.

> CAAD10 DNA

CAAD8 shares many of the performance features, like the asymmetric chain stays, horizontally ovalized top tube, and SAVE vibration-reducing stays, of the ultra-high performance CAAD10.



2RA86C

CAAD8 6 TIAGRA

MAGNESIUM WHITE (GLOSS) (WHT).

JET BLACK (MATTE) (BBQ).

FRAME NEW CAAD8, OPTIMIZED 6061 ALLOY, SAVE

TIRES SCHWALBE LUGANO, 700X23C

SHIFTERS SHIMANO TIAGRA 4600

FORK CANNONDALE ULTRA, CARBON BLADES

CRANKS FSA OMEGA BB30, 50/34

BRAKES CANNONDALE C4, DUAL PIVOT, CARTRIDGE PAD

WHEELS MADDUX RS 3.0, 32 HOLE

DERAILLEURS SHIMANO TIAGRA 4600

SIZES 48, 51, 54, 56, 58, 61CM



2RA87C

CAAD8 7 SORA

JET BLACK (MATTE) (BBQ).

RACE RED (GLOSS) (RED).

FRAME NEW CAAD8, OPTIMIZED 6061 ALLOY, SAVE

TIRES SCHWALBE LUGANO, 700X23C

SHIFTERS SHIMANO SORA

FORK CANNONDALE ULTRA, CARBON BLADES

CRANKS FSA VERO, 50/34

BRAKES CANNONDALE C4, DUAL PIVOT, CARTRIDGE PAD

WHEELS MADDUX RS 3.0, 32 HOLE

DERAILLEURS SHIMANO SORA

SIZES 48, 51, 54, 56, 58, 61CM

SYNAPSE

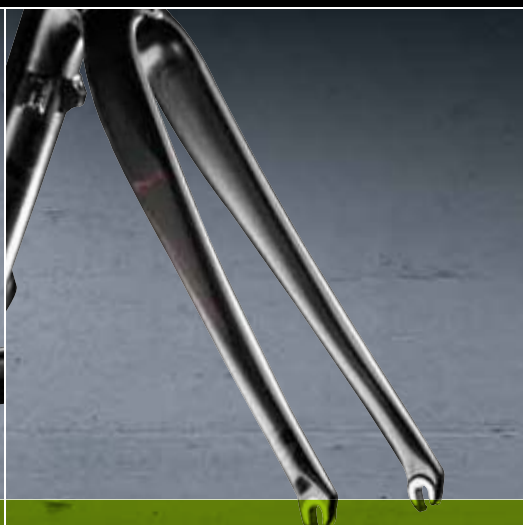
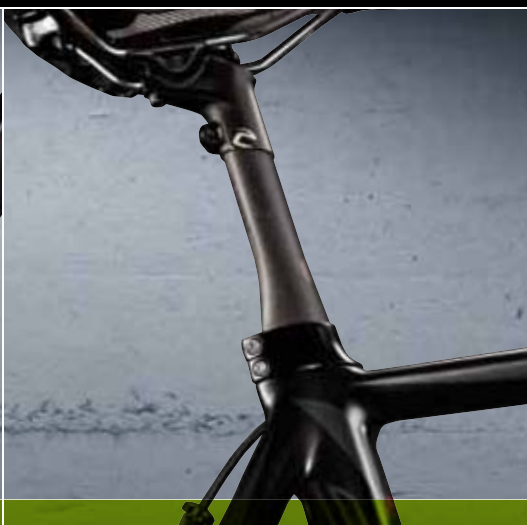
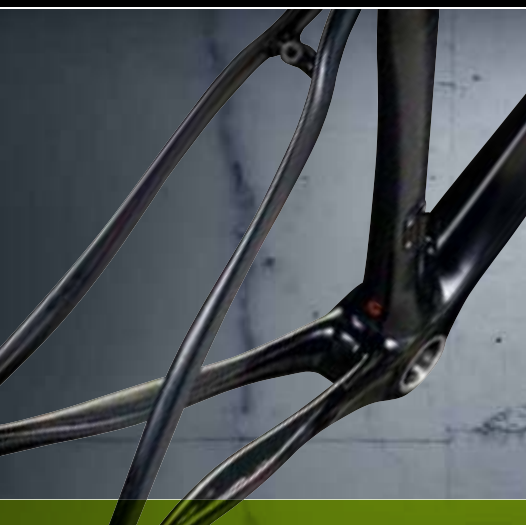
➤ FIRST CLASS.

PERFECT FOR LIQUIGAS-CANNONDALE ON THE COBBLES OF THE ARENBURG OR FOR EPIC GRAN FONDO RIDES, SYNAPSE IS THE PERFECT BLEND OF RACE-LEVEL PERFORMANCE AND ALL-DAY COMFORT. TAKE THE LONG WAY HOME.

VICTORIES & AWARDS



ROAD
MOUNTAIN
RECREATION/URBAN
WOMEN'S
SPECIFICATIONS



➤ *SAVE PLUS* FOR LONGER, MORE COMFORTABLE RIDES

SAVE PLUS is the newly redesigned micro suspension system made specifically for our Synapse line of bikes. With even more emphasis on comfort than **SPEED SAVE**, **SAVE PLUS**' rear stays feature a flattened area that can deflect vertically to absorb road buzz and shock while the increased width resists side-to-side and torsional flex.

➤ *SAVE PLUS* MULTIFLEX SEATPOST SYSTEM*

The new **SAVE PLUS** Multiflex Seatpost System features two different **SAVE PLUS** seatpost shafts, one with firm flex, and one with softer flex so riders can tune the ride-feel to their preference. Also compatible with 2009-2010 Synapse frames for owners who wish to upgrade.

*Second seatpost shaft offered after-market

➤ *SAVE PLUS* FORK SMOOTHS THE ROAD

The new **SAVE PLUS** fork is a gorgeously smooth-riding combination of sophisticated carbon lay-up and shaping, and offset dropouts for increased vertical deflection and vibration absorption with no loss in steering precision.

2RCL1C SYNAPSE HI-MOD 1 DURA-ACE

FRAME	SYNAPSE, HI-MOD FULL CARBON, SAVE PLUS
FORK	SYNAPSE, HI-MOD FULL CARBON, SAVE PLUS
WHEELS	DT SWISS RR1450 TRICON

TIRES	SCHWALBE ULTREMO ZX, 700X25C
CRANKS	CANNONDALE HOLLOWGRAM SL BB30, 50/34, FSA DA-79 RINGS
DERAILLEURS	SHIMANO DURA-ACE 7900

EXPOSED CARBON W/ CHARCOAL GREY (MATTE) (CRB).

SHIFTERS	SHIMANO DURA-ACE 7900
BRAKES	SHIMANO DURA-ACE 7900
SIZES	48, 51, 54, 56, 58, 61CM



2RCL2C
SYNAPSE HI-MOD 2 SRAM RED

MAGNESIUM WHITE (GLOSS) (WHT).

EXPOSED CARBON (MATTE) (CRB).

FRAME	SYNAPSE, HI-MOD FULL CARBON, SAVE PLUS	TIRES	SCHWALBE ULTREMO ZX, 700X25C	SHIFTERS	SRAM RED
FORK	SYNAPSE, HI-MOD FULL CARBON, SAVE PLUS	CRANKS	CANNONDALE SRAM RED, BB30, 50/34	BRAKES	SRAM RED
WHEELS	MAVIC KSYRIUM ELITE, BLACK	DERAILLEURS	SRAM RED	SIZES	48, 51, 54, 56, 58, 61CM



2RCS4C
SYNAPSE CARBON 4 RIVAL

EXPOSED CARBON (GLOSS) (BLU).

MAGNESIUM WHITE (GLOSS) (WHT).

FRAME	SYNAPSE, FULL CARBON, SAVE PLUS	TIRES	MAVIC AKSION, 700X25C, FOLDING	SHIFTERS	SRAM RIVAL
FORK	SYNAPSE, FULL CARBON, SAVE PLUS	CRANKS	SRAM S550, BB30, 50/34	BRAKES	SRAM DUAL PIVOT
WHEELS	MAVIC AKSIUM WTS	DERAILLEURS	SRAM RIVAL	SIZES	48, 51, 54, 56, 58, 61CM



2RCS3C
SYNAPSE CARBON 3 ULTEGRA

LIQUIGAS TEAM REPLICIA (GLOSS) (REP).

EXPOSED CARBON (GLOSS) (BLK).

FRAME	SYNAPSE, FULL CARBON, SAVE PLUS	TIRES	SCHWALBE DURANO 700X25C, BLACK	SHIFTERS	SHIMANO ULTEGRA 6700
FORK	SYNAPSE, FULL CARBON, SAVE PLUS	CRANKS	FSA SL-K LIGHT CARBON, BB30, 50/34	BRAKES	SHIMANO ULTEGRA 6700
WHEELS	DT SWISS RR1600	DERAILLEURS	SHIMANO ULTEGRA 6700	SIZES	48, 51, 54, 56, 58, 61CM



2RCS5C
SYNAPSE CARBON 5 105

MAGNESIUM WHITE W/ RACE RED (GLOSS) (RED).

EXPOSED CARBON W/ MAGNESIUM WHITE (GLOSS) (BLK).

FRAME	SYNAPSE, FULL CARBON, SAVE PLUS	TIRES	SCHWALBE LUGANO, 700X25C, BLACK	SHIFTERS	SHIMANO 105 5700
FORK	SYNAPSE, FULL CARBON, SAVE PLUS	CRANKS	FSA GOSSAMER PRO BB30, 50/34	BRAKES	TEKTRO R580
WHEELS	SHIMANO RS10	DERAILLEURS	SHIMANO 105 5700	SIZES	48, 51, 54, 56, 58, 61CM



2RCS6C
SYNAPSE CARBON 6 APEX

EXPOSED CARBON (GLOSS) (BLU).

MAGNESIUM WHITE (GLOSS) (WHT).

FRAME	SYNAPSE, FULL CARBON, SAVE PLUS	TIRES	SCHWALBE LUGANO WIRE, 700X25C, BLACK	SHIFTERS	SRAM APEX
FORK	SYNAPSE, CARBON BLADES, SAVE	CRANKS	FSA OMEGA BB30, 50/34	BRAKES	SRAM APEX
WHEELS	SHIMANO RS01A	DERAILLEURS	SRAM APEX WIFLI	SIZES	48, 51, 54, 56, 58, 61CM



2RAS6C, 2RAS6T
SYNAPSE ALLOY 6 TIAGRA

INDIGO BLUE (GLOSS) (BLU).

JET BLACK (MATTE) (BBQ).

FRAME	SYNAPSE ALLOY, OPTIMIZED 6061 ALLOY, SAVE PLUS	TIRES	SCHWALBE LUGANO, 700X25C	SHIFTERS	SHIMANO TIAGRA 4600
FORK	SYNAPSE SAVE, CARBON BLADES	CRANKS	FSA OMEGA, BB30, 50/34	BRAKES	CANNONDALE C4, DUAL PIVOT, LONG REACH
WHEELS	MADDUX RS 3.0, 32 HOLE	DERAILLEURS	SHIMANO TIAGRA 4600	SIZES	48, 51, 54, 56, 58, 61CM



2RAS5C, 2RAS5T
SYNAPSE ALLOY 5 105

MAGNESIUM WHITE (GLOSS) (WHT).

BRUSHED ALUMINUM (GLOSS) (RAW).

FRAME	SYNAPSE ALLOY, OPTIMIZED 6061 ALLOY, SAVE PLUS	TIRES	SCHWALBE LUGANO, 700X25C	SHIFTERS	SHIMANO 105 5700
FORK	SYNAPSE SAVE, CARBON BLADES	CRANKS	FSA GOSSAMER, BB30, 50/34	BRAKES	TEKTRO R539, DUAL PIVOT, LONG REACH
WHEELS	SHIMANO RS10	DERAILLEURS	SHIMANO 105 5700	SIZES	48, 51, 54, 56, 58, 61CM



2RAS7T
SYNAPSE ALLOY 7 SORA

MAGNESIUM WHITE (GLOSS) (WHT).

RACE RED (GLOSS) (RED).

FRAME	SYNAPSE ALLOY, OPTIMIZED 6061 ALLOY, SAVE PLUS	TIRES	SCHWALBE LUGANO, 700X25C	SHIFTERS	SHIMANO SORA
FORK	SYNAPSE SAVE, CARBON BLADES	CRANKS	FSA VERO, 50/39/30	BRAKES	CANNONDALE C4, DUAL PIVOT, LONG REACH
WHEELS	MADDUX RS 3.0, 32 HOLE	DERAILLEURS	SHIMANO SORA	SIZES	48, 51, 54, 56, 58, 61CM

SLICE

TIME. TESTED.

AS THE MULTIPLE IRONMAN WORLD CHAMPIONSHIPS AND WORLD RECORDS CAN ATTEST, THE SLICE'S BLEND OF AERODYNAMICS, LIGHT WEIGHT AND AERO SAVE COMFORT FEATURES IS A WINNING FORMULA. FIND YOUR NEW FAST.

VICTORIES
6X WORLD RECORD BREAKER

2011 Full Distance World Record
2012 Full Distance World Record
2009 Ironman World Champion and Full Distance World Record



2RM4D
SLICE CARBON 4 FORCE

FRAME	SLICE, FULL CARBON, AERO SAVE
FORK	SLICE AERO, FULL CARBON
WHEELS	FULCRUM RACING 7

TIRES	SCHWALBE LUGANO, 700X23C, FOLDING
CRANKS	SRAM S500 BB30, 53/39
DERAILLEURS	SRAM FORCE

SHIFTERS	SRAM TT500
BRAKES	SRAM RIVAL
SIZES	51, 54, 56, 58, 60CM

MAGNESIUM WHITE W/ JET BLACK AND RACE RED (GLOSS) (WHT).

> RIDE SMOOTHER. RUN FRESHER

The Slice's **AERO SAVE** rear stays deflect vertically to absorb road shock, while staying extremely stiff laterally and torsionally. Great power transfer and comfort that delivers you to the run feeling fresh.

> SUPERB GEOMETRY

The refined geometry and two-position aero seatpost enable riders to find their perfect aero position. The stable, predictable handling and **AERO SAVE** features help them stay in it longer.

> SPEED SHADOW SEAT TUBE

The shape of the **SPEED SHADOW** seat tube helps smooth out turbulent airflow and pass it smoothly over the rear wheel, reducing drag and increasing speed.



2RM5D
SLICE 5 105

FRAME	SLICE, FULL CARBON, AERO SAVE
FORK	SLICE AERO, FULL CARBON
WHEELS	SHIMANO R501A

TIRES	SCHWALBE LUGANO, 700X23C, FOLDING
CRANKS	FSA GOSSAMER PRO BB30, 52/38
DERAILLEURS	SHIMANO 105 5700

SHIFTERS	MICROSHIFT BAR-END
BRAKES	TEKTRO R580
SIZES	51, 54, 56, 58, 60CM

MAGNESIUM WHITE W/ JET BLACK AND RACE RED (GLOSS) (WHT).



CHRISSIE WELLINGTON.
3X WORLD IRONMAN CHAMPION.
"OVER THE PAST TWO YEARS MY SLICE AND I HAVE WON THE WORLD IRONMAN CHAMPIONSHIPS, BROKEN TWO WORLD RECORDS AND SIX COURSE RECORDS. THE BIKE LEAVES MY LEGS FRESHER FOR THE RUN. IT TRULY IS THE PERFECT PARTNERSHIP!"

SUPERX

REIGN. SUPREME.

VICTORIES & AWARDS



SUPER LIGHT. SUPER TOUGH. SUPER STIFF. SUPER SMOOTH. DESIGNED WITH INPUT FROM NATIONAL CHAMPIONS, SUPERX IS AN EXCEPTIONAL WEAPON FOR AN EXCEPTIONAL SPORT. DON'T JUST RACE THIS CROSS SEASON; REIGN.



2XC2C

SUPERX 2 SRAM RED

JET BLACK W/ BERSERKER GREEN (GLOSS) (GRN).

FRAME	SUPERX, BALLISTEC HI-MOD CARBON, SPEED SAVE
FORK	SUPERX, BALLISTEC HI-MOD FULL CARBON
WHEELS	MAVIC KSYRIUM ELITE

TIRES	SCHWALBE RACING RALPH, 700X33C
CRANKS	FSA SLK LIGHT CARBON, BB30, 46/36
DERAILLEURS	SRAM RED

SHIFTERS	SRAM RED
BRAKES	FSA SLK
SIZES	44, 48, 52, 54, 56, 58CM

> BALLISTEC CARBON CONSTRUCTION

High-strength fibers developed for **Ballistic** armoring and high-impact resins build remarkable strength into this ultralight frameset (1400 grams*)

*Frame and fork, size 56cm

> SPEED SAVE MICRO-SUSPENSION SYSTEM

The **SPEED SAVE** rear stay assembly combines flattened cross-sections with sophisticated carbon layup to create a system that offers incredible power transfer, yet acts as a micro-suspension system which absorbs shock and keeps you fresh and in control over rough terrain.

> SYSTEM INTEGRATED FORK

The oversized headtube houses a 1-1/8" to 1-1/4" tapered full carbon fork for the perfect balance of precise handling, strength and light weight.



2XC3C

SUPERX 3 ULTEGRA

MAGNESIUM WHITE W/ JET BLACK (GLOSS) (WHT).

FRAME	SUPERX, BALLISTEC CARBON, SPEED SAVE
FORK	SUPERX, BALLISTEC CARBON
WHEELS	MAVIC KSYRIUM EQUIPE

TIRES	SCHWALBE SAMMY SLICK 700X35C
CRANKS	FSA GOSSAMER PRO, BB30, 46/36
DERAILLEURS	SHIMANO ULTEGRA 6700

SHIFTERS	SHIMANO ULTEGRA 6700
BRAKES	TRP EURO-X ALLOY
SIZES	44, 48, 52, 54, 56, 58CM



2XC4C

SUPERX 4 RIVAL

MAGNESIUM WHITE W/ JET BLACK (GLOSS) (WHT).

FRAME	SUPERX, BALLISTEC CARBON, SPEED SAVE
FORK	SUPERX, BALLISTEC CARBON
WHEELS	FULCRUM RACING 7 CX

TIRES	SCHWALBE RAPID ROB, 700X35C
CRANKS	FSA GOSSAMER PRO, BB30, 46/36
DERAILLEURS	SRAM RIVAL

SHIFTERS	SRAM RIVAL
BRAKES	TRP EURO-X ALLOY
SIZES	44, 48, 52, 54, 56, 58CM

CAADX

CROSS. FUNCTIONAL.

GO OFF THE BEATEN PATH, TURBO CHARGE YOUR COMMUTE OR JUMP IN AT THE LOCAL 'CROSS RACE. WIPE OFF THE MUD, KEEP THE SMILE.



2XR5C

CAADX 5 105

BRUSHED ALUMINUM (GLOSS) (RAW).

FRAME	CAADX CYCLOCROSS, OPTIMIZED 6061 ALLOY
FORK	CANNONDALE ULTRA X, CARBON BLADES
WHEELS	MADDUX DRX 6000, 32 HOLE

TIRES	SCHWALBE SAMMY SLICK, 700X35C
CRANKS	FSA GOSSAMER, BB30, 46/36
DERAILLEURS	SHIMANO 105 5700

SHIFTERS	SHIMANO 105 5700
BRAKES	TEKTRO CR710
SIZES	44, 48, 51, 54, 56, 58, 61CM

> HEADS-UP RACE GEOMETRY

The CAADX has a slightly taller head tube and slacker head angle than the SuperX, providing a more comfortable upright position and super stable handling.

> CANNONDALE ALUMINUM EXPERTISE

With taper-butted, shaped tubes joined by our trademark double-pass smooth welds, CAADX continues our tradition of aluminum mastery.

> HOURGLASS SEAT STAYS

The hourglass shape of the seat stays offers significant vertical compliance for comfort and control over the harsh ruts and mud of 'cross, while remaining laterally rigid for power transfer and confident handling.



2XR6C

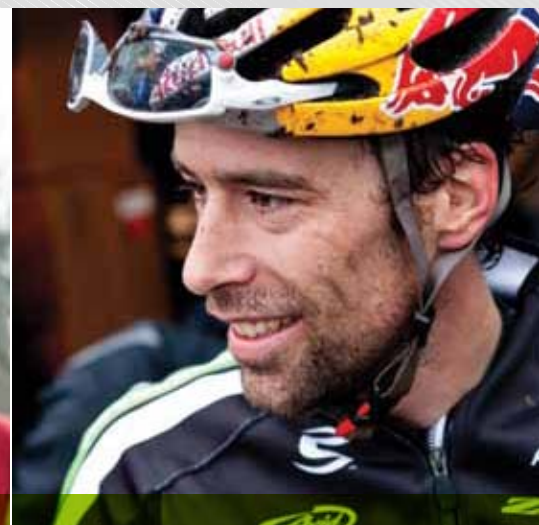
CAADX 6 TIAGRA

JET BLACK (MATTE) (BBQ).

FRAME	CAADX CYCLOCROSS, OPTIMIZED 6061 ALLOY
FORK	CANNONDALE ULTRA X, CARBON BLADES
WHEELS	MADDUX DRX 6000, 32 HOLE

TIRES	SCHWALBE SAMMY SLICK, 700X35C
CRANKS	FSA OMEGA BB30, 46/36
DERAILLEURS	SHIMANO TIAGRA 4600

SHIFTERS	SHIMANO TIAGRA 4600
BRAKES	TEKTRO CR520
SIZES	44, 48, 51, 54, 56, 58, 61CM



TIM JOHNSON.

CANNONDALE CYCLOCROSS WORLD PRO RIDER 6X NATIONAL CHAMPION

"CROSS IS: UP AND DOWN, ON AND OFF, BRAKE AND GAS, RIGHT AND LEFT, TWIST AND TURN, PUSH AND PULL. MY CANNONDALE ALLOWS ME TO PUSH WHERE I SHOULDN'T, PUSH WHEN NO ONE ELSE CAN, PUSH THROUGH TO THE FINISH LINE..."

ROAD SPECIFICATIONS

	SUPERSIX EVO ULTIMATE
CODE	2RSEUD
FRAME	SUPERSIX EVO, BALLISTEC HI-MOD CARBON, SPEED SAVE, PRESSFIT BB30
FORK	SUPERSIX EVO, SPEED SAVE, BALLISTEC HI-MOD FULL CARBON, 1-1/8" TO 1-1/4" STEERER
RIMS	DT SWISS, RRC425F FRONT, RRC525R REAR, CARBON TUBULARS
HUBS	DT SWISS, RRC425F FRONT, RRC525R REAR
SPOKES	DT SWISS, STAINLESS, BUTTED, BLADED
TIRES	SCHWALBE ULTREMO TUBULAR LIGHT, 700X23C
PEDALS	N/A
CRANK	CANNONDALE HOLLOWGRAM SL, BB30, SI RINGS, 53/39 (50/34 RINGS AND SPIDER INCLUDED)
BOTTOM BRACKET	SRAM PRESSFIT BB30, CERAMIC BEARINGS
CHAIN	SRAM PC-1091R
REAR COGS	SRAM RED, 11-26, 10-SPEED
FR. DERAILLEUR	SRAM RED, BRAZE-ON
REAR DERAILLEUR	SRAM RED
SHIFTERS	SRAM RED
HANDLEBAR	ZIPP SL
GRIPS	FI'ZIK BAR TAPE
STEM	FSA OS-99, ULTIMATE EDITION, 31.8, 6 DEG
HEADSET	SUPERSIX EVO, 1-1/4" LOWER BEARING, 25MM CARBON TOP COVER (W/5MM ALLOY HIDDEN TOP COVER)
BRAKES	TRP 970SL
BRAKE LEVERS	SRAM RED
SADDLE	FI'ZIK ANTARES 00, WING FLEX, CARBON RAILS
SEATPOST	USE ALIEN CYCLOPS CARBON, 27.2X270MM
SIZES	48, 50, 52, 54, 56, 58, 60, 63CM
COLOR 1 (CODE)	EXPOSED CARBON W/OUTLINE DECALS (MATTE) (ULT)
COLOR 2 (CODE)	N/A
EXTRAS	INCLUDES BOTH STANDARD AND COMPACT CHAINRINGS AND SPIDERS, TUNE GR, TUNE WATERBOTTLE BOLTS

	SUPERSIX EVO TEAM
CODE	2RSEOD
FRAME	SUPERSIX EVO, BALLISTEC HI-MOD CARBON, SPEED SAVE, PRESSFIT BB30
FORK	SUPERSIX EVO, SPEED SAVE, BALLISTEC HI-MOD FULL CARBON, 1-1/8" TO 1-1/4" STEERER
RIMS	MAVIC COSMIC CARBONE SLR
HUBS	MAVIC COSMIC CARBONE SLR
SPOKES	MAVIC COSMIC CARBONE SLR
TIRES	MAVIC YKSION, GRIPLINK FRONT AND POWERLINK REAR, 700X23C, FOLDING
PEDALS	N/A
CRANK	CANNONDALE HOLLOWGRAM SL, BB30, SRAM RED RINGS, 53/39 (50/34 RINGS AND SPIDER INCLUDED)
BOTTOM BRACKET	SRAM PRESSFIT BB30, CERAMIC BEARINGS
CHAIN	SRAM PC-1091R
REAR COGS	SRAM RED, 11-26, 10-SPEED
FR. DERAILLEUR	SRAM RED, BRAZE-ON
REAR DERAILLEUR	SRAM RED
SHIFTERS	SRAM RED
HANDLEBAR	FSA K-FORCE CARBON NANO
GRIPS	FI'ZIK BAR TAPE
STEM	FSA K-FORCE CARBON, 31.8, 6 DEG
HEADSET	SUPERSIX EVO, 1-1/4" LOWER BEARING, 25MM CARBON TOP COVER (W/5MM ALLOY HIDDEN TOP COVER)
BRAKES	SRAM RED
BRAKE LEVERS	SRAM RED
SADDLE	FI'ZIK ANTARES, BRAIDED CARBON RAILS
SEATPOST	FSA K-FORCE CARBON, 27.2X250MM
SIZES	48, 50, 52, 54, 56, 58, 60, 63CM
COLOR 1 (CODE)	LIQUIGAS TEAM REPLICA (GLOSS) (LIQ)
COLOR 2 (CODE)	N/A
EXTRAS	INCLUDES BOTH STANDARD AND COMPACT CHAINRINGS AND SPIDERS

	SUPERSIX EVO D12
CODE	2RSEID
FRAME	SUPERSIX EVO, D12 SPECIFIC, BALLISTEC HI-MOD CARBON, SPEED SAVE, PRESSFIT BB30
FORK	SUPERSIX EVO, SPEED SAVE, BALLISTEC HI-MOD FULL CARBON, 1-1/8" TO 1-1/4" STEERER
RIMS	MAVIC KSYRIUM SLR
HUBS	MAVIC KSYRIUM SLR
SPOKES	MAVIC KSYRIUM SLR
TIRES	SCHWALBE ULTREMO ZX, 700X23C, FOLDING
PEDALS	N/A
CRANK	CANNONDALE HOLLOWGRAM SL, BB30, FSA DA79 RINGS, 53/39 (50/34 RINGS AND SPIDER INCLUDED)
BOTTOM BRACKET	FSA PRESSFIT BB30, CERAMIC BEARINGS
CHAIN	SHIMANO DURA-ACE 7900
REAR COGS	SHIMANO DURA-ACE 7900, 12-25, 10-SPEED
FR. DERAILLEUR	SHIMANO DURA-ACE D12, BRAZE-ON
REAR DERAILLEUR	SHIMANO DURA-ACE D12
SHIFTERS	SHIMANO DURA-ACE D12
HANDLEBAR	FSA K-FORCE CARBON COMPACT
GRIPS	FI'ZIK BAR TAPE
STEM	FSA OS-99 CSI, 31.8, 6 DEG
HEADSET	SUPERSIX EVO, 1-1/4" LOWER BEARING, 25MM CARBON TOP COVER (W/ 5MM ALLOY HIDDEN TOP COVER)
BRAKES	SHIMANO DURA-ACE 7900
BRAKE LEVERS	SHIMANO DURA-ACE D12
SADDLE	FI'ZIK ANTARES, KIJUM RAILS
SEATPOST	FSA K-FORCE CARBON, 27.2X250MM
SIZES	50, 52, 54, 56, 58, 60 CM
COLOR 1 (CODE)	EXPOSED CARBON W/ CHARCOAL GRAY, WHITE, RED (MATTE) (CRB)
COLOR 2 (CODE)	N/A
EXTRAS	INCLUDES BOTH STANDARD AND COMPACT CHAINRINGS AND SPIDERS

	SUPERSIX EVO 1 DURA-ACE
CODE	2RSEID
FRAME	SUPERSIX EVO, BALLISTEC HI-MOD CARBON, SPEED SAVE, PRESSFIT BB30
FORK	SUPERSIX EVO, SPEED SAVE, BALLISTEC HI-MOD FULL CARBON, 1-1/8" TO 1-1/4" STEERER
RIMS	MAVIC KSYRIUM SL
HUBS	MAVIC KSYRIUM SL
SPOKES	MAVIC KSYRIUM SL
TIRES	SCHWALBE ULTREMO ZX, 700X23C
PEDALS	N/A
CRANK	SRAM RED W/CANNONDALE GRAPHICS, BB30, 53/39 (OPTION: 50/34 COMPACT)
BOTTOM BRACKET	SRAM PRESSFIT BB30, CERAMIC BEARINGS
CHAIN	SHIMANO DURA-ACE 7900
REAR COGS	SHIMANO DURA-ACE 7900, 12-25, 10-SPEED
FR. DERAILLEUR	SHIMANO DURA-ACE 7900, BRAZE-ON
REAR DERAILLEUR	SHIMANO DURA-ACE 7900
SHIFTERS	SHIMANO DURA-ACE 7900
HANDLEBAR	FSA K-FORCE CARBON COMPACT
GRIPS	FI'ZIK BAR TAPE
STEM	FSA OS-99 CSI, 31.8, 6 DEG
HEADSET	SUPERSIX EVO, 1-1/4" LOWER BEARING, 25MM CARBON TOP COVER (W/5MM ALLOY HIDDEN TOP COVER)
BRAKES	SHIMANO DURA-ACE 7900
BRAKE LEVERS	SHIMANO DURA-ACE 7900
SADDLE	FI'ZIK ANTARES, KIJUM RAILS
SEATPOST	FSA K-FORCE CARBON, 27.2X250MM
SIZES	48, 50, 52, 54, 56, 58, 60, 63CM
COLOR 1 (CODE)	MAGNESIUM WHITE W/JET BLACK (GLOSS) (WHT)
COLOR 2 (CODE)	
EXTRAS	INCLUDES BOTH STANDARD AND COMPACT CHAINRINGS AND SPIDERS

	SUPERSIX EVO 2 SRAM RED
CODE	2RSE2D, 2RSE2C
FRAME	SUPERSIX EVO, BALLISTEC HI-MOD CARBON, SPEED SAVE, PRESSFIT BB30
FORK	SUPERSIX EVO, SPEED SAVE, BALLISTEC HI-MOD FULL CARBON, 1-1/8" TO 1-1/4" STEERER
RIMS	MAVIC KSYRIUM ELITE
HUBS	MAVIC KSYRIUM ELITE
SPOKES	MAVIC KSYRIUM ELITE
TIRES	SCHWALBE ULTREMO ZX, 700X23C
PEDALS	N/A
CRANK	SRAM RED W/CANNONDALE GRAPHICS, BB30, 53/39 (OPTION: 50/34 COMPACT)
BOTTOM BRACKET	SRAM PRESSFIT BB30
CHAIN	SHIMANO ULTEGRA 6700
REAR COGS	SHIMANO ULTEGRA 6700, 12-25, 10-SPEED
FR. DERAILLEUR	SHIMANO DURA-ACE 7900, BRAZE-ON
REAR DERAILLEUR	SHIMANO DURA-ACE 7900
SHIFTERS	SHIMANO DURA-ACE 7900
HANDLEBAR	CANNONDALE C2 COMPACT, 2014 DOUBLE BUTTED ALLOY
GRIPS	CANNONDALE 2.5MM SUEDE W/GEL BACKING BAR TAPE
STEM	CANNONDALE C2, 2014 3D FORGED ALLOY, 31.8MM, 6 DEG.
HEADSET	CAAD10, 1-1/4" LOWER BEARING, 25MM CARBON TOP CAP
BRAKES	SHIMANO ULTEGRA 6700
BRAKE LEVERS	SHIMANO DURA-ACE 7900
SADDLE	FI'ZIK ARIONE CLASSIC
SEATPOST	CANNONDALE C2, UD CARBON, 27.2X300MM
SIZES	48, 50, 52, 54, 56, 58, 60, 63CM
COLOR 1 (CODE)	BLACK ANODIZED (MATTE) (BLA)
COLOR 2 (CODE)	MAGNESIUM WHITE W/JET BLACK (GLOSS) (WHT)

	SUPERSIX ULTEGRA D12
CODE	2RSSIC
FRAME	SUPERSIX, FULL CARBON, BB30
FORK	SUPERSIX, FULL CARBON, 1-1/8" TO 1.5" TAPERED STEERER, ALLOY DROPOUTS
RIMS	MAVIC KSYRIUM ELITE
HUBS	MAVIC KSYRIUM ELITE
SPOKES	MAVIC KSYRIUM ELITE
TIRES	SCHWALBE DURANO S, 700X23C, FOLDING
PEDALS	N/A
CRANK	FSA SL-K LIGHT CARBON BB30, 50/34
BOTTOM BRACKET	FSA BB30
CHAIN	SHIMANO ULTEGRA 6700
REAR COGS	SHIMANO ULTEGRA 6700, 12-25, 10-SPEED
FR. DERAILLEUR	SHIMANO ULTEGRA D12, BRAZE-ON W/34.9MM CLAMP
REAR DERAILLEUR	SHIMANO ULTEGRA D12
SHIFTERS	SHIMANO ULTEGRA D12
HANDLEBAR	CANNONDALE C2 COMPACT, 2014 DOUBLE BUTTED ALLOY
GRIPS	CANNONDALE 2.5MM SUEDE W/GEL BACKING BAR TAPE
STEM	CANNONDALE C2, 2014 3D FORGED ALLOY, 31.8MM, 6 DEG.
HEADSET	SUPERSIX, 1.5 LOWER BEARING, 30MM CARBON TOP CAP, W/5MM HIDDEN ALLOY TOP COVER
BRAKES	SHIMANO ULTEGRA 6700
BRAKE LEVERS	SHIMANO ULTEGRA 6700
SADDLE	FI'ZIK ARIONE CLASSIC, MG RAILS
SEATPOST	CANNONDALE C2, UD CARBON, 31.6X300MM
SIZES	48, 50, 52, 54, 56, 58, 60, 63CM
COLOR 1 (CODE)	JET BLACK W/MAGNESIUM WHITE AND CHARCOAL GREY (MATTE) (BBQ)
COLOR 2 (CODE)	

	SUPERSIX 3 ULTEGRA
CODE	2RSS3D, 2RSS3C
FRAME	SUPERSIX, FULL CARBON, BB30
FORK	SUPERSIX, FULL CARBON, 1-1/8" TO 1.5" TAPERED STEERER, ALLOY DROPOUTS
RIMS	MAVIC KSYRIUM ELITE
HUBS	MAVIC KSYRIUM EQUIPE
SPOKES	MAVIC KSYRIUM EQUIPE
TIRES	SCHWALBE DURANO S, 700X23C, FOLDING
PEDALS	N/A
CRANK	FSA SL-K LIGHT CARBON BB30, 53/39 (OPTION: 50/34 COMPACT)
BOTTOM BRACKET	FSA BB30
CHAIN	SHIMANO ULTEGRA 6700
REAR COGS	SHIMANO ULTEGRA 6700, 12-25, 10-SPEED
FR. DERAILLEUR	SHIMANO ULTEGRA 6700, 34.9MM CLAMP
REAR DERAILLEUR	SHIMANO ULTEGRA 6700
SHIFTERS	SHIMANO ULTEGRA 6700
HANDLEBAR	CANNONDALE C2 COMPACT, 2014 DOUBLE BUTTED ALLOY
GRIPS	CANNONDALE 2.5MM SUEDE W/GEL BACKING BAR TAPE
STEM	CANNONDALE C2, 2014 3D FORGED ALLOY, 31.8MM, 6 DEG.
HEADSET	SUPERSIX, 1.5 LOWER BEARING, 30MM CARBON TOP CAP, W/5MM HIDDEN ALLOY TOP COVER
BRAKES	SHIMANO ULTEGRA 6700
BRAKE LEVERS	SHIMANO ULTEGRA 6700
SADDLE	FI'ZIK ARIONE CLASSIC, MG RAILS
SEATPOST	CANNONDALE C2, UD CARBON, 31.6X300MM
SIZES	48, 50, 52, 54, 56, 58, 60, 63CM
COLOR 1 (CODE)	RACE RED W/MAGNESIUM WHITE AND JET BLACK (GLOSS) (RED)
COLOR 2 (CODE)	MAGNESIUM WHITE W/JET BLACK (GLOSS) (WHT)

	SUPERSIX 4 RIVAL
CODE	2RSS4D, 2RSS4C
FRAME	SUPERSIX, FULL CARBON, BB30
FORK	SUPERSIX, FULL CARBON, 1-1/8" TO 1.5" TAPERED STEERER, ALLOY DROPOUTS
RIMS	MAVIC AKSIUM WTS
HUBS	MAVIC AKSIUM WTS
SPOKES	MAVIC AKSIUM WTS
TIRES	MAVIC AKSION, 700X23C, FOLDING
PEDALS	N/A
CRANK	SRAM S500, BB30, 53/39 (OPTION: 50/34 COMPACT)
BOTTOM BRACKET	SRAM BB30
CHAIN	KMC DX10SC
REAR COGS	SRAM PG-1070, 11-26, 10-SPEED
FR. DERAILLEUR	SRAM, RIVAL, 34.9MM CLAMP
REAR DERAILLEUR	SRAM RIVAL
SHIFTERS	SRAM RIVAL
HANDLEBAR	CANNONDALE C2 COMPACT, 2014 DOUBLE BUTTED ALLOY
GRIPS	CANNONDALE 2.5MM SUEDE W/GEL BACKING BAR TAPE
STEM	CANNONDALE C2, 2014 3D FORGED ALLOY, 31.8MM, 6 DEG.
HEADSET	SUPERSIX, 1.5 LOWER BEARING, 30MM CARBON TOP CAP, W/5MM HIDDEN ALLOY TOP COVER
BRAKES	SRAM DUAL PIVOT
BRAKE LEVERS	SRAM RIVAL
SADDLE	PROLOGO SCRATCH PRO T2.0
SEATPOST	CANNONDALE C2, UD CARBON, 31.6X300MM
SIZES	48, 50, 52, 54, 56, 58, 60, 63CM
COLOR 1 (CODE)	JET BLACK W/MAGNESIUM WHITE AND CHARCOAL GRAY (MATTE) (BBQ)
COLOR 2 (CODE)	CANNONDALE YELLOW W/STEALTH GRAY AND JET BLACK (GLOSS) (YEL)

	SUPERSIX 5 105
CODE	2RSS5D, 2RSS5C
FRAME	SUPERSIX, FULL CARBON, BB30
FORK	SUPERSIX, FULL CARBON, 1-1/8" TO 1.5" TAPERED STEERER, ALLOY DROPOUTS
RIMS	SHIMANO RS10
HUBS	SHIMANO RS10
SPOKES	SHIMANO RS10
TIRES	SCHWALBE LUGANO, 700X23C, FOLDING
PEDALS	N/A
CRANK	FSA GOSSAMER PRO BB30, 53/39 (OPTION: 50/34 COMPACT)
BOTTOM BRACKET	FSA BB30
CHAIN	SHIMANO 105 5700
REAR COGS	SHIMANO 105 5700, 12-27, 10-SPEED
FR. DERAILLEUR	SHIMANO 105 5700, 34.9MM CLAMP
REAR DERAILLEUR	SHIMANO 105 5700
SHIFTERS	SHIMANO 105 5700
HANDLEBAR	CANNONDALE C3 COMPACT, 6061 DOUBLE BUTTED ALLOY
GRIPS	CANNONDALE 2.5MM SUEDE W/GEL BACKING BAR TAPE
STEM	CANNONDALE C3, 6061 3D FORGED ALLOY, 31.8MM, 6 DEG.
HEADSET	SUPERSIX, 1.5 LOWER BEARING, 30MM TOP CAP, W/5MM HIDDEN ALLOY TOP COVER
BRAKES	TEKTRO R580
BRAKE LEVERS	SHIMANO 105 5700
SADDLE	PROLOGO SCRATCH PRO T2.0
SEATPOST	CANNONDALE C3 CARBON WRAP, 31.6MMX300MM
SIZES	48, 50, 52, 54, 56, 58, 60, 63CM
COLOR 1 (CODE)	JET BLACK W/MAGNESIUM WHITE AND CHARCOAL GREY (MATTE) (BBQ)
COLOR 2 (CODE)	LIQUIGAS TEAM REPLICA (GLOSS) (REP)

	SUPERSIX 6 APEX
CODE	2RSS6C
FRAME	SUPERSIX, FULL CARBON, BB30
FORK	SUPERSIX, FULL CARBON, 1-1/8"-1.5" TAPERED STEERER, ALLOY DROPOUTS
RIMS	SHIMANO RS01A
HUBS	SHIMANO RS01A
SPOKES	SHIMANO RS01A
TIRES	SCHWALBE LUGANO, 700X23C, FOLDING
PEDALS	N/A
CRANK	FSA OMEGA BB30, 50/34
BOTTOM BRACKET	FSA BB30
CHAIN	KMC DX 10SC
REAR COGS	SRAM PG-1050, 11-26, 10-SPEED
FR. DERAILLEUR	SRAM APEX, 34.9MM CLAMP
REAR DERAILLEUR	SRAM APEX
SHIFTERS	SRAM APEX
HANDLEBAR	CANNONDALE C3 COMPACT, 6061 DOUBLE BUTTED ALLOY, 6061 DOUBLE BUTTED ALLOY
GRIPS	CANNONDALE 2.5MM SUEDE W/GEL BACKING BAR TAPE
STEM	CANNONDALE C3, 6061 3D FORGED ALLOY, 31.8MM, 6 DEG.
HEADSET	SUPERSIX, 1.5 LOWER BEARING, 30MM TOP CAP, W/5MM HIDDEN ALLOY TOP COVER
BRAKES	SRAM APEX
BRAKE LEVERS	SRAM APEX
SADDLE	CANNONDALE STAGE ERGO W/CRMO RAILS
SEATPOST	CANNONDALE C3 CARBON WRAP, 31.6MMX300MM
SIZES	48, 50, 52, 54, 56, 58, 60, 63CM
COLOR 1 (CODE)	JET BLACK (MATTE) (BBQ)
COLOR 2 (CODE)	MAGNESIUM WHITE (GLOSS) (WHT)

ROAD SPECIFICATIONS

	CAAD10 1 DURA-ACE
CODE	2RAX1D, 2RAX1C
FRAME	CAAD10, SMARTFORMED 6069 ALLOY, SPEED SAVE, BB30
FORK	CAAD10, SPEED SAVE FULL CARBON, 1-1/8" TO 1-1/4" TAPERED STEERER
RIMS	SHIMANO RS80
HUBS	SHIMANO RS80
SPOKES	SHIMANO RS80
TIRES	SCHWALBE DURANO S, 700X23C, FOLDING
PEDALS	N/A
CRANK	FSA SL-K LIGHT CARBON, BB30, 53/39 (OPTION: COMPACT 50/34)
BOTTOM BRACKET	FSA BB30
CHAIN	SHIMANO ULTEGRA 6700
REAR COGS	SHIMANO ULTEGRA 6700, 12-25, 10-SPEED
FR. DERAILLEUR	SHIMANO DURA-ACE 7900, BRAZE-ON
REAR DERAILLEUR	SHIMANO DURA-ACE 7900

ROAD SPECIFICATIONS

	SYNAPSE CARBON 4 RIVAL
CODE	2RCS4C
FRAME	SYNAPSE, FULL CARBON, SAVE PLUS, BB30
FORK	SYNAPSE, FULL CARBON, SAVE PLUS, 1-1/8"
RIMS	MAVIC AKSIUM WTS
HUBS	MAVIC AKSIUM WTS
SPOKES	MAVIC AKSIUM WTS
TIRES	MAVIC AKSION WTS, 700X25C
PEDALS	N/A
CRANK	SRAM S550, BB30, 50/34
BOTTOM BRACKET	SRAM BB30
CHAIN	KMC, DX10SC
REAR COGS	SRAM APEX, 11-32, 10-SPEED
FR. DERAILLEUR	SRAM RIVAL, BRAZE-ON
REAR DERAILLEUR	SRAM RIVAL WIFLI
SHIFTERS	SRAM RIVAL
HANDLEBAR	CANNONDALE C2 COMPACT, 2014 DOUBLE BUTTED ALLOY, 2014 DOUBLE BUTTED ALLOY
GRIPS	CANNONDALE 3MM SUEDE W/GEL BACKING BAR TAPE
STEM	CANNONDALE C2, 2014 3D FORGED ALLOY, 31.8MM, 6 DEG.
HEADSET	SYNAPSE SI, 25MM TOP CAP
BRAKES	SRAM DUAL PIVOT
BRAKE LEVERS	SRAM RIVAL
SADDLE	PROLOGO SCRATCH PRO T2.0
SEATPOST	SYNAPSE SAVE PLUS MULTIFLEX, (SOFT 48-54, FIRM 56-61)
SIZES	48, 51, 54, 56, 58, 61CM
COLOR 1 (CODE)	EXPOSED CARBON W/CHARCOAL GREY AND ULTRA BLUE (GLOSS) (BLU)
COLOR 2 (CODE)	MAGNESIUM WHITE W/JET BLACK AND CHARCOAL GREY (GLOSS) (WHT)

	SYNAPSE ALLOY 7 SORA
CODE	2RAS7T
FRAME	SYNAPSE ALLOY, OPTIMIZED 6061 ALLOY, SAVE PLUS
FORK	SYNAPSE SAVE, CARBON BLADES, 1-1/8"
RIMS	MADDUX RS 3.0, 32 HOLE
HUBS	FORMULA RB-51, RB-52
SPOKES	STAINLESS STEEL, 15G
TIRES	SCHWALBE LUGANO, 700X25C
PEDALS	N/A
CRANK	FSA VERO, 50/39/30
BOTTOM BRACKET	FSA
CHAIN	KMC X9
REAR COGS	SRAM PG-950, 12-26, 9-SPEED
FR. DERAILLEUR	SHIMANO SORA, 34.9MM CLAMP
REAR DERAILLEUR	SHIMANO SORA
SHIFTERS	SHIMANO SORA
HANDLEBAR	CANNONDALE C4 COMPACT
GRIPS	CANNONDALE 3MM SUEDE W/GEL BACKING BAR TAPE
STEM	CANNONDALE C4, 31.8, 6 DEG.
HEADSET	SYNAPSE SI, 25MM TOP CAP
BRAKES	CANNONDALE C4, DUAL PIVOT, CARTRIDGE PAD, LONG REACH
BRAKE LEVERS	SHIMANO SORA
SADDLE	CANNONDALE STAGE ERGO W/STEEL RAILS
SEATPOST	CANNONDALE C4, ALLOY, 27.2X300MM
SIZES	48, 51, 54, 56, 58, 61CM
COLOR 1 (CODE)	RACE RED (GLOSS) (RED)
COLOR 2 (CODE)	MAGNESIUM WHITE (GLOSS) (WHT)

	SYNAPSE CARBON 5 105
CODE	2RCS5C
FRAME	SYNAPSE, FULL CARBON, SAVE PLUS, BB30
FORK	SYNAPSE, FULL CARBON, SAVE PLUS, 1-1/8"
RIMS	SHIMANO RS10
HUBS	SHIMANO RS10
SPOKES	SHIMANO RS10
TIRES	SCHWALBE LUGANO, 700X25C
PEDALS	N/A
CRANK	FSA GOSSAMER PRO, BB30, 50/34
BOTTOM BRACKET	FSA BB30
CHAIN	SHIMANO 105 5700
REAR COGS	SHIMANO 105 5700, 11-28, 10-SPEED
FR. DERAILLEUR	SHIMANO 105 5700, BRAZE-ON
REAR DERAILLEUR	SHIMANO 105 5700
SHIFTERS	SHIMANO 105 5700
HANDLEBAR	CANNONDALE C3 COMPACT, 6061 DOUBLE BUTTED ALLOY
GRIPS	CANNONDALE 3MM SUEDE W/GEL BACKING BAR TAPE
STEM	CANNONDALE C2, 2014 3D FORGED ALLOY, 31.8MM, 6 DEG.
HEADSET	SYNAPSE SI, 25MM TOP CAP
BRAKES	TEKTRO R580
BRAKE LEVERS	SHIMANO 105 5700
SADDLE	PROLOGO KAPPA
SEATPOST	SYNAPSE SAVE PLUS MULTIFLEX, (SOFT 48-54, FIRM 56-61)
SIZES	48, 51, 54, 56, 58, 61CM
COLOR 1 (CODE)	EXPOSED CARBON W/MAGNESIUM WHITE (GLOSS) (BLK)
COLOR 2 (CODE)	MAGNESIUM WHITE W/RACE RED AND JET BLACK (GLOSS) (RED)

	SLICE 4 FORCE
CODE	2RM4D
FRAME	SLICE, FULL CARBON, AERO SAVE, BB30
FORK	SLICE AERO, FULL CARBON, 1-1/8"
RIMS	FULCRUM RACING 7
HUBS	FULCRUM RACING 7
SPOKES	FULCRUM RACING 7
TIRES	SCHWALBE LUGANO, 700X23C, FOLDING
PEDALS	N/A
CRANK	SRAM S500 BB30, 53/39
BOTTOM BRACKET	SRAM BB30
CHAIN	KMC DX10SC
REAR COGS	SRAM PG-1050, 11-26, 10-SPEED
FR. DERAILLEUR	SRAM FORCE, BRAZE-ON
REAR DERAILLEUR	SRAM FORCE
SHIFTERS	SRAM TT500
HANDLEBAR	CANNONDALE C3 AERO BAR, 31.8 W/FSA VECTOR CARBON CLIP-ONS
GRIPS	CANNONDALE 2.5MM SUEDE W/GEL BACKING BAR TAPE
STEM	CANNONDALE C3, 6061 3D FORGED ALLOY, 31.8MM, 6 DEG.
HEADSET	SLICE, SI, 15MM TOP CAP
BRAKES	SRAM RIVAL
BRAKE LEVERS	ALLOY AERO LEVERS
SADDLE	FI'ZI:K ARIONE TRI2, W/MG RAILS
SEATPOST	CANNONDALE SLICE CARBON AERO, 2 POSITION
SIZES	51, 54, 56, 58, 60CM
COLOR 1 (CODE)	MAGNESIUM WHITE W/JET BLACK AND RACE RED (GLOSS) (WHT)

	SYNAPSE CARBON 6 APEX
CODE	2RCS6C
FRAME	SYNAPSE, FULL CARBON, SAVE PLUS, BB30
FORK	SYNAPSE, CARBON BLADES, SAVE, 1-1/8"
RIMS	SHIMANO R501A
HUBS	SHIMANO R501A
SPOKES	SHIMANO R501A
TIRES	SCHWALBE LUGANO WIRE, 700X25C, BLACK
PEDALS	N/A
CRANK	FSA OMEGA BB30, 50/34
BOTTOM BRACKET	FSA BB30
CHAIN	KMC DX10SC
REAR COGS	SRAM APEX, 11-32, 10-SPEED
FR. DERAILLEUR	SRAM APEX, BRAZE-ON
REAR DERAILLEUR	SRAM APEX WIFLI
SHIFTERS	SRAM APEX
HANDLEBAR	CANNONDALE C3 COMPACT, 6061 DOUBLE BUTTED ALLOY
GRIPS	CANNONDALE 3MM SUEDE W/GEL BACKING BAR TAPE
STEM	CANNONDALE C3, 6061 3D FORGED ALLOY, 31.8MM, 6 DEG.
HEADSET	SYNAPSE SI, 25MM TOP CAP
BRAKES	SRAM APEX
BRAKE LEVERS	SRAM APEX
SADDLE	CANNONDALE STAGE ERGO W/CRMO RAILS
SEATPOST	SYNAPSE SAVE PLUS MULTIFLEX, (SOFT 48-54, FIRM 56-61)
SIZES	48, 51, 54, 56, 58, 61CM
COLOR 1 (CODE)	EXPOSED CARBON W/CHARCOAL GREY AND ULTRA BLUE (GLOSS) (BLU)
COLOR 2 (CODE)	MAGNESIUM WHITE W/JET BLACK AND CHARCOAL GREY (GLOSS) (WHT)

	SLICE 5 105
CODE	2RM5D
FRAME	SLICE, FULL CARBON, AERO SAVE, BB30
FORK	SLICE AERO, FULL CARBON, 1-1/8"
RIMS	SHIMANO R501A
HUBS	SHIMANO R501A
SPOKES	SHIMANO R501A
TIRES	SCHWALBE LUGANO, 700X23C, FOLDING
PEDALS	N/A
CRANK	FSA GOSSAMER PRO BB30, 52/38
BOTTOM BRACKET	FSA BB30
CHAIN	SHIMANO 105 5700
REAR COGS	SHIMANO 105 5700, 12-25, 10-SPEED
FR. DERAILLEUR	SHIMANO 105 5700, BRAZE-ON
REAR DERAILLEUR	SHIMANO 105 5700
SHIFTERS	MICROSHIFT BAR-END
HANDLEBAR	CANNONDALE C3 BASE BAR, 31.8 W/FSA TRI MAX TEAM CLIP ONS
GRIPS	CANNONDALE 2.5MM SUEDE W/GEL BACKING BAR TAPE
STEM	CANNONDALE C3, 6061 3D FORGED ALLOY, 31.8MM, 6 DEG.
HEADSET	SLICE, SI, 15MM TOP CAP
BRAKES	TEKTRO R580
BRAKE LEVERS	ALLOY AERO LEVERS
SADDLE	CANNONDALE ERGO TRI
SEATPOST	CANNONDALE SLICE CARBON AERO, 2 POSITION
SIZES	51, 54, 56, 58, 60CM
COLOR 1 (CODE)	MAGNESIUM WHITE W/JET BLACK AND RACE RED (GLOSS) (WHT)

	SYNAPSE ALLOY 5 105
CODE	2RAS5C, 2RAS5T
FRAME	SYNAPSE ALLOY, OPTIMIZED 6061 ALLOY, SAVE PLUS, BB30
FORK	SYNAPSE SAVE, CARBON BLADES, 1-1/8"
RIMS	SHIMANO RS10
HUBS	SHIMANO RS10
SPOKES	SHIMANO RS10
TIRES	SCHWALBE LUGANO, 700X25C
PEDALS	N/A
CRANK	FSA GOSSAMER, BB30, 50/34 (OPTION. TRIPLE 50/39/30)
BOTTOM BRACKET	FSA BB30
CHAIN	KMC X10
REAR COGS	SHIMANO TIAGRA 4600, 12-28, 10-SPEED
FR. DERAILLEUR	SHIMANO 105 5700, 34.9MM CLAMP
REAR DERAILLEUR	SHIMANO 105 5700
SHIFTERS	SHIMANO 105 5700
HANDLEBAR	CANNONDALE C3 COMPACT, 6061 DOUBLE BUTTED ALLOY
GRIPS	CANNONDALE 3MM SUEDE W/GEL BACKING BAR TAPE
STEM	CANNONDALE C3, 6061 3D FORGED ALLOY, 31.8MM, 6 DEG.
HEADSET	SYNAPSE SI, 25MM TOP CAP
BRAKES	TEKTRO R539, DUAL PIVOT, CARTRIDGE PAD, LONG REACH
BRAKE LEVERS	SHIMANO 105 5700
SADDLE	CANNONDALE STAGE ERGO W/CRMO RAILS
SEATPOST	CANNONDALE C3, CARBON WRAPPED, 27.2X300MM
SIZES	48, 51, 54, 56, 58, 61CM
COLOR 1 (CODE)	BRUSHED ALUMINUM (GLOSS) (RAW)
COLOR 2 (CODE)	MAGNESIUM WHITE (GLOSS) (WHT)

	SUPERX 2 SRAM RED
CODE	2XC2C
FRAME	SUPERX, BALLISTEC HI-MOD CARBON, SPEED SAVE, BB30
FORK	SUPERX, BALLISTEC HI-MOD FULL CARBON, 1-1/8" TO 1-1/4" STEERER
RIMS	MAVIC KSYRIUM ELITE
HUBS	MAVIC KSYRIUM ELITE
SPOKES	MAVIC KSYRIUM ELITE
TIRES	SCHWALBE RACING RALPH, 700X33C
PEDALS	N/A
CRANK	FSA SLK LIGHT CARBON, BB30, 46/36
BOTTOM BRACKET	FSA BB30
CHAIN	KMC X10SL
REAR COGS	SRAM PG-1070, 11-26, 10-SPEED
FR. DERAILLEUR	SRAM RED, BRAZE-ON
REAR DERAILLEUR	SRAM RED
SHIFTERS	SRAM RED
HANDLEBAR	FSA ENERGY COMPACT
GRIPS	CANNONDALE 3MM SUEDE W/GEL BACKING BAR TAPE
STEM	FSA SL-K, 31.8
HEADSET	CANNONDALE SUPERX, 1-1/8" TO 1-1/4", 15MM TOP CAP
BRAKES	FSA SL-K
BRAKE LEVERS	SRAM RED
SADDLE	FI'ZI:K TUNDRA 2
SEATPOST	FSA SLK, 27.2MMX250MM
SIZES	44, 48, 52, 54, 56, 58CM
COLOR 1 (CODE)	JET BLACK W/BERSERKER GREEN (GLOSS) (GRN)

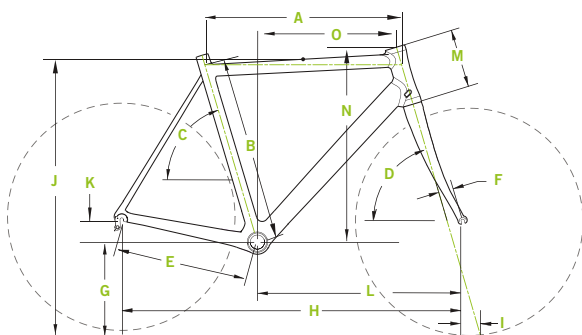
	SYNAPSE ALLOY 6 TIAGRA
CODE	2RAS6C, 2RAS6T
FRAME	SYNAPSE ALLOY, OPTIMIZED 6061 ALLOY, SAVE PLUS, BB30
FORK	SYNAPSE SAVE, CARBON BLADES, 1-1/8"
RIMS	MADDUX RS 3.0, 32 HOLE
HUBS	FORMULA RB-51, RB-52
SPOKES	STAINLESS STEEL, 15G
TIRES	SCHWALBE LUGANO, 700X25C
PEDALS	N/A
CRANK	FSA OMEGA, BB30, 50/34 (OPTION. TRIPLE 50/39/30)
BOTTOM BRACKET	FSA BB30
CHAIN	KMC X10
REAR COGS	SHIMANO TIAGRA 4600, 12-28, 10-SPEED
FR. DERAILLEUR	SHIMANO TIAGRA 4600, 34.9MM CLAMP
REAR DERAILLEUR	SHIMANO TIAGRA 4600
SHIFTERS	SHIMANO TIAGRA 4600
HANDLEBAR	CANNONDALE C4 COMPACT
GRIPS	CANNONDALE 3MM SUEDE W/GEL BACKING BAR TAPE
STEM	CANNONDALE C4, 31.8, 6 DEG.
HEADSET	SYNAPSE SI, 25MM TOP CAP
BRAKES	CANNONDALE C4, DUAL PIVOT, CARTRIDGE PAD, LONG REACH
BRAKE LEVERS	SHIMANO TIAGRA 4600
SADDLE	CANNONDALE STAGE ERGO W/STEEL RAILS
SEATPOST	CANNONDALE C4, ALLOY, 27.2X300MM
SIZES	48, 51, 54, 56, 58, 61CM
COLOR 1 (CODE)	JET BLACK (MATTE) (BBQ)
COLOR 2 (CODE)	INDIGO BLUE (GLOSS) (BLU)

	SUPERX 3 ULTEGRA
CODE	2XC3C
FRAME	SUPERX, BALLISTEC CARBON, SPEED SAVE, BB30
FORK	SUPERX, BALLISTEC CARBON, 1-1/8" TO 1-1/4" STEERER
RIMS	MAVIC KSYRIUM EQUIPE
HUBS	MAVIC KSYRIUM EQUIPE
SPOKES	MAVIC KSYRIUM EQUIPE
TIRES	SCHWALBE SAMMY SLICK, 700X35C
PEDALS	N/A
CRANK	FSA GOSSAMER PRO, BB30, 46/36
BOTTOM BRACKET	FSA BB30
CHAIN	SHIMANO ULTEGRA 6700
REAR COGS	SHIMANO ULTEGRA 6700, 12-25, 10-SPEED
FR. DERAILLEUR	SHIMANO ULTEGRA 6700, BRAZE-ON
REAR DERAILLEUR	SHIMANO ULTEGRA 6700
SHIFTERS	SHIMANO ULTEGRA
HANDLEBAR	CANNONDALE C2 COMPACT, 2014 DOUBLE BUTTED ALLOY, 2014 DOUBLE BUTTED ALLOY
GRIPS	CANNONDALE 3MM SUEDE W/GEL BACKING BAR TAPE
STEM	CANNONDALE C2, 2014 3D FORGED ALLOY, 31.8MM, 6 DEG.
HEADSET	CANNONDALE SUPERX, 1-1/8" TO 1-1/4", 15MM TOP CAP
BRAKES	TRP EURO X
BRAKE LEVERS	SHIMANO ULTEGRA
SADDLE	FI'ZI:K TUNDRA 2
SEATPOST	CANNONDALE C2, UD CARBON, 27.2X300MM
SIZES	44, 48, 52, 54, 56, 58CM
COLOR 1 (CODE)	MAGNESIUM WHITE W/JET BLACK (GLOSS) (WHT)

ROAD SPECIFICATIONS

	SUPERX 4 RIVAL
CODE	2XC4C
FRAME	SUPERX, BALLISTEC CARBON, SPEED SAVE, BB30
FORK	SUPERX, BALLISTEC CARBON, 1-1/8" TO 1-1/4" STEERER
REAR SHOCK	N/A
RIMS	FULCRUM RACING 7 CX
HUBS	FULCRUM RACING 7 CX
SPOKES	FULCRUM RACING 7 CX
TIRES	SCHWALBE RAPID ROB, 700X35C
PEDALS	N/A
CRANK	FSA GOSSAMER PRO, BB30, 46/36
BOTTOM BRACKET	FSA BB30
CHAIN	KMC X10SL
REAR COGS	SRAM PG-1050, 11-26, 10-SPEED
FR. DERAILLEUR	SRAM RIVAL, BRAZE-ON
REAR DERAILLEUR	SRAM RIVAL
SHIFTERS	SRAM RIVAL
HANDLEBAR	CANNONDALE C2 COMPACT, 2014 DOUBLE BUTTED ALLOY, 2014 DOUBLE BUTTED ALLOY
GRIPS	CANNONDALE 3MM SUEDE W/GEL BACKING BAR TAPE
STEM	CANNONDALE C2, 2014 3D FORGED ALLOY, 31.8MM, 6 DEG.
HEADSET	CANNONDALE SUPERX, 1-1/8" TO 1-1/4", 15MM TOP CAP
BRAKES	TRP EURO X
BRAKE LEVERS	SRAM RIVAL
SADDLE	FI'ZI:K TUNDRA 2
SEATPOST	CANNONDALE C3 CARBON WRAP, 27.2X300MM
SIZES	44, 48, 52, 54, 56, 58CM
COLOR 1 (CODE)	MAGNESIUM WHITE W/JET BLACK (GLOSS) (WHT)

	CAADX 5 105
CODE	2XR5C
FRAME	CAADX CYCLOCROSS, OPTIMIZED 6061 ALLOY, BB30
FORK	CANNONDALE ULTRA X, CARBON BLADES, 1-1/8"
REAR SHOCK	N/A
RIMS	MADDUX DRX 6000, 32 HOLE
HUBS	FORMULA, RB-51 FRONT, RB-52 REAR
SPOKES	STAINLESS STEEL, 15G
TIRES	SCHWALBE SAMMY SLICK, 700X35C
PEDALS	N/A
CRANK	FSA GOSSAMER, BB30, 46/36
BOTTOM BRACKET	FSA BB30
CHAIN	KMC X10
REAR COGS	SHIMANO TIAGRA 4600, 12-28, 10-SPEED



SUPERSIX EVO & SUPERSIX

SPECIFICATIONS	48	50	52	54	56	58	60	63
A HORIZONTAL TOP TUBE LENGTH (CM)	51.5	52.5	53.5	54.5	56	57.5	59	60
B MEASURED SIZE (CM)*	46	48	50	52	54	56	58	61
C SEAT TUBE ANGLE (DEGREES)	74.5	74.5	74	73.5	73.5	73	72.5	72
D HEAD TUBE ANGLE (DEGREES)	71.5	72.0	72.5	73	73	73.5	73.5	73.5
E CHAIN STAY LENGTH (CM)	40.5	★	★	★	★	★	40.8	40.8
F FORK RAKE (CM)	4.5	★	★	★	★	★	★	★
G BOTTOM BRACKET HEIGHT (CM)	26.5	26.5	26.5	26.8	26.8	27	27	27
H WHEELBASE (CM)	96.1	96.7	97.3	97.5	99.1	99.6	100.8	101.2
I TRAIL (CM)	6.6	6.3	6.0	5.7	5.7	5.4	5.4	5.4
J STANDOVER AT TOP TUBE MIDPOINT (CM)	74.2	75.5	76.7	78.8	80.4	82.5	84.3	86.9
K BOTTOM BRACKET DROP (CM)	7.2	7.2	7.2	6.9	6.9	6.7	6.7	6.7
L FRONT CENTER DISTANCE (CM)	56.3	56.9	57.5	57.6	59.1	59.7	60.6	60.9
M HEAD TUBE LENGTH (CM)	11	11.5	12	14	15.5	17.5	19.5**	22
N STACK (CM)	51.3	51.9	52.6	54.4	55.8	57.9	59.6***	62.0
O REACH (CM)	36.8	37.6	38.4	38.4	39.5	39.7	40.2	39.9

* THE MEASURED SIZE IS FROM THE CENTER OF THE BOTTOM BRACKET TO THE TOP OF THE TOP TUBE, MEASURED ALONG THE SEAT TUBE AXIS.
 ** SIZE 60 EVO HAS A HEAD TUBE LENGTH OF 19.5 WHILE FOR SUPER SIX THE LENGTH IS 19
 *** SIZE 60 EVO HAS A STACK OF 59.6 WHILE FOR SUPER SIX THE STACK IS 59.3

CAAD10

SPECIFICATIONS	48	50	52	54	56	58	60	63
A HORIZONTAL TOP TUBE LENGTH (CM)	51.5	52.5	53.5	54.5	56.0	57.5	59.0	60.0
B MEASURED SIZE (CM)*	46	48	50	52	54	56	58	61
C SEAT TUBE ANGLE (DEGREES)	74.5	74.5	74	73.5	73.5	73	72.5	72
D HEAD TUBE ANGLE (DEGREES)	72	72.5	73	73	73	73.5	73.5	73.5
E CHAIN STAY LENGTH (CM)	40.5	40.5	40.8	★	★	★	★	★
F FORK RAKE (CM)	5	★	★	★	4.5	★	★	★
G BOTTOM BRACKET HEIGHT (CM)	26.5	26.5	26.5	26.8	26.8	27.0	27.0	27.0
H WHEELBASE (CM)	96.5	97.2	97.7	97.8	99.3	99.9	100.1	101.3
I TRAIL (CM)	6.2	5.9	5.6	5.6	5.6	5.3	5.3	5.3
J STANDOVER AT TOP TUBE MIDPOINT (CM)	74	75.3	76.5	78.5	80.1	82.2	83.8	86.6
K BOTTOM BRACKET DROP (CM)	7.2	7.2	7.2	6.9	6.9	6.7	6.7	6.7
L FRONT CENTER DISTANCE (CM)	57	57.7	57.9	58.0	59.7	60.1	61.0	61.4
M HEAD TUBE LENGTH (CM)	11	11.5	12.0	14.0	15.5	17.5	19.0	22.0
N STACK (CM)	51.7	52.3	52.9	54.6	56.0	57.9	59.3	62.2
O REACH (CM)	36.8	37.8	38.2	38.3	39.4	39.9	40.4	39.9

NEW CAAD8

SPECIFICATIONS	48	51	54	56	58	61
A HORIZONTAL TOP TUBE LENGTH (CM)	51	53	54.5	56	57.5	59.5
B MEASURED SIZE (CM)*	46	49	52	54	56	59
C SEAT TUBE ANGLE (DEGREES)	75	74.5	73.5	73.5	73	72.5
D HEAD TUBE ANGLE (DEGREES)	72	72.5	73	73	73.5	73.5
E CHAIN STAY LENGTH (CM)	40.8	★	★	★	★	★
F FORK RAKE (CM)	5	5	4.5	★	★	★
G BOTTOM BRACKET HEIGHT (CM)	26.5	26.5	26.8	26.8	27	27
H WHEELBASE (CM)	96.6	97.9	97.8	99.3	100	101.4
I TRAIL (CM)	5.6	5.3	5.5	5.5	5.2	5.2
J STANDOVER AT TOP TUBE MIDPOINT (CM)	74.4	76.6	78.9	80.6	82.6	85.4
K BOTTOM BRACKET DROP (CM)	7.2	7.2	6.9	6.9	6.7	6.7
L FRONT CENTER DISTANCE (CM)	56.4	57.8	57.6	59.1	59.7	61.1
M HEAD TUBE LENGTH (CM)	12.5	14	15.5	17	19	22
N STACK (CM)	52.8	54.4	55.8	57.3	59.2	62
O REACH (CM)	36.4	37.7	37.9	39	39.5	40.1

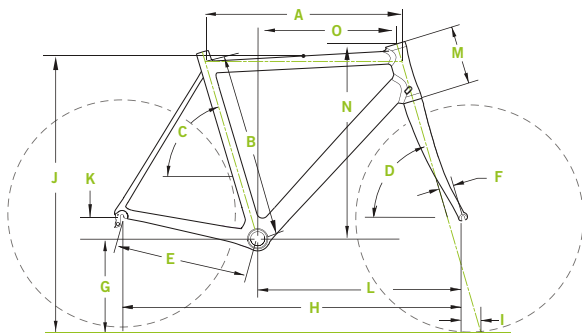
SYNAPSE HI-MOD & SYNAPSE CARBON

SPECIFICATIONS	48	51	54	56	58	61
A HORIZONTAL TOP TUBE LENGTH (CM)	51	52.5	54	56	58	60
B MEASURED SIZE (CM)*	42	45	48	51	53	56
C SEAT TUBE ANGLE (DEGREES)	74.5	74	74	73.5	73	72.5
D HEAD TUBE ANGLE (DEGREES)	71	72	72	72.5	73	73
E CHAIN STAY LENGTH (CM)	41	★	★	★	★	★
F FORK RAKE (CM)	5	★	★	★	★	★
G BOTTOM BRACKET HEIGHT (CM)	26.5	26.5	26.8	26.8	27.0	27.0
H WHEELBASE (CM)	97.0	97.5	98.7	99.9	101.1	102.6
I TRAIL (CM)	6.3	5.7	6.2	5.9	5.6	5.6
J STANDOVER AT TOP TUBE MIDPOINT (CM)	72.1	74.4	77.1	79.1	81.1	83.4
K BOTTOM BRACKET DROP (CM)	7.2	7.2	6.9	6.9	6.7	6.7
L FRONT CENTER DISTANCE (CM)	57.1	57.6	58.7	59.9	61.0	62.5
M HEAD TUBE LENGTH (CM)	13	14.5	16.5	18	20	22
N STACK (CM)	53.0	54.8	56.6	58.2	60.1	62.0
O REACH (CM)	35.5	36.3	37.4	38.6	39.6	40.5

SYNAPSE ALLOY

SPECIFICATIONS	48	51	54	56	58	61
A HORIZONTAL TOP TUBE LENGTH (CM)	51	52.5	54	56	58	60
B MEASURED SIZE (CM)*	44	47	50	53	55	58
C SEAT TUBE ANGLE (DEGREES)	74.5	74	74	73.5	73	72.5
D HEAD TUBE ANGLE (DEGREES)	70.5	72	72	72.5	73	73
E CHAIN STAY LENGTH (CM)	41.5	★	★	★	★	★
F FORK RAKE (CM)	5.0	★	★	★	★	★
G BOTTOM BRACKET HEIGHT (CM)	26.5	26.5	26.8	26.8	27.0	27.0
H WHEELBASE (CM)	97.9	98.0	99.8	100.9	102.1	103.6
I TRAIL (CM)	6.6	5.7	5.7	5.4	5.1	5.1
J STANDOVER AT TOP TUBE MIDPOINT (CM)	73.2	75.6	78.1	80.2	82.2	84.5
K BOTTOM BRACKET DROP (CM)	7.2	7.2	6.9	6.9	6.7	6.7
L FRONT CENTER DISTANCE (CM)	57.5	57.6	59.3	60.4	61.5	63.0
M HEAD TUBE LENGTH (CM)	13	14.5	16.5	18	20	22
N STACK (CM)	52.9	54.8	56.4	58.0	59.9	61.9
O REACH (CM)	35.5	36.4	37.5	38.7	39.7	40.6

★ Indicates same as previous



SLICE

SPECIFICATIONS	51	54	56	58	60
A HORIZONTAL TOP TUBE LENGTH (CM)	50.5	53.5	55	56.5	58
B MEASURED SIZE (CM)*	50	51.5	53.5	55.5	57.5
C SEAT TUBE ANGLE (DEGREES)	*VARIABLE	VARIABLE	VARIABLE	VARIABLE	VARIABLE
D HEAD TUBE ANGLE (DEGREES)	71.5	71.5	72	72	72
E CHAIN STAY LENGTH (CM)	40	40	40	40	40
F FORK RAKE (CM)	4.5	4.5	4.5	4.5	4.5
G BOTTOM BRACKET HEIGHT (CM)	26.5	26.5	26.5	26.5	26.5
H WHEELBASE (CM)	95.4	98.5	99.7	101.3	102.6
I TRAIL (CM)	6.5	6.5	6.2	6.2	6.2
J STANDOVER AT TOP TUBE MIDPOINT (CM)	74.9	76.4	78.3	80.2	82.2
K BOTTOM BRACKET DROP (CM)	7.2	7.2	7.2	7.2	7.2
L FRONT CENTER DISTANCE (CM)	56.5	59.6	60.7	62.3	63.9
M HEAD TUBE LENGTH (CM)	9	10.5	12.5	14.5	17
N STACK (CM)	**49.4	50.9	52.9	54.8	57.2
O REACH (CM)	**37.1	39.8	40.7	41.7	42.5

* THE SLICE SEAT POST HAS TWO POSITIONS FOR MOUNTING THE SADDLE. A FULL RANGE OF ANGLES FROM 73 TO 78 DEGREES IS ACHIEVABLE DEPENDING ON THE RIDER'S PREFERENCE AND/OR THE EVENT.
 ** STACK IS MEASURED VERTICALLY FROM THE CENTER OF THE BB TO THE TOP OF THE HEAD TUBE. REACH IS MEASURED HORIZONTALLY FROM THE CENTER OF THE BB TO THE TOP OF THE HEAD TUBE. IF YOU RIDE A 55 ROAD FRAME, YOU SHOULD CHOOSE A SIZE 55 SLICE FRAME. ALL SIZES HAVE 700C WHEELS.

SUPERX

	44	48	52	54	56	58
A	51	52	54	55	57	59
B	44	48	52	54	56	58
C	75	74	73.5	73.5	73	73
D	69	69.5	71.5	72	72.5	72.5
E	43	★	★	★	★	★
F	4.5	★	★	★	★	★
G	28.1	★	★	★	★	★
H	101.7	101.4	101.1	101.7	102.6	104.7
I	8.5	8.4	7.0	6.7	6.4	6.4
J	74.9	77.0	80.4	82.2	83.6	85.5
K	6.7	★	★	★	★	★
L	59.6	59.3	59.0	59.6	60.5	62.6
M	10	11	13.5	15	16	18
N	51.8	52.9	56.0	57.6	58.8	60.7
O	37.1	36.8	37.4	37.9	39.0	40.5

CAADX

	44	48	51	54	56	58	61
A	51.5	52.5	53.5	54.5	56.0	57.5	59.0
B	44	47	50	53	55	57	60
C	75	74.5	74	73.5	73	73	72.5
D	69.5	70.5	71	72	72.5	72.5	72.5
E	43.2	43.2	43.2	43.2	43.2	43.2	43.2
F	5	★	★	★	★	★	★
G	28.3	★	★	★	★	★	★
H	101.8	101.3	101.6	102.3	103.3	105.4	105.8
I	7.7	7.0	6.7	6.0	5.7	5.7	5.7
J	75.5	77.7	79.8	81.9	83.0	85.0	87.3
K	6.7	★	★	★	★	★	★
L	59.5	59.0	59.3	60.0	61.0	63.0	63.5
M	12	13.0	14.5	15.5	16.0	18.0	20.0
N	53.8	55.1	56.7	58.0	58.7	60.6	62.5
O	36.2	36.2	36.4	37.7	39.0	40.4	40.3

⚠️ WARNINGS!

Bicycling has risks of serious injury or death that cannot be completely avoided. Risk can be minimized by: Reading and following all warnings and instructions in owner's manuals, owner's manual supplements, always wearing a helmet, practice and step-by-step learning, riding in control and within your capabilities.

Catalog text and descriptions are marketing materials, not instructions or guidelines for use!

Visit <http://www.cannondale.com/bikes/tech/safety> for warnings, technical documents, and safety guidelines.

Warning: Reflectors are not a substitute for proper lights. It is your responsibility to equip your bicycle with all state and locally mandated lights. Riding at dawn, at dusk, at night or at other times of poor visibility without a bicycle lighting system which meets local and state laws and without reflectors is dangerous and may result in serious injury or death.

If you ride your bike before dawn or after dusk, your bicycle must be equipped with lights so that you can see the road and avoid road hazards, and so that others can see you. Traffic laws treat

bicycles like any other vehicle. That means you must have a white front and a red rear light operating if you are riding after dusk. Your bike dealer can recommend a battery or generator powered lighting system appropriate to your needs.

Cannondale also strongly urges you to use a flashing light or strobe. All of us at Cannondale who ride at night or in conditions of lower visibility use flashers. They can save your life

Please note: Despite our nagging, members of the Liquigas pro road racing team (and other professional sponsored teams) may appear or race without helmets. We don't think it's a good idea, but they are experienced, professional cyclists and they know the risks. They are also adults, so we respect their right to choose. Despite the intransigence of any teams, we strongly advocate the use of helmets on every ride. Wearing a helmet is perhaps your single best defense against a major medical catastrophe while riding, so buckle up!

Warning: Free riding is inherently dangerous. Read Free ride Warning at <http://www.cannondale.com/bikes/tech/safety.html>

REGISTERED TRADEMARKS ® OF THE CYCLING SPORTS GROUP, INC.:

Cannondale, the Cannondale "C" logo, Daytripper, Feel It, Fatty, Gemini, Jekyll, Lefty, Optimo, Perp, Prophet, Scalpel, Slice, Synapse, SystemSix, Hooligan.

TRADEMARKS ™ OF THE CYCLING SPORTS GROUP, INC.:

BB30, CAAD (Cannondale Advanced Aluminum Design), Caffeine, Capo, Chase, CO2, HeadShok, Hi-MOD, Hollowgram, Judge, Just for Women, Moto, PowerPyramid, Quick, Q-Lab, Rize, RZ, Rush, S.A.V.E., Si, SuperSix, System Integration, Taurine, The Cut. BallisTec Carbon, SmartFormed Alloy, ECS-TC (Enhanced Center-Stiffness, Torsion Control) System, Zero Pivot, Lexi, Scarlet, Cannondale Factory Racing.

Liquigas-Doimo, FSA, Mavic, Campagnolo, SRM, Speedplay, Schwalbe, Elite, Sci Con CFR: fi'zi:k, RockShox, SRAM, MET, crankbrothers, Avid, Cannondale - Cyclocrossworld.com: Zipp, Prologo, crankbrothers, TRP, Control Tech are sponsorship partners and their trademarks are used with their permission. FOX and FOX RLC are trademarks of FOX Factory Inc. and are used with their permission. Solo Air, RockShox, XLoc and PopTop are trademarks of SRAM and are used with their permission. X-12 is a trademark of Syntace GmbH and is used with their permission. EVO is a trademark of Aprebic Industry Co. Ltd. and used under license.

WWW.CANNONDALE.COM

Please visit cannondale.com to learn more about Cannondale and the 2012 bikes! Specifications subject to change without notice.

Please refer to www.cannondale.com for the most recent specifications.

NO WEIGHTS?

Don't believe the hype. Scales differ, and marketing departments have been known to fib. The best way to compare bike weights is to head to your local bike shop. Grab two comparably spec'd and built bikes, and ask the proprietor for a scale. Hang 'em high, and see who's the lightest.

SPECIAL THANKS GOES TO:

ALE DI LULLO PHOTOGRAPHY

ANDREA PATERNO

BRIAN HODES/VELO IMAGES

BRIAN VERNOR

CHRIS MILLIMAN PHOTOGRAPHY

CHRIS VANDERYAJT

COMPETITIVE IMAGE

DANNY MUNSON

DEAN "BLOTTO" GRAY

DH PRODUCTIONS

EGO PROMOTION/MAASEWERD

AND KUESTENBRUECK

GARDY RAYMOND

GREG GERMAIN

HAVERKORT DEKKER FOTOGRAFIE

JAKE HAMM

KIRSTEN BEGG-SWIDER

KYLE ARCOMANO

LOREN SYNDER

MARCO TONIOLO

MATTHEW DELORME

MIKE KARCHER/WIX PIX

NAVONE STUDIOS

REBECCA MARSHALL

RED BULL

RICHARD STABLER

ROBERTO BETTINI PHOTO

SINCERE PHOTO AND DESIGN

SVEN MARTIN

WIL MATTHEWS

WTB

OUR RIDERS

OUR VENDORS

OUR DEALERS

AND YOU FOR RIDING A CANNONDALE

cannondale

CSG
CYCLING SPORTS GROUP™

DOREL