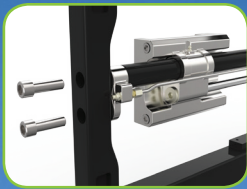
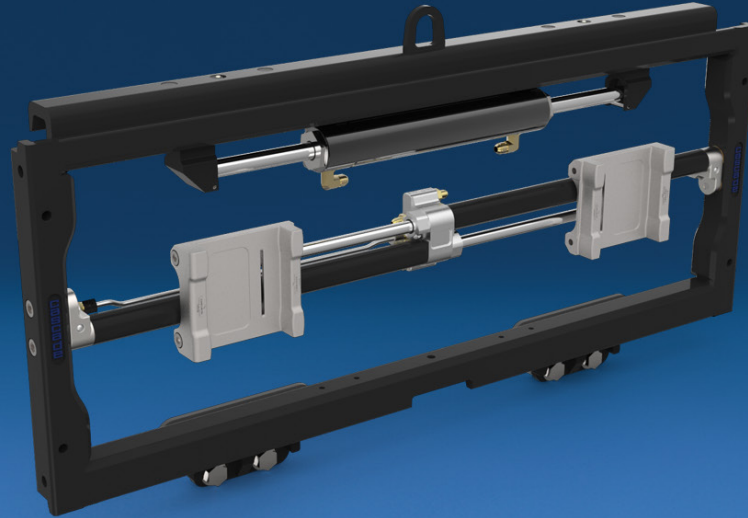


# The 5,500 lb. Capacity Fork Positioner for Warehousing, Distribution and Manufacturing



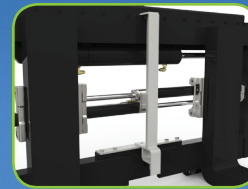
No-weld installation



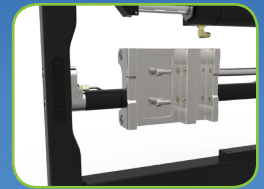
Excellent operator visibility



OEM load backrest compatibility



Optional bolt-on pallet protector



Adjustable fork carriers

## APPLICATIONS

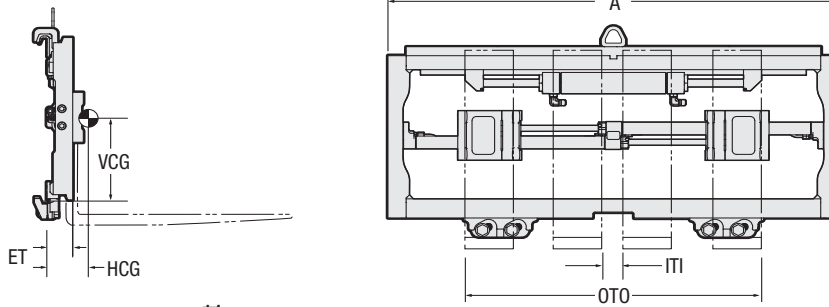
The 55K sideshifting Fork Positioner is recommended for trucks in distribution, warehousing and manufacturing operations. This high visibility fork positioner allows the operator to accurately position the forks from the driver's seat for handling a variety of pallet configurations.

## FEATURES

- OEM load backrest compatibility.
- Excellent operator visibility.
- No-Weld Installation.
- Zinc plated, corrosion resistant components.
- Center mount, 4 inch wide fork carrier.

## OPTIONS

- Combination 4- and 5-inch-wide fork carriers.
- Bolt-on pallet protector/cylinder guard combinations.
- Bronze bearings.
- Bronze lower hooks.
- OEM compatible load backrest.
- Radio Frequency Hydraulic Control.



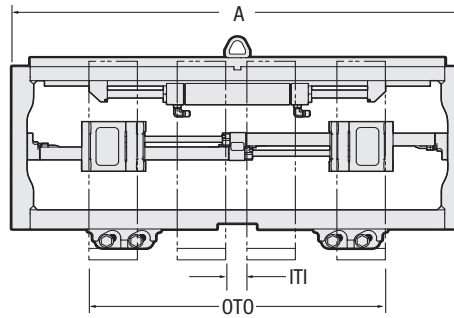
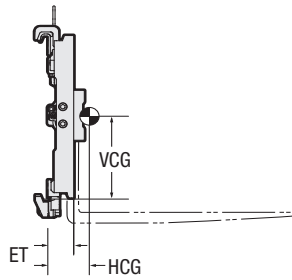
Catalog Order No.	Capacity@ 24" (600 mm) Load Center		Carriage Width w/o Load Backrest	Opening Range	Fork Pocket Width	Mfg. Class	Min. Truck Carriage Width	Weight		Effective Thickness	Horizontal Ctr. of Gravity	Vertical Ctr. of Gravity	Total Sideshift	Load Backrest Type	
	lbs	kg						lbs	kg						
<b>Cascade</b>															
55K-FPS-A056	5,500	2,500	31.0"	2.0"-26.1"	4"	①	II	28.9"	123	56	2.3"	1.2"	9.0"	8"	A
55K-FPS-A051	5,500	2,500	37.0"	2.0"-32.1"	4"	①	II	35.2"	136	62	2.3"	1.2"	8.9"	8"	A
55K-FPS-A052	5,500	2,500	41.0"	2.0"-36.1"	4"	①	II	35.2"	145	66	2.3"	1.2"	8.9"	8"	A
55K-FPS-A054	5,500	2,500	49.0"	2.0"-44.1"	4"	①	II	40.9"	163	74	2.3"	1.2"	8.8"	8"	A
55K-FPS-A356	5,500	2,500	31.0"	2.0"-26.1"	5"	②	II	28.9"	129	59	2.3"	1.2"	8.9"	8"	A
55K-FPS-A351	5,500	2,500	37.0"	2.0"-32.1"	5"	②	II	35.2"	142	65	2.3"	1.2"	8.9"	8"	A
55K-FPS-A352	5,500	2,500	41.0"	2.0"-36.1"	5"	②	II	35.2"	151	69	2.3"	1.2"	8.8"	8"	A
55K-FPS-A354	5,500	2,500	49.0"	2.0"-44.1"	5"	②	II	40.9"	172	78	2.3"	1.2"	8.8"	8"	A
<b>Caterpillar</b>															
55K-FPS-A224	5,500	2,500	32.3"	2.0"-27.4"	4"	③	II	28.9"	126	57	2.3"	1.2"	9.0"	8"	A
55K-FPS-A222	5,500	2,500	36.2"	2.0"-31.3"	4"	③	II	30.9"	133	61	2.3"	1.2"	8.9"	8"	A
55K-FPS-A223	5,500	2,500	39.4"	2.0"-34.4"	4"	③	II	35.2"	142	64	2.3"	1.2"	8.9"	8"	A
55K-FPS-A332	5,500	2,500	36.2"	2.0"-31.3"	5"	①	II	30.9"	140	64	2.3"	1.2"	8.9"	8"	A
55K-FPS-A333	5,500	2,500	39.4"	2.0"-34.4"	5"	①	II	35.2"	148	64	2.3"	1.2"	8.9"	8"	A
<b>Clark</b>															
55K-FPS-A056	5,500	2,500	31.0"	2.0"-26.1"	4"		II	28.9"	123	56	2.3"	1.2"	9.0"	8"	A
55K-FPS-A051	5,500	2,500	37.0"	2.0"-32.1"	4"		II	35.2"	136	62	2.3"	1.2"	8.9"	8"	A
55K-FPS-A052	5,500	2,500	41.0"	2.0"-36.1"	4"		II	35.2"	145	66	2.3"	1.2"	8.9"	8"	A
55K-FPS-A351	5,500	2,500	37.0"	2.0"-32.1"	5"	①	II	35.2"	142	65	2.3"	1.2"	8.9"	8"	A
55K-FPS-A352	5,500	2,500	41.0"	2.0"-36.1"	5"	①	II	35.2"	151	69	2.3"	1.2"	8.8"	8"	A
<b>Crown</b>															
55K-FPS-A059	5,500	2,500	34.3"	2.0"-29.4"	4"		II	30.9"	130	59	2.3"	1.2"	9.1"	8"	C
55K-FPS-A062	5,500	2,500	34.5"	2.0"-29.6"	4"		II	30.9"	130	59	2.3"	1.2"	9.1"	8"	A
55K-FPS-A060	5,500	2,500	37.8"	2.0"-32.8"	4"		II	35.2"	139	63	2.3"	1.2"	8.9"	8"	C
55K-FPS-A063	5,500	2,500	38.0"	2.0"-33.1"	4"		II	35.2"	139	63	2.3"	1.2"	8.9"	8"	A
55K-FPS-A058	5,500	2,500	43.7"	2.0"-38.8"	4"		II	38.4"	152	69	2.3"	1.2"	8.9"	8"	C
55K-FPS-A361	5,500	2,500	31.5"	2.0"-26.6"	5"	①	II	28.9"	130	59	2.3"	1.3"	8.9"	8"	A
55K-FPS-A359	5,500	2,500	34.3"	2.0"-29.4"	5"	①	II	30.9"	136	62	2.3"	1.2"	8.9"	8"	C
55K-FPS-A362	5,500	2,500	34.5"	2.0"-29.6"	5"	①	II	30.9"	136	62	2.3"	1.2"	8.9"	8"	A
55K-FPS-A360	5,500	2,500	37.8"	2.0"-32.8"	5"	①	II	35.2"	143	65	2.3"	1.2"	8.9"	8"	C
55K-FPS-A363	5,500	2,500	38.0"	2.0"-33.1"	5"	①	II	35.2"	145	66	2.3"	1.2"	8.9"	8"	A
55K-FPS-A358	5,500	2,500	43.7"	2.0"-38.8"	5"	①	II	38.4"	158	72	2.3"	1.2"	8.9"	8"	C
<b>Doosan</b>															
55K-FPS-A033	5,500	2,500	38.3"	2.0"-33.4"	4"		II	35.2"	139	63	2.3"	1.2"	9.1"	8"	B
55K-FPS-A034	5,500	2,500	43.4"	2.0"-38.5"	4"		II	38.4"	150	68	2.3"	1.2"	8.9"	8"	B
55K-FPS-A334	5,500	2,500	43.4"	2.0"-38.5"	5"	①	II	38.4"	156	71	2.3"	1.2"	8.7"	8"	B
<b>Hamech</b>															
55K-FPS-A051	5,500	2,500	37.0"	2.0"-32.1"	4"		II	35.2"	136	62	2.3"	1.2"	8.9"	8"	A
55K-FPS-A052	5,500	2,500	41.0"	2.0"-36.1"	4"		II	35.2"	145	66	2.3"	1.2"	8.9"	8"	A
55K-FPS-A351	5,500	2,500	37.0"	2.0"-32.1"	5"	①	II	35.2"	142	64	2.3"	1.2"	8.9"	8"	A
55K-FPS-A352	5,500	2,500	41.0"	2.0"-36.1"	5"	①	II	35.2"	151	69	2.3"	1.2"	8.8"	8"	A

① Adjustable to 3" wide forks: Add 1.7" to minimum opening range.  
 ② Adjustable to 3" and 4" wide forks. Add 3.3" and 1.7" to minimum opening range respectively.  
 ③ Compatible with current OEM production.

► In order to ensure that the unit best suited for the application is selected, consult Cascade.

► Load Backrest Types: A: End hole patterns  
 B: Face hole patterns C: Face hole patterns with counterbore

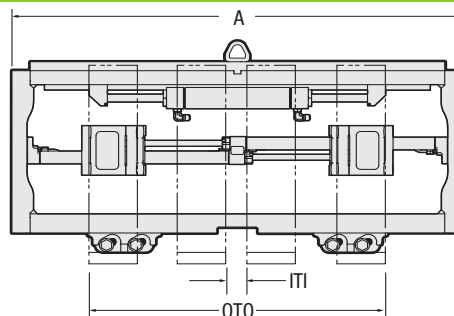
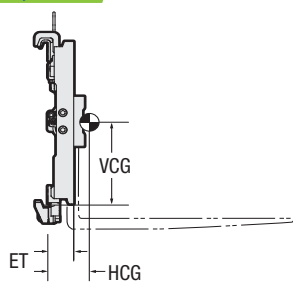
► For forks longer than 72" or load centers exceeding 36", consult Cascade.


**Sideshifting**

Catalog Order No.	Capacity@ 24" (600 mm) Load Center		Carriage Width w/o Load Backrest A	Opening Range ITI-OTO	Fork Pocket Width	Mtg. Class	Min. Truck Carriage Width	Weight		Effective Thickness ET	Horizontal Ctr. of Gravity HCG	Vertical Ctr. of Gravity VCG	Total Sideshift	Load Backrest Type
	lbs	kg						lbs	kg					
<b>Hyundai</b>														
55K-FPS-A105	5,500	2,500	41.7"	2.0"-36.8"	4"	II	38.4"	147	68	2.3"	1.2"	8.9"	8"	A
<b>Hyster</b>														
55K-FPS-A045	5,500	2,500	35.7"	2.0"-30.8"	4"	II	35.2"	133	61	2.3"	1.2"	9.1"	8"	C
55K-FPS-A001	5,500	2,500	36.0"	2.0"-31.1"	4"	II	35.2"	134	61	2.3"	1.2"	9.1"	8"	B
55K-FPS-A030	5,500	2,500	38.5"	2.0"-33.5"	4"	II	35.2"	140	64	2.3"	1.2"	9.1"	8"	C
55K-FPS-A009	5,500	2,500	42.0"	2.0"-37.1"	4"	II	38.4"	147	67	2.3"	1.2"	8.9"	8"	C
55K-FPS-A390	5,500	2,500	36.2"	2.0"-31.3"	5" ①	II	35.2"	140	58	2.3"	1.2"	8.9"	8"	A
55K-FPS-A330	5,500	2,500	38.5"	2.0"-33.5"	5" ①	II	35.2"	145	66	2.3"	1.2"	8.9"	8"	C
55K-FPS-A391	5,500	2,500	40.2"	2.0"-35.2"	5" ①	II	35.2"	149	68	2.3"	1.2"	8.9"	8"	A
55K-FPS-A309	5,500	2,500	42.0"	2.0"-37.1"	5" ①	II	38.4"	154	70	2.3"	1.2"	8.9"	8"	C
<b>Komatsu</b>														
55K-FPS-A056	5,500	2,500	31.0"	2.0"-26.1"	4"	II	28.9"	123	56	2.3"	1.2"	9.0"	8"	A
55K-FPS-A051	5,500	2,500	37.0"	2.0"-32.1"	4"	II	35.2"	136	62	2.3"	1.2"	8.9"	8"	A
55K-FPS-A052	5,500	2,500	41.0"	2.0"-36.1"	4"	II	35.2"	145	66	2.3"	1.2"	8.9"	8"	A
55K-FPS-A356	5,500	2,500	31.0"	2.0"-26.1"	5" ①	II	35.2"	129	58	2.3"	1.3"	8.9"	8"	A
55K-FPS-A351	5,500	2,500	37.0"	2.0"-32.1"	5" ①	II	35.2"	142	64	2.3"	1.2"	8.9"	8"	A
55K-FPS-A352	5,500	2,500	41.0"	2.0"-36.1"	5" ①	II	35.2"	151	69	2.3"	1.2"	8.8"	8"	A
<b>Linde</b>														
55K-FPS-A198	5,500	2,500	38.6"	2.0"-31.5"	4"	II	35.2"	141	64	2.3"	1.2"	9.1"	8"	B
55K-FPS-A196	5,500	2,500	40.9"	2.0"-33.8"	4"	II	35.2"	144	65	2.3"	1.2"	8.9"	8"	B
55K-FPS-A199	5,500	2,500	45.3"	2.0"-38.1"	4"	II	40.9"	155	70	2.3"	1.2"	8.9"	8"	B
55K-FPS-A365	5,500	2,500	40.9"	2.0"-33.8"	5" ①	II	35.2"	151	69	2.3"	1.2"	8.8"	8"	B
55K-FPS-A366	5,500	2,500	45.3"	2.0"-38.1"	5" ①	II	40.9"	161	73	2.3"	1.2"	8.8"	8"	B
<b>Mitsubishi</b>														
55K-FPS-A224	5,500	2,500	32.3"	2.0"-27.4"	4"	II	28.9"	126	57	2.3"	1.2"	9.0"	8"	A
55K-FPS-A222	5,500	2,500	36.2"	2.0"-31.3"	4"	II	30.9"	133	61	2.3"	1.2"	8.9"	8"	A
55K-FPS-A223	5,500	2,500	39.4"	2.0"-34.4"	4"	II	35.2"	142	64	2.3"	1.2"	8.9"	8"	A
55K-FPS-A332	5,500	2,500	36.2"	2.0"-31.3"	5" ①	II	30.9"	140	64	2.3"	1.2"	8.9"	8"	A
55K-FPS-A333	5,500	2,500	39.4"	2.0"-34.4"	5" ①	II	35.2"	148	64	2.3"	1.2"	8.9"	8"	A
<b>Nissan Forklift by Unicarriers</b>														
55K-FPS-A470	5,500	2,500	32.4"	2.0"-27.5"	4"	II	28.9"	126	57	2.3"	1.2"	9.0"	8"	A
55K-FPS-A469	5,500	2,500	36.2"	2.0"-31.3"	4"	II	35.2"	134	61	2.3"	1.2"	8.9"	8"	A
55K-FPS-A471	5,500	2,500	40.2"	2.0"-35.2"	4"	II	35.2"	143	65	2.3"	1.2"	8.9"	8"	A
55K-FPS-A397	5,500	2,500	36.2"	2.0"-31.3"	5" ①	II	35.2"	140	64	2.3"	1.2"	8.9"	8"	A
55K-FPS-A398	5,500	2,500	40.2"	2.0"-35.2"	5" ①	II	35.2"	149	68	2.3"	1.2"	8.9"	8"	A
<b>Raymond</b>														
55K-FPS-A163	5,500	2,500	35.4"	2.0"-30.5"	4"	II	30.9"	132	60	2.3"	1.2"	9.1"	8"	A
55K-FPS-A160	5,500	2,500	37.0"	2.0"-32.1"	4"	II	35.2"	136	62	2.3"	1.2"	8.9"	8"	A
<b>Schaeff</b>														
55K-FPS-A028	5,500	2,500	37.5"	2.0"-32.6"	4"	II	35.2"	136	62	2.3"	1.2"	8.9"	8"	A

- ① Adjustable to 3" wide forks: Add 1.7" to minimum opening range.
  - ② Adjustable to 3" and 4" wide forks. Add 3.3" and 1.7" to minimum opening range respectively.
  - ③ Compatible with current OEM production.
- ▶ For forks longer than 72" or load centers exceeding 36", consult Cascade.

- ▶ In order to ensure that the unit best suited for the application is selected, consult Cascade.
- ▶ Load Backrest Types: A: End hole patterns  
B: Face hole patterns C: Face hole patterns with counterbore



Sideshifting

Catalog Order No.	Capacity@ 24" (600 mm) Load Center		Carriage Width w/o Load Backrest A	Opening Range ITI-OTO	Fork Pocket Width	Mtg. Class	Min. Truck Carriage Width	Weight		Effective Thickness ET	Horizontal Ctr. of Gravity HCG	Vertical Ctr. of Gravity VCG	Total Sideshift	Load Backrest Type
	lbs	kg						lbs	kg					
<b>Tailift</b>														
55K-FPS-A136	5,500	2,500	40.2"	2.0"-35.2"	4"	II	35.2"	143	65	2.3"	1.2"	8.9"	8"	A
<b>TCM by Unicarriers</b>														
55K-FPS-A084	5,500	2,500	38.1"	2.0"-33.2"	4"	II	35.2"	139	63	2.3"	1.2"	8.9"	8"	A
55K-FPS-A081	5,500	2,500	40.9"	2.0"-35.9"	4"	II	35.2"	145	66	2.3"	1.2"	8.9"	8"	A
55K-FPS-A382	5,500	2,500	36.6"	2.0"-31.7"	5"	①	II	35.2"	141	64	2.3"	1.2"	8.9"	A
55K-FPS-A381	5,500	2,500	40.9"	2.0"-35.9"	5"	①	II	35.2"	151	69	2.3"	1.2"	8.8"	A
<b>Toyota</b>														
55K-FPS-A011	5,500	2,500	31.9"	2.0"-27.0"	4"	II	28.9"	125	57	2.3"	1.2"	9.1"	8"	A
55K-FPS-A087	5,500	2,500	36.2"	2.0"-31.3"	4"	II	30.9"	134	61	2.3"	1.2"	9.1"	8"	A
55K-FPS-A086	5,500	2,500	40.2"	2.0"-35.2"	4"	II	35.2"	143	65	2.3"	1.2"	8.9"	8"	A
55K-FPS-A385	5,500	2,500	31.9"	2.0"-27.0"	5"	①	II	28.9"	132	60	2.3"	1.3"	9.1"	A
55K-FPS-A387	5,500	2,500	36.2"	2.0"-31.3"	5"	①	II	30.9"	141	64	2.3"	1.2"	8.9"	A
55K-FPS-A386	5,500	2,500	40.2"	2.0"-35.2"	5"	①	II	35.2"	150	68	2.3"	1.2"	8.9"	A
<b>TUSK</b>														
55K-FPS-A056	5,500	2,500	31.0"	2.0"-26.1"	4"	II	28.9"	123	56	2.3"	1.2"	9.0"	8"	A
55K-FPS-A051	5,500	2,500	37.0"	2.0"-32.1"	4"	II	35.2"	136	62	2.3"	1.2"	8.9"	8"	A
55K-FPS-A052	5,500	2,500	41.0"	2.0"-36.1"	4"	II	35.2"	145	66	2.3"	1.2"	8.9"	8"	A
55K-FPS-A356	5,500	2,500	31.0"	2.0"-26.1"	5"	①	II	35.2"	129	58	2.3"	1.3"	8.9"	A
55K-FPS-A351	5,500	2,500	37.0"	2.0"-32.1"	5"	①	II	35.2"	142	64	2.3"	1.2"	8.9"	A
55K-FPS-A352	5,500	2,500	41.0"	2.0"-36.1"	5"	①	II	35.2"	151	69	2.3"	1.2"	8.8"	A
<b>Yale</b>														
55K-FPS-A045	5,500	2,500	35.7"	2.0"-30.8"	4"	II	35.2"	133	61	2.3"	1.2"	9.1"	8"	C
55K-FPS-A042	5,500	2,500	42.0"	2.0"-37.1"	4"	II	38.4"	147	67	2.3"	1.2"	8.9"	8"	A
55K-FPS-A342	5,500	2,500	42.0"	2.0"-37.1"	5"	①	II	38.4"	147	67	2.3"	1.2"	8.9"	A
55K-FPS-A030	5,500	2,500	38.5"	2.0"-33.5"	4"	II	35.2"	140	64	2.3"	1.2"	9.1"	8"	C
55K-FPS-A041	5,500	2,500	39.1"	2.0"-34.1"	4"	II	35.2"	141	64	2.3"	1.2"	9.1"	8"	A
55K-FPS-A009	5,500	2,500	42.0"	2.0"-37.1"	4"	II	38.4"	147	67	2.3"	1.2"	8.9"	8"	C
55K-FPS-A390	5,500	2,500	36.2"	2.0"-31.3"	5"	①	II	35.2"	140	58	2.3"	1.2"	8.9"	A
55K-FPS-A330	5,500	2,500	38.5"	2.0"-33.5"	5"	①	II	35.2"	145	66	2.3"	1.2"	8.9"	C
55K-FPS-A391	5,500	2,500	40.2"	2.0"-35.2"	5"	①	II	35.2"	149	68	2.3"	1.2"	8.9"	A
55K-FPS-A309	5,500	2,500	42.0"	2.0"-37.1"	5"	①	II	38.4"	154	70	2.3"	1.2"	8.9"	C

- ① Adjustable to 3" wide forks: Add 1.7" to minimum opening range.
- ② Adjustable to 3" and 4" wide forks. Add 3.3" and 1.7" to minimum opening range respectively.
- ③ Compatible with current OEM production.

► For forks longer than 72" or load centers exceeding 36", consult Cascade.

► In order to ensure that the unit best suited for the application is selected, consult Cascade.

► Load Backrest Types: A: End hole patterns  
B: Face hole patterns C: Face hole patterns with counterbore