



Cisco Active Network Abstraction Fault Management User Guide Version 3.6

THE SPECIFICATIONS AND INFORMATION REGARDING THE PRODUCTS IN THIS MANUAL ARE SUBJECT TO CHANGE WITHOUT NOTICE. ALL STATEMENTS, INFORMATION, AND RECOMMENDATIONS IN THIS MANUAL ARE BELIEVED TO BE ACCURATE BUT ARE PRESENTED WITHOUT WARRANTY OF ANY KIND, EXPRESS OR IMPLIED. USERS MUST TAKE FULL RESPONSIBILITY FOR THEIR APPLICATION OF ANY PRODUCTS.

Americas Headquarters

Cisco Systems, Inc.
170 West Tasman Drive
San Jose, CA 95134-1706
USA
<http://www.cisco.com>
Tel: 408 526-4000
800 553-NETS (6387)
Fax: 408 527-0883

THE SOFTWARE LICENSE AND LIMITED WARRANTY FOR THE ACCOMPANYING PRODUCT ARE SET FORTH IN THE INFORMATION PACKET THAT SHIPPED WITH THE PRODUCT AND ARE INCORPORATED HEREIN BY THIS REFERENCE. IF YOU ARE UNABLE TO LOCATE THE SOFTWARE LICENSE OR LIMITED WARRANTY, CONTACT YOUR CISCO REPRESENTATIVE FOR A COPY.

The Cisco implementation of TCP header compression is an adaptation of a program developed by the University of California, Berkeley (UCB) as part of UCB's public domain version of the UNIX operating system. All rights reserved. Copyright © 1981, Regents of the University of California.

NOTWITHSTANDING ANY OTHER WARRANTY HEREIN, ALL DOCUMENT FILES AND SOFTWARE OF THESE SUPPLIERS ARE PROVIDED "AS IS" WITH ALL FAULTS. CISCO AND THE ABOVE-NAMED SUPPLIERS DISCLAIM ALL WARRANTIES, EXPRESSED OR IMPLIED, INCLUDING, WITHOUT LIMITATION, THOSE OF MERCHANTABILITY, FITNESS FOR A PARTICULAR PURPOSE AND NONINFRINGEMENT OR ARISING FROM A COURSE OF DEALING, USAGE, OR TRADE PRACTICE.

IN NO EVENT SHALL CISCO OR ITS SUPPLIERS BE LIABLE FOR ANY INDIRECT, SPECIAL, CONSEQUENTIAL, OR INCIDENTAL DAMAGES, INCLUDING, WITHOUT LIMITATION, LOST PROFITS OR LOSS OR DAMAGE TO DATA ARISING OUT OF THE USE OR INABILITY TO USE THIS MANUAL, EVEN IF CISCO OR ITS SUPPLIERS HAVE BEEN ADVISED OF THE POSSIBILITY OF SUCH DAMAGES.

CCVP, the Cisco logo, and the Cisco Square Bridge logo are trademarks of Cisco Systems, Inc.; Changing the Way We Work, Live, Play, and Learn is a service mark of Cisco Systems, Inc.; and Access Registrar, Aironet, BPX, Catalyst, CCDA, CCDP, CCIE, CCIP, CCNA, CCNP, CCSP, Cisco, the Cisco Certified Internetwork Expert logo, Cisco IOS, Cisco Press, Cisco Systems, Cisco Systems Capital, the Cisco Systems logo, Cisco Unity, Enterprise/Solver, EtherChannel, EtherFast, EtherSwitch, Fast Step, Follow Me Browsing, FormShare, GigaDrive, HomeLink, Internet Quotient, IOS, iPhone, IP/TV, iQ Expertise, the iQ logo, iQ Net Readiness Scorecard, iQuick Study, LightStream, Linksys, MeetingPlace, MGX, Networking Academy, Network Registrar, *Packet*, PIX, ProConnect, ScriptShare, SMARTnet, StackWise, The Fastest Way to Increase Your Internet Quotient, and TransPath are registered trademarks of Cisco Systems, Inc. and/or its affiliates in the United States and certain other countries.

All other trademarks mentioned in this document or Website are the property of their respective owners. The use of the word partner does not imply a partnership relationship between Cisco and any other company. (0705R)

Any Internet Protocol (IP) addresses used in this document are not intended to be actual addresses. Any examples, command display output, and figures included in the document are shown for illustrative purposes only. Any use of actual IP addresses in illustrative content is unintentional and coincidental.

Cisco Active Network Abstraction Fault Management User Guide, Version 3.6
© 1999-2007 Cisco Systems, Inc. All rights reserved.



CONTENTS

About This Guide vii

Obtaining Documentation, Obtaining Support, and Security Guidelines vii

CHAPTER 1

Fault Management Overview 1-1

Managing Events 1-1

Basic Concepts and Terms 1-2

Alarm 1-2

Event 1-3

Event Sequence 1-3

Repeating Event Sequence 1-4

Flapping Events 1-4

Correlation By Root Cause 1-5

Ticket 1-5

Sequence Association and Root Cause Analysis 1-6

Severity Propagation 1-6

Event Processing Overview 1-7

CHAPTER 2

Fault Detection and Isolation 2-1

Unreachable Network Elements 2-1

Sources of Alarms On a Device 2-3

Alarm Integrity 2-3

Integrity Service 2-3

CHAPTER 3

Cisco ANA Event Correlation and Suppression 3-1

- Event Suppression 3-1
- Root-Cause Correlation Process 3-2
- Root-Cause Alarms 3-3
- Correlation Flows 3-3
 - Correlation by Key 3-3
 - Correlation by Flow 3-3
- DC Model Correlation Cache 3-4
- Using Weights 3-4
- Correlating TCA 3-4

CHAPTER 4

Advanced Correlation Scenarios 4-1

- Device Unreachable Alarm 4-1
 - Connectivity Test 4-1
 - Device Fault Identification 4-2
 - Device Unreachable Example 1 4-2
 - Device Unreachable Example 2 4-2
- IP Interface Failure Scenarios 4-3
 - IP Interface Status Down Alarm 4-3
 - Correlation of Syslogs and Traps 4-4
 - All IP Interfaces Down Alarm 4-5
 - IP Interface Failure Examples 4-5
 - Interface Example 1 4-6
 - Interface Example 2 4-6
 - Interface Example 3 4-7
 - Interface Example 4 4-7
 - Interface Example 5 4-8
 - ATM Examples 4-9
 - Ethernet, Fast Ethernet, Giga Ethernet Examples 4-9
 - Interface Example 6 4-9
 - Interface Example 7 4-9
 - Interface Registry Parameters 4-10
 - ip interface status down Parameters 4-10
 - All ip interfaces down Parameters 4-10
- Multi Route Correlation 4-11
 - Multi Route Correlation Example 1 4-11
 - Multi Route Correlation Example 2 4-11
 - Multi Route Correlation Example 3 4-12
 - Multi Route Correlation Example 4 4-13

Generic Routing Encapsulation (GRE) Tunnel Down/Up	4-13
GRE Tunnel Down/Up Alarm	4-13
GRE Tunnel Down Correlation Example 1	4-14
GRE Tunnel Down Correlation Example 2	4-15
BGP Process Down Alarm	4-17
MPLS Interface Removed Alarm	4-17

CHAPTER 5**Correlation Over Unmanaged Segments 5-1**

Cloud VNE	5-1
Types of Unmanaged Networks Supported	5-1
Fault Correlation Across the Frame Relay or ATM or Ethernet Cloud	5-2
Cloud Problem Alarm	5-3
Cloud Correlation Example	5-3

CHAPTER 6**Event and Alarm Configuration Parameters 6-1**

Alarm Type Definition	6-1
Event (Sub-Type) Configuration Parameters	6-2
General Event Parameters	6-2
Root Cause Configuration Parameters	6-2
Correlation Configuration Parameters	6-3
Network Correlation Parameters	6-3
Flapping Event Definitions Parameters	6-4
System Correlation Configuration Parameters	6-4

CHAPTER 7**Impact Analysis 7-1**

Impact Analysis Options	7-1
Impact Report Structure	7-2
Affected Severities	7-2
Impact Analysis GUI	7-3
Affected Parties Tab	7-3
Viewing a Detailed Report For the Affected Pair	7-4
Disabling Impact Analysis	7-6
Accumulating Affected Parties	7-6
Accumulating the Affected Parties In an Alarm	7-7
Accumulating the Affected Parties In the Correlation Tree	7-7
Updating Affected Severity Over Time	7-7

APPENDIX A

Supported Service Alarms A-1

APPENDIX B

Supported Traps and Syslogs B-1

Syslogs Supported By Cisco IOS and CATOS Devices **B-2**

Syslogs Supported by Cisco IOX Devices **B-10**

Traps Supported by Cisco Devices **B-12**

APPENDIX C

Event and Alarm Correlation Flow C-1

Software Function Architecture **C-2**

Event Correlation Flow **C-3**

Event Creation (VNE level) **C-3**

Event Correlation **C-3**

Local Correlation (Event Correlator) **C-3**

Network Correlation (Event Correlator, Flow) **C-3**

Correlation Logic (Event Correlator) **C-4**

Alarm Sending (Event Correlator) **C-4**

Post-Correlation Rule (Event Correlator) **C-4**



About This Guide

This guide includes the following chapters:

- [Chapter 1, “Fault Management Overview”](#)—Describes how to manage events, and introduces some of the key concepts of Cisco ANA alarm management.
- [Chapter 2, “Fault Detection and Isolation”](#)—Describes unreachable network elements and the sources of alarms on devices. In addition, it describes alarm integrity and the integrity service.
- [Chapter 3, “Cisco ANA Event Correlation and Suppression”](#)—Describes how Cisco ANA performs correlation logic decisions.
- [Chapter 4, “Advanced Correlation Scenarios”](#)—Describes specific alarms which use advanced correlation logic on top of the root cause analysis flow.
- [Chapter 5, “Correlation Over Unmanaged Segments”](#)—Describes how Cisco ANA performs correlation decisions over unmanaged segments.
- [Chapter 6, “Event and Alarm Configuration Parameters”](#)—Describes the details of various configurable alarm parameters.
- [Chapter 7, “Impact Analysis”](#)—Describes the impact analysis functionality available in Cisco ANA.
- [Appendix A, “Supported Service Alarms”](#)—Provides the list of service alarms that are supported in Cisco ANA.
- [Appendix B, “Supported Traps and Syslogs”](#)—Provides the list of traps and syslogs that are supported in Cisco ANA.
- [Appendix C, “Event and Alarm Correlation Flow”](#)—Describes in detail the flow of alarms and events during the correlation process.

Obtaining Documentation, Obtaining Support, and Security Guidelines

For information on obtaining documentation, obtaining support, providing documentation feedback, security guidelines, and also recommended aliases and general Cisco documents, see the monthly *What's New* in Cisco Product Documentation, which also lists all new and revised Cisco technical documentation, at:

<http://www.cisco.com/en/US/docs/general/whatsnew/whatsnew.html>



CHAPTER 1

Fault Management Overview

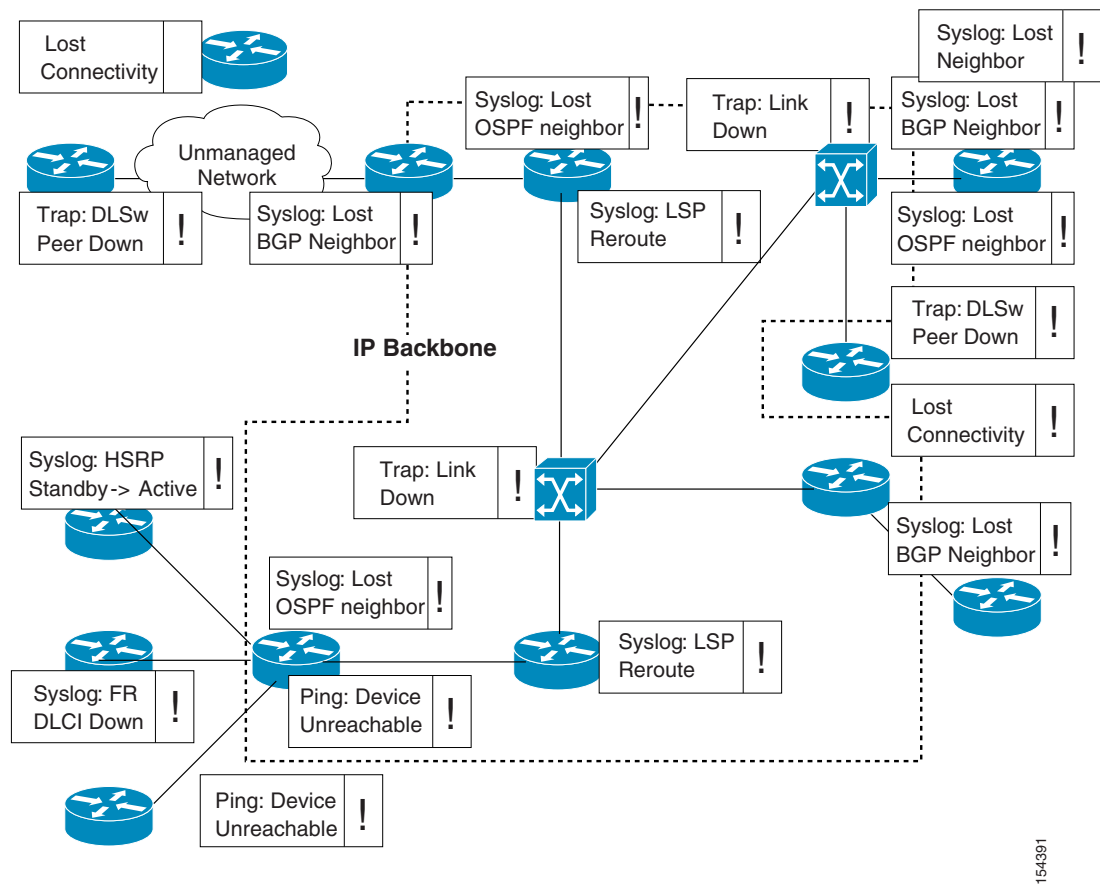
This chapter describes the challenge of managing an overabundance of events, and introduces some of the key concepts of Cisco ANA alarm management.

- [Managing Events](#)—Describes how to manage events effectively.
- [Basic Concepts and Terms](#)—Describes the basic concepts and terms used throughout this guide.
- [Severity Propagation](#)—Describes the concept of severity, and how severity is propagated.
- [Event Processing Overview](#)—Describes the process for identifying and processing raw events.

Managing Events

The challenge of dealing effectively with events and alarms is to know how to understand and efficiently process and organize bulks of raw events that may be generated as a result of single root cause events.

Figure 1-1 Event Flood



154391

Meeting the event management challenge is done by correlating related events into a sequence that represents the alarm lifecycle, and using the network dependency model to determine the causal inter-relationship between alarms.

Cisco ANA can be used for analyzing and managing faults using fault detection, isolation and correlation. Once a fault is identified, the system uses the auto-discovered virtual network model to perform fault inspection and correlation in order to determine the root cause of the fault and, if applicable, to perform service impact analysis.

Basic Concepts and Terms

Alarm

An alarm represents a scenario which involves a fault occurring in the network or management system. Alarms represent the complete fault lifecycle, from the time that the alarm is opened (when the fault is first detected) until it is closed and acknowledged. Examples of alarms include:

- Link down
- Device unreachable

- Card out
- An alarm is composed of a sequence of events, each representing a specific point in the alarm's lifecycle.

Event

An event is an indication of a distinct occurrence that occurred at a specific point in time. Events are derived from incoming traps and notifications, and from detected status changes. Examples of events include:

- Port status change.
- Connectivity loss between routing protocol processes on peer routers (for example BGP neighbor loss).
- Device reset.
- Device becoming reachable by the management station.
- User acknowledgement of an alarm.

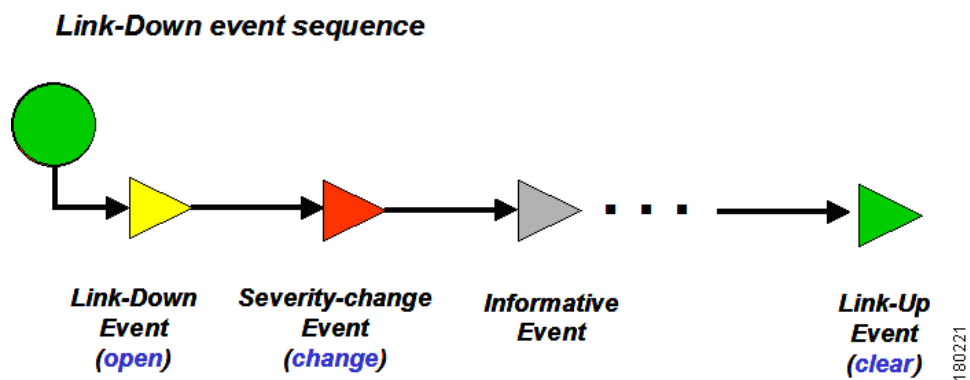
Events are written to the Cisco ANA database once and never change.

The collected events are displayed in Cisco ANA EventVision. Refer to the *Cisco Active Network Abstraction EventVision User Guide* for more information.

Event Sequence

An event sequence is the set of related events which comprises a single alarm. For example, link down > ack > link up.

Figure 1-2 Event Sequence Example



Typically, a complete event sequence includes three mandatory events:

- Alarm open (in this example a link-down event).
- Alarm clear (in this example a link-up event).
- Alarm acknowledge.

Optionally, there can be any number of alarm change events which can be triggered by new severity events, affected services update events, and so on.

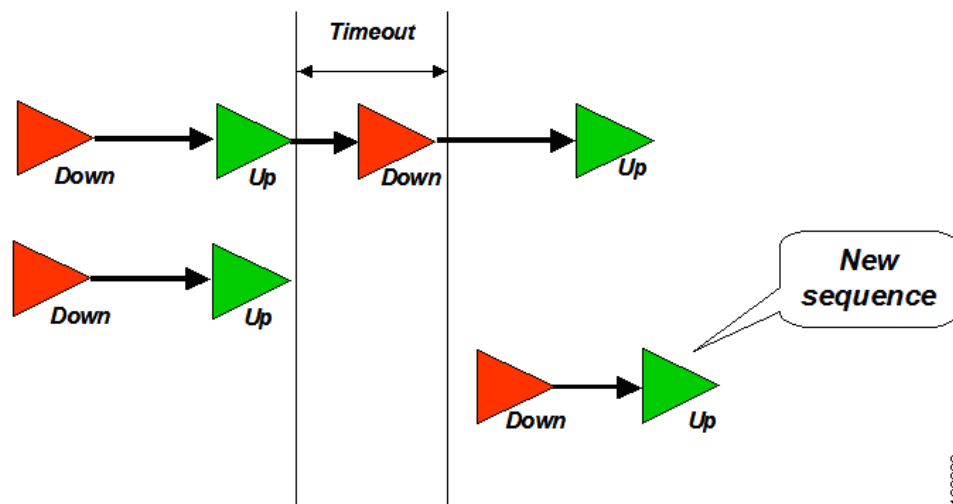
**Note**

The event types that will belong to each sequence can be configured in the system registry. An event sequence can consist of a single event (for example, “device reset”). The set of events that should participate in Cisco ANA alarm processing can be configured in the system registry.

Repeating Event Sequence

If a new opening event arrives within a configurable timeout after the clearing event of the same alarm, the alarm is updatable, and a repeating event sequence is created, that is, the event is attached to the existing sequence and updates its severity accordingly. If the new opening event occurs after the timeout, it opens a new alarm (new event sequence).

Figure 1-3 Repeating Event Sequence

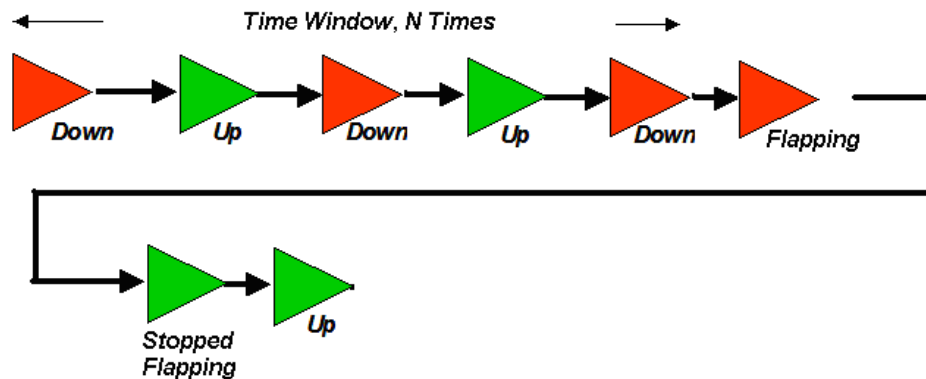


180222

Flapping Events

If a series of events that are considered to be of a same sequence occur in the network in a certain configurable time window a certain (configurable) amount of times, the virtual network element (VNE) may (upon configuration) reduce further the number of events, and will issue a single event which will be of type “event flapping”. Only when the alarm stabilizes and the event frequency is reduced, will another update to the event sequence be issued as “event stopped flapping”. Another update will be issued with the most up-to-date event state.

Figure 1-4 Flapping Event



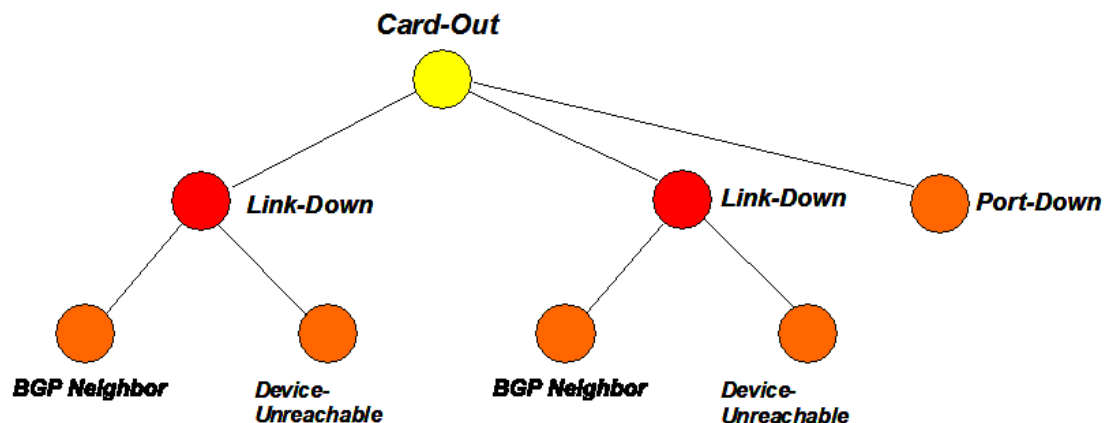
180223

Correlation By Root Cause

Root cause correlation is determined between alarms or event sequences. It represents a causal relationship between an alarm and the consequent alarms that occurred because of it.

For example, a card-out alarm can be the root cause of several link-down alarms, which in turn can be the root cause of multiple route-lost and device unreachable alarms, and so on. A consequent alarm can serve as the root cause of other consequent alarms.

Figure 1-5 Root Cause Correlation Hierarchy Example



180224

Ticket

A ticket represents the complete alarm correlation tree of a specific fault scenario. It can be also identified by the topmost or “root of all roots” alarm. Both Cisco ANA NetworkVision and Cisco ANA EventVision display tickets and allow drilling down to view the consequent alarm hierarchy.

From an operator's point of view, the managed entity is always a complete ticket. Operations such as Acknowledge, Force-clear or Remove are always applied to the whole ticket. The ticket also assumes an overall, propagated severity.

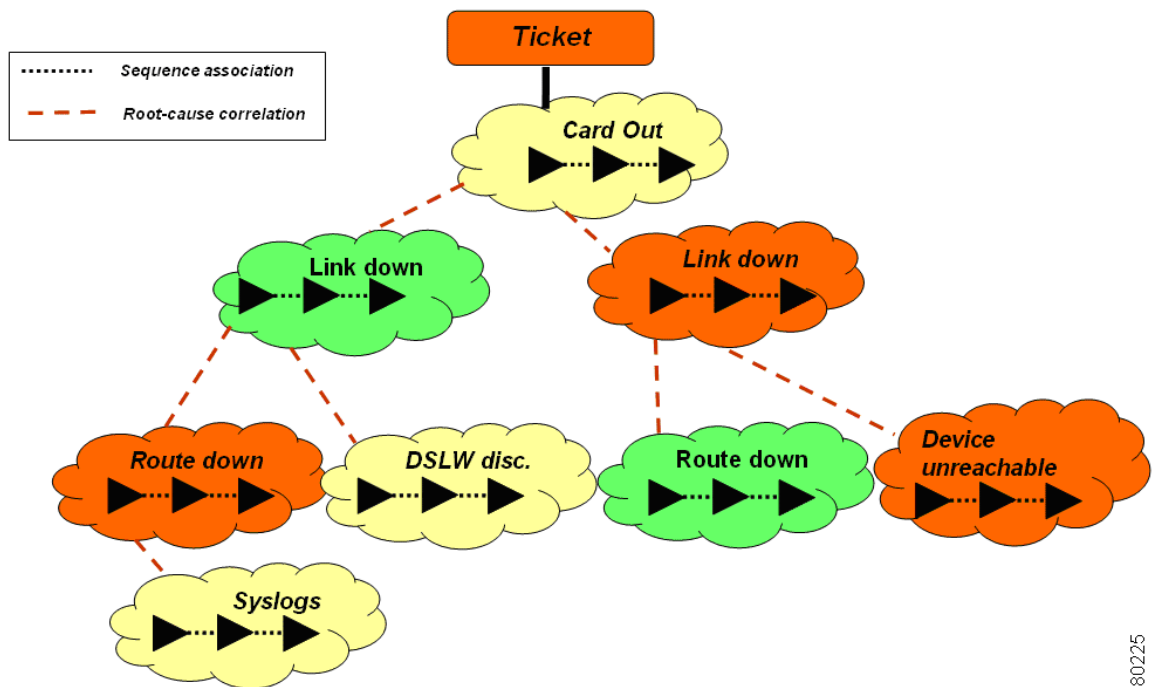
Sequence Association and Root Cause Analysis

There are two different types of relationships in Cisco ANA alarm management:

- Sequence Association—The association between events, which creates the event sequences and alarms.
- Root Cause Analysis—The association between alarms (event sequences) which represents the root cause relationship.

The following figure shows how both types of relationship are implemented in the ticket hierarchy:

Figure 1-6 Sequence Association vs. Root Cause Analysis



180225

In the above figure, the alarms are correlated into a hierarchy according to root cause. Within each alarm is its respective event sequence representing the lifecycle of the alarm.

Severity Propagation

Each event has an assigned severity (user-configurable). For example, a link-up event may be assigned critical severity, while its corresponding link-up event will have normal severity.

The propagated severity of the alarm (the whole event sequence) is always determined by the last event in the sequence. In the above example, when the link-down alarm is open it will have critical severity; when it clears it moves to normal severity. An exception to this rule is the informational event (severity level of info) such as user acknowledge event, which does not change the propagated severity of the sequence (the alarm).

Each ticket assumes the propagated severity of the alarm with the topmost severity, within all the alarms in the correlation hierarchy at any level.

**Note**

Each alarm does not assume the propagated severity of the correlated alarms beneath it. Each alarm assumes its severity only from its internal event sequence, as described above, while the ticket assumes the highest severity among all the alarms in the correlation tree.

Event Processing Overview

Cisco ANA provides a customizable framework for identifying and processing raw events. The raw events are collected into the Event Manager, forwarded to their respective VNE, and then processed as follows:

-
- Step 1** The event data is parsed to determine its source, type, and alarm-handling behavior.
 - Step 2** If the event type is configured to try and correlate, the VNE attempts to find a compliant cause alarm. This is done in the VNE fabric.
 - Step 3** The event fields are looked up and completed.
 - Step 4** The event is sent to the Cisco ANA gateway, where:
 - The event is written to the event database.
 - If the event belongs to an alarm, it is attached to its respective event sequence and correlated to the respective root-cause alarm within the ticket, or a new sequence and new ticket is opened.
 - If the event is marked as ticketable, and it did not correlate to any other alarm, a new ticket will be opened where the alarm that triggered the ticket will be the root cause of any alarms in the correlation tree.
-



CHAPTER 2

Fault Detection and Isolation

This chapter describes unreachable network elements and the sources of alarms on devices. In addition, it describes alarm integrity and the integrity service:

- [Unreachable Network Elements](#)—Describes how the various VNEs use reachability to check connectivity with the NEs.
- [Sources of Alarms On a Device](#)—Describes the four basic alarm sources that indicate problems in the network.
- [Alarm Integrity](#)—Describes what happens when a VNE with associated open alarms shuts down.
- [Integrity Service](#)—Describes the integrity service tests that run on the gateway and/or the units.

Unreachable Network Elements

Reachability used by the VNEs (checks the reachability between the VNEs and NEs) depends on the configuration of the VNE, and involves multiple connectivity tests, using SNMP, Telnet/SSH and/or ICMP, as appropriate.

The table describes the various situations below when a NE fails to respond to the protocols:

Table 2-1 *Unreachable Network Elements*

VNE Type	Checks reachability using	When the NE fails to respond	When the NE is reachable
ICMP VNE	ICMP only. During the ICMP test the unit pings the NE every configured interval.	ICMP ping is suspended, and a <i>VNE Unreachable</i> alarm is sent to the Cisco ANA Gateway. Only the reachability tests are executed thereafter to detect when the device is reachable again.	ICMP ping is restarted, and the alarm is cleared.

Table 2-1 Unreachable Network Elements (continued)

VNE Type	Checks reachability using	When the NE fails to respond	When the NE is reachable
Generic VNE	<ul style="list-style-type: none"> SNMP only (default). During the SNMP test the unit's "SNMP get" the sysoid of the NE and expects to receive a response or SNMP only (default), and adding an ICMP test. 	<p>General polling is suspended, and a <i>VNE Unreachable</i> alarm is sent to the Cisco ANA Gateway. Only the reachability tests are executed thereafter to detect when the device is reachable again.</p> <p>If more than one protocol is used, it is enough for one of them to become unreachable in order to generate the alarm. The alarm is generic to all the protocols.</p>	<ul style="list-style-type: none"> General polling is restarted. The first time the VNE is started, all the commands are submitted to the queue, and the collector initiates an immediate session with the NE. The commands are sent to the NE in a serial fashion. The alarm is cleared.
Full VNE	<ul style="list-style-type: none"> SNMP only (default). During the SNMP reachability test, the VNE polls the device's SysOID MIB using a standard "SNMP Get" command, and expects to receive a response or SNMP only (default), and adding ICMP and Telnet. During the Telnet test the unit sends "Enter" via the open session and expects to get a prompt back. 	<p>General polling is suspended, and a <i>VNE Unreachable</i> alarm is sent to the Cisco ANA Gateway. Only the reachability tests are executed thereafter to detect when the device is reachable again.</p> <p>If more than one protocol is used, it is enough for one of them to become unreachable in order to generate the alarm. The alarm is generic to all the protocols.</p>	<ul style="list-style-type: none"> The first time the VNE is started, all the commands are submitted to the queue and the collector initiates an immediate session with the NE. The commands are sent to the NE in a serial fashion. The alarm is cleared.

Each of these scenarios have two possible settings in the registry, namely:

- track reachability (true/false). The default is true.

When this parameter is true reachability is tracked according to the specific protocol, for example, ICMP, SNMP, Telnet, and so on.

When this parameter is false then the test is not performed.

- lazy reachability (true/false). The default is false. This parameter determines whether there is a dedicated reachability command 'in-charge' of tracking reachability or whether reachability is determined by the regular polled commands.

When this parameter is true reachability is based on polling, and a dedicated command not activated.

When this parameter is false a dedicated SNMP command is activated, and this test verifies the response from a specific SNMP oid (sysoid is the default that can be changed).

**Note**

Changes to the registry should only be carried out with the support of Cisco Professional Services.

Sources of Alarms On a Device

The following basic sources of alarms exist in the system which indicate a problem in the network:

- **Service Alarms**—Alarms generated by the VNE as a result of polling (for example SNMP, Telnet). Usually such alarms (for example link down, card out, device unreachable and so on) are configured in such a way that they can become root cause alarms, according to the correlation algorithms. Service alarms can also be generated by the gateway, for example, the vpn leak alarm.
- **SNMP Traps**—Traps sent by the network elements and captured by the Cisco ANA platform. The platform supports SNMP v1, v2 and v3 traps. The traps are then forwarded to the specific VNEs for further processing and correlation logic. In addition, reliable traps (inform commands) are supported, when configured in the registry, where the VNE acknowledges that a trap was received.
- **Syslogs**—Syslog messages sent by the network elements and captured by the Cisco ANA platform. The Syslogs are then forwarded to the specific VNEs for further processing and correlation logic.
- **TCA**—Cisco ANA can be used to set a TCA for soft properties. The TCA can be enabled to assign a condition to the property which will trigger an alarm when violated. The alarm conditions could be:
 - Equal or not equal to a target value.
 - Exceeding a defined value range (defined by maximum and minimum thresholds, including hysteresis), for example CPU level of a device.
 - Exceeding a defined rate (calculated across time), for example bandwidth or utilization rate of a link.
- **System Alarms**—Alarms generated by the gateway and/or the units, for example, disk full, database full, unit unreachable and so on. For more information see [Integrity Service](#).

For information about TCAs see the Cisco Active Network Abstraction Customization User Guide.

Alarm Integrity

When the VNE shuts down while it still has open alarms associated with it, “fixing” events which occur during the down period will be consolidated when the VNE is reloaded.

Integrity Service

The integrity service is an internal service that runs on the gateway and/or the units, which is responsible for the stability of the system by running integrity tests in order to maintain the database and eliminate clutter in the system. In order to prevent the session from stopping, the integrity service tests are run on a different thread in a separate directory called *integrity*.

The service integrity tests are run:

- **Manually**—The integrity service tests are accessed as part of the Cisco ANA Shell management services, and they can be accessed by telnetting the gateway.

To run a test, the user should cd to the integrity dir, and then enter `executeTest` followed by the test name. The user can pass parameters to the tests using Cisco ANA Shell.
- **Automatically**—The integrity service tests are scheduled as crontab commands, to run specific tests at specific intervals. By default the integrity service tests run automatically every 12 hours.

For example, this line in crontab runs the file `every_12_hours.cmd` at 11:00AM and 11:00PM:

```
0 11,23 * * * local/cron/every_12_hours.cmd > /dev/null 2>&1
```

The integrity service tests can be defined inside the `cmd` file, for example:

```
echo "`date '+%d/%m/%y %H:%M:%S -'` running integrity.executeTest alarm"
cd ~/Main ; ./mc.csh localhost 8011 integrity.executeTest alarm >& /dev/null
```

The first line prompts the user when a test starts to run, the next line runs the test.

The integrity service test parameters are defined in the registry. The registry entries responsible for the integrity service can be found at:

```
mmvm/agents/integrity
```



Note

Changes to the registry should only be carried out with the support of Cisco Professional Services.

The integrity service tests include, for example, the following:

- Alarm—Deletes *cleared* alarms if the alarm count is above the defined threshold.
- businessObject—Checks for invalid OIDs in business objects.
- Capacity—Checks the disk space capacity.
- archiveLogs—Deletes Oracle logs.
- tablespace—Checks that there is enough disk space for tablespace growth.
- workflowEngine—Deletes all complete workflows that started before a configured period of time.



CHAPTER 3

Cisco ANA Event Correlation and Suppression

This chapter describes how Cisco ANA performs correlation logic decisions:

- [Event Suppression](#)—Describes enabling or disabling port-down, port-up, link-down and link-up alarms on a selected port.
- [Root-Cause Correlation Process](#)—Describes the root-cause correlation concept.
- [Root-Cause Alarms](#)—Describes the root-cause alarm and weights concepts.
- [Correlation Flows](#)—Describes correlation by flow and correlation by key. In addition, it describes the DC model correlation cache.

Event Suppression

The user can enable or disable the port-down, port-up, link-down, and link-up alarms on a selected port. By default, alarms are enabled on all ports except for xDSL. When the alarms are disabled on a port, no alarms will be generated for the port, and they will not be displayed in the ticket pane. Using the Registry Editor advanced tool, it is possible to enable or disable service alarms on network entities other than ports, such as the MPBGP (for enabling or disabling BGP neighbor down events), or the MPLS TE Tunnel (for TE-Tunnel down service alarm). It is also possible to enable or disable alarm specific types without regard to a specific network entity.

By default, port-down alarms are suppressed on xDSL ports. Cisco ANA supports selectively enabling sending of port-down alarms on xDSL ports. This can be done by:

- Using a command available in the GUI, right-click on the port in the inventory, select **Enable Sending Alarms**.
- or
- Setting a flag in the registry under the OID of the port. Changes to the registry should only be carried out with the support of Cisco Professional Services.

Refer to the *Cisco Active Network Abstraction NetworkVision User Guide* for information about disabling or enabling a port alarm.

Events can also be filtered according to their DC type source, for example, all the events that come from any ATM DC can be filtered by configuring the registry. The following alarm under DC types is filtered by default:

- VRF—duplicate ip on vpn

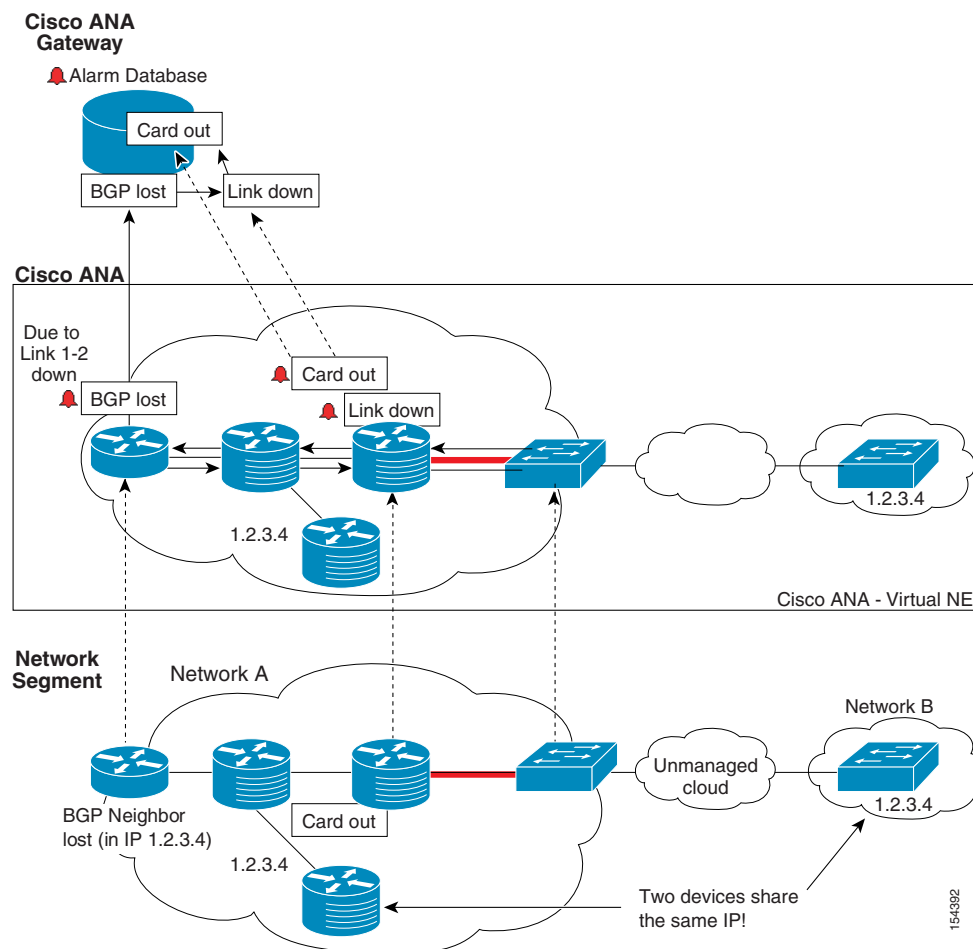
Root-Cause Correlation Process

Root-cause correlation is implemented in various stages within the Cisco ANA VNEs. Initially, the system tries to find the root-cause alarm. When a VNE detects a fault and opens an alarm, it attempts to find another open alarm within the same device, which qualifies as the root-cause of the new alarm. For example, in the case of a “link-down syslog” alarm, the VNE will look for a root-cause alarm within the device, for example, “link down”. When such a root cause is found and qualified, the correlation relationship is set in the alarm database. This process is correlation by key.

A more complex scenario is finding the root cause in a different device, which could be many network hops away. In the above example, the link-down alarm could cause multiple BGP Neighbor Down events throughout the network. In such cases, the BGP Neighbor Down is configured by default to actively go and search for a root cause in other VNEs, by initiating correlation by flow. In this example, the VNE that detected the BGP Neighbor Down uses the network topology model maintained in the Cisco ANA fabric to trace the path to its lost neighbor. During this trace it will encounter the faulty link, and qualify it as the BGP Neighbor Down root cause.

The following figure illustrates the local and active correlation processes.

Figure 3-1 Root-Cause Correlation Process



The correlation mechanisms are highly configurable (per alarm), as described in the following sections.

Root-Cause Alarms

Potential root-cause alarms have a determined weight according to the specific event customization. Refer to [Chapter 6, “Event and Alarm Configuration Parameters”](#) for additional information about setting the weights. For example, a link-down alarm is configured to allow other alarms to correlate to it, thus when a link-down event is recognized, other alarms that occur in the network may choose to correlate to it, hence identifying it as the cause for their occurrence. However an event that is configured to be the cause for other alarms can in its turn correlate to another alarm. The topmost alarm in the correlation tree is the root cause for all the alarms.

Correlation Flows

The VNEs utilize their internal device component model (DCM) in order to perform the actual correlation. This action is considered to be a correlation flow. There are two basic correlation mechanisms used by the VNE:

1. [Correlation by Key](#) (correlation in the same VNE).
2. [Correlation by Flow](#) (correlation across VNEs or in the same VNE).

Each event can be configured to:

- Not correlate at all.
- Perform correlation by key.
- Perform correlation by flow.

For more information about these parameters, see [Chapter 6, “Event and Alarm Configuration Parameters”](#).

In addition, the DC model cache enables the system to issue correlation flows over an historical network snapshot that existed in the network before a failure occurred. For more information see [DC Model Correlation Cache](#).

Correlation by Key

When the root cause problem is at the box level, attempts to correlate to other events are restricted to the specific VNE. This means that the correlation flow does not cross the DCM models of more than one VNE. An example is a port-down syslog event correlating to a port-down event.

An exception for this behavior is the link-down alarm. Since a link entity connects two endpoints in the DCM model, it involves the DCM of two different VNEs, but on each VNE the events are correlated to their own copy of the link-down event.

Correlation by Flow

Network problems and their effects are not always restricted to one network element. This means that a certain event could have the capability of correlating to an alarm several hops away. To do this the correlation mechanism within the VNE uses an active correlation flow that runs on the internal VNE's DCM model and tries to correlate along a specified network path to an alarm. This is similar to the Cisco ANA PathTracer operation when it traces a path on the DCM model from point A to point Z, except that it is trying to correlate to a root-cause alarm along the way, rather than just tracing a path.

This method is usually applicable for problems in the network layer and above (OSI network model) that might be caused due to a problem upstream or downstream. An example is an OSPF Neighbor Down event caused by a link-down problem in an upstream router. Another important distinction between Cisco ANA PathTracer and the correlation flow is that the correlation flow may run on an historical snapshot of the network.

DC Model Correlation Cache

The DC model correlation cache represents the network as it was before an event occurred or during a specific time frame by enabling the DC cache to be stored.

A flow of packets occurs on the virtual network, as part of correlation of all DCs, from one VNE to a destination VNE while simulating the virtual network state of a past moment in time, and these packets are forwarded via the message processing mechanism from one DC to another DC according to the rules of the flow. If there are active DCs, and if there is a change in the DC's property value or if a DC was removed, all the DC properties that are marked as cache-based will be stored in the DC model cache for a configurable period of time as defined in the registry and these property values can be restored.

The DC model cache implements this so that the VNE holds cache information for each flow related to a DC (for example, routing entries or bridge entries) and for forwarding tables, so when a VNE needs to reflect its DC model, as it was at some point of time in the past, the VNE will be able to do so based on the cached information it keeps. The DC Property mechanism stores the related data of each property (when cache management is enabled) for a configurable period of time. The default is 10 minutes. The cache can be enabled or disabled in the registry (by default it is enabled).

The cached data (the data that is old according to the configured value in the registry) is periodically cleaned up, in order to maintain the latest valid VNE cache information. This includes old property values and also previously removed DCs, so that removed DCs are kept in a cache only for the defined amount of time. The Cache Manager Component of the DA repeatedly (the period of time is defined in the registry) sends itself a cleanup message in order to initiate a cleanup of the old property values, and all of the DCs that were removed outside of the defined period. So after 10 minutes all the DC properties with a timeout are automatically cleared.

Using Weights

In cases where there are multiple potential root causes along the same service path, Cisco ANA enables the user to define a priority scheme (weight) which can determine the actual root cause.

The correlation system will use the following information to identify more precisely the root-cause alarm:

- weight: ≥ 0 The correlation flow will collect the alarm, but will not stop.

The correlation mechanism will choose the alarm with the highest weight as the root cause for the alarm that triggered the correlation by flow.

Correlating TCA

TCAs participate in the correlation mechanism, and can correlate or be correlated to other alarms.



CHAPTER 4

Advanced Correlation Scenarios

This chapter describes the specific alarms which use advanced correlation logic on top of the root cause analysis flow:

- [Device Unreachable Alarm](#)—Describes the device unreachable alarm, its correlation and provides various examples.
- [IP Interface Failure Scenarios](#)—Describes the ip interface status down alarm and its correlation. In addition, it describes the all ip interfaces down alarm, its correlation and provides several examples.
- [Multi Route Correlation](#)—Describes support for multi route scenarios and their correlation. In addition, it provides several examples.
- [Generic Routing Encapsulation \(GRE\) Tunnel Down/Up](#)—Provides an overview of GRE tunneling, describes the GRE tunnel alarm, and provides correlation examples.
- [BGP Process Down Alarm](#)—Describes the BGP process down alarm, and its correlation.
- [MPLS Interface Removed Alarm](#)—Describes the MPLS interface removed alarm, and its correlation.

Device Unreachable Alarm

Connectivity Test

Connectivity tests are used to verify connectivity between the VNEs and managed network elements. The connectivity is tested using each protocol the VNE uses to poll the device. The supported protocols for connectivity tests are SNMP, Telnet and ICMP.

A device unreachable alarm will be issued if one or more of the connectivity test fails, that is, the device does not respond on this protocol. The alarm will be cleared when all the protocol connectivity test are passed successfully.



Note

The ICMP connectivity test is enabled in Cisco ANA Manage.

Device Fault Identification

When a network element stops responding to queries from the management system, one of two things has happened:

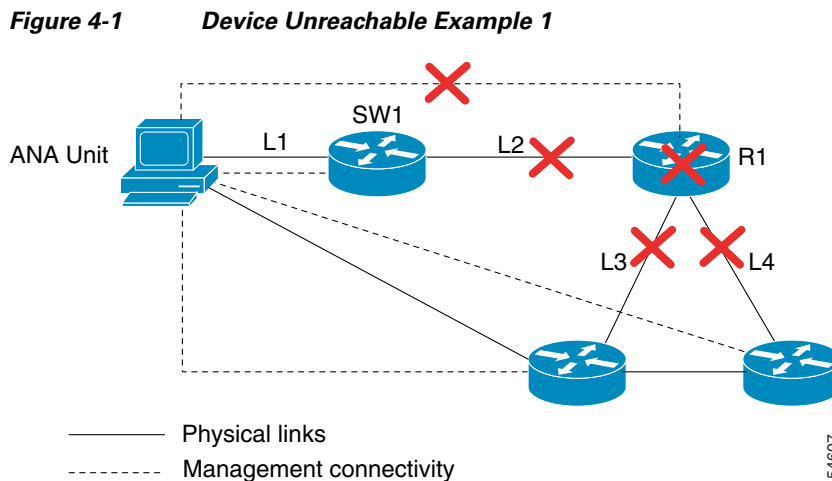
- Connectivity to that device is lost.
- The device itself crashes or restarts.

Cisco ANA implements an algorithm that uses additional data to heuristically resolve the ambiguity and declare the root cause correctly. Refer to the following examples:

- [Device Unreachable Example 1](#)
- [Device Unreachable Example 2](#)

Device Unreachable Example 1

In this example, the router (R1) goes down. As a result the links, L2, L3, and L4 go down in addition to the R1 session.



In this case the system will provide the following report:

- Root cause—Device Unreachable (R1)
- Correlated events:
 - L2 down
 - L3 down
 - L4 down

Device Unreachable Example 2

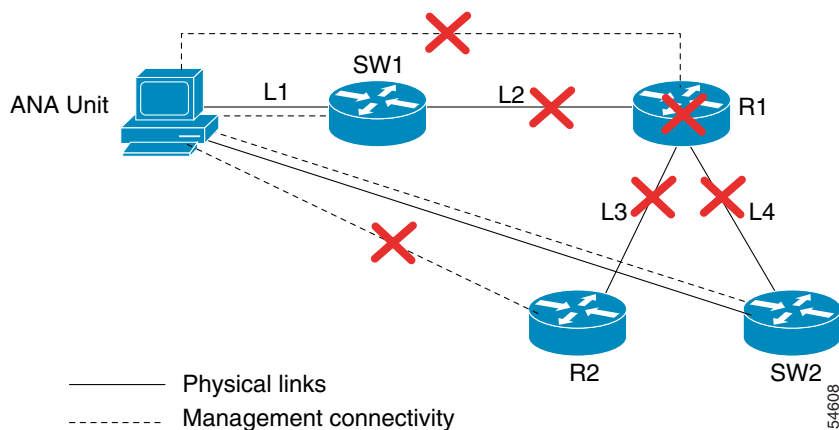
In this example, the router (R1) goes down. As a result the links, L2, L3, and L4 go down as well as the R1 session. The router R2, accessed by the link L3 is also unreachable.



Note

No link-down alarm is displayed for L3 as its state cannot be determined.

Figure 4-2 Device Unreachable Example 2

**Note**

If the device has a single link and it is being managed through that link (in-band management), there is no way to determine if the device is unreachable due to a link down, or the link is down because the device is unreachable. In this case, Cisco ANA shows that the device is unreachable due to link down.

In this case the system will provide the following report:

- Root cause—Device Unreachable (R1)
- Correlated events:
 - L2 down
 - Device Unreachable (R2)
 - L4 down

IP Interface Failure Scenarios

This section includes:

- [IP Interface Status Down Alarm](#)
- [All IP Interfaces Down Alarm](#)
- [IP Interface Failure Examples](#)

IP Interface Status Down Alarm

Alarms related to subinterfaces, for example, line-down trap, line-down syslog, and so on, are reported on IP interfaces configured above the relevant subinterface. This means that in the system, subinterfaces are represented by the IP interfaces configured above them. All events sourcing from subinterfaces without a configured IP are reported on the underlying Layer 1.

An “ip interface status down” alarm is generated when the status of the IP interfaces (whether it is over an interface or a subinterface) changes from up to down or any other non-operational state. All events sourced from the subinterfaces correlate to this alarm. In addition an “All ip interfaces down” alarm is generated when all the IP interfaces above a physical port change state to down.

Table 4-1 IP Interface Status Down Alarm

Name	Description	Ticketable	Correlation allowed	Correlated to	Severity
Interface status down/up	Sent when an IP interface changes oper status to “down”	Yes	Yes	Link Down/Device unreachable/Configuration changed	Major

The alarm’s description includes the full name of the IP interface, for example Serial0.2 (including the identifier for the subinterface if it is a subinterface) and the source of the alarm source points to the IP interface (and not to Layer1).

All syslogs and traps indicating changes in subinterfaces (above which an IP is configured) correlate to the “ip interface status down” alarm (if this alarm was supposed to be issued). The source of these events is the IP interface. Syslogs and traps that indicate problems in Layer1 (that do not have a subinterface qualifier in their description) are sourced to Layer1.

**Note**

In case a syslog or trap is received from a subinterface that does not have an IP configured above it, the source of the created alarm is the underlying Layer 1.

For example:

- Line-down trap (for subinterface).
- Line-down syslogs (for subinterface).

For events that occur on subinterfaces:

- When sending the information northbound, the system uses the full subinterface name in the interface name in the source field, as described in the ifDesc/ifName OID (for example Serial0/0.1 and not Serial0/0 DLCI 50).
- The source of the alarm is the IP interface configured above the subinterface.
- If there is no IP configured, the source is the underlying Layer 1.

In case the main interface goes down, all related subinterfaces’ traps and syslogs are correlated as child tickets to the main interface parent ticket.

The following technologies are supported:

- Frame Relay/HSSI
- ATM
- Ethernet, Fast Ethernet, Gigabit Ethernet
- POS
- CHOC

Correlation of Syslogs and Traps

When receiving a trap or syslog for the subinterface level, immediate polling of the status of the relevant IP interface occurs and a polled parent event (for example, ip interface status down) is created. The trap or syslog is correlated to this alarm.

Where there is a multipoint setup and only some circuits under an IP interface go down, and this does not cause the state of the IP interface to change to down, then no “ip interface status down” alarm is created. All the circuit down syslogs correlate by flow to the possible root cause, for example, Device unreachable on a customer edge (CE) device.

All IP Interfaces Down Alarm

- When all the IP interfaces configured above a physical interface change their state to down, the All ip interfaces down alarm is sent.
- When at least one of the IP interfaces changes its state to up, a clearing (active ip interfaces found) alarm is sent.
- The ip interface status down alarm for each of the failed IP interfaces is correlated to the All ip interfaces down alarm.



Note

When an All ip interfaces down alarm is cleared by the active ip interfaces down alarm but there are still correlated ip interface status down alarms for some IP interfaces, the severity of the parent ticket is the highest severity among all the correlated alarms. For example, if there is an uncleared interface status down alarm, the severity of the ticket remains major, despite the fact that the Active ip interfaces found alarm has a cleared severity.

Table 4-2 All IP Interfaces Down

Name	Description	Ticketable	Correlation allowed	Correlated to	Severity
All ip interfaces down/Active ip interfaces found	Sent when all the IP interfaces configured above a physical port change their oper status to down	Yes	Yes	Link Down/Configuration Change	Major

The All ip interfaces down alarm is sourced to the Layer1 component. All alarms from “the other side”, for example, device unreachable correlate to the All ip interfaces down alarm.

IP Interface Failure Examples



Note

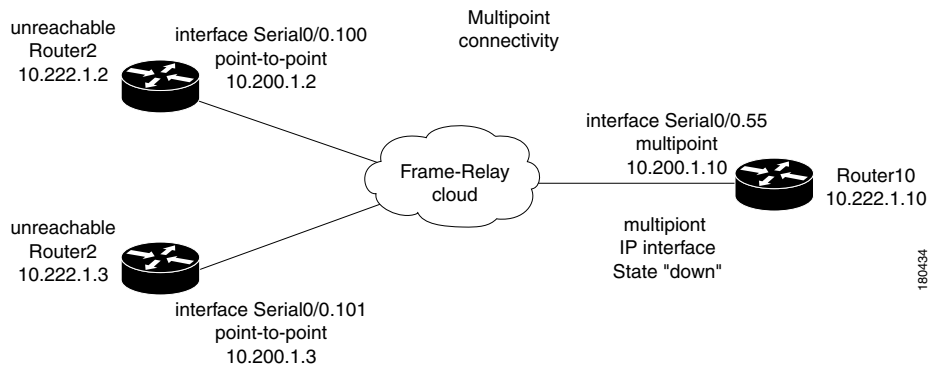
In all the examples that follow it is assumed that the problems that result in the unmanaged cloud, or the problems that occurred on the other side of the cloud (for example, an unreachable CE device from a provider edge (PE) device) cause the relevant IP interfaces’ state to change to down. This in turn causes the ip interface status down alarm to be sent.

If this is not the case, as in some Ethernet networks, and there is no change to the state of the IP interface, all the events on the subinterfaces that are capable of correlation flow will try to correlate to other possible root causes, including “cloud problem”.

Interface Example 1

In this example there is multipoint connectivity between a PE and number of CEs through an unmanaged Frame Relay network. All the CEs (Router2 and Router3) have logical connectivity to the PE through a multipoint subinterface on the PE (Router10). The keep alive option is enabled for all circuits. A link is disconnected inside the unmanaged network that causes all the CEs to become unreachable.

Figure 4-3 Interface Example 1



The following failures are identified in the network:

- A device unreachable alarm is generated for each CE.
- An ip interface status down alarm is generated for the multipoint IP interface on the PE.

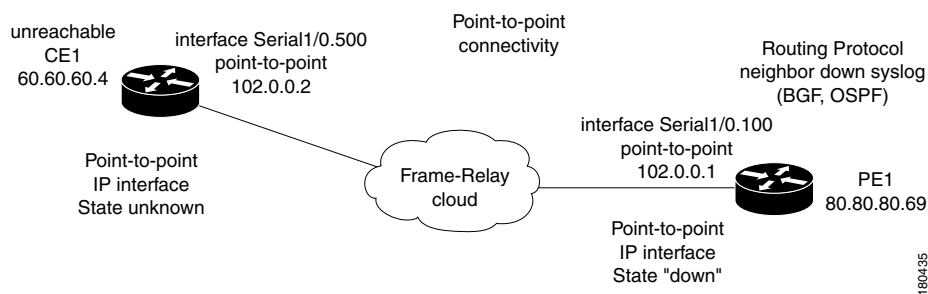
The following correlation information is provided:

- The root cause is IP subinterface down.
- All the device unreachable alarms are correlated to the ip interface status down alarm on the PE.

Interface Example 2

In this example there is point-to-point connectivity between a PE and a CE through an unmanaged Frame Relay network. CE1 became unreachable, and the status of the IP interface on the other side (on the PE1) changed state to down. The “keep alive” option is enabled. The interface is shut down between the unmanaged network and CE1.

Figure 4-4 Interface Example 2



The following failures are identified in the network:

- A device unreachable alarm is generated on the CE.

- An ip interface status down alarm is generated on the PE.

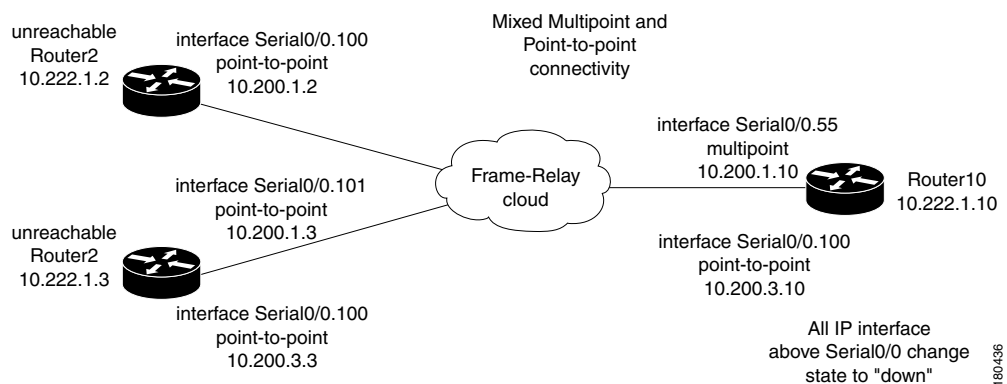
The following correlation information is provided:

- The root cause is device unreachable:
 - The ip interface status down alarm is correlated to the device unreachable alarm.
 - The syslogs and traps for the related subinterfaces are correlated to the ip interface status down alarm.

Interface Example 3

In this example there is a failure of multiple IP interfaces above the same physical port (mixed point-to-point and multipoint Frame Relay connectivity). CE1 (Router2) has a point-to-point connection to PE1 (Router10). CE1 and CE2 (Router3) have multipoint connections to PE1. The IP interfaces on PE1 that are connected to CE1, and CE2 are all configured above Serial0/0. The “keep alive” option is enabled. A link is disconnected inside the unmanaged network that has caused all the CEs to become unreachable.

Figure 4-5 Interface Example 3



The following failures are identified in the network:

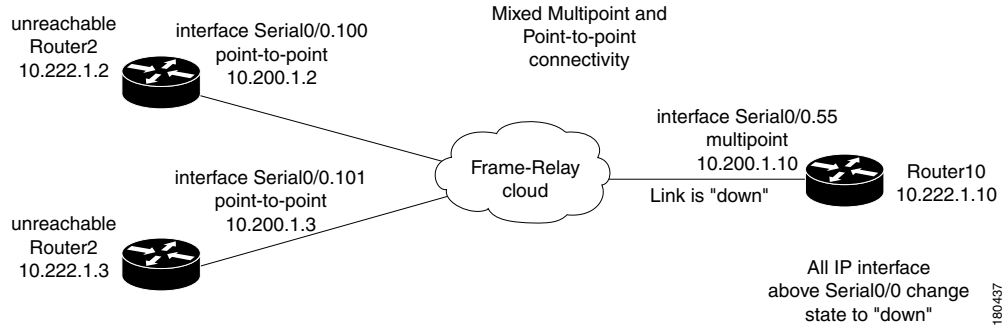
- All the CEs become unreachable.
- An ip interface status down alarm is generated for each IP interface above Serial0/0 that has failed.

The following correlation information is provided:

- The root cause is All IP interfaces down on Serial0/0 port:
 - The ip interface status down alarms are correlated to the All IP interfaces down alarm.
 - The device unreachable alarms are correlated to the All IP interfaces down alarm.
 - The syslogs and traps for the related subinterfaces are correlated to the All IP interfaces down alarm.

Interface Example 4

In this example there is a link down. In a situation where a link down occurs, whether it involves a cloud or not, the link failure is considered to be the most probable root cause for any other failures. In this example, a link is disconnected between the unmanaged network and the PE.

Figure 4-6 Interface Example 4

The following failures are identified in the network:

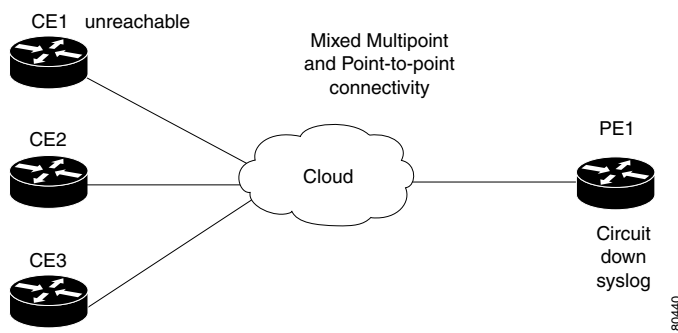
- A link-down alarm is generated on Serial0/0.
- A device unreachable alarm is generated for each CE.
- An ip interface status down alarm is generated for each IP interface above Serial0/0.
- An All interfaces down alarm is generated on Serial0/0.

The following correlation information is provided:

- The device unreachable alarms are correlated to the link-down alarm
- The ip interface status down alarm is correlated to the link-down alarm
- The All interfaces down alarm is correlated to the link-down alarm
- All the traps and syslogs for the subinterfaces are correlated to the link-down alarm

Interface Example 5

In this example on the PE1 device that has multipoint connectivity, one of the circuits under the IP interface has gone down and the CE1 device which is connected to it has become unreachable. The status of the IP interface has not changed and other circuits are still operational.

Figure 4-7 General Interface Example

The following failures are identified in the network:

- A device unreachable alarm is generated on CE1.
- A Syslog alarm is generated notifying the user about a circuit down.

The following correlation information is provided:

- device unreachable on the CE:
 - The Syslog alarm is correlated by flow to the possible root cause, for example, a device unreachable alarm on CE1

ATM Examples

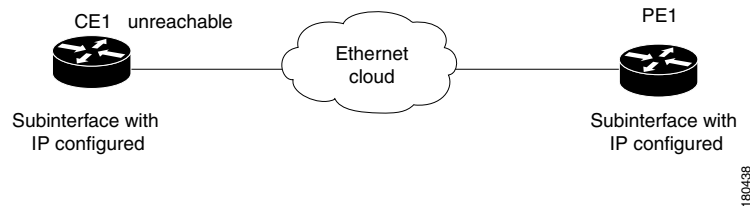
Similar examples involving ATM technology have the same result, assuming that a failure in an unmanaged network causes the status of the IP interface to change to down (ILMI is enabled).

Ethernet, Fast Ethernet, Giga Ethernet Examples

Interface Example 6

In this example there is an unreachable CE due to a failure in the unmanaged network.

Figure 4-8 Interface Example 6



The following failures are identified in the network:

- A device unreachable alarm is generated on the CE.
- A cloud problem alarm is generated.

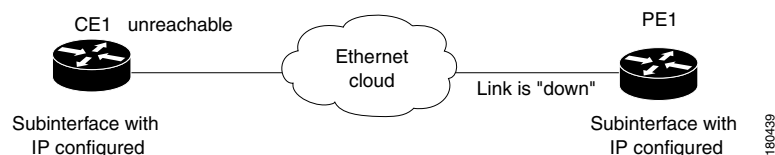
The following correlation information is provided:

- No alarms are generated on a PE for Layer1, Layer2 or for the IP layers.
- The device unreachable alarm is correlated to the cloud problem alarm.

Interface Example 7

In this example there is a link down on the PE that results in the CE becoming unreachable.

Figure 4-9 Interface Example 7



The following failures are identified in the network:

- A link-down alarm is generated on the PE.
- An ip interface status down alarm is generated on the PE.
- A device unreachable alarm is generated on the CE.

The following correlation information is provided:

- Link down on the PE:
 - The ip interface status down alarm on the PE is correlated to the link-down alarm.
 - The device unreachable alarm on the CE is correlated to the link-down alarm on the PE.
 - The traps and syslogs for the subinterface are correlated to the link down alarm on the PE

Interface Registry Parameters

ip interface status down Parameters

The following ip interface status down parameters can be controlled through the registry:

- is-correlation-allowed
- severity
- timeout
- time-stamp-delay
- weight
- is-ticketable



Note

For more information about these parameters see [Chapter 6, “Event and Alarm Configuration Parameters”](#).

All ip interfaces down Parameters

The following All ip interfaces down parameters can be controlled through the registry:

- is-correlation-allowed
- is-ticketable
- severity
- activate-flow
- correlate
- timeout
- weight



Note

For more information about these parameters, see [Chapter 6, “Event and Alarm Configuration Parameters”](#).

Multi Route Correlation

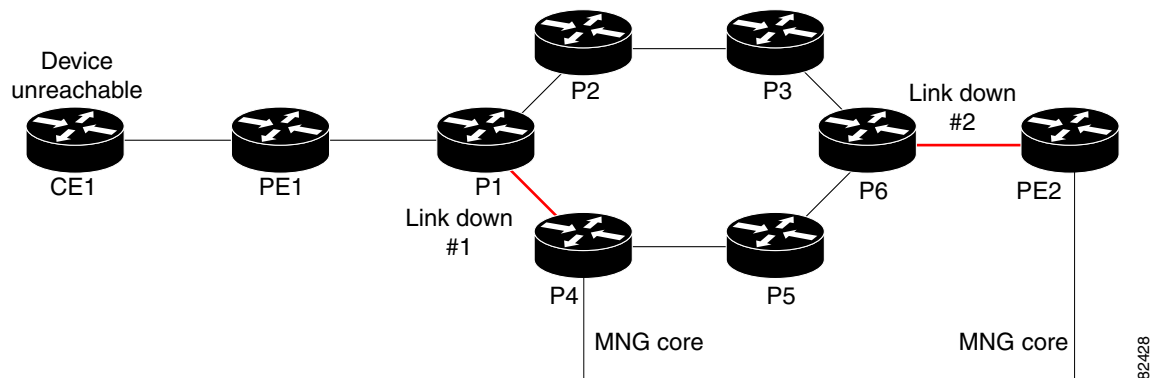
The correlation mechanism supports multi route scenarios, thereby eliminating false correlation, and guaranteeing that the correct root cause alarm is reported.

The correlation mechanism ensures that if multi-route segments exist then all the alarms found on a certain path (after eliminating invalid paths) are collected into an alarm set. These alarm sets are input into a multi route filtering algorithm which eliminates irrelevant alarms from these sets, and outputs the potentially root cause alarms. The root-cause alarm is determined from this group.

Multi Route Correlation Example 1

In this example, a link went down in the multi route segment between P1 and P4, and another link went down in the single route segment between P6 and PE2. As a result, CE1 lost connectivity to its management port, and became unreachable.

Figure 4-10 Multi Route Correlation Example 1



In this case the system will provide the following report:

- Root cause—Device Unreachable. *Link Down #2* is identified as the root-cause for Device Unreachable (CE1).



Note

Link Down #1 is not the root-cause of the alarm because after it occurs there is still an alternative route from CE1 to its management port.

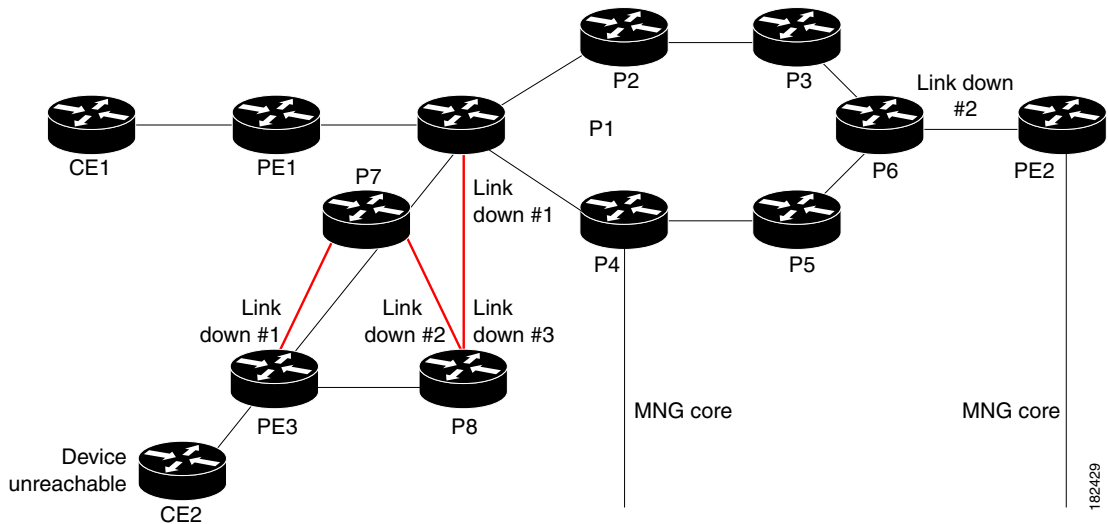
Multi Route Correlation Example 2

In this example, there are traffic engineering routes (RSVP) from router CE2, so that CE2 can reach P1 through only three possible paths, namely:

- CE2->PE3->P7->P8->P1
- CE2->PE3->P8->P1
- CE2->PE3->P7->P1

Several links went down, and as a result, router CE2 became unreachable.

Figure 4-11 Multi Route Correlation Example 2



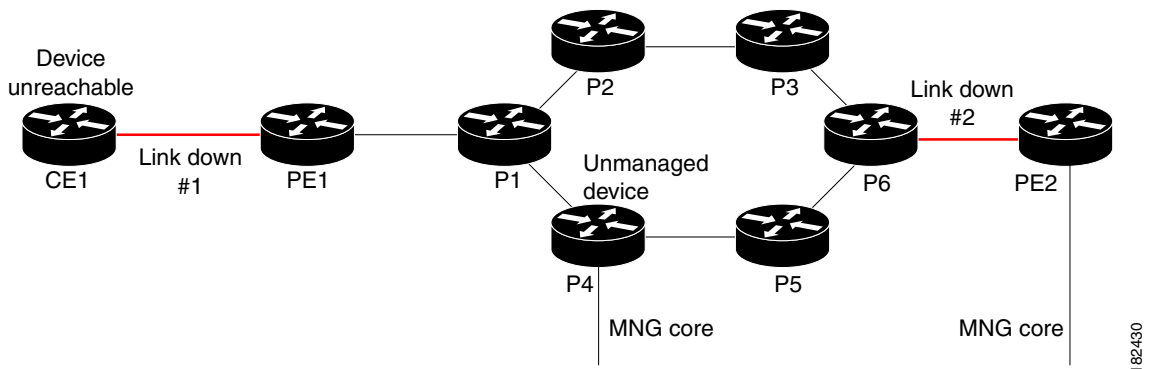
In this case the system will provide the following report:

- Root cause—Device Unreachable. *Link Down #1*, *Link Down #2* or *Link Down #3* is identified as the root cause for Device Unreachable (CE2), depending on which one occurred closest in time to the Device Unreachable event.

Multi Route Correlation Example 3

In this example, two paths exist from CE1 to PE2. Several links went down and as a result router CE1 became unreachable. In addition, router P4 is an unmanaged device.

Figure 4-12 Multi Route Correlation Example 3



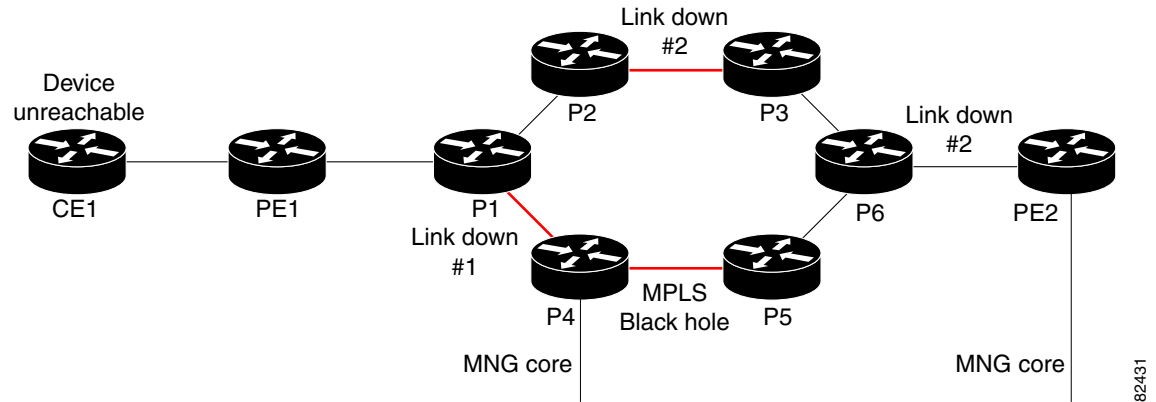
In this case the system will provide the following report:

- Root cause—Device Unreachable. *Link Down #1* or *Link Down #2* is identified as the root cause for Device Unreachable (CE1), depending on which one occurred closest in time to the Device Unreachable event.

Multi Route Correlation Example 4

In this example, two paths exist from CE1 to PE2. Several links went down, and there is a MPLS black hole in the multi route segment. As a result, router CE1 became unreachable.

Figure 4-13 Multi Route Correlation Example 4



In this case, the system will provide the following report:

- Root cause—Device Unreachable. *Link Down #2* is identified as the root cause for Device Unreachable (CE1).

Generic Routing Encapsulation (GRE) Tunnel Down/Up

Generic Routing Encapsulation (GRE) is a tunneling protocol that encapsulates a variety of network layer packets inside IP tunneling packets, creating a virtual point-to-point link to devices at remote points over an IP network. It is used on the Internet to secure virtual private networks (VPNs). GRE encapsulates the entire original packet with a standard IP header and GRE header before the IPsec process. GRE can carry multicast and broadcast traffic, making it possible to configure a routing protocol for virtual GRE tunnels. The routing protocol detects loss of connectivity and reroutes packets to the backup GRE tunnel, thus providing high resiliency.

GRE is stateless, which means that the tunnel endpoints do not monitor the state or availability of other tunnel endpoints. This feature helps service providers support IP tunnels for clients, who don't know the service provider's internal tunneling architecture. It gives clients the flexibility of reconfiguring their IP architectures without worrying about connectivity.

GRE Tunnel Down/Up Alarm

When a GRE tunnel link exists, if the status of the IP interface of the GRE tunnel edge changes to down, a GRE Tunnel Down alarm is created. The IP Interface Down alarms of both sides of the link will correlate to the GRE Tunnel Down alarm. The GRE Tunnel Down alarm will initiate an IP based flow toward the GRE destination. If an alarm is found during the flow, it will correlate to it.

**Note**

The GRE Tunnel Alarm Down is supported only on GRE tunnels that are configured with keepalive. When keepalive is configured on the GRE tunnel edge, if a failure occurs in the GRE tunnel link, both IP interfaces of the GRE tunnel will be in Down state. If keepalive is not configured on the GRE tunnel edge, since the alarm is generated arbitrarily from one of the tunnel devices when the IP Interface changes to the Down state, the GRE Tunnel Down alarm might not be generated.

When a failure occurs, the GRE tunnel link is marked orange. When the IP interface comes back up, a fixing alarm is sent, and the link is marked green. The GRE Tunnel Down alarm is cleared by a corresponding GRE Tunnel Up alarm. It will also be cleared when the GRE link is discovered again.

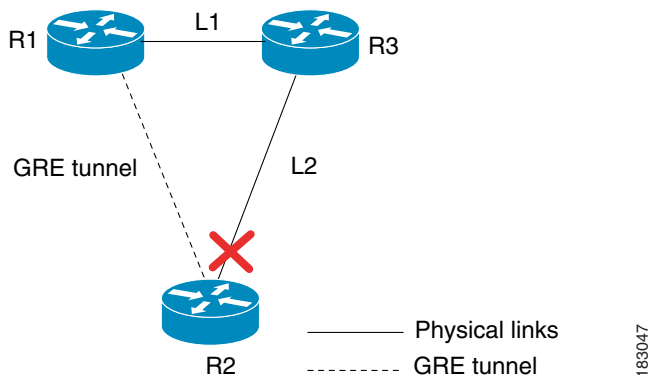
GRE Tunnel Down Correlation Example 1

The following provides an example of a GRE Tunnel Down correlation for a single GRE tunnel.

In this example:

- Router 1 (R1) is connected to Router 3 (R3) through a physical link L1.
- Router 3 is connected to Router 2 through a physical link L2.
- Router 1 is connected to Router 2 through a GRE tunnel.

Figure 4-14 GRE Tunnel Down Example 1 (Single GRE Tunnel)



When a Link Down occurs on L2, a Link Down alarm appears. A GRE Tunnel Down alarm is issued as the IP interfaces of the tunnel edge devices go down. The IP Interface Status Down alarms will correlate to the GRE Tunnel Down alarm. The GRE tunnel down will correlate to the Link Down alarm.

The system provides the following report:

- Root cause—Link down: L2 Router 2 <-> Router 3
- Correlated events:
 - GRE tunnel down Router1:tunnel <-> Router 2:tunnel
 - IP interface down Router 1:tunnel
 - IP interface down Router 2:tunnel

GRE Tunnel Down Correlation Example 2

This example provides a real world scenario, whereby multiple GRE tunnels cross through a physical link. When this link is shut down by an administrator, many alarms are generated. All the alarms are correlated to the root cause ticket "Link down due to admin down", as illustrated in [Figure 4-15](#).

Figure 4-15 GRE Tunnel Down Example 2 (Multiple GRE Tunnels)

The screenshot displays the Cisco ANA NetworkVision interface. The top window shows a network diagram with a central 'Cloud' node connected to two edge nodes, 'ME-6524A (40M)' and 'ME-6524B (40M)'. Below the diagram is a table of tickets correlated to the root cause 'Link down due to admin down'.

Sever...	Ticket ID	Short Description	Location	Last Modification Time	Time	Acknowledged	Affected D...
	1095	Link down due to admin down	ME-6524A#1:GigabitEthernet1/...	16/05/07 - 18:43:32	16/05/07 - 18:39:27	false	2

At the bottom of the interface, there is a status bar showing 'Memory: 6%' and 'Connected'. A vertical label '183392' is visible on the right side of the screenshot.

Figure 4-16 shows the Correlation tab of the Ticket Properties dialog box, which displays all the alarms that are correlated to the ticket, including the correlation for each GRE tunnel and its interface status.

Figure 4-16 Alarms Correlation to GRE Tunnel Down Ticket

ID	Short Description	Location	Time	Last Modification Time
1095	Link down due to admin down	ME-6524A#1:GigabitEthernet1/...	16/05/07 - 18:39:27	16/05/07 - 18:39:27
1101	Interface status down	ME-6524A IP:GigabitEthernet1/25	16/05/07 - 18:39:52	16/05/07 - 18:39:52
1144	Interface status down	ME-6524B IP:GigabitEthernet1/25	16/05/07 - 18:41:25	16/05/07 - 18:41:25
1145	GRE tunnel down	ME-6524A GRE:Tunnel2<->ME-...	16/05/07 - 18:41:25	16/05/07 - 18:41:25
1131	Interface status down	ME-6524A IP:Tunnel2	16/05/07 - 18:39:52	16/05/07 - 18:39:52
1190	Interface status down	ME-6524B IP:Tunnel2	16/05/07 - 18:41:25	16/05/07 - 18:41:25
1146	GRE tunnel down	ME-6524A GRE:Tunnel3<->ME-...	16/05/07 - 18:41:25	16/05/07 - 18:41:25
1110	Interface status down	ME-6524A IP:Tunnel3	16/05/07 - 18:39:52	16/05/07 - 18:39:52
1208	Interface status down	ME-6524B IP:Tunnel3	16/05/07 - 18:41:25	16/05/07 - 18:41:25
1152	GRE tunnel down	ME-6524A GRE:Tunnel9<->ME-...	16/05/07 - 18:41:25	16/05/07 - 18:41:25
1103	Interface status down	ME-6524A IP:Tunnel9	16/05/07 - 18:39:52	16/05/07 - 18:39:52
1184	Interface status down	ME-6524B IP:Tunnel9	16/05/07 - 18:41:25	16/05/07 - 18:41:25
1149	GRE tunnel down	ME-6524A GRE:Tunnel6<->ME-...	16/05/07 - 18:41:25	16/05/07 - 18:41:25
1106	Interface status down	ME-6524A IP:Tunnel6	16/05/07 - 18:39:52	16/05/07 - 18:39:52
1218	Interface status down	ME-6524B IP:Tunnel6	16/05/07 - 18:41:25	16/05/07 - 18:41:25
1150	GRE tunnel down	ME-6524A GRE:Tunnel7<->ME-...	16/05/07 - 18:41:25	16/05/07 - 18:41:25
1113	Interface status down	ME-6524A IP:Tunnel7	16/05/07 - 18:39:52	16/05/07 - 18:39:52

As illustrated, the system provides the following report:

- Root cause—Link down due to admin down
 - Correlated events:
 - GRE tunnel down ME-6524AGRE:Tunnel2 <-> ME-6524B GRE:Tunnel2
 - Interface status down ME-6524A IP:Tunnel2
 - Interface status down ME-6524B IP:Tunnel2
 - GRE tunnel down ME-6524AGRE:Tunnel3 <-> ME-6524B GRE:Tunnel3
 - Interface status down ME-6524A IP:Tunnel3
 - Interface status down ME-6524B IP:Tunnel3
- etc.

BGP Process Down Alarm

The BGP process down alarm is issued when the BGP process is shut down on a device. If a BGP process is shutdown on a device, the BGP neighbor down events will correlate to it as well as all the device unreachable alarms from the CE devices that lost connectivity to the VRF due to the BGP process down on the route reflector. The syslogs that the device issues expedite the status check of the BGP process and BGP neighbors.

MPLS Interface Removed Alarm

The MPLS interface removed alarm is issued when a MPLS IP interface is removed and there is no MPLS TE tunnel on the same interface. In addition, this may lead to two black holes on either side and MPLS black hole found alarms may be issued. The black holes will send a flood message to the PEs and check for any broken LSPs, and broken LSP discovered alarms may be issued. The MPLS black hole found and broken LSP discovered alarms are correlated to the MPLS interface removed alarm. The syslogs that the device issues expedite the status check of the label switching table and MPLS status.



CHAPTER 5

Correlation Over Unmanaged Segments

This chapter describes how Cisco ANA performs correlation decisions over unmanaged segments, namely, clouds.

- **Cloud VNE**—Describes managing more than one network segment that interconnects with others, over another network segment which is not managed.
- **Cloud Problem Alarm**—Describes the cloud problem alarm, its correlation, and provides an example.

Cloud VNE

In some scenarios Cisco ANA is required to manage more than one network segment that interconnects with others over another network segment which is not managed. In such setups, faults on one device might be correlated to faults on another device that is located on the other side of the unmanaged segment of the network, or to unknown problems in the unmanaged segment itself.

A virtual cloud is used for representing unmanaged network segments. It represents the unmanaged segment of the network as a single device that the two managed segments of the network are connected to, and has that device simulate the workings of the unmanaged segment.

Virtual clouds support specific network setups. The types of unmanaged networks that are supported are:

- Frame Relay
- ATM
- Ethernet

Types of Unmanaged Networks Supported

This section describes the types of unmanaged networks that are supported when a VNE simulates an unmanaged segment of a network.



Note

The unmanaged segments referred to in this section must be pure switches, no routing can be involved with the segment.

Table 5-1 Cloud Types Supported

Technology Type	Supported When...	Logical Inventory	Physical Inventory
ATM	An ATM cloud (representing unmanaged network segments) comprised of ATM switches is connected to routers (managed segments) with ATM interfaces. The ATM interface or sub-interface in the router is IP over an ATM VC encapsulation interface with a VC (VPI or VCI) or VP (VPI) configuration.	The IP interface connected to a routing entity or VRF component, for the ATM interface or sub-interface.	The ATM port connected to the VC encapsulation, for the ATM interface or sub-interface.
Frame Relay	A Frame Relay cloud (representing unmanaged network segments) comprised of Frame Relay switches is connected to routers (managed segments) with Frame Relay interfaces. The Frame Relay interface or sub-interface in the router is IP over a Frame Relay VC encapsulation interface with a DLCI configuration.	The IP interface connected to a routing entity or VRF component, for the Frame Relay interface or sub-interface.	The Frame Relay port connected to the VC encapsulation, for the Frame Relay interface or sub-interface.
Ethernet	A Ethernet LAN cloud (representing unmanaged network segments) comprised of Ethernet LAN switches is connected to routers (managed segments) with Ethernet interfaces. The ethernet interface or sub-interface in the router can be either native or VLAN interfaces.	The IP interface connected to a routing entity or bridges, for the ethernet interface or sub-interface.	The ethernet port connected to the VLAN encapsulation, for the ethernet interface or sub-interface.

Fault Correlation Across the Frame Relay or ATM or Ethernet Cloud

When a Layer 3 or Layer 2 event (for example, reachability problem, neighbor change, Frame Relay DLCI down, ATM PVC down) occurs, it triggers a flow along the physical and logical path modeled on the VNEs. This is done in order to correlate to the actual root cause of this fault. If the flow passes over a cloud along the path flow, it marks it as a potential root cause for the fault. If there is no other root cause found on the managed devices, then the cloud becomes the root cause. A ticket is then issued and the original event correlates to it.

Cloud Problem Alarm

For some events, when there is no root cause found, a special cloud problem alarm is created. These events are then correlated to the alarm. The cloud problem alarm has a major severity, and is automatically cleared after a delay.



Note

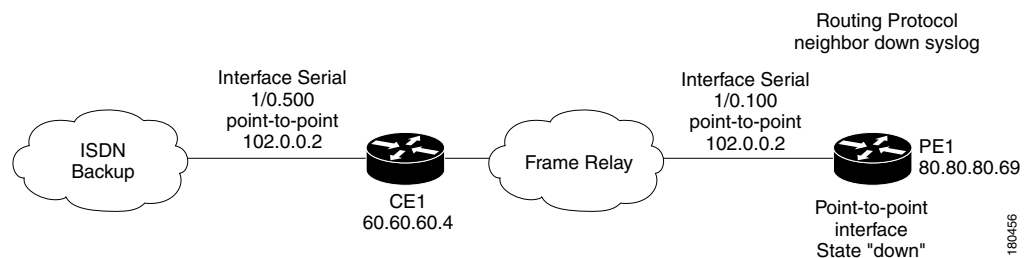
When required a correlation filter, filters the cloud problem. This enables or disables the ability of an alarm to create a cloud problem alarm, and to correlate to it. The default value is false for all alarms in the system, meaning that an alarm does not correlate to the cloud problem alarm by default. However, there are several alarms that override the default configuration and are set to true, as follows:

BGP neighbor down syslog
 OSPF neighbor loss syslog
 EIGRP router query to neighbors timeouted syslog
 ipx 3 bad igrp sap syslog

Cloud Correlation Example

In this example, two devices that have OSPF configured are connected through a cloud. A malfunction occurs inside the unmanaged network that causes the OPSF neighbor down alarm to be generated. In this case the OSPF neighbor down alarm is correlated to the cloud problem.

Figure 5-1 Cloud Correlation Example



On the PE1 device, the OSPF neighbor down alarm was received, and no root cause was detected in any of the managed devices. A disconnected link inside the unmanaged network caused the OSPF neighbor down alarm. The following alarms are generated and correlated:

- Cloud problem on the cloud:
 - OSPF neighbor down on the PE1 is correlated to the cloud problem alarm.



CHAPTER 6

Event and Alarm Configuration Parameters

This chapter describes the different options that exist to modify the alarm behavior by editing the appropriate alarm parameters in the system registry.

- [Alarm Type Definition](#)—Describes the alarm type concept.
- [Event \(Sub-Type\) Configuration Parameters](#)—Describes the event and alarm configuration parameters and values that can be controlled through the registry.

The parameters described in the following section are defined per event (subtype) that belongs to the alarm.



Note

Changes to the registry should only be carried out with the support of Cisco Professional Services.

Alarm Type Definition

The alarm type serves as an identifier which enables group events from different subtypes to share the same type and source in a single event sequence.

The event subtype is a specific occurrence of fault in the network. For example, link down and link up are two subtypes that share the same type.

Event (Sub-Type) Configuration Parameters

General Event Parameters

Parameter Name	Description	Permitted Values
severity	Severity level of the event.	Either: <ul style="list-style-type: none"> • CRITICAL • MAJOR • MINOR • WARNING • CLEARED • UNKNOWN • INFO
is-ticketable	Determines whether the alarm will generate a new ticket, if there is no root-cause alarm to correlate to.	True (ticketable) False (not ticketable)
functionality-type	Determines the event type.	Either: <ul style="list-style-type: none"> • SERVICE (Cisco ANA-generated) • SYSLOG • TRAP

Root Cause Configuration Parameters

These parameters define the behavior of the alarm when serving as the root cause of other alarms.

Name	Description	Permitted Values
is-correlation-allowed	Defines whether the alarm may serve as a root cause, and allow child alarms to correlate to it.	True (correlates) or False (will not correlate)
short description	Textual description that describes the event.	User defined text
gw-correlation-timeout	The period of time in milliseconds for how long an alarm with the severity Clear or Info is open for sequence. Alarms with non-cleared severity are always open for a consequent alarm. This parameter is deprecated for non-clearing events (its value is defined as a very large number, so that it does not interfere with correlation decisions from a VNE). This parameter only affects chaining to clearing events.	Positive integer

Name	Description	Permitted Values
select-root-cause-method	Used to determine the most fitting alarm from the set of possible root causes sets. This set may be a result of a correlation flow or may represent all alarms in the local Event Correlator component having a correlation key that matches one of the EventData object correlation keys.	Select the class name to be used from the set of classes
correlation-filters	Used to define a set of filters that will remove, from the potential set of alarms, unnecessary root causes. For example, remove from the list all the root causes that have a weight lower than the event that wants to correlate.	Select the class name to be used from the set of classes
post-correlation-applications	Used to define a set of applications that will be invoked after the event was correlated. For example, running affected is such an application.	Select the class name to be used from the set of classes

For more information about root cause see [Correlation By Root Cause, page 1-5](#).

Correlation Configuration Parameters

These parameters define the behavior of the alarm in finding its root-cause alarm:

Name	Description	Permitted values
correlate	Determines whether the alarm should attempt to find and correlate to a root-cause alarm. If this parameter is set to true at least box level correlation will be performed.	True or false

Network Correlation Parameters

These parameters control the alarm's behavior in initiating an active correlation-search flow:

Name	Description	Permitted values
activate-flow	Determines whether to initiate network level correlation.	True or false
weight	Defines the weight of an alarm as a correlation candidate. The heavier the alarm, the more likely it will be chosen as the root cause.	Positive integer



Note

All delays should be smaller than the expiration time to allow correlation to take place. Flow activation delay is being counted only when the correlation delay has expired.

Flapping Event Definitions Parameters

If a flapping event application is enabled on an event, then the following parameters control the alarm's behavior regarding its flapping state:

Name	Description	Permitted values
Flapping interval	The maximum amount of time in milliseconds between two alarms which can be considered as a flapping change.	Positive integer
Flapping threshold	After this amount of changes (each change arriving at an interval lower than the flapping interval), the event will be considered as flapping.	Positive integer
Update interval	After this interval in milliseconds an update will be sent.	Positive integer
Clear interval	The amount of time in milliseconds an event has to stay in one state to be considered as a normal alarm and not in a flapping state.	Positive integer
Update threshold	After this number of flapping alarms, an update will be sent to the gateway updating the alarm with the number of events received.	Positive integer

System Correlation Configuration Parameters

These parameters correctly correlate all the events that occur within the specified timeframe.

Name	Description	Permitted values
correlation-delay	Period of time in milliseconds to wait before attempting to find and correlate to a root-cause parameter (it is system-wide, not configured per event).	Positive integer
time-stamp-delay	Used for normalization of the event occurrence time. The value in milliseconds is subtracted from the event time, to compensate for the time difference with the root-cause alarm. It is also used for running the network correlation against the historic network configuration.	Positive integer



CHAPTER 7

Impact Analysis

This chapter describes the impact analysis functionality:

- [Impact Analysis Options](#)—Describes automatic and proactive impact analysis.
- [Impact Report Structure](#)—Describes the structure of the impact report that is generated.
- [Affected Severities](#)—Describes the severities used for automatic impact analysis.
- [Impact Analysis GUI](#)—Describes how the user can view impact analysis information in Cisco ANA NetworkVision.
- [Disabling Impact Analysis](#)—Describes enabling and disabling impact analysis for specific alarm, and which alarms support this feature.
- [Accumulating Affected Parties](#)—Describes how Cisco ANA NetworkVision automatically calculates the accumulation of affected parties during automatic impact analysis.

Impact Analysis Options

Impact analysis is available in two modes:

- Automatic impact analysis—When a fault occurs which has been identified as potentially service affecting, Cisco ANA automatically generates the list of potential and actual service resources that were affected by the fault, and embeds this information in the ticket along with all the correlated faults.



Note This only applies to specific alarms. Not every alarm initiates affected calculation.

- Proactive impact analysis—Cisco ANA provides “what-if” scenarios for determining the possible affect of network failures. This enables on-demand calculation of affected service resources for every link in the network, thus enabling an immediate service availability check and analysis for potential impact and identification of critical network links. Upon execution of the “what-if” scenario, the Cisco ANA fabric initiates an end-to-end flow, which determines all the potentially affected edges.



Note

For more information about fault scenarios which are considered as service affecting in an MPLS network and supported by Cisco ANA, refer to the *Cisco Active Network Abstraction MPLS User Guide*.

**Note**

Each fault which has been identified as potentially service affecting triggers a generation of impact analysis calculation event if it is reoccurring in the network.

This chapter describes the automatic impact analysis. For more information about proactive impact analysis, refer to the *Cisco Active Network Abstraction NetworkVision User Guide*.

Impact Report Structure

The impact report contains a list of pairs of endpoints when the service between them has been affected.

Each endpoint has the following details:

- **Endpoint physical or logical location**—An endpoint can be a physical entity (for example, a port) or a logical one (for example, a subinterface). The impact report contains the exact location of the entity. All the location identifiers start with the ID of the device which holds the endpoint. The other details in the location identifier are varied according to the endpoint type, for example VC, VP, IP interface.
- **Business tag properties**—Key, name, type (if attached to the entity).

**Note**

For specific information about the report structure in MPLS networks, refer to the *Cisco Active Network Abstraction MPLS User Guide*.

Affected Severities

In automatic mode, the affected parties can be marked with one of the following severities:

- **Potentially affected**—The service might be affected but its actual state is not yet known.
- **Real affected**—The service is affected.
- **Recovered**—The service is recovered. This state relates only to entries that were marked previously as potentially affected. It indicates only the fact that there is an alternate route to the service, regardless of the service quality level.
- The initial impact report might mark the services as either potentially or real affected. As time progresses and more information is accumulated from the network, the system might issue additional reports to indicate which of the potentially affected parties are real or recovered.
- The indications for these states are available both through the API and in the GUI.

**Note**

The reported impact severities vary between fault scenarios. For more information about fault scenarios in an MPLS network see the *Cisco Active Network Abstraction MPLS User Guide*.

**Note**

There is no clear state for the affected services when the alarm is cleared.

Impact Analysis GUI

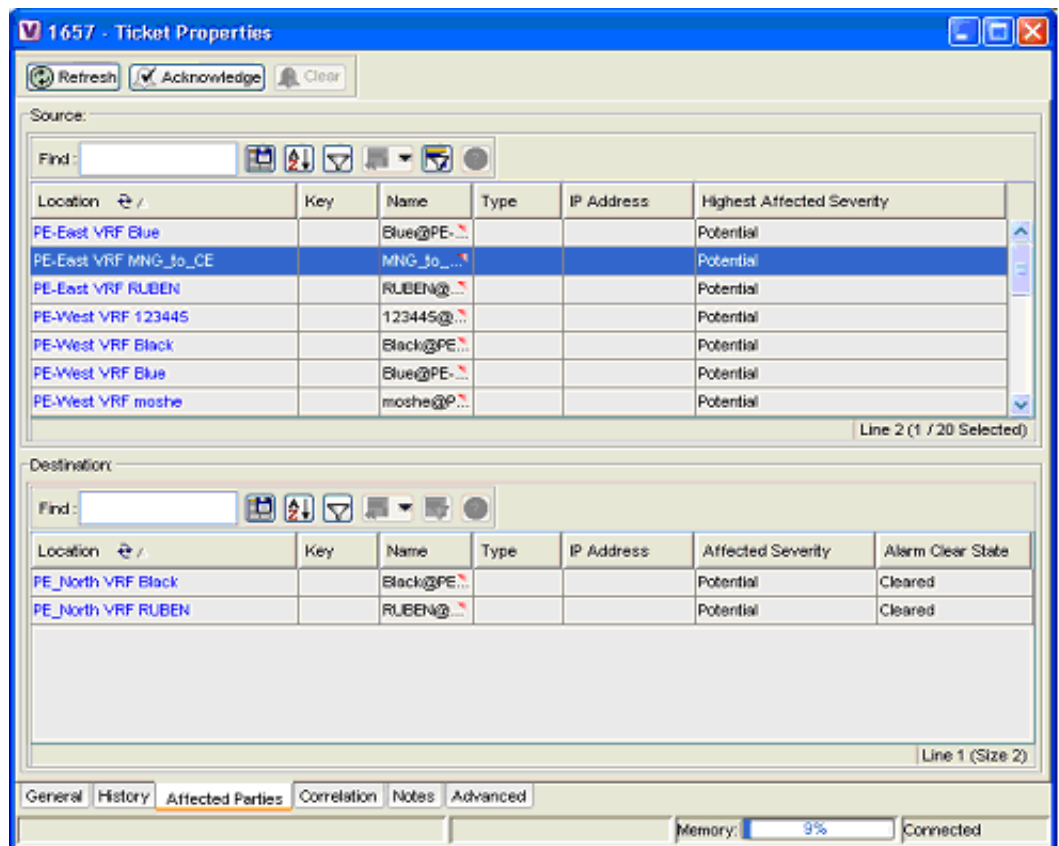
The Impact Analysis GUI is available in Cisco ANA NetworkVision and displays the list of affected service resources which are embedded in the ticket information. This section describes this list.

Affected Parties Tab

The Affected Parties tab displays the service resources (affected pairs) that are affected (automatic impact analysis) for an event, an alarm, or a ticket depending on which properties window is opened. In the case of an alarm or a ticket, NetworkVision automatically calculates the accumulation of affected parties of all the subsequent events. For more information about accumulating affected parties, see [Viewing a Detailed Report For the Affected Pair, page 7-4](#).

The Affected Parties tab is displayed below.

Figure 7-1 Affected Parties Tab



The Affected Parties tab is divided into two areas, Source and Destination. The Source area displays the set of affected elements, A side and Z side. The following columns are displayed in the Affected Parties tab providing information about the affected parties:

- **Location**—A hyperlink that opens the Inventory window, highlighting the port with the affected parties.
- **Key**—The unique value taken from the affected element's business tag key, if it exists.

- **Name**—The subinterface (site) name or business tag name of the affected element, if it exists. For more information, refer to the *Cisco Active Network Abstraction Managing MPLS User Guide*.
- **Type**—The business tag type.
- **IP Address**—If the affected element is an IP interface, the IP address of the subinterface site is displayed. For more information, refer to the *Cisco Active Network Abstraction Managing MPLS User Guide*.
- **Highest Affected Severity**—The severest affected severity for the affected pair (destination). The same source can be part of multiple pairs, and therefore each pair can have different affected severities. The highest affected severity reflects the highest among these. The affected pair can have one of the following severities:
 - Potential
 - Real
 - Recovered
 - N/A—From the Links view this indicates not relevant.

When an affected side (a row) is selected in the Source area, the selected element's related affected pairs are displayed in the Destination area.

The following additional columns are displayed in the Destination area table in the Ticket Properties window:

- **Affected Severity**—The severity of the affected pair as calculated by the client according to the rules defined above.
- **Alarm Clear State**—An indication for each pair of the clear state of the alarm. The following states exist:
 - **Not cleared**—There are one or more alarms that have not been cleared for this pair.
 - **Cleared**—All the related alarms for this pair have been cleared.

In addition, you can view a detailed report for every affected pair that includes a list of the events that contributed to this affected pair.

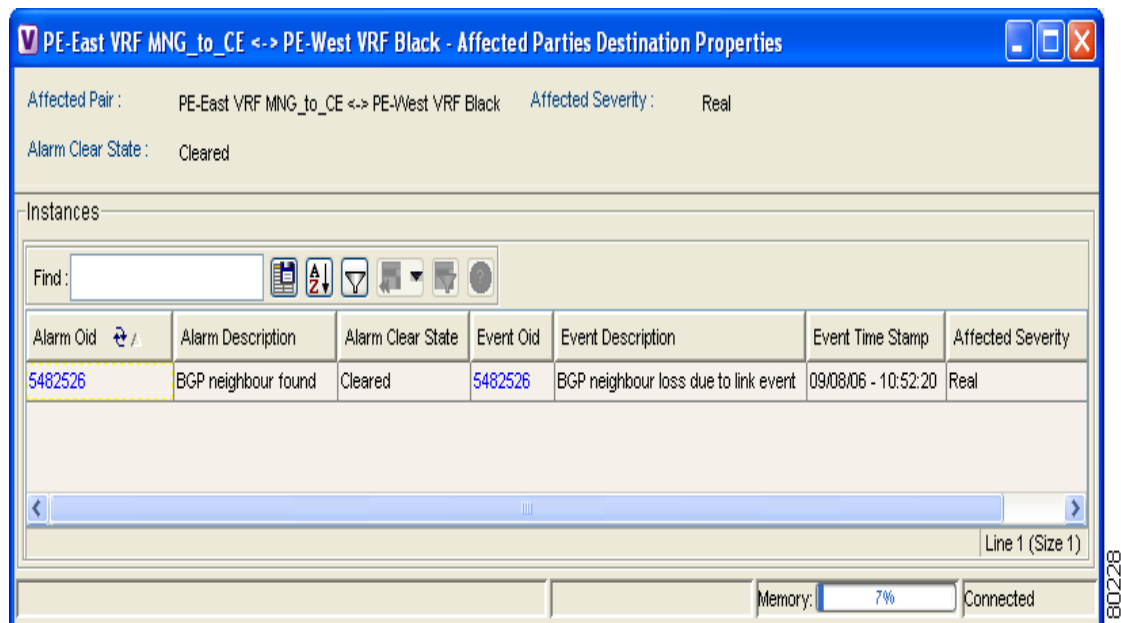
Viewing a Detailed Report For the Affected Pair

You can view a detailed report for every affected pair in NetworkVision. The detailed report includes a list of the events that contributed to the affected pair.

For information about how to reach a detailed affected report, refer to the *Cisco Active Network Abstraction NetworkVision User Guide*.

The Affected Parties Destination Properties dialog box is displayed.

Figure 7-2 Detailed Report For the Affected Pair



The following fields are displayed at the top of the Affected Parties Destination Properties dialog box:

- **Affected Pair**—The details of A side and Z side of the affected pair.
- **Alarm Clear State**—An indication for each pair of the clear state of the alarm. The following states exist:
 - **Not Cleared**—There are one or more alarms that have not been cleared for this pair.
 - **Cleared**—All the related alarms for this pair have been cleared.
- **Affected Severity**—The severity of the affected pair as calculated by the client according to the rules defined in [Viewing a Detailed Report For the Affected Pair, page 7-4](#).
- **Name**—The name of the destination from which you opened the detailed report.

Each row in the Instances table represents an event that was reported for the affected pair. The following columns are displayed in the Instances table of the Affected Parties Destination Properties dialog box:

- **Alarm OID**—The ID of the alarm to which the event is correlated as a hyperlink to the relevant alarm's properties.
- **Alarm Description**—A description of the alarm to which the event is correlated.
- **Alarm Clear State**—The alarm's calculated severity.
- **Event OID**—The ID of the event as a hyperlink to the relevant event's properties.
- **Event Description**—A description of the event.
- **Event Time Stamp**—The event's time stamp. The date and time of the event.
- **Affected Severity**—The actual affected severity of the pair that was reported by the selected event.

Disabling Impact Analysis

You can disable impact analysis for a specific alarm. This option can be set in the Cisco ANA Registry. If impact analysis is disabled the system will report the event with no impact information. The settings can be changed dynamically during system runtime.

The following alarms can be disabled:

- Link down
- Port down
- Dropped or discarded packets
- MPLS black hole
- BGP neighbor loss
- MPLS TE tunnel down
- L2 tunnel down

Accumulating Affected Parties

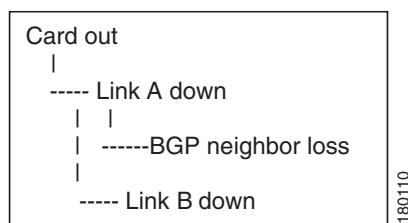
This section describes how NetworkVision automatically calculates the accumulation of affected parties during automatic impact analysis. This information is embedded in the ticket along with all the correlated faults.

In the example below the following types of alarms exist in the correlation tree:

- Ticket root-cause alarm (Card out).
- An alarm which is correlated to the root cause and has other alarms correlated to it (Link A down).
- An alarm with no other alarms correlated to it (Link B down and BGP neighbor loss).

An event sequence is correlated to each of these alarms.

Figure 7-3 Correlation Tree Example



NetworkVision provides a report of the affected parties for each type of alarm. This report includes the accumulation of:

- The affected parties reported on all the events in the alarm event sequence. This also applies to flapping alarms.
- The affected parties reported on the alarms that are correlated to it.

Each report includes the accumulation of the affected report of all the events in its own correlation tree.

For example, in the diagram:

- BGP neighbor loss includes the accumulation of the affected report of its own event sequence.

- Link A down includes the accumulation of the report of its own event sequence. It also includes the report of the BGP neighbor loss.

Accumulating the Affected Parties In an Alarm

When there are two events that form part of the same event sequence in a specific alarm, the reoccurring affected pairs are only displayed once in the Affected Parties tab. Where there are different affected severities reported for the same pair, the pair is marked with the severity that was reported by the latest event, according to the time stamp.

Accumulating the Affected Parties In the Correlation Tree

Where there are two or more alarms that are part of the same correlation tree, that report on the same affected pair of edgepoints, and have different affected severities, then the reoccurring affected pairs are only displayed once in the Affected Parties tab. Where there are different affected severities reported for the same pair, the pair is marked with the highest severity.

In this example, X and Y are the OIDs of edgepoints in the network and there is a service running between them. Both of the alarms, link B down and BGP neighbor loss, report on the pair X<->Y as affected:

- Link B down reports on X<->Y as potentially affected.
- BGP neighbor loss reports on X<->Y as real affected.

The affected severity priorities are:

- Real—Priority 1
- Recovered—Priority 2
- Potentially—Priority 3

Card out reports on X<->Y as real, affected only once.

Updating Affected Severity Over Time

Cisco ANA can update the affected severity of the same alarm report over time due because in some cases, the affect of the fault on the network cannot be determined until the network has converged.

For example, a link-down alarm creates a series of affected severity updates over time. These updates are added to the previous updates in the system database. In this case, the system provides the following reports:

- The first report of a link down reports on X<->Y as potentially affected.
- Over time the VNE identifies that this service is real affected or recovered, and generates an updated report.
- The Affected Parties tab of the Ticket Properties dialog box displays the latest severity as real affected.
- The Affected Parties Destination Properties dialog box displays both reported severities.

This functionality is currently only available in the link-down scenario in MPLS networks.



APPENDIX A

Supported Service Alarms

This appendix provides the list of service alarms that are supported by Cisco ANA 3.6.

**Note**

If the source of the alarm is an interface with technology which is not supported by Cisco ANA, then the alarm will not be generated.

**Note**

If the source of the alarm is an entity which is not modeled by Cisco ANA, for example, an unsupported module, then the alarm will not be generated.

The columns displayed in [Table A-1](#) relate to the configuration parameters described in this guide. For more information about these parameters, see [Event \(Sub-Type\) Configuration Parameters, page 6-2](#).

The following table lists the supported service alarms:

Table A-1 Service Alarms

Item	Name	Description	is-correlation-allowed	correlate	is-ticketable	severity	weight
1	HSRP group status changed		true	true	true	MAJOR	720
	<ul style="list-style-type: none">Primary HSRP interface is not active/Primary HSRP interface is active	Sent when an active HSRP group member is not active anymore, a link was shut down					
	<ul style="list-style-type: none">Secondary HSRP interface is not active/Secondary HSRP interface is active	Secondary member of an HSRP group is active.					
2	BGP process down/BGP process up	When the BGP process is shut down on a device.	true	false	true	CRITICAL	850

Table A-1 Service Alarms (continued)

Item	Name	Description	is-correlation-allowed	correlate	is-ticketable	severity	weight
3	All ip interfaces down Active ip interfaces found	Sent when all IP interfaces configured above a physical port change operating status to down.	true	true	true	MAJOR	750
4	Interface status down/up	Sent when an IP interface changes operating status to down.	true	true	true	MAJOR	
	• interface status down connection	Sent when an IP interface changes operating status to down on a point to point link.					500
	• interface status down non connection	Sent when an IP interface changes operating status to down on a multipoint link.					700
	• interface status down GRE tunnel	Sent when an IP interface changes operating status to down on a GRE tunnel link.					45
5	Card out/in	Card in, card out.	true	true	true	MAJOR	100 000
	• sub card out	Sub card out.					1000
6	Link down/up	Link down, link up.	true	true	true	CRITICAL	850
	• link down due to admin down	Sent when an administrator shuts down one of the ports on one of the ends.		false			
	• link down due to card	Sent when a card is removed from one of the sides.		true			
	• link down due to oper down	Sent when there is an operational error between the endpoints.		true			
	• link down on unreachable	Sent when one of the devices is unreachable.		true			
	• link down flapping	Sent when a link is down and is in a flapping state.		true			
7	Component Unreachable	The component is no longer reachable.	true	true	true	MAJOR	600
8	CPU Over Utilized	The device CPU percentage has passed the configured threshold.	false	false	true	MAJOR	0
9	Memory Over Utilized	The device memory utilization has passed the configured threshold.	false	false	true	MAJOR	0
10	Device Unsupported	The device is not supported in Cisco ANA.	false	false	true	CRITICAL	0

Table A-1 Service Alarms (continued)

Item	Name	Description	is-correlation-allowed	correlate	is-ticketable	severity	weight
11	Discard Packets	The port discard packets value has passed the configured settings.	false	true	true	MINOR	0
12	Dropped Packets	The port dropped packets value has passed the configured settings.	false	false	true	MINOR	0
13	MPLS interface removed/MPLS interface added	When the MPLS interface is removed and there is no MPLS TE tunnel on the same interface.	true	false	true	MAJOR	700
14	Card Down/Up	When the card status changes from an OK state, to a non-OK state (whether this state is admin-down, disable, loading-IOs etc.).	true	false	true	MAJOR	100 000
15	Port Down	Port down.	true	false	true	MAJOR	100 000
	• Port down card out	The port is down as the entire card is out.		true			900
	• Port down flapping	The port is down and is in a flapping state.		false			100 000
16	Rx Over Utilized	The percentage of the traffic on the port passed the configured threshold.	false	true	true	MINOR	0
17	Tx Over Utilized	The percentage of the traffic on the port passed the configured threshold.	false	true	true	MINOR	0
18	BGP Neighbor Loss	When a BGP neighbor's state has changed from established to any other state or an entry is found for a neighbor that no longer exists.	true	true	true	MAJOR	800
19	Cloud Problem	A problem in an unmanned segment.	true	false	true	MAJOR	2000
20	Concurrent Backup and Primary Port	Backup and primary ports are up.	false	false	true	MAJOR	0
21	Backup Warning	Warning ticket for backup interface being up after a predefined period of time.	false	true	true	INFO	0
22	Broken LSP discovered	When the MPLS black hole's backward flow meets LSE components on the edge of the core.	false	true	true	MAJOR	0

Table A-1 Service Alarms (continued)

Item	Name	Description	is-correlation-allowed	correlate	is-ticketable	severity	weight
23	MPLS Black hole found	When a BGP (destination) entry in the label switching table becomes untagged. This event is created per outgoing interface and nextHop.	true	true	true	WARNIN G	650
24	Layer 2 Tunnel Down	When a martini tunnel goes down.	false	true	true	MINOR	0
25	MPLS TE Tunnel Down/Flapping	When a traffic engineering tunnel goes down.	true	true	true	MAJOR	800
26	GRE Tunnel Down/ GRE Tunnel Up	When the state of an IP interface for a GRE tunnel edge is identified as Down or Up.	true	true	true	MAJOR	50



APPENDIX **B**

Supported Traps and Syslogs

This appendix provides the list of Cisco traps and syslogs that are supported in Cisco ANA:

- [Syslogs Supported By Cisco IOS and CATOS Devices](#)
- [Syslogs Supported by Cisco IOX Devices](#)
- [Traps Supported by Cisco Devices](#)



Note

If the source of the alarm is an interface with technology which is not supported by Cisco ANA, then the syslogs and traps will not be parsed and will be generated generically.



Note

If the source of the alarm is an entity which is not modeled by Cisco ANA, for example, an unsupported module, then the syslogs and traps will not be parsed and will be generated generically.

The columns that are displayed in [Table B-1](#), [Table B-2](#) and [Table B-3](#) relate to the registry parameters described in this guide. For more information about these parameters, see [Event \(Sub-Type\) Configuration Parameters, page 6-2](#).



Note

The **Expedite** column indicates whether the syslogs that are received from the device should expedite other commands in order to receive additional information. This is not a registry-related parameter.

Syslogs Supported By Cisco IOS and CATOS Devices

The following table lists the supported proprietary Cisco IOS and CATOS syslogs.

Table B-1 Cisco IOS and CATOS Device Syslogs

Item	Syslog	Severity	Description	is-correlation-allowed	correlate	is-ticketable	Expedite
1	AMDP2_FE-5-LOSTCARR	MINOR	The cable and/or transceiver is not connected	false	true	false	
2	AT-6-NODEWRONG	MINOR	An AppleTalk node sent a GetNet Info request to this router specifying an invalid network number for the source of the GetNet Info request	false	false	false	
3	BGP-3-NOTIFICATION	INFO	Handles BGP 3 syslog	false	true	true	
4	BGP-5-ADJCHANGE	MAJOR	Handles BGP 5 syslog				bgp neighbors
	bgp neighbor up syslog	CLEARED		false	false	false	
	bgp neighbor down syslog	MAJOR		false	true	true	
5	BGP-5-ADJCHANGE-vrf	MAJOR	Handles BGP 5 syslog from VRF	false	true	true	bgp neighbors
6	C6KENV-SP-4-FANTRAYFAILED	INFO	Fan tray failed	true	false	true	
7	C6KPWR-SP-2-PSFAIL	INFO	Power supply failed	true	false	true	
8	CDP-4-DUPLEX_MISMATCH	INFO	There is a duplex mismatch problem (IOS)	false	true	true	
9	CLNS-5-ADJCHANGE	MAJOR	Handles isis syslog	false	true	true	
10	CONTROLLER-5-UPDOWN		Syslog for status changed in controllers, needs to drop	drop*			
11	DEC21140-5-COLL	MINOR	A Fast Ethernet packet has been dropped because too many attempts to transmit it were stopped by collisions	false	true	true	

Table B-1 Cisco IOS and CATOS Device Syslogs (continued)

Item	Syslog	Severity	Description	is-correlation-allowed	correlate	is-ticketable	Expedite
12	DEC21140-5-LATECOLL	MINOR	Late collisions are collisions that occur after transmitting the preamble	false	true	true	
13	DIAL5-3-MSG		A problem with the digital signal processor	drop*			
14	DTP-5-NONTRUNKPORTON	MINOR	The interface changed to a non-trunk	false	true	true	
15	DTP-5-TRUNKPORTON	CLEARED	The interface returned to being a trunk	false	false	false	
16	DUAL-3-SIA	INFO	The EIGRP router has not received a reply to a query from one or more neighbors within the time allotted, so the neighbors that did not send a reply are cleared	false	true	false	
17	DUAL-5-NBRCHANGE	MAJOR	Handles EIGRP syslog				
	dual5 neighbor up	CLEARED		false	false	false	
	dual5 neighbor down	MAJOR		false	true	true	
18	EE48-6-ALPHAECC		ECC correctable error occurred, drop syslog	drop*			
19	ENV_MON-2-SUPPLY	INFO	Power supply is not working or has not been turned on	false	true	true	
20	FABRIC-SP-5-FABRIC_MODULE_BACKUP	INFO	The clear block option is on/off for the fabric or on standby				
	FABRIC-SP-5-CLEAR_BLOCK_OFF_SYSL	INFO		false	true	true	
	fabric sp 5 clear block on syslog	INFO		false	false	true	
21	FR-5-DLCICHANGE	MAJOR	Handles DLCI change syslog				
	dlci down	MAJOR		false	true	true	
	dlci up	CLEARED		false	false	false	

Table B-1 Cisco IOS and CATOS Device Syslogs (continued)

Item	Syslog	Severity	Description	is-correlation-allowed	correlate	is-ticketable	Expedite
22	HSRP-6-STATECHAN GE	INFO	Handles HSRP syslog				HSRP
	hsrp group change syslog	INFO		false	true	true	
	hsrp group restored syslog	CLEARED		false	false	false	
23	ILACC-5-COLL	MINOR	An Ethernet cable is broken or is not terminated, or the transceiver is unplugged	false	true	true	
24	ILACC-5-LATECOLL	MINOR	An Ethernet transceiver is malfunctioning, the Ethernet is overloaded, or the Ethernet cable is too long	false	true	true	
25	IPX-3-BADIGRPSAP	MINOR	A hardware or software error occurred	false	true	true	
26	ISDN-6-CONNECT	MAJAR	Handles ISDN connect syslog	false	true	false	
27	ISDN-6-CONNECT-2	MAJOR	Handles ISDN connect syslog2	false	true	false	
28	ISDN-6-DISCONN E T	CLEARED	Handles ISDN disconnect syslog	false	true	false	
29	ISDN-6-DISCONN E T-2	CLEARED	Handles ISDN disconnect syslog2	false	true	false	
30	LANCE-3-BADCABL E	MINOR	The Ethernet cable is not connected	false	true	false	
31	LANCE-5-COLL	INFO	An Ethernet cable is broken or unterminated, or the transceiver is unplugged	false	true	false	
32	LANCE-5-LATECOLL	MINOR	An Ethernet transceiver is unplugged or defective	false	true	true	
33	LAPB-4-CTRLBAD	MINOR	A received FRMR has reported a frame with an invalid control code	false	true	true	

Table B-1 Cisco IOS and CATOS Device Syslogs (continued)

Item	Syslog	Severity	Description	is-correlation-allowed	correlate	is-ticketable	Expedite
34	LDP-5-NBRCHG-LDP	MAJOR	Handles LDP neighbor change syslog				MPLS LDP discovery
	ldp neighbor up syslog	CLEARED		false	false	false	
	ldp neighbor down syslog	MAJOR		false	true	true	
35	LDP-5-NBRCHG-TDP	MAJOR	Handles TDP neighbor change syslog				MPLS TPP discovery
	tdp neighbor up syslog	CLEARED		false	false	false	
	tdp neighbor down syslog	MAJOR		false	true	true	
36	LINEPROTO-5-UPDOWN	MAJOR	Handles line syslog	false	true	false	port-status
37	LINEPROTO-5-UPDOWN-exclude-dynamic-interfaces		Syslog for line down in Asyn, Virtual-Access and Channelized interfaces, needs to drop	drop*			
	LINEPROTO-5-UPDOWN	CLEARED		false	false	false	
	line down syslog	MAJOR		false	true	false	
38	LINK-3-UPDOWN	MAJOR	Handles link down syslog	false	true	true	
39	LINK-3-UPDOWN-EXCLUDE-DYNAMIC-INTERFACES		Syslog for link down in Asyn, Virtual-Access and Channelized interfaces, needs to drop	drop*			
40	LINK-5-CHANGED	MAJOR	Handles link syslog				
	LINK-5-CHANGED	CLEARED		false	false	false	
	link down syslog	INFO		false	true	true	
41	link up 3 syslog	CLEARED	Handles backup syslog	false	false	false	
	link down 3 syslog	MAJOR		false	true	true	
42	LINK-SP-5-CHANGED	INFO	Handles link sp 5 changed syslog	false	true	true	
43	card in syslog	CLEARED	Handles module out (mbud) syslog	false	false	false	physical-command
	card out syslog	MAJOR		false	false	true	

Table B-1 Cisco IOS and CATOS Device Syslogs (continued)

Item	Syslog	Severity	Description	is-correlation-allowed	correlate	is-ticketable	Expedite
44	MICA-3-NOENTRIES		Modem ISDN channel aggregation no entries	drop*			
45	MICA-3-RESTART		Modem ISDN channel aggregation restart	drop*			
46	MODEM-5-DL		Modem completed firmware download, drop syslog	drop*			
47	MPLS_TE-5-TUN_DOWN	MAJOR	Handles tunnel down syslog	false	true	false	MPLS traffic engineering tunnel information
48	MPLS_TE-5-TUN_REOPTIMIZE	INFO	Handles tunnel reoptimization syslog	false	true	true	
49	MPLS_TE-5-TUN_UP	CLEARED	Handles tunnel up syslog	false	false	false	
50	OIR-6-(REMIINS)CARD	CLEARED	Handles module out syslog	false	false	false	physical-command
51	OIR-SP-3-PWRCYCLE	INFO	Card being power cycled	true	false	true	
52	OSPF-5-ADJCHG	MAJOR	Handles ospf syslog				
	ospf neighbor down syslog	MAJOR		false	true	true	
	ospf neighbor up syslog	CLEARED		false	false	false	
53	PFREDUN-SP-4-BOOTSTRING_INVALID	INFO	Bootstring invalid	true	false	true	
54	PM-SP-STDBY-4-ERR_DISABLE	INFO	Err disable state	true	false	true	
55	PQUICC-5-COLL	MINOR	An Ethernet cable is broken or is not terminated	false	true	true	
56	PQUICC-5-LATECOLL	MINOR	The Ethernet cable might be too long, or there could be too many repeaters with the result that the delay from one end to the other is too long	false	true	true	

Table B-1 Cisco IOS and CATOS Device Syslogs (continued)

Item	Syslog	Severity	Description	is-correlation-allowed	correlate	is-ticketable	Expedite
57	PQUICC_ETHER-5-COLL	MINOR	An Ethernet cable is broken or is not terminated	false	true	true	
58	PQUICC_ETHER-5-LATECOLL	MINOR	A new network may not have been engineered properly or adding a regenerator to an existing network may have changed the network specifications	false	true	true	
59	PQUICC_FE-5-COLL	MINOR	Ethernet or Fast Ethernet is detecting multiple collisions	false	true	true	
60	PQUICC_FE-5-LATECOLL	MINOR	Late collisions have occurred on the Ethernet or Fast Ethernet interface	false	true	true	
61	QUICC_ETHER-5-COLL	MINOR	An Ethernet cable is broken or unterminated	false	true	true	
62	QUICC_ETHER-5-LATECOLL	MINOR	A software or hardware error occurred	false	true	true	
63	RPS-3-MULTFAIL		Failure with the redundant power system, drop syslog	drop*			
64	RADIUS AUTHENTICATION SYSLOG		Syslog for radius authentication, needs to drop	drop*			
65	SCHED-3-STUCKMTR	MINOR	A process can register to be notified when various events occur in the router. This message indicates that a registered timer is expired and its value is unchanged after the process has executed two successive times	false	true	true	
66	SECURITY-1-PORTS HUTDOWN	MINOR	A port has been shut down due to an insecure host sourcing a packet into that port	false	true	true	
67	SNMP-5-LINKTRAP		The type of Link Trap	drop*			

Table B-1 Cisco IOS and CATOS Device Syslogs (continued)

Item	Syslog	Severity	Description	is-correlation-allowed	correlate	is-ticketable	Expedite
68	SNMP-5-SNMPAUTH FAIL	MINOR	The switch has received an SNMP message that was not properly authenticated	false	true	true	
69	SNMP-5-TOPOTRAP	MINOR	A configured port changed from the learning state to the forwarding state, or from the forwarding state to the blocking state	false	true	true	
70	SPANTREE-2-LOOPGUARDBLOCK	MINOR	When the loop guard blocks an inconsistent port, the following message is logged	false	true	true	
71	SPANTREE-2-LOOPGUARDUNBLOCK	MINOR	After the recovery, the following message is logged	false	true	true	
72	SPANTREE-2-RX_PORTFAST	MINOR	A BPDU that has spanning-tree portfast enabled was received on the specified interface	false	true	true	
73	STANDBY-6-STATECHANGE	INFO	Handles HSRP syslog				HSRP
	hsrp group change syslog	INFO		false	true	true	
	hsrp group restored syslog	CLEARED		false	false	false	
74	SYS-2-MALLOCFAIL	MINOR	The requested memory allocation is not available from the specified memory pool	false	true	true	
75	SYS-3-CPUHOG	MINOR	The indicated process ran too long without relinquishing the processor	false	true	true	
76	SYS-5-CONFIG_I	INFO	The router's configuration was changed	false	false	true	

Table B-1 Cisco IOS and CATOS Device Syslogs (continued)

Item	Syslog	Severity	Description	is-correlation-allowed	correlate	is-ticketable	Expedite
77	SYS-5-POWER-SUPPLY	MAJOR	Power supply failure notification				
	power supply okay syslog	CLEARED		false	false	false	
	power supply failed syslog	MAJOR		false	false	true	
78	SYS-5-RELOAD	INFO	Syslog for reloading the device	true	false	true	
79	SYS-5-RESTART	INFO	Syslog for restarting the device	false	true	true	physical-command
80	SYS-SP-STDBY-5-RESTART	INFO	Restarting the device	false	true	true	
81	Security-1-PORTSHUTDOWN	MINOR	A port has been shut down due to an insecure host sourcing a packet into that port	false	true	true	
82	UDLD-3-DISABLE	MINOR	A fault has been detected in a fiber Ethernet port connection and that the port has been disabled to prevent other protocols from malfunctioning	false	true	true	
83	UDLD-3-DISABLEFAIL	MINOR	A fault was detected in the wiring on a fiber Ethernet port, but UDLD could not disable the port	false	true	true	
84	UDLD-4-ONEWAYPATH	MINOR	A fault has been detected in a fiber Ethernet connection in a shared media environment and the connection may cause a possible malfunction	false	true	true	
85	UDLD-SP-4-UDLD_PORT_DISABLED	INFO	Aggressive mode failure detected	false	true	true	
86	GENERIC-SYSLOG		Generic syslog	drop*			
87	VALIDATE-SYSLOG-STRUCTURE		Generic structure of syslogs. If fails - not a syslog, need to drop	drop*			

* This event is configured to be dropped in order to prevent alarm overload. This is subject to change on a customization basis.

Syslogs Supported by Cisco IOX Devices

The Cisco IOX devices support the syslogs listed in [Table B-1](#) in addition to the ones specified in [Table B-2](#). The following table lists the syslogs supported for Cisco IOX devices.

Table B-2 Cisco IOX Devices Syslogs

Item	Name	Severity	Description	is-correlation-allowed	correlate	is-ticketable	Expedite
1	BGP-5-ADJCHANGE	MAJOR	The adjacent BGP neighbour was lost	false	true	false	bgp neighbors
2	ENVMON-ADDITIVE-POWER-OVERBUDGET	MAJOR	The power calculated in use by the chassis exceeds that available by the powershell. This condition could result in an outage of the chassis if action is not immediately taken	true	true	false	
3	ENVMON-ENV-CONDITION	MAJOR	One or more environmental conditions exist on the specified slot. If left untended, they could result in loss of service or even hardware damage	true	true	false	
4	ENVMON-FAN	MAJOR	The fan array specified has reached a warning or critical level and is approaching or approached a condition that is outside the acceptable range	true	true	false	
5	ENVMON-LOW-FAN-SPEED-WARNING	MAJOR	Indicates that the fan is spinning very slow	true	true	false	
6	ENVMON-OVERTEMP	MAJOR	The temperature sensor specified has reached a warning or critical level and is approaching or approached a condition that is outside the acceptable range	true	true	false	
7	ENVMON-PEM-REMOVE	MAJOR	The power entry module specified was detected as removed	false	true	false	physical-command
8	ENVMON-POWERSUPPLY-CURRENT	MAJOR	The current supply specified has reached a critical level and is now out of specification	true	true	false	
9	ENVMON-POWERSUPPLY-NONOP	MAJOR	The power supply specified has become non-operational	true	true	false	

Table B-2 Cisco IOX Devices Syslogs (continued)

Item	Name	Severity	Description	is-correlation-allowed	correlate	is-ticketable	Expedite
10	ENVMON-POWERSUPPLY-VOLTAGE	MAJOR	The voltage supply specified has reached a critical level and is now out of specification	true	true	false	
11	ENVMON-TEMP	MAJOR	The temperature sensor specified has reached a warning or critical level and is approaching or approached a condition that is outside the acceptable range	true	true	false	
12	ENVMON-VOLTAGE	MAJOR	The voltage supply specified has reached a critical level and is now out of specification	true	true	false	
13	FIA-FIAHW-LOS	MAJOR	This error indicates a problem (Loss of Sync) in the interface between the card reporting error and the switch fabric card in the indicated slot. This error is traffic affecting. Error recovery is triggered by this error	true	true	false	
14	FLASH-CARD-REMOVAL	MAJOR	Handles flash card removed syslog	true	true	false	
15	LIBPARSER-ERR-MEMALLOC	MINOR	Memory allocation is not available	false	true	false	
16	LINEPROTO-5-UPDOWN	MAJOR	The data link level line protocol has changed state.	false	true	false	port-status
17	LINK-3-UPDOWN	MAJOR	Handles link down syslog	false	true	false	port-status
18	LINK-5-CHANGED	MAJOR	Handles link down 5 syslog	false	true	false	
19	NODE-RELOAD	INFO	Handles module reset syslog	true	true	true	
20	NODE-STATE-CHANGE	MINOR	Indicates a change in the card oper status	false	true	false	
21	OIROUT	MAJOR	Handles card out syslog	false	true	false	physical-command
22	OSPF-5-ADJCHG	MAJOR	Indicates a change in the OSPF neighbor status	false	true	false	
23	PIM-5-NBRCHG	MAJOR	Handles PIM neighbor loss syslog	false	true	false	

Table B-2 Cisco IOX Devices Syslogs (continued)

Item	Name	Severity	Description	is-correlation-allowed	correlate	is-ticketable	Expedite
24	PIM-5-UPDOWN	MAJOR	Handles PIM interface down syslog	false	true	false	
25	PIM-INVALID-JOIN	MINOR	Handles PIM invalid join syslog	false	true	false	
26	POWERDOWN-RESET	MINOR	Indicates that the node will be reset because the user has administratively 'power disable' or 'no power disable' the node	false	true	false	
27	SONET-LOCAL-4-ALARM	MAJOR	Handles line down syslog	false	true	false	
28	SPA-OIROUT	MAJOR	Handles card out syslog	false	true	false	physical-command
29	OIROUT-on-CPU0	MAJOR	Handles module out syslog	false	false	false	physical-command

Traps Supported by Cisco Devices

The following table lists the supported MIB-II and Cisco proprietary traps. The traps listed in this table are the most commonly used ones and relate to Cisco IOS devices only.

Table B-3 Cisco Traps

Item	Name	Severity	OID	is-correlation-allowed	correlate	is-ticketable
1	Authentication Failure	INFO	1.3.6.1.4.1	false	false	false
2	BGP Trap	MINOR	1.3.6.1.2.1.15.3.1	false	true	false
3	hdl2shdsl-dc-continuity-fault	INFO	1.3.6.1.2.1.10.48.0.12	false	true	true
4	Chassis Alarm On	MINOR	1.3.6.1.4.1.9.5.0	true	true	true
5	Chassis Temperature Major Fault	MAJOR	1.3.6.1.4.1.9.5.1.2.13	false	true	true
6	Chassis Temperature Minor Fault	MINOR	1.3.6.1.4.1.9.5.1.2.13	false	true	true
7	Chassis Temperature Other Fault	MINOR	1.3.6.1.4.1.9.5.1.2.13	false	true	true
8	Ent Config Change	INFO	1.3.6.1.2.1.47.2.0.1	false	true	true
9	Fan Down	MAJOR	1.3.6.1.4.1.9.9.13.3.0.4	false	true	true
10	FR DlcI Status Change	INFO	1.3.6.1.2.1.10.32.0.1	false	true	true

Table B-3 Cisco Traps (continued)

Item	Name	Severity	OID	is-correlation-allowed	correlate	is-ticketable
11	Line Down Cisco Prop	INFO	1.3.6.1.4.1.9.9.41.2	false	true	false
12	Line Down/Up	MINOR		false	true	false
13	hdl2shdsl-config-init-failure	INFO	1.3.6.1.2.1.10.48.0.13	false	true	true
14	VRRP Trap Auth Failure	MINOR	1.3.6.1.2.1.68.0.2	false	true	true
15	VRRP Trap New Master	MINOR	1.3.6.1.2.1.68.0.1	false	true	true
16	Warm Start	INFO		false	true	true
17	Cold Start	INFO		false	true	true
18	dot1qBridge trap	INFO	1.3.6.1.2.1.17.0.2	false	true	false
19	Vlan trunk port dynamic status	INFO	1.3.6.1.4.1.9.9.46.2.0.7	false	true	false
20	dlsr circuit down trap	INFO	1.3.6.1.2.1.46.1.0	false	true	true
21	hdl2shdsl service fault v2 trap	INFO	1.3.6.1.2.1.10.48.0.11	false	true	true
22	bgp-established-trap_v2	CLEARED	1.3.6.1.2.1.15.7.1	false	false	false
23	bgp-backward-transition-trap_v2	MINOR	1.3.6.1.2.1.15.7.2	false	true	false
24	tcp connection table	INFO	1.3.6.1.4.1.9.2.6.1.1	false	false	dump
25	lts table	INFO	1.3.6.1.4.1.9.2.9	false	false	dump
26	clogHistoryTable trap	INFO	1.3.6.1.4.1.9.9.41.1.2.3.1	false	false	dump
27	hdl2shdsl-local-power-loss	INFO	1.3.6.1.2.1.10.48.0.16	false	true	true
28	hdl2shdsl-loop-atten-crossing	INFO	1.3.6.1.2.1.10.48.0.1	false	true	true
29	hdl2shdsl-loopback-failure	INFO	1.3.6.1.2.1.10.48.0.9	false	true	true
30	hdl2shdsl-no-neighbor-present	INFO	1.3.6.1.2.1.10.48.0.15	false	true	true
31	hdl2shdsl-perf-crc-anomalies-thresh	INFO	1.3.6.1.2.1.10.48.0.5	false	true	true
32	hdl2shdsl-perf-los-ws-thresh	INFO	1.3.6.1.2.1.10.48.0.3	false	true	true
33	hdl2shdsl-perf-los-ws-thresh	INFO	1.3.6.1.2.1.10.48.0.6	false	true	true
34	hdl2shdsl-perf-ses-thresh	INFO	1.3.6.1.2.1.10.48.0.4	false	true	true
35	hdl2shdsl-perf-uas-thresh	INFO	1.3.6.1.2.1.10.48.0.7	false	true	true
36	hdl2shdsl-power-back-off	INFO	1.3.6.1.2.1.10.48.0.10	false	true	true
37	hdl2shdsl-protocol-init-failure	INFO	1.3.6.1.2.1.10.48.0.14	false	true	true
38	hdl2shdsl-snr-margin-crossing	INFO	1.3.6.1.2.1.10.48.0.2	false	true	true

Table B-3 Cisco Traps (continued)

Item	Name	Severity	OID	is-correlation-allowed	correlate	is-ticketable
39	hdsl2shdsl-span-invalid-num-repeaters	INFO	1.3.6.1.2.1.10.48.0.8	false	true	true
40	new root trap	INFO	1.3.6.1.2.1.17.0.1	false	true	true
41	ospf-if-auth-failure	INFO	1.3.6.1.2.1.14.16.2.6	false	true	true
42	ospf-if-config-error	INFO	1.3.6.1.2.1.14.16.2.4	false	true	true
43	ospf-if-rx-bad-packet	INFO	1.3.6.1.2.1.14.16.2.8	false	true	true
44	ospf-if-state-change	INFO	1.3.6.1.2.1.14.16.2.16	false	true	true
45	dlsf-trap-tconn-down	MINOR	1.3.6.1.2.1.46.1.0	false	true	true
46	ospf-lsdb-approaching-overflow	INFO	1.3.6.1.2.1.14.16.2.15	false	true	true
47	ospf-lsdb-overflow	INFO	1.3.6.1.2.1.14.16.2.14	false	true	true
48	ospf-max-age-lsa	INFO	1.3.6.1.2.1.14.16.2.13	false	true	true
49	ospf-nbr-state-change	INFO	1.3.6.1.2.1.14.16.2.2	false	true	true
50	ospf-originate-lsa	INFO	1.3.6.1.2.1.14.16.2.12	false	true	true
51	ospf tx retransmit trap	INFO	1.3.6.1.2.1.14.16.2.10	false	true	true
52	ospf-virt-if-auth-failure	INFO	1.3.6.1.2.1.14.16.2.7	false	true	true
53	ospf-virt-if-config-error	INFO	1.3.6.1.2.1.14.16.2.5	false	true	true
54	dlsf-trap-tconn-partner-reject	INFO	1.3.6.1.2.1.46.1.0.1	false	true	true
55	ospf-virt-if-rx-bad-packet	INFO	1.3.6.1.2.1.14.16.2.9	false	true	true
56	ospf-virt-if-state-change	INFO	1.3.6.1.2.1.14.16.2.1	false	true	true
57	ospf-virt-if-tx-retransmit	INFO	1.3.6.1.2.1.14.16.2.11	false	true	true
58	ospf virt nbr state change trap	INFO	1.3.6.1.2.1.14.16.2.3	false	true	true
59	dlsf-trap-tconn-prot-violation	INFO	1.3.6.1.2.1.46.1.0.2	false	true	true
60	x25-reset	INFO	1.3.6.1.2.1.10.5.0.2	false	true	true
61	dummy-ticket	CLEARED	1.3.6.1.4.1.42	false	true	false



APPENDIX **C**

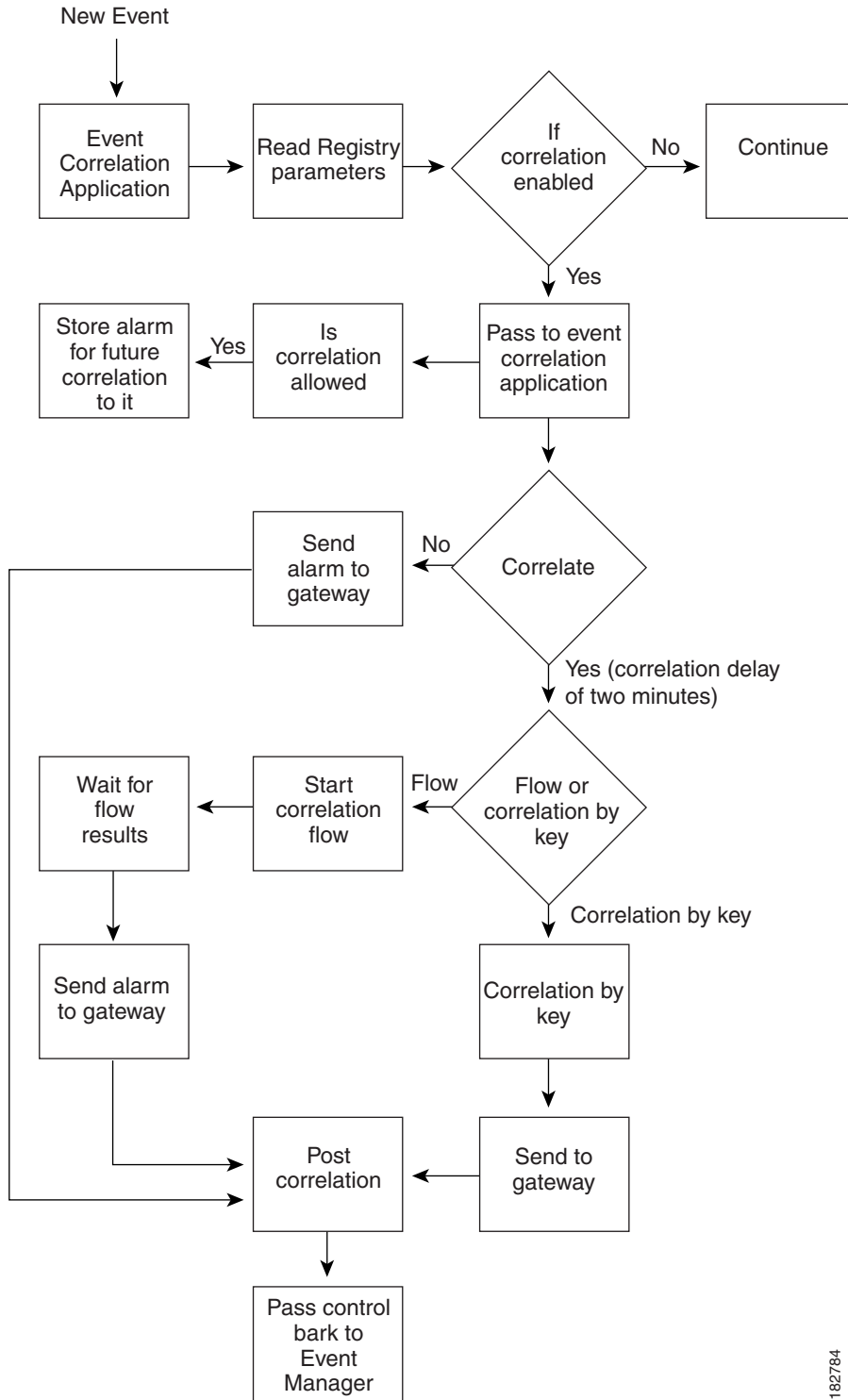
Event and Alarm Correlation Flow

This chapter describes in detail the flow of alarms and events during the correlation process.

- [Software Function Architecture](#)—Provides an event correlation flow diagram.
- [Event Correlation Flow](#)—Includes the following sections:
 - [Event Creation \(VNE level\)](#)
 - [Event Correlation](#)
 - [Correlation Logic \(Event Correlator\)](#)
 - [Alarm Sending \(Event Correlator\)](#)
 - [Post-Correlation Rule \(Event Correlator\)](#)

Software Function Architecture

Figure C-1 Event Correlation Flow (VNE level)



182784

Event Correlation Flow

Event Creation (VNE level)

An event (EventCorrelationData) is created in the VNE level by three different sources:

- Device Component (DC)—When processing service alarms.
- EventProcessor—After parsing Syslog and SNMP trap.
- TCA Extension—After identifying a change in a property in the IMO.

The EventCorrelationData holds the following information:

Table C-1 Event Correlation Data Parameters

Name	Description	Type
Event Type	The type of the event. Alarms with the same Source and Event Type will be considered as a single alarm.	String
Event Sub Type	The sub type of the event (identifies the exact event definition that needs to be loaded).	String
Source	The OID of the IMO on which the event occurred on.	Oid
Correlation key	The object used for correlation	Correlation key array
iFlowForwardData	All forwarding data for the flow (if activate-flow is enabled).	iFlowForwardData
Event time	The time the event occurred (as determined in the VNE).	Long
Description	A description of the event.	String

Event Correlation

Local Correlation (Event Correlator)

Local correlation will be performed if the correlate flag is set true and after waiting the time specified by the correlation-delay value.

The event correlation key is used to extract alarms that were waiting for correlation on that specific key. If alarms with the same correlation key exist the correlation logic is invoked to determine the best candidate of the locally available alarms. If the event did not find an alarm to correlate to, it will be put into the waiting for correlation event queue with its respective correlation key.

Network Correlation (Event Correlator, Flow)

Network correlation will be performed if the event has the activate_flow flag set to true. The following actions will be executed:

1. The Event Correlation application receives an event and it checks the correlation delay depending on whether it is box-level or flow-level correlation.

If it is box-level correlation the event is stored in the application for the correlation delay period and during this period collects all possible root causes having the same correlation delay.

If it is flow-level correlation, then the flow will start after the correlation delay.

2. The flow starting and ending points are defined by the event correlation parameters (see [Table C-1](#)).
3. After the flow finishes it will get a message that contains all the collected alarms. Alarms are collected on every DC that the flow intercepts regardless of the original correlation key of the event that triggered it.

Correlation Logic (Event Correlator)

The correlation logic is used for determining the most fitting alarm to serve as a root cause for the specified event. It selects from the alarms, the most fitting alarm (root cause), based on the correlation filters and selects the root cause method.

Alarm Sending (Event Correlator)

Once an event has gone through the correlation process it will be transformed into an alarm and will be sent to the gateway.

Post-Correlation Rule (Event Correlator)

The post-correlation rule is used for performing logic which needs to be performed after the event had been sent. Usually the post-correlation rule is used for triggering additional behaviors such as search for affected services that were influenced by the alarm.