



Installation guide

for Cisco TelePresence MX700 Dual Camera
on a free standing floor stand or a floor stand secured to the wall

This guide covers the floor stand mounted MX700 with dual camera, in either the free standing or wall secured configurations.



Free standing floor stand



Floor stand secured to the wall

Manpower



We recommend three people working together to mount the system. Follow local regulations.

Dimensions

Height: 1631 mm / 64.3 in.

Width: 2517 mm / 99.1 in.

Depth: 156 or 215 mm / 6.2 or 8.5 in. (wall secured)
920 mm / 36.3 in. (free standing)

Weight: 156 kg / 344 lb

Room setup

Explore the Cisco Project Workplace to find inspiration and guidelines when preparing your office or meeting room for video conferencing:

<https://www.cisco.com/go/projectworkplace>

Documentation

Visit one of these websites to find out more about setup, management, and use of this product:

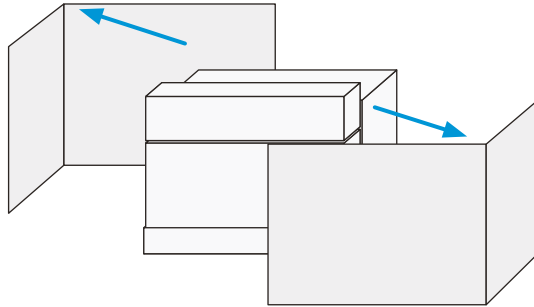
<https://collaborationhelp.cisco.com>

<https://www.cisco.com/go/mx-docs>

Use the first link if your device is registered to the Cisco Webex service and the second link if the device is registered to another service.

Packaging

- 1 Open the plastic snap locks and remove the side walls.



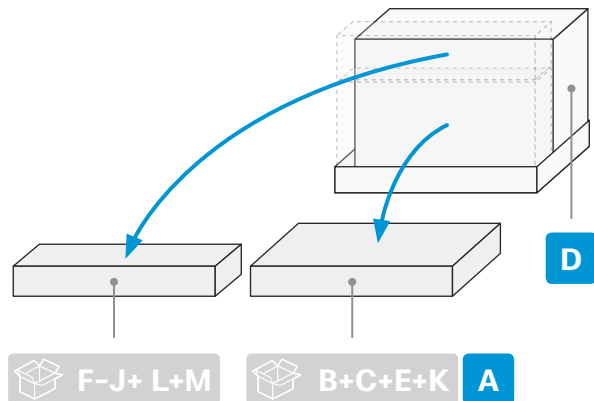
A ... **M** Boxes are labeled A to M. This guide refers to the labels.

 **B+E-G** Shows which boxes are inside.

 Tools and screws are in this box.

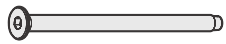
- 2 Lay the box marked with F-J+L+M flat on the floor. Remove the lid. Boxes F to J, L and M are inside.

Lay the box marked with A, and B+C+E+K flat on the floor. Remove the lid. Boxes B, C, E and K are inside.



Screws and tools

The screw kit contains more screws than you need, because the same kit is shipped with all mounting options.



M6x90, countersunk
Tool: Allen key, 4 mm



M6x35, countersunk
Tool: Allen key, 4 mm



M6x12, pan
Tool: Allen key, 4 mm



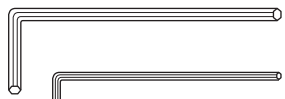
M6x12, countersunk
Tool: Allen key, 4 mm



PT4x10, pan
Tool: Torx T20

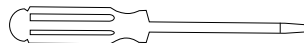


M4x8, pan
Tool: Allen key, 2.5 mm



Allen key, 4 mm

Allen key, 2.5 mm



Torx T20

EMC Class A declaration

WARNING: This is a class A product. In a domestic environment this product may cause radio interference in which case the user may be required to take adequate measures.

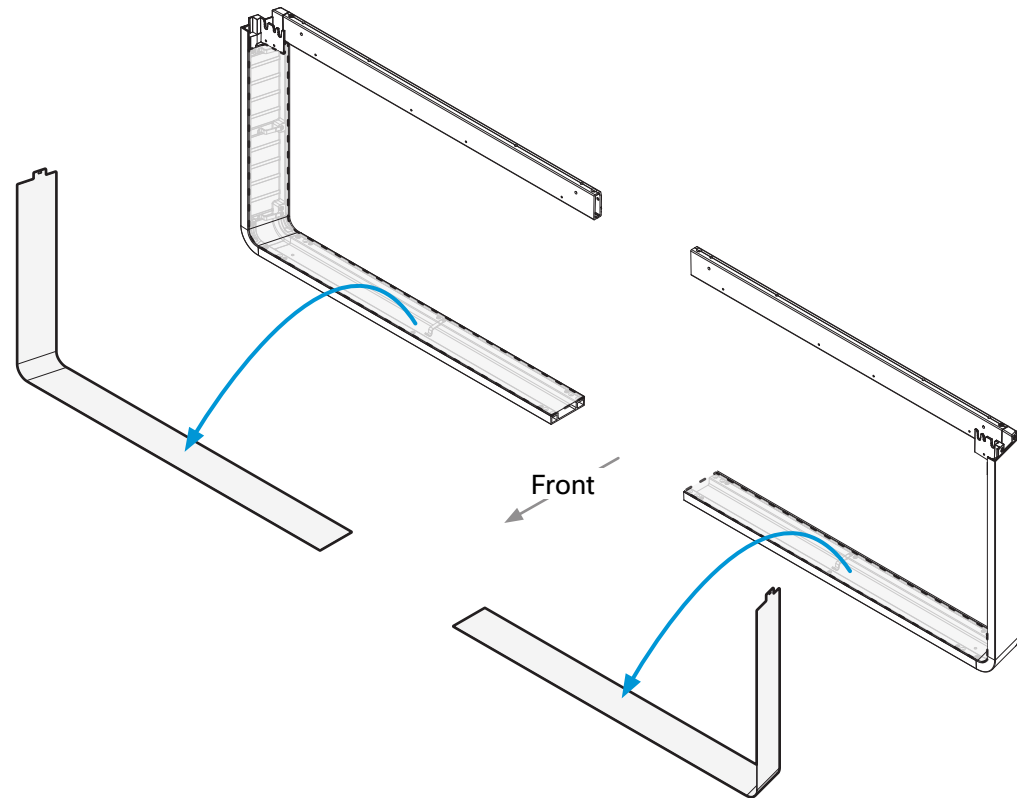
声明

此为A级产品，在生活环境中，该产品可能会造成无线电干扰。在这种情况下，可能需要用户对其干扰采取切实可行的措施。

1 Remove covers from floor stand parts



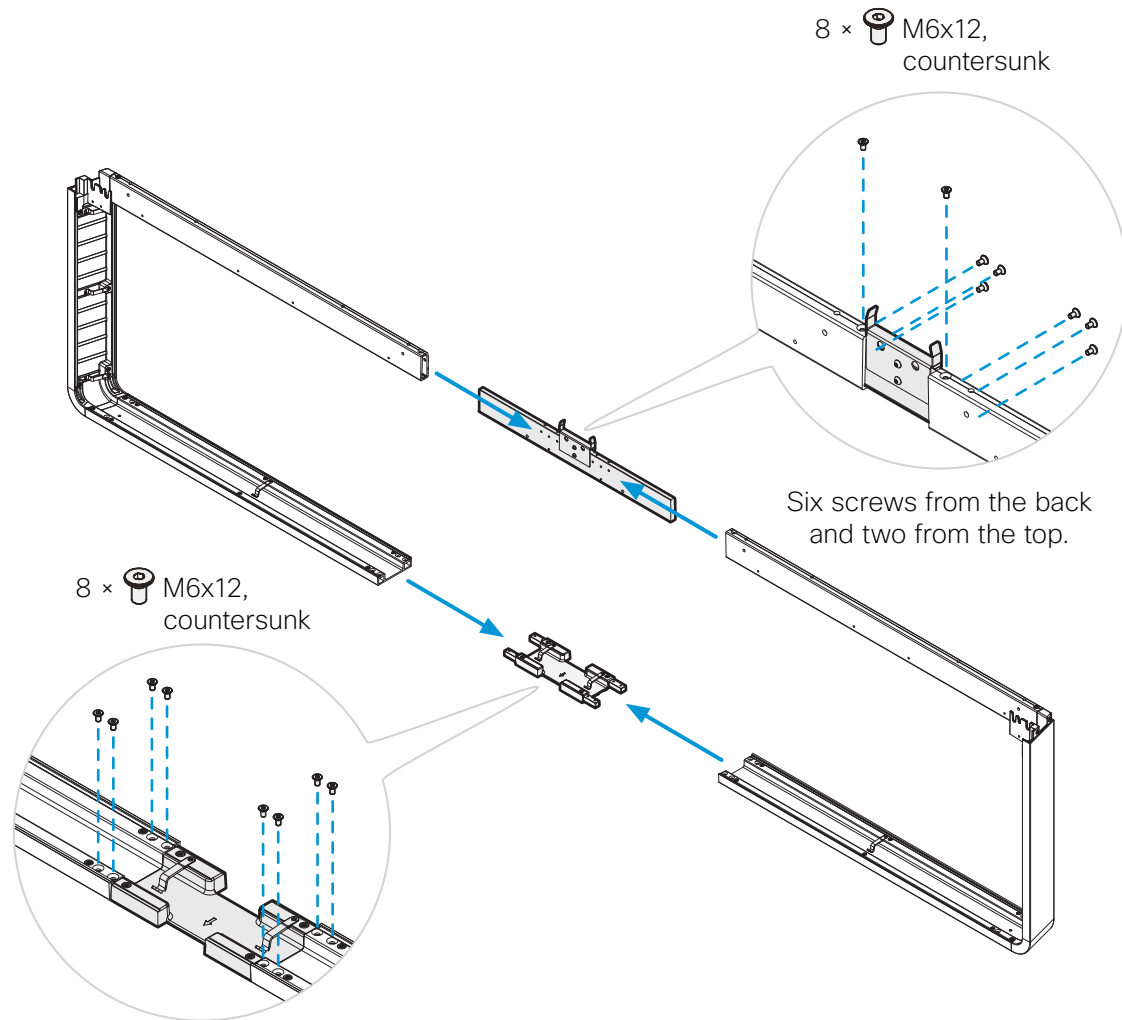
Set aside the covers. They will be replaced when the system is fully assembled and tested (step 20).



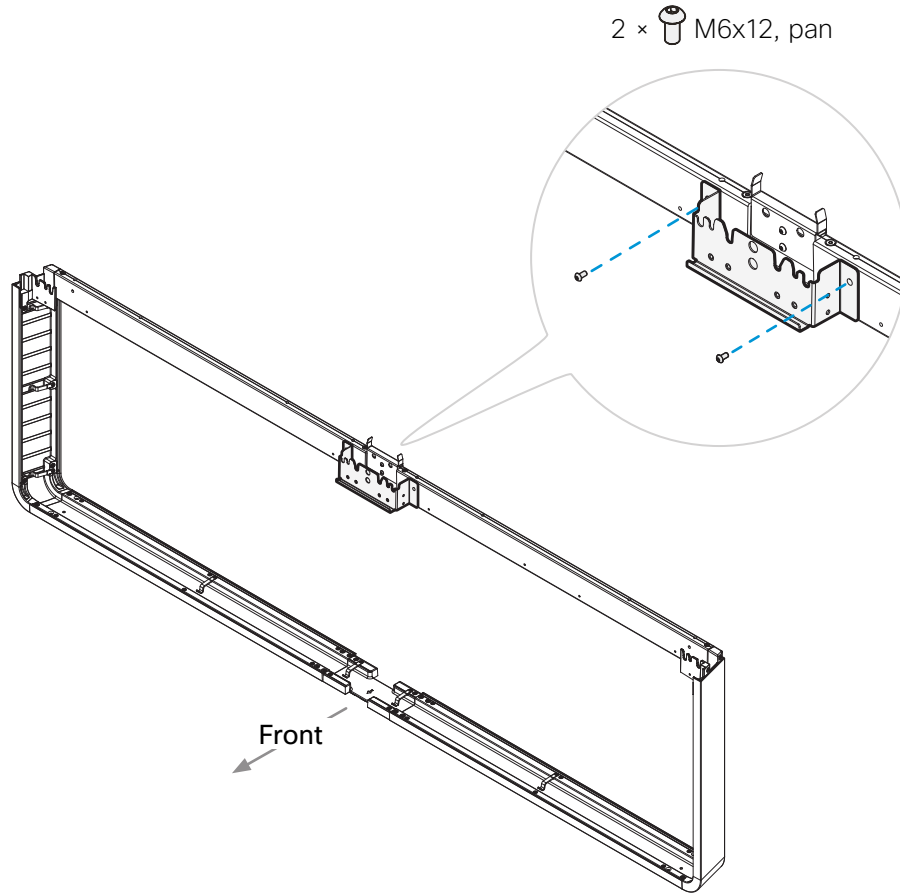
2 Assemble floor stand



Fasten the upper and lower center parts simultaneously, first on one side; then on the other.

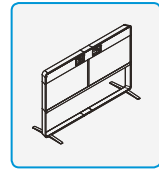


3 Fasten center bracket



4


Secure floor stand

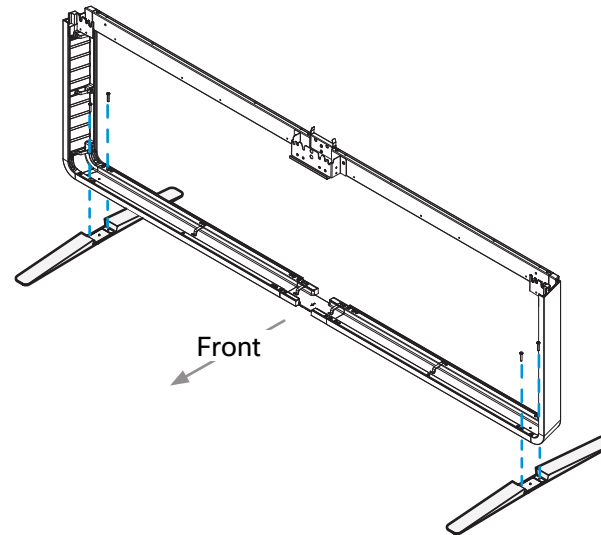


Option A:

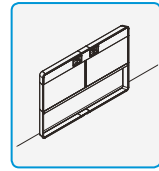
Mount the feet to the floor stand to allow it to be free standing.

Option B (secured to the wall) is described on the next page.

4 ×  M6x35,
countersunk



4 Secure floor stand



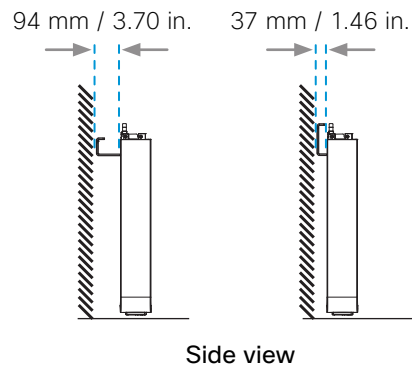
Option B:
Use the wall brackets provided to secure the floor stand to the wall.

Option A (free standing with feet) is described on the previous page.

! The system must be installed by qualified personnel, in accordance with state and local building regulations.

The wall and mounting hardware must be able to safely support the product.

- 1 The wall brackets have two mounting positions. Position the brackets the way that suits your room the best.



- 2 Place the floor stand in the wall brackets without fastening it. Move the floor stand and wall brackets into position.

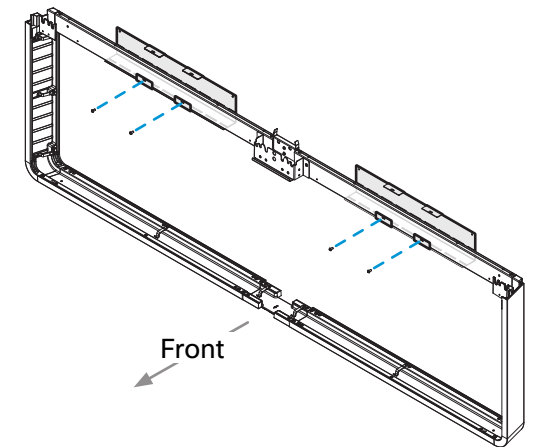


The wall brackets can be fastened through any of the horizontal slots. Mark the required screw hole positions on the wall.

Fasten each wall bracket in a secure manner ensuring that the wall's structure is sufficient to support the system (screws/mounting hardware not provided; not shown in illustration).

- 3 Fasten the floor stand to the wall brackets with the four screws (provided).

4 × M6x12 (pan)



5 Read this before you mount the monitors



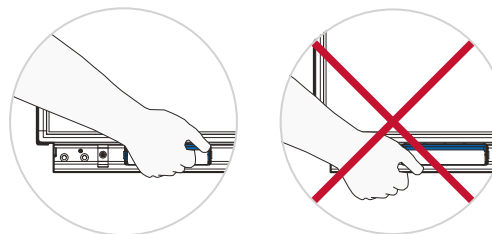
The monitors are heavy

We recommend three people working together to mount the monitors. Two people should lift the monitor using the handles as described here. The other person must help stabilizing the monitor and check that the monitor enters the slots properly.

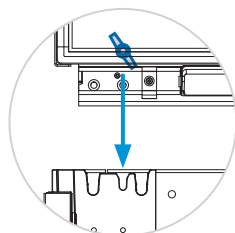


Use lifting handles

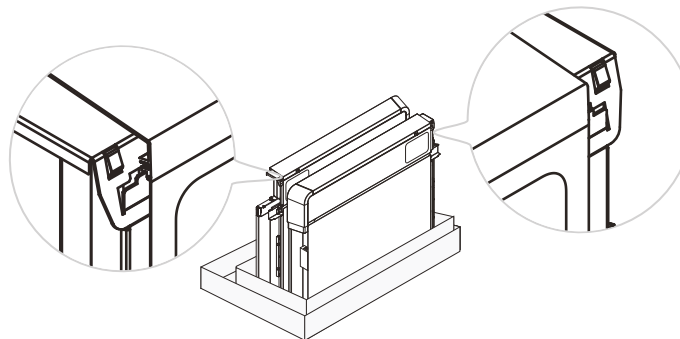
To avoid trapping your fingers, use the lifting handles at the bottom of the monitor.



The screws with wing nut, which you can see from the sides of the monitor, must enter the center slot on each side of the lower frame.



Applies to systems that are secured to the wall: To assure that the camera can move freely, fasten two bump-ons on the rear of the top profile, close to the camera.

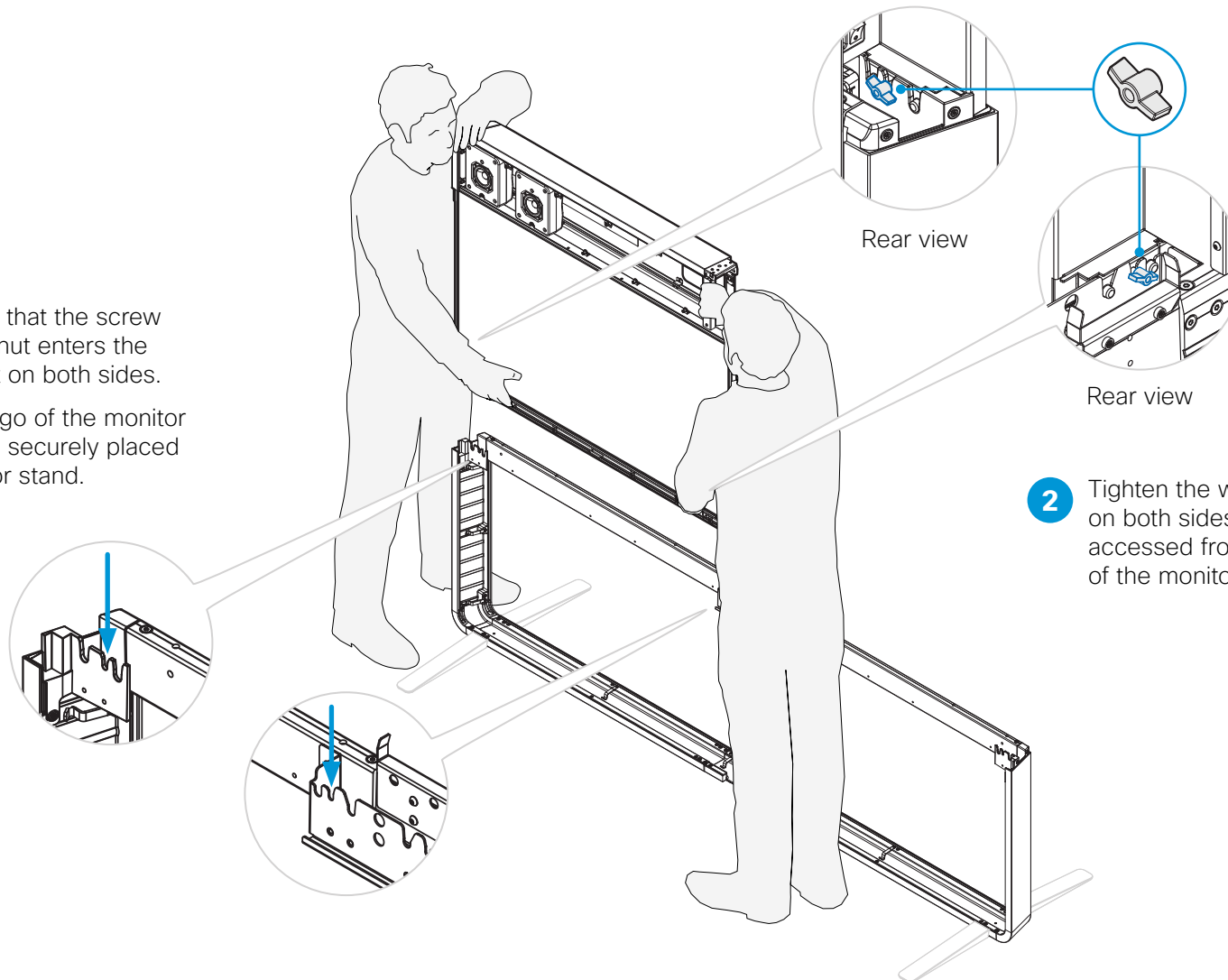


6 Lift left monitor onto floor stand



65kg / 144lb

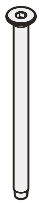
- 1 Make sure that the screw with wing nut enters the center slot on both sides.
Do not let go of the monitor before it is securely placed on the floor stand.



- 2 Tighten the wing nuts on both sides. They are accessed from the sides of the monitor.

7 Fasten left monitor to floor stand and connect power cable

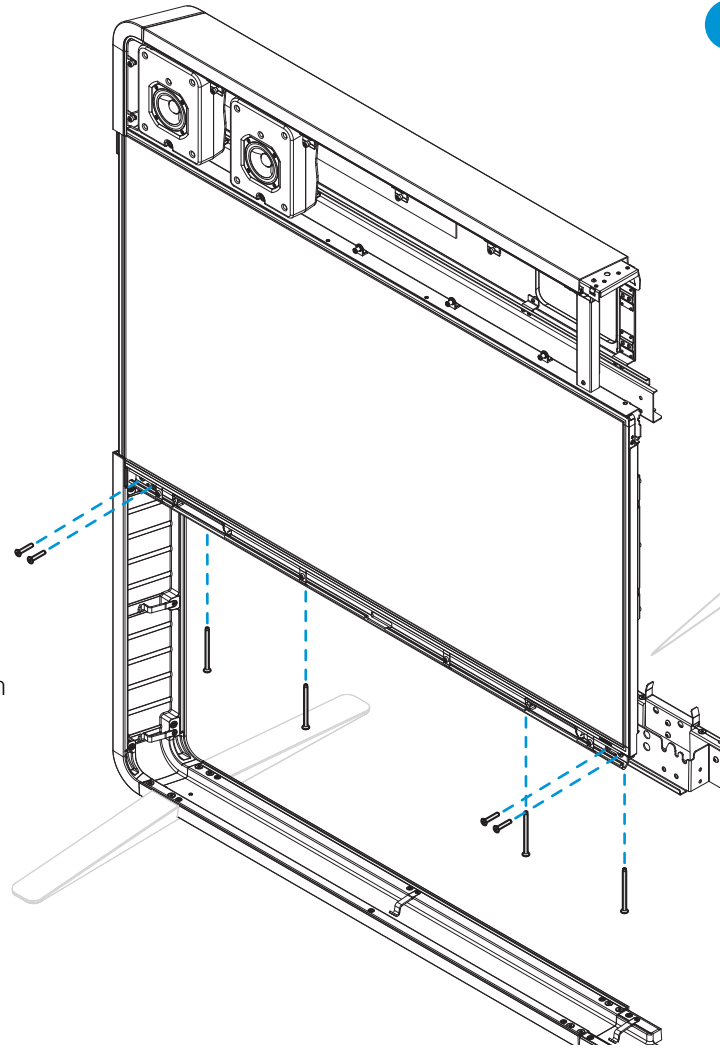
4 × M6x90,
countersunk



4 × M6x35,
countersunk



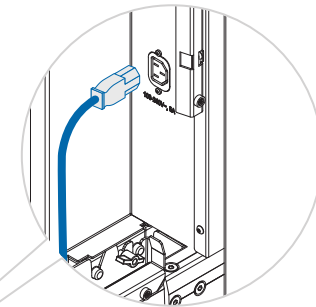
1 Enter four screws from front and four screws from underneath. Then, tighten all screws.



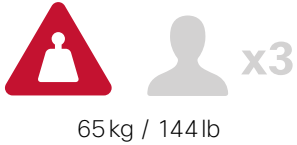
2 Connect power cable

A power cable is strapped at the rear of the monitor. Connect it to the close-by socket.

Let the other end hang freely. It will be connected to the right monitor in step 9.

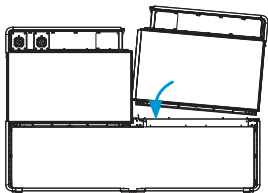


8 Lift right monitor onto floor stand

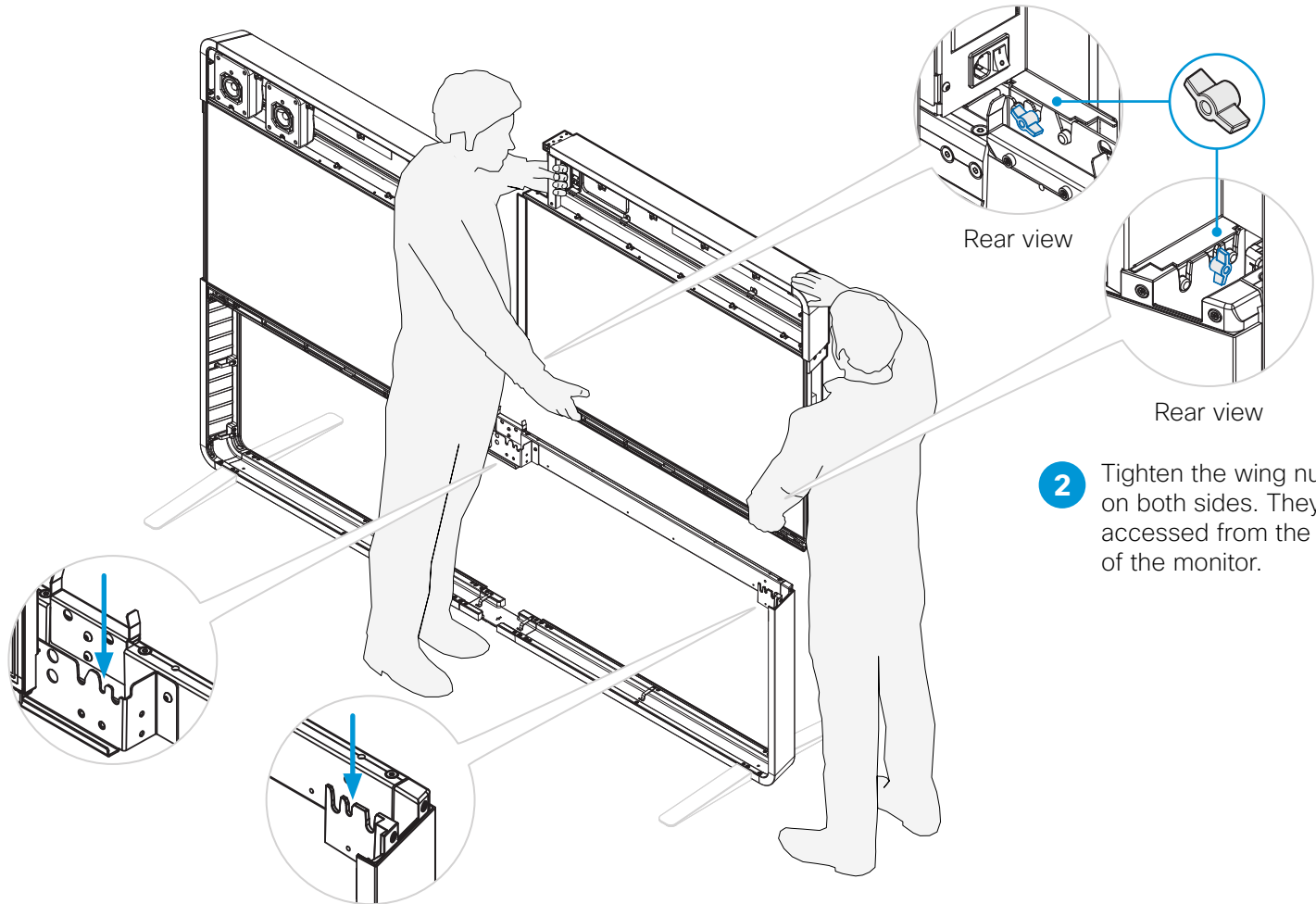


1 Make sure that the screw with wing nut enters the center slot on both sides.

Keep the outer side a bit lower than the side toward the other monitor when lowering the monitor onto the floor stand.

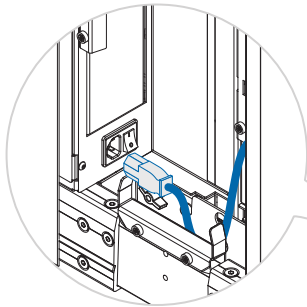


Do not let go of the monitor before it is securely placed on the floor stand.

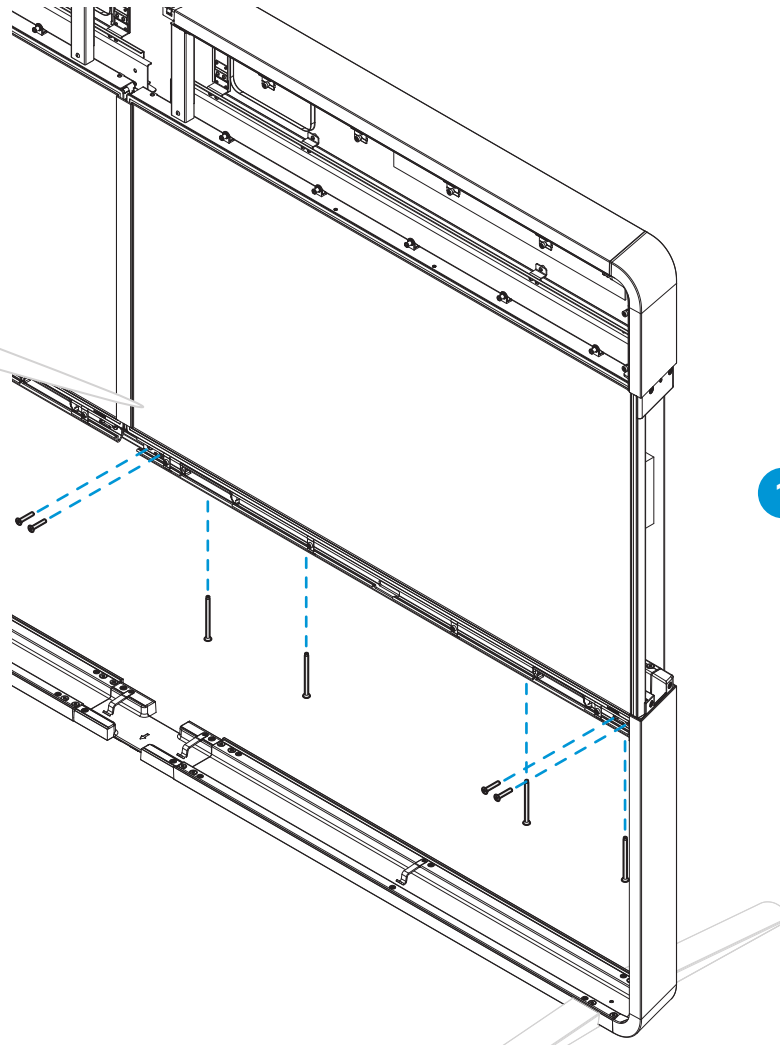


2 Tighten the wing nuts on both sides. They are accessed from the sides of the monitor.

9 Fasten right monitor to floor stand and connect power cable



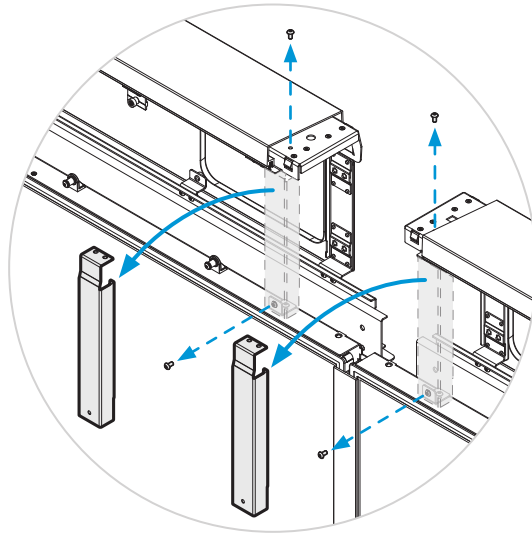
- 2 Connect power cable**
- Connect the loose end of the power cable from step 10 to the close-by socket at the rear of the right monitor. The socket must be reached from below.
- Make sure that the power switch next to the socket is in its ON position.



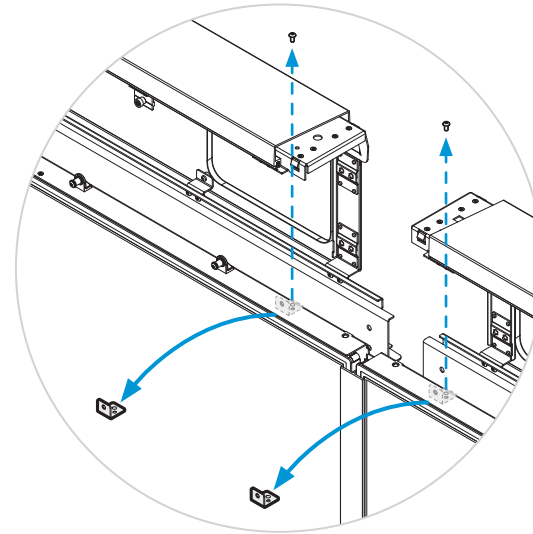
- 4 × M6x90, countersunk
- 4 × M6x35, countersunk

- 1** Enter four screws from front and four screws from underneath. Then, tighten all screws.

10 Remove support handles



1 Unscrew the screws (4 × M4x8) and remove the support handles.



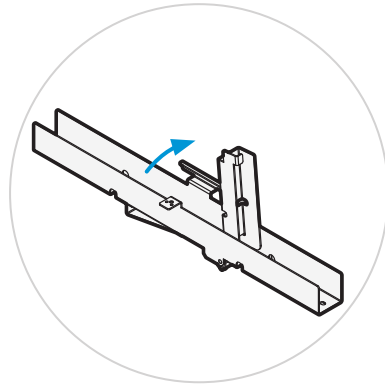
2 Unscrew the screws (2 × M4x8) and remove the brackets that the support handles were fastened to.

11

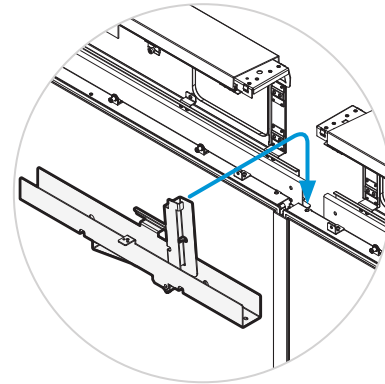
Mount joining bracket



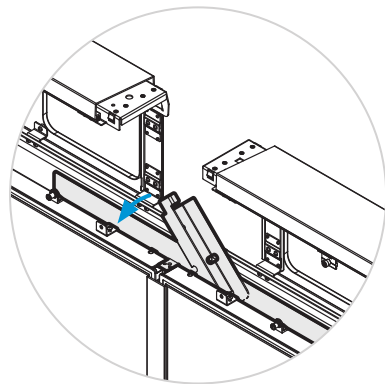
Box E is placed underneath box C.



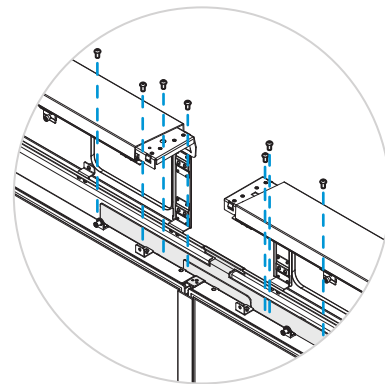
1 Open the lever.



2 Place the joining bracket in the channel. Make sure it aligns with the channel at top.



3 Push down the lever to horizontal position.



4 7 ×  M6x12, pan

12

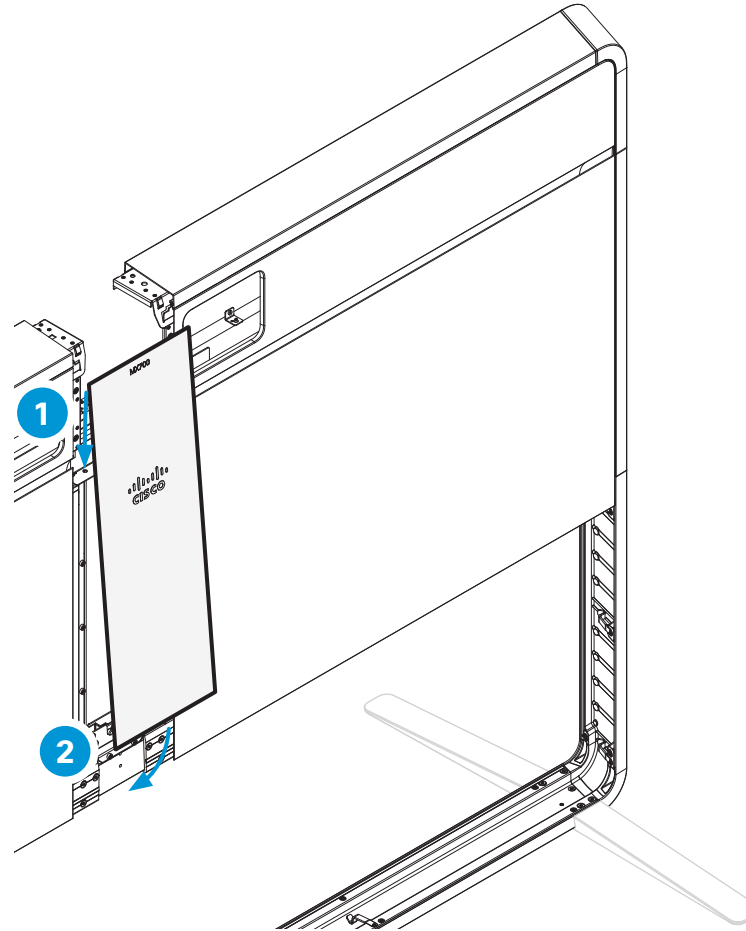
Mount back cover



Mount the back cover. If the system is placed close to the wall the back cover must be mounted from above.

Lead the guidance pins on the back cover into the holes.

Lower the back cover toward the system. The cover snaps to magnets.

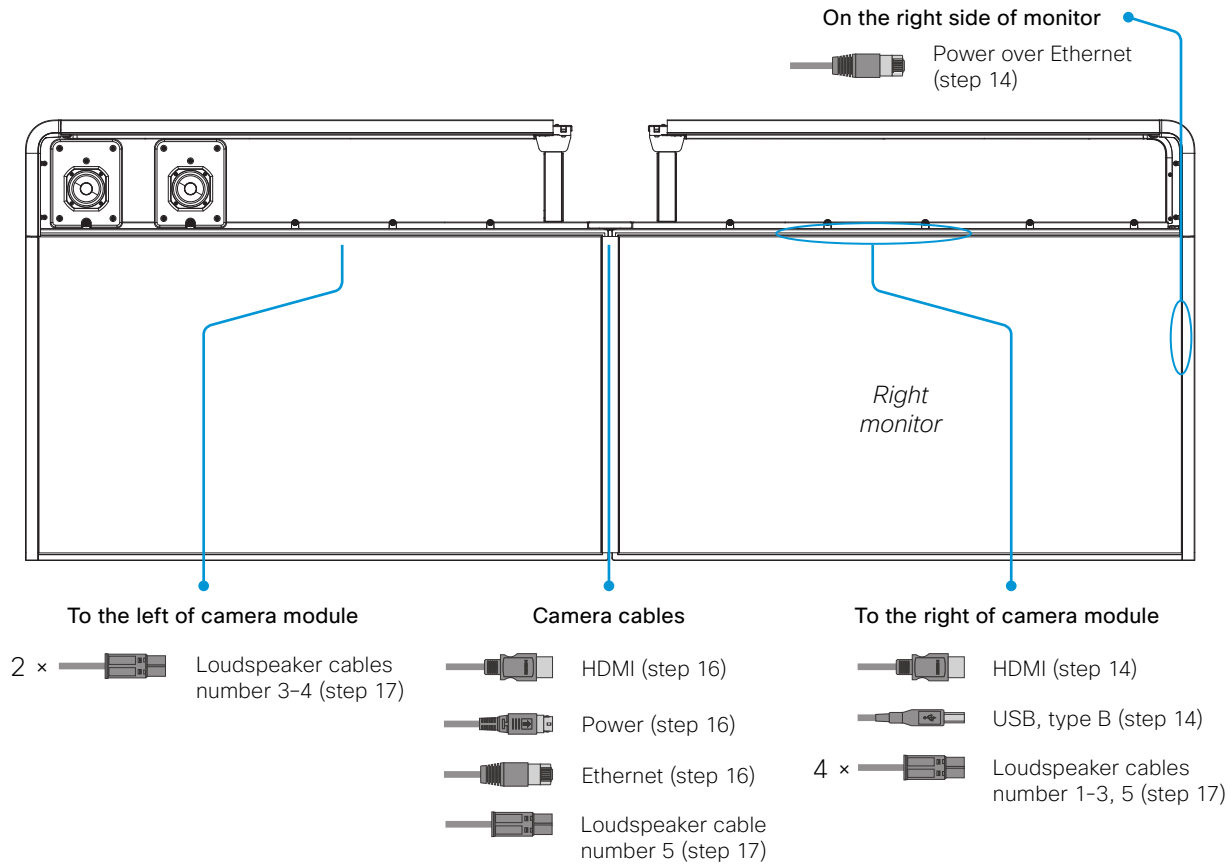


13 Organize pre-mounted cables

Organize the cables that are placed in the channel on top of the monitors. Lead the cables to the right, and place them as shown in the illustration.

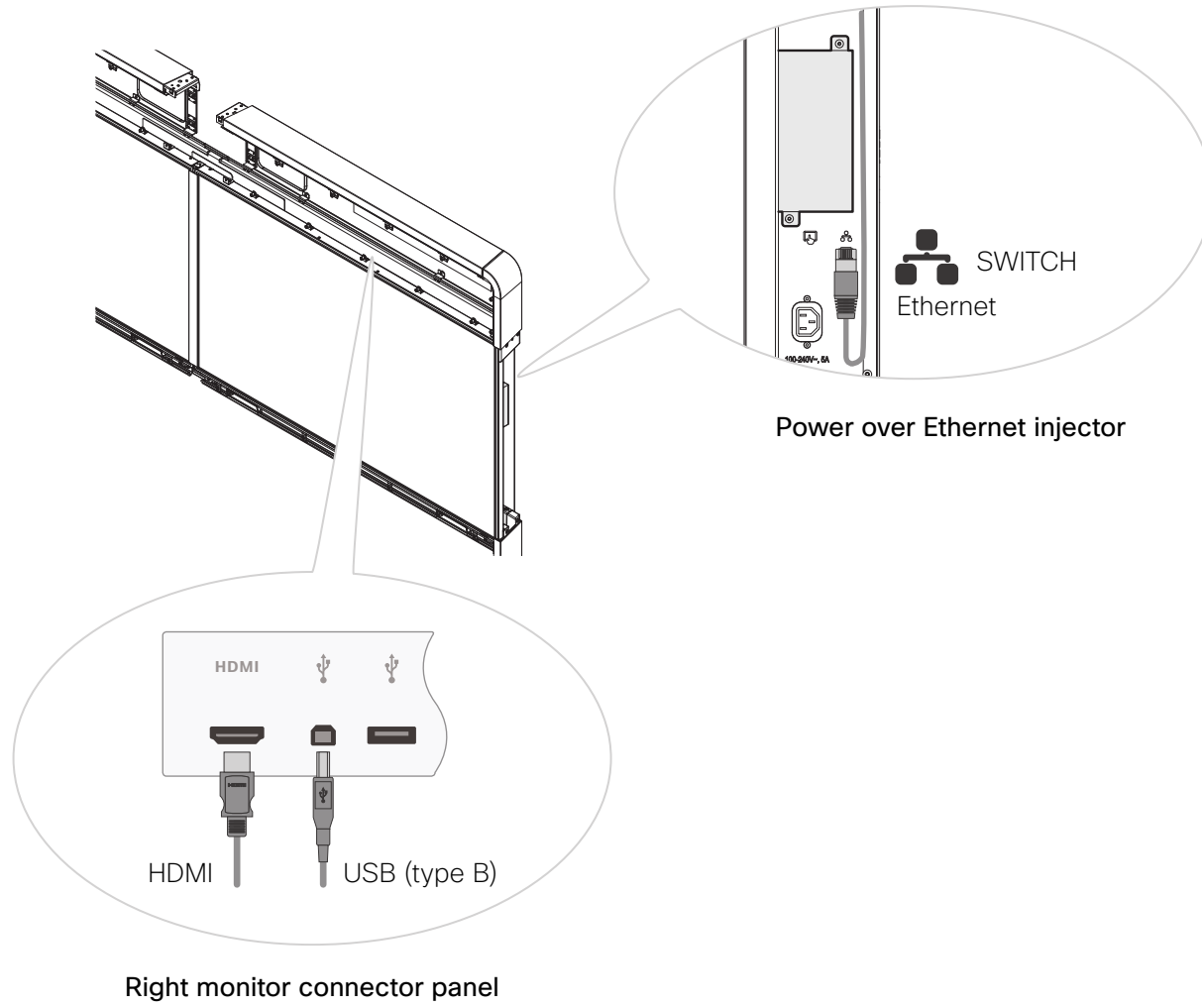
Note that the loudspeaker cable 4 above the right monitor will not be used.

The camera module will be connected in step 15 and the cables will be connected in steps 14, 16 and 17.



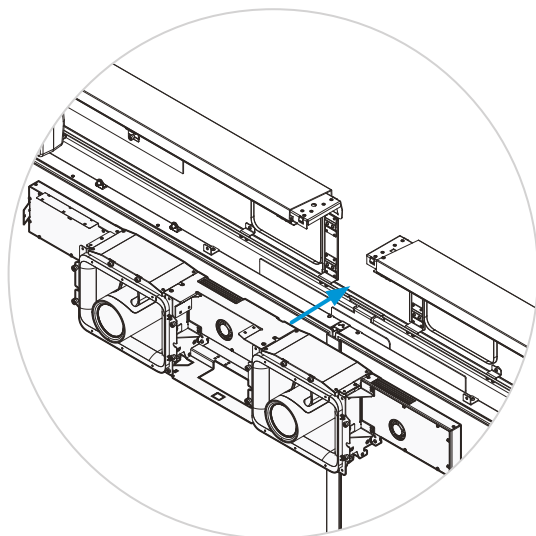
14

Connect cables to right monitor and PoE injector



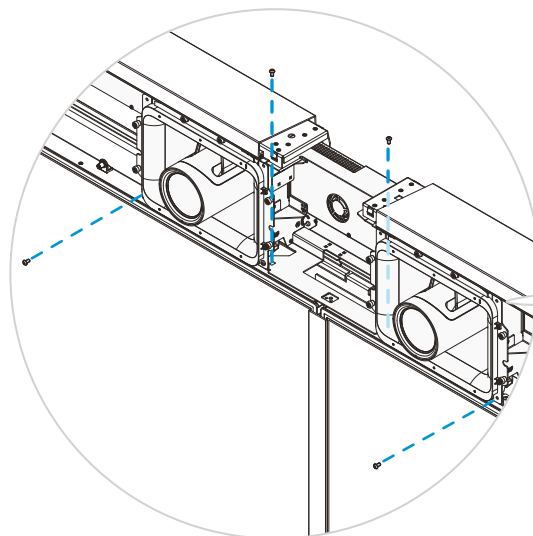
15

Mount camera module (page 1 of 2)

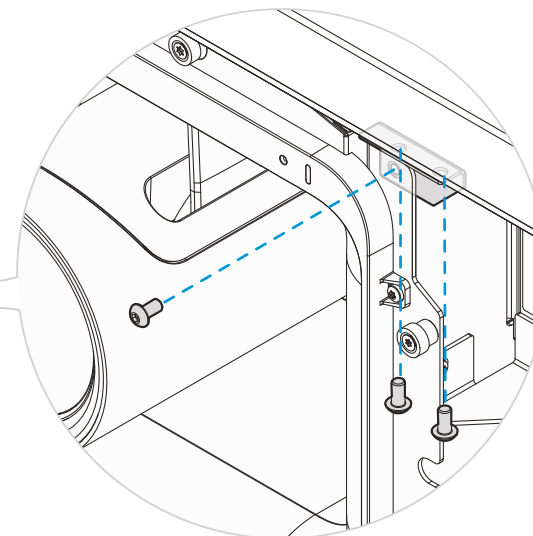


- 1** Make sure that the HDMI cable for the left camera and loudspeaker cable 5 can be accessed through the hole in the bottom plate of the camera module.

Check that no cables are pinched when the camera module is inserted.



- 2** 4 × M4x8, pan



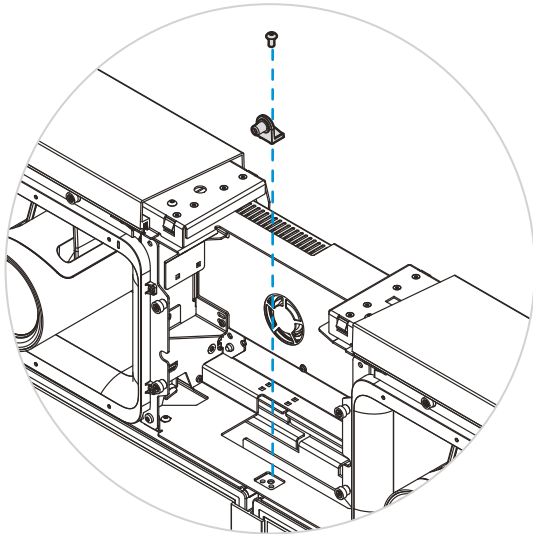
- 3** 3 × M4x8, pan

Fasten the stud with one screw to the upper right corner of the right camera. Repeat this step for the upper left corner of the left camera.

Fasten each stud to the top profile with two screws from underneath.

15

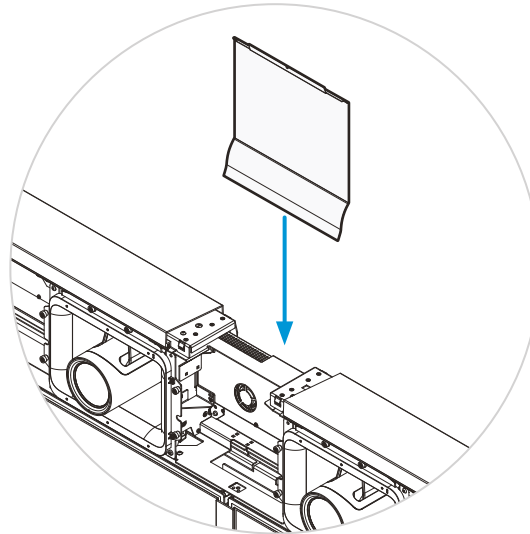
Mount camera module (page 2 of 2)



4 1 ×  M4x8, pan

1 ×  Speaker clip

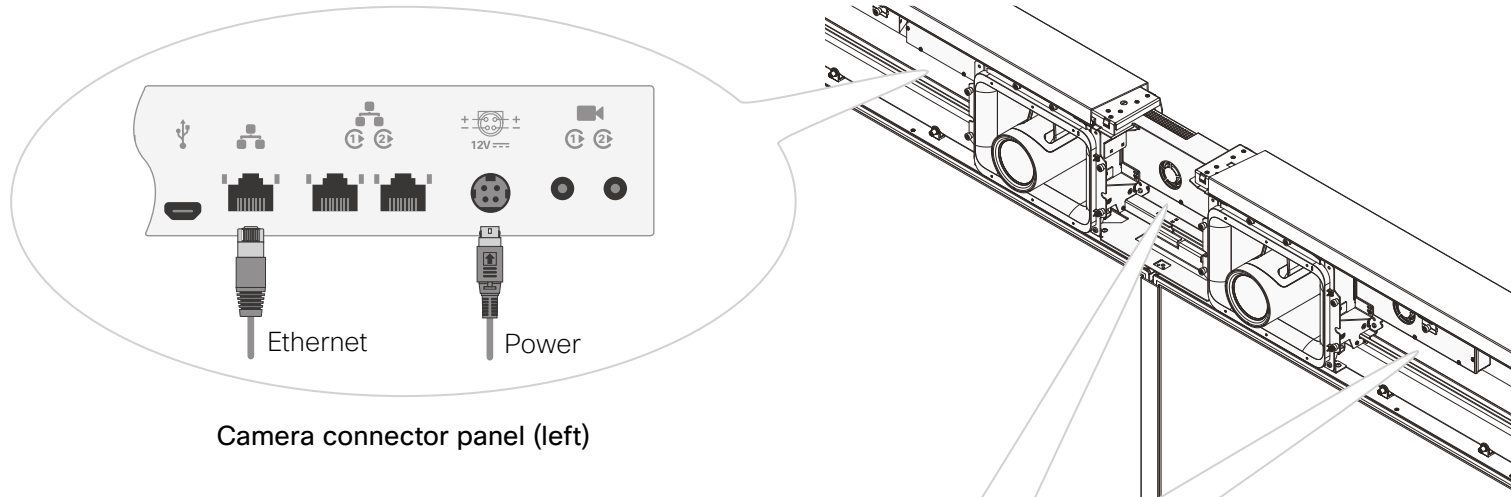
Fasten the speaker clip for the center loudspeaker.



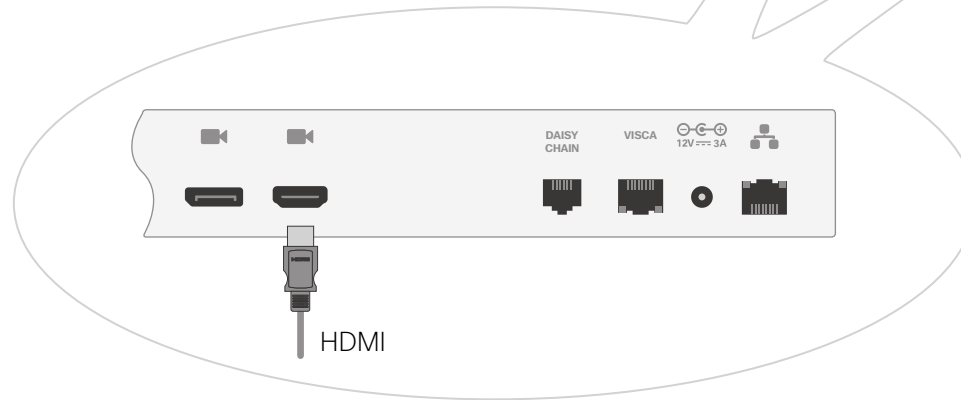
5 Enter the camera cover in the clips at the bottom, and align it with the back panels. The cover snaps to magnets.

16

Connect camera cables



Camera connector panel (left)



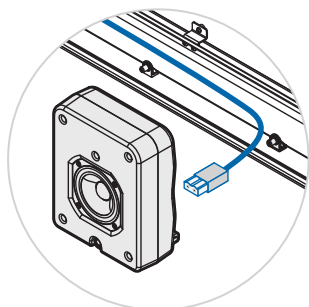
Camera connector panels

Connect an HDMI cable in the middle and an HDMI cable on the right side.

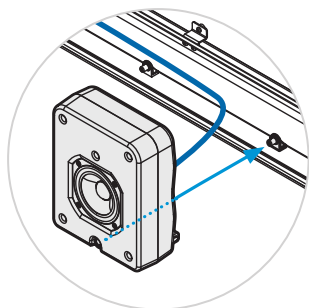
17 Mount loudspeakers



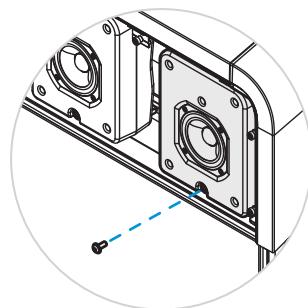
Two loudspeakers are pre-installed. Follow steps 1-3 for the remaining seven loudspeakers.



1 Connect the cable that is marked with the correct position to the loudspeaker.



2 Enter the loudspeaker onto the speaker clip. Make sure the cable is not pinched.

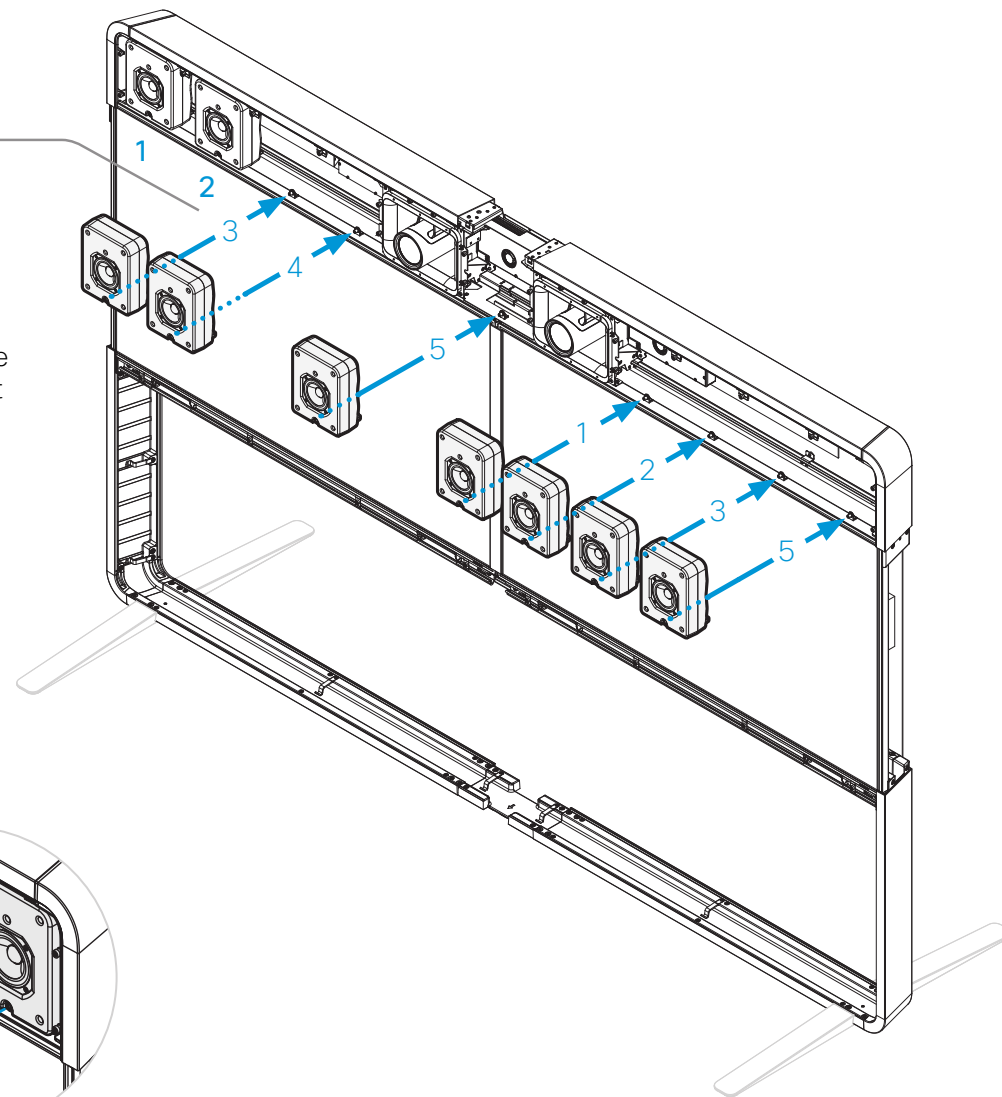


3 Fasten with one screw.

7 × PT4x10, pan
(one for each loudspeaker)

The loudspeaker cables are marked with a number. These numbers must match the position of the loudspeakers, as shown here.

Cable number 4, above the right monitor, is not used.



18

Connect external cables (page 1 of 2)

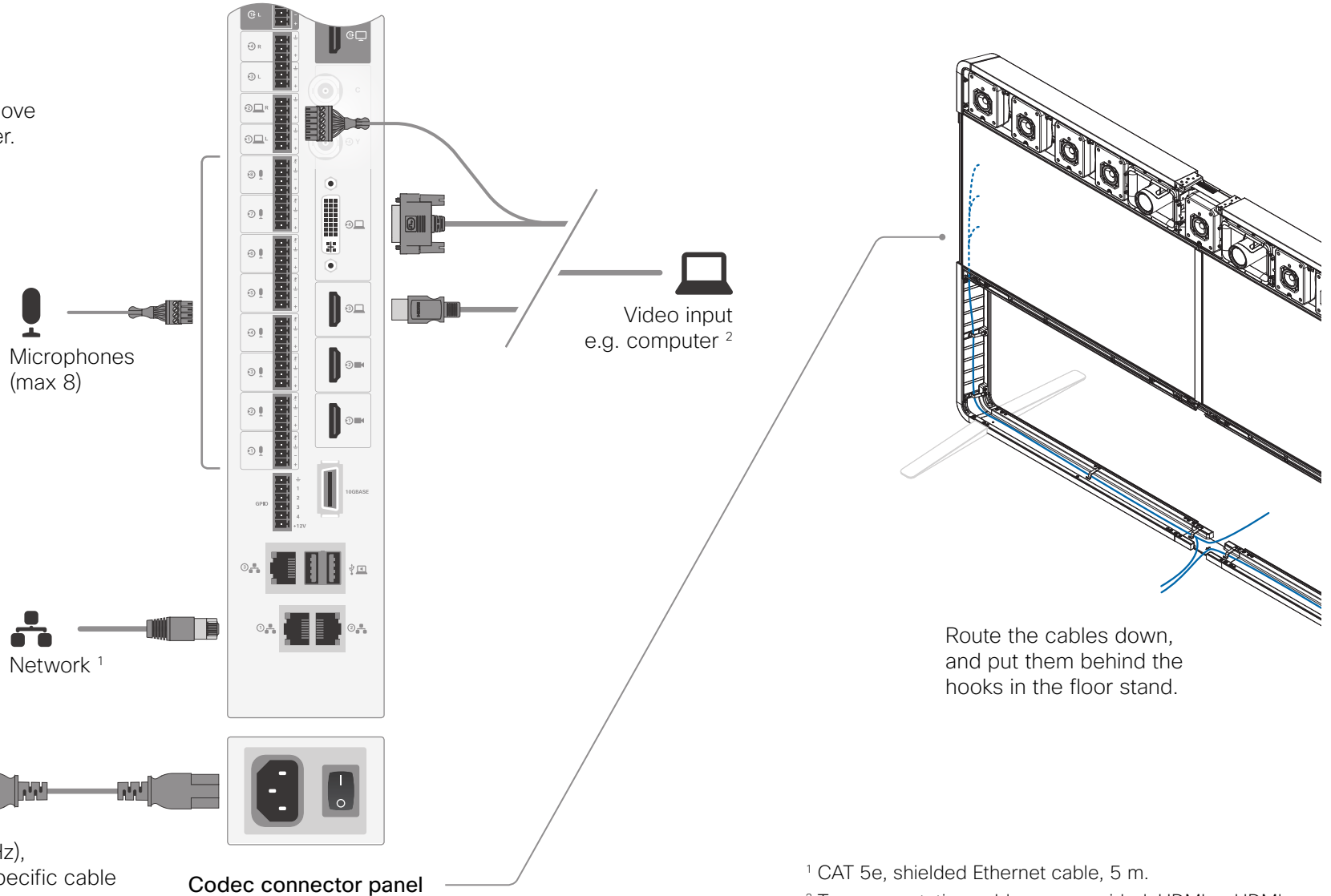


Make sure the cameras can move freely before connecting power.



Always use the power cables provided.

The plug-socket combination must be accessible at all times, because it serves as the main disconnecting device.

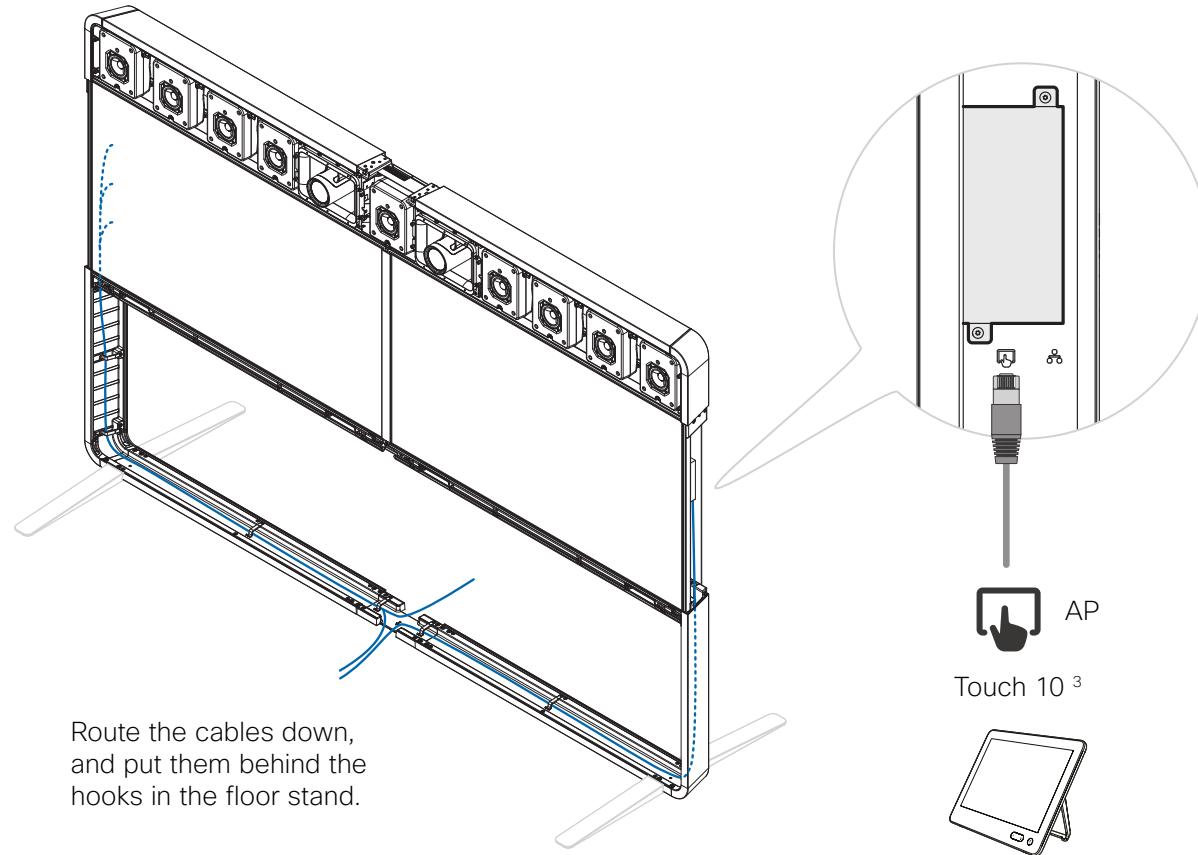


¹ CAT 5e, shielded Ethernet cable, 5 m.

² Two presentation cables are provided: HDMI ↔ HDMI; and DVI/Euroblock ↔ VGA/mini jack.

18

Connect external cables (page 2 of 2)



Route the cables down, and put them behind the hooks in the floor stand.



³ The Ethernet socket is behind the lid at the rear of Touch 10. Use one of the provided PoE rated CAT 5e Ethernet cables, 12.5 or 4 m, flat.

19

Start up the system

- Remove the protection foil from the displays.
- Make sure the cameras can move freely.
- Insert the network and power cables into the wall outlets.
- Switch on the system.

The power switch is located directly below the codec, next to the power connector.

Wait a few minutes while the system starts up. The start-up may include automatic software upgrade and restart of Touch 10 and cameras.

- Follow the instructions on the Touch controller.

Cisco Webex: To find more information on how to get started, visit <https://collaborationhelp.cisco.com> and look for Getting Started articles for room devices.

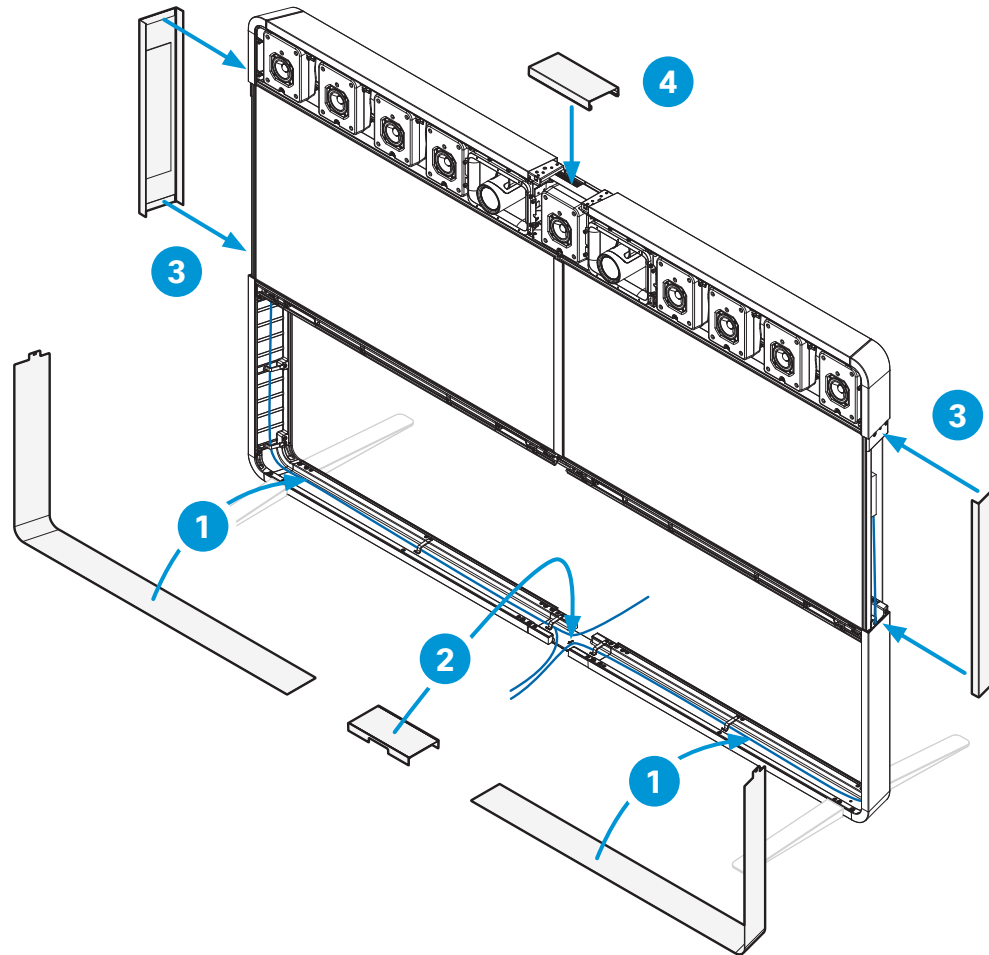
Other services: For further information on set-up and configuration, download the Getting Started Guide from the Cisco web site, <https://www.cisco.com/go/mx-docs>

20

Mount covers



The top cover is fastened by clips.
The other covers snap to magnets.



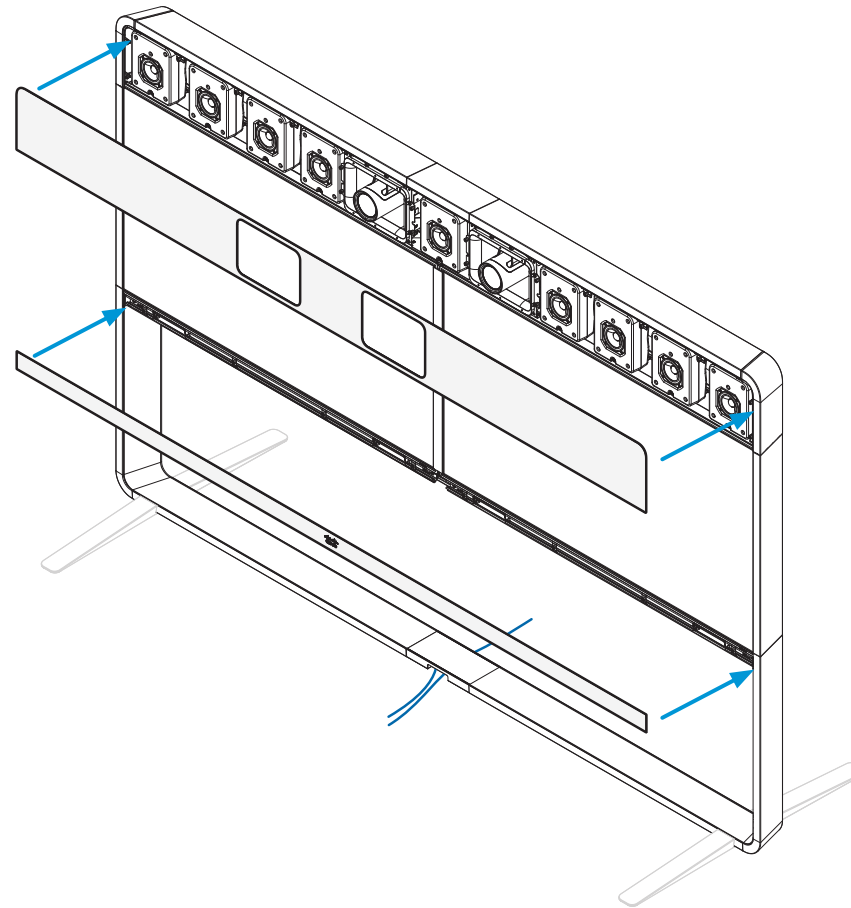
21

Mount textile grilles



Use the provided gloves when handling the textile grilles.

The grilles snap to magnets.



For a list of offices, visit the Cisco website at <https://www.cisco.com/go/offices>

Cisco and the Cisco logo are trademarks or registered trademarks of Cisco and/or its affiliates in the U.S. and other countries. To view a list of Cisco trademarks, go to this URL: www.cisco.com/go/trademarks. Third-party trademarks mentioned are the property of their respective owners. The use of the word partner does not imply a partnership relationship between Cisco and any other company. (1110R)