

# GoTo™ North America Focused Delivery Program Hydraulics



# World-class technology without the wait

Whether you're designing and building machines, implementing them in your factory, or servicing them, the GoTo Program is ready to work for you.

## GoTo Product Overviews



► **Electric Drives and Controls**



► **Tightening Technology**



► **Industrial and Mobile Hydraulics**



► **Linear Motion Technologies**



► **Assembly Technologies**

The GoTo Focused Delivery Program offers a targeted selection of our high-demand products with short lead times and high availability. As a result, you receive your products quickly and reliably, allowing you to be agile and responsive in your own markets.



You benefit from simplified access to product information, preferred order processing and reduced delivery times. This allows you to complete your machine or system on schedule.

Our GoTo product overviews, whether in printed form or on the Internet, show you the complete portfolio. In addition, our web pages quickly provide you with additional information on the respective product, on the technical data as well as on ordering.

[www.boschrexroth-us.com/gotoEDC](http://www.boschrexroth-us.com/gotoEDC)

[www.boschrexroth-us.com/gotoTighteningSystems](http://www.boschrexroth-us.com/gotoTighteningSystems)

[www.boschrexroth-us.com/gotoHydraulics](http://www.boschrexroth-us.com/gotoHydraulics)

[www.boschrexroth-us.com/gotoLinear](http://www.boschrexroth-us.com/gotoLinear)

[www.boschrexroth-us.com/gotoFraming](http://www.boschrexroth-us.com/gotoFraming)

# Hydraulics GoTo Catalog

Bosch Rexroth is pleased to present our Hydraulics GoTo Product catalog as part of our GoTo Focused Delivery Program.

The GoTo Focused Delivery Program streamlines everything to make it easier for you to get a selection of our most popular Rexroth products faster. You'll benefit from quicker access to product information, reliable lead times that meet or beat the expectations of the market, and enhanced customer service.

The same GoTo product portfolio is now available in the United States, Canada, and Mexico. With the same quantities and lead times (from order acceptance to shipment in business days), GoTo is even easier to use.

For additional information on the GoTo Program and a complete list of other quality Rexroth products available in the Focused Delivery Program just go to:

**USA: [www.boschrexroth-us.com/GoTo](http://www.boschrexroth-us.com/GoTo)**

**Canada: [www.boschrexroth.ca/GoTo](http://www.boschrexroth.ca/GoTo)**

**Mexico: [www.boschrexroth.com.mx/GoTo](http://www.boschrexroth.com.mx/GoTo)**



# GoTo Focused Delivery Program

Your local GoTo contact:

## GoTo Program Delivery Conditions

### How to place a GoTo order directly with Bosch Rexroth

Please clearly state “GoTo” on the purchase order, and ensure that all GoTo items are within the maximum GoTo quantity.

For products with a published lead time of one (1) business day, the ship date will be the following day, provided:

- the following day is a business day
- the order is placed by 1 PM (EST)

The contents of a GoTo order may not ship as a complete delivery and will not be shipped via the customer defined consolidation point / day.

All items subject to prior sale. It is advisable to confirm critical delivery requirements at time of order. All sales subject to Bosch Rexroth Terms & Conditions of sales for your country, which you can read at:

**[www.boschrexroth-us.com](http://www.boschrexroth-us.com)** or  
**[www.boschrexroth.ca](http://www.boschrexroth.ca)** or  
**[www.boschrexroth.com.mx](http://www.boschrexroth.com.mx)**

Bosch Rexroth reserves the right to make program changes at any time without notice.

### WARNING!

Failure, improper selection or improper use of the products and/or systems described herein or of related items may cause personal injury or property damage.

This document and other information from Bosch Rexroth Corporation, Bosch Rexroth Canada Corporation, and Bosch Rexroth S.A. de C.V., including its divisions, provide products and/or system options for further investigation by users having technical expertise. It is important that you analyze all aspects of your application and review the information concerning the products or systems in Rexroth’s Data Sheets. Due to the variety of operating conditions and applications for these products or systems, the user, through his own analysis and testing, is solely responsible for making the final selection of the products and systems, and assuring that all performance, safety and warning requirements are met.

The products described herein, including without limitation, product features, specifications, designs and pricing are subject to change at anytime without notice.

# Table of Contents

	Page No.
Pumps	7
Motors	25
Check Valves	33
Directional Valves	39
Pressure Control Valves	48
Flow Control Valves	58
Proportional Valves	61
Standard Manifolds	91
Proportional Electronics	96
Mobile Electronics	126
Mobile Controls	135
Compact Hydraulics	138
Power Packs and Motor Pump Groups	206
Accumulators	210
Filtration Systems	214
Accessories	228
Aftermarket Parts	236
Part Numbers	243

**Liability:**

In no event can the manufacturer accept warranty claims or liability claims for damages resulting from improper use or misuse of the equipment or as a result of changes made to the equipment other than those authorized by the manufacturer. The manufacturer will accept no claim in which non-original spare parts have been used.

©2016, Bosch Rexroth Corporation


All rights are held by ROBERT BOSCH GMBH, BOSCH REXROTH CORPORATION, BOSCH REXROTH CANADA CORPORATION, and BOSCH REXROTH S.A. de C.V. also regarding patent claims. **We reserve the right to make technical changes at any time without notice.**



GoTo Focused Delivery Program: Pumps

# Variable displacement pumps

## A1VO (Series 10)

	<p>The A1VO is a variable displacement axial piston pump in swashplate design for load sensing hydraulic circuits in the smaller classes of mobile working machinery. This cost-saving alternative to the traditional constant pump facilitates a simple, economical switch to a load sensing system that reduces fuel consumption by thousands of gallons over its service life. Its compact size and adaptability make it suitable for a wide array of mobile machines including tractors, forklifts and commercial vehicles.</p> <p>For complete engineering and design information:  <b>GoTo <a href="http://www.boschrexroth-us.com/GoTopumps">www.boschrexroth-us.com/GoTopumps</a></b></p>
---	---

### Features

- Significant fuel savings of up to 15% compared to fixed systems
- Optimized efficiency, though same power at less fuel consumption
- Compact design with controller and connections integrated into port plate
- High flexibility: Pumps can be combined using interchangeable through-drive adapter
- Maximum flow of 105 l/min thanks to high self-suction speeds

**Detailed information:**  
 • RE92650

### Technical Data

Size			35	
Nominal pressure	$p_N$	bar (psi)	250 (3600)	
Peak pressure	$p_{max}$	bar (psi)	280 (4000)	
Displacement	$V_{g\ max}$	cm <sup>3</sup> (in <sup>3</sup> )	35 (2.1)	
Speed	$n_{max}$	rpm	3000	
Flow	at $n_{max}$	$q_{V\ max}$	l/min (gpm)	105 (27.7)
Power	$\Delta p = 250\ \text{bar (3600 PSI)}$	$P_{max}$	kW	44
Torque	$\Delta p = 250\ \text{bar (3600 PSI)}$	$T_{max}$	Nm (lb-ft)	139 (102.5)
Weight (approx.)	$m$	kg (lbs)		18.4 (40.6)

GoTo Focused Delivery Program: Pumps

## Variable displacement pumps

### A10V(S)O & (A)A10VSO (Series 31)



Variable displacement axial piston pump (A)A10V(S)O, Series 31 in swashplate design is available for open circuit applications. It can be used in both mobile and industrial applications. Flow is proportional to the drive speed and the displacement. By adjusting the position of the swashplate, it is possible to steplessly vary the flow. Multiple forms of pressure, flow or electrohydraulic controls are available.

For complete engineering and design information:  
GoTo [www.boschrexroth-us.com/GoTopumps](http://www.boschrexroth-us.com/GoTopumps)

#### Features

- Sizes 10 to 140
- Axial piston swashplate design
- Open circuit
- Series 31 (sizes 18, 28, 45, 71, 100, 140), Series 52 (sizes 10, 28, 45, 60, 85)
- Combination of pumps of up to the same size can be mounted to the through-drive (not with size 10)

#### Detailed information:

- RA92701
- RA92711

#### Technical Data

Size			18	28	45	71	100	140	
Nominal pressure	$p_N$	bar (psi)	280 (4000)	280 (4000)	280 (4000)	280 (4000)	280 (4000)	280 (4000)	
Peak pressure	$p_{max}$	bar (psi)	350 (5100)	350 (5100)	350 (5100)	350 (5100)	350 (5100)	350 (5100)	
Displacement	$V_{g\ max}$	cm <sup>3</sup> (in <sup>3</sup> )	18 (1.10)	28 (1.71)	45 (2.75)	71 (4.33)	100 (6.10)	140 (8.54)	
Speed <sup>1)</sup>	$n_{max}$	rpm	3300	3000	3000	2200	2000	1800	
Flow	at $n_{max}$	$qV_{max}$	l/min (gpm)	59 (15.59)	84 (22.19)	117 (31)	156 (41)	200 (53)	252 (67)
Power	$\Delta p = 280\ \text{bar}$ (4000 PSI)	$P_{max}$	kW	28	39	55	73	93	118
Torque	$\Delta p = 280\ \text{bar}$ (4000 PSI)	$T_{max}$	Nm (lb-ft)	80 (59)	125 (92)	200 (148)	316 (233)	445 (328)	623 (460)
Weight (approx.)	$m$	kg (lbs.)	12 (26)	15 (33)	21 (46)	33 (73)	45 (99)	60 (132)	


1) The values are valid at an absolute pressure of 1 bar (14.50 PSI) in suction port S.



GoTo Focused Delivery Program: Pumps

# Variable displacement pumps

## A10V(S)O (Series 52)



Variable displacement axial piston pump A10V(S)O, Series 52 in swashplate design is available for hydrostatic drives in an open circuit. The flow is proportional to the drive speed and displacement of the pump. Flow can be steplessly varied by adjusting the swashplate angle. Long service life, low noise, and a favorable power-to-weight ratio make it ideal for mobile and industrial applications requiring a compact drive.

For complete engineering and design information:  
**GoTo** [www.boschrexroth-us.com/GoTopumps](http://www.boschrexroth-us.com/GoTopumps)

### Features

- Sizes 10 to 85 cc
- Axial piston swashplate design
- Open circuit
- Series 52
- Combination of pumps of up to same size can be mounted to the thru-drive (not with size 10)

**Detailed information:**

- RA92703

### Technical Data

Size			18	28	45	60	85
Nominal pressure	$p_N$	bar (psi)	250 (3600)	250 (3600)	250 (3600)	250 (3600)	250 (3600)
Peak pressure	$p_{max}$	bar (psi)	315 (4600)	315 (4600)	315 (4600)	315 (4600)	315 (4600)
Displacement	$V_{g\ max}$	cm <sup>3</sup> (in <sup>3</sup> )	10.5 (0.64)	28 (1.71)	45 (2.75)	60 (3.66)	85 (5.18)
Speed <sup>1)</sup>	$n_{max}$	rpm	3600	3000	2600	2700	2500
Flow	at $n_{max}$	$q_{V\ max}$ l/min (gpm)	38 (10.04)	84 (22)	117 (31)	163 (43)	212 (55)
Power	$\Delta p = 250\ \text{bar}$ (3600 PSI)	$P_{max}$ kW	16	35	49	68	89
Torque	$\Delta p = 250\ \text{bar}$ (3600 PSI)	$T_{max}$ Nm (lb-ft)	42 (31)	111 (82)	179 (132)	238 (176)	338 (247)
Weight (approx.)	$m$	kg (lbs.)	8 (18)	14 (31)	18 (40)	22 (49)	34 (75)

1) The values are valid at an absolute pressure of 1 bar (14.50 PSI) in suction port S.

GoTo Focused Delivery Program: Pumps

## Variable displacement pumps

### A10V(S)O (Series 32)



Variable displacement axial piston pump A10V(S)O, Series 32 in swashplate design is available for hydrostatic drives in an open circuit. The flow is proportional to the drive speed and displacement of the pump. It contains a port for pressure transducers in the pump outlet and is highly resistant to sudden drops and spikes in pressure, contributing to maximum efficiency. Generally used in industrial applications, the Series 32 has a low-noise design and features a Universal through-drive with coverplate.

For complete engineering and design information:  
GoTo [www.boschrexroth-us.com/GoTopumps](http://www.boschrexroth-us.com/GoTopumps)

#### Features

- Sizes 71, 140, & 180 cc (A10VSO)
- Sizes 45 & 100 cc (A10VO)
- Axial piston swashplate design
- Open circuit
- Series 32

#### Detailed information:

- RA92714 (A10VSO)
- RE92705 (A10VO)

#### Technical Data

Size (A10VSO)			71	140	180	
Nominal pressure	$p_N$	bar (psi)	280 (4000)			
Peak pressure	$p_{max}$	bar (psi)	350 (5100)			
Displacement	$V_{g\ max}$	cm <sup>3</sup> (in <sup>3</sup> )	71 (4.33)	140 (8.54)	180 (10.98)	
Speed <sup>1)</sup>	$n_{max}$	rpm	1800			
Flow	at $n_{max}$	$q_{V\ max}$	l/min (gpm)	128 (33.8)	252 (67)	324 (85.6)
Power	$\Delta p = 280$ bar (4000 PSI)	$P_{max}$	kW	59.7	118	151
Torque	$\Delta p = 280$ bar (4000 PSI)	$T_{max}$	Nm (lb-ft)	317 (234)	624 (454)	802 (589)
Weight (approx.)	$m$	kg (lbs.)	47 (104)	73 (161)	78 (171)	


Size (A10VO)			45	100	
Nominal pressure	$p_N$	bar (psi)	280 (4000)		
Peak pressure	$p_{max}$	bar (psi)	350 (5100)		
Displacement	$V_{g\ max}$	cm <sup>3</sup> (in <sup>3</sup> )	45 (2.75)	100 (6.10)	
Speed <sup>1)</sup>	$n_{max}$	rpm	3000	2300	
Flow	at $n_{max}$	$q_{V\ max}$	l/min (gpm)	135 (35.7)	230 (60.8)
Power	$\Delta p = 280$ bar (4000 PSI)	$P_{max}$	kW	83	107
Torque	$\Delta p = 280$ bar (4000 PSI)	$T_{max}$	Nm (lb-ft)	200 (148)	446 (329)
Weight (approx.)	$m$	kg (lbs.)	30 (66)	69 (152)	

See index Page 248 for GoTo product and accessory part numbers.

GoTo Focused Delivery Program: Pumps

# Variable displacement pumps

## (A)A4VSO (Series 10 & 30)



Variable displacement axial piston pump (A)A4VSO in swashplate design is available for open circuit applications. Sizes 40 & 71 are available in Series 10; sizes 125-250 are available in Series 30 and have the U99 Universal through-drive with coverplate. The flow is proportional to the input drive speed and displacement. By adjusting the swashplate angle, it is possible to infinitely vary the output flow. This rugged, low-noise pump is generally used in industrial 24/7 applications. A version with special bearings (code "F") for water-content fluids up to 5000 psi and 1800 rpm is also available.

For complete engineering and design information:  
GoTo [www.boschrexroth-us.com/GoTopumps](http://www.boschrexroth-us.com/GoTopumps)

### Features

- Sizes 40 to 250 cc
- Axial piston swashplate design
- Open circuit
- Series 10 & 30
- Combination of pumps of up to same size can be mounted to the thru-drive

#### Detailed information:

- RA92050
- RA92053 (HFC Fluids)

### Technical Data

Size			40	71
Nominal pressure	$p_N$	bar (psi)	350 (5100)	350 (5100)
Peak pressure	$p_{max}$	bar (psi)	400 (5800)	400 (5800)
Displacement	$V_{g\ max}$	cm <sup>3</sup> (in <sup>3</sup> )	40 (2.44)	71 (4.33)
Speed <sup>1)</sup>	$n_{max}$	rpm	2600	2200
Flow at $n_{max}$	$qV_{max}$	l/min (gpm)	104 (27.5)	156 (41.2)
Power $\Delta p = 350$ bar (5100 PSI)	$P_{max}$	kW	61	91
Torque $\Delta p = 350$ bar (5100 PSI)	$T_{max}$	Nm (lb-ft)	223 (165)	395 (292)
Weight (approx.)	$m$	kg (lbs.)	39 (86)	53 (117)

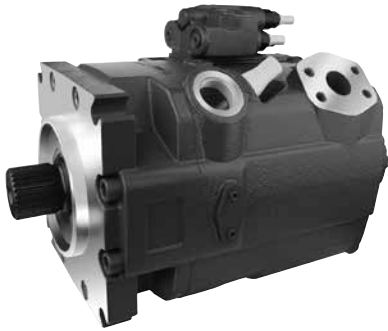
Size			125	180	250
Nominal pressure	$p_N$	bar (psi)	350 (5100)	350 (5100)	350 (5100)
Peak pressure	$p_{max}$	bar (psi)	400 (5800)	400 (5800)	400 (5800)
Displacement	$V_{g\ max}$	cm <sup>3</sup> (in <sup>3</sup> )	125 (7.63)	180 (11.0)	250 (15.26)
Speed <sup>1)</sup>	$n_{max}$	rpm	1800	1800	1500
Flow at $n_{max}$	$qV_{max}$	l/min (gpm)	225 (59.4)	324 (85.6)	375 (99)
Power $\Delta p = 350$ bar (5100 PSI)	$P_{max}$	kW	131	189	219
Torque $\Delta p = 350$ bar (5100 PSI)	$T_{max}$	Nm (lb-ft)	696 (516)	1002 (744)	1391 (1032)
Weight (approx.)	$m$	kg (lbs.)	1391 (1032)	102 (225)	184 (406)

See index Page 249 for GoTo product and accessory part numbers.

GoTo Focused Delivery Program: Pumps

## Variable displacement pumps

### A15VSO (Series 10)



Variable displacement axial piston pump A15VSO, Series 10 in swashplate design is for hydrostatic drives in an open circuit. The pump is typically used in stationary applications where efficiency and compact design are required. It can work either as self-priming or with a charge pump. Other notable features include low noise operation, fast control response, overcenter operation and Universal through-drive with coverplate. The A15VSO is competitively priced compared to other industrial high-pressure designs.

For complete engineering and design information:  
GoTo [www.boschrexroth-us.com/GoTopumps](http://www.boschrexroth-us.com/GoTopumps)

#### Features

- Sizes 110 to 280 cc
- Axial piston swashplate design
- Open circuit
- Series 10
- Typical used for stationary applications

#### Detailed information:

- RA92800


#### Technical Data

Size			110	145	175	210	280	
Nominal pressure	$p_N$	bar (psi)	350 (5100)	350 (5100)	350 (5100)	350 (5100)	350 (5100)	
Peak pressure	$p_{max}$	bar (psi)	420 (6090)	420 (6090)	420 (6090)	420 (6090)	420 (6090)	
Displacement	$V_{g\ max}$	cm <sup>3</sup> (in <sup>3</sup> )	110 (6.71)	145 (8.8)	175 (10.7)	210 (12.8)	280 (17.1)	
Speed <sup>1)</sup>	$n_{max}$	rpm	2400	2300	2150	2100	1800	
Flow at $n_{max}$	$q_{V\ max}$	l/min (gpm)	264 (70)	334 (88.2)	376 (99.3)	441 (116.5)	504 (133.1)	
Power	$\Delta p = 350\ \text{bar}$ (5100 PSI)	$P_{max}$	kW	154	195	219	257	294
Torque	$\Delta p = 350\ \text{bar}$ (5100 PSI)	$T_{max}$	Nm (lb-ft)	613 (452)	808 (596)	975 (719)	1170 (863)	1560 (1151)
Weight (approx.)	$m$	kg (lbs.)	64 (141)	79 (174)	97 (214)	111 (245)	143 (315)	

GoTo Focused Delivery Program: Pumps

# Variable displacement pumps

## AA4VG (Series 32)



Variable displacement axial piston pump AA4VG, Series 32 in swashplate design is for hydrostatic closed circuit transmissions. The flow is proportional to drive speed and displacement which is infinitely variable depending on the swashplate angle. The pump is equipped with two pressure relief valves on the high pressure ports to protect the transmission from overload.

For complete engineering and design information:  
GoTo [www.boschrexroth-us.com/GoTopumps](http://www.boschrexroth-us.com/GoTopumps)

### Features

- Sizes 56 to 125 cc
- Axial piston swashplate design
- Closed circuit
- Series 32
- Integrated boost pump acts as feed and oil control pump

**Detailed information:**

- RA92003

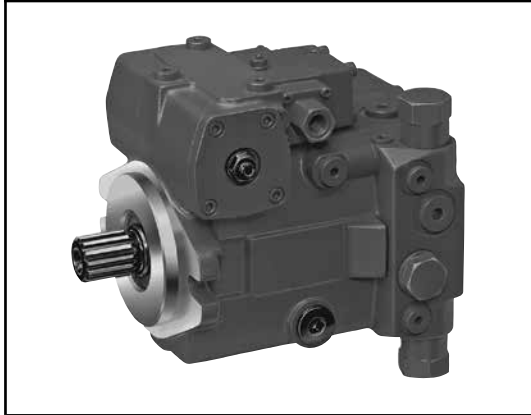
### Technical Data

Size			56	71	90	125	
Nominal pressure	$p_N$	bar (psi)	400 (5800)	400 (5800)	400 (5800)	400 (5800)	
Peak pressure	$p_{max}$	bar (psi)	450 (6500)	450 (6500)	450 (6500)	450 (6500)	
Displacement	$V_{g\ max}$	cm <sup>3</sup> (in <sup>3</sup> )	56 (3.42)	71 (4.33)	90 (5.49)	125 (7.63)	
Speed <sup>1)</sup>	$n_{max}$	rpm	3600	3300	3050	2850	
Flow	at $n_{max}$	$qV_{max}$	l/min (gpm)	202 (53.4)	234 (61.8)	275 (72.5)	356 (94.1)
Power	$\Delta p = 400\ \text{bar}$ (5800 PSI)	$P_{max}$	kW	134	156	183	237
Torque	$\Delta p = 400\ \text{bar}$ (5800 PSI)	$T_{max}$	Nm (lb-ft)	356 (263)	451 (333)	572 (422)	795 (587)
Weight (approx.)	$m$	kg (lbs.)	38 (84)	50 (110)	60 (145)	80 (176)	

GoTo Focused Delivery Program: Pumps

## Variable displacement pumps

### AA10VG (Series 10)



Variable displacement axial piston pump AA10VG, Series 10 in swashplate design is available for hydrostatic closed circuit transmissions. The flow is proportional to the drive speed and displacement and is infinitely variable depending on the swashplate angle. The pump is equipped with two pressure relief valves on the high pressure ports to protect the transmission from overload.

For complete engineering and design information:  
GoTo [www.boschrexroth-us.com/GoTopumps](http://www.boschrexroth-us.com/GoTopumps)

#### Features

- Sizes 18 to 45 cc
- Axial piston swashplate design
- Closed circuit
- Series 10
- Pressure relief valves also function as boost valves

#### Detailed information:

- RA92750

#### Technical Data

Size			18	28	45	
Nominal pressure	$p_N$	bar (psi)	300 (4350)	300 (4350)	300 (4350)	
Peak pressure	$p_{max}$	bar (psi)	350 (5100)	350 (5100)	350 (5100)	
Displacement	$V_{g,max}$	cm <sup>3</sup> (in <sup>3</sup> )	18 (1.10)	28 (1.71)	46 (2.81)	
Speed <sup>1)</sup>	$n_{max}$	rpm	4000	3900	3300	
Flow at $n_{max}$	$q_{V,max}$	l/min (gpm)	72 (19)	109 (28.8)	152 (40.2)	
Power	$\Delta p = 300$ bar (4350 PSI)	$P_{max}$	kW	36	54.6	75.9
Torque	$\Delta p = 300$ bar (4350 PSI)	$T_{max}$	Nm (lb-ft)	86 (63.5)	134 (99)	220 (162)
Weight (approx.)	$m$	kg (lbs.)	14 (31)	25 (55)	27 (60)	

GoTo Focused Delivery Program: Pumps

# External gear pump

## AZPF and AZPN



Bosch Rexroth has been involved with the design, development and manufacture of gear pumps for many decades. Well-proven designs, the use of specially developed materials, constant testing and sophisticated mass production techniques ensure products of the very highest quality.

For complete engineering and design information:  
GoTo [www.boschrexroth-us.com/GoTopumps](http://www.boschrexroth-us.com/GoTopumps)

### Features

- AZPF – sizes 4 to 28 cc; AZPN – sizes 20 to 36 cc
- Plain bearings for high loads
- Drive shafts according to ISO or SAE and customer-specific standards
- Combination of several pumps possible
- Line connections: connecting flanges or female threads

#### Detailed information:

- RA10089 – AZPF
- RA10097 – AZPN

### Technical Data

AZPF – Size			4	5	8	11	14	16	19	22	25	28
Displacement	$V_{g\ max}$	cm <sup>3</sup> (in <sup>3</sup> )	4.1 (0.26)	5.6 (0.35)	8.2 (0.51)	11.3 (0.71)	14.3 (0.89)	16.5 (1.03)	19.5 (1.22)	22.9 (1.43)	25.4 (1.59)	28.5 (1.78)
Operating pressure, continuous	$p_{1\ max}$	bar (psi)	250 (3600)	250 (3600)	250 (3600)	250 (3600)	250 (3600)	250 (3600)	210 (3045)	180 (2610)	200 (2900)	170 (2500)
Operating pressure, intermittent	$p_3$	bar (psi)	280 (4100)	280 (4100)	280 (4100)	280 (4100)	280 (4100)	280 (4100)	230 (3335)	210 (3045)	220 (3200)	190 (2800)
Max. speed	at $p_1$	$n$	rpm	3500	3500	3500	3000	2500	2500	2500	2000	2000
Min. speed	at $p_1$	$n$	rpm	600	500	500	500	500	500	500	500	500

Note:

- Applicable to an oil viscosity of 25 mm<sup>2</sup>/s (116 SUS) and an oil temperature of 55 °C (131 °F) with HLP 46.
- The pressure in the suction port is 0.7 bar (10.2 PSI) min and 3 bar (43.5 PSI) max absolute.

AZPN – Size			20	22	25	28	32	36
Displacement		cm <sup>3</sup> /rev (in <sup>3</sup> /rev)	20.4 (1.24)	23.1 (1.41)	25.8 (1.57)	28.4 (1.73)	32.4 (1.98)	36.4 (2.22)
Inlet pressure		bar (psi)	min. 0.7; max. 3 (min. 10.2; max 43.5) [absolute]					
Max. continuous pressure	$p_1$	bar (psi)	230 (3335)	230 (3335)	230 (3335)	210 (3045)	180 (2610)	160 (2610)
Max. intermittent pressure	$p_2$	bar (psi)	250 (3625)	250 (3625)	250 (3625)	230 (3335)	200 (2900)	180 (2610)
Max. peak pressure	$p_3$	bar (psi)	270 (3915)	270 (3915)	270 (3915)	250 (3625)	220 (3190)	200 (2900)
Min. rotational speed ≤ 100		rpm	500	500	500	500	500	500
Max. rotational speed	$p_1$	rpm	2500	2500	2500	2300	2300	2100
	$p_2$	rpm	3000	3000	3000	2800	2800	2600

See index Pages 250–251 for GoTo product and accessory part numbers.

GoTo Focused Delivery Program: Pumps

## External gear pump

### AZPG



Bosch Rexroth has been involved with the design, development and manufacture of gear pumps for many decades. Well-proven designs, the use of specially developed materials, constant testing and sophisticated mass production techniques ensure products of the very highest quality.

For complete engineering and design information:  
GoTo [www.boschrexroth-us.com/GoTopumps](http://www.boschrexroth-us.com/GoTopumps)

### Features

- Sizes 32cc to 63cc
- Aluminum body design with cast iron end covers
- Drive shaft according to ISO or SAE and customer specific standards
- Combination pumps are possible
- Port connections, threaded or flanged
- Plain bearings for high loads

#### Detailed information:

- RA10097

### Technical Data

Nominal size		32	36	40	45	50	56	63
Displacement	cm <sup>3</sup> (in <sup>3</sup> )	32 (1.95)	36 (2.20)	40 (2.44)	45 (2.75)	50 (3.05)	56 (3.42)	63 (3.84)
Speed Range	min	500						
	max	2800			2600		2300	
Rated Pressure	bar (psi)	250 (3625)				220 (3190)	195 (2830)	170 (2465)
Weight	kg (lbs)	9.8 (21.6)	10 (22.0)	10.2 (22.5)	10.4 (22.9)	10.6 (10.6)	10.8 (23.8)	11.2 (24.7)
Fluid Temperature Range	NBR (buna)	max 80°C (176°F)						
	FKM (viton)	max 110°C (230°F)						
Inlet Pressure (absolute)	bar (psia)	0.7 to 3 (10.2 to 43.5)						



GoTo Focused Delivery Program: Pumps

# Internal gear pumps

## PGH



The PGH is a fixed displacement internal gear pump with an extremely versatile design, that's increasing in popularity within many variable speed drive applications. Along with its high pressure rating and low-noise and pulsation levels, the PGH reduces energy consumption and boosts overall system efficiency by providing only the flow and pressure as the system demands.

For complete engineering and design information:  
GoTo [www.boschrexroth-us.com/GoTopumps](http://www.boschrexroth-us.com/GoTopumps)

### Features

- Sizes 5cc through 250cc
- Wide speed range, excellent for variable speed applications
- Radial and axial gap pressure compensation
- Larger sizes have built-in gauge / bleed port
- Flexible combination concept, all pumps have through drive

#### Detailed information:

- Frame size 2 and 3: RE10223
- Frame size 4 and 5: RE10227

### Technical Data

Frame Size	2			3			4						
Displacement	$V_g$	cm <sup>3</sup>	5	6	8	11	13	16	20	25	32	40	50
Allowable speed	$n$	rpm	600 – 3000						200 – 3000				
Maximum continuous operating pressure (std fluids)	$p_n$	psi	4568										3625
Permitted viscosity range		cSt	10 to 300 (restricted to 100 cSt for high speed 3000 rpm operation)										
Fluid temperature (std fluids)		°F	14 to 176										
Weight	$m$	lbs	9.5	9.7	10.1	10.6	11	11.7	30.9	32	33.1	35.3	37.5

Frame Size	5									
Displacement	$V_g$	cm <sup>3</sup>	63	80	100	125	160	200	250	
Allowable speed	$n$	rpm	200 – 3000							
Maximum continuous operating pressure (std fluids)	$p_n$	psi	4568				3045	2465	1958	
Permitted viscosity range		cSt	10 to 300 (restricted to 100 cSt for high speed 3000 rpm operation)							
Fluid Temperature (std fluids)		°F	14 to 176							
Weight	$m$	lbs	92.6	95.9	100.3	105.8	114.6	122.4	133.4	

See index Pages 252–253 for GoTo product and accessory part numbers.

GoTo Focused Delivery Program: Pumps

# Fixed displacement vane pumps

## PVV



Rexroth PVV product is a fixed displacement vane pump based on the cartridge principle. PVV pumps can be used in a wide spectrum of applications, from low pressure filter / cooler loops to higher pressure systems such as presses and injection molding machines. PVV fixed vane pumps are just one of the many pump options available from the extensive Rexroth portfolio of products.

For complete engineering and design information:  
GoTo [www.boschrexroth-us.com/GoTopumps](http://www.boschrexroth-us.com/GoTopumps)

### Features

- 20 different displacement sizes ranging from 18cc/rev (1.1 cu-in/rev) to 193cc/rev (11.8 cu-in/rev)
- Hydraulically balanced design provides long bearing life
- Cartridge replacement simplifies service and repair
- Cartridges are interchangeable with competitive designs
- Displacement changes can be easily performed by swapping cartridges
- Rotational flexibility of port locations optimizes customer interface
- PVV pumps can be coupled to other Rexroth vane, piston and gear products

**Detailed information:**  
• RE10335

### Technical Data

Mounting style	Flange mounting to SAE J744										
Pipe connections	SAE flange version (fixing threads: UNC)										
Direction of rotation	Clockwise and counter-clockwise										
Drive	Direct, co-axial drive; radial and axial forces cannot be taken up										
<b>Build sizes 1 and 2 (pump cartridge)</b>	<b>BS1</b>					<b>BS2</b>					
Nominal size ( $\approx V$ in $\text{cm}^3$ )	NS	18	27	36	40	46	40	45	55	60	68
Max. flow at $n = 1500 \text{ min}^{-1}$ , $p = 0.7 \text{ bar (10 PSI)}$ and $v = 25 \text{ mm}^2/\text{s}$	l/min (gpm)	25 (6.6)	39 (10.3)	53 (14.0)	59 (15.6)	70 (18.5)	59 (15.6)	66 (17.4)	80 (21.1)	89 (23.5)	100 (26.4)
Outlet continuous for PVV	$p_{\text{max}}$ bar (psi)	210 (3000)			160 (2300)	140 (2000)	175 (2500)				
Weight	kg (lb)	12 (26.4)					14.8 (32.6)				
Speed at 1 bar (14.5 PSI)	RPM	600–1800									
<b>Build sizes 4 and 5 (pump cartridge)</b>	<b>BS4</b>					<b>BS5</b>					
Nominal size ( $\approx V$ in $\text{cm}^3$ )	NS	69	82	98	113	122	139	154	162	183	193
Max. flow at $n = 1500 \text{ min}^{-1}$ , $p = 0.7 \text{ bar (10 PSI)}$ and $v = 25 \text{ mm}^2/\text{s}$	l/min (gpm)	101 (26.7)	120 (31.7)	141 (37.2)	167 (44.1)	177 (46.8)	203 (53.6)	223 (58.9)	234 (61.8)	267 (70.5)	285 (75.3)
Outlet continuous for PVV	$p_{\text{max}}$ bar (psi)	175 (2500)					175 (2500)				
Weight	kg (lb)	23 (50.7)					34 (74.9)				
Speed at 1 bar (14.5 PSI)	RPM	600–1800									

See index Page 253 for GoTo product and accessory part numbers.

GoTo Focused Delivery Program: Pumps

# Variable vane pumps, direct operated PV7



PV7 direct operated vane pumps are a pressure compensated design that improves system performance and efficiency vs. fixed displacement pumps. PV7 pumps can be used for lower pressure applications where low noise and pulsation are critical circuit demands.

For complete engineering and design information:  
GoTo [www.boschrexroth-us.com/GoTopumps](http://www.boschrexroth-us.com/GoTopumps)

## Features

- 4 displacements ranging from 10-25cc
- Maximum flow adjustment option is standard
- Compensator setting is lockable
- Multiple pressure options for each displacement

**Detailed information:**  
• RE10522

## Technical Data

Frame Size		06		20	
Displacement size	cm <sup>3</sup> (in <sup>3</sup> )	10 (0.61)	14 (0.85)	20 (1.22)	25 (1.53)
Flow	l/min (gpm)	14.5 (3.8)	20 (5.3)	29 (7.7)	36 (9.5)
Max. Pressure (absolute)	Inlet	0.8 to 2.5 (11.6 to 36.25)			
	Outlet	100 (1450)	70 (1015)	100 (1450)	
Permitted viscosity range	cSt	16 to 160			
Weight	lbs	13.9		25.1	
Fluid temperature	°F	14 to 158			
Speed range	rpm	900 to 1800			
Installation position		Optional			

GoTo Focused Delivery Program: Pumps

# Variable vane pumps, pilot operated PV7



The PV7 is a variable displacement vane pump used quite extensively for low to mid-pressure applications for numerous market segments such as machine tool and packaging industries. The PV7 pump utilizes a journal bearing design and pivoting control pistons to provide a low noise and durable product for the industrial hydraulic market.

For complete engineering and design information:  
GoTo [www.boschrexroth-us.com/GoTopumps](http://www.boschrexroth-us.com/GoTopumps)

## Features

- 8 displacement sizes ranging from 14-150cc.
- All pumps are supplied with through drive capable shaft that is capped off with an aluminum rear cover
- PV7 pumps can be incorporated into combinations with many other Rexroth products including internal and external gear pumps, radial piston pumps, fixed and variable vane pumps and axial piston pumps.
- Multiple control options are available such as pressure control, flow control, solenoid unloading control, lockable controls, etc.
- PV7 design is European based, 4-bolt DIN mounting pilot and metric shaft

**Detailed information:**  
• RE10515

## Technical Data

Size		10		16		25		40		63		100	
Size	cm <sup>3</sup> (in <sup>3</sup> )	14 (0.85)	20 (1.22)	20 (1.22)	30 (1.83)	30 (1.83)	45 (2.75)	45 (2.75)	71 (4.27)	71 (4.27)	94 (5.74)	118 (7.20)	150 (9.15)
Flow	l/min (gpm)	21 (5.5)	29 (7.7)	29 (7.7)	43.5 (11.5)	43.5 (11.5)	66 (17.4)	66 (17.4)	104 (27.5)	108 (28.5)	136 (35.9)	171 (45.2)	218 (57.6)
Max. Pressure (absolute)		0.8 to 2.5 (11.6 to 36.26)											
Inlet	bar (psi)	0.8 to 2.5 (11.6 to 36.26)											
Outlet	bar (psi)	160 (2320)	100 (1450)	160 (2320)	80 (1160)	160 (2320)	80 (1160)	160 (2320)	80 (1160)	160 (2320)	80 (1160)	160 (2320)	80 (1160)
Speed range		900 to 1800 rpm											
Direction of rotation		Clockwise (viewed to shaft end)											

GoTo Focused Delivery Program: Pumps

# Variable vane pumps, pilot operated VPV



Rexroth continues to offer advanced variable vane pump technology. Market conditions favor hydraulic components that operate at low noise levels without sacrificing efficiency or durability. VPV pumps feature an outstanding response to the needs of the market today and for the future.

For complete engineering and design information:  
**GoTo [www.boschrexroth-us.com/GoTopumps](http://www.boschrexroth-us.com/GoTopumps)**

## Features

- Sizes 16 to 164
- Flows from 30 to 287 L/min (7.6 to 75.8 GPM) in single pumps
- Available in combination with other VPV pumps and Rexroth gear pumps
- Through-drive horsepower transfer is 100% to the second pump
- VPV pumps are available with through-shaft versions for quick combinations
- Pressures to 210 bar (3050 PSI)
- Continuous speeds from 1000 to 1800 rpm
- A variety of fluids can be used: mineral oil, phosphate ester, and environmentally friendly fluids
- Controls include standard pressure compensation, remote pressure compensation, load sense, solenoid 2-pressure, and solenoid vented

### Detailed information:

- 9535233724
- 9535233782
- \* 9535233785

## Technical Data

Size	cc/rev (in <sup>3</sup> /rev)	16 (1.0)	25 (1.5)	32 (2.0)	45 (2.75)	63 (3.84)	80 (4.88)	100 (6.0)	130 (7.93)	164 (10.0)
Flow <sup>1)</sup>	l/min (gpm)	30 (7.6)	43 (11.4)	57 (15.1)	79 (20.8)	110 (29.1)	140 (37.0)	172 (45.4)	227 (60.0)	287 (75.8)
Max. Pressure	bar (psi)	210 (3000)	210 (3000)	210 (3000)	210 (3000)	210 (3000)	210 (3000)	210 (3000)	210 (3000)	210 (3000)
Speed range	1000 to 1800 rpm									
Mounting	Flange to ISO 3019/1									
Mount Position	Any									
Rotation	RH									
Sound Pressure Level <sup>2)</sup>		67	69	69	68	69	71	74	76	77

1) 1750 rpm in GPM.

2) dB(A) at 3000 PSI, 1750 rpm, full flow in a hemi-anechoic chamber with microphone placed 1 meter away at 7 discrete locations. Sound pressure levels are spacially and time weighted averaged.

GoTo Focused Delivery Program: Pumps

## Variable vane pumps, pilot operated PSV



As a carryover from the Racine Fluid Power legacy program, Rexroth continues to support PSV series vane pumps for both new and replacement applications. The PSV series, otherwise known as the SV or Silent Vane product line, has a very large installed base around the world. These variable displacement vane pumps have proven themselves in the most demanding applications and they have built an excellent reputation with the OEM and user markets.

For complete engineering and design information:  
GoTo [www.boschrexroth-us.com/GoTopumps](http://www.boschrexroth-us.com/GoTopumps)

### Features

- Sizes 1.0 to 10.0 cubic inches
- Variable displacement vane pump with pilot operated control
- Subplate versions still available on PSV10/15/20/25 sizes
- Pressures up to 2000 psi

#### Detailed information:

- 9535233084 (PSV10/15)
- 9535233089 (PSV20/25)
- 9535233090 (PSV40)
- 9535233091 (PSV80/100)

### Technical Data

Nominal Size		10	15	20	25	40	80	100
Displacement	in <sup>3</sup> (cc/rev)	16 (1.0)	25 (1.5)	32 (2.0)	41 (2.5)	65 (4.0)	118 (8.0)	164 (10.0)
Flow @ 100 psi and 1800 rpm	L/min (gpm)	30.5 (8)	43.5 (11.5)	56.8 (15)	75.7 (20)	117.3 (31)	234.7 (62)	78 (295.2)
Max. system pressure	bar (psi)	138 (2000)	69 (1000)	138 (2000)	69 (1000)	138 (2000)	103 (1500)	69 (1000)
Inlet pressure	bar abs (psia)	0.8–1.7 (11.6–24.5)						
Drive speed	rpm	750–1800						
Rotation		RH only, as viewed from shaft end of pump. LH rotation phased out.						
Mount Position		Any						
Mounting		Flange to ISO 3019/1						
Weight	kg (lb)	21 (46)	21 (46)	33 (72)	33 (72)	48 (106)	80 (176)	80 (176)

See index Page 254 for GoTo product and accessory part numbers.

GoTo Focused Delivery Program: Pumps

# Radial piston pump, fixed displacement

## R4



Hydraulic pumps of type R4 are integral check valve-controlled, self-priming radial piston pumps with fixed displacement. R4 pumps are designed for high pressure operation and long life.

For complete engineering and design information:  
GoTo [www.boschrexroth-us.com/GoTopumps](http://www.boschrexroth-us.com/GoTopumps)

### Features

- Sizes 1.6 to 20
- Radial piston pump with 3, 5 or 10 pistons
- Self-priming, valve-controlled
- Long bearing life due to hydro-dynamically lubricated plain bearings
- Optional combination with variable displacement vane and axial piston pumps

**Detailed information:**  
• RA11263

### Technical Data

### Technical Data

Size			1.6	2.0	2.5	3.15	4.0	6.3	8.0
Displacement	$V_{g \max}$	cm <sup>3</sup> (in <sup>3</sup> )	1.51 (0.09)	2.14 (0.13)	2.59 (0.16)	3.57 (0.22)	4.32 (0.26)	7.14 (0.44)	8.63 (0.53)
Operating pressure	$p_{\max}$	bar (PSI)	700 (10,150)	700 (10,150)	700 (10,150)	700 (10,150)	700 (10,150)	700 (10,150)	700 (10,150)
Power <sup>1)</sup>	$P$	kW (HP)	2.9 (3.89)	4.1 (5.50)	4.9 (6.57)	6.8 (9.12)	8.1 (10.86)	13.6 (18.24)	16.1 (21.59)
Speed	$n$	rpm	1000 to 2000						
Weight (approx.)	$m$	kg (lbs)	9.2 (20.3)	9.2 (20.3)	9.2 (20.3)	12.4 (27.3)	12.4 (27.3)	16.4 (36.1)	16.4 (36.1)

Size			3.15	5.0	6.3	8.0	10.0	16.0	20.0
Displacement	$V_{g \max}$	cm <sup>3</sup> (in <sup>3</sup> )	3.39 (0.21)	4.82 (0.29)	5.83 (0.36)	8.03 (0.49)	9.71 (0.59)	16.07 (0.98)	19.43 (1.19)
Operating pressure	$p_{\max}$	bar (PSI)	500 (7250)	500 (7250)	500 (7250)	500 (7250)	500 (7250)	500 (7250)	500 (7250)
Power <sup>1)</sup>	$P$	kW (HP)	4.7 (6.30)	6.7 (8.98)	7.9 (10.59)	10.9 (14.62)	12.9 (17.30)	21.2 (28.43)	25.3 (33.93)
Speed	$n$	rpm	1000 to 2000						
Weight (approx.)	$m$	kg (lbs)	9.2 (20.3)	9.2 (20.3)	9.2 (20.3)	12.4 (27.3)	12.4 (27.3)	16.4 (36.1)	16.4 (36.1)

1) At maximum continuous operating pressure and  $n = 1450$  rpm.

GoTo Focused Delivery Program: Pumps

## Radial piston pump, fixed displacement

### R4-Mini



Hydraulic pumps of type R4 "mini" are integral check valve-controlled, self-priming radial piston pumps with fixed displacement. R4 mini pumps are designed for low flow, high pressure operation and long life.

For complete engineering and design information:  
GoTo [www.boschrexroth-us.com/GoTopumps](http://www.boschrexroth-us.com/GoTopumps)

#### Features

- Sizes 0.4 to 2.0
- Radial piston pump with 3 pistons
- Very compact build
- Self-priming, valve-controlled
- Long service life due to hydro-dynamically lubricated plain bearings
- Optional combination with variable displacement vane pumps

#### Detailed information:

- RA11260

#### Technical Data

Size			0.4	0.63	1	1.6	2
Displacement	$V_{g \max}$	cm <sup>3</sup> (in <sup>3</sup> )	0.4 (0.024)	0.63 (0.038)	1 (0.061)	1.6 (0.098)	2 (0.122)
Operating pressure	$p_{\max}$	bar (PSI)	700 (10,150)	700 (10,150)	450 (6500)	250 (3600)	175 (2500)
Power <sup>1)</sup>	$P$	kW (HP)	0.66 (0.89)	1.15 (1.54)	1.14 (1.53)	1.06 (1.42)	0.86 (1.15)
Speed	$n$	rpm	3400	3000	2000	2000	2000
Weight (approx.)	$m$	kg (lbs)	2.6 (5.73)	2.6 (5.73)	2.6 (5.73)	2.6 (5.73)	2.6 (5.73)

1) At maximum continuous operating pressure and  $n = 1450$  rpm.



GoTo Focused Delivery Program: Motors

# Variable displacement motors

## (A)A6VM



Variable displacement motor (A)A6VM in axial tapered piston rotary group of bent-axis design is available for open and closed circuit applications. It can be used in both mobile and industrial applications. The output speed is dependent on the flow of the pump and the displacement of the motor. The output torque increases with the pressure differential between the high-pressure and low-pressure side and with increasing displacement.

For complete engineering and design information:  
GoTo [www.boschrexroth-us.com/GoTomotors](http://www.boschrexroth-us.com/GoTomotors)

### Features

- Sizes 80, 107, 160
- Series 6
- Axial tapered piston, bent-axis design
- For use in mobile and stationary applications
- Wide control range, high speeds and torque
- Compact, robust motor with long service life
- Cost savings through elimination of gear shifts and possibility of using smaller pumps
- Wide selection of control devices; good starting characteristics

#### Detailed information:

- Series 6:  
RE91604

### Technical Data

Size		80	107	160	
Nominal pressure	bar (PSI)	400 (5800)	400 (5800)	400 (5800)	
Peak pressure	bar (PSI)	450 (6500)	450 (6500)	450 (6500)	
Displacement <sup>1)</sup>	$V_{g\ max}$	$cm^3\ (in^3)$	80 (4.88)	107 (6.53)	160 (9.76)
	$V_{g\ 0}$	$cm^3\ (in^3)$	0 (0)	0 (0)	0 (0)
Max. speed <sup>2)</sup> (while adhering to the maximum permissible flow)	$n_{max\ at\ V_{g\ max}}$	rpm	3900	3550	3100
	$n_{max\ at\ V_g < V_{g\ x}}$	rpm	6150	5600	4900
	$V_{g\ x} = 0.63 \times V_{g\ max}$	$cm^3\ (in^3)$	51 (3.11)	68 (4.15)	101 (6.16)
	$n_{max\ at\ V_{g\ 0}}$	rpm	7350	6300	5500
Max. flow	$q_{V\ max}$	L/min (GPM)	312 (82)	380 (100)	496 (131)
Max. torque	$T_{max\ at\ V_{g\ max}^{3)}$	Nm (lb-ft)	509 (375)	681 (502)	1019 (752)
Rotary stiffness					
$V_{g\ max}$ to $V_{g/2}$	$c_{min}$	Nm/rad (lb-ft/rad)	15500 (11432)	21000 (15489)	35300 (26036)
$V_{g/2}$ to $0$ (interpolated)	$c_{max}$	Nm/rad (lb-ft/rad)	47900 (35329)	65200 (48089)	105000 (77444)
Moment of inertia for rotary group	JTW	$kgm^2\ (lb-ft^2)$	0.0080 (0.190)	0.0127 (0.301)	0.0253 (0.600)
Maximum angular acceleration	a	$rad/s^2$	24000	19000	11000
Filling capacity	V	L (Gal)	1.2 (0.32)	1.5 (0.40)	2.4 (0.63)
Mass (approx.)	m	kg (lbs.)	34 (75)	47 (104)	64 (141)

1) The minimum and maximum displacement are infinitely adjustable, see ordering code, page 3.  
(default settings for sizes 250 to 1000 unless specified in the order:  $V_{g\ min} = 0.2 \cdot V_{g\ max}$ ,  $V_{g\ max} = V_{g\ max}$ ).

2)  $V_{g\ x} = 0.75 \times V_{g\ max}$  (appr.)

3) Sizes 28 to 200:  $\Delta p = 400\ bar\ (5800\ PSI)$ ; sizes 250 to 1000:  $\Delta p = 350\ bar\ (5100\ PSI)$

**Caution:** Exceeding the permissible limit values may result in a loss of function, a reduction in service life or in the destruction of the axial piston unit. Other permissible limit values with respect to speed variation, reduced angular acceleration as a function of the frequency and the permissible startup angular acceleration (lower than the maximum angular acceleration) can be found in data sheet RE90261.

See index Pages 254–255 for GoTo product and accessory part numbers.

GoTo Focused Delivery Program: Motors

## Variable displacement motors

### A10VM



Variable dual displacement motor A10VM in axial swashplate design is available for both open and closed circuit applications. Output speed is directly proportional to inlet flow and inversely proportional to motor displacement and output torque increases proportional to the pressure difference between high and low pressure sides and increasing displacement. Heavy duty design allows for high output speeds, long service life, and high power to weight ratio.

For complete engineering and design information:  
GoTo [www.boschrexroth-us.com/GoTomotors](http://www.boschrexroth-us.com/GoTomotors)

#### Features

- Size 45 & 63
- Axial piston swashplate design
- Open and closed circuit
- High permissible output speeds

#### Detailed information:

- RA91703

#### Technical Data

Size			45	63	
Displacement	$V_{g \max}$	cm <sup>3</sup> (in <sup>3</sup> )	45 (2.75)	62 (3.78)	
Speed	$n_{\max}$	rpm	4000	3300	
Flow	at $n_{\max}$	$qv_{\max}$	l/min (GPM)	47.5 (180)	205 (54)
Power	$\Delta p = 280$ bar (4000 psi)	$p_{\max}$	kW	84	95
Torque	$\Delta p = 280$ bar (4000 psi)	$T_{\max}$	Nm (lb/ft)	200 (146)	276 (200)
Weight (approx.)	$m$	kg (lbs.)	18 (39.7)	26 (57.3)	

GoTo Focused Delivery Program: Motors

# Fixed displacement motors

## (A)A2FM



Fixed motor with axial tapered piston rotary group of bent axis design A(A)2FM, is available for hydrostatic drives in open and closed circuits. For use in mobile and stationary application areas, the output speed is dependent on the flow of the pump and the displacement of the motor. The output torque increases with the pressure differential between the high and low pressure sides. Careful selection of the displacements offered, permit sizes to be matched to practically every application.

For complete engineering and design information:  
GoTo [www.boschrexroth-us.com/GoTomotors](http://www.boschrexroth-us.com/GoTomotors)

### Features

- Series 6, Sizes 16 to 180
- Fixed motor with axial tapered piston rotary group of bent axis design
- Open and closed circuits
- High power density and overall efficiency
- Compact design

#### Detailed information:

- Series 6:  
RA91001

### Technical Data

Size			16	28	32	45	56	63	
Displacement	$V_g$	cm <sup>3</sup> (in <sup>3</sup> )	16 (0.98)	28.1 (1.71)	32 (1.95)	45.6 (2.78)	56.1 (3.42)	63 (3.84)	
Max. speed <sup>1)</sup>	$n_{max}$	rpm	8000	6300	6300	5600	5000	5000	
	$n_{max}$ intermit. <sup>1)</sup>	rpm	8800	6900	6900	6200	5500	5500	
Max. flow	$q_{V max}$	l/min (GPM)	128 (33.9)	176 (46.6)	201 (52.2)	255 (67.4)	280 (74.0)	315 (83.1)	
Torque	$\Delta p = 5100$ PSI (350 bar)	$T$	Nm (lb-ft)	88 (66)	156 (115)	178 (132)	254 (188)	312 (231)	350 (259)
	$\Delta p = 5800$ PSI (400 bar)	$T$	Nm (lb-ft)	100 (75)	178 (131)	213 (150)	290 (213)	356 (263)	400 (295)
Weight (approx.)	$m$	kg (lbs.)	5.4 (12)	9.5 (21)	9.5 (21)	13.5 (30)	18 (40)	18 (40)	

Size			80	90	107	125	160	180	
Displacement	$V_g$	cm <sup>3</sup> (in <sup>3</sup> )	4.91 (80.4)	5.49 (90)	6.51 (106.7)	7.63 (125)	9.79 (160.4)	10.98 (180)	
Max. speed <sup>1)</sup>	$n_{max}$	rpm	4500	4500	4000	4000	3600	3600	
	$n_{max}$ intermit. <sup>1)</sup>	rpm	5000	5000	4400	4400	4000	4000	
Max. flow	$q_{V max}$	l/min (GPM)	360 (95.6)	405 (106.9)	427 (112.7)	500 (132.1)	577 (152.5)	646 (171.1)	
Torque	$\Delta p = 5100$ PSI (350 bar)	$T$	Nm (lb-ft)	445 (332)	501 (371)	595 (440)	697 (516)	889 (662)	1001 (742)
	$\Delta p = 5800$ PSI (400 bar)	$T$	Nm (lb-ft)	508 (377)	572 (422)	680 (500)	796 (587)	1016 (753)	1144 (844)
Weight (approx.)	$m$	kg (lbs.)	23 (51)	23 (51)	32 (71)	32 (71)	45 (99)	45 (99)	

1) Intermittent maximum speed: overspeed at discharge and over-running travel operations,  $t < 5$  s and  $\Delta p < 2200$  psi (150 bar)

GoTo Focused Delivery Program: Motors

## Fixed displacement motors

### A10FM



Fixed displacement axial piston motor A10FM in swashplate design is available for both open and closed circuit applications. For use in a wide-array of mobile and industrial applications, the well-proven A10-rotary group design boasts a high power to weight ratio along with long service life and low noise levels. The output speed is proportional to the inlet flow and torque increases with the pressure differential between the high and low pressure sides.

For complete engineering and design information:  
GoTo [www.boschrexroth-us.com/GoTomotors](http://www.boschrexroth-us.com/GoTomotors)

#### Features

- Sizes 23 to 63
- Axial piston swashplate design
- Open and closed circuit
- High permissible output speeds

#### Detailed information:

- RE91172

#### Technical Data

Size			23	28	37	45	58	63	
Displacement	$V_{g \max}$	cm <sup>3</sup> (in <sup>3</sup> )	23.5 (1.43)	28.5 (1.73)	36.7 (2.24)	44.5 (2.71)	58 (3.53)	63.1 (3.84)	
Speed	$n_{\max}$	rpm	4900	4700	4200	4000	3600	3400	
Flow	at $n_{\max}$	$qv_{\max}$	l/min (GPM)	115 (30.4)	134 (35.4)	154 (40.7)	178 (47)	209 (55.2)	215 (56.8)
Power	$\Delta p = 280$ bar (4000 psi)	$p_{\max}$	kW	53.6	62.5	71.8	83.1	97.4	100.1
Torque	$\Delta p = 280$ bar (4000 psi)	$T_{\max}$	Nm (lb/ft)	105 (77.4)	127 (93.7)	163 (120)	198 (146)	258 (190)	281 (207)
Weight (approx.)	$m$	kg (lbs.)	12 (26.5)	12 (26.5)	17 (37.5)	17 (37.5)	22 (48.5)	22 (48.5)	

GoTo Focused Delivery Program: Motors

# External gear motors AZMF



Bosch Rexroth has been involved with the design, development and manufacture of gear motors for many decades. Well-proven designs, the use of specially developed materials, constant testing and sophisticated mass production techniques ensure products of the very highest quality.

For complete engineering and design information:  
GoTo [www.boschrexroth-us.com/GoTomotors](http://www.boschrexroth-us.com/GoTomotors)

## Features

- Sizes 8 to 22 cc
- High pressures with small installation space and low weight
- Wide speed ranges
- Wide viscosity and temperature ranges
- Reversible motors for 2- and 4-quadrant operation
- Plain bearings for high loads
- Consistently high quality owing to large-scale production
- Many design variants available

Detailed information:  
• RA14025

## Technical Data

Size		008	011	014	016	019	022
Displacement	cm <sup>3</sup> /rev (in <sup>3</sup> /rev)	8.2 (0.50)	11.3 (0.69)	14.3 (0.87)	16.5 (1.01)	19.5 (1.19)	22.9 (1.40)
Max. continuous pressure	$p_1$ bar (PSI)	210 (3045)	210 (3045)	210 (3045)	210 (3045)	180 (2610)	180 (2610)
Max. starting pressure	$p_2$ bar (PSI)	280 (4060)	280 (4060)	280 (4060)	280 (4060)	210 (3045)	210 (3045)
Min. rotational speed	$p_1$ min <sup>-1</sup>	500	500	500	500	500	500
Max. rotational speed		4000	3500	3000	3000	3000	3000
Motor outlet pressure Leakage-oil line pressure	$p_A$ bar $p_L$ (PSIA)						

\*) Short-term when starting 10 bar (145 PSI)

GoTo Focused Delivery Program: Motors

# Radial piston motors

## MCR



The MCR radial piston motors are low-speed high-torque hydraulic motors which operate according to the multiple-stroke principle. The relationship between roll diameter and cam profile is optimized inside the central power unit. This results in the best possible balance of forces between piston and cam path and simultaneously extends the service life. The step-piston power unit or high-displacement power unit yields a very compact drive unit with high power density. MCR motors can be used both in open as well as in closed circuits.

For complete engineering and design information:  
GoTo [www.boschrexroth-us.com/GoTomotors](http://www.boschrexroth-us.com/GoTomotors)

### Features

- Sizes 160, 225, 255, 280, 325, 365, 400, 820
- Compact, robust design
- Uniform concentric running, even at very low speeds
- Reversible
- High Radial forces permissible on the output shaft
- Sealed tapered roller bearing

### Detailed information:

- MCR 03:  
RE15205
- MCR 05:  
RE15206

### Technical Data

Frame Size 3	Size		160	225	255	280	325	365	400
	Swept Volume	$V_{g \max}$	cm <sup>3</sup>	160	225	255	280	325	365
Torque	$T_{\max}$	Nm	1022	1386	1570	1760	1875	2105	2307
Speed, intermittent	$n_{\max}$	rpm	400	400	360	330	310	280	260
Pressure Difference	$\Delta p_{\max}$	bar	450	450	450	450	400	400	400
Weight	m	kg	20	20	20	20	20	20	20

Frame Size 5	Size		820
Swept Volume	$V_{g \max}$	cm <sup>3</sup>	820
Torque	$T_{\max}$	Nm	4860
Speed, intermittent	$n_{\max}$	rpm	220
Pressure Difference	$\Delta p_{\max}$	bar	400
Weight	m	kg	39

See index Pages 256–257 for GoTo product and accessory part numbers.

GoTo Focused Delivery Program: Motors

# High torque vane motors

## Rineer MV015 Series



Bosch Rexroth Rineer MV015 Series Hydraulic Vane Motors provide high torque at start & stall, medium speed, and reliability in demanding applications. The patented Vane-Crossing-Vane design allows for high power-to-weight ratio, improved mechanical & volumetric efficiency. The rotating group is hydraulically balanced internally, resulting in no significant loads induced on the motor bearings which contribute to long service life. A variety of displacements & configurations are available on the GoTo Program.

For complete engineering and design information:  
**GoTo [www.boschrexroth-us.com/GoTomotors](http://www.boschrexroth-us.com/GoTomotors)**

### Features

- Patented Vane-Crossing-Vane design
- High torque at start & stall
- Speed to 2000 rpm continuous & 2600 rpm intermittent
- Operating pressure to 207 bar continuous
- Can conform to SAE C mounting specification
- High power-to-weight ratio
- Reliability in heavy duty & demanding applications
- Variety of displacements

**Detailed information:**

- RA10551

### Technical Data

Code 61 Series	Displacement cm <sup>3</sup> /rev (in <sup>3</sup> /rev)	Pressure		Speed		Torque @ 207 bar
		Continuous bar (psi)	Intermittent bar (psi)	Continuous (rpm)	Intermittent (rpm)	Continuous Nm (lb-ft)
R986V00875	213 (13)	207 (3000)	241 (3500)	1500	2000	580 (428)
R986V00894	246 (15)	207 (3000)	241 (3500)	1500	2000	690 (509)
R986V00905	246 (15)	207 (3000)	241 (3500)	1500	2000	690 (509)
R986V00909	246 (15)	207 (3000)	241 (3500)	1500	2000	690 (509)
R986V00941	98 (6)	207 (3000)	241 (3500)	2000	2600	248 (183)
R986V00974	131 (8)	207 (3000)	241 (3500)	1800	2600	372 (274)
R986V00983	156 (9.5)	207 (3000)	241 (3500)	1700	2300	418 (308)

GoTo Focused Delivery Program: Motors

## High torque vane motors

### Rineer MV037 Series



Bosch Rexroth Rineer MV037 Series Hydraulic Vane Motors provide high torque at start & stall, medium speed, and reliability in demanding applications. The patented Vane-Crossing-Vane design allows for high power-to-weight ratio, improved mechanical & volumetric efficiency. The rotating group is hydraulically balanced internally, resulting in no significant loads induced on the motor bearings which contribute to long service life. A variety of displacements & configurations are available on the GoTo Program.

For complete engineering and design information:  
GoTo [www.boschrexroth-us.com/GoTomotors](http://www.boschrexroth-us.com/GoTomotors)

#### Features

- Patented Vane-Crossing-Vane design
  - High torque at start & stall
  - Speed to 1000 rpm continuous & 1200 rpm intermittent
  - Operating pressure to 310 bar continuous
  - Can conform to SAE D mounting specification
  - High power-to-weight ratio
  - Reliability in heavy duty & demanding applications
  - Variety of displacements
- Detailed information:**
- RA10550

#### Technical Data


Code 61 Series	Displacement cm <sup>3</sup> /rev (in <sup>3</sup> /rev)	Pressure		Speed		Torque @ 207 bar
		Continuous bar (PSI)	Intermittent bar (PSI)	Continuous (rpm)	Intermittent (rpm)	Continuous Nm (lb-ft)
R986V00435	328 (20)	207 (3000)	241 (3500)	1000	1200	979 (722)
R986V00441	328 (20)	207 (3000)	241 (3500)	1000	1200	979 (722)
R986V00451	426 (26)	207 (3000)	241 (3500)	800	1000	1247 (920)
R986V00452	426 (26)	207 (3000)	241 (3500)	800	1000	1247 (920)
R986V00454	426 (26)	207 (3000)	241 (3500)	800	1000	1247 (920)
R986V00469	524 (32)	207 (3000)	241 (3500)	700	950	1550 (1143)
<b>Code 62 Series</b>						
R986V00693	328 (20)	310 (4500)	345 (5000)	1000	1200	1497 (1104)
R986V00696	328 (20)	310 (4500)	345 (5000)	1000	1200	1497 (1104)
R986V00697	328 (20)	310 (4500)	345 (5000)	1000	1200	1497 (1104)



GoTo Focused Delivery Program: Check Valves

# Check valves

## S



S model check valves are direct operated, line contact seat, guided poppet check valves. Guided poppets vs a “ball” provide more stable operation, more assurance for a line contact seat, and reductions in flow noise. The line contact seat is an interference fit where the seat areas are at slight differential angles to permit a true line contact seat vs a matched mating surface.

For complete engineering and design information:  
**GoTo [www.boschrexroth-us.com/GoTocheck](http://www.boschrexroth-us.com/GoTocheck)**

### Features

- Sizes 10 to 30
- For threaded connection
- Leak-free isolation in one direction
- Port connection: SAE 8 – SAE 24

**Detailed information:**  
• RE20375

### Technical Data

General					
Size		10	15	25	30
Weight	kg (lbs)	0.3 (0.66)	0.5 (1.1)	2.0 (4.4)	2.5 (5.5)
Hydraulic					
Maximum operating pressure	bar (PSI)	315 (4600)			
Opening pressure		See characteristic curves in data sheet RE20375			
Maximum flow		See characteristic curves in data sheet RE20375			
Hydraulic fluid		Mineral oil (HL, HLP) according to DIN 51524; Fast bio-degradable hydraulic fluids according to VDMA 24568 (see also RE90221); HETG (rape seed oil); HEPG (polyglycols); HEES (synthetic esters); other hydraulic fluids on inquiry			
Hydraulic fluid temperature range	°C (°F)	-30 to +80 (-22 to +176)			
Viscosity range	mm <sup>2</sup> /s (SUS)	2.8 to 500 (12.99 to 2317)			
Max. permissible degree of contamination of the hydraulic fluid, cleanliness class to ISO 4406 (c)		Class 20/18/15 <sup>1)</sup>			

GoTo Focused Delivery Program: Check Valves

## Check valves, cartridge type

### M-SR



M-SR check valves are cartridge assemblies for use in manifold applications. Flow capacities of 8 GPM – 106 GPM over six cartridge sizes permit a broad application potential. Both the right angle version “KE” or straight through version “KD” feature guided poppets with varying biasing spring options. M-SR check valves can be secured in a manifold utilizing a BSP or SAE plug (pressure limits applicable). The cavity is a relatively straight bore, therefore complicated tooling is not required.

For complete engineering and design information:  
GoTo [www.boschrexroth-us.com/GoTocheck](http://www.boschrexroth-us.com/GoTocheck)

#### Features

- Sizes 10 to 30
- For block installations:
  - Right-angled valve (“KE”)
  - Straight valve (“KD”)
- Leak-free isolation in one direction
- Plug screw with pipe thread or metric ISO thread
- Various cracking pressures

#### Detailed information:

- RE20380


#### Technical Data

Size			8	10	15	25	30	
Operating pressure	$p_{\max}$	bar (PSI)	315 (4600)	315 (4600)	315 (4600)	315 (4600)	315 (4600)	
Cracking pressure		bar (PSI)	Without spring: 0.2 (2.90); 0.5 (7.25); 1.5 (21.76); 3.0 (43.51); 5.0 (72.52)					
Flow	“KE”	$q_{V \max}$	l/min (GPM)	35 (9.20)	50 (13.21)	120 (31.70)	300 (79.25)	400 (105.67)
	“KD”	$q_{V \max}$	l/min (GPM)	35 (9.20)	50 (13.21)	120 (31.70)	300 (79.25)	400 (105.67)

GoTo Focused Delivery Program: Check Valves

# Filling valve – sandwich plate

## ZSF

	<p>The valve type ZSF is a pilot operated check valve in sandwich plate design. It is used for the leakage-free isolation of pressurized working circuits (e.g. pressing cylinders). Due to its favorable flow characteristics and the low cracking pressure of the main poppet, it is particularly suitable on presses.</p> <p>For complete engineering and design information:  <b>GoTo <a href="http://www.boschrexroth-us.com/GoTocheck">www.boschrexroth-us.com/GoTocheck</a></b></p>
---	--

### Features

- Sizes 32 to 200
- Pilot operated check valve in sandwich plate design
- With or without pre-opening, optional
- Control by built-on directional spool valve or directional seat valve, optional
- Integrated high-pressure connection (size 32 to 160)
- Integrated throttle check valve (size 200)

**Detailed information:**  
 • RE20478

### Technical Data

Size			30
Maximum operating pressure	– Port B, P	bar (PSI)	350 (5100)
	– Port X	bar (PSI)	150 (2175)
	– Port A	bar (PSI)	16 (232)
Control pressure		bar (PSI)	~0.12 (~1.74)

GoTo Focused Delivery Program: Check Valves

## Check valve, hydraulically pilot operated SV & SL



The SV and SL valves are hydraulic pilot operated check valves of poppet type design which may be opened to permit flow in the reverse direction. These valves are used for the isolation of operating circuits which are under pressure, i.e. as a safe guard against the lowering of a load when a line break occurs or against creeping movement of hydraulically locked actuators. The valve basically comprises of the housing, the poppet, a compression spring, the control spool as well as optional decompression feature as a ball poppet valve.

For complete engineering and design information:  
**GoTo [www.boschrexroth-us.com/GoTocheck](http://www.boschrexroth-us.com/GoTocheck)**

### Features

- Sizes 10 to 30
- For subplate mounting
- Connection location to ISO 5781
- With internal SV or external SL pilot oil drain
- With or without decompression feature, optional
- Version with decompression feature for dampened decompression (minimizing possible pressure shocks)

#### Detailed information:

- RE21468


### Technical Data

Size	10	20	30
Maximum operating pressure $p_{max}$ bar (PSI)	315 (4600)	315 (4600)	315 (4600)
Control pressure bar (PSI)	5 to 315 (72.5 to 4600)	5 to 315 (72.5 to 4600)	5 to 315 (72.5 to 4600)

GoTo Focused Delivery Program: Check Valves

# Check valves – sandwich module design

## Z1S

	<p>Valve type Z1S is a direct operated check valve of sandwich plate design. They provide line contact closure in one direction and allows free flow in the opposite direction. The check function can be in one of several ports, or dual ports. The check function orientation can also be defined by model coding.</p> <p>For complete engineering and design information:  <b>GoTo <a href="http://www.boschrexroth-us.com/GoTocheck">www.boschrexroth-us.com/GoTocheck</a></b></p>
---	---

### Features

- Size 6 and 10
- For mounting:
  - Size 6: Porting pattern according to ISO 4401-3, NFPA T3.5.1M R1, and ANSI B 93.7 D 03
  - Size 10: Porting pattern according to ISO 4401-5, NFPA T3.5.1M R1, and ANSI B93.7 D 05
- Various isolating functions
- Various cracking pressures
- Check valve made of carbon fiber-reinforced plastic
- Excellent compatibility with various hydraulic fluids

#### Detailed information:

- Size 6: RE21534
- Size 10: RE21537

### Technical Data

Size	6		10	
Operating pressure $p_{max}$ bar (PSI)	350 (5100)		315 (4600)	
Cracking pressure bar (PSI)	0.5 (7.25), 1.5 (21.75), 3.0 (43.5), 5.0 (72.5)		0.5 (7.25), 3.0 (43.5), 5.0 (72.5)	
Flow $qV_{max}$ l/min (GPM)	40 (10.6)		100 (26.4)	

GoTo Focused Delivery Program: Check Valves

## Piloted-to-open check valves – sandwich module Z2S



Models Z2S are pilot operated check valves in a sandwich plate design. They provide line contact closure in one or two actuator ports, even during idle periods. Piloted to open, utilizing a pressure signal from the opposite actuator port provides a self-contained function.

For complete engineering and design information:  
GoTo [www.boschrexroth-us.com/GoTocheck](http://www.boschrexroth-us.com/GoTocheck)

### Features

- Sizes 6 to 22
- Porting pattern according to ISO 4401-3, 5, 7, 8; NFPA T3.5.1M R1, and ANSI B93.7 D 03, D 05, D 07, D 08
- For the leak-free isolation of one or two actuator ports
- Various cracking pressures

#### Detailed information:


- Size 6: RE21548
- Size 10: RE21553
- Size 16: RE21558
- Size 22: RE21564

### Technical Data

Size	6	10	16	22
Component series	6X	3X	5X	5X
Operating pressure $p_{max}$	bar (PSI)	315 (4600)	315 (4600)	315 (4600)
Cracking pressure	bar (PSI)	1.5, 3, 7 (22, 42, 102)	1.5, 3, 6, 10 (22, 42, 87, 145)	3, 5, 7.5, 10 (42, 92.5, 109, 145)
Flow $qV_{max}$	l/min (GPM)	60 (15.9)	120 (31.7)	300 (79.3)

GoTo Focused Delivery Program: Directional Valves

# Directional poppet valves, direct operated, solenoid actuation SED & SEW



Directional control valves, model SED and SEW, are direct (SED) or lever (SEW) actuated directional poppet valves with solenoid actuation. They control the start, stop, and direction of fluid flow. Poppet valves, or seat valves, provide a line contact closure for applications where spool valve leakage or silting is not desirable.

For complete engineering and design information:  
**GoTo [www.boschrexroth-us.com/GoTodirectional](http://www.boschrexroth-us.com/GoTodirectional)**

## Features

- Size 6 and 10
- For mounting:
  - Size 6: Porting pattern according to ISO 4401-3, NFPA T3.5.1M R1, and ANSI B 93.7 D 03
  - Size 10: Porting pattern according to ISO 4401-5, NFPA T3.5.1M R1, and ANSI B93.7 D 05
- Blocked port is leak-free when completely shifted
- Solenoids with detachable coil
- Pressure-tight chamber does not have to be opened for changing the coil (type SED)
- Reliable switching when under pressure over longer periods of standstill
- CSA certified part numbers available in size 6

### Detailed information:

- Size 6:
- SED: RE22049
  - SEW: RE22058
- Size 10:
- SED: RE22045
  - SEW: RE22075

## Technical Data

Type SED				
Size			6	10
Operating pressure	$p_{max}$	bar (PSI)	350 (5100)	350 (5100)
Flow	$q_{V max}$	l/min (GPM)	25 (6.6)	40 (10.6)

Type SEW				
Size			6	10
Operating pressure	$p_{max}$	bar (PSI)	420/630 (6100/9100)	420/630 (6100/9100)
Flow	$q_{V max}$	l/min (GPM)	25 (6.6)	40 (10.6)

GoTo Focused Delivery Program: Directional Valves

## Directional spool valves, direct operated with manual actuation 4WMM & 4WMR



Directional valves type WMM are lever operated directional spool valves. They control the start, stop, and direction of a flow. These directional valves basically consist of housing; lever; control spool; return springs. A full array of spools are possible with variations for detented operation on both 2-position or 3-position functions. Flow and pressure rates from 4000 PSI to 5000 PSI and 16 GPM to 32 GPM cover a wide range of applications.

For complete engineering and design information:  
GoTo [www.boschrexroth-us.com/GoToDirectional](http://www.boschrexroth-us.com/GoToDirectional)

### Features

- Size 6 and 10
- For mounting:
  - Size 6: Porting pattern according to ISO 4401-3, NFPA T3.5.1M R1, and ANSI B 93.7 D 03
  - Size 10: Porting pattern according to ISO 4401-5, NFPA T3.5.1M R1, and ANSI B93.7 D 05
- Operation by means of manual lever or roller/plunger

#### Detailed information:

- Size 6: RE22280
- Size 10: RE22334

### Technical Data

Size			6	10
Operating pressure	$p_{\max}$	bar (PSI)	350 (5100)	350 (5100)
Flow	$q_{V \max}$	l/min (GPM)	60 (16)	160 (42.3)



GoTo Focused Delivery Program: Directional Valves

# Directional valves with fluid actuation

## WP & WH



Valves of type WP and WH are directional spool valves with fluid actuation. They control the start, stop, and direction of flow. A full array of spools are available for both the WH and WP operator.

For complete engineering and design information:  
 GoTo [www.boschrexroth-us.com/GoTodirectional](http://www.boschrexroth-us.com/GoTodirectional)

### Features

- Size 6 and 10
- Direct operated directional spool valve
- Porting pattern according to DIN 24340 form A (**without** locating hole)
- Porting pattern according to ISO 4401-03-02-0-05 and NFPA T3.5.1 R2-2002 D03 (**with** locating hole)

**Detailed information:**

- Size 6: RE22282
- Size 10: RE22334

### Technical Data

Size			Size 6	Size 10
Maximum operating pressure	$p_{max}$	bar (PSI)	315 (4600)	350 (5100)
Flow	$q_{v\ nom}$	l/min (GPM)	60 (15.8)	160 (42.3)

GoTo Focused Delivery Program: Directional Valves

## Directional spool valves, direct operated with solenoid actuation WE



Directional valves type WE are solenoid operated directional spool valves. They control the start, stop, and direction of a flow. These directional valves basically consist of housing; one or two solenoids; control spool; and no, one, or two return springs. A full array of spools are possible with variations in voltage and electrical connection, all within the program. Flow and pressure rates from 4000 PSI to 5000 PSI and 21 GPM to 32 GPM cover a wide range of applications.

For complete engineering and design information:  
GoTo [www.boschrexroth-us.com/GoTodirectional](http://www.boschrexroth-us.com/GoTodirectional)

### Features

- Sizes 6 to 10
- For subplate mounting:
  - Size 6: Porting pattern according to ISO 4401-3, NFPA T3.5.1M R1, and ANSI B93.7 D 03
  - Size 10: Porting pattern according to ISO 4401-5, NFPA T3.5.1M R1, and ANSI B93.7 D 05
- Wet-pin AC or DC solenoids
- Solenoids with detachable coil
- Electrical connection as individual or central connection
- Optional spool position monitoring (RE24830)
- Smooth switching characteristics <sup>3)</sup>
- CSA certified part numbers available in all sizes

### Detailed information:

- Size 6: RE23178 <sup>2)</sup>
- Size 10: RA23183 <sup>3)</sup>  
RE23327 <sup>5)</sup>  
RE23351 <sup>6)</sup>

### Technical Data

Size	6			
Version	1)	2)	3)	4)
Operating pressure $p_{max}$ bar (PSI)	315 (4600)	350 (5100)	350 (5100)	315 (4600)
Flow $q_{v nom}$ l/min (GPM)	60 (15.8)	80 (21)	60 (15.8)	60 (15.8)

Size	10		
Version	3)	5)	6)
Operating pressure $p_{max}$ bar (PSI)	315 (4600)	315 (4600)	315 (4600)
Flow $q_{v nom}$ l/min (GPM)	100 (26.4)	120 (32)	120 (32)

- 1) Standard valve, size 6 (DC solenoid only)
- 2) Heavy duty valve
- 3) Soft switch valves
- 4) Reduced electrical power consumption
- 5) Standard valve, size 10
- 6) 5-chamber version (DC solenoid only)

"=AN": solenoid identity is to ANSI guidelines, wherein "A" solenoid energized produces flow from "P->A"

"SO 407": indicates the solenoid power consumption is 8 watts

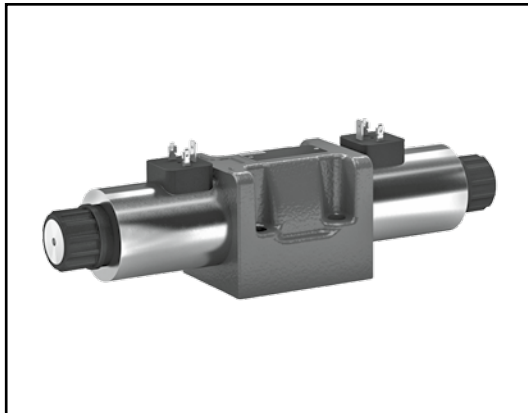
"K72L": defines an M12 molded electrical connection on each solenoid vs a single connection to a conduit/central box arrangement

See index Pages 261–273 for GoTo product and accessory part numbers.

GoTo Focused Delivery Program: Directional Valves

# Directional spool valves, direct operated with solenoid actuation

## 5-WE (5-chamber version)



The 5-chamber directional valve type 5-WE is a solenoid operated directional spool valve influencing the switching time. It controls the start, stop and direction of a flow. Directional spool valves connect or isolate the connections by moving a control spool in a housing bore.

For complete engineering and design information:  
**GoTo [www.boschrexroth-us.com/GoTodirectional](http://www.boschrexroth-us.com/GoTodirectional)**

### Features

- Size 10
- Porting pattern according to ISO 4401-05-04-0-05 and NFPA T3.5.1 R2-2002 D05
- Wet-pin DC solenoids with detachable coil
- Solenoid coil can be rotated by 90°
- Coil can be replaced without opening pressure tight chamber
- Single or double valve mating connectors (see RE08006)

**Detailed information:**

- RE23352

### Technical Data

Size	10		
Version	Standard		
Operating pressure	$p_{max}$	bar (PSI)	420 (6000)
Flow	$q_{v\ nom}$	l/min (GPM)	150 (39.6)

GoTo Focused Delivery Program: Directional Valves

## Directional spool valves, pilot operated with solenoid actuation 4WEH



Directional valves type WEH are solenoid operated directional spool valves. They control the start, stop, and direction of a flow. These pilot operated directional valves consist of a pilot control valve and main stage with spring or hydraulic centering options. Additionally, the pilot and drain configuration may be selected. A full array of spools are possible with variations in voltage and electrical connection, all within the program. Flow and pressure rates from 4000 PSI to 5000 PSI and 42 GPM to 120 GPM cover a wide range of applications.

For complete engineering and design information:  
GoTo [www.boschrexroth-us.com/GoTodirectional](http://www.boschrexroth-us.com/GoTodirectional)

### Features

- Sizes 10 to 22
- Porting pattern according to DIN 24340 form A and ISO 4401-5, 7, 8; NFPA T3.5.1M R1, and ANSI B93.7 D 05, D 07, D 08
- Wet-pin AC or DC solenoids
- Spring and/or pressure return of the main spool to its initial position
- Spring centering (size 10, 16 & 22)
- Spring or pressure centering (sizes 16 & 22)
- Electrical connection as individual connection or central connection
- Optional switching time adjustment
- Stroke limitation of the main spool, optional
- CSA certified part numbers available in all sizes

#### Detailed information:

- RE24751

### Technical Data

Size			10	16	22
Operating pressure	$p_{\max}$	bar (PSI)	350/280 (5100/4060)	350/280 (5100/4060)	350/280 (5100/4060)
Flow	$qV_{\max}$	l/min (GPM)	160 (42.3)	300 (79.3)	450 (118.9)

GoTo Focused Delivery Program: Directional Valves

# Directional shut-off valves, internally pilot operated, externally pilot operated

## Z4WEH



Valve type Z4WEH are directional spool valves with electrohydraulic actuation. They control the start and stop of a flow, and function as an emergency on-off isolating valve or on-off isolating/bypass valve, primarily used for servo/proportional systems.

For complete engineering and design information:  
 GoTo [www.boschrexroth-us.com/GoTodirectional](http://www.boschrexroth-us.com/GoTodirectional)

### Features

- Sizes 10
- Directional spool valve, pilot operated
- 2 types of actuation:
  - Electrohydraulic (type WEH)
  - Hydraulic (type WH) – available
- Function as shut-off through-valve or shut-off/through valve/short-circuit valve
- Free flow in P and T in every spool position
- Porting pattern to ISO 4401-05-04-0-05
- Wet-pin DC or AC voltage solenoids, optional
- Manual override, optional
- Electrical connection as individual or central connection
- Switching time adjustment, optional
- Stroke adjustment of main spool, optional
- Inductive position switch and proximity sensors

**Detailed information:**  
 • RE24753

### Technical Data

Size	10		
Maximum operating pressure	$p_{max}$	bar (PSI)	315 (4600)
Flow	$q_{V max}$	l/min (GPM)	160 (42)

GoTo Focused Delivery Program: Directional Valves

# Logic valves for direction functions

## LC + LFA



Logic valves consist of a cartridge (LC) and cover (LFA) which are ordered separately. The directional valve cartridges have area ratios to suit application needs. LC..A has a 50% or (2:1) area ratio. LC..B has a 7% (14.3:1) area ratio. Cracking pressure is determined by spring code (ex: 00 = no spring, 10 = 1 bar). The LC without damping nose has option E. The LC with damping nose has option D. The LFA for direction functions have many configurations (D, WEA, GWA, KWA) with various options. When the cover accepts a directional pilot valve, this (4WE6, SEW, SED) must be specified separately. The standard LFA includes metric fasteners.

For complete engineering and design information:  
**GoTo [www.boschrexroth-us.com/GoToDirectional](http://www.boschrexroth-us.com/GoToDirectional)**

### Features

- Sizes 16, 25, 32, 40, 50, 63
- Mounting cavity and connections to DIN ISO 7368
- LC has 2 area ratios, various springs, optional damping nose
- Control cover with remote control port
- Control cover for mounting directional spool or poppet valve

**Detailed information:**  
 • RE21010 (LC..A, B)

### Technical Data

Size		16	25	32	40	50	63
Maximum pressure without directional valve	bar	420					
Maximum pressure ports A, B, X, Z1, Z2**	bar	315, 350, 420 (according to build-on)					
Maximum pressure ports Y**	bar	(according to build-on)					
Max. Flow @10 bar delta-p (w/o damping nose)*	Lpm	320	800	1300	2200	2800	4600
Max. Flow @10 bar delta-p (with damping nose)*	Lpm	300	600	1000	1750	2300	3400


\* see flow curves on data sheet

\*\* pressure according to built-on valve (WE, SEW, SED)

GoTo Focused Delivery Program: Directional Valves

# Logic valves for pressure functions

## LC + LFA



Logic valves consist of a cartridge (LC) and cover (LFA) which are ordered separately. The LC..DB is a pressure relief cartridge. Cracking pressure is determined by spring code (ex: 40 = 4 bar). The LC without damping nose has option E. The LC with damping nose has option D. The LFA for pressure functions have many configuration. LFA..DB includes a manual relief valve. LFA..DBEM has mounting provision for a proportional relief valve. The standard LFA includes metric fasteners.

For complete engineering and design information:  
**GoTo [www.boschrexroth-us.com/GoTodirectional](http://www.boschrexroth-us.com/GoTodirectional)**

### Features

- Sizes 16, 25, 32, 40
- Mounting cavity and connections to DIN ISO 7368
- LC has optional damping nose
- Control cover with DB relief cartridge
- Control cover for mounting DBET proportional relief valve

**Detailed information:**


- RA21050 (LC..DB)

### Technical Data

Size		16	25	32	40
Maximum pressure LC without pilot valve	bar	420			
Pressure limit, determined by pilot valve	bar	50, 100, 200, 315, 350, 420			
Maximum Flow (w/o damping nose E)	Lpm	300	450	600	1000
Maximum Flow (with damping nose D)	Lpm	175	300	450	700

GoTo Focused Delivery Program: Pressure Control Valves

# Pressure relief valves, direct operated DBD



The DBD pressure relief valves are direct operated type relief valves. They are used to limit the pressure in a hydraulic system. DBD type relief valves offer line contact sealing for minimal leakage at closure and a full array of pressure capacities are available.

For complete engineering and design information:  
**GoTo [www.boschrexroth-us.com/GoToPressure](http://www.boschrexroth-us.com/GoToPressure)**

## Features

- Sizes 6 to 20
- For threaded connection ("G")
- As cartridge valve ("K")
- Optional adjustment types:
  - Screw with hexagon socket and protective cap
  - Rotary knob / hand wheel

**Detailed information:**  
• RE25402

## Technical Data


Size			6	10	20
Version			"G, K"	"G, K"	"G, K"
Operating pressure	$p_{max}$	bar (PSI)	100 (1450) 400 (5800)	100 (1450) 630 (9150)	400 (5800)
Flow	$q_{V max}$	l/min (GPM)	50 (13)	120 (32)	250 (66)
Version "G" port size	SAE		-4; 7/16-20	-8; 3/4-16	-16; 1-5/8-12



GoTo Focused Delivery Program: Pressure Control Valves

# Pressure relief valves

## DZT

	<p>Type DZT pressure relief valves are seat design remote control valves and allow for the limitation of the system pressure. These valves are basically used as pilot control valves for the indirect control of major flow.</p> <p>For complete engineering and design information:  <b>GoTo <a href="http://www.boschrexroth-us.com/GoTopressure">www.boschrexroth-us.com/GoTopressure</a></b></p>
---	---

### Features

- Sizes 6
- Directly operated valve for the limitation of the system pressure
- Application as pilot control valve
- For plate and control panel mounting

**Detailed information:**  
 • RE25724

### Technical Data

Size			6
Maximum operating pressure	$p_{max}$	bar (PSI)	350 (5100)
Maximum flow	$qV_{max}$	l/min (GPM)	3 (0.79)

GoTo Focused Delivery Program: Pressure Control Valves

## Pressure relief valves – direct operated

### ZDBD & Z2DBD



ZDBD and Z2DBD are direct operated relief valves with a sandwich mount design. Several pressure ranges are available, up to 350 bar. The improved performance in a very cost effective design made for demanding mobile and industrial applications.

ZDBD models have a single port pressure relief in ports A, B or P. Z2DBD models have dual port relief, for (A-T, B-T) or a cross port relief function.

For complete engineering and design information:  
GoTo [www.boschrexroth-us.com/GoTopressure](http://www.boschrexroth-us.com/GoTopressure)

#### Features

- Size 6, Size 10
- Nominal flow to 60, 120 Lpm
- Several pressure ranges, up to 350 bar
- Single port relief: DA, DB, or DP
- Dual port relief: DC (A-T, B-T) or DD (A-B, B-A)
- Mounts on ISO 4401-3, ANSI B93.8 D03; or ISO 4401-5, ANSI B93.8 D05
- Includes hole for locating pin R900005694 (separate order)
- Hex screw adjustment type

#### Detailed information:


- Size 6:  
RE25771
- Size 10:  
RE25774

#### Technical Data

Size			6	10
Max. operating pressure	$p_{max}$	bar (PSI)	350 (5000)	
Max. pressure settings (outlet)		bar (PSI)	50 to 350 (725 to 5000)	
Nominal flow	$q_{V max}$	Lpm (GPM)	60 (16)	120 (32)

GoTo Focused Delivery Program: Pressure Control Valves

# Pressure relief valves – sandwich module, pilot operated ZDB & Z2DB



Pressure relief valve types ZDB and Z2DB are pilot sandwich type pressure controls. ZDB versions offer single port pressure control, while Z2DB models offer dual port pressure control. Z2DB models can be configured as either port relief or cross port relief. The ZDB program offers multiple spring options.

For complete engineering and design information:  
**GoTo** [www.boschrexroth-us.com/GoToPressure](http://www.boschrexroth-us.com/GoToPressure)

## Features

- Sizes 6 and 10
- For mounting:
  - Size 6: Porting pattern according to ISO 4401-3, NFPA T3.5.1M R1, and ANSI B93.7 D 03
  - Size 10: Porting pattern according to ISO 4401-5, NFPA T3.5.1M R1, and ANSI B93.7 D05
- Four pressure ratings: 50 bar (725 PSI), 100 bar (1450 PSI), 200 bar (2900 PSI), and 315 bar (4600 PSI)
- Five pressure relief functions:
  - A → T; P → T; B → T; A → T as well as A+B → T; A → B and B → A
- Adjustment type:
  - Hex screw with protective cap

### Detailed information:

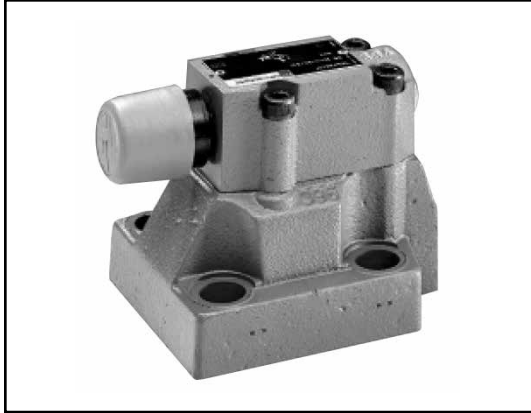
- Size 6  
ZDB & Z2DB:  
RE25751  
Size 10  
ZDB & Z2DB:  
RE25761

## Technical Data

ZDB & Z2DB		Size	6	10
Operating pressure	$p_{max}$	bar (PSI)	315 (4600)	350 (4600)
Flow	$q_{V max}$	l/min (GPM)	60 (15.9)	100 (26.4)

GoTo Focused Delivery Program: Pressure Control Valves

## Pressure relief valve, pilot operated DB & DBW



Pressure control valves of type DB are pilot operated pressure relief valves. They are used for the limitation of the operating pressure. Pressure relief valves basically consist of a main valve with main spool insert and pilot valve with pressure adjustment element.

For complete engineering and design information:  
GoTo [www.boschrexroth-us.com/GoTopressure](http://www.boschrexroth-us.com/GoTopressure)

### Features

- Sizes 10, 20, & 30
- For mounting:
- – Porting pattern according to ISO 6264-AT-10-2-A

#### Detailed information:


- RE25802

### Technical Data

Size			10	20	30
Operating pressure	$p_{\max}$	bar (PSI)	350 (5100)	350 (5100)	350 (5100)
Flow	$q_{V \max}$	l/min (GPM)	250 (66)	500 (132)	650 (172)

GoTo Focused Delivery Program: Pressure Control Valves

# Pressure reducing valve, direct operated DR

	<p>The valve type DR 6 DP is a direct operated pressure reducing valve in 3-way design, i.e. with pressure limitation of the secondary circuit.</p> <p>For complete engineering and design information: <b>GoTo <a href="http://www.boschrexroth-us.com/GoToPressure">www.boschrexroth-us.com/GoToPressure</a></b></p>
---	--

## Features

- For subplate mounting
- Porting pattern according to DIN 24340 form A
- Porting pattern according to ISO 4401-03-02-0-05 and NFPA T3.5.1 R2-2002 D03 (with locating hole)
- 4 adjustment types for pressure adjustment, optionally:
  - Rotary knob
  - Hex screw with protective cap
  - Lockable rotary knob with scale
  - Rotary knob with scale
- 5 pressure ratings
- Check valve, optional

**Detailed information:**  
• RE26564

## Technical Data

DR			
Weight		kg (lbs)	1.2 (2.64)
Ambient temperature range		°C (°F)	-30 to +80 (-22 to +176) [NBR seals] -20 to +80 (-4 to +176) [FKM seals]
Maximum operating pressure	– Port P	bar (PSI)	315 (4600)
Maximum secondary pressure	– Port A	bar (PSI)	150 (2175)
Maximum backpressure	– Port T (Y)	bar (PSI)	160 (2300)
Maximum flow		l/min (GPM)	60 (15.9)

GoTo Focused Delivery Program: Pressure Control Valves

## Pressure reducing valve, pilot operated DR



Models DR are pilot operated reducing valves. They reduce pressure in a branch circuit lower than that of the main circuit. The valve design is capable of maintaining a precise pressure setting even at high flow.

For complete engineering and design information:  
**GoTo [www.boschrexroth-us.com/GoTopressure](http://www.boschrexroth-us.com/GoTopressure)**

### Features

- Size 10, 20
- Nominal Pressure 100, 200 Bar
- Mounts on standard ISO 5781-06, 08, or 10
- 4 adjustment types for pressure adjustment, optionally:
  - Rotary knob
  - Hex screw with protective cap
  - Lockable rotary knob with scale
  - Rotary knob with scale

#### Detailed information:

- RE26892

### Technical Data

Size		10	20
Operating Pressure	Bar	350	350
Maximum flow	GPM	39.6	79.2
Weight	lb.	7.5	11.7

GoTo Focused Delivery Program: Pressure Control Valves

# Pressure-reducing valves – sandwich module, direct operated ZDR



Models ZDR are 3-way direct operated pressure reducing-relieving valves. They maintain a “reduced” pressure in a branch circuit and permit “relieving” pressure spike occurrences in the reduced branch circuit. Options for pressure ranges and operator adjustment options are within the scope of the modular reducing valve portfolio.

For complete engineering and design information:  
GoTo [www.boschrexroth-us.com/GoTopressure](http://www.boschrexroth-us.com/GoTopressure)

## Features

- Sizes 6 and 10
- For mounting:
  - Size 6: Porting pattern according to ISO 4401-3, NFPA T3.5.1M Ra, and ANSI B93.7 D 03
  - Size 10: Porting pattern according to ISO 4401-05, NFPA T3.5.1M R1, and ANSI B93.7 D 05
- Pressure reduction in channel A, B or P
- Four pressure ratings:
  - 25 bar (360 PSI), 75 bar (1100 PSI), 150 bar (2175 PSI), 210 bar (3050 PSI)
- Adjustment type:
  - Hex screw with protective cap
- Check valve, optional

### Detailed information:

- Size 6: RE26570
- Size 10: RE26585 RA26861

## Technical Data

ZDR	Size	6	10
Component series		4X	5X
Operating pressure	$p_{max}$ bar (PSI)	210 (3050)	210 (3050)
Flow	$qV_{max}$ l/min (GPM)	50 (13.2)	80 (21.1)

GoTo Focused Delivery Program: Pressure Control Valves

## Pressure-reducing valves – pilot operated

### Z3DR



Z3DR 6 is a new sandwich pilot operated, 3-way pressure reducing valve. Pressure reducing-relieving in port P is available in (4) pressure settings 50, 100, 200 and 315 bar.

The Z3DR 6 has a low pressure drop, reduced hysteresis, improved stability, higher pressure rating. The cost effective design suitable for demanding mobile and industrial applications.

For complete engineering and design information:  
GoTo [www.boschrexroth-us.com/GoTopressure](http://www.boschrexroth-us.com/GoTopressure)

#### Features

- Size 6
- Nominal flow to 60 Lpm
- Pilot operated, reducing in P-port (model VP)
- Four pressure ranges 50, 100, 200, 315 bar
- Improved performance and stability
- Mounts on ISO 4401-3, ANSI B93.8 D03
- Hex screw adjustment type with protective cap

#### Detailed information:

- RE26871


#### Technical Data

Size	6		
Max. operating pressure	$p_{max}$	bar (PSI)	350 (5000)
Max. pressure settings (outlet)		bar (PSI)	50 to 315 (725 to 4570)
Nominal flow	$q_{V max}$	Lpm (GPM)	60 (16)



GoTo Focused Delivery Program: Pressure Control Valves

# Pressure-reducing valves – pilot operated ZDRY

	<p>Type ZDRY pressure valves are pilot operated 3-way pressure reducing valves in modular design, with pressure safeguard for the secondary circuit.</p> <p>For complete engineering and design information: <b>GoTo</b> <a href="http://www.boschrexroth-us.com/GoToPressure">www.boschrexroth-us.com/GoToPressure</a></p>
---	---

## Features

- Size 10
- For mounting:
  - Porting pattern according to ISO 4401-05-04-0-05
- Adjustment method:
  - Sleeve with hexagon socket
  - Rotary knob, lockable, with scale

**Detailed information:**  
• RE26868

## Technical Data

ZDRK		Size	10
Operating pressure	$p_{max}$	bar (psi)	315 (4600)
Flow	$q_{v\ max}$	L/min (GPM)	120 (31.7)
Viscosity range		cSt	10...500
Fluid temperature range		°C (°F)	-20 to 80 (-4 to 176)

GoTo Focused Delivery Program: Flow Control Valves

## Throttle valves and throttle check valves

### MG



Valve model MG is a pressure and viscosity dependent throttle valve. Model MG (throttle valve) throttles in both flow directions.

For complete engineering and design information:  
GoTo [www.boschrexroth-us.com/GoTocheck](http://www.boschrexroth-us.com/GoTocheck)

#### Features

- Size 10
- For in-line installation
- Related to pressure and viscosity
- Throttling in both directions of flow

#### Detailed information:

- RA27219

#### Technical Data

Size	10		
Operating pressure	$p_{max}$	bar (PSI)	315 (4600)
Flow	$qV_{max}$	l/min (GPM)	50 (13.21)

GoTo Focused Delivery Program: Flow Control Valves

# Double throttle check valves – sandwich module Z2FS



Flow control valves, Model Z2FS, are double throttle/check sandwich type valves. They restrict flow to or from actuator ports (A & B) of a directional valve. Two throttle/check valves, symmetrically arranged in the housing, restrict flow with adjustable throttles in one direction while providing free flow in the opposite direction.

For complete engineering and design information:  
**GoTo [www.boschrexroth-us.com/GoToflow](http://www.boschrexroth-us.com/GoToflow)**

## Features

- Sizes 6 to 22
- For mounting:
  - Size 6: Porting pattern according to ISO 4401-3, NFPA T3.5.1M R1, and ANSI B93.7 D 03
  - Size 10: Porting pattern according to ISO 4401-5, NFPA T3.5.1M R1, and ANSI B93.7 D 05
  - Size 16: Porting pattern according to ISO 4401-7, NFPA T3.5.1M R1, and ANSI B93.7 D 07
  - Size 22: Porting pattern according to ISO 4401-8, NFPA T3.5.1M R1, and ANSI B93.7 D 08
- For limiting the main or pilot flow of one or two actuators
- Meter-in or meter-out throttling
- Adjustment type:
  - Softscrew with locknut

### Detailed information:

- Z2FS Size 6: RE27506
- Z2FS Size 10: RE27518
- Z2FS Size 16: RE27526
- Z2FS Size 22: RE27536

## Technical Data

Z2FS	Size	6	10	16	22
Operating pressure	$p_{max}$ bar (PSI)	315 (4600)	315 (4600)	350 (5100)	350 (5100)
Flow	$q_{v nom}$ l/min (GPM)	80 (21)	160 (42)	250 (66)	360 (95)

Z2FSK	Size	6	10
Operating pressure	$p_{max}$ bar (PSI)	210 (3000)	210 (3000)
Flow	$q_{v nom}$ l/min (GPM)	40 (10.5)	80 (21)

GoTo Focused Delivery Program: Flow Control Valves

## 2-way flow control valves, pressure compensated

### 2FRM



Pressure compensated flow controls Model 2FRM are two-way restrictive-style flow regulators. They accurately control flow, independent of changes in fluid viscosity or pressure drop across the valve. This valve maintains a constant actuator speed independent of changes in load induced pressure. Sharp edged throttle openings reduce the influence of flow variations from temperature change.

For complete engineering and design information:  
GoTo [www.boschrexroth-us.com/GoToflow](http://www.boschrexroth-us.com/GoToflow)

### Features

- Sizes 6, 10, and 16
- For subplate mounting:
  - Size 6: Porting pattern according to ISO 6263-03 and NFPA T3.5.1M R1 2 FO 3
  - Size 10: Porting pattern according to ISO 6263-06-2 and NFPA T3.5.1M R1 2 FO 6
  - Size 16: Porting pattern according to ISO 6263-07-2 and NFPA T3.5.1M R1 2 FO 7
- Manual dial adjustment
- With external closure of the pressure compensator, optional (size 6)
- Check valve, optional (size 6)
- Pressure compensator stroke limitation for reducing start-up jumps, optional (size 10)

### Detailed information:

- Size 6: RE28163
- Size 10 & 16: RA28389

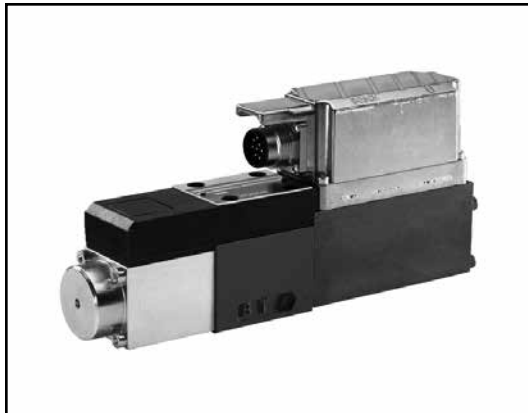
### Technical Data

Size			6	10	16
Operating pressure <sup>1)</sup>	$P_{max}$	bar (PSI)	315 (4600)	315 (4600)	315 (4600)
Pilot pressure	$p_{St}$	bar (PSI)	–	315 (4600)	315 (4600)
Flow	$q_{V max}$	l/min (GPM)	32 (8.45)	50 (13.21)	160 (42.27)

GoTo Focused Delivery Program: Proportional Valves

# Proportional directional valves, direct operated with electrical position feedback

## 4WRP & 4WRPE (Series 2X)



The 4/2 and 4/3 proportional valves are directly controlled components of subplate mounting design. They are actuated by proportional solenoids with an integrated linear feedback to assure accurate positioning related to a command signal. The valves are available with either external control electronics (model WRP) or by integrated valve electronics (model WRPE).

For complete engineering and design information:  
GoTo [www.boschrexroth-us.com/GoToProportional](http://www.boschrexroth-us.com/GoToProportional)

### Features

- Sizes 6 and 10
- For subplate mounting:
  - Size 6: Porting pattern according to ISO 4401-3, NFPA T3.5.1M R1, and ANSI B 93.7 D 03
  - Size 10: Porting pattern according to ISO 4401-5, NFPA T3.5.1M R1, and ANSI B93.7 D 05
- Control of the direction and magnitude of a flow
- Actuation through control solenoid
- Position sensing of the control spool via an inductive position transducer
- Series with/without integrated electronics
- Characteristic curves with and without inflection

#### Detailed information:

- RE29020
- RE29025

### Technical Data

Size				6	10
Operating pressure	Ports P, A, B	$p_{max}$	bar (PSI)	315 (4600)	315 (4600)
Flow		$q_{V max}$	l/min (GPM)	40 (10.57)	100 (26.42)
Maximum hysteresis			%	≤0.2	≤0.2
Actuating time	0 to 100 %		ms	12	25
Operating voltage	OBE	$U$	V	24	24
Comm. value signal	OBE	$U$	V	0 to 10/±10	0 to 10/±10
		$I$	mA	4 to 20	4 to 20
Control electronics	Type 4WRP...EA		Card, analog	VT-VRPA1-527...QV	VT-VRPA1-537...QV
	Type 4WRP...E...W		Card, analog	VT-VRPA2-527	VT-VRPA2-537

GoTo Focused Delivery Program: Proportional Valves

## High-response directional valves, direct operated with electrical position feedback

### 4WRPE (Series 3X)



4WRPE10 Series 3X is high performance, direct operated, proportional valve. It is suitable for demanding open loop and closed loop applications like position, velocity, and pressure control. It is even more robust than the previous design.

For complete engineering and design information:  
GoTo [www.boschrexroth-us.com/GoToProportional](http://www.boschrexroth-us.com/GoToProportional)

#### Features

- Size 10
- Nominal flow at 10 bar drop: 50 to 80 Lpm
- Spool in housing
- Direct operated by onboard electronic solenoids
- Standard 7-pin connector
- Mounts on ISO 4401-3, ANSI B93.8 D03

#### Detailed information:

- RE29122

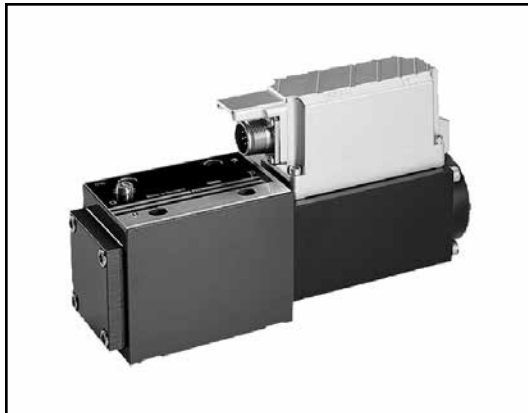
#### Technical Data

Size				10
Operating pressure	Ports P, A, B	$p_{\max}$	bar (PSI)	350 (5000)
Nominal flow	$\Delta p = 70 \text{ bar (1000 PSI)}$	$q_{V \max}$	l/min (GPM)	50, 80
Maximum hysteresis			%	< 0.25
Response sensitivity			%	< 0.05
Frequency response	Phase response $-90^\circ$	$f$	V	45
Operating voltage	OBE	$U$	V	24
Command value signal	OBE	$U$	V	$\pm 10$
		$I$	mA	4 to 20
Ambient temperature		$T$	$^\circ\text{C}$	-20 to +60

GoTo Focused Delivery Program: Proportional Valves

# High-response directional valves, direct operated with electrical position feedback

## 4WRPH & 4WRPEH (Series 2X)



4WRPH and 4WRPEH type proportional directional valves offer fast response, minimal hysteresis, and are excellent performers in closed loop applications. Available with or without on-board electronics, these valves may be used in a variety of applications and environments. The robust design is also applicable to circuits where vibration may be a concern.

For complete engineering and design information:  
GoTo [www.boschrexroth-us.com/GoToProportional](http://www.boschrexroth-us.com/GoToProportional)

### Features

- Sizes 6 and 10
- For subplate mounting:
  - Size 6: Porting pattern according to ISO 4401-3, NFPA T3.5.1M R1, and ANSI B 93.7 D 03
  - Size 10: Porting pattern according to ISO 4401-5, NFPA T3.5.1M R1, and ANSI B93.7 D 05
- Control of the direction and magnitude of a flow
- Use for position, velocity and pressure control
- Actuation through control solenoid
- Position sensing of the control spool via an inductive position transducer
- Characteristic curves with and without inflection
- Spool and sleeve in servo-type quality
- Integral electronics (OBE) for type 4WRPEH

### Detailed information:

- Size 6
  - Model 4WRPH: RE29028
- Size 10
  - Model 4WRPH: RE29032
  - Model 4WRPEH: RE29037

### Technical Data

Size			6	10	
Operating pressure	$p_{max}$	bar (PSI)	315 (4500)	315 (4500)	
Nominal flow	$\Delta p = 70 \text{ bar (1000 PSI)}$	$q_{V \text{ nom}}$ l/min (GPM)	2 to 40 (0.5 to 11)	50 to 100 (13 to 26)	
Maximum hysteresis		%	<0.2	<0.2	
Frequency	Phase response: $-90^\circ$	f	Hz	120	60
Operating voltage	OBE	$U$	V	24	24
Comm. value signal	OBE	$U$	V	0 to 10 / $\pm 10$	0 to 10 / $\pm 10$
		$I$	mA	4 to 20	4 to 20
Control electronics	Type 4WRPH		Card, analog	VT-VVRA1-527	VT-VVRA1-537

GoTo Focused Delivery Program: Proportional Valves

# High-response directional valves, direct operated with electrical position feedback

## 4WRPEH (Series 3X)



4WRPEH 6 is a high performance, direct operated, servo-solenoid valve. It is suitable for closed loop applications like position, velocity, and pressure control. It is even more robust than the previous design. Series-3X is not designed for pilot operated applications, 3WRCBH, or 4WRLE.

For complete engineering and design information:  
GoTo [www.boschrexroth-us.com/GoToProportional](http://www.boschrexroth-us.com/GoToProportional)

### Features

- Size 6
- Nominal flow at 70 bar drop: 4 to 40 Lpm
- Precise sleeve and spool
- Fail-safe position of control spool in off condition
- Direct operated by onboard electronic solenoid
- Standard 7-pin connector
- Mounts on ISO 4401-3, ANSI B93.8 D03

Detailed information:  
• RE29121

### Technical Data

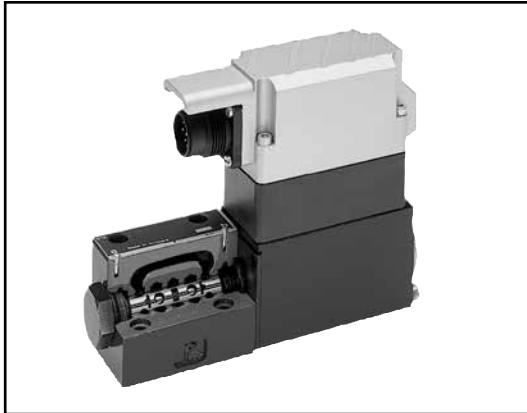
Size				6
Operating Pressure	$p_{max}$	bar (PSI)	350 (5000)	
Nominal flow	$\Delta p = 70 \text{ bar (1000 PSI)}$	$q_{V \text{ nom}}$	l/min (GPM)	4 to 40 (1.06 to 10.57)
Maximum hysteresis				< 0.1
Response sensitivity				< 0.05
Frequency response	Phase response: $-90^\circ$	f	Hz	120
Operating voltage	OBE	$U$	V	24
Command value signal	OBE	$U$	V	$\pm 10$
		$I$	mA	4 to 20



GoTo Focused Delivery Program: Proportional Valves

# High-response directional control valves, direct operated with electrical position feedback and OBE

## 4WRREH



4WRREH type proportional directional valves offer fast response and minimal hysteresis with control electronics integrated into the valve. In the case of control deviations, the double-stroke solenoid is activated which adjusts the control spool by means of changed solenoid force. For use in electrohydraulic controls in production and test systems.

For complete engineering and design information:  
GoTo [www.boschrexroth-us.com/GoToproportional](http://www.boschrexroth-us.com/GoToproportional)

### Features

- Size 6
- For subplate mounting
  - Porting pattern according to ISO 4401-03-02-0-05
- Gate valve, directly operated, with steel sleeve
- Actuation through proportional double-stroke solenoid with position control
- Spool and sleeve in servo quality

**Detailed information:**  
• RE29041

### Technical Data

Size			6
Operating pressure	$p_{max}$	bar (psi)	315 (4500)
Nominal flow	$\Delta p = 70 \text{ bar}$	$q_{v \text{ nom}}$ L/min (GPM)	4 to 40 (1 to 11)
Maximum hysteresis		%	$\leq 0.2$
Frequency	Phase response: $-90^\circ$	f Hz	250
Operating voltage	OBE	$U$ V	24
Actual value signal	OBE	$LVDT$ V	$\pm 10$
		$I$ mA	up to 20

GoTo Focused Delivery Program: Proportional Valves

# Proportional directional valve, direct operated without electrical feedback

## 4WRA & 4WRAE



The WRA(E) direct operated proportional valve without integral feedback is available with or without on-board electronics (OBE). Individual valve amplifiers are available for the non-OBE version. Postive overlap spools reduce leakage at center and OBE models can be configured to either a voltage or current command.

For complete engineering and design information:  
GoTo [www.boschrexroth-us.com/GoToproportional](http://www.boschrexroth-us.com/GoToproportional)

### Features

- Sizes 6 and 10
- For subplate mounting:
  - Size 6: Porting pattern according to ISO 4401-3, NFPA T3.5.1M R1, and ANSI B 93.7 D 03
  - Size 10: Porting pattern according to ISO 4401-5, NFPA T3.5.1M R1, and ANSI B93.7 D 05
- Control of the direction and magnitude of a flow
- Proportional solenoid operation
- Spring-centered control spool
- Different spool overlaps possible
- Integral electronics (OBE) for type 4WRAE

#### Detailed information:

- RE29055

### Technical Data

Size			6	10	
Operating pressure	Ports A, B, P	$p_{max}$	bar (PSI)	315 (4600)	315 (4600)
Nominal flow	$\Delta p = 10$ bar (145 PSI)	$q_{V\ nom}$	l/min (GPM)	7, 15, 30 (1.8, 4, 8)	30, 60 (8, 16)
Maximum hysteresis			%	5	5
Step response	0 to 90 %	$T_u + T_g$	ms	< 40	< 140
Operating voltage	OBE	$U$	V	24	24
Comm. value signal	OBE	$U$	V	0 to 10 / $\pm 10$	0 to 10 / $\pm 10$
		$I$	mA	4 to 20	4 to 20
Control electronics	Type 4WRA	Card, analog		VT-VSPA2-1	
		Card, digital		VT-VSPD-1	
		Module, analog		VT-MSPA2-1	

GoTo Focused Delivery Program: Proportional Valves

# Proportional directional control valves, direct operated 4WRA(E)B



4WRAB6 type direct operated proportional valves are available with or without on-board electronics (OBE). Suitable for open loop applications, the WRAB6 does not have integral feedback; however, provides proportional flow output dependant on a commanded value. The WRAB6 may also be used with a DC switching signal, if the application requires throttled shifting without full proportional control.

For complete engineering and design information:  
**GoTo [www.boschrexroth-us.com/GoToProportional](http://www.boschrexroth-us.com/GoToProportional)**

## Features

- Size 6
- Direct operated proportional directional control valves, which control both the direction and volume of a fluid flow
- Mounts on standard ISO 4401-3, NFPA T3.5.1MR1 D 03 and ANSI B 93.7 D 03 interface
- Two piece solenoid design with removable coils
- Integrated electronics available
- For subplates, see RE45052

**Detailed information:**

- RA29057

## Technical Data

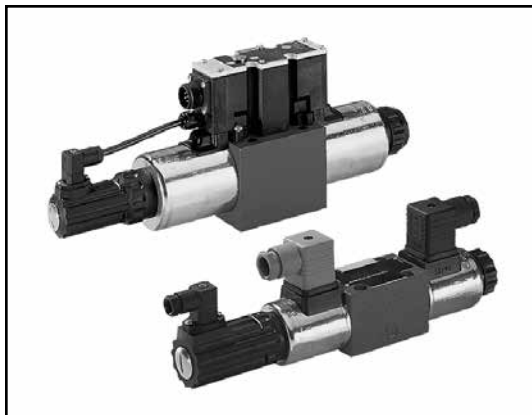
Size				6
Operating pressure	Ports A, B, P	$p_{max}$	bar (PSI)	350 (5100)
	Port T	$p_{max}$	bar (PSI)	210 (3100)
Maximum flow	l/min (GPM)			30 (8)
Maximum hysteresis	%			3.5
Step response	0 to 100%	$T_u + T_g$	ms	40
Supply voltage	$U$		vdc	12V ( $\pm 10\%$ )
Associated electronic amplifier cards (some restrictions apply)				MDSD*

\* The MDSD1 or MDSD will operate the 4 WRA B../G12 with 14 to 28 vdc from the power supply. The MDSD can be used with 10 to 14 vdc power, but valve performance may be affected. At higher temperatures, increased solenoid resistance may reduce the available flow. An amplifier is not required when using the 4 WRA B../G12 as a non-proportional (switching) valve at 12 vdc  $\pm 10\%$ .

GoTo Focused Delivery Program: Proportional Valves

# Proportional directional valve, direct operated with electrical position feedback

## 4WREE



WRE(E) direct operated proportional directional control with integral feedback are available with on-board electronics (OBE). Positive overlap spools reduce leakage at center, while underlap spools can be utilized for closed-loop functions. Individual amplifiers are available, while OBE models are possible with either a voltage or current command.

For complete engineering and design information:  
 GoTo [www.boschrexroth-us.com/GoToproportional](http://www.boschrexroth-us.com/GoToproportional)

### Features

- Sizes 6 to 10
- For mounting:
  - Size 6: Porting pattern according to ISO 4401-3, NFPA T3.5.1M R1, and ANSI B 93.7 D 03
  - Size 10: Porting pattern according to ISO 4401-5, NFPA T3.5.1M R1, and ANSI B93.7 D 05
- Control of the direction and magnitude of a flow
- Proportional solenoid operation
- Spring-centered control spool
- Different spool overlaps possible
- Integrated control electronics (OBE) for type 4WREE

**Detailed information:**  
 • RE29061

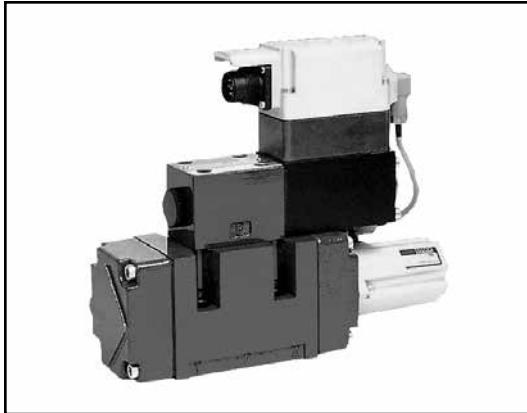
### Technical Data

Size				6	10
Operating pressure	Ports A, B, P	$p_{max}$	bar (PSI)	315 (4600)	315 (4600)
Nominal flow	$\Delta p = 10 \text{ bar (145 PSI)}$	$q_{v \text{ nom}}$	l/min (GPM)	8, 16, 32 (2.1, 4.2, 8.5)	25, 50, 75 (6.6, 13.2, 19.8)
Maximum hysteresis			%	0.1	0.1
Step response	0 to 90%	$T_u + T_g$	ms	20	40
Operating voltage		$U$	V	24	24
Comm. value signal (alternative)	Type 4WREE	$U$	V	$\pm 10$	$\pm 10$
		$I$	mA	4 to 20	4 to 20

GoTo Focused Delivery Program: Proportional Valves

# High-response directional valves, pilot operated with electrical position feedback

## 4WRVE



Pilot operated proportional directional valve type 4WRVE offers integral position feedback on both pilot and mainstage for dynamic response plus greater accuracy. On-board electronics (OBE) and 12-pin connectors permit power and command all to be accomplished on the valve. Underlapped main spools and high performance pilot permit the WRVE to be an excellent candidate into applications requiring closed loop control of pressure, force, and velocity.

For complete engineering and design information:  
 GoTo [www.boschrexroth-us.com/GoToproportional](http://www.boschrexroth-us.com/GoToproportional)

### Features

- Sizes 16
- Porting pattern according to ISO 4401-7, NFPA T3.5.1M R1, and ANSI B93.7 D 07
- Control of the direction and magnitude of a flow
- Proportional solenoid operation
- Integrated control electronics (OBE)

**Detailed information:**  
 • RE29077

### Technical Data

Size				16
Operating pressure		$p_{max}$	bar (PSI)	350 (5100)
Nominal flow	$\Delta p = 10 \text{ bar}$	$q_{V \text{ nom}}$	l/min (GPM)	120, 200 (32, 53)
Maximum hysteresis			%	0.1
Frequency	Phase response $-90^\circ$	$f$	Hz	100
Operating voltage	OBE	$U$	V	24
Comm. value signal	OBE	$U$	V	$\pm 10$

GoTo Focused Delivery Program: Proportional Valves

## High-response proportional directional valves, pilot operated 4WRKE



The 4WRKE is a pilot operated proportional directional valve with position feedback on the main stage. The onboard electronics (OBE) has a standard 7-pin connector for command, spool feedback, and 24V power. Overlapped spools have a spring centered fail-safe position. 4WRKE is normally used for open loop applications where higher repeatability is more important, also for lift, transfer, or clamping applications.

For complete engineering and design information:  
**GoTo [www.boschrexroth-us.com/GoToproportional](http://www.boschrexroth-us.com/GoToproportional)**

### Features

- Size 25
- Porting pattern to ISO 4401-8; NFPA T3.5.1M R1; ANSI B93.7 D09
- Controls direction and magnitude of flow by analog command
- Spool position feedback on main stage for low hysteresis
- Overlapped spool
- Integrated amplifier

#### Detailed information:

- RE29075

### Technical Data

Size		25
Nominal Flow @10 bar delta-p	Lpm	350
Maximum Flow @10 bar delta-p	Lpm	870
Operating pressure P, A, B	bar	350
Operating pressure T (pilot drain internal)	bar	≤ 10
Hysteresis	%	≤ 1
Command value (A1 electronics)	VDC	±10

GoTo Focused Delivery Program: Proportional Valves

# High-response directional valves, pilot operated with electrical position feedback

## 4WRLE



Pilot operated proportional directional valve type 4WRLE offers integral position greater feedback on both pilot and mainstage for dynamic response plus greater accuracy. On-board electronics (OBE) and 7-pin connectors permit power and command all to be accomplished on the valve. Overlapped main spools and high-performance pilot permit application into various circuits including those requiring closed-loop control of pressure, force, or velocity.

For complete engineering and design information:  
GoTo [www.boschrexroth-us.com/GoToProportional](http://www.boschrexroth-us.com/GoToProportional)

### Features

- Sizes 10, 16, and 25
- Porting pattern according to ISO 4401-5, 7, 8; NFPA T3.5.1M R1; and ANSI B93.7 D 05, D 07, D 08
- Control of the direction and magnitude of a flow
- Use for force control, position control, velocity control and pressure control purposes
- Pilot control valve and main stage are position-controlled
- Characteristic curves with and without inflection
- Integral electronics (OBE) for type 4WRLE

#### Detailed information:

- RE29088
- RE29089

### Technical Data

Size			10	16	25
Operating pressure	$p_{max}$	bar (PSI)	350 (5100)	350 (5100)	350 (5100)
Nominal flow	$\Delta p = 10 \text{ bar (145 PSI)}$	$q_{V \text{ nom}}$	55, 80 (14.5, 21)	120, 200 (32, 53)	370 (98)
Maximum hysteresis		%	0.1	0.1	0.1
Frequency	Phase response $-90^\circ$	$f$	45	45	50
Operating voltage	OBE	$U$	24	24	24
Comm. value signal	OBE	$U$	$\pm 10$	$\pm 10$	$\pm 10$
		$I$	4 to 20	4 to 20	4 to 20

GoTo Focused Delivery Program: Proportional Valves

## 4/3 directional high-response control valves, direct operated, with integrated control electronics (OBE) 4WRSE



These 4/3 directional high-response valves are direct operated components. They are actuated by control solenoids. The solenoids are controlled by integrated control electronics (OBE).

For complete engineering and design information:  
**GoTo [www.boschrexroth-us.com/GoToproportional](http://www.boschrexroth-us.com/GoToproportional)**

### Features

- Sizes 10
- Direct operated directional high-response control valve with integrated control electronics (OBE) for controlling the direction and magnitude of flow
- Suitable for position and velocity control
- Porting pattern to DIN 24340 form A and ISO 4401

#### Detailed information:

- RE29067

### Technical Data

Size		10
Operating pressure	Ports P, A, B	bar (PSI)
	Port T	bar (PSI)
Max. permissible flow	$q_{V \text{ nom}} \pm 10 \% \text{ at } \Delta p = 10 \text{ bar}$	l/min (GPM)
Hysteresis	%	≤ 0.05



GoTo Focused Delivery Program: Proportional Valves

# 4/2, 4/3 proportional directional valves, pilot operated, without electrical position feedback

## 4WRZE



Valves of type 4WRZE are pilot operated 4-way directional valves with operation by proportional solenoids. They control the direction and magnitude of flow.

For complete engineering and design information:  
GoTo [www.boschrexroth-us.com/GoToProportional](http://www.boschrexroth-us.com/GoToProportional)

### Features

- Sizes 16
- Pilot operated 2-stage proportional directional valves with integrated electronics (OBE)
- Control the direction and magnitude of flow
- Manual override
- Spring-centered control spool

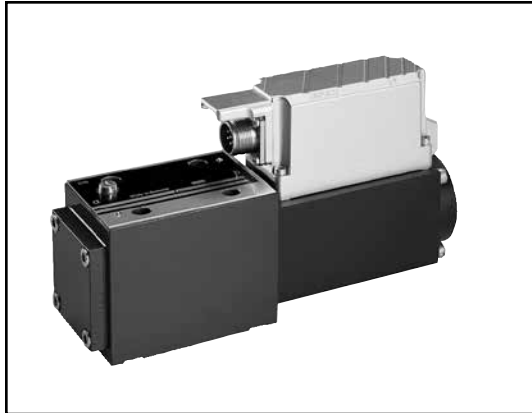
**Detailed information:**  
• RE29115

### Technical Data

Size		16
Operating pressure	bar (PSI)	up to 350 (5100)
Return flow pressure	– Port T (Port R) (external pilot oil drain)	bar (PSI) up to 250 (3600)
	– Port T (internal pilot oil drain)	bar (PSI) up to 30 (1300)
	– Port Y	bar (PSI) up to 30 (1300)
Flow of the main valve	l/min (GPM)	up to 460 (121.5)

GoTo Focused Delivery Program: Proportional Valves

## 5/3 high-response directional valves, direct operated, with integrated control electronics (OBE) 5WRPE



The 5WRPE 5/3 high-response directional control valve is a directly operated component. The valve is actuated by control solenoids with integral position feedback and on-board electronics. Electronics are factory-calibrated.

For complete engineering and design information:  
**GoTo [www.boschrexroth-us.com/GoToproportional](http://www.boschrexroth-us.com/GoToproportional)**

### Features

- Size 10
- Directly operated servo solenoid valve, with 5/3-way symbol in servo quality
- Actuated on one side, A-T fail-safe position when switched off
- Suitable for electrohydraulic controllers in production and testing systems
- Mounts on standard ISO 4401-5, NFPA T3.5.1MR1 and ANSI B93.7 D 05 interface

#### Detailed information:

- RE29045

### Technical Data

Size			10
Operating pressure	Port P, A, B	bar (psi)	210 (3045)
	Port T	bar (psi)	50 (725)
Max permissible flow	$\Delta p = 11 \text{ bar}$	$q_{v \text{ nom}}$	L/min (GPM)
Maximum hysteresis			%
			$\leq 0.3$

GoTo Focused Delivery Program: Proportional Valves

# Proportional cartridge throttle valve, with inductive position transducer

## FESX



Model FESX proportional throttle valves are pilot operated and in “cartridge” design. This results in their compact form despite high flow rates. The electronics, which take the form of an external valve amplifier in Europe card format, trigger the solenoid of the pilot valve and thus control the position of the main stage. Hysteresis is <0/2% and a position accuracy of >0.5% is achieved.

For complete engineering and design information:  
**GoTo [www.boschrexroth-us.com/GoToProportional](http://www.boschrexroth-us.com/GoToProportional)**

### Features

- Sizes 16...50
- Pilot operated throttle valves with inductive position transducer
- Design: cartridge type DIN 24342, ISO/DIS 7368, control oil external X and Y
- Adjustable via the position-controlled main stage by means of the position transducer and the external valve electronics
- Hysteresis < 0.2%, positioning accuracy < 0.5%

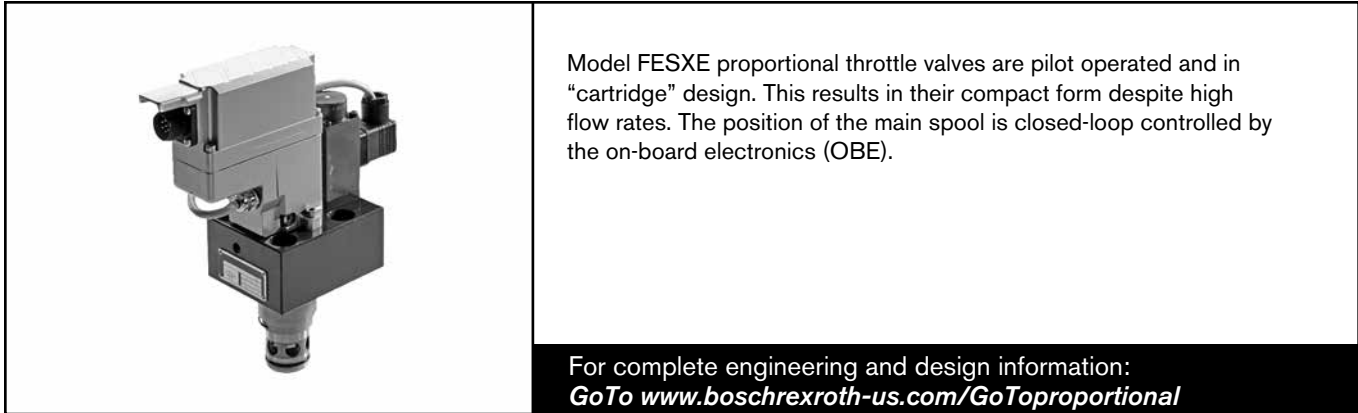
**Detailed information:**  
 • RE29215

### Technical Data

Size	16	25	32	40	50	
Pressure fluid	Hydraulic oil to DIN 51524...535					
Pressure fluid temperature range °C (°F)	-20 to +80 (-4 to +176)					
Maximum permitted degree of contamination of pressure fluid – Purity class to ISO 4406 (c)	Class 18/16/13					
Max. operating pressure	Ports A, B, X bar (PSI)		315 (4600)			
	Port Y bar (PSI)		100 (1450)			
Nominal flow rate at $\Delta p = 5 \text{ bar (72.5 PSI)}$ per edge	l/min (GPM)	125 (33)	210 (55.5)	320 (84.5)	500 (132.1)	980 (258.9)
Weight	kg (lbs)	2.8 (6.2)	3.9 (8.6)	5.1 (11.2)	7.1 (15.7)	9.7 (21.4)
$Q_{max}$	l/min (GPM)	350 (92.5)	600 (158.5)	1000 (264.2)	1500 (396.3)	3000 (792.5)

GoTo Focused Delivery Program: Proportional Valves

## Proportional cartridge throttle valve, with on-board electronics (OBE) and inductive position transducer FESXE



### Features

- Size 16...50
- Pilot operated throttle valves with on-board electronics (OBE) and inductive position transducer
- Design: cartridge type DIN 24342, ISO/DIS 7368, control oil external X and Y
- Hysteresis < 0.2%

#### Detailed information:


- RE29216

### Technical Data

Size			16	25	32	40	50
Max. operating pressure	Ports A, B, X	bar (PSI)	315 (4600)				
	Port Y	bar (PSI)	100 (1450)				
Nominal flow rate		l/min (GPM)	125 (33)	210 (55.5)	320 (84.5)	500 (132)	980 (258.9)
Weight		kg (lbs.)	3.5 (7.7)	4.6 (10.1)	5.8 (12.8)	7.9 (17.4)	10.5 (23.1)
$Q_{max}$		l/min (GPM)	350 (92.5)	600 (158.5)	1000 (264.2)	1500 (396)	3000 (792.5)
Hysteresis		%	≤ 0.2				

GoTo Focused Delivery Program: Proportional Valves

# Proportional pressure relief valves with position feedback (Lvdt AC/AC) DBETBX

	<p>DBETBX proportional pressure relief valves limit pressure for piloting applications requiring high performance. Pressure is directly controlled by changing the proportional solenoid position.</p> <p>For complete engineering and design information: <b>GoTo <a href="http://www.boschrexroth-us.com/GoToProportional">www.boschrexroth-us.com/GoToProportional</a></b></p>
---	---

## Features

- Size 6
- Directly operated valves with position feedback for limiting system pressure
- Adjustable through the position of the armature against the compression spring
- Position-controlled at a high magnetic force, minimal hysteresis <0.3%
- Pressure limitation to a safe level even with faulty electronics (solenoid current  $I > I_{max}$ )
- For subplate attachment, mounting hole configuration to ISO 4401-03-02-0-94

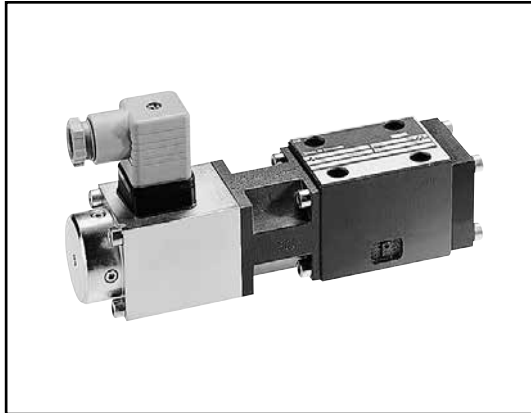
**Detailed information:**  
• RE29150

## Technical Data

Size			6
Maximum set pressure (at $Q = 1 \text{ l/min [0.26 GPM]}$ )		bar (PSI)	180 (2600)
Minimum pressure (at $Q = 1 \text{ l/min [0.26 GPM]}$ )		bar (PSI)	4 (58)
Note: At $Q_{max} = 3 \text{ l/min ( GPM)}$ the pressure levels stated here increase			
Maximum working pressure (at $Q = 1 \text{ l/min [0.26 GPM]}$ )	Port P	bar (PSI)	315 (4600)
Maximum pressure	Port T	bar (PSI)	$\leq 2$ (29)
Maximum solenoid current		$I_{max}$	3.7
Coil resistance $R_{20}$		$\Omega$	2.5
Hysteresis		%	$\leq 0.3$

GoTo Focused Delivery Program: Proportional Valves

## Proportional pressure relief valve, pilot operated DBE6X



Type DBE6X proportional pressure relief valves are pilot operated pressure relief valves. The valves are actuated by means of a proportional solenoid. With these valves, the system pressure that needs to be limited can be infinitely adjusted in relation to the solenoid current.

For complete engineering and design information:  
GoTo [www.boschrexroth-us.com/GoToproportional](http://www.boschrexroth-us.com/GoToproportional)

### Features

- Size 6
- Pilot operated valves (pilot valves) for limiting system pressure (pilot oil internal only)
- Adjustable by means of the solenoid current
- Solenoid versions  $I_{\max} = 0.8 \text{ A}$
- Pressure limitation to a safe level even with faulty electronics (solenoid current  $I > I_{\max}$ )
- For subplate attachment, mounting hole configuration to ISO 4401-03-02-0-94

#### Detailed information:

- RE29156


### Technical Data

Size	6	
Maximum set pressure (at $Q = 1 \text{ l/min [0.26 GPM]}$ )	bar (PSI)	315 (4600)
Minimum pressure (at $Q = 1 \text{ l/min [0.26 GPM]}$ )	bar (PSI)	10 (145)
Maximum working pressure	Port P bar (PSI)	315 (4600)
Maximum pressure	Port T bar (PSI)	250 (3600)
Maximum flow	l/min (GPM)	40 (10.6)
Valve with solenoid type		0.8 A
Maximum solenoid current	$I_{\max}$	0.8 A
Coil resistance $R_{20}$	$\Omega$	22
Hysteresis	%	$\leq 4$

GoTo Focused Delivery Program: Proportional Valves

# Proportional pressure relief valve, pilot operated

## DBEE6



The pilot operated proportional pressure relief valves of the type DBEE are operated by means of a proportional solenoid. These valves are used to limit a system pressure. With these valves it is possible to steplessly adjust the system pressure to be limited depending on the electrical command value.

For complete engineering and design information:  
**GoTo [www.boschrexroth-us.com/GoToproportional](http://www.boschrexroth-us.com/GoToproportional)**

### Features

- Size 6
- Pilot operated valve for limiting a system pressure
- Operation by means of proportional solenoids
- Proportional solenoid with rotatable and detachable coil
- For subplate mounting
- Porting pattern according to ISO 4401-03-02-0-05 and DIN 24340

**Detailed information:**  
 • RE29258

### Technical Data

Size			6
Maximum operating pressure	Port P; P1 – P2; A1 – A2; B1 – B2	bar (PSI)	350 (5100)
	Port T	bar (PSI)	50 (725)
Maximum setting pressure	Pressure rating 315 bar	bar (PSI)	315 (4600)
Maximum flow		l/min (GPM)	30 (7.9)
Hysteresis		%	±3 of the maximum setting pressure
Repeatability		%	< ±2 of the maximum setting pressure
Supply voltage	Nominal voltage	VDC	24
Inputs	Voltage	V	0 to 10

GoTo Focused Delivery Program: Proportional Valves

## Proportional pressure relief valves, with linear curve (Lvdt AC/AC) DBETFX



DBETFX proportional pressure relief valves are direct operated valves with position feedback for limiting system pressure. The position of the valve cone is measured by the Lvdt AC/AC position transducer, and the position of the cone-solenoid position is controlled by external trigger electronics, resulting in a linear curve.

For complete engineering and design information:  
GoTo [www.boschrexroth-us.com/GoToProportional](http://www.boschrexroth-us.com/GoToProportional)

### Features

- Size 6
- Directly operated valves with position feedback for limiting system pressure
- Adjustable through the set position of the cone against main spring
- Position-controlled, linear curve with minimal hysteresis
- Pressure limitation to a safe level even with faulty electronics
- For subplate attachment, mounting hole configuration to ISO 4401-03-02-0-94

#### Detailed information:

- RE29152

### Technical Data

Size	6	
Maximum set pressure (at $\Omega = 1$ l/min [0.26 GPM])	bar (PSI)	250 (3600)
Minimum pressure (at $\Omega = 1$ l/min [0.26 GPM])	bar (PSI)	5 (72.5)
Maximum working pressure (at $\Omega = 1$ l/min [0.26 GPM])	Port P bar (PSI)	315 (4600)
Maximum pressure	Port T bar (PSI)	200 (2900)
Maximum solenoid current	$I_{\max}$	2.7
Coil resistance	$\Omega$	3
Hysteresis	%	$\leq 1$



GoTo Focused Delivery Program: Proportional Valves

# Proportional pressure relief valve DBETX



DBETX proportional pressure relief valves limit pressure for piloting applications. Pressure is limited by changing current to the proportional solenoid from an external amplifier.

For complete engineering and design information:  
**GoTo [www.boschrexroth-us.com/GoToProportional](http://www.boschrexroth-us.com/GoToProportional)**

## Features

- Size 6
- Porting pattern according to ISO 4401-3, NFPA T3.5.1M R, and ANSI B93.7 D 03
- Directly operated valves (pilot valves) for limiting system pressure
- Adjustable by means of the solenoid current
- Solenoid versions  $I_{max} = 0.8\text{ A}$  or  $I_{max} = 2.5\text{ A}$
- Pressure limitation to a safe level even with faulty electronics (solenoid current  $I > I_{max}$ )

### Detailed information:

- RE29161

## Technical Data

Size				6
Type				DBETX
Operating pressure	Port P	$p_{max}$	bar (PSI)	315 (4600)
	Port T	$p_{max}$	bar (PSI)	250 (3600)
Flow		$qV_{max}$	l/min (GPM)	1 (0.26)
Maximum hysteresis				%
Control electronics	Plug			VT-SSPA1-525 VT-SSPA1-508
	Module			VT-MSPA1-525 VT-MSPA1-508
	Card			VT-VSPA1-525 VT-VSPA1-508

GoTo Focused Delivery Program: Proportional Valves

# Proportional pressure relief valve

## DBETA



DBETA proportional pressure relief valves are for high performance applications up to 5 Lpm. Combine DBETA with logic valves (like LC + LFA.. DB) for high flow pressure circuits. Pilot remote pressure control on axial piston pumps (DRG control A4V, A10V, A15V).

The integral pressure transducer is factory calibrated to on-board electronics with a standard 7-pin analog interface. DBETA is a closed loop pressure design for outstanding linearity and accuracy, even while fluid viscosity and flows change. Sensor fault detection switches valve to a 0v condition. Simple installation, no user software or bus.

For complete engineering and design information:  
GoTo [www.boschrexroth-us.com/GoToproportional](http://www.boschrexroth-us.com/GoToproportional)

### Features

- Size 6
- Nominal Pressure 200, 350 Bar
- Maximum Flow 5 Lpm
- Integral pressure sensor, controller, and amplifier

#### Detailed information:

- RE29262

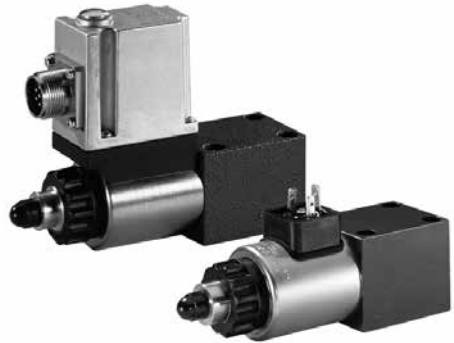
### Technical Data

Nominal Rated Pressure		200	350
Maximum pressure	bar	500	
Maximum flow	Lpm	5	
Hysteresis	% *	< 1 nom p	
Response sensitivity	% *	< 0.25 nom p	
Linearity	% *	± 1 nom p	
Step response (0.8 Lpm 20 cm <sup>3</sup> )	10% – 90%	ms	165
	90% – 10%	ms	88
Supply voltage	VDC	24	
Input command	Voltage	V	0 to 10
	Current	mA	4 to 20

(\* flow > 0.2 Lpm and command > 10%)

GoTo Focused Delivery Program: Proportional Valves

# Proportional pressure relief valves, direct operated DBET & DBETE



DBET proportional pressure relief valves for piloting applications. Pressure is limited by changing current to the proportional solenoid from an external amplifier or internal electronics (DBETE).

For complete engineering and design information:  
**GoTo [www.boschrexroth-us.com/GoToProportional](http://www.boschrexroth-us.com/GoToProportional)**

## Features

- Size 6
- Porting pattern according to ISO 4401-3, NFPA T3.5.1M R, and ANSI B93.7 D 03
- Valve for limiting a system pressure
- Proportional solenoid operation
- For subplate mounting
- Linearized pressure/command value characteristic curve
- Integral electronics (OBE) for type DBETE

**Detailed information:**

- RE29162

## Technical Data

Size		6	
Operating pressure	$p_{max}$	bar (PSI)	420 (6100)
Flow	$q_{V max}$	l/min (GPM)	2 (0.5)
Maximum hysteresis		%	<4
Step response	0 to 100 %	$T_u+T_g$	ms
	100 to 0 %	$T_u+T_g$	ms
Operating voltage	OBE	$U$	V
Comm. value signal	OBE	$U$	V
		$I$	mA
Control electronics	Type DBET	Card, analog	VT-VSPA1-2-1X
		Card, digital	VT-VSPD-1-2X
		Module, analog	VT-MSPA1-1-1X
		Plug, analog	VT-SSPA1-1-1X

GoTo Focused Delivery Program: Proportional Valves

## Proportional pressure relief valve, pilot operated DBEME



DBE(M)E, series 7X proportional pressure relief valves limit pressure in hydraulic systems, where higher flow may be required.

For complete engineering and design information:  
GoTo [www.boschrexroth-us.com/GoToProportional](http://www.boschrexroth-us.com/GoToProportional)

### Features

- Size 10
- Pilot operated for limiting system pressure
- Operation by means of proportional solenoid
- Valve and control electronics from a single source
- Type DBEME with integrated electronics (OBE)
- For subplate mounting:
  - Porting pattern according to ISO 6264

#### Detailed information:

- RE29361

### Technical Data

Hydraulic	Size	10	
Weight	kg (lbs)	4.7 (10.4)	
Installation orientation		Any	
Ambient temperature range	°C (°F)	–20 to +50 (–4 to +122)	
Operating pressure	– Ports A, B and X	bar (PSI)	350 (5100)
	– Port T	bar (PSI)	315 (4500)
	– Port Y		Separately and to the tank at zero pressure
Max. set pressure (at 315 bar [4500 PSI])	bar (PSI)	315 (4500)	
Maximum pressure relief function (at 315 bar [4500 PSI])		350 (5100)	
Max. flow	l/min (GPM)	275 (72.6)	
Hydraulic fluid temperature range	°C (°F)	–20 to +80 (–4 to +176)	
Hysteresis	%	≤ 5 of max. set pressure	
Tolerance of command value	%	± 1.5 of max. set pressure	
Linearity	%	± 3.5 of max. set pressure	
<b>Electrical</b>			
Supply voltage	V	24 DC	

See index Page 285 for GoTo product and accessory part numbers.

GoTo Focused Delivery Program: Proportional Valves

# Proportional pressure reducing valves, pilot operated

## DRE6X



Model DRE6X proportional pressure reducing valves are pilot operated with a 3-way main stage. The pilot valve (pressure relief valve pilot stage) is supplied internally with a controlled flow of pilot oil. The valves are actuated by a proportional solenoid acting against a spring. The solenoid armature is cushioned to aid stability.

For complete engineering and design information:  
GoTo [www.boschrexroth-us.com/GoToProportional](http://www.boschrexroth-us.com/GoToProportional)

### Features

- Size 6
- Pilot operated valves for reducing system pressure at the consumer (pilot oil internal only)
- 3-way version (P–A/A–T),  $p_{min} = p$  in T
- Adjustable by means of the solenoid current
- Solenoid type  $I_{max} = 0.8$  A
- Pressure limitation to a safe level even with faulty electronics (solenoid current  $I > I_{max}$ )
- For subplate attachment, mounting hole configuration to ISO 4401-03-02-0-94
- Plug-in connector to DIN 43650-AM2 included in scope of delivery
- External trigger electronics with ramps and valve calibration (order separately)

#### Detailed information:

- RE29177

### Technical Data

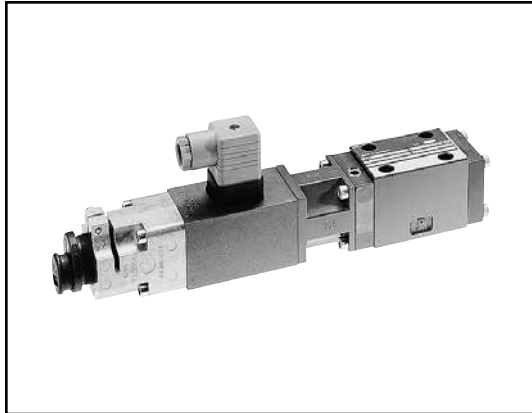
Size		6
Ambient temperature range	°C (°F)	-20 to +50 (-4 to +122)
Weight	kg (lbs.)	2.3 (5.1)
Pressure fluid temperature range	°C (°F)	-20 to +80 (-4 to +176)
Max. set pressure in A (at $Q_{min} = 1$ L/min (0.26 GPM))	bar (PSI)	175 (2540)
Minimum pressure in A	bar (PSI)	0 (relative) or pressure in T
Minimum inlet pressure in P	bar (PSI)	$p_P = p_A + \geq 5$
Maximum working pressure	bar (PSI)	Port P: 315 (4600)
Maximum pressure	bar (PSI)	Port T: 250 (3626) [B sealed]
Maximum flow	L/min (GPM)	40 (10.6)
Maximum solenoid current	$I_{max}$	0.8 A
Coil resistance $R_{20}$	$\Omega$	22
Hysteresis	%	$\leq 4$
Manufacturing tolerance for $p_{max}$	%	$\leq 10$

See index Page 285 for GoTo product and accessory part numbers.

GoTo Focused Delivery Program: Proportional Valves

# Proportional pressure reducing valve, pilot operated with inductive position transducer

## DREB6X



Type DREB6X proportional pressure reducing valves are pilot operated with a 3-way main stage. The valves are actuated by a proportional solenoid, which is position-controlled against a spring. This ensures rapid response times and minimal hysteresis.

For complete engineering and design information:  
GoTo [www.boschrexroth-us.com/GoToProportional](http://www.boschrexroth-us.com/GoToProportional)

### Features

- Size 6
- Pilot operated valves for reducing system pressure at the consumer (pilot oil internal only)
- 3-way version (P-A /A-T),  $p_{\min} = p_T$
- Adjustable through the position of the armature against the compression spring
- Position-controlled, minimal hysteresis < 1 %, rapid response times, see Technical data
- Pressure limitation to a safe level even with faulty electronics (solenoid current  $I > I_{\max}$ )
- For subplate attachment, mounting hole configuration to ISO 4401-03-02-0-94

#### Detailed information:

- RE29182

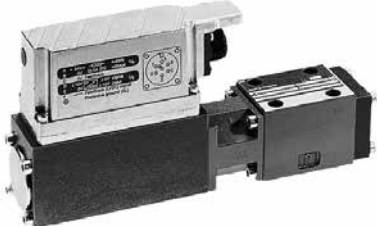
### Technical Data

Size	6	
Maximum set pressure (at $Q_{\min} = 1 \text{ l/min [0.26 GPM]}$ )	bar (PSI)	175 (2500)
Minimum pressure in A	bar (PSI)	0 (relative) or pressure in T
Minimum inlet pressure in P	bar (PSI)	$p_P = p_A + \geq 5$
Maximum working pressure	Port P bar (PSI)	315 (4600)
Maximum pressure	Port T bar (PSI)	250 (3600) [B sealed]
Maximum flow	l/min (GPM)	40 (10.6)
Maximum solenoid current	$I_{\max}$	2.5 A
Coil resistance $R_{20}$	$\Omega$	3
Hysteresis	%	$\leq 1$

GoTo Focused Delivery Program: Proportional Valves

# Proportional pressure reducing valves, pilot operated

## DREBE6X

	<p>DREBE6X is a pilot operated pressure reducing/relieving valve for high performance applications. Pressure in port A is controlled by a proportional solenoid using position feedback with on-board electronics (OBE).</p> <p>For complete engineering and design information:  <b>GoTo <a href="http://www.boschrexroth-us.com/GoToProportional">www.boschrexroth-us.com/GoToProportional</a></b></p>
---	--

### Features

- Sizes 6
- Porting pattern according to ISO 4401-3, NFPA T3.5.1M R, and ANSI B93.7 D 03
- Valve for reducing a system pressure
- Proportional solenoid operation
- Adjustable by specifying the position of the solenoid armature
- Integral electronics (OBE)

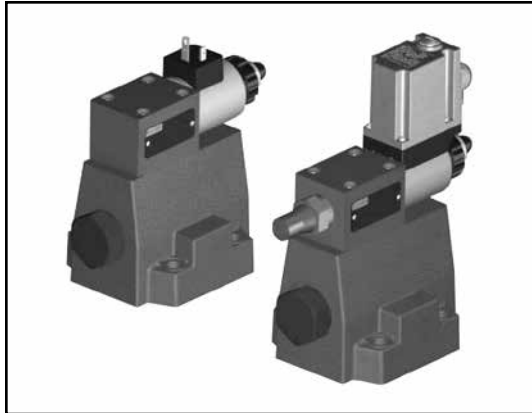
**Detailed information:**  
 • RE29195

### Technical Data

Size				6
Type				DREBE6X
Operating pressure	Port P	$p_{max}$	bar (PSI)	315 (4600)
	Port T	$p_{max}$	bar (PSI)	250 (3600)
Flow		$qV_{max}$	l/min (GPM)	40 (10.6)
Maximum hysteresis			%	≤ 1
Operating voltage	OBE	$U$	V	24
Command value signal	OBE	$U$	V	0 to 10
		$I$	mA	4 to 20

GoTo Focused Delivery Program: Proportional Valves

## Proportional pressure reducing valves, pilot operated DRE(M) and DRE(M)E



Type DRE(M) and DRE(M)E valves are pilot operated pressure reducing valves, used to reduce operating pressure. Available without maximum pressure limitation (DRE.) or with maximum pressure limitation (DREM.) and with or without integrated control electronics. This valve reduces operating pressure by means of proportional solenoids.

For complete engineering and design information:  
GoTo [www.boschrexroth-us.com/GoToproportional](http://www.boschrexroth-us.com/GoToproportional)

### Features

- Size 10
- Valve for reducing an operating pressure
- Proportional solenoid with rotatable and detachable coil
- Linearized command value-pressure characteristic curve
- Maximum pressure limitation optional
- For subplate mounting:
  - Porting pattern according to ISO 5781

#### Detailed information:

- RE29276

### Technical Data

Size		10	
Maximum working pressure	Port A and B	bar (PSI)	315 (4500)
	Port Y	bar (PSI)	Separately and to the tank at zero pressure
Maximum set pressure in channel A	Pressure rating (bar [PSI]):	bar (PSI)	200 (2900)
		bar (PSI)	315 (4500)
Minimum set pressure (command value = 0)		bar (PSI)	2 (30)
Maximum pressure limit	Pressure rating (bar [PSI]):	bar (PSI)	200 (2900)
		bar (PSI)	230 (3300)
Maximum flow		l/min (GPM)	200 (52.8)
Operating voltage		V	24 DC
Hysteresis		%	± 3.5 of the max. setting pressure
Repeatability		%	< ± 2 of the max. setting pressure
Linearity		%	± 2 of the max. setting pressure

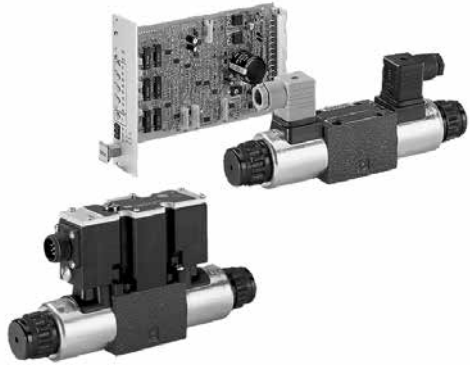
See index Page 285 for GoTo product and accessory part numbers.



GoTo Focused Delivery Program: Proportional Valves

# Proportional pressure reducing valves, direct operated

## 3DREP & 3DREPE



3DREP6 is a pressure reducing/relieving valve for very low pressures in special applications. The dual solenoid model-C regulates port A or port B. The most common application is 25 bar (360 PSI) on the 4WRZ(E) 10..32 proportional directional valve. Pressure is directly controlled by changing current to a proportional solenoid by external amplifier or by integrated electronics (3DREPE6).

For complete engineering and design information:  
**GoTo [www.boschrexroth-us.com/GoToProportional](http://www.boschrexroth-us.com/GoToProportional)**

### Features

- Size 6
- Porting pattern according to ISO 4401-3, NFPA T3.5.1M R, and ANSI B93.7 D 03
- Valve for reducing a system pressure
- Proportional solenoid operation
- For subplate mounting
- Integrated electronics (OBE) for type 3DREPE

**Detailed information:**

- RE29184

### Technical Data

Size			6	
Operating pressure	$p_{max}$	bar (PSI)	100 (1450)	
Flow	$q_{V max}$	l/min (GPM)	15 (4.0)	
Maximum hysteresis		%	5	
Operating voltage	OBE	$U$	V	24
Command value signal	OBE	$U$	V	±10
		$I$	mA	4 to 20
Control electronics	Type 3DREP	Card, digital		VT-VSPD-1
		Module, analog		VT 11118

GoTo Focused Delivery Program: Proportional Valves

## Proportional pressure reducing valve, pilot operated ZDREE



Valve of type ZDREE are pilot operated pressure reducing valves of sandwich plate design in 3-way variant, i.e. with pressure limitation of the actuator pressure. They are used for reducing a system pressure.

For complete engineering and design information:  
**GoTo [www.boschrexroth-us.com/GoToproportional](http://www.boschrexroth-us.com/GoToproportional)**

### Features

- Size 10
- Pilot operated valve for reducing a system pressure
- Actuation by proportional solenoid, which can be rotated
- Sandwich plate design
- Porting pattern to DIN 24340-A and ISO 4401
- Linear command value/pressure characteristic curve
- Integrated electronics (OBE) with type ZDREE, with low manufacturing tolerance of the command value/pressure characteristic curve

#### Detailed information:

- RE29279


### Technical Data

Size		6	
Maximum operating pressure	Port P1	bar (PSI)	315 (4600)
	Ports P2; A; B; X	bar (PSI)	350 (5100)
	Port T	bar (PSI)	250 (3600)
	Port Y or L	bar (PSI)	Line separately and at zero pressure to tank
Maximum set pressure in Port P1	Pressure rating to 200 bar (2900 PSI)	bar (PSI)	200 (2900)
Permissible maximum flow		l/min (GPM)	80 (21.1)
Hysteresis		%	±3 of maximum set pressure
Supply voltage	Nominal voltage	VDC	24
Required fuses		A	2, slow-blowing
Inputs	Voltage	V	0 to 10

See index Page 285 for GoTo product and accessory part numbers.

GoTo Focused Delivery Program: Manifolds

# Standard hydraulic manifolds



Industrial hydraulic manifolds are used to interconnect various components within a hydraulic system. Standard hydraulic manifolds include a variety of proven manifold designs for a wide range of industrial hydraulic applications. Standard manifolds may improve the assembly and test time of your system, save cost, reduce leak points, and improve the serviceability and aesthetics of your system compared to alternate connection methods.

For complete engineering and design information:  
**GoTo [www.boschrexroth-us.com/GoToManifolds](http://www.boschrexroth-us.com/GoToManifolds)**

## Features

- Size 6 (D03)
- Ductile iron pressure range to 5000 PSI
- Ductile iron manifolds blackened

**Detailed information:**

- RA09907

## Technical Data

Model Code	ABM6PN-1X/02D2-01GM	ABM6PN-1X/04D2-01GM	CP6NN-XX/D-01
Number of stations	2	4	1
Description	Automotive bar manifold with bottom ported P & T		Cover Plate
Circuit	Parallel circuit, normal flow		Parallel Circuit, all ports blocked
Size	Size 6 (D03)		
Material	Ductile iron (65-45-12)		
Max. pressure (psi)	5000		
Ports	BSPP		N/A
Details	Metric mounting taps		

See technical data sheet RA 09907 for detailed technical data.

GoTo Focused Delivery Program: Manifolds

# Parallel bar manifolds

## BM6PN & BM10PN



Industrial hydraulic manifolds are used to interconnect various components within a hydraulic system. Standard hydraulic manifolds include a variety of proven manifold designs for a wide range of industrial hydraulic applications. Standard manifolds may improve the assembly and test time of your system, save cost, reduce leak points and improve the serviceability and aesthetic of your system compared to alternate connection methods.

For complete engineering and design information:  
 GoTo [www.boschrexroth-us.com/GoTomanifolds](http://www.boschrexroth-us.com/GoTomanifolds)

### Features

- Parallel circuit, normal flow
- Size 6 (DO3); Size 10 (DO5)
- Ductile iron and aluminum
- SAE threaded ports
- Mounting kit included

**Detailed information:**  
 • RA09907

### Technical Data

Model Code	BM6PN-XX/..A2-12 BM6PN-XX/..D2-12	BM10PN-XX/..A3-12 BM10PN-XX/..D3-12
Number of stations	up to 5	up to 5
Description	Industrial hydraulics bar manifold	
Circuit	Parallel circuit, normal flow	
Size	Size 6 (D03)	Size 10 (D05)
Material	Ductile Iron (65-45-12), Aluminum (6061-T6)	
Max. pressure (psi)	5000 (Ductile iron), 3000 (Aluminum)	
Ports	SAE ports only	
Spacing (in.)	2.13	3.25

Note: GoTo deliveries do not include Relief Valve or Isolation options

### Manifold Mounting Kit

Material No.	Material Description	Explanation
R9788398831	Size 6 (DO3) Mounting kit	Port Style 12 SAE, Normal Flow
R9788398832	Size 10 (DO5) Mounting kit	Port Style 12 SAE, Normal Flow

See index Pages 285–286 for GoTo product and accessory part numbers.

GoTo Focused Delivery Program: Manifolds

# Cover plates

## CP6 & CP10



Industrial Hydraulic manifolds are used to interconnect various components within a hydraulic system. Standard hydraulic manifolds include a variety of proven manifold designs for a wide range of industrial hydraulic applications. Standard manifolds may improve the assembly & test time of your system, save cost, reduce leak points and improve the serviceability and aesthetic of your system compared to alternate connection methods.

For complete engineering and design information:  
**GoTo [www.boschrexroth-us.com/GoToManifolds](http://www.boschrexroth-us.com/GoToManifolds)**

### Features

- Cover plates, all ports blocked
- Size 6 (DO3); Size 10 (DO5)
- Ductile iron and aluminum

**Detailed information:**  
 • RA09907

### Technical Data

Model Code	CP6...NN	CP10...NN
Description	Industrial hydraulic cover plate	
Circuit	Cover plate	
Size	Size 6 (DO3)	Size 10 (DO5)
Material	Ductile Iron (65-45-12), Aluminum (6061-T6)	
Max Pressure (psi)	5000 (Ductile iron), 3000 (Aluminum)	
Ports	SAE mounting	

GoTo Focused Delivery Program: Manifolds

# Sandwich plates – tap-in connection

## TP6 & TP10



Industrial Hydraulic manifolds are used to interconnect various components within a hydraulic system. Standard hydraulic manifolds include a variety of proven manifold designs for a wide range of industrial hydraulic applications. Standard manifolds may improve the assembly & test time of your system, save cost, reduce leak points and improve the serviceability and aesthetic of your system compared to alternate connection methods.

For complete engineering and design information:  
 GoTo [www.boschrexroth-us.com/GoToManifolds](http://www.boschrexroth-us.com/GoToManifolds)

### Features

- Sandwich plates, tap-in connection. SAE-4 port
- Size 6 (DO3); Size 10 (DO5)
- Ductile iron and aluminum

**Detailed information:**  
 • RA09907

### Technical Data

Model Code	TP6... GPT TP6... GAB	TP10... GPT TP10... GAB
Description	Industrial hydraulic sandwich plate – tap-in connection	
Circuit	Tap-in connection	
Size	Size 6 (DO3)	Size 10 (DO5)
Material	Ductile Iron (65-45-12), Aluminum (6061-T6)	
Max Pressure (PSI)	5000 (Ductile iron), 3000 (Aluminum)	
Ports	SAE-4 port	

GoTo Focused Delivery Program: Manifolds

# Adapter plates

## AP6



Industrial Hydraulic manifolds are used to interconnect various components within a hydraulic system. Standard hydraulic manifolds include a variety of proven manifold designs for a wide range of industrial hydraulic applications. Standard manifolds may improve the assembly & test time of your system, save cost, reduce leak points and improve the serviceability and aesthetic of your system compared to alternate connection methods.

For complete engineering and design information:  
**GoTo [www.boschrexroth-us.com/GoTomanifolds](http://www.boschrexroth-us.com/GoTomanifolds)**

### Features

- Adapter plates
- Size 6 (DO3); Size 10 (DO5)
- Ductile iron and aluminum

**Detailed information:**  
 • RA09907

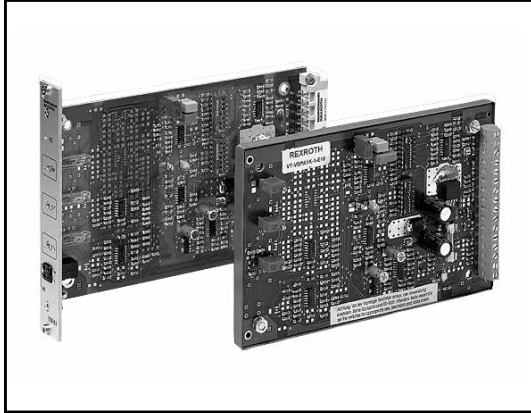
### Technical Data

<b>Model Code</b>	<b>AP6-10-1X/.-12</b>
Description	Industrial hydraulic adapter plate
Circuit	Adapter plate
Size	Size 6 (DO3) to Size 10 (DO5)
Material	Ductile iron (65-45-12), Aluminum (6061-T6)
Max Pressure (PSI)	5000 (Ductile iron), 3000 (Aluminum)

GoTo Focused Delivery Program: Proportional Electronics

# Analog amplifiers for proportional valves without electrical position feedback

## VT-VSPA1-1-1X



The VT-VSPA proportional amplifier controls solenoid current to Rexroth proportional valves without LVDT position feedback. Single solenoid driver cards have additional features for more flexibility. The user may configure the analog input, extend ramp time, and change setup for pre-defined valve types.

For complete engineering and design information:  
GoTo [www.boschrexroth-us.com/GoToelectronics](http://www.boschrexroth-us.com/GoToelectronics)

### Features

- Analog amplifiers in Eurocard format
- Voltage stabilization, partially with raised measuring zero point
- Command value inputs for voltage and current
- Internal command value adjustment by means of 4 trimming potentiometers, call-up via relays, with LED indicator lamp (on some versions)
- Ramp generator, ramp times adjustable
- Jump function for quickly passing through overlaps of directional valves
- Enable input (on some versions)

#### Detailed information:

- RE30111

### Technical Data

Operating voltage	$U$	VDC	24
Command value, depending on type	$U$	V	0 to 10, $\pm 10$
	$I$	mA	4 to 20; 0 to 20
Output amplifier	Current-regulated, clocked		
Type of connection	32-pin form D (VT-VSPA1-1)		
Card dimensions	mm (in.)	Eurocard 100 x 160 (3.93 x 6.29), DIN 41494	
Ambient temperature range	$\vartheta$	$^{\circ}\text{C}$ ( $^{\circ}\text{F}$ )	0 to +50 [+70] (0 to +122 [158])

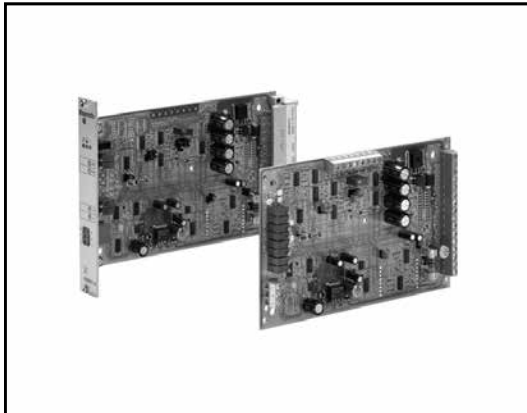
Type	Suitable for valve type
VT-VSPA1-1-1X	DBE(M), (Z)DBE, (Z)DRE10, 3DRE(M)



GoTo Focused Delivery Program: Proportional Electronics

# Analog amplifiers for proportional valves without electrical position feedback

## VT-VSPA1-2-1X



This amplifier is suitable for controlling DBET-6X pressure valves or use as a universal amplifier. It has differential inputs for both voltage and current signals along with command call-ups.

For complete engineering and design information:  
GoTo [www.boschrexroth-us.com/GoToelectronics](http://www.boschrexroth-us.com/GoToelectronics)

### Features

- Differential input (0 to +10 V)
- Current input (4 to 20 mA)
- 4 command value call-ups (only in conjunction with option A4)
- Ramp generator with separately adjustable ramp time for “up/down”

Detailed information:  
• RE30115

### Technical Data

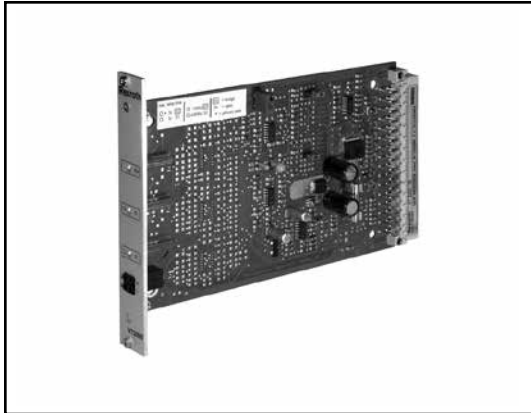
Operating voltage	$U$	VDC	24
Power consumption	$P_S$	VA	< 24 VA
Current consumption	$I$	V	< 2
Fuse	$I_F$	A	2 (medium time lag, replaceable)
Inputs:			
Analog			
Command values 1 to 4 (potentiometer inputs)	$U_e$	V	0 to +10, $R_e > 100\text{ k}\Omega$
Differential output	$U_e$	V	0 to +10, $R_e > 50\text{ k}\Omega$
Current input	$I_e$	mA	4 to 20, load $R_L = 100\ \Omega$
Type of connection	48-pin form F		
Permissible temperature range	$\vartheta$	°C (°F)	0 to +50 (0 to +122)

Type	Suitable for valve type
VT-VSPA1-2-1X	DBET-6X

GoTo Focused Delivery Program: Proportional Electronics

# Electrical proportional amplifier

## VT 2000-5X/



The VT-2000 is a proportional amplifier suitable for controlling single solenoid proportional pressure control valves without electrical position feedback.

For complete engineering and design information:  
GoTo [www.boschrexroth-us.com/GoToelectronics](http://www.boschrexroth-us.com/GoToelectronics)

### Features

- Differential input
- Additional command value input, 0 to +9 V
- Separately adjustable ramp generator for up and down ramps
- Card holder:  
Model VT 3002-2X/32, see RE29928

**Detailed information:**  
• RA29904

### Technical Data

Operating voltage	VDC	24 + 40% – 5%
Inputs	$U_i$	0 to 9 (reference potential is M0)
	$U_i$	0 to +10; $R_i = 100\text{ k}\Omega$
Ramp time (adjustment range)	t	30 ms to approx. 1 s or 5 s (depending on setting of S1)
Outputs: Output stage – Solenoid current / resistance		800 mA + 10% – 5%; $R_{(20)} = 19.5\ \Omega$
Permissible operating temperature range	°C (°F)	0 to +50 (0 to +122)

Type	Suitable for valve types
VT 2000-5X	DBEP, DBE...-5X

GoTo Focused Delivery Program: Proportional Electronics

# Plug-in proportional amplifier

## VT-SSPA1-50



The plug-in amplifier is suitable for mounting onto a valve connection base according to EN 175301-803. By turning the plug insert and the electronics in the housing, the plug-in amplifier can be mounted on the solenoid in 90° increments. user can adjust ramp time, maximum current, and bias current.

For complete engineering and design information:  
GoTo [www.boschrexroth-us.com/GoToelectronics](http://www.boschrexroth-us.com/GoToelectronics)

### Features

- Used for controlling solenoid operated pressure control and directional valves without closed-loop position control
- Differential input, optional current input
- Ramp generator, separate for up/down
- Zero potentiometer / biasing current
- Command value attenuator / maximum current
- Operating voltage 24 V

**Detailed information:**  
• RE30116

### Technical Data

Operating voltage 24 V	$U_B$	VDC	24
	$u(t)_{max}$	V	35
	$u(t)_{min}$	V	18
Current / power consumption (depending on solenoid data)	$I$	A	< 2.6
	$P_{max}$	A	< 60
Recommended back-up fuse	$I$	A	3, 15; slow-blow
Maximum current (adjustment range)	$I_{max}$	A	$I_g \dots 2.6$
Clock frequency at $I_{max}$	$f$	Hz	305
Command value input (voltage)	Proportional range	$U$	V 0...10
	Switching range	$U$	V 12 ... $U_B$
	Resistance	$R$	k $\Omega$ 20
Type of connection (M12 component connector)			Component connector, 4-pin, M12x1

Type	Suitable for valve type
VT-SSPA1-50-1X/V0/0-24	Universal; 2.5 A max output

GoTo Focused Delivery Program: Proportional Electronics

# Plug-in proportional amplifiers for proportional valves without electrical position feedback

## VT-SSPA1-5...



The plug amplifier is employed for actuating proportional valves without position control. It is plugged directly onto square solenoid valves. User can adjust ramp time, dither, and minimum and maximum output current.

For complete engineering and design information:  
GoTo [www.boschrexroth-us.com/GoToelectronics](http://www.boschrexroth-us.com/GoToelectronics)

### Features

- Analog amplifier in plug-in design for controlling proportional valves
- Differential input with optional current input
- Integrated ramp generator
- Proportional command value / current characteristic curve

#### Detailed information:

- RE30264

### Technical Data

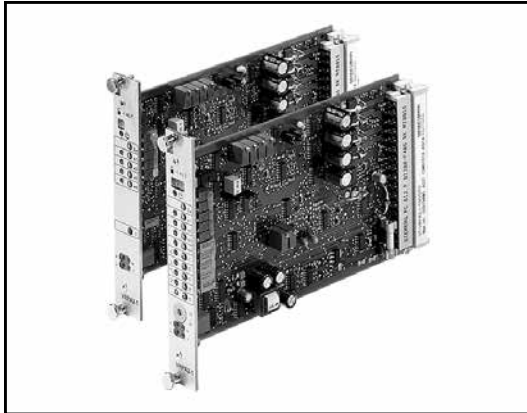
Operating voltage	$U$	VDC	10.2 to 31
Comm. value signal	$U$	V	0 to 10
	$I$	mA	4 to 20
Output amplifier	Current-regulated, clocked		
Type of connection	Screw terminals		
Ambient temperature range	$\vartheta$	°C (°F)	-20 to +70 (-4 to +158)

Type	Suitable for valve type
VT-SSPA1-525...	DBETX-...-25, DBE6X-...-25, DRE6X-...-25, DBE10Z-...-25, DRE10Z-...-25, 2FREX6, 2FREX10, 3FREX6, 3FREX10, 4WRBA..EA
VT-SSPA1-508...	DBETX-...-8, DBE6X-...-8, DRE6X-...-8, DBE10Z-...-8, DRE10Z-...-8

GoTo Focused Delivery Program: Proportional Electronics

# Analog amplifiers for proportional valves without electrical position feedback

## VT-VSPA2-1-2X



The VT-VSPA proportional amplifier controls solenoid current to Rexroth proportional valves without LVDT position feedback. Double solenoid driver cards have additional features for more flexibility. The user may configure the analog input, extend ramp time, and change setup for pre-defined valve types.

For complete engineering and design information:  
GoTo [www.boschrexroth-us.com/GoToelectronics](http://www.boschrexroth-us.com/GoToelectronics)

### Features

- Analog amplifiers in Eurocard format
- Voltage stabilization, partially with raised measuring zero point
- Command value inputs for voltage and current
- Internal command value adjustment by means of 4 trimming potentiometers, call-up via relays, with LED indicator lamp (on some versions)
- Ramp generator, ramp times adjustable
- Jump function for quickly passing through overlaps of directional valves
- Enable input (on some versions)

**Detailed information:**  
• RE30110

### Technical Data

Operating voltage	<i>U</i>	VDC	24
Command value, depending on type	<i>U</i>	V	0 to 10, ±10
	<i>I</i>	mA	4 to 20; 0 to 20
Output amplifier	Current-regulated, clocked		
Type of connection	48-pin male connector form F (VT-VSPA2-1)		
Card dimensions	mm (in.)	Eurocard 100 x 160 (3.93 x 6.29), DIN 41494	
Ambient temperature range	ϑ	°C (°F)	0 to +50 [+70] (0 to +122 [158])

Type	Suitable for valve type
VT-VSPA2-1-2X	4WRA...2X; 4WRZ...7X

GoTo Focused Delivery Program: Proportional Electronics

# Analog amplifier module

## VT 11118-1X/



The VT 11118 is suitable for controlling direct operated directional valves (model 4WRA, component series 1X only), pilot operated proportional directional valves (model .WRZ, from component series 5X) and proportional pressure reducing valves (model 3DREP 6) without electrical position feedback.

For complete engineering and design information:  
GoTo [www.boschrexroth-us.com/GoToelectronics](http://www.boschrexroth-us.com/GoToelectronics)

### Features

- Selection of the valve type by means of change-over switch at the front
- Differential input for command value voltage  $\pm 10$  V
- Enable inputs
- Adjustable ramp generator
- 2 command value attenuators
- 2 output stages with fixed-frequency clocking
- LEDs: "power" – internal supply voltage (green)  
"H1" – enable 1 (yellow)  
"H2" – enable 2 (yellow)

#### Detailed information:

- RE30218

### Technical Data

Operating voltage	$U_o$	24 V DC +40% (–10%)
Inputs Command value (differential input)	$U_{Soll}$	0 to $\pm 10$ V; $R_e > 50$ k $\Omega$
Outputs Solenoid current/resistance for 4WRA 6 (component series 1X) for 4WRA 10 (component series 1X) $I_{max}$ for .WRZ (component series 5X & 6X) and 3DREP 6 (component series 1X) for .WRZ (component series 7X) and 3DREP 6 (component series 2X)	$I_{max}$ $I_{max}$ $I_{max}$ $I_{max}$	1.75 A; $R_{(20)} = 5.4$ $\Omega$ 1.75 A; $R_{(20)} = 10$ $\Omega$ 1 A; $R_{(20)} = 19.5$ $\Omega$ 1.75 A; $R_{(20)} = 4.8$ $\Omega$
Clock-pulse frequency of the output stage for 4WRA 6 (component series 1X), .WRZ (component series 5X to 7X), 3DREP 6 (component series 2X) for 4WRA 10 (component series 1X) and 3DREP 6 (component series 1X)	$f$ $f$	175 Hz $\pm 10$ % 100 Hz $\pm 10$ %
Type of connection		12 screw terminals
Type of mounting		Top hat rail TH 35-7.5 to EN 60715
Dimensions (W x H x D)	mm (in.)	40 x 79 x 85.5 (1.6 x 3.1 x 3.4)

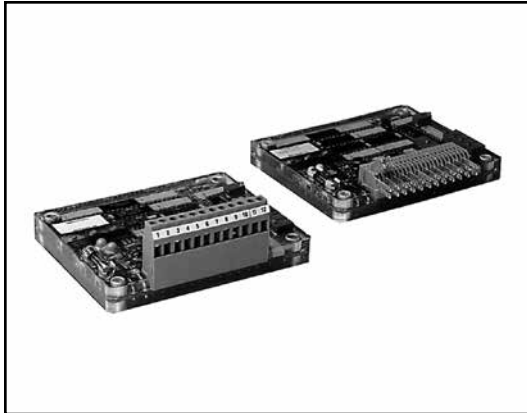
Type	Suitable for valve types
VT 11118	4WRZ....-7X, 3DREP....-2X

See index Page 287 for GoTo product and accessory part numbers.

GoTo Focused Delivery Program: Proportional Electronics

# Mobile dual solenoid driver

## MDSD



The MDSD is a high current amplifier that controls proportional valves with one or two force solenoids. Applications include the EL and EP controls on A2, A4, A7, A11 pumps and A6 motors. Also included are pressure and directional valves FT-DRE2K, DRE4K, DBE, DBET, MP, SM, SP, 4WRA, 4WRZ. All 12 Volt solenoids can be controlled over the entire 10 to 28 VDC power supply range to simplify design. Of course, 24 Volt solenoids can be used in 24 Volt power systems.

For complete engineering and design information:  
**GoTo [www.boschrexroth-us.com/GoToelectronics](http://www.boschrexroth-us.com/GoToelectronics)**

### Features

- Wide supply voltage range: 10–28 VDC
- On board, replaceable fuse
- Reverse voltage protection
- Pulse Width Modulated (PWM) outputs
- PWM frequency adjustable from 75–275 Hz
- Max. and min. current separately adjustable for both solenoids
- High current driver, regulated to within 1.0%, continuous operation
- Infinite duration short circuit protection on both outputs
- Reference voltage provided for control via an external potentiometer (>1K Ohm)
- Differential inputs for external voltage sources (+/- 2.5 or +/- 5.0 VDC)
- Neutral position deadband for joysticks
- Ramp time 0.2 to 10.0 sec., separately adjustable for both solenoids (A = up/down; B = up/down)
- All adjustments are made via multi-turn potentiometers
- Temperature range: -13 to 176 °F (-25 to 80 °C)

- EMI/RFI resistant
- Rugged, environmental packaging

**Detailed information:**  
 • RA29864

### Technical Data

Power supply voltage	VDC	$V_{DC} = 10 \text{ to } 28$
Power requirement	W	$P = I_{max}^2 \cdot R_{SOL} \cdot 1.2$ (Refer to valve or pump data sheet for max. solenoid current and hot solenoid resistance)
Power supply current	Amp	$I = P / V_{DC}$
Ramp time	sec.	0.2 to 10 (standard); 1.2 to 60 (R60); 2.4 to 120 (R120)
Control potentiometer	KΩ	1 to 10
Pulse frequency	P7 Hz	75 to 275
Fuse – 5x20 mm fast acting	Amp	4
Ambient temperature	°F (°C)	-13 to +176 (-25 to +80)
Weight	lbs. (kg)	0.36 (0.16)

See index Page 287 for GoTo product and accessory part numbers.

GoTo Focused Delivery Program: Proportional Electronics

## External control electronics for the SYDFE1 control of A10VSO axial piston pumps, analog amplifier, configurable VT 5041-3X/



VT5041-3X analog amplifiers are designed as plug-in cards in Euro-format. They are external control electronics for the SYDFE1 control of A10VSO axial piston pumps analog amplifier.

For complete engineering and design information:  
GoTo [www.boschrexroth-us.com/GoToelectronics](http://www.boschrexroth-us.com/GoToelectronics)

### Features

- Differential amplifier input
- Controller for valve spool position
- Minimum generator for pressure and swivel angle controller
- Self-clocking output stage
- Pressure-related leakage compensation (can be switched off)
- Polarity reversal protection for power supply
- Switchable actual pressure value input (current, voltage, range)

#### Detailed information:

- RE30242

### Technical Data

Operating voltage	$U_O$	VDC	24 + 40% – 10%
Power consumption	$P_S$	VA	35
Current consumption	$I$	A	0.6 ( $I_{max} = 1.25$ A)
Type of connection	32-pin male connector, DIN 41612, form D		
Card dimensions	Euro-card 100 x 160 mm, DIN 41494		
Permissible operating temperature range	°C (°F)		0 to +50 (0 to +122)
Storage temperature range	°C (°F)		–20 to +70 (–4 to +158)

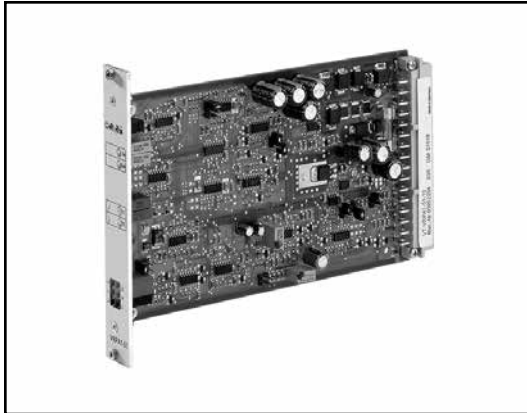
Type	Suitable for pump types
VT-5041-3X/1-0	SYDFE1 control of A10VSO
VT-5041-3X/3-0	SYDFE1 control of A10VSO with power limitation



GoTo Focused Delivery Program: Proportional Electronics

# Analog amplifiers for proportional valves with electrical position feedback

## VT-VRPA1-1...



The VT-VRPA1-100 proportional amplifier controls the DBETR proportional relief valves with position feedback. The VT-VRPA1-151 proportional amplifier controls 2FRE10 and 2FRE16 proportional flow control valves. The user may configure the analog input and extend ramp times.

For complete engineering and design information:  
GoTo [www.boschrexroth-us.com/GoToelectronics](http://www.boschrexroth-us.com/GoToelectronics)

### Features

- Analog amplifiers in Eurocard format
- Voltage stabilization, partially with raised measuring zero point
- Differential input – 0–10 V/0–20 mA/4–20 mA
- Ramp generator that can be switched off
- Oscillator/demodulator for electrical position feedback
- PID-controller for controlling the control spool position
- Cable break detection with LED indicator lamp for position transducer; in the event of a cable break, the output amplifier is de-energized
- Enable input

**Detailed information:**  
• RE30118

### Technical Data

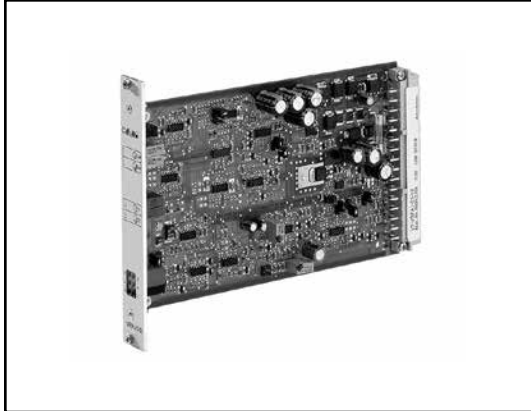
Operating voltage	<i>U</i>	VDC	24
Comm. value signal	<i>U</i>	V	0 to 6(9); 0 to 10; , ±10
	<i>I</i>	mA	0 to 20; 4 to 20
Output amplifier			Current regulated, clocked
Oscillator frequency	<i>f</i>	kHz	approx. 2.5
Type of connection			32-pin form D
Card dimensions (W x L x H)		mm (in.)	Eurocard 100 x 160 (3.93 x 6.29), DIN 41494
Ambient temperature range	$\vartheta$	°C (°F)	0 to +50 (0 to +122)

Type	Suitable for valve type
VT-VRPA1-100	DBETR
VT-VRPA1-151	2FRE10, 2FRE16

GoTo Focused Delivery Program: Proportional Electronics

## Electric amplifier

### VT-VRPA1-5...-1X/V0



The VT-VRPA1-5...-1X/V0 is an amplifier for proportional pressure, proportional flow control, and high-response valves.

For complete engineering and design information:  
GoTo [www.boschrexroth-us.com/GoToelectronics](http://www.boschrexroth-us.com/GoToelectronics)

#### Features

- Analog amplifiers in Eurocard format for installation in 19" rack
- Output stage with closed-loop control
- Closed-loop position control with PID action
- Rapid energizing and de-energizing for fast response times
- Material description values for valve type:
  - PV = Pressure valve
  - QV = Throttle/Flow control valve
  - [ ] = Pressure relief valve

#### Detailed information:

- RE30052

#### Technical Data

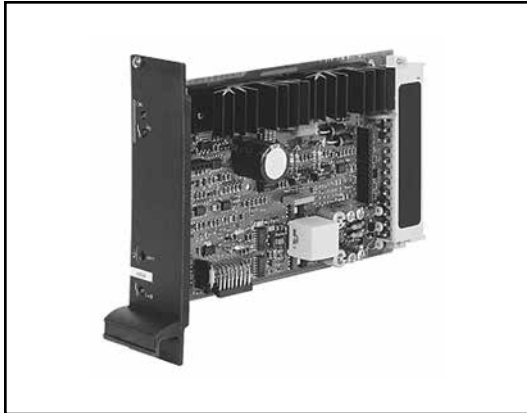
Operating voltage	VDC	24
Plug connector		Connector DIN 41612 – F32
Valve solenoid max.	A/VA	2.7/25 & 3.7/50
Input signal	V	0 to $\pm 10$
Card dimensions (W x L x H)	mm (in.)	Eurocard 100 x 160 x ~35 (3.93 x 6.29 x ~1.38)
Ambient temperature range	°C (°F)	0 to +70 (0 to +158)

Type	Suitable for valve type
VT-VRPA1-5...-1X/V0	DBETFX, DREB, DBETBX, 3FREZ, 4WRP

GoTo Focused Delivery Program: Proportional Electronics

# Electric amplifier

## VT-VRPA1-527-2XV0/2/2V



Electric amplifier VT-VRPA1-527-2X/V0/2/2V is used for controlling direct operated proportional throttle valves with electrical feedback, for block installation. This analog amplifier is in European format for installation in 19" racks.

For complete engineering and design information:  
 GoTo [www.boschrexroth-us.com/GoToelectronics](http://www.boschrexroth-us.com/GoToelectronics)

### Features

- Controlled output stage
- Enabling input
- Outputs protected against short-circuits
- Adjustment possible – zero point via trimming potentiometer
- Cable break detection for actual value cable
- Position control with PID behavior

**Detailed information:**  
 • RE30055

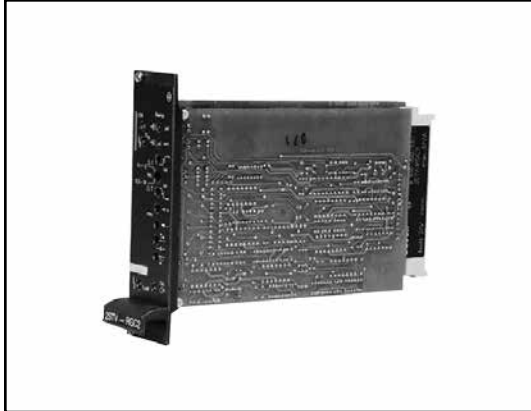
### Technical Data

Operating voltage	VDC	24
Plug connector		Connector DIN 41612 – F32
Valve solenoid max	A/VA	2.7/25
Input signal	V	0 to ±10
Circuit board dimensions	mm (in.)	100 x 160 x ~35 (3.93 x 6.29 x ~1.38)
Ambient temperature range	°C (°F)	0 to +70 (0 to +158)
<b>Type</b>		<b>Suitable for valve type</b>
VT-VRPA1-527-2X/V0/2/2V		FESX 16...50...1X...L...

GoTo Focused Delivery Program: Proportional Electronics

## Electrical proportional amplifier

### VT-VRPA1-5...RTS-2STV



The VT-VRPA1-5...RTS-2STV is suitable for controlling servo solenoid pilot operated two-stage valves. It has options for valve zero and gain. The ramps can be controlled by external voltage signals.

For complete engineering and design information:  
GoTo [www.boschrexroth-us.com/GoToelectronics](http://www.boschrexroth-us.com/GoToelectronics)

#### Features

- Analog amplifiers in Eurocard format for installation in 19" rack
- Output stage with closed-loop control
- Closed-loop position control with PID action
- Ramp functions:
  - External voltage-controlled ramp adjustment via differential inputs.
  - Ramp function can be deactivated

#### Detailed information:

- RE30044

#### Technical Data

Operating voltage	VDC	24
Plug connector		DIN 41612 – F32
Valve solenoid max.	A/VA	2.7/40 (Size 6)
Input signal	V	0 to $\pm 10$
Card dimensions (W x L x H)	mm (in.)	Eurocard 100 x 160 x ~35 (3.93 x 6.29 x ~1.38)
Ambient temperature range	°C (°F)	0 to +70 (0 to +158)

Type	Suitable for valve type
VT-VRPA1-527	4WRL, series 3X

GoTo Focused Delivery Program: Proportional Electronics

# Electric amplifier for proportional cartridge throttle valves

## VT-VRPA1-5...RTS-2/2V



The VT-VRPA1-5...RTS-2/2V controls throttle cartridge valves FESX with ramps.

For complete engineering and design information:  
 GoTo [www.boschrexroth-us.com/GoToelectronics](http://www.boschrexroth-us.com/GoToelectronics)

### Features

- Analog amplifier in Europe card format for installation in 19 rack
- Closed-loop controlled output stage
- Outputs short-circuit-proof
- Open-circuit detection for feedback signal cable
- Closed-loop position control with PID action
- Ramp function:
  - External voltage-controlled ramp adjustment via differential inputs
  - Ramp function can be shut down

**Detailed information:**  
 • RE30053

### Technical Data

Card dimensions (W x L x H)	mm (in.)	100 x 160 x ~35 (3.93 x 6.29 x ~1.38) Eurocard format with front panel (7 modular spacing)
Plug connector		DIN 41612 – F32
Ambient temperature range	°C (°F)	0 to +70 (0 to +158)
Power supply ( $U_B$ at $z_2 - b_2$ )		Nominal 24 VDC; Battery voltage 21...40 V, rectified AC voltage $U_{eff} = 21...28$ V (single-phase, full-wave rectification)
Maximum valve solenoid	A/VA	2.7/40
Current rating	A	1.5
Power consumption (typical)	W	37

Type	Suitable for valve type
VT-VRPA1-527-2X/V0/RTS-2/2V	FESX

GoTo Focused Delivery Program: Proportional Electronics

## Electrical proportional control amplifier

### VT-VRPA1-5...PV-RTP



The VT-VRPA1-537-1X/V0/PV-RTP is used to control direct operated pressure control valves DBETBX. It has both zero and maximum adjustments to optimize the pressure range for the hydraulic circuit. Ramp times are controlled by potentiometer adjustment.

For complete engineering and design information:  
GoTo [www.boschrexroth-us.com/GoToelectronics](http://www.boschrexroth-us.com/GoToelectronics)

#### Features

- Output stage with closed-loop control
- Rapid energizing and de-energizing for fast response times
- Ramp can be adjusted and deactivated

#### Detailed information:

- RE30054

#### Technical Data

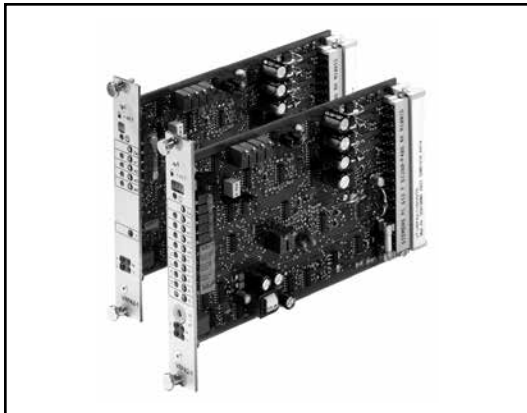
Operating voltage	VDC	24
Plug connector		DIN 41612 – F32
Valve solenoid max.	A/VA	3.7/50 (Size 6)
Input signal	V	0 to $\pm 10$
Card dimensions	mm (in.)	Eurocard 100 x 160 x ~35 (3.93 x 6.29 x ~1.38)
Ambient temperature range	°C (°F)	0 to +70 (0 to +158)

Type	Suitable for valve type
VT-VRPA1-537	DBETBX-1X

GoTo Focused Delivery Program: Proportional Electronics

# Analog amplifier card for 4/3 proportional directional valves of type 4WRE

## VT-VRPA2-.../T1



The VT-VRPA2-1 controls direct operated proportional directional valves, type 4WRE6 series 2X. The VT-VRPA2-2 controls direct operated proportional directional valves, type 4WRE10 series 2X.

For complete engineering and design information:  
GoTo [www.boschrexroth-us.com/GoToelectronics](http://www.boschrexroth-us.com/GoToelectronics)

### Features

- Designed as printed circuit board in Euro-format 100 x 160 mm and suitable for installation in a rack
- Command value inputs:
  - Differential input  $\pm 10\text{ V}$
  - Four callable command value inputs  $\pm 10\text{ V}$
  - Current input 4 to 20 mA
- Inversion of the internal command value signal via 24V input or by means of jumpers
- Selection of ramp time through quadrant recognition (24V input) or ramp time call-ups (24V inputs) (option T5)

**Detailed information:**  
• RE30119

### Technical Data

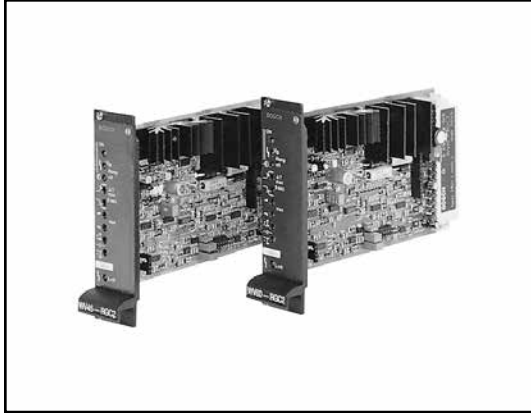
Operating voltage	VDC	24 + 40% – 20%
Power consumption	$P_S$	< 24 VA
Current consumption	$I$	< 2 A
Type of connection		48-pin male connector, DIN 41612, form F
Card dimensions (W x L x H)	mm (in.)	Eurocard 100 x 160 (3.93 x 6.29), DIN 41494

Type	Suitable for valve type
VT-VRPA2-1-1X/...T1	4WRE6 series 2X
VT-VRPA2-2-1X/...T1	4WRE10 series 2X

GoTo Focused Delivery Program: Proportional Electronics

# Electrical proportional amplifier

## VT-VRPA2-5...RTP



The VT-VRPA2-5.../RTP/ is suitable for controlling direct operated 4WRP valves. It offers both zero and maximum adjustments for both solenoids. Ramp times are set by potentiometer adjustments for both acceleration and deceleration.

For complete engineering and design information:  
GoTo [www.boschrexroth-us.com/GoToelectronics](http://www.boschrexroth-us.com/GoToelectronics)

### Features

- Ramp generator can be deactivated
- Deadband compensation

#### Detailed information:

- RE30048

### Technical Data

Operating voltage	VDC	24	
Plug connector		DIN 41612 – F32	
Valve solenoid max.	A/VA	2.7/25 (Size 6)	3.7/50 (Size 10)
Current rating	A	1.5	2.5
Power consumption (typical)	W	35	60
Input signal (setpoint)	V	0 to $\pm 10$	
Card dimensions	mm (in.)	Eurocard 100 x 160 x ~35 (3.93 x 6.29 x ~1.38)	
Ambient temperature range	°C (°F)	0 to +70 (0 to +158)	

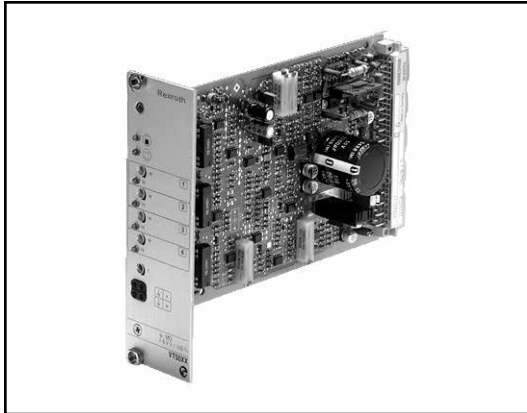
Type	Suitable for valve type
VT-VRPA2-527	4WRP 6, series 1X
VT-VRPA2-537	4WRP 10, series 1X



GoTo Focused Delivery Program: Proportional Electronics

# Electrical amplifier for displacement control with proportional pumps

## VT 5035-1X/



VT 5035 amplifiers are used for adjusting the flow of variable displacement pumps of types A4VSO and A4VSG with EO control (see RE92050, RE92076 and RE92100).

For complete engineering and design information:  
GoTo [www.boschrexroth-us.com/GoToelectronics](http://www.boschrexroth-us.com/GoToelectronics)

### Features

- Differential input
- Enable input with LED indicator lamp
- "Ready for operation" signalled by LED
- Ramp generator
- Four command values that can be adjusted by means of a potentiometer; call-up is signalled by LEDs
- Controller for swivel angle
- Two clocked current output stages
- Oscillator and demodulator for inductive position measurement with cable break detection
- Reverse polarity protection for power supply

**Detailed information:**  
• RE29955

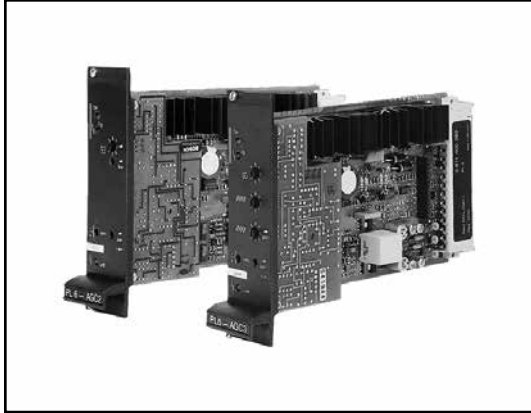
### Technical Data

Operating voltage	$U_O$	VDC	24 + 40% – 5%
Power consumption	$P_S$	VA	< 50
Current consumption	$I$	A	< 2
Oscillator frequency	$f$	kHz	2.5 ± 10 %
Type of connection	32-pin male connector, DIN 41 612, form D		
Card dimensions	Euro-card 100 x 160 mm, DIN 41 494		
Permissible operating temperature range	°C (°F)	0 to +50 (0 to +122)	
Storage temperature range	°C (°F)	–25 to +85 (–13 to +185)	
<b>Type</b>	<b>Suitable for pump types</b>		
VT-5035-1X	A4VSO and A4VSG		

GoTo Focused Delivery Program: Proportional Electronics

# Analog amplifiers for high-response valves

## VT-VRRA



The amplifier VT-VRRA1 controls standard servo solenoid valves with DC-LVDT feedback for direct operated 4WRPH..L-2X and 2-stage 4WRL..-3X. These are basic amplifiers. Since these components are normally used in closed loop applications, other features like ramp, time, and spool compensation (jump) are not needed.

For complete engineering and design information:  
GoTo [www.boschrexroth-us.com/GoToelectronics](http://www.boschrexroth-us.com/GoToelectronics)

### Features

- Analog amplifiers in Eurocard format
- Controlled output stage
- Enable input
- Short-circuit-proof outputs
- Adjustment options: Valve zero point
- Cable break detection for actual value cable
- Closed-loop position control with PID characteristics

#### Detailed information:

- RE30041
- RE30045

### Technical Data

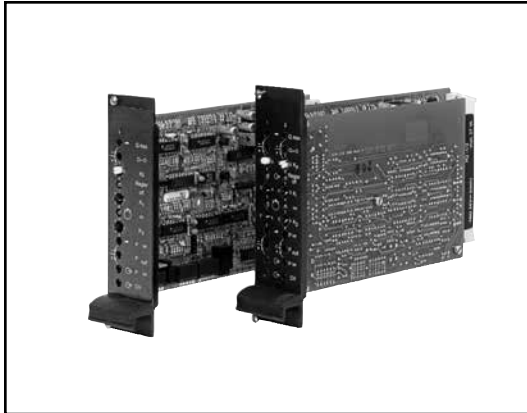
Operating voltage	<b>U</b>	VDC	24
Command value, depending on type	<b>U</b>	V	0 to 10, ±10
Type of connection			32-pin male connector, Form F
Card dimensions		mm (in.)	Eurocard 100 x 160 (3.4 x 6.3), DIN 41494
Ambient temperature range	∅	°C (°F)	0 to +70 (0 to +158)

Type	Suitable for valve type	Detailed information:
VT-VRRA1-527-2X/V0	4WRPH 6 ... L-2X	RE30041
VT-VRRA1-527-2X/V0/2STV	4WRL ... M-3X; 3WRCB, NG25 to 50	RE30045
VT-VRRA1-537-2X/V0	5WRPH10...L-2X	RE30041

GoTo Focused Delivery Program: Proportional Electronics

# p/Q amplifier

## VT-VARAP1



The p/Q amplifier is comprised of a base card with front panel containing the valve amplifier for 4WRPH6 with closed loop pressure controller. When used with the appropriate servo solenoid valves and pressure sensors, this unit can be employed for controlling flow and pressure in a closed-loop control circuit. The input parameters are the setpoints for pressure  $p$  and flow  $Q$ .

For complete engineering and design information:  
 GoTo [www.boschrexroth-us.com/GoToelectronics](http://www.boschrexroth-us.com/GoToelectronics)

### Features

- Suitable for actuating directly operated and pilot operated servo solenoid valves
- Analog amplifiers in Eurocard format for installation in 19" rack
- Output stage with closed-loop control
- Rapid energizing and de-energizing for fast response times
- Enabling input
- Short-circuit-proof outputs
- External control shutoff
- Open-circuit detectin for feedback signal cable and pressure sensor
- Suitable for pressure sensors (1...6 V, 0...10 V, 4...20 mA)
- Closed-loop position control with PID action

**Detailed information:**  
 • RE30058

### Technical Data

P.C.B. format (W x L x H)	mm (in.)	100 x 160 x ~35 (3.93 x 6.29 x ~1.38) Europe format with front panel (7 modular spacings)
Plug connector		Connector DIN 41612 – F 32
Power supply – $U_B$ to Z2 – b2		24 V DC
Power consumption (typical)		37 W
Input signal (setpoint $Q$ )		b 20: 0...+10 V; z 20: 0...+10 V – Difference amplifier ( $R_i = 100 \text{ k}\Omega$ )
Input signal (setpoint $p$ )		z 12: 0...10 V; z 10: 0 V – Difference amplifier
Feedback signal from pressure sensor		z 14: 4...20 mA current input; b 16: 0...+10 V / 1...+6 V voltage input; b 18: 0 V reference

Type	Suitable for valve type
VT-VARAP1-527	4WRPH6

GoTo Focused Delivery Program: Proportional Electronics

## p/Q controller VT-VACAP



The input parameters for the card comprise the setpoint value for valve position, the setpoint value for pressure, the actual (feedback) pressure and any control mode signals. The pressure sensors with voltage interface receive their voltage supply from the card (z6/z8). Cards are for the connection of pressure sensors with both voltage and current signals.

The setpoint value for pressure is selected via potentiometer. The potentiometers can be supplied from the card (z32/b12). Test connections in the front plate and on the card are available for monitoring and compensation tuning of the most important parameters.

For complete engineering and design information:  
**GoTo [www.boschrexroth-us.com/GoToelectronics](http://www.boschrexroth-us.com/GoToelectronics)**

### Features

- Analog amplifiers in Europe card format for installation in 19 rack
- Suitable for servo solenoid valves with on-board electronics
- Closed-loop position control with PID action
- Short-circuit-proof outputs
- External deactivation for pressure controller
- Suitable for pressure sensors (1...6 V, 0...10 V, 4...20 mA)
- Supply for pressure sensors
- Detection of open circuit to pressure sensors
- For valves with on board electronics (OBE)

#### Detailed information:

- RE30134

### Technical Data

P.C.B. format (W x L x H)	mm (in.)	100 x 160 x ~35 (3.93 x 6.29 x ~1.38) Europe format with front panel (7 modular spacings)
Plug connector		Connector DIN 41612 – F 32
Ambient temperature	°C (°F)	operating temperature: 0 to +70 (32 to +158), storage temperature: –20 to +70° (–4 to +158)
Current rating		0811405157 max. 160 mA

GoTo Focused Delivery Program: Proportional Electronics

# Digital closed-loop control electronics

## VT-HACD-3



The VT-HACD-3-2X closed-loop control electronics is a module that is installed on a top hat rail. A microcontroller controls the entire process, makes adjustments, establishes links and realizes the closed control loops. Data for configuration, command values and parameters are stored in a FLASH in a non-volatile form.

For complete engineering and design information:  
 GoTo [www.boschrexroth-us.com/GoToelectronics](http://www.boschrexroth-us.com/GoToelectronics)

### Features

- Use as command value card for generating, linking and normalizing signals
- Use as controller card for closed loop control with PIDT1 controller and optional state feedback
- Alternating control possible (e.g. position control with superimposed pressure control)
- Configurable analog and discrete I/O
- Digital SSI or incremental position measuring system
- Possibility of sequence control through block call-ups with command values, ramp times and controller parameters
- PC software BODAC for configuration, parameterization and diagnostics
- Field bus systems: PROFIBUS DP or EtherNet IP

**Detailed information:**  
 • RE30543

### Technical Data

Operating voltage	VDC	24
Command value signal	V	0 to 10; +/-10
	mA	0 to 20; 4 to 20
Output signal	V	0 to 10; +/-10
	mA	0 to 20; 4 to 20
Scanning time	m/sec	2
Serial interface		RS 232
Installation		DIN Rail mount
Dimensions	mm (in.)	120 x 55 x 118 (4.72 x 2.17 x 4.65) compact module
Ambient temperature range	°C (°F)	0 to +50 (0 to +122)

GoTo Focused Delivery Program: Proportional Electronics

# Analog positioning modules

## VT-MACAS



Analog position controller type VT-MACAS supports simple position or velocity control loops for hydraulic motion systems, in combination with Bosch Rexroth servo cylinders and analog position measurement systems (potentiometers).

For complete engineering and design information:  
GoTo [www.boschrexroth-us.com/GoToelectronics](http://www.boschrexroth-us.com/GoToelectronics)

### Features

- DIN-rail mountable
- Open-circuit detection for feedback signal cable
- Short-circuit-proof interfaces
- Measurement taps on front panel
- Deadband compensation can be deactivated
- Position: PT1 control

**Detailed information:**  
• RE30050

### Technical Data

Operating voltage	$U$	VDC	24
Command value, depending on type	$U$	V	0 to 10; $\pm 10$
	$I$	mA	4 to 20 (middle 12)
Compensation step	Can be switched off; effective in range of $\pm 4\%$		
Type of connection	Connectors + terminals		
Card dimensions	mm (in.)		86 x 110 x 95.5 (3.4 x 4.3 x 3.8)
Ambient temp. range	$^{\circ}\text{C}$ ( $^{\circ}\text{F}$ )		0 to +70 (32 to +158)

GoTo Focused Delivery Program: Proportional Electronics

# Analog command value modules

## VT-SWMA-1



Analog command value module type VT-SWMA-1 is used for controlling the hydraulic functions of valves with integrated electronics.

For complete engineering and design information:  
GoTo [www.boschrexroth-us.com/GoToelectronics](http://www.boschrexroth-us.com/GoToelectronics)

### Features

- Supports realizing simple hydraulic functions via digital controlling
- Adjustment elements:
  - 1 potentiometer for zero point adjustment (command value offset)
  - 1 potentiometer for command value attenuation (for differential input)
  - 4 potentiometers for command value preselection
  - 5 potentiometers for ramp time adjustment
- 4 call-up possibilities each for command value and ramp time

**Detailed information:**  
• RE29902

### Technical Data

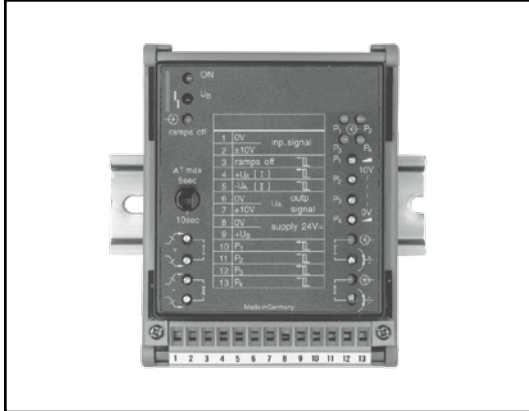
Operating voltage	$U_o$	VDC	24
<b>Inputs</b>			
Command value (differential input)	$U_i$	V	$\pm 10$
Quadrant operation	$U_{4-Q}$	V	8.5 to 35
Command value inversion	$U_{inv}$		
Command value call-ups 1 to 4	$U$		
<b>Adjustment ranges (potentiometer)</b>			
Zero balancing ("Z")			$\pm 30\%$
Amplitude attenuator ("G")			0% to ca. 110%
Command values ("w1" to "w4")			0% to ca. 110%
Ramp times ("t1" to "t5")			20 ms to 5 s
<b>Outputs</b>			
Control variable	$U$		$\pm 0$ to 10 V; $\pm 2$ mA
Measuring socket for control variable "w"	$U_w$		$\pm 0$ to 10 V
Measuring socket for ramp time "t"	$U_t$		0.01 to +10 V
Type of connection			12 screw terminals
Dimensions		mm (in.)	40 x 79 x 85.5 (1.6 x 3.1 x 3.4)
Operating temperature range		$^{\circ}\text{C}$ ( $^{\circ}\text{F}$ )	0 to +50 (32 to 122)

See index Page 288 for GoTo product and accessory part numbers.

GoTo Focused Delivery Program: Proportional Electronics

# Command value and ramp modules

## VT-SWMA3-5



Command value and ramp module type VT-SWMA3-5 is used to control proportional valves with integrated electronics.

For complete engineering and design information:  
GoTo [www.boschrexroth-us.com/GoToelectronics](http://www.boschrexroth-us.com/GoToelectronics)

### Features

- 4 internal command values
- Direction logic (+/-)
- Adjustable ramps
  - I for  $+U_A$
  - II for  $-U_A$
- Selector switch for  $\Delta T_{max}$
- Input for "Ramps OFF"

#### Detailed information:

- RE30288

### Technical Data

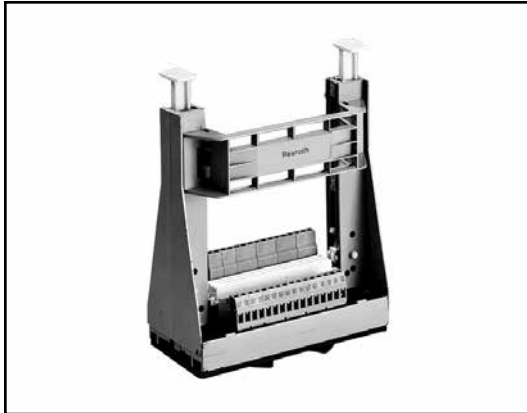
Operating voltage	VDC	24
Signal input "UE" analog		Mode I or II: 0...+10 Mode I + II: 0...±10
Logic commands	V	24; loaded: 2...5 mA
Operating state (mode)	Unipolar	Mode I (cl. 4) for $U_A = +$ or Mode II (cl. 5) for $U_A = -$
	Bipolar	Mode I + II for $\pm U_E \rightarrow \pm U_A$
Zero point		Mode I or zero point $\rightarrow 0$ V Mode I + II zero point with +0.5 V or adjust -0.5 V $U_E$
Dimensions	mm (in.)	860 x 110 x 95.5 (33.9 x 4.3 x 3.8)
Ambient temperature range	°C (°F)	0 to +70 (32 to 158)



GoTo Focused Delivery Program: Proportional Electronics

# Card holder

## VT 3002



The VT-3002 card holder is available in either a 32-pin or 48-pin connection format (Form D or Form F). Individual screw terminals aid in robust field connections while the VT-3002 provides a stable platform to anchor field connections. Push buttons on each side permit releasing an amplifier board without incurring undue stress on an amplifier's faceplate.

For complete engineering and design information:  
GoTo [www.boschrexroth-us.com/GoToelectronics](http://www.boschrexroth-us.com/GoToelectronics)

### Features

- Card holders allow the simple installation and wiring of individual electronic cards in Euro format, e.g. in switching cabinets
- Can be screwed on or snapped onto DIN rails
- Vertical mounting onto a DIN rail, possible with an additional adaptor (included within the scope of supply)
- Stable base
- Card locking and releasing by lever operation
- Connection via screw terminals

**Detailed information:**  
• RE29928

### Technical Data

Terminal voltage to VDE 0110 C	<i>U</i>	VAC	Max. 48 VAC/DC
Current loading capacity	– VT 3002-1-2X/32D	<i>I</i>	A
	– VT 3002-1-2X/32F	<i>I</i>	A
	– VT 3002-1-2X/48F	<i>I</i>	A
Cross-section connection	<i>A</i>		Plug-in screw terminals max. 4 mm <sup>2</sup>
Connection type: (socket connection)	– VT 3002-1-2X/32D		32-pin socket connector, form D, DIN 41612
	– VT 3002-1-2X/32F		32-pin socket connector, form F, DIN 41612
	– VT 3002-1-2X/48F		48-pin socket connector, form F, DIN 41612
Pin allocation:	– VT 3002-1-2X/32D		Even numbered, rows a/c
	– VT 3002-1-2X/32F		Even numbered, rows b/z
	– VT 3002-1-2X/48F		Even numbered, rows d/b/z
Permissible ambient temperature range	$\vartheta$	°C (°F)	–20 to +70 (–4 to +158)
Weight	<i>m</i>	kg (lbs.)	0.5/0.8 (1.1/1.8)

GoTo Focused Delivery Program: Proportional Electronics

## Plug-in switching amplifier

### VT-SSBA1



The VT-SSBA1 switching amplifier is directly mounted on the valve's K4 connector. It is supplied with 24 V direct voltage. As a fast switching amplifier, the VT-SSBA1 considerably reduces the switching time of standard directional valves in connection with 12 V solenoid coils. As a power reducer, the switching amplifier considerably reduces the holding current when using 24 V standard directional valves.

For complete engineering and design information:  
GoTo [www.boschrexroth-us.com/GoToelectronics](http://www.boschrexroth-us.com/GoToelectronics)

#### Features

- Control of hydraulic on/off valves with 12 V solenoids which are to be switched fast (fast switching amplifier)
- Energy saving due to power reduction when controlling hydraulic on/off valves with 24 V solenoids (power reducer)
- Suitable for controlling on/off valves of type WE6 and WE10 with 12 V or 24 V DC solenoids
- Potted-in cable with open end
- 3-conductor connection, power supply and release separated
- Short-circuit proof output
- Status display of the switching status by LED
- CE mark

#### Detailed information:

- RE30362

#### Technical Data

Max. operating temperature	°C (°F)	-20 to +60 (-4 to +140)
Operating voltage (nominal voltage)	$U_B$	24 V $\pm$ 10%
Holding current	$I_{max}$	2 A
Control Voltage (release "IN")	- ON	$U_{IN}$ 10 to 30 V
	- OFF	$U_{IN}$ < 3.5 V
Switch-on repetition rate	$f$	$\leq$ 1 Hz
Protection class according to EN 60529		IP 65, IP 67
Switch-on duration	- V001	$t$ 100 to 115 ms
	- V002	$t$ 300 to 315 ms
Pulse width modulation	- V001	% 40 $\pm$ 5% on
	- V002	% 60 $\pm$ 5% on

Type	Suitable for valve type
VT-SSBA1-PWM-1X/V001/5	
VT-SSBA1-PWM-1X/V002/5	WE6

See index Page 288 for GoTo product and accessory part numbers.

GoTo Focused Delivery Program: Proportional Electronics

## 3/3 proportional directional valves direct operated, with electrical position feedback as pilot valves for control systems SY(H)DFE VT-DFP



The VT-DFP-A-2X/G24K0/0/V is the pilot control valve for the SYDFE1 system. In conjunction with amplifier VT5041, it controls the swashplate angle of the pump in either closed loop pressure or flow control. This valve is to be considered a part and not a complete control.

For complete engineering and design information:  
 GoTo [www.boschrexroth-us.com/GoToelectronics](http://www.boschrexroth-us.com/GoToelectronics)

### Features

- Pilot valve for the pressure and flow control system SY(H)DFE
- Actuation by means of a proportional solenoid with electrical feedback
- Control electronics:
  - VT-DFP (for SY(H)DFE1) → external analog amplifier VT 5041-3X/

**Detailed information:**  
 • RE29016

### Technical Data

Type	VT-DFP		
Operating pressure	Port A, P	bar (PSI)	350 (5100)
	Port T	bar (PSI)	100 (1450)
Control	External amplifier VT-5041-3X		

GoTo Focused Delivery Program: Proportional Electronics

## Service case with test unit for servo & proportional valves with integral electronics (OBE) VT-VETSY-1



For complete engineering and design information:  
GoTo [www.boschrexroth-us.com/GoToelectronics](http://www.boschrexroth-us.com/GoToelectronics)

### Features

- The service case comprises a test unit, power supply unit 24 V, connecting cables and adapter cables (see ordering code)
- The test unit can be used to control and carry out functional tests on servo and proportional valves with integral electronics and operating voltages of  $\pm 15$  V or +24 V
- Simplifies commissioning and troubleshooting in hydraulic systems with servo and proportional valves

#### Detailed information:

- RE29685


### Technical Data

Service case			
Dimensions		(W x H x D)	450 x 100 x 350 mm (17.72 x 3.94 x 13.78 in.)
Weight	empty	kg (lb-ft)	2 (4.41)
	complete	kg (lb-ft)	4.3 (9.48)
Power supply			
Output	24 VDC; 3.75 A		
Input	90–265 VAC; 47–63 Hz		

GoTo Focused Delivery Program: Proportional Electronics

# Pressure transducer for hydraulic applications

## HM20

	<p>The HM20 measures pressure and outputs voltage or current. It is suitable for closed loop (feedback) and most industrial applications.</p> <p>For complete engineering and design information:  <b>GoTo <a href="http://www.boschrexroth-us.com/GoToelectronics">www.boschrexroth-us.com/GoToelectronics</a></b></p>
---	---

### Features

- |  |  |  |
|--|--|--|
| <ul style="list-style-type: none"> <li>• Measuring pressures in hydraulic systems</li> <li>• Conversion of the measured pressure into a standardized electric analog signal</li> <li>• Sensor with thick-film measuring cell</li> <li>• Components that are in contact with the media are of stainless steel</li> <li>• Operational reliability due to high bursting pressure, reverse polarity, overvoltage and short-circuit protection</li> </ul> | <ul style="list-style-type: none"> <li>• Compact design</li> <li>• Very good temperature behavior</li> <li>• Accuracy class 0.5</li> <li>• 4-pin M12 connector at the housing</li> <li>• Hydraulic port G1/4A</li> <li>• Protection class IP65/IP67</li> <li>• UL approval; CE approval</li> </ul> | <p><b>Detailed information:</b></p> <ul style="list-style-type: none"> <li>• RE30270</li> <li>• RE30272</li> </ul> |
|--|--|--|

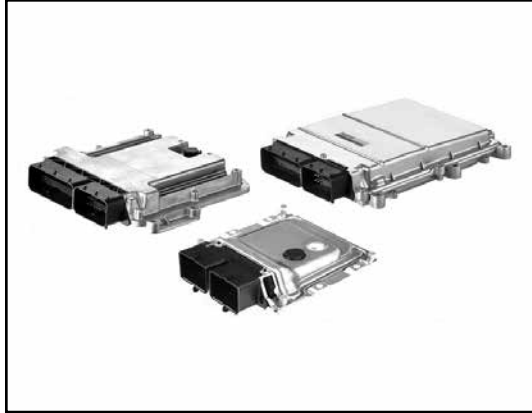
### Technical Data

Operating voltage	$U_S$	16 to 36 VDC
Residual ripple	$U_{PP}$	2.5 V (40 to 400 Hz)
Current consumption	$I_{max}$	6 mA (with voltage output)
Measurement range	$p_N - \text{bar (PSI)}$	100 (1450)      250 (3600)      400 (5800)
Output signal and admissible load $R_A$	$I_{Sig}$ $U_{Sig}$	4 to 20 mA, two-wire, $R_A = (U_S - 8.5 \text{ V}) / 0.02 \text{ A}$ with $R_A$ in $\Omega$ and $U_S$ in V 0.1 to 10 V, three-wire, $R_A > 20 \text{ k}\Omega$
Accuracy		<0.5% Related to the complete measurement range, including non-linearity, hysteresis, zero point and end value deviation (corresponds to the measuring deviation according to IEC 61298-2)
Temperature coefficient (TK) in the nominal temperature range for zero point and range		< 0.1% / 10 K
Hysteresis		< 0.15%
Non-repeatability		< 0.10%
Setting time (10 to 90%)	$t$	< 1 ms
Service life		40 million load cycles or 40000 h
Shock resistance, mechanical		15 g according to IEC 60068-2-27
Vibration resistance in case of resonance		10 g according to IEC 60068-2-6
Electromagnetic compatibility (EMC)		DIN EN 61326-2-3

See index Page 288 for GoTo product and accessory part numbers.

GoTo Focused Delivery Program: Mobile Electronics

## BODAS RC Controllers



The BODAS controllers RC are used for the programmable control of proportional solenoids and additional switching functions. They can therefore be used for both simple and complex open- or closed-loop controls, e.g. for hydrostatic travel drives, working hydraulics or transmission control in mobile working machines. BODAS controllers RC were specially developed for use in mobile working machines, and satisfy the relevant safety requirements with regard to ambient temperature, moisture, resistance to shock and vibration, as well as electromagnetic compatibility (EMC).

For complete engineering and design information:  
GoTo [www.boschrexroth-us.com/GoToMobileElectronics](http://www.boschrexroth-us.com/GoToMobileElectronics)

### Features

- Component of BODAS system for mobile applications
- Robust design meeting specifications for mobile applications
- High electromagnetic compatibility (EMC)
- Inputs and outputs with fault detection
- Safety features such as redundant inputs and central safety cut-off for all outputs
- Pulse-width-modulated (PWM) solenoid currents for minimum hysteresis
- Closed-loop control of solenoid currents, i.e. not dependent on voltage and temperature
- Sturdy, sealed aluminum housing

#### Detailed information:

- RE95205 (RC4-5)
- RE95204 (RC12-10)  
(RC28-14)


### Technical Data

Type/Series	RC4-5/30	RC12-10/30	RC28-14/30
Nominal voltage	12 and 24 V		
Supply voltage	8 to 32 V		
Total inputs	30	75	75
Max. input functions			
Analog	8	55	55
Digital	16	74	74
Frequency	8	10	10
DSM	2	5	5
Temperature	4	4	4
Outputs			
Proportional solenoid (PWM)	4	12	28
Digital	5	10	14
Analog	1	5	5
Interfaces			
RS232	–	–	–
CAN 2.0 B	2	4	4
Operating temperature	-40 to +85 °C (-40 to +221 °F)		

See index Page 289 for GoTo product and accessory part numbers.

GoTo Focused Delivery Program: Mobile Electronics

## BODAS Tools

	<p>The BODAS-service PC software tool provides a convenient and user-friendly method of executing service functions for BODAS controllers from Rexroth. Parameters can be displayed and edited, process variables displayed, and their values graphically plotted and recorded. In addition, error messages and configurable diagnostics are provided.</p> <p>For complete engineering and design information:  <b>GoTo <a href="http://www.boschrexroth-us.com/GoToMobileElectronics">www.boschrexroth-us.com/GoToMobileElectronics</a></b></p>
---	--

### Features

- User-friendly Windows user interface, freely configurable work flow and online help
- Simultaneous display of multiple parameters for modification settings
- Simultaneous display of multiple process variables in graphical or numeric form
- Printout of all settings and process variables for documentation purposes
- Clear and easy-to-understand display of error messages
- Easy-to-use data logger: Save measured values (process variables and parameters) to the hard disk
- Selectable and expandable program language
- Adjustable device language (relevant to controller data, up to 4 languages available)
- Diagnosis configurations for simplified troubleshooting

**Detailed information:**

- RE95086

### Technical Data

- Operating System:
  - Windows Vista
  - Windows 7 (only for BODAS-service. Not available for FT2 and BO-DEM)
- One free serial or CAN interface (depending on selected communications interface)
- One free USB interface (for license key - USB dongle)
- Available hard disk capacity > 200 MB
- Java runtime environment (installation occurs automatically)

GoTo Focused Delivery Program: Mobile Electronics

## BODAS Sensors and Connectors



Rexroth BODAS sensors measure different variables such as temperature of fluids, circuit pressure, angle of rotation, and position which provide vital information to mobile hydraulic systems. As a component of the BODAS system, these elements are designed to withstand high ambient loads, external vibrations and impact, and harmful fluids that are encountered in mobile applications.

For complete engineering and design information:  
GoTo [www.boschrexroth-us.com/GoToMobileElectronics](http://www.boschrexroth-us.com/GoToMobileElectronics)

### Features

- Harmonized to BODAS controllers and hydraulic components
- High temperature range
- Resistant to shock and vibration
- High electromagnetic compatibility
- Robust casing with high IP degree of protection

#### Detailed information:

- RE95160 (PO1)
- RE95155 (PR3)
- RE95140 (WS1)
- RE95180 (TSF)

### Technical Data

Type	Measures	Measurement range	Input current (max.)	Protection class (with mating plug)	Plug connection	Application (typical)
TSF	Temperature	-40 °C to 150 °C	5 mA	IP64A	Jet connector, 2-pin	Enables the measurement of pressurized fluid temperatures of coolants, hydraulic oil or motor oil in vehicles.
TSA	Air Temperature	-40 °C to 150 °C	5 mA	IP64	Jet connector, 2-pin	Temperature measurement of the ambient air and charge air in vehicles
PR3	Pressure	400–600 bar	5 mA	IP67 and IP69K	AMP Superseal, 3-pin	For the measurement of pressure within hydraulic circuits, ideally suited for mobile applications.
WS1	Angle	-45°...+45°	11 mA	IP69K	AMP MQS, 6-pin	For the measurement of rotary movements of an adjusting shaft or angle of levers to determine the setting of diesel injection pump levers.
PO1	Position	0 to 10 mm	20 mA	IP69K	AMP Superseal, 3-pin	Intended for position measurement up to 10 mm. Typically for use as part of an electro-hydraulic hitch control.

See index Page 289 for GoTo product and accessory part numbers.



GoTo Focused Delivery Program: Mobile Electronics

# BODAS Display

## Display DI3



The BODAS display DI3 series, offers freely configurable and high-resolution VGA color displays with powerful integrated 32-bit graphics processor for use in mobile working machines. These can be used for displaying alphanumeric elements, process variables and operating states, as well as static and dynamic graphic elements, such as pointer instrument and menus, for instance. Additional features for DI3 video include 2 video inputs and voltage supply for video sources, as well as picture-in-picture display.

For complete engineering and design information:  
**GoTo [www.boschrexroth-us.com/GoTomobileelectronics](http://www.boschrexroth-us.com/GoTomobileelectronics)**

### Features

- Bright, high-contrast 6.5" VGA 640 x 480 pixel color display
- Powerful 32-bit graphics processor
- Ergonomic design
- 2X CAN bus interface 2.0A or 2.0B (configurable)
- Case designed for stand-alone mounting or for integration in the control panel
- Graphic display configuration tool for quick and flexible development of screen content
- Flash programmed through CAN bus
- Integrated real-time clock

#### Detailed information:

- RE95270
- RE95271

### Technical Data

BODAS Video Display DI3	
Nominal voltage	12 V and 24 V
Supply voltage	9...32 V
Current consumption	800 mA / 500 mA
Power input	
During operation	10 W
Camera supply	12 W (max)
Standby	0.01 W
CAN 2.0 B interface	2
Video interface (PAL, NTSC)	2x
Operating temperature	-30 °C...+75 °C
Graphics configuration tool	BODAS DCT SW Tool

BODAS DCT SW Tool	
Device settings	✓
Graphic display pages	✓
Fonts	✓
Parameter settings	✓
Menus	✓
Dialog boxes	✓
Alarm messages	✓
Video pages	✓
Graphic library	✓

GoTo Focused Delivery Program: Mobile Electronics

# BODAS Display

## Color Video Camera



The BODAS color video camera, in combination with the BODAS DI3 display, facilitate the display of images from the work area or rearward area of a machine. Thanks to the high-quality optics and the CMOS image sensors, the BODAS cameras supply a high-quality and distortion-free image, even in the event of direct sunlight, and can be rendered reflected if necessary.

For complete engineering and design information:  
GoTo [www.boschrexroth-us.com/GoToMobileElectronics](http://www.boschrexroth-us.com/GoToMobileElectronics)

### Features

- Robust design for use in mobile equipment (IP69k)
- Flexible clamp for universal mounting
- Opening angle of 100° or 120°, horizontal
- High light sensitivity for use even at twilight
- Distortion-free picture display
- Integrated, self-activating heater

#### Detailed information:

- RE95280

### Technical Data

CAM-PRO/10	
Image sensor	1/4" CMOS
Signal format	NTSC
Image reproduction	525 lines, 60 images/sec
Illumination (min.)	0.5 Lux
Resolution	> 300 lines
Lens	Standard optics w/ image correction
Horizontal opening angle	100°
Vertical opening angle	85°
Nominal voltage	12 V and 24 V
Supply voltage	9...36 V
Power input	
Heating off	Approx. 1 W
Heating on	Approx. 4 W
Operating temperature	-40 °C...+85 °C

See index Page 289 for GoTo product and accessory part numbers.

GoTo Focused Delivery Program: Mobile Electronics

# Analog Amplifier RA



The analog amplifier activates up to two proportional solenoids. The specified control voltage is processed in the amplifier as an input command signal. The analog amplifier provides a regulated electric current as an output signal for actuation of proportional solenoids.

For complete engineering and design information:  
GoTo [www.boschrexroth-us.com/GoToMobileElectronics](http://www.boschrexroth-us.com/GoToMobileElectronics)

## Features

- The electronic analog amplifier operates up to two proportional solenoids and a switching function:
- Optional interlock of actuation for proportional solenoids
- Supply voltage for external setpoint potentiometer
- Monitoring of setpoint potentiometer for cable breakage and short circuit
- Externally actuated switching output
- Error output
- Separately adjustable ramp times
- Overload protection, overvoltage protection, conditional short-circuit protection
- Separately adjustable I<sub>min</sub> and I<sub>max</sub> for every solenoid
- Externally adjustable PWM frequency

**Detailed information:**  
• RE95230

## Technical Data

		RA2-1
<b>Nominal Voltage</b>	12 and 24 V	
Residual ripple (DIN 40839, Section 1)	max. ± 2 V	X
Supply voltage, perm, range	10 ... 32 V	
<b>Current Consumption</b>		
without load	mA	150
with load, max.	A	6
<b>Fuse</b>		
external: for switching and proportional solenoid outputs and for electronics	A T	7.5
<b>Potentiometer Supply Voltage</b>	0 V, 4.0 V	X
(for setpoint potentiometer 2 ... 5 kΩ)	7.2 V ... 8.4 V (depending on load)	
<b>Voltage Input (differential amplifier)</b>	4.0 V	2
(Setpoint voltage)		
<b>Switch Input</b>	> 5.0 V	1
<b>Proportional Solenoid Outputs (PWM)</b>		
Current range	0...2.3 A	2
Pulse frequency	100, 200 or 350 Hz	

See index Page 289 for GoTo product and accessory part numbers.

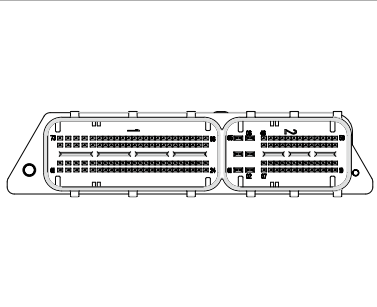
GoTo Focused Delivery Program: Mobile Electronics

## BODAS Connector & Wire Kits

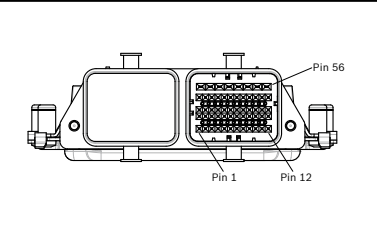
GoTo [www.boschrexroth-us.com/GoToMobileElectronics](http://www.boschrexroth-us.com/GoToMobileElectronics)

### BODAS Wire Kits

#### Series 30 controllers, except RC4-5

	Material No.	Designation	Description	Wire Gauge	Length (m)
	R978730358	BWK1-18-2-10BK	Signal wire – use on PINS 101-196, 207-258	18	2
	R978730359	BWK1-16-10-2BK	Ground wire – use on PIN 202	16	10
	R978730360	BWK2-16-2-3RD	Power wire – use on PINS 201, 203–206	16	2
	R978730656	BWK2-16-2-1BK	Ground wire - use on PIN 202	16	2

#### Series 30 controllers, RC4-5

	Material No.	Designation	Description	Wire Gauge	Length (m)
	R978730362	BWK3-18-2-10BK	Signal wire – use on PINS 1–48	18	2
	R978730363	BWK3-18-5-4BK	Signal wire – use on PINS 53–56	18	5
	R978730364	BWK4-18-5-4BK2RD	Ground wire – use on PINS 51–52 Power wire – use on PINS 49–50	18	5

See RA 95475 for more details.

### BODAS Connectors

Material No.	Designation	Description	Options	Controller
R978730365	BCK1-96-L	96 pin carrier, pin lock, pin cover	BCK1-96-CONTACTS – BWK1-18-2-10BK	Series 30 (not 4-5)
R978730366	BCK1-58-R	58 pin carrier, pin locks, pin cover	BCK1-58-CONTACTS – BWK1-18-2-10BK – BWK1-16-10-2BK – BWK2-16-2-3RD	Series 30 (not 4-5)
R978730367	BCK2-56-R	56 pin carrier, pin locks, pin cover, holding plate	BCK2-56-CONTACTS – BWK3-18-2-10BK – BWK3-18-5-4BK – BWK4-18-5-4BK2RD	Series 30 (4-5)
R902603622	RC../30 96+58 Mating Connector Kit	96 & 58 pin contact connector set	BCK1-96-CONTACTS BCK1-58-CONTACTS	Series 30
R902602414	RC 52 Pin Mating Connector	52 pin contact mating connector	–	Series 20

See RA 95475 for more details.

See index Page 289 for GoTo product and accessory part numbers.

GoTo Focused Delivery Program: Mobile Electronics

## BODAS Connector & Wire Kits (continued)

**GoTo [www.boschrexroth-us.com/GoToMobileElectronics](http://www.boschrexroth-us.com/GoToMobileElectronics)**

**BODAS Contact Kits** See RA 95475 for more details.

Material No.	Description	Connector	Explanation
R978057364	BCK1-58-CONTACTS	BCK1-58-R	58 un-crimped pins for Series 30 controller connector (except RC4-5)
R978057363	BCK1-96-CONTACTS	BCK1-96-L	96 un-crimped pins for Series 30 controller connector (except RC4-5)
R978057365	BCK2-56-CONTACTS	BCK2-56-R	56 un-crimped pins for RC4-5 Series 30 controller connector

See RA 95475 for more details.

**BODAS Connection Kit Tools** See RA 95475 for more details.


Material No.	Designation	Description
R913045758	Extract Tool, BCB 0.6	Extraction Tool (BCB 0.6 contact)
1928498218	Extract Tool, BDK 2.8	Bosch Extraction Tool (BDK 2.8 contacts)
1928498167	Extract Tool, Matrix 1.2	Bosch Extraction Tool (Matrix 1.2 contacts)
R913045760	Extract Tool, MQS	Extraction Tool (AMP MQS)


See RA 95475 for more details.


GoTo Focused Delivery Program: Mobile Electronics


# BODAS Node Kits


GoTo [www.boschrexroth-us.com/GoToMobileElectronics](http://www.boschrexroth-us.com/GoToMobileElectronics)

CAN-Node Kit					
	CAN-Node Kits include the connector and wires needed to connect to the Bosch connector, and communicate via CAN with the Rexroth controllers.				
	Designation	Description	Length	Series	Material No.
	<b>Bodas Node CAN-0</b>	Un-terminated	2 ft.		<b>R978058208</b>
	<b>Bodas Node CAN-1</b>	Matrix 1.2	2 ft.	30 (not RC4-5)	<b>R978058209</b>
	<b>Bodas Node CAN-3</b>	BCB 0.6	2 ft.	30 (RC4-5 only)	<b>R978058210</b>
<b>Bodas Node CAN-5</b>	DT04-3S	2 ft.	10, 11 (DI-3)	<b>R978058211</b>	

CAN-Node Extension Kit					
	CAN-Node Extension Kits come in four different lengths and can be used in conjunction with the CAN-Node Kits to extend the length of the CAN cable.				
	Designation	Description	Length	Series	Material No.
	<b>Bodas Node EXT2</b>	3 Pin Deutsch	2 ft.	SAE J1939/11	<b>R978058213</b>
	<b>Bodas Node EXT5</b>	3 Pin Deutsch	5 ft.	SAE J1939/11	<b>R978058214</b>
	<b>Bodas Node EXT10</b>	3 Pin Deutsch	10 ft.	SAE J1939/11	<b>R978058215</b>

CAN-Node Termination Kit					
	CAN-Node Termination Kits include several standard items used in terminating the CAN-bus, both male and female, as well as a splitter in order to accommodate the above Nodes.				
	Designation	Description	Connector	Material No.	
	<b>Bodas Node KIT</b>	SAE J1939/11	Deutsch	<b>R978058299</b>	

CAN-Node Service Kit					
	The CAN-Node Service Kit includes the connector and wires needed to connect the CAN-bus with a CAN-USB adapter for use with the Bodas-service tool.				
	Designation	Description	Connector	Material No.	
	<b>Bodas Node SERVICE</b>	SAE J1939/11	9 Pin-D to 3 Pin Deutsch	<b>R978058300</b>	


DI3 (PWR/GND) Node Kit					
	The DI3 (PWR/GND) Node Kit includes two additional wires needed to supply power and ground to the NODE_CAN-5 cable for the Rexroth DI-3 display.				
	Designation	Description	Connector	Material No.	
	<b>Bodas Node DI3-PWR-GND</b>	Crimped Red/Blk Wires	Deutsch	<b>R978058212</b>	

See index Page 290 for GoTo product and accessory part numbers.

GoTo Focused Delivery Program: Mobile Controls

# Stackable single axis hydraulic pilot controllers

## 2TH6

	<p>Hydraulic pilot control units of the type 2TH6 operate on the basis of direct operated pressure reducing valves. Pressure in the relevant control port is proportional to the stroke of the control lever. This pressure control as a function of the control lever position and the characteristics of the control spring enables the proportional hydraulic control of directional valves and high response control valves for hydraulic pumps and motors.</p> <p>For complete engineering and design information:  <b>GoTo <a href="http://www.boschrexroth-us.com/GoTomacontrols">www.boschrexroth-us.com/GoTomacontrols</a></b></p>
---	---

### Features

- Precise and play-free control characteristics
- Low actuation force at the lever
- Rust-free plunger
- Stackable single axis controllers, up to 6 controllers in one assembly
- Lever operator available "L" spring center, "P" friction detent, or "M" 3-position detent available
- Standard die-cast aluminum base or cast iron base for marine or underground applications

**Detailed information:**  
 • RE64552

### Technical Data

2TH6		
Inlet pressure (max.)	bar (PSI)	50 (725)
Control flow (max.)	l/min (GPM)	16 (4.2)

GoTo Focused Delivery Program: Mobile Controls

## Hydraulic pilot controllers

### 2TH7 and 4TH7



Hydraulic pilot controllers, 2 ported with foot pedal actuation, and 4 ported with independent side lever actuation. Accurate and smooth actuator control provides linear output for optimum machine control.

For complete engineering and design information:  
GoTo [www.boschrexroth-us.com/GoTomacontrols](http://www.boschrexroth-us.com/GoTomacontrols)

#### Features

- Precise and play-free control characteristics
- Progressive, sensitive operation

#### Detailed information:

- RE64558

#### Technical Data


2TH7Q		
Inlet pressure (max.)	bar (PSI)	50 (725)
Output signal pressure range	bar (PSI)	5.8 – 19 (84 – 276)
Control flow (max.)	l/min (GPM)	up to 20 (5.3)
Torque (max. permissible) at pedals	Nm (lb-ft)	20 (14.75)
Weight	kg (lbs.)	6.2 ( 13.66)
4TH7J		
Inlet pressure (max.)	bar (PSI)	50 (725)
Output signal pressure range	bar (PSI)	5.8 – 19 (84 – 276)
Control flow (max.)	l/min (GPM)	up to 20 (5.3)
Torque (max. permissible) at levers	Nm (lb-ft)	8 (5.9)
Weight	kg (lbs.)	3.5 (7.71)



GoTo Focused Delivery Program: Mobile Controls

# Hydraulic pilot control units for armrest installation

## 4TH6

	<p>Hydraulic 4 ported pilot controller with joystick actuation. Accurate and smooth actuator control provides linear output for optimum machine control. Robust ergonomic joystick handle featuring double and single contact thumb rocker switch and one single contact trigger rocker switch for control of electrical on/off auxiliary control devices.</p> <p>For complete engineering and design information:  <b>GoTo <a href="http://www.boschrexroth-us.com/GoTomacontrols">www.boschrexroth-us.com/GoTomacontrols</a></b></p>
---	--

### Features

- Progressive, sensitive operation
- Low actuation forces
- Several ergonomic grips with various E contacts
- All connections point downwards

**Detailed information:**  
 • RE64555

### Technical Data

4TH6		
Inlet pressure (max.)	bar (PSI)	up to 50 (725)
Output signal pressure range	bar (PSI)	5.8 – 19 (84 – 276)
Control flow (max.)	l/min (GPM)	up to 16 (4.2)
Torque (max. permissible) at lever	Nm (lb-ft)	10 (7.37) during operation
Weight	kg (lbs.)	2.6 (5.7 )

GoTo Focused Delivery Program: Compact Hydraulics

# Relief valves



## Relief, direct acting guided poppet type

Symbol	Type	Code	Max. Pressure PSI (bar)	Max. Flow GPM (L/min)	Cavity	Data Sheet
	VSNB-08A	041149X56Z	5000 (350)	5 (20)	CA-08A-2N	RE 18318-04
	VSNB-10A	041155X85Z	5000 (350)	13 (50)	CA-10A-2N	RE 18318-05

## Relief, direct acting poppet type, differential area

Symbol	Type	Code	Max. Pressure PSI (bar)	Max. Flow GPM (L/min)	Cavity	Data Sheet
	VSDN-08A	041522X56Z	5000 (350)	13 (50)	CA-08A-2N	RE 18318-02
	VSDN-10A	041523X85Z	5000 (350)	32 (120)	CA-10A-2N	RE 18318-03

## Relief, pilot operated spool type

Symbol	Type	Code	Max. Pressure PSI (bar)	Max. Flow GPM (L/min)	Cavity	Data Sheet
	VSPN-10A	041208X85Z	6000 (420)	1-32 (3-120)	CA-10A-2N	RE 18318-08
	VSPN-12A	0412100357	6000 (420)	1.3-53 (5-200)	CA-12A-2N	RE 18318-09
	VSPN-16A	041211X27Z	6000 (420)	2-79 (8-300)	CA-16A-2N	RE 18318-10

## Relief, pilot operated spool type, unloading

Symbol	Type	Code	Max. Pressure PSI (bar)	Max. Flow GPM (L/min)	Cavity	Data Sheet
	VSKD-10A	041902X85Z	6000 (420)	1.3-21 (5-80)	CA-10A-2N	RE 00162

GoTo Focused Delivery Program: Compact Hydraulics

## Relief valves (continued)



### Relief, pilot operated spool type, with external drain

Symbol	Type	Code	Max. Pressure PSI (bar)	Max. Flow GPM (L/min)	Cavity	Data Sheet
	VSPY-10A	041305X85Z	6000 (420)	0.8-32 (3-120)	CA-10A-3N	RE 18318-12
	VSPY-12A	041307X57Z	5000 (350)	1.3-53 (5-200)	CA-12A-3C	RE 18318-13

### Priority unloading, pilot operated

Symbol	Type	Code	Max. Pressure PSI (bar)	Max. Flow GPM (L/min)	Cavity	Data Sheet
	VMSN-08A	047521X56Z	5000 (350)	1 (3)	CA-08A-3N	RE 18318-16
	VMSP-78	047510X99Z	5000 (350)	1.3-8 (5-30)	Special cavity, 308	RE 18318-17

### Relief, bi-directional direct acting poppet type, differential area

Symbol	Type	Code	Max. Pressure PSI (bar)	Max. Flow GPM (L/min)	Cavity	Data Sheet
	VSNG-10A	0411590385	3500 (240)	15 (56)	CA-10A-2N	RE 18318-07

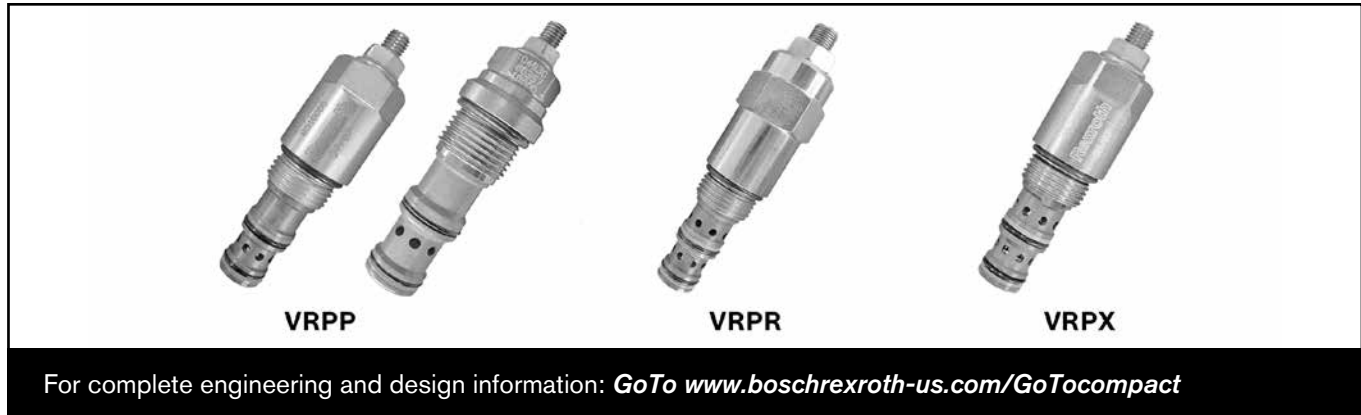
### Relief, pilot operated poppet type

Symbol	Type	Code	Max. Pressure PSI (bar)	Max. Flow GPM (L/min)	Cavity	Data Sheet
	VSPC-10A	0412090385	5000 (350)	1-21 (3-80)	CA-10A-2N	RE 18318-11

See index Pages 291–292 for GoTo product and accessory part numbers.

GoTo Focused Delivery Program: Compact Hydraulics

## Pressure reducing and relieving valves



### Pressure reducing, pilot operated spool type

Symbol	Type	Code	Max. Pressure PSI (bar)	Max. Flow GPM (L/min)	Cavity	Data Sheet
	VRPP-10A	049306X85Z	5000 (350)	16 (60)	CA-10A-3N	RE 18318-50
	VRPP-12A	049308X57Z	5000 (350)	26 (100)	CA-12A-3N	RE 18318-51

### Pressure reducing and relieving, direct acting spool type

Symbol	Type	Code	Max. Pressure PSI (bar)	Max. Flow GPM (L/min)	Cavity	Data Sheet
	VRPR-10A	049504X85Z	5000 (350)	8 (30)	CA-10A-3N	RE 18318-53

### Pressure reducing and relieving, pilot operated spool type

Symbol	Type	Code	Max. Pressure PSI (bar)	Max. Flow GPM (L/min)	Cavity	Data Sheet
	VRPX-10A	049307X85Z	5000 (350)	16 (60)	CA-10A-3N	RE 18318-56

GoTo Focused Delivery Program: Compact Hydraulics

## Check valves – common cavity



### Check poppet type

Symbol	Type	Code	Max. Pressure PSI (bar)	Max. Flow GPM (L/min)	Cavity	Data Sheet
	VUCN-08A	0431200056Z	6000 (420)	13 (50)	CA-08A-2N	RE 18318-89
	VUCN-10A	0431230085Z	5000 (350)	21 (80)	CA-12A-2N	RE 18318-90
	VUCN-12A	0431280057Z	5000 (530)	32 (120)	CA-12A-2N	RE 18318-91
	VUCN-16A	0431250027Z	5000 (350)	53 (200)	CA-16A-2N	RE 18318-92
	VUCN-20A	0431320058Z	5000 (350)	95 (360)	CA-20A-2N	RE 18318-93

### Check poppet type with thermal relief

Symbol	Type	Code	Max. Pressure PSI (bar)	Max. Flow GPM (L/min)	Cavity	Data Sheet
	VUCN-10A-TR	043137X85Z	5000 (350)	21 (80)	CA-10A-2N	RE 18318-94

*continued on next page*

GoTo Focused Delivery Program: Compact Hydraulics

## Check valves – common cavity (continued)



### Check, poppet reverse type

Symbol	Type	Code	Max. Pressure PSI (bar)	Max. Flow GPM (L/min)	Cavity	Data Sheet
	VURN-08A	0431210056Z	6000 (420)	7 (25)	CA-08A-2N	RE 18318-96
	VURN-10A	0431270085Z	5000 (350)	16 (60)	CA-10A-2N	RE 18318-97
	VURN-12A	0431360057	5000 (350)	24 (90)	CA-12A-2N	RE 18318-98

### Pilot operated check, pilot to open

Symbol	Type	Code	Max. Pressure PSI (bar)	Max. Flow GPM (L/min)	Cavity	Data Sheet
	VSOA-08A	043310X56Z	5000 (350)	8 (30)	CA-08A-3N	RE 18319-34
	VSOA-10A	043310X85Z	5000 (350)	11 (40)	CA-10A-3N	RE 18319-35

### Dual pilot operated check, pilot to open

Symbol	Type	Code	Max. Pressure PSI (bar)	Max. Flow GPM (L/min)	Cavity	Data Sheet
	VSOD-10A	043603X85Z	5000 (350)	8 (30)	CA-10A-4N	RE 18319-38

*continued on next page*

GoTo Focused Delivery Program: Compact Hydraulics

## Check valves – common cavity (continued)



### Directional poppet type, shuttle

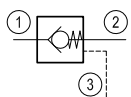
Symbol	Type	Code	Max. Pressure PSI (bar)	Max. Flow GPM (L/min)	Cavity	Data Sheet
	SELB-08A	49405005600	5000 (350)	up to 3 (10)	CA-08A-3N	RE 18319-80
	SELC-04A	0494070054	5000 (350)	1 (4)	Special CA-04A-3Y	RE 18319-82

GoTo Focused Delivery Program: Compact Hydraulics

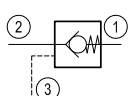
# Check valves – Sun cavity



## Pilot operated, pilot-to-close check

Symbol	Type	Code	Max. Pressure PSI (bar)	Max. Flow GPM (L/min)	Cavity	Data Sheet
	VUPC-25U	043404X50Z	5000 (350)	148 (560)	T-19A	RE 18319-29

## Pilot operated, pilot-to-open check

Symbol	Type	Code	Max. Pressure PSI (bar)	Max. Flow GPM (L/min)	Cavity	Data Sheet
	VSON-08U	043306X20Z	5000 (350)	16 (60)	T-11A	RE 18319-39
	VSON-12U	043307X86Z	5000 (350)	32 (120)	T-2A	RE 18319-40
	VSON-16U	043309X47Z	5000 (350)	63 (240)	T-17A	RE 18319-41



GoTo Focused Delivery Program: Compact Hydraulics

## Counterbalance valves – common cavity

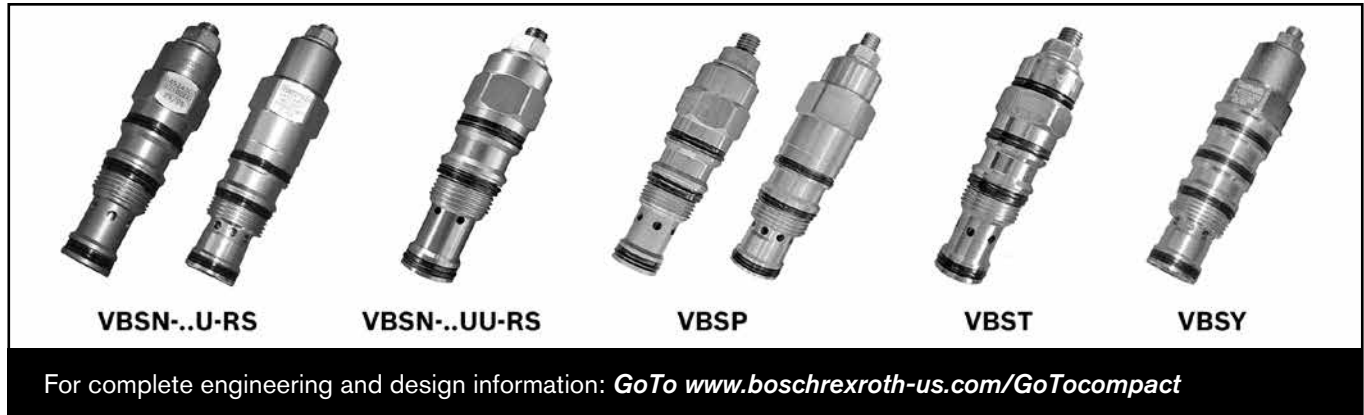


### Standard poppet type, differential area

Symbol	Type	Code	Max. Pressure PSI (bar)	Max. Flow GPM (L/min)	Cavity	Data Sheet
	VBSN-20A	045225X58Z	5000 (350)	85 (320)	CA-20A-3C	RE 18320-05

GoTo Focused Delivery Program: Compact Hydraulics

## Counterbalance valves – Sun cavity



### Standard poppet type, differential area, counterclockwise adjustment

Symbol	Type	Code	Max. Pressure PSI (bar)	Max. Flow GPM (L/min)	Cavity	Data Sheet
	VBSN-08U-RS	045243X20Z	5000 (350)	16 (60)	T-11A	RE 18320-17
	VBSN-12U-RS	045244X86Z	5000 (350)	32 (120)	T-2A	RE 18320-18
	VBSN-16U-RS	045245X47Z	6000 (420)	63 (240)	T-17A	RE 18320-19
	VBSN-25U-RS	045246X50Z	5000 (350)	127 (480)	T-19A	RE 18320-29

### Standard guided poppet type, differential area, counterclockwise adjustment

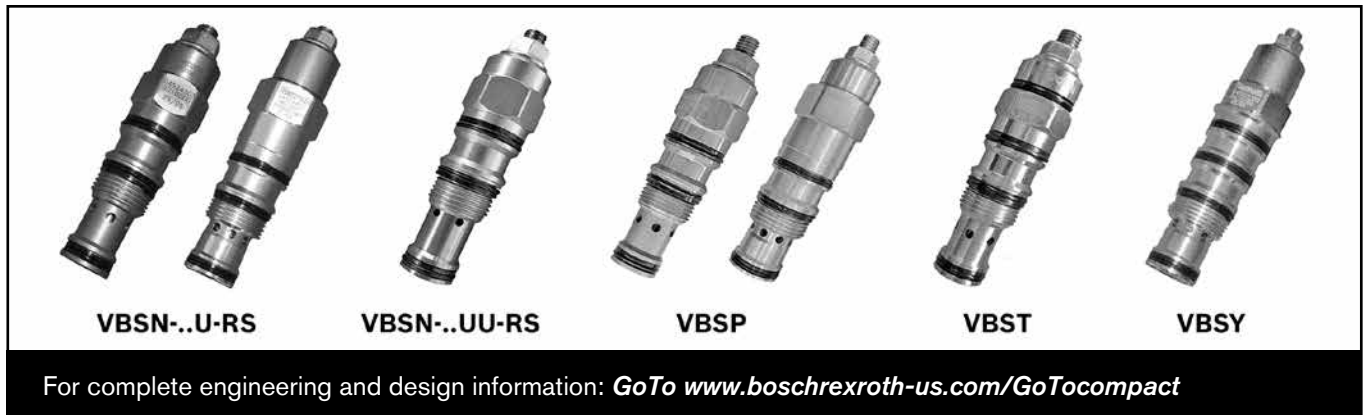
Symbol	Type	Code	Max. Pressure PSI (bar)	Max. Flow GPM (L/min)	Cavity	Data Sheet
	VBSN-08UU-RS	045242X20Z	4000 (280)	8 (30)	T-11A	RE 18320-16

### Relief compensated poppet type, differential area, counterclockwise adjustment

Symbol	Type	Code	Max. Pressure PSI (bar)	Max. Flow GPM (L/min)	Cavity	Data Sheet
	VBSP-08U	045415X20Z	5000 (350)	16 (60)	T-11A	RE 18320-20
	VBSP-12U	045416X86Z	5000 (350)	32 (120)	T-2A	RE 18320-21
	VBSP-16U	045417X47Z	6000 (420)	63 (240)	T-17A	RE 18320-22
	VBSP-25U	0454182550	6000 (420)	127 (480)	T-19A	RE 18320-30

GoTo Focused Delivery Program: Compact Hydraulics

## Counterbalance valves – Sun cavity (continued)



### Vented guided poppet type, counterclockwise adjustment

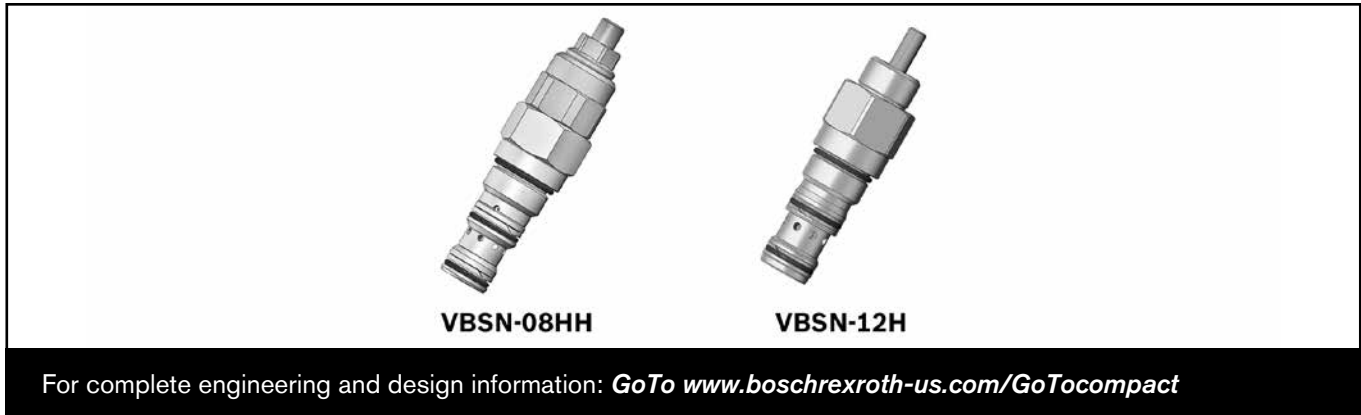
Symbol	Type	Code	Max. Pressure PSI (bar)	Max. Flow GPM (L/min)	Cavity	Data Sheet
	VBST-08U	045929X20Z	5000 (350)	16 (60)	T-11A	RE 18320-23
	VBST-012U	045930X86Z	5000 (350)	32 (120)	T-2A	RE 18320-24
	VBST-16U	045931X47Z	5000 (350)	63 (240)	T-17A	RE 18320-25

### 4-port vented poppet type, with external drain, counterclockwise adjustment

Symbol	Type	Code	Max. Pressure PSI (bar)	Max. Flow GPM (L/min)	Cavity	Data Sheet
	VBSY-08U	045932X20Z	5000 (350)	16 (60)	T-21A	RE 18320-26
	VBSY-012U	045933X86Z	5000 (350)	32 (120)	T-22A	RE 18320-27
	VBSY-16U	045934X47Z	5000 (350)	63 (240)	T-23A	RE 18320-28

GoTo Focused Delivery Program: Compact Hydraulics

## Counterbalance valves – integrated cavity



### Standard guided poppet type, differential area

Symbol	Type	Code	Max. Pressure PSI (bar)	Max. Flow GPM (L/min)	Cavity	Data Sheet
	VBSN-08HH	045220X20Z	5000 (350)	8 (30)	A6610	RE 18330-34

### Standard poppet type, differential area

Symbol	Type	Code	Max. Pressure PSI (bar)	Max. Flow GPM (L/min)	Cavity	Data Sheet
	VBSN-12H	045228X15Z	5000 (350)	32 (120)	A12336	RE 18330-35

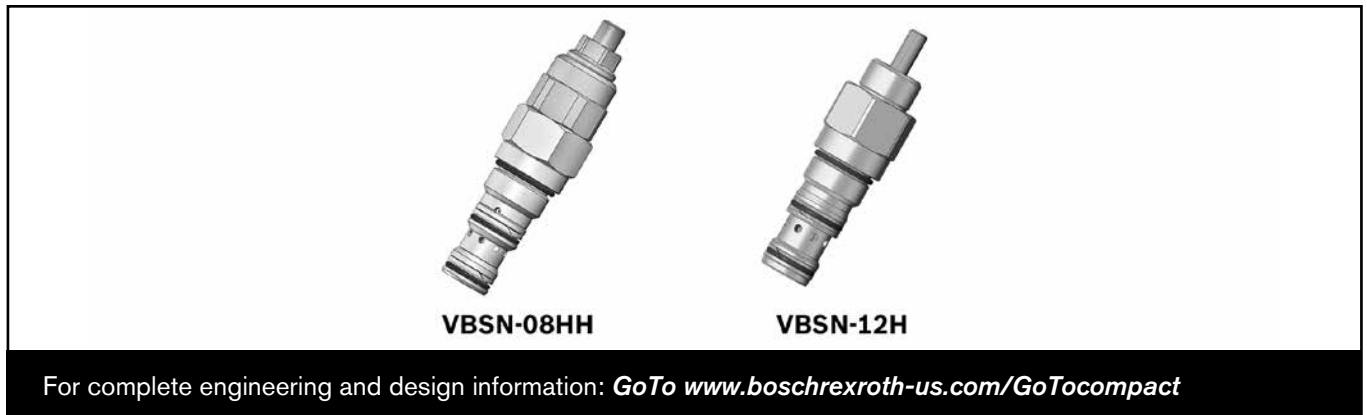
### Relief Compensated Poppet Type, differential area, counterclockwise adj.

Symbol	Type	Code	Max. Pressure PSI (bar)	Max. Flow GPM (L/min)	Cavity	Data Sheet
	VBSP-12H	0454080315	5000 (350)	32 (120)	A12336	RA 00162-03

*continued on next page*

GoTo Focused Delivery Program: Compact Hydraulics

## Counterbalance valves – integrated cavity (continued)



### Relief Compensated Guided Poppet Type

Symbol	Type	Code	Max. Pressure PSI (bar)	Max. Flow GPM (L/min)	Cavity	Data Sheet
	VBSP-08HH	0454040320	5000 (350)	8 (30)	A6610	RA 00162-03

### Vented Guided Poppet Type, counterclockwise adj.

Symbol	Type	Code	Max. Pressure PSI (bar)	Max. Flow GPM (L/min)	Cavity	Data Sheet
	VBST-08HH	0459080320	5000 (350)	8 (30)	A6610	RA 00162-03
	VBST-12HH	0459130315	6000 (420)	27 (100)	A12336	RA 00162-03

GoTo Focused Delivery Program: Compact Hydraulics

## Flow control valves



### Cartridge restrictors

Symbol	Type	Code	Max. Pressure PSI (bar)	Max. Flow GPM (L/min)	Cavity	Data Sheet
	ST-C-06	OD2101X56	5000 (350)	11 (40)	CA-08A-2N	RE 18321-26
	ST-C-10	OD2101X36	5000 (350)	19 (70)	CA-10A-2N	RE 18321-27
	ST-C-12	OD2101X89	5000 (350)	39 (150)	CA-12A-2N	RE 18321-28
	ST-C-16	OD2101X75	5000 (350)	39 (150)	CA-16A-2N	RE 18321-29

### Needle restrictors

Symbol	Type	Code	Max. Pressure PSI (bar)	Max. Flow GPM (L/min)	Cavity	Data Sheet
	STVU-08A	040103X5600	5000 (350)	11 (40)	CA-08A-2N	RE 18321-10
	STVU-10A	040105X8500	5000 (350)	22 (80)	CA-10A-2N	RE 18321-11
	STFU-08A	040106X5600	5000 (350)	11 (40)	CA-08A-2N	RE 18321-09

### 2-way pressure compensated, fixed setting

Symbol	Type	Code	Max. Pressure PSI (bar)	Max. Flow GPM (L/min)	Cavity	Data Sheet
	VRFA-08A	0402010056Z	up to 3000 (210)	2 (8)	CA-08A-2N	RE 18321-12
	VRFA-10A-TF	0402010085Z	up to 5000 (350)	5 (19)	CA-10A-2N	RE 18321-13
	VRFA-12A-TF	0402030057	5000 (350)	17 (63)	CA-12A-2N	RE 18321-14

See index Page 295 for GoTo product and accessory part numbers.

*continued on next page*

GoTo Focused Delivery Program: Compact Hydraulics

## Flow control valves (continued)



### 2-way pressure compensated, partially adjustable

Symbol	Type	Code	Max. Pressure PSI (bar)	Max. Flow GPM (L/min)	Cavity	Data Sheet
	VRFA-10A	040201X85Z	up to 5000 (350)	7 (26)	CA-10A-2N	RE 18321-15

### 2-way pressure compensated, fully adjustable

Symbol	Type	Code	Max. Pressure PSI (bar)	Max. Flow GPM (L/min)	Cavity	Data Sheet
	VRFB-10A	0402020485	5000 (350)	8 (30)	CA-10A-2N	RE 18321-16

### 2-way pressure compensated, fully adjustable

Symbol	Type	Code	Max. Pressure PSI (bar)	Max. Flow GPM (L/min)	Cavity	Data Sheet
	VRFE-12A	0407010357	5000 (350)	13 (50)	CA-12A-2N	RE 18321-30

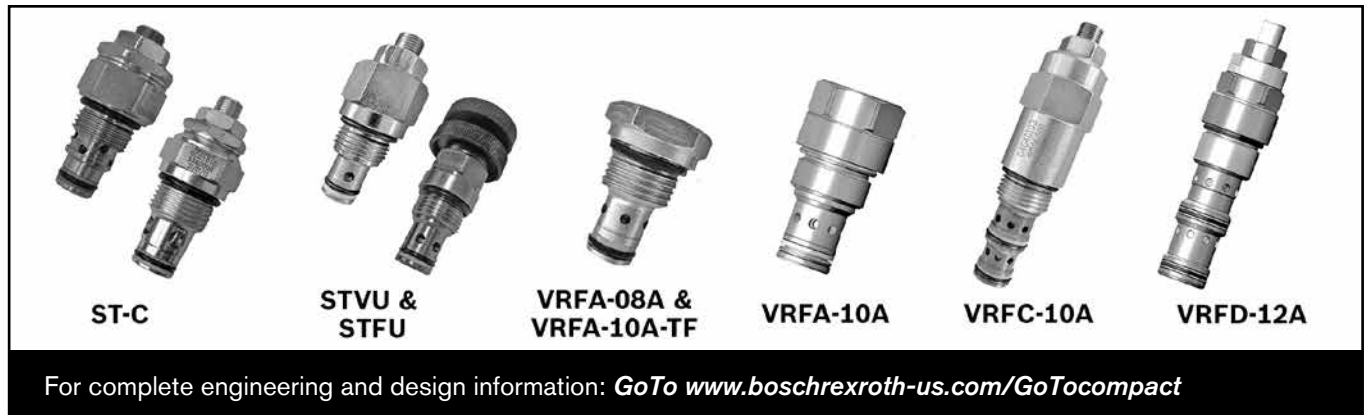
### 3-way pressure compensated, fixed setting

Symbol	Type	Code	Max. Pressure PSI (bar)	Max. Flow GPM (L/min)	Cavity	Data Sheet
	VRFC-10A-TF	0404010085	5000 (350)	5 (19)	CA-10A-2N	RE 18321-18
	VRFC-12A-TF	0404030057	5000 (350)	17 (63)	CA-12A-2N	RE 18321-19

*continued on next page*

GoTo Focused Delivery Program: Compact Hydraulics

## Flow control valves (continued)



### 3-way pressure compensated, partially adjustable

Symbol	Type	Code	Max. Pressure PSI (bar)	Max. Flow GPM (L/min)	Cavity	Data Sheet
	VRFC-10A	040401X85Z	up to 5000 (350)	16 (60)	CA-10A-3N	RE 18321-17

### 3-way pressure compensated, fully adjustable

Symbol	Type	Code	Max. Pressure PSI (bar)	Max. Flow GPM (L/min)	Cavity	Data Sheet
	VRFD-10A	0404020485	5000 (350)	16 (60)	CA-10A-2N	RE 18321-20
	VRFD-12A	040404X57Z	up to 5000 (350)	32 (120)	CA-12A-3N	RE 18321-21

### Flow dividers and combiners

Symbol	Type	Code	Max. Pressure PSI (bar)	Max. Flow GPM (L/min)	Cavity	Data Sheet
	DRFN-10A	0405010085	5000 (350)	14 (54)	CA-10A-2N	RE 18321-24
	DRFN-16A	0405020027	5000 (350)	44 (165)	CA-16A-2N	RE 18321-25



GoTo Focused Delivery Program: Compact Hydraulics

## Logic element valves



### Pressure compensator with load sense

Symbol	Type	Code	Max. Pressure PSI (bar)	Max. Flow GPM (L/min)	Cavity	Data Sheet
<p><b>VRLA-....-D</b></p> <p><b>VRLA-....-S</b></p>	VRLA-10A-D	048410X85Z	5000 (350)	12 (45)	CA-10A-2N	RE 18321-90
	VRLA-10A-S	0484090085Z	5000 (350)	12 (45)	CA-10A-2N	RE 18321-86
	VRLA-12A-D	048410X57Z	5000 (350)	26 (100)	CA-12A-2N	RE 18321-83
	VRLA-12A-S	0484090057Z	5000 (350)	26 (100)	CA-12A-2N	RE 18321-87
	VRLA-16A-D	048410X27Z	5000 (350)	42 (160)	CA-16A-2N	RE 18321-84
	VRLA-16A-S	0484090027Z	5000 (350)	42 (160)	CA-16A-2N	RE 18321-88
	VRLA-20A-D	048410X58Z	5000 (350)	60 (230)	CA-20A-2N	RE 18321-85
	VRLA-20A-S	0484090058Z	5000 (350)	60 (230)	CA-20A-2N	RE 18321-89

### 2-way pilot operated poppet type, normally open

Symbol	Type	Code	Max. Pressure PSI (bar)	Max. Flow GPM (L/min)	Cavity	Data Sheet
	VLSC-10A-8-TF	0484120085	5000 (350)	7 (25)	CA-10A-2N	RE 18321-71

See index Page 296 for GoTo product and accessory part numbers.

GoTo Focused Delivery Program: Compact Hydraulics

## Solenoid on/off cartridges – 2-way pilot operated



For complete engineering and design information: **GoTo** [www.boschrexroth-us.com/GoTocompact](http://www.boschrexroth-us.com/GoTocompact)

### 2-way pilot operated poppet type, normally closed

Symbol	Type	Code	Max. Pressure PSI (bar)	Max. Flow GPM (L/min)	Cavity	Data Sheet
<div style="display: flex; justify-content: space-between;"> <div style="width: 30%;"> <p>▼ Version 1</p> </div> <div style="width: 30%;"> <p>▼ Version 2</p> </div> <div style="width: 30%;"> <p>▼ Version 3</p> </div> </div>	VEI-8A-06-NC	OD15XYZS	5000 (350)	up to 11 (40)	CA-08A-2N	RE 18323-02
<div style="display: flex; justify-content: space-between;"> <div style="width: 30%;"> <p>Version 1</p> </div> <div style="width: 30%;"> <p>Version 2</p> </div> <div style="width: 30%;"> <p>Version 3</p> </div> </div>	VEI-8A-10-NC	OD15X36YZ	5000 (350)	up to 18 (70)	CA-10A-2N	RE 18323-11
<div style="display: flex; justify-content: space-between;"> <div style="width: 30%;"> <p>▼ Version 05</p> </div> <div style="width: 30%;"> <p>▼ Version 03</p> </div> <div style="width: 30%;"> <p>▼ Version 31</p> </div> </div>	VEI-8A-12-NC	OD15X75YS0	5000 (350)	up to 40 (150)	CA-16A-2N	RE 18323-17
<div style="display: flex; justify-content: space-between;"> <div style="width: 30%;"> </div> <div style="width: 30%;"> </div> <div style="width: 30%;"> </div> </div>	VEI-7A-16-NC	OD150375Y00	5000 (350)	up to 53 (200)	CA-16A-2N	RA 00162-03

*continued on next page*

GoTo Focused Delivery Program: Compact Hydraulics

## Solenoid on/off cartridges – 2-way pilot operated (continued)

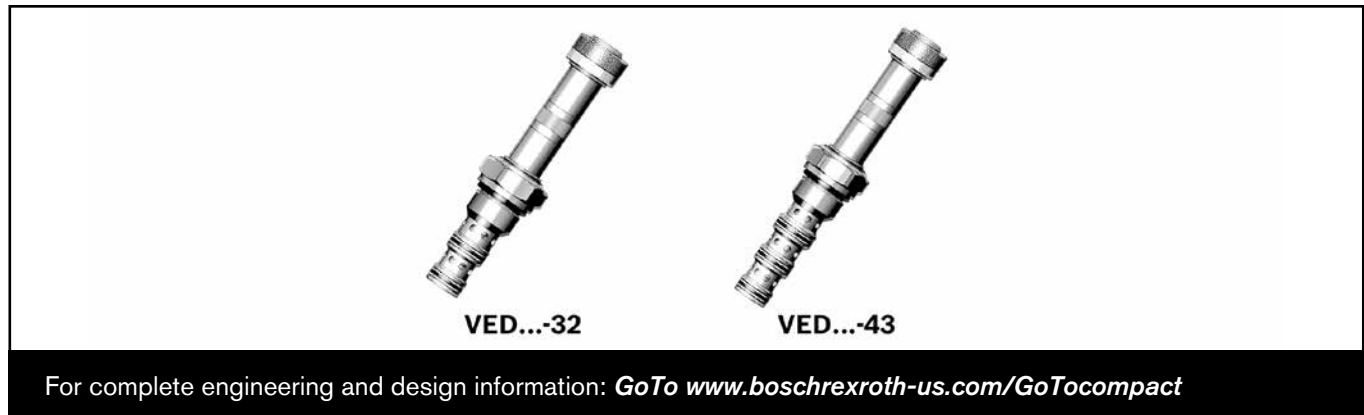


### 2-way pilot operated poppet type, normally open

Symbol	Type	Code	Max. Pressure PSI (bar)	Max. Flow GPM (L/min)	Cavity	Data Sheet
<div style="display: flex; justify-content: space-between;"> <div style="text-align: center;"> <p>▼ Version 1</p> </div> <div style="text-align: center;"> <p>▼ Version 2</p> </div> <div style="text-align: center;"> <p>▼ Version 3</p> </div> </div>	VEI-8A-06-NA	OD15XYZS0	5000 (350)	up to 11 (40)	CA-08A-2N	RE 18323-06
<div style="display: flex; justify-content: space-between;"> <div style="text-align: center;"> <p>▼ Version 06</p> </div> <div style="text-align: center;"> <p>▼ Version 04</p> </div> <div style="text-align: center;"> <p>▼ Version 32</p> </div> </div>	VEI-8A-10-NA	OD15X36YS0	5000 (350)	up to 18 (70)	CA-10A-2N	RE 18323-12
<div style="display: flex; justify-content: space-between;"> <div style="text-align: center;"> <p>▼ Version 1</p> </div> <div style="text-align: center;"> <p>▼ Version 2</p> </div> <div style="text-align: center;"> <p>▼ Version 3</p> </div> </div>	VEI-8A-16A-NA	OD15X75YS0	5000 (350)	up to 40 (150)	CA-16A-2N	RE 18323-18
<div style="display: flex; justify-content: space-between;"> <div style="text-align: center;"> <p>▼ Version 06</p> </div> <div style="text-align: center;"> <p>▼ Version 04</p> </div> <div style="text-align: center;"> <p>▼ Version 32</p> </div> </div>	VEI-7A-16-NA	OD150375Y00	5000 (350)	up to 53 (200)	CA-16A-2N	RA 00162-03

GoTo Focused Delivery Program: Compact Hydraulics

# Solenoid directional cartridges



### 3-way, 2-position spool type, normally closed

Symbol	Type	Code	Max. Pressure PSI (bar)	Max. Flow GPM (L/min)	Cavity	Data Sheet
	VED-7I-32-09	OD131077Y00	3000 (210)	6 (20)	CA-10A-3N	RE 00162-02
	VED-8I-32-06	OD131051Y00	3000 (210)	3 (10)	CA-08A-3N	RE 00162-02

### 4-way, 2-position spool type, normally closed

Symbol	Type	Code	Max. Pressure PSI (bar)	Max. Flow GPM (L/min)	Cavity	Data Sheet
	VED-7I-42-09	OD144078Y00	3000 (210)	6 (20)	CA-10A-4N	RE 00162-02 (1.31.070.U)
	VED-8I-42-06	OD144058Y00	3000 (210)	3 (10)	CA-08A-4N	RE 00162-02 (1.31.050.U)
	VED-10A-42	OD1440787	3000 (210)	5 (20)	CA-10-4N	RE 18324-59

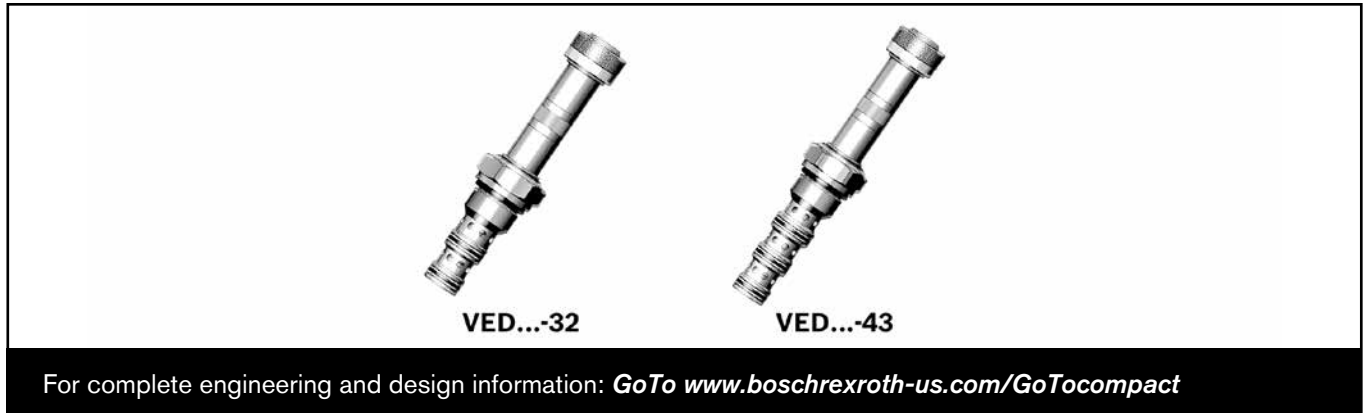
### 4-way, 3-position spool type, normally closed

Symbol	Type	Code	Max. Pressure PSI (bar)	Max. Flow GPM (L/min)	Cavity	Data Sheet
	VED-7I-43-09	OD143W78Y00	3000 (210)	6 (20)	CA-10A-4N	RE 00162-02
	VED-8I-43-06	OD143W58Y00	3000 (210)	3 (10)	CA-08A-4N	RE 00162-02

*continued on next page*

GoTo Focused Delivery Program: Compact Hydraulics

## Solenoid directional cartridges (continued)



### High-pressure relief, pilot operated

Symbol	Type	Code	Max. Pressure PSI (bar)	Max. Flow GPM (L/min)	Cavity	Data Sheet
	KBVS	n/a	5000 (350)	53 (200)	R/UNF-10-01-0-06	RE18160

### Non-compensated flow regulator

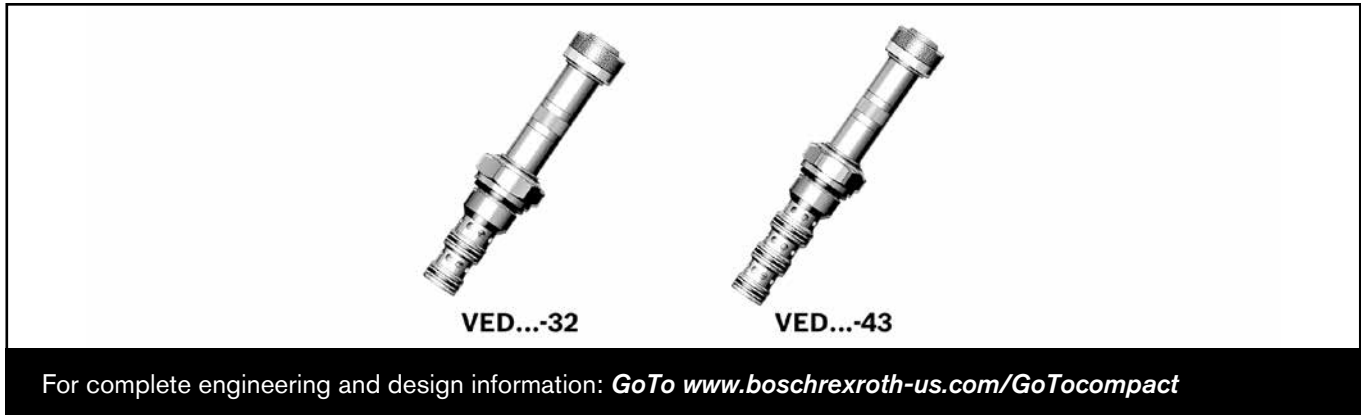
Symbol	Type	Code	Max. Pressure PSI (bar)	Max. Flow GPM (L/min)	Cavity	Data Sheet
	VEP-5A-2Q-09	OD92X77YZ	3000 (210)	11 (40)	CA-10A-3N	RE 18323-63
	VEP-5A-2Q-09-NA	OD920277YZ	3000 (210)	11 (40)	CA-10A-3N	RE 18323-64
	VEP-5A-2Q-14	OD92X12Y00	3000 (210)	16 (60)	CA-12A-3N	RE 18323-62

### Non-compensated flow regulator, poppet type

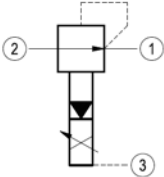
Symbol	Type	Code	Max. Pressure PSI (bar)	Max. Flow GPM (L/min)	Cavity	Data Sheet
	VEPN-12A-16	OD9506897200	3000 (210)	16 (60)	CA-12A-2N	RE 18323-69

GoTo Focused Delivery Program: Compact Hydraulics

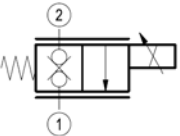
## Solenoid directional cartridges (continued)



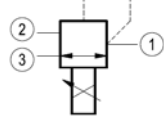
### Pressure reducing, pilot operated

Symbol	Type	Code	Max. Pressure PSI (bar)	Max. Flow GPM (L/min)	Cavity	Data Sheet
	VEP-5A-2R-10	OD910677Y00	3000 (210)	16 (60)	CA-10A-3N	RE 18323-61

### 2-way double lock type

Symbol	Type	Code	Max. Pressure PSI (bar)	Max. Flow GPM (L/min)	Cavity	Data Sheet
	VEP-5A-2T-06	OD953118Y00	3000 (210)	5 (20)	CA-08A-2N	RE 18323-68

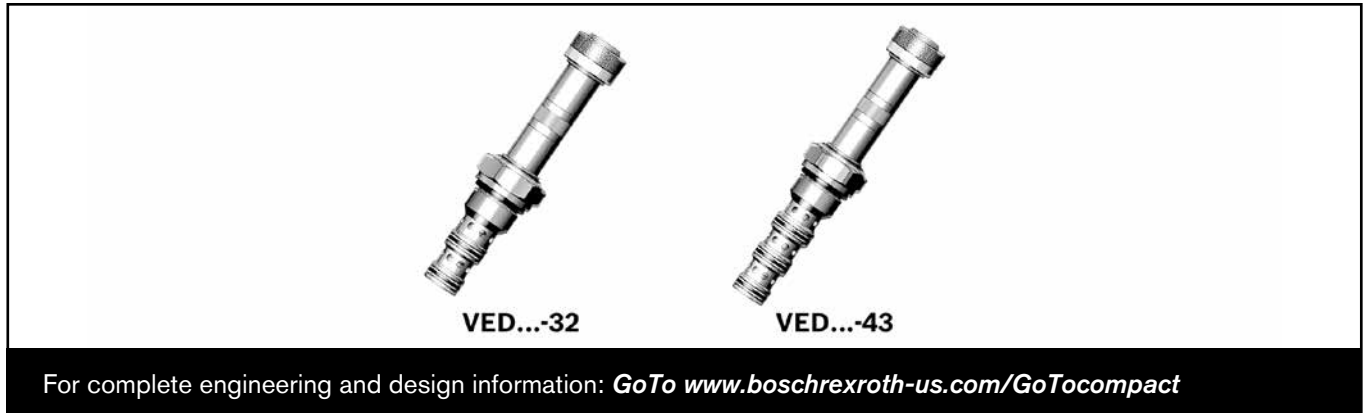
### Pressure reducing, direct acting

Symbol	Type	Code	Max. Pressure PSI (bar)	Max. Flow GPM (L/min)	Cavity	Data Sheet
	VEP-5A-3R	OD910177Y00	3000 (210)	3 (10)	CA-10A-3N	RE 18323-60

*continued on next page*

GoTo Focused Delivery Program: Compact Hydraulics

## Solenoid directional cartridges (continued)



### Relief, direct acting

Symbol	Type	Code	Max. Pressure PSI (bar)	Max. Flow GPM (L/min)	Cavity	Data Sheet
	VEP-5B-2S-D	OD940118YZ	5000 (350)	1.3 (5)	CA-08A-2N	RE 18323-65

### Relief, pilot operated

Symbol	Type	Code	Max. Pressure PSI (bar)	Max. Flow GPM (L/min)	Cavity	Data Sheet
	VEP-5B-2S-P	OD940561YZ	5000 (350)	40 (150)	Special, 065	RE 18323-67

### Flow control with integrated pressure compensator

Symbol	Type	Code	Max. Pressure PSI (bar)	Max. Flow GPM (L/min)	Cavity	Data Sheet
	KUDSR	n/a	5000 (350)	32 (120)	R/UNF16- 03-0-06	RE18702

GoTo Focused Delivery Program: Compact Hydraulics

## Line bodies



For complete engineering and design information: **GoTo** [www.boschrexroth-us.com/GoTocompact](http://www.boschrexroth-us.com/GoTocompact)

### Common Cavity

Material	Ports (SAE)	Cavity	Max. Pressure PSI (bar)	Part Number	Description	Data Sheet
Aluminum	6	8-2N	3000 (210)	R978032340	CB08-2N-A/S06	RE 18325-86
Aluminum	6	8-3N	3000 (210)	R978032341	CB08-3N-A/S06	
Aluminum	8	10-2N	3000 (210)	R978032348	CB10-2N-A/S08	
Aluminum	8	10-3N	3000 (210)	R978032349	CB10-3N-A/S08	
Aluminum	8	10-4N	3000 (210)	R978032351	CB10-4N-A/S08	
Aluminum	12	16-2N	3000 (210)	R978032360	CB16-2N-A/S12	
Ductile Iron	6	8-2N	5000 (350)	R978032344	CB08-2N-D/S06	
Ductile Iron	6	8-3N	5000 (350)	R978032345	CB08-3N-D/S06	
Ductile Iron	8	10-2N	5000 (350)	R978032352	CB10-2N-D/S08	
Ductile Iron	8	10-3N	5000 (350)	R978032353	CB10-3N-D/S08	
Ductile Iron	8	10-4N	5000 (350)	R978032355	CB10-4N-D/S08	
Ductile Iron	12	16-2N	5000 (350)	R978032362	CB16-2N-D/S12	

### Sun Cavity

Material	Ports	Cavity	Max. Pressure PSI (bar)	Part Number	Description	Data Sheet
Aluminum	10	T-2A	3000 (210)	R978041749	CBDT-2A-A/S10	RE 18325-86
Aluminum	10	T-2A	3000 (210)	R978041744	CBT-2A-A/S10	
Aluminum	8	T-11A	3000 (210)	R978012829	CBT-11A-A/S08	
Aluminum	8	T-11A	3000 (210)	R978041747	CBDT-11A-A/S08	
Ductile Iron	10	T-2A	5000 (350)	R978041750	CBDT-2A-D/S10	
Ductile Iron	10	T-2A	5000 (350)	R978041745	CBT-2A-D/S10	
Ductile Iron	8	T-11A	5000 (350)	R978041748	CBDT-11A-D/S08	
Ductile Iron	8	T-11A	5000 (350)	R978012838	CBT-11A-D/S08	

**Note:** Ductile iron bodies include RoHS compliant yellow zinc plating.

See index Page 300 for GoTo product and accessory part numbers.



GoTo Focused Delivery Program: Compact Hydraulics

## Cartridge accessories



Applicable Valves	Voltage (V)	Connector Type	Material Description	Material No.
R7, On/Off Coil	12 VDC	DIN plug	OD02210130OB00 R7-HRL-12VDC-18W-CL.H	R934001302
R7, On/Off Coil	12 VDC	DEUTSCH DT04-2P-V	OD0221203POB00 R7-DTV-12VDC-18W-CL.H	R934003919
S5, On/Off Coil	12 VDC	DIN plug	OD02090130OB01 S5L35HRL-12VDC-23W-CL.-H	R901090827
S5, On/Off Coil	24 VDC	DIN plug	OD02090130OC01 S5L45HRL-24VDC-23W-CL.-H	R901090828
S5, On/Off Coil	12 VDC	DEUTSCH DT04-2P-V	OD0209203POB01 S5L45DTV-12VDC-23W-CL.H	R901110011
S5, On/Off Coil	24 VDC	DEUTSCH DT04-2P-V	OD0209203POC01 S5L45DTV-24VDC-23W-CL.H	R901110012
S5, On/Off Coil	12 VDC	DEUTSCH DT04-2P-V	OD0209223POB01 S5L45DTV-12VDC-23W-DIODE&	R901090829
S5, On/Off Coil	24 VDC	DEUTSCH DT04-2P-V	OD0209223POC01 S5L45DTV-24VDC-23W-DIODE&	R901110013
S7, On/Off Coil	12 VDC	DIN plug	OD02070130OB02 S7L36HRL-12VDC 30W CLAS H	R901090824
S7, On/Off Coil	24 VDC	DIN plug	OD02070130OC02 S7L36HRL-24VDC 30W CLAS H	R901090825
S7, On/Off Coil	110 VRAC	DIN plug	OD02070130OW02 S7L36HRL-110VRAC 30W CL.H	R934003806
S7, On/Off Coil	12 VDC	DEUTSCH DT04-2P-L	OD02072030OB02 S7L36DTL-12VDC-30W-CL.-H	R901094589
S7, On/Off Coil	24 VDC	DEUTSCH DT04-2P-L	OD02072030OC02 S7L36DTL-24VDC-30W-CL.-H	R901094594
S7, On/Off Coil	12 VDC	DEUTSCH DT04-2P-L	OD02072230OB02 S7L36DTL12VDC30WDIOD CL.H	R901094595

**Note:** Connector for 110VAC coils is available separately, material no. R934004352.

See index Pages 300–301 for GoTo product and accessory part numbers.

GoTo Focused Delivery Program: Compact Hydraulics

## Cartridge accessories (continued)

Applicable Valves	Voltage (V)	Connector Type	Material Description	Material No.
S7, On/Off Coil	24 VDC	DEUTSCH DT04-2P-L	OD02072230OC02 S7L36DTL-24VDC 30W DIOD	R901094597
All sizes of poppet cartridges & S8 spool cartridges	26 VDC	DIN plug	OD02170130AC00 S8.356HRL-26DC-20W-CL.H	R901058832
All sizes of poppet cartridges & S8 spool cartridges	14 VDC	DIN plug	OD02170130OG00 S8.356HRL-14DC-20W-CL.H	R901144215
All sizes of poppet cartridges & S8 spool cartridges	24 VRAC	DIN plug	OD02170130OV00 S8.356HRL-24RAC-20W-CL.H	R901090820
All sizes of poppet cartridges & S8 spool cartridges	12 VDC	AMP JUNIOR	OD02170730OB00 S8.356AJL-12DC-20W-CL.H	R901094604
All sizes of poppet cartridges & S8 spool cartridges	24 VDC	AMP JUNIOR	OD02170730OC00 S8.356AJL-24DC-20W-CL.H	R901094607
All sizes of poppet cartridges & S8 spool cartridges	12 VDC	SINGLE LEAD	OD02170G03OB00 S8.356GNL-12DC-20W-L300-&	R901100773
All sizes of poppet cartridges & S8 spool cartridges	24 VDC	SINGLE LEAD	OD02170G03OC00 S8.356GNL-24DC-20W-L300-&	R901100775
All sizes of poppet cartridges & S8 spool cartridges	12 VDC	SINGLE LEAD	OD02170H03OB00 S8.356GNL-12DC-20W-L300-&	R901130402
All sizes of poppet cartridges & S8 spool cartridges	24 VDC	SINGLE LEAD	OD02170H03OC00 S8.356GNL.24DC 20W L300 D	R901130404
All sizes of poppet cartridges & S8 spool cartridges	12 VDC	DIN plug	OD02171430OB00 S8.356HRL-12DC-20W-DIODE&	R901131889
All sizes of poppet cartridges & S8 spool cartridges	26 VDC	AMP JUNIOR	OD02171530AC00 S8.356AJL-26DC-20W-DIODE&	R901133139
All sizes of poppet cartridges & S8 spool cartridges	12 VDC	AMP JUNIOR	OD02171530OB00 S8.356AJL-12DC-20W-DIODE&	R901111032
All sizes of poppet cartridges & S8 spool cartridges	24 VDC	AMP JUNIOR	OD02171530OC00 S8.356AJL-24DC-20W-DIODE&	R901125292
All sizes of poppet cartridges & S8 spool cartridges	12 VDC	DEUTSCH DT04-2P-L	OD02172030OB00 S8.356DTL-12DC-20W-CL.H	R901094609
All sizes of poppet cartridges & S8 spool cartridges	24 VDC	DEUTSCH DT04-2P-L	OD02172030OC00 S8.356DTL-24DC-20W-CL.H	R901094611
All sizes of poppet cartridges & S8 spool cartridges	24 VDC	DEUTSCH DT04-2P-V	OD0217203POC00 S8.356DTV-24DC-20W-CL.H	R901110015
All sizes of poppet cartridges & S8 spool cartridges	26 VDC	DEUTSCH DT04-2P-L	OD02172230AC00 S8.356DTL-26DC-20W-DIODE&	R934000426
All sizes of poppet cartridges & S8 spool cartridges	12 VDC	DEUTSCH DT04-2P-L	OD02172230OB00 S8.356DTL-12DC-20W-DIODE&	R901130433
All sizes of poppet cartridges & S8 spool cartridges	24 VDC	DEUTSCH DT04-2P-L	OD02172230OC00 S8.356DTL-24DC-20W-DIODE&	R901130401
All sizes of poppet cartridges & S8 spool cartridges	12 VDC	AMP SUPERSEAL-V	OD0217303POB00 S8.356ASV-12DC-20W-CL.H	R901110016

**Note:** Connector for 110VAC coils is available separately, material no. R934004352.

See index Pages 300–301 for GoTo product and accessory part numbers.

GoTo Focused Delivery Program: Compact Hydraulics

## Cartridge accessories (continued)

Applicable Valves	Voltage (V)	Connector Type	Material Description	Material No.
All sizes of poppet cartridges & S8 spool cartridges	24 VDC	AMP SUPERSEAL-V	OD0217303POC00 S8.356ASV-24DC-20W-CL.H	R901110017
All sizes of poppet cartridges & S8 spool cartridges	12 VDC	DIN plug	OD02170130OB00 S8356HRL.12DC 20W CL.H	R901090821
All sizes of poppet cartridges & S8 spool cartridges	24 VDC	DIN plug	OD02170130OC00 S8356HRL.24DC 20W CL.H	R901083065
All sizes of poppet cartridges & S8 spool cartridges	110 VRAC	DIN plug	OD02170130OW00 S8356HRL-110RAC 20W CL.H	R901087981
All sizes of poppet cartridges & S8 spool cartridges	24 VDC	DIN plug	OD02171430OC00 S8.356HRL-24DC-20W-DIODE&	R901121821
All sizes of poppet cartridges & S8 spool cartridges	12 VDC	DEUTSCH DT04-2P-V	OD0217203POB00 S8356DTV.12DC 20W CL.H	R901110014
All sizes of poppet cartridges & S8 spool cartridges	12 VDC	DEUTSCH DT04-2P-V	OD0217223POB00 S8356DTV12DC20W-DIOD CL.H	R901120671
All sizes of poppet cartridges & S8 spool cartridges	24 VDC	DEUTSCH DT04-2P-V	OD0217223POC00 S8356DTV24DC20W-DIOD CL.H	R901114602
All sizes of poppet cartridges & S8 spool cartridges	14 VDC	AMP JUNIOR	OD02170730OG00 S8.356AJL-14DC-20W-CL.H	R934000498
All sizes of poppet cartridges & S8 spool cartridges	26 VDC	AMP JUNIOR	OD02170730AC00 S8.356AJL-26DC-20W-CL.H	R934000494
All sizes of poppet cartridges & S8 spool cartridges	12 VDC	AMP SUPERSEAL-V	OD0217323POB00 S8.356ASV-12DC-20W-DIODE-CL.H	R934000519
All sizes of poppet cartridges & S8 spool cartridges	26 VDC	AMP SUPERSEAL-V	OD0217303PAC00 S8.356ASV-26DC-20W-CL.H	R934000516
All sizes of poppet cartridges & S8 spool cartridges	26 VDC	DEUTSCH DT04-2P-V	OD0217203PAC00 S8.356DTV-26DC-20W-CL.H	R934000509
All sizes of poppet cartridges & S8 spool cartridges	26 VDC	DEUTSCH DT04-2P-V	OD0217223POB00 S8.356DTV-26DC-20W-DIODE-CL.H	R934003034

**Note:** Connector for 110VAC coils is available separately, material no. R934004352.

GoTo Focused Delivery Program: Compact Hydraulics

# Flow diverters



### 3-way, 2-position directional spool valve, direct acting

Symbol	Type	Code	Max. Pressure PSI (bar)	Max. Flow GPM (L/min)	Ports	Data Sheet
	L706...	VS95	3625 (250)	37 (140)	1 1/16"-12 UN-2B (SAE12)	RE 18302-03


### 6-way, 2-position directional spool valve, direct acting

Symbol	Type	Code	Max. Pressure PSI (bar)	Max. Flow GPM (L/min)	Ports	Data Sheet
	L732...	VS245F1	3625 (250)	13 (50)	3/4"-16 UNF (SAE8)	RE 18302-09
	L745...	VS285F1	3625 (250)	24 (90)	7/8-14 UNF (SAE10)	RE 18302-10

GoTo Focused Delivery Program: Compact Hydraulics

# Inlet plate – basic

TA-00

	<p>The inlet elements TA-00-__ are employed to connect the external P, T lines to the P, T channels inside the ED elements of the Directional Valve Assembly and to connect to the LS ports of the elements equipped with LS channels.</p>
<p>For complete engineering and design information:  <b>GoTo <a href="http://www.boschrexroth-us.com/GoTocompact">www.boschrexroth-us.com/GoTocompact</a></b></p>	

## Features

- Port sizes: P and T – SAE 8; LS and G – SAE 4
- Includes a test point port “G” for pressure gauge connection
- Special plating and coating available, C.F.

**Detailed information:**

- RA18300-01

## Technical Data

Maximum pressure	bar (PSI)	210 (3000)*
Maximum inlet flow	l/min (GPM)	60 (15)
Material		Aluminum
Seals		NBR
Fluid temperature	°C (°F)	-20 to +80 (-4 to +176)

\*For higher pressure, C.F.

GoTo Focused Delivery Program: Compact Hydraulics

## Inlet plate – relief

### TA-04



The inlet elements TA-04-\_\_ are employed to connect the external P, T lines to the P, T channels inside the ED elements of the Directional Valve Assembly and to connect to the LS ports of the elements equipped with LS channels. They incorporate a pressure relief cartridge which limits the maximum primary pressure in the P line and unloads any excess flow to the tank.

For complete engineering and design information:  
GoTo [www.boschrexroth-us.com/GoToCompact](http://www.boschrexroth-us.com/GoToCompact)

#### Features

- Port sizes: P and T – SAE 8; LS and G – SAE 4
- Special plating and coating available, C.F.

#### Detailed information:

- RE18300-02

#### Technical Data

Maximum pressure	bar (PSI)	210 (3000)*
Maximum inlet flow	l/min (GPM)	60 (15)
Material		Aluminum
Seals		NBR
Fluid temperature	°C (°F)	-20 to +80 (-4 to +176)

\*For higher pressure, C.F.

GoTo Focused Delivery Program: Compact Hydraulics

# Inlet plate – relief and dump

## TA-05



The inlet elements TA-05-\_\_ are employed to connect the external P and T lines to the P and T channels inside the ED elements of the Directional Valve Assembly. They incorporate a pressure relief cartridge which limits the primary pressure in the P line. The relief setting can be checked through the Test Point port G.

When fitted, the Normally Open Solenoid Unloading VEI Cartridge unloads to Tank all the P line flow; unloading stops when the cartridge coil is energized.

For complete engineering and design information:  
**GoTo [www.boschrexroth-us.com/GoTocompact](http://www.boschrexroth-us.com/GoTocompact)**

### Features

- Port sizes: P and T – SAE 8; LS and G – SAE 4
- Ports LS and G are provided with plugs
- Special plating and coating available, C.F.

**Detailed information:**  
 • RA18300-05

### Technical Data

Maximum pressure	bar (PSI)	210 (3000)*
Maximum inlet flow	l/min (GPM)	60 (15)
Material		Aluminum
Seals		Buna N (NBR)
Fluide temperature	°C (°F)	-20 to +80 (-4 to +176)

\*For higher pressure, C.F.

GoTo Focused Delivery Program: Compact Hydraulics

## Inlet plate – compensator

### TA-06



The inlet elements TA-06-\_\_ are employed to connect the external P, T lines to the P, T channels inside the ED elements of the Directional Valve Assembly and to connect to the LS ports of the elements equipped with LS channels. An LS controlled 3-way compensator provides pressure compensated flow to the ED elements of the Directional Valve Assembly. The same 3-way compensator is also controlled by a pilot relief cartridge and unloads to tank any excess flow in order to limit the primary pressure in the system.

For complete engineering and design information:  
GoTo [www.boschrexroth-us.com/GoToCompact](http://www.boschrexroth-us.com/GoToCompact)

### Features

- Port sizes: P and T – SAE 8; LS and G – SAE 4
- Ports LS and G are provided with plugs
- Special plating and coating available, C.F.

### Detailed information:

- RA18300-06

### Technical Data

Maximum pressure	bar (PSI)	210 (3000)*
Maximum inlet flow	l/min (GPM)	60 (15)
Material		Aluminum
Seals		Buna N (NBR)
Fluid temperature	°C (°F)	-20 to +80 (-4 to +176)

\*For higher pressure, C.F.



GoTo Focused Delivery Program: Compact Hydraulics

# Inlet plate – compensator TA-10



The inlet elements TA-10-\_\_ are employed to connect the external P, T lines to the P, T channels inside the ED elements of the Directional Valve Assembly and to connect to the LS ports of the ED elements equipped with LS channels. The main functions are: to limit the maximum primary pressure in the P line and to supply proportional pressure compensated flow the ED elements of the Directional Valve Assembly.

For complete engineering and design information:  
**GoTo [www.boschrexroth-us.com/GoTocompact](http://www.boschrexroth-us.com/GoTocompact)**

## Features

- Port sizes: P and T – SAE 8; LS and G – SAE 4
- Ports LS and G are provided with plugs
- Special plating and coating available, C.F.

**Detailed information:**  
• RA18300-09

## Technical Data

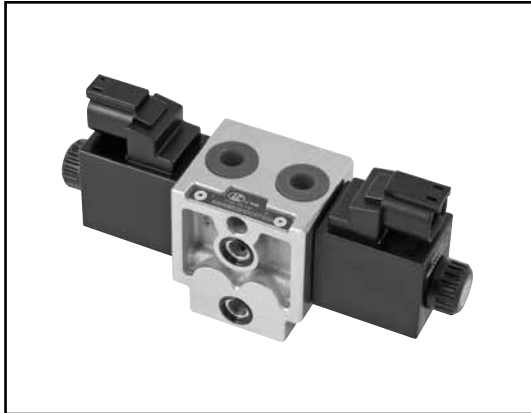
Maximum pressure	bar (PSI)	210 (3000)*
Maximum inlet flow	l/min (GPM)	40 (11)
Material		Aluminum
Seals		Buna N (NBR)
Fluide temperature	°C (°F)	-20 to +80 (-4 to +176)

\*For higher pressure, C.F.

GoTo Focused Delivery Program: Compact Hydraulics

## 4/3 Directional valve elements

### B8\_05... (EDBY)



Directional valve elements B8\_05... are compact direct-operated solenoid valves that control the start, stop and direction of oil flow. These elements consist of a stackable housing with a control spool, one or two solenoids, and one or two return springs.

For complete engineering and design information:  
GoTo [www.boschrexroth-us.com/GoToCompact](http://www.boschrexroth-us.com/GoToCompact)

### Features

- Valve elements with 4 ways and 3, or 2, positions
- Control spools directly operated by screwed-in solenoids with extractable coils
- In the de-energized condition, the control spool is held in the central position by return springs
- Wet pin tubes for DC coils, with push rod for mechanical override; burnish surface treatment

#### Detailed information:

- RA18300-50

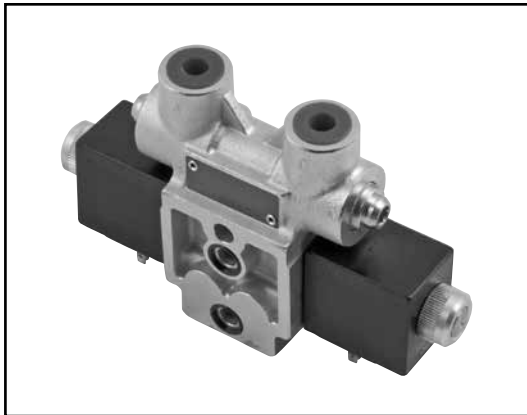
### Technical Data

General		
Weight (valve element with 2 solenoids)	kg (lbs)	1.2 (2.65)
Weight (valve element with 1 solenoid)	kg (lbs)	1.0 (2.20)
Ambient Temperature	°C (°F)	-20....+50 (-4....+120) [NBR seals]
Hydraulic		
Maximum pressure (P, A, and B ports)	bar (PSI)	250 (3600)
Maximum dynamic pressure (T)	bar (PSI)	150 (2176)
Maximum static pressure (T)	bar (PSI)	210 (3045)
Maximum inlet flow	l/min (GPM)	15 (4)
Hydraulic fluid General properties: it must have physical lubricating and chemical properties suitable for use in hydraulic systems such as, for example:		Mineral oil based hydraulic fluids HL (DIN 51524 part 1). Mineral oil based hydraulic fluids HLP (DIN 51524 part 2). For use of environmentally acceptable fluids (vegetable or polyglycol base) please consult us.
Fluid Temperature	°C (°F)	-20....+80 (-4....+176) [NBR seals]
Permissible degree of fluid contamination		ISO 4572: $\beta_{x \geq 75} X=12...15$ ISO 4406: classe 20/18/15 NAS 1638: classe 9
Viscosity range	mm <sup>2</sup> /s	5....420

See index Page 302 for GoTo product and accessory part numbers.

GoTo Focused Delivery Program: Compact Hydraulics

## 4/3 Directional valve elements, with PO check valves B8\_45... (EDBY-VR)



Directional valve elements B8\_48... are very compact direct operated solenoid valves which control the start, stop and direction of the oil flow. They consist of a stackable housing with a control spool, two solenoids and two return springs. The PO check valves consist of two calibrated balls with return springs which allow upstream flow, but lock on the respective seats and prevent the return flow. The return flow is possible when they are opened by the pilot piston, if enough pilot pressure is present in the opposite line.

For complete engineering and design information:  
**GoTo [www.boschrexroth-us.com/GoTocompact](http://www.boschrexroth-us.com/GoTocompact)**

### Features

- Valve elements with 4 ways and 3 positions
- Control spools directly operated by screwed-in solenoids with extractable coils
- In the de-energized condition, the control spool is held in the central position by return springs
- Wet pin tubes for DC coils, with push rod for mechanical override; burnish surface treatment

#### Detailed information:

- RA18300-51

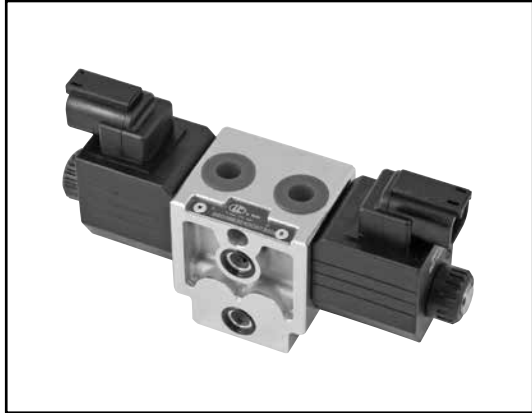
### Technical Data

General		
Weight	kg (lbs)	1.6 (3.5)
Ambient Temperature	°C (°F)	-20....+50 (-4....+120) [NBR seals]
Hydraulic		
Maximum pressure (P, A, and B ports)	bar (PSI)	250 (3600)
Maximum dynamic pressure (T)	bar (PSI)	150 (2176)
Maximum static pressure (T)	bar (PSI)	210 (3045)
Maximum inlet flow	l/min (GPM)	15 (4)
Hydraulic fluid General properties: it must have physical lubricating and chemical properties suitable for use in hydraulic systems such as, for example:		Mineral oil based hydraulic fluids HL (DIN 51524 part 1). Mineral oil based hydraulic fluids HLP (DIN 51524 part 2). For use of environmentally acceptable fluids (vegetable or polyglycol base) please consult us.
Fluid Temperature	°C (°F)	-20....+80 (-4....+176) [NBR seals]
Permissible degree of fluid contamination		ISO 4572: $\beta_{x \geq 75} X=12...15$ ISO 4406: classe 20/18/15 NAS 1638: classe 9
Viscosity range	mm <sup>2</sup> /s	5....420

GoTo Focused Delivery Program: Compact Hydraulics

## 4/3 Directional valve elements

### B8\_08... (EDBZ)



Directional valve elements B8\_48... are very compact direct operated solenoid valves which control the start, stop and direction of the oil flow. They consist of a stackable housing with a control spool, two solenoids and two return springs. The PO check valves consist of two calibrated balls with return springs which allow upstream flow, but lock on the respective seats and prevent the return flow. The return flow is possible when they are opened by the pilot piston, if enough pilot pressure is present in the opposite line.

For complete engineering and design information:  
GoTo [www.boschrexroth-us.com/GoTocompact](http://www.boschrexroth-us.com/GoTocompact)

### Features

- Valve elements with 4 ways and 3 positions
- Control spools directly operated by screwed-in solenoids with extractable coils
- In the de-energized condition, the control spool is held in the central position by return springs
- Wet pin tubes for DC coils, with push rod for mechanical override; burnish surface treatment

#### Detailed information:

- RA18300-52

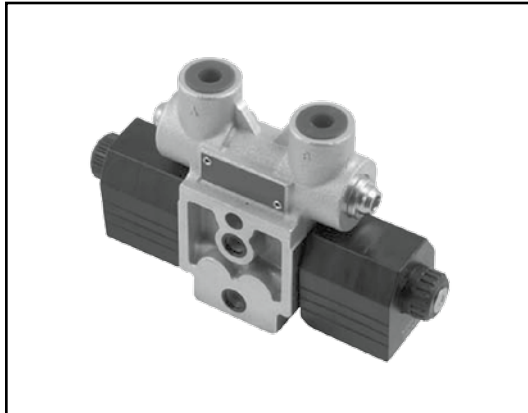
### Technical Data

General		
Weight (valve element with 2 solenoids)	kg (lbs)	1.34 (2.95)
Weight (valve element with 1 solenoid)	kg (lbs)	1.06 (2.34)
Ambient Temperature	°C (°F)	-20....+50 (-4....+120) [NBR seals]
Hydraulic		
Maximum pressure (P, A, and B ports)	bar (PSI)	310 (4500)
Maximum dynamic pressure (T)	bar (PSI)	180 (2610)
Maximum static pressure (T)	bar (PSI)	210 (3045)
Maximum inlet flow	l/min (GPM)	25 (6.6)
Hydraulic fluid General properties: it must have physical lubricating and chemical properties suitable for use in hydraulic systems such as, for example:		Mineral oil based hydraulic fluids HL (DIN 51524 part 1). Mineral oil based hydraulic fluids HLP (DIN 51524 part 2). For use of environmentally acceptable fluids (vegetable or polyglycol base) please consult us.
Fluid Temperature	°C (°F)	-20....+80 (-4....+176) [NBR seals]
Permissible degree of fluid contamination		ISO 4572: $\beta_{x \geq 75} X=12...15$ ISO 4406: classe 20/18/15 NAS 1638: classe 9
Viscosity range	mm <sup>2</sup> /s	5....420

See index Page 302 for GoTo product and accessory part numbers.

GoTo Focused Delivery Program: Compact Hydraulics

## 4/3 Directional valve elements, with PO check valves B8\_48 (EDBZ-VR)



Directional valve elements B8\_48... are very compact direct operated solenoid valves which control the start, stop and direction of the oil flow. They consist of a stackable housing with a control spool, two solenoids and two return springs. The PO check valves consist of two calibrated balls with return springs which allow upstream flow, but lock on the respective seats and prevent the return flow. The return flow is possible when they are opened by the pilot piston, if enough pilot pressure is present in the opposite line.

For complete engineering and design information:  
**GoTo [www.boschrexroth-us.com/GoTocompact](http://www.boschrexroth-us.com/GoTocompact)**

### Features

- Control spools directly operated by screwed-in solenoids with extractable coils
- In the de-energized condition, the control spool is held in the central position by return springs
- Wet pin tubes for DC coils, with push rod for mechanical override; burnish surface treatment
- Single or Dual cross piloted check valves on A and B ports

**Detailed information:**

- RA18300-53

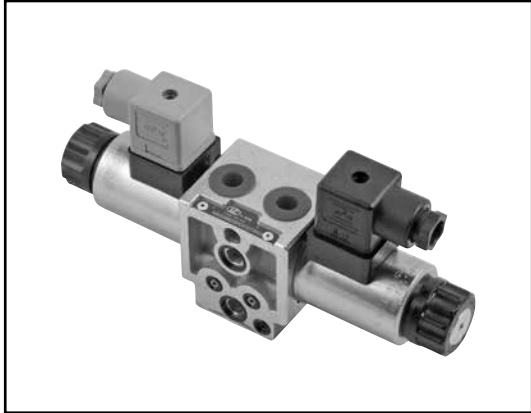
### Technical Data

General		
Weight (valve element with 2 solenoids)	kg (lbs)	1.75 (3.86)
Ambient Temperature	°C (°F)	-20....+50 (-4....+120) [NBR seals]
Hydraulic		
Maximum pressure (P, A, and B ports)	bar (PSI)	250 (3625)
Maximum dynamic pressure (T)	bar (PSI)	180 (2610)
Maximum static pressure (T)	bar (PSI)	210 (3045)
Maximum inlet flow	l/min (GPM)	20 (5.3)
Hydraulic fluid General properties: it must have physical lubricating and chemical properties suitable for use in hydraulic systems such as, for example:		Mineral oil based hydraulic fluids HL (DIN 51524 part 1). Mineral oil based hydraulic fluids HLP (DIN 51524 part 2). For use of environmentally acceptable fluids (vegetable or polyglycol base) please consult us.
Fluid Temperature	°C (°F)	-20....+80 (-4....+176) [NBR seals]
Permissible degree of fluid contamination		ISO 4572: $\beta_x \geq 75$ X=12...15 ISO 4406: classe 20/18/15 NAS 1638: classe 9
Viscosity range	mm <sup>2</sup> /s	5....420

GoTo Focused Delivery Program: Compact Hydraulics

## 4/3 Proportional valve elements

### B8\_80 (EDB-P)



Valve elements B8080... are compact direct operated proportional solenoid valves which control the start, stop, direction and the quantity of the oil flow. They consist of a stackable housing with a control spool, one or two solenoids, and one or two return springs. Energized by an electronic feed regulator, each solenoid displaces the control spool from its neutral-central position "0" proportionally to the current received. In open loop mode, a regulated oil flow P to A, or P to B, is achieved.

For complete engineering and design information:  
GoTo [www.boschrexroth-us.com/GoTocompact](http://www.boschrexroth-us.com/GoTocompact)

### Features

- Control spools directly operated by screwed-in solenoids with extractable coils
- In the de-energized condition, the control spool is held in the central position by return springs

#### Detailed information:

- RA18300-55

#### Spool variants:

**B2:** 4/3 operated both sides a and b; P -- T closed in neutral

**E2:** 4/3 operated both sides a and b; A and B to T in neutral

### Technical Data

General		
Weight (valve element with 2 solenoids)	kg (lbs)	1.5 (3.3)
Weight (valve element with 1 solenoid)	kg (lbs)	1.1 (2.5)
Ambient Temperature	°C (°F)	-20....+50 (-4....+120) [NBR seals]
Hydraulic		
Maximum pressure (P, A, and B ports)	bar (PSI)	310 (4500)
Maximum dynamic pressure (T)	bar (PSI)	180 (2610)
Maximum static pressure (T)	bar (PSI)	210 (3045)
Maximum inlet flow	l/min (GPM)	24 (6.3)
Hydraulic fluid General properties: it must have physical lubricating and chemical properties suitable for use in hydraulic systems such as, for example:		Mineral oil based hydraulic fluids HL (DIN 51524 part 1). Mineral oil based hydraulic fluids HLP (DIN 51524 part 2). For use of environmentally acceptable fluids (vegetable or polyglycol base) please consult us.
Fluid Temperature	°C (°F)	-20....+80 (-4....+176) [NBR seals]
Permissible degree of fluid contamination		ISO 4572: $\beta_{x \geq 75} X = 12 \dots 15$ ISO 4406: classe 20/18/15 NAS 1638: classe 9
Viscosity range	mm <sup>2</sup> /s	20....380 (best 30....46)

See index Page 303 for GoTo product and accessory part numbers.

GoTo Focused Delivery Program: Compact Hydraulics

## 4/3 – 4/2 Directional valve elements L8\_10... (ED1-Z) & L8\_11... (ED2-DZ)



The sandwich plate design directional valve elements L8\_10... and L8\_11... are compact direct operated solenoid valves which control the start, stop, and the direction of the oil flow.

For complete engineering and design information:  
**GoTo [www.boschrexroth-us.com/GoTocompact](http://www.boschrexroth-us.com/GoTocompact)**

### Features

- Valve elements with solenoid operated directional spool
- Control spools operated by screwed-in solenoids with extractable coils
- In the de-energized condition, the control spool is held in the central position by return springs
- Wet pin tubes for DC coils, with push rod for mechanical override; nickel plated surface
- Coils can be rotated 360° around the tube; they can be energized by AC current through special connectors with rectifier (RAC)
- Manual override (push-button or screw type) available upon request
- Plug-in connectors available; EN 175301-803 (was DIN 43650); AMP Junior; DT04-2P (Deutsch), free leads

- Detailed information:**
- RA18301-01 (L8\_10)
  - RA18301-02 (L8\_11)

### Technical Data

Model		L8_10...	L8_11...
<b>General</b>			
Valve element with 2 solenoids	kg (lbs)	1.55 (3.42)	1.95 (4.3)
Valve element with 1 solenoid	kg (lbs)	1.25 (2.76)	1.45 (3.2)
Valve element with 2 solenoid with lever override	kg (lbs)	1.9 (4.2)	2.2 (4.85)
Valve element with 1 solenoid with lever override	kg (lbs)	1.6 (3.5)	1.7 (3.75)
<b>Hydraulic</b>			
Maximum pressure (P, A, and B ports)	bar (PSI)	310 (4500)	
Maximum dynamic pressure (T)	bar (PSI)	180 (2610)	250 (3625)
Maximum dynamic pressure, with lever override (T)	bar (PSI)	100 (1450)	
Maximum static pressure (T)	bar (PSI)	210 (3045)	310 (4500)
Maximum inlet flow	l/min (GPM)	30 (7.9)	50 (13.2)
Hydraulic fluid General properties: it must have physical lubricating and chemical properties suitable for use in hydraulic systems such as, for example:		Mineral oil based hydraulic fluids HL (DIN 51524 part 1). Mineral oil based hydraulic fluids HLP (DIN 51524 part 2). For use of environmentally acceptable fluids (vegetable or polyglycol base) please consult us.	
Fluid Temperature	°C (°F)	-20....+80 (-4....+176) [NBR seals]	
Permissible degree of fluid contamination		ISO 4572: β <sub>x</sub> ≥75 X=12...15 ISO 4406: class 20/18/15 NAS 1638: class 9	
Viscosity range	mm <sup>2</sup> /s	5....420	

See index Page 303 for GoTo product and accessory part numbers.

GoTo Focused Delivery Program: Compact Hydraulics

## 4/3 – 4/2 Directional valve elements proportional controls L8\_80... (ED4-P)



The sandwich plate design directional valve elements L8080... are compact direct operated proportional solenoid valves which control the start, the stop, the direction and the quantity of the oil flow.

For complete engineering and design information:  
**GoTo [www.boschrexroth-us.com/GoToCompact](http://www.boschrexroth-us.com/GoToCompact)**

### Features

- Valve element with direct proportional control of spool
- Control spool operated by screwed-in solenoid with extractable coil
- In the de-energized condition, the control spool is held in the central position by return springs.
- Wet pin proportional tubes for DC coils, with push rod for mechanical override; nickel plated surface
- Manual override (push-button or screw type) available upon request
- Plug-in connectors available: EN 175301-803 (Was DIN 43650) and DT04-2P (Deutsch)

#### Detailed information:

- RA18301-06

### Technical Data

General		
Weight (valve element with 2 solenoids)	kg (lbs)	2.20 (4.85)
Weight (valve element with 1 solenoid)	kg (lbs)	1.70 (3.75)
Ambient Temperature	°C (°F)	-20...+50 (-4...+122) [NBR seals]
Hydraulic		
Maximum pressure (P)	bar (PSI)	310 (4500)
Maximum dynamic pressure (T)	bar (PSI)	210 (3050)
Maximum static pressure (T)	bar (PSI)	250 (3625)
Maximum inlet flow	l/min (GPM)	45 (11.9)
Nominal flow with $\Delta P = 10$ bar	l/min (GPM)	10, 20, 30 (2.64, 5.28, 7.9)
Hydraulic fluid General properties: it must have physical lubricating and chemical properties suitable for use in hydraulic systems such as, for example:		Mineral oil based hydraulic fluids HL (DIN 51524 part 1). Mineral oil based hydraulic fluids HLP (DIN 51524 part 2). For use of environmentally acceptable fluids (vegetable or polyglycol base) please consult us.
Fluid Temperature	°C (°F)	-20...+80 (-4...+176) [NBR seals]
Permissible degree of fluid contamination		ISO 4572: $\beta_{x \geq 75} X=12...15$ ISO 4406: class 20/18/15 NAS 1638: class 9
Viscosity range	mm <sup>2</sup> /s	20...380 (optimal 30...46)

See index Page 303 for GoTo product and accessory part numbers.



GoTo Focused Delivery Program: Compact Hydraulics

# 4/3 Lever-operated directional valve elements

## L8\_L1... (ED-LV)



Directional valve elements L8\_1... are compact manual operated valves which control the start, the stop and the direction of the oil flow. The hand operated lever moves the control spool from its neutral-central position "0" to the required position "a" or "b", and the required flow from P to A (with B to T), or P to B (with A to T) is achieved.

For complete engineering and design information:  
**GoTo [www.boschrexroth-us.com/GoTocompact](http://www.boschrexroth-us.com/GoTocompact)**

### Features

- Valve elements with 4 ways and 3 positions
- Control spools manual operated by hand lever
- Control spool with return spring or mechanical detent for all three positions.

**Detailed information:**  
 • RA18301-10

### Technical Data

General		
Weight	kg (lbs)	1.55 (3.42)
Mounting position	kg (lbs)	Unrestricted
Ambient Temperature	°C (°F)	-20....+50 (-4....+122) [NBR seals]
Hydraulic		
Maximum pressure (P)	bar (PSI)	310 (4500)
Maximum static pressure (T)	bar (PSI)	180 (2610)
Maximum inlet flow	l/min (GPM)	60 (15.9)
Nominal flow with $\Delta P = 10$ bar	l/min (GPM)	10, 20, 30 (2.64, 5.28, 7.9)
Hydraulic fluid General properties: it must have physical lubricating and chemical properties suitable for use in hydraulic systems such as, for example:		Mineral oil based hydraulic fluids HL (DIN 51524 part 1). Mineral oil based hydraulic fluids HLP (DIN 51524 part 2). For use of environmentally acceptable fluids (vegetable or polyglycol base) please consult us.
Fluid Temperature	°C (°F)	-20....+80 (-4....+176) [NBR seals]
Permissible degree of fluid contamination		ISO 4572: $\beta_x \geq 75$ X=12...15 ISO 4406: class 20/18/15 NAS 1638: class 9
Viscosity range	mm <sup>2</sup> /s	20....380 (optimal 30....46)

GoTo Focused Delivery Program: Compact Hydraulics

## 4/2, 4/3 LUDV flow sharing directional valve elements L8511... (EDC-DZ)



Directional valve elements L8511... are compact direct operated pressure compensated solenoid valves which operate with a flow sharing principle. They consist of a stackable housing with control spool, two solenoids, and two return springs. When energized, each solenoid displaces the control spool from its neutral-central position "0" and the metering notches are open; flow is delivered to the 3-way pressure compensator followed by a check valve for each port A and B. The compensator, balanced by the LS pressure at the opposite end, lifts up and unloads a pressure compensated flow which is sent to the A (or B) port through the relevant check valve; at the same time the opposite port allows oil return to tank.

For complete engineering and design information:  
GoTo [www.boschrexroth-us.com/GoToCompact](http://www.boschrexroth-us.com/GoToCompact)

### Features

- Valve element with direct on-off flow sharing control
- It can achieve multiple simultaneous maneuvers by distributing the available flow to each actuator selected by the operator, independently from the working pressure required
- All simultaneous movements go on at the same reduced speed in case of flow shortage
- Each energized actuator receives a pressure compensated flow

#### Detailed information:

- RA18301-11

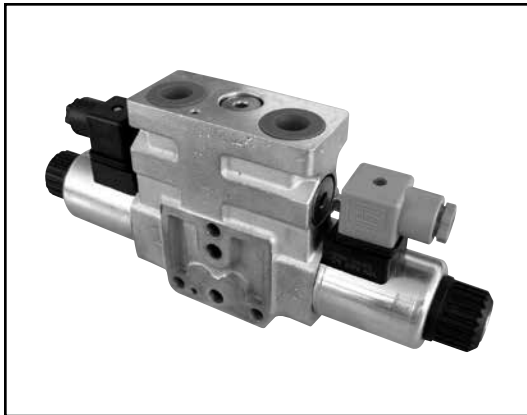
### Technical Data

General		
Weight (valve element with 2 solenoids)	kg (lbs)	1.34 (2.95)
Weight (valve element with 1 solenoid)		1.06 (2.34)
Ambient Temperature	°C (°F)	-20....+50 (-4....+120) [NBR seals]
Hydraulic		
Maximum pressure (P, A, and B ports)	bar (PSI)	310 (4500)
Maximum pressure (T)	bar (PSI)	210 (3045)
Maximum flow	l/min (GPM)	48 (12.7)
Hydraulic fluid General properties: it must have physical lubricating and chemical properties suitable for use in hydraulic systems such as, for example:		Mineral oil based hydraulic fluids HL (DIN 51524 part 1). Mineral oil based hydraulic fluids HLP (DIN 51524 part 2). For use of environmentally acceptable fluids (vegetable or polyglycol base) please consult us.
Fluid Temperature	°C (°F)	-20....+80 (-4....+176) [NBR seals]
Permissible degree of fluid contamination		ISO 4572: $\beta_x \geq 75$ X=12...15 ISO 4406: classe 20/18/15 NAS 1638: classe 9
Viscosity range	mm <sup>2</sup> /s	5....420

See index Page 304 for GoTo product and accessory part numbers.

GoTo Focused Delivery Program: Compact Hydraulics

# 4/3 – 4/2 Proportional directional valve elements with flow sharing control (LUDV) L8580... (EDC-P)



The sandwich plate design directional valve elements L8580... are compact direct operated pressure compensated proportional solenoid valves which control the start, the stop, the direction and the quantity of the oil flow, with a Flow Sharing principle.

For complete engineering and design information:  
**GoTo [www.boschrexroth-us.com/GoTocompact](http://www.boschrexroth-us.com/GoTocompact)**

## Features

- Valve element with direct proportional flow sharing control
- It can achieve simultaneous activation of different actuators by distributing the available flow proportionally to the speeds selected by the operator
- Optional hand lever for dual electric and manual operation
- Manual override (push-button, screw type or lever) available upon request

### Detailed information:

- RA18301-09

## Technical Data

General		
Weight (valve element with 2 solenoids)	kg (lbs)	3.95 (8.71)
Weight valve element with 1 solenoid)	kg (lbs)	3.6 (7.91)
Ambient temperature	°C (°F)	-20....+50 (-4....+122)
Hydraulic		
Maximum pressure (P, A, and B ports)	bar (PSI)	310 (4500)
Maximum pressure (T)	bar (PSI)	210 (3045)
Maximum pressure with lever emergency (T)	bar (PSI)	140 (2030)
Max regulated flow at 14 bar (203 PSI)	°C (°F)	40, 50 (10.5, 13.2)
Max regulated flow at 18 bar (261 PSI)	°C (°F)	46, 58 (12.1, 15.3)
Hydraulic fluid General properties: it must have physical lubricating and chemical properties suitable for use in hydraulic systems such as, for example:		Mineral oil based hydraulic fluids HL (DIN 51524 part 1). Mineral oil based hydraulic fluids HLP (DIN 51524 part 2). For use of environmentally acceptable fluids (vegetable or polyglycol base) please consult us.
Fluid Temperature	°C (°F)	-20....+80 (-4....+176) [NBR seals]
Permissible degree of fluid contamination		ISO 4572: $\beta_{x \geq 75} X=12...15$ ISO 4406: class 20/18/15 NAS 1638: class 9
Viscosity range	mm <sup>2</sup> /s	20....380 (optimal 30....46)

GoTo Focused Delivery Program: Compact Hydraulics

## 4/3 – 4/2 Directional valve elements

### D8\_5... (EDD-XZ)



The sandwich plate design directional valve elements D8\_5 are compact direct operated solenoid valves which control the start, the stop and the direction of the oil flow.

For complete engineering and design information:  
GoTo [www.boschrexroth-us.com/GoToCompact](http://www.boschrexroth-us.com/GoToCompact)

### Features

- Valve elements with solenoid operated directional spool
- Control spools directly operated by solenoids with removable coils
- In the de-energized condition, the control spool is held in the central position by return springs
- Manual override (push-button, screw type) available as option
- Optional anti-cavitation/relief function available

#### Detailed information:

- RA18301-12

### Technical Data

General		
Weight with two solenoids	kg (lbs)	3.00 (6.61)
Weight with one solenoid	kg (lbs)	2.35 (5.18)
Ambient temperature	°C (°F)	-20....+50 (-4....+122)
Hydraulic		
Max pressure (P)	bar (psi)	310 (4500)
Max pressure (A and B ports)	bar (psi)	380 (5500)
Max pressure (T)	bar (psi)	250 (3625)
Max inlet flow	l/min (GPM)	80 (21.1)
Hydraulic fluid General properties: it must have physical lubricating and chemical properties suitable for use in hydraulic systems such as, for example:		Mineral oil based hydraulic fluids HL (DIN 51524 part 1). Mineral oil based hydraulic fluids HLP (DIN 51524 part 2). For use of environmentally acceptable fluids (vegetable or polyglycol base) please consult us.
Fluid Temperature	°C (°F)	-20....+80 (-4....+176) [NBR seals]
Permissible degree of fluid contamination		ISO 4572: $\beta_{x \geq 75} X=12...15$ ISO 4406: class 20/18/15 NAS 1638: class 9
Viscosity range	mm <sup>2</sup> /s	5....420

See index Page 304 for GoTo product and accessory part numbers.

GoTo Focused Delivery Program: Compact Hydraulics

## 4/3 Load sensing directional valve elements B8\_05... (EDBY-LS)



Directional valve elements B8\_05... are compact direct-operated solenoid valves that control the start, stop and direction of oil flow. These elements consist of a stackable housing with a control spool, one or two solenoids, and one or two return springs. With the LS connection, pressure difference at the main spool, as well as the flow to the actuator, is maintained constant via the pressure compensator.

For complete engineering and design information:  
**GoTo [www.boschrexroth-us.com/GoTocompact](http://www.boschrexroth-us.com/GoTocompact)**

### Features

- Valve elements with 4 ways and 3, or 2, positions
- Control spools directly operated by screwed-in solenoids with extractable coils
- In the de-energized condition, the control spool is held in the central position by return springs
- Wet pin tubes for DC coils, with push rod for mechanical override; burnish surface treatment

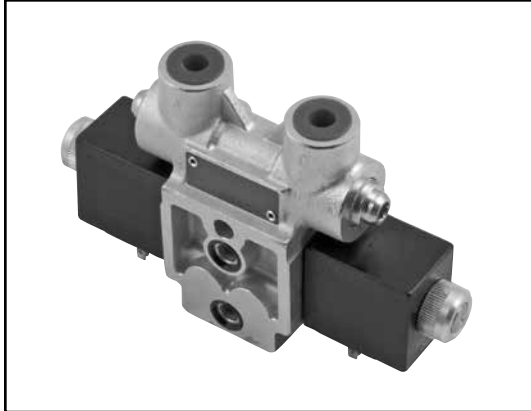
**Detailed information:**  
• RA18300-50

### Technical Data

General		
Weight (valve element with 2 solenoids)	kg (lbs)	1.2 (2.65)
Weight (valve element with 1 solenoid)	kg (lbs)	1.0 (2.20)
Ambient Temperature	°C (°F)	-20....+50 (-4....+120) [NBR seals]
Hydraulic		
Maximum pressure (P, A, and B ports)	bar (PSI)	250 (3600)
Maximum dynamic pressure (T)	bar (PSI)	150 (2176)
Maximum static pressure (T)	bar (PSI)	210 (3045)
Maximum inlet flow	l/min (GPM)	15 (4)
Hydraulic fluid General properties: it must have physical lubricating and chemical properties suitable for use in hydraulic systems such as, for example:		Mineral oil based hydraulic fluids HL (DIN 51524 part 1). Mineral oil based hydraulic fluids HLP (DIN 51524 part 2). For use of environmentally acceptable fluids (vegetable or polyglycol base) please consult us.
Fluid Temperature	°C (°F)	-20....+80 (-4....+176) [NBR seals]
Permissible degree of fluid contamination		ISO 4572: $\beta_{x \geq 75} X=12...15$ ISO 4406: classe 20/18/15 NAS 1638: classe 9
Viscosity range	mm <sup>2</sup> /s	5....420

GoTo Focused Delivery Program: Compact Hydraulics

## 4/3 Load sensing directional valve elements, with PO check valves B8\_45... (EDBY-VR-LS)



Directional valve elements B8\_45... with LS connection are compact direct-operated solenoid valves which control the start, stop and direction of the oil flow. With the LS connection, pressure difference at the main spool, as well as the flow to the actuator, is maintained constant via the pressure compensator.

For complete engineering and design information:  
GoTo [www.boschrexroth-us.com/GoToCompact](http://www.boschrexroth-us.com/GoToCompact)

### Features

- Valve elements with 4 ways and 3 positions
- Control spools directly operated by screwed-in solenoids with extractable coils
- In the de-energized condition, the control spool is held in the central position by return springs
- Wet pin tubes for DC coils, with push rod for mechanical override; burnish surface treatment
- Single or Dual cross piloted checks on A and B ports

#### Detailed information:

- RA18300-51

### Technical Data

General		
Weight	kg (lbs)	1.6 (3.5)
Ambient Temperature	°C (°F)	-20....+50 (-4....+120) [NBR seals]
Hydraulic		
Maximum pressure (P, A, and B ports)	bar (PSI)	250 (3600)
Maximum dynamic pressure (T)	bar (PSI)	150 (2176)
Maximum static pressure (T)	bar (PSI)	210 (3045)
Maximum inlet flow	l/min (GPM)	15 (4)
Hydraulic fluid General properties: it must have physical lubricating and chemical properties suitable for use in hydraulic systems such as, for example:		Mineral oil based hydraulic fluids HL (DIN 51524 part 1). Mineral oil based hydraulic fluids HLP (DIN 51524 part 2). For use of environmentally acceptable fluids (vegetable or polyglycol base) please consult us.
Fluid Temperature	°C (°F)	-20....+80 (-4....+176) [NBR seals]
Permissible degree of fluid contamination		ISO 4572: $\beta_{x \geq 75} X=12...15$ ISO 4406: classe 20/18/15 NAS 1638: classe 9
Viscosity range	mm <sup>2</sup> /s	5....420

See index Page 304 for GoTo product and accessory part numbers.

GoTo Focused Delivery Program: Compact Hydraulics

# 4/3 Load sensing directional valve elements

## B8\_08... (EDBZ-LS)



Directional valve elements B8\_08... are compact direct-operated solenoid valves which control the start, stop and direction of the oil flow. These elements consist of a stackable housing with a control spool, two solenoids, and two return springs. With the LS connection, pressure difference at the main spool, as well as the flow to the actuator, is maintained constant via the pressure compensator.

For complete engineering and design information:  
 GoTo [www.boschrexroth-us.com/GoTocompact](http://www.boschrexroth-us.com/GoTocompact)

### Features

- Valve elements with 4 ways and 3 positions
- Control spools directly operated by screwed-in solenoids with extractable coils
- In the de-energized condition, the control spool is held in the central position by return springs
- Wet pin tubes for DC coils, with push rod for mechanical override; burnish surface treatment

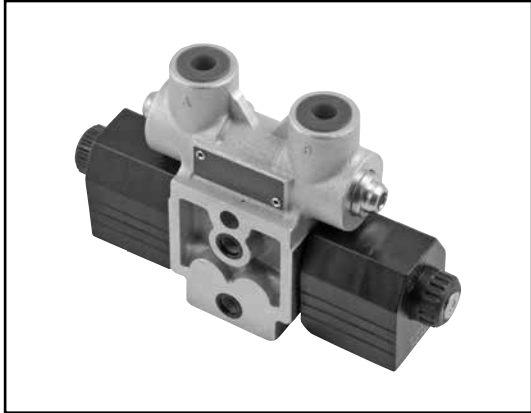
**Detailed information:**  
 • RA18300-52

### Technical Data

General		
Weight (valve element with 2 solenoids)	kg (lbs)	1.6 (3.5)
Ambient Temperature	°C (°F)	-20....+50 (-4....+120) [NBR seals]
Hydraulic		
Maximum pressure (P, A, and B ports)	bar (PSI)	250 (3625)
Maximum dynamic pressure (T)	bar (PSI)	150 (2176)
Maximum static pressure (T)	bar (PSI)	210 (3045)
Maximum inlet flow	l/min (GPM)	15 (4)
Hydraulic fluid General properties: it must have physical lubricating and chemical properties suitable for use in hydraulic systems such as, for example:		Mineral oil based hydraulic fluids HL (DIN 51524 part 1). Mineral oil based hydraulic fluids HLP (DIN 51524 part 2). For use of environmentally acceptable fluids (vegetable or polyglycol base) please consult us.
Fluid Temperature	°C (°F)	-20....+80 (-4....+176) [NBR seals]
Permissible degree of fluid contamination		ISO 4572: $\beta_{x \geq 75} X=12...15$ ISO 4406: classe 20/18/15 NAS 1638: classe 9
Viscosity range	mm <sup>2</sup> /s	5....420

GoTo Focused Delivery Program: Compact Hydraulics

## 4/3 Load sensing directional valve elements, with PO check valves B8\_48... (EDBZ-VR-LS)



Directional valve elements B8\_48... are compact direct-operated solenoid valves which control the start, stop and direction of the oil flow. These elements consist of a stackable housing with a control spool, two solenoids, and two return springs. With the LS connection, pressure difference at the main spool, as well as the flow to the actuator, is maintained constant via the pressure compensator.

For complete engineering and design information:  
GoTo [www.boschrexroth-us.com/GoTocompact](http://www.boschrexroth-us.com/GoTocompact)

### Features

- Valve elements with 4 ways and 3 positions
- Control spools directly operated by screwed-in solenoids with extractable coils
- In the de-energized condition, the control spool is held in the central position by return springs
- Wet pin tubes for DC coils, with push rod for mechanical override; burnish surface treatment

#### Detailed information:

- RA18300-53

### Technical Data

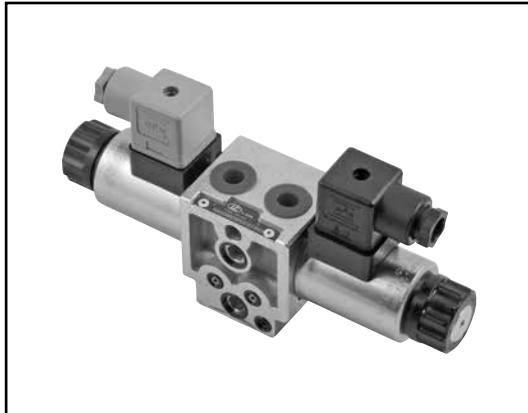
General		
Weight (valve element with 2 solenoids)	kg (lbs)	1.34 (2.95)
Weight (valve element with 1 solenoid)	kg (lbs)	1.06 (2.34)
Ambient Temperature	°C (°F)	-20....+50 (-4....+120) [NBR seals]
Hydraulic		
Maximum pressure (P, A, and B ports)	bar (PSI)	310 (4500)
Maximum dynamic pressure (T)	bar (PSI)	180 (2610)
Maximum static pressure (T)	bar (PSI)	210 (3045)
Maximum flow	l/min (GPM)	25 (6.6)
Hydraulic fluid General properties: it must have physical lubricating and chemical properties suitable for use in hydraulic systems such as, for example:		Mineral oil based hydraulic fluids HL (DIN 51524 part 1). Mineral oil based hydraulic fluids HLP (DIN 51524 part 2). For use of environmentally acceptable fluids (vegetable or polyglycol base) please consult us.
Fluid Temperature	°C (°F)	-20....+80 (-4....+176) [NBR seals]
Permissible degree of fluid contamination		ISO 4572: $\beta_x \geq 75$ X=12...15 ISO 4406: classe 20/18/15 NAS 1638: classe 9
Viscosity range	mm <sup>2</sup> /s	5....420

See index Page 305 for GoTo product and accessory part numbers.



GoTo Focused Delivery Program: Compact Hydraulics

## 4/3 Load sensing proportional valve elements B8\_80... (EDB-P-LS)



The sandwich plate design directional valve elements B8080... with LS connection are compact direct operated proportional solenoid valves which control the start, the stop, the direction and the quantity of the oil flow. With the LS connection, pressure difference at the main spool, as well as the flow to the actuator, is maintained constant via the pressure compensator.

For complete engineering and design information:  
**GoTo [www.boschrexroth-us.com/GoTocompact](http://www.boschrexroth-us.com/GoTocompact)**

### Features

- Valve element with direct proportional control of spool
- Control spool operated by screwed-in solenoid with extractable coil
- In the de-energized condition, the control spool is held in the central position by return springs

**Detailed information:**

- RA18300-55

### Technical Data

General		
Weight (valve element with 2 solenoids)	kg (lbs)	1.55 (3.42)
Weight (valve element with 1 solenoid)	kg (lbs)	1.1 (2.5)
Ambient Temperature	°C (°F)	-20....+50 (-4....+120) [NBR seals]
Hydraulic		
Maximum pressure (P, A, and B ports)	bar (PSI)	310 (4500)
Maximum pressure (T)	bar (PSI)	180 (2610)
Maximum flow	l/min (GPM)	24 (6.3)
Hydraulic fluid General properties: it must have physical lubricating and chemical properties suitable for use in hydraulic systems such as, for example:		Mineral oil based hydraulic fluids HL (DIN 51524 part 1). Mineral oil based hydraulic fluids HLP (DIN 51524 part 2). For use of environmentally acceptable fluids (vegetable or polyglycol base) please consult us.
Fluid Temperature	°C (°F)	-20....+80 (-4....+176) [NBR seals]
Permissible degree of fluid contamination		ISO 4572: $\beta_{x \geq 75} X=12...15$ ISO 4406: classe 20/18/15 NAS 1638: classe 9
Viscosity range	mm <sup>2</sup> /s	5....420

GoTo Focused Delivery Program: Compact Hydraulics

## 4/3 – 4/2 Load sensing directional valve elements

### L8\_10... (ED1-LS-Z) & L8\_11... (ED2-LS-DZ)



L8\_10 and L8\_11 directional valve elements with load sensing connections provide load pressure-compensated flow control for the start, stop, and direction of oil flow.

For complete engineering and design information:  
GoTo [www.boschrexroth-us.com/GoTocompact](http://www.boschrexroth-us.com/GoTocompact)

### Features

- Valve elements with solenoid operated directional spool
- Control spools operated by screwed-in solenoids with extractable coils
- In the de-energized condition, the control spool is held in the central position by return springs
- Wet pin tubes for DC coils, with push rod for mechanical override; nickel plated surface
- Coils can be rotated 360° around the tube; they can be energized by AC current through special connectors with rectifier (RAC)
- Manual override (push-button or screw type) available upon request
- Plug-in connectors available; EN 175301-803 (was DIN 43650); AMP Junior; DT04-2P (Deutsch), free leads

#### Detailed information:

- RA18301-01 (L8\_10)
- RA18301-02 (L8\_11)

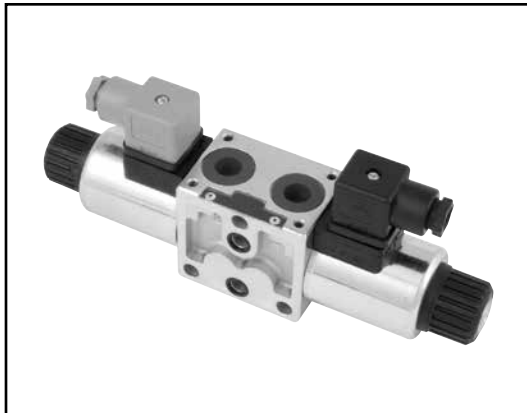
### Technical Data

Model		L8_10...	L8_11...
<b>General</b>			
Valve element with 2 solenoids	kg (lbs)	1.55 (3.42)	1.95 (4.3)
Valve element with 1 solenoid	kg (lbs)	1.25 (2.76)	1.45 (3.2)
Valve element with 2 solenoid with lever override	kg (lbs)	1.9 (4.2)	2.2 (4.85)
Valve element with 1 solenoid with lever override	kg (lbs)	1.6 (3.5)	1.7 (3.75)
<b>Hydraulic</b>			
Maximum pressure (P, A, and B ports)	bar (PSI)	310 (4500)	
Maximum dynamic pressure (T)	bar (PSI)	180 (2610)	250 (3625)
Maximum dynamic pressure, with lever override (T)	bar (PSI)	100 (1450)	
Maximum static pressure (T)	bar (PSI)	210 (3045)	310 (4500)
Maximum inlet flow	l/min (GPM)	30 (7.9)	50 (13.2)
Hydraulic fluid General properties: it must have physical lubricating and chemical properties suitable for use in hydraulic systems such as, for example:		Mineral oil based hydraulic fluids HL (DIN 51524 part 1). Mineral oil based hydraulic fluids HLP (DIN 51524 part 2). For use of environmentally acceptable fluids (vegetable or polyglycol base) please consult us.	
Fluid Temperature	°C (°F)	-20...+80 (-4...+176) [NBR seals]	
Permissible degree of fluid contamination		ISO 4572: $\beta_x \geq 75$ X=12...15 ISO 4406: class 20/18/15 NAS 1638: class 9	
Viscosity range	mm <sup>2</sup> /s	5...420	

See index Page 305 for GoTo product and accessory part numbers.

GoTo Focused Delivery Program: Compact Hydraulics

# 4/3 – 4/2 Load sensing directional valve elements proportional controls L8\_80... (ED4-P-LS)



Proportional directional valve elements L8\_80 with load sensing connections provide load pressure-compensated flow control for the start, stop, direction, and volume of oil flow.

For complete engineering and design information:  
**GoTo [www.boschrexroth-us.com/GoTocompact](http://www.boschrexroth-us.com/GoTocompact)**

## Features

- Valve element with direct proportional control of spool
- Control spool operated by screwed-in solenoid with extractable coil
- In the de-energized condition, the control spool is held in the central position by return springs.
- Wet pin proportional tubes for DC coils, with push rod for mechanical override; nickel plated surface
- Manual override (push-button or screw type) available upon request
- Plug-in connectors available: EN 175301-803 (Was DIN 43650) and DT04-2P (Deutsch)

### Detailed information:

- RA18301-06

## Technical Data

General		
Weight (valve element with 2 solenoids)	kg (lbs)	2.20 (4.85)
Weight (valve element with 1 solenoid)	kg (lbs)	1.70 (3.75)
Ambient Temperature	°C (°F)	-20...+50 (-4...+122) [NBR seals]
Hydraulic		
Maximum pressure (P)	bar (PSI)	310 (4500)
Maximum dynamic pressure (T)	bar (PSI)	210 (3050)
Maximum static pressure (T)	bar (PSI)	250 (3625)
Maximum inlet flow	l/min (GPM)	45 (11.9)
Nominal flow with $\Delta P = 10$ bar	l/min (GPM)	10, 20, 30 (2.64, 5.28, 7.9)
Hydraulic fluid General properties: it must have physical lubricating and chemical properties suitable for use in hydraulic systems such as, for example:		Mineral oil based hydraulic fluids HL (DIN 51524 part 1). Mineral oil based hydraulic fluids HLP (DIN 51524 part 2). For use of environmentally acceptable fluids (vegetable or polyglycol base) please consult us.
Fluid Temperature	°C (°F)	-20...+80 (-4...+176) [NBR seals]
Permissible degree of fluid contamination		ISO 4572: $\beta_{x \geq 75} X=12...15$ ISO 4406: class 20/18/15 NAS 1638: class 9
Viscosity range	mm <sup>2</sup> /s	20...380 (optimal 30...46)

See index Page 305 for GoTo product and accessory part numbers.

GoTo Focused Delivery Program: Compact Hydraulics

## 4/3 Load sensing lever-operated directional valve elements L8\_L1... (ED-LV-LS)



Directional valve elements L8\_1... are compact manual operated valves which control the start, the stop and the direction of the oil flow. The hand operated lever moves the control spool from its neutral-central position "0" to the required position "a" or "b", and the required flow from P to A (with B to T), or P to B (with A to T) is achieved.

For complete engineering and design information:  
GoTo [www.boschrexroth-us.com/GoTocompact](http://www.boschrexroth-us.com/GoTocompact)

### Features

- Valve elements with 4 ways and 3 positions
- Control spools manual operated by hand lever
- Control spool with return spring or mechanical detent for all three positions.

#### Detailed information:

- RA18301-10


### Technical Data

General		
Weight	kg (lbs)	1.55 (3.42)
Mounting position	kg (lbs)	Unrestricted
Ambient Temperature	°C (°F)	-20....+50 (-4....+122) [NBR seals]
Hydraulic		
Maximum pressure (P)	bar (PSI)	310 (4500)
Maximum static pressure (T)	bar (PSI)	180 (2610)
Maximum inlet flow	l/min (GPM)	60 (15.9)
Nominal flow with $\Delta P = 10$ bar	l/min (GPM)	10, 20, 30 (2.64, 5.28, 7.9)
Hydraulic fluid General properties: it must have physical lubricating and chemical properties suitable for use in hydraulic systems such as, for example:		Mineral oil based hydraulic fluids HL (DIN 51524 part 1). Mineral oil based hydraulic fluids HLP (DIN 51524 part 2). For use of environmentally acceptable fluids (vegetable or polyglycol base) please consult us.
Fluid Temperature	°C (°F)	-20....+80 (-4....+176) [NBR seals]
Permissible degree of fluid contamination		ISO 4572: $\beta_{x \geq 75} X=12...15$ ISO 4406: class 20/18/15 NAS 1638: class 9
Viscosity range	mm <sup>2</sup> /s	20....380 (optimal 30....46)

See index Page 305 for GoTo product and accessory part numbers.

GoTo Focused Delivery Program: Compact Hydraulics

## 4/3 – 4/2 Load sensing directional valve elements D8\_5... (EDD-XZ-LS)



Load sensing directional valve elements D8\_5 are compact direct operated solenoid valves which provide load-compensated control of the start, stop, and the direction of oil flow.

For complete engineering and design information:  
**GoTo** [www.boschrexroth-us.com/GoTocompact](http://www.boschrexroth-us.com/GoTocompact)

### Features

- Valve elements with solenoid operated directional spool
- Control spools directly operated by solenoids with removable coils
- In the de-energized condition, the control spool is held in the central position by return springs
- Manual override (push-button, screw type) available as option
- Optional anti-cavitation/relief function available

**Detailed information:**

- RA18301-12

### Technical Data

General		
Weight with two solenoids	kg (lbs)	3.00 (6.61)
Weight with one solenoid	kg (lbs)	2.35 (5.18)
Ambient temperature	°C (°F)	-20....+50 (-4....+122)
Hydraulic		
Max pressure (P)	bar (psi)	310 (4500)
Max pressure (A and B ports)	bar (psi)	380 (5500)
Max pressure (T)	bar (psi)	250 (3625)
Max inlet flow	l/min (GPM)	80 (21.1)
Hydraulic fluid General properties: it must have physical lubricating and chemical properties suitable for use in hydraulic systems such as, for example:		Mineral oil based hydraulic fluids HL (DIN 51524 part 1). Mineral oil based hydraulic fluids HLP (DIN 51524 part 2). For use of environmentally acceptable fluids (vegetable or polyglycol base) please consult us.
Fluid Temperature	°C (°F)	-20....+80 (-4....+176) [NBR seals]
Permissible degree of fluid contamination		ISO 4572: $\beta_{x \geq 75} X=12...15$ ISO 4406: class 20/18/15 NAS 1638: class 9
Viscosity range	mm <sup>2</sup> /s	5....420

GoTo Focused Delivery Program: Compact Hydraulics

## Exit plate, basic

### TC-...



The exit plate TC... is employed as end plates to plug the P and T channels of the ED element of the Directional Valve Assembly, or to provide an extra port for P, T, or P and T.

For complete engineering and design information:  
GoTo [www.boschrexroth-us.com/GoToCompact](http://www.boschrexroth-us.com/GoToCompact)

### Features

- Port sizes are available in SAE 6 and SAE 8

Detailed information:

- RA18301-60

### Technical Data

General		
Weight (w/o ports & SAE 6)	kg (lbs)	0.3 (0.66)
Weight (SAE 8)	kg (lbs)	0.5 (1.10)
Ambient Temperature	°C (°F)	-20....+50 (-4....+120) [NBR seals]
Hydraulic		
Maximum pressure (TC0000)	bar (PSI)	250 (3600)*
Maximum pressure	bar (PSI)	210 (3000)*
Maximum flow	l/min (GPM)	60 (15)
Hydraulic fluid General properties: it must have physical lubricating and chemical properties suitable for use in hydraulic systems such as, for example:		Mineral oil based hydraulic fluids HL (DIN 51524 part 1). Mineral oil based hydraulic fluids HLP (DIN 51524 part 2). For use of environmentally acceptable fluids (vegetable or polyglycol base) please consult us.
Fluid Temperature	°C (°F)	-20....+80 (-4....+176) [NBR seals]
Permissible degree of fluid contamination		ISO 4572: $\beta_{x \geq 75} X=12...15$ ISO 4406: classe 20/18/15 NAS 1638: classe 9
Viscosity range	mm <sup>2</sup> /s	5....420

\*310 bar (4500 PSI) available. Consult factory.

GoTo Focused Delivery Program: Compact Hydraulics

# Intermediate plate, with double-acting hand pump EPM-DE-18



The intermediate plate with an auxiliary hand pump is inserted between the inlet plate and ED modular directional valves. It can be used to regulate the direction of the flow, and to generate pressure without other energy sources.

For complete engineering and design information:  
**GoTo [www.boschrexroth-us.com/GoTocompact](http://www.boschrexroth-us.com/GoTocompact)**

## Features

- Flow is transferred in both push and pull movements

### Detailed information:

- RA18301-30

## Technical Data

General		
Weight (EPM)	kg (lbs)	3.8 (8.4)
Weight (extension lever)	kg (lbs)	0.7 (1.5)
Ambient Temperature	°C (°F)	-20....+50 (-4....+120) [NBR seals]
Hydraulic		
Maximum pressure (resistance)	bar (PSI)	310 (4500)
Maximum pressure (generated)	bar (PSI)	250 (3625)
Opening displacement	cc (in <sup>3</sup> )	8.5 (0.51)
Closing displacement	cc (in <sup>3</sup> )	9.5 (0.57)
Hydraulic fluid General properties: it must have physical lubricating and chemical properties suitable for use in hydraulic systems such as, for example:		Mineral oil based hydraulic fluids HL (DIN 51524 part 1). Mineral oil based hydraulic fluids HLP (DIN 51524 part 2). For use of environmentally acceptable fluids (vegetable or polyglycol base) please consult us.
Fluid Temperature	°C (°F)	-20....+80 (-4....+176) [NBR]
Permissible degree of fluid contamination		ISO 4572: $\beta_{x \geq 75} X=12...15$ ISO 4406: classe 20/18/15 NAS 1638: classe 9
Viscosity range	mm <sup>2</sup> /s	5....420
Maximum internal leakage	cc/min (in <sup>3</sup> /min)	0.2 (0.012)

GoTo Focused Delivery Program: Compact Hydraulics

## Intermediate elements for interfacing ED with M4-12

TI-M412-\_\_-\_\_



The adaptor elements TI-M412 - \_\_ are employed to connect an ED directional valve assembly to a main control valve Rexroth M4-12.

For complete engineering and design information:  
GoTo [www.boschrexroth-us.com/GoToCompact](http://www.boschrexroth-us.com/GoToCompact)

### Features

These elements consist of body made of Yellow Zinc plated (Cr+3) steel which incorporates the following items:

- a check valve on the P -- P1 line
- a shuttle valve on the LS lines
- a relief valve on the LS line which control max pressure output
- a pressure compensated orifice which drains the LS pressure by unloading a small regulated flow to tank

#### Detailed information:

- RA18301-29

### Technical Data


General		
Weight (EPM)	kg (lbs)	6 (13.2)
Ambient Temperature	°C (°F)	-20....+50 (-4....+120) [NBR seals]
Hydraulic		
Maximum pressure	bar (PSI)	310 (4500)
Maximum flow at P1	bar (PSI)	The max. rated flow depends on the directional control element
Hydraulic fluid General properties: it must have physical lubricating and chemical properties suitable for use in hydraulic systems such as, for example:		Mineral oil based hydraulic fluids HL (DIN 51524 part 1). Mineral oil based hydraulic fluids HLP (DIN 51524 part 2). For use of environmentally acceptable fluids (vegetable or polyglycol base) please consult us.
Fluid Temperature	°C (°F)	-20....+80 (-4....+176) [NBR]
Permissible degree of fluid contamination		ISO 4572: $\beta_x \geq 75$ X=12...15 ISO 4406: classe 20/18/15 NAS 1638: classe 9
Viscosity range	mm <sup>2</sup> /s	5....420

See index Page 306 for GoTo product and accessory part numbers.



GoTo Focused Delivery Program: Compact Hydraulics

# Stacking modules, pilot operated check L884A... (EDM-PO)

	<p>The secondary flangeable elements EDM-PO-__ can be interfaced and bolted on top of the A and B ports of the ED elements of the Directional Valve Assembly.</p> <p>They incorporate two Cross Piloted Check Valves which allow free flow toward the A and B outlet ports, and lock in a leak free mode the flow returning from the actuator, until sufficient pilot pressure is built up in the opposite line and the check valve is opened.</p> <p>For complete engineering and design information: <b>GoTo <a href="http://www.boschrexroth-us.com/GoTocompact">www.boschrexroth-us.com/GoTocompact</a></b></p>
---	---

## Features

- Hydraulic port sizes: A and B – SAE 8.
- Special coating and plating available, C.F.

**Detailed information:**  
• RA18301-40

## Technical Data

General		
Ambient Temperature	°C (°F)	-20....+50 (-4....+120)
Material		Aluminum
Hydraulic		
Maximum pressure	bar (PSI)	210 (3000)
Maximum flow	l/min (GPM)	60 (15)
Hydraulic fluid General properties: it must have physical lubricating and chemical properties suitable for use in hydraulic systems such as, for example:		Mineral oil based hydraulic fluids HL (DIN 51524 part 1). Mineral oil based hydraulic fluids HLP (DIN 51524 part 2). For use of environmentally acceptable fluids (vegetable or polyglycol base) please consult us.
Fluid Temperature	°C (°F)	-20....+80 (-4....+176) [NBR]
Permissible degree of fluid contamination		ISO 4572: $\beta_x \geq 75$ X=12...15 ISO 4406: classe 20/18/15 NAS 1638: classe 9
Viscosity range	mm <sup>2</sup> /s	5....420

\*310 bar (4500 PSI) available. Consult factory.

GoTo Focused Delivery Program: Compact Hydraulics

## Stacking modules, cross-over relief

### L886A... (EDM-CR)



The secondary flangeable elements EDM-CR-\_\_ can be interfaced and bolted on top of the A and B ports of the ED elements of the Directional Valve Assembly.

The body consists of one direct acting pressure relief valve. The relief valve for line A releases the oil into line B and vice versa.

For complete engineering and design information:  
GoTo [www.boschrexroth-us.com/GoToCompact](http://www.boschrexroth-us.com/GoToCompact)

#### Features

- Port sizes: A and B – SAE 8
- Special coating and plating available, C.F.

#### Detailed information:

- RA18301-41

#### Technical Data

General				
Ambient Temperature	°C (°F)	-20...+50 (-4...+120)		
Material		Aluminum		
Hydraulic				
		AB	0A	0B
Maximum pressure	bar (PSI)	210 (3000)	210 (3000)	210 (3000)
Maximum flow	l/min (GPM)	60 (15)	50 (13)	60 (15)
Hydraulic fluid General properties: it must have physical lubricating and chemical properties suitable for use in hydraulic systems such as, for example:		Mineral oil based hydraulic fluids HL (DIN 51524 part 1). Mineral oil based hydraulic fluids HLP (DIN 51524 part 2). For use of environmentally acceptable fluids (vegetable or polyglycol base) please consult us.		
Fluid Temperature	°C (°F)	-20...+80 (-4...+176) [NBR]		
Permissible degree of fluid contamination		ISO 4572: $\beta_{x \geq 75} X=12...15$ ISO 4406: classe 20/18/15 NAS 1638: classe 9		
Viscosity range	mm <sup>2</sup> /s	5...420		

\*310 bar (4500 PSI) available. Consult factory.

GoTo Focused Delivery Program: Compact Hydraulics

## Stacking modules – Flow control

### L885A... (EDM-FC)



The secondary flangeable elements EDM-FC-\_\_ can be interfaced and bolted on top of the A and B ports of the ED elements of the Directional Valve Assembly. They incorporate two unidirectional flow restrictors, and depending on the version selected, allow free flow  $A1 > A2$  and  $B1 > B2$ , with controlled/restricted flow in the reverse directions  $A2 > A1$  and  $B2 > B1$ , or vice-versa.

For complete engineering and design information:  
**GoTo [www.boschrexroth-us.com/GoTocompact](http://www.boschrexroth-us.com/GoTocompact)**

#### Features

- Hydraulic port sizes: A and B – SAE B
- Special coating and plating available, C.F.

**Detailed information:**  
 • RA18301-42

#### Technical Data

General		
Ambient Temperature	°C (°F)	-20....+50 (-4....+120)
Material		Aluminum
Hydraulic		
Maximum pressure	bar (PSI)	210 (3000)
Maximum flow	l/min (GPM)	60 (15)
Hydraulic fluid General properties: it must have physical lubricating and chemical properties suitable for use in hydraulic systems such as, for example:		Mineral oil based hydraulic fluids HL (DIN 51524 part 1). Mineral oil based hydraulic fluids HLP (DIN 51524 part 2). For use of environmentally acceptable fluids (vegetable or polyglycol base) please consult us.
Fluid Temperature	°C (°F)	-20....+80 (-4....+176) [NBR]
Permissible degree of fluid contamination		ISO 4572: $\beta_x \geq 75$ $X=12...15$ ISO 4406: classe 20/18/15 NAS 1638: classe 9
Viscosity range	mm <sup>2</sup> /s	5....420

\*310 bar (4500 PSI) available. Consult factory.

GoTo Focused Delivery Program: Compact Hydraulics

## Stacking modules – Counterbalance

### L8835A2... (EDM-CB)



The secondary flangeable elements EDM-CB-\_\_ can be interfaced and bolted on top of the A and B ports of the ED elements of the Directional Valve Assembly. They incorporate one or two cross piloted counterbalance valves which allow free flow toward the A and B outlet ports, and lock in a leak free mode the flow returning from the actuator. Pilot pressure in the opposite line reduces the pressure setting of the counterbalance valve in proportion to the pilot ratio until opening and allowing the flow return from the actuator.

For complete engineering and design information:  
GoTo [www.boschrexroth-us.com/GoTocompact](http://www.boschrexroth-us.com/GoTocompact)

#### Features

- Hydraulic port sizes: A and B – SAE B
- Special coating and plating available, C.F.

#### Detailed information:

- RA18301-43

#### Technical Data

General		
Ambient Temperature	°C (°F)	-20...+50 (-4...+120)
Material		Aluminum
Hydraulic		
Maximum pressure	bar (PSI)	210 (3000)
Maximum flow	l/min (GPM)	60 (15)
Hydraulic fluid General properties: it must have physical lubricating and chemical properties suitable for use in hydraulic systems such as, for example:		Mineral oil based hydraulic fluids HL (DIN 51524 part 1). Mineral oil based hydraulic fluids HLP (DIN 51524 part 2). For use of environmentally acceptable fluids (vegetable or polyglycol base) please consult us.
Fluid Temperature	°C (°F)	-20...+80 (-4...+176) [NBR]
Permissible degree of fluid contamination		ISO 4572: $\beta_x \geq 75$ X=12...15 ISO 4406: classe 20/18/15 NAS 1638: classe 9
Viscosity range	mm <sup>2</sup> /s	5...420

\*310 bar (4500 PSI) available. Consult factory.

GoTo Focused Delivery Program: Compact Hydraulics

## Secondary pressure and anti-cav relief for EDC L8565... (EDCM/EDCMF-VM)



These modular secondary elements can be flange mounted on top of the EDC elements machined with the interfacing surface. They let through free flow to the A (or B) port until pressure increases and reaches the selected pressure setting; then they release flow into the tank channels.

For complete engineering and design information:  
**GoTo [www.boschrexroth-us.com/GoTocompact](http://www.boschrexroth-us.com/GoTocompact)**

### Features

- Body made from yellow zinc-plated cast iron
- Designed for quick response and stable pressure control
- Incorporate a reverse flow check for anti-cavitation.

**Detailed information:**

- RA18301-45

### Technical Data

General		
Weight	kg (lbs)	0.6 (1.3)
Ambient Temperature	°C (°F)	-20....+50 (-4....+120) [NBR seals]
Hydraulic		
Maximum pressure	bar (PSI)	310 (4500)
Maximum flow	l/min (GPM)	30 (7.93)
Hydraulic fluid General properties: it must have physical lubricating and chemical properties suitable for use in hydraulic systems such as, for example:		Mineral oil based hydraulic fluids HL (DIN 51524 part 1). Mineral oil based hydraulic fluids HLP (DIN 51524 part 2). For use of environmentally acceptable fluids (vegetable or polyglycol base) please consult us.
Fluid Temperature	°C (°F)	-20....+80 (-4....+176) [NBR seals]
Permissible degree of fluid contamination		ISO 4572: $\beta_{x \geq 75} X=12...15$ ISO 4406: classe 20/18/15 NAS 1638: classe 9
Viscosity range	mm <sup>2</sup> /s	5....420

GoTo Focused Delivery Program: Compact Hydraulics

## Secondary pressure relief for EDC, A- & B-sides L8561... (EDCM-VM5)



These modular secondary elements can be flange mounted on top of the EDC elements machined with the interfacing surface. They let through free flow to the A (or B) port until pressure increases and reaches the pressure setting; then they release flow into the Tank channels (T). The maximum secondary pressure in line A, or B, can be adjusted through the adjuster screw.

For complete engineering and design information:  
GoTo [www.boschrexroth-us.com/GoTocompact](http://www.boschrexroth-us.com/GoTocompact)

### Features

- Body is made of Yellow Zinc Plated (Cr+3) Cast Iron (CI)
- Hydraulic Ports A2 and B2 are size G3/8 and G1/2
- The modular version (M) enables flanging with other types of EDCM-modular-elements

#### Detailed information:

- RA18301-47

### Technical Data

General		
Weight	kg (lbs)	2.0 (4.4)
Ambient Temperature	°C (°F)	-20....+50 (-4....+120) [NBR seals]
Hydraulic		
Maximum pressure	bar (PSI)	310 (4500)
Maximum flow at P1	l/min (GPM)	50 (13.2)
Hydraulic fluid General properties: it must have physical lubricating and chemical properties suitable for use in hydraulic systems such as, for example:		Mineral oil based hydraulic fluids HL (DIN 51524 part 1). Mineral oil based hydraulic fluids HLP (DIN 51524 part 2). For use of environmentally acceptable fluids (vegetable or polyglycol base) please consult us.
Fluid Temperature	°C (°F)	-20....+80 (-4....+176) [NBR seals]
Permissible degree of fluid contamination		ISO 4572: $\beta_x \geq 75$ X=12...15 ISO 4406: classe 20/18/15 NAS 1638: classe 9
Viscosity range	mm <sup>2</sup> /s	5....420

GoTo Focused Delivery Program: Compact Hydraulics

# Cross-piloted check valves for EDC

## L8541... (EDCM/EDCMF-VR)



These secondary flangeable elements can be interfaced and bolted on top of the A and B ports of the ED elements of the directional valve assembly. They incorporate two cross piloted check valves which allow free flow toward the A and B outlet ports, and lock in a leak-free mode the flow returning from the actuator, until sufficient pilot pressure is built up in the opposite line and the check valve is opened.

For complete engineering and design information:  
**GoTo [www.boschrexroth-us.com/GoTocompact](http://www.boschrexroth-us.com/GoTocompact)**

### Features

- Body made from yellow zinc-plated cast iron
- Hydraulic Ports A2 and B2 are size G3/8 or G1/2 or 3/4-16 UNF 2-B (SAE8)

**Detailed information:**  
 • RA18301-46

### Technical Data

General		
Weight	kg (lbs)	2.0 (4.4)
Ambient Temperature	°C (°F)	-20....+50 (-4....+120) [NBR seals]
Hydraulic		
Maximum pressure	bar (PSI)	310 (4500)
Maximum flow	l/min (GPM)	70 (18.5)
Hydraulic fluid General properties: it must have physical lubricating and chemical properties suitable for use in hydraulic systems such as, for example:		Mineral oil based hydraulic fluids HL (DIN 51524 part 1). Mineral oil based hydraulic fluids HLP (DIN 51524 part 2). For use of environmentally acceptable fluids (vegetable or polyglycol base) please consult us.
Fluid Temperature	°C (°F)	-20....+80 (-4....+176) [NBR seals]
Permissible degree of fluid contamination		ISO 4572: $\beta_{x \geq 75} X=12...15$ ISO 4406: classe 20/18/15 NAS 1638: classe 9
Viscosity range	mm <sup>2</sup> /s	5....420

GoTo Focused Delivery Program: Compact Hydraulics

## Flangeable elements, with different ports for EDC EDCMF-...



These modular secondary elements EDCMF\_... can be flange mounted on top of the EDC elements machined with the interfacing surface.

For complete engineering and design information:  
GoTo [www.boschrexroth-us.com/GoToCompact](http://www.boschrexroth-us.com/GoToCompact)

### Features

- Body is made of Yellow Zinc Plated (Cr+3) Cast Iron (CI)
- They let through free flow to the A (or B) port

#### Detailed information:

- RA18301-48

### Technical Data

General		
Weight	kg (lbs)	0.6 (1.3)
Ambient Temperature	°C (°F)	-20....+50 (-4....+120) [NBR seals]
Hydraulic		
Maximum pressure	bar (PSI)	310 (4500)
Maximum flow	l/min (GPM)	60 (16)
Hydraulic fluid General properties: it must have physical lubricating and chemical properties suitable for use in hydraulic systems such as, for example:		Mineral oil based hydraulic fluids HL (DIN 51524 part 1). Mineral oil based hydraulic fluids HLP (DIN 51524 part 2). For use of environmentally acceptable fluids (vegetable or polyglycol base) please consult us.
Fluid Temperature	°C (°F)	-20....+80 (-4....+176) [NBR seals]
Permissible degree of fluid contamination		ISO 4572: $\beta_{x \geq 75} X=12...15$ ISO 4406: classe 20/18/15 NAS 1638: classe 9
Viscosity range	mm <sup>2</sup> /s	5....420



GoTo Focused Delivery Program: Compact Hydraulics

## Bankable accessories

GoTo [www.boschrexroth-us.com/GoToaccess](http://www.boschrexroth-us.com/GoToaccess)

### Coil Seal Kit

Material Description	Material No.
SEAL KIT K-1000A (Universal)	R987367243
SUB-ASSEMBLY 271-10025-KIT GHIERA&	R933002851
271-1002 SEAL KIT COIL NUT C36	R933002807
271-10160 SEAL KIT COIL NUT C45, C48	R933003529
271-8010350 SEAL KIT COIL NUT P45	R933002876

### Bankable Flow Restrictors

Type	Material Description	Material No.	Notes
Bankable flow restrictor, closed orifice	RESTRICTOR D9.0XD0.0XL4.0	R933002936	Use with ED1, ED2, ED-LV, EDC, and EDD valves with A201 spool (series circuit)
Bankable flow restrictor, 0.8mm orifice	RESTRICTOR D9.0XD0.8XL4.0	R933002937	Use with ED1, ED2, ED-LV, EDC, and EDD valves
Bankable flow restrictor, 1.0mm orifice	RESTRICTOR D9.0XD1.0XL4.0	R933007090	Use with ED1, ED2, ED-LV, EDC, and EDD valves
Bankable flow restrictor, 1.35mm orifice	RESTRICTOR D7.5XD1.35XL4.2	R933002927	Use with EDB bankable directional valves
Bankable flow restrictor, 1.7mm orifice	RESTRICTOR D9.0XD1.7XL4.0	R933007091	Use with ED1, ED2, ED-LV, EDC, and EDD valves
Bankable flow restrictor, 1.6mm orifice	RESTRICTOR D9.0XD1.6XL4.0	R933002938	Use with ED1, ED2, ED-LV, EDC, and EDD valves
Bankable flow restrictor, 2.0mm orifice	RESTRICTOR D9.0XD2.0XL4.0	R933002939	Use with ED1, ED2, ED-LV, EDC, and EDD valves
Bankable flow restrictor, 2.75mm orifice	RESTRICTOR D9.0XD2.75XL4.0	R933002940	Use with ED1, ED2, ED-LV, EDC, and EDD valves
Bankable flow restrictor, 3.0mm orifice	RESTRICTOR D9.0XD3.0XL4.0	R933002941	Use with ED1, ED2, ED-LV, EDC, and EDD valves

GoTo Focused Delivery Program: Compact Hydraulics

## Bankable accessories (continued)

**GoTo [www.boschrexroth-us.com/GoToaccess](http://www.boschrexroth-us.com/GoToaccess)**

### Override Kit

Type	Material Description	Material No.	Notes
Push-button override kit; EP-type, for spool opening	PS.OVR. EP-GM3059/60----- 271-05098 OVERRIDE KIT, PUSH	R933000042	Use with EDBY bankable directional valves
Push-button override kit; EP-type, for spool opening	PS.OVR. EP-GM5042/43----- 271-05099 OVERRIDE KIT, PUSH	R933000043	Use with ED2-DZ bankable directional valves
Screw-type manual override kit, 0F-type, for spool opening	TW.OVR.-EF-360-LC04/1-Z----- LC04ZEF OVERRIDE KIT, SCREW	R933000021	Use with EDC-Z bankable directional valves
Screw-type manual override kit, 0F-type, for spool opening	TW.OVR-EF-360-ED2-DZ----- ED2DZEF OVERRIDE KIT, SCREW	R933007215	Use with ED2-DZ bankable directional valves
Lever-type override kit; 8mm	LEVAD8 M8 ZB L120 LC04/LC1-LVSD5-26-0129 LEVER ED-LV, 8MM	R933008070	Use with D8...bankable directional valves
Extension lever for hand pump ED-type	LVR.DR.-ED-PM-L450----- L88700000000001 Hand Pump – LEVER	R933003300	Use with EPM-DE-18 double-acting hand pump
Lever-type override kit; 5mm	KR-EMERGENZA LEVA-O5-L100-EL1A---- K-2261 OVERRIDE LEVER, 5MM	R933007533	Lever Assembly
Lever-type override kit	SUB-ASSEMBLY K-2274-KIT EMERGENZA&	R933009263	Lever assembly

GoTo Focused Delivery Program: Compact Hydraulics

## Bankable accessories (continued)

GoTo [www.boschrexroth-us.com/GoToaccess](http://www.boschrexroth-us.com/GoToaccess)

### Mounting Brackets

Type	Material Description	Material No.	Notes
1 section screw kit, M8	K-2201-KR-SC-M8X80-ED-01E	R933003721	see RA00159/10.11 – RA18301-90/03.11, pg. 2
2 section tie rod kit, M8	K-2202-KR-SC-M8-ED-06-02E	R933003722	see RA00159/10.11 – RA18301-90/03.11, pg. 2
3 section tie rod kit, M8	K-2203-KR-SC-M8-ED-06-03E	R933003723	see RA00159/10.11 – RA18301-90/03.11, pg. 2
4 section tie rod kit, M8	K-2204-KR-SC-M8-ED-06-04E	R933003724	see RA00159/10.11 – RA18301-90/03.11, pg. 2
5 section tie rod kit, M8	K-2205-KR-SC-M8-ED-06-05E	R933003725	see RA00159/10.11 – RA18301-90/03.11, pg. 2
6 section tie rod kit, M8	K-2206-KR-TR-M8X320-ED-06E	R933003726	see RA00159/10.11 – RA18301-90/03.11, pg. 2
7 section tie rod kit, M8	K-2207-KR-TR-M8X365-ED-07E	R933003727	see RA00159/10.11 – RA18301-90/03.11, pg. 2
8 section tie rod kit, M8	K-2208-KR-TR-M8X410-ED-08E	R933003728	see RA00159/10.11 – RA18301-90/03.11, pg. 2
9 section tie rod kit, M8	K-2209-KR-TR-M8X460-ED-09E	R933003729	see RA00159/10.11 – RA18301-90/03.11, pg. 2
10 section tie rod kit, M8	K-2210-KR-TR-M8X510-ED-10E	R933000000	see RA00159/10.11 – RA18301-90/03.11, pg. 2
Mounting bracket kit, M6	K-2215-KR-FF-M6-ED-06	R933003730	see RA00159/10.11 – RA18301-90/03.11, pg. 3
Mounting bracket kit, PE2-K	K-2216-KR-PIEDE-PE2-K	R933007089	see RA00159/10.11 – RA18301-90/03.11, pg. 3
Mounting bracket kit, TI-M412	K-2217-KR-PIEDE-TI-M412	R933007514	see RA00159/10.11 – RA18301-90/03.11, pg. 3
Single flange bolt kit (60mm), M6	BOLT KIT K-2221A MODULE	R987281101	see RA00159/10.11 – RA18301-90/03.11, pg. 3
Double flange bolt kit (120mm), M6	BOLT KIT K-2222A MODULE	R987281102	see RA00159/10.11 – RA18301-90/03.11, pg. 3

GoTo Focused Delivery Program: Compact Hydraulics

## Bankable and diverter coils



For complete engineering and design information: **GoTo** [www.boschrexroth-us.com/GoTocompact](http://www.boschrexroth-us.com/GoTocompact)

Applicable Valves	Voltage (V)	Connector Type	Material Description	Material No.
EDB-Y bankable valves	12 VDC	DIN plug	C31, 271-0450 EDB-Y, 12 DC, DIN	R933002776
EDB-Y bankable valves	24 VDC	DIN plug	C31, 271-0451 EDB-Y, 24 DC, DIN	R933002777
EDB-Y bankable valves	12 VDC	DEUTSCH DT 04-2P	C31, 271-0452 EDB-Y, 12 DC, DT	R933002778
EDB-Y bankable valves	24 VDC	DEUTSCH DT 04-2P	C31, 271-0453 EDB-Y, 24 DC, DT	R933002779
EDB-Z bankable valves	12 VDC	DIN plug	C36, 271-0510 EDB-Z, ED1, EDC-Z, 12 DC, DIN	R933000044
EDB-Z / ED1 / EDC bankable valves	12 VDC	---	C36, 271-0510002 EDB-Z, ED1, EDC-Z, 12 DC, CABLES	R933000045
EDB-Z / ED1 / EDC bankable valves	12 VDC	DEUTSCH DT 04-2P	C36, 271-0510207 EDB-Z, ED1, EDC-Z, 12 DC, DT	R933000048
EDB-Z / ED1 / EDC bankable valves	24 VDC	DIN plug	C36, 271-0511 EDB-Z, ED1, EDC-Z, 24 DC, DIN	R933000053
EDB-Z / ED1 / EDC bankable valves	24 VDC	---	C36, 271-0511002 EDB-Z, ED1, EDC-Z, 24 DC, CABLES	R933000055
EDB-Z / ED1 / EDC bankable valves	24 VDC	DEUTSCH DT 04-2P	C36, 271-0511207 EDB-Z, ED1, EDC-Z, 24 DC, DT	R933000058
ED2 bankable valves	12 VDC	DIN plug	C45, 271-0417 ED2, 12 DC, DIN	R933000026
ED2 bankable valves	12 VDC	DEUTSCH DT 04-2P	C45, 271-041717 ED2, 12 DC, DT	R933000030
ED2 bankable valves	24 VDC	DEUTSCH DT 04-2P	C45, 271-041719 ED2, 24 DC, DT	R933000032
ED2 bankable valves	24 VDC	DIN plug	C45, 271-0418 ED2, 24 DC, DIN	R933000034
EDD bankable valves, and VS245 diverter valves	12 VDC	DIN plug	C48, 271-0520 ED2, 12 DC, DIN	R933000063
ED2 bankable valves	12 VDC	---	C48, 271-052000 ED2, 12 DC, CABLES	R933000064
EDD bankable valves, and VS245 diverter valves	12 VDC	DEUTSCH DT 04-2P	C48, 271-052004 ED2, 12 DC, DT	R933000068
ED2 bankable valves	24 VDC	---	C48, 271-052005 ED2, 24 DC, CABLES	R933000070

See index Pages 308–309 for GoTo product and accessory part numbers.

GoTo Focused Delivery Program: Compact Hydraulics

## Bankable and diverter coils (continued)



For complete engineering and design information: **GoTo** [www.boschrexroth-us.com/GoTocompact](http://www.boschrexroth-us.com/GoTocompact)

Applicable Valves	Voltage (V)	Connector Type	Material Description	Material No.
EDD bankable valves, and VS245 diverter valves	24 VDC	DEUTSCH DT 04-2P	C48, 271-052009 ED2, 24 DC, DT	R933000075
EDD bankable valves, and VS245 diverter valves	24 VDC	DIN plug	C48, 271-0521 ED2, 24 DC, DIN	R933000076
VS95 and VS285 diverter valves	12 VDC	DIN plug	C65-01-OB-12DC-44W-H-D25.7-281-0617	R933000100
VS95 and VS285 diverter valves	12 VDC	DEUTSCH DT 04-2P	C65-07-OB-12DC-44W-D25.7-281-06194	R933000107
EDC-P bankable valves	12 VDC	DIN plug	D15, 271-8020210 ED4, ED4-PT, EDC-P, 12 DC, DIN	R933000092
EDC-P bankable valves	24 VDC	DIN plug	D15, 271-8020220 ED4, ED4-PT, EDC-P, 24 DC, DIN	R933000093
EDC-P bankable valves	12 VDC	DEUTSCH DT 04-2P	D15, 271-8020230 ED4, ED4-PT, EDC-P, 12 DC, DT	R933000094
EDC-P bankable valves	24 VDC	DEUTSCH DT 04-2P	D15, 271-8020240 ED4, ED4-PT, EDC-P, 24 DC, DT	R933002798
EDB-P bankable valves	12 VDC	DIN plug	P45-01-OB-12DC-17W-H-D19---COIL, EDB-P, 12 DC, DIN	R933000088
EDB-P bankable valves	24 VDC	EN 175301-803	P45-01-OC-24DC-17W-H-D19-271-8010450	R933000090

GoTo Focused Delivery Program: Power Packs and Motor Pump Groups

## Power packs, fixed displacement

### PP



PP Standard Power Packs utilize external gear pumps with standard industrial keyed shaft. Motors can be run at 60Hz/1750RPM/208-230/460V or 50Hz/1425RPM/190-208/380-416V. Motors are NEMA frame with female shaft.

For complete engineering and design information:  
GoTo [www.boschrexroth-us.com/GoTopowerpacks](http://www.boschrexroth-us.com/GoTopowerpacks)

#### Features

- Powder coated steel reservoir
- System relief valve & Gauge
- One station D03 aluminum bar manifold
- PP5 = 10 $\mu$  absolute. PP10, 20 = 16 $\mu$  absolute – in-tank return filter/filler/breather
- Check valve in pressure line
- Spare in-tank return down-line

**Detailed information:**  
• RA09788

#### Technical Data

Model Code	Reservoir Size G (l)	Pump Flow GPM (lpm)*	Max. Pressure PSI (bar)**	Motor HP (kw)
PP5/G2004/2/3BM1/H0/L0	5 (18.9)	1.9 (7.2)	1534 (106)	2.0 (1.5)
PP5/G2004/3/3BM1/H0/L0	5 (18.9)	1.9 (7.2)	2300 (159)	3.0 (2.2)
PP5/G2004/5/3BM1/H0/L0	5 (18.9)	1.9 (7.2)	3625 (250) <sup>†</sup>	5.0 (3.7)
PP5/G2005/2/3BM1/H0/L0	5 (18.9)	2.6 (9.8)	1121 (77)	2.0 (1.5)
PP5/G2005/3/3BM1/H0/L0	5 (18.9)	2.6 (9.8)	1681 (116)	3.0 (2.2)
PP5/G2005/5/3BM1/H0/L0	5 (18.9)	2.6 (9.8)	2802 (193)	5.0 (3.7)
PP10/G2005/2/3BM1/H0/L0	10 (37.9)	2.6 (9.8)	1121 (77)	2.0 (1.5)
PP10/G2005/3/3BM1/H0/L0	10 (37.9)	2.6 (9.8)	1681 (116)	3.0 (2.2)
PP10/G2005/5/3BM1/H0/L0	10 (37.9)	2.6 (9.8)	2802 (193)	5.0 (3.7)
PP10/G2008/2/3BM1/H0/L0	10 (37.9)	3.8 (14.4)	767 (53)	2.0 (1.5)
PP10/G2008/3/3BM1/H0/L0	10 (37.9)	3.8 (14.4)	1150 (79)	3.0 (2.2)
PP10/G2008/5/3BM1/H0/L0	10 (37.9)	3.8 (14.4)	1917 (132)	5.0 (3.7)
PP10/G2008/7.5/3BM1/H0/L0	10 (37.9)	3.8 (14.4)	2875 (198)	7.5 (5.6)
PP20/G2011/3/3BM1/H0/L0	20 (75.7)	5.2 (19.7)	841 (58)	3.0 (2.2)
PP20/G2011/5/3BM1/H0/L0	20 (75.7)	5.2 (19.7)	1401 (97)	5.0 (3.7)
PP20/G2011/7.5/3BM1/H0/L0	20 (75.7)	5.2 (19.7)	2101 (145)	7.5 (5.6)
PP20/G2011/10/3BM1/H0/L0	20 (75.7)	5.2 (19.7)	2802 (193)	10.0 (7.5)
PP20/G2016/5/3BM1/H0/L0	20 (75.7)	7.6 (28.8)	958 (66)	5.0 (3.7)
PP20/G2016/7.5/3BM1/H0/L0	20 (75.7)	7.6 (28.8)	1438 (99)	7.5 (5.6)
PP20/G2016/10/3BM1/H0/L0	20 (75.7)	7.6 (28.8)	1917 (132)	10.0 (7.5)

\* Based on 1750 RPM, and 100% volumetric efficiency; actual flow will be lower.

\*\* All max pressures reflect an 85% overall efficiency (1.15 SF not included in calculation).

† Limited by maximum continuous pressure of pump.

See index Page 309 for GoTo product and accessory part numbers.

GoTo Focused Delivery Program: Power Packs and Motor Pump Groups

# Close-coupled motor pump groups, fixed displacement

## MPGB-AZP



Close-Coupled Motor Pump Groups type MPGB-AZP come fully assembled from our factory. Pumps are external gear type, standard industrial keyed shaft. Motors are NEMA frame, female shaft, and can be run at 60 Hz/1750 RPM/208–230/460 V or 50 Hz/1425 RPM/190–208/380–416 V.

For complete engineering and design information:  
GoTo [www.boschrexroth-us.com/GoTopowerpacks](http://www.boschrexroth-us.com/GoTopowerpacks)

### Features

- Eliminate the need for multiple vendors by giving you one source of supply
- Closed-coupled feature dramatically reduces the overall length of the motor pump group
- Motor pump groups can be mounted horizontally or vertically

**Detailed information:**  
• RA12750

### Technical Data

Model Code	Pump Size in <sup>3</sup> /rev (cc/rev)	Pump Flow GPM (l/min)*	Max. Pressure PSI (bar)**	Motor		Connection sizes
				HP (kW)	Frame	
MPGB002HTYZ4DEOFS1HAZPF12004K1NN	0.24 (4.0)	1.9 (7.2)	1534 (106)	2.0 (1.5)	145TYZ	Suction = SAE-10 Pressure = SAE-8
MPGB003HTYZ4DEOFS1HAZPF12004K1NN	0.24 (4.0)	1.9 (7.2)	2300 (159)	3.0 (2.2)	145TYZ	
MPGB005HTYZ4DEOFS1HAZPF12004K1NN	0.24 (4.0)	1.9 (7.2)	3625 (250)†	5.0 (3.7)	184TYZ	
MPGB002HTYZ4DEOFS1HAZPF12005K1NN	0.34 (5.5)	2.6 (9.8)	1121 (77)	2.0 (1.5)	145TYZ	Suction = SAE-10 Pressure = SAE-8
MPGB003HTYZ4DEOFS1HAZPF12005K1NN	0.34 (5.5)	2.6 (9.8)	1681 (116)	3.0 (2.2)	145TYZ	
MPGB005HTYZ4DEOFS1HAZPF12005K1NN	0.34 (5.5)	2.6 (9.8)	2802 (193)	5.0 (3.7)	184TYZ	
MPGB002HTYZ4DEOFS1HAZPF12008K1NN	0.49 (8.0)	3.8 (14.4)	767 (53)	2.0 (1.5)	145TYZ	Suction = SAE-12 Pressure = SAE-10
MPGB003HTYZ4DEOFS1HAZPF12008K1NN	0.49 (8.0)	3.8 (14.4)	1150 (79)	3.0 (2.2)	145TYZ	
MPGB005HTYZ4DEOFS1HAZPF12008K1NN	0.49 (8.0)	3.8 (14.4)	1917 (132)	5.0 (3.7)	184TYZ	
MPGB7.5HTYZ4DEOFS1HAZPF12008K1NN	0.49 (8.0)	3.8 (14.4)	2875 (198)	7.5 (5.6)	213TYZ	Suction = SAE-12 Pressure = SAE-10
MPGB003HTYZ4DEOFS1HAZPF12011K1NN	0.67 (11.0)	5.2 (19.7)	841 (58)	3.0 (2.2)	145TYZ	
MPGB005HTYZ4DEOFS1HAZPF12011K1NN	0.67 (11.0)	5.2 (19.7)	1401 (97)	5.0 (3.7)	184TYZ	
MPGB7.5HTYZ4DEOFS1HAZPF12011K1NN	0.67 (11.0)	5.2 (19.7)	2101 (145)	7.5 (5.6)	213TYZ	Suction = SAE-16 Pressure = SAE-10
MPGB010HTYZ4DEOFS1HAZPF12011K1NN	0.67 (11.0)	5.2 (19.7)	2802 (193)	10.0 (7.5)	215TYZ	
MPGB005HTYZ4DEOFS1HAZPF12016K1NN	0.98 (16.0)	7.6 (28.8)	958 (66)	5.0 (3.7)	184TYZ	
MPGB7.5HTYZ4DEOFS1HAZPF12016K1NN	0.98 (16.0)	7.6 (28.8)	1438 (99)	7.5 (5.6)	213TYZ	Suction = SAE-16 Pressure = SAE-10
MPGB010HTYZ4DEOFS1HAZPF12016K1NN	0.98 (16.0)	7.6 (28.8)	1917 (132)	10.0 (7.5)	215TYZ	

\* Based on 1750 RPM, and 100% volumetric efficiency; actual flow will be lower.

\*\* All max pressures reflect an 85% overall efficiency (1.15 SF not included in calculation).

† Limited by maximum continuous pressure of pump.

GoTo Focused Delivery Program: Power Packs and Motor Pump Groups

## Pre-assembled filter/cooler module MFC3



The MFC3 is a compact off-line filtration/cooling package, which provides numerous mounting and configuration options. The design allows for multiple selections of AC motors, pumps, filter elements, and auxiliary components. The modular design concept permits field upgrades concerning oil flow, filtration, or configuration with minimal labor and cost.

For complete engineering and design information:  
**GoTo** [www.boschrexroth-us.com/GoTopowerpacks](http://www.boschrexroth-us.com/GoTopowerpacks)

### Features

- Off line does not interrupt production
- Versatile / Simple Modular design concept
- Space saving vertical designs
- Durable common base construction
- Multiple mounting and configurations
- Multiple pump, and filter element selections
- Dual frequency motor windings standard
- Stainless Steel, plate style heat exchangers
- Single supply source
- Extensive international distribution and service

#### Detailed information:

- RA50127

### Technical Data

See data sheet RA50127 for detailed Technical Data. All part numbers listed in RA50127 are included in **GoTo**.



GoTo Focused Delivery Program: Power Packs and Motor Pump Groups

## GoPak™ Hydraulic Power Packs



Bosch Rexroth GoPak™ hydraulic power units (HPU) bridge the gap between standard market products and engineered-to-order power units for machine tool, plastics, automotive, material handling, presses, marine, and other hydraulic applications. Rexroth's GoDesigner™ smart configurator software tool expedites the selection of pumps, motors, valves and other peripherals so customers can get quotes in a day, with lead times as short as four to six weeks (three weeks when configured with designated Rexroth "GoTo" sub-component products).

For complete engineering and design information:  
**USA & Mexico:** [www.boschrexroth-us.com/GoPak](http://www.boschrexroth-us.com/GoPak)  
**Canada:** [www.boschrexroth.ca/GoPak](http://www.boschrexroth.ca/GoPak)

### Features

- Millions of variants possible (expansive feature options)
- High quality tank-top pump-motor group design
- Reservoir sizes from 5 US gallons to 200 US gallons (mineral oil fluid)
- Horsepower range from 1 to 75
- Pressure range from 200 to 4000 psi
- Pump displacement range from 4 to 140 cm<sup>3</sup> per revolution (variable and fixed models)
- Durable and attractive powder coated finish
- Extensive and immediate document package on request - conditions apply (price and delivery, selection summary, terms and conditions, warranty, commissioning, bill of material, schematic, 2D dimensioned and ballooned drawing, interactive 3D model, highlighted sub-component data sheets)
- GoTo variants ship in 3 weeks
- Quotes provided via GoDesigner™ (advanced design configurator) in 1 business day or less
- GoDesigner™ tool provides know-as-you-go pricing, detailed engineering tools for sizing optimization, and on-the-fly detailed sub-component information
- Regional support across North America from our knowledgeable GoPak™ Champions (product, application, and design configurator expertise)

### Technical Data


- Please navigate to [www.boschrexroth-us.com/GoPak](http://www.boschrexroth-us.com/GoPak) (USA & Mexico) or [www.boschrexroth.ca/GoPak](http://www.boschrexroth.ca/GoPak) (Canada) for a complete listing of options, noting that exceptions apply; see below...
- For GoTo GoPak™ variants (3 week shipping lead-time, max quantity of 1 unit), the following features of the standard GoPak™ have been limited as noted:
  1. No combination starter with disconnect (Industrial Level). ALTERNATIVE – non-combination starter (Entry Level – no short circuit protection).
  2. No aluminum barstock manifolds. ALTERNATIVE – ductile iron barstock manifolds (Electroless Nickel surface treatment).
  3. No indirect immersion heater. ALTERNATIVE – direct immersion heaters.
  4. No custom coatings/colours. ALTERNATIVE – powder coated black.
  5. No forklift bracket. ALTERNATIVE – Use lifting strap or lugs.
  6. No drip tray.

See index Page 311 for GoTo product and accessory part numbers.

GoTo Focused Delivery Program: Accumulators

# Bladder-type accumulators

## HAB-6X

	<p>The HAB design is a hydro-pneumatic type accumulator with compressed nitrogen separated from hydraulic fluid by means of an elastomeric bladder. The current generation of bladder accumulators from Bosch Rexroth carries the HAB-6X designations. The HAB product line is available in many different configurations needed to meet the stringent demands of today's market.</p>
<p>For complete engineering and design information: GoTo <a href="http://www.boschrexroth-us.com/GoToaccumulators">www.boschrexroth-us.com/GoToaccumulators</a></p>	

### Features

- |   |   |  |
|---|---|--|
| <ul style="list-style-type: none"> <li>• Sizes 1L to 50L</li> <li>• Hydraulic accumulator according to Pressure Equipment Directive 2014/68/EU</li> <li>• CE stamp on all units 2.5L and larger</li> <li>• NBR (buna) and ECO (Hydrin) bladder options</li> <li>• Two piece gas valve design for improved serviceability</li> </ul> | <p>Use:</p> <ul style="list-style-type: none"> <li>• Energy storage in systems with intermittent operation</li> <li>• Energy reserve for emergencies</li> <li>• Compensation for leakage losses</li> <li>• Impact and vibration dampening</li> <li>• Flow compensation based on pressure and temperature effects</li> </ul> | <p>Detailed information:</p> <ul style="list-style-type: none"> <li>• RE50171</li> </ul> |
|---|---|--|


### Technical Data

Nominal size (Liters)	1	2.5	4	6	10	20	35	50
Effective Gas Volume      Liters	1.0	2.4	3.7	5.9	9.2	18.1	33.4	48.7
Max. Operating Pressure Bar      bar (psi)	350 (5075)				330 (4785)			
Hydraulic Fluid Temperature Range (NBR)	-15°C to 80°C (5°F to 176°F)							
Hydraulic Fluid Temperature Range (ECO)	-35°C to 80°C (-31°F to 176°F)							
Max. Flow Rate L/min      L/min (gpm)	240 (63)	450 (119)			900 (238)			
Weight Kg      Kg (lb)	7 (15)	10 (22)	17 (36)	20 (44)	32 (71)	53 (117)	85 (187)	123 (271)
Hydraulic Fluid	Mineral oil to DIN 51524, HFC to ISO 12922, other fluids upon request							
Gas	Nitrogen gas with typical purity 99.99% by volume							

GoTo Focused Delivery Program: Accumulators

# Bladder-type accumulators

## HAB-7X

	<p>The HAB design is a hydro-pneumatic type accumulator with compressed nitrogen separated from hydraulic fluid by means of an elastomeric bladder. The current generation of bladder accumulators from Bosch Rexroth carries the HAB-6X and HAB-7X designations. The HAB product line is available in many different configurations needed to meet the stringent demands of today's market.</p>
<p>For complete engineering and design information:  <b>GoTo <a href="http://www.boschrexroth-us.com/GoToaccumulators">www.boschrexroth-us.com/GoToaccumulators</a></b></p>	

### Features

- Hydraulic accumulator according to ASME Section VIII pressure vessel code
- CRN certificate possible (not all sizes, consult factory)
- Bladder materials for different applications
- Two piece gas valve design on 2.5 gallon and larger units for improved serviceability

#### Use:

- Energy storage in systems with intermittent operation
- Energy reserve for emergencies
- Compensation for leakage losses
- Impact and vibration dampening
- Compensation of flow in the case of changes in pressure and temperature

#### Detailed information:

- RA50175

*“CRN”: Units have a Canadian Registration Number stamped into the shell indicating certification to Canadian pressure vessel regulations. The units also have the standard ASME certification & stamping.*

### Function & Performance Data

Bottom Repairable, 3K	Nominal volume (GAL)	1 QT	1 G	2.5 G	5 G	10 G	15 G
	Effective gas volume (L)	1.0	3.4	9.3	18.8	35.3	53.7
	Max operating pressure (PSI)	3000	3000	3000	3000	3000	3000
Operating Temperature	Nitrile, Buna-n (NBR)	5 °F to 200 °F					
Flow Output (Standard SAE fluid port, max. flow rate dependant on fluid viscosity and accumulator orientation.)	Nominal volume (GAL)	1 QT	1 G	2.5 G	5 G	10 G	15 G
	Max flow rate (GPM)	79	119	238			
Pre-Charge Ratio Limitation	Maximum ratio of system pressure to pre-charge pressure, 4:1						
Installation Position	Recommended vertical with gas side up, other positions may reduce accumulator performance and bladder life						
Fluid	Mineral oils to DIN 51524, HFC to ISO 12922, other fluids compatible with bladder compounds listed.						
Gas	Nitrogen gas with typical purity 99.99%						

GoTo Focused Delivery Program: Accumulators

# Diaphragm-type accumulators

## HAD



The HAD design is a hydro-pneumatic type accumulator that utilizes compressed nitrogen to supply fluid to the hydraulic system. The nitrogen and hydraulic fluid are separated by means of an elastomeric membrane. HAD units are the diaphragm welded non-repairable type that can be supplied in both non-rechargeable and chargeable versions.

For complete engineering and design information:  
 GoTo [www.boschrexroth-us.com/GoToaccumulators](http://www.boschrexroth-us.com/GoToaccumulators)

### Features

- Hydraulic accumulator according to Pressure Equipment Directive 97/23/EC
- HAD sizes range from 0.075L to 3.5L
- HAD pressure rating 250 bar on most sizes, with special options available up to 350 bar.
- HAD units are economical solutions for pulsation dampening and energy storage applications where only a small volume of usable fluid is required.
- Very compact design allows for the use of the HAD product in the smallest of locations, industrial or mobile hydraulic in nature.
- Multiple elastomer options for many different fluid and temperature driven applications.
- Multiple fluid port options are available such as UNF, NPT, BSPP, and metric M threaded designs.
- Two gas valve options are available for pre-charging, the standard Schrader valve type common for the US market (7/8"-14UNF connection) and the European standard M28 threaded connection.

**Detailed information:**  
 • RE50150

### Function & Performance Data

Capacity	Liters (cu-in)	0.075 (5)	0.16 (10)	0.35 (21)	0.5 (30)	0.7 (43)	1.0 (61)	1.4 (85)	2.0 (122)	2.8 (171)	3.5 (214)					
Maximum pressure	bar (PSI)	250 (3626)	250 (3626)	210 (3045)	160 (2320)	250 (3626)	180 (2610)	250 (3626)	200 (2900)	140 (2030)	250 (3626)	100 (1450)	250 (3626)	70 (1015)	250 (3626)	250 (3626)
Weight	kg (lbs.)	0.65 (1.4)	1.0 (2.2)	1.3 (2.9)	1.6 (3.5)	2.0 (4.4)	2.6 (5.7)	3.2 (7.1)	3.5 (7.7)	4.9 (10.8)	6.2 (13.7)	4.0 (8.8)	9.5 (20.9)	5.5 (12.1)	10.0 (22.0)	14.0 (30.9)
Mounting type	With clamps or threaded connection															
Installation position	Optional, preferably fluid connection piece pointing downward															
Hydraulic temp. range*	°C (°F)	-10 to +80 (+14 to +176) – NBR diaphragm -35 to +80 (-31 to +176) – ECO diaphragm														
Charge gas	Use only nitrogen with typical purity 99.99%															

\* Specific to elastomer type

### Accumulator Charge Kit


0538103013	Accum charge kit for HAD units with gas valve type 2
1530221042	Rubber back ring
1531316005	Accumulator clamp
1531334008	Bracket

See index Page 312 for GoTo product and accessory part numbers.

GoTo Focused Delivery Program: Accumulators

# Accumulator safety blocks

## ABZSS



Rexroth ABZSS safety blocks can be used in any system that incorporates a hydraulic accumulator. Safety blocks not only perform safety functions such as pressure relief, unloading and isolation, but also provide a mounting base for accumulator installation and a quick means to access system pressure readings.

For complete engineering and design information:  
**GoTo [www.boschrexroth-us.com/GoToaccumulators](http://www.boschrexroth-us.com/GoToaccumulators)**

### Features

- Sizes 08 to 30
- Safety block design per DIN 24552
- Pressure relief valves can be PED type approved (CE)
- NBR (buna) and FKM (viton) seal options
- Discharge valve can be either manually or electronically actuated
- Pressure relief valve for safety purposes
- Discharge valve can drain accumulator pressure for system shut down
- Ball valve can isolate accumulator pressure from circuit
- Optional lock-out version possible

**Detailed information:**  
• RE50131

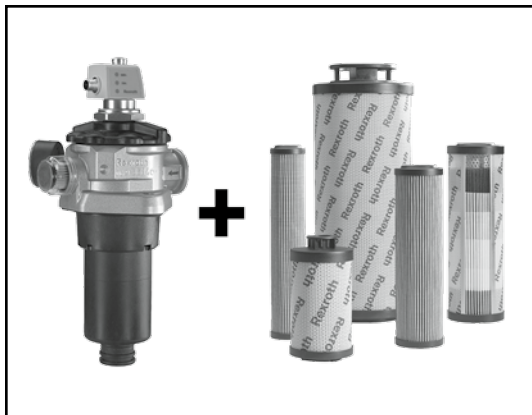
### Technical Data

Nominal size	08	10	20	30	30 SO30	P30
Special option					Larger relief valve	Subplate design
Max. Operating Pressure      bar (psi)	350 (5075)					
Hydraulic Fluid Temperature Range	-15°C to 80°C (5°F to 176°F)					
Hydraulic Fluid	Mineral oil to DIN 51524, HETG, HEES, HEPG to VDMA 24568					
Weight                                      Kg (lb)	4 (8.8)	5.5 (12.1)	8.8 (19.4)	20.8 (45.8)	26.8 (59.1)	33.4 (73.5)
Protection Class	IP65 with mating connector mounted and locked					
Pressure Relief Valve Size	DBD6	DBD6	DBD10	DBD20	DBD30	DBD20

GoTo Focused Delivery Program: Filtration Systems

# Flexi-bowl™ tank mounted return filter housings

## 10 TEN 0040 to 1000



The Flexi-bowl™ version of the tank mounted return line filters come without filter elements in order to give customer flexibility, reduced inventory and lead times.

Must be purchased separately: Replacement filter elements for Rexroth filters: Filter media for all applications made out of glassfiber-paper, filter-paper, wire mesh, non-wovens, and metal fiber.

For complete engineering and design information:  
GoTo [www.boschrexroth-us.com/GoTofilters](http://www.boschrexroth-us.com/GoTofilters)

### Features

- Utilizes the customers choice of Rexroth filter elements
- Adsorption of very fine particles across a broad pressure differential range
- High dirt holding capacity thanks to large specific filter area
- Good chemical resistance of the filter elements
- High collapse resistance of the filter elements (e.g. in case of cold start)
- Filter ratings: 3...100 µm
- As standard, each filter is equipped with mechanical-optical maintenance indicator with memory function

**Detailed information:**  
• RE51424

### Technical Data


General									
Installation position		Vertical							
Ambient temperature range		°C [°F]	-30 to +100 (-22 to +212)						
Weight	Size	<b>0040</b>	<b>0063</b>	<b>0100</b>	<b>0160</b>	<b>0250</b>	<b>0400</b>	<b>0630</b>	<b>1000</b>
		kg (lbs)	1.4 (3.1)	1.6 (3.5)	1.8 (4.0)	4.5 (9.9)	5.0 (11)	8.0 (17.6)	10.0 (22)
Material	Filter cover	Carbon fiber reinforced plastic (sizes 0040...0100), Aluminum (sizes 0160...1000)							
	Filter head	Aluminum							
	Filter bowl	Carbon fiber reinforced plastic (sizes 0040...0630), Coated steel (size 1000)							
	Optical maintenance indicator (V2,2)	Aluminum							
	Electronic switching element	Plastic PA6							
	Pressure gauge	Plastic							
Hydraulic									
Maximum operating pressure		bar (PSI)	10 (145)						
Cracking pressure of the bypass valve		bar (PSI)	3.5 ± 0.35 (50.7 ± 5)						
Response pressure of the maintenance indicator		bar (PSI)	2.2 ± 0.25 [31.9 ± 3.6]						
Type of pressure measurement of the maintenance indicator		Backpressure							
Hydraulic fluid temperature range		°C (°F)	-10 to +100 (+14 to +212)						
Fatigue strength according to ISO 10771		Load cycles	> 10 <sup>5</sup> with max. operating pressure						

See index Page 313 for GoTo product and accessory part numbers.

GoTo Focused Delivery Program: Filtration Systems

# Tank mounted return line filters and replacement filter elements

## 10 TEN 0040 to 1000

	<p>The tank mounted return line filters are designed for installation on fluid tanks. They serve the separation of solid materials from the whole fluid flowing back to the tanks.</p> <p>Replacement filter elements for Rexroth filters: Filter media for all applications made out of glassfiber-paper, filter-paper, wire mesh, non-wovens, and metal fiber.</p> <p>For complete engineering and design information:  <b>GoTo <a href="http://www.boschrexroth-us.com/GoTofilters">www.boschrexroth-us.com/GoTofilters</a></b></p>
---	--

### Features

- Special highly efficient filter media
- Adsorption of very fine particles across a broad pressure differential range
- High dirt holding capacity thanks to large specific filter area
- Good chemical resistance of the filter elements
- High collapse resistance of the filter elements (e.g. in case of cold start)
- Filter ratings: 3...100 µm
- As standard, each filter is equipped with mechanical-optical maintenance indicator with memory function

**Detailed information:**  
 • RE51424

### Technical Data


General									
Installation position		Vertical							
Ambient temperature range		°C [°F]	-30 to +100 (-22 to +212)						
Weight	Size	<b>0040</b>	<b>0063</b>	<b>0100</b>	<b>0160</b>	<b>0250</b>	<b>0400</b>	<b>0630</b>	<b>1000</b>
	kg (lbs)	1.4 (3.1)	1.6 (3.5)	1.8 (4.0)	4.5 (9.9)	5.0 (11)	8.0 (17.6)	10.0 (22)	18.0 (40)
Material	Filter cover	Carbon fiber reinforced plastic (sizes 0040...0100), Aluminum (sizes 0160...1000)							
	Filter head	Aluminum							
	Filter bowl	Carbon fiber reinforced plastic (sizes 0040...0630), Coated steel (size 1000)							
	Optical maintenance indicator (V2,2)	Aluminum							
	Electronic switching element	Plastic PA6							
	Pressure gauge	Plastic							
Hydraulic									
Maximum operating pressure	bar (PSI)	10 (145)							
Cracking pressure of the bypass valve	bar (PSI)	3.5 ± 0.35 (50.7 ± 5)							
Response pressure of the maintenance indicator	bar (PSI)	2.2 ± 0.25 [31.9 ± 3.6]							
Type of pressure measurement of the maintenance indicator		Backpressure							
Hydraulic fluid temperature range	°C (°F)	-10 to +100 (+14 to +212)							
Fatigue strength according to ISO 10771	Load cycles	> 10 <sup>5</sup> with max. operating pressure							

See index Page 313 for GoTo product and accessory part numbers.

GoTo Focused Delivery Program: Filtration Systems

## Flexi-bowl™ line mounted filter housings

### 245 LE(N) 0040 to 400



The Flexi-bowl™ version of the inline filters come without filter elements in order to give customer flexibility, reduced inventory and lead times.

Must be purchased separately: Replacement filter elements for Rexroth filters: Filter media for all applications made out of glassfiber-paper, filter-paper, wire mesh, non-wovens, and metalfiber.

For complete engineering and design information:  
GoTo [www.boschrexroth-us.com/GoTofilters](http://www.boschrexroth-us.com/GoTofilters)

### Features

- Utilizes the customers choice of Rexroth filter elements
- Adsorption of very fine particles across a broad pressure differential range
- High dirt holding capacity thanks to large specific filter area
- Good chemical resistance of the filter elements
- High collapse resistance of the filter elements (e.g. in case of cold start)
- Filter ratings of 3 µm to 100 µm
- As standard, each filter is equipped with mechanical-optical maintenance indicator with memory function
- Flow-optimized design due to 3D computer-supported design
- Features patented Cyclone head design which extends element life 7–10%

#### Detailed information:

- RE51421

### Technical Data

General					
Installation position		vertical			
Ambient temperature range	°C (°F)	-30 to +100 (-22 to +212)			
Weight	Size	<b>0040</b>	<b>0063</b>	<b>0100</b>	<b>0130</b>
	kg (lbs)	3.2 (7.1)	3.8 (8.4)	4.2 (9.3)	6.95 (15.3)
Weight	Size	<b>0150</b>	<b>0160</b>	<b>0250</b>	<b>0400</b>
	kg (lbs)	7.25 (16.0)	11.5 (25.4)	12.2 (26.9)	13.8 (30.4)
Material	Filter head	GGG			
	Filter bowl	Steel			
	Optical maintenance indicator	Brass			
	Electronic switching element	Plastic PA6			
Hydraulic					
Maximum operating pressure	bar (PSI)	250 (3628)			
Hydraulic fluid temperature range	°C (°F)	-10 to +100 (+14 to +212)			
Fatigue strength according to ISO 10771	Load cycles	> 10 <sup>6</sup> with max. operating pressure			
Cracking pressure of the bypass valve	bar (PSI)	7 ± 0.5 (100 ± 7)			
Type of pressure measurement of the maintenance indicator		Pressure differential			
Response pressure of the maintenance indicator	bar (PSI)	5 ± 0.5 (72 ± 7)			


See index Pages 314–315 for GoTo product and accessory part numbers.



GoTo Focused Delivery Program: Filtration Systems

# Line mounted filters and replacement filter elements

## 245 LE(N) 0040 to 400

	<p>Line filters are used in hydraulic systems for separating solid materials from the hydraulic fluids and lubricating oils. They are intended for installation into pipelines.</p> <p>Replacement filter elements for Rexroth filters: Filter media for all applications made out of glassfiber-paper, filter-paper, wire mesh, non-wovens, and metal fiber.</p> <p style="background-color: black; color: white; padding: 5px;">For complete engineering and design information: <b>GoTo <a href="http://www.boschrexroth-us.com/GoTofilters">www.boschrexroth-us.com/GoTofilters</a></b></p>
---	---

### Features

- Special highly efficient filter media
- Adsorption of very fine particles across a broad pressure differential range
- High dirt holding capacity thanks to large specific filter area
- Good chemical resistance of the filter elements
- High collapse resistance of the filter elements (e.g. in case of cold start)
- Filter ratings of 3 µm to 100 µm
- As standard, each filter is equipped with mechanical-optical maintenance indicator with memory function
- Flow-optimized design due to 3D computer-supported design
- Features patented Cyclone head design which extends element life 7–10%

**Detailed information:**  
• RE51421

### Technical Data

General					
Installation position		vertical			
Ambient temperature range	°C (°F)	-30 to +100 (-22 to +212)			
Weight	Size	<b>0040</b>	<b>0063</b>	<b>0100</b>	<b>0130</b>
	kg (lbs)	3.2 (7.1)	3.8 (8.4)	4.2 (9.3)	6.95 (15.3)
Weight	Size	<b>0150</b>	<b>0160</b>	<b>0250</b>	<b>0400</b>
	kg (lbs)	7.25 (16.0)	11.5 (25.4)	12.2 (26.9)	13.8 (30.4)
Material	Filter head	GGG			
	Filter bowl	Steel			
	Optical maintenance indicator	Brass			
	Electronic switching element	Plastic PA6			
Hydraulic					
Maximum operating pressure	bar (PSI)	250 (3628)			
Hydraulic fluid temperature range	°C (°F)	-10 to +100 (+14 to +212)			
Fatigue strength according to ISO 10771	Load cycles	> 10 <sup>6</sup> with max. operating pressure			
Cracking pressure of the bypass valve	bar (PSI)	7 ± 0.5 (100 ± 7)			
Type of pressure measurement of the maintenance indicator		Pressure differential			
Response pressure of the maintenance indicator	bar (PSI)	5 ± 0.5 (72 ± 7)			

See index Pages 314–315 for GoTo product and accessory part numbers.

GoTo Focused Delivery Program: Filtration Systems

## Line mounted filters and replacement filter elements

### 350 LE(N) 0040 to 1000



Line filters are used in hydraulic systems for separating solid materials from the hydraulic fluids and lubricating oils. They are intended for installation into pipelines.

The 350LE(N) line filters are suitable for direct installation into pressure lines. They are mostly installed upstream open-loop or closed-loop control units to be protected.

For complete engineering and design information:  
GoTo [www.boschrexroth-us.com/GoTofilters](http://www.boschrexroth-us.com/GoTofilters)

#### Features

- Special highly efficient filter media
- Adsorption of very fine particles across a broad pressure differential range
- High direct holding capacity thanks to large specific filter area
- Good chemical resistance of the filter elements
- High collapse resistance of the filter elements (e.g. in case of cold start)
- Filter ratings of 3 µm to 100 µm
- As standard, each filter is equipped with mechanical-optical maintenance indicator with memory function
- Flow-optimized version due to 3D computer-supported design
- Features patented Cyclone head design which extends element life 7–10%

#### Detailed information:

- RE51422

#### Technical Data


General						
Installation position		Vertical				
Ambient temperature range	°C (°F)	-30 to +100 (-22 to +212)				
Weight	Size	<b>0040</b>	<b>0063</b>	<b>0100</b>	<b>0130</b>	<b>0150</b>
	kg (lbs)	4.4 (9.7)	5.0 (11.0)	5.9 (13.0)	10.5 (23.1)	11.2 (24.7)
Weight	Size	<b>0160</b>	<b>0250</b>	<b>0400</b>	<b>0630</b>	<b>1000</b>
	kg (lbs)	17.2 (30.0)	19.5 (43.1)	23.0 (50.8)	45.0 (99.5)	93.0 (205.6)
Material	Filter head	GGG				
	Filter bowl	Steel				
	Optical maintenance indicator	Brass				
	Electronic switching element	Plastic PA6				
Hydraulic						
Maximum operating pressure	bar (PSI)	350 (5100)				
Hydraulic fluid temperature range	°C (°F)	-10 to +100 (+14 to +212) [shortly -30 (-22)]				
Fatigue strength according to ISO 10771	Load cycles	> 10 <sup>6</sup> with max. operating pressure				
Cracking pressure of the bypass valve	bar (PSI)	7 ± 0.5 (100 ± 7)				
Type of pressure measurement of the maintenance indicator		Pressure differential				
Response pressure of the maintenance indicator	bar (PSI)	5 ± 0.5 (72 ± 7)				

See index Pages 315–316 for GoTo product and accessory part numbers.

GoTo Focused Delivery Program: Filtration Systems

# Manifold mount pressure filter and replacement filter elements

## 245 PSF(N) 0040 to 0400

	<p>Manifold mounted filters are designed to be mounted directly on the pump outlet or control manifolds. They are installed upstream to protect open-loop and closed-loop control systems.</p> <p>Replacement filter elements for Rexroth filters: Filter media for all applications made out of glassfiber-paper, filter-paper, wire mesh, non-wovens, and metal fiber.</p> <p>For complete engineering and design information:  <b>GoTo <a href="http://www.boschrexroth-us.com/GoTofilters">www.boschrexroth-us.com/GoTofilters</a></b></p>
---	--

### Features

- Special highly efficient filter media
- Adsorption of very fine particles across a broad pressure differential range
- High dirt holding capacity thanks to large specific filter area
- Good chemical resistance of the filter elements
- High collapse resistance of the filter elements (e.g. in case of cold start)
- Filter ratings of 3 µm to 100 µm
- As standard, each filter is equipped with mechanical-optical maintenance indicator with memory function
- Flow-optimized design due to 3D computer-supported design
- Features patented Cyclone head design which extends element life 7–10%

**Detailed information:**  
 • RE51418

### Technical Data

General		Lateral			
Installation position		Lateral			
Ambient temperature range	°C (°F)	-30 to +100 (-22 to +212)			
Weight	Size	<b>0040</b>	<b>0063</b>	<b>0100</b>	<b>0130</b>
	kg (lbs)	4.6 (10.1)	5.0 (11.0)	5.8 (12.8)	8.8 (19.4)
Weight	Size	<b>0150</b>	<b>0160</b>	<b>0250</b>	<b>0400</b>
	kg (lbs)	9.2 (20.3)	13.5 (29.8)	14.3 (31.5)	16.0 (35.3)
Material	Filter head	GGG			
	Filter bowl	Steel			
	Optical maintenance indicator	Brass			
	Electronic switching element	Plastic PA6			
Hydraulic					
Maximum operating pressure	bar (PSI)	250 (3626)			
Hydraulic fluid temperature range	°C (°F)	-10 to +100 (+14 to +212)			
Fatigue strength according to ISO 10771	Load cycles	> 10 <sup>6</sup> with max. operating pressure			
Cracking pressure of the bypass valve	bar (PSI)	7 ± 0.5 (100 ± 7)			
Type of pressure measurement of the maintenance indicator		Pressure differential			
Response pressure of the maintenance indicator	bar (PSI)	5 ± 0.5 (72 ± 7)			

See index Page 316 for GoTo product and accessory part numbers.

GoTo Focused Delivery Program: Filtration Systems

# Manifold mount pressure filter and replacement filter elements

## 350 PSF(N) 0040 to 1000



Manifold mounted filters are designed to be mounted directly on the pump outlet or control manifolds. They are installed upstream to protect open-loop and closed-loop control systems.

Replacement filter elements for Rexroth filters: Filter media for all applications made out of glassfiber-paper, filter-paper, wire mesh, non-wovens, and metal fiber.

For complete engineering and design information:  
GoTo [www.boschrexroth-us.com/GoTofilters](http://www.boschrexroth-us.com/GoTofilters)

### Features

- Special highly efficient filter media
- Adsorption of very fine particles across a broad pressure differential range
- High dirt holding capacity thanks to large specific filter area
- Good chemical resistance of the filter elements
- High collapse resistance of the filter elements (e.g. in case of cold start)
- Filter ratings of 3 µm to 100 µm
- As standard, each filter is equipped with mechanical-optical maintenance indicator with memory function
- Flow-optimized design due to 3D computer-supported design
- Features patented Cyclone head design which extends element life 7–10%

#### Detailed information:

- RE51419

### Technical Data


General						
Installation position		Lateral				
Ambient temperature range	°C (°F)	-30 to +100 (-22 to +212)				
Weight	Size	<b>0040</b>	<b>0063</b>	<b>0100</b>	<b>0130</b>	<b>0150</b>
	kg (lbs)	5.5 (12.1)	6.2 (13.6)	7.0 (15.4)	13.0 (28.6)	13.9 (30.6)
Weight	Size	<b>0160</b>	<b>0250</b>	<b>0400</b>	<b>0630</b>	<b>1000</b>
	kg (lbs)	18.5 (40.7)	20.5 (45.1)	24.5 (53.9)	41.2 (90.6)	87.0 (191.4)
Material	Filter head	GGG				
	Filter bowl	Steel				
	Optical maintenance indicator	Brass				
	Electronic switching element	Plastic PA6				
Hydraulic						
Maximum operating pressure	bar (PSI)	350 (5100)				
Hydraulic fluid temperature range	°C (°F)	-10 to +100 (+14 to +212) [shortly -30 (-22)]				
Fatigue strength according to ISO 10771	Load cycles	> 10 <sup>6</sup> with max. operating pressure				
Cracking pressure of the bypass valve	bar (PSI)	7 ± 0.5 (100 ± 7)				
Type of pressure measurement of the maintenance indicator		Pressure differential				
Response pressure of the maintenance indicator	bar (PSI)	5 ± 0.5 (72 ± 7)				

See index Page 316 for GoTo product and accessory part numbers.

GoTo Focused Delivery Program: Filtration Systems

# Manifold mount pressure filter and replacement filter elements

## 450 PBFN 0040 to 1000

	<p>Manifold mounted filters are designed to be mounted directly on the pump outlet or control manifolds. They are installed upstream to protect open-loop and closed-loop control systems.</p> <p>Replacement filter elements for Rexroth filters: Filter media for all applications made out of glassfiber-paper, filter-paper, wire mesh, non-wovens, and metal fiber.</p> <p>For complete engineering and design information:  <b>GoTo <a href="http://www.boschrexroth-us.com/GoTofilters">www.boschrexroth-us.com/GoTofilters</a></b></p>
---	--

### Features

- Special highly efficient filter media
- Adsorption of very fine particles across a broad pressure differential range
- High dirt holding capacity thanks to large specific filter area
- Good chemical resistance of the filter elements
- High collapse resistance of the filter elements (e.g. in case of cold start)
- Filter ratings of 3 µm to 100 µm
- As standard, each filter is equipped with mechanical-optical maintenance indicator with memory function
- Flow-optimized design due to 3D computer-supported design

**Detailed information:**  
 • RE51417


### Technical Data

General						
Installation position		Vertical				
Ambient temperature range		°C (°F) -30 to +100 (-22 to +212)				
Weight	Size	<b>0040</b>	<b>0063</b>	<b>0100</b>	<b>0130</b>	<b>0150</b>
	kg (lbs)	5 (11.0)	5.5 (12.1)	6.4 (14.1)	11.9 (26.2)	12.9 (28.4)
Weight	Size	<b>0160</b>	<b>0250</b>	<b>0400</b>	<b>0630</b>	<b>1000</b>
	kg (lbs)	15.9 (35.1)	16.5 (36.3)	19.9 (43.8)	37.5 (82.5)	48 (105.8)
Material	Filter head	GGG				
	Filter bowl	Steel				
	Optical maintenance indicator	Brass				
	Electronic switching element	Plastic PA6				
Hydraulic						
Maximum operating pressure		bar (PSI) 450 (6530)				
Hydraulic fluid temperature range		°C (°F) -10 to +100 (+14 to +212)				
Fatigue strength according to ISO 10771		Load cycles > 10 <sup>6</sup> with max. operating pressure				
Cracking pressure of the bypass valve		bar (PSI) 7 ± 0.5 (100 ± 7)				
Type of pressure measurement of the maintenance indicator		Pressure differential				
Response pressure of the maintenance indicator		bar (PSI) 5 ± 0.5 (72 ± 7)				

GoTo Focused Delivery Program: Filtration Systems

# Desiccant air breathers

## BFSK-2X

	<p>Highly efficient breather desiccant BFSK-2X filter provides true air filtration and dehumidification of incoming and outgoing air flow. The BFSK series filters capture very fine contaminant particles and provide high dirt holding capacity using a pleated, microglass element.</p> <p>For complete engineering and design information:  <b>GoTo <a href="http://www.boschrexroth-us.com/GoTofilters">www.boschrexroth-us.com/GoTofilters</a></b></p>
---	--

### Description

- Sizes 25, 40, 80, 125
- Micro-glass filter element (3 microns) material provides true depth filtration
- Check valve option to extend the life of the desiccant
- Sturdy construction uses metal center tubes
- Maintenance indicator option for improved monitoring
- Desiccant material is non-toxic and non-carcinogenic
- Desiccant pack is replaceable on sizes 40, 80, 125
- Air filter element can be replaced on all sizes

**Detailed information:**  
 • RE51456


### Technical Data

Size		25	40	80	125
Maximum pressure differential	PSIG	14.5			
Air filter – microglass	microns	3.0			
Weight	lbs	0.9	3.3	6.4	9
Silica gel (desiccant)	cm <sup>3</sup>	100	600	1000	2000
Water absorption	ml	28	172	288	576
Check valve cracking pressure	PSIG	0.15			
Ambient temperature range	°F	-40 to 185			
Operating temperature	°F	-18 to 185			
Installation position		Vertical			

GoTo Focused Delivery Program: Filtration Systems

## Breather filters:

BFS 7, BFS 20; BF 7 SL; FEF 0, FEF 1; TLF I, TLF III

	<p>Filtration and dehumidification of the intake air of industrial systems.</p> <p>Avoidance of initial damage in pumps and bearings, and system components.</p> <p>For complete engineering and design information:  <b>GoTo <a href="http://www.boschrexroth-us.com/GoTofilters">www.boschrexroth-us.com/GoTofilters</a></b></p>
---	--

### Design

#### Model BF 7 SL

Breather filter with threaded filter cartridge and 10 micron pleated filter element.  
 Flange connection (BF 7 SL...).

**Detailed information:**

- RE51413
- RE51414
- RE51415

#### BFS 7, BFS 20

Compact design male thread breather with 10 micron pleated paper filter element.  
 Materials as per spare parts list.

#### Models FEF 0, FEF 1

Combination filler breather with mounting flange and filling filter (screen basket 500 µm) and removable cap with bayonet lock. The internal breather filter element is 40 µm. The filter element is replaced by exchanging the whole metal cap. The breather cap is secured to the reservoir with a chain.

Materials as per spare parts list.

#### Models TLF I, TLF III

Removable filter breather housing with internal replaceable filter element. Filter element H10XL, H3XL up to a filtration rating of 10 µm and 3 µm with glass fiber material.

Materials as per spare parts list

**Designs:**


**TLF I...**: with female thread,

**TLF III...**: with male screw-in thread and filling filter (screen basket 130 µm).

GoTo Focused Delivery Program: Filtration Systems

# GoTo Analysis Kit

## GTAK

	<p>Fluid contamination is a major factor that can cause premature failures of hydraulic systems and components. An effective fluid analysis program can identify contamination and other problems not visible to the naked eye. Once high levels of contaminants are confirmed, corrective actions can be undertaken prior to the advent of costly catastrophic equipment failures. The GTAK fluid analysis kit can be used to obtain a complete and comprehensive laboratory analysis on a customer supplied fluid sample. The GTAK kits are supplied with pre-addressed labels for shipment to any one of multiple labs located throughout the United States. Results are quick and can be obtained via email or on the internet. Trend analysis is possible and easy to obtain for continuous monitoring of equipment.</p>
<p>For more information: GoTo <a href="http://www.boschrexroth-us.com/fluidtest">www.boschrexroth-us.com/fluidtest</a></p>	

### Description

- 8 oz ISO CLEAN sample jar
- Sample submittal form
- Shipping container
- Prepaid laboratory analysis
- Quick results sent via E-mail
- On-line trend analysis via Horizon system

### Technical Data

Laboratory analysis included with every kit
Elemental Metal Analysis (24) by ICP
Viscosity @ 40°C
Viscosity @ 100°C
Viscosity Index
Acid Number
Oxidation/Nitration by FTIR
ISO 4406 Particle Count
Karl Fischer Water %



GoTo Focused Delivery Program: Filtration Systems

# Online particle monitor OPM II



The OPM II is a visual particle monitor that measures the the level of contamination and the purity trend of non-aggressive fluids based on the light-extinction principle. In operation, a laser radiates through the measuring cell, directed against a photo diode. As fluid particles pass through the laser beam, the reflected light is reduced and recorded accordingly. Due to the continuous purity monitoring, changes in a system are quickly identified and consequential damage can be avoided.

For more information:  
GoTo [www.boschrexroth-us.com/GoTofilters](http://www.boschrexroth-us.com/GoTofilters)

## Description

- Can be integrated into external systems, or operated independently
- Results can be transferred to a PC for better analysis
- Fluid cleanliness class is optionally displayed according to ISO 4406:99 or SAE AS4059E
- Temperature is measured via electronic circuit board
- Includes "operating hours" counter, that restarts counting at the last stored time before any interruption

**Detailed information:**  
• RE51460

## Technical Data

Operating conditions	- Admissible operating pressure	bar (PSI)	Dynamic: 420 (6091) / Static: 600 (8702)
	- Ambient temperature	°C (°F)	-20...80 (-4...176)
	- Humidity	%	0 ... 95
Fluids	- Admissible fluids		Mineral and ester fluids; poly-alpha-olefins
	- Fluid temperature	°C (°F)	-20...80 (-4...176)
	- Fluid connections		2x threaded coupling AB20-11/K1 G1/4
	- Admissible flow	ml/min	50 ... 400
Wetted material			Stainless steel, sapphire, NBR
Sealing material			NBR
Voltage supply		V DC	9 ... 36
Current consumption		mA	Max. 300
Current outputs		mA	4 ... 20
Interfaces			RS 232, CANopen
Alarm contact			Open collector output
Electrical connection			8-pole connector M12x1
Measurement range according to ISO 4406:99			0 ... 24 (ordinal number)
Calibrated measurement range			10 ... 22 (ordinal number)
Measurement accuracy			±1.0 (ordinal number)

See index Page 318 for GoTo product and accessory part numbers.

GoTo Focused Delivery Program: Filtration Systems

## Popular cross-over filter elements



Rexroth cross-over filter elements are designed to replace your existing products, even those manufactured by other companies. Rexroth filter elements present the highest quality option for separation of solid materials from the whole fluid flowing back into the tanks. All cross-over elements listed in this section have a maximum order quantity of five and will ship in one day.

For complete engineering and design information:  
GoTo [www.boschrexroth-us.com/GoTofilters](http://www.boschrexroth-us.com/GoTofilters)

### Description

- Designed for optimum flow characteristics to achieve reduced pressure drop
- Finest materials and manufacturing processes used yield highest available beta efficiencies
- Compatible with different oil types, including rapidly biodegradable hydraulic oils
- Element lifetime increased due to materials and design - get more from your investment

### Technical Data

Part Number	Description
R928005636	1.0045 G25-A00-0-M
R928005639	1.0045 H10XL-A00-0-M
R928005672	1.0060 G25-A00-0-M
R928045173	1.1401 G40-A00-0-M
R928045584	2.0005 G40-A00-0-V
R928006374	2.0020 G25-A00-0-M
R928006376	2.0020 H6XL-A00-0-M
R928006699	2.0063 H3XL-A00-0-M
R928006755	2.0100 H10XL-A00-0-M
R928006764	2.0100 H10XL-B00-0-M
R928006861	2.0250 H3XL-A00-0-M
R928006862	2.0250 H6XL-A00-0-M
R928006871	2.0250 H6XL-B00-0-M
R928019029	2.56 P10-A00-0-M
R928025500	2.90 H10XL-C00-0-M
R928022781	4.06 P10-A00-0-M
R928028012	4.10 G200-A00-0-M
R928017144	9.110LA H10XL-A00-0-M SO3000
R928022425	9.110LA H10XL-A00-0-V SO3000
R928017152	9.110LA H10XL-F00-0-MSO3000
R928017143	9.110LA H20XL-A00-0-MSO3000

Part Number	Description
R928017154	9.110LA H3XL-F00-0-M SO3000
R928017145	9.110LA H6XL-A00-0-M SO3000
R928017153	9.110LA H6XL-F00-0-MSO3000
R928025333	9.1320LA H6XL-F00-0-M
R928017210	9.160LA H10XL-A00-0-M SO3000
R928017218	9.160LA H10XL-F00-0-MSO3000
R928017217	9.160LA H20XL-F00-0-MSO3000
R928017220	9.160LA H3XL-F00-0-M SO3000
R928017211	9.160LA H6XL-A00-0-MSO3000
R928017219	9.160LA H6XL-F00-0-MSO3000
R928017221	9.240 G25-A00-0-M
R928017243	9.240LA H10XL-A00-0-M SO3000
R928017251	9.240LA H10XL-F00-0-M SO3000
R928017242	9.240LA H20XL-A00-0-MSO3000
R928017250	9.240LA H20XL-F00-0-MSO3000
R928017245	9.240LA H3XL-A00-0-MSO3000
R928017253	9.240LA H3XL-F00-0-M SO3000
R928017244	9.240LA H6XL-A00-0-MSO3000
R928017276	9.280LA H10XL-A00-0-M SO3000
R928017275	9.280LA H20XL-A00-0-M SO3000
R928017277	9.280LA H6XL-A00-0-M SO3000

*continued on next page*

See index Pages 318–319 for GoTo product and accessory part numbers.

GoTo Focused Delivery Program: Filtration Systems

## Popular cross-over filter elements (continued)

### Technical Data (continued)

Part Number	Description	Part Number	Description
R928017074	9.30LA H10XL-A00-0-MSO3000	R928017552	10.330LA H10XL-A00-6-M SO3000
R928017086	9.30LA H10XL-F00-0-MSO3000	R928035218	10.330LA H10XL-A00-B6-M SO3000
R928017085	9.30LA H20XL-F00-0-M SO3000	R928017551	10.330LA H20XL-000-6-MSO3000
R928017088	9.30LA H3XL-F00-0-M SO3000	R928017553	10.330LA H6XL-000-6-MSO3000
R928017309	9.330LA H10XL-A00-0-M SO3000	R928017538	10.330P10-000-6-M
R928017317	9.330LA H10XL-F00-0-M SO3000	R928017575	10.500LA H10XL-A00-6-M SO3000
R928017311	9.330LA H3XL-A00-0-MSO3000	R928017574	10.500LAH20XL-000-6-MSO3000
R928017319	9.330LA H3XL-F00-0-M SO3000	R928017460	10.60LAH 10XL-000-6-MSO3000
R928017310	9.330LA H6XL-A00-0-MSO3000	R928017598	10.660LA H10XL-A00-6-M SO3000
R928017318	9.330LA H6XL-F00-0-M SO3000	R928017600	10.660LA H3XL-A00-6-MSO3000
R928048442	9.60 G25-A00-0-V-0024	R928017599	10.660LA H6XL-000-6-MSO3000
R928017111	9.60LA H10XL-A00-0-M SO3000	R928017621	10.850LA H10XL-000-6-MSO3000
R928017119	9.60LA H10XL-F00-0-M SO3000	R928017644	10.950LA H10XL-000-6-MSO3000
R928017121	9.60LA H3XL-F00-0-M SO3000	R928016676	16.7500/R H10XL-S00-0-M
R928017120	9.60LA H6XL-F00-0-MSO3000	R928016674	16.7500/R H6XL-S00-0-M
R928017408	9.660LA H10XL-A00-0-M SO3000	R928019959	16.7500/R P10-S00-0-M
R928017416	9.660LA H10XL-F00-0-M SO3000	R928016677	16.7500/S H10XL-S00-0-M
R928017407	9.660LA H20XL-A00-0-M SO3000	R928016673	16.7500/S H3XL-S00-0-M
R928017415	9.660LA H20XL-F00-0-MSO3000	R928016675	16.7500/S H6XL-S00-0-M
R928017418	9.660LA H3XL-F00-0-MSO3000	R928016706	16.8300/S H10XL-S00-0-V
R928017417	9.660LA H6XL-F00-0-M SO3000	R928016716	16.8304/U H6XL-S00-0-M
R928019176	9.990LA H10XL-F00-0-MSO3000	R928016728	16.8304/U H6XL-S00-0-V
R928017483	10.110LA H10XL-A00-6-M SO3000	R928016804	16.8700/R H10XL-S00-0-M
R928017647	10.1300 G25-000-6-M	R928016827	16.8900/TH10XL-S00-0-M
R928017667	10.1300LA H10XL-A00-6-M SO3000	R928016950	16.9600/T H6XL-E00-0-M
R928017668	10.1300LA H6XL-A00-6-M SO3000	R902603750	62.0056K H10XL-J00-0-V
R928017506	10.160LA H10XL-A00-6-M SO3000	R902603298	62.0056K H20XL-J00-0-V
R928017505	10.160LA H20XL-000-6-MSO3000	R902603243	62.0125K H20XL-J00-0-V
R928017507	10.160LA H6XL-000-6-MSO3000	R902603004	62.0180K H20XL-J00-0-V
R928017515	10.240 P10-000-6-M	R928019201	80.130 H6XL-S00-0-M
R928017529	10.240LA H10XL-A00-6-M SO3000	R928028010	80.30/20 P10-S00-0-V
R928017530	10.240LA H6XL-000-6-MSO3000	R928028019	80.45/21 VS60-S00-0-M
R928037731	10.2600LA H10XL-A00-0-M SO3000	R928016614	80.90 H10XL-S00-0-M
R928017692	10.2600LA H3XL-000-6-MSO3000	R928016612	80.90 P10-S00-0-M
R928017691	10.2600LA H6XL-000-6-MSO3000	R928028556	84.60 H10XL-S00-4-M
R928017437	10.30LA H10XL-000-6-MSO3000	R928022726	99.183677 MB15-C00-0-M

GoTo Focused Delivery Program: Accessories

# Hydro-electric pressure switch

## HED 8



Hydro-electric pressure switches of model HED 8 are piston-type pressure switches used to monitor a pressure value in a circuit. As a pressure value is achieved (rising or falling), the HED micro-switch changes state, which can be used as an indicator for the next sequential operation or shutdown. The HED microswitch is not a current carrying device; it is an actuator/sensor.

For complete engineering and design information:  
GoTo [www.boschrexroth-us.com/GoToaccess](http://www.boschrexroth-us.com/GoToaccess)

### Features

- For subplate mounting
- For in-pipe installation
- As vertical stacking element, position of ports to DIN 24340 form A
- In horizontal stacking assemblies
- Five pressure stages, optional
- Adjustment option:
  - Rotary knob with scale
- Cable socket with circuitry (indicator lamp) – separate order

#### Detailed information:

- RE50061

### Technical Data

Operating pressure	$p_{\max}$	bar (PSI)	630 (9100)
Switching frequency		cycles/hour	7200

GoTo Focused Delivery Program: Accessories

# Rotary angle sensor

## VT-SWA-1



Rotary angle sensor for SYDFE. systems with integrated electronics (complete kit with sensor and evaluation electronics, magnet carrier and parts to be installed).

For complete engineering and design information:  
GoTo [www.boschrexroth-us.com/GoToaccess](http://www.boschrexroth-us.com/GoToaccess)

### Features

- Suitable for use in SYDFEE and SYDFEC systems (systems with integrated electronics) for sensing the swivel angle of the A10V(S)O...DFE... pump and conversion of the measured value into an electrical signal
- Contact-free acquisition of a rotary angle using a Hall-effect sensor
- Consisting of magnet carrier and sensor with integral electronics in the housing

**Detailed information:**  
• RE30268


### Technical Data

Operating voltage	$U_o$	V	-10.0 (reference voltage)
Current consumption	$I$	mA	~25
Measuring range	$\alpha$	°C	±18
Output signal	$U$	V	-2 to -8

GoTo Focused Delivery Program: Accessories

# Cable set

## Z31



Cable Set Z31 for on-board electronic valves with 7-pin connectors. This flexible cable has a nominal 9 mm outside diameter and it includes an overall shielded. The polyurethane jacket resists oil, many chemicals, and considerable abrasion. The high quality 7-pin connector is over-molded to the cable, for worry-free connection to the OBE valve.

For complete engineering and design information:  
GoTo [www.boschrexroth-us.com/GoToaccess](http://www.boschrexroth-us.com/GoToaccess)

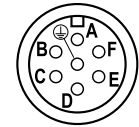
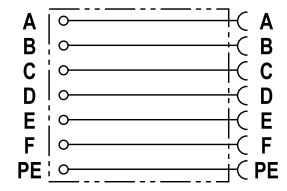
### Features

- Black polyurethane jacket
- Flexible conductors with overall shield
- Flame retardant
- Halogen-free
- RoHS compliant
- UL Recognized for North America
- 3, 5, 10 meter lengths

**Detailed information:**  
• RE08006

### Technical Data

Mating connector and cable		
Number of poles		6 + PE
Standard interface		MIL-C 5015, VG 95 342
Protection class according to EN 60529 (mounted and fitted)		IP65 / IP67
Cable type		Li9Y11CVY
Wire cross-section	mm <sup>2</sup> (AWG)	7 x 0.75 (17)
Shielding braid overlap	%	85 ± 5
Outside Diameter	mm	9 ± 0.2
Color code	PE (ground)	green-yellow
	Other conductors	A: brown, B: yellow, C: green D: blue, E: gray, F: white



GoTo Focused Delivery Program: Accessories

# Electrical connectors, Bolt kits, and Subplates

**GoTo [www.boschrexroth-us.com/GoToaccess](http://www.boschrexroth-us.com/GoToaccess)**

## Electrical connectors

Material No.	Description	Notes	Explanation
R901017011	3P Z4 M SW	Metric, PG thd	right angle connector, color black*
R901017022	3P Z5L M12 240V	Metric, PG thd	right angle connector w/ light, color black*
R901017026	3P Z5L1 M24V SPEZ	M16 X 1.5	right angle connector w/ light and zener diode protection, color black*
R901017025	3P RZ5 M24 240V	Metric, PG thd	right angle connector w/ rectifier, color black*
R900011039	3P Z45 B GDM201	NPT, 1/2" thd	right angle connector, color black*
R900057453	3P Z55L 12-240V	NPT, 1/2" thd	right angle connector w/ light, color black*
R900842566	3P RZ55 24	NPT, 1/2" thd	right angle connector w/ rectifier, color black*
R900057455	3P RZ55L 24-2 SPEZ&	NPT, 1/2" thd	right angle connector w/ rectifier and light, color black*
R900064381	4P Z24 M12X1	M12 X 1	straight plug cable (3m) for HM20, QM proximity switch*
R900021267	7P Z31 BF6-3PG11DSPEZ	Metric, PG thd	7-pin plastic, solder
R900223890	7P Z31 BF63PG11M SPEZ	PG11	Straight metal connector, solder contacts

R978713598	MS CONNECTOR FOR OBE VALVES		
1834484142	11P+PE / PG16	Metric, PG16	Plastic mating connector for OBE valves (crimp technique)
1834482022	6P+PE / PG11	Metric, PG11	Plastic mating connector for OBE valves (soldering technique)
1834482026	6P+PE / PG11	Metric, PG11	Plastic mating connector for OBE valves (crimping technique)

\* See RE08006

## Bolt kits

Material No.	Description	Notes	Explanation
R978833365	BK-(4) 10X24X2	WE6, WRAB(E)6, WRA(E)6, WRE(E)6	Bolt Kit; 4pcs of 10-24 x 2" long bolts
R978833366	BK-(4) 1/4X20X1-1/2	WE10, WRA(E)10, WRE(E)10	Bolt Kit; 4pcs of 1/4-20 x 1-1/2" long bolts
R978833367	BK-(4) 1/4X20X1-3/4	WEH10, WRZ(H)10, WRL(E)10	Bolt Kit; 4pcs of 1/4-20 x 1-3/4" long bolts
R978833395	BK-(4) 3/8X16X2-1/4-(2)1/4X20X2-1/4 SHCS	WEH16, WRZ(H)16, WRL(E)16	Bolt Kit; 4pcs of 3/8-16 x 2-1/4" + 2pcs of 1/4-20x 2-1/4" long bolts
R978833387	BK-(6) 1/2X13X2-1/2	WEH22, 25, WRZ(H)25, WRL(E)25	Bolt Kit; 6pcs of 1/2-13 x 2-1/2" long bolts

## Subplates

Material No.	Description	Notes	Port sizes	Reference
R900341065	G 341/12	subplates to ISO 4401-3 – Size 6	NFPA D03 pattern; SAE-6 ports	RA45052
R900455128	G 342/12	subplates to ISO 4401-3 – Size 6	NFPA D03 pattern; SAE-8 ports	RA45052

See index Page 321 for GoTo product and accessory part numbers.

GoTo Focused Delivery Program: Accessories

## Coils & handnuts – applicable to GoTo directional valves

**GoTo [www.boschrexroth-us.com/GoToaccess](http://www.boschrexroth-us.com/GoToaccess)**

### Coils & handnuts

Material No.	SAP/Portal Description	Notes	Explanation
R978839349	Coil Assembly WZ45-4-L110V50HZ+120V60HZ	110/120 vac	For use with DIN connection WE6-6X/EW.....K4* valves
R900545268	Valve Solenoid WZ45-4-MVN110V50/60+&	110/120 vac	For use with WE6/EW110K4
R900020175	Solenoid Coil WZ45-4-L110V-50/60HZ&	110/120 vac	For use with WE6/EW110K4
R900021464	Solenoid Coil WZ45-3 110V &	110/120 vac	For use with central box WE6-6X/EW.....D* valves
R900020169	Nut WZ45-.-M.N. SPEZ	all AC "WZ45"	Handnut for use with standard "N9" option AC valves, WE6-6X/EW
R901333224	Solenoid Coil 45-K4K-30G12 01	12 vdc	For use with DIN connection WE6-6X/EG.....K4* valves
R900021462	Solenoid Coil GZ45-3 12V	12 vdc	For use with central box WE6-6X/EG.....D* valves
R900021389	Solenoid Coil GZ45-4 24V	24 vdc	For use with DIN connection WE6-6X/EG.....K4* valves
R900021463	Solenoid Coil GZ45-3 24V	24 vdc	For use with central box WE6-6X/EG.....D* valves
R900029571	Nut GZ45-01M.N. SPEZ	all DC "GZ45"	Handnut for use with standard "N9" option DC valves, WE6-6X/EG
R900219602	Solenoid Coil WZ65-3 110V-50/ &	110/120 vac	For use with central box WE10-4X/CW.....D* valves
R900019816	Solenoid Coil WZ65-4-L110V-50/60HZ&	110/120 vac	For use with DIN connection WE10-3X/CW.....K4* valves
R900019801	Solenoid Coil WZ65-0-L110V-50/60HZ&	110/120 vac	For use with WE10-3X/CW110 D box
R900019840	Nut WZ65-.-LM.VN. SPEZ	all AC "WZ65"	Handnut for use with standard "N9" option AC valves, WE10-*X/CW
R900207929	Solenoid Coil GZ63-3 12V	12 vdc	For use with central box WE10-4X/CG.....D* valves
R900019792	Solenoid Coil GZ63-4 12V K4K	12 vdc	For use with DIN connection WE10-3X/CG.....K4* valves
R900217812	Solenoid Coil GZ63-3 24V	24 vdc	For use with central box WE10-4X/CG.....D* valves
R900019793	Solenoid Coil GZ63-4 24V	24 vdc	For use with DIN connection WE10-3X/CG.....K4* valves
R901232758	Solenoid Coil GZ63-K72L1-35G24 S00	24 vdc	For use with WE10-3X...K72L* valves
R900019841	Nut GZ63 M.VN.3K	all DC "GZ63"	Handnut for use with standard "N9" option DC valves, WE10-*X/CW
R901338900	Solenoid Coil 45-K4 -30G96 01	96 vdc	For use with DIN connection SED6+10 & SEW6+10.....K4* valves
R901333224	Solenoid Coil 45-K4K-30G12 01	12 vdc	For use with DIN connection SED6+10 & SEW6+10.....K4* valves
R900021389	Solenoid Coil GZ45-4 24V	24 vdc	For use with DIN connection SED6+10 & SEW6+10.....K4* valves

See index Pages 321–322 for GoTo product and accessory part numbers.



GoTo Focused Delivery Program: Accessories

## Coils & handnuts (continued) – applicable to GoTo directional valves

**GoTo [www.boschrexroth-us.com/GoToaccess](http://www.boschrexroth-us.com/GoToaccess)**

**Coils & handnuts**

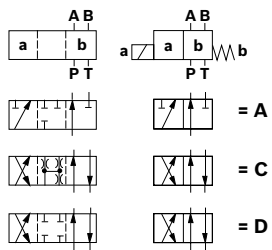
Material No.	SAP/Portal Description	Notes	Explanation
R901022180	Solenoid Coil 45-K4 – R3,3 00	12 V	For high-pressure valves with DIN connection and K4 plug
R901022174	Solenoid Coil 45-K4 – R7,2 00	24 V	For high-pressure valves with DIN connection and K4 plug
R901002932	Solenoid Coil 37-K4 – R2,3 00	12 V	For high-pressure valves with DIN connection and K4 plug
R901049962	Solenoid Coil 37-K4 – R11,500	24 V (800 mA)	For high-pressure valves with DIN connection and K4 plug
R901002319	Solenoid Coil 37-K4 – R4,8 00	24 V (1200 mA)	For high-pressure valves with DIN connection and K4 plug
R900991678	Solenoid Coil 37-K4 – 22G12 00	12 V	For high-pressure valves with DIN connection and K4 plug
R900991121	Solenoid Coil 37-K4 – 22G24 00	24 V	For high-pressure valves with DIN connection and K4 plug
R901003055	Solenoid Coil 37-K40 – R2,3 00	12 V	For high-pressure valves with Deutsch connection and K40 plug
R901050010	Solenoid Coil 37-K40 – R11,500	24 V (800 mA)	For high-pressure valves with Deutsch connection and K40 plug
R901003053	Solenoid Coil 37-K40 – R4,8 00	24 V (1200 mA)	For high-pressure valves with Deutsch connection and K40 plug
R900729189	Solenoid Coil 37-K40 – 22G12 00	12 V	For high-pressure valves with Deutsch connection and K40 plug
R900729190	Solenoid Coil 37-K40 – 22G24 00	24 V	For high-pressure valves with Deutsch connection and K40 plug
R901272648	Solenoid Coil 45-K40 – R3,3 00	12 V	For high-pressure valves with Deutsch connection and K40 plug
R901272647	Solenoid Coil 45-K40 – R7,2 00	24 V	For high-pressure valves with Deutsch connection and K40 plug

GoTo Focused Delivery Program: Accessories

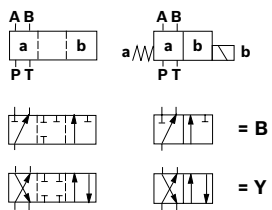
# Symbols for directional control valves

## 2 Position – 3 and 4 Way Valves

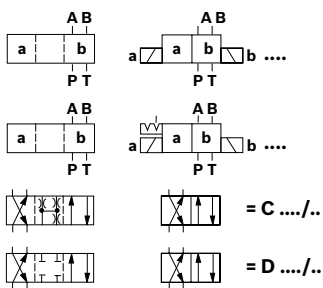
### Operator “A” Spring Return



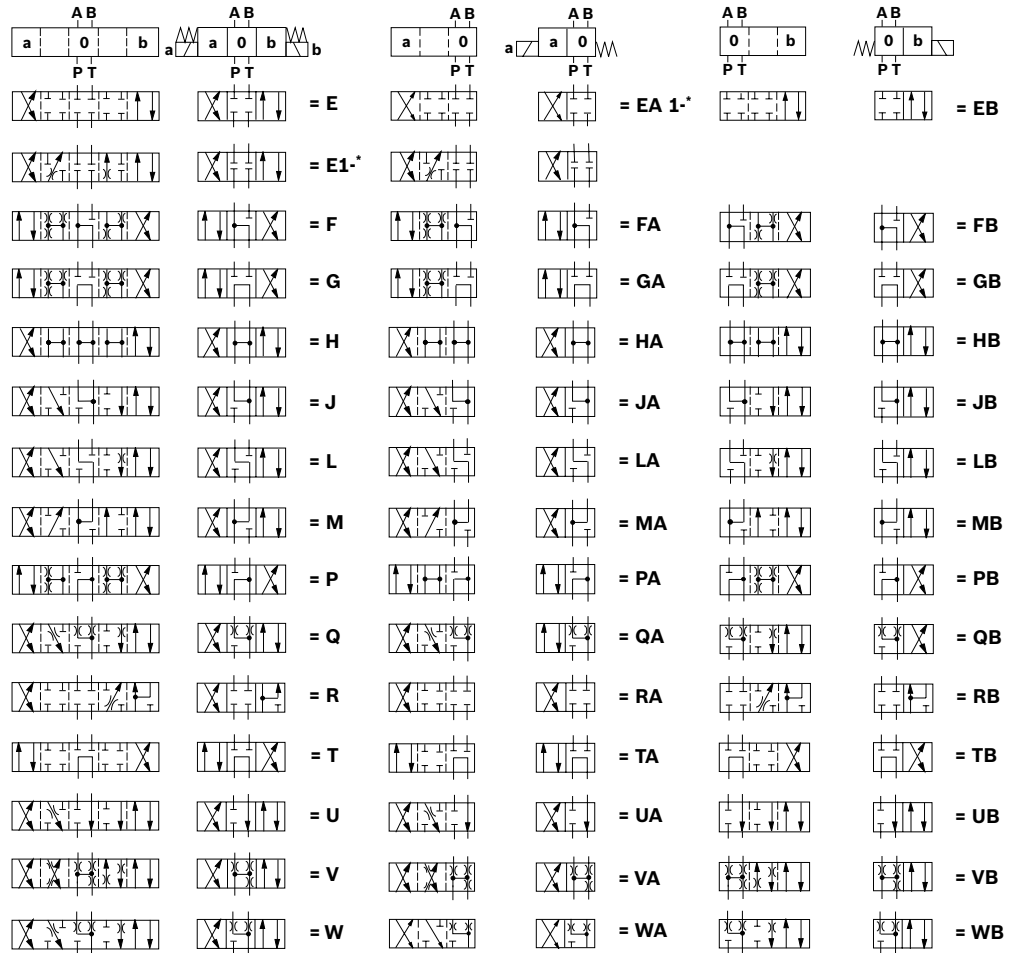
### Operator “B” Spring Return



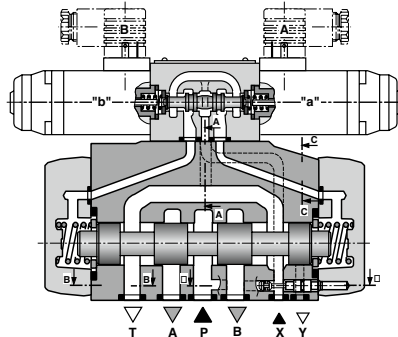
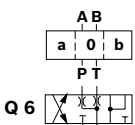
### Double Operators



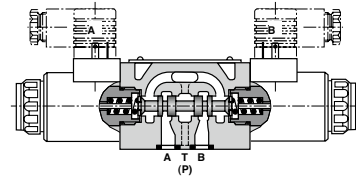
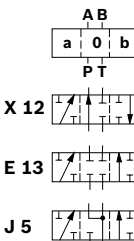
## Position – 4 Way Valves and 2 Position – 4 Way Valves



## WEH 22



## WE 6



GoTo Focused Delivery Program: Accessories

# VT Patch Cord



Type VT Patch cords are used for connecting between a VT card face-plate test jack and an analog/digital meter for the purpose of measuring voltage of the amplifier card. They are supplied with a 2 mm (0.0787 in) diameter plug on one end and a 4 mm (0.157 in) diameter plug on the other. They are connected by a 100 cm (40 in) length of silicone insulated wire (0.55 sq. mm/20 AWG). Available in both red and black colors.

For complete engineering and design information:  
GoTo [www.boschrexroth-us.com/GoToaccess](http://www.boschrexroth-us.com/GoToaccess)

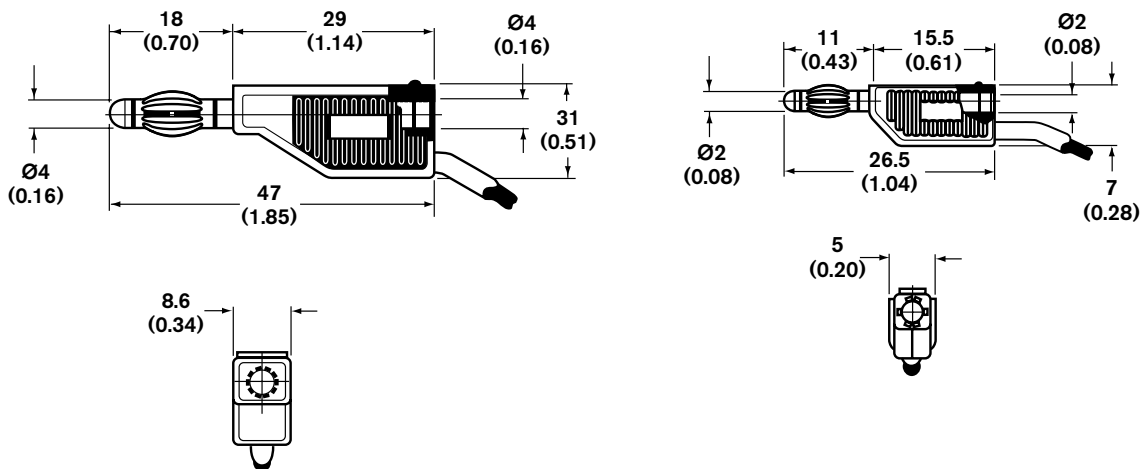
## Features

- For servicing or troubleshooting
- Measures voltage of amplifier card via VT card test jack
- Can be used with Rexroth test point and system cards
- Red or black color

**Detailed information:**  
• RA29785

## Technical Data

Material No.	Description	Color
R978807707	VT PATCH CORD RED AK205/410 SIL 100CM	Red
R978807708	VT PATCH CORD BLK AK205/410 SIL 100CM	Black



GoTo Focused Delivery Program: Aftermarket Parts

## Seal kits

GoTo [www.boschrexroth-us.com/GoToaccess](http://www.boschrexroth-us.com/GoToaccess)

### AZMF Seals

Part Number	Description
1510283065	ROTARY SHAFT LIP
1517010195	SEAL KIT

### AZPF Seals

1517010152	SEAL KIT (BUNA)
1510283008	SHAFT SEAL (BUNA)

### AZPN Seals

1510283023	ROTARY SHAFT LIP
1517010194	SEAL KIT

### VPV Seal Kits

9511230597	SEAL KIT	VPV/25/32-210BAR	FKM SEALS
9511230605	SEAL KIT	VPV/16-210BAR	FKM SEALS
9511230658	SEAL KIT	VPV/45-80 210 BAR	FKM SEALS
9511230659	SEAL KIT	VPV/100-164 210 BAR	FKM SEALS
R978711814	VPV16 SAE COMBO PUMP KIT 210		
R978711842	KIT P1 VPV80 210 BAR PUMP REP.		
R978711849	KIT REPAIR VPV100/130 210BAR SAE		
R978711851	KIT REPAIR VPV100/130 210BAR SAE/P1		
R978711850	KIT REPAIR VPV164 210BAR SAE		
R978711852	KIT REPAIR VPV164 210BAR SAE/P1		
R978711838	KIT REPAIR VPV45/63 210BAR SAE		
R978711841	KIT REPAIR VPV45/63 210BAR SAE/P1		
R978711812	REPAIR KIT VPV16 SAE PUMP 210 9511230606		
R978711809	REPAIR KIT VPV25/32 SAE 210 9511230598		
R978711825	REPAIR KIT VPV25/32SAE P1 210 9511230623		
R978711840	REPAIR KIT VPV80 SAE 210 BAR 9511230641		

### PV7 Seal Kits

R900891699	SEAL KIT	PV7-1X/100M/K
R900891704	SEAL KIT	PV7-1X/10M/K
R900891703	SEAL KIT	PV7-1X/16M
R900891702	SEAL KIT	PV7-1X/25M/K
R900891701	SEAL KIT	PV7-1X/40M/K
R900891700	SEAL KIT	PV7-1X/63M/K

See index Pages 322–323 for GoTo product and accessory part numbers.

GoTo Focused Delivery Program: Aftermarket Parts

## Seal kits (continued)

GoTo [www.boschrexroth-us.com/GoToaccess](http://www.boschrexroth-us.com/GoToaccess)

### A2F Seals

Part Number	Description
R987053790	SEAL KT A/AA2FM/O/E107-125/61-V
R987053791	SEAL KT A/AA2FM/O/E160-180/61-V
R987053779	SEAL KT A/AA2FM/O/E23-32/61-V
R987053787	SEAL KT A/AA2FM/O/E45/61-V
R987053788	SEAL KT A/AA2FM/O/E56-63/61-V
R987053789	SEAL KT A/AA2FM/O/E80-90/61-V
R987053786	SEAL KT A/AA2FM/O10-16/61-V

### A4VG Seals

R987053882	SEAL KT AA4VG125/32-N
R987053887	SEAL KT AA4VG180/32-N
R987053936	SEAL KT AA4VG250/32-N
R987053885	SEAL KT AA4VG28/32-N
R987054641	SEAL KT AA4VG40/32-N
R987053884	SEAL KT AA4VG56/32-N
R987053886	SEAL KT AA4VG71/32-N
R987053883	SEAL KT AA4VG90/32-N

### A4VS Seals

R902416678	SEAL KIT A4VS180/30-V pump only
R902416662	SEAL KIT .A4VS125/30-P pump only
R902416680	SEAL KIT .A4VS125/30-V pump only
R902416679	SEAL KIT .A4VS180/30-P pump only
R902416677	SEAL KIT .A4VS250/30-V pump only
R902416676	SEAL KIT A4VS250/30-P pump only

### A6V Seals

R987054740	SEAL KT AA6VM107/63-V
R987053876	SEAL KT AA6VM160/63-V
R987053873	SEAL KT AA6VM55/63-V
R987053874	SEAL KT AA6VM80/63-V

GoTo Focused Delivery Program: Aftermarket Parts

## Seal kits (continued)

GoTo [www.boschrexroth-us.com/GoToaccess](http://www.boschrexroth-us.com/GoToaccess)

### Valve Seals

Part Number	Description
R900890976	SEAL KIT -10/3V (M7-22)
R961000472	SEAL KIT LC16A/B/DB/DR.-7X/
R900357571	SEAL KIT WE 6.5X/
R900306349	SEAL KIT WH 22.6X/7X/
R961000756	SEAL KIT HED8OA/OH/OP1X/
R961000473	SEAL KIT LC16A/B/DB/DR.-7X/V
R961003070	SEAL KIT LC25.-5X/6X/
R961000474	SEAL KIT LC25A/B/DB/DR.-7X/
R961000475	SEAL KIT LC25A/B/DB/DR.-7X/V
R961000476	SEAL KIT LC32A/B/DB/DR.-7X/
R961000744	SEAL KIT LC40A/B/DB/DR.-7X/
R900314055	SEAL KIT LC40A/B/DB/DR-5X/6X/
R961000684	SEAL KIT SEW6.3X/.V M-2/3*
R900357578	SEAL KIT WE 10.3X/C
R900357579	SEAL KIT WE 10.3X/C/V
R900357572	SEAL KIT WE 6.5X/V
R900357573	SEAL KIT WE 6.6X/E
R900357574	SEAL KIT WE 6.6X/E/V
R900309825	SEAL KIT WH 22.6X/7X/V

GoTo Focused Delivery Program: Aftermarket Parts

# A10 service parts kits for AA10VSO series 30 and 31

**GoTo [www.boschrexroth-us.com/GoToaftermarket](http://www.boschrexroth-us.com/GoToaftermarket)**

**Size 18**

Part Number	Description
R910941171	SEAL KIT (VITON)
R910948589	BEARING KIT
R910948590	ROTARY GROUP RH – RIGHT HAND ROTATION
R910948591	ROTARY GROUP LH – LEFT HAND ROTATION

**Size 28**

R910932983	SEAL KIT (VITON)
R910942158	BEARING KIT
R910947781	ROTARY GROUP RH – RIGHT HAND ROTATION
R910947782	ROTARY GROUP LH – LEFT HAND ROTATION

**Size 45**

R910932984	SEAL KIT (VITON)
R902487515	SEAL KIT (VITON) - SERIES 53
R910963478	SEAL KIT (BUNA)
R910942248	BEARING KIT
R910947730	ROTARY GROUP RH – RIGHT HAND ROTATION
R910947789	ROTARY GROUP LH – LEFT HAND ROTATION

**Size 71**

R910932985	SEAL KIT (VITON)
R910942250	BEARING KIT
R910947801	ROTARY GROUP RH – RIGHT HAND ROTATION
R910947802	ROTARY GROUP LH – LEFT HAND ROTATION

**Size 100**

R910941168	SEAL KIT (VITON)
R910948602	BEARING KIT
R910948603	ROTARY GROUP RH – RIGHT HAND ROTATION
R910948604	ROTARY GROUP LH – LEFT HAND ROTATION

**Size 140**

R910941170	SEAL KIT (VITON)
R910948615	BEARING KIT
R910948617	ROTARY GROUP RH – RIGHT HAND ROTATION
R910948618	ROTARY GROUP LH – LEFT HAND ROTATION

See index Pages 324–325 for GoTo product and accessory part numbers.

GoTo Focused Delivery Program: Aftermarket Parts

## Popular cross-over filter elements

GoTo [www.boschrexroth-us.com/GoToaftermarket](http://www.boschrexroth-us.com/GoToaftermarket)

Part Number	Description
R928005636	1.0045 G25-A00-0-M
R928005639	1.0045 H10XL-A00-0-M
R928005672	1.0060 G25-A00-0-M
R928045173	1.1401 G40-A00-0-M
R928045584	2.0005 G40-A00-0-V
R928006374	2.0020 G25-A00-0-M
R928006376	2.0020 H6XL-A00-0-M
R928006699	2.0063 H3XL-A00-0-M
R928006755	2.0100 H10XL-A00-0-M
R928006764	2.0100 H10XL-B00-0-M
R928006861	2.0250 H3XL-A00-0-M
R928006862	2.0250 H6XL-A00-0-M
R928006871	2.0250 H6XL-B00-0-M
R928019029	2.56 P10-A00-0-M
R928025500	2.90 H10XL-C00-0-M
R928022781	4.06 P10-A00-0-M
R928028012	4.10 G200-A00-0-M
R928017144	9.110LA H10XL-A00-0-M SO3000
R928022425	9.110LA H10XL-A00-0-V SO3000
R928017152	9.110LA H10XL-F00-0-MSO3000
R928017143	9.110LA H20XL-A00-0-MSO3000
R928017154	9.110LA H3XL-F00-0-M SO3000
R928017145	9.110LA H6XL-A00-0-M SO3000
R928017153	9.110LA H6XL-F00-0-MSO3000
R928025333	9.1320LA H6XL-F00-0-M
R928017210	9.160LA H10XL-A00-0-M SO3000
R928017218	9.160LA H10XL-F00-0-MSO3000
R928017217	9.160LA H20XL-F00-0-MSO3000
R928017220	9.160LA H3XL-F00-0-M SO3000
R928017211	9.160LA H6XL-A00-0-MSO3000
R928017219	9.160LA H6XL-F00-0-MSO3000
R928017221	9.240 G25-A00-0-M
R928017243	9.240LA H10XL-A00-0-M SO3000
R928017251	9.240LA H10XL-F00-0-M SO3000
R928017242	9.240LA H20XL-A00-0-MSO3000
R928017250	9.240LA H20XL-F00-0-MSO3000
R928017245	9.240LA H3XL-A00-0-MSO3000
R928017253	9.240LA H3XL-F00-0-M SO3000
R928017244	9.240LA H6XL-A00-0-MSO3000

Part Number	Description
R928017276	9.280LA H10XL-A00-0-M SO3000
R928017275	9.280LA H20XL-A00-0-M SO3000
R928017277	9.280LA H6XL-A00-0-M SO3000
R928017074	9.30LA H10XL-A00-0-MSO3000
R928017086	9.30LA H10XL-F00-0-MSO3000
R928017085	9.30LA H20XL-F00-0-M SO3000
R928017088	9.30LA H3XL-F00-0-M SO3000
R928017309	9.330LA H10XL-A00-0-M SO3000
R928017317	9.330LA H10XL-F00-0-M SO3000
R928017311	9.330LA H3XL-A00-0-MSO3000
R928017319	9.330LA H3XL-F00-0-M SO3000
R928017310	9.330LA H6XL-A00-0-MSO3000
R928017318	9.330LA H6XL-F00-0-M SO3000
R928048442	9.60 G25-A00-0-V-0024
R928017111	9.60LA H10XL-A00-0-M SO3000
R928017119	9.60LA H10XL-F00-0-M SO3000
R928017121	9.60LA H3XL-F00-0-M SO3000
R928017120	9.60LA H6XL-F00-0-MSO3000
R928017408	9.660LA H10XL-A00-0-M SO3000
R928017416	9.660LA H10XL-F00-0-M SO3000
R928017407	9.660LA H20XL-A00-0-M SO3000
R928017415	9.660LA H20XL-F00-0-MSO3000
R928017418	9.660LA H3XL-F00-0-MSO3000
R928017417	9.660LA H6XL-F00-0-M SO3000
R928019176	9.990LA H10XL-F00-0-MSO3000
R928017483	10.110LA H10XL-A00-6-M SO3000
R928017647	10.1300 G25-000-6-M
R928017667	10.1300LA H10XL-A00-6-M SO3000
R928017668	10.1300LA H6XL-A00-6-M SO3000
R928017506	10.160LA H10XL-A00-6-M SO3000
R928017505	10.160LA H20XL-000-6-MSO3000
R928017507	10.160LA H6XL-000-6-MSO3000
R928017515	10.240 P10-000-6-M
R928017529	10.240LA H10XL-A00-6-M SO3000
R928017530	10.240LA H6XL-000-6-MSO3000
R928037731	10.2600LA H10XL-A00-0-M SO3000
R928017692	10.2600LA H3XL-000-6-MSO3000
R928017691	10.2600LA H6XL-000-6-MSO3000
R928017437	10.30LA H10XL-000-6-MSO3000

See index Pages 325–326 for GoTo product and accessory part numbers.



GoTo Focused Delivery Program: Aftermarket Parts

## Popular cross-over filter elements (continued)

*GoTo [www.boschrexroth-us.com/GoToaftermarket](http://www.boschrexroth-us.com/GoToaftermarket)*

Part Number	Description
R928017552	10.330LA H10XL-A00-6-M SO3000
R928035218	10.330LA H10XL-A00-B6-M SO3000
R928017551	10.330LA H20XL-000-6-MSO3000
R928017553	10.330LA H6XL-000-6-MSO3000
R928017538	10.330P10-000-6-M
R928017575	10.500LA H10XL-A00-6-M SO3000
R928017574	10.500LAH20XL-000-6-MSO3000
R928017460	10.60LAH 10XL-000-6-MSO3000
R928017598	10.660LA H10XL-A00-6-M SO3000
R928017600	10.660LA H3XL-A00-6-MSO3000
R928017599	10.660LA H6XL-000-6-MSO3000
R928017621	10.850LA H10XL-000-6-MSO3000
R928017644	10.950LA H10XL-000-6-MSO3000
R928016676	16.7500/R H10XL-S00-0-M
R928016674	16.7500/R H6XL-S00-0-M
R928019959	16.7500/R P10-S00-0-M
R928016677	16.7500/S H10XL-S00-0-M
R928016673	16.7500/S H3XL-S00-0-M

Part Number	Description
R928016675	16.7500/S H6XL-S00-0-M
R928016706	16.8300/S H10XL-S00-0-V
R928016716	16.8304/U H6XL-S00-0-M
R928016728	16.8304/U H6XL-S00-0-V
R928016804	16.8700/R H10XL-S00-0-M
R928016827	16.8900/TH10XL-S00-0-M
R928016950	16.9600/T H6XL-E00-0-M
R902603750	62.0056K H10XL-J00-0-V
R902603298	62.0056K H20XL-J00-0-V
R902603243	62.0125K H20XL-J00-0-V
R902603004	62.0180K H20XL-J00-0-V
R928019201	80.130 H6XL-S00-0-M
R928028010	80.30/20 P10-S00-0-V
R928028019	80.45/21 VS60-S00-0-M
R928016614	80.90 H10XL-S00-0-M
R928016612	80.90 P10-S00-0-M
R928028556	84.60 H10XL-S00-4-M
R928022726	99.183677 MB15-C00-0-M


GoTo Focused Delivery Program: Aftermarket Parts

## Rineer service part kits

**GoTo [www.boschrexroth-us.com/GoToaftermarket](http://www.boschrexroth-us.com/GoToaftermarket)**

BR Material #	Type of Kit	Description	
R986V02033	Spring Pack	M015 KT-SP-0150931	1 complete spring kit
R986V02035	Spring Pack	M037 KT-SP-0370936	1 complete spring kit
R986V02036	Spring Pack	M125 KT-SP-1250930	1 complete spring kit
R986V02037	Spring Pack	M125 KT-SP-1250993	1 complete spring kit
R986V04286	Service Kit	5/16 BALL CHECKS	12 pieces
R986V04287	Service Kit	M015 STD TIMING PLTS	2 pieces
R986V04288	Service Kit	M037 C62 TIMING PLTS	2 pieces
R986V04289	Service Kit	M125 PC TIMING PLTS	2 pieces
R986V02047	Service Kit	VANES 1250961PC	1 complete vane & spring kit
R986V02038	Service Kit	VANES V0150930	1 complete vane & spring kit
R986V02041	Service Kit	VANES V0371914PC	1 complete vane & spring kit
R986V02050	Service Kit	VANES V1251962-2S	1 complete vane & spring kit
R986V01643	Seal Kit	M015 KT-SE-0150004	1 complete seal kit
R986V01651	Seal Kit	M015 KT-SE-0150940	1 complete seal kit
R986V01687	Seal Kit	M037 KT-SE-0370973	1 complete seal kit
R986V01689	Seal Kit	M037 KT-SE-0370979	1 complete seal kit
R986V01690	Seal Kit	M037 KT-SE-0370982	1 complete seal kit
R986V01696	Seal Kit	M037 KT-SE-0371917	1 complete seal kit
R986V01747	Seal Kit	M125 KT-SE1250997	1 complete seal
R986V04301	Seal Kit	O-RINGS 2-160 NBR	12 pieces

GoTo Focused Delivery Program: Part Numbers

Page Number	Description	Part Number	Maximum Quantity	Shipment <sup>1)</sup> (Business Days)
	 <b>Pumps and Motors</b>			
	<b>A1VO – Variable displacement pumps</b>			
7	A1VO035DRS0C200/10BLVB2S41000000-0	R902549741	10	10
7	A1VO035DRS0C200/10BLVB2S51000000-0	R902549738	10	10
7	A1VO035DRS0C200/10BRVB2S41000000-0	R902549736	10	10
7	A1VO035DRS0C200/10BRVB2S51000000-0	R902549737	10	10
7	A1VO35DRS0C200/10LB2S4A2S2	R986901177	10	10
7	A1VO35DRS0C200/10LB2S4A2S2	R986901185	10	10
7	A1VO35DRS0C200/10LB2S4A2S3	R986901181	10	10
7	A1VO35DRS0C200/10LB2S4B2S4	R986901189	10	10
7	A1VO35DRS0C200/10LB2S4B2S5	R986901193	10	10
7	A1VO35DRS0C200/10LB2S5A2S2	R986901178	10	10
7	A1VO35DRS0C200/10LB2S5A2S2	R986901186	10	10
7	A1VO35DRS0C200/10LB2S5A2S3	R986901182	10	10
7	A1VO35DRS0C200/10LB2S5B2S4	R986901190	10	10
7	A1VO35DRS0C200/10LB2S5B2S5	R986901194	10	10
7	A1VO35DRS0C200/10RB2S4A2S2	R986901179	10	10
7	A1VO35DRS0C200/10RB2S4A2S2	R986901187	10	10
7	A1VO35DRS0C200/10RB2S4A2S3	R986901183	10	10
7	A1VO35DRS0C200/10RB2S4B2S4	R986901191	10	10
7	A1VO35DRS0C200/10RB2S4B2S5	R986901195	10	10
7	A1VO35DRS0C200/10RB2S5A2S2	R986901180	10	10
7	A1VO35DRS0C200/10RB2S5A2S2	R986901188	10	10
7	A1VO35DRS0C200/10RB2S5A2S3	R986901184	10	10
7	A1VO35DRS0C200/10RB2S5B2S4	R986901192	10	10
7	A1VO35DRS0C200/10RB2S5B2S5	R986901196	10	10
	<b>A10V(S)O &amp; (A)A10VSO (Series 31) – Variable Displacement Pumps</b>			
8	A10VO 28 DFR /31L-VSC62N00	R902504304	10 / >10	10 / 40
8	A10VO 28 DFR /31R-VSC62N00	R902502726	10 / >10	10 / 40
8	A10VO 28 DFR1 /31R-VSC62N00	R902502735	10 / >10	10 / 40
8	A10VO 45 DFR /31L-VSCV62N00	R910920155	10 / >10	10 / 40
8	A10VO 45 DFR /31L-VUC62N00	R902504295	10 / >10	10 / 40
8	A10VO 45 DFR /31R-VSC62K01	R902502728	10 / >10	10 / 40
8	A10VO 45 DFR /31R-VSC62K68	R902413359	10 / >10	10 / 40
8	A10VO 45 DFR /31R-VSC62N00	R902502703	10 / >10	10 / 40
8	A10VO 45 DFR1 /31L-VSC62N00	R910910727	10 / >10	10 / 40
8	A10VO 45 DRG /31L-VSC62N00	R902504296	10 / >10	10 / 40
8	A10VO 71 DFR /31L-VSC91N00	R902502700	10 / >10	10 / 40
8	A10VO 71 DFR /31L-VSC92N00	R902502710	10 / >10	10 / 40
8	A10VO 71 DFR /31R-VSC92K68	R902502697	10 / >10	10 / 40
8	A10VO 71 DFR /31R-VSC92N00	R902502698	10 / >10	10 / 40
8	A10VO 71 DFR1 /31R-VSC94N00	R902504299	10 / >10	10 / 40

Graduated Lead Time: 30 pieces in 30 days, or any quantity over 30 pieces in 40 days!

1) "Shipment" defined as – not to exceed the time from receipt of order to Bosch Rexroth Hydraulics to shipment ex-factory (Bosch Rexroth plant location).

## GoTo Focused Delivery Program: Part Numbers

Page Number	Description	Part Number	Maximum Quantity	Shipment <sup>1)</sup> (Business Days)
8	A10VO 71 DR /31R-VSC92N00	R902502711	10 / >10	10 / 40
8	A10VO 71 DRG /31R-VSC92K68	R902502723	10 / >10	10 / 40
8	A10VO 100 DFR /31L-PUC62N00	R910908135	10 / 30 / >30	10 / 30 / 40
8	A10VO 100 DFR /31L-VUC62N00	R902504293	10 / 30 / >30	10 / 30 / 40
8	A10VO 100 DFR /31R-VUC62K07	R902504300	10 / 30 / >30	10 / 30 / 40
8	A10VO 100 DFR /31R-VUC62N00	R902504294	10 / 30 / >30	10 / 30 / 40
8	A10VO 100 DFR1 /31L-VUC61N00	R902503597	10 / 30 / >30	10 / 30 / 40
8	A10VO 100 DFR1 /31R-VUC62K07	R902504303	10 / 30 / >30	10 / 30 / 40
8	LA10VO 100 DR /31R-VUC62N00	R902500164	10 / 30 / >30	10 / 30 / 40
8	A10VO 140 DFR /31L-VSD62N00	R902504324	10 / 30 / >30	10 / 30 / 40
8	A10VO 140 DFR /31R-VSD62N00	R902504328	10 / 30 / >30	10 / 30 / 40
8	A10VO 140 DR /31L-VSD62N00	R902504333	10 / 30 / >30	10 / 30 / 40
8	A10VO 140 DR /31R-VSD62N00	R902504331	10 / 30 / >30	10 / 30 / 40
8	A10VSO 18 DFR /31R-VKC62N00	R902502736	10 / >10	10 / 40
8	A10VSO 18 DFR /31R-VKC62N00	R910930740	10 / >10	10 / 40
8	A10VSO 18 DFR /31R-VSC62N00	R902503236	10 / >10	10 / 40
8	A10VSO 18 DFR /31R-VUC62N00	R902504298	10 / >10	10 / 40
8	A10VSO 18 DFR/31R-PUC62N00	R910928042	10 / >10	10 / 40
8	A10VSO 18 DFR1/31R-PPA12N00	R910945178	10 / >10	10 / 40
8	A10VSO 18 DR /31R-VKC62N00	R902502702	10 / >10	10 / 40
8	A10VSO 18 DRG /31R-VKC62N00	R902502752	10 / >10	10 / 40
8	A10VSO 28 DR /31R-PPA12N00	R910903163	10 / >10	10 / 40
8	A10VSO 45 DFR1 /31R-PPA12N00	R910908725	10 / >10	10 / 40
8	A10VSO 71 DR /31R-VPA42N00	R902502988	10 / >10	10 / 40
8	A10VSO 71 DRG /31R-PPA12K01	R902502989	10 / >10	10 / 40
8	A10VSO 100 DFR1 /31R-VPA12N00	R902502996	10 / 30 / >30	10 / 30 / 40
8	A10VSO 140 DFR1 /31R-VPB12N00	R902503000	10 / 30 / >30	10 / 30 / 40
8	AA10VSO 28 DFR /31R-VKC62K01	R902502185	10 / >10	10 / 40
8	AA10VSO 28 DFR /31R-VKC62N00	R902502732	10 / >10	10 / 40
8	AA10VSO 28 DR /31R-VKC62N00	R902401464	10 / >10	10 / 40
8	AA10VSO 28 DRG /31L-VSC62N00	R902502364	10 / >10	10 / 40
8	AA10VSO 28 DRG /31R-VKC62N00	R902502734	10 / >10	10 / 40
8	AA10VSO 45 DFR /31R-VKC62K01	R902502188	10 / >10	10 / 40
8	AA10VSO 45 DFR /31R-VKC62K68	R902521476	10 / >10	10 / 40
8	AA10VSO 45 DFR /31R-VKC62N00	R902502733	10 / >10	10 / 40
8	AA10VSO 45 DFR /31R-VSC62N00	R902504391	10 / >10	10 / 40
8	AA10VSO 45 DR /31R-VKC62N00	R902502741	10 / >10	10 / 40
8	AA10VSO 45 DRG /31R-VKC62N00	R902502737	10 / >10	10 / 40
8	AA10VSO 71 DFR /31R-VKC92K01	R902502186	10 / >10	10 / 40
8	AA10VSO 71 DFR /31R-VKC92N00	R902400497	10 / >10	10 / 40
8	AA10VSO 71 DFR1 /31R-VKC92N00	R902502127	10 / >10	10 / 40
8	AA10VSO 71 DR /31R-VKC92N00	R902502701	10 / >10	10 / 40
8	AA10VSO 71 DR /31L-VKC92N00	R902502981	10 / >10	10 / 40
8	AA10VSO 71 DR /31R-VKC92K01	R902502980	10 / >10	10 / 40

Graduated Lead Time: 30 pieces in 30 days, or any quantity over 30 pieces in 40 days!

1) "Shipment" defined as – not to exceed the time from receipt of order to Bosch Rexroth Hydraulics to shipment ex-factory (Bosch Rexroth plant location).

GoTo Focused Delivery Program: Part Numbers

Page Number	Description	Part Number	Maximum Quantity	Shipment <sup>1)</sup> (Business Days)
8	AA10VSO 71 DR /31R-VKC92K05	R902502984	10 / >10	10 / 40
8	AA10VSO 71 DR /31R-VKC92K08	R902503042	10 / >10	10 / 40
8	AA10VSO 71 DRG /31R-VKC92K03	R902502715	10 / >10	10 / 40
8	AA10VSO 71 DRG /31R-VKC92K40	R902502982	10 / >10	10 / 40
8	AA10VSO 71 DRG /31R-VKC92N00	R902502985	10 / >10	10 / 40
8	EAA10VSO 71 DR /31R-VKC92N00	R902502986	10 / >10	10 / 40
8	AA10VSO 100 DFR /31R-VKC62K03	R902502994	10 / 30 / >30	10 / 30 / 40
8	AA10VSO 100 DFR /31R-VKC62K08	R902502995	10 / 30 / >30	10 / 30 / 40
8	AA10VSO 100 DFR /31R-VKC62N00	R902502730	10 / 30 / >30	10 / 30 / 40
8	AA10VSO 100 DFR /31R-VKC62N00	R910918441	10 / 30 / >30	10 / 30 / 40
8	AA10VSO 100 DR /31R-VKC62K01	R902502992	10 / 30 / >30	10 / 30 / 40
8	AA10VSO 100 DR /31R-VKC62K38	R902502991	10 / 30 / >30	10 / 30 / 40
8	AA10VSO 100 DR /31R-VKC62N00	R902502997	10 / 30 / >30	10 / 30 / 40
8	AA10VSO 100 DRG /31R-VKC62N00	R902502990	10 / 30 / >30	10 / 30 / 40
8	AA10VSO 140 DFR /31R-VKD62K01	R902503002	10 / 30 / >30	10 / 30 / 40
8	AA10VSO 140 DFR /31R-VKD62N00	R902503001	10 / 30 / >30	10 / 30 / 40
8	AA10VSO 140 DFR /31R-VKD62N00	R910940042	10 / 30 / >30	10 / 30 / 40
8	AA10VSO 140 DFR1 /31R-VKD62K01	R902502998	10 / 30 / >30	10 / 30 / 40
8	AA10VSO 140 DR /31R-VKD62N00	R902502731	10 / 30 / >30	10 / 30 / 40
8	AA10VSO 140 DR /31R-VKD62N00	R902503003	10 / 30 / >30	10 / 30 / 40
8	AA10VSO 140 DRG /31R-VKD62K08	R902502999	10 / 30 / >30	10 / 30 / 40
8	AA10VSO 140 DRG /31R-VKD62N00	R902503004	10 / 30 / >30	10 / 30 / 40
	<b>A10V(S)O (Series 52) – Variable Displacement Pumps</b>			
9	A10VSO 10 DFR /52R-VKC64N00 E	R902476345	5 / >5	10 / 40
9	A10VO 28 DFR /52L-VRC64N00	R902504637	10 / >10	10 / 40
9	A10VO 28 DFR /52L-VSC64N00	R902504312	10 / >10	10 / 40
9	A10VO 28 DFR /52R-VRC64N00	R902504639	10 / >10	10 / 40
9	A10VO 28 DFR /52R-VSC64N00	R902502740	10 / >10	10 / 40
9	A10VO 28 DFR1 /52L-VRC64N00	R902504647	10 / >10	10 / 40
9	A10VO 28 DFR1 /52L-VSC64N00	R902504644	10 / >10	10 / 40
9	A10VO 28 DFR1 /52R-VRC64N00	R902504651	10 / >10	10 / 40
9	A10VO 28 DFR1 /52R-VSC64N00	R902504642	10 / >10	10 / 40
9	A10VO 28 DR /52L-VRC64N00	R902504634	10 / >10	10 / 40
9	A10VO 28 DR /52L-VSC64N00	R902504317	10 / >10	10 / 40
9	A10VO 28 DR /52R-VRC64N00	R902504645	10 / >10	10 / 40
9	A10VO 28 DR /52R-VSC64N00	R902504314	10 / >10	10 / 40
9	A10VO 45 DFR /52L-PUC64N00	R910970020	10 / >10	10 / 40
9	A10VO 45 DFR /52L-VSC64N00	R902502739	10 / >10	10 / 40
9	A10VO 45 DFR /52R-VSC64N00	R902505533	10 / >10	10 / 40
9	A10VO 45 DFR /52L-VUC64N00	R902504305	10 / >10	10 / 40
9	A10VO 45 DFR /52R-VSC62N00	R902504660	10 / >10	10 / 40
9	A10VO 45 DFR /52R-VSC64N00	R902401405	10 / >10	10 / 40
9	A10VO 45 DFR /52R-VUC62N00	R902504662	10 / >10	10 / 40
9	A10VO 45 DFR /52R-VUC64N00	R902504309	10 / >10	10 / 40

Graduated Lead Time: 30 pieces in 30 days, or any quantity over 30 pieces in 40 days!

1) "Shipment" defined as – not to exceed the time from receipt of order to Bosch Rexroth Hydraulics to shipment ex-factory (Bosch Rexroth plant location).

## GoTo Focused Delivery Program: Part Numbers

Page Number	Description	Part Number	Maximum Quantity	Shipment <sup>1)</sup> (Business Days)
9	A10VO 45 DFR1 /52L-VSC64N00	R902504652	10 / >10	10 / 40
9	A10VO 45 DFR1 /52L-VUC64N00	R902504653	10 / >10	10 / 40
9	A10VO 45 DFR1 /52R-VSC62N00	R902504663	10 / >10	10 / 40
9	A10VO 45 DFR1 /52R-VSC64N00	R902502738	10 / >10	10 / 40
9	A10VO 45 DFR1 /52R-VUC62N00	R902504664	10 / >10	10 / 40
9	A10VO 45 DFR1 /52L-VUC64N00	R902505534	10 / >10	10 / 40
9	A10VO 45 DFR1 /52R-VUC64N00	R902505536	10 / >10	10 / 40
9	A10VO 45 DFR1 /52R-VUC64N00	R902504306	10 / >10	10 / 40
9	A10VO 45 DR /52L-VSC64N00	R902504654	10 / >10	10 / 40
9	A10VO 45 DR /52L-VUC64N00	R902504656	10 / >10	10 / 40
9	A10VO 45 DR /52R-VSC62N00	R902504666	10 / >10	10 / 40
9	A10VO 45 DR /52R-VSC64N00	R902504658	10 / >10	10 / 40
9	A10VO 45 DR /52R-VUC62N00	R902504668	10 / >10	10 / 40
9	A10VO 45 DR /52R-VUC64N00	R902504310	10 / >10	10 / 40
9	HA10VO 45 DFR /52R-PSC62N00	R902406182	10 / >10	10 / 40
9	A10VO 60 DFR /52L-PUC61N00	R910984664	10 / >10	10 / 40
9	A10VO 60 DFR /52L-VSC61N00	R902504690	10 / >10	10 / 40
9	A10VO 60 DFR /52L-VSC62K04	R902504803	10 / >10	10 / 40
9	A10VO 60 DFR /52L-VSC62K68	R902504821	10 / >10	10 / 40
9	A10VO 60 DFR /52L-VSC62N00	R902504746	10 / >10	10 / 40
9	A10VO 60 DFR /52L-VSD62K04	R902504790	10 / >10	10 / 40
9	A10VO 60 DFR /52L-VSD62K68	R902504813	10 / >10	10 / 40
9	A10VO 60 DFR /52R-VSD62N00	R902506208	10 / >10	10 / 40
9	A10VO 60 DFR /52L-VUC61N00	R902504698	10 / >10	10 / 40
9	A10VO 60 DFR /52L-VUC62N00	R902504755	10 / >10	10 / 40
9	A10VO 60 DFR /52L-VUD61N00	R902504679	10 / >10	10 / 40
9	A10VO 60 DFR /52L-VUD62N00	R902504736	10 / >10	10 / 40
9	A10VO 60 DFR /52L-VWC61N00	R902504721	10 / >10	10 / 40
9	A10VO 60 DFR /52L-VWC62N00	R902504776	10 / >10	10 / 40
9	A10VO 60 DFR /52L-VWD61N00	R902504709	10 / >10	10 / 40
9	A10VO 60 DFR /52L-VWD62N00	R902504765	10 / >10	10 / 40
9	A10VO 60 DFR /52R-VSC61N00	R902504687	10 / >10	10 / 40
9	A10VO 60 DFR /52R-VSC62K04	R902504800	10 / >10	10 / 40
9	A10VO 60 DFR /52R-VSC62K68	R902504820	10 / >10	10 / 40
9	A10VO 60 DFR /52R-VSC62N00	R902504743	10 / >10	10 / 40
9	A10VO 60 DFR /52R-VSD61N00	R902504320	10 / >10	10 / 40
9	A10VO 60 DFR /52R-VSD62K04	R902504787	10 / >10	10 / 40
9	A10VO 60 DFR /52R-VSD62K68	R902504810	10 / >10	10 / 40
9	A10VO 60 DFR /52R-VSD62N00	R902504727	10 / >10	10 / 40
9	A10VO 60 DFR /52R-VUC61N00	R902504697	10 / >10	10 / 40
9	A10VO 60 DFR /52R-VUD61N00	R902504675	10 / >10	10 / 40
9	A10VO 60 DFR /52R-VUD62N00	R902504733	10 / >10	10 / 40
9	A10VO 60 DFR /52R-VWC61N00	R902504717	10 / >10	10 / 40
9	A10VO 60 DFR /52R-VWC62N00	R902504773	10 / >10	10 / 40

Graduated Lead Time: 30 pieces in 30 days, or any quantity over 30 pieces in 40 days!

1) "Shipment" defined as – not to exceed the time from receipt of order to Bosch Rexroth Hydraulics to shipment ex-factory (Bosch Rexroth plant location).

GoTo Focused Delivery Program: Part Numbers

Page Number	Description	Part Number	Maximum Quantity	Shipment <sup>1)</sup> (Business Days)
9	A10VO 60 DFR /52R-VWD61N00	R902504705	10 / >10	10 / 40
9	A10VO 60 DFR /52R-VWD62N00	R902504761	10 / >10	10 / 40
9	A10VO 60 DFR1 /52L-VSC61N00	R902504692	10 / >10	10 / 40
9	A10VO 60 DFR1 /52L-VSC62K04	R902504797	10 / >10	10 / 40
9	A10VO 60 DFR1 /52L-VSC62K68	R902504818	10 / >10	10 / 40
9	A10VO 60 DFR1 /52L-VSC62N00	R902504748	10 / >10	10 / 40
9	A10VO 60 DFR1 /52L-VSD61N00	R902504669	10 / >10	10 / 40
9	A10VO 60 DFR1 /52L-VSD62K04	R902504292	10 / >10	10 / 40
9	A10VO 60 DFR1 /52L-VSD62K68	R902504808	10 / >10	10 / 40
9	A10VO 60 DFR1 /52L-VSD62N00	R902504728	10 / >10	10 / 40
9	A10VO 60 DFR1 /52L-VUC61N00	R902504700	10 / >10	10 / 40
9	A10VO 60 DFR1 /52L-VUD61N00	R902504682	10 / >10	10 / 40
9	A10VO 60 DFR1 /52L-VUD62N00	R902504738	10 / >10	10 / 40
9	A10VO 60 DFR1 /52L-VWC61N00	R902504723	10 / >10	10 / 40
9	A10VO 60 DFR1 /52L-VWC62N00	R902504778	10 / >10	10 / 40
9	A10VO 60 DFR1 /52L-VWD61N00	R902504712	10 / >10	10 / 40
9	A10VO 60 DFR1 /52L-VWD62N00	R902504768	10 / >10	10 / 40
9	A10VO 60 DFR1 /52R-PSD62N00 -SO 97	R902401219	10 / >10	10 / 40
9	A10VO 60 DFR1 /52R-VSC61N00	R902504689	10 / >10	10 / 40
9	A10VO 60 DFR1 /52R-VSC62K04	R902504802	10 / >10	10 / 40
9	A10VO 60 DFR1 /52R-VSC62N00	R902504745	10 / >10	10 / 40
9	A10VO 60 DFR1 /52R-VSD61N00	R902502753	10 / >10	10 / 40
9	A10VO 60 DFR1 /52R-VSD62K04	R902504789	10 / >10	10 / 40
9	A10VO 60 DFR1 /52R-VSD62K68	R902504812	10 / >10	10 / 40
9	A10VO 60 DFR1 /52R-VSD62N00	R902504316	10 / >10	10 / 40
9	A10VO 60 DFR1 /52R-VUC61N00	R902504319	10 / >10	10 / 40
9	A10VO 60 DFR1 /52R-VUC61N00	R902505535	10 / >10	10 / 40
9	A10VO 60 DFR1 /52R-VUC62N00	R902504753	10 / >10	10 / 40
9	A10VO 60 DFR1 /52R-VUD61N00	R902504678	10 / >10	10 / 40
9	A10VO 60 DFR1 /52R-VUD62N00	R902504735	10 / >10	10 / 40
9	A10VO 60 DFR1 /52R-VWC61N00	R902504720	10 / >10	10 / 40
9	A10VO 60 DFR1 /52R-VWC62N00	R902504775	10 / >10	10 / 40
9	A10VO 60 DFR1 /52R-VWD61N00	R902504708	10 / >10	10 / 40
9	A10VO 60 DFR1 /52R-VWD62N00	R902504764	10 / >10	10 / 40
9	A10VO 60 DR /52L-VSC61N00	R902504695	10 / >10	10 / 40
9	A10VO 60 DR /52L-VSC62K04	R902504806	10 / >10	10 / 40
9	A10VO 60 DR /52L-VSC62K68	R902504824	10 / >10	10 / 40
9	A10VO 60 DR /52L-VSC62N00	R902504751	10 / >10	10 / 40
9	A10VO 60 DR /52L-VSD61N00	R902504673	10 / >10	10 / 40
9	A10VO 60 DR /52L-VSD62K04	R902504793	10 / >10	10 / 40
9	A10VO 60 DR /52L-VSD62K68	R902504816	10 / >10	10 / 40
9	A10VO 60 DR /52L-VSD62N00	R902504732	10 / >10	10 / 40
9	A10VO 60 DR /52L-VUC61N00	R902504703	10 / >10	10 / 40
9	A10VO 60 DR /52L-VUC62N00	R902504759	10 / >10	10 / 40

Graduated Lead Time: 30 pieces in 30 days, or any quantity over 30 pieces in 40 days!

1) "Shipment" defined as – not to exceed the time from receipt of order to Bosch Rexroth Hydraulics to shipment ex-factory (Bosch Rexroth plant location).

## GoTo Focused Delivery Program: Part Numbers

Page Number	Description	Part Number	Maximum Quantity	Shipment <sup>1)</sup> (Business Days)
9	A10VO 60 DR /52L-VUD61N00	R902504685	10 />10	10 / 40
9	A10VO 60 DR /52L-VUD62N00	R902504741	10 />10	10 / 40
9	A10VO 60 DR /52L-VWC61N00	R902504726	10 />10	10 / 40
9	A10VO 60 DR /52L-VWC62N00	R902504781	10 />10	10 / 40
9	A10VO 60 DR /52L-VWD61N00	R902504715	10 />10	10 / 40
9	A10VO 60 DR /52L-VWD62N00	R902504771	10 />10	10 / 40
9	A10VO 60 DR /52R-VSC61N00	R902504693	10 />10	10 / 40
9	A10VO 60 DR /52R-VSC62K04	R902504804	10 />10	10 / 40
9	A10VO 60 DR /52R-VSC62K68	R902504822	10 />10	10 / 40
9	A10VO 60 DR /52R-VSC62N00	R902504749	10 />10	10 / 40
9	A10VO 60 DR /52R-VSD61N00	R902504671	10 />10	10 / 40
9	A10VO 60 DR /52R-VSD62K04	R902504791	10 />10	10 / 40
9	A10VO 60 DR /52R-VSD62K68	R902504814	10 />10	10 / 40
9	A10VO 60 DR /52R-VSD62N00	R902504730	10 />10	10 / 40
9	A10VO 60 DR /52R-VUC61N00	R902504701	10 />10	10 / 40
9	A10VO 60 DR /52R-VUC62N00	R902504757	10 />10	10 / 40
9	A10VO 60 DR /52R-VUD62N00	R902504739	10 />10	10 / 40
9	A10VO 60 DR /52R-VWC61N00	R902504724	10 />10	10 / 40
9	A10VO 60 DR /52R-VWC62N00	R902504779	10 />10	10 / 40
9	A10VO 60 DR /52R-VWD61N00	R902504713	10 />10	10 / 40
9	A10VO 60 DR /52R-VWD62N00	R902504769	10 />10	10 / 40
9	A10VO 60 DRG /52R-VUC62N00 -SO 97	R902501461	10 />10	10 / 40
9	A10VO 85 DFR /52L-VUC61N00	R902504835	10 />10	10 / 40
9	A10VO 85 DFR /52L-VUC62N00	R902504326	10 />10	10 / 40
9	A10VO 85 DFR /52R-VUC61N00	R902504834	10 />10	10 / 40
9	A10VO 85 DFR /52R-VUC62N00	R902504322	10 />10	10 / 40
9	A10VO 85 DFR1 /52L-VUC61N00	R902504832	10 />10	10 / 40
9	A10VO 85 DFR1 /52L-VUC62N00	R902504826	10 />10	10 / 40
9	A10VO 85 DFR1 /52R-VUC61N00	R902501434	10 />10	10 / 40
9	A10VO 85 DFR1 /52R-VUC62N00	R902504330	10 />10	10 / 40
9	A10VO 85 DR /52L-VUC61N00	R902504836	10 />10	10 / 40
9	A10VO 85 DR /52L-VUC62N00	R902504828	10 />10	10 / 40
9	A10VO 85 DR /52R-VUC61N00	R902504838	10 />10	10 / 40
9	A10VO 85 DR /52R-VUC62N00	R902504830	10 />10	10 / 40
	<b>A10VSO (Series 32) – Variable Displacement Pumps</b>			
10	A10VO 45 LA7DG /32R-VSC72U00E	R902553519	3	10
10	A10VO 100 LA6DG /32R-VSC72U00E	R902553517	3	10
10	A10VSO 71 LA6DG /32R-VSD72U00E	R902551878	3	10
10	A10VSO 140 DRG /32R-VSD72U00E	R902513544	3	10
10	A10VSO 140 DRS /32R-VSD72U00E	R902514124	3	10
10	A10VSO 140 LA6DG /32R-VSD72U00E	R902551880	3	10
10	A10VSO 180 DRF /32R-VSD72U00E	R902534337	3	10
10	A10VSO 180 DRG /32R-VKD72U00E E	R902497939	3	10

Graduated Lead Time: 30 pieces in 30 days, or any quantity over 30 pieces in 40 days!

1) "Shipment" defined as – not to exceed the time from receipt of order to Bosch Rexroth Hydraulics to shipment ex-factory (Bosch Rexroth plant location).



GoTo Focused Delivery Program: Part Numbers

Page Number	Description	Part Number	Maximum Quantity	Shipment <sup>1)</sup> (Business Days)
	<b>(A)AA4VSO (Series 10 &amp; 30) – Variable Displacement Pumps</b>			
11	AA4VSO 40 DR /10R-PKD63N00 E	R902406306	3	10
11	AA4VSO 71 DR /10R-PKD63N00 E	R902406401	3	10
11	AA4VSO 125 DR /30R-FKD75U99 E	R902446067	3	10
11	AA4VSO 125 DR /30R-VKD75U99 E	R902451164	3	10
11	AA4VSO 180 DR /30R-FKD75U99 E	R902446069	3	10
11	AA4VSO 180 DR /30R-VKD75U99 E	R902446024	3	10
11	AA4VSO 250 DR /30R-FKD75U99 E	R902445974	3	10
11	HAA4VSO 250DR/30R-VKD75U99 E	R902445975	3	10
11	HAA4VSO 250DRG/30R-VKD75U99 E	R902480613	3	10
	<b>A15VSO (Series 10) – Variable Displacement Pumps</b>			
12	A15VSO 110 DRS0A0V/10ARVD4T11EU0000-0	R902537973	3	10
12	A15VSO 110 LRDRDGA0V/10ARVD4T11EU*GO2US*E	R902540646	3	10
12	A15VSO 110 LRDRS0A0V/10ARVD4T11EU*GO2US*E	R902537975	3	10
12	A15VSO 145 DRS 0A0V/10ARVD4T11EU0000-0	R902536979	3	10
12	A15VSO 145 LRDRS 0A0V/10ARVD4T11EU0000-0	R902536981	3	10
12	A15VSO 175 DR S0A0V/10ARVE4T21EU0000-0	R902536791	3	10
12	A15VSO 175 LRDRS 0A0V/10ARVE4T21EU0000-0	R902536793	3	10
12	A15VSO 210 DRS 0A0V/10ARVE4T21EU0000-0	R902536795	3	10
12	A15VSO 210 LRDRS 0A0V/10ARVE4T21EU0000-0	R902536797	3	10
12	A15VSO 280 DRS 0A0V/10ARVE4T31EU0000-0	R902497156	3	10
12	A15VSO 280 LRDRS 0A0V/10ARVE4T31EU0000-0	R902497154	3	10
	<b>AA4VG (Series 32) – Variable Displacement Pumps</b>			
13	AA4VG 56 EP3 D1 /32L-NSC52F005DP	R902232806	10 / >10	10 / 40
13	AA4VG 56 EP3 D1 /32R-NSC52F005DP	R902232804	10 / >10	10 / 40
13	AA4VG 56 EP3 D1 /32R-NSC52F025DP-S	R902232808	10 / >10	10 / 40
13	AA4VG 56 EP4 D1 /32L-NSC52F005DP	R902232807	10 / >10	10 / 40
13	AA4VG 56 EP4 D1 /32R-NSC52F005DP	R902232805	10 / >10	10 / 40
13	AA4VG 56 EP4 D1 /32R-NSC52F025DP-S	R902232809	10 / >10	10 / 40
13	AA4VG 56 HD3 D1 /32L-NSC52F005D	R902232811	10 / >10	10 / 40
13	AA4VG 56 HD3 D1 /32R-NSC52F005D	R902232810	10 / >10	10 / 40
13	AA4VG 56 HD3 D1 /32R-NSC52F025D-S	R902232812	10 / >10	10 / 40
13	AA4VG 71 EP3 D1 /32L-NSF52F001DP	R902232814	10 / >10	10 / 40
13	AA4VG 71 EP3 D1 /32R-NSF52F001DP	R902232813	10 / >10	10 / 40
13	AA4VG 71 EP3 D1 /32R-NSF52F011DP-S	R902232815	10 / >10	10 / 40
13	AA4VG 71 EP4 D1 /32L-NSF52F001DP	R902232817	10 / >10	10 / 40
13	AA4VG 71 EP4 D1 /32R-NSF52F001DP	R902232816	10 / >10	10 / 40
13	AA4VG 71 EP4 D1 /32R-NSF52F011DP-S	R902232818	10 / >10	10 / 40
13	AA4VG 71 HD3 D1 /32L-NSF52F001D	R902232820	10 / >10	10 / 40
13	AA4VG 71 HD3 D1 /32R-NSF52F001D	R902232819	10 / >10	10 / 40
13	AA4VG 71 HD3 D1 /32R-NSF52F011D-S	R902232821	10 / >10	10 / 40
13	AA4VG 90 EP3 D1 /32L-NSF52F001DP	R902232823	10 / >10	10 / 40
13	AA4VG 90 EP3 D1 /32R-NSF52F001DP	R902232822	10 / >10	10 / 40
13	AA4VG 90 EP4 D1 /32L-NSF52F001DP	R902232825	10 / >10	10 / 40

Graduated Lead Time: 30 pieces in 30 days, or any quantity over 30 pieces in 40 days!

1) "Shipment" defined as – not to exceed the time from receipt of order to Bosch Rexroth Hydraulics to shipment ex-factory (Bosch Rexroth plant location).

## GoTo Focused Delivery Program: Part Numbers

Page Number	Description	Part Number	Maximum Quantity	Shipment <sup>1)</sup> (Business Days)
13	AA4VG 90 EP4 D1 /32R-NSF52F001DP	R902232824	10 />10	10 / 40
13	AA4VG 90 HD3 D1 /32L-NSF52F001D	R902232827	10 />10	10 / 40
13	AA4VG 90 HD3 D1 /32R-NSF52F001D	R902232826	10 />10	10 / 40
13	AA4VG 125 EP3 D1 /32L-NSF52F001DP	R902232829	10 />10	10 / 40
13	AA4VG 125 EP3 D1 /32R-NSF52F001DP	R902232828	10 />10	10 / 40
13	AA4VG 125 EP4 D1 /32L-NSF52F001DP	R902232831	10 />10	10 / 40
13	AA4VG 125 EP4 D1 /32R-NSF52F001DP	R902232830	10 />10	10 / 40
13	AA4VG 125 HD3 D1 /32L-NSF52F001D	R902232833	10 />10	10 / 40
13	AA4VG 125 HD3 D1 /32R-NSF52F001D	R902232832	10 />10	10 / 40
13	AA4VG 125 HD3 D1 /32R-NSF52F001D	R902249539	10 />10	10 / 40
	<b>AA10VG (Series 10) – Variable Displacement Pumps</b>			
14	AA10VG 18 EP31 /10L-NSC66F025SP-S	R902232792	10 />10	10 / 40
14	AA10VG 18 EP31 /10R-NSC66F025SP-S	R902232791	10 />10	10 / 40
14	AA10VG 18 HD31 /10L-NSC66F025S-S	R902232794	10 />10	10 / 40
14	AA10VG 18 HD31 /10R-NSC66F025S-S	R902232793	10 />10	10 / 40
14	AA10VG 28 EP3D1 /10L-NSC60F045 DP-S	R902232796	10 />10	10 / 40
14	AA10VG 28 EP3D1 /10R-NSC60F015DP-S	R902232797	10 />10	10 / 40
14	AA10VG 28 EP3D1 /10R-NSC60F045 DP-S	R902232795	10 />10	10 / 40
14	AA10VG 28 HD3D1 /10L-NSC60F045 D-S	R902232799	10 />10	10 / 40
14	AA10VG 28 HD3D1 /10R-NSC60F045 D-S	R902232798	10 />10	10 / 40
14	AA10VG 45 EP3D1 /10L-NSC60F045 DP-S	R902232801	10 />10	10 / 40
14	AA10VG 45 EP3D1 /10R-NSC60F045 DP-S	R902232800	10 />10	10 / 40
14	AA10VG 45 HD3D1 /10L-NSC60F045 D-S	R902232803	10 />10	10 / 40
14	AA10VG 45 HD3D1 /10R-NSC60F045 D-S	R902232802	10 />10	10 / 40
	<b>AZPF &amp; AZPN – External Gear Pumps</b>			
15	AZPF-10-004RQR12MB	0510225011	3	10
15	AZPF-11-005RQR12MB	0510325011	3	10
15	AZPF-11-008RCB20MB	0510425009	3	10
15	AZPF-11-008RQR12MB	0510425016	3	10
15	AZPF-11-011RCB20MB	0510525009	3	10
15	AZPF-12-004RCB20KB	0510225006	3	10
15	AZPF-12-004RQR12MB	9510290021	3	10
15	AZPF-12-004RRR12MB	9510290015	3	10
15	AZPF-12-005LRR12MB	9510290037	3	10
15	AZPF-12-005RQR12MB	9510290022	3	10
15	AZPF-12-005RRR12MB	9510290005	3	10
15	AZPF-12-008LRR12MB	9510290038	3	10
15	AZPF-12-008RQR12MB	9510290023	3	10
15	AZPF-12-008RRR12MB	9510290017	3	10
15	AZPF-12-011-LRR12MB	9510290039	3	10
15	AZPF-12-011-RQR12MB	9510290024	3	10
15	AZPF-12-011-RRR12MB	9510290414	3	10
15	AZPF-12-014-LRR12MB	9510290040	3	10
15	AZPF-12-014-RQR12MB	9510290025	3	10

1) "Shipment" defined as – not to exceed the time from receipt of order to Bosch Rexroth Hydraulics to shipment ex-factory (Bosch Rexroth plant location).

GoTo Focused Delivery Program: Part Numbers

Page Number	Description	Part Number	Maximum Quantity	Shipment <sup>1)</sup> (Business Days)
15	AZPF-12-014-RRR12MB	9510290004	3	10
15	AZPF-12-016RQR12MB	9510290122	3	10
15	AZPF-12-016RQR12MB-S0040 - OK	9510290026	3	10
15	AZPF-12-016RRR12MB	9510290056	3	10
15	AZPF-12-019LRR12MB	9510290128	3	10
15	AZPF-12-019LRR12MB -S0040	9510290042	3	10
15	AZPF-12-019RQR12MB	9510290123	3	10
15	AZPF-12-019RRR12MB	9510290125	3	10
15	AZPF-12-022RQR12MB	9510290121	3	10
15	AZPF-12-022RQR12MB-S0040	9510290028	3	10
15	AZPF-12-022RRR12MB	9510290126	3	10
15	AZPF-22-028LRR12MB	9510290120	3	10
15	AZPF-22-025RQR12MB-S0040	9510290112	3	10
15	AZPF-22-025RRR12MB	9510290111	3	10
15	AZPF-22-028RQR12MB-S0040	9510290115	3	10
15	AZPF-22-028RRR12MB	9510290114	3	10
15	AZPN-12-020-RDC12MB	9510390001	3	10
15	AZPN-12-022-RDC12MB	9510390002	3	10
15	AZPN-12-025LDC12MB-S0040	9510390009	3	10
15	AZPN-12-025RDC12MB-S0040	9510390003	3	10
15	AZPN-12-028RDC12MB-S0040	9510390004	3	10
15	AZPN-12-028-RQC12MB-S0040	9510390052	3	10
15	AZPN-12-032RDC12MB-S0040	9510390005	3	10
15	AZPN-12-032RQC12MB-S0040	9510390053	3	10
15	AZPN-12-036RDC12MB-S0040	9510390006	3	10
15	AZPN-12-036RQC12MB	9510390054	3	10
15	AZPN-12-036-RXR12MA-S0075	9510390139	3	10
	<b>AZPG – External Gear Pumps</b>			
16	AZPG-22-032RDC40MB	9510490044	3	10
16	AZPG-22-032RQC40MB	9510490084	3	10
16	AZPG-22-036RDC40MB	9510490045	3	10
16	AZPG-22-036RQC40MB	9510490085	3	10
16	AZPG-22-040RDC40MB	9510490046	3	10
16	AZPG-22-040RQC40MB	9510490086	3	10
16	AZPG-22-045RDC40MB	9510490047	3	10
16	AZPG-22-045RQC40MB	9510490087	3	10
16	AZPG-22-056RDC40MB	9510490049	3	10
16	AZPG-22-056RQC40MB	9510490089	3	10
16	AZPG-22-063RDC40MB	9510490050	3	10
16	AZPG-22-063RQC40MB	9510490090	3	10
	<b>PGH – Internal Gear Pumps</b>			
17	COMBINED PART PGH4-3X+GH2/3-2X/ &	R901155288	3	10
17	COMBINED PART PGH4-3X+GH4-3X..R/ &	R901155289	3	10
17	COMBINED PART PGH5-3X+GH2/3-2X/ &	R901155283	3	10

1) "Shipment" defined as – not to exceed the time from receipt of order to Bosch Rexroth Hydraulics to shipment ex-factory (Bosch Rexroth plant location).

## GoTo Focused Delivery Program: Part Numbers

Page Number	Description	Part Number	Maximum Quantity	Shipment <sup>1)</sup> (Business Days)
17	COMBINED PART PGH5-3X+GH4-3X..R/ &	R901155284	3	10
17	COMBINED PART PGH5-3X+GH5-3X..R/ &	R901155285	3	10
17	PGH2-2X/005RE07VU2	R900968999	3	10
17	PGH2-2X/005RR07VU2	R900972378	3	10
17	PGH2-2X/006RE07VU2	R900951301	3	10
17	PGH2-2X/006RR07VU2	R900961549	3	10
17	PGH2-2X/008RE07VU2	R900951302	3	10
17	PGH2-2X/008RR07VU2	R900961551	3	10
17	PGH3-2X/011RE07VU2	R900951303	3	10
17	PGH3-2X/011RR07VU2	R900961556	3	10
17	PGH3-2X/016RE07VU2	R900951305	3	10
17	PGH3-2X/016RR07VU2	R900961558	3	10
17	PGH4-3X/020RE11VU2	R901147100	3	10
17	PGH4-3X/020RR11VU2	R901147110	3	10
17	PGH4-3X/025RE11VU2	R901147101	3	10
17	PGH4-3X/032RE11VU2	R901147102	3	10
17	PGH4-3X/032RR11VU2	R901147112	3	10
17	PGH4-3X/040RE11VU2	R901147103	3	10
17	PGH4-3X/040RR11VU2	R901147113	3	10
17	PGH4-3X/050RE11VU2	R901147104	3	10
17	PGH4-3X/050RR11VU2	R901147114	3	10
17	PGH5-3X/063RE11VU2	R901147115	3	10
17	PGH5-3X/080RE11VU2	R901147116	3	10
17	PGH5-3X/080RR11VU2	R901147130	3	10
17	PGH5-3X/100RE11VU2	R901147117	3	10
17	PGH5-3X/100RR11VU2	R901147131	3	10
17	PGH5-3X/125RE11VU2	R901147118	3	10
17	PGH5-3X/125RR11VU2	R901147132	3	10
	<b>PVV – Fixed Displacement Vane Pumps</b>			
18	PVV1-1X/027RJ15DMB	R900939075	3	10
18	PVV1-1X/036RJ15DMB	R900965314	3	10
18	PVV1-1X/040RA15DMB	R900928297	3	10
18	PVV1-1X/046RJ15DMB	R900704430	3	10
18	PVV2-1X/040RA15UMB	R900931138	3	10
18	PVV2-1X/055RA15UMB	R900928955	3	10
18	PVV2-1X/068RA15DMB	R900935466	3	10
18	PVV4-1X/069RA15DMC	R900936293	3	10
18	PVV4-1X/082RA15DMC	R900931548	5	10
18	PVV4-1X/098RA15DMC	R900936294	3	10
18	PVV4-1X/122RA15DMC	R900929542	3	10
18	PVV5-1X/154RA15DMC	R900936296	3	10
18	PVV5-1X/183RA15DMC	R900936297	3	10
18	PVV5-1X/193RA15DMC	R900929349	3	10

1) "Shipment" defined as – not to exceed the time from receipt of order to Bosch Rexroth Hydraulics to shipment ex-factory (Bosch Rexroth plant location).

GoTo Focused Delivery Program: Part Numbers

Page Number	Description	Part Number	Maximum Quantity	Shipment <sup>1)</sup> (Business Days)
	<b>PV7 – Variable Vane Pumps, Direct Operated</b>			
19	PV7-1X/06-10RA01MA0-10	R900563233	3	10
19	PV7-2X/20-20RA01MA0-10	R900950953	3	10
19	PV7-2X/20-25RA01MA0-10	R900950955	3	10
	<b>PV7 – Variable Vane Pumps, Pilot Operated</b>			
20	PV7-1X/10-14RE01MC0-16	R900580381	3	10
20	PV7-1X/10-20RE01MC0-10	R900534143	3	10
20	PV7-1X/100-118RE07MC0-16	R900506809	3	10
20	PV7-1X/16-20RE01MC0-16	R900580382	3	10
20	PV7-1X/25-30RE01MC0-16	R900580383	3	10
20	PV7-1X/40-45RE37MC0-16	R900580384	3	10
20	PV7-1X/63-71RE07MC0-16	R900506808	3	10
20	REGULATOR V7-1A/...C0-16 BG	R901169899	3	10
20	REGULATOR V7-1A/...D0-16 BG	R901169902	3	5
	<b>VPV – Variable Vane Pumps, Pilot Operated</b>			
21	0513R15A7VPV16SM14FZ	0513300201	3	10
21	0513R15A7VPV16SM21FY	0513300403	3	10
21	0513R15A7VPV16SM21HY	0513300407	3	10
21	0513R15A7VPV16SM21HZ	0513300405	3	10
21	0513R15A7VPV25SM21HY	0513400407	3	10
21	0513R15A7VPV32SM21HY	0513500407	3	10
21	0513R15A7VPV45SM21HY	0513600407	3	10
21	0513R15A7VPV63SM21HY	0513700407	3	10
21	0513R15A7VPV80SM21HY	0513800407	3	10
21	0513R18C3VPV100SM21HYB04	0513850216	3	10
21	0513R18C3VPV100SM21HYB04 P1	0513850214	3	10
21	0513R18C3VPV130SM21HYB04	0513860250	3	10
21	0513R18C3VPV130SM21HYB04P1	0513860258	3	10
21	0513R18C3VPV164SM21HY B04	0513870226	3	10
21	0513R18C3VPV164SM21HYB04 P1	0513870216	3	10
21	0513R18C3VPV16SM21FYB03	0513300208	3	10
21	0513R18C3VPV16SM21FZB03	0513300202	3	10
21	0513R18C3VPV16SM21HYB03	0513300212	3	10
21	0513R18C3VPV16SM21HYB03 P1	0513300246	3	10
21	0513R18C3VPV25SM21FYB03	0513400208	3	10
21	0513R18C3VPV25SM21HYB03	0513400212	3	10
21	0513R18C3VPV32SM21FYB03	0513500216	3	10
21	0513R18C3VPV32SM21FZB03	0513500206	3	10
21	0513R18C3VPV32SM21HYB03	0513500220	3	10
21	0513R18C3VPV32SM21HYB03 P1	0513500254	3	10
21	0513R18C3VPV32SM21HZB03	0513500218	3	10
21	0513R18C3VPV45SM21HYB05	0513600214	3	10
21	0513R18C3VPV45SM21HYB05P1	0513600234	3	10
21	0513R18C3VPV45SM21HZB05	0513600240	3	10

Graduated Lead Time: 30 pieces in 30 days, or any quantity over 30 pieces in 40 days!

1) "Shipment" defined as – not to exceed the time from receipt of order to Bosch Rexroth Hydraulics to shipment ex-factory (Bosch Rexroth plant location).

## GoTo Focused Delivery Program: Part Numbers

Page Number	Description	Part Number	Maximum Quantity	Shipment <sup>1)</sup> (Business Days)
21	0513R18C3VPV63SM21HYB05	0513700218	3	10
21	0513R18C3VPV63SM21HYB05P1	0513700242	3	10
21	0513R18C3VPV63SM21HQB05	0513700214	3	10
21	0513R18C3VPV80SM21HYB05	0513800248	3	10
21	0513R18C3VPV80SM21HYB05P1	0513800238	3	10
21	0513R18C3VPV80SM21HQB05	0513800236	3	10
21	PRESS REG VPV16-32 210 BAR F CONTROL SAE	9511230595	3	10
21	PRESS REG VPV16-32 210 BAR H CONTROL SAE	9511230601	3	10
21	PRESS REG VPV45-164 210 BAR H CONTROL SAE	9511230610	3	10
	<b>PSV – Variable vane pumps, pilot operated</b>			
22	PSV PSAF 10HRM 66	R978709511	3	10
22	PSV PSAF 15ERM 66	R978709514	3	10
22	PSV PSCF 20HRM 66	R978709462	3	10
22	PSV PSCF 25ERM 66	R978709482	3	10
22	PSV PSCF 40HRM 66	R978709438	3	10
22	PSV PSCF 80GRM 65	R978709408	3	10
22	PSV PSRF 40HRM 66	R978709439	3	10
22	PSV PSSF 10HRM -56	R978709254	3	10
22	PSV PSSF 15ERM -56	R978709263	3	10
22	PSV PSSF 20HRM -56	R978709222	3	10
22	PSV PSSF 25ERM -56	R978709232	3	10
	<b>R4 – Radial Piston Pumps</b>			
23	PR4-3X/1,60-700RA12M01	R901093640	3	10
23	PR4-3X/2,00-700RA12M01	R901089758	3	10
23	PR4-3X/2,50-700RA12M01	R901093639	3	10
23	PR4-3X/3,15-500RA12M01	R901093871	3	10
23	PR4-3X/3,15-700RA12M01	R901094072	3	10
23	PR4-3X/4,00-700RA12M01	R901093868	3	10
23	PR4-3X/5,00-500RA12M01	R901093643	3	10
23	PR4-3X/6,30-500RA12M01	R901093867	3	10
23	PR4-3X/8,00-700RA12M01	R901093864	3	10
23	PR4-3X/10,00-500RA01M01	R901089173	3	10
23	PR4-3X/10,00-500RA12M01	R901093641	3	10
23	PR4-3X/20,00-500RA12M01	R901093852	3	10
	<b>R4 Mini – Radial Piston Pumps</b>			
24	PR4-1X/0,40-700WA01M01	R900485830	3	10
24	PR4-1X/0,63-700WA01M01	R900345609	3	10
24	PR4-1X/1,00-450WA01M01	R900490630	3	10
24	PR4-1X/2,00-175WA01M01	R900485829	3	10
	<b>(A)A6VM – Variable Displacement Motors</b>			
25	AA6VM107HD1/63W-VSD52000-B	R902092169	5 / >5	10 / 40
25	AA6VM107HD1/63W-VSD520B	R902206693	5 / >5	10 / 40
25	AA6VM160HD1/63W-VSD520B-E	R902092085	5 / >5	10 / 40
25	AA6VM160HD2/63W-VSD520B	R902216582	5 / >5	10 / 40

Graduated Lead Time: 30 pieces in 30 days, or any quantity over 30 pieces in 40 days!

1) "Shipment" defined as – not to exceed the time from receipt of order to Bosch Rexroth Hydraulics to shipment ex-factory (Bosch Rexroth plant location).

GoTo Focused Delivery Program: Part Numbers

Page Number	Description	Part Number	Maximum Quantity	Shipment <sup>1)</sup> (Business Days)
25	AA6VM80EZ3/63W-VSC520B-E	R902092121	5 / >5	10 / 40
25	AA6VM80HA1/63W-VSC510A	R902214627	5 / >5	10 / 40
25	A6VM080HP5000000G/65AWV0C2S7200-0	R902249618	5 / >5	10 / 40
	<b>A10VM – Variable Displacement Motors</b>			
26	A10VM 45 DG /52W1-VWC60N000	R902505405	10 / >10	10 / 40
26	A10VM 45 DG /52W1-VWC66N007	R902505407	10 / >10	10 / 40
26	A10VM 45 DG /52W2-VRC66N007	R902505404	10 / >10	10 / 40
26	A10VM 45 DG /52W1-VRC60N000	R902505401	10 / >10	10 / 40
26	A10VM 45 DG /52W1-VRC66N007	R902505403	10 / >10	10 / 40
26	A10VM 45 DG /52W2-VRC60N000	R902505402	10 / >10	10 / 40
26	A10VM 45 DG /52W2-VWC60N000	R902505406	10 / >10	10 / 40
26	A10VM 45 DG /52W2-VWC66N007	R902505408	10 / >10	10 / 40
26	A10VM 63 HZ /52W1-VWC60N000	R902505409	10 / >10	10 / 40
26	A A10V M 45 HZ /52W1-VRC60N000	R902505318	10 / >10	10 / 40
26	A A10V M 45 HZ /52W2-VRC60N000	R902505319	10 / >10	10 / 40
26	A A10V M 45 HZ /52W1-VWC60N000	R902505321	10 / >10	10 / 40
26	A A10V M 45 HZ /52W2-VWC60N000	R902505322	10 / >10	10 / 40
26	A A10V M 45 HZ /52W1-VRC66N007	R902505323	10 / >10	10 / 40
26	A A10V M 45 HZ /52W2-VRC66N007	R902505324	10 / >10	10 / 40
26	A A10V M 45 HZ /52W1-VWC66N007	R902505325	10 / >10	10 / 40
26	A A10V M 45 HZ /52W2-VWC66N007	R902505326	10 / >10	10 / 40
26	A A10V M 63 HZ /52W1-VWC60N000	R902429540	10 / >10	10 / 40
26	A A10V M 63 HZ /52W2-VWC60N000	R902503914	10 / >10	10 / 40
	<b>(A)A2FM – Fixed Displacement Motors</b>			
27	AA2FM 16 /61W-VSC530	R902197791	5 / >5	10 / 40
27	AA2FM 28 /61W-VSD520	R902198240	5 / >5	10 / 40
27	AA2FM 28 /61W-VSD530	R902193517	5 / >5	10 / 40
27	AA2FM 28 /61W-VSD540	R902197566	5 / >5	10 / 40
27	AA2FM 32 /61W-VBD540	R902193710	5 / >5	10 / 40
27	AA2FM 32 /61W-VSD520	R902202055	5 / >5	10 / 40
27	AA2FM 32 /61W-VSD540	R902198042	5 / >5	10 / 40
27	AA2FM 45 /61W-VPD510	R902193533	5 / >5	10 / 40
27	AA2FM 45 /61W-VSD510	R902193514	5 / >5	10 / 40
27	AA2FM 45 /61W-VSD520	R902196957	5 / >5	10 / 40
27	AA2FM 56 /61W-VBD510	R902160543	5 / >5	10 / 40
27	AA2FM 63 /61W-VSD510	R902161224	5 / >5	10 / 40
27	AA2FM 63 /61W-VSD510	R902160540	5 / >5	10 / 40
27	AA2FM 63 /61W-VSD520	R902160055	5 / >5	10 / 40
27	AA2FM 80 /61W-VSD510	R902137826	5 / >5	10 / 40
27	AA2FM 80 /61W-VUDN520	R902137579	5 / >5	10 / 40
27	AA2FM 107 /61W-VSD510	R902137843	5 / >5	10 / 40
27	AA2FM 125 /61W-VSD510	R902138182	5 / >5	10 / 40
27	AA2FM 125 /61W-VSD520	R902137733	5 / >5	10 / 40
27	AA2FM 125 /61W-VSD527	R902138093	5 / >5	10 / 40

Graduated Lead Time: 30 pieces in 30 days, or any quantity over 30 pieces in 40 days!

1) "Shipment" defined as – not to exceed the time from receipt of order to Bosch Rexroth Hydraulics to shipment ex-factory (Bosch Rexroth plant location).

## GoTo Focused Delivery Program: Part Numbers

Page Number	Description	Part Number	Maximum Quantity	Shipment <sup>1)</sup> (Business Days)
27	AA2FM 160 /61W-VSD520	R902193516	5 />5	10 / 40
27	AA2FM 180 /61W-VSD510	R902193869	5 />5	10 / 40
27	AA2FM 180 /61W-VSD520	R902193712	5 />5	10 / 40
	<b>A10FM – Fixed Displacement Motors</b>			
28	A A10F M 23 /52W-VCC66N000	R902505308	10 />10	10 / 40
28	A A10F M 28 /52W-VCC66N000	R902505313	10 />10	10 / 40
28	A A10F M 37 /52W-VRC60N000	R902505302	10 />10	10 / 40
28	A A10F M 37 /52W-VRC60N000	R902534861	10 />10	10 / 40
28	A A10F M 37 /52W-VRC66N000	R902505309	10 />10	10 / 40
28	A A10F M 37 /52W-VWC60N000	R910993193	10 />10	10 / 40
28	A A10F M 37 /52W-VWC66N000	R902500025	10 />10	10 / 40
28	A A10F M 45 /52W-VRC60N000	R910995633	10 />10	10 / 40
28	A A10F M 45 /52W-VRC66N000	R902406027	10 />10	10 / 40
28	A A10F M 45 /52W-VWC60N000	R902505311	10 />10	10 / 40
28	A A10F M 45 /52W-VWC66N000	R902505312	10 />10	10 / 40
28	A A10F M 58 /52W-VCC60N000	R902505315	10 />10	10 / 40
28	A A10F M 58 /52W-VWC60N000	R902505314	10 />10	10 / 40
28	A A10F M 63 /52W-VCC60N000	R902505317	10 />10	10 / 40
28	A A10F M 63 /52W-VWC60N000	R902505316	10 />10	10 / 40
28	A10FM 63 /52W-VWC60N000	R902505747	10 />10	10 / 40
	<b>AZMF – External Gear Motors</b>			
29	AZMF-11-016RFB20MB	0511625001	3	10
29	AZMF-12-008-UQR12ML	9511290007	3	10
29	AZMF-12-008-UQR12ML-S0022	9511290013	3	10
29	AZMF-12-011-UQR12ML-S0022	9511290014	3	10
29	AZMF-12-014-UQR12ML-S0018	9511290027	3	10
29	AZMF-12-014-UQR12ML -S0022	9511290015	3	10
29	AZMF-12-019-UQR12ML-S0030	9511290035	3	10
29	AZMF-12-016-UQR12ML	9511290010	3	10
29	AZMF-12-019-UQR12ML-S0018	9511290029	3	10
29	AZMF-12-019-UQR12ML-S0022	9511290017	3	10
29	AZMF-12-022-UQR12ML-S0022	9511290018	3	10
	<b>MCR – Radial Piston Motors</b>			
30	MCR3 CAM 160CC	R921175244	4 />4	10 / 40
30	MCR3 CAM 225 & 325CC	R921176358	4 />4	10 / 40
30	MCR3 CAM 255 & 365CC	R921175242	4 />4	10 / 40
30	MCR3 CAM 280 & 400CC	R921178863	4 />4	10 / 40
30	MCR3 LD ROTATING GROUP S/A	R921856417	4 />4	10 / 40
30	MCR3A365A45Z32A0M1L01	R921811056	2 />2	10 / 40
30	MCR3F160F180Z32AOM2WL12SP0S0536A-GO2	R986520013	4	10
30	MCR3F160F180Z32AOM2WL12SP1S0536A-GO2	R986520001	4	10
30	MCR3F160F180Z32B2M2WL12SP0S0536A-GO2	R986520012	4	10
30	MCR3F160F180Z32B2M2WL12SP1S0536A-GO2	R986520000	4	10
30	MCR3F225F180Z32AOM2WL12SP0S0536A-GO2	R986520015	4	10

1) "Shipment" defined as – not to exceed the time from receipt of order to Bosch Rexroth Hydraulics to shipment ex-factory (Bosch Rexroth plant location).




GoTo Focused Delivery Program: Part Numbers

Page Number	Description	Part Number	Maximum Quantity	Shipment <sup>1)</sup> (Business Days)
30	MCR3F225F180Z32AOM2WL12SP1S0536A-GO2	R986520003	4	10
30	MCR3F225F180Z32B2M2WL12SP0S0536A-GO2	R986520014	4	10
30	MCR3F225F180Z32B2M2WL12SP1S0536A-GO2	R986520002	4	10
30	MCR3F255F180Z32AOM2WL12SP0S0536A-GO2	R986520017	4	10
30	MCR3F255F180Z32AOM2WL12SP1S0536A-GO2	R986520005	4	10
30	MCR3F255F180Z32B2M2WL12SP0S0536A-GO2	R986520016	4	10
30	MCR3F255F180Z32B2M2WL12SP1S0536A-GO2	R986520004	4	10
30	MCR3F280F180Z32AOM2WL12SP0S0536A-GO2	R986520019	4	10
30	MCR3F280F180Z32AOM2WL12SP1S0536A-GO2	R986520007	4	10
30	MCR3F280F180Z32B2M2WL12SP0S0536A-GO2	R986520018	4	10
30	MCR3F280F180Z32B2M2WL12SP1S0536A-GO2	R986520006	4	10
30	MCR3F325F180Z32AOM2WL12SP0S0536A-GO2	R986520021	4	10
30	MCR3F325F180Z32AOM2WL12SP1S0536A-GO2	R986520009	4	10
30	MCR3F325F180Z32B2M2WL12SP0S0536A-GO2	R986520020	4	10
30	MCR3F325F180Z32B2M2WL12SP1S0536A-GO2	R986520008	4	10
30	MCR3F365F180Z32AOM2WL12SP0S0536A-GO2	R986520023	4	10
30	MCR3F365F180Z32AOM2WL12SP1S0536A-GO2	R986520011	4	10
30	MCR3F365F180Z32B2M2WL12SP0S0536A-GO2	R986520022	4	10
30	MCR3F365F180Z32B2M2WL12SP1S0536A-GO2	R986520010	4	10
30	MCR3F400F180Z32AOM2WL12SP0S0536A-GO2	R986520025	4	10
30	MCR3F400F180Z32B2M2WL12SP0S0536A-GO2	R986520024	4	10
30	MCR3F400F180Z32A0M1L12S	R921807175	2 / >2	10 / 40
30	MCR3F400F180Z32AOM2WL12SP1S0536A	R921811510	4 / >4	10 / 40
30	MCR3F400F180Z32B2M1L12S0506A	R921807578	2 / >2	10 / 40
30	MCR3F400F180Z32B2M2WL12SP1S0536A	R921811511	4 / >4	10 / 40
30	MCR5D820L50Z32A0M1L12	R921805100	2 / >2	10 / 40
30	Speed Sensor S/A P0 (speed sensor ready)	R921856740	4 / >4	10 / 40
	<b>MV015 – High Torque Vane Motors</b>			
31	MV015-M015-61-1S-006-31-B1-QB-000	R986V00941	5 / >5	10 / 40
31	MV015-M015-61-1S-008-31-B1-QB-000	R986V00974	5 / >5	10 / 40
31	MV015-M015-61-1S-009-30-B1-QB-000	R986V00983	5 / >5	10 / 40
31	MV015-M015-61-1S-013-30-B1-QB-000	R986V00875	5 / >5	10 / 40
31	MV015-M015-61-1S-015-30-B1-QB-000	R986V00894	5 / >5	10 / 40
31	MV015-M015-61-1S-015-31-B1-QB-000	R986V00909	5 / >5	10 / 40
31	MV015-M015-61-1S-015-31-B1-TB-000	R986V00905	5 / >5	10 / 40
	<b>MV037 – High Torque Vane Motors</b>			
32	MV037-M037-A2-1S-020-30-B1-TBB-000	R986V00435	5 / >5	10 / 40
32	MV037-M037-A2-1S-020-31-B1-TBB-000	R986V00441	5 / >5	10 / 40
32	MV037-M037-A2-1S-026-30-B1-QBB-000	R986V00452	5 / >5	10 / 40
32	MV037-M037-A2-1S-026-30-B1-TBB-000	R986V00451	5 / >5	10 / 40
32	MV037-M037-A2-1S-026-31-B1-TBB-000	R986V00454	5 / >5	10 / 40
32	MV037-M037-A2-1S-032-31-B1-TBB-000	R986V00469	5 / >5	10 / 40
32	MV037-M037-D2-2S-020-30-T1-TVD-127	R986V00697	5 / >5	10 / 40
32	MV037-M037-D2-2S-020-30-T1-TVD-141	R986V00696	5 / >5	10 / 40
32	MV037-M037-D2-2S-020-31-B1-TVD-112	R986V00693	5 / >5	10 / 40


1) "Shipment" defined as – not to exceed the time from receipt of order to Bosch Rexroth Hydraulics to shipment ex-factory (Bosch Rexroth plant location).

## GoTo Focused Delivery Program: Part Numbers

Page Number	Description	Part Number	Maximum Quantity	Shipment <sup>1)</sup> (Business Days)
				
	<b>Check Valves</b>			
	<b>S – Check Valves</b>			
33	S 10 A1.0/	R900420531	5	10
33	S 10 A1.0//12	R900497659	5	10
33	S 15 A1.0/	R900420537	5	10
33	S 15 A1.0//12	R900455137	5	10
33	S 20 A0.0//12	R900343034	5	10
33	S 20 A1.0//12	R900470782	5	10
33	S 20 A2.0//12	R900353560	5	10
33	S 25 A1.0//12	R900455138	5	10
33	S 30 A1.0/	R900420519	5	10
33	S 30 A1.0//12	R900492887	5	10
33	S 30 A2.0//12	R900342882	5	10
	<b>M-SR – Cartridge Type Check Valves</b>			
34	M-SR 8 KE05-1X/V	R900357718	5	10
34	M-SR 8 KE30-1X/	R900348329	5	10
34	M-SR 10 KE02-1X/	R900345745	5	10
34	M-SR 10 KE05-1X/	R900344549	5	10
34	M-SR 10 KE05-1X/V	R900348632	5	10
34	M-SR 15 KE02-1X/	R900348943	5	10
34	M-SR 15 KE05-1X/	R900345372	5	10
34	M-SR 20 KE02-1X/	R900345744	5	10
34	M-SR 20 KE05-1X/	R900340979	5	10
34	M-SR 20 KE05-1X/V	R900350795	5	10
34	M-SR 25 KE02-1X/	R900357739	5	10
34	M-SR 25 KE05-1X/	R900344778	5	10
34	M-SR 30 KE02-1X/	R900345743	5	10
34	M-SR 30 KE05-1X/	R900344919	5	10
34	M-SR 30 KE05-1X/V	R900350797	5	10
34	M-SR 30 KE50-1X/	R900349973	5	10
	<b>ZSF – Filling Valves</b>			
35	ZSF 40 F1-1-1X/M/12	R900539730	5	10
35	ZSF 50 F1-1-1X/M/12	R900539731	5	10
35	ZSF 80 F1-1-1X/M/12	R900539733	5	10
35	ZSF 125 F1-1-2X/M/01	R901089756	5	10
	<b>SV &amp; SL – Check Valves</b>			
36	SV 10 GA1-4X//12	R900481097	5	10
36	SV 10 PA1-4X/	R900483369	5	10
36	SV 10 PA1-4X/V	R900463364	5	10
36	SV 20 PA1-4X/	R900587557	5	10
36	SV 30 PA1-4X/	R900587558	5	10
36	SL 10 PA1-4X/	R900483371	5	10

1) "Shipment" defined as – not to exceed the time from receipt of order to Bosch Rexroth Hydraulics to shipment ex-factory (Bosch Rexroth plant location).

GoTo Focused Delivery Program: Part Numbers

Page Number	Description	Part Number	Maximum Quantity	Shipment <sup>1)</sup> (Business Days)
36	SL 10 PB1-4X/	R900443419	5	10
36	SL 20 PA1-4X/	R900587559	5	10
36	SL 30 PA1-4X/	R900587560	5	10
36	SL 30 PA1-4X/V	R900500095	5	10
36	SL 30 PA2-4X/	R900599473	5	10
	<b>Z1S – Check Valves</b>			
37	Z1S 6 C05-4X/V	R901086081	5	10
37	Z1S 6 P05-4X/V	R901086051	5	10
37	Z1S 6 T05-4X/V	R901086058	5	10
37	Z1S 10 B05-2-4X/F	R901274766	5	10
37	Z1S 10 P05-1-4X/F	R901274759	5	10
37	Z1S 10 TA05-2TB9-4X/F	R901274760	5	10
	<b>Z2S – Piloted-to-Open Check Valves</b>			
38	Z2S 6-1-6X/	R900347495	5	10
38	Z2S 6-1-6X/V	R900347504	5	10
38	Z2S 6-2-6X/	R900347496	5	10
38	Z2S 6-1-6X/V/62	R900747681	5	10
38	Z2S 6-2-6X/V	R900347505	5	10
38	Z2S 6A1-6X/	R900347498	5	10
38	Z2S 6A1-6X/V	R900347507	5	10
38	Z2S 6B1-6X/	R900347501	5	10
38	Z2S 6B1-6X/V	R900347510	5	10
38	Z2S 10-1-3X/	R900407394	5	10
38	Z2S 10-1-3X/V	R900407439	5	10
38	Z2S 10A1-3X/	R900407424	5	10
38	Z2S 10A1-3X/V	R900407440	5	10
38	Z2S 10B1-3X/V	R900407465	5	10
38	Z2S 16-1-5X/	R900328797	5	10
38	Z2S 16-1-5X/V	R900412159	5	10
38	Z2S 22-1-5X/	R900432915	5	10
38	Z2S 22-1-5X/V	R900436495	5	10
	<b>Directional Valves</b>			
	<b>SED &amp; SEW – Directional Poppet Valves</b>			
39	M-3SED 6 CK1X/350CG24N9K4	R900052392	5	10
39	M-3SED 6 CK1X/350CG96N9K4	R900218734	5	10
39	M-3SED 6 UK1X/350CG24K4	R900223676	5	10
39	M-3SED 6 UK1X/350CG24N9K4	R900052621	5	10
39	M-3SED 6 UK1X/350CG96N9K4	R900207848	5	10
39	M-3SED 10 CK1X/350CG24N9K4	R900086685	5	10
39	M-3SED 10 UK1X/350CG24N9K4	R900051053	5	10
39	M-3SEW 6 C3X/420MG24N9K4	R900566273	5	10
39	M-3SEW 6 C3X/420MG24N9K4/V	R900049834	5	10
39	M-3SEW 6 C3X/420MG96N9K4	R900570252	5	10

1) "Shipment" defined as – not to exceed the time from receipt of order to Bosch Rexroth Hydraulics to shipment ex-factory (Bosch Rexroth plant location).

## GoTo Focused Delivery Program: Part Numbers

Page Number	Description	Part Number	Maximum Quantity	Shipment <sup>1)</sup> (Business Days)
39	M-3SEW 6 C3X/420MG96N9K4/V	R900206773	5	10
39	M-3SEW 6 C3X/630MG24N9K4/V	R900204628	5	10
39	M-3SEW 6 C3X/630MG96N9K4	R900051045	5	10
39	M-3SEW 6 U3X/420MG24N9K4	R900566283	5	10
39	M-3SEW 6 U3X/420MG24N9K4/V	R900570174	5	10
39	M-3SEW 6 U3X/420MG96N9K4	R900570744	5	10
39	M-3SEW 6 U3X/420MG96N9K4/V	R900056442	5	10
39	M-3SEW 6 U3X/420MG24N9K4=CSA	R900203992	5	10
39	M-3SEW 6 U3X/630MG96N9K4	R900205344	5	10
39	M-3SEW 10 C1X/420MG24N9K4	R900075565	5	10
39	M-3SEW 10 C1X/420MG96N9K4/V	R900051908	5	10
39	M-3SEW 10 C1X/630MG24N9K4/V	R900222370	5	10
39	M-3SEW 10 U1X/420MG24N9K4	R900075563	5	10
39	M-3SEW 10 U1X/420MG96N9K4/V	R900051907	5	10
39	M-3SEW 10 U1X/630MG24N9K4/V	R900218367	5	10
39	M-3SEW 10 U1X/630MG96N9K4	R900213062	5	10
	<b>4WMM &amp; 4WMMR – Directional Spool Valves</b>			
40	4WMM 6 D5X/	R900468328	5	10
40	4WMM 6 D5X/F	R900469301	5	10
40	4WMM 6 D5X/F/V	R900409450	5	10
40	4WMM 6 E5X/	R900467936	5	10
40	4WMM 6 E5X/F	R900405611	5	10
40	4WMM 6 G5X/	R900471209	5	10
40	4WMM 6 G5X/F	R900469533	5	10
40	4WMM 6 J5X/	R900469302	5	10
40	4WMM 6 J5X/F	R900466583	5	10
40	4WMM6T5X/	R900471263	5	10
40	4WMMR 6 D5X/	R900465984	5	10
40	4WMM10E5X//M	R901350265	3	10
40	4WMM10E5X/F/M	R901350266	3	10
40	4WMM10D5X/F/M	R901350272	3	10
40	4WMM10J5X//M	R901350184	3	10
40	4WMM10J5X/F/M	R901350264	3	10
	<b>WP &amp; WH – Directional Valves w/ Fluid Actuation</b>			
41	4WP6D6X/5	R978917418	5	10
41	4WP6D6X/N/5	R978918927	5	10
41	4WP6E6X/5	R978917419	5	10
41	4WP6E6X/N/5	R978919013	5	10
41	4WP6J6X/5	R978917421	5	10
41	4WP6J6X/N/5	R978919116	5	10
41	4WP10D5X//M/12	R901426381	3	10
41	4WP10H5X//M/12	R901426383	3	10
41	4WP10G5X//M	R901347067	3	10
41	4WH6D5X//5	R900955873	5	10

1) "Shipment" defined as – not to exceed the time from receipt of order to Bosch Rexroth Hydraulics to shipment ex-factory (Bosch Rexroth plant location).

GoTo Focused Delivery Program: Part Numbers

Page Number	Description	Part Number	Maximum Quantity	Shipment <sup>1)</sup> (Business Days)
41	4WH16D7X/	R900923871	5	10
41	4WH22J7X/	R900409848	5	10
41	4WH22Y7X/	R900491846	5	10
	<b>WE – Directional Spool Valves</b>			
42	3WE10A5X/EG24N9K4/M	R901278770	3	10
42	4WE10C3X/CW110N9K4	R900906473	5	10
42	4WE10C3X/CW110N9K4=CSA	R900937354	5	10
42	4WE10C4X/CG12N9DA	R978910297	5	10
42	4WE10C4X/CG24N9DA	R978908877	5	10
42	4WE10C4X/CW110N9DA	R978908696	5	10
42	4WE10C4X/OFCG12N9DA	R978911140	5	10
42	4WE10C5X/EG12N9K4/M	R901354329	3	10
42	4WE10C5X/EG24N9K4/M	R901278772	3	10
42	4WE10C5X/OFEG24N9K4/M	R901278786	3	10
42	4WE10D3X/CG24N9K4=CSA	R900958087	5	10
42	4WE10D3X/CW110N9K4	R900598925	5	10
42	4WE10D3X/CW110N9K4=CSA	R900942175	5	10
42	4WE10D3X/OFCW110N9K4	R900594948	5	10
42	4WE10D3X/OFCW110N9K4=CSA	R900943503	5	10
42	4WE10D4X/CG12N9DA	R978908826	5	10
42	4WE10D4X/CG24N9DA	R978908490	5	10
42	4WE10D4X/CG24N9DAL	R978908419	5	10
42	4WE10D4X/CW110N9DA	R978908566	5	10
42	4WE10D4X/CW110N9DA/V	R978908934	5	10
42	4WE10D4X/CW110N9DAL	R900713654	5	10
42	4WE10D4X/CW110N9DAL=CSA	R900617543	5	10
42	4WE10D4X/OFCW110N9DA	R978910127	5	10
42	4WE10D4X/OFCW110N9DAL	R978908591	5	10
42	4WE10D4X/OFCW110N9DAL=CSA	R900245920	5	10
42	4WE10D4X/OFCW110N9DK25L	R978909383	5	10
42	4WE10D4X/OFCW110N9DK25L CSA	R978910742	5	10
42	4WE10D5X/EG12N9K4/M	R901278789	3	10
42	4WE10D5X/EG24N9K4/M	R901278760	3	10
42	4WE10D5X/EG24N9K4/V	R901278783	3	10
42	4WE10D5X/EG24N9K72L/M=AN	R901350504	3	10
42	4WE10D5X/OFEG12N9K4/M	R901366911	3	10
42	4WE10D5X/OFEG24N9K4/M	R901278763	3	10
42	4WE10D5X/OFEG24N9K72L/M=AN	R901401279	3	10
42	4WE10E3X/CG24N9K4=CSA	R900934305	5	10
42	4WE10E3X/CW110N9K4	R900597186	5	10
42	4WE10E3X/CW110N9K4=CSA	R900934306	5	10
42	4WE10E4X/CG12N9DA	R978907461	5	10
42	4WE10E4X/CG24N9DA	R978908742	5	10
42	4WE10E4X/CG24N9DAL	R978909385	5	10

Graduated Lead Time: 20 pieces in 10 days, or any quantity over 20 pieces in 20 days!

1) "Shipment" defined as – not to exceed the time from receipt of order to Bosch Rexroth Hydraulics to shipment ex-factory (Bosch Rexroth plant location).

## GoTo Focused Delivery Program: Part Numbers

Page Number	Description	Part Number	Maximum Quantity	Shipment <sup>1)</sup> (Business Days)
42	4WE10E4X/CW110N9DA	R978908567	5	10
42	4WE10E4X/CW110N9DA/V	R978909419	5	10
42	4WE10E4X/CW110N9DAL	R900979378	5	10
42	4WE10E4X/CW110N9DAL=CSA	R900700430	5	10
42	4WE10E4X/CW110N9DK25L	R900974964	5	10
42	4WE10E5X/EG12N9K4/M	R901326399	3	10
42	4WE10E5X/EG24N9K4/M	R901278761	3	10
42	4WE10E4X/CW110N9DAL=CSA	R900700430	5	10
42	4WE10EA4X/CW110N9DA	R978910021	5	10
42	4WE10EA4X/CW110N9DAL	R978908810	5	10
42	4WE10EA5X/EG24N9K4/M	R901278775	3	10
42	4WE10EB4X/CW110N9DA	R978910173	5	10
42	4WE10EB5X/EG24N9K4/M	R901278780	3	10
42	4WE10G3X/CG12N9K4 CSA	R978906366	5	10
42	4WE10G3X/CW110N9K4	R900536428	5	10
42	4WE10G3X/CW110N9K4/V	R900926346	5	10
42	4WE10G3X/CW110N9K4=CSA	R900246791	5	10
42	4WE10G4X/CG12N9DA	R978908592	5	10
42	4WE10G4X/CG24N9DAL	R978909405	5	10
42	4WE10G4X/CW110N9DA	R978908695	5	10
42	4WE10G4X/CW110N9DAL	R978908815	5	10
42	4WE10G4X/CW110N9DAL=CSA	R900617546	5	10
42	4WE10G5X/EG12N9K4/M	R901278796	3	10
42	4WE10G5X/EG24N9K4/M	R901278768	3	10
42	4WE10GA4X/CW110N9DA	R978910549	5	10
42	4WE10GA4X/CW110N9DAL	R978912744	5	10
42	4WE10H3X/CW110N9K4	R900517315	5	10
42	4WE10H3X/CW110N9K4/V	R900574718	5	10
42	4WE10H3X/CW110N9K4=CSA	R900710276	5	10
42	4WE10H4X/CW110N9DA	R978908593	5	10
42	4WE10H4X/CW110N9DAL	R978909071	5	10
42	4WE10H5X/EG24N9K4/M	R901278762	3	10
42	4WE10HA4X/CG12N9DAL	R978007214	5	10
42	4WE10HA5X/EG24N9K4/M	R901278779	3	10
42	4WE10J3X/CG24N9K4=CSA	R900957006	5	10
42	4WE10J3X/CW110N9K4	R900592338	5	10
42	4WE10J3X/CW110N9K4=CSA	R900940565	5	10
42	4WE10J4X/CG12N9DA	R978910621	5	10
42	4WE10J4X/CG24N9DA	R978909072	5	10
42	4WE10J4X/CG24N9DAL	R900732331	5	10
42	4WE10J4X/CG24N9DK25L	R900977484	5	10
42	4WE10J4X/CW110N9DA	R978908568	5	10
42	4WE10J4X/CW110N9DA/V	R978908908	5	10
42	4WE10J4X/CW110N9DAL	R900708880	5	10

Graduated Lead Time: 20 pieces in 10 days, or any quantity over 20 pieces in 20 days!

1) "Shipment" defined as – not to exceed the time from receipt of order to Bosch Rexroth Hydraulics to shipment ex-factory (Bosch Rexroth plant location).

GoTo Focused Delivery Program: Part Numbers

Page Number	Description	Part Number	Maximum Quantity	Shipment <sup>1)</sup> (Business Days)
42	4WE10J4X/CW110N9DAL=CSA	R900619145	5	10
42	4WE10J4X/CW110N9DK25L	R900963610	5	10
42	4WE10J4X/CW110N9DK25L=CSA	R978013851	5	10
42	4WE10J5X/EG12N9K4/M	R901278794	3	10
42	4WE10J5X/EG24N9K4/M	R901278744	3	10
42	4WE10J5X/EG24N9K4/MH	R901325488	3	10
42	4WE10J5X/EG24N9K4/V	R901278790	3	10
42	4WE10J5X/EG24N9K72L/M=AN	R901349723	3	10
42	4WE10JA4X/CW110N9DAL	R978913850	5	10
42	4WE10JB4X/CW110N9DA	R978914148	5	10
42	4WE10JB4X/CW110N9DAL	R978909781	5	10
42	4WE10JB5X/EG24N9K4/M	R901349474	3	10
42	4WE10L5X/EG24N9K4/M	R901278776	3	10
42	4WE10M4X/CW110N9DA	R978908808	5	10
42	4WE10M4X/CW110N9DAL	R900961858	5	10
42	4WE10R3X/CW110N9K4/V	R900934433	5	10
42	4WE10R5X/EG24N9K4/M	R901278784	3	10
42	4WE10RB5X/EG24N9K4/M	R901349519	3	10
42	4WE10Y4X/CW110N9DA	R978908880	5	10
42	4WE10Y4X/CW110N9DAL	R978909074	5	10
42	4WE10Y4X/CW110N9DAL=CSA	R900714541	5	10
42	4WE10Y5X/EG24N9K4/M	R901278769	3	10
42	3WE6A6X/EG24N9K4	R900561180	20 / >20	10 / 20
42	3WE6A6X/EW110N9K4	R900905662	20 / >20	10 / 20
42	3WE6A6X/EW110N9K4/62	R978017790	20 / >20	10 / 20
42	3WE6A6X/EG24N9K4/62	R978017740	20 / >20	10 / 20
42	3WE6A6X/EG24N9K4/62=CSA	R978017865	20 / >20	10 / 20
42	3WE6A6X/EG24N9K4/V/62=CSA	R978021044	20 / >20	10 / 20
42	3WE6A6X/EG24N9K4QMBG24	R900907012	20 / >20	10 / 20
42	3WE6A6X/EW110N9K4/62=CSA	R978017859	20 / >20	10 / 20
42	3WE6A9-6X/EG24N9K4/62 CSA	R978917519	20 / >20	10 / 20
42	3WE6B6X/EG24N9K4/V/62 CSA	R978916768	20 / >20	10 / 20
42	3WE6B6X/EG24N9K4QMAG24	R900946092	20 / >20	10 / 20
42	3WE6B9-6X/EG24N9K4/62 CSA	R978906497	20 / >20	10 / 20
42	3WE6B9-6X/EW110N9K4/62=CSA	R978022500	20 / >20	10 / 20
42	4WE6C6X/EG12N9DA/62	R978878225	20 / >20	10 / 20
42	4WE6C6X/EG12N9K4	R900903685	20 / >20	10 / 20
42	4WE6C6X/EG12N9K4/62 CSA	R978913831	20 / >20	10 / 20
42	4WE6C6X/EG24N9DA/62	R978878229	20 / >20	10 / 20
42	4WE6C6X/EG24N9DAL/62	R978017853	20 / >20	10 / 20
42	4WE6C6X/EG24N9K4	R900561272	20 / >20	10 / 20
42	4WE6C6X/EG24N9K4/62	R978017744	20 / >20	10 / 20
42	4WE6C6X/EG24N9K4/62=CSA	R978017849	20 / >20	10 / 20
42	4WE6C6X/EG24N9K4/A12	R900567535	20 / >20	10 / 20

Graduated Lead Time: 20 pieces in 10 days, or any quantity over 20 pieces in 20 days!

1) "Shipment" defined as – not to exceed the time from receipt of order to Bosch Rexroth Hydraulics to shipment ex-factory (Bosch Rexroth plant location).

## GoTo Focused Delivery Program: Part Numbers

Page Number	Description	Part Number	Maximum Quantity	Shipment <sup>1)</sup> (Business Days)
42	4WE6C6X/EG24N9K4/V	R900905548	20 / >20	10 / 20
42	4WE6D6X/EG24N9K4QMBG24	R900910413	20 / >20	10 / 20
42	4WE6C6X/EG96N9K4/62	R978017829	20 / >20	10 / 20
42	4WE6C6X/EW110N9DA/62	R978874587	20 / >20	10 / 20
42	4WE6C6X/EW110N9DA/V/62	R978890314	20 / >20	10 / 20
42	4WE6C6X/EW110N9DAL/62	R978874588	20 / >20	10 / 20
42	4WE6C6X/EW110N9DAL/V	R900900065	20 / >20	10 / 20
42	4WE6C6X/EW110N9K4	R900901748	20 / >20	10 / 20
42	4WE6C6X/EW110N9K4/62	R978017780	20 / >20	10 / 20
42	4WE6C6X/EW110N9K4/62=CSA	R978017774	20 / >20	10 / 20
42	4WE6C6X/EW110N9K4/V	R900919729	20 / >20	10 / 20
42	4WE6C6X/OFEG12N9DA/62	R978890367	20 / >20	10 / 20
42	4WE6C6X/OFEG12N9K4/62	R978915962	20 / >20	10 / 20
42	4WE6C6X/OFEG24N9DAL/62	R978017773	20 / >20	10 / 20
42	4WE6C6X/OFEG24N9K4	R900564107	20 / >20	10 / 20
42	4WE6C6X/OFEG24N9K4/62	R978017758	20 / >20	10 / 20
42	4WE6C6X/OFEW110N9DA/62	R978875037	20 / >20	10 / 20
42	4WE6C6X/OFEW110N9DAL/62	R978875038	20 / >20	10 / 20
42	4WE6C6X/OFEW110N9K4	R900909140	20 / >20	10 / 20
42	4WE6C6X/OFEW110N9K4/62	R978017798	20 / >20	10 / 20
42	4WE6C6X/OFEW110N9K4/62 CSA	R978898363	20 / >20	10 / 20
42	4WE6D466X/OFEG24N9K72L-SO407=AN	R901275214	20 / >20	10 / 20
42	4WE6D6-6X/EG24N9K4	R900918382	20 / >20	10 / 20
42	4WE6D6X/EG12N9DA/62	R978878237	20 / >20	10 / 20
42	4WE6D6X/EG12N9DA/V/62	R978895300	20 / >20	10 / 20
42	4WE6D6X/EG12N9K4	R900913281	20 / >20	10 / 20
42	4WE6D6X/EG12N9K4/62	R978017812	20 / >20	10 / 20
42	4WE6D6X/EG12N9K4/62 CSA	R978905132	20 / >20	10 / 20
42	4WE6D6X/EG12N9K4/V	R900783170	20 / >20	10 / 20
42	4WE6D6X/EG12N9K4/V/62 CSA	R978917435	20 / >20	10 / 20
42	4WE6D6X/EG24N9DA/62	R978878241	20 / >20	10 / 20
42	4WE6D6X/EG24N9DAL	R900550589	20 / >20	10 / 20
42	4WE6D6X/EG24N9DAL/62	R978017732	20 / >20	10 / 20
42	4WE6D6X/EG24N9DAL/62=CSA	R978017862	20 / >20	10 / 20
42	4WE6D6X/EG24N9DK24L2/62	R978896201	20 / >20	10 / 20
42	4WE6D6X/EG24N9DK24L2/B10	R978905660	20 / >20	10 / 20
42	4WE6D6X/EG24N9K4	R900561274	20 / >20	10 / 20
42	4WE6D6X/EG24N9K4/62	R978017922	20 / >20	10 / 20
42	4WE6D6X/EG24N9K4/62=CSA	R901105197	20 / >20	10 / 20
42	4WE6D6X/EG24N9K4/A12	R900929558	20 / >20	10 / 20
42	4WE6D6X/EG24N9K4/B10	R900915069	20 / >20	10 / 20
42	4WE6D6X/EG24N9K4/B10/62	R901262824	20 / >20	10 / 20
42	4WE6D6X/EG24N9K4/V	R900564105	20 / >20	10 / 20
42	4WE6D6X/EG24N9K4/V/62 CSA	R978908705	20 / >20	10 / 20

Graduated Lead Time: 20 pieces in 10 days, or any quantity over 20 pieces in 20 days!

1) "Shipment" defined as – not to exceed the time from receipt of order to Bosch Rexroth Hydraulics to shipment ex-factory (Bosch Rexroth plant location).



GoTo Focused Delivery Program: Part Numbers

Page Number	Description	Part Number	Maximum Quantity	Shipment <sup>1)</sup> (Business Days)
42	4WE6D6X/EG24N9K4=CSA	R900931341	20 / >20	10 / 20
42	4WE6D6X/EG24N9K72L SO407=AN	R901275215	20 / >20	10 / 20
42	4WE6D6X/EG24N9K72L=AN	R901235361	20 / >20	10 / 20
42	4WE6D6X/EG96N9K4	R900904957	20 / >20	10 / 20
42	4WE6D6X/EG96N9K4/62	R978017787	20 / >20	10 / 20
42	4WE6D6X/EG96N9K4/V/62=CSA	R978025630	20 / >20	10 / 20
42	4WE6D6X/EW110N9DA	R978020087	20 / >20	10 / 20
42	4WE6D6X/EW110N9DA/62	R978874053	20 / >20	10 / 20
42	4WE6D6X/EW110N9DA/V	R978032133	20 / >20	10 / 20
42	4WE6D6X/EW110N9DA/V/62	R978875901	20 / >20	10 / 20
42	4WE6D6X/EW110N9DAL	R900559677	20 / >20	10 / 20
42	4WE6D6X/EW110N9DAL/62	R978017739	20 / >20	10 / 20
42	4WE6D6X/EW110N9DAL/62=CSA	R978017775	20 / >20	10 / 20
42	4WE6D6X/EW110N9DAL/B10	R900710108	20 / >20	10 / 20
42	4WE6D6X/EW110N9DAL/B10/62	R978030511	20 / >20	10 / 20
42	4WE6D6X/EW110N9DAL/V	R900578560	20 / >20	10 / 20
42	4WE6D6X/EW110N9DAL/V/62	R978021153	20 / >20	10 / 20
42	4WE6D6X/EW110N9K4	R900551704	20 / >20	10 / 20
42	4WE6D6X/EW110N9K4/62	R978017734	20 / >20	10 / 20
42	4WE6D6X/EW110N9K4/62=CSA	R978017841	20 / >20	10 / 20
42	4WE6D6X/EW110N9K4/B10	R900906820	20 / >20	10 / 20
42	4WE6D6X/EW110N9K4/B10V	R900964575	20 / >20	10 / 20
42	4WE6D6X/EW110N9K4/B12	R900925868	20 / >20	10 / 20
42	4WE6D6X/EW110N9K4/V	R900911653	20 / >20	10 / 20
42	4WE6D6X/EW110N9K4/V/62	R978023806	20 / >20	10 / 20
42	4WE6D6X/EW110N9K4/V/62=CSA	R978019688	20 / >20	10 / 20
42	4WE6D6X/EW110N9K4/V=CSA	R900962492	20 / >20	10 / 20
42	4WE6D6X/OEG24N9K4/62	R978017766	20 / >20	10 / 20
42	4WE6D6X/OEG24N9K4/B10	R900955732	20 / >20	10 / 20
42	4WE6D6X/OEW110N9DA/62	R978874049	20 / >20	10 / 20
42	4WE6D6X/OEW110N9K4/62	R978017838	20 / >20	10 / 20
42	4WE6D6X/OFEG12N9DA/62	R978890292	20 / >20	10 / 20
42	4WE6D6X/OFEG12N9K4	R900924018	20 / >20	10 / 20
42	4WE6D6X/OFEG12N9K4/62	R978017819	20 / >20	10 / 20
42	4WE6D6X/OFEG12N9K4/62 CSA	R978908958	20 / >20	10 / 20
42	4WE6D6X/OFEG12N9K4/B10	R978032032	20 / >20	10 / 20
42	4WE6D6X/OFEG12N9K4/B10/62	R978911678	20 / >20	10 / 20
42	4WE6D6X/OFEG12N9K4/V/62	R978916765	20 / >20	10 / 20
42	4WE6D6X/OFEG24N9DA/62	R978892546	20 / >20	10 / 20
42	4WE6D6X/OFEG24N9DA/V/62	R978892867	20 / >20	10 / 20
42	4WE6D6X/OFEG24N9DAL/62	R978017871	20 / >20	10 / 20
42	4WE6D6X/OFEG24N9DK24L2/62	R978896205	20 / >20	10 / 20
42	4WE6D6X/OFEG24N9K4	R900567512	20 / >20	10 / 20
42	4WE6D6X/OFEG24N9K4/62	R978017763	20 / >20	10 / 20

Graduated Lead Time: 20 pieces in 10 days, or any quantity over 20 pieces in 20 days!

1) "Shipment" defined as – not to exceed the time from receipt of order to Bosch Rexroth Hydraulics to shipment ex-factory (Bosch Rexroth plant location).

## GoTo Focused Delivery Program: Part Numbers

Page Number	Description	Part Number	Maximum Quantity	Shipment <sup>1)</sup> (Business Days)
42	4WE6D6X/OFEG24N9K4/62=CSA	R978017826	20 / >20	10 / 20
42	4WE6D6X/OFEG24N9K4/B08V	R901147438	20 / >20	10 / 20
42	4WE6D6X/OFEG24N9K4/B10	R900568899	20 / >20	10 / 20
42	4WE6D6X/OFEG24N9K4/V	R900903465	20 / >20	10 / 20
42	4WE6D6X/OFEG24N9K72L=AN	R901235363	20 / >20	10 / 20
42	4WE6D6X/OFEG96N9K4	R900904958	20 / >20	10 / 20
42	4WE6D6X/OFEW110N9DA/62	R978873230	20 / >20	10 / 20
42	4WE6D6X/OFEW110N9DA/V/62	R978875810	20 / >20	10 / 20
42	4WE6D6X/OFEW110N9DAL	R900912994	20 / >20	10 / 20
42	4WE6D6X/OFEW110N9DAL/62	R978017810	20 / >20	10 / 20
42	4WE6D6X/OFEW110N9DAL/B10V	R901183229	20 / >20	10 / 20
42	4WE6D6X/OFEW110N9DAL/V	R900959714	20 / >20	10 / 20
42	4WE6D6X/OFEW110N9K4	R900552321	20 / >20	10 / 20
42	4WE6D6X/OFEW110N9K4/62	R978017735	20 / >20	10 / 20
42	4WE6D6X/OFEW110N9K4/62=CSA	R978017845	20 / >20	10 / 20
42	4WE6D6X/OFEW110N9K4/B08	R900925207	20 / >20	10 / 20
42	4WE6D6X/OFEW110N9K4/B10	R900949737	20 / >20	10 / 20
42	4WE6D6X/OFEW110N9K4/V	R900921614	20 / >20	10 / 20
42	4WE6D6X/OFEW110N9K4/V/62 CSA	R978907764	20 / >20	10 / 20
42	4WE6E6X/EG110N9K4/V	R900758399	20 / >20	10 / 20
42	4WE6E6X/EG12N9DA/62	R978878249	20 / >20	10 / 20
42	4WE6E6X/EG12N9DAL/62	R978878250	20 / >20	10 / 20
42	4WE6E6X/EG12N9K4	R900903906	20 / >20	10 / 20
42	4WE6E6X/EG12N9K4/62	R978017783	20 / >20	10 / 20
42	4WE6E6X/EG12N9K4/62 CSA	R978905130	20 / >20	10 / 20
42	4WE6E6X/EG12N9K4/A12/62	R978001259	20 / >20	10 / 20
42	4WE6E6X/EG12N9K4/V	R900774335	20 / >20	10 / 20
42	4WE6E6X/EG12N9K4/V/62 CSA	R978911234	20 / >20	10 / 20
42	4WE6E6X/EG12NK4	R900921107	20 / >20	10 / 20
42	4WE6E6X/EG12NK4/62	R901204482	20 / >20	10 / 20
42	4WE6E6X/EG24N9DA/62	R978878253	20 / >20	10 / 20
42	4WE6E6X/EG24N9DA/V/62	R978890211	20 / >20	10 / 20
42	4WE6E6X/EG24N9DAL	R900979840	20 / >20	10 / 20
42	4WE6E6X/EG24N9DAL/62	R978017870	20 / >20	10 / 20
42	4WE6E6X/EG24N9DAL/62=CSA	R978018869	20 / >20	10 / 20
42	4WE6E6X/EG24N9DAL/V	R900933968	20 / >20	10 / 20
42	4WE6E6X/EG24N9K4	R900561278	20 / >20	10 / 20
42	4WE6E6X/EG24N9K4/62	R978017750	20 / >20	10 / 20
42	4WE6E6X/EG24N9K4/62=CSA	R901105198	20 / >20	10 / 20
42	4WE6E6X/EG24N9K4/B10V	R900957917	20 / >20	10 / 20
42	4WE6E6X/EG24N9K4/B12	R900931613	20 / >20	10 / 20
42	4WE6E6X/EG24N9K4/V	R900903464	20 / >20	10 / 20
42	4WE6E6X/EG24N9K4/V/62	R978021268	20 / >20	10 / 20
42	4WE6E6X/EG24N9K4/V/62 CSA	R978916601	20 / >20	10 / 20

Graduated Lead Time: 20 pieces in 10 days, or any quantity over 20 pieces in 20 days!

1) "Shipment" defined as – not to exceed the time from receipt of order to Bosch Rexroth Hydraulics to shipment ex-factory (Bosch Rexroth plant location).

GoTo Focused Delivery Program: Part Numbers

Page Number	Description	Part Number	Maximum Quantity	Shipment <sup>1)</sup> (Business Days)
42	4WE6E6X/EG96N9K4	R900904959	20 / >20	10 / 20
42	4WE6E6X/EG96N9K4/62	R978017789	20 / >20	10 / 20
42	4WE6E6X/EW110N9DA/62	R978875049	20 / >20	10 / 20
42	4WE6E6X/EW110N9DA/V/62	R978877942	20 / >20	10 / 20
42	4WE6E6X/EW110N9DAL	R901001943	20 / >20	10 / 20
42	4WE6E6X/EW110N9DAL/62	R978873115	20 / >20	10 / 20
42	4WE6E6X/EW110N9DAL/62=CSA	R978017851	20 / >20	10 / 20
42	4WE6E6X/EW110N9DAL/V	R901067547	20 / >20	10 / 20
42	4WE6E6X/EW110N9DAL/V/62	R978875745	20 / >20	10 / 20
42	4WE6E6X/EW110N9K4	R900558641	20 / >20	10 / 20
42	4WE6E6X/EW110N9K4/62	R978017737	20 / >20	10 / 20
42	4WE6E6X/EW110N9K4/62=CSA	R978017842	20 / >20	10 / 20
42	4WE6E6X/EW110N9K4/B12/62	R978912723	20 / >20	10 / 20
42	4WE6E6X/EW110N9K4/V	R900931049	20 / >20	10 / 20
42	4WE6E6X/EW110N9K4/V/62	R978025719	20 / >20	10 / 20
42	4WE6E6X/EW110N9K4/V/62=CSA	R978019230	20 / >20	10 / 20
42	4WE6E6X/EW110N9K4=CSA	R900940567	20 / >20	10 / 20
42	4WE6E6X/EW110NK4/V/62 CSA	R978010949	20 / >20	10 / 20
42	4WE6E73-6X/EG12NK4/A12	R978026086	20 / >20	10 / 20
42	4WE6E73-6X/EG24N9K4/A12/62	R978017760	20 / >20	10 / 20
42	4WE6EA6X/EG12N9K4	R900928531	20 / >20	10 / 20
42	4WE6EA6X/EG12N9K4/62	R978024420	20 / >20	10 / 20
42	4WE6EA6X/EG24N9DAL	R900964681	20 / >20	10 / 20
42	4WE6EA6X/EG24N9K4	R900561280	20 / >20	10 / 20
42	4WE6EA6X/EG24N9K4/62	R978017752	20 / >20	10 / 20
42	4WE6EA6X/EG96N9K4/62=CSA	R978034580	20 / >20	10 / 20
42	4WE6EA6X/EW110N9DA/V/62	R978891959	20 / >20	10 / 20
42	4WE6EA6X/EW110N9DAL/62	R978875042	20 / >20	10 / 20
42	4WE6EA6X/EW110N9DAL/V/62	R978879878	20 / >20	10 / 20
42	4WE6EA6X/EW110N9K4	R900906670	20 / >20	10 / 20
42	4WE6EA6X/EW110N9K4/62	R978017796	20 / >20	10 / 20
42	4WE6EA6X/EW110N9K4/62=CSA	R978019231	20 / >20	10 / 20
42	4WE6EA6X/OFEW110N9DA	R978032138	20 / >20	10 / 20
42	4WE6EB6X/EG12N9K4	R900921992	20 / >20	10 / 20
42	4WE6EB6X/EG12N9K4/62 CSA	R978914474	20 / >20	10 / 20
42	4WE6EB6X/EG24N9K4	R900561281	20 / >20	10 / 20
42	4WE6EB6X/EG24N9K4/62	R978024421	20 / >20	10 / 20
42	4WE6EB6X/EW110N9DA/62	R978875045	20 / >20	10 / 20
42	4WE6EB6X/EW110N9K4	R900906671	20 / >20	10 / 20
42	4WE6EB6X/EW110N9K4/62	R978024422	20 / >20	10 / 20
42	4WE6EB6X/EW110N9K4/V/62	R978912396	20 / >20	10 / 20
42	4WE6EB6X/OFEW110N9K4	R901212185	20 / >20	10 / 20
42	4WE6F6X/EG24N9K4	R900933648	20 / >20	10 / 20
42	4WE6F6X/EG24N9K4/62	R978030173	20 / >20	10 / 20

Graduated Lead Time: 20 pieces in 10 days, or any quantity over 20 pieces in 20 days!

1) "Shipment" defined as – not to exceed the time from receipt of order to Bosch Rexroth Hydraulics to shipment ex-factory (Bosch Rexroth plant location).

## GoTo Focused Delivery Program: Part Numbers

Page Number	Description	Part Number	Maximum Quantity	Shipment <sup>1)</sup> (Business Days)
42	4WE6F6X/EG24N9K4/V/62=CSA	R901318705	20 / >20	10 / 20
42	4WE6F6X/EW110N9DA/62	R978891103	20 / >20	10 / 20
42	4WE6F6X/EW110N9K4	R900908714	20 / >20	10 / 20
42	4WE6F6X/EW110N9K4/62=CSA	R901327984	20 / >20	10 / 20
42	4WE6G6X/EG12N9DA/62	R978878257	20 / >20	10 / 20
42	4WE6G6X/EG12N9DAL/62	R978017779	20 / >20	10 / 20
42	4WE6G6X/EG12N9K4	R900567497	20 / >20	10 / 20
42	4WE6G6X/EG12N9K4/62	R978017762	20 / >20	10 / 20
42	4WE6G6X/EG12N9K4/62 CSA	R978908129	20 / >20	10 / 20
42	4WE6G6X/EG12N9K4/A12/62	R978916692	20 / >20	10 / 20
42	4WE6G6X/EG12NK4/62	R901204481	20 / >20	10 / 20
42	4WE6G6X/EG24N9DA/62	R978878261	20 / >20	10 / 20
42	4WE6G6X/EG24N9K4	R900561282	20 / >20	10 / 20
42	4WE6G6X/EG24N9K4/62	R901224429	20 / >20	10 / 20
42	4WE6G6X/EG24N9K4/62 CSA	R978906689	20 / >20	10 / 20
42	4WE6G6X/EG24N9K4/62=CSA	R901105199	20 / >20	10 / 20
42	4WE6G6X/EG24N9K4/V	R900552009	20 / >20	10 / 20
42	4WE6G6X/EW110N9DA/62	R978872815	20 / >20	10 / 20
42	4WE6G6X/EW110N9DA/V/62	R978877999	20 / >20	10 / 20
42	4WE6G6X/EW110N9DAL/62	R978875060	20 / >20	10 / 20
42	4WE6G6X/EW110N9DAL/V/62	R978894256	20 / >20	10 / 20
42	4WE6G6X/EW110N9K4	R900558642	20 / >20	10 / 20
42	4WE6G6X/EW110N9K4/62	R978017738	20 / >20	10 / 20
42	4WE6G6X/EW110N9K4/62=CSA	R978017852	20 / >20	10 / 20
42	4WE6G6X/EW110N9K4/V/62	R978912932	20 / >20	10 / 20
42	4WE6GA6X/EG125N9K4/62 CSA	R978908959	20 / >20	10 / 20
42	4WE6GA6X/EG12N9DA/62	R978894725	20 / >20	10 / 20
42	4WE6GA6X/EG12N9DA/V/62	R978900420	20 / >20	10 / 20
42	4WE6GA6X/EG12N9K4	R900923844	20 / >20	10 / 20
42	4WE6GA6X/EG24N9DA/62	R978909420	20 / >20	10 / 20
42	4WE6GA6X/EG24N9DAL/62	R978903747	20 / >20	10 / 20
42	4WE6GA6X/EG24N9K4	R900561284	20 / >20	10 / 20
42	4WE6GA6X/EG24N9K4/62	R978024424	20 / >20	10 / 20
42	4WE6GA6X/EG24N9K4/V	R900939610	20 / >20	10 / 20
42	4WE6GA6X/EG24N9K4/V/62	R901298103	20 / >20	10 / 20
42	4WE6GA6X/EG24N9K4/V/62 CSA	R978009134	20 / >20	10 / 20
42	4WE6GA6X/EW110N9DA/62	R978875052	20 / >20	10 / 20
42	4WE6GA6X/EW110N9DAL/62	R978875053	20 / >20	10 / 20
42	4WE6GA6X/EW110N9K4	R900909139	20 / >20	10 / 20
42	4WE6GA6X/EW110N9K4/62	R978018469	20 / >20	10 / 20
42	4WE6GA6X/EW110N9K4/62 CSA	R978908357	20 / >20	10 / 20
42	4WE6GB6X/EG24N9K4/62 CSA	R978914690	20 / >20	10 / 20
42	4WE6GB6X/EG24N9K4/V	R900929635	20 / >20	10 / 20
42	4WE6GB6X/EW110N9K4	R900906930	20 / >20	10 / 20

Graduated Lead Time: 20 pieces in 10 days, or any quantity over 20 pieces in 20 days!

1) "Shipment" defined as – not to exceed the time from receipt of order to Bosch Rexroth Hydraulics to shipment ex-factory (Bosch Rexroth plant location).

GoTo Focused Delivery Program: Part Numbers

Page Number	Description	Part Number	Maximum Quantity	Shipment <sup>1)</sup> (Business Days)
42	4WE6GB6X/EW110N9K4/62 CSA	R978911236	20 / >20	10 / 20
42	4WE6H6X/EG12N9DA/62	R978878265	20 / >20	10 / 20
42	4WE6H6X/EG12N9DA/V/62	R978890853	20 / >20	10 / 20
42	4WE6H6X/EG12N9DAL/62	R978878266	20 / >20	10 / 20
42	4WE6H6X/EG12N9K4	R900903900	20 / >20	10 / 20
42	4WE6H6X/EG12N9K4/62	R978017782	20 / >20	10 / 20
42	4WE6H6X/EG12N9K4/62 CSA	R978907962	20 / >20	10 / 20
42	4WE6H6X/EG24N9DA/V/62	R978899193	20 / >20	10 / 20
42	4WE6H6X/EG24N9DAL	R900910276	20 / >20	10 / 20
42	4WE6H6X/EG24N9K4	R900561286	20 / >20	10 / 20
42	4WE6H6X/EG24N9K4/62	R978017754	20 / >20	10 / 20
42	4WE6H6X/EG24N9K4/62=CSA	R978017828	20 / >20	10 / 20
42	4WE6H6X/EG24N9K4/V	R900929366	20 / >20	10 / 20
42	4WE6H6X/EW110N9DA/62	R978875071	20 / >20	10 / 20
42	4WE6H6X/EW110N9DA/V/62	R978890842	20 / >20	10 / 20
42	4WE6H6X/EW110N9DAL/62	R978875072	20 / >20	10 / 20
42	4WE6H6X/EW110N9K4	R900906672	20 / >20	10 / 20
42	4WE6H6X/EW110N9K4/62	R978017797	20 / >20	10 / 20
42	4WE6H6X/EW110N9K4/62 CSA	R978905734	20 / >20	10 / 20
42	4WE6H6X/EW110N9K4/V	R900704185	20 / >20	10 / 20
42	4WE6HA6X/EG12N9K4	R900903992	20 / >20	10 / 20
42	4WE6HA6X/EG12N9K4/62 CSA	R978912645	20 / >20	10 / 20
42	4WE6HA6X/EG24N9K4	R900549534	20 / >20	10 / 20
42	4WE6HA6X/EG24N9K4/62	R978022019	20 / >20	10 / 20
42	4WE6HA6X/EG24N9K4/62=CSA	R978024230	20 / >20	10 / 20
42	4WE6HA6X/EG24N9K4/B10/62	R978918850	20 / >20	10 / 20
42	4WE6HA6X/EG24N9K4/V	R900554556	20 / >20	10 / 20
42	4WE6HA6X/EW110N9DA/62	R978875063	20 / >20	10 / 20
42	4WE6HA6X/EW110N9DAL/V/62	R978893575	20 / >20	10 / 20
42	4WE6HA6X/EW110N9K4	R900906460	20 / >20	10 / 20
42	4WE6HA6X/EW110N9K4/B10	R978031520	20 / >20	10 / 20
42	4WE6HA6X/EW110N9K4=CSA	R900916446	20 / >20	10 / 20
42	4WE6HB6X/EG24K4	R900947683	20 / >20	10 / 20
42	4WE6HB6X/EG24N9DA/62	R978893179	20 / >20	10 / 20
42	4WE6HB6X/EG24N9K4	R900553670	20 / >20	10 / 20
42	4WE6HB6X/EG24N9K4/A12/62	R978911060	20 / >20	10 / 20
42	4WE6HB6X/EG24N9K4/V	R900729410	20 / >20	10 / 20
42	4WE6HB6X/EW110N9K4	R900909144	20 / >20	10 / 20
42	4WE6J6X/EG12N9DA	R978020086	20 / >20	10 / 20
42	4WE6J6X/EG12N9DA/62	R978878274	20 / >20	10 / 20
42	4WE6J6X/EG12N9DAL/62	R978878275	20 / >20	10 / 20
42	4WE6J6X/EG12N9K4	R900567496	20 / >20	10 / 20
42	4WE6J6X/EG12N9K4/62	R978017761	20 / >20	10 / 20
42	4WE6J6X/EG12N9K4/62 CSA	R978905419	20 / >20	10 / 20

Graduated Lead Time: 20 pieces in 10 days, or any quantity over 20 pieces in 20 days!

1) "Shipment" defined as – not to exceed the time from receipt of order to Bosch Rexroth Hydraulics to shipment ex-factory (Bosch Rexroth plant location).

## GoTo Focused Delivery Program: Part Numbers

Page Number	Description	Part Number	Maximum Quantity	Shipment <sup>1)</sup> (Business Days)
42	4WE6J6X/EG12N9K4/B10	R900935677	20 / >20	10 / 20
42	4WE6J6X/EG12N9K4/B12/62/V	R978031709	20 / >20	10 / 20
42	4WE6J6X/EG12N9K4K/62	R901216196	20 / >20	10 / 20
42	4WE6J6X/EG12NK4/62	R901204483	20 / >20	10 / 20
42	4WE6J6X/EG24N9DA	R978020085	20 / >20	10 / 20
42	4WE6J6X/EG24N9DA/62	R978878278	20 / >20	10 / 20
42	4WE6J6X/EG24N9DAL	R900920381	20 / >20	10 / 20
42	4WE6J6X/EG24N9DAL/62	R978017815	20 / >20	10 / 20
42	4WE6J6X/EG24N9DAL/62=CSA	R978017863	20 / >20	10 / 20
42	4WE6J6X/EG24N9DAL/B10	R900979944	20 / >20	10 / 20
42	4WE6J6X/EG24N9DAL/N12/62	R978896729	20 / >20	10 / 20
42	4WE6J6X/EG24N9DK24L2/62	R978896206	20 / >20	10 / 20
42	4WE6J6X/EG24N9DK25L/62	R978017767	20 / >20	10 / 20
42	4WE6J6X/EG24N9K4	R900561288	20 / >20	10 / 20
42	4WE6J6X/EG24N9K4/62	R978017756	20 / >20	10 / 20
42	4WE6J6X/EG24N9K4/62=CSA	R901105200	20 / >20	10 / 20
42	4WE6J6X/EG24N9K4/A12	R900567271	20 / >20	10 / 20
42	4WE6J6X/EG24N9K4/B10	R900548271	20 / >20	10 / 20
42	4WE6J6X/EG24N9K4/B10=CSA	R900957815	20 / >20	10 / 20
42	4WE6J6X/EG24N9K4/V	R900548772	20 / >20	10 / 20
42	4WE6J6X/EG24N9K4/V/62	R978024425	20 / >20	10 / 20
42	4WE6J6X/EG24N9K72L-SO407=AN	R901261658	20 / >20	10 / 20
42	4WE6J6X/EG24N9K72L=AN	R901235359	20 / >20	10 / 20
42	4WE6J6X/EG96N4K4=CSA	R901028055	20 / >20	10 / 20
42	4WE6J6X/EG96N9K4	R900909593	20 / >20	10 / 20
42	4WE6J6X/EG96N9K4/62	R978017802	20 / >20	10 / 20
42	4WE6J6X/EG96N9K4/V	R900949273	20 / >20	10 / 20
42	4WE6J6X/EW110N9DA	R978019413	20 / >20	10 / 20
42	4WE6J6X/EW110N9DA/62	R978874065	20 / >20	10 / 20
42	4WE6J6X/EW110N9DA/B10	R978027142	20 / >20	10 / 20
42	4WE6J6X/EW110N9DA/B10V	R978027086	20 / >20	10 / 20
42	4WE6J6X/EW110N9DA/V	R978018772	20 / >20	10 / 20
42	4WE6J6X/EW110N9DA/V/62	R978875805	20 / >20	10 / 20
42	4WE6J6X/EW110N9DAL	R900553481	20 / >20	10 / 20
42	4WE6J6X/EW110N9DAL/62	R978017736	20 / >20	10 / 20
42	4WE6J6X/EW110N9DAL/62=CSA	R978017820	20 / >20	10 / 20
42	4WE6J6X/EW110N9DAL/B10	R900902946	20 / >20	10 / 20
42	4WE6J6X/EW110N9DAL/B10V	R900774070	20 / >20	10 / 20
42	4WE6J6X/EW110N9DAL/N12V/62	R978878845	20 / >20	10 / 20
42	4WE6J6X/EW110N9DAL/V	R900578218	20 / >20	10 / 20
42	4WE6J6X/EW110N9DAL/V/62	R978021922	20 / >20	10 / 20
42	4WE6J6X/EW110N9DK25L/62	R978017785	20 / >20	10 / 20
42	4WE6J6X/EW110N9K4	R900551703	20 / >20	10 / 20
42	4WE6J6X/EW110N9K4/62	R978017733	20 / >20	10 / 20

Graduated Lead Time: 20 pieces in 10 days, or any quantity over 20 pieces in 20 days!

1) "Shipment" defined as – not to exceed the time from receipt of order to Bosch Rexroth Hydraulics to shipment ex-factory (Bosch Rexroth plant location).

GoTo Focused Delivery Program: Part Numbers

Page Number	Description	Part Number	Maximum Quantity	Shipment <sup>1)</sup> (Business Days)
42	4WE6J6X/EW110N9K4/62=CSA	R978017813	20 / >20	10 / 20
42	4WE6J6X/EW110N9K4/B08	R900908786	20 / >20	10 / 20
42	4WE6J6X/EW110N9K4/B10	R900912188	20 / >20	10 / 20
42	4WE6J6X/EW110N9K4/B10/62	R978021624	20 / >20	10 / 20
42	4WE6J6X/EW110N9K4/B10=CSA	R900956829	20 / >20	10 / 20
42	4WE6J6X/EW110N9K4/B10N10	R978022923	20 / >20	10 / 20
42	4WE6J6X/EW110N9K4/B10N10/62	R978908790	20 / >20	10 / 20
42	4WE6J6X/EW110N9K4/B10V	R900946083	20 / >20	10 / 20
42	4WE6J6X/EW110N9K4/N12/62	R978910843	20 / >20	10 / 20
42	4WE6J6X/EW110N9K4/V	R900910785	20 / >20	10 / 20
42	4WE6J6X/EW110N9K4/V/62	R978024426	20 / >20	10 / 20
42	4WE6J6X/EW110N9K4/V=CSA	R900962493	20 / >20	10 / 20
42	4WE6J6X/EW110N9K4=CSA	R900916703	20 / >20	10 / 20
42	4WE6JA6X/EG12N9K4	R900923495	20 / >20	10 / 20
42	4WE6JA6X/EG12N9K4/A12/62	R978910767	20 / >20	10 / 20
42	4WE6JA6X/EG24N9K4	R900561290	20 / >20	10 / 20
42	4WE6JA6X/EG24N9K4/62	R978017757	20 / >20	10 / 20
42	4WE6JA6X/EG24N9K4/V	R900554557	20 / >20	10 / 20
42	4WE6JA6X/EG24N9K4=CSA	R900957299	20 / >20	10 / 20
42	4WE6JA6X/EW110N9DA/62	R978874057	20 / >20	10 / 20
42	4WE6JA6X/EW110N9DAL/62	R978874058	20 / >20	10 / 20
42	4WE6JA6X/EW110N9DAL/V	R900964300	20 / >20	10 / 20
42	4WE6JA6X/EW110N9K4	R900905452	20 / >20	10 / 20
42	4WE6JA6X/EW110N9K4/62	R978024428	20 / >20	10 / 20
42	4WE6JA6X/EW110N9K4/B10V	R901111218	20 / >20	10 / 20
42	4WE6JA6X/EW110N9K4/V	R900918061	20 / >20	10 / 20
42	4WE6JB6X/EG24N9DA/62	R978892258	20 / >20	10 / 20
42	4WE6JB6X/EG24N9K4	R900561291	20 / >20	10 / 20
42	4WE6JB6X/EG24N9K4/62	R978024429	20 / >20	10 / 20
42	4WE6JB6X/EG24N9K4/V	R900932917	20 / >20	10 / 20
42	4WE6JB6X/EW110N9DA/62	R978874061	20 / >20	10 / 20
42	4WE6JB6X/EW110N9DAL	R978018512	20 / >20	10 / 20
42	4WE6JB6X/EW110N9K4	R900906202	20 / >20	10 / 20
42	4WE6JB6X/EW110N9K4/62	R978024431	20 / >20	10 / 20
42	4WE6L6X/EG24N9DAL/62	R978898130	20 / >20	10 / 20
42	4WE6L6X/EG24N9K4	R900901751	20 / >20	10 / 20
42	4WE6L6X/EG24N9K4/62	R978024432	20 / >20	10 / 20
42	4WE6L6X/EW110N9DAL/62	R978891157	20 / >20	10 / 20
42	4WE6L6X/EW110N9K4	R900906462	20 / >20	10 / 20
42	4WE6LA6X/EG12N9K4/A12/62	R978933518	20 / >20	10 / 20
42	4WE6LA6X/EW110N9K4	R900919093	20 / >20	10 / 20
42	4WE6LB6X/EG24N9K4=AN	R900763384	20 / >20	10 / 20
42	4WE6M6X/EG24N9DAL	R900765945	20 / >20	10 / 20
42	4WE6M6X/EG24N9K4	R900577475	20 / >20	10 / 20

1) "Shipment" defined as – not to exceed the time from receipt of order to Bosch Rexroth Hydraulics to shipment ex-factory (Bosch Rexroth plant location).

## GoTo Focused Delivery Program: Part Numbers

Page Number	Description	Part Number	Maximum Quantity	Shipment <sup>1)</sup> (Business Days)
42	4WE6M6X/EG24N9K4/62	R978017771	20 / >20	10 / 20
42	4WE6M6X/EG24N9K4/62 CSA	R978909824	20 / >20	10 / 20
42	4WE6M6X/EW110N9DA/62	R978878850	20 / >20	10 / 20
42	4WE6M6X/EW110N9DAL/62	R978879585	20 / >20	10 / 20
42	4WE6M6X/EW110N9K4	R900904559	20 / >20	10 / 20
42	4WE6M6X/EW110N9K4/62=CSA	R978017843	20 / >20	10 / 20
42	4WE6M6X/EW110N9K4/V	R900923360	20 / >20	10 / 20
42	4WE6M6X/EW110N9K4/V/62=CSA	R901328365	20 / >20	10 / 20
42	4WE6M6X/EW110N9K4=CSA	R900940568	20 / >20	10 / 20
42	4WE6MA6X/EG24N9K4	R900546939	20 / >20	10 / 20
42	4WE6MA6X/EG24N9K4/62	R978025541	20 / >20	10 / 20
42	4WE6MA6X/EW110N9DAL/V/62	R978909633	20 / >20	10 / 20
42	4WE6MA6X/EW110N9K4	R900959972	20 / >20	10 / 20
42	4WE6MB6X/EG24N9K4	R900577367	20 / >20	10 / 20
42	4WE6U6X/EG24N9K4/V/62=CSA	R978035381	20 / >20	10 / 20
42	4WE6W6X/EG12N9K4/62	R978898240	20 / >20	10 / 20
42	4WE6W6X/EG24N9K4	R900568233	20 / >20	10 / 20
42	4WE6W6X/EG24N9K4/62	R978017764	20 / >20	10 / 20
42	4WE6W6X/EG24N9K4/62=CSA	R978017868	20 / >20	10 / 20
42	4WE6W6X/EG24N9K4/V	R900908486	20 / >20	10 / 20
42	4WE6W6X/EW110N9DAL/62	R978892081	20 / >20	10 / 20
42	4WE6X5A6X/EG24N9K4	R900941137	20 / >20	10 / 20
42	4WE6Y6X/EG12N9DA/62	R978878282	20 / >20	10 / 20
42	4WE6Y6X/EG12N9K4	R900942273	20 / >20	10 / 20
42	4WE6Y6X/EG12N9K4/62 CSA	R978905637	20 / >20	10 / 20
42	4WE6Y6X/EG12N9K4/V	R901008606	20 / >20	10 / 20
42	4WE6Y6X/EG12N9K4/V/62=CSA	R978020055	20 / >20	10 / 20
42	4WE6Y6X/EG24N9DA/62	R978878286	20 / >20	10 / 20
42	4WE6Y6X/EG24N9DAL	R900935501	20 / >20	10 / 20
42	4WE6Y6X/EG24N9K4	R900561276	20 / >20	10 / 20
42	4WE6Y6X/EG24N9K4/62	R978017748	20 / >20	10 / 20
42	4WE6Y6X/EG24N9K4/62=CSA	R978017823	20 / >20	10 / 20
42	4WE6Y6X/EG24N9K4/B12	R900908877	20 / >20	10 / 20
42	4WE6Y6X/EG24N9K4/V	R900909636	20 / >20	10 / 20
42	4WE6Y6X/EG24N9K4/V/62	R901274620	20 / >20	10 / 20
42	4WE6Y6X/EG24N9K4/V/62 CSA	R978902121	20 / >20	10 / 20
42	4WE6Y6X/EG24N9K4=CSA	R900929714	20 / >20	10 / 20
42	4WE6Y6X/EG24N9K72L SO407=AN	R901342992	20 / >20	10 / 20
42	4WE6Y6X/EG96N9K4	R900909273	20 / >20	10 / 20
42	4WE6Y6X/EG96N9K4/62	R978017800	20 / >20	10 / 20
42	4WE6Y6X/EW110N9DA	R978032040	20 / >20	10 / 20
42	4WE6Y6X/EW110N9DA/62	R978874546	20 / >20	10 / 20
42	4WE6Y6X/EW110N9DA/V/62	R978891254	20 / >20	10 / 20
42	4WE6Y6X/EW110N9DAL	R900962944	20 / >20	10 / 20

1) "Shipment" defined as – not to exceed the time from receipt of order to Bosch Rexroth Hydraulics to shipment ex-factory (Bosch Rexroth plant location).



GoTo Focused Delivery Program: Part Numbers

Page Number	Description	Part Number	Maximum Quantity	Shipment <sup>1)</sup> (Business Days)
42	4WE6Y6X/EW110N9DAL/62	R978017864	20 / >20	10 / 20
42	4WE6Y6X/EW110N9DAL/V/62	R978878937	20 / >20	10 / 20
42	4WE6Y6X/EW110N9K4	R900905896	20 / >20	10 / 20
42	4WE6Y6X/EW110N9K4/62	R978017791	20 / >20	10 / 20
42	4WE6Y6X/EW110N9K4/62=CSA	R978017846	20 / >20	10 / 20
42	4WE6Y6X/EW110N9K4/V	R900910847	20 / >20	10 / 20
42	4WE6Y6X/EW110N9K4/V/62 CSA	R978901065	20 / >20	10 / 20
42	4WE6Y6X/EW110N9K4=CSA	R900942177	20 / >20	10 / 20
	<b>5.-WE (5-chamber version) – Directional Spool Valves</b>			
43	5-4WE10D5X/EG24N9K4QMBG24/M	R901337328	3	10
43	5-4WE10EB5X/EG24N9K4QMBG24/M	R901334064	3	10
43	5-4WE10Y5X/EG24N9K4QMAG24/M	R901349492	3	10
	<b>4WEH – Directional Spool Valves</b>			
44	4WEH10D4X/6EG24N9ETK4/B10	R900943462	5	10
44	4WEH10D4X/6EG24N9ETK4/B10=CSA	R901106535	5	10
44	4WEH10E4X/6EG24N9ETK4/B10	R900952630	5	10
44	4WEH10E4X/6EW110N9ETK4/B10=CSA	R901213170	5	10
44	4WEH10E4X/6EW110N9ETK4/B10N10	R978908782	5	10
44	4WEH10J4X/6EG24N9ETK4/B10	R900948924	5	10
44	4WEH10J4X/6EG24N9ETK4/B10=CSA	R900962924	5	10
44	4WEH10J4X/6EW110N9ETK4/B10	R900717396	5	10
44	4WEH16D7X/6EG12N9ETK4/B10 SO388	R901225587	5	10
44	4WEH16D7X/6EG24N9ETK4/B10	R900924874	5	10
44	4WEH16D7X/6EG24N9ETK4/B10=CSA	R901221827	5	10
44	4WEH16D7X/6EG24N9K4	R900923989	5	10
44	4WEH16D7X/6EW110N9ETK4/B10	R900965804	5	10
44	4WEH16D7X/6EW110N9ETK4/B10=CSA	R901281255	5	10
44	4WEH16E7X/6EG24N9EK4/B10	R900978983	5	10
44	4WEH16E7X/6EG24N9EK4/B10=CSA	R901225026	5	10
44	4WEH16E7X/6EG24N9ETDAL/B10	R901236007	5	10
44	4WEH16E7X/6EG24N9ETK4/B10	R900923971	5	10
44	4WEH16E7X/6EG24N9ETK4/B10=CSA	R900958279	5	10
44	4WEH16E7X/6EG24N9K4/B10	R900608720	5	10
44	4WEH16E7X/6EG24N9TK4/B10	R900933564	5	10
44	4WEH16E7X/6EW110N9EDAL/B10	R901225031	5	10
44	4WEH16E7X/6EW110N9ETDAL/B10	R901225039	5	10
44	4WEH16EA7X/6EW110N9ETK4/B10	R900705278	5	10
44	4WEH16EB7X/6EG24N9TK4	R900931973	5	10
44	4WEH16HD7X/O6EG24N9ETK4/B10	R900248291	5	10
44	4WEH16J7X/6EG24N9ETK4/B10	R900930431	5	10
44	4WEH16J7X/6EG24N9ETK4/B10=CSA	R900958161	5	10
44	4WEH16J7X/6EG24N9K4	R900925580	5	10
44	4WEH16J7X/6EG24N9K4/B10	R900972458	5	10
44	4WEH16J7X/6EG24N9TK4	R900927255	5	10

1) "Shipment" defined as – not to exceed the time from receipt of order to Bosch Rexroth Hydraulics to shipment ex-factory (Bosch Rexroth plant location).

## GoTo Focused Delivery Program: Part Numbers

Page Number	Description	Part Number	Maximum Quantity	Shipment <sup>1)</sup> (Business Days)
44	4WEH16J7X/6EW110N9EK4/B10	R900959609	5	10
44	4WEH16J7X/6EW110N9EK4/B10=CSA	R900957117	5	10
44	4WEH16J7X/6EW110N9ETK4/B10	R900939187	5	10
44	4WEH16J7X/6EW110N9ETK4/B10=CSA	R901181644	5	10
44	4WEH16JB7X/6EW110N9EK4/B10	R901025600	5	10
44	4WEH22D7X/6EW110N9ETK4/B10	R900973561	5	10
44	4WEH22D7X/6EW110N9DA	R978899831	5	10
44	4WEH22D7X/6EW110N9EDAL/B10	R978913434	5	10
44	4WEH22D7X/6EW110N9ETDAL/B10	R978891600	5	10
44	4WEH22D7X/6EW110N9ETDAL/B10=CSA	R900966234	5	10
44	4WEH22D7X/6EW110N9K4	R900935725	5	10
44	4WEH22D7X/OF6EW110N9K4/B10	R978010140	5	10
44	4WEH22E7X/6EG24N9EK4/B10	R900932659	5	10
44	4WEH22E7X/6EG24N9ETK4/B10	R900943534	5	10
44	4WEH22E7X/6EW110N9DA	R978892640	5	10
44	4WEH22E7X/6EW110N9EDAL/B10	R901225767	5	10
44	4WEH22E7X/6EW110N9EDAL/B10=CSA	R901225788	5	10
44	4WEH22E7X/6EW110N9ETDA/B10	R901225778	5	10
44	4WEH22E7X/6EW110N9ETDAL/B10	R901205276	5	10
44	4WEH22E7X/6EW110N9ETDAL/B10=CSA	R901033012	5	10
44	4WEH22E7X/6EW110N9ETK4/B10	R901211089	5	10
44	4WEH22E7X/6EW110N9ETK4/B10=CSA	R901082531	5	10
44	4WEH22E7X/6EW110N9K4	R900911063	5	10
44	4WEH22E7X/6EW110N9TDA	R978907992	5	10
44	4WEH22G7X/6EG24N9K4	R978002840	5	10
44	4WEH22G7X/6EW110N9DA	R978892609	5	10
44	4WEH22G7X/6EW110N9EDA/B10	R901225800	5	10
44	4WEH22G7X/6EW110N9K4	R900939327	5	10
44	4WEH22H7X/6EG12N9TK4	R978910815	5	10
44	4WEH22J7X/6EG24N9EK4/B10	R900977313	5	10
44	4WEH22J7X/6EG24N9EK4/B10=CSA	R901211330	5	10
44	4WEH22J7X/6EG24N9ETK4/B10	R900932049	5	10
44	4WEH22J7X/6EG24N9ETK4/B10=CSA	R978912740	5	10
44	4WEH22J7X/6EW110N9DA	R978896846	5	10
44	4WEH22J7X/6EW110N9EK4/B10	R900939179	5	10
44	4WEH22J7X/6EW110N9ETK4/B10	R900939186	5	10
44	4WEH22J7X/6EW110N9K4	R900912919	5	10
44	H-4WEH 25 J6X/6EG24N9ETK4/B10D3	R900932940	5	10
44	H-4WEH25G6X/6EW110N9DA	R978904865	5	10
44	4WH 16 D7X/	R900923871	5	10
44	4WH 22 J7X/	R900409848	5	10
44	4WH 22 Y7X/	R900491846	5	10
	<b>Z4WEH – Directional Shut-Off Valves</b>			
45	Z4WE6E63-3X/EG24K4QMAG24	R900940791	3	10

1) "Shipment" defined as – not to exceed the time from receipt of order to Bosch Rexroth Hydraulics to shipment ex-factory (Bosch Rexroth plant location).

GoTo Focused Delivery Program: Part Numbers

Page Number	Description	Part Number	Maximum Quantity	Shipment <sup>1)</sup> (Business Days)
45	Z4WE6E68-3X/EG24N9K4	R900941212	5	10
45	Z4WEH10E63-4X/6EG24NETK4/B10	R900977314	5	10
	<b>LC + LFA – DIN Cartridge Valves</b>			
46	LC 16 A00D7X/	R900912570	3	10
46	LC 16 A20E7X/	R900910269	3	10
46	LC 16 A40D7X/	R900912573	3	10
46	LC 16 B05E7X/	R900912593	3	10
46	LC 16 B20D7X/	R900912599	5	10
46	LC 16 B40E7X/	R900912590	5	10
46	LC 25 A00D7X/	R900912579	3	10
46	LC 25 A05D7X/	R900909251	5	10
46	LC 25 A05E7X/	R900912576	3	10
46	LC 25 A05E7X/V	R900941241	3	10
46	LC 25 A10D7X/	R900912578	3	10
46	LC 25 A10E7X/	R900912577	5	10
46	LC 25 A20D7X/	R900912580	3	10
46	LC 25 A20E7X/	R900910270	3	10
46	LC 25 A40D7X/	R900912581	5	10
46	LC 25 A40E7X/	R900912574	5	10
46	LC 25 B05E7X/	R900909246	5	10
46	LC 25 B20E7X/	R900912604	3	10
46	LC 32 A05E7X/	R900912585	3	10
46	LC 32 A10E7X/	R900912583	3	10
46	LC 32 A20D7X/	R900912589	3	10
46	LC 32 A20E7X/	R900906337	5	10
46	LC 32 A40E7X/	R900909662	3	10
46	LC 32 B05E7X/	R900909570	5	10
46	LC 32 B40E7X/	R900912610	5	10
46	LC 40 A05E7X/	R900937996	3	10
46	LC 40 A20D7X/	R900937999	3	10
46	LC 40 A20E7X/	R900938000	5	10
46	LC 40 A40E7X/	R900927973	5	10
46	LC 40 B05E7X/	R900938002	5	10
46	LC 40 B20D7X/	R900938006	5	10
46	LC 40 B20E7X/	R900938007	5	10
46	LC 40 B40E7X/	R900938009	5	10
46	LC 50 A05E7X/	R900938022	3	10
46	LC 50 A20D7X/	R900938026	5	10
46	LC 50 A20E7X/	R900920273	3	10
46	LC 63 A20E7X/	R900928826	5	10
46	LFA 16 D-7X/F	R900912625	3	10
46	LFA 16 WEA-7X//12	R900932358	3	10
46	LFA 25 D-7X/F	R900905302	3	10
46	LFA 25 D-7X/F/12	R900932362	5	10

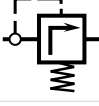
1) "Shipment" defined as – not to exceed the time from receipt of order to Bosch Rexroth Hydraulics to shipment ex-factory (Bosch Rexroth plant location).

## GoTo Focused Delivery Program: Part Numbers

Page Number	Description	Part Number	Maximum Quantity	Shipment <sup>1)</sup> (Business Days)
46	LFA 25 D-7X/FV/12	R900954327	3	10
46	LFA 25 GWA-7X//12	R900932363	5	10
46	LFA 25 H2-7X/F/12	R900932364	5	10
46	LFA 25 WEA-7X/	R900910273	3	10
46	LFA 25 WEA-7X//12	R900932368	5	10
46	LFA 25 WEA-7X/A08T08	R901056232	3	10
46	LFA 25 WEA-7X/T10	R900701867	3	10
46	LFA 25 WEMA-7X/V/12	R900773881	3	10
46	LFA 32 D-7X/F	R900905303	3	10
46	LFA 32 D-7X/F/12	R900932373	5	10
46	LFA 32 GWA-7X/	R900912708	3	10
46	LFA 32 KWA-7X/A15	R900932746	3	10
46	LFA 32 WEA-7X/	R900912712	3	10
46	LFA 32 WEA-7X//12	R900932379	3	10
46	LFA 32 WEA-7X/P20	R901229326	3	10
46	LFA 40 D-7X/F	R900938073	3	10
46	LFA 40 D-7X/F/12	R900938074	5	10
46	LFA 40 GWA-7X//12	R900956116	5	10
46	LFA 40 H2-7X/F/12	R900938124	3	10
46	LFA 40 WEA-7X//12	R900968571	3	10
46	LFA 50 D-7X/F	R900938150	3	10
46	LFA 50 WEA-7X//12	R900970722	3	10
47	LC 16 DB20E7X/	R900912531	5	10
47	LC 16 DB40D7X/	R900912547	3	10
47	LC 16 DB40E7X/	R900912532	3	10
47	LC 25 DB20E7X/	R900912549	5	10
47	LC 25 DB40D7X/	R900912555	5	10
47	LC 25 DB40E7X/	R900912550	3	10
47	LC 32 DB20E7X/	R900912543	5	10
47	LC 32 DB40D7X/	R900912557	5	10
47	LC 32 DB40E7X/	R900910773	3	10
47	LC 40 DB20E7X/	R900938012	5	10
47	LC 40 DB40D7X/	R900938014	3	10
47	LC 40 DB40E7X/	R900927969	5	10
47	LC 50 DB20E7X/	R900938039	5	10
47	LC 50 DB40E7X/	R900938041	5	10
47	LFA 16 DB2-7X/315	R900912757	3	10
47	LFA 25 DB2-7X/315	R900912761	3	10
47	LFA 25 DBW2-7X/200/12	R900932360	5	10
47	LFA 32 DBEM-7X/315	R900912801	3	10
47	LFA 40 DBW2-7X/200/12	R900948914	5	10
47	LFA 40 DBW2-7X/315/12	R900961763	5	10

1) "Shipment" defined as – not to exceed the time from receipt of order to Bosch Rexroth Hydraulics to shipment ex-factory (Bosch Rexroth plant location).

GoTo Focused Delivery Program: Part Numbers

Page Number	Description	Part Number	Maximum Quantity	Shipment <sup>1)</sup> (Business Days)
				
	<b>Pressure Control Valves</b>			
	<b>DBD – Pressure Relief Valves</b>			
48	DBDH 6 G1X/200/12	R900345310	5	10
48	DBDH 6 G1X/315/12	R900458278	5	10
48	DBDH 6 G1X/400/12	R900385305	5	10
48	DBDH 6 K1X/100	R900424199	5	10
48	DBDH 6 K1X/200	R900424200	5	10
48	DBDH 6 K1X/315	R900424201	5	10
48	DBDH 6 K1X/400	R900424202	5	10
48	DBDH 10 K1X/100	R900423891	5	10
48	DBDH 10 K1X/200	R900424190	5	10
48	DBDS 6 G1X/200/12	R900341066	5	10
48	DBDS 6 G1X/315/12	R900352672	5	10
48	DBDS 6 K1X/50	R900423727	5	10
48	DBDS 6 K1X/100	R900423723	5	10
48	DBDS 6 K1X/200	R900423724	5	10
48	DBDS 6 K1X/315	R900423725	5	10
48	DBDS 6 K1X/315V	R900428388	5	10
48	DBDS 6 K1X/400	R900423726	5	10
48	DBDS 10 G1X/25/12	R900351411	5	10
48	DBDS 10 G1X/50/12	R900347687	5	10
48	DBDS 10 G1X/200/12	R900341591	5	10
48	DBDS 10 G1X/315/12	R900377746	5	10
48	DBDS 10 G1X/400/12	R900342738	5	10
48	DBDS 10 K1X/25	R900420276	5	10
48	DBDS 10 K1X/50	R900424153	5	10
48	DBDS 10 K1X/200	R900424149	5	10
48	DBDS 10 K1X/315	R900424150	5	10
48	DBDS 10 K1X/315V	R900424151	5	10
48	DBDS 10 K1X/400	R900424152	5	10
48	DBDS 20 G1X/200/12	R900345502	5	10
48	DBDS 20 G1X/315/12	R900356476	5	10
48	DBDS 20 K1X/200	R900424269	5	10
48	DBDS 20 K1X/315	R900424271	5	10
48	DBDS 20 K1X/400	R900424203	5	10
48	DBDS 30 K1X/200	R900424286	5	10
48	DBDS 30 K1X/315	R900424288	5	10
	<b>DZT – Pressure Relief Valves</b>			
49	DZT-XA2-1X/160	0811104126	3	10
	<b>ZDBD &amp; Z2DBD – Pressure Relief Valves</b>			
50	ZDB 6 DA2-2X/200V	R901423482	3	10
50	ZDB 6 DA2-2X/350V	R901423483	3	10


1) "Shipment" defined as – not to exceed the time from receipt of order to Bosch Rexroth Hydraulics to shipment ex-factory (Bosch Rexroth plant location).

## GoTo Focused Delivery Program: Part Numbers

Page Number	Description	Part Number	Maximum Quantity	Shipment <sup>1)</sup> (Business Days)
50	ZDB 6 DB2-2X/200V	R901423487	3	10
50	ZDB 6 DB2-2X/350V	R901423490	3	10
50	ZDB 6 DP2-2X/200MPV	R901431559	3	10
50	ZDB 6 DP2-2X/350MPV	R901422002	3	10
50	ZDB 10 DA2-2X/200V	R901439544	3	10
50	ZDB 10 DA2-2X/350V	R901439545	3	10
50	ZDB 10 DB2-2X/200V	R901439549	3	10
50	ZDB 10 DB2-2X/350V	R901439550	3	10
50	ZDB 10 DP2-2X/200V	R901232957	3	10
50	ZDB 10 DP2-2X/350MPV	R901438983	3	10
50	Z2DB 10 DC2-2X/200V	R901233033	3	10
50	Z2DB 10 DC2-2X/350V	R901232960	3	10
50	Z2DB 10 DD2-2X/200V	R901439552	3	10
	<b>ZDB &amp; Z2DB – Pressure Relief Valves</b>			
51	ZDB 6 VA2-4X/200V	R900409886	5	10
51	ZDB 6 VA2-4X/315V	R900409893	5	10
51	ZDB 6 VB2-4X/100V	R900409936	5	10
51	ZDB 6 VB2-4X/200V	R900409854	5	10
51	ZDB 6 VB2-4X/315V	R900409896	5	10
51	ZDB 6 VP2-4X/100V	R900409933	5	10
51	ZDB 6 VP2-4X/200V	R900409844	5	10
51	ZDB 6 VP2-4X/315V	R900409898	5	10
51	ZDB 10 VA2-4X/200V	R900422189	5	10
51	ZDB 10 VP2-4X/200V	R900409937	5	10
51	ZDB 10 VP2-4X/315V	R900409958	5	10
51	Z2DB 6 VC2-4X/200V	R900411312	5	10
51	Z2DB 6 VC2-4X/315V	R900411318	5	10
51	Z2DB 6 VD2-4X/200V	R900411314	5	10
51	Z2DB 10 VD2-4X/200V	R900411358	5	10
	<b>DB &amp; DBW – Pressure Relief Valves</b>			
52	DB 10-2-5X/200/12	R900535928	3	10
52	DB 20-2-5X/315/12	R900511690	3	10
52	DB 30-2-5X/315/12	R900558107	3	10
52	DBW 10 A2-5X/200-6EG24N9K4/12	R978912159	3	10
52	DBW 10 A2-5X/200Y6EW110N9K4/12	R978030501	3	10
52	DBW 10 B2-5X/315-6EG24N9K4/12	R900955012	5	10
52	DBW 20 A2-5X/200-6EG24N9K4/12	R978010494	3	10
52	DBW 20 A2-5X/200-6EW110N9K4/12	R978910390	3	10
52	DBW 20 B2-5X/200-6EW110N9K4/12	R900925587	5	10
52	DBW 30 B2-5X/315-6EG24N9K4/12	R900941920	5	10
	<b>DR – Pressure Reducing Valves, Direct Operated</b>			
53	DR 6 DP1-5X/150YM/12	R900554887	5	10
53	DR 6 DP2-5X/75YM/12	R900433346	5	10

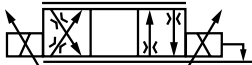
1) "Shipment" defined as – not to exceed the time from receipt of order to Bosch Rexroth Hydraulics to shipment ex-factory (Bosch Rexroth plant location).

GoTo Focused Delivery Program: Part Numbers

Page Number	Description	Part Number	Maximum Quantity	Shipment <sup>1)</sup> (Business Days)
53	DR 6 DP2-5X/150Y/12	R900481941	5	10
53	DR 6 DP2-5X/150YM/12	R900479792	5	10
53	DR 6 DP2-5X/210YM/12	R900434477	5	10
	<b>DR – Pressure Reducing Valves, Pilot Operated</b>			
54	DR 10-5-5X/200YM/12	R900618736	5	10
54	DR 20-5-5X/100Y/12	R900519810	5	10
54	DR 20-5-5X/200YM/12	R900546289	5	10
	<b>ZDR – Pressure Reducing Valve</b>			
55	ZDR 6 DA2-4X/150Y	R900410849	5	10
55	ZDR 6 DA2-4X/150Y/12	R900427723	5	10
55	ZDR 6 DA2-4X/210Y/12	R900401222	5	10
55	ZDR 6 DA2-4X/75Y	R900410813	5	10
55	ZDR 6 DA2-4X/75Y/12	R900430193	5	10
55	ZDR 6 DA2-4X/75YM/12	R900441081	5	10
55	ZDR 6 DB2-4X/150YM	R900431172	5	10
55	ZDR 6 DP2-4X/150YM	R900483787	5	10
55	ZDR 6 DP2-4X/150YM/12	R900404754	5	10
55	ZDR 6 DP2-4X/210YM	R900483788	5	10
55	ZDR 6 DP2-4X/210YM/12	R900433350	5	10
55	ZDR 6 DP2-4X/25YM	R900483785	5	10
55	ZDR 6 DP2-4X/25YM/12	R900404346	5	10
55	ZDR 6 DP2-4X/75YM	R900483786	5	10
55	ZDR 6 DP2-4X/75YM/12	R900401216	5	10
55	ZDR 10 DP2-5X/150YM	R900410880	5	10
55	ZDR 10 DP2-5X/150YM/12	R900582108	5	10
55	ZDR 10 DP2-5X/210YM/12	R900582564	5	10
55	ZDR 10 DP2-5X/75YM/12	R900513528	5	10
55	ZDR 10 VP5-3X/200YM/12	R900512452	5	10
	<b>Z3DR – Pressure Reducing Valve</b>			
56	Z3DR 6 VP2-1X/100MSV/12	R901160883	3	10
56	Z3DR 6 VP2-1X/200V	R901159724	3	10
56	Z3DR 6 VP2-1X/315V	R901232899	3	10
56	Z3DR 6 VP2-1X/50MSV/12	R901161012	3	10
	<b>ZDRY – Pressure Reducing Valve</b>			
57	ZDRY10VP5-1X/160YMV	0811145177	5	10
57	ZDRY10VP5-1X/80YMV	0811145176	5	10
	<b>Flow Control Valves</b>			
	<b>MG – Throttle Valves</b>			
58	MG 10 G1X/V	R900422145	5	10
	<b>Z2FS – Double Throttle Check Valves</b>			
59	Z2FS 6-2-4X/1Q	R900481621	5	10
59	Z2FS 6-2-4X/1QV	R900481623	5	10
59	Z2FS 6-2-4X/2Q	R900481622	5	10

1) "Shipment" defined as – not to exceed the time from receipt of order to Bosch Rexroth Hydraulics to shipment ex-factory (Bosch Rexroth plant location).

## GoTo Focused Delivery Program: Part Numbers

Page Number	Description	Part Number	Maximum Quantity	Shipment <sup>1)</sup> (Business Days)
59	Z2FS 6-2-4X/2QV	R900481624	5	10
59	Z2FS 6-2-4X/2QV/60	R900727967	5	10
59	Z2FS 10-3-3X/V	R900523737	5	10
59	Z2FS 10-5-3X/V	R900517812	5	10
59	Z2FS 16-8-3X/S	R900459203	5	10
59	Z2FS 16-8-3X/S2	R900457256	5	10
59	Z2FS 16-8-3X/S2V	R900473688	5	10
59	Z2FS 16-8-3X/SV	R900470529	5	10
59	Z2FS 22-3X/SV	R900474580	5	10
59	Z2FS 22-8-3X/S2	R900443176	5	10
59	Z2FS 22-8-3X/S2V	R900468786	5	10
	<b>2FRM – 2-Way Flow Control Valves</b>			
60	2FRM 6 B36-3X/1.5QRV	R900205507	5	10
60	2FRM 6 B36-3X/10QRV	R900205509	5	10
60	2FRM 6 B36-3X/16QMV	R900205510	5	10
60	2FRM 6 B36-3X/16QRV	R900205511	5	10
60	2FRM 6 B36-3X/25QRV	R900205513	5	10
60	2FRM 6 B36-3X/3QRV	R900205517	5	10
60	2FRM 6 B36-3X/6QRV	R900205519	5	10
60	2FRM 6 B76-3X/6QRV	R900205528	5	10
60	2FRM 10-3X/10L	R900424887	5	10
60	2FRM 10-3X/16L	R900423251	5	10
60	2FRM 10-3X/25L	R900423255	5	10
60	2FRM 10-3X/50L	R900420286	5	10
60	2FRM 10-3X/50LB	R900423261	5	10
60	2FRM 10-3X/50LV	R900427776	5	10
60	2FRM 16-3X/100L	R900424905	5	10
60	2FRM 16-3X/160L	R900424906	5	10
60	2FRM 16-3X/160LB	R900424902	5	10
60	2FRM 16-3X/60L	R900423271	5	10
	<b>Proportional Valves</b>			
	<b>4WRP &amp; 4WRPE (Series 2X) – Proportional Directional Valves</b>			
61	4WRP 10 E63S-1X/G24Z4/M	0811404001	5	10
61	4WRP 10 EA63S-1X/G24Z4/M	0811403001	5	10
61	4WRPE 6 E18SJ-2X/G24K0/A1M	0811404140	5	10
61	4WRPE 6 E32SJ-2X/G24K0/A1M	0811404141	5	10
61	4WRPE 6 W18SJ-2X/G24K0/A1M	0811404142	5	10
61	4WRPE 6 W32SJ-2X/G24K0/A1M	0811404143	5	10
	<b>4WRPE (Series 3X) – Proportional Directional Valves</b>			
62	4WRPE 10 E50SJ-3X/M/24A1	R901396513	3	10
62	4WRPE 10 E80SJ-3X/M/24A1	R901396516	3	10
62	4WRPE 10 EA80SJ-3X/M/24A1	R901396520	3	10

1) "Shipment" defined as – not to exceed the time from receipt of order to Bosch Rexroth Hydraulics to shipment ex-factory (Bosch Rexroth plant location).



GoTo Focused Delivery Program: Part Numbers

Page Number	Description	Part Number	Maximum Quantity	Shipment <sup>1)</sup> (Business Days)
62	4WRPE 10 V50S-3X/M/24A1	R901401546	3	10
62	4WRPE 10 V80S-3X/M/24A1	R901392641	5	10
62	4WRPE 10 W6-50SJ-3X/M/24A1	R901396518	3	10
62	4WRPE 10 W6-80SJ-3X/M/24A1	R901396519	3	10
	<b>4WRPH &amp; 4WRPEH (Series 2X) – High Response Directional Valve</b>			
63	4WRPEH 10 C3 B50L-2X/G24K0/A1M	0811404800	5	10
63	4WRPEH 10 C3 B100L-2X/G24K0/A1M	0811404801	5	10
63	4WRPEH 10 C3 B100L-2X/G24K0/F1M	0811404817	5	10
63	4WRPEH 10 C4 B50L-2X/G24K0/A1M	0811404802	5	10
63	4WRPEH 10 C4 B100L-2X/G24K0/A1M	0811404803	5	10
63	4WRPH 6 C3 B12L-2X/G24Z4/M	0811404034	5	10
63	4WRPH 6 C3 B15P-2X/G24Z4/M	0811404047	5	10
63	4WRPH 6 C3 B24L-2X/G24Z4/M	0811404035	5	10
63	4WRPH 6 C3 B40L-2X/G24Z4/M	0811404036	5	10
63	4WRPH 6 C4 B40L-2X/G24Z4/M	0811404039	5	10
63	4WRPH 10 C4 B100L-2X/G24Z4/M	0811404061	5	10
	<b>4WRPEH (Series 3X) – High Response Directional Valve</b>			
64	4WRPEH 6 C3B04L-3X/M/24A1	R901382345	5	10
64	4WRPEH 6 C3B12L-3X/M/24A1	R901382312	5	10
64	4WRPEH 6 C3B12L-3X/M/24F1	R901382348	5	10
64	4WRPEH 6 C3B15P-3X/M/24A1	R901382323	5	10
64	4WRPEH 6 C3B24L-3X/M/24A1	R901382313	5	10
64	4WRPEH 6 C3B24L-3X/M/24F1	R901382349	5	10
64	4WRPEH 6 C3B40L-3X/M/24A1	R901382315	5	10
64	4WRPEH 6 C3B40L-3X/M/24F1	R901382350	5	10
64	4WRPEH 6 C4B12L-3X/M/24A1	R901382318	5	10
64	4WRPEH 6 C4B24L-3X/M/24A1	R901382346	5	10
64	4WRPEH 6 C4B40L-3X/M/24A1	R901382319	5	10
64	4WRPEH 6 CB40L-3X/M/24F1	R901382354	5	10
	<b>4WRREH – High-Response Directional Valves</b>			
65	4WRREH 6 V B 8L -1X/G24K0/B5M	0811404723	5	10
65	4WRREH 6 V B 40L -1X/G24K0/B5M	0811404720	5	10
	<b>4WRA &amp; 4WRAE – Proportional Directional Valves</b>			
66	4WRA 6 E30-2X/G24N9K4/V	R900902940	5	10
66	4WRA 10 E30-2X/G24N9K4/V	R900921739	5	10
66	4WRA 10 E60-2X/G24N9K4/V	R900902097	5	10
66	4WRA 10 W60-2X/G24N9K4/V	R900907650	5	10
66	4WRAE 6 E15-2X/G24N9K31/A1V	R900909389	5	10
66	4WRAE 6 E30-2X/G24N9K31/A1V	R900558355	5	10
66	4WRAE 6 W30-2X/G24N9K31/A1V	R900900987	5	10
66	4WRAE 10 E60-2X/G24N9K31/A1V	R900558356	5	10
66	4WRAE 10 W60-2X/G24N9K31/A1V	R900900988	5	10
	<b>4WRA(E)B – Proportional Directional Control Valves</b>			
67	4WRAB6E03-1X/G12N9K4/MR	R978916804	5	10

1) "Shipment" defined as – not to exceed the time from receipt of order to Bosch Rexroth Hydraulics to shipment ex-factory (Bosch Rexroth plant location).

## GoTo Focused Delivery Program: Part Numbers

Page Number	Description	Part Number	Maximum Quantity	Shipment <sup>1)</sup> (Business Days)
67	4WRAB6E06-1X/G12N9K4/MR	R978910358	5	10
67	4WRAB6E12-1X/G12N9K4/MR	R978879705	5	10
67	4WRAB6E25-1X/G12N9K4/MR	R978898190	5	10
67	4WRAB6E25-1X/G24N9K4/MR	R978879339	5	10
67	4WRAB6EA12-1X/G12N9K4/MR	R978911432	5	10
67	4WRAB6W03-1X/G12N9K4/MR	R978911679	5	10
67	4WRAB6W12-1X/G12N9DA/MR	R978908145	5	10
67	4WRAB6W12-1X/G12N9K4/MR	R978891597	5	10
67	4WRAB6W25-1X/G12N9K4/MR	R978877472	5	10
67	4WRAEB6E12-1X/G24N9DK26/MR	R978879310	5	10
67	4WRAEB6E25-1X/G24N9DK26/MR	R978878558	5	10
67	4WRAEB6EA25-1X/G24N9DK26/MR	R978890224	5	10
67	4WRAEB6W25-1X/G24N9DK26/MR	R978878559	5	10
67	4WRAEB6WA25-1X/G24N9DK26/MR	R978879793	5	10
	<b>4WREE – Proportional Directional Valves</b>			
68	4WREE 6 E16-2X/G24K4/V	R900954092	5	10
68	4WREE 6 E08-2X/G24K31/A1V	R900912156	5	10
68	4WREE 6 E16-2X/G24K31/A1V	R900920567	5	10
68	4WREE 6 E32-2X/G24K31/A1V	R900907114	5	10
68	4WREE 6 E32-2X/G24K31/F1V	R900925733	5	10
68	4WREE 6 EA16-2X/G24K31/A1V	R900913433	5	10
68	4WREE 6 V08-2X/G24K31/A1V	R900909367	5	10
68	4WREE 6 V1-16-2X/G24K31/A1V	R900931195	5	10
68	4WREE 6 V16-2X/G24K31/A1V	R900907440	5	10
68	4WREE 6 V32-2X/G24K31/A1V	R900911681	5	10
68	4WREE 6 V32-2X/G24K31/F1V	R900926747	5	10
68	4WREE 6 W08-2X/G24K31/A1V	R900923000	5	10
68	4WREE 6 W16-2X/G24K31/A1V	R900925657	5	10
68	4WREE 6 W32-2X/G24K31/A1V	R900911004	5	10
68	4WREE 10 E1-75-2X/G24K31/A1V	R900927232	5	10
68	4WREE 10 E50-2X/G24K31/A1V	R900927231	5	10
68	4WREE 10 E75-2X/G24K31/A1V	R900927230	5	10
68	4WREE 10 V50-2X/G24K31/A1V	R900927235	5	10
68	4WREE 10 V75-2X/G24K31/A1V	R900924607	5	10
68	4WREE 10 W1-75-2X/G24K31/A1V	R900927234	5	10
68	4WREE 10 W50-2X/G24K31/A1V	R900931371	5	10
68	4WREE 10 W75-2X/G24K31/A1V	R900927233	5	10
	<b>4WRVE – High Response Directional Valves</b>			
69	4WRVE 10 V55M-2X/G24K0/B5M	0811404690	5	10
69	4WRVE 10 V85M-2X/G24K0/B5M	0811404691	5	10
69	4WRVE 16 V200M-2X/G24K0/B5M	0811404291	3	10
69	4WRVE 25 V370M-2X/G24K0/B5M	0811404445	5	10
	<b>4WRKE-High Response Directional Valves</b>			
70	4WRKE 25 W8-350L-3X/6EG24K31/A1D3M	R900249554	3	10

1) "Shipment" defined as – not to exceed the time from receipt of order to Bosch Rexroth Hydraulics to shipment ex-factory (Bosch Rexroth plant location).

GoTo Focused Delivery Program: Part Numbers

Page Number	Description	Part Number	Maximum Quantity	Shipment <sup>1)</sup> (Business Days)
	<b>4WRLE – High Response Directional Valves</b>			
71	4WRLE 10 E1-80SJ-3X/G24ETK0/A1M	0811404715	5	10
71	4WRLE 10 E1-80SJ-3X/G24K0/A1M	0811404701	5	10
71	4WRLE 10 E80SJ-3X/G24ETK0/A1M	0811404713	3	10
71	4WRLE 10 E80SJ-3X/G24K0/A1M	0811404700	5	10
71	4WRLE 10 V1-85M-3X/G24ETK0/A1M	0811404673	5	10
71	4WRLE 10 V55L-3X/G24ETK0/A1M	R901125218	5	10
71	4WRLE 10 V55M-3X/G24ETK0/A1M	0811404661	3	10
71	4WRLE 10 V55M-3X/G24K0/A1M	0811404652	5	10
71	4WRLE 10 V55M-3X/G24TK0/A1M	0811404659	5	10
71	4WRLE 10 V85L-3X/G24ETK0/A1M	R901125217	5	10
71	4WRLE 10 V85M-3X/G24ETK0/A1M	0811404662	3	10
71	4WRLE 10 V85M-3X/G24K0/A1M	0811404653	5	10
71	4WRLE 10 W4-80SJ-3X/G24K0/A1M	0811404711	5	10
71	4WRLE 10 W80SJ-3X/G24ETK0/A1M	0811404707	3	10
71	4WRLE 16 E1Z180SJ-3X/G24K0/A1M	0811404306	5	10
71	4WRLE 16 EZ180SJ-3X/G24ETK0/A1M	0811404319	3	10
71	4WRLE 16 EZ180SJ-3X/G24K0/A1M	0811404305	3	10
71	4WRLE 16 Q4-200M-3X/G24ETK0/A1M	0811404270	5	10
71	4WRLE 16 Q4-200M-3X/G24K0/A1M	0811404276	5	10
71	4WRLE 16 V1-120M-3X/G24ETK0/A1M	0811404281	5	10
71	4WRLE 16 V1-200M-3X/G24ETK0/A1M	0811404282	5	10
71	4WRLE 16 V120L-3X/G24ETK0/A1M	R901128116	5	10
71	4WRLE 16 V120M-3X/G24K0/A1M	0811404250	3	10
71	4WRLE 16 V200L-3X/G24ETK0/A1M	R901128117	5	10
71	4WRLE 16 V200M-3X/G24ETK0/A1M	R901089293	5	10
71	4WRLE 16 V200M-3X/G24ETK0/A1V	R978714397	5	10
71	4WRLE 16 V200M-3X/G24K0/A1M	0811404251	3	10
71	4WRLE 16 W1-180SJ-3X/G24K0/A1M	R901102544	5	10
71	4WRLE 16 W1-200M-3X/G24EK0/A1WX02M-779	0811404273	5	10
71	4WRLE 16 W1Z180SJ-3X/G24K0/A1M	0811404308	5	10
71	4WRLE 16 W4Z180SJ-3X/G24ETK0/A1M	0811404328	5	10
71	4WRLE 16 W5-180SJ-3X/G24K0/A1M	0811404320	5	10
71	4WRLE 16 WZ180SJ-3X/G24K0/A1M	0811404307	3	10
71	4WRLE 25 EZ350SJ-3X/G24ETK0/A1M	0811404481	3	10
71	4WRLE 25 EZ350SJ-3X/G24K0/A1M	0811404454	3	10
71	4WRLE 25 V370M-3X/G24ETK0/A1M	0811404498	5	10
71	4WRLE 25 V370M-3X/G24K0/A1M	0811404430	5	10
71	4WRLE 25 W1Z350SJ-3X/G24K0/A1M	0811404457	5	10
71	4WRLE 25 W4Z350SJ-3X/G24K0/A1M	0811404472	5	10
71	4WRLE 25 WZ350SJ-3X/G24K0/A1M	0811404456	3	10
71	4WRLE 25 X370M-3X/G24EK0/A1M-812	0811404435	5	10
71	4WRLE 25 X370M-3X/G24ETK0/A1M-812	0811404434	5	10
71	4WRLE 27 Q4-430M-3X/G24ETK0/A1M	0811404438	3	10
71	4WRLE 27 Q4-430M-3X/G24TK0/A1M	0811404442	5	10

1) "Shipment" defined as – not to exceed the time from receipt of order to Bosch Rexroth Hydraulics to shipment ex-factory (Bosch Rexroth plant location).

## GoTo Focused Delivery Program: Part Numbers

Page Number	Description	Part Number	Maximum Quantity	Shipment <sup>1)</sup> (Business Days)
	<b>4WRSE – High Response Directional Valves</b>			
72	4WRSE 10 V80-3X/G24K0/A1V	R900579286	5	10
	<b>4WRZE – 4/2, 4/3 Proportional Directional Valves</b>			
73	4WRZ 16 E150-7X/6EG24N9EK4/D3V	R900947411	5	10
73	4WRZ 16 E150-7X/6EG24N9ETK4/D3V	R900944363	3	10
73	4WRZ 25 W8-325-7X/6EG24N9ETK4/D3V	R900945912	5	10
73	4WRZE 10 W6-50-7X/6EG24N9ETK31/F1D3V	R900952143	5	10
73	4WRZE 10 W6-85-7X/6EG24N9ETK31/A1D3V	R900932993	5	10
73	4WRZE 16 E150-7X/6EG24N9ETK31/A1V	R900945995	3	10
73	4WRZE 25 E220-7X/6EG24N9ETK31/A1D3V	R900953095	5	10
73	4WRZE 25 W6-325-7X/6EG24N9ETK31/A1V	R900940842	5	10
	<b>5WRPE – 5/3 Proportional Directional Valves</b>			
74	5WRPE 10 F1B 70L -2X/G24K0/A1M	0811402107	5	10
	<b>FESX – Proportional Cartridge Throttle Valves</b>			
75	FESX 16CA-1X/125LZ4M	0811402452	5	10
75	FESX 25CA-1X/210LZ4M	0811402515	5	10
75	FESX 32CA-1X/320LZ4M	0811402614	5	10
75	FESX 40CA-1X/500LZ4M	0811402620	5	10
75	FESX 50CA-1X/980LZ4M	0811402633	5	10
	<b>FESXE – Proportional Cartridge Throttle Valves</b>			
76	FESXE 16CA-1X/125LK0B1M	0811402454	5	10
76	FESXE 25CA-1X/210LK0B1M	0811402517	5	10
76	FESXE 32CA-1X/320LK0B1M	0811402616	5	10
76	FESXE 40CA-1X/500LK0B1M	0811402622	5	10
76	FESXE 50CA-1X/980LK0B1M	0811402642	5	10
	<b>DBETBX – Pressure Relief Valves</b>			
77	DBETBX-1X/180G24-37Z4M	0811402003	5	10
	<b>DBE6X – Proportional Pressure Relief Valves</b>			
78	DBE 6X-1X/315G24-8NZ4M	0811402043	5	10
	<b>DBEE6 – Proportional Pressure Relief Valves</b>			
79	DBEE 6-2X/315G24K31A1M	R901323940	5	10
	<b>DBETFX – Proportional Pressure Relief Valves</b>			
80	DBETFX-1X/250G24-27NZ4M	0811402021	5	10
	<b>DBETX – Proportional Pressure Relief Valves</b>			
81	DBETX-1X/180G24-25NZ4M	0811402031	5	10
81	DBETX-1X/180G24-8NZ4M	0811402017	5	10
81	DBETX-1X/250G24-8NZ4M	0811402019	5	10
81	DBETX-1X/315G24-25NZ4M	0811402032	5	10
81	DBETX-1X/315G24-8NZ4M	0811402016	5	10
	<b>DBETA – Proportional Pressure Relief Valves</b>			
82	DBETA-6X/P200G24K31A1V	R901338404	5	10
82	DBETA-6X/P200G24K31F1V	R901347334	3	10
82	DBETA-6X/P350G24K31A1V	R901352135	5	10
82	DBETA-6X/P350G24K31F1V	R901347337	3	10


1) "Shipment" defined as – not to exceed the time from receipt of order to Bosch Rexroth Hydraulics to shipment ex-factory (Bosch Rexroth plant location).

GoTo Focused Delivery Program: Part Numbers

Page Number	Description	Part Number	Maximum Quantity	Shipment <sup>1)</sup> (Business Days)
	<b>DBET &amp; DBETE – Proportional Pressure Relief Valves</b>			
83	DBET-6X/200G24K4V	R901000846	5	10
83	DBET-6X/315G24K4V	R901000847	5	10
83	DBET-6X/350G24K4V	R901000848	5	10
83	DBETE-6X/200G24K31A1V	R901029968	5	10
83	DBETE-6X/315G24K31A1V	R901029969	5	10
83	DBETE-6X/350G24K31A1V	R901029970	5	10
	<b>DBEME – Proportional Pressure Relief Valves</b>			
84	DBEME 10-7X/315YG24K31A1V	R901363308	5	10
	<b>DRE6X – Proportional Pressure Reducing Valves</b>			
85	DRE 6X-1X/175MG24-8NZ4M	0811402055	5	10
85	DRE 6X-1X/310MG24-8NZ4M	0811402058	5	10
	<b>DREB6X – Proportional Pressure Reducing Valves</b>			
86	DREB 6X-1X/175MG24-25Z4M	0811402051	5	10
	<b>DREBE6X – Proportional Pressure Reducing Valves</b>			
87	DREBE 6X-1X/175MG24K31A1M	0811402080	5	10
87	DREBE 6X-1X/175MG24K31F1M	0811402083	5	10
87	DREBE 6X-1X/310MG24K31A1M	0811402081	5	10
	<b>DRE(M) &amp; DRE(M)E – Proportional Pressure Reducing Valves</b>			
88	DREE 10-6X/200YMG24K31A1M	R901272516	5	10
88	DREE 10-6X/315YMG24K31A1M	R901278309	5	10
88	DREM 10-6X/315YMG24K4M	R901298578	5	10
	<b>3DREP &amp; 3DREPE – Proportional Pressure Reducing Valves</b>			
89	3DREP 6 C-2X/25EG24N9K4/M	R900955887	5	10
89	3DREP 6 C-2X/25EG24N9K4/M-674	R901205987	5	10
89	3DREP 6 C-2X/25EG24N9K4/V	R900929529	5	10
89	3DREPE 6 A-2X/25EG24N9K31/A1V	R900925526	5	10
89	3DREPE 6 C-2X/25EG24N9K31/A1V	R900925484	5	10
89	3DREPE 6 C-2X/25EG24N9K31/F1M	R900958848	5	10
89	3DREPE 6 C-2X/25EG24N9K31/F1V	R900926984	5	10
	<b>ZDREE – Proportional Pressure Reducing Valves</b>			
90	ZDREE 10 VP2-2X/200XLMG24K31A1M	R901198302	3	10
	<b>Standard Manifolds</b>			
	<b>Automotive Bar Manifolds</b>			
91	ABM6PN-1X/02D2-01GM	R978908745	3	10
91	ABM6PN-1X/04D2-01GM	R978908747	3	10
	<b>Parallel Bar Manifolds</b>			
92	BM6PN-1X/01A2-12	R978901859	3	10
92	BM6PN-1X/01D2-12	R978901873	3	10
92	BM6PN-1X/02A2-12	R978901860	3	10
92	BM6PN-1X/02D2-12	R978901874	3	10
92	BM6PN-1X/03A2-12	R978901861	3	10

1) "Shipment" defined as – not to exceed the time from receipt of order to Bosch Rexroth Hydraulics to shipment ex-factory (Bosch Rexroth plant location).

## GoTo Focused Delivery Program: Part Numbers

Page Number	Description	Part Number	Maximum Quantity	Shipment <sup>1)</sup> (Business Days)
92	BM6PN-1X/03D2-12	R978901875	3	10
92	BM6PN-1X/04A2-12	R978901862	3	10
92	BM6PN-1X/04D2-12	R978901876	3	10
92	BM6PN-1X/05A2-12	R978901863	3	10
92	BM6PN-1X/05D2-12	R978901877	3	10
92	BM10PN-1X/01A3-12	R978901866	3	10
92	BM10PN-1X/01D3-12	R978901880	3	10
92	BM10PN-1X/02A3-12	R978901867	3	10
92	BM10PN-1X/02D3-12	R978901881	3	10
92	BM10PN-1X/03A3-12	R978901868	3	10
92	BM10PN-1X/03D3-12	R978901882	3	10
92	BM10PN-1X/04A3-12	R978901869	3	10
92	BM10PN-1X/04D3-12	R978901883	3	10
92	BM10PN-1X/05A3-12	R978901870	3	10
92	BM10PN-1X/05D3-12	R978901884	3	10
92	Size 6 (DO3) Mounting Kit	R9788398831	3	10
92	Size 10 (DO5) Mounting Kit	R9788398832	3	10
92	Size 16 (DO7) Mounting Kit	R978915619	3	10
	<b>Cover Plates</b>		3	10
93	CP6NN-1X/A-12	R978839479	3	10
93	CP6NN-XX/D-01	R978839953	5	10
93	CP6NN-XX/D-12	R978839952	3	10
93	CP10NN-1X/A-12	R978839477	3	10
93	CP10NN-XX/D-12/P	R978839950	3	10
	<b>Sandwich Plates</b>			
94	TP6GAB-1X/A-12	R978908990	3	10
94	TP6GAB-1X/D-12	R978908991	3	10
94	TP6GPT-1X/A-12	R978908988	3	10
94	TP6GPT-1X/D-12	R978908989	3	10
94	TP10GAB-1X/A-12	R978908992	3	10
94	TP10GAB-1X/D-12	R978908993	3	10
94	TP10GPT-1X/A-12	R978908994	3	10
94	TP10GPT-1X/D-12	R978908995	3	10
	<b>Adapter Plates</b>			
95	AP6-10-1X/A-12	R978908209	3	10
95	AP6-10-1X/D-12	R978908220	3	10
	<b>Proportional Electronics</b>			
	<b>VT-VSPA1-1-1X – Analog Amplifier</b>			
96	VT-VSPA1-1-1X/	R900033823	5	10
	<b>VT-VSPA1-2-1X – Analog Amplifier</b>			
97	VT-VSPA1-2-1X/V0/0	R900782310	5	10

1) "Shipment" defined as – not to exceed the time from receipt of order to Bosch Rexroth Hydraulics to shipment ex-factory (Bosch Rexroth plant location).

GoTo Focused Delivery Program: Part Numbers

Page Number	Description	Part Number	Maximum Quantity	Shipment <sup>1)</sup> (Business Days)
	<b>VT-2000-5X – Electrical Amplifier</b>			
98	VT 2000-5X/	R900033828	5	10
	<b>VT-SSPA1-50 – Plug-in Amplifier</b>			
99	VT-SSPA1-50-1X/V0/0-24	R901005414	5	10
	<b>VT-SSPA1-5 – Plug-in Amplifier</b>			
100	VT-SSPA1-508-20/V0	0811405144	5	10
100	VT-SSPA1-525-20/V0	0811405143	5	10
100	VT-SSPA1-525-2X/V0/I	0811405145	5	10
	<b>VT-VSPA2-1-2X – Analog Amplifier</b>			
101	VT-VSPA2-1-2X/V0/T1	R901002090	5	10
101	VT-VSPA2-1-2X/V0/T5	R901002095	5	10
	<b>VT 11118-1X – Analog Amplifier Module</b>			
102	VT 11118-1X/	R900211788	5	10
	<b>MDSD – Mobile Dual Solenoid Driver</b>			
103	MDSD1-2X/0	R978886070	5	10
103	MDSD1K-2X/0	R978886412	5	10
103	MDSD1K-2X/1	R978886413	5	10
103	MDSD1K-2X/2	R978839712	5	10
103	MDSD1K-2X/3	R978886415	3	10
103	MDSD-2X/0	R978886065	5	10
103	MDSD-2X/2	R978886067	3	10
	<b>VT-5041-3X – Analog Amplifier</b>			
104	VT 5041-3X/1-0	R901236404	5	10
104	VT 5041-3X/3-0	R901196678	5	10
	<b>VT-VRPA1-1 – Analog Amplifier</b>			
105	VT-VRPA1-151-1X/V0/0	R901057060	5	10
	<b>VT-VRPA1-5...-1X/V0 – Electrical Amplifier</b>			
106	VT-VRPA 1-527-10/V0	0811405095	5	10
106	VT-VRPA 1-537-10/V0/PV	0811405097	5	10
106	VT-VRPA 1-537-10/V0/QV	0811405099	5	10
	<b>VT-VRPA1-5...-V0/2/2V – Electrical Amplifier</b>			
107	VT-VRPA 1-527-20/V0/2/2V	0811405076	5	10
	<b>VT-VRPA1-5...RTS-2STV – Electrical Amplifier</b>			
108	VT-VRPA1-527-20/V0/RTS-2STV	0811405073	5	10
	<b>VT-VRPA1-527...RTS-2/2V – Electrical Amplifier</b>			
109	VT-VRPA1-527-20/V0/RTS-2/2V	0811405074	5	10
	<b>VT-VRPA1...PV-RTP – Electrical Amplifier</b>			
110	VT-VRPA1-537-10/V0/PV-RTP	0811405102	5	10
	<b>VT-VRPA2-.../T1 – Analog Amplifier</b>			
111	VT-VRPA2-1-1X/V0/T1	R900979887	5	10
111	VT-VRPA2-2-1X/V0/T1	R900979889	5	10
	<b>VT-VRPA2-5...RTP – Electrical Amplifier</b>			
112	VT-VRPA2-527-10/V0/RTP	0811405119	5	10
112	VT-VRPA2-537-10/V0/RTP	0811405120	5	10

1) "Shipment" defined as – not to exceed the time from receipt of order to Bosch Rexroth Hydraulics to shipment ex-factory (Bosch Rexroth plant location).

## GoTo Focused Delivery Program: Part Numbers

Page Number	Description	Part Number	Maximum Quantity	Shipment <sup>1)</sup> (Business Days)
	<b>VT-5035-1X – Electrical Amplifier</b>			
113	VT 5035-1X/	R900579497	5	10
	<b>VT-VRRA – Analog Amplifier</b>			
114	VT-VRRA 1-527-20/V0	0811405060	5	10
114	VT-VRRA 1-527-20/V0/2STV	0811405063	5	10
114	VT-VRRA 1-537-20/V0	0811405061	5	10
	<b>VT-VARAP1 – p/Q Amplifier</b>			
115	VT-VARAP1-527-20/V0	0811405152	5	10
	<b>VT-VACAP1 – p/Q Controller</b>			
116	VT-VACAP-500-20/V0	0811405157	5	10
116	VT-VACAP-500-20/V0/2CH	0811405158	5	10
	<b>VT-HACD-3 – Control Electronics</b>			
117	VT-HACD-3-2X/0-I-00/000	R901239533	5	10
117	VT-HACD-3-2X/E-I-00/000	R901239535	5	10
117	VT-HACD-3-2X/P-I-00/000	R901227616	5	10
	<b>VT-MACAS – Analog Positioning Modules</b>			
118	VT-MACAS-500-10/V0	0811405139	5	10
	<b>VT-SWMA-1 – Analog Command Value Modules</b>			
119	VT-SWMA-1-1X/V0/0	R900942541	5	10
	<b>VT-SWMA3-5 – Command Value and Ramp Modules</b>			
120	VT-SWMA3-5-1X/V0/0	0811405108	5	10
	<b>VT3002 – Card Holder</b>			
121	VT 3002-1-2X/32D (card holder)	R900020153	5	10
121	VT 3002-1-2X/32F	1834486001	5	10
121	VT 3002-1-2X/48F (card holder)	R900020154	5	10
	<b>VT-SSBA1 – Plug-in Switching Amplifier</b>			
122	VT-SSBA1-PWM-1X/V002/5	R901290194	3	10
	<b>VT-DFP – Pilot Control Valves</b>			
123	VT-DFP-A-2X/G24K0/0/V	R900703811	5	10
123	VT-DFPE-A-2X/G24K0/0A1V/V	R900712200	5	10
	<b>VT-VETSY-1 – Service Case</b>			
124	VT-VETSY-1-1X/1-2-1-1-0/USA	R978050422	3	10
	<b>HM20 – Pressure Transducer</b>			
125	HM 20-2X/100-C-K35	R901342024	5	10
125	HM 20-2X/100-H-K35	R901342025	5	10
125	HM 20-2X/250-C-K35	R901342026	5	10
125	HM 20-2X/250-H-K35	R901342027	5	10
125	HM 20-2X/315-C-K35	R901342029	5	10
125	HM 20-2X/315-H-K35	R901342030	5	10
125	HM 20-2X/400-C-K35	R901342033	5	10
125	HM 20-2X/400-H-K35	R901342034	5	10

1) "Shipment" defined as – not to exceed the time from receipt of order to Bosch Rexroth Hydraulics to shipment ex-factory (Bosch Rexroth plant location).



GoTo Focused Delivery Program: Part Numbers

Page Number	Description	Part Number	Maximum Quantity	Shipment <sup>1)</sup> (Business Days)
	<b>Mobile Electronics</b>			
	<b>BODAS RC Controllers</b>			
126	RC12-10/30 (un-programmed)	R917008181	5	5
126	RC2-2/21 (un-programmed)	R902098200	1	5
126	RC4-5/30 (un-programmed)	R917008015	2	5
126	RC28-14/30 (un-programmed)	R917007683	2	5
	<b>BODAS Tools</b>			
127	BODAS Cable	R902109422	1	5
127	BODAS Service Diagnostic Connector	R909831291	1	5
127	Flash Adapter FA1/10	R902045960	1	5
127	BODAS Service Tool Full	R902109416	1	5
127	CAN-USB interface	R978005614	1	5
	<b>BODAS Sensors &amp; Connectors</b>			
128	PO1 Mating Connector Kit	R978057362	2	10
128	PO12S05/20 Linear Position	R917002927	2	10
128	PR3 Mating Connector	R902602132	2	5
128	PR3-400GS05/10	R917008824	2	5
128	PR3-600GS05/10	R917008825	2	5
128	TSA Air Temperature Sensor	0538009203	2	5
128	TSF Temperature Sensor	0538009252	2	5
128	TS Mating Connector	1834484094	2	5
128	WS1 Mating Connector	R902601914	2	10
128	WS1T90/10 Angle Position	R902602446	2	10
	<b>BODAS Display – Display DI3</b>			
129	DI3 Interconnection Kit	R978730445	1	5
129	DI3 Display Series 10	R902109505	2	10
129	DI3 Display Series 11 (2 ch. video)	R917008412	1	5
129	DI3 Display Series 11 (no video)	R917008411	1	5
129	DI3 Mating Connector	R900877038	2	10
	<b>BODAS Display – Color Video Camera</b>			
130	CAM-PRO/10 Camera	R902603837	2	10
130	CAM-XXX/10 Mating Cable	R902603838	2	10
	<b>Analog Amplifier – RA2-1</b>			
131	RA Amplifier 25 Pin Mating Connector	R902603063	2	5
131	RA2-1/10 Dual Solenoid Amplifier	R902091800	2	5
	<b>BODAS Connector &amp; Wire Kits</b>			
132	BCK2-56-R RC4-5/30 Only	R978730367	4	5
132	BCK2-56-CONTACTS	R978057365	4	5
132	BCK1-58-R RC../30 not 4-5	R978730366	2	5
132	BCK1-58-CONTACTS	R978057364	2	5
132	BCK1-96-L RC../30 not 4-5	R978730365	2	5
132	BCK1-96-CONTACTS	R978057363	2	5
132	BWK1-16-10-2BK	R978730359	2	5

1) "Shipment" defined as – not to exceed the time from receipt of order to Bosch Rexroth Hydraulics to shipment ex-factory (Bosch Rexroth plant location).

## GoTo Focused Delivery Program: Part Numbers

Page Number	Description	Part Number	Maximum Quantity	Shipment <sup>1)</sup> (Business Days)
132	BWK1-18-2-10BK	R978730358	4	5
132	BWK2-16-2-1BK	R978730656	5	5
132	BWK2-16-2-3RD	R978730360	2	5
132	BWK3-18-2-10BK	R978730362	4	5
132	BWK3-18-5-4BK	R978730363	2	5
132	BWK4-18-5-4BK2RD	R978730364	2	5
132	Extract Tool, BCB 0.6	R913045758	2	5
132	Extract Tool, BDK 2.8	1928498218	2	5
132	Extract Tool, Matrix 1.2	1928498167	2	5
132	Extract Tool, MQS	R913045760	2	5
132	RC 52 Pin Mating Connector	R902602414	1	5
132	RC../30 96+58 Mating Con. Kit	R902603622	2	5
	<b>BODAS Node Kits</b>			
134	Bodas Node CAN-0	R978058208	5	5
134	Bodas Node CAN-1	R978058209	5	5
134	Bodas Node CAN-3	R978058210	5	5
134	Bodas Node CAN-5	R978058211	5	5
134	Bodas Node DI3 PWR GND	R978058212	5	5
134	Bodas Node EXT10	R978058215	2	5
134	Bodas Node EXT2	R978058213	2	5
134	Bodas Node EXT5	R978058214	2	5
134	Bodas Node KIT	R978058299	5	5
134	Bodas Node SERVICE	R978058300	2	5
	<b>Mobile Controls</b>			
	<b>2TH6 – Hydraulic pilot controller</b>			
135	1-2 TH6 L 06-10/M 05	R907225176	3	10
135	1-2 TH6 L 97-10/M 05	R908352025	3	10
135	1-2 TH6 L 06-1X/M05 SO418	R978728584	3	10
135	1-2 TH6 M 06-10/M 05	R907225383	3	10
135	1-2 TH6 M 97-10/M 05	R908352026	3	10
135	1-2 TH6 M 06-1X/M05 SO418	R978728585	3	10
135	1-2 TH6 P 06-10/M 05 S418	R907223668	3	10
135	1-2 TH6 P 97-10/M 05	R908352027	3	10
135	1-2 TH6 T 97-10/M 05	R908353005	3	10
135	2 TH6 L 06-10/M 05	R907223719	3	10
135	2 TH6 L 06-10/M 05 S418	R908351214	3	10
135	2 TH6 M 06-10/M 05	R907223721	3	10
135	2 TH6 P 06-10/M 05	R907223723	3	10
135	2 TH6 P 06-10/M 05 S418	R908351216	3	10
	<b>2TH7 &amp; 4TH7 – Hydraulic pilot controller</b>			
136	2TH7Q06-1X/M05	R907142321	3	10
136	4TH7J06-1X/5M	R907143466	3	10
	<b>4TH6 – Hydraulic pilot controller</b>			
137	4TH6E06-1X/YU23/M05	R907229581	3	10

1) "Shipment" defined as – not to exceed the time from receipt of order to Bosch Rexroth Hydraulics to shipment ex-factory (Bosch Rexroth plant location).

GoTo Focused Delivery Program: Part Numbers

Page Number	Description	Part Number	Maximum Quantity	Shipment <sup>1)</sup> (Business Days)
	<b>Compact Hydraulics</b>			
	<b>Relief Valves</b>			
	<b>Relief, direct acting guided poppet type</b>			
138	041149035605000 VSBN-08A, 10-70 bar	R901113598	10	10
138	041149035610000 VSBN-08A, 35-140 bar	R901113599	10	10
138	041149035620000 VSBN-08A, 105-210 bar	R901097728	10	10
138	041149035635000 VSBN-08A-35	R901091914	10	10
138	041149735635000 VSBN-08A, Screw Adjust, 35-350 bar	R901113601	10	10
138	041155038505000 VSBN-10A-05 5-70 bar	R901191831	10	10
138	041155038510000 VSBN-10A. 35-140 bar	R901113609	10	10
138	041155038520000 VSBN-10A. 105-210 bar	R901113610	10	10
138	041155038535000 VSBN-10A. 175-350 bar	R901115702	10	10
	<b>Relief, direct acting poppet type, differential area</b>			
138	041522035610000 VSDN-08A 35-140 bar	R930005640	10	10
138	041522035620000 VSDN-08A-20	R930005641	10	10
138	041522035635000 VSDN-08A 175-315 bar	R930005642	10	10
138	041523038510000 VSDN-10A-10	R930005643	10	10
138	041523038535000 VSDN-10A-35	R930005644	10	10
	<b>Relief, pilot operated spool type</b>			
138	041208038510000 VSPN-10A, 35-140 bar	R901097726	10	10
138	041208038520000 VSPN-10A-20	R901097722	10	10
138	041208038535000 VSPN-10A-35	R901104103	10	10
138	041208048535000 VSPN-10A, Handknob, 35-350 bar	R901104104	10	10
138	041210035710000 VSPN-12A-10	R930000334	10	10
138	041210035720000 VSPN-12A-20	R930000335	10	10
138	041210035735000 VSPN-12A-35	R930000336	10	10
138	041207032720000 VSPN-16A-20	R930001026	10	10
138	041207032735000 VSPN-16A-35	R930001027	10	10
138	041211032710000 VSPN-16A-10	R930001025	10	10
138	041211042735000 VSPN-16A-V-35	R930001024	10	10
	<b>Relief, pilot operated spool type, with external drain</b>			
139	041305038510000 VSPY-10A, 35-140 bar	R901106472	10	10
139	041305038520000 VSPY-10A-20	R901097730	10	10
139	041305038535000 VSPY-10A, 140-420 bar	R901106473	10	10
139	041307035710000 VSPY-12A 35-140	R930000356	10	10
139	041307035720000 VSPY-12A-20	R930000357	10	10
	<b>Relief, pilot operated spool type, unloading</b>			
139	04190203852000A VSKD-10A-20-A	R930007215	10	10
	<b>Priority unloading pilot operated</b>			
139	047521065610000 VMSN-08A-10	R901109765	10	10
139	047521065620000 VMSN-08A-20	R901109766	10	10
139	047521065635000 VMSN-08A, 175-350 bar	R901109767	10	10
139	04751003992000D VMSP-78-85-20-D	R930005779	10	10

1) "Shipment" defined as – not to exceed the time from receipt of order to Bosch Rexroth Hydraulics to shipment ex-factory (Bosch Rexroth plant location).

## GoTo Focused Delivery Program: Part Numbers

Page Number	Description	Part Number	Maximum Quantity	Shipment <sup>1)</sup> (Business Days)
	<b>Relief, bi-directional direct acting poppet type, differential area</b>			
139	041159038520000 VSNG-10A-20	R901109726	10	10
	<b>Relief, pilot operated poppet type</b>			
139	04120903852000A VSPC-10A-20-A	R930051168	10	10
139	04120903853500A VSPC-10A-35	R930051170	10	10
	<b>Pressure Reducing and Relieving Valves</b>			
	<b>Pressure reducing, pilot operated spool type</b>			
140	049306038510000 VRPP-10A, 10-140 bar	R901104112	10	10
140	049306038520000 VRPP-10A, 70-280 bar	R901104113	10	10
140	049308035710000 VRPP-12A, 10-140 bar	R901109737	10	10
140	049308035720000 VRPP-12A, 70-280 bar	R901109738	10	10
140	049308035735000 VRPP-12A-35	R901109739	10	10
	<b>Pressure reducing and relieving, direct acting spool type</b>			
140	04950403850400A VRPR-10A-04-A	R901102333	10	10
140	04950403850800A VRPR-10A-08-A	R901109742	10	10
	<b>Pressure reducing and relieving, pilot operated spool type</b>			
140	049307038510000 VRPX-10A, 35-140 bar	R901104118	10	10
140	049307038520000 VRPX-10A, 70-280 bar	R901106468	10	10
	<b>Check Valves – Common Cavity</b>			
	<b>Check, poppet type</b>			
141	043120005600000 VUCN-08A-00	R901007308	10	10
141	043120005605000 VUCN-08A-05	R901106550	10	10
141	043120005614000 VUCN-08A-14	R901106592	10	10
141	0431200056A0000 VUCN-08A-A0	R930006992	10	10
141	043123008500000 VUCN-10A-00	R901106596	10	10
141	043123008501000 VUCN-10A-01	R930005884	10	10
141	043123008505000 VUCN-10A-05	R901106601	10	10
141	04312300851500A VUCN-10A-15	R901106602	10	10
141	043128005700000 VUCN-12A-00	R901106613	10	10
141	043128005705000 VUCN-12A-05	R901106614	10	10
141	043128005715000 VUCN-12A-15	R901106615	10	10
141	043125002700000 VUCN-16A-00	R901106616	10	10
141	0431250027A0000 VUCN-16A-A0	R930004414	10	10
141	043132005800000 VUCN-20A-00	R901109780	10	10
141	043132005803000 VUCN-20A-03	R901109781	10	10
141	043132005812000 VUCN-20A-12	R930000319	10	10
	<b>Check, poppet type with thermal relief</b>			
141	04313735850000B VUCN-10A-TR-00-B	R930005830	10	10
	<b>Check poppet reverse type</b>			
142	043121005602000 VURN-08A-02	R901106619	10	10
142	043127008500000 VURN-10A-00	R901106622	10	10
142	043136005702000 VURN-12A-02	R930000502	10	10
	<b>Pilot operated check, pilot to open</b>			
142	043310005600000 VSOA-08A-00	R930000836	10	10

1) "Shipment" defined as – not to exceed the time from receipt of order to Bosch Rexroth Hydraulics to shipment ex-factory (Bosch Rexroth plant location).

GoTo Focused Delivery Program: Part Numbers

Page Number	Description	Part Number	Maximum Quantity	Shipment <sup>1)</sup> (Business Days)
142	043310105605000 VSOA-08A-05-OR	R930000847	10	10
142	043310008500000 VSOA-10A-00	R901117416	10	10
142	043310008503000 VSOA-10A-03	R901117420	10	10
142	043310108500000 VSOA-10A-G-00	R901117418	10	10
142	043310108503000 VSOA-10A-G-03	R901117421	10	10
142	043310108514000 VSOA-10A-14-OR	R930000989	10	10
	<b>Dual pilot operated check, pilot to open</b>			
142	043603008503000 VSOD-10A-03	R930000016	10	10
	<b>Shuttle, direct acting poppet type</b>			
143	049405005600000 SELB-08A	R901161981	10	10
143	049407005400000 SELC-04A	R930005663	10	10
	<b>Check Valves – Sun Cavity</b>			
	<b>Pilot operated, pilot-to-close check</b>			
144	043404105000000 VUPC-25U-00	R930007037	10	10
144	043404105002000 VUPC-25U-02	R930007030	10	10
	<b>Pilot operated, pilot-to-open check</b>			
144	043306002000000 VSON-08U-00	R901106637	10	10
144	043306012000000 VSON-08U-MA-00	R930005647	10	10
144	043306102000000 VSON-08U-G-00, O-ring on pilot piston	R901104068	10	10
144	043306112000000 VSON-08U-G-MA-00	R901099896	10	10
144	043307008600000 VSON-12U-00	R901106638	10	10
144	043307108600000 VSON-12U-G-00, O-ring on pilot piston	R901106639	10	10
144	043309004700000 VSON-16U-00	R901106640	10	10
144	043309104700000 VSON-16U-G-00, O-ring on pilot piston	R901106641	10	10
	<b>Counterbalance Valves – Common Cavity</b>			
	<b>Standard poppet type, differential area</b>			
145	045225035820000 VBSN-20A, 4:1, 70-210 bar	R901096052	10	10
145	045225035835000 VBSN-20A, 4:1, 140-350 bar	R901096053	10	10
145	045225105840000 VBSN-20A, 8:1, 140-420 bar	R901096057	10	10
	<b>Counterbalance Valves – Sun Cavity</b>			
	<b>Standard poppet type, differential area, counterclockwise adj.</b>			
146	045243032010000 VBSN-08U-RS-3:1-10-A	R930006109	10	10
146	045243032020000 VBSN-08U-RS-3:1-20-A	R930006110	10	10
146	045243032035000 VBSN-08U-RS-3:1-35-A	R930006111	10	10
146	045243102020000 VBSN-08U-RS-8:1-20-A	R930006112	10	10
146	045243102035000 VBSN-08U-RS-8:1-35-A	R930006113	10	10
146	045243312020000 VBSN-08U-RS-1.5:1-P-20-A	R930006114	10	10
146	045243312035000 VBSN-08U-RS-1.5:1-P-35-A	R930006115	10	10
146	045243102035020 VBSN-08U-RS-8:1-35-02	R930055448	10	10
146	045244038620000 VBSN-12U-RS-4:1-20-A	R930006116	10	10
146	045244038635000 VBSN-12U-RS-4:1-35-A	R930006117	10	10
146	045244108620000 VBSN-12U-RS-8:1-20-A	R930006118	10	10
146	045244108635000 VBSN-12U-RS-8:1-35-A	R930006119	10	10
146	045244428620000 VBSN-12U-RS-2:1-P-20-A	R930006120	10	10

1) "Shipment" defined as – not to exceed the time from receipt of order to Bosch Rexroth Hydraulics to shipment ex-factory (Bosch Rexroth plant location).

## GoTo Focused Delivery Program: Part Numbers

Page Number	Description	Part Number	Maximum Quantity	Shipment <sup>1)</sup> (Business Days)
146	045244428635000 VBSN-12U-RS-2:1-P-35-A	R930006121	10	10
146	045245034720000 VBSN-16U-RS-4:1-20-A	R930000051	10	10
146	045245034740000 VBSN-16U-RS-4:1-40-A	R930000052	10	10
146	045245104720000 VBSN-16U-RS-8:1-20-A	R930000053	10	10
146	045245104740000 VBSN-16U-RS-8:1-40-A	R930000054	10	10
146	045245424740000 VBSN-16U-RS-2:1-P-40-A	R930000056	10	10
146	045246255035000 VBSN-25U-RS-5:1-35	R930006253	10	10
146	045418255042000 VBSP-25U-RS-5:1-42	R930006255	10	10
	<b>Standard guided poppet type, differential area, counterclockwise adj.</b>			
146	045242102020000 VBSN-08UU-RS-4:1-20	R930006107	10	10
146	045242372020000 VBSN-08UU-RS-9:1-20-A	R930006108	10	10
	<b>Relief compensated poppet type, differential area, counterclockwise adj.</b>			
146	045415032020000 VBSP-08U-RS-3:1-20-A	R930006122	10	10
146	045415032035000 VBSP-08U-RS-3:1-35-A	R930006123	10	10
146	045416038620000 VBSP-12U-RS-4:1-20-A	R930006124	10	10
146	045416038635000 VBSP-12U-RS-4:1-35-A	R930006125	10	10
146	045417034740000 VBSP-16U-RS-4:1-35	R930000060	10	10
	<b>Vented guided poppet type, counterclockwise adj.</b>			
147	045929032015000 VBST-08U-RS-3:1-15-A	R930006129	10	10
147	045929032020000 VBST-08U-RS-3:1-20-A	R930006130	10	10
147	045930038620000 VBST-12U-RS-4:1-20-A	R930006131	10	10
147	045930038635000 VBST-12U-RS-4:1-35-A	R930006132	10	10
147	045931034720000 VBST-16U-RS-3:1-20-A	R930000061	10	10
147	045931034740000 VBST-16U-RS-3:1-40-A	R930000063	10	10
	<b>4-port vented poppet type, external drain, counterclockwise adj.</b>			
147	045932032015000 VBSY-08U-RS-3:1-15-A	R930006133	10	10
147	045932032020000 VBSY-08U-RS-3:1-20-A	R930006134	10	10
147	045933038620000 VBSY-12U-RS-4:1-20-A	R930006135	10	10
147	045933038635000 VBSY-12U-RS-4:1-35-A	R930006136	10	10
147	045934034720000 VBSY-16U-RS-3:1-20-A	R930000067	10	10
147	045934034740000 VBSY-16U-RS-3:1-40-A	R930000069	10	10
	<b>Counterbalance Valves – Integrated Cavity</b>			
	<b>Standard guided poppet type, differential area</b>			
148	045220032020000 VBSN-08HH, 4:1, 100-210 bar	R901113641	10	10
148	045220032035000 VBSN-08HH, 4:1, 200-350 bar	R901113643	10	10
148	045220122035000 VBSN-08HH, 10:1, 200-350 bar	R901113645	10	10
	<b>Standard poppet type, differential area</b>			
148	045228031520000 VBSN-12H, 4:1, 70-210 bar	R901113646	10	10
148	045228031535000 VBSN-12H, 4:1, 140-350 bar	R901113647	10	10
	<b>Relief compensated poppet type, differential area, counterclockwise adj.</b>			
148	045408031535000 VBSP-12H-4:1-35	R901127086	10	10
	<b>Relief Compensated Poppet Type, differential area, counterclockwise adj.</b>			
149	045404032020000 VBSP-08HH-4:1-20	R901099670	10	10
149	045404032035000 VBSP-08HH-4:1-35	R901099715	10	10

1) "Shipment" defined as – not to exceed the time from receipt of order to Bosch Rexroth Hydraulics to shipment ex-factory (Bosch Rexroth plant location).

GoTo Focused Delivery Program: Part Numbers

Page Number	Description	Part Number	Maximum Quantity	Shipment <sup>1)</sup> (Business Days)
149	045418255042000 VBSP-25U-RS-5:1-42	R930006255	10	10
	<b>Vented Guided Poppet Type, counterclockwise adj.</b>			
149	04590803202000B VBST-08HH-4:1-20-B	R901113654	10	10
149	04590803203500B VBST-08HH-4:1-35-B	R901113655	10	10
149	045913031540000 VBST-12HH-4:1-40	R901113658	10	10
	<b>Flow Control Valves</b>			
	<b>Cartridge restrictors</b>			
150	OD210103360000 VSTXX09CA.36X03	R901109830	10	10
150	OD2101035600000 ST-C-06	R901109366	10	10
150	OD2101045600000 ST-C-06, Handknob	R901109367	10	10
150	OD2101033600000 ST-C-10A	R934001238	10	10
150	OD2101043600000 ST-C-10A, Handknob	R901109831	10	10
150	OD2101038900000 ST-C-12A	R901109832	10	10
150	OD2101048900000 ST-C-12A, Handknob	R901109834	10	10
150	OD2101037500000 ST-C-16A	R901109837	10	10
150	OD2101047500000 ST-C-16A, Handknob	R901109838	10	10
	<b>Needle restrictors</b>			
150	040103035600000 STVU-08A	R930000002	10	10
150	040103045600000 STVU-08A-V	R930000003	10	10
150	040105038500000 STVU-10A	R930005606	10	10
150	040105048500000 STVU-10A-V	R930005607	10	10
150	040106035600000 STFU-08A	R930001067	10	10
150	040106045600000 STFU-08A-V	R930001068	10	10
	<b>2-way pressure compensated, fixed setting</b>			
150	040201005609000 VRFA-08A, reg. flow rate 0.9 l/min	R901109350	10	10
150	040201005653000 VRFA-08A, reg. flow rate 5.3 l/min	R901109360	10	10
150	040201005680000 VRFA-08A, reg. flow rate 8.0 l/min	R901109362	10	10
150	040201005630000 VRFA-08A-F-30	R901109355	10	10
150	040201008519000 VRFA-10A-TF-19 (Fixed)	R930005614	10	10
150	040201008517000 VRFA-10A-TF-17	R930005613	10	10
150	040201048514000 VRFA-10A-V-14	R901109344	10	10
150	040201048526000 VRFA-10A-V-26	R901109347	10	10
150	040203005729000 VRFA-12A-TF-29	R930005620	10	10
150	040203005737000 VRFA-12A-TF-37	R930005621	10	10
150	040203005745000 VRFA-12A-TF-45	R930005623	10	10
150	040203005750000 VRFA-12A-TF-50	R930005624	10	10
150	040203005758000 VRFA-12A-TF-58	R930005625	10	10
150	040203005763000 VRFA-12A-TF-63	R930005626	10	10
	<b>2-way pressure compensated, partially adjustable</b>			
151	040201038526000 VRFA-10A, adjustable 19-26 l/min	R901109336	10	10
	<b>2-way pressure compensated, partially adjustable</b>			
151	04020204854000A VRFB-10A-V-40	R930055371	10	10
	<b>2-way pressure compensated, fully adjustable</b>			
151	040701035750000 VRFE-12A-50	R930000009	10	10

1) "Shipment" defined as – not to exceed the time from receipt of order to Bosch Rexroth Hydraulics to shipment ex-factory (Bosch Rexroth plant location).

## GoTo Focused Delivery Program: Part Numbers

Page Number	Description	Part Number	Maximum Quantity	Shipment <sup>1)</sup> (Business Days)
	<b>3-way pressure compensated, partially adj.</b>			
151	040401008517000 VRFC-10A-TF-17	R930005632	10	10
151	040401048514000 VRFC-10A-V-14	R901106669	10	10
151	040401048526000 VRFC-10A-V-26	R901106671	10	10
151	040403005723000 VRFC-12A-TF-23	R930000072	10	10
151	040403005729000 VRFC-12A-TF-29	R930000074	10	10
	<b>3-way pressure compensated, partially adjustable</b>			
152	040401048520000 VRFC-10A, adjustable 13-20 l/min, Handknob	R901106670	10	10
	<b>3-way pressure compensated, fully adjustable</b>			
152	04040204854000A VRFD-10A-V-40	R930055362	10	10
152	040404045750000 VRFD-12A 1-50 L/min, Handknob	R930006093	10	10
	<b>Flow dividers and combiners</b>			
152	040501008516000 DRFN-10A-16	R901096083	10	10
152	040501008530000 DRFN-10A-30	R901096086	10	10
152	04050200270400A DRFN-16A-04	R930053926	10	10
152	04050200270600A DRFN-16A-06	R930053927	10	10
152	04050200270900A DRFN-16A-09	R930053928	10	10
152	04050200271300A DRFN-16A-13	R930053929	10	10
152	04050200271600A DRFN-16A-16	R930053931	10	10
	<b>Logic element valves</b>			
	<b>Pressure compensated with load sense</b>			
153	048410088510000 VRLA-10A-10-D-08	R930001196	10	10
153	048409008505000 VRLA-10A-05-S	R930001191	10	10
153	048409008510000 VRLA-10A-10-S	R930001192	10	10
153	048410055710000 VRLA-12A-10-D-05	R930001086	10	10
153	048410075710000 VRLA-12A-10-D-07	R930001089	10	10
153	048410105710000 VRLA-12A-10-D-10	R930001097	10	10
153	048409005710000 VRLA-12A-10-S	R930001081	10	10
153	048410052711000 VRLA-16A-11-D-05	R930001084	10	10
153	048410052722000 VRLA-16A-22-D-05	R930001085	10	10
153	048410082711000 VRLA-16A-11-D-08	R930001091	10	10
153	048410082722000 VRLA-16A-22-D-08	R930001092	10	10
153	048410102711000 VRLA-16A-11-D-10	R930001095	10	10
153	048410102722000 VRLA-16A-22-D-10	R930001096	10	10
153	048409002711000 VRLA-16A-11-S	R930001079	10	10
153	048409002722000 VRLA-16A-22-S	R930001080	10	10
153	048410055812000 VRLA-20A-12-D-05	R930001087	10	10
153	048410085812000 VRLA-20A-12-D-08	R930001093	10	10
153	048410105812000 VRLA-20A-12-D-10	R930001098	10	10
153	048409005812000 VRLA-20A-12-S	R930001082	10	10
153	MAN ASSY AGA17006 INLET WITH LS DRAIN	R978052637	10	10
	<b>2-way pilot operated poppet type, normally open</b>			
153	048412008508000 VLSC-10A-8-TF-08	R930000264	10	10
153	048412008512000 VLSC-10A-8-TF-12	R930000281	10	10

1) "Shipment" defined as – not to exceed the time from receipt of order to Bosch Rexroth Hydraulics to shipment ex-factory (Bosch Rexroth plant location).



GoTo Focused Delivery Program: Part Numbers

Page Number	Description	Part Number	Maximum Quantity	Shipment <sup>1)</sup> (Business Days)
	<b>Solenoid On/Off Cartridges</b>			
	<b>2-way, pilot operated poppet type, normally closed</b>			
154	OD1505183AS000 VEI8A2A06.18K05.3ANCC218S	R901083058	10	10
154	OD1531183AS000 VEI8A2T06.18K31.3ANCC218S	R901082015	10	10
154	OD1503183AS000 VEI8A2B06.18K03.3ANCC218&	R934000779	10	10
154	OD1503183DS000 VEI8A2B06.18K03.3DNCC218&	R901091112	10	10
154	OD1505183DS000 VEI8A2A06.18K05.3DNCC218&	R901087979	10	10
154	OD1531183CS000 VEI8A2T06.18K31.3CNCC218&	R901109982	10	10
154	OD1531183DS000 VEI8A2T06.18K31.3DNCC218&	R901091164	10	10
154	OD1505183CS000 VEI8A2A06.18K05.3CNCC218&	R901094735	10	10
154	OD1505363AS000 VEI8A2A09.36K05.3ANCC222S	R901090947	10	10
154	OD1503363AS000 VEI8A2B09.36K03.3ANCC222&	R901091113	10	10
154	OD1503363DS000 VEI8A2B09.36K03.3DNCC222&	R934004878	10	10
154	OD1505363DS000 VEI8A2A09.36K05.3DNCC222&	R901080482	10	10
154	OD1531363AS000 VEI8A2T09.36K31.3ANCC222&	R901091166	10	10
154	OD1531363DS000 VEI8A2T09.36K31.3DNCC222&	R901091167	10	10
154	OD1505753AS000 VEI8A2A12.75K05.3ANCC225S	R901094745	10	10
154	OD1503893AS000 VEI8A2B12.89K03.3ANCC225&	R901091116	10	10
154	OD1503893DS000 VEI8A2B12.89K03.3DNCC225&	R901091117	10	10
154	OD1505753DS000 VEI8A2A12.75K05.3DNCC225&	R901094746	10	10
154	OD1505893AS000 VEI8A2A12.89K05.3ANCC225&	R901091127	10	10
154	OD1505893DS000 VEI8A2A12.89K05.3DNCC225&	R901091129	10	10
154	OD1531753AS000 VEI8A2T12.75K31.3ANCC225&	R901094747	10	10
154	OD1531753DS000 VEI8A2T12.75K31.3DNCC225&	R901094748	10	10
154	OD1531893AS000 VEI8A2T12.89K31.3ANCC225&	R901091168	10	10
154	OD1531893DS000 VEI8A2T12.89K31.3DNCC225&	R901091170	10	10
154	OD150375750000 VEI7A2B14.75K03.75NCL630&	R901109957	10	10
154	OD150375758000 VEI7A2B14.M75K03.75NCL63&	R901109959	10	10
154	OD150575750000 VEI7A2A14.75K05.75NCL630&	R901109970	10	10
154	OD153175750000 VEI7A2T14.75K31.75NCL630&	R901109986	10	10
154	OD153175758000 VEI7A2T14.M75K31.75NCL63&	R901109988	10	10
	<b>2-way, pilot operated poppet type, normally open</b>			
155	OD1506181AS000 VEI8A2A06.18K06.1ANAC218S	R901091130	10	10
155	OD1532181AS000 VEI8A2T06.18K32.1ANAC220S	R901091171	10	10
155	OD1504181AS000 VEI8A2B06.18K04.1ANAC218&	R901091121	10	10
155	OD1504181BS000 VEI8A2B06.18K04.1BNAC218&	R901091122	10	10
155	OD1504181CS000 VEI8A2B06.18K04.1CNAC218&	R901091123	10	10
155	OD1506181BS000 VEI8A2A06.18K06.1BNAC218&	R901091131	10	10
155	OD1506181CS000 VEI8A2A06.18K06.1CNAC218&	R901091132	10	10
155	OD1532181BS000 VEI8A2T06.18K32.1BNAC218&	R901091173	10	10
155	OD1532181CS000 VEI8A2T06.18K32.1CNAC218&	R901091174	10	10
155	OD1506361AS000 VEI8A2A09.36K06.1ANAC220S	R901080489	10	10
155	OD1504361AS000 VEI8A2B09.36K04.1ANAC220&	R901091124	10	10
155	OD1504361BS000 VEI8A2B09.36K04.1BNAC225&	R901091125	10	10
155	OD1504361CS000 VEI8A2B09.36K04.1CNAC225&	R901091126	10	10

1) "Shipment" defined as – not to exceed the time from receipt of order to Bosch Rexroth Hydraulics to shipment ex-factory (Bosch Rexroth plant location).

## GoTo Focused Delivery Program: Part Numbers

Page Number	Description	Part Number	Maximum Quantity	Shipment <sup>1)</sup> (Business Days)
155	OD1506361BS000 VEI8A2A09.36K06.1BNAC220&	R901091136	10	10
155	OD1506361CS000 VEI8A2A09.36K06.1CNAC220&	R901091137	10	10
155	OD1532361AS000 VEI8A2T09.36K32.1ANAC220&	R901091175	10	10
155	OD1532361BS000 VEI8A2T09.36K32.1BNAC220&	R901091176	10	10
155	OD1532361CS000 VEI8A2T09.36K32.1CNAC220&	R901091178	10	10
155	OD1506751AS000 VEI8A2A12.75K06.1ANAC225S	R901095953	10	10
155	OD1504751AS000 VEI8A2B12.75K04.1ANAC225&	R901094731	10	10
155	OD1504891AS000 VEI8A2B12.89K04.1ANAC225&	R901090961	10	10
155	OD1504891BS000 VEI8A2B12.89K04.1BNAC225&	R901090960	10	10
155	OD1504891CS001 VEI8A2B12.V89K04.1CNAC22&	R934000831	10	10
155	OD1506751BS000 VEI8A2A12.75K06.1BNAC225&	R901095955	10	10
155	OD1506751CS000 VEI8A2A12.75K06.1CNAC225&	R901095956	10	10
155	OD1506891AS000 VEI8A2A12.89K06.1ANAC225&	R901091139	10	10
155	OD1506891BS000 VEI8A2A12.89K06.1BNAC225&	R901091140	10	10
155	OD1506891CS000 VEI8A2A12.89K06.1CNAC225&	R901091141	10	10
155	OD1532751AS000 VEI8A2T12.75K32.1ANAC225&	R901094753	10	10
155	OD1532751BS000 VEI8A2T12.75K32.1BNAC225&	R901094754	10	10
155	OD1532751CS000 VEI8A2T12.75K32.1CNAC225&	R901094755	10	10
155	OD150475540000 VEI7A2B14.75K04.54NAL630&	R901109963	10	10
155	OD150675540000 VEI7A2A14.75K06.54NAL630&	R901109979	10	10
155	OD153275540000 VEI7A2T14.75K32.54NAL630&	R901109991	10	10
	<b>Solenoid directional cartridges</b>			
	<b>3-way, 2-position spool type, normally closed</b>			
156	OD131077700000 VED7I3209.77K10.70NCL625&	R901113686	10	10
156	OD131077710000 VED7I3209.77K10.71NCL625&	R901113687	10	10
156	OD131177700000 VED7I3209.77K11.70NCL625&	R901125116	10	10
156	OD131177710000 VED7I3209.77K11.71NCL625&	R901126890	10	10
156	OD132077700000 VED7I3209.77K20.70NCL625&	R901113690	10	10
156	OD132077710000 VED7I3209.77K20.71NCL625&	R901113692	10	10
156	OD133077700000 VED7I3209.77K30.70NCL625&	R901115704	10	10
156	OD133077710000 VED7I3209.77K30.71NCL625&	R901126898	10	10
156	OD131051300000 VED8I3206.51K10.30NCC215&	R901126871	10	10
156	OD131051400000 VED8I3206.51K10.40NCC215&	R901126872	10	10
156	OD131151300000 VED8I3206.51K11.30NCC215&	R901126873	10	10
156	OD131151400000 VED8I3206.51K11.40NCC215&	R901126875	10	10
156	OD132051300000 VED8I3206.51K20.30NCC215&	R901126892	10	10
156	OD132051400000 VED8I3206.51K20.40NCC215&	R901126895	10	10
156	OD133051300000 VED8I3206.51K30.30NCC215&	R901098192	10	10
156	OD133051400000 VED8I3206.51K30.40NCC215&	R901126897	10	10
	<b>4-way, 2-position spool type, normally closed</b>			
156	OD144078710000 VED7I4209.78K40.71NCL625&	R901113699	10	10
156	OD144178700000 VED7I4209.78K41.70NCL625&	R901126906	10	10
156	OD144178710000 VED7I4209.78K41.71NCL625&	R901126907	10	10
156	OD144058300000 VED8I4206.58K40.30NCC215&	R901113693	10	10

1) "Shipment" defined as – not to exceed the time from receipt of order to Bosch Rexroth Hydraulics to shipment ex-factory (Bosch Rexroth plant location).

GoTo Focused Delivery Program: Part Numbers

Page Number	Description	Part Number	Maximum Quantity	Shipment <sup>1)</sup> (Business Days)
156	OD144058400000 VED8I4206.58K40.40NCC215&	R901126899	10	10
156	OD144158300000 VED8I4206.58K41.30NCC215&	R901126903	10	10
156	OD144078700000 VED-10A-42	R901113695	10	10
	<b>4-way, 3-position solenoid operated, spool type</b>			
156	OD143178800000 VED7I4309.78K31.80NCD620&	R901113701	10	10
156	OD143178810000 VED7I4309.78K31.81NCD620&	R901113703	10	10
156	OD143278800000 VED7I4309.78K32.80NCD620&	R901113706	10	10
156	OD143278810000 VED7I4309.78K32.81NCD620&	R901126908	10	10
156	OD143258440000 VED8I4306.58K32.44NCD215&	R901113705	10	10
156	OD143158440000 VED8I4306.58K31.44NCD215&	R901098194	10	10
	<b>High-pressure relief, pilot operated</b>			
157	KBVSH1BA/FV	R901325102	10	10
157	KBVSL1BA/FV	R901325105	10	10
157	KBVSN1BA/FV	R901325107	10	10
157	KBVSR1BA/FV	R901325111	10	10
	<b>Non-compensated flow regulator</b>			
157	OD920277030100 VEP-5A-2Q-09.77K02.03NAP925&	R934001510	10	10
157	OD920277030200 VEP-5A-2Q-09.77K02.03NAP925&	R934001511	10	10
157	OD920277030300 VEP-5A-2Q-09.77K02.03NAP925&	R934003129	10	10
157	OD920377030100 VEP-5A-2Q-09.77K03.03NCP925&	R934001518	10	10
157	OD920377030200 VEP-5A-2Q-09.77K03.03NAP935&	R934001519	10	10
157	OD920377030300 VEP-5A-2Q-09.77K03.03NCP925&	R934001520	10	10
157	OD920312030000 VEP-5A-2Q-14.12K03.03NCP930&	R934001514	10	10
157	OD920312040000 VEP-5A-2Q-14.12K03.04NCP930&	R934001515	10	10
157	OD920512030000 VEP-5A-2Q-14.12K05.03NCP930&	R934001523	10	10
157	OD920512040000 VEP-5A-2Q-14.12K05.04NCP930&	R934003910	10	10
	<b>Non-compensated flow regulator, poppet type</b>			
157	OD950689720000 VEPN-12A-16/25-070-Q6-N7	R934001162	10	10
	<b>Pressure reducing, pilot operated</b>			
158	OD910677030000 VEP-5A-2R-10.77K06.03NAP925&	R901118933	10	10
158	OD910677040000 VEP-5A-2R-10.77K06.04NAP925&	R901126868	10	10
	<b>2-way double lock type</b>			
158	OD953118030000 VEP-5A-2T-06.18K31.03NAP910&	R901113761	10	10
158	OD953118040000 VEP-5A-2T-06.18K31.04NAP910&	R901126864	10	10
	<b>Pressure reducing, direct acting</b>			
158	OD910181030000 VEP-5A-3R-03.81K01.03NAP935&	R934001496	10	10
158	OD910177030000 VEP-5A-3R-06.77K01.03NAP630&	R934001495	10	10
158	OD910177040000 VEP-5A-3R-06.77K01.04NAP630&	R934003442	10	10
	<b>Relief, direct acting</b>			
159	OD940118033500 VEP-5B-1S-35.18K01.03NAP925&	R934001532	10	10
159	OD940118043500 VEP-5B-1S-35.18K01.04NAP925&	R934001535	10	10
159	OD940118031000 VEP-5B-2S-10.18K01.03NAP925&	R934001530	10	10
159	OD940118041000 VEP-5B-2S-10.18K01.04NAP925&	R934001533	10	10
159	OD940118032000 VEP-5B-2S-20.18K01.03NAP925&	R934001531	10	10
159	OD940118042000 VEP-5B-2S-20.18K01.04NAP925&	R934001534	10	10

1) "Shipment" defined as – not to exceed the time from receipt of order to Bosch Rexroth Hydraulics to shipment ex-factory (Bosch Rexroth plant location).

## GoTo Focused Delivery Program: Part Numbers

Page Number	Description	Part Number	Maximum Quantity	Shipment <sup>1)</sup> (Business Days)
	<b>Relief, pilot operated</b>			
159	OD940536031000 VEP-5B-2S-10.36K05.03NAP925&	R934001536	10	10
159	OD940536041000 VEP-5B-2S-10.36K05.04NAP925&	R934001539	10	10
159	OD940536032000 VEP-5B-2S-20.36K05.03NAP925&	R934001537	10	10
159	OD940536042000 VEP-5B-2S-20.36K05.04NAP925&	R934001540	10	10
159	OD940536033500 VEP-5B-2S-35.36K05.03NAP925&	R934001538	10	10
159	OD940536043500 VEP-5B-2S-35.36K05.04NAP925&	R934003877	10	10
	<b>Flow control with integrated pressure compensator</b>			
159	KUDSR3C1A/FN9V	R901287409	10	10
159	KUDSR3C2A/FN9V	R901265879	10	10
159	KUDSR3CA/FN9V	R901255657	10	10
	<b>Line Bodies – Common Cavity</b>			
	<b>Aluminum</b>			
160	CB08-2N-A/S06	R978032340	10	10
160	CB08-3N-A/S06	R978032341	10	10
160	CB10-2N-A/S08	R978032348	10	10
160	CB10-3N-A/S08	R978032349	10	10
160	CB10-4N-A/S08	R978032351	10	10
160	CB16-2N-A/S12	R978032360	10	10
	<b>Ductile iron</b>			
160	CB08-2N-D/S06	R978032344	10	10
160	CB08-3N-D/S06	R978032345	10	10
160	CB10-2N-D/S08	R978032352	10	10
160	CB10-3N-D/S08	R978032353	10	10
160	CB10-4N-D/S08	R978032355	10	10
160	CB16-2N-D/S12	R978032362	10	10
	<b>Line Bodies – Sun Cavity</b>			
	<b>Aluminum</b>			
160	CBDT-11A-A/S08	R978041747	10	10
160	CBDT-2A-A/S10	R978041749	10	10
160	CBT-11A-A/S08	R978012829	10	10
160	CBT-2A-A/S10	R978041744	10	10
	<b>Ductile iron</b>			
160	CBDT-11A-D/S08	R978041748	10	10
160	CBDT-2A-D/S10	R978041750	10	10
160	CBT-11A-D/S08	R978012838	10	10
160	CBT-2A-D/S10	R978041745	10	10
	<b>Cartridge Accessories</b>			
161	OD02070130OB02 S7L36HRL 12VDC 30W CLAS H	R901090824	10	10
161	OD02070130OC02 S7L36HRL 24VDC 30W CLAS H	R901090825	10	10
161	OD02070130OW02 S7L36HRL 110VRAC 30W CL.H	R934003806	10	10
161	OD02072230OB02 S7L36DTL12VDC30WDIOD CL.H	R901094595	10	10
161	OD02072230OC02 S7L36DTL 24VDC 30W DIOD	R901094597	10	10
161	OD02170130OB00 S8356HRL.12DC 20W CL.H	R901090821	10	10

1) "Shipment" defined as – not to exceed the time from receipt of order to Bosch Rexroth Hydraulics to shipment ex-factory (Bosch Rexroth plant location).

GoTo Focused Delivery Program: Part Numbers

Page Number	Description	Part Number	Maximum Quantity	Shipment <sup>1)</sup> (Business Days)
161	OD02170130OC00 S8356HRL.24DC 20W CL.H	R901083065	10	10
161	OD02170130OW00 S8356HRL110RAC 20W CL.H	R901087981	10	10
161	OD02171430OC00 S8.356HRL-24DC-20W-DIODE&	R901121821	10	10
161	OD0217203POB00 S8356DTV.12DC 20W CL.H	R901110014	10	10
161	OD0217223POB00 S8356DTV12DC20W DIOD CL.H	R901120671	10	10
161	OD0217223POC00 S8356DTV24DC20W DIOD CL.H	R901114602	10	10
161	OD02072030OB02 S7L36DTL-12VDC-30W-CL.-H	R901094589	10	10
161	OD02072030OC02 S7L36DTL-24VDC-30W-CL.-H	R901094594	10	10
161	OD02090130OB01 S5L35HRL-12VDC-23W-CL.-H	R901090827	10	10
161	OD02090130OC01 S5L45HRL-24VDC-23W-CL.-H	R901090828	10	10
161	OD0209203POB01 S5L45DTV-12VDC-23W-CL.H	R901110011	10	10
161	OD0209203POC01 S5L45DTV-24VDC-23W-CL.H	R901110012	10	10
161	OD0209223POB01 S5L45DTV-12VDC-23W-DIODE&	R901090829	10	10
161	OD0209223POC01 S5L45DTV-24VDC-23W-DIODE&	R901110013	10	10
161	OD02170130AC00 S8.356HRL-26DC-20W-CL.H	R901058832	10	10
161	OD02170130OG00 S8.356HRL-14DC-20W-CL.H	R901144215	10	10
161	OD02170130OV00 S8.356HRL-24RAC-20W-CL.H	R901090820	10	10
161	OD02170730OB00 S8.356AJL-12DC-20W-CL.H	R901094604	10	10
161	OD02170730OC00 S8.356AJL-24DC-20W-CL.H	R901094607	10	10
161	OD02170G03OB00 S8.356GNL-12DC-20W-L300-&	R901100773	10	10
161	OD02170G03OC00 S8.356GNL-24DC-20W-L300-&	R901100775	10	10
161	OD02170H03OB00 S8.356GNL-12DC-20W-L300-&	R901130402	10	10
161	OD02170H03OC00 S8.356GNL.24DC 20W L300 D	R901130404	10	10
161	OD02171430OB00 S8.356HRL-12DC-20W-DIODE&	R901131889	10	10
161	OD02171530AC00 S8.356AJL-26DC-20W-DIODE&	R901133139	10	10
161	OD02171530OB00 S8.356AJL-12DC-20W-DIODE&	R901111032	10	10
161	OD02171530OC00 S8.356AJL-24DC-20W-DIODE&	R901125292	10	10
161	OD02172030OB00 S8.356DTL-12DC-20W-CL.H	R901094609	10	10
161	OD02172030OC00 S8.356DTL-24DC-20W-CL.H	R901094611	10	10
161	OD0217203POC00 S8.356DTV-24DC-20W-CL.H	R901110015	10	10
161	OD02172230AC00 S8.356DTL-26DC-20W-DIODE&	R934000426	10	10
161	OD02172230OB00 S8.356DTL-12DC-20W-DIODE&	R901130433	10	10
161	OD02172230OC00 S8.356DTL-24DC-20W-DIODE&	R901130401	10	10
161	OD0217303POB00 S8.356ASV-12DC-20W-CL.H	R901110016	10	10
161	OD0217303POC00 S8.356ASV-24DC-20W-CL.H	R901110017	10	10
161	OD02210130OB00 R7-HRL-12VDC-18W-CL.H	R934001302	10	10
161	OD0221203POB00 R7-DTV-12VDC-18W-CL.H	R934003919	10	10
161	S8.356AJL-14DC-20W-CL.H	R934000498	10	10
161	S8.356AJL-26DC-20W-CL.H	R934000494	10	10
161	S8.356ASV-12DC-20W-DIODE-CL.H	R934000519	10	10
161	S8.356ASV-26DC-20W-CL.H	R934000516	10	10
161	S8.356DTV-26DC-20W-CL.H	R934000509	10	10
161	S8.356DTV-26DC-20W-DIODE-CL.H	R934003034	10	10

1) "Shipment" defined as – not to exceed the time from receipt of order to Bosch Rexroth Hydraulics to shipment ex-factory (Bosch Rexroth plant location).

## GoTo Focused Delivery Program: Part Numbers

Page Number	Description	Part Number	Maximum Quantity	Shipment <sup>1)</sup> (Business Days)
	<b>Flow Diverters</b>			
	<b>3-Way, 2-Position</b>			
164	L706E143NIOB070-SE.VS95-SAE12-DZ-AN-DI-&	R933001723	10	10
	<b>6-way, 2-position to 14-way, 2-position</b>			
164	L732C116BIOB010-S.VS245F1-SAE8-DZ-P1C1N&	R933000010	10	10
164	L745D136BIO0000-KS.VS285F1-SAE10-DZ-P1C&	R933000013	10	10
164	L745D136BIOB070-S.VS285F1-SAE10-DZ-P1C1&	R933002063	10	10
	<b>Inlet plate, basic (TA-00)</b>			
165	TA0056	R987271816	10	10
	<b>Inlet plate, relief (TA-04)</b>			
166	TA04562D	R987271818	10	10
166	TA04562P	R987271821	10	10
166	TA04563D	R987271819	10	10
166	TA04563P	R987271822	10	10
	<b>Inlet plate, relief and dump (TA-05)</b>			
167	TA05562P0000A	R987271843	10	10
167	TA05562D0000A	R987271828	10	10
167	TA05563D0000A	R987271833	10	10
	<b>Inlet plate, compensator (TA-06)</b>			
168	TA06563D170	R978056725	10	10
168	TA06562D140	R987280652	10	10
168	TA06562D170	R987391834	10	10
168	TA06563D140	R987280653	10	10
	<b>Inlet Plate, LS proportional flow control with unloading valve (TA-10)</b>			
169	TA10562D0000A01L	R987280675	10	10
169	TA10562D0000A02L	R987280678	10	10
169	TA10562D0000A03L	R987280681	10	10
	<b>Bankable Directional Valves</b>			
	<b>4/3 Directional valve elements – B8_05 (EDBY)</b>			
170	B8005A2010000B000 EDB-Y	R933003641	10	10
170	B8005B2010000B000 EDB-Y	R933003621	10	10
170	B8005E2010000B000 EDB-Y	R933003622	10	10
170	B8005Y3010000B000 EDB-Y	R933003643	10	10
	<b>4/3 Directional valve elements, with PO check valves – B8_45 (EDBY-VR)</b>			
171	B8045B2010000B330 EDB-Y-VR	R933003656	10	10
171	B8045E2010000B330 EDB-Y-VR	R933003658	10	10
	<b>4/3 Directional valve elements – B8_08 (EDBZ)</b>			
172	B8008Y3010000B000 EDB-Z	R930053105	10	10
172	B8008A2010000B000-KE.EDB-Z-SAE6-A201-N	R930055574	10	10
172	B8008B2010000B000-KE.EDB-Z-SAE6-B201-N	R933006754	10	10
172	B8008E2010000B000-KE.EDB-Z-SAE6-E201-N	R930055576	10	10
	<b>4/3 Directional valve elements, with PO check valves – B8_48 (EDBZ-VR)</b>			
173	B8048B2010000B330-KE.EDB-Z-VR3/AB-SAE6-&	R930055580	10	10
173	B8048E2010000B330-KE.EDB-Z-VR3/AB-SAE6-&	R933003707	10	10

1) "Shipment" defined as – not to exceed the time from receipt of order to Bosch Rexroth Hydraulics to shipment ex-factory (Bosch Rexroth plant location).

GoTo Focused Delivery Program: Part Numbers

Page Number	Description	Part Number	Maximum Quantity	Shipment <sup>1)</sup> (Business Days)
	<b>4/3 Proportional valve elements – B8_80 (EDB-P)</b>			
174	B8080B2S50000B00Y-KE.EDB-P-SAE6-B2S5-N	R930055582	10	10
174	B8080E2S50000B00Y-KE.EDB-P-SAE6-E2S5-N	R930055584	10	10
	<b>4/3 Directional valve elements – L8_10 (ED1)</b>			
175	L8010A201000030 ED1	R933003502	10	10
175	L8010B201000030 ED1	R933002825	10	10
175	L8010E201000030 ED1	R933003504	10	10
175	L8010A201000030HA-KE.ED1-Z-SAE8-A201-EL&	R930055598	10	10
175	L8010B201000030HA-KE.ED1-Z-SAE8-B201-EL&	R930055600	10	10
175	L8010E201000030HA-KE.ED1-Z-SAE8-E201-EL&	R930055617	10	10
175	L8010Y301000030HA-KE.ED1-Z-SAE8-Y301-EL&	R930055621	10	10
175	L8010Y301000030-KE.ED1-Z-SAE8-Y301-N	R930055619	10	10
	<b>4/3 Directional valve elements – L8_11 (ED2-DZ)</b>			
175	L8011A201000030 ED2	R933003612	10	10
175	L8011B201000030 ED2	R933002824	10	10
175	L8011E201000030 ED2	R933003457	10	10
175	L8011A201000030HA-KE.ED2-SAE8-A201-ELHA&	R930055623	10	10
175	L8011B201000030HA-KE.ED2-SAE8-B201-ELHA&	R930055625	10	10
175	L8011E201000030HA-KE.ED2-SAE8-E201-ELHA&	R930055628	10	10
175	L8011Y301000030HA-KE.ED2-SAE8-Y301-ELHA&	R930055632	10	10
175	L8011Y301000030-KE.ED2-DZ-SAE8-Y301-N	R930055630	10	10
	<b>4/3 Proportional valve elements – L8_80 (ED4-P)</b>			
176	L8080B2S4000030 ED4-P	R933003625	10	10
176	L8080B2S6000030 ED4-P	R933003627	10	10
176	L8080B2S6000030HA ED4-P	R933007876	10	10
176	L8080E2I6000030 ED4-P	R933009115	10	10
176	L8080E2S4000030 ED4-P	R933003626	10	10
176	L8080E2S6000030 ED4-P	R933003628	10	10
176	L8080B2S4000030HA-KE.ED4-P-SAE8-B2S4-EL&	R930055635	10	10
176	L8080E2S4000030HA-KE.ED4-P-SAE8-E2S4-EL&	R930055637	10	10
176	L8080E2S6000030HA-KE.ED4-P-SAE8-E2S6-EL&	R930055713	10	10
	<b>4/3 Lever operated directional valve elements – L8_L1 (ED-LV)</b>			
177	L80L1A2S8A0M130 ED-LV	R933007171	10	10
177	L80L1B2S8A0M130 ED-LV	R933007648	10	10
177	L80L1B2S4A0M130-EV.ED-LV-SAE8-B2S4-LATO&	R930055678	10	10
177	L80L1E2S4A0M130-EV.ED-LV-SAE8-E2S4-LATO&	R930055682	10	10
177	L80L1E2S8A0M130-EV.ED-LV-SAE8-E2S8-LATO&	R933007304	10	10
	<b>4/2, 4/3 LUDV flow sharing directional valve elements – L8511 (EDC-DZ)</b>			
178	L8511B2S900003000 EDC-DZ	R930053109	10	10
178	L8511B2S800003000-KE.EDC-DZ-SAE8-B2S8-N	R930055684	10	10
178	L8511B2S9000030HA-KE.EDC-DZ-SAE8-B2S9-E&	R930055692	10	10
178	L8511B2S90000M000-KE.EDC-DZ-MOD-B2S9-N	R933008803	10	10
178	L8511B2S90000M0HA-KE.EDC-DZ-MOD-B2S9-EL&	R930055694	10	10

1) "Shipment" defined as – not to exceed the time from receipt of order to Bosch Rexroth Hydraulics to shipment ex-factory (Bosch Rexroth plant location).

## GoTo Focused Delivery Program: Part Numbers

Page Number	Description	Part Number	Maximum Quantity	Shipment <sup>1)</sup> (Business Days)
178	L8511E2S800003000-KE.EDC-DZ-SAE8-E2S8-N	R930055695	10	10
178	L8511E2S8000030HA-KE.EDC-DZ-SAE8-E2S8-E&	R930055681	10	10
178	L8511E2S80000M000-KE.EDC-DZ-MOD-E2S8-N	R933008799	10	10
178	L8511E2S80000M0HA-KE.EDC-DZ-MOD-E2S8-EL&	R930055690	10	10
	<b>4/3, 4/2 LUDV proportional flow sharing valve elements – L8580 (EDC-P)</b>			
179	L8580B2S400003000 EDC-P	R933009063	10	10
179	L8580B2S4000030HA EDC-P	R933009098	10	10
179	L8580B2S40000M000 EDC-P	R933008983	10	10
179	L8580B2S40000M0HA EDC-P	R933008984	10	10
179	L8580B2S800003000 EDC-P	R933009061	10	10
179	L8580B2S8000030HA EDC-P	R933009099	10	10
179	L8580B2S80000M000 EDC-P	R933008985	10	10
179	L8580B2S80000M0HA EDC-P	R933008997	10	10
179	L8580B2S900003000 EDC-P	R933009060	10	10
179	L8580B2S9000030HA EDC-P	R933009094	10	10
179	L8580B2S90000M000 EDC-P	R933008986	10	10
179	L8580B2S90000M0HA EDC-P	R933008987	10	10
179	L8580E2S800003000 EDC-P	R933009067	10	10
179	L8580E2S8000030HA EDC-P	R933009096	10	10
179	L8580E2S80000M000 EDC-P	R933009000	10	10
179	L8580E2S80000M0HA EDC-P	R933008990	10	10
179	L8580E2S900003000 EDC-P	R933009068	10	10
179	L8580E2S9000030HA EDC-P	R933009097	10	10
179	L8580E2S90000M000 EDC-P	R933008991	10	10
179	L8580E2S90000M0HA EDC-P	R933008992	10	10
	<b>4/3 Directional valve elements – D8_5 (EDD-XZ)</b>			
180	D805B2010000D00000 EDD	R930052734	10	10
180	D805B2010000DTT000 EDD	R930052730	10	10
180	D805E2010000D00000 EDD	R930052760	10	10
180	D805E2010000DTT000 EDD	R930052762	10	10
	<b>Bankable Directional Valves – Load Sensing</b>			
	<b>4/3 Load sensing directional valve elements – B8_05 (EDBY-LS)</b>			
181	B8405A2010000B000 EDB-Y-LS	R933003645	10	10
181	B8405B2010000B000 EDB-Y-LS	R933003623	10	10
181	B8405E2010000B000 EDB-Y-LS	R933003647	10	10
181	B8405Y3010000B000 EDB-Y-LS	R933003648	10	10
	<b>4/3 Load sensing directional valve elements, with PO check valves – B8_45 (EDBY-VR-LS)</b>			
182	B8445B2010000B330 EDB-Y-VR-LS	R933003660	10	10
182	B8445E2010000B330 EDB-Y-VR-LS	R933003662	10	10
	<b>4/3 Load sensing directional valve elements – B8_08 (EDBZ-LS)</b>			
183	B8408B2010000B000 EDB-Z-LS	R933006938	10	10
183	B8408A2010000B000-KE.EDB-Z-LS-SAE6-A201&	R930055586	10	10

1) "Shipment" defined as – not to exceed the time from receipt of order to Bosch Rexroth Hydraulics to shipment ex-factory (Bosch Rexroth plant location).



GoTo Focused Delivery Program: Part Numbers

Page Number	Description	Part Number	Maximum Quantity	Shipment <sup>1)</sup> (Business Days)
183	B8408E2010000B000-KE.EDB-Z-LS-SAE6-E201&	R930055588	10	10
183	B8408Y3010000B000-KE.EDB-Z-LS-SAE6-Y301&	R930055590	10	10
	<b>4/3 LS directional valve elements, with PO check valves – B8_48 (EDBZ-VR-LS)</b>			
184	B8448E2010000B330 EDB-Z-VR-LS	R933006937	10	10
184	B8448B2010000B330-KE.EDB-Z-LS-VR3/AB-SA&	R930055592	10	10
	<b>4/3 Load sensing proportional valve elements – B8_80 (EDB-P-LS)</b>			
185	B8480E2S50000B00 EDB-P-LS	R930053103	10	10
185	B8480B2S50000B00Y-KE.EDB-P-LS-B2S5-SAE6&	R930055595	10	10
	<b>4/3 Load sensing directional valve elements – L8_10 (ED1-LS)</b>			
186	L8410A201000030 ED1-LS	R933003508	10	10
186	L8410B201000030 ED1-LS	R933003509	10	10
186	L8410E201000030 ED1-LS	R933003600	10	10
186	L8410A201000030HA-KE.ED1-LS-Z-SAE8-A201&	R930055720	10	10
186	L8410B201000030HA-KE.ED1-LS-Z-SAE8-B201&	R930055701	10	10
186	L8410E201000030HA-KE.ED1-LS-Z-SAE8-E201&	R930055705	10	10
186	L8410Y301000030HA-KE.ED1-LS-Z-SAE-Y301-&	R930055687	10	10
186	L8410Y301000030-KE.ED1-LS-Z-SAE8-Y301-N	R930055707	10	10
	<b>4/3 Load sensing directional valve elements – L8_11 (ED2-DZ-LS)</b>			
186	L8411A201000030 ED2-LS	R933003615	10	10
186	L8411B201000030 ED2-LS	R933003616	10	10
186	L8411E201000030 ED2-LS	R933003617	10	10
186	L8411E201000030HA ED2-LS	R933008225	10	10
186	L8411A201000030HA-KE.ED2-LS-DZ-SAE8-A20&	R930055722	10	10
186	L8411B201000030HA-KE.ED2-LS-DZ-SAE8-B20&	R930055699	10	10
186	L8411Y301000030HA-KE.ED2-LS-DZ-SAE8-Y30&	R930055689	10	10
186	L8411Y301000030-KE.ED2-LS-DZ-SAE8-Y301-N	R930055676	10	10
	<b>4/3 Load sensing proportional valve elements – L8_80 (ED4-P-LS)</b>			
187	L8480B2S4000030 ED4-P-LS	R933003631	10	10
187	L8480B2S6000030 ED4-P-LS	R933003633	10	10
187	L8480E2I6000030-KE.ED4-P-LS	R933009116	10	10
187	L8480E2S4000030 ED4-P-LS	R933003632	10	10
187	L8480E2S6000030 ED4-P-LS	R933003634	10	10
187	L8480B2S4000030HA-KE.ED4-P-SAE8-B2S4-EL&	R930055709	10	10
187	L8480B2S6000030HA-KE.ED4-P-SAE8-B2S6-EL&	R930055703	10	10
187	L8480E2S4000030HA-KE.ED4-P-SAE8-E2S4-EL&	R930055711	10	10
187	L8480E2S6000030HA-KE.ED4-P-SAE8-E2S6-EL&	R930055697	10	10
	<b>4/3 Load sensing lever operated directional valve elements – L8_L1 (ED-LV-LS)</b>			
188	L84L1B2S8A0M130 ED-LV-LS	R933007585	10	10
188	L84L1E2S8A0M130 ED-LV-LS	R933007882	10	10
188	L84L1A2S8A0M130-EV.ED-LV-LS-SAE8-A2S8-L&	R930055716	10	10
188	L84L1B2S4A0M130-EV.ED-LV-LS-SAE8-B2S4-L&	R930055717	10	10
188	L84L1E2S4A0M130-EV.ED-LV-LS-SAE8-E2S4-L&	R930055718	10	10

1) "Shipment" defined as – not to exceed the time from receipt of order to Bosch Rexroth Hydraulics to shipment ex-factory (Bosch Rexroth plant location).

## GoTo Focused Delivery Program: Part Numbers

Page Number	Description	Part Number	Maximum Quantity	Shipment <sup>1)</sup> (Business Days)
	<b>4/3 Load sensing directional valve elements – D8_5 (EDD-XZ-LS)</b>			
189	D845B2010000D00000 EDD-LS	R930052744	10	10
189	D845B2010000D000V1-KE.EDD-LS-XZ-SAE10-B&	R930051041	10	10
189	D845B2010000DTT000 EDD-LS	R930052751	10	10
189	D845E2010000D00000 EDD-LS	R930052764	10	10
189	D845E2010000D000V1-KE.EDD-LS-XZ-SAE10-E&	R930051044	10	10
189	D845E2010000DTT000-KE.EDD-LS-XZ-A210-B2&	R930052766	10	10
	<b>End Plate, basic (TC-...)</b>			
190	TC-00-00-00-AL	R933003326	10	10
190	TC0155	R987271813	10	10
190	TC0177	R978046786	10	10
190	TC0255	R987271814	10	10
190	TC0277	R978046787	10	10
190	TC0355	R987271815	10	10
	<b>Intermediate plate with double-acting hand pump (EPM-DE-18)</b>			
191	L88700000000000-EPM-DE-18	R933003084	10	10
	<b>Intermediate elements for interfacing ED with M4-12 (TI-M4-__-__)</b>			
192	TI-M412-00-02-ST	R933003086	10	10
	<b>Stacking modules, pilot operated check – L884A (EDM-PO)</b>			
193	L884A00AB010030	R987271883	10	10
193	L884A000A010030	R987271885	10	10
193	L884A000B010030	R987271887	10	10
	<b>Stacking modules, cross-over relief – L886A (EDM-CR)</b>			
194	L886A020AS20030	R987273979	10	10
194	L886A02ABS10030	R987273975	10	10
194	L886A02ABS20030	R987273976	10	10
194	L886A020AS30030	R987273980	10	10
194	L886A020BS10030	R987273981	10	10
194	L886A020BS30030	R987273983	10	10
	<b>Stacking modules, flow control – L885A (EDM-FC)</b>			
195	L885A010A2K0030	R987273965	10	10
195	L885A010A2S0030	R987273966	10	10
195	L885A010B2S0030	R987273968	10	10
195	L885A01AB2S0030	R987273964	10	10
195	L885A020A2S0030	R987273972	10	10
195	L885A020B2S0030	R987273974	10	10
195	L885A02AB2S0030	R987273970	10	10
	<b>Stacking modules, counterbalance – L8835A2 (EDM-CB)</b>			
196	L8835A20A20S330	R987273961	10	10
196	L8835A2AB20S330	R987273959	10	10
196	L8835A20A35S330	R987273962	10	10
196	L8835A20B35S330	R987274184	10	10
196	L8835A2AB35S330	R987273960	10	10
196	L8835A2AB35S830	R978055153	10	10

1) "Shipment" defined as – not to exceed the time from receipt of order to Bosch Rexroth Hydraulics to shipment ex-factory (Bosch Rexroth plant location).

GoTo Focused Delivery Program: Part Numbers

Page Number	Description	Part Number	Maximum Quantity	Shipment <sup>1)</sup> (Business Days)
	<b>Secondary pressure and anti-cav relief – L8565 (EDCM/EDCMF-VM)</b>			
197	L8565010B0T0030 EDCMF-VM	R933009092	10	10
197	L8565010A090030-EV.EDCMF-SAE8-VUM/A-0.5&	R930055672	10	10
197	L8565010A0M0030-EV.EDCMF-SAE8-VMA/A-140&	R930055671	10	10
197	L8565010A0T0030-EV.EDCMF-SAE8-VMA/A-210&	R930055670	10	10
197	L8565010B090030-EV.EDCMF-SAE8-VUM/B-0.5&	R930055669	10	10
197	L8565010B0M0030-EV.EDCMF-SAE8-VMA/B-140&	R933009091	10	10
197	L856501ABMM0030-EV.EDCMF-SAE8-VMA/AB-14&	R933009078	10	10
197	L856501ABMM00M0-EV.EDCM-VMA/AB-MOD-140B&	R930055668	10	10
197	L856501ABTT0030-EV.EDCMF-SAE8-VMA/AB-21&	R933009079	10	10
197	L856501ABTT00M0-EV.EDCM-VMA/AB-MOD-210B&	R930055667	10	10
197	L856501ABXX0030-EV.EDCMF-SAE8-VMA/AB-25&	R933009080	10	10
197	L856501ABXX00M0-EV.EDCM-VMA/AB-MOD-250B&	R930055666	10	10
	<b>Secondary pressure relief for EDC, A- &amp; B-sides – L8561 (EDCM-VM5)</b>			
198	L856105ABSBB0M0-EV.EDCM-VM5/AB-SB-SB-MO&	R933008654	10	10
198	L856105ABSV0M0-EV.EDCM-VM5/AB-SV-SV-MO&	R933009946	10	10
	<b>PO check module for EDC, A-side only – L8541 (EDCM/EDCMF-VR)</b>			
199	L8541000A010030 EDCMF-VR	R930055680	10	10
199	L854100AB010030 EDCMF-VR	R930055656	10	10
199	L8541000A0100M0-EV.EDCM-VR/A-0.5BAR-MOD&	R930055659	10	10
199	L8541000B010030-EV.EDCMF-VR/B-0.5BAR-SA&	R930055658	10	10
199	L8541000B0100M0-EV.EDCMF-VR/B-0.5BAR-MO&	R930055657	10	10
199	L854100AB0100M0-EV.EDCM-VR/AB-0.5BAR-MO%	R930053207	10	10
	<b>Flangeable elements, with different ports for EDC (EDCMF-...)</b>			
200	EDCMF-SAE10 (7/8-14 UNF)	R933009247	10	10
200	EDCMF-SAE8 (3/4-16 UNF)	R933009246	10	10
	<b>Bankable accessories</b>			
	<b>Coil Seal Kit</b>			
201	271-1002 SEAL KIT COIL NUT C36	R933002807	10	10
201	271-10160 SEAL KIT COIL NUT C45, C48	R933003529	10	10
201	271-8010350 SEAL KIT COIL NUT P45	R933002876	10	10
201	SEAL KIT K-1000A	R987367243	10	10
201	SUB-ASSEMBLY 271-10025-KIT GHIERA&	R933002851	10	10
201	SUB-ASSEMBLY K-2274-KIT EMERGENZA&	R933009263	10	10
	<b>Bankable flow resistors</b>			
201	RESTRICTOR D9.0XD0.0XL4.0	R933002936	10	10
201	RESTRICTOR D9.0XD0.8XL4.0	R933002937	10	10
201	RESTRICTOR D9.0XD1.0XL4.0	R933007090	10	10
201	RESTRICTOR D7.5XD1.35XL4.2	R933002927	10	10
201	RESTRICTOR D9.0XD1.7XL4.0	R933007091	10	10
201	RESTRICTOR D9.0XD1.6XL4.0	R933002938	10	10
201	RESTRICTOR D9.0XD2.0XL4.0	R933002939	10	10
201	RESTRICTOR D9.0XD2.75XL4.0	R933002940	10	10
201	RESTRICTOR D9.0XD3.0XL4.0	R933002941	10	10


1) "Shipment" defined as – not to exceed the time from receipt of order to Bosch Rexroth Hydraulics to shipment ex-factory (Bosch Rexroth plant location).

## GoTo Focused Delivery Program: Part Numbers

Page Number	Description	Part Number	Maximum Quantity	Shipment <sup>1)</sup> (Business Days)
	<b>Override kit</b>			
202	PS.OVR. EP-GM3059/60-----271-05098 OVERRIDE KIT, PUSH	R933000042	10	10
202	PS.OVR. EP-GM5042/43-----271-05099 OVERRIDE KIT, PUSH	R933000043	10	10
202	TW.OVR.-EF-360-LC04/1-Z-----LC04ZEF OVERRIDE KIT, SCREW	R933000021	10	10
202	TW.OVR.-EF-360-ED2-DZ-----ED2DZEF OVERRIDE KIT, SCREW	R933007215	10	10
202	LEVAD8 M8 ZB L120 LC04/LC1-LVSD5-26-0129 LEVER ED-LV, 8MM	R933008070	10	10
202	LVR.DR.-ED-PM-L450-----L88700000000001 Hand Pump - LEVER	R933003300	10	10
202	KR-EMERGENZA LEVA-O5-L100-EL1A---K-2261 OVERRIDE LEVER, 5MM	R933007533	10	10
	<b>Mounting brackets</b>			
203	BOLT KIT K-2221A MODULE	R987281101	10	10
203	KR-FF-M6-ED-06-----K-2215 MOUNTING BRACKET	R933003730	10	10
203	KR-PIEDE-PE2-K-----K-2216 MOUNTING BRACKET	R933007089	10	10
203	KR-PIEDE-TI-M412-----K-2217 MOUNTING BRACKET	R933007514	10	10
203	KR-SC-M8-ED-06-02E-----K-2202	R933003722	10	10
203	KR-SC-M8-ED-06-03E-----K-2203	R933003723	10	10
203	KR-SC-M8-ED-06-04E-----K-2204	R933003724	10	10
203	KR-SC-M8-ED-06-05E-----K-2205	R933003725	10	10
203	BOLT KIT K-2222A MODULE	R987281102	10	10
203	K-2201-KR-SC-M8X80-ED-01E	R933003721	10	10
203	K-2206-KR-TR-M8X320-ED-06E	R933003726	10	10
203	K-2207-KR-TR-M8X365-ED-07E	R933003727	10	10
203	K-2208-KR-TR-M8X410-ED-08E	R933003728	10	10
203	K-2209-KR-TR-M8X460-ED-09E	R933003729	10	10
203	K-2210-KR-TR-M8X510-ED-10E	R933000000	10	10
	<b>Bankable and diverter coils</b>			
204	C31, 271-0450 EDB-Y, 12 DC, DIN	R933002776	10	10
204	C31, 271-0451 EDB-Y, 24 DC, DIN	R933002777	10	10
204	C31, 271-0452 EDB-Y, 12 DC, DT	R933002778	10	10
204	C31, 271-0453 EDB-Y, 24 DC, DT	R933002779	10	10
204	C36, 271-0510 EDB-Z, ED1, EDC-Z, 12 DC, DIN	R933000044	10	10
204	C36, 271-0510002 EDB-Z, ED1, EDC-Z, 12 DC, CABLES	R933000045	10	10
204	C36, 271-0510207 EDB-Z, ED1, EDC-Z, 12 DC, DT	R933000048	10	10
204	C36, 271-0511 EDB-Z, ED1, EDC-Z, 24 DC, DIN	R933000053	10	10
204	C36, 271-0511002 EDB-Z, ED1, EDC-Z, 24 DC, CABLES	R933000055	10	10
204	C36, 271-0511207 EDB-Z, ED1, EDC-Z, 24 DC, DT	R933000058	10	10
204	C45, 271-0417 ED2, 12 DC, DIN	R933000026	10	10
204	C45, 271-041717 ED2, 12 DC, DT	R933000030	10	10
204	C45, 271-041719 ED2, 24 DC, DT	R933000032	10	10
204	C45, 271-0418 ED2, 24 DC, DIN	R933000034	10	10
204	C48, 271-0520 ED2, 12 DC, DIN	R933000063	10	10
204	C48, 271-052000 ED2, 12 DC, CABLES	R933000064	10	10
204	C48, 271-052004 ED2, 12 DC, DT	R933000068	10	10
204	C48, 271-052005 ED2, 24 DC, CABLES	R933000070	10	10
204	C48, 271-052009 ED2, 24 DC, DT	R933000075	10	10

1) "Shipment" defined as – not to exceed the time from receipt of order to Bosch Rexroth Hydraulics to shipment ex-factory (Bosch Rexroth plant location).

GoTo Focused Delivery Program: Part Numbers

Page Number	Description	Part Number	Maximum Quantity	Shipment <sup>1)</sup> (Business Days)
204	C48, 271-0521 ED2, 24 DC, DIN	R933000076	10	10
204	C65-01-OB-12DC-44W-H-D25.7-281-0617	R933000100	10	10
204	C65-07-OB-12DC-44W-D25.7-281-06194	R933000107	10	10
204	D15, 271-8020210 ED4, ED4-PT, EDC-P, 12 DC, DIN	R933000092	10	10
204	D15, 271-8020220 ED4, ED4-PT, EDC-P, 24 DC, DIN	R933000093	10	10
204	D15, 271-8020230 ED4, ED4-PT, EDC-P, 12 DC, DT	R933000094	10	10
204	D15, 271-8020240 ED4, ED4-PT, EDC-P, 24 DC, DT	R933002798	10	10
204	P45-01-OB-12DC-17W-H-D19-----271-8010400 COIL, EDB-P, 12 DC, DIN	R933000088	10	10
204	P45-01-OC-24DC-17W-H-D19-271-8010450	R933000090	10	10
	<b>Power Packs and Motor Pump Groups</b>			
	<b>Power Packs, Fixed Displacement</b>			
206	PP10/G2005/2BM1	R978931253	3	10
206	PP10/G2005/3BM1	R978931277	3	10
206	PP10/G2005/5BM1	R978931297	3	10
206	PP10/G2008/2BM1	R978931426	3	10
206	PP10/G2008/3BM1	R978931450	3	10
206	PP10/G2008/5BM1	R978931470	3	10
206	PP10/G2008/7.5BM1	R978931490	3	10
206	PP20/G2011/10BM1	R978932366	3	10
206	PP20/G2011/3BM1	R978932408	3	10
206	PP20/G2011/5BM1	R978932429	3	10
206	PP20/G2011/7.5BM1	R978932451	3	10
206	PP20/G2016/10BM1	R978932508	3	10
206	PP20/G2016/5BM1	R978932614	3	10
206	PP20/G2016/7.5BM1	R978932635	3	10
206	PP5/G2004/2BM1	R978932910	3	10
206	PP5/G2004/3BM1	R978932932	3	10
206	PP5/G2004/5BM1	R978932952	3	10
206	PP5/G2005/2BM1	R978933040	3	10
206	PP5/G2005/3BM1	R978933062	3	10
206	PP5/G2005/5BM1	R978933083	3	10
	<b>Close-Coupled Motor Pump Groups</b>			
207	MPGB002HTYZ4DEOFS1HAZPF12004K1NN	R978020520	3	10
207	MPGB002HTYZ4DEOFS1HAZPF12005K1NN	R978020524	3	10
207	MPGB002HTYZ4DEOFS1HAZPF12008K1NN	R978020530	3	10
207	MPGB003HTYZ4DEOFS1HAZPF12004K1NN	R978020521	3	10
207	MPGB003HTYZ4DEOFS1HAZPF12005K1NN	R978020525	3	10
207	MPGB003HTYZ4DEOFS1HAZPF12008K1NN	R978020531	3	10
207	MPGB003HTYZ4DEOFS1HAZPF12011K1NN	R978020537	3	10
207	MPGB005HTYZ4DEOFS1HAZPF12004K1NN	R978020522	3	10
207	MPGB005HTYZ4DEOFS1HAZPF12005K1NN	R978020526	3	10
207	MPGB005HTYZ4DEOFS1HAZPF12008K1NN	R978020532	3	10


1) "Shipment" defined as – not to exceed the time from receipt of order to Bosch Rexroth Hydraulics to shipment ex-factory (Bosch Rexroth plant location).

## GoTo Focused Delivery Program: Part Numbers

Page Number	Description	Part Number	Maximum Quantity	Shipment <sup>1)</sup> (Business Days)
207	MPGB005HTYZ4DEOFS1HAZPF12011K1NN	R978020538	3	10
207	MPGB005HTYZ4DEOFS1HAZPF12016K1NN	R978020542	3	10
207	MPGB010HTYZ4DEOFS1HAZPF12011K1NN	R978020732	3	10
207	MPGB010HTYZ4DEOFS1HAZPF12016K1NN	R978020544	3	10
207	MPGB7.5HTYZ4DEOFS1HAZPF12008K1NN	R978020533	3	10
207	MPGB7.5HTYZ4DEOFS1HAZPF12011K1NN	R978020731	3	10
207	MPGB7.5HTYZ4DEOFS1HAZPF12016K1NN	R978020543	3	10
	<b>Close-Coupled Motors</b>			
	MTRB10H1450/1800R215TYZ50/60HZ F1 SAE A	R978020358	3	5
	MTRB2H1450/1800R145TYZ50/60HZ F1 SAE A	R978020354	3	5
	MTRB3H1450/1800R145TYZ50/60HZ F1 SAE A	R978020355	3	5
	MTRB5H1450/1800R184TYZ50/60HZ F1 SAE A	R978020356	3	5
	MTRB7.5H1450/1800R213TYZ50/60HZ F1 SAE A	R978020357	3	5
	<b>Pre-assembled Filter/Cooler</b>			
208	MFC3HLB1.0H4/DEOFAF/011030S/09003AJ	R978026410	3	5
208	MFC3HLB1.0H4/DEOFAF/011030S/09003JJ	R978026411	3	5
208	MFC3HLB1.0H4/DEOFAF/011030S/09010AJ	R978052055	3	10
208	MFC3HLB1.0H4/DEOFAF/011030S/09010JJ	R978052056	3	10
208	MFC3HLB1.0H4/DEOFAF/016030S/09003AJ	R978026412	3	5
208	MFC3HLB1.0H4/DEOFAF/016030S/09003JJ	R978026413	3	5
208	MFC3HLB1.0H4/DEOFAF/016030S/09010AJ	R978052057	3	10
208	MFC3HLB1.0H4/DEOFAF/016030S/09010JJ	R978052058	3	10
208	MFC3HLB2.0H4/DEOFAF/022030S/09003AJ	R978026418	3	5
208	MFC3HLB2.0H4/DEOFAF/022030S/09003JJ	R978026419	3	5
208	MFC3HLB2.0H4/DEOFAF/022030S/09010AJ	R978052061	3	10
208	MFC3HLB2.0H4/DEOFAF/022030S/09010JJ	R978052062	3	10
208	MFC3HLB2.0H4/DEOFAF/028030S/09003AJ	R978026420	3	10
208	MFC3HLB2.0H4/DEOFAF/028030S/09003JJ	R978026421	3	10
208	MFC3HLB2.0H4/DEOFAF/028030S/09010AJ	R978052063	3	10
208	MFC3HLB2.0H4/DEOFAF/028030S/09010JJ	R978052064	3	10
208	MFC3HRB1.0H4/DEOFAF/011030S/09003AJ	R978026374	3	10
208	MFC3HRB1.0H4/DEOFAF/011030S/09003JJ	R978026375	3	10
208	MFC3HRB1.0H4/DEOFAF/011030S/09010AJ	R978052031	3	10
208	MFC3HRB1.0H4/DEOFAF/011030S/09010JJ	R978052032	3	10
208	MFC3HRB1.0H4/DEOFAF/016030S/09003AJ	R978026376	3	10
208	MFC3HRB1.0H4/DEOFAF/016030S/09003JJ	R978026377	3	10
208	MFC3HRB1.0H4/DEOFAF/016030S/09010AJ	R978052033	3	10
208	MFC3HRB1.0H4/DEOFAF/016030S/09010JJ	R978052034	3	10
208	MFC3HRB2.0H4/DEOFAF/022030S/09003AJ	R978026382	3	10
208	MFC3HRB2.0H4/DEOFAF/022030S/09003JJ	R978026383	3	5
208	MFC3HRB2.0H4/DEOFAF/022030S/09010AJ	R978052037	3	10
208	MFC3HRB2.0H4/DEOFAF/022030S/09010JJ	R978052038	3	10
208	MFC3HRB2.0H4/DEOFAF/028030S/09003AJ	R978026384	3	5
208	MFC3HRB2.0H4/DEOFAF/028030S/09003JJ	R978026385	3	5

1) "Shipment" defined as – not to exceed the time from receipt of order to Bosch Rexroth Hydraulics to shipment ex-factory (Bosch Rexroth plant location).

GoTo Focused Delivery Program: Part Numbers

Page Number	Description	Part Number	Maximum Quantity	Shipment <sup>1)</sup> (Business Days)
208	MFC3HRB2.0H4/DEOF AF/028030S/09010AJ	R978052039	3	10
208	MFC3HRB2.0H4/DEOF AF/028030S/09010JJ	R978052040	3	10
208	MFC3VLB1.0H4/DEOF AF/011030S/09003AJ	R978026338	3	10
208	MFC3VLB1.0H4/DEOF AF/011030S/09003JJ	R978026339	3	10
208	MFC3VLB1.0H4/DEOF AF/011030S/09010AJ	R978052007	3	10
208	MFC3VLB1.0H4/DEOF AF/011030S/09010JJ	R978052008	3	10
208	MFC3VLB1.0H4/DEOF AF/016030S/09003AJ	R978026340	3	10
208	MFC3VLB1.0H4/DEOF AF/016030S/09003JJ	R978026341	3	10
208	MFC3VLB1.0H4/DEOF AF/016030S/09010AJ	R978052009	3	10
208	MFC3VLB1.0H4/DEOF AF/016030S/09010JJ	R978052010	3	10
208	MFC3VLB2.0H4/DEOF AF/022030S/09003AJ	R978026346	3	10
208	MFC3VLB2.0H4/DEOF AF/022030S/09003JJ	R978026347	3	10
208	MFC3VLB2.0H4/DEOF AF/022030S/09010AJ	R978052013	3	10
208	MFC3VLB2.0H4/DEOF AF/022030S/09010JJ	R978052014	3	10
208	MFC3VLB2.0H4/DEOF AF/028030S/09003AJ	R978026348	3	10
208	MFC3VLB2.0H4/DEOF AF/028030S/09003JJ	R978026349	3	10
208	MFC3VLB2.0H4/DEOF AF/028030S/09010AJ	R978052015	3	10
208	MFC3VLB2.0H4/DEOF AF/028030S/09010JJ	R978052016	3	10
208	MFC3VRB1.0H4/DEOF AF/011030S/09003AJ	R978026302	3	10
208	MFC3VRB1.0H4/DEOF AF/011030S/09003JJ	R978026303	3	10
208	MFC3VRB1.0H4/DEOF AF/011030S/09010AJ	R978051983	3	10
208	MFC3VRB1.0H4/DEOF AF/011030S/09010JJ	R978051984	3	10
208	MFC3VRB1.0H4/DEOF AF/016030S/09003AJ	R978026304	3	10
208	MFC3VRB1.0H4/DEOF AF/016030S/09003JJ	R978026305	3	10
208	MFC3VRB1.0H4/DEOF AF/016030S/09010AJ	R978051985	3	10
208	MFC3VRB1.0H4/DEOF AF/016030S/09010JJ	R978051986	3	10
208	MFC3VRB2.0H4/DEOF AF/022030S/09003AJ	R978026310	3	10
208	MFC3VRB2.0H4/DEOF AF/022030S/09003JJ	R978026311	3	10
208	MFC3VRB2.0H4/DEOF AF/022030S/09010AJ	R978051989	3	10
208	MFC3VRB2.0H4/DEOF AF/022030S/09010JJ	R978051990	3	10
208	MFC3VRB2.0H4/DEOF AF/028030S/09003AJ	R978026312	3	10
208	MFC3VRB2.0H4/DEOF AF/028030S/09003JJ	R978026313	3	10
208	MFC3VRB2.0H4/DEOF AF/028030S/09010AJ	R978051991	3	10
208	MFC3VRB2.0H4/DEOF AF/028030S/09010JJ	R978051992	3	10
	<b>GoPak Power Units</b>			
209	GOPAK-XXXXX	R991XXXXX	1	15
				
	<b>Accumulators</b>			
	<b>HAB-6X – Bladder-Type Accumulators</b>			
210	HAB1-350-6X/0G05G-2N111-BA	R901435300	3	10
210	HAB4-350-6X/0G07G-2N111-CE	R901435302	3	10
210	HAB10-330-6X/0G09G-2N111-CE	R901435304	3	10

1) "Shipment" defined as – not to exceed the time from receipt of order to Bosch Rexroth Hydraulics to shipment ex-factory (Bosch Rexroth plant location).


## GoTo Focused Delivery Program: Part Numbers

Page Number	Description	Part Number	Maximum Quantity	Shipment <sup>1)</sup> (Business Days)
210	HAB20-330-6X/0G09G-2N111-CE	R901435305	3	10
210	HAB32-330-6X/0G09G-2N111-CE	R901435307	3	10
210	HAB50-330-6X/0G09G-2N111-CE	R901435308	3	10
	<b>HAB-7X – Bladder-Type Accumulators</b>			
211	HAB1-207-7X/0U14G-2N111-ASME	R978059592	3	10
211	HAB4-207-7X/0U08G-2N111-ASME	R978059594	3	10
211	HAB4-207-7X/0U08G-2N111-CRN	R978059656	3	10
211	HAB10-207-7X/0U09G-2N111-ASME	R978059597	3	10
211	HAB10-207-7X/0U09G-2N111-CRN	R978059631	3	10
211	HAB20-207-7X/0U09G-2N111-ASME	R978059605	3	10
211	HAB20-207-7X/0U09G-2N111-CRN	R978059632	3	10
211	HAB35-207-7X/0U09G-2N111-ASME	R978059610	3	10
211	HAB35-207-7X/0U09G-2N111-CRN	R978059633	3	10
211	HAB57-207-7X/0U09G-2N111-ASME	R978059616	3	10
211	HAB57-207-7X/0U09G-2N111-CRN	R978059630	3	10
	<b>HAB-5X – Bladder-Type Accumulators</b>			
	CLAMPING BANDTIGHT 110-120 MM	1531316021	3	10
	CLAMPING BANDTIGHT 160-170 MM	1531316022	3	10
	<b>Diaphragm-Type Accumulators</b>			
212	RUBBERBACKRING	1530221042	3	10
212	ACCUMULATORCLAMP	1531316005	3	10
212	BRACKET	1531334008	3	10
212	ACCUM CHARGE KIT FOR HAD UNITS WITH GAS VALVE TYPE 2	0538103013	3	10
212	HAD0,075-250-1X/0U12C-2N111-USA	0531610632	3	10
212	HAD0,16-250-1X/0F02A-2N111-USA	0531600600	3	10
212	HAD0,16-250-1X/0U12C1-2N111-USA	0531600611	3	10
212	HAD0,35-160-1X/0F08A-2N111-USA	0531601533	3	10
212	HAD0,35-160-1X/0U04A-2N111-USA	0531601549	3	10
212	HAD0,7-207-1X/0F08A-2N111-USA	0531602581	3	10
212	HAD0.35-207-1X/0U04A-2N111-USA	0531601572	3	10
212	HAD1.4-207-1X/0U04C-2E111-USA	0531603502	3	10
212	HAD1,4-207-1X/0U04C-2N111-USA	0531603501	3	10
212	HAD0.7-207-1X/0F08A-2N111-USA	0531602581	3	10
212	PRESSURE GAUGE 0–250 BAR	1537231001	3	10
212	TEST AND FILLING D.	0538103015	3	10
	<b>ABZSS – Accumulator Safety Blocks</b>			
213	ABZSS 10 E-3X/210E/G24K4V12	R900707946	3	10
213	ABZSS 10 E-3X/210E/S63G24K4V12	R904100375	3	10
213	ABZSS 10 M-3X/210E/S63V12	R901355979	3	10
213	ABZSS 10 M-3X/210E/V12	R901367389	3	10
213	ABZSS 20 E-3X/210E/G24K4V12	R900707949	3	10
213	ABZSS 20 E-3X/210E/S63G24K4V12	R901409869	3	10
213	ABZSS 20 M-3X/210E/S63V12	R901409863	3	10
213	ABZSS 20 M-3X/210E/V12	R901367388	3	10

1) "Shipment" defined as – not to exceed the time from receipt of order to Bosch Rexroth Hydraulics to shipment ex-factory (Bosch Rexroth plant location).



GoTo Focused Delivery Program: Part Numbers

Page Number	Description	Part Number	Maximum Quantity	Shipment <sup>1)</sup> (Business Days)
213	ABZSS 30 E-3X/210E/G24K4V12	R900707947	3	10
213	ABZSS 30 E-3X/210E/S630G24K4V12	R901300715	3	10
213	ABZSS 30 M-3X/210E/S630V12	R901217049	3	10
213	ABZSS 30 M-3X/210E/V12	R901332088	3	10
				
	<b>Filtration Systems</b>			
	<b>10 TEN – Return Line Filters &amp; Filter Elements</b>			
214	1.0040 H10XL-A00-0-M	R928005837	5	1
214	1.0063 H10XL-A00-0-M	R928005855	5	1
214	1.0100 H10XL-A00-0-M	R928005873	5	1
214	1.0100 H16XL-A00-0-M	R928028572	5	1
214	1.0160 H10XL-A00-0-M	R928005891	5	1
214	1.0250 H10XL-A00-0-M	R928005927	5	1
214	1.0400 H10XL-A00-0-M	R928005963	5	1
214	1.0630 H10XL-A00-0-M	R928005999	5	1
214	1.1000 H10XL-A00-0-M	R928006035	5	1
214	71.001 P5-S00-0-0	R928019705	5	1
214	10TEN0040-H10XLA00-V2,2-M-U4	R928040132	3	10
214	10TEN0040-H10XLA00-V2,2-M-U4-F	R928036298	3	10
214	10TEN0063-H10XLA00-V2,2-M-U9	R928040133	3	10
214	10TEN0063-H10XLA00-V2,2-M-U9-F	R928036321	3	10
214	10TEN0100-H10XLA00-V2,2-M-R4	R928019846	3	10
214	10TEN0100-H10XLA00-V2,2-M-U9	R928040134	3	10
214	10TEN0100-H10XLA00-V2,2-M-U9-F	R928036322	3	10
214	10TEN0160-H10XLA00-P2,2-M-U6	R928044981	3	10
214	10TEN0250-H10XLA00-P2,2-M-U6	R928046773	3	10
214	10TEN0400-H10XLA00-P2,2-M-S8	R928041281	3	10
214	10TEN0630-H10XLA00-P2,2-M-S9	R928041283	3	10
214	10TEN1000-H10XLA00-P2,2-M-S10	R928041285	3	10
214	10TEN0400-00000A00-V2,2-V-S8	R928055224	3	10
214	10TEN0630-00000A00-V2,2-V-S9	R928055225	3	10
214	10TEN1000-00000A00-V2,2-V-S10	R928055226	3	10
214	10TEN0160-00000A00-V2,2-V-U6	R928055222	3	10
214	10TEN0250-00000A00-V2,2-V-U6	R928055223	3	10
214	10TEN0040-00000A00-V2,2-V-U4-F	R928055219	3	10
214	10TEN0063-00000A00-V2,2-V-U9-F	R928055220	3	10
214	10TEN0100-00000A00-V2,2-V-U9-F	R928055221	3	10
214	ACC-R-10TEN0040-0100-R110 (Discharge tube 110 mm long)	R928038744	3	10
214	ACC-R-10TEN0040-0100-R150 (Discharge tube 150 mm long)	R928038745	3	10
214	ACC-R-10TEN0040-0100-R250 (Discharge tube 250 mm long)	R928038746	3	10
214	M010 0-6 BAR (Gauge)	R928019224	5	5

1) "Shipment" defined as – not to exceed the time from receipt of order to Bosch Rexroth Hydraulics to shipment ex-factory (Bosch Rexroth plant location).

## GoTo Focused Delivery Program: Part Numbers

Page Number	Description	Part Number	Maximum Quantity	Shipment <sup>1)</sup> (Business Days)
	<b>245 LE(N) – Pressure Line Filters &amp; Filter Elements</b>			
216	2.0040 H10XL-A00-0-M	R928006647	5	1
216	2.0040 H10XL-B00-0-V	R928006683	5	1
216	2.0063 H10XL-A00-0-M	R928006701	5	1
216	2.0063 H10XL-B00-0-V	R928006737	5	1
216	2.0100 H10XL-A00-0-M	R928006755	5	1
216	2.0100 H10XL-B00-0-V	R928006791	5	1
216	2.0130 H10XL-A00-0-M	R928022276	5	1
216	2.0130 H10XL-B00-0-V	R928022330	5	1
216	2.0150 H10XL-A00-0-M	R928022285	5	1
216	2.0150 H10XL-B00-0-V	R928022339	5	1
216	2.0160 H10XL-A00-0-M	R928006809	5	1
216	2.0160 H10XL-B00-0-V	R928006845	5	1
216	2.0250 H10XL-A00-0-M	R928006863	5	1
216	2.0250 H10XL-B00-0-V	R928006899	5	1
216	2.0400 H10XL-A00-0-M	R928006917	5	1
216	2.0400 H10XL-B00-0-V	R928006953	5	1
216	245LEN0040-H10XLA00-V5.0-M-U3	R928030728	3	10
216	245LEN0040-H10XLB00-V5,0-V-U3	R928030768	3	10
216	245LEN0063-H10XLA00-V5.0-M-U4	R928030729	3	10
216	245LEN0063-H10XLB00-V5,0-V-U4	R928030769	3	10
216	245LEN0100-H10XLA00-V5.0-M-U4	R928030730	3	10
216	245LEN0100-H10XLB00-V5,0-V-U4	R928030770	3	10
216	245LE0130-H10XLA00-V5.0-M-U5	R928030731	3	10
216	245LE0130-H10XLB00-V5,0-V-U5	R928030771	3	10
216	245LE0150-H10XLA00-V5.0-M-U5	R928030732	3	10
216	245LE0150-H10XLB00-V5,0-V-U5	R928030772	3	10
216	245LEN0160-H10XLA00-V5.0-M-U6	R928030733	3	10
216	245LEN0160-H10XLA00-V5,0-M-S6	R928030669	3	10
216	245LEN0160-H10XLB00-V5,0-V-U6	R928030773	3	10
216	245LEN0250-H10XLA00-V5.0-M-U6	R928030734	3	10
216	245LEN0250-H10XLA00-V5,0-M-S6	R928030670	3	10
216	245LEN0250-H10XLB00-V5,0-V-U6	R928030774	3	10
216	245LEN0400-H10XLA00-V5.0-M-U6	R928030735	3	10
216	245LEN0400-H10XLA00-V5,0-M-S6	R928030671	3	10
216	245LEN0400-H10XLB00-V5,0-V-U6	R928030775	3	10
216	245LEN0040-00000A00-V5,0-V-U3	R928055232	3	10
216	245LEN0040-00000B00-V5,0-V-U3	R928055234	3	10
216	245LEN0063-00000A00-V5,0-V-U4	R928055235	3	10
216	245LEN0063-00000B00-V5,0-V-U4	R928055236	3	10
216	245LEN0100-00000A00-V5,0-V-U4	R928055237	3	10
216	245LEN0100-00000B00-V5,0-V-U4	R928055238	3	10
216	245LEN0130-00000A00-V5,0-V-U5	R928055239	3	10
216	245LEN0130-00000B00-V5,0-V-U5	R928055240	3	10

1) "Shipment" defined as – not to exceed the time from receipt of order to Bosch Rexroth Hydraulics to shipment ex-factory (Bosch Rexroth plant location).

GoTo Focused Delivery Program: Part Numbers

Page Number	Description	Part Number	Maximum Quantity	Shipment <sup>1)</sup> (Business Days)
216	245LEN0150-00000A00-V5,0-V-U5	R928055241	3	10
216	245LEN0150-00000B00-V5,0-V-U5	R928055242	3	10
216	245LEN0160-00000A00-V5,0-V-U6	R928055243	3	10
216	245LEN0160-00000B00-V5,0-V-U6	R928055244	3	10
216	245LEN0250-00000A00-V5,0-V-U6	R928055245	3	10
216	245LEN0250-00000B00-V5,0-V-U6	R928055246	3	10
216	245LEN0400-00000A00-V5,0-V-U6	R928055247	3	10
216	245LEN0400-00000B00-V5,0-V-U6	R928055249	3	10
216	Plug-in connector for WE type indicator	R900031155	3	5
216	WE-1SP-M12Z1	R928028409	3	5
216	WE-2SP-M12X1	R928028410	3	5
216	WE-2SPSU-M12X1	R928028411	3	5
	<b>350 LEN – Line Mounted Filters &amp; Filter Elements</b>			
218	2.0040H10XL-A00-0-M	R928006647	5	1
218	2.0063H10XL-A00-0-M	R928006701	5	1
218	2.0100 H10XL-A00-0-M	R928006755	5	1
218	2.0130H10XL-A00-0-M	R928022276	5	1
218	2.0150H10XL-A00-0-M	R928022285	5	1
218	2.0160H10XL-A00-0-M	R928006809	5	1
218	2.0160H10XL-B00-0-M	R928006818	5	1
218	2.0250H10XL-A00-0-M	R928006863	5	1
218	2.0250H10XL-B00-0-M	R928006872	5	1
218	2.0400H10XL-A00-0-M	R928006917	5	1
218	2.0400H10XL-B00-0-M	R928006926	5	1
218	2.0630H10XL-A00-0-M	R928006971	5	1
218	2.1000H10XL-A00-0-M	R928007025	5	1
218	350LEN0040-H10XLA00-V5,0-M-U3	R928033728	3	10
218	350LEN0063-H10XLA00-V5,0-M-U4	R928033729	3	10
218	350LEN0100-H10XLA00-V5,0-M-U4	R928033730	3	10
218	350LE0130-H10XLA00-V5,0-M-U5	R928033731	3	10
218	350LE0150-H10XLA00-V5,0-M-U5	R928033732	3	10
218	350LEN0160-H10XLA00-V5,0-M-S6	R928033669	3	10
218	350LEN0160-H10XLA00-V5,0-M-U6	R928033733	3	10
218	350LEN0160-H10XLB00-V5,0-M-U6	R928033741	3	10
218	350LEN0250-H10XLA00-V5,0-M-S6	R928033670	3	10
218	350LEN0250-H10XLA00-V5,0-M-U6	R928033734	3	10
218	350LEN0250-H10XLB00-V5,0-M-U6	R928033742	3	10
218	350LEN0400-H10XLA00-V5,0-M-S6	R928033671	3	10
218	350LEN0400-H10XLA00-V5,0-M-U6	R928033735	3	10
218	350LEN0400-H10XLB00-V5,0-M-U6	R928033743	3	10
218	350LEN0630-H10XLA00-V5,0-M-S8	R928034512	3	10
218	350LEN1000-H10XLA00-V5,0-M-S8	R928034513	3	10
218	WE-1SP-M12Z1	R928028409	3	5
218	WE-2SP-M12X1	R928028410	3	5

1) "Shipment" defined as – not to exceed the time from receipt of order to Bosch Rexroth Hydraulics to shipment ex-factory (Bosch Rexroth plant location).

## GoTo Focused Delivery Program: Part Numbers

Page Number	Description	Part Number	Maximum Quantity	Shipment <sup>1)</sup> (Business Days)
218	WE-2SPSU-M12X1	R928028411	3	5
218	Plug-in connector for WE type indicator	R900031155	3	5
	<b>245 PSF(N) – Manifold Mount Pressure Filters &amp; Filter Elements</b>			
219	2.0040 H10XL-B00-0-M	R928006656	5	1
219	2.0063 H10XL-B00-0-M	R928006710	5	1
219	2.0100 H10XL-B00-0-M	R928006764	5	1
219	2.0130 H10XL-B00-0-M	R928022312	5	1
219	2.0150 H10XL-B00-0-M	R928022321	5	1
219	2.0160 H10XL-B00-0-M	R928006818	5	1
219	2.0250 H10XL-B00-0-M	R928006872	5	1
219	2.0400 H10XL-B00-0-M	R928006926	5	1
219	245 PSFN 0040-H10XLB00-V5.0-M	R928024392	3	10
219	245 PSFN 0063-H10XLB00-V5.0-M	R928024393	3	10
219	245 PSFN 0100-H10XLB00-V5.0-M	R928024394	3	10
219	245 PSF 0130-H10XLB00-V5.0-M	R928024395	3	10
219	245 PSF 0150-H10XLB00-V5.0-M	R928024396	3	10
219	245 PSFN 0160-H10XLB00-V5.0-M	R928024397	3	10
219	245 PSFN 0250-H10XLB00-V5.0-M	R928024398	3	10
219	245 PSFN 0400-H10XLB00-V5.0-M	R928024399	3	10
219	WE-2SP-M12X1	R928028410	3	5
	<b>350 PSF(N) – Manifold Mount Pressure Filters &amp; Filter Elements</b>			
220	2.0130 H10XL-B00-0-M	R928022312	5	1
220	2.0150 H10XL-B00-0-M	R928022321	5	1
220	2.0160 H10XL-B00-0-M	R928006818	5	1
220	2.0250 H10XL-B00-0-M	R928006872	5	1
220	2.0400 H10XL-B00-0-M	R928006926	5	1
220	2.0630 H10XL-B00-0-M	R928006980	5	1
220	2.1000 H10XL-B00-0-M	R928007034	5	1
220	350 PSF 0130-H10XLB00-V5.0-M	R928026493	3	10
220	350 PSF 0150-H10XLB00-V5.0-M	R928026494	3	10
220	350 PSFN 0160-H10XLB00-V5.0-M	R928026495	3	10
220	350 PSFN 0250-H10XLB00-V5.0-M	R928026496	3	10
220	350 PSFN 0400-H10XLB00-V5.0-M	R928026497	3	10
220	350 PSFN 0630-H10XLB00-V5.0-M	R928026498	3	10
220	350 PSFN 1000-H10XLB00-V5.0-M	R928026499	3	10
220	WE-2SP-M12X1	R928028410	3	5
	<b>450 PBFN – Manifold Mount Pressure Filters &amp; Filter Elements</b>			
221	2.0040 H3XL-B00-0-M	R928006654	5	1
221	2.0063 H3XL-B00-0-M	R928006708	5	1
221	2.0100 H3XL-B00-0-M	R928006762	5	1
221	2.0130 H3XL-B00-0-M	R928022310	5	1
221	2.0150 H3XL-B00-0-M	R928022319	5	1
221	2.0160 H3XL-B00-0-M	R928006816	5	1
221	2.0250 H3XL-B00-0-M	R928006870	5	1

1) "Shipment" defined as – not to exceed the time from receipt of order to Bosch Rexroth Hydraulics to shipment ex-factory (Bosch Rexroth plant location).

GoTo Focused Delivery Program: Part Numbers

Page Number	Description	Part Number	Maximum Quantity	Shipment <sup>1)</sup> (Business Days)
221	2.0400 H3XL-B00-0-M	R928006924	5	1
221	2.0630 H3XL-B00-0-M	R928006978	5	1
221	2.1000 H3XL-B00-0-M	R928007032	5	1
221	450 PBFN 0040-H3XLB00-V5.0-M	R928023331	3	10
221	450 PBFN 0063-H3XLB00-V5.0-M	R928023332	3	10
221	450 PBFN 0100-H3XLB00-V5.0-M	R928023333	3	10
221	450 PBFN 0130-H3XLB00-V5.0-M	R928023334	3	10
221	450 PBFN 0150-H3XLB00-V5.0-M	R928023335	3	10
221	450 PBFN 0160-H3XLB00-V5.0-M	R928023336	3	10
221	450 PBFN 0250-H3XLB00-V5.0-M	R928023337	3	10
221	450 PBFN 0400-H3XLB00-V5.0-M	R928023338	3	10
221	450 PBFN 0630-H3XLB00-V5.0-M	R928023339	3	10
221	450 PBFN 1000-H3XLB00-V5.0-M	R928023340	3	10
	<b>BFSK-2X – Desiccant Air Breather</b>			
222	Adapter G 1-1/4 female to male G 1	R978918035	3	10
222	89.125-2X/H3V3-S00-0-M	R928049577	5	1
222	89.25-2X/H3V3-S00-0-M	R928049574	5	1
222	89.40-2X/H3V3-S00-0-M	R928049575	5	1
222	BFSK125-2X/H3V3-M-S-CV	R928049176	3	10
222	BFSK25-2X/H3V3-M-0-CV	R928049168	3	10
222	BFSK40-2X/H3V3-M-S-CV	R928049172	3	10
222	BFSK80-2X/H3V3-M-S-CV	R928049174	3	10
222	SPR-SP-BFSK125-2X/	R928049186	3	10
222	SPR-SP-BFSK40-2X/	R928049184	3	10
222	SPR-SP-BFSK80-2X/	R928049185	3	10
	<b>Breather Filters</b>			
223	7.004 H10XL-S00-0-M	R928035939	5	1
223	7.004 H3XL-S00-0-M	R928036781	5	1
223	7.006 H10XL-S00-0-M	R928016626	5	1
223	80.45/21 P10-S00-0-M	R928016609	5	1
223	BF 7 SL 130 P10-S00-000-00M00	R928018790	3	10
223	BF 7 SL 45/21 P10-S00-000-00M00	R928018784	3	10
223	BF 7 SL 90 P10-S00000-00M00	R928018787	3	10
223	BFS20 P10-F00	R928022920	3	10
223	FEF0 S10-F00	R928018808	3	10
223	FEF1 P10-F00	R928018811	3	10
223	TLFI 5-65H10XL-S00-000-00M00	R928018828	3	10
223	TLFI 5-65H3XL-S00-000-00M00	R928041318	3	10
223	TLFI 6-80H10XL-S00-000-00M00	R928018831	3	10
223	TLFIII 5-65H10XL-S00-000-00M00	R928018870	3	10
223	TLFIII 5-65H3XL-S00-000-00M00	R928036735	3	10
223	TLFIII 6-80H10XL-S00-000-00M00	R928018873	3	10

1) "Shipment" defined as – not to exceed the time from receipt of order to Bosch Rexroth Hydraulics to shipment ex-factory (Bosch Rexroth plant location).

## GoTo Focused Delivery Program: Part Numbers

Page Number	Description	Part Number	Maximum Quantity	Shipment <sup>1)</sup> (Business Days)
	<b>GTAK – Fluid Monitoring</b>			
224	Fluid Analysis Kit & Bottle	R913039221	3	10
	<b>Online particle monitor</b>			
225	OPM II-1X-M	R928052298	3	10
	<b>Popular Cross-over Filter Elements</b>			
226	1.0045 G25-A00-0-M	R928005636	5	1
226	1.0045 H10XL-A00-0-M	R928005639	5	1
226	1.0060 G25-A00-0-M	R928005672	5	1
226	1.1401 G40-A00-0-M	R928045173	5	1
226	2.0005 G40-A00-0-V	R928045584	5	1
226	2.0020 G25-A00-0-M	R928006374	5	1
226	2.0020 H6XL-A00-0-M	R928006376	5	1
226	2.0063 H3XL-A00-0-M	R928006699	5	1
226	2.0100 H10XL-A00-0-M	R928006755	5	1
226	2.0100 H10XL-B00-0-M	R928006764	5	1
226	2.0250 H3XL-A00-0-M	R928006861	5	1
226	2.0250 H6XL-A00-0-M	R928006862	5	1
226	2.0250 H6XL-B00-0-M	R928006871	5	1
226	2.56 P10-A00-0-M	R928019029	5	1
226	2.90 H10XL-C00-0-M	R928025500	5	1
226	4.06 P10-A00-0-M	R928022781	5	1
226	4.10 G200-A00-0-M	R928028012	5	1
226	9.110LA H10XL-A00-0-M SO3000	R928017144	5	1
226	9.110LA H10XL-A00-0-V SO3000	R928022425	5	1
226	9.110LA H10XL-F00-0-MSO3000	R928017152	5	1
226	9.110LA H20XL-A00-0-MSO3000	R928017143	5	1
226	9.110LA H3XL-F00-0-M SO3000	R928017154	5	1
226	9.110LA H6XL-A00-0-M SO3000	R928017145	5	1
226	9.110LA H6XL-F00-0-MSO3000	R928017153	5	1
226	9.1320LA H6XL-F00-0-M	R928025333	5	1
226	9.160LA H10XL-A00-0-M SO3000	R928017210	5	1
226	9.160LA H10XL-F00-0-MSO3000	R928017218	5	1
226	9.160LA H20XL-F00-0-MSO3000	R928017217	5	1
226	9.160LA H3XL-F00-0-M SO3000	R928017220	5	1
226	9.160LA H6XL-A00-0-MSO3000	R928017211	5	1
226	9.160LA H6XL-F00-0-MSO3000	R928017219	5	1
226	9.240 G25-A00-0-M	R928017221	5	1
226	9.240LA H10XL-A00-0-M SO3000	R928017243	5	1
226	9.240LA H10XL-F00-0-M SO3000	R928017251	5	1
226	9.240LA H20XL-A00-0-MSO3000	R928017242	5	1
226	9.240LA H20XL-F00-0-MSO3000	R928017250	5	1
226	9.240LA H3XL-A00-0-MSO3000	R928017245	5	1
226	9.240LA H3XL-F00-0-M SO3000	R928017253	5	1
226	9.240LA H6XL-A00-0-MSO3000	R928017244	5	1

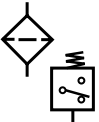
1) "Shipment" defined as – not to exceed the time from receipt of order to Bosch Rexroth Hydraulics to shipment ex-factory (Bosch Rexroth plant location).

GoTo Focused Delivery Program: Part Numbers

Page Number	Description	Part Number	Maximum Quantity	Shipment <sup>1)</sup> (Business Days)
226	9.280LA H10XL-A00-0-M SO3000	R928017276	5	1
226	9.280LA H20XL-A00-0-M SO3000	R928017275	5	1
221	9.280LA H6XL-A00-0-M SO3000	R928017277	5	1
227	9.30LA H10XL-A00-0-MSO3000	R928017074	5	1
227	9.30LA H10XL-F00-0-MSO3000	R928017086	5	1
227	9.30LA H20XL-F00-0-M SO3000	R928017085	5	1
227	9.30LA H3XL-F00-0-M SO3000	R928017088	5	1
227	9.330LA H10XL-A00-0-M SO3000	R928017309	5	1
227	9.330LA H10XL-F00-0-M SO3000	R928017317	5	1
227	9.330LA H3XL-A00-0-MSO3000	R928017311	5	1
227	9.330LA H3XL-F00-0-M SO3000	R928017319	5	1
227	9.330LA H6XL-A00-0-MSO3000	R928017310	5	1
227	9.330LA H6XL-F00-0-M SO3000	R928017318	5	1
227	9.60 G25-A00-0-V-0024	R928048442	5	1
227	9.60LA H10XL-A00-0-M SO3000	R928017111	5	1
227	9.60LA H10XL-F00-0-M SO3000	R928017119	5	1
227	9.60LA H3XL-F00-0-M SO3000	R928017121	5	1
227	9.60LA H6XL-F00-0-MSO3000	R928017120	5	1
227	9.660LA H10XL-A00-0-M SO3000	R928017408	5	1
227	9.660LA H10XL-F00-0-M SO3000	R928017416	5	1
227	9.660LA H20XL-A00-0-M SO3000	R928017407	5	1
227	9.660LA H20XL-F00-0-MSO3000	R928017415	5	1
227	9.660LA H3XL-F00-0-MSO3000	R928017418	5	1
227	9.660LA H6XL-F00-0-M SO3000	R928017417	5	1
227	9.990LA H10XL-F00-0-MSO3000	R928019176	5	1
227	10.110LA H10XL-A00-6-M SO3000	R928017483	5	1
227	10.1300 G25-000-6-M	R928017647	5	1
227	10.1300LA H10XL-A00-6-M SO3000	R928017667	5	1
227	10.1300LA H6XL-A00-6-M SO3000	R928017668	5	1
227	10.160LA H10XL-A00-6-M SO3000	R928017506	5	1
227	10.160LA H20XL-000-6-MSO3000	R928017505	5	1
227	10.160LA H6XL-000-6-MSO3000	R928017507	5	1
227	10.240 P10-000-6-M	R928017515	5	1
227	10.240LA H10XL-A00-6-M SO3000	R928017529	5	1
227	10.240LA H6XL-000-6-MSO3000	R928017530	5	1
227	10.2600LA H10XL-A00-0-M SO3000	R928037731	5	1
227	10.2600LA H3XL-000-6-MSO3000	R928017692	5	1
227	10.2600LA H6XL-000-6-MSO3000	R928017691	5	1
227	10.30LA H10XL-000-6-MSO3000	R928017437	5	1
227	10.330LA H10XL-A00-6-M SO3000	R928017552	5	1
227	10.330LA H10XL-A00-B6-M SO3000	R928035218	5	1
227	10.330LA H20XL-000-6-MSO3000	R928017551	5	1
227	10.330LA H6XL-000-6-MSO3000	R928017553	5	1
227	10.330P10-000-6-M	R928017538	5	1

1) "Shipment" defined as – not to exceed the time from receipt of order to Bosch Rexroth Hydraulics to shipment ex-factory (Bosch Rexroth plant location).

## GoTo Focused Delivery Program: Part Numbers

Page Number	Description	Part Number	Maximum Quantity	Shipment <sup>1)</sup> (Business Days)
227	10.500LA H10XL-A00-6-M SO3000	R928017575	5	1
227	10.500LAH20XL-000-6-MSO3000	R928017574	5	1
227	10.60LAH 10XL-000-6-MSO3000	R928017460	5	1
227	10.660LA H10XL-A00-6-M SO3000	R928017598	5	1
227	10.660LA H3XL-A00-6-MSO3000	R928017600	5	1
227	10.660LA H6XL-000-6-MSO3000	R928017599	5	1
227	10.850LA H10XL-000-6-MSO3000	R928017621	5	1
227	10.950LA H10XL-000-6-MSO3000	R928017644	5	1
227	16.7500/R H10XL-S00-0-M	R928016676	5	1
227	16.7500/R H6XL-S00-0-M	R928016674	5	1
227	16.7500/R P10-S00-0-M	R928019959	5	1
227	16.7500/S H10XL-S00-0-M	R928016677	5	1
227	16.7500/S H3XL-S00-0-M	R928016673	5	1
227	16.7500/S H6XL-S00-0-M	R928016675	5	1
227	16.8300/S H10XL-S00-0-V	R928016706	5	1
227	16.8304/U H6XL-S00-0-M	R928016716	5	1
227	16.8304/U H6XL-S00-0-V	R928016728	5	1
227	16.8700/R H10XL-S00-0-M	R928016804	5	1
227	16.8900/TH10XL-S00-0-M	R928016827	5	1
227	16.9600/T H6XL-E00-0-M	R928016950	5	1
227	62.0056K H10XL-J00-0-V	R902603750	5	1
227	62.0056K H20XL-J00-0-V	R902603298	5	1
227	62.0125K H20XL-J00-0-V	R902603243	5	1
227	62.0180K H20XL-J00-0-V	R902603004	5	1
227	80.130 H6XL-S00-0-M	R928019201	5	1
227	80.30/20 P10-S00-0-V	R928028010	5	1
227	80.45/21 VS60-S00-0-M	R928028019	5	1
227	80.90 H10XL-S00-0-M	R928016614	5	1
227	80.90 P10-S00-0-M	R928016612	5	1
227	84.60 H10XL-S00-4-M	R928028556	5	1
227	99.183677 MB15-C00-0-M	R928022726	5	1
				
	<b>Accessories</b>			
	<b>HED 8 – Hydroelectric Pressure Switch</b>			
228	HED 8 OA-2X/100K14	R901102706	3	10
228	HED 8 OA-2X/100K14/12	R901106257	3	10
228	HED 8 OA-2X/200K14/12	R901106512	3	10
228	HED 8 OA-2X/350K14/12	R901107091	3	10
228	HED 8 OA-2X/350K14KW/12	R901107332	3	10
228	HED 8 OA-2X/50K14	R901101698	3	10
228	HED 8 OA-2X/50K14/12	R901107793	3	10
228	HED 8 OH-2X/100K14	R901102360	3	10

1) "Shipment" defined as – not to exceed the time from receipt of order to Bosch Rexroth Hydraulics to shipment ex-factory (Bosch Rexroth plant location).



GoTo Focused Delivery Program: Part Numbers

Page Number	Description	Part Number	Maximum Quantity	Shipment <sup>1)</sup> (Business Days)
228	HED 8 OH-2X/200K14	R901099808	3	10
228	HED 8 OH-2X/200K14S	R901102362	3	10
228	HED 8 OH-2X/350K14	R901101640	3	10
228	HED 8 OH-2X/350K14S	R901102713	3	10
228	HED 8 OH-2X/50K14	R901102349	3	10
228	HED 8 OP-2X/100K14	R901102747	3	10
228	HED 8 OP-2X/100K14S	R901106509	3	10
228	HED 8 OP-2X/350K14	R901106453	3	10
228	HED 8 OP-2X/350K14AS	R901091138	3	10
	<b>Rotary Angle Sensor</b>			
229	ASSEMBLY KIT VT-SWA-1-1X/SYDFEE & <b>Z31 – Cable Set</b>	R900868651	5	5
230	CABLE SET 7P Z31 BF6 +10M (10 meter)	R901420496	5	10
230	CABLE SET 7P Z31 BF6 +3M (3 meter)	R901420483	5	10
230	CABLE SET 7P Z31 BF6 +5M (5 meter)	R901420491	5	10
	<b>Subplates, Bolt Kits, &amp; Electric Connectors</b>			
231	3P RZ5 M24 240V	R901017025	10	10
231	3P RZ55 24	R900842566	10	10
231	3P RZ55L 24-2 SPEZ&	R900057455	10	10
231	3P Z4 M SW	R901017011	10	10
231	3P Z45 B GDM201	R900011039	10	10
231	3P Z55L 12-240V	R900057453	10	10
231	3P Z5L M12 240V	R901017022	10	10
231	3P Z5L1 M 24V SPEZ	R901017026	10	10
231	4P Z24M12X1 +3MSPEZ	R900064381	10	10
231	7P Z31 BF6-3PG11KSPEZ	R900021267	10	10
231	7P Z31 BF63PG11M SPEZ	R900223890	10	10
231	BK-(4) 1/4X20X1-1/2	R978833366	3	10
231	BK-(4) 1/4X20X1-3/4	R978833367	3	10
231	BK-(4) 10X24X2	R978833365	3	10
231	BK-(4) 3/8X16X2-1/4-(2)1/4X20X2-1/4 SHCS	R978833395	3	10
231	BK-(6) 1/2X13X2-1/2	R978833387	3	10
231	CONNECTION SOCKET (11P+PE / PG16 - Plastic mating connector for OBE valves – crimp technique)	1834484142	5	10
231	G 341/12	R900341065	3	10
231	G 342/12	R900455128	5	10
231	MS CONNECTOR FOR OBE VALVES	R978713598	3	10
231	SOCKET (6P+PE / PG11 – Plastic mating connector for OBE valves – soldering technique)	1834482022	5	10
231	SOCKET (11P+PE / PG16 – Plastic mating connector for OBE valves – crimping technique)	1834482026	5	10
	<b>Coils &amp; Handnuts – Directional Valves</b>			
232	45-K4K-30G12 01	R901333224	3	10
232	GZ45-01M.N. SPEZ	R900029571	3	10

1) "Shipment" defined as – not to exceed the time from receipt of order to Bosch Rexroth Hydraulics to shipment ex-factory (Bosch Rexroth plant location).

## GoTo Focused Delivery Program: Part Numbers

Page Number	Description	Part Number	Maximum Quantity	Shipment <sup>1)</sup> (Business Days)
232	GZ45-3 12V	R900021462	3	10
232	GZ45-3 24V	R900021463	3	10
232	GZ45-4 24V	R900021389	3	10
232	GZ63 M.VN.3K	R900019841	3	10
232	GZ63-3 12V	R900207929	3	10
232	GZ63-3 24V	R900217812	3	10
232	GZ63-4 12V K4K	R900019792	3	10
232	GZ63-4 24V	R900019793	3	10
232	SOLENOID COIL 45-K4 -30G96 01	R901338900	3	10
232	SOLENOID COIL GZ63-K72L1 -35G24 S00	R901232758	3	5
232	WZ45-.-M.N. SPEZ	R900020169	3	10
232	WZ45-3 110V &	R900021464	3	10
232	WZ45-4-L110V-50/60HZ&	R900020175	3	10
232	WZ45-4-L110V50HZ+120V60HZ	R978839349	3	10
232	WZ45-4-MVN110V50/60+&	R900545268	3	10
232	WZ65-.-LM.VN. SPEZ	R900019840	3	10
232	WZ65-0-L110V-50/60HZ&	R900019801	3	10
232	WZ65-3 110V-50/ &	R900219602	3	10
232	WZ65-4-L110V-50/60HZ&	R900019816	3	10
233	37-K4 - R11,500	R901049962	3	10
233	37-K4 - R2,3 00	R901002932	3	10
233	37-K4 - R4,8 00	R901002319	3	10
233	37-K4 -22G12 00	R900991678	3	10
233	37-K4 -22G24 00	R900991121	3	10
233	37-K40 - R11,500	R901050010	3	10
233	37-K40 - R2,3 00	R901003055	3	10
233	37-K40 - R4,8 00	R901003053	3	10
233	37-K40 -22G12 00	R900729189	3	10
233	37-K40 -22G24 00	R900729190	3	10
233	45-K4 - R3,3 00	R901022180	3	10
233	45-K4 - R7,2 00	R901022174	3	10
233	45-K40 - -R3.3 00	R901272648	3	10
233	45-K40 - -R7.2 00	R901272647	3	10
	<b>VT Patch Cord</b>			
235	VT PATCH CORD BLK AK205/410 SIL 100CM	R978807708	5	10
235	VT PATCH CORD RED AK205/410 SIL 100CM	R978807707	5	10
	<b>Aftermarket Parts</b>			
	<b>Seal Kits</b>			
236	AZMF Rotary Shaft Lip	1510283065	3	10
236	AZMF Seal Kit	1517010195	3	10
236	AZPF ROTARY SHAFT LIP	1510283035	3	10
236	AZPF Seal Kit	1517010152	3	10
236	AZPF Shaft Seal	1510283008	3	10

1) "Shipment" defined as – not to exceed the time from receipt of order to Bosch Rexroth Hydraulics to shipment ex-factory (Bosch Rexroth plant location).

GoTo Focused Delivery Program: Part Numbers

Page Number	Description	Part Number	Maximum Quantity	Shipment <sup>1)</sup> (Business Days)
236	AZPN Rotary Shaft Lip	1510283023	3	10
236	AZPN Seal Kit	1517010194	3	10
236	KIT P1 VPV80 210 BAR PUMP REP.	R978711842	3	5
236	KIT REPAIR VPV100/130 210BAR SAE	R978711849	3	5
236	KIT REPAIR VPV100/130 210BAR SAE/P1	R978711851	3	5
236	KIT REPAIR VPV164 210BAR SAE	R978711850	3	5
236	KIT REPAIR VPV164 210BAR SAE/P1	R978711852	3	5
236	KIT REPAIR VPV45/63 210BAR SAE	R978711838	3	5
236	KIT REPAIR VPV45/63 210BAR SAE/P1	R978711841	3	5
236	REPAIR KIT VPV16 SAE PUMP 210 9511230606	R978711812	3	5
236	REPAIR KIT VPV25/32 SAE 210 9511230598	R978711809	3	5
236	REPAIR KIT VPV25/32SAE P1 210 9511230623	R978711825	3	5
236	REPAIR KIT VPV80 SAE 210 BAR 9511230641	R978711840	3	5
236	VPV/100-164 210 BAR FKM Seals	9511230659	3	10
236	VPV/16-210BAR FKM Seals	9511230605	3	10
236	VPV/25/32-210BAR FKM Seals	9511230597	3	10
236	VPV/45-80 210 BAR FKM Seals	9511230658	3	10
236	VPV16 SAE COMBO PUMP KIT 210	R978711814	3	5
236	SEAL KIT PV7-1X/100M/K	R900891699	3	5
236	SEAL KIT PV7-1X/10M/K	R900891704	3	5
236	SEAL KIT PV7-1X/16M	R900891703	3	5
236	SEAL KIT PV7-1X/25M/K	R900891702	3	5
236	SEAL KIT PV7-1X/40M/K	R900891701	3	5
236	SEAL KIT PV7-1X/63M/K	R900891700	3	5
237	SEAL KT A/AA2FM/O/E107-125/61-V	R987053790	3	3
237	SEAL KT A/AA2FM/O/E160-180/61-V	R987053791	3	3
237	SEAL KT A/AA2FM/O/E23-32/61-V	R987053779	3	3
237	SEAL KT A/AA2FM/O/E45/61-V	R987053787	3	3
237	SEAL KT A/AA2FM/O/E56-63/61-V	R987053788	3	3
237	SEAL KT A/AA2FM/O/E80-90/61-V	R987053789	3	3
237	SEAL KT A/AA2FM/O10-16/61-V	R987053786	3	3
237	SEAL KT AA4VG125/32-N	R987053882	3	10
237	SEAL KT AA4VG180/32-N	R987053887	3	10
237	SEAL KT AA4VG250/32-N	R987053936	3	10
237	SEAL KT AA4VG28/32-N	R987053885	3	10
237	SEAL KT AA4VG40/32-N	R987054641	3	10
237	SEAL KT AA4VG56/32-N	R987053884	3	10
237	SEAL KT AA4VG71/32-N	R987053886	3	10
237	SEAL KT AA4VG90/32-N	R987053883	3	10
237	SEAL KIT A4VS180/30-V pump only	R902416678	3	10
237	SEAL KIT .A4VS125/30-P pump only	R902416662	3	10
237	SEAL KIT .A4VS125/30-V pump only	R902416680	3	10
237	SEAL KIT .A4VS180/30-P pump only	R902416679	3	10
237	SEAL KIT .A4VS250/30-V pump only	R902416677	3	10

1) "Shipment" defined as – not to exceed the time from receipt of order to Bosch Rexroth Hydraulics to shipment ex-factory (Bosch Rexroth plant location).

## GoTo Focused Delivery Program: Part Numbers

Page Number	Description	Part Number	Maximum Quantity	Shipment <sup>1)</sup> (Business Days)
237	SEAL KIT A4VS250/30-P pump only	R902416676	3	10
237	SEAL KT AA6VM107/63-V	R987054740	3	10
237	SEAL KT AA6VM160/63-V	R987053876	3	10
237	SEAL KT AA6VM55/63-V	R987053873	3	10
237	SEAL KT AA6VM80/63-V	R987053874	3	10
238	SEAL KIT -10/3V (M7-22)	R900890976	3	3
238	SEAL KIT LC16A/B/DB/DR.-7X/	R961000472	3	3
238	SEAL KIT WE 6.5X/	R900357571	3	3
238	SEAL KIT WH 22.6X/7X/	R900306349	3	3
238	SEAL KIT HED8OA/OH/OP1X/	R961000756	3	3
238	SEAL KIT LC16A/B/DB/DR.-7X/V	R961000473	3	3
238	SEAL KIT LC25.-5X/6X/	R961003070	3	3
238	SEAL KIT LC25A/B/DB/DR.-7X/	R961000474	3	3
238	SEAL KIT LC25A/B/DB/DR.-7X/V	R961000475	3	3
238	SEAL KIT LC32A/B/DB/DR.-7X/	R961000476	3	3
238	SEAL KIT LC40A/B/DB/DR.-7X/	R961000744	3	3
238	SEAL KIT LC40A/B/DB/DR.-5X/6X/	R900314055	3	3
238	SEAL KIT SEW6.3X/.V M-2/3*	R961000684	3	3
238	SEAL KIT WE 10.3X/C	R900357578	3	3
238	SEAL KIT WE 10.3X/C/V	R900357579	3	3
238	SEAL KIT WE 6.5X/V	R900357572	3	3
238	SEAL KIT WE 6.6X/E	R900357573	3	3
238	SEAL KIT WE 6.6X/E/V	R900357574	3	3
238	SEAL KIT WH 22.6X/7X/V	R900309825	3	3
	<b>A10 Service Parts Kit</b>			
239	SEAL KIT A10V 18 DFR /31V	R910941171	3	10
239	BEARING SET A10V18	R910948589	3	10
239	ROTARY GROUP A10V18/31R	R910948590	3	10
239	ROTARY GROUP A10V18/31L	R910948591	3	10
239	A10V 28 DFR-V KIT	R910932983	3	10
239	KLEINTEILA10V28+VERP	R910942158	3	10
239	A10V28/31R+VERPACKUNG	R910947781	3	10
239	A10V28/31L+VERPACKUNG	R910947782	3	10
239	A10V 45 DFLR/31V+VERP	R910932984	3	10
239	SEAL KIT A10V 45 /53V	R902487515	3	3
239	SEAL KIT AA10VO 45 /50-P	R910963478	3	3
239	KLEINTEILA10V45+VERP	R910942248	3	10
239	A10V45/31R+VERPACKUNG	R910947730	3	10
239	A10V45/31L+VERPACKUNG	R910947789	3	10
239	A10V 71 DFLR/31V+VERP	R910932985	3	10
239	KLEINTEILA10V71+VERP	R910942250	3	10
239	A10V71/31R+VERPACKUNG	R910947801	3	10
239	A10V71/31L+VERPACKUNG	R910947802	3	10
239	SEAL KIT A10V100 DFLR/31V	R910941168	3	10

1) "Shipment" defined as – not to exceed the time from receipt of order to Bosch Rexroth Hydraulics to shipment ex-factory (Bosch Rexroth plant location).

GoTo Focused Delivery Program: Part Numbers

Page Number	Description	Part Number	Maximum Quantity	Shipment <sup>1)</sup> (Business Days)
239	BEARING SET A10V100	R910948602	3	10
239	ROTARY GROUP A10V100/31R	R910948603	3	10
239	ROTARY GROUP A10V100/31L	R910948604	3	10
239	SEAL KIT A10V140 DFLR/31V	R910941170	3	10
239	BEARING SET A10V140	R910948615	3	10
239	ROTARY GROUP A10V140/31L	R910948618	3	10
239	ROTARY GROUP A10V140/31L	R910948618	3	10
	<b>Popular Cross-over Filter Elements</b>			
240	1.0045 G25-A00-0-M	R928005636	5	1
240	1.0045 H10XL-A00-0-M	R928005639	5	1
240	1.0060 G25-A00-0-M	R928005672	5	1
240	1.1401 G40-A00-0-M	R928045173	5	1
240	2.0005 G40-A00-0-V	R928045584	5	1
240	2.0020 G25-A00-0-M	R928006374	5	1
240	2.0020 H6XL-A00-0-M	R928006376	5	1
240	2.0063 H3XL-A00-0-M	R928006699	5	1
240	2.0100 H10XL-A00-0-M	R928006755	5	1
240	2.0100 H10XL-B00-0-M	R928006764	5	1
240	2.0250 H3XL-A00-0-M	R928006861	5	1
240	2.0250 H6XL-A00-0-M	R928006862	5	1
240	2.0250 H6XL-B00-0-M	R928006871	5	1
240	2.56 P10-A00-0-M	R928019029	5	1
240	2.90 H10XL-C00-0-M	R928025500	5	1
240	4.06 P10-A00-0-M	R928022781	5	1
240	4.10 G200-A00-0-M	R928028012	5	1
240	9.110LA H10XL-A00-0-M SO3000	R928017144	5	1
240	9.110LA H10XL-A00-0-V SO3000	R928022425	5	1
240	9.110LA H10XL-F00-0-MSO3000	R928017152	5	1
240	9.110LA H20XL-A00-0-MSO3000	R928017143	5	1
240	9.110LA H3XL-F00-0-M SO3000	R928017154	5	1
240	9.110LA H6XL-A00-0-M SO3000	R928017145	5	1
240	9.110LA H6XL-F00-0-MSO3000	R928017153	5	1
240	9.1320LA H6XL-F00-0-M	R928025333	5	1
240	9.160LA H10XL-A00-0-M SO3000	R928017210	5	1
240	9.160LA H10XL-F00-0-MSO3000	R928017218	5	1
240	9.160LA H20XL-F00-0-MSO3000	R928017217	5	1
240	9.160LA H3XL-F00-0-M SO3000	R928017220	5	1
240	9.160LA H6XL-A00-0-MSO3000	R928017211	5	1
240	9.160LA H6XL-F00-0-MSO3000	R928017219	5	1
240	9.240 G25-A00-0-M	R928017221	5	1
240	9.240LA H10XL-A00-0-M SO3000	R928017243	5	1
240	9.240LA H10XL-F00-0-M SO3000	R928017251	5	1
240	9.240LA H20XL-A00-0-MSO3000	R928017242	5	1
240	9.240LA H20XL-F00-0-MSO3000	R928017250	5	1

1) "Shipment" defined as – not to exceed the time from receipt of order to Bosch Rexroth Hydraulics to shipment ex-factory (Bosch Rexroth plant location).

## GoTo Focused Delivery Program: Part Numbers

Page Number	Description	Part Number	Maximum Quantity	Shipment <sup>1)</sup> (Business Days)
240	9.240LA H3XL-A00-0-MSO3000	R928017245	5	1
240	9.240LA H3XL-F00-0-M SO3000	R928017253	5	1
240	9.240LA H6XL-A00-0-MSO3000	R928017244	5	1
240	9.280LA H10XL-A00-0-M SO3000	R928017276	5	1
240	9.280LA H20XL-A00-0-M SO3000	R928017275	5	1
240	9.280LA H6XL-A00-0-M SO3000	R928017277	5	1
240	9.30LA H10XL-A00-0-MSO3000	R928017074	5	1
240	9.30LA H10XL-F00-0-MSO3000	R928017086	5	1
240	9.30LA H20XL-F00-0-M SO3000	R928017085	5	1
240	9.30LA H3XL-F00-0-M SO3000	R928017088	5	1
240	9.330LA H10XL-A00-0-M SO3000	R928017309	5	1
240	9.330LA H10XL-F00-0-M SO3000	R928017317	5	1
240	9.330LA H3XL-A00-0-MSO3000	R928017311	5	1
240	9.330LA H3XL-F00-0-M SO3000	R928017319	5	1
240	9.330LA H6XL-A00-0-MSO3000	R928017310	5	1
240	9.330LA H6XL-F00-0-M SO3000	R928017318	5	1
240	9.60 G25-A00-0-V-0024	R928048442	5	1
240	9.60LA H10XL-A00-0-M SO3000	R928017111	5	1
240	9.60LA H10XL-F00-0-M SO3000	R928017119	5	1
240	9.60LA H3XL-F00-0-M SO3000	R928017121	5	1
240	9.60LA H6XL-F00-0-MSO3000	R928017120	5	1
240	9.660LA H10XL-A00-0-M SO3000	R928017408	5	1
240	9.660LA H10XL-F00-0-M SO3000	R928017416	5	1
240	9.660LA H20XL-A00-0-M SO3000	R928017407	5	1
240	9.660LA H20XL-F00-0-MSO3000	R928017415	5	1
240	9.660LA H3XL-F00-0-MSO3000	R928017418	5	1
240	9.660LA H6XL-F00-0-M SO3000	R928017417	5	1
240	9.990LA H10XL-F00-0-MSO3000	R928019176	5	1
240	10.110LA H10XL-A00-6-M SO3000	R928017483	5	1
240	10.1300 G25-000-6-M	R928017647	5	1
240	10.1300LA H10XL-A00-6-M SO3000	R928017667	5	1
240	10.1300LA H6XL-A00-6-M SO3000	R928017668	5	1
240	10.160LA H10XL-A00-6-M SO3000	R928017506	5	1
240	10.160LA H20XL-000-6-MSO3000	R928017505	5	1
240	10.160LA H6XL-000-6-MSO3000	R928017507	5	1
240	10.240 P10-000-6-M	R928017515	5	1
240	10.240LA H10XL-A00-6-M SO3000	R928017529	5	1
240	10.240LA H6XL-000-6-MSO3000	R928017530	5	1
240	10.2600LA H10XL-A00-0-M SO3000	R928037731	5	1
240	10.2600LA H3XL-000-6-MSO3000	R928017692	5	1
240	10.2600LA H6XL-000-6-MSO3000	R928017691	5	1
240	10.30LA H10XL-000-6-MSO3000	R928017437	5	1
241	10.330LA H10XL-A00-6-M SO3000	R928017552	5	1
241	10.330LA H10XL-A00-B6-M SO3000	R928035218	5	1

1) "Shipment" defined as – not to exceed the time from receipt of order to Bosch Rexroth Hydraulics to shipment ex-factory (Bosch Rexroth plant location).

GoTo Focused Delivery Program: Part Numbers

Page Number	Description	Part Number	Maximum Quantity	Shipment <sup>1)</sup> (Business Days)
241	10.330LA H20XL-000-6-MSO3000	R928017551	5	1
241	10.330LA H6XL-000-6-MSO3000	R928017553	5	1
241	10.330P10-000-6-M	R928017538	5	1
241	10.500LA H10XL-A00-6-M SO3000	R928017575	5	1
241	10.500LAH20XL-000-6-MSO3000	R928017574	5	1
241	10.60LAH 10XL-000-6-MSO3000	R928017460	5	1
241	10.660LA H10XL-A00-6-M SO3000	R928017598	5	1
241	10.660LA H3XL-A00-6-MSO3000	R928017600	5	1
241	10.660LA H6XL-000-6-MSO3000	R928017599	5	1
241	10.850LA H10XL-000-6-MSO3000	R928017621	5	1
241	10.950LA H10XL-000-6-MSO3000	R928017644	5	1
241	16.7500/R H10XL-S00-0-M	R928016676	5	1
241	16.7500/R H6XL-S00-0-M	R928016674	5	1
241	16.7500/R P10-S00-0-M	R928019959	5	1
241	16.7500/S H10XL-S00-0-M	R928016677	5	1
241	16.7500/S H3XL-S00-0-M	R928016673	5	1
241	16.7500/S H6XL-S00-0-M	R928016675	5	1
241	16.8300/S H10XL-S00-0-V	R928016706	5	1
241	16.8304/U H6XL-S00-0-M	R928016716	5	1
241	16.8304/U H6XL-S00-0-V	R928016728	5	1
241	16.8700/R H10XL-S00-0-M	R928016804	5	1
241	16.8900/TH10XL-S00-0-M	R928016827	5	1
241	16.9600/T H6XL-E00-0-M	R928016950	5	1
241	62.0056K H10XL-J00-0-V	R902603750	5	1
241	62.0056K H20XL-J00-0-V	R902603298	5	1
241	62.0125K H20XL-J00-0-V	R902603243	5	1
241	62.0180K H20XL-J00-0-V	R902603004	5	1
241	80.130 H6XL-S00-0-M	R928019201	5	1
241	80.30/20 P10-S00-0-V	R928028010	5	1
241	80.45/21 VS60-S00-0-M	R928028019	5	1
241	80.90 H10XL-S00-0-M	R928016614	5	1
241	80.90 P10-S00-0-M	R928016612	5	1
241	84.60 H10XL-S00-4-M	R928028556	5	1
241	99.183677 MB15-C00-0-M	R928022726	5	1
	<b>Rineer Service Kits</b>			
242	5/16 BALL CHECKS	R986V04286	3	10
242	M015 KT-SE-0150004	R986V01643	3	10
242	M015 KT-SE-0150940	R986V01651	3	10
242	M015 KT-SP-0150931	R986V02033	3	10
242	M015 STD TIMING PLTS	R986V04287	3	10
242	M037 C62 TIMING PLTS	R986V04288	3	10
242	M037 KT-SE-0370973	R986V01687	3	10
242	M037 KT-SE-0370979	R986V01689	3	10
242	M037 KT-SE-0370982	R986V01690	3	10

1) "Shipment" defined as – not to exceed the time from receipt of order to Bosch Rexroth Hydraulics to shipment ex-factory (Bosch Rexroth plant location).

## GoTo Focused Delivery Program: Part Numbers

Page Number	Description	Part Number	Maximum Quantity	Shipment <sup>1)</sup> (Business Days)
242	M037 KT-SE-0371917	R986V01696	3	10
242	M037 KT-SP-0370936	R986V02035	3	10
242	M125 KT-SE1250997	R986V01747	3	10
242	M125 KT-SP-1250930	R986V02036	3	10
242	M125 KT-SP-1250993	R986V02037	3	10
242	M125 PC TIMING PLTS	R986V04289	3	10
242	O-RINGS 2-160 NBR	R986V04301	3	10
242	VANES 1250961PC	R986V02047	3	10
242	VANES V0150930	R986V02038	3	10
242	VANES V0371914PC	R986V02041	3	10
242	VANES V1251962-2S	R986V02050	3	10

1) "Shipment" defined as – not to exceed the time from receipt of order to Bosch Rexroth Hydraulics to shipment ex-factory (Bosch Rexroth plant location).









**Bosch Rexroth USA**

Headquarters  
14001 South Lakes Drive  
Charlotte, NC 28273  
Telephone (800) REXROTH  
(800) 739-7684  
info@boschrexroth-us.com  
www.boschrexroth-us.com/goto

**Bosch Rexroth Canada**

Headquarters  
490 Prince Charles Drive South  
Welland, ON L3B 5X7  
Telephone (855) REXROTH  
(855) 739-7684  
info@boschrexroth.ca  
www.boschrexroth.ca/goto

**Bosch Rexroth Mexico**

Neptuno 72, Unidad  
Industrial Vallejo  
Deleg. Gustavo A.  
Madero Mexico D.F. 07700  
Telephone: +52 (55) 57 47 0800  
ventas@boschrexroth.com.mx  
www.boschrexroth.com.mx/goto