

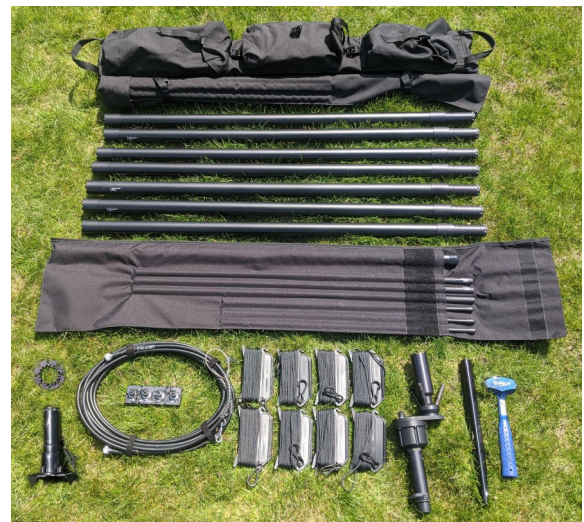


ETAMS deployed

- Tactical Tri-band Antenna and 27.9 ft (8.5 m) mast kit
- Compatible with legacy and modern networking waveforms
- Antenna frequency range:
VHF (30-88MHz), UHF (225-450MHz),
L-S band (1200-2600MHz)
- Single port Antenna design reduces cabling to antenna
- High isolation between bands
- Antenna tripod included for ground level deployment
- Coaxial Cable (LMR400) and Triplexer included
- 27.9 ft (8.5 m) man-portable support mast (AMX85)
- Complete kit supplied in one compact bag
- System can be deployed in less than 10 minutes
- Lower guys can be replaced with an HF wire antenna for additional 1.6-30 MHz frequency range coverage.



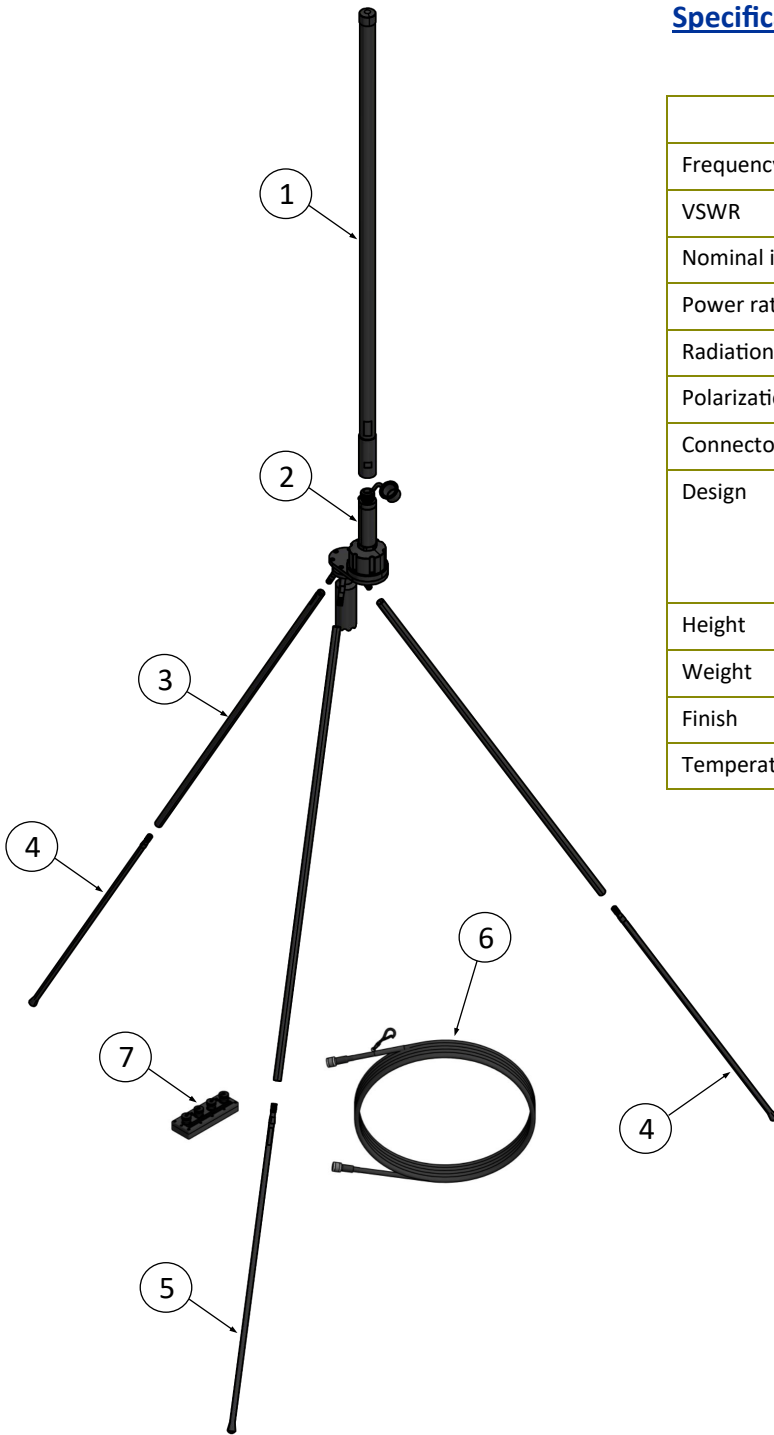
Antenna and mast kit supplied in one compact carrying bag



Antenna and mast kit removed from bags

Specification - Antenna Assembly

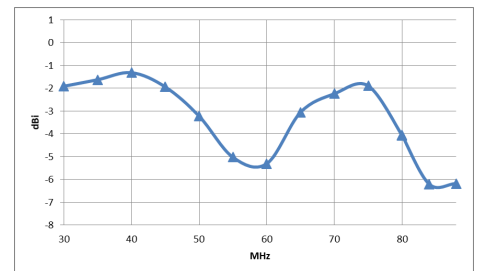
	VHF	UHF	L-S band
Frequency range	30-88 MHz	225-450 MHz	1200-2600 MHz
VSWR	< 3.5	< 3.0	< 3.0
Nominal impedance	50 Ω		
Power rating	75 W	75 W	50 W
Radiation pattern	Omnidirectional within ±2 dB		
Polarization	Vertical		
Connector	N type Female		
Design	VHF monopole, UHF dipole, L-S band dipole elements. Radiating elements completely enclosed in epoxy/fiberglass laminate. Metal parts are brass, aluminum and stainless steel.		
Height	10 ft (3.1 m) - Antenna + Tripod		
Weight	Whip: 3.1 lbs (1.4 kg), Tripod: 8.3 lbs (3.8 kg)		
Finish	Polyurethane lacquer		
Temperature range	-67°F to +160°F, -55°C to +71°C		



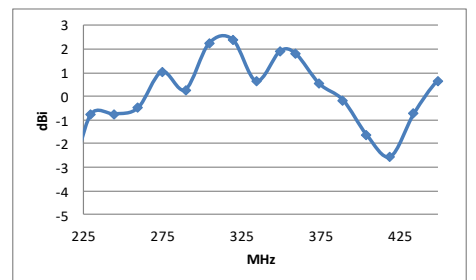
Antenna Kit List

Part	Item	Qty
Antenna Whip	1	1
Antenna Mast Adaptor	2	1
Inner Radial I	3	3
Outer Radial D	4	2
Outer Radial C	5	1
Coaxial Cable (LMR400) 40ft (12m)	6	1
Triplexer	7	1
Antenna Roll-Up Bag (not shown)	-	1

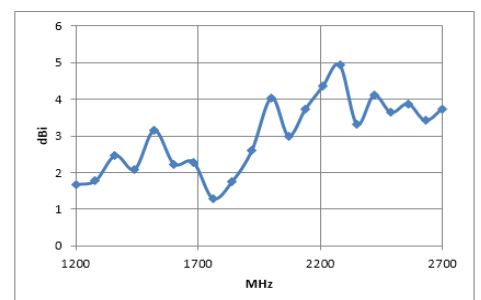
VHF gain, dB rel. 1/4 wave resonant whip.



UHF gain, dBi

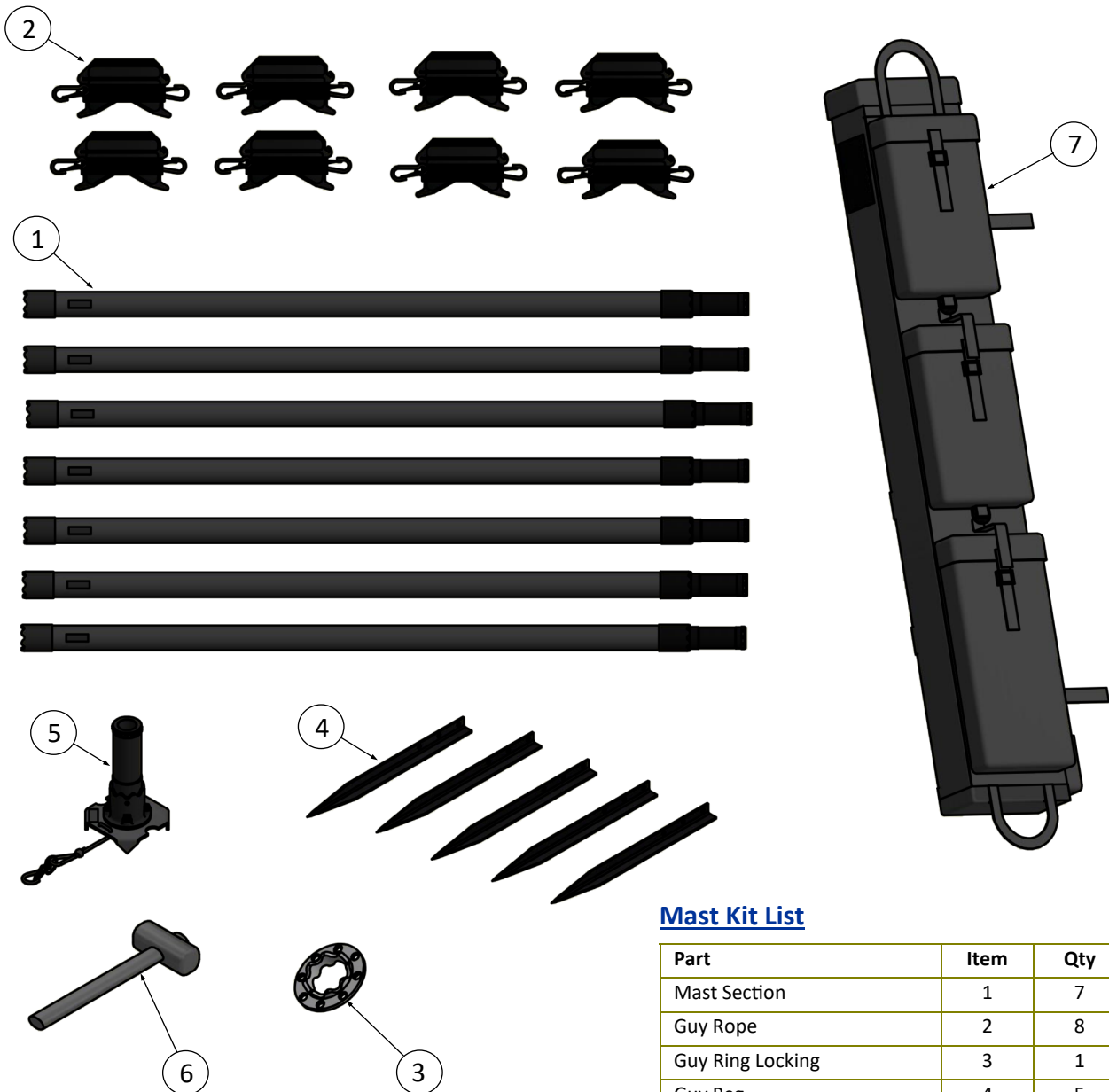


L-S band gain, dBi



Specification - Mast Assembly

Mast sections	Fiberglass tube outside diameter \varnothing 1.75 in (\varnothing 44.5 mm), 52 in (132 cm) long. Green, tan or black paint finish.
Total mast kit weight	32.7 lbs (14.9 kg)
Top interface	\varnothing 1.53 in (\varnothing 39 mm) OD spigot, 4 in (100 mm) long (to fit 1.57 in (40 mm) socket)
Guy	4 x upper and 4 x middle guys. 1/8 in (3 mm) braided rope on winder with adjustable lock and snap hooks each end
Guy pegs	5 pcs steel
Base support	Baseplate
Wind speed (Max)	60 mph (96 km/h), including gust
Temperature range	-67°F, +131°F, -55°C, +55°C



Mast Kit List

Part	Item	Qty
Mast Section	1	7
Guy Rope	2	8
Guy Ring Locking	3	1
Guy Peg	4	5
Baseplate	5	1
Hammer	6	1
Carrying Bag	7	1

Overall Dimensions

System Weight:
50.5 lbs (23kg)

