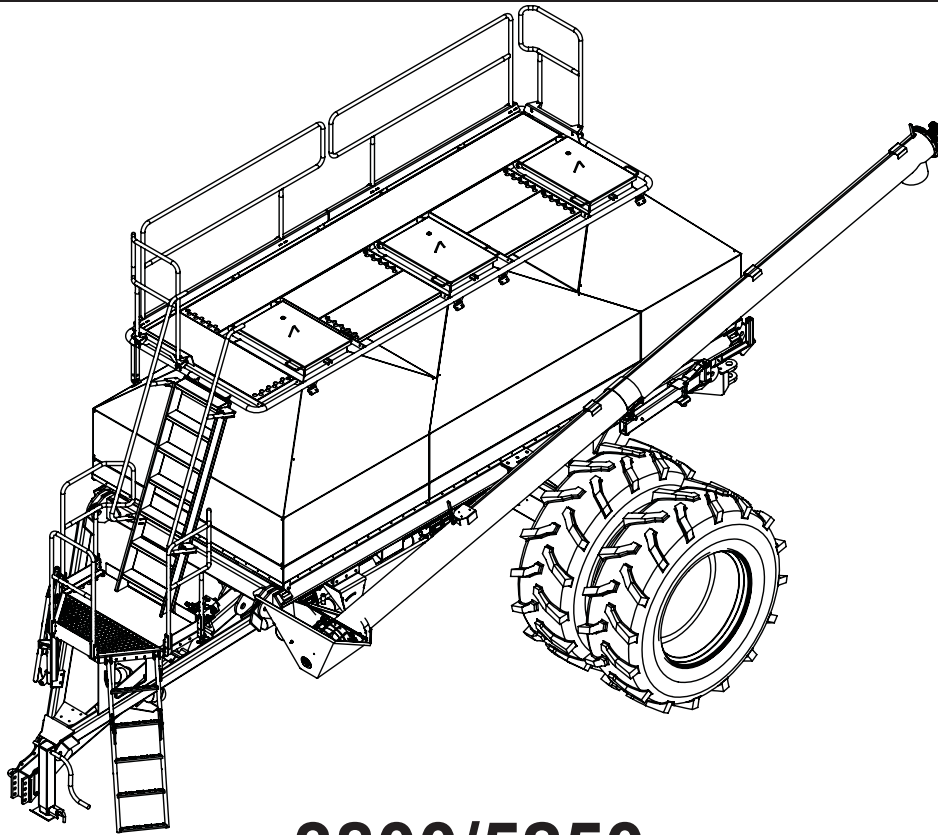




# PARTS MANUAL



**3800/5250**  
**ZONERIGHT™**  
**SECTION CONTROL**  
**AIR CART**



**AGCO-Amity JV LLC PARTS WARRENTY – UNITED STATES AND CANADA**

**EFFECTIVE FOR EQUIPMENT RETAILED AND DELIVERED AFTER FEBRUARY 1<sup>ST</sup>, 2018**

**AGCO-Amity JV, LLC has issued these Terms and Conditions for its Retail Dealers of Parts and Machinery (“Dealers”). These Terms and Conditions supersede all previously issued Terms and Discounts, or Terms and Conditions, and are applicable to the products defined in the Dealer Sales and Service Agreement. These Terms and Conditions will remain in effect until cancelled or modified by the Company. The Company reserves the right to change these Terms and Conditions at any time without prior notice.**

**PARTS WARRANTY:**

The Company provides a ninety (90) day parts warranty from the date purchased by end-user or the balance of the warranty period of the whole good unit (whichever shall be longer) and does not include an allowance for dealer installed labor. This warranty covers most parts shipped from the Company. The exchange of a new part for the defective part shall constitute compliance with this warranty. Maintenance and wear items are excluded from Parts Warranty. Company warranty is set forth in the operator’s manual for the unit and can be found on our websites under the manuals tab.

“AGCO Amity JV” AS REFERRED TO HEREIN WITH RESPECT TO SALES IN:      UNITED STATES and CANADA: AGCO Amity JV LLC  
PO Box 1030  
Wahpeton, ND 58074

# 3800/5250 Zone Right Air Cart

## 1. Frame

Assy-Tank/Frame .....	6
Assy-Front Hitch .....	8
Assy-Rear Hitch .....	10
Assy-Catwalks & Railings & Ladders .....	12
Assy-Tank Ladders .....	14
Assy-Doors .....	16

## 2. Hydraulic System

Assy-Zone Right Dual Blower Tow Behind .....	18
Assy-Zone Right Single Blower Tow Behind .....	20
Assy-Auger & Hydraulics .....	22

## 3. Electrical System

3800/5250 Air Cart Harness .....	26
Assy-Zone Right Wire Shields .....	28
Assy-Zone Right Electrical Box .....	30
Assy-Keypad & Electrical .....	32
Assy-Safety Lights .....	34

## 4. Application System

Assy-Zone Right Meter Box .....	36
Assy-Zone Right Meter Box Door .....	38
Assy-Zone Right Meter Module .....	40
Assy-Zone Right Meter Box Drive .....	42
Blower Assembly .....	44
Assy-Zone Right Single Chute Drop Tubes .....	46
Assy-Zone Right Single Chute Cal Cover .....	48
Assy-Zone Right Dual Chute Drop Tubes .....	50
Assy-Zone Right Dual Chute Cal Cover .....	52
Assy-Zone Right Single Fan Tow Behind .....	54
Assy-Zone Right Dual Fan Tow Behind .....	56
Assy-Zone Right Plenum Mount .....	58
Assy-Zone Right Dual Fan Pressurization Kit .....	60
Assy-Zone Right TBH Bulkhead .....	62
Assy-Calibration Components .....	64

## 5. Spindles & Wheels

Assy-Axle Hub & Spindle .....	66
Assy-Wheel & Tire .....	68

## 6. Decals

Safety Decals Air System 3800/5250 .....	70
Branding Decals Air System 3800/5250 .....	72

## 7. Options

Assy-Inner & Outer Auger Arms .....	74
Assy-Auger Mounting Components .....	76



Assy-Auger ..... 78  
Assy-Scale Kit ..... 80

## General Information

### **Orientation:**

Any reference to left (L) or right (R) sides or components is to be understood as being viewed from behind the implement and looking forward.

### **Serial Number Break:**

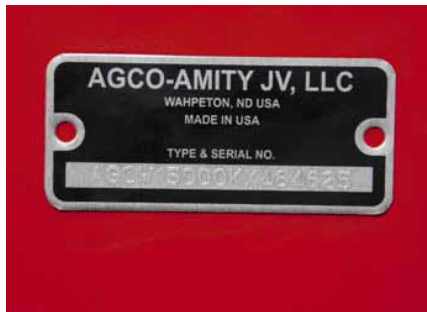
Every Implement has a serial number located on the body of the frame. These serial numbers are consecutively assigned to the implements as they are manufactured. To aid in part ordering, we reference the serial number at the point the change occurred to provide an accurate means of determining proper parts.

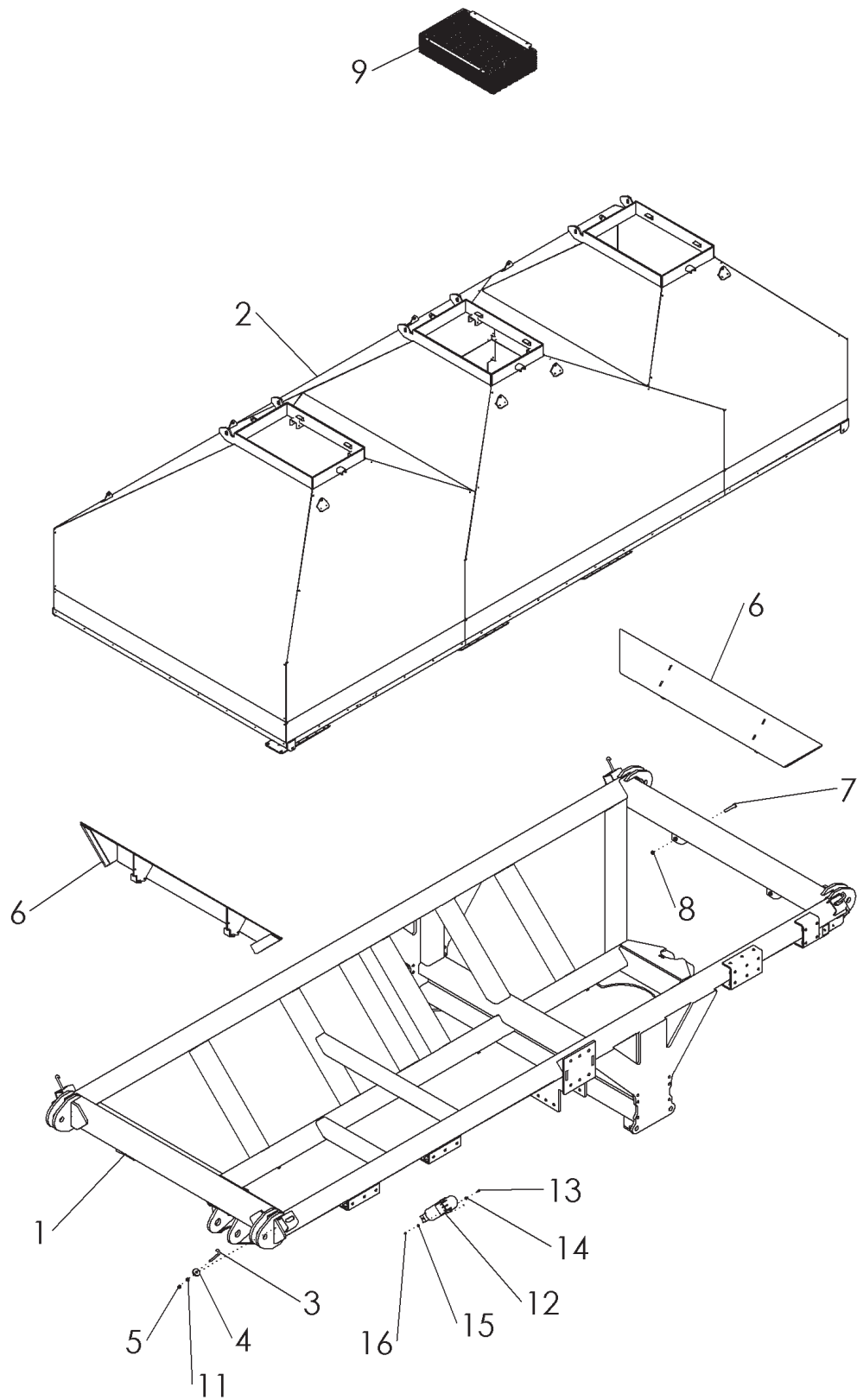
### **Consumables:**

P351481 – RED PAINT  
SPRAY CAN

P357194 – CHASIS GREY  
SPRAY CAN

P240799 – 460EP  
GREASE

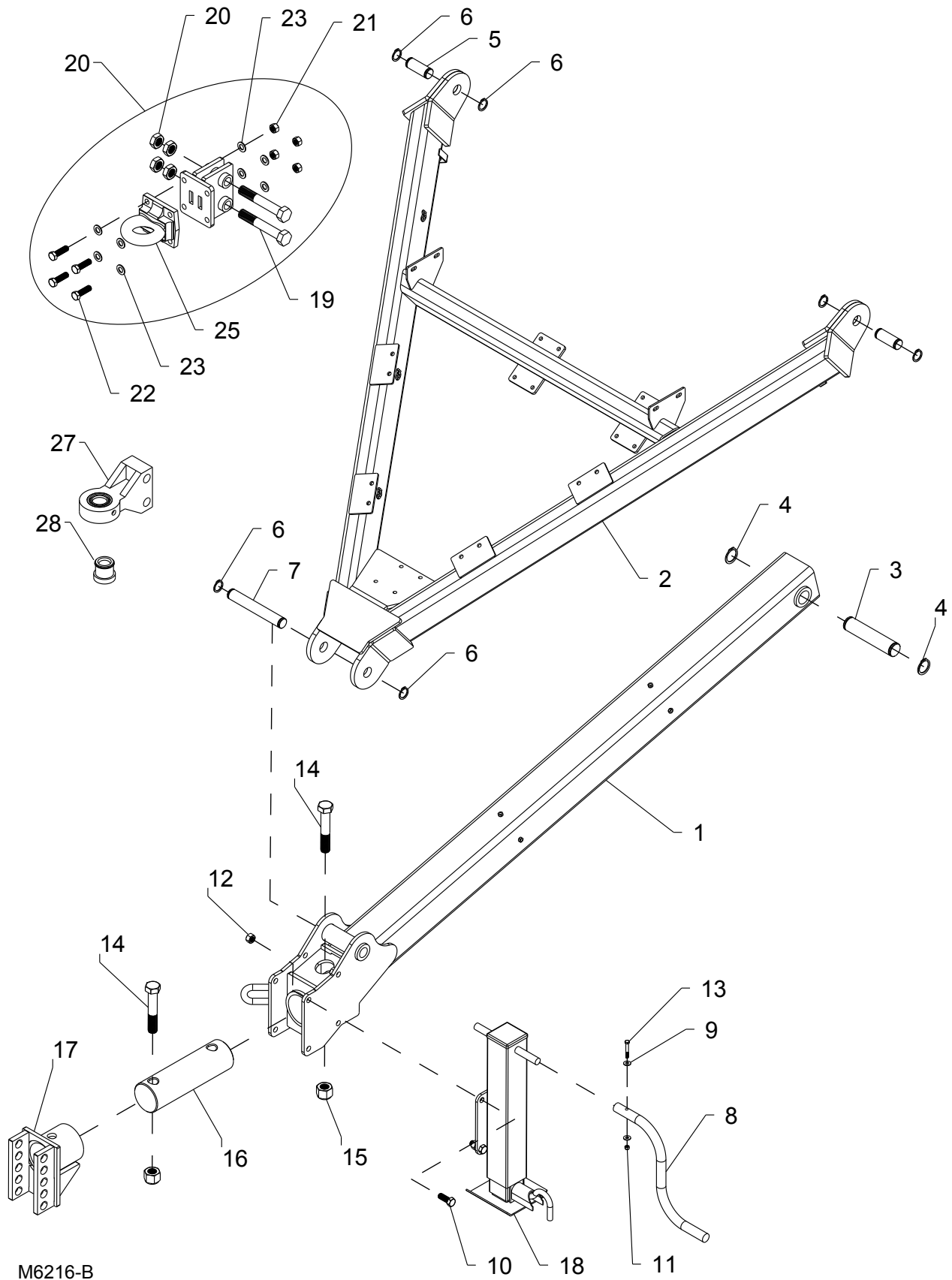




M6101-C

## ASSY-TANK/FRAME

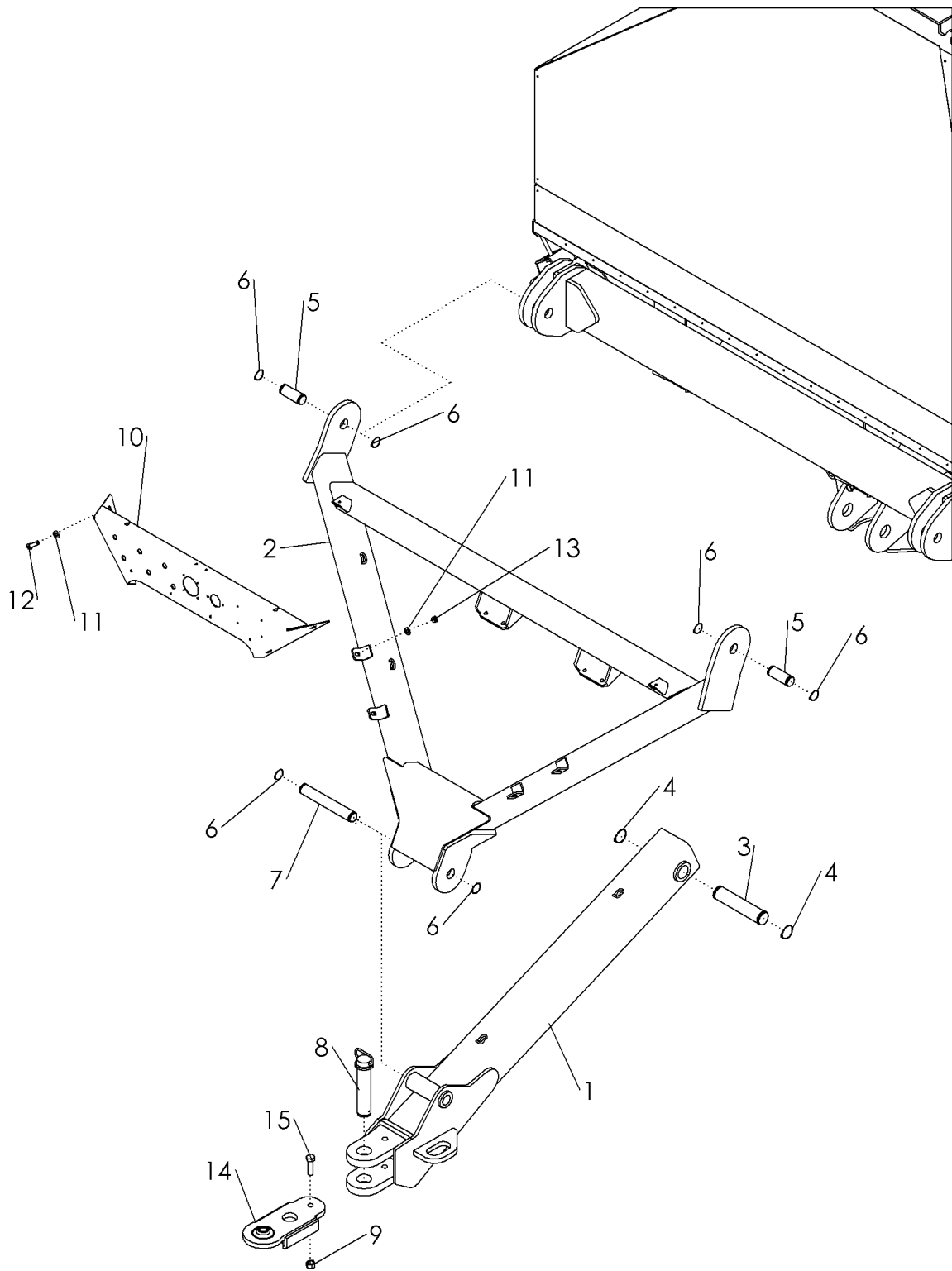
ITEM	PART NO.	DESCRIPTION
1	PA37501	WLDMT-FRAME 525 BU CART
2	P330608	WLDMT-TANK 525BU
	P331165	WLDMT-TANK 380 BU CART
3	P330830	EYEBOLT-TANK RETAINER
4	P330822	TUBE-HOLD DOWN COLLAR
5	P88363	NUT-LOCK: 2 POS 1/2-13NC 2ZP
6	PA37090	WLDMT-TANK TENSION SLIDER
7	PA1032273	BOLT-TAP: .63 X 3.50 NC GR5 ZP
8	P88774	NUT-JAM: 5/8-11NC 5ZP
9	PA1026562	WLDMT-SCREEN BASKET PC
10	PA66550	KT-LOW VOLUME TANK INSERT (OPTIONAL)
11	P88679	BOLT-HEX: 1/2-13NC X 2 5ZP
12	P234313	STORAGE TUBE-OWNERS MANUAL
13	P88993	BOLT-HEX: 1/4-20NC X 3/4 5ZP
14	P88282	WASHER-FLAT: 3/8 (7/16 X 1ACT) 2ZP
15	P88362	WASHER-HELICAL: 3/8ID ZP
16	P88103	NUT-HEX: 3/8-16NC 5ZP
17	P330829	SPRING-TANK RETAINER
18	P330828	COLLAR-SPRING RETAINER
19	P88659	NUT-TOPLOCK: 3/8-16NC 5ZP



M6216-B

## ASSY-FRONT HITCH

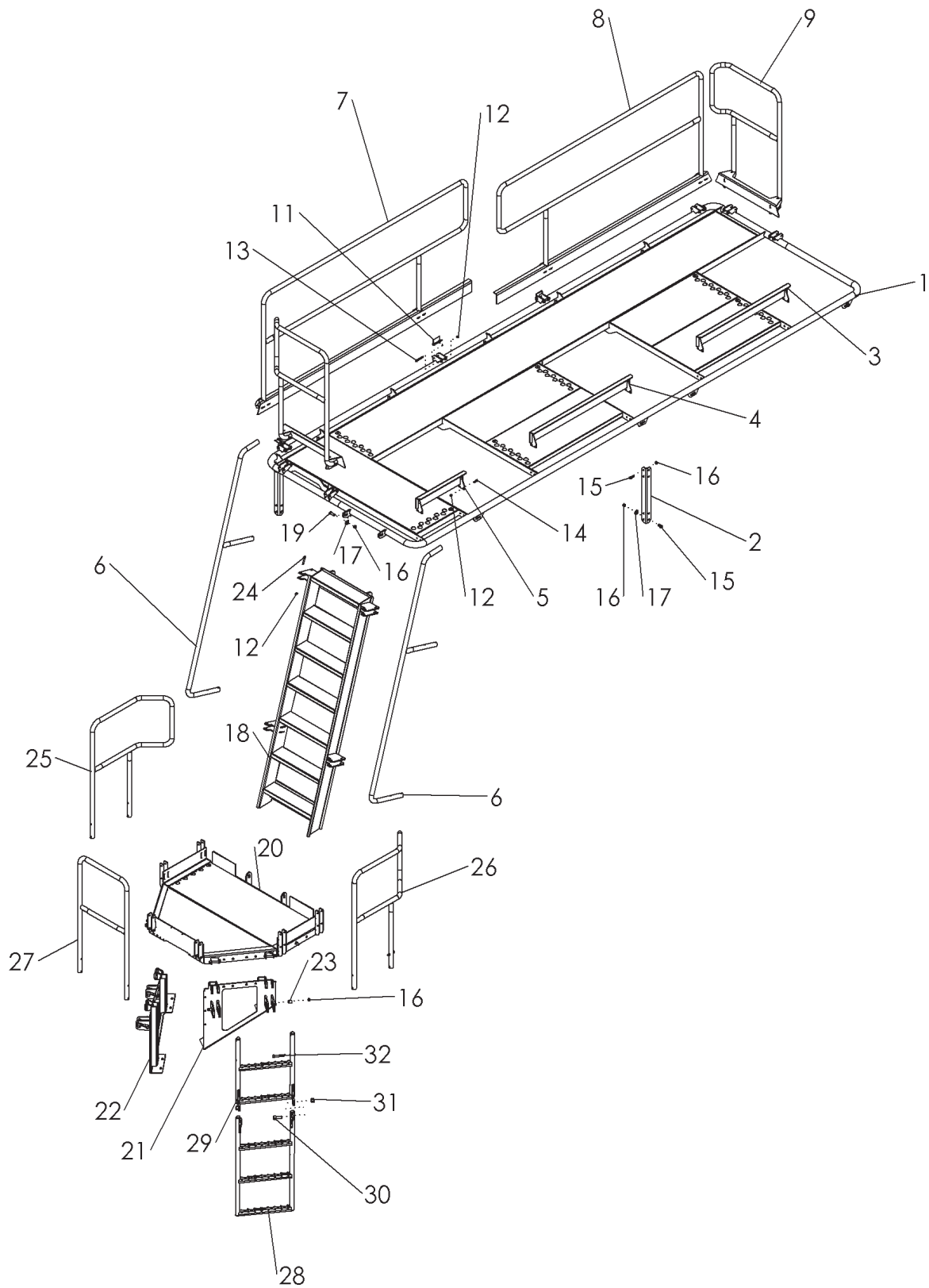
ITEM	PART NO.	DESCRIPTION
1	NS	WLDMNT-FRONT HITCH W/SCALE
2	NS	WLDMT-FRONT HITCH UPPER
3	P330350	PIN-HITCH 2.000 ZP
4	P330333	SNAP-RING 2.000 EXTERNAL HD YZP
5	P330352	PIN-HITCH 1.500 X 5.000 ZP
6	P330332	SNAP-RING 1.500 EXTERNAL HD YZP
7	P330351	PIN-HITCH 1.500 LONG ZP
8	P330014	HANDLE-10K JACK W/HRDWR
9	P88282	WASHER-FLAT: 3/8 (7/16 X 1ACT) 2ZP
10	P88604	BOLT-HEX: 3/4-10NC X 2 5ZP
11	P88659	NUT-TOPLOCK: 3/8-16NC 5ZP
12	P88665	NUT-TOPLOCK: 3/4-10NC 5ZP
13	P89012	BOLT-HEX: 3/8-16NC X 2-1/2 5ZP
14	P89134	BOLT-HEX: 1-1/4-7NC X 7 5ZP
15	P89469	NUT-TOPLOCK: 1-1/4-7NC 5ZP
16	P331679	PIN-BAR-BLANK (ZP)
17	P331686	WLDMT-HITCH ADAPTER TBT
18	P330004	WLDMT-JACK 10K
19	P88427	BOLT-HEX: 1-1/4-7NC X 8 5ZP
20	P88622	NUT-JAM: 1-1/4-7NC 2ZP
21	P88665	NUT-TOPLOCK: 3/4-10NC 5ZP
22	P89389	BOLT-HEX: 3/4-10NC X 2-1/2 8YZP
23	P89509	WASHER-FLAT: 3/4 YZP
24	P344347	WLDMT-PINTLE HITCH ADP
25	PA64200	HITCH-PINTLE PAINTED
26	PA36223	CHAIN-SAFETY 80000#
27	P322296	BULL PULLW/2.00"INSERT CAT4 FORGED
28	P322297	BULL PULL 2.00" INSERT CAT4
	P322298	BULL PULL 1.50" INSERT CAT4



M6106

## ASSY-REAR HITCH

ITEM	PART NO.	DESCRIPTION
1	PA37513	WLDMT-REAR LOWER HITCH
2	PA37521	WLDMT-REAR HITCH SUPPORT
3	P330350	PIN-HITCH 2.000 ZP
4	P330333	SNAP-RING 2.000 EXTERNAL HD YZP
5	P330352	PIN-HITCH 1.500 X 5.000 ZP
6	P330332	SNAP-RING 1.500 EXTERNAL HD YZP
7	P330351	PIN-HITCH 1.500 LONG ZP
8	PA37209	PIN-HITCH: 2 X 8-1/2 W/HANDLE
9	P88665	NUT-TOPLOCK: 3/4-10NC 5ZP
10	P37528	PLATE-REAR HOSE HOLDER
11	P88561	NUT JAM 1/2-13NC 5Z
12	P88475	BOLT-HEX: 1/2-13NC X 1-1/2 5ZP
13	P88661	NUT-TOPLOCK: 1/2-13NC 5ZP
14	PA37808	WLDMT-5250 UNI BALL ADAPTER
15	PA62096	BOLT-HEX: .75 X 2.50 NC GR8 ZP

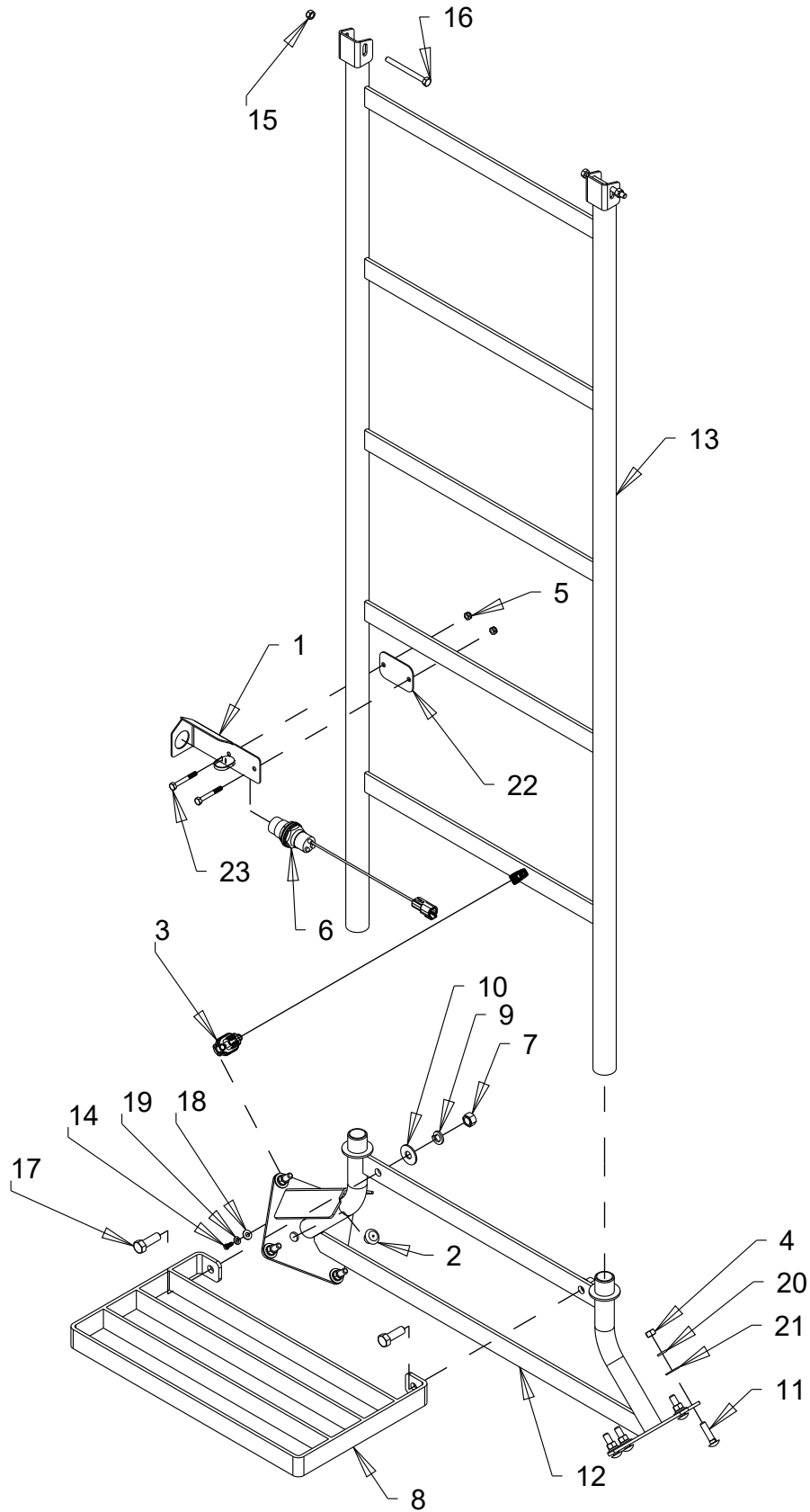


M6123-C



## ASSY-CATWALKS & RAILINGS & LADDERS

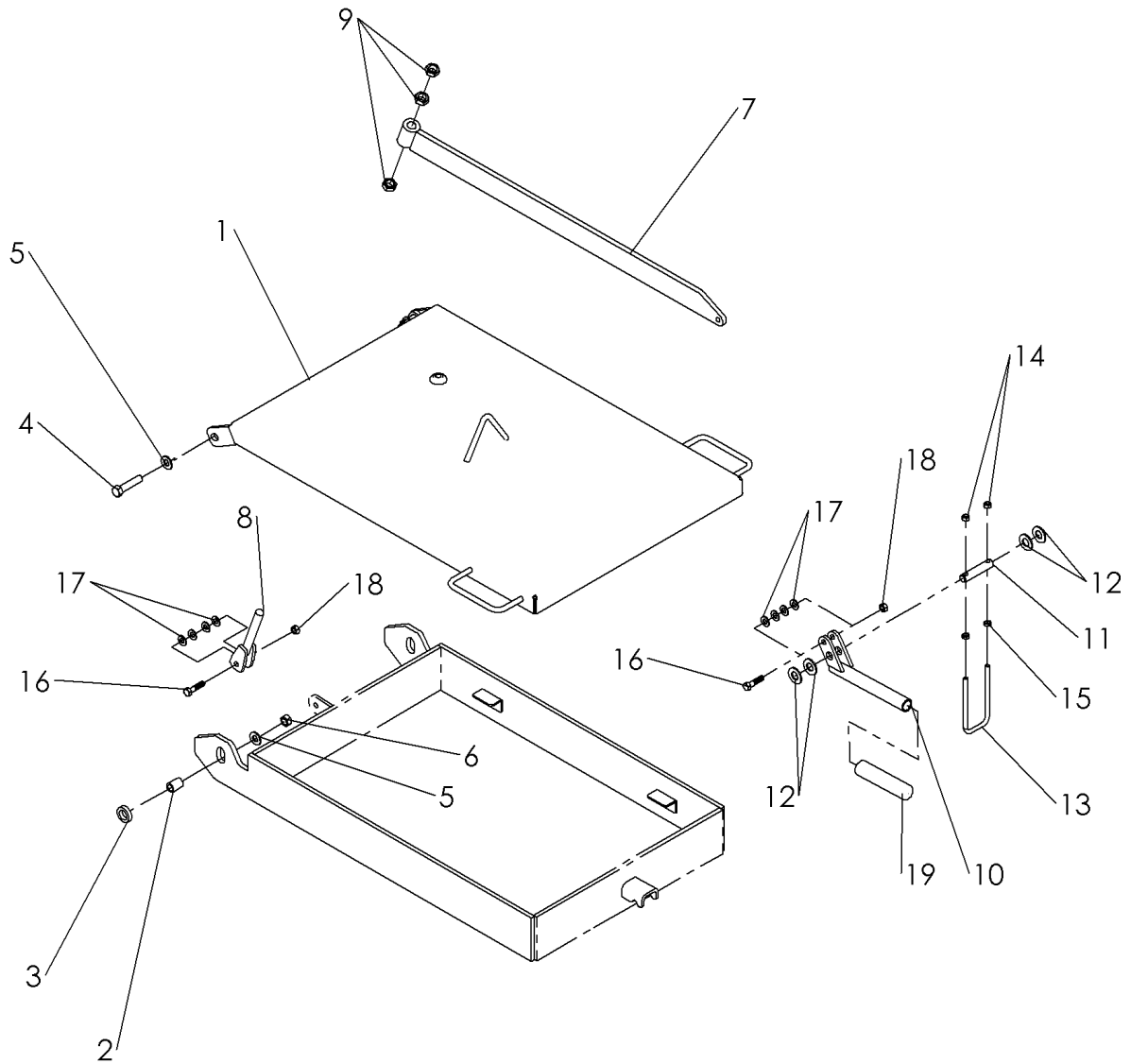
ITEM	PART NO.	DESCRIPTION
1	PA37370	WLDMT-MAIN CATWALK
2	PA37361	PLATE-CATWALK BRACE
3	PA37365	WLDMT-KICK RAIL 38.25
4	PA37366	WLDMT-KICK RAIL 42
5	PA37367	WLDMT-KICK RAIL 20
6	PA37179	WLDMT-TUBE LADDER HANDRAIL PC
7	PA37395	WLDMT-FRONT SIDE HANDRAIL
8	PA37398	WLDMT-REAR SIDE HANDRAIL
9	PA37369	WLDMT-BACK HANDRAIL
10	PA37399	WLDMT-FRONT HANDRAIL
11	PA37661	SPRING PIN .375 X 2.50
12	P88659	NUT-TOPLOCK: 3/8-16NC 5ZP
13	P89012	BOLT-HEX: 3/8-16NC X 2-1/2 5ZP
14	P89034	BOLT-HEX: 3/8-16NC X 1 5ZP
15	P89015	BOLT-HEX: 1/2-13NC X 1 5ZP
16	P88661	NUT-TOPLOCK: 1/2-13NC 5ZP
17	P88347	WASHER-FLAT: 1/2 (9/16 X 1-3/8ACT) 2ZP
18	PA37255	WLDMT-LADDER
	P331082	WLDMT-LADDER TOP 3800
19	P88475	BOLT-HEX: 1/2-13NC X 1-1/2 5ZP
20	PA37606	WLDMT-FRONT CATWALK
21	PA37580	WLDMT-CATWALK MOUNT LH
22	PA37585	WLDMT-CATWALK MOUNT RH
23	PA65254	TUBE-SPACER ZP
24	PA59390	PLATE-TANDEM ROLLER
25	PA37591	WLDMT-RAILING RIGHT PC
26	PA37588	WLDMT-RAILING LEFT PC
27	PA37594	WLDMT-FRONT RAILING PC
28	PA37599	WLDMT-LOWER LADDER PC
29	PA37597	WLDMT-UPPER LADDER PC
30	P88405	BOLT-HEX: 3/4-10NC X 1-3/4 5ZP
31	P88665	NUT-TOPLOCK: 3/4-10NC 5ZP
32	P88680	BOLT-HEX: 1/2-13NC X 3-1/4 5ZP
33	P223329	PLUG HOLDER
34	P88203	BOLT-HEX: 1/4-20NC X 1 5ZP
35	P89501	NUT-TOPLOCK: 1/4-20NC 5ZP



M6245-A

## ASSY-TANK LADDERS

ITEM	PART NO.	DESCRIPTION
1	P331635	SHEET-BIN SENSOR MNT
2	P331774	PLUG-PANEL
3	P331782	HARNESS-TANK BULKHEAD
4	PA1032089	NUT-HEX: SS .38 NC
5	P1033269	NUT-NYLOCK:.25 NC GR2 SS (A66348)
6	P331814	BIN LEVEL SENSOR
7	PA1032090	NUT-HEX: 1/2-13 NC 18-8SS
8	PA37148	WLDMT-TUBE LADDER HANDRAIL PC
9	PA37355	WASHER-LOCK: 1/2 18-8SS
10	PA37356	WASHER-FLAT: 1/2 18-8SS
11	PA37357	BOLT-CARRIAGE: 3/8-16NC X 1-1/2 18-8SS
12	PA37481	WLDMT-LOWER LADDER SS
13	PA37482	WLDMT-UPPER-LADDER SS
14	PA37492	BOLT-HEX: M5-0.8 X 16MM A2SS
15	PA37494	NUT-NYLOCK: 5/16-18 NC 18-8SS
16	PA37495	BOLT-HEX: 5/16-18 X 3-1/2 18-8SS
17	PA37763	BOLT-HEX: 1/2-13NC X 1-1/2 18-8SS
18	PA65695	WASHER-FLAT:1/4 18-8SS
19	PA65696	WASHER-LOCK: 1/4 18-8SS
20	PA65706	WASHER-LOCK: 3/8 18-8SS
21	PA65778	WASHER-FLAT: 3/8 X 1 USS 18-8SS
22	PA65837	PLATE-BOLTING
23	PA65838	BOLT-HEX:1/4-20 X 2 18-8SS



M6127

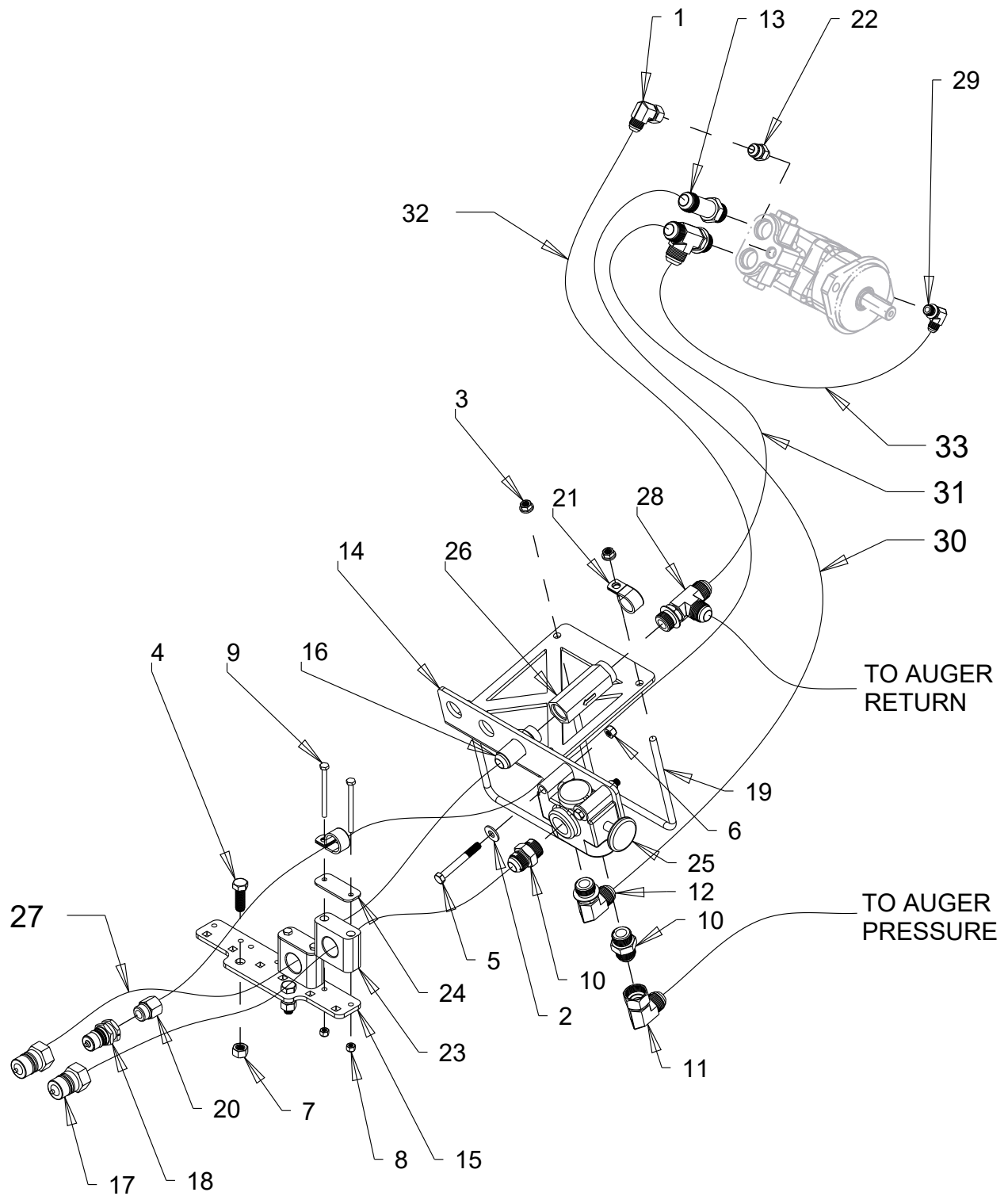
## ASSY-DOORS

ITEM	PART NO.	DESCRIPTION
1	PA65558	WLDMT-TOP DOOR
	PA65722	GASKET-DOOR (NOT SHOWN)
2	PA65555	TUBE-SPACER
3	PA65554	TUBE-SPACER 1.25 X .75 X .313L ZP
4	P88825	BOLT-HEX: 1/2-13NC X 2-1/4 5ZP
5	P89054	WASHER-FLAT: 1/2SAE ZP
6	P88661	NUT-TOPLOCK: 1/2-13NC 5ZP
7	PA65559	WLDMT-CLAMP ADJ. TUBE
8	PA65556	ROD-ADJUSTMENT
9	P88774	NUT-JAM: 5/8-11NC 5ZP
10	P322760	WLDMT-MB HANDLE METER LATCH
11	PA65560	PIN-CLAMP LEVER
12	P88630	WASHER-FLAT: 5/8SAE(21/32 X 1-5/16) 2ZP
13	PA65656	U-BOLT: .313 X 5 X 2 X 5
14	P88832	NUT-TOPLOCK: 5/16-18NC 5ZP
15	P89255	NUT-JAM: THIN 5/16 NC 5ZP
16	P88553	BOLT-HEX: 3/8-16NC X 1-1/2 5ZP
17	P88739	WASHER-FLAT: 3/8SAE(12/32 X 13/16) 2ZP
18	P88659	NUT-TOPLOCK: 3/8-16NC 5ZP
19	PA65902	GRIP-BLACK 1 ID X 5.06 L
20	PA66078	PLUG-PIPE .25 NPT ALLEN HEAD SS (NOT SHOWN)
21	PA64504	SEALANT-PROGLAZE--SILICONE (NOT SHOWN)
22	PA1026562	WLDMT-SCREEN BASKET PC (SILVER) (NOT SHOWN)



## ASSY-ZONE RIGHT DUAL BLOWER TOW BEHIND

ITEM	PART NO.	DESCRIPTION
1	P25591	ELB 8MJ X 8FJX
2	P88282	WASHER-FLAT: 3/8 (7/16 X 1ACT) 2ZP
3	P88463	NUT-HEX: WHIZ 3/8-16NC (FLANGED) 2ZP
4	P88475	BOLT-HEX: 1/2-13NC X 1-1/2 5ZP
5	P88531	BOLT-HEX: 3/8-16NC X 3 5ZP
6	P88659	NUT-TOPLOCK: 3/8-16NC 5ZP
7	P88661	NUT-TOPLOCK: 1/2-13NC 5ZP
8	P89056	NUT-NYLOCK: 1/4-20NC 2ZP
9	P89429	BOLT-HEX: 1/4-20NC X 3-1/4 5ZP
10	P237160	ADP 12MORB X 12MJ
11	P240284	ELB 12MJ X 12FJX
12	P244989	ELB 12MORB X 12MJ
13	P332603	ADP 12MORB X 12 MJ LONG
14	P332910	PLATE - SELECTOR VALVE BULKHEAD
15	P332911	PLATE - STAUFF CLAMP SPT
16	P332918	FTG-BULKHEAD: 12MJ - 12MJ
17	PA36190	FTG-BULKHEAD: 12MB-12MJ
18	PA37064	QUICK COUPLING-MALE -12-12 ORB
19	PA37065	QUICK COUPLING-MALE -10-8 ORB
20	PA37532	U-BOLT: .375 X 7.00 X 6 X 7.00 ZP
21	PA37692	FTG-ADAPTER: 10MB-8FB
22	PA37761	P-CLIP .38 X 1.00
23	PA62024	FTG-ADAPTER: 6MB-8MJ
24	PA63015	TEE 8MJ X 8FJX X 8MJ
25	PA64645	CLAMP-STAUFF
26	PA64646	PLATE-COVER SP5
27	PA65846	VALVE-SELECTOR PAINTED (3-WAY)
28	PA65857	VALVE-CHECK SAE #12
29	PA66248	FTG-TEE: 12MB-12MJ-12MJ
30	PA66270	FTG-RESTRICTOR: 6MB-6MJ-90 .032
31	P333054	HOSE: .75 X 138 12MB-12FJX
32	P332915	HOSE: 3 KSI .75 X 253 12FJX90L-12FJX
33	P332916	HOSE: 3 KSI .75 X 248 12FJX90-12FJX
34	P332917	HOSE: 3KSI .50 X 371 8FJX-8MB
35	P330077	HOSE: .50 X 024 12FJX-6FJX
36	P330435	HOSE: .50 X 044 8FJX-8FJX90
37	P332919	HELI-TUBE (SPIRAL CUT) #1-1/4 UR BULK

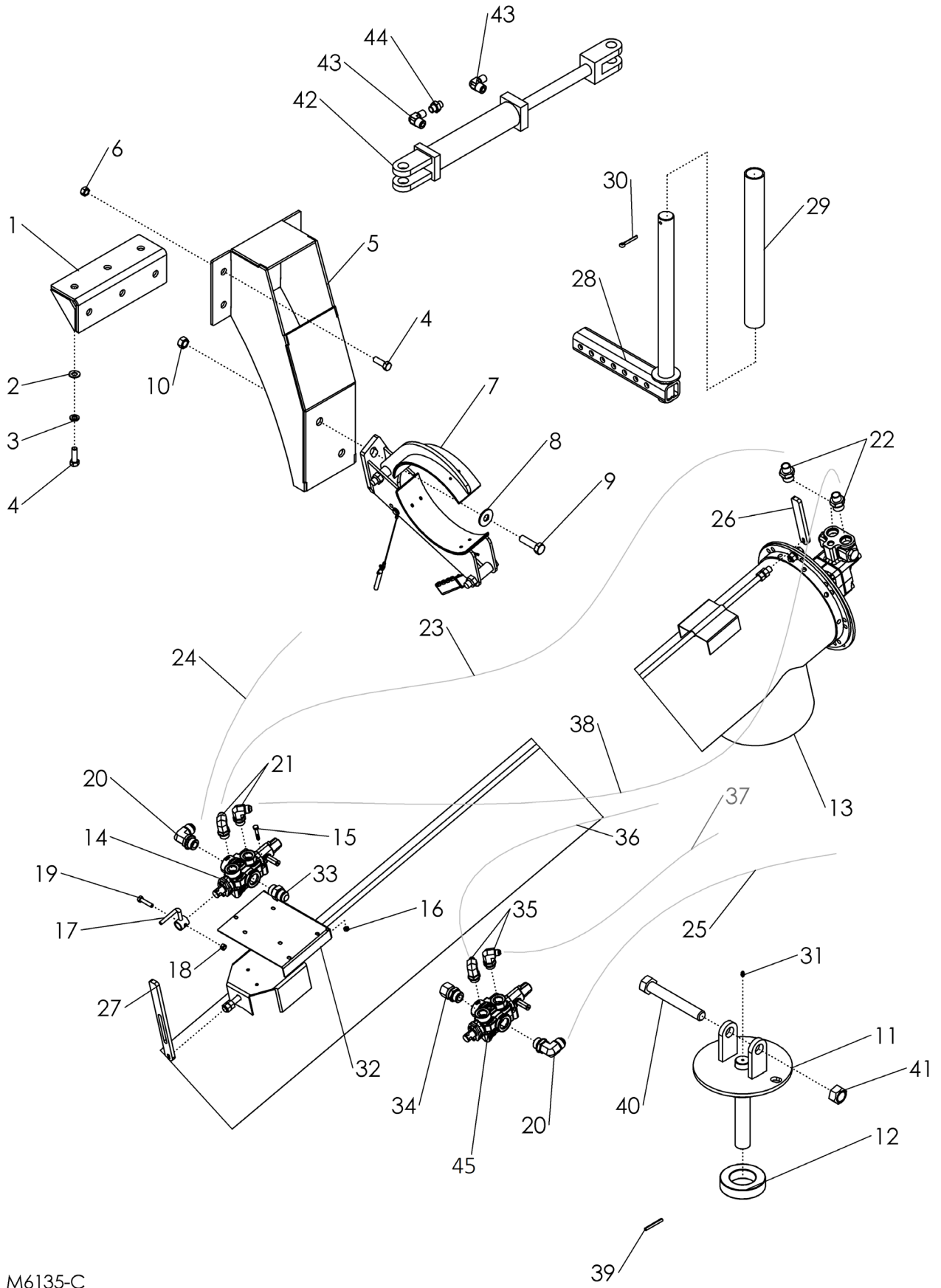


M6238-A



## ASSY-ZONE RIGHT SINGLE BLOWER TOW BEHIND

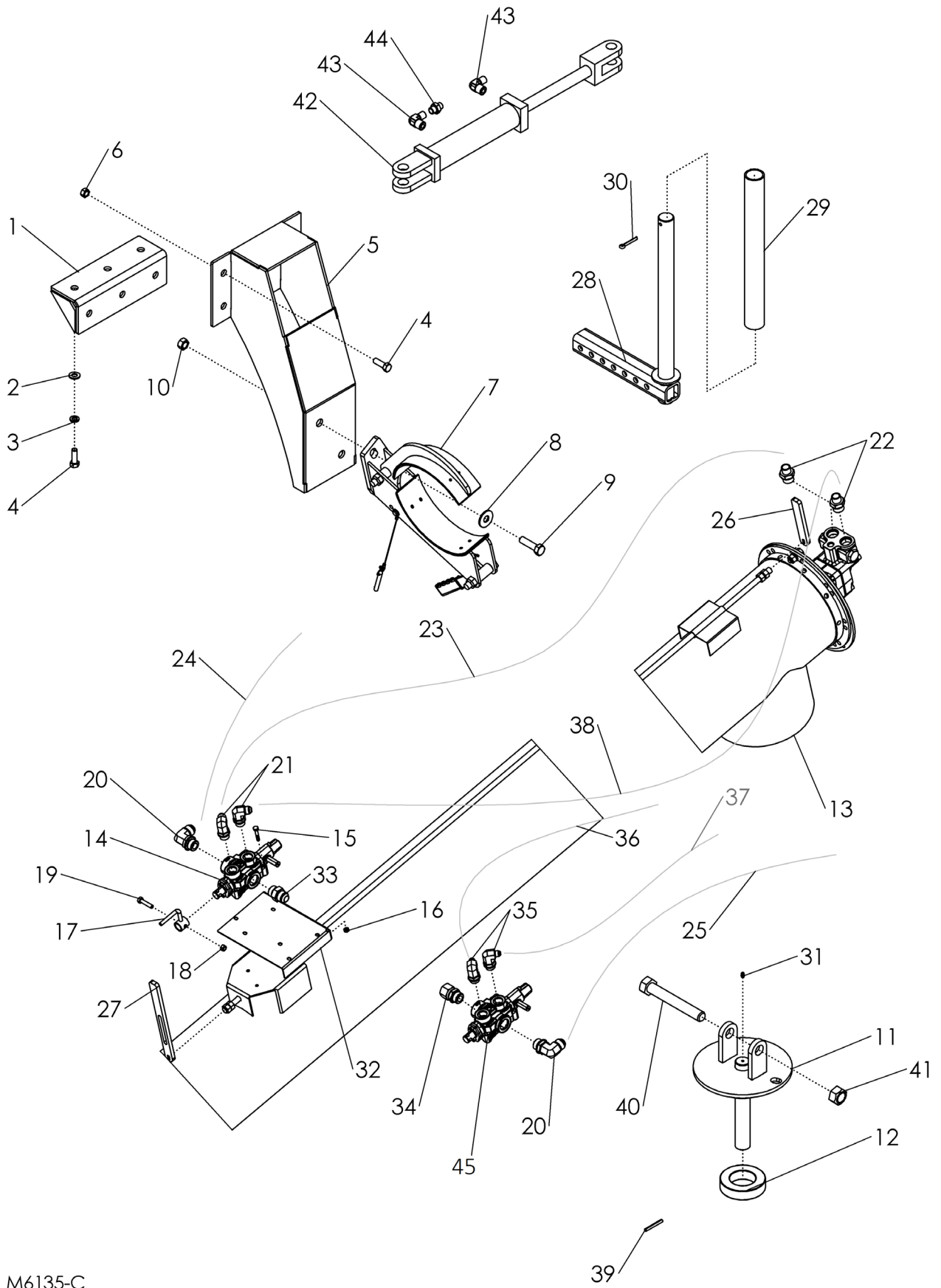
ITEM	PART NO.	DESCRIPTION
1	P25591	ELB 8MJ X 8FJX
2	P88282	WASHER-FLAT: 3/8 (7/16 X 1ACT) 2ZP
3	P88463	NUT-HEX: WHIZ 3/8-16NC (FLANGED) 2ZP
4	P88475	BOLT-HEX: 1/2-13NC X 1-1/2 5ZP
5	P88531	BOLT-HEX: 3/8-16NC X 3 5ZP
6	P88659	NUT-TOPLOCK: 3/8-16NC 5ZP
7	P88661	NUT-TOPLOCK: 1/2-13NC 5ZP
8	P89056	NUT-NYLOCK: 1/4-20NC 2ZP
9	P89429	BOLT-HEX: 1/4-20NC X 3-1/4 5ZP
10	P237160	ADP 12MORB X 12MJ
11	P240284	ELB 12MJ X 12FJX
12	P244989	ELB 12MORB X 12MJ
13	P332603	ADP 12MORB X 12 MJ LONG
14	P332910	PLATE - SELECTOR VALVE BULKHEAD
15	P332911	PLATE - STAUFF CLAMP SPT
16	PA36190	FTG-BULKHEAD: 12MB-12MJ
17	PA37064	QUICK COUPLING-MALE -12-12 ORB
18	PA37065	QUICK COUPLING-MALE -10-8 ORB
19	PA37532	U-BOLT: .375 X 7.00 X 6 X 7.00 ZP
20	PA37692	FTG-ADAPTER: 10MB-8FB
21	PA37761	P-CLIP .38 X 1.00
22	PA62024	FTG-ADAPTER: 6MB-8MJ
23	PA64645	CLAMP-STAUFF
24	PA64646	PLATE-COVER SP5
25	PA65846	VALVE-SELECTOR PAINTED (3-WAY)
26	PA65857	VALVE-CHECK SAE #12
27	P333054	HOSE: .75 X 138 12MB-12FJX
28	PA66248	FTG-TEE: 12MB-12MJ-12MJ
29	PA66270	FTG-RESTRICTOR: 6MB-6MJ-90 .032
30	P332915	HOSE: 3 KSI .75 X 253 12FJX90L-12FJX
31	P332916	HOSE: 3 KSI .75 X 248 12FJX90-12FJX
32	P332917	HOSE: 3KSI .50 X 371 8FJX-8MB
33	P330077	HOSE: .50 X 024 12FJX-6FJX
34	P332919	HELI-TUBE (SPIRAL CUT) #1-1/4 UR BULK



M6135-C

## ASSY-AUGER & HYDRAULICS

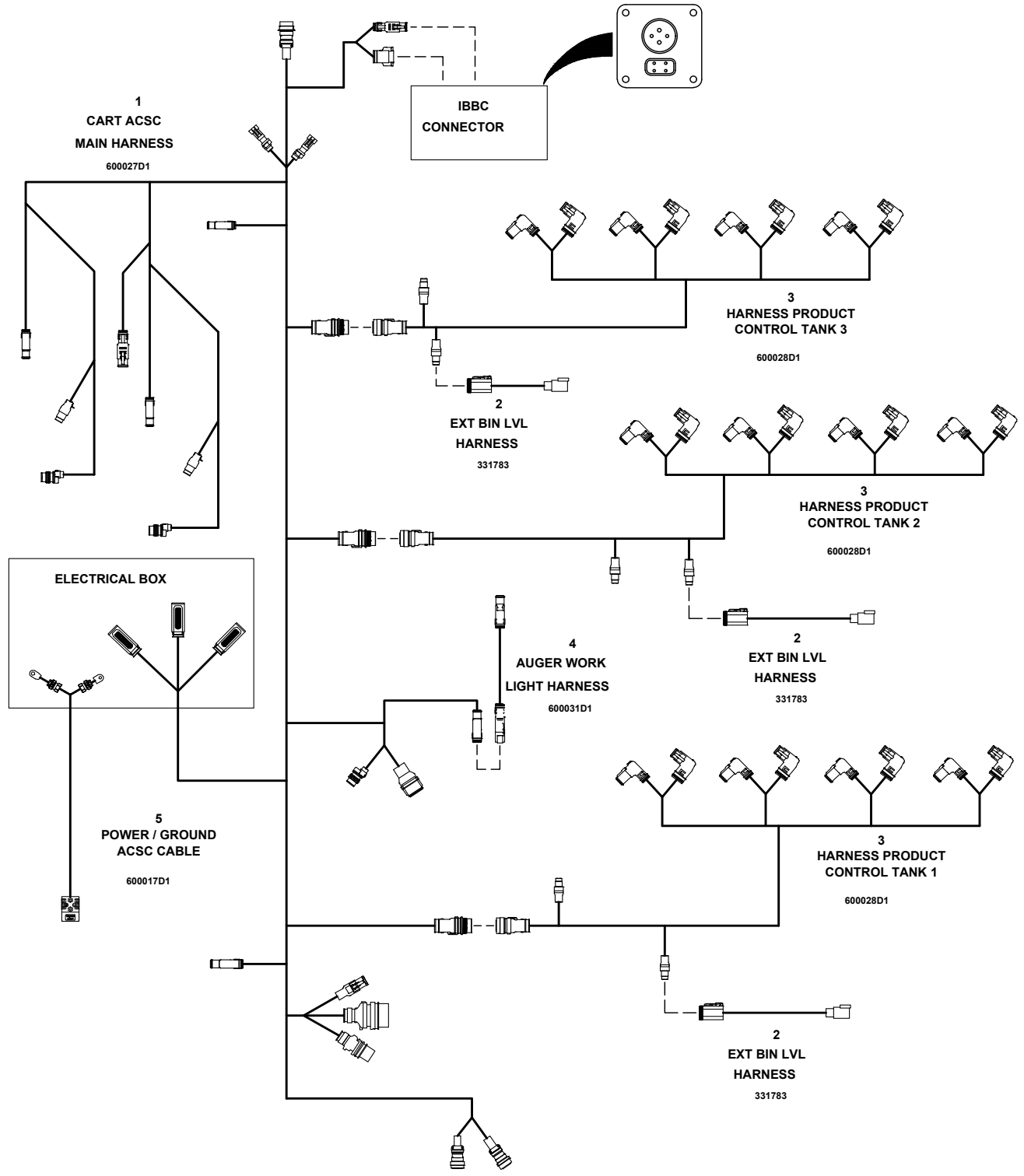
ITEM	PART NO.	DESCRIPTION
1	P330213	WLDMT-LOWER AUGER CLAMP GUSSET
2	P89054	WASHER-FLAT: 1/2SAE ZP
3	P88303	WASHER-LOCK: HELICAL 1/2ID (9/16ACT) ZP
4	P88475	BOLT-HEX: 1/2-13NC X 1-1/2 5ZP
5	P330216	WLDMT-LOWER AUGER CLAMP BRACKET
6	P88661	NUT-TOPLOCK: 1/2-13NC 5ZP
7	PA66255	ASSY-CLAMP 10
8	P88277	WASHER-FLAT: 5/8 (11/19 X 1-3/4ACT) 2ZP
9	P88409	BOLT-HEX: 5/8-11NC X 2-1/2 5ZP
10	P88845	NUT-TOPLOCK: 5/8-11NC 5ZP
11	P330222	WLDMT-AUGER MOUNT
12	PA35567	BEARING-THRUST: TIMKIN T251
13	PA37402	ASSY-AUGER POLY 10 25FT W/ HOPPER
14	PA65845	VALVE-CONTROL 4 WAY PAINTED
15	P88504	BOLT-HEX: 1/4-20NC X 1-1/2 5ZP
16	P89501	NUT-TOPLOCK: 1/4-20NC 5ZP
17	PA66107	HANDLE-AUGER VALVE ZP
18	P88832	NUT-TOPLOCK: 5/16-18NC 5ZP
19	P88479	BOLT-HEX: 5/16-18NC X 1-1/2 5ZP
20	P244989	ELB 12MORB X 12MJ
21	PA65901	ELB 10MB-8MJ-90
22	P240367	ADP 8MJ X 10MORB
23	P330468	HOSE: .50 X 232 8FJX-8FJX
24	P330742	HOSE .50 X 392 12FJX-12FJX
25	P330741	HOSE: .50 X 384 12FJX-12FJX90
26	PA66443	TOP HANDLE
27	PA66442	BOTTOM HANDLE
28	P330274	WLDMT-UPPER ADJ ARM
29	P330262	PIPE: ABS BLACK 1.50 SCH40 X 17.50
30	P88601	PIN-COTTER: 1/4DIA X 2 ZP
31	P89305	FITTING-GREASE: 1/4-28NF 90 DEG 3054-B ZP
32	P330613	SHEET-DUAL VALVE MOUNT
33	P237160	ADP 12MORBX12MJ
34	P244988	ADP 12MORB X 12FJX
35	PA37042	ELB 10MB-6MJ 90
36	P330612	HOSE: .38 X 228 6FJX-6FJX90
37	P330599	HOSE: .38 X 226 6FJX-6FJX
38	P330469	HOSE: .50 X 234 8FJX-8FJX90
39	P42484	PIN-ROLL: 1/4 X 2-1/4 ZP
40	P88181	BOLT-HEX: 1-8NC X 7 5ZP



M6135-C

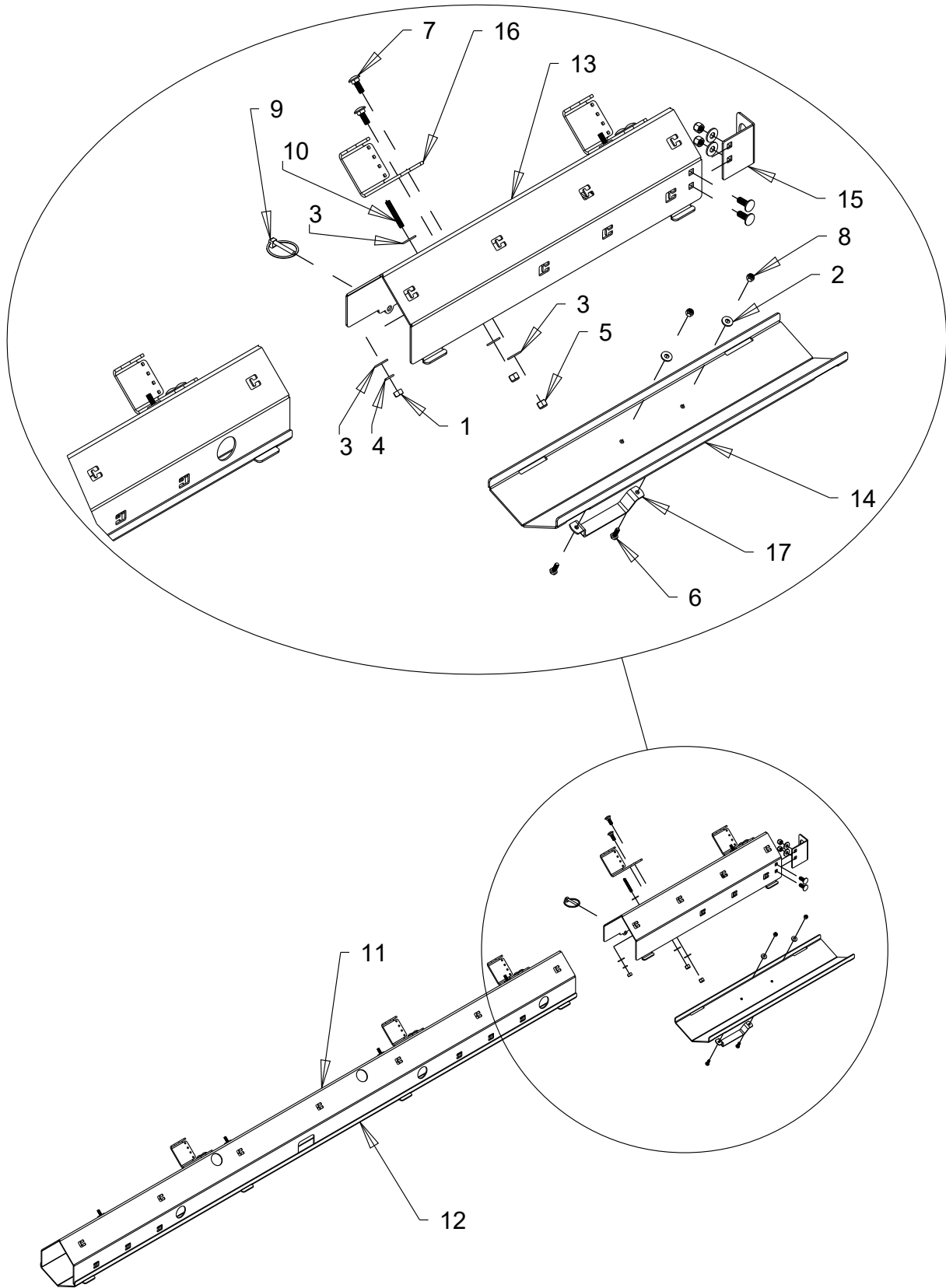
## ASSY-AUGER & HYDRAULICS CONT'D

ITEM	PART NO.	DESCRIPTION
41	P88658	NUT-TOPLOCK: 1-8NC 5ZP
42	P321936	CYLINDER 2 X 8
	P321943	SEAL KIT (PRINCE) 2"
43	P24104	ELB 8MORB X 6MJ
44	P330851	RSTR ADP 6FJ-6MJ .020
45	P330596	VALVE CONTROL 4-WAY
	PA65847	KT-SEAL KT



## 3800/5250 AIR CART HARNESS

ITEM	PART NO.	DESCRIPTION
1	P600027D1	AIR CART ZONE RIGHT MAIN HARNESS
2	P331783	BIN LEVEL HARNESS
3	P600028D1	PRODUCT CONTROL HARNESS
4	P600031D1	AUGER WORK LIGHT HARNESS
5	P600017D1	POWER/GROUND ZONE RIGHT CABLE

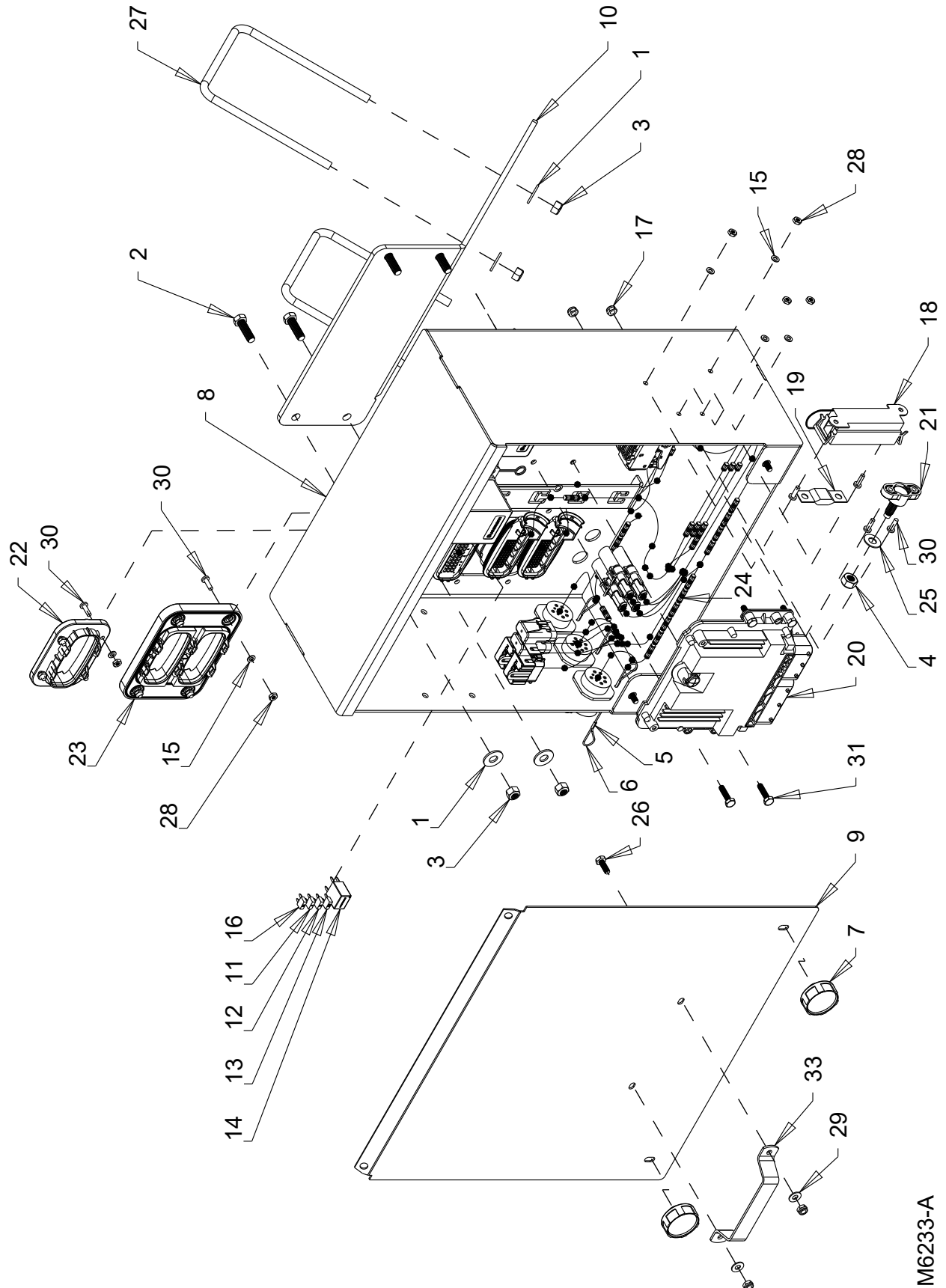


M6232-A



## ASSY-ZONE RIGHT WIRE SHIELDS

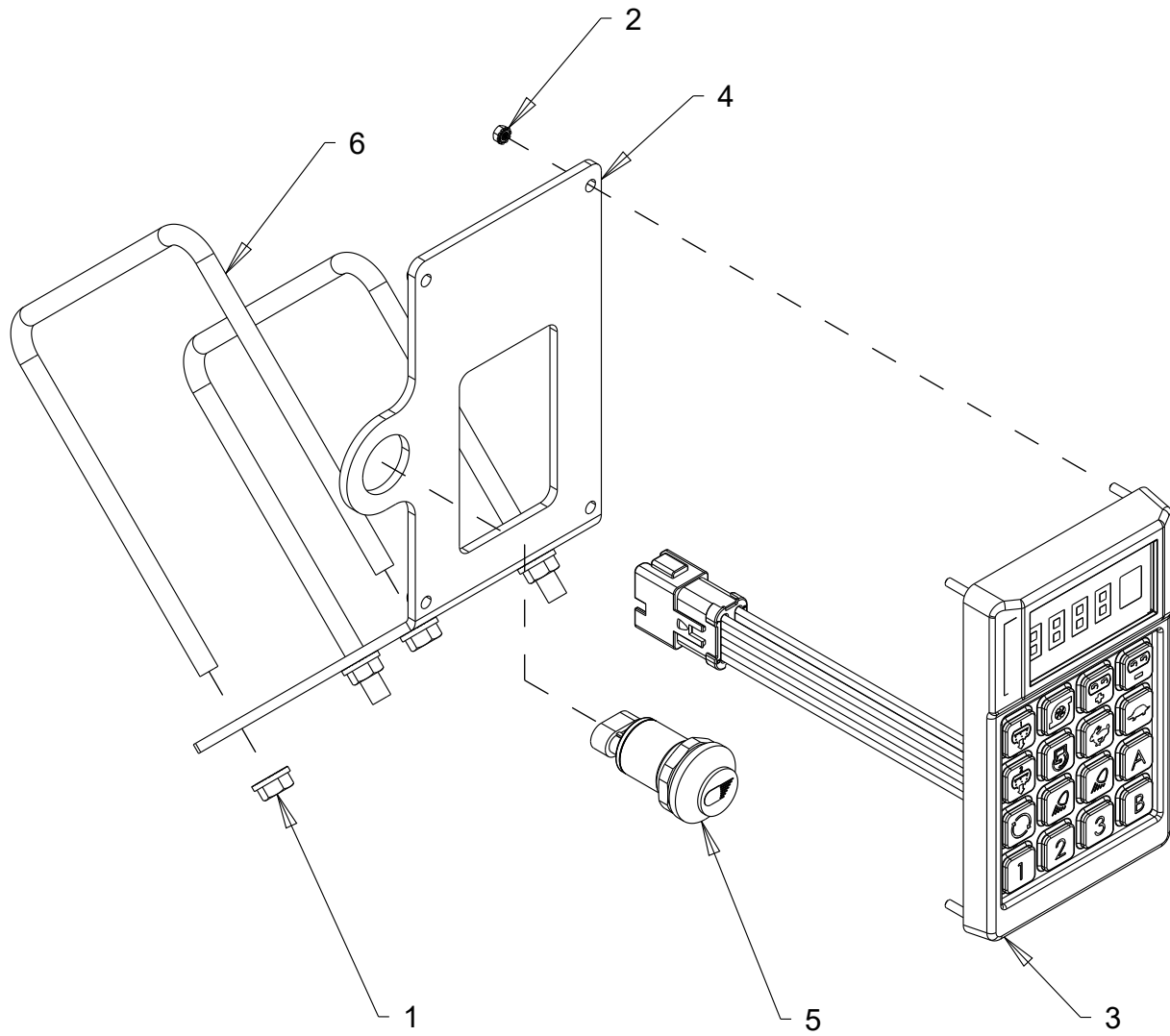
ITEM	PART NO.	DESCRIPTION
1	P88103	NUT-HEX: 3/8-16NC 5ZP
2	P88261	WASHER-FLAT: 1/4 (5/16X 3/4ACT) 2ZP
3	P88282	WASHER-FLAT: 3/8 (7/16 X 1ACT) 2ZP
4	P88362	WASHER-HELICAL: 3/8ID ZP
5	P88626	NUT-NYLOCK: 3/8-16NC 2ZP
6	P88993	BOLT-HEX: 1/4-20NC X 3/4 5ZP
7	P89009	BOLT-CARRIAGE: 3/8-16NC X 1 (88467) 5ZP
8	P89056	NUT-NYLOCK: 1/4-20NC 2ZP
9	P89549	PIN-LYNCH: .250 X 1.563
10	P330045	STUD: 3/8-16 X 2 ZP
11	P332802	SHEET - SC WIRE SHIELD MNT
12	P332803	SHEET - SC WIRE SHIELD COVER
13	P332804	SHEET - SC WIRE SHIELD MNT REAR
14	P332805	SHEET - SC WIRE SHIELD COVER REAR
15	P332811	SHEET - SC WIRE SHIELD REAR BLKHD MNT
16	P332826	PLATE - PRES HOSE BRACKET
17	PA68715	HANDLE-GRAB DOOR



M6233-A

## ASSY-ZONE RIGHT ELECTRICAL BOX

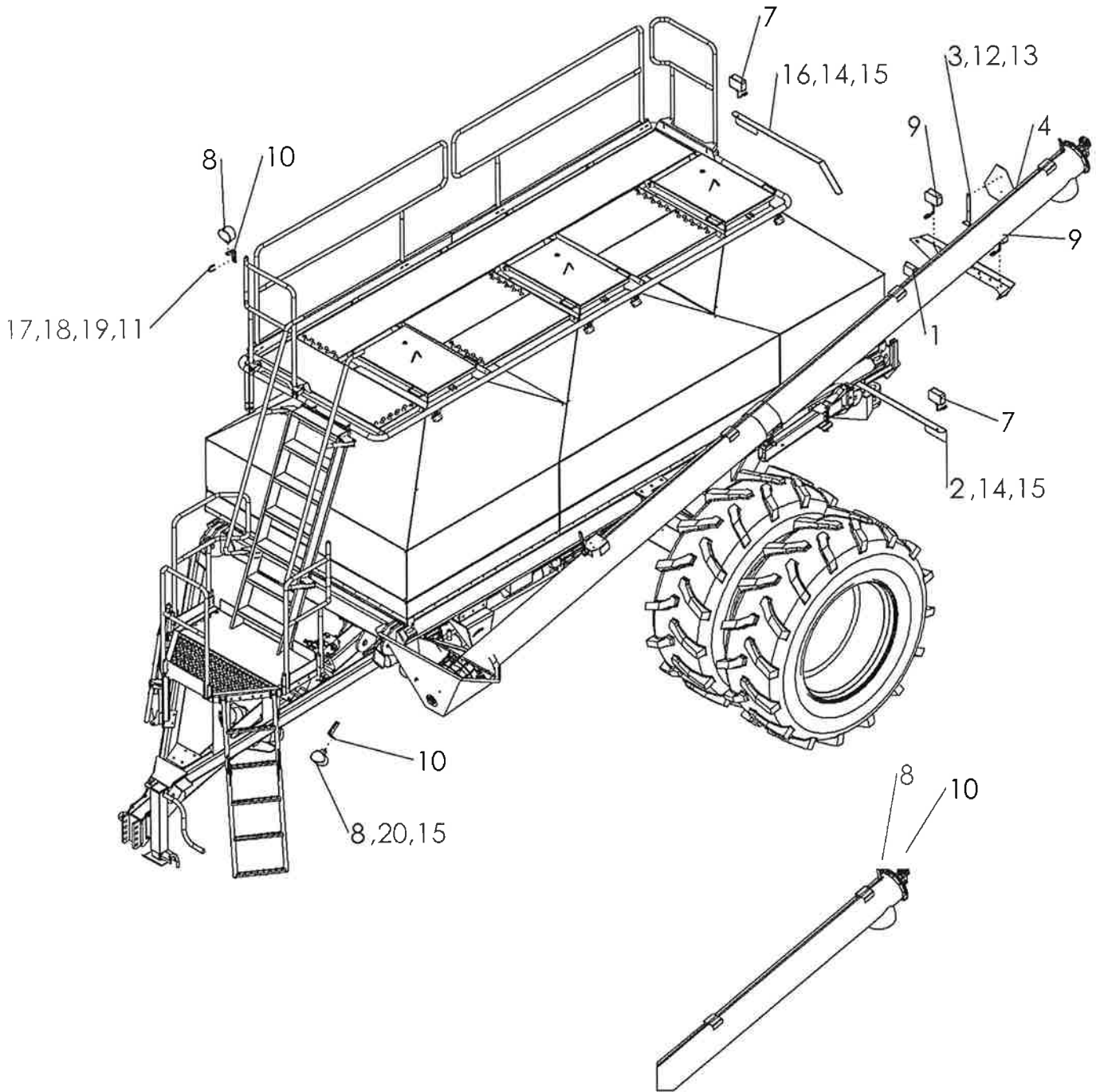
ITEM	PART NO.	DESCRIPTION
1	P88282	WASHER-FLAT: 3/8 (7/16 X 1ACT) 2ZP
2	P88555	BOLT-HEX: 3/8-16NC X 1-1/4 5ZP
3	P88659	NUT-TOPLOCK: 3/8-16NC 5ZP
4	P89621	NUT-NYLOCK: M10-1.5 A2 SS
5	P322050	ALUMINUM COMPRESSION SLEEVE 1/16
6	P322363	WIRE-DIAGNOSTIC CAP TETHER
7	P330942	KNOB - PHENOLIC FLUTED: 1/4-20 X 3/8 (1-3/4DIA)
8	P331640	WLDMT-EBOX ACSC
9	P331646	COVER-EBOX ACSC
10	P332602	PLATE - ACSC EBOX SUPPORT
11	P332693	FUSE - 2A MINI
12	P332694	FUSE - 5A MINI
13	P332695	FUSE - 20A MINI
14	P332696	RELAY - 35A PANEL FUSE
15	P332809	WASHER-FLAT: #10 18-8SS
16	P519968	FUSE-10A MINI
17	P1033269	NUT-NYLOCK: .25 NC GR2 SS (A66348)
18	P1550038	FUSE-HOLDER
19	P530086D1	FUSE-MAIN 100A
20	560205D1	BOSCH-CNTRL SRC9-34 EXT LIGHT
21	589507D1	JUNCTION BLOCK-STUD TYPE BLACK
22	596790D1	ADPT-BLKHD SHT MTL LEVY MCP
23	599737D1	ADPT-BLKHD 2WAY SHT MTL MCP
24	600026D1	HARN-ELEC BOX;ACSC
25	PA1033262	WASHER-FLAT: 3/8 18-8SS
26	PA1033270	BOLT-HEX: 1/4-20 X 3/4 NC 18-8SS
27	PA37532	U-BOLT: .375 X 7.00 X 6 X 7.00 ZP
28	PA65348	NUT-HEX: #10-24 SS
29	PA65695	WASHER-FLAT:1/4 18-8SS
30	PA65839	SCREW-P-H: #10-24NC X 3/4 18-8SS
31	PA66077	BOLT-HEX:1/4-20 X1 18-8SS
32	PA67554	BOLT-HEX: M5-.8 X 12MM A2-70 SS
33	PA68715	HANDLE-GRAB DOOR
34	P600017D1	CABLE-ARCT;PWR/GND;ACSC (NOT SHOWN)



M6244-A

## ASSY-KEYPAD & ELECTRICAL

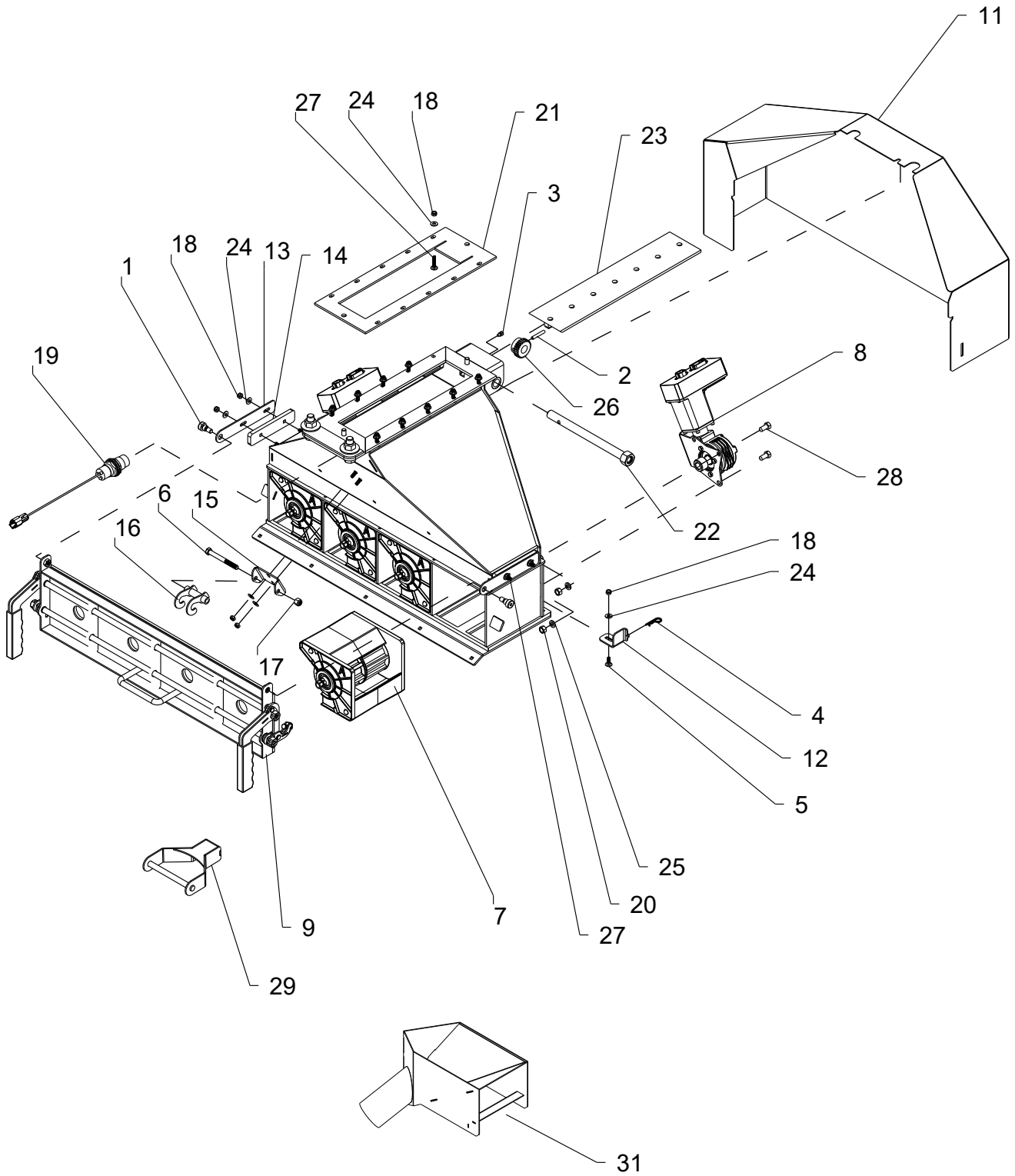
ITEM	PART NO.	DESCRIPTION
1	P88463	NUT-HEX: WHIZ 3/8-16NC (FLANGED) 2ZP
2	P89591	NUT-K-LOCK: 4MM-.7 ZP
3	P321365	CALIBRATION KEYPAD
4	P331647	SHEET-KEYPAD MOUNT
5	P601722D1	SWITCH-PUSH M30; WORKLIGHT
6	PA37532	U-BOLT: .375 X 7.00 X 6 X 7.00 ZP
7	P600027D1	HARNESS-MAIN ZONE RIGHT AIR CART (NOT SHOWN)
8	P600028D1	HARNESS-PRODUCT ZONE RIGHT AIR CART (NOT SHOWN)
9	P320196	CONNECTOR-ISO BOX IBBC (SLAVE) (NOT SHOWN)
10	P331783	HARNESS-EXT BIN LEVEL (NOT SHOWN)
11	P321974	KT-POWER CABLE (TRACTOR) (NOT SHOWN)



M6129-A

## ASSY-SAFETY LIGHTS

ITEM	PART NO.	DESCRIPTION
1	PA65341	MODULE-INTERFACE
2	PA37511	PLATE-HAZARD ARM LH
3	P37264	PLATE-SMV MOUNT
4	P30651	SMV EMBLEM S276.6
5	P88993	BOLT-HEX: 1/4-20NC X 3/4 5ZP
6	P89501	NUT-TOPLOCK: 1/4-20NC 5ZP
7	PA65334	LAMP-AMBER FLASHING
8	PA37498	LIGHT-FLOOD OVAL 38 WATT
9	PA65333	LAMP-RED TAIL
10	PA37499	SHEET-WORK LIGHT BRACKET
11	P44186	U-BOLT: RND .31 X 1.50 X 2.19 ZP
12	P89339	BOLT-HEX: 3/16-24NC X 3/4 ZP
13	P1026591	NUT-K-LOCK: #10-24NC ZP
14	P89015	BOLT-HEX: 1/2-13NC X 1 5ZP
15	P88661	NUT-TOPLOCK: 1/2-13NC 5ZP
16	PA37512	PLATE-HAZARD ARM RH
17	P88127	NUT-HEX: 5/16-18NC 5ZP
18	P88278	WASHER-FLAT: 5/16 (3/8 X 7/8ACT) 2ZP
19	P88358	WASHER-HELICAL: 5/16ID ZP
20	P88554	BOLT-HEX: 1/2-13NC X 1-1/4 5ZP
21	PA37496	HARNESS-SAFETY LIGHT 3800/5250 (NOT SHOWN)
22	PA37497	HARNESS - LIGHT EXTENSION (NOT SHOWN)
23	PA66323	CLIP-WIRE HARNESS (NOT SHOWN)
24	PA62833	CLAMP-ADHESIVE BACKED CABLE (NOT SHOWN)

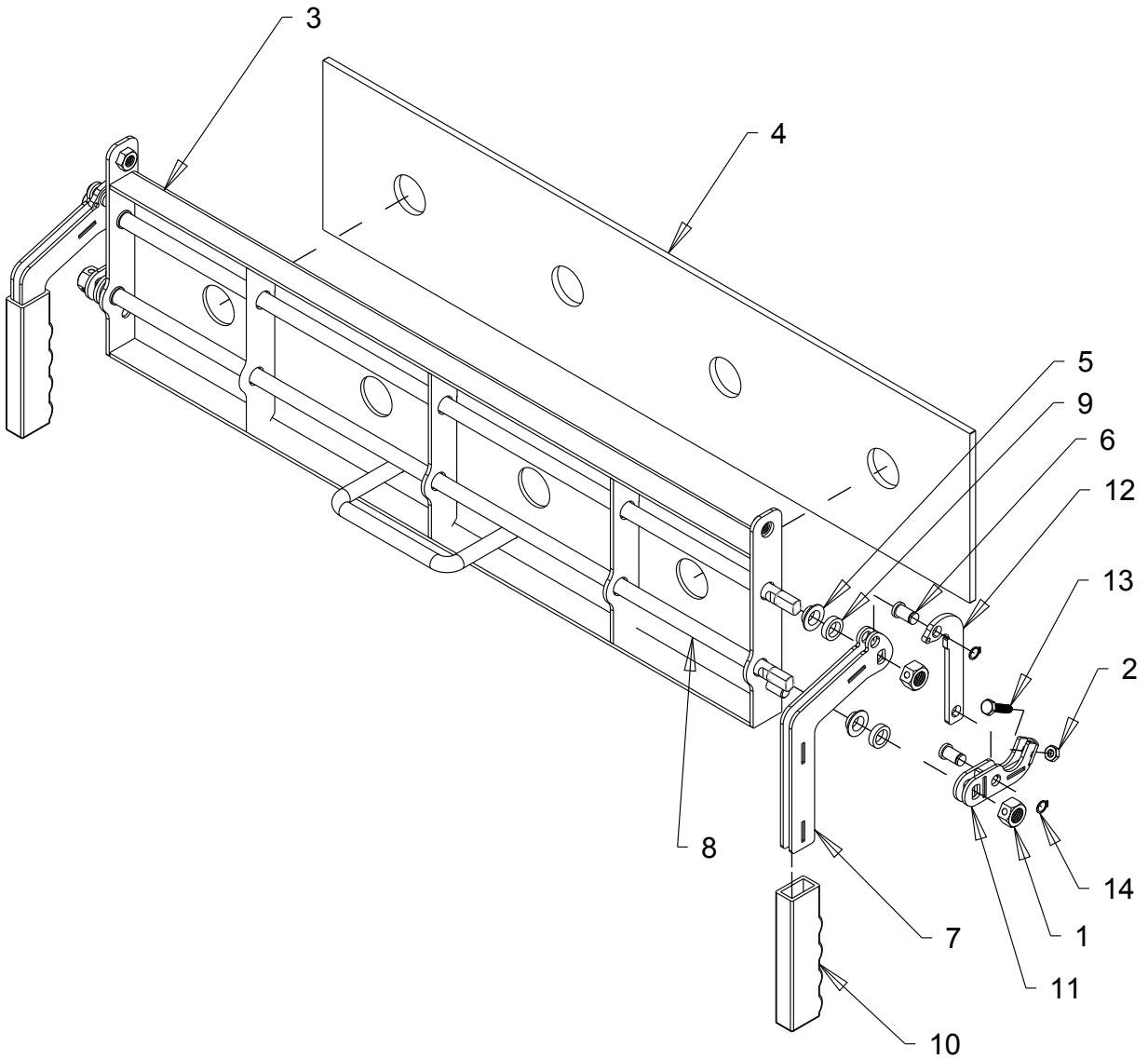


M6225-B



## ASSY-ZONE RIGHT METER BOX

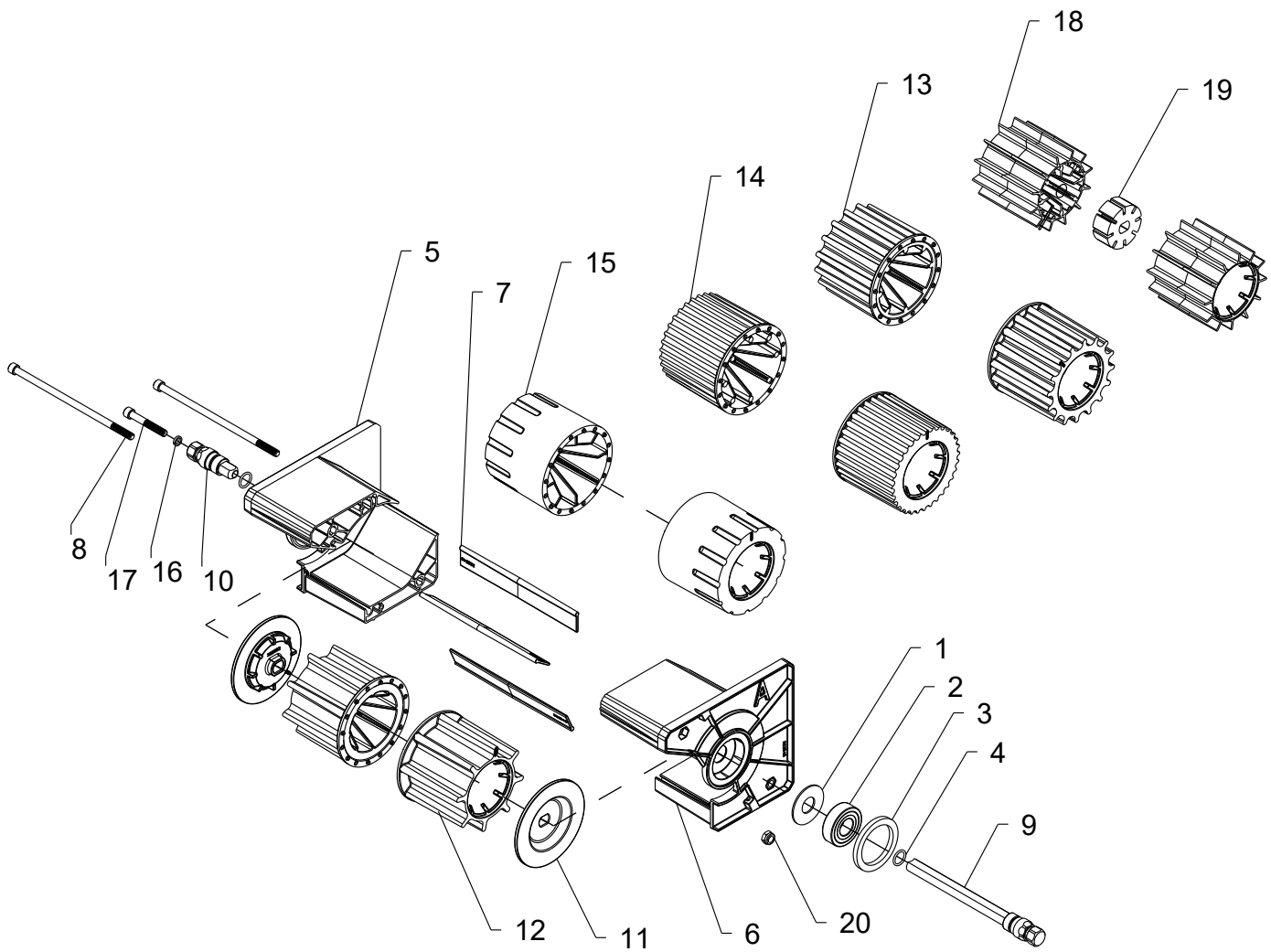
ITEM	PART NO.	DESCRIPTION
1	P54644	BOLT-SHOULDER: 1/2 X 3/8 X 3/8-16 SS
2	P88415	PIN-ROLL: 1/4 DIA X 1-1/2 ZP
3	P88550	FITTING-GREASE: 1/4-28 3038-B ZP
4	P89520	PIN-HAIR: 7/64 X 1-5/8 ZP
5	P89576	BOLT-CARRIAGE: 1/4-20NC X 3/4 SS
6	P89631	BOLT-HEX: 3/8-16 NC X 3-1/2 SS
7	P322554	ASSY-ACSC MODULE HIGH VOL (SEE PG. 40-41)
8	P331576	ASSY-ACSC MB DRIVE (SEE PG. 42-43)
9	P332630	ASSY - ACSC MB DOOR (SEE PG. 38-39)
10	P332667	WLDMT - SC METER BOX W/GATE
11	P332860	WLDMT - SC MOTOR COVER
12	P332863	PLATE - SC MOTOR COVER LOCK
13	P332879	PLATE - ACSC MD HINGE
14	P332892	PLATE - MB DOOR HINGE SPACER
15	P332893	PLATE - MB DOOR CATCH BASE
16	P332896	WLDMT - MB DOOR CATCH
17	P1033268	NUT-NYLOCK: 3/8NC 18-8SS
18	P1033269	NUT-NYLOCK: 1/4-20NC 18-8SS
19	P331814	BIN LEVEL SENSOR
20	PA1032089	NUT-HEX: SS .38 NC
21	PA65512	GASKET-SEEDBOX
22	PA65630	BOLT-SS PIN ADJUSTMENT
23	PA65632	SHAFT-CLUTCH DRIVE 150 NCP
24	PA65695	WASHER-FLAT:1/4 18-8SS
25	PA65706	WASHER-LOCK: 3/8 18-8SS
26	PA65707	PINION-SS 16DP-14.5PA 26T.50 FACE
27	PA66043	BOLT-CARRIAGE: 1/4-20 X 1-1/4 18-8SS
28	PA66375	BOLT-HEX: 3/8-16NC X 3/4 18-8SS
29	P322573	WLDMT-PULL OUT TOOL TUMBLED
30	P331861	DECAL - ACSC STREAM SELECT (NOT SHOWN)
31	P322655	CLEANOUT CHUTE



M6226-A

## ASSY-ZONE RIGHT METER BOX DOOR

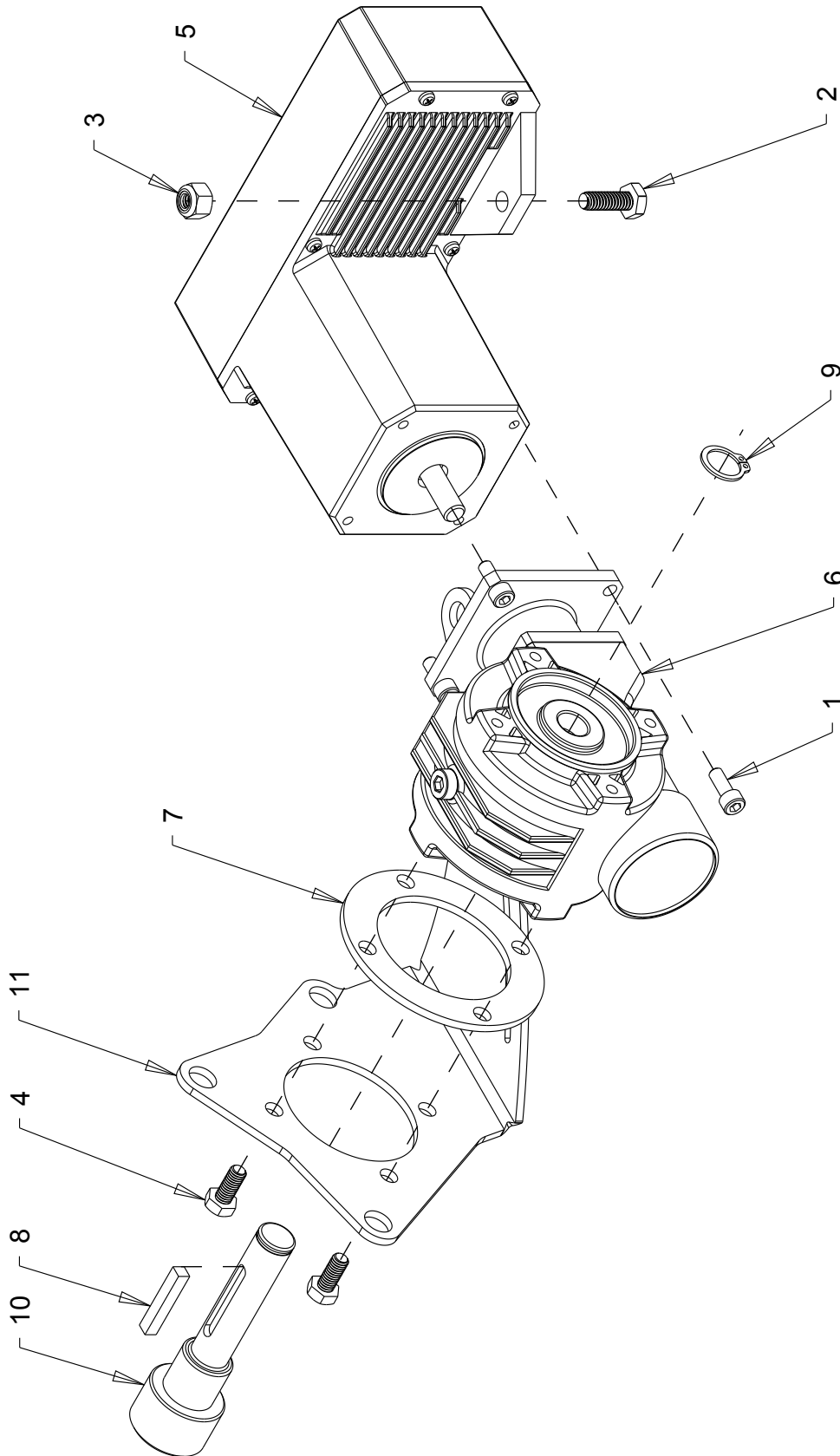
ITEM	PART NO.	DESCRIPTION
1	P89630	NUT 2POSLK 1/2-13NC 18-8 STAINLESS
2	P89632	NUT-JAM: SS 1/4-20
3	P332623	WLDMT - ACSC MB DOOR
4	P332629	SEAL - ACSC MB DOOR FRONT
5	P332825	BUSHING - 1/2" PIVOT
6	P332844	PIN - ACSC DOOR LATCH PIN
7	P332851	WLDMT - ACSC METER DOOR LATCH HANDLE
8	P332855	ROD - ACSC METER LATCH ROD
9	P332858	SPACER - ACSC LATCH SPACER
10	P332872	GRIP - ACSC RECTANGULAR GRIP
11	P332876	WLDMT - ACSC MD LATCH HOOK
12	P332882	PLATE - ACSC MD LATCH LINK
13	PA66077	BOLT-HEX: 1/4-20 X1 18-8SS
14	PA67499	RING-RETAINING: 3/8 SS



# M6240-B

## ASSY-ZONE RIGHT METER MODULE

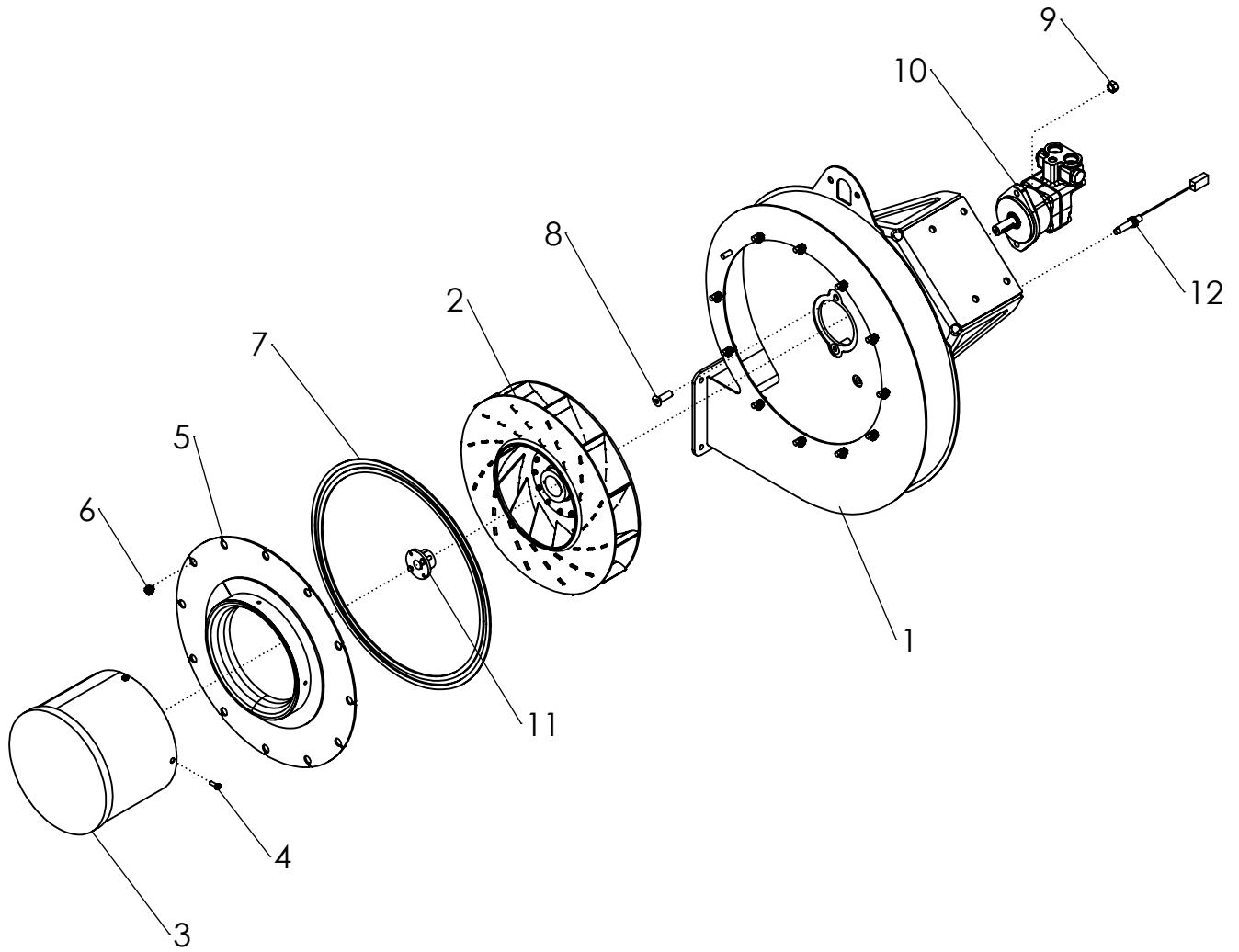
ITEM	PART NO.	DESCRIPTION
1	P322526	SEAL-BEARING INSIDE GASKET
2	P322527	BEARING-MODULE 6203
3	P322530	SEAL-MODULE OUTER SEAL
4	P322535	O-RING: 5/8 X 1/16 DASH NUM-014 NITRILE
5	P322542	MODULE-ACSC SIDE B
6	P322545	MODULE-ACSC SIDE A
7	P322546	MODULE-ACSC WIPER
8	P322547	BOLT-SHSC: 1/4-20NC X 6 18-8SS
9	P322550	SHAFT-METER WHEEL DRIVE LONG
10	P322551	SHAFT-METER WHEEL DRIVE SHORT
11	P322552	WHEEL-ACSC END PLATE
12	P322553	WHEEL-ACSC HIGH VOLUME HALF
13	P322555	WHEEL-ACSC MEDIUM VOLUME HALF
14	P322557	WHEEL-ACSC LOW VOLUME HALF
15	P322559	WHEEL-ACSC SMALL SEED HALF
16	P322564	WASHER-LOCK: 1/4" HIGH COLLAR 18-8 SS
17	P322567	BOLT-SHSC: 1/4-20NC X 1-3/4 18-8SS
18	P322572	WHEEL-ACSC LARGE SEED HALF
19	P322578	PLASTIC-LARGE SEED FILLER
20	P322577	NUT-K-LOCK: 1/4-20NC 18-8
21	P322560	ASSY-ACSC MODULE SMALL SEED (COMPLETE) (NOT SHOWN)
22	P322556	ASSY-ACSC MODULE MEDIUM VOL (COMPLETE) (NOT SHOWN)
23	P322558	ASSY-ACSC LOW VOLUME (COMPLETE) (NOT SHOWN)
24	P322554	ASSY-ACSC MODULE HIGH VOL (COMPLETE) (NOT SHOWN)
25	P322571	ASSY-ACSC MODULE LARGE SEED (COMPLETE) (NOT SHOWN)



M6227-A

## ASSY-ZONE RIGHT METER BOX DRIVE

ITEM	PART NO.	DESCRIPTION
	P331576	ASSY-ZONE RITE MB DRIVE (INCLUDES 1-11)
1	P88199	BOLT-SHSC: 10-24 X 1/2 SS
2	P88993	BOLT-HEX: 1/4-20NC X 3/4 5ZP
3	P89056	NUT-NYLOCK: 1/4-20NC 2ZP
4	P89545	BOLT-HEX: M6 X 1 X 14MM 8.8ZP
5	P321368	MOTOR-ELEC STEPPER PRO SERIES
6	P321369	GEARBOX-ELEC MOTOR MTG 10:1
7	P321833	SHEET-GEARBOX SPACER ZINC
8	P321950	KEY-3/16 X 1-1/8 SS
9	P322534	SNAP-RING: 14MM EXTERNAL SS
10	P322561	SHAFT-METER MOTOR DRIVE
11	P332833	PLATE - ACSC MB MOTOR MNT



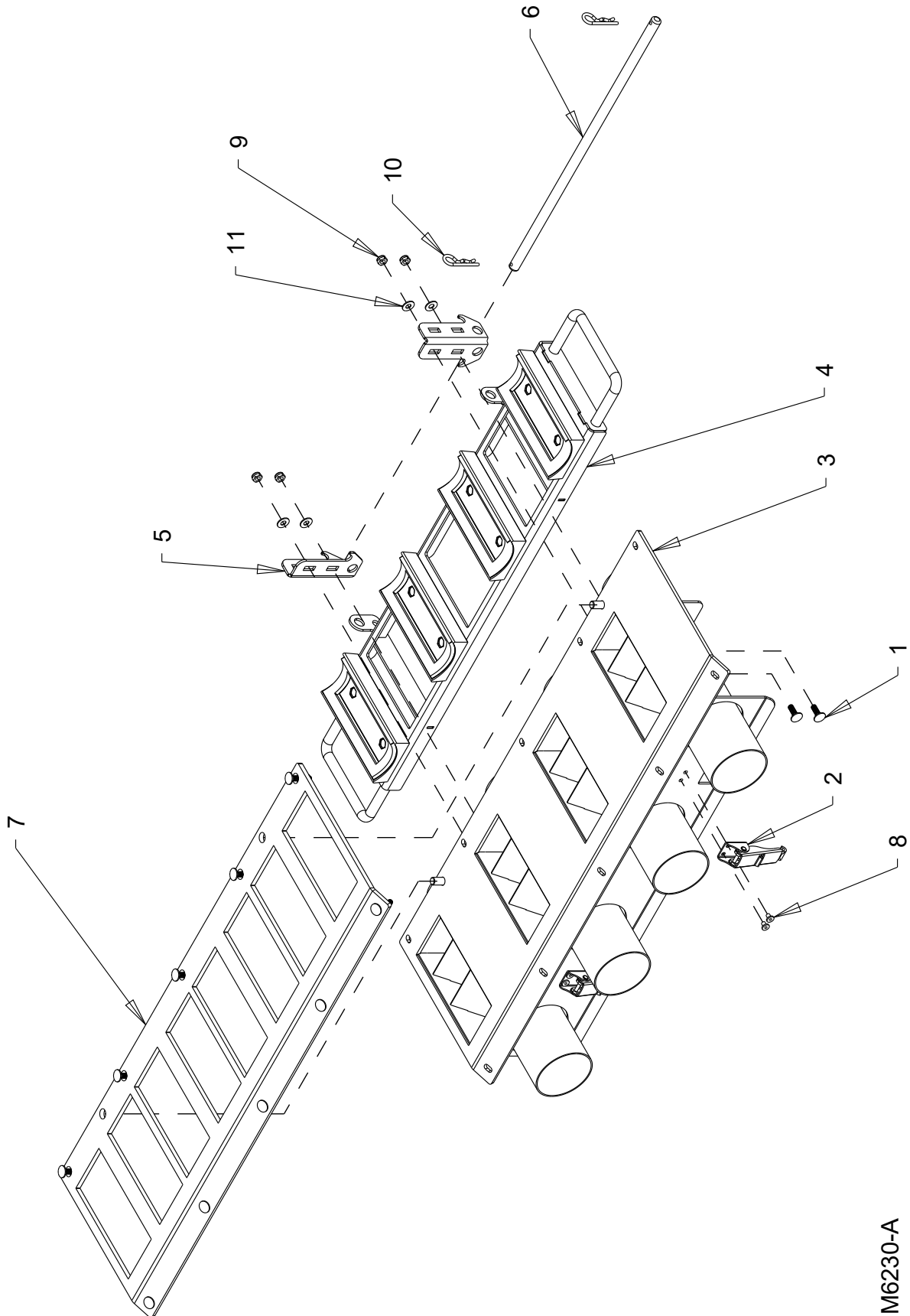
13

M6029-A



## BLOWER ASSEMBLY

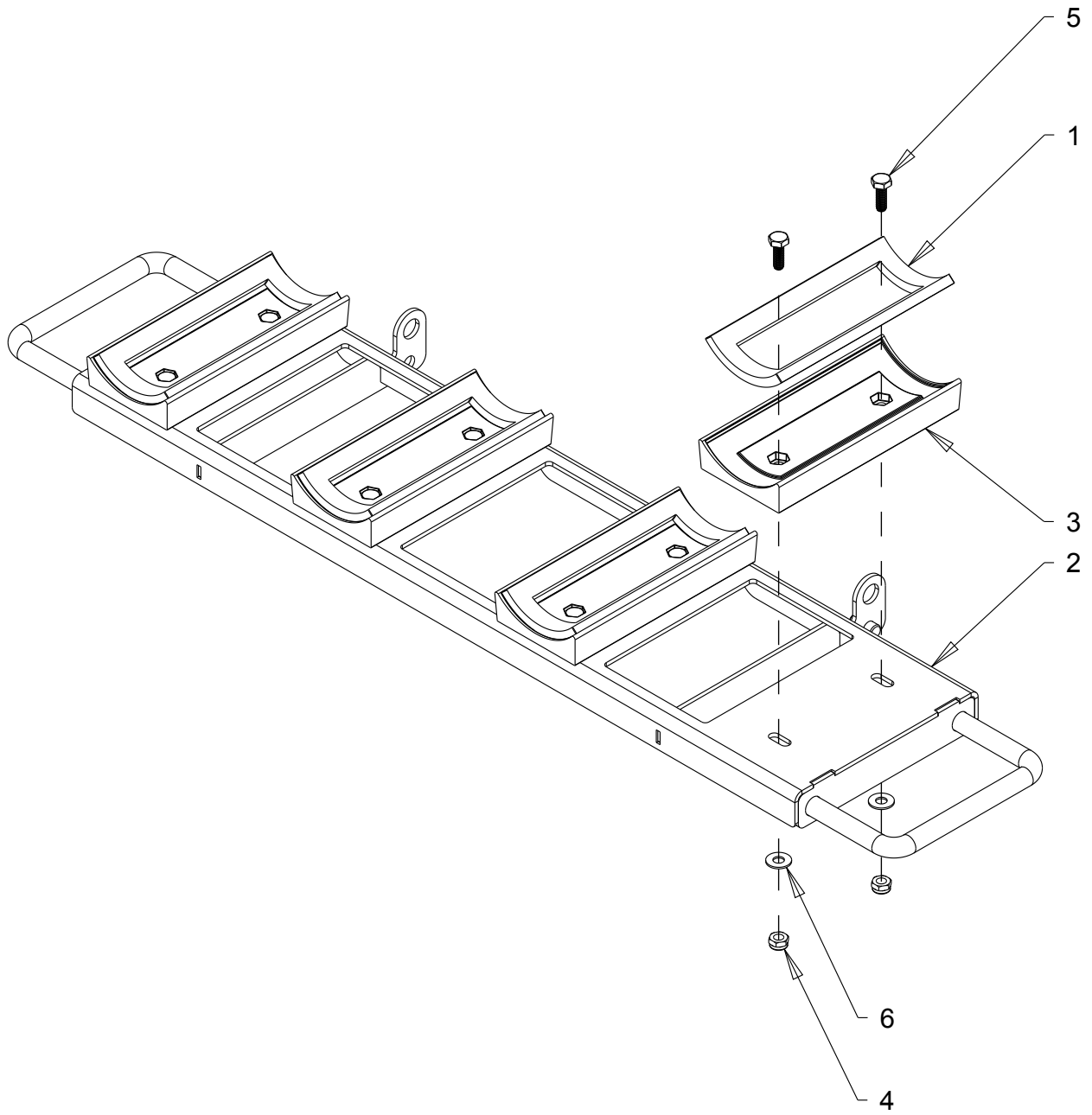
ITEM	PART NO.	DESCRIPTION
1	P330443	WLDMT-NARROW HOUSING
2	P330415	ROTOR-REM
3	P330416	SCREEN-INLET
4	P89551	BOLT-FLANGE: 1/4-20 X 1 NC 5ZP
5	P330560	WLDMT-BELL INLET
6	P330419	NUT-FLANGE: SERRATED 3/8-16NC 2ZP LG
7	P330418	NEOPRENE-1/8 X 3/8
8	P88475	BOLT-HEX: 1/2-13NC X 1-1/2 5ZP
9	P88661	NUT-TOPLOCK: 1/2-13NC 5ZP
10	PA66244	MOTOR-HYDRAULIC W/CHECK PAINTED
	PA66752	SEAL-MOTOR SHAFT
	PA1021978	SEAL KIT: HYD. MOTOR
	P330499	KEY-6MM X 6MM X 35MM ROUNDED
11	P330381	BUSHING-SPLIT TAPER H X 20MM W/ HRDWR
12	P331853	SENSOR-INDUCTIVE M12(NPN)
	P331856	CORD SET-1.0M M12 TO 3DTM
13	PA330470	ASSY BLOWER (INCLUDES ITEMS 1-12)



M6230-A

## ASSY-ZONE RIGHT SINGLE CHUTE DROP TUBES

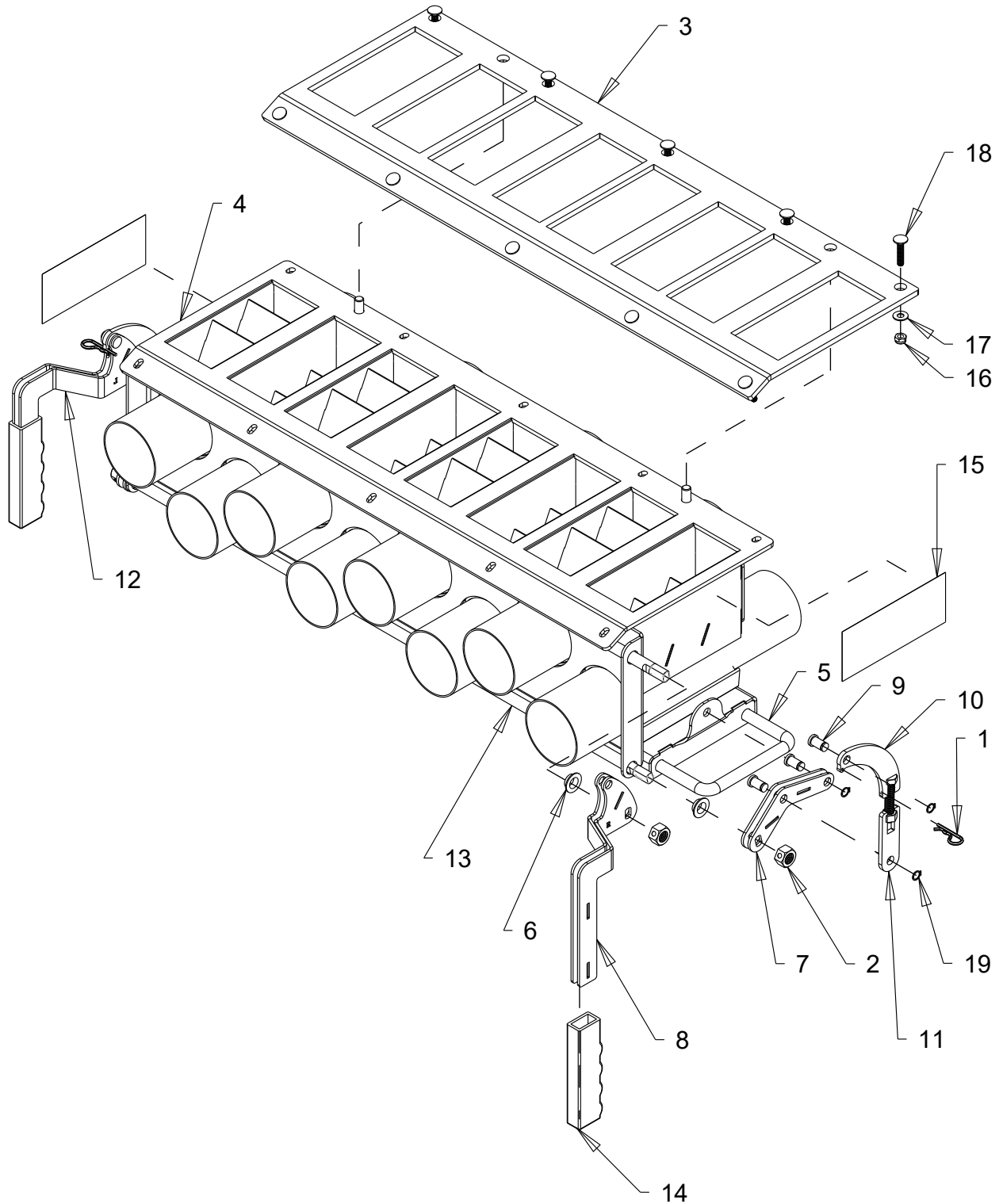
ITEM	PART NO.	DESCRIPTION
1	P89576	BOLT-CARRIAGE: 1/4-20NC X 3/4 SS
2	P248097	DRAW LATCH
3	P332635	WLDMT - ZONE RIGHT SINGLE STREAM
4	P332642	ASSY - ZONE RIGHT CALIBRATION COVER
5	P332865	PLATE - ZONE RIGHT CAL DOOR ADJUST
6	P332869	ROD - ZONE RIGHT CAL DOOR HINGE
7	P332890	KT-MOUNTING SC DROP TUBES
8	P344854	RIVET-POP: ALUM 3/16" X 1/8" -1/2" GRIP
9	P1033269	NUT-NYLOCK: 1/4-20NC 18-8SS
10	PA53687	PIN-HAIR: .14 X 1.94 ZP
11	PA65695	WASHER-FLAT:1/4 18-8SS



M6231-A

## ASSY-ZONE RIGHT SINGLE CHUTE CAL COVER

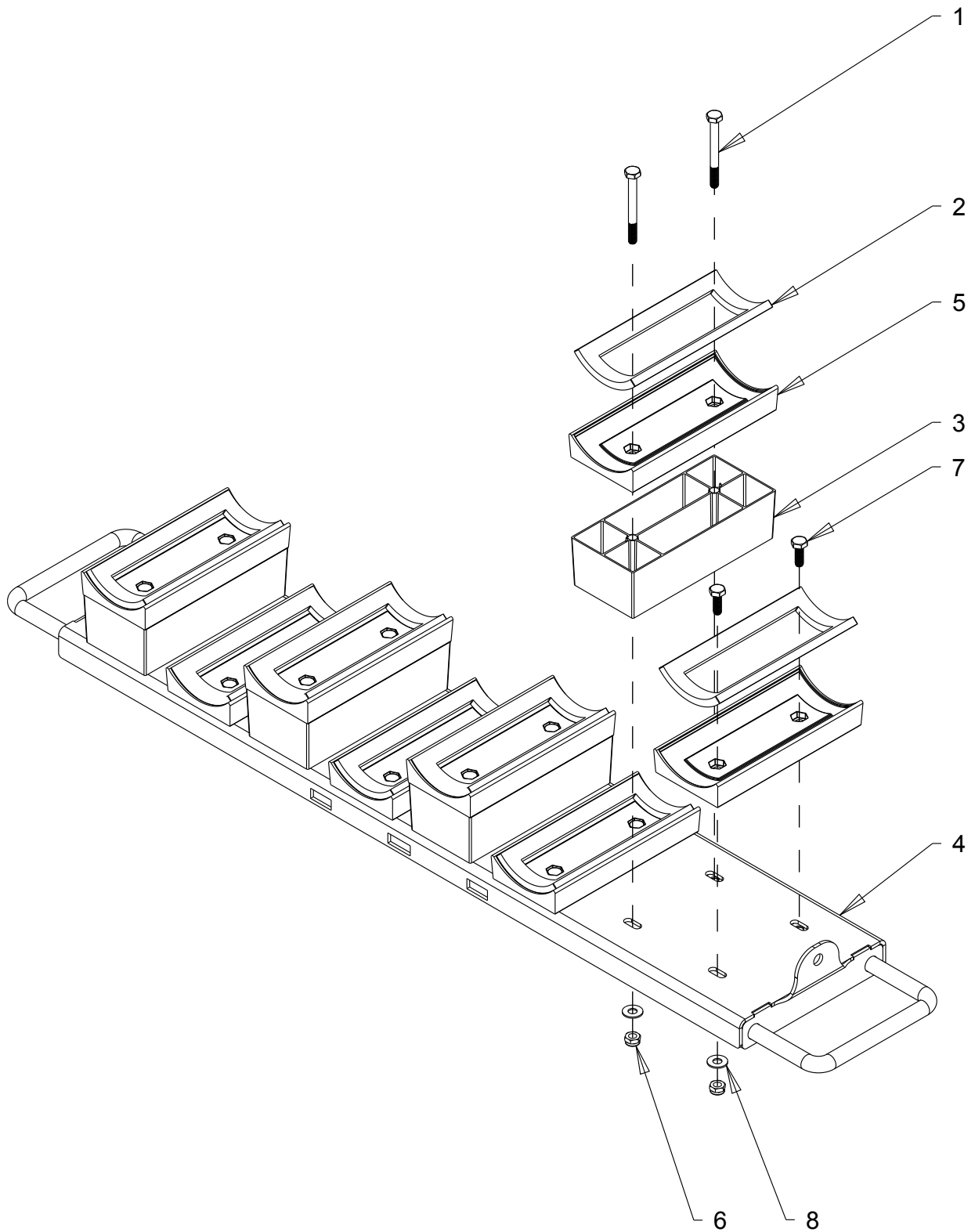
ITEM	PART NO.	DESCRIPTION
1	P322645	SEAL - ZONE RIGHT CALIBRATION COVER SEAL
2	P332678	WLDMT - ZONE RIGHT CAL TRAY
3	P332870	BLOCK - ZONE RIGHT TUBE SEAL SUPPORT
4	P1033269	NUT-NYLOCK: 1/4-20NC 18-8SS
5	PA1033270	BOLT-HEX: 1/4-20 X 3/4 NC 18-8SS
6	PA65695	WASHER-FLAT:1/4 18-8SS



M6228-A

## ASSY-ZONE RIGHT DUAL CHUTE DROP TUBES

ITEM	PART NO.	DESCRIPTION
1	P89520	PIN-HAIR: 7/64 X 1-5/8 ZP
2	P89630	NUT 2POSLK 1/2-13NC 18-8 STAINLESS
3	P332632	SEAL - ZONE RIGHT MANIFOLD SEAL
4	P332656	WLDMT - SC DOUBLE STREAM
5	P332662	ASSY - SC DS CALIBRATION COVER
6	P332825	BUSHING - 1/2" PIVOT
7	P332835	WLDMT - ACSC DS CAL TRAY PVT ARM
8	P332839	WLDMT - ACSC DS CAL TRAY LEVER RH
9	P332844	PIN - ACSC DOOR LATCH PIN
10	P332845	WLDMT - ACSC DS CAL TRAY LIFTER
11	P332847	WLDMT - ACSC DS CAL TRAY LIFT ADJUSTER
12	P332849	WLDMT - ACSC DS CAL TRAY LEVER LH
13	P332855	ROD - ACSC METER LATCH ROD
14	P332872	GRIP - ACSC RECTANGULAR GRIP
15	P332889	DECAL - ACSC STREAM SELECT
16	P1033269	NUT-NYLOCK: 1/4-20NC 18-8SS
17	PA65695	WASHER-FLAT:1/4 18-8SS
18	PA66043	HOSE: .50 X 032 8FJX-8FJX
19	PA67499	RING-RETAINING: 3/8 SS

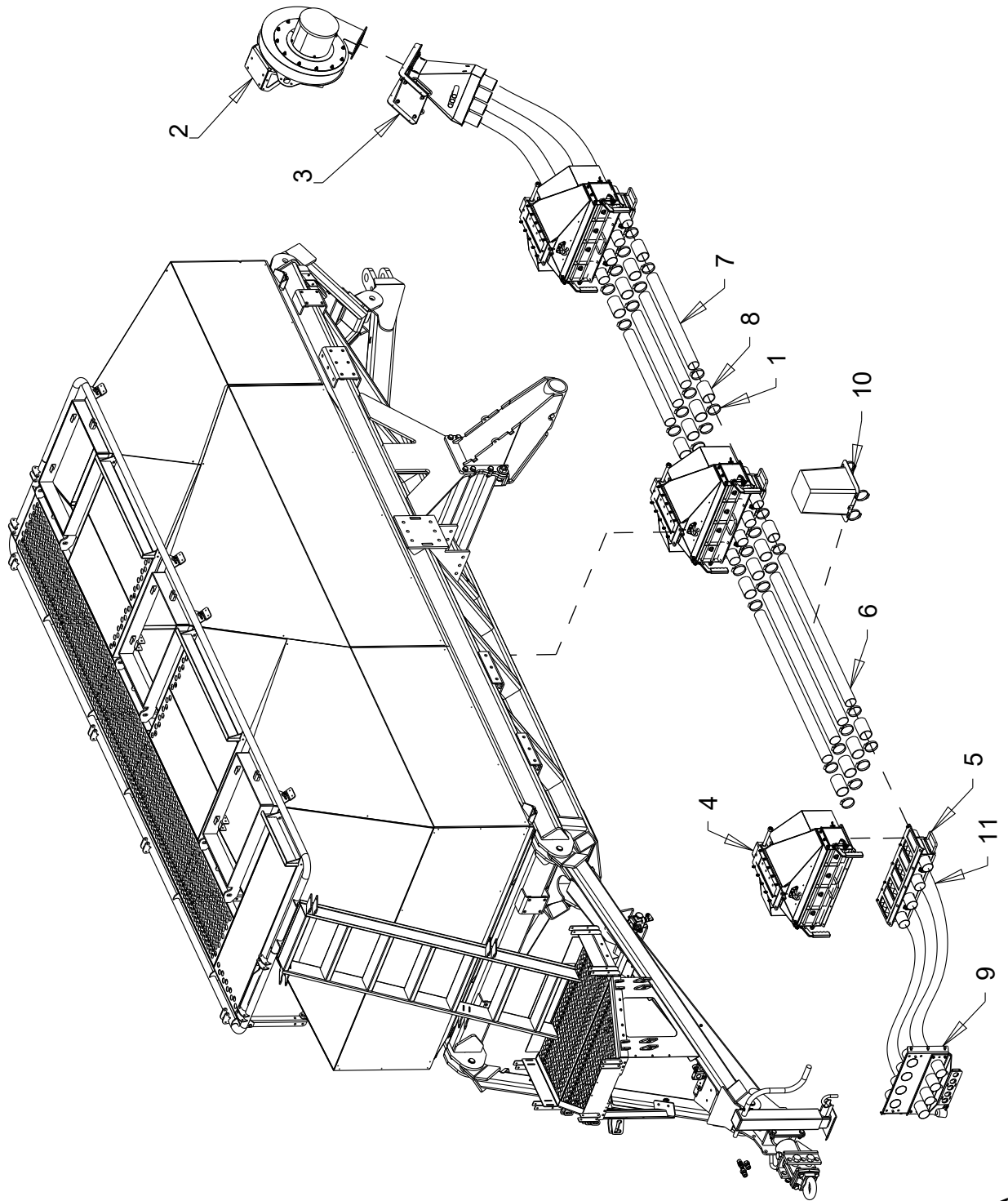


M6229-A



## ASSY-ZONE RIGHT DUAL CHUTE CAL COVER

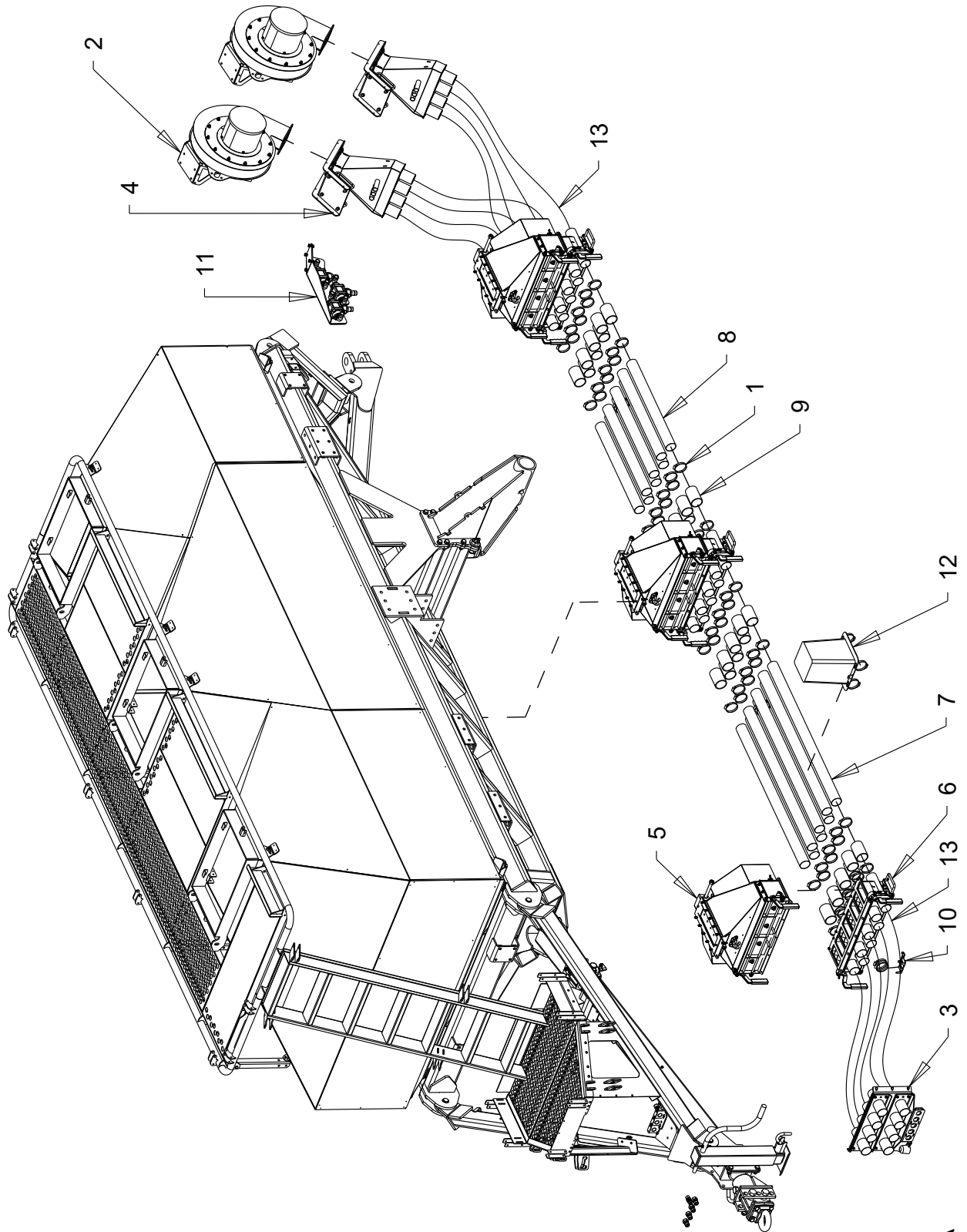
ITEM	PART NO.	DESCRIPTION
1	P89629	BOLT-HEX: 1/4-20NC X 2-1/2 SS
2	P332645	SEAL - ZONE RIGHT CALIBRATION COVER SEAL
3	P332671	BLOCK - ZONE RIGHT DS CAL SEAL SPT
4	P332677	WLDMT - ZONE RIGHT DS CAL TRAY
5	P332870	BLOCK - ZONE RIGHT TUBE SEAL SUPPORT
6	P1033269	NUT-NYLOCK: 1/4-20NC 18-8SS
7	PA1033270	BOLT-HEX: 1/4-20 X 3/4 NC 18-8SS
8	PA65695	WASHER-FLAT:1/4 18-8SS



M6241-A

## ASSY-ZONE RIGHT SINGLE FAN TOW BEHIND

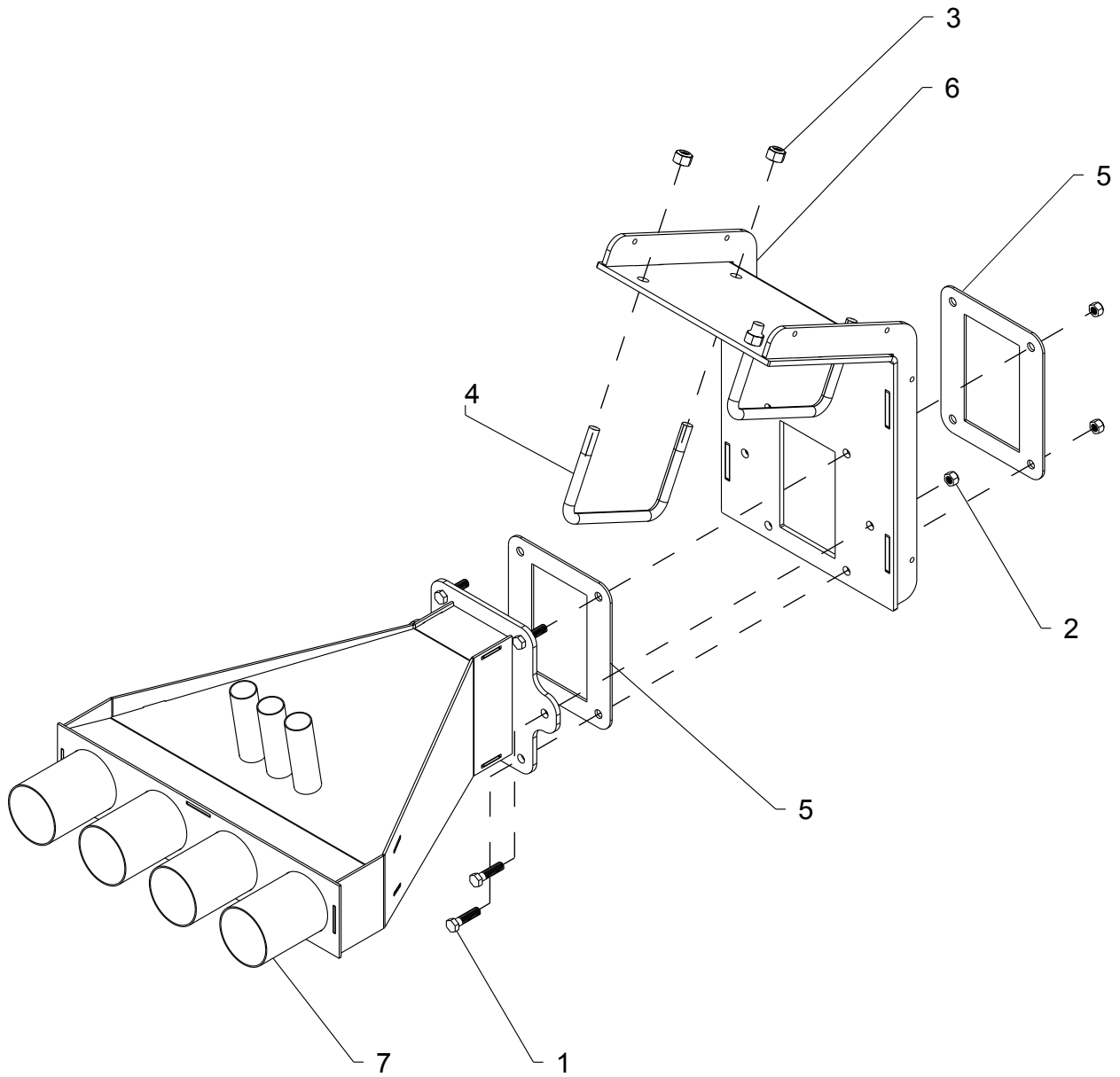
ITEM	PART NO.	DESCRIPTION
1	P45742	CLAMP-HOSE:#48 3-1/2" (12-1/4" LONG) SS
2	P330470	ASSY-BLOWER (SEE PG. 44-45)
3	P331785	KT-ZONE RIGHT PLENUM MOUNT (SEE PG. 58-59)
4	P332631	ASSY - ZONE RIGHT METER BOX (SEE PG. 36-37)
5	P332646	ASSY - ZONE RIGHT SINGLE STREAM TUBES (SEE PG. 46-49)
6	P332669	TUBE - ZONE RIGHT TUBE LONG
7	P332670	TUBE - ZONE RIGHT TUBE SHORT
8	P332672	HOSE - ZONE RIGHT HOSE COUPLER
9	P332883	ASSY - ZONE RIGHT TBH SINGLE CHUTE BULKHD (SEE PG. 62-63)
10	P332929	ASSY - ZONE RIGHT CAL BUCKET (SEE PG. 64-65)
11	P344119	HOSE-KANAFLEX 100 URD 3.00 BULK



M6242-A

## ASSY-ZONE RIGHT DUAL FAN TOW BEHIND

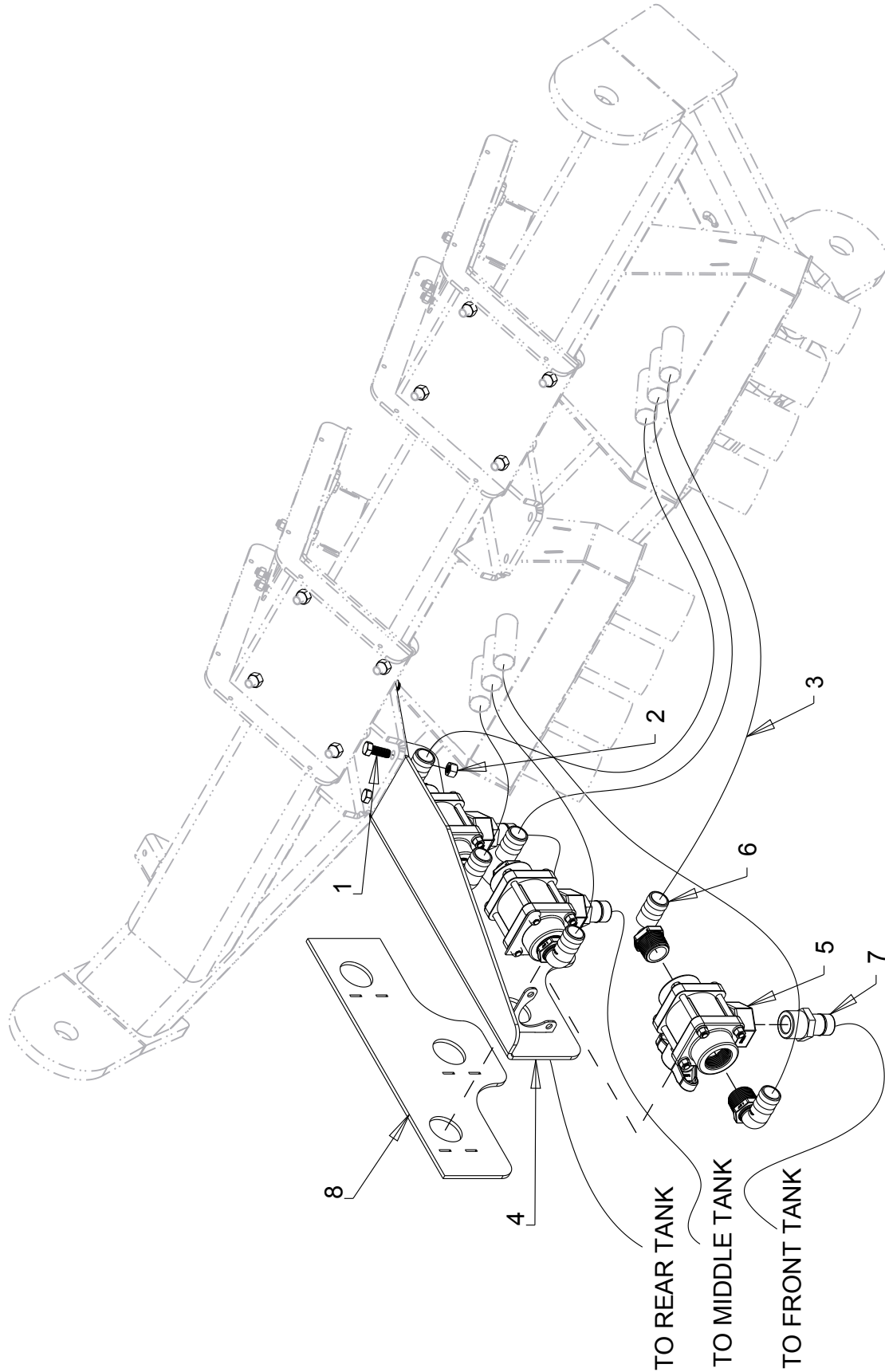
ITEM	PART NO.	DESCRIPTION
1	P45742	CLAMP-HOSE:#48 3-1/2" (12-1/4" LONG) SS
2	P330470	ASSY-BLOWER (SEE PG. 44-45)
3	P331660	ASSY-ZONE RIGHT TBH DS BULKHEAD (SEE PG. 62-63)
4	P331785	KT-ZONE RIGHT PLENUM MOUNT (SEE PG. 58-59)
5	P332631	ASSY - ZONE RIGHT METER BOX (SEE PG. 36-37)
6	P332665	ASSY - ZONE RIGHT DOUBLE STREAM TUBES (SEE PG. 50-53)
7	P332669	TUBE - ZONE RIGHT TUBE LONG
8	P332670	TUBE - ZONE RIGHT TUBE SHORT
9	P332672	HOSE - ZONE RIGHT HOSE COUPLER
10	P332864	PLATE - ZONE RIGHT DS CAL DOOR HLDR
11	P332884	ASSY - ZONE RIGHT TANK PRES. SELECTION
12	P332929	ASSY - ZONE RIGHT CAL BUCKET (SEE PG. 64-65)
13	P344119	HOSE-KANAFLEX 100 URD 3.00 BULK



M6239-A

## ASSY-ZONE RIGHT PLENUM MOUNT

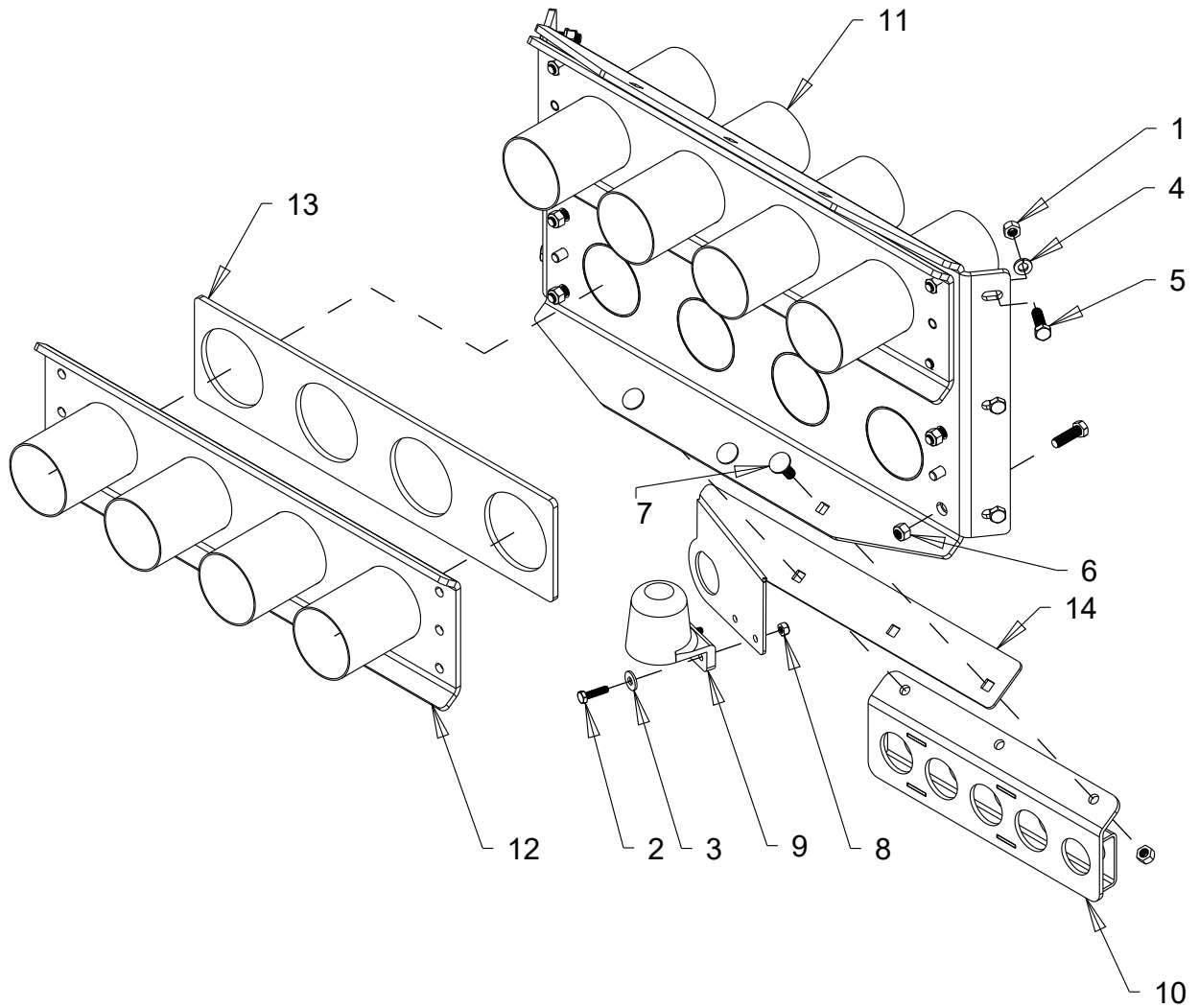
ITEM	PART NO.	DESCRIPTION
1	P88553	BOLT-HEX: 3/8-16NC X 1-1/2 5ZP
2	P88659	NUT-TOPLOCK: 3/8-16NC 5ZP
3	P88661	NUT-TOPLOCK: 1/2-13NC 5ZP
4	P89628	BLT-U 1/2-13 NC X 6 X 4.25 Z
5	P330554	GASKET-FAN TRANSITION
6	P332683	WLDMT - ZONE RIGHT FAN MOUNT
7	P332699	WLDMT - ZONE RIGHT PLENUM





## ASSY-ZONE RIGHT DUAL FAN PRESSURIZATION KIT

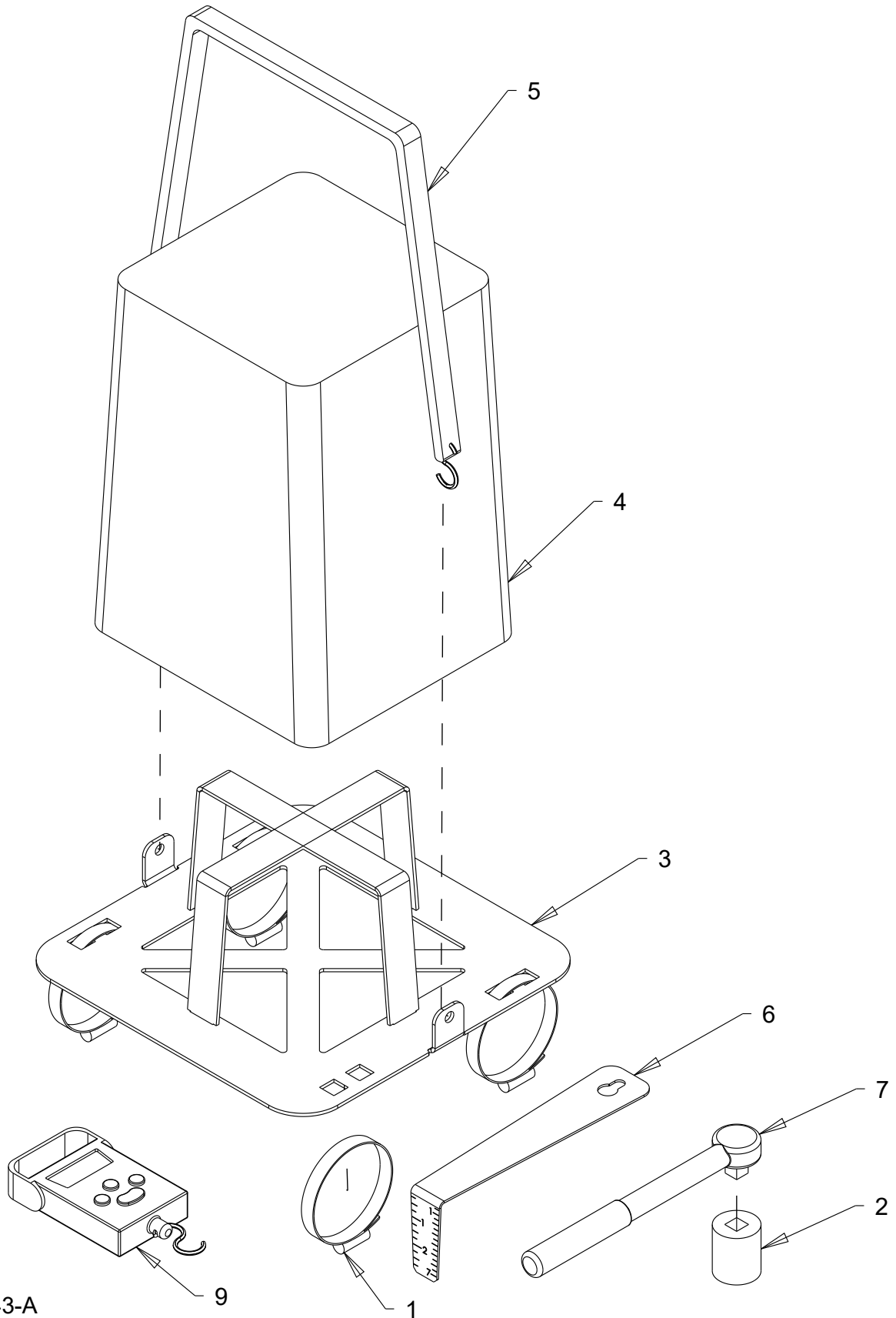
ITEM	PART NO.	DESCRIPTION
1	P88554	BOLT-HEX: 1/2-13NC X 1-1/4 5ZP
2	P88661	NUT-TOPLOCK: 1/2-13NC 5ZP
3	PA65880	HOSE-KANAFLEX 112 1.25 ID BULK
4	P332829	WLDMT - ZONE RIGHT PRESSURE SELECTOR
5	P332885	VALVE - 1-1/4 3-WAY BALL VALVE FPT
6	P332886	ELBOW - 1-1/4 MPT X 1-1/4 HOSE BARB 90
7	P332887	STRAIGHT - 1-1/4 MPT X 1-1/4 HOSE BARB
8	P331860	DECAL - ACSC TANK PRES. SELECT



M6235-A

## ASSY-ZONE RIGHT TBH BULKHEAD

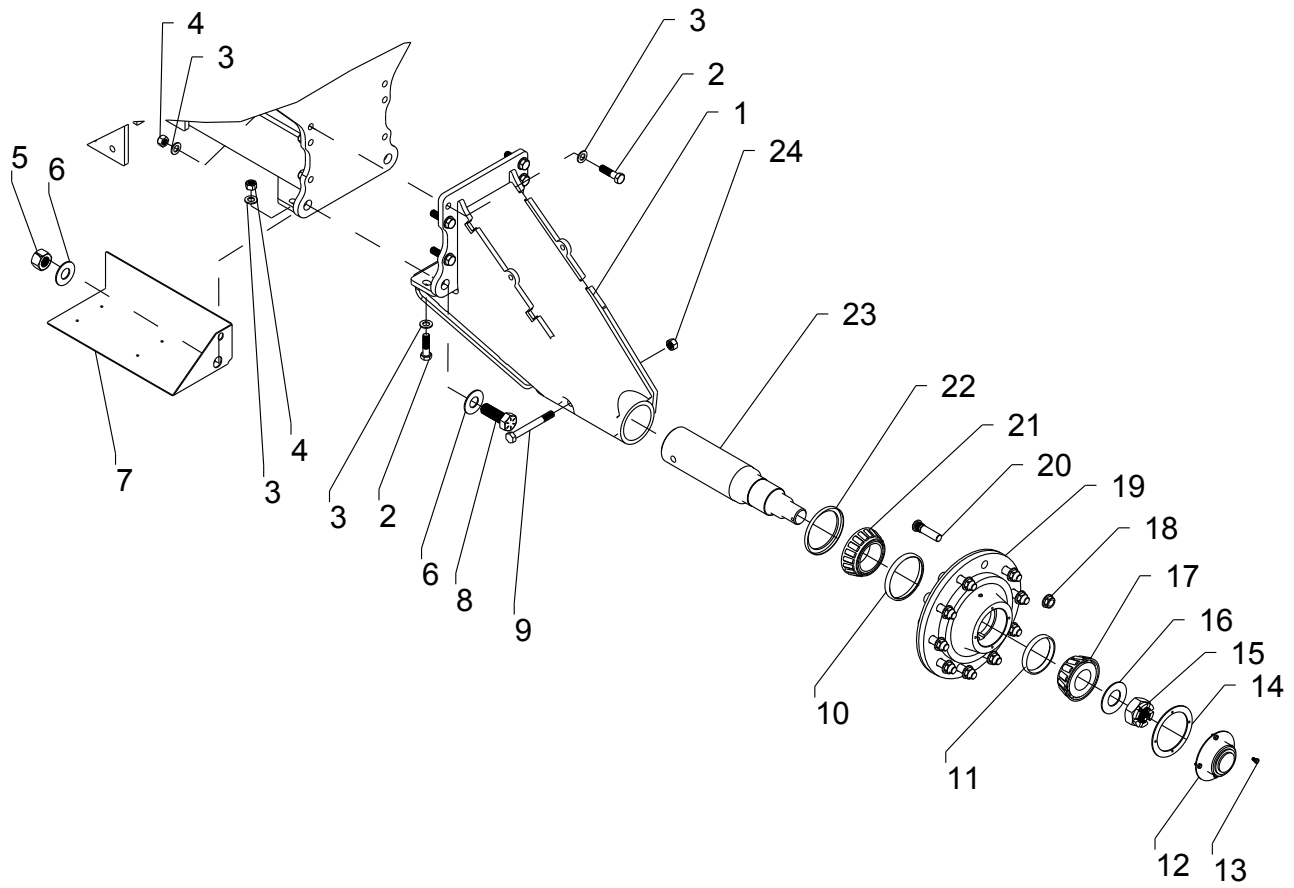
ITEM	PART NO.	DESCRIPTION
1	P88103	NUT-HEX: 3/8-16NC 5ZP
2	P88203	BOLT-HEX: 1/4-20NC X 1 5ZP
3	P88261	WASHER-FLAT: 1/4 (5/16X 3/4ACT) 2ZP
4	P88362	WASHER-HELICAL: 3/8ID ZP
5	P88555	BOLT-HEX: 3/8-16NC X 1-1/4 5ZP
6	P88659	NUT-TOPLOCK: 3/8-16NC 5ZP
7	P89009	BOLT-CARRIAGE: 3/8-16NC X 1 (88467) 5ZP
8	P89501	NUT-TOPLOCK: 1/4-20NC 5ZP
9	P223329	PLUG HOLDER
10	P330306	WLDMT-HOSE HOLDER TBH
11	P331657	WLDMT-8 PORT BULKHEAD
12	P331670	WLDMT-4 PORT BULKHEAD
13	P332673	SEAL - ZONE RIGHT BULKHEAD SEAL
14	P332924	PLT - ZONE RIGHT LIGHT HRNS HLDR



M6243-A

## ASSY-CALIBRATION COMPONENTS

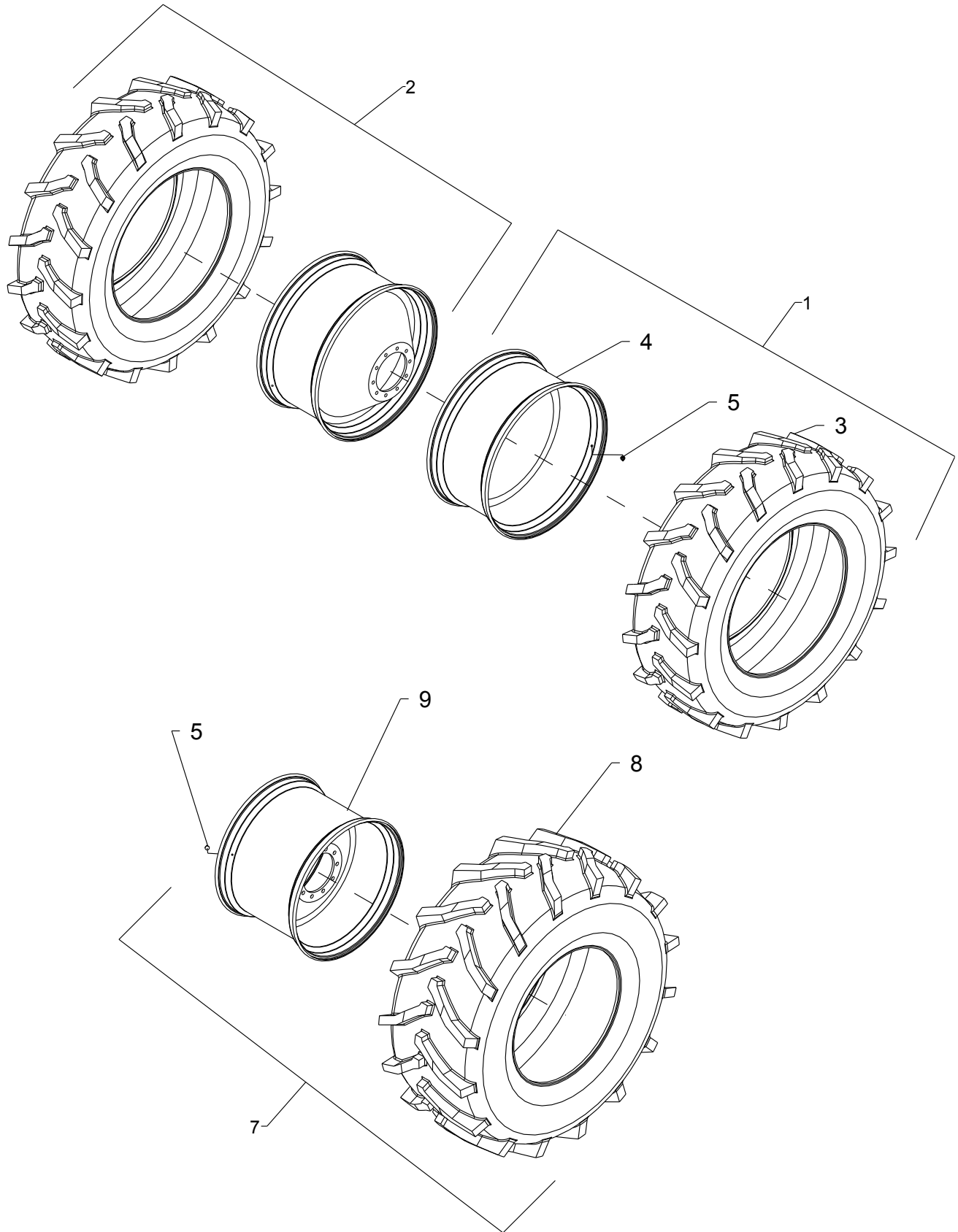
ITEM	PART NO.	DESCRIPTION
1	P45742	3-1/2" S.S. CLAMP 12-1/4" LONG
2	P240255	SOCKET 1/2DRV 1-1/8
3	P332925	WLDMT-ZONE RIGHT SQUARE BUCKET HOLDER
4	P332928	BUCKET - ZONE RIGHT CAL BUCKET
5	P333055	STRAP-TARP 25IN
6	PA34569	PLATE-WRENCH SEED DEPTH
7	PA65890	RATCHET-1/2 DRIVE
8	PA65891	SCREWDRIVER-FLOW SENSOR
9	PA67641	SCALE-CALIBRATION DIGITAL 110 LB



M6104-D

## ASSY-AXLE HUB & SPINDLE

ITEM	PART NO.	DESCRIPTION
1	PA37555	WLDMT-OUTER AXLE
2	P89513	BOLT-HEX: 3/4-10NC X 2-3/4 8YZP
3	P89509	WASHER-FLAT: 3/4 YZP
4	P89080	NUT-HEX: 3/4-10NC 8YZP
5	P88613	NUT-HEX: 1-1/4-7NC 5Z (425-1020) 5ZP
6	P88602	WASHER-FLAT: 1-1/4(1-3/8 X 3ACT) 2ZP
7	PA37731	PLATE-TOOLBOX MOUNT
8	PA37530	BOLT-HEX: 1.25 X 3.50 NC GR8 YZP
9	P89130	BOLT-HEX: 3/4-10NC X 6-1/2 5ZP
10	PA72977	CUP-INNER (HM218210)
11	PA72978	CUP-OUTER (HM212010)
12	PA72981	DUST CAP DC-28Z
13	P88539	BOLT-HEX: 5/16-18NC X 1/2 (W106460) 5ZP
14	P320321	GASKET-RUBBER (13.19 HUB) CTD SE59
15	P320163	NUT-HEX: 2.00 NF NP
16	P320164	WASHER-FLAT 4.0X2.03
17	PA72980	CONE-OUTER (HM212049)
18	PA37739	NUT-FLANGE: LUG 7/8 NF
19	PA37314	HUB W/CUPS 7/8 STUDS - 5250
20	PA37766	STUD-WHEEL .875 X 3.41 GR8 UNF CTD WB136
21	PA72979	CONE-INNER (HM218248)
22	PA72972	SEAL-10 BOLT HUB (CTD SE55)
23	P330076	SPINDLE-4.50 HR C1045
24	P88665	NUT-TOPLOCK: 3/4-10NC 5ZP
25	PA37309	ASSY-HUB/SPINDLE 3800/5250 (INCLUDES 10-23)
26	PA65888	TOOLBOX-PLASTIC LARGE (NOT SHOWN)
27	P88203	BOLT-HEX: 1/4-20NC X 1 5ZP (NOT SHOWN) (TOOLBOX HDW)
28	P88261	WASHER-FLAT: 1/4 (5/16X 3/4ACT) 2ZP (NOT SHOWN) (TOOLBOX HDW)
29	P89501	NUT-TOPLOCK: 1/4-20NC 5ZP (NOT SHOWN) (TOOLBOX HDW)



M6218-A



## ASSY-WHEEL & TIRE

ITEM	PART NO.	DESCRIPTION
1	PA37600	TIRE-MNTD: 620/70R42 RH-16 OS
2	PA37601	TIRE-MNTD: 620/70R42 LH-16 OS
3	NS	TIRE-620/70R42 166A8
4	PA37603	WHEEL-R42 X 20 WIDE - 16 OFFSET (SILVER)
5	P331505	STEM-VALVE (AC)
6	P331031	TIRE-MNTD: RH 800/70R38 173A8 LI (SILVER)
7	P331032	TIRE-MNTD: LH 800/70R38 173A8 LI (SILVER)
8	NS	TIRE-800/70R38 LI 173A8
9	P331036	WHEEL- R38 X 27 WIDE 2.76 INSET (SILVER)



1



2



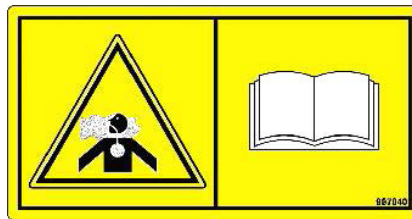
3



4



5



6



7



11



15



16



10

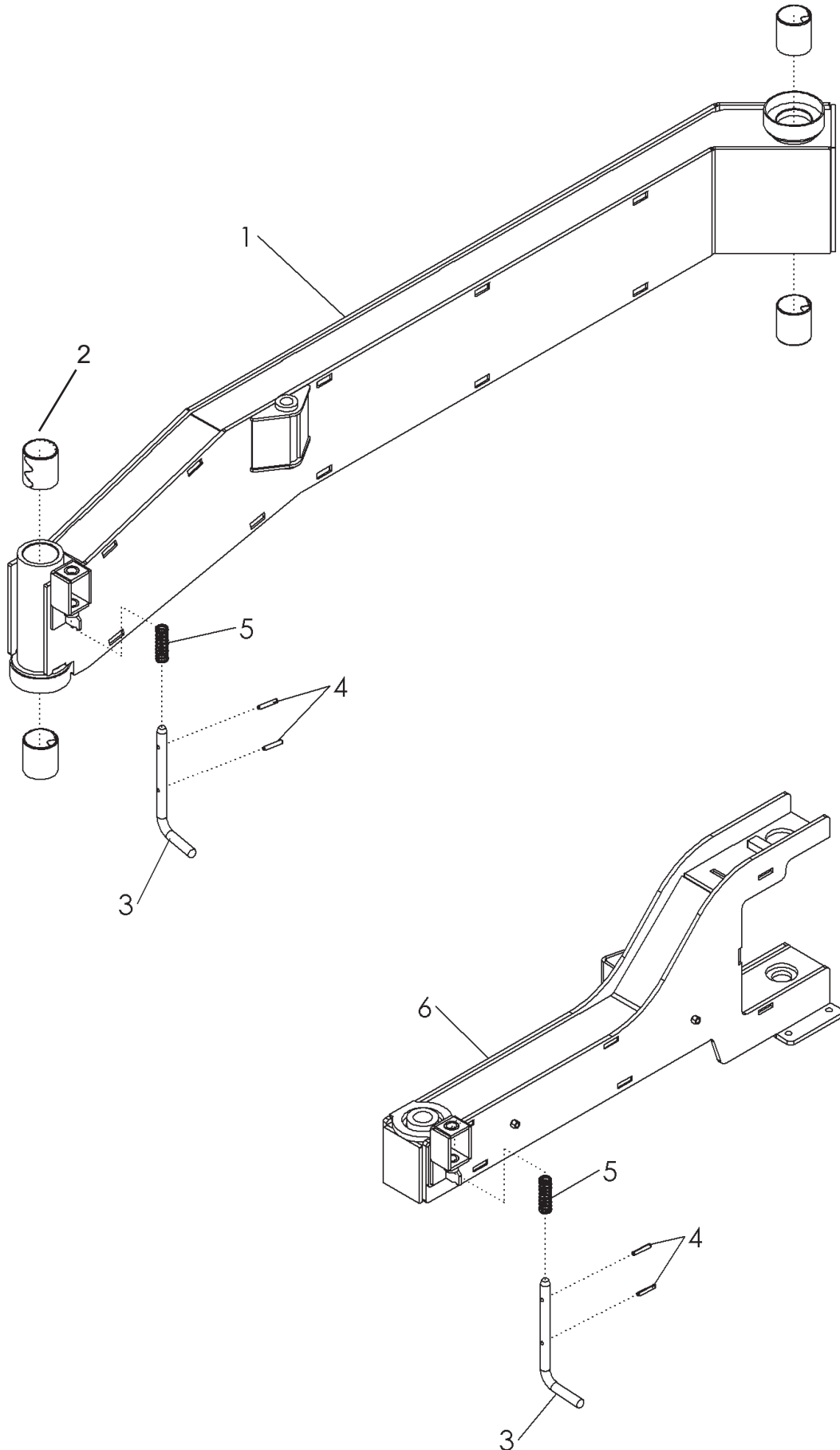
## SAFETY DECALS AIR SYSTEM 3800/5250

ITEM	PART NO.	DESCRIPTION
1	P9971442	DECAL-SAFETY SET NO TEXT
2	P700745017	DECAL HIGH VOLTAGE
3	P997840	DECAL CHEMICAL HAZARD
4	P9971015	FALL OFF HAZARD
5	P997861	DECAL HIGH VOLTAGE DANGER
6	P997840	DECAL CHEMICAL HAZARD
7	P700745015	DECAL-CRUSHING HAZARD
8	P9971011	DECAL MOVING PART HAZARD (NOT SHOWN)
9	P9971269	DECAL FLYING OBJECTS FACE (NOT SHOWN)
10	P700744990	DECAL-EXPLODING PARTS
11	P700744934	DECAL-HOT SURFACE
12	P9971270	DECAL AUGER ENTANGLEMENT HAND (NOT SHOWN)
13	P9971021	DECAL ELECTROCUTION (NOT SHOWN)
14	P700744877	DECAL SAFETY SIGN-WARNING STAY CLEAR FOOT NO TXT (NOT SHOWN)
15	P23371	RED REFLECTOR
16	P9971163	YELLOW REFLECTOR



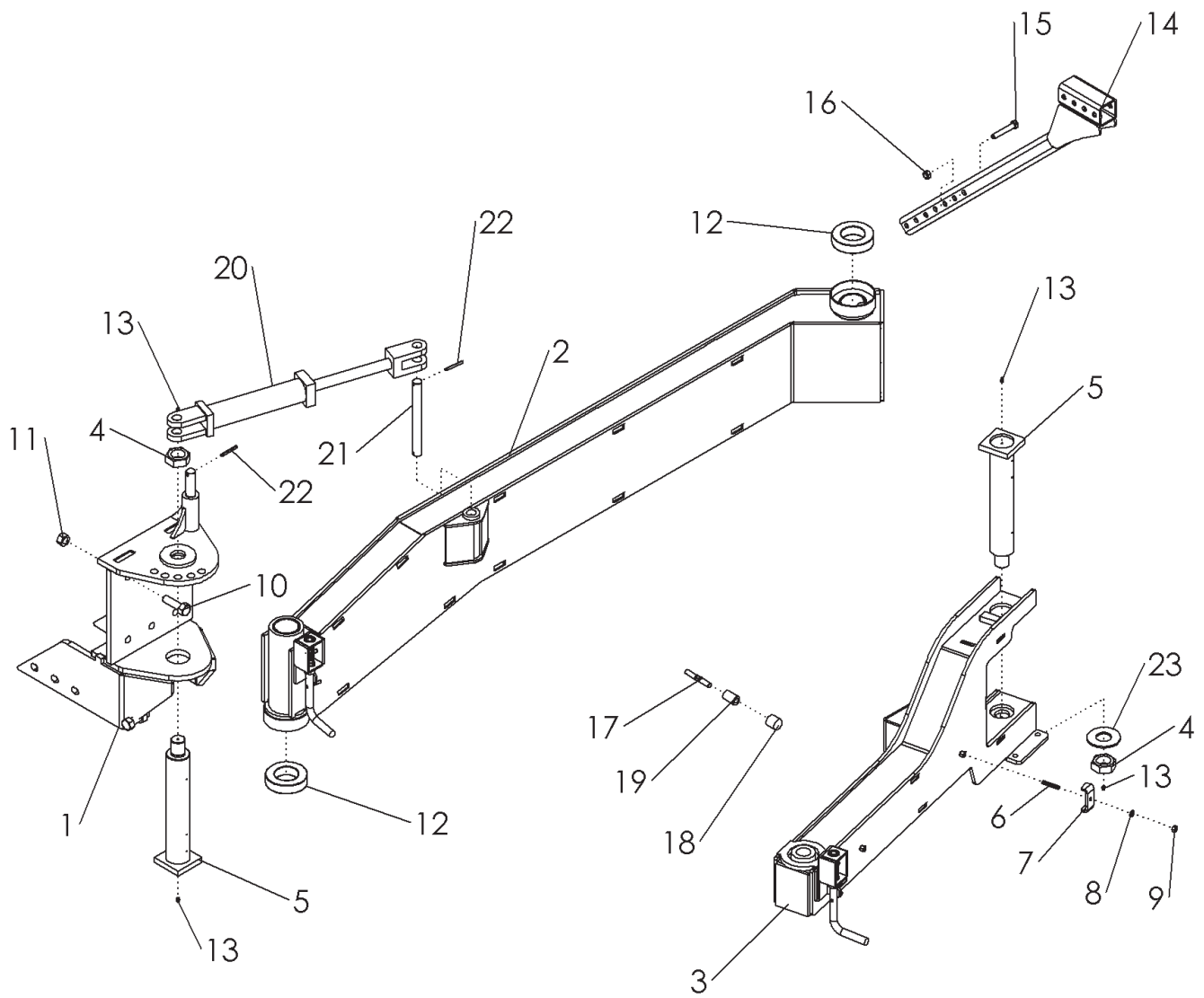
## BRANDING DECALS AIR SYSTEM 3800/5250

ITEM	PART NO.	DESCRIPTION
1	P333082	DECAL-AS 5250/3800 F&R CONCORD
2	P333080	DECAL-AS 5250 RH CONCORD
3	P333081	DECAL-AS 5250 LH CONCORD
4	P333092	DECAL-AS ZONE RIGHT
5	P333083	DECAL-AS 3800 RH CONCORD
6	P333084	DECAL-AS 3800 LH CONCORD



## ASSY-INNER & OPUTER AUGER ARMS

ITEM	PART NO.	DESCRIPTION
1	P330187	WLDMT-INNER AUGER ARM 5250
2	P330594	BUSHING-SPRING 2.75 X 2.50 X 3.0 L
3	PA37787	LATCH-HANDLE ZP
4	P88472	PIN-ROLL: 5/16 DIA X 1-3/4 ZP
5	PA36335	SPRING-SDD TOOLBAR LOCK
6	P330201	ASSY-OUTER ARM

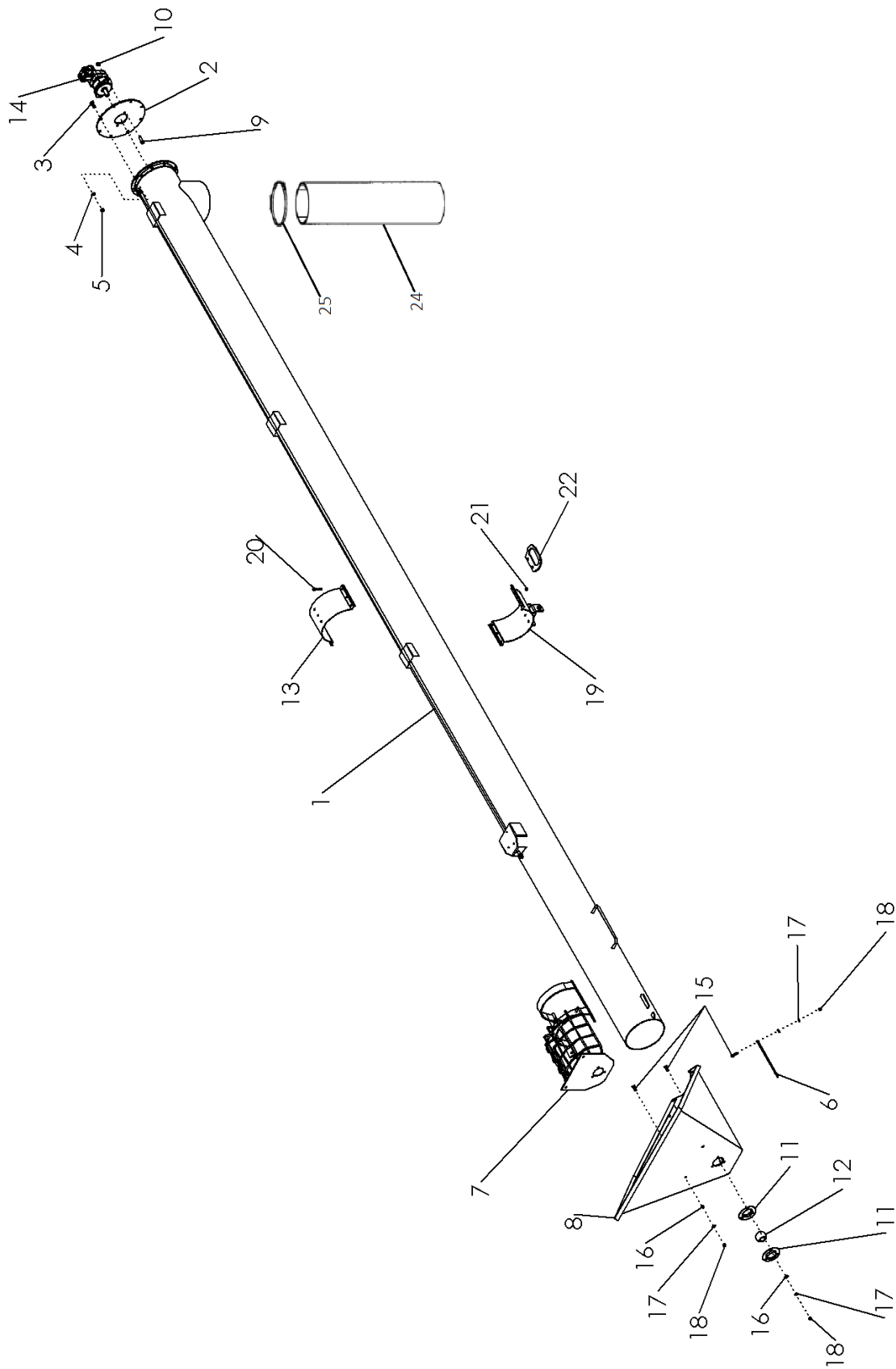


M6134-C



## ASSY-AUGER MOUNTING COMPONENTS

ITEM	PART NO.	DESCRIPTION
1	P330176	WLDMT-AUGER MNT 5250
2	P330186	ASSY-INNER AUGER ARM 5250
3	P330205	ASSY-OUTER ARM
4	P42082	NUT-JAM: 1-1/2NF HYDRA 2ZP
5	P330184	WLDMT-KING PIN ZP
6	P330045	STUD: 3/8-16 X 2 ZP
7	PA50714	CLAMP 1/2 ZP
8	P88561	NUT JAM 1/2-13NC 5Z
9	P88103	NUT-HEX: 3/8-16NC 5ZP
10	P88404	BOLT-HEX: 3/4-10NC X 2-1/2 5ZP
11	P88665	NUT-TOPLOCK: 3/4-10NC 5ZP
12	PA35567	BEARING-THRUST: TIMKIN T251
13	P88550	FITTING-GREASE: 1/4-28 3038-B ZP
14	P330270	WLDMT-UPPER MOUNT
15	P88541	BOLT-HEX: 1/2-13NC X 3 5ZP
16	P88661	NUT-TOPLOCK: 1/2-13NC 5ZP
17	P330436	STUD: 1/2-13 X 3-1/2 THREADED BLACK
18	P330437	BUMPER-RUBBER 1.250 X .75 X 1/2-13
19	P330442	TUBE-SPACER 1.00 X 1.500 ZP
20	P321936	HYD CYL 2 X 8
	P321943	SEAL KT (PRINCE) 2"
21	P330595	PIN-1.00 X 9.25 ZP
22	P42484	PIN-ROLL: 1/4 X 2-1/4 ZP
23	P88616	WASHER-FLAT: 1-1/2(1-5/8 X 3-1/2) 2ZP



M6124-C

## ASSY-AUGER

ITEM	PART NO.	DESCRIPTION
1	PA37400	TUBE-AUGER 10 X 25 FT
	PA37401	FLIGHTING-POLY 9 X 25 FT(BLACK)
	PA67656	FLIGHTING-9 X 6 GUSSETED (BLACK)
2	PA66257	PLATE-MOTOR MOUNT 10
3	P88554	BOLT-HEX: 1/2-13NC X 1-1/4 5ZP
4	P88303	WASHER-LOCK: HELICAL 1/2ID (9/16ACT) ZP
5	P88104	NUT-HEX: 1/2-13NC 5ZP
6	PA65913	PLATE-BACKING HOPPER MOUNT ZP
7	PA66258	MOUNT-HOPPER 10
8	PA66277	HOPPER-POLY 10"
9	P88475	BOLT-HEX: 1/2-13NC X 1-1/2 5ZP
10	P88661	NUT-TOPLOCK: 1/2-13NC 5ZP
11	PA65914	BEARING-FLANGE
12	PA65915	BEARING-WOOD 1.25
13	PA66253	CLAMP-TOP BRACKET 10
14	PA1032092	MOTOR-HYDRAULIC PAINTED W/SEAL
15	P88555	BOLT-HEX: 3/8-16NC X 1-1/4 5ZP
16	P88739	WASHER-FLAT: 3/8SAE(12/32 X 13/16) 2ZP
17	P88362	WASHER-HELICAL: 3/8ID ZP
18	P88103	NUT-HEX: 3/8-16NC 5ZP
19	PA66254	CLAMP-BOTTOM BRACKET 10
20	P89011	BOLT-HEX: 3/8-16NC X 2 5ZP
21	P88659	NUT-TOPLOCK: 3/8-16NC 5ZP
22	P330832	COMPOSITE BEARING BUSHING 1.13 ID X 1.25 OD X .88
23	PA66322	TRIM-BLACK .250 TRIM-LOK #150
24	PA66102	HOSE-FLEX SPOUT 10 X 48
25	PA66256	CLAMP-HOSE: #188 9.38-12.25



## ASSY-SCALE KIT

ITEM	PART NO.	DESCRIPTION
1	P344524	LOAD CELL-4.5SB(4.50)-4.5FT EZ MATE
2	P88428	BOLT-HEX: 1-1/4-7NC X 9 5ZP
3	P88613	NUT-HEX: 1-1/4-7NC 5Z (425-1020) 5ZP
4	P331686	WLDMT-HITCH ADAPTER TBT
5	P89548	NUT-FLANGE: 1/4-20NC ZP
6	P331718	SHEET-SCALE DISPLAY MOUNT
7	P88463	NUT-HEX: WHIZ 3/8-16NC (FLANGED) 2ZP
8	P88203	BOLT-HEX: 1/4-20NC X 1 5ZP
9	P331690	DISPLAY-REMOTE SLC2810 M12 20FT
10	PA72977	CUP-INNER BEARING
11	PA72978	CUP-OUTER BEARING
12	PA72981	DUST CAP DC-28Z
13	P88539	BOLT-HEX: 5/16-18NC X 1/2 (W106460) 5ZP
14	P320321	GASKET-RUBBER (13.19 HUB) CTD SE59
15	P320163	NUT-HEX: 2.00 NF NP
16	P320164	WASHER-FLAT 4.0X2.03
17	PA72980	CONE-OUTER (HM212049)
18	PA37739	NUT-FLANGE: LUG 7/8 NF
19	PA37314	HUB W/CUPS 7/8 STUDS - 5250
20	PA37766	STUD-WHEEL .875 X 3.41 GR8 UNF CTD WB136
21	PA72979	CONE-INNER (HM218248)
22	PA72972	SEAL-10 BOLT HUB (CTD SE55)
23	P344523	LOAD CELL-4.5SA(4.475/4.470)-5FT EZ MATE 411098
24	P88191	BOLT-HEX: 1/4-20NC X 5/8 5ZP
25	P331697	SCALE-LINK SL2110 ISO DT6
26	P331719	SHEET-SL2110 MOUNT
27	P331721	SHEET-WIRE COVER
28	P89040	BLT-U 3/8-16NC X 4 X 7 Z
29	PA37532	U-BOLT: .375 X 7.00 X 6 X 7.00 ZP





