

Main Catalogue 28 · 2004 – 2006



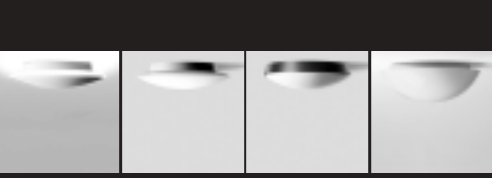
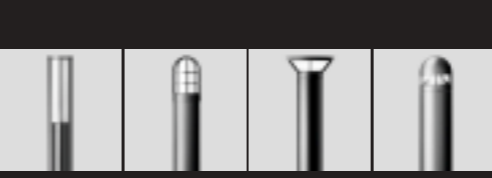

The BEGA Main Catalogue is a comprehensive working document for all light planners and designers. It provides information on technical data, possible areas of application, and the constructive and design quality of our luminaires.

It is published in German, English, French, Dutch, Italian, Swedish, Danish, Norwegian and Spanish.

It replaces Main Catalogue 27 which is no longer valid.

BEGA Lichttechnische Spezialfabrik
PO Box 3160 · D - 58689 Menden
Hennenbusch · D - 58708 Menden
Tel. +49 2373 966-0
Fax +49 2373 966-260
www.bega.com · exparte@bega.com



<p>Recessed luminaires</p>		<p>Impact-resistant wall + ceiling luminaires</p> <p>110 - 111 · 118 - 133</p>			<p>In-ground floodlights</p> <p>214 - 235</p>		<p>Light building elements</p>
<p>8 - 41</p>		<p>Wall luminaires + ceiling luminaires Shielded luminaires</p> <p>138 - 149</p>			<p>Underwater luminaires Swimming pool luminaires</p> <p>238 - 247</p>		<p>366 - 371</p>
<p>Ceiling luminaires Washers + downlights</p>		<p>Elongated luminaires</p> <p>204 - 207</p>			<p>Floodlights</p> <p>236 - 237 · 248 - 271</p>		<p>Pole-top luminaires »The sphere«</p> <p>372 - 383</p>
<p>42 - 65</p>		<p>Wall luminaires The semi-circle · The circle The triangle</p> <p>150 - 165</p>			<p>Floodlights</p> <p>272 - 287</p>		<p>Pole-top luminaires</p>
<p>Ceiling + wall luminaires</p> <p>66 - 71</p>		<p>Wall luminaires Luminaires for house entrances</p> <p>166 - 175</p>			<p>Bollards</p>		
<p>Pendant luminaires Downlights</p> <p>71 - 77</p>		<p>Wall luminaires with directed light</p>			<p>288 - 335 · 338 - 339</p>		<p>384 - 451</p>
<p>Wall + ceiling luminaires House numbers + indication luminaires Light brick Spherical luminaires</p> <p>78 - 97</p>		<p>Wall luminaires Surface washers</p> <p>196 - 203</p>			<p>Stainless steel bollards</p> <p>340 - 349</p>		<p>452 - 467</p>
<p>Stainless steel luminaires</p> <p>98 - 109</p>		<p>Portable garden luminaires</p> <p>208 - 213</p>			<p>Garden luminaires</p> <p>350 - 365</p>		<p>468 - 480</p>

CREAL technology
Lamp table
Box
Klara

Connecting pillars
Luminaire poles
Anchorage units
Accessories



BEGA – a specialist lighting factory

BEGA is part of a group of companies that includes GLASHÜTTE LIMBURG and BOOM.

All the companies in the group manufacture high-quality luminaires, each specializing in its own particular field.

BEGA is a specialist in outdoor luminaires – for use around houses, in gardens, streets, sports facilities, for underwater operation – and many other special lighting tasks.

A competent partner in all aspects of lighting and illumination technology.

BOOM Buitenverlichting is a specialist factory for outdoor luminaires that complement the BEGA programme with their individual and more traditional style.

GLASHÜTTE LIMBURG specializes in indoor luminaires made of glass for private residences and public buildings.

All companies in the group are medium-sized family companies, managed by the same owners.

Main Catalogue 28 comprises some 2000 different luminaire models. A programme of high-quality luminaires that is unrivalled in the world. It inspires all light planners with ideas for light design, providing the appropriate products.

Our highly qualified personnel in development, production, administration and sales work in our factory, set in a very beautiful location in the Sauerland/Westphalia.

Architecture and outward appearance of the factory reflect the beauty, technical structure and quality of our products.



Our luminaire programme is sold through electrical equipment both at home and abroad. BEGA – the partner of lighting specifiers and designers.

Reliable and performant supplier of dealers and the trade.



Product

Outdoor luminaires are required to fulfil very high standards. They are subject to dirt, weather factors and extreme fluctuations in temperature. More than any other luminaires, they are required to withstand a high degree of physical stress.

Our product is generally fixed to a building or in a garden or street. Therefore, it should be a good building detail and a lasting investment. Functional quality and good design are priority in our development and production work. Only use as specified, specialist installation and maintenance guarantee operating reliability. Such requirements are only met by qualified electricians.

In order to achieve optimum corrosion-resistance, all aluminium components are chromated, powder coated and painted with high-quality enamel.

We supply our luminaires as specified in this catalogue in the colours graphite, white and silver, and to special order also in any RAL colour and DB colour. Luminaire poles with painted surface finish are supplied in any RAL colour and DB colour at the catalogue price. Stainless steel surfaces are treated in accordance with their intended use.

Our product is light

The age-old dream of mankind to have artificial light in sufficient quantity and under good conditions was only fulfilled a century ago.

The existence of artificial light in almost all areas today has become so natural that it is hardly noticed.

However, apart from necessary or required lighting, there are a host of possibilities of creating architecture with light.

Light can divide and structure rooms. Light can guide and direct.

Light can emphasize and present architecture.

We intend our luminaires to be a perfect tool in design with light.

They illuminate where necessary, expediently and simply beautiful.

BEGA is specialized in designing and building lighting solutions for all areas of architectural lighting and the outside world.

The aim of our work is to preserve the vivid effect, the three-dimensional experience of the outside world, for mankind, also by night.



Recessed luminaires with LEDs · Protection class IP 67
Location luminaires · Floodlights · STAINLESS STEEL

Location luminaires and floodlights with built-in LEDs for installation in walls or ceilings.
These luminaires with LED technology are distinguished by the following characteristics:

- long life
- no maintenance
- low energy consumption
- colour stability
- low surface temperature

These corrosion-resistant luminaires are highly robust, reliable and economic in operation. They can be only be operated with a power supply unit.

The power supply unit is an accessory and must be ordered separately.

We supply installation housings as accessories for mounting these luminaires in brickwork or concrete walls.

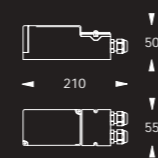
The location luminaires on this double page are also available on request in the LED light colours green, blue, yellow and red.

Further technical data are given in the instructions for use for these luminaires.



Power supply unit

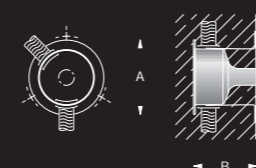
for recessed LED luminaires with 24 V DC LEDs encapsulated in cast resin PSU acc. to DIN EN 61558/VDE 0570 230 V ~ 50 - 60 Hz/24 V DC · 0 - 20 W The PSU is also suitable for operation of several LED luminaires up to max. 20 W · Safety class II



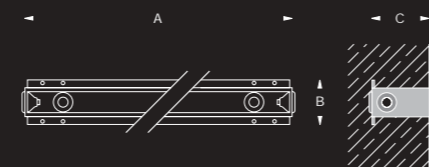
465 PSU for recessed LED luminaires

Installation housing

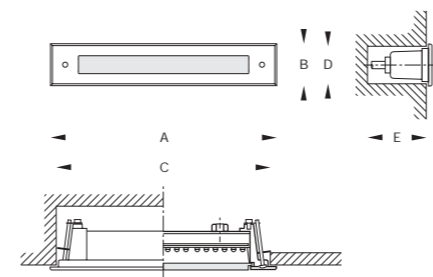
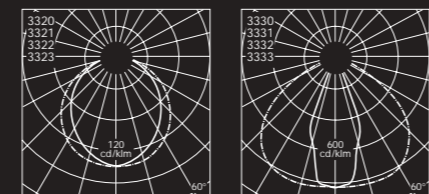
When preparing recessed openings, it may be practical to use an installation housing. It is an accessory and must be ordered separately. Aluminium



Installation housing **464** for 3821 120 100



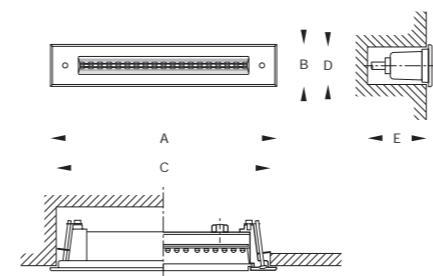
Installation housings
494 for 3320 · 3330 100 55 70
495 for 3321 · 3331 200 55 70
496 for 3322 · 3332 400 55 70
439 for 3323 · 3333 1000 45 100



Recessed wall + ceiling luminaires LED location luminaires for
• 6 · 18 · 42 · 114 LEDs 24 V DC
Colour temperature 6500 K
Protection class IP 67 · Safety class III
Anodized aluminium housing
Stainless steel front plate
White safety glass
Reflector of pure anodized aluminium
0.5 m connecting cable H05RN-F 2 x 1[□] without power supply unit

C · D · E = recessed dimensions

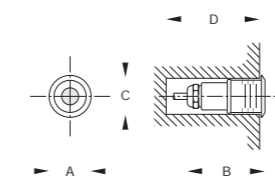
Location luminaires		Lumen		A	B	C	D	E	
3320	Recessed luminaire	24 V DC	0.5 W	9	100	37	85	32	60
3321	Recessed luminaire	24 V DC	1.5 W	27	200	37	185	32	60
3322	Recessed luminaire	24 V DC	3.5 W	63	400	37	385	32	60
3323	Recessed luminaire	24 V DC	9.5 W	171	1000	50	985	43	60



Recessed wall + ceiling luminaires LED floodlights for
• 6 · 18 · 42 · 114 LEDs 24 V DC
Colour temperature 6500 K
Protection class IP 67 · Safety class III
Anodized aluminium housing
Stainless steel front plate · Safety glass
Reflector of pure anodized aluminium
0.5 m connecting cable H05RN-F 2 x 1[□] without power supply unit

C · D · E = recessed dimensions

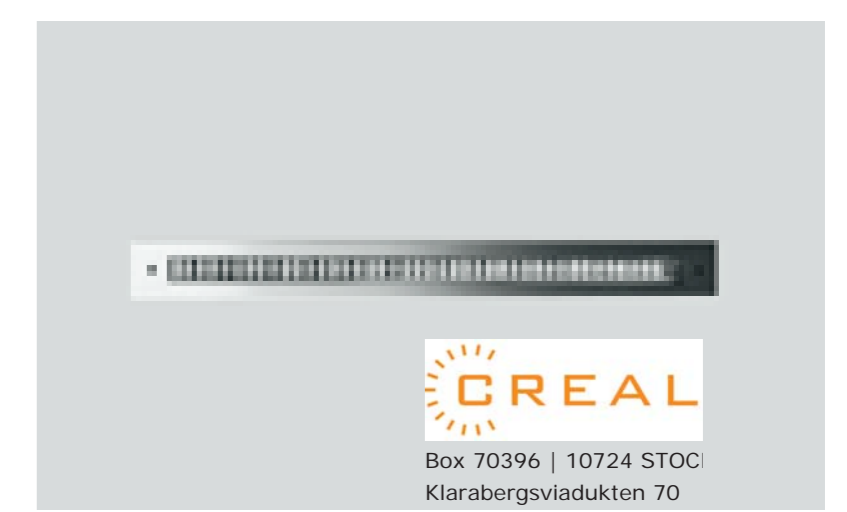
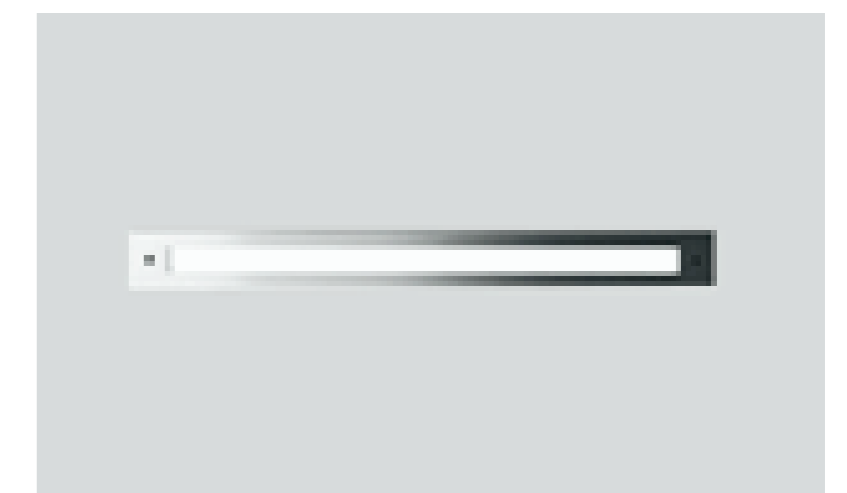
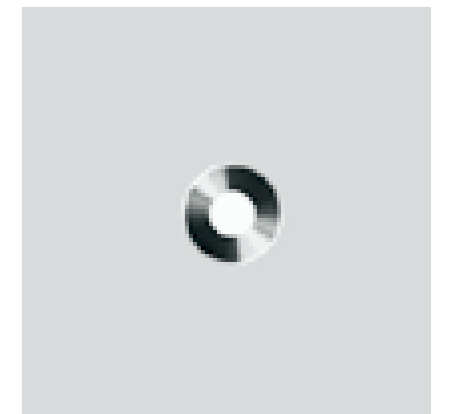
Floodlights		Lumen		A	B	C	D	E	
3330	Recessed luminaire	24 V DC	0.5 W	9	100	37	85	32	60
3331	Recessed luminaire	24 V DC	1.5 W	27	200	37	185	32	60
3332	Recessed luminaire	24 V DC	3.5 W	63	400	37	385	32	60
3333	Recessed luminaire	24 V DC	9.5 W	171	1000	50	985	43	60



Recessed wall + ceiling luminaire LED location luminaire for
• 1 LED 24 V DC
Colour temperature 6500 K
Protection class IP 67 · Safety class III
Stainless steel
Matt safety glass with optical texture
0.3 m connecting cable H05RN-F 2 x 1[□] without power supply unit

C · D = recessed dimensions

Location luminaire		Lumen		A	B	C	D	
3821	Recessed luminaire	24 V DC	0.1 W	1	37	60	30	100



Box 70396 | 10724 STOC
Klarabergsviadukten 70
Tel +46 (0)8-103070 | Fa
info@crealux.se | www.cri

Recessed luminaires · Protection class IP 65
Location luminaires · STAINLESS STEEL

Recessed luminaires for fluorescent lamps.
The high protection class of the luminaires allows their use in many areas, both inside and outside.
Their low mounting depth B = 80 mm makes these luminaires particularly suitable for installation in stairsteps.
The luminaire body is made of die cast aluminium and the front plate of stainless steel. The luminaires are therefore largely impervious to corrosion and physical damage.

The mounting system for the luminaire body – BEGA Patent DE 44 16 538 – allows easy installation of the luminaires in enclosed or hollow structures without additional fixing holes.
We supply installation housings and fixing frames as accessories for mounting the luminaires in brickwork or concrete walls.

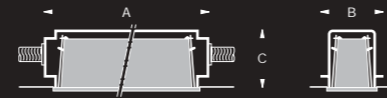
These luminaires can be equipped with an electronic ballast in the factory. Prices are available on request.

Further technical data are given in the assembly instructions for use for these luminaires.



Installation housings

When preparing recessed openings, it may be practical to use these installation housings. They are accessories and must be ordered separately.
Aluminium and plastic



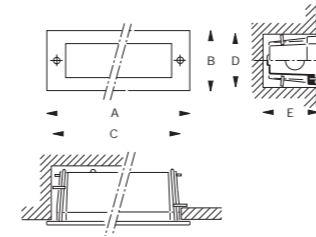
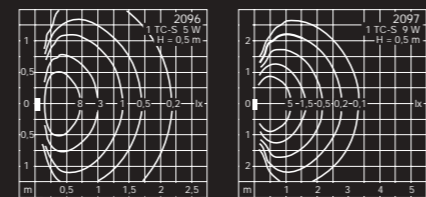
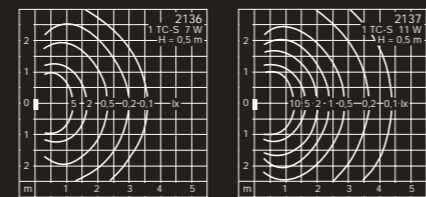
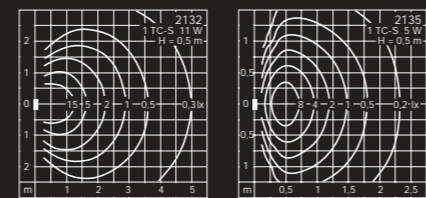
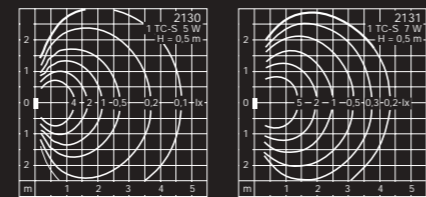
Installation housings	A	B	C
421 for 2130 · 2135 · 2096	230	90	110
422 for 2131 · 2136 · 2097	300	90	110
423 for 2132 · 2137	360	90	110

Fixing frames

When installing luminaires in plastered concrete walls, it may be practical to use fixing frames. They are accessories for the installation housings and must be ordered separately.



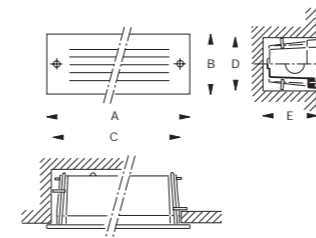
021 Fixing frame for housing	421
022 Fixing frame for housing	422
023 Fixing frame for housing	423



Recessed luminaires for walls or stairsteps for
• fluorescent lamps TC-S 5 · 7 · 9 · 11 W
Protection class IP 65
Die cast aluminium housing
Stainless steel front plate
White safety glass
Installation in horizontal or vertical burning position.

C · D · E = recessed dimensions

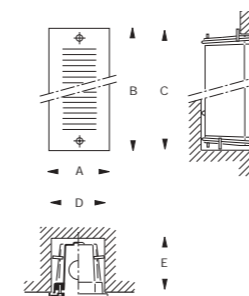
	Fluorescent lamps	Lumen	A	B	C	D	E
2130	Recessed luminaire 1 TC-S 5 W	250	190	80	180	70	85
2131	Recessed luminaire 1 TC-S 7 · 9 W	400 · 600	260	80	255	70	85
2132	Recessed luminaire 1 TC-S 11 W	900	320	80	315	70	85



Recessed luminaires for walls or stairsteps for
• fluorescent lamps TC-S 5 · 7 · 9 · 11 W
Protection class IP 65
Die cast aluminium housing
Stainless steel front plate
Matt safety glass

C · D · E = recessed dimensions

	Fluorescent lamps	Lumen	A	B	C	D	E
2135	Recessed luminaire 1 TC-S 5 W	250	190	80	180	70	85
2136	Recessed luminaire 1 TC-S 7 · 9 W	400 · 600	260	80	255	70	85
2137	Recessed luminaire 1 TC-S 11 W	900	320	80	315	70	85



Recessed wall luminaires for
• fluorescent lamps TC-S 5 · 7 · 9 W
Protection class IP 65
Die cast aluminium housing
Stainless steel front plate
Matt safety glass

C · D · E = recessed dimensions

	Fluorescent lamps	Lumen	A	B	C	D	E
2096	Recessed luminaire 1 TC-S 5 W	250	80	190	180	70	85
2097	Recessed luminaire 1 TC-S 7 · 9 W	400 · 600	80	260	255	70	85



Box 70396 | 10724 STOC
Klarabergsviadukten 70
Tel +46 (0)8-103070 | Fa
info@crealux.se | www.cri

Recessed luminaires · Protection class IP 64 Location luminaires

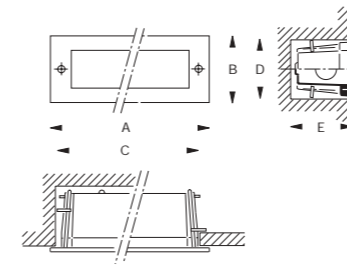
Recessed luminaires for incandescent lamps and fluorescent lamps.
The high protection class of the luminaires makes them suitable for use in many areas, both inside and outside.
Their low mounting depth of 70 mm makes them particularly suitable for recessed installation in stairsteps.
The luminaires are made of corrosion-resistant die cast aluminium and stainless steel.

The mounting system of the luminaire body – BEGA Patent DE 44 16 538 – allows easy installation of the luminaires in enclosed or hollow structures without additional fixing holes.
We supply installation housings and fixing frames as accessories for mounting the luminaires in brickwork or concrete walls.

The luminaires for fluorescent lamps can be equipped with an electronic ballast in the factory. Prices are available on request.

The front plates of these luminaires can be supplied to special order in any RAL colour.

Further technical data are given in the assembly instructions for use for these luminaires.



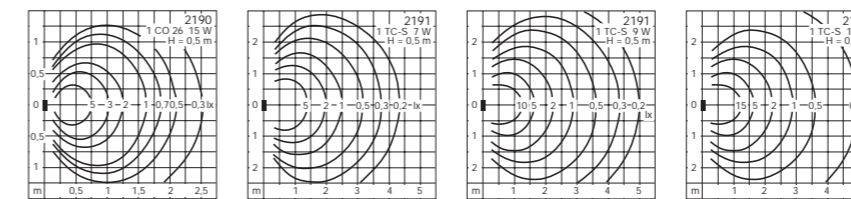
Recessed luminaires for walls or stairsteps for
• incandescent lamps CO 26 15 W
• fluorescent lamps TC-S 7 · 9 · 11 W
Protection class IP 64
Die cast aluminium and stainless steel
Reflector of pure anodized aluminium
White safety glass
Installation in horizontal or vertical burning position.

Colour: graphite – article number
white – article number + W
silver – article number + A

C · D · E = recessed dimensions

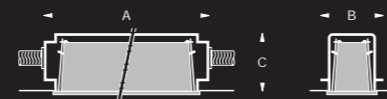
Incandescent lamps			Lumen	A	B	C	D	E
2190	Recessed luminaire	1 CO 26 15 W	110	170	70	155	60	70

Fluorescent lamps			Lumen	A	B	C	D	E
2191	Recessed luminaire	1 TC-S 7 · 9 W	400 · 600	260	70	245	60	70
2192	Recessed luminaire	1 TC-S 11 W	900	320	70	306	60	70



Installation housings

When preparing recessed openings, it may be practical to use an installation housing. It is an accessory and must be ordered separately.
Aluminium and plastic



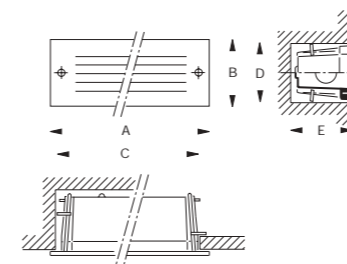
Installation housings	A	B	C
424 for 2190 · 2195	220	80	90
425 for 2191 · 2196	310	80	90
426 for 2192 · 2197	370	80	90

Fixing frames

When installing luminaires in plastered concrete walls, it may be practical to use fixing frames. They are accessories for the installation housings and must be ordered separately.



024	Fixing frame for housing	424
025	Fixing frame for housing	425
026	Fixing frame for housing	426



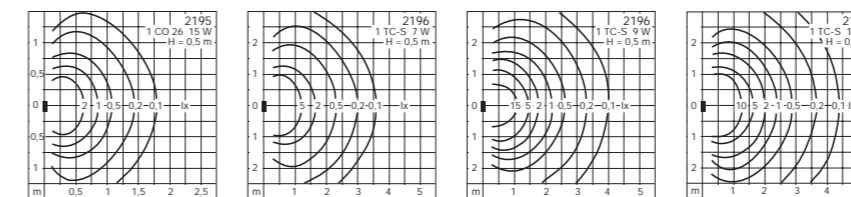
Recessed luminaires for walls or stairsteps for
• incandescent lamps CO 26 15 W
• fluorescent lamps TC-S 7 · 9 · 11 W
Protection class IP 64
Die cast aluminium and stainless steel
Reflector of pure anodized aluminium
Matt safety glass

Colour: graphite – article number
white – article number + W

C · D · E = recessed dimensions

Incandescent lamps			Lumen	A	B	C	D	E
2195	Recessed luminaire	1 CO 26 15 W	110	170	70	155	60	70

Fluorescent lamps			Lumen	A	B	C	D	E
2196	Recessed luminaire	1 TC-S 7 · 9 W	400 · 600	260	70	245	60	70
2197	Recessed luminaire	1 TC-S 11 W	900	320	70	306	60	70



Box 70396 | 10724 STOC
Klarabergsviadukten 70
Tel +46 (0)8-103070 | Fa
info@crealux.se | www.cri

Recessed luminaires · Protection class IP 65 Location luminaires

Recessed wall luminaires for incandescent lamps and energy-saving fluorescent lamps.

The high protection class of the luminaires makes them suitable for use in many areas, both inside and outside.

They make important locations visible in the dark or where the level of lighting is too low. They also indicate location points or danger points.

The luminaires are made of corrosion-resistant die cast aluminium and stainless steel. The front plate is backed with safety glass. The luminaires are therefore largely impervious to corrosion and physical damage.

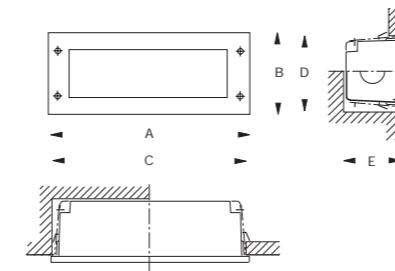
The mounting system of the luminaire body – BEGA Patent DE 44 16 538 – allows easy installation of the luminaires in enclosed or hollow structures without additional fixing holes.

We supply installation housings and fixing frames as accessories for mounting the luminaires in brickwork or concrete walls.

The luminaires for fluorescent lamps can be equipped with an electronic ballast in the factory. Prices are available on request.

The front plates of these luminaires can be supplied to special order in any RAL colour.

Further technical data are given in the assembly instructions for use for these luminaires.



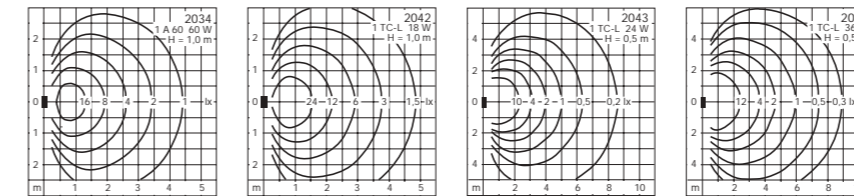
Recessed luminaires for
 • incandescent lamps A 60 60 W
 • fluorescent lamps TC-L 18 · 24 · 36 W
 Protection class IP 65
 Die cast aluminium and stainless steel
 Reflector of pure anodized aluminium
 White safety glass

Colour: graphite – article number
 white – article number + **W**
 silver – article number + **A**

C · D · E = recessed dimensions

Incandescent lamps			Lumen	A	B	C	D	E
2034	Recessed luminaire	1 A 60	60 W	710	330	125	315	110

Fluorescent lamps			Lumen	A	B	C	D	E
2042	Recessed luminaire	1 TC-L	18 W	1200	330	125	315	110
2043	Recessed luminaire	1 TC-L	24 W	1800	420	125	405	110
2044	Recessed luminaire	1 TC-L	36 W	2900	520	125	505	110



Installation housings

When preparing recessed openings, it may be practical to use an installation housing. It is an accessory and must be ordered separately. Aluminium and plastic



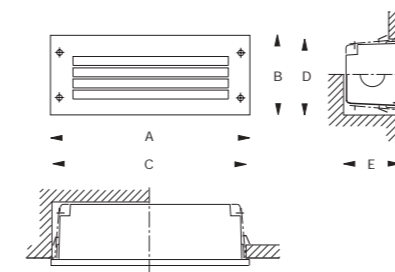
Installation housings	A	B	C
436 for 2034 · 2033 · 2042 · 2038	365	130	125
437 for 2043 · 2039	455	130	125
438 for 2044 · 2040	555	130	125

Fixing frames

When installing luminaires in plastered concrete walls, it may be practical to use fixing frames. They are accessories for the installation housings and must be ordered separately.



036 Fixing frame for housing	436
037 Fixing frame for housing	437
038 Fixing frame for housing	438



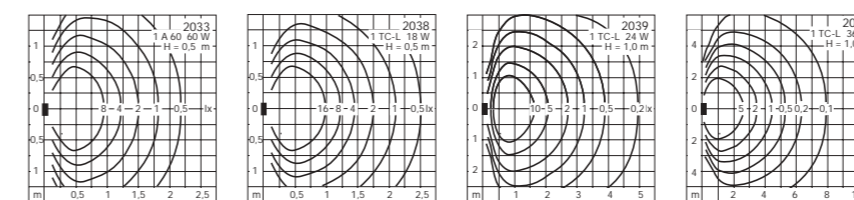
Recessed luminaires for
 • incandescent lamps A 60 60 W
 • fluorescent lamps TC-L 18 · 24 · 36 W
 Protection class IP 65
 Die cast aluminium and stainless steel
 Reflector of pure anodized aluminium
 Glare suppression light output 60°
 Matt safety glass

Colour: graphite – article number
 white – article number + **W**

C · D · E = recessed dimensions

Incandescent lamps			Lumen	A	B	C	D	E
2033	Recessed luminaire	1 A 60	60 W	710	330	125	315	110

Fluorescent lamps			Lumen	A	B	C	D	E
2038	Recessed luminaire	1 TC-L	18 W	1200	330	125	315	110
2039	Recessed luminaire	1 TC-L	24 W	1800	420	125	405	110
2040	Recessed luminaire	1 TC-L	36 W	2900	520	125	505	110



Box 70396 | 10724 STOC
 Klarabergsviadukten 70
 Tel +46 (0)8-103070 | Fa
 info@crealux.se | www.cri

Recessed luminaires with directed light Protection class IP 65

Recessed wall washers for energy-saving fluorescent lamps illuminating horizontal surfaces without glare from low mounting heights. Their robust construction and high protection class make these luminaires largely impervious to physical damage and weather factors. They are therefore especially suitable for areas where there is a high level of dirt and physical stress.

The mounting system of the luminaire body – BEGA Patent DE 44 16 538 – allows easy installation of the luminaires in enclosed or hollow structures without additional fixing holes. We supply installation housings and fixing frames as accessories for mounting the luminaires in brickwork or concrete walls.

The luminaires for fluorescent lamps can be equipped with an electronic ballast in the factory. Prices are available on request.

The front plates of these luminaires can be supplied to special order in any RAL colour.

Further technical data are given in the assembly instructions for use for these luminaires.



Installation housings

When preparing recessed openings, it may be practical to use an installation housing. It is an accessory and must be ordered separately. Aluminium and plastic



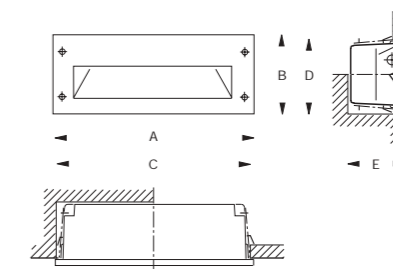
Installation housings	A	B	C
436 for 2115	365	130	125
437 for 2116	455	130	125
438 for 2117	555	130	125

Fixing frames

When installing luminaires in plastered concrete walls, it may be practical to use fixing frames. They are accessories for the installation housings and must be ordered separately.



036 Fixing frame for housing	436
037 Fixing frame for housing	437
038 Fixing frame for housing	438

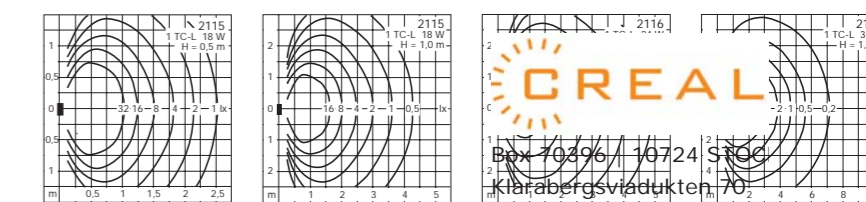


Recessed luminaires for
• fluorescent lamps TC-L 18 · 24 · 36 W
Protection class IP 65
Die cast aluminium and stainless steel
Reflector of pure anodized aluminium
Safety glass

Colour: graphite – article number
white – article number + **W**
silver – article number + **A**

C · D · E = recessed dimensions

Fluorescent lamps		Lumen		A	B	C	D	E
2115	Recessed luminaire	1 TC-L	18 W	1200	330	125	315	110
2116	Recessed luminaire	1 TC-L	24 W	1800	420	125	405	110
2117	Recessed luminaire	1 TC-L	36 W	2900	520	125	505	110



CREAL
Box 70496 / 10724 Sjöge
Klarabergsviadukten 70
Tel +46 (0)8-103070 | Fa
info@crealux.se | www.cre

Wall luminaires with directed light Protection class IP 64

Luminaires for fluorescent lamps. Wall luminaires with small dimensions and high light output.

They are suitable for inside and outside, making important areas or surfaces visible in the dark or where the lighting level is low.

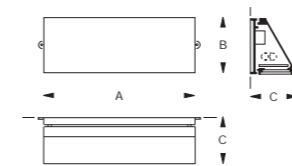
In addition, they indicate danger points or form part of an emergency lighting system.

Die cast aluminium housing. Safety glass.

Luminaires 2093 - 2094 have a lamphouse with grid.

These luminaires can also be equipped with an electronic ballast in the factory. Prices are available on request.

Further technical data are given in the assembly instructions for use for these luminaires.



Wall luminaires for

- fluorescent lamps TC-S 5 · 7 · 9 · 11 W
- fluorescent lamps TC-L 24 W

Protection class IP 64

Die cast aluminium, aluminium and stainless steel

White safety glass

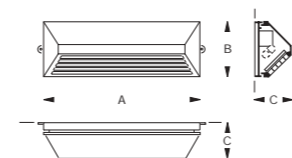
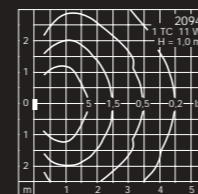
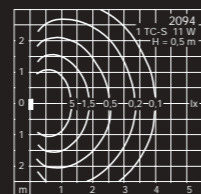
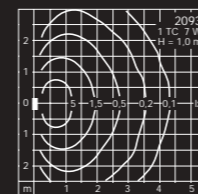
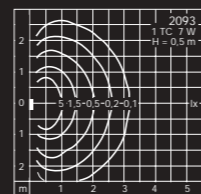
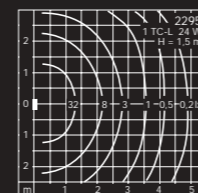
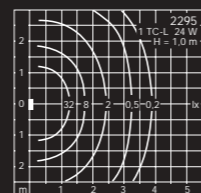
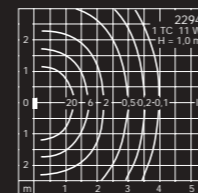
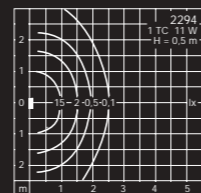
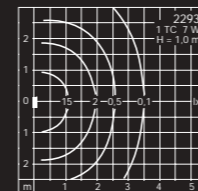
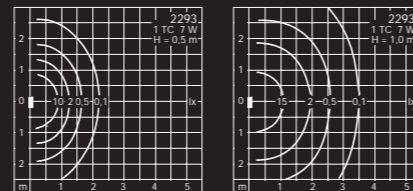
Colour: graphite – article number

white – article number + **W**

silver – article number + **A**



Fluorescent lamps			Lumen	A	B	C
2293	Wall luminaire	1 TC-S 5 · 7 W	250 · 400	200	110	85
2294	Wall luminaire	1 TC-S 9 · 11 W	600 · 900	300	110	85
2295	Wall luminaire	1 TC-L 24 W	1800	400	120	95



Wall luminaires for

- fluorescent lamps TC-S 5 · 7 · 9 · 11 W

Protection class IP 64

Die cast aluminium, aluminium and stainless steel · White safety glass

Safety grid

Colour: graphite – article number

white – article number + **W**

silver – article number + **A**

Fluorescent lamps			Lumen	A	B	C
2093	Wall luminaire	1 TC-S 5 · 7 W	250 · 400	200	110	80
2094	Wall luminaire	1 TC-S 9 · 11 W	600 · 900	300	110	80



Box 70396 | 10724 STOC
Klarabergsviadukten 70
Tel +46 (0)8-103070 | Fa
info@crealux.se | www.cri

Recessed luminaires with directed light
Protection class IP 65

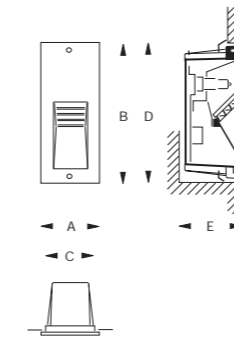
Recessed wall luminaires for incandescent lamps and fluorescent lamps. Their high protection class allows these luminaires to be used in many areas, both inside and outside. They provide glarefree surface lighting from low mounting heights in the dark or where the lighting level is too low. They additionally indicate location points. The luminaires are made entirely of die cast aluminium and stainless steel. They are therefore largely impervious to corrosion and physical damage.

The mounting system of the luminaire body – BEGA Patent DE 44 16 538 – allows easy installation of the luminaires in enclosed or hollow structures without additional fixing holes. We supply installation housings and fixing frames as accessories for mounting the luminaires in brickwork or concrete walls.

The luminaires for fluorescent lamps can also be equipped with an electronic ballast in the factory. Prices are available on request.

The front plates of these luminaires can be supplied to special order in any RAL colour.

Further technical data are given in the assembly instructions for use for these luminaires.



Recessed luminaires with **narrow beam** light distribution for

- tungsten halogen lamps QT 14 25 W
- low voltage tungsten halogen lamps QT 12-ax 35 W

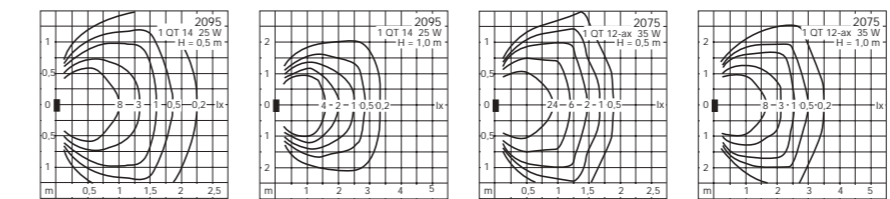
Protection class IP 65
Die cast aluminium, aluminium and stainless steel
Reflector of pure anodized aluminium
Safety glass with optical texture

Colour: graphite – article number
white – article number + **W**
silver – article number + **A**

C · D · E = recessed dimensions

Tungsten halogen lamps			Lumen	A	B	C	D	E
2095	Recessed luminaire	1 QT 14	25 W 230	80	190	70	180	85

Low voltage tungsten halogen lamps w/out transformer			Lumen	A	B	C	D	E
2075	Recessed luminaire	1 QT 12-ax	35 W 600	80	190	70	180	85



Installation housings

When preparing recessed openings, it may be practical to use an installation housing. It is an accessory and must be ordered separately. Aluminium and plastic

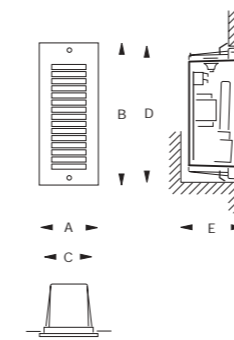
Installation housings		A	B	C
421	for 2095 · 2075 · 2098	230	90	110
436	for 2092 · 2099	365	130	125



Fixing frames

When installing luminaires in plastered concrete walls, it may be practical to use fixing frames. They are accessories for the installation housings and must be ordered separately.

021	Fixing frame for housing	421
036	Fixing frame for housing	436



Recessed luminaires with **wide beam** light distribution for

- incandescent lamps A 60 60 W
- fluorescent lamps TC-S 5 W
- fluorescent lamps TC-L 8 W

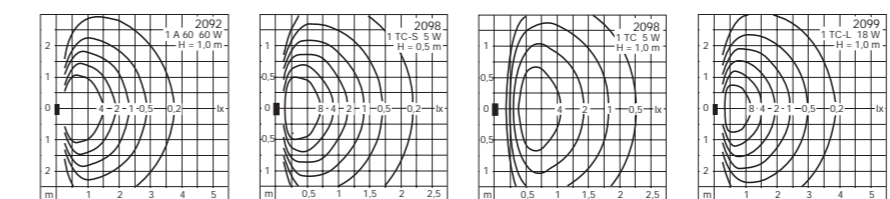
Protection class IP 65
Die cast aluminium, aluminium and stainless steel
Matt safety glass

Colour: graphite – article number
white – article number + **W**

C · D · E = recessed dimensions

Incandescent lamps			Lumen	A	B	C	D	E
2092	Recessed luminaire	1 A 60	60 W 710	125	330	110	315	110

Fluorescent lamps			Lumen	A	B	C	D	E
2098	Recessed luminaire	1 TC-S	5 W 250	80	190	70	180	85
2099	Recessed luminaire	1 TC-L	18 W 1200	125	330	110	315	110



Box 70396 | 10724 STOC
Klarabergsviadukten 70
Tel +46 (0)8-103070 | Fa
info@crealux.se | www.cri

Recessed luminaires · Protection class IP 65 Location luminaires

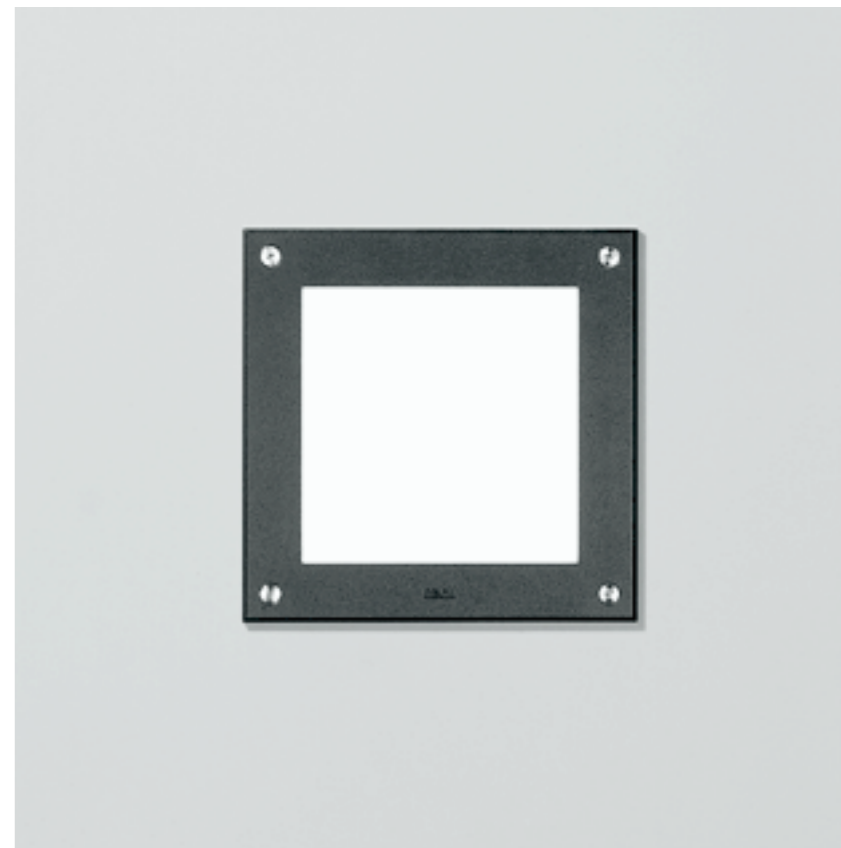
Recessed wall luminaires for tungsten halogen lamps, incandescent lamps and compact fluorescent lamps. These luminaires make important location points visible in the dark or where the lighting level is low. They also indicate danger points.

The mounting system of the luminaire body – BEGA Patent DE 44 16 538 – allows easy installation of the luminaires in enclosed or hollow structures without additional fixing holes. We supply installation housings and fixing frames as accessories for mounting the luminaires in brickwork or concrete walls.

The luminaires for fluorescent lamps TC-TEL are equipped with electronic ballasts. 26 · 32 · 42 W lamps can be used in these luminaires.

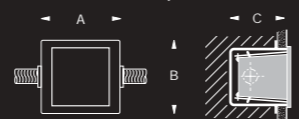
The front plates of these luminaires can be supplied to special order in any RAL colour.

Further technical data are given in the assembly instructions for use for these luminaires.



Installation housings

When preparing recessed openings, it may be practical to use an installation housing. It is an accessory and must be ordered separately. Aluminium and plastic



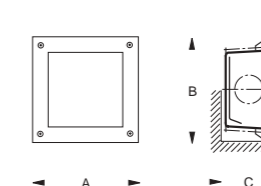
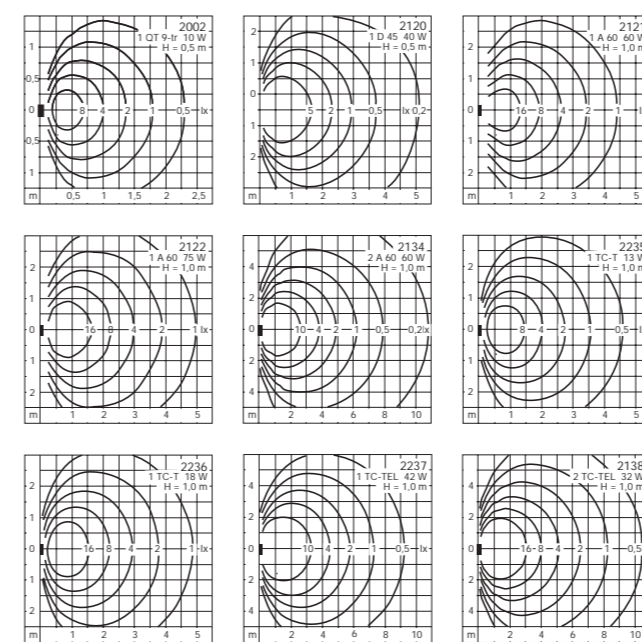
Installation housings	A	B	C
406 for 2002	120	90	110
463 for 2120 · 2235	190	165	125
489 for 2121 · 2236	225	200	125
490 for 2122 · 2237	280	255	125
492 for 2134 · 2138	330	305	125

Fixing frames

When installing luminaires in plastered concrete walls, it may be practical to use fixing frames. They are accessories for the installation housings and must be ordered separately.



006 Fixing frame for housing	406
063 Fixing frame for housing	463
089 Fixing frame for housing	489
090 Fixing frame for housing	490
092 Fixing frame for housing	492



Recessed luminaires for

- low voltage tungsten halogen lamps QT 9-tr 10 W
- incandescent lamps D 45 40 W
- incandescent lamps A 60 60 · 75 W
- fluorescent lamps TC-T 13 · 18 W
- fluorescent lamps for electronic ballasts TC-TEL 26 · 32 · 42 W

Protection class IP 65
Die cast aluminium, aluminium and stainless steel · White safety glass

Colour: graphite – article number
white – article number + **W**
silver – article number + **A**

B · C = recessed dimensions

	Low volt. tungsten halogen lamps w/o transformer	Lumen	A	B	C
2002	Recessed luminaire 1 QT 9-tr 10 W	130	80	70	90
Incandescent lamps					
2120	Luminaire 1 D 45 40 W	400	150	139	110
2121	Luminaire 1 A 60 60 W	710	190	175	105
2122	Luminaire 1 A 60 75 W	940	250	230	110
2134	Luminaire 2 A 60 60 W	1400	300	280	110
Fluorescent lamps					
2235	Luminaire 1 TC-T 13 W	1300	130	139	110
2236	Luminaire 1 TC-T 18 W	1800	175	175	105
2237	Luminaire 1 TC-TEL 26 · 32 · 42 W	2200	230	230	110
2138	Luminaire 2 TC-TEL 32 W	2800	280	280	100



Box 7000, 401 22 Stockholm, Sweden
Kvarbergsviadukten 7000

Tel +46 (0)8-103070 | Fa
info@crealux.se | www.cre

Recessed luminaires · Protection class IP 65 Location luminaires

Recessed wall luminaires for tungsten halogen lamps, incandescent lamps and compact fluorescent lamps. These luminaires provide glarefree lighting, making important location points visible in the dark or where the level of lighting is too low. They also indicate danger points.

The mounting system of the luminaire body – BEGA Patent DE 44 16 538 – allows easy installation of the luminaires in enclosed or hollow structures without additional fixing holes.

We supply installation housings and fixing frames as accessories for mounting the luminaires in brickwork or concrete walls.

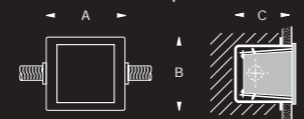
The front plates of these luminaires can also be supplied to special order in any RAL colour.

Further technical data are given in the assembly instructions for use for these luminaires.



Installation housings

When preparing recessed openings, it may be practical to use an installation housing. It is an accessory and must be ordered separately. Aluminium and plastic



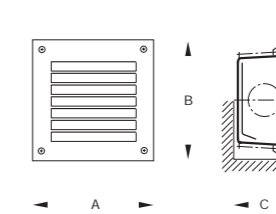
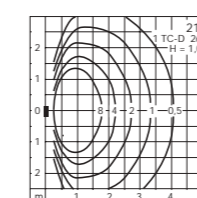
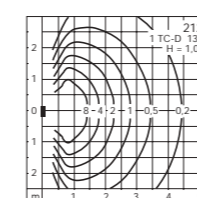
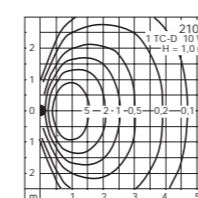
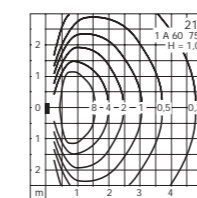
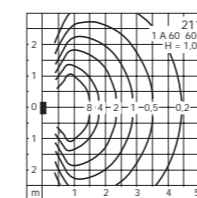
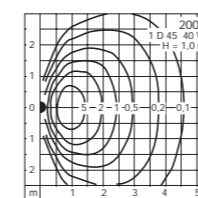
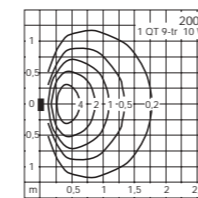
Installation housings	A	B	C
406 for 2003	120	90	110
463 for 2004 · 2104	190	165	125
489 for 2118 · 2128	225	200	125
490 for 2119 · 2129	280	255	125

Fixing frames

When installing luminaires in plastered concrete walls, it may be practical to use fixing frames. They are accessories for the installation housings and must be ordered separately.



006 Fixing frame for housing	406
063 Fixing frame for housing	463
089 Fixing frame for housing	489
090 Fixing frame for housing	490



Recessed luminaires for

- low voltage tungsten halogen lamps QT 9-tr 10 W 12 V
- incandescent lamps D 45 40 W
- incandescent lamps A 60 60 · 75 W
- fluorescent lamps TC-D 10 · 13 · 26 W

Protection class IP 65 · Matt safety glass
Die cast aluminium, aluminium and stainless steel

Colour: graphite – article number
white – article number + **W**
silver – article number + **A**

B · C = recessed dimensions

Low voltage tungsten halogen lamps w/o transformer		Lumen	A	B	C
2003	Recessed luminaire 1 QT 9-tr 10 W	130	80	70	90
Incandescent lamps					
2004	Recessed luminaire 1 D 45 40 W	400	150	139	110
2118	Recessed luminaire 1 A 60 60 W	710	190	175	105
2119	Recessed luminaire 1 A 60 75 W			230	110
Fluorescent lamps					
2104	Recessed luminaire 1 TC-D 10 W			139	110
2128	Recessed luminaire 1 TC-D 13 W			175	105
2129	Recessed luminaire 1 TC-D 26 W			230	110



Box 70390 | 10724 Stockholm
Klarabergsviadukten 700

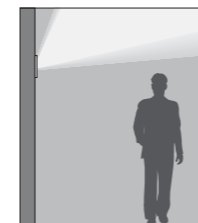
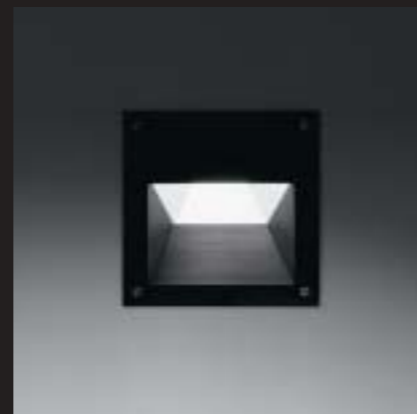
Tel +46 (0)8-103070 | Fa
info@crealux.se | www.cre

Recessed luminaires with directed light Protection class IP 65

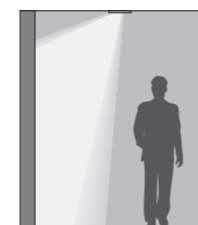
These wall and ceiling washers provide close-range surface illumination. When recessed in walls, they illuminate adjacent floors or ceilings. When recessed in ceilings, they illuminate vertically adjacent walls. These highly robust luminaires are corrosion-resistant and have a high protection class. This makes them particularly suitable for areas where luminaires are subject to a high level of dirt and physical damage. They are designed to provide location lighting in pedestrian areas and additionally indicate danger points, and to provide surface illumination where high light outputs are required.

The mounting system for the luminaire body – BEGA Patent DE 44 16 538 – allows easy installation of the luminaires in enclosed or hollow structures without additional fixing holes. We supply installation housings and fixing frames as accessories for mounting the luminaires in brickwork or concrete walls.

Further technical data are given in the instructions for use for these luminaires.



ceiling illumination
from the wall



wall illumination
from the ceiling

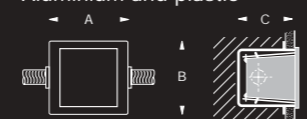


floor illumination
from the wall



Installation housings

When preparing recessed openings, it may be practical to use these installation housings. They are accessories and must be ordered separately. Aluminium and plastic



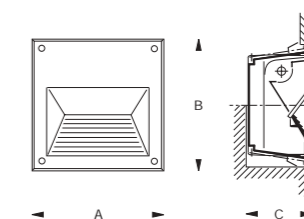
Installation housings	A	B	C
489 for 2231	225	200	125
490 for 2232 · 2233	280	255	125
492 for 2234	330	305	125

Fixing frames

When installing luminaires in plastered concrete walls, it may be practical to use fixing frames. They are accessories and must be ordered separately.



089 Fixing frame for housing	489
090 Fixing frame for housing	490
092 Fixing frame for housing	492



Recessed luminaires with shielded light source and directed light for

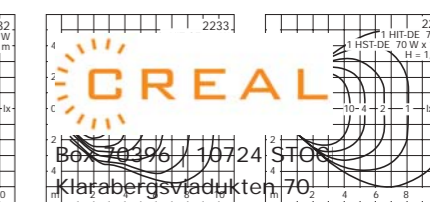
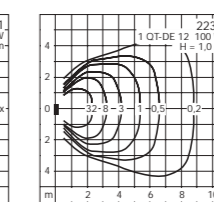
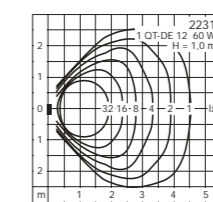
- tungsten halogen lamps QT-DE 12 60 · 100 W
- discharge lamps HIT-CE 35 W – G 12
- discharge lamps HI/HST-DE 70 W

Protection class IP 65
Die cast aluminium, aluminium and stainless steel · Safety glass
Reflector of pure anodized aluminium

Colour: graphite – article number
white – article number + **W**
silver – article number + **A**

B · C = recessed dimensions

Tungsten halogen lamps				Lumen	A	B	C
2231	Recessed luminaire	1 QT-DE 12	60 W	840	190	175	105
2232	Recessed luminaire	1 QT-DE 12	100 W	1650	250	230	110
Discharge lamps							
2233	Recessed luminaire	1 HIT-CE	35 W	3300	250	230	110
2234	Recessed luminaire	1 HI/HST-DE	70 W	5000 · 6800	300	280	110



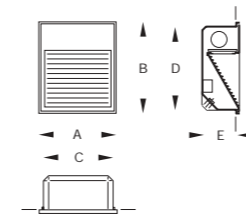
On pages 338 - 339 of this catalogue, you will find a description of bollards whose shape, construction and light output match the luminaires given on this double page.

Recessed luminaires with directed light Protection class IP 64

Wall luminaires for fluorescent lamps and discharge lamps.
These luminaires provide glarefree surface illumination from low mounting heights. They additionally indicate danger points.
They should be mounted below eye level.
The luminaires in the upper group have directed light distribution.
The light source is fully shielded.
The luminaires in the lower group have a front panel with clear safety glass with optical texture and mirror optics for light distribution which is narrow beam on one level and broad spread on one level or a front panel with white safety glass for soft broad spread light.

The luminaires for fluorescent lamps TC-TEL are equipped with electronic ballasts. 32 · 42 W or 60 · 85 W lamps can be used in these luminaires.
Further technical data are given in the instructions for use for these luminaires.

On pages 334 - 335 of this catalogue, you will find a description of bollards whose shape, construction and light output match the luminaires given on this double page.



Recessed luminaires with shielded light source and directed light for

- fluorescent lamps for electronic ballasts TC-TEL 32 · 42 W
- discharge lamps HME 50 · 80 · 125 W

Protection class IP 64
Die cast aluminium and stainless steel
Safety guard and safety glass

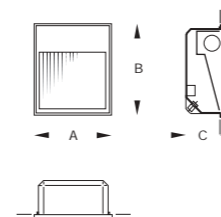
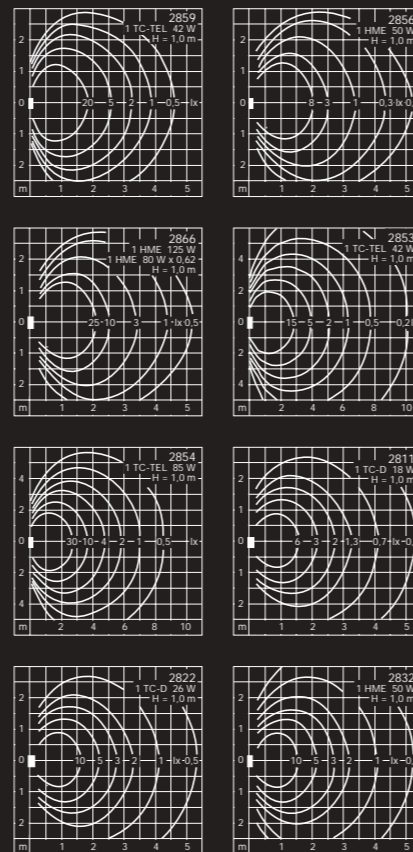
Colour: graphite – article number
silver – article number + **A**

C · D · E = recessed dimensions



Fluorescent lamps		Lumen	A	B	C	D	E
2859	Recessed luminaire 1 TC-TEL 32 · 42 W	2400 · 3200	230	250	208	228	100

Discharge lamps		Lumen	A	B	C	D	E
2856	Recessed luminaire 1 HME 50 W	2000	230	250	208	228	100
2866	Recessed luminaire 1 HME 80 · 125 W	4000 · 6500	300	350	290	335	140



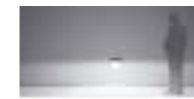
Recessed luminaires with shielded light source for

- fluorescent lamps for electronic ballasts TC-TEL 32 · 42 · 60 · 85 W

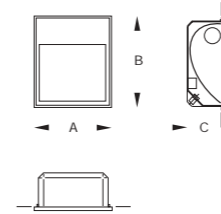
Protection class IP 64
Safety glass with optical texture
Die cast aluminium and stainless steel
Reflector of pure anodized aluminium

Colour: graphite – article number
silver – article number + **A**

C · D · E = recessed dimensions



Fluorescent lamps		Lumen	A	B	C	D	E
2853	Recessed lumin. 1 TC-TEL 32 · 42 W	2400 · 3200	230	250	208	228	100
2854	Recessed lumin. 1 TC-TEL 60 · 85 W	4000 · 6000	300	350	290	335	140



Recessed luminaires with shielded light source for

- fluorescent lamps TC-D 18 · 26 W
- discharge lamps HME 50 W

IP 64 · White safety glass
Die cast aluminium and stainless steel

Colour: graphite – article number
silver – article number + **A**

C · D · E = recessed openings



Fluorescent lamps		Lumen	A	B	C	D	E
2811	Recessed lumin. 1 TC-D 18 W	1200	230	250	208	228	100
2822	Recessed lumin. 1 TC-D 26 W	1800	300	350	290	335	140

Discharge lamps		Lumen	A	B	C	D	E
2832	Recessed lumin. 1 HME 50 W	2000	300	350	290	335	140



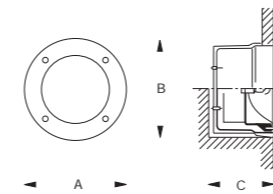
CREAL
Box 70396 | 10724 STOC
Klarabergsviadukten 70
Tel +46 (0)8-103070 | Fa
info@crealux.se | www.cri

Recessed luminaires with directed light
Protection class IP 54 · STAINLESS STEEL

These recessed wall luminaires for low voltage tungsten halogen lamps with small dimensions and high light output have narrow beam light distribution on one level and wide beam light distribution on the other level. They provide surface illumination from low mounting heights, and their function is additionally to guide or demarcate. Their construction of stainless steel and safety glass is exceptionally robust. After installation of the luminaire, the optical system can be rotated by $\pm 20^\circ$.

The mounting system of the luminaire body – BEGA Patent DE 44 16 538 – allows easy installation of the luminaires in enclosed or hollow structures without additional fixing holes. We supply installation housings and fixing frames as accessories for mounting the luminaires in brickwork or concrete walls.

Further technical data are given in the instructions for use for these luminaires.



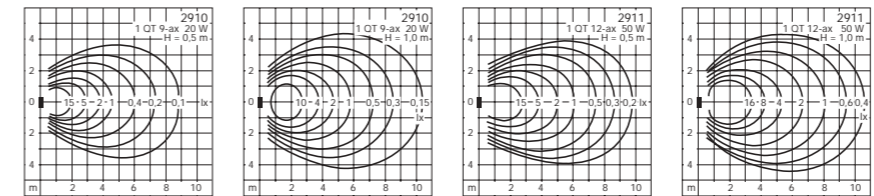
Recessed luminaires with directed light for

- low voltage tungsten halogen lamps QT 9-ax 20 W 12 V
- low voltage tungsten halogen lamps QT 12-ax 50 W 12 V

Protection class IP 54
Stainless steel and die cast aluminium
Reflector of pure anodized aluminium
Safety glass with optical texture
Built-in transformer
Glare suppression of the lamp

B = diameter of recessed opening
C = recessed depth

Low voltage tungsten halogen lamps				Lumen	A	B	C
2910	Recessed luminaire	1 QT 9-ax	20 W	320	120	106	125
2911	Recessed luminaire	1 QT 12-ax	50 W	910	180	166	125



Installation housings

When preparing recessed openings, it may be practical to use these installation housings. They are accessories and must be ordered separately. Aluminium



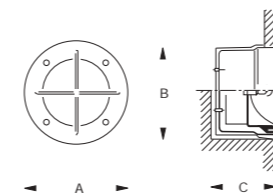
Installation housings		A	B
433	for 2910 · 2920	120	155
434	for 2911 · 2921	180	155

Fixing frames

When installing luminaires in plastered concrete walls, it may be practical to use fixing frames. They are accessories for the installation housings and must be ordered separately.



033	Fixing frame for housing	433
034	Fixing frame for housing	434



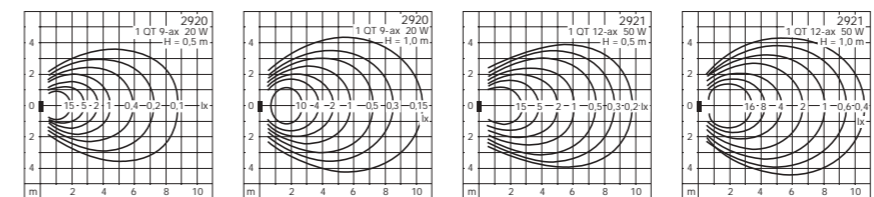
Recessed luminaires with directed light for

- low voltage tungsten halogen lamps QT 9-ax 20 W 12 V
- low voltage tungsten halogen lamps QT 12-ax 50 W 12 V

Protection class IP 54
Stainless steel and die cast aluminium
Reflector of pure anodized aluminium
Safety glass with optical texture
Built-in transformer
Glare suppression of the lamp

B = diameter of recessed opening
C = recessed depth

Low voltage tungsten halogen lamps				Lumen	A	B	C
2920	Recessed luminaire	1 QT 9-ax	20 W	320	120	106	125
2921	Recessed luminaire	1 QT 12-ax	50 W	910	180	166	125



Box 70396 | 10724 STOC
Klarabergsviadukten 70
Tel +46 (0)8-103070 | Fa
info@crealux.se | www.cri

Recessed luminaires · Location luminaires Protection class IP 65 · STAINLESS STEEL

These recessed wall luminaires provide surface illumination from low mounting heights.

Their function is to locate, guide or demarcate. They also indicate danger points or form part of an emergency lighting system.

Highly robust in construction, these luminaires are made of die cast aluminium with a stainless steel front panel.

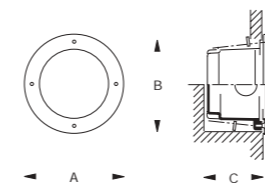
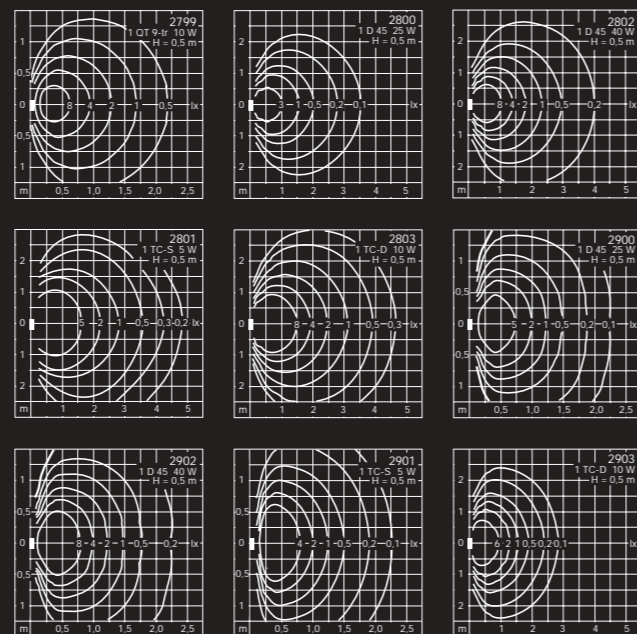
Stainless steel is a material that is of great importance in modern architecture. The aesthetic appearance of its surface, its high stability and durability fulfil the highest standards.

Like any precious material, stainless steel needs regular cleaning to preserve its surface structure. Its maintenance with standard products is just as unproblematical as the maintenance of other stainless steel equipment but please note that contact with iron can cause rust stains.

The mounting system of the luminaire body – BEGA Patent DE 44 16 538 – allows easy installation of the luminaire in enclosed or hollow structures without additional fixing holes.

We supply installation housings and fixing frames as accessories for mounting the luminaires in brickwork or concrete walls.

Further technical data are given in the instructions for use for these luminaires.



Recessed luminaires for

- low voltage tungsten halogen lamps QT 9-tr 10 W 12 V
- incandescent lamps D 45 25 · 40 W
- fluorescent lamps TC-S 5 W
- fluorescent lamps TC-D 10 W

Protection class IP 65
Die cast aluminium installation housing
Stainless steel front panel
White safety glass

B = diameter of recessed opening
C = recessed depth

Low voltage tungsten halogen lamps w/o transformer				Lumen	A	B	C
2799	Recessed luminaire	1 QT 9-tr	10 W	130	80	71	90
Incandescent lamps							
2800	Recessed luminaire	1 D 45	25 W	200	150	130	125
2802	Recessed luminaire	1 D 45	40 W	400	210	180	125
Fluorescent lamps							
2801	Recessed luminaire	1 TC-S	5 W	250	150	130	125
2803	Recessed luminaire	1 TC-D	10 W	600	210	180	125



Installation housings

When preparing recessed openings, it may be practical to use these installation housings. They are accessories and must be ordered separately.
Aluminium



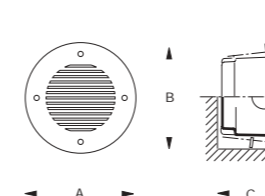
Installation housings	A	B
415 for 2799	80	105
428 for 2800 · 2801 · 2900 · 2901	145	150
429 for 2802 · 2803 · 2902 · 2903	205	150

Fixing frames

When installing luminaires in plastered concrete walls, it may be practical to use fixing frames. They are accessories for the installation housings and must be ordered separately.



015	Fixing frame for housing	415
028	Fixing frame for housing	428
029	Fixing frame for housing	429



Recessed luminaires for

- incandescent lamps D 45 25 · 40 W
- fluorescent lamps TC-S 5 W
- fluorescent lamps TC-D 10 W

Protection class IP 65
Die cast aluminium installation housing
Stainless steel front panel
Matt safety glass

B = diameter of recessed opening
C = recessed depth

Incandescent lamps				Lumen	A	B	C
2900	Recessed luminaire	1 D 45	25 W	200	150	130	125
2902	Recessed luminaire	1 D 45	40 W	400	210	180	125
Fluorescent lamps							
2901	Recessed luminaire	1 TC-S	5 W	250	150	130	125
2903	Recessed luminaire	1 TC-D	10 W	600	210	180	125



Box 70396 | 10724 STOC
Klarabergsviadukten 70
Tel +46 (0)8-103070 | Fa
info@crealux.se | www.cri

Recessed luminaires · Protection class IP 65 Location luminaires

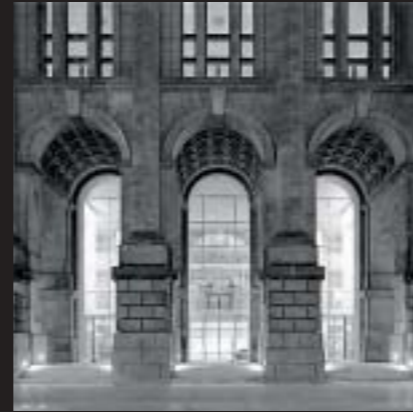
Recessed wall luminaires for low voltage tungsten halogen lamps, incandescent lamps and fluorescent lamps.
Their function is to demarcate, indicate or guide and additionally to identify danger points or form part of an emergency lighting system. These corrosion-resistant luminaires of high material quality and high protection class are suitable for all areas where dust-proof and jet-proof luminaires are required to ensure safe operation.

The luminaires for fluorescent lamps TC-TEL are equipped with electronic ballasts. 26 · 32 W lamps can be used in these luminaires.

The mounting system of the luminaire body – BEGA Patent DE 44 16 538 – allows easy installation of the luminaires in enclosed or hollow structures without additional fixing holes.

We supply installation housings and fixing frames as accessories for mounting the luminaires in brickwork or concrete walls.

Further technical data are given in the instructions for use for these luminaires.



Installation housings

When preparing recessed openings, it may be practical to use these installation housings. They are accessories and must be ordered separately.
Aluminium



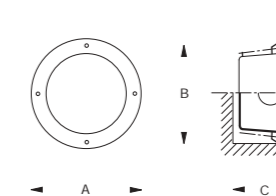
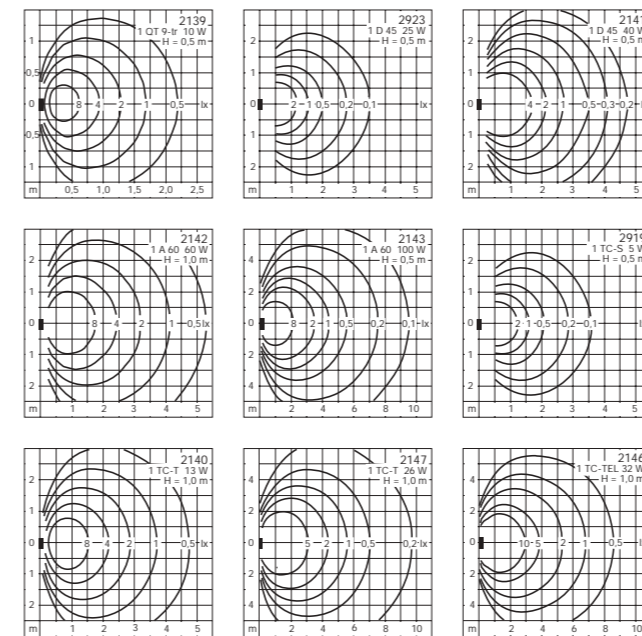
Installation housings	A	B
415 for 2139	80	105
485 for 2923 · 2919	120	150
486 for 2141 · 2140	185	135
487 for 2142 · 2147	245	135
491 for 2143 · 2146	295	135

Fixing frames

When installing luminaires in plastered concrete walls, it may be practical to use fixing frames. They are accessories for the installation housings and must be ordered separately.



015 Fixing frame for housing	415
085 Fixing frame for housing	485
086 Fixing frame for housing	486
087 Fixing frame for housing	487
091 Fixing frame for housing	491



Recessed luminaires for

- low voltage tungsten halogen lamps QT 9-tr 10 W 12 V
- incandescent lamps D 45 25 · 40 W
- incandescent lamps A 60 60 · 100 W
- fluorescent lamps TC-S 5 W
- fluorescent lamps TC-T 13 · 26 W
- fluorescent lamps for electronic ballasts TC-TEL 26 · 32 W

Protection class IP 65 · White safety glass
Die cast aluminium, aluminium and stainless steel

Colour: graphite – article number
white – article number + **W**
silver – article number + **A**

B = diameter of recessed opening
C = recessed depth

Low voltage tungsten halogen lamps w/o transformer				Lumen	A	B	C
2139	Recessed luminaire	1 QT 9-tr	10 W	130	80	71	90
Incandescent lamps							
2923	Recessed luminaire	1 D 45	25 W	200	125	110	115
2141	Recessed luminaire	1 D 45	40 W	400	190	175	105
2142	Recessed luminaire	1 A 60	60 W	710	250	230	105
2143	Recessed luminaire	1 A 60	100 W	1210	280	280	115
Fluorescent lamps							
2919	Recessed luminaire	1 TC-S	5	100	110	115	
2140	Recessed luminaire	1 TC-T	13	100	175	105	
2147	Recessed luminaire	1 TC-T	26	100	230	105	
2146	Recessed luminaire	1 TC-TEL	26 · 32	100	280	115	



Box 70396 180724 Stockholm
Klarabergsvägen 700

Tel +46 (0)8-103070 | Fa
info@crealux.se | www.cre

Recessed luminaires · Protection class IP 65 Location luminaires

Recessed wall luminaires for low voltage tungsten halogen lamps, incandescent lamps and fluorescent lamps.
These luminaires provide glarefree surface illumination from low mounting heights. Their function is also to demarcate, indicate or guide and additionally to identify danger points.
The luminaires are to a large extent resistant to physical damage and ensure safe operation in locations where luminaires need to be dust-proof and jet-proof.

The mounting system of the luminaire body – BEGA Patent DE 44 16 538 – allows easy installation of the luminaires in enclosed or hollow structures without additional fixing holes.
We supply installation housings and fixing frames as accessories for mounting the luminaires in brickwork or concrete walls.

Further technical data are given in the instructions for use for these luminaires.



Installation housings

When preparing recessed openings, it may be practical to use these installation housings. They are accessories and must be ordered separately.
Aluminium



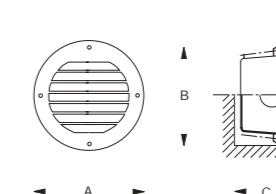
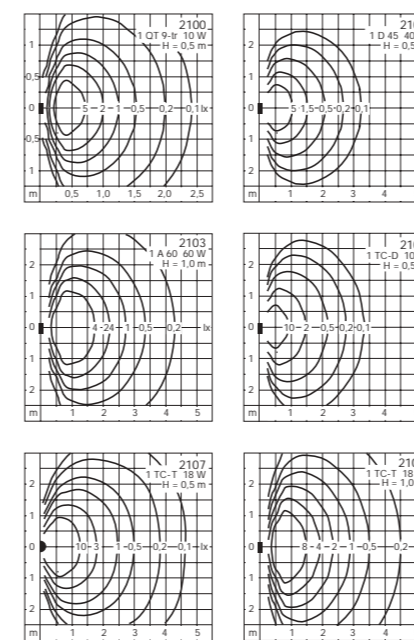
Installation housings	A	B
415 for 2100	80	105
486 for 2102 · 2106	185	135
487 for 2103 · 2107	245	135

Fixing frames

When installing luminaires in plastered concrete walls, it may be practical to use fixing frames. They are accessories for the installation housings and must be ordered separately.



015 Fixing frame for housing	415
086 Fixing frame for housing	486
087 Fixing frame for housing	487



Recessed luminaires for

- low voltage tungsten halogen lamps QT 9-tr 10 W 12 V
- incandescent lamps D 45 40 W
- incandescent lamps A 60 60 W
- fluorescent lamps TC-D 10 W
- fluorescent lamps TC-T 18 W

Protection class IP 65
Die cast aluminium, aluminium and stainless steel
Matt safety glass

Colour: graphite – article number
white – article number + W
silver – article number + A

B = diameter of recessed opening
C = recessed depth

Low voltage tungsten halogen lamps w/o transformer						Lumen	A	B	C
2100	Recessed luminaire	1 QT 9-tr	10 W			130	80	71	90

Incandescent lamps									
2102	Recessed luminaire	1 D 45	40 W				175	105	
2103	Recessed luminaire	1 A 60	60 W				230	105	

Fluorescent lamps									
2106	Recessed luminaire	1 TC-D	10 W	Box 70390	10724 Stjoc		175	105	
2107	Recessed luminaire	1 TC-T	18 W	Klarabergsviadukten 700			230	105	



Tel +46 (0)8-103070 | Fa
info@crealux.se | www.cre

Recessed luminaires with directed light Protection class IP 65

Recessed wall luminaires with high light outputs providing glarefree surface illumination from low mounting heights. They are equipped with a high-quality reflector system, producing broad spread light on the horizontal level and very narrow beam light directed vertically downwards.

The mounting system of the luminaire body – BEGA Patent DE 44 16 538 – allows easy installation of the luminaires in enclosed or hollow structures without additional fixing holes. We supply installation housings and fixing frames as accessories for mounting the luminaires in brickwork or concrete walls.

The luminaires for fluorescent lamps TC-TEL are equipped with electronic ballasts. 32 · 42 W lamps can be used in these luminaires.

Further technical data are given in the instructions for use for these luminaires.



Installation housings

When preparing recessed openings, it may be practical to use these installation housings. They are accessories and must be ordered separately.
Aluminium



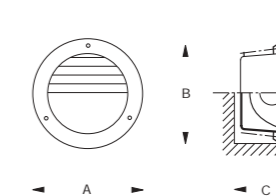
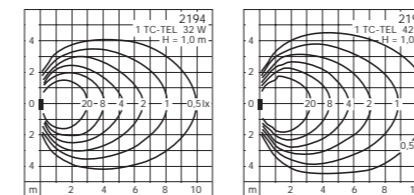
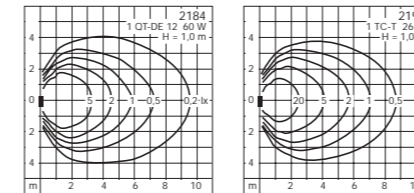
Installation housings	A	B
486 for 2184	185	135
487 for 2193	245	135
491 for 2194	295	135

Fixing frames

When installing luminaires in plastered concrete walls, it may be practical to use fixing frames. They are accessories for the installation housings and must be ordered separately.



086 Fixing frame for housing	486
087 Fixing frame for housing	487
091 Fixing frame for housing	491



Recessed luminaires with directed light for

- tungsten halogen lamps QT-DE 12 60 W
- fluorescent lamps TC-T 26 W
- fluorescent lamps for electronic ballasts TC-TEL 32 · 42 W

Protection class IP 65

Die cast aluminium and stainless steel
Reflector of pure anodized aluminium
Safety glass

Colour: graphite – article number
white – article number + **W**
silver – article number + **A**

B = diameter of recessed opening
C = recessed depth

Tungsten halogen lamps				B	C
2184	Recessed luminaire	1 QT-DE 12 60	60	175	105
Fluorescent lamps				B	C
2193	Recessed luminaire	1 TC-T 26	26	230	105
2194	Recessed luminaire	1 TC-TEL 32 · 42	42	280	115



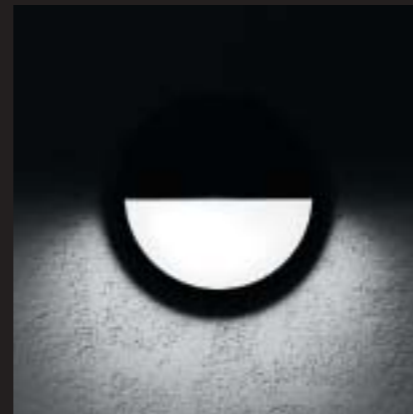
Box 70396 | 180 24 Stoc
Karabergsvägen 700
Tel +46 (0)8-103070 | Fa
info@crealux.se | www.cri

Recessed luminaires with directed light Protection class IP 64 · IP 65

Recessed wall luminaires for incandescent lamps, fluorescent lamps and discharge lamps.
These luminaires provide glarefree surface illumination from low mounting heights. They also identify danger points. They should be installed below eye level.
The light source is fully shielded.
The luminaires in the upper group have wide beam light distribution and also illuminate the wall in which they are mounted.
The luminaires in the lower group are equipped with a reflector system and produce directed light which only illuminates the area in front of the wall in which they are mounted.

We supply installation housings and fixing frames as accessories for mounting the luminaires in brickwork or concrete walls.

Further technical data are given in the instructions for use for these luminaires.



Installation housings

When preparing recessed openings, it may be practical to use these installation housings. They are accessories and must be ordered separately.
Aluminium



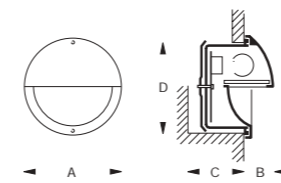
Installation housings	A	B
417 for 2939	165	140
418 for 2925 · 2926	230	140
486 for 2125	185	135
487 for 2126 · 2127	245	135

Fixing frames

When installing luminaires in plastered concrete walls, it may be practical to use fixing frames. They are accessories for the installation housings and must be ordered separately.



017 Fixing frame for housing	417
018 Fixing frame for housing	418
086 Fixing frame for housing	486
087 Fixing frame for housing	487



Recessed luminaires with shielded light source and directed light for

- incandescent lamps A 60 · 75 W
- fluorescent lamps TC-D 10 · 18 W

Protection class IP 64

Die cast aluminium, aluminium and stainless steel
Safety glass with optical texture

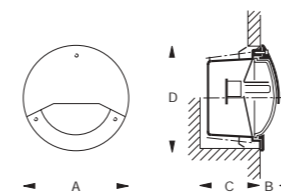
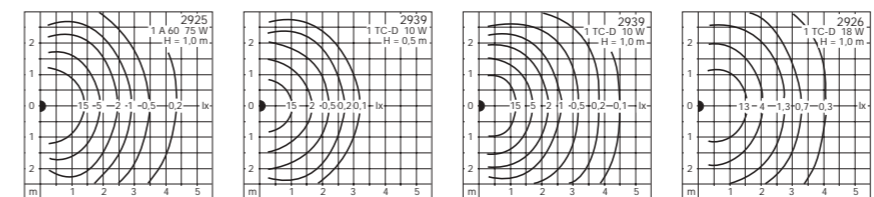
Colour: graphite – article number
white – article number + W

C = depth of recessed opening
D = diameter of recessed opening



Incandescent lamps		Lumen	A	B	C	D
2925	Recessed luminaire 1 A 60 75 W	940	240	70	115	210

Fluorescent lamps		Lumen	A	B	C	D
2939	Recessed luminaire 1 TC-D 10 W	600	170	60	105	147
2926	Recessed luminaire 1 TC-D 18 W	1200	240	70	115	210



Recessed luminaires with shielded light source and directed light for

- tungsten halogen lamps QT 18 60 · 75 W
- metal halide lamps HIT-TC-CE 35 W – G 8.5

Protection class IP 65
Die cast aluminium, aluminium and stainless steel · Crystal glass
Reflector of pure anodized aluminium

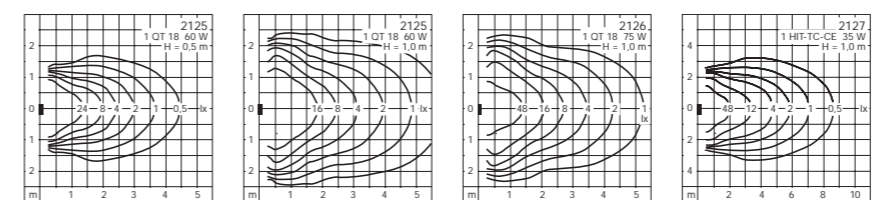
Colour: graphite – article number
white – article number + W
silver – article number + A

C = depth of recessed opening
D = diameter of recessed opening



Tungsten halogen lamps		Lumen	A	B	C	D
2125	Recessed luminaire 1 QT 18 60 W	790	190	35	105	175
2126	Recessed luminaire 1 QT 18 75 W	1050	250	50	115	230

Metal halide lamps		Lumen	A	B	C	D
2127	Recessed luminaire 1 HIT-TC-CE 35 W	3300	250	50	115	230



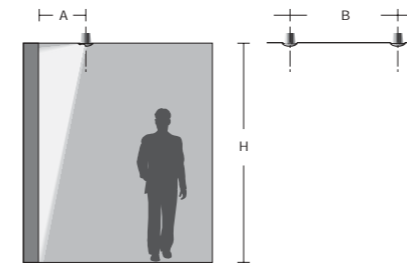
Box 70396 | 10724 STOC
Klarabergsviadukten 70
Tel +46 (0)8-103070 | Fa
info@crealux.se | www.cre

Recessed ceiling luminaires with directed light Wall washers · Protection class IP 65

Luminaires with extremely asymmetrical light distribution. They provide large-area wall illumination from the ceiling. These highly robust luminaires with a high protection class are designed for sophisticated lighting tasks. They are suitable both for inside and outside use where high light outputs are required and the luminaires, due to their small dimensions and extremely low protrusion, are very discreet in appearance and unobtrusively fulfil their purpose.

The robust mounting system ensures vibration-proof installation of the luminaires in suspended ceilings up to a thickness of 50 mm. We supply installation housings as accessories for mounting the luminaires in cast ceilings.

Further technical data are given in the instructions for use for these luminaires.



A = distance of luminaires to facade
H = height of facade
B = distance between luminaires
 \bar{E} = average illuminance on facade
g1 = uniformity of illuminance

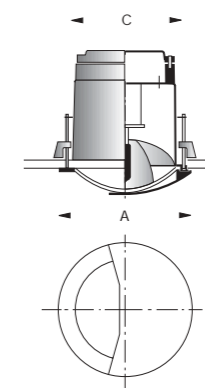


6789 - 6790 QT 12-ax 50 W				
A	H	B	\bar{E}	g1
1.0 m	2.5 m	2.0 m	51 lx	0.33
1.2 m	3.0 m	2.5 m	34 lx	0.34
1.5 m	3.5 m	3.0 m	23 lx	0.37
1.8 m	4.0 m	3.5 m	17 lx	0.39

6792 QT 18 100 W				
A	H	B	\bar{E}	g1
1.0 m	2.5 m	2.0 m	78 lx	0.33
1.2 m	3.0 m	2.5 m	52 lx	0.34
1.5 m	3.5 m	3.0 m	36 lx	0.37
1.8 m	4.0 m	3.5 m	26 lx	0.39

6793 HIT-TC-CE 35 W				
A	H	B	\bar{E}	g1
1.5 m	2.5 m	3.0 m	101 lx	0.38
1.8 m	3.0 m	3.5 m	72 lx	0.4
2.0 m	4.0 m	4.5 m	47 lx	0.4
2.2 m	5.0 m	5.5 m	32 lx	0.34

6795 HIT-TC-CE 70 W				
A	H	B	\bar{E}	g1
1.8 m	3.0 m	3.5 m	135 lx	0.4
2.0 m	5.0 m	4.5 m	88 lx	0.4
2.2 m	7.0 m	5.5 m	61 lx	0.34
2.4 m	9.0 m	6.5 m	45 lx	0.34



Wall washers
Recessed ceiling luminaires for

- low voltage tungsten halogen lamps QT 12-ax 50 W 12 V
- high voltage tungsten halogen lamps QT 18 100 W
- discharge lamps HIT-TC-CE 35 · 70 W IP 65 · Die cast aluminium, aluminium and stainless steel · Borosilicate glass

Reflector of pure anodized aluminium

Colour: graphite – article number
white – article number + **W**
silver – article number + **A**

C = Ø recessed opening

Low voltage tungsten halogen lamps w/o transformer								
			Lumen	A	B	C	Housing	
6789	Wall washer	1 QT 12-ax	50 W	910	145	110	128	441

Low voltage tungsten halogen lamps with transformer								
			Lumen	A	B	C	Housing	
6790	Wall washer	1 QT 12-ax	50 W	910	145	185	128	441

High voltage tungsten halogen lamp								
			Lumen	A	B	C	Housing	
6792	Wall washer	1 QT 18	100 W	910	145	240	128	443

Metal halide lamps								
			Lumen	A	B	C	Housing	
6793	Wall washer	1 HIT-TC-CE	35 W	800	103	96	110	443
6795	Wall washer	1 HIT-TC-CE	70 W	1400	103	96	110	444

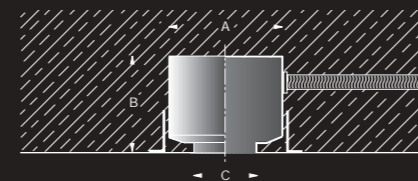


Box 70396 116 0724 62062
Klarabergsvägen 150 70240
Tel +46 (0)8-103070 | Fa
info@crealux.se | www.cre



Installation housings

When installing recessed ceiling luminaires in concrete ceilings, it may be practical to use these aluminium accessories. Full technical details and installation data are given in the assembly instructions.



Installation housings	A	B	C
441	240	200	128
443	320	250	202
444	360	270	240

Downlights · Recessed ceiling luminaires
Low voltage tungsten halogen lamps
Protection class IP 65 · Ballproof

These extremely robust and corrosion-resistant downlights are designed for all areas of interior and exterior lighting. They are equipped either with a front ring made of painted die cast aluminium or stainless steel.

The luminaires are ballproof in accordance with DIN/VDE 0710 Part 13 and suitable for sports facilities.

These enclosed luminaires can be used wherever dust and moisture are likely to soil the reflector and lamp quickly.

They have an enclosed connection chamber and lamphouse. This design obstructs any flow of air through the luminaire, thus preventing dust being conveyed onto the suspended ceiling.

The robust mounting system ensures vibration-proof installation of the luminaires in suspended ceilings up to a thickness of 50 mm.

We supply installation housings as accessories for mounting the luminaires in cast ceilings.

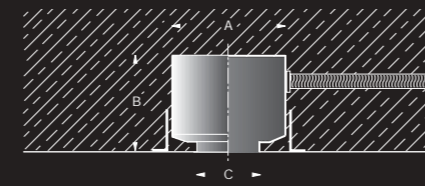
Further technical data are given in the instructions for use for these luminaires.



Installation housings

When installing recessed ceiling luminaires in concrete ceilings, it may be practical to use these aluminium accessories.

Full technical details and installation data are given in the instructions for use.



Installation housings	A	B	C
411	170	105	71
440	200	170	97
441	240	200	128

Recessed ceiling luminaires with front ring made of die cast aluminium or stainless steel for

- low voltage tungsten halogen lamps QT 9-ax 20 W 12 V
- low voltage tungsten halogen lamps QT 12-ax 35 · 50 · 75 W 12 V

IP 65 · Die cast aluminium, aluminium and stainless steel · Safety glass

Reflector of pure anodized aluminium

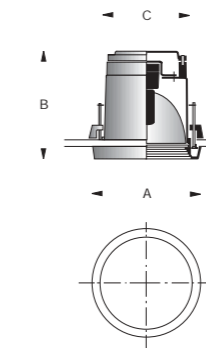
Ballproof

6209 · 6799 not ballproof

Front ring made of die cast aluminium

Colour: graphite – article number
 white – article number + **W**

C = Ø recessed opening



Die cast aluminium front ring

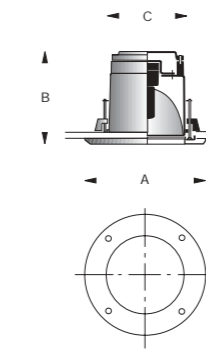


Low voltage tungsten halogen lamps
w/o transformer Safety class III

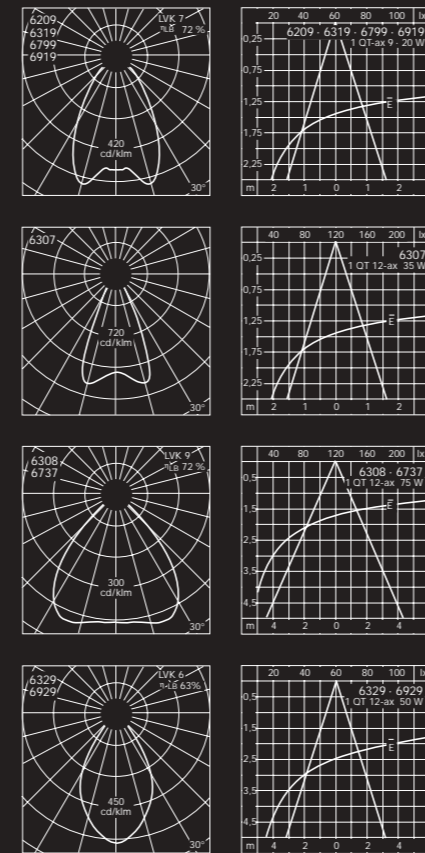
			Lumen	A	B	C	Housing	
6209	Downlight	1 QT 9-ax	20 W	320	80	90	71	411
6307	Downlight	1 QT 12-ax	35 W	600	110	95	97	440
6308	Downlight	1 QT 12-ax	75 W	1450	145	110	128	441

with transformer

6319	Downlight	1 QT 9-ax	20 W	320	110	145	97	440
6329	Downlight	1 QT 12-ax	50 W	910	145	185	128	441



Stainless steel front ring



Low voltage tungsten halogen lamps
w/o transformer Safety class III

			Lumen	A	B	C	Housing	
6799	Downlight	1 QT 9-ax	20 W	320	80	90	71	411
6736	Downlight	1 QT 12-ax	35 W				7	440
6737	Downlight	1 QT 12-ax	75 W				3	441

with transformer

6919	Downlight	1 QT 9-ax	20 W	320	110	145	97	440
6929	Downlight	1 QT 12-ax	50 W	910	145	185	128	441



Box 70396 121 07445 STO 67
 Klara Bergs väg 10 160 105 70128
 Tel +46 (0)8-103070 | Fa
 info@crealux.se | www.cre

Downlights · Recessed ceiling luminaires
High voltage tungsten halogen lamps
Protection class IP 65 · Ballproof

These extremely robust and corrosion-resistant downlights are designed for all areas of interior and exterior lighting. They are equipped with a front ring made of painted die cast aluminium or stainless steel. They are available either with broad spread or very narrow beam light distribution. The luminaires are ballproof in accordance with DIN/VDE 0710 Part 13 and suitable for sports facilities.

These enclosed recessed luminaires are required wherever dust and moisture are likely to soil the reflector and lamp quickly. The luminaires have an enclosed connection chamber and lamphouse. This design obstructs any flow of air through the luminaire, thus preventing dust being conveyed onto the suspended ceiling.

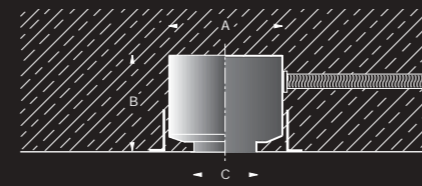
The very robust mounting system ensures vibration-proof installation of the luminaires in suspended ceilings up to a thickness of 50 mm. We supply installation housings as accessories for mounting the luminaires in cast ceilings.

Further technical data are given in the instructions for use for these luminaires.

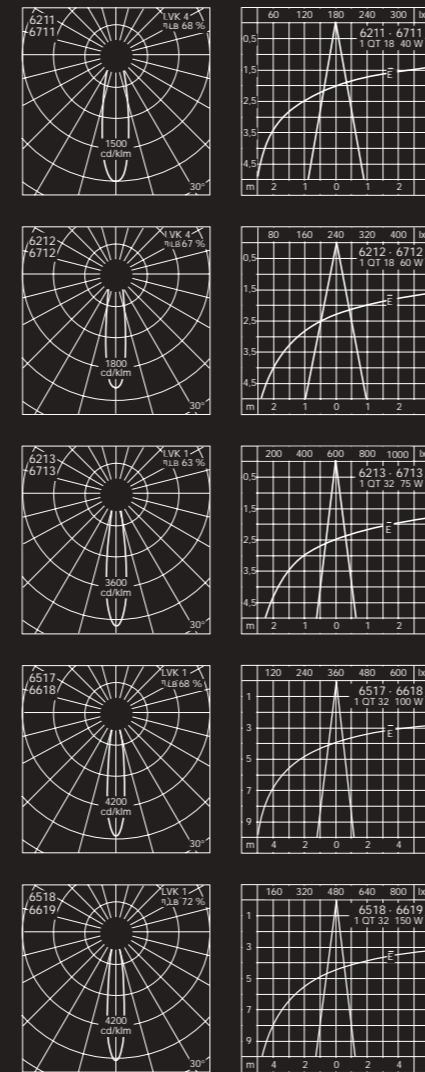


Installation housings

When installing recessed ceiling luminaires in concrete ceilings, it may be practical to use these aluminium accessories. Full technical details and installation data are given in the instructions for use.



Installation housings	A	B	C
440	200	170	97
441	240	200	128
442	280	220	160
443	320	250	202
444	360	270	240



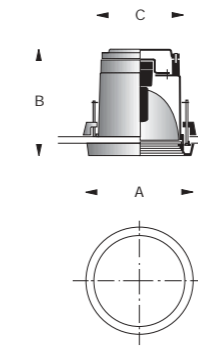
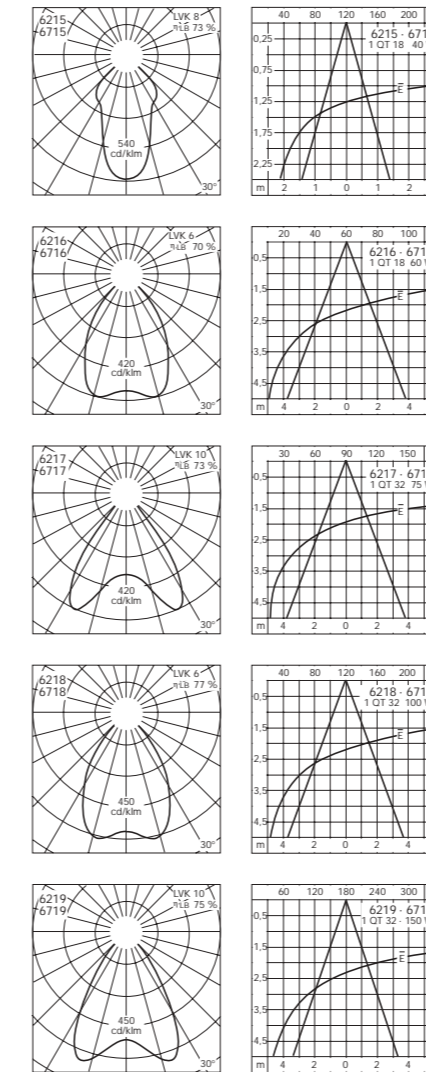
Recessed ceiling luminaires with front ring made of die cast aluminium or stainless steel for

- high voltage tungsten halogen lamps
QT 18 40 · 60 W
- high voltage tungsten halogen lamps
QT 32 75 · 100 · 150 W

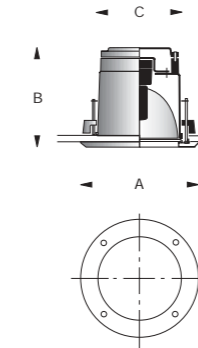
Broad spread or very narrow beam light distribution
 IP 65 · Die cast aluminium, aluminium and stainless steel · Safety glass
 Reflector of pure anodized aluminium
 Ballproof

Die cast aluminium front ring
 Colour: graphite – article number
 white – article number + W

C = Ø recessed opening



Die cast aluminium front ring



Stainless steel front ring



		High voltage tungsten halogen lamps		Lumen	A	B	C	Housing
		very narrow beam						
6211	Downlight	1 QT 18	40 W	460	110	145	97	440
6212	Downlight	1 QT 18	60 W	790	145	155	128	441
6213	Downlight	1 QT 32	75 W	1050	175	205	160	442
6517	Downlight	1 QT 32	100 W	1470	220	205	202	443
6518	Downlight	1 QT 32	150 W	2400	255	250	240	444
		broad spread						
6215	Downlight	1 QT 18	40 W	460	110	145	97	440
6216	Downlight	1 QT 18	60 W	790	145	155	128	441
6217	Downlight	1 QT 32	75 W	1050	175	205	160	442
6218	Downlight	1 QT 32	100 W	1470	220	205	202	443
6219	Downlight	1 QT 32	150 W	2400	255	250	240	444



		High voltage tungsten halogen lamps		Lumen	A	B	C	Housing
		very narrow beam						
6711	Downlight	1 QT 18	40 W	460	120	145	97	440
6712	Downlight	1 QT 18	60 W	790	160	155	128	441
6713	Downlight	1 QT 32	75 W	1050	180	205	160	442
6618	Downlight	1 QT 32	100 W	1470	240	205	202	443
6619	Downlight	1 QT 32	150 W	2400	275	250	240	444
		broad spread						
6715	Downlight	1 QT 18	40 W	460	120	145	97	440
6716	Downlight	1 QT 18	60 W	790	160	155	128	441
6717	Downlight	1 QT 32	75 W	1050	180	205	160	442
6718	Downlight	1 QT 32	100 W	1470	240	205	202	443
6719	Downlight	1 QT 32	150 W	2400	275	250	240	444



Björns väg 14, 207 20, Stockholm
 Klara Bergs väg 10, 141 20, Stockholm
 Tel +46 (0)8-103070 | Fa
 info@crealux.se | www.cre

Downlights · Recessed ceiling luminaires
Fluorescent lamps
Protection class IP 65 · Ballproof

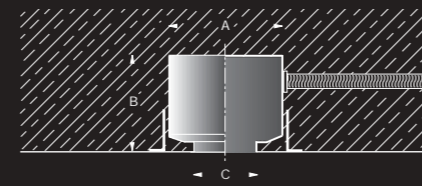
These extremely robust and corrosion-resistant downlights are designed for all areas of interior and exterior lighting. They are equipped either with a front ring made of painted die cast aluminium or stainless steel. The luminaires are ballproof in accordance with DIN/VDE 0710 Part 13 and suitable for sports facilities. These enclosed luminaires are required wherever dust and moisture are likely to soil the reflector and lamp quickly. The luminaires have an enclosed connection chamber and lamphouse. This design obstructs any flow of air through the luminaire, thus preventing dust being conveyed onto the suspended ceiling. The robust mounting system ensures vibration-proof installation of the luminaires in suspended ceilings up to a thickness of 50 mm. We supply installation housings as accessories for mounting the luminaires in cast ceilings.

The luminaires for fluorescent lamps TC-TEL are equipped with electronic ballasts. 13 · 18 · 26 · 32 W lamps can be used in these luminaires.

Further technical data are given in the instructions for use for these luminaires.

Installation housings

When installing recessed ceiling luminaires in concrete ceilings, it may be practical to use these aluminium accessories. Full technical details and installation data are given in the instructions for use.



Installation housings	A	B	C
441	240	200	128
442	280	220	160
443	320	250	202
444	360	270	240

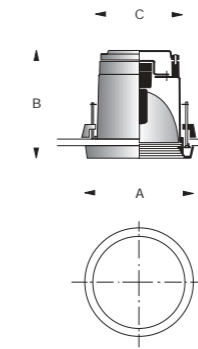
Recessed ceiling luminaires with front ring made of die cast aluminium or stainless steel for

- fluorescent lamps for low-loss ballasts TC-T 13 · 18 · 26 W
- fluorescent lamps for electronic ballasts TC-TEL 13 · 18 · 26 · 32 W with built-in discharge units

Protection class IP 65 · Die cast aluminium, aluminium and stainless steel
Reflector of pure anodized aluminium
Safety glass · Ballproof

Die cast aluminium front ring
Colour: graphite – article number
white – article number + W

C = Ø recessed opening



Die cast aluminium front ring

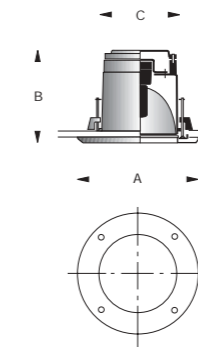


Fluorescent lamps
low-loss ballasts

				Lumen	A	B	C	Housing
6210	Downlight	1 TC-T	13 W	900	145	185	128	441
6220	Downlight	1 TC-T	18 W	1200	175	205	160	442
6309	Downlight	1 TC-T	26 W	1800	220	230	202	443

Fluorescent lamps
electronic ballasts

6707	Downlight	1 TC-TEL	13 W	900	145	185	128	441
6708	Downlight	1 TC-TEL	18 W	1200	175	205	160	442
6310	Downlight	1 TC-TEL	26 W	1800	220	230	202	443
6222	Downlight	1 TC-TEL	32 W	2400	255	250	240	444



Stainless steel front ring



Fluorescent lamps
low-loss ballasts

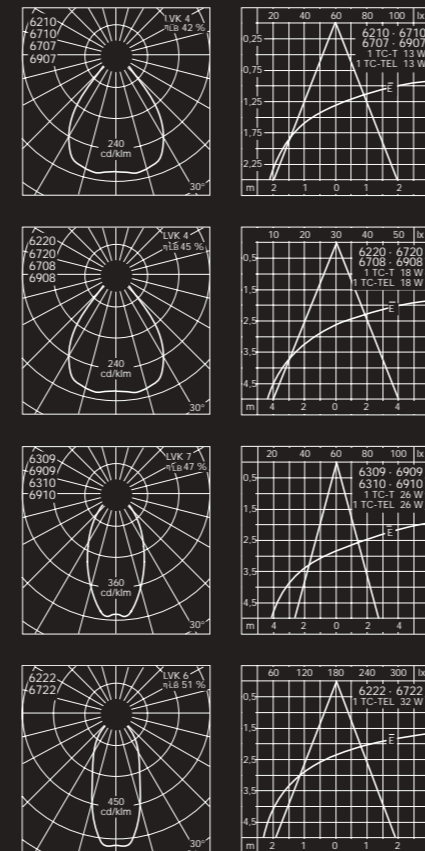
				Lumen	A	B	C	Housing
6710	Downlight	1 TC-T	13 W	900	160	185	128	441
6720	Downlight	1 TC-T	18 W	1200	180	205	160	442
6909	Downlight	1 TC-T	26 W	1800	240	230	202	443

Fluorescent lamps
electronic ballasts

6907	Downlight	1 TC-TEL	13 W	900	145	185	128	441
6908	Downlight	1 TC-TEL	18 W	1200	175	205	160	442
6910	Downlight	1 TC-TEL	26 W	1800	220	230	202	443
6722	Downlight	1 TC-TEL	32 W	2400	255	250	240	444



0396 1407240
Karlbergsvägen 150 70240
Tel +46 (0)8-103070 | Fa
info@crealux.se | www.cri



Downlights – recessed ceiling luminaires
 Mercury vapour lamps and metal halide lamps
 Protection class IP 65 · Ballproof

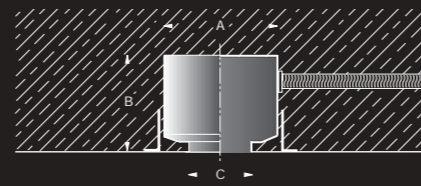
These extremely robust and corrosion-resistant downlights are designed for all areas of interior and exterior lighting. They are equipped with a front ring made of painted die cast aluminium or stainless steel. The luminaires are ballproof in accordance with DIN/VDE 0710 Part 13 and suitable for sports facilities. These enclosed recessed luminaires are required wherever dust and moisture are likely to soil the reflector and lamp, and where a low level of maintenance is required. The luminaires have an enclosed connection chamber and lamphouse. This design prevents dust being conveyed onto the suspended ceiling by the luminaire. The robust mounting system ensures vibration-proof installation. The luminaires may be recessed in suspended ceilings up to a thickness of 50 mm. We supply installation housings as accessories up to a diameter of C = 240 mm for mounting in cast ceilings.

Further technical data are given in the assembly instructions for these luminaires.

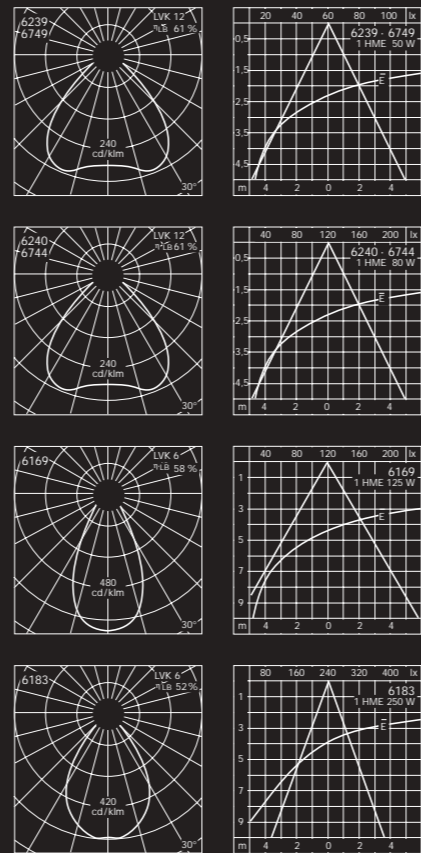


Installation housings

When installing recessed ceiling luminaires in concrete ceilings, it may be practical to use these aluminium accessories. Full technical details and installation data are given in the assembly instructions.



Installation housings	A	B	C
443	320	250	202
444	360	270	240



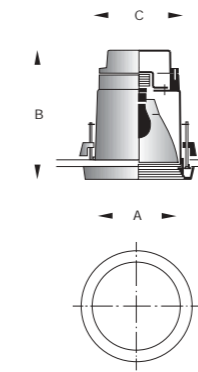
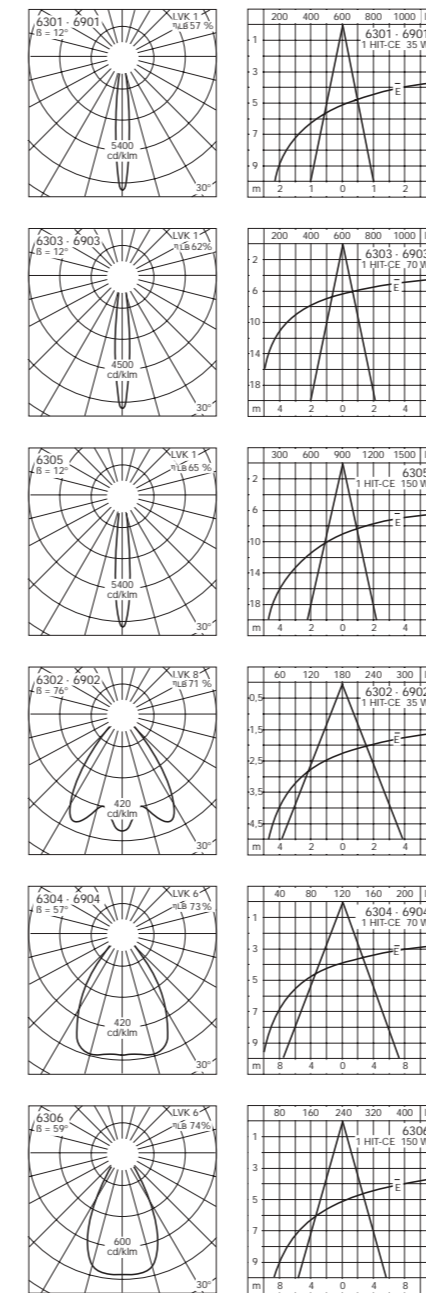
Recessed ceiling luminaires with front ring made of die cast aluminium or stainless steel for

- discharge lamps
HME 50 · 80 · 125 · 250 W
- discharge lamps
HIT-CE 35 · 70 · 150 W

Very narrow beam or broad spread light distribution · Protection class IP 65
 Die cast aluminium, aluminium and stainless steel · Safety glass · Ballproof
 Reflector of pure anodized aluminium

Die cast aluminium front ring
 Colour: graphite – article number
 white – article number + W

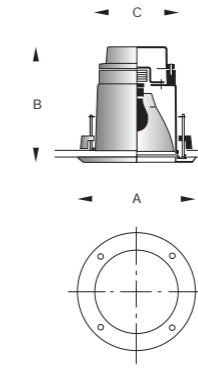
C = Ø recessed opening



Die cast aluminium front ring



Mercury vapour lamps			Lumen	A	B	C	Housing	
6239	Downlight	1 HME	50 W	2000	220	230	202	443
6240	Downlight	1 HME	80 W	4000	255	250	240	444
6169	Downlight	1 HME	125 W	6500	350	350	310	-
6183	Downlight	1 HME	250 W	14000	350	350	310	-
Metal halide lamps very narrow beam								
6301	Downlight	1 HIT-CE	35 W	3300	220	230	202	443
6303	Downlight	1 HIT-CE	70 W	6600	255	250	240	444
6305	Downlight	1 HIT-CE	150 W	14000	350	350	310	-
Metal halide lamps broad spread								
6302	Downlight	1 HIT-CE	35 W	3300	220	230	202	443
6304	Downlight	1 HIT-CE	70 W	6600	255	250	240	444
6306	Downlight	1 HIT-CE	150 W	14000	350	350	310	-



Stainless steel front ring



Mercury vapour lamps			Lumen	A	B	C	Housing	
6749	Downlight	1 HME	50 W	2000	240	230	202	443
6744	Downlight	1 HME	80 W	4000	275	250	240	444
Metal halide lamps very narrow beam								
6901	Downlight	1 HIT-CE	35 W	3300	220	230	202	443
6903	Downlight	1 HIT-CE	70 W	6600	255	250	240	444
Metal halide lamps broad spread								
6902	Downlight	1 HIT-CE	35 W	3300	220	230	202	443
6904	Downlight	1 HIT-CE	70 W	6600	255	250	240	444



Box 10396 141 0724 61062
 Klöbergsvägen 150 70240
 Tel +46 (0)8-103070 | Fa
 info@crealux.se | www.cri

Downlights – recessed ceiling luminaires
Metal halide lamps and sodium vapour discharge lamps
Protection class IP 65 · Ballproof

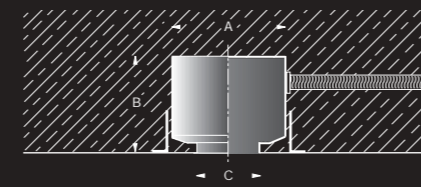
These robust and corrosion-resistant downlights are designed for all areas of interior and exterior lighting. They are equipped either with a front ring made of painted die cast aluminium or stainless steel. The luminaires are ballproof in accordance with DIN/VDE 0710 Part 13 and suitable for sports facilities. These enclosed recessed luminaires are needed wherever dust and moisture are likely to soil the reflector and lamp quickly, and where a low level of maintenance is required. The luminaires have an enclosed connection chamber and lamphouse. This design prevents dust being conveyed onto the suspended ceiling by the luminaire.

The robust mounting system ensures vibration-proof installation. The luminaires may be recessed in suspended ceilings up to a thickness of 50 mm. We supply installation housings as accessories for the installation of luminaires 6246 and 6746 in cast ceilings.

Further technical data are given in the assembly instructions for these luminaires.

Installation housings

When installing recessed ceiling luminaires in concrete ceilings, it may be practical to use these aluminium accessories. Full technical details and installation data are given in the assembly instructions.



Installation housing	A	B	C
444	360	270	240

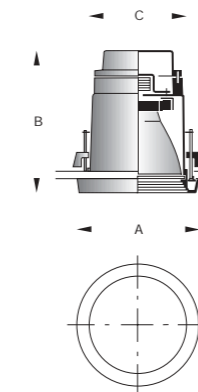
Recessed ceiling luminaires with front ring made of die cast aluminium or stainless steel for

- metal halide lamps
HIT-DE 70 · 150 · 250 W
- sodium vapour discharge lamps
HST-DE 70 · 150 · 250 W

Protection class IP 65
 Die cast aluminium, aluminium and stainless steel · Ballproof
 Safety glass with optical texture
 Reflector of pure anodized aluminium

Die cast aluminium front ring
 Colour: graphite – article number
 white – article number + W

C = Ø recessed opening

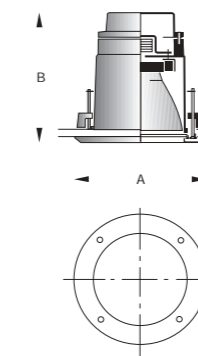


Die cast aluminium front ring

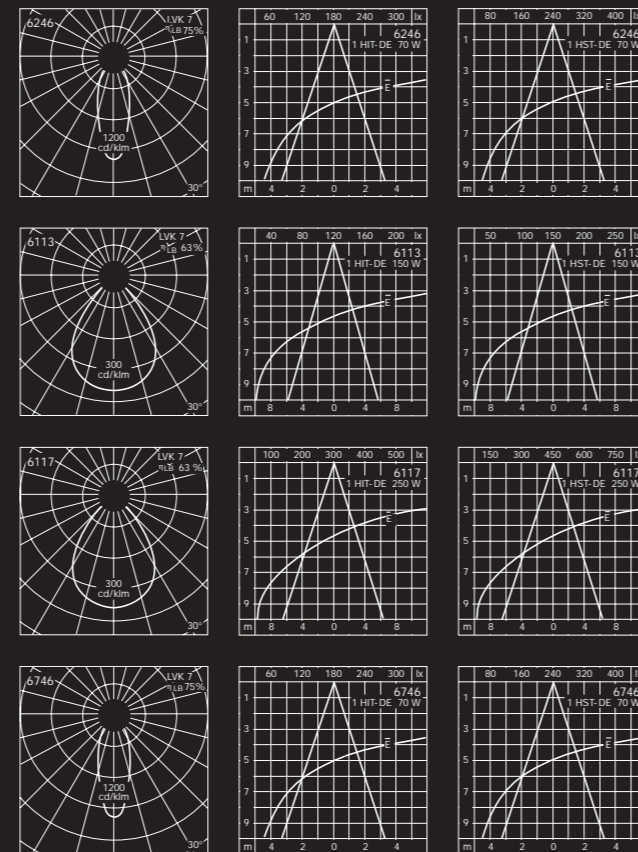


		Metal halide lamps		Lumen	A	B	C	Housing
6246	Downlight	1 HIT-DE	70 W	5000	255	250	240	444
6113	Downlight	1 HIT-DE	150 W	11000	350	350	310	-
6117	Downlight	1 HIT-DE	250 W	20000	350	350	310	-

		Sodium vapour discharge lamps		Lumen	A	B	C	Housing
6246	Downlight	1 HST-DE	70 W	6800	255	250	240	444
6113	Downlight	1 HST-DE	150 W	15000	350	350	310	-
6117	Downlight	1 HST-DE	250 W	25500	350	350	310	-



Stainless steel front ring



		Metal halide lamps		CREAL		Housing
6746	Downlight	1 HIT-DE	70 W	10000	10000	444
		Sodium vapour discharge lamps		CREAL		Housing
6746	Downlight	1 HST-DE	70 W	10000	10000	444

Box 70396 | 10724 STOC
 Karlbergsvägen 150 70240
 Tel +46 (0)8-103070 | Fa
 info@crealux.se | www.cri

Downlights – recessed ceiling luminaires
 Directed light – direct + indirect · Protection class IP 65

These robust and corrosion-resistant downlights are designed for fluorescent lamps.

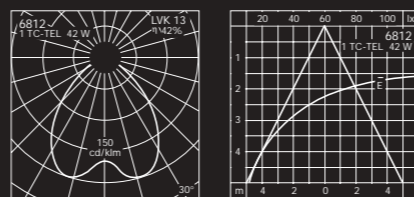
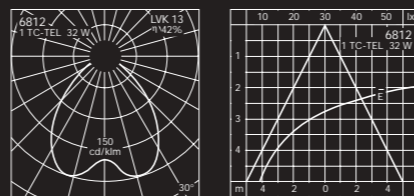
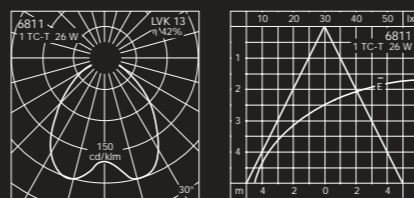
The optical system, consisting of a mirror reflector, matt crystal glass and horizontally arranged transverse elements, produces light distribution which is formed as follows:

The greater part of the light is directed downwards to produce high horizontal illuminance. The smaller part of the light exits to the side without glare. This increases surrounding brightness and also illuminates the surface on which the luminaire is mounted.

These luminaires with enclosed connection chamber and lamphouse provide a high level of agreeable lighting in locations where dust and moisture are likely to soil the lamp and reflector quickly and where a low level of maintenance is required.

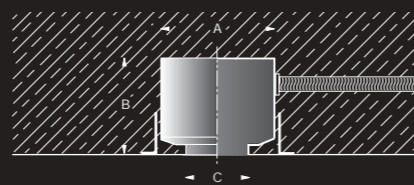
The luminaires for fluorescent lamps TC-TEL are equipped with electronic ballasts. 32 · 42 W lamps can be used in these luminaires. The robust mounting system ensures vibration-proof installation of the luminaires in suspended ceilings up to a thickness of 50 mm. We supply installation housings as accessories for mounting in cast ceilings.

Further technical data are given in the assembly instructions for these luminaires.

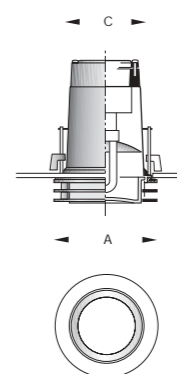


Installation housings

When installing recessed ceiling luminaires in concrete ceilings, it may be practical to use these aluminium accessories. Full technical details and installation data are given in the assembly instructions.



Installation housings	A	B	C
442	280	220	160
443	320	250	202



Recessed ceiling luminaires for
 • fluorescent lamps TC-T 26 W
 • fluorescent lamps for electronic ballasts TC-TEL 32 · 42 W
 Protection class IP 65
 Die cast aluminium, aluminium and stainless steel
 Reflector of pure anodized aluminium
 Matt crystal glass

Colour: graphite – article number
 white – article number + **W**
 silver – article number + **A**

C = Ø recessed opening



	Fluorescent lamps							Housing
6811	Luminaire 1 TC-T	26 W	Box 70096	11072405	11072405	11072405	11072405	442
6812	Luminaire 1 TC-TEL	32 · 42 W	2401000	11072405	11072405	11072405	11072405	443

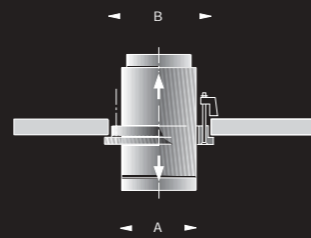
Tel +46 (0)8-103070 | Fa
 info@crealux.se | www.cre

Downlights – ceiling luminaires
Tungsten halogen lamps
Protection class IP 54 · IP 65 · Ballproof

These robust and corrosion-resistant downlights made of die cast aluminium and stainless steel are designed for all areas of interior and exterior lighting. They may be installed under entrance roofs, canopies, in subways or covered pedestrian areas. The electrical connection chamber can be detached from the lamphouse for very easy installation and maintenance. These luminaires of high protection class are suitable for all areas where dust and moisture are likely to soil the reflector and lamp quickly.

Please consult the table on page 57 for matching mounting rings for semi-recessed installation of the luminaires in suspended ceilings up to a thickness of 50 mm. Mounting rings are accessories and must be ordered separately.

Further technical data are given in the assembly instructions for these luminaires.

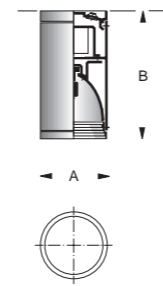
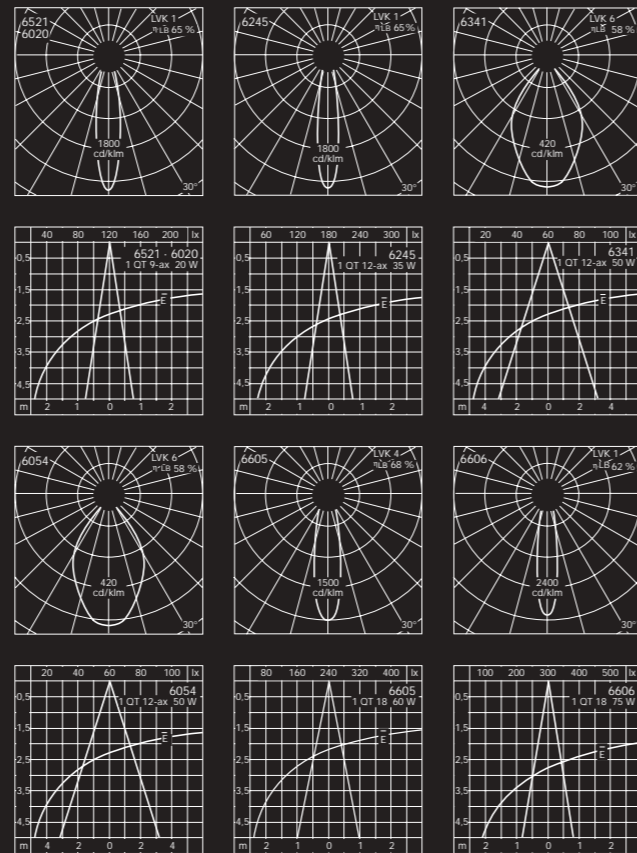


Mounting ring for semi-recessed installation of the ceiling luminaires on pages 57 - 61 with a diameter A = 110 · 150 · 190 · 220 mm for suspended ceilings up to 50 mm thick Die cast aluminium and stainless steel

Colour: graphite – article number
 white – article number + W

A = Ø luminaire
 B = Ø recessed opening

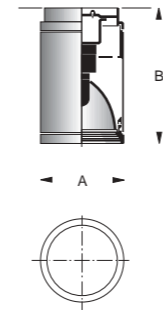
	A	B
456 Mounting ring	110	140
468 Mounting ring	150	180
473 Mounting ring	190	220
474 Mounting ring	220	250



Ceiling luminaires with or without built-in transformer for
 • low voltage tungsten halogen lamps QT 9-ax 20 W · 12 V
 • low voltage tungsten halogen lamps QT 12-ax 35 · 50 · 75 W · 12 V
 Protection class IP 54 · 6521 IP 65
 Die cast aluminium, aluminium and stainless steel
 Reflector of pure anodized aluminium
 Safety glass

Colour: graphite – article number
 white – article number + W

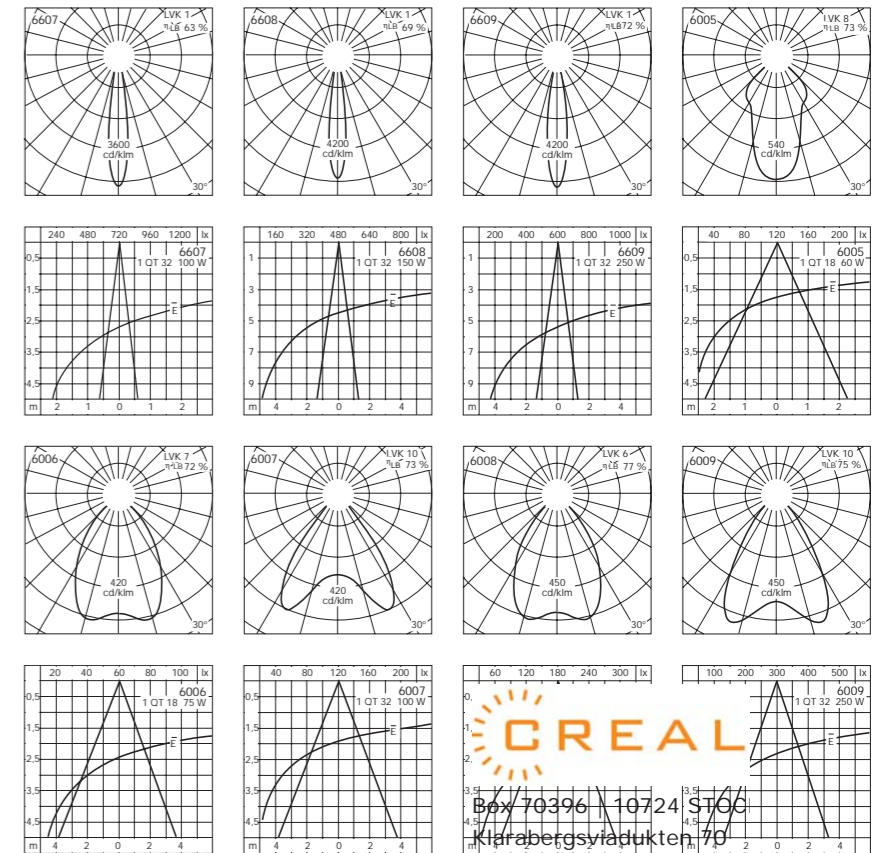
Low voltage tungsten halogen lamps w/o transformer Safety class III ⚡ Lumen							
				A	B	Ring	
6521	Downlight	1 QT 9-ax	20 W	320	60	95	–
6245	Downlight	1 QT 12-ax	35 W	600	85	130	–
6341	Downlight	1 QT 12-ax	75 W	1450	110	170	456
with transformer							
					A	B	Ring
6020	Downlight	1 QT 9-ax	20 W	320	85	160	–
6054	Downlight	1 QT 12-ax	50 W	910	110	210	456



Ceiling luminaires with very narrow beam or broad spread light distribution for
 • high volt. tungsten halogen lamps 230 V QT 18 60 W Lamp length 86 mm QT 18 75 W
 • high volt. tungsten halogen lamps 230 V QT 32 100 · 150 · 250 W
 Protection class IP 65
 6005 · 6006 · 6605 · 6606 IP 54
 Die cast aluminium and stainless steel
 Reflector of pure anodized aluminium
 Safety glass · Ballproof

Colour: graphite – article number
 white – article number + W

High voltage tungsten halogen lamps very narrow beam							
					A	B	Ring
6605	Downlight	1 QT 18	60 W	790	85	160	–
6606	Downlight	1 QT 18	75 W	1050	110	210	456
6607	Downlight	1 QT 32	100 W	1470	150	240	468
6608	Downlight	1 QT 32	150 W	2400	190	255	473
6609	Downlight	1 QT 32	250 W	4210	220	280	474
broad spread							
					A	B	Ring
6005	Downlight	1 QT 18	60 W	790	85	160	–
6006	Downlight	1 QT 18	75 W	1050	110	210	456
6007	Downlight	1 QT 32	100 W	1470	150	240	468
6008	Downlight	1 QT 32	150 W	2400	190	255	473
6009	Downlight	1 QT 32	250 W	4210	220	280	474



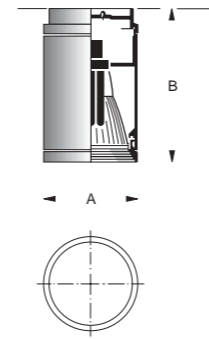
CREAL
 Box 70396 | 10724 Stockholm
 Klarabergsviadukten 70
 Tel +46 (0)8-103070 | Fa info@crealux.se | www.crealux.se

Downlights – ceiling luminaires
Fluorescent lamps and discharge lamps
Protection class IP 54 · IP 65 · Ballproof

Robust and corrosion-resistant downlights for all areas of interior and exterior lighting, especially where dust and moisture are likely to soil the reflector and lamp quickly. They can be installed under entrances and canopies, in subways, arcades and covered pedestrian areas, in sports halls and assembly rooms. The luminaires are ballproof in accordance with DIN/VDE 0710 Part 13 and suitable for sports facilities. The luminaires are designed so that the mounting base can be easily detached from the electrical connection chamber and the mounting ring from the lamphouse. This simplifies installation and ensures economic maintenance. The luminaires for fluorescent lamps TC-TEL are equipped with electronic ballasts.

Please consult the table on page 59 for matching mounting rings for semi-recessed installation of the luminaires in suspended ceilings up to a thickness of 50 mm. A description is given on page 56. Mounting rings are accessories and must be ordered separately.

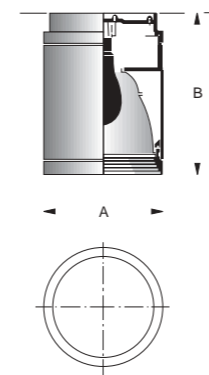
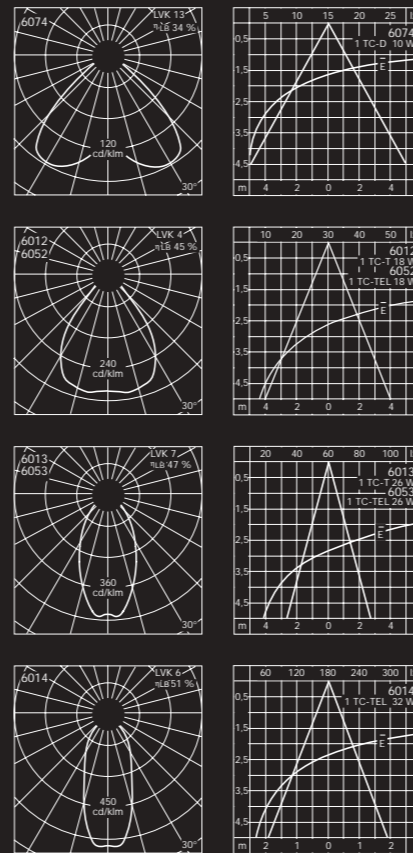
Further technical data are given in the assembly instructions for these luminaires.



Ceiling luminaires for
 • fluorescent lamps TC-D 10 W
 • fluorescent lamps TC-T 18 · 26 W
 • fluorescent lamps for electronic ballasts TC-TEL 18 · 26 · 32 W
 Protection class IP 65
 6074 Protection class IP 54
 Die cast aluminium, aluminium and stainless steel · Safety glass · Ballproof
 Reflector of pure anodized aluminium

Colour: graphite – article number
 white – article number + W

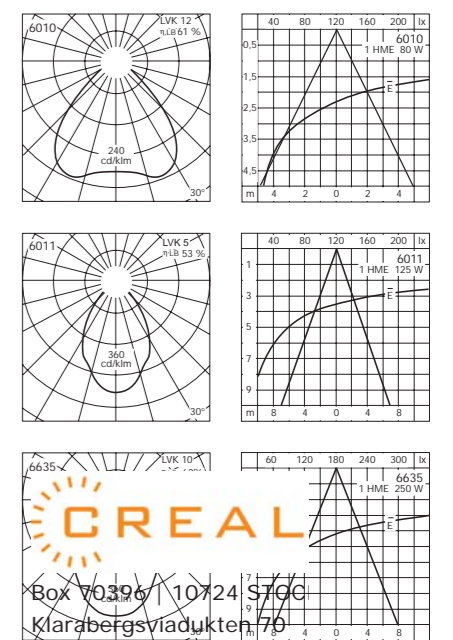
Fluorescent lamps low loss ballasts							
			Lumen	A	B	Ring	
6074	Downlight	1 TC-D	10 W	600	110	210	456
6012	Downlight	1 TC-T	18 W	1200	150	240	468
6013	Downlight	1 TC-T	26 W	1800	190	255	473
Fluorescent lamps electronic ballasts							
6052	Downlight	1 TC-TEL	18 W	1200	150	240	468
6053	Downlight	1 TC-TEL	26 W	1800	190	255	473
6014	Downlight	1 TC-TEL	32 W	2400	220	280	474



Ceiling luminaires for
 • discharge lamps
 HME 50 · 80 · 125 · 250 W
 Protection class IP 65
 Die cast aluminium, aluminium and stainless steel
 Reflector of pure anodized aluminium
 Safety glass · Ballproof

Colour: graphite – article number
 white – article number + W

Mercury vapour lamps							
			Lumen	A	B	Ring	
6010	Downlight	1 HME	50 · 80 W	2000 · 4000	190	255	-
6011	Downlight	1 HME	125 W	6500	220	280	474
6635	Downlight	1 HME	250 W	14000	300	380	-



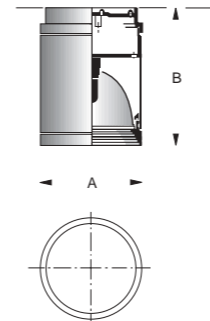
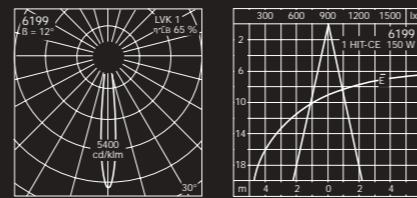
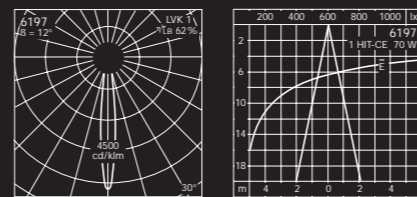
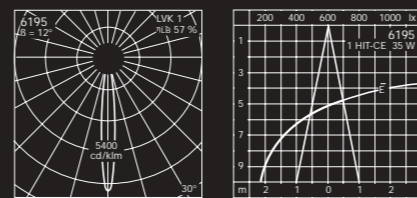
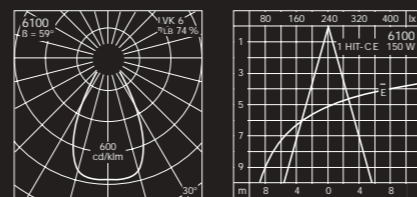
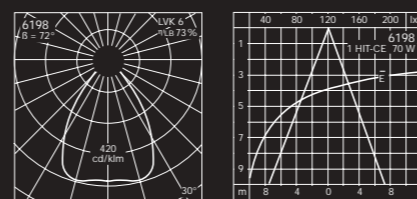
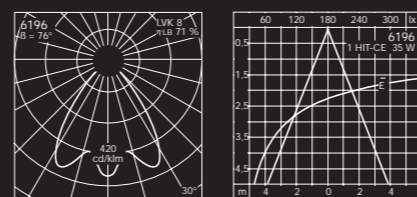
CREAL
 Box 70396 | 10724 Stockholm
 Klarabergsviadukten 70
 Tel +46 (0)8-103070 | Fa
 info@crealux.se | www.crealux.se

Downlights – ceiling luminaires
Discharge lamps
Protection class IP 65 · Ballproof

These robust and corrosion-resistant downlights are designed for all areas of interior and exterior lighting, especially where dust and moisture are likely to soil the reflector and lamp quickly. They can be installed under entrances, canopies, in subways, arcades and covered pedestrian areas, in sports halls and assembly rooms. The luminaires are ballproof in accordance with DIN/VDE 0710 Part 13 and suitable for sports facilities. The luminaires are designed so that the mounting base can be easily detached from the electrical connection chamber and the mounting ring from the lamphouse. This simplifies installation and ensures economic maintenance.

Please consult the table on page 61 for matching mounting rings for semi-recessed installation of the luminaires in suspended ceilings up to a thickness of 50 mm. A description is given on page 56. Mounting rings are accessories and must be ordered separately.

Further technical data are given in the assembly instructions for these luminaires.



Ceiling luminaires with very narrow beam or broad spread light distribution for

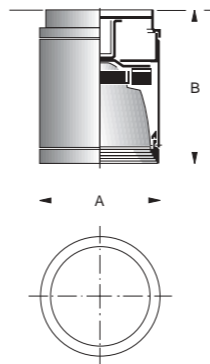
- discharge lamps HIT 35 · 70 · 150 W

Protection class IP 65
 Die cast aluminium, aluminium and stainless steel
 Reflector of pure anodized aluminium
 Safety glass · Ballproof

Colour: graphite – article number
 white – article number + W

Metal halide lamps		broad spread	Lumen	A	B	Ring
6196	Downlight	1 HIT-CE 35 W	3300	150	240	468
6198	Downlight	1 HIT-CE 70 W	6600	190	255	473
6100	Downlight	1 HIT-CE 150 W	14000	220	280	–

Metal halide lamps		very narrow beam	Lumen	A	B	Ring
6195	Downlight	1 HIT-CE 35 W	3300	150	240	468
6197	Downlight	1 HIT-CE 70 W	6600	190	255	473
6199	Downlight	1 HIT-CE 150 W	14000	220	280	–



Ceiling luminaires for

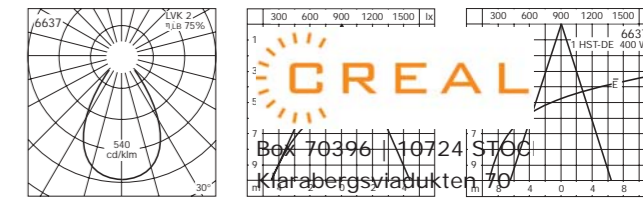
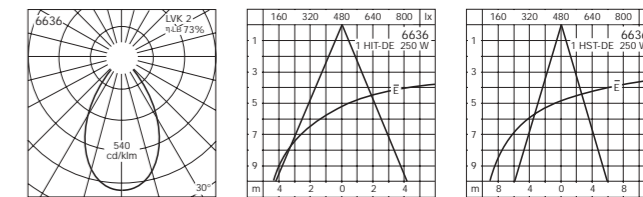
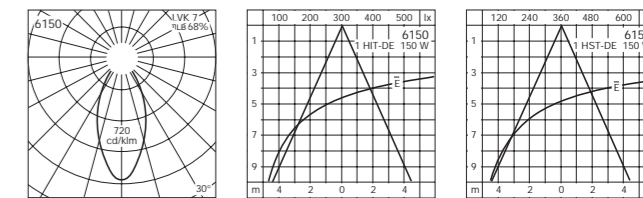
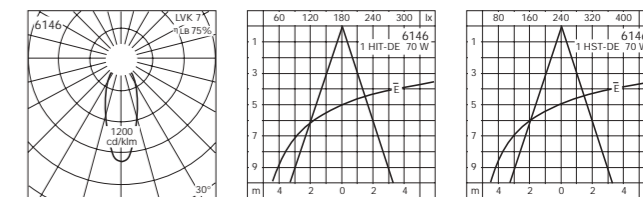
- metal halide lamps HIT-DE 70 · 150 · 250 · 400 W
- sodium vapour discharge lamps HST-DE 70 · 150 · 250 · 400 W

Protection class IP 65
 Die cast aluminium, aluminium and stainless steel
 Reflector of pure anodized aluminium
 Safety glass with optical texture
 Ballproof

Colour: graphite – article number
 white – article number + W

Metal halide lamps		Lumen	A	B	Ring	
6146	Downlight	1 HIT-DE 70 W	5000	220	280	474
6150	Downlight	1 HIT-DE 150 W	11000	220	280	–
6636	Downlight	1 HIT-DE 250 W	20000	300	380	–
6637	Downlight	1 HIT-DE 400 W	36000	300	380	–

Sodium vapour discharge lamps		Lumen	A	B	Ring	
6146	Downlight	1 HST-DE 70 W	6800	220	280	474
6150	Downlight	1 HST-DE 150 W	15000	220	280	–
6636	Downlight	1 HST-DE 250 W	25500	300	380	–
6637	Downlight	1 HST-DE 400 W	48000	300	380	–



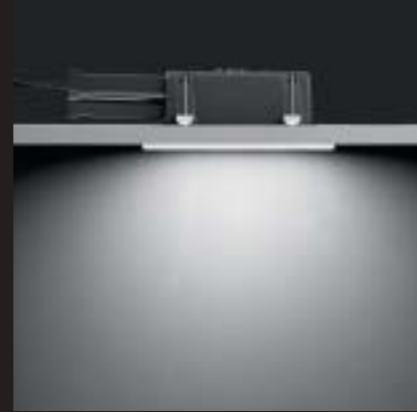
CREAL
 Box 70396 | 10724 Stockholm
 Klarabergsviadukten 70
 Tel +46 (0)8-103070 | Fa
 info@crealux.se | www.crealux.se

Downlights – recessed ceiling luminaires

Protection class · IP 65

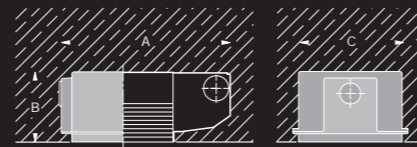
Recessed ceiling luminaires for fluorescent lamps with electronic ballasts. Due to their low height and broad spread light distribution, these luminaires are especially suitable in providing uniform lighting for rooms with low ceilings. The connection chamber with the electronic ballast is mounted on the side. This creates an extremely low recessed depth. 6745 can be operated either with 32 W or 42 W. A robust mounting system ensures vibration-proof installation in suspended ceilings up to a thickness of 50 mm. We supply housings as accessories for installation in cast ceilings.

Further technical data are given in the assembly instructions for these luminaires.

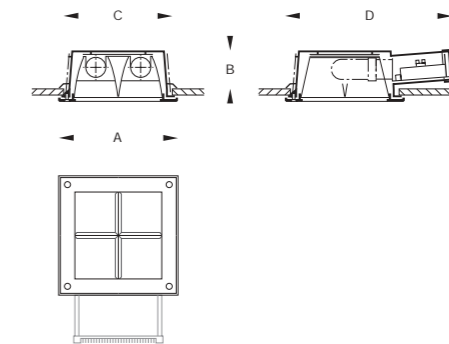
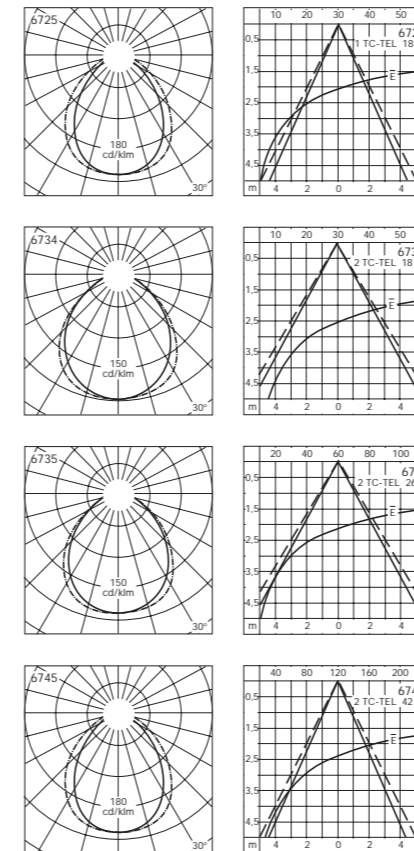


Installation housings

When installing recessed ceiling luminaires in concrete ceilings, it may be practical to use these aluminium accessories. Full technical details and installation data are given in the assembly instructions.



Installation housings	A	B	C
416	305	125	205
483	405	125	260
493	455	125	305



Recessed ceiling luminaires for
 • fluorescent lamps for electronic ballasts TC-TEL 18 · 26 · 32 · 42 W
 Protection class IP 65
 Die cast aluminium, aluminium and stainless steel
 Reflector of pure anodized aluminium
 Matt safety glass

Colour: white – article number
 silver – article number + A

C = square recessed opening

Fluorescent lamps

									D Housing
6725	Luminaire	1 TC-TEL	18 W	483	100	100	100	50	416
6734	Luminaire	2 TC-TEL	18 W	483	100	100	100	50	483
6735	Luminaire	2 TC-TEL	26 W	483	100	100	100	50	483
6745	Luminaire	2 TC-TEL	32 · 42 W	483	100	100	100	50	493



Downlights – ceiling luminaires

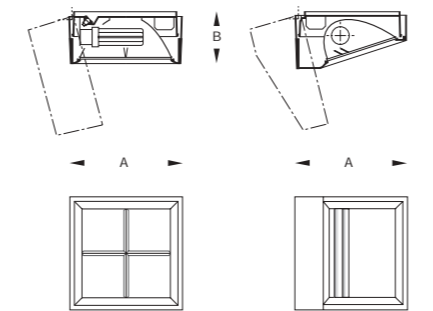
Fluorescent lamps and discharge lamps up to 400 W
Protection class IP 44 · IP 65 · Ballproof

Luminaires for fluorescent lamps and discharge lamps with symmetrical or asymmetrical light distribution.
These robust luminaires can be installed under entrance roofs, canopies, in subways, covered pedestrian areas, in large rooms and all types of sports halls.

Due to their low height and broad spread light distribution, the luminaires in the upper group are especially suitable in providing uniform lighting for rooms with low ceilings. The luminaires for fluorescent lamps TC-TEL are equipped with electronic ballasts.
The luminaires with asymmetrical light distribution are designed to illuminate walls from the ceiling.
The luminaires in the lower group with their high light outputs are designed to illuminate large, high rooms. They are ballproof and fulfil all the requirements of training and championship lighting in accordance with EN 12 193.

These highly robust luminaires are equipped with a tilting mechanism. This makes installation simple and relamping equally simple and fast.

Further technical details are given in the assembly instructions for these luminaires.



Ceiling luminaires with **symmetrical** or **asymmetrical** light distribution for

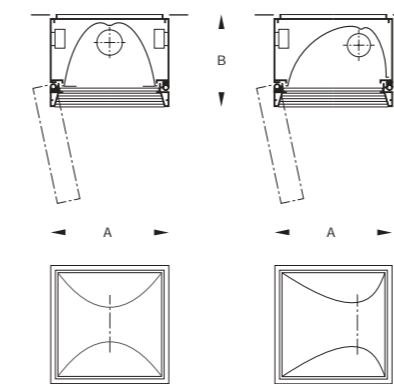
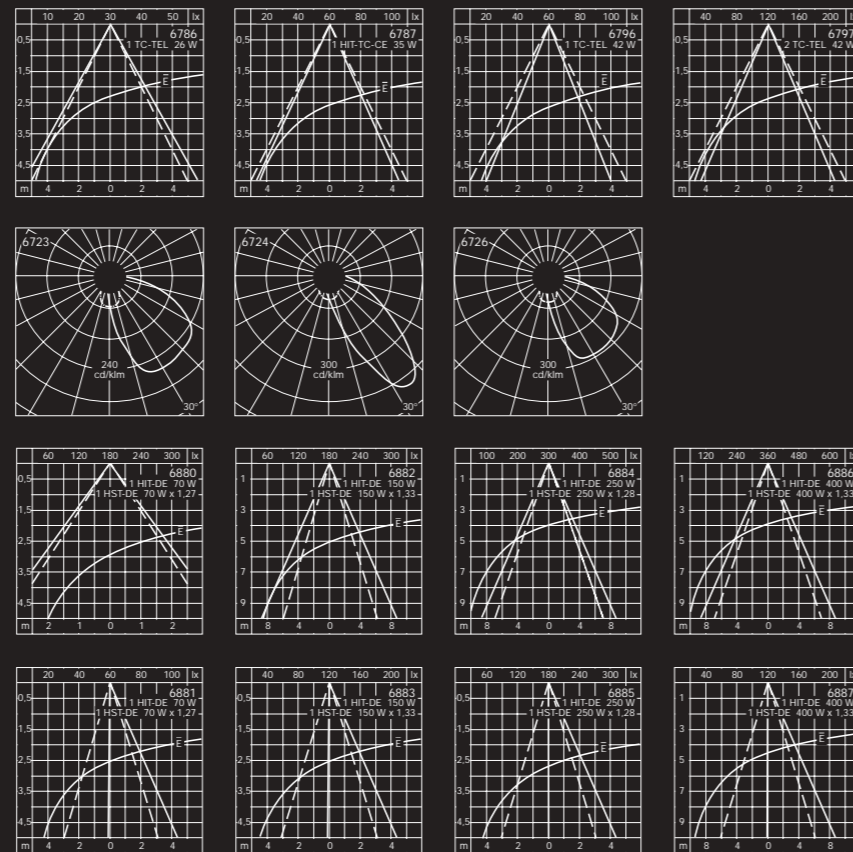
- fluorescent lamps TC-TEL for electronic ballasts 26 · 32 · 42 W
- discharge lamps HIT-TC-CE 35 W
- discharge lamps HI/HST-DE 70 W

Protection class IP 65
Die cast aluminium, aluminium and stainless steel
Reflector of pure anodized aluminium
Matt safety glass

Colour: graphite – article number
white – article number + W

symmetrical				Lumen	A	B
6786	Ceiling luminaire	1 TC-TEL	26 W	1800	210	95
6787	Ceiling luminaire	1 HIT-TC-CE	35 W	3300	210	95
6796	Ceiling luminaire	1 TC-TEL	32 · 42 W	2400 · 3200	260	120
6797	Ceiling luminaire	2 TC-TEL	42 W	6400	310	130

asymmetrical				Lumen	A	B
6723	Ceiling luminaire	1 TC-TEL	26 · 32 · 42 W	1800 · 2400 · 3200	260	130
6724	Ceiling luminaire	1 HIT-TC-CE	35 W	3300	260	130
6726	Ceiling luminaire	1 HI/HST-DE	70 W	5000 · 6800	260	130



Ceiling luminaires with **symmetrical** or **asymmetrical** light distribution for

- discharge lamps HI/HST-DE 70 - 400 W

Protection class IP 44 · Ballproof
Aluminium, die cast aluminium and stainless steel
Reflector of pure anodized aluminium
Safety glass with optical texture

Colour: graphite – article number
white – article number + W

symmetrical				Lumen	A	B
6880	Ceiling luminaire	1 HI/HST-DE	70 W	5000 · 6800	250	175
6882	Ceiling luminaire	1 HI/HST-DE	150 W	11000 · 15000	250	175
6884	Ceiling luminaire	1 HI/HST-DE	250 W	20000 · 25500	300	235
6886	Ceiling luminaire	1 HI/HST-DE	400 W	36000 · 48000	400	310

asymmetrical				Lumen	A	B
6881	Ceiling luminaire	1 HI/HST-DE	70 W	5000 · 6800	250	175
6883	Ceiling luminaire	1 HI/HST-DE	150 W	11000 · 15000	250	175
6885	Ceiling luminaire	1 HI/HST-DE	250 W	20000 · 25500	300	235
6887	Ceiling luminaire	1 HI/HST-DE	400 W	36000 · 48000	400	310



Box 70396 | 10724 STOC
Klarabergsviadukten 70
Tel +46 (0)8-103070 | Fa
info@crealux.se | www.cri

Wall + ceiling luminaires Unshielded and indirect · Protection class IP 65

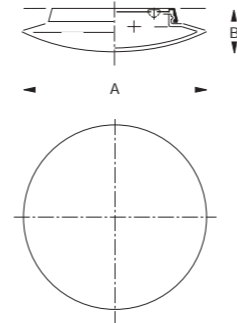
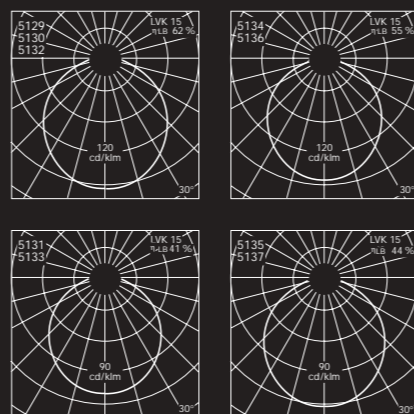
A series of luminaires impressive for their high light outputs and small dimensions. Minimalist in form, they are characterized by the high lighting and aesthetic quality of the hand-blown glass.

The luminaires in the upper group are unshielded. The three-ply opal glass produces soft, uniform light distribution. The protruding glass also illuminates the mounting surface.

The luminaires in the lower group primarily diffuse the light indirectly, combining shape, light and shadow in harmony. The lamps are shielded. The light is mainly reflected onto the mounting surface and into the room.

This makes the wall material and structure come alive.

Luminaires of strong graphic expression which can be arranged singly, in rows or in groups.



Wall + ceiling luminaires for

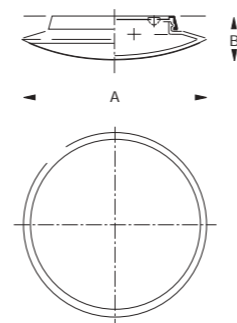
- tungsten halogen lamps QT 26 40 W
- tungsten halogen lamps QT 32 60-75 W
- fluorescent lamps TC-D 13 · 18 · 26 W

Protection class IP 65
Die cast aluminium and stainless steel
Three-ply opal glass with thread

Colour: white

Tungsten halogen lamps		Lumen	A	B
5129	Wall + ceiling luminaire	1 QT 26 40 W	430	240 85
5130	Wall + ceiling luminaire	1 QT 32 60 W	790	280 105
5132	Wall + ceiling luminaire	1 QT 32 75 W	1050	330 110
5134	Wall + ceiling luminaire	2 QT 32 60 W	1580	385 115
5136	Wall + ceiling luminaire	2 QT 32 75 W	2100	460 120

Fluorescent lamps		Lumen	A	B
5131	Wall + ceiling luminaire	1 TC-D 13 W	900	280 105
5133	Wall + ceiling luminaire	2 TC-D 13 W	1800	330 110
5135	Wall + ceiling luminaire	2 TC-D 18 W	2400	385 115
5137	Wall + ceiling luminaire	2 TC-D 26 W	3600	460 120



Wall + ceiling luminaires for

- fluorescent lamps TC-D 13 · 18 · 26 W

Protection class IP 65
Die cast aluminium, aluminium and stainless steel
Three-ply opal glass with thread

Colour: graphite – article number
white – article number + W

Fluorescent lamps		Lumen	A	B
2615	Wall + ceiling luminaire	1 TC-D 13 W	900	280 110
2616	Wall + ceiling luminaire	2 TC-D 13 W	1800	330 110
2617	Wall + ceiling luminaire	2 TC-D 18 W	2400	385 115
2618	Wall + ceiling luminaire	2 TC-D 26 W	3600	460 125



Box 70396 | 10724 STOC
Klarabergsviadukten 70
Tel +46 (0)8-103070 | Fa
info@crealux.se | www.cri

Wall + ceiling luminaires

A series of luminaires notable for their range of light outputs and dimensions.

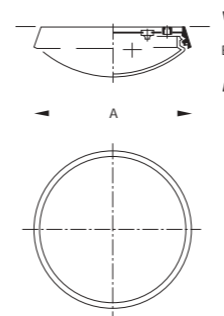
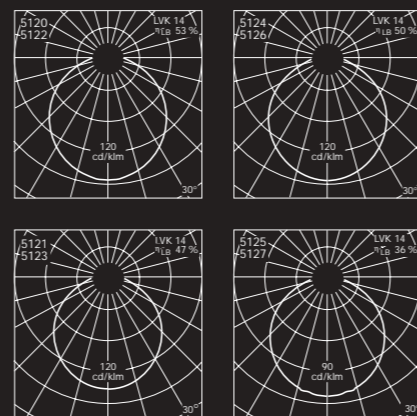
These extremely flat luminaires of simple shape can provide a good solution to a host of tasks in modern architectural lighting, both inside and outside.

Luminaires of high material quality, made of die cast aluminium and three-ply opal glass. A lasting investment for private and public areas. The glass, a masterpiece of the glassmaker's craftsmanship, distributes the light from the lamps very uniformly. The high translucency ensures a high light ratio output.

The luminaires in the upper group direct just a small part of their light onto the mounting surface.

The luminaires in the lower group direct their light without shade onto the mounting surface and ensure that part of the light is indirectly reflected into the room.

The luminaires for fluorescent lamps can also be equipped with electronic ballasts in the factory. Prices available on request.



Wall + ceiling luminaires for

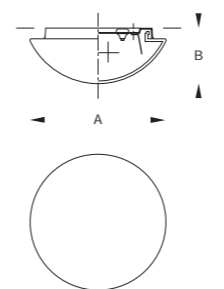
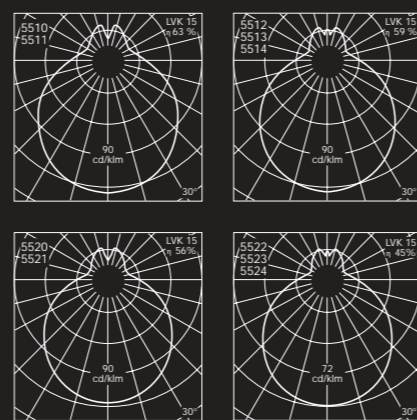
- tungsten halogen lamps QT 32 60·75 W
- fluorescent lamps TC-D 13·18·26 W

Protection class IP 44
Die cast aluminium and stainless steel
Three-ply opal glass with thread

Colour: graphite – article number
white – article number + W

Tungsten halogen lamps			Lumen	A	B
5120	Wall + ceiling luminaire	1 QT 32 60 W	790	220	85
5122	Wall + ceiling luminaire	1 QT 32 75 W	1050	280	90
5124	Wall + ceiling luminaire	2 QT 32 60 W	1580	350	100
5126	Wall + ceiling luminaire	2 QT 32 75 W	2100	400	105

Fluorescent lamps			Lumen	A	B
5121	Wall + ceiling luminaire	1 TC-D 13 W	900	220	85
5123	Wall + ceiling luminaire	1 TC-D 18 W	1200	280	90
5125	Wall + ceiling luminaire	2 TC-D 18 W	2400	350	100
5127	Wall + ceiling luminaire	2 TC-D 26 W	3600	400	105



Wall + ceiling luminaires for

- incandescent lamps
A 60 60·75·100 W
- fluorescent lamps TC-T 18·26 W
- fluorescent lamps TC-D 18·26 W

Protection class IP 44
Die cast aluminium and stainless steel
Three-ply opal glass with twist-lock closure

Colour: white

Incandescent lamps			Lumen	A	B
5510	Wall + ceiling luminaire	1 A 60 75 W	940	250	100
5511	Wall + ceiling luminaire	1 A 60 100 W	1360	300	115
5512	Wall + ceiling luminaire	2 A 60 60 W	1420	340	130
5513	Wall + ceiling luminaire	2 A 60 75 W	1880	390	150
5514	Wall + ceiling luminaire	3 A 60 75 W	2820	450	170

Fluorescent lamps			Lumen	A	B
5520	Wall + ceiling luminaire	1 TC-T 18 W	1200	250	100
5521	Wall + ceiling luminaire	1 TC-T 26 W	1800	300	115
5522	Wall + ceiling luminaire	2 TC-D 18 W	2400	340	130
5523	Wall + ceiling luminaire	2 TC-D 26 W	3600	390	150
5524	Wall + ceiling luminaire	3 TC-D 26 W	5400	450	170



Box 70396 | 10724 STOC
Klarabergsviadukten 70
Tel +46 (0)8-103070 | Fa
info@crealux.se | www.cri

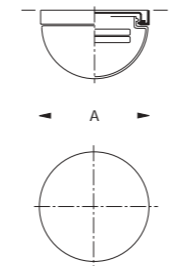
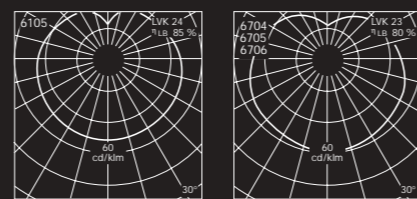
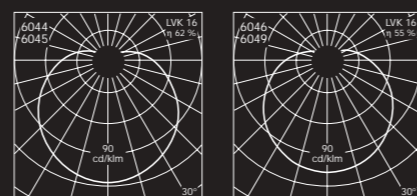
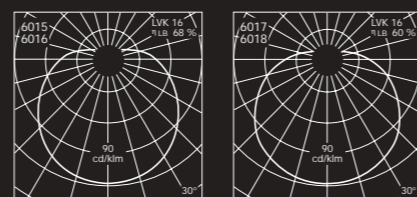
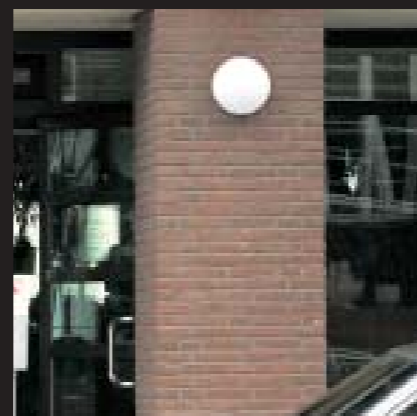
The sphere · The hemisphere
 Wall + ceiling luminaires · Pendant luminaires
 Protection class IP 64 · IP 65

These wall + ceiling luminaires have a broad range of application. They can be installed outside or in rooms where luminaires need a high protection class.

The pendant luminaires are also suitable for installation outside enclosed rooms, under cantilever plates or canopies, in passageways or on support structures in the open. These luminaires can also be used in assembly rooms, and they fulfil the requirements of DIN 57108/VDE 0108.

When installed in the open, the luminaires must be protected from constant pendulum movement due to wind. They have fixing points to which anchoring gear can be installed.

The pendant luminaires in this series are also available with plastic spheres. The luminaires for fluorescent lamps TC-TEL are equipped with electronic ballasts. 26 · 32 · 42 W lamps can be used in these luminaires.

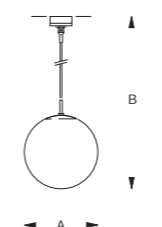


Wall + ceiling luminaires for
 • incandescent lamps A 60 · 60 · 75 W
 • fluorescent lamps TC-T 13 · 26 W
 Protection class IP 65
 Die cast aluminium and stainless steel
 Three-ply opal glass with thread

Colour: white

Incandescent lamps		Lumen	A	B
6015	Wall + ceiling luminaire 1 A 60 60 W	710	190	120
6016	Wall + ceiling luminaire 1 A 60 75 W	940	230	140
6017	Wall + ceiling luminaire 2 A 60 60 W	1420	300	180
6018	Wall + ceiling luminaire 3 A 60 60 W	2130	400	235

Fluorescent lamps		Lumen	A	B
6044	Wall + ceiling luminaire 1 TC-T 13 W	900	190	120
6045	Wall + ceiling luminaire 1 TC-T 26 W	1800	230	140
6046	Wall + ceiling luminaire 2 TC-T 26 W	3600	300	180
6049	Wall + ceiling luminaire 3 TC-T 26 W	5400	400	235



Pendant luminaires with cable pendant and mounting box Ø 110 mm for
 • incandescent lamps A 65 · 150 W
 • fluorescent lamps for electronic ballasts TC-TEL 26 · 32 · 42 W
 Protection class IP 64
 Die cast aluminium, aluminium and stainless steel · Three-ply opal glass
 6706 White plastic

Colour: white
 Black cable pendant

Incandescent lamps		Lumen	A	B
6105	1 A 65 150 W Opal glass	2200	350	2000

Fluorescent lamps		Lumen	A	B
6704	1 TC-TEL 26 · 32 · 42 W Opal glass	1800 · 2400 · 3200	350	2000
6705	2 TC-TEL 26 · 32 · 42 W Opal glass	3600 · 4800 · 6400	450	3000
6706	3 TC-TEL 26 · 32 · 42 W Plastic	5400 · 7200 · 9600	550	4000



Box 70396 | 10724 STOC
 Klarabergsviadukten 70
 Tel +46 (0)8-103070 | Fa
 info@crealux.se | www.cri

Pendant luminaires with directed light Protection class IP 44 · IP 65

Pendant luminaires designed for installation in enclosed rooms or in the open where luminaires need to be corrosion-resistant and protected against water, dust and insects.

They can be installed under cantilever plates or canopies, in passageways or on support structures in the open.

The luminaires fulfil the requirements of DIN 57108/VDE 0108 and can also be used in assembly halls.

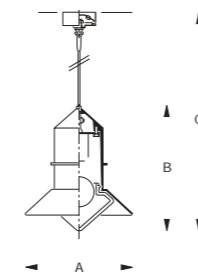
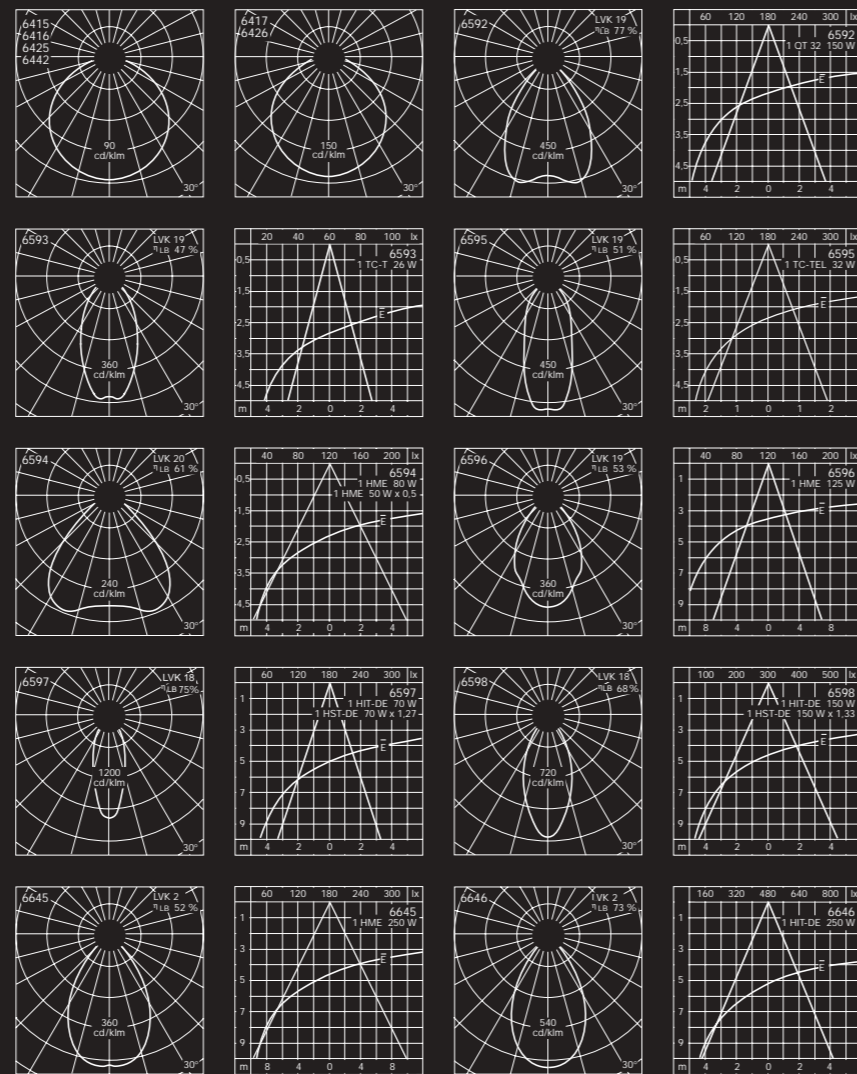
When installed in the open, the luminaires must be protected from constant pendulum movement due to wind. They have fixing points for anchoring gear.

We supply these pendant luminaires to special order in any RAL colour but the cable pendant is only available in black.

The luminaires for fluorescent lamps TC-TEL are equipped with electronic ballasts. 26 · 32 · 42 W lamps can be used in these luminaires.



On pages 392 - 393 of this catalogue, you will find a description of pole-top luminaires whose shape, construction and light output match the luminaires given on this double page.



Pendant luminaires with cable pendant and mounting box Ø 110 mm for

- incandescent lamps
- A 60 60 · 75 · 100 W
- fluorescent lamps TC-T 18 W
- fluorescent lamps for electronic ballasts TC-TEL 26 · 32 · 42 W
- discharge lamps HME 50 · 80 W

Protection class IP 44
Die cast aluminium, aluminium and stainless steel
Three-ply opal glass

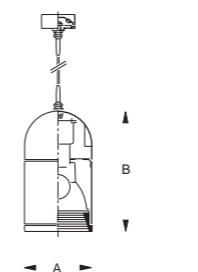
Colour: graphite – article number
white – article number + W

Black cable pendant

Incandescent lamps		Lumen	A	B	C
6415	Pendant luminaire 1 A 60 60 W	710	180	200	2000
6416	Pendant luminaire 1 A 60 75 W	940	260	275	2000
6417	Pendant luminaire 1 A 60 100 W	1360	400	405	3000

Fluorescent lamps		Lumen	A	B	C
6425	Pendant luminaire 1 TC-T 18 W	1200	260	275	2000
6442	Pendant luminaire 1 TC-TEL 26·32·42 W	1800·2400·3200	400	405	3000

Discharge lamps		Lumen	A	B	C
6426	Pendant luminaire 1 HME 50 · 80 W	2000 · 4000	400	405	3000



Pendant luminaires with cable pendant and mounting box Ø 110 mm for

- tungsten halogen lamps QT 32 150 W
- fluorescent lamps TC-T 26 W
- fluorescent lamps for electronic ballasts TC-TEL 26 · 32 W
- discharge lamps HME 50 · 250 W
- discharge lamps HI/HST-DE 70 · 250 W

Protection class IP 65 · Safety glass
Die cast aluminium and stainless steel
Reflector of pure anodized aluminium

Colour: graphite – article number
silver – article number + A

Black cable pendant

Tungsten halogen lamps		Lumen	A	B	C
6592	Pendant luminaire 1 QT 32 150 W	2400	190	320	3000

Fluorescent lamps		Lumen	A	B	C
6593	Pendant luminaire 1 TC-T 26 W	1800	190	320	3000
6595	Pendant luminaire 1 TC-TEL 26 · 32 W	1800 · 2400	220	350	4000

Discharge lamps		Lumen	A	B	C
6594	Pendant luminaire 1 HME 50 · 80 W	2000 · 4000	190	320	3000
6596	Pendant luminaire 1 HME 125 W	6500	220	350	4000
6597	Pendant luminaire 1 HI/HST-DE 70 W	5500 · 7000	220	350	4000
6598	Pendant luminaire 1 HI/HST-DE 150 W	11250 · 15000	220	350	4000
6645	Pendant luminaire 1 HME 250 W	14000	300	470	4000
6646	Pendant luminaire 1 HI/HST-DE 250 W	19000 · 25000	300	470	4000



Box 70396 | 10724 STOC
Klarabergsviadukten 70
Tel +46 (0)8-103070 | Fa
info@crealux.se | www.cri

Pendant luminaires · Protection class IP 44

These narrow beam and wide beam pendant luminaires are designed for incandescent lamps, fluorescent lamps and discharge lamps up to 250 W.

They are suitable for installation in rooms or in the open where luminaires need to be corrosion-resistant and protected against water, dust and insects.

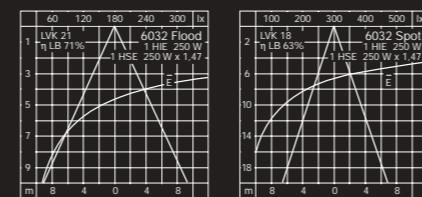
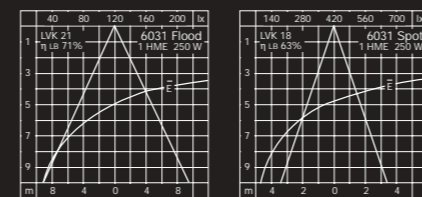
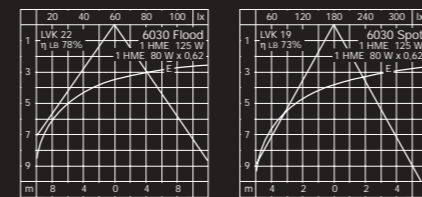
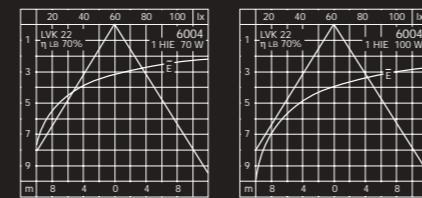
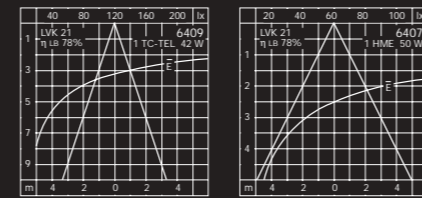
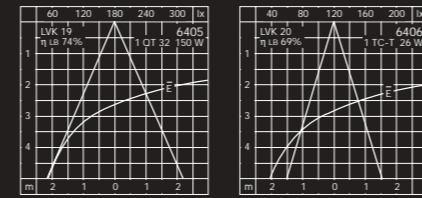
They can be used in all areas of industrial, sports and workshop lighting, illuminating passageways or mounted on support structures. The design of these luminaires is notable for its simple construction and particularly easy maintenance.

The luminaires with ring are designed for installation with customer-supplied tube pendants, chain pendants or steel cords.

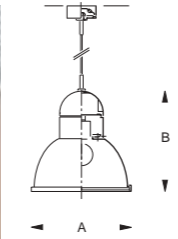
When installed in the open, the luminaires must be protected against constant pendulum movement due to wind.

The luminaires with a diameter of 380 mm and over have four fixing points for anchoring gear.

The luminaires for fluorescent lamps TC-TEL are equipped with electronic ballasts. 32 · 42 W lamps can be used in these luminaires.



On pages 396 - 399 of this catalogue, you will find a description of side-mounted pole-top luminaires whose shape, construction and light output match the luminaires given on this double page.



Pendant luminaires with cable pendant and mounting box Ø 110 mm for

- tungsten halogen lamps QT 32 150 W
- fluorescent lamps TC-T 26 W
- fluorescent lamps for electronic ballasts TC-TEL 32 · 42 W
- discharge lamps HME 50 W

Protection class IP 44
Die cast aluminium, aluminium and stainless steel
Reflector of pure anodized aluminium
Safety glass

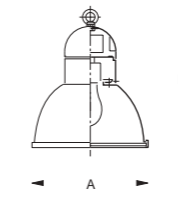
Colour: graphite – article number
white – article number + **W**

Black cable pendant

Tungsten halogen lamps			Lumen	A	B	C
6405	Pendant luminaire	1 QT 32	150 W	2500	275	300 2000

Fluorescent lamps			Lumen	A	B	C
6406	Pendant luminaire	1 TC-T	26 W	1800	275	300 2000
6409	Pendant luminaire	1 TC-TEL	32 · 42 W	2400 · 3200	380	430 3000

Discharge lamps			Lumen	A	B	C
6407	Pendant luminaire	1 HME	50 W	2000	275	300 2000



Pendant luminaires with ring for

- discharge lamps HIE 70 - 250 W
- discharge lamps HME 80 - 250 W
- discharge lamps HSE 250 W

Protection class IP 44
Die cast aluminium, aluminium and stainless steel
Reflector of pure anodized aluminium
Safety glass
Suspension and connection of wiring must be carried out by the customer.

Colour: graphite – article number
white – article number + **W**

Discharge lamps			Lumen	A	B
6004	Pendant luminaire	1 HIE	70 · 100 W	4900 · 8000	380 440
6030	Pendant luminaire	1 HME	80 · 125 W	4000 · 6500	380 440
6031	Pendant luminaire	1 HME	250 W	14000	530 580
6032	Pendant luminaire	1 HIE	250 W	19000	530 580
6032	Pendant luminaire	1 HSE	250 W	25000	530 580



Box 70396 | 10724 STOC
Klarabergsviadukten 70
Tel +46 (0)8-103070 | Fa
info@crealux.se | www.cre



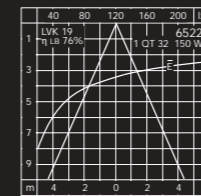
Pendant luminaires with directed light Protection class IP 44

Downlight pendant luminaires designed for lighting tasks where luminaires in rooms or in the open need to be protected against weather factors.

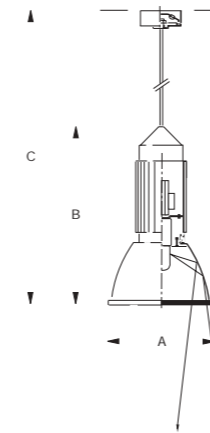
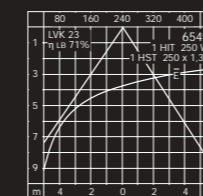
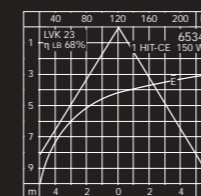
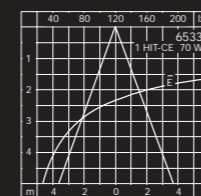
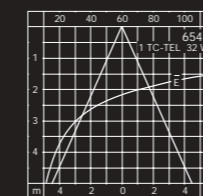
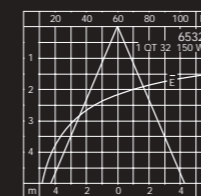
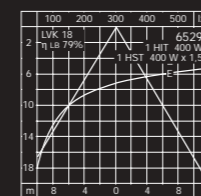
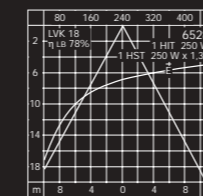
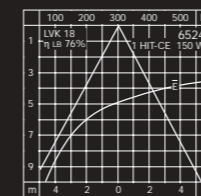
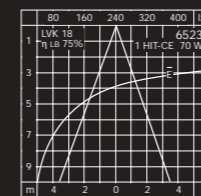
The luminaires in the upper group produce directed light with their reflector with high horizontal illuminance. The luminaires in the lower group are additionally equipped with three-ply opal glass which partially surrounds the reflector. Light distribution comprises both directed light with high horizontal illuminance produced by the reflector, and a smaller amount of unshielded light for vertical illumination.

They are suitable for illuminating passageways or high rooms, for all areas of industrial, sports and workshop lighting. They can be installed on cantilever plates or support structures in the open. The luminaires fulfil the requirements of DIN 57108/VDE 0108 and are suitable for operation in assembly rooms.

When installed in the open, the luminaires must be protected against constant pendulum movement due to wind. The luminaires have fixing points for anchoring gear. The luminaires for fluorescent lamps TC-TEL are equipped with electronic ballasts.



On pages 394 - 395 of this catalogue, you will find a description of pole-top luminaires whose shape, construction and light output match the luminaires given on this double page.



Pendant luminaires with cable pendant and mounting box Ø 110 mm for

- tungsten halogen lamps QT 32 150 W
- discharge lamps HIT-CE 70 · 150 W – G 12
- discharge lamps HIT/HST 250 · 400 W

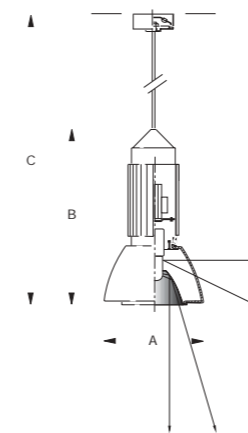
Protection class IP 44
Die cast aluminium, aluminium and stainless steel
Reflector of pure anodized aluminium
Safety glass

Colour: graphite – article number
silver – article number + A

Black cable pendant

Tungsten halogen lamps				Lumen	A	B	C
6522	Pendant luminaire	1 QT 32	150 W	2500	250	410	3000

Discharge lamps				Lumen	A	B	C
6523	Pendant luminaire	1 HIT-CE	70 W	6600	250	410	3000
6524	Pendant luminaire	1 HIT-CE	150 W	14000	320	555	3000
6528	Pendant luminaire	1 HIT · HST	250 W	20000 · 27000	360	640	3000
6529	Pendant luminaire	1 HIT · HST	400 W	32000 · 48000	480	820	3000



Pendant luminaires with cable pendant and mounting box Ø 110 mm for

- tungsten halogen lamps QT 32 150 W
- fluorescent lamps for electronic ballasts TC-TEL 32 W
- discharge lamps HIT-CE 70 · 150 W – G 12
- discharge lamps HIT/HST 250 W

Protection class IP 44
Die cast aluminium, aluminium and stainless steel
Reflector of pure anodized aluminium
Three-ply opal glass and safety glass

Colour: graphite – article number
silver – article number + A

Black cable pendant

Tungsten halogen lamps				Lumen	A	B	C
6532	Pendant luminaire	1 QT 32	150 W	2500	230	410	3000

Fluorescent lamps				Lumen	A	B	C
6547	Pendant luminaire	1 TC-TEL	32 W	2400	230	410	3000

Discharge lamps				Lumen	A	B	C
6533	Pendant luminaire	1 HIT-CE	70 W	6600	230	410	3000
6534	Pendant luminaire	1 HIT-CE	150 W	14000	285	500	3000
6549	Pendant luminaire	1 HIT · HST	250 W	20000 · 27000	365	640	3000



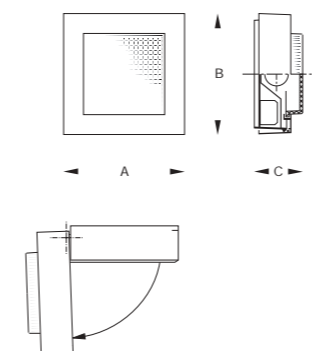
Box 70396 | 10724 STOC
Klarabergsviadukten 70
Tel +46 (0)8-103070 | Fa
info@crealux.se | www.cri

BEGA House number luminaires + indication luminaires

These luminaires with weatherproof numbers, symbols and lettering are designed to allow clear identification of house numbers and signs – by day and by night – even from a distance. Corrosion-resistant and reliable, they are made of die cast aluminium, stainless steel, and crystal glass with optical texture or three-ply opal glass. The glass ensures uniform illumination of the background and therefore good legibility of the lettering.

Luminaires 3790 and 3791 are particularly suitable for continuous operation with their low level of power consumption and built-in automatic twilight switch. Luminaire 3790, for example, equipped with a TC-S 5 W fluorescent lamp, has an average power consumption of 44 kW a year.

Many other luminaires in this catalogue are suitable for use as house number luminaires or indication luminaires, especially the light brick product group. These luminaires are also supplied with corresponding numbers, symbols and lettering.



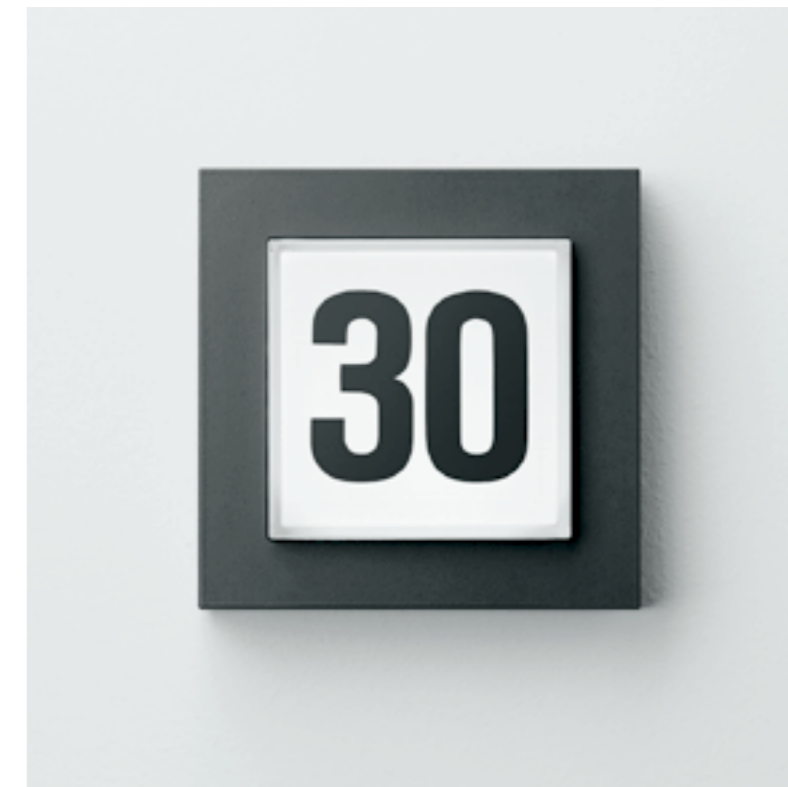
House number luminaires with built-in twilight switch for

- fluorescent lamps TC-S 5 · 7 · 9 W

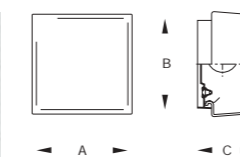
Protection class IP 65
Die cast aluminium and stainless steel
Reflector of pure anodized aluminium
Crystal glass with optical texture

3790 with 1-2 digit nos. height 75 mm
3791 with 1-2 digit nos. height 120 mm
or 3 digit nos. height 75 mm

Colour: graphite – article number
silver – article number + A



				Lumen	A	B	C
3790	House number luminaire	1 TC-S	5 W	250	210	210	80
3791	House number luminaire	1 TC-S	7 · 9 W	400 · 600	260	260	90



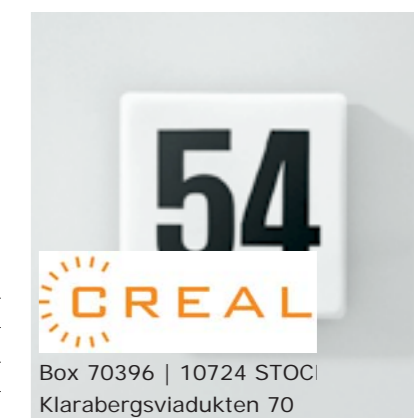
House number luminaires for

- incandescent lamps A 60 75 W
- fluorescent lamps TC-S 9 · 11 W

Protection class IP 44
Die cast aluminium and stainless steel
Three-ply opal glass
Height of symbols and figures 120 mm

Colour: graphite

					A	B	C
Incandescent lamps							
3768	House number luminaire	1-2 digit nos.	1 A 60	75 W	210	210	120
Fluorescent lamps							
3777	House number luminaire	1-2 digit nos.	1 TC-S	9 W	210	210	120
3774	House number luminaire	up to 5 digit nos.	1 TC-S	11 W	370	210	120

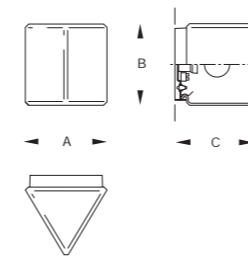
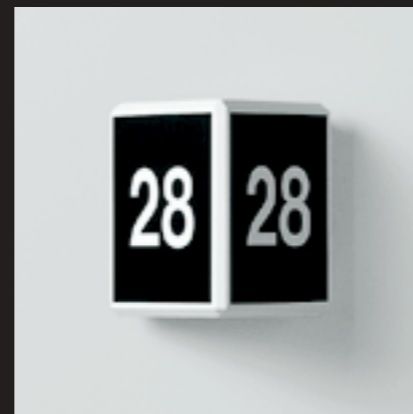


Box 70396 | 10724 STOC
Klarabergsviadukten 70
Tel +46 (0)8-103070 | Fa
info@crealux.se | www.cri

Light brick · The prism · The cube House number luminaires

Wall and ceiling luminaires designed for architectural applications where simple geometrical shapes are required. Light bricks of architectural lighting suitable for inside and outside use, wherever there is a need for luminaires of high material quality. They are corrosion-resistant and made of die cast aluminium, stainless steel and hand-blown three-ply opal glass.

Luminaires made of glass provide good light. Glass is a very natural and beautiful material which is non-ageing. It still looks as good as new even after many years, and its durability is unlimited unless wantonly destroyed. Luminaires for the expressive design of walls and ceilings. An excellent building detail.



Light brick · The prism

Wall + ceiling luminaires for
 • incandescent lamps D 45 40 W
 • incandescent lamps A 60 75 W
 • fluorescent lamps TC-D 10 · 13 W
 Protection class IP 44
 Die cast aluminium and stainless steel
 Satin matt three-ply opal glass

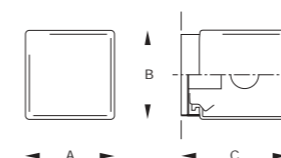
Colour: graphite

Incandescent lamps				Lumen	A	B	C
3480	Light brick	1 D 45	40 W	400	170	170	160
3490	Light brick	1 A 60	75 W	940	200	200	195
Fluorescent lamps							
3481	Light brick	1 TC-D	10 W	600	170	170	160
3491	Light brick	1 TC-D	13 W	900	200	200	195

House number luminaires

Wall luminaires as above but with weatherproof lettering on 2 sides
 1-2 digit nos. height 75 · 90 mm

Incandescent lamps				Lumen	A	B	C
3778	House number luminaire	1 D 45	40 W	400	170	170	160
3780	House number luminaire	1 A 60	75 W	940	200	200	195
Fluorescent lamps							
3779	House number luminaire	1 TC-D	10 W	600	170	170	160
3781	House number luminaire	1 TC-D	13 W	900	200	200	195



Light brick · The cube

Wall + ceiling luminaires for
 • incandescent lamps D 45 40 W
 • incandescent lamps A 60 75 · 100 W
 • fluorescent lamps TC-D 13 · 18 W
 Protection class IP 44
 Die cast aluminium and stainless steel
 Satin matt three-ply opal glass

Colour: graphite

Incandescent lamps				Lumen	A	B	C
3367	Light brick	1 D 45	40 W	400	110	110	130
3567	Light brick	1 A 60	75 W	940	160	160	190
3767	Light brick	1 A 60	100 W	1360	200	200	250
Fluorescent lamps							
3448	Light brick	1 TC-D	13 W	900	160	160	190
3548	Light brick	1 TC-D	18 W	1200	200	200	250

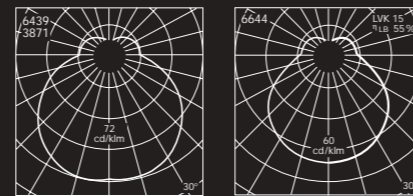
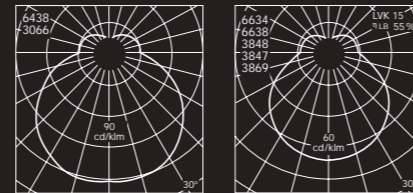
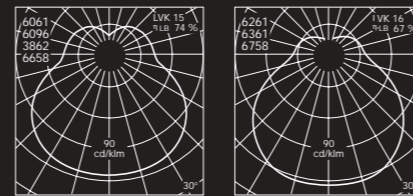


Box 70396 | 10724 STOC
 Klarabergsviadukten 70
 Tel +46 (0)8-103070 | Fa
 info@crealux.se | www.cri

Light brick · The circle · The square

Light brick – a BEGA trademark – a group of corrosion-resistant and weatherproof luminaires made of die cast aluminium, stainless steel and hand-blown three-ply opal glass.

Masterpieces of the glassmaker's art. These wall luminaires and ceiling luminaires of high technical quality are designed for many areas of interior and exterior lighting. Their sophisticated design is recognised in many parts of the world. Classics for good light and surface design. Unchanged in shape and construction in over 40 years.



Light brick · The circle

Wall + ceiling luminaires for

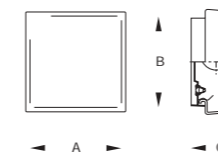
- incandescent lamps D 45 40 W
- incandescent lamps A 60 60 · 75 W
- fluorescent lamps TC-T 18 W
- fluorescent lamps TC-D 18 · 26 W

Protection class IP 44
Die cast aluminium and stainless steel
Satin matt three-ply opal glass
Shock-proof twist-lock closure

Colour: graphite

Incandescent lamps				Lumen	A	B
6061	Light brick	1 D 45	40 W	400	160	80
6096	Light brick	1 A 60	75 W	940	220	90
6261	Light brick	2 A 60	60 W	1420	300	100
6438	Light brick	2 A 60	75 W	1880	350	120
6361	Light brick	3 A 60	75 W	2820	390	120

Fluorescent lamps				Lumen	A	B
6634	Light brick	1 TC-T	18 W	1200	220	90
6638	Light brick	2 TC-D	18 W	2400	300	100
6439	Light brick	2 TC-D	26 W	3600	350	120
6644	Light brick	3 TC-D	26 W	5400	390	120



Light brick · The square

Wall + ceiling luminaires for

- incandescent lamps D 45 40 W
- incandescent lamps A 60 40 · 60 · 75 W
- fluorescent lamps TC-D 10 · 18 · 26 W

Protection class IP 44
Die cast aluminium and stainless steel
Satin matt three-ply opal glass

Colour: graphite

Incandescent lamps				Lumen	A	B	C
3862	Light brick	1 D 45	40 W	400	160	160	90
6658	Light brick	1 A 60	75 W	940	210	210	120
6758	Light brick	2 A 60	60 W	1420	280	280	130
3066	Light brick	4 A 60	40 W	1680	320	320	130

Fluorescent lamps				Lumen	A	B	C
3848	Light brick	1 TC-D	10 W	600	160	160	90
3847	Light brick	1 TC-D	18 W	1200	210	210	120
3851	Light brick	2 TC-D	18 W	2400	280	280	130
3871	Light brick	2 TC-D	26 W	3600	320	320	130

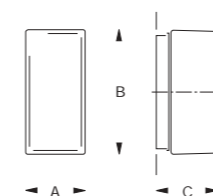


Box 70396 | 10724 STOC
Klarabergsviadukten 70
Tel +46 (0)8-103070 | Fa
info@crealux.se | www.cri

Light brick · The rectangle

Wall and ceiling luminaires for many areas in architecture requiring a discreet shape and soft white light. They are suitable for inside and outside areas, wherever there is a need for luminaires of high material quality. These luminaires, made of die cast aluminium, stainless steel and hand-blown three-ply opal glass, are corrosion-resistant and weatherproof.

The luminaires in the lower group are for corner-mounting on buildings. The illumination of two sides of a building with one luminaire from one location is often economical and practical. Light brick – a BEGA trademark.



Light brick · The rectangle

Wall + ceiling luminaires for

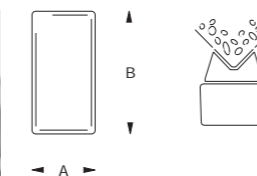
- incandescent lamps D 45 · 40 W
- incandescent lamps A 60 · 60 · 75 · 100 W
- fluorescent lamps TC-D 13 · 18 · 26 W

Protection class IP 44
Die cast aluminium and stainless steel
Satin matt three-ply opal glass

Colour: graphite

Incandescent lamps				Lumen	A	B	C
3563	Light brick	1 D 45	40 W	400	80	190	90
3668	Light brick	1 A 60	60 W	710	100	210	90
4661	Light brick	1 A 60	75 W	940	120	250	100
3266	Light brick	2 A 60	60 W	1420	140	300	110
3363	Light brick	2 A 60	100 W	2720	210	370	110

Fluorescent lamps				Lumen	A	B	C
3648	Light brick	1 TC-D	13 W	900	100	210	90
3372	Light brick	1 TC-D	18 W	1200	120	250	100
3370	Light brick	1 TC-D	26 W	1800	140	300	110
3374	Light brick	2 TC-D	18 W	2400	210	370	110



For corner-mounting
Wall luminaires for

- incandescent lamps A 60 · 60 · 75 · 100 W
- fluorescent lamps TC-D 18 W

IP 44 · Die cast aluminium and stainless steel · Satin matt three-ply opal glass
Colour: graphite

Incandescent lamps				Lumen	A	B	C
6860	Light brick	1 A 60	75 W	940	100	200	120
6960	Light brick	1 A 60	100 W	1360	120	250	130
6965	Light brick	2 A 60	60 W	1420	140	300	140

Fluorescent lamps				Lumen	A	B	C
6971	Light brick	1 TC-D	18 W	1200	120	250	130



Box 70396 | 10724 STOC
Klarabergsviadukten 70
Tel +46 (0)8-103070 | Fa
info@crealux.se | www.cri

Light brick · The rectangle

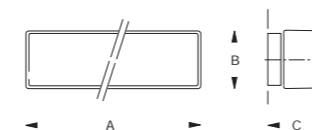
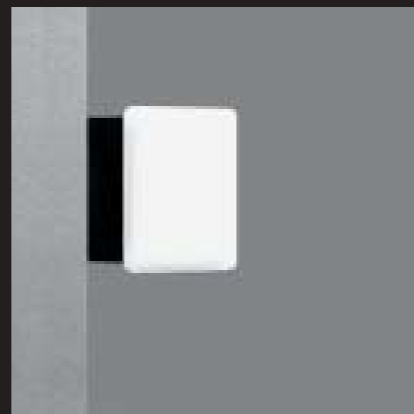
These elongated luminaires provide a uniform soft white light. They can be installed singly or in rows.

Designed for damp rooms – in sanitary facilities as mirror luminaires – or as outdoor luminaires.

The luminaires in each group have the same cross-section in shape and dimension, allowing them to be installed in rows to form light bands.

These luminaires made of high-quality silicate glass are not only masterpieces of the glassmaker's art but also luminaires with which you can build.

Light brick – excellent shape and material quality.



Light brick · The rectangle

Wall + ceiling luminaires for

- incandescent lamps A 60 40 · 60 W
- fluorescent lamps TC-D 13 · 18 W
- fluorescent lamps TC-L 24 W

Protection class IP 44

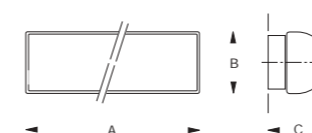
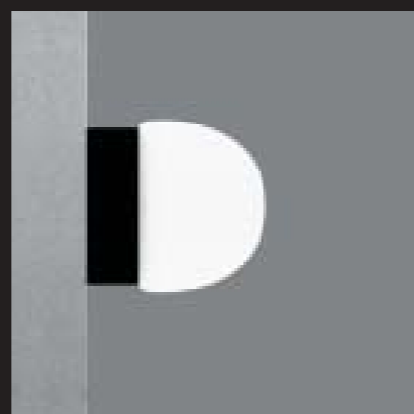
Die cast aluminium and stainless steel
Satin matt three-ply opal glass

Colour: graphite



Incandescent lamps				Lumen	A	B	C
3668	Light brick	1 A 60	60 W	710	210	100	90
3766	Light brick	2 A 60	40 W	840	300	100	100
3866	Light brick	3 A 60	40 W	1260	450	100	100

Fluorescent lamps				Lumen	A	B	C
3648	Light brick	1 TC-D	13 W	900	210	100	90
3748	Light brick	1 TC-D	18 W	1200	300	100	100
3785	Light brick	1 TC-L	24 W	1800	450	100	100



Light brick · The rectangle

Wall + ceiling luminaires for

- incandescent lamps A 60 40 · 60 · 75 W
- fluorescent lamps TC-D 13 · 18 W
- fluorescent lamps TC-L 24 · 36 W

Protection class IP 44

Die cast aluminium and stainless steel
Three-ply opal glass

Colour: graphite



Incandescent lamps				Lumen	A	B	C
3185	Light brick	1 A 60	40 W	420	200	100	100
3186	Light brick	2 A 60	40 W	840	300	100	100
3187	Light brick	2 A 60	60 W	1420	400	100	100
3188	Light brick	2 A 60	75 W	1880	500	100	100

Fluorescent lamps				Lumen	A	B	C
3182	Light brick	1 TC-D	13 W	900	200	100	100
3183	Light brick	1 TC-D	18 W	1200	300	100	100
3190	Light brick	1 TC-L	24 W	1800	400	100	100
3191	Light brick	1 TC-L	36 W	2900	500	100	100



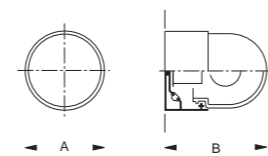
Box 70396 | 10724 STOC
Klarabergsviadukten 70
Tel +46 (0)8-103070 | Fa
info@crealux.se | www.cri

Wall luminaires and ceiling luminaires Protection class IP 44 · IP 65

Universal wall luminaires and ceiling luminaires for inside or outside areas. These small luminaires with high light outputs are protected against a high level of humidity and a high incidence of dust. They are corrosion-resistant luminaires and made of die cast aluminium, stainless steel and three-ply opal glass. Three-ply opal glass is an excellent lighting material. It distributes the light from the lamp softly and uniformly over the glass surface and considerably reduces the luminance of the lamp. This is shown to special advantage when operating the luminaires with fluorescent lamps.

The high translucency ensures a high degree of lighting efficiency and therefore economic lighting. Luminaires for many applications, wherever luminaires of technically high-quality and good shape are required.

The luminaires for fluorescent lamps TC-TEL are equipped with electronic ballasts. 26 · 32 · 42 W lamps can be used in these luminaires.

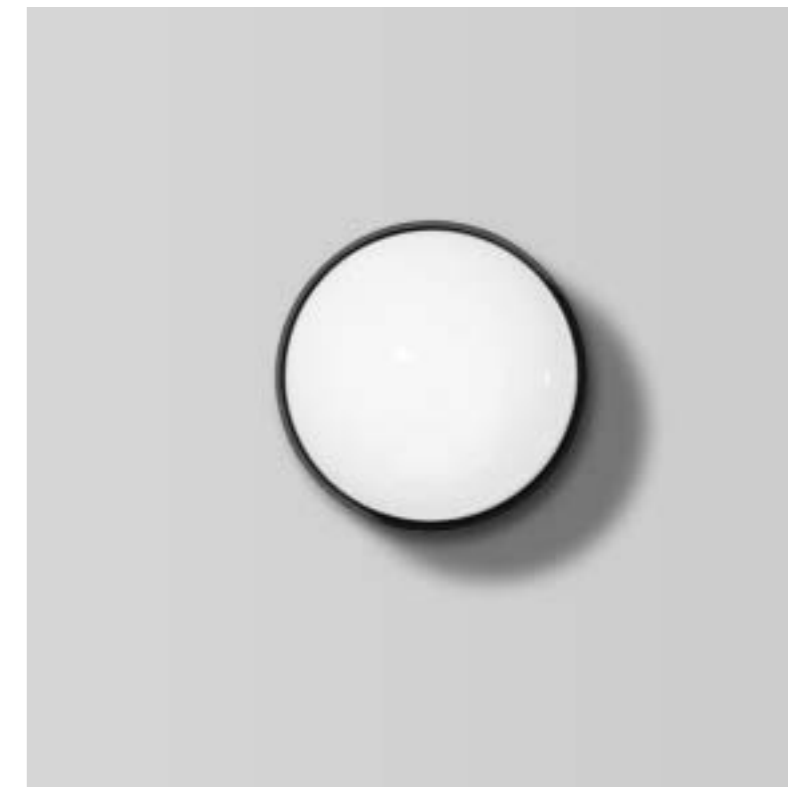


Wall + ceiling luminaires for

- incandescent lamps A 60 40 · 100 W
- incandescent lamps A 65 150 W
- fluorescent lamps TC-D 13 W
- fluorescent lamps for electronic ballasts TC-TEL 26 · 32 · 42 W

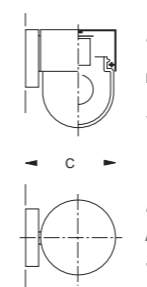
Protection class IP 65
Die cast aluminium and stainless steel
Three-ply opal glass

Colour: graphite



Incandescent lamps				Lumen	A	B
4080	Wall + ceiling luminaire	1 A 60	40 W	420	105	150
4071	Wall + ceiling luminaire	1 A 60	100 W	1360	140	185
4073	Wall + ceiling luminaire	1 A 65	150 W	2200	200	250

Fluorescent lamps				Lumen	A	B
4072	Wall + ceiling luminaire	1 TC-D	13 W	900	140	185
4077	Wall + ceiling luminaire	1 TC-TEL	26 · 32 · 42 W	1800 · 2400 · 3200	200	250



Wall luminaires for

- incandescent lamps A 60 100 W
- fluorescent lamps TC-D 13 W

Protection class IP 44
Die cast aluminium and stainless steel
Three-ply opal glass

Colour: graphite



Incandescent lamps				Lumen	A	B	C
4970	Wall luminaire	1 A 60	100 W	1360	140	185	170

Fluorescent lamps				Lumen	A	B	C
4971	Wall luminaire	1 TC-D	13 W	900	140	185	170



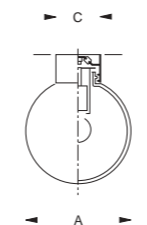
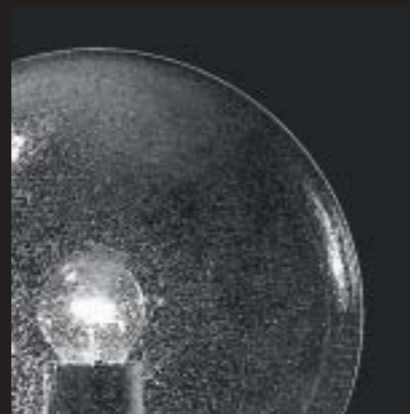
Box 70396 | 10724 STOC
Klarabergsviadukten 70
Tel +46 (0)8-103070 | Fa
info@crealux.se | www.cri

The glass sphere · Protection class IP 44 · IP 65
Wall + ceiling luminaires and pillar luminaires

These corrosion-resistant luminaires are made of die cast aluminium and stainless steel with three-ply opal glass or crystal bubble glass. They are suitable for inside or outside areas where luminaires need adequate protection against a high level of humidity or a high incidence of dirt.

Three-ply opal glass – an excellent lighting material which distributes the light from the lamp softly and uniformly over the glass surface and reduces luminance to an acceptable level. When operating with incandescent lamps, frosted lamps should be used with three-ply opal glass.

Crystal bubble glass – glass with a vigorous, rustic appearance. When operating with incandescent lamps, clear lamps should be used with crystal glass. The character of the glass is then highlighted to perfection.



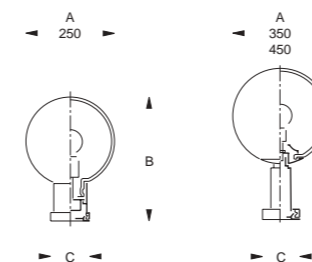
Wall + ceiling luminaires for
 • incandescent lamps
 A 60 · 60 · 75 · 100 W
 • fluorescent lamps
 TC-D 10 · 13 · 18 W
 Protection class IP 65
 Die cast aluminium and stainless steel
 Three-ply opal glass or crystal bubble glass

Colour: graphite – article number
 white – article number + W

Incand. lamps · Three-ply opal glass			Lumen	A	B	C
4568	Wall + ceiling luminaire	1 A 60 60 W	710	200	250	110
4668	Wall + ceiling luminaire	1 A 60 75 W	940	250	310	110
4769	Wall + ceiling luminaire	1 A 60 100 W	1360	300	350	120

Fluorescent lamps · Three-ply opal glass			Lumen	A	B	C
4448	Wall + ceiling luminaire	1 TC-D 10 W	600	200	250	110
4548	Wall + ceiling luminaire	1 TC-D 13 W	900	250	310	110
4648	Wall + ceiling luminaire	1 TC-D 18 W	1200	300	350	120

Incandescent lamps · Crystal bubble glass			Lumen	A	B	C
4368	Wall + ceiling luminaire	1 A 60 60 W	710	200	250	110
4468	Wall + ceiling luminaire	1 A 60 75 W	940	250	310	110
4569	Wall + ceiling luminaire	1 A 60 100 W	1360	300	350	120



Pillar luminaires for
 • incandescent lamps A 60 75 W
 • Incandescent lamps A 65 150 W
 • fluorescent lamps TC-D 13 · 18 W
 Protection class IP 44
 Die cast aluminium and stainless steel
 Three-ply opal glass or
 crystal bubble glass

Colour: graphite – article number
 white – article number + W

Incand. lamps · Three-ply opal glass			Lumen	A	B	C
7267	Pillar luminaire	1 A 60 75 W	940	250	360	110
7767	Pillar luminaire	1 A 65 150 W	2200	350	530	155
7668	Pillar luminaire	1 A 65 150 W	2200	450	700	175

Fluorescent lamps · Three-ply opal glass			Lumen	A	B	C
7248	Pillar luminaire	1 TC-D 13 W	900	250	360	110
7768	Pillar luminaire	1 TC-D 18 W	1200	350	530	155

Incandescent lamps · Crystal bubble glass			Lumen	A	B	C
7067	Pillar luminaire	1 A 60 75 W	940	250	360	110
7567	Pillar luminaire	1 A 65 150 W	2200	350	530	155



Box 70096 | 10724 STOC
 Klarabergsviadukten 70
 Tel +46 (0)8-103070 | Fa
 info@crealux.se | www.cri

On page 354 of this catalogue, you will find a description of bollards whose shape, construction and light output match the luminaires given on this double page.

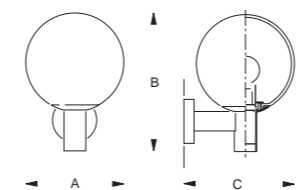
The glass sphere · Protection class IP 44 Wall luminaires

Spherical luminaires made of three-ply opal glass or crystal bubble glass with cast aluminium and stainless steel bodies.
Three-ply opal glass – produces soft, uniform light distribution with pleasant luminance.
Crystal bubble glass – produces light with a vivid and vigorous character.
Classic luminaires in harmony with any style of architecture.
Good building detail by day, impressive light by night.
When operating with incandescent lamps, clear lamps should be used with crystal glass, and frosted lamps with three-ply opal glass.
The character of the glass is then highlighted to perfection.

Matching corner blocks for corner-mounting the wall luminaires:

5154 · 5453 · 5454
5553 · 6029 · 6048 – Corner block 409 – Ø 110 mm
6748 · 6872 · 6869 · 6948
5648 · 5748 · 6165 · 6566 – Corner block 410 – Ø 130 mm
6498 – Corner block 412 – Ø 150 mm

On pages 372 - 375 of this catalogue, you will find a description of pole-top luminaires and side-mounted pole-top luminaires whose shape, construction and light output match the luminaires on this double page.

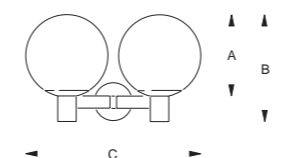


Wall luminaires for
• incandescent lamps A 60 75 W
• incandescent lamps A 65 150 W
• fluorescent lamps
TC-D 10 · 13 · 18 · 26 W
Protection class IP 44
Die cast aluminium and stainless steel
Three-ply opal glass

Colour: graphite – article number
white – article number + W

Incandescent lamps				Lumen	A	B	C
5453	Wall luminaire	1 A 60	75 W	940	210	300	240
5454	Wall luminaire	1 A 60	75 W	940	250	350	280
6165	Wall luminaire	1 A 65	150 W	2200	350	480	420

Fluorescent lamps				Lumen	A	B	C
5553	Wall luminaire	1 TC-D	10 W	600	210	300	240
6948	Wall luminaire	1 TC-D	13 W	900	250	350	280
5648	Wall luminaire	1 TC-D	18 W	1200	350	480	420
6498	Wall luminaire	2 TC-D	26 W	3600	450	610	570



Incandescent lamps				Lumen	A	B	C
6872	Wall luminaire	2 A 60	75 W	1880	250	330	520



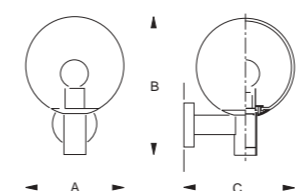
Corner blocks

For corner-mounting the luminaires with round wall plate or mounting box. Corresponding indications are given on the relevant pages of the catalogue. Die cast aluminium and stainless steel

Colour: graphite – article number
white – article number + W
silver – article number + A



	A	B
408	Corner block	90 50
409	Corner block	110 60
410	Corner block	130 70
412	Corner block	150 80
413	Corner block	170 95

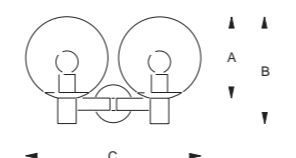


Wall luminaires for
• incandescent lamps A 60 75 W
• incandescent lamps A 65 150 W
• fluorescent lamps
TC-D 10 · 13 · 18 W
Protection class IP 44
Die cast aluminium and stainless steel
Crystal bubble glass

Colour: graphite – article number
white – article number + W

Incandescent lamps				Lumen	A	B	C
6029	Wall luminaire	1 A 60	75 W	940	210	300	240
5154	Wall luminaire	1 A 60	75 W	940	250	350	280
6566	Wall luminaire	1 A 65	150 W	2200	350	480	420

Fluorescent lamps				Lumen	A	B	C
6048	Wall luminaire	1 TC-D	10 W	600	210	300	240
6748	Wall luminaire	1 TC-D	13 W	900	250	350	280
5748	Wall luminaire	1 TC-D	18 W	1200	350	480	420



Incandescent lamps				Lumen	A	B	C
6869	Wall luminaire	2 A 60	75 W	1880	250	330	520



Box 70396 | 10724 STOC
Klarabergsviadukten 70
Tel +46 (0)8-103070 | Fa
info@crealux.se | www.cri

The glass sphere · Protection class IP 44 Wall luminaires and pillar luminaires

These luminaires are designed for incandescent lamps and compact fluorescent lamps, and suitable for private areas around houses and gardens. They are also available in larger sizes for public areas. Luminaires with hand-blown three-ply opal glass. Three-ply opal glass is a particularly good lighting material. It produces soft and uniform light distribution. The high luminance of the lamp is reduced to an appropriate level. When operating with incandescent lamps, frosted lamps should be used to achieve an optimum effect.

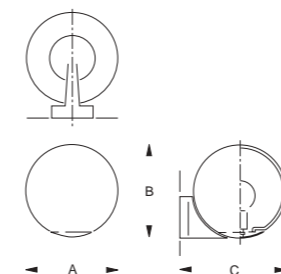
Corner blocks

For corner-mounting the wall luminaires.
Die cast aluminium and stainless steel

Colour: graphite – article number
white – article number + W



	A	B
408 for 6520	90	50
409 for 5069 · 5070	110	60
410 for 6530 · 6531	130	70
412 for 5071 · 5072	150	80

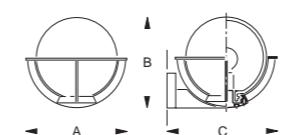


Wall luminaires for
• incandescent lamps A 60 75 W
• incandescent lamps A 65 150 W
• fluorescent lamps TC-D 13 · 26 W
Protection class IP 44
Die cast aluminium and stainless steel
Three-ply opal glass

Colour: graphite – article number
white – article number + W

Incandescent lamps				Lumen	A	B	C
5069	Wall luminaire	1 A 60	75 W	940	250	250	280
5071	Wall luminaire	1 A 65	150 W	2200	350	350	380

Fluorescent lamps				Lumen	A	B	C
5070	Wall luminaire	1 TC-D	13 W	900	250	250	280
5072	Wall luminaire	1 TC-D	26 W	1800	350	350	380

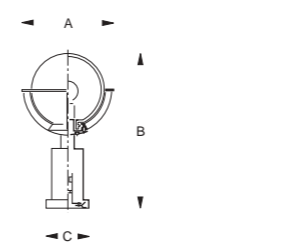


Wall luminaires for
• incandescent lamps A 60 60 · 100 W
• fluorescent lamps TC-D 18 W
Protection class IP 44
Die cast aluminium and stainless steel
Three-ply opal glass

Colour: graphite – article number
white – article number + W

Incandescent lamps				Lumen	A	B	C
6520	Wall luminaire	1 A 60	60 W	710	255	230	285
6530	Wall luminaire	1 A 60	100 W	1360	375	340	410

Fluorescent lamps				Lumen	A	B	C
6531	Wall luminaire	1 TC-D	18 W	1200	375	340	410



Pillar luminaires for
• incandescent lamps A 60 60 · 100 W
• fluorescent lamps TC-D 18 W
Protection class IP 44
Die cast aluminium and stainless steel
Three-ply opal glass

Colour: graphite – article number
white – article number + W

Incandescent lamps				Lumen	A	B	C
7290	Pillar luminaire	1 A 60	60 W	710	255	430	130
7295	Pillar luminaire	1 A 60	100 W	1360	375	630	175

Fluorescent lamps				Lumen	A	B	C
7296	Pillar luminaire	1 TC-D	18 W	1200	375	630	175



On pages 376 - 377 of this catalogue, you will find a description of pole-top luminaires whose shape, construction and light output match the luminaires given on this double page.



Box 70396 | 10724 STOC
Klarabergsviadukten 70
Tel +46 (0)8-103070 | Fa
info@crealux.se | www.cri

The glass sphere · Protection class IP 44
Wall luminaires and pillar luminaires

Luminaires designed for incandescent lamps, fluorescent lamps and discharge lamps.

Wall luminaires and pillar luminaires with a guard covering the lower half of the sphere. The guard is made of die cast aluminium and is extremely robust.

The luminaires are equipped with the following spheres:
Spheres with Ø 350 mm · hand-blown three-ply opal glass
Spheres with Ø 450 mm · impact-resistant plastic

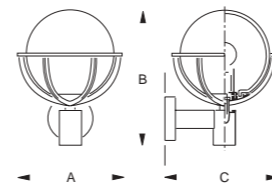
Corner blocks

For corner-mounting the wall luminaires.
Die cast aluminium and stainless steel

Colour: graphite – article number
white – article number + W



Corner blocks		A	B
409	for 6504	110	60
410	for 6505 - 6507	130	80
412	for 6506 - 6508	150	80



Wall luminaires for
• incandescent lamps A 60 75 · 100 W
• fluorescent lamps TC-D 18 · 26 W
• discharge lamps HME 50 W
Protection class IP 44
Die cast aluminium and stainless steel
Three-ply opal glass
6508 · 6506 white plastic sphere

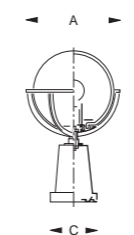
Colour: graphite – article number
white – article number + W



				Lumen	A	B	C
Incandescent lamps							
6504	Wall luminaire	1 A 60	75 W	940	260	330	290
6505	Wall luminaire	1 A 60	100 W	1360	350	480	410
Fluorescent lamps							
6507	Wall luminaire	1 TC-D	18 W	1200	350	480	410
6508	Wall luminaire	1 TC-D	26 W	1800	450	600	550
Discharge lamps							
6506	Wall luminaire	1 HME	50 W	2000	450	600	550



On pages 378 - 379 of this catalogue, you will find a description of pole-top luminaires whose shape, construction and light output match the luminaires given on this double page.



Pillar luminaires for
• incandescent lamps A 60 75 · 100 W
• fluorescent lamps TC-D 18 · 26 W
• discharge lamps HME 50 W
Protection class IP 44
Die cast aluminium and stainless steel
Three-ply opal glass
7281 · 7275 white plastic sphere

Colour: graphite – article number
white – article number + W

				Lumen	A	B	C
7279	Pillar luminaire	1 A 60	75 W	940	260	430	130
7273	Pillar luminaire	1 A 60	100 W	1360	350	600	150
7280	Pillar luminaire	1 TC-D	18 W	1200	350	600	150
7281	Pillar luminaire	1 TC-D	26 W	1800	450	800	200
7275	Pillar luminaire	1 HME	50 W	2000	450	800	200



Box 70396 | 16724 JOC
Klarabergsviadukten 70
Tel +46 (0)8-103070 | Fa
info@crealux.se | www.cri

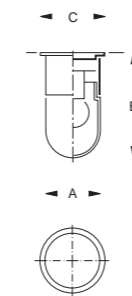
Wall + ceiling + pillar luminaires
Protection class IP 64 · STAINLESS STEEL

Impressive for their material-enhancing design and simplicity of shapes, these corrosion-resistant luminaires, made of stainless steel and three-ply opal glass, are suitable for use both inside and outside. They can be mounted in any burning position.

Stainless steel – a material which is becoming increasingly important in modern architecture due to its stability and durability.

Three-ply opal glass – an excellent lighting material which reduces the luminance of the lamp to an agreeable level without significant loss and distributes the light softly and uniformly over the glass surface.

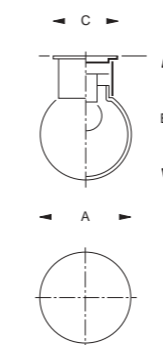
A group of luminaires which provide a very good solution to a host of lighting tasks.



Wall + ceiling + pillar luminaires for
• incandescent lamps D 45 40 W
• incandescent lamps A 60 60 · 75 · 100 W
• fluorescent lamps TC-D 13 W
• fluorescent lamps TC-T 18 W
Protection class IP 64
Stainless steel · Three-ply opal glass

Incandescent lamps			Lumen	A	B	C
3101	Wall + ceiling + pillar luminaire	1 D 45 40 W	400	70	165	90
3102	Wall + ceiling + pillar luminaire	1 A 60 60 W	710	95	200	120
3103	Wall + ceiling + pillar luminaire	1 A 60 75 W	940	110	230	140
3105	Wall + ceiling + pillar luminaire	1 A 60 100 W	1360	130	260	160

Fluorescent lamps			Lumen	A	B	C
3104	Wall + ceiling + pillar luminaire	1 TC-D 13 W	900	110	230	140
3106	Wall + ceiling + pillar luminaire	1 TC-T 18 W	1200	130	260	160



Wall + ceiling + pillar luminaires for
• incandescent lamps D 45 40 W
• incandescent lamps A 60 60 · 75 · 100 W
• fluorescent lamps TC-D 13 W
• fluorescent lamps TC-T 18 W
Protection class IP 64
Stainless steel · Three-ply opal glass

Incandescent lamps			Lumen	A	B	C
3001	Wall + ceiling + pillar luminaire	1 D 45 40 W	400	120	175	90
3002	Wall + ceiling + pillar luminaire	1 A 60 60 W	710	150	215	120
3003	Wall + ceiling + pillar luminaire	1 A 60 75 W	940	220	300	140
3005	Wall + ceiling + pillar luminaire	1 A 60 100 W	1360	270	360	160

Fluorescent lamps			Lumen	A	B	C
3004	Wall + ceiling + pillar luminaire	1 TC-D 13 W	900	220	300	140
3006	Wall + ceiling + pillar luminaire	1 TC-T 18 W	1200	270	360	160



Box 70396 | 10724 STOC
Klarabergsviadukten 70
Tel +46 (0)8-103070 | Fa
info@crealux.se | www.cri

Wall, ceiling and pillar luminaires STAINLESS STEEL

A group of luminaires based on the same concepts of technology and shape. The large number of different dimensions and light outputs make these luminaires excellent design elements for a host of lighting tasks both inside and outside.

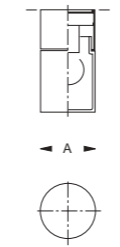
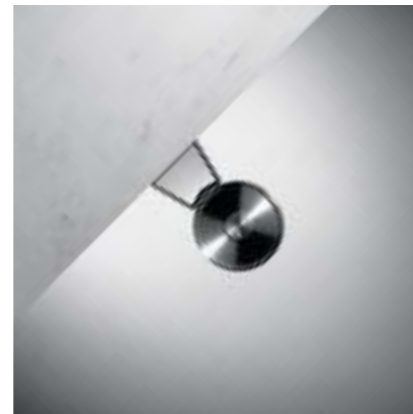
They are corrosion-resistant and made of stainless steel and hand-blown three-ply opal glass.

Stainless steel – a high-quality material, notable for the stability and durability of its surface.

Three-ply opal glass – an equally high-quality material, impressive for its incomparable lighting quality.

These luminaires are striking for their simplicity of shape, and they discreetly fulfil their function as good architectural details.

On page 340 of this catalogue, you will find a description of bollards whose shape, construction and light output match the luminaires given on this double page.



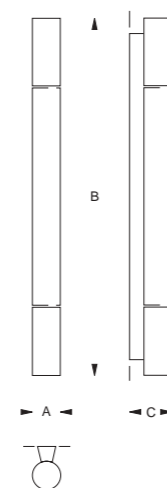
Wall + ceiling luminaires for

- incandescent lamps D 45 40 W
- incandescent lamps A 60 60 · 75 · 100 W
- fluorescent lamps TC-D 13 W
- fluorescent lamps TC-T 18 W

Protection class IP 64
Stainless steel · Three-ply opal glass

				Lumen	A	B
3111	Wall + ceiling luminaire	1 D 45	40 W	400	70	160
3112	Wall + ceiling luminaire	1 A 60	60 W	710	95	185
3113	Wall + ceiling luminaire	1 A 60	75 W	940	110	225
3118	Wall + ceiling luminaire	1 A 60	100 W	1360	130	260

				Lumen	A	B
3114	Wall + ceiling luminaire	1 TC-D	13 W	900	110	225
3119	Wall + ceiling luminaire	1 TC-T	18 W	1200	130	260

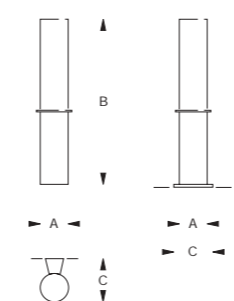


Wall + ceiling luminaires for

- fluorescent lamps TC-S 11 W
- fluorescent lamps TC-L 36 · 55 W

Protection class IP 55
Stainless steel · Three-ply opal glass
4096 with electronic ballasts

				Lumen	A	B	C
4090	Wall + ceiling luminaire	1 TC-S	11 W	900	60	500	90
4095	Wall + ceiling luminaire	1 TC-L	36 W	2900	70	900	100
4096	Wall + ceiling luminaire	1 TC-L	55 W	4800	80	1100	110



Wall luminaires and pillar luminaires for

- incandescent lamps C 35 40 W
- fluorescent lamps TC-S 11 W
- fluorescent lamps TC-L 36 W

Protection class IP 65
4025 Protection class IP 44
Stainless steel · Three-ply opal glass

				Lumen	A	B	C
4025	Wall luminaire	1 C 35	40 W	400	70	240	100
4020	Wall luminaire	1 TC-S	11 W	900	80	450	110
4030	Wall luminaire	1 TC-L	36 W	2900	110	660	140

				Lumen	A	B	C
7229	Pillar luminaire	1 TC-S	11 W	900	80	470	135
7230	Pillar luminaire	1 TC-L	36 W	2900	110	705	175



Box 70396 | 10724 STOC
Klarabergsviadukten 70
Tel +46 (0)8-103070 | Fa
info@crealux.se | www.cri

Wall luminaires · STAINLESS STEEL

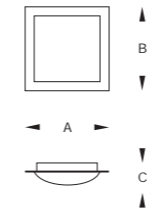
These corrosion-resistant wall luminaires are made of stainless steel and hand-blown three-ply opal glass.

The combination of these two high-quality materials is the striking design element in this group of luminaires.

By day – through the aesthetics of the materials.

By night – through the light effect, defined by the soft white light of the three-ply opal glass and its reflection on the stainless steel plate.

Expressive sculptures – singly or in rows – good design features of modern architectural lighting.



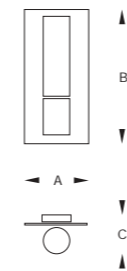
Wall luminaires for

- incandescent lamps A 60 60 · 75 W
- fluorescent lamps TC-D 18 · 26 W

Protection class IP 44
Die cast aluminium fitting
Stainless steel surround
Three-ply opal glass

Incandescent lamps				Lumen	A	B	C
3435	Wall luminaire	1 A 60	75 W	940	250	250	95
3436	Wall luminaire	2 A 60	60 W	1420	350	350	115

Fluorescent lamps				Lumen	A	B	C
3440	Wall luminaire	1 TC-D	18 W	1200	250	250	95
3441	Wall luminaire	2 TC-D	26 W	3600	350	350	115



Wall luminaires for

- fluorescent lamps TC-S 11 W
- fluorescent lamps TC-D 26 W

Protection class IP 44
Stainless steel · Three-ply opal glass

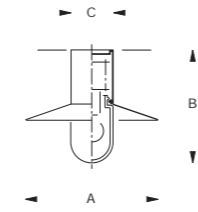
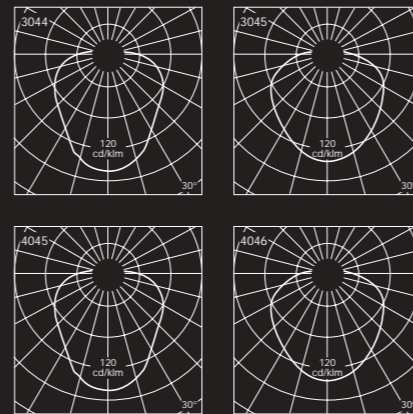
Fluorescent lamps				Lumen	A	B	C
4040	Wall luminaire	1 TC-S	11 W	900	170	360	100
4041	Wall luminaire	1 TC-D	26 W	1800	220	570	150



Box 70396 | 10724 STOC
Klarabergsviadukten 70
Tel +46 (0)8-103070 | Fa
info@crealux.se | www.cri

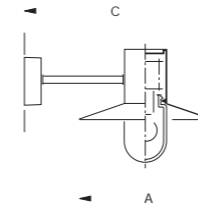
Wall luminaires and ceiling luminaires
Protection class IP 44 · IP 64 · STAINLESS STEEL

Luminaires made of stainless steel and hand-blown three-ply opal glass with reflectors, providing soft, uniform light which is directed downwards. Stainless steel – a material impressive for its stability and durability, and continuing fascination in modern architecture. Three-ply opal glass – an excellent lighting material which reduces the luminance of the lamp to an agreeable level without significant loss. Like any precious material, stainless steel requires regular cleaning to preserve its surface structure. It is as simple to maintain with standard products as any other stainless steel equipment.



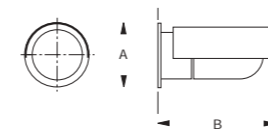
Ceiling luminaires for
• incandescent lamps D 45 40 W
• incandescent lamps A 60 60 W
Protection class IP 64
Stainless steel · Three-ply opal glass

Incandescent lamps				Lumen	A	B	C
3044	Ceiling luminaire	1 D 45	40 W	400	220	185	70
3045	Ceiling luminaire	1 A 60	60 W	710	300	230	95



Wall luminaires for
• incandescent lamps D 45 40 W
• incandescent lamps A 60 60 W
Protection class IP 44
Stainless steel · Three-ply opal glass

Incandescent lamps				Lumen	A	B	C
4045	Wall luminaire	1 D 45	40 W	400	220	185	320
4046	Wall luminaire	1 A 60	60 W	710	300	230	425



Wall luminaires for
• incandescent lamps
A 60 60 · 75 · 100 W
• fluorescent lamps TC-D 13 W
• fluorescent lamps TC-T 18 W
Protection class IP 64
Stainless steel · Three-ply opal glass

Incandescent lamps				Lumen	A	B
3012	Wall luminaire	1 A 60	60 W	710	120	210
3013	Wall luminaire	1 A 60	75 W	940	140	240
3015	Wall luminaire	1 A 60	100 W	1360	160	275

Fluorescent lamps				Lumen	A	B
3014	Wall luminaire	1 TC-D	13 W	900	140	240
3016	Wall luminaire	1 TC-T	18 W	1200	160	275



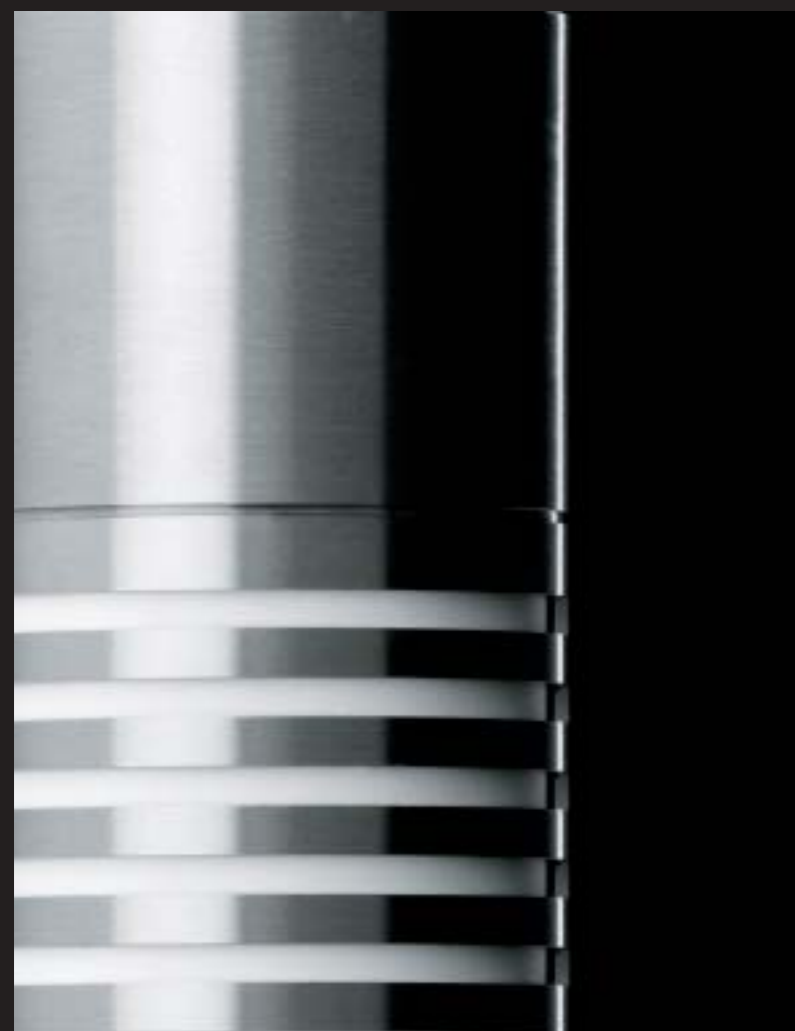
Box 70396 | 10724 STOC
Klarabergsviadukten 70
Tel +46 (0)8-103070 | Fa
info@crealux.se | www.cri

Wall luminaires and pillar luminaires
Protection class IP 65 · STAINLESS STEEL

Luminaires of high material quality, made of stainless steel and hand-blown three-ply opal glass.
The shape and construction of these luminaires are determined by the shape of compact fluorescent lamps and the material stainless steel.
Stainless steel is a modern material which is becoming ever more important in architecture due to its aesthetic qualities and durability. Such high quality features are also met by the material three-ply opal glass with its incomparable lighting properties.

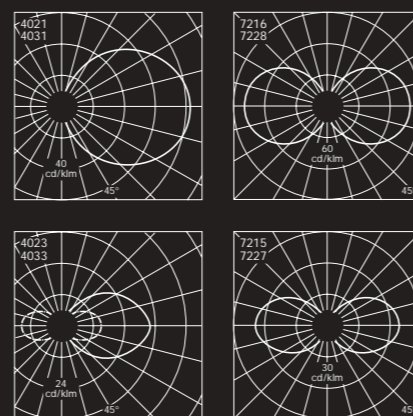
The luminaires in the upper group have a low luminance and are thus suitable to provide discreet lighting where the level of surrounding brightness is high.
The luminaires in the lower group are designed to provide high-contrast illuminance where the lighting level is low.

Like any precious material, stainless steel requires regular cleaning. It is as simple to maintain with standard products as any other stainless steel equipment.

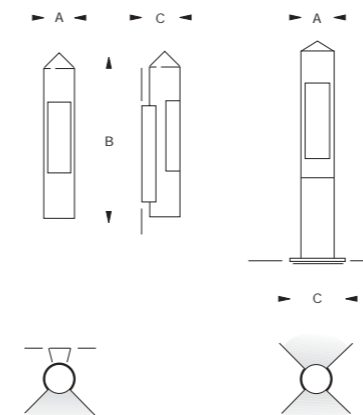


The pillar luminaires on this double page can also be mounted on an anchorage unit.

895	Anchorage unit for	7216 · 7215
896	Anchorage unit for	7228 · 7227



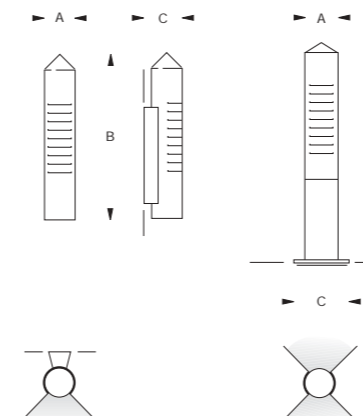
On pages 342 - 345 of this catalogue, you will find a description of bollards and light building elements whose shape, construction and light output match the luminaires given on this double page.



Wall luminaires and pillar luminaires for
• fluorescent lamps TC-S 11 W
• fluorescent lamps TC-D 26 W
Protection class IP 65
Stainless steel · Three-ply opal glass

Wall luminaires				Lumen	A	B	C
4021	Wall luminaire	1 TC-S	11 W	900	80	405	100
4031	Wall luminaire	1 TC-D	26 W	1800	110	550	135

Pillar luminaires				Lumen	A	B	C
7216	Pillar luminaire	1 TC-S	11 W	900	80	540	135
7228	Pillar luminaire	1 TC-D	26 W	1800	110	715	175



Wall luminaires and pillar luminaires for
• fluorescent lamps TC-S 11 W
• fluorescent lamps TC-D 26 W
Protection class IP 65
Stainless steel · Three-ply opal glass

Wall luminaires				Lumen	A	B	C
4023	Wall luminaire	1 TC-S	11 W	900	80	405	100
4033	Wall luminaire	1 TC-D	26 W	1800	110	550	135

Pillar luminaires				Lumen	A	B	C
7215	Pillar luminaire	1 TC-S	11 W	900	80	540	135
7227	Pillar luminaire	1 TC-D	26 W	1800	110	715	175



Box 70396 | 10724 STOC
Klarabergsviadukten 70
Tel +46 (0)8-103070 | Fa
info@crealux.se | www.cri

Impact-resistant wall + ceiling luminaires
Protection class IP 65 · STAINLESS STEEL

These impact-resistant wall and ceiling luminaires are designed for incandescent lamps and fluorescent lamps. They are very robust and made of corrosion-resistant die cast aluminium and stainless steel. They are dust-proof and jet-proof. The thick-walled crystal glass with optical texture produces uniform light distribution in rooms and additionally illuminates the installation surface. The luminaires are suitable for areas requiring robustness, high light outputs and limited protrusion.

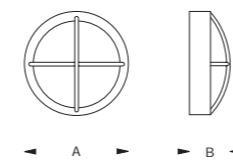
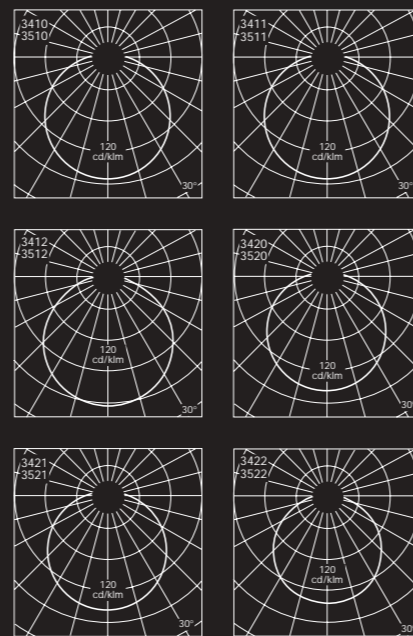


Wall + ceiling luminaires for
 • incandescent lamps D 45 60 W
 • incandescent lamps A 60 75 · 100 W
 • fluorescent lamps TC-T 18 · 26 W
 Protection class IP 65
 Die cast aluminium and stainless steel
 Crystal glass with optical texture



Incandescent lamps			Lumen	A	B
3410	Wall + ceiling luminaire	1 D 45 60 W	660	210	90
3411	Wall + ceiling luminaire	1 A 60 100 W	1360	270	105
3412	Wall + ceiling luminaire	2 A 60 75 W	1880	380	115

Fluorescent lamps			Lumen	A	B
3420	Wall + ceiling luminaire	1 TC-T 18 W	1200	210	90
3421	Wall + ceiling luminaire	1 TC-T 26 W	1800	270	105
3422	Wall + ceiling luminaire	2 TC-T 26 W	3600	380	115



Wall + ceiling luminaires for
 • incandescent lamps D 45 60 W
 • incandescent lamps A 60 75 · 100 W
 • fluorescent lamps TC-T 18 · 26 W
 Protection class IP 65
 Die cast aluminium and stainless steel
 Crystal glass with optical texture



Incandescent lamps			Lumen	A	B
3510	Wall + ceiling luminaire	1 D 45 60 W	660	210	100
3511	Wall + ceiling luminaire	1 A 60 100 W	1360	270	115
3512	Wall + ceiling luminaire	2 A 60 75 W	1880	380	130

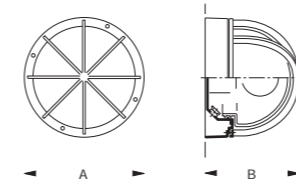
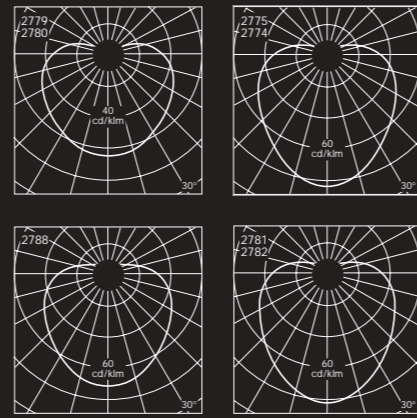
Fluorescent lamps			Lumen	A	B
3520	Wall + ceiling luminaire	1 TC-T 18 W	1200	210	100
3521	Wall + ceiling luminaire	1 TC-T 26 W	1800	270	115
3522	Wall + ceiling luminaire	2 TC-T 26 W	3600	380	130



Box 70396 | 10724 STOC
 Klarabergsviadukten 70
 Tel +46 (0)8-103070 | Fa
 info@crealux.se | www.cri

Wall + ceiling luminaires
Protection class IP 64 · IP 65

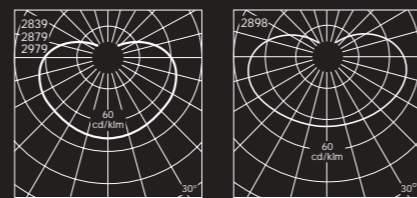
Robust luminaires of sturdy construction and high protection class. They are corrosion-resistant and made of die cast aluminium, stainless steel and thick-walled three-ply opal glass. This highly translucent glass ensures a high degree of lighting efficiency and uniform brightness of the glass surface. These luminaires are suitable for use outside or in damp rooms, in areas with a high incidence of dust and dirt, and locations where luminaires are subject to a high level of physical stress.



Wall + ceiling luminaires for
• incandescent lamps A 60 60 · 100 W
• fluorescent lamps TC-D 10 · 18 · 26 W
• discharge lamps HME 50 · 80 W
Protection class IP 65
Die cast aluminium and stainless steel
Three-ply opal glass

Colour: graphite – article number
white – article number + W

Incandescent lamps				Lumen	A	B
2779	Wall + ceiling luminaire	1 A 60	60 W	710	200	160
2780	Wall + ceiling luminaire	1 A 60	100 W	1360	260	190
Fluorescent lamps						
2775	Wall + ceiling luminaire	1 TC-D	10 W	600	200	160
2774	Wall + ceiling luminaire	1 TC-D	18 W	1200	260	190
2788	Wall + ceiling luminaire	2 TC-D	26 W	3600	350	240
Discharge lamps						
2781	Wall + ceiling luminaire	1 HME	50 W	2000	260	190
2782	Wall + ceiling luminaire	1 HME	80 W	4000	350	240



On pages 312 - 313 of this catalogue, you will find a description of bollards whose shape, construction and light output match the luminaires given on this double page.



Wall + ceiling luminaires for
• incandescent lamps A 60 60 · 100 W
• fluorescent lamps TC-D 18 W
• discharge lamps HME 50 W
Protection class IP 65 · 2839 IP 64
Die cast aluminium and stainless steel
Three-ply opal glass

Colour: graphite – article number
white – article number + W

Installation on the left				Lumen	A	B
Wall + ceiling luminaire	1 A 60	60 W	710	140	230	
Installation on the right						
Wall + ceiling luminaire	1 A 60	100 W	1360	200	240	
Wall + ceiling luminaire	1 TC-D	18 W	1200	200	240	
Wall + ceiling luminaire	1 HME	50 W	2000	200	240	



Box 70396 | 10724 STOC
Klarabergsviadukten 70
Tel +46 (0)8-103070 | Fa
info@crealux.se | www.cre

Wall luminaires · Protection class IP 65

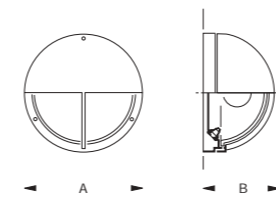
The different sizes and light outputs of these luminaires make them suitable for a wide range of applications.

They are compact and economic luminaires of high lighting quality and economy for lamps with a long life and high light output.

They are designed for outside use or for rooms where a high protection class is required.

High material quality. Aluminium and crystal glass with optical texture. The good translucency of the glass gives the luminaires a high degree of lighting efficiency while the texture of the glass provides uniform light distribution over the glass surface.

The luminaires for fluorescent lamps can also be equipped with an electronic ballast in the factory. Prices available on request.



Wall luminaires for

- incandescent lamps D 45 40 W
- incandescent lamps A 60 60 · 100 W
- fluorescent lamps TC-D 13 · 18 · 26 W
- discharge lamps HME 50 · 80 W

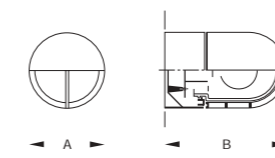
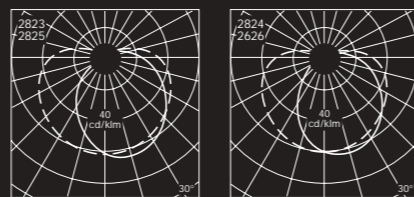
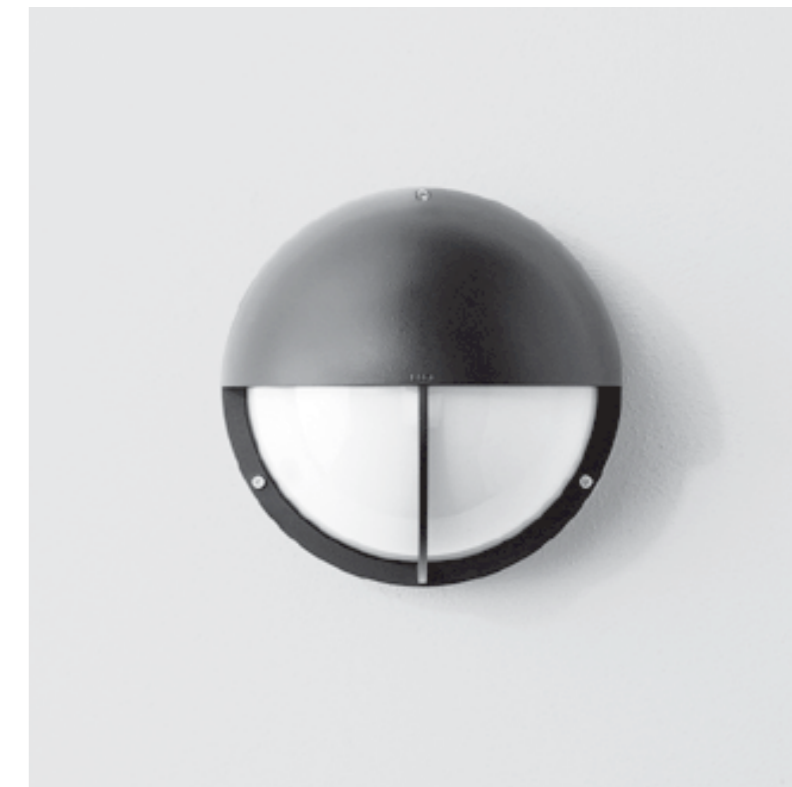
Protection class IP 65
Die cast aluminium and stainless steel
Crystal glass with optical texture

Colour: graphite – article number
white – article number + **W**
silver – article number + **A**

Incandescent lamps				Lumen	A	B
2816	Wall luminaire	1 D 45	40 W	400	140	115
2515	Wall luminaire	1 A 60	60 W	710	200	125
2516	Wall luminaire	1 A 60	100 W	1360	260	150

Fluorescent lamps				Lumen	A	B
2520	Wall luminaire	1 TC-D	13 W	900	200	125
2521	Wall luminaire	1 TC-D	18 W	1200	260	150
2523	Wall luminaire	2 TC-D	26 W	3600	350	170

Discharge lamps				Lumen	A	B
2522	Wall luminaire	1 HME	50 W	2000	260	150
2524	Wall luminaire	1 HME	80 W	4000	350	170



Wall luminaires for

- incandescent lamps A 60 60 · 100 W
- fluorescent lamps TC-D 13 · 26 W

Protection class IP 65
Aluminium, die cast aluminium and stainless steel · Three-ply opal glass
Colour: graphite – article number
white – article number + **W**

Incandescent lamps				Lumen	A	B
2823	Wall luminaire	1 A 60	60 W	710	130	215
2825	Wall luminaire	1 A 60	100 W	1360	190	275

Fluorescent lamps				Lumen	A	B
2824	Wall luminaire	1 TC-D	13 W	900	130	215
2626	Wall luminaire	1 TC-D	26 W	1800	190	275

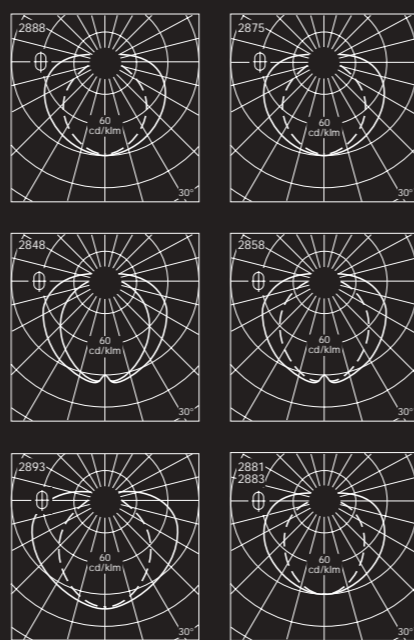


Box 70396 | 10724 STOC
Klarabergsviadukten 70
Tel +46 (0)8-103070 | Fa
info@crealux.se | www.cri

Impact-resistant wall + ceiling luminaires Protection class IP 65

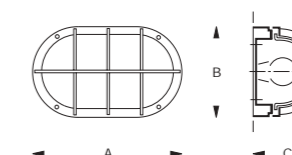
These robust luminaires of sturdy construction and high protection class are suitable for areas with a high incidence of dust and dirt, and for locations where luminaires are subject to a high level of physical stress. They can be fitted with impact-resistant polycarbonate diffusers instead of glass diffusers for particularly exposed areas.

The luminaires for fluorescent lamps can also be fitted with an electronic ballast in the factory. Prices available on request.



The luminaires are also available with an impact-resistant polycarbonate diffuser. The technical data for these luminaires are the same as for the luminaires fitted with glass. The table shows the equivalent article numbers for the luminaires with glass and polycarbonate diffusers.

Crystal glass	Polycarbonate
2888	2828
2875	2835 75 W
2848	2838
2858	2857
2893	2842
2881	-
2883	2843



Wall + ceiling luminaires for

- incandescent lamps A 6060 · 100 W
- fluorescent lamps TC-D 10 · 26 W
- discharge lamps HME 50 · 80 W

Protection class IP 65
Die cast aluminium and stainless steel
Crystal glass with optical texture

Colour: graphite – article number
white – article number + **W**
silver – article number + **A**

Incandescent lamps		Lumen		A	B	C
2888	Wall + ceiling luminaire	1 A 60	60 W	710	220	130 100
2875	Wall + ceiling luminaire	1 A 60	100 W	1360	300	180 140

Fluorescent lamps		Lumen		A	B	C
2848	Wall + ceiling luminaire	1 TC-D	10 W	600	220	130 100
2858	Wall + ceiling luminaire	1 TC-D				180 140
2893	Wall + ceiling luminaire	2 TC-D				200 160

Discharge lamps		Lumen		A	B	C
2881	Wall + ceiling luminaire	1 HME	703 W	2600	10724	180 140
2883	Wall + ceiling luminaire	1 HME	703 W	2600	10724	200 160

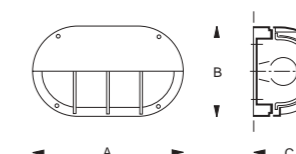


Box 703200 10724 Stockholm
Klarabergsvägen 700
Tel +46 (0)8-103070 | Fa
info@crealux.se | www.cre

Impact-resistant wall luminaires · Protection class IP 65

Robust luminaires of sturdy construction and high protection class. They are corrosion-resistant and made of die cast aluminium, stainless steel and thick-walled crystal glass with optical texture. They are suitable for areas with a high incidence of dust and dirt and for locations where luminaires are subject to a high level of physical stress.

The luminaires for fluorescent lamps can also be equipped with an electronic ballast in the factory. Prices available on request.



Wall luminaires for

- incandescent lamps A 6060 · 100 W
- fluorescent lamps TC-D 10 · 26 W
- discharge lamps HME 50 · 80 W

Protection class IP 65
Die cast aluminium and stainless steel
Crystal glass with optical texture

Colour: graphite – article number
white – article number + **W**
silver – article number + **A**

Incandescent lamps				Lumen	A	B	C
2993	Wall luminaire	1 A 60	60 W	710	220	130	100
2874	Wall luminaire	1 A 60	100 W	1360	300	180	140

Fluorescent lamps				Lumen	A	B	C
2992	Wall luminaire	1 TC-D	10 W	600	220	130	100
2985	Wall luminaire	1 TC-D	26 W			180	140
2989	Wall luminaire	2 TC-D	26 W			200	160

Discharge lamps				Lumen	A	B	C
2981	Wall luminaire	1 HME	50 W	2890	220	180	140
2983	Wall luminaire	1 HME	80 W	4000	220	200	160

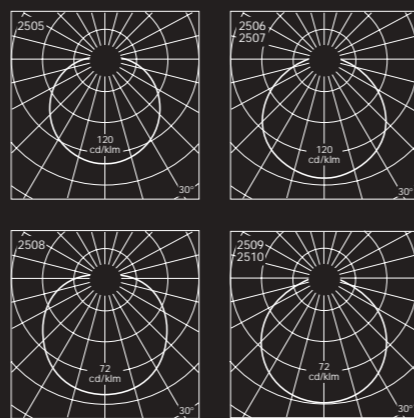


Box 70290 | 10724 Stockholm
Klarabergsviadukten 70
Tel +46 (0)8-103070 | Fa
info@crealux.se | www.cre

Impact-resistant wall + ceiling luminaires Protection class IP 65

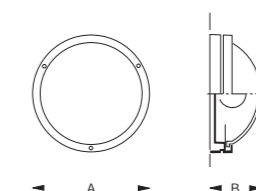
These robust luminaires of sturdy construction and high protection class are suitable for areas with a high incidence of dust and dirt, and for locations where luminaires are subject to a high level of physical stress. They are particularly suitable for public areas and may also be fitted with impact-resistant polycarbonate diffusers.

The luminaires for fluorescent lamps can be fitted with an electronic ballast in the factory. Prices available on request.



The luminaires are also available with an impact-resistant polycarbonate diffuser. The technical data for these luminaires are the same as for the luminaires fitted with glass. The table shows the equivalent article numbers for the luminaires with glass and polycarbonate diffusers.

Crystal glass	Polycarbonate
2505	2501
2506	2502 75 W
2507	2503 60 W
2508	2531
2509	2532
2510	2533



Wall + ceiling luminaires for

- incandescent lamps D 45 · 60 W
- incandescent lamps A 60 · 75 · 100 W
- fluorescent lamps TC-D 13 · 18 · 26 W

Protection class IP 65
Die cast aluminium and stainless steel
Crystal glass with optical texture

Colour: graphite – article number
white – article number + **W**
silver – article number + **A**

Incandescent lamps			Lumen	A	B
2505	Wall + ceiling luminaire	1 D 45	60 W 660	200	90
2506	Wall + ceiling luminaire	1 A 60	100 W 1360	260	100
2507	Wall + ceiling luminaire	2 A 60		350	110
Fluorescent lamps					
2508	Wall + ceiling luminaire	1 TC-D	13 W 100	200	90
2509	Wall + ceiling luminaire	1 TC-D	18 W 120	260	100
2510	Wall + ceiling luminaire	2 TC-D	26 W 140	350	110



Box 70896 | 107 24 Stockholm
Klarabergsvägen 70

Tel +46 (0)8-103070 | Fa
info@crealux.se | www.cre

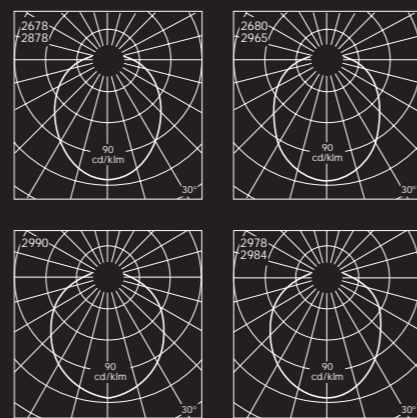
Impact-resistant wall + ceiling luminaires Protection class IP 65

Robust luminaires of sturdy construction and high protection class. They are suitable for areas with a high incidence of dust and dirt and for locations where luminaires are subject to a high level of physical stress. They are particularly suitable for public areas, and may also be fitted with an impact-resistant polycarbonate diffuser.

The luminaires for fluorescent lamps can also be fitted with an electronic ballast in the factory. Prices available on request.



On pages 314 - 315 of this catalogue, you will find a description of bollards whose shape, construction and light output match the luminaires given on this double page.



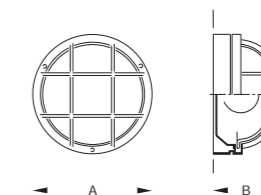
The luminaires are also available with an impact-resistant polycarbonate diffuser.

Their technical data are the same as the luminaires fitted with glass. The table shows the equivalent article numbers for the luminaires with glass and polycarbonate diffusers.

Crystal glass	Polycarbonate
2678	2679
2878	2892 75 W

2680	2681
2965	2959
2990	2994

2978	----
2984	2987



Wall + ceiling luminaires for

- incandescent lamps A 60 60 · 100 W
- fluorescent lamps TC-D 10 · 18 · 26 W
- discharge lamps HME 50 · 80 W

Protection class IP 65
Die cast aluminium and stainless steel
Crystal glass with optical texture

Colour: graphite – article number
white – article number + **W**
silver – article number + **A**

Incandescent lamps		Lumen		A	B
2678	Wall + ceiling luminaire	1 A 60	60 W	710	200 110
2878	Wall + ceiling luminaire	1 A 60	100 W	1360	260 140

Fluorescent lamps		Lumen		A	B
2680	Wall + ceiling luminaire	1 TC-D	10 W	600	200 110
2965	Wall + ceiling luminaire	1 TC-[-			260 140
2990	Wall + ceiling luminaire	2 TC-[-			350 170

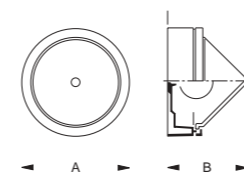
Discharge lamps		Lumen		A	B
2978	Wall + ceiling luminaire	1 HME	50 W	1000	260 140
2984	Wall + ceiling luminaire	1 HME	80 W	1400	350 170



Tel +46 (0)8-103070 | Fa
info@crealux.se | www.cre

Impact-resistant wall + ceiling luminaires Protection class IP 65

Robust luminaires of sturdy construction and high protection class. They are corrosion-resistant and made of die cast aluminium and stainless steel. These luminaires are designed for areas with a high incidence of dust and dirt, and for locations where luminaires are subject to a high level of exposure. The excellent lighting characteristics of the crystal glass give the luminaires a high degree of efficiency. They provide good light outside or in rooms where a high protection class is required.

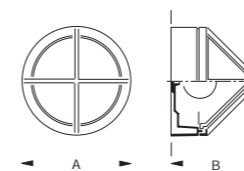


Wall + ceiling luminaires for
 • incandescent lamps D 45 40 W
 • incandescent lamps A 60 60 · 100 W
 • fluorescent lamps TC-D 10 · 18 W
 Protection class IP 65
 Die cast aluminium and stainless steel
 Frosted crystal glass

Colour: graphite – article number
 white – article number + W

Incandescent lamps			Lumen	A	B
2720	Wall + ceiling luminaire	1 D 45 40 W	400	140	105
2722	Wall + ceiling luminaire	1 A 60 60 W	710	200	130
2724	Wall + ceiling luminaire	1 A 60 100 W	1360	260	170

Fluorescent lamps			Lumen	A	B
2723	Wall + ceiling luminaire	1 TC-D 10 W	600	200	130
2725	Wall + ceiling luminaire	1 TC-D 18 W	1200	260	170



Wall + ceiling luminaires for
 • incandescent lamps D 45 40 W
 • incandescent lamps A 60 60 · 100 W
 • fluorescent lamps TC-D 10 · 18 W
 Protection class IP 65
 Die cast aluminium and stainless steel
 Frosted crystal glass

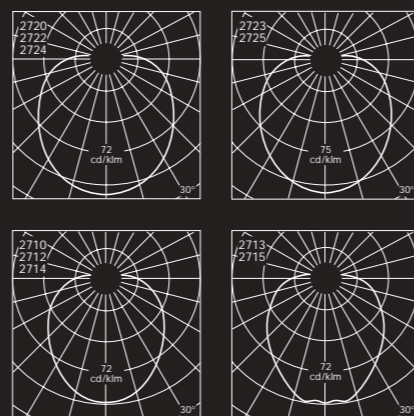
Colour: graphite – article number
 white – article number + W

Incandescent lamps			Lumen	A	B
2710	Wall + ceiling luminaire	1 D 45 40 W	400	140	115
2712	Wall + ceiling luminaire	1 A 60 60 W	710	200	145
2714	Wall + ceiling luminaire	1 A 60 100 W	1360	260	190

Fluorescent lamps			Lumen	A	B
2713	Wall + ceiling luminaire	1 TC-D 10 W	600	200	145
2715	Wall + ceiling luminaire	1 TC-D 18 W	1200	260	190



Box 70396 | 10724 STOC
 Klarabergsviadukten 70
 Tel +46 (0)8-103070 | Fa
 info@crealux.se | www.cri



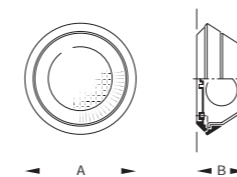
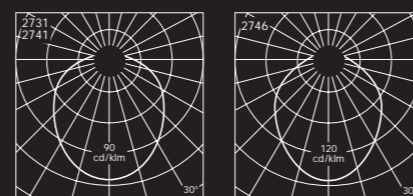
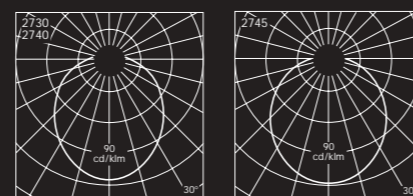
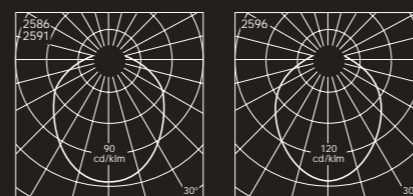
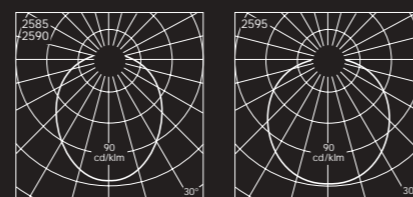
Impact-resistant wall + ceiling luminaires Protection class IP 65

These corrosion-resistant wall + ceiling luminaires are sturdy in construction.

Made of die cast aluminium, stainless steel and crystal glass with optical texture, they are robust luminaires designed for all areas where a high protection class is required due to the high level of exposure and incidence of dirt.

These are compact luminaires with excellent lighting characteristics. The crystal glass is of particularly good optical quality and distributes the light very uniformly.

These luminaires with their expressive clear shapes may be used to solve a host of lighting tasks in modern architecture.

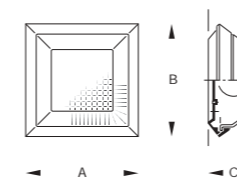


Wall + ceiling luminaires for
 • incandescent lamps A 60 60 · 75 W
 • fluorescent lamps TC-D 13 · 26 W
 Protection class IP 65
 Die cast aluminium and stainless steel
 Crystal glass with optical texture

Colour: graphite – article number
 white – article number + W

Incandescent lamps		Lumen		A	B
2585	Wall + ceiling luminaire	1 A 60	60 W	710	210 90
2590	Wall + ceiling luminaire	1 A 60	75 W	940	260 95
2595	Wall + ceiling luminaire	2 A 60	75 W	1880	350 105

Fluorescent lamps		Lumen		A	B
2586	Wall + ceiling luminaire	1 TC-D	13 W	900	210 90
2591	Wall + ceiling luminaire	1 TC-D	26 W	1800	260 95
2596	Wall + ceiling luminaire	2 TC-D	26 W	3600	350 105



Wall + ceiling luminaires for
 • incandescent lamps A 60 75 · 100 W
 • fluorescent lamps TC-D 13 · 26 W
 Protection class IP 65
 Die cast aluminium and stainless steel
 Crystal glass with optical texture

Colour: graphite – article number
 white – article number + W

Incandescent lamps		Lumen		A	B	C
2730	Wall + ceiling luminaire	1 A 60	75 W	940	210 210	95
2740	Wall + ceiling luminaire	1 A 60	100 W	1360	260 260	105
2745	Wall + ceiling luminaire	2 A 60	75 W	1880	320 320	110

Fluorescent lamps		Lumen		A	B	C
2731	Wall + ceiling luminaire	1 TC-D	13 W	900	210 210	95
2741	Wall + ceiling luminaire	1 TC-D	26 W	1800	260 260	105
2746	Wall + ceiling luminaire	2 TC-D	26 W	3600	320 320	110

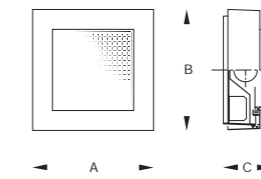
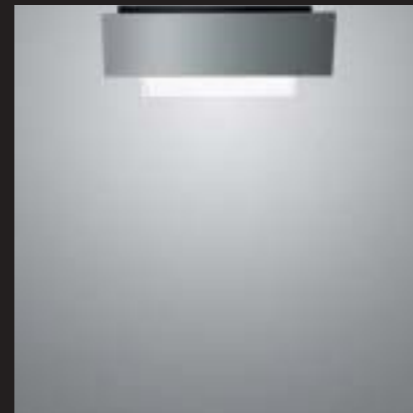
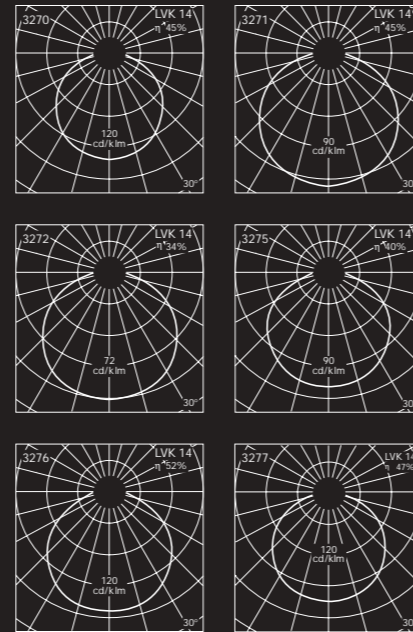


Box 70396 | 10724 STOC
 Klarabergsviadukten 70
 Tel +46 (0)8-103070 | Fa
 info@crealux.se | www.cri

Impact-resistant wall + ceiling luminaires Protection class IP 65

This is a new group of square luminaires available in three sizes for compact energy-saving fluorescent lamps. They are luminaires with high light outputs and high protection class made of die cast aluminium, stainless steel and thick-walled crystal glass. The optical texture of the glass ensures soft broad spread and uniform light distribution. The luminaires are equipped with a hinge mechanism which simplifies installation and allows fast replacement of lamps. These luminaires are designed for a host of applications in modern architectural lighting, above all where a low energy requirement and low level of maintenance are needed to ensure economic operation.

Luminaires for fluorescent lamps TC-TEL are equipped with electronic ballasts.



Wall + ceiling luminaires for
 • fluorescent lamps TC-T 18 · 26 W
 • fluorescent lamps for electronic ballast TC-TEL 26 · 32 · 42 W
 Protection class IP 65
 Die cast aluminium and stainless steel
 Reflector of pure anodized aluminium
 Crystal glass with optical texture

Colour: graphite – article number
 silver – article number + **A**

Fluorescent lamps conventional ballast				Lumen	A	B	C
3270	Wall + ceiling luminaire	1 TC-T	26 W	1800	210	210	80
3271	Wall + ceiling luminaire	2 TC-T	18 W	2400	260	260	90
3272	Wall + ceiling luminaire	2 TC-T			310	95	

Fluorescent lamps electronic ballast				Lumen	A	B	C
3275	Wall + ceiling luminaire	1 TC-TEL	26 W	1800	210	210	80
3276	Wall + ceiling luminaire	1 TC-TEL	32 W	2400	260	260	90
3277	Wall + ceiling luminaire	2 TC-TEL	42 W	3000	310	310	95

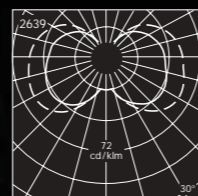
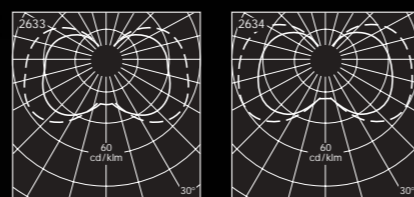
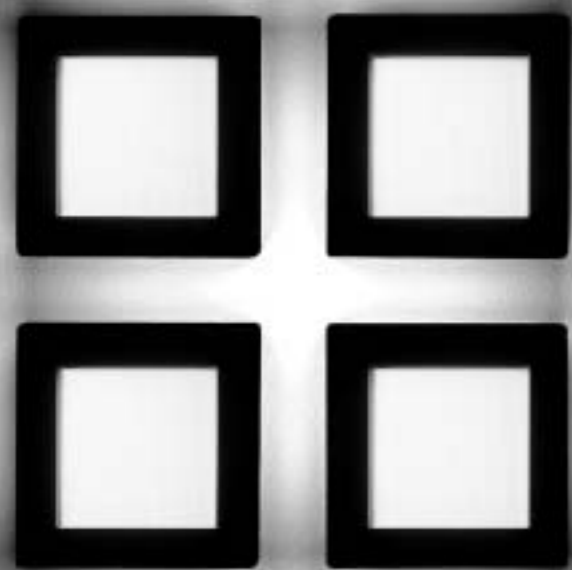


Tel +46 (0)8-103070 | Fa
 info@crealux.se | www.cre

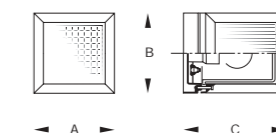
Impact-resistant wall + ceiling + pillar luminaires
Protection class IP 65

These luminaires are very robust in construction. They are corrosion-resistant and made of die cast aluminium and stainless steel. The thick-walled crystal glass with optical texture distributes the light very uniformly. The particular appeal of these luminaires is the high-contrast interplay of light and dark. Whether as single luminaire or arranged in groups, the expressive and clear shape of these luminaires makes them suitable for a host of lighting tasks in modern architectural lighting.

Luminaires for fluorescent lamps TC-TEL are fitted with electronic ballasts. 26 · 32 · 42 W lamps can be used in these luminaires. Luminaire 2634 can also be fitted in the factory with an electronic ballast. Prices are available on request.



Please consult pages 332 - 333 of this catalogue for a description of bollards whose shape, construction and lighting performance match the luminaires given on this double page.



Wall + ceiling + pillar luminaires for
 • incandescent lamps A 60 · 75 W
 • fluorescent lamps TC-D 18 W
 • fluorescent lamps for electronic ballast TC-TEL 26 · 32 · 42 W
 Protection class IP 65
 Die cast aluminium and stainless steel
 Crystal glass with optical texture

Colour: graphite – article number
 silver – article number + A

The cube

		Incandescent lamps				B	C
2633	1 A 60		75 W			160	205
		Fluorescent lamps				B	C
2634	1 TC-D		18 W	Box 70820	10724 Stjög	160	205
2639	1 TC-TEL	26 · 32 · 42 W	1800	Klarabergsviadukten 720	220	220	270

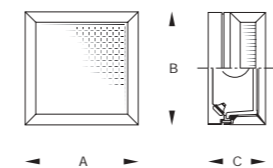


Tel +46 (0)8-103070 | Fa
 info@crealux.se | www.cri

Impact-resistant wall + ceiling luminaires Protection class IP 65

These corrosion-resistant luminaires made of die cast aluminium and stainless steel are sturdy in construction. They are designed for areas with a high incidence of dust and dirt, and for locations where luminaires are subject to a high level of exposure. The thick-walled crystal glass with optical texture distributes the light very uniformly. The particular appeal of these luminaires is the high-contrast interplay of light and dark. These luminaires with their expressive clear shapes can be used to solve a host of lighting tasks in modern architectural lighting.

The luminaires for fluorescent lamps can also be fitted in the factory with an electronic ballast. Prices are available on request.



Wall + ceiling luminaires for
 • incandescent lamps A 60 75 · 100 W
 • fluorescent lamps TC-D 13 · 26 W
 Protection class IP 65
 Die cast aluminium and stainless steel
 Crystal glass with optical texture

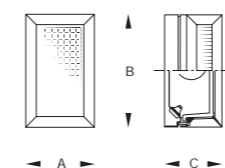
Colour: graphite – article number
 white – article number + W
 silver – article number + A



The square

Incandescent lamps				Lumen	A	B	C
2645	Wall + ceiling luminaire	1 A 60	75 W	940	220	220	100
2646	Wall + ceiling luminaire	1 A 60	100 W	1360	270	270	130

Fluorescent lamps				Lumen	A	B	C
2654	Wall + ceiling luminaire	1 TC-D	13 W	900	220	220	100
2655	Wall + ceiling luminaire	1 TC-D	26 W	1800	270	270	130



Wall + ceiling luminaires for
 • incandescent lamps A 60 60 · 100 W
 • fluorescent lamps TC-D 13 · 26 W
 Protection class IP 65
 Die cast aluminium and stainless steel
 Crystal glass with optical texture

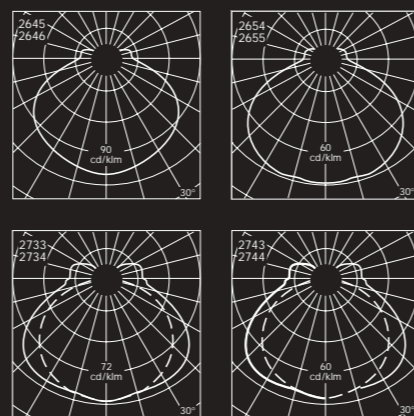
Colour: graphite – article number
 white – article number + W
 silver – article number + A



The rectangle

Incandescent lamps				Lumen	A	B	C
2733	Wall + ceiling luminaire	1 A 60	60 W	710	130	220	100
2734	Wall + ceiling luminaire	1 A 60	100 W	1360	170	290	130

Fluorescent lamps				Lumen	A	B	C
2743	Wall + ceiling luminaire	1 TC-D	13 W	900	130	220	100
2744	Wall + ceiling luminaire	1 TC-D	26 W	1800	170	290	130

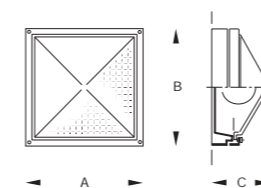
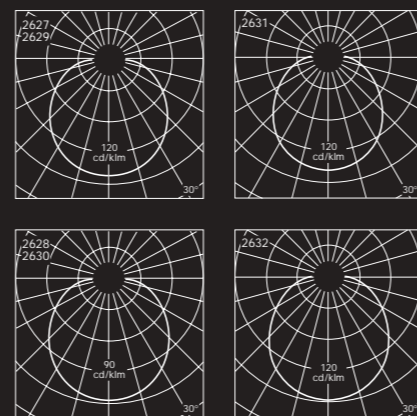


Box 70396 | 10724 STOC
 Klarabergsviadukten 70
 Tel +46 (0)8-103070 | Fa
 info@crealux.se | www.cri

Impact-resistant wall + ceiling luminaires Protection class IP 65

These corrosion-resistant wall and ceiling luminaires made of die cast aluminium and stainless steel are sturdy in construction. They are designed for areas with a high incidence of dust and dirt, and for locations where luminaires are subject to a high level of exposure. These luminaires are of high lighting quality. The thick-walled crystal glass with optical texture distributes the light from the lamp very uniformly. The luminaires can only be opened with tools.

The luminaires for fluorescent lamps can also be fitted in the factory with an electronic ballast. Prices are available on request.

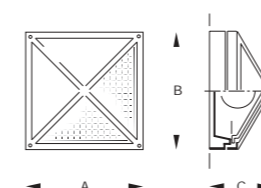
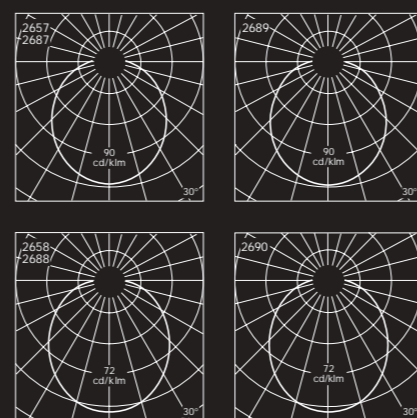


Wall + ceiling luminaires for
 • incandescent lamps A 60 75 · 100 W
 • fluorescent lamps TC-D 13 · 26 W
 Protection class IP 65
 Die cast aluminium and stainless steel
 Crystal glass with optical texture

Colour: graphite – article number
 white – article number + W

Incandescent lamps			Lumen	A	B	C
2627	Wall + ceiling luminaire	1 A 60 75 W	940	210	210	100
2629	Wall + ceiling luminaire	1 A 60 100 W	1360	260	260	130
2631	Wall + ceiling luminaire	2 A 60 75 W	1880	320	320	150

Fluorescent lamps			Lumen	A	B	C
2628	Wall + ceiling luminaire	1 TC-D 13 W	900	210	210	100
2630	Wall + ceiling luminaire	1 TC-D 26 W	1800	260	260	130
2632	Wall + ceiling luminaire	2 TC-D 26 W	3600	320	320	150



Wall + ceiling luminaires for
 • incandescent lamps A 60 75 · 100 W
 • fluorescent lamps TC-D 13 · 26 W
 Protection class IP 65
 Die cast aluminium and stainless steel
 Crystal glass with optical texture

Colour: graphite – article number
 white – article number + W

Incandescent lamps			Lumen	A	B	C
2657	Wall + ceiling luminaire	1 A 60 75 W	940	210	210	105
2687	Wall + ceiling luminaire	1 A 60 100 W	1360	260	260	135
2689	Wall + ceiling luminaire	2 A 60 75 W	1880	320	320	160

Fluorescent lamps			Lumen	A	B	C
2658	Wall + ceiling luminaire	1 TC-D 13 W	900	210	210	105
2688	Wall + ceiling luminaire	1 TC-D 26 W	1800	260	260	135
2690	Wall + ceiling luminaire	2 TC-D 26 W	3600	320	320	160

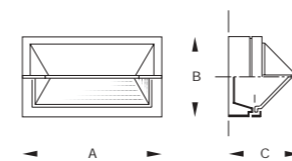


Box 70396 | 10724 STOC
 Klarabergsviadukten 70
 Tel +46 (0)8-103070 | Fa
 info@crealux.se | www.cri

Impact-resistant wall + ceiling luminaires
Protection class IP 65

Robust luminaires of sturdy construction and high protection class. They are corrosion-resistant and made of die cast aluminium and stainless steel. The thick-walled crystal glass with optical texture distributes the light uniformly. The luminaires are designed for areas with a high incidence of dust and dirt, and for locations where luminaires are subject to a high level of exposure.

The luminaires for fluorescent lamps can also be fitted in the factory with an electronic ballast. Prices are available on request.

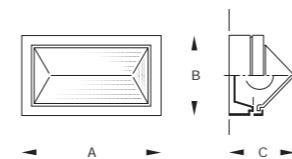


Wall luminaires for
 • incandescent lamps A 60 60 W
 • fluorescent lamps TC-D 13 · 26 W
 Protection class IP 65
 Die cast aluminium and stainless steel
 Crystal glass with optical texture

Colour: graphite – article number
 white – article number + W
 silver – article number + A

Incandescent lamps			Lumen	A	B	C
2611	Wall luminaire	1 A 60 60 W	710	210	120	110
2613	Wall luminaire	2 A 60 60 W	1420	280	160	135

Fluorescent lamps			Lumen	A	B	C
2612	Wall luminaire	1 TC-D 13 W	900	210	120	110
2614	Wall luminaire	1 TC-D 26 W	1800	280	160	135



Wall + ceiling luminaires for
 • incandescent lamps A 60 60 W
 • fluorescent lamps TC-D 13 · 26 W
 Protection class IP 65
 Die cast aluminium and stainless steel
 Crystal glass with optical texture

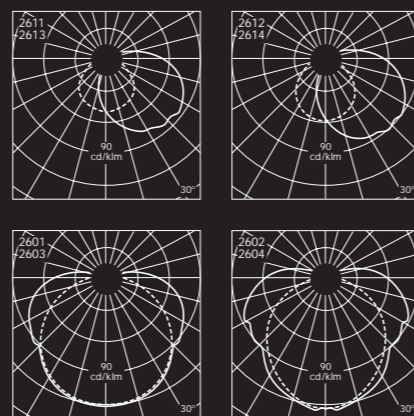
Colour: graphite – article number
 white – article number + W
 silver – article number + A

Incandescent lamps			Lumen	A	B	C
2601	Wall + ceiling luminaire	1 A 60 60 W	710	210	120	100
2603	Wall + ceiling luminaire	2 A 60 60 W	1420	280	160	125

Fluorescent lamps			Lumen	A	B	C
2602	Wall + ceiling luminaire	1 TC-D 13 W	900	210	120	100
2604	Wall + ceiling luminaire	1 TC-D 26 W	1800	280	160	125



Box 70396 | 10724 STOC
 Klarabergsviadukten 70
 Tel +46 (0)8-103070 | Fa
 info@crealux.se | www.cri

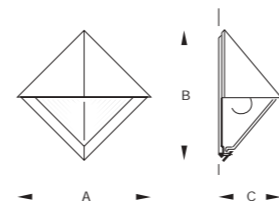


Impact-resistant wall + ceiling luminaires Protection class IP 65

These corrosion-resistant wall and ceiling luminaires made of die cast aluminium, stainless steel and thick-walled crystal glass with optical texture are robust in construction. The glass has excellent lighting quality and is highly translucent.

The optical texture reduces the luminance of the lamp and distributes the light uniformly over the entire glass surface.

The robust nature of these luminaires makes them suitable for all areas where a high protection class is required for particularly exposed areas.



Wall luminaires for

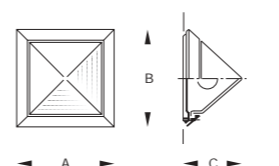
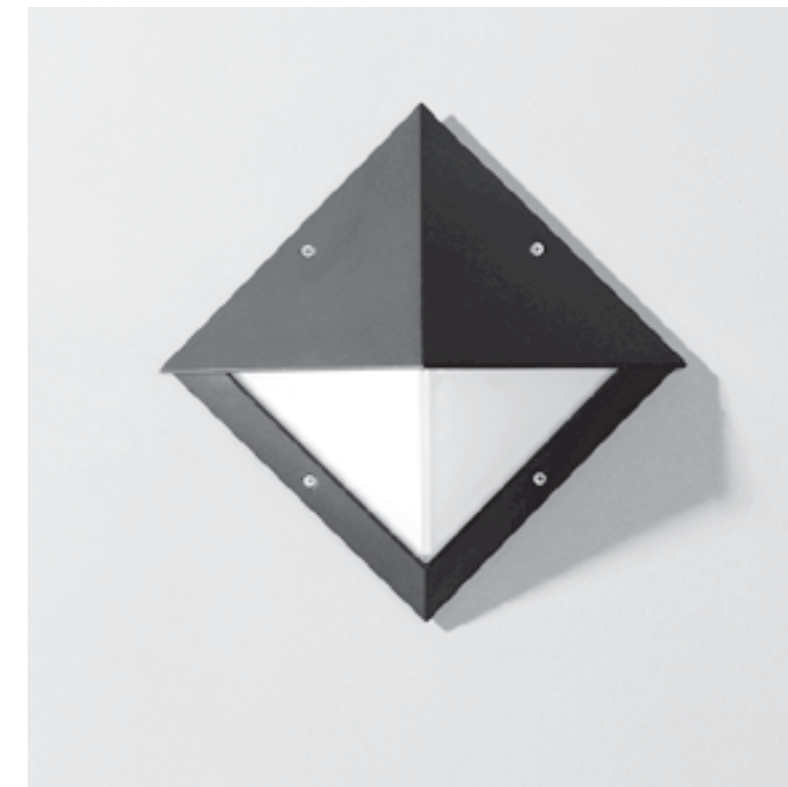
- incandescent lamps D 45 40 W
- incandescent lamps A 60 75 · 100 W
- fluorescent lamps TC-D 13 · 26 W

Protection class IP 65
Die cast aluminium and stainless steel
Crystal glass with optical texture

Colour: graphite – article number
white – article number + W

Incandescent lamps			Lumen	A	B	C
2693	Wall luminaire	1 D 45 40 W	400	250	230	115
2695	Wall luminaire	1 A 60 75 W	940	320	315	145
2698	Wall luminaire	1 A 60 100 W	1360	390	385	175

Fluorescent lamps			Lumen	A	B	C
2696	Wall luminaire	1 TC-D 13 W	900	320	315	145
2699	Wall luminaire	1 TC-D 26 W	1800	390	385	175



Wall + ceiling luminaires for

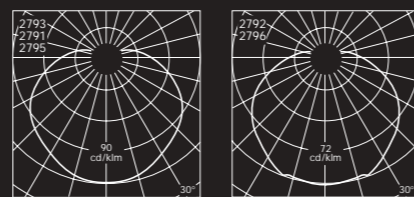
- incandescent lamps D 45 40 W
- incandescent lamps A 60 75 · 100 W
- fluorescent lamps TC-D 13 · 26 W

Protection class IP 65
Die cast aluminium and stainless steel
Crystal glass with optical texture

Colour: graphite – article number
white – article number + W

Incandescent lamps			Lumen	A	B	C
2793	Wall + ceiling luminaire	1 D 45 40 W	400	170	170	105
2791	Wall + ceiling luminaire	1 A 60 75 W	940	220	220	135
2795	Wall + ceiling luminaire	1 A 60 100 W	1360	270	270	165

Fluorescent lamps			Lumen	A	B	C
2792	Wall + ceiling luminaire	1 TC-D 13 W	900	220	220	135
2796	Wall + ceiling luminaire	1 TC-D 26 W	1800	270	270	165

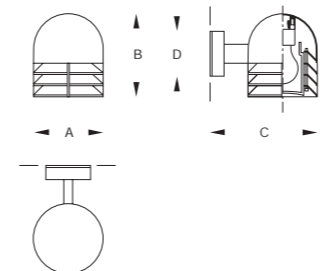


Box 70396 | 10724 STOC
Klarabergsviadukten 70
Tel +46 (0)8-103070 | Fa
info@crealux.se | www.cri

Wall luminaires + pillar luminaires with directed light

Luminaires with strongly shielded light source. The light is primarily directed downwards and is shielded to the side by louvres. The shape and function of these luminaires is characterized by their high-contrast light effect.

These corrosion-resistant luminaires made of die cast aluminium, stainless steel and crystal glass are very robust. They are a good building detail and a lasting investment.



Wall luminaires with strongly shielded light source for

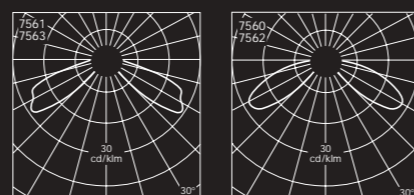
- incandescent lamps A 60 60 · 100 W
- fluorescent lamps TC-D 18 W

Protection class IP 44
Die cast aluminium, aluminium and stainless steel
Crystal glass with optical texture

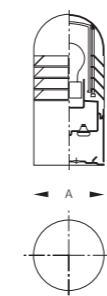
Colour: graphite – article number
white – article number + W

Incandescent lamps				Lumen	A	B	C	D
6339	Wall luminaire	1 A 60	60 W	710	140	170	215	90
6340	Wall luminaire	1 A 60	100 W	1360	220	260	330	130

Fluorescent lamps				Lumen	A	B	C	D
6338	Wall luminaire	1 TC-D	18 W	1200	220	260	330	130



Please consult pages 326 - 327 of this catalogue for a description of bollards whose shape, construction and lighting performance match the luminaires given on this double page.



Pillar luminaires with strongly shielded light source for

- incandescent lamps A 60 60 · 100 W
- fluorescent lamps TC-D 13 · 18 W

Protection class IP 44
Die cast aluminium, aluminium and stainless steel
Crystal glass mit optical texture

Colour: graphite – article number
white – article number + W

Incandescent lamps				Lumen	A	B
7561	Pillar luminaire	1 A 60	60 W	710	140	300
7563	Pillar luminaire	1 A 60	100 W	1360	220	480

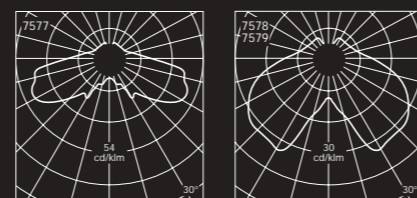
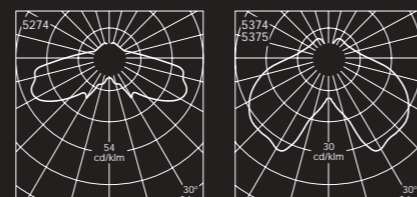
Fluorescent lamps				Lumen	A	B
7560	Pillar luminaire	1 TC-D	13 W	900	140	300
7562	Pillar luminaire	1 TC-D	18 W	1200	220	480



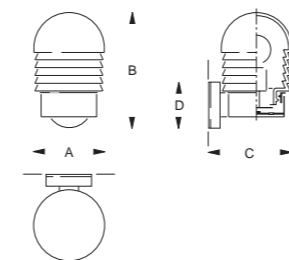
Box 70396 | 10724 STOC
Klarabergsviadukten 70
Tel +46 (0)8-103070 | Fa
info@crealux.se | www.cri

Wall luminaires + pillar luminaires with directed light

These luminaires have an optical system made of thick-walled crystal glass. The shape of this glass is determined entirely by its function: the light is shielded to the top and directed strongly downwards. Corrosion-resistant and made of die cast aluminium, stainless steel and glass, these luminaires are designed to illuminate house entrances.



Please consult pages 296 - 297 of this catalogue for a description of bollards whose shape, construction and lighting performance match the luminaires given on this double page.



Wall luminaires with directed light for

- incandescent lamps A 60 100 W
- incandescent lamps A 65 150 W
- discharge lamps HME 50 W

Protection class IP 44
Die cast aluminium, aluminium and stainless steel
Frosted crystal glass

Colour: graphite

Incandescent lamps				Lumen	A	B	C	D
5274	Wall luminaire	1 A 60	100 W	1360	165	275	195	110
5374	Wall luminaire	1 A 65	150 W	2200	265	395	295	150

Discharge lamps				Lumen	A	B	C	D
5375	Wall luminaire	1 HME	50 W	2000	265	395	295	150



Pillar luminaires with directed light for

- incandescent lamps A 60 100 W
- incandescent lamps A 65 150 W
- discharge lamps HME 50 W

Protection class IP 44
Die cast aluminium, aluminium and stainless steel - Frosted crystal glass

Colour: graphite

Incandescent lamps				Lumen	A	B	C
7577	Pillar luminaire	1 A 60	100 W	1380	165	300	140
7578	Pillar luminaire	1 A 65	150 W	2200	265	450	220

Discharge lamps				Lumen	A	B	C
7579	Pillar luminaire	1 HME	50 W	2000	265	450	220



Box 70396 | 10724 STOCKHOLM
Klarabergsviadukten 70
Tel +46 (0)8-103070 | Fa
info@crealux.se | www.cre

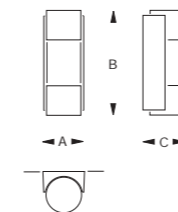
Wall luminaires + ceiling luminaires Protection class IP 44 · IP 64

These luminaires are made of die cast aluminium, aluminium, stainless steel and hand-blown three-ply opal glass. They are designed for incandescent lamps and fluorescent lamps.

The luminaires in the upper group can be installed in any required direction as wall or ceiling luminaires.

The strongly shielded luminaires in the lower group provide indirect lighting. The wall on which they are mounted also serves as reflection surface for the bright diffused light.

These are luminaires which provide a very good solution to many design and lighting tasks.



Wall + ceiling luminaires for

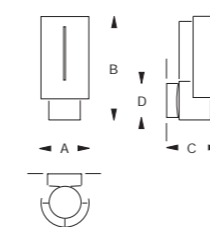
- incandescent lamps D 45 40 W
- incandescent lamps A 60 75 W
- fluorescent lamps TC-D 13 W

Protection class IP 64
Die cast aluminium, aluminium and stainless steel
Three-ply opal glass

Colour: graphite – article number
white – article number + **W**

		Incandescent lamps		Lumen	A	B	C
4570	Wall + ceiling luminaire	1 D 45	40 W	400	70	210	85
4571	Wall + ceiling luminaire	1 A 60	75 W	940	120	325	130

		Fluorescent lamps		Lumen	A	B	C
4572	Wall + ceiling luminaire	1 TC-D	13 W	900	120	325	130



Wall luminaires for

- incandescent lamps D 45 40 W
- incandescent lamps A 60 60 W
- fluorescent lamps TC-D 18 W

Protection class IP 44
Die cast aluminium, aluminium and stainless steel
Three-ply opal glass

Colour: graphite – article number
white – article number + **W**

		Incandescent lamps		Lumen	A	B	C	D
4010	Wall luminaire	1 D 45	40 W	400	95	225	115	75
4015	Wall luminaire	1 A 60	60 W	710	130	305	145	90

		Fluorescent lamps		Lumen	A	B	C	D
4016	Wall luminaire	1 TC-D	18 W	1200	130	305	145	90



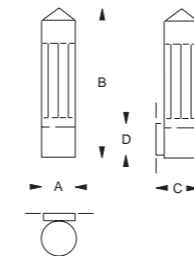
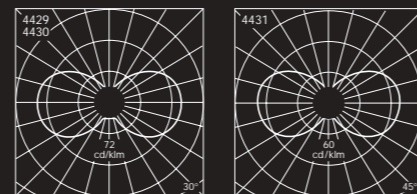
Box 70396 | 10724 STOC
Klarabergsviadukten 70
Tel +46 (0)8-103070 | Fa
info@crealux.se | www.cri

Wall luminaires + pillar luminaires Protection class IP 44

Luminaires of high material quality and robust construction. They are made of die cast aluminium, stainless steel and hand-blown three-ply opal glass.

The three-ply opal glass provides soft uniform light distribution, and reduces the luminance of the lamp without significant loss of light. Unshielded luminaires designed for entrances.

A good building detail by day – expressive light by night.



Wall luminaires for

- tungsten halogen lamps
QT 26 40 - 60 W
- fluorescent lamps TC-D 18 W

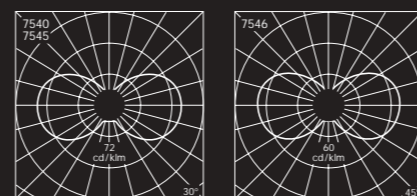
Protection class IP 44
Die cast aluminium, aluminium and stainless steel · Three-ply opal glass

Colour: graphite – article number
white – article number + **W**

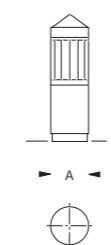


Incandescent lamps				Lumen	A	B	C	D
4429	Wall luminaire	1 QT 26	40 W	490	80	390	110	80
4430	Wall luminaire	1 QT 26	60 W	820	110	530	140	110

Fluorescent lamps				Lumen	A	B	C	D
4431	Wall luminaire	1 TC-D	18 W	1200	110	530	140	110



Please consult pages 310 - 311 of this catalogue for a description of bollards whose shape, construction and lighting performance match the luminaires given on this double page.



Pillar luminaires for

- tungsten halogen lamps QT 26 40 W
- incandescent lamps A 60 60 W
- fluorescent lamps TC-D 18 W

Protection class IP 44
Die cast aluminium, aluminium and stainless steel
White crystal glass with optical texture

Colour: graphite – article number
white – article number + **W**

Incandescent lamps				Lumen	A	B
7540	Pillar luminaire	1 QT 26	40 W	490	110	400
7545	Pillar luminaire	1 A 60	60 W	710	140	500

Fluorescent lamps				Lumen	A	B
7546	Pillar luminaire	1 TC-D	18 W	1200	140	500



Box 70396 | 10721 Stockholm
Klarabergsvärdagen 70
Tel +46 (0)8-103070 | Fa
info@crealux.se | www.cre

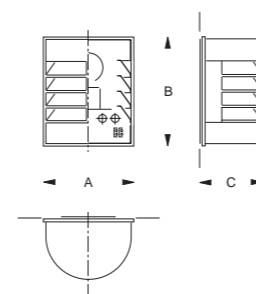
Wall luminaires with directed light

These exceptionally robust luminaires, made of die cast aluminium and stainless steel, are extremely strong in construction and highly stable. Their unique design and excellent function make them particularly suitable for applications in public areas.

These luminaires can provide a good solution to a host of lighting and design tasks in architecture.

The light source in the upper group of luminaires is shielded by the louvre, thus making them completely glarefree above the horizontal plane. The louvre also protects against physical damage.

The luminaires in the lower group are fitted with an impact-resistant cylindrical lens.



Wall luminaires with shielded light source for

- incandescent lamps A 60 100 W
- discharge lamps HME 50 W

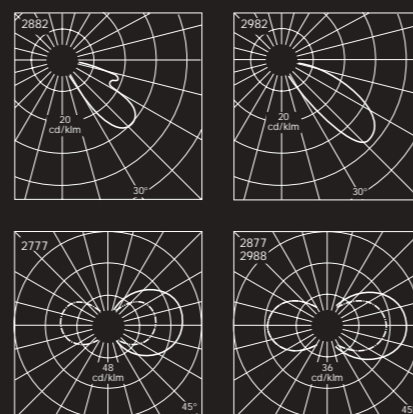
Protection class IP 44
Die cast aluminium and stainless steel

Colour: graphite

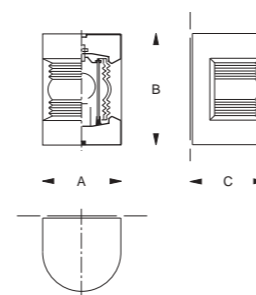


		Incandescent lamps		Lumen	A	B	C
2882	Wall luminaire	1	A 60 100 W	1360	200	250	150

		Discharge lamps		Lumen	A	B	C
2982	Wall luminaire	1	HME 50 W	2000	200	250	150



On pages 300 - 301 of this catalogue, you will find a description of bollards whose shape, construction and light output match the luminaires given on this double page.



Wall luminaires with optical cylindrical lens for

- incandescent lamps A 60 75 · 100 W
- fluorescent lamps TC-D 13 W

Protection class IP 55
Die cast aluminium and stainless steel
Frosted cylindrical lens

Colour: graphite – article number
white – article number + W
silver – article number + A

		Incandescent lamps		Lumen	A	B	C
2777	Wall luminaire	1	A 60 75 W	940	150	220	150
2877	Wall luminaire	1	A 60 100 W	1360	200	280	200

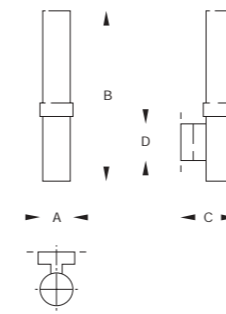
		Fluorescent lamps		Lumen	A	B	C
2988	Wall luminaire	1	TC-D 13 W	900	200	280	200



Box 70396 | 10724 STOC
Klarabergsviadukten 70
Tel +46 (0)8-103070 | Fa
info@crealux.se | www.cri

Wall luminaires for fluorescent lamps
Protection class IP 44

These corrosion-resistant luminaires are made of die cast aluminium, stainless steel and three-ply opal glass. Their shape and construction are determined by the form of the fluorescent lamps. Distinct lines and functional details are clearly visible characteristics of precise design work. These are compact luminaires with high light outputs. The three-ply opal glass demonstrates its excellent lighting characteristics. It reduces the luminance of the lamp without significant loss, and provides soft, uniform light distribution. Unshielded luminaires designed for entrances. A good building detail – by day and by night.

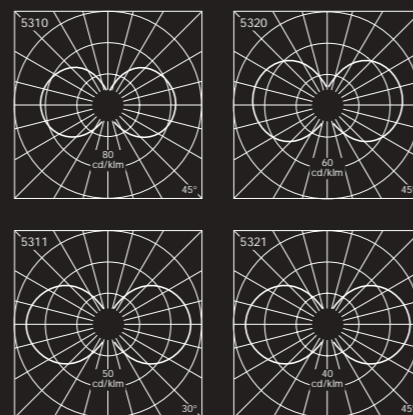


Wall luminaires for
• fluorescent lamps TC-S 11 W
• fluorescent lamps TC-D 26 W
Protection class IP 44
Die cast aluminium and stainless steel
Three-ply opal glass

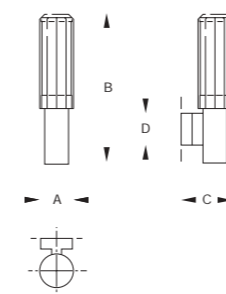
Colour: graphite – article number
white – article number + W
silver – article number + A



Fluorescent lamps				Lumen	A	B	C	D
5310	Wall luminaire	1 TC-S	11 W	900	70	370	120	80
5320	Wall luminaire	1 TC-D	26 W	1800	95	370	135	90



On pages 352 - 353 of this catalogue, you will find a description of bollards whose shape, construction and light output match the luminaires given on this double page.



Wall luminaires for
• fluorescent lamps TC-S 11 W
• fluorescent lamps TC-D 26 W
Protection class IP 44
Die cast aluminium and stainless steel
Three-ply opal glass

Colour: graphite – article number
white – article number + W
silver – article number + A

Fluorescent lamps				Lumen	A	B	C	D
5311	Wall luminaire	1 TC-S	11 W	900	85	375	130	80
5321	Wall luminaire	1 TC-D	26 W	1800	110	375	145	90



Box 70396 | 10724 STOC
Klarabergsviadukten 70
Tel +46 (0)8-103070 | Fa
info@crealux.se | www.cri

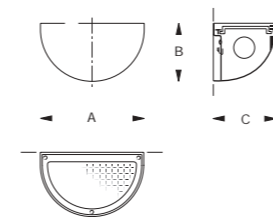
The quarter sphere · The eighth sphere
Wall luminaires · Protection class IP 65

Luminaires in the form of spherical segments providing light from fully shielded light sources.
Luminaires of this type have important design and illumination functions in architecture, for instance in floodlighting ceilings, vaults or surfaces from walls or just illuminating the wall on which they are mounted.
The luminaires can be installed with their light opening pointing upwards or downwards.
Their robust construction makes them particularly suitable for use in public areas, and their clear shape can easily be integrated in structures and details of modern architecture.
Impressive sculptures by day – expressive light by night.

The luminaires for fluorescent lamps TC-TEL are equipped with electronic ballasts. 26 · 32 W lamps can be used in these luminaires.



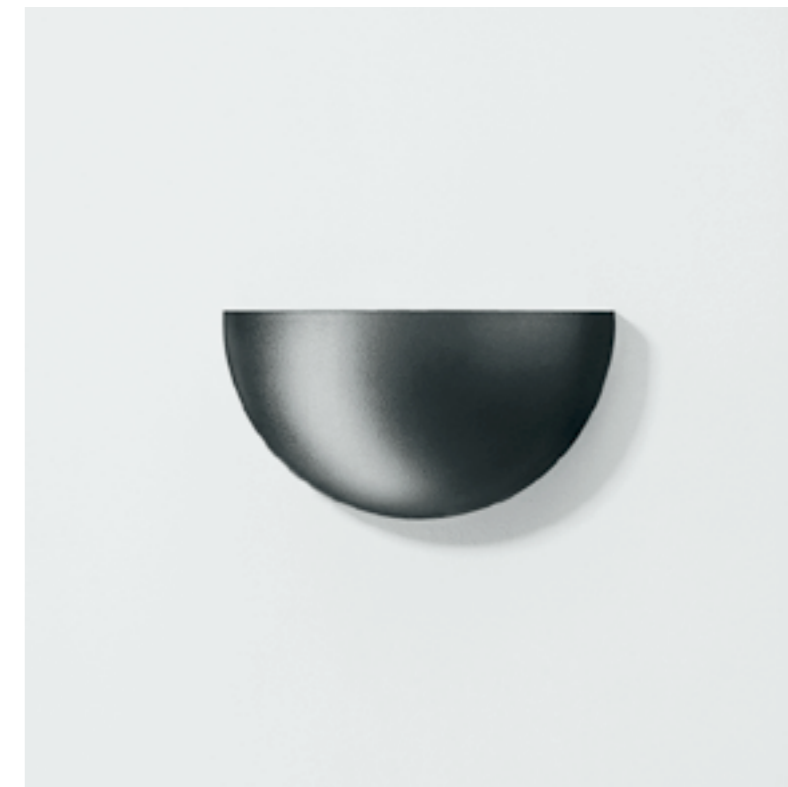
On pages 320 - 321 of this catalogue, you will find a description of bollards whose shape, construction and light output match the luminaires given on this double page.



Shielded wall luminaires for
• incandescent lamps A 60 75 · 100 W
• fluorescent lamps TC-D 18 W
• fluorescent lamps for electronic ballasts TC-TEL 26 · 32 W
Protection class IP 65
Die cast aluminium and stainless steel
Crystal glass with optical texture

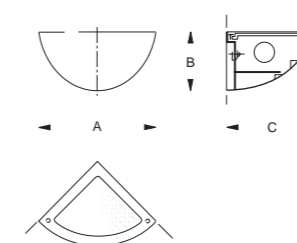
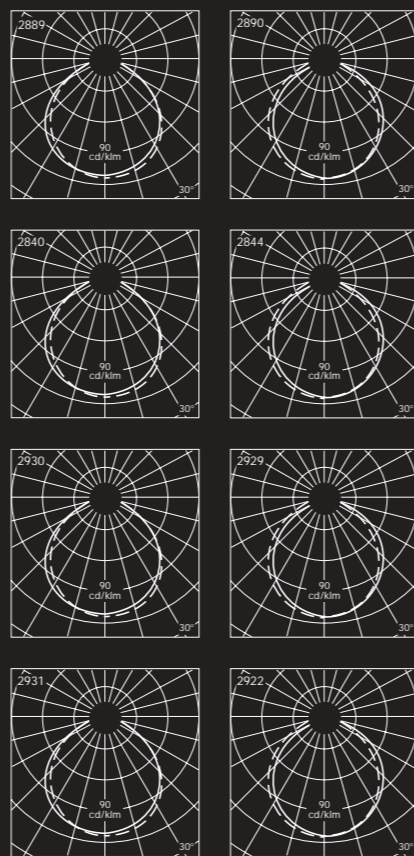
Colour: graphite – article number
white – article number + W

The luminaires can be installed in any burning position.



Incandescent lamps				Lumen	A	B	C
2889	Wall luminaire	1 A 60	75 W	940	260	140	160
2890	Wall luminaire	1 A 60	100 W	1360	350	190	210

Fluorescent lamps				Lumen	A	B	C
2840	Wall luminaire	1 TC-D	18 W	1200	260	140	160
2844	Wall luminaire	1 TC-TEL	26 · 32 W	1800 · 2400	350	190	210



Shielded corner-mounted wall luminaires for
• incandescent lamps A 60 60 · 100 W
• fluorescent lamps TC-D 13 W
• fluorescent lamps for electronic ballasts TC-TEL 26 · 32 W
Protection class IP 65
Die cast aluminium and stainless steel
Crystal glass with optical texture

Colour: graphite – article number
white – article number + W

The luminaires can be installed in any burning position.

Incandescent lamps				Lumen	A	B	C
2930	Wall luminaire	1 A 60	60 W	710	290	140	210
2929	Wall luminaire	1 A 60	100 W	1360	380	180	280

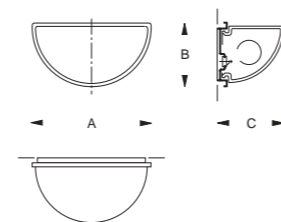
Fluorescent lamps				Lumen	A	B	C
2931	Wall luminaire	1 TC-D	13 W	900	290	140	210
2922	Wall luminaire	1 TC-TEL	26 · 32 W	1800 · 2400	380	180	280



Box 70396 | 10724 STOC
Klarabergsviadukten 70
Tel +46 (0)8-103070 | Fa
info@crealux.se | www.cri

The quarter sphere Wall luminaires · Protection class IP 44

Shielded and unshielded wall luminaires in the form of a quarter sphere. They are primarily designed for private areas. For public areas, we recommend the luminaires given on pages 150 - 151. The luminaires can be installed with the flat face pointing either upwards or downwards. The unshielded luminaires produce a pleasant and soft all-round light. The light from the shielded luminaires is one-directional, reflected from the installation surface, also illuminating floors or ceilings.



Unshielded wall luminaires for
 • incandescent lamps A 60 60 · 100 W
 • fluorescent lamps TC-D 13 · 26 W
 Protection class IP 44
 Die cast aluminium and stainless steel
 Three-ply opal glass

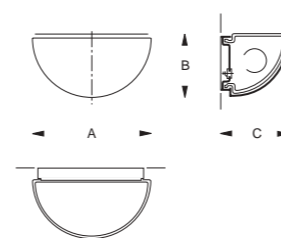
Colour: graphite – article number
 white – article number + **W**

The luminaires can be installed in any burning position.



Incandescent lamps				Lumen	A	B	C
3174	Wall luminaire	1 A 60	60 W	710	260	140	140
3176	Wall luminaire	1 A 60	100 W	1360	350	190	190

Fluorescent lamps				Lumen	A	B	C
3175	Wall luminaire	1 TC-D	13 W	900	260	140	140
3177	Wall luminaire	1 TC-D	26 W	1800	350	190	190



Shielded wall luminaires for
 • incandescent lamps A 60 60 · 100 W
 • fluorescent lamps TC-D 10 · 18 W
 Protection class IP 44
 Die cast aluminium and stainless steel
 Three-ply opal glass

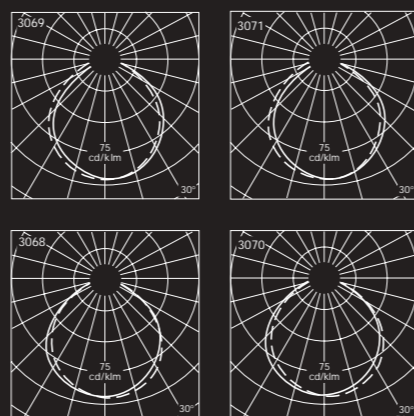
Colour: graphite – article number
 white – article number + **W**

The luminaires can be installed in any burning position.



Incandescent lamps				Lumen	A	B	C
3069	Wall luminaire	1 A 60	60 W	710	220	120	130
3071	Wall luminaire	1 A 60	100 W	1360	270	140	160

Fluorescent lamps				Lumen	A	B	C
3068	Wall luminaire	1 TC-D	10 W	600	220	120	130
3070	Wall luminaire	1 TC-D	18 W	1200	270	140	160

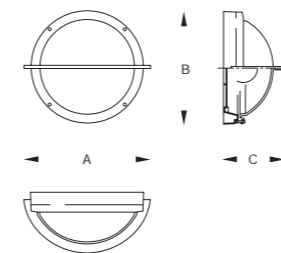


Box 70396 | 10724 STOC
 Klarabergsviadukten 70
 Tel +46 (0)8-103070 | Fa
 info@crealux.se | www.cri

The hemisphere Wall luminaires and ceiling luminaires

These luminaires, reduced in their design concept to the simplest of shapes in graphite and white, provide lighting both inside and outside. Their translucent hand-blown, three-ply opal glass makes them masterpieces of the glassmaker's art. Three-ply opal glass is an excellent lighting material, providing very soft, pleasant illumination. It produces uniform light distribution and considerably reduces luminance.

These luminaires for incandescent lamps and fluorescent lamps are expressive sculptures and design elements in architectural lighting.



Wall + ceiling luminaires for

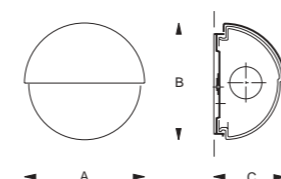
- incandescent lamps D 45 60 W
- incandescent lamps A 60 100 W
- fluorescent lamps TC-D 13 · 26 W
- fluorescent lamps TC-T 26 W

Protection class IP 65
Die cast aluminium and stainless steel
Crystal glass with optical texture

Colour: graphite – article number
white – article number + W

		Incandescent lamps			Lumen	A	B	C
3090	Wall + ceiling luminaire	1 D 45	60 W	660	215	200	130	
3091	Wall + ceiling luminaire	1 A 60	100 W	1360	285	260	160	

		Fluorescent lamps			Lumen	A	B	C
3093	Wall + ceiling luminaire	1 TC-D	13 W	900	215	200	130	
3094	Wall + ceiling luminaire	1 TC-T	26 W	1800	285	260	160	
3095	Wall + ceiling luminaire	2 TC-D	26 W	3600	405	350	190	



Wall luminaires for

- incandescent lamps A 60 60 · 75 W
- fluorescent lamps TC-D 10 · 18 W

Protection class IP 44
Die cast aluminium, aluminium
and stainless steel
Three-ply opal glass with twist-lock closure

Colour: graphite – article number
white – article number + W

		Incandescent lamps			Lumen	A	B	C
3047	Wall luminaire	1 A 60	60 W	710	220	210	130	
3147	Wall luminaire	1 A 60	75 W	940	270	260	160	

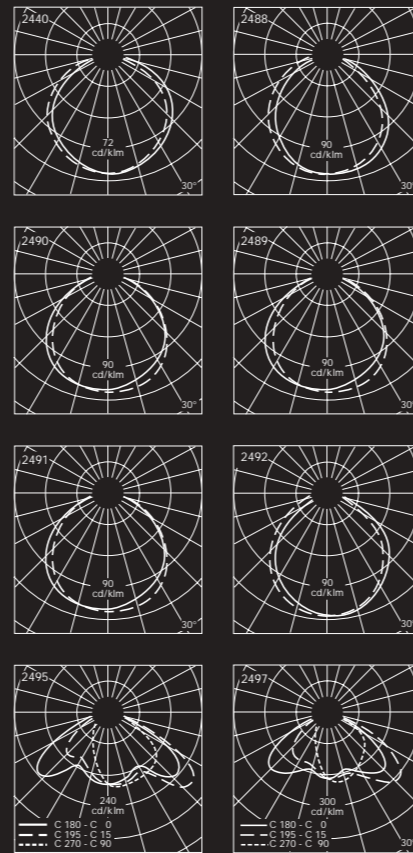
		Fluorescent lamps			Lumen	A	B	C
3048	Wall luminaire	1 TC-D	10 W	600	220	210	130	
3198	Wall luminaire	1 TC-D	18 W	1200	270	260	160	



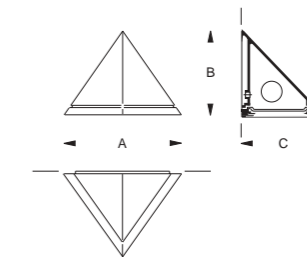
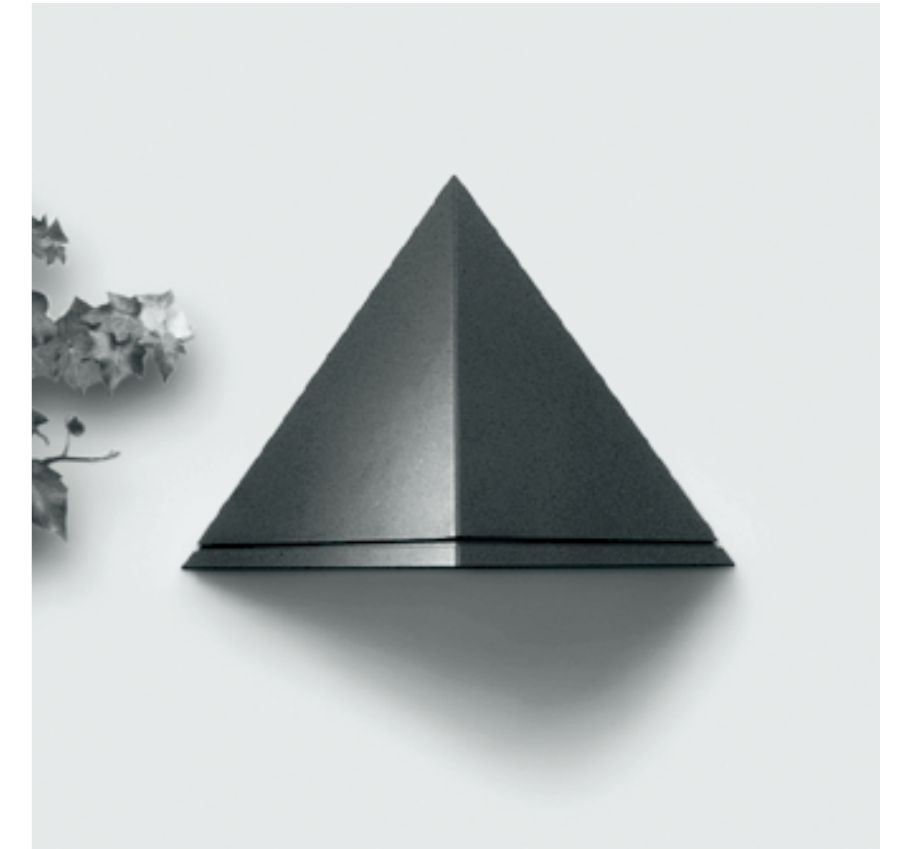
Box 70396 | 10724 STOC
Klarabergsviadukten 70
Tel +46 (0)8-103070 | Fa
info@crealux.se | www.cri

The triangle
Wall luminaires · Protection class IP 65

These luminaires with shielded light source primarily illuminate the wall on which they are mounted. This simultaneously acts as reflection surface. The luminaires also illuminate ground and ceiling surfaces. These are luminaires of an uncompromising shape which assume a valid place in modern architecture. The luminaires can be installed with their light opening pointing upwards or downwards.



On pages 356 - 357 and 428 - 431 of this catalogue, you will find a description of garden, pathway and pole-top luminaires whose shape, construction and light output match the luminaires given on this double page.



Shielded wall luminaires for

- incandescent lamps D 45 40 W
- incandescent lamps A 60 60 · 100 W
- fluorescent lamps TC-T 18 W
- fluorescent lamps TC-D 26 W
- discharge lamps HME 50· 80· 125 W

Protection class IP 65
Die cast aluminium and stainless steel
Crystal glass with optical texture

Colour: graphite – article number
white – article number + **W**
silver – article number + **A**

The luminaires can be installed in any burning position.

Incandescent lamps				Lumen	A	B	C
2440	Wall luminaire	1 D 45	40 W	400	250	175	165
2488	Wall luminaire	1 A 60	60 W	710	325	230	230
2490	Wall luminaire	1 A 60	100 W	1360	410	290	290

Fluorescent lamps				Lumen	A	B	C
2489	Wall luminaire	1 TC-T	18 W	1200	325	230	230
2491	Wall luminaire	1 TC-D	26 W			290	290
2492	Wall luminaire	2 TC-D	26 W			350	350

Discharge lamps				Lumen	A	B	C
2495	Wall luminaire	1 HME	50 W	3500	350	350	
2497	Wall luminaire	1 HME	80 · 125 W	7000	440	440	

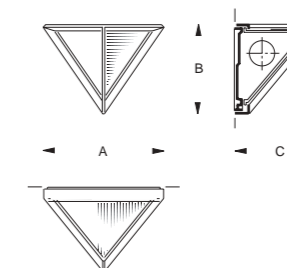


Box 703900, 724 Stoc
Klarabergsvägen 70
141 86 Stockholm, Sweden

Tel +46 (0)8-103070 | Fa
info@crealux.se | www.cre

The triangle
Wall luminaires · Protection class IP 65

Luminaires of highly robust construction designed for incandescent lamps and fluorescent lamps. Their clear geometric shape makes them expressive creations and design elements in modern architectural lighting. They are corrosion-resistant and made of die cast aluminium, stainless steel and thick-walled crystal glass with optical texture. The glass has an excellent translucency. The optical texture reduces the luminance of the lamp and distributes the light uniformly over the entire glass surface.



Wall luminaires for
 • incandescent lamps A 60 60 · 100 W
 • fluorescent lamps TC-D 13 · 26 W
 Protection class IP 65
 Die cast aluminium and stainless steel
 Crystal glass with optical texture

Colour: graphite – article number
 white – article number + **W**
 silver – article number + **A**

The luminaires can be installed in any burning position.

		Incandescent lamps		Lumen	A	B	C
3140	Wall luminaire	1 A 60	60 W	390	225	215	
3240	Wall luminaire	1 A 60	100 W	500	295	280	
		Fluorescent lamps					
3141	Wall luminaire	1 TC-D	13 W	Box 70390 10724 Strögl	225	215	
3241	Wall luminaire	1 TC-D	26 W	Klarabergsviadukten 700	295	280	

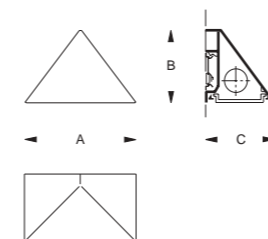


Tel +46 (0)8-103070 | Fa
 info@crealux.se | www.cre

Wall luminaires · Protection class IP 44 · IP 65

These wall luminaires with shielded light source are designed for incandescent lamps and fluorescent lamps. Made of die cast aluminium and thick-walled crystal glass with optical texture, they are luminaires of high lighting quality and very robust construction.

The luminaires in the upper group primarily illuminate the wall on which they are mounted. The wall simultaneously acts as reflection surface. These luminaires can be installed with their light opening directed upwards or downwards. The luminaires in the lower group have soft broad spread downward light distribution due to their textured crystal glass cover.



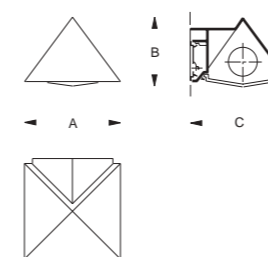
Wall luminaires for
 • incandescent lamps A 60 40 · 75 W
 • fluorescent lamps TC-D 13 · 26 W
 2430 · 2431 Protection class IP 44
 2437 · 2438 Protection class IP 65
 Die cast aluminium and stainless steel
 Crystal glass with optical texture

Colour: graphite – article number
 white – article number + W

The luminaires can be installed in any burning position.

Incandescent lamps				Lumen	A	B	C
2430	Wall luminaire	1 A 60	40 W	420	230	150	145
2437	Wall luminaire	1 A 60	75 W	940	300	200	185

Fluorescent lamps				Lumen	A	B	C
2431	Wall luminaire	1 TC-D	13 W	900	230	150	145
2438	Wall luminaire	1 TC-D	26 W	1800	300	200	185

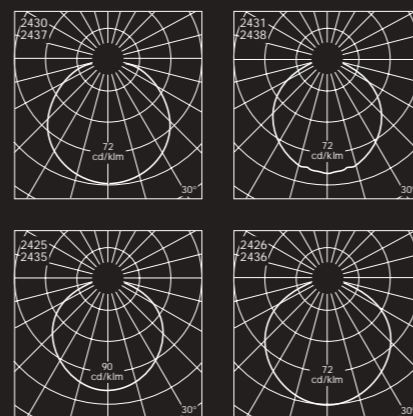


Wall luminaires for
 • incandescent lamps A 60 40 · 75 W
 • fluorescent lamps TC-D 13 · 26 W
 2425 · 2426 Protection class IP 44
 2435 · 2436 Protection class IP 65
 Die cast aluminium and stainless steel
 Crystal glass with optical texture

Colour: graphite – article number
 white – article number + W

Incandescent lamps				Lumen	A	B	C
2425	Wall luminaire	1 A 60	40 W	420	190	140	210
2435	Wall luminaire	1 A 60	75 W	940	250	180	265

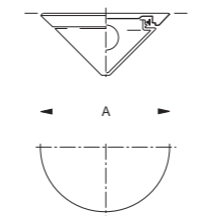
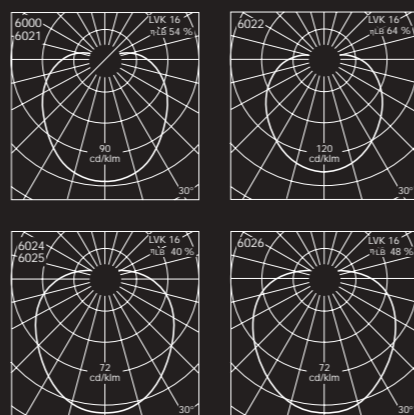
Fluorescent lamps				Lumen	A	B	C
2426	Wall luminaire	1 TC-D	13 W	900	190	140	210
2436	Wall luminaire	1 TC-D	26 W	1800	250	180	265



Box 70396 | 10724 STOC
 Klarabergsviadukten 70
 Tel +46 (0)8-103070 | Fa
 info@crealux.se | www.cri

The cone Wall luminaires and ceiling luminaires

The cone is particularly suitable for the construction of luminaires. It favours the ratio of lamps with high light output to luminaire volume, and is additionally a good design element in modern architecture. These luminaires are of high material quality, made of die cast aluminium, stainless steel and three-ply opal glass. The light is very uniformly distributed by the three-ply opal glass which is highly translucent. The result is high efficiency and reduction of any disturbing glare due to low surface luminance.

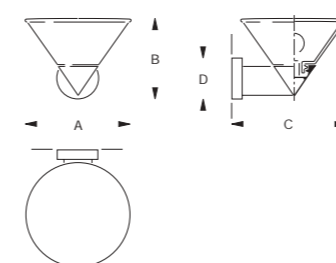


Wall + ceiling luminaires for
 • incandescent lamps D 45 40 W
 • incandescent lamps A 60 60 · 100 W
 • fluorescent lamps TC-D 13 · 26 W
 Protection class IP 65
 Die cast aluminium and stainless steel
 Three-ply opal glass

Colour: graphite – article number
 white – article number + W

Incandescent lamps		Lumen		A	B
6000	Wall + ceiling luminaire	1 D 45	40 W	400	210 115
6021	Wall + ceiling luminaire	1 A 60	60 W	710	270 145
6022	Wall + ceiling luminaire	1 A 60	100 W	1360	345 180

Fluorescent lamps		Lumen		A	B
6024	Wall + ceiling luminaire	1 TC-D	13 W	900	270 145
6025	Wall + ceiling luminaire	1 TC-D	26 W	1800	345 180
6026	Wall + ceiling luminaire	2 TC-D	26 W	3600	450 240



Wall luminaires for
 • incandescent lamps A 60 60 · 100 W
 • fluorescent lamps TC-D 13 · 26 W
 Protection class IP 44
 Die cast aluminium and stainless steel
 Three-ply opal glass

Colour: graphite – article number
 white – article number + W

Incandescent lamps		Lumen		A	B	C	D
5376	Wall luminaire	1 A 60	60 W	710	290 220	320 110	
5379	Wall luminaire	1 A 60	100 W	1360	400 295	430 130	

Fluorescent lamps		Lumen		A	B	C	D
5377	Wall luminaire	1 TC-D	13 W	900	290 220	320 110	
5380	Wall luminaire	1 TC-D	26 W	1800	400 295	430 130	



Box 70396 | 10724 STOC
 Klarabergsviadukten 70
 Tel +46 (0)8-103070 | Fa
 info@crealux.se | www.cri

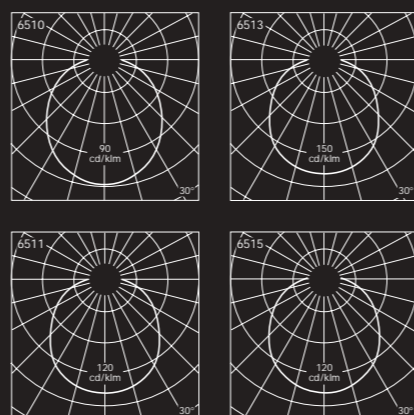
The cone Wall luminaires · Protection class IP 44 · IP 65

Wall luminaires for incandescent lamps and fluorescent lamps. The cone and half cone allow not only precise direction and distribution of light but the shape of the cone can also be an excellent design element in modern architecture.

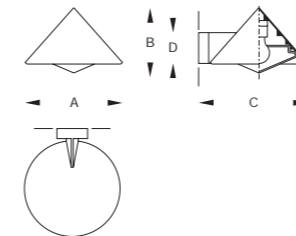
Due to the three-ply opal glass covering the lamp, the luminaires in the upper group produce soft broad spread downward light distribution.

The luminaires in the lower group with shielded light source provide directed light, the installation surface acting simultaneously as reflection surface. These luminaires can be installed in any burning position.

The luminaires for fluorescent lamps TC-TEL are equipped with electronic ballasts.



On pages 424 - 425 of this catalogue, you will find a description of pole-top luminaires whose shape, construction and light output match the luminaires given on this double page.



Wall luminaires for

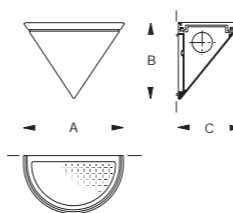
- incandescent lamps A 60 · 60 · 75 W
- fluorescent lamps TC-D 13 W
- fluorescent lamps for electronic ballasts TC-TEL 26 · 32 · 42 W

Protection class IP 44
Die cast aluminium and stainless steel
Three-ply opal glass

Colour: graphite – article number
white – article number + W

Incandescent lamps		Lumen	A	B	C	D
6510	Wall luminaire 1 A 60	60 W	710	280	190	320 90
6513	Wall luminaire 2 A 60	75 W	1880	400	270	455 110

Fluorescent lamps		Lumen	A	B	C	D
6511	Wall luminaire 1 TC-D	13 W	900	280	190	320 90
6515	Wall luminaire 1 TC-TEL	26 · 32 · 42 W	1800 · 2400 · 3200	400	270	455 110



Shielded wall luminaires for

- incandescent lamps A 60 · 60 · 100 W
- fluorescent lamps TC-D 18 W
- fluorescent lamps for electronic ballasts TC-TEL 26 · 32 W

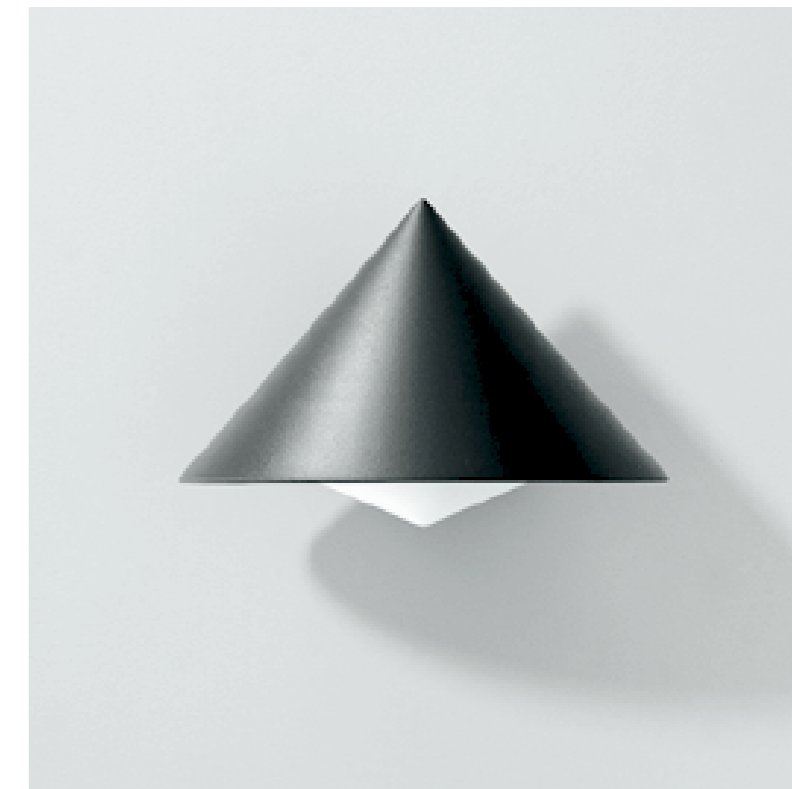
Protection class IP 65
Die cast aluminium and stainless steel
Crystal glass with optical texture

Colour: graphite – article number
white – article number + W

The luminaires can be installed in any burning position.

Incandescent lamps		Lumen	A	B	C
2819	Wall luminaire 1 A 60	60 W	710	295	205 170
2821	Wall luminaire 1 A 60	100 W	1360	390	275 220

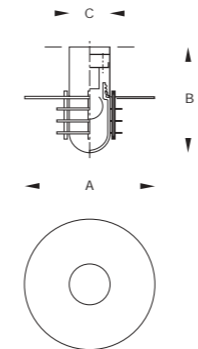
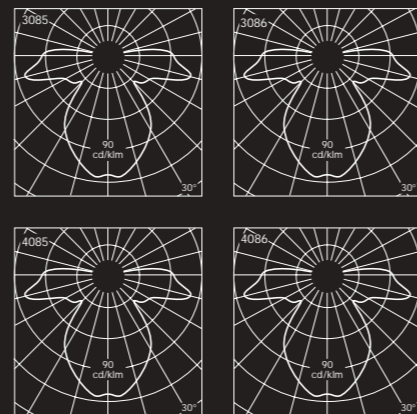
Fluorescent lamps		Lumen	A	B	C
2818	Wall luminaire 1 TC-D	18 W	1200	295	205 170
2845	Wall luminaire 1 TC-TEL	26 · 32 W	1800 · 2400	390	275 220



Box 70396 | 10724 STOC
Klarabergsviadukten 70
Tel +46 (0)8-103070 | Fa
info@crealux.se | www.cri

Ceiling luminaires · Protection class IP 64
Wall luminaires · Protection class IP 44

A series of luminaires providing expressive light for outside areas. They are corrosion-resistant luminaires with hand-blown crystal bubble glass. These luminaires are equipped with a ring louvre to limit glare. In combination with the crystal glass, this produces high-contrast effective light. This light effect is particularly distinct if clear incandescent lamps are used.

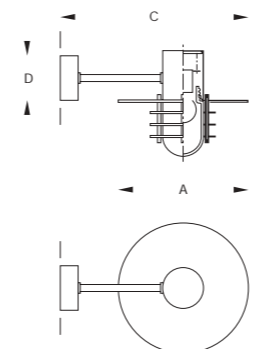


Ceiling luminaires for
• incandescent lamps D 45 40 W
• incandescent lamps A 60 60 W
Protection class IP 64
Painted stainless steel
Crystal bubble glass

Colour: white – article number
silver – article number + **A**



Incandescent lamps				Lumen	A	B	C
3085	Ceiling luminaire	1 D 45	40 W	400	220	185	70
3086	Ceiling luminaire	1 A 60	60 W	710	300	235	95



Wall luminaires for
• incandescent lamps D 45 40 W
• incandescent lamps A 60 60 W
Protection class IP 44
Painted stainless steel and die cast aluminium
Crystal bubble glass

Colour: white – article number
silver – article number + **A**



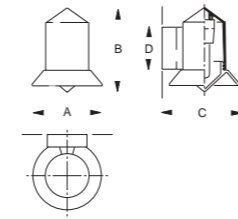
Incandescent lamps				Lumen	A	B	C	D
4085	Wall luminaire	1 D 45	40 W	400	220	185	325	75
4086	Wall luminaire	1 A 60	60 W	710	300	235	425	80



Box 70396 | 10724 STOC
Klarabergsviadukten 70
Tel +46 (0)8-103070 | Fa
info@crealux.se | www.cri

Wall luminaires

These small luminaires are suitable for private house entrances, the larger luminaires for public or commercial areas. The widespread light from the luminaires in the upper group is distributed by means of the frosted crystal glass shield. The light source of the luminaires in the lower group is shielded. The light is directed downwards but a small part of the light is cast upwards through a circumferential slit in the reflector shield, thus accentuating the shape of the luminaire even in the dark.



Wall luminaires for

- tungsten halogen lamps QT 26 60 W
- incandescent lamps A 60 75 W
- fluorescent lamps TC-T 13 W

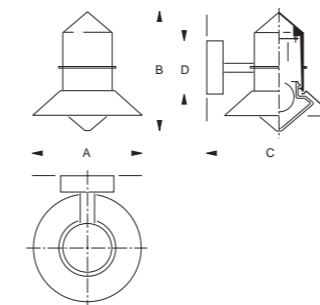
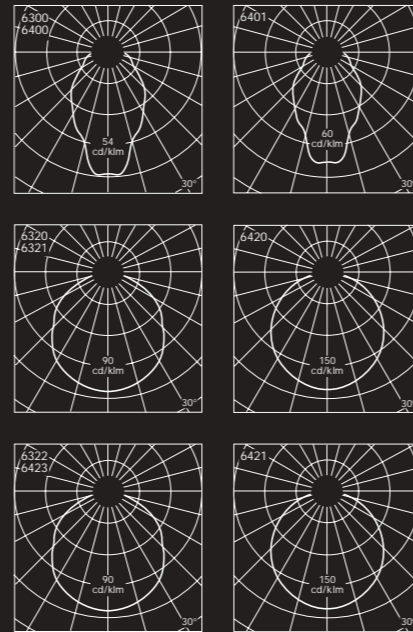
Protection class IP 44
Die cast aluminium and stainless steel
Matt crystal glass

Colour: graphite – article number
white – article number + **W**
silver – article number + **A**



Incandescent lamps				Lumen	A	B	C	D
6300	Wall luminaire	1 QT 26	60 W	820	135	165	150	80
6400	Wall luminaire	1 A 60	75 W	940	165	200	175	90

Fluorescent lamps				Lumen	A	B	C	D
6401	Wall luminaire	1 TC-T	13 W	900	165	200	175	90



Wall luminaires for

- incandescent lamps
A 60 60 · 75 · 100 W
- fluorescent lamps TC-T 18 W
- fluorescent lamps TC-D 26 W
- discharge lamps HME 50 · 80 W

Protection class IP 44
Die cast aluminium, aluminium and stainless steel · Three-ply opal glass

Colour: graphite – article number
white – article number + **W**
silver – article number + **A**

These luminaires are also available as pendant luminaires – see pages 72 - 73.

Incandescent lamps				Lumen	A	B	C	D
6320	Wall luminaire	1 A 60	60 W	710	180	220	220	90
6321	Wall luminaire	1 A 60	75 W	940	260	275	305	110
6420	Wall luminaire	1 A 60	100 W	1360	400	405	480	130

Fluorescent lamps				Lumen	A	B	C	D
6322	Wall luminaire	1 TC-T	18 W	1200	260	275	305	110
6423	Wall luminaire	1 TC-D	26 W	1800	400	405	480	130

Discharge lamps				Lumen	A	B	C	D
6421	Wall luminaire	1 HME	50 · 80 W	2000 · 4000	400	405	480	130



Box 70396 | 10724 STOC
Klarabergsviadukten 70
Tel +46 (0)8-103070 | Fa
info@crealux.se | www.cri



You will find a description of garden luminaires on pages 364 - 365 and pole-top luminaires on pages 392 - 393 of this catalogue whose shape, construction and light output match the luminaires give on this double page.

Wall luminaires and pendant luminaires

Wall luminaires for house entrances and pendant luminaires for installation in enclosed rooms or under roofs, wherever luminaires need to be corrosion-resistant and protected against water, dust and insects.

A simple and ideal design, in harmony with many different styles and always a good building detail.

The pendant luminaires are also suitable for use in assembly rooms and fulfil the requirements of DIN 57108/VDE 0108.

When installed in the open, the luminaires must be protected against constant pendulum movement due to wind.

The luminaires have fixing points for anchoring gear.

The luminaires for fluorescent lamps TC-TEL are equipped with electronic ballasts. 26 · 32 · 42 W lamps can be used in these luminaires.



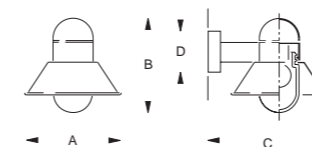
Corner blocks

For corner-mounting wall luminaires.
Die cast aluminium and stainless steel

Colour: graphite – article number
white – article number + W



Corner blocks	A	B
409 for 6248 · 6290	110	60
412 for 6291 · 6292 · 6443	150	80

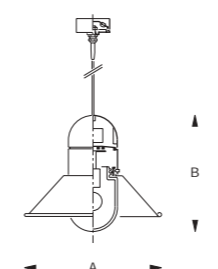
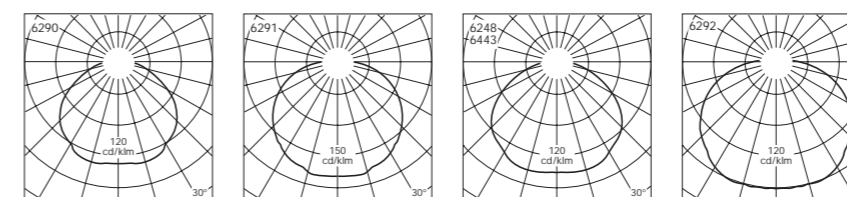


Wall luminaires for

- incandescent lamps A 60 60 · 100 W
 - fluorescent lamps TC-T 18 W
 - fluorescent lamps for electronic ballasts TC-TEL 26 · 32 · 42 W
 - discharge lamps HME 50 · 80 W
- Protection class IP 44
Die cast aluminium, aluminium and stainless steel · Three-ply opal glass

Colour: graphite – article number
white – article number + W

Incandescent lamps				Lumen	A	B	C	D
6290	Wall luminaire	1 A 60	60 W	710	260	260	320	110
6291	Wall luminaire	1 A 60	100 W	1360	400	370	470	150
Fluorescent lamps								
6248	Wall luminaire	1 TC-T	18 W	1200	260	260	320	110
6443	Wall luminaire	1 TC-TEL 26 · 32 · 42 W	1800 · 2400 · 3200	1800 · 2400 · 3200	400	370	470	150
Discharge lamps								
6292	Wall luminaire	1 HME	50 · 80 W	2000 · 4000	400	370	470	150



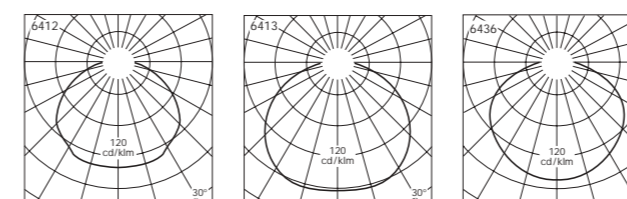
Pendant luminaires with cable pendant and mounting box Ø 110 mm for

- incandescent lamps A 60 60 W
 - fluorescent lamps TC-T 18 W
 - fluorescent lamps for electronic ballasts TC-TEL 26 · 32 · 42 W
- Protection class IP 44
Die cast aluminium, aluminium and stainless steel · Three-ply opal glass

Colour: graphite – article number
white – article number + W

Black cable pendant

Incandescent lamps				Lumen	A	B	C
6412	Pendant luminaire	1 A 60	60 W	710	260	260	2000
Fluorescent lamps							
6413	Pendant luminaire	1 TC-T	18 W	1200	260	260	2000
6436	Pendant luminaire	1 TC-TEL 26 · 32 · 42 W	1800 · 2400 · 3200	1800 · 2400 · 3200	450	400	3000



Box 70396 | 10724 STOC
Klarabergsviadukten 70
Tel +46 (0)8-103070 | Fa
info@crealux.se | www.cre



You will find a description of garden luminaires on pages 360 - 361 and pole-top luminaires on pages 386 - 387 of this catalogue whose shape, construction and light output match the luminaires given on this double page.

Wall luminaires

Small luminaires for private house entrances, larger luminaires for public or commercial areas.

They are corrosion-resistant and made of die cast aluminium and stainless steel.

The luminaires with symmetrical light distribution are fitted with three-ply opal glass, providing a soft and uniform light directed downwards.

The luminaires with asymmetrical light distribution are primarily designed for illuminating traffic and pedestrian areas from wall locations.

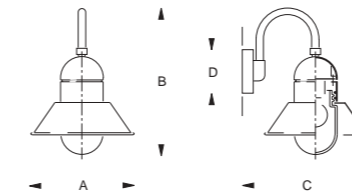
Corner blocks

For corner-mounting of wall luminaires.
Die cast aluminium and stainless steel

Colour: graphite – article number
white – article number + W



Corner blocks		A	B
409	for 6590·6548·6491·6492	110	60
413	for 6394·6494·6325·6326	170	95



Wall luminaires with **symmetrical** light distribution for

- incandescent lamps A 60 60 W
- fluorescent lamps TC-T 18 W
- discharge lamps HME 50 · 80 W

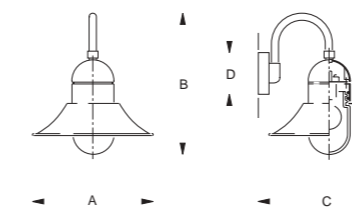
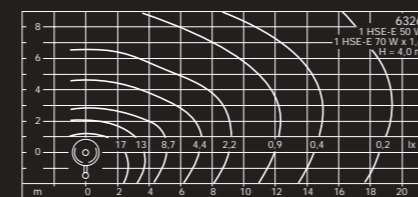
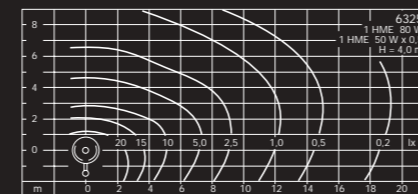
Protection class IP 44
Die cast aluminium, aluminium and stainless steel
Three-ply opal glass

Colour: graphite – article number
white – article number + W

		Lamps		Lumen	A	B	C	D
6590	Wall luminaire	1 A 60	60 W	710	260	370	310	110
6548	Wall luminaire	1 TC-T	18 W	1200	260	370	310	110
6394	Wall luminaire	1 HME	50 · 80 W	2000 · 4000	400	700	650	170



You will find a description of garden luminaires on pages 360 - 363 and pole-top luminaires on pages 384 - 387 of this catalogue whose shape, construction and light output match the luminaires given on this double page.



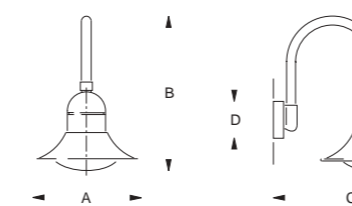
Wall luminaires with **symmetrical** light distribution for

- incandescent lamps A 60 60 W
- fluorescent lamps TC-T 18 W
- discharge lamps HME 50 · 80 W

IP 44 · Three-ply opal glass · Die cast aluminium, aluminium and stainless steel

Colour: graphite – article number
white – article number + W

		Lamps		Lumen	A	B	C	D
6491	Wall luminaire	1 A 60	60 W	710	320	370	345	110
6492	Wall luminaire	1 TC-T	18 W	1200	320	370	345	110
6494	Wall luminaire	1 HME	50 · 80 W	2000 · 4000	500	700	700	170



Wall luminaires with **asymmetrical** light distribution for

- discharge lamps HME 80 W
- discharge lamps HSE-E 50 · 70 W

Protection class IP 44 · Die cast aluminium, aluminium and stainless steel
Clear plastic diffuser with optical texture and reflector of pure anodized aluminium can be rotated 360° around the vertical axis.

Colour: graphite

		Lamps		Lumen	A	B	C	D
6325	Wall luminaire	1 HME	80 W	4000	500	685	700	170
6326	Wall luminaire	1 HSE-E	50 · 70 W	3500 · 5600	500	685	700	170



Box 70396 | 10724 STOC
Klarabergsviadukten 70
Tel +46 (0)8-103070 | Fa
info@crealux.se | www.cri

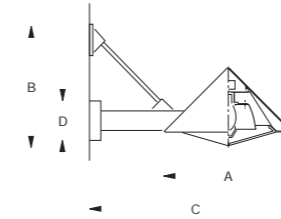
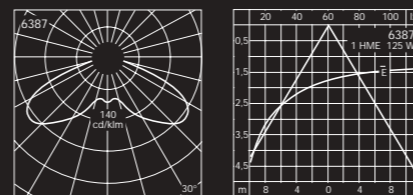
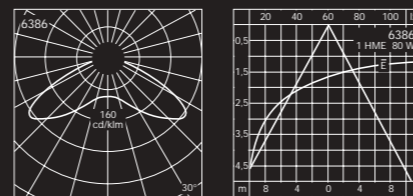
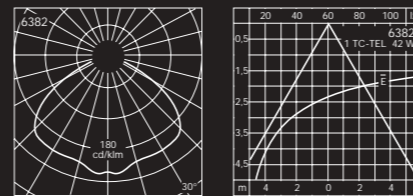
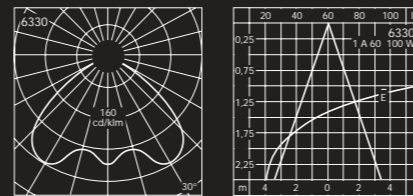
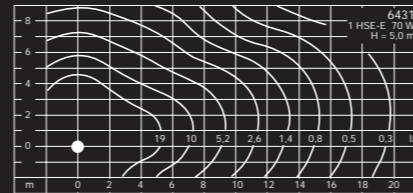
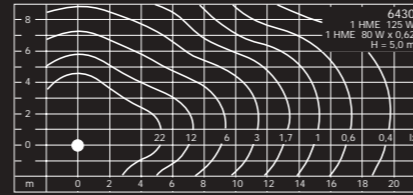
Wall luminaires with high light outputs Protection class IP 44

These wall luminaires of high lighting quality with rotationally symmetrical or asymmetrical light distribution are primarily designed for illuminating traffic or pedestrian areas from wall locations. With their high light output, the luminaires are also suitable for greater mounting heights. The special features of their design are elegant shape, structural simplicity and particularly easy maintenance.

The luminaires for fluorescent lamps TC-TEL are equipped with electronic ballasts. 26 · 32 · 42 W lamps can be used in these luminaires.



You will find a description of pole-top luminaires on pages 426 - 427 and pendant luminaires on pages 74 - 75 of this catalogue whose shape, construction and light output match the luminaires given on this double page.

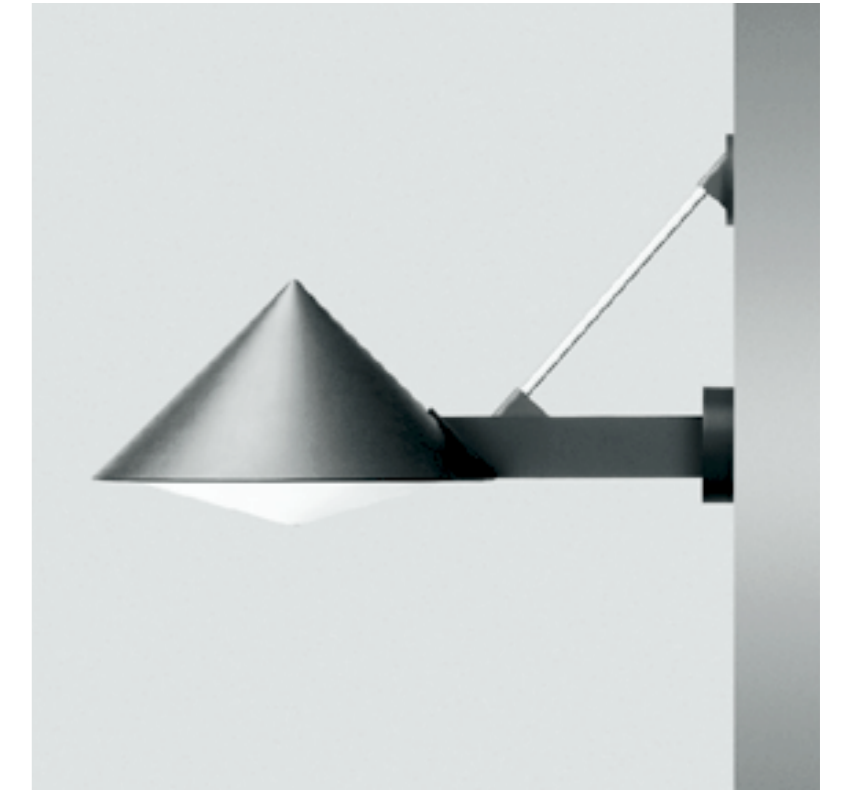


Wall luminaires with **asymmetrical** light distribution for

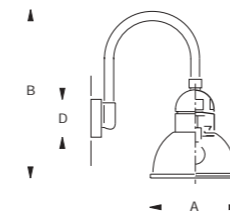
- discharge lamps HME 80 · 125 W
- discharge lamps HSE-E 70 W

Protection class IP 44
Die cast aluminium, aluminium and stainless steel
Clear plastic diffuser with optical texture and reflector made of pure anodized aluminium can be rotated 360° around the vertical axis.

Colour: graphite



		Discharge lamps		Lumen	A	B	C	D
6430	Wall luminaire	1 HME	80 · 125 W	4000 · 6500	650	600	1060	200
6431	Wall luminaire	1 HSE-E	70 W	5600	650	600	1060	200



Wall luminaires with **symmetrical** light distribution for

- incandescent lamps A 60 100 W
- discharge lamps HME 50 · 80 · 125 W
- fluorescent lamps for electronic ballasts TC-TEL 26 · 32 · 42 W

Protection class IP 44
Die cast aluminium, aluminium and stainless steel
Reflector of pure anodized aluminium
Safety glass

Colour: graphite



		Incandescent lamps		Lumen	A	B	C	D
6330	Wall luminaire	1 A 60	100 W	1360	280	520	470	150

		Fluorescent lamps		Lumen	A	B	C	D
6382	Wall luminaire	1 TC-TEL	26 · 32 · 42 W	1800 · 2400 · 3200	380	720	650	170

		Discharge lamps		Lumen	A	B	C	D
6386	Wall luminaire	1 HME	50 · 80 W	2000 · 4000	380	720	650	170
6387	Wall luminaire	1 HME	80 · 125 W	4000 · 6500	530	895	735	200



Box 70396 | 10724 STOC
Klarabergsviadukten 70
Tel +46 (0)8-103070 | Fa
info@crealux.se | www.cri

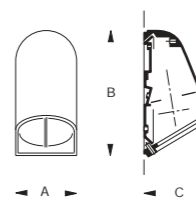
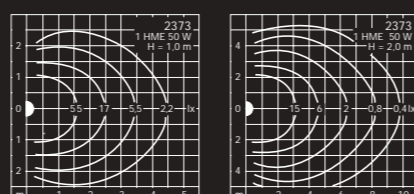
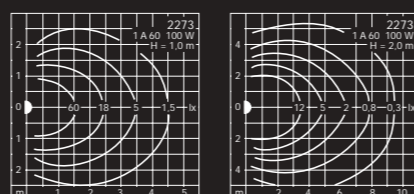
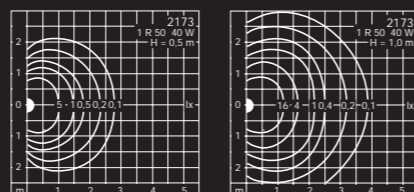
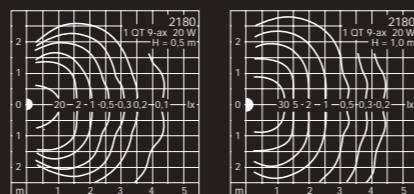
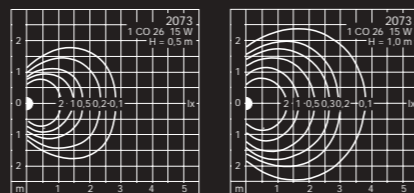
Wall luminaires with directed light

Shielded wall luminaires with an optical system producing directed light. In the dark or where the lighting level is too low, these luminaires provide glarefree light from low mounting heights to illuminate locations and surfaces.

They can also form part of an emergency lighting system in assembly rooms or identify danger points. The lamphouse is fitted with a grid as protection against physical damage. The light opening may only be directed downwards when the luminaires are installed outside.



On pages 316 - 317 of this catalogue, you will find a description of bollards whose shape, construction and light output match the luminaires given on this double page.



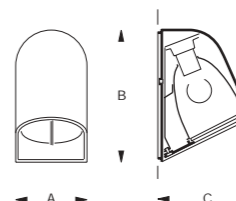
Wall luminaires for

- pear-shaped lamps CO 26 15 W
- low voltage tungsten halogen lamps 12 V QT 9-ax 20 W – G 4
- reflector lamps R 50 40 W

Protection class IP 44
Die cast aluminium and stainless steel
Safety glass with optical texture
2180 Reflector of pure anodized aluminium

Colour: graphite – article number
white – article number + **W**

				Lumen	A	B	C
2073	Wall luminaire	1 CO 26	15 W	90	70	140	80
2180	Wall luminaire	1 QT 9-ax	20 W	320	90	180	100
2173	Wall luminaire	1 R 50	40 W	430	90	180	100



Wall luminaires for

- incandescent lamps A 60 100 W
- discharge lamps HME 50 W

Protection class IP 44
Die cast aluminium and stainless steel
Safety glass with optical texture
Reflector of pure anodized aluminium

Colour: graphite – article number
white – article number + **W**

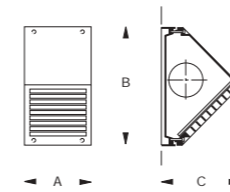
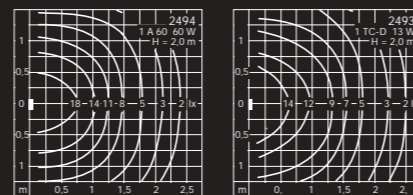
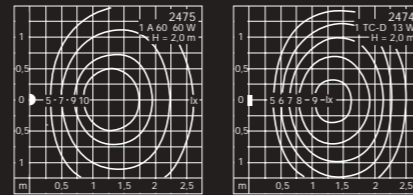
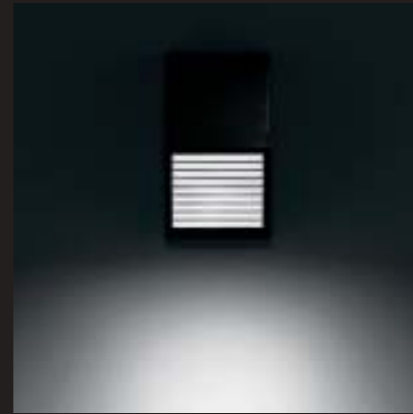
Incandescent lamps					B	C
2273	Wall luminaire	1 A 60	100 W	300	705	215

Discharge lamps				Box 70396 10724 STOC		
2373	Wall luminaire	1 HME	50 W	Klarabergsviadukten 705	300	215

Tel +46 (0)8-103070 | Fa
info@crealux.se | www.cri

Wall luminaires with directed light
Protection class IP 55

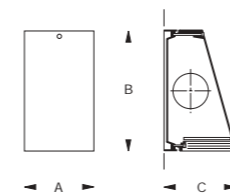
Shielded luminaires designed to illuminate surfaces from wall locations. They are suitable for low and greater mounting heights. These luminaires are extremely robust and of high lighting quality. Due to their great stability and discreet shape, they can be diversely used in modern architectural lighting. They can be installed both inside and outside, in private and public areas. The light opening may only be directed downwards when the luminaires are installed outside.



Wall luminaires for
• incandescent lamps A 60 60 W
• fluorescent lamps TC-D 13 W
Protection class IP 55
Die cast aluminium and stainless steel
Safety glass with optical texture

Colour: graphite – article number
white – article number + **W**
silver – article number + **A**

Incandescent lamps				Lumen	A	B	C
2475	Wall luminaire	1 A 60	60 W	710	130	230	155
Fluorescent lamps							
2474	Wall luminaire	1 TC-D	13 W	900	130	230	155



Wall luminaires for
• incandescent lamps A 60 60 W
• fluorescent lamps TC-D 13 W
Protection class IP 55
Die cast aluminium and stainless steel
Safety glass with optical texture

Colour: graphite – article number
white – article number + **W**
silver – article number + **A**

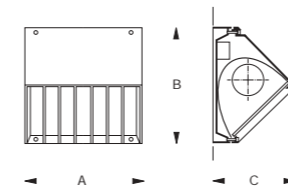
Incandescent lamps				Lumen	A	B	C
2494	Wall luminaire	1 A 60	60 W	710	130	230	135
Fluorescent lamps							
2493	Wall luminaire	1 TC-D	13 W	900	130	230	135



Box 70396 | 10724 STOC
Klarabergsviadukten 70
Tel +46 (0)8-103070 | Fa
info@crealux.se | www.cri

Wall luminaires with directed light Protection class IP 55

These luminaires are compact and robust in construction with an optical system producing directed light. They provide to a large extent glarefree illumination of surfaces from wall locations. They are suitable for low and higher mounting heights. Corrosion-resistant luminaires of high material quality and clear discreet shape, providing a good solution to a host of design and lighting tasks in many architectural fields. They can be used both inside and outside, in private and public areas. The light opening may only be directed downwards when the luminaires are installed outside.



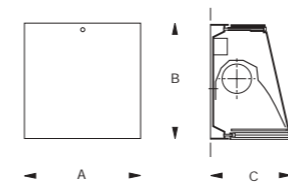
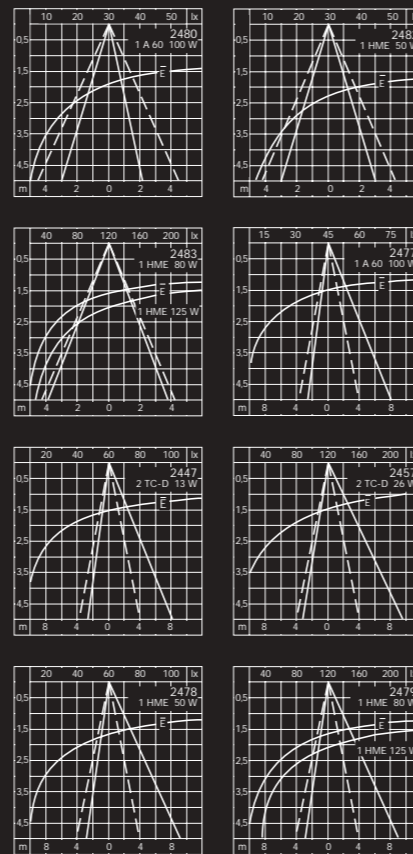
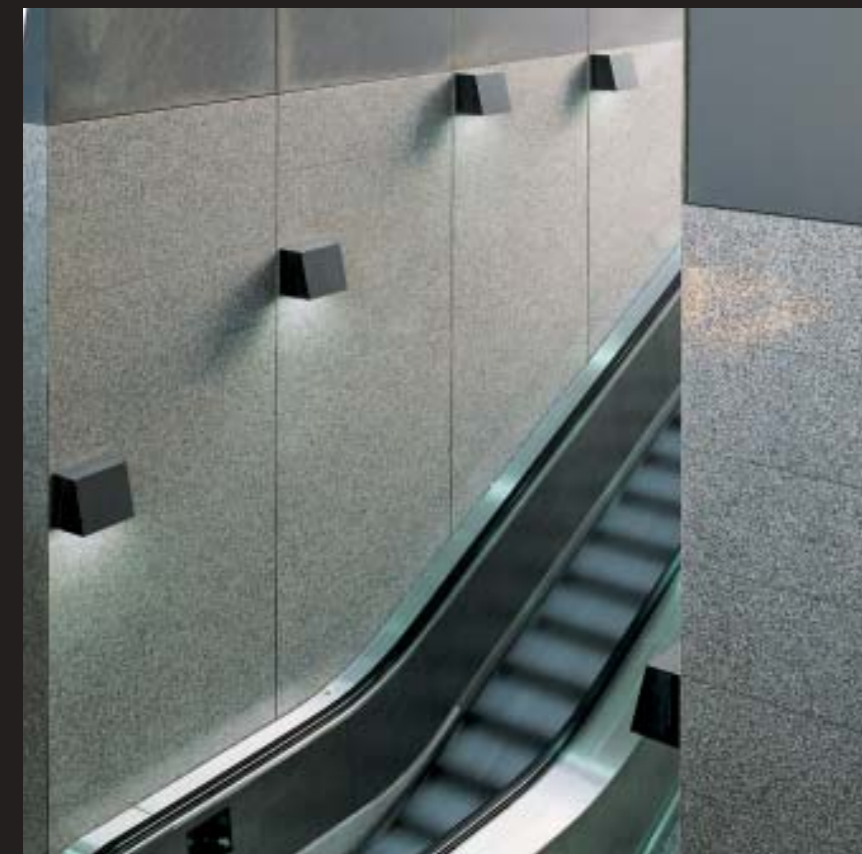
Wall luminaires for
 • incandescent lamps A 60 100 W
 • fluorescent lamps TC-D 13 · 26 W
 • discharge lamps HME 50 · 80 · 125 W
 Protection class IP 55
 Die cast aluminium and stainless steel
 Reflector of pure anodized aluminium
 Safety glass with optical texture

Colour: graphite – article number
 white – article number + **W**
 silver – article number + **A**

Incandescent lamps			Lumen	A	B	C
2477	Wall luminaire	1 A 60	100 W	1360	230	230 160

Fluorescent lamps			Lumen	A	B	C
2447	Wall luminaire	2 TC-D	13 W	1800	230	230 160
2457	Wall luminaire	2 TC-D	26 W	3600	320	320 220

Discharge lamps			Lumen	A	B	C
2478	Wall luminaire	1 HME	50 W	2000	230	230 160
2479	Wall luminaire	1 HME	80 · 125 W	4000 · 6500	320	320 220



Wall luminaires for
 • incandescent lamps A 60 100 W
 • discharge lamps HME 50 · 80 · 125 W
 Protection class IP 55
 Die cast aluminium and stainless steel
 Reflector of pure anodized aluminium
 Safety glass with optical texture

Colour: graphite – article number
 white – article number + **W**
 silver – article number + **A**

Incandescent lamps			Lumen	A	B	C
2480	Wall luminaire	1 A 60	100 W	1360	230	230 160

Fluorescent lamps			Lumen	A	B	C
2482	Wall luminaire	1 HME	50 W	2000	230	230 160
2483	Wall luminaire	1 HME	80 · 125 W	4000 · 6500	320	320 220



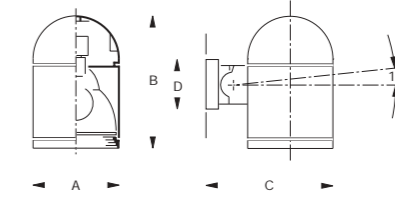
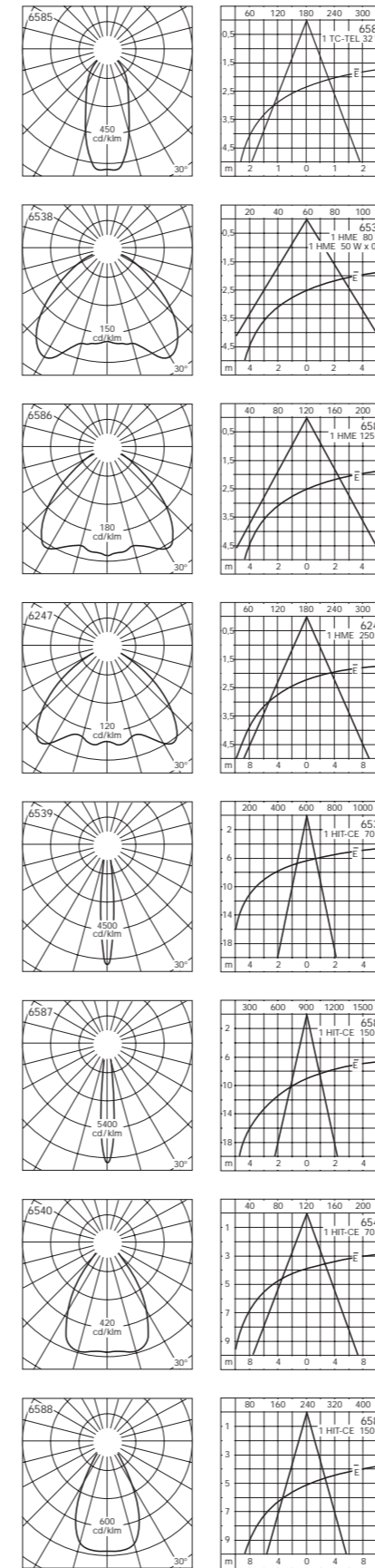
Box 70396 | 10724 STOC
 Klarabergsviadukten 70
 Tel +46 (0)8-103070 | Fa
 info@crealux.se | www.cri

Wall luminaires · Protection class IP 54 · IP 65 Downlights

These corrosion-resistant wall luminaires made of die cast aluminium and stainless steel are designed for all areas of indoor and outdoor lighting in private and public areas. Their high protection class makes them suitable for locations where dust and moisture are likely to soil the reflector and lamp quickly, and where a low level of maintenance is required. A series of luminaires in four different sizes for incandescent lamps, fluorescent lamps and discharge lamps of 1050 to 14 000 lumen, designed for a wide range of applications in modern architectural lighting. The luminaires for fluorescent lamps TC-TEL are equipped with electronic ballasts.



On pages 422 - 423 of this catalogue, you will find a description of side-mounted pole-top luminaires whose shape, construction and light output match the luminaires given on this double page.



Wall luminaires for

- tungsten halogen lamps QT 18 · QT 32
- fluorescent lamps TC-T 26 W
- fluorescent lamps for electronic ballasts TC-TEL 32 W
- discharge lamps HME
- discharge lamps HIT-CE – G 12

Protection class IP 65 · 6535 IP 54
Die cast alumin., alumin. + stainless steel
Reflector of pure anodized aluminium
Safety glass · Adjustable joint up to 12°
Colour: graphite – article number
white – article number + **W**
silver – article number + **A**

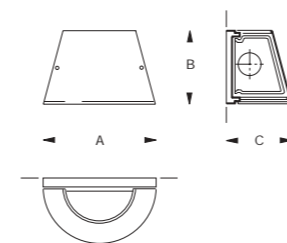
		Tungsten halogen lamps		Lumen	A	B	C	D
6535	Wall luminaire	1 QT 18	75 W	1050	110	195	185	90
6536	Wall luminaire	1 QT 32	150 W	2400	190	320	310	130
		Fluorescent lamps						
6537	Wall luminaire	1 TC-T	26 W	1800	190	320	310	130
6585	Wall luminaire	1 TC-TEL	32 W	2400	220	350	340	150
		Discharge lamps HME						
6538	Wall luminaire	1 HME	50 · 80 W	2000 · 4000	190	320	310	130
6586	Wall luminaire	1 HME	125 W	6500	220	350	340	150
6247	Wall luminaire	1 HME	250 W	14 000	300	470	475	190
		Discharge lamps HIT-CE · very narrow beam						
6539	Wall luminaire	1 HIT-CE	70 W	4500	0	310	130	
6587	Wall luminaire	1 HIT-CE	150 W	5400	0	340	150	
		Discharge lamps HIT-CE · broad spread						
6540	Wall luminaire	1 HIT-CE	70 W	4200	0	310	130	
6588	Wall luminaire	1 HIT-CE	150 W	6000	0	350	150	



Box 7039601072460000
Klarabergsgatan 70350
Tel +46 (0)8-103070 | Fa
info@crealux.se | www.cre

Wall luminaires with directed light
Protection class IP 54 · Wall washers

Wall luminaires with one light source and two-sided light output. These luminaires may be used to solve a host of design and lighting tasks in architectural lighting. The wall surfaces on which these luminaires are mounted also serve as reflection surfaces for the soft diffused light which is directed upwards and downwards. The light of the luminaires with rectangular layout is distributed equally in both directions. The light output ratio of the small to the large light opening of the luminaires with trapezoidal layout is 1 : 3.



Wall luminaires with
2 light outputs for
• incandescent lamps A 60 60 · 100 W
• fluorescent lamps TC-D 13 · 26 W
Protection class IP 54
Die cast aluminium and stainless steel
Three-ply opal glass

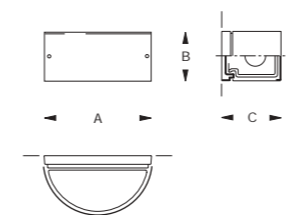
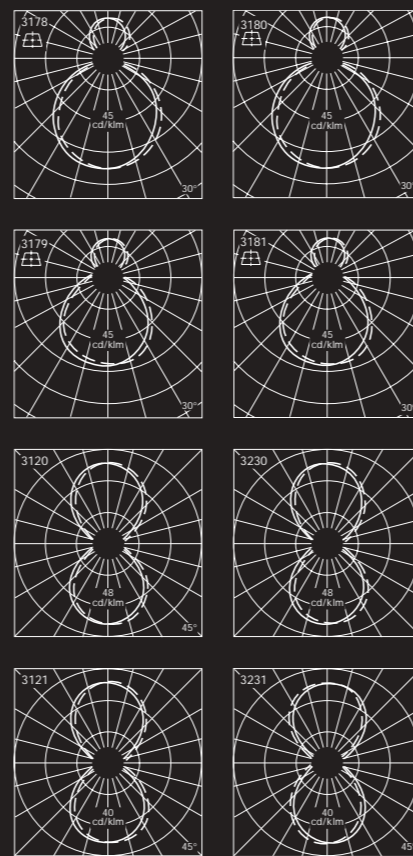
Colour: graphite – article number
white – article number + W

The larger light opening can be mounted facing either upwards or downwards.



Incandescent lamps				Lumen	A	B	C
3178	Wall luminaire	1 A 60	60 W	710	260	170	150
3180	Wall luminaire	1 A 60	100 W	1360	350	230	200

Fluorescent lamps				Lumen	A	B	C
3179	Wall luminaire	1 TC-D	13 W	900	260	170	150
3181	Wall luminaire	1 TC-D	26 W	1800	350	230	200



Wall luminaires with
2 light outputs for
• incandescent lamps A 60 60 W
• fluorescent lamps TC-D 13 · 26 W
Protection class IP 54
Die cast aluminium and stainless steel
Three-ply opal glass

Colour: graphite – article number
white – article number + W



Incandescent lamps				Lumen	A	B	C
3120	Wall luminaire	1 A 60	60 W	710	250	115	135
3230	Wall luminaire	2 A 60	60 W	1420	350	140	190

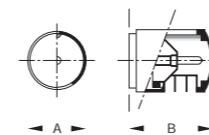
Fluorescent lamps				Lumen	A	B	C
3121	Wall luminaire	1 TC-D	13 W	900	250	115	135
3231	Wall luminaire	1 TC-D	26 W	1800	350	140	190



Box 70396 | 10724 STOC
Klarabergsviadukten 70
Tel +46 (0)8-103070 | Fa
info@crealux.se | www.cri

Wall luminaires with directed light
Protection class IP 65 · Wall washers

Wall luminaires with an optical system where the light from just one lamp emerges in two opposite directions.
The light distribution of the luminaires in the upper group is highly concentrated in one direction and broad spread in the other direction.
The light distribution of the luminaires in the lower group is highly concentrated in both directions.
The broad spread light distribution illuminates the walls on which the luminaires are mounted as well as the adjoining ground surfaces or ceilings. The highly concentrated light distribution is primarily intended to enhance design features.
The luminaires can be mounted in any burning position.



Wall washers with 2 light outputs for

- tungsten halogen lamps
QT 18 40 - 100 W
- discharge lamps HIT-CE 35 W
Lampholder G 8.5

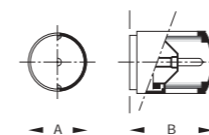
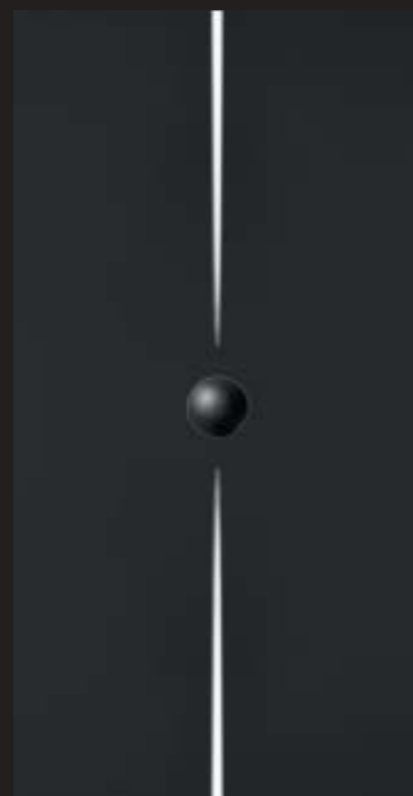
Protection class IP 65
Die cast aluminium and stainless steel
Optical borosilicate glass

Colour: graphite – article number
silver – article number + A



Tungsten halogen lamps				Lumen	A	B
3220	Wall washer	1 QT 18	40 W	490	100	135
3221	Wall washer	1 QT 18	100 W	1500	150	170

Discharge lamps				Lumen	A	B
3222	Wall washer	1 HIT-CE	35 W	3300	150	210



Wall washers with 2 light outputs for

- tungsten halogen lamps
QT 18 40 - 100 W
- discharge lamps HIT-CE 35 W
Lampholder G 8.5

Protection class IP 65
Die cast aluminium and stainless steel
Optical borosilicate glass

Colour: graphite – article number
silver – article number + A



Tungsten halogen lamps				Lumen	A	B
3225	Wall washer	1 QT 18	40 W	490	100	135
3226	Wall washer	1 QT 18	100 W	1500	150	170

Discharge lamps				Lumen	A	B
3228	Wall washer	1 HIT-CE	35 W	3300	150	210



Box 70396 | 10724 STOC
Klarabergsviadukten 70
Tel +46 (0)8-103070 | Fa
info@crealux.se | www.cri

Wall luminaires with directed light
Wall washers · Protection class IP 65

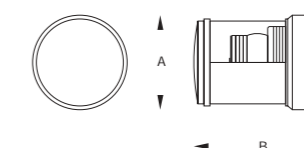
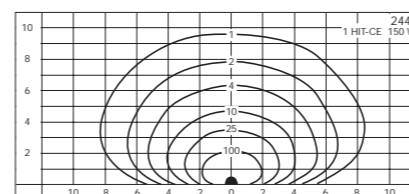
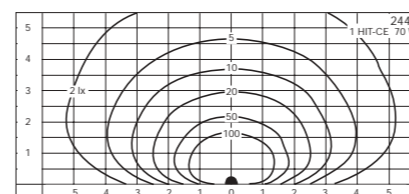
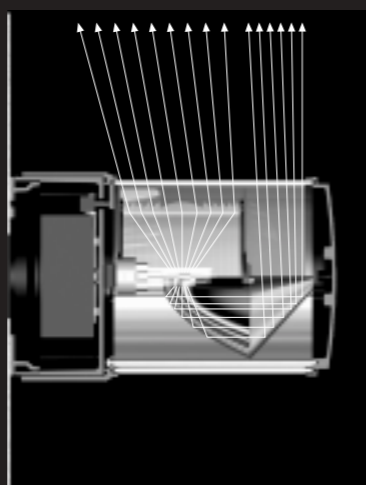
Luminaires to illuminate the walls on which they are mounted.
They have an optical system comprising a cylindrical lens and reflecting mirror. The light is highly concentrated on one level and exits at an angle of about 180° vertical to the luminaire axis. This allows illumination of large wall areas from the bottom of the wall at a very short distance.

The advantages and striking effects of this type of illumination are:

- economic illumination with high illuminance and great uniformity
- no light sources at a distance in the ground or on poles
- the structure of the walls is especially highlighted by the diffused light
- plants in front of the illuminated surface or sculptures stand out as high-contrast silhouettes

Luminaires of high lighting and design quality allowing lighting planners to implement new lighting concepts.

Further technical data are given in the instructions for use for these luminaires.



Wall washers for
• discharge lamps HIT-CE 70 · 150 W
Lampholder G 12
Protection class IP 65
Die cast aluminium, aluminium and stainless steel
Reflector of pure anodized aluminium
Cylindrical lens made of crystal glass
Clear plastic diffuser

Colour: graphite – article number
white – article number + W



Discharge lamps

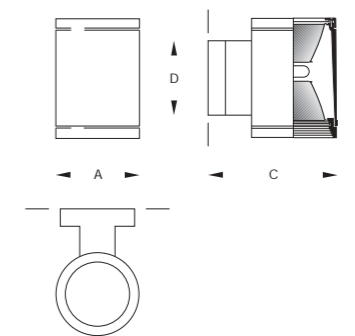
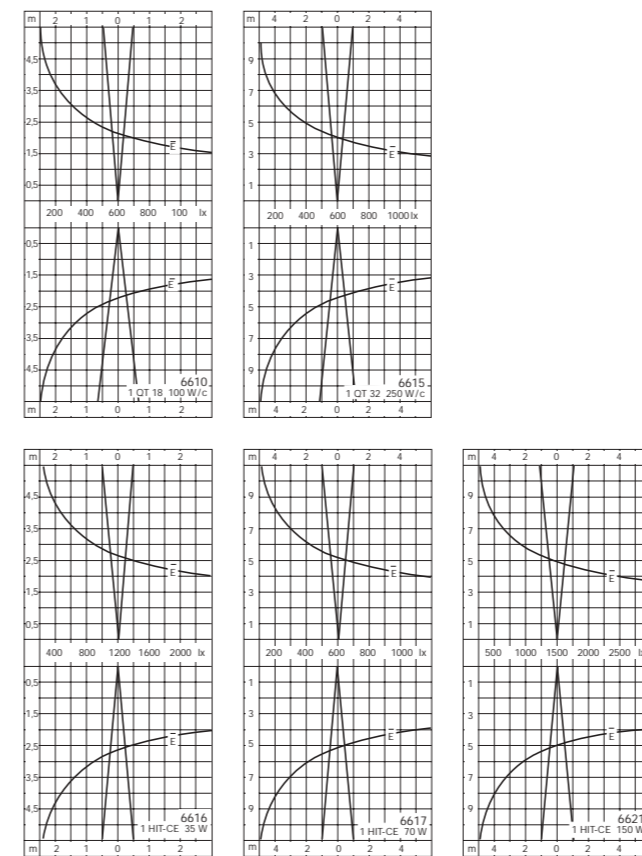
					A	B
2441	Wall washer	1 HIT-CE	70 W	Box 70390 10724 STOC	235	350
2442	Wall washer	1 HIT-CE	150 W	Klarabergsviadukten 70	235	350

Tel +46 (0)8-103070 | Fa
info@crealux.se | www.cre



Wall luminaires with directed light
Protection class IP 44 · IP 65

Luminaires with an optical system, allowing light from one lamp only to emerge in two directions with almost the same light distribution. In this way, walls and adjoining ground surfaces and ceilings can be effectively illuminated from just one light source. Two striking parabolic light reflexes are created on the wall on which these luminaires are mounted. This group of luminaires, available in four sizes with luminous fluxes of 1500 to 14000 lumen, allows interesting lighting tasks in modern architectural lighting to be solved in a spectacular way.



Wall washers with 2 light outputs for

- tungsten halogen lamps QT 18 100 W
- tungsten halogen lamps QT 32 250 W
- discharge lamps HIT-CE 35 · 70 · 150 W

Lampholder G 12
6610 · 6615 Protection class IP 44
6616 · 6617 · 6621 IP 65
Die cast aluminium, aluminium and stainless steel
Reflector of pure anodized aluminium
Safety glass

Colour: graphite – article number
white – article number + **W**
silver – article number + **A**



		Tungsten halogen lamps		Lumen	A	B	C	D
6610	Wall washer	1	QT 18 100 W	1500	110	160	165	90
6615	Wall washer	1	QT 32 250 W				0 215	110
		Discharge lamps		Lumen	A	B	C	D
6616	Wall washer	1	HIT-CE 35 W	3500	110	160	165	290 170
6617	Wall washer	1	HIT-CE 70 W	7000	110	160	165	290 170
6621	Wall washer	1	HIT-CE 150 W	15000	110	160	165	290 170



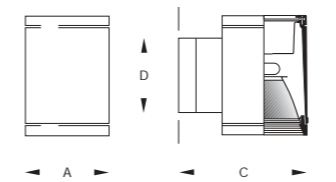
Box 70320 | 10724 Stockholm
Klarabergsviadukten 2070320
Tel +46 (0)8-103070 | Fa
info@crealux.se | www.crealux.se

Wall luminaires with directed light Wall washers · Protection class IP 65

Wall luminaires with an optical system, allowing light from one lamp only to emerge in two opposite directions with different or the same light distribution.

The light distribution of the luminaires in the upper group is highly concentrated in one direction and broad spread in the other direction. The luminaires are characterized by those where the broad spread light is directed downwards and those where it is directed upwards. The light distribution of the luminaires in the lower group is highly concentrated in both directions. This highly concentrated light distribution is primarily intended to enhance design features.

These corrosion-resistant luminaires of robust construction and perfected technology play a highly effective role in light design in many architectural fields.



Wall washers with 2 light outputs for
• discharge lamps
HIT-CE 35 · 70 · 150 W
Lampholder G 12
Protection class IP 65 · Die cast aluminium, aluminium and stainless steel
Reflector of pure anodized aluminium
Safety glass · Optical borosilicate glass

Colour: graphite – article number
white – article number + **W**
silver – article number + **A**



Discharge lamps

broad spread downwards

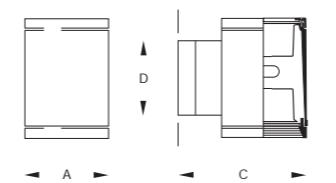
				Lumen	A	B	C	D
6601	Wall washer	1 HIT-CE	35 W	3300	190	265	290	170
6602	Wall washer	1 HIT-CE	70 W	6600	190	265	290	170
6603	Wall washer	1 HIT-CE	150 W	14000	220	320	350	190



Discharge lamps

broad spread upwards

				Lumen	A	B	C	D
6701	Wall washer	1 HIT-CE	35 W	3300	190	265	290	170
6702	Wall washer	1 HIT-CE	70 W	6600	190	265	290	170
6703	Wall washer	1 HIT-CE	150 W	14000	220	320	350	190



Wall washers with 2 light outputs for
• discharge lamps
HIT-CE 35 · 70 · 150 W
Lampholder G 12
Protection class IP 65
Die cast aluminium, aluminium and stainless steel
Safety glass · Optical borosilicate glass

Colour: graphite – article number
white – article number + **W**
silver – article number + **A**



Discharge lamps

				Lumen	A	B	C	D
6801	Wall washer	1 HIT-CE	35 W	3300	190	265	290	170
6802	Wall washer	1 HIT-CE	70 W	6600	190	265	290	170
6803	Wall washer	1 HIT-CE	150 W	14000	220	320	350	190



Box 70396 | 10724 STOC
Klarabergsviadukten 70
Tel +46 (0)8-103070 | Fa
info@crealux.se | www.cri

Wall luminaires with directed light Wall washers · Protection class IP 65

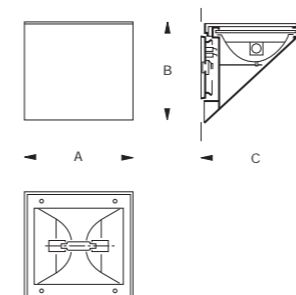
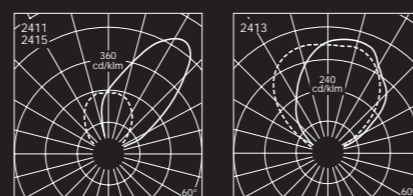
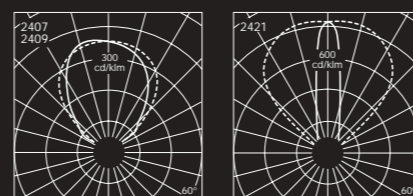
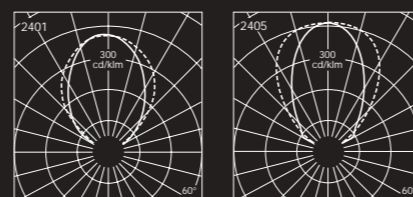
Wall washers with symmetrical or asymmetrical light distribution for tungsten halogen lamps up to 300 W and discharge lamps up to 250 W. The light opening can be directed upwards or downwards.

The luminaires with symmetrical light distribution are designed mainly to illuminate large wall surfaces, the mounting surface serving at the same time as reflection surface.

The luminaires with asymmetrical light distribution, where the light is directed upwards, illuminate primarily surfaces adjacent to the mounting surface such as ceilings, vaults, canopies, cantilever plates, and where the light is directed downwards, surfaces in front of the wall.

These robust and corrosion-resistant luminaires of distinct shape can solve a host of interesting lighting tasks.

The luminaires for fluorescent lamps TC-TEL are equipped with electronic ballasts. 26 · 32 · 42 W lamps can be used in these luminaires.



Wall washers with **symmetrical** light distribution for

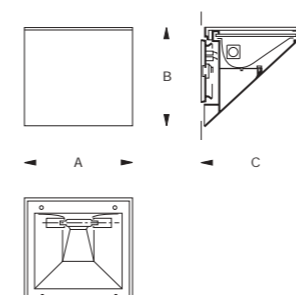
- tungsten halogen lamps
QT-DE 12 150 · 300 W
- discharge lamps
HI/HST-DE 70 · 150 · 250 W

Protection class IP 65
Die cast aluminium, aluminium and stainless steel
Reflector of pure anodized aluminium
Safety glass
2401 for lamp length 74.9 mm

Colour: graphite – article number
white – article number + **W**
silver – article number + **A**

Tungsten halogen lamps				Lumen	A	B	C
2401	Wall washer	1 QT-DE 12	150 W	2500	165	165	180
2405	Wall washer	1 QT-DE 12	300 W	5000	260	225	240

Discharge lamps				Lumen	A	B	C
2407	Wall washer	1 HI/HST-DE	70 W	5000 · 7000	260	225	240
2409	Wall washer	1 HI/HST-DE	150 W	11 000 · 15 000	260	225	240
2421	Wall washer	1 HI/HST-DE	250 W	20 000 · 25 500	380	305	355



Wall washers with **asymmetrical** light distribution for

- tungsten halogen lamps
QT-DE 12 150 · 300 W
- fluorescent lamps for electronic ballasts TC-TEL 26 · 32 · 42 W
- discharge lamps
HI/HST-DE 70 · 150 · 250 W

Protection class IP 65 · Die cast aluminium, aluminium and stainless steel
Reflector of pure anodized aluminium
Safety glass
2411 for lamp length 74.9 mm

Colour: graphite – article number
white – article number + **W**
silver – article number + **A**

Tungsten halogen lamps				Lumen	A	B	C
2411	Wall washer	1 QT-DE 12	150 W	2500	165	165	180
2415	Wall washer	1 QT-DE 12	300 W	5000	260	225	240

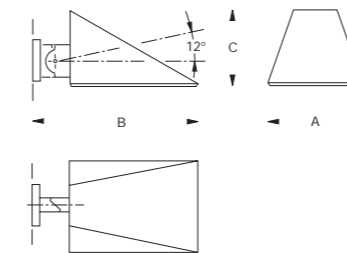
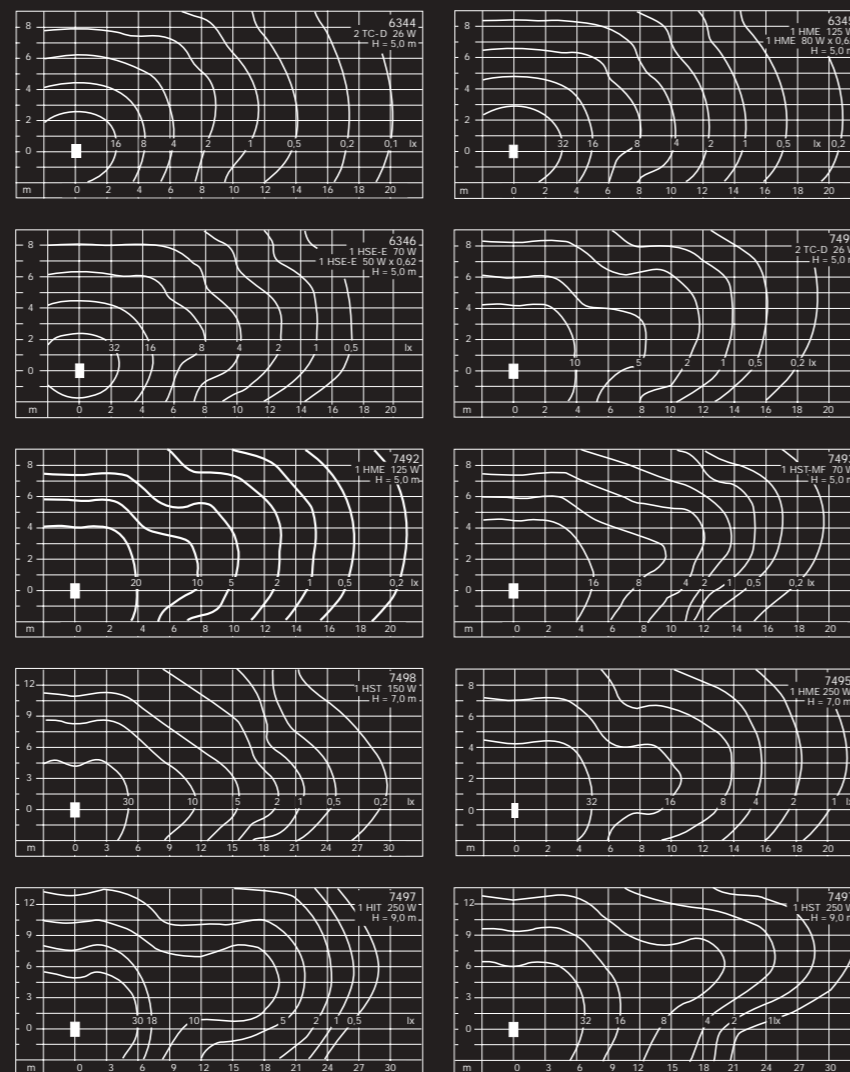
Fluorescent lamps				Lumen	A	B	C
2413	Wall washer	1 TC-TEL	26 · 32 · 42 W	1800 · 2400 · 3200	260	225	240

Discharge lamps				Lumen	A	B	C
2417	Wall washer	1 HI/HST-DE	70 W	5000 · 7000	260	225	240
2419	Wall washer	1 HI/HST-DE	150 W	11 000 · 15 000	260	225	240
2422	Wall washer	1 HI/HST-DE	250 W	20 000 · 25 500	380	305	355



Wall luminaires with high light outputs Protection class IP 44 · IP 65

Wall luminaires of high lighting quality with asymmetrical light distribution for mounting heights of 4000 - 5000 mm. They are wall-mounted to provide lighting for traffic areas, paths, roads and pedestrian areas. The special features of these innovative designs are good shape, structural simplicity and particularly easy maintenance. The glass cover of the light opening folds down and can be swivelled down. The slope angle of the luminaires in the upper group is adjustable from 0° to 12°. The slope angle of the luminaires in the lower group is adjustable 0° or 15°.



Wall luminaires with asymmetrical light distribution with mounting plate Ø 150 mm for

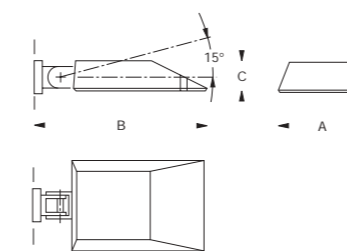
- fluorescent lamps TC-D 26 W
- discharge lamps HME 80 · 125 W
- discharge lamps HSE-E 50 · 70 W

Protection class IP 44
Die cast aluminium, aluminium and stainless steel
Reflector of pure anodized aluminium
Safety glass
Adjustable joint 0° to 12°

Colour: graphite – article number
silver – article number + A

Fluorescent lamps				Lumen	A	B	C
6344	Wall luminaire	2 TC-D	26 W	3600	350	610	275

Discharge lamps				Lumen	A	B	C
6345	Wall luminaire	1 HME	80 · 125 W	4000 · 6500	350	610	275
6346	Wall luminaire	1 HSE-E	50 · 70 W	3500 · 5600	350	610	275



Wall luminaires with asymmetrical light distribution with mounting plate Ø 170 mm or Ø 190 mm for

- fluorescent lamps TC-D 26 W
- discharge lamps HME 80 · 125 · 250 W
- discharge lamps HST-MF 70 W
- discharge lamps HIT-CE · HST 150 W
- discharge lamps HIT · HST 250 W

Protection class IP 65
Die cast aluminium, aluminium and stainless steel
Reflector of pure anodized aluminium
Safety glass
Adjustable joint 0° or 15°

Colour: graphite – article number
silver – article number + A

Fluorescent lamps				Lumen	A	B	C
7491	Wall luminaire	2 TC-D	26 W	3600	330	620	140

Discharge lamps				Lumen	A	B	C
7492	Wall luminaire	1 HME	80 · 125 W	4000 · 6500	330	620	140
7493	Wall luminaire	1 HST-MF	70 W	6500	330	620	140
7498	Wall luminaire	1 HIT-CE · HST	150 W	13500 · 14500	330	620	140
7495	Wall luminaire	1 HME	250 W	14000	410	780	165
7497	Wall luminaire	1 HIT · HST	250 W	20000 · 27000	410	780	165

On pages 432 - 439 of this catalogue, you will find a description of pole-top luminaires whose shape, construction and light output match the luminaires given on this double page.



Box 70396 | 10724 STOC
Klarabergsviadukten 70
Tel +46 (0)8-103070 | Fa
info@crealux.se | www.cre

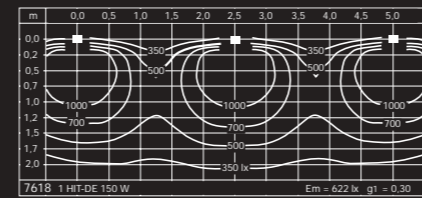
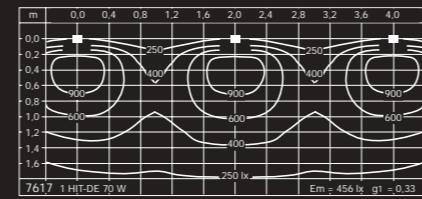
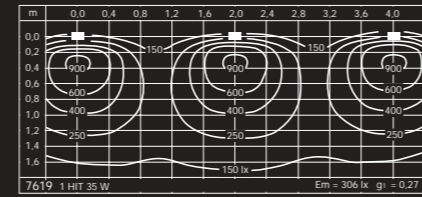
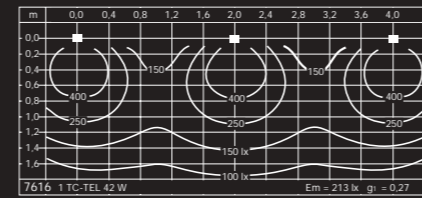
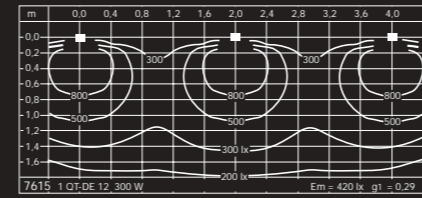
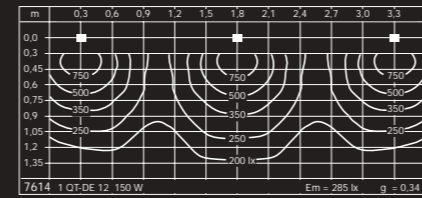
Surface washers 2500 - 15000 lumen
Protection class IP 65

Luminaires for tungsten halogen lamps, fluorescent lamps and discharge lamps. Small luminaires for relatively high light outputs with an optical system producing broad spread asymmetrical light distribution. These floodlights are designed to illuminate smaller surfaces such as advertising space and lettering from a short distance or provide broad spread illumination of large surfaces from a great distance.

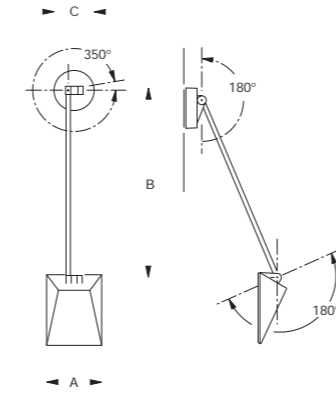
The versatile adjustability of the joints both on the outrigger arm and mounting box makes these surface washers suitable for a broad range of applications.

The luminaires can be mounted in any burning position. However, the lamp manufacturer's regulations relating to the burning position of the lamps must be observed for the luminaires with discharge lamps.

The luminaires for fluorescent lamps TC-TEL are equipped with electronic ballasts. 26 · 32 · 42 W lamps can be used in these luminaires.



On pages 272 - 273 and 358 - 359 of this catalogue, you will find a description of side-mounted pole-top luminaires and pole-top luminaires whose shape, construction and light output match the luminaires given on this double page.



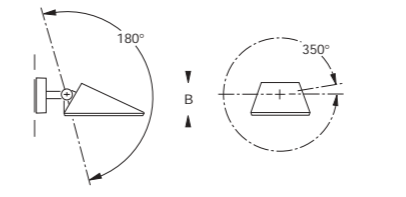
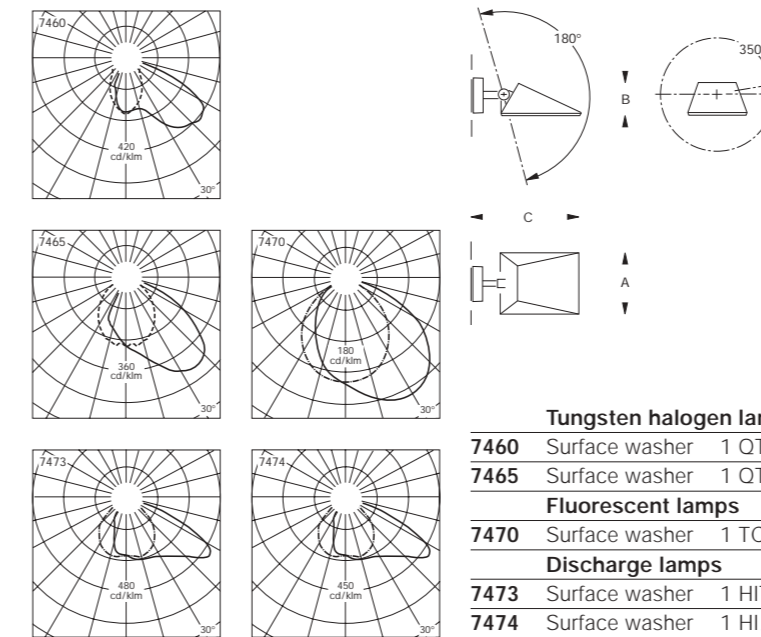
Surface washers with outrigger arm and mounting box with asymmetrical broad spread light distribution for

- tungsten halogen lamps QT-DE 12 150 · 300 W
- fluorescent lamps for electronic ballasts TC-TEL 26 · 32 · 42 W
- discharge lamps HIT-CE 35 W – G 8.5
- discharge lamps HI/HST-DE 70 · 150 W

Protection class IP 65 · Safety glass
Die cast aluminium, aluminium and stainless steel
Reflector of pure anodized aluminium
7614 for lamp length 74.9 mm

Colour: graphite – article number
white – article number + **W**
silver – article number + **A**

Tungsten halogen lamps				Lumen	A	B	C
7614	Surface washer	1 QT-DE 12	150 W	2500	150	500	90
7615	Surface washer	1 QT-DE 12	300 W	5000	260	700	150
Fluorescent lamps							
7616	Surface washer	1 TC-TEL 26 · 32 · 42 W	1800 · 2400 · 3200	260	700	170	
Discharge lamps							
7619	Surface washer	1 HIT-CE	35 W	3300	260	700	150
7617	Surface washer	1 HI/HST-DE	70 W	5000 · 7000	260	700	190
7618	Surface washer	1 HI/HST-DE	150 W	11000 · 15000	260	700	190



Surface washers with mounting box with asymmetrical broad spread light distribution for

- tungsten halogen lamps QT-DE 12 150 · 300 W
 - fluorescent lamps for electronic ballasts TC-TEL 26 · 32 · 42 W
 - discharge lamps HIT-CE 35 W – G 8.5
 - discharge lamps HI/HST-DE 70 W
- IP 65 · Safety glass · Die cast aluminium, aluminium and stainless steel
Reflector of pure anodized aluminium
7460 for lamp length 74.9 mm

Colour: graphite – article number
white – article number + **W**
silver – article number + **A**

Tungsten halogen lamps				Lumen	A	B	C
7460	Surface washer	1 QT-DE 12	150 W	2500	150	80	280
7465	Surface washer	1 QT-DE 12	300 W	5000	260	110	365
Fluorescent lamps							
7470	Surface washer	1 TC-TEL 26 · 32 · 42 W	1800 · 2400 · 3200	260	110	365	
Discharge lamps							
7473	Surface washer	1 HIT-CE	35 W	3300	260	110	365
7474	Surface washer	1 HI/HST-DE	70 W	5000 · 7000	260	110	365



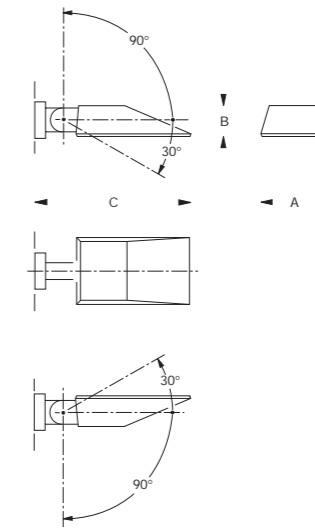
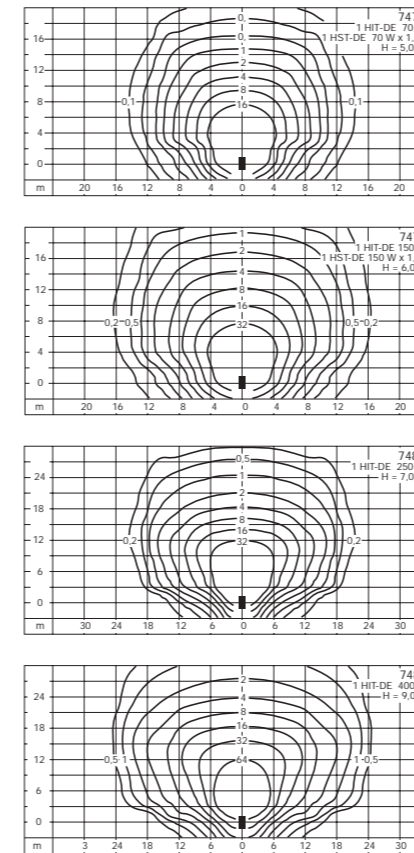
Box 70396 | 10724 STOC
Klarabergsviadukten 70
Tel +46 (0)8-103070 | Fa
info@crealux.se | www.cri

Surface washers 5000 - 48000 lumen
Protection class IP 65

Wall luminaires with versatile burning position adjustment for metal halide lamps or sodium vapour discharge lamps 70 - 400 W. These luminaires with small dimensions and high light outputs are economic in operation, floodlighting walls, ceilings and ground surfaces. A high-quality optical system produces asymmetrical broad spread light distribution. Ballasts are installed inside the luminaires. Adjustability of the burning position, rotation of the lamp axis and the high protection class allow these luminaires to be used in many applications for the most diverse lighting tasks. The lamp manufacturer's regulations relating to the burning position of the lamps must be observed.



On pages 448 - 451 of this catalogue, you will find a description of pole-top luminaires whose shape, construction and light output match the luminaires given on this double page.



Surface washers with asymmetrical light distribution with mounting plate Ø 130 mm or Ø 190 mm for

- discharge lamps
- HI/HST-DE 70 · 150 · 250 · 400 W
- Protection class IP 65
- Die cast aluminium, aluminium and stainless steel
- Reflector of pure anodized aluminium
- Safety glass
- Adjustable joint

The luminaires can be installed with the light opening facing upwards or downwards.

Colour: graphite – article number
white – article number + **W**
silver – article number + **A**

Discharge lamps					CREAL		B	C
7475	Surface washer	1 HI/HST-DE	70	Box 20006	110	475	110	475
7476	Surface washer	1 HI/HST-DE	150	Box 20006	110	475	110	475
7483	Surface washer	1 HI/HST-DE	250	Box 20006	150	800	150	800
7484	Surface washer	1 HI/HST-DE	400	Box 20006	150	800	150	800

Tel +46 (0)8-103070 | Fa
info@crealux.se | www.cre



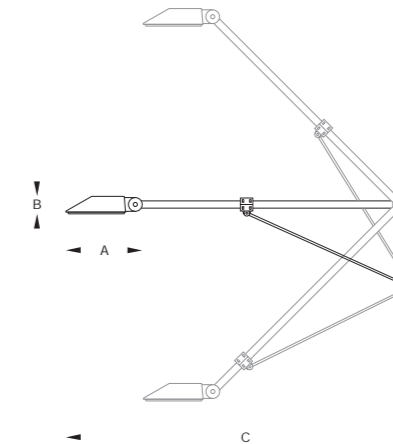
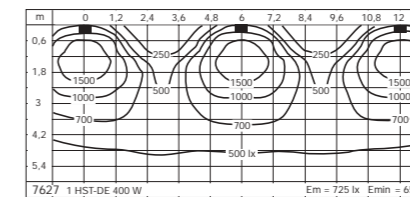
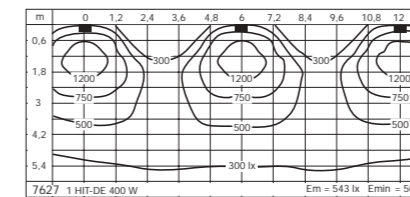
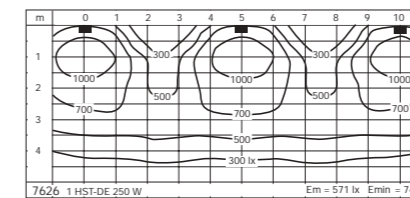
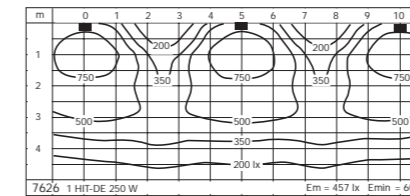
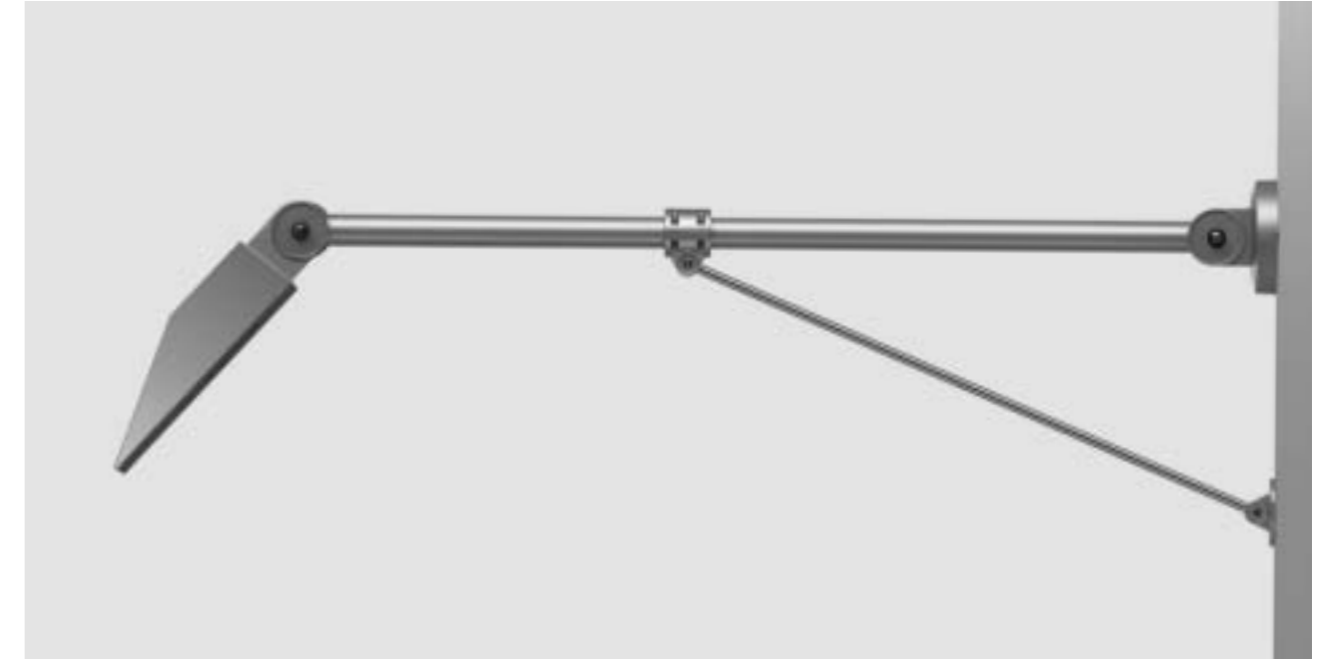
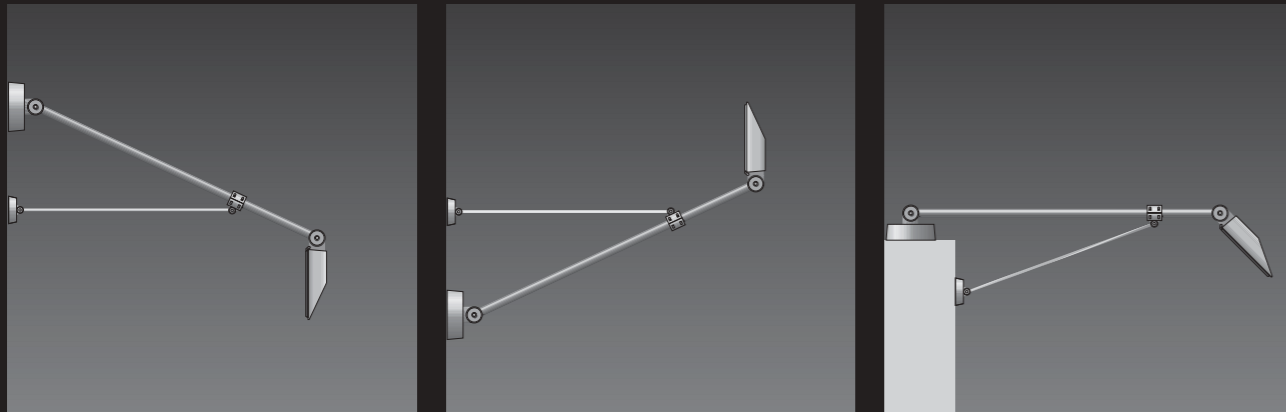
Surface washers · Protection class IP 65 · 20000 - 48000 lumen

Surface washers with outrigger arm and high light outputs designed for large area illumination of facades and surfaces. The infinite adjustability of the outrigger system and surface washer enable many different burning positions to be set, providing a good solution to the most diverse lighting tasks. The lamp manufacturer's regulations relating to the burning position of the lamps must be observed.

The scale on the outrigger arm and head of the luminaire allows the burning position to be defined and set easily. This is particularly important where several luminaires are arranged in a row.

These luminaires of high-quality lighting technology are very robust and have a high protection class, ensuring safe and economic operation. They can be used wherever lighting systems are subjected by weather factors to high physical and climatic conditions and where high light outputs are required.

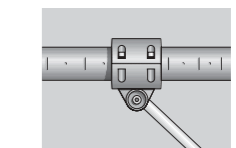
On pages 440 - 443 of this catalogue, you will find a description of outrigger luminaires whose shape and construction match the luminaires on this double page. The light distribution provided by these outrigger luminaires is primarily designed to illuminate streets, squares and driveways.



Surface washers with asymmetrical light distribution with outrigger arm + mounting plate Ø 220 mm for

- discharge lamps
- HIT-DE · HST-DE 250 · 400 W
- Protection class IP 65 · Safety glass
- Die cast aluminium, aluminium and stainless steel
- Reflector of pure anodized aluminium
- The mounting height can be adjusted by ± 1500 mm on the horizontal plane.
- Light distribution can be adjusted precisely onto the illuminated surface.
- The luminaires can be installed with the light opening facing upwards or downwards.

Colour: graphite – article number
silver – article number + A



The outrigger arms of the luminaires have a scale which allows the slope angle to be adjusted easily.

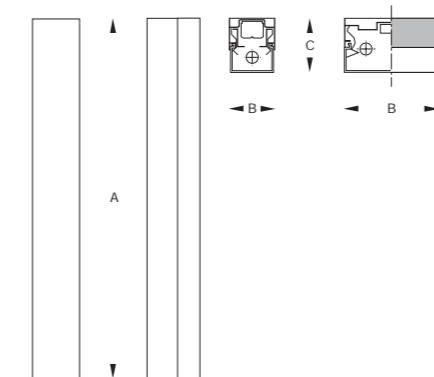
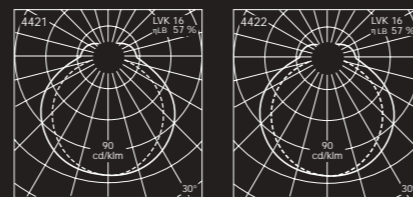
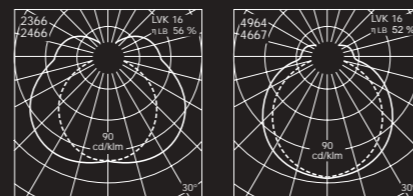


	Discharge lamps		Box	Light	ST	B	C
7626	Surface washer	1 HI/HST-DE	250 W	20000 - 24000	150	2600	
7627	Surface washer	1 HI/HST-DE	400 W	48000 - 52000	150	2600	

Tel +46 (0)8-103070 | Fa
info@crealux.se | www.cre

Light building element · Protection class IP 44

Wall and ceiling luminaires for fluorescent lamps. They are corrosion-resistant and made of die cast aluminium, aluminium and stainless steel. Equipped with a highly translucent white plastic diffuser, they can be installed as wall luminaires either horizontally or vertically. Space for cable installation is provided on the back of the luminaires. These luminaires are very robust in construction and suitable for outdoor lighting systems or damp rooms. Luminaires with which you can build.

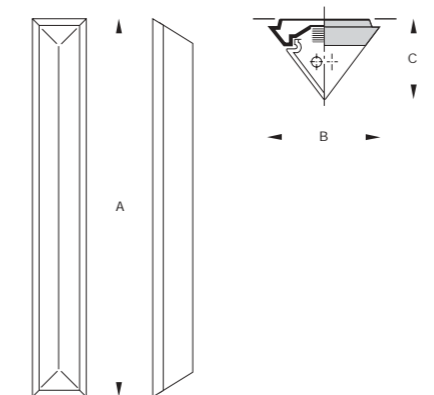


Light building element
Wall + ceiling luminaires for
• fluorescent lamps T 26 18 · 36 W
Protection class IP 44
Die cast aluminium, aluminium and
stainless steel
White plastic diffuser

Colour: graphite



Fluorescent lamps			Lumen	A	B	C	
2366	Light building element	1 T 26	18 W	1350	635	80	95
2466	Light building element	1 T 26	36 W	3350	1245	80	95
4964	Light building element	2 T 26	18 W	2700	650	170	95
4667	Light building element	2 T 26	36 W	6700	1260	170	95



Light building element
Wall + ceiling luminaires for
• fluorescent lamps TC-L 36 W
Protection class IP 44
Aluminium and stainless steel
White plastic diffuser

Colour: graphite



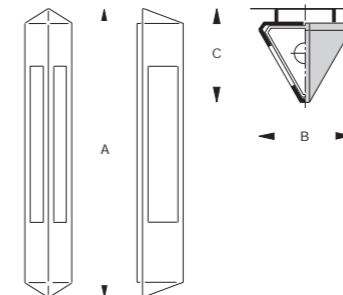
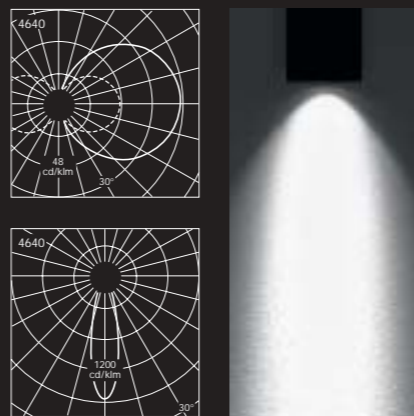
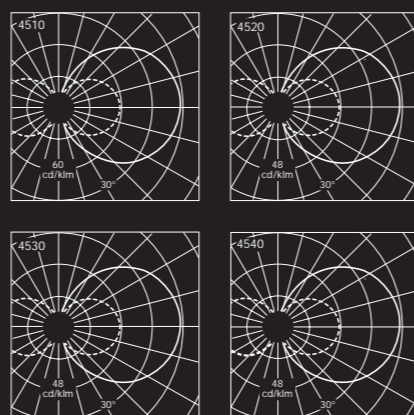
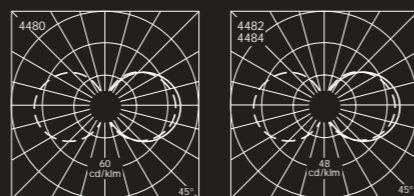
Fluorescent lamps			Lumen	A	B	C	
4421	Light building element	1 TC-L	36 W	2900	600	180	135
4422	Light building element	2 TC-L	36 W	5800	1200	180	135



Box 70396 | 10724 STOC
Klarabergsviadukten 70
Tel +46 (0)8-103070 | Fa
info@crealux.se | www.cri

Light building element
Protection class IP 44 · IP 55

These luminaires with their elongated design are particularly suitable for installation on columns, wall pillars and wall faces. They provide lighting for impressive entrances, or colonnades, corridors and large wall surfaces, both inside and outside. They are corrosion-resistant and made of die cast aluminium, aluminium and stainless steel. They are available in the colours graphite, white or silver. Luminaires equipped with high-quality three-ply opal glass.

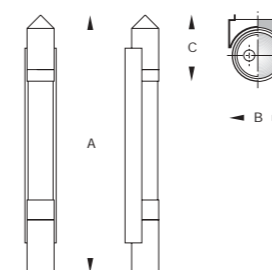


Light building element for
• fluorescent lamps TC-L 24 · 36 · 55 W
Protection class IP 55
Die cast aluminium, aluminium and stainless steel
Three-ply opal glass
4484 with electronic ballast

Colour: graphite – article number
white – article number + **W**
silver – article number + **A**

Free space of 50% of the total height
- A - is required above the luminaire for relamping and exchanging the glass.

Fluorescent lamps				Lumen	A	B	C
4480	Light building element	1 TC-L	24 W	1800	700	130	130
4482	Light building element	1 TC-L	36 W	2900	850	130	130
4484	Light building element	1 TC-L	55 W	4800	1040	130	130



Light building element for
• fluorescent lamps TC-S 11 W
• fluorescent lamps TC-L 24 · 36 W
Protection class IP 44
Die cast aluminium, aluminium and stainless steel
Three-ply opal glass

Colour: graphite – article number
white – article number + **W**
silver – article number + **A**

Free space of 50% of the total height
- A - is required above the luminaire for relamping and exchanging the glass.

Fluorescent lamps				Lumen	A	B	C
4510	Light building element	1 TC-S	11 W	900	450	70	80
4520	Light building element	1 TC-L	24 W	1800	780	90	100
4530	Light building element	1 TC-L	36 W	2900	875	90	100
4540	Light building element	2 TC-L	36 W	5800	1460	110	140

Light building element with the same technical data as light building element 4540 in the upper group
2 fluorescent lamps TC-L 36 W
with additional downlight for
1 tungsten halogen lamp QT 18 60 W

with additional downlight				Lumen	A	B	C
4640	2 TC-L 36 W + 1 QT 18 60 W			5800 + 820	1460	110	140



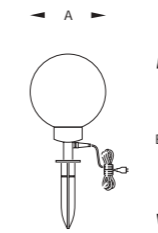
Box 70396 | 10724 STOC
Klarabergsviadukten 70
Tel +46 (0)8-103070 | Fa
info@crealux.se | www.cre

Portable garden luminaires
Protection class IP 65 · Safety class II □ · Safety class I

These unshielded spherical luminaires are corrosion-resistant and equipped with earth spike.
They are ready for connection and can be easily relocated from one place to another to meet the changing seasons, shapes and colours of the garden.
The spheres are made of hand-blown three-ply opal glass or white plastic. They reduce the luminance of the lamp to a high degree and distribute the light softly and uniformly over the entire glass surface. These light sculptures highlight, and provide impressive lighting around houses or in private gardens. They are a delight at any time of year.



Permanent connecting pillars with safety socket outlet boxes for operating these floodlights or electrically driven gardening tool are given on pages 452 - 453.



Portable garden luminaires with earth spike for
 • incandescent lamps D 45 · 40 W
 • incandescent lamps A 60 · 60 · 100 W
 Protection class IP 65 · Safety class II □
 7046 Three-ply opal glass
 7047 · 7048 White plastic sphere
 Glass-fibre reinforced plastic earth spike
 Ready for connection with 5 m cable and power plug · Protection class IP X4
 Colour: graphite

Incandescent lamps				Lumen	A	B
7046	Garden luminaire	1 D 45	40 W	400	150	470
7047	Garden luminaire	1 A 60	60 W	710	250	570
7048	Garden luminaire	1 A 60	100 W	1360	350	670



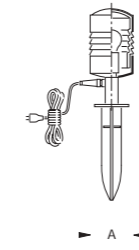
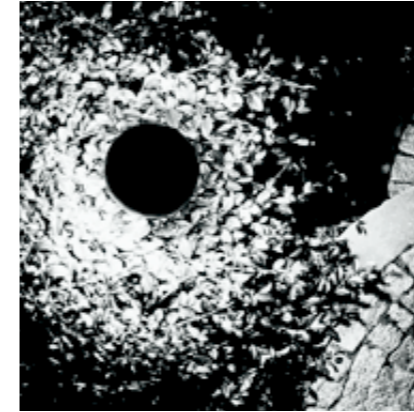
Box 70396 | 10724 STOC
 Klarabergsviadukten 70
 Tel +46 (0)8-103070 | Fa
 info@crealux.se | www.cri

Portable garden luminaires
Protection class IP 65 · Safety class I + II

Shielded garden luminaires with earth spike.
These luminaires are supplied ready for connection and provide an excellent solution to many lighting tasks in private gardens. They produce location lighting to illuminate paths and steps, or surface illumination for flower beds and low plants. They are corrosion-resistant and reliable in operation. They can be easily relocated to enhance the beauty of the garden by night throughout the changing seasons.



Permanent connecting pillars with safety socket outlet boxes for operating these floodlights or electrically driven gardening tool are given on pages 452 - 453.



Portable garden luminaire with earth spike for
• incandescent lamps D 45 40 W
Aluminium · Glass-fibre reinforced plastic
Protection class IP 65 · Safety class II
Cylindrical lens made of crystal glass concentrates the light on one level
Glass-fibre reinforced plastic earth spike
Ready for connection with 5 m cable and power plug · Protection class IP X4

Colour: graphite

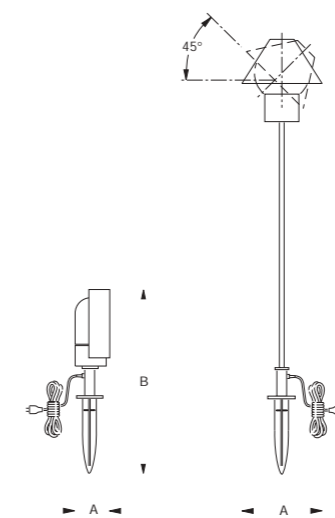
			Lumen	A	B
7044	Garden luminaire	1 D 45 40 W	400	95	440



Portable garden luminaire with earth spike for
• incandescent lamps D 45 40 W
Protection class IP 65 · Safety class I
Three-ply opal glass · Stainless steel
Glass-fibre reinforced plastic earth spike
Ready for connection with 5 m cable and power plug · Protection class IP X4

Luminaire providing broad spread light directed downwards.

			Lumen	A	B
7039	Garden luminaire	D 45 40 W	400	220	1150



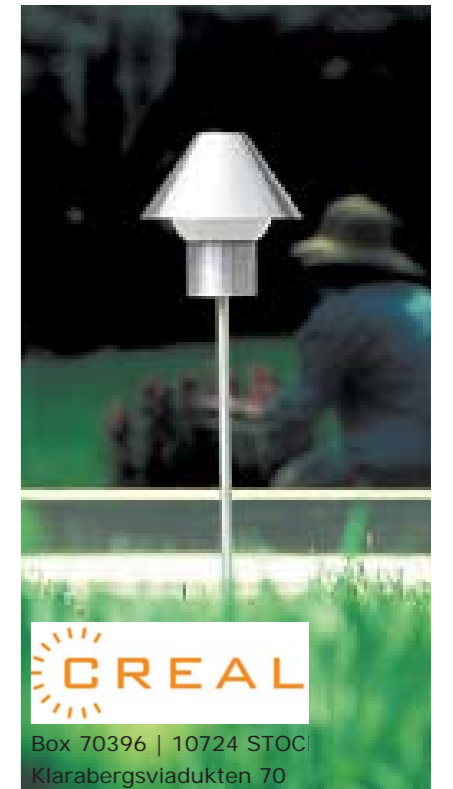
Portable garden luminaires with earth spike and shield for
• incandescent lamps A 60 40 W
Protection class IP 65 · Safety class I
Three-ply opal glass · Stainless steel
Glass-fibre reinforced plastic earth spike
Ready for connection with 5 m cable and power plug · Protection class IP X4

7225
For light from low mounting heights. The stainless steel shield screens the light laterally in a sector of about 200°.

7020
Luminaire with adjustable light. The stainless steel top reflector can be rotated 360° and swivelled 45°. The top reflector can be removed for unshielded operation.

			Lumen	A	B
7225	Garden luminaire	1 A 60 40 W	420	115	500

			Lumen	A	B
7020	Garden luminaire	1 A 60 40 W	420	220	1150



Box 70396 | 10724 STOC
Klarabergsviadukten 70

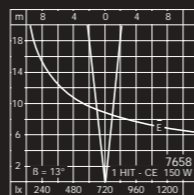
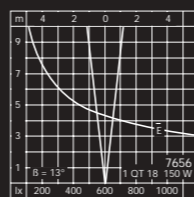
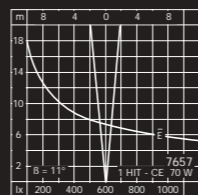
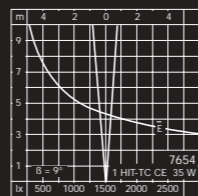
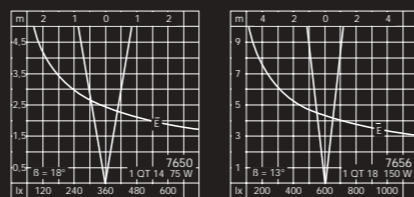
Tel +46 (0)8-103070 | Fa
info@crealux.se | www.cri

On-ground floodlights Portable · Protection class IP 67

An innovative floodlight system. Compact and robust floodlights ready for connection which can be placed in any location on the ground. The light is directed upwards and illuminates for example trees or bushes and many other objects which can be illuminated in a striking way from below. When placed in front of a wall, the floodlights can also be used as effective sided lights. These floodlights, however, primarily offer the user the possibility of realizing a host of lighting ideas both quickly and easily, without great effort in terms of installation.



Permanent floodlights whose shape, construction and light output match the luminaires on this double page are given on pages 236 - 237 of this catalogue.



Louvres

We supply louvres made of aluminium and stainless steel to limit lateral glare. They suppress lateral glare up to 45° from all directions. Louvres are accessories and must be ordered separately.



Cable take-up

The floodlights on this double page are supplied with 5m cable and power plug. The connecting cable can be rolled completely onto the cable take-up in the bottom of the floodlight.



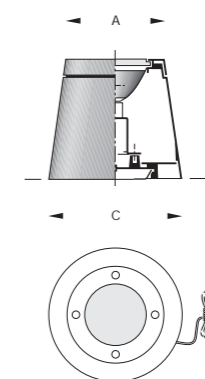
Permanent floodlights

whose shape, construction and light output match the luminaires on this double page are given on pages 236 - 237 of this catalogue.



Permanent connecting pillars

with safety socket outlet boxes for operating these floodlights or electrically driven gardening tool are given on pages 452 - 453.



Portable

on-ground floodlights for

- high voltage tungsten halogen lamps QT 14 · 75 W · QT 18 · 150 W
- discharge lamps HIT-TC-CE · 35 W Lampholder G 8.5
- discharge lamps HIT-CE · 70 · 150 W Lampholder G 12

Protection class IP 67
Die cast aluminium luminaire housing
Reflector of pure anodized aluminium
Clear safety glass
Ready for connection with 5 m unrolling cable and power plug
Protection class IP X4

Colour: graphite

Louvres are accessories and must be ordered separately.

				Lumen	A	B	C	Louvre
7650	Floodlight	1 QT 14	75 W	1050	150	185	205	671
7656	Floodlight	1 QT 18	150 W				95	673

				Lumen	A	B	C	Louvre
7654	Floodlight	1 HIT-TC-CE	35 W	3000	100	100	105	671
7657	Floodlight	1 HIT-CE	70 W	6000	100	100	105	673
7658	Floodlight	1 HIT-CE	150 W	12000	100	100	105	673



Box 60396 | 227 24 8100
Klarabergsvägen 2570
Tel +46 (0)8-103070 | Fa
info@crealux.se | www.cri

Drive-over **LED** in-ground floodlights IP 67
1000 kg pressure load · Installation depth **70 - 100 mm**

Location luminaires and floodlights with built-in LEDs.
 LED technology is characterized by the following features:

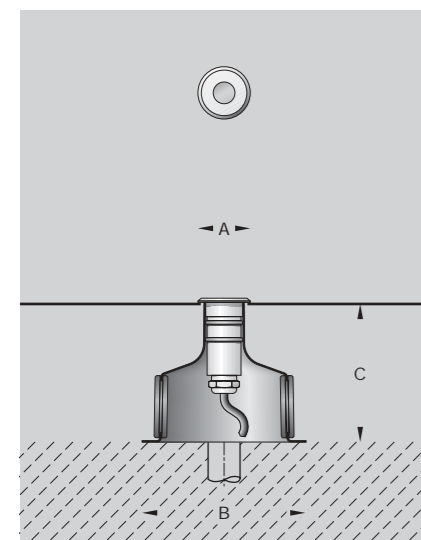
- long life
- no maintenance
- low power consumption
- colour stability
- low surface temperature

These luminaires are designed for installation in compacted surfaces, paths and squares. The luminaires are mounted in an installation housing on a foundation prepared by the customer. The pressure is transferred by this housing to the foundation. When preparing the foundation, drainage must be provided.

Vehicles with pneumatic tyres can drive over the luminaires.
 The luminaires must not be used for traffic lanes where they are subject to horizontal pressure from vehicles braking, accelerating and changing direction.

The location luminaires given on this double page are also available on request in the LED light colours green, blue, yellow and red.

Further technical data are given in the assembly instructions for these luminaires.

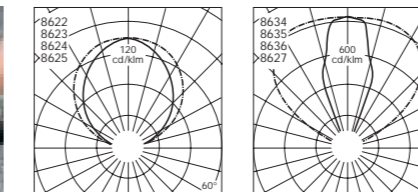
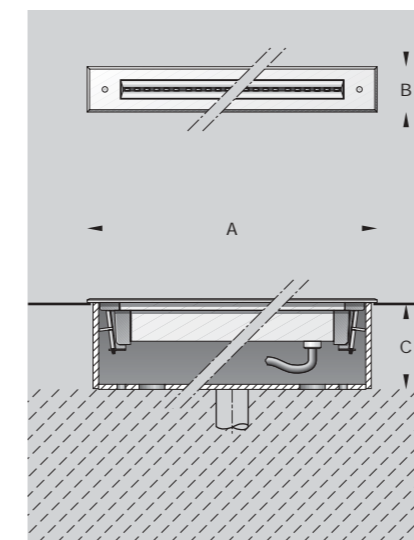
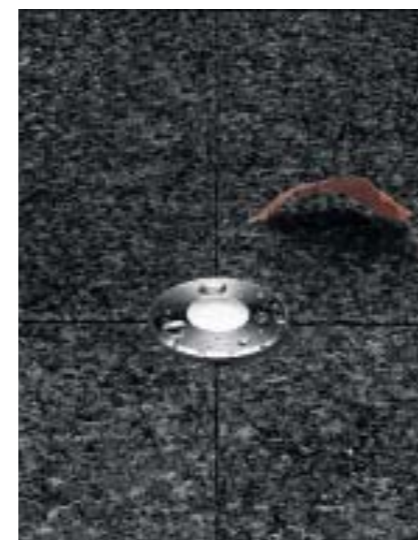


LED in-ground floodlight for
 • 1 LED 24 V DC
 Colour temperature 6500 K
 Protection class IP 67 · Safety class III ⚡
 Stainless steel
 Matt safety glass with optical texture
 Stainless steel installation housing

0.3 m connecting cable H05RN-F 2 x 1[□]

A separate power supply unit is required to operate the luminaire.
 Technical data, page 215.

				Lumen	A	B	C
8688	In-ground floodlight	24 V DC	0.1 W	1	37	115	100



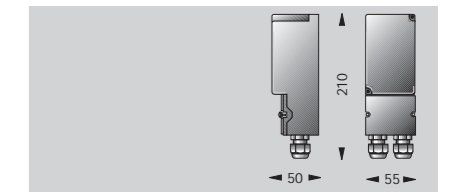
LED in-ground floodlights for
 • 6 · 18 · 42 · 114 LEDs 24 V DC
 Colour temperature 6500 K
 Protection class IP 67 · Safety class III ⚡
 Die cast aluminium, aluminium and
 Stainless steel
 Aluminium installation housing

Reflector of pure anodized aluminium
 Location luminaires · White safety glass
 Floodlights · Clear safety glass

0.5 m connecting cable H05RN-F 2 x 1[□]
 A separate power supply unit is required to operate the luminaire.

Location luminaires			Lumen	A	B	C
8622	In-ground floodlight	24 V DC 0.5 W	9	100	37	70
8623	In-ground floodlight	24 V DC 1.5 W	27	200	37	70
8624	In-ground floodlight	24 V DC 3.5 W	63	400	37	70
8625	In-ground floodlight	24 V DC 9.5 W	171	1000	50	100

Floodlights			Lumen	A	B	C
8634	In-ground floodlight	24 V DC 0.5 W	9	100	37	70
8635	In-ground floodlight	24 V DC 1.5 W	27	200	37	70
8636	In-ground floodlight	24 V DC 3.5 W	63	400	37	70
8627	In-ground floodlight	24 V DC 9.5 W	171	1000	50	100



Power supply unit
 for the LED in-ground floodlights
 on this double page.

Encapsulated in cast resin to operate
 luminaires with LEDs 24 V DC.

Power supply unit according to
 DIN EN 61558/VDE 0570
 230 V ~ 50 - 60 Hz/24 V DC · 0 - 20 W.
 The power supply unit is also suitable
 for operating several LED luminaires
 up to max. 20 W.

Safety class II Ⓜ



Box 70396 | 10724 STOC

46145 Burglar- and theft floodlights

Tel +46 (0)8-103070 | Fa
 info@crealux.se | www.cre

Drive-over in-ground floodlights IP 67
3000 kg pressure load · Installation depth 100 - 160 mm

Location luminaires and floodlights.

These floodlights with symmetrical light distribution are designed for installation in compacted surfaces, paths and squares.

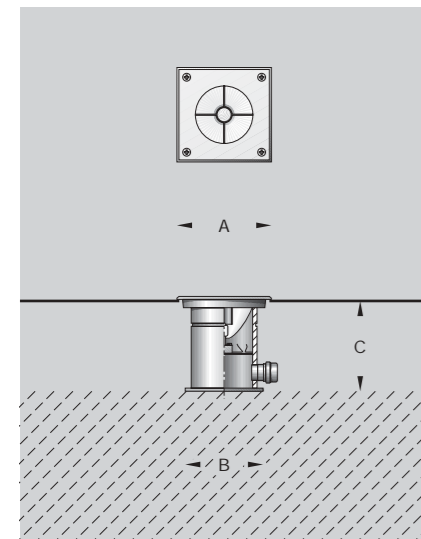
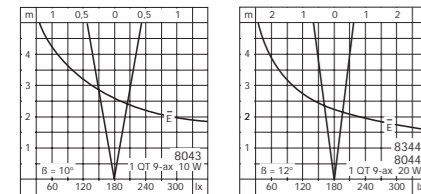
The luminaires are mounted in a stainless steel installation housing on a foundation prepared by the customer. The pressure is transferred by this housing to the foundation.

Vehicles with pneumatic tyres can drive over the luminaires.
The luminaires must not be used for traffic lanes where they are subject to horizontal pressure from vehicles braking, accelerating and changing direction.

The LED location luminaires given on this double page can also be supplied in the light colours green, blue, yellow and red.
Cable entry from underneath is available on request.

Please note:

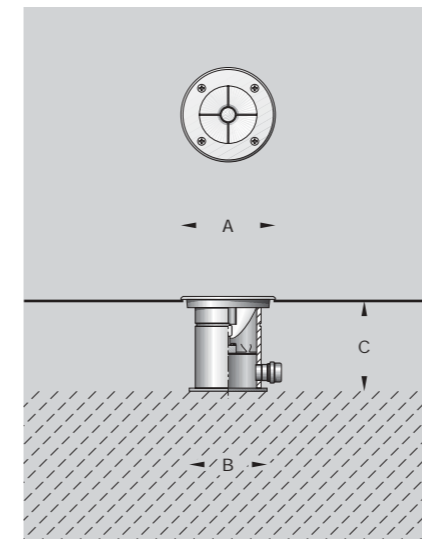
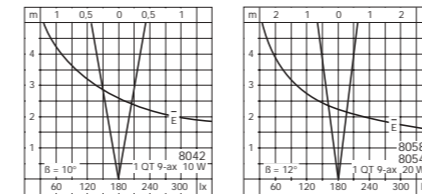
The operating temperatures (T) in the centre of the glass surface apply to use of the luminaires inside a building (measured according to EN 60 598 at an ambient temperature of t_a 25 °C).
When used outside, the stated temperatures are reduced by 10 °C.
All the exact temperatures and further technical data are given in the instructions for use.



In-ground floodlights for
• 18 or 24 LEDs 230 V~50 Hz
• low volt tungst. halogen lamps QT 9-ax
Protection class IP 67
8087·8084·8043·8044 Safety class III ⚡
Cast stainless steel and stainless steel
Location luminaires · White safety glass

Floodlights · Clear safety glass
with built-in louvre
Reflector of pure anodized aluminium
1 cable gland for connecting cable
Ø 9 - 13.5 mm
8696 · 8697 2 cable glands
2.5" connecting terminal

LED location luminaires				T	Lumen	A	B	C
8696	230 V	1.8 W	with PSU	35°	20	90	90 [□]	100
8697	230 V	2.4 W	with PSU	35°	30	110	90 [□]	100
Location luminaires				T	Lumen	A	B	C
8087	1 QT 9-ax	5 W	w/o transformer	50°	60	90 [□]	90 [□]	100
8084	1 QT 9-ax	10 W	w/o transformer	80°	140	110 [□]	90 [□]	110
8097	1 QT 9-ax	10 W	with transformer	80°	140	110 [□]	90 [□]	160
Floodlights				T	Lumen	A	B	C
8043	1 QT 9-ax	10 W	w/o transformer	100°	140	90 [□]	90 [□]	100
8044	1 QT 9-ax	20 W	w/o transformer	140°	320	110 [□]	90 [□]	110
8344	1 QT 9-ax	20 W	with transformer	140°	320	110 [□]	90 [□]	160



In-ground floodlights for
• 18 or 24 LEDs 230 V~50 Hz
• low volt tungst. halogen lamps QT 9-ax
Protection class IP 67
8083·8088·8042·8058 Safety class III ⚡
Cast stainless steel and stainless steel
Location luminaires · White safety glass

Floodlights · Clear safety glass
with built-in stainless steel louvre
Reflector of pure anodized aluminium
1 cable gland for connecting cable
Ø 9 - 13.5 mm
8698 · 8699 2 cable glands
2.5" connecting terminal

LED location luminaires				T	Lumen	A	B	C
8698	230 V	1.8 W	with PSU	35°	20	90	90 [□]	100
8699	230 V	2.4 W	with PSU	35°	30	110	90 [□]	100
Location luminaires				T	Lumen	A	B	C
8083	1 QT 9-ax	5 W	w/o transformer	50°	60	90	90 [□]	100
8088	1 QT 9-ax	10 W	w/o transformer	80°	140	110	90 [□]	110
8094	1 QT 9-ax	10 W	with transformer	80°	140	110	90 [□]	160
Floodlights				T	Lumen	A	B	C
8042	1 QT 9-ax	10 W	w/o transformer	100°	140	90	90 [□]	100
8058	1 QT 9-ax	20 W	w/o transformer	140°	320	110	90 [□]	110
8054	1 QT 9-ax	20 W	with transformer	140°	320	110	90 [□]	160



Tel +46 (0)8-103070 | Fa info@crealux.se | www.cri

Drive-over in-ground floodlights IP 67 1000 kg pressure load · Installation depth 140 - 315 mm

Floodlights with symmetrical or asymmetrical light distribution.

They can be embedded in gravel, lawns, flower-beds or in compacted, non-combustible surfaces. The luminaires in this series must be installed so that they »float«. In special applications, they may need to be mounted in installation housings. Matching installation housings are given in the table on this page. Please see page 221 for technical data.

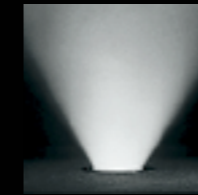
Vehicles with pneumatic tyres can drive over the luminaires if the installation ground guarantees the required stability. The luminaires may not be used for traffic lanes where they are subject to horizontal pressure from vehicles braking, accelerating and changing direction.

Louvres, infrared filters and installations are accessories for the luminaires given on this double page, and must be ordered separately.

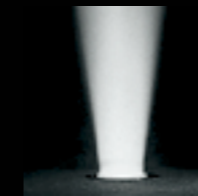
Please note:

The operating temperatures (T) in the centre of the glass surface apply to use of the luminaires inside a building (measured according to EN 60 598 at an ambient temperature of t_a 25 °C). When used outside, the stated temperatures are reduced by 10 °C.

The IR filters given in the table lower the respective surface temperatures by approx. 20%. All the exact temperatures and further technical data are given in the instructions for use.

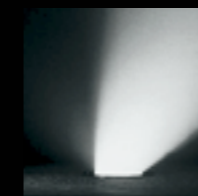


symmetrical

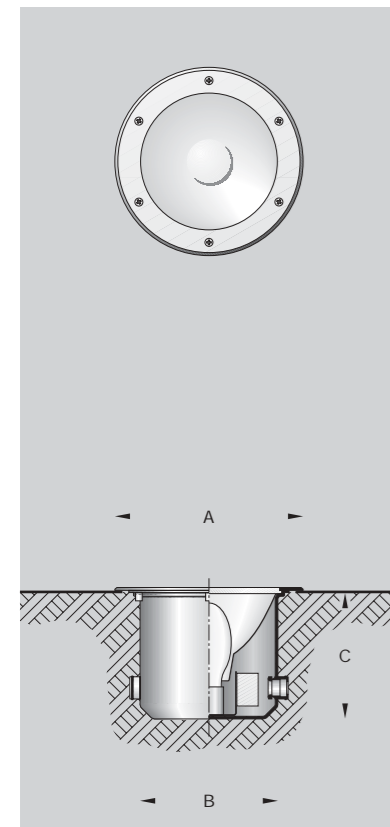


symmetrical · very narrow beam

Floodlight 8111 was specially developed to floodlight columns and other elongated building details. The beam angle is 6°. Light distribution is extremely narrow beam and absolutely free of diffused light.



asymmetrical



In-ground floodlights for

- low voltage tungsten halogen lamps QT 12-ax
 - high voltage tungsten halogen lamps QT 32
 - fluorescent lamps TC-TEL for electronic ballasts
 - discharge lamps HME · HIT-DE · HST-DE · HSE-E · HIE · HSE – E 40 HIT 35 W Lampholder G12
- Protection class IP 67 · Stainless steel Reflector of pure anodized aluminium Safety glass
2 cable glands for connecting cable Ø 9 - 15 mm
8005 for Ø 9 - 13.5 mm

Louvres, IR filters and installation housings are accessories and must be ordered separately.

8111 with built-in louvre

Skid-blocking glass

When the glass of the luminaires is wet, there may be a danger of skidding. We recommend skid-blocking glass according to DIN 51130 R 13 (BEGA Patent DE 196 29 241) for public areas. We supply any luminaire with this skid-blocking glass which is denoted by **R** after the article number. The light distribution is more broad spread when this type of glass is used.

Floodlights · symmetrical		Lumen	T	A	B	C	Louvre	IR filter	Housing
8005	1 QT 12-ax 35 W	650	110°	145	95	140	671	151	-
8007	1 QT 32 100 W	1430	110°	245	175	185	673	152	687
8029	1 TC-TEL 26 W	1800	70°	245	175	185	681	-	687
8012	1 HME 50 W	2000	110°	245	175	185	681	-	-
8014	1 HIT 35 W	3300	75°	245	175	185	673	152	687
8036	1 TC-TEL 32 · 42 W	2400 · 3200	85°	330	240	230	683	157	688
8019	1 HI/HST-DE 70 W	5000 · 7000	80°	330	240	230	683	157	688
8020	1 HME 80 · 125 W	4000 · 6500	100°	330	240	230	683	-	688*
8022	1 HSE-E 50 · 70 W	3500 · 5600	85°	330	240	230	683	-	688*
8030	1 HIE · HSE 150 W	13000 · 14000	70°	410	325	315	684	-	-
8025	1 HME 250 W	14000	115°	410	325	315	684	-	-
8027	1 HIE · HSE 250 W	25000	100°	410	325	315	684	-	-

Floodlights · symmetrical · very narrow beam

8111	1 HIT 35 W	3300	100°	245	175	185	-	-	687
------	------------	------	------	-----	-----	-----	---	---	-----

Floodlights · asymmetrical

8017	1 QT 32 100 W	1430	95°	245	175	185	685	158	687
8034	1 TC-TEL 26 W	1800	65°	245	175	185	-	-	687
8013	1 HME 50 W	2000	105°	245	175	185	-	-	-
8015	1 HIT 35 W	3400	70°	245	175	185	685	158	687
8038	1 TC-TEL 32 · 42 W	2400 · 3200	85°	330	240	230	-	-	688
8024	1 HI/HST-DE 70 W	5000 · 7000	80°	330	240	230	668	159	688
8021	1 HME 80 · 125 W	4000 · 6500	100°	330	240	230	-	-	688*
8023	1 HSE-E 50 · 70 W	3500 · 5600	85°	330	240	230	-	-	688*
8056	1 HIE · HSE 150 W	13000 · 14000	85°	410	325	315	-	-	-
8026	1 HME 250 W	14000	135°	410	325	315	-	-	-
8028	1 HIE · HSE 250 W	19000 · 25000	115°	410	325	315	-	-	-

* Installation housings can only be used with lower wattage.



Skid-blocking glass

BEGA skid-blocking glass with the highest rating R 13 can be used without restriction for all walk-over public areas.



Louvres

To limit lateral glare, we supply stainless steel louvres.

They suppress lateral glare up to 45° from all directions.

Please note:

A combination of louvres and IR filters can be supplied to special order.



IR filters

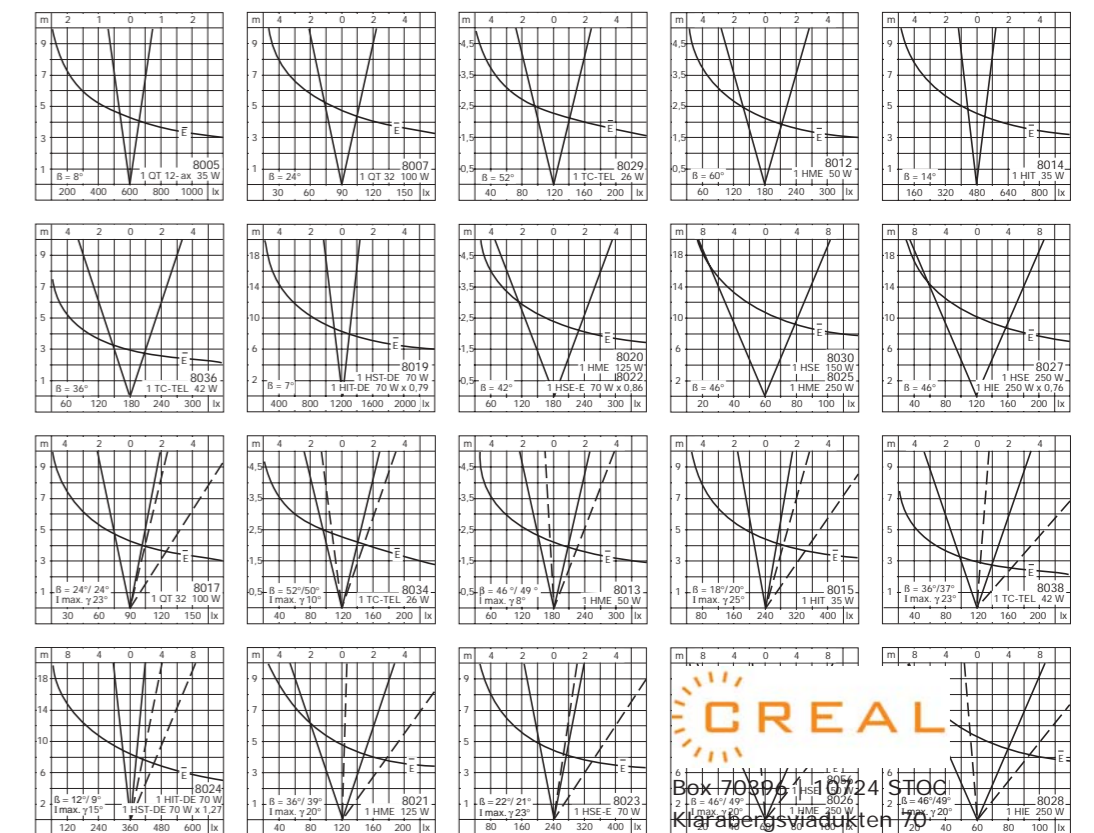
For special applications, it may be necessary to reduce the temperature on the glass surface. We supply infrared filters as accessories for the luminaires indicated in the table.

This reduces the temperature on the glass surface by approx. 20%.



Installation housings

For special application areas, it may be necessary to mount the luminaires in installation housings. Matching stainless steel installation housings are given in the table. Description, page 221. Full technical details are included in the assembly instructions for the luminaires.



CREAL
Bok 70806 1 0724 STOC
Klarabergsvärdiken 70
Tel +46 (0)8-103070 | Fa
info@crealux.se | www.cri

Drive-over in-ground floodlights IP 67
with adjustable light distribution
1000 kg pressure load · Installation depth 185 · 230 mm

Floodlights with adjustable light distribution. The adjustable slope angle of the reflectors allows either symmetrical or asymmetrical light distribution.

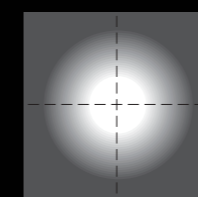
The slope angle of the cold-light reflectors can be adjusted from 0° - 30°. The lamp position can be rotated ± 180° around the vertical axis of the luminaire.

These luminaires can be embedded in gravel, lawns, flower-beds or in compacted, non-combustible surfaces. The luminaires in this series must be installed so that they »float« in the ground. For special application areas, it may be necessary to mount the luminaires in installation housings. Matching stainless steel installation housings are indicated in the table below.

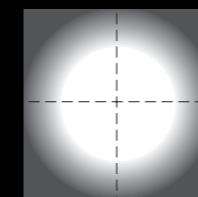
In order to create coloured light and to change the light distribution set in the factory, we supply diffuser lenses and dichroic colour effect filters for the floodlights on this double page. Diffuser lenses, colour effect filters and louvres can also be used together in these floodlights.

Vehicles with pneumatic tyres can drive over the luminaires if the installation ground guarantees the required stability. The luminaires may not be used for traffic lanes where they are subject to horizontal pressure from vehicles braking, accelerating and changing direction.

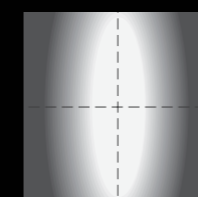
Please note:
The operating temperatures (T) in the centre of the glass surface apply to use of the luminaires inside a building (measured according to EN 60 598 at an ambient temperature of ta 25 °C). When used outside, the stated temperatures are reduced by 10 °C. All the exact temperatures and further technical data are given in the assembly instructions for use.



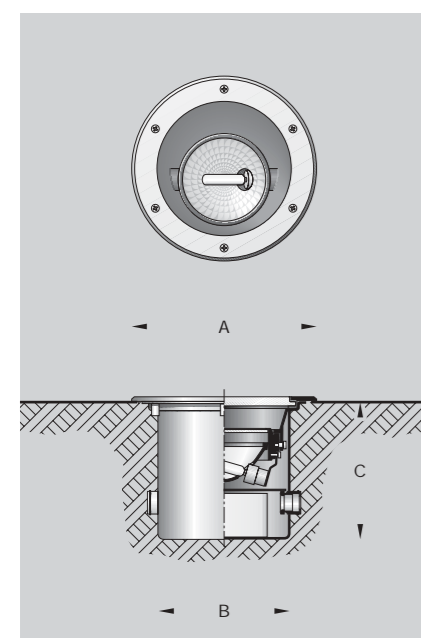
narrow beam



wide beam



flat beam



In-ground floodlights with adjustable light distribution for

- discharge lamps HIT-TC-CE
- Lampholder G 8.5
- Protection class IP 67
- Stainless steel · Safety glass
- Cold-light reflector
- Built-in infrared filter
- 2 cable glands for connecting cable
- Ø 9 - 15 mm
- 2.5[□] connecting terminal

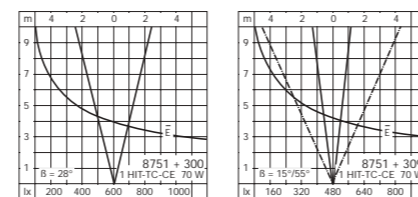
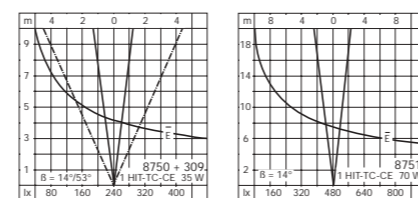
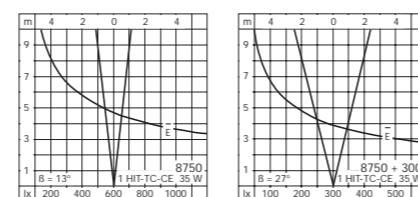
The slope angle of the reflectors can be adjusted from 0° - 30°. The lamp position can be rotated ±180° around the vertical axis of the luminaire.

Louvres and installation housings are accessories and must be ordered separately.

Skid-blocking glass

When the glass of the luminaires is wet, there may be a danger of skidding. We recommend skid-blocking glass according to DIN 51130 R 13 (BEGA Patent DE 196 29 241) for walk-over public areas. We supply any luminaire with this skid-blocking glass which is denoted by **R** after the article number. The light distribution is more broad spread when this type of glass is used.

	Discharge lamps	Lumen	T	A	B	C	Louvre	Housing
8750	1 HIT-TC-CE 35 W	3300	70°	245	175	185	670	687
8751	1 HIT-TC-CE 70 W	6600	75°	330	240	230	670	688



Skid-blocking glass

BEGA skid-blocking glass with the highest rating R 13 can be used without restriction for all walk-over public areas.



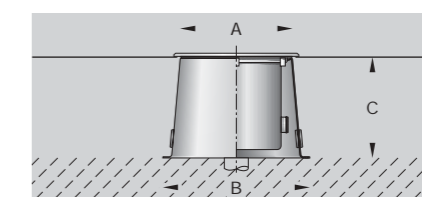
Louvres

To limit lateral glare, we supply stainless steel louvres. They suppress lateral glare up to 45° from all directions. Please note: A combination of louvres with diffuser lenses and colour effect filters can also be supplied to special order.



Installation housings

For special application areas, it may be necessary to mount the luminaires in installation housings. Matching stainless steel installation housings are given in the table. Full technical details are included in the assembly instructions for the luminaires.

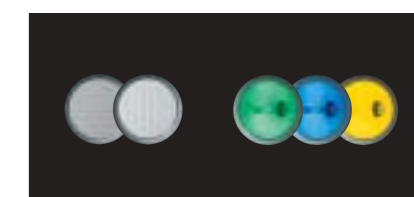


Installation housings

for the floodlights on this double page. These stainless steel installation housings can also be used for mounting some of the floodlights on page 218 (see table).

When preparing the foundation, drainage must be provided.

		A	B	C
687	Housing	235	310	210
688	Housing	315	405	255



Diffuser lenses · Colour effect filters

for the floodlights on this double page.

- Diffuser lenses change the very narrow beam light distribution either into wide beam or flat beam.
- Dichroic colour effect filters provide coloured light.

Diffuser lenses and colour effect filters are accessories and must be ordered separately.

	wide beam	flat beam
320	diffuser lens	green
321	diffuser lens	blue
322	diffuser lens	yellow

Tel +46 (0)8-103070 | Fa info@crealux.se | www.cri

Drive-over in-ground floodlights IP 67 3000 kg pressure load · Installation depth 120 mm

Location luminaires and floodlights.
Floodlights with symmetrical or asymmetrical light distribution.

These luminaires with an installation depth of just 120 mm are designed for mounting in compacted surfaces, both inside and outside. They are particularly suitable where a low installation depth is required.

Vehicles with pneumatic tyres can drive over the luminaires. The luminaires may not be used for traffic lanes where they are subject to horizontal pressure from vehicles braking, accelerating and changing direction.

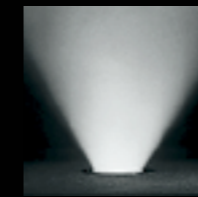
Louvres and infrared filters are accessories for the luminaires on this double page and must be ordered separately.

Please note:

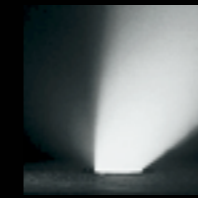
The operating temperatures (T) in the centre of the glass surface apply to use of the luminaires inside a building (measured according to EN 60 598 at an ambient temperature of t_a 25 °C). When used outside, the stated temperatures are reduced by 10 °C.

The IR filters given in the table lower the respective surface temperatures by approx. 20%.

All the exact temperatures and further technical data are given in the assembly instructions for use.



symmetrical

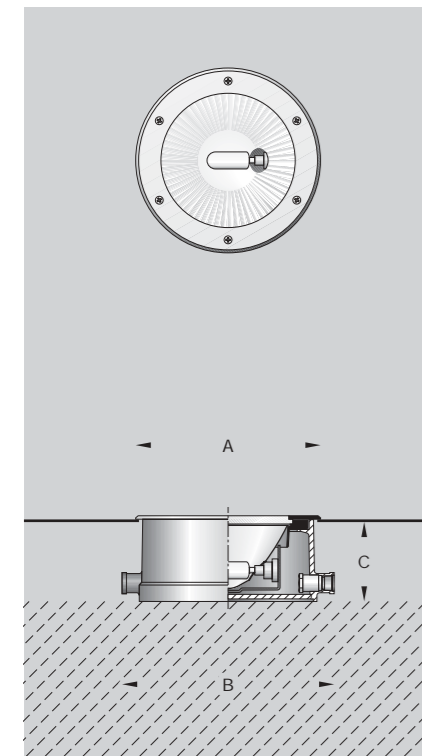


asymmetrical



Skid-blocking glass

BEGA skid-blocking glass with the highest rating R 13 can be used without restriction for all walk-over public areas.



In-ground floodlights for

- low voltage tungsten halogen lamps QT 12-ax
- fluorescent lamps TC-S · TC-D
- discharge lamps HIT-CE G 12 HIT-DE · HST-DE

Protection class IP 67

Die cast aluminium, aluminium and stainless steel
Reflector of pure anodized aluminium
Safety glass
2 cable glands for connecting cable Ø 8 - 17 mm
2.5² connecting terminal

Louvres and IR filters are accessories and must be ordered separately.

Skid-blocking glass

When the glass of the luminaires is wet, there may be a danger of skidding. We recommend skid-blocking glass according to DIN 51130 R 13 (BEGA Patent DE 196 29 241) for walk-over public areas. We supply any luminaire with this skid-blocking glass which is denoted by **R** after the article number. The light distribution is more broad spread when this type of glass is used.

Location luminaires		Lumen	T	A	B	C
White safety glass						
8031	1 TC-S	5 W	250	50°	160	215 120
8032	1 TC-D	18 W	1200	55°	270	325 120
8033	1 TC-D	26 W	1800	60°	350	395 120

Floodlights · symmetrical		Lumen	T	A	B	C	Louvres	IR filters
Clear safety glass								
8035	1 QT 12-ax	35 W	600	100°	160	215 120	671	151
8037	1 HIT-CE	35 W	3300	90°	270	325 120	673	152
8041	1 HIT-DE	70 W	5000	100°	350	395 120	675	153
8041	1 HST-DE	70 W	6800	100°	350	395 120	675	153

Floodlights · asymmetrical		Lumen	T	A	B	C	Louvres	IR filters
Clear safety glass								
8039	1 HIT-CE	35 W	3300	85°	270	325 120	657	155
8040	1 HIT-DE	70 W	5000	90°	350	395 120	658	156
8040	1 HST-DE	70 W	6800	90°	350	395 120	658	156



Louvres

To limit lateral glare, we supply stainless steel louvres. They suppress lateral glare up to 45° from all directions. Please note: A combination of louvres and IR filters can be supplied to special order.



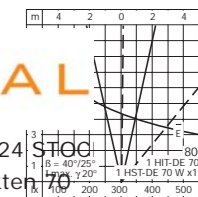
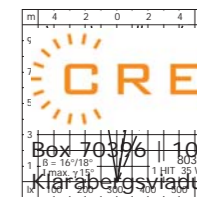
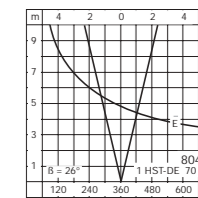
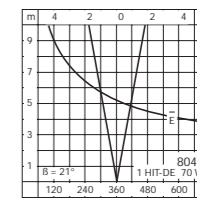
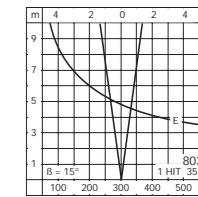
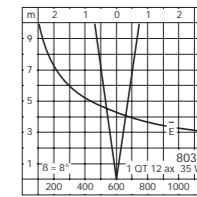
IR filters

For special applications, it may be necessary to reduce the temperature on the glass surface. We supply infrared filters as accessories for the luminaires indicated in the table. This reduces the temperature on the glass surface by approx. 20%.



Installation housings

The luminaires are mounted in an installation housing made of high-strength die cast aluminium. The pressure is transferred by this housing to the foundation which must be prepared by the customer. Drainage is not required.



Drive-over in-ground floodlights IP 67
with adjustable light distribution
3000 kg pressure load · Installation depth 120 mm

Floodlights with adjustable light distribution. The adjustable slope angle of the reflectors allow either symmetrical or asymmetrical light distribution.

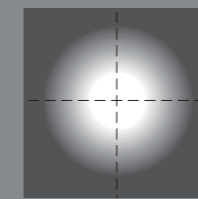
These luminaires with an installation depth of just 120 mm are designed for mounting in compacted surfaces, both inside and outside. They are particularly suitable where a low installation depth is required.

The beam angle of the floodlights with low voltage reflector lamps QR-CB 51 can be determined by the type of lamp used. We supply diffuser lenses and dichroic colour effect filters for floodlight 8089 to produce coloured light and to change the light distribution set in the factory. Diffuser lenses, colour effect filters and louvres can also be used together in these floodlights.

Vehicles with pneumatic tyres can drive over the luminaires. The luminaires may not be used for traffic lanes where they are subject to horizontal pressure from vehicles braking, accelerating and changing direction.

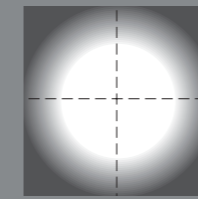
Please note:

The operating temperatures (T) in the centre of the glass surface apply to use of the luminaires inside a building (measured according to EN 60 598 at an ambient temperature of t_a 25 °C). When used outside, the stated temperatures are reduced by 10 °C. All the exact temperatures and further technical data are given in the assembly instructions for use.



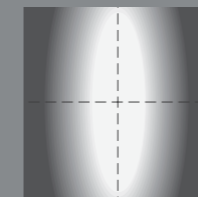
narrow beam

8089



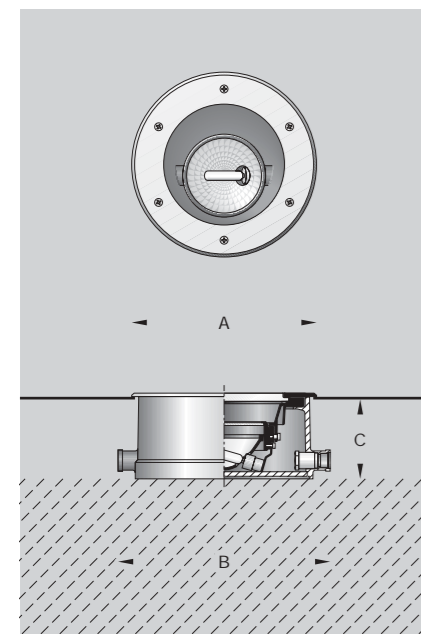
wide beam

8089 + 300



flat beam

8089 + 309



Adjustable in-ground floodlights for
• low voltage reflector lamps QR-CB 51
• discharge lamps HIT-TC-CE – G 8.5
Protection class IP 67
Stainless steel · Safety glass
Die cast aluminium luminaire housing
2 cable glands for connecting cable
Ø 8 - 17 mm
2.5² connecting terminal

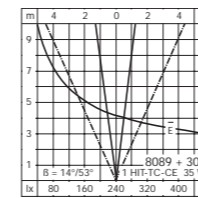
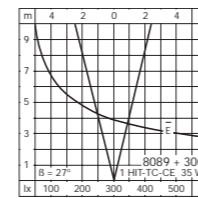
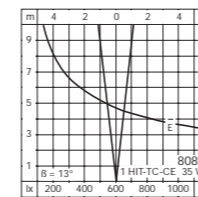
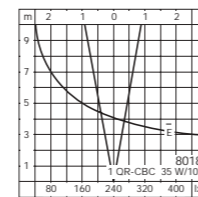
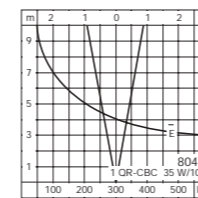
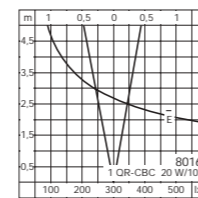
The slope angle of the reflectors can be adjusted. The lamp position can be rotated around the vertical axis of the luminaire.

8089 Cold-light reflector and infrared filter. Louvres are accessories and must be ordered separately.

Skid-blocking glass

When the glass of the luminaires is wet, there may be a danger of skidding. We recommend skid-blocking glass according to DIN 51130 R 13 (BEGA Patent DE 196 29 241) for walk-over public areas. We supply any luminaire with this skid-blocking glass which is denoted by **R** after the article number. The light distribution is more broad spread when this type of glass is used.

Low voltage reflector lamps		Lumen	T	A	B	C	Louvres
8016	1 QR-CB 51 20 W with transf.	320	75°	130	215	120	-
8047	1 QR-CB 51 35 W w/o transf.	600	110°	130	215	120	-
8018	1 QR-CB 51 35 W with transf.	600	110°	130	215	120	-
Discharge lamps							
8089	1 HIT-TC-CE 35 W	3300	65°	270	325	120	670



Skid-blocking glass

BEGA skid-blocking glass with the highest rating R 13 can be used without restriction for all walk-over public areas.



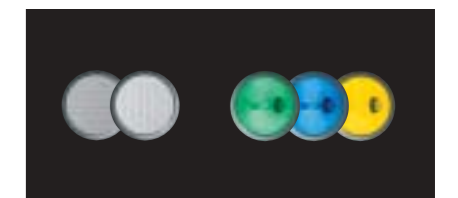
Louvres

To limit lateral glare, we supply stainless steel louvres. They suppress lateral glare up to 45° from all directions. Please note: A combination of louvres with diffuser lenses and colour effect filters can also be used.



Installation housings

The luminaires are mounted in an installation housing made of high-strength die cast aluminium. The pressure is transferred by this housing to the foundation which must be prepared by the customer. Drainage is not required.



Diffuser lenses · Colour effect filters

for in-ground floodlights 8089
• Diffuser lenses change the very narrow beam light distribution either into wide beam or flat beam.
• Dichroic colour effect filters to provide coloured light.

Diffuser lenses and colour effect filters are accessories and must be ordered separately.

3	CREAL	wide beam
3		flat beam
3		green
3		blue
3		yellow

Tel +46 (0)8-103070 | Fa
info@crealux.se | www.cre

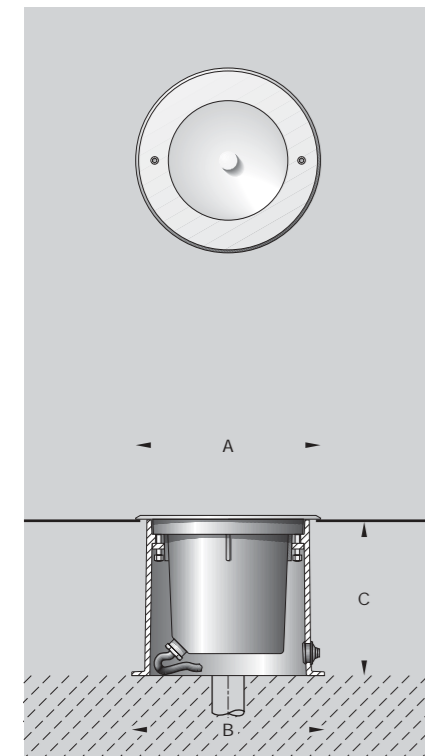
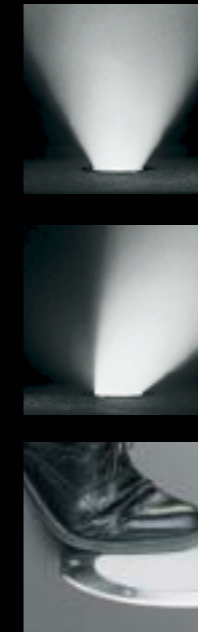
Drive-over in-ground floodlights IP 67 5000 kg pressure load · Installation depth 195 - 330 mm

Location luminaires and floodlights.
Floodlights with symmetrical or asymmetrical light distribution.

Vehicles with pneumatic tyres can drive over the luminaires. The luminaires may not be used for traffic lanes where they are subject to horizontal pressure from vehicles braking, accelerating and changing direction.

Louvres and infrared filters are accessories for the luminaires given on this double page and must be ordered separately.

Please note:
The operating temperatures (T) in the centre of the glass surface apply to use of the luminaires inside a building (measured according to EN 60 598 at an ambient temperature of t_a 25 °C).
When used outside, the stated temperatures are reduced by 10 °C.
The IR filters given in the table lower the respective surface temperatures by approx. 20%.
All the exact temperatures and further technical data are given in the assembly instructions for use.



- In-ground floodlights for
- low voltage tungsten halogen lamps QT 12-ax
 - high voltage tungsten halogen lamps QT 32
 - fluorescent lamps TC-D
 - discharge lamps HIT-CE Lampholder G 12
 - discharge lamps HME · HI/HST-DE

IP 67 · Stainless steel · Safety glass
Reflector of pure anodized aluminium
Die cast aluminium installation housing
1 cable gland
1.5 m connecting cable H07 RN-F 3G 1.5²
1.2 m PVC protective tube for underground cable up to connecting sleeve.

Louvres and IR filters are accessories and must be ordered separately.

Skid-blocking glass

When the glass of the luminaires is wet, there may be a danger of skidding. We recommend skid-blocking glass according to DIN 51130 R 13 (BEGA Patent DE 196 29 241) for walk-over public areas. We supply any luminaire with this skid-blocking glass which is denoted by **R** after the article number. The light distribution is more broad spread when this type of glass is used.

Location luminaires		Lumen	T	A	B	C
White safety glass						
8703	1 TC-D	10 W	600	60°	160	200 195
8708	1 TC-D	13 W	900	50°	245	275 240
8711	1 TC-D	18 W	1200	35°	330	355 25

Floodlights · symmetrical		Lumen	T	A	B	C	Louvres	IR filters
Clear safety glass								
8701	1 QT 12-ax	35 W	600	100°	160	200 195	671	151
8704	1 QT 32	75 W	1050	90°	245	275 240	672	182
8606	1 HIT-CE	35 W	3300	75°	245	275 240	672	182
8712	1 HME	50 · 80 W	2000 · 4000	100°	330	355 255	682	-
8715	1 HI/HST-DE	70 W	5000 · 6800	85°	330	355 255	674	183
8616	1 HI/HST-DE	150 W	11000 · 15000	90°	330	360 330	674	183

Floodlights · asymmetrical		Lumen	T	A	B	C	Louvres	IR filters
Clear safety glass								
8705	1 QT 32	75 W	1050	90°	245	275 240	686	185
8607	1 HIT-CE	35 W	3300	75°	245	275 240	686	185
8713	1 HME	50 · 80 W	2000 · 4000	100°	330	355 255	-	-
8716	1 HI/HST-DE	70 W	5000 · 6800	85°	330	355 255	689	186
8618	1 HI/HST-DE	150 W	11000 · 15000	90°	330	360 330	689	186



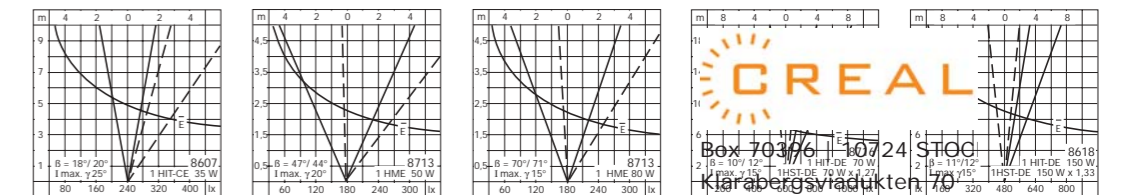
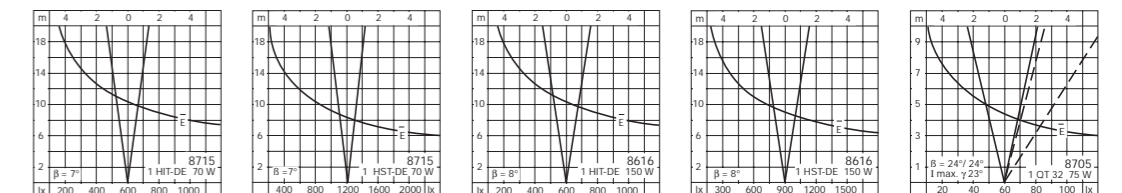
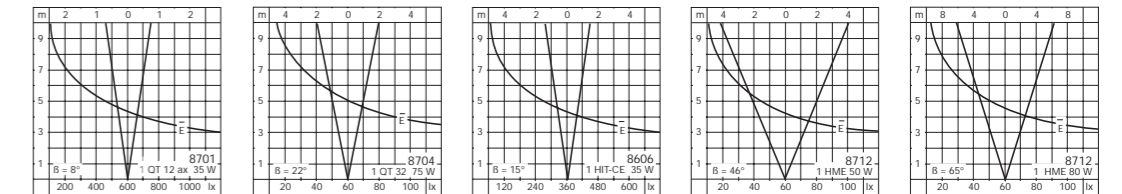
Louvres
To limit lateral glare, we supply stainless steel louvres. They suppress lateral glare up to 45° from all directions.
Please note:
A combination of louvres and IR filters can be supplied to special order.



IR filters
For special applications, it may be necessary to reduce the temperature on the glass surface. We supply infrared filters as accessories for the luminaires indicated in the table.
This reduces the temperature on the glass surface by approx. 20%.



Installation housings
The luminaires are mounted in an installation housing made of high-strength die cast aluminium. The pressure is transferred by this housing to the foundation which must be prepared by the customer. When preparing the foundation, drainage must be provided.

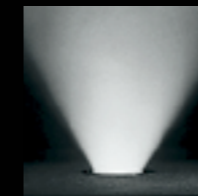


Drive-over in-ground floodlights IP 67
5000 kg pressure load · Installation depth 120 mm

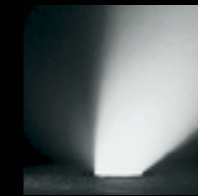
Location luminaires and floodlights.
Floodlights with symmetrical and asymmetrical light distribution, designed for mounting in compacted surfaces, paths and squares.

Vehicles with pneumatic tyres can drive over the luminaires. The luminaires may not be used for traffic lanes where they are subject to horizontal pressure from vehicles braking, accelerating and changing direction.

Please note:
The operating temperatures (T) in the centre of the glass surface apply to use of the luminaires inside a building (measured according to EN 60 598 at an ambient temperature of t_a 25 °C). When used outside, the stated temperatures are reduced by 10 °C.
All the exact temperatures and further technical data are given in the assembly instructions for use.



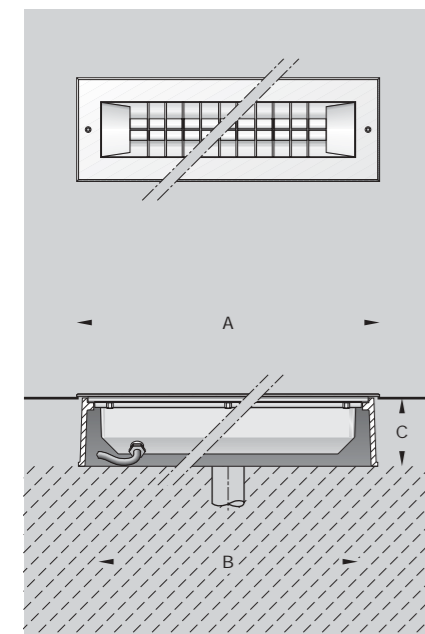
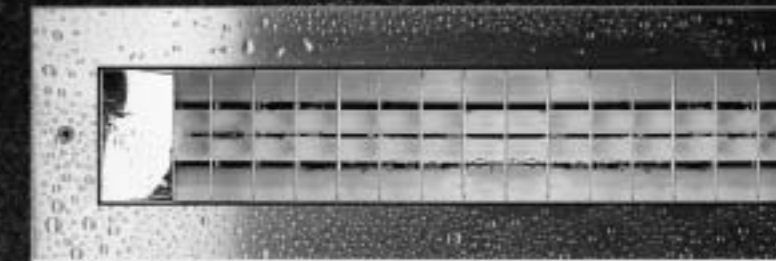
symmetrical



asymmetrical



Skid-blocking glass
BEGA skid-blocking glass with the highest rating R 13 can be used without restriction for all walk-over public areas.



In-ground floodlights for
• fluorescent lamps TC-S · TC-L
Protection class IP 67
Stainless steel · Safety glass
Reflector of pure anodized aluminium
Die cast aluminium installation housing
Floodlights with built-in louvre to suppress lateral glare from the lamp
1 cable gland
1.5 m connecting cable H07RN-F3G 1.5[□]
1.2 m PVC protective tube for underground cable up to connecting sleeve.
8744 · 8734 · 8834 with electronic ballast

Skid-blocking glass

When the glass of the luminaires is wet, there may be a danger of skidding. We recommend skid-blocking glass according to DIN 51130 R 13 (BEGA Patent DE 196 29 241) for walk-over public areas. We supply any luminaire with this skid-blocking glass which is denoted by **R** after the article number. The light distribution is more broad spread when this type of glass is used.

Location luminaires		Lumen	T	A	B	C
White safety glass						
8742	1 TC-S	11 W	900	50°	350 x 180	350 x 180 120
8743	1 TC-L	24 W	1800	55°	460 x 180	450 x 180 120
8744	1 TC-L	55 W	4800	60°	675 x 180	670 x 180 120
8830	2 TC-L	36 W	5800	65°	1000 x 180	990 x 180 120

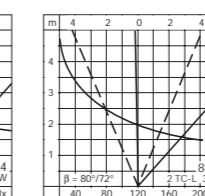
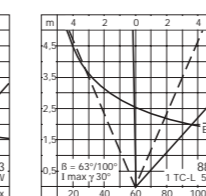
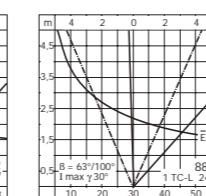
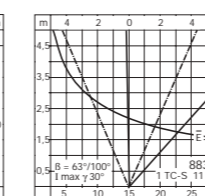
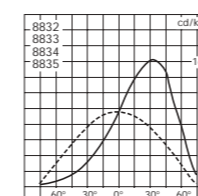
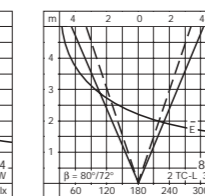
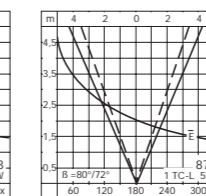
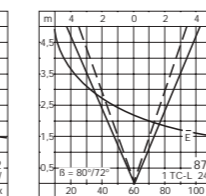
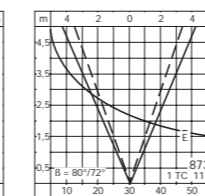
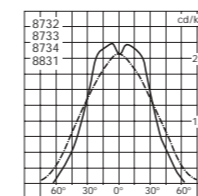
Floodlights · symmetrical		Lumen	T	A	B	C
Clear safety glass						
8732	1 TC-S	11 W	900	55°	350 x 180	350 x 180 120
8733	1 TC-L	24 W	1800	65°	460 x 180	450 x 180 120
8734	1 TC-L	55 W	4800	70°	675 x 180	670 x 180 120
8831	2 TC-L	36 W	5800	75°	1000 x 180	990 x 180 120

Floodlights · asymmetrical		Lumen	T	A	B	C
Clear safety glass						
8832	1 TC-S	11 W	900	55°	350 x 180	350 x 180 120
8833	1 TC-L	24 W	1800	65°	460 x 180	450 x 180 120
8834	1 TC-L	55 W	4800	70°	675 x 180	670 x 180 120
8835	2 TC-L	36 W	5800	75°	1000 x 180	990 x 180 120



Installation housings

The luminaires are mounted in an installation housing made of high-strength die cast aluminium. The pressure is transferred by this housing to the foundation which must be prepared by the customer. When preparing the foundation, drainage must be provided.



Box 70396 | 10724 STOC
Klarabergsviadukten 70
Tel +46 (0)8-103070 | Fa
info@crealux.se | www.cri

Drive-over in-ground floodlights IP 67
5000 kg pressure load · Installation depth 120 - 160 mm

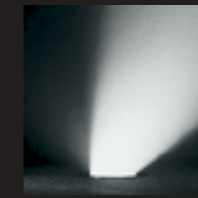
Location luminaires and floodlights.

These floodlights with asymmetrical light distribution are designed for mounting in compacted surfaces, paths and squares.

Vehicles with pneumatic tyres can drive over the luminaires. The luminaires may not be used for traffic lanes where they are subject to horizontal pressure from vehicles braking, accelerating and changing direction.

Please note:

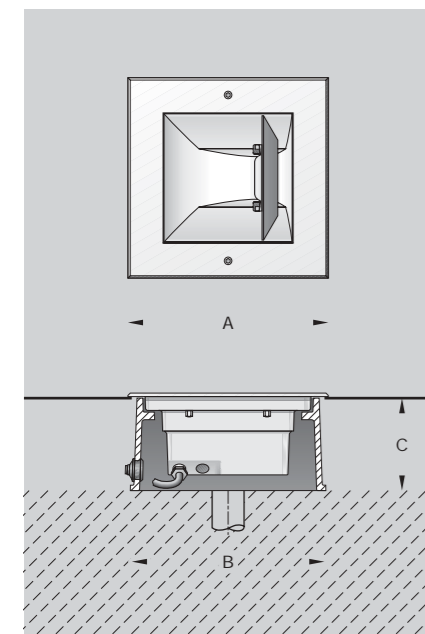
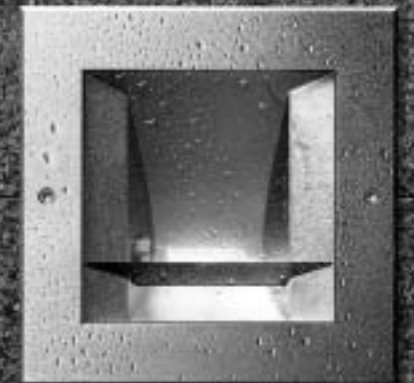
The operating temperatures (T) in the centre of the glass surface apply to use of the luminaires inside a building (measured according to EN 60 598 at an ambient temperature of t_a 25 °C). When used outside, the stated temperatures are reduced by 10 °C. All the exact temperatures and further technical data are given in the assembly instructions for use.



asymmetrical



Skid-blocking glass
BEGA skid-blocking glass with the highest rating R 13 can be used without restriction for all walk-over public areas.



In-ground floodlights for

- fluorescent lamps TC-D · TC-F
- discharge lamps HIT-CE – G12
- discharge lamps HIT-DE · HST-DE

Protection class IP 67
Stainless steel · Safety glass
Reflector of pure anodized aluminium
Die cast aluminium installation housing
Floodlights with built-in louvre to suppress lateral glare from the lamp
1 cable gland
1.5 m connecting cable H07RN-F3G 1.5²
1.2 m PVC protective tube for underground cable up to connecting sleeve.

Skid-blocking glass

When the glass of the luminaires is wet, there may be a danger of skidding. We recommend skid-blocking glass according to DIN 51130 R 13 (BEGA Patent DE 196 29 241) for walk-over public areas. We supply any luminaire with this skid-blocking glass which is denoted by **R** after the article number. The light distribution is more broad spread when this type of glass is used.

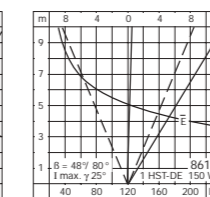
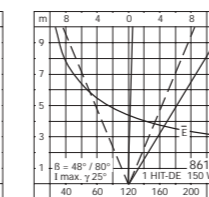
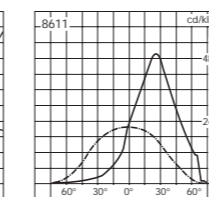
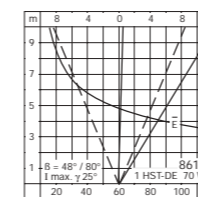
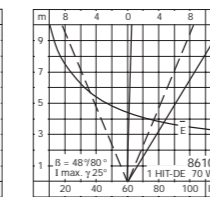
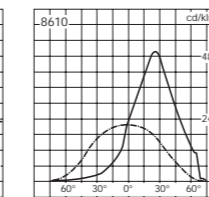
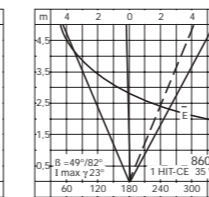
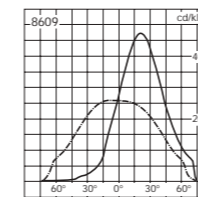
Location luminaires		Lumen	T	A	B	C
White safety glass						
8608	1 TC-D 13 W	900	45°	255 [□]	255 [□]	120
8620	1 TC-F 18 W	1100	45°	330 [□]	330 [□]	160
8621	2 TC-F 18 W	2200	45°	440 [□]	440 [□]	160

Floodlights · asymmetrical		Lumen	T	A	B	C
Clear safety glass						
8609	1 HIT-CE 35 W	3 300	80°	255 [□]	255 [□]	120
8610	1 HIT-DE 70 W	5 000	80°	330 [□]	330 [□]	160
8610	1 HST-DE 70 W	7 000	80°	330 [□]	330 [□]	160
8611	1 HIT-DE 150 W	11 000	115°	440 [□]	440 [□]	160
8611	1 HST-DE 150 W	15 000	115°	440 [□]	440 [□]	160



Installation housings

The luminaires are mounted in an installation housing made of high-strength die cast aluminium. The pressure is transferred by this housing to the foundation which must be prepared by the customer. When preparing the foundation, drainage must be provided.



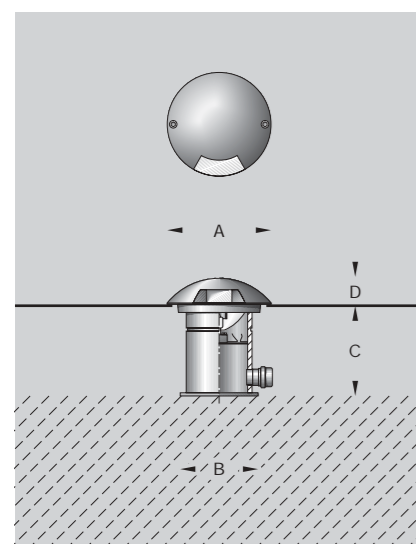
Box 70396 | 10724 Stockholm
Klarabergsviadukten 70
Tel +46 (0)8-103070 | Fa
info@crealux.se | www.cre

Drive-over in-ground floodlights IP 67
1000 kg pressure load · Installation depth **110 · 130 mm**
4000 kg pressure load · Installation depth **170 · 185 mm**

Luminaire in two sizes with single-sector or multiple-sector light output.
 They are designed for low voltage tungsten halogen lamps, discharge lamps, high voltage lamps and fluorescent lamps.
 The luminaires are mounted on a foundation which must be prepared by the customer.
 When preparing the foundation for the luminaires on page 233, drainage must be provided.

Vehicles with pneumatic tyres can drive over the luminaires. The luminaires may not be used for traffic lanes where they are subject to horizontal pressure from vehicles braking, accelerating and changing direction.

Further technical data are given in the instructions for use for these luminaires.



Drive-over in-ground floodlights
 Pressure load **1000 kg**
 Installation depth **110 · 130 mm**

Light output from one, two or four sectors for

- low voltage tungsten halogen lamps QT 9-ax 20 W

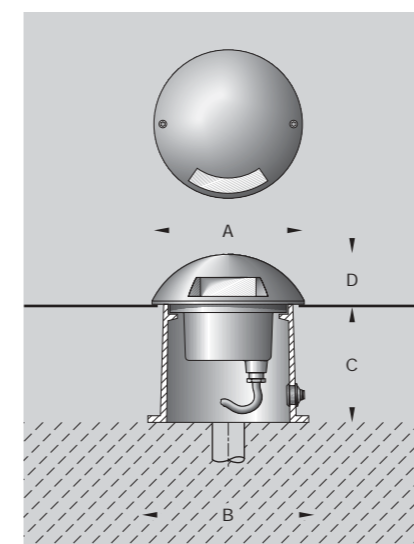
Protection class IP 67

8778 · 8774 · 8787 · 8789
 Safety class III ⚡

Die cast aluminium cover
 Cast stainless steel and stainless steel housing
 Reflector of pure anodized aluminium
 Optical lens made of silica glass
 1 cable gland for connecting cable Ø 9 - 13.5 mm
 2.5[□] connecting terminal

Colour: graphite

	one light sector 60° Lumen				A	B	C	D	
	8778	1 QT 9-ax	20 W	320	w/o transformer	120	90 [□]	110	30
	8779	1 QT 9-ax	20 W	320	with transformer	120	90 [□]	130	30
	one light sector 180°				A	B	C	D	
	8774	1 QT 9-ax	20 W	320	w/o transformer	120	90 [□]	110	30
	8780	1 QT 9-ax	20 W	320	with transformer	120	90 [□]	130	30
	two light sectors 60° each				A	B	C	D	
	8787	1 QT 9-ax	20 W	320	w/o transformer	120	90 [□]	110	30
	8788	1 QT 9-ax	20 W	320	with transformer	120	90 [□]	130	30
	four light sectors 60° each				A	B	C	D	
	8789	1 QT 9-ax	20 W	320	w/o transformer	120	90 [□]	110	30
	8790	1 QT 9-ax	20 W	320	with transformer	120	90 [□]	130	30



Drive-over in-ground floodlights
 Pressure load **4000 kg**
 Installation depth **170 · 185 mm**

Light output from one, two or four sectors or unshielded with guard for

- low voltage tungsten halogen lamps QT 12-ax 50 W
- discharge lamps HIT-CE 35 W Lampholder G 12
- high voltage lamps 40 W – E 27
- fluorescent lamps TC-D 13 W

Protection class IP 67
 High-strength die cast aluminium and stainless steel
 Optical lens made of silica glass
 8782 · 8783 White crystal glass with texture
 1.5 m connecting cable H07RN-F3G 1.5[□]
 1.2 m PVC protective tube for underground cable up to connecting sleeve

Colour: graphite

	one light sector 60° Lumen				A	B	C	D	
	8710	1 QT 12-ax	50 W	910	with transformer	220	255	170	75
	8714	1 HIT-CE	35 W	3300		220	255	170	75
	one light sector 180°				A	B	C	D	
	8724	1 QT 12-ax	50 W	910	with transformer	220	255	170	75
	8729	1 HIT-CE	35 W	3300		220	255	170	75
	two light sectors 60° each				A	B	C	D	
	8739	1 QT 12-ax	50 W	910	with transformer	220	255	170	75
	8749	1 HIT-CE	35 W	3300		220	255	170	75
	four light sectors 60° each				A	B	C	D	
	8707	1 QT 12-ax	50 W	910	with transformer	220	255	170	75
	8717	1 HIT-CE	35 W	3300		220	255	170	75
	unshielded with guard				A	B	C	D	
	8782	1 high volt. lamp	40 W	2400		220	255	185	60
	8783	1 TC-D	13 W	9000		220	255	185	60



Box 70396 | 10724 Stockholm
 Klarabergsviadukt 1070
 Tel +46 (0)8-103070 | Fa
 info@crealux.se | www.crealux.se



Drive-over in-ground floodlights IP 67 3000 kg pressure load · Installation depth 120 · 160 mm

Floodlights for in-ground installation.

The construction allows complete illumination of a facade, from the ground upwards as far as the lower edge of the frieze. BEGA Patent DE 199 18 872. Lower limitation of light distribution is straight without creating the otherwise unavoidable »light cone«. The luminaires are made of die cast bronze and mounted in a stainless steel installation. Pressure is transferred by this housing to the foundation which must be prepared by the customer. When preparing the foundation, drainage must be provided.

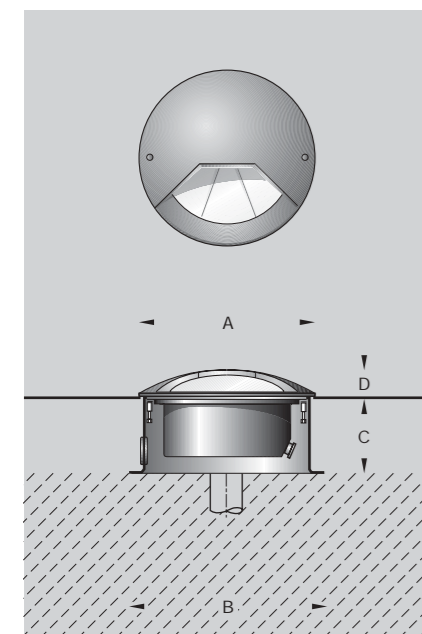
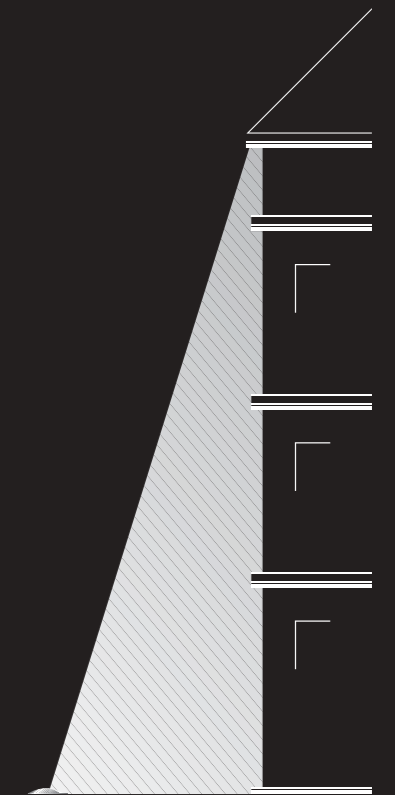
Vehicles with pneumatic tyres can drive over the luminaires. The luminaires may not be used for traffic lanes where they are subject to horizontal pressure from vehicles braking, accelerating and changing direction.

Please note:

The operating temperatures (T) in the centre of the glass surface apply to use of the luminaires inside a building (measured according to EN 60 598 at an ambient temperature of t_a 25 °C).

When used outside, the stated temperatures are reduced by 10 °C.

All the exact temperatures and further technical data are given in the instructions for use.



In-ground floodlights for

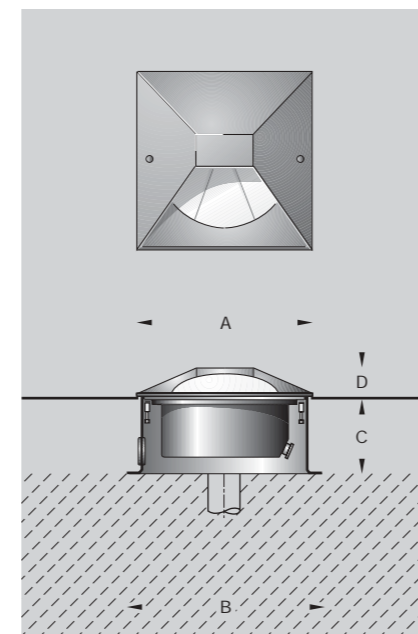
- low voltage tungsten halogen lamps QT 12-ax 35 W
- discharge lamps HIT-TC-CE 35 W Lampholder G 8.5
- discharge lamps HI/HST-DE 70 · 150 W

Protection class IP 67
Light opening 90°
Die cast bronze diffuser
Stainless steel housing · Safety glass
Reflector of pure anodized aluminium

1 cable gland
1.5 m connecting cable
H07 RN-F 3 G 1.5²
1.2 m PVC protective tube for underground cable to connecting sleeve.

We supply a shield for these luminaires to reduce the light opening.
The shield allows light output of either 30° or 60°. Shields are accessories and must be ordered separately.

Round diffuser		Lumen	T	A	B	C	D	Shield
8702	1 QT 12-ax 35 W	600	90°	180	180	120	40	676
8718	1 HIT-TC-CE 35 W	3300	90°	290	295	120	50	677
8719	1 HI/HST-DE 70 W	5000 · 7000	100°	350	355	160	65	678
8720	1 HI/HST-DE 150 W	11000 · 15000	135°	440	440	160	70	679
Square diffuser		Lumen	T	A	B	C	D	Shield
8612	1 QT 12-ax 35 W	600	90°	180	180	120	40	676
8614	1 HIT-TC-CE 35 W	3300	90°	290	295	120	50	677
8615	1 HI/HST-DE 70 W	5000 · 7000	100°	350	355	160	65	678



8702 · 8612 1 QT 12-ax 35 W	A	H	B	E	E_{min}
	0.6 m	2.4 m	1.8 m	57 lx	4.8 lx
	0.8 m	3.2 m	2.4 m	32 lx	2.7 lx
	1.0 m	4.0 m	3.0 m	21 lx	1.7 lx
	1.2 m	4.8 m	3.6 m	14 lx	1.2 lx
8718 · 8614 1 HIT-TC-CE 35 W	1.0 m	4.0 m	3.0 m	96 lx	9.8 lx
	1.5 m	6.0 m	4.5 m	43 lx	4.4 lx
	2.0 m	8.0 m	6.0 m	24 lx	2.5 lx
	2.5 m	10.0 m	7.5 m	15 lx	1.6 lx
8719 · 8615 1 HIT-DE 70 W 1 HST-DE 70 W E x 1.27	1.5 m	6.0 m	4.5 m	81 lx	7.0 lx
	2.0 m	8.0 m	6.0 m	46 lx	4.2 lx
	3.0 m	12.0 m	9.0 m	20 lx	1.9 lx
	4.0 m	16.0 m	12.0 m	11 lx	1.0 lx
8720 1 HIT-DE 150 W 1 HST-DE 150 W E x 1.33	2.0 m	8.0 m	6.0 m	102 lx	9.5 lx
	3.0 m	12.0 m	9.0 m	45 lx	4.2 lx
	4.0 m	16.0 m	12.0 m	25 lx	2.4 lx
	5.0 m	20.0 m	15.0 m	16 lx	1.5 lx

A – distance between luminaires and facade H – height of facade B – distance between luminaires E – average illuminance on facade E_{min} – minimum illuminance



On-ground floodlights for tungsten halogen lamps and discharge lamps up to 150 W Protection class IP 67

An innovative floodlight system. Floodlights of compact and robust shape, suitable for a host of lighting situations where the design of conventional floodlights or in-ground floodlights does not meet requirements. These floodlights are available in two sizes for tungsten halogen lamps and discharge lamps.

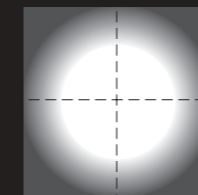
They are available either with symmetrical or variably adjustable light distribution. The adjustable floodlights can be set at a slope angle of 0° - 25°. The lamp position can be rotated around the vertical axis of the luminaire.

For floodlights 8658 · 8660, we supply diffuser lenses and dichroic colour effect filters to provide coloured light and change the light distribution set in the factory. A number of louvres, diffuser lenses and colour effect filters can also be used in these floodlights at the same time.

The luminaires can be mounted on a foundation or anchorage unit. The BEGA mounting system allows adjustment of the luminaire during installation.

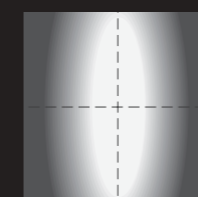
On pages 212 - 213 of this catalogue, you will find a description of portable on-ground floodlights whose shape, construction and light output match the luminaires given on this double page.

Further technical data are given in the instructions for use for these luminaires.



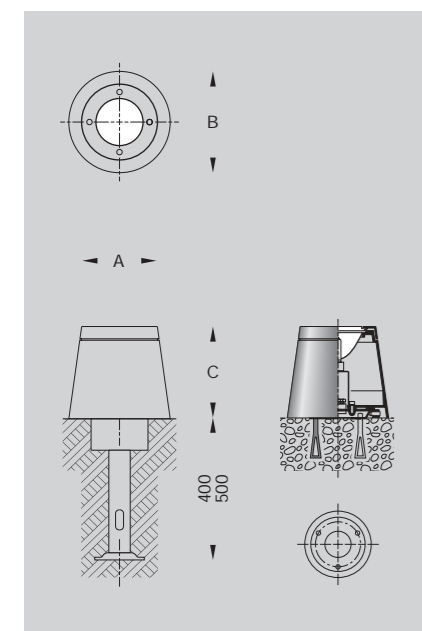
wide beam

8658 + 300
8660 + 300



flat beam

8658 + 309
8660 + 309



On-ground floodlights for

- low voltage tungsten halogen lamps
QR-CBC 51 20 · 35 W
- high voltage tungsten halogen lamps
QT 14 75 W · QT 18 150 W
- discharge lamps HIT-TC-CE 35 · 70 W
Lampholder G 8.5
- discharge lamps HIT-CE 70 · 150 W
Lampholder G 12

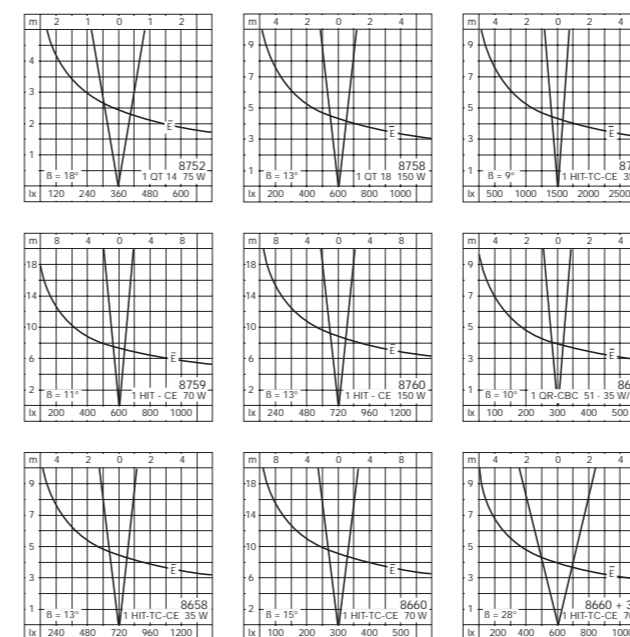
Die cast aluminium luminaire housing
Reflector of pure anodized aluminium
8658 · 8660 Cold-light reflector
2 cable glands for connecting cable
Ø 9 · 15 mm · 2.5² connecting terminal
With mounting plate for bolting to a
foundation or anchorage unit. Technical
data of anchorage units, page 460.

Protection class IP 67 · Safety glass

Colour: graphite

Floodlights symmetrical		Lumen	A	B	C	Louvre	
8752	1 QT 14	75 W	1100	150	205	185	671
8758	1 QT 18	150 W	2500	225	295	250	673
8754	1 HIT-TC-CE	35 W	3300	150	205	185	671
8759	1 HIT-CE	70 W	6600	225	295	250	673
8760	1 HIT-CE	150 W	14000	225	295	250	673

Floodlights adjustable		Lumen	A	B	C	Louvre	
8652	1 QR-CBC 51 20 · 35 W	320 · 600	150	205	185	-	
8658	1 HIT-TC-CE 35 W	3300	225	295	250	670	
8660	1 HIT-TC-CE 70 W	6600	225	295	250	670	
894	Anchorage unit for 8752 · 8754 · 8652						
895	Anchorage unit for 8758 · 8759 · 8760 · 8658 · 8660						



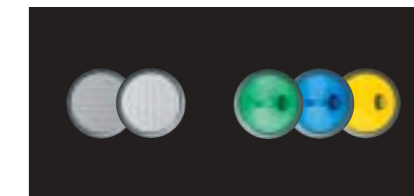
Louvres

We supply louvres to match the floodlights on this double page.

670 · 671 · 673 Inside louvres to suppress glare. They suppress lateral glare up to 45° from all directions.

Louvres can also be used with diffuser lenses and colour effect filters.

Louvres are accessories and must be ordered separately.



Diffuser lenses · Colour effect filters

for floodlights 8658 · 8660

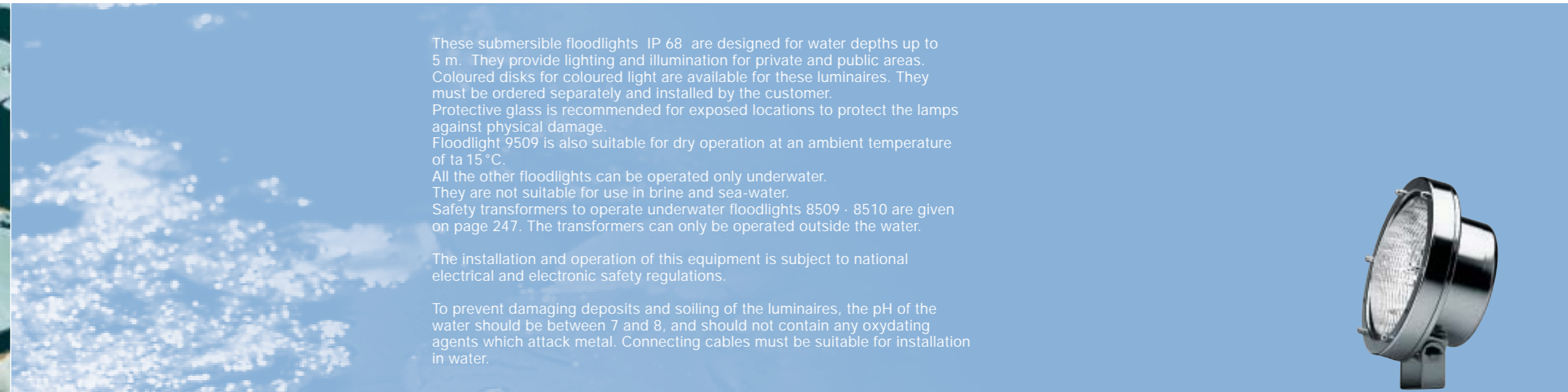
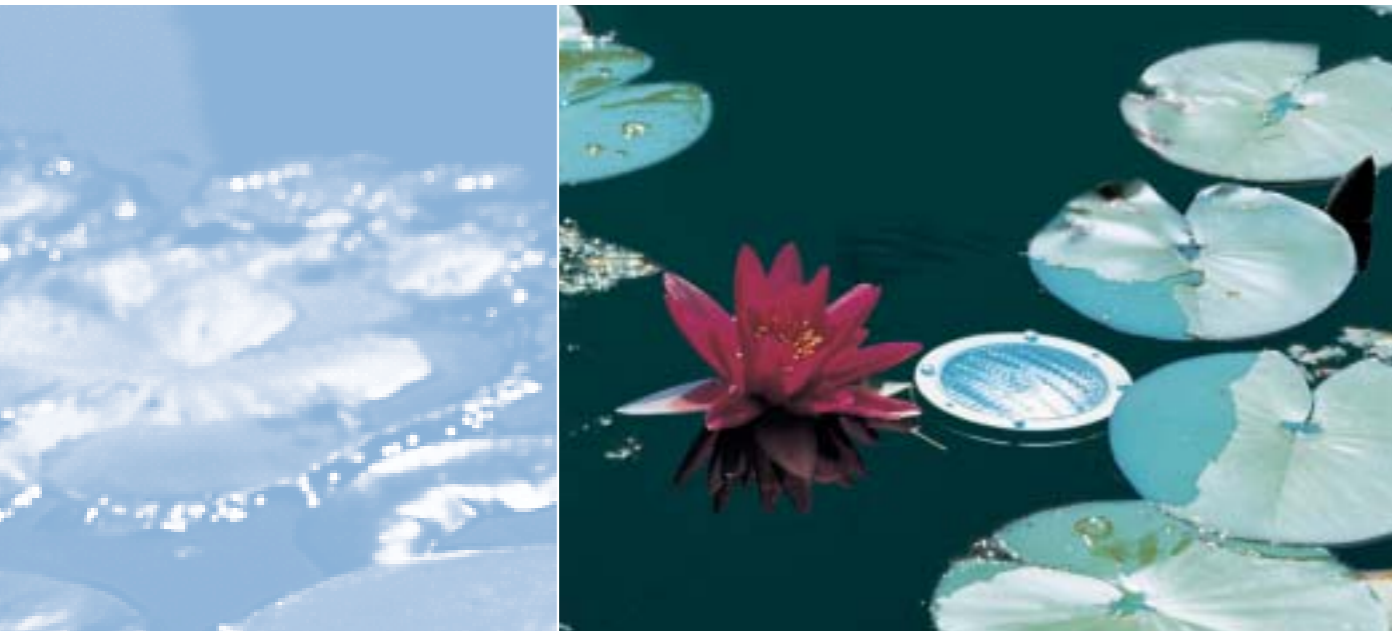
- Diffuser lenses change the very narrow beam light distribution. Either wide beam or flat beam.
- Dichroic colour effect filters for coloured light.

Diffuser lenses and colour effect filters are accessories and must be ordered separately.

CREAL	wide beam
32x 70396	flat beam
32x 70397	green
32x 70398	blue
32x 70399	yellow

Tel +46 (0)8-103070 | Fa
info@crealux.se | www.cre

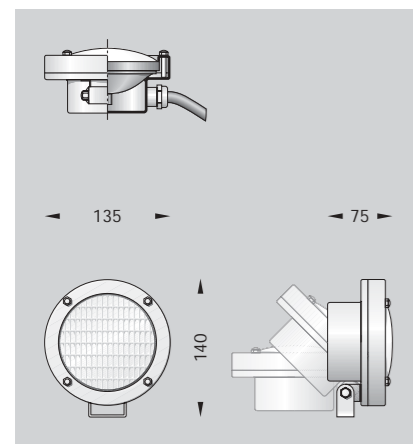
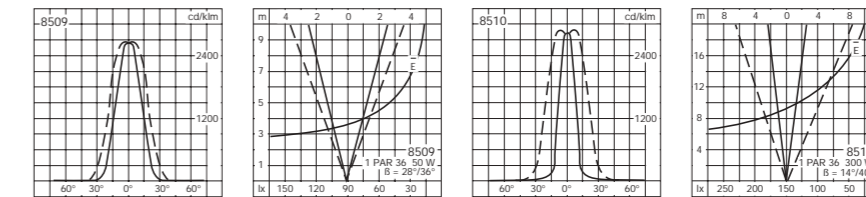
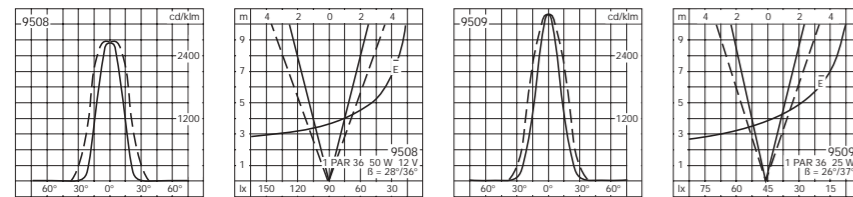
Underwater floodlights
for low voltage reflector lamps PAR 36 + PAR 56
Protection class IP 68



These submersible floodlights IP 68 are designed for water depths up to 5 m. They provide lighting and illumination for private and public areas. Coloured disks for coloured light are available for these luminaires. They must be ordered separately and installed by the customer. Protective glass is recommended for exposed locations to protect the lamps against physical damage. Floodlight 9509 is also suitable for dry operation at an ambient temperature of ta 15 °C. All the other floodlights can be operated only underwater. They are not suitable for use in brine and sea-water. Safety transformers to operate underwater floodlights 8509 · 8510 are given on page 247. The transformers can only be operated outside the water.

The installation and operation of this equipment is subject to national electrical and electronic safety regulations.

To prevent damaging deposits and soiling of the luminaires, the pH of the water should be between 7 and 8, and should not contain any oxydating agents which attack metal. Connecting cables must be suitable for installation in water.



- 1 underwater floodlight + transformer + lamp PAR 36 · 50 W 12 V 28°/36°
 - 2 underwater floodlights + transformer + lamps PAR 36 · 25 W 12 V 26°/37°
- IP 68 5 m · Safety class III ⚡
Electropolished stainless steel
Bracket with 1 hole Ø 8 mm
Waterproof connecting cable
2 x 1.5² · 2 m between the floodlights
4 m between luminaire and transformer
Blue cable

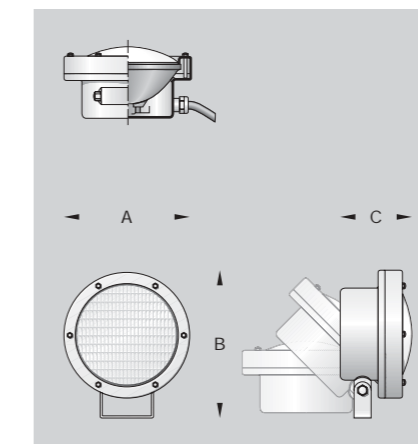
Safety transformer according to EN 62 558 VDE 0570
Protection class IP 66 · Safety class II ⚡
2 m connecting cable with power plug

The fitted PAR 36 lamp is included in the luminaire price.

Coloured disk for coloured light:
350 blue · 351 green
352 yellow · 353 red



	Lamp	Lumen
9508	1 underwater floodlight	1 PAR 36 · 12 V · 50 W 700
9509	2 underwater floodlights	2 PAR 36 · 12 V · 25 W 680
354	Clear protective glass for 9508 · 9509	
350 blue · 351 green · 352 yellow · 353 red	Coloured disks for 9508 · 9509	



- Underwater floodlight **without transformer** with
- 1 reflector lamp
- PAR 36 · 50 W 12 V 28°/36°
- PAR 56 · 300 W 12 V 14°/40°
- IP 68 5 m · Safety class III ⚡
- Electropolished stainless steel
- The fitted PAR 36 · 56 lamp is included in the luminaire price.

- 8509 – 1 cable gland
- 4 m waterproof connecting cable H07RN-F 2 x 1.5² blue cable
- Bracket with 1 hole Ø 8 mm
- 8510 – 1 cable gland
- 4 m waterproof cable H07RN-F 2 x 4² blue cable
- Bracket with 2 holes Ø 6.5 mm · 45 mm distance

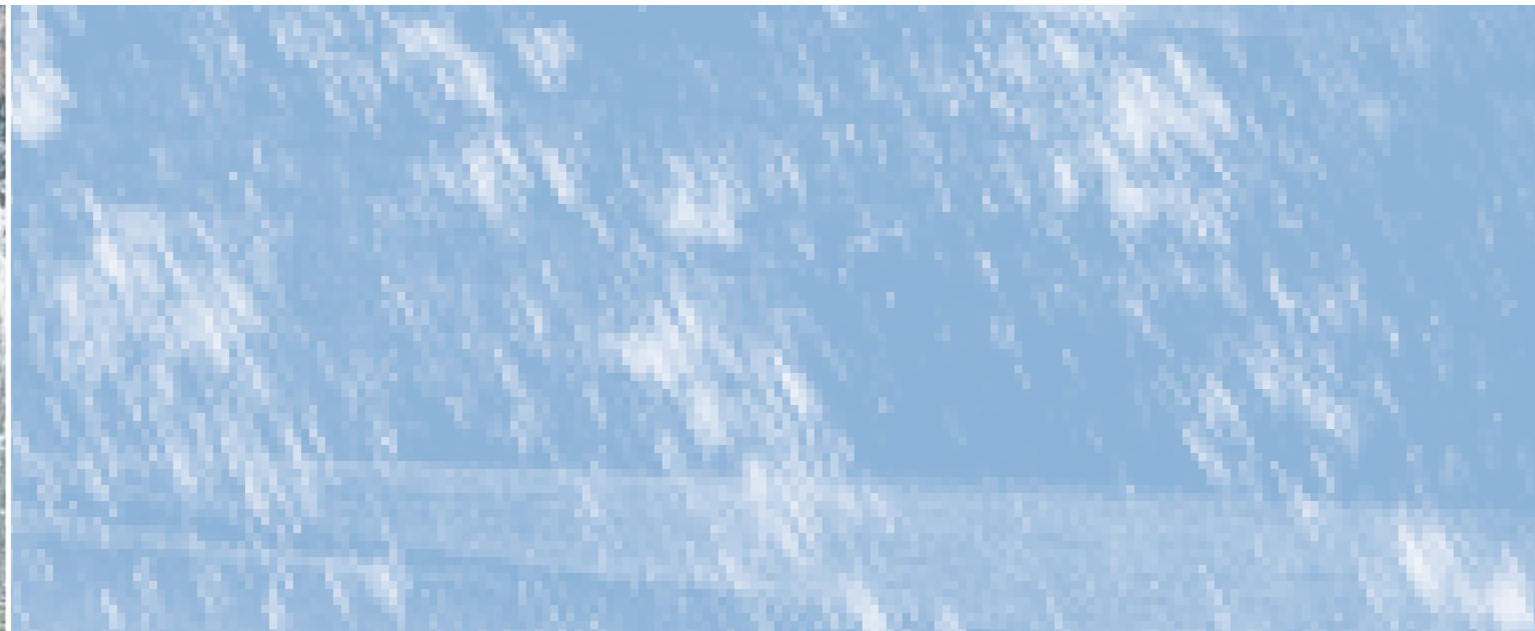
	Lamp	Lumen	A	B	C
8509	Underwater floodlight	1 PAR 36 · 12 V	15	140	75
8510	Underwater floodlight	1 PAR 56 · 12 V	0	225	120
354	Clear protective glass for 8509				
340	Clear protective glass for 8510				
350 blue · 351 green · 352 yellow · 353 red	Box 70396 for 8509				
360 blue · 361 green · 362 yellow · 363 red	Klarabeskyrta för 8510				



Box 70396, 191 24, Sjöbo
Klarabeskyrta för 8510

Tel +46 (0)8-103070 | Fa
info@crealux.se | www.cre

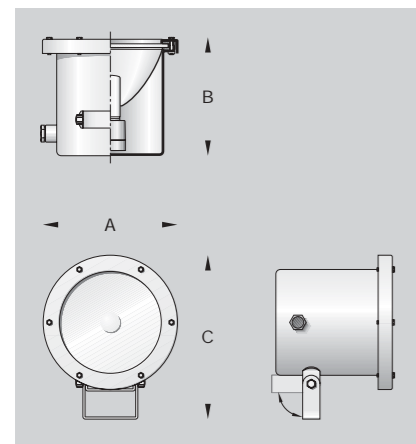
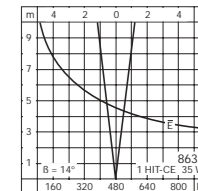
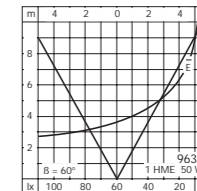
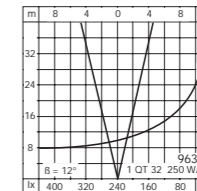
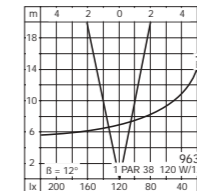
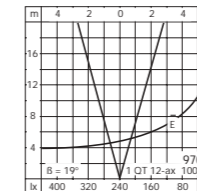
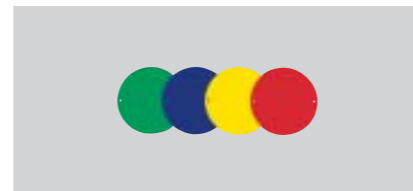
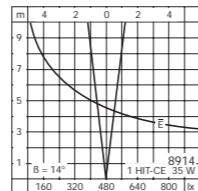
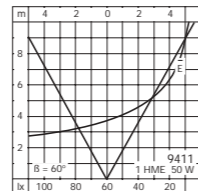
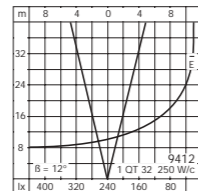
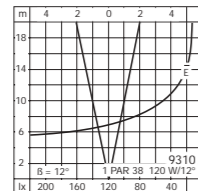
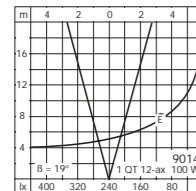
Underwater floodlights
for low voltage tungsten halogen lamps up to 100 W
incandescent lamps up to 250 W and discharge lamps up to 50 W
Protection class IP 68



Submersible floodlights IP 68 for water depths up to 20 m. They provide lighting and illumination for private, public or industrial areas. Coloured disks are also available for all luminaires. They must be ordered separately and exchanged by the customer. Floodlights operating with maximum wattage may only be operated underwater. Floodlights 9411 · 8914 · 9638 · 8639 are also suitable for dry operation at an ambient temperature of ta 15 °C. They are not suitable for use in brine and sea-water. Safety transformers for the operation of underwater floodlights 9014 · 9700 are given on page 247 of this catalogue. The transformers may only be operated outside the water.

Installation and operation of these floodlights are subject to national electrical and electronic safety regulations.

To avoid damaging deposits and soiling of the luminaires, the pH of the water should be between 7 and 8, and should not contain any oxydating agents which attach metal. Connecting cables must be suitable for installation in water.



Open with tools only
Underwater floodlights for
• low voltage tungsten halogen lamps
12 V QT 12-ax 100 W
• incandescent lamps PAR 38 120 W
• tungsten halogen lamps QT 32 250 W
• discharge lamps HME 50 W
• discharge lamps HIT-CE 35 W
Lampholder G 12

Protection class IP 68 20 m
Electropolished stainless steel
Reflector of pure anodized aluminium
Safety glass
1 cable gland
for waterproof cable Ø 8 - 17 mm
Bracket with
2 holes Ø 7 mm · 45 mm distance

Coloured disks
We supply coloured disks made of hardened crystal glass for the underwater floodlights on this double page.

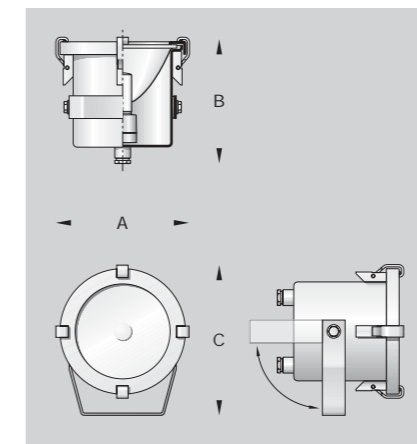
For 9014 · 9310 · 9700 · 9637

254	green
255	blue
256	yellow
257	red

For 9412 · 9411 · 8914 · 9633 · 9638 · 8639

259	green
258	blue
260	yellow
261	red

	Low voltage	w/o transformer	Lumen	A	B	C
9014	Underwater floodlight	1 QT 12-ax 100 W	2300	190	180	230
9310	Underwater floodlight	1 PAR 38 120 W	1200	190	180	230
9412	Underwater floodlight	1 QT 32 250 W	4000	220	195	270
9411	Underwater floodlight	1 HME 50 W	2000	220	195	270
8914	Underwater floodlight	1 HIT-CE 35 W	3300	220	195	270



Open without tools
Underwater floodlights for
• low voltage tungsten halogen lamps
12 V QT 12-ax 100 W
• incandescent lamps PAR 38 120 W
• tungsten halogen lamps QT 32 250 W
• discharge lamps HME 50 W
• discharge lamps HIT-CE 35 W
Lampholder G 12

Protection class IP 68 20 m
Electropolished stainless steel
Reflector of pure anodized aluminium
Safety glass
2 cable glands
for waterproof cable Ø 8 - 17 mm
Bracket with
1 central hole Ø 22.5 mm and
2 holes Ø 11.5 mm · Spacing 100 mm

	Low voltage	w/o transformer	Lamp	Lumen	A	B	C
9700	Underwater floodlights	1 QT 12-ax			210	255	
9637	Underwater floodlights	1 PAR 38			210	255	
9633	Underwater floodlights	1 QT 32			225	270	
9638	Underwater floodlights	1 HME			225	270	
8639	Underwater floodlights	1 HIT-CE			235	270	

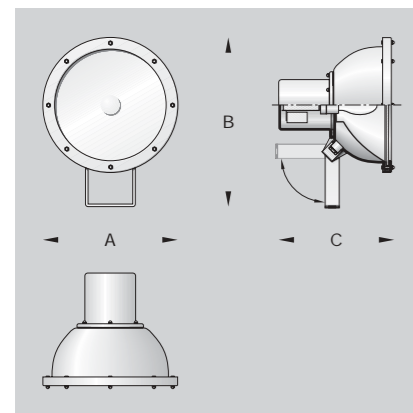
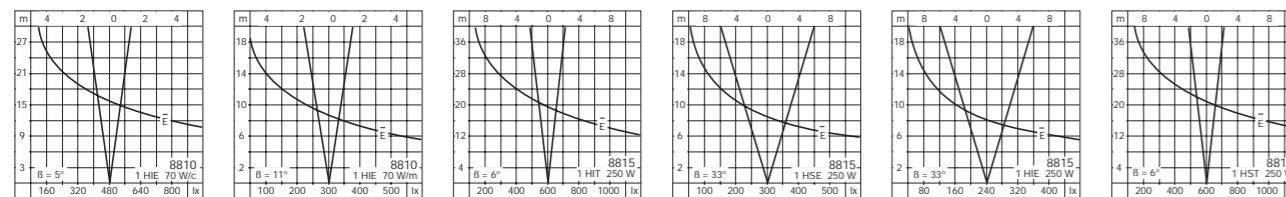


Underwater floodlights
for discharge lamps up to 250 W
Protection class IP 68

Submersible floodlights IP 68 for water depths up to 20 m for monitoring and inspecting reservoirs, and for illuminating large fountains and extensive water courses. For surveillance and control of water tanks. The floodlights on this double page are not suitable for use in brine and sea-water. They are also suitable for dry operation at an ambient temperature of $t_a 15^\circ\text{C}$. The control gear box may only be operated outside the water.

Installation and operation of these floodlights are subject to national electrical and electronic safety regulations.

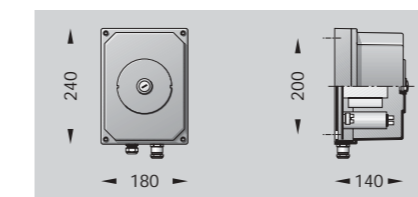
To avoid damaging deposits and soiling of the luminaires, the pH of the water should be between 7 and 8, and should not contain any oxydating agents which attack metal. Connecting cables must be suitable for installation in water.



Underwater floodlights for
• discharge lamps HIE 70 W/c · 70 W/m
• discharge lamps
HIT · HIE · HST · HSE 250 W
Protection class IP 68 20 m
Electropolished stainless steel · Safety glass

Reflector of pure anodized aluminium
1 cable gland
for waterproof cable $\varnothing 8 - 17 \text{ mm}$
Bracket with
1 central hole $\varnothing 22.5 \text{ mm}$ and
2 holes $\varnothing 11.5 \text{ mm}$ · Spacing 100 mm

with discharge units		Lamp	Lumen	A	B	C
8810	Floodlight narrow beam	1 HIE/c 70 W	4700	370	470	325
8810	Floodlight wide beam	1 HIE/m 70 W	4900	370	470	325
w/o discharge units						
8815	Floodlight narrow beam	1 HIT · HST 250 W	20000 · 27000	455	515	355
8815	Floodlight wide beam	1 HIE · HSE 250 W	17000 · 25000	455	515	355



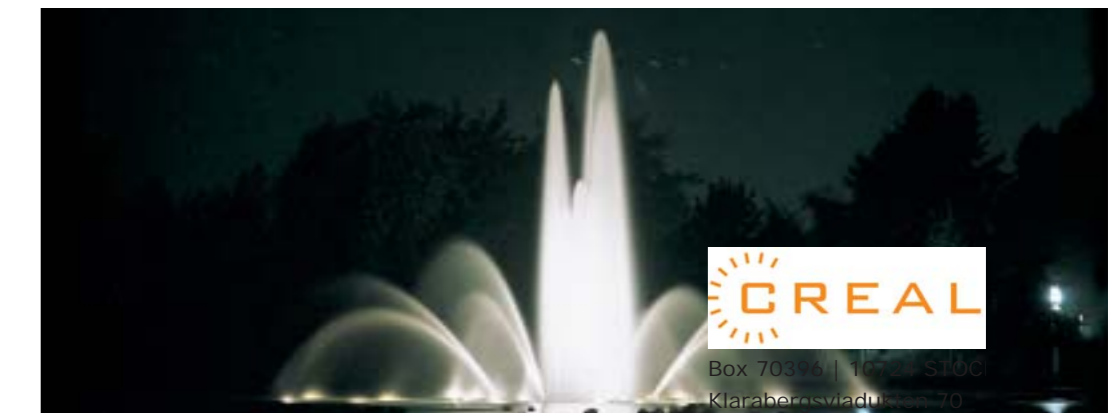
Control gear box
with built-in discharge units
for floodlight 8815

Protection class IP 54
Die cast aluminium, aluminium and
stainless steel
2 cable glands
2 fixing holes $\varnothing 9 \text{ mm}$
Spacing 200 mm

Colour: graphite

The control gear box may only be
operated outside the water.

414 Control gear box for HI/HS 250 W



Box 70396 | 162 5 Stoc
Klarabergsviadukt 70

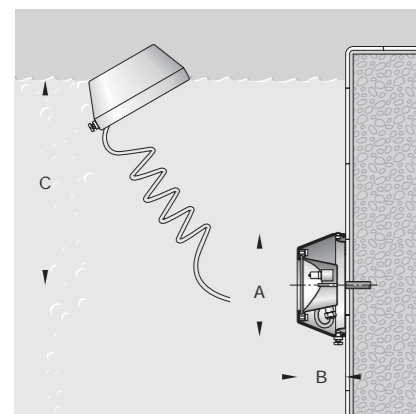
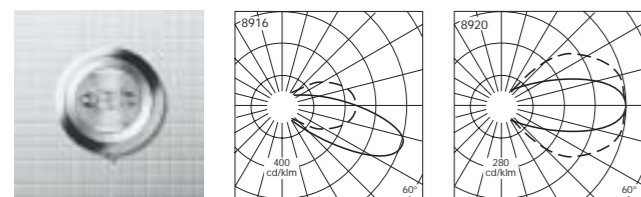
Tel +46 (0)8-103070 | Fa
info@crealux.se | www.cri

Swimming pool luminaires · Safety class III ⚡
 for low voltage tungsten halogen lamps **12 V · 100 W**
 Protection class IP 68



Recessed and surface-mounted luminaires for swimming pools. Excellent lighting characteristics are achieved thanks to the BEGA special lamp and innovative reflector technology. Easy relamping outside the water makes these luminaires economic to operate. Standards for pool construction recommend a luminous flux of 1000 lumen/m² water surface for public swimming pools. In order to achieve uniform luminance distribution for private swimming pools, we recommend an axis distance of 2.00 - 3.00 m. Further technical data are given in the assembly instructions for these luminaires. The luminaires are not suitable for use in brine and sea-water. They are only intended for operation underwater. Safety transformers to operate these luminaires are given on page 247. Installation and operation of these floodlights are subject to national electrical and electronic safety regulations. These luminaires can only be operated with **BEGA special lamp 650052 V**.

To avoid damaging deposits and soiling of the luminaires, the pH of the water should be between 7 and 8, and should not contain any oxydating agents which attack metal. Connecting cables must be suitable for installation in water.



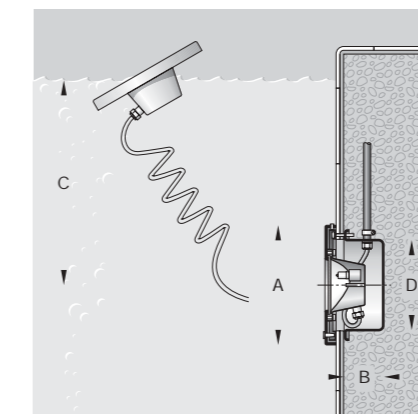
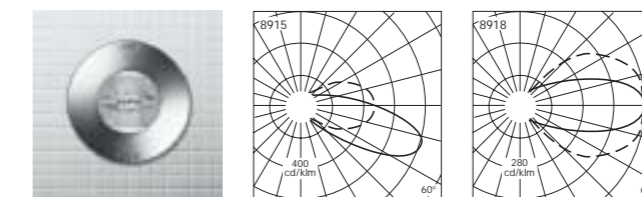
Surface-mounted swimming pool luminaires without transformer for concrete, metal or plastic pools with

- low voltage tungsten halogen lamps 100 W · 12 V – BEGA special lamp

Protection class IP 68 10 m
 Safety class III ⚡
 Electropolished stainless steel
 Reflector of pure anodized aluminium
 Safety glass

1 cable gland
 3 m waterproof cable
 8916 - H07RN-F 2 x 1.5²
 8920 - H07RN-F 4 x 1.5²
 Recommended installation depth is ~ 400 · 700 mm below water level (dimension C).
 The fitted BEGA special lamps are included in the luminaire price.
 The luminaires may only be operated underwater.

	Lamp	Lumen	A	B	C	
8916	Surface-mounted luminaire	1 x 100 W · 12 V	2200	165	80	400
8920	Surface-mounted luminaire	2 x 100 W · 12 V	4400	230	85	700



Recessed swimming pool luminaires without transformer for concrete, plastic sheet, metal or plastic pools with

- low voltage tungsten halogen lamp 100 W · 12 V – BEGA special lamp

Protection class IP 68 10 m
 Safety class III ⚡

Electropolished stainless steel
 Reflector of pure anodized aluminium
 Safety glass
 1 cable gland
 3 m waterproof cable

8915 - H07RN-F 2 x 1,5²
 8918 - H07RN-F 4 x 1,5²
 Recommended installation depth is ~ 400 · 700 mm below water level (dimension C).
 1 hose connector on recessed body for soft PVC safety hose Ø 28 x 3.5 mm.
 Safety hose available on request.

The fitted BEGA special lamps are included in the luminaire price.

	Lamp	Lumen	A	B	C	D
8915	Recessed luminaire	1 x 100 W · 12 V	2200	165	80	150
8918	Recessed luminaire	2 x 100 W · 12 V	4400	230	85	210

Tel +46 (0)8-103070 | Fa
 info@crealux.se | www.cre

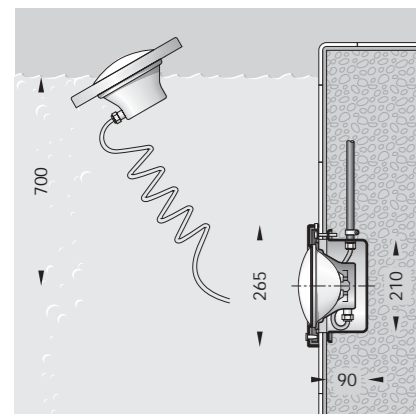
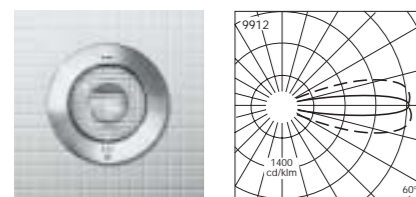
Swimming pool luminaires · Safety class III ⚡
 for low voltage reflector lamps PAR 56 12 V · 300 W
 Protection class IP 68



Swimming pool luminaires with low voltage reflector lamps.
 Easy relamping outside the water makes these luminaires economic to operate.
 Standards for pool construction recommend a luminous flux of 1000 lumen/m²
 water surface for public swimming pools.
 In order to achieve uniform luminance distribution for private swimming pools, we
 recommend an axis distance of 2.00 - 3.00 m.
 Further technical data are given in the assembly instructions for these luminaires.
 The luminaires are not suitable for use in brine and sea-water.
 They are only intended for operation underwater.

Installation and operation of these floodlights are subject to national electrical and
 electronic safety regulations.

To avoid damaging deposits and soiling of the luminaires, the pH of the water should
 be between 7 and 8, and should not contain any oxydating agents which attack metal.
 Connecting cables must be suitable for installation in water.

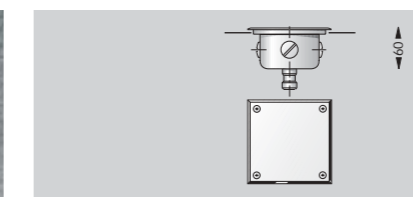


Recessed swimming pool luminaire
 without transformer for concrete, plastic
 sheet, metal or plastic pools with
 • 1 low voltage reflector lamp
 PAR 56 · 300 W · 14°/40° - 12 V
 Protection class IP 68 5 m
 Safety class III ⚡
 Electropolished stainless steel
 Reflector of pure anodized aluminium
 1 cable gland
 3 m waterproof cable
 H07RN-F 2 x 4[□]

Recommended installation depth
 is ~ 700 mm below water level.
 1 hose connector on recessed body for
 soft PVC safety hose Ø 28 x 3.5 mm.
 Safety hose available on request.

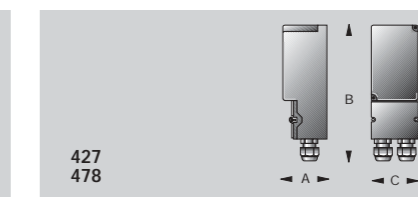
The fitted lamp is included in the
 luminaire price.
 The luminaires may only be operated
 underwater.

	Lamp	Lumen
9912 Recessed luminaire	1 PAR 56 300 W · 14°/40° · 12 V	6000



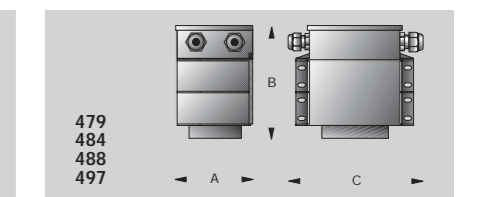
Junction box for recessed installation
 in floors and wall surfaces.
 For installation of cables for swimming
 pool luminaires of Safety class III ⚡
 Protection class IP 67
 Electropolished stainless steel
 2 cable glands
 2 dummy glands
 1 hose connector at the base
 of the junction box for soft PVC
 safety hose Ø 28 x 3.5 mm.
 After installation, the junction box must be
 sealed-in with grouting.

223 Junction box



Safety transformers for
 swimming pool luminaires and underwater
 floodlights.
 • 50 · 105 · 200 · 300 · 400 · 600 VA
 • 230/11.5 V · 50/60 Hz
 Protection class IP 65 · Safety class II
 Encapsulated in cast resin according to
 EN 61 558 VDE 0570

	A	B	C
427 Transformer 50 VA 1 x 50	155	55	
478 Transformer 105 VA 1 x 105	210	55	
479 Transformer 200 VA 2 x 100	125	135	
484 Transformer 300 VA 1 x 300	140	135	
488 Transformer 400 VA 2 x 200	155	180	
497 Transformer 600 VA 2 x 300	170	180	



427 · 478 with temperature sensor
 2 cable glands
 Cable entry and exit Ø 5 - 10 mm
 479 · 484 · 488 · 497 with thermal
 protection switch · Cable glands
 Cable entry Ø 6 - 12 mm exit Ø 10 - 14 mm
 The transformers may only be operated
 outside the water.

	A	B	C
427 Transformer 50 VA 1 x 50	155	55	
478 Transformer 105 VA 1 x 105	210	55	
479 Transformer 200 VA 2 x 100	125	135	
484 Transformer 300 VA 1 x 300	140	135	
488 Transformer 400 VA 2 x 200	155	180	
497 Transformer 600 VA 2 x 300	170	180	

Tel +46 (0)8-103070 | Fa
 info@crealux.se | www.cre

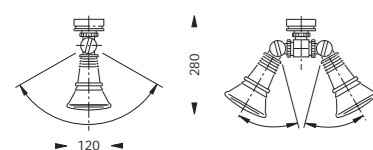


Floodlights for reflector lamps PAR 38 up to 120 W Safety class II □ · Protection class IP 65

These portable and permanent floodlights are designed for houses and private gardens to illuminate flowers, bushes, trees or sculptures. Many floodlights may be utilized singly or in chain arrangements to provide high-contrast lighting for larger clusters of woody plants. The luminaires are made entirely of plastic. The burning position can be set without tools.

An additional cable entry and connection chamber with 2-pole 2.5[□] connecting terminals in floodlights 7941 · 7942 · 7943 allow through-wiring and thus the operation of several floodlights from one socket.

For safety reasons, the installation of a floodlight chain should only be carried out by trained electricians.
Do not use cold beam reflector lamps!



Permanent floodlights with mounting box Ø 90 mm for 1 or 2

- reflector lamps PAR 38 60 · 80 · 120 W

Protection class IP 65
Safety class II □

Glass-fibre reinforced plastic
Mounting box with 2.5[□] connecting terminals and 2 cable entries for surface and embedded wiring.

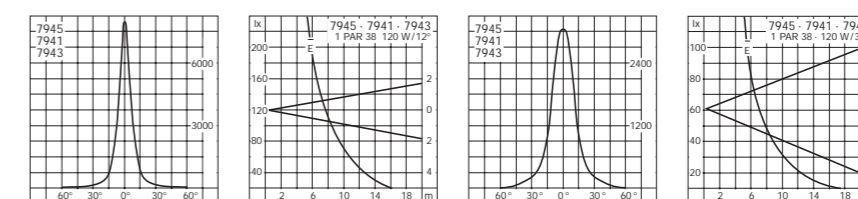
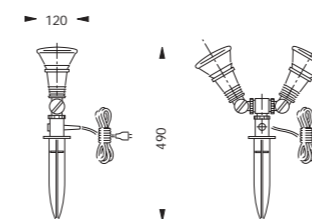
Colour: graphite

with mounting box		Lumen	
7945	Floodlight	1 PAR 38 60 · 80 · 120 W	600 · 800 · 1200
7944	Double floodlight	2 PAR 38 60 · 80 · 120 W	1200 · 1600 · 2400



An important requirement for the economic operation of portable luminaires around houses and in gardens are permanent connecting pillars with safety socket outlet boxes. They allow operation and control of portable luminaires. They are also an advantage in operating electrically driven gardening tools. The design of these garden sockets corresponds to Safety class I – for safety plugs. Luminaires in Safety class I and II can be connected to them.

Permanent connecting pillars with sockets + switches are given on pages 452 - 453 of this catalogue.



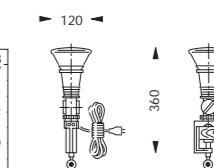
Portable floodlights with earth spike or screw clamp for

- reflector lamps PAR 38 60 · 80 · 120 W

Protection class IP 65
Safety class II □
Glass-fibre reinforced plastic

Screw clamp for clamping thickness up to 50 mm
Ready for connection with 5 m connecting cable and power plug
Protection class IP X4
Colour: graphite

with earth spike		Lumen	
7941	Floodlight	1 PAR 38 60 · 80 · 120 W	600 · 800 · 1200
7942	Double floodlight	2 PAR 38 60 · 80 · 120 W	1200 · 1600 · 2400
with screw clamp			
7943	Floodlight	1 PAR 38 60 · 80 · 120 W	600 · 800 · 1200



Box 70396 | 10724 STO
Klarabergsviadukten 70
Tel +46 (0)8-103070 | Fa
info@crealux.se | www.cri



Floodlights for fluorescent lamps with electronic ballast Safety class II · Protection class IP 65

A group of floodlights for permanent and portable installation. They were specially developed for fluorescent lamps with integrated ballast.

The long life and high luminous efficiency of the lamp means these luminaires are particularly suitable for applications requiring economic and maintenance friendly operation.

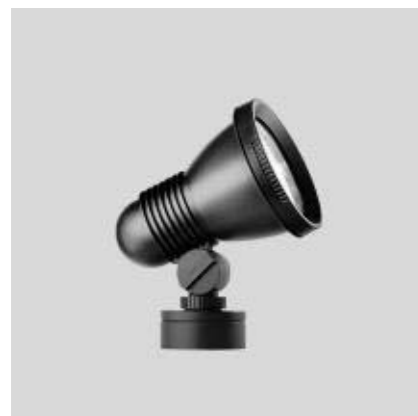
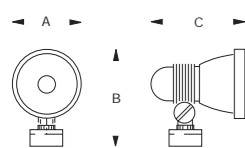
The burning position can be set without tools.

They are versatile in operation, making them useful luminaires for many lighting tasks around houses and in gardens.

The floodlights are made of glass-fibre reinforced polyamide.

The protective insulation corresponds to Safety class II .

**These floodlights are only intended for operation with the fluorescent lamps shown here.
They must not be operated with incandescent lamps!**

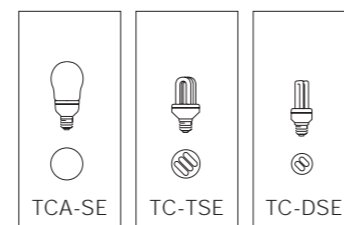


Permanent floodlight with mounting box Ø 90 mm for fluorescent lamps with electronic ballast – E 27 holder
• TCA-SE • TC-TSE • TC-DSE
Not suitable for incandescent lamps!
Protection class IP 65 · Safety class II
Glass-fibre reinforced plastic

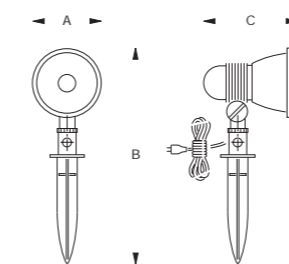
Reflector of pure anodized aluminium
Mounting box with 2.5² connecting terminals and 2 cable entries for surface and embedded wiring
The burning position can be set and relamping carried out without tools.

Colour: graphite

with mounting box		Lumen	A	B	C
7921	1 TCA-SE · TC-TSE · TC-DSE	7-15 W 900	150	210	205



The floodlights have wide beam rotationally symmetrical light distribution. The marginal focus of the light cone is softened. This achieves higher uniformity on the illuminated surface. The half beam angle is approx. 90°.

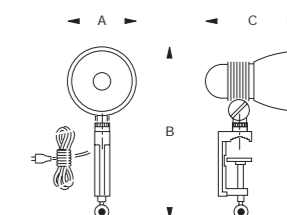


Portable floodlights with earth spike or screw clamp for fluorescent lamps with electronic ballast – E 27 holder
• TCA-SE • TC-TSE • TC-DSE
Not suitable for incandescent lamps!
Protection class IP 65 · Safety class II
Glass-fibre reinforced plastic
Reflector of pure anodized aluminium

Screw clamp for clamping thickness up to 50 mm
Ready for connection with 5 m connecting cable and power plug
Protection class IP X4
Burning position can be set and relamping carried out without tools.

Colour: graphite

with earth spike		Lumen	A	B	C
7925	1 TCA-SE · TC-TSE · TC-DSE	7-15 W 900	150	445	205
with screw clamp					
7922	1 TCA-SE · TC-TSE · TC-DSE	7-15 W 900	150	315	205



CREAL
Box 70396 | 16724 STOCKHOLM
Klubbergsviadukten 70
Tel +46 (0)8-103070 | Fa
info@crealux.se | www.cre



Floodlights for reflector lamps PAR 38 Protection class IP 55

Floodlights for installation on existing G 1/2 · ISO · DIN 228 bushes or screw connection to BEGA accessories with G 1/2 mounting bush and floodlight ready for connection for permanent or portable operation.

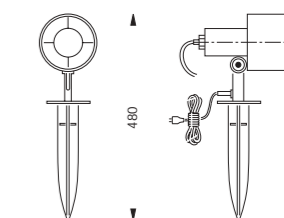
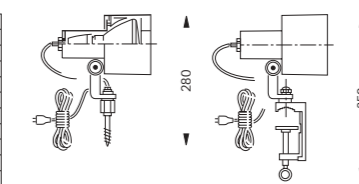
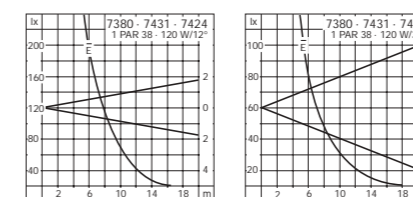
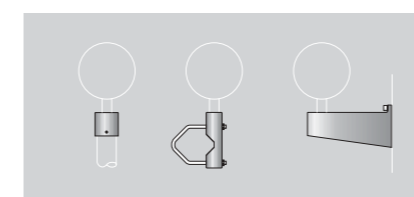
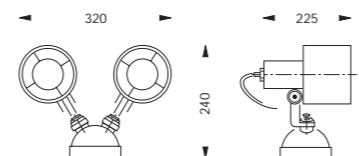
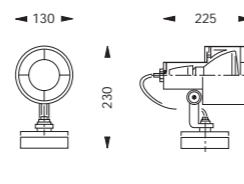
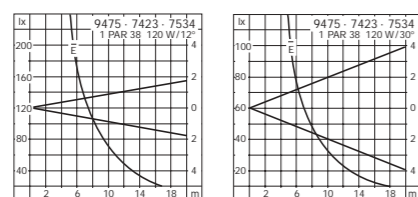
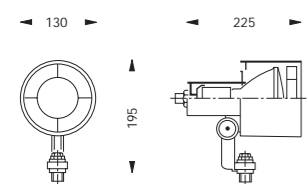
They are designed for internal mirror lamps PAR 38 in three wattages 60 · 80 · 120 W and diverse light distribution – very narrow beam spot or wide beam flood.
Do not use cool beam reflector lamps!

They can be used for floodlighting details on buildings and in gardens, for accent lighting of walls and advertizing boards.

These floodlights with their versatile installation potential are especially suitable where different lighting tasks need to be solved by the same luminaires.

The floodlights with a mounting box are suitable for any type of installation, on walls, ceilings or pillars.

Technical data of accessories are given on pages 462 - 463.



Permanent floodlights mit G 1/2 mounting bush and cable gland
Connecting cable H07RN-F 3 G 0.75²
2.5² lampholder terminal

Permanent floodlights with mounting box Ø 110

Permanent double floodlight with mounting box Ø 100 for

- reflector lamps PAR 38 60 · 80 · 120 W

Beam angle Spot 12° · Flood 30°
Protection class IP 55
Die cast aluminium, aluminium und stainless steel

Aluminium ring louvre
Mounting box with 2 cable entries

9475 Colour: graphite

7423 · 7534 Colour: graphite – art. no.

white – art. no. + W



Accessories

for floodlight 9475.

Technical data, pages 462 - 463.

Accessories must be ordered separately.

Portable floodlights

with earth spike, wood screw or screw clamp for

- reflector lamps PAR 38 60 · 80 · 120 W

Protection class IP 55

Die cast aluminium and stainless steel

Aluminium ring louvre

Glass-fibre reinforced plastic earth spike

Stainless steel wood screw

Die cast aluminium screw clamp for clamping thickness up to 50 mm

Ready for connection with 5 m cable and power plug

Protection class IP X4

Colour: graphite



Permanent floodlights		Lamp	Lumen	
9475	G 1/2 mounting bush	1 PAR 38 60 · 80 · 120 W	600 · 800 · 1200	
7423	with mounting box	1 PAR 38 60 · 80 · 120 W	600 · 800 · 1200	
Permanent double floodlights		Lamp	Lumen	
7534	with mounting box	2 PAR 38 60 · 80 · 120 W	1200 · 1600 · 2400	

Portable floodlights		Lamp	Lumen	
214	Pole cap for pole top Ø 48 mm			
280	Tube clamp G 1/2			
379	Outrigger arm G 1/2			
7380	with earth spike	1 PAR 38 60 · 80 · 120 W	600 · 800 · 1200	
7431	with wood screw	1 PAR 38 60 · 80 · 120 W	600 · 800 · 1200	
7424	with screw clamp	1 PAR 38 60 · 80 · 120 W	600 · 800 · 1200	



Box 73 296 | 10724 STOC
Klarabergsviadukten 70
Tel +46 (0)8-103070 | Fa
info@crealux.se | www.cri



Floodlights · Protection class IP 65 Tungsten halogen lamps, fluorescent lamps and discharge lamps

Floodlights for installation on existing G 1/2 · ISO · DIN 228 bushes or for screw connection to BEGA accessories with G 1/2 mounting bush, and floodlights ready for connection with mounting plate and outrigger arm.

These floodlights with rotationally symmetrical light distribution are designed for permanent operation.

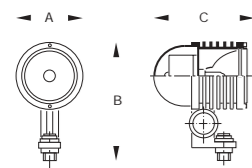
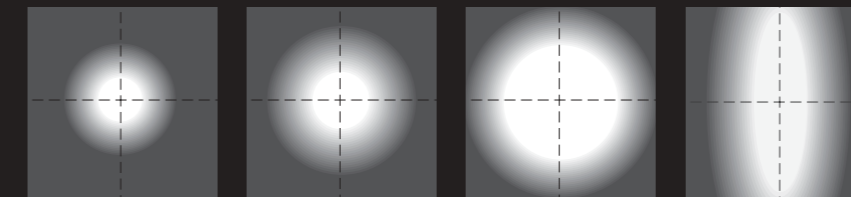
Technical data of accessories are given on pages 462 - 463.

They are suitable for illuminating advertizing boards, plants and architectural details both inside and outside, and wherever excellent colours of light and high protection classes are needed.

The light distribution set by the factory of the floodlights given on this double page and page 256 can be altered by exchangeable lenses with optical texture. These floodlights can also be equipped with dichroic colour effect filters to provide coloured light. Exchangeable lenses and colour effect filters are given on page 257 of this catalogue.

Floodlights ready for connection and portable operation are given on page 256 of this catalogue.

very narrow beam narrow beam wide beam flat beam



Permanent floodlights with G 1/2 mounting bush for

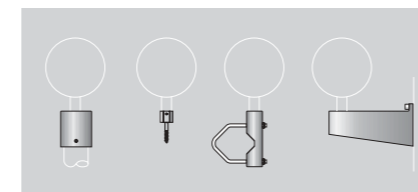
- low voltage tungsten halogen lamps QT 12-ax 50 W – GY 6.35
- high voltage tungsten halogen lamps QT 18 100 W – B 15d
- discharge lamps HIT-TC-CE 35 W Lampholder G 8.5

Protection class IP 65 · Safety glass
 γ = half beam angle

Die cast aluminium, aluminium and stainless steel
Reflector of pure anodized aluminium
8412 · 8413 Stainless steel ring louvre
2.5[□] connecting terminals
1 cable gland for connecting cable
H05RN-F 3 G 0.75[□]

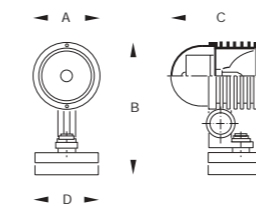
Colour: graphite – article number
white – article number + **W**
silver – article number + **A**

	narrow beam	γ	Lumen	A	B	C
8315	1 QT 12-ax 50 W with transf.	23°	930	110	175	150
8316	1 QT 18 100 W	22°	1500	110	175	150
8412	1 HIT-TC-CE 35 W	18°	3300	155	240	200
	very narrow beam	γ	Lumen	A	B	C
8413	1 HIT-TC-CE 35 W	6°	3300	155	240	200



Accessories for floodlights
8315 · 8316 · 8412 · 8413.
Technical data, pages 462 - 463.
Accessories must be ordered separately.

214	Pole cap	for pole top \varnothing 48 mm
248	Pole cap	for pole top \varnothing 60 mm
252	Wood screw (stainless steel)	G 1/2
280	Tube clamp	G 1/2
379	Outrigger arm	G 1/2



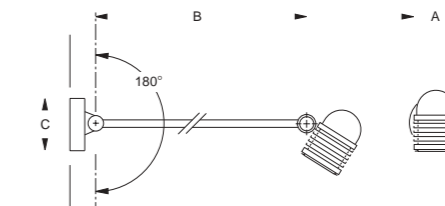
Permanent floodlights with mounting box for

- low voltage tungsten halogen lamps QT 12-ax 35 · 50 W – GY 6.35
- high voltage tungsten halogen lamps QT 18 60 · 100 W – B 15d
- discharge lamps HIT-TC-CE 35 W Lampholder G 8.5

γ = half beam angle

IP 65 · Die cast aluminium, aluminium and stainless steel · Safety glass
Reflector of pure anodized aluminium
7514 · 7524 Stainless steel ring louvre
Mounting box with 2.5[□] connecting terminals
Colour: graphite – article number
white – article number + **W**
silver – article number + **A**

Floodlights with mounting box		γ	Lumen	A	B	C	D
narrow beam							
7505	1 QT 12-ax 35 W w/o transf.	35°	600	70	130	90	70
7511	1 QT 12-ax 50 W w/o transf.	23°	910	95	175	145	100
7515	1 QT 12-ax 50 W with transf.	29°	910	110	215	160	110
7509	1 QT 18 60 W	24°	820	95	175	145	100
7516	1 QT 18 100 W	22°	1500	110	215	160	110
7514	1 HIT-TC-CE 35 W	18°	3300	155	280	200	110
very narrow beam		γ	Lumen	A	B	C	D
7524	1 HIT-TC-CE 35 W	6°	3300	155	280	200	110



Permanent floodlights with mounting box and outrigger arm for

- tungsten halogen lamps QT 12-ax 35 W
- tungsten halogen lamps QT 18 100 W
- fluorescent lamps TC-T 26 W
- discharge lamps HIT-TC-CE 35 W Lampholder G 8.5

γ = half beam angle

IP 65 · Die cast aluminium, aluminium and stainless steel · Safety glass
Reflector of pure anodized aluminium
7514 · 7524 Stainless steel ring louvre
The light output can be adjusted in all directions.
Colour: graphite – article number
white – article number + **W**
silver – article number + **A**

Floodlight with outrigger arm		γ	Lumen	A	B	C
wide beam						
7525	1 QT 12-ax 35 W w/o transf.	5°	600	70	130	90
7521	1 QT 18 100 W	3°	1500	110	215	160
7517	1 TC-T 26 W	9°	1000	110	215	160
7522	1 HIT-TC-CE 35 W	3°	3300	155	280	200
7620	1 HIT-TC-CE 70 W	3°	7000	155	280	200



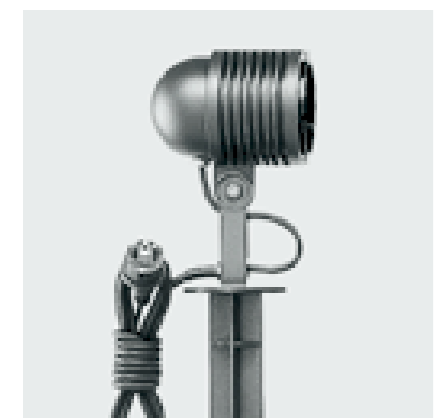
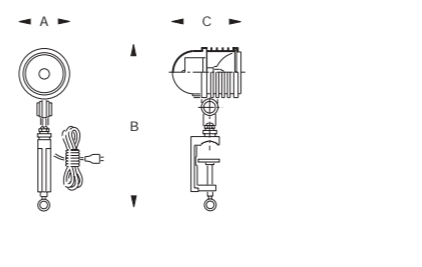
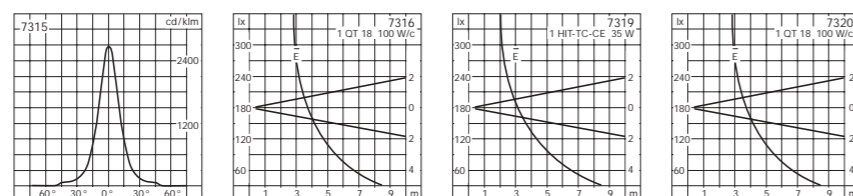
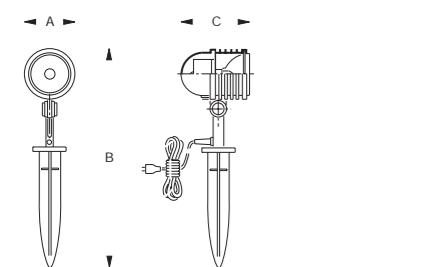
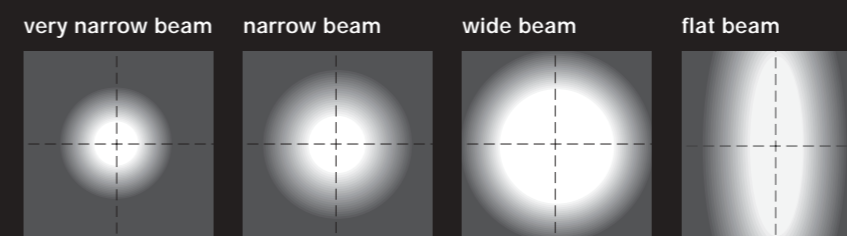
Tel +46 (0)8-103070 | Fa
info@crealux.se | www.cre



Floodlights · Protection class IP 65 Tungsten halogen lamps and discharge lamps

These floodlights are ready for connection and portable operation. They are compact luminaires with high light output to illuminate plants, building details and for many other lighting tasks in private and public areas, provided they are installed outside the reach of the general public.

The floodlights have narrow beam, rotationally symmetrical light distribution. The use of exchangeable lenses with optical texture achieves a broad spread rotationally symmetrical or elliptical light distribution. The floodlights can also be equipped with dichroic colour effect filters to produce coloured light.



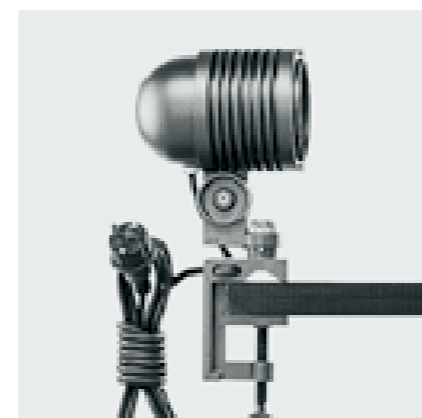
Portable floodlights
with earth spike or screw clamp for

- low voltage tungsten halogen lamps
QT 12-ax 50 W
- high voltage tungsten halogen lamps
QT 18 100 W
- discharge lamps HIT-TC-CE 35 W
Lampholder G 8.5

IP 65 · Fitted discharge units

Die cast aluminium and stainless steel
Safety glass · γ = half beam angle
Reflector of pure anodized aluminium
Glass-fibre reinforced plastic earth spike
Screw clamp, clamping thickness to 50 mm
Ready for connection with 5 m cable and
power plug · Protection class IP X4
Colour: graphite – article number
white – article number + W

				γ	Lumen	A	B	C
with earth spike								
7315	Floodlight	1 QT 12-ax	50 W	12 V	23°	910	110	480 150
7316	Floodlight	1 QT 18	100 W	230 V	22°	1500	110	480 150
7319	Floodlight	1 HIT-TC-CE	35 W		18°	3300	155	620 200
with screw clamp								
7320	Floodlight	1 QT 18	100 W		23°	1500	110	380 150



Exchangeable lenses - wide beam
Safety glass with prism structure changes the light distribution set by the factory of the floodlights on pages 254 - 256 from narrow beam to wide beam. Exchangeable lenses are accessories and must be ordered separately.

Exchangeable lenses - flat beam
Safety glass with optical texture changes the light distribution set by the factory of the floodlights on pages 254 - 256 into flat beam. Exchangeable lenses are accessories and must be ordered separately.



Colour effect filters
Dichroic colour effect filters for coloured light in green, blue and yellow. For the floodlights on pages 254 - 256.

Colour effect filters are accessories and must be ordered separately.

Luminaire	Exchangeable lenses -wide beam	-flat beam
7505	200	213
7525	--	213
7511 · 7509 · 7523	310	311
7315 · 7316 · 7320 · 7515 · 7516 · 7533 · 8315 · 8316	312	313
7319 · 7514 · 8412	316	315
7521	--	313
7524 · 7517 · 7522 · 7620	--	315

Luminaire	116	117
7505 · 7525		
7511 · 7509 · 7523	121	122
7315 · 7316 · 7320 · 7515 · 7516 · 7533 · 7524 · 7517 · 7522 · 7620 · 8412	126	127
7319 · 7514 · 7524 · 7517 · 7522 · 7620 · 8412	131	132



Klartorgsviadukten 110
113 114 115 116 117 118 119 120 121 122 123 124 125 126 127 128 129 130 131 132 133 134 135 136 137 138 139 140 141 142 143 144 145 146 147 148 149 150 151 152 153 154 155 156 157 158 159 160 161 162 163 164 165 166 167 168 169 170 171 172 173 174 175 176 177 178 179 180 181 182 183 184 185 186 187 188 189 190 191 192 193 194 195 196 197 198 199 200

Tel +46 (0)8-103070 | Fa
info@crealux.se | www.cre



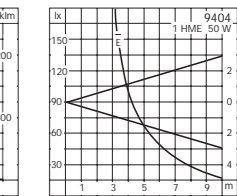
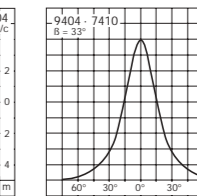
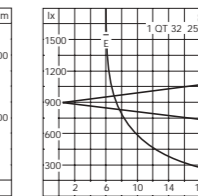
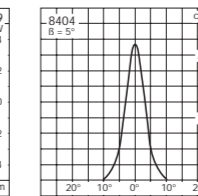
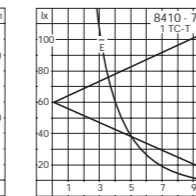
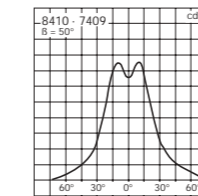
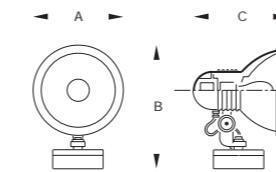
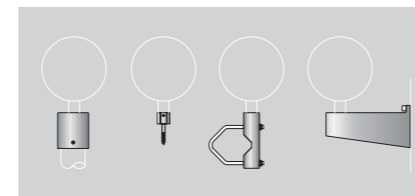
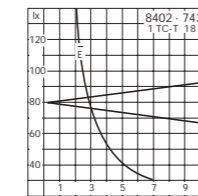
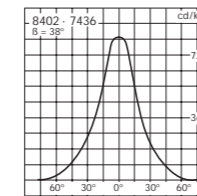
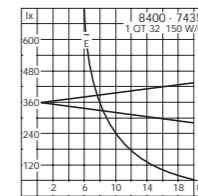
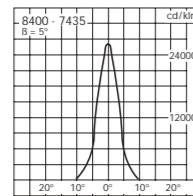
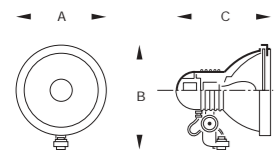
Floodlights for tungsten halogen lamps, fluorescent lamps and discharge lamps Protection class IP 65

Floodlights for installation on existing G 1/2 · ISO · DIN 228 bushes or for screw connection to BEGA accessories with G 1/2 mounting bush, and floodlights with mounting plate ready for connection.

Technical data of accessories are given on pages 462 - 463. Floodlights with rotationally symmetrical light distribution to illuminate advertising boards, plants and architectural details.

Floodlights with fluorescent lamps and discharge lamps can be used wherever the floodlights are in operation over long periods, or with tungsten halogen lamps where the excellent colour of the light from these lamps is required.

Floodlights ready for connection and portable operation are given on pages 260 - 261 of this catalogue.



Permanent floodlights with G 1/2 mounting bush for

- tungsten halogen lamps QT 32 150 · 250 W
- fluorescent lamps TC-T 18 · 26 W
- discharge lamps HME 50 W

Protection class IP 65
9404 for ambient temperature t_a 15 °C

Die cast aluminium and stainless steel
Reflector of pure anodized aluminium
Safety glass
2.5[□] connecting terminals
1 cable gland for connecting cable
H05RN-F 3 G 0.75[□]
Colour: graphite

Accessories for floodlights
8400 · 8402 · 8410 · 8404 · 9404
Technical data, pages 462 - 463.
Accessories must be ordered separately.
Portable floodlights with earth spike or screw clamp are given on pages 260 - 261 of this catalogue.

	Lamp	Lumen	A	B	C
8400	Floodlight G 1/2 1 QT 32 150 W	2400	185	215	215
8402	Floodlight G 1/2 1 TC-T 18 W	1200	185	215	215
8410	Floodlight G 1/2 1 TC-T 26 W	1800	225	275	245
8404	Floodlight G 1/2 1 QT 32 250 W	4000	225	275	245
9404	Floodlight G 1/2 1 HME 50 W	2000	225	275	245

214	Pole cap	for pole top Ø 48 mm
248	Pole cap	for pole top Ø 60 mm
252	Wood screw	G 1/2
280	Tube clamp	G 1/2
379	Outrigger arm	G 1/2



Permanent floodlights with mounting box Ø 110 mm for

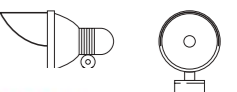
- high voltage tungsten halogen lamps QT 32 150 · 250 W
- fluorescent lamps TC-T 18 · 26 W
- discharge lamps HME 50 W

Protection class IP 65 · Safety glass

Die cast aluminium and stainless steel
Reflector of pure anodized aluminium
Mounting box with 2 cable entries and 3 x 2.5[□] connecting terminal
Colour: graphite – article number
white – article number + **W**
silver – article number + **A**

	Lamp	Lumen	A	B	C
7435	Floodlight 1 QT 32 150 W	2400	185	250	210
7436	Floodlight 1 TC-T 18 W	1200	185	250	210
7409	Floodlight 1 TC-T 26 W	1800	225	300	240
7405	Floodlight 1 QT 32 250 W	4210	225	300	240
7410	Floodlight 1 HME 50 W	2000	225	300	240

Shields for the floodlights on this double page. They prevent lateral glare from one direction up to 45°. They can be adjusted by 360°. Shields are accessories and must be ordered separately.



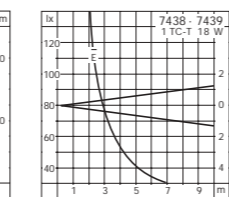
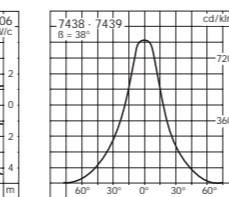
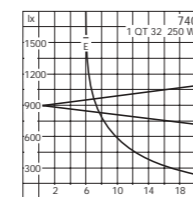
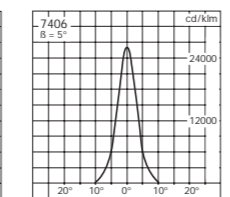
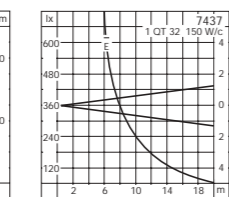
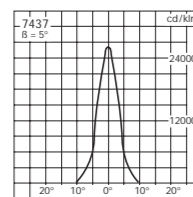
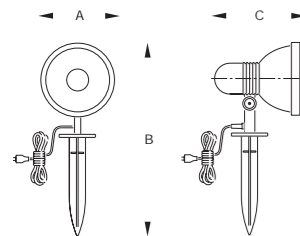
CREAL
30x 50x 10724 8400 · 8402
8404 · 9404
Klarabergsviadukten 7109 · 7405 · 7410
Tel +46 (0)8-103070 | Fa
info@crealux.se | www.cre



Floodlights · Protection class IP 65 Incandescent lamps, fluorescent lamps and discharge lamps

These portable floodlights with earth spike or screw clamp are designed to solve a host of lighting tasks in private and public areas. They are extremely economical due to their high luminous efficiency and the long burning life of the fluorescent and discharge lamps. For this reason, they are particularly suitable for areas where floodlights need to be operated over long periods without maintenance.

When installing the floodlights, there must be a distance of at least $\varnothing 0,5 \text{ m}$ between the light opening and the illuminated object.



Portable floodlights with earth spike for

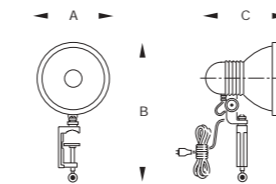
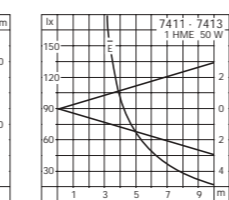
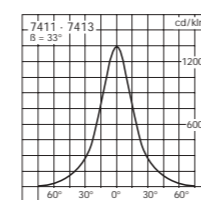
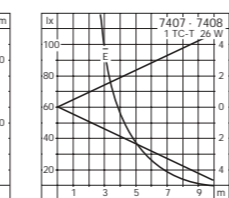
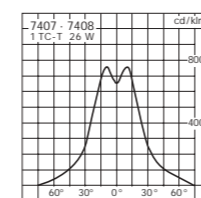
- high voltage tungsten halogen lamps QT 32 150 · 250 W
- fluorescent lamps TC-T 18 · 26 W
- discharge lamps HME 50 W

Protection class IP 65 · Safety glass

Die cast aluminium and stainless steel
Reflector of pure anodized aluminium
Glass-fibre reinforced plastic earth spike
Ready for connection with 5 m cable and power plug · Protection class IP X4

Colour: graphite

	with earth spike	Lamp	Lumen	A	B	C	
7437	Floodlight	1 QT 32	150 W	2400	185	500	210
7406	Floodlight	1 QT 32	250 W	4210	225	645	240
7438	Floodlight	1 TC-T	18 W	1200	185	500	210
7407	Floodlight	1 TC-T	26 W	1800	225	645	250
7411	Floodlight	1 HME	50 W	2000	225	645	240



Portable floodlights with screw clamp for

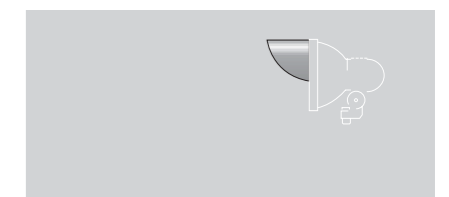
- fluorescent lamps TC-T 18 · 26 W
- discharge lamps HME 50 W

Protection class IP 65 · Safety glass
Die cast aluminium and stainless steel

Reflector of pure anodized aluminium
Die cast aluminium screw clamp
Ready for connection with 5 m cable and power plug · Protection class IP X4

Colour: graphite

	with screw clamp	Lamp	Lumen	A	B	C	
7439	Floodlight	1 TC-T	18 W	1200	185	350	210
7408	Floodlight	1 TC-T	26 W	1800	225	385	240
7413	Floodlight	1 HME	50 W	2000	225	385	240



Shields for the floodlights on this double page. They prevent lateral glare from one direction up to 45°. They can be adjusted by 360°.

Shields are accessories and must be ordered separately.



344 Shield for 7437 · 7438 · 7439
354 Shield for 7406 · 7407
Klarabergsviadukten 701 · 7408 · 7413
Tel +46 (0)8-103070 | Fa
info@crealux.se | www.cri



Floodlights for reflector lamps PAR 56 · 300 W Protection class IP 54

Floodlights for permanent installation with mounting box, for portable installation with earth spike, for installation on existing G 1/2 · ISO · DIN 228 bushes or for screw connection to BEGA accessories with G 1/2 mounting bush.

The advantage of these floodlights for PAR 56 · 300 W lamps lies in their high light output, versatility of light distribution and therefore the diversity of application areas.

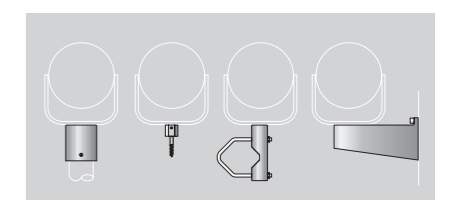
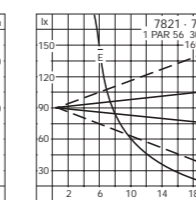
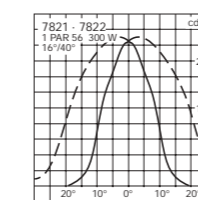
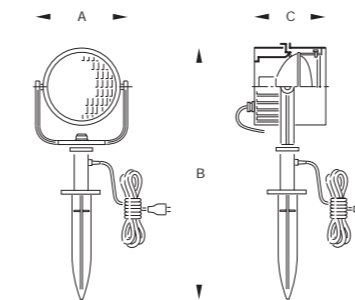
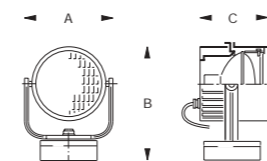
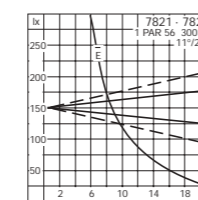
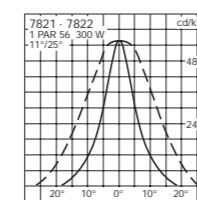
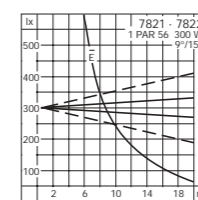
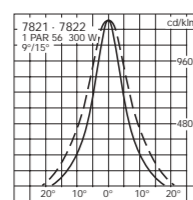
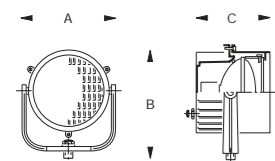
They are designed for illuminating details on buildings and in gardens, for accent lighting or illuminating wall surfaces.

The lamps with elliptical light distribution are available in three versions:

- NSP lamp: half beam angle 9° / 15°:
very narrow beam light for small objects at a great distance or
- MFL lamp: half beam angle 11° / 25°:
wide beam light for objects of medium size or
- WFL lamp: half beam angle 16° / 40°:
broad spread light for large objects at a short distance.

The floodlights are equipped with safety glass to ensure the lamp's operational safety, and this must not be removed.

The distance between the light opening and the illuminated object must be at least 0.8 m.



Permanent floodlights with G 1/2 mounting bush or mounting box Ø 130 mm for

- reflector lamps PAR 56 300 W
- NSP · MFL · WFL

Protection class IP 54 · Safety glass
Die cast aluminium and stainless steel
Ambient temperature $t_a = 15^\circ\text{C}$
Push-on shield for lateral glare suppression from 45° radially at intervals of 60° . Shields are accessories and must be ordered separately.

9850 2.5[□] connecting terminals
1 cable gland for connecting cable H05RN-F 3 G 0,75[□]
Bracket with
2 holes Ø 7 mm · Spacing 70 mm
and G 1/2 mounting bush
Colour: graphite

7821 Mounting box with 2 cable entries and 2.5[□] connecting terminal
Colour: graphite – article number
silver – article number + **A**



Portable floodlights with earth spike for

- reflector lamps PAR 56 300 W

Protection class IP 54

Die cast aluminium and stainless steel
Safety glass
Ambient temperature $t_a = 15^\circ\text{C}$

Glass-fibre reinforced plastic earth spike
Ready for connection with 5 m cable and power plug · Protection class IP X4
Push-on shield for lateral glare suppression from 45° radially at intervals of 60° .

Colour: graphite

Reflector lamp	Lumen	A	B	C	
9850 Floodlight G 1/2	1 PAR 56 300 W	3000	210	240	190
7821 Floodlight	1 PAR 56 300 W	3000	210	270	190

Reflector lamp	Lumen	A	B	C	
7822 Floodlight	1 PAR 56 300 W	3000	210	630	190

Accessories for the floodlights on this double page. Technical data, pages 462 - 463. Accessories must be ordered separately.

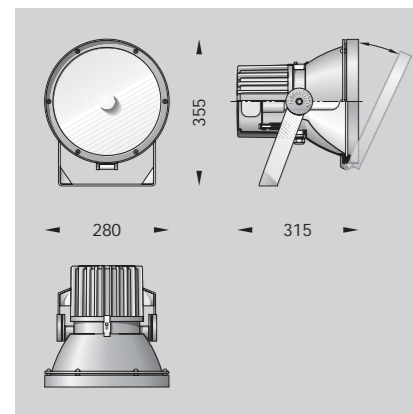
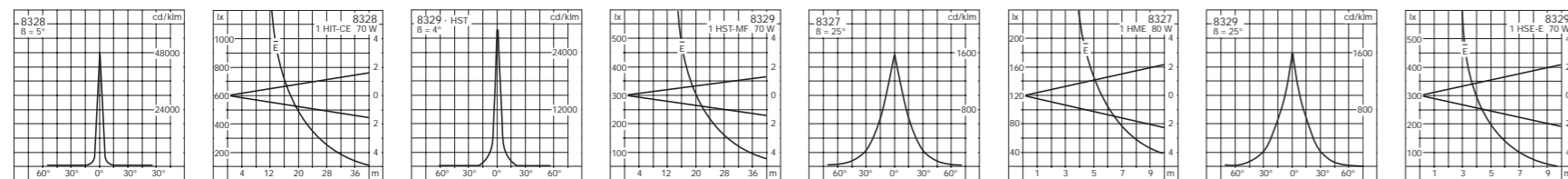
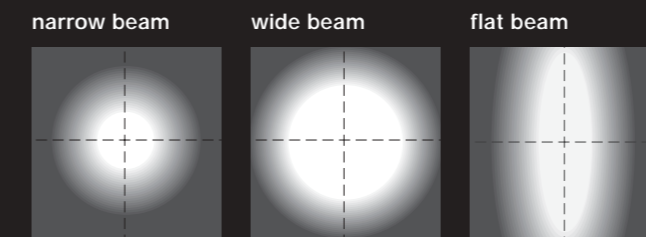
3		op Ø 48 mm
2		op Ø 60 mm
2		G 1/2
2		G 1/2
3	Paradigmadukten 70	G 1/2

Tel +46 (0)8-103070 | Fa
info@crealux.se | www.cre



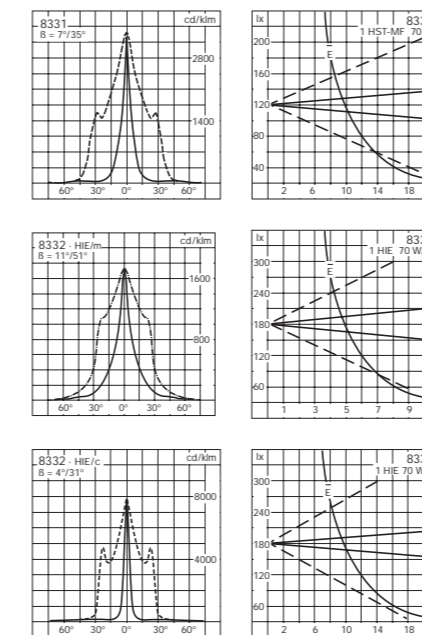
Power floodlights for discharge lamps up to 80 W
with built-in discharge units
Protection class IP 67

These floodlights with rotationally symmetrical or flat beam light distribution can be rotated $\pm 90^\circ$. They are designed to floodlight details on buildings and in gardens or to illuminate advertising boards. The floodlights can also be equipped with dichroic colour effect filters to provide coloured light. Matching accessories for installation of the floodlights on wall and ceiling surfaces or on and to poles are shown in the table on this page. Technical data of accessories are given on pages 464 - 465.



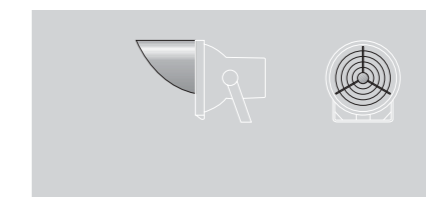
Power floodlights with built-in discharge units for
• discharge lamps 50 · 70 · 80 W
HIT-CE 70 W Lampholder G 12
Protection class IP 67 · Safety glass
Die cast aluminium, aluminium and stainless steel
Reflector of pure anodized aluminium
Bracket with 1 central hole \varnothing 22 mm and 2 holes \varnothing 9 mm · Spacing 80 mm
2.5[□] connecting terminals
1 cable gland for connecting cable H07RN-F 3 G 1.5[□]
Colour: graphite – article number silver – article number + A
Shields and ring louvres are accessories and must be ordered separately.

	narrow beam	Lamp		Lumen	Shield	Ring louvre
8328	Floodlight	1 HIT-CE 70 W		6600	430	665
8329	Floodlight	1 HST-MF 50 · 70 W		4000 · 6500	430	665
	wide beam	Lamp				
8327	Floodlight	1 HME 80 W		4000	430	660
8329	Floodlight	1 HSE-E 50 · 70 W		3500 · 5600	430	660
	flat beam	Lamp				
8331	Floodlight	1 HST-MF 50 · 70 W		4000 · 6500	430	665
8332	Floodlight	1 HIE 70 W		4700	430	660



Colour effect filters
Dichroic colour effect filters are available for floodlights 8328 · 8332. Colours green, blue and yellow.
Colour effect filters are accessories and must be ordered separately.

Luminaire	135	136	137
8328 · 8332			

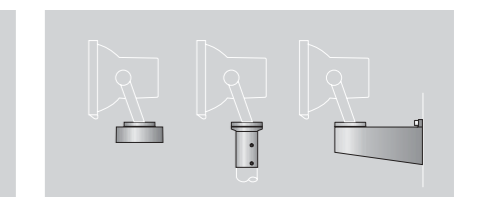


Shields and ring louvres

We supply matching shields or ring louvres for the floodlights on this double page.

430 – Shield.
It prevents lateral glare from one direction up to 45°. It can be adjusted by 360°.

660 · 665 – Ring louvres.
They prevent lateral glare from all directions up to 45°. Louvres are mounted inside the floodlight.



Accessories
for installation of the floodlights on this double page on wall and ceiling surfaces, on or to poles.

Technical data, pages 464 - 465.
Accessories must be ordered separately.

CREAL

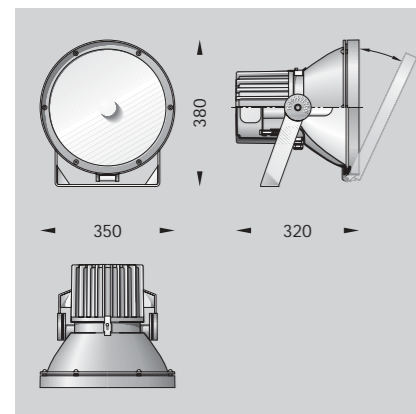
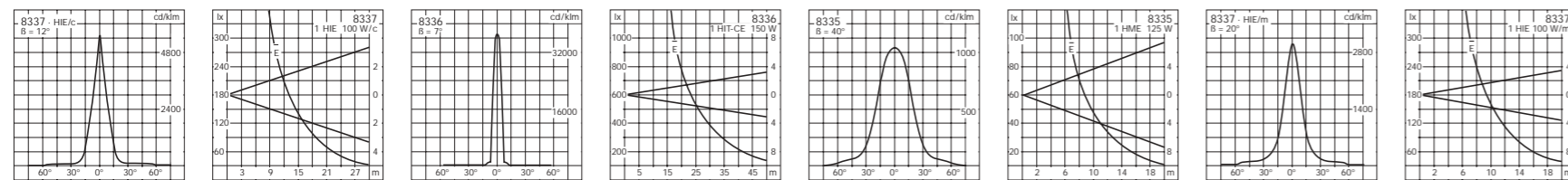
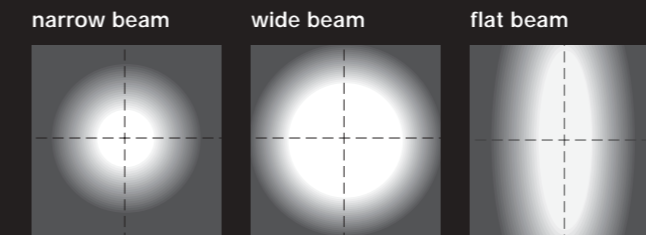
2	Ø 200 x 60
3	Ø 180 x 60
3	Ø 60 mm
3	Ø 76 mm
3	discharge unit

Tel +46 (0)8-103070 | Fa info@crealux.se | www.cre



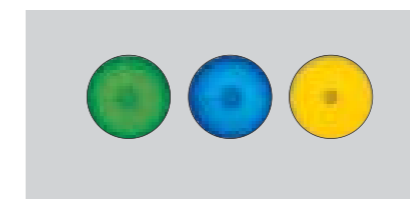
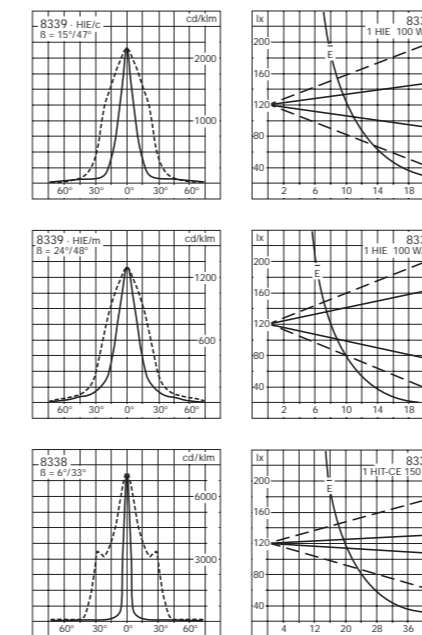
Power floodlights for discharge lamps up to 150 W
with built-in discharge units
Protection class IP 67

These floodlights with rotationally symmetrical or flat beam light distribution can be rotated $\pm 90^\circ$. They are designed to floodlight details on buildings and in gardens, or to illuminate advertising boards. The floodlights can be equipped with dichroic colour effect filters to provide coloured light. Matching accessories for installation of the floodlights on wall and ceiling surfaces or on and to poles are shown in the table on this page. Technical data of accessories are given on pages 464 - 465.



Power floodlights with built-in discharge units for
• discharge lamps 100 · 125 · 150 W
Protection class IP 67
Die cast aluminium, aluminium and stainless steel
Reflector of pure anodized aluminium
Safety glass
Bracket with 1 central hole \varnothing 22 mm and 2 holes \varnothing 9 mm · Spacing 80 mm
1 cable gland for connecting cable
H07RN-F up to \varnothing 11 mm
2.5² connecting terminals
Colour: graphite – article number silver – article number + A
Shields and ring louvres are accessories and must be ordered separately.

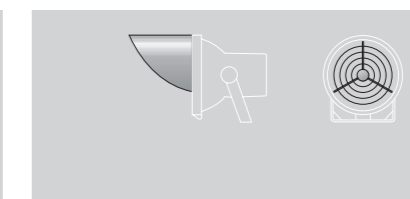
narrow beam		Lamp	Lumen	Shield	Louvre
8337	Floodlight	1 HIE 100 W/c	9000	431	661
8336	Floodlight	1 HIT-CE 150 W/G12	14000	431	666
wide beam		Lamp	Lumen	Shield	Louvre
8335	Floodlight	1 HME 125 W	6500	431	661
8337	Floodlight	1 HIE 100 W/m	8000	431	661
flat beam		Lamp	Lumen	Shield	Louvre
8339	Floodlight	1 HIE 100 W/c	9000	431	661
8339	Floodlight	1 HIE 100 W/m	8000	431	661
8338	Floodlight	1 HIT-CE 150 W/G12	14000	431	666



Colour effect filters
Colour effect filters are available for floodlights 8336 · 8337 · 8338 and 8339. Colours green, blue and yellow.

Colour effect filters are accessories and must be ordered separately.

Luminaire	Green	Blue	Yellow
8337 · 8336	140	141	142
8339 · 8338	140	141	142

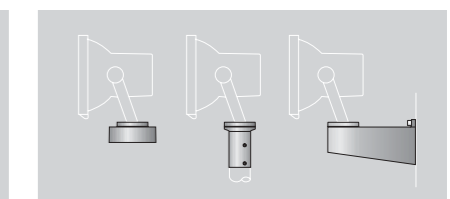


Shields and ring louvres

We supply matching shields or ring louvres for the floodlights on this double page.

431 – Shield.
It prevents lateral glare from one direction up to 45° .
It can be adjusted by 360° .

661 · 666 – Ring louvres.
They prevent lateral glare from all directions up to 45° . Louvres are mounted inside the floodlight.



Accessories

for installation of the floodlights on this double page to wall and ceiling surfaces, on or to poles.

Technical data, pages 464 - 465.

Accessories must be ordered separately.

CREAL

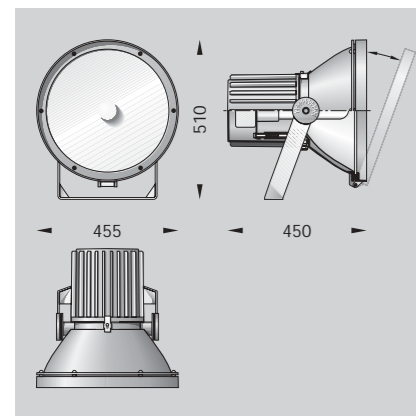
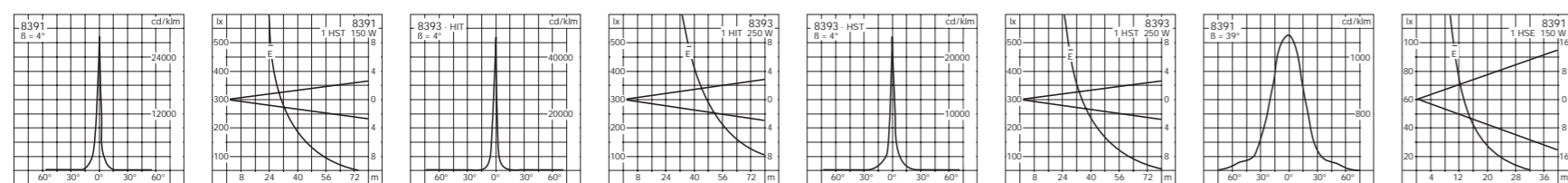
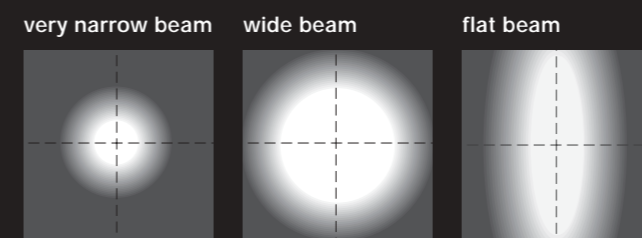
2	Ø 200 x 60
3	Ø 180 x 60
3	Ø 60 mm
3	Ø 76 mm
3	discharge unit

Tel +46 (0)8-103070 | Fa info@crealux.se | www.cri



**Power floodlights for discharge lamps up to 250 W
with built-in discharge units
Protection class IP 67**

These floodlights with rotationally symmetrical or flat beam light distribution can be rotated $\pm 90^\circ$. They are designed to floodlight details on buildings and in gardens, and to illuminate sports facilities or industrial plants or advertising boards. Matching accessories for installation of the floodlights on wall and ceiling surfaces or on and to poles are shown in the table on this page. Technical data of accessories are given on pages 464 - 465.

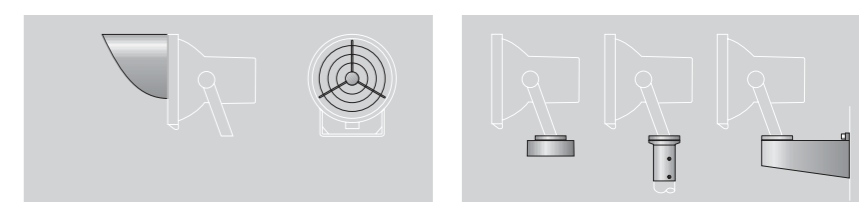
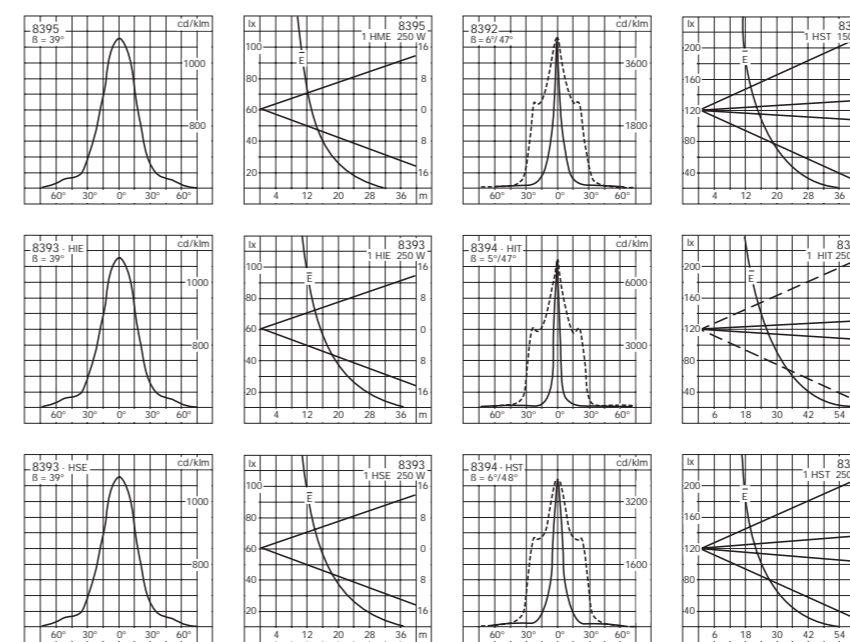


Power floodlights with built-in discharge units for
 • discharge lamps 150 · 250 W
 Protection class IP 67
 Die cast aluminium, aluminium and stainless steel · Safety glass
 Reflector of pure anodized aluminium
 Bracket with 1 central hole \varnothing 22 mm and 2 holes \varnothing 9 mm · Spacing 80 mm
 1 cable gland for connecting cable
 H07RN-F up to \varnothing 11 mm
 2.5[□] connecting terminals

Colour: graphite – article number
 silver – article number + **A**

Shields and ring louvres are accessories and must be ordered separately.

very narrow beam		Lamp	Lumen	Shield	Louvre
8391	Floodlight	1 HST 150 W	14 500	432	667
8393	Floodlight	1 HIT 250 W	20 000	432	667
8393	Floodlight	1 HST 250 W	27 000	432	667
wide beam		Lamp	Lumen	Shield	Louvre
8391	Floodlight	1 HSE 150 W	14 000	432	662
8395	Floodlight	1 HME 250 W	14 000	432	662
8393	Floodlight	1 HIE 250 W	19 000	432	662
8393	Floodlight	1 HSE 250 W	25 000	432	662
flat beam		Lamp	Lumen	Shield	Louvre
8392	Floodlight	1 HST 150 W	14 500	432	667
8394	Floodlight	1 HIT 250 W	20 000	432	667
8394	Floodlight	1 HST 250 W	27 000	432	667



Shields and ring louvres

We supply matching shields or ring louvres for the floodlights on this double page.

432 – Shield.
 It prevents lateral glare from one direction up to 45° .
 It can be adjusted by 360° .

662 · 667 – Ring louvres.
 They prevent lateral glare from all directions up to 45° . Louvres are mounted inside the floodlight.

Accessories

for installation of the floodlights on this double page on wall and ceiling surfaces, on or to poles.

Technical data, pages 464 - 465.

Accessories must be ordered separately.

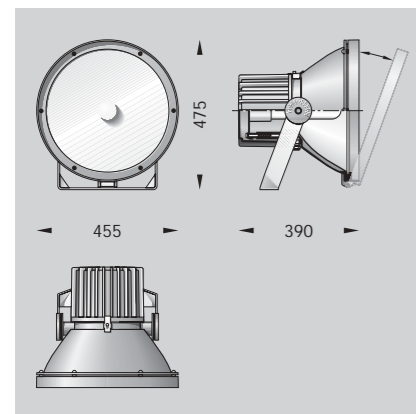
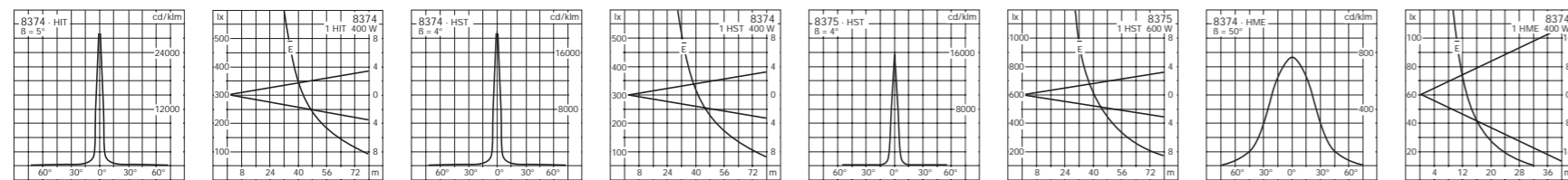
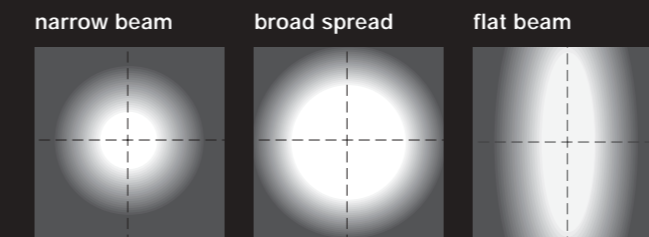
2	Shield	\varnothing 200 x 60
3	Ring louvres	\varnothing 180 x 60
3	Shield	\varnothing 60 mm
3	Ring louvres	\varnothing 76 mm
3	Ring louvres	\varnothing 89 mm
3	Ring louvres	\varnothing 70 discharge unit

Tel +46 (0)8-103070 | Fa
 info@crealux.se | www.cre



Power floodlights for discharge lamps up to 600 W
External discharge units
Protection class IP 67

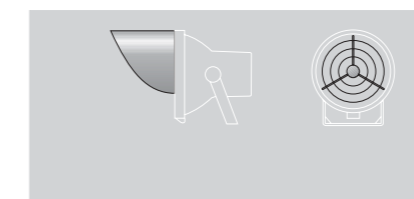
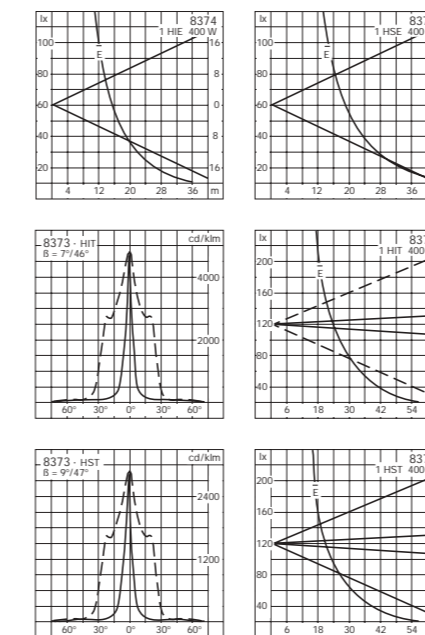
These floodlights with rotationally symmetrical or flat beam light distribution can be rotated $\pm 90^\circ$. They are designed for lighting tasks in architecture where very high light outputs are required, for sports facilities or industrial plants. Matching accessories for installation of the floodlights on wall and ceiling surfaces or on and to poles are shown in the table on this page. Technical data of accessories are given on pages 464 - 465.



Power floodlights **without discharge units** for
 • discharge lamps 400 · 600 W
 IP 67 · Safety glass · Die cast aluminium, aluminium and stainless steel
 Reflector of pure anodized aluminium
 Bracket with 1 central hole \varnothing 22 mm and 2 holes \varnothing 9 mm
 Spacing 80 mm · 1 cable gland for connecting cable H07RN-F to \varnothing 11 mm 2.5^{sq} connecting terminals
 Colour: graphite – article number silver – article number + **A**

Control boxes, outrigger arms, shields and ring louvres are accessories and must be ordered separately.

		narrow beam	Lumen	Connection box	Outrigger	Shield	Louvre
8374	1 HIT	400 W	32000	240	398	432	667
8374	1 HST	400 W	48000	240	398	432	667
8375	1 HST	600 W	90000	212	498	432	667
		broad spread	Lumen	Connection box	Outrigger	Shield	Louvre
8374	1 HME	400 W	24000	286	394	432	662
8374	1 HIE	400 W	30000	240	398	432	662
8374	1 HSE	400 W	47000	240	398	432	662
		flat beam	Lumen	Connection box	Outrigger	Shield	Louvre
8373	1 HIT	400 W	32000	240	398	432	667
8373	1 HST	400 W	48000	240	398	432	667

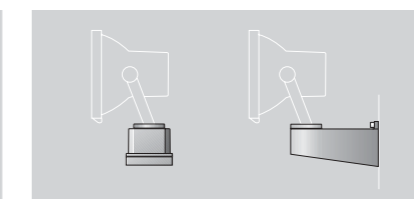


Shields and ring louvres

We supply matching shields and ring louvres for the floodlights on this double page.

432 – Shield.
 It prevents lateral glare from one direction up to 45°. It can be adjusted by 360°.

662 · 667 – Ring louvres.
 They prevent lateral glare from all directions up to 45°. Louvres are mounted inside the floodlight.



Connection boxes and outrigger arms with built-in discharge units

We supply connection boxes and outrigger arms with built-in discharge units for the floodlights on this double page.

Perfect accessories for BEGA high-power floodlights.

The interconnecting cable between floodlight and connection box 240 must not be more than 2.0 m.

Technical data, pages 464 - 465.



Box 70396 | 10724 STOCKHOLM
 Klarabergsviadukten 70
 Tel +46 (0)8-103070 | Fa
 info@crealux.se | www.cri



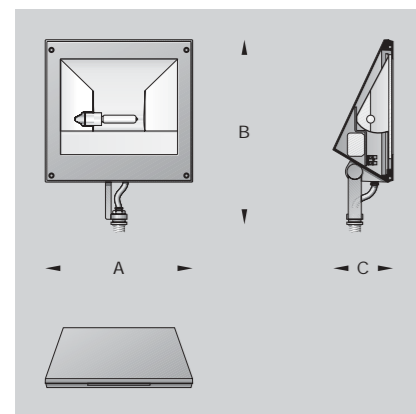
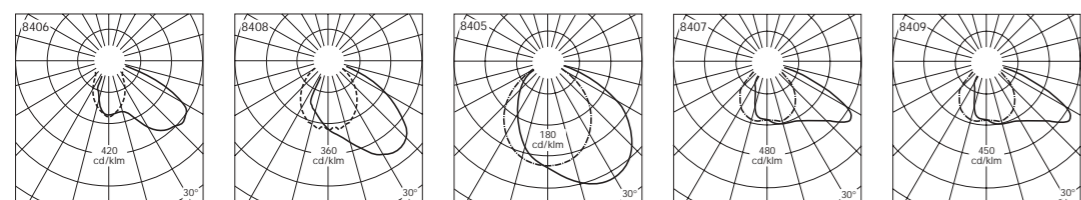
Surface washers for fluorescent lamps, tungsten halogen lamps and discharge lamps Protection class IP 65

Floodlights with asymmetrical light distribution for permanent installation on existing G 3/8 oder G 1/2 · ISO · DIN 228 bushes.
They are designed to provide uniform illumination of advertizing boards and facades.

The floodlights for fluorescent lamps TC-TEL are equipped with electronic ballasts. 26 · 32 · 42 W lamps can be used in these luminaires.

The floodlights with G 1/2 mounting bush can be screw connected to BEGA accessories. Technical data of accessories are given on pages 462 - 463.

Floodlights with G 3/8 mounting bush are not designed for screw connection to BEGA accessories.



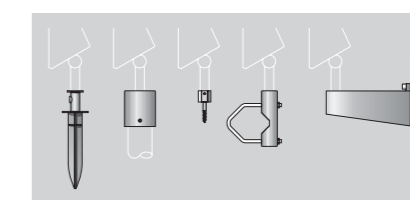
Surface washers with G 3/8 and G 1/2 mounting bush for

- tungsten halogen lamps QT-DE 12
- fluorescent lamps TC-TEL for EB
- discharge lamps HIT G 8.5 · HI/HST-DE

IP 65 · Safety glass · Die cast aluminium, aluminium and stainless steel
Reflector of pure anodized aluminium

8406 · 8408 0.5 m cable N2GMH 2G-J
8405 · 8407 · 8409
1 cable gland for connecting cable
H05RN-F up to Ø 7 mm
2.5² connecting terminals
Colour: graphite – article number
white – article number + **W**
silver – article number + **A**

G 3/8 mounting bush		Lamp		Lumen	A	B	C
8406	Surface washer	1 QT-DE 12	150 W	2500	150	250	80
8408	Surface washer	1 QT-DE 12	300 W	5000	260	340	105
G 1/2 mounting bush							
8405	Surface washer	1 TC-TEL 26 · 32 · 42 W	1800 · 2400 · 3200	260	340	105	
8407	Surface washer	1 HIT-TC-CE	35 W	3300	260	340	105
8409	Surface washer	1 HI/HST-DE	70 W	5000 · 6800	260	340	105



Accessories
for floodlights 8405 · 8407 · 8409
Technical data, pages 462 - 463.
Accessories must be ordered separately.

Floodlights ready for connection with mounting box and outrigger arm are given on pages 462 - 463 of this catalogue.

204	Earth spike	G 1/2
214	Pole cap for pole top	Ø 48 mm
248	Pole cap for pole top	Ø 60 mm
252	Wood screw	G 1/2
280	Tube clamp	G 1/2
379	Outrigger arm	G 1/2



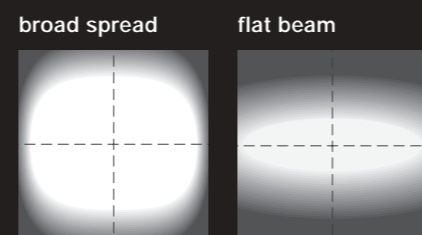
Box 70396 | 10724 STOCKHOLM
Klarabergsviadukten 70
Tel +46 (0)8-103070 | Fa
info@crealux.se | www.cre



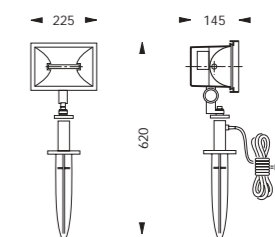
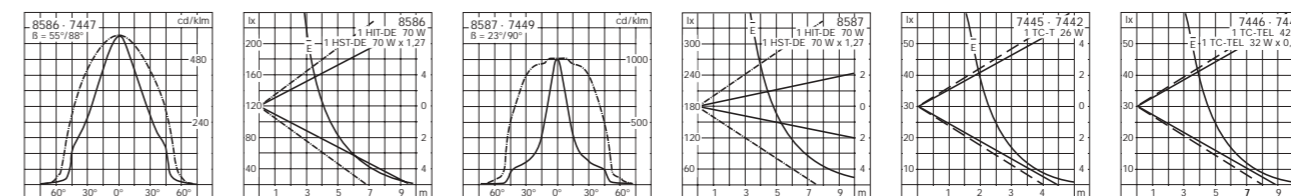
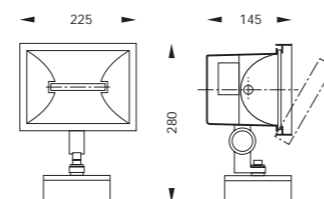
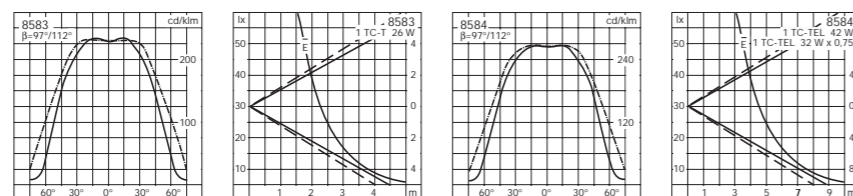
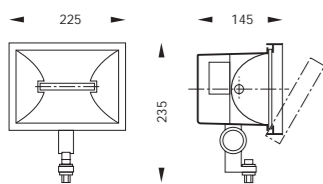
Floodlights for fluorescent lamps up to 42 W and discharge lamps 70 W Protection class IP 65 · IP 67

Floodlights for installation on existing G 1/2 ISO-DIN 228 bushes or for screw connection to BEGA accessories with G 1/2 mounting bush and floodlight ready for connection for permanent or portable operation. Technical data of accessories are given on pages 462 - 463. These floodlights with broad spread or flat beam light distribution are economical due to the low power consumption, long life of the lamps and long maintenance intervals. They are designed to floodlight details on buildings and in gardens or to illuminate wall surfaces. The floodlights can be equipped with coloured disks to provide coloured light. The floodlights for fluorescent lamps TC-TEL are equipped with electronic ballasts. 26 · 32 · 42 W lamps can be used in these luminaires.

Coloured disks are available for the floodlights on this double page. Colours green, blue and yellow. Coloured disks are accessories and must be ordered separately.



- 218 Coloured disk green
- 219 Coloured disk blue
- 220 Coloured disk yellow



Permanent floodlights for

- fluorescent lamps TC-T 26 W
- fluorescent lamps for electronic ballasts TC-TEL 26 · 32 · 42 W
- discharge lamps HI/HST-DE 70 W

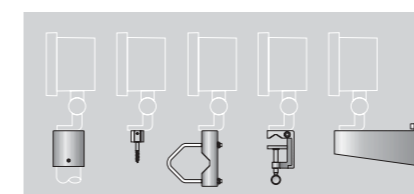
IP 67 · Safety glass · Die cast aluminium, aluminium and stainless steel
Reflector of pure anodized aluminium
G 1/2 mounting bush

1 cable gland for connecting cable H07RN-F up to Ø 8 mm · 2.5[□] connecting terminal or with mounting box Ø 110 mm with 2 cable entries and 3 x 2.5[□] connecting terminal · IP 65

Colour: graphite – article number
white – article number + **W**
silver – article number + **A**

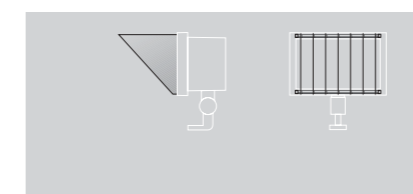
Mounting bush	Lamp	Lumen
8583 broad spread	1 TC-T 26 W	1800
8584 broad spread	1 TC-TEL 26 · 32 · 42 W	1800 · 2400 · 3200
8586 broad spread	1 HI/HST-DE 70 W	5000 · 6800
8587 flat beam	1 HI/HST-DE 70 W	5000 · 6800

Mounting box	Lamp	Lumen
7445 broad spread	1 TC-T 26 W	1800
7446 broad spread	1 TC-TEL 26 · 32 · 42 W	1800 · 2400 · 3200
7447 broad spread	1 HI/HST-DE 70 W	5000 · 6800
7449 flat beam	1 HI/HST-DE 70 W	5000 · 6800



Accessories for the floodlights on this double page. Technical data, pages 462 - 463. Accessories must be ordered separately.

214 Pole cap for pole top	Ø 48 mm
248 Pole cap for pole top	Ø 60 mm
252 Wood screw	G 1/2
280 Tube clamp	G 1/2
283 Screw clamp	G 1/2
379 Outrigger arm	G 1/2



Shields and louvers
335 – Shield. They screen the light upwards or downwards.
618 – Louvre. It prevents lateral glare from one direction up to 45°. Shields and louvers are accessories and must be ordered separately.

335 Shield	
618 Louvre	

Portable floodlights for

- fluorescent lamps TC-T 26 W 1800 lm
- fluorescent lamps for electronic ballasts TC-TEL 26 · 32 · 42 W 1800 · 2400 · 3200 lm

Protection class IP 65
Die cast aluminium and stainless steel
Reflector of pure anodized aluminium
Safety glass · Glass-fibre reinforced plastic earth spike
Ready for connection with 5 m cable and power plug · Protection class IP X4

Colour: graphite

Fluorescent lamps	
7442 broad spread 1TC-T	26 W
7443 broad spread 1TC-TEL 26 · 32 · 42 W	

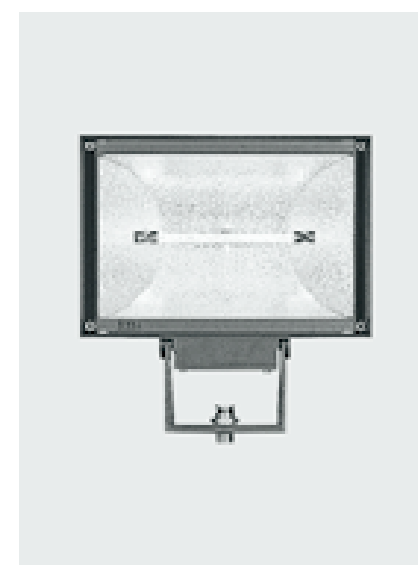
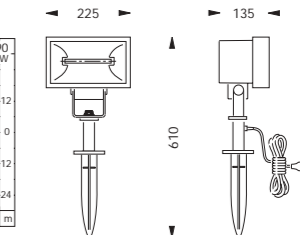
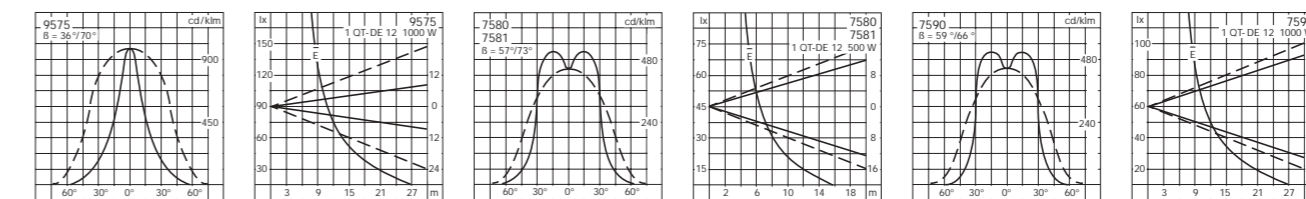
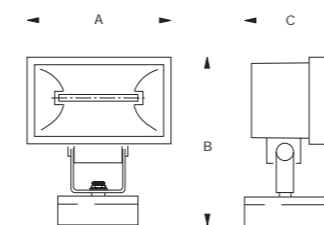
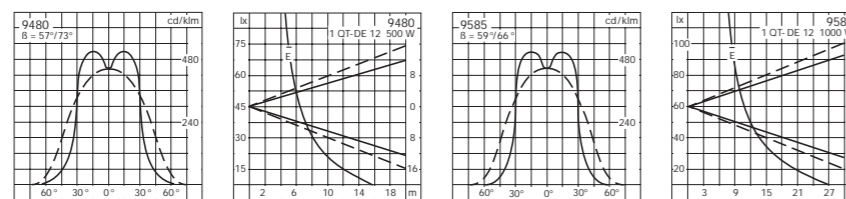
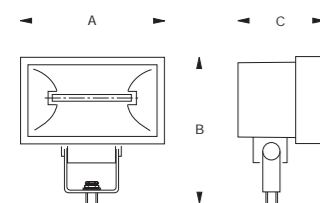
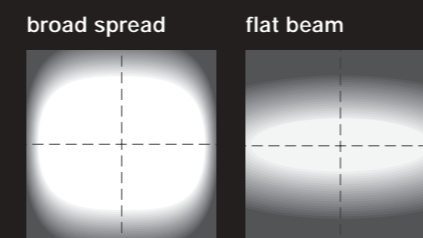


Box 70396 | 10721 STOC
Klarabergsviadukten 70
Tel +46 (0)8-103070 | Fa
info@crealux.se | www.cre



Floodlights for tungsten halogen lamps up to 1000 W Protection class IP 64

Floodlights for installation on existing G 1/2 ISO · DIN 228 bushes or for screw connection to BEGA accessories with G 1/2 mounting bush and floodlight ready for connection for permanent or portable operation.
Technical data of accessories are given on pages 462 - 463.
The floodlights are designed to provide uniform illumination of advertizing boards and facades, and for use in alarm systems, as emergency lighting or object illumination.



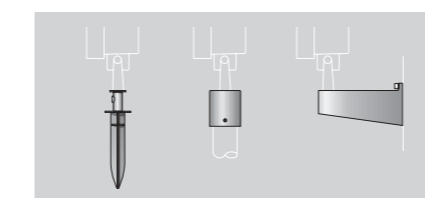
Floodlights with G1/2 mounting bush for
• tungsten halogen lamps QT-DE 12
200 · 300 · 500 · 750 · 1000 W
Protection class IP 64 · Safety glass
Die cast aluminium and stainless steel
Reflector of pure anodized aluminium
Ambient temperature at maximum wattage ta 15 °C
Bracket with
1 central hole Ø 22 mm and
2 holes Ø 9 mm · Spacing 70 mm

9480 2 holes Ø 7 mm · Spacing 60 mm
1 cable gland for connecting cable
H07RN-F up to Ø 11 mm
2.5² connecting terminals
or with mounting box Ø 110 mm · Ø 130 mm
with 2 cable entries and
3 x 2.5² connecting terminal

Colour: graphite
7580 · 7590 · 7591
Colour: graphite – article number
white – article number + **W**

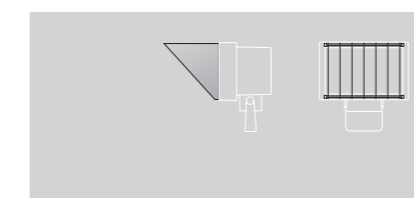
Mounting bush	Lamp	Lumen	A	B	C
9480 broad spread	1 QT-DE 12 500 W	9500	225	225	135
9585 broad spread	1 QT-DE 12 1000 W	22000	300	315	170
9575 flat beam	1 QT-DE 12 1000 W	22000	300	315	170

Mounting box	Lamp	Lumen	A	B	C
7580 broad spread	1 QT-DE 12 500 W	9500	225	265	135
7590 broad spread	1 QT-DE 12 1000 W	22000	300	370	170
7591 flat beam	1 QT-DE 12 1000 W	22000	300	370	170



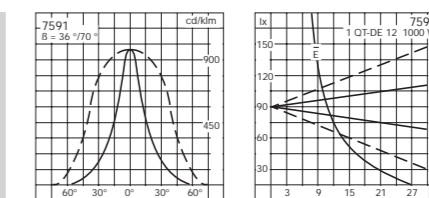
Accessories
for the floodlights on this double page.
Technical data, pages 462 - 463.
Accessories must be ordered separately.

204 Earth spike	G 1/2
248 Pole cap for pole top	Ø 60 mm
249 Pole cap for pole top	Ø 76 mm
379 Outrigger arm	G 1/2



Shields and louvres
335 · 317 – Shields. They screen the light upwards or downwards.
618 · 607 – Louvres. They prevent glare from one direction up to 45°.
Shields and louvres are accessories and must be ordered separately.

335 Shield for	9480 · 7580 · 7581
317 Shield for	9585 · 9575 · 7590 · 7591
618 Louvre for	9480 · 7580 · 7581
607 Louvre for	9585 · 9575 · 7590 · 7591



Portable floodlights for
• tungsten halogen lamps
QT-DE 12 200 · 300 · 500 W
Protection class IP 64
Die cast aluminium and stainless steel
Safety glass
Reflector of pure anodized aluminium
Glass-fibre reinforced plastic spike
Ready for connection with 5 m cable and power plug · Protection class IP X4
Colour: graphite

Tungsten halogen lamp	Lumen
7581 broad spread 1 QT-DE 12	500 W

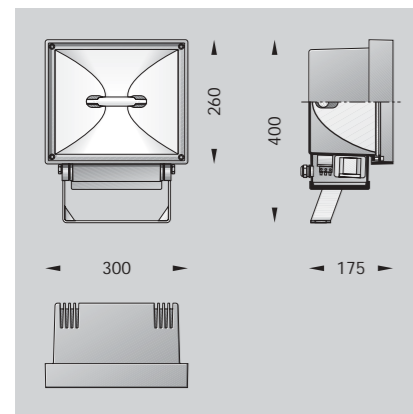
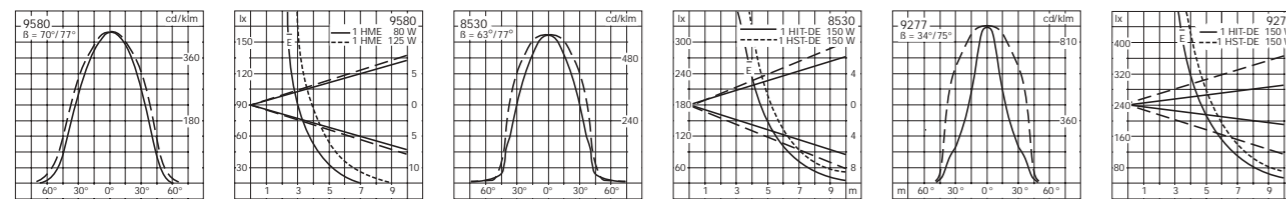
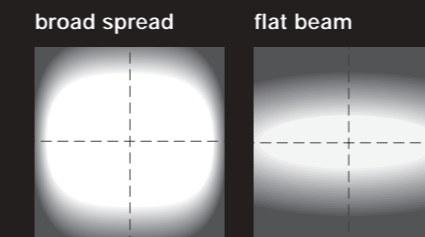


CREAL
Box 70396 | 1072 STOC
Klarabergsviadukten 70
Tel +46 (0)8-103070 | Fa
info@crealux.se | www.cre



Power floodlights for discharge lamps up to 150 W
with built-in discharge units
Protection class IP 67

Floodlights with symmetrically broad spread or flat beam light distribution.
They are designed to illuminate surfaces from short distances.
Matching accessories for the installation of the floodlights on wall and
ceiling surfaces or on and to poles are given in the table on this page.
Technical data of accessories are given on pages 464 - 465.



Power floodlights
with built-in discharge units for

- discharge lamps HME 80 · 125 W
- discharge lamps HI/HST-DE 150 W

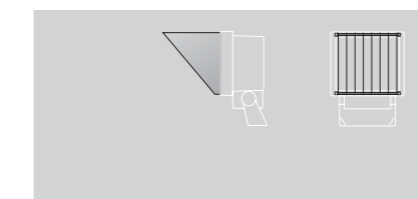
IP 67 · Die cast aluminium, aluminium and stainless steel
Reflector of pure anodized aluminium
Safety glass

Bracket with

- 1 central hole Ø 22 mm and
- 2 holes Ø 9 mm · Spacing 80 mm
- 1 cable gland for connecting cable
- H07RN-F up to Ø 11 mm
- 2.5² connecting terminals

Colour: graphite

	broad spread	Lamp		Lumen	Shield	Louvre
9580	Floodlight	1 HME 80 · 125 W		4000 · 6500	333	617
8530	Floodlight	1 HIT-DE 150 W		11 000	333	617
8530	Floodlight	1 HST-DE 150 W		15 000	333	617
flat beam						
9277	Floodlight	1 HIT-DE 150 W		11 000	333	617
9277	Floodlight	1 HST-DE 150 W		15 000	333	617



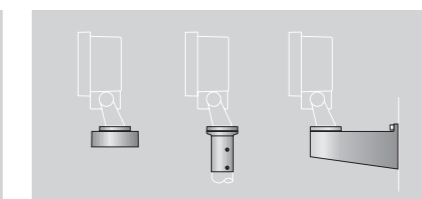
Shields and louvres

We supply matching shields or louvres for the floodlights on this double page.

333 – Shield.
It screens the light upwards or downwards.

617 – Louvre.
It prevents lateral glare from one direction up to 45°.

Shields and louvres are accessories and must be ordered separately.



Accessories

for the floodlights on this double page.
Technical data, pages 464 - 465.

Accessories must be ordered separately.

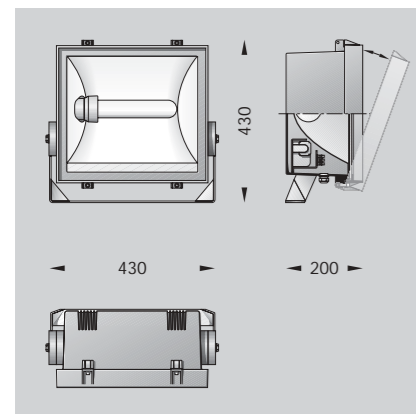
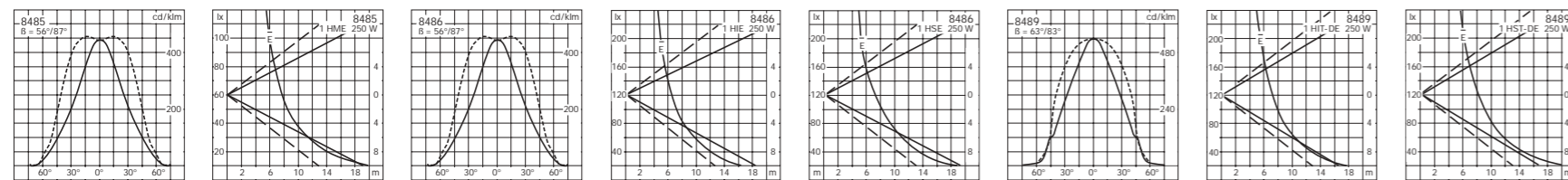
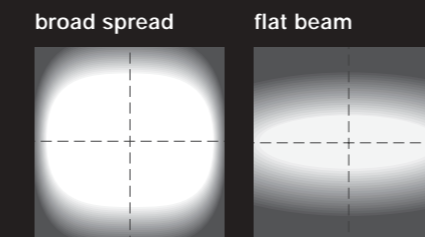
348	Mounting box	Ø 180 x 60
228	Mounting base	Ø 200 x 60
341	Pole cap for pole top	Ø 60 mm
342	Pole cap for pole top	Ø 76 mm
391	Outrigger arm w/out discharge unit	



Box 70396 | 10724 SÖD
Klarabergsviadukten 10
Tel +46 (0)8-103070 | Fa
info@crealux.se | www.cri

Power floodlights for discharge lamps **250 W**
with built-in discharge units
Protection class IP 67

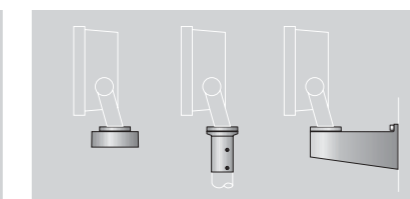
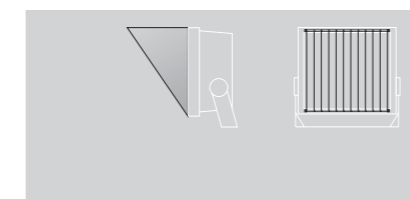
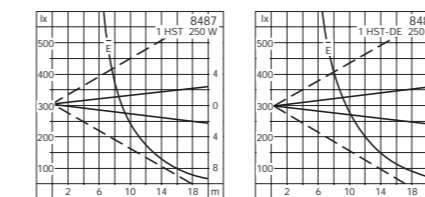
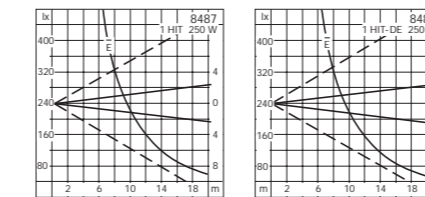
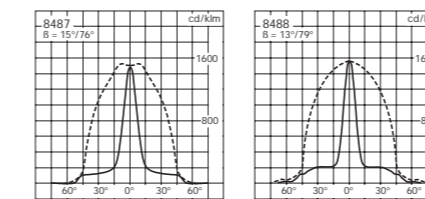
These floodlights with symmetrically broad spread or flat beam light distribution are designed to illuminate large advertising boards, facades or smaller sports facilities. Matching accessories for the installation of the floodlights on wall and ceiling surfaces or on and to poles are shown in the table on this page. Technical data of accessories are given on pages 464 - 465.



Power floodlights
with built-in discharge units for
• discharge lamps 250 W
Protection class IP 67
Die cast aluminium, aluminium and
stainless steel
Reflector of pure anodized aluminium
Safety glass
Bracket with 1 central hole Ø 22 mm and
2 holes Ø 9 mm · Spacing 80 mm
1 cable gland for connecting cable
H07RN-F up to Ø 11 mm
2.5² connecting terminals
Colour: graphite
Shields and louvres are accessories
and must be ordered separately.

	broad spread	Lamp	Lumen	Shield	Louvre
8485	Floodlight	1 HME 250 W	14 000	419	653
8486	Floodlight	1 HIE 250 W	19 000	419	653
8489	Floodlight	1 HIT-DE 250 W	20 000	419	653
8489	Floodlight	1 HST-DE 250 W	25 500	419	653

	flat beam	Lamp	Lumen	Shield	Louvre
8487	Floodlight	1 HIT 250 W	20 000	419	653
8487	Floodlight	1 HST 250 W	27 000	419	653
8488	Floodlight	1 HIT-DE 250 W	20 000	419	653
8488	Floodlight	1 HST-DE 250 W	25 500	419	653



Shields and louvres

We supply matching shields or louvres for the floodlights on this double page.

419 – Shield.
It screens the light upwards or downwards.

653 – Louvre.
It prevents lateral glare from one direction up to 45°.

Accessories

for installation of the floodlights on this double page on wall and ceiling surfaces, on or to poles.
Technical data, pages 464 - 465.

Accessories must be ordered separately.

348	Mounting box	Ø 180 x 60
228	Mounting base	Ø 200 x 60
341	Pole cap for pole top	Ø 60 mm
342	Pole cap for pole top	Ø 76 mm
391	Outrigger arm w/out discharge unit	

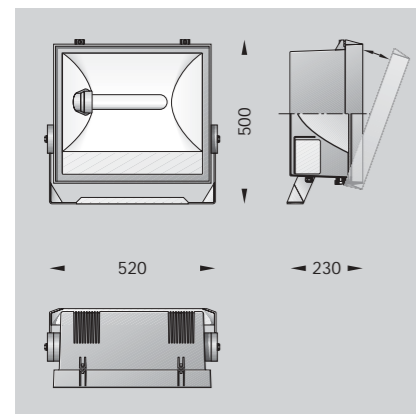
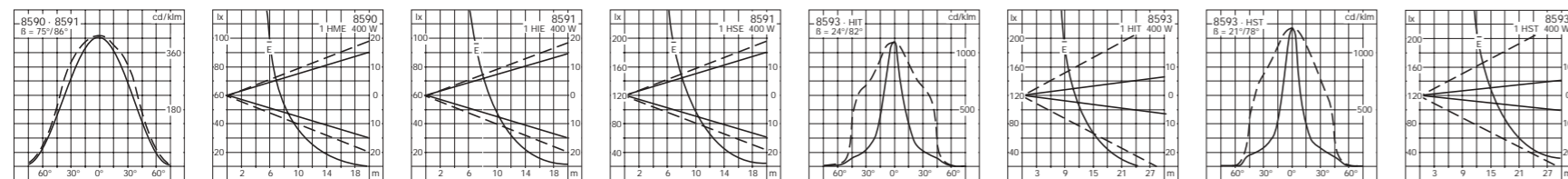
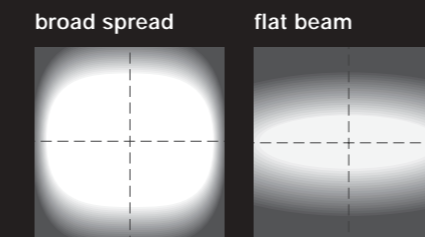


Box 70396
Klarabergsvägen 10
Tel +46 (0)8-103070 | Fa
info@crealux.se | www.cre



Power floodlights for discharge lamps **400 W**
with built-in discharge units
Protection class **IP 67**

Floodlights with symmetrically broad spread or flat beam light distribution to illuminate large areas.
Matching accessories for installation of the floodlights on wall and ceiling surfaces or on and to poles are shown in the table on this page.
Technical data of accessories are given on pages 464 - 465.



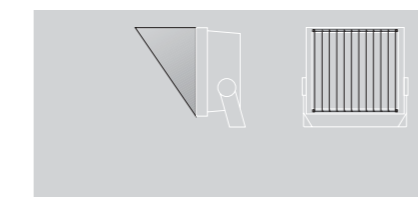
Power floodlights
with built-in discharge units for
• discharge lamps 400 W
Protection class **IP 67**
Die cast aluminium, aluminium and
stainless steel · Safety glass
Reflector of pure anodized aluminium
Bracket with 1 central hole Ø 22 mm and
2 holes Ø 9 mm · Spacing 80 mm
1 cable gland for connecting cable
H07RN-F up to Ø 11 mm
2.5[□] connecting terminals

Colour: graphite

Shields and louvres are accessories
and must be ordered separately.

	broad spread	Lamp		Lumen	Shield	Louvre
8590	Floodlight	1 HME	400 W	24000	420	655
8591	Floodlight	1 HIE	400 W	30000	420	655
8591	Floodlight	1 HSE	400 W	47000	420	655

	flat beam	Lamp		Lumen	Shield	Louvre
8593	Floodlight	1 HIT	400 W	32000	420	655
8593	Floodlight	1 HST	400 W	48000	420	655

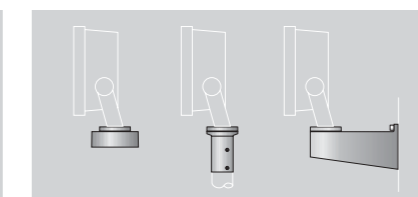


Shields and louvres

We supply matching shields or louvres
for the floodlights on this double page.

420 – Shield.
It screens the light upwards or
downwards.

655 – Louvre.
It prevents lateral glare from one
direction up to 45°.



Accessories

for installation of the floodlights on this
double page to wall and ceiling surfaces,
on or to poles.
Technical data, pages 464 - 465.

Accessories must be ordered separately.

348	Mounting box	Ø 180 x 60
228	Mounting base	Ø 200 x 60
341	Pole cap for pole top	Ø 60 mm
342	Pole cap for pole top	Ø 76 mm
343	Pole cap for pole top	Ø 89 mm
391	Outrigger arm w/out discharge unit	

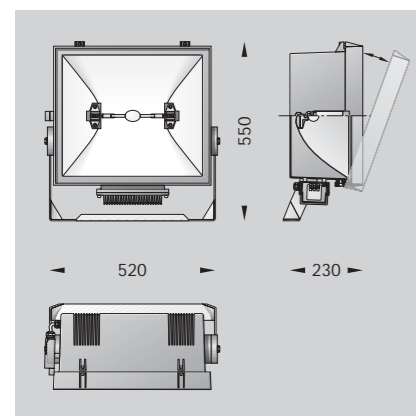
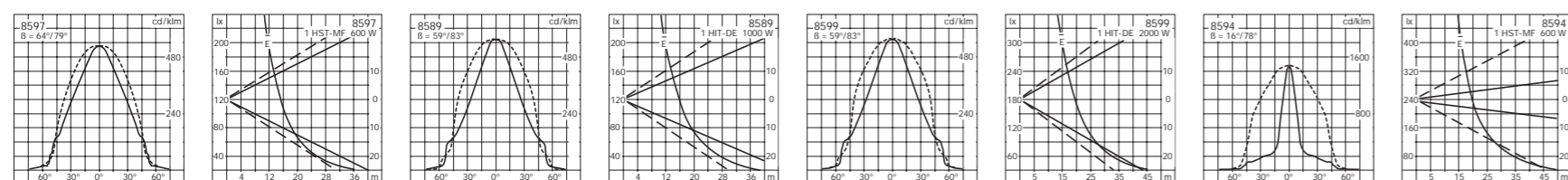
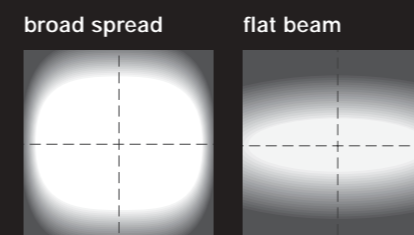


Box 70396 | 10721 STOC
Klarabergsviadukt n 70
Tel +46 (0)8-103070 | Fa
info@crealux.se | www.cri



Power floodlights for discharge lamps up to 2000 W
External discharge units
Protection class IP 65

Floodlights with symmetrically broad spread or flat beam light distribution for use in floodlighting sports grounds, building sites, industrial and port facilities. Matching accessories for installation of the floodlights on wall and ceiling surfaces, on and to poles are shown in the table on this page. Technical data of accessories are given on pages 464 - 465. If required, we supply floodlight poles for mounting heights 12 m · 14 m · 16 m · 18 m.



Power floodlights without **discharge units** with built-in starting device for

- discharge lamps 600 · 1000 W · 230 V
- discharge lamps 2000 W · 400 V

Protection class IP 65 · Die cast aluminium, aluminium and stainless steel Reflector of pure anodized aluminium Safety glass · Bracket with 1 central hole Ø 22 mm and 2 holes Ø 9 mm · Spacing 80 mm 1 cable gland for connecting cable H07RN-F up to Ø 11 mm 2.5² connecting terminals Colour: graphite Connection boxes, outrigger arms, shields and louvres are accessories and must be ordered separately.

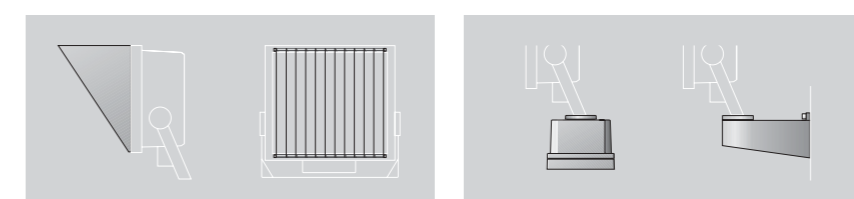
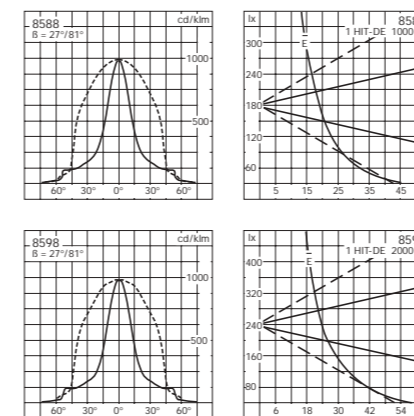
		broad spread		Lumen	Connection box	Outrigger	Shield	Louvre
8597	1 HST-MF 600 W	90000	212	498	420	655		
8589	1 HIT-DE 1000 W	95000	207	391*	420	655		
8599	1 HIT-DE 2000 W	200000	202	391*	420	655		

* Outrigger arm w/out discharge units

		flat beam		Lumen	Connection box	Outrigger	Shield	Louvre
8594	1 HST-MF 600 W	90000	212	498	420	655		
8588	1 HIT-DE 1000 W	95000	207	391*	420	655		
8598	1 HIT-DE 2000 W	200000	202	391*	420	655		

The requirements stipulated in EN 12 193 apply to the illumination of sports grounds.

This data must be observed with respect to lighting level, glare suppression, colour rendering and uniformity of illuminance.



Shields and louvres

We supply the matching shields or louvres shown in the table for the floodlights on this double page.

420 – Shield. It screens the light upwards or downwards.

655 – Louvre. It prevents lateral glare from one direction up to 45°.

Connection boxes and outrigger arms with built-in discharge units

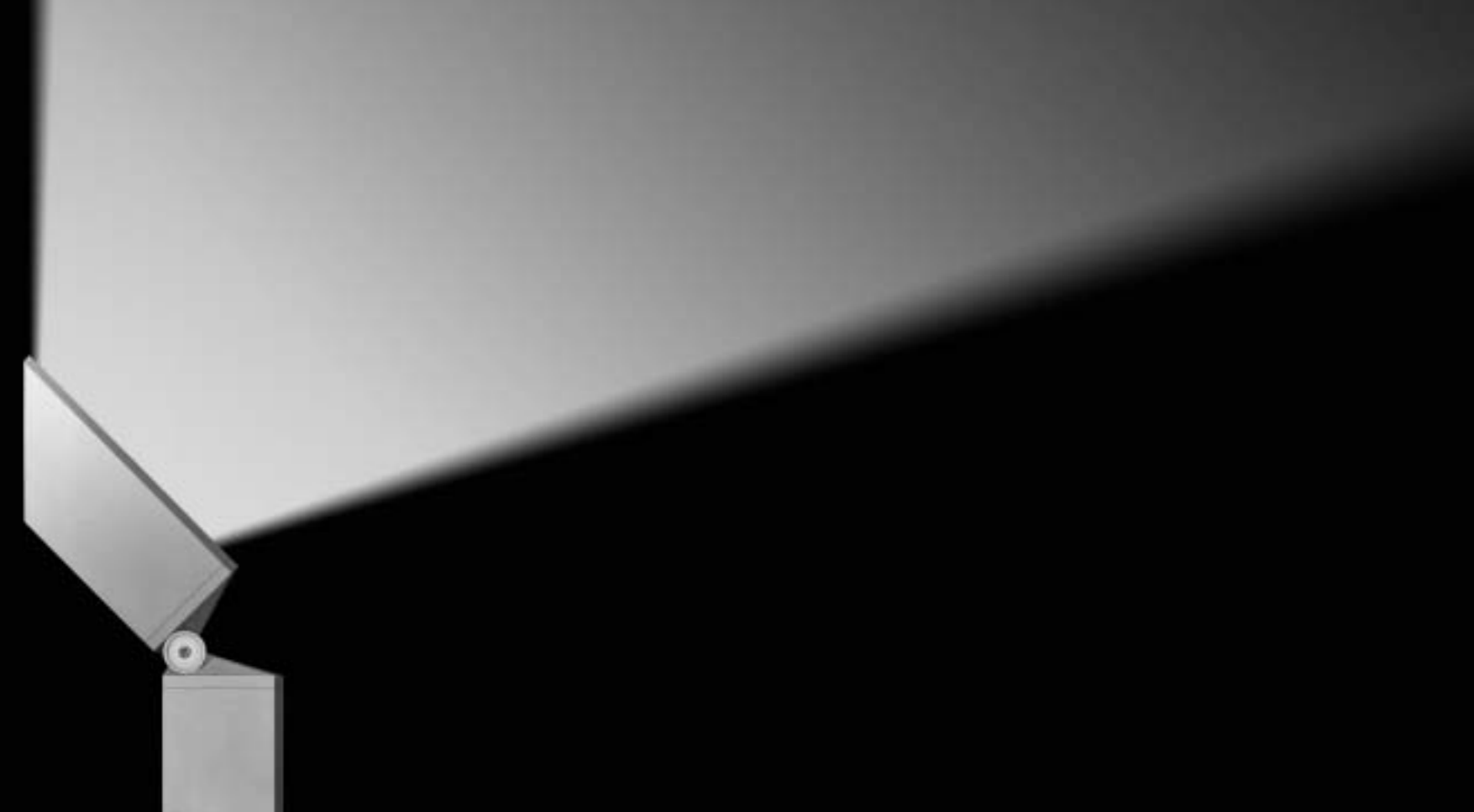
We supply connection boxes and outrigger arms with built-in discharge units for the floodlights on this double page.

Perfect accessories for BEGA high-power floodlights.

Technical data, pages 464 - 465.



CREAL
Box 70396 | 10724 STOC
Klarabergsviadukten 70
Tel +46 (0)8-103070 | Fa
info@crealux.se | www.cri

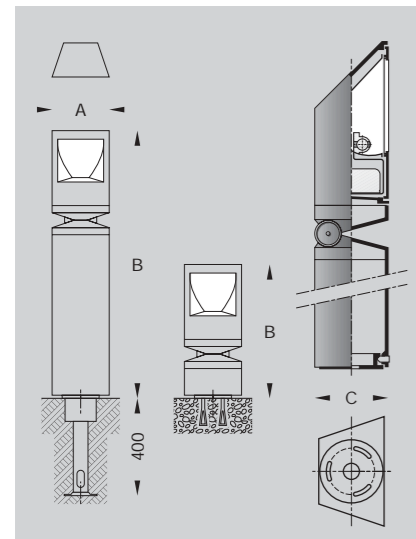
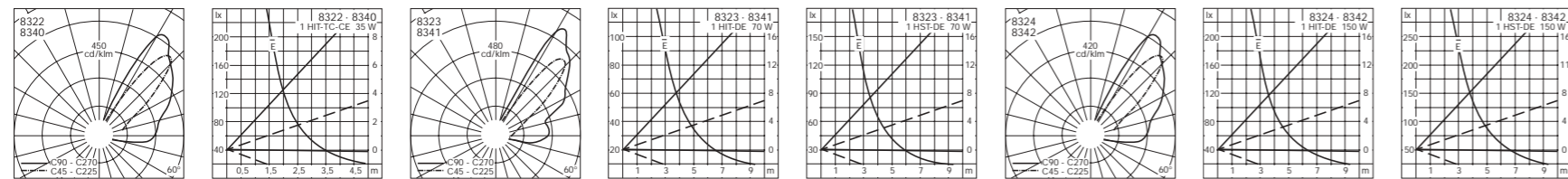


Surface washers for discharge lamps up to 150 W Protection class IP 65

These luminaires with asymmetrical light distribution are available in two sizes and different heights. They are designed for discharge lamps 35 · 70 · 150 W. Asymmetrical light distribution is especially suitable for floodlighting facades and parts of buildings or details of landscape architecture. The luminaires can be used in any area where flat light is required and the design of conventional floodlights makes them unsuitable. Surfaces washers 400 and 550 mm in height can also be mounted on walls and ceilings.

The luminaires can be mounted on a foundation or anchorage unit. The BEGA mounting system allows adjustment of the luminaire during installation.

Bollards with the same design features but different light distribution e.g. to floodlight horizontal surfaces are given on pages 338 - 339, and with flat beam light distribution e.g. to illuminate paths – on pages 336 - 337.



Surface washers for
 • discharge lamps HIT-TC-CE 35 W
 Lampholder G 8.5
 • discharge lamps HI/HST-DE 70 · 150 W
 Protection class IP 65
 Die cast aluminium, aluminium and stainless steel
 Reflector of pure anodized aluminium
 Safety glass
 3 x 4² connecting terminal

8341 · 8342 with door + connection box 632
 8322 · 8340 electronic ballast
 Slope angle 0° - 90°
 With mounting plate for bolting to a foundation or anchorage unit.
 Technical data of anchorage units and connection boxes, pages 460 - 461.

Colour: graphite – article number
 silver – article number + **A**

	Lamp	Lumen	A	B	C
8322	Surface washer 1 HIT-TC-CE 35 W	3300	160	400	110
8340	Surface washer 1 HIT-TC-CE 35 W	3300	160	800	110
8323	Surface washer 1 HI/HST-DE 70 W	5000 · 6800	250	550	140
8341	Surface washer 1 HI/HST-DE 70 W	5000 · 6800	250	1100	140
8324	Surface washer 1 HI/HST-DE 150 W	11000 · 15000	250	550	140
8342	Surface washer 1 HI/HST-DE 150 W	11000 · 15000	250	1100	140
894	Anchorage unit for 8322 · 8340 · 8323 · 8324				
895	Anchorage unit for 8341 · 8342				



Box 70396 | 10724 STOC
 Klarabergsviadukten 70
 Tel +46 (0)8-103070 | Fa
 info@crealux.se | www.cre



Light from low mounting heights Protection class IP 67

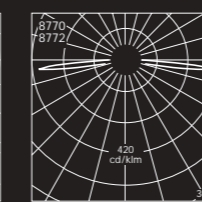
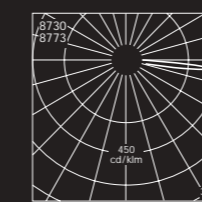
These bollards are available in two sizes and designed for tungsten halogen lamps, discharge lamps and fluorescent lamps. They provide light from extremely low mounting heights with either narrow beam or wide beam light distribution.

These luminaires are designed to illuminate ground areas with glarefree and highly concentrated light or to provide locating, indicating illumination with wide beam light distribution.

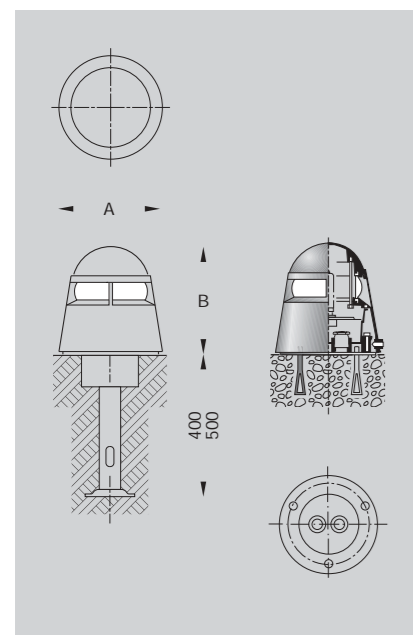
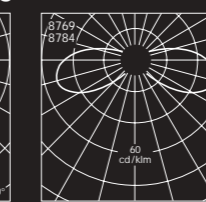
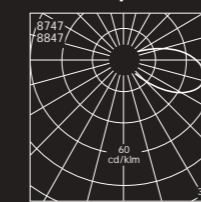
Available with single-sided light output of 180° or four-sided light output of 360°. The luminaires for fluorescent lamps are equipped with electronic ballasts. These exceptionally robust luminaires of protection class IP 67 are suitable for private and public areas.

Dichroic colour effect filters are available for luminaires 8730 · 8773 · 8770 · 8772 to provide coloured light. Colour filters are accessories and must be ordered separately.

narrow beam light



broad spread light



Bollards for

- tungsten halogen lamps QT 18 75 W
- discharge lamps HIT-CE 35 W
- fluorescent lamps for electronic ballasts TC-TEL 13 · 26 W

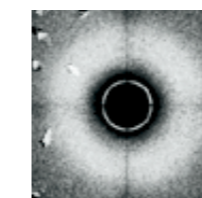
Protection class IP 67
Die cast aluminium, aluminium and stainless steel
Cylindrical lens made of crystal glass

8747 · 8847 · 8769 · 8784
Cylindrical lens made of matt crystal glass
2 cable glands for connecting cable
Ø 9 - 15 mm · 3 x 4² connecting terminal
For bolting to a foundation or anchorage unit.
Technical data of anchorage units, page 460.
Colour: graphite – article number
silver – article number + **A**

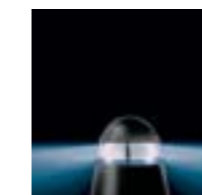
narrow beam light				Lamp	Lumen	A	B
8730	Bollard	single-sided	180°	1 QT 18 75 W	1100	170	190
8773	Bollard	single-sided	180°	1 HIT-CE 35 W	3300	230	230
8770	Bollard	four-sided	360°	1 QT 18 75 W	1100	170	190
8772	Bollard	four-sided	360°	1 HIT-CE 35 W	3300	230	230
broad spread light				Lamp	Lumen	A	B
8747	Bollard	single-sided	180°	1 TC-TEL 13 W	900	170	190
8847	Bollard	single-sided	180°	1 TC-TEL 26 W	1800	230	230
8769	Bollard	four-sided	360°	1 TC-TEL 13 W	900	170	190
8784	Bollard	four-sided	360°	1 TC-TEL 26 W	1800	230	230
895	Anchorage unit for 8730 · 8770 · 8747 · 8769						
896	Anchorage unit for 8773 · 8772 · 8847 · 8784						



light output 180°



light output 360°



Colour effect filters

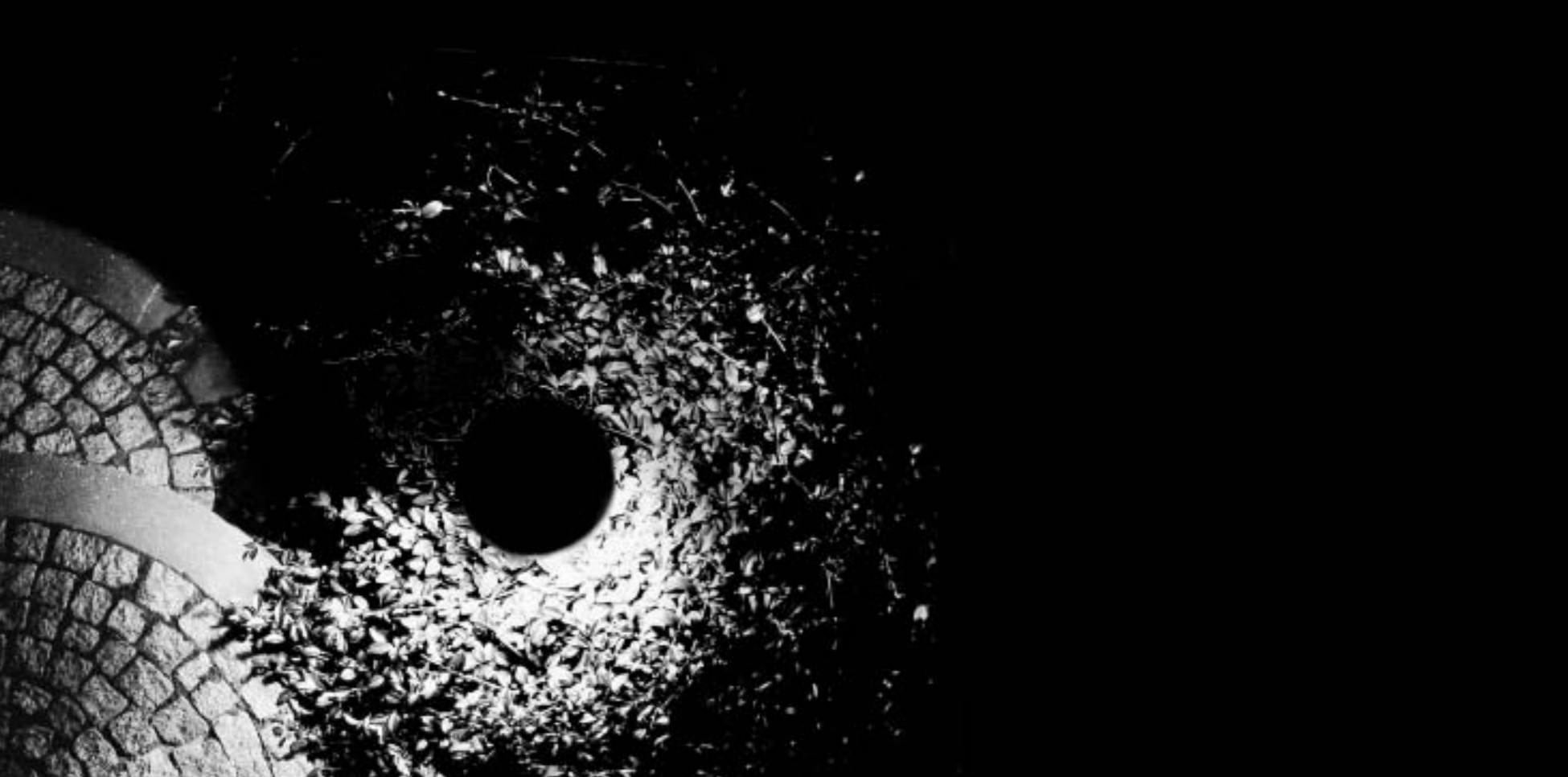
Dichroic colour effect filters are available for luminaires 8730 · 8773 · 8770 · 8772 as accessories to provide coloured light. They must be ordered separately.

269	Colour effect filter	green
270	Colour effect filter	blue



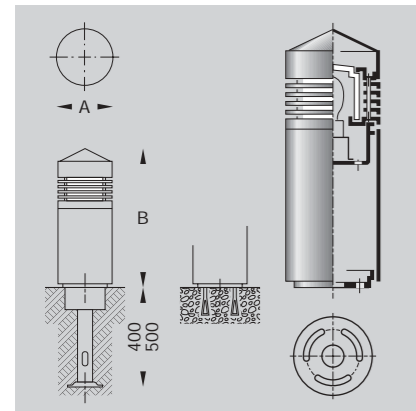
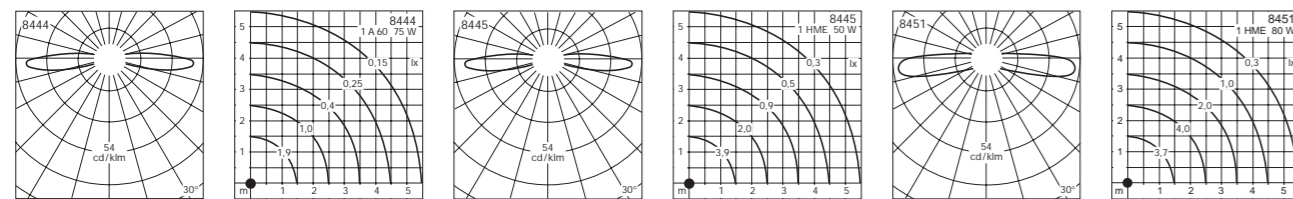
CREAL

Box 70396 · 10724 STOC
Klarabergsvägen 70
Tel +46 (0)8 703070 | Fa
info@crealux.se | www.cri



Bollards with low mounting heights for incandescent lamps and discharge lamps Protection class IP 65

These exceptionally robust luminaires with rotationally symmetrical light distribution are available in two sizes and suitable for public and private areas. They provide large-area illumination from low mounting heights. They produce discreet additional illumination where the lighting level is high or high-contrast illumination where the lighting level is low. These luminaires also fulfil an indicating, directing, guiding or demarcating function. They can be mounted on a foundation or anchorage unit.



Bollards for
 • incandescent lamps A 60 75 W
 • discharge lamps HME 50 · 80 W
 Protection class IP 65
 Die cast aluminium, aluminium and stainless steel
 Crystal glass with optical texture
 2 cable entries for connecting cable
 Ø 8-17 mm · 5 x 4^Q connecting terminals

The earth cable is introduced directly into the luminaire body.
 For bolting to a foundation or anchorage unit.
 Technical data, page 460.

Colour: graphite – article number
 silver – article number + **A**

	Lamp	Lumen	A	B
8444	Bollard 1 A 60 75 W	940	220	560
8445	Bollard 1 HME 50 W	2000	220	560
8451	Bollard 1 HME 80 W	4000	300	670
895	Anchorage unit for 8444 · 8445			
896	Anchorage unit for 8451			



Luminaires providing rotationally symmetrical light distribution for large-area illumination from low mounting heights.



Box 70396 · 0724 STOC
 Klarabergsvärdunkten 70
 Tel +46 (0)8 103070 | Fa
 info@creal.se | www.cre



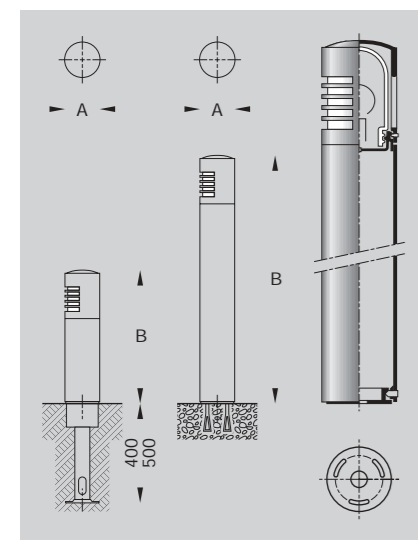
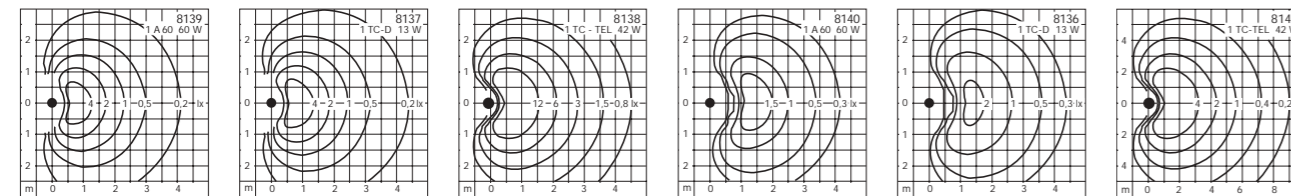
Bollards of diverse mounting heights
for incandescent lamps and fluorescent lamps
Protection class IP 65

Bollards of diverse sizes and mounting heights.
These luminaires are designed for incandescent lamps and fluorescent lamps with **double-sided light output** through two opposite light sectors of 180° and 5°.
They provide location and direction illumination for gardens and parks, pathways and flights of steps.
The luminaires for fluorescent lamps TC-TEL are equipped with electronic ballasts. 26 · 32 · 42 W lamps can be used in these luminaires.

The luminaires can be mounted on a foundation or anchorage unit.
The BEGA mounting system allows adjustment of the luminaire during installation.



double-sided light output 5°/180°



Bollards with **double-sided light output** for

- incandescent lamps A 60 60 W
- fluorescent lamps TC-D 13 W
- fluorescent lamps for electronic ballast TC-TEL 26 · 32 · 42 W

Protection class IP 65
Die cast aluminium, aluminium and stainless steel
Three-ply opal glass

Connection box+ with 3 x 4² connecting terminals+
8143 with door and connection box 632
With mounting plate for bolting to a foundation or anchorage unit.
Technical data of anchorage units and connection boxes, pages 460 - 461.

Colour: graphite – article number
white – article number + W

	Lamp	Lumen	A	Height
8139	Bollard 1 A 60 60 W	710	140	550
8137	Bollard 1 TC-D 13 W	900	140	550
8138	Bollard 1 TC-TEL 26 · 32 · 42 W	1800 · 2400 · 3200	190	650
8140	Bollard 1 A 60 60 W	710	140	1000
8136	Bollard 1 TC-D 13 W	900	140	1000
8143	Bollard 1 TC-TEL 26 · 32 · 42 W	1800 · 2400 · 3200	190	1200
894	Anchorage unit for 8139 · 8137			
895	Anchorage unit for 8138 · 8140 · 8136			
896	Anchorage unit for 8143			

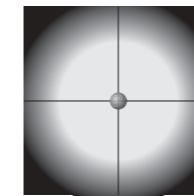




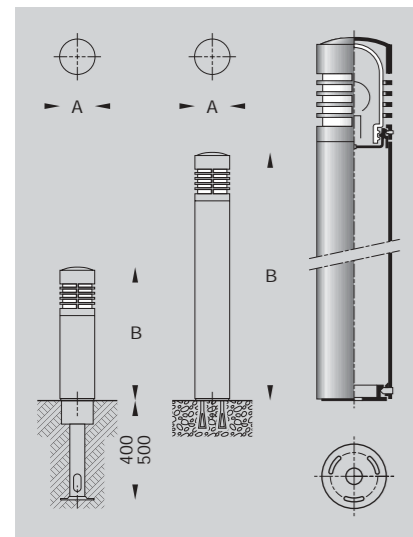
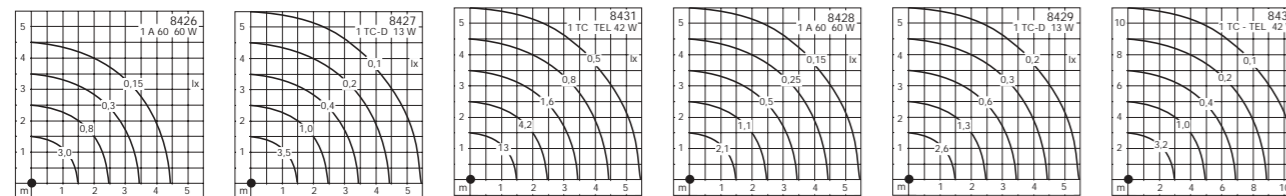
Bollards of diverse mounting heights
for incandescent lamps and fluorescent lamps
Protection class IP 65

Bollards of diverse sizes and mounting heights.
Luminaires with **four-sided light output** designed for incandescent lamps and fluorescent lamps.
They provide location and indication illumination for gardens and parks, pathways and flights of steps.
The luminaires for fluorescent lamps TC-TEL are equipped with electronic ballasts.
26 · 32 · 42 W lamps can be used in these luminaires.

The luminaires can be mounted on a foundation or anchorage unit.
The BEGA mounting system allows adjustment of the luminaire during installation.



four-sided light output 360°



Bollards with **four-sided light output** for
• incandescent lamps A 60 60 W
• fluorescent lamps TC-D 13 W
• fluorescent lamps for EVG TC-TEL 26 · 32 · 42 W
Protection class IP 65
Die cast aluminium, aluminium and Stainless steel
Three-ply opal glass

Connection box+ with 3 x 4² connecting terminals
8433 with door and connection box 632
With mounting plate for bolting to a foundation or anchorage unit.
Technical data of anchorage units and connection boxes, pages 460 - 461.

Colour: graphite – article number
white – article number + W

	Lamp	Lumen	A	Höhe
8426	Bollard 1 A 60 60 W	710	140	550
8427	Bollard 1 TC-D 13 W	900	140	550
8431	Bollard 1 TC-TEL 26 · 32 · 42 W	1800 · 2400 · 3200	190	650
8428	Bollard 1 A 60 60 W	710	140	1000
8429	Bollard 1 TC-D 13 W	900	140	1000
8433	Bollard 1 TC-TEL 26 · 32 · 42 W	1800 · 2400 · 3200	190	1200
894	Anchorage unit for 8426 · 8427			
895	Anchorage unit for 8431 · 8428 · 8429			
896	Anchorage unit for 8433			



Box 70896 | 10724 STOC
Karabergsviadukten 70
+46 (0)8-103070 | Fa
@crealux.se | www.cri



Bollards for incandescent lamps and fluorescent lamps

Luminaires in three sizes with rotationally symmetrical light distribution, providing widespread light from low mounting heights.

They are designed to illuminate paths, flower beds and patios in private areas.

The luminaires are equipped with a cylindrical lens made of silica glass.

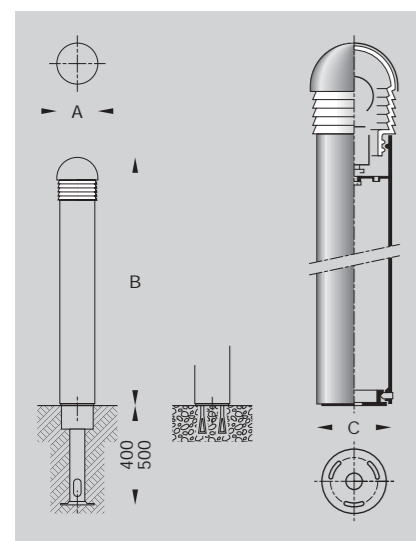
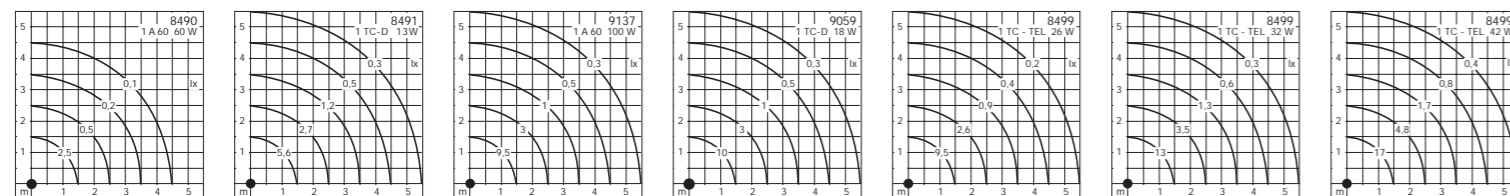
Glass is very resistant to weather factors and has a practically unlimited life but should only be used where there is no danger of wilful destruction.

The luminaires for fluorescent lamps TC-TEL are equipped with electronic ballasts. 26 · 32 · 42 W lamps can be used in these luminaires.

The light output can therefore be adapted to meet location requirements.

The luminaires can be mounted on a foundation or anchorage unit.

The BEGA mounting system allows adjustment of the luminaire during installation.



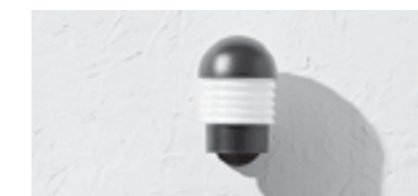
- Bollards with cylindrical lens for
- incandescent lamps A 60 60 · 100 W
 - fluorescent lamps TC-D 13 · 18 W
 - fluorescent lamps for electronic ballast TC-TEL 26 · 32 · 42 W

Protection class IP 55
Die cast aluminium, aluminium and stainless steel
Frosted crystal glass
Aluminium glass cover+

8490 · 8491 connection box with 3 x 4² connecting terminals
9137 · 9059 connection box 620 8499 with door and connection box 632
With mounting plate for bolting to a foundation or anchorage unit.
Technical data of anchorage units and connection boxes, pages 460 - 461.

Colour: graphite

	Lamp	Lumen	A	B	C
8490	Bollard 1 A 60 60 W	710	135	800	110
8491	Bollard 1 TC-D 13 W	900	135	800	110
9137	Bollard 1 A 60 100 W	1360	165	1000	160
9059	Bollard 1 TC-D 18 W	1200	165	1000	160
8499	Bollard 1 TC-TEL 26 · 32 · 42 W	1800 · 2400 · 3200	265	1200	190
894	Anchorage unit for 8490 · 8491				
895	Anchorage unit for 9137 · 9059				
896	Anchorage unit for 8499				



On pages 140 - 141 of this catalogue, you will find a description of wall luminaires whose shape, construction and light output match the luminaires given on this double page.

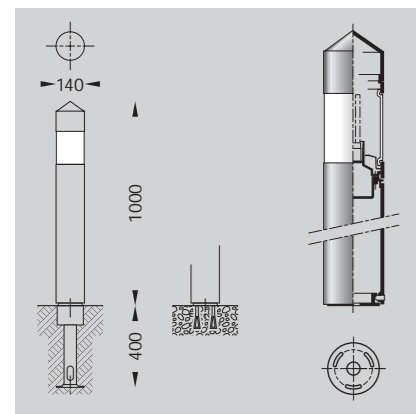
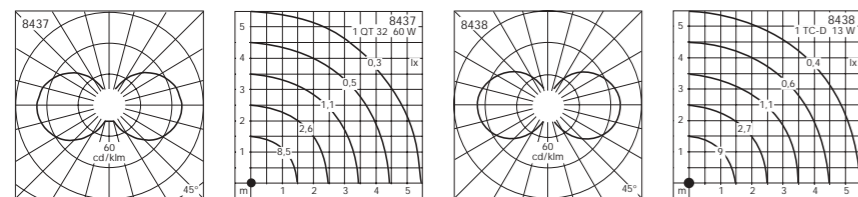




Bollards for tungsten halogen lamps and fluorescent lamps

These luminaires with rotationally symmetrical light distribution provide light from low mounting heights. They can be supplied either with three-ply opal glass to provide uniform, unshielded wide beam light or with crystal glass and louvred reflectors to shielded directed light. They are designed to illuminate pathways, gardens and driveways.

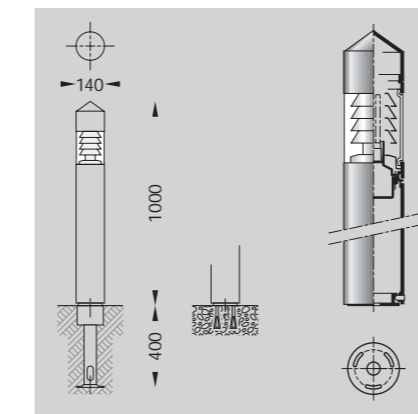
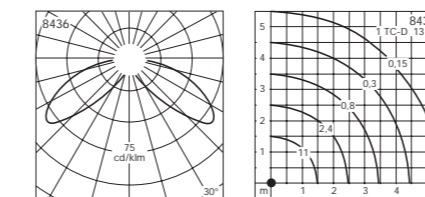
The luminaires can be mounted on a foundation or anchorage unit.



Bollards for
 • incand. lamps QT 32 60 W 790 lm
 • fluorescent lamps TC-D 13 W 900 lm
 Protection class IP 54
 Die cast aluminium, aluminium and stainless steel · Three-ply opal glass
 Connection box 623 · Mounting plate for bolting to a foundation or anchorage unit.
 Technical data of anchorage units and connection boxes, pages 460 - 461.

Colour: graphite – article number
 silver – article number + **A**

8437	Bollard	1 QT 32	60 W
8438	Bollard	1 TC-D	13 W
895	Anchorage unit for 8437 · 8438		



Bollard for
 • fluorescent lamps TC-D 13 W 900 lm
 Protection class IP 54
 Die cast aluminium, aluminium and stainless steel
 Inside louvred reflector · Crystal glass
 Connection box 623
 With mounting plate for bolting to a foundation or anchorage unit.
 Technical data of anchorage units and connection boxes, pages 460 - 461.

Colour: graphite – article number
 silver – article number + **A**

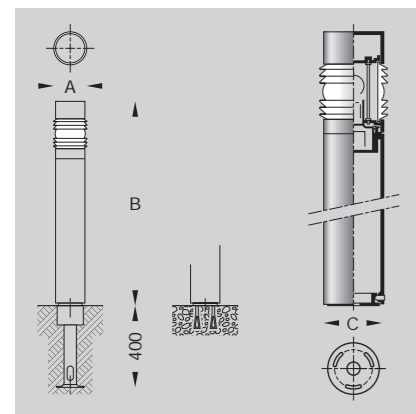
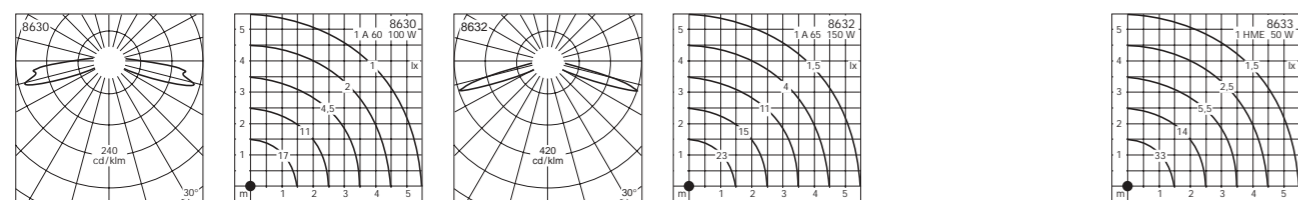
8436	Bollard	1 TC-D	13 W
895	Anchorage unit for 8436		



Bollards for incandescent lamps and discharge lamps

Luminaires in two sizes with rotationally symmetrical light distribution providing light from low mounting heights.
The cylindrical lens concentrates the light horizontally.
Luminaire 8630 is designed for private areas.

The luminaires can be mounted on a foundation or anchorage unit.



Bollards with cylindrical lens for
 • incandescent lamps A 60 100 W
 • incandescent lamps A 65 150 W
 • Discharge lamps HME 50 W
 Protection class IP 55
 Die cast aluminium, aluminium and stainless steel
 Cylindrical lens made of crystal glass

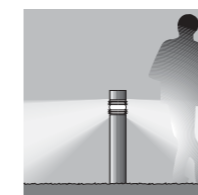
8630 Connection box 623
 8632 · 8633 Connection box 620
 With mounting plate for bolting to a foundation or anchorage unit.
 Technical data of anchorage units and connection boxes, pages 460 - 461.

Colour: graphite

	Lamp	Lumen	A	B	C
8630	Bollard 1 A 60 100 W	1360	150	800	140
8632	Bollard 1 A 65 150 W	2200	180	1000	165
8633	Bollard 1 HME 50 W	2000	180	1000	165
894	Anchorage unit for 8630				
895	Anchorage unit for 8632 · 8633				



On pages 146 - 147 of this catalogue, you will find a description of wall luminaires whose shape, construction and lighting performance match the luminaires given on this double page.



The bollards shown here are equipped with a cylindrical lens made of crystal glass. The light is highly concentrated and directed downwards.



Bj 70396 | 10724 STOC
 Kungälvsviadukten 70
 Tel: +46 (0)8-103070 | Fa
 In: crealux.se | www.cri

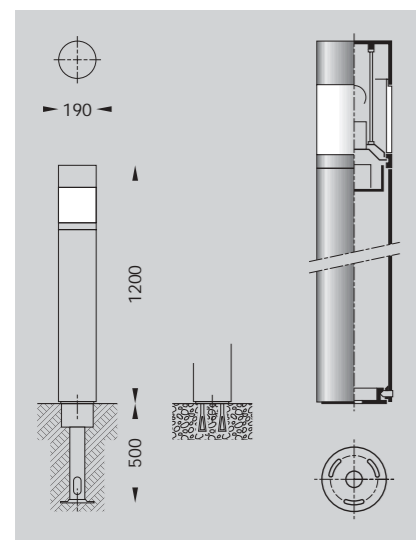
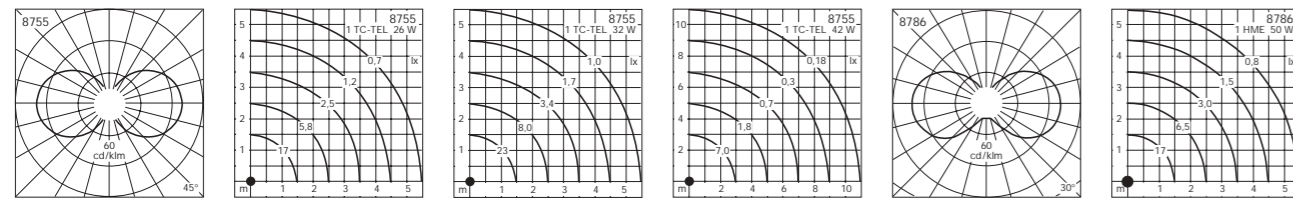


Bollards for fluorescent lamps and discharge lamps

Luminaire with rotationally symmetrical light distribution providing light from low mounting heights.
The luminaires are equipped with white or clear impact-resistant plastic diffusers. The white plastic diffusers produce uniform wide beam and unshielded light, and the clear plastic diffusers with inside reflectors produce directed light.
The luminaires for fluorescent lamps TC-TEL are equipped with electronic ballasts. 26 · 32 · 42 W lamps can be used in these luminaires.

Luminaire 8741 is equipped with a switchable ballast. HSE-E 50 W, HSE-E 70 W or HIE-CE 70 W lamps can be used.
These luminaires are designed to illuminate pathways, gardens and driveways.

They can be mounted on a foundation or anchorage unit.
The BEGA mounting system allows adjustment of the luminaire during installation.



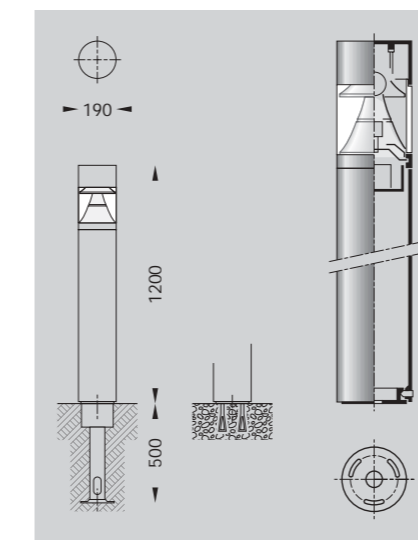
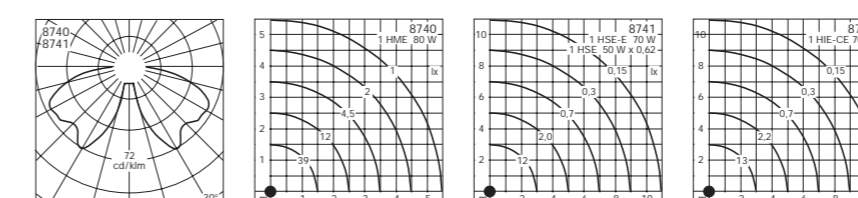
Bollards for

- fluorescent lamps for electronic ballasts TC-TEL 26 · 32 · 42 W
1800 · 2400 · 3200 lm
- discharge lamps HME 50 W 2000 lm

Protection class IP 55 · Die cast aluminium, aluminium and stainless steel
White, impact-resistant plastic diffuser
Door and connection box 632
With mounting plate for bolting to a foundation or anchorage unit.
Technical data of anchorage units and connection boxes, pages 460 - 461.

Colour: graphite – article number
silver – article number + A

	Lamp	
8755	1 TC-TEL 26 · 32 · 42 W	
8786	1 HME 50 W	
896	Anchorage unit for 8755 · 8786	



Bollards for

- discharge lamps HME 50 · 80 W
- discharge lamps HSE-E 50 · 70 W
- discharge lamps HIE-CE 70 W

Protection class IP 55 · Die cast aluminium, aluminium and stainless steel
Reflector of pure anodized aluminium
Clear, impact-resistant plastic diffuser
Door and connection box 632
With mounting plate for bolting to a foundation or anchorage unit.
Technical data of anchorage units and connection boxes, pages 460 - 461.

Colour: graphite – article number
silver – article number + A

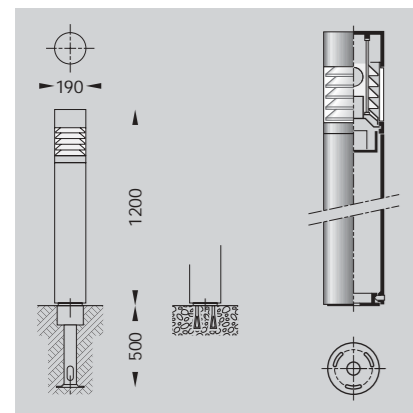
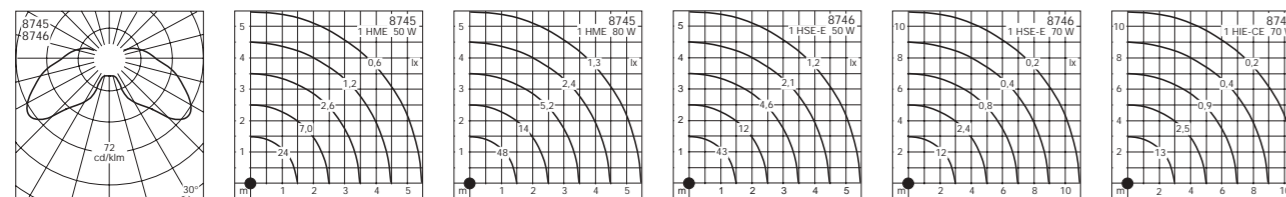
	Lamp	Lumen
8740	1 HME 50 · 80 W	4000
8741	1 HSE-E 50 · 70 W	3500 · 5600
8741	1 HIE-CE 70 W	5900
896	Anchorage unit for 8740 · 8741	



Bollards for discharge lamps

These luminaires with rotationally symmetrical light distribution are equipped with a vandalproof plastic diffuser and inside louvred reflector producing directed and shielded light from low mounting heights. They are designed to illuminate pathways, entrances and driveways. Luminaire 8746 is equipped with a switchable ballast. HSE-E 50 W, HSE-E 70 W or HIE-CE 70 W lamps can be used with these luminaires.

The luminaires can be mounted on a foundation or anchorage unit. The BEGA mounting system allows adjustment of the luminaire during installation.

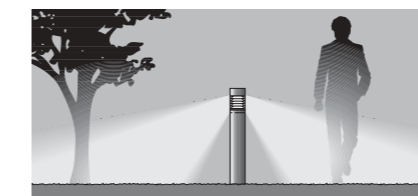


Bollards for
 • discharge lamps HME 50 · 80 W
 • discharge lamps HSE-E 50 · 70 W
 • discharge lamps HIE-CE 70 W
 Protection class IP 54
 Die cast aluminium, aluminium and stainless steel
 Reflector of anodized aluminium
 Clear vandalproof plastic diffuser

Door and connection box 632
 With mounting plate for bolting to a foundation or anchorage unit.
 Technical data of anchorage units and connection boxes, pages 460 - 461.

Colour: graphite – article number
 white – article number + **W**
 silver – article number + **A**

		Lamp		Lumen
8745	Bollard	1 HME	50 · 80 W	2000 · 4000
8746	Bollard	1 HSE-E	50 · 70 W	3500 · 5600
8746	Bollard	1 HIE-CE	70 W	5900
896	Anchorage unit for 8745 · 8746			



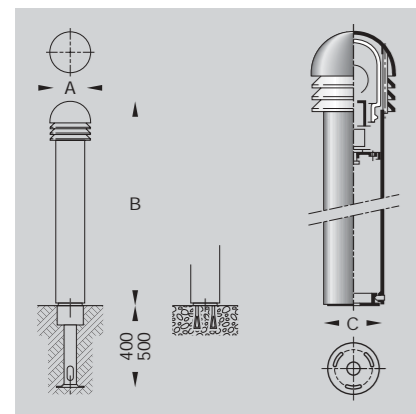
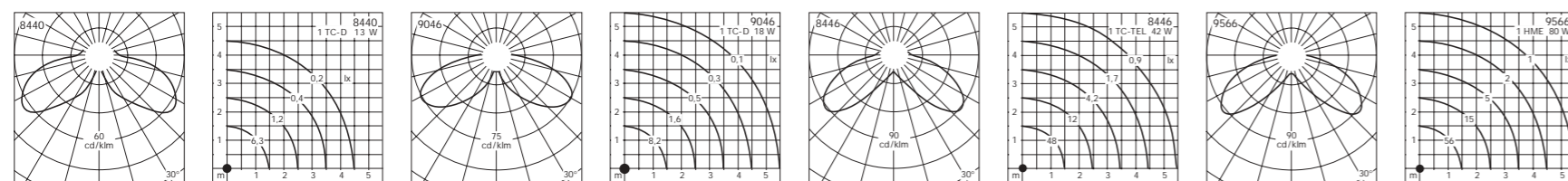
Bollards with rotationally symmetrical light distribution. Luminaires equipped with impact-resistant plastic diffusers and inside reflectors made of pure anodized aluminium. These luminaires provide directed, glarefree light from low mounting heights.



Bollards for fluorescent lamps and discharge lamps

These luminaires in three sizes with rotationally symmetrical light distribution provide glarefree lighting for gardens, residential areas, cycle paths and footpaths.
Luminaires 8440 · 9046 are designed for private areas.
The luminaires for fluorescent lamps TC-TEL are equipped with electronic ballasts.
26 · 32 · 42 W lamps can be used in these luminaires.
The light output can be adjusted to meet location requirements.

The luminaires can be mounted on a foundation or anchorage unit.
The BEGA mounting system allows adjustment of the luminaire during installation.



Bollards for

- fluorescent lamps TC-D 13 · 18 W
- fluorescent lamps for electronic ballast TC-TEL 26 · 32 · 42 W
- discharge lamps HME 50 · 80 W

Protection class IP 55
Die cast aluminium, aluminium and stainless steel

Crystal glass with optical texture
Lamp

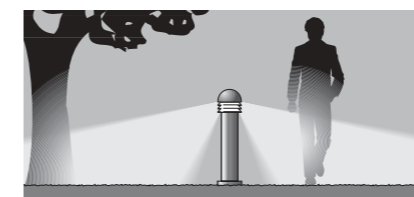
	Lamp	W	Lumen	A	B	C
8440	Bollard 1 TC-D	13 W	900	160	800	110
9046	Bollard 1 TC-D	18 W	1200	200	1000	140
8446	Bollard 1 TC-TEL	26 · 32 · 42 W	1800 · 2400 · 3200	260	1200	190
9566	Bollard 1 HME	50 · 80 W	2000 · 4000	260	1200	190
894	Anchorage unit for 8440					
895	Anchorage unit for 9046		896	Anchorage unit for 8446 · 9566		

8440 · 9046 Connection box 623

8446 · 9566 with door + connection box 632
With mounting plate for bolting to a foundation or anchorage unit.

Technical data of anchorage units and connection boxes, pages 460 - 461.

Colour: graphite – article number
silver – article number + **A**



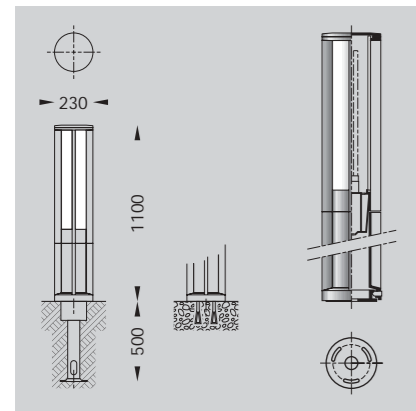
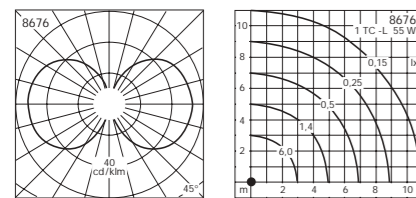
Bollards providing rotationally symmetrical light distribution.
The luminaires are equipped with crystal glass with optical texture and outside reflectors made of die cast aluminium.
Luminaires for glarefree light.



Bollards for fluorescent lamps Protection class IP 65

Luminaires with rotationally symmetrical light distribution providing light from low mounting points.
Luminaires with a white plastic cylinder for uniform, unshielded light.
These elongated luminaires can structure outside areas.
Their function is to locate, indicate and demarcate. They are designed to illuminate footpaths, gardens and driveways.

The luminaires can be mounted to a foundation or anchorage unit.
The BEGA mounting system allows the luminaire to be adjusted during installation.



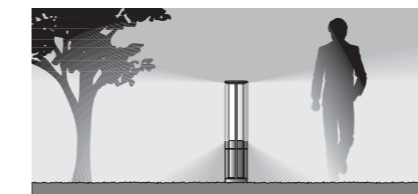
Bollard for
• fluorescent lamps for electronic ballast
TC-L 55 W

Protection class IP 65
Die cast aluminium, aluminium and
stainless steel
White plastic diffuser

Connection box 632
With mounting plate for bolting to a
foundation or anchorage unit.
Technical data of anchorage units and
connection boxes, pages 460 - 461.

Colour: graphite – article number
silver – article number + **A**

	Lamp	Lumen
8676 Bollard	1 TC-L 55 W	4800
896 Anchorage unit for 8676		



Bollard providing rotationally symmetrical light distribution. Luminaires with a white plastic cylinder for uniform, unshielded light.
Elongated luminaires which can structure outside areas.
Their function is to locate, indicate and demarcate.

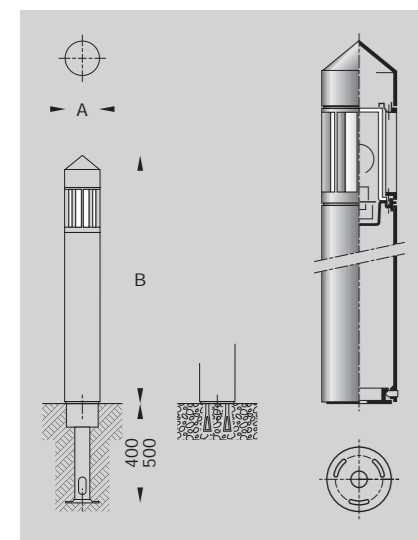
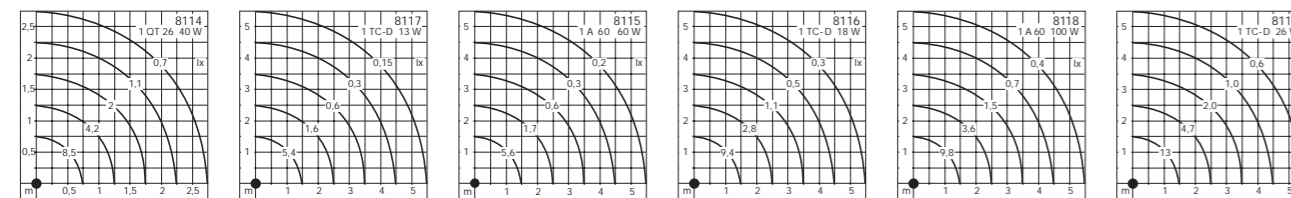


Box 70396 | 10724 STOC
Klara Bergsviadukten 70
Tel +46 (0)8-103070 | Fa
info@crealux.se | www.cri



Bollards
for tungsten halogen lamps, incandescent lamps
and fluorescent lamps
Protection class IP 65

These luminaires are available in three sizes with rotationally symmetrical light distribution.
They are robust luminaires with frosted crystal glass and safety guard made of die cast aluminium. They provide broad spread light from low mounting heights.
They are designed as location illumination in public and private areas.
Luminaires 8114 · 8117 · 8115 · 8116 are intended for private areas.
The luminaires can be mounted on a foundation or anchorage unit.
The BEGA mounting system allows the luminaire to be adjusted during installation.



Bollards for
• tungsten halogen lamps QT 26 40 W
• incandescent lamps A 60 60 · 100 W
• fluorescent lamps TC-D 13·18·26 W
Protection class IP 65
8114 · 8117 Protection class IP 55
Die cast aluminium, aluminium and stainless steel
Crystal glass with optical texture
Connection box 623

8118 · 8119 with door and connection box 632
With mounting plate for bolting to a foundation or anchorage unit.
Technical data of anchorage units and connectin boxes, pages 460 - 461.

Colour: graphite – article number
white – article number + **W**
silver – article number + **A**

	Lamp	Lumen	A	B
8114	Bollard 1 QT 26 40 W	460	110	800
8117	Bollard 1 TC-D 13 W	900	110	800
8115	Bollard 1 A 60 60 W	710	140	1000
8116	Bollard 1 TC-D 18 W	1200	140	1000
8118	Bollard 1 A 60 100 W	1360	190	1300
8119	Bollard 1 TC-D 26 W	1800	190	1300
894	Anchorage unit for 8114 · 8117			
895	Anchorage unit for 8115 · 8116		896	Anchorage unit for 8118 · 8119



On page 144 - 145 of this catalogue, you will find a descriptionh of wall luminaires whose shape, construction and lighting performance match the luminaires given on this double page.

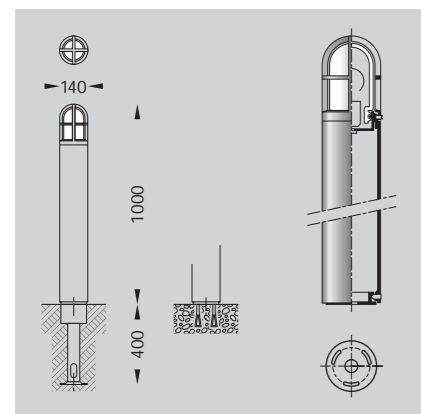
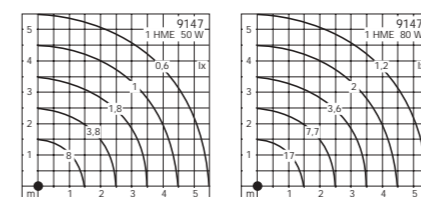
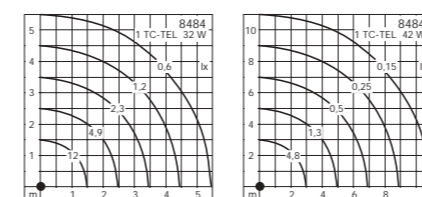
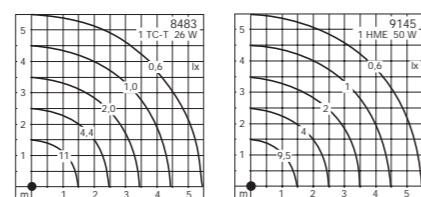
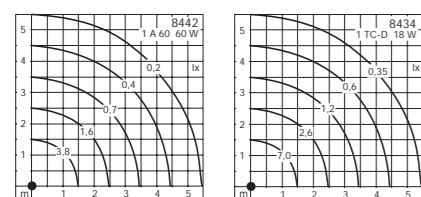


Bollards for incandescent lamps, fluorescent lamps and discharge lamps

Luminaires with safety guard and rotationally symmetrical light distribution, providing unshielded light from low mounting heights. The hand-blown three-ply opal glass distributes the light softly and uniformly. These impact-resistant luminaires are designed for private and public areas.

The luminaires can be mounted on a foundation or anchorage unit. The BEGA mounting system allows adjustment of the luminaire during installation.

On pages 110 - 111 of this catalogue, you will find a description of wall luminaires whose shape, construction and light output match the luminaires given on this double page.

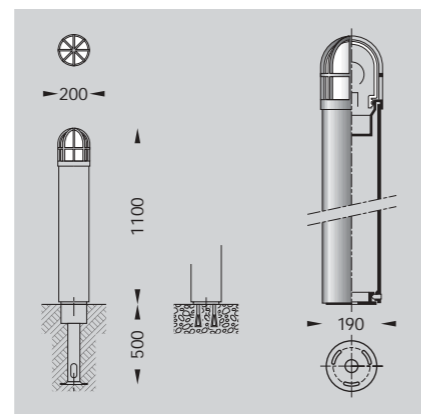


Bollards for

- incandescent lamps A 60 60 W 710 lm
- fluorescent lamps TC-D 18 W 1200 lm

Protection class IP 65
Die cast aluminium, aluminium and stainless steel · Three-ply opal glass
Connection box 620 · With mounting plate for bolting to a foundation or anchorage unit.
Technical data of anchorage units and connection boxes, page 460 - 461.
Colour: graphite – article number
white – article number + W

8442	Bollard	1 A 60	60 W
8434	Bollard	1 TC-D	18 W
895	Anchorage unit for 8442 · 8434		

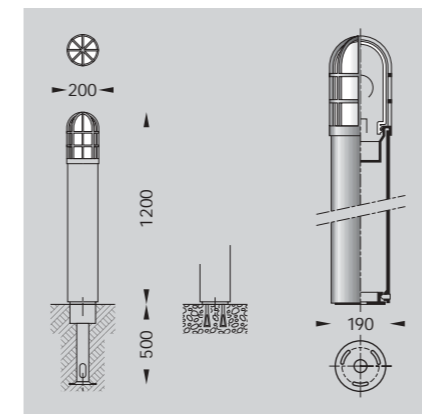


Bollards for

- fluorescent lamps TC-T 26 W 1800 lm
- discharge lamps HME 50 W 2000 lm

Protection class IP 55
Die cast aluminium, aluminium and stainless steel · Three-ply opal glass · With door and connection box 632
With mounting plate for bolting to a foundation or anchorage unit.
Technical data of anchorage units and connection boxes, pages 460 - 461.
Colour: graphite – article number
weiß – Article number + W

8483	Bollard	1 TC-T	26 W
9145	Bollard	1 HME	50 W
896	Anchorage unit for 8483 · 9145		



Bollards for

- fluorescent lamps TC-TEL for electronic ballasts 26·32·42 W 1800·2400·3200 lm
- HME 50·80 W 2000·4000 lm

IP 55 · Die cast aluminium, aluminium and stainless steel · Three-ply opal glass
With door and connection box 632.
With mounting plate for bolting to a foundation or anchorage unit.
Technical data of anchorage units and connection boxes, pages 460 - 461.
Colour: graphite – article number
white – article number + W

8484	Bollard	1 TC-TEL	26·32·42 W
9147	Bollard	1 HME	50·80 W
896	Anchorage unit for 8484 · 9147		



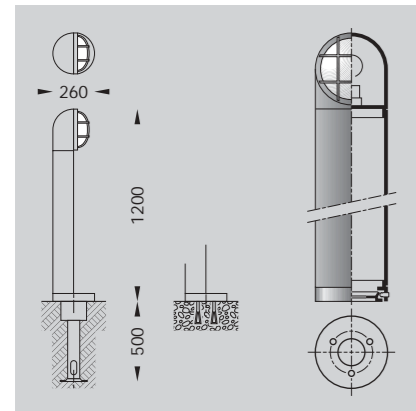
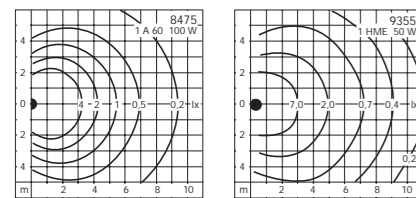
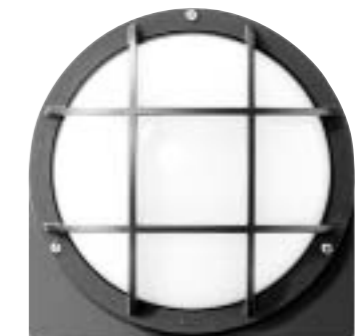
BK 70356 | 10724 STOC
Königsplatz 70
Tel: +46 (0)8-103070 | Fa
in: crealux.se | www.cri



Bollards
for incandescent lamps and discharge lamps
Protection class IP 65

Luminaires with safety guard and single-sided light output, providing light from low mounting heights.
These impact-resistant luminaires are designed for private and public areas.

The luminaires can be mounted on a foundation or anchorage unit. The BEGA mounting system allows adjustment of the luminaire during installation.



Bollards with single-sided light output for

- incandescent lamps A 60 100 W
- discharge lamps HME 50 W

Protection class IP 65
Die cast aluminium, aluminium and stainless steel
Crystal glass with optical texture

With door and connection box 632.
With mounting plate for bolting to a foundation or anchorage unit.
Technical data of anchorage units and connection boxes, pages 460 - 461.

Colour: graphite

		Lamp	Lumen
8475	Bollard	1 A 60 100 W	1360
9355	Bollard	1 HME 50 W	2000
896	Anchorage unit for 8475 · 9355		



On pages 120 - 121 of this catalogue, you will find a description of wall luminaires whose shape, construction and light output match the luminaires given on this double page.



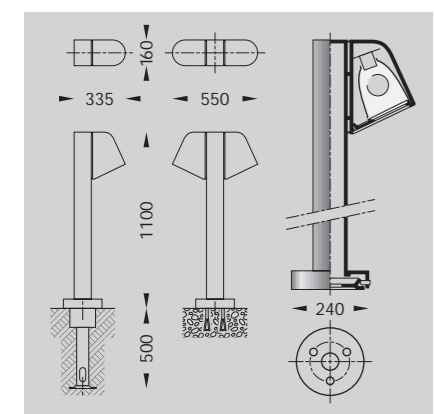
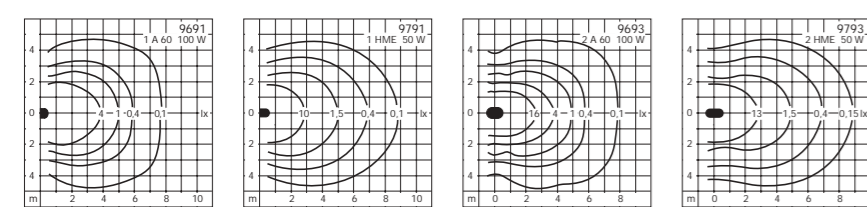
Box 70396 | 10724 STOC
Klarabergsvärdunkten 70
Tel +46 (0)8-103070 | Fa
info@crealux.se | www.cri



Bollards for incandescent lamps and discharge lamps

These robust luminaires with single-sided or double-sided light output provide directed light from low mounting heights. They are designed to provide shielded lighting for surfaces and paths in pedestrian areas and driveways.

The luminaires can be mounted on a foundation or anchorage unit. The BEGA mounting system allows adjustment of the luminaire during installation.



Bollards with single-sided or double-sided light output for

- incandescent lamps A 60 100 W
- discharge lamps HME 50 W

Protection class IP 44
Die cast aluminium, aluminium and stainless steel
Reflector of pure anodized aluminium
Safety glass with optical texture

Lamphouse with safety guard
With door and connection box 632.
With mounting plate for bolting to a foundation or anchorage unit.
Technical data of anchorage units and connection boxes, pages 460 - 461.

Colour: graphite

		Lamp	Lumen
9691	Bollard single-sided	1 A 60 100 W	1360
9791	Bollard single-sided	1 HME 50 W	2000
9693	Bollard double-sided	2 A 60 100 W	2720
9793	Bollard double-sided	2 HME 50 W	4000
896	Anchorage unit for 9691 · 9791 · 9693 · 9793		



On pages 176 - 177 of this catalogue, you will find a description of wall luminaires whose shape, construction and light output match the luminaires given on this double page.



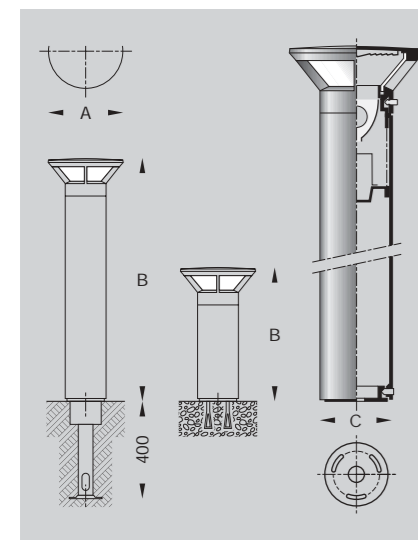
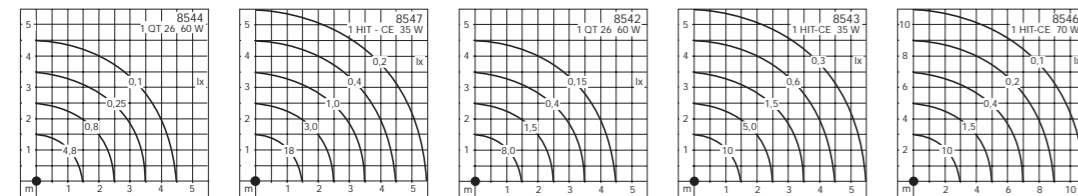
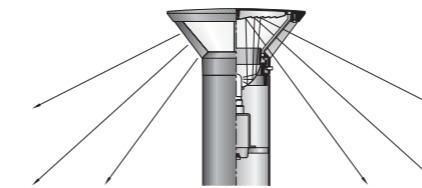
Bollards with single-sided or double-sided light output.
Luminaires equipped with safety glass with optical texture and inside reflectors.
Luminaires providing directed and glarefree light from low mounting heights.



Bollards with different mounting heights
for indirect light · Protection class IP 65

Luminaires for tungsten halogen lamps and discharge lamps with rotationally symmetrical light distribution.
The light from a high-power floodlight is deflected by the surface of the top reflector, producing glarefree surface illumination.
The light is highly uniform and designed for driveways, squares, footpaths and entrances-locations where glarefree, uniform light is important.

The luminaires can be mounted on a foundation or anchorage unit. The BEGA mounting system allows adjustment of the luminaire during installation.



Bollards for
• tungsten halogen lamps QT 26 60 W
• discharge lamps HIT-CE 35-70 W
Lampholder G 12
Protection class IP 65
Die cast aluminium, aluminium and stainless steel·Crystal glass
8544 · 8547 connection box with 3 x 4² connecting terminals

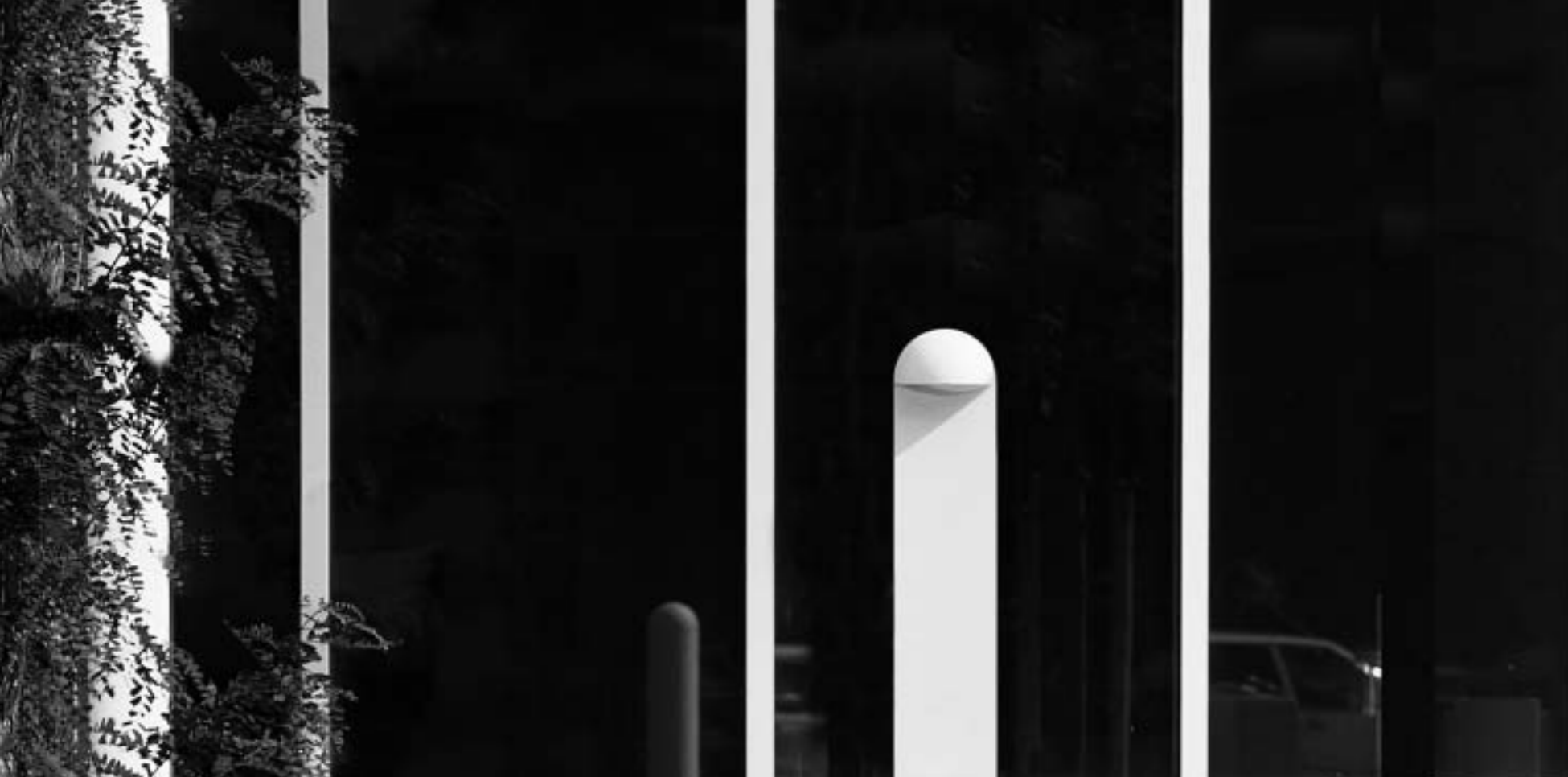
8542 · 8543 connection box 623
8546 connection box 632
With mounting plate for bolting to a foundation or anchorage unit.
Technical data of anchorage units and connection boxes, pages 460 - 461.

Colour: graphite – article number
silver – article number + A

		Lamp	Lumen	A	B	C
8544	Bollard	1 QT 26 60 W	790	260	600	140
8547	Bollard	1 HIT-CE 35 W	3300	260	600	140
8542	Bollard	1 QT 26 60 W	790	260	800	140
8543	Bollard	1 HIT-CE 35 W	3300	260	800	140
8546	Bollard	1 HIT-CE 70 W	6600	340	1100	165
894	Anchorage unit for 8544 · 8547					
895	Anchorage unit for 8542 · 8543 · 8546					



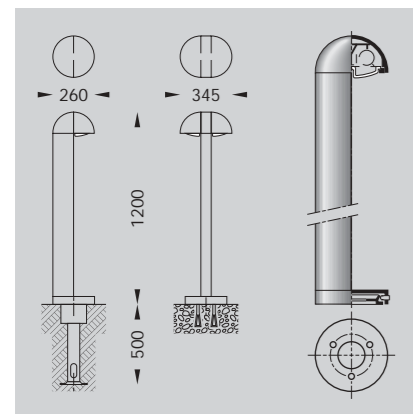
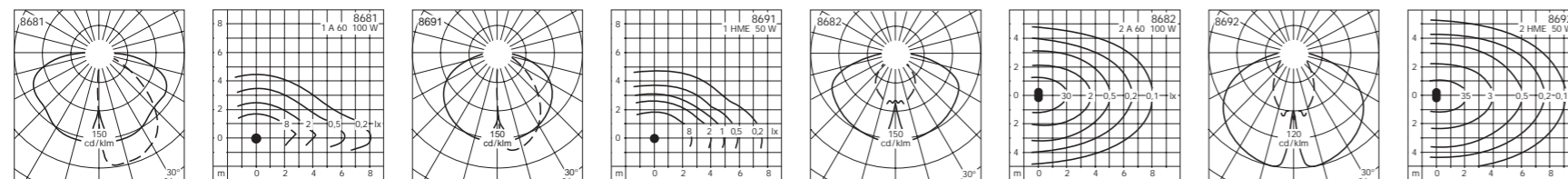
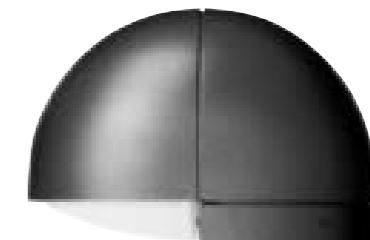
Box 70396 | 10724 STOC
Klarabergsviadukten 70
Tel: +46 (0)8-103070 | Fa
info@realux.se | www.cri



Bollards for incandescent lamps and discharge lamps

These luminaires with single-sided or double-sided light output provide directed and glarefree light from low mounting heights. They are characterized by their flat beam light distribution and high lighting efficiency. Their function is to locate, demarcate and guide in public and private areas. They are designed for footpaths, car park borders and driveways.

The luminaires can be mounted on a foundation or anchorage unit. The BEGA mounting system allows adjustment of the luminaire during installation.



Bollards with single-sided or double-sided light output for

- incandescent lamps A 60 100 W
- discharge lamps HME 50 W

Protection class IP 55
Die cast aluminium, aluminium and stainless steel
Reflector of pure anodized aluminium
Crystal glass with optical texture

With door and connection box 632.
With mounting plate for bolting to a foundation or anchorage unit.
Technical data of anchorage units and connection boxes, pages 460 - 461.

Colour: graphite – article number
white – article number + W

		Lamp	Lumen
8681	Bollard one-sided	1 A 60 100 W	1360
8691	Bollard one-sided	1 HME 50 W	2000
8682	Bollard double-sided	2 A 60 100 W	2720
8692	Bollard double-sided	2 HME 50 W	4000
896	Anchorage unit for 8681 · 8691 · 8682 · 8692		



On pages 150 - 151 of this catalogue, you will find a description of wall luminaires whose shape, construction and light output match the luminaires given on this double page.



Bollards with one-sided or double-sided light output.
Luminaires equipped with crystal glass with optical texture and inside reflectors.
Luminaires for flat beam and glarefree light from low mounting heights.



Bj 70196 | 10724 STOC
Klubergsviadukten 70
Tel: +46 (0)8-103070 | Fa
in: @crealux.se | www.cri

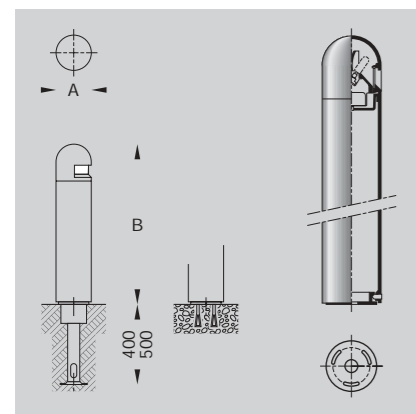
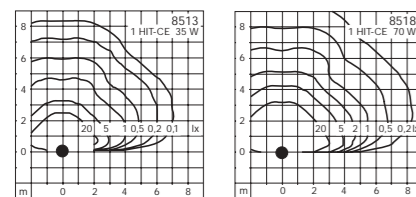


Bollards for discharge lamps

Luminaire with flat beam 180° light distribution, providing light from low mounting heights.

A group of luminaires designed for energy-saving metal halide lamps. These lamps are characterized by their high luminous efficiency and good colour rendering properties. They produce single-sided flat beam illumination for footpaths, driveways and borders. Their very stable construction makes them suitable for use in private and public areas.

The luminaires can be mounted on a foundation or anchorage unit. The BEGA mounting system allows adjustment of the luminaire during installation.

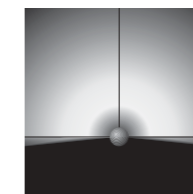


Bollards with single-sided light output for
 • discharge lamps HIT-CE 35 · 70 W
 Lampholder G 12
 Protection class IP 55
 Die cast aluminium, aluminium and stainless steel
 Reflector of pure anodized aluminium
 Borosilicate glass

8513 connection box 620
 8518 with door and connection box 632
 With mounting plate for bolting to a foundation or anchorage unit.
 Technical data of anchorage units and connection boxes, pages 460 - 461.

Colour: graphite – article number
 silver – article number + **A**

	Lamp	Lumen	A	B
8513 Bollard	1 HIT-CE 35 W	3300	165	800
8518 Bollard	1 HIT-CE 70 W	6600	220	1000
895	Anchorage unit for 8513			
896	Anchorage unit for 8518			



Light output 180°

Bollards with single-sided light output. Flat beam light distribution with high illuminance. Luminaires with borosilicate glass and reflector of pure anodized aluminium for directed light from low mounting heights.

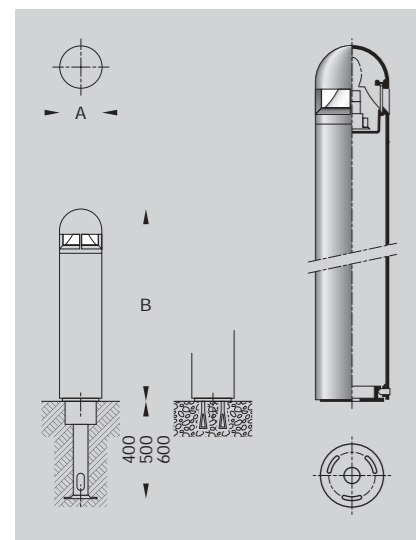
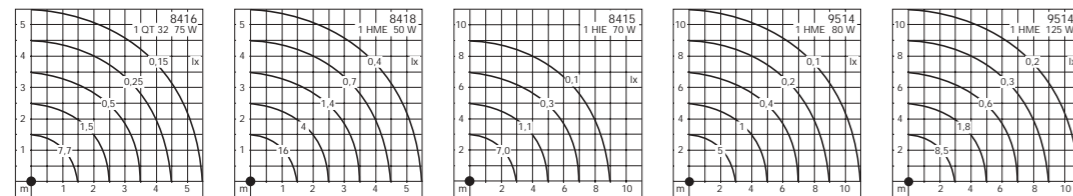




Bollards for tungsten halogen lamps and discharge lamps

These robust luminaires with rotationally symmetrical light distribution are designed to provide surface lighting from low mounting heights. Their rugged construction makes them suitable for use in private and public areas.

The luminaires can be mounted on a foundation or anchorage unit. The BEGA mounting system allows adjustment of the luminaire during installation.



Bollards
with four-sided light output for

- tungsten halogen lamps QT 32 75 W
- discharge lamps HME 50-80-125 W
- discharge lamps HIE 70 W

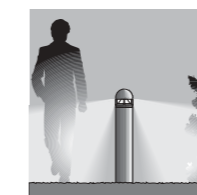
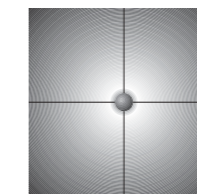
Protection class IP 55

Die cast aluminium, aluminium and stainless steel
Reflector of pure anodized aluminium
Borosilicate glass

9514 clear plastic diffuser
8416 connection box 620
8415 · 8418 · 9514 with door and connection box 632
With mounting plate for bolting to a foundation or anchorage unit.
Technical data of anchorage units and connection boxes, pages 460 - 461.

Colour: graphite – article number
silver – article number + **A**

	Lamp		Lumen	A	B
8416	Bollard	1 QT 32 75 W	1050	165	800
8418	Bollard	1 HME 50 W	2000	220	1000
8415	Bollard	1 HIE 70 W	5700	220	1000
9514	Bollard	1 HME 80 · 125 W	4000 · 6500	300	1200
895	Anchorage unit for 8416				
896	Anchorage unit for 8418 · 8415		897	Anchorage unit for 9514	



Light output 360°

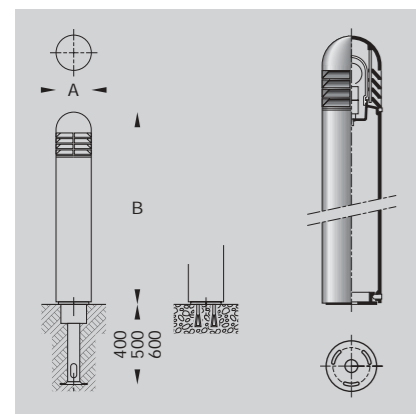
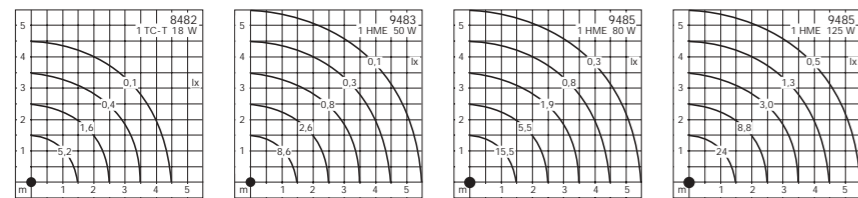
Bollards with rotationally symmetrical light distribution. Luminaires with borosilicate glass and reflector of pure anodized aluminium for directed light from low mounting heights.



Bollards for fluorescent lamps and discharge lamps

Robust luminaires with rotationally symmetrical light distribution and shielded light source, providing light from low mounting heights. Available in three sizes, these luminaires are designed to provide location lighting and optical guidance in private and public areas.

The luminaires can be mounted on a foundation or anchorage unit. The BEGA mounting system allows adjustment of the luminaire during installation.



Bollards for
 • fluorescent lamps TC-T 18 W
 • discharge lamps HME 50·80·125 W
 Protection class IP 55
 Die cast aluminium, aluminium and stainless steel
 Crystal glass with optical texture
 8482 connection box 623
 9483·9485 with door + connection box 632

With mounting plate for bolting to a foundation or anchorage unit.
 Technical data of anchorage units and connection boxes, pages 460 - 461.

Colour: graphite – article number
 white – article number + **W**
 silver – article number + **A**

	Lamp		Lumen	A	B
8482	Bollard	1 TC-T 18 W	1200	140	800
9483	Bollard	1 HME 50 W	2000	220	1200
9485	Bollard	1 HME 80 · 125 W	4000 · 6500	300	1300
894	Anchorage unit for 8482				
896	Anchorage unit for 9483		897	Anchorage unit for 9485	



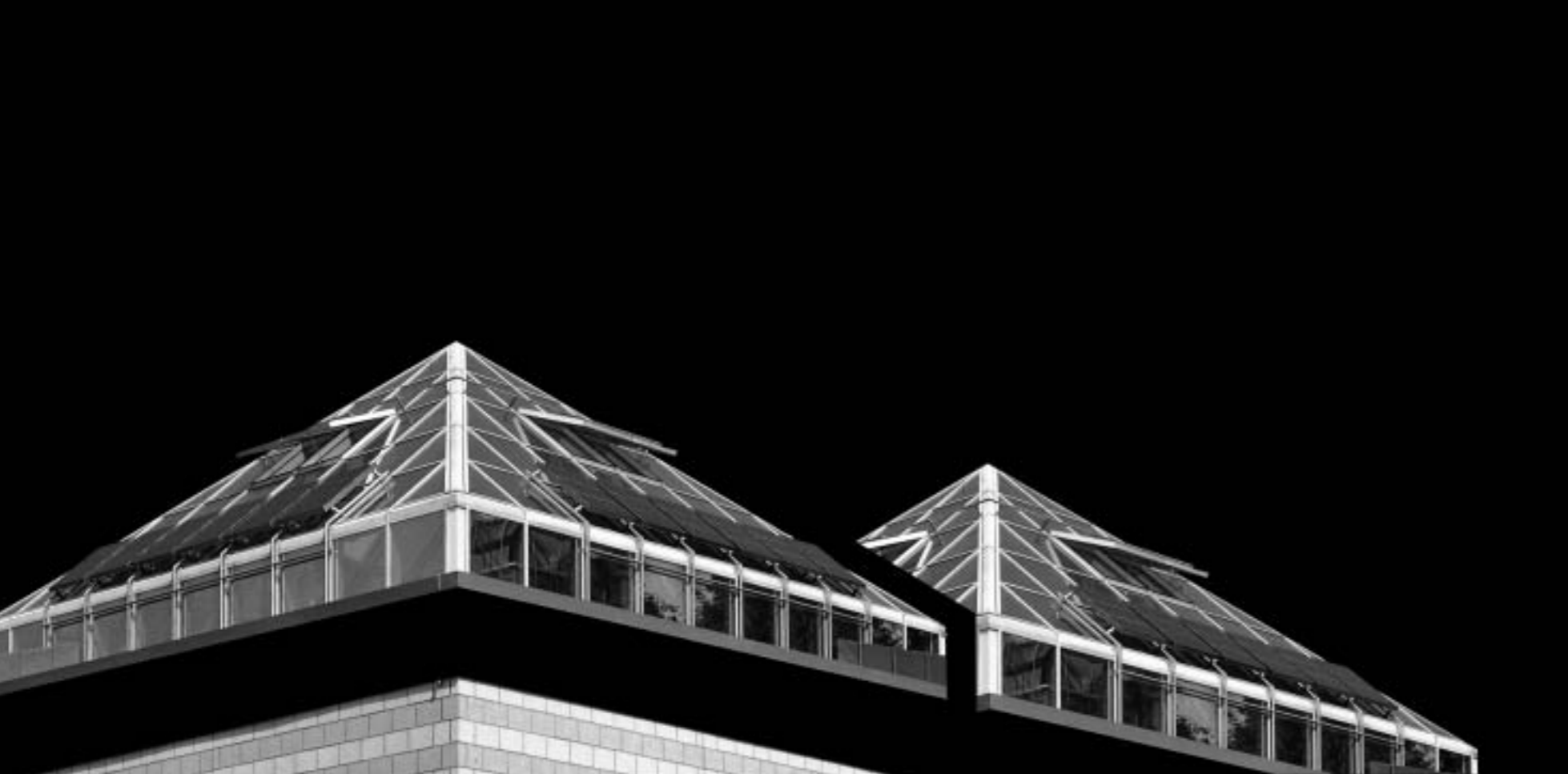
On pages 138 - 139 of this catalogue, you will find a description of wall luminaires whose shape, construction and light output match the luminaires given on this double page.



0Bollards with rotationally symmetrical light distribution.
 With crystal glass and outside louvred reflectors made of die cast aluminium. Extremely robust luminaires for shielded, glarefree light.



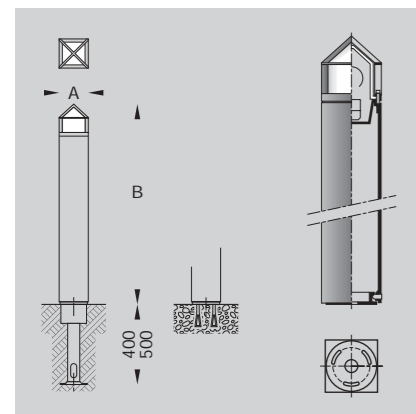
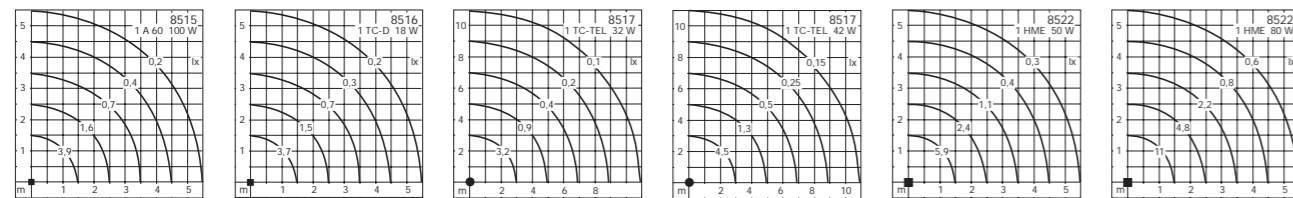
Box 70396 | 10724 STOC
 Klampenborgsviadukten 70
 Tel: +46 (0)8-103070 | Fa
 info@crealux.se | www.cri



Bollards
for incandescent lamps, fluorescent lamps and discharge lamps
Protection class IP 65

These luminaires of square layout are available in two sizes, providing unshielded light from low mounting heights. They are equipped with a safety guard and thick-walled crystal glass with optical texture which diffuses the light. The luminaires are designed to demarcate and provide optical guidance in private and public areas. The luminaires for fluorescent lamps TC-TEL are equipped with electronic ballasts. 26 · 32 · 42 W lamps can be used in these luminaires.

The luminaires can be mounted on a foundation or anchorage unit. The BEGA mounting system allows adjustment of the luminaire during installation.



Bollards for
 • incandescent lamps A 60 100 W
 • fluorescent lamps TC-D 18 W
 • fluorescent lamps for electronic ballasts TC-TEL 26 · 32 · 42 W
 • discharge lamps HME 50 · 80 W
 Protection class IP 65 · Die cast aluminium, aluminium and stainless steel
 Crystal glass with optical texture

8515 · 8516 connection box 620
 8517 · 8522 with door + connection box 632
 With mounting plate for bolting to a foundation or anchorage unit.
 Technical data of anchorage units and connection boxes, pages 460 - 461.
 Colour: graphite – article number
 white – article number + **W**
 silver – article number + **A**

	Lamp		Lumen	A	B
8515	Bollard	1 A 60 100 W	1360	160	1100
8516	Bollard	1 TC-D 18 W	1200	160	1100
8517	Bollard	1 TC-TEL 26 · 32 · 42 W	1800 · 2400 · 3200	220	1200
8522	Bollard	1 HME 50 · 80 W	2000 · 4000	220	1200
895	Anchorage unit for 8515 · 8516				
896	Anchorage unit for 8517 · 8522				

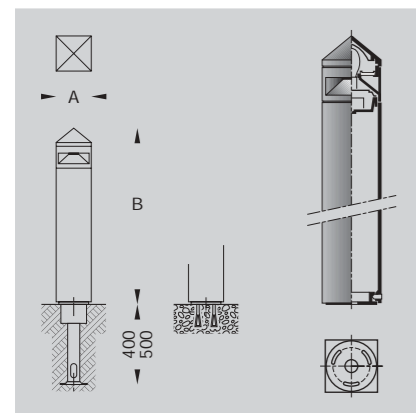
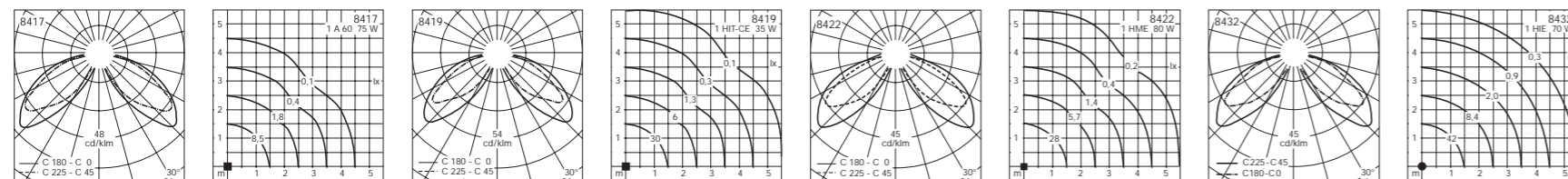
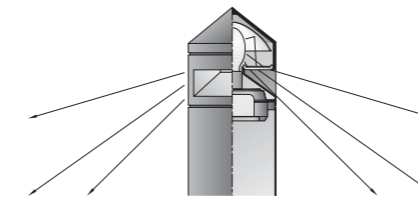




Bollards for incandescent lamps and discharge lamps

Robust luminaires in two sizes with four-sided light output, providing surface lighting from low mounting heights.
Luminaires with shielded light source and broad spread light distribution.
The diffusing crystal glass, installed inside the luminaire, is not visible and is therefore to a large extent protected from destruction.
These luminaires are designed to provide indication lighting and optical guidance in public areas, squares and for pathway borders.

The luminaires can be mounted on a foundation or anchorage unit. The BEGA mounting system allows adjustment of the luminaire during installation.



Bollards for

- incandescent lamps A 60 75 W
- discharge lamps HME 80 W
- discharge lamps HIE 70 W
- discharge lamps HIT-CE 35 W – G 12

Protection class IP 54
Die cast aluminium, aluminium and stainless steel
Reflector of pure anodized aluminium

Crystal glass with optical texture
8417 · 8419 connection box 620
8422 · 8432 door + connection box 632
With mounting plate for bolting to a foundation or anchorage unit.
Technical data of anchorage units and connection boxes, pages 460 - 461.
Colour: graphite – article number
silver – article number + **A**

	Lamp	Lumen	A	B
8417	Bollard 1 A 60 75 W	940	160	900
8419	Bollard 1 HIT-CE 35 W	3300	160	900
8422	Bollard 1 HME 80 W	4000	220	1100
8432	Bollard 1 HIE 70 W	5700	220	1100
895	Anchorage unit for 8417 · 8419	896	Anchorage unit for 8422 · 8432	



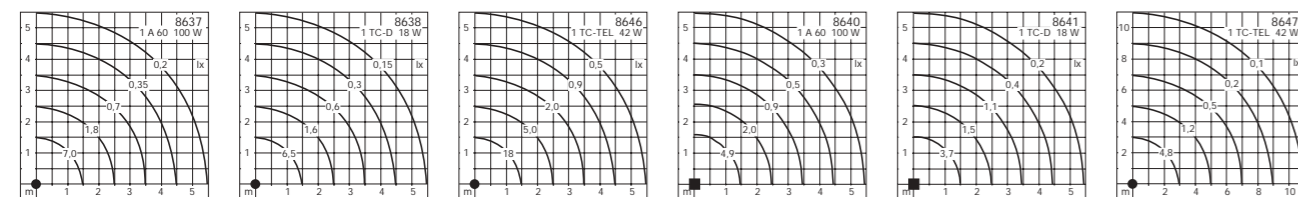
Bollards with four-sided light output.
Luminaires with crystal glass with optical texture and inside reflectors.
They provide glarefree, wide beam light from low mounting heights.



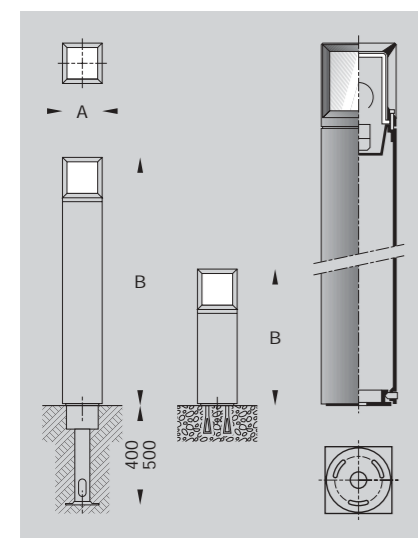
Bollards with different mounting heights Protection class IP 65

These luminaires of square layout and four-sided light output are designed for incandescent lamps and fluorescent lamps. They are robust luminaires with a safety guard, providing unshielded light from low mounting heights. The thick-walled crystal glass with optical texture diffuses the light. They are suitable to demarcate and provide optical guidance in private and public areas. The luminaires for fluorescent lamps TC-TEL are equipped with electronic ballasts. 26 · 32 · 42 W lamps can be used in these luminaires.

The luminaires can be mounted on a foundation or anchorage unit. The BEGA mounting system allows adjustment of the luminaire during installation.



On pages 128 - 129 of this catalogue, you will find wall luminaires whose shape, construction and light output match the luminaires given on this double page..



Bollards with different mounting heights

- incandescent lamps A 60 · 100 W
- fluorescent lamps TC-D 18 W
- fluorescent lamps for electronic ballasts TC-TEL 26 · 32 · 42 W

Protection class IP 65 · Die cast aluminium, aluminium and stainless steel
Crystal glass with optical texture
8637 · 8638 · 8646 connection box with 3 x 4² connecting terminals

8640 · 8641 connectoin box 630
8647 with door and connection box 632
With mounting plate for bolting to a foundation or anchorage unit.
Technical data of anchorage units and connection boxes, pages 460 - 461.

Colour: graphite – article number
white – article number + **W**
silver – article number + **A**

	Lamp	Lumen	A	B
8637	Bollard 1 A 60 100 W	1360	160	550
8638	Bollard 1 TC-D 18 W	1200	160	550
8646	Bollard 1 TC-TEL 26 · 32 · 42 W	1800 · 2400 · 3200	220	650
8640	Bollard 1 A 60 100 W	1360	160	1000
8641	Bollard 1 TC-D 18 W	1200	160	1000
8647	Bollard 1 TC-TEL 26 · 32 · 42 W	1800 · 2400 · 3200	220	1200
895	Anchorage unit for 8637 · 8638 · 8640 · 8641			
896	Anchorage unit for 8646 · 8647			



Box 70396 | 10724 STOC
Klarabergsviadukten 70
Tel +46 (0)8-103070 | Fa
info@crealux.se | www.cri

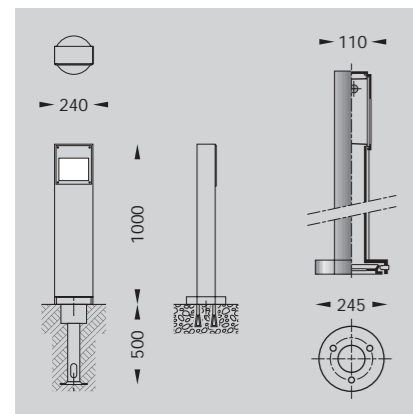
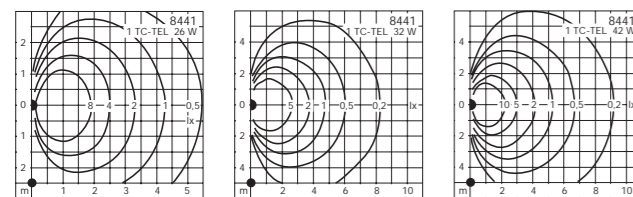


On pages 28 - 29 of this catalogue, you will find a description of wall luminaires whose shape, construction and light output match the luminaires given on this double page.

Bollards for fluorescent lamps Protection class IP 65

Robust luminaires with single-sided light output.
They are available with shielded light source or white safety glass.
The luminaires for fluorescent lamps TC-TEL are equipped with electronic ballasts.
26 · 32 · 42 W lamps can be used in these luminaires.
The light output can thus be adapted to meet location requirements.

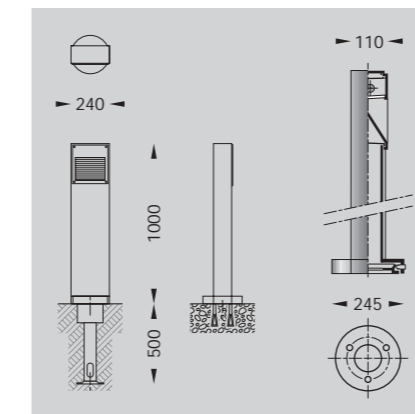
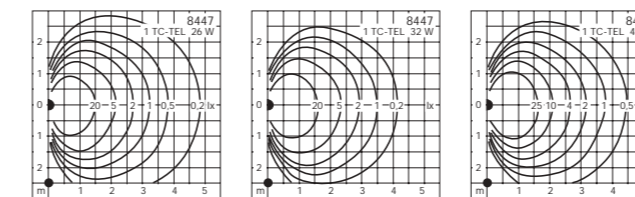
The luminaires can be mounted on a foundation or anchorage unit. The BEGA mounting system allows adjustment of the luminaire during installation.



Bollard for
• fluorescent lamps TC-TEL
for electronic ballasts
26 · 32 · 42 W 1800 · 2400 · 3200 lm
IP 65 · Die cast aluminium, aluminium
and stainless steel · White safety glass
Connection box 632
With mounting plate for bolting to a
foundation or anchorage unit.
Technical data of anchorage units and
connection boxes, pages 460 - 461.

Colour: graphite

8441 Bollard 1 TC-TEL 26·32·42 W
896 Anchorage unit for 8441



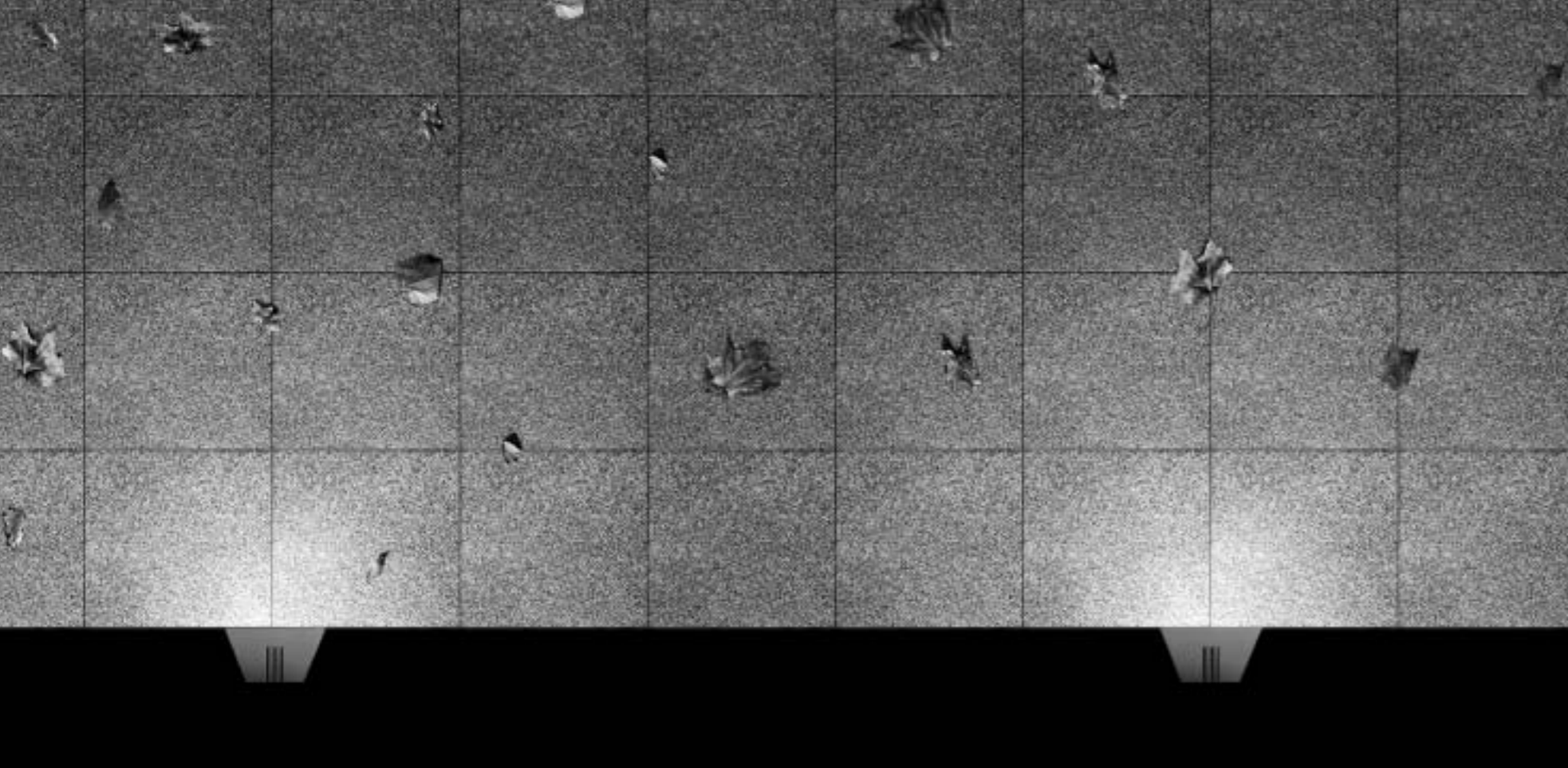
Bollard für
• fluorescent lamps TC-TEL for
electronic ballasts
26 · 32 · 42 W 1800 · 2400 · 3200 lm
IP 65 · Die cast aluminium, aluminium
and stainless steel · Safety glass with grid
Connection box 632
With mounting plate for bolting to a
foundation or anchorage unit.
Technical data of anchorage units and
connection boxes, pages 460 - 461.

Colour: graphite

8447 Bollard 1 TC-TEL 26·32·42 W
896 Anchorage unit for 8447



Box 70396 | 10724 STOC
Klarabergsviadukten 70
Tel +46 (0)8-103070 | Fa
info@creal.se | www.cre



Surface washers with flat beam light distribution

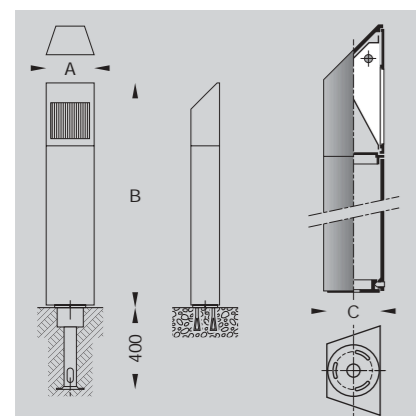
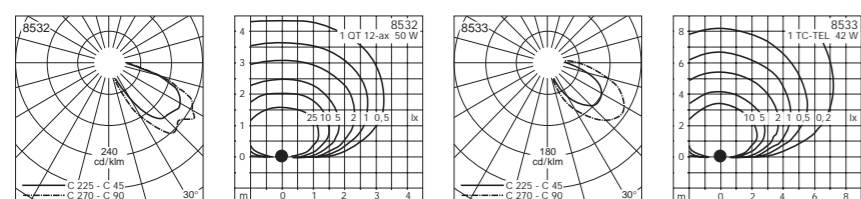
Protection class IP 65

These luminaires are available in two sizes for tungsten halogen lamps and fluorescent lamps. They provide glarefree light to illuminate surfaces from low mounting heights. Flat beam, broad spread light distribution is particularly suitable for illuminating forecourts, entrances and paths in private and public areas.

The luminaires for fluorescent lamps TC-TEL are equipped with electronic ballasts. 26 · 32 · 42 W lamps can be used in these luminaires.

The luminaires can be mounted on a foundation or anchorage unit. The BEGA mounting system allows adjustment of the luminaire during installation.

A description of luminaires with the same design features but different light distribution e.g. to illuminate horizontal surfaces – is given on pages 338 - 339 and to illuminate buildings – on pages 286 - 287.



Surface washers with flat beam light distribution to illuminate ground surfaces for

- low voltage tungsten halogen lamps QT 12-ax 20 · 35 · 50 W – G 6.35
- fluorescent lamps for electronic ballasts TC-TEL 26 · 32 · 42 W

Protection class IP 65 · Die cast aluminium, aluminium and stainless steel
Reflector of pure anodized aluminium
Safety glass with optical texture

8532 connection box with 3 x 4² connecting terminals and electronic transformer
8533 with door and connection box 632
With mounting plate for bolting to a foundation or anchorage unit.
Technical data of anchorage units and connection boxes, pages 460 - 461.

Colour: graphite – article number
silver – article number + A

	Lamp	Lumen	A	B	C
8532	Surface washer 1 QT 12-ax 20 · 35 · 50 W	320 · 600 · 910	160	800	110
8533	Surface washer 1 TC-TEL 26 · 32 · 42 W	1800 · 2400 · 3200	250	1100	140
894	Anchorage unit for 8532	895	Anchorage unit for 8533		

Bollards with flat beam light distribution. The light from the completely shielded lamps is distributed very broadly by a reflector and diffuser lens. Luminaires with high operational efficiency.



Box 70396 | 10724 STOC
Klarabergsviadukten 70
Tel +46 (0)8-103070 | Fa
info@crealux.se | www.cre

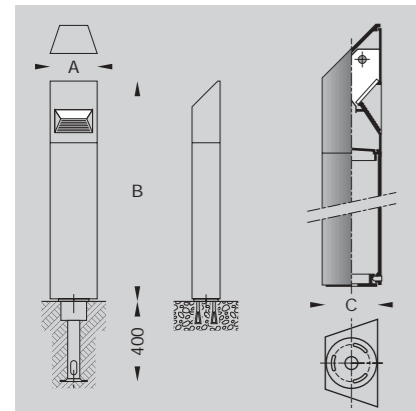
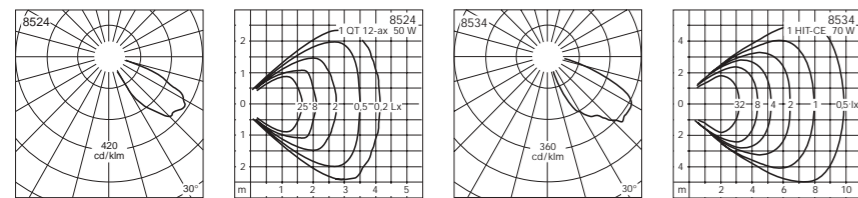


On pages 26 - 27 of this catalogue, you will find a description of wall luminaires whose shape, construction and light output match the luminaires given on this double page.

Surface washers for **horizontal surfaces** · Protection class IP 65

Luminaires in two sizes for tungsten halogen lamps and discharge lamps. They provide glarefree light to illuminate ground surfaces from low mounting heights. The luminaires are characterized by a high level of illuminance on the illuminated surface. Asymmetrical light distribution is especially suitable for in-depth illumination of squares, entrances and wide footpaths in private and public areas. The luminaires can be mounted on a foundation or anchorage unit. The BEGA mounting system allows adjustment of the luminaire during installation.

A description of luminaires with the same design features but different light distribution e.g. to illuminate buildings – is given on pages 286 - 287 and with flat beam light distribution e.g. to illuminate footpaths – on pages 336 - 337.



Surface washers to illuminate **horizontal surfaces** for

- low voltage tungsten halogen lamps QT 12-ax 20 · 35 · 50 W – G 6.35
- discharge lamps HIT-CE 70 W

Lampholder G 12
Protection class IP 65
Die cast aluminium, aluminium and stainless steel
Reflector of pure anodized aluminium
Safety glass

8524 connection box with 3 x 4² connecting terminals and electronic transformer.
8534 with door and connection box 632
With mounting plate for bolting to a foundation or anchorage unit.
Technical data of anchorage units and connection boxes, pages 460 - 461.
Colour: graphite – article number
silver – article number + **A**

	Lamp	Lumen	A	B	C
8524	Surface washer 1 QT 12-ax 20 · 35 · 50 W	320 · 600 · 910	160	800	110
8534	Surface washer 1 HIT-CE 70 W	6600	250	1100	140
894	Anchorage unit for 8524	895	Anchorage unit for 8534		



Bollards with asymmetrical light distribution and a high level of illumination. The light distribution is especially suitable for in-depth illumination e.g. of forecourts and paths in private and public areas.



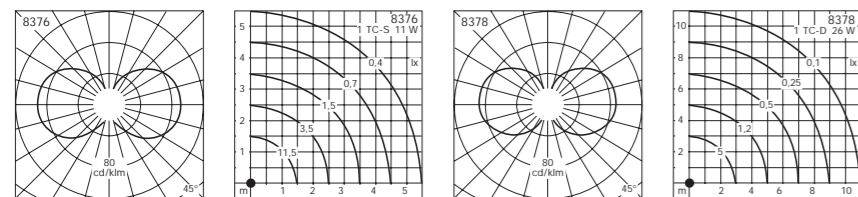
Box 70396 | 10724 STOC
Klarabergsviadukten 70
Tel +46 (0)8-103070 | Fa
info@crealux.se | www.cre



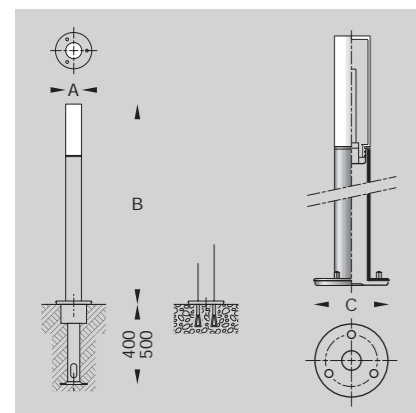
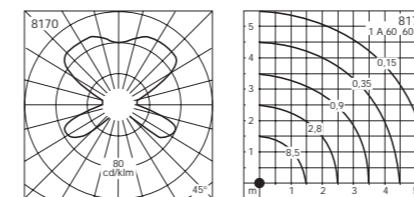
STAINLESS STEEL · Garden luminaires

Protection class IP 65

These garden luminaires made of stainless steel and hand-blown glass are designed to provide light from low mounting heights. Stainless steel is a very robust, high-quality material. It is characterized by its practically unlimited durability. This is complemented by the robust and high-quality material glass with its incomparable lighting properties. These luminaires are designed to illuminate paths, flower beds and patios in private areas. The luminaires can be mounted on a foundation or anchorage unit.



On pages 100 - 101 of this catalogue, you will find a description of wall luminaires and pillar luminaires whose shape, construction and light output match the luminaires given on this page.

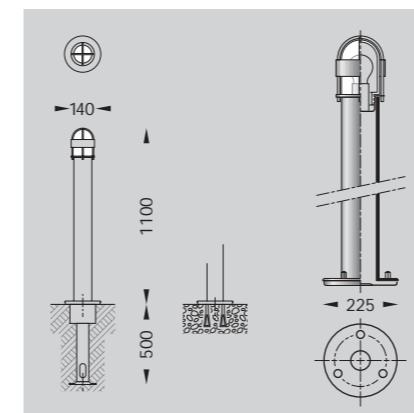


Garden luminaires · STAINLESS STEEL for
 • fluorescent lamps TC-S 11 W
 • fluorescent lamps TC-D 26 W
 Protection class IP 65
 Stainless steel · Three-ply opal glass

Connection box with 3 x 4^{sq} connecting terminals
 With mounting plate for bolting to a foundation or anchorage unit.

Technical data, page 460.

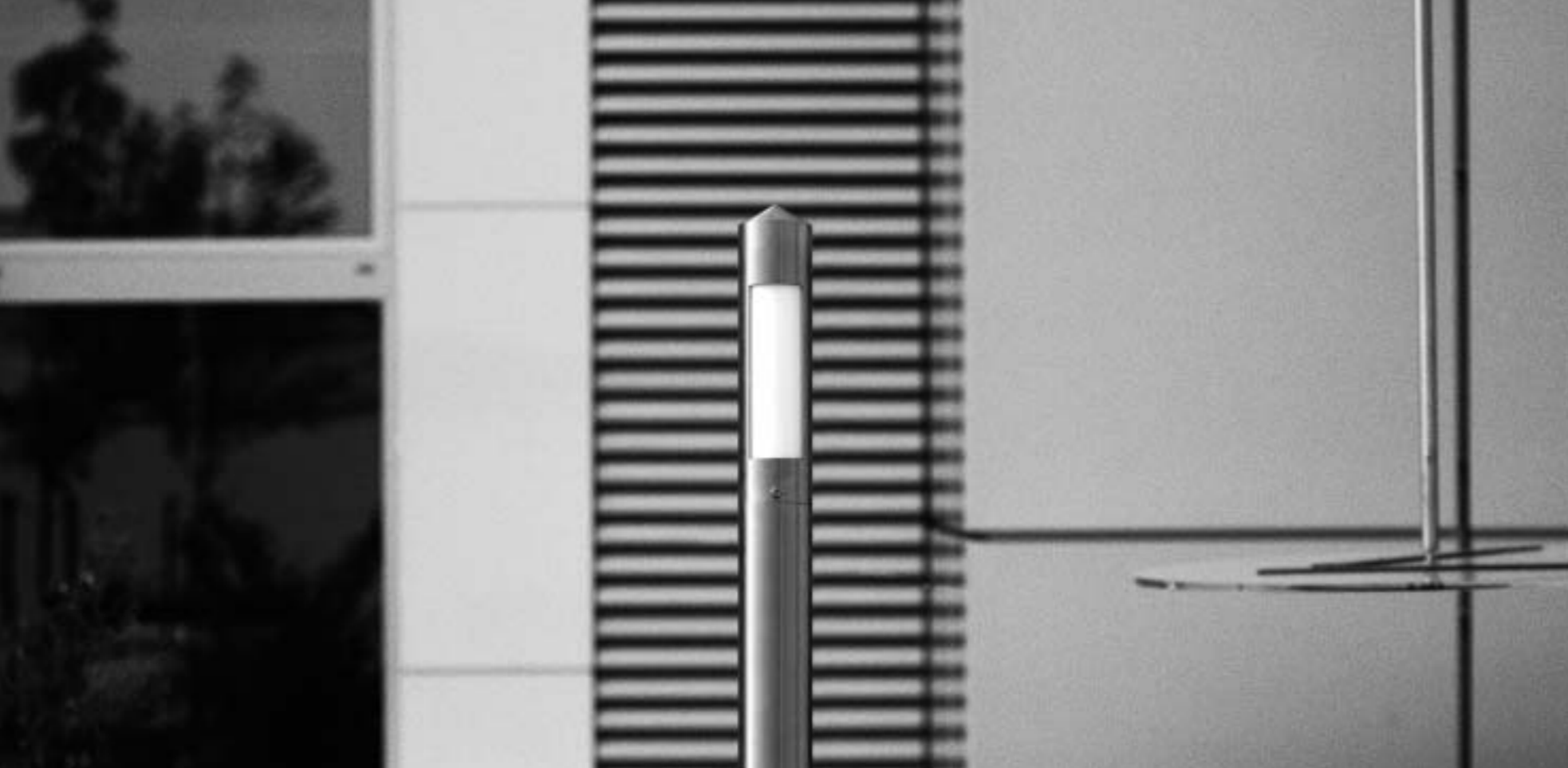
	Lamp	Lumen	A	B	C
8376	Garden luminaire 1 TC-S 11 W	900	80	1000	175
8378	Garden luminaire 1 TC-D 26 W	1800	110	1200	225
895	Anchorage unit for 8376				
896	Anchorage unit for 8378				



Garden luminaire · STAINLESS STEEL for
 • incandescent lamps A 60 60 W 710 lm
 Protection class IP 65
 Stainless steel · Crystal bubble glass
 Connection box with 3 x 4^{sq} connecting terminals

With mounting plate for bolting to a foundation or anchorage unit.
 Technical data, page 460.

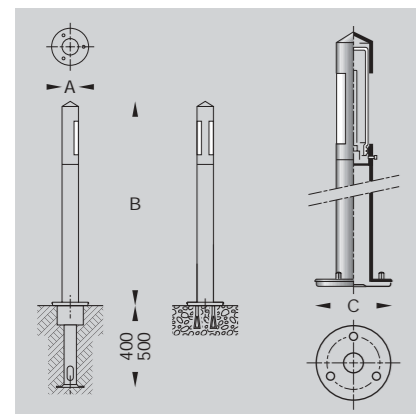
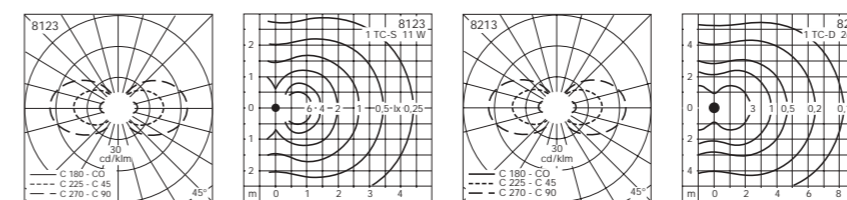
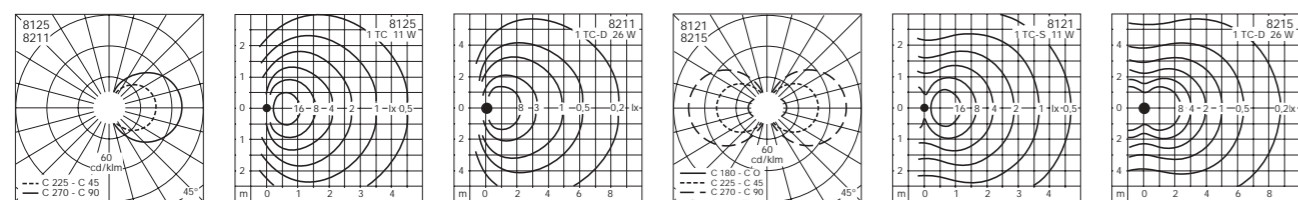
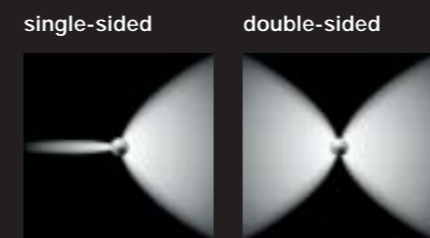
8170	Garden luminaire 1 A 60 60 W
896	Anchorage unit for 8170



STAINLESS STEEL · Bollards for fluorescent lamps Protection class IP 65

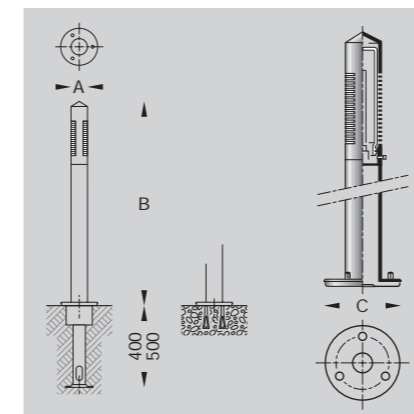
Bollards providing light from low mounting heights.
A group of luminaires in two sizes whose shape and design are determined by the material stainless steel.
Stainless steel is a high-quality material which is characterized by its great stability and practically unlimited durability.
This is also complemented by the durable and high-quality three-ply opal glass with its incomparable lighting properties.
The luminaires on page 343 have a low luminance and are therefore particularly suitable for providing discreet additional lighting.
The luminaires on page 342 are designed for use where surrounding brightness is high or for high-contrast illuminance where the lighting level is low.
The luminaires can be mounted on a foundation or anchorage unit.

On page 106 - 107 of this catalogue, you will find a description of wall luminaires and pillar luminaires whose shape, construction and light output match the luminaires given on these pages.



Bollards · STAINLESS STEEL
with single-sided light sector 90° and
back light sector 5°
or with double-sided light sector 90°
Luminaires for
• fluorescent lamps TC-S 11 W
• fluorescent lamps TC-D 26 W
Protection class IP 65

Stainless steel · Three-ply opal glass
8125 · 8121 connection box 623
8211 · 8215 connection box 620
With stainless steel base plate for bolting
to a foundation or anchorage unit.
Technical data of anchorage units and
connection boxes, pages 460 - 461.



Bollards · STAINLESS STEEL
with double-sided light sector 90° and
safety guard for
• fluorescent lamps TC-S 11 W
• fluorescent lamps TC-D 26 W
Protection class IP 65
Stainless steel · Three-ply opal glass

8123 connection box 623
8213 connection box 620
With stainless steel base plate for bolting
to a foundation or anchorage unit.
Technical data of anchorage units and
connection boxes, pages 460 - 461.

		Lamp	Lumen	A	B	C
8125	Bollard single-sided	1 TC-S 11 W	900	80	1000	175
8121	Bollard double-sided	1 TC-S 11 W	900	80	1000	175
8211	Bollard single-sided	1 TC-D 26 W	1800	110	1200	225
8215	Bollard double-sided	1 TC-D 26 W	1800	110	1200	225
895	Anchorage unit for 8125 · 8121					
896	Anchorage unit for 8211 · 8215					

		Lamp	Lumen	A	B	C
8123	Bollard double-sided	1 TC-S 11 W	900	80	1000	175
8213	Bollard double-sided	1 TC-D 26 W	1800	110	1200	225
895	Anchorage unit for 8123					
896	Anchorage unit for 8213					

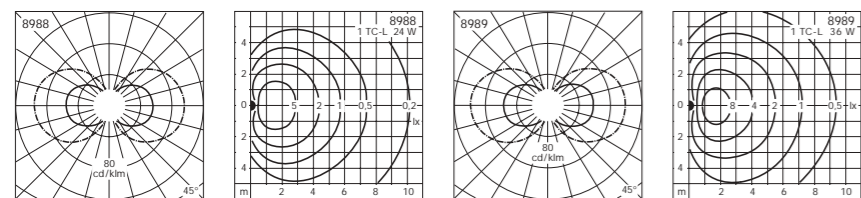


Box 70396 | 70724 STOC
Klarabergsvägen 70
Tel +46 (0)8 303070 | Fa
info@crealux.se | www.cri

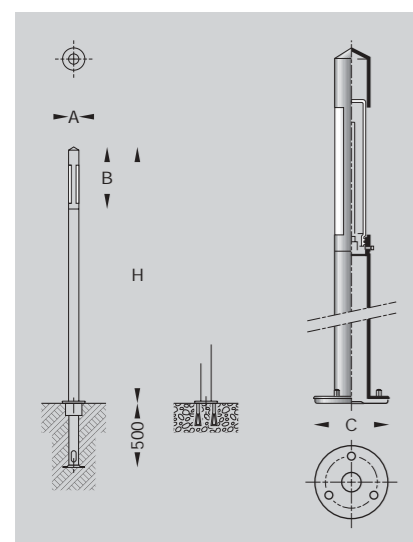
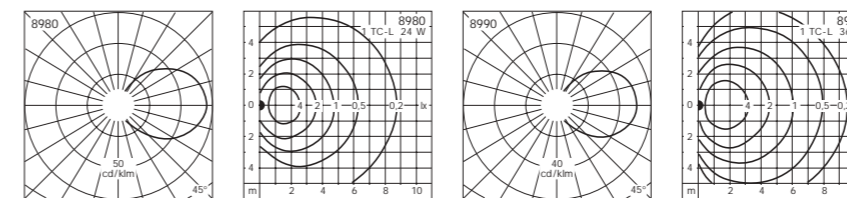


STAINLESS STEEL · Light building element for fluorescent lamps Protection class IP 65

A group of elongated luminaires, available in two sizes. The shape and concept of the luminaires are determined by the material stainless steel. Stainless steel is a high-quality material which is characterized by its great stability and practically unlimited durability. This is also complemented by the durable and high-quality material three-ply opal glass with its incomparable lighting properties. The luminaires on page 345 have a low luminance and are therefore particularly suitable for providing discreet additional lighting. The luminaires on page 344 are designed for use where surrounding brightness is high or to provide high-contrast illumination where the level of lighting is low. Light building elements are luminaires which can delineate and structure outside areas. Their function is to locate, guide and demarcate. They are good design elements in architectural lighting. The luminaires can be mounted on a foundation or anchorage unit.



On pages 106 - 107 of this catalogue, you will find a description of wall luminaires and pillar luminaires whose shape, construction and light output match the luminaires given on this page.



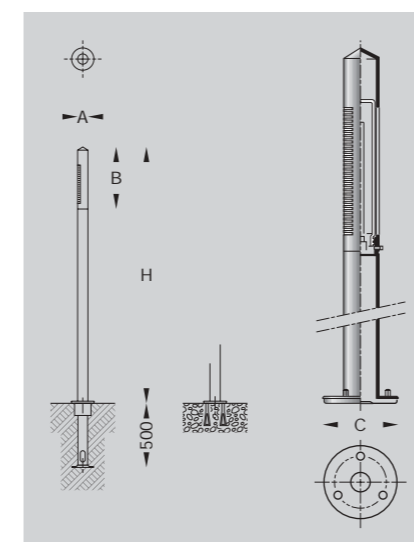
Light building elements STAINLESS STEEL with two opposite light sectors 140° for • fluorescent lamps TC-L 24 · 36 W

Protection class IP 65
Stainless steel · Three-ply opal glass
8988 connection box 623
8989 connection box 620

With mounting plate for bolting to a foundation or anchorage unit. Technical data of anchorage units and connection boxes, pages 460 - 461.

Free space of at least dimension B is required above the luminaire for relamping and exchanging the three-ply opal glass cylinder.

	Lamp	Lumen	A	B	C	H
8988	Light element 1 TC-L 24 W	1800	80	620	175	2000
8989	Light element 1 TC-L 36 W	2900	110	800	225	2500
896	Anchorage unit for 8988 · 8989					



Light building elements STAINLESS STEEL with single-sided light sector 120° and safety guard and back light sector 5° for • fluorescent lamps TC-L 24 · 36 W Protection class IP 65

Stainless steel · Three-ply opal glass
8980 connection box 623
8990 connection box 620

With mounting plate for bolting to a foundation or anchorage unit. Technical data of anchorage units and connection boxes, pages 460 - 461.

Free space of at least dimension B is required above the luminaire for relamping and exchanging the three-ply opal glass cylinder.

	Lamp	Lumen	A	B	C	H
8980	Light element 1 TC-L 24 W	1800	80	620	175	2000
8990	Light element 1 TC-L 36 W	2900	110	800	225	2500
896	Anchorage unit for 8980 · 8990					



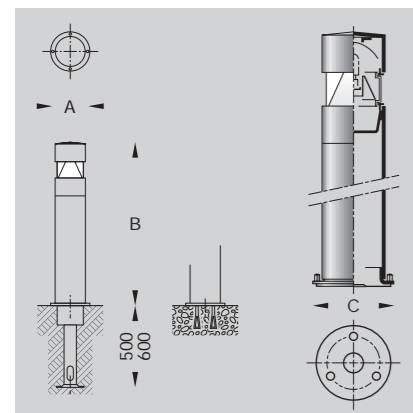
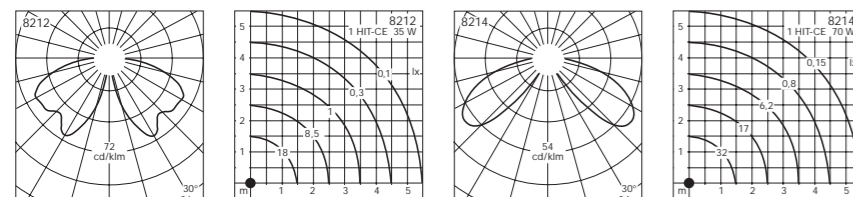
Box 70396 | 10724 STOC
Klarabergsviadukten 70
Tel +46 (0)8-103070 | Fa
info@crealux.se | www.cri

STAINLESS STEEL · Bollards for discharge lamps
Protection class IP 65

These luminaires are available in two sizes with rotationally symmetrical light distribution. They illuminate footpaths, entrances and driveways in private and public areas from low mounting heights.

A group of luminaires designed for energy-saving metal halide lamps. These lamps are characterized by their high luminous efficiency and good colour rendering properties. The shape and construction of these luminaires are determined by the material stainless steel. Stainless steel, a material of great stability and durability, can meet the highest requirements.

The luminaires can be mounted on a foundation or anchorage unit.

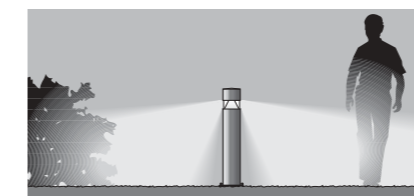


Bollards · STAINLESS STEEL for
• discharge lamps HIT-CE 35 · 70 W
Lampholder G12
Protection class IP 65
Stainless steel · Borosilicate glass
Stainless steel reflector

Connection box 632

With mounting plate for bolting to a foundation or anchorage unit.
Technical data of anchorage units and connection boxes, pages 460 - 461.

	Lamp	Lumen	A	B	C
8212	Bollard 1 HIT-CE 35 W	3300	155	1000	240
8214	Bollard 1 HIT-CE 70 W	6600	205	1200	300
896	Anchorage unit for 8212				
897	Anchorage unit for 8214				



Bollards with rotationally symmetrical light distribution. Luminaires equipped with borosilicate glass and stainless steel reflector.
Robust stainless steel luminaires, providing directed and shielded light from low mounting heights.

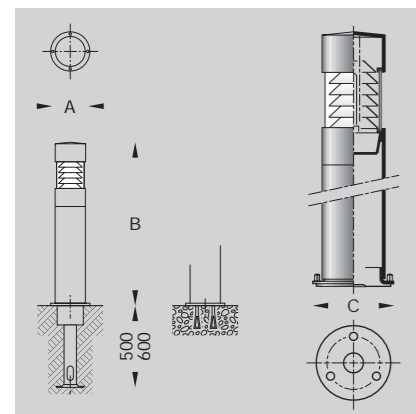
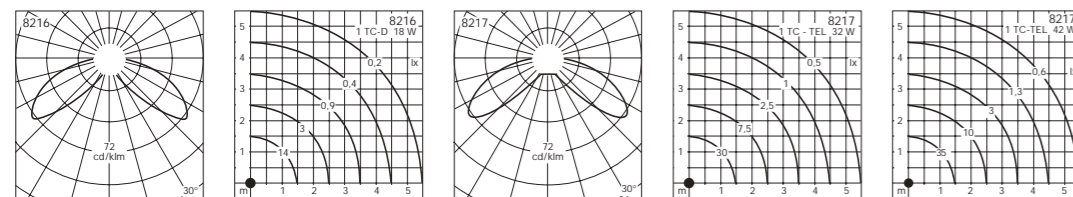
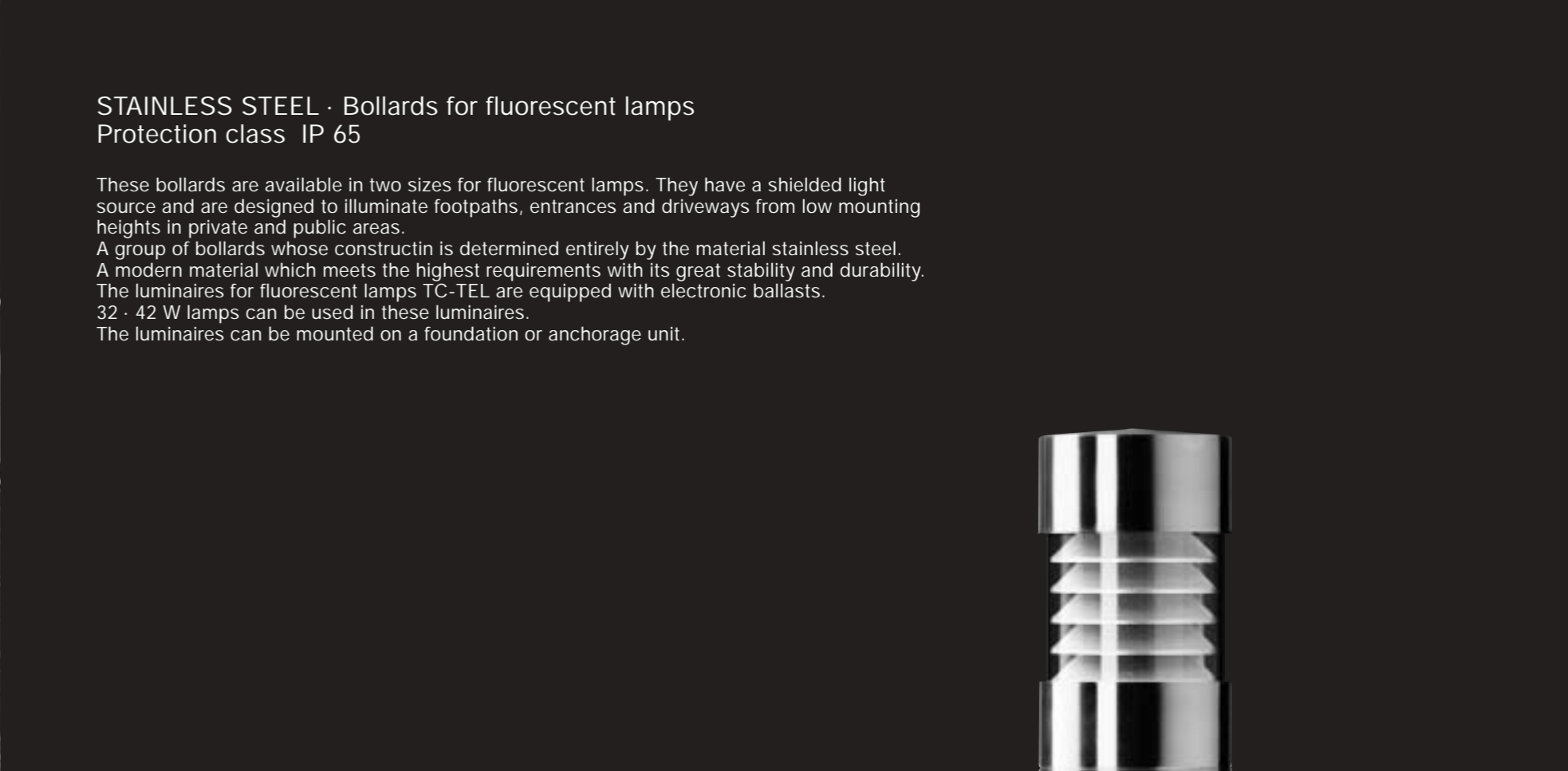


Box 70096 | 10724 STOC
Klarabergsviadukten 70
Tel +46 (0)8-103070 | Fa
info@crealux.se | www.cri

STAINLESS STEEL · Bollards for fluorescent lamps
Protection class IP 65

These bollards are available in two sizes for fluorescent lamps. They have a shielded light source and are designed to illuminate footpaths, entrances and driveways from low mounting heights in private and public areas.

A group of bollards whose construction is determined entirely by the material stainless steel. A modern material which meets the highest requirements with its great stability and durability. The luminaires for fluorescent lamps TC-TEL are equipped with electronic ballasts. 32 · 42 W lamps can be used in these luminaires. The luminaires can be mounted on a foundation or anchorage unit.

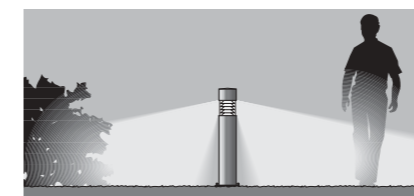


Bollards · STAINLESS STEEL for
• fluorescent lamps TC-D 18 W
• fluorescent lamps for electronic ballasts TC-TEL 32 · 42 W
Protection class IP 65
Stainless steel · Borosilicate glass
Stainless steel reflector

Connection box 632

With mounting plate for bolting to a foundation or anchorage unit.
Technical data of anchorage units and connection boxes, pages 460 - 461.

	Lamp	Lumen	A	B	C
8216 Bollard	1 TC-D 18 W	1200	155	1000	240
8217 Bollard	1 TC-TEL 32 · 42 W	2400 · 3200	205	1200	300
896	Anchorage unit for 8216				
897	Anchorage unit for 8217				



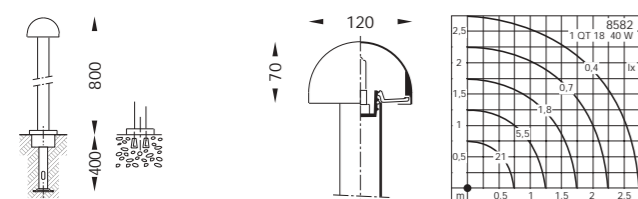
Bollards with rotationally symmetrical light distribution. Luminaires equipped with borosilicate glass and stainless steel reflector.
Robust stainless steel luminaires, providing directed and shielded light from low mounting heights.



Garden luminaires for tungsten halogen lamps

Luminaires designed to illuminate surfaces from low mounting heights. They provide effective lighting for plants, flowers, walls and sculptures in private gardens.

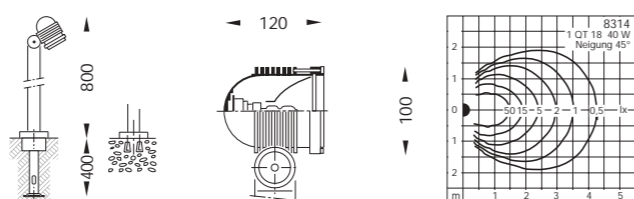
The luminaires can be mounted on a foundation or anchorage unit. The BEGA mounting system allows adjustment of the luminaire during installation.



Garden luminaire for
 • tungsten halogen lamp
 QT 18 40 W 460 lm
 Osram type 64467 AM
 Protection class IP 44 · Die cast aluminium, aluminium and stainless steel
 Plastic diffuser with optical texture
 3 x 4[□] connecting terminals
 With mounting plate Ø 110 mm for bolting to a foundation or anchorage unit.
 Technical data, page 460.

Colour: graphite – article number
 white – article number + **W**

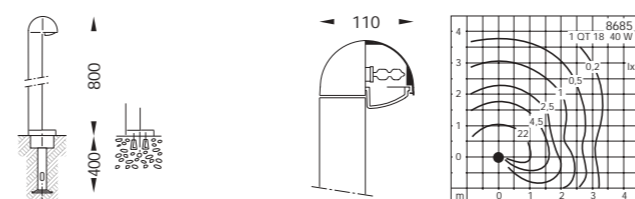
8582	Garden luminaire	1 QT 18	40 W
894	Anchorage unit for 8582		



Garden luminaire for
 • tungsten halogen lamp
 QT 18 40 W 460 lm
 Osram type 64467 AM
 Protection class IP 44 · Die cast aluminium, aluminium and stainless steel
 Safety glass · 3 x 4[□] connecting terminals
 With mounting plate Ø 110 mm for bolting to a foundation or anchorage unit.
 Technical data, page 460.

Colour: graphite – article number
 white – article number + **W**
 silver – article number + **A**

8314	Garden luminaire	1 QT 18	40 W
894	Anchorage unit for 8314		



Garden luminaire for
 • tungsten halogen lamp
 QT 18 40 W 460 lm
 Osram type 64467 AM
 Protection class IP 44 · Die cast aluminium, aluminium and stainless steel
 Crystal glass with optical texture
 3 x 4[□] connecting terminals
 With mounting plate Ø 110 mm for bolting to a foundation or anchorage unit.
 Technical data, page 460.

Colour: graphite – article number
 white – article number + **W**

8685	Garden luminaire	1 QT 18	40 W
894	Anchorage unit for 8685		



Box 70396 | 10724 STOCKHOLM
 Klarabergsviadukten 70
 Tel: +46 (0)8-103070 | Fax: +46 (0)8-103071
 info@crealux.se | www.crealux.se



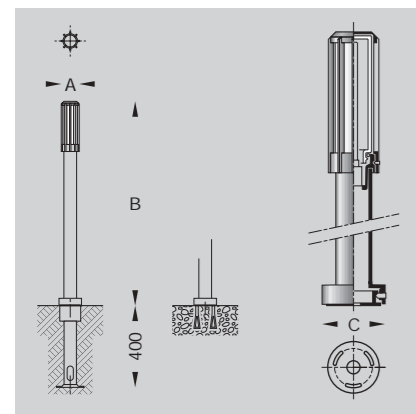
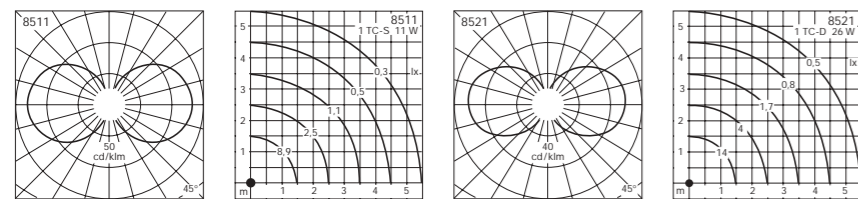
Garden luminaires for fluorescent lamps

These luminaires available in two sizes with rotationally symmetrical light distribution provide light from low mounting heights. They are equipped with hand-blown three-ply opal glass, with or without basket protector made of die cast aluminium. They are designed to illuminate paths, flower beds and patios in private areas.

The luminaires can be mounted on a foundation or anchorage unit. The BEGA mounting system allows adjustment of the luminaire during installation.



On pages 140-147 of this catalogue, you will find a description of wall luminaires whose shape, construction and light output match the luminaires given on this double page.

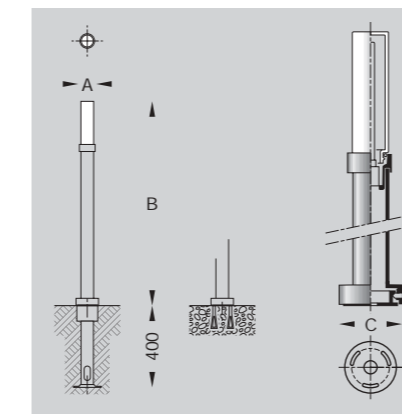
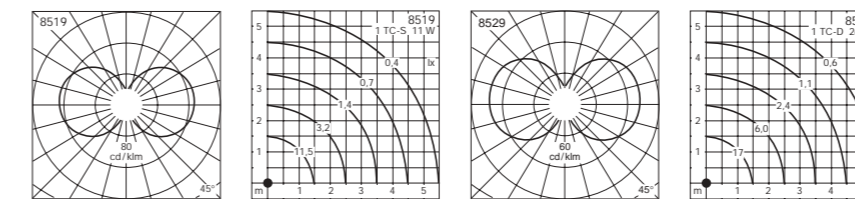


Garden luminaires for
 • fluorescent lamps TC-S 11 W
 • fluorescent lamps TC-D 26 W
 8511 Protection class IP 44
 3 x 49 connecting terminals
 8521 Protection class IP 65
 Connection box 623
 Die cast aluminium, aluminium and stainless steel

Three-ply opal glass
 With mounting plate for bolting to a foundation or anchorage unit.
 Technical data of anchorage units and connection boxes, pages 460 - 461.

Colour: graphite – article number
 white – article number + **W**
 silver – article number + **A**

	Lamp	Lumen	A	B	C
8511 Garden luminaire	1 TC-S 11 W	900	85	1000	110
8521 Garden luminaire	1 TC-D 26 W	1800	110	1000	140
894 Anchorage unit for 8511					
895 Anchorage unit for 8521					



Garden luminaires for
 • fluorescent lamps TC-S 11 W
 • fluorescent lamps TC-D 26 W
 8519 Protection class IP 44
 3 x 49 connecting terminals
 8529 Protection class IP 65
 Connection box 623
 Die cast aluminium, aluminium and stainless steel

Three-ply opal glass
 With mounting plate for bolting to a foundation or anchorage unit.
 Technical data of anchorage units and connection boxes, pages 460 - 461.

Colour: graphite – article number
 white – article number + **W**
 silver – article number + **A**

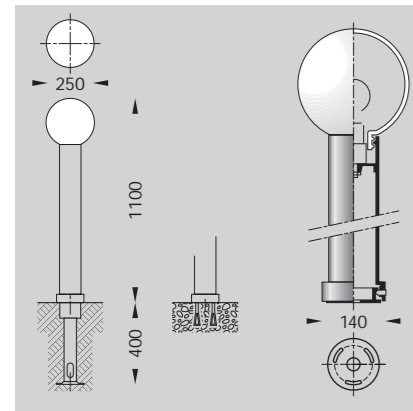
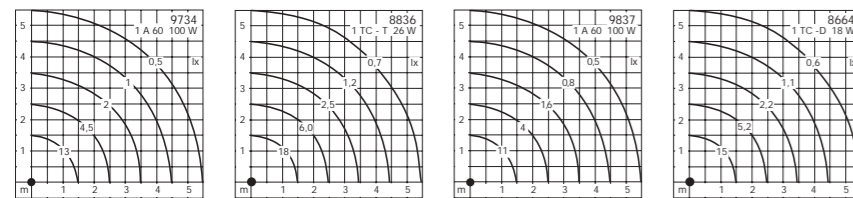
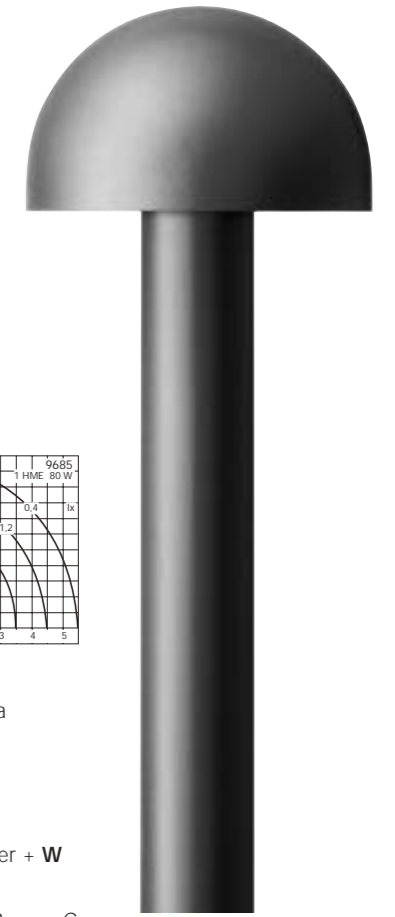
	Lamp	Lumen	A	B	C
8519 Garden luminaire	1 TC-S 11 W	900	60	1000	110
8529 Garden luminaire	1 TC-D 26 W	1800	80	1000	140
894 Anchorage unit for 8519					
895 Anchorage unit for 8529					





Garden luminaires for incandescent lamps, fluorescent lamps and discharge lamps

Unshielded luminaires and luminaires with shielded light source.
The sphere is made of hand-blown three-ply opal glass to provide uniform, wide beam light or crystal bubble glass to provide brilliant light.
The luminaires with shielded light source produce glarefree surface illumination from low mounting heights.
These luminaires are suitable for a host of lighting situations around houses, on patios and in gardens and parks.
The luminaires can be mounted on a foundation or anchorage unit.



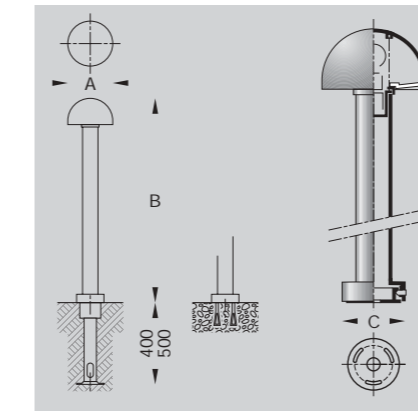
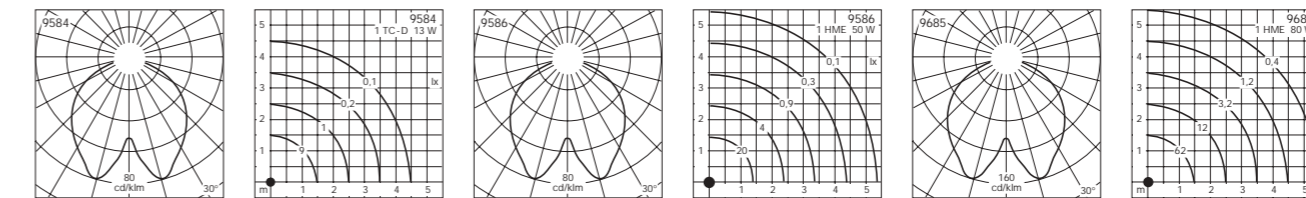
Garden luminaires for
• incandescent lamps A 60 100 W
• fluorescent lamps TC-D 18 W
• fluorescent lamps TC-T 26 W
Protection class IP 55
Die cast aluminium, aluminium and stainless steel · Connection box 623

With mounting plate for bolting to a foundation or anchorage unit.
Technical data of anchorage units and connection boxes, pages 460 - 461.

Colour: graphite

	Lamp	Lumen
9734 Garden luminaire Three-ply opal glass	1 A 60 100 W	1360
8836 Garden luminaire Three-ply opal glass	1 TC-T 26 W	1800
9837 Garden luminaire Crystal bubble glass	1 A 60 100 W	1360
8664 Garden luminaire Crystal bubble glass	1 TC-D 18 W	1200
895 Anchorage unit for 9734 · 8836 · 9837 · 8664		

On pages 90 - 93 of this catalogue, you will find a description of wall luminaires whose shape, construction and light output match the luminaires given on this double page.



Garden luminaires for
• fluorescent lamps TC-D 13 W
• discharge lamps HME 50 · 80 W
Protection class IP 44
Die cast aluminium, aluminium and stainless steel
Light is directed by an impact-resistant plastic diffuser with optical texture.

3 x 4[□] connecting terminals
With mounting plate for bolting to a foundation or anchorage unit.

Technical data, page 460.

Colour: graphite – article number
white – article number + W

	Lamp	Lumen	A	B	C
9584 Garden luminaire	1 TC-D 13 W	900	220	1000	140
9586 Garden luminaire	1 HME 50 W	2000	300	1100	140
9685 Garden luminaire	1 HME 80 W	4000	400	1200	220
895 Anchorage unit for 9584 · 9586					
896 Anchorage unit for 9685					

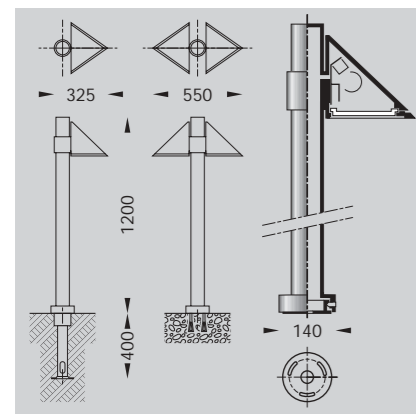
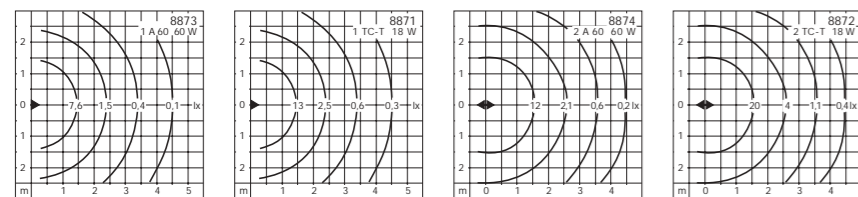


Garden luminaires for incandescent lamps and fluorescent lamps Protection class IP 65

These luminaires with single or double light output and shielded light source provide light from low mounting heights. They provide glarefree illumination for paths, steps and parks in private and public areas.

The luminaires can be mounted on a foundation or anchorage unit. The BEGA mounting system allows adjustment of the luminaire during installation.

Pole-top luminaires of the same shape but with larger dimensions are given on pages 428 - 431.



Garden luminaires for
 • incandescent lamps A 60 60 W
 • fluorescent lamps TC-T 18 W
 Protection class IP 65
 Die cast aluminium, aluminium and stainless steel
 Crystal glass with optical texture
 Connection box 623

With mounting plate for bolting to a foundation or anchorage unit.
 Technical data of anchorage units and connection boxes, pages 460 - 461.

Colour: graphite – article number
 white – article number + **W**
 silver – article number + **A**

		Lamp		Lumen
8873	Garden luminaire single	1 A 60	60 W	710
8871	Garden luminaire single	1 TC-T	18 W	1200
8874	Garden luminaire double	2 A 60	60 W	1420
8872	Garden luminaire double	2 TC-T	18 W	2400
895	Anchorage unit for 8873 · 8871 · 8874 · 8872			



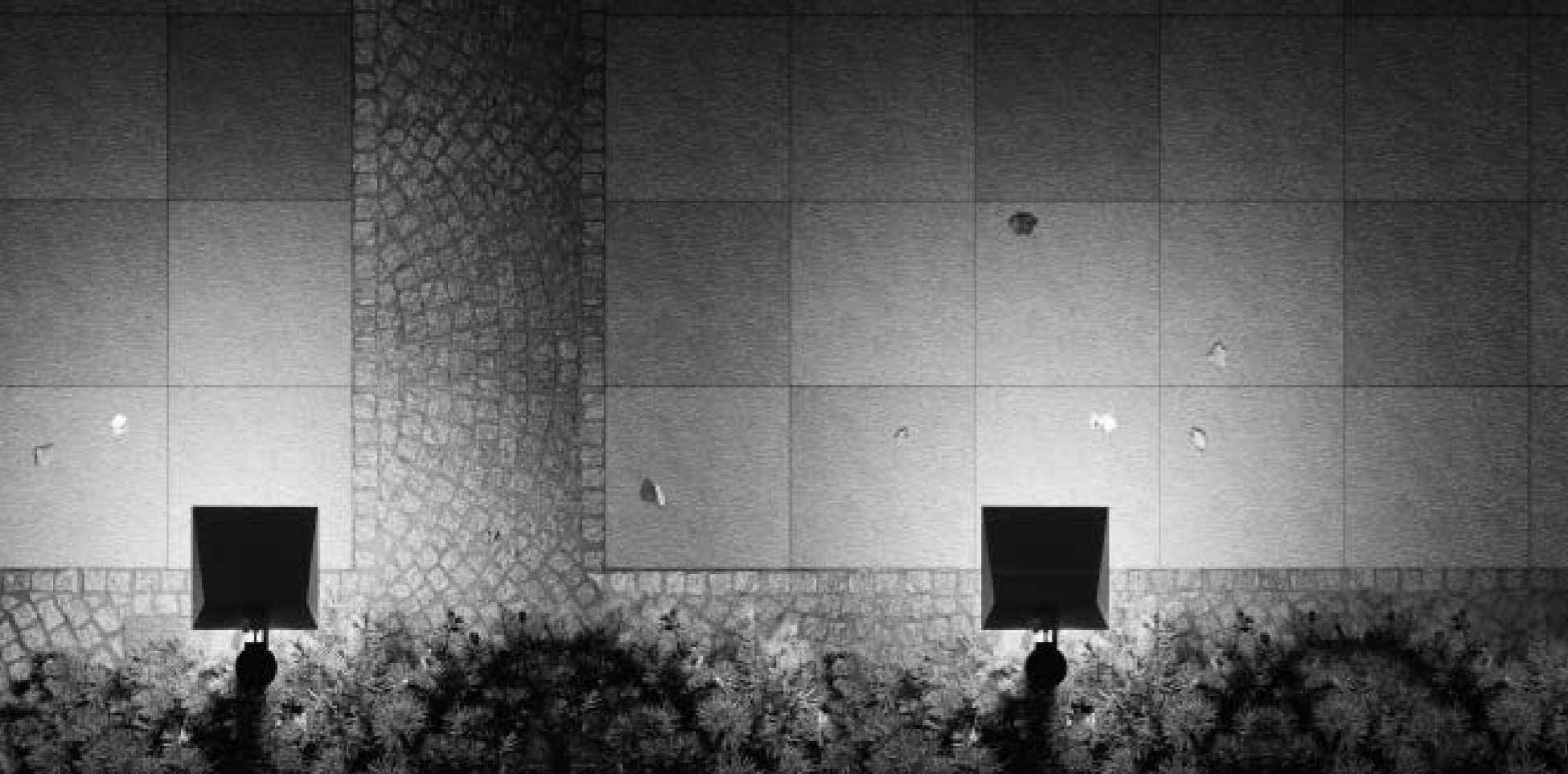
On pages 156 - 157 of this catalogue, you will find a description of wall luminaires whose shape, construction and light output match the luminaires given on this double page.



Luminaires with crystal glass with optical texture, providing flat beam and glarefree light from low mounting heights.



Box 70396 | 10724 STOC
 arabergsviadukten 70
 el +46 (0)8-103070 | Fa
 fo@crealux.se | www.cri



Surface washers for fluorescent lamps Protection class IP 65

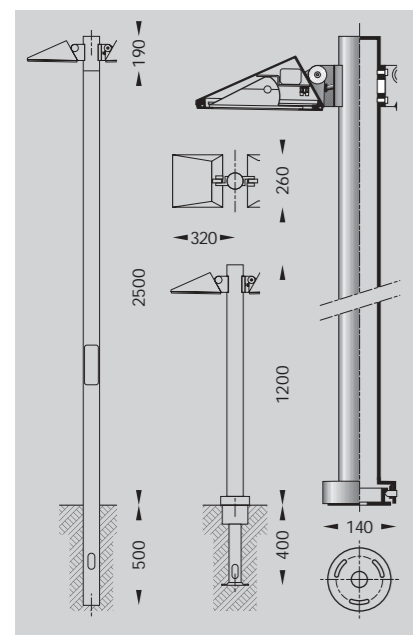
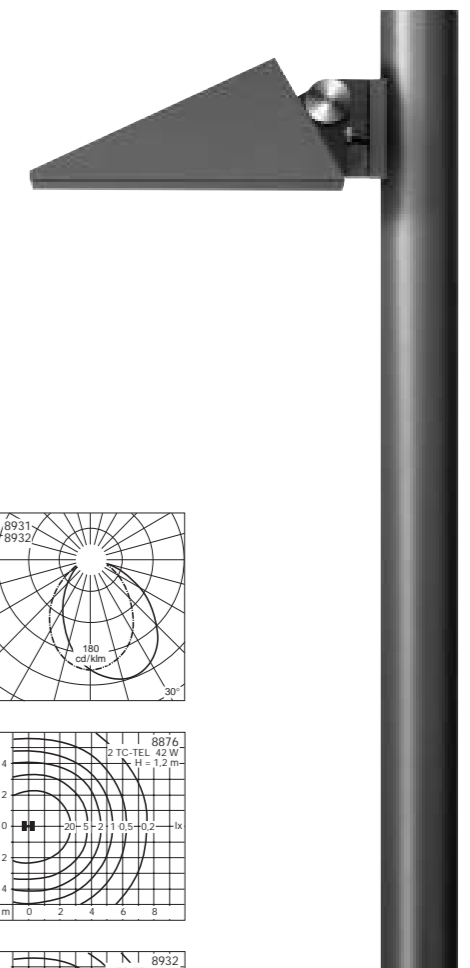
Surface washers in single and double configuration to illuminate ground surfaces.
Total height either 1200 or 2500 mm.

The flat beam and broad spread light distribution is particularly suitable for illuminating entrances, paths and footpaths.

The luminaires with electronic ballasts are designed for fluorescent lamps TC-TEL. 26 · 32 · 42 W lamps can be used in these luminaires.

The luminaires can be mounted on a foundation or anchorage unit. The BEGA mounting system allows adjustment of the luminaire during installation.

On pages 198 - 199 of this catalogue, you will find a description of wall luminaires whose shape, construction and light output match the luminaires given on this double page.



Surface washers for
• fluorescent lamps for electronic ballasts TC-TEL 26 · 32 · 42 W
Protection class IP 65 · Die cast aluminium, aluminium and stainless steel
Reflector of pure anodized aluminium
Matt safety glass
8875 · 8876 with cylindrical pole with base plate Ø 140 mm
Connection box with 3 x 49 connecting terminals

8931 · 8932 for cylindrical poles Ø 82 mm and pole top Ø 60 mm
With mounting plate for bolting to a foundation or anchorage unit.
Technical data of poles and anchorage units, pages 454 - 460.

Colour: graphite – article number
white – article number + **W**
silver – article number + **A**

Side-mounted H 1200 mm		Lamp	Lumen
8875	Surface washer single	1 TC-TEL 26 · 32 · 42 W	1800 · 2400 · 3200
8876	Surface washer double	2 TC-TEL 26 · 32 · 42 W	3600 · 4800 · 6400
895	Anchorage unit for 8875 · 8876		

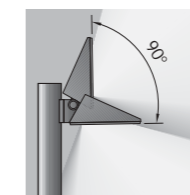
Pole-top H 2500 mm		Lamp	Lumen
8931	Surface washer single	1 TC-TEL 26 · 32 · 42 W	1800 · 2400 · 3200
8932	Surface washer double	2 TC-TEL 26 · 32 · 42 W	3600 · 4800 · 6400
741	Pole with anchorage unit H 2500 matches 8931 · 8932		
722	Pole with base plate H 2500 matches 8931 · 8932		
896	Anchorage unit for pole 722		



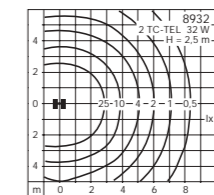
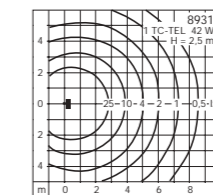
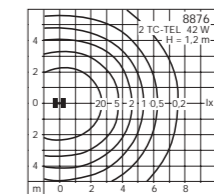
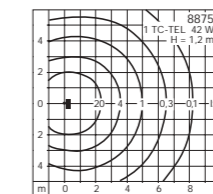
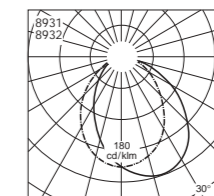
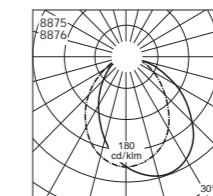
The **side-mounted poles** on this double page have a total height of 1200 mm. Surface washers of this type are ready for installation bolted to a cylindrical pole. They are available in single and double configuration.



The **pole-top luminaires** on this double page are units ready for installation and mounted on a pole. We recommend cylindrical poles for mounting heights up to 2500 mm. Matching BEGA poles are given in the table on page 358. Luminaires of this type are available in single and double configuration.



The **slope angle** of the surface washers can be infinitely adjusted from 0° - 90°. The flat beam, broad spread light distribution can thus be adjusted to meet location requirements.



Box 70396 | 10724 TOC
Klarabergsviadukten 70
Tel +46 (0)8-103070 | Fa
info@crealux.se | www.cre



Garden luminaires for incandescent lamps and fluorescent lamps

These luminaires available in two different heights provide shielded lighting for paths, steps and gardens.

The garden luminaires on page 361 are supplied with pole ready for installation. The pole must be ordered separately for the pole-top luminaires on page 360. The pole-top luminaires ready for installation can then be easily mounted on the matching pole.

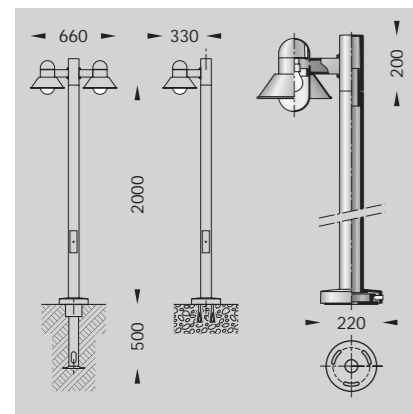
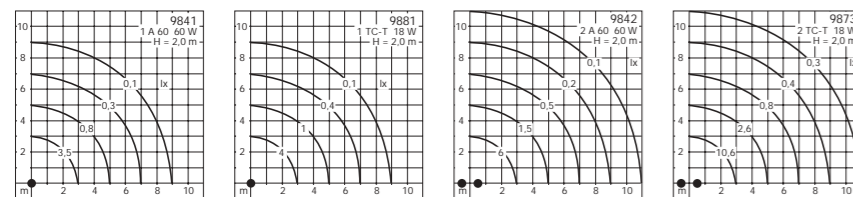
We also supply the luminaires on page 360 in triple configuration.

Safety socket outlets and switches can be fitted in the poles of the luminaires given on this double page. For technical data, please see page 466.

The luminaires can be mounted on a foundation or anchorage unit. The BEGA mounting system allows adjustment of the luminaire during installation.



On pages 170 - 171 of this catalogue, you will find a description of wall luminaires whose shape, construction and light output match the luminaires given on this double page.

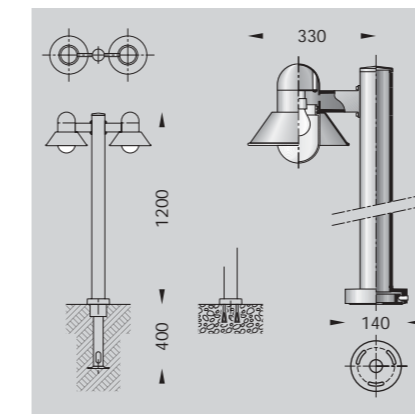
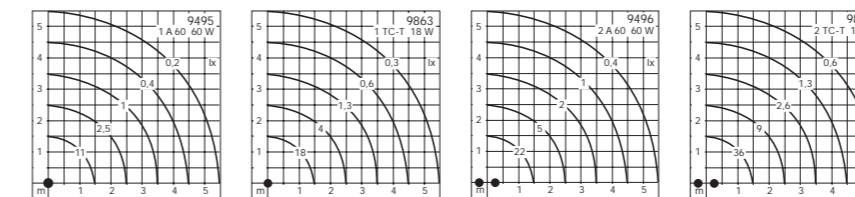


Pole-top luminaires for
 • incandescent lamps A 60 60 W
 • fluorescent lamps TC-T 18 W
 Protection class IP 44
 Die cast aluminium, aluminium and stainless steel · Three-ply opal glass

Cylindrical pole with door.
 Technical data of poles and anchorage units, pages 454 - 460.

Colour: graphite – article number
 white – article number + **W**

		Lamp	Lumen
9841	Pole-top luminaire single	1 A 60 60 W	710
9881	Pole-top luminaire single	1 TC-T 18 W	900
9842	Pole-top luminaire double	2 A 60 60 W	1420
9873	Pole-top luminaire double	2 TC-T 18 W	1800
740	Pole with anchorage unit	H 2000 matches these pole-top luminaires	
907	Pole with base plate	H 2000 matches these pole-top luminaires	
896	Anchorage unit for pole	907	



Garden luminaires for
 • incandescent lamps A 60 60 W
 • fluorescent lamps TC-T 18 W
 IP 44 · Die cast aluminium, aluminium and stainless steel · Three-ply opal glass
 Cylindrical pole Ø 82 mm with base plate, connection box with 3 x 4² connecting terminal

With mounting plate for bolting to a foundation or anchorage unit.
 Technical data of anchorage units, page 460.

Colour: graphite – article number
 white – article number + **W**

		Lamp	Lumen
9495	Garden luminaire single	1 A 60 60 W	710
9863	Garden luminaire single	1 TC-T 18 W	1200
9496	Garden luminaire double	2 A 60 60 W	1420
9864	Garden luminaire double	2 TC-T 18 W	2400
895	Anchorage unit for	9495 · 9863 · 9496 · 9864	



On pages 172 - 173 of this catalogue, you will find a description of wall luminaires whose shape, construction and light output match the luminaires given on this double page.

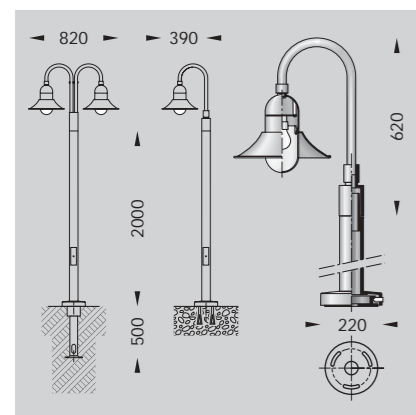
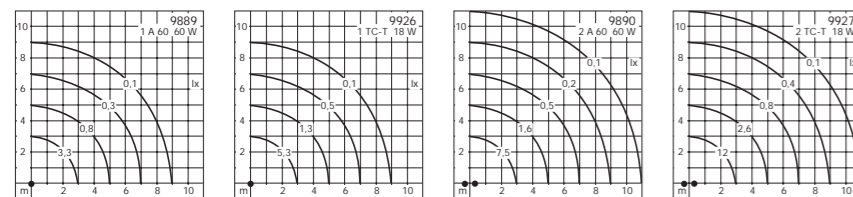
Garden luminaires for incandescent lamps and fluorescent lamps

These luminaires in two different heights provide shielded lighting for paths, steps and gardens.

The garden luminaires on page 363 are supplied with pole ready for installation. The pole must be ordered separately for the pole-top luminaires on page 362. The pole-top luminaires ready for installation can then be easily mounted on the matching pole.

Safety socket outlets and switches can be fitted in the poles of the luminaires given on this double page. For technical data, please see page 466.

The luminaires can be mounted on a foundation or anchorage unit. The BEGA mounting system allows adjustment of the luminaire during installation.

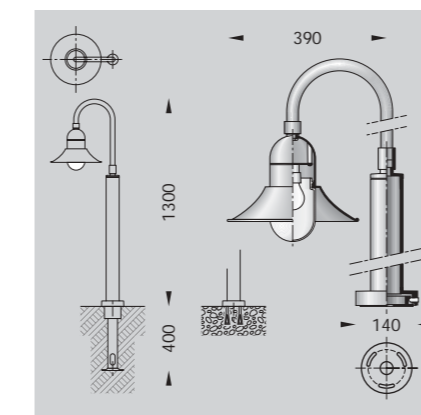
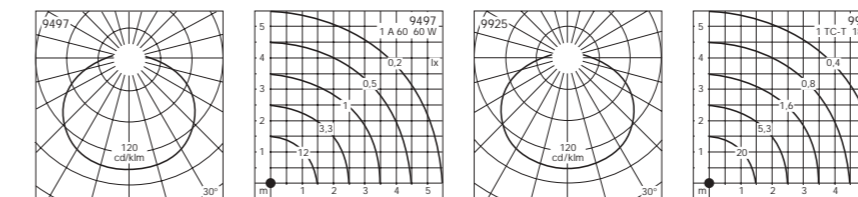


Pole-top luminaires for
 • incandescent lamps A 60 60 W
 • fluorescent lamps TC-T 18 W
 Protection class IP 44
 Die cast aluminium, aluminium and stainless steel · Three-ply opal glass

Cylindrical pole with door
 Technical data of poles and anchorage units, pages 454 - 460.

Colour: graphite – article number
 white – article number + **W**

	Lamp	Lumen
9889 Pole-top luminaire single	1 A 60 60 W	710
9926 Pole-top luminaire single	1 TC-T 18 W	1200
9890 Pole-top luminaire double	2 A 60 60 W	1420
9927 Pole-top luminaire double	2 TC-T 18 W	2400
740 Pole with anchorage section	H 2000 to match these pole-top luminaires	
907 Pole with base plate	H 2000 to match these pole-top luminaires	
896 Anchorage unit for pole 907		



Garden luminaires for
 • incandescent lamps A 60 60 W
 • fluorescent lamps TC-T 18 W
 Protection class IP 44
 Die cast aluminium, aluminium and stainless steel · Three-ply opal glass
 Cylindrical pole Ø 82 mm with base plate and connection box with 3 x 4[□] connecting terminal

With mounting plate for bolting to a foundation or anchorage unit.
 Technical data of anchorage units, page 460.

Colour: graphite – article number
 white – article number + **W**

	Lamp	Lumen
9497 Garden luminaire	1 A 60 60 W	710
9925 Garden luminaire	1 TC-T 18 W	1200
895 Anchorage unit for 9497 · 9925		



Box 70396 | 10724 STOC
 Klarabergsviadukten 70
 Tel +46 (0)8-103070 | Fa
 info@crealux.se | www.cri



Garden luminaires for incandescent lamps and fluorescent lamps

These luminaires in two different heights provide shielded lighting for paths, steps and gardens.

The garden luminaires on page 365 are supplied with pole ready for installation. The pole must be ordered separately for the pole-top luminaires on page 364. The pole-top luminaires ready for installation can then be easily mounted on the matching pole.

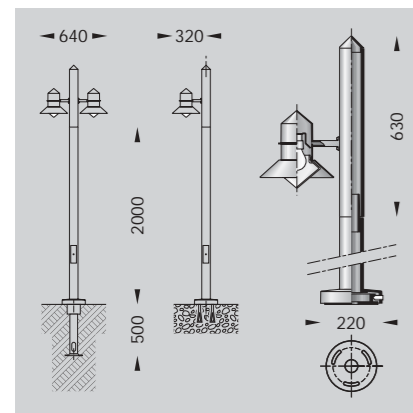
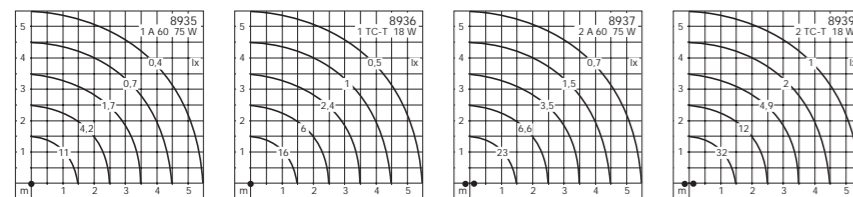
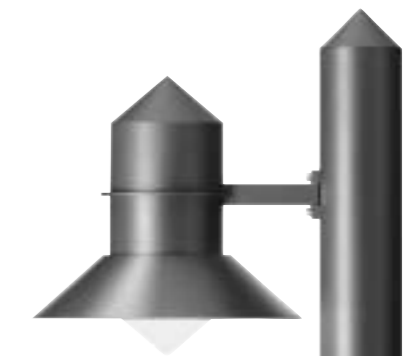
We also supply the luminaires on page 364 in triple configuration.

Safety socket outlets and switches can be fitted in the poles of the luminaires given on this double page. For technical data, please see page 466.

The luminaires can be mounted on a foundation or anchorage unit. The BEGA mounting system allows adjustment of the luminaire during installation.



On pages 168 - 169 of this catalogue, you will find a description of wall luminaires whose shape, construction and light output match the luminaires given on this double page.

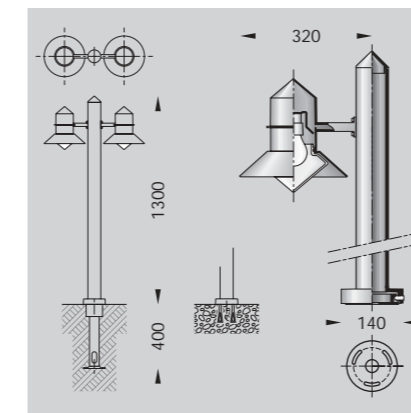
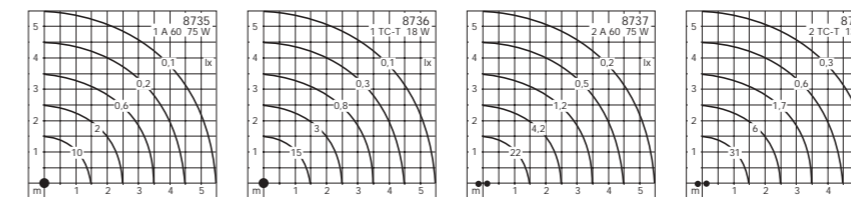


Pole-top luminaires for
 • incandescent lamps A 60 75 W
 • fluorescent lamps TC-T 18 W
 Protection class IP 44
 Die cast aluminium, aluminium and stainless steel · Three-ply opal glass

Cylindrical pole with door
 Technical data of poles and anchorage units, pages 454 - 460.

Colour: graphite – article number
 white – article number + **W**

	Lamp	Lumen
8935 Pole-top luminaire single	1 A 60 75 W	940
8936 Pole-top luminaire single	1 TC-T 18 W	1200
8937 Pole-top luminaire double	2 A 60 75 W	1880
8939 Pole-top luminaire double	2 TC-T 18 W	2400
740 Pole with anchorage section	H 2000 to match these pole-top luminaires	
907 Pole with base plate	H 2000 to match these pole-top luminaires	
896 Anchorage unit for pole 907		



Garden luminaires for
 • incandescent lamps A 60 75 W
 • fluorescent lamps TC-T 18 W
 Protection class IP 44
 Die cast aluminium, aluminium and stainless steel · Three-ply opal glass
 Cylindrical pole Ø 82 mm with base plate and connection box with 3 x 4[□] connecting terminal

With mounting plate for bolting to a foundation or anchorage unit.
 Technical data of anchorage units, page 460.

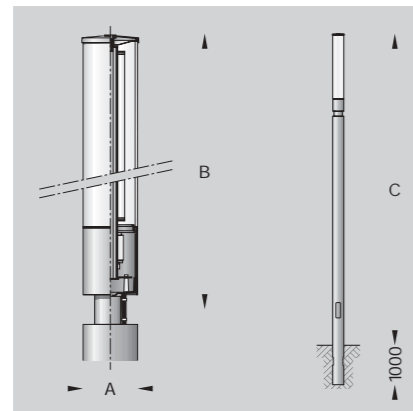
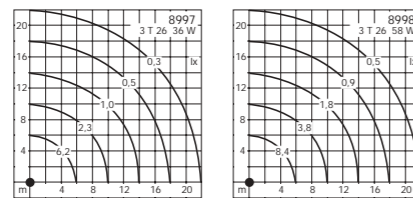
Colour: graphite – article number
 white – article number + **W**

	Lamp	Lumen
8735 Garden luminaire single	1 A 60 75 W	940
8736 Garden luminaire single	1 TC-T 18 W	1200
8737 Garden luminaire double	2 A 60 75 W	1880
8738 Garden luminaire double	2 TC-T 18 W	2400
895 Anchorage unit for 8735 · 8736 · 8737 · 8738		



BEGA Light building elements for fluorescent lamps

Luminaires with rotationally symmetrical light distribution.
Elongated luminaires which can delineate and structure outside areas.
Their function is to locate, guide and demarcate.
These luminaires are designed to illuminate squares, driveways and entrances.

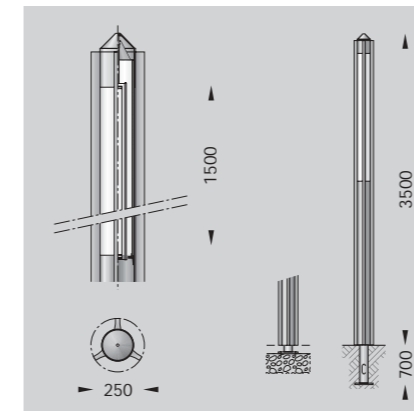
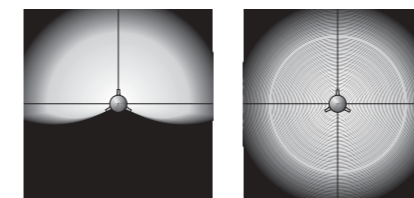


Light building element for
• fluorescent lamps T 26 36 · 58 W
Protection class IP 65
Die cast aluminium, aluminium and
stainless steel
White plastic cylinder

Pole with door and connection box 632.
Technical data of connection boxes,
page 461.

Colour: graphite – article number
silver – article number + A

		Lamp	Lumen	A	B	C
8997	Light building element	3 T 26 36 W	8850	170	1600	5000
8998	Light building element	3 T 26 58 W	13800	220	2000	6500



Light building element with
two-sided or **three-sided** light output for
• fluorescent lamps T 26 58 W
Protection class IP 44
Die cast aluminium, aluminium and
stainless steel
White plastic cylinder
With door and connection box 632
Technical data of connection boxes,
page 461.

Luminaires including anchorage section
are made of galvanized steel.
To special order, we supply mounting
base 827 for bolting to a foundation
without extra charge.

Colour: graphite – article number
silver – article number + A

		Lamp	Lumen
8984	Light building element two-sided	1 T 26 58 W	4600
8985	Light building element three-sided	1 T 26 58 W	4600

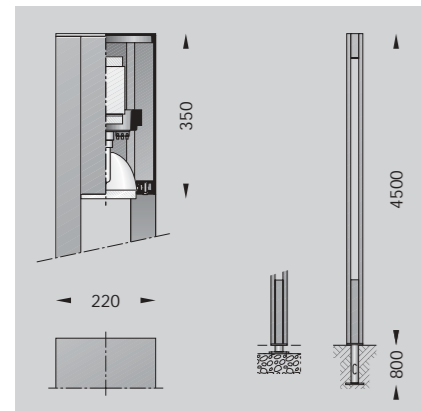
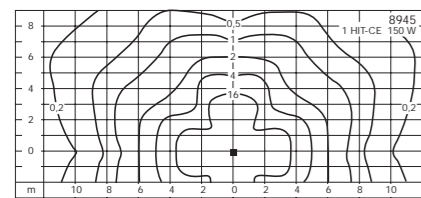


Box 70396 | 10724 S Tors
Klarabergsviadukten 7
Tel +46 (0)8-103070 | Fa
info@crealux.se | www.cre



BEGA Light building element for discharge lamps
Protection class IP 65

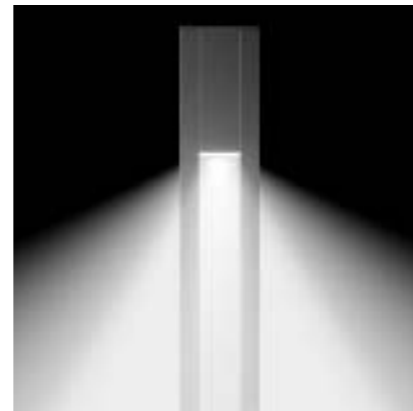
Luminaires with square layout and rotationally symmetrical light distribution. They are robust and striking luminaires which can delineate and structure outside areas. Their function is to locate, guide and demarcate. They are designed to illuminate squares, driveways and entrances.



Light building element for
• discharge lamps HIT-CE 150 W
Protection class IP 65
Die cast aluminium, aluminium and stainless steel · Safety glass
Reflector of pure anodized aluminium
Door and connection box 632
Technical data of connection boxes, page 461.

Luminaires including anchorage section are made of galvanized steel. To special order, we supply mounting base 829 for bolting to a foundation without extra charge.

Colour: graphite – article number
silver – article number + **A**



The partially matt safety glass of the BEGA light building element is visible in its entire material thickness. The light exiting from the side provides broad spread light distribution and increases vertical illumination.

	Lamp	Lumen
8945 Light building element	1 HIT-CE 150 W	14000



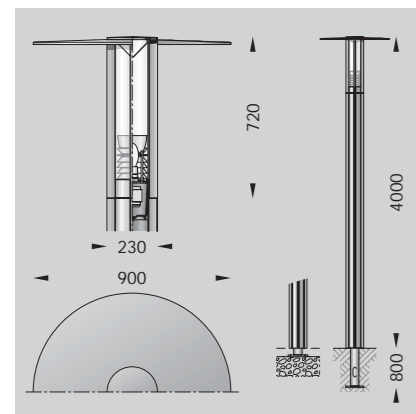
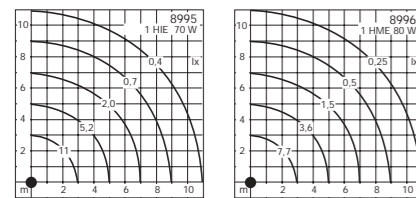
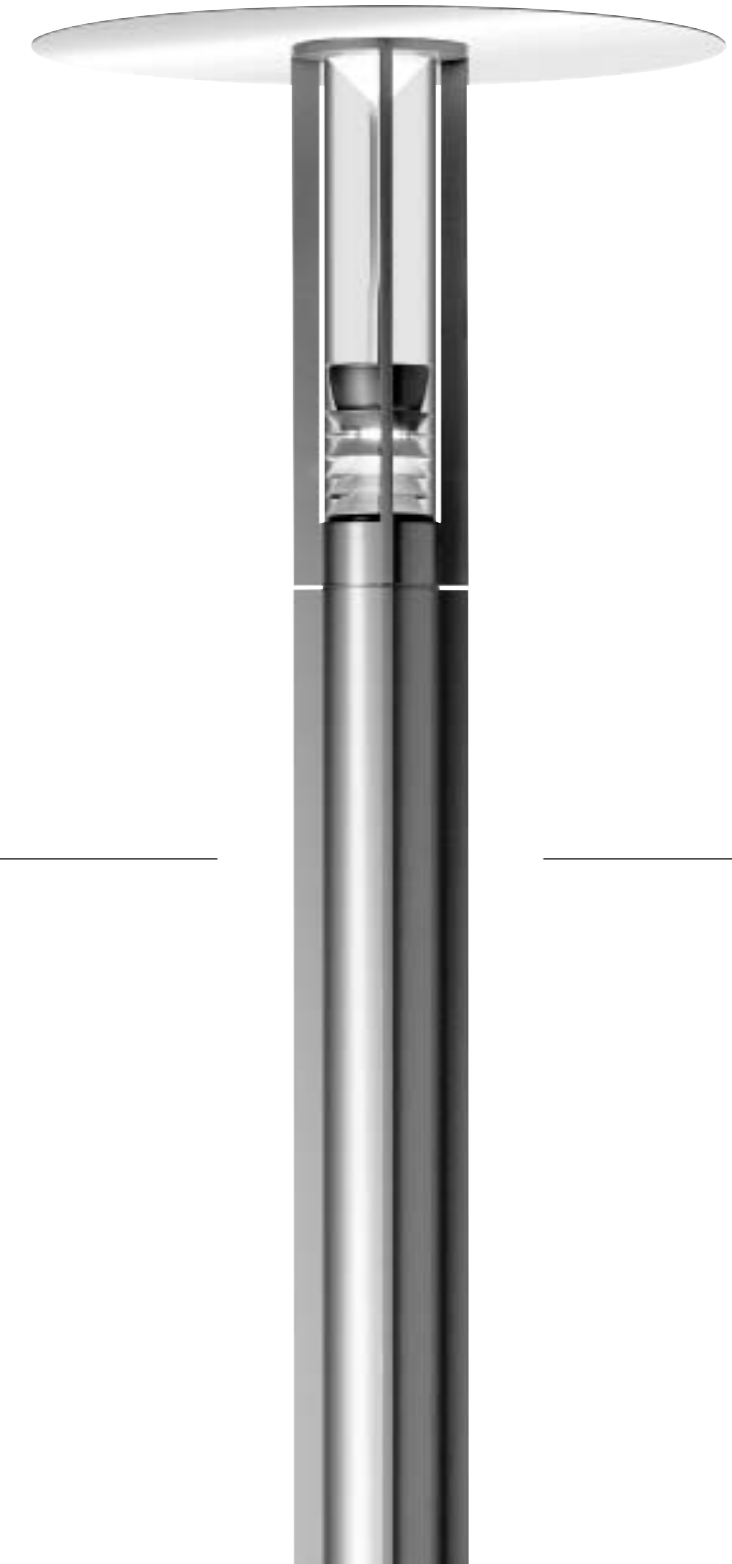
Box 70396 | 10724 STOC
Klarabergsviadukten 70
Tel +46 (0)8-103070 | Fa
info@crealux.se | www.cri



BEGA Light building element for discharge lamps
Protection class IP 65

Luminaires with **symmetrical** light distribution.
The light from the discharge lamp is directed in two opposing directions.
The part of the light directed downwards produces horizontal illuminance.
The part of the light directed above the top reflector produces vertical illuminance with high uniformity.
These luminaires are designed for lighting squares, driveways and entrances.

The BEGA mounting system allows adjustment of the luminaire during installation.



Light building element for
• discharge lamps HIE 70 W
• discharge lamps HME 80 W
Protection class IP 65
Die cast aluminium, aluminium and stainless steel · Clear plastic cylinder
Reflector of pure anodized aluminium
Door and connection box 632
Technical data of connection boxes, page 461.

Luminaires including anchorage section are made of galvanized steel.
To special order, we supply mounting base 828 for bolting to a foundation without extra charge.

Colour: graphite – article number
silver – article number + **A**

	Lamp	Lumen
8995	Light building element 1 HIE 70 W	4900
8996	Light building element 1 HME 80 W	4000





The sphere · Pole-top luminaires for incandescent lamps, fluorescent lamps + discharge lamps

Luminaires with **symmetrical** light distribution.

They are equipped with spheres made of hand-blown three-ply opal glass or plastic. In selecting glass or plastic, the advantages and disadvantages of the materials should be considered. Glass is highly translucent, non-ageing, easy-to-clean and looks better. Unless wantonly destroyed, its life is unlimited.

Plastic is impact-resistant but impact-resistance and translucency deteriorate over the course of time. It becomes soiled easier than glass.

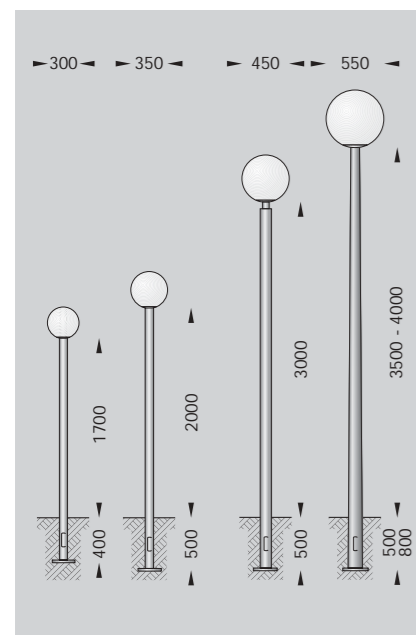
For this reason, we recommend using glass in areas which are not particularly at risk.

To limit glare, the luminaires for discharge lamps with crystal bubble glass and pearl plastic are equipped with a silver louvred reflector.

Pole-top luminaires in different sizes for **pole heights 1700 - 4000 mm**. We recommend the following BEGA luminaire poles for these luminaires:

9226 · 9242	Group 11 – Pole 992 Group 31 – Pole 938
9886 · 9243 · 9129	Group 11 – Pole 994 Group 31 – Pole 943
9199	Group 12 – Pole 930 Group 34 – Pole 911
9951	Group 12 – Pole 732 · 733 Group 34 – Pole 913 · 914

A complete overview of all BEGA luminaire poles, anchorage units and connection boxes is given on pages 454 - 461.



Pole-top luminaires for
 • incandescent lamps A 60 75 · 100 W
 • fluorescent lamps TC-D 18 W
 • fluorescent lamps TC-T 26 W
 • discharge lamps HME 50 · 80 · 125 W

Protection class IP 44
 Die cast aluminium, aluminium and stainless steel
 Colour: graphite

Three-ply opal glass		Lamp	Lumen	Ø Pole top
9226.1	Luminaire sphere Ø 300	1 A 60 100 W	1360	48 mm
9242.1	Luminaire sphere Ø 300	1 TC-D 18 W	1200	48 mm
9886.1	Luminaire sphere Ø 350	1 A 60 100 W	1360	60 mm
9243.1	Luminaire sphere Ø 350	1 TC-T 26 W	1800	60 mm
9129.1	Luminaire sphere Ø 350	1 HME 50 W	2000	60 mm
9199.1	Luminaire sphere Ø 450	1 HME 80 W	4000	60 mm

White plastic		Lamp	Lumen	Ø Pole top
9226.6	Luminaire sphere Ø 300	1 A 60 75 W	940	48 mm
9242.6	Luminaire sphere Ø 300	1 TC-D 18 W	1200	48 mm
9886.6	Luminaire sphere Ø 350	1 A 60 100 W	1360	60 mm
9243.6	Luminaire sphere Ø 350	1 TC-T 26 W	1800	60 mm
9129.6	Luminaire sphere Ø 350	1 HME 50 W	2000	60 mm
9199.6	Luminaire sphere Ø 450	1 HME 80 W	4000	60 mm
9951.6	Luminaire sphere Ø 550	1 HME 80 · 125 W	4000 · 6500	60 - 76 mm

Different types of glass and plastic

The luminaires described in the table are equipped with spheres made of

- three-ply opal glass – .1 or
- white plastic – .6

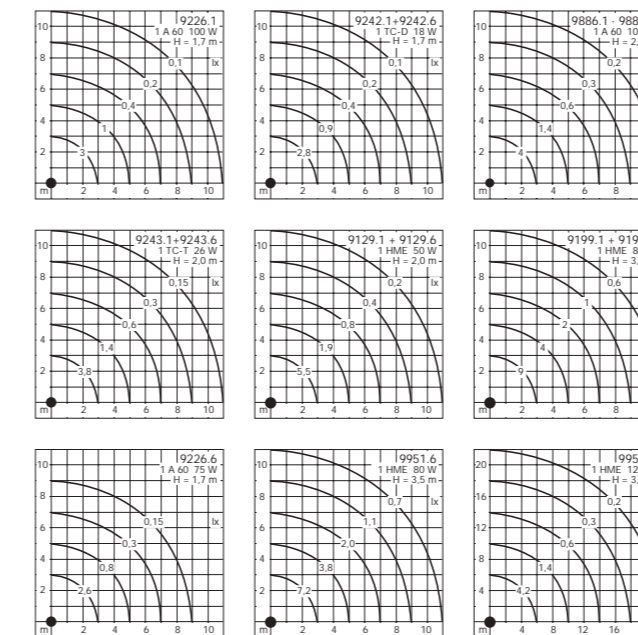
We also supply the spheres in other types of glass and plastic.

9226 · 9242 only available in – .1, – .3, – .6. Please alter the fifth digit of the article number when ordering.

Please use the following suffixes:

Three-ply opal glass	suffix – .1
Crystal bubble glass	suffix – .3
White plastic	suffix – .6
Pearl plastic	suffix – .8

The luminaires for discharge lamps in materials – .3 and – .8 are equipped with a silver louvred reflector.





The sphere · Side-mounted pole-top luminaires for incandescent lamps, fluorescent lamps and discharge lamps

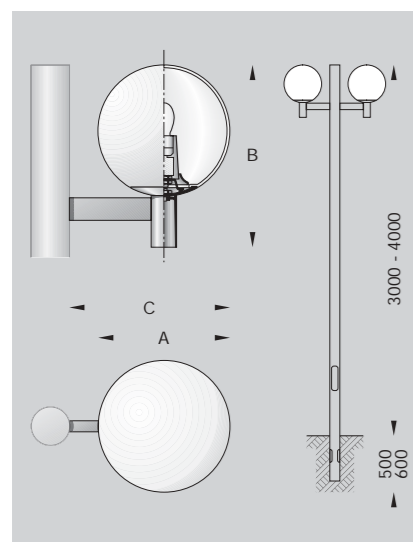
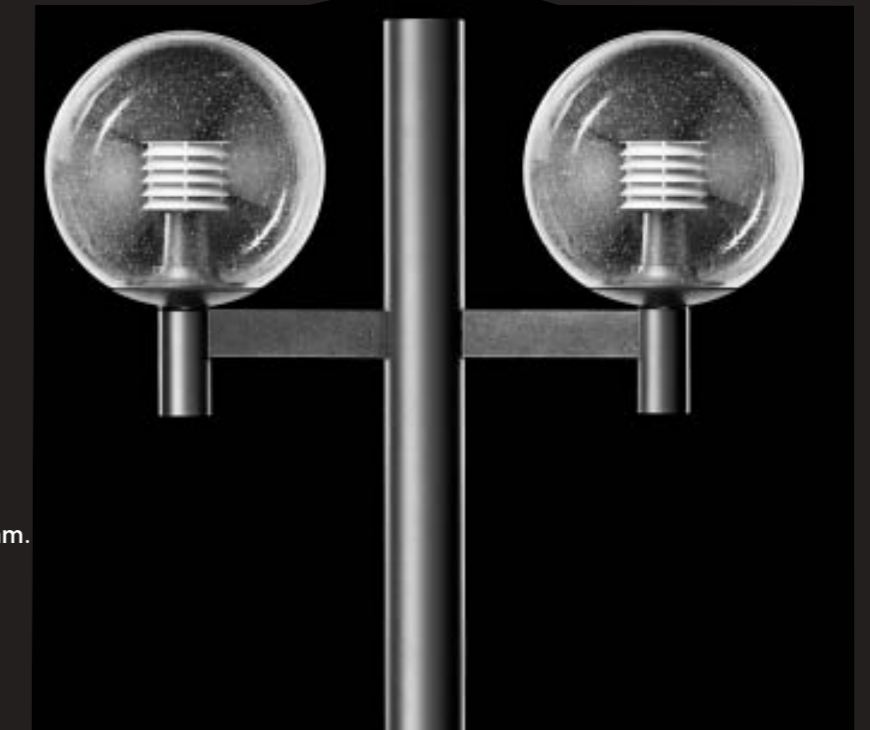
Luminaires with **symmetrical** light distribution. They are equipped with spheres made of hand-blown glass or plastic. In selecting glass or plastic, the advantages and disadvantages of the materials should be considered. Glass is highly translucent, non-ageing, easy-to-clean and looks better. Unless wantonly destroyed, its life is unlimited. Plastic is impact-resistant but impact-resistance and translucency deteriorate over the course of time. It becomes soiled easier than glass. For this reason, we recommend using glass in areas which are not particularly at risk.

To limit glare, the luminaires for discharge lamps with crystal bubble glass and pearl plastic are equipped with a silver louvred reflector.

Side-mounted pole-top luminaires in two sizes **for pole heights 3000 - 4000 mm**. We recommend the following BEGA luminaire poles for these luminaires:

9542 · 9553 · 9574 Group 31 – Pole 958 · 959
9476 Group 31 – Pole 965 · 974

A complete overview of all BEGA luminaire poles, anchorage units and connection boxes is given on pages 454 - 461.



Side-mounted pole-top luminaires for

- incandescent lamps A 60 100 W
- fluorescent lamps TC-T 26 W
- discharge lamps HME 50 · 80 W

Protection class IP 44
Die cast aluminium and stainless steel
Crystal bubble glass

The luminaires are designed for side-mounting on a pole. Side-mounted pole-top luminaires in this series can be mounted in double and quadruple configurations on one level on the pole.

When ordering the poles, please state the luminaire configuration. The poles will then be delivered fitted with the required holes and ready for installation.

The luminaires are designed for the following pole heights:

- 9542 · 9553 · 9574 for heights 3000 - 3500 mm
- 9476 for heights 3500 - 4000 mm

Colour: graphite

Different types of glass and plastic

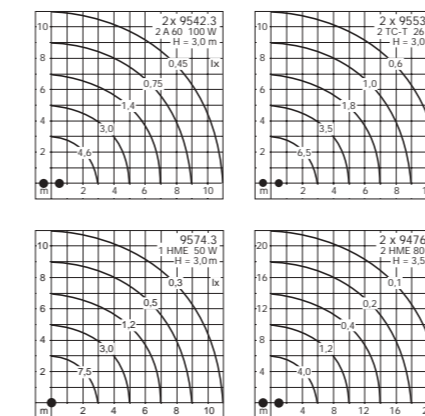
The luminaires described in the table are equipped with spheres made of crystal bubble glass -.3. We also supply the spheres in other types of glass and plastic. Please change the fifth digit of the article number when ordering.

Please use the following suffixes

Three-ply opal glass	suffix -.1
Crystal bubble glass	suffix -.3
White plastic	suffix -.6
Pearl plastic	suffix -.8

The luminaires for discharge lamps in the materials -.3 and -.8 are equipped with a silver louvred reflector.

	Lamp	Lumen	A	B	C
9542.3	Pole-top luminaire 1 A 60 100 W	1360	350	480	425
9553.3	Pole-top luminaire 1 TC-T 26 W	1800	350	480	425
9574.3	Pole-top luminaire 1 HME 50 W	2000	350	480	425
9476.3	Pole-top luminaire 1 HME 80 W	4000	450	620	540





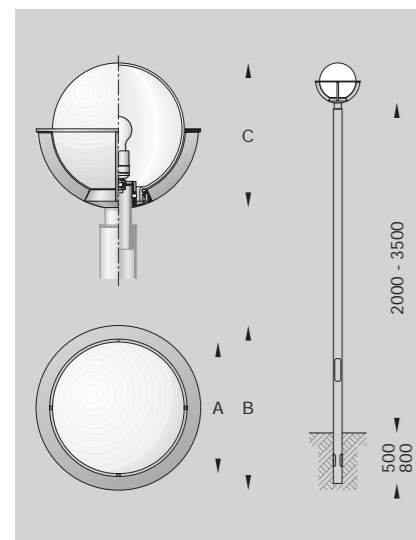
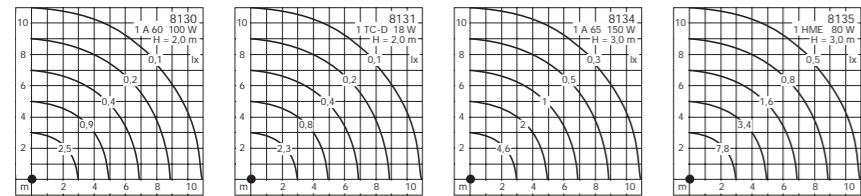
Pole-top luminaires for incandescent lamps, fluorescent lamps and discharge lamps

Luminaires with rotationally **symmetrical** light distribution. Their spheres made of three-ply opal glass provide soft, uniformly distributed light. These luminaires are suitable for private and public areas to illuminate gardens, pedestrian areas, car parks and driveways.

Pole-top luminaires in two sizes for **pole heights 2000 - 3500 mm**. We recommend the following BEGA luminaire poles for these luminaires:

8130 · 8131 Group 12 – Pole 908
8134 · 8135 Group 12 – Pole 732
 Group 32 – Pole 906

A complete overview of all BEGA luminaire poles, anchorage units and connection boxes is given on pages 454 - 461.



Pole-top luminaires for

- incandescent lamps A 60 100 W
- incandescent lamps A 65 150 W
- fluorescent lamps TC-D 18 W
- discharge lamps HME 80 W

Protection class IP 44
Die cast aluminium and stainless steel
Three-ply opal glass

The luminaires are designed for the following pole heights:

- 8130 · 8131 for height 2000 mm Pole top Ø 60 mm
- 8134 · 8135 for height 3500 mm Pole top Ø 76 mm

Colour: graphite

	Lamp	Lumen	A	B	C
8130	Pole-top luminaire 1 A 60 100 W	1360	300	375	330
8131	Pole-top luminaire 1 TC-D 18 W	1200	300	375	330
8134	Pole-top luminaire 1 A 65 150 W	2200	450	580	495
8135	Pole-top luminaire 1 HME 80 W	4000	450	580	495



On pages 94 - 95 of this catalogue, you will find a description of wall luminaires whose shape, construction and light output match the luminaires given on this double page.





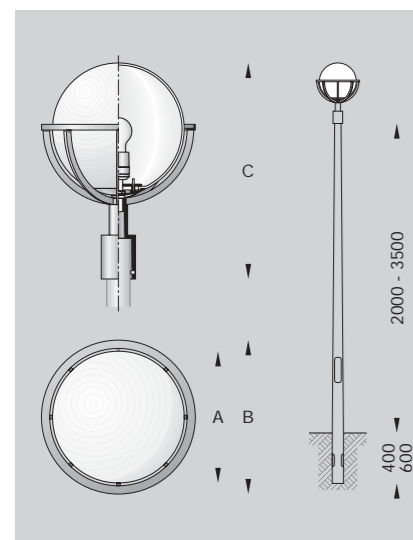
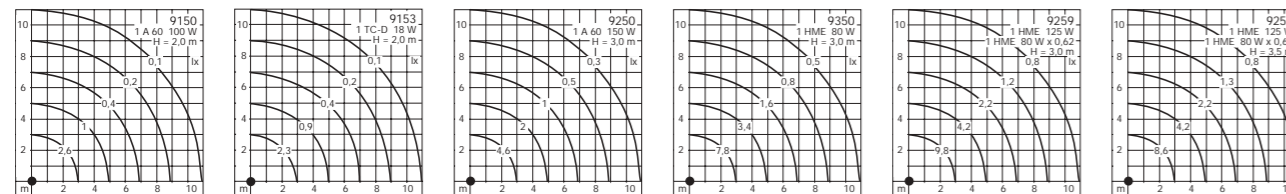
Pole-top luminaires for incandescent lamps, fluorescent lamps + discharge lamps

Luminaires with **rotationally symmetrical** light distribution.
Their spheres made of three-ply opal glass or white plastic provide soft and uniform light.
They are designed for lighting forecourts, suburban streets and traffic calmed zones.

Pole-top luminaires in three sizes for **pole heights 2000 - 3500 mm**.
We recommend the following BEGA luminaire poles for these luminaires:

9150 · 9153	Group 32 – Pole	740
	Group 12 – Pole	994
9250 · 9350	Group 34 – Pole	911
	Group 14 – Pole	986
9259	Group 34 – Pole	913
	Group 14 – Pole	789

A complete overview of all BEGA luminaire poles, anchorage units and connection boxes is given on pages 454 - 461.



Pole-top luminaires for

- incandescent lamps A 60 100 W
- incandescent lamps A 65 50 W
- fluorescent lamps TC-D 18 W
- discharge lamps HME 80 · 125 W

Protection class IP 44

Die cast aluminium and stainless steel
9150 · 9153 Three-ply opal glass
9250 · 9350 · 9259 White plastic diffuser

The luminaires are designed for the following pole heights:

- 9150 · 9153 for height 2000 mm Pole top Ø 60 mm
- 9250 · 9350 for height 3000 mm Pole top Ø 60 mm
- 9259 for height 3500 mm Pole top Ø 76 mm

Colour: graphite

	Lamp	Lumen	A	B	C
9150	Pole-top luminaire 1 A 60 100 W	1360	300	350	490
9153	Pole-top luminaire 1 TC-D 18 W	900	300	350	490
9250	Pole-top luminaire 1 A 65 150 W	2200	400	450	590
9350	Pole-top luminaire 1 HME 80 W	4000	400	450	590
9259	Pole-top luminaire 1 HME 80 · 125 W	4000 · 6500	500	550	720



On pages 96 - 97 of this catalogue, you will find a description of wall luminaires whose shape, construction and light output match the luminaires given on this double page.

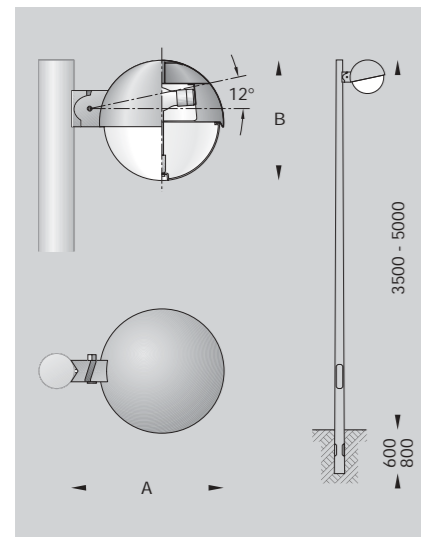
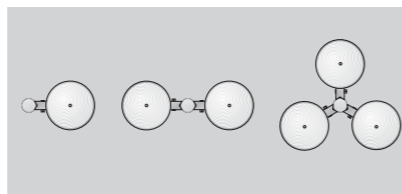
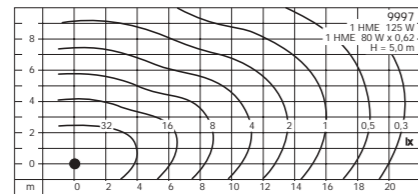
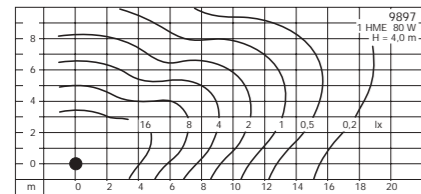


Side-mounted pole-top luminaires and pole-top luminaires for discharge lamps

Side-mounted pole-top luminaires with **asymmetrical** light distribution and pole-top luminaires with **symmetrical** light distribution. They are designed to illuminate car parks, urban and suburban streets in accordance with DIN 5044, and paths in private and public areas.

Luminaires in two sizes for pole heights 3000 - 5000 mm. We recommend the following BEGA luminaire poles for these luminaires:
 1897 Group 34 – Pole 913 · 914
 1997 Group 34 – Pole 914 · 725 · 915
 1844 Group 32 – Pole 909

A complete overview of all BEGA luminaire poles, anchorage units and connection boxes is given on pages 454 - 461.



Side-mounted pole-top luminaires with **asymmetrical** light distribution for
 • discharge lamps HME 80 · 125 W
 Protection class IP 44
 Reflector of pure anodized aluminium
 Clear plastic diffuser with optical texture

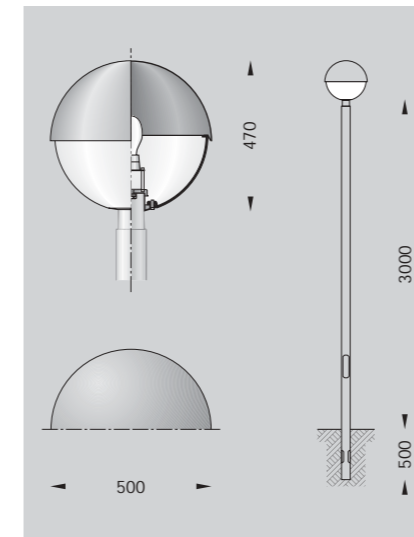
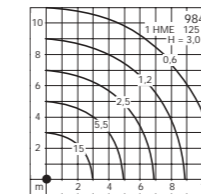
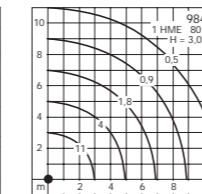
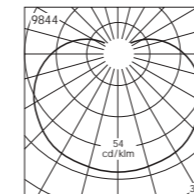
Side-mounted pole-top luminaires in this series can be mounted in single, double or triple configuration on one level on the pole.
 When ordering the poles, please state the luminaire configuration.

The poles will then be supplied fitted with the required holes.
 The slope angle of the luminaire is adjustable from 0° - 12°.

The luminaires are designed for the following heights:
 • 9897 for heights 3500 - 4000 mm
 • 9997 for heights 4000 - 5000 mm

Colour: graphite – article number
 silver – article number + **A**

	Lamp		Lumen	A	B
9897	Pole-top luminaire	1 HME	80 W	4000	420 350
9997	Pole-top luminaire	1 HME	80 · 125 W	4000 · 6500	610 500



Pole-top luminaire with **symmetrical** light distribution for
 • discharge lamps HME 80 · 125 W
 Protection class IP 44
 Die cast aluminium, aluminium and stainless steel

White plastic diffuser
 Luminaire for pole height 3000 mm
 Pole top Ø 82 mm

Colour: graphite – article number
 silver – article number + **A**

	Lamp		Lumen	
9844	Pole-top luminaire	1 HME	80 · 125 W	4000 · 6500



Box 70396 10724 STOC
 Klarabergsvägen 70
 Tel +46 (0) 8-103070 | Fa
 info@creal.se | www.cri



The sphere Pole-top luminaires for incandescent lamps and discharge lamps

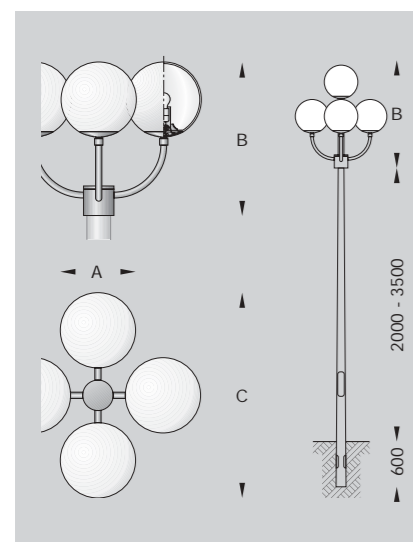
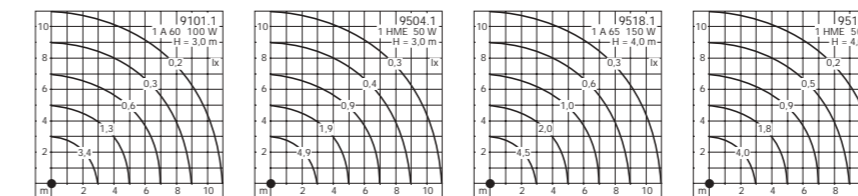
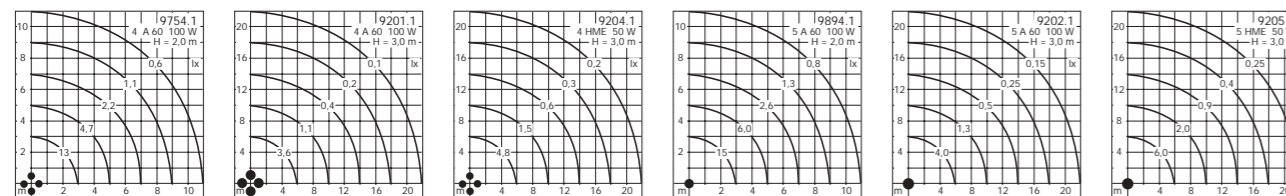
Luminaires with **symmetrical** light distribution.
They are available in diverse sizes, light outputs and sphere material.
They are designed for lighting driveways, forecourts and all areas requiring unshielded light.

The luminaires on this double page are supplied as pole-top luminaires ready for installation.
Page 382 in quadruple or quintuple configuration.
Page 383 in single or double configuration – also available in quadruple configuration.

Pole-top luminaires in different sizes **for pole heights 2000 - 4000 mm**.
We recommend the following BEGA luminaire poles for these luminaires:

9754 · 9894	Group 32 – Pole 740 · 741 Group 12 – Pole 907 · 722
9201 · 9202 · 9204 · 9205	Group 31 – Pole 958 · 959
9101 · 9504 · 9318 · 9319	Group 34 – Pole 911 · 912 · 724 Group 72 – Pole 881 · 882 · 883
9518 · 9513 · 9103 · 9108	Group 34 – Pole 918 · 913 · 914 Group 72 – Pole 888 · 885 · 884

A complete overview of all BEGA luminaire poles, anchorage units and connection boxes is given on pages 454 - 461.



Pole-top luminaires for
• incandescent lamps A 60 75 · 100 W
• discharge lamps HME 50 W
Protection class IP 44

Die cast aluminium, aluminium and stainless steel
Three-ply opal glass

The luminaires are designed for the following pole heights:
• 9754 · 9894 for heights 2000 - 2500 mm
Pole top Ø 60 mm
• 9201 · 9204 · 9202 · 9205 for heights 3000 - 3500 mm
Pole top Ø 100 mm

Colour: graphite

	quadruple	Lamp	Lumen	A	B	C
9754.1	Pole-top luminaire	4 A 60 75 W	5440	250	590	680
9201.1	Pole-top luminaire	4 A 60 100 W	5440	350	700	1000
9204.1	Pole-top luminaire	4 HME 50 W	8000	350	700	1000
	quintuple	Lamp	Lumen	A	B	C
9894.1	Pole-top luminaire	5 A 60 75 W	6800	250	780	680
9202.1	Pole-top luminaire	5 A 60 100 W	6800	350	1070	1000
9205.1	Pole-top luminaire	5 HME 50 W	10 000	350	1070	1000

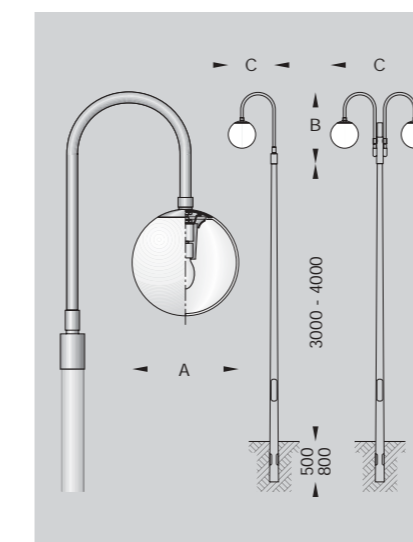
Different types of glass and plastic

The luminaires described on this double page are equipped with spheres made of three-ply opal glass – .1.
We also supply the spheres in other types of glass and plastic.
9754 · 9894 only available in – .1, – .3, – .6.
Please change the fifth digit of the article number when ordering.

Please use the following suffixes:

Three-ply opal glass	suffix – .1
Crystal bubble glass	suffix – .3
White plastic	suffix – .6
Pearl plastic	suffix – .8

The luminaires for discharge lamps in the materials – .3 and – .8 are equipped with a silver louvred reflector.



Single and double pole-top luminaires for
• incandescent lamps A 60 100 W
• incandescent lamps A 65 150 W
• discharge lamps HME 50 W
IP 44 · Three-ply opal glass
Die cast aluminium, aluminium and stainless steel
Colour: graphite

The luminaires are designed for the following pole heights:
• 9101 · 9504 · 9318 · 9319 for heights 3000 - 4000 mm
Pole top Ø 60 mm
• 9518 · 9513 · 9103 · 9108 for heights 3000 - 4000 mm
Pole top Ø 76 mm

	single	Lamp	Lumen	A	B	C
9101.1	Pole-top luminaire	1 A 60 100 W	1360	350	800	550
9504.1	Pole-top luminaire	1 HME 50 W	2000	350	800	550
9518.1	Pole-top luminaire	1 A 65 150 W	2200	450	1020	750
9513.1	Pole-top luminaire	1 HME 50 W	2000	450	1020	750
	double	Lamp	Lumen	A	B	C
9318.1	Pole-top luminaire	2 A 60 100 W	2720	350	800	1250
9319.1	Pole-top luminaire	2 HME 50 W	4000	350	800	1250
9103.1	Pole-top luminaire	2 A 65 150 W	4400	450	1020	1450
9108.1	Pole-top luminaire	2 HME 50 W	4000	450	1020	1450



Box 70396 | 10724 STOC
Klarabergsviadukten 70
Tel +46 (0)8-103070 | Fa
info@crealux.se | www.cre



Pole-top luminaires for discharge lamps

Luminaires with **symmetrical** light distribution. They are designed to illuminate pedestrian areas, squares and urban streets.

Pole-top luminaires with three-ply opal glass and top reflector. White plastic diffusers can be supplied instead of three-ply opal glass but the luminaires can then only be operated at minimum wattage.

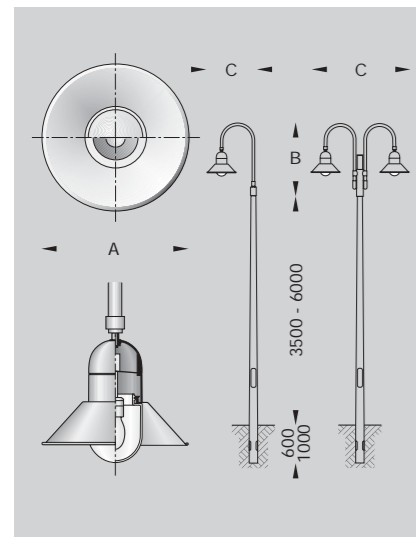
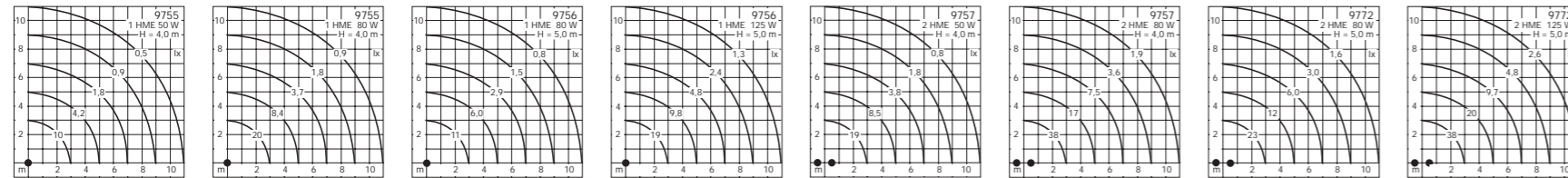
These pole-top luminaires are ready for installation in single or double configuration. Luminaires of this type can also be supplied in triple configuration.

Pole-top luminaires in two sizes **for pole heights 3500 - 6000 mm**. We recommend the following BEGA luminaire poles for these luminaires:

9755 · 9757 Group 34 – Pole 913 · 914
 Group 72 – Pole 885 · 884
 Group 15 – Pole 927 · 928

9756 · 9772 Group 34 – Pole 725 · 915 · 916
 Group 72 – Pole 887 · 886 · 834
 Group 15 – Pole 928 · 926

A complete overview of all BEGA luminaire poles, anchorage units and connection boxes is given on pages 454 - 461.



Single and double pole-top luminaires for
 • discharge lamps HME 50 · 80 W
 • discharge lamps HME 80 · 125 W
 Protection class IP 44
 Die cast aluminium, aluminium and stainless steel
 Three-ply opal glass

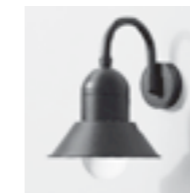
The luminaires are designed for the following pole heights:
 • 9755 · 9757 heights 3500 - 4000 mm
 • 9756 · 9772 heights 4500 - 6000 mm
 Pole-top Ø 76 mm

Colour: graphite

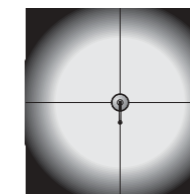
	single	Lamp		Lumen	A	B	C
9755	Pole-top luminaire	1 HME	50 · 80 W	2000 · 4000	450	1100	760
9756	Pole-top luminaire	1 HME	80 · 125 W	4000 · 6500	600	1250	920
double							
9757	Pole-top luminaire	2 HME	50 · 80 W	4000 · 8000	450	1150	1410
9772	Pole-top luminaire	2 HME	80 · 125 W	8000 · 13000	600	1300	1770



On pages 172 - 173 of this catalogue, you will find a description of wall luminaires and on pages 360 - 361 a description of garden luminaires whose shape, construction and light output match the luminaires given on this double page.



Symmetrical light distribution. Luminaires with three-ply opal glass and top reflector. The three-ply opal glass produces broad and uniform light distribution. The top reflector directs the light downwards.



Box 70396 | 10724 STOC
 Klarabergsviadukten 70
 Tel +46 (0)8-103070 | Fa
 info@crealux.se | www.cre



Pole-top luminaires for discharge lamps

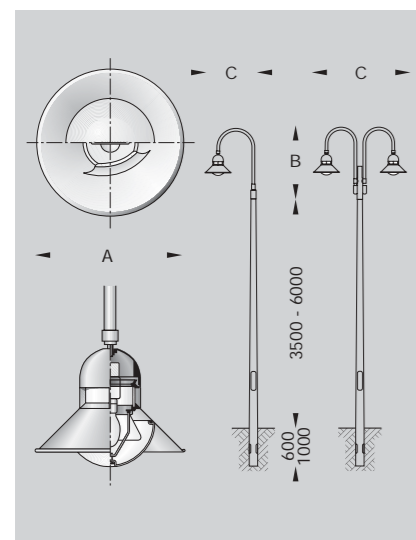
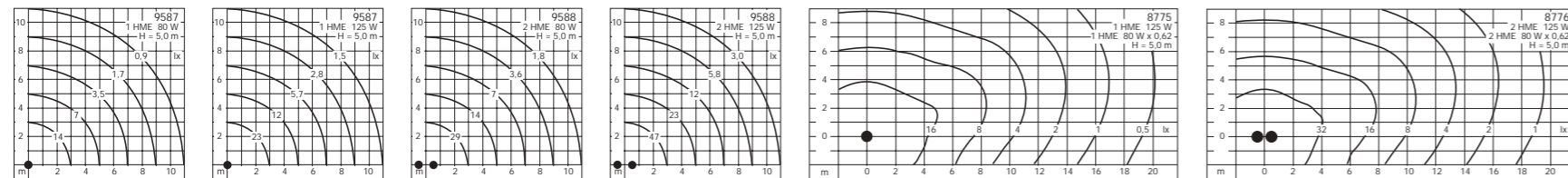
Pole-top luminaires with **symmetrical** or **asymmetrical** light distribution. They are designed to illuminate squares, pedestrian areas and urban streets.

These pole-top luminaires are ready for installation in single or double configuration. Luminaires of this type can also be supplied in triple configuration. Luminaires 9587 · 9588 are also available on request with a white plastic diffuser.

Pole-top luminaires **for pole heights 3500 - 6000 mm.**

We recommend the following BEGA luminaire poles for these luminaires:
 9587 · 8775 · 9588 · 8776 Group 34 – Pole 913 · 914 · 725 · 915 · 916
 Group 72 – Pole 885 · 884 · 887 · 886 · 834
 Group 15 – Pole 927 · 928 · 926

A complete overview of all BEGA luminaire poles, anchorage units and connection boxes is given on pages 454 - 461.



Single and double pole-top luminaires for
 • discharge lamps HME 80 · 125 W
 Protection class IP 44
 Die cast aluminium, aluminium and stainless steel
 Reflector of pure anodized aluminium
 9587 · 9588 Three-ply opal glass
 8775 · 8776 Clear plastic diffuser with optical texture

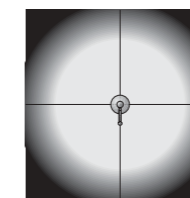
The luminaires are designed for the following pole heights:
 • 9587 · 8775 · 9588 · 8776
 for pole heights 3500 - 6000 mm
 Pole-top Ø 76 mm

Colour: graphite

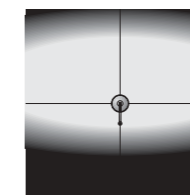
	single	Lamp		Lumen	A	B	C
9587	symmetrical	1 HME	80 · 125 W	4000 · 6500	550	1250	900
8775	asymmetrical	1 HME	80 · 125 W	4000 · 6500	550	1250	900
	double						
9588	symmetrical	2 HME	80 · 125 W	8000 · 13000	550	1300	1720
8776	asymmetrical	2 HME	80 · 125 W	8000 · 13000	550	1300	1720



Symmetrical light distribution.
 The three-ply opal glass produces broad and uniform light distribution. The top reflector directs the light downwards. Part of the light exits through a circumferential opening in the top reflector and makes the shape of the luminaire visible.



Asymmetrical light distribution.
 Luminaires with spherical reflectors and clear plastic diffuser. The optical system of these luminaires is infinitely adjustable 360° around the vertical axis. This allows precise adjustment of the light distribution on the illuminated surface.



Box 70396 | 10724 STOCKHOLM
 Klarabergsviadukten 70
 Tel +46 (0)8-103070 | Fax
 info@crealux.se | www.crealux.se



Pole-top luminaires for discharge lamps

Luminaires with **symmetrical** light distribution.
They are designed to illuminate parks, pedestrian areas and traffic calmed zones.

The luminaires on page 390 have an additional upper light output.
The part of the light which is not directed downwards through the louvred reflectors and top reflector exits through prisms via the upper light opening.
The top reflector is illuminated from the top and the immediate surroundings e.g. the tops of adjacent trees are additionally illuminated.
This makes the shape of the luminaire visible even at night.

The pole-top luminaires on page 391 distribute and direct the light uniformly downwards through the three-ply opal glass and top reflector.

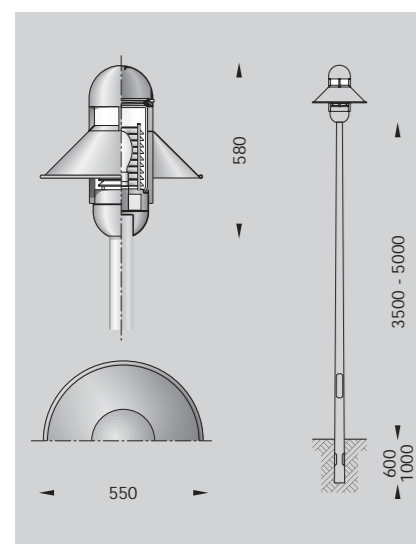
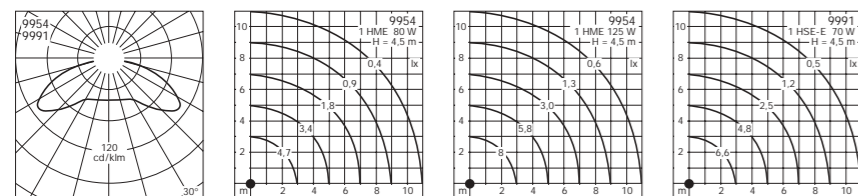
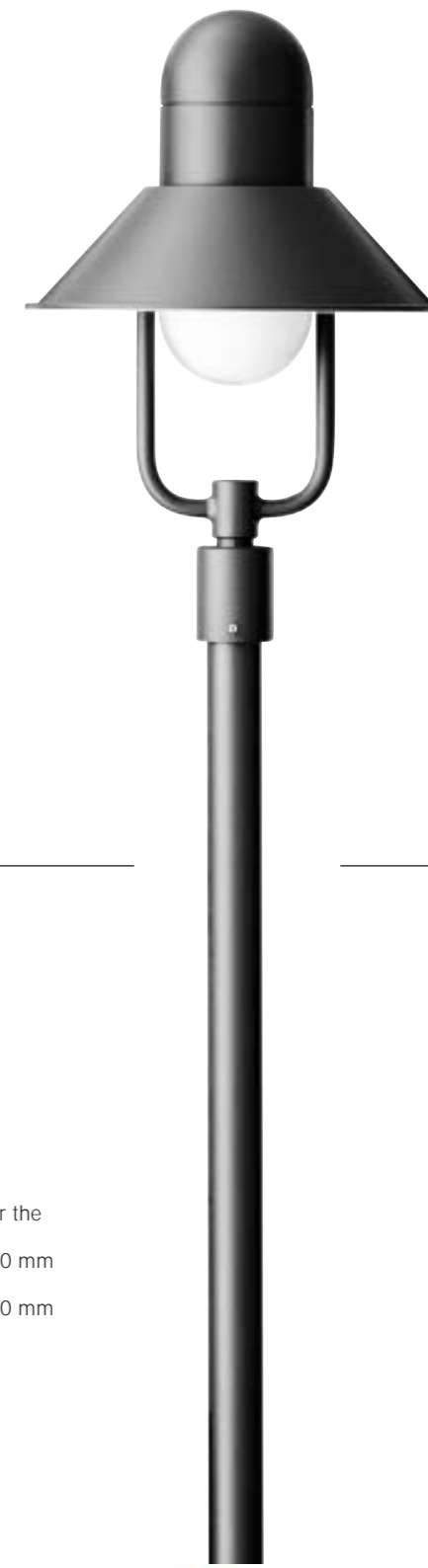
Pole-top luminaires in diverse sizes **for pole heights 2500 - 5000 mm**.
We recommend the following BEGA luminaire poles for these luminaires:

9954 · 9991 Group 34 – Pole 913 · 914 · 725 · 915
 Group 72 – Pole 885 · 884 · 887 · 886

9919 Group 34 – Pole 910 · 911
 Group 72 – Pole 880 · 881

9914 Group 34 – Pole 913 · 914
 Group 72 – Pole 885 · 884

A complete overview of all BEGA luminaire poles, anchorage units and connection boxes is given on pages 454 - 461.



Pole-top luminaires with additional upper light output for

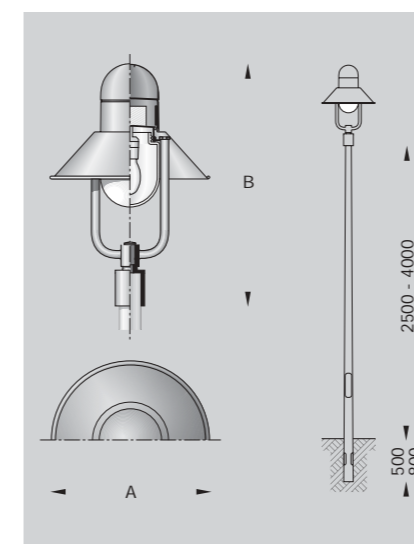
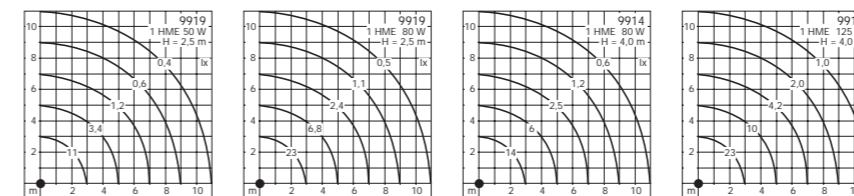
- discharge lamps HME 80 · 125 W
- discharge lamps HSE-E 70 W

Protection class IP 44
Die cast aluminium, aluminium and stainless steel
Crystal glass with optical texture
Inside white louvred reflectors

Luminaires for heights 3500 - 5000 mm
Pole-top Ø 76 mm

Colour: graphite

	Lamp	Lumen
9954 Pole-top luminaire	1 HME 80 · 125 W	4000 · 6500
9991 Pole-top luminaire	1 HSE-E 70 W	5600



Pole-top luminaires for

- discharge lamps HME 50 · 80 W
- discharge lamps HME 80 · 125 W

Protection class IP 44

Die cast aluminium, aluminium and stainless steel
Three-ply opal glass

The luminaires are designed for the following pole heights:

- 9919 for heights 2500 - 3000 mm
Pole-top Ø 60 mm
- 9914 for heights 3500 - 4000 mm
Pole-top Ø 76 mm

Colour: graphite

	Lamp	Lumen	A	B
9919 Pole-top luminaire	1 HME 50 · 80 W	2000 · 4000	450	675
9914 Pole-top luminaire	1 HME 80 · 125 W	4000 · 6500	600	920



Box 703 6 | 10724 STOC
Klarabergsviadukten 70
Tel +46 (0)8-103070 | Fa
info@crealux.se | www.cri



Pole-top luminaires for discharge lamps

Pole-top luminaires with **symmetrical** or **asymmetrical** light distribution. They are equipped with spherical reflectors and clear plastic diffusers and designed to illuminate squares, pedestrian areas and urban streets.

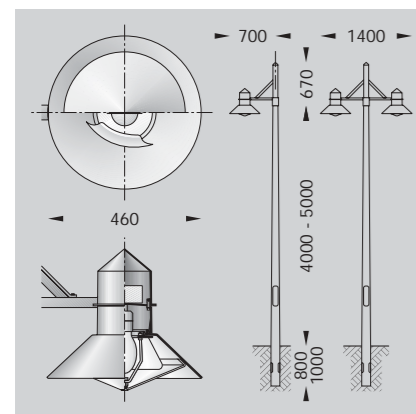
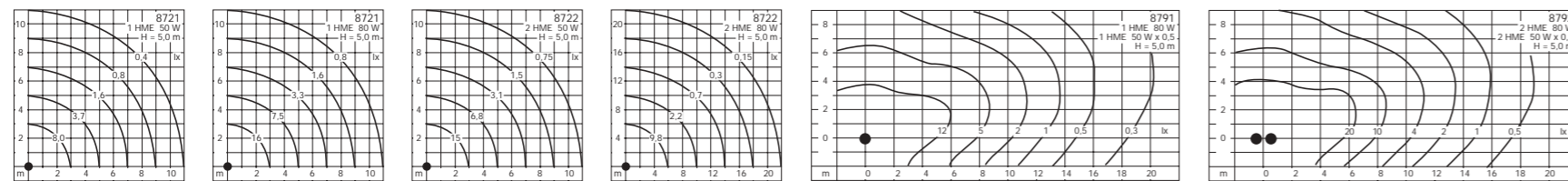
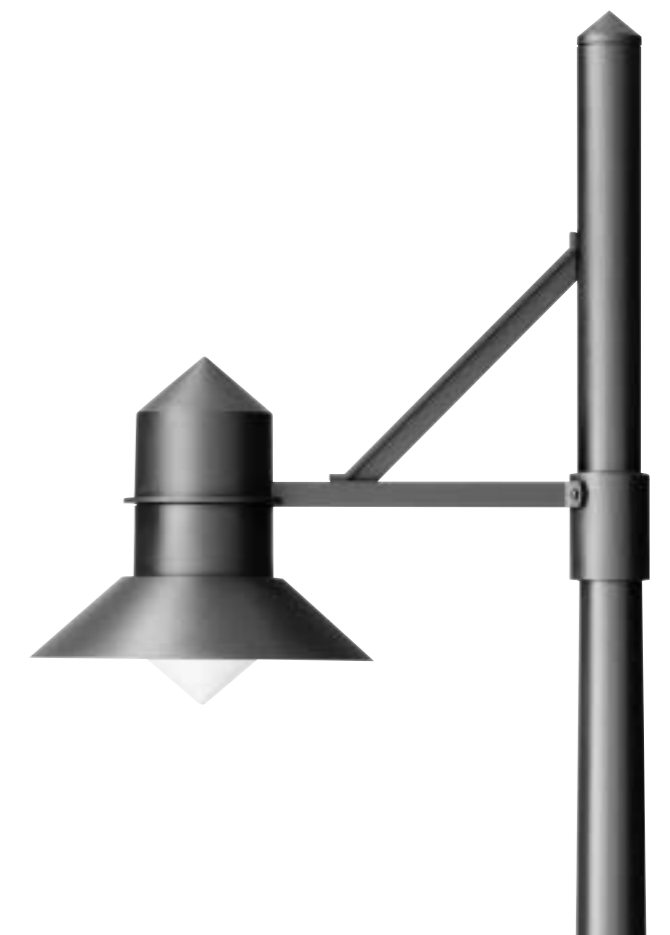
These pole-top luminaires are ready for installation in single or double configuration. Luminaires of this type are also available in triple configuration. Luminaires 8721 · 8722 can also be supplied to special order with a white plastic diffuser.

Pole-top luminaires **for pole heights 4000 - 5000 mm.**

We recommend the following BEGA luminaire poles for these luminaires:

8721 · 8722 · 8791 · 8792 Group 34 – Pole 914 · 725 · 915
Group 72 – Pole 884 · 887 · 886

A complete overview of all BEGA luminaire poles, anchorage units and connection boxes is given on pages 454 - 461.



Single and double pole-top luminaires for
• discharge lamps HME 50 · 80 W
Protection class IP 44 · Die cast aluminium, aluminium and stainless steel
8721 · 8722 Three-ply opal glass
8791 · 8792 Clear plastic diffuser with optical texture and reflector of pure anodized aluminium

Luminaires for pole heights 4000 - 5000 mm
Pole-top Ø 76 mm

Colour: graphite – article number
white – article number + **W**
silver – article number + **A**

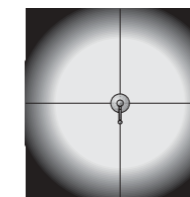
	single	Lamp	Lumen
8721	Pole-top luminaire symmetrical	1 HME 50 · 80 W	2000 · 4000
8791	Pole-top luminaire asymmetrical	1 HME 50 · 80 W	2000 · 4000
	double		
8722	Pole-top luminaire symmetrical	2 HME 50 · 80 W	4000 · 8000
8792	Pole-top luminaire asymmetrical	2 HME 50 · 80 W	4000 · 8000



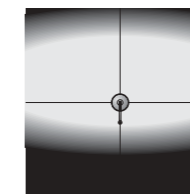
On pages 168 - 169 of this catalogue, you will find a description of wall luminaires and on pages 364 - 365 a description of garden luminaires whose shape, construction and light output match the luminaires given on this double page.



Symmetrical light distribution.
The three-ply opal glass produces broad and uniform light distribution. The top reflector directs the light downwards. Part of the light exits through a circumferential opening in the top reflector and makes the shape of the luminaire visible.



Asymmetrical light distribution.
Luminaires with spherical reflectors and clear plastic diffuser. The optical system of these luminaires is infinitely adjustable 360° around the vertical axis. This allows precise adjustment of the light distribution onto the illuminated surface.



Box 70396 | 10724 STOC
Klarabergsviadukten 70
Tel +46 (0)8-103070 | Fa
info@crealux.se | www.cre

Pole-top luminaires for fluorescent lamps
Directed and unshielded light
 Protection class IP 64

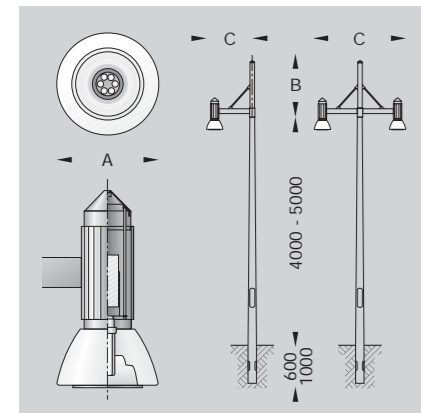
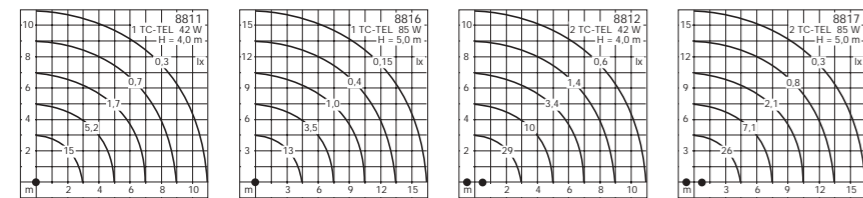
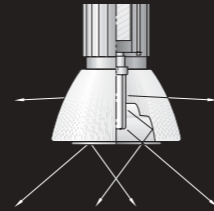
Luminaires with **symmetrical** light distribution.
 They are designed to illuminate streets, squares, driveways and pedestrian areas.

These pole-top luminaires are ready for installation in single or double configuration. Luminaires of this type are also available in triple configuration. Light distribution comprises directed light and unshielded light. A unit comprising three-ply opal glass and a symmetrical reflector produces this impressive and effective light distribution. The result is high horizontal illuminance on the ground and vertical illuminance providing pleasant illumination of the luminaire surroundings. The luminaires on this double page are also available with a white plastic diffuser.

Pole-top luminaires in two sizes for **pole heights 4000 - 5000 mm**.
 We recommend the following luminaire poles for these luminaires:

- | | |
|-------------|---------------------|
| 8811 · 8812 | Group 34 – Pole 914 |
| | Group 72 – Pole 884 |
| | Group 14 – Pole 791 |
| 8816 · 8817 | Group 34 – Pole 915 |
| | Group 72 – Pole 886 |
| | Group 14 – Pole 794 |

A complete overview of all BEGA luminaire poles, anchorage units and connection boxes is given on pages 454 - 461.



Single and double pole-top luminaires for
 • fluorescent lamps for electronic ballasts TC-TEL 32 · 42 W
 • fluorescent lamps for electronic ballasts TC-TEL 60 · 85 W
 Protection class IP 64
 Die cast aluminium, aluminium and stainless steel
 Three-ply opal glass and clear safety glass

Reflector of pure anodized aluminium
 The luminaires are designed for the following pole heights:
 • 8811 · 8812 for height 4000 mm
 • 8816 · 8817 for height 5000 mm
 Pole-top Ø 76 mm

Colour: graphite – article number
 silver – article number + **A**

	single	Lamp	Lumen	A	B	C
8811	Pole-top luminaire	1 TC-TEL 32 · 42 W	2400 · 3200	290	1070	900
8816	Pole-top luminaire	1 TC-TEL 60 · 85 W	4000 · 6000	365	1070	1880
double						
8812	Pole-top luminaire	2 TC-TEL 32 · 42 W	4800 · 6400	290	1070	900
8817	Pole-top luminaire	2 TC-TEL 60 · 85 W	8000 · 12000	365	1070	1880



On pages 76 - 77 of this catalogue, you will find a description of pendant luminaires whose shape, construction and light output match the luminaires given on this double page.



Box 70396 | 10724 STOC
 Klarabergsviadukten 70
 Tel +46 (0)8-103070 | Fa
 info@crealux.se | www.cri



Side-mounted pole-top luminaires for fluorescent lamps and discharge lamps

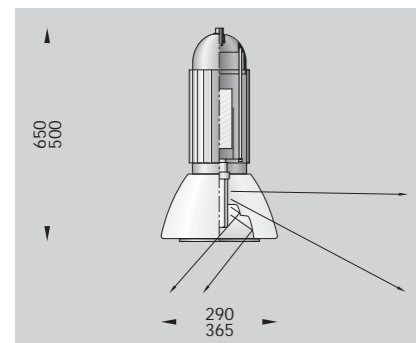
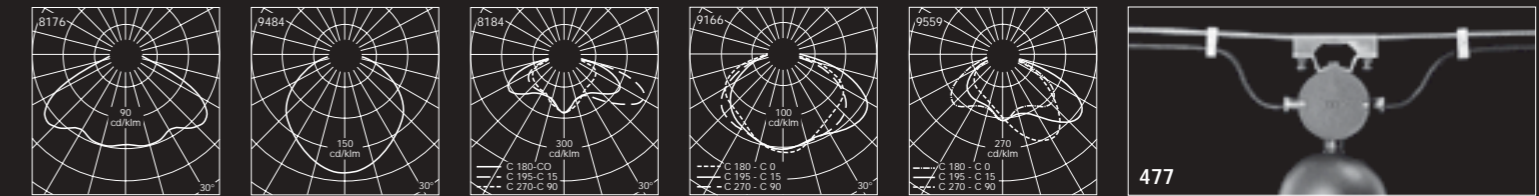
These side-mounted pole-top luminaires are designed for installation on existing G 1/2 · DIN ISO 228 bushes. They are available in different sizes and light outputs with **symmetrical** or **asymmetrical** light distribution.

The luminaires for fluorescent lamps TC-TEL are equipped with electronic ballasts. Instead of three-ply opal glass, luminaires 8173 · 8179 · 9171 · 9674 · 9437 · 9471 can also be equipped with white plastic diffusers.

In combination with cable hanger 477, these luminaires can also be used for suspension from stretched cable systems.

Luminaires 8173 · 9395 · 9171 · 9437 · 9166 are also suitable for installation on the swan-neck poles shown on pages 398 - 399.

Luminaires of this type but with rings for use as pendant luminaires are given on pages 74 - 75 of this catalogue.



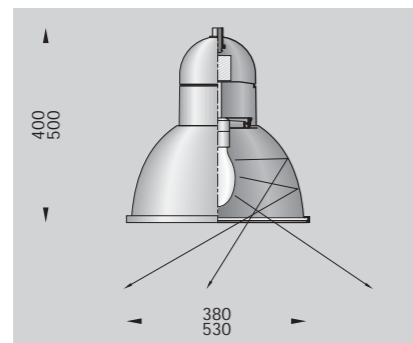
Side-mounted pole-top luminaires with G 1/2 mounting bush with **symmetrical** light distribution and additional unshielded light output for fluorescent lamps for electronic ballasts

- 1 TC-TEL 32·42 W 2400 · 3200 lumen
- 1 TC-TEL 60·85 W 4000 · 6000 lumen

IP 64 · Die cast aluminium, aluminium and stainless steel · Reflector of pure anodized aluminium · Three-ply opal glass and clear safety glass

Colour: graphite

8173	Luminaire	1 TC-TEL 32·42 W
8179	Luminaire	1 TC-TEL 60·85 W



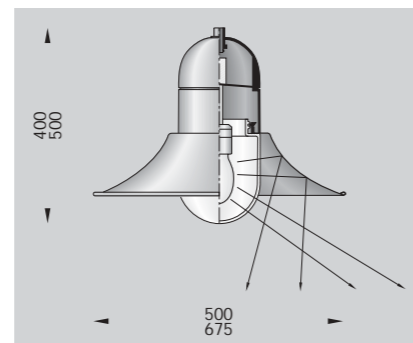
Side-mounted pole-top luminaires with G 1/2 mounting bush with **symmetrical** light distribution for discharge lamps

- 1 HME 50 · 80 W 2000 · 4000 lumen
- 1 HME 80 · 125 W 4000 · 6500 lumen

Protection class IP 44
Die cast aluminium, aluminium and stainless steel
Reflector of pure anodized aluminium
Safety glass

Colour: graphite

9395	Luminaire	1 HME 50 · 80 W
9498	Luminaire	1 HME 80 · 125 W



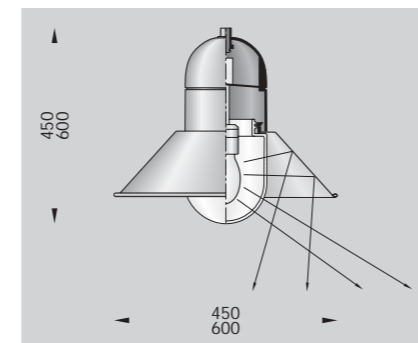
Side-mounted pole-top luminaires with G 1/2 mounting bush with **symmetrical** light distribution for discharge lamps

- 1 HME 50 · 80 W 2000 · 4000 lumen
- 1 HME 80 · 125 W 4000 · 6500 lumen

Protection class IP 44
Die cast aluminium, aluminium and stainless steel
Three-ply opal glass

Colour: graphite

9171	Luminaire	1 HME 50 · 80 W
9674	Luminaire	1 HME 80 · 125 W



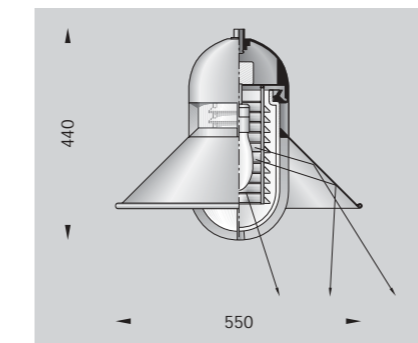
Side-mounted pole-top luminaires with G 1/2 mounting bush with **symmetrical** light distribution for discharge lamps

- 1 HME 50 · 80 W 2000 · 4000 lumen
- 1 HME 80 · 125 W 4000 · 6500 lumen

Protection class IP 44
Die cast aluminium, aluminium and stainless steel
Three-ply opal glass

Colour: graphite

9437	Luminaire	1 HME 50 · 80 W
9471	Luminaire	1 HME 80 · 125 W



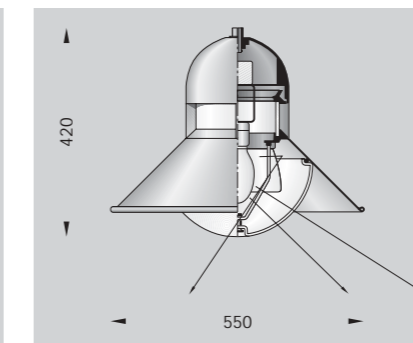
Side-mounted pole-top luminaire with G 1/2 mounting bush with **symmetrical** light distribution and additional light output and louvred reflector for discharge lamps

- 1 HME 80 · 125 W 4000 · 6500 lumen

Protection class IP 44 · Die cast aluminium, aluminium and stainless steel
Inside white louvred reflector
Crystal glass with optical texture

Colour: graphite

8176	Luminaire	1 HME 80 · 125 W
-------------	-----------	------------------



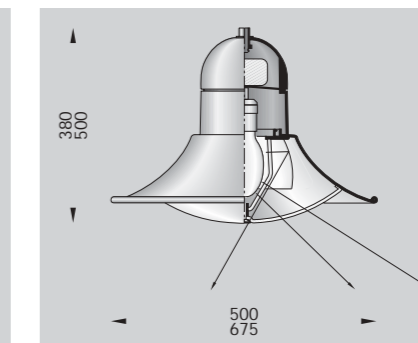
Side-mounted pole-top luminaire with G 1/2 mounting bush with **symmetrical or asymmetrical** light distribution and additional upper light output for discharge lamps

- 1 HME 80 · 125 W 4000 · 6500 lumen

Protection class IP 44 · Die cast aluminium, aluminium and stainless steel
9484 Three-ply opal glass
8184 Clear plastic diffuser with optical texture

Colour: graphite

9484	symmetrical	1 HME 80 · 125 W
8184	asymmetrical	1 HME 80 · 125 W



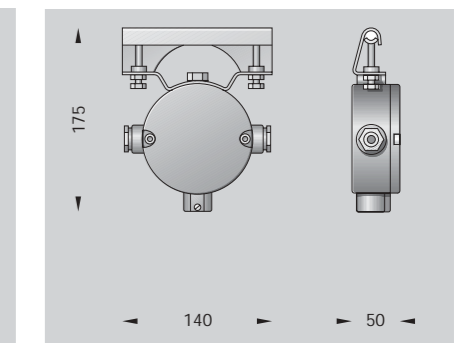
Side-mounted pole-top luminaires with G 1/2 mounting bush with **asymmetrical** light distribution for discharge lamps

- 1 HME 80 W 4000 lumen
- 1 HME 80 · 125 W 4000 · 6500 lumen

Protection class IP 44 · Die cast aluminium, aluminium and stainless steel
Reflector of pure anodized aluminium
Clear plastic diffuser with optical texture

Colour: graphite

9166	Luminaire	1 HME 80 W
9559	Luminaire	1 HME 80 · 125 W



Cable hanger for side-mounted pole-top luminaires with G 1/2 DIN ISO 228 mounting bush for cords with Ø 5 - 12 mm and up to ± 10° off level
Die cast aluminium connection box
Protection class IP 54
2 cable entries
4 x 2.5² connecting terminals
Stainless steel support structure



Box 70396 | 10724 STOC
477 70396 | 10724 STOC

Tel +46 (0)8-103070 | Fa
info@crealux.se | www.cri

Swan-neck poles
for the side-mounted pole-top luminaires on pages 396 - 397

Swan-neck poles made of aluminium with an anchorage section, and G 1/2 · DIN ISO 228 mounting bush. They are designed for the installation of 1, 2 or 3 of the pole-top luminaires on pages 396 - 397 (see illustration below).
Luminaire poles with a mounting height of 3500 mm.



Swan-neck poles with G 1/2 · DIN ISO 228 mounting bush

For the installation of

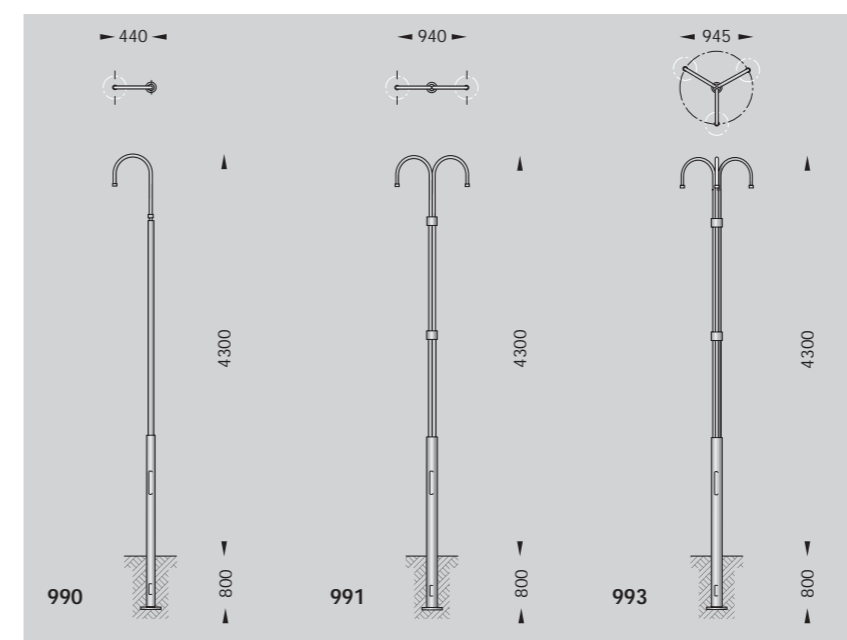
- 1 pole-top luminaire
- 2 pole-top luminaires
- 3 pole-top luminaires

8173 · 9395 · 9171 · 9437 · 9166
on pages 396 - 397.

Aluminium poles with anchorage section and door.
With C-clamp to accommodate a connection box.
Technical data of poles and connection boxes, pages 457 and 461.

Colour: graphite

990	Swan-neck pole for one luminaire with G 1/2 mounting bush
991	Swan-neck pole for two luminaires with G 1/2 mounting bush
993	Swan-neck pole for three luminaires with G 1/2 mounting bush



Box 70066 | 10724 STOC
Klarabergsviadukten 70
Tel +46 (0)8-103070 | Fa
info@crealux.se | www.cri



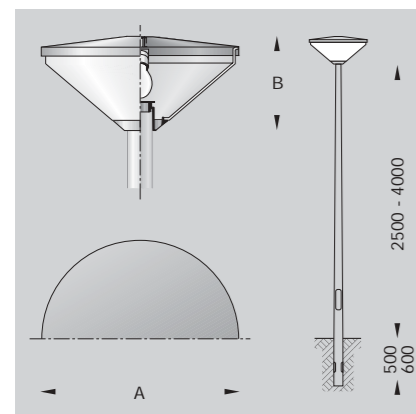
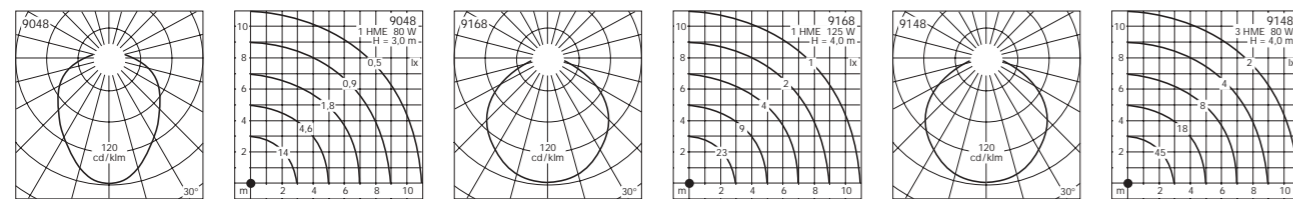
Pole-top luminaires for fluorescent lamps and discharge lamps

Luminaires with **rotationally symmetrical** light distribution to illuminate car parks, pedestrian areas, urban streets and driveways. Equipped with a white plastic diffuser, they provide soft and uniform light distribution.

Pole-top luminaires **for pole heights 2500 - 4000 mm.**
We recommend the following luminaire poles for these luminaires:

9048	Group 34 – Pole 910 · 911 Group 72 – Pole 880 · 881
9168 · 9148	Group 34 – Pole 911 · 912 · 724 Group 72 – Pole 881 · 882 · 883
8132 · 9468 · 9441	Group 34 – Pole 911 · 912 · 724 Group 72 – Pole 881 · 882 · 883

A complete overview of all BEGA luminaire poles, anchorage units and connection boxes is given on pages 454 - 461.

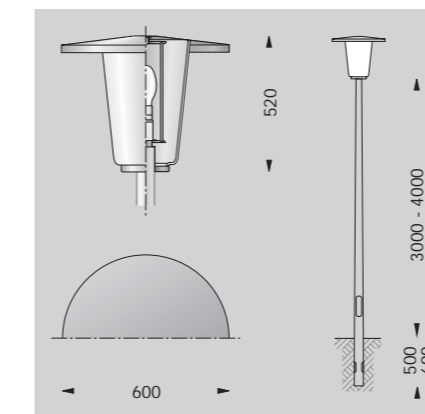
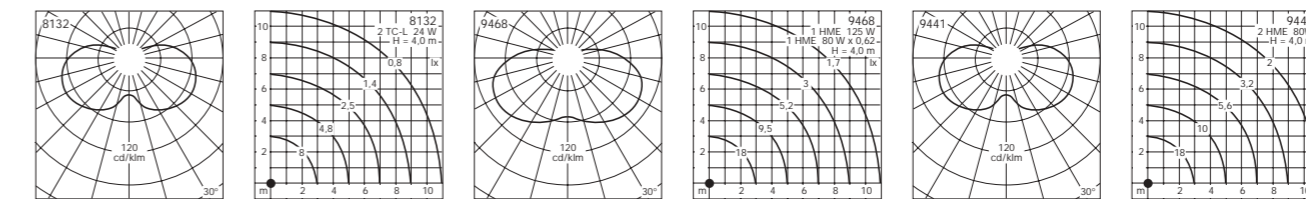


Pole-top luminaires for
• discharge lamps HME 50 · 80 · 125 W
Protection class IP 44
Die cast aluminium, aluminium and stainless steel
Top made of painted GRP
White plastic diffuser

The luminaires are designed for the following pole heights:
• 9048 for heights 2500 - 3000 mm
• 9168 · 9148 for heights 3000 - 4000 mm
Pole-top Ø 60 mm

Colour: graphite

	Lamp	Lumen	A	B
9048 Pole-top luminaire	1 HME 50 · 80 W	2 000 · 4 000	500	260
9168 Pole-top luminaire	1 HME 125 W	6 500	600	320
9148 Pole-top luminaire	3 HME 80 W	12 000	600	320



Pole-top luminaires for
• fluorescent lamps TC-L 24 W
• discharge lamps HME 80 · 125 W
Protection class IP 44
Die cast aluminium, aluminium and stainless steel
Top made of painted GRP
White plastic diffuser

Luminaires for pole heights 3000 - 4000 mm
Pole-top Ø 60 mm

Colour: graphite

	Lamp	Lumen
8132 Pole-top luminaire	2 TC-L 24 W	3600
9468 Pole-top luminaire	1 HME 80 · 125 W	4000 · 6500
9441 Pole-top luminaire	2 HME 80 W	8000



Box 70396 | 0724 STOC
Klaraberg, Gladukten 70
Tel +46 (0)8-103070 | Fa
info@creal.se | www.cre



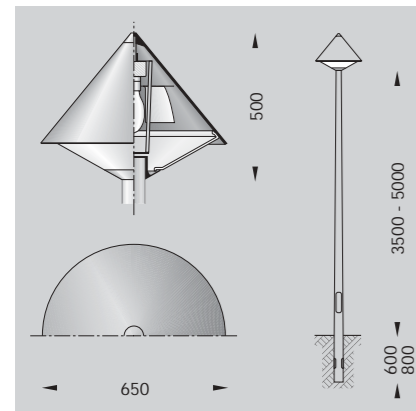
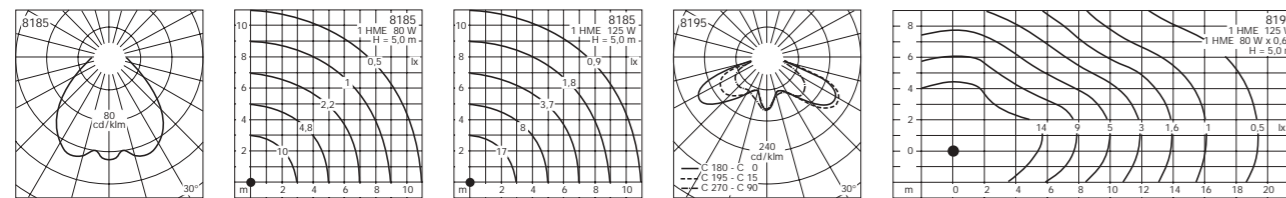
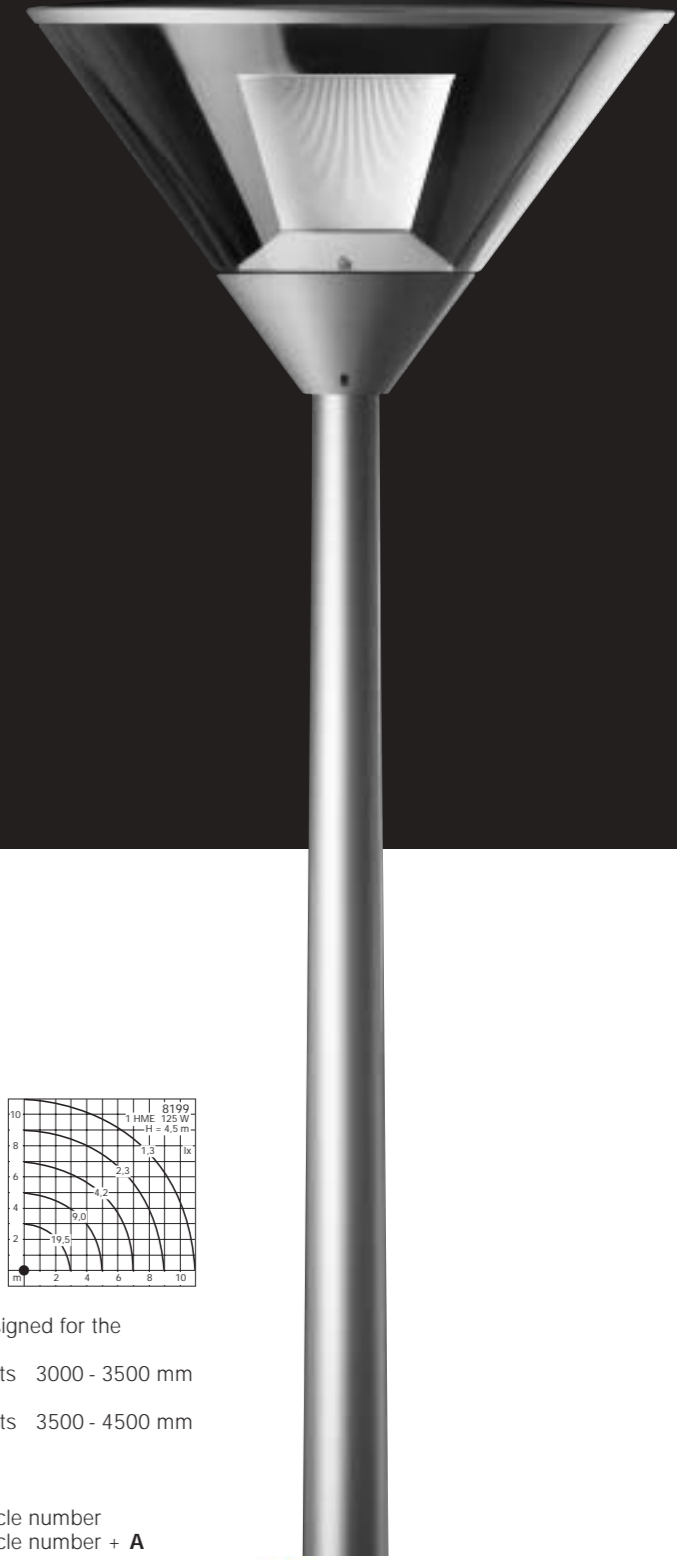
Pole-top luminaires for fluorescent lamps and discharge lamps

These luminaires with **symmetrical** or **asymmetrical** light distribution provide illumination for paths, parks and pedestrian areas. The pole-top luminaires on page 404 with white plastic diffuser produce a soft, uniform and symmetrical light distribution, or with clear plastic diffuser and spherical reflectors for asymmetrical light distribution. The pole-top luminaires on page 405 are equipped with a clear plastic diffuser and inside glass diffuser with optical texture. The diffuser creates direct, wide beam light and indirect light reflecting from the inside of the top surface. These luminaires produce brilliant light with great uniformity.

Pole-top luminaires in two sizes for **pole heights 3000 - 5000 mm**. We recommend the following BEGA luminaire poles for these luminaires:

8185 · 8195	Group 34 – Pole 913 · 914 · 725 · 915
	Group 72 – Pole 885 · 884 · 887 · 886
	Group 14 – Pole 789 · 791 · 792 · 794
8098 · 8099	Group 34 – Pole 911 · 912
	Group 72 – Pole 881 · 882
	Group 14 – Pole 986 · 786
8199	Group 34 – Pole 913 · 914 · 725
	Group 72 – Pole 885 · 884 · 887
	Group 14 – Pole 789 · 791 · 792

A complete overview of all BEGA luminaire poles, anchorage units and connection boxes is given on pages 454 - 461.

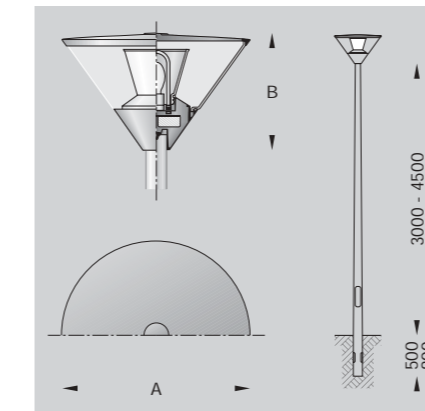
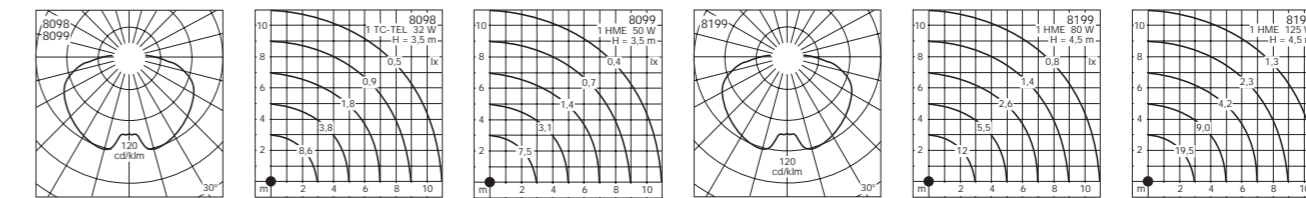


Pole-top luminaires for
 • discharge lamps HME 80 · 125 W
 Protection class IP 44 · Die cast aluminium, aluminium and stainless steel
 8185 white plastic diffuser
 8195 clear plastic diffuser with optical texture and reflector of pure anodized aluminium

Luminaires for pole heights 3500 - 5000 mm
 Pole-top Ø 76 mm

Colour: graphite

	Lamp	Lumen
8185 Pole-top luminaire symmetrical	1 HME 80 · 125 W	4000 · 6500
8195 Pole-top luminaire asymmetrical	1 HME 80 · 125 W	4000 · 6500



Pole-top luminaires for
 • fluorescent lamps for electronic ballasts TC-TEL 32 W
 • discharge lamps HME 50 W
 • discharge lamps HME 80 · 125 W
 Protection class IP 65 · Die cast aluminium, aluminium and stainless steel
 Clear plastic diffuser
 Inside matt glass to suppress glare from the lamp.

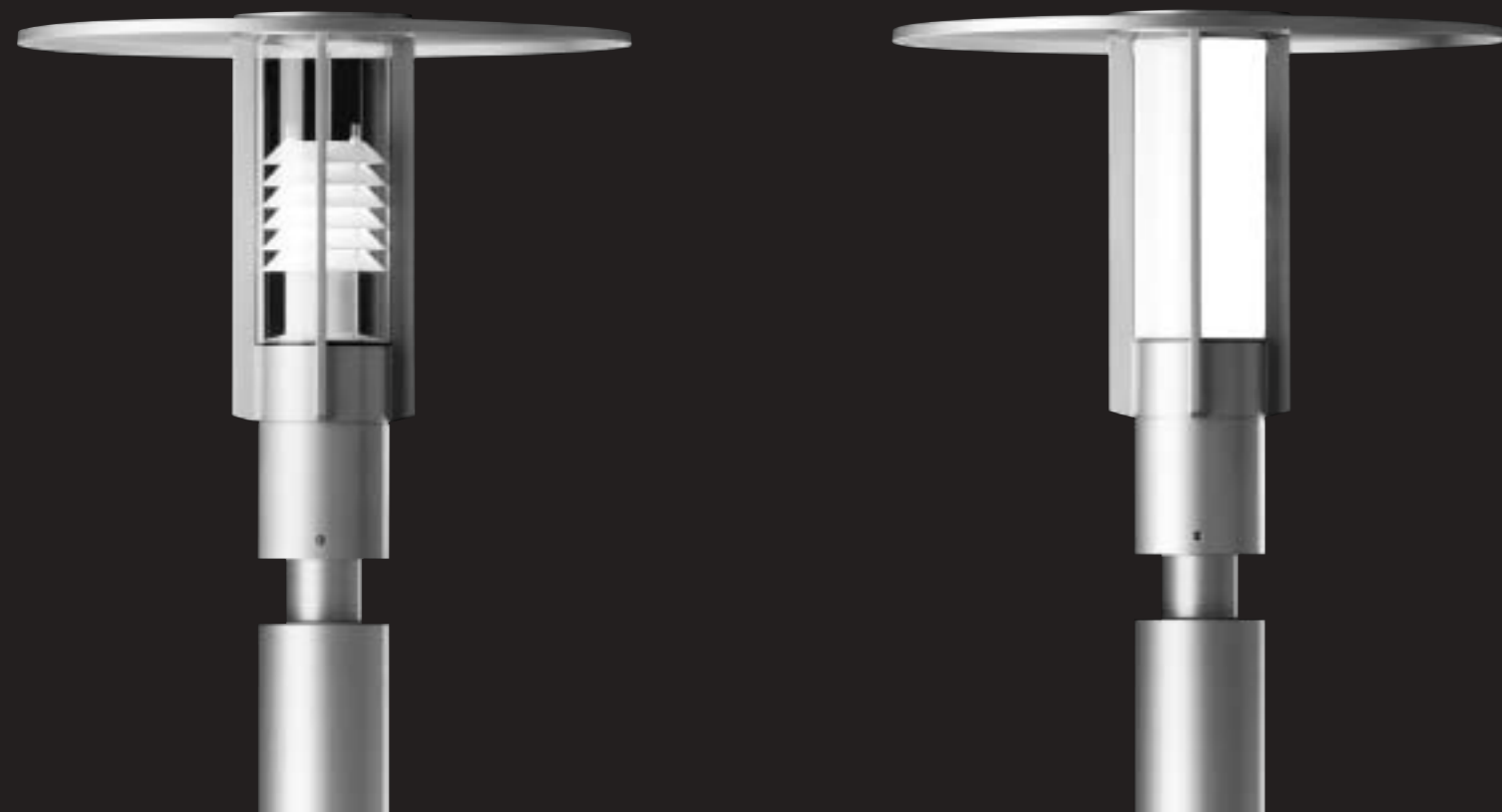
The luminaires are designed for the following pole heights:
 • 8098 · 8099 heights 3000 - 3500 mm Pole-top Ø 60 mm
 • 8199 heights 3500 - 4500 mm Pole-top Ø 76 mm

Colour: graphite – article number
 silver – article number + A

	Lamp	Lumen	A	B
8098 Pole-top luminaire	1 TC-TEL 32 W	2400	550	370
8099 Pole-top luminaire	1 HME 50 W	2000	550	370
8199 Pole-top luminaire	1 HME 80 · 125 W	4000 · 6500	710	500



Box 70396 | 10724 STOC
 Klarabergsviadukten 70
 Tel +46 (0)8-103070 | Fa
 info@creal.se | www.cri



Pole-top luminaires for fluorescent lamps and discharge lamps Protection class IP 65

Luminaires with **rotationally symmetrical** light distribution. The luminaires on page 406 direct their light through an inside louvred reflector and a clear plastic cylinder or distribute the light softly and uniformly through a white plastic cylinder. The luminaires on page 407 direct their light through inside three-ply opal glass and a clear plastic cylinder. The three-ply opal glass reduces illuminance and distributes the light from the lamp uniformly and agreeably. Part of the light emerges above the top surface and also illuminates the area above the top reflector.

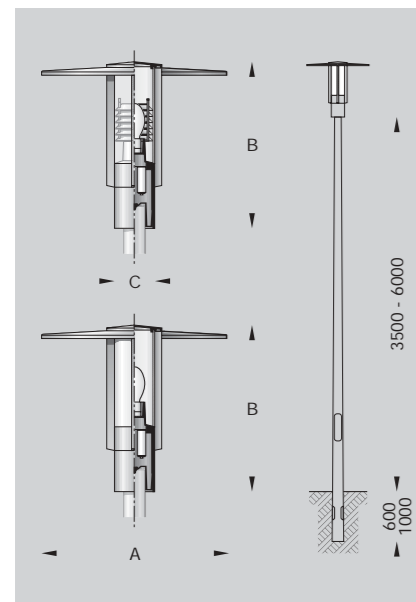
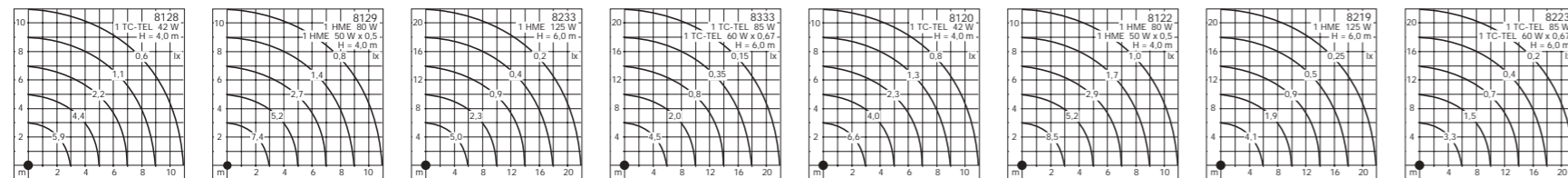
The luminaires for fluorescent lamps are equipped with electronic ballasts.

Pole-top luminaires in two sizes for **pole heights 3500 - 6000 mm**. We recommend the following BEGA luminaire poles for these luminaires:

8128 · 8129 · 8120 · 8122 · 8186 · 8187 Group 34 – Pole 913 · 914
Group 32 – Pole 906 · 742
Group 72 – Pole 885 · 884

8233 · 8333 · 8219 · 8223 · 8238 · 8239 Group 34 – Pole 914 · 915 · 725 · 916
Group 32 – Pole 737 · 748
Group 72 – Pole 884 · 887 · 886 · 834

A complete overview of all BEGA luminaire poles, anchorage units and connection boxes is given on pages 454 - 461.

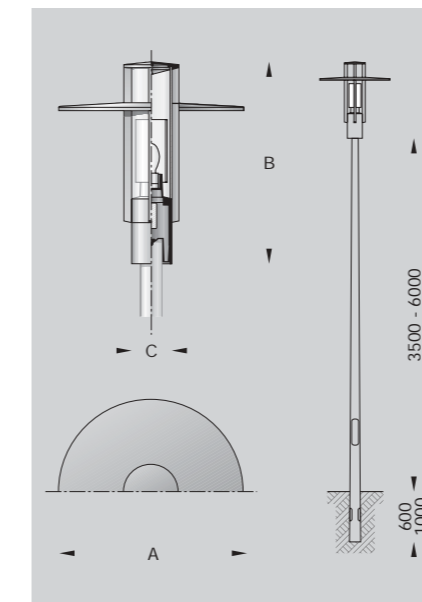


Pole-top luminaires for
 • fluorescent lamps for electronic ballasts TC-TEL 32 · 42 · 60 · 85 W
 • discharge lamps HME 50 · 80 · 125 W
 Protection class IP 65 · Die cast aluminium, aluminium and stainless steel
 8128 · 8129 · 8233 · 8333
 with inside louvred reflector and clear plastic cylinder
 8120 · 8122 · 8219 · 8223
 with white plastic cylinder

The luminaires are designed for the following pole heights:
 • 8128 · 8129 8120 · 8122 heights 3500 - 4000 mm
 • 8233 · 8333 8219 · 8223 heights 4000 - 6000 mm
 Pole-top Ø 76 mm

Colour: graphite – article number
 silver – article number + **A**

Clear plastic cylinder		Lumen	A	B	C
8128	Pole-top luminaire 1 TC-TEL 32 · 42 W	2400 · 3200	650	600	140
8129	Pole-top luminaire 1 HME 50 · 80 W	2000 · 4000	650	600	140
8233	Pole-top luminaire 1 HME 125 W	6500	800	740	170
8333	Pole-top luminaire 1 TC-TEL 60 · 85 W	4000 · 6000	800	740	170
White plastic cylinder		Lumen	A	B	C
8120	Pole-top luminaire 1 TC-TEL 32 · 42 W	2400 · 3200	650	600	140
8122	Pole-top luminaire 1 HME 50 · 80 W	2000 · 4000	650	600	140
8219	Pole-top luminaire 1 HME 125 W	6500	800	740	170
8223	Pole-top luminaire 1 TC-TEL 60 · 85 W	4000 · 6000	800	740	170



Pole-top luminaires for
 • fluorescent lamps for electronic ballasts TC-TEL 32 · 42 · 60 · 85 W
 • discharge lamps HME 50 · 80 · 125 W
 Protection class IP 65
 Die cast aluminium, aluminium and stainless steel
 Clear plastic cylinder and inside three-ply opal glass

The luminaires are designed for the following pole heights:
 • 8186 · 8187 heights 3500 - 4000 mm
 • 8238 · 8239 heights 4000 - 6000 mm
 Pole-top Ø 76 mm

Colour: graphite – article number
 silver – article number + **A**

Lamp		Lumen	A	B	C
8186	Pole-top luminaire 1 TC-TEL 32 · 42 W	2400 · 3200	650	720	140
8187	Pole-top luminaire 1 HME 50 · 80 W	2000 · 4000	650	720	140
8238	Pole-top luminaire 1 HME 125 W	6500	800	890	170
8239	Pole-top luminaire 1 TC-TEL 60 · 85 W	4000 · 6000	800	890	170



Box 70396 | 10724 STOC
 Klarabergsviadukten 70
 Tel +46 (0)8-103070 | Fa
 info@crealux.se | www.cri

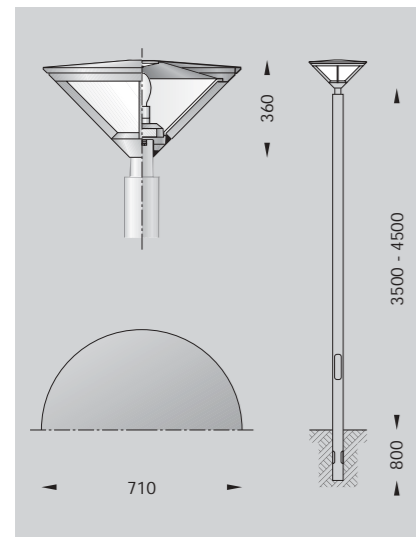
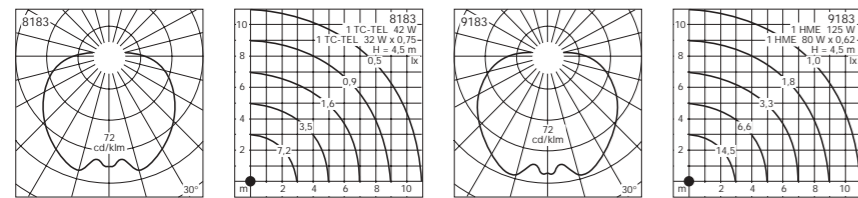


Pole-top luminaires for fluorescent lamps and discharge lamps

Luminaires with **rotationally symmetrical** light distribution, equipped with a white plastic diffuser or with a louvred reflector and clear plastic diffuser. They are designed to illuminate paths, streets, car parks and driveways. The luminaires for fluorescent lamps TC-TEL are equipped with electronic ballasts.

Pole-top luminaires **for pole heights 3500 - 4500 mm**. We recommend the following BEGA luminaire poles for these luminaires:
8183 · 9183 · 8189 · 9898 Group 32 – Pole 906 · 742 · 743
Group 12 – Pole 732 · 733

A complete overview of all BEGA luminaire poles, anchorage units and connection boxes is given on pages 454 - 461.

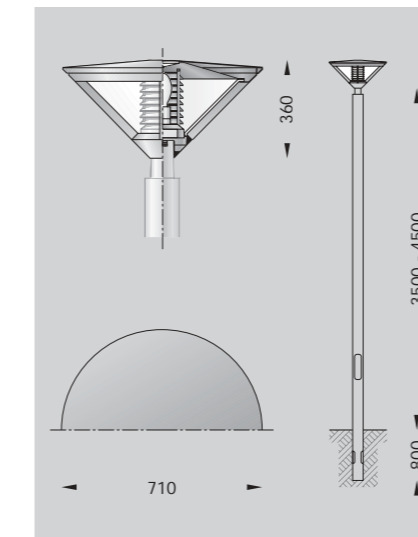
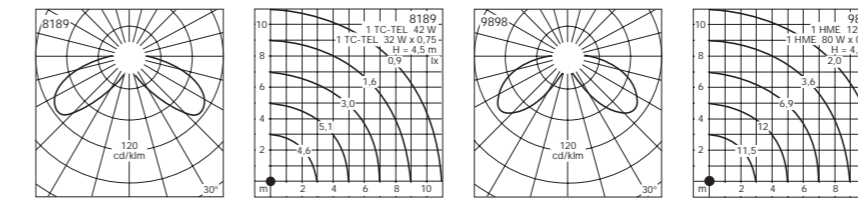


Pole-top luminaires for
• fluorescent lamps for electronic ballasts TC-TEL 32 · 42 W
• discharge lamps HME 80 · 125 W
Protection class IP 44 · Die cast aluminium, aluminium and stainless steel
White plastic cover

Luminaires for pole heights 3500 - 4500 mm
Pole-top Ø 76 mm

Colour: graphite – article number
white – article number + **W**
silver – article number + **A**

	Lamp	Lumen
8183 Pole-top luminaire	1 TC-TEL 32 · 42 W	2400 · 3200
9183 Pole-top luminaire	1 HME 80 · 125 W	4000 · 6500



Pole-top luminaires for
• fluorescent lamps for electronic ballasts TC-TEL 32 · 42 W
• discharge lamps HME 80 · 125 W
Protection class IP 44 · Die cast aluminium, aluminium and stainless steel
Clear plastic diffuser
White louvred reflector

Luminaires for pole heights 3500 - 4500 mm
Pole-top Ø 76 mm

Colour: graphite – article number
white – article number + **W**
silver – article number + **A**

	Lamp	Lumen
8189 Pole-top luminaire	1 TC-TEL 32 · 42 W	2400 · 3200
9898 Pole-top luminaire	1 HME 80 · 125 W	4000 · 6500



Bd. 70396 | 10724 STOC
Klabergsviadukten 70
Tel: +46 (0)8-103070 | Fa
info@crealux.se | www.cri



Pole-top luminaires for discharge lamps

These luminaires are available in two sizes with **symmetrical** or **asymmetrical** light distribution. They are designed to illuminate squares, driveways, as well as urban and suburban streets.

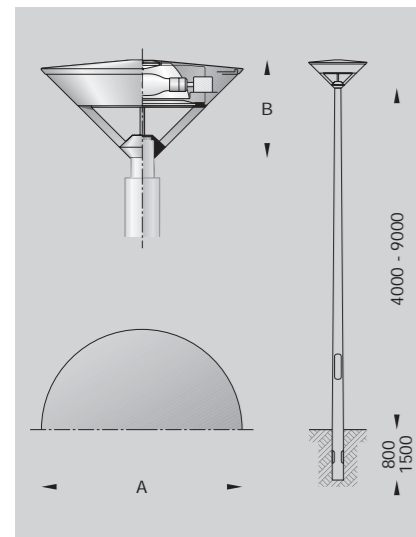
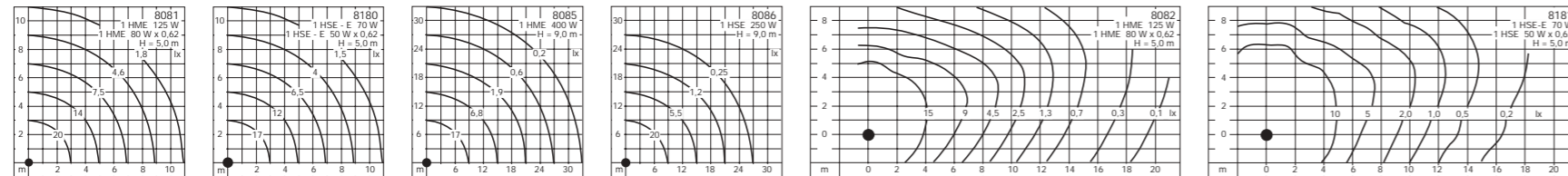
Luminaires 8081 - 8180 with rotationally symmetrical light distribution are also available with an additional light opening on the top surface.

Pole-top luminaires in two sizes for **pole heights 4000 - 9000 mm**. We recommend the following BEGA luminaire poles for these luminaires:

8081 · 8180 · 8082 · 8181 Group 32 – Pole 742 · 743 · 744
Group 12 – Pole 733

8085 · 8086 Group 34 – Pole 726
Group 72 – Pole 836 · 837

A complete overview of all BEGA luminaire poles, anchorage units and connection boxes is given on pages 454 - 461.



Pole-top luminaires for
 • discharge lamps HME 80 · 125 · 400 W
 • discharge lamps HSE-E 50 · 70 W
 • discharge lamps HSE 250 W
 Protection class IP 44

Die cast aluminium, aluminium and stainless steel
 Reflector of pure anodized aluminium
 Safety glass

The luminaires are designed for the following pole heights:
 • 8081 · 8180
 • 8082 · 8181 heights 4000 - 5000 mm
 • 8085 · 8086 heights 8000 - 9000 mm
 Pole-top Ø 76 mm

Colour: graphite – article number
 white – article number + **W**
 silver – article number + **A**

	symmetrical	Lamp		Lumen	A	B
8081	Pole-top luminaire	1 HME 80 · 125 W		4000 · 6500	710	360
8180	Pole-top luminaire	1 HSE-E 50 · 70 W		3500 · 5600	710	360
8085	Pole-top luminaire	1 HME 400 W		24000	1000	525
8086	Pole-top luminaire	1 HSE 250 W		25000	1000	525
	asymmetrical					
8082	Pole-top luminaire	1 HME 80 · 125 W		4000 · 6500	710	360
8181	Pole-top luminaire	1 HSE-E 50 · 70 W		3500 · 5600	710	360



Luminaires 8081 · 8180 with symmetrical light distribution can also be supplied on request with an additional light opening on the top surface. This produces street lighting and striking accent lighting above the luminaire.



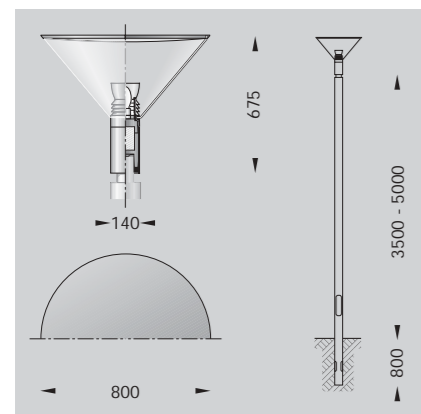
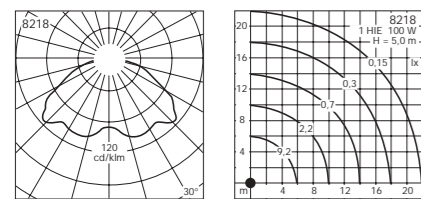
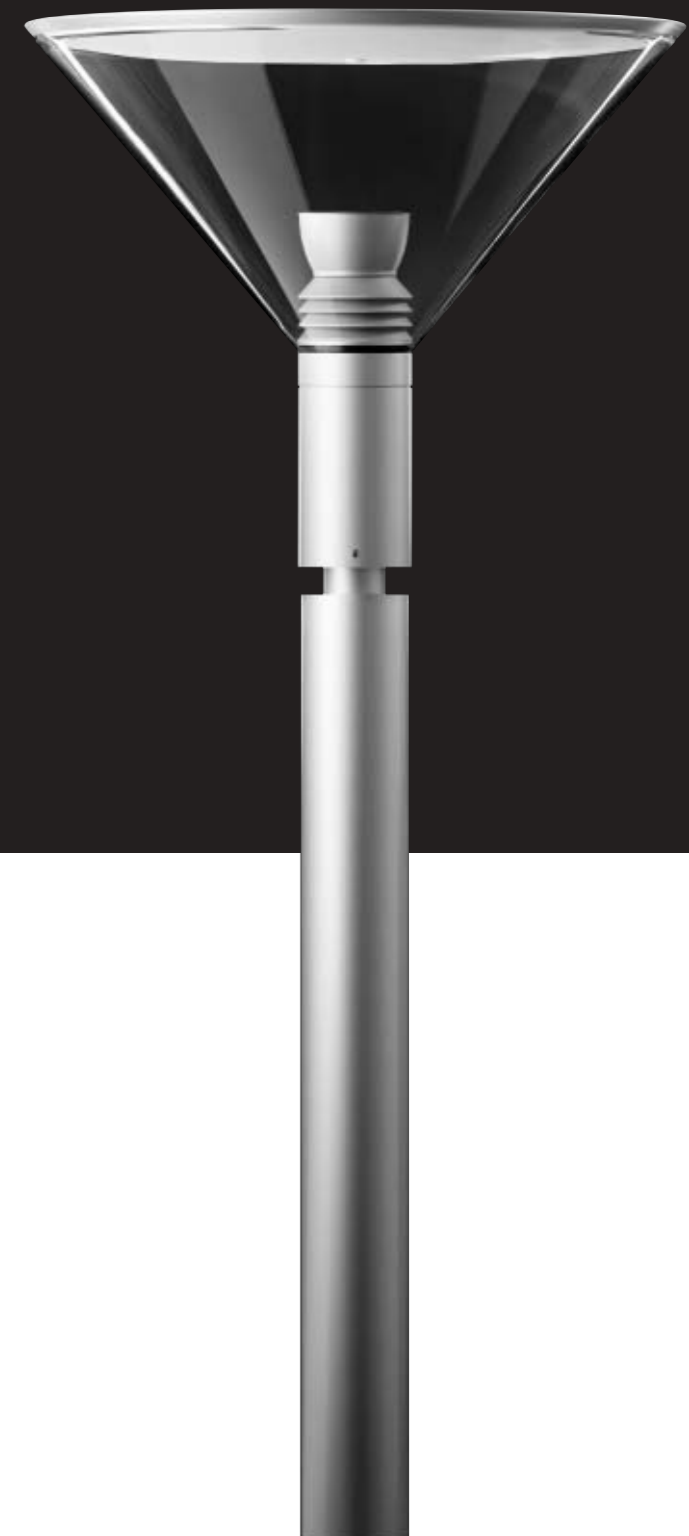


Pole-top luminaires for indirect lighting
 Discharge lamp 100 W
 Protection class IP 65

Luminaires with symmetrical light distribution. The reflector unit directs the largest part of the light to the top reflector where it is redirected and distributed with a high level of uniformity as indirect light. A small part of the light emerges directly as shielded light. Reflector unit and top reflector form an enclosed system providing indirect and direct light through the clear plastic cone. These luminaires provide brilliant and effective light with a high level of uniformity.

Pole-top luminaires for pole heights 3500 - 5000 mm.
 We recommend the following BEGA luminaire poles for these luminaires:
 8218 Group 12 – Pole 732 · 733
 Group 32 – Pole 906 · 742 · 743 · 744

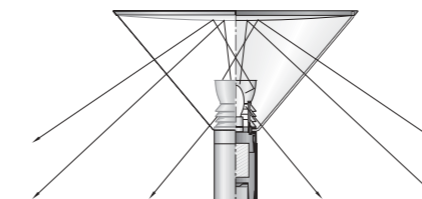
A complete overview of all BEGA luminaire poles, anchorage units and connection boxes is given on pages 454 - 461.



Pole-top luminaire for
 • discharge lamp HIE 100 W
 Protection class IP 65
 Die cast aluminium, aluminium and stainless steel
 Clear plastic diffuser
 Reflector of pure anodized aluminium

Luminaire for pole heights
 3500 - 5000 mm
 Pole-top Ø 76 mm

Colour: graphite – article number
 silver – article number + A



	Lamp	Lumen
8218 Pole-top luminaire	1 HIE 100 W	8000



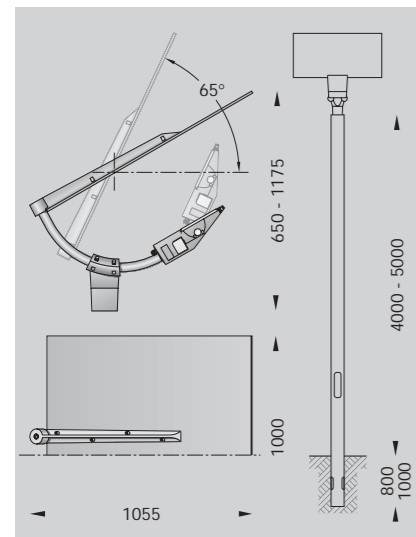
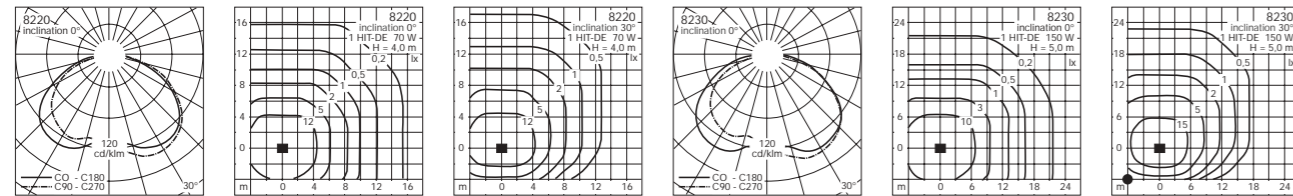
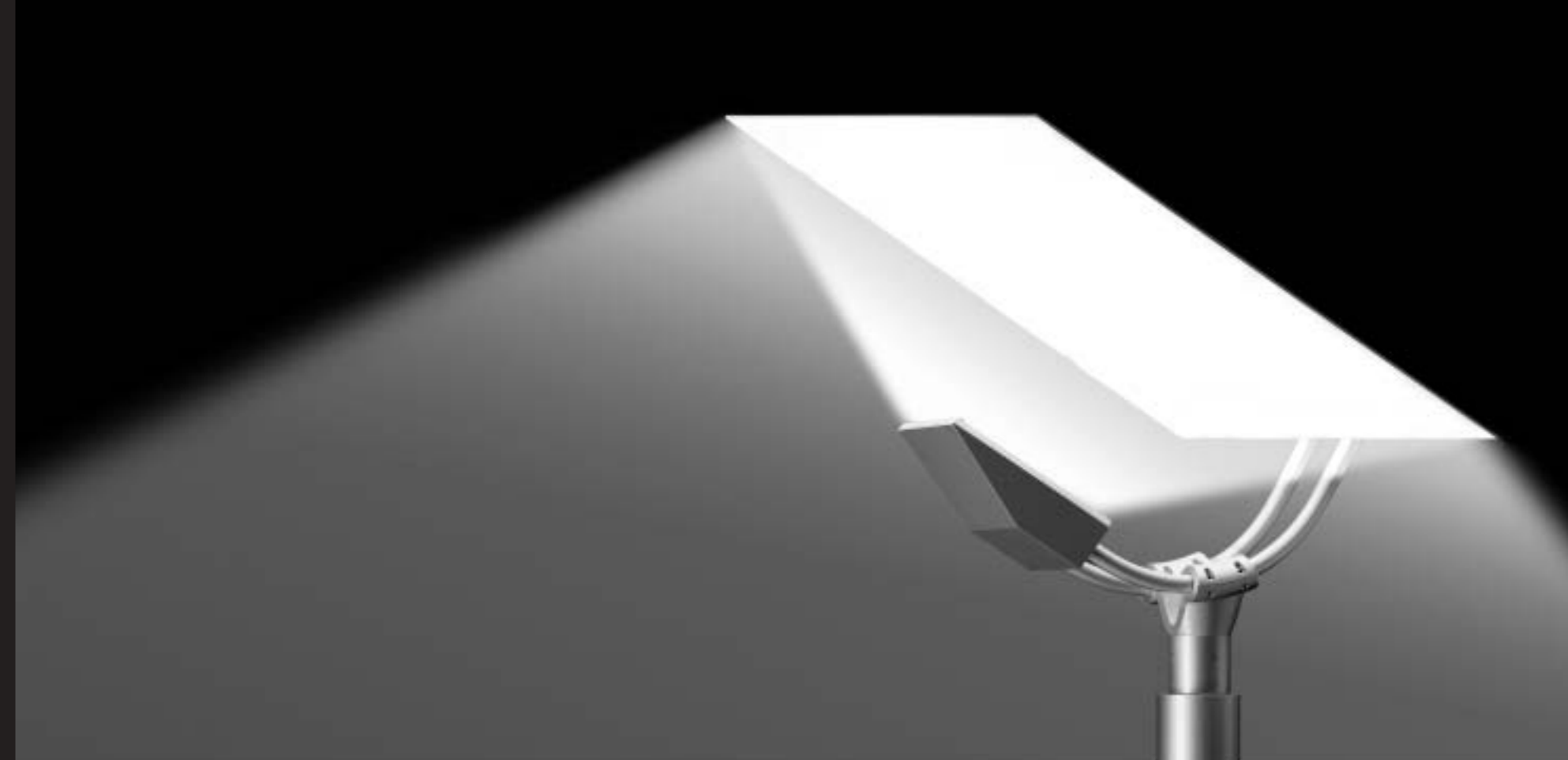
Box 70396 | 10724 STOC
 Klarabergsviadukten 70
 Tel +46 (0)8-103070 | Fa
 info@crealux.se | www.cri

Pole-top luminaires for indirect lighting
 Discharge lamps 70 · 150 W
 Protection class IP 65

An innovative system providing flat, indirect lighting.
 The light from the high-power floodlight is redirected by a square top reflector, producing particularly soft and uniform light distribution and optimum glare suppression.
 The floodlight and top reflector are exactly set to one another. The entire system can be infinitely adjusted in the bearings of the pole cap.
Symmetrical light distribution is produced when the top reflector is set in a horizontal position, and **asymmetrical** light distribution when the top reflector is swivelled 0° - 65°.

Pole-top luminaires for pole heights 4000 - 5000 mm.
 We recommend the following BEGA luminaire poles for these luminaires:
 8220 · 8230 Group 12 – Pole 731 · 734
 Group 32 – Pole 737 · 748
 Group 72 – Pole 884 · 887 · 886

A complete overview of all BEGA luminaire poles, anchorage units and connection boxes is given on pages 454 - 461.



Pole-top luminaires for symmetrical or asymmetrical light distribution for
 • discharge lamps
 HI/HST-DE 70 · 150 W
 Protection class IP 65
 Die cast aluminium, aluminium and stainless steel
 Reflector of pure anodized aluminium
 Safety glass
 Luminaires can be infinitely swivelled 0° - 65°

Luminaires for pole heights 4000 - 5000 mm
 Pole-top Ø 76 mm

Colour: silver – article number
 white – article number + W

	Lamp	Lumen
8220 Pole-top luminaire	1 HI/HST-DE 70 W	5000 · 7000
8230 Pole-top luminaire	1 HI/HST-DE 150 W	11000 · 15000



Box 70396 | 10724 STOC
 Klarabergsviadukten 70
 Tel +46 (0)8-103070 | Fa
 info@crealux.se | www.cri

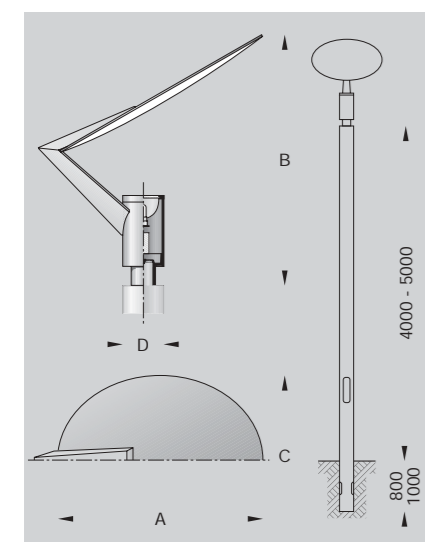
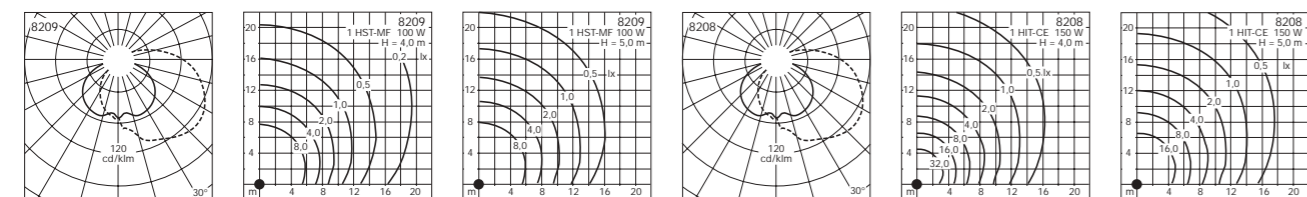
Pole-top luminaires for indirect lighting
 Discharge lamps 100 · 150 W
 Protection class IP 65

Pole-top luminaires for indirect lighting.
 The spherically arched, elliptical top reflector made of die cast aluminium determines the light distribution.
 The light from the fitted high-power floodlight is redirected by the top reflector set at 30°.
 The light is softly and uniformly diffused when the light is distributed asymmetrically.
 The luminaires are designed for streets, open spaces and squares where lighting situations require the highest standards of uniformity and no glare.

Pole-top luminaires for pole heights 4000 - 5000 mm.
 We recommend the following BEGA luminaire poles for these luminaires:

8208 · 8209 Group 32 – Pole 737 · 748
 Group 12 – Pole 731 · 734

A complete overview of all BEGA luminaire poles, anchorage units and connection boxes is given on pages 454 - 461.



Pole-top luminaires with asymmetrical light distribution for
 • discharge lamps HST-MF 100 W
 • discharge lamps HIT-CE 150 W
 Protection class IP 65
 Die cast aluminium, aluminium and stainless steel
 Reflector of pure anodized aluminium
 Safety glass

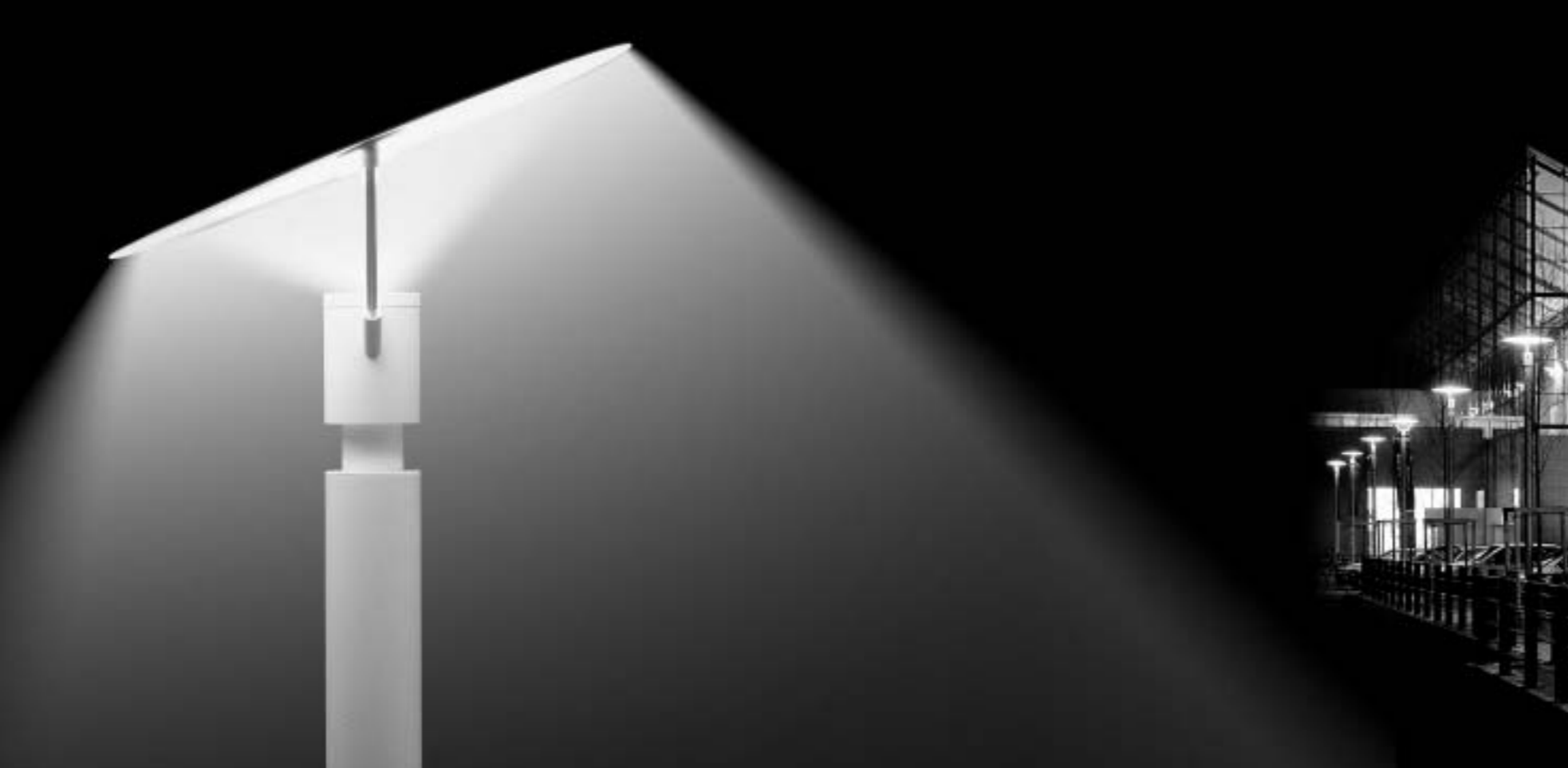
Luminaires for pole heights 4000 - 5000 mm
 Pole-top Ø 76 mm

Colour: silver – article number
 white – article number + **W**

	Lamp	Lumen	A	B	C	D
8209	Pole-top luminaire 1 HST-MF 100 W	10000	1200	1280	1000	170
8208	Pole-top luminaire 1 HIT-CE 150 W	14000	1200	1180	1000	170



Box 70396 | 10724 STOC
 larabergsviadukten 70
 el +46 (0)8-103070 | Fa
 nfo@crealux.se | www.cri



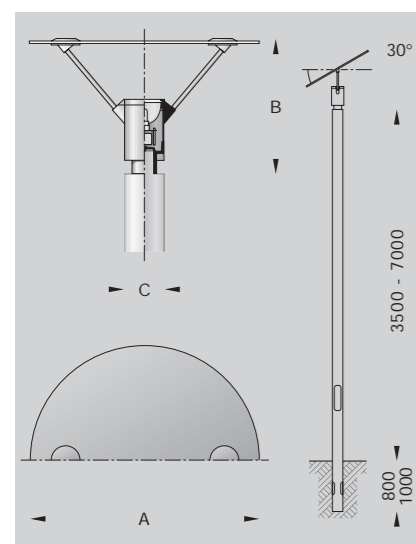
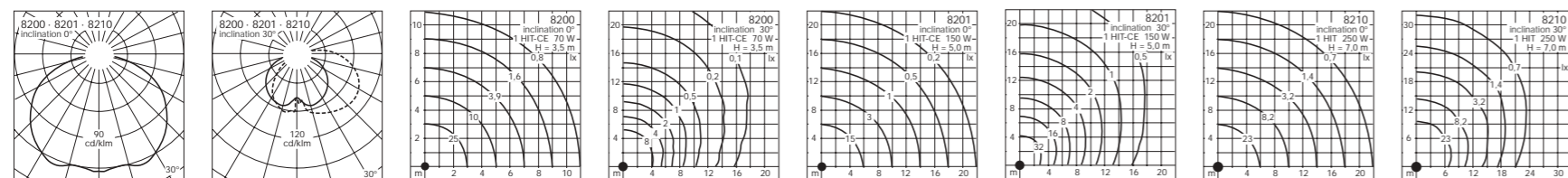
Pole-top luminaires for **indirect** lighting
 Discharge lamps 70 · 150 · 250 W
 Protection class IP 65

Luminaires for indirect lighting.
 Light distribution is **rotationally symmetrical** when the top reflector is adjusted in a horizontal position, and asymmetrical when the top reflector is swivelled 0° - 30°.
 The light from the fitted high-power floodlight is directed by the top reflector, creating particularly soft and uniform light distribution with optimum glare suppression.
 The luminaires are also available equipped for sodium vapour discharge lamps.

Pole-top luminaires in three sizes for **pole heights 3500 - 7000 mm**.
 We recommend the following BEGA luminaire poles for these luminaires:

- 8200 Group 32 – Pole 739 · 738
 Group 12 – Pole 729 · 728
- 8201 Group 32 – Pole 737 · 748
 Group 12 – Pole 731 · 734
- 8210 Group 32 – Pole 749 · 750

A complete overview of all BEGA luminaire poles, anchorage units and connection boxes is given on pages 454 - 461.



Pole-top luminaires with symmetrical or asymmetrical light distribution for

- discharge lamps HIT-CE 70 · 150 W
- discharge lamps HIT 250 W

Protection class IP 65
 Die cast aluminium, aluminium and stainless steel
 Reflector of pure anodized aluminium
 Safety glass
 Top reflector can be swivelled 0° - 30°

The luminaires are designed for the following pole heights:

- 8200 for heights 3500 - 4000 mm
- 8201 for heights 4000 - 5000 mm
- 8210 for heights 6000 - 7000 mm

Pole-top Ø 76 mm
 Pole-top Ø 89 mm

Colour: silver – article number
 white – article number + W

	Lamp	Lumen	A	B	C
8200	Pole-top luminaire 1 HIT-CE 70 W	6600	800	515	140
8201	Pole-top luminaire 1 HIT-CE 150 W	14000	1000	575	170
8210	Pole-top luminaire 1 HIT 250 W	20000	1250	750	220



Box 702 6 | 10724 STOC
 Klarabergsviadukten 70
 Tel +46 (0)8-103070 | Fa
 info@crealux.se | www.cre



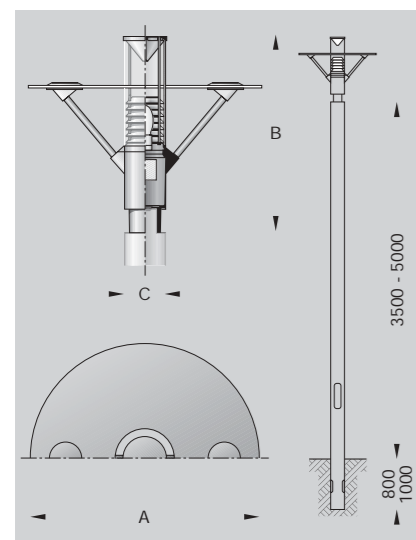
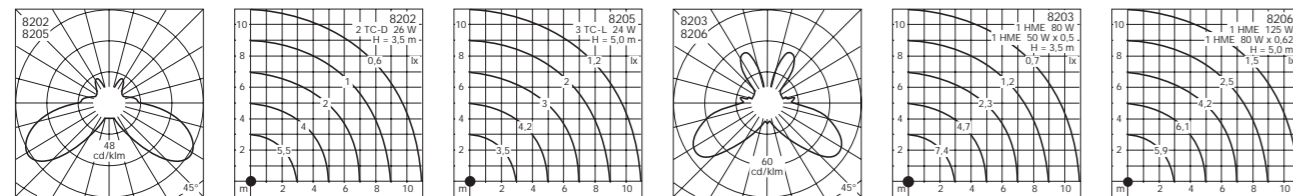
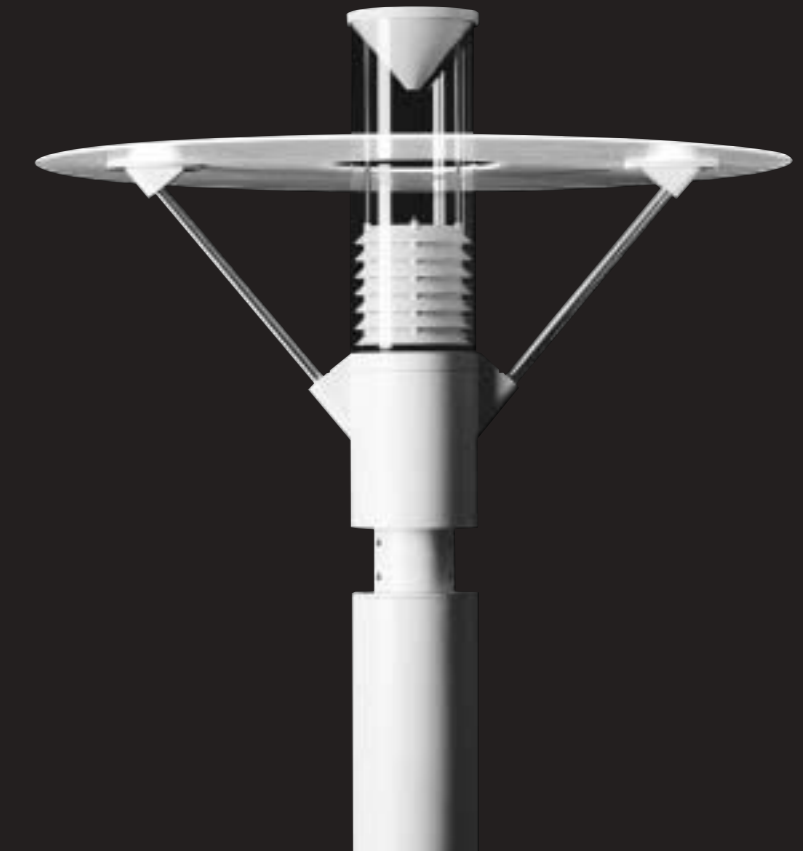
Pole-top luminaires for fluorescent lamps and discharge lamps Protection class IP 65

These luminaires with **rotationally symmetrical** light distribution are equipped with an inside louvred reflector providing directed and glarefree light. Part of the light emerges from the top and illuminates the area above the top reflector. The shape of the luminaire remains visible even in the dark. Pole-top luminaires in two sizes for **pole heights 3500 - 5000 mm**.

We recommend the following BEGA luminaire poles for these luminaires:

8202 · 8203	Group 32 – Pole	739 · 738
	Group 12 – Pole	729 · 728
8205 · 8206	Group 32 – Pole	737 · 748
	Group 12 – Pole	731 · 734

A complete overview of all BEGA luminaire poles, anchorage units and connection boxes is given on pages 454 - 461.



Pole-top luminaires for
 • fluorescent lamps TC-D 26 W
 • fluorescent lamps TC-L 24 W
 • discharge lamps
 HME 50 · 80 · 125 W
 Protection class IP 65
 Die cast aluminium, aluminium and
 stainless steel · Clear plastic diffuser
 White louvred reflector

The luminaires are designed for the
 following pole heights:
 • 8202 · 8203 for heights 3500 - 4000 mm
 • 8205 · 8206 for heights 4000 - 5000 mm
 Pole-top Ø 76 mm

Colour: silver – article number
 white – article number + **W**

	Lamp	Lumen	A	B	C
8202	Pole-top luminaire 2 TC-D 26 W	3600	800	670	140
8203	Pole-top luminaire 1 HME 50 · 80 W	2000 · 4000	800	670	140
8205	Pole-top luminaire 3 TC-L 24 W	5400	1000	770	170
8206	Pole-top luminaire 1 HME 80 · 125 W	4000 · 6500	1000	770	170



The luminaires on this double page are
 equipped with a clear plastic cylinder
 and an inside reflector.
 We also supply the luminaires with a
 white plastic cylinder to provide soft
 and uniform light distribution.



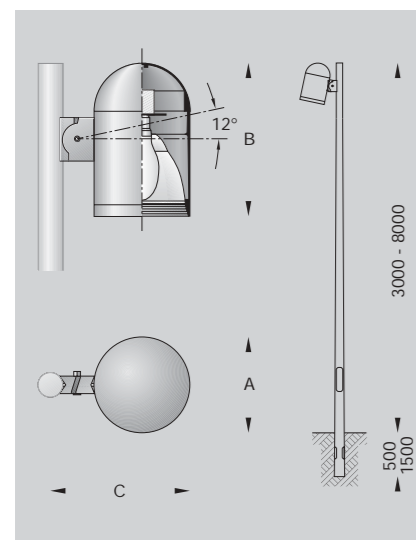
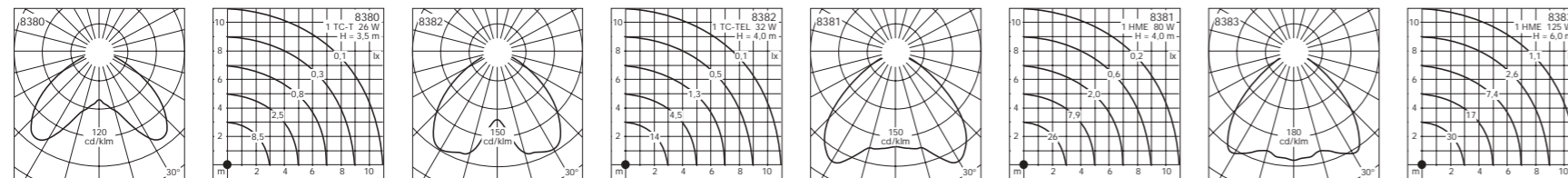
Side-mounted pole-top luminaires for fluorescent lamps and discharge lamps Protection class IP 65

The side-mounted pole-top luminaires in this series can be mounted on poles in single, double or triple configuration on one level. They are supplied as units ready for fixing on poles. When ordering the poles, please state the luminaire configuration you require. They will then be delivered fitted for this configuration. The luminaires for fluorescent lamps are designed to illuminate gardens, paths and surfaces in private and public areas. The luminaires for discharge lamps are suitable for lighting pedestrian areas, car parks and driveways. Glare suppression KB 1 is in accordance with DIN 5044. The slope angle of the luminaire can be infinitely adjusted up to 12°.

Side-mounted pole-top luminaires in three sizes for pole heights 3000 - 8000 mm. We recommend the following BEGA luminaire poles for these luminaires:

8380	Group 34 – Pole 918 · 913 Group 72 – Pole 888 · 885
8382 · 8381	Group 34 – Pole 913 · 914 Group 72 – Pole 885 · 884
8383	Group 34 – Pole 914 · 725 · 915 · 916 Group 72 – Pole 884 · 887 · 886 · 834
8384	Group 34 – Pole 916 · 917 · 726 Group 72 – Pole 834 · 835 · 836

A complete overview of all BEGA luminaire poles, anchorage units and connection boxes is given on pages 454 - 461.



Side-mounted pole-top luminaires for

- fluorescent lamps TC-T 26 W
- fluorescent lamps for electronic ballasts TC-TEL 32 W
- discharge lamps HME 50 · 80 · 125 · 250 W

Protection class IP 65
Die cast aluminium, aluminium and stainless steel · Safety glass
Reflector of pure anodized aluminium
Adjustable slope angle 0° - 12°

The luminaires are designed for the following pole heights:

- 8380 heights 3000 - 3500 mm
- 8382 · 8381 heights 3500 - 4000 mm
- 8383 heights 4000 - 6000 mm
- 8384 heights 6000 - 8000 mm

Colour: graphite – article number
silver – article number + A

	Lamp		Lumen	A	B	C
8380	Side-mounted luminaire	1 TC-T 26 W	1800	190	320	290
8382	Side-mounted luminaire	1 TC-TEL 32 W	2400	220	350	320
8381	Side-mounted luminaire	1 HME 50 · 80 W	2000 · 4000	190	320	290
8383	Side-mounted luminaire	1 HME 125 W	6500	220	350	320
8384	Side-mounted luminaire	1 HME 250 W	14000	300	470	430



On pages 182 - 183 of this catalogue, you will find a description of wall luminaires and pendant luminaires whose shape, construction and light output match the luminaires given on this double page.



The side-mounted pole-top luminaires on this double page are single luminaires for lateral screw connection to poles. One, two or three luminaires can be mounted on one level. The corresponding poles are prepared in the factory for easy installation.



Box 70390 10724 STOC
Klarabergs väg 70
Tel +46 (0)8-103070 | Fa
info@creal.se | www.cre

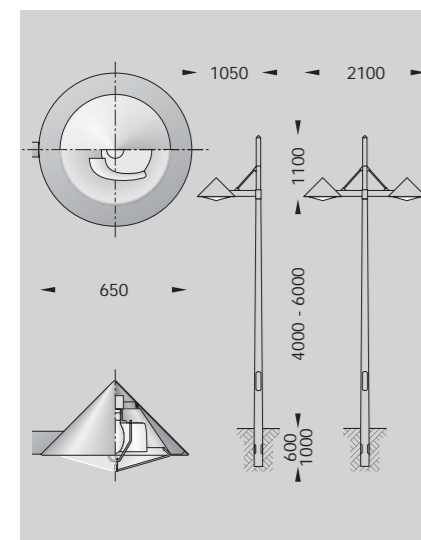
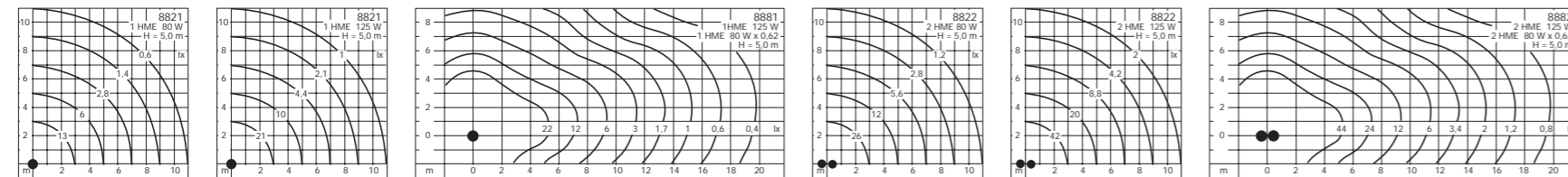
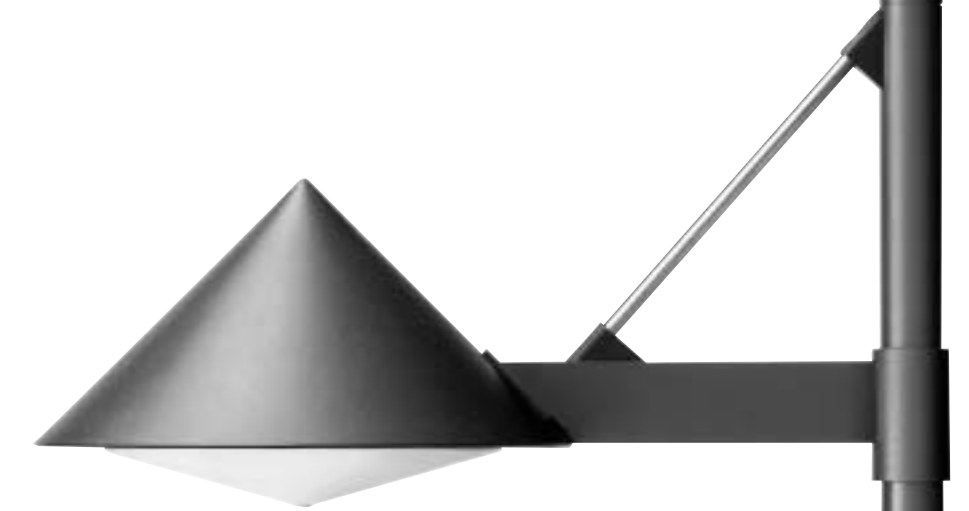


Pole-top luminaires for discharge lamps

Luminaires with **symmetrical** or **asymmetrical** light distribution. Symmetrical light distribution provides soft, uniform light. Asymmetrical light distribution provides flat beam, directed light. The optical system of the luminaires can be adjusted after installation, allowing the light distribution to be adapted to location conditions. They are suitable for lighting squares, driveways and urban streets. The luminaires on this double page are also available equipped for fluorescent lamps and sodium vapour discharge lamps. Pole-top luminaires ready for installation in single or double configuration. This type of luminaire is also available in triple and quadruple configuration.

Pole-top luminaires **for pole heights 4000 - 6000 mm**. We recommend the following BEGA poles for these luminaires:
 8821 · 8881 · 8822 · 8882 Group 34 – Pole 914 · 725 · 915 · 916
 Group 72 – Pole 884 · 887 · 886 · 834
 Group 14 – Pole 791 · 792 · 794

A complete overview of all BEGA luminaire poles, anchorage units and connection boxes is given on pages 454 - 461.



Single and double pole-top luminaires for
 • discharge lamps HME 80 · 125 W
 IP 44 · Die cast aluminium, aluminium
 and stainless steel
 Reflector of pure anodized aluminium.
 8821 · 8822 white plastic diffuser
 8881 · 8882 clear plastic diffuser
 with optical texture

Luminaires for pole heights 4000 - 6000 mm
 Pole-top Ø 76 mm

Colour: graphite – article number
 silver – article number + **A**

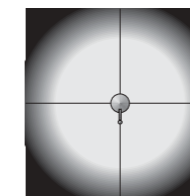
	single	Lamp	Lumen
8821	Pole-top luminaire symmetrical	1 HME 80 · 125 W	4000 · 6500
8881	Pole-top luminaire asymmetrical	1 HME 80 · 125 W	4000 · 6500
double			
8822	Pole-top luminaire symmetrical	2 HME 80 · 125 W	8000 · 13000
8882	Pole-top luminaire asymmetrical	2 HME 80 · 125 W	8000 · 13000



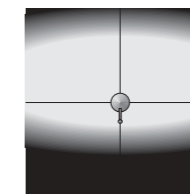
On pages 174 - 175 of this catalogue, you will find a description of wall luminaires whose shape, construction and light output match the luminaires given on this double page.



Symmetrical light distribution. The white plastic diffuser produces broad spread and uniform light. The top reflector directs the light downwards.



Asymmetrical light distribution. Luminaires with spherical reflectors and clear plastic diffuser. The optical system of these luminaires can be infinitely rotated 360° around the vertical axis. This allows precise adjustment of the light distribution to the illuminated surface.



Box 70396 | 10724 STOC
 Klarabergsviadukten 70
 Tel +46 (0)8-103070 | Fa
 info@crealux.se | www.cri



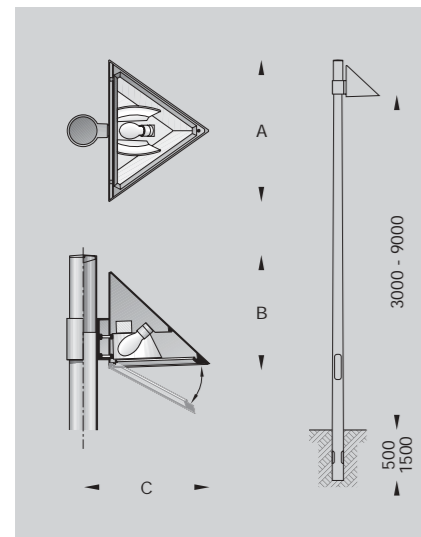
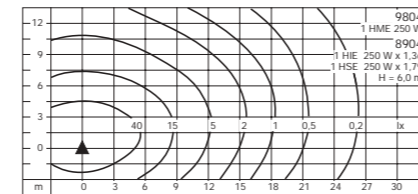
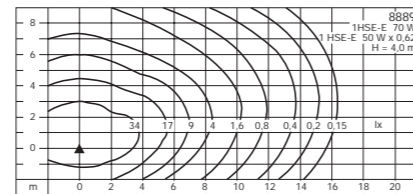
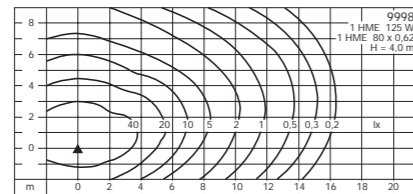
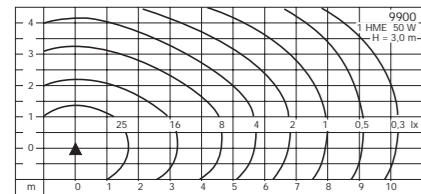
Pole-top luminaires for discharge lamps

Luminaires with **asymmetrical** light distribution.
 The light is directed by the spherical reflectors and safety glass with optical texture.
 The luminaires are designed for lighting streets, forecourts, driveways and pedestrian areas.
 Pole-top luminaires ready for installation in single configuration.
 Luminaires in double configuration are given on pages 430 - 431.

Pole-top luminaires in three sizes **for pole heights 3000 - 9000 mm**.
 We recommend the following BEGA luminaire poles for these luminaires:

- 9900 Group 31 – Pole 958 · 959
- 9998 · 8889 Group 31 – Pole 965 · 974 · 989
- 9804 · 8904 Group 34 – Pole 916 · 917 · 726
- Group 72 – Pole 834 · 835 · 836 · 837

A complete overview of all BEGA luminaire poles, anchorage units and connection boxes is given on pages 454 - 461.



Single pole-top luminaires for discharge lamps

- HME 50 · 80 · 125 · 250 W
 - HSE-E 50 · 70 W
 - HIE 250 W
 - HSE 250 W
- Protection class IP 44

Die cast aluminium, aluminium and stainless steel
 Reflector of pure anodized aluminium
 Safety glass with optical texture

The luminaires are designed for the following pole heights:

- 9900 heights 3000 - 3500 mm Pole-top Ø 100 mm
- 9998 · 8889 heights 3500 - 4500 mm Pole-top Ø 120 mm
- 9804 · 8904 heights 6000 - 9000 mm Pole-top Ø 76 mm

Colour: graphite – article number
 white – article number + **W**
 silver – article number + **A**

	Lamp	Lumen	A	B	C
9900	Pole-top luminaire 1 HME 50 W	2000	500	410	450
9998	Pole-top luminaire 1 HME 80 · 125 W	4000 · 6500	620	490	550
8889	Pole-top luminaire 1 HSE-E 50 · 70 W	3500 · 5600	620	490	550
9804	Pole-top luminaire 1 HME 250 W	14000	740	630	650
8904	Pole-top luminaire 1 HIE · HSE 250 W	19000 · 25000	740	630	650



On pages 156 - 157 of this catalogue, you will find a description of wall luminaires whose shape, construction and light output match the luminaires given on this double page.



Luminaires with direct light which is only directed downwards.
 Equipped with spherical reflectors made of pure anodized aluminium and safety glass with light-diffusing optical texture.
 The light distribution is flat beam and asymmetrical.





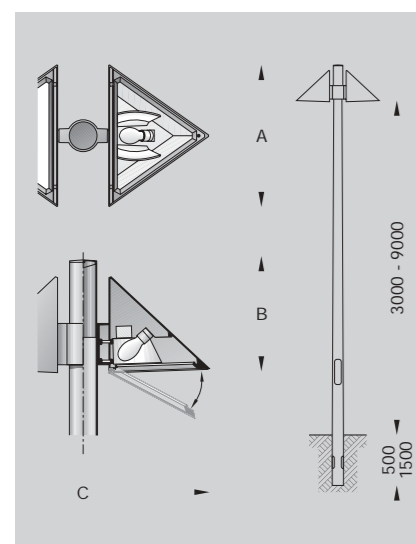
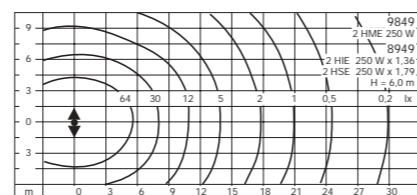
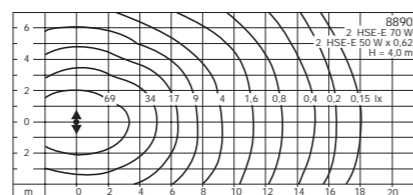
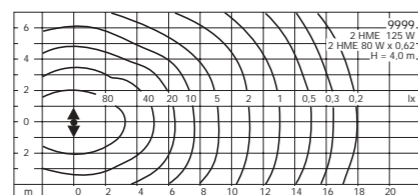
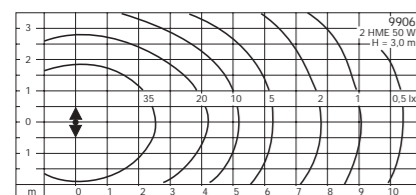
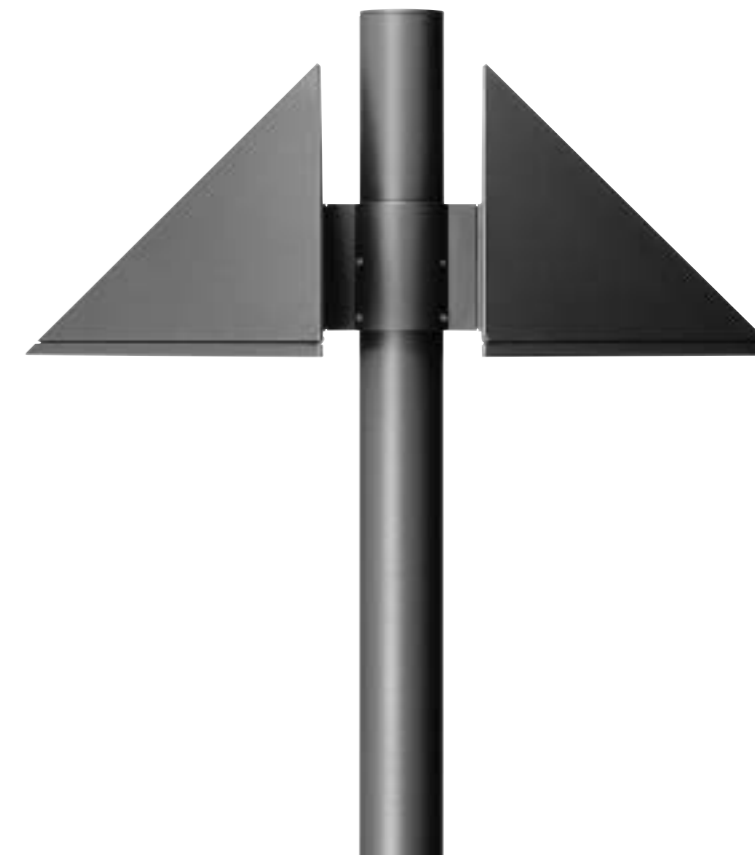
Pole-top luminaires for discharge lamps

Luminaires with **asymmetrical** light distribution. The light is directed by the spherical reflectors and safety glass with optical texture. They are designed for lighting streets, forecourts, driveways and pedestrian areas. Pole-top luminaires ready for installation in double configuration. Luminaires in single configuration are given on pages 428 - 429.

Pole-top luminaires in three sizes **for pole heights 3000 - 9000 mm**. We recommend the following BEGA luminaire poles for these luminaires:

9906	Group 31 – Pole	958 · 959
9999 · 8890	Group 31 – Pole	965 · 974 · 989
9849 · 8949	Group 34 – Pole	916 · 917 · 726
	Group 72 – Pole	834 · 835 · 836 · 837

A complete overview of all BEGA luminaire poles, anchorage units and connection boxes is given on pages 454 - 461.



Double pole-top luminaires for discharge lamps

- HME 50 · 80 · 125 · 250 W
 - HSE-E 50 · 70 W
 - HIE 250 W
 - HSE 250 W
- Protection class IP 44

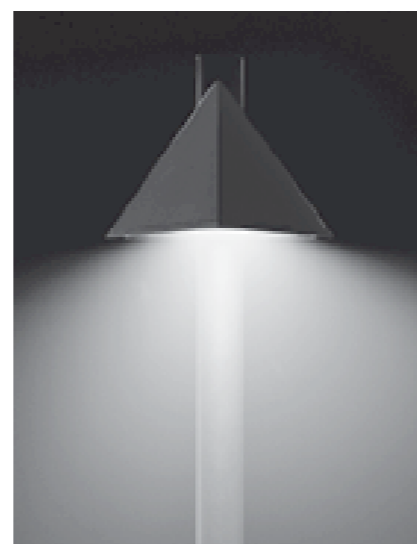
Die cast aluminium, aluminium and stainless steel
Reflector of pure anodized aluminium
Safety glass with optical texture

The luminaires are designed for the following pole heights:

- 9906 heights 3000 - 3500 mm Pole-top Ø 100 mm
- 9999 · 8890 heights 3500 - 4500 mm Pole-top Ø 120 mm
- 9849 · 8949 heights 6000 - 9000 mm Pole-top Ø 76 mm

Colour: graphite – article number
white – article number + **W**
silver – article number + **A**

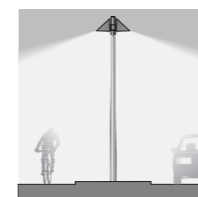
	Lamp	Lumen	A	B	C
9906	Pole-top luminaire 2 HME 50 W	4000	500	410	900
9999	Pole-top luminaire 2 HME 80 · 125 W	8000 · 13000	620	490	1100
8890	Pole-top luminaire 2 HSE-E 50 · 70 W	7000 · 11200	620	490	1100
9849	Pole-top luminaire 2 HME 250 W	28000	740	630	1300
8949	Pole-top luminaire 2 HIE · HSE 250 W	38000 · 50000	740	630	1300



On pages 156 - 157 of this catalogue, you will find a description of wall luminaires whose shape, construction and light output match the luminaires given on this double page.



Luminaires with direct light which is only directed downwards. Equipped with spherical reflectors made of pure anodized aluminium and safety glass with light-diffusing optical texture. The light distribution is flat beam and asymmetrical.





Pole-top luminaires for fluorescent lamps and discharge lamps

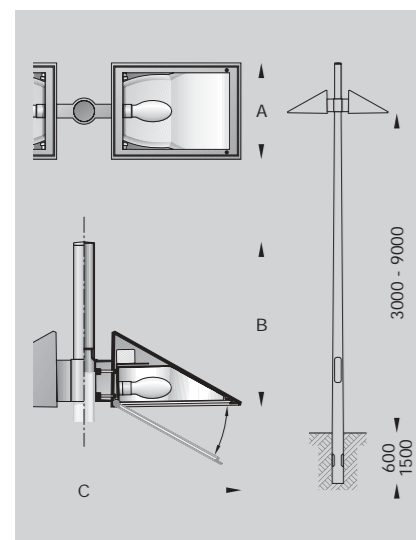
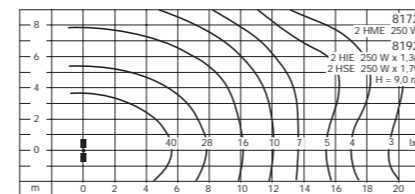
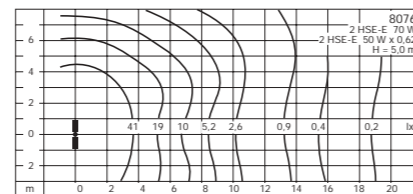
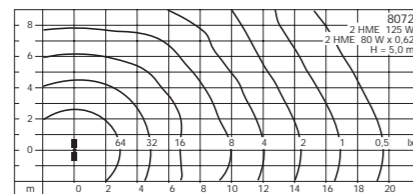
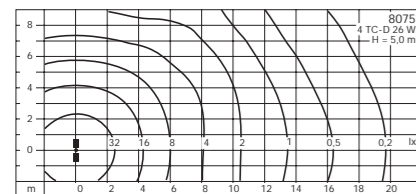
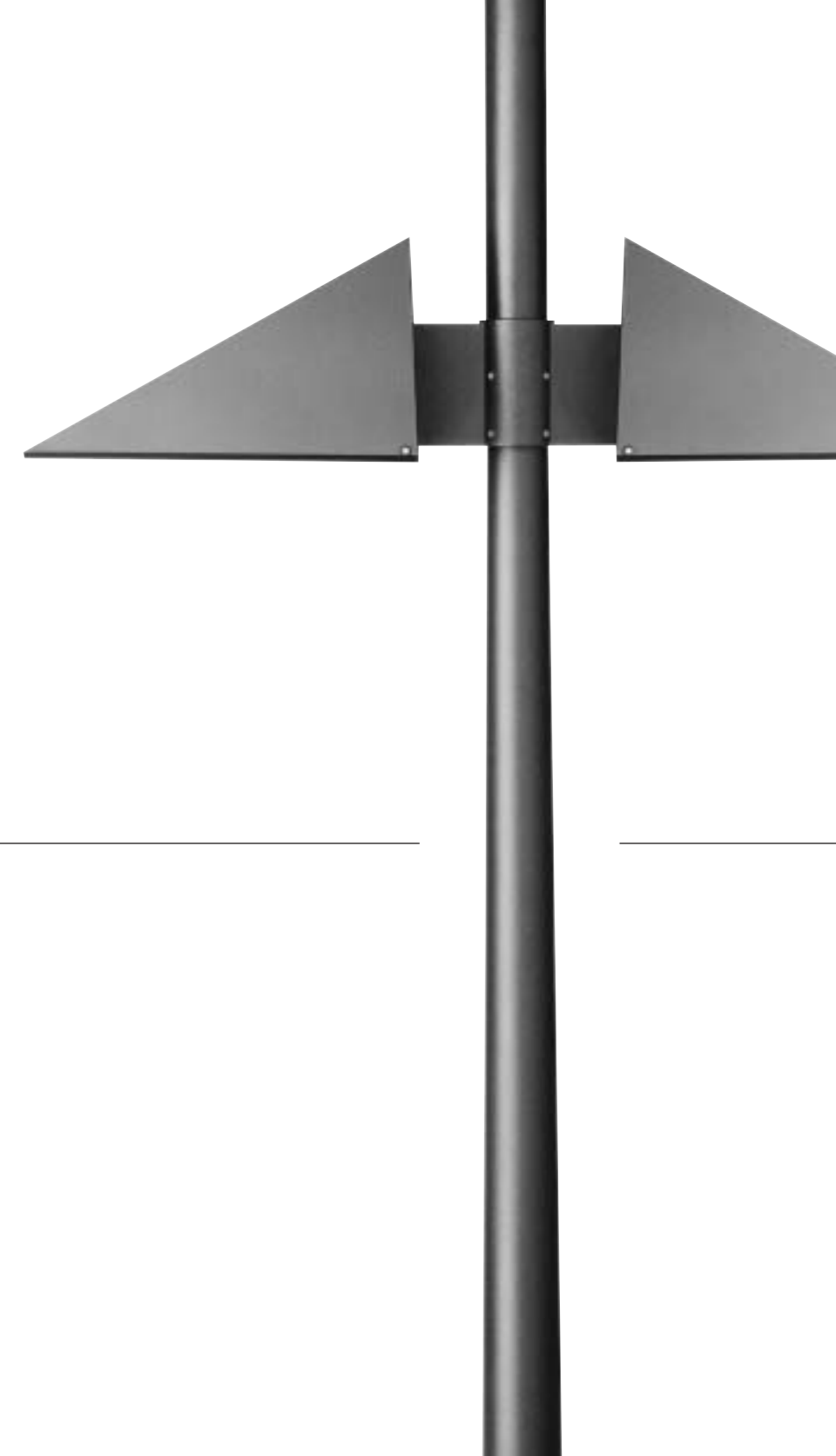
Luminaires with spherical reflectors and **asymmetrical** light distribution. They are designed for lighting streets, squares, driveways and pedestrian areas. Pole-top luminaires ready for installation in double configuration. Luminaires in single configuration are given on pages 432 - 433.

Pole-top luminaires in two sizes **for pole heights 3000 - 9000 mm**. We recommend the following BEGA luminaire poles for these luminaires:

8075 · 8072 · 8076 Group 34 – Pole 918 · 913 · 914 · 725 · 915 · 916
 Group 14 – Pole 788 · 789 · 791 · 792 · 794

8172 · 8192 Group 72 – Pole 835 · 836 · 837

A complete overview of all BEGA luminaire poles, anchorage units and connection boxes is given on pages 454 - 461.



Double pole-top luminaires for

- fluorescent lamps TC-D 26 W
- discharge lamps HME 80 · 125 · 250 W
- discharge lamps HSE-E 50 · 70 W
- discharge lamps HIE · HSE 250 W

Protection class IP 44
 Die cast aluminium, aluminium and stainless steel
 Reflector of pure anodized aluminium
 Clear safety glass

The luminaires are designed for the following pole heights:

- 8075 · 8072 · 8076 for heights 3000 - 6000 mm
- 8172 · 8192 for heights 7000 - 9000 mm

Pole top Ø 76 mm

Colour: graphite – article number
 silver – article number + A

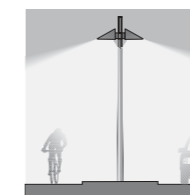
	Lamp	Lumen	A	B	C
8075	Pole-top luminaire 4 TC-D 26 W	7200	350	600	1200
8072	Pole-top luminaire 2 HME 80 · 125 W	8000 · 13000	350	600	1200
8076	Pole-top luminaire 2 HSE-E 50 · 70 W	7000 · 11200	350	600	1200
8172	Pole-top luminaire 2 HME 250 W	28000	450	750	1460
8192	Pole-top luminaire 2 HIE · HSE 250 W	38000 · 50000	450	750	1460



On pages 196 - 197 of this catalogue, you will find a description of wall luminaires whose shape, construction and light output match the luminaires given on this double page.



Luminaires with direct light which is only directed downwards. Equipped with spherical reflectors made of pure anodized aluminium and clear safety glass. The light distribution is flat beam and asymmetrical.





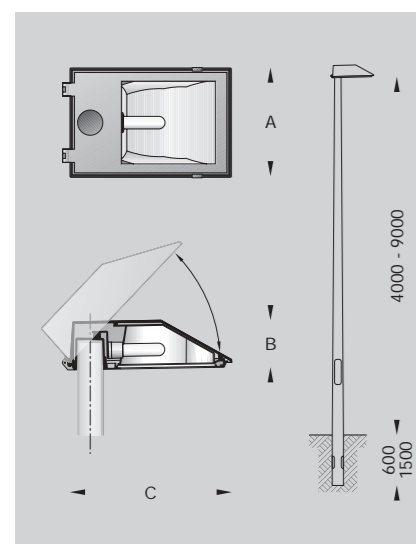
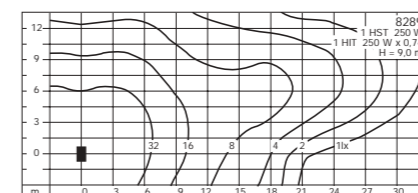
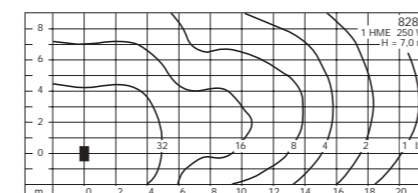
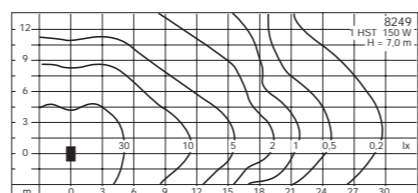
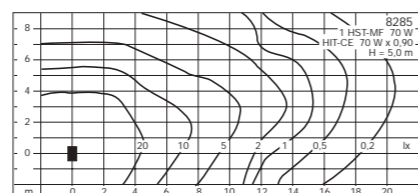
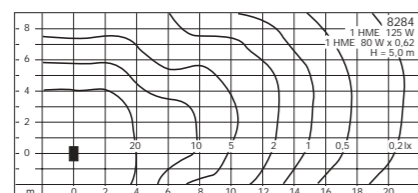
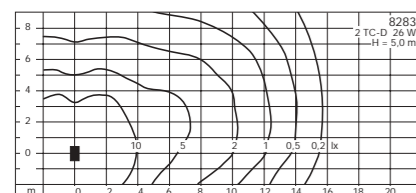
Pole-top luminaires
for fluorescent lamps and discharge lamps
Protection class IP 65

Luminaires with spherical reflectors and **asymmetrical** light distribution. They are designed for lighting streets, squares, driveways and pedestrian areas. The luminaires can be opened without tools for maintenance and relamping.

Pole-top luminaires in two sizes **for pole heights 4000 - 9000 mm**. We recommend the following BEGA luminaire poles for these luminaires:

- 8283 · 8284 · 8285 · 8249 Group 34 – Pole 914 · 725 · 915 · 916
- Group 72 – Pole 884 · 887 · 886 · 834
- Group 14 – Pole 791 · 792 · 794
- 8287 · 8289 Group 34 – Pole 917 · 726
- Group 72 – Pole 835 · 836 · 837

A complete overview of all BEGA luminaire poles, anchorage units and connection boxes is given on pages 454 - 461.



Pole-top luminaires for

- fluorescent lamps TC-D 26 W
- discharge lamps HME 80 · 125 · 250 W
- discharge lamps HIT-CE · HST-MF 70 W
- discharge lamps HIT-CE · HST 150 W
- discharge lamps HIT · HST 250 W

Protection class IP 65 · Die cast aluminium, aluminium and stainless steel
Reflector of pure anodized aluminium
Safety glass · Closes without tools

The luminaires are designed for the following pole heights:

- 8283 · 8284 · 8285 · 8249 for heights 4000 - 6000 mm
- 8287 · 8289 for heights 7000 - 9000 mm

Pole top Ø 76 mm

Colour: graphite – article number
silver – article number + A

	Lamp	Lumen	A	B	C
8283	Pole-top luminaire 2 TC-D 26 W	3600	330	140	480
8284	Pole-top luminaire 1 HME 80 · 125 W	4000 · 6500	330	140	480
8285	Pole-top luminaire 1 HIT-CE · HST-MF 70 W	6300 · 6500	330	140	480
8249	Pole-top luminaire 1 HIT-CE · HST 150 W	13500 · 14500	330	140	480
8287	Pole-top luminaire 1 HME 250 W	14000	410	165	620
8289	Pole-top luminaire 1 HIT · HST 250 W	20000 · 27000	410	165	620



On pages 196 - 197 of this catalogue, you will find a description of wall luminaires whose shape, construction and light output match the luminaires given on this double page.



Luminaires with direct light which is only directed downwards. Equipped with spherical reflectors made of pure anodized aluminium and clear safety glass. The light distribution is flat beam and asymmetrical.



Box 70396 | 10724 STOCKHOLM
Klarabergsviadukten 70
Tel +46 (0)8-103070 | Fax +46 (0)8-103071
info@crealux.se | www.crealux.se



On pages 196 - 197 of this catalogue, you will find a description of wall luminaires whose shape, construction and light output match the luminaires given on this double page.

Pole-top luminaires for fluorescent lamps and discharge lamps Protection class IP 65

Luminaires with spherical reflectors and **asymmetrical** light distribution. They are designed for lighting streets, squares, car parks and driveways. The luminaires can be opened without tools for maintenance and relamping. Pole-top luminaires ready for installation in single and double configuration.

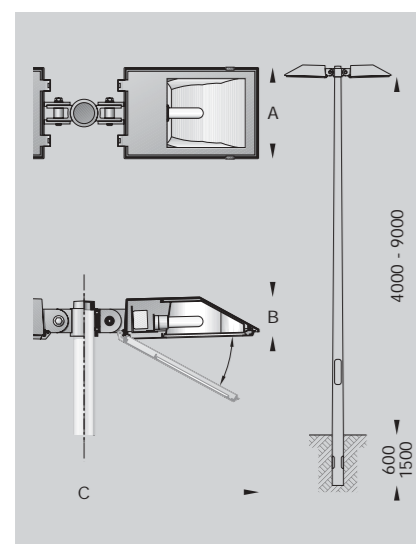
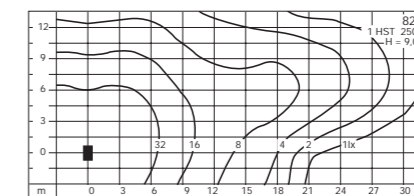
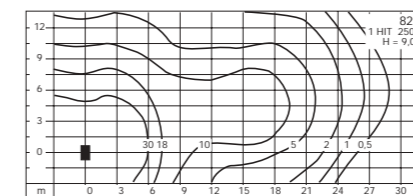
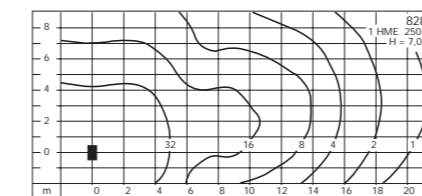
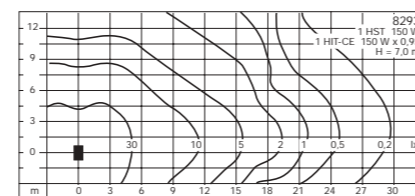
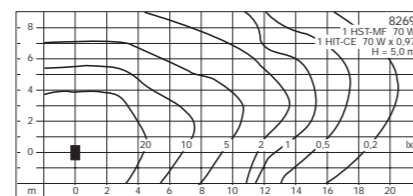
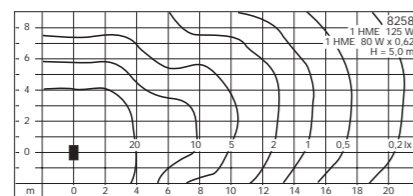
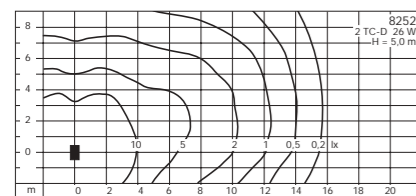
Pole-top luminaires in two sizes **for pole heights 4000 - 9000 mm**. We recommend the following BEGA luminaire poles for these luminaires:

8297 · 8298 · 8299 · 8294 Group 34 – Pole 914 · 725 · 915 · 916
Group 72 – Pole 884 · 887 · 886 · 834

8252 · 8258 · 8269 · 8293 Group 34 – Pole 914 · 725 · 915 · 916
Group 72 – Pole 884 · 887 · 886 · 834

8282 · 8296 · 8281 · 8295 Group 34 – Pole 917 · 726
Group 72 – Pole 835 · 836 · 837

A complete overview of all BEGA luminaire poles, anchorage units and connection boxes is given on pages 454 - 461.



Double pole-top luminaires for

- fluorescent lamps TC-D 26 W
- discharge lamps HME 80 · 125 · 250 W
- discharge lamps HIT-CE · HST-MF 70 W
- discharge lamps HIT-CE · HST 150 W
- discharge lamps HIT · HST 250 W

IP 65 · Die cast aluminium, aluminium and stainless steel
Reflector of pure anodized aluminium
Safety glass · Closes without tools
Adjustable slope angle 0° or 15°

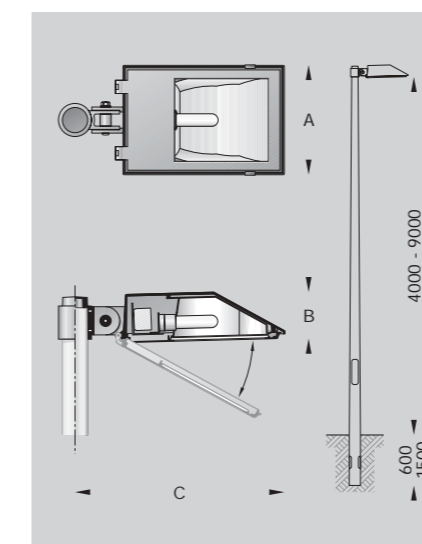
The luminaires are designed for the following pole heights:

- 8297 · 8298 · 8299 · 8294 for heights 4000 - 6000 mm
- 8282 · 8296 for heights 7000 - 9000 mm

Pole top Ø 76 mm

Colour: graphite – article number
silver – article number + **A**

Lamp			Lumen	A	B	C	
8297	Pole-top luminaire	4 TC-D	26 W	7200	330	140	1260
8298	Pole-top luminaire	2 HME	80 · 125 W	8000 · 13000	330	140	1260
8299	Pole-top luminaire	2 HIT-CE · HST-MF	70 W	12600 · 13000	330	140	1260
8294	Pole-top luminaire	2 HIT-CE · HST	150 W	27000 · 29000	330	140	1260
8282	Pole-top luminaire	2 HME	250 W	28000	410	165	1510
8296	Pole-top luminaire	2 HIT · HST	250 W	40000 · 54000	410	165	1510



Single pole-top luminaires for

- fluorescent lamps TC-D 26 W
- discharge lamps HME 80 · 125 · 250 W
- discharge lamps HIT-CE · HST-MF 70 W
- discharge lamps HIT-CE · HST 150 W
- discharge lamps HIT · HST 250 W

IP 65 · Die cast aluminium, aluminium and stainless steel
Reflector of pure anodized aluminium
Safety glass · Closes without tools
Adjustable slope angle 0° or 15°

The luminaires are designed for the following pole heights:

- 8252 · 8258 · 8269 · 8293 for heights 4000 - 6000 mm
- 8281 · 8295 for heights 7000 - 9000 mm

Pole top Ø 76 mm

Colour: graphite – article number
silver – article number + **A**

Lamp			Lumen	A	B	C	
8252	Pole-top luminaire	2 TC-D	26 W	3600	330	140	630
8258	Pole-top luminaire	1 HME	80 · 125 W	4000 · 6500	330	140	630
8269	Pole-top luminaire	1 HIT-CE · HST-MF	70 W	6300 · 6500	330	140	630
8293	Pole-top luminaire	1 HIT-CE · HST	150 W	13500 · 14500	330	140	630
8281	Pole-top luminaire	1 HME	250 W	14000	410	165	760
8295	Pole-top luminaire	1 HIT · HST	250 W	20000 · 27000	410	165	760



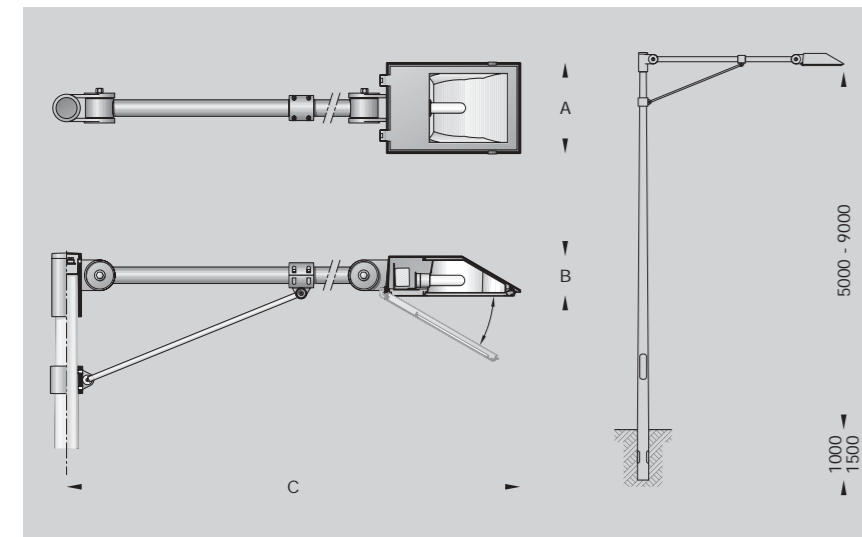
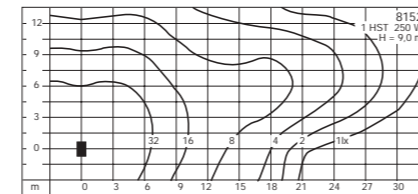
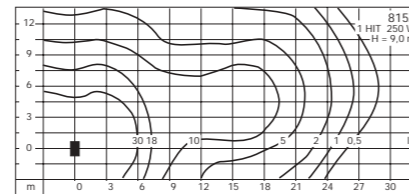
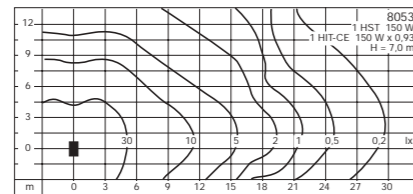
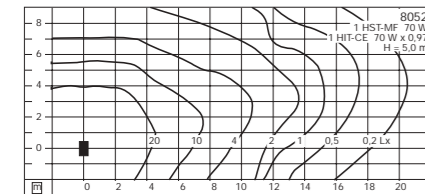
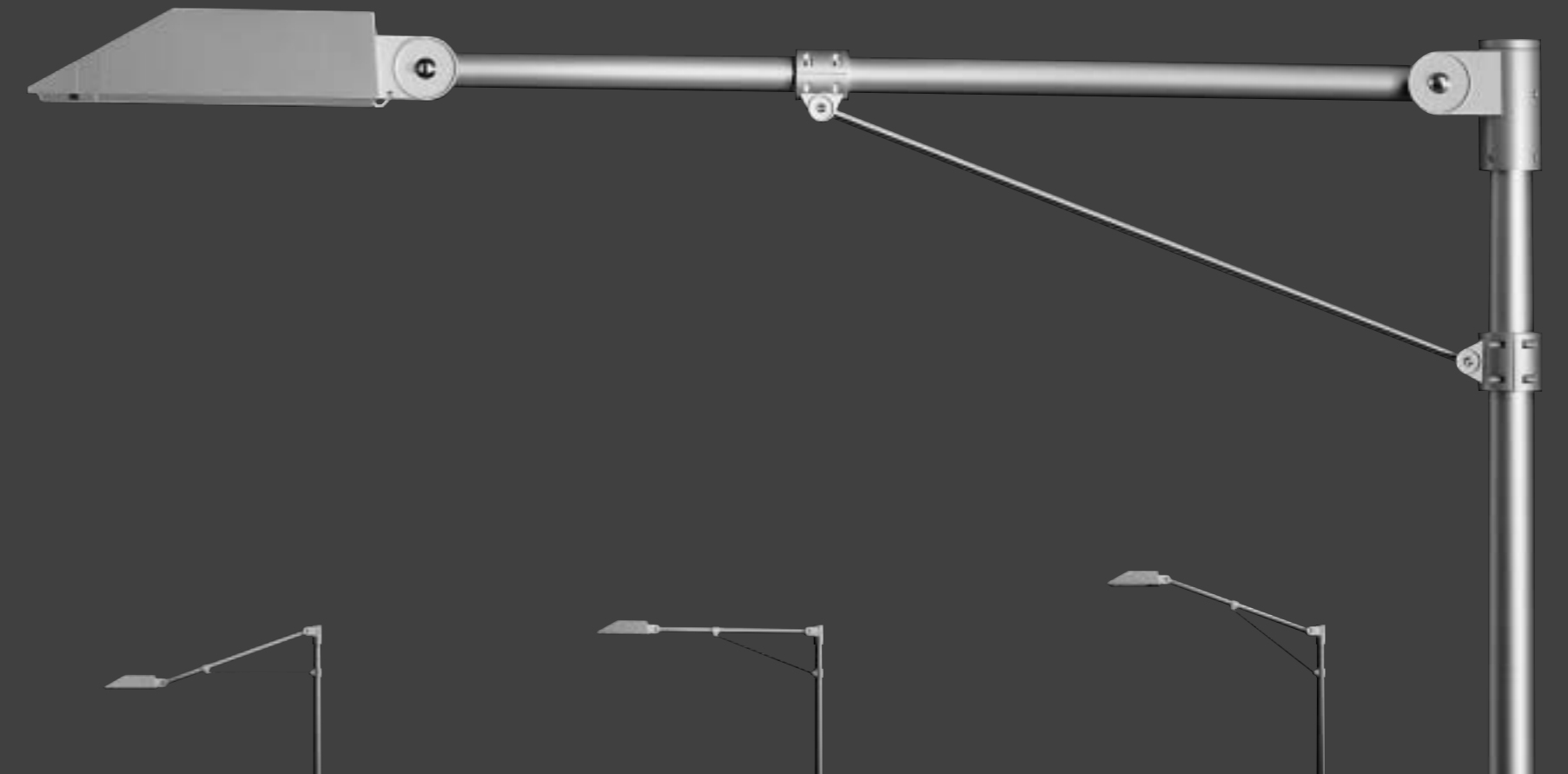
Box 70396 | 10724 STOCKHOLM
Klarabergsviadukten 70
Tel +46 (0)8-103070 | Fax
info@crealux.se | www.crealux.se

Outrigger luminaires for discharge lamps Protection class IP 65

New outrigger system with infinitely adjustable mounting heights.
The mounting point can be adjusted from the horizontal position by ± 1500 mm.
The light distribution can be directed precisely onto the illuminated surface.
Luminaires with spherical reflectors and asymmetrical, flat beam light distribution. They are designed for lighting streets, squares and driveways.
The luminaires can be opened without tools for maintenance and relamping.
Pole-top luminaires ready for installation in single configuration.
Luminaires in double configuration are given on pages 442 - 443.
We also supply these luminaires with the light distribution of the pole-top luminaires on page 448.

Outrigger luminaires in two sizes for pole heights 5000 - 9000 mm.
We recommend the following BEGA luminaire poles for these luminaires:
8052 · 8053 Group 72 – Pole 886 · 834 · 835
8152 Group 72 – Pole 835 · 836 · 837

A complete overview of all BEGA luminaire poles, anchorage units and connection boxes is given on pages 454 - 461.

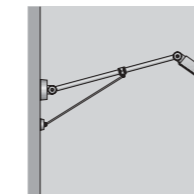


Single outrigger luminaires for discharge lamps
• HIT-CE · HST-MF 70 W
• HIT-CE · HST 150 W
• HIT · HST 250 W
IP 65 · Die cast aluminium, aluminium and stainless steel
Reflector of pure anodized aluminium
Safety glass · Closes without tools
Adjustable slope angle

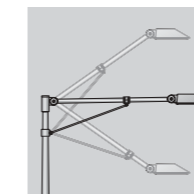
The luminaires are designed for the following pole heights:
• 8052 · 8053 heights 5000 - 7000 mm
• 8152 heights 7000 - 9000 mm
Pole top \varnothing 76 mm

Colour: graphite – article number
silver – article number + A

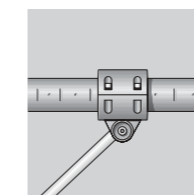
	Lamp	Lumen	A	B	C
8052	Luminaire 1 HIT-CE · HST-MF 70 W	6300 · 6500	330	140	2500
8053	Luminaire 1 HIT-CE · HST 150 W	13500 · 14500	330	140	2500
8152	Luminaire 1 HIT · HST 250 W	20000 · 27000	410	165	2600



On pages 202 - 203 of this catalogue, you will find a description of wall luminaires whose shape, construction and light output match the luminaires given on this double page.
The light distribution of the wall luminaires is however primarily designed for lighting facades and surfaces.



The mounting height can be changed from the horizontal position by ± 1500 mm. The light distribution can be precisely adjusted to the illuminated surface.



The outrigger arms of the luminaires have a scale that allows the slope angle of the luminaires to be set easily.



Outrigger luminaires for discharge lamps Protection class IP 65

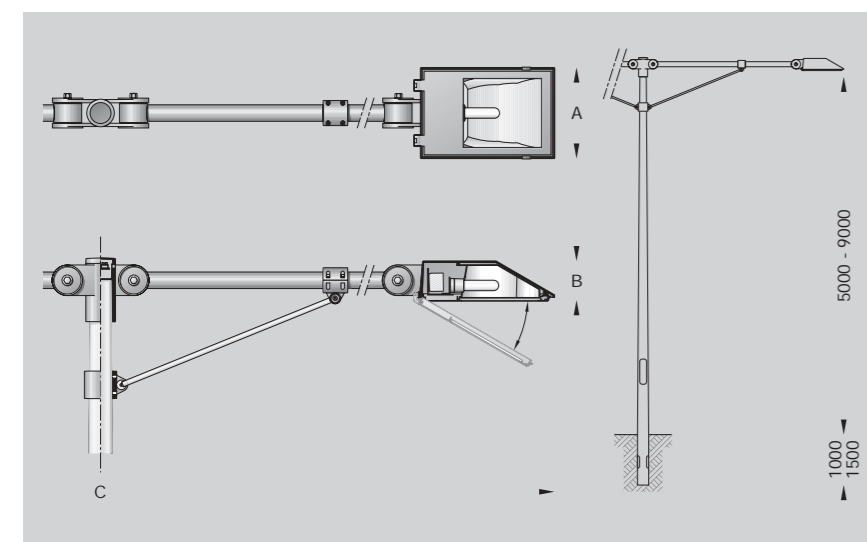
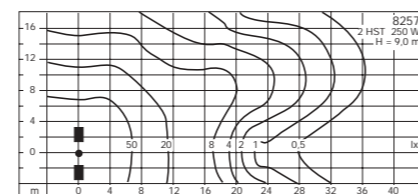
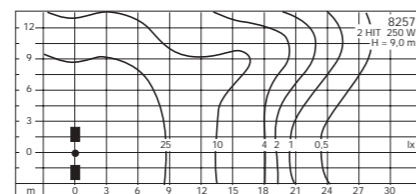
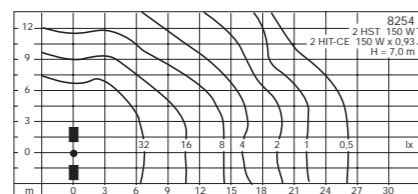
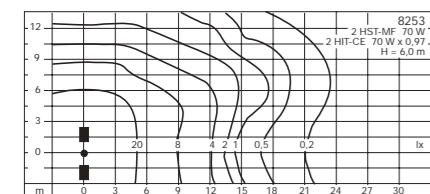
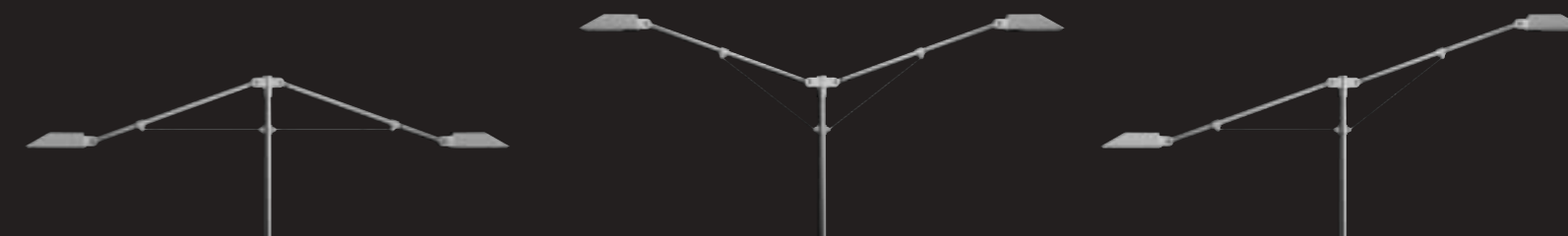
New outrigger system with infinitely adjustable mounting heights.
The mounting height can be adjusted from the horizontal position by ± 1500 mm.
The light distribution can be directed precisely onto the illuminated surface.
Luminaires with spherical reflectors and asymmetrical, flat beam light distribution. They are designed for lighting streets, squares and driveways.
The luminaires can be opened without tools for maintenance and relamping.
Pole-top luminaires ready for installation in double configuration.
Luminaires in single configuration are given on pages 440 - 441.
We can also supply these luminaires with the light distribution of the pole-top luminaires on page 448.

Outrigger luminaires in two sizes for pole heights 5000 - 9000 mm.
We recommend the following BEGA luminaire poles for these luminaires:

8253 · 8254 Group 72 - Pole 886 · 834 · 835

8257 Group 72 - Pole 835 · 836 · 837

A complete overview of all BEGA luminaire poles, anchorage units and connection boxes is given on pages 454 - 461.



Double outrigger luminaires for discharge lamps

- HIT-CE · HST-MF 70 W
 - HIT-CE · HST 150 W
 - HIT · HST 250 W
- IP 65 · Die cast aluminium, aluminium and stainless steel
Reflector of pure anodized aluminium
Safety glass · Closes without tools
Adjustable slope angle

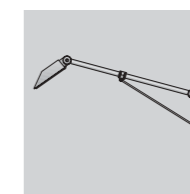
The luminaires are designed for the following pole heights:

- 8253 · 8254 heights 5000 - 7000 mm
 - 8257 heights 7000 - 9000 mm
- Pole top \varnothing 76 mm

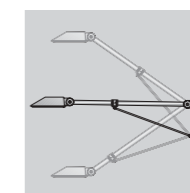
Colour: graphite - article number
silver - article number + A

	Lamp	Lumen	A	B	C
8253	Luminaire 2 HIT-CE · HST-MF 70 W	12600 · 13000	330	140	5000
8254	Luminaire 2 HIT-CE · HST 150 W	27000 · 29000	330	140	5000
8257	Luminaire 2 HIT · HST 250 W	40000 · 54000	410	165	5200

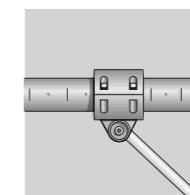
On pages 202 - 203 of this catalogue, you will find a description of wall luminaires whose shape, construction and light output match the luminaires given on this double page.
The light distribution of the wall luminaires is however primarily designed for lighting facades and surfaces.



The mounting height can be changed from the horizontal position by ± 1500 mm. The light distribution can be precisely adjusted to the illuminated surface.



The outrigger arms of the luminaires have a scale that allows the slope angle of the luminaires to be set easily.



Box 70396 | 10724 STOC
Klarabergsviadukten 70
Tel +46 (0)8-103070 | Fa
info@crealux.se | www.cre



Pole-top luminaires for fluorescent lamps and discharge lamps

Luminaires with spherical reflectors and **asymmetrical** light distribution.
They are designed for lighting large areas, junctions or roads with a central reserve.

We supply multiple pole tops for the installation of 2 or 3 pole-top luminaires on poles.
If you wish to install the pole-top luminaires on this double page on walls, wood poles or other building structures, we supply wall arms with different slope angles.
Wall arms and multiple pole tops are shown in the table below.

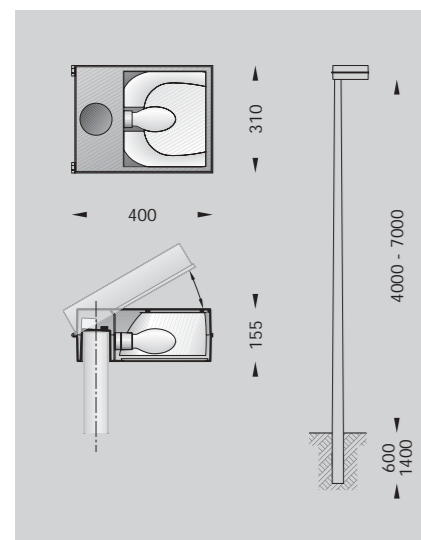
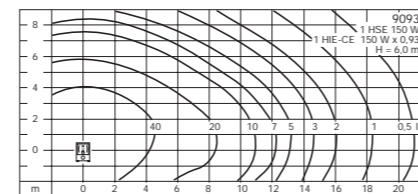
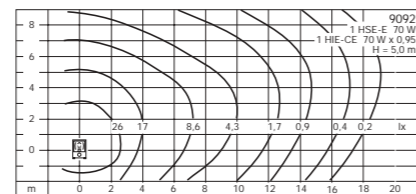
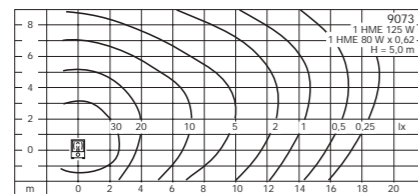
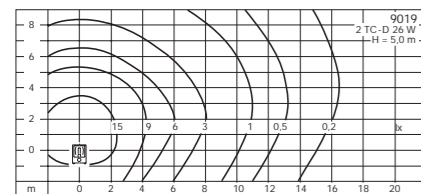
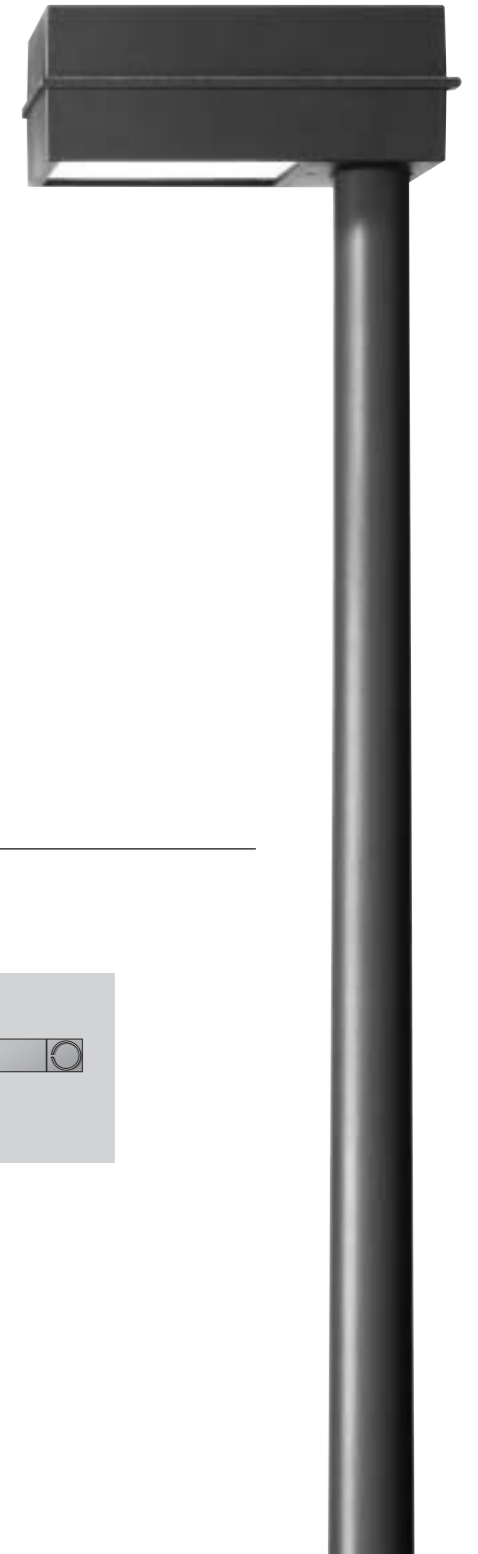
Pole-top luminaires **for pole heights 4000 - 7000 mm.**

We recommend the following BEGA luminaire poles for these luminaires:

9019 · 9073 · 9092 Group 34 – Pole 914 · 725 · 915 · 916
 Group 72 – Pole 884 · 887 · 886 · 834
 Group 14 – Pole 791 · 792 · 794

9093 Group 34 – Pole 916 · 917
 Group 72 – Pole 834 · 835

A complete overview of all BEGA luminaire poles, anchorage units and connection boxes is given on pages 454 - 461.



Pole-top luminaires for

- fluorescent lamps TC-D 26 W
- discharge lamps HME 80 · 125 W
- discharge lamps HIE-CE · HSE-E 70 W
- discharge lamps HIE-CE · HSE 150 W

IP 44 · Die cast aluminium, aluminium and stainless steel
 Reflector of pure anodized aluminium
 Safety glass
 9019 Clear plastic diffuser with optical texture

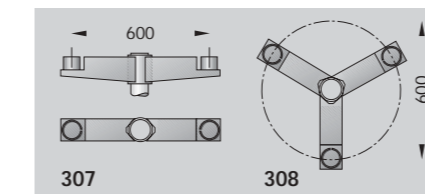
The luminaires are designed for the following pole heights:

- 9019 · 9073 · 9092 for heights 4000 - 6000 mm
- 9093 for heights 6000 - 7000 mm

Pole top Ø 76 mm

Colour: graphite

	Lamp		Lumen
9019	Pole-top luminaire	2 TC-D 26 W	3600
9073	Pole-top luminaire	1 HME 80 · 125 W	4000 · 6500
9092	Pole-top luminaire	1 HIE-CE · HSE-E 70 W	5900 · 5600
9093	Pole-top luminaire	1 HIE-CE · HSE 150 W	13000 · 14000



Multiple pole tops

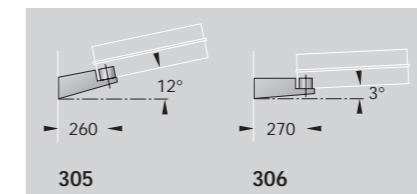
for the installation of 2 or 3 of the pole-top luminaires on this double page on luminaire poles.

They are designed to illuminate large areas, junctions or roads with a central reserve.
 For static reasons, BEGA steel poles must be used for great mounting heights.

Die cast aluminium and stainless steel
 Pole top Ø 76 mm · Insert depth 90 mm
 3 x 2.5² connecting terminals
 Strain relief clamp for the power cable

Colour: graphite

307	Pole top for 2 pole-top luminaires
308	Pole top for 3 pole-top luminaires



Wall arms

for the installation of the pole-top luminaires on this double page to surfaces, corners, poles or other building structures.

305 with slope angle of 12° to illuminate wide streets, squares or surfaces from buildings.

306 with slope angle of 3° to illuminate surfaces directly adjacent to the installation location.

Minimum diameter for poles 80 mm.
 Die cast aluminium

Colour: graphite

305	Wall arm	slope angle 12°
306	Wall arm	slope angle 3°

Pole-top luminaires for discharge lamps

Luminaires with spherical reflectors and **asymmetrical** light distribution. They are designed for lighting large areas, junctions or roads with a central reserve.

We supply multiple pole tops for the installation of 2 or 3 pole-top luminaires on poles. If you wish to install the pole-top luminaires on this double page on walls, wood poles or other building structures, we supply wall arms with different slope angles. Wall arms and multiple pole tops are shown in the table below.

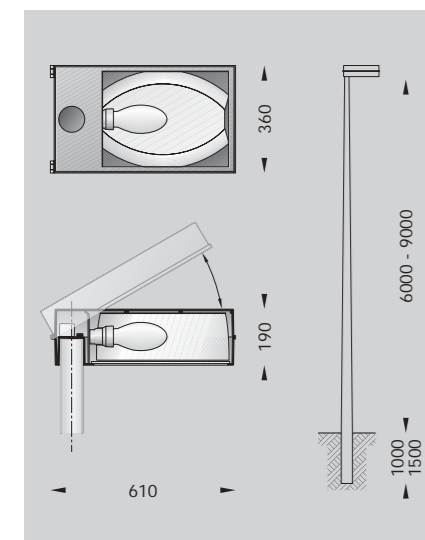
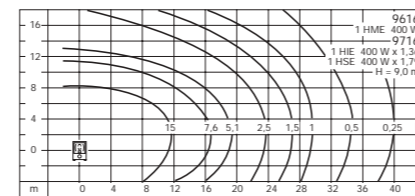
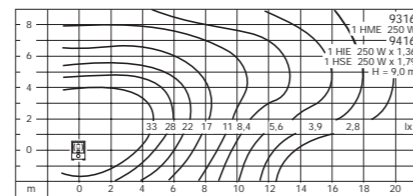
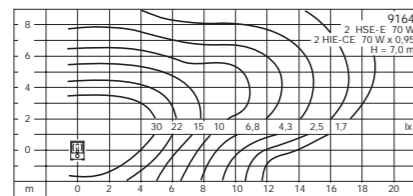
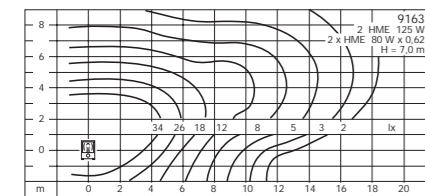
Pole-top luminaires **for pole heights 5000 - 9000 mm.**

We recommend the following BEGA luminaire poles for these luminaires:

9163 · 9164 · 9316 · 9416 Group 34 – Pole 915 · 916 · 917
 Group 72 – Pole 886 · 834 · 835

9616 · 9716 Group 34 – Pole 917 · 726
 Group 72 – Pole 835 · 836 · 837

A complete overview of all BEGA luminaire poles, anchorage units and connection boxes is given on pages 454 - 461.



Pole-top luminaires for discharge lamps

- HME 80 · 125 · 250 · 400 W
- HIE · HSE 250 · 400 W
- HIE-CE · HSE-E 70 W

Protection class IP 44
 Die cast aluminium, aluminium and stainless steel
 Reflector of pure anodized aluminium
 Safety glass

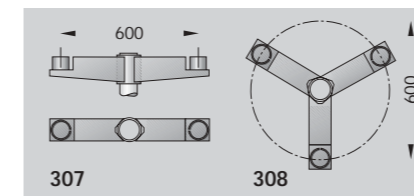
The luminaires are designed for the following pole heights:

- 9163 · 9164 · 9316 · 9416 for heights 5000 - 7000 mm
- 9616 · 9716 for heights 7000 - 9000 mm

Pole top Ø 76 mm

Colour: graphite

	Lamp		Lumen
9163	Pole-top luminaire	2 HME 80 · 125 W	8000 · 13000
9164	Pole-top luminaire	2 HIE-CE · HSE-E 70 W	11800 · 11200
9316	Pole-top luminaire	1 HME 250 W	14000
9416	Pole-top luminaire	1 HIE · HSE 250 W	19000 · 25000
9616	Pole-top luminaire	1 HME 400 W	24000
9716	Pole-top luminaire	1 HIE · HSE 400 W	30000 · 47000



Multiple pole tops

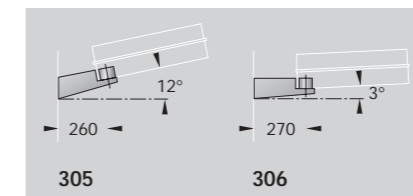
for the installation of 2 or 3 of the pole-top luminaires on this double page on luminaire poles.

They are designed to illuminate large areas, crossroads or roads with central reserve. For static reasons, BEGA steel poles must be used for multiple pole tops and great mounting heights.

Die cast aluminium and stainless steel
 Pole top Ø 76 mm · Insert depth 90 mm
 3 x 2.5² connecting terminals
 Strain relief clamp for power cable

Colour: graphite

307	Pole top for 2 pole-top luminaires
308	Pole top for 3 pole-top luminaires



Wall arms

for the installation of the pole-top luminaires on this double page on surfaces, corners, poles or other building structures.

305 with slope angle of 12° for lighting wide roads, squares or surfaces that need to be illuminated from buildings.

306 with slope angle of 3° for lighting surfaces directly adjacent to the installation location.

Minimum diameter for poles 80 mm.
 Die cast aluminium

Colour: graphite

305	Wall arm	slope angle 12°
306	Wall arm	slope angle 3°



Box 70396 | 10724 STO
 Klarabergsviadukten 70
 Tel +46 (0)8-103070 | info@crealux.se | www.crealux.se



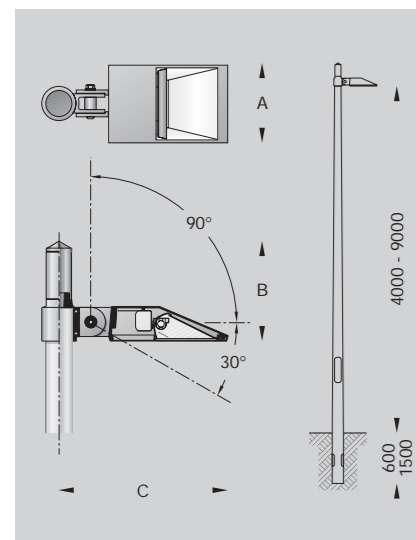
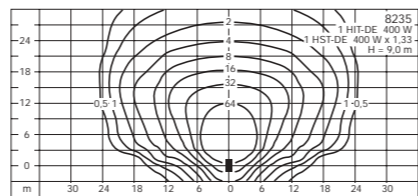
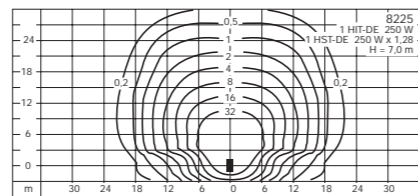
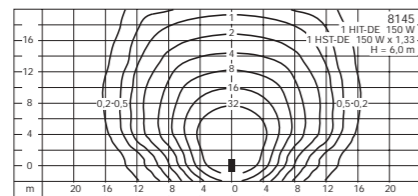
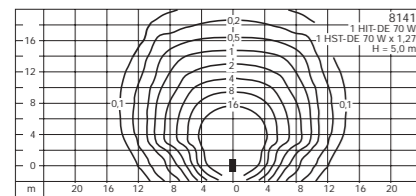
Pole-top luminaires · Surface washers
for discharge lamps up to 400 W
Protection class IP 65

Surface washers with **asymmetrical** light distribution. Asymmetrical light distribution is particularly suitable for in-depth illumination of surfaces and squares. The slope angle of the surface washers can be adjusted. The light distribution can be positioned precisely on the illuminated surface. Pole-top luminaires ready for installation in single configuration. Luminaires in double configuration are given on pages 450 - 451.

Pole-top luminaires in two sizes **for pole heights 4000 - 9000 mm**. We recommend the following BEGA luminaire poles for these luminaires:

- 8141 Group 14 – Pole 791 · 792 · 794
 Group 34 – Pole 914 · 725 · 915
 Group 72 – Pole 884 · 887 · 886
- 8145 Group 14 – Pole 794
 Group 34 – Pole 915 · 916
 Group 72 – Pole 886 · 834
- 8225 Group 34 – Pole 916 · 917
 Group 72 – Pole 834 · 835
- 8235 Group 34 – Pole 917 · 726
 Group 72 – Pole 835 · 836 · 837

A complete overview of all BEGA luminaire poles, anchorage units and connection boxes is given on pages 454 - 461.



Single pole-top luminaires
Surface washers for

- discharge lamps HI/HST-DE 70 W
- discharge lamps HI/HST-DE 150 W
- discharge lamps HI/HST-DE 250 W
- discharge lamps HI/HST-DE 400 W

IP 65 · Die cast aluminium, aluminium and stainless steel
Reflector of pure anodized aluminium
Safety glass
Adjustable slope angle from -30° to +90°

The luminaires are designed for the following pole heights:

- 8141 for heights 4000 - 5000 mm
- 8145 for heights 5000 - 6000 mm
- 8225 for heights 6000 - 7000 mm
- 8235 for heights 7000 - 9000 mm

Pole top Ø 76 mm

Colour: graphite – article number
silver – article number + **A**

	Lamp	Lumen	A	B	C
8141	Surface washer 1 HI/HST-DE 70 W	5000 · 6800	220	290	550
8145	Surface washer 1 HI/HST-DE 150 W	11000 · 15000	220	290	550
8225	Surface washer 1 HI/HST-DE 250 W	20000 · 25500	420	420	800
8235	Surface washer 1 HI/HST-DE 400 W	36000 · 48000	420	420	800



On pages 200 - 201 of this catalogue, you will find a description of wall luminaires whose shape, construction and light output match the luminaires given on this double page.



Luminaires with direct light which is only directed downwards. Equipped with reflectors made of pure anodized aluminium and clear safety glass. Asymmetrical light distribution is particularly suitable for in-depth illumination of surfaces and squares.





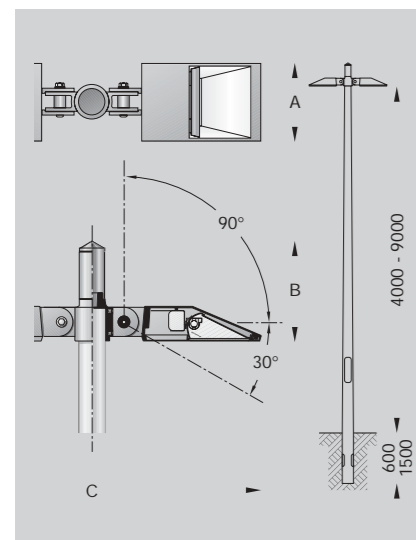
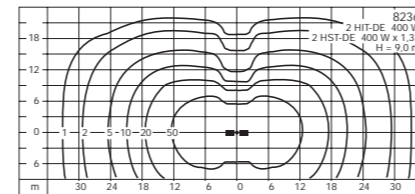
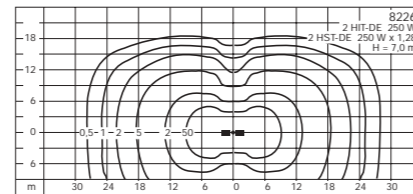
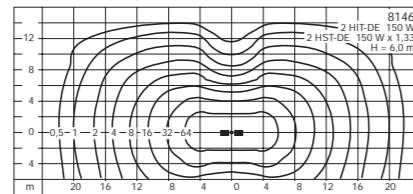
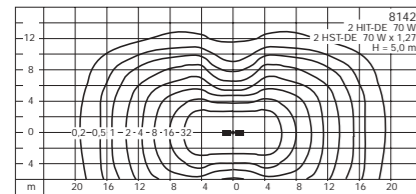
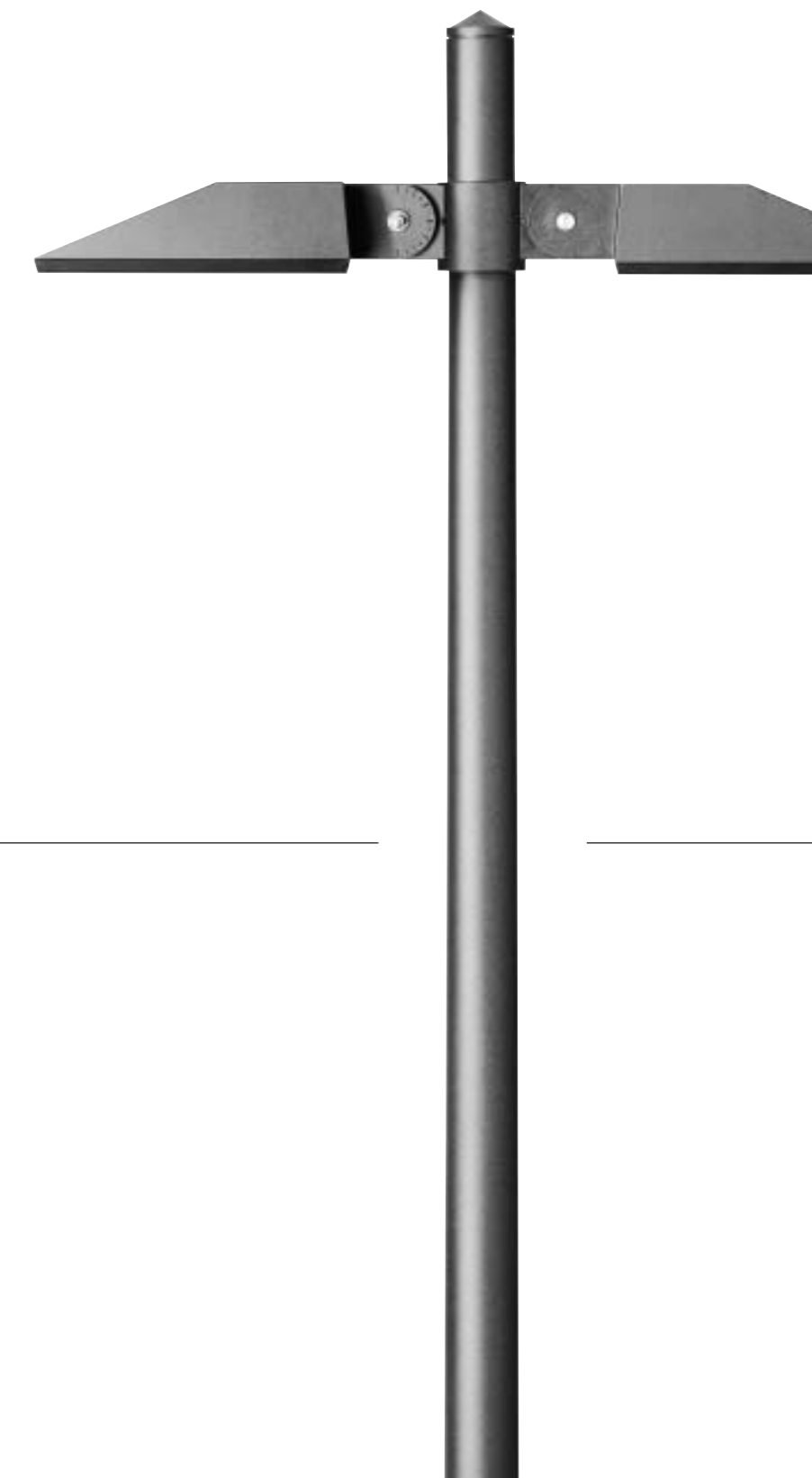
Pole-top luminaires · Surface washers
for discharge lamps up to 400 W
Protection class IP 65

Surface washers with **asymmetrical** light distribution. Asymmetrical light distribution is particularly suitable for in-depth illumination of surfaces and squares. The slope angle of the surface washers can be adjusted. The light distribution can be positioned precisely on the illuminated surface. Pole-top luminaires ready for installation in double configuration. Luminaires in single configuration are given on pages 448 - 449. Pole-top luminaires are also available in quadruple configuration.

Pole-top luminaires in two sizes **for pole heights 4000 - 9000 mm**. We recommend the following BEGA luminaire poles for these luminaires:

- 8142 Group 14 – Pole 791 · 792 · 794
Group 34 – Pole 914 · 725 · 915
Group 72 – Pole 884 · 887 · 886
- 8146 Group 14 – Pole 794
Group 34 – Pole 915 · 916
Group 72 – Pole 886 · 834
- 8226 Group 34 – Pole 916 · 917
Group 72 – Pole 834 · 835
- 8236 Group 34 – Pole 917 · 726
Group 72 – Pole 835 · 836 · 837

A complete overview of all BEGA luminaire poles, anchorage units and connection boxes is given on pages 454 - 461.



Double pole-top luminaires
Surface washers for

- discharge lamps HI/HST-DE 70 W
- discharge lamps HI/HST-DE 150 W
- discharge lamps HI/HST-DE 250 W
- discharge lamps HI/HST-DE 400 W

IP 65 · Die cast aluminium, aluminium and stainless steel
Reflector of pure anodized aluminium
Safety glass
Adjustable slope angle from -30° to +90°

The luminaires are designed for the following pole heights:

- 8142 for heights 4000 - 5000 mm
- 8146 for heights 5000 - 6000 mm
- 8226 for heights 6000 - 7000 mm
- 8236 for heights 7000 - 9000 mm

Pole top Ø 76 mm

Colour: graphite – article number
silver – article number + A

	Lamp	Lumen	A	B	C
8142	Surface washer 2 HI/HST-DE 70 W	10000 · 13000	220	290	1100
8146	Surface washer 2 HI/HST-DE 150 W	22000 · 30000	220	290	1100
8226	Surface washer 2 HI/HST-DE 250 W	40000 · 51000	420	420	1600
8236	Surface washer 2 HI/HST-DE 400 W	72000 · 96000	420	420	1600

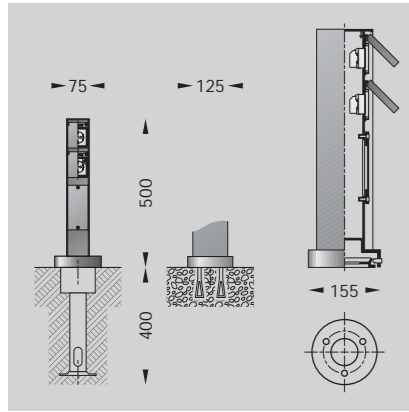


On pages 200 - 201 of this catalogue, you will find a description of wall luminaires whose shape, construction and light output match the luminaires given on this double page.



Luminaires with direct light which is only directed downwards. Equipped with reflectors made of pure anodized aluminium and clear safety glass. The asymmetrical light distribution is particularly suitable for in-depth illumination of surfaces and squares.





Connecting pillars
 • **with** installation inserts
 • **w/out** installation inserts
 IP 44 · Die cast aluminium, aluminium and stainless steel
 With mounting plate for bolting to a foundation or anchorage unit.

With door and 4 x 4[□] connecting terminals
 Single-phase mains connection
 Safety socket outlet 16 A · 250 V ~
 Switch 10 A · 250 V ~

Colour: graphite

375	Connecting pillar with installation inserts	2 sockets
376	Connecting pillar with installation inserts	1 socket + 1 switch
377	Connecting pillar with installation inserts	4 sockets
378	Connecting pillar with installation inserts	3 sockets + 1 switch
382	Connecting pillar w/o installation inserts	for maximum 2 inserts
380	Connecting pillar w/o installation inserts	for maximum 4 inserts
895	Anchorage unit for 375 · 376 · 377 · 378 · 382 · 380	

Installation inserts 250 V~ for 382 · 380
 Support and cover GFK
 Colour graphite

170	Safety socket outlet (D standard)	16 A
176	Safety socket outlet (B/F stand.)	16 A
177	Safety socket outlet (GB stand.)	13 A
178	Safety socket outlet (US stand.)	20 A
179	Safety socket outlet (CH stand.)	10 A
171	Rocker switch	10 A
172	Push switch, NOC	10 A
173	Control/Three-way switch	10 A
174	Key-operated switch, three-way	10 A
175	Key-operated switch, pushbutton	10 A
180	Key cylinder for 174 + 175	

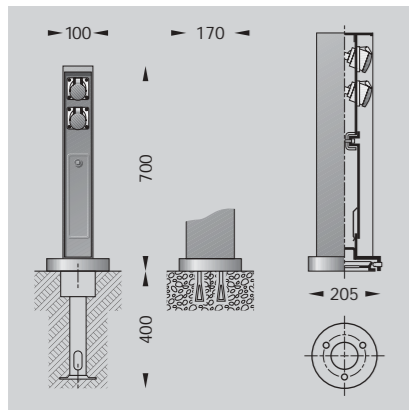


Connecting pillars for electrical power supply

Permanent connecting pillars designed for the electrical connection of portable garden luminaires, electrically driven gardening tools, and to provide the power supply in public or commercial facilities.

- Connecting pillars **with** installation inserts are wired in the factory ready for connection.
- Connecting pillars **without** installation inserts allow you to choose the type and number of installation inserts to suit your particular requirement. These pillars are then supplied empty with the respectively ordered inserts. Installation must be carried out by a qualified electrician. The installation and operation of this equipment are subject to national electrical and electronic safety regulations.

We can also supply connecting pillar 338 with the ordered installation inserts fitted and wired ready for connection.

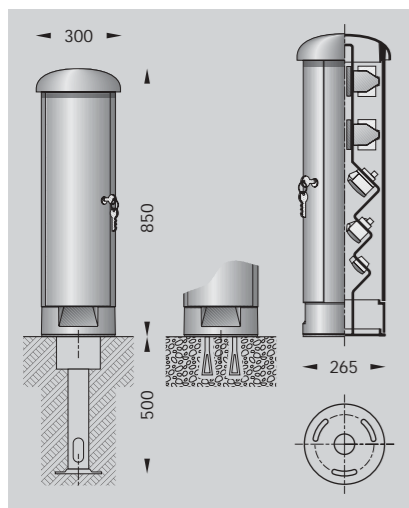


Connecting pillars
 • **with** installation inserts
 Protection class IP 44
 Die cast aluminium, aluminium and stainless steel
 With mounting plate for bolting to a foundation or anchorage unit.

With door and 4 x 4[□] connecting terminals
 Three-phase mains connection
 PE terminal

Colour: graphite

383	Connecting pillar with 4 CEE sockets	4 x 16 A · 250 V ~
384	Connecting pillar with 2 CEE sockets	2 x 16 A · 250 V ~
	2 CEE sockets	2 x 16 A · 400 V ~
895	Anchorage unit for 383 · 384	



Connecting pillars · Lockable
 • **with** installation inserts
 • **w/out** installation inserts
 Protection class IP X4
 Die cast aluminium, aluminium and stainless steel
 With mounting plate for bolting to a foundation or anchorage unit.

With door and 5 x 2.5[□] connecting terminals for through-wiring
 Three-phase mains connection
 Neutral and PE terminal
 Lockable socket box
 Security lock with 2 keys

Colour: graphite

238	Connecting pillar with	2 CEE sockets	16 A · 400 V ~
		3 CEE sockets	16 A · 250 V ~
		3 Safety socket outlets	16 A · 250 V ~
		1 Residual Current Device	40 A · 30 mA
		2 Automatic cut-out	3 pole C-16 A
		6 Automatic cut-out	1 pole C-16 A
338	Connecting pillar w/out installation inserts + 2 fuse boxes (empty)	8 pcs	
896	Anchorage unit for 238 · 338		

Installation inserts for installation in connecting pillar 338

Connecting pillar 338 has 2 installation positions for
 • CEE sockets 16 A · 400 V ~ **or**
 • CEE sockets 32 A · 400 V ~
 and 6 installation positions for
 • CEE sockets 16 A · 250 V ~ **or**
 • safety socket outlets 16 A · 250 V ~

190	Safety socket outlet	16 A · 250 V ~
191	CEE socket	16 A · 250 V ~
192	CEE socket	16 A · 400 V ~
193	CEE socket	32 A · 400 V ~

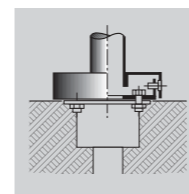




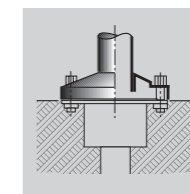
Aluminium luminaire poles with base plate
DIN EN 40 · Painted surface finish

Lightweight corrosion-resistant luminaire poles made of aluminium with high static strength. The luminaire poles with die cast aluminium door are equipped with a C-clamp and sliding nights to accommodate a connection box and earth conductor connection according to DIN 49 778.

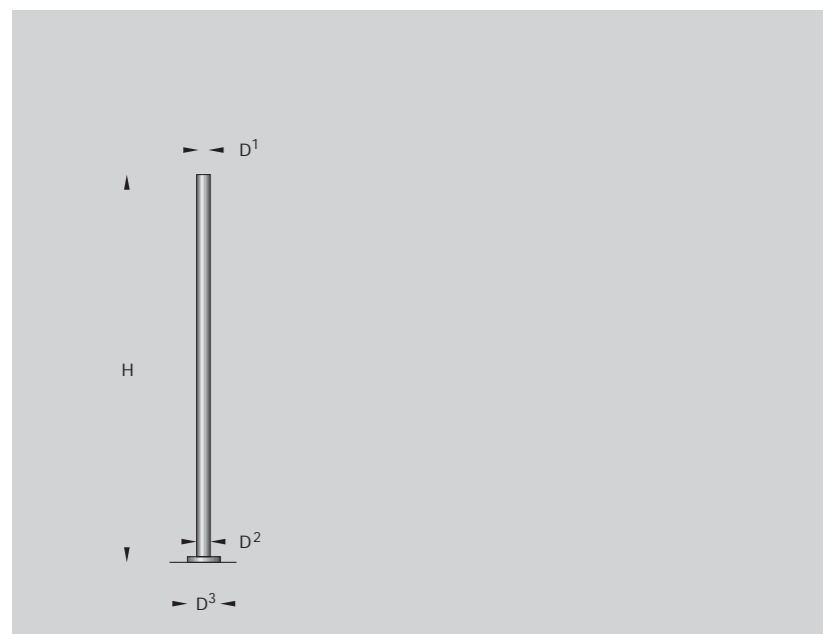
Matching connection boxes are given in the pole tables. Technical data, page 461. The luminaire poles are pretreated, chromated, powder coated and supplied with a high-quality enamel finish. We supply the luminaire poles in the same colour as the ordered luminaire. Poles are also supplied in any other RAL colour and DB colour at the catalogue price.



System 1 – A bottom plate is bolted to an anchorage unit or foundation. The luminaire pole with base plate is placed on the bottom plate and connected on the side by horizontal stainless steel bolts. Matching anchorage units are given in the pole tables. Technical data, page 460.



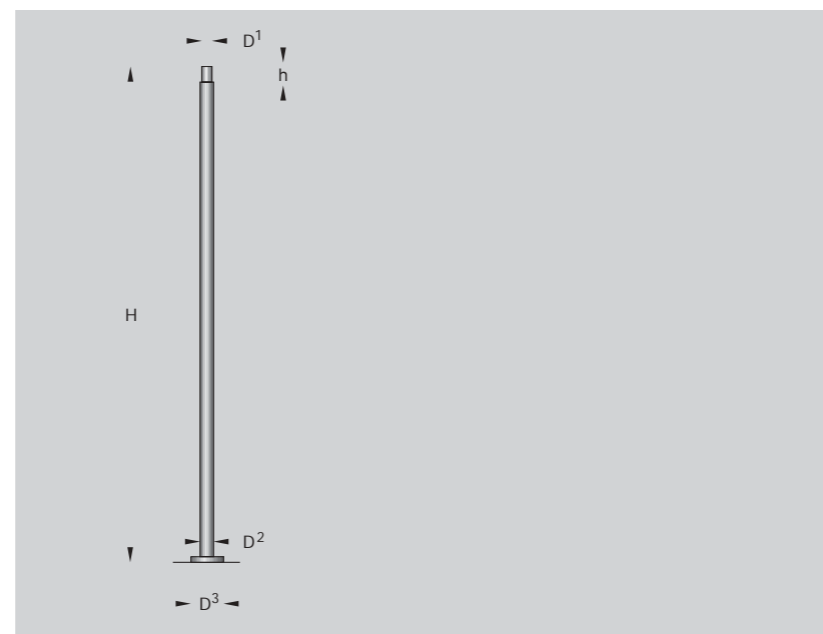
System 2 – The luminaire pole with its base plate is bolted directly to a foundation or anchorage unit. Matching anchorage units are given in the pole tables. Technical data, page 460. When mounted on a foundation, the fixing bolts must be provided by the customer.



Luminaire pole – Group 11 **cylindrical + base plate**

Aluminium · Painted

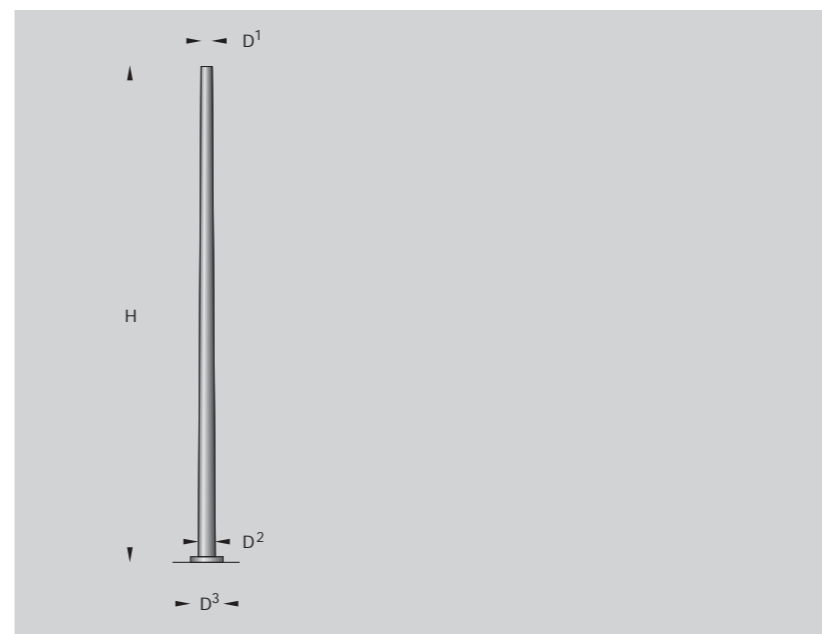
Pole	H	D ¹	D ²	D ³	System	kg	Connection box	Anch. unit
790	1000	48	48	165	1	1.8	without door	895
997	1000	60	60	165	1	4.0	without door	895
793	1500	60	60	165	1	5.5	without door	895
992	1700	48	48	165	1	3.0	without door	895
994	2000	60	60	165	1	7.0	without door	895



Luminaire pole – Group 12 **cylindrical + base plate**

Aluminium · Painted

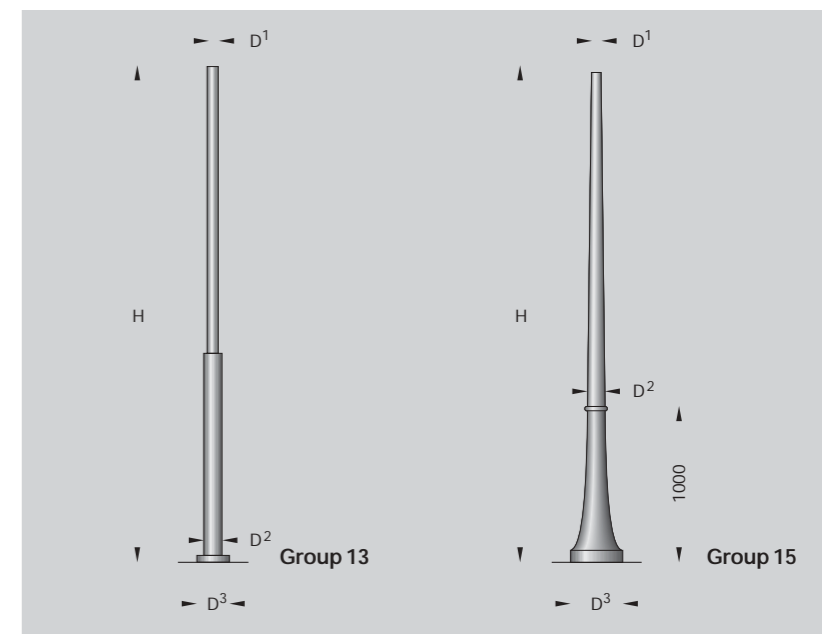
Pole	H	D ¹	h	D ²	D ³	System	kg	Connection box	Anch. unit
907	2000	60 · 90	82	220	220	1	10.0	A · B	896
908	2000	60 · 100	100	220	220	1	11.0	A · B	896
722	2500	60 · 90	82	220	220	1	12.0	A · B	896
930	3000	60 · 120	120	300	300	1	18.0	C · D · E	897
732	3500	76 · 130	135	340	340	2	22.0	C · D · E	899
729	3500	76 · 80	135	340	340	2	22.0	C · D · E	899
733	4000	76 · 130	135	340	340	2	25.0	C · D · E	899
728	4000	76 · 80	135	340	340	2	25.0	C · D · E	899
731	4000	76 · 100	170	360	360	2	49.0	C · D · E	899
734	5000	76 · 100	170	360	360	2	56.0	C · D · E	899



Luminaire pole – Group 14 **tapered + base plate**

Aluminium · Painted

Pole	H	D ¹	D ²	D ³	System	kg	Connection box	Anch. unit
985	2500	60	115	300	1	12.0	B · C · D	897
986	3000	60	115	300	1	14.0	B · C · D	897
788	3000	76	135	340	2	15.0	C · D · E	899
786	3500	60	135	340	2	16.0	C · D · E	899
789	3500	76	135	340	2	16.0	C · D · E	899
787	4000	60	135	340	2	17.0	C · D · E	899
791	4000	76	135	340	2	17.0	C · D · E	899
792	4500	76	135	340	2	19.0	C · D · E	899
794	5000	76	135	340	2	21.0	C · D · E	899



Luminaire pole – Group 13 **cylindrical, stepped + base plate**

Aluminium · Painted

Pole	H	D ¹	D ²	D ³	System	kg	Connection box	Anch. unit
937	2500	60	100	220	1	11.0	A · B	896
944	3000	76	120	300	1	15.0	C · D · E	897
746	3500	76	120	300	1	16.5	C · D · E	897
747	4000	76	135	340	2	18.0	C · D · E	899

Luminaire pole – Group 15 **tapered + base plate**

Aluminium · Painted

Pole	H	D ¹	D ²	D ³	System	kg	Connection box	Anch. unit
927	3700	76	135	400				E 898
928	4200	76	135	400				E 898
926	5000	76	135	400				E 898



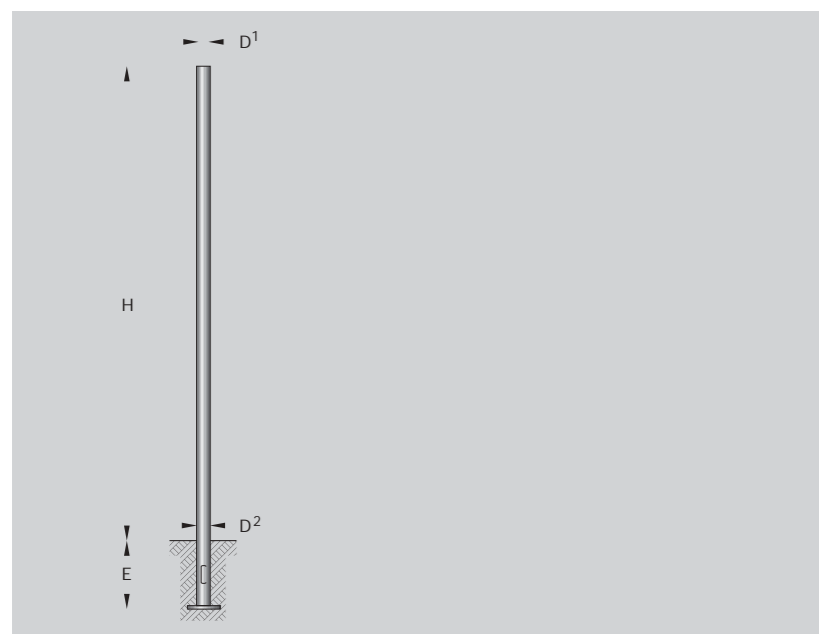
Box 70396 | 10724 STOC
Klarabergsviadukten 70
Tel +46 (0)8-103070 | Fa
info@crealux.se | www.cri



Aluminium luminaire poles with anchorage section DIN EN 40 · Painted surface finish

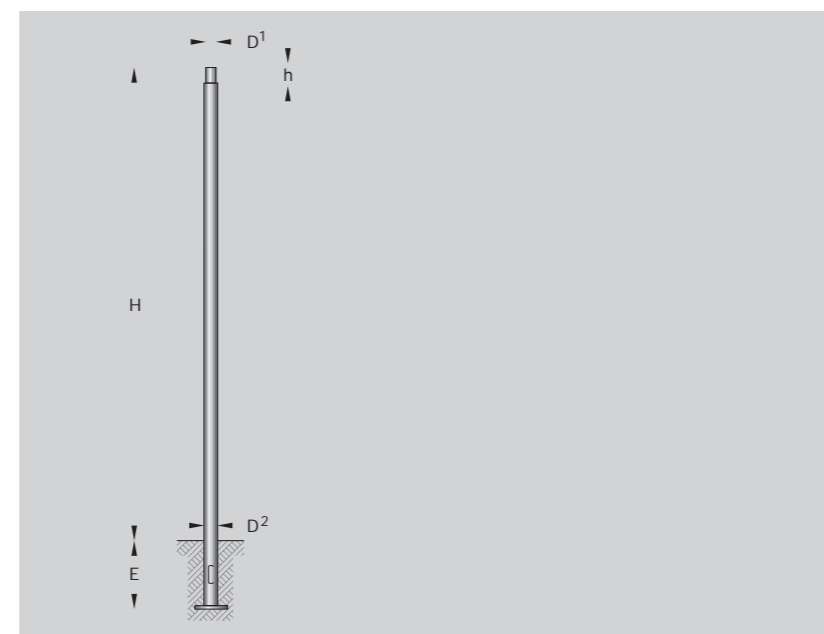
Lightweight, corrosion-resistant luminaire poles made of aluminium with high static strength. The luminaire poles with die cast aluminium door are equipped with C-clamp and sliding bolts to accommodate a connection box and earth conductor connection according to DIN 49 778.

Matching connection boxes are given in the pole tables. Technical data, page 461. The luminaire poles are pretreated, chromated, powder coated and supplied with a high-quality enamel finish. We supply luminaire poles in the same colour as the ordered luminaire. Poles are also supplied in any RAL colour and DB colour at the catalogue price.



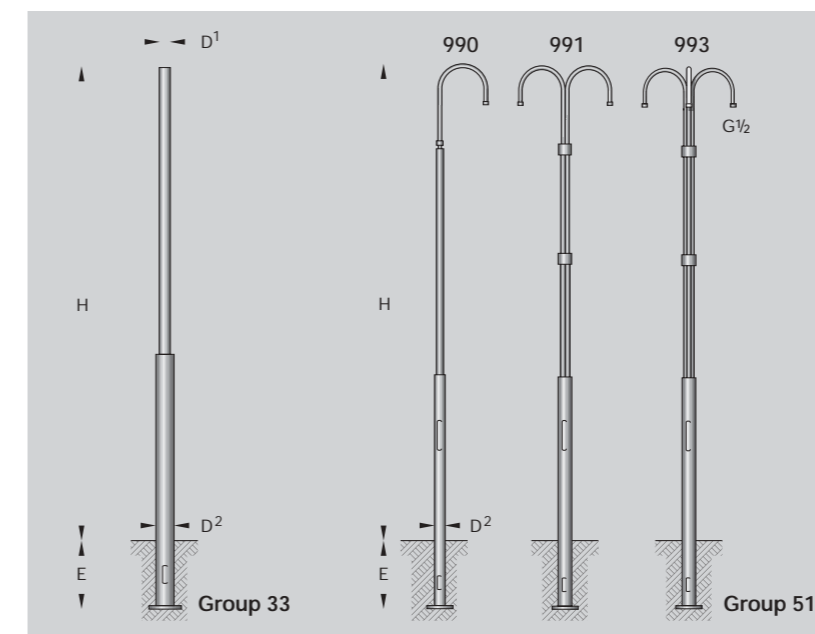
Luminaire pole – Group 31 cylindrical + anchorage section

Aluminium · Painted						
Pole	H	D ¹	D ²	E	kg	Connection box
934	600	48	48	400	1.5	without door
941	1000	60	60	400	3.0	without door
938	1700	48	48	400	3.0	without door
943	2000	60	60	500	6.0	without door
945	2000	82	82	500	7.0	A · B
954	2500	82	82	500	8.0	A · B
958	3000	100	100	500	12.0	A · B
957	3000	120	120	500	15.0	C · D · E
959	3500	100	100	600	15.0	A · B
965	3500	120	120	600	18.0	C · D · E
960	4000	100	100	600	16.0	A · B
974	4000	120	120	600	20.0	C · D · E
989	4500	120	120	800	22.0	C · D · E



Luminaire pole – Group 32 cylindrical + anchorage section

Aluminium · Painted							
Pole	H	D ¹	h	D ²	E	kg	Connection box
740	2000	60 · 90		82	500	7.0	A · B
741	2500	60 · 90		82	500	9.0	A · B
909	3000	82 · 120		100	500	13.0	A · B
906	3500	76 · 130		135	800	20.0	C · D · E
739	3500	76 · 80		135	800	22.0	C · D · E
742	4000	76 · 130		135	800	23.0	C · D · E
738	4000	76 · 80		135	800	23.0	C · D · E
737	4000	76 · 100		170	800	33.0	C · D · E
743	4500	76 · 130		135	800	27.0	C · D · E
744	5000	76 · 130		135	800	31.0	C · D · E
748	5000	76 · 100		170	1000	38.0	C · D · E
749	6000	89 · 120		220	1000	65.0	C · D · E
750	7000	89 · 120		220	1000	75.0	C · D · E

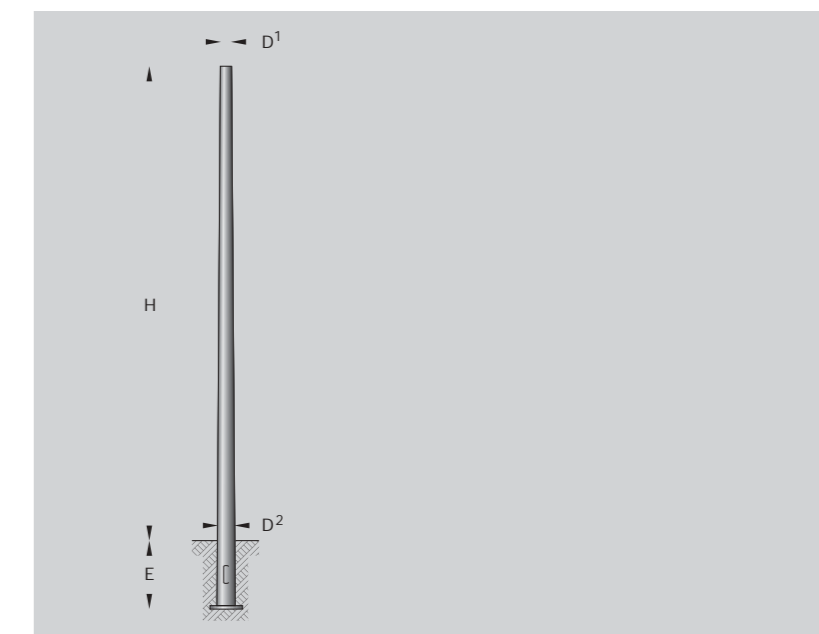


Luminaire pole – Group 33 cylindrical, stepped + anchorage section

Aluminium · Painted						
Pole	H	D ¹	D ²	E	kg	Connection box
951	3000	76	120	500	12.0	C · D · E
956	3500	76	120	600	15.0	C · D · E
969	4000	76	135	800	17.0	C · D · E
996	4500	76	150	800	25.0	C · D · E
977	5000	76	160	1000	30.0	C · D · E

Luminaire pole – Group 51 cylindrical, stepped + anchorage section

Aluminium · Painted						
Pole	H	D ¹	D ²	E	kg	Connection box
990	4300	G 1/2	120	800	19.0	C · D · E
991	4300	G 1/2	120	800	23.0	C · D · E
993	4300	G 1/2	135	800	30.0	C · D · E



Luminaire pole – Group 34 tapered + anchorage section

Aluminium · Painted						
Pole	H	D ¹	D ²	E	kg	Connection box
910	2500	60	115	500	9.0	B · C · D
911	3000	60	115	500	10.0	B · C · D
918	3000	76	135	600	11.0	C · D · E
912	3500	60	115	600	12.0	B · C · D
913	3500	76	135	600	13.0	C · D · E
724	4000	60	135	600	14.0	C · D · E
914	4000	76	135	600	15.0	C · D · E
725	4500	76	135	800	18.0	C · D · E
915	5000	76	135	800	19.0	C · D · E
916	6000	76	145	1000	27.0	C · D · E
917	7000	76	145	1000	31.0	C · D · E
726	8000	76	145	1000	35.0	C · D · E



Box 70396 | 10724 STOC
Klarabergsviadukten 70
Tel +46 (0)8-103070 | Fa
info@crealux.se | www.cre



Steel luminaire poles with anchorage section DIN EN 40 · Unpainted or painted

Luminaire poles made of galvanized, seamless steel with high tensile strengths.
The luminaire poles with die cast aluminium door are equipped with C-clamp and sliding bolts to accommodate a connection box and PE connection in accordance with DIN 49 778.

Matching connection boxes are given in the pole tables. Technical data, page 461.
Luminaire poles are also available on request made of galvanized steel in the following heights: 12000 · 14000 · 16000 · 18000 mm.
We can also supply special construction luminaire poles.
We deliver luminaire poles in the same colour as the ordered luminaire.
Poles are also supplied in any RAL colour and DB colour at the catalogue price.

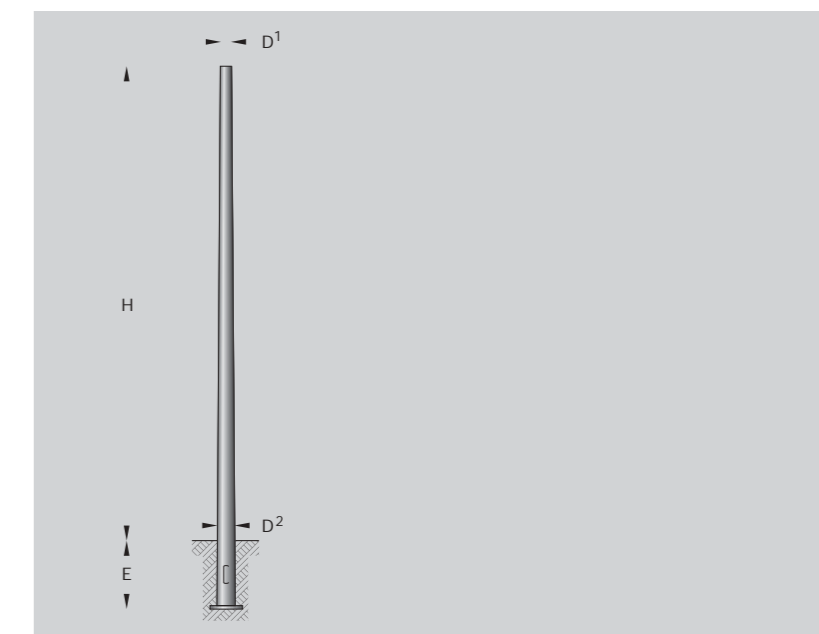
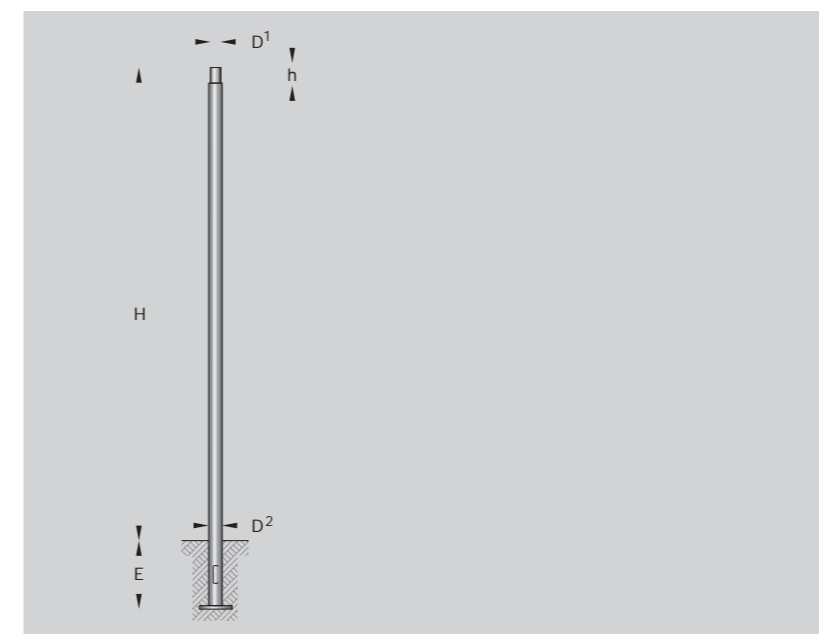
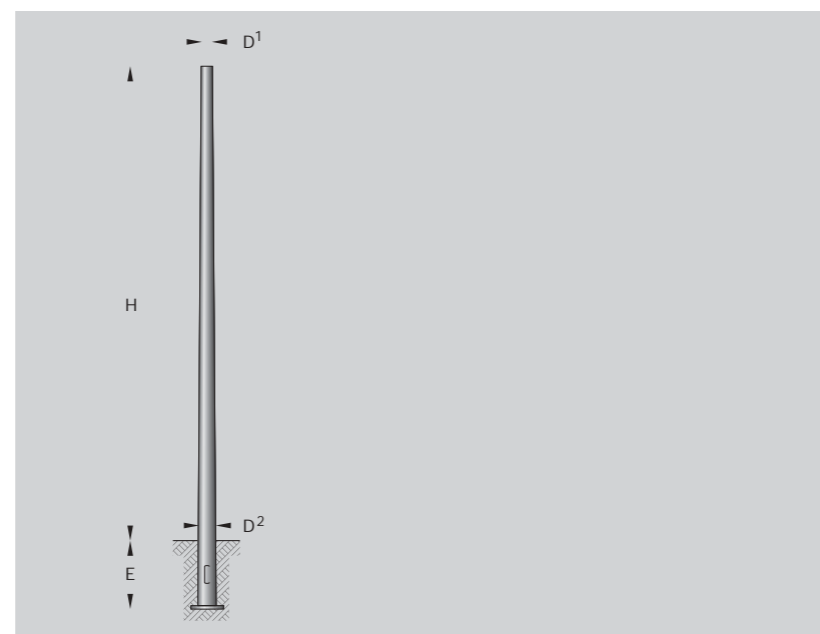
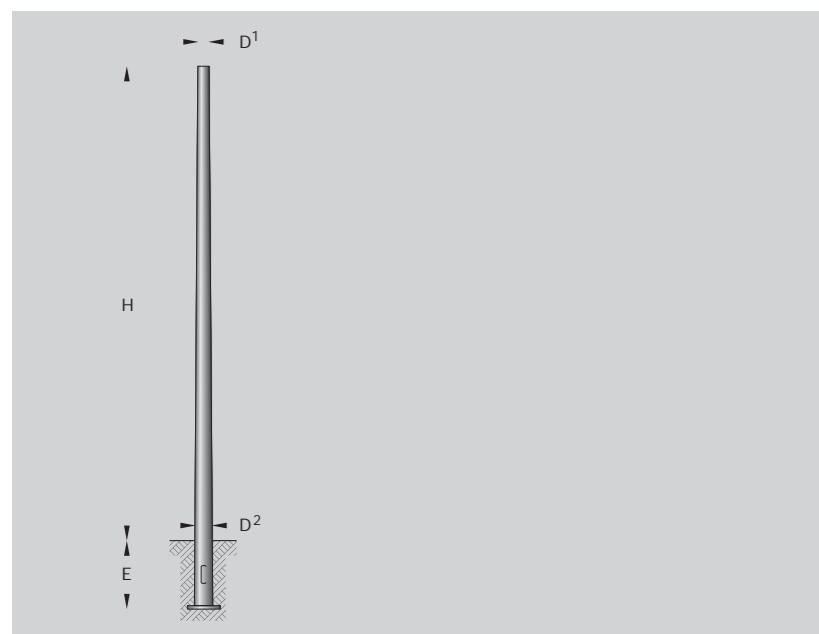


STAINLESS STEEL luminaire poles with anchorage section · DIN EN 40 · cylindrical or tapered

Stainless steel is a high-quality, corrosion-resistant material.
The luminaire poles with stainless steel door are equipped with C-clamp and sliding nuts to accommodate a connection box and PE connection according to DIN 49 778.

Matching connection boxes are given in the pole tables. Technical data, page 461.

To special order, we also supply these poles with base plate.
Other dimensions and heights are available on request.



Luminaire pole – Group 62 tapered + anchorage section

Luminaire pole – Group 72 tapered + anchorage section

Luminaire pole – Group 60 cylindrical + anchorage section

Luminaire pole – Group 70 tapered + anchorage section

Steel · Galvanized						
Pole	H	D ¹	D ²	E	kg	Connection box
800	2500	60	115	800	25.0	B · C · D
801	3000	60	115	800	28.0	B · C · D
811	3000	76	115	800	31.0	B · C · D
802	3500	60	115	800	35.0	B · C · D
815	3500	76	115	800	36.0	B · C · D
803	4000	60	115	800	38.0	B · C · D
804	4000	76	135	800	42.0	C · D · E
817	4500	76	135	800	46.0	C · D · E
805	5000	76	135	1000	52.0	C · D · E
806	6000	76	140	1000	68.0	C · D · E
807	7000	76	160	1400	96.0	C · D · E
808	8000	76	170	1500	119.0	C · D · E
809	9000	76	195	1500	151.0	C · D · E
810	10000	89	195	1500	189.0	C · D · E

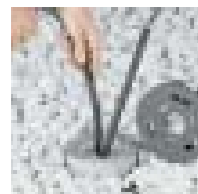
Steel · Galvanized + painted						
Pole	H	D ¹	D ²	E	kg	Connection box
880	2500	60	115	800	25.0	B · C · D
881	3000	60	115	800	28.0	B · C · D
888	3000	76	115	800	31.0	B · C · D
882	3500	60	115	800	35.0	B · C · D
885	3500	76	115	800	36.0	B · C · D
883	4000	60	115	800	38.0	B · C · D
884	4000	76	135	800	42.0	C · D · E
887	4500	76	135	800	46.0	C · D · E
886	5000	76	135	1000	52.0	C · D · E
834	6000	76	140	1000	68.0	C · D · E
835	7000	76	160	1400	96.0	C · D · E
836	8000	76	170	1500	119.0	C · D · E
837	9000	76	195	1500	151.0	C · D · E
838	10000	89	195	1500	189.0	C · D · E

STAINLESS STEEL							
Pole	H	D ¹	h	D ²	E	kg	Connection box
822	1000	60		60	400	5.0	without door
824	2000	60		60	500	9.0	without door
823	2000	60 · 100		85	500	11.0	A · B
825	3000	60 · 110		105	500	20.0	A · B · C
826	3500	60 · 110		105	600	24.0	A · B · C

STAINLESS STEEL							
Pole	H	D ¹	D ²	E	kg	Connection box	
872	3000	60	115	800	29.0	B · C · D	
874	3500	60	115	800	34.0	B · C · D	
875	3500	76	115	800	35.0	B · C · D	
876	4000	60	115	800	37.0	B · C · D	
877	4000	76	135	800	43.0	C · D · E	

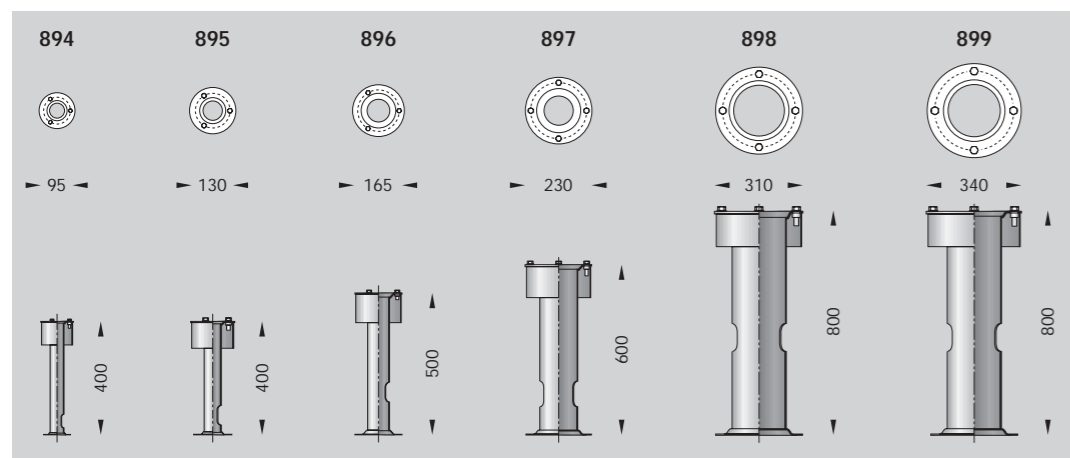


Box 70396 | 10724 STOC
Klarabergsviadukten 70
Tel +46 (0)8-103070 | Fa
info@crealux.se | www.cri



Accessories for luminaires and luminaire poles

Anchorage units for fixing luminaires and luminaire poles in the ground.
Connection boxes for installation in luminaires and luminaire poles.

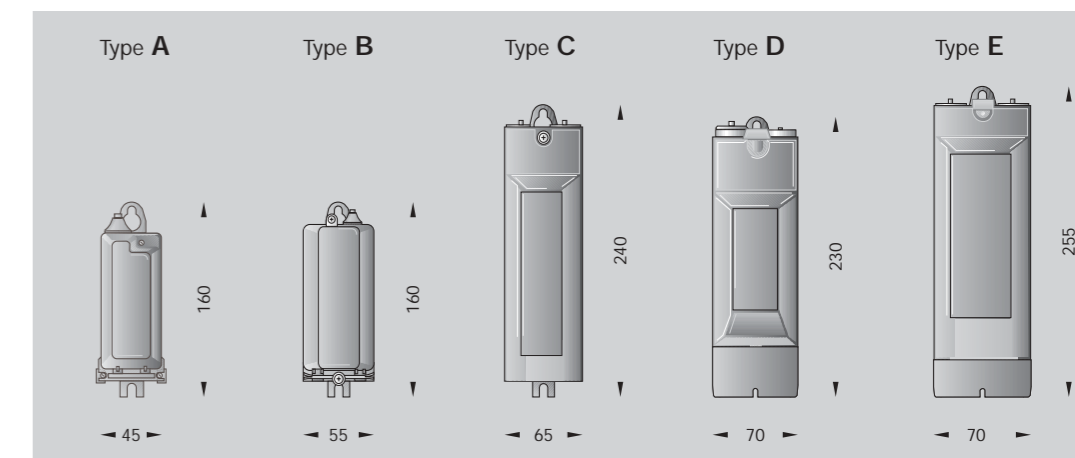


Anchorage units

Anchorage units for fixing luminaires and luminaire poles with base plate in the ground.
Anchorage units made of galvanized steel. The welded construction comprises a bottom plate, tube and flange plate with threaded bushes made of stainless steel. Stainless steel bolts are supplied with the anchorage unit to connect the mounting plate of the luminaire or luminaire pole to the anchorage unit.

Anchorage units are accessories and must be ordered separately.

		Hole circle Ø	Screws	Cable entry
894	Anchorage unit	70	3 x 120° M 8	350 mm underground
895	Anchorage unit	100	3 x 120° M 8	350 mm underground
896	Anchorage unit	132	3 x 120° M 8	400 mm underground
897	Anchorage unit	200	4 x 90° M10	500 mm underground
898	Anchorage unit	265	4 x 90° M12	500 mm underground
899	Anchorage unit	283	4 x 90° M16	500 mm underground



Connection boxes

The pole tables on pages 454 - 459 indicate the matching connection boxes type A · B · C · D · E for the luminaire poles. Housings are made of impact-resistant plastic.
The connection boxes for luminaire poles are tested according to DIN 43 628/VDE 0660 · Part 505. Safety class II .
Connection boxes for luminaire poles are accessories and must be ordered separately.
The price includes installation in the luminaire pole.
The illustrations show the connection boxes when closed.

Type		Pole Ø / D2	Fuses	Inputs	Outputs	Class
A	623	≥ 50 mm	1 fine 6.3 A	2 · 3 x 2.5 [□]	1 · 3 x 1.5 [□]	IP 55
	620	≥ 82 mm	1 Neozed 16 A	2 · 5 x 4 [□]	1 · 3 x 1.5 [□]	IP 55
B	632	≥ 82 mm	1 Neozed 16 A	2 · 5 x 6 [□]	1 · 3 x 1.5 [□]	IP 55
	629	≥ 110 mm	2 Neozed 16 A	3 · 5 x 10 [□]	2 · 3 x 1.5 [□]	IP 55
D	644	≥ 110 mm	2 Neozed 16 A	2 · 5		IP 54
E	647	≥ 120 mm	3 Neozed 16 A	3 · 5		IP 54

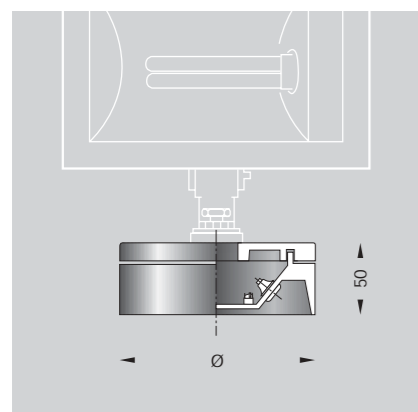


Box 70396 | 10724 STOC
Klubergsvägen 570
Tel +46 (0)8-103070 | Fa
info@crealux.se | www.cri



Accessories for BEGA floodlights
with G 1/2 · DIN ISO 228 mounting bush

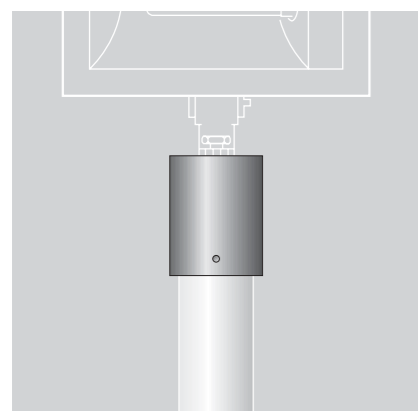
Perfect accessories for permanent and portable operation
of the floodlights on pages 252 · 254 · 258 · 262 · 272 · 274 · 276.



Mounting boxes IP 55
for permanent operation of a
floodlight with G 1/2 mounting bush
on pillars, walls or under ceilings
Die cast aluminium and stainless steel
2 cable entries for through-wiring
3 x 2.5² connecting terminals

Colour: graphite – article number
white – article number + **W**
silver – article number + **A**

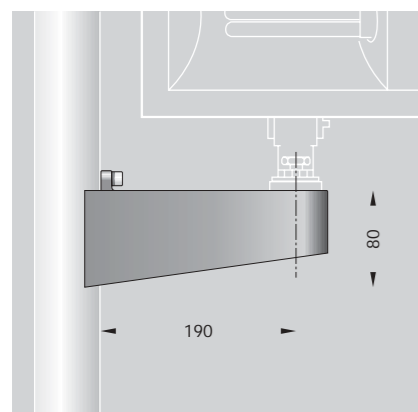
217	Mounting box with G 1/2 mounting bush	Ø 110 mm
294	Mounting box with G 1/2 mounting bush	Ø 130 mm
284	Mounting box with G 1/2 mounting bush	Ø 150 mm



Pole caps
for permanent operation of a
floodlight with G 1/2 mounting bush
on a pole
Die cast aluminium and stainless steel

Colour: graphite – article number
white – article number + **W**
silver – article number + **A**

		Insert depth
214	Pole cap with G 1/2 mounting bush for pole Ø 48 mm	50 mm
248	Pole cap with G 1/2 mounting bush for pole Ø 60 mm	80 mm
249	Pole cap with G 1/2 mounting bush for pole Ø 76 mm	95 mm
229	Pole cap with G 1/2 mounting bush for pole Ø 82 mm	100 mm



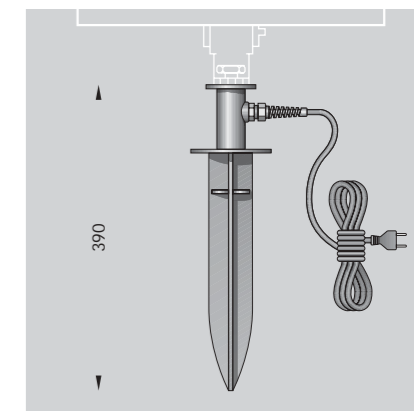
Outrigger arm IP 44
for permanent operation of a
floodlight with G 1/2 mounting bush
on:
• luminaire poles with Ø ≥ 60 mm
• wall surfaces
Die cast aluminium, aluminium and
stainless steel
3 x 2.5² connection terminals

Colour: graphite – article number
white – article number + **W**
silver – article number + **A**

379	Outrigger arm with G 1/2 mounting bush
------------	--

Earth spike
for portable operation of a
floodlight with G 1/2 mounting bush
Glass-fibre reinforced plastic
with 5 m connecting cable
and safety plug
Colour: graphite

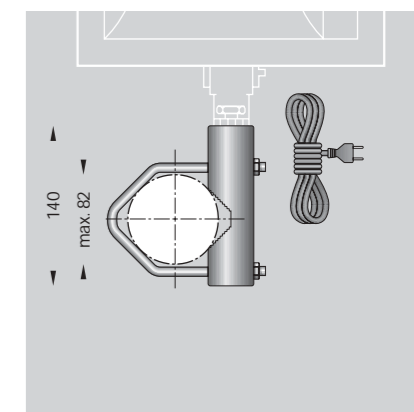
204	Earth spike with G 1/2 mounting bush
------------	--------------------------------------



Tube clamp
for portable operation of a
floodlight with G 1/2 mounting bush
Die cast aluminium and stainless steel
with 5 m connecting cable
and safety plug

Colour: graphite – article number
white – article number + **W**
silver – article number + **A**

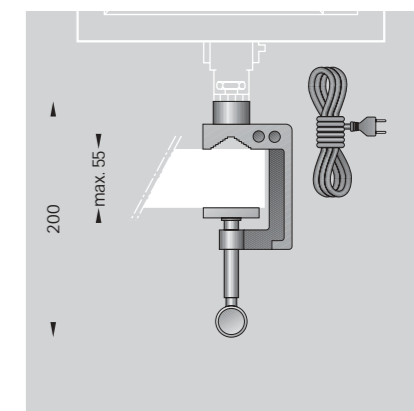
280	Tube clamp with G 1/2 mounting bush
------------	-------------------------------------



Screw clamp
for portable operation of a
floodlight with G 1/2 mounting bush
Die cast aluminium
with 5 m connecting cable and
safety plug

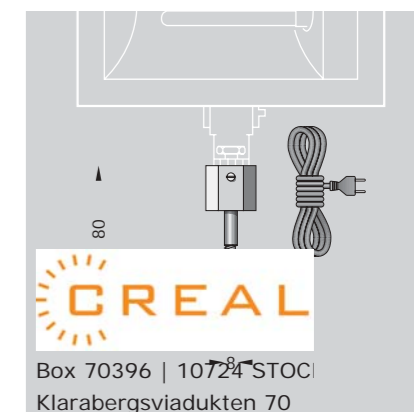
Colour: graphite – article number
white – article number + **W**
silver – article number + **A**

283	Screw clamp with G 1/2 mounting bush
------------	--------------------------------------



Wood screw
for portable operation of a
floodlight with G 1/2 mounting bush
Stainless steel wood screw
with 5 m connecting cable
and safety plug

252	Wood screw with G 1/2 mounting bush
------------	-------------------------------------

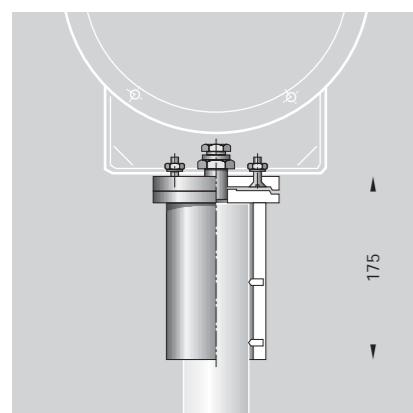


CREAL
Box 70396 | 10724 STOC
Klarabergsviadukten 70
Tel +46 (0)8-103070 | Fa
info@crealux.se | www.cri



Accessories for BEGA power floodlights
Bracket with 1 central hole Ø 22 mm and
2 holes Ø 9 mm · Spacing 80 mm

Perfect accessories to operate the floodlights on pages 264 - 271 and 278 - 285.

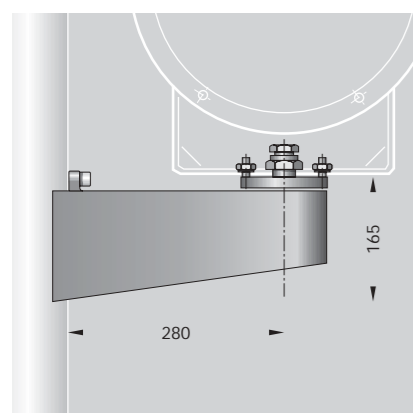


Pole caps
for installation of a floodlight
on a pole top
Die cast aluminium and stainless steel
Floodlight mounting with
2 M 8 screws · Spacing 80 mm
G 1/2 mounting bush

1 cable gland for connecting cable
H07RN-F 3G 1.5²

Colour: graphite – article number
silver – article number + **A**

	Insert depth
341 Pole cap for pole top Ø 60 mm	150 mm
342 Pole cap for pole top Ø 76 mm	150 mm
343 Pole cap for pole top Ø 89 mm	150 mm

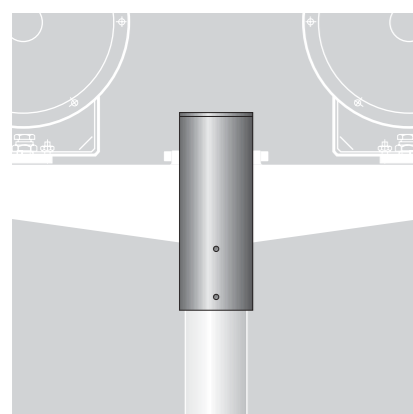


Outrigger arms
with or without discharge units IP 44
for installation of a floodlight to:
• steel or wood poles Ø ≥ 76 mm
• wall surfaces
• pole caps 386 · 387 · 388
Die cast aluminium, aluminium and
stainless steel
Floodlight mounting with
2 M 8 screws · Spacing 80 mm

G 1/2 mounting bush
1 cable gland for connecting cable
H07RN-F 3G 1.5²
3 x 2.5² connecting terminals and
strain relief clamp for connecting cable

Colour: graphite – article number
silver – article number + **A**

391 without discharge units	
394 with discharge units for HME 400 W	
398 with discharge units for HI-HS 400 W	
498 with discharge units for HST 600 W	



Pole caps
for installation of
• 1 to 2 outrigger arms
391 · 394 · 398 · 498
with floodlights on a steel pole
Die cast aluminium, aluminium and
stainless steel

with 3 x 2.5² connecting terminals and
strain relief clamp for connecting cable

Colour: graphite – article number
silver – article number + **A**

	Insert depth
386 Pole cap for pole top Ø 60 mm	120 mm
387 Pole cap for pole top Ø 76 mm	120 mm
388 Pole cap for pole top Ø 89 mm	120 mm

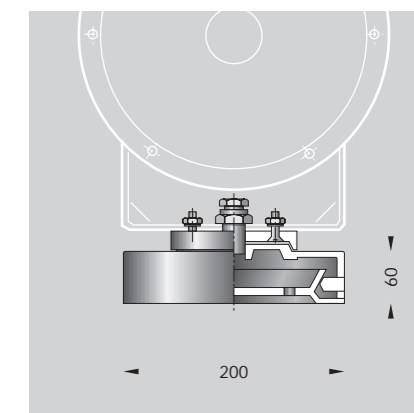
Mounting base
for permanent operation of a floodlight on
• walls
• pillars
• foundations
• anchorage units

Die cast aluminium and stainless steel

Floodlight mounting with
2 M 8 screws · Spacing 80 mm
G 1/2 mounting bush
1 cable gland for connecting cable
H07RN-F 3G 1.5²
Galvanized steel mounting plate

Colour: graphite – article number
silver – article number + **A**

228 Mounting base
895 Anchorage unit for 228



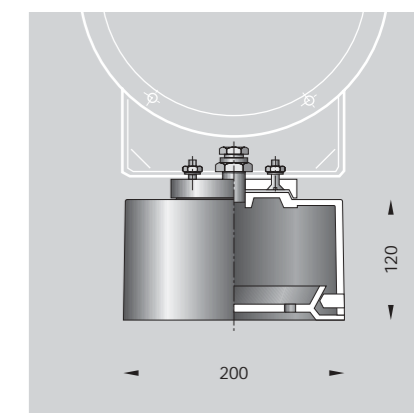
Mounting base
for accommodation of a branch box
for permanent operation of a floodlight on
• walls
• pillars
• foundations
• anchorage units

Die cast aluminium and stainless steel

Floodlight mounting with
2 M 8 screws · Spacing 80 mm
G 1/2 mounting bush
1 cable gland for connecting cable
H07RN-F 3G 1.5²
Galvanized steel mounting plate

Colour: graphite – article number
silver – article number + **A**

208 Mounting base for accommodation of a branch box
895 Anchorage unit for 208



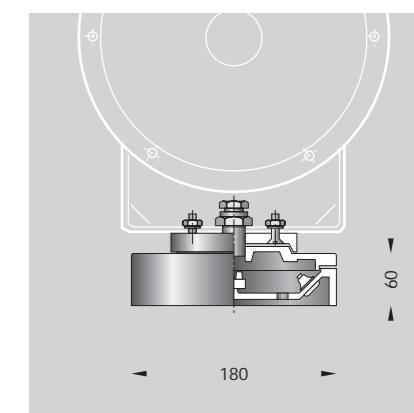
Mounting box IP 55
for permanent installation of a floodlight on
• walls
• pillars
• foundations
• under ceilings

Die cast aluminium and stainless steel

Floodlight mounting with
2 M 8 screws · Spacing 80 mm
G 1/2 mounting bush
1 cable gland for connecting cable
H07RN-F 3G 1.5²
2 cable entries for through-wiring
5 x 4² connecting terminal

Colour: graphite – article number
silver – article number + **A**

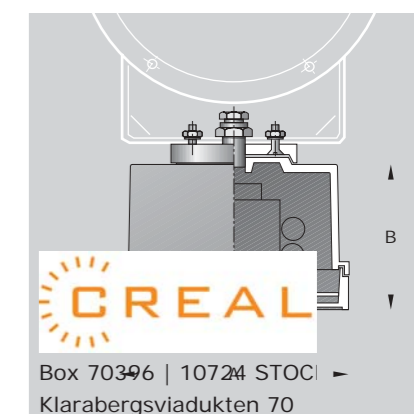
348 Mounting box



Control gear boxes
with discharge units IP 54
for floodlights with discharge lamps
Die cast aluminium and stainless steel
414 · 286 · 240 · 212
2 fixing holes Ø 9 mm
Spacing 200 mm
207 · 202 2 fixing holes
Ø 9 mm · Spacing 300 mm

2 cable glands · Floodlight mounting with
2 M 8 screws · Spacing 80 mm
G 1/2 mounting bush
with cable gland for connecting cable
H07RN-F 3G 1.5²
2.5² connecting terminals
240 with built-in ignitor
Colour: graphite – article number
silver – article number + **A**

			A	B
414 Control gear box for floodlight with HI/HS 250 W			240 x 180	140
286 Control gear box for floodlight with HME 400 W			240 x 180	140
240 Control gear box for floodlight with HI/HS 400 W			240 x 180	140
212 Control gear box for floodlight with HST 600 W			240 x 180	140
207 Control gear box for floodlight with HIT 1000 W			360 x 260	190
202 Control gear box for floodlight with HIT 2000 W · 400 V			360 x 260	190



Box 70396 | 10724 STOC
Klarabergsviadukten 70
Tel +46 (0)8-103070 | Fa
info@crealux.se | www.cre



The illustrations show the accessories when open.

Installation housings with sockets or switches · IP 44

For installation in luminaire poles or garden luminaires and bollards with a diameter of ≥ 82 mm and over, and rectangular cross-section of $\geq 80 \times 80$ mm. Installation in luminaire poles is prepared at the factory but must be carried out on site due to the risk of damage during transportation. Installation in garden luminaires and bollards is carried out at the factory.

Installation housings made of die cast aluminium. Implement carrier and cover are made of glass-fibre reinforced plastic. Colour graphite.

Colour of installation housings: graphite – article number
white – article number + **W**
silver – article number + **A**

160	Installation housing with safety socket outlet	German standard	16 A · 250 V~
166	Installation housing with safety socket outlet	Belgian/French standard	16 A · 250 V~
167	Installation housing with safety socket outlet	British standard	13 A · 250 V~
168	Installation housing with safety socket outlet	American standard	20 A · 250 V~
161	Installation housing with ON/OFF switch	ON/OFF	10 A · 250 V~
162	Installation housing with NOC push switch	NOC	10 A · 250 V~
163	Installation housing with control switch	ON/OFF	10 A · 250 V~
164	Installation housing with key-operated switch	ON/OFF	10 A · 250 V~
165	Installation housing with key-operated switch	pushbutton	10 A · 250 V~
180	Key cylinder for 164 + 165		3 keys assorted



The technical data of the products in this catalogue are subject to alterations due to new developments and technical progress. There are instructions for use available for all the luminaires. They include lighting data, important references and installation dimensions as well as all technical information on the respective type of luminaire. Instructions for use are supplied with every luminaire.

The BEGA web site www.bega.com gives you information on:

- all BEGA luminaires and accessories
- instructions for use in PDF format
- tender texts

- Calculation program
- DIALux for outdoor lighting, street lighting and indoor lighting
 - Luminaire data for DIALux
 - Luminaire data in EULUMDAT and IES format



Box 70396 | 10724 STOC
Klarabergsviadukten 70
Tel +46 (0)8-103070 | Fa
info@crealux.se | www.cre



Lighting technology · Principles · Planning

Solving lighting tasks requires good planning work. The BEGA catalogue contains a great deal of important information e.g. light distribution curves, floodlight and isolux diagrams. We explain the basic know-how required on this page. Technical luminaire data and calculation programs are also available on our web site at www.bega.de.

The BEGA lighting technology department will design lighting systems to your specifications. Our suggestions fulfil the required purpose and also consider requirements of design.

Light distribution curves

indicate the direction and intensity with which a luminaire emits light.

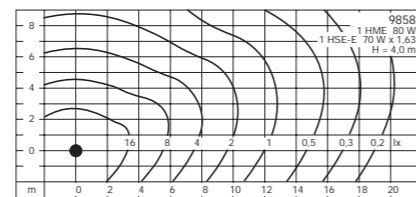
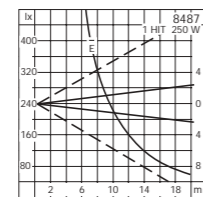
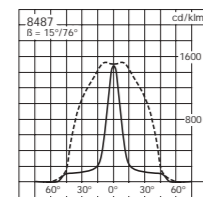
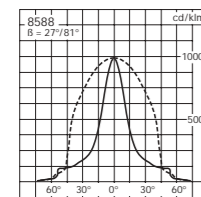
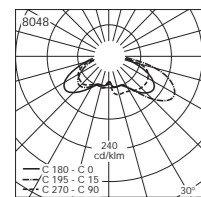
The luminous intensity in candela (cd) for a given wattage is derived from multiplying the value in cd/klm read from the diagram by the total luminous flux in kilolumen (klm) of the lamps used in the luminaire. Light distribution is mostly represented in polar coordinates – below left –.

For floodlights, we quote light distribution in Cartesian coordinates – below right –.

The half beam angles in the diagrams are also indicated by

C 0 - C 180 – solid line $\beta = 27^\circ$ and C 90 - C 270 – broken line $\beta = 81^\circ$.

The luminous intensity values are entered on the vertical axis and the light emission angles horizontally. The polar diagrams indicate to which C-planes the curves relate.



Lighting diagrams for floodlights – below right – show the dimensions of the surface defined by the two half beam angles – below left – and the average illuminance on that surface. The following can be read off in relation to the distance from the floodlight to - surface – horizontal axis:

- height – solid line – C 0 - C 180 $\beta = 15^\circ$
- width – broken line – C 270 - C 90 $\beta = 76^\circ$ of the limited surface to the vertical axis on the right.
- average illuminance – parabola – in lx on the vertical axis on the left.

Example: At a distance of 16 m, the half beam angles of floodlight 8487 define a surface of 4 m in height and 18 m in width. Average illuminance on this surface is 80 lx. Uniform coverage is achieved when the distances between the floodlights correspond to the width defined by the half beam angles.

When illuminating a facade from the ground upwards, only about 1/3 of the given illuminance is achieved.

Isolux diagrams – example given below – indicate the distribution of illuminance on a visible surface.

Points with the same illuminance are joined by curves – isolux lines. The luminaire is located perpendicular to the plane showing a mounting height »h« above the coordinate data. Depending on the type of luminaire, the mounting height »h« or the corresponding pole height »H« is given. The light source spacing is approximately twice the distance of the isolux line which belongs to the half value representing the required minimum illuminance.

Example: In the isolux diagram shown here, the 0.5 lx line is lateral at a distance of 14 - 16 m from the coordinate datum. If a footpath is to be illuminated – $E_{min} \leq 1 \text{ lx}$ –, light source spacing of approx. 28 m must be selected.

The isolux lines of luminaires with rotationally symmetrical light distribution are concentric circles.



Lighting technology · Guidelines

Our lighting information and light planning is based, apart from our own experience, on the following reference works:

- »Handbook of Lighting«
- Road Research Group »Directives for the Illumination of Pedestrian Areas«
- EN 13201 - street lighting
- DIN 67528 - car parks
- EN 12464 - illumination of workplaces (multi-storey car parks)
- EN 12193 - sports facilities
- EN 1838 - emergency lighting

Pedestrian areas

Recommendations by the Road Research Group

New urban planning concepts for pedestrian areas and residential courtyards focus on human factors. Public areas should promote communication and e.g. allow events to be staged. The selection and arrangement of the right luminaires are fundamental design features of such areas. Luminaires should be adequately shielded and illuminate adjacent facades with 1 - 4 lx, facilitating orientation and increasing safety.

Exterior areas	$\bar{E} \cdot \text{lx}$	g_2	E_{min}
Pedestrian zones	5	0.08	-
Pedestrian bridges	-	0.10	-
Squares	10	0.10	-
Level footpaths	-	-	1lx
Footpaths with steps	-	-	5lx
Outside steps	15	0.30	-

Interior areas	$\bar{E} \cdot \text{lx}$	g_2	E_{min}
Arcades, passageways	15	0.10	-
Shopping malls	50	0.10	-
Subways	60	0.33	-
Underground stations	120	0.30	-
Inside steps	120	0.30	-

Sports facilities · EN 12193

The lighting of sports grounds, sports halls and swimming pools should provide optimum conditions for sportsmen and women, spectators and judges. Colour rendering is recommended according to level 3 - 4 for training and 1 - 2 for competitions. For sports halls, we recommend twin-lamp luminaires with the possibility of reverse switching for training and competitions. Additional requirements apply to facilities which are suitable for TV recording.

Class III	$\bar{E} \cdot \text{lx}$	E_{min}/E_{av}
Football grounds	75	0.50
Indoor/Outdoor pools	200	0.50
Outdoor ice hockey	200	0.50
Indoor ice hockey	300	0.70
Riding arenas	100	0.50
Indoor riding arenas	200	0.50

Class II	$\bar{E} \cdot \text{lx}$	E_{min}/E_{av}
Gymnasiums, sports halls	500	0.70
Tennis halls	500	0.70
Swimming, water polo	300	0.70
Indoor ice hockey	500	0.70
Indoor riding arenas	300	0.60

Facilities for vehicles

EN 12464 · DIN 67528

Lighting of parking spaces	DIN 67528			
Standard values	E_n^*	E_n	g_1	E_m
Entrance/Exit	15 lx	7 lx	-	1 lx
Movement areas	15 lx	7 lx	0.2	1 lx
Parking areas	15 lx	7 lx	0.2	1 lx

E_n^* = for areas with high traffic density

Suppression of the luminance	
Angle of beam γ	Luminous intensity I_{max}
90°	50 cd/Klm
80°	100 cd/Klm

Lighting of car park buildings

EN 12464

Standard values	E_m	UGR _L	R_a
by day		25	20

Entrance/Exit	25	20
Movement areas	25	20
Parking areas	25	20
Entrance/Exit	10	19
Car parks	10	19

Tel +46 (0)8-103070 | info@crealux.se | www.crealux.se



Electrical safety

The luminaires in this catalogue are designed and built on the basis of the EN 60 598/VDE 0711 international regulations. The majority of the luminaires bear corresponding test symbols on the type plate, packaging and assembly instructions. The remaining luminaires have been prepared for testing but the test and approval procedure has not yet been completed. Due to the long period of validity of this catalogue, we are unable to specify here the current status of symbol approval. However, we can provide information on the status of symbol approval at any time. Special orders are supplied in accordance with the relevant specifications. All luminaires are subject to constant in-process monitoring and quality control.

Safety symbols



The ENEC symbol (European Norms Electrical Certification) is a European test and certification symbol for luminaires and electrical components in luminaires. The number 10 with or without the VDE symbol signifies that the test/certification symbol was awarded by the VDE Institute for Testing and Certification.



Luminaires with this symbol can be fixed to normal flame-inhibiting materials (EN 60 598/VDE 0711).



Luminaires bearing this symbol are suitable for business premises where dust or fibrous material present a fire hazard due to their limited surface temperatures (VDE 0710 Part 5).



Luminaires with this symbol can be installed in or on normal flame-inhibiting surfaces where thermal insulation material may cover the luminaire.



Luminaires bearing this symbol must not be in direct contact with insulating material.



Luminaires bearing the ball symbol are suitable for use in sports facilities. They fulfil the test requirements of VDE 0710 Part 13.



Luminaires with this symbol are designed in accordance with EN 60 598/VDE 0711 for an ambient temperature of t_a 25 °C (inside and outside). Luminaires with t_a 15 °C on the type plate are only suitable for use outside.



The CE symbol is affixed at the manufacturer's responsibility and is not a safety symbol. The manufacturer uses it to document conformity with European Union directives.



Safety classes · Protection classes

These classes provide information on a luminaire's stability in withstanding the penetration of dust, solid bodies and water in accordance with EN 60598/VDE 0711.

The respective degree of protection IP (International Protection) is printed on the luminaire as a number system according to IEC 529.

Please see the table on this page for allocation of the degree of protection according to EN 60598.

Protection classes

1st digit: foreign body protection

IP 1X protection against penetration of foreign bodies \geq 50 mm
 IP 2X protection against penetration of foreign bodies \geq 12 mm
 IP 3X protection against penetration of foreign bodies \geq 2.5 mm
 IP 4X protection against penetration of foreign bodies \geq 1 mm



IP 5X protection against harmful dust deposits
 IP 6X protection against dust entry

2nd digit: water protection



IP X1 protection against drops of water falling vertically

IP X2 protection against drops of water from angles up to 15°



IP X3 protection against showers up to 60°



IP X4 protection against splash water



IP X5 protection against water jets

IP X6 protection against heavy downpours

IP X7 protection against immersion



IP X8 protection against submersion

Safety classes



Safety class I designates luminaires with an earth connection. Under fault conditions, the power supply is cut by an overload.



Safety class II designates luminaires that, apart from functional insulation, have an additional protective insulation. Under fault conditions, no dangerous voltage can reach metal parts which can be touched. Many luminaires are available in Safety class I and also in Safety class II.

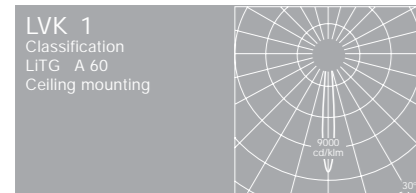


Safety class III designates luminaires with a low safety voltage. They can be used in rooms where the transformer must be approved for this type of installation.

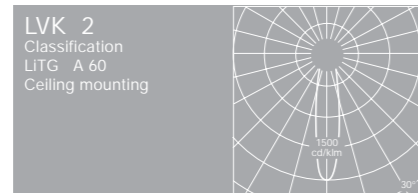


Box 70396 | 10724 STOC
 Klarabergsviadukten 70

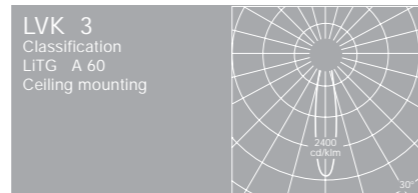
Tel +46 (0)8-103070 | Fa
 info@crealux.se | www.cri



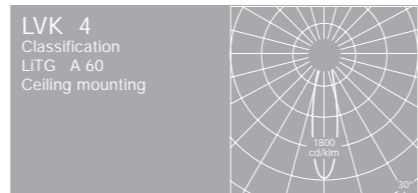
Ceiling	70	80	80	80	50	50	50	30
Walls	50	50	50	30	50	50	30	50
Floor	20	30	10	10	30	10	10	10
K 0.6	98	101	96	95	99	95	94	95
K 1.0	103	107	100	98	104	99	97	98
K 1.5	107	113	103	102	108	101	100	100
K 2.0	109	117	104	103	110	103	102	101
K 2.5	110	119	105	104	111	103	102	102
K 3.0	111	121	106	105	112	104	103	102
K 4.0	112	123	106	106	113	104	103	102
K 5.0	113	124	107	106	114	104	104	102



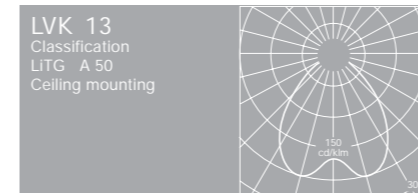
Ceiling	70	80	80	80	50	50	50	30
Walls	50	50	50	30	50	50	30	50
Floor	20	30	10	10	30	10	10	10
K 0.6	72	74	71	66	72	70	65	69
K 1.0	86	91	84	80	87	82	79	81
K 1.5	97	104	94	91	98	92	89	91
K 2.0	102	110	98	95	103	96	94	94
K 2.5	105	114	100	98	106	98	96	96
K 3.0	107	117	102	101	109	100	99	98
K 4.0	109	120	103	102	110	101	99	99
K 5.0	111	122	105	103	112	102	101	100



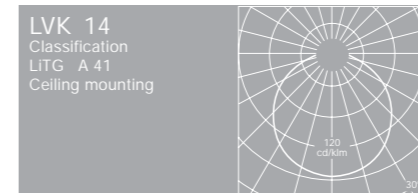
Ceiling	70	80	80	80	50	50	50	30
Walls	50	50	50	30	50	50	30	50
Floor	20	30	10	10	30	10	10	10
K 0.6	88	91	87	84	89	86	83	85
K 1.0	97	101	94	92	98	93	91	92
K 1.5	104	111	100	98	105	99	97	98
K 2.0	107	115	103	101	109	101	100	100
K 2.5	109	118	104	103	110	102	101	100
K 3.0	110	120	105	104	111	102	102	101
K 4.0	111	122	106	105	113	103	102	101
K 5.0	112	124	106	106	114	104	103	102



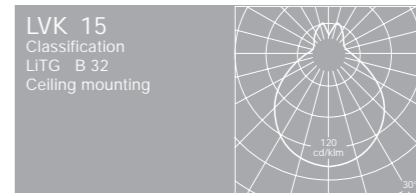
Ceiling	70	80	80	80	50	50	50	30
Walls	50	50	50	30	50	50	30	50
Floor	20	30	10	10	30	10	10	10
K 0.6	87	89	85	82	87	84	82	84
K 1.0	96	100	93	90	97	92	89	91
K 1.5	103	110	100	98	104	98	96	97
K 2.0	107	115	102	101	108	100	99	99
K 2.5	108	117	104	102	110	101	100	100
K 3.0	110	120	105	104	111	102	102	101
K 4.0	111	122	105	104	112	103	102	101
K 5.0	112	124	106	105	113	103	103	102



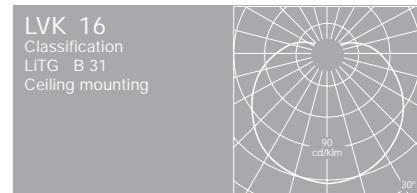
Ceiling	70	80	80	80	50	50	50	30
Walls	50	50	50	30	50	50	30	50
Floor	20	30	10	10	30	10	10	10
K 0.6	53	55	52	45	53	51	45	50
K 1.0	72	76	71	64	72	69	63	67
K 1.5	87	93	84	79	87	82	77	80
K 2.0	93	101	90	85	94	87	84	85
K 2.5	98	106	94	90	99	91	88	89
K 3.0	102	111	97	94	103	94	92	93
K 4.0	105	115	100	97	105	96	94	95
K 5.0	107	118	102	99	108	98	97	96



Ceiling	70	80	80	80	50	50	50	30
Walls	50	50	50	30	50	50	30	50
Floor	20	30	10	10	30	10	10	10
K 0.6	43	45	42	34	42	40	33	39
K 1.0	60	64	59	51	59	56	49	54
K 1.5	74	80	72	65	73	69	63	66
K 2.0	82	89	79	73	81	75	70	72
K 2.5	87	96	84	79	87	80	75	77
K 3.0	92	101	88	83	91	84	80	81
K 4.0	96	107	92	88	96	88	84	85
K 5.0	100	111	95	91	99	90	88	87

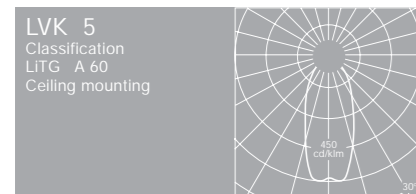


Ceiling	70	80	80	80	50	50	50	30
Walls	50	50	50	30	50	50	30	50
Floor	20	30	10	10	30	10	10	10
K 0.6	37	41	39	31	37	34	28	31
K 1.0	54	59	54	46	53	48	41	44
K 1.5	67	74	67	59	68	59	53	54
K 2.0	74	83	74	67	76	65	60	60
K 2.5	80	89	79	73	82	70	65	64
K 3.0	84	94	83	77	87	73	69	67
K 4.0	89	100	87	82	93	77	74	71
K 5.0	92	104	90	86	97	80	77	73

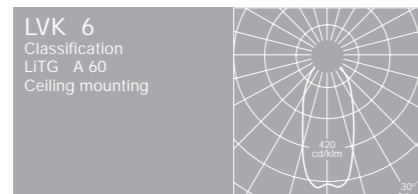


Ceiling	70	80	80	80	50	50	50	30
Walls	50	50	50	30	50	50	30	50
Floor	20	30	10	10	30	10	10	10
K 0.6	36	38	37	28	33	32	25	29
K 1.0	51	56	52	43	47	45	38	41
K 1.5	64	70	64	56	59	56	49	51
K 2.0	71	79	71	63	66	62	56	56
K 2.5	77	86	76	69	72	66	61	60
K 3.0	81	91	80	74	76	70	65	64
K 4.0	86	97	84	79	81	74	70	67
K 5.0	89	102	87	83	84	77	73	70

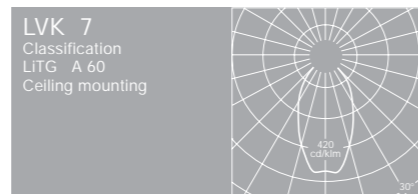
Room efficiency tables
according to LITG classification



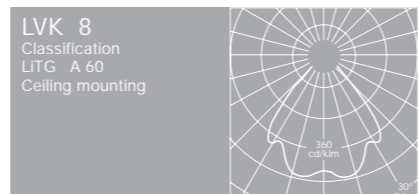
Ceiling	70	80	80	80	50	50	50	30
Walls	50	50	50	30	50	50	30	50
Floor	20	30	10	10	30	10	10	10
K 0.6	71	74	70	65	72	69	65	68
K 1.0	86	90	84	79	87	82	78	81
K 1.5	97	104	94	91	98	92	89	91
K 2.0	102	110	98	95	103	96	94	94
K 2.5	105	114	100	98	106	98	96	96
K 3.0	107	117	102	101	109	100	99	98
K 4.0	109	119	103	102	110	101	99	99
K 5.0	111	122	105	103	112	102	101	100



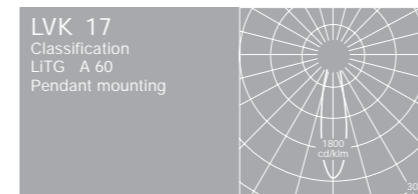
Ceiling	70	80	80	80	50	50	50	30
Walls	50	50	50	30	50	50	30	50
Floor	20	30	10	10	30	10	10	10
K 0.6	71	73	69	64	71	68	64	67
K 1.0	86	90	84	79	86	82	78	81
K 1.5	97	103	94	90	98	92	89	90
K 2.0	102	109	98	95	102	95	93	94
K 2.5	105	113	100	98	106	98	96	96
K 3.0	107	117	102	100	108	100	98	98
K 4.0	109	119	103	102	110	100	99	99
K 5.0	110	122	105	103	112	102	101	100



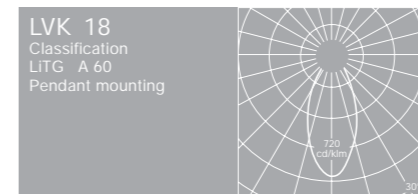
Ceiling	70	80	80	80	50	50	50	30
Walls	50	50	50	30	50	50	30	50
Floor	20	30	10	10	30	10	10	10
K 0.6	67	69	66	61	67	65	60	64
K 1.0	83	88	81	77	84	79	75	78
K 1.5	95	101	92	88	96	90	87	88
K 2.0	100	107	96	93	101	93	91	92
K 2.5	103	112	99	96	104	96	94	95
K 3.0	106	116	101	99	107	98	97	97
K 4.0	108	118	102	101	109	100	98	98
K 5.0	110	121	104	102	111	101	100	99



Ceiling	70	80	80	80	50	50	50	30
Walls	50	50	50	30	50	50	30	50
Floor	20	30	10	10	30	10	10	10
K 0.6	65	67	64	58	65	63	58	62
K 1.0	82	86	80	75	82	78	74	77
K 1.5	94	101	91	88	95	89	86	88
K 2.0	99	107	96	92	100	93	91	92
K 2.5	103	112	99	96	104	96	94	94
K 3.0	106	115	101	99	107	98	97	97
K 4.0	108	118	102	100	109	99	98	98
K 5.0	110	121	104	102	111	101	100	99



Ceiling	70	80	80	80	50	50	50	30
Walls	50	50	50	30	50	50	30	50
Floor	20	30	10	10	30	10	10	10
K 0.6	87	89	86	83	88	85	83	85
K 1.0	95	98	93	90	96	92	90	92
K 1.5	102	107	99	97	103	98	96	97
K 2.0	105	111	102	100	107	100	99	99
K 2.5	107	114	103	102	108	101	100	100
K 3.0	109	117	104	103	110	102	101	101
K 4.0	110	119	105	104	111	103	102	101
K 5.0	111	121	106	105	112	103	103	102



Ceiling	70	80	80	80	50	50	50	30
Walls	50	50	50	30	50	50	30	50



Symbol	LBS	Wattage P(W)	Lamp-holder	Lumen Φ (lm) Lum. intens. I (cd)	Osram	Philips	GE
General service lamps							
	A 60	40 W	E 27	420 lm	CLAS A FR 40	11466	91174
	A 60	60 W	E 27	710 lm	CLAS A FR 60	11480	91175
	A 60	75 W	E 27	940 lm	CLAS A FR 75	11503	91176
	A 60	100 W	E 27	1360 lm	CLAS A FR 100	11527	91177
	A 65	150 W	E 27	2200 lm	CLAS A FR 150	90492	91125
Drop lamps							
	D 45	25 W	E 14	200 lm	CLAS P FR 25	11947	90547
	D 45	40 W	E 14	400 lm	CLAS P FR 40	11978	90549
	D 45	60 W	E 14	660 lm	CLAS P FR 60	—	90551
Candle lamps							
	C 35	40 W	E 14	400 lm	CLAS B FR 40	11336	91323
Pear-shaped lamps · Tubular lamps							
	CO 26	15 W	E 14	110 lm	SPC T 26/57 FR 15	58393	92047
Reflector lamps							
	PAR 38 · 12°	120 W	E 27	9300 cd	PAR 38/SP	600387	91576
	PAR 38 · 30°	120 W	E 27	3100 cd	PAR 38/FL	600417	91573
	PAR 56 · 9°/15°	300 W	GX 16d	40000 cd	—	159571	—
	PAR 56 · 11°/25°	300 W	GX 16d	22000 cd	—	159618	—
	PAR 56 · 16°/40°	300 W	GX 16d	9000 cd	—	159656	—
Tungsten halogen lamps							
	QT 18	40 W	B 15d	460 lm	64467/AM	—	—
	QT 18 lamp length 67 mm	60 W	B 15d	790 lm	64481/AM	—	—
	QT 18	60 W	B 15d	790 lm	64469/AM	—	—
	QT 18	75 W	B 15d	1050 lm	64473/AM	179630	—
	QT 18 lamp length 86 mm	100 W	B 15d	1470 lm	64475/AM	179654	—
	QT 14	25 W	G 9	230 lm	66625/AM	—	—
	QT 14	40 W	G 9	460 lm	66640/AM	429605	—
	QT 14	60 W	G 9	790 lm	66660/AM	429669	—
	QT 14	75 W	G 9	1050 lm	66675/AM	—	—
	QT 26	40 W	E 14	460 lm	64861 T/TIM	—	—
	QT 26	60 W	E 14	790 lm	64862 T/TIM	—	—
	QT 32	60 W	E 27	790 lm	64472/IM	13656	—
	QT 32	75 W	E 27	1050 lm	64474/IM	—	—
	QT 32	100 W	E 27	1470 lm	64476/IM	13660	—
	QT 32	150 W	E 27	2400 lm	64478/IM	13945	—
	QT 32	250 W	E 27	4210 lm	64480/IM	—	—
	QT-DE 12	60 W	R7s	840 lm	64688	494726	—
	QT-DE 12	150 W	R7s	2500 lm	64695	058348	91428
	QT-DE 12	300 W	R7s	5000 lm	64701	494382	91436
	QT-DE 12	500 W	R7s	9500 lm	64702	494399	29165
	QT-DE 12	1000 W	R7s	22000 lm	64740	494344	29180
Low voltage tungsten halogen lamps							
	QT 9-ax	5 W	G 4	60 lm	64405 S	409690	42959
	QT 9-tr	10 W	G 4	130 lm	64415 F	—	—
	QT 9-ax	10 W	G 4	130 lm	64415 S	409706	35705
	QT 9-ax	20 W	G 4	320 lm	64425 S	402103	35710
	QT 12-ax	35 W	GY 6.35	600 lm	64432 S	402189	35699
	QT 12-ax	50 W	GY 6.35	910 lm	64440 S	402172	35700
	QT 12-ax	75 W	GY 6.35	1450 lm	64450 S	402165	35701
Low voltage reflector lamps							
	QR-CBC 51 · 10°	20 W	GU 5.3	5000 cd	46860 SP	424549	20858
	QR-CBC 51 · 38°	20 W	GU 5.3	780 cd	46860 WFL	424846	20857
	QR-CBC 51 · 10°	35 W	GU 5.3	8000 cd	44865 SP	424907	20864
	QR-CBC 51 · 38°	35 W	GU 5.3	1500 cd	44865 WFL	425041	20859
	PAR 36 · 26°/37°	25 W	cable	500 cd	—	—	25 PAR 36 WFL 12V
	PAR 36 · 28°/37°	50 W	cable	1300 cd	—	—	50 PAR 36 WFL 12V
	PAR 56 · 10°/35°	300 W	cable	6000 lm	—	159694	300 PAR 56 WFL 12V
Fluorescent lamps							
	T 26	18 W	G 13	1350 lm	Lumilux L 18 W	Master TL-D	F 18 W/T8
	T 26	36 W	G 13	3350 lm	Lumilux L 36 W	Master TL-D	F 36 W/T8
	T 26	58 W	G 13	5200 lm	Lumilux L 58 W	Master TL-D	F 58 W/T8
Circular fluorescent lamps							
	T-R 32	40 W	G 10q	2800 lm	L 40/... C	TL-E 40 W/...	FC 16 T9/...
Compact fluorescent lamps							
	TC-F	18 W	2G10	1100 lm	Dulux F 18 W	—	—

Lamp table

Lamp table for the luminaires in this BEGA Main Catalogue.

Lamps are subject to constant technical development and improvement. As this catalogue will be valid for a considerable time, we expressly advise you to consult the latest data sheets issued by the lamp manufacturers. This applies in particular to data relating to the burning position, operating current and starting characteristics of the lamps.

The contents of this lamp table were provided by the lamp manufacturers. We assume no liability for its completeness and validity.

We use the uniform lamp designation system – LBS – of the electrical industry.

This table allows you to compare the lamp designations of the different manufacturers.

Symbol	LBS	Wattage P(W)	Lamp-holder	Lumen Φ (lm) Lum. intens. I (cd)	Osram	Philips	GE
Compact fluorescent lamps							
	TC-S	5 W	G 23	250 lm	Dulux S 5 W	PL-S 5 W	F5BX/...
	TC-S	7 W	G 23	400 lm	Dulux S 7 W	PL-S 7 W	F7BX/...
	TC-S	9 W	G 23	600 lm	Dulux S 9 W	PL-S 9 W	F9BX/...
	TC-S	11 W	G 23	900 lm	Dulux S 11 W	PL-S 11 W	F11BX/...
	TC-D	10 W	G 24 d-1	600 lm	Dulux D 10 W	PL-C 10 W	F10DBX/...
	TC-D	13 W	G 24 d-1	900 lm	Dulux D 13 W	PL-C 13 W	F13DBX/...
	TC-D	18 W	G 24 d-2	1200 lm	Dulux D 18 W	PL-C 18 W	F18DBX/...
	TC-D	26 W	G 24 d-3	1800 lm	Dulux D 26 W	PL-C 26 W	F26DBX/...
	TC-T	13 W	GX 24 d-1	900 lm	Dulux T 13 W	PL-T 13 W	F13TBX/...
	TC-T	18 W	GX 24 d-2	1200 lm	Dulux T 18 W	PL-T 18 W	F18TBX/...
	TC-T	26 W	GX 24 d-3	1800 lm	Dulux T 26 W	PL-T 26 W	F26TBX/...
	TC-TEL	13 W	GX 24 q-1	900 lm	Dulux T/E 13 W	PL-T 13 W/4p	F13TBX/... 4p
	TC-TEL	18 W	GX 24 q-2	1200 lm	Dulux T/E 18 W IN	PL-T 18 W/4p	F18TBX/... 4p
	TC-TEL	26 W	GX 24 q-3	1800 lm	Dulux T/E 26 W IN	PL-T 26 W/4p	F26TBX/... 4p
	TC-TEL	32 W	GX 24 q-3	2400 lm	Dulux T/E 32 W IN	PL-T TOP 32 W/4p	F32TBX/... 4p
	TC-TEL	42 W	GX 24 q-4	3200 lm	Dulux T/E 42 W IN	PL-T TOP 42 W/4p	F42TBX/... 4p
	TC-TEL	60 W	2 G 8	4000 lm	—	PL-H 60 W/4p	—
	TC-TEL	85 W	2 G 8	6000 lm	—	PL-H 85 W/4p	—
		TC-L	18 W	2 G 11	1200 lm	Dulux L 18 W	PL-L 18 W/4p
TC-L		24 W	2 G 11	1800 lm	Dulux L 24 W	PL-L 24 W/4p	F24BX/...
TC-L		36 W	2 G 11	2900 lm	Dulux L 36 W	PL-L 36 W/4p	F36BX/...
TC-L		55 W	2 G 11	4800 lm	Dulux L 55 W	PL-L 55 W/4p	F55BX/...
Compact fluorescent lamps with electronic ballast							
	TCA-SE	7/9 W	E 27	350/425 lm	Dulux EL CLA 7 W	Ambiance Pro 9 W	—
	TCA-SE	11/12 W	E 27	550/600 lm	Dulux EL CLA 11 W	Ambiance Pro 12 W	—
	TCA-SE	15/16 W	E 27	800/900 lm	Dulux EL CLA 15 W	Ambiance Pro 16 W	92225
	TC-TSE	15 W	E 27	900 lm	Dulux EL LL 15 W	PL E-T Pro 15 W	92259
	TC-DSE	7/8 W	E 27	400 lm	Dulux EL LL 7 W	PL E-C Pro 8 W	—
	TC-DSE	11 W	E 27	600 lm	Dulux EL LL 11 W	PL E-C Pro 11 W	92211
Mercury vapour lamps							
	HME	50 W	E 27	2000 lm	HQL 50 de Luxe	HPL-Comf. 50 W	H 50 WDX/27
	HME	80 W	E 27	4000 lm	HQL 80 de Luxe	HPL-Comf. 80 W	H 80 WDX/27
	HME	125 W	E 27	6500 lm	HQL 125 de Luxe	HPL-Comf. 125 W	H 125 WDX/27
	HME	250 W	E 40	14000 lm	HQL 250 de Luxe	HPL-Comf. 250 W	H 250 WDX/40
	HME	400 W	E 40	24000 lm	HQL 400 de Luxe	HPL-Comf. 400 W	H 400 WDX/40
Metal halide lamps							
	HIT-TC-CE	35 W	G 8.5	3300 lm	HCI-TC 35 W	CDM-TC 35 W	CMH 35/TC/G 8,5
	HIT-TC-CE	70 W	G 8.5	6600 lm	HCI-TC 70 W	CDM-TC 70 W	CMH 70/TC/G 8,5
	HIT-CE	35 W	G 12	3300 lm	HCI-T 35 W	CDM-T 35 W	CMH 35/T/G12
	HIT-CE	70 W	G 12	6600 lm	HCI-T 70/...	CDM-T 70 W	CMH 70/T/G12
	HIT-CE	150 W	G 12	14000 lm	HCI-T 150/...	CDM-T 150 W	CMH 150/T/G12
	HIT-DE	70 W	RX7s	5000 lm	HCI-TS 70/...	CDM-TD 70 W	CMH 70/TD/RX7s
	HIT-DE	150 W	RX7s	11000 lm	HCI-TS 150/...	CDM-TD 150 W	CMH 150/TD/RX7s-24
	HIT-DE	250 W	Fc 2	22000 lm	HCI-TS 250/...	MHN-TD 250 W	ARC 250/TD/Fc 2
	HIT-DE	400 W	Fc 2	36000 lm	HCI-TS 400/...	—	—
	HIT-DE	1000 W	cable	95000 lm	HCI-TS 1000/D/S	—	—
	HIT-DE	2000 W	cable	200000 lm	HCI-TS 2000/D/S	—	—
	HIE-CE	70 W	E 27	5900 lm	—	CDM-ET 70 W	—
	HIE/m (HIE/c)	70 W	E 27	5700 (6000) lm	HCI-E/P 70/(clear)	—	CMH 70/E/E 27
	HIE/m (HIE/c)	100 W	E 27	8600 (9000) lm	HCI-E/P 100/(clear)	—	CMH 100/E/E 27
	HIE/m (HIE/c)	150 W	E 27	12500 (13000) lm	HCI-E/P 150/(clear)	—	—
	HIE	250 W	E 40	19000 lm	HCI-E 250/D	—	ARC 250/D/40
	HIE	400 W	E 40	30000 lm	HCI-E 400/...	HPI Plus 400 W	—
	HIT-CE	70 W	E 27	6300 lm	HCI-TT 70 W	CDM-TT 70 W	—
	HIT-CE	150 W	E 40	13500 lm	HCI-TT 150 W	CDM-TT 150 W	—
	HIT	250 W	E 40	20000 lm	HCI-T 250/D	—	ARC 250/T/E 40
	HIT	400 W	E 40	32000 lm	HCI-T 400/...	HPI-T Plus 400 W	ARC 400/T/E 40
Sodium vapour discharge lamps							
	HST-DE	70 W	RX7s	6800 lm	NAV-TS 70 Super	—	—
	HST-DE	150 W	RX7s	15000 lm	NAV-TS 150 Super	—	—
	HST-DE	250 W	Fc 2	25500 lm	NAV-TS 250	—	—
	HST-DE	400 W	Fc 2	48000 lm	NAV-TS 400	—	—
	HSE-E	50 W	E 27	3500 lm	NAV-E 50/E	SON PIA 50 W-E	LU 50 /D/27
	HSE-E	70 W	E 27	5600 lm	NAV-E 70/E	SON PIA 70 W-E	LU 70 /D/27
	HSE	100 W	E 40	9500 lm	NAV-E 100 Super	SON PIA Plus 100 W	LU 100 /D/40
	HSE	150 W	E 40	14000 lm	NAV-E 150	SON PIA 150 W	LU 150 /D/40
	HSE	250 W	E 40	25000 lm	NAV-E 250	SON PIA 250 W	LU 250 /D/40
	HSE	400 W	E 40	47000 lm	NAV-E 400	SON PIA 400 W	LU 400 /D/40
	HST-MF	50 W	E 27	4400 lm	NAV-T 50 Super	—	150 /HO/T 27
	HST-MF	70 W	E 27	6500 lm	NAV-T 70 Super	—	170 /HO/T 27
	HST-MF	100 W	E 40	10000 lm	NAV-T 100 Super	—	1100/HO/T 40
	HST	150 W	E 40	14500 lm	NAV-T 150	—	1150 /T 40
	HST	250 W	E 40	27000 lm	NAV-T 250	—	1500 /T 40
	HST	400 W	E 40	48000 lm	NAV-T 400	—	LU 400 /T 40
	HST-MF	600 W	E 40	90000 lm	NAV-T 600 Super	—	LU 600/HO/T 40
	HST-MF	600 W	E 40	90000 lm	NAV-T 600 Super	—	LU 600/HO/T 40



Tel +46 (0)8-103070 | Fa info@crealux.se | www.crealux.se

Our deliveries are effected in accordance with the »General Conditions of Supply and Delivery for Products and Services of the Electrical Industry« as issued by the Association of German Electrical and Electronic Manufacturers. In addition, our terms and conditions of sale and delivery hereinafter set forth shall apply.

Offers – All offers are without obligation and subject to alteration without notice.

Delivery – Unless otherwise agreed, deliveries are effected »ex works« for the risk and account of the purchaser. Orders of at least EUR 1,500.- are delivered FOB North Sea port, German airport or free German border. Packing included. On request, risk of breakage to the delivery address shall be assumed by us and charged separately at 1 % of the net value of goods within Europe. Overseas premium upon request.

Time of delivery – This is advised to the best of our ability. Delay in delivering shall not give rise to any liability, whether or not any time or date is given in this respect unless a guarantee of delivery has been given in writing by us expressly stating a specific guaranteed time.

Prices – As per our current price list in Euro.

Charges for legalization and courier service shall be made at actual cost. Outer packing shall be charged at cost and cannot be returned. If a certain net order value is reached, we can arrange deliveries on the following terms: freight paid to German border or FOB German seaport. In this case, we follow the relevant rules of the INCOTERMS, latest edition. On delivery, we always charge the current prices, even if other prices were quoted. Except for routine deliveries by our contract forwarders, the outer packing shall be invoiced.

Payment – If not otherwise arranged, payment is to be made by irrevocable and confirmed documentary letter of credit, to be established through a first class foreign bank with Dresdner Bank AG or Commerzbank AG, Iserlohn. All banking charges outside Germany including advising and negotiating commission and reimbursing bank fees for a/c of applicant. If we agree to open an account, our invoices are payable net within 30 days of date of invoice. If date of payment is exceeded, we are authorized to charge default interest at the rate customary in banking.

Property reservation – As long as account remains unpaid, we reserve our title to all goods supplied. With handing-over of the merchandise, a custody contract is deemed agreed. For the purpose of regular business operations, the purchaser is entitled to use and to sell our merchandise. This does not affect our proviso clause. With the sales contract the purchaser agrees that debt claims originating from the re-sales of our merchandise or from other titles regarding this merchandise under our proviso clause are to be transferred to us, up to an amount which is in accordance with the value of the merchandise subject to our reservation. With the proviso of a revocation at any time, the purchaser is entitled to collect the ceded claim. In the case of the ceded claim, the purchaser is bound to make records of such ceded claims and to submit these records to us on request. If given and existing securities exceed the total value of our claims by more than 25%, we are – on request – committed to release such securities or parts of them.

Design – We reserve the right to make any modifications in the shape and construction of our products due to technical progress.

Warranty – We give a warranty for our products according to IX of the »General Conditions of Supply and Delivery for Products and Services of the Electrical Industry«. Other warranty or damage claims against us – for whatever legal reason – are excluded. This especially applies to indemnity for damages not affecting the product itself. Complaints relating to quantity or visible damages shall only be considered if made within 7 days of receipt of the consignment. We accept no liability for any consequential damage due to incorrect light planning provided by us as a free service. Luminaires are technical products according to the Device Safety Act and must be used in accordance with their product determination only. If luminaires and accessories are used in a way other than as originally determined, or altered arbitrarily without our explicit written consent, we shall be released from all obligations in the event of damage.

Returns – If in special cases, we agree to the return of goods, we credit 80% of the net invoice value. We expect return shipments to be made free factory Menden in the original packing and without damage. Necessary reconditioning and repacking costs will be deducted from our relevant credit note or shall be charged forward. Non-standards as well as special productions cannot be returned.

Exports – Goods purchased must not without our written consent be offered or sold for export outside the European Union and any inquiries or orders for such export must be placed directly with the Export Department with indication of the country of destination.

Place of fulfilment and jurisdiction is Menden, Germany.
All deliveries and transactions are governed by German law.

Imprint

We would like to thank the Yamagiwa Corporation – photographer Toshio Kaneko – for permission to publish photos

Design: BEGA Grafik Design, Menden
Repro: Cross-Media-Center Dortmund
Printed by: Druckerei Neef und Stumme, Wohltorf



Box 70396 | 10724 STOC
Klarabergsviadukten 70
Tel +46 (0)8-103070 | Fa
info@crealux.se | www.cri