

# EDIFACT Guide

# G P O

## German Port Order

(standardized port order for port processings considering  
the processes of customs export procedure ATLAS AES)

A joint venture of the sea ports  
Bremen/Bremerhaven  
and  
Hamburg

Version 4.3/E

Valid from 07.08.2012

Function	Name	Signature	on	Date
Created by	C. Marquardt, J. Rathjens, D.		on	09.02.2006
Changed by	Gladiator, C. Wegner J. Dietrich		on	02.07.2012
Checked by			on	
Released by			on	
Print				
File	gpo_order_aes_en.doc			
Distributor	dbh, DAKOSY			

## List of amendments

Version	Type of amendment	Amended by	Release
1.0	Creation of the document	ZAPP AES AG 02.2006	ZAPP AES AG 02.2006
1.1			
1.2	Corrections  SG3 Seg. no.16 RFF (SACO) comment under A amended Correction page 81ff. Correction page 57,92+93	S. Köhler 23.06.2006 12.07.2006  18.07.2006	
1.3	Corrections in particular revision of allocation of form types DY01 field number format to application types AES	C. Wegner 18.09.2006	
1.4	UNG changed from conditional to mandatory	C. Wegner 18.11.2006	
1.5	BGM stop and release after stop removed for Hamburg	C. Wegner 08.01.2007	
2.0	Shortage amended: Segment SG03/RFF qual: EP added; Transmission net weight added	C. Wegner 12.04.2007	
2.1	SG11/12 modification of ZAPP contact data	C. Wegner 08.07.2008	
2.3	SG11/12 modification of ZAPP contact data SG22 segment RFF with qualifier AKG amended to status D	C. Wegner 06.08.2008	
2.3	Preface adjusted Dangerous goods indications: Excepted quantities added	C. Wegner 08.12.2008	
3.0/D	New declaration type AEM for market organisation goods added	C. Wegner 13.03.2009	C. Wegner 13.03.2009
3.1/D	Instructions for the use of segment GOR specified, TSR amended with regard to declaration types	C. Wegner 13.05.2009	C. Wegner 13.05.2009
4.0/E	New indicator equipment at car loading, new check of chassis no.	C. Wegner 01.09.2009	C. Wegner 01.09.20094
4.1/ E	Minor editorial changes/ addition of specific indication for Hamburg port: IT-reference SG 11/15 RFF; NAD (FW, BA, PF)	J. Dietrich 28.09.2009	F. Hartmann 28.09.2009
4.2/E	Addition of chapter 6: BHT-specifics, further explanations about added segments Addition of declaration type DUX, addition of segment LOC for declaration type DUX (country of origin/export and country of destination)	J. Dietrich 24.02.2011	F. Schwanke 24.02.2011
4.2.1/E	Change of SG37/EQD/MEA/Gross weight to container	J. Dietrich 02.04.2012	F. Schwanke 02.04.2012
4.3/E	Change of SG3/ RFF/ former TIN no., cf. page 37	J. Dietrich 02.07.2012	F. Schwanke 02.07.2012



## Amendment service:

**DAKOSY**

**Datenkommunikationssystem AG**

Mattentwiete 2

20457 Hamburg

Telephone: 040 / 37003-421

Fax: 040 / 37003-570

Email: [info@dakosy.de](mailto:info@dakosy.de)

Configuration data: The document „EDIFACT Guide to the GPO“ was produced with the word processing programme Microsoft Word 2003.

The programme GEFEG.FX by GEFEG from Berlin was used for the compilation of the EDIFACT-specific diagrams and tables.

## Index

<b>1</b>	<b>Preface .....</b>	<b>5</b>
1.1	Preface to version 2.0 ff .....	5
1.2	Preface to version 3 .....	6
<b>2</b>	<b>Explanation of the message structure.....</b>	<b>7</b>
2.1	Message structure.....	7
2.2	Allocation of semantic content (technical information) .....	12
2.3	Branch Diagram of the message structure.....	16
<b>3</b>	<b>Explanations to the segment description.....</b>	<b>22</b>
<b>4</b>	<b>Structure of the transmission file and description of service segments .....</b>	<b>23</b>
4.1	Structure of the transmission file.....	23
<b>5</b>	<b>The GPO message – Description of used segments and segment groups.....</b>	<b>24</b>
<b>6</b>	<b>BHT specifics.....</b>	<b>77</b>
<b>7</b>	<b>General annotations .....</b>	<b>139</b>
7.1	Dangerous goods indications .....	139
7.2	Customs indications decision table for the declaration of market regulation commodities 140	
<b>8</b>	<b>Example to the GPO AES message structure.....</b>	<b>141</b>
8.1	Order (LCL) - 1 package level, 1 x customs.....	141
8.1.1	Example message .....	141
8.2	Order (FCL) - 1 package level 1 x customs.....	143
8.2.1	Example message .....	143
8.3	Order (LCL) - 1 package level 1 x customs (3 positions) .....	145
8.3.1	Example message .....	145
8.4	Order (FCL) - 3 package level (2 customs positions).....	148
8.4.1	Example message 1 <sup>st</sup> variant.....	148
8.4.2	Example message 2 <sup>nd</sup> variant.....	149
8.5	Order (FCL) - 3 package level (2 MRN, 4/1 positions; 3 package IDs).....	150
8.5.1	Example message 1 <sup>st</sup> variant (positions and package IDs are not allocated to the commodities, 2 <sup>nd</sup> MRN is not completely illustrated in this GPO order) .....	151
8.5.2	Example message 2 <sup>nd</sup> variant (positions and package IDs are allocated to the commodities; MRN not completely illustrated in this GPO order) .....	152
<b>9</b>	<b>Appendix.....</b>	<b>153</b>
9.1	Example of an AES customs reference.....	153

# 1 Preface

Representatives of the port managements Hamburg and Bremen/Bremerhaven instructed their data processing service providers, the

**dbh Datenbank Bremische Häfen AG, Bremen**

and

**DAKOSY Datenkommunikationssystem AG, Hamburg**

to create an EDIFACT message, in order to guarantee the standardised data transmission of port order and quay application information (shipping note, port document, etc.) at the ports Bremen/Bremerhaven and Hamburg.

The transport sector expects substantial rationalisation benefits for all involved companies by the creation of a standardized interface for the

**,assignment of quay services’.**

This guide describes the requirements which result from the modified process due to the implementation of customs clearing procedure ATLAS (automated tariff- and local customs clearing system) – AES (automated export system).

(See [http://www.zapp-hamburg.de/pdf/grobkonzept\\_ZAPP-AES\\_v1.3\\_20060217.pdf](http://www.zapp-hamburg.de/pdf/grobkonzept_ZAPP-AES_v1.3_20060217.pdf) )

The GPO message IFTMIN was exempted from customs declaration data. The MRN incl. position no., package ID and indicator of completion were added instead. The MRN is being described on all three package levels to the item. The indication of the MRN should best be given at the first package level. If the indications can not be transmitted in such detail the MRN should be transmitted once at the highest package level of an item.

The container will not be accepted as package in the GPO message. Max. one container can be allocated to each item. Specifications to dangerous goods will be described once at the highest package level, substitutional for each package level.

Partial integration ATLAS AES (see [http://www.zapp-hamburg.de/pdf/grobkonzept\\_ZAPP-AES\\_v1.3\\_20060217.pdf](http://www.zapp-hamburg.de/pdf/grobkonzept_ZAPP-AES_v1.3_20060217.pdf)): to all GPO participants, who exchange their export declaration data directly with customs (ATLAS-selfdeclarants) -> please consider the annotations to the partial integration in the description, when transmitting the quay order.

The descriptions to the GPO German Port Order are composed of various documents, that either are subsets of the GPO message IFTMIN or represent further processes of the EDI scenario GPO:

GPO EDIFACT AES V1.1.doc and GPO EDIFACT AES2 V1.1.doc in order to represent different processes in the context of the declaration procedure ATLAS AES;

GPO EDI rules and scenarios incl. descriptions of the EDIFACT messages CONTRL and APERAK, and GPO EDIFACT AES shortage in quantity and forwarding messages.

## 1.1 Preface to version 2.0 ff

GPO as standardised port order was implemented for port orders with customs data within the terms ZAPP-AES = ZAPP-SEA = Z-number in Hamburg. You have to access to the procedure HDS (transaction DY01) or presentation notification (transaction GM01) in case of port orders with customs data that result in the generation of a B-number.

The Z-number, generated in the GPO, has to be composed according to HDS rules:

Format single Z-numbers: ZJJ0nnnnnnnn  
Format collective Z-numbers: ZJJ7nnnnnnnn

## 1.2 Preface to version 3

In addition to declaration type AES, version 3.0 of the GPO port order provides the partial conversion of the export process of market organisation goods to customs procedure ATLAS-AES. This is being pictured by a new declaration type AEM, which again results in the qualification of the ZAPP reference (as before the generation of B-numbers) with declaration type MOW Z09M00000001

Chapter 6 (general explanatory) of this guide provides an overview about various conditions concerning to customs accompanying documents which are essential to distinguish between declaration type AES, AEM or MOW.

## 2 Explanation of the message structure

This chapter exemplifies the structure of the used EDIFACT message, used segments and the allocation of technical information to the message segments.

### 2.1 Message structure

The following table illustrates the structure of the used EDIFACT message IFTMIN (D.03A S3). Only used segments incl. repetition constraints (compared to the standard) are shown.

Counter	No	Tag	St	MaxOcc	Level	Content
	0000	1 UNA	C	1	0	Service string advice
	0000	2 UNB	M	1	0	Interchange header
	0000	3 UNG	C	200000	1	Functional group header
	0010	4 UNH	M	1	0	Message header
	0020	5 BGM	M	1	0	Beginning of message
	0050	6 DTM	R	1	1	Creation date of the order of the forwarding system.
	0060	7 TSR	R	1	1	Type of GPO order
	0090	8 FTX	C	1	1	General comments to the order
	0090	9 FTX	D	1	1	Indicator ATLAS-selfdeclarants.
	0090	10 FTX	C	1	1	Type of main mark.
	0160	SG2	C	1	1	Outboard or direct takeover, coded
	0170	11 TOD	M	1	1	Outboard or direct takeover, coded.
	0190	SG3	C	1	1	Booking number
	0200	12 RFF	M	1	1	Booking number.
	0190	SG3	D	2	1	EORI/ branch
	0200	13 RFF	M	1	1	EORI/ branch
	0190	SG3	C	1	1	B/L number
	0200	14 RFF	M	1	1	B/L number
	0190	SG3	C	1	1	Code word for release
	0200	15 RFF	M	1	1	Codeword for release
	0190	SG3	C	1	1	Modified invoice
	0200	16 RFF	M	1	1	Modified invoice
	0190	SG3	D	1	1	CUSTOMS indications, referencing to an existing customs declaration
	0200	17 RFF	D	999	1	CUSTOMS indications, referencing to an existing customs-declaration
	0190	SG3	C	1	1	BHT reference + header
	0200	18 RFF	M	1	1	BHT reference/header
	0190	SG3	C	7	1	Shortage in quantity
	0200	19 RFF	R	7	1	Shortage complete position of a MRN
	0470	SG8	R	1	1	Transport information to main transport (ocean vessel)
	0480	20 TDT	M	1	1	Indications to ocean vessel (Main transport)
	0490	21 DTM	D	2	2	Date and time of departure, expected date and time of departure
	0510	SG9	R	1	2	LOC
	0520	22 LOC	M	1	2	Port of loading
	0510	SG9	R	1	2	LOC
	0520	23 LOC	M	1	2	Port of discharge



Counter	No	Tag	St	MaxOcc	Level	Content
	0510	<b>SG9</b>	C	1	2	LOC
	0520	24 <b>LOC</b>	M	1	2	Final port of destination
	0510	<b>SG9</b>	C	1	2	LOC
	0520	25 <b>LOC</b>	M	1	2	Final place of destination
	0540	<b>SG10</b>	D	1	2	RFF
	0550	26 <b>RFF</b>	M	1	2	IMO-Nummer
	0540	<b>SG10</b>	D	1	2	RFF
	0550	27 <b>RFF</b>	M	1	2	No. of vessel departure, port-specific
	0470	<b>SG8</b>	D	2	1	Transport information about the pre- or oncarriage
	0480	28 <b>TDT</b>	M	1	1	Transport information about the pre- or oncarriage
	0490	29 <b>DTM</b>	C	1	2	Expected date and time of delivery
	0570	<b>SG11</b>	R	1	1	Address, contact data and references to orderer (carrier)
	0580	30 <b>NAD</b>	M	1	1	Name orderer (carrier), coded
	0610	<b>SG12</b>	R	1	2	CTA-COM-COM-COM
	0620	31 <b>CTA</b>	M	1	2	Person in charge at orderer
	0630	32 <b>COM</b>	R	1	3	Phone no. of person in charge of orderer
	0630	33 <b>COM</b>	C	1	3	Email address of person in charge at orderer
	0630	34 <b>COM</b>	C	1	3	Fax no. of person in charge at orderer
	0610	<b>SG12</b>	D	1	2	CTA-COM
	0620	35 <b>CTA</b>	M	1	2	Dangerous goods contact - person in charge at orderer
	0630	36 <b>COM</b>	C	1	3	Dangerous goods contact - phone no. of person in charge
	0750	<b>SG15</b>	R	1	2	RFF
	0760	37 <b>RFF</b>	M	1	2	Reference number of orderer
	0750	<b>SG15</b>	R	1	2	RFF
	0760	38 <b>RFF</b>	M	1	2	Quay account/ handling-customer ID
	0570	<b>SG11</b>	R	1	1	Address, contact data and references to consignee of order (terminal)
	0580	39 <b>NAD</b>	M	1	1	Name of terminal
	0750	<b>SG15</b>	C	1	2	RFF
	0760	40 <b>RFF</b>	M	1	2	Offer
	0570	<b>SG11</b>	R	1	1	Address, contact data and references to agent / carriers' agent
	0580	41 <b>NAD</b>	M	1	1	Name of the agent/ carriers' agent
	0750	<b>SG15</b>	C	1	2	RFF
	0760	42 <b>RFF</b>	M	1	2	Account no. agent/ carriers' agent
	0570	<b>SG11</b>	C	1	1	Address, contact data and references to deviating invoice recipient
	0580	43 <b>NAD</b>	M	1	1	Name of deviating invoice recipient
	0750	<b>SG15</b>	R	1	2	RFF
	0760	44 <b>RFF</b>	M	1	2	Quay account / handling customer no. to deviating invoice recipient
	0750	<b>SG15</b>	C	1	2	RFF
	0760	45 <b>RFF</b>	M	1	2	FOB position no.
	0570	<b>SG11</b>	C	1	1	Address, contact data and references to the tally
	0580	46 <b>NAD</b>	M	1	1	Name Tally
	0570	<b>SG11</b>	C	1	1	Address, contact data and references to FOB-carrier





Counter	No	Tag	St	MaxOcc	Level	Content	
	0580	47	NAD	M	1	1	Name FOB-Spediteur
	0570		SG11	C	1	1	Address, contact data and references to truck company
	0580	48	NAD	M	1	1	Name of the truck company
	0840		SG17	C	1	2	TSR-FTX
	0850	49	TSR	M	1	2	Transport service requirements
	0890	50	FTX	C	1	3	Comments to delivery or distribution
	0900		SG18	R	999	1	Consignment description (consignment- or package level 1)
	0910	51	GID	M	1	1	Consignment description (1st consignment level)
	0920	52	HAN	C	99	2	Handling specifications
	0960	53	LOC	D	9	2	Country of dispatch, export or origin
	0960	54	LOC	R	9	2	Country of destination
	0980	55	PIA	D	9	2	Produkt ID (BHT) / Warencode Product ID (BHT) / commodity code
	0980	56	PIA	D	9	2	Customs article number
	0990	57	FTX	C	10	2	Comments to consignment description
	0990	58	FTX	R	5	2	Description of content
	0990	59	FTX	R	10	2	Comments to export information
	1010		SG19	D	9	2	Address of declarant (customs relevant)
	1020	60	NAD	D	1	2	Customs - Name of declarant
	1060		SG20	R	1	2	Gewichtsangaben - Gross weight
	1070	61	MEA	M	1	2	Gross weight
	1060		SG20	C	1	2	Volumenangabe - Gross volume
	1070	62	MEA	C	1	2	Volumen
	1060		SG20	D	1	2	Gewichtsangaben - Net weight
	1070	63	MEA	M	1	2	Net weight; Eigenmasse
	1120		SG22	D	9	2	Vehicle- identification no.
	1130	64	RFF	M	1	2	Vehicle - identification no.
	1120		SG22	C	9	2	BHT-referencing in case of consolidations/ subsequent orders
	1130	65	RFF	M	1	2	BHT reference/ header/ position
	1120		SG22	D	1	2	MRN-Nr.(AES)
	1130	66	RFF	R	1	2	MRN-Nr.
	1120		SG22	D	1	2	RFF
	1130	67	RFF	R	1	2	Shipping status
	1120		SG22	D	1	2	RFF
	1130	68	RFF	R	1	2	Preceding document
	1120		SG22	D	1	2	RFF
	1130	69	RFF	R	1	2	Customs authorisation number
	1150		SG23	C	3	2	Identification of package (Marks & Numbers)
	1160	70	PCI	M	1	2	Package identification
	1230		SG25	D	9	2	Customs relevant indications
	1240	71	GOR	M	1	2	Type of customs declaration
	1260	72	LOC	D	2	3	Ursprungs- und Bestimmungsland
	1320		SG27	C	9	2	Indicator of transport carrier
	1330	73	TPL	M	1	2	Indicator of means of transport



Counter	No	Tag	St	MaxOcc	Level	Content
	1370	<b>SG29</b>	D	1	2	SGP
	1380	74 <b>SGP</b>	M	1	2	Allocation container
	1510	<b>SG32</b>	D	1	2	DGS-FTX-FTX-FTX-SG34-SG34
	1520	75 <b>DGS</b>	M	1	2	Dangerous goods indications to IMDG-code
	1530	76 <b>FTX</b>	R	1	3	Dangerous goods technical name
	1530	77 <b>FTX</b>	D	1	3	Trigger of danger and dangerous goods additional information
	1530	78 <b>FTX</b>	C	1	3	Stowage and separation, stowage method class 1
	1570	<b>SG34</b>	R	2	3	MEA
	1580	79 <b>MEA</b>	D	1	3	Net weights and net explosive weight - only in case of dangerous goods of the first class
	1570	<b>SG34</b>	D	3	3	MEA
	1580	80 <b>MEA</b>	M	1	3	Activity, transport number and criticality security number
	1510	<b>SG32</b>	C	1	2	DGS-FTX
	1520	81 <b>DGS</b>	M	1	2	Indication of dangerous goods to road haulage and rail transport
	1530	82 <b>FTX</b>	C	99	3	Further information to GGVS §7
	0900	<b>SG18</b>	D	999	1	Consignment description (sending- / package level 2)
	0910	83 <b>GID</b>	M	1	1	Consignment description (2nd consignment level)
	0990	84 <b>FTX</b>	C	10	2	Remarks to the consignment description
	0990	85 <b>FTX</b>	R	5	2	Content description
	1060	<b>SG20</b>	R	1	2	Indication of weight - gross weight
	1070	86 <b>MEA</b>	M	1	2	Gross weight
	1060	<b>SG20</b>	R	1	2	Indication of volume
	1070	87 <b>MEA</b>	C	1	2	Volumen
	1060	<b>SG20</b>	D	1	2	Indication of weight - net weight
	1070	88 <b>MEA</b>	M	1	2	Net weight; Eigenmasse
	1120	<b>SG22</b>	D	1	2	MRN-Nr. (AES)
	1130	89 <b>RFF</b>	R	1	2	MRN no.
	1150	<b>SG23</b>	C	3	2	Package identification (Marks & Numbers)
	1160	90 <b>PCI</b>	M	1	2	Package identification
	0900	<b>SG18</b>	D	999	1	Consignment description (consignment-/ package level 3)
	0910	91 <b>GID</b>	M	1	1	Consignment description (3. consignment level)
	0990	92 <b>FTX</b>	C	10	2	Remarks to consignment description
	0990	93 <b>FTX</b>	R	5	2	Content description
	1060	<b>SG20</b>	R	1	2	Indication of weight - gross weight
	1070	94 <b>MEA</b>	M	1	2	Gross weight
	1060	<b>SG20</b>	R	1	2	Indication of volume - gross volume
	1070	95 <b>MEA</b>	C	1	2	Volumen
	1060	<b>SG20</b>	R	1	2	Indication of weight - net weight
	1070	96 <b>MEA</b>	R	1	2	Net weight
	1120	<b>SG22</b>	D	1	2	MRN-Nr. (AES)
	1130	97 <b>RFF</b>	R	1	2	MRN-Nr.
	1150	<b>SG23</b>	C	3	2	Packstückkennzeichnung (Marks & Numbers)
	1160	98 <b>PCI</b>	M	1	2	Package identification



Counter	No	Tag	St	MaxOcc	Level	Content
[	1650	<b>SG37</b>	D	999	1	Container / Equipment - Angaben
	1660	99 <b>EQD</b>	M	1	1	Container / Equipment
	1690	100 <b>MEA</b>	R	1	2	Gross weight zum Container
	1690	101 <b>MEA</b>	D	2	2	Net and tare weight to the container
	1690	102 <b>MEA</b>	D	1	2	Transport temperature (from - to)
	1710	103 <b>SEL</b>	C	4	2	Seal number
	1750	104 <b>FTX</b>	R	5	2	Content description
	1750	105 <b>FTX</b>	C	1	2	Indications to type of cooling
	1760	106 <b>RFF</b>	C	1	2	Booking no. to container
	2000	107 <b>UNT</b>	M	1	0	Message trailer
	0000	108 <b>UNE</b>	C	1	0	Functional group trailer
	0000	109 <b>UNZ</b>	M	1	0	Interchange trailer

## 2.2 Allocation of semantic content (technical information)

The following tabel illustrates (in alphabetical order) technical information to the EDIFACT message IFTMIN (D.03A S3).

No	Data field	Format	Segment and data element			
01	Indication of weight - gross weight					
02	Account no. agent/ carriers' agent		42	RFF		
03	Activity, transport number and criticality security number		80	MEA		
04	Address of declarant (customs relevant)					
05	Address, contact data and references to agent / carriers' agent					
06	Address, contact data and references to consignee of order (terminal)					
07	Address, contact data and references to deviating invoice recipient					
08	Address, contact data and references to FOB-carrier					
09	Address, contact data and references to orderer (carrier)					
10	Address, contact data and references to the tally					
11	Address, contact data and references to truck company					
12	Allocation container		74	SGP		
13	B/L number					
14	B/L number		14	RFF		
15	B/L-Nummer	an..10	14	RFF	C506	1154
16	BHT reference + header					
17	BHT reference/ header/ position		65	RFF		
18	BHT reference/header		18	RFF		
19	BHT-referencing in case of consolidations/ subsequent orders					
20	Booking no. to container		106	RFF		
21	Booking number					
22	Booking number.		12	RFF		
23	Buchungsnummer	an..70	12	RFF	C506	1154
24	Code word for release					
25	Codeword for release		15	RFF		
26	Comments to consignment description		57	FTX		
27	Comments to delivery or distribution		50	FTX		
28	Comments to export information		59	FTX		
29	Consignment description (1st consignment level)		51	GID		
30	Consignment description (2nd consignment level)		83	GID		
31	Consignment description (3. consignment level)		91	GID		
32	Consignment description (consignment- or package level 1)					
33	Consignment description (consignment-/ package level 3)					
34	Consignment description (sending- / package level 2)					
35	Content description		85	FTX		
36	Content description		93	FTX		



No	Data field	Format	Segment and data element		
37	Content description		104	FTX	
38	Country of destination		54	LOC	
39	Country of dispatch, export or origin		53	LOC	
40	Creation date of the order of the forwarding system.		06	DTM	
41	Customs - Name of declarant		60	NAD	
42	Customs article number		56	PIA	
43	Customs authorisation number		69	RFF	
44	CUSTOMS indications, referencing to an existing customs-declaration		17	RFF	
45	CUSTOMS indications, referencing to an existing customs declaration				
46	Customs relevant indications				
47	Dangerous goods contact - person in charge at orderer		35	CTA	
48	Dangerous goods contact - phone no. of person in charge		36	COM	
49	Dangerous goods indications to IMDG-code		75	DGS	
50	Dangerous goods technical name		76	FTX	
51	Date and time of departure, expected date and time of departure		21	DTM	
52	Description of content		58	FTX	
53	Email address of person in charge at orderer		33	COM	
54	EORI	an..70	13	RFF	C506 1154
55	EORI/ branch				
56	EORI/ branch		13	RFF	
57	Expected date and time of delivery		29	DTM	
58	Fax no. of person in charge at orderer		34	COM	
59	Final place of destination		25	LOC	
60	Final port of destination		24	LOC	
61	FOB position no.		45	RFF	
62	Further information to GGVS §7		82	FTX	
63	General comments to the order		08	FTX	
64	Gross weight		61	MEA	
65	Gross weight		86	MEA	
66	Gross weight		94	MEA	
67	Gross weight zum Container		100	MEA	
68	Handling specifications		52	HAN	
69	Identification of package (Marks & Numbers)				
70	IMO-Nummer		26	RFF	
71	Indication of dangerous goods to road haulage and rail transport		81	DGS	
72	Indication of volume				
73	Indication of volume - gross volume				
74	Indication of weight - gross weight				
75	Indication of weight - net weight				
76	Indication of weight - net weight				



No	Data field	Format	Segment and data element			
77	Indications to ocean vessel (Main transport)		20	TDT		
78	Indications to type of cooling		105	FTX		
79	Indicator ATLAS-selfdeclarants.		09	FTX		
80	Indicator of completeness MRN J/N	an..6	66	RFF	C506	1156
81	Indicator of completeness MRN J/N	an..6	89	RFF	C506	1156
82	Indicator of completenss MRN J/N	an..6	97	RFF	C506	1156
83	Indicator of means of transport		73	TPL		
84	Indicator of transport carrier					
85	Modified invoice					
86	Modified invoice		16	RFF		
87	MRN	an..70	19	RFF	C506	1154
88	MRN no.		89	RFF		
89	MRN-Nr.		66	RFF		
90	MRN-Nr.		97	RFF		
91	Name FOB-Spediteur		47	NAD		
92	Name of deviating invoice recipient		43	NAD		
93	Name of terminal		39	NAD		
94	Name of the agent/ carriers' agent		41	NAD		
95	Name of the truck company		48	NAD		
96	Name orderer (carrier), coded		30	NAD		
97	Name Tally		46	NAD		
98	Net and tare weight to the container		101	MEA		
99	Net weight		96	MEA		
100	Net weight; Eigenmasse		63	MEA		
101	Net weight; Eigenmasse		88	MEA		
102	Net weights and net explosive weight - only in case of dangerous goods of the first class		79	MEA		
103	No. of vessel departure, port-specific		27	RFF		
104	Offer		40	RFF		
105	Outboard or direct takeover, coded					
106	Outboard or direct takeover, coded.		11	TOD		
107	Package identification (Marks & Numbers)					
108	Person in charge at orderer		31	CTA		
109	Phone no. of person in charge of orderer		32	COM		
110	Port of discharge		23	LOC		
111	Port of loading		22	LOC		
112	Preceding document		68	RFF		
113	Quay account / handling customer no. to deviating invoice recipient		44	RFF		
114	Quay account/ handling-customer ID		38	RFF		
115	Reference number of orderer		37	RFF		
116	Remarks to consignment description		92	FTX		
117	Remarks to the consignment description		84	FTX		



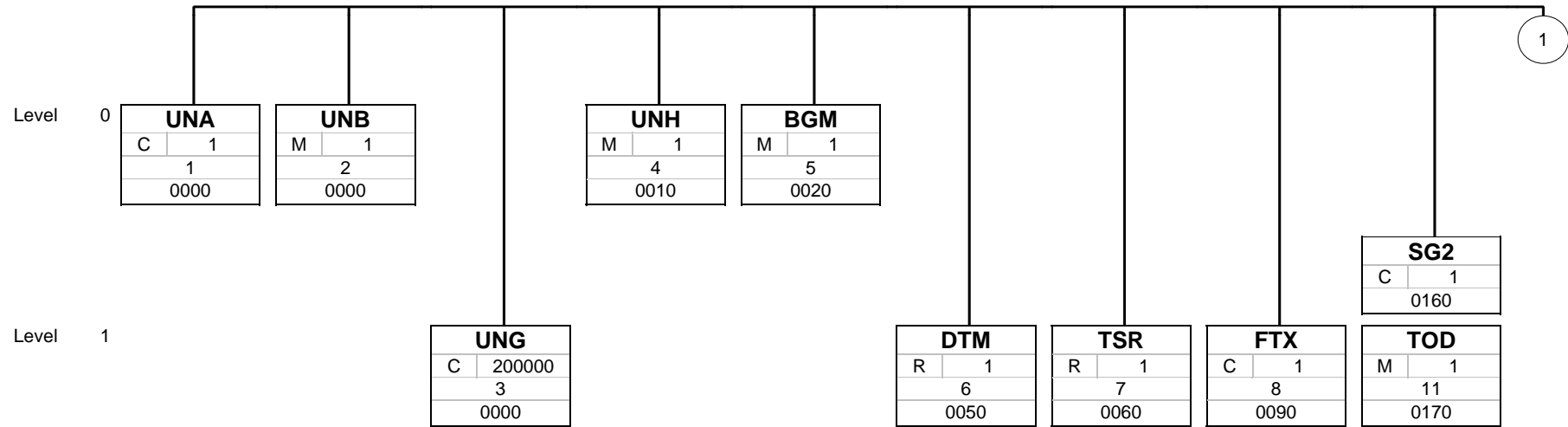
No	Data field	Format	Segment and data element			
118	Seal number		103	SEL		
119	Shipping status		67	RFF		
120	Shortage complete position of a MRN		19	RFF		
121	Shortage in quantity					
122	Status of Z number	an..6	17	RFF	C506	1156
123	Stowage and separation, stowage method class 1		78	FTX		
124	Transport information about the pre- or oncarriage					
125	Transport information about the pre- or oncarriage		28	TDT		
126	Transport information to main transport (ocean vessel)					
127	Transport temperature (from - to)		102	MEA		
128	Trigger of danger and dangerous goods additional information		77	FTX		
129	Type of customs declaration		71	GOR		
130	Type of GPO order		07	TSR		
131	Type of main mark.		10	FTX		
132	Vehicle - identification no.		64	RFF		
133	Vehicle- identification no.					
134	Volumen		62	MEA		
135	Volumen		87	MEA		
136	Volumen		95	MEA		

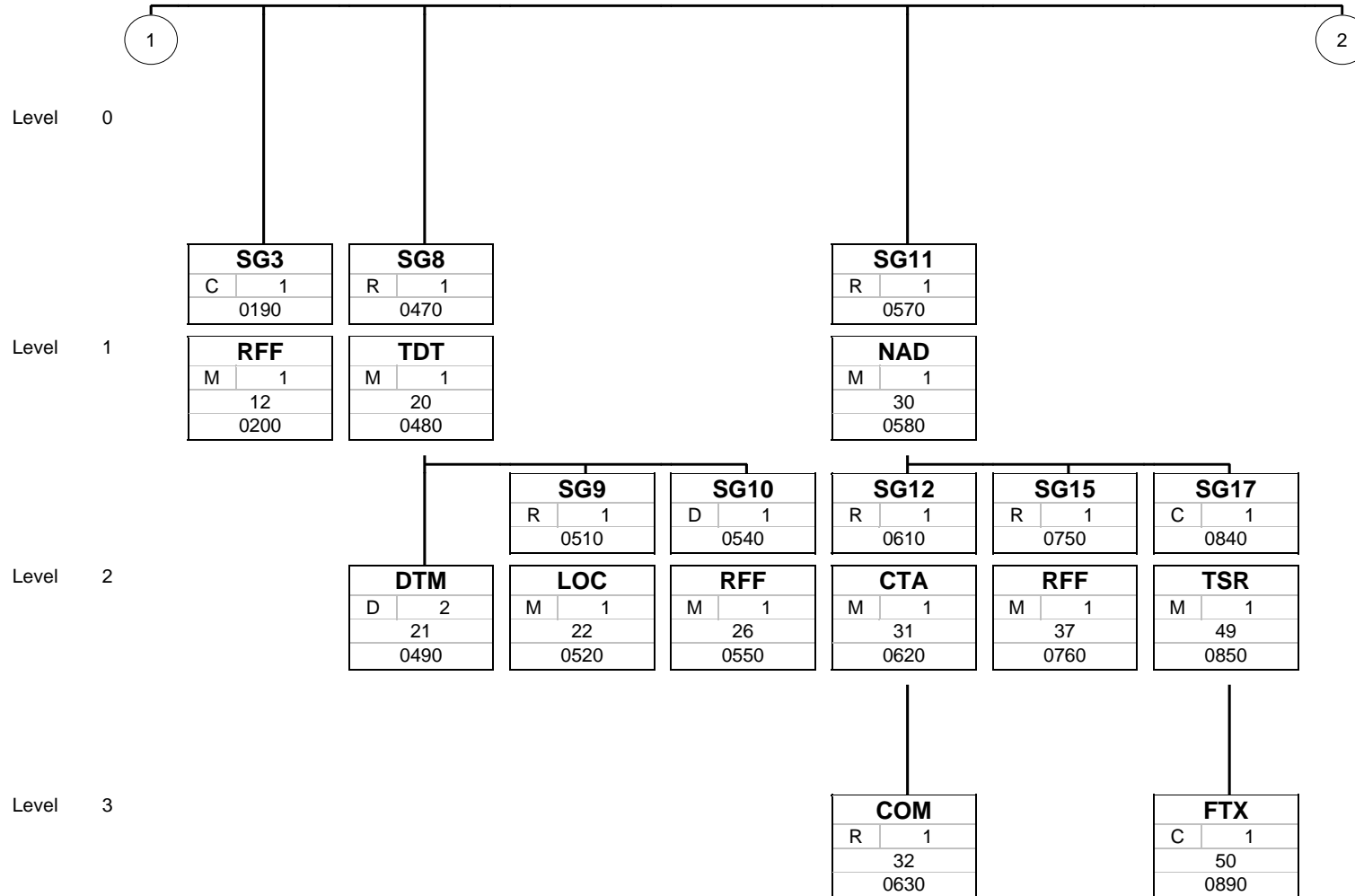
## 2.3 Branch Diagram of the message structure

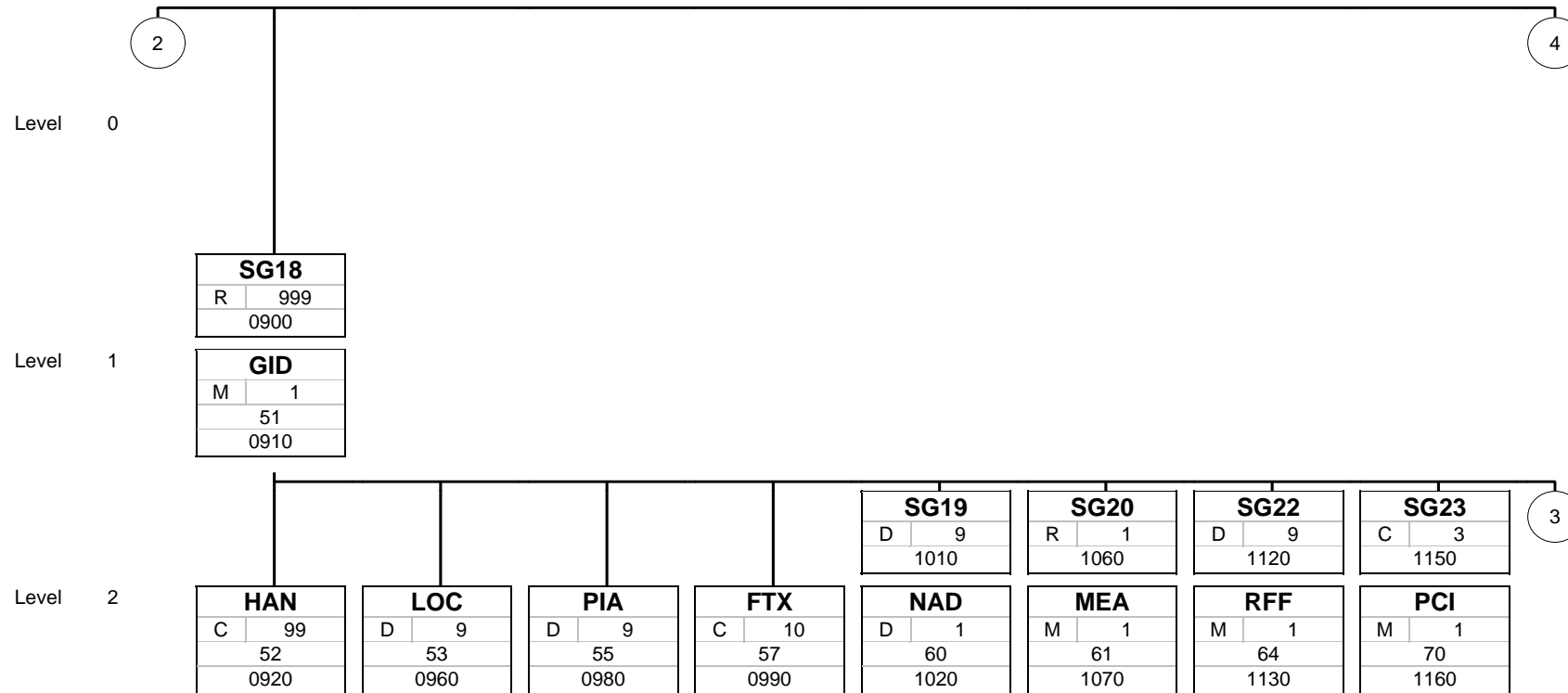
Used and documented segments and segment groups are filled with grey.

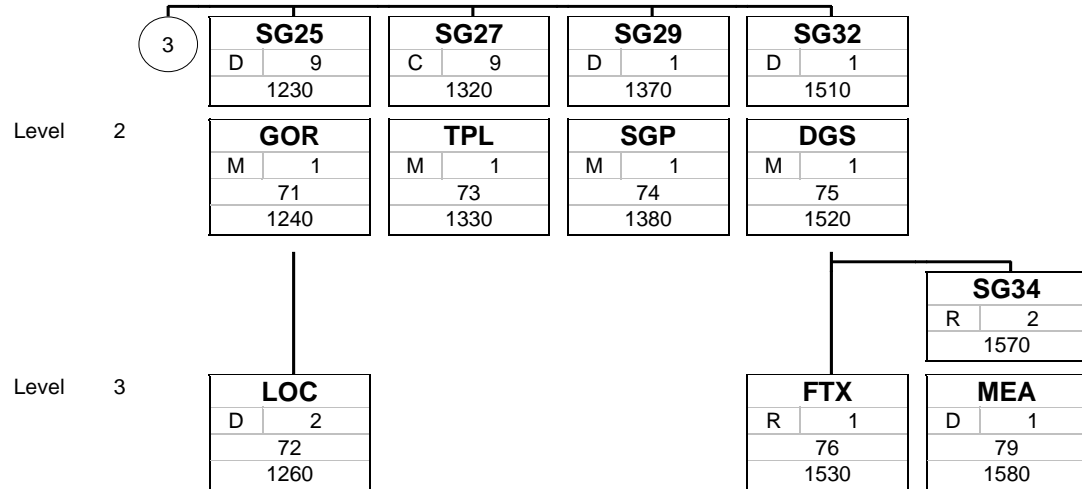
Unused or non documented segments and segment groups are presented in white, they are represented in this diagram to complete the picture but they will not be dealt with in the further documentation. The repetitions of single segments or segment groups refer to the standard, valid repetitions for this subset are indicated in chapter 5/segment descriptions.

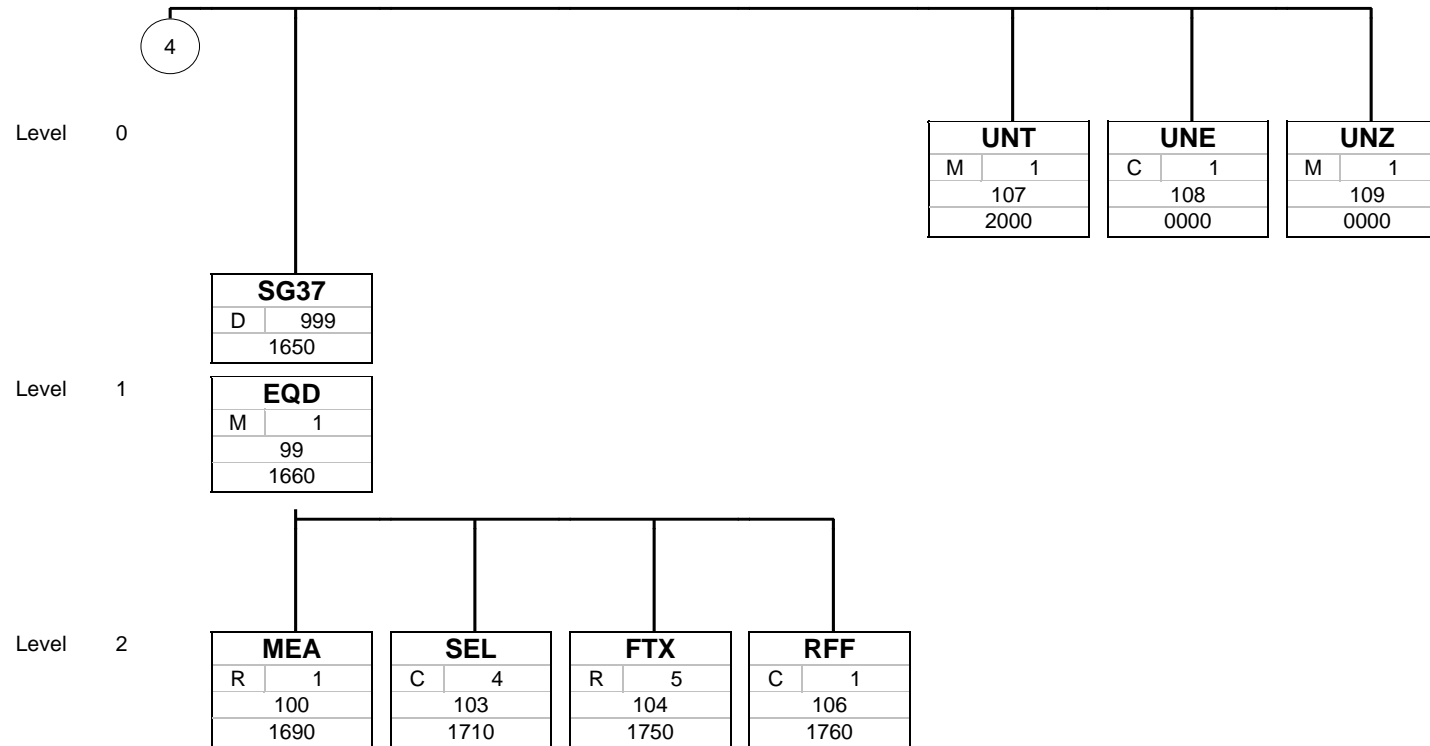












### 3 Explanations to the segment description

The segments are being represented by a universal diagram.

Example:

EDIFACT			Anwendung		
	Beschreibung	St Format	St	Beispiel	Verwendung / Hinweise
8051	Transportstrecke/-abschnitt, Qualifier	M an..3	M	+20	<b>20 = Hauptlauf</b>
8028	Transportmittel-Reisewegnummer	C an..17	D	+12345	Reisennummer des Carriers <b>Achtung, modifiziertes Format</b> ZAPP = an..8 BHT = an..6
C220	Art des Transportes		X		
8067	Transportart, Code		X	+	
C001	Transportmittel		X		
8179	Art des Transportmittels, Code		X	+	
C040	Frachtführer	C	C		
3127	Frachtführer, Nummer	C an..17	D	+1002REE D	GPO-Teilnehmer Code, siehe Schlüsselverzeichnis unter <a href="http://www.german-port-order.de">www.german-port-order.de</a>
1131	Codeliste, Code	C an..17	R	:172	<b>172 = Frachtführer-Code</b>

The first (main) column „EDIFACT“ with its 3 sub-columns describes the structure of the used EDIFACT message. The identifier/number of the respective composite or data element is indicated in the first column, the corresponding meaning/name is indicated in the second column and the third column refers to the usage and format.

The second (main) column „application“ with its 3 sub-columns describes how to use the respective composites and data elements for the GPO.

The first column ST = Status means:

- **M (Mandatory) or R (Required)**  
The M will be adopted in this column, if a composite or data element is already mandatory (**M = Mandatory**) in the actual EDIFACT message. In other cases the **R = Required** indicates a required field from the B/L applications' perspective.
- **D (Depending)**  
The data units have to be transmitted, in case of certain conditions which either are described in the column "Usage/hints" or derive from the use case. Segment group 32 (Indication of dangerous goods) e.g. carries the status „D“, since the use depends on whether the position/item involves dangerous goods or not.
- **C (Conditional/Optional)**  
It is up to the message sender to transmit the data units. In case of doubt an individual regulation between sender and recipient has to be agreed.
- **X (not used)**  
Such identified composites or data elements are not used.

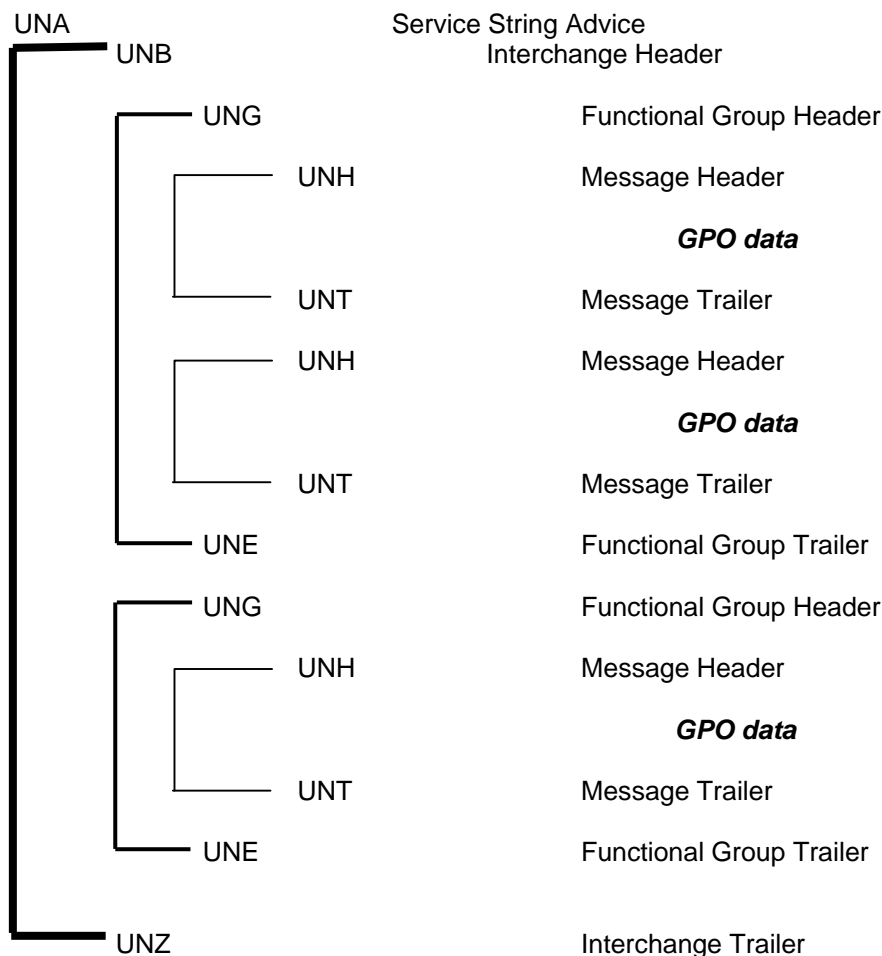
The second column indicates examples to respective data elements and the third column contains important specifications for the usage, such as codes, port-specific conditions or format restrictions.

## 4 Structure of the transmission file and description of service segments

### 4.1 Structure of the transmission file

The file is limited by the segments UNB and UNZ.

The transmission file (with the data of the sender) always has to be addressed to the system (dbh or DAKOSY), whichever terminal/port system the order shall be placed to. The forwarding of data to the terminal/port system is being regulated by the system (dbh or DAKOSY).



#### Comments to the Message Group UNG/UNE:

In this guide the message group UNG/UNE serves the purpose of putting one or more GPO for one recipient/addressee into groups. Senders have the opportunity to transmit all GPO orders in one transmission file to „their“ (connected) port system. The sender pools all GPO orders - designed for one terminal - together in the UNG/UNE group.

Please note that only GPO orders for Hamburg **or** Bremen/Bremerhaven may be forwarded within one transmission UNB – UNZ. A mix within one transmission is not possible.







Counter	No	Tag	Var	St	St	MaxOcc	Level	Name
0000	2	<b>UNB</b>	1	M	1	0		Interchange header

		Standard	Implementation		
Tag	Name	St Format	St Format	Usage / Remark	
UNB					
S001	Syntax identifier	M	M		
0001	Syntax identifier	M a4	M a4		<b>UNOC UN/ECE-Zeichensatz C</b> UNOC= UN/ECE-character set C
0002	Syntax version number	M n1	M n1		<b>3 Version 3</b>
S002	Interchange sender	M	M		
0004	Sender identification	M an..35	M an..35		The usage of the DAKOSY- or dbh-code is recommended. A common participant code for Hamburg and Bremerhaven has not been resolved yet.
S003	Interchange recipient	M	M		
0010	Recipient identification	M an..35	M an..35		<b>GPO German Port Order</b> Currently Hamburg orders can only be sent via DAKOSY and Bremen/ Bremerhaven orders can only be sent via dbh.
S004	Date/time of preparation	M	M		
0017	Date of preparation	M n6	M n6		
0019	Time of preparation	M n4	M n4		
0020	Interchange control reference	M an..14	M an..14		The reference must be clearly indicated.
S005	Recipient's reference, password	C	N		
0022	Recipient's reference/password	M an..14	N		Not used
0026	Application reference	C an..14	N		Not used
0029	Processing priority code	C a1	N		Not used
0031	Acknowledgement request	C n1	N		Not used
0032	Communications agreement ID	C an..35	N		Not used
0035	Test indicator	C n1	C n1		<b>1 Übertragungsdatei ist ein Test</b> Only indicated in case of test transmission.

**Remark:**

**Example:**

UNB+UNOC:3+1234+GPO+040130:1452+GPO001+++++1'



Counter	No	Tag	Var	St	St	MaxOcc	Level	Name
0000	3	<b>UNG</b>	1	C	200000	0		Functional group header

		Standard	Implementation			
Tag	Name	St	Format	St	Format	Usage / Remark
UNG						
0038	Functional group identification	M	an..6	M	an..6	
S006	Application sender's identification	M		M		
0040	Sender identification	M	an..35	M	an..35	The usage of the DAKOSY- or dbh-code is recommended. A common participant code for Hamburg and Bremerhaven has not been resolved yet.
S007	Application recipient's identification	M		M		
0044	Recipient's identification	M	an..35	M	an..35	Currently Hamburg orders can only be sent via DAKOSY and Bremen/ Bremerhaven orders can only be sent via dbh.
S004	Date/time of preparation	M		M		
0017	Date of preparation	M	n6	M	n6	
0019	Time of preparation	M	n4	M	n4	
0048	Functional group reference number	M	an..14	M	an..14	The reference must be assigned uniquely to the message group.
0051	Controlling agency	M	an..2	M	an..2	<b>UN UN/CEFACT</b>
S008	Message version	M		M		
0052	Message version number	M	an..3	M	an..3	<b>D Entwurfs-Version</b> Draft version.
0054	Message release number	M	an..3	M	an..3	<b>03A Ausgabe 2003 - A</b>
0057	Association assigned code	C	an..6	R	an..6	<b>DEGPO1 GPO (German Port Order)</b>

**Remark:**

**Example:**

UNG+IFTMIN+1234+HBC1+040130:1452+UNG-123+UN+D:03A:DEGPO1'



Counter	No	Tag	Var	St	St	MaxOcc	Level	Name
0010	4	<b>UNH</b>	1	M	1	0		Message header

		Standard	Implementation	
Tag	Name	St Format	St Format	Usage / Remark
UNH				
0062	Message reference number	M an..14	M an..14	Please indicate a clear message reference.
S009	Message identifier	M	M	
0065	Message type	M an..6	M an..6	Name of the EDIFACT message <b>IFTMIN Transport-/Speditionsauftrag</b>
0052	Message version number	M an..3	M an..3	<b>D Entwurfs-Version</b> Draft version
0054	Message release number	M an..3	M an..3	<b>03A Ausgabe 2003 - A</b>
0051	Controlling agency	M an..2	M an..2	<b>UN UN/CEFACT</b>
0057	Association assigned code	C an..6	R an..6	<b>DEGPO1 GPO (German Port Order)</b>

**Remark:**

**Example:**

UNH+XYZ1234+IFTMIN:D:03A:UN:DEGPO1'

Counter	No	Tag	Var	St	St	MaxOcc	Level	Name
0020	5	<b>BGM</b>	1	M	1	0		Beginning of message

		Standard	Implementation	
Tag	Name	St Format	St Format	Usage / Remark
BGM				
C002	Document/message name	C	R	
1001	Document name code	C an..3	R an..3	<b>610 Speditionsauftrag</b> 610 = Forwarding order
C106	Document/message identification	C	R	
1004	Document identifier	C an..35	R an..35	Clear reference to message, see A
1056	Version identifier	C an..9	R an..9	Version of message, see B
1225	Message function code	C an..3	R an..3	<b>GPO01 GPO-Nachricht, Version 01</b> <b>1 Aufhebung - Stornierung</b> <b>3 Deletion - Storno Container / siehe E</b> <b>5 Ersetzung - Replacement / siehe C</b> <b>9 Original</b> <b>32 Freigabe (nach Anhalter) / siehe D</b> <b>50 Zurückziehung (Anhalter) / siehe D</b> 1 = cancellation 3 = deletion / see E 5 = replacement / see C 9 = Original 32 = release (after stop) / see D 50 = withdrawal (stop) / see D
4343	Response type code	C an..3	C an..3	

**Remark:**

A

Please indicate a reference in this field, to clearly identify the message. The reference refers clearly to the message and must be assigned newly for every message (even if it refers to a BHT- or ZAPP-order, which has been sent already). The reference is being returned in the APERAK-message (returns like status messages, error messages etc).

B

This DE is used to indicate the version of the implementation guide, according to which the message was generated. By means of this field it will be possible to process 2 different (theoretically even more) message versions during an interim period, in the future. This applies if major amendments in the GPO-message result in a new message version and a key date conversion is not possible or required.

C

BHT: in case of amendments the complete order must be sent and the connection to the existing BHT-reference must be indicated in segment group 3/segment RFF, Qualifier AAA.ZAPP: code "5" replacement is not possible for Hamburg. For an replacement: please cancel the current order with code "1" and send it again with code "9" original.

D

To the stop: the order must be transmitted with function code "50", in order to stop it. If you would like to annul the stop, please use function code "32".

ZAPP: this function is not possible for Hamburg. For an replacement: please cancel the current order with code "1" and send it again with code "9" original.

E

BHT: the complete order must be sent and the connection to the existing BHT reference and position must be indicated in segment group 3 /segment RFF, qualifier AAA in case of a container deletion. You can only delete one container per message.

ZAPP: not used.

**Example:**

BGM+610+FF-REFERENZ:GPO01+9+AA'



Counter	No	Tag	Var	St	St	MaxOcc	Level	Name
0050	6	<b>DTM</b>	1	R	1	1		Creation date of the order of the forwarding system.

Standard			Implementation	
Tag	Name	St Format	St Format	Usage / Remark
DTM				
C507	Date/time/period	M	M	
2005	Date or time or period function code qualifier	M an..3	M an..3	<b>137 Dokumenten-/Nachrichtendatum/-zeit</b> Document-/message date/-time
2380	Date or time or period text	C an..35	R an..35	Indication date and time
2379	Date or time or period format code	C an..3	R an..3	<b>203 CCYYMMDDHHMM</b>

**Remark:**

**Example:**

DTM+137:200401011212:203'



Counter	No	Tag	Var	St	St	MaxOcc	Level	Name
0060	7	<b>TSR</b>	1	R	1	1		Type of GPO order

Standard			Implementation	
Tag	Name	St Format	St Format	Usage / Remark
TSR				
C536	Contract and carriage condition	C	R	
4065	Contract and carriage condition code	M an..3	R an..3	<b>HDS Hafendatensatz</b> Type of order = HDS (Port data record) <b>LAS Laden (bht)</b> <b>AUS Ausliefern (bht)</b> bht = LAS (loading) or AUS (deliver)
C233	Service	C	R	
7273	Service requirement code	M an..3	M an..3	001 is recommended.

**Remark:**

**Example:**

TSR+HDS+001'



Counter	No	Tag	Var	St	St	MaxOcc	Level	Name
0090	8	<b>FTX</b>	1	C	1	1		General comments to the order

		Standard	Implementation	
Tag	Name	St Format	St Format	Usage / Remark
FTX				
4451	Text subject code qualifier	M an..3	M an..3	<b>AAI General information</b>
4453	Free text function code	C an..3	N	Not used
C107	Text reference	C	N	
4441	Free text description code	M an..17	N	Not used
C108	Text literal	C	R	
4440	Free text	M an..512	M an..512	Attention, modified format: BHT = an..132 ZAPP = an..288

**Remark:**

Attention! Please consider the following port-specific rules:

BHT = an..132

ZAPP = an..288, the indication is being wrapped/ transferred in 4 lines with 72 characters each

**Example:**

FTX+AAI+++Bemerkung'

Counter	No	Tag	Var	St	St	MaxOcc	Level	Name
0090	9	<b>FTX</b>	2	D	1	1		Indicator ATLAS-selfdeclarants.

		Standard	Implementation	
Tag	Name	St Format	St Format	Usage / Remark
FTX				
4451	Text subject code qualifier	M an..3	M an..3	<b>ABS Additional conditions</b>
4453	Free text function code	C an..3	N	Not used
C107	Text reference	C	R	
4441	Free text description code	M an..17	R an..17	<b>1 Kennzeichen ATLAS-Selbstanmelder</b> Indicator ATLAS-selfdeclarant

**Remark:**

This segment must only be indicated, if the declarant/ originator of the GPO executes the AES-declaration on his own

**Example:**

FTX+ABS++1'





Counter	No	Tag	Var	St	St	MaxOcc	Level	Name
0090	10	<b>FTX</b>	3	C	1	1		Type of main mark.

Standard			Implementation	
Tag	Name	St Format	St Format	Usage / Remark
FTX				
4451	Text subject code qualifier	M an..3	M an..3	<b>PAC Packing/marketing information</b>
4453	Free text function code	C an..3	N	Not used
C107	Text reference	C	C	
4441	Free text description code	M an..17	M an..1	Attention, please note the modified format: Type of main mark  B = stock mark V = loading mark Not used
C108	Text literal	C	C	
4440	Free text	M an..512	M an..432	Attention, please note the modified format: Main mark

**Remark:**

Attention, please note the following port-specific rules:  
For BHT applies: The main mark is being wrapped in 24 lines with 18 characters each.  
For ZAPP applies: The indications to the main mark are not relevant for ZAPP.

**Example:**

FTX+PAC++B+Hauptmarkierung'



Counter	No	Tag	Var	St	St	MaxOcc	Level	Name
0160		<b>SG2</b>	1	C	1	1		Outboard or direct takeover, coded
0170	11	<b>TOD</b>	1	M	1	1		Outboard or direct takeover, coded.

Standard			Implementation	
Tag	Name	St Format	St Format	Usage / Remark
TOD				
4055	Delivery or transport terms function code	C an..3	R an..3	<b>5 Transport condition</b>
4215	Transport charges payment method code	C an..3	N	Not used
C100	Terms of delivery or transport	C	C	
4053	Delivery or transport terms description code	C an..3	N	Not used
1131	Code list identification code	C an..17	N	Not used
3055	Code list responsible agency code	C an..3	N	Not used
4052	Delivery or transport terms description	C an..70	R an..70	Kennzeichen direkte Übernahme <b>J direkte Übernahmen Außenbord</b> <b>N keine direkte Übernahmen</b> Indicator direct takeover J = direct takeovers N = no direct takeovers

**Remark:**

This segment indicates, whether it is about a "direct takeover", meaning the goods/ container which are declared with this presentation message, will be loaded directly from inland to ocean vessel, there is no land side Gate-In. Please check under [www.ZAPP-HAMBURG.DE/dokumente/AES/Prozessbeschreibung bei direkter Übernahme](http://www.ZAPP-HAMBURG.DE/dokumente/AES/Prozessbeschreibung%20bei%20direkter%20Übernahme) for further information.

**Example:**

TOD+5+++:::N'

Counter	No	Tag	Var	St	St	MaxOcc	Level	Name
0190		<b>SG3</b>	1	C	1	1		<b>Booking number</b>
0200	12	<b>RFF</b>	1	M	1	1		<b>Booking number.</b>

Standard			Implementation	
Tag	Name	St Format	St Format	Usage / Remark
RFF				
C506	Reference	M	M	
1153	Reference code qualifier	M an..3	M an..3	<b>BN Buchungsnummer</b>
1154	Reference identifier	C an..70	R an..70	<b>Buchungsnummer</b> Booking number.  Attention, modified format: BHT = an..15 ZAPP = an..20

**Remark:**

Attention! Please note the following port-specific rules:  
- see description at DE-level.

**Example:**

RFF+BN:5674SU'

Counter	No	Tag	Var	St	St	MaxOcc	Level	Name
0190		<b>SG3</b>	2	D	2	1		<b>EORI/ branch</b>
0200	13	<b>RFF</b>	1	M	1	1		<b>EORI/ branch</b>

Standard			Implementation	
Tag	Name	St Format	St Format	Usage / Remark
RFF				
C506	Reference	M	M	
1153	Reference code qualifier	M an..3	M an..3	<b>ABP Identifikationsnummer des Zolls für einen Anmelder = TIN</b> Identification no. of customs for a declarant = TIN
1154	Reference identifier	C an..70	R an..70	<b>EORI</b> EORI (Economic Operators' Registration and Identification number) (e.g. DE1234567). Attention, modified format: an..17
1156	Document line identifier	C an..6	C an..6	Branch (0000 - 9999) Attention, modified format: n4
4000	Reference version identifier	C an..35	C an..35	Identifier EORI 'E' Attention, modified format: a1

**Remark:**

The presenter (e.g. forwarding agent) identifies oneself in the customs process with EORI and branch number (instead of the customs number) from this version on.

The EORI number (Economic Operators' Registration and Identification number - number for the registration and identification of economic operators) is a 3- to 17-digit alphanumeric identification number. The branch number is 4-digit numeric. '0000' must be transmitted, if the participant did not apply for branch number(s).

Both segments/ field numbers may be transmitted for a transitional period.

**Example:**

Old:

RFF+ABP:1234567' = Customs number (n7)

New:

RFF+ABP:DE1234567:0000:E' = EORI (an..17) / branch (n4)

**Example:**

RFF+ABP:DE1234567:X:E'



Counter	No	Tag	Var	St	St	MaxOcc	Level	Name
0190		<b>SG3</b>	3	C	1	1		<b>B/L number</b>
0200	14	<b>RFF</b>	1	M	1	1		<b>B/L number</b>

Standard			Implementation	
Tag	Name	St Format	St Format	Usage / Remark
RFF				
C506	Reference	M	M	
1153	Reference code qualifier	M an..3	M an..3	<b>BM Konnossementnummer</b>
1154	Reference identifier	C an..70	R an..10	B/L no. <b>B/L-Nummer</b> B/L number Attention, modified format

**Remark:**

Attention! Please note the following port-specific rules:  
- see description at DE-level.

**Example:**

RFF+BM:BL12567'



Counter	No	Tag	Var	St	St	MaxOcc	Level	Name
0190		<b>SG3</b>	4	C	1	1		Code word for release
0200	15	<b>RFF</b>	1	M	1	1		Codeword for release

Standard			Implementation	
Tag	Name	St Format	St Format	Usage / Remark
RFF				
C506	Reference	M	M	
1153	Reference code qualifier	M an..3	M an..3	<b>ASO Password.</b>
1154	Reference identifier	C an..70	R an..15	Codeword for release.
				Attention, modified format

**Remark:**

Attention! Please take note of the following port-specific rules:  
ZAPP = non-relevant, indications have no equivalents in ZAPP

**Example:**

RFF+ASO:Hilde03'



Counter	No	Tag	Var	St	St	MaxOcc	Level	Name
0190		<b>SG3</b>	5	C	1	1		<b>Modified invoice</b>
0200	16	<b>RFF</b>	1	M	1	1		<b>Modified invoice</b>

Standard			Implementation	
Tag	Name	St Format	St Format	Usage / Remark
RFF				
C506	Reference	M	M	
1153	Reference code qualifier	M an..3	M an..3	<b>AGI Beantragungsnummer (Rechnungswechsel)</b> Application no. (modification of invoice)
1154	Reference identifier	C an..70	R an..2	Attention, modified format Information of the invoice recipient about the subsumption of benefits on an invoice

**Remark:**

Attention! Please take note of the following port-specific rules:  
ZAPP = non-relevant, indications have no equivalents in ZAPP.

**Example:**

RFF+AGI : B1 '



Counter	No	Tag	Var	St	St	MaxOcc	Level	Name
0190		<b>SG3</b>	6	D	1	1		<b>CUSTOMS indications, referencing to anexisting customs declaration</b>
0200	17	<b>RFF</b>	1	D	999	1		<b>CUSTOMS indications, referencing to an existing customs-declaration</b>

Standard			Implementation	
Tag	Name	St Format	St Format	Usage / Remark
RFF				
C506	Reference	M	M	
1153	Reference code qualifier	M an..3	M an..3	<b>ABT Nummer der Zollanmeldung / Sammelanmeldung (SACO) (siehe A)</b> ABT = number of customs declaration / collective declaration (SACO) (see A)
1154	Reference identifier	C an..70	R an..12	Attention, modified format  Customs reference - ZAPP = Z-numbers. Max. one reference permitted per DE1154.
1156	Document line identifier	C an..6	C an..6	<b>Status of Z number</b> <b>1 not released (see B)</b> <b>2 released</b>

**Remark:**

Attention! Please note the following port-specific rules:

BHT = non-relevant, indications do not have equivalents in the BHT

ZAPP-entry at DAKOSY = if this segment refers to existing customs-data, the indication of customs-relevant information in other segments of this message is not permitted!

ZAPP-exit DAKOSY = the reference is being completed by DAKOSY for the transmittance to the terminal.

**A**

Under sepcification of the qualifier ATB: please indicate the Z-/ B-numbers which will be transferred to a SACO-Z-number with status 'not released'.

Furthermore applies as before: a SACO Z-number obtains the status "Stop", if a loading-stop or an examination of a MRN is being ordered for the B-number, which is contained in it.

The SACO Z-number obtains the status "released" in case that each containing Z-number is in the status released, the recently contained B-number has been generated at least 2 hours ago and no B-number is in the status "Stop".

**B**

Status of the Z- number is being used for the transmission to the terminal or if regarding to an existing customs declaration.

A quay order with an existing Z-Number (no new Z-Number will be generated) is not allowed for the AES process, only the consolidation of Z-/B- Numbers into a SaCo Z-Number is possible.

**Example:**

RFF+ABT:Z-Number:1'





Counter	No	Tag	Var	St	St	MaxOcc	Level	Name
0190		<b>SG3</b>	7	C	1	1		<b>BHT reference + header</b>
0200	18	<b>RFF</b>	1	M	1	1		<b>BHT reference/header</b>

Standard			Implementation	
Tag	Name	St Format	St Format	Usage / Remark
RFF				
C506	Reference	M	M	
1153	Reference code qualifier	M an..3	M an..3	<b>AAA Auftragsbestätigungsnummer</b> AAA = confirmation no.
1154	Reference identifier	C an..70	R an..14	Attention, modified format Digit 1-7 BHT-reference, digit 8-10 BHT-header, digit 11-14 BHT-position.

**Remark:**

Attention! Please note the following port-specific rules:

ZAPP = non-relevant, indications do not have equivalents in ZAPP.

The indication of the corresponding BHT-reference+header is required in case of modifications in this segment. Please indicate the reference and the last header in case of follow-up-orders.

In case of a container deletion the BHT position must be indicated in addition to the BHT reference and header.

**Example:**

RFF+AAA:50634240030001'



Counter	No	Tag	Var	St	St	MaxOcc	Level	Name
0190		<b>SG3</b>	8	C	7	1		Shortage in quantity
0200	19	<b>RFF</b>	1	R	7	1		Shortage complete position of a MRN

Standard			Implementation	
Tag	Name	St Format	St Format	Usage / Remark
RFF				
C506	Reference	M	M	
1153	Reference code qualifier	M an..3	M an..3	<b>EP Nummer der Ausfuhrerklärung bzw summarischen Ausgangsanmeldung, MRN</b> No. of export declaration or exit summary declaration, MRN
1154	Reference identifier	C an..70	R an..70	<b>MRN</b> Format an18 MFormat n2; (year (00-99)) Format a2; country ID 'DE' Format n4; Number of agency Format n8; consec. number Format a1; Expert procedure code ,E' or 'X' (a1) Format n1; Check digit
1156	Document line identifier	C an..6	C an..6	MRN position no. that will be deleted. This information has to be three-digit e.g. 033, 011.

**Remark:**

In this segment you have to indicate the position to a MRN, which is completely omitted in case of a shortage.

**Example:**

RFF+EP:07DE736100197947E0:001'



Counter	No	Tag	Var	St	St	MaxOcc	Level	Name
0470		<b>SG8</b>	1	R	1	1		<b>Transport information to main transport (ocean vessel)</b> Indications to ocean vessel (main transport)
0480	20	<b>TDT</b>	1	M	1	1		<b>Indications to ocean vessel (Main transport)</b>

Standard			Implementation	
Tag	Name	St Format	St Format	Usage / Remark
TDT				
8051	Transport stage code qualifier	M an..3	M an..3	<b>20 Hauptlauf</b> 20 = main transport
8028	Means of transport journey identifier	C an..17	D an..17	Voyage no. of the carrier Attention, modified format: ZAPP = an..8 BHT = an..6
C220	Mode of transport	C	N	
8067	Transport mode name code	C an..3	N	Not used
C001	Transport means	C	N	
8179	Transport means description code	C an..8	N	Not used
C040	Carrier	C	C	
3127	Carrier identifier	C an..17	D an..17	ZAPP: SCAC- Code (Standard-Carrier-Alpha-Code)
1131	Code list identification code	C an..17	R an..17	<b>172 Frachtführer-Code</b> 172 = carrier code
8101	Transit direction indicator code	C an..3	N	Not used
C401	Excess transportation information	C	N	
8457	Excess transportation reason code	M an..3	N	Not used
C222	Transport identification	C	C	
8213	Transport means identification name identifier	C an..9	D an..7	Attention, notice the modified format Call sign AUKO, vessel-call-code, x7, call-sign
1131	Code list identification code	C an..17	C an..17	<b>103 Verzeichnis der Rufzeichen</b> 103 = index of call signs
3055	Code list responsible agency code	C an..3	C an..3	<b>11 Lloyd's Schiffsregister</b>
8212	Transport means identification name	C an..35	D an..35	Name of the vessel  Attention, modified format:  BHT = an..18 ZAPP = an..23

**Remark:**

Attention! Please note the following port-specific rules:  
Generally applies: if a port-specific departure-no. is being indicated (see SG10, RFF, qualifier CRN), only DE8051 must be indicated in the TDT-segment. Otherwise the vessel identification takes place as follows:

**BHT:**

1. indication of line agent/ shipping agent (SG11, segment NAD, qualifier BA), IMO-no. (SG10, segment RFF, qualifier VM), voyage no. of the line shipping agent (DE8028 in this segment) and the date of departure (SG8, segment DTM, qualifier 133). If no SIS-no.- sea voyage - can be allocated with these indications in the BHT, the message will be rejected.

**ZAPP:**

1. indication of line agent / shipping agent (SG11, segment NAD, qualifier BA), IMO-no. (SG10, segment RFF, qualifier VM), voyage no. of the shipping agent (DE8028 in this segment) and the date of departure (SG8, segment DTM, qualifier 133)

2. If the exact spelling of the name of the vessel is not known, you may complete the described indications from 1 with a pseudo-departure no. "XXX9999" (in SG11, NAD; qualifier CRN).

With the previously described indications efforts are being made, to allocate a DAKOSY-vessel departure no. If this does not succeed, the message will be rejected for case 1. An impossible allocation in case 2 does not result in the rejection of the message.

**Example:**

TDT+20+12345+++1002REED:172+++DIDI:103:11: SCHIFF'



Counter	No	Tag	Var	St	St	MaxOcc	Level Name
0470		<b>SG8</b>	1	R	1	1	Transport information to main transport (ocean vessel)
0490	21	<b>DTM</b>	1	D	2	2	Date and time of departure, expected date and time of departure

Standard			Implementation	
Tag	Name	St Format	St Format	Usage / Remark
DTM				
C507	Date/time/period	M	M	
2005	Date or time or period function code qualifier	M an..3	M an..3	<b>132 Ankunftsdatum/-zeit, voraussichtliche</b> 132 = expected date and time of arrival <b>133 Abfahrtsdatum/-zeit, voraussichtliche</b> 133 = expected date and time of departure
2380	Date or time or period text	C an..35	R an..35	Indication of the date
2379	Date or time or period format code	C an..3	R an..3	<b>102 CCYYMMDD</b>

**Remark:**

For the usage of this segment please see also comment in segment TDT, qualifier 20.

**Example:**

DTM+133:20050101:102'



Counter	No	Tag	Var	St	St	MaxOcc	Level Name
0510		<b>SG9</b>	1	R	1	2	<b>LOC</b>
0520	22	<b>LOC</b>	1	M	1	2	<b>Port of loading</b>

Standard			Implementation	
Tag	Name	St Format	St Format	Usage / Remark
LOC				
3227	Location function code qualifier	M an..3	R an..3	<b>9 Ladeort / Ladehafen</b> 9 = port/ location of loading
C517	Location identification	C	R	
3225	Location name code	C an..35	R an..35	Location code according to UN/LOCODE of the respective current version (see also code key at <a href="http://www.german-port-order.de">www.german-port-order.de</a> )

**Remark:**

**Example:**

LOC+9+DEHAM'



Counter	No	Tag	Var	St	St	MaxOcc	Level	Name
0510		<b>SG9</b>	2	R	1	2		<b>LOC</b>
0520	23	<b>LOC</b>	1	M	1	2		<b>Port of discharge</b>

Standard			Implementation	
Tag	Name	St Format	St Format	Usage / Remark
LOC				
3227	Location function code qualifier	M an..3	R an..3	<b>12 Löschhafen</b> 12 = port of discharge
C517	Location identification	C	R	
3225	Location name code	C an..35	R an..35	Location code according to UN/LOCODE of the respective current version (see also code key at <a href="http://www.german-port-order.de">www.german-port-order.de</a> )

**Remark:**

**Example:**

LOC+12+USNYC'



Counter	No	Tag	Var	St	St	MaxOcc	Level Name
0510		<b>SG9</b>	3	C	1	2	<b>LOC</b>
0520	24	<b>LOC</b>	1	M	1	2	<b>Final port of destination</b>

Standard			Implementation	
Tag	Name	St Format	St Format	Usage / Remark
LOC				
3227	Location function code qualifier	M an..3	R an..3	<b>170 Final port of discharge</b>
C517	Location identification	C	R	
3225	Location name code	C an..35	R an..35	Location code according to UN/LOCODE of the respective current version (see also code key at <a href="http://www.german-port-order.de">www.german-port-order.de</a> )

**Remark:****Example:**

LOC+170+USNNY'



Counter	No	Tag	Var	St	St	MaxOcc	Level	Name
0510		<b>SG9</b>	4	C	1	2		<b>LOC</b>
0520	25	<b>LOC</b>	1	M	1	2		<b>Final place of destination</b>

Standard			Implementation	
Tag	Name	St Format	St Format	Usage / Remark
LOC				
3227	Location function code qualifier	M an..3	R an..3	<b>20 Endgültiger Bestimmungsort der Waren</b> 20 = final place of destination of the goods
C517	Location identification	C	R	
3225	Location name code	C an..35	R an..35	UN/LOCODE or ISO-country code and name of location in DE3224. Only the indication of the UN/LOCODE is possible for ZAPP.
1131	Code list identification code	C an..17	N	Not used
3055	Code list responsible agency code	C an..3	R an..3	<b>6 UNECE (United Nations - Economic Commission for Europe)</b> <b>5 ISO (International Organization for Standardization)</b>
3224	Location name	C an..256	D an..256	Name of location.  Non-relevant for Zapp, see DE 3225.

**Remark:**

Attention! Please note the following port-specific rules:  
- see description at DE-level-

**Example:**

LOC+20+USNUV::6:Newark Valley'





Counter	No	Tag	Var	St	St	MaxOcc	Level	Name
0540		<b>SG10</b>	1	D	1	2		<b>RFF</b> Vesse identification / Lloyds no.
0550	26	<b>RFF</b>	1	M	1	2		<b>IMO-Nummer</b>

Standard			Implementation	
Tag	Name	St Format	St Format	Usage / Remark
RFF				
C506	Reference	M	M	
1153	Reference code qualifier	M an..3	M an..3	<b>VM Schiffsidentifikation</b> VM = vessel identification
1154	Reference identifier	C an..70	R an..7	Attention, note the modified format  IMO-no.

**Remark:**

Attention! Please note the following port-specific rules:

ZAPP = non-relevant, indications do not have equivalents in ZAPP.

**Example:**

RFF+VM:1234567'



Counter	No	Tag	Var	St	St	MaxOcc	Level	Name
0540		<b>SG10</b>	2	D	1	2		<b>RFF</b>
0550	27	<b>RFF</b>	1	M	1	2		<b>No. of vessel departure, port-specific</b>

Standard			Implementation	
Tag	Name	St Format	St Format	Usage / Remark
RFF				
C506	Reference	M	M	
1153	Reference code qualifier	M an..3	M an..3	<b>CRN Reisenummer</b> CRN = voyage no.
1154	Reference identifier	C an..70	R an..7	GPO format: Attention, modified format  BHT = indication of the SIS-no. ZAPP = indication of the vessel departure no.

**Remark:**

Attention! Please consider the following port-specific rules:

ZAPP = the pseudo-vessel departure no. XXX9999 shall only be used, if the exact spelling of the vessel name or the exact date and time of departure are unknown (see also the comment in segment TDT, qualifier 20).

**Example:**

RFF+CRN:xxx1234'



Counter	No	Tag	Var	St	St	MaxOcc	Level	Name
0470		<b>SG8</b>	2	D	2	1		Transport information about the pre- or oncarriage
0480	28	<b>TDT</b>	1	M	1	1		Transport information about the pre- or oncarriage

Standard			Implementation	
Tag	Name	St Format	St Format	Usage / Remark
TDT				
8051	Transport stage code qualifier	M an..3	M an..3	<b>10 Vorlauf</b> <b>30 Nachlauf</b> 10 = precarriage 30 = oncarriage
8028	Means of transport journey identifier	C an..17	N	Not used
C220	Mode of transport	C	R	
8067	Transport mode name code	C an..3	R an..3	<b>2 Schienentransport</b> <b>3 Straßentransport</b> 2 = rail transport 3 = road transport <b>8 Inland water transport</b>
C001	Transport means	C	N	
8179	Transport means description code	C an..8	N	Not used
C040	Carrier	C	N	
3127	Carrier identifier	C an..17	N	Not used
8101	Transit direction indicator code	C an..3	N	Not used
C401	Excess transportation information	C	N	
8457	Excess transportation reason code	M an..3	N	Not used
C222	Transport identification	C	C	
8213	Transport means identification name identifier	C an..9	C an..9	Train no. Attention, modified format for train no. = n..6 ZAPP = non-relevant, indications do not have equivalents in ZAPP Call sign Attention, modified format for call sign: an..7
1131	Code list identification code	C an..17	R an..17	<b>103 Verzeichnis der Rufzeichen / Feedertransport</b> <b>142 Zugnummer / Bahntransport</b> <b>ZZZ Truck (Festlegung durch GPO-Arbeitsgruppe)</b> 103 = index of call signs / feeder transport 142 = train no. / rail transport ZZZ = truck (determined by GPO-working group)
3055	Code list responsible agency code	C an..3	N	Not used
8212	Transport means identification name	C an..35	R an..35	Identification of the means of transport:  + for feeder, the name of the feeder vessel + for train, the coach no. + for truck, the registration no.  Attention, modified format:  BHT = for truck max. field length an..17 (truck-registration no.) ZAPP = max. field length for the name of the feeder = an..23 ZAPP = registration no. of the truck/ trailer non-relevant, indications do not have equivalents in ZAPP.

**Remark:**

Specifics: Attention! Please note the following port-specific rules:  
- see description at DE-level-  
ZAPP = the indication of the mode of transport (TDT+10...) is required.



**Example:**

TDT+10++2+++++123456:103::1243'



Counter	No	Tag	Var	St	St	MaxOcc	Level Name
0470		<b>SG8</b>	2	D	2	1	Transport information about the pre- or oncarriage
0490	29	<b>DTM</b>	1	C	1	2	Expected date and time of delivery

Standard			Implementation	
Tag	Name	St Format	St Format	Usage / Remark
DTM				
C507	Date/time/period	M	M	
2005	Date or time or period function code qualifier	M an..3	M an..3	<b>17 Lieferdatum/-zeit, geschätzt</b> 17 = estimated date and time of delivery
2380	Date or time or period text	C an..35	R an..35	Date / time of train entry
2379	Date or time or period format code	C an..3	R an..3	<b>203 CCYYMMDDHHMM</b>

**Remark:**

Attention! Please consider the following port-specific rules:  
ZAPP = non-relevant, indications do not have equivalents in ZAPP

**Example:**

DTM+17:200401011212:203'



Counter	No	Tag	Var	St	St	MaxOcc	Level	Name
0570		<b>SG11</b>	1	R	1	1		<b>Address, contact data and references to orderer (carrier)</b> Data to orderer
0580	30	<b>NAD</b>	1	M	1	1		<b>Name orderer (carrier), coded</b>

Standard			Implementation	
Tag	Name	St Format	St Format	Usage / Remark
NAD				
3035	Party function code qualifier	M an..3	M an..3	<b>FW Spediteur</b> FW = forwarder
C082	Party identification details	C	R	
3039	Party identifier	M an..35	M an..35	The usage of the DAKOSY or dbh code is recommended. A common participant code for Hamburg and Bremen/ Bremerhaven has not yet been agreed.

**Remark:**

**Example:**

NAD+FW+0123'



Counter	No	Tag	Var	St	St	MaxOcc	Level	Name
0610		<b>SG12</b>	1	R	1	2		<b>CTA-COM</b>
0620	31	<b>CTA</b>	1	M	1	2		<b>Person in charge at orderer</b>

Standard			Implementation	
Tag	Name	St Format	St Format	Usage / Remark
CTA				
3139	Contact function code	C an..3	R an..3	<b>IC Informationskontakt</b>
C056	Department or employee details	C	R	
3413	Department or employee name code	C an..17	D an..5	Attention, modified format BHT = mandatory field ZAPP = non-relevant, indications do not have equivalents in ZAPP
3412	Department or employee name	C an..35	R an..15	Attention, modified format Person in charge of orderer

**Remark:**

Attention! Please note the following port-specific rules:

- see description at DE-level

**Example:**

CTA+IC+Abt.:Herr Porsche'



Counter	No	Tag	Var	St	St	MaxOcc	Level	Name
0610		<b>SG12</b>	1	R	1	2		<b>CTA-COM</b>
0630	32	<b>COM</b>	1	R	1	3		<b>Phone no. of person in charge of orderer</b>

		Standard	Implementation	
Tag	Name	St Format	St Format	Usage / Remark
COM				
C076	Communication contact	M	M	
3148	Communication address identifier	M an..512	M an..14	Attention, modified format
3155	Communication address code qualifier	M an..3	M an..3	<b>TE Telefon</b>

**Remark:****Example:**

COM+040 0421:TE'





Counter	No	Tag	Var	St	St	MaxOcc	Level Name
0610		<b>SG12</b>	1	R	1	2	<b>CTA-COM</b>
0630	33	<b>COM</b>	2	C	1	3	<b>Email address of person in charge at orderer</b>

Standard			Implementation	
Tag	Name	St Format	St Format	Usage / Remark
COM				
C076	Communication contact	M	M	
3148	Communication address identifier	M an..512	M an..56	Attention, modified format
3155	Communication address code qualifier	M an..3	M an..3	<b>EM Elektronische Post</b> EM = electronic mail

**Remark:**

Attention! Please consider the following port-specific rules:  
BHT = non-relevant, indications do not have equivalents in BHT

**Example:**

COM+PORSCHE@GROUP.DE:EM'



Counter	No	Tag	Var	St	St	MaxOcc	Level	Name
0610		<b>SG12</b>	1	R	1	2		<b>CTA-COM</b>
0630	34	<b>COM</b>	3	C	1	3		<b>Fax no. of person in charge at orderer</b>

Standard			Implementation	
Tag	Name	St Format	St Format	Usage / Remark
COM				
C076	Communication contact	M	M	
3148	Communication address identifier	M an..512	M an..35	Attention, modified format
3155	Communication address code qualifier	M an..3	M an..3	<b>FX Telefax</b>

**Remark:**

Attention! Please note the following port-specific rules:

BHT = non-relevant, indications do not have equivalents in the BHT.

**Example:**

COM+040 0421:FX'



Counter	No	Tag	Var	St	St	MaxOcc	Level	Name
0610		<b>SG12</b>	2	D	1	2		<b>CTA-COM</b>
0620	35	<b>CTA</b>	1	M	1	2		<b>Dangerous goods contact - person in charge at orderer</b>

Standard			Implementation	
Tag	Name	St Format	St Format	Usage / Remark
CTA				
3139	Contact function code	C an..3	R an..3	<b>HG Gefahrgutkontakt</b> HG = dangerous goods contact
C056	Department or employee details	C	R	
3413	Department or employee name code	C an..17	N	Not used
3412	Department or employee name	C an..35	R an..35	Name of person in charge

**Remark:**

Attention! Please note the following port-specific rules:

BHT = non-relevant, indications do not have equivalents in the BHT

ZAPP = required field for Hamburg, if the GPO-order contains dangerous goods. This segment may be omitted for order-type SON003 (previously GM01), as mentioned above.

**Example:**

CTA+HG+:Kpt. Knall'



Counter	No	Tag	Var	St	St	MaxOcc	Level Name
0610		<b>SG12</b>	2	D	1	2	<b>CTA-COM</b>
0630	36	<b>COM</b>	1	C	1	3	<b>Dangerous goods contact - phone no. of person in charge</b>

Standard			Implementation	
Tag	Name	St Format	St Format	Usage / Remark
COM				
C076	Communication contact	M	M	
3148	Communication address identifier	M an..512	M an..37	GPOformat: Attention, modified format
3155	Communication address code qualifier	M an..3	M an..3	<b>TE Telefon</b>

**Remark:**

Attention! Please note the following port-specific rules:  
BHT = non-relevant, indication do not have equivalents in the BHT.

**Example:**

COM+040 0070815:TE'



Counter	No	Tag	Var	St	St	MaxOcc	Level	Name
0750		<b>SG15</b>	1	R	1	2		<b>RFF</b>
0760	37	<b>RFF</b>	1	M	1	2		<b>Reference number of orderer</b>

Standard			Implementation	
Tag	Name	St Format	St Format	Usage / Remark
RFF				
C506	Reference	M	M	
1153	Reference code qualifier	M an..3	M an..3	<b>FF Speditionsauftragsnummer</b>
1154	Reference identifier	C an..70	R an..70	FF = conveyance order no. Reference no. of the orderer Attention, modified format: BHT = an..10 ZAPP = an..16

**Remark:**

Attention! Please note the following port-specific rules:  
- see description on DE-level.

**Example:**

RFF+FF:FF-REFERENZ'



Counter	No	Tag	Var	St	St	MaxOcc	Level	Name
0750		<b>SG15</b>	2	R	1	2		<b>RFF</b>
0760	38	<b>RFF</b>	1	M	1	2		<b>Quay account/ handling-customer ID</b>

Standard			Implementation	
Tag	Name	St Format	St Format	Usage / Remark
RFF				
C506	Reference	M	M	
1153	Reference code qualifier	M an..3	M an..3	<b>IT Internal customer number</b>
1154	Reference identifier	C an..70	R an..70	Indication of ZAPP-quay account or BHT handling-customer no. Specifics Hamburg port: indication of 6-digit reference 'quay account', to be sent in the following format: '1234-5'

**Remark:**

Attention! Please note the following port-specific rules:  
- see description at DE-level.

**Example:**

RFF+IT:12345'



Counter	No	Tag	Var	St	St	MaxOcc	Level	Name
0570		<b>SG11</b>	2	R	1	1		Address, contact data and references to consignee of order (terminal)
0580	39	<b>NAD</b>	1	M	1	1		Name of terminal

Standard			Implementation	
Tag	Name	St Format	St Format	Usage / Remark
NAD				
3035	Party function code qualifier	M an..3	M an..3	<b>TR Terminal operator</b>
C082	Party identification details	C	R	
3039	Party identifier	M an..35	M an..35	The usage of the DAKOSY- or dbh-code is recommended. A common participant code for Hamburg and Bremen/ Bremerhaven has not yet been decided. The indication of the terminal code is mandatory for DAKOSY

**Remark:**

**Example:**

NAD+TR+5123'



Counter	No	Tag	Var	St	St	MaxOcc	Level Name
0750		<b>SG15</b>	1	C	1	2	<b>RFF</b>
0760	40	<b>RFF</b>	1	M	1	2	<b>Offer</b>

Standard			Implementation	
Tag	Name	St Format	St Format	Usage / Remark
RFF				
C506	Reference	M	M	
1153	Reference code qualifier	M an..3	M an..3	<b>AAG Angebotsnummer</b> AAG = offer no.
1154	Reference identifier	C an..70	R an..8	Indication of the offer Attention, modified format

**Remark:**

Attention! Please note the following port specific rules:  
-see description at DE-level.

**Example:**

RFF+AAG:OFFERTE'





Counter	No	Tag	Var	St	St	MaxOcc	Level	Name
0570		<b>SG11</b>	3	R		1	1	Address, contact data and references to agent / carriers' agent
0580	41	<b>NAD</b>	1	M		1	1	Name of the agent/ carriers' agent

Standard			Implementation	
Tag	Name	St Format	St Format	Usage / Remark
NAD				
3035	Party function code qualifier	M an..3	M an..3	<b>BA Buchungsagent</b> BA = booking agent
C082	Party identification details	C	R	
3039	Party identifier	M an..35	M an..35	The usage of the DAKOSY- or dbh-code is recommended. A common participant-code for Hamburg and Bramern/ Bremerhaven has not yet been decided.

**Remark:**

**Example:**

NAD+BA+3123'



Counter	No	Tag	Var	St	St	MaxOcc	Level	Name
0750		<b>SG15</b>	1	C	1	2		<b>RFF</b>
0760	42	<b>RFF</b>	1	M	1	2		<b>Account no. agent/ carriers' agent</b>

Standard			Implementation	
Tag	Name	St Format	St Format	Usage / Remark
RFF				
C506	Reference	M	M	
1153	Reference code qualifier	M an..3	M an..3	<b>IT Internal customer number</b>
1154	Reference identifier	C an..70	R an..70	Quay account no. Specifics Hamburg port: indication of 6-digit reference 'quay account', to be sent in the following format: '1234-5'

**Remark:**

Attention! Please note the following port-specific rules:  
BHT = non-relevant, indications do not have equivalents in the BHT.

**Example:**

RFF+IT:12345'



Counter	No	Tag	Var	St	St	MaxOcc	Level	Name
0570		<b>SG11</b>	4	C	1	1		Address, contact data and references to deviating invoice recipient
0580	43	<b>NAD</b>	1	M	1	1		Name of deviating invoice recipient

Standard			Implementation	
Tag	Name	St Format	St Format	Usage / Remark
NAD				
3035	Party function code qualifier	M an..3	M an..3	<b>PF Party to receive freight bill</b>
C082	Party identification details	C	R	
3039	Party identifier	M an..35	M an..35	The usage of the DAKOSY- or dbh-code is recommended. A common participant code for Hamburg and Bremen/ Bremerhaven has not yet been decided.

**Remark:**

**Example:**

NAD+PF+2123'



Counter	No	Tag	Var	St	St	MaxOcc	Level Name
0750		<b>SG15</b>	1	R	1	2	RFF
0760	44	<b>RFF</b>	1	M	1	2	Quay account / handling customer no. to deviating invoice recipient

Standard			Implementation	
Tag	Name	St Format	St Format	Usage / Remark
RFF				
C506	Reference	M	M	
1153	Reference code qualifier	M an..3	M an..3	<b>IT Internal customer number</b>
1154	Reference identifier	C an..70	R an..70	Indication of ZAPP- quay account or BHT-handling customer number Specifics Hamburg port: indication of 6-digit reference 'quay account', to be sent in the following format: '1234-5'

**Remark:**

Attention! Please note the following port-specific rules:  
- see description at DE-level

**Example:**

RFF+IT:12345'



Counter	No	Tag	Var	St	St	MaxOcc	Level	Name
0750		<b>SG15</b>	2	C	1	2		<b>RFF</b>
0760	45	<b>RFF</b>	1	M	1	2		<b>FOB position no.</b>

Standard			Implementation	
Tag	Name	St Format	St Format	Usage / Remark
RFF				
C506	Reference	M	M	
1153	Reference code qualifier	M an..3	M an..3	<b>AHJ Payee's reference number</b>
1154	Reference identifier	C an..70	R an..70	Indication of FOB-position no. GPOformat: Attention, modified format ZAPP = an..16

**Remark:**

Attention! Please note the following port-specific rules:

BHT = non-relevant, indications do not have equivalents in the BHT

**Example:**

RFF+AHJ:12345'



Counter	No	Tag	Var	St	St	MaxOcc	Level	Name
0570		<b>SG11</b>	5	C	1	1		Address, contact data and references to the tally
0580	46	<b>NAD</b>	1	M	1	1		Name Tally

Standard			Implementation	
Tag	Name	St Format	St Format	Usage / Remark
NAD				
3035	Party function code qualifier	M an..3	M an..3	<b>PY Checking party (Tally)</b>
C082	Party identification details	C	R	
3039	Party identifier	M an..35	M an..35	The usage of the DAKOSY- or dbh-code is recommended. A common participant code for Hamburg and Bremen/ Bremerhaven has not yet been decided.

**Remark:**

Attention! Please note the following port-specific rules:  
BHT = non-relevant, indications do not have equivalents in the BHT

**Example:**

NAD+PY+7123'



Counter	No	Tag	Var	St	St	MaxOcc	Level	Name
0570		<b>SG11</b>	6	C	1	1		Address, contact data and references to FOB-carrier
0580	47	<b>NAD</b>	1	M	1	1		Name FOB-Spediteur

Standard			Implementation	
Tag	Name	St Format	St Format	Usage / Remark
NAD				
3035	Party function code qualifier	M an..3	M an..3	<b>FI FOB - Spediteur</b> FI = FOB-carrier
C082	Party identification details	C	R	
3039	Party identifier	M an..35	M an..35	The usage of the DAKOSY-or dbh-code is recommended. A common participant code for Hamburg and Bremen/ Bremerhave has not yet been decided.

**Remark:**

Attention! Please note the following port-specific rules:  
BHT = non-relevant, indications do not have equivalents in the BHT

**Example:**

NAD+FI+2134'



Counter	No	Tag	Var	St	St	MaxOcc	Level	Name
0570		<b>SG11</b>	7	C		1	1	Address, contact data and references to truck company
0580	48	<b>NAD</b>	1	M		1	1	Name of the truck company

Standard			Implementation	
Tag	Name	St Format	St Format	Usage / Remark
NAD				
3035	Party function code qualifier	M an..3	M an..3	<b>CT Zu benennender Empfänger (Name Truckunternehmen)</b> CT = recipient to be specified (name truck company)
C082	Party identification details	C	N	
3039	Party identifier	M an..35	N	Not used
C058	Name and address	C	D	
3124	Name and address description	M an..35	M an..12	Attention, modified format Name of truck agent

**Remark:**

Achtung! Bitte die folgenden hafenspezifischen Regeln beachten:  
ZAPP = nicht relevant, Angaben haben keine Entsprechung in ZAPP  
Attention! Please note the following port-specific rules:  
ZAPP = non-relevant, indications do not have equivalents in ZAPP

**Example:**

NAD+CT++Firma AG'





Counter	No	Tag	Var	St	St	MaxOcc	Level Name
0840		<b>SG17</b>	1	C	1	2	TSR-FTX
0850	49	<b>TSR</b>	1	M	1	2	Transport service requirements

Standard			Implementation	
Tag	Name	St Format	St Format	Usage / Remark
TSR				
C536	Contract and carriage condition	C	R	
4065	Contract and carriage condition code	M an..3	M an..3	<b>ZZZ dummy</b>

**Remark:**

Segment required due to message structure, if comments to delivery-or shipping dates are indicated.

Attention! Please note the following port-specific rules:

BHT = non-relevant, indications do not have equivalents in the BHT

**Example:**

TSR+ZZZ '



Counter	No	Tag	Var	St	St	MaxOcc	Level	Name
0840		<b>SG17</b>	1	C	1	2		<b>TSR-FTX</b>
0890	50	<b>FTX</b>	1	C	1	3		<b>Comments to delivery or distribution</b>

Standard			Implementation	
Tag	Name	St Format	St Format	Usage / Remark
FTX				
4451	Text subject code qualifier	M an..3	M an..3	<b>ITR Inland transport details</b>
4453	Free text function code	C an..3	N	Not used
C107	Text reference	C	N	
4441	Free text description code	M an..17	N	Not used
C108	Text literal	C	C	
4440	Free text	M an..512	M an..18	Indication of comments GPOformat: Attention, modified format  BHT = non-relevant, indications do not have equivalents in the BHT

**Remark:**

Specifics: Attention! Please note the following port-specific rules:  
BHT = non-relevant, indications do not have equivalents in the BHT

**Example:**

'FTX+ITR+++X'

Counter	No	Tag	Var	St	St	MaxOcc	Level	Name
---------	----	-----	-----	----	----	--------	-------	------

0900		<b>SG18</b>	1	R		999	1	<b>Consignment description (consignment- or package level 1)</b>
------	--	-------------	---	---	--	-----	---	--

This segment group represents the consignment description. The representation is possible on 3 (consignment- or package) levels. Group 18 will be repeated on each consignment level with information of the respective level. The occurrence of segment group 18 describes the declaration AES on the first declaration level.

The indication of customs reference MRN takes place on this levels for the AES export procedure. The reference will be indicated in segment RFF qualifier ED. The serial no. customs position and the serial no. pack-ID may be attached to this reference, in order that they indicate the first application - position, first application - pack-ID in format "MRN00101". The MRN may basically be indicated on each package level. It is recommended to indicate the MRN with position- and pack-ID on the lowest package level, otherwise the indication of the higher level applies. Several positions or pack-IDs to one MRN may be indicated within one item.

0910	51	<b>GID</b>	1	M		1	1	<b>Consignment description (1st consignment level)</b>
------	----	------------	---	---	--	---	---	--

Standard			Implementation	
Tag	Name	St Format	St Format	Usage / Remark
GID				
1496	Goods item number	C n..5	R n..5	The "goods item no." must be allocated per item, ascending if possible. In case that several GID groups for one item are necessary (e.g. because of different consignment levels), the corresponding item no. must be repeated.
C213	Number and type of packages	C	R	Indications to the first consignment level (external packaging)
7224	Package quantity	C n..8	R n..6	GPOformat: Attention, modified format
7065	Package type description code	C an..17	R an..17	Number of packages <b>CS Kiste</b> CS = box A package code as per UN Rec. 21 must be indicated (see code key at <a href="http://www.dakosy-direct.de">www.dakosy-direct.de</a> )

Remark:

The following description represents an example for the first consignment level.

ZAPP specific annotation:

Certain indications to the consignment description (incl. container specifications and table of content to the container of SG37) are summarized within one (consignment description-) line in ZAPP and may be repeated max. 99. Therefore DAKOSY verifies if the corresponding GPO-indications may be pictured within the 999-line. The GPO-order will be rejected with a corresponding error message in case of an error.

Following indications are considered:

- number of packages and type of package (SG18, segment GID)
- marking (SG23, segment PCI)
- description of contents (SG18, segment FTX)
- annotations to consignment (SG18, segment FTX)
- container specifications and table of content to the container (SG37, segment EQD + FTX)

Allocation/ calculation rules:

The indications "packages and type of package (SG18, segment GID)", "marking (SG23, segment PCI)" and "description of contents (SG18, segment FTX)" may be illustrated together within a ZAPP (consignment description-) line. Therefore only the indication of the highest occurrence within the 3 information blocks has to be used for the calculation.

Example: in case of 2 package descriptions, 10 marking lines and 22 lines of content description, the 22 must be added in the total account. The indication "comments to consignment (SG18, segment FTX)" must be added to the calculation.

Example: In case of 12 comments, 12 must be added in the total account.

The indication "container specifications and table of contents to the container (SG37, segment EQD + FTX) may be illustrated within a ZAPP (consignment description-) line. Therefore only the indication of the highest occurrence within the 2 information blocks has to be used for the calculation.

Example: In case of 1 container specification with 2 lines of content description, 2 must be added in the total account.

Plausibility check:

GPO error-free, if: [highest single value of A, B and C] + [D] + [highest single value of E and F]

A = number of occurrences for "packages and type of package (SG18, segment GID)"

B = number of occurrences for "marking (SG23, segment PCI)"

C = number of occurrences for "content description (SG18, segment FTX)"

D = number of occurrences for "consignment comments (SG18, segment EQD)"

E = number of occurrences for "container specifications (SG37, segment EQD)"

F = number of occurrences for "table of contents to the container (SG37m segment FTX)"

**Example:**

GID+1+1:CS'

## 6 BHT specifics

BHT: Following segments were added for the transmission of non-electronic customs data (ZOPD):

- Country of origin (SG 18, segment LOC)
- Country of destination (SG 18, segment LOC)
- Additional export information (SG 18, segment FTX)
- Customs article number (SG 18, segment PIA)
- Exporter (SG 19, segment NAD)
- Shipping status (SG 22, segment RFF)
- Preceding document (SG 22, segment RFF)
- Customs authorisation number (SG 22, segment RFF)

The specifications have to be filled in according to the customs diagram the next page.



**Main customs office Bremen -- Diagram specifications to customs procedures**

Type of export customs clearance	Procedure code Customs status N/G	Procedure facilitation (release indicator)	Country of destination	Country of origin	Article number	Exporter name	Description of goods	Preceding document	
		Entry of respective legal requirement of ZK-DVO	ISO-alpha-2-Country code (e.g. DE, AT,RU etc.)		Article no. export decl. (field 33)	e.g. Hoffman Inc., München	e.g. lathes		
<b>Electronic <u>export</u> MRN</b>		-	-	-	-	-	-		
<b>Export declaration without ATLAS export</b>	<b>Export declaration without ATLAS export</b>	1000 G* or N*; for each customs procedure	-	Yes	-	Yes	Yes	-	
	Verbal declaration as per article 226 ZK-DVO without formal export declaration	1111 G or 1111 N	226	Yes	-	Yes	Yes	-	
<b>Shipping procedure, TIR</b>	Simplified railway shipping procedure	9999 N or 9999 G	-	Yes	-	-	Yes	No.Railway transport document	
	Other (NCTS)	3333 N or 3333 G	-	Yes	-	-	Yes	Shipping MRN	
<b>Accompanying administration document with export note (not EVD)</b>	BVD export	2222 G	-	Yes	-	Yes	Yes	Export MRN	
<b>Sea transit products with country of destination outside the EU</b>	Exit summary declaration and re-export notification	5555 D*	-	Yes	Yes	optional	-	Yes	ATB no., **)
<b>Sea transit products with country of destination within the EU</b>	Re-export notification and goods traffic information	7777 N	-	Yes	Yes	optional	-	Yes	ATB no., **)
<b>Re-export for completion purposes of temporary storage</b>	Re-export notification	4444N	-	Yes	Yes	-	Yes, depository	Yes	Temporary storage (AT/B/15 no.)
<b>Manual</b>		M	-	Yes	-	-	Yes	-	

\*) **G** = Community products

\*) **N** = Non-Community products

\*) **D** = Sea transit products

\*\*) If the ATB no. is not available in exceptional cases, a B/L number or the booking number of the shipowner may be specified as well .



Counter	No	Tag	Var	St	St	MaxOcc	Level	Name
0900		<b>SG18</b>	1	R		999	1	Consignment description (consignment- or package level 1)
0920	52	<b>HAN</b>	1	C		99	2	Handling specifications

Standard			Implementation	
Tag	Name	St Format	St Format	Usage / Remark
HAN				
C524	Handling instructions	C	R	
4079	Handling instruction description code	C an..3	R an..2	Attention, modified format BHT-code handlings specifications, see code key at <a href="http://www.german-port-order.de">www.german-port-order.de</a>

**Remark:**

Attention! Please note the following port-specific rules:  
ZAPP = non-relevant, indications do not have equivalents in ZAPP.

**Example:**

HAN+XX'



Counter	No	Tag	Var	St	St	MaxOcc	Level	Name
0900		<b>SG18</b>	1	R	999	1		<b>Consignment description (consignment- or package level 1)</b>
0960	53	<b>LOC</b>	1	D	9	2		<b>Country of dispatch, export or origin</b>

Standard			Implementation	
Tag	Name	St Format	St Format	Usage / Remark
LOC				
3227	Location function code qualifier	M an..3	M an..3	<b>27 Country of origin</b>
C517	Location identification	C	R	
3225	Location name code	C an..35	R an..35	Country code according to foreign trade statistics (see code list at <a href="http://www.german-port-order.de">www.german-port-order.de</a> )
1131	Code list identification code	C an..17	N	Not used
3055	Code list responsible agency code	C an..3	R an..3	<b>5 ISO (International Organization for Standardization)</b>

**Remark:**

BHT = Mandatory field in case of shipment status 5555D, 7777N;  
ZAPP = not used.

**Example:**

LOC+27+DE:::5'





Counter	No	Tag	Var	St	St	MaxOcc	Level Name
0900		<b>SG18</b>	1	R	999	1	<b>Consignment description (consignment- or package level 1)</b>
0960	54	<b>LOC</b>	2	R	9	2	<b>Country of destination</b>

Standard			Implementation	
Tag	Name	St Format	St Format	Usage / Remark
LOC				
3227	Location function code qualifier	M an..3	M an..3	<b>28 Country of destination of goods</b>
C517	Location identification	C	R	
3225	Location name code	C an..35	R an..35	Country code according to foreign trade statistics (see code list at <a href="http://www.german-port-order.de">www.german-port-order.de</a> )
1131	Code list identification code	C an..17	N	Not used
3055	Code list responsible agency code	C an..3	R an..3	<b>5 ISO (International Organization for Standardization)</b>

**Remark:**

BHT = Mandatory field in case of each shipment status;  
ZAPP = not used.

**Example:**

LOC+28+DE:::5'



Counter	No	Tag	Var	St	St	MaxOcc	Level	Name
0900		<b>SG18</b>	1	R		999	1	Consignment description (consignment- or package level 1)
0980	55	<b>PIA</b>	1	D		9	2	Produkt ID (BHT) / Warencode Product ID (BHT) / commodity code

Standard			Implementation	
Tag	Name	St Format	St Format	Usage / Remark
PIA				
4347	Product identifier code qualifier	M an..3	M an..3	<b>5 Product identification</b>
C212	Item number identification	M	M	
7140	Item identifier	C an..35	R an..35	Attention, modified format: BHT = n4 Product ID (BHT) commodity code
7143	Item type identification code	C an..3	R an..3	<b>BN Locally assigned control number / (BHT) Warencode</b>

**Remark:**

Attention! Please note the following port-specific rules:

BHT = required field

ZAPP = non-relevant, indications do not have equivalents in ZAPP

**Example:**

PIA+5+1234:BN'



Counter	No	Tag	Var	St	St	MaxOcc	Level	Name
0900		<b>SG18</b>	1	R	999	1		<b>Consignment description (consignment- or package level 1)</b>
0980	56	<b>PIA</b>	2	D	9	2		<b>Customs article number</b>

Standard			Implementation	
Tag	Name	St Format	St Format	Usage / Remark
PIA				
4347	Product identifier code qualifier	M an..3	M an..3	<b>5 Product identification</b>
C212	Item number identification	M	R	
7140	Item identifier	C an..35	D an..35	Customs article number Attention, modified format: BHT = an..9
C212	Item number identification	C	C	
7140	Item identifier	C an..35	N	Not used
7143	Item type identification code	C an..3	R an..3	<b>CV Customs article number</b>

**Remark:**

BHT = Mandatory field in case of shipping status 1000G, 1000N;  
ZAPP = not used.

**Example:**

PIA+5+12345678+:CV'



Counter	No	Tag	Var	St	St	MaxOcc	Level	Name
0900		<b>SG18</b>	1	R		999	1	Consignment description (consignment- or package level 1)
0990	57	<b>FTX</b>	1	C		10	2	Comments to consignment description

Standard			Implementation			
Tag	Name	St	Format	St	Format	Usage / Remark
FTX						
4451	Text subject code qualifier	M	an..3	M	an..3	<b>AEA Cargo remarks</b>
4453	Free text function code	C	an..3	N		Not used
C107	Text reference	C		N		
4441	Free text description code	M	an..17	N		Not used
C108	Text literal	C		R		
4440	Free text	M	an..512	M	an..512	Attention, modified format for all DE4440 in this segment ZAPP = an..72 Indication of comment(s)
4440	Free text	C	an..512	C	an..512	
4440	Free text	C	an..512	C	an..512	
4440	Free text	C	an..512	C	an..512	
4440	Free text	C	an..512	C	an..512	

**Remark:**

Attention! Please note the following port-specific rules:  
BHT = non-relevant, indications do not have equivalents in the BHT

**Example:**

FTX+AEA+++Bemerkung:X:X:X'



Counter	No	Tag	Var	St	St	MaxOcc	Level	Name
0900		<b>SG18</b>	1	R	999	1		<b>Consignment description (consignment- or package level 1)</b>
0990	58	<b>FTX</b>	2	R	5	2		<b>Description of content</b>

Standard			Implementation	
Tag	Name	St Format	St Format	Usage / Remark
FTX				
4451	Text subject code qualifier	M an..3	M an..3	<b>AAA Güter-/Warenbeschreibung</b> AAA = Goods-/ commodity description
4453	Free text function code	C an..3	N	Not used
C107	Text reference	C	N	
4441	Free text description code	M an..17	N	Not used
C108	Text literal	C	R	
4440	Free text	M an..512	M an..512	Attention, modified format for all DE4440 in this segment: BHT = an..21 ZAPP = an..24 Content description
4440	Free text	C an..512	C an..512	
4440	Free text	C an..512	C an..512	
4440	Free text	C an..512	C an..512	
4440	Free text	C an..512	C an..512	

**Remark:**

Attention! Please note the following port-specific rules:  
The FTX+AAA may be repeated max. 5 times, whereas the fifth repetition of the DE4440 must only be indicated 4 times.  
Thereby the max. number of content description lines will be limited to 24.  
- see description at DE-level

**Example:**

FTX+AAA+++Inhalt 1:Inhalt 2:Inhalt 3:Inhalt 4:Inhalt 5'



Counter	No	Tag	Var	St	St	MaxOcc	Level	Name
0900		<b>SG18</b>	1	R	999	1		<b>Consignment description (consignment- or package level 1)</b>
0990	59	<b>FTX</b>	3	R	10	2		<b>Comments to export information</b>

Standard			Implementation	
Tag	Name	St Format	St Format	Usage / Remark
FTX				
4451	Text subject code qualifier	M an..3	M an..3	<b>AAZ Additional export information</b>
4453	Free text function code	C an..3	N	Not used
C107	Text reference	C	N	
4441	Free text description code	M an..17	N	Not used
C108	Text literal	C	R	
4440	Free text	M an..512	R an..512	Additional export information, max. length 132
4440	Free text	C an..512	N	Not used
4440	Free text	C an..512	N	Not used
4440	Free text	C an..512	N	Not used
4440	Free text	C an..512	N	Not used

**Remark:**

BHT = Mandatory field in case of each shipping status;  
ZAPP = not used.

**Example:**

FTX+AAZ+++MASCHINENTEILE'

Counter	No	Tag	Var	St	St	MaxOcc	Level	Name
1010		<b>SG19</b>	1	D	9	2		Address of declarant (customs relevant)
1020	60	<b>NAD</b>	1	D	1	2		Customs - Name of declarant

Standard			Implementation	
Tag	Name	St Format	St Format	Usage / Remark
NAD				
3035	Party function code qualifier	M an..3	M an..3	<b>EX Exporter</b>
C082	Party identification details	C	D	
3039	Party identifier	M an..35	R an..35	Name
C058	Name and address	C	D	
3124	Name and address description	M an..35	R an..35	
3124	Name and address description	C an..35	C an..35	
3124	Name and address description	C an..35	C an..35	
3124	Name and address description	C an..35	C an..35	
3124	Name and address description	C an..35	C an..35	

**Remark:**

BHT = Mandatory field in case of shipping status 1000G, 1000N, 1111G, 1111N, 2222G und 4444N;  
ZAPP = not used.

**Example:**

NAD+EX+MEYER+X:X:X:X'



Counter	No	Tag	Var	St	St	MaxOcc	Level	Name
1060		<b>SG20</b>	1	R	1	2		<b>Gewichtsangaben - Gross weight</b>
1070	61	<b>MEA</b>	1	M	1	2		<b>Gross weight</b>

Standard			Implementation	
Tag	Name	St Format	St Format	Usage / Remark
MEA				
6311	Measurement purpose code qualifier	M an..3	M an..3	<b>AAE Measurement</b>
C502	Measurement details	C	R	
6313	Measured attribute code	C an..3	R an..3	<b>G Gross weight</b> Mandatory field when reporting a shortage.
C174	Value/range	C	R	
6411	Measurement unit code	M an..8	M an..8	<b>KGM kilogram</b>
6314	Measure	C an..18	R an..18	BHT = format: n..7 - no decimal places ZAPP = format: n..10, max 7 integer places and 3 decimal places (7,3)

**Remark:**

Attention! Please note the following port-specific rules:  
- see description at DE-level

**Example:**

MEA+AAE+G+KGM:1234567,123'





Counter	No	Tag	Var	St	St	MaxOcc	Level Name
1060		<b>SG20</b>	2	C	1	2	<b>Volumenangabe - Gross volume</b>
1070	62	<b>MEA</b>	1	C	1	2	<b>Volumen</b>

Standard			Implementation	
Tag	Name	St Format	St Format	Usage / Remark
MEA				
6311	Measurement purpose code qualifier	M an..3	M an..3	<b>AAE Measurement</b>
C502	Measurement details	C	R	
6313	Measured attribute code	C an..3	R an..3	<b>AAW Gross volume</b>
C174	Value/range	C	R	
6411	Measurement unit code	M an..8	M an..8	<b>MTQ cubic metre</b>
6314	Measure	C an..18	R n..9	Max 6 integer places and 3 decimal places (6,3)

**Remark:**

Specifics: Attention! Please note the following port-specific rules:  
ZAPP = non-relevant, indications do not have equivalents in ZAPP

**Example:**

MEA+AAE+AAW+MTQ:123456,123'

Counter	No	Tag	Var	St	St	MaxOcc	Level	Name
1060		<b>SG20</b>	3	D	1	2		<b>Gewichtsangaben - Net weight</b>
1070	63	<b>MEA</b>	1	M	1	2		<b>Net weight; Eigenmasse</b>

Standard			Implementation	
Tag	Name	St Format	St Format	Usage / Remark
<b>MEA</b>				
6311	Measurement purpose code qualifier	M an..3	M an..3	<b>AAE Measurement</b>
C502	Measurement details	C	R	
6313	Measured attribute code	C an..3	R an..3	<b>AAL Net weight</b> The indication of the net weight is required when reporting a shortage. The actual exported weight of the position must be indicated. The indication 0 is not permitted. If you would like to deregister a complete position, you can use segment RFF qualifier EP on header level.
C174	Value/range	C	R	
6411	Measurement unit code	M an..8	M an..8	<b>KGM kilogram</b>
6314	Measure	C an..18	R an..18	BHT = format: n..7 - no decimal places ZAPP = format: n..10 - max. 7 integer places and 3 decimal places (7,3)

**Remark:**

Specifics: Attention! Please note the following port-specific rules:  
- see description at DE-level

**Example:**

MEA+AAE+AAL+KGM:1234567,123'



Counter	No	Tag	Var	St	St	MaxOcc	Level	Name
1120		<b>SG22</b>	1	D	9	2		Vehicle- identification no.
1130	64	<b>RFF</b>	1	M	1	2		Vehicle - identification no.

Standard			Implementation	
Tag	Name	St Format	St Format	Usage / Remark
RFF				
C506	Reference	M	M	
1153	Reference code qualifier	M an..3	M an..3	<b>AKG Vehicle Identification Number (VIN)</b>
1154	Reference identifier	C an..70	R an..70	Identification no., see A
1156	Document line identifier	C an..6	C an..6	Indicator Zubehör (equipment)/ Beiladung (extra cargo) Z/ B

**Remark:**

A

The transmission of the chassis no. is mandatory for the processes of vehicle loading.

For the transmission of the chassis no. applies: character „O“ is not permitted, please use 0 = zero instead.

For the transmission of the chassis no. applies: character „I“ is not permitted from the 01.11.2009, please use 1 = one instead.

## Vehicle equipment

- 1156 = ‚Z‘
- Position to the MRN repeatable
- Chassis number may be repeated
- Indicator full/empty in the gate message will be ignored.

## Extra cargo

- 1156 = ‚B‘
- Position to the MRN must not be allocated to a car
- Chassis number must not be indicated
- Indicator full/empty in the Gate message will not be ignored.

**Example:**

RFF+AKG: ID123CDE: X'



Counter	No	Tag	Var	St	St	MaxOcc	Level Name
1120		<b>SG22</b>	2	C	9	2	<b>BHT-referencing in case of consolidations/ subsequent orders</b>
1130	65	<b>RFF</b>	1	M	1	2	<b>BHT reference/ header/ position</b>

Standard			Implementation	
Tag	Name	St Format	St Format	Usage / Remark
RFF				
C506	Reference	M	R	
1153	Reference code qualifier	M an..3	M an..3	<b>AAA Auftragsbestätigungsnummer</b> AAA = Order confirmation no.
1154	Reference identifier	C an..70	R an..14	Attention, modified format Digits 1-7 BHT-reference Digits 8-10 BHT-header Digits 11-14 BHT-position

**Remark:**

Attention! Please note the following port-specific rules:  
ZAPP = non-relevant, indications do not have equivalents in ZAPP

**Example:**

RFF+AAA:50634240030001'



Counter	No	Tag	Var	St	St	MaxOcc	Level	Name
1120		<b>SG22</b>	3	D	1	2		MRN-Nr.(AES)
1130	66	<b>RFF</b>	1	R	1	2		MRN-Nr.

Standard			Implementation	
Tag	Name	St Format	St Format	Usage / Remark
RFF				
C506	Reference	M	M	
1153	Reference code qualifier	M an..3	M an..3	<b>ED Ausfuhranmeldung</b> ED = export declaration
1154	Reference identifier	C an..70	R an..70	Attention, modified format: ZAPP = an18 The allocation of the export declaration takes place about the MRN (Movement Reference Number). If all goods, corresponding to a MRN can be completely allocated to one item, only the MRN must be allocated. If the MRN is split to several items, even the position no. or the pack-ID of the MRN must be allocated. You can find an example of an AES-reference (= MRN no. + position no. + package ID) based on the formatting in the appendix.
1156	Document line identifier	C an..6	R an..6	<b>Indicator of completeness MRN J/N</b> This data element is used, in order to indicate the completeness of the MRN concerning the indications of the position no. and package ID's within this transmittance. Further indications to this MRN are being made (in case of incompleteness) in another GPO declaration with a new GPO reference.  J = MRN of this GPO declaration is completely illustrated N = MRN of this GPO declaration is not completely illustrated
4000	Reference version identifier	C an..35	D an..35	This data element is being used, in order to indicate the shortage in quantity: the indicator of shortage = J must always be used, if the quantities (weights), which are indicated to one position have been decreased as compared to the indicated quantities of the first stage of customs declaration. The shortage will be reported to AES in terms of a modification of the net weight. The actual export weight must be notified on positions which are declared with a shortage = J. If a complete position has been omitted, it must be separately specified in segment RFF, qualifier EP on header level; in case that a complete MRN won't be exported, it must either be cancelled via the exporter ( goods are not located at port yet) or the GPO shortage message termination at exit (goods are already located at port) must be sent.  J = shortage Blank = no shortage
1060	Revision identifier	C an..6	D an..6	<b>JJ Warenposition komplett</b> <b>NJ Packstückposition komplett</b> <b>NN Packstückposition nicht komplett</b> JJ = Item position complete NJ = Package position complete NN = Package position not complete  Mandatory field, only relevant for the BHT: Indicates whether or not an item or package position is complete. The indicator has to be set, if a MRN is allocated to several containers.

Remark:



**Example:**

RFF+ED:06DE087500000685E100100:J:J:X'



Counter	No	Tag	Var	St	St	MaxOcc	Level	Name
1120		<b>SG22</b>	4	D	1	2		<b>RFF</b>
1130	67	<b>RFF</b>	1	R	1	2		<b>Shipping status</b>

Standard			Implementation	
Tag	Name	St Format	St Format	Usage / Remark
RFF				
C506	Reference	M	M	
1153	Reference code qualifier	M an..3	M an..3	<b>ABD Customs tariff number</b>
1154	Reference identifier	C an..70	R an..70	

**Remark:**

BHT = Mandatory field  
ZAPP = not used

**Example:**

RFF+ABD:1000G'



Counter	No	Tag	Var	St	St	MaxOcc	Level	Name
1120		<b>SG22</b>	5	D	1	2		<b>RFF</b>
1130	68	<b>RFF</b>	1	R	1	2		<b>Preceding document</b>

Standard			Implementation	
Tag	Name	St Format	St Format	Usage / Remark
RFF				
C506	Reference	M	M	
1153	Reference code qualifier	M an..3	M an..3	<b>AEI Registration number of previous Customs declaration</b>
1154	Reference identifier	C an..70	R an..70	

**Remark:**

BHT = Mandatory field in case of shipping status 9999G, 9999N, 2222G, 5555D, 7777N und 4444N;  
ZAPP = not used.

**Example:**

RFF+AEI:Vorpapier'





Counter	No	Tag	Var	St	St	MaxOcc	Level	Name
1120		<b>SG22</b>	6	D	1	2		<b>RFF</b>
1130	69	<b>RFF</b>	1	R	1	2		<b>Customs authorisation number</b>

Standard			Implementation	
Tag	Name	St Format	St Format	Usage / Remark
RFF				
C506	Reference	M	M	
1153	Reference code qualifier	M an..3	M an..3	<b>ABB End use authorization number</b>
1154	Reference identifier	C an..70	R an..70	

**Remark:**

BHT = To be used in connection with a permitted place of presentation.  
ZAPP = not used.

**Example:**

RFF+ABB:BW4711'



Counter	No	Tag	Var	St	St	MaxOcc	Level Name
1150		<b>SG23</b>	1	C	3	2	<b>Identification of package (Marks &amp; Numbers)</b> Max. 24 lines may be indicated. SG23 may be repeated up to 3 times, whereas the DE7102 of the third repetition may only be reported 4 times.
1160	70	<b>PCI</b>	1	M	1	2	<b>Package identification</b>

Standard			Implementation	
Tag	Name	St Format	St Format	Usage / Remark
PCI				
4233	Marking instructions code	C an..3	N	Not used
C210	Marks & labels	C	R	
7102	Shipping marks description	M an..35	M an..35	Attention, modified format for all DE7102 of this segment: BHT = an..18 ZAPP = an..20
7102	Shipping marks description	C an..35	C an..35	
7102	Shipping marks description	C an..35	C an..35	
7102	Shipping marks description	C an..35	C an..35	
7102	Shipping marks description	C an..35	C an..35	
7102	Shipping marks description	C an..35	C an..35	
7102	Shipping marks description	C an..35	C an..35	
7102	Shipping marks description	C an..35	C an..35	
7102	Shipping marks description	C an..35	C an..35	

**Remark:**

Attention! Please note the following port-specific rules:  
- see description at DE-level

**Example:**

PCI++Markierg:Markierg:Markierg:Markierg:Markierg:Markierg:Markierg:Markierg:Markierg:Markierg



Counter	No	Tag	Var	St	St	MaxOcc	Level	Name
1230		<b>SG25</b>	1	D	9	2		<b>Customs relevant indications</b>
1240	71	<b>GOR</b>	1	M	1	2		<b>Type of customs declaration</b>

Standard			Implementation	
Tag	Name	St Format	St Format	Usage / Remark
GOR				
8323	Transport movement code	C an..3	R an..3	<b>1 Export</b>
C232	Government action	C	R	
9415	Government agency identification code	C an..3	R an..3	<b>5 Zoll</b> 5 = customs
9411	Government involvement code	C an..3	N	Not used
9417	Government action code	C an..3	N	Not used
9353	Government procedure code	C an..3	R an..3	Type of customs declaration AES = Export procedure ATLAS AES AEM = Market regulation commodities in the export procedure ATLAS AES DUX = Declaration with preceding EXS (Exit summary declaration) <b>AES Anmeldung im Zollverfahren ATLAS</b> <b>AEM Anmeldung für Marktordnungsware im Zollverfahren ATLAS AES</b> <b>DUX Anmeldung für Sendung mit vorangegangener summarischer Ausgangsanmeldung</b>

**Remark:**

Attention! Please note:

The creation of the Z-number is always linked to the first sent segment GOR during the ZAPP processing. If segment GOR will not be transmitted the Z-number will be created as declaration type AES.

**Example:**

GOR+1+5:::AES'

Counter	No	Tag	Var	St	St	MaxOcc	Level	Name
1230		<b>SG25</b>	1	D	9	2		Customs relevant indications
1260	72	<b>LOC</b>	1	D	2	3		Ursprungs- und Bestimmungsland

Standard			Implementation	
Tag	Name	St Format	St Format	Usage / Remark
LOC				
3227	Location function code qualifier	M an..3	M an..3	<b>27 Ursprungsland</b> <b>28 Bestimmungsland</b> 27 = Country of origin 28 = Country of destination
C517	Location identification	C	C	
3225	Location name code	C an..35	C an..2	

**Remark:**

Both countries must be sent with DUX as type of declaration.

**Example:**

LOC+27+DE'



Counter	No	Tag	Var	St	St	MaxOcc	Level	Name
1320		<b>SG27</b>	1	C	9	2		Indicator of transport carrier
1330	73	<b>TPL</b>	1	M	1	2		Indicator of means of transport

Standard			Implementation	
Tag	Name	St Format	St Format	Usage / Remark
TPL				
C222	Transport identification	M	M	
8213	Transport means identification name identifier	C an..9	N	Not used
1131	Code list identification code	C an..17	N	Not used
3055	Code list responsible agency code	C an..3	N	Not used
8212	Transport means identification name	C an..35	C an..35	Attention, modified format: BHT = an..17, indicaton of trailer registration no. ZAPP = an..13, indication of truck registration no.

**Remark:**

**Example:**

TPL+:::Kennzeichen'



Counter	No	Tag	Var	St	St	MaxOcc	Level	Name
1370		<b>SG29</b>	1	D	1	2		<b>SGP</b>
1380	74	<b>SGP</b>	1	M	1	2		<b>Allocation container</b>

Standard			Implementation	
Tag	Name	St Format	St Format	Usage / Remark
SGP				
C237	Equipment identification	M	M	
8260	Equipment identifier	C an..17	R an..17	Indication of container no. Format: PPPNNNNNNN (P=prefix, N= numeric block), example: HLXU2083557

**Remark:**

The item will be allocated to the container by using the indicated container no. here. For each item you may indicate the related container. You may indicate specific container details in the segment group 37, segment EQD. Please take note, that the allocation is only possible, if the formal composition of the container no. between indications here and in the corresponding EQD are equivalent. (see format recommendation EQD)

**Example:**

SGP+HLCU1234567'

Counter	No	Tag	Var	St	St	MaxOcc	Level	Name
1510		<b>SG32</b>	1	D	1	2		<b>DGS-FTX-SG34</b>
<p>Since the dangerous goods information are also indicated for the consignment- or package levels 2 and 3, the following description is applicable to each level. A repeated description of dangerous goods indications in GID-examples for the 2. and 3. consignment level is not necessary in this guide. The important indications "number of packages" and "type of package" are already illustrated in SG18/ GID, and therefore not necessary in this group.</p>								
1520	75	<b>DGS</b>	1	M	1	2		<b>Dangerous goods indications to IMDG-code</b>

Standard			Implementation	
Tag	Name	St Format	St Format	Usage / Remark
DGS				<b>IMD IMO IMDG-Code</b>
8273	Dangerous goods regulations code	C an..3	R an..3	
C205	Hazard code	C	R	
8351	Hazard identification code	M an..7	R an..7	IMDG class Counter check IMDG-code and UN no.
8078	Additional hazard classification identifier	C an..7	N	Not used
8092	Hazard code version identifier	C an..10	C an..10	Indication of amendment to IMDG-code (e.g. 29, for amendment 29) BHT not used.
C234	UNDG information	C	R	
7124	United Nations Dangerous Goods (UNDG) identifier	C n4	R n4	Indication of UN-no.  Counter-check IMDG-code and IMDG-class, "none" permitted.
C223	Dangerous goods shipment flashpoint	C	D	
7106	Shipment flashpoint degree	C n3	R n3	Indication of flashpoint  Mandatory field for class 3 or 1. digit of label (main- or secondary level) = 3
6411	Measurement unit code	C an..8	R an..8	<b>CEL degree Celsius</b> <b>FAH degree Fahrenheit</b> ZAPP = provides only Celsius as unit of measurement, indications in Fahrenheit will be converted into Celsius in the DE 7106.
8339	Packaging danger level code	C an..3	D an..3	Mandatory field, except class 1,2 ,5,2, 7 Indication of package group <b>1 Great danger (für Verpackungsgruppe I)</b> <b>2 Medium danger (für Verpackungsgruppe II)</b> <b>3 Minor danger (für Verpackungsgruppe III)</b>
8364	Emergency procedure for ships identifier	C an..6	C an..6	EmS-indications / Emergency Schedules
8410	Hazard medical first aid guide identifier	C an..4	N	Not used
8126	Transport emergency card identifier	C an..10	N	Not used
C235	Hazard identification placard details	C	N	
8158	Orange hazard placard upper part identifier	C an..4	N	Not used
C236	Dangerous goods label	C	C	
8246	Dangerous goods marking identifier	C an..4	C an..4	Label 1 Main label
8246	Dangerous goods marking identifier	C an..4	C an..4	Label 2 Secondary label 1
8246	Dangerous goods marking identifier	C an..4	C an..4	Label 3 Secondary label 2

**Remark:**

For indications to package and number of packages please refer to the allocated GID.

Specifics: Attention! Please note the following port-specific rules:

- see description at DE-level



**Example:**

DGS+IMD+3::31+1263+-039:CEL+1+EmS++++Lab1:Lab2:Lab3'



Counter	No	Tag	Var	St	St	MaxOcc	Level	Name
1510		<b>SG32</b>	1	D	1	2		<b>DGS-FTX-SG34</b>
1530	76	<b>FTX</b>	1	R	1	3		<b>Dangerous goods technical name</b>

Standard			Implementation	
Tag	Name	St Format	St Format	Usage / Remark
FTX				
4451	Text subject code qualifier	M an..3	M an..3	<b>AAD Dangerous goods, technical name</b>
4453	Free text function code	C an..3	N	Not used
C107	Text reference	C	D	This compositemust be indicated for dangerous goods which are carried according to the rules "limited quantities" =TLQ, excepted quantities = TEQ.
4441	Free text description code	M an..17	M an..17	<b>TLQ Transport of dangerous goods in limited Quantities</b> <b>TEQ Transport of dangerous goods in excepted Quantities</b>
C108	Text literal	C	R	
4440	Free text	M an..512	M an..512	Correct technical name Technical name, correct technical name (capitals of column dangerous goods list chapter 3.2 IMDG-code) Attention, modified format:  BHT = an..130 / ZAPP = an..72
4440	Free text	C an..512	C an1	Attention, modified format WGK-code, water endangerment category <b>1 schwach</b> <b>2 normal</b> <b>3 stark</b>  1 = slight 2 = normal 3 = strong
4440	Free text	C an..512	C an..15	Attention, modified format ZAPP not used BFS number not used
4440	Free text	C an..512	C an..512	Attention, modified format: BHT = an..130 Attributes ZAPP not used
4440	Free text	C an..512	C an..512	Attention, modified format: BHT = an..60 ZAPP not used Comments POGE, dangerous goods-comment, x60, comment

**Remark:**

Attention! Please note the following port-specific rules:  
- see description at DE-level

**Example:**

FTX+AAD++TLQ+FARBE:1:BFS-Nr.:Ätzend:Vermerke'



Counter	No	Tag	Var	St	St	MaxOcc	Level	Name
1510		<b>SG32</b>	1	D	1	2		<b>DGS-FTX-SG34</b>
1530	77	<b>FTX</b>	2	D	1	3		<b>Trigger of danger and dangerous goods additional information</b>

Standard			Implementation	
Tag	Name	St Format	St Format	Usage / Remark
FTX				
4451	Text subject code qualifier	M an..3	M an..3	<b>AAC Dangerous goods additional information</b>
4453	Free text function code	C an..3	N	Not used
C107	Text reference	C	R	
4441	Free text description code	M an..17	M an..17	<b>J Marine pollutant / yes N Marine pollutant / no</b>
C108	Text literal	C	D	
4440	Free text	M an..512	M an..512	Hazard inducer Mandatory field for groups-or "not otherwise specified" (n.o.s)- coentries Attention, modified format: BHT = an..130 ZAPP = an..110 If the composit C108 is being used, this DE4440 must be indicated. If no trigger of danger is being indicated, please indicate a minus sign [-].
4440	Free text	C an..512	D an..512	Mandatory at class 7 (except page no. 01-04, see chapter 3.5 IMDG-code) Attention, modified format: BHT = an..5 ZAPP = an..4 Category
4440	Free text	C an..512	D an..4	Mandatory at class 7 (except page no. 01-04, see chapter 3.5 IMDG-code) Attention, modified format Package type The types are e.g.: IP1,IP2,TYPA,TYPB,TYPC, TYPM

**Remark:**

Specifics: Attention! Please note the following port-specific rules:  
- see description at DE-level

**Example:**

FTX+AAC++J+ETHANOL AND DODECYLPHENOL:X:IP1'



Counter	No	Tag	Var	St	St	MaxOcc	Level	Name
1510		<b>SG32</b>	1	D	1	2		<b>DGS-FTX-SG34</b>
1530	78	<b>FTX</b>	3	C	1	3		<b>Stowage and separation, stowage method class 1</b>

Standard			Implementation	
Tag	Name	St Format	St Format	Usage / Remark
FTX				
4451	Text subject code qualifier	M an..3	M an..3	<b>AAQ Package content's description (Stauung und Trennung)</b>
4453	Free text function code	C an..3	N	Not used
C107	Text reference	C	C	
4441	Free text description code	M an..17	M an..17	Stowage category or method - only in case of dangerous goods of first class. Attention, modified format: BHT = an1 ZAPP = an..3
C108	Text literal	C	C	Indication of stowage- and separation regulations (particularly separation groups) of column 16 of the dangerous goods list in chapter 3.2 IMDG-code.
4440	Free text	M an..512	M an..512	Attention, modified format: ZAPP = an..216 BHT not used

**Remark:**

Attention! Please note the following port-specific rules:  
- see description at DE-level

**Example:**

F'TX+AAQ++A+Hinweise zur Stauung und Trennung'



Counter	No	Tag	Var	St	St	MaxOcc	Level	Name
1570		<b>SG34</b>	1	R	2	3		<b>MEA</b>
1580	79	<b>MEA</b>	1	D	1	3		<b>Net weights and net explosive weight - only in case of dangerous goods of the first class</b>

Standard			Implementation	
Tag	Name	St Format	St Format	Usage / Remark
<b>MEA</b>				
6311	Measurement purpose code qualifier	M an..3	M an..3	<b>AAE Measurement</b>
C502	Measurement details	C	R	
6313	Measured attribute code	C an..3	R an..3	<b>AAL Net weight T19 Netto Explosivstoffmasse (Pulvergewicht) - Pflichtangabe bei Klasse 1</b> T19 = net explosive weight - mandatory for class 1 The net weight (AAL) is a required field for the BHT. For ZAPP the net weight is not used at this point.
C174	Value/range	C	R	
6411	Measurement unit code	M an..8	M an..8	<b>KGM kilogram</b>
6314	Measure	C an..18	R an..18	Indication of weight Attention, modified format: BHT = Format: n..8, max 7 integer places and 1 decimal place (7,1) ZAPP = Format: n..10, max 7 integer places and 3 decimal places (7,3)
7383	Surface or layer code	C an..3	D an1	Mandatory for class 1 Attention, modified format For BHT you have to indicate, if an explosive certificate of competence (not necessary for ZAPP) is available. J = yes N = no For ZAPP you have to indicate the compatibility group (not necessary for BHT)

**Remark:**

Specifics: Attention! Please note the following port-specific rules:  
-see description at DE-level

**Example:**

MEA+AAE+AAL+KGM: 123456+J'



Counter	No	Tag	Var	St	St	MaxOcc	Level	Name
1570		<b>SG34</b>	2	D	3	3		<b>MEA</b>
1580	80	<b>MEA</b>	1	M	1	3		<b>Activity, transport number and criticality security number</b>

Standard			Implementation	
Tag	Name	St Format	St Format	Usage / Remark
MEA				
6311	Measurement purpose code qualifier	M an..3	M an..3	<b>AAE Measurement</b>
C502	Measurement details	C	R	
6313	Measured attribute code	C an..3	R an..3	<b>AEN Radioactive index of transport / Transportindex</b> <b>AEO Radioactivity</b> <b>T20 Kritikalitätssicherheitskennzahl</b> T20 = criticality security no.
C174	Value/range	C	R	
6411	Measurement unit code	M an..8	M an..8	Following units are available for the indication of the activity <b>BQL becquerel (only applicable for ZAPP)</b> <b>KBQ kilobecquere (only applicable for ZAPP)</b> <b>MBQ megabecquerel (only applicable for ZAPP)</b> <b>GBQ gigabecquerel (only applicable for BHT and ZAPP anwendbar)</b> <b>TBQ terabecquerel (only applicable for BHT and ZAPP anwendbar)</b> <b>PBQ petabecquerel (only applicable for ZAPP)</b>
6314	Measure	C an..18	R an..18	Indication of measured value / code Attention, modified format for the activity: BHT = an..11 ZAPP = an..4  Attention, modified format for the transport code: BHT = n..6, max. 4 integer places and 2 decimal places (4,2) ZAPP = an..3  Attention, modified format for the criticality security no: BHT and ZAPP = an..10

**Remark:**

Specifics: Attention! Please note the following port-specific rules:  
- see description at DE-level

**Example:**

MEA+AAE+AEN+BQL:123'



Counter	No	Tag	Var	St	St	MaxOcc	Level Name
1510		<b>SG32</b>	2	C	1	2	<b>DGS-FTX</b>
1520	81	<b>DGS</b>	1	M	1	2	<b>Indication of dangerous goods to road haulage and rail transport</b>

Standard			Implementation	
Tag	Name	St Format	St Format	Usage / Remark
<b>DGS</b>				
8273	Dangerous goods regulations code	C an..3	R an..3	<b>AGS DE, ADR and GGVS combined regulations for combined transport</b>
C205	Hazard code	C	R	
8351	Hazard identification code	M an..7	R an..4	Attention, modified format Dangerous goods class
8078	Additional hazard classification identifier	C an..7	C an..6	Attention, modified format Dangerous goods no. Not used in ZAPP
C234	UNDG information	C	R	
7124	United Nations Dangerous Goods (UNDG) identifier	C n4	R n4	Indication of UN-no.

**Remark:**

Specifics: Attention! Please note the following port-specific rules:  
- see description at DE-level

**Example:**

DGS+AGS+3:123456+1263'



Counter	No	Tag	Var	St	St	MaxOcc	Level	Name
1510		<b>SG32</b>	2	C	1	2		<b>DGS-FTX</b>
1530	82	<b>FTX</b>	1	C	99	3		<b>Further information to GGVS §7</b>

Standard			Implementation	
Tag	Name	St Format	St Format	Usage / Remark
FTX				
4451	Text subject code qualifier	M an..3	M an..3	<b>GS7 Weitergehende Information zur GGVS § 7</b> Further information to GGVS § 7
4453	Free text function code	C an..3	N	Not used
C107	Text reference	C	C	
4441	Free text description code	M an..17	M an..17	Dangerous goods code overland transport Indications if dangerous goods declaration must be specified for overland transport J = Yes N = No A = exceptional permission <b>J Ja</b> <b>N Nein</b> <b>A Ausnahmegenehmigung</b>
C108	Text literal	C	C	
4440	Free text	M an..512	M an..130	Attention, modified format Listed goods / information regulations overland transport
4440	Free text	C an..512	C an..4	Attention, modified format Kemmler number

**Remark:**

Attention! Please note the following port specific rules:  
ZAPP = non-relevant, indications do not have equivalents in ZAPP

**Example:**

FTX+GS7++A+Hinweise:X'



Counter	No	Tag	Var	St	St	MaxOcc	Level	Name
0900		<b>SG18</b>	2	D	999	1		<b>Consignment description (sending- / package level 2)</b>
0910	83	<b>GID</b>	1	M	1	1		<b>Consignment description (2nd consignment level)</b>

Standard			Implementation	
Tag	Name	St Format	St Format	Usage / Remark
GID				
1496	Goods item number	C n..5	R n..5	This segment group represents the consignment description. The representation is possible on 3 (consignment- or package) levels. Group 18 will be repeated on each consignment level with information of the respective level.
C213	Number and type of packages	C	N	
7224	Package quantity	C n..8	N	Not used
C213	Number and type of packages	C	R	Indications to second consignment level (inner package)
7224	Package quantity	C n..8	R n..6	Attention, modified format Number of packages
7065	Package type description code	C an..17	R an..17	<b>CT Karton</b> A package code according to UN Rec.21 must be indicated (see key code at <a href="http://www.dakosy-direct.de">www.dakosy-direct.de</a> )

**Remark:**

The following description illustrates an example for the second consignment level.

**Example:**

GID+1+++1:CT'





Counter	No	Tag	Var	St	St	MaxOcc	Level	Name
0900		<b>SG18</b>	2	D		999	1	Consignment description (sending- / package level 2)
0990	84	<b>FTX</b>	1	C		10	2	Remarks to the consignment description

Standard			Implementation	
Tag	Name	St Format	St Format	Usage / Remark
FTX				
4451	Text subject code qualifier	M an..3	M an..3	<b>AEA Cargo remarks</b>
4453	Free text function code	C an..3	N	Not used
C107	Text reference	C	N	
4441	Free text description code	M an..17	N	Not used
C108	Text literal	C	R	
4440	Free text	M an..512	M an..512	Attention, modified format for all DE4440 of this segment: ZAPP = an..72 Indication of remark(s)
4440	Free text	C an..512	C an..512	
4440	Free text	C an..512	C an..512	
4440	Free text	C an..512	C an..512	
4440	Free text	C an..512	C an..512	

**Remark:**

Attention, please note the following port-specific rules:  
BHT = non-relevant, indications do not have equivalents in the BHT

**Example:**

FTX+AEA+++Bemerkung:X:X:X'



Counter	No	Tag	Var	St	St	MaxOcc	Level	Name
0900		<b>SG18</b>	2	D	999	1		<b>Consignment description (sending- / package level 2)</b>
0990	85	<b>FTX</b>	2	R	5	2		<b>Content description</b>

Standard			Implementation	
Tag	Name	St Format	St Format	Usage / Remark
FTX				
4451	Text subject code qualifier	M an..3	M an..3	<b>AAA Güter-/Warenbeschreibung</b> AAA = commodity-/goods description
4453	Free text function code	C an..3	N	Not used
C107	Text reference	C	N	
4441	Free text description code	M an..17	N	Not used
C108	Text literal	C	R	
4440	Free text	M an..512	M an..512	Attention, modified format for all De 4440 of this segment: BHT = an..21 ZAPP = an..24 Content description
4440	Free text	C an..512	C an..512	
4440	Free text	C an..512	C an..512	
4440	Free text	C an..512	C an..512	
4440	Free text	C an..512	C an..512	

**Remark:**

Attention! Please note the following port-specific rules:

The FTX+AAA may be repeated 5 times max., whereas the fifth repeating of the DE4440 may only be indicated 4 times, so the max. number of content description lines will be limited to 24.

- see description at DE-level

**Example:**

FTX+AAA+++Inhalt 1:Inhalt 2:Inhalt 3:Inhalt 4:Inhalt 5'



Counter	No	Tag	Var	St	St	MaxOcc	Level Name
1060		<b>SG20</b>	1	R	1	2	Indication of weight - gross weight
1070	86	<b>MEA</b>	1	M	1	2	Gross weight

Standard			Implementation	
Tag	Name	St Format	St Format	Usage / Remark
MEA				
6311	Measurement purpose code qualifier	M an..3	M an..3	<b>AAE Measurement</b>
C502	Measurement details	C	R	
6313	Measured attribute code	C an..3	R an..3	<b>G Gross weight</b>
C174	Value/range	C	R	
6411	Measurement unit code	M an..8	M an..8	<b>KGM kilogram</b>
6314	Measure	C an..18	R an..18	BHT = format: n..7, no decimal places ZAPP = format: n..10, max. 7 integer places and 3 decimal places (7,3)

**Remark:**

Attention! Please note the following port-specific rules:  
- see description at DE-level

**Example:**

MEA+AAE+G+KGM:1234567,123'



Counter	No	Tag	Var	St	St	MaxOcc	Level	Name
1060		<b>SG20</b>	2	R	1	2		Indication of volume
1070	87	<b>MEA</b>	1	C	1	2		Volumen

Standard			Implementation	
Tag	Name	St Format	St Format	Usage / Remark
MEA				
6311	Measurement purpose code qualifier	M an..3	M an..3	<b>AAE Measurement</b>
C502	Measurement details	C	R	
6313	Measured attribute code	C an..3	R an..3	<b>AAW Gross volume</b>
C174	Value/range	C	R	
6411	Measurement unit code	M an..8	M an..8	<b>MTQ cubic metre</b>
6314	Measure	C an..18	R n..9	Format: max. 6 integer places and 3 decimal places (6,3)

**Remark:**

Attention! Please note the following port-specific rules:  
ZAPP = non-relevant, indications do not have equivalents in ZAPP

**Example:**

MEA+AAE+AAW+MTQ:123456,123'



Counter	No	Tag	Var	St	St	MaxOcc	Level	Name
1060		<b>SG20</b>	3	D	1	2		Indication of weight - net weight
1070	88	<b>MEA</b>	1	M	1	2		Net weight; Eigenmasse

Standard			Implementation	
Tag	Name	St Format	St Format	Usage / Remark
<b>MEA</b>				
6311	Measurement purpose code qualifier	M an..3	M an..3	<b>AAE Measurement</b>
C502	Measurement details	C	R	
6313	Measured attribute code	C an..3	R an..3	<b>AAL Net weight</b> The indication of the net weight is mandatory when reporting a shortage. The actual exported weight of the position must be indicated. The indication is not permitted. The deregistration of the complete position takes place in segment RFF qualified EP on header level.
C174	Value/range	C	R	
6411	Measurement unit code	M an..8	M an..8	<b>KGM kilogram</b>
6314	Measure	C an..18	R an..18	BHT = format: n..7, no decimal places  ZAPP = format: n..10, max. 7 integer places and 3 decimal places (7,3)

**Remark:**

Specifics: Attention! Please note the following port-specific rules:  
- see description at DE-level

**Example:**

MEA+AAE+AAL+KGM: 1234567 , 123 '



Counter	No	Tag	Var	St	St	MaxOcc	Level	Name
1120		<b>SG22</b>	1	D	1	2		MRN-Nr. (AES)
1130	89	<b>RFF</b>	1	R	1	2		MRN no.

Standard			Implementation	
Tag	Name	St Format	St Format	Usage / Remark
RFF				
C506	Reference	M	M	
1153	Reference code qualifier	M an..3	M an..3	<b>ED Ausfuhranmeldung</b> ED = Export declaration
1154	Reference identifier	C an..70	R an..70	Attention, modified format: ZAPP = an18 The allocation of the export declaration takes place about the MRN (Movement Reference Number). If all goods, corresponding to a MRN can be completely allocated to one item, only the MRN must be allocated. If the MRN is split to several items, even the position no. or the pack-ID of the MRN must be allocated. You can find an example of an AES-reference (= MRN no. + position no. + package ID) based on the formatting in the appendix.
1156	Document line identifier	C an..6	R an..6	<b>Indicator of completeness MRN J/N</b> This data element is used, in order to indicate the completeness of the MRN concerning the indications of the position no. and package ID's within this transmittance. Further indications to this MRN are being made (in case of incompleteness) in another GPO declaration with a new GPO reference.  J = MRN is completely illustrated in this GPOdeclaration N = MRN is not completely illustrated in this GPO declaration
4000	Reference version identifier	C an..35	D an..35	This data element is being used, in order to indicate the shortage in quantity: the indicator of shortage = J must always be used, if the quantities (weights), which are indicated to one position have been decreased as compared to the indicated quantities of the first stage of customs declaration. The shortage will be reported to AES in terms of a modification of the net weight. The actual export weight must be notified on positions which are declared with a shortage = J. If a complete position is being cancelled, it must be separately specified in segment RFF, qualifier EP on header level; in case that a complete MRN won't be exported, it must either be cancelled via the exporter (goods are not located at port yet) or the GPO shortage message termination at exit (goods are already located at port) must be sent.  J = shortage Blank/space = no shortage

**Remark:**

**Example:**

RFF+ED:06DE087500000685E100100:J:J'



Counter	No	Tag	Var	St	St	MaxOcc	Level Name
1150		<b>SG23</b>	1	C	3	2	<b>Package identification (Marks &amp; Numbers)</b> Max. 24 marking lines can be indicated. Therefore SG23 may be repeated 3 times max., whereas it can only be repeated 4 times at the third repeating.
1160	90	<b>PCI</b>	1	M	1	2	<b>Package identification</b>

Standard			Implementation	
Tag	Name	St Format	St Format	Usage / Remark
PCI				
4233	Marking instructions code	C an..3	N	Not used
C210	Marks & labels	C	R	
7102	Shipping marks description	M an..35	M an..35	Attention, modified format for all DE7102 in this segment: BHT = an..18 ZAPP = an..20
7102	Shipping marks description	C an..35	C an..35	
7102	Shipping marks description	C an..35	C an..35	
7102	Shipping marks description	C an..35	C an..35	
7102	Shipping marks description	C an..35	C an..35	
7102	Shipping marks description	C an..35	C an..35	
7102	Shipping marks description	C an..35	C an..35	
7102	Shipping marks description	C an..35	C an..35	
7102	Shipping marks description	C an..35	C an..35	

**Remark:**

Specifics: Attention! Please note the following port-specific rules:  
- see description at DE-level

**Example:**

PCI++Markierg:Markierg:Markierg:Markierg:Markierg:Markierg:Markierg:Markierg:Markierg:Markierg



Counter	No	Tag	Var	St	St	MaxOcc	Level	Name
0900		<b>SG18</b>	3	D	999	1		Consignment description (consignment-/ package level 3)
0910	91	<b>GID</b>	1	M	1	1		Consignment description (3. consignment level)

Standard			Implementation	
Tag	Name	St Format	St Format	Usage / Remark
GID				
1496	Goods item number	C n..5	R n..5	The "Goods Item Number" or the consignment position must be identical with the corresponding DE of the subordinated GID - the segment where the first consignment position has been indicated.
C213	Number and type of packages	C	N	
7224	Package quantity	C n..8	N	Not used
C213	Number and type of packages	C	N	
7224	Package quantity	C n..8	N	Not used
C213	Number and type of packages	C	R	Indications to the third consignment level (inner-inner package)
7224	Package quantity	C n..8	R n..6	Attention, modified format Number of packages
7065	Package type description code	C an..17	R an..17	<b>AP Ampulle, geschützt</b> AP = ampule, protected A package code according to the . UN Rec. 21 has to be indicated (see code key <a href="http://www.dakosy-direct.de">www.dakosy-direct.de</a> )

**Remark:**

The following description illustrates an example for the third consignment level.

**Example:**

GID+1+++9:AP'





Counter	No	Tag	Var	St	St	MaxOcc	Level	Name
0900		<b>SG18</b>	3	D	999	1		Consignment description (consignment-/ package level 3)
0990	92	<b>FTX</b>	1	C	10	2		Remarks to consignment description

Standard			Implementation	
Tag	Name	St Format	St Format	Usage / Remark
FTX				
4451	Text subject code qualifier	M an..3	M an..3	<b>AEA Cargo remarks</b>
4453	Free text function code	C an..3	N	Not used
C107	Text reference	C	N	
4441	Free text description code	M an..17	N	Not used
C108	Text literal	C	R	
4440	Free text	M an..512	M an..512	Attention, modified format for all DE4440 of this segment: ZAPP = an..72 Indication of remark(s)
4440	Free text	C an..512	C an..512	
4440	Free text	C an..512	C an..512	
4440	Free text	C an..512	C an..512	
4440	Free text	C an..512	C an..512	

**Remark:**

Specifics: Attention! Please note the following port-specific rules:  
BHT = non-relevant, indications do not have equivalents in the BHT

**Example:**

F'TX+AEA+++Bemerkung:X:X:X'



Counter	No	Tag	Var	St	St	MaxOcc	Level	Name
0900		<b>SG18</b>	3	D	999	1		<b>Consignment description (consignment-/ package level 3)</b>
0990	93	<b>FTX</b>	2	R	5	2		<b>Content description</b>

Standard			Implementation	
Tag	Name	St Format	St Format	Usage / Remark
FTX				
4451	Text subject code qualifier	M an..3	M an..3	<b>AAA Güter-/Warenbeschreibung</b> AAA = commodity-/goods description
4453	Free text function code	C an..3	N	Not used
C107	Text reference	C	N	
4441	Free text description code	M an..17	N	Not used
C108	Text literal	C	R	
4440	Free text	M an..512	M an..512	Attention, modified format for all DE4440 of this segment: BHT = an..21 ZAPP = an..24 Content description
4440	Free text	C an..512	C an..512	
4440	Free text	C an..512	C an..512	
4440	Free text	C an..512	C an..512	
4440	Free text	C an..512	C an..512	

**Remark:**

Attention! Please note the following port-specific rules:

The FTX+AAA may be repeated 5 times max., whereas the fifth repeating of the DE4440 may only be indicated 4 times, so the max. number of content description lines will be limited to 24.

- see description at DE-level

**Example:**

FTX+AAA+++Inhalt 1:Inhalt 2:Inhalt 3:Inhalt 4:Inhalt 5'



Counter	No	Tag	Var	St	St	MaxOcc	Level	Name
1060		<b>SG20</b>	1	R	1	2		Indication of weight - gross weight
1070	94	<b>MEA</b>	1	M	1	2		Gross weight

Standard			Implementation	
Tag	Name	St Format	St Format	Usage / Remark
MEA				
6311	Measurement purpose code qualifier	M an..3	M an..3	<b>AAE Measurement</b>
C502	Measurement details	C	R	
6313	Measured attribute code	C an..3	R an..3	<b>G Gross weight</b>
C174	Value/range	C	R	
6411	Measurement unit code	M an..8	M an..8	<b>KGM kilogram</b>
6314	Measure	C an..18	R an..18	BHT = Format: n..7 - keine Nachkommastellen ZAPP = Format: n..10, max 7 Vorkommastellen und 3 Nachkommastellen (7,3) BHT = format: n..7, no decimal places  ZAPP = format: n..10, max. 7 integer places and 3 decimal places (7,3)

**Remark:**

Attention! Please note the following port-specific rules:  
- see description at DE-level

**Example:**

MEA+AAE+G+KGM:1234567,123'



Counter	No	Tag	Var	St	St	MaxOcc	Level	Name
1060		<b>SG20</b>	2	R	1	2		Indication of volume - gross volume
1070	95	<b>MEA</b>	1	C	1	2		Volumen

Standard			Implementation	
Tag	Name	St Format	St Format	Usage / Remark
MEA				
6311	Measurement purpose code qualifier	M an..3	M an..3	<b>AAE Measurement</b>
C502	Measurement details	C	R	
6313	Measured attribute code	C an..3	R an..3	<b>AAW Gross volume</b>
C174	Value/range	C	R	
6411	Measurement unit code	M an..8	M an..8	<b>MTQ cubic metre</b>
6314	Measure	C an..18	R n..9	Format: max. 6 integer places and 3 decimal places (6,3)

**Remark:**

ZAPP = non-relevant, indications do not have equivalents in ZAPP

**Example:**

MEA+AAE+AAW+MTQ:123456,123'

Counter	No	Tag	Var	St	St	MaxOcc	Level	Name
1060		<b>SG20</b>	3	R	1	2		Indication of weight - net weight
1070	96	<b>MEA</b>	1	R	1	2		Net weight

Standard			Implementation	
Tag	Name	St Format	St Format	Usage / Remark
<b>MEA</b>				
6311	Measurement purpose code qualifier	M an..3	M an..3	<b>AAE Measurement</b>
C502	Measurement details	C	R	
6313	Measured attribute code	C an..3	R an..3	<b>AAL Net weight</b> The indication of the net weight is required when reporting a shortage. The actual exported weight of the position must be indicated. The indication 0 is not permitted. If you would like to deregister a complete position, you can use segment RFF qualifier EP on header level.
C174	Value/range	C	R	
6411	Measurement unit code	M an..8	M an..8	<b>KGM kilogram</b>
6314	Measure	C an..18	R n..9	BHT = Format: n..7 – no decimal places ZAPP = Format: n..10 - max. 7 integer places and three decimal places (7,3)

**Remark:**

Attention! Please note the following port-specific rules:  
- see description at DE-level

**Example:**

MEA+AAE+AAW+MTQ:123456,123'



Counter	No	Tag	Var	St	St	MaxOcc	Level	Name
1120		<b>SG22</b>	1	D	1	2		MRN-Nr. (AES)
1130	97	<b>RFF</b>	1	R	1	2		MRN-Nr.

Standard			Implementation	
Tag	Name	St Format	St Format	Usage / Remark
RFF				
C506	Reference	M	M	
1153	Reference code qualifier	M an..3	M an..3	<b>ED Ausfuhranmeldung</b> ED = Export declaration
1154	Reference identifier	C an..70	R an..70	Attention, modified format: ZAPP = an23 The allocation of the export declaration takes place about the MRN (Movement Reference Number). If all goods, corresponding to a MRN can be completely allocated to one item, only the MRN must be allocated. If the MRN is split to several items, even the position no. or the pack-ID of the MRN must be allocated. You can find an example of an AES-reference (= MRN no. + position no. + package ID) based on the formatting in the appendix.
1156	Document line identifier	C an..6	R an..6	<b>Indicator of completeness MRN J/N</b> <b>J MRN ist in dieser GPO Anmeldung vollständig abgebildet</b> <b>N MRN ist in dieser GPO Anmeldung nicht vollständig abgebildet</b> This data element is used, in order to indicate the completeness of the MRN concerning the indications of the position no. and package ID's within this transmittance. Further indications to this MRN are being made (in case of incompleteness) in another GPO declaration with a new GPO reference.  J = MRN is completely illustrated in this GPO declaration N = MRN is not completely illustrated in this GPO declaration
4000	Reference version identifier	C an..35	D an..35	<b>J Mindermenge</b> <b>leer keine Mindermenge</b> This data element is being used, in order to indicate the shortage in quantity: the number of packages which are sent in this message does not comply with the number of packages of the export declaration. If the indicator J will be sent, a shortage will be automatically noticed with qualification at customs. Another shortage message is not necessary. If the indicator won't be set, the discrepancy results in a rejection of the message.  J = shortage Blank/space = no shortage

Remark:

Example:

RFF+ED:06DE087500000685E100100:J:J'



Counter	No	Tag	Var	St	St	MaxOcc	Level	Name
1150		<b>SG23</b>	1	C	3	2		<b>Packstückkennzeichnung (Marks &amp; Numbers)</b>
Max. 24 marking lines can be indicated. Therefore SG23 may be repeated 3 times max., whereas it can only be repeated 4 times at the third repeating.								
1160	98	<b>PCI</b>	1	M	1	2		<b>Package identification</b>

Standard			Implementation	
Tag	Name	St Format	St Format	Usage / Remark
PCI				
4233	Marking instructions code	C an..3	N	Not used
C210	Marks & labels	C	R	
7102	Shipping marks description	M an..35	M an..35	Attention, modified format for all DE7120 of this segment: BHT = an..18 ZAPP = an..20
7102	Shipping marks description	C an..35	C an..35	
7102	Shipping marks description	C an..35	C an..35	
7102	Shipping marks description	C an..35	C an..35	
7102	Shipping marks description	C an..35	C an..35	
7102	Shipping marks description	C an..35	C an..35	
7102	Shipping marks description	C an..35	C an..35	
7102	Shipping marks description	C an..35	C an..35	
7102	Shipping marks description	C an..35	C an..35	

**Remark:**

Attention! Please note the following port-specific rules:  
- see description at DE-level

**Example:**

PCI++Markierg:Markierg:Markierg:Markierg:Markierg:Markierg:Markierg:Markierg:Markierg:Markierg



Counter	No	Tag	Var	St	St	MaxOcc	Level	Name
1650		<b>SG37</b>	1	D	999	1		Container / Equipment - Angaben
1660	99	<b>EQD</b>	1	M	1	1		Container / Equipment

Standard			Implementation	
Tag	Name	St Format	St Format	Usage / Remark
EQD				
8053	Equipment type code qualifier	M an..3	M an..3	<b>CN Container</b>
C237	Equipment identification	C	R	
8260	Equipment identifier	C an..17	R an..12	Attention, modified format One EQD group must be available per used container no. of a GID / group (SGP). Format: PPPNNNNNNN (P = prefix, N = numeric block) Example: HJCU8294814
C224	Equipment size and type	C	R	
8155	Equipment size and type description code	C an..10	R an..10	The 4-digit ISO-code 6346 (alphanumeric version of 1996) must be used for containers (see key code at www.german-port-order.de). Example: 20G0 as ISO Code
8077	Equipment supplier code	C an..3	R an..3	<b>1 Vom Versender bereitgestellt/ Shippers own Container Number</b> <b>2 Vom Frachtführer bereitgestellt/ ISO Container Number</b> "2 by the carrier" is set, if no indicator is indicated. 1 = provided by the sender/ shippers own container number 2 = provided by the carrier/ ISO container number BHT not used
8249	Equipment status code	C an..3	D an..3	<b>1 Sammelcontainer</b> <b>2 Vollcontainer</b> <b>3 Leercontainer</b> 1 = Consolidated container 2 = Full container 3 = Empty container  Mandatory field, only relevant for the BHT. Manifest indicator
8169	Full or empty indicator code	C an..3	R an..3	<b>5 Voll</b> <b>4 Leer</b> Not used in ZAPP

**Remark:**

Attention! Please note the following port-specific rules:  
- see description at DE-level

Generally take note:

Please make sure that the container no. is exactly indicated as in the corresponding AGP segment (SG29 in SG18 - GID, first consignment level).

Recommendation for the formatting of container no.:

For ISO Containers:

The indication of separators between the prefix and the number and the number and the check digit should be avoided.

Example:

HJCU8294814

For "Shipper's owned" Container:

The container will be declared by the use of the "Shipper's owned" indicator in the DE8077. The container no. must be indicated left-aligned in this case and has to correspond with the actual container designation. No characters to add.

Example: if a "Shipper's owned" container no. does not contain an alpha-prefix, only the number (no substitute character like XXXX) must be indicated.

**Example:**

EQD+CN+HLCU1234567+20G0+1++5'





Counter	No	Tag	Var	St	St	MaxOcc	Level Name
1650		<b>SG37</b>	1	D	999	1	Container / Equipment - Angaben
1690	100	<b>MEA</b>	1	R	1	2	Gross weight to Container

Standard			Implementation	
Tag	Name	St Format	St Format	Usage / Remark
MEA				
6311	Measurement purpose code qualifier	M an..3	M an..3	<b>AAE Measurement</b>
C502	Measurement details	C	R	
6313	Measured attribute code	C an..3	R an..3	<b>G Gross weight</b>
C174	Value/range	C	R	
6411	Measurement unit code	M an..8	M an..8	<b>KGM kilogram</b>
6314	Measure	C an..18	R an..18	BHT = format: n..7, no decimal places ZAPP = format: n..10, max. 7 integer places and 3 decimal places (7,3) ZAPP = Gross weight (excl. container tare)

**Remark:**

Attention! Please note the following port-specific rules:  
- see description at DE-level

**Example:**

MEA+AAE+G+KGM:1234567,123'



Counter	No	Tag	Var	St	St	MaxOcc	Level Name
1650		<b>SG37</b>	1	D	999	1	Container / Equipment - Angaben
1690	101	<b>MEA</b>	2	D	2	2	Net and tare weight to the container

Standard			Implementation	
Tag	Name	St Format	St Format	Usage / Remark
MEA				
6311	Measurement purpose code qualifier	M an..3	M an..3	<b>AAE Measurement</b>
C502	Measurement details	C	R	
6313	Measured attribute code	C an..3	R an..3	<b>T Tare weight</b> <b>AAL Net weight</b>
C174	Value/range	C	R	
6411	Measurement unit code	M an..8	M an..8	<b>KGM kilogram</b>
6314	Measure	C an..18	R n..5	Attention, modified format Format specification: no decimal places

**Remark:**

Attention! Please note the following port-specific rules:  
ZAPP = non-relevant, indications do not have equivalents in ZAPP

**Example:**

MEA+AAE+AAL+KGM:123435'

Counter	No	Tag	Var	St	St	MaxOcc	Level	Name
1650		<b>SG37</b>	1	D	999	1		Container / Equipment - Angaben
1690	102	<b>MEA</b>	3	D	1	2		Transport temperature (from - to)

Standard			Implementation	
Tag	Name	St Format	St Format	Usage / Remark
MEA				
6311	Measurement purpose code qualifier	M an..3	M an..3	<b>TE Temperature (Transporttemperatur)</b>
C502	Measurement details	C	R	
6313	Measured attribute code	C an..3	R an..3	<b>TC Temperature</b>
C174	Value/range	C	R	
6411	Measurement unit code	M an..8	M an..8	<b>CEL degree Celsius</b> <b>FAH degree Fahrenheit</b> <b>KEL kelvin</b> ZAPP = Only unit celsius can be processed
6314	Measure	C an..18	N	Not used
6162	Range minimum quantity	C n..18	C n..18	Attention, modified format: BHT = n..3 ZAPP = n..2
6152	Range maximum quantity	C n..18	C n..18	Attention, modified format: BHT = n..3 ZAPP = n..2

**Remark:**  
Attention! Please note the following port-specific rules:  
- see description at DE-level

**Example:**  
MEA+TE+TC+CEL:::9:9'



Counter	No	Tag	Var	St	St	MaxOcc	Level	Name
1650		<b>SG37</b>	1	D	999	1		Container / Equipment - Angaben
1710	103	<b>SEL</b>	1	C	4	2		Seal number

Standard			Implementation	
Tag	Name	St Format	St Format	Usage / Remark
SEL				
9308	Transport unit seal identifier	C an..35	R an..35	Attention, modified format: BHT = an..12 ZAPP = an..11

**Remark:**

Attention! Please note the following port-specific rules:

ZAPP = only one seal no. can be processed. If more than one seal no. is indicated, only the first one will be processed.

**Example:**

SEL+Siegel Nr. '

Counter	No	Tag	Var	St	St	MaxOcc	Level	Name
1650		<b>SG37</b>	1	D		999	1	Container / Equipment - Angaben
1750	104	<b>FTX</b>	1	R		5	2	Content description

Standard			Implementation	
Tag	Name	St Format	St Format	Usage / Remark
FTX				
4451	Text subject code qualifier	M an..3	M an..3	<b>AAA Güter-/Warenbeschreibung</b> AAA = commodity-/goods description
4453	Free text function code	C an..3	N	Not used
C107	Text reference	C	N	
4441	Free text description code	M an..17	N	Not used
C108	Text literal	C	R	
4440	Free text	M an..512	M an..512	Attention, modified format for all DE4440 of this segment: BHT = an..21 ZAPP = an..24 Content description
4440	Free text	C an..512	C an..512	
4440	Free text	C an..512	C an..512	
4440	Free text	C an..512	C an..512	
4440	Free text	C an..512	C an..512	

**Remark:**

In this segment you can give a short note about the container content. The complete consignment description has to be indicated in segment group 18, beginning with the GID segment.

Attention! Please note the following port-specific rules:

The FTX+AAA may be repeated 5 times max., whereas the fifth repeating of the DE4440 may only be indicated 4 times, so the max. number of content description lines will be limited to 24.

- see description at DE-level

**Example:**

F'TX+AAA+++Inhalt 1:Inhalt 2:Inhalt 3:Inhalt 4:Inhalt 5'



Counter	No	Tag	Var	St	St	MaxOcc	Level	Name
1650		<b>SG37</b>	1	D	999	1		Container / Equipment - Angaben
1750	105	<b>FTX</b>	2	C	1	2		Indications to type of cooling

Standard			Implementation	
Tag	Name	St Format	St Format	Usage / Remark
FTX				
4451	Text subject code qualifier	M an..3	M an..3	<b>AEB Temperature control instructions</b>
4453	Free text function code	C an..3	N	Not used
C107	Text reference	C	R	
4441	Free text description code	M an..17	R an..17	Type of cooling K = Cooler H = Radiator C= Conair <b>K Kühler</b> <b>H Heizer</b> <b>C Conair</b>

**Remark:**

Attention! Please note the following port-specific rules  
ZAPP = non-relevant, indications do not have equivalents in ZAPP

**Example:**

FTX+AEB++K'



Counter	No	Tag	Var	St	St	MaxOcc	Level Name
1650		<b>SG37</b>	1	D	999	1	Container / Equipment - Angaben
1760	106	<b>RFF</b>	1	C	1	2	Booking no. to container

Standard			Implementation	
Tag	Name	St Format	St Format	Usage / Remark
RFF				
C506	Reference	M	M	
1153	Reference code qualifier	M an..3	M an..3	<b>BN Buchungsnummer</b> BN = booking number
1154	Reference identifier	C an..70	R an..12	Attention, modified format

**Remark:**

Attention! Please note the following port-specific rules:  
ZAPP = non-relevant, indications do not have equivalents in ZAPP

**Example:**

RFF+BN:Nummer '



Counter	No	Tag	Var	St	St	MaxOcc	Level	Name
2000	107	<b>UNT</b>	1	M	1	0		<b>Message trailer</b>

		Standard	Implementation	
Tag	Name	St Format	St Format	Usage / Remark
UNT				
0074	Number of segments in the message	M n..6	M n..6	
0062	Message reference number	M an..14	M an..14	

**Remark:**

**Example:**

UNT+96+XYZ1234'





Counter	No	Tag	Var	St	St	MaxOcc	Level	Name
0000	108	<b>UNE</b>	1	C	1	0		Functional group trailer

		Standard	Implementation		
Tag	Name	St Format	St Format	Usage / Remark	
UNE					
0060	Number of messages	M n..6	M n..6	The number of messages of this message group has to be indicated. The counter is used for plausibility checks.	
0048	Functional group reference number	M an..14	M an..14	The same reference number as in the UNG/0048 has to be indicated. This number will be compared with the entry in the UNG when receiving this message group.	

**Remark:**

**Example:**

UNE+1+UNG-123'



Counter	No	Tag	Var	St	St	MaxOcc	Level	Name
0000	109	<b>UNZ</b>	1	M	1	0		Interchange trailer

		Standard	Implementation	
Tag	Name	St Format	St Format	Usage / Remark
UNZ				
0036	Interchange control count	M n..6	M n..6	Number of message groups
0020	Interchange control reference	M an..14	M an..14	Reference number as in UNB/0020

**Remark:**

**Example:**

UNZ+1+GPO001'

## 7 General annotations

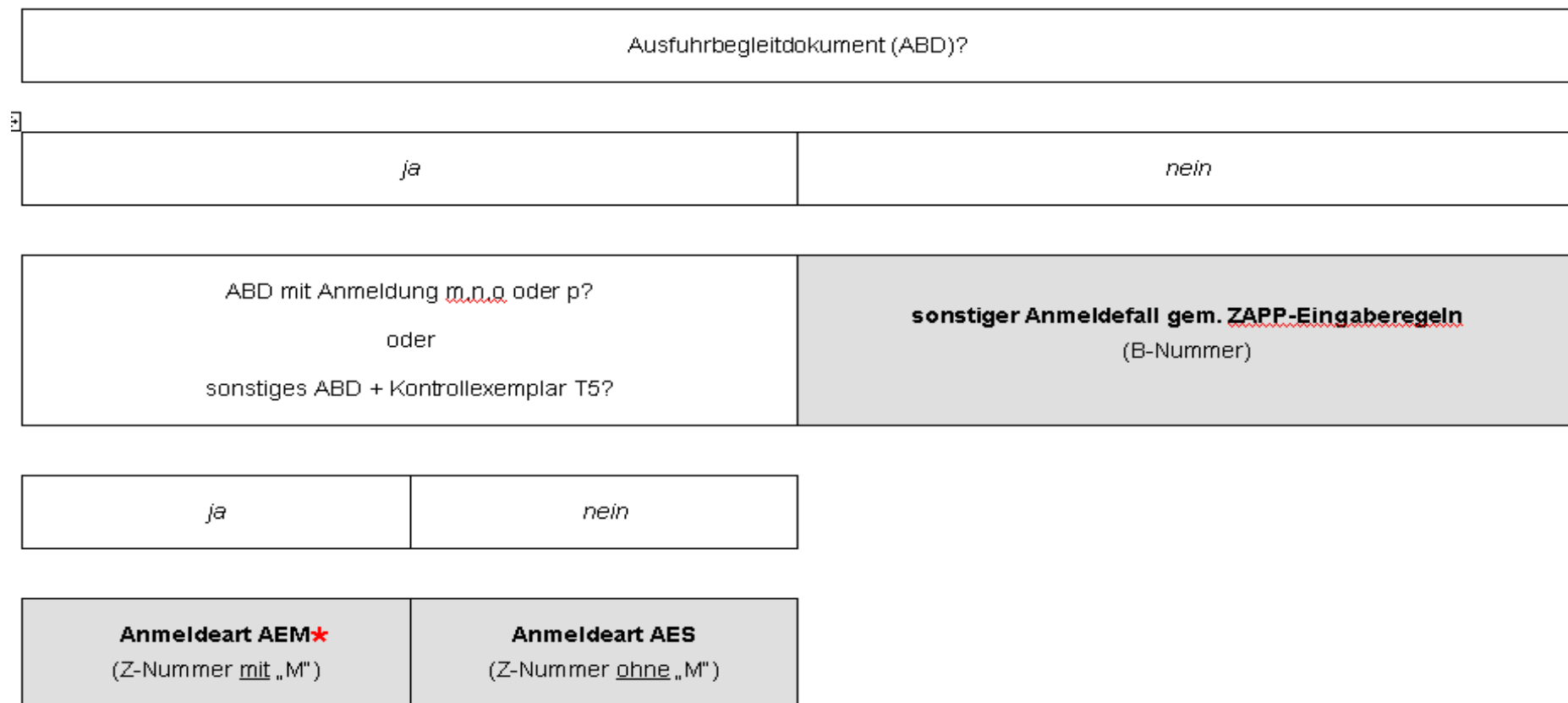
### 7.1 Dangerous goods indications

It is possible to specify dangerous goods indications by using the various package levels, as the segments for dangerous goods indications (DGS) are defined for each level.

**Example:**

1st Level	1200 boxes
2rd Level (1)	2 boxes Dangerous goods
2rd Level (2)	10 boxes Dangerous goods
etc..	

## 7.2 Customs indications decision table for the declaration of market regulation commodities



Ausfuhrsendungen mit Kontrollexemplar T5 und/oder Begleitendem Verwaltungsdokument sind vor Anlieferung im Hafen auf den Amtsplätzen des Zollamtes Waltersdorf zu stellen. Waren, für die ausschließlich ein ABD existiert, sind nur auf den Amtsplätzen zu stellen, sofern die Verladung über einen Terminal im Hafen Hamburg erfolgt, der nicht als Gestellungsart ([www.zapp-hamburg.de](http://www.zapp-hamburg.de) → *Dokumente* → *Liste der adressierbaren Kai- und Packbetriebe*) zugelassen ist.

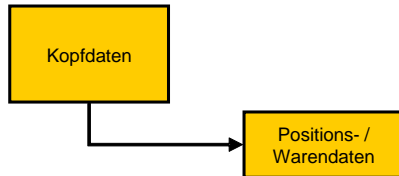
**Image 2 Schematic diagram of customs declaration for market regulation commodities**

*\*As long as the new declaration type AEM is not (yet) available, declaration type AES has to be used alternatively*

## 8 Example to the GPO AES message structure

### 8.1 Order (LCL) - 1 package level, 1 x customs

LCL order with one package level and one customs declaration including only position.



#### 8.1.1 Example message

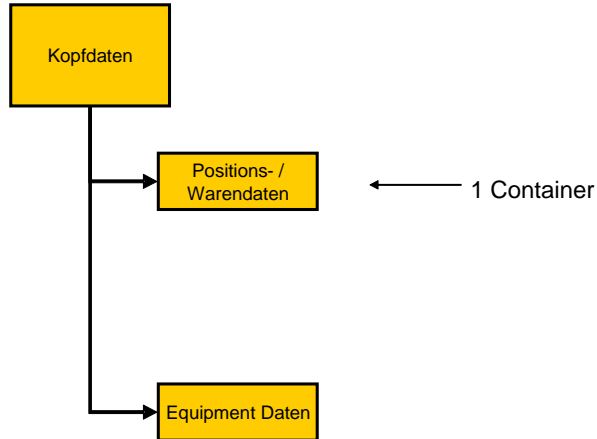
Ser. no.	Example
1	UNB+UNOC:3+0001GPO+GPO+040130:1452+GPO-001+++++1'
2	UNG+IFTMIN+0001GPO+0120CTXX+040130:1452+UNG-123+UN+D:03A'
3	UNH+XYZ1234+IFTMIN:D:03A:UN:DEGPO'
4	BGM+610+FF-REFERENZ:GPO01+9'
5	DTM+137:200401011212:203'
6	TSR+LAS+001'
7	FTX+AAI+++Bemerkung'
8	FTX+PAC++B+Haupt Markierung'
SG3	
9	RFF+BN:5674SU'
SG8	
10	TDT+20+12345+++1002REED:172+++DIDI:103:11:SCHIFF'
11	DTM+133:20040101:102'
SG9	
12	LOC+9+DEHAM'
SG9	
13	LOC+12+DEHAM'
SG9	
14	LOC+170+DEHAM'
SG9	
15	LOC+20+X::5:X'
SG10	
16	RFF+VM:123456'
SG10	
17	RFF+CRN:xxx1234'
SG11	
18	NAD+FW+0001GPO'
SG12	
19	CTA+IC+Abt.:Fr. Meyer'
20	COM+040 0421:TE'
21	COM+040 0421:FX'
SG15	
22	RFF+FF:FF-REFERENZ'
SG15	
23	RFF+IT:12345'
SG11	
24	NAD+TR+HBBK9'
SG15	
25	RFF+AAG:OFFERTE'
SG11	
26	NAD+BA+1001GPOM'



Ser. no.	Example
SG15	
27	RFF+IT:12345'
SG18	
28	GID+1+125:CT'
29	PIA+5+49111090:CV'
30	PIA+5+1234:BN'
31	FTX+AAA+++Prospekte'
SG19	
32	NAD+DT+2001GPOA+Herbert Versender:22157 Hamburg'
SG19	
33	NAD+CN++Max Merkel Maroko'
SG19	
34	NAD+CZ++Hans Versender:00123 Osterholz:Ostergasse 22'
SG20	
37	MEA+AAE+G+KGM:1000'
SG20	
38	MEA+AAF+G+KGM:1000'
SG20	
39	MEA+AAF+AAL+KGM:900'
SG22	
40	RFF+ED:06DE087500000685E100100:J'
SG23	
41	PCI++COLLI-NO. 1-4'
SG25	
42	GOR+1+5:::A'
43	LOC+27+DE::5'
44	LOC+28+US::5'
45	LOC+113+DE::5'
46	FTX+AAA+++Werbedruck, Prospekte'
SG26	
50	UNT+48+XYZ1234'
51	UNE+1+UNG-123'
52	UNZ+1+GPO-001'

## 8.2 Order (FCL) - 1 package level 1 x customs

FCL order with one package level and one customs declaration including only one position, the MRN is completely illustrated.



### 8.2.1 Example message

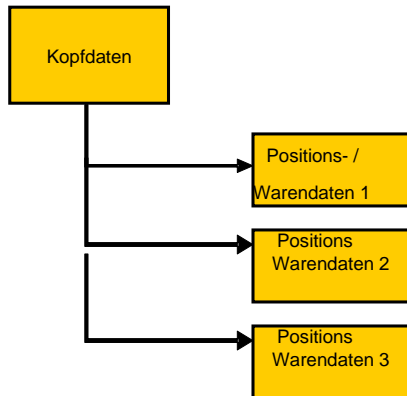
Ser. no.	Example
1	UNB+UNOC:3+0001GPO+GPO+040130:1452+GPO-001+++++1'
2	UNG+IFTMIN+0001GPO+0120CTXX+040130:1452+UNG-123+UN+D:03A'
3	UNH+XYZ1234+IFTMIN:D:03A:UN:DEGPO'
4	BGM+610+FF-REFERENZ:GPO01+9'
5	DTM+137:200401011212:203'
6	TSR+LAS+001'
7	FTX+AAI+++Bemerkung'
8	FTX+PAC++B+Haupt Markierung'
	SG3
9	RFF+BN:5674SU'
	SG8
10	TDT+20+12345+++1002REED:172+++DIDI:103:11:SCIFF'
11	DTM+133:20040101:102'
	SG9
12	LOC+9+DEHAM'
	SG9
13	LOC+12+DEHAM'
	SG9
14	LOC+170+DEHAM'
	SG9
15	LOC+20+X::5:X'
	SG10
16	RFF+VM:123456'
	SG10
17	RFF+CRN:xxx1234'
	SG11
18	NAD+FW+0001GPO'
	SG12
19	CTA+IC+Abt.:Fr. Meyer'
20	COM+040 0421:TE'
21	COM+040 0421:FX'
	SG15
22	RFF+FF:FF-REFERENZ'
	SG15
23	RFF+IT:12345'

Ser. no.	Example
	SG11
	24 NAD+TR+HBBK9'
	SG15
	25 RFF+AAG:OFFERTE'
	SG11
	26 NAD+BA+1001GPOM'
	SG15
	27 RFF+IT:12345'
	SG18
	28 GID+1+125:CT'
	29 PIA+5+49111090:CV'
	30 PIA+5+1234:BN'
	31 FTX+AAA+++Prospekte'
	SG19
	32 NAD+DT+2001GPOA+Herbert Versender:22157 Hamburg'
	SG19
	33 NAD+CN++Max Merkel Maroko'
	SG19
	34 NAD+CZ++Hans Versender:00123 Osterholz:Ostergasse 22'
	SG20
	37 MEA+AAE+G+KGM:1000'
	SG20
	38 MEA+AAF+G+KGM:1000'
	SG22
	40 RFF+ED:06DE087500000685E100100:J'
	SG23
	41 PCI++COLLI-NO. 1-4'
	SG25
	43 LOC+27+DE::5'
	44 LOC+28+US::5'
	45 LOC+113+DE::5'
	46 FTX+AAA+++Werbedruck, Prospekte'
	SG26
	49 DOC+133:::1234'
	SG29
	50 SGP+HLCU1234567'
	SG37
	51 EQD+CN+HLCU1234567+20G0+1+++5'
	52 MEA+AAE+G+KGM:15000'
	53 SEL+Siegel Nr.'
	54 UNT+52+XYZ1234'
	55 UNE+1+UNG-123'
	56 UNZ+1+GPO-001'



### 8.3 Order (LCL) - 1 package level 1 x customs (3 positions)

GPO order (LCL) with one package level and one customs declaration including 3 positions, the MRN is completely illustrated. Only data referring to the transfer of the MRN/position number/ package are shown in the example).



#### 8.3.1 Example message

Ser. no.	Example
1	UNB+UNOC:3+0001GPO+GPO+040130:1452+GPO-001+++++1'
SG18	
28	GID+1+125:CT'
29	PIA+5+49111090:CV'
30	PIA+5+1234:BN'
31	FTX+AAA+++Prospekte'
SG19	
32	NAD+DT+2001GPOA+Herbert Versender:22157 Hamburg'
SG19	
33	NAD+CN++Max Merkel Maroko'
SG19	
34	NAD+CZ++Hans Versender:00123 Osterholz:Ostergasse 22'
SG19	
35	NAD+OS++Schipper'
SG19	
36	NAD+CM++Hamburg Altona'
SG20	
37	MEA+AAE+G+KGM:1000'
SG20	
38	MEA+AAF+G+KGM:1000'
SG20	
39	MEA+AAF+AAL+KGM:900'
SG22	
40	<b>RFF+ED:06DE087500000685E100100:J'</b>
SG23	
41	PCI++COLLI-NO. 1-4'
SG25	
43	LOC+27+DE::5'
44	LOC+28+US::5'
45	LOC+113+DE::5'

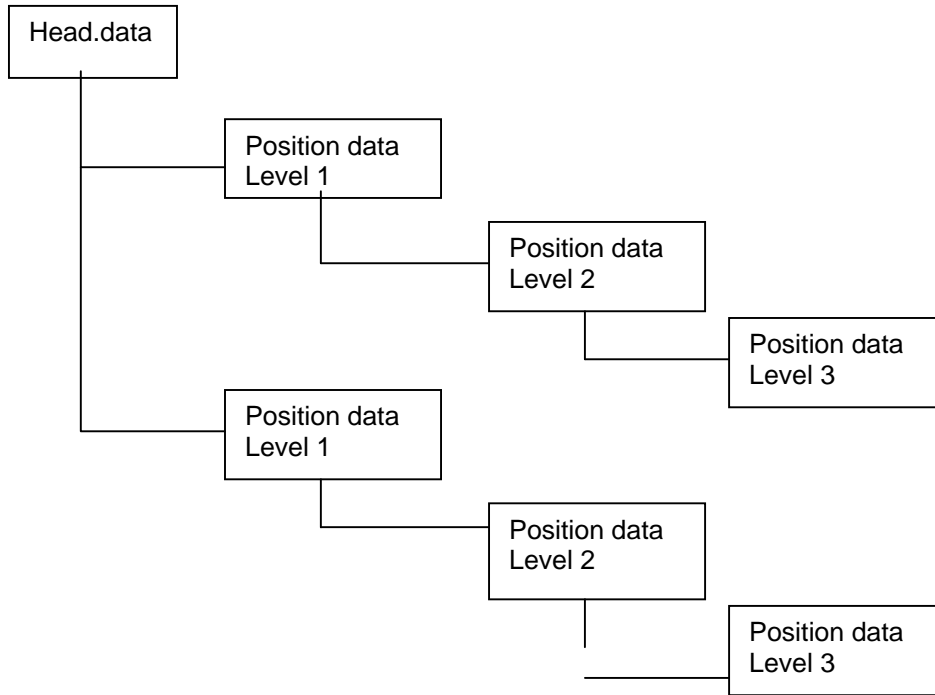
Ser. no.	Example
46	FTX+AAA+++Werbedruck, Prospekte'
SG18	
28	GID+2+125:Cs'
29	PIA+5+49111090:CV'
30	PIA+5+1234:BN'
31	FTX+AAA+++Prospekte'
SG19	
32	NAD+DT+2001GPOA+Herbert Versender:22157 Hamburg'
SG19	
33	NAD+CN++Max Merkel Maroko'
SG19	
34	NAD+CZ++Hans Versender:00123 Osterholz:Ostergasse 22'
SG19	
35	NAD+OS++Shipper'
SG19	
36	NAD+CM++Hamburg Altona'
SG20	
37	MEA+AAE+G+KGM:1000'
SG20	
38	MEA+AAF+G+KGM:1000'
SG20	
39	MEA+AAF+AAL+KGM:900'
SG22	
40	<b>RFF+ED:06DE087500000685E100100:J'</b>
SG23	
41	PCI++COLLI-NO. 1-4'
SG25	
43	LOC+27+DE::5'
44	LOC+28+US::5'
45	LOC+113+DE::5'
46	FTX+AAA+++Werbedruck, Prospekte'
50	GID+3+135:::::BX'
51	PIA+5+12345678:CV'
SG20	
52	MEA+AAF+G+KGM:100'
SG20	
53	MEA+AAF+AAL+KGM:90'
SG23	
54	PCI++Beipack'
28	GID+3+125:BX'
29	PIA+5+49111090:CV'
30	PIA+5+1234:BN'
31	FTX+AAA+++Prospekte'
SG19	
32	NAD+DT+2001GPOA+Herbert Versender:22157 Hamburg'
SG19	
33	NAD+CN++Max Merkel Maroko'
SG19	
34	NAD+CZ++Hans Versender:00123 Osterholz:Ostergasse 22'
SG19	
35	NAD+OS++Schipper'
SG19	
36	NAD+CM++Hamburg Altona'
SG20	
37	MEA+AAE+G+KGM:1000'
SG20	
38	MEA+AAF+G+KGM:1000'
SG20	
39	MEA+AAF+AAL+KGM:900'



Ser. no.	Example
SG22	
40	RFF+ED:06DE087500000685E100100:J'
SG23	
41	PCI++COLLI-NO. 1-4'
SG25	
43	LOC+27+DE::5'
44	LOC+28+US::5'
45	LOC+113+DE::5'
46	FTX+AAA+++Werbedruck, Prospekte'
59	UNT+57+XYZ1234'
60	UNE+1+UNG-123'
61	UNZ+1+GPO-001'

## 8.4 Order (FCL) - 3 package level (2 customs positions)

GPO order (FCL) with 2 pallets+ 2 other package levels and one customs declaration (1 MRN) including 2 positions in one container. The positions are not allocated to the commodities in case of variant 1; the positions are allocated to the commodities in case of variant 2.



### 8.4.1 Example message 1<sup>st</sup> variant

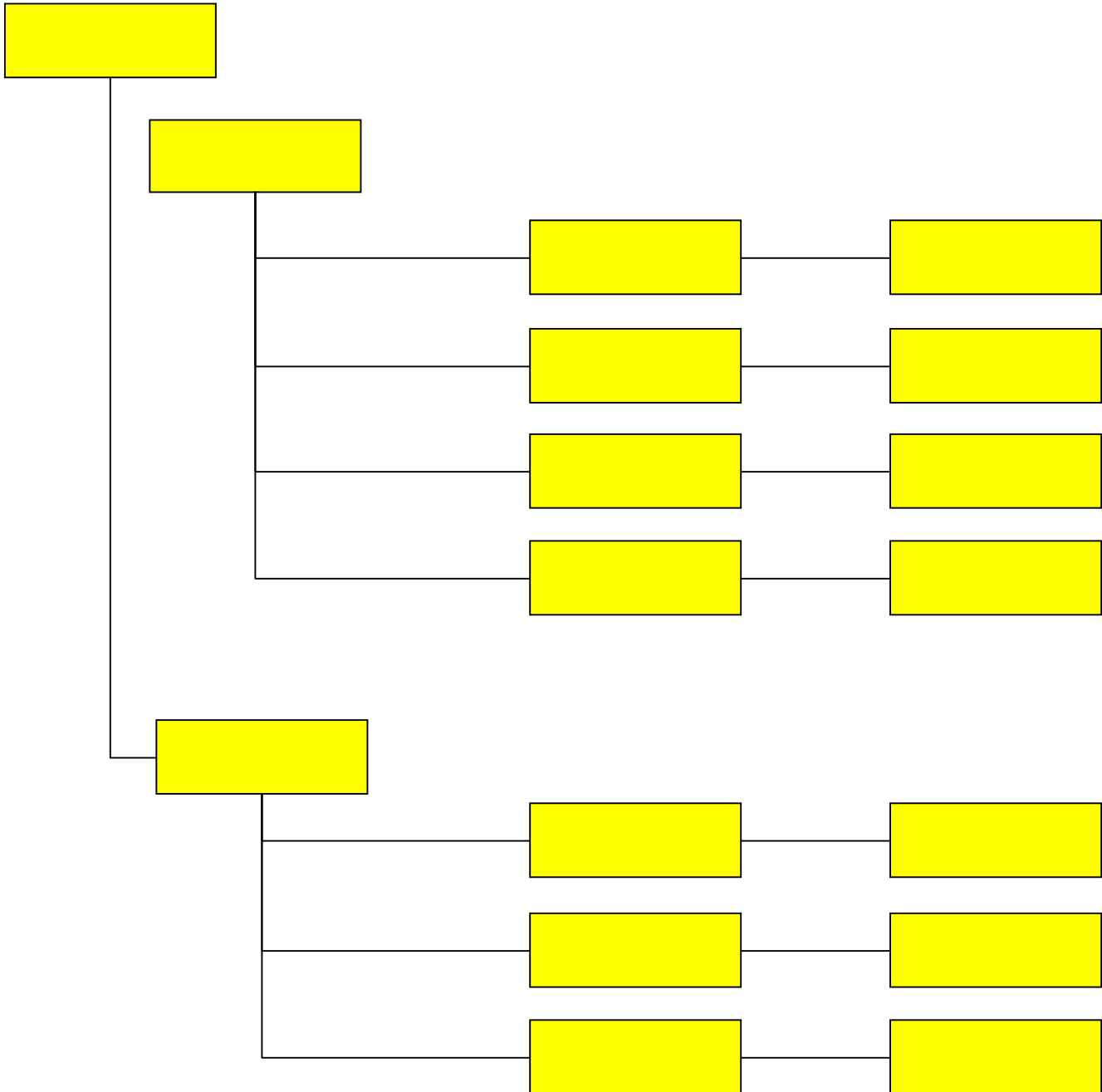
Ser. no.	Example
1	UNB+UNOC:3+0001GPO+GPO+040130:1452+GPO-001+++++1' .... GID+1+1:::PL' .. RFF+ED:06DE087500000685E100100:J' .. SGP+CN:HLXU1234567' GID+1++10:::KT' .. GID+1+++100:::FL' ... GID+2+1:::PL' RFF+ED:06DE087500000685E100100:J' SGP+CN:HLXU1234567' GID+2++10:::KT' ... GID+2+++100:::FL' EQD+CN:HLXU1234567' ... 70 UNT+52+XYZ1234' 71 UNE+1+UNG-123' 72 UNZ+1+GPO-001'

## 8.4.2 Example message 2<sup>nd</sup> variant

Ser. no.	Example
1	UNB+UNOC:3+0001GPO+GPO+040130:1452+GPO-001+++++1'
	....
	GID+1+1:::PL'
	..
	..
	SGP+CN:HLXU1234567'
	GID+1++10:::KT'
	..
	GID+1+++100:::FL'
	RFF+ED:06DE087500000685E100100:J'
	...
	GID+2+1:::PL'
	SGP+CN:HLXU1234567'
	GID+2++10:::KT'
	...
	GID+2+++100:::FL'
	RFF+ED:06DE087500000685E100100:J'
	EQD+CN:HLXU1234567'
	...
70	UNT+52+XYZ1234'
71	UNE+1+UNG-123'
72	UNZ+1+GPO-001'

### 8.5 Order (FCL) - 3 package level (2 MRN, 4/1 positions; 3 package IDs)

GPO order (FCL) with 2 pallets + 2 other package levels and one customs declaration (1 MRN) including 2 positions in one container. The positions are not allocated to the commodities in case of variant 1; the positions are allocated to the commodities in case of variant 2



### 8.5.1 Example message 1<sup>st</sup> variant (positions and package IDs are not allocated to the commodities, 2<sup>nd</sup> MRN is not completely illustrated in this GPO order)

Ser. no.	Example
	UNB+UNOC:3+0001GPO+GPO+040130:1452+GPO-001+++++1'
	....
VPE1	GID+1+1:::PL'
	RFF+ED:06DE087500000685E100100:J'
	..
	..
	SGP+CN:HLXU1234567'
VpE2	GID+1++10:::KT'
	..
VPE3	GID+1+++100:::FL'
	...
VPE2	GID+1++10:::KT'
	..
VPE3	GID+1+++100:::FL'
	...
VP2	GID+2++10:::KT'
	..
VPE3	GID+2+++100:::FL'
	...
VPE2	GID+1++10:::KT'
	..
VPE3	GID+1+++100:::FL'
	...
VPE2	GID+1++10:::KT'
	..
VPE3	GID+1+++100:::FL'
	...
VPE1	GID+2+1:::PL'
	RFF+ED:06DE087500000685E100100:N'
	SGP+CN:HLXU1234567'
	....
VPE2	GID+2++10:::KT'
	...
VPE3	GID+2+++100:::FL'
	...
VP2	GID+2++10:::KT'
	..
VPE3	GID+2+++100:::FL'
	...
VP2	GID+2++10:::KT'
	..
VPE3	GID+2+++100:::FL'
	...
	EQD+CN:HLXU1234567'
	....
	UNT+52+XYZ1234'
	UNE+1+UNG-123'
	UNZ+1+GPO-001'

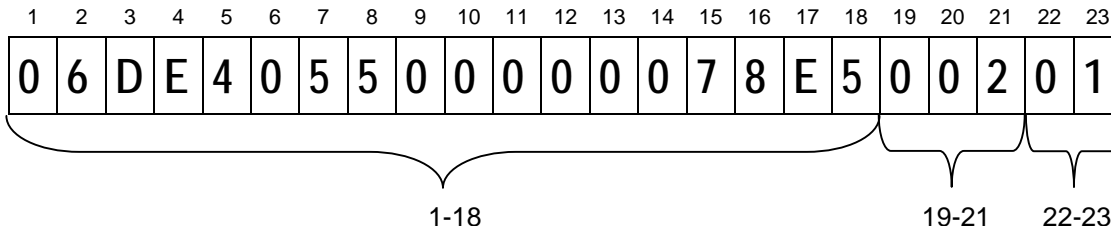
### 8.5.2 Example message 2<sup>nd</sup> variant (positions and package Ids are allocated to the commodities; MRN not completely illustrated in this GPO order)

Ser. no.	Example
	UNB+UNOC:3+0001GPO+GPO+040130:1452+GPO-001+++++1'
	...
VPE1	GID+1+1:::PL'
	..
	..
	SGP+CN:HLXU1234567'
VPE2	GID+1++10:::KT'
	..
VPE3	GID+1+++100:::FL'
	RFF+ED:06DE087500000685E100200:J'
	...
VPE2	GID+1++10:::KT'
	..
VPE3	GID+1+++100:::FL'
	RFF+ED:06DE087500000685E100200:J'
	...
VPE2	GID+1++10:::KT'
	..
VPE3	GID+1+++100:::FL'
	RFF+ED:06DE087500000685E100400:J'
	...
VPE2	GID+1++10:::KT'
	..
VPE3	GID+1+++100:::FL'
	RFF+ED:06DE087500000685E100400:J'
	...
VPE1	GID+2+1:::PL'
	SGP+CN:HLXU1234567'
VPE2	GID+2++10:::KT'
	...
VPE3	GID+2+++100:::FL'
	RFF+ED:06DE087500000685E100100:N'
	...
VPE2	GID+2++10:::KT'
	..
VPE3	GID+2+++100:::FL'
	RFF+ED:06DE087500000685E100100:N'
VPE2	GID+2++10:::KT'
	..
VPE3	GID+2+++100:::FL'
	RFF+ED:06DE087500000685E100100:N'
	...
	EQD+CN:HLXU1234567'
	...
	UNT+52+XYZ1234'
	UNE+1+UNG-123'
	UNZ+1+GPO-001'



## 9 Appendix

### 9.1 Example of an AES customs reference



Digit	Description
1-18	MRN: <ul style="list-style-type: none"> <li>- The last digits of the year in which the conveyance of the commodities to the export procedure took place</li> <li>- Country identifier, to which the export process was conveyed to (country code)</li> <li>- Number of customs office (see COL)</li> <li>- Serial number of an export procedure per country and year</li> <li>- Indicator of export declaration. An „E“ for export will always be indicated.</li> <li>- Check digit</li> </ul>
19-21	Serial number of the position within the MRN /export declaration. By indicating this number the package line can immediately be allocated to the position of an export declaration.
22-23	Package Id = serial number of the package within the previously mentioned position. By indicating this ID the package line can immediately be allocated to a package within a position.