



RETAIL EQUIPMENT PRICE LIST 2020



WWW.DIVESUPPLY.COM

DIVE
SUPPLY



SUUNTO



SEAC

TOVATEC

OLYMPUS

DIVEVOLK



INDEX 2020

SERVICE, RENTAL & CUSTOM CHARGES

Service & Rental Charges	4
Custom Prints & Embroidery	6

DIVING & SNORKELLING EQUIPMENT

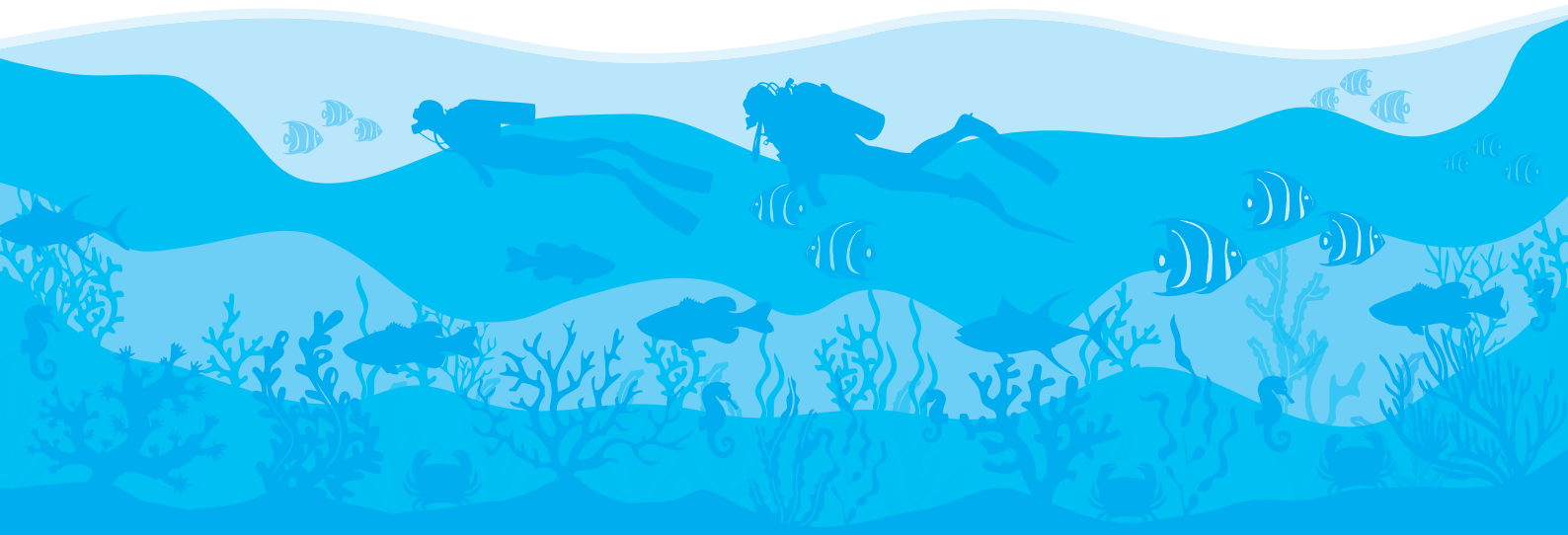
Rental Sets & Equipment	8
BCDs	11
Scubapro X-TEK	11-12
Regulators	12
Instruments: Consoles + Gauges + Compasses	13-14
Dive Computers: SUUNTO + Scubapro + Subgear	14-16
Masks + Snorkels + Snorkelling Sets	17-20
Fins	20-21
Boots + Gloves	22
Wetsuits + Lycra + Rashguards	23-24
Life Vests + First Aid Equipment + Oxygen Kits + CPR Manikins	24
Log Books + Log Binders + Log Inserts	24-25
Marine Guides + Fish ID Cards + Slates	25
Pelican Cases + Dry Bags	25-26
Gear Bags + Lift Bags	26-27
Cameras + Lights/Torches + Knives	28-30
Signalling Devices + Surface Markers, Floats & Buoys	30
Mouthpieces + Mask & Snorkel Parts + Fin Straps, Buckles & Parts	30-33
Other Straps + Clips, Hooks & Coils + Retractors + Reels	33-34
BCD Parts + Weight Belts + Weights	35-36
Liquids & Cleaning Solutions	36
Tools + Workshop Needs	36-37
Promotion Items	37-38
Suunto Spare Parts + Regulator Service Kits	38-41

TANKS & VALVES including PARTS, ACCESSORIES

Tanks + Valves	42
Valve Spare Parts + Nitrox Equipment + Hoses + HP Swivels	42-43
Valve Parts: Detailed View THERMO + SMT + SHERWOOD	44
O-Rings + Viton O-Rings	46

COMPRESSORS including PARTS, ACCESSORIES

Portable Models: Bauer Junior + Capitano + Mariner + Poseidon	47
Stationary Models: Mini Verticus + Verticus + Poseidon	48
B-Kool + Aero-Guard + Aerotest + B-Safe	48-49
Optional Equipment Compact & Profi Line + Maintenance Kits	50
Optional Equipment Mini Verticus, Verticus & Poseidon	50-51
Synthetic Oil + Filter Cartridges + Various Parts, Hoses, Valves & Gauges	51-52
Filling Valves, Adapters & Gauges + Filling Hoses + Storage Bottles	52-53



ITEM #	DESCRIPTION	RETAIL in. VAT
--------	-------------	-------------------

REGULATOR SERVICE

1020	Regulator 1st Stage	600
1021	Regulator 2nd Stage / Octopus	500
1022	Regulator full set service (1st Stage, 2nd Stage, Octopus)	1,400
1040	Inflator Service	400
1050	Scubapro Air2	600
1060	Pressure Gauge (incl. new O-Rings)	250
1025	Regulator First Stage O2 cleaning/Nitrox Conversion	1,500

NOTE: Brands NOT supplied by Dive Supply will incur a 20% surcharge on the above Regulator Service Charges

COMPUTER SERVICE

Battery Replacement & Service fee does not include parts or batteries

1000	Battery Replacement & Service Suunto D-series, Spyder/Stinger	900
1010	Battery Replacement & Service - all other Suunto Computers	300
1001	Battery Replacement & Service - all watches	900
1002	Battery Replacement & Service - Scubapro Xtender	1,050
1003	Battery Repl. & Service - AladinPro/Sport/Ultra/SmartPro/SmartCom/Z/AladinAir/Air Z family	1,800
1010	Battery Replacement & Service - Aladin One, Prime, Tec, Tec 2G, Galileo family	450

All Battery changes include pressure test

CYLINDER & VALVE SERVICE

1100	Tank Valve removal/replacement (incl. new O-Rings)	200
1110	Tank Visual Inspection	200
1111	Tank internal cleaning 1 hour	200
1117	Tank Valve Service	250
1112	Hydrostatic Test (incl. free visual inspection)	600
1113	Full Tank Service include all the above + tank air fill (1-9, per tank)	900
1113	Full Tank Service include all the above + tank air fill (10+, per tank)	900
1116	Tank Neck cutting	900
1118	Tank Non Destructive Test NDT	300
1095	Tank O2 cleaning for Nitrox use	400
1096	Valve O2 cleaning for Nitrox use	200

AIRBANK OXYGEN CYLINDER TESTING

1081	Hydrostatic Test	xxx
1091	Tank internal cleaning	xxx
1101	Tank Visual Inspection	xxx

FILLING CHARGES

1123	Tank Filling per Tank Air	100
1124	Oxygen fill, per 3L tank	400

RENTAL CHARGES

1121	Tank Luxfer S80 - Air	200
1121	Tank Luxfer S19 - Air	200
1121	Tank Luxfer S19 - Oxygen	500
1125	DPV Underwater Vehicle (Scooter)	1,600
1125	Compressor per day - minimum 3 days; deposit required	4,700
1125	Bailout System (including S30 Tank & Regulator)	850

All Rental Charges must be paid at pick-up

COMPRESSORS

1149	L&W 225/245 Annual Service charges (normal condition)	12,000
1149-1	L&W 225/245 Annual Service charges (if very rusty)	16,000
1150	Bauer Junior, Utilus, Capitano, Oceanus incl. Paint	10,000
1150-1	Bauer Mariner 2 incl. Paint	12,000
1151	Bauer Junior, Utilus, Capitano, Oceanus, incl. Paint and if very rusty	12,000
1151-1	Bauer Mariner 2, incl. Paint and if very rusty	14,000
1152	Bauer Mini Verticus, Kap 14, Verticus, Mariner III	17,000
1152-1	Bauer Mini Verticus, Kap 14, Verticus, Mariner III incl. Paint and if very rusty	19,000
1600	Compressor Air Test + Certification for pure air	5,800
1500	Service charge per hour (minimum charge 450 Baht)	1,500

Mobilization Fee for our technician

1210	Khao Lak	xxx
1220	Krabi	xxx
1230	Phi Phi	xxx
1240	Koh Lanta	xxx
1250	Koh Tao / Koh Phangan	xxx
1260	Bangkok / Koh Samui	xxx
1270	Pattaya / Koh Chang	xxx

Mobilization fee does not include hourly service charge or accommodation.

Where deemed necessary by our technician, accommodation must be provided at customer's expense

Service Charges do not include parts

TECHNICIAN TRAINING



Dive Supply offers SCUBAPRO Technical Training at Dive Supply Phuket Head office regularly throughout the year. (Please visit www.divesupply.com for scheduled course dates)

SCUBAPRO Technician Level 1 for beginners/instructors - duration 1.5 days
Content: Non-Balanced systems - MK2/R295, R095, R195, R395, BPI.

The program covers theory & mechanical operation of Scubapro dive equipment, including related dive physics, repair, test, service skills & procedures.

Prerequisite: Dive Master, Dive Instructor or Service Technician

Language: English

Location of Training: Dive Supply Phuket, Chalong

Duration: 1.5 Days 9:30 - 18:00 & 9:30 - 13:00

Certificate: Upon successful completion of the program, participants will receive a certificate from SCUBAPRO authorizing them to provide technical servicing on SCUBAPRO rental equipment covered during the training (MK2/R295) under the supervision of a SCUBAPRO authorized dealer.

Seminar Fee for each participant: 5,000 Baht

Please contact: Service@divesupply.com or your local Dive Supply Branch to reserve a space on our next SCUBAPRO Technical's course

ITEM #	DESCRIPTION	RETAIL in. VAT
--------	-------------	-------------------

WETSUIT PRINTS

1141	Block for one color printing (only payable first time)	xxx
1141	Block per extra color	xxx
1139	Logo Print (one color)	xxx
1139	Logo Print (more than 1 color; per extra color)	xxx
1139	Size Print (one color)	xxx
1139	Number Print (one color)	xxx

LOG BINDER STITCHING

	Logo Stitching (per binder)	xxx
	FREE embroidery for orders of 100+	xxx

Note: Detailed embroidery or multiple colors may attract additional factory charges - please ask for details Minimum Order 50 binders

GEAR BAG PRINT (DB8010 / DB8020)

Print only available in one color

1141	Block for one color printing (only payable first time)	xxx
1141	Block per extra color	xxx
1139	Logo Print (one color)	xxx
1139	Logo Print (more than 1 color; per extra color)	xxx
1139	Number Print (one color)	xxx

DRY BAG CUSTOM PRINT (5L, 10L & 15L bags only)

Print available in MULTIPLE colors

1141	Block for one color printing (only payable first time)	xxx
1141	Block per extra color	xxx
1139	Logo Print (one color, per bag):	1 - 100: xxx Over 100: xxx
1139	Logo Print (more than 1 color; per extra color, per bag):	1 - 100: xxx Over 100: xxx

Max. Print size:

5L: 12cm(W) x 14cm(H)

10L: 12cm(W) x 18cm(H)

15L: 15cm(W) x 18cm(H)

Lead time: 2 -3 weeks

Note: NO MINIMUM ORDER - order 1 custom printed bag if you like

WATERPROOF POUCH 38 x 30CM PRINT

1141	Block for one color printing (only payable first time)	xxx
1141	Block per extra color	xxx
1139	Logo Print (one color)	xxx
1139	Logo Print (more than 1 color; per extra color)	xxx

Minimum Order: 100 pouches

MASK STRAP PRINT

1141	Block for one color printing (only payable first time)	xxx
1139	Logo Print (one color)	xxx
1139	Logo Print (more than 1 color; per extra color)	xxx
	Order 100+ units & receive two-color printing free of charge	xxx

Other products on request

Color Codes:	B = Blue	BL = Blue Lagoon	C = Clear	Ci = Citrus	Co = Cobalt	G = Green
	Gp = Graphite	Gy = Grey	K = Black	KO = Black Orange	KS = Black Silicone	Li = Lime
	O = Orange	Pi = Pink	PD = Pink Diva	Pu = Purple	R = Red	T = Teal
	Ti = Titanium	Tq = Turquoise	Y = Yellow	YM = Yellow Mango	W = White	Si = Silver

T after any color code indicates Transparent (example BT = Blue Transparent)



SHORTY 3MM WET SUIT
ITEM CODE: DBADS01



SHORTY 3MM WET SUIT
ITEM CODE: DBADS04



SHORTY 3MM WET SUIT
ITEM CODE: DBADS02



SHORTY 3MM WET SUIT
ITEM CODE: DBADS03



WATERPROOF POUCH
ITEM CODE: DB8044

WE CAN PRINT YOUR COMPANY LOGO ON THESE ITEMS



MASK STRAP
ITEM CODE: DB6688



LOG BINDERS
ITEM CODE: DB8005 - DB8007



DEEP BLUE: ADVENTURE DRY PACK
ITEM CODE: DBBV05, DBBV10, DBBV15



MASK STRAP COVER
ITEM CODE: DB6689



GEAR BAG - 65 LITERS
ITEM CODE: DB8010
(BLACK, BLUE & RED)



GEAR BAG - 90 LITERS
ITEM CODE: DB8020
(BLACK, BLUE & RED)



SCUBAPRO Package:

- ▶ BCD T-One (1000 Denier)
- ▶ 1st Stage MK2 Evo
- ▶ 2nd Stage (Primary & Octopus) R095
- ▶ SCUBAPRO Console 2 (DG/PG)
- ▶ **Balanced Power Inflator (BPI)**
- ▶ **Classic downstream piston**
- ▶ **Chrome plated marine grade brass**
- ▶ **Ports: 1 HP and 4 LP**
- ▶ **Pre-tuned inhalation effort**
- ▶ **Ultralight Technopolymers**



STANDARD SETS - SCUBAPRO

SCUBAPRO Standard Set Complete

2-Gauge option: T-One BCD, MK2 Evo/R095 reg. set, R095 octopus, Console2 DG/PG

XRS2/1	1 - 4 Complete Sets	35,100
XRS2/5	5 + Complete Sets	***
XRS2/10	10 + Complete Sets	***

SCUBAPRO Regulator Set Complete

2-Gauge option: MK2 Evo/R095 reg. set, R095 octopus, Console2 DG/PG with genuine Scubapro gauges

XRS3/1	1 - 4 Complete Scubapro Regulator & Console2 Sets	20,985
XRS3/5	5 + Complete Scubapro Regulator & Console2 Sets	***
XRS3/10	10 + Complete Scubapro Regulator & Console2 Sets	***

SCUBAPRO Standard BCD (including FREE GENUINE SCUBAPRO inflator hose & quick adapter, retail value THB 2,375)

X21703	1 - 4 Scubapro T-One BCD, XXS-XXL	14,835
X21703/5	5 + Scubapro T-One BCD, XXS-XXL	***
X21703/10	10 + Scubapro T-One BCD, XXS-XXL	***

SUUNTO RENTAL COMPUTERS

FSS022692000	Zoop NOVO Wrist RENTAL, Lime	Best Rental	***
--------------	------------------------------	-------------	-----

DEEP BLUE RENTAL WETSUITS

DBADS01 XXS-XS	Deep Blue Unisex Shorty 3mm, Quality CR Foam, Black, XXS & XS only (see note*)	Best Rental	2,200
DBADS02 XXS-XS	Deep Blue Unisex Shorty 3mm, SBR Foam, Black/Blue, XXS & XS only (see note*)	Best Rental	1,900
DBADS04 XXS-XS	Deep Blue Unisex Shorty 3mm, SBR Foam, Black, XXS & XS only (see note*)	Best Rental	1,900

*Note: For prices of bigger sizes see "WETSUIT & LYCRA - DEEP BLUE" below

RENTAL MASKS, SNORKELS & FINS

DBMA36+	BORA Plus Silicone Mask, 2 Lens - BT, K, KK, KY, O, Y	Best Rental	710
S1083KS	RUNNER Silicone Mask, fits most faces - BT, C, G, K, Y	Best Rental	945
S1083OP-1	Optical Lenses for Runner Mask S1083, -1.0 to -7.0 (per lens)		825
DBSA105	STINGRAY Silicone Snorkel, w. purge - BT, C, K, KK, Y	Best Rental	480
DBSA91	MARLIN J-snorkel, Silicone mouthpiece - BT, C, K, KK, Y	Best Rental	260
X25.743.	Scubapro GO Rental Fin, Black, 6 sizes, color coded straps	Best Rental	2,400
B9290	Seac F-100 PRO full foot Fins, 6 sizes - B, K, Pi, R, Y	Best Rental	2,170

DEEP BLUE RENTAL GEAR BAGS

DB8010	Deep Blue Gearbag, large (60 liter) - Blue, Black	Best Rental	890
DB8020	Deep Blue Gearbag, oversize (90 liter) - Blue, Black, Red	Best Rental	1,190
DBBL3176	Deep Blue Mesh Gearbag 63cm - Black	Best Rental	995

BCD - SCUBAPRO

X21703	Scubapro T-One BCD, XXS-XXL, incl. FREE Scubapro infl. hose & quick adapter	Best Rental	14,835
X21.730.x00	BCD - Hydros Pro Men, 4 sizes: S, M, L, XL-XXL - Black		31,900
X21.731.x00	BCD - Hydros Pro Men, 4 sizes: S, M, L, XL-XXL - White		31,900
X21.738.x00	BCD - Hydros Pro Women, 3 sizes: M & L only - Pink		31,900
X21.739.x00	BCD - Hydros Pro Women, 3 sizes: XS-S, M, L - Purple		31,900
X21.736.x00	BCD - Hydros Pro Women, 3 sizes: XS-S, M, L - White	NEW	31,900
X21.900.x00	BCD - Hydros X Men, 4 sizes: S, M, L, XL-XXL ETA MAY'2020	NEW	36,700
X21.901.x00	BCD - Hydros X Women, 3 sizes: XS-S, M, L ETA MAY'2020	NEW	36,700
X22.285.x20	BCD - Glide , 5 sizes: XS - XL, Black/Grey "SPECIAL" PRICE	PROMO	20,990
X21.725.	BCD - Equator Red, 420D Nylon, Lightweight, 5 sizes XS-XL		21,060
X21.222.010	Kids BCD - Rebel, Black/Green		17,555
X21.090.000	Air 2 Black, 5th generation		7,450
X21.090.000U	Air 2 Black, 5th generation, upgrade on BCD		4,485
X21.610.000	Scubapro Power Inflator		4,145
X21.600.100	Scubapro Power Inflator (old version)		3,675
XZ22.101.150	Cummerband Extension 2X		585
X21.746.005	Trim Weight Pocket Kit Pair	NEW	3,360

Accessories for HYDROS BCD

X21.745.010	Color Kit - Hydros Pro, Army Green		1,690
X21.745.100	Color Kit - Hydros Pro, Black		1,450
X21.745.200	Color Kit - Hydros Pro, Blue		1,690
X21.745.250	Color Kit - Hydros Pro, Turquoise		1,690
X21.745.400	Color Kit - Hydros Pro, Orange		1,690
X21.745.500	Color Kit - Hydros Pro, Yellow		1,690
X21.745.600	Color Kit - Hydros Pro, White		1,690
X21.745.700	Color Kit - Hydros Pro, Pink		1,690
X21.745.710	Color Kit - Hydros Pro, Purple		1,690
X21.746.001	Knife & Accessory Plate		715
X21.746.002	Mini D-Ring Set		715
X21.746.400	Accessory Bungee Set - M		630
X21.746.500	Accessory Bungee Set - L		630
X21.746.005	Hydros Ninja Pocket		1,565
X21.746.006	Hydros Cargo Thigh Pocket		1,730

SCUBAPRO X-TEX

X22.195.010	X-Tek PURE system -Sgl Tank Donut Wing 13kg w Single tank adapter; SS backplate		29,835
X22.179.000	X-Tek PURE Harness - SS Backplate, Backplate storage pouch & crotch strap		12,780
X22.182.000	X-Tek FORM Harness - SS Backplate, backplate storage pouch & crotch strap		18,985
X22.193.010	X-Tek Donut Wing w BPI - 13 kg		12,590
X22.183.010	X-Tek Donut Wing w BPI - 18 kg		13,365
X22.184.010	X-Tek Donut Wing w BPI - 27 kg (for twin tanks)		14,330
X22.187.010	X-Tek HS Wing Twin w BPI - 40 kg	NEW	14,330
X23.804.000	X-Tek PURE Harness Straps w/o Backplate & w/o crotch strap		3,000
X23.806.000	X-Tek FORM Harness Straps w/o Backplate & w/o crotch strap		11,175
X23.800.000	X-Tek Backplate - S. Steel		7,365
X23.801.000	X-Tek Backplate - Aluminum		5,815
X23.807.000	Soft Travel Backplate		4,665
X23.802.000	X-Tek Access -Single Tank Adapter incl. Straps		4,940
X23.803.000	X-Tek Access - Weight Pocket System w D-ring		3,695
X23.808.000	X-Tek Access - Backplate storage pack		3,310
X23.809.000	X-Tek Access - Shoulder Pads - Pair		1,215
X23.818.000	X-Tek Crotch Strap 50mm		1,065
X23.812.000	X-Tek Counter Weight Pockets 1kg - Pair		1,290
X21.726.200	Sidemount Wing 12L		12,710
X21.726.400	Sidemount Wing 20L		13,485
X21.726.001	Sidemount Harness Backpad System		13,875
X21.726.117	Sidemount Wing cover		1,715

ITEM #	DESCRIPTION	RETAIL in. VAT
--------	-------------	-------------------

SCUBAPRO X-TEX

X12.252.060	Sidemount Regulator Kit	NEW	55,655
-------------	-------------------------	-----	--------

BCD - AQUATEC

UBC3S	Child BCD, 1000 Denier, with Sub-Alert Inflator - one size only		11,765
-------	---	--	--------

REGULATOR - SCUBAPRO

REGULATOR SETS - SOLD AS SETS ONLY

X12.620.400	Regulator Set MK25T Evo/S620X Ti		67,135
X12.770.700	Regulator Set MK25 Evo BT/A700 Carbon Black Tech		40,090
X12.771.500	Regulator Set MK25 Evo BT/G260 Black Tech		30,485
X12.420.000	Regulator Set MK25 Evo/D420	ETA Mar'2020	NEW 30,485
X12.425.000	Regulator Set MK19 Evo/D420	ETA Aug'2020	NEW 29,770

MIX & MATCH - COMBINE ANY 1ST & 2ND STAGE BELOW

X12.096.000	Regulator Set MK2 Evo/R095	Best Rental	9,735
X12.770.040	Regulator Set MK25 Evo/A700		30,180
X12.971.050	Regulator Set MK25 Evo/S600		25,380
X12.252.010	Regulator Set MK25 Evo/G260		23,775
X12.974.000	Regulator Set MK21/S560		18,790
X12.979.000	Regulator Set MK21/C370		18,080
X12.927.050	Regulator Set MK17 Evo/S600		23,245
X12.175.000	Regulator Set MK11/C370		16,660
X12.118.000	Regulator Set Mk2 Evo/R195		11,965

First Stages

X10.063.000	MK2 Evo	5,840
X10.063.300	MK2 Evo DIN	6,195
X10.708.000	MK11	7,975
X10.708.300	MK11 DIN	8,330
X10.714.010	MK17 Evo	10,110
X10.714.030	MK17 Evo DIN	10,465
X10.721.000	Mk 21	9,395
X10.721.300	Mk 21 DIN	9,750
X10.713.010	MK25 Evo	12,245
X10.713.030	MK25 Evo DIN	12,600

Second Stages

X11.330.500	R095	4,890
X11.330.400	R095 Octopus w/39" Hose	Best Rental 4,935
X11.331.000	R195	6,125
X11.331.200	R195 Octopus w/39" Hose	6,835
X11.263.000	G260 Second Stage	11,530
X11.560.000	S560	9,395
X11.370.000	C370 Second Stage	8,685
X11.603.000	S600	13,135
X11.620.000	S620 Ti	15,980
X11.700.000	A700	17,935

Accessories

X10.045.030	DIN Conversion Kit Universal	1,635
X41.300.020	Adjustable Kit MK 25	745
X41.300.010	Adjustable Kit MK 25T / TA	2,450
X11.602.03xP	Purge Cover S600 - Red, White	470
X11.602.04xP	Purge Cover S600 - Hydros Blue, Orange, Pink, Purple, Yellow	510
XZ01.097.134	Octopus retainer "Scubapro" (Mouthpiece plug), Yellow	280

ITEM #	DESCRIPTION	RETAIL in. VAT
--------	-------------	-------------------

INSTRUMENTS - SCUBAPRO

X05.012.210	Console 2 -DG/PG, U-Line, Metric	Best Rental	6,435
X05.023.210	Console 2 -DG/PG Metal, "Fishball", Metric		7,210
X05.011.753	Console 3 Slim - DG/Scubapro PG w/FS-2 compass, Metric		10,520
X05.023.112	Pressure Gauge Compact, metal, complete w. Hose & Boot, Metric		4,300
X05.014.110	Pressure Gauge Digital 330, w wrist mount, Metric		6,990
X05.022.012	Capsule Pressure Gauge for Compact, metal - Metric		2,480
X05.012.012	Capsule Pressure Gauge for U-Line - Metric		2,340
X28.039.302	Capsule Pressure Gauge for Compact (orig.) - Metric		2,620
X05.014.010	Capsule for Pressure Gauge Digital 330 - Metric		6,355
X28.163.002	Capsule for Pressure Gauge, Black Dial, dia. 63mm - Metric		2,655
X28.152.002	Capsule for Pressure Gauge, Black Dial, dia. 52mm - Metric		2,305
X28.163.202	Capsule for Pressure Gauge, White Dial, dia. 63mm - Metric		2,655
X28.152.202	Capsule for Pressure Gauge, White Dial, dia. 52mm - Metric		2,305
X28.860.005	Capsule Depth Gauge for Compact (orig.), Non-magnetic - Metric		3,675
X05.012.011	Capsule Depth Gauge for U-Line - Metric		2,830
X06.203.621	Housing for U-Line PG, empty		795
X06.204.370	Housing for Compact metal PG, empty		795
X06.204.348	Housing for Mako Pressure Gauge, empty		1,260
X06.203.622	Housing for Console 2 U-Line (UPG + UDG), empty		990
X06.204.400	Housing for Console 2 (CompactPG + UDG), empty		990
X28.039.021	Housing for Compact Pressure Gauge, empty		485
X28.042.101	Housing for Compact Console 2, empty		795
X05.017.111	Compass North FS-2 w retractor mount		3,185
X05.017.121	Compass North FS-2 w retractor mount & retractor		4,595
X05.018.101	Compass North FS-1.5 w wrist mount - Analogue		2,760
X06.203.170	Retractor for FS-1 / FS-2 Compass	Reduced	1,385
X05.017.001	Capsule for Compass North FS-2 - Analogue		2,900
X05.018.001	Capsule for Compass North FS-1.5 - Analogue		2,195

REGULATOR ACCESORIES - AQUATEC

UFM200R	N100 Regulator Air Moisturizer, Housing w. Filter		2,405
UFM200RC	Filter Cartridge for N100 Regulator Air Moisturizer		860

INSTRUMENTS - SEAC / SAEKODIVE

B2270	*Console 2 Compact w. Pressure Gauge & Depth Gauge	Reduced	5,235
BS224001	Pressure Gauge Capsule for B2270		3,430
BS226001	Depth Gauge Capsule for B2250 & B2270 (dia 2 inch/5cm)		3,545
SAP-0018	Miniature SPG (Pony Gauge) CE		1,335

INSTRUMENTS - DEEP BLUE

DBT30030	Deep Blue Console 2 - Slimline, DG/PG, Metric		5,075
DBT30026	Deep Blue Console 2 - Mini 2K, DG/PG, Metric		5,075
DBT30013	SPG Mini 2K complete w. Hose & Boot, 52mm/2", brass body		2,895
DBT30038-K	SPG 2010 Mini 2K complete w. Hose & Boot, 52mm/2", brass body		2,895
DBT30038-KK	SPG 2010 Mini 2K black dial, complete w. Hose & Boot, 52mm/2", brass body		2,895
DBT30038-W	SPG 2010 Mini 2K complete w. Hose & White Boot, 52mm/2", brass body		3,165
DBT30012	Pressure Gauge Capsule for Mini 2K - 48mm dia.		2,025
DBT30039NS	Pressure Gauge Capsule for Slimline - 52mm dia.		2,025
DBT30040C	Depth Gauge Capsule for Slimline		2,155
DBT30007	Depth Gauge Capsule for Mini 2K		2,155
DBT30026E	Housing for Console Mini 2K - empty		590

ITEM #	DESCRIPTION	RETAIL in. VAT
--------	-------------	-------------------

INSTRUMENTS - DEEP BLUE

DBT30002	Deep Blue Pro Wrist Compass, 56mm dia.	1,590
DBT30008	Deep Blue Standard Wrist Compass, 60mm dia.	1,450
DBT30001	Capsule only, Deep Blue Pro Wrist Compass, 56mm dia.	1,590
DBT30009	Capsule only, Deep Blue Standard Wrist Compass, 60mm dia.	1,275
DBT30044-PRO	Wrist Strap & Housing for Deep Blue Pro Compass	475
DBT30044-STD	Wrist Strap & Housing for Deep Blue Standard Compass	475

PRESSURE & DEPTH GAUGES - SUUNTO

FSS005240200	CB-One SM-36 Pressure Gauge 300 Bar	5,150
FSS005249220	CB-Two in Line/300/70 Combo	7,765
FSS05040M010	SM-16/45 Depth Module / round	3,510
FSS05040M020	SM-16/70 Depth Module / round	3,510
FSS05108M200	SM-36/300 Pressure Module	3,130

COMPASS - SUUNTO

FSS004102011	Clipper Compass NH	735
FSS020981000	SK-8 Wrist Compass, NH	2,880
FSS020982000	SK-8 Wrist Compass, SH	2,880
FSS021122000	SK-8 Compass, Front mount on Standard Console, NH	3,025
FSS021160000	SK-8 Compass, Front mount on Standard Console, SH	3,025
FSS021123000	SK-8 Compass, Back mount for Double Sided Console, NH	3,025
FSS021161000	SK-8 Compass, Back mount for Double Sided Console, SH	3,025
FSS021118000	SK-8 Compass, Bungee Mount, NH	3,025
FSS021119000	SK-8 Compass, Bungee Mount, SH	3,025
FSS021120000	SK-8 Capsule NH	1,440
FSS021121000	SK-8 Capsule SH	1,440

WRISTOP COMPUTER - SUUNTO

FSS022617000	D6i Novo Black ZULU with USB	30,490
FSS022616000	D6i Novo STEALTH ZULU with USB	30,540
FSS022910000	D6i Novo INSTRUCTOR BLUE ZULU with USB	30,490
FSS021954000	D6i Novo STEALTH with USB	28,760
FSS021956000	D6i Novo BLACK with USB	28,900
FSS021949000	D6i Novo STONE with USB	28,760
FSS021951000	D6i Novo WHITE with USB	28,760
FSS050191000	D5 - Black Lime with USB	23,990
FSS050192000	D5 - All Black with USB	23,990
FSS050181000	D5 - White with USB	21,630
FSS050190000	D5 - Black with USB	21,630
FSS050277000	D4i Black Silicone without USB cable	NEW 13,990
FSS050279000	D4i Lime Silicone without USB cable	NEW 14,990
FSS050278000	D4i White Silicone without USB cable	NEW 14,990
FSS020306000	Tank POD Transmitter (LED) for D5, Eon Core & Eon Steel	11,065
FSS019098000	Transmitter (LED) for D-Series & Vyper Novo	10,330
FSS023588000	Air Flow Restrictor Transmitter Kit	1,025
FSS023614000	Air Flow Restrictor Tank Pod Kit	1,025
FSS021027000	EON Steel Scratch Guard (1 Piece)	520
FSS022769000	EON Core Scratch Guard (1 Piece)	520
FSS050199000	D5 Scratch Guard (2 Pieces)	520
FSS013587000	D4i Scratch Guard (2 Pieces) - hard type	520
F100013462	D Series Scratch Guard (1 Piece)	110

CONSOLES WITH COMPUTER - SUUNTO

FSS022217000	CB-2 INL/300/Zoop NOVO Lime	13,390
FSS022218000	CB-2 INL/300/Zoop NOVO Black	13,390
FSS005502000	Quick Release, complete	3,245

OTHER DIVE COMPUTERS - SUUNTO

FSS022692000	Zoop NOVO Wrist RENTAL, Lime	Best Rental	
FSS021643000	Zoop NOVO Wrist, Lime		8,645
FSS021644000	Zoop NOVO Wrist, Blue		8,645
FSS021645000	Zoop NOVO Wrist, Black		8,645
FSS050434000	Vyper NOVO GRAPHITE w/o USB ETA Feb/Mar 2020	NEW	11,450
FSS050433000	Vyper NOVO WHITE w/o USB ETA Feb/Mar 2020	NEW	11,450
FSS022740000	EON CORE BLACK		21,500
FSS023081000	EON CORE WHITE		21,500
FSS023082000	EON CORE LIME		21,500

DIVE MANAGER / PC-INTERFACE

FSS018214000	D, Di & Novo-series USB Interface	2,605
FSS011350000	Dive Manager-USB for HelO2/Cobra/Vyper/Zoop	2,605
FSS020307000	USB Interface Cable EON Steel	1,140
FSS022993000	Magnetic Black USB Cable - Eon Core & D5	1,140
FSS023087000	Magnetic White USB Cable - Eon Core & D5	1,140

PROMOTIONAL DISPLAYS - SUUNTO

FSS050182000	D5 Metric Black Dummy
FSS050183000	D5 Metric White Dummy
FSS050184000	D5 Metric Black Lime Dummy
FSS050185000	D5 Metric All Black Dummy
FSS022772000	EON CORE Black Dummy
FSS023083000	EON CORE White Dummy
FSS023085000	EON CORE Lime Dummy
FSS020226000	DX Black Titanium Dummy
FSS021363000	DX Silver Titanium Dummy
FSS021365000	DX Silver Elastomer Dummy
FSS022256000	D6i Novo Black Dummy
FSS022254000	D6i Novo Stealth Dummy
FSS022250000	D6i Novo Stone Dummy
FSS022252000	D6i Novo White Dummy
FSS050326000	D4i Black Silicone Dummy Metric
FSS050328000	D4i Lime Silicone Dummy Metric
FSS050327000	D4i White Silicone Dummy Metric
FSS0204....	D4i Novo Dummy Metric, Black, Blue, Lime, White
FSS02263....	D4i Novo Dummy Metric, Ocean, Sakura, Sun
FSS050127000	D4i Novo Dummy Metric, Light Gold
FSS050130000	D4i Novo Dummy Metric, Copper
FSS023223000	D4F Black Dummy
FSS02177x000	Zoop Novo Dummy Metric, Black, Blue, Gray, Lime, Pink, White
FSS02177x000	Vyper Novo Dummy Metric, Graphite, White

In-Store Display Range

FZS020176000	Ice Cube Base, Large 330mm x 90mm
FZS020175000	Ice Cube Base, Small 132mm x 90mm
FZS018993000	Ice Cube Shelf Riser
FZS012512000	SUUNTO Ice Cube
FZS019662000	Ice Cube Cards, Set, English/French

PROMOTIONAL DISPLAYS - SUUNTO

In-Store Display Range

FZS020298000	Logo Graphics XL, 462mm x 220mm	
FZS020297000	Logo Graphics Large, 330mm x 220mm	
FZS020296000	Logo Graphics Small, 132mm x 220mm	
FZS020303000	Cobra Holder for Alignment Tool	
FZS019077000	KOTF Cards, English	
FZS019654000	Info Center Cards, English	
FZS020719000	EON Holder for Alignment Tool	
FZS021094000	KOTF Cards EON, English	

SUUNTO Banners

FZS055555000	SUUNTO Roll-up Banner, D5	
--------------	---------------------------	--

DIVE COMPUTERS - SCUBAPRO

X05.110.100	Galileo HUD w Transmitter	59,745
X05.110.101	Galileo HUD no transmitter	49,280
X05.064.101	Aladin A1 ETA Jan'2020	15,575
X05.064.201	Aladin A2 ETA May'2020	24,170
X05.046.110	Aladin Sport Matrix, LCD, Bluetooth & Digital Compass	13,605
X05.047.110	Aladin H Matrix w. QR, LCD, Bluetooth & Digital Compass	18,535
X05.045.110	Aladin One Matrix Wrist	10,965
X05.045.230	Aladin One Matrix + PG, Console 2	13,255
X05.045.010	Aladin One Matrix Capsule	10,085
X05.061.310	Chromis Black/Lime Green	12,760
X05.061.410	Chromis Full Black	14,875
X05.061.420	Chromis Deep Blue	14,875
X05.063.100	Mantis M2 with Transmitter & HRM	35,805
X05.063.101	Mantis M2 only - No Transmitter/HRM	23,825
X05.080.100	Galileo G2 w/LED transmitter & HR monitor	54,480
X05.080.101	Galileo G2 Wrist Only	41,795
X05.081.111	Galileo G2 Console (no belt)	50,955

ACCESSORIES

X05.055.030	Transmitter LED Smart+	13,255
X05.060.001	*USB interface, Mantis1/Meridian (Cradle)	2,800
X05.061.001	*USB interface, Chromis (Cradle)	2,400
X06.205.315	USB Cable, G2	1,620
XZ05.060.011	Mantis1/Meridian Rubber Strap w. pin, Black	805
XZ05.061.002	Chromis Wrist Strap - Black	805
XZ05.063.002	Mantis2 Nylon Sports Strap, Black	1,545
XZ05.063.005	Mantis2 Metal Wrist Strap	4,950
XZ05.063.0xx	M2 Wrist Strap; Black/Blue/Orange/Pink/Purple/Yellow/White	1,250
X06.203.027	Galileo Wrist Strap , 2-part	1,100

DISPLAY SHIELDS

XZ06.204.779	Protection Film - Galileo	435
XZ06.205.261	Protection Film - G2	435
XZ06.202.514	Protection Shield - Galileo	935
XZ06.202.362	Protection cover soft 3M - Aladins	270
XZ06.202.927	Protection Shield - Aladins	645

DIVE COMPUTERS - SEAC

B16006-K	Seac ACTION H.R. Black	NEW	8,910
B16006-KR	Seac ACTION H.R. Black/Red	NEW	8,910
B16005-K	Seac ACTION Black	NEW	8,910
B16005-KW	Seac ACTION Black/White	NEW	8,910

FULL FACE MASK with SNORKEL

DBFfaceS-B	Deep Blue Full Face Snorkelling Mask, S, Blue	890
DBFfaceS-Pi	Deep Blue Full Face Snorkelling Mask, S, Pink	890
DBFfaceL-B	Deep Blue Full Face Snorkelling Mask, L, Blue	890
DBFfaceL-Pi	Deep Blue Full Face Snorkelling Mask, L, Blue	890

MASKS - DEEP BLUE

	No Mask Boxes included	
DB1MA36+	Silicone Mask Bora Plus, 2 Lens - BT, KK, KY, O, Y	Best Rental 710
DBMA36+	Silicone Mask Bora Plus, 2 Lens - K	Best Rental 710
DBMC24-KK	Silicone Mask Covert, 2 lens, low volume - Black Skirt -K	1,260
DBMC24-KB/KPi/KW	Silicone Mask Covert, 2 lens, low volume - Black Skirt -inserts B/Pi/W	1,260
DBMA69-KK	Silicone Mask Bali, frameless, Black Skirt - K	940
DBME60	Silicone Mask Maui, frameless, skirt Blue/Pink/Yellow	880
DBMG01-KY	Silicone Mask Accent, black skirt - Yellow	880
DBMD89-B	Silicone Mask ORCA, Elastic strap - Blue	1,490
DBMD89-Pi	Silicone Mask ORCA, Elastic strap - Pink	1,490
DBMD89-KY	Silicone Mask ORCA, Elastic strap - Black skirt -Y	1,490
DBM282	Silicone Mask Xtreme - KS/Y, KS/W, Clear/B, Clear/Pi	980
DBMD56-KK	Silicone Mask Vyper, Frameless - KK	1,300
DBMC23-BT	Silicone Mask Mako, clear skirt - BT	880
DBMC23-Y	Silicone Mask Mako, clear skirt - Y	Reduced 650
DBMC23-KK	Silicone Mask Mako, black skirt - KK	878
DB8MB52	Silicone Mask Fiji, Single Lens, for Kids - BT, PiT, Y	858
DB8MB52CL	Silicone Mask Fiji, in Clamshell, for Kids - BT, PiT, Y	878
DBMcoral	Silicone Mask Coral, Single Lens, for Kids - Multi-colour	NEW 878
DB3MD05P	PVC Mask Hawaii - BT, Y	430
DB4MB52P	PVC Mask Fiji, Single Lens, for Kids - BT, PiT, Y	430
DBS1	*** for Mask Box add 45 Baht ***	90

SNORKELS - DEEP BLUE

DB1SA106	Manta Plus Snorkel (Purge Valve, Silicone Mouthpiece) - BT, KK, Y, KO	400
DBSA105-KK	Stingray Black Silicone Snorkel, w. purge	Best Rental 480
DBSA105	Stingray Clear Silicone Snorkel, w. purge - BT, C, K, Y	Best Rental 480
DBSA91	Marlin Snorkel (Silicone Mouthpiece) J-style - BT, C, K, Y	Best Rental 260
DBSA91-KSK	Marlin Snorkel (Black Silicone Mouthpiece & Black Tube), J-Style	Best Rental 260
DBSE42-B	ORCA Silicone Snorkel - Blue	590
DBSE42-Pi	ORCA Silicone Snorkel - Pink	590
DBSE42-KY	ORCA Silicone Snorkel - Black silicone/Yellow	590
DBSN134	Xtreme Silicone Snorkel, w. purge - KS/Y, KS/W, Clear/B, Clear/Pi	550
DBSE13-KK	Covert Black Silicone Snorkel, no purge	380
DBSD95-PD	BALI Silicone Snorkel, w. purge - Diva Pink	Reduced 390
DBSD95-YM	BALI Silicone Snorkel, w. purge - Mango Yellow	Reduced 390
DBSB47	Silicone Snorkel Sharky - BT, C, K, Y	480
DB8SA102	Kids Snorkel Damsel (Silicone M/piece, Purge, Semi-dry) - BT, PiT, Y	290
DB3SB35	PVC Snorkel Mako, w. Purge Valve, Adults - BT, KK, Y	220
DBSB36	PVC Snorkel Goby, Standard, Kids - BT, GT, Pi, Y	200
DBScoral	Kids Snorkel Coral (Silicone M/piece, Purge, Semi-dry) - Multicolor	NEW 390

MASK & SNORKEL SETS - DEEP BLUE

	No Mask Boxes included	
DB1SP3 (Speed3)	Bora PLUS Mask, Sil. Snorkel & SPEED3 Fin Set incl. Mesh Bag - BT, K, KY, O, Y (Fin Sizes available : S/M & L/XL, 2 sizes)	2,115
DB2Bag	Bora PLUS Mask & Sil. Snorkel Set incl. Mesh Bag - BT, K, KY, O, Y	1,130
DB2Clam	Bora PLUS Mask & Sil. Snorkel Set in Clamshell - BT, K, KY, O, Y	1,125

ITEM #	DESCRIPTION	RETAIL in. VAT
--------	-------------	-------------------

MASK & SNORKEL SETS - DEEP BLUE

DB8Bag	Silicone Fiji Mask & Damsel Snorkel Set for Kids incl. Mesh Bag - BT, PiT, Y	1,095
DB8Clam	Silicone Fiji Mask & Damsel Snorkel Set for Kids in Clamshell - BT, PiT, Y	1,200
DBCoralC	Silicone Coral Mask & Snorkel Set for Kids in Clamshell - Multicolor	1,200
DBCoralB	Silicone Coral Mask & Snorkel Set for Kids incl. Mesh Bag - Multicolor	1,200
DB3Bag	PVC Hawaii Mask & Mako Snorkel Set Adults incl. Mesh Bag - BT, YT	595
DB4Bag	PVC Fiji Mask & Goby Snorkel Set Junior incl. Mesh Bag - BT, PiT, YT	595
DBOrC-	Silicone ORCA Mask & Snorkel Set, Adult, in Clamshell - KS/Y, Clear/B, Clear/Pi	1,990
DBOrCB-	Silicone ORCA Mask & Snorkel Set, Adult, in Mesh Bag - KS/Y, Clear/B, Clear/Pi	1,990
DBXtrC-	Silicone XTREME Mask & Snorkel Set, Adult, in Clamshell - KS/Y, KS/W, Clear/B, Clear/Pi	1,495
DBXtrB-	Silicone XTREME Mask & Snorkel Set, Adult, in Mesh Bag - KS/Y, KS/W, Clear/B, Clear/Pi	1,495
DBCvtC-	Silicone COVERT Mask & Snorkel Set, Adult, in Clamshell - KS/B, KS/K, KS/Pi, KS/W	1,595
DBCvtB-	Silicone COVERT Mask & Snorkel Set, Adult, in Mesh Bag - KS/B, KS/K, KS/Pi, KS/W	1,595
DBMakoC-KK	Silicone MAKO Mask & Snorkel Set, Adult, in Clamshell - BT & KK	1,095
DBMakoC-	Silicone MAKO Mask & Snorkel Set, Adult, in Clamshell - Y only	Reduced 995
DBMakoB-KK	Silicone MAKO Mask & Snorkel Set, Adult, in Mesh Bag - BT & KK	1,095
DBMakoB-	Silicone MAKO Mask & Snorkel Set, Adult, in Mesh Bag - Y only	Reduced 995
DBS1	*** for Mask Box add 45 Baht ***	90

MASKS - SAEKODIVE

	No Mask Boxes included	
SM205KS-K	'Stealth' Silicone Freediving Mask, curved polycarbonate lenses	1,055
SMS102	Silicone Mask Junior, fits small faces - BT, G, Y	805
SMM108KS-K	Silicone Wide Vision Mask, Large - Black Silicone - K	1,125
S1083S	Silicone Mask Runner, fits most faces - BT, C, K, Y	895
S1083KS	Mask Runner "B", fits most faces, Black Silicone - BT, G, K, Y	Best Rental 945
SMM107KS	Frameless Mask, Black Silicone	1,035
MPE10	Mask Pro Ear 2000	3,240
DBS1	*** for Mask Box add 45 Baht ***	90

OPTICAL LENSES

S1083OP-1	Myopia Lens (Near-sighted) for Runner Mask 1083, -1.0 to -7.0, per piece	825
S1083OP-8	Myopia Lens (Near-sighted) for Runner Mask 1083, -8.0 to -10.0, per piece	980
S1083P6-	Bi-focal Presbyopia Lens, Upper (Myopia) Lens -1.0 to -3.0; Lower (Presbyopia) Lens +1.0 to +3.0; per piece, L	1,185
TFM98	DiveOptx, flexible mask magnifier kit, per set (+1.0 to +3.0)	1,990

SNORKEL - SAEKODIVE

S1052	Rubber Snorkel, standard - K, Y	270
S1156S-K	Silicone Snorkel (PVC Tube), purge valve - Black	435
S1156S-GT	Silicone Snorkel (PVC Tube), purge valve - GT only	280

SWIMMING ARTICLES - SAEKODIVE

SS5	Swim Goggles for Children, Silicone - B, K, Y	295
S1281AS-	Swim Goggles for Adults, Antifog, B, BL, K	540
SK5	Swim Goggle Mariner clear - BL	870
SK5UV	Swim Goggle Mariner UV protection - B, K	985
SN2	Nose Clip	93
SE4	Ear Plug Silicone / Pair	83

MASKS - SEAC

B939	Extreme, Clear Silicone - B, Y	1,355
B936KS-K	Extreme, Black Silicone - K	1,355
B9420	Capri, Clear Silicone - B, K, W	1,460
B9421KS-K	Capri, Black Silicone - K	1,460
B9426	Marina, Clear Silicone - B, Pi, Y	835
B750031KS-R	*FOX mask Black Silicone - Metal Red	Reduced 1,290

SNORKELS - SEAC

B48401-B	*Seac VORTEX Snorkel, Clear Silicone, Blue	Reduced	495
B48401-W	*Seac VORTEX Snorkel, Clear Silicone, White	Reduced	495

SWIMMING ARTICLES - SEAC

B9908-B/R	Vision HD Swimming Goggles, Blue, Red		1,000
-----------	---------------------------------------	--	-------

MASKS - SCUBAPRO

X248551	Crystal Vu, Metallic, Clear skirt - B, R, W, Y		2,825
X248551-KSi	Crystal Vu, Metallic, Black skirt - Black/Silver frame		2,825
X248551-KO	Crystal Vu, Metallic, Black skirt - Black/Orange frame		2,825
X24.156.100	Trinidad 3 Mask, Frameless, Black Silicone - K		1,600
X24.847.110	Spectra Mask, Black Skirt, Silver Subframe - K		2,260
X24.847.130	Spectra Mask, Black Skirt, Silver Subf, - K; inline change - ETA Jun'20		2,260
X24.847.100	Spectra Mask, Black Skirt, Full Black ETA Feb'20	NEW	2,260
X24.847.210	Spectra Mask, Clear Skirt, Silver Subframe - Blue		2,260
X24.847.230	Spectra Mask, Black Skirt, Solid Blue		2,260
X24.847.830	Spectra Mask, Black Skirt, Bronze		2,260
X24.847.140	Spectra Mask, Black Skirt, Mirror Lens, Black/Silver		2,590
X24.847.840	Spectra Mask, Black Skirt, Mirror Lens, Bronze		2,590
X24.849KS	Solo Mask, Black Skirt, Black		2,355
X24340	Scubapro Frameless Mask, Black Skirt, Black		2,825
X24.108.100	Scubapro Steel Com Double Lens Mask, Black		2,305
X24.108.600	Scubapro Steel Com Double Lens Mask, White		2,305
X24.713.140	Synergy Twin Mask, Black Skirt, Mirror Lens - Black/Silver		3,575
X24.813.140	Synergy Twin Mask, Black Skirt, Mirror Lens - Black/Silver, w. Comfort Strap	ETA Jun'20	3,955
X24.713.130	Synergy Twin Mask, Black Skirt - Black/Silver		3,010
X24.713.310	Synergy Twin Mask, Black Skirt - Black/Red		3,010
X24.713.510	Synergy Twin Mask, Black Skirt - Black/Yellow		3,010
X24.713.730	Synergy Twin Mask, Black Skirt - Solid Pink		3,010
X24.713.700	Synergy Twin Mask, Clear Skirt, White Frame - Pink		3,010
X24.713.230	Synergy Twin Mask, Black Skirt - Turquoise		3,010
X24.813.130	Synergy Twin Mask, Black Skirt - Black/Silver, w. Comfort Strap	ETA Jun'20	3,390
X24.813.310	Synergy Twin Mask, Black Skirt - Black/Red, w. Comfort Strap	ETA Jun'20	3,390
X24.813.510	Synergy Twin Mask, Black Skirt - Black/Yellow, w. Comfort Strap	ETA Jun'20	3,390
X24.813.730	Synergy Twin Mask, Black Skirt - Solid Pink, w. Comfort Strap	ETA Jun'20	3,390
X24.813.230	Synergy Twin Mask, Black Skirt - Turquoise, w. Comfort Strap	ETA Jun'20	3,390
X24.838.140	Synergy 2 Mask, Black Skirt w. mirror lens - Silver		3,575
X24.839.140	Synergy 2 Mask, Black Skirt w. mirror lens - Silver, w. Comfort Strap	ETA Jun'20	3,955
X24.838.130	Synergy 2 Mask, Single Lens, Black Skirt - Silver		3,010
X24.839.130	Synergy 2 Mask, Single Lens, Black Skirt - Silver, w. Comfort Strap	ETA Jun'20	3,390
X24.838.200	Synergy 2 Mask, Single Lens, Clear Skirt - Blue*	Reduced	2,690
X24.838.500	Synergy 2 Mask, Single Lens, Clear Skirt - Yellow*	Reduced	2,690
X24.838.700	Synergy 2 Mask, Single Lens, Clear Skirt - Pink*	Reduced	2,690
X24.833.x00	Flux Twin Mask, Clear Skirt - Blue, Met. Blue, White		2,730
X24.833.x00	Flux Twin Mask, Black Skirt - Black, Met.Red		2,730
X24.343.100	Frameless HUD Mask - Black Skirt - Black	NEW	3,010
X24.250.099	D Mask, Black Asian Skirt, Comfort Strap ETA Mar'20	NEW	5,190
X24.252.10x	Color Kit for D Mask - Black, Blue, Pink, Turquoise, Yellow ETA Mar'20	NEW	445
X24.150.000	Full Face Mask - Black Silicone Skirt		22,215
X24.150.030	Octopus Kit for Full Face Mask		1,035
X24.101.004	Scubapro Universal Go Pro Mask Mount	Reduced	545

SNORKELS - SCUBAPRO

X26715	Escape semi dry* - B & Y only	Reduced	695
X26.070.000	Trinidad - K		850

SNORKELS - SCUBAPRO

X26.130.000	Scubapro Apnea Snorkel - Soft tube, Black		650
X26.130.600	Scubapro Apnea Snorkel - Soft tube, White		650
X26.704.xx0	Spectra semi dry - Clear w. Blue, Pink, Yellow		1,105
X26.706.720	Spectra semi dry - Clear w. Pink	NEW	1,155
X26.706.xx0	Spectra semi dry - Clear w. Red, White		1,155
X26.704.110	Spectra semi dry - Black w. Silver		1,105
X26.706.130	Spectra semi dry - Black w. Silver	NEW	1,155
X26.704.750	Spectra semi dry - Black w. Purple		1,105
X26.704.810	Spectra semi dry - Black w. Orange		1,105
X26.706.830	Spectra semi dry - Black w. Bronze		1,155
X26.810.100	Nexus semi dry - Clear w. Black	Reduced	1,490
X26.810.220	Nexus semi dry - Clear w. Metallic Blue	Reduced	1,490
X26.810.320	Nexus semi dry - Clear w. Metallic Red	Reduced	1,490

FINS - DEEP BLUE

DBF367(5XS-4XS)	Speed2 Fins 5XS (26/28), 4XS (29/31) - Blue, Yellow	Reduced	650
DBF367(3XS)	Speed2 Fins 3XS (32/34) - Blue, Yellow	Reduced	650
DBF367(2XS-S)	Speed2 Fins XXS (34/36), XS (36/37), S (38/39) - Blue, Yellow, Black		890
DBF367M-XL	Speed2 Fins M (41/42), L (43/44), XL (45/46) - Blue, Yellow, Black		990
DBFB86	Speed3 Adult Snorkeling Fins S/M (36/42) - BT, K, O, YT	Best Rental	955
DBFB85	Speed3 Adult Snorkeling Fins L/XL (43/48) - BT, K, O, YT	Best Rental	955
DBFB87	Speed3jr Kids Snorkeling Fins S/M (27/31) - BT, PiT, YT		690
DBFB88	Speed3jr Kids Snorkeling Fins M/L (31/36) - BT, PiT, YT		690
DBFB89	Speed3jr Kids Snorkeling Fins LG (37/41) - BT, PiT, YT		690
DBF770-S/M	Snorkeling Fins S/M - B, K, Y		850
DBF770-ML/XL	Snorkeling Fins L/XL - B, K, Y		850
DBFA22 & 23	Kids Snorkeling Fins S/M, ML/XL - GT, PiT, YT		595

FINS - SAEKODIVE, AQUATEC

S2030	Saekodive Jet Fins, Rubber Strap, OH, XL - Black	Reduced	2,400
S2031	Saekodive Jet Fins, Rubber Strap, OH, L - Black	Reduced	2,400
S2032	Saekodive Jet Fins, Rubber Strap, OH, M - Black	Reduced	2,400
SJFPROx-K	Jet Fin Pro, Spring Strap, M, L, XL - Black	Reduced	3,700
SJFPROx-R/W/Y	Jet Fin Pro, Spring Strap, M, L, XL - Red, White, Yellow	Reduced	3,700
SJFPROx-G/O	Jet Fin Pro, Spring Strap, M, L, XL - Grass Green, Orange	Reduced	3,700
SJFPROx-P	Jet Fin Pro, Spring Strap, M, L, XL - Pink	Reduced	3,700

FINS - SEAC

BSPIN36/37-B	*SPINTA full foot snorkeling Fins 36/37 - Blue only	Reduced	550
BSPIN38/39	*SPINTA full foot snorkeling Fins 38/39 - Blue, Yellow	Reduced	550
BSPIN40/41	*SPINTA full foot snorkeling Fins 40/41 - Blue, Yellow	Reduced	550
BSPIN42/43	*SPINTA full foot snorkeling Fins 42/43 - Yellow only	Reduced	550
BSPIN44/45	*SPINTA full foot snorkeling Fins 44/45 - Blue only	Reduced	550
B7136ML-Y	*F1 S sling strap Fins M/L - Yellow only	Reduced	2,990
B9290	F-100 PRO full foot Fins 36/37 - B, Pi, R, Y (no black)	Best Rental	2,170
B9291	F-100 PRO full foot Fins 38/39 - B, Pi, R, Y (no black)	Best Rental	2,170
B9292	F-100 PRO full foot Fins 40/41 - B, K, Pi, R, Y	Best Rental	2,170
B9293	F-100 PRO full foot Fins 42/43 - B, K, R, Y	Best Rental	2,170
B9294	F-100 PRO full foot Fins 44/45 - B, K, R, Y	Best Rental	2,170
B9295	F-100 PRO full foot Fins 46/47 - B, K, R, Y	Best Rental	2,170

ITEM #	DESCRIPTION	RETAIL in. VAT
--------	-------------	-------------------

FINS - SEAC

B538	Propulsion S (sling strap) open heel Fins S/M - B, K, P, Y	3,590
B539	Propulsion S (sling strap) open heel Fins M/L - B, K, Y	3,590
B540	Propulsion S (sling strap) open heel Fins L/XL - B, K, Y	3,590
B71043...	Propulsion S (sling strap) open heel Fins S/M, M/L, L/XL - B, K, Y, W	3,590
B5004	*GP 100 open heel Fins L/XL - B, K, R, Y	Reduced 3,190

FINS - SCUBAPRO

X25.743.090/3XS	GO Rental Fin, Black, 3XS Strap Purple	Best Rental 2,400
X25.743.000/2XS	GO Rental Fin, Black, 2XS Strap Green	Best Rental 2,400
X25.743.150/XS-S	GO Rental Fin, Black, XS-S Strap Blue	Best Rental 2,400
X25.743.300/M-L	GO Rental Fin, Black, M-L Strap Yellow	Best Rental 2,400
X25.743.500/XL	GO Rental Fin, Black, XL Strap Orange	Best Rental 2,400
X25.743.600/XXL	GO Rental Fin, Black, XXL Strap Grey	Best Rental 2,400
X25.760.001	Name Plate Holder, Go Fin, Pair	275
X25.740.xx0	GO Travel Fin, Black, 3XS-XL, Strap Black	2,400
X25.740.600/XXL	GO Travel Fin, Black, XXL Strap Black	2,400
XZ25.7xx.xx0	Fin Strap, GO Bungee, size MINI - B, G, K, O, Pu, Y	835
XZ25.7xx.xx0	Fin Strap, GO Bungee, size MIDI - B, G, K, O, Pu, Y	835
X25.761.x00	GO SPORT Fins, OH, XS-XL, Black	3,490
X25.762.x00	GO SPORT Fins, OH, XS-XL, White	3,490
X25.763.x00	GO SPORT Fins, OH, XS-XL, Yellow	3,490
X25.764.x00	GO SPORT Fins, OH, XS-XL, Blue	3,490
X25.765.x00	GO SPORT Fins, OH, XS-XL, Turquoise	3,490
X25.328.xxx	Go Sport Scuba Skegs, Set, 4 units/set - Army Green, G, Si, Pu, K, Tu, B, O, Y, Pi	NEW 295
X25.878.x00	*Jet Sport adjustable Fins, only XS, S - Red	Reduced 1,490
X25.879.	*Jet Sport adjustable Fins, only S, XL - Black	Reduced 1,490
X25.880.	*Jet Sport adjustable Fins, only XS, S - Yellow	Reduced 1,490
X25.881.	*Jet Sport adjustable Fins, only XS, S - Blue	Reduced 1,490
X25.365...-K	Jet Fins, OH, M, L, XL, XXL, Black - spring strap only	5,910
X25.736.500-Gp	Seawing Nova GORILLA Fins, OH, only XL - Graphite	7,770
X25.731...-K	Seawing Nova Fins, OH, XS, S, M, L, XL - Black	7,460
X25.732...-W	Seawing Nova Fins, OH, XS, S, M, L, XL - White	7,460
X25.735...Pi	Seawing Nova Fins, OH, XS, S, M, L - Pink	7,460

Special Order ONLY - limited availability - please enquire

X25.741.xx0	GO TRAVEL Fins, 3XS-2XL, White	2,990
X25.744.x00	GO RESCUE Fins, 3XS-2XL, Orange	3,720
X25.737...Y	Seawing Nova Fins, OH, XS, S, M, L, XL - Yellow	7,555
X25.729.x00	Seawing Nova Fins, OH, XS, S, M, L, XL - Turquoise	7,555
X25.734...O	Seawing Nova GORILLA Fins, OH, S, M, L, XL - Orange	8,010
X25.366.x00	Jet Fins, OH, with spring strap, L, XL, 2XL - Yellow	7,325
X25.367.x00	Jet Fins, OH, with spring strap, L, XL, 2XL - Grey	7,325
X25.369.x00	Jet Fins, OH, with spring strap, M, L - Pink	7,325
X25.363.x00	Jet Fins, OH, with spring strap, M, L - Purple	7,325
X25.379.x00	Jet Fins, OH, with spring strap, M, L, XL - Turquoise	7,325
X25.370.500	Jet Fins, OH, with spring strap, XL - Red	7,325
X25.371.x00	Jet Fins, OH, with spring strap, L, XL, XXL - Dark Green	7,325
X25.372.x00	Jet Fins, OH, with spring strap, M, L, XL - Camo Pink/White	8,010
X25.376.x00	Jet Fins, OH, with spring strap, M, L, XL, 2XL - Camo Blue	8,010
X25.380.x00	Jet Fins, OH, with spring strap, M, L, XL, 2XL - Camo Grey/White	8,010

ITEM #	DESCRIPTION	RETAIL in. VAT
--------	-------------	-------------------

BOOTS & GLOVES - DEEP BLUE

DBG01	Glove Deep Blue, 1.5 mm, XS - XL	650
DBB01B	Boot Deep Blue, 5mm, XXS - XXL, with orange insert	Best Rental 1,390
DBB01C	Nautilus Boot, Deep Blue, 5mm, XXS - XXL, w blue lining	1,150
DBB02A	Half Boot Deep Blue 3 mm, XXS - XXL, with pull-cord	950
DBB03	Neoprene Sock Deep Blue, 2mm (non slip surface) XXS-XXL	490
DBB04	Aloha Beach Walker, Black w. Orange, size 30 to 46	425
DBB05	Aloha Beach Walker, Black w. Blue, size 30 to 46	425
DBB06	Aloha Beach Walker, Black w. Blue trim, size 35 to 45	425

BOOTS & GLOVES - SEAC

B64600	Glove Tropic HD 1.5mm Seac, XS - XL	1,280
B67900	Boots Basic HD, 5mm Seac, XXS - XXL	2,730

BOOTS & GLOVES - SCUBAPRO

X58142	*Tropic Amara Sport Glove, 1.5 mm, size XXL only, Blue	Reduced 590
X58161	Tropic Pro Gloves, 1.5 mm, size XXL only, Black	Reduced 730
X58325	Tropic Gloves, 1.5 mm, XL & XXL only, Black/Grey	1,325
X58326	Tropic Gloves, 1.5 mm, XXS - XXL, Black	1,325
X58035	Tropic Gloves, 1.5 mm, XXS - XL, Black	1,505
X58000	Seamless Gloves 1.5mm, XS - XL (XXL by Spec. Order only)	1,870
X58031	Tropic Gloves 1.5mm, Graphite, 2XS - XL	1,595
X58032	Tropic Gloves 1.5mm, Agean, 2XS - XL	1,595
X58034	Tropic Gloves 1.5mm, Flamingo, 2XS - XL	1,595
X57166	Delta Short Boots, 3 mm, size 3XS/4 - 2XL/11, Black	1,350
X57137	Delta Club Boots, 5 mm, size 3XS/4 - 3XL/12, Black	2,095
X57138	Delta Club Boots, 5 mm, size 3XS/4 - 3XL/12, Black	2,190
X57013	Base Boots, 4 mm, size XXS/5 - 4XL/13, Black	1,685
X57167	GO Sock, 3mm w. Thin sole, size XS - XL, Black	1,220

WETSUIT & LYCRA - DEEP BLUE

DBADS01 XXS-XS	Deep Blue Unisex Shorty 3mm, Quality CR-Foam, Black XXS, XS	Best Rental 2,200
DBADS01 S-M	Deep Blue Unisex Shorty 3mm, Quality CR-Foam, Black S, M	Best Rental 2,200
DBADS01 L-XL	Deep Blue Unisex Shorty 3mm, Quality CR-Foam, Black L, XL	Best Rental 2,200
DBADS01 XXL-XXXL	Deep Blue Unisex Shorty 3mm, Quality CR-Foam, Black XXL, XXXL	Best Rental 2,200
DBADS02 XXS-XS	Deep Blue Unisex Shorty 3mm, SBR Foam, Black/Blue, XXS, XS	Best Rental 1,900
DBADS02 S-M	Deep Blue Unisex Shorty 3mm, SBR Foam, Black/Blue, S, M	Best Rental 1,900
DBADS02 L-XL	Deep Blue Unisex Shorty 3mm, SBR Foam, Black/Blue, L, XL	Best Rental 1,900
DBADS02 XXL-XXXL	Deep Blue Unisex Shorty 3mm, SBR Foam, Black/Blue, XXL - XXXL	Best Rental 1,900
DBADS04 XXS-XS	Deep Blue Unisex Shorty 3mm, SBR Foam, Black, XXS, XS	Best Rental 1,900
DBADS04 S-M	Deep Blue Unisex Shorty 3mm, SBR Foam, Black, S, M	Best Rental 1,900
DBADS04 L-XL	Deep Blue Unisex Shorty 3mm, SBR Foam, Black, L, XL	Best Rental 1,900
DBADS04 XXL-XXXL	Deep Blue Unisex Shorty 3mm, SBR Foam, Black, XXL, XXXL	Best Rental 1,900
DBADS03	Deep Blue Unisex Steamer 3mm, Quality CR-Foam, Black, XS - XXXL	3,490
DBLR1K	Deep Blue Lycra RashGuard Black XXS - XXL	1,090
DBLR1Kgy	Deep Blue Lycra RashGuard Black/Grey XXS - XXL	1,090
DBLR1KB	Deep Blue Lycra RashGuard Black/Blue XXS - XXL	1,090
DBLR2K	Deep Blue Lycra RashGuard Black, Blue Logo XXS - XXL	1,090
DBLRLF-XXS	Deep Blue Loose Fit Lycra RashGuard, BLack XXS	1,190
DBLRLF-XS	Deep Blue Loose Fit Lycra RashGuard, BLack XS	1,190
DBLRLF-S	Deep Blue Loose Fit Lycra RashGuard, BLack S	1,190
DBLRLF-M	Deep Blue Loose Fit Lycra RashGuard, BLack M	1,190

WETSUIT & LYCRA - DEEP BLUE

DBLRLF-L	Deep Blue Loose Fit Lycra RashGuard, BLack L	1,190
DBLRLF-XL	Deep Blue Loose Fit Lycra RashGuard, BLack XL	1,190
DBLRLF-XXL	Deep Blue Loose Fit Lycra RashGuard, BLack XXL	1,190

WETSUIT & LYCRA - SCUBAPRO

X50.021.000	Beanie, Black & Grey, Acrylic 22(W) X 21(H) cm with 7cm turn-up	855
-------------	---	-----

Rash Guards for Men

X65231	T-Flex Rash Guard - LS - Men, Black, UPF 80, XS-XXL	2,550
X65232	T-Flex Rash Guard - LS - Men, Graphite, UPF 80, XS-XXL	2,550
X63283	T-Flex Rash Guard - LS - Men, Black, size XS only	2,355
X63202	Loose Fit Rash Guard LS - Unisex, Black, size XS only	Reduced 1,680
X62031	Rash Guard LS Men, UPF50, Chlorine Resistant, Black XS-XXL (6 sizes)	1,310
X65031	Rash Guard LS Men, UPF50, Black, XS-XXL (6 sizes)	1,770
X65033	Rash Guard LS Men, UPF50, Agean, XS-XXL (6 sizes)	2,505

Hybrids for Men

X65331	Hybrid Thermal Top Men, 1mm, Black, XS-XXL (6 sizes)	3,490
X65341	Hybrid Hooded Vest Men, 1mm, Black, XS-XXXL (7 sizes)	2,485
X65352	Hybrid Cargo Long Pants Men, Black, XS-XXL (6 sizes)	4,385

Rash Guards for Ladies

X65736	T-Flex Rash Guard - LS - Lady, Onyx, UPF 80, XS-XL	2,320
X63661	Rash Guard - LS - Lady, Black/White w Pink logo, XS-XL (5 sizes)	2,180
X63180	T-Flex Rash Guard - LS - Lady FJK, Black/Blue, XS & M only	Reduced 1,385
X63172	T-Flex Rash Guard - LS - Lady, White/Yellow, XS only	Reduced 1,385
X63264	T-Flex Rash Guard - LS - Lady, Black, XL only	2,225
X63280	T-Flex Rash Guard - LS - Lady, Blue/White, XS-XL	Reduced 1,805
X65535	Rash Guard LS Lady, UPF50, Caribbean, XS-XL (5 sizes)	Reduced 1,805
X65537	Rash Guard LS Lady, UPF50, Flamingo, XS-XL (5 sizes)	Reduced 1,920
X65735	T-Flex Rash Guard LS Lady, UPF80, Caribbean, XS-XL (5 sizes)	Reduced 1,900
X65775	T-Flex Legging Lady, UPF80, Caribbean, XS-XL (5 sizes)	Reduced 1,995
X65779	T-Flex Legging Lady, UPF80, Jewel, XS-XL (5 sizes)	Reduced 1,995

Unisex

X63660	Camo Rash Guard, 1 mm - LS - Unisex, S & M only	Reduced 2,295
X63056	Hybrid T Shorts - Men, S-XXL	1,945
X65351	Hybrid Shorts w cargo pockets, S-XXL (5 sizes)	3,405

Wetsuits for Men

X63930	Definition Men, 3mm, Black/Yellow, XS-XXL	10,420
X63037	Profile Men, 0.5mm, Black, XS-XL	4,965
X63353	Everflex Steamer Men, 3mm, Black, no W/A zips, XS only	Reduced 9,100
X63482	Everflex Steamer Men, 3mm, Black, no W/A zips, XS-XXL	13,415
X64470	Thermal Tec Men, 3mm, w. zippers, Black, XS-XXL	10,860
X64465	Thermal Tec Men, 5mm, w. zippers, Black, SR & XXL only	Reduced 11,550
X64473	Thermal Tec Men, 5mm, w. zippers, Black, L, XL only	12,710

Wetsuits for Ladies

X63931	Definition Women, 3mm, Black/Pink, XXS-L (5 sizes)	10,420
X63346	Profile Women, 0.5mm, Black/Blue/Grey, XXS only	Reduced 3,850
X63447	Profile Women, 0.5mm, Black/Grey/White, XXS & L only	5,700
X63166	Profile Women, 3mm, Black/Blue/Grey, XL only	Reduced 5,600
X63356	Everflex Steamer Women, 3mm, Black/Red, no W/A zippers, XXS only	Reduced 9,990
X63354	Everflex Steamer Women, 3mm, Black/White, no W/A zips, XXS, M, L	Reduced 9,990
X63481	Everflex Steamer Women, 3mm, Black/White, no W/A zips, XS-XXL	13,415
X64469	Thermal Tec Women, 3mm, w. zippers, Black, XXS only	Reduced 9,990
X64471	Thermal Tec Women, 3mm, w. zippers, Black, XXS-L	10,860
X64464	Thermal Tec Women, 5mm, w. zippers, Black, XL only	Reduced 12,720

ITEM #	DESCRIPTION	RETAIL in. VAT
--------	-------------	-------------------

WETSUIT & LYCRA - SCUBAPRO

Hoods & Vests

X64062	Scubapro Hooded Vest 2.5/0.5mm, XXS-XXXL	3,400
X70018	Scubapro Hooded Vest w. front zip, 3.0mm, Men Asian Sizing M, MT, L, XL, XXL	5,550
X70019	Scubapro Hooded Vest w. front zip, 3.0mm, Lady Asian Sizing S, M, MT, L, XL	5,550
X67.052.x00	Hood - Everflex 5/3mm, S-XL (4 sizes)	1,655

WETSUIT & LYCRA - SUBGEAR

G863.890.086	Harmony Rebel Rash Guard 86cm - Girls	Reduced	580
G863.890.098	Harmony Rebel Rash Guard 98cm - Girls	Reduced	580
G863.890.110	Harmony Rebel Rash Guard 110cm - Girls	Reduced	580

OTHER SCUBAPRO PRODUCTS

X50.582.000	Scubapro Microfiber Towel - Large (160cm x 80cm), Blue	1,760
-------------	--	-------

WETSUIT ACCESSORIES

SAH06	Universal Hanger Saekodive - B, K, Y	345
-------	--------------------------------------	-----

LIFE VESTS

DBJ02	Life Jacket Adult, Thai Govt. appr. with collar, 1 size, fits S to XXL	790
DBJ03	Life Jacket Adult, SEAMASTER STD, TH Gov. appr. w/o collar, 1 size, fits S to XXL	790
DBL309-XS	Lifestart Junior XS	640
DBL309-S	Lifestart Junior S	700
DBL302-M	Lifestart Adult M	790
DBL302-L	Lifestart Adult L	880
DBL302-XL	Lifestart Adult XL	990
DBL302-XXL	Lifestart Adult XXL	1,120
DBLSTRAP-A	Crotch Strap for Lifestart, fits XS, S, M, L	170
DBLSTRAP-B	Crotch Strap for Lifestart, fits XL, XXL	190

FIRST AID & OXYGEN KITS

MO2Kit	Oxygen Field Kit including: 1 Scubapro 1st Stage pressure reducer, 1 demand valve w. hose, 2 flow restrictors, 1 DIN/Bullnose Adaptor, 1 pocket mask, 1 constant flow mask w. reservoir, 1 transport bag	***
MO2Kit-1	Oxygen Field Kit including: 1 Pin-Index pressure reducer, 1 demand valve w. hose, 1 Pin-Index/DIN Adaptor, 1 DIN/Bullnose Adapter, 1 pocket mask, 1 constant flow mask w. reservoir, 1 transport bag	***
MO2Kit-2	Oxygen Field Kit including: 1 O2 tank (2L), 1 Pin-Index pressure reducer, 1 constant flow mask w. reservoir, 1 Pin-Index/Bullnose (CGA 540) Adaptor, 1 transport bag	8,775
MO2Reg1	Oxygen Regulator 1st Stage, Pin-index, 0-25LPM	2,140
MO2RegW	Brass/Viton Washer for Oxy Reg	81
SAA08	DIN to Pin-Index Adaptor, Saekodive	4,045
MO2FILL	Pin-Index to CGA 540 Adaptor	NEW 1,315
DA1016	Laerdal Little Anne Manikin	29,985
DA20300	Laerdal Airway Complete, Little Anne	570
DA310210	Laerdal Face Skin for Little Anne, Pack of 6	12,900
DA310211	Laerdal Face Skin for Little Anne, 1 only	3,790
DA1015	Non-rebreather mask	525
SAR10	CPR Pocket size Resuscitator Mask (L)	505
SAR20	CPR Pocket size Resuscitator Mask (S) w/Key Ring	210

ITEM #	DESCRIPTION	RETAIL in. VAT
--------	-------------	-------------------

LOG BOOKS, LOG INSERTS & GUIDE BOOKS

DB8005	Cordura Log Binder "Dive Log" with logbook pages	545
DB8005-C	Cordura Log Binder "....your logo...." Binder only, add logo cost	510
DB8006	Cordura Log Binder "Dive now...work later"	545
DB8007	Cordura Log Binder "Born to dive...forced to work"	545
DBS9010	Divers Logbook 12 x 15cm	100
DBS9011	Divers Logbook 14.5 x 20.5cm	190
DBS9020	Logbinder Inserts "Logpage"	100

MARINE BOOKS & FISH - ID SLATES

KP107	Indian Ocean Marine PictoLife book; Eng, Fre, Ger, Ita, Spa	940
KP109	West. Trop. Pacific Marine PictoLife book; Eng, Fre, Ger, Ita, Spa	940
KP113	Asia Pacific Marine PictoLife book; Chi, Jap, Kor, Tha, Rus	940
K1105	Indian Ocean Reefguide (E)	1,995
MPD01	Guidebook - Similan Islands (Pocket Divesite)	1,200
M21001	Fish Card - Fish & Nudibranchs	250
M21002	Fish Card - Fish & Corals	250

OTHER SLATES

DBWR1	Slate w. quick connector & pencil 15cm x 13cm	300
SAW13	Slate A4 Size	570
SAW15	3 Page Wrist Slate	670
TSL05	Quest Magnetic Slate	2,815
TSL-19-Y	Slate & Graphite Pencil	645
TSL-13-Y	Graphite Pencil	330

PELICAN MICRO CASES w/o FOAM (L x W x H)

N1010	Micro Case 11.1 x 7.3 x 4.3 cm (internal) - B, K, Y	675
N1020	Micro Case 13.5 x 9 x 4.3 cm (internal) - B, K, R, Y	890
N1030	Micro Case 16.2 x 6.7 x 5.2 cm (internal) - B, K, R, Y	925
N1040	Micro Case 16.5 x 8.9 x 4.4 cm (internal) - B, K, R, Y	1,000
N1050	Micro Case 16 x 9.3 x 7 cm (internal) - B, K, R	1,055
N1060	Micro Case 20.9 x 10.8 x 5.7 cm (internal) - B, K, Y	1,270

PELICAN CASES WITH FOAM INSERT (L x W x H)

N1120	Case 21 x 17 x 9 cm (external)	2,010
N1150	Case 23 x 20 x 11 cm (external)	2,335
N1170	Case 30 x 21 x 10 cm (external)	3,000
N1200	Case 27 x 25 x 12 cm (external)	3,230
N1300	Case 27 x 25 x 17 cm (external)	3,875
N1400	Case 34 x 30 x 15 cm (external)	5,950
N1450	Case 41 x 33 x 18 cm (external)	7,565
N1490CC#2	Computer Attache Case Deluxe 50 x 35 x 12 cm (external)	13,055
N1500	Case 47 x 36 x 18 cm (external)	8,810
N1510	Case 56 x 35 x 23 cm (external)	12,550
N1520	Case 50 x 40 x 19 cm (external)	9,640
N1550	Case 52 x 43 x 21 cm (external)	10,890
N1560	Case 56 x 46 x 27 cm (external)	13,425
N1600	Case 62x 49 x 22 cm (external)	12,870
N1610	Case 63 x 50 x 30 cm (external)	16,655
N1620	Case 62 x 49 x 35 cm (external)	18,130
N1650	Case 80 x 52 x 32 cm (external)	18,820
N1660	Case 80 x 58 x 49 cm (external)	24,865
N1750	Long Case 135 x 41 x 16 cm (external)	18,200
N1506TSA	Pelican Cable Padlock	720

DRYBAGS - DEEP BLUE

Dry Pack Range: Square Logo

DBBA01	Adventure Dry Pouch 1.5 L (w. snap-on clip & shoulder strap) - O, Ci, BL	270
DBBA02	Adventure Dry Pack 1.5 L. (incl. shoulder strap) - B, BL, Ci, O, Pi, Pu, R, Y	270
DBBA03	Adventure Dry Pack 3 L. (incl. shoulder strap) - B, BL, Ci, K, O, Pi, Pu, R, Y	370
DBBA05	Adventure Dry Pack 5 L. (incl. shoulder strap) - B, BL, Ci, K, O, Pi, Pu, R, Y	390
DBBA10	Adventure Dry Pack 10 L. (incl. shoulder strap) - B, BL, Ci, K, O, Pi, Pu, R, Y	450
DBBA15	Adventure Dry Pack 15 L. (incl. shoulder strap) - B, BL, Ci, K, O, Pi, R, Y	570
DBBA20	Adventure Dry Pack 20 L. (incl. shoulder strap) - B, K, R, Y	640
DBBA30	Adventure Dry Pack 30 L. (incl. shoulder strap) - B, K, R, Y	790
DBBA40	Adventure Dry Pack 40 L. (incl. shoulder strap) - B, K, R, Y	890

Dry Pack Range: Vertical Logo - Ideal for Custom Printing

DBBV05	Adventure Dry Pack 5 L. (incl. shoulder strap) - B, BL, Ci, K, O, Pi, Pu, R, Y	390
DBBV10	Adventure Dry Pack 10 L. (incl. shoulder strap) - B, BL, Ci, K, O, Pi, Pu, R, Y	450
DBBV15	Adventure Dry Pack 15 L. (incl. shoulder strap) - B, BL, Ci, K, O, Pi, R, Y	570

DB8200-S	Strap for Dry Bag 1" wide (2.5cm), for 1.5L to 10L	50
DB8200-L	Strap for Dry Bag 1.5" wide (3.8cm), for 15L & 20L	60

Dry BACKPACK Range

DBBACK1-B	Deep Blue Adventure Backpack, Blue	1,350
DBBACK1-BL	Deep Blue Adventure Backpack, SkyBlue	1,350
DBBACK1-Ci	Deep Blue Adventure Backpack, Citrus	1,350
DBBACK1-Y	Deep Blue Adventure Backpack, Yellow	1,350
DBBACK1-K	Deep Blue Adventure Backpack, Black	1,350

DBNCA-L	Deep Blue Waterproof Bag for Smartphone, Wallet, etc., Large	Reduced	125
DBNCA-S	Deep Blue Waterproof Bag for Smartphone, Wallet, etc., Large	Reduced	125
DBNEARP	Deep Blue Waterproof Earphone w Microphone	Reduced	290
DBNEARP2	Deep Blue Waterproof Earphone w/o Microphone	Reduced	99

BAGS - DEEP BLUE

DB8001	Deep Blue Regulator Bag	685	
DB8010	Deep Blue Gearbag, large size (~60 liter) - B, K	Best Rental	890
DB8020	Deep Blue Gearbag, oversize (~90 liter) - B, K, R	Best Rental	1,190
DBBL3176	Deep Blue Mesh Gearbag 63cm - Black	Best Rental	995
DB8044	Document Pouch Splashproof A4	220	
DB8044-C	Doc. Pouch Splashproof ...your logo... *Pouch only, add logo cost*	220	
DB8004	Safety Balloon Bag "Dive Supply"	150	
DB8040	Snorkeling bag	705	
DB8041	Mesh Beach Clean-up Bag	350	
DB8063	Meshbag with String (Mask & Snorkel)	65	
DB8065-B,Y	Mesh Bag for Mask + Snorkel Set - B, Y	125	
DB8066-B	Bag for Mask + Snorkel + Fin Set - B	200	

BAGS - SCUBAPRO

X53.309.100	Travel Regulator Bag "Vintage", 0.75kg, 10L	2,025
X53.309.000	Regulator Bag with Instrument bag, Black, 0.42kg, 9L	1,600
X53.379.000	Mesh Bag	2,135
X53.369.000	Mesh Sack Backpack, 80L	1,965
X53.350.120	Caravan Bag, 4.65kg, 105L	9,450
X53.360.170	Dive-n-Roll Bag LITE, 3.98kg, 84L	11,410
X53.310.120	Porter Bag, 2.65kg, 174L	6,880
X53.365.170	Cabin Bag, with 4 wheels, 3.18kg, 37L	6,355
X53.399.000	'Dry30' Bag, with Backpack Strap, 30 liter	3,435
X53.399.180	'Dry45' Bag, with Backpack Strap, 45 liter, 76x33x20cm	3,690
X53.339.190	Duffel Bag HD w side handles	3,245
X53.338.190	Carry-on Foldable Bag, 0.2kg, 28L	880
X53.951.190	Reporter Bag, 0.9kg, 36L -Special Order only	4,180

LIFT BAGS

TLS15	Lift Bag 35 Kg (w. dump valve)	3,745
TLS20	Lift Bag 75 Kg (w. dump valve)	4,425
B1900	Lift Bag Seac 100kg	11,715
B1910	Lift Bag Seac 200kg	13,395

CAMERAS - INTOVA

Intova Accessories : Lights

MSSFL	StaySlim w/ Flex Arm	Reduced	2,275
-------	----------------------	---------	-------

Intova Accessories : Mounts & Grips

MSSP1-INTPOD	Intova Pod - Flexible 50cm Arm Mount	1,090
MSSP1EXT	Extension Pole for SP1	Reduced 990
MSSFMG01	Floating Multi Grip	1,040
MSSP1-CHS	Camera Hand Strap	925
MSSP1-CS	Chest Mount - Twist lock	1,505
MSSP1-HBM	Handle Bar/Pole Mount	1,300
MSSP1-HELM	Helmet Mount w.Strap & Quick Release	1,300
MSSP1-SCM	Suction Mount	885
MSSTMA	Tripod Mount Adapter (allows SP1 to use GoPro mounts)	560

Intova Accessories : Filters & Lenses

MSSSPND2	Neutral density filter-2 stops	1,185
MSSP1-IREDD2	Red Filter for X2, HD2	2,130
MSSIFRED52	Intova Red Filter 52mm - IC16 & IC14	2,130
MSSSPUV	UV protective filter for SP1	850
MSSP1COL	Lens Port Rings for SP1, Set of 4 different colors	565

Intova Accessories : Care & Maintenance

MSSCCK	Camera Care Kit	930
MSSTKR	Silica Sticker - 5 pack	525

CAMERAS - OLYMPUS

OL-TG6Set-K@	OLYMPUS TG-6 Tough Black with U/W Housing - PROMO price	PROMO	27,990
OL-TG6Set-R@	OLYMPUS TG-6 Tough Red with U/W Housing - PROMO price	PROMO	27,990

PURCHASE WITH PURCHASE PROMOTION (must buy SET above)

OL-YSD2J	YS-D2J Strobe - PROMO price	PROMO	22,990
OL-UFL3	UFL-3 Underwater Strobe - PROMO price	PROMO	15,990
OL-UWL400A	Wide Angle Wet Lens, S/sharp Compact Glass, for TG-5/6 - PROMO price	PROMO	11,990
OL-TR03	Handle Tray Set, with FREE braided lanyard - PROMO price	PROMO	4,500
OL-M2500	M2500 WSRBA Smart Focus Video Light - PROMO price	PROMO	8,500

OL-TG6Set-K@	OLYMPUS TG-6 Tough Black with U/W Housing	NEW	28,980
OL-TG6Set-R@	OLYMPUS TG-6 Tough Red with U/W Housing	NEW	28,980
OL-YSD2J	YS-D2J Strobe	NEW	24,990
OL-UFL3	UFL-3 Underwater Strobe	NEW	18,990
OL-UWL400A	Wide Angle Wet Lens, S/sharp Compact Glass, for TG-5/6	NEW	13,990
OL-TR03	Handle Tray Set	NEW	5,390
OL-M2500	M2500 WSRBA Smart Focus Video Light	NEW	9,900
OL-TG6-K	OLYMPUS TG-6 STYLUS Tough Camera, Black	NEW	16,990
OL-TG6-R	OLYMPUS TG-6 STYLUS Tough Camera, Red	NEW	16,990
OL-PT059	U/W housing for TG-6	NEW	11,990
OL-QRS	Quick Release System for AO1 UWL-400a	NEW	5,680
OL-Shoe	Shoe Base Ball	NEW	1,690
OL-CL01	Aluminium Clamp (Black)	NEW	1,190
OL-UC92	Lithium-Ion Battery Charger for LI-92B (Fast: 5 Hrs)	NEW	2,490
OL-L192B	Spare Battery	NEW	1,500
OL-5012B	Fibre Optic Cable II/M (Length 453mm/17.8 inch)	NEW	2,590

ITEM #	DESCRIPTION	RETAIL in. VAT
--------	-------------	-------------------

CAMERAS - OLYMPUS

OL-L06	Double Ball Arm 6"	NEW	1,190
OL-L09	Double Ball Arm 9"	NEW	1,390
OL-L12	Double Ball Arm 12"	NEW	1,745
OL-FCA01	Fiber Optic Cable Adapter for TG series	NEW	590
OL-POL058	O-Ring TG5/TG6	NEW	990

CAMERA ACCESSORIES - NAUTICAM

Nauticam Light Mounting System

ONAU.71206	Easitray II with left handle (with 2pcs 1/4" screws)	NEW	3,320
ONAU.71207	Flexitray II with left handle (with 2pcs 1/4" screws)	NEW	4,790
ONAU.71208	Adjustable right handle II (for Easitray II & Flexitray II)	NEW	1,480
ONAU.71311	Strobe mounting ball for Easitray & Flexitray	NEW	590
ONAU.72204	200mm double ball arm	NEW	1,660
ONAU.72205	300mm double ball arm	NEW	1,770
ONAU.72301	50mm single ball arm	NEW	920
ONAU.72501	Standard clamp	NEW	1,180
ONAU.72503	Long standard clamp	NEW	1,400
ONAU.72505	Triple Clamp	NEW	1,550
ONAU.25311	Strobe mounting ball for cold shoe	NEW	1,290
ONAU.25312	Light mounting stem for cold shoe	NEW	1,290
ONAU.25411	18cm lanyard with 2 snap hooks	NEW	1,290
ONAU.25412	23cm lanyard with 2 snap hooks	NEW	1,290
ONAU.25322	Long light mounting stem for cold shoe	NEW	1,480
ONAU.25321	Long strobe mounting ball for cold shoe	NEW	1,480
ONAU.25016	Nauticam lubricant (Christo Lube)	NEW	560

i-PHONE HOUSING

DIVEVOLK

OL-WIDEset@	SeaTouch TM 2 Pro + Wide Angle Lens Set - PROMO price	PROMO	7,680
OL-WIDEset@	SeaTouch TM 2 Pro + Wide Angle Lens Set	NEW	8,680
OL-MACRset@	SeaTouch TM 2 Pro + Macro Lens Set - PROMO price	PROMO	7,680
OL-MACRset@	SeaTouch TM 2 Pro + Macro Lens Set	NEW	8,680

OUTDOOR VERSION Waterproof to 10m

OL-ST2pio10	SeaTouch 2 PIONEER iPhone Housing, 10m, Black	NEW	3,490
-------------	---	-----	-------

DIVING VERSION Waterproof to 50m/80m

OL-ST2pro80	SeaTouch 2 PRO iPhone Housing, 80m, Black	NEW	5,500
-------------	---	-----	-------

Accessories

OL-WIDE	Wide Angle Lens Set, 105 degree, for SeaTouch PRO	NEW	1,590
OL-MACRO	Macro Lens Set, stackable, for SeaTouch PRO	NEW	1,590
OL-ADAP37	Adapter for ST PRO 37cm	NEW	1,590
OL-RED-HI	SeaLenseTM High End Red Filter for ST2	NEW	990
OL-RED-STD	SeaLenseTM Filter Red for ST2	NEW	490
OL-CHARGER	SeaChargeTM Wireless Charging - Water Repellent	NEW	1,690
OL-DBCB	SeaLight2 Macro Light for ST PRO (50m)	NEW	2,690
OL-DEA-K	SeaHearTM Underwater Headphone, for ST Pioneer & PRO, Black	NEW	2,790
OL-DEA-W	SeaHearTM Underwater Headphone, for ST Pioneer & PRO, White	NEW	2,790

WATERPROOF LIGHTS

DEEP BLUE

DBBRDIV05	Deep Blue "Storm" Torch, 1,050 Lumens, w. 18650 battery & charger	3,460
DBBRDIV12S	Deep Blue "Tornado" Torch, 1,050 Lumens, w. 18650 battery & charger	3,460

DEEP BLUE Light Parts

DBZDIV05Driver	Replacement Driver (PC board) for Storm Torch	485
DBZDIV05Led	Replacement LED bulb & base for Storm Torch	375

WATERPROOF LIGHTS

DEEP BLUE Light Parts

DBZDIV05Ref	Replacement Reflector for Storm Torch	275
DBZDIV05Lens	Replacement Lens for Storm Torch	155
DBZDIV05Oring	Replacement Head & Tail O-rings for Storm Torch (pair)	56
DBZDIV05Mod	Replacement Module Stopper for Storm Torch	105
DBZDIV12Driver	Replacement Driver (PC board) for Tornado Torch	595
DBZDIV12Led	Replacement LED bulb & base for Tornado Torch	375
DBZDIV12Switch	Replacement Switch for Tornado Torch	320
DBZDIV12Ref	Replacement Reflector for Tornado Torch	185
DBZDIV12Lens	Replacement Lens for Tornado Torch	135
DBZDIV12Oring	Replacement Head & Tail O-rings for Tornado Torch (pair)	56
DBZDIV12Mod	Replacement Module Stopper for Tornado Torch	105

TOVATEC

MSSTORCH-HL1	Tovatec Sea Squirt Torch, 5 LEDs, 4 x AAA	415
MSSICOM-II	Tovatec Aluminium Compact Torch, 285 Lumens, 3 x AAA	2,390
MSSFus260	Fusion 260 Flashlight 260 Lumens, w. Zoom, Rechargeable & 2 x AA	3,230
MSSFus400	Fusion 400 Flashlight 400 Lumens, w. Zoom, Rechargeable & 2 x AA	ETA TBA 3,645
MSSFus1050	Fusion 1050 Video/Flashlight 1,050 Lumens, w. Zoom, Rechargeable & 3 x AAA	NEW 4,340
MSSFus1500	Fusion 1500 Video/Flashlight 1,500 Lumens, w. Zoom, Rechargeable & 3 x AA	NEW 5,585
MSSTOV3500S	Tovatec 3500 Video/Flashlight 3,500 Lumens, 13 deg. beam, Rechargeable 26650	NEW 10,890
MSSMERA1080	Tovatec MERA Camera & Flashlight 1,000 Lumens, Rechargeable	18,015

TOVATEC Parts

MSSZ01	Replacement Switch for ICOM	805
MSSZ05	Replacement Switch for SL1	1,060
MSSZ06	Replacement Switch for Fusion, ICOM II	290
MSSZ02	Battery Holder for ICOM	450
MSSZ04	Battery Holder for ULTRA	450

SAEKODIVE

SAL02-FY	Saekodive LED Light w/o batt, 150 Lu, 60m (2 x AA battery)	NEW 990
----------	--	---------

SCUBAPRO

X30.222.000	Nova 220 Light w/o batt, 220 Lu, 120m (1 x CR123)	2,730
X30.224.000	Nova 250 Light w/o batt, 250 Lu, 120m (1 x CR123)	3,085
X30.228.002	Nova 850R Light, 850 Lu, 150m, rechargeable (1 x 18650) w/o batt & chr	6,240

Batteries

MSSIT123	CR123 Battery, Lithium 3.0V 14000MA Panasonic	165
XZ27.730.107	CR2032 Battery (for Xtender/Meridian/Chromis/Mantis)	150
MCR2BAT	CR2 Battery, Lithium Panasonic (for Strobes / Range Finders)	300
MAA4	AA Battery, Energizer MAX (4-Pack)	110
MAAA4	AAA Battery, Energizer MAX (4-Pack)	110
M18650BAT	Rechargeable Battery 18650 Li-ion (Nova700R/Fusion530/Storm)	550
M18650CHR	Charger for Battery 18650 Li-ion	520

KNIVES - SAEKODIVE & OTHER

S3006	Dive Knife, 304 Stainless Steel Blade 14cm	1,610
S3006T	Dive Knife, Titanium Blade 13.8cm, sharp tip	3,030
S3007	Knife w/plastic sheath for BCD, Blade 8cm, sharp tip - B, C, G, K, Y	765
S3008	Folding Knife, SS Blade 9.1cm, sharp tip	710
S3008T	Folding Knife Titanium, Blade 9.1cm, sharp tip	1,545
S3118	Folding Knife, Black SS Blade, 9.1cm, Handle B, G, K, O, Pi, Pu, Y	890
S3009	BCD Knife, 304 Stainless Steel Blade 8cm, mount on hose or BCD	805
S3113	Dive Knife, 304 Stainless Steel Blade, 12cm - Gy, K, FY	1,765
SAS11N	Sea Snip w. Nylon Sheet	395
SAC03	Line Cutter incl. two extra blades	345
SAH12	Nylon Sheath for Knife S3008	295

ITEM #	DESCRIPTION	RETAIL in. VAT
--------	-------------	-------------------

KNIVES - SAEKODIVE & OTHER

UKN100	Galaxy Mini folding knife, 402 Stainless 9.5cm, Blade 2.8cm	1,140
UKN170	Raptor knife, 304 Stainless 20cm, Blade 9cm, w. sheath, hose & BCD mount	2,055
UKN200	T-Rex knife, 304 Stainless 17cm, Blade 8cm, w. sheath, hose & BCD mount	2,745

KNIVES - SCUBAPRO

X32022	Mako Knife 8.5cm - Titanium	4,075
X32023	Mako Knife 8.5cm - S. Steel	2,490
X32002	White Tip Knife 6.5cm - S.Steel	2,305
X32065	Mesh Cutter	2,475
X320061	K 6 Knife - Stainless Steel, 15.5cm Blade	4,705
X320091	TK 15, Stainless Steel, 15cm Blade	8,240

SIGNALLING DEVICES

UAH150-01	Sub Alert, standard fitting (surface and U/W)	1,630
UAH380-01	Duo Alert (Surface&Underwater) Standard Fitting	1,995
SAW10	High-Pitch Whistle	250
SAW11	Whistle standard	45
TD611	Wind Storm whistle - K, O, Y	495
TDA14	Trident SOS Whistle, Orange	180
DBYWH001	Deep Blue SOS Whistle, Pi, Y	NEW 180
TTA20	Tank Banger - G, K, Pi, Y	575
DB6700	U/W-Rattler, Aluminium - B, K, R, Y	665
SAT-29	Underwater Pointer, Stainless Steel	495
DBYP001	Underwater Pointer, Aluminium, Pi, W, Y	NEW 540
SAL-73	LED Flash Light (Strobe Light) Green	355
SAL15A	Saekodive LED Strobe Light, 3 AA, Orange	2,095
TDL27	Underwater Kinetics Beacon, cyalume light, 2 x AAA	2,045

SURFACE MARKERS, FLOATS & BUOYS

DB6690	Safety Balloon, 2m long	350
DB6691	Safety Balloon with Bag	460
DBS30	Diver Surface Float yellow w. flag	890
DBSM01	Deep Blue Pocket Dive Marker	1,250
DBSM02	Deep Blue Dive Marker with Webbing & Bag	1,990
DBSM03	Deep Blue Webbing Strap for Dive Marker	995
DBSM04	Deep Blue Dive Marker without Webbing	1,360
X40.312.001	Scubapro SMB 210D Nylon, 140cm x 18cm (4.5 ft) open end, Orange	2,965
X40.316.000	Scubapro SMB 210D Nylon, 180cm x 18cm (6 ft) open end, Orange	3,155
SB-02	Saekodive Survival Sausage (no Pouch), 13cm dia x 114cm L	1,270
DBYSMB1	Deep Blue Dive Marker (no Pouch), 180cm x 18cm (6 ft), dump, open end - Pi, FY	NEW 2,410
SB-06	Saekodive Survival Sausage w. Pouch, 15cm dia x 180cm L	2,560
B37001	Seac SEAMATE inflatable surface/rescue float	6,165
DBYFB005	Deep Blue inflatable surface/rescue float, 70cm	NEW 6,400

MOUTHPIECES & MOUTHPIECE HOLDERS

S1763	Moldable Mouthpiece - Silicone w/Bridge - Clear, Black	680
S1863	Moldable Mouthpiece - Silicone w/Bridge - BT, PT, YT, W	455
S1063	Mouthpiece Rubber	85
S1363S	Mouthpiece Clear Silicone, Small Size	110
S1463S	Mouthpiece Clear Silicone w. Dots	125
S1463KS	Mouthpiece Black Silicone w. Dots	125
DBZ1463S	Deep Blue Mouthpiece for Regulator, Clear Silicone w. Dots	NEW 120
DBZ1463KS	Deep Blue Mouthpiece for Regulator, Black Silicone w. Dots	NEW 120
S1163S	Mouthpiece Clear Silicone w/Bridge	185
S1163KS	Mouthpiece Black Silicone w/Bridge	185
S1663KS-O	Mouthpiece Silicone Black/Orange	230

MOUTHPIECES & MOUTHPIECE HOLDERS

S1663KS-Y	Mouthpiece Silicone Black/Yellow	230
S1563S	Mouthpiece Clear Silicone long bite	205
S1563KS	Mouthpiece Black Silicone long bite	205
SAM-02	Mouthpiece cover round - G, Y	155
SAM-040	Mouthpiece holder for Regulator - Y	125
SAM-050	Mouthpiece holder for Comfi-Bite - O	125
X01.040.123	Junior Mouthpiece (for Kids Regulators)	470
XZ01.040.051	Mouthpiece Scubapro, Silicone Supercomfort, w. reusable clip	530
XZ01.040.141	Mouthpiece Scubapro, Silicone Supercomfort, black	415
XZ01.040.131	Mouthpiece Scubapro, Vinyl (extra durable)	205
XZ01.040.025	Reusable Clip Scubapro	240
M97	Cabletie 4.8mm x 250mm, Pack of 100 pcs.	740
M99	Cabletie 3.5mm x 150mm, Pack of 100 pcs.	285
TSA83	Tie strap installation gun	4,060

MASK STRAPS & MASK STRAP COVERS

DEEP BLUE

DB6688	Neoprene Mask Strap with Velcro strap (w/o Print) KK, KB, KR, KY	200
DB6688-1	Neoprene Mask Strap with Velcro strap (with Print), KK, KB, KR, KY	210
DB6689	Neoprene Maskstrap Cover (w/o Print) - KK, KB, KY	190
DB6689-1	Neoprene Maskstrap Cover (with Print) - KK, KB, KY	190
DBZ30	Mask Strap 16mm Clear Silicone for UNO Mask	150
DBZ31	Mask Strap 16mm Black Silicone for COVERT Mask	150
DBZ32	Mask Strap 16mm Black Silicone for BALI Mask	165
DBZ33-C	Mask Strap 22mm Clear Silicone for BORA Mask	180
DBZ33-KS	Mask Strap 22mm Black Silicone for BORA Mask	180

SCUBAPRO & SUBGEAR

X24.730.060	Scubapro Comfort Strap - Black Logo on Black	NEW	1,310
X24.730.0..0	Scubapro Comfort Strap - B, K, K/Y, Pi/Pu, Tq		1,075
X24.700.0...	Mask Strap Cover Neoprene 2.5mm - Black with B, Gy, K, O, Pi, Pu, W, Y		550
XZ24.811.103	Mask Strap 22mm Black (Crystal Vu/Vu2)		605
XZ24.845.102/4	Mask Strap 16mm Black Clear or Black (Spectra/Marin)		350
G824.151.125	Mask Strap 16mm Black (Zoom)	Reduced	190

SEAC

BZSTRAP1-K	Mask Strap for lena, 16.5 mm, Black	485
------------	-------------------------------------	-----

SAEKODIVE

S1072	Mask Strap 20mm - Rubber	150
S1073S	Mask Strap 20mm - Silicone	215
S1074S	Mask Strap 20mm Clear Silicone for Mask SMM107	220
S1074KS	Mask Strap 20mm Black Silicone for Mask SMM107	220
S1079S	Mask Strap 17mm Clear Silicone for Mask SMM105	175
S1079KS	Mask Strap 17mm Black Silicone for Mask SMM105	175

MASK STRAP RETAINERS

DBZ01-K	Mask Strap Retainer for 22mm Strap - Black	15	
SHLT	Mask Strap Retainer	20	
X26.021.002	Quick Clip Assembly Scubapro	Reduced	190

MASK BUCKLES & OTHER MASK PARTS

DEEP BLUE

DBZ06	BORA Mask Buckle, 3 pce for 1 side only (L or R)	50
DBZ06-QR	BORA PLUS Mask Buckle Quick-Release, pair, 6 pce (L & R) - Black	95
DBZ06-QR-O	BORA PLUS Mask Buckle Quick-Release, pair, 6 pce (L & R) - Orange	95

MASK BUCKLES & OTHER MASK PARTS

DEEP BLUE

DBZ19	BORA PLUS Roller pin for mask buckle, 1 pce	15
DBZ07	FIJI Quick-Rel. Mask Buckle & Housing, pair, 6 pce (L & R)	130
DBZ10	MALIBU Mask Buckle, pair, 6 pce (L & R)	95
DBZ11	HAWAII MA56 Mask Buckle, pair, 6 pce (L & R)	80
DBZ12-K	FIJI Mask Buckle (w/o housing), pair, 2 pce (L & R)	65
DBZ12-O	CORAL Mask buckle (w/o housing), pair (L & R)	65
DBZ14	ANDAMAN Mask Buckle, pair, 6 pce (L & R)	95
DBZ15	NEW BALI: Mask Buckle, single, 2 pce asy (5 pcs) for 1 side only (L or R)	70
DBZ16	HAWAII, MAKO Mask Buckle for 16mm Strap, single, 1 pce (L or R)	35
DBZ17	COVERT MC24, Mask buckle, pair, 4 pce per side (L & R)	140
DBZ18	UNO MC25, Mask buckle, pair, 5 pce per side (L & R)	140
DBZ22	ACCENT MG01, Mask buckle, pair (L & R)	95

SCUBAPRO & SUBGEAR

XZ24.855.001/2	Crystal Vu new version: Mask Buckle, pair, Clear or Black	570
XZ24.999.102	Clear Vu2, Crystal Vu (orig. model): Mask Buckle, single (for 1 side only)	125
XZ24.847.001/2	Spectra, Trinidad: Mask Buckles, pair, Clear or Black	570
XZ24.592.101	Fino Mask Buckle, pair, Black	330

SAEKODIVE

S083	Runner Mask Buckle w. Pin, single, per side (L or R) - Black, Clear	55
SMM107-Buckle	Frameless SMM107: Mask Buckle complete incl. Pins, single, per side (L or R)	110
SMM107-Pin	Frameless SMM107: Small Metal Pin for buckle, single	35

SNORKEL MOUTHPIECES & SNORKEL PARTS

DEEP BLUE

DBZ02-K	Mouthpiece for J Snorkel, Silicone, Black	110
DBZ03-C	Mouthpiece for J Snorkel, Silicone, Clear	110
DBZ04-C	Curved Mouthpiece for MANTA/SHARKY Snorkel, PVC, Clear	50
DBZ04-K	Curved Mouthpiece for MANTA/SHARKY Snorkel, PVC, Black	50
DBZ05-C	Curved Mouthpiece for MANTA/SHARKY Snorkel, Silicone, Clear	95
DBZ09-K	Mouthpiece for COVERT Snorkel, Silicone, Black	115
DBZ08	Snorkel Holder Plastic, Black	30
DBZ20	Snorkel Holder Silicone, Black or Clear	40
DBZ13	Exhaust Valve, for MANTA Snorkel, Silicone, Clear	20
DBZ21	Snorkel Corrugated Hose, Silicone, Black	155

SCUBAPRO

XZ01.040.705	Mouthpiece Scubapro, Escape Snorkel, Silicone Clear	225
--------------	---	-----

SAEKODIVE

S1052MS	Snorkel mouthpiece 1052, Silicone, Clear	170
S1052MR	Snorkel mouthpiece 1052, Rubber, Black	110
S1156MS	Snorkel mouthpiece 1156, Silicone, Clear	260
S1156MR	Snorkel mouthpiece 1156, Rubber, Clear	150
S1052MP	Snorkel Mouthpiece 1052, PVC, Clear	50
S1156MP	Snorkel Mouthpiece 1156, PVC, Clear	40
S056S+P2C+P2S	Snorkel Base Part and Mouthpiece for S1156, Silicone, Clear	290
S1064	Snorkel holder Rubber, Black	30
S1070	Snorkel holder PVC, Clear	25
S1060	Snorkel holder Plastic, Black	65
S1055	Snorkel Valve Membrane, Silicone	20

FIN STRAPS & BUCKLES; Other FIN PARTS

DEEP BLUE

DBF770STRAP	Fin Strap for SF770	85
DBF770BUCKLE	Fin Buckle for SF770	90
DBF770Kit	Strap Kit for F770 Fin (1 Strap, 2 Buckles)	235

FIN STRAPS & BUCKLES; Other FIN PARTS

DEEP BLUE

DBZ50	Fin Strap for Speed3 (Adult/Junior, same size)	115
DBZ51	Fin Buckle Speed3 (1 buckle, 2 parts) L or R	45
DBZ52	Fin Strap Kit for Speed3 (1 Strap & 2 Buckles)	200

SCUBAPRO

XZ25.378.005	Jet Fin - Rubber Strap - Black (pair)	1,950
XZ01.080.001	Jet Fin - Metal Buckle, single (US made, discontinued)	195
XZ25.378.025	Jet Fin - Buckle Set for rubber strap (pair)	1,460
XZ25.071.005	Twin Jet - Buckle Strap/Kit - 1 strap & 2 Buckles (no pins)	835
XZ01.075.119	Twin Jet - Metal Pin	175
XZ25.078.000	Twin Jet Max - Buckle/Strap Kit (1 strap & 2 Buckles)	955
X25.878.101	Strap Buckle Assy - Jet Sport Fins XS / S	715
X25.878.103	Strap Buckle Assy - Jet Sport Fins MS / L / XL	715
XZ25.365.x05	Spring Heel Straps for Jet Fin, M, L, XL, XXL (Pair)	2,385

SEAC

BZ07001	SPRINT Fin Strap SEAC, 1 pce, XXS/S	460
BZ07002	SPRINT Fin Strap SEAC, 1 pce, S/XL	460
BZ512	PROPULSION/VELA Fin Strap SEAC	590
B730023	Sling Strap, size S, for Propulsion fins size S/M (per strap)	675
B730024	Sling Strap, size R, for Propulsion fins size M/L and L/XL (per strap)	675

SAEKODIVE

S271	Quick release Fin Buckle - Black/ 1 Piece	125
S1075	Fin Strap, Rubber / 1 Piece	205
SA004A	Fin Strap Jet Fin "Saekodive" / 1 Piece	190
S1775	EZ Spring Fins Strap w. Buckles / Pair Saekodive, S, M, L, XL	1,325
S1875	EZ Spring Fins Strap w. Clip / Pair Saekodive, S,M,L,XL - Black	1,035
S1875-R/W/Y	EZ Spring Fins Strap w. Clip / Pair Saekodive, S,M,L,XL - R/W/Y	1,080

SUNGLASS & EYEWEAR STRAPS

TDA03-1	NECKZ Latex Eyewear Strap, K, O, Pi, Y	165
TDA03-6	NECKZ Latex Eyewear 6 Straps, K, O, Pi, Y	***
TDA02-72	NECKZ Latex Eyewear Display w. 72 Straps	***
TDA93-1	Eyeglass Holder Strap	220

WATCH & WRIST STRAPS

TDA69	Velcro Wrist Band with Flag, Black	325
TWA53	Australian Outback Safety Watch Strap; 20mm, 22mm, 24 mm	895

KNIFE STRAPS

S1077	Knife Strap - Rubber	175
S1077-2	Quick Release Knife Strap - Rubber	210
TKN02	Knife Strap with Spring Buckle	545

MASK BOX

DBS1	Plastic Mask Box	90
------	------------------	----

CLIPS, HOOKS, COILS ETC.

S4002-95	Brass Clip small hook, S	240
S4003-88	Brass Clip small ring, S	225
S4002-120	Brass Clip large hook, L, 120mm	320
S4003-120	Brass Clip large ring, L, 120mm	335

ITEM #	DESCRIPTION	RETAIL in. VAT
--------	-------------	-------------------

CLIPS, HOOKS, COILS ETC.

SAC01A	Equip. Connector - Female end & Looped end	105
SAC01B	Equip. Connector - Swivel plastic hook & Looped end	130
SAC01D	Equip. Connector - Octopus Holder, FY, K	195
SAC01E	Equip. Connector - Fin Holder	210
SAC06	Magnetic Octopus Holder	685
SAC06A	Non-Magnetic Octopus Holder	550
SAS-12DF-5	Snap Hook Aluminium 50mm length	57
SAS-12DF-6	Snap Hook Aluminium 60mm length	65
SAS-12DF-7	Snap Hook Aluminium 70mm length	80
SAS-12DF-8	Snap Hook Aluminium 80mm length	88
S2450-80	Snap Hook Stainless Steel 80mm length	320
SS243-6	Stainless Steel Spring Hook 60mm length	200
SS243-8	Stainless Steel Spring Hook 80mm length	355
SS161-90	Double ended snap hook, 304 Stainless, 90mm	370
SS162-100	Double ended snap hook, 304 Stainless, 100mm	435
SS163-115	Double ended snap hook, 304 Stainless, 115mm	455
SS225-92	Swivel bolt snap, 304 Stainless, 92mm	335
SAL21	Lanyard Saeko	79
TRP08	Deluxe Stretch Lanyard	300
TRP09	Camera Lanyard w/brass clip	450
TDF82	Reef Drift Diver J-Hook	800
SAR-0-2	Key Ring Stainless Steel	22

SEA SPRINGS

THA83	Sea Spring Retainer Expands from 9.5' to 18 ft (25cm)	500
THA84	Sea Spring Retainer Expands from 13" to 23 ft (34cm)	550

RETRACTORS, REELS ETC.

SAR-0	Retractor - coil snap	590
SAR-03A	Retractor - auto lock	835
SAR-03C	Retractor 3m	960
SAR-13A	Small Retractor	650
SAR-13C	Small Retractor	635
SAR07	Regulator Necklace	350
SAR08	Quick Release Coil Lanyard - B, K	650
SAR09	Cable Wire Coil Lanyard	860
SAR06	Finger Reel Large, 45m, reel K, line White, w.SS bolt snap	730
SAR06-O/Y	Finger Reel Large, 45m, reel O, line Yellow, w.SS bolt snap	870
SAR06-Y/O	Finger Reel Large, 45m, reel Y, line Orange, w.SS bolt snap	870
SAR16	Finger Reel Medium, 30m, reel K, line White, w.SS bolt snap	675
SAR16-O/Y	Finger Reel Medium, 30m, reel O, line Yellow, w.SS bolt snap	770
SAR16-Y/O	Finger Reel Medium, 30m, reel Y, line Orange, w.SS bolt snap	770
SAR16S-O	Finger Reel Medium, 30m, Stainless reel, line Orange, w.SS bolt snap	1,180
SAR16S-Y	Finger Reel Medium, 30m, Stainless reel, line Yellow, w.SS bolt snap	1,180
DBYAR02-B/Pi/R	Finger Reel Aluminium - B/Pi/R, 30m flat line, w.SS bolt snap	NEW 1,320
SAR26	Finger Reel Small, 15m, reel K, line White, w.SS bolt snap	620
SAR26-O/Y	Finger Reel Small, 15m, reel O, line Yellow, w.SS bolt snap	660
SAR26-Y/O	Finger Reel Small, 15m, reel Y, line Orange, w.SS bolt snap	660
SAR26S-O	Finger Reel Medium, 15m, Stainless reel, line Orange, w.SS bolt snap	1,080
SAR26S-Y	Finger Reel Medium, 15m, Stainless reel, line Yellow, w.SS bolt snap	1,080
DBYAR01-B/Pi/R	Finger Reel Aluminium - B/Pi/R, 15m flat line, w.SS bolt snap	NEW 1,225
SAR05	Wreck Reel w. auto stop 83m	2,130
SAR14	Wreck Reel 45meter	2,145
SAR15	Wreck Reel w. auto stop 45m	1,985
X40.122.000	Reel Multifunction, Scubapro, w. 80m line	5,665

BCD INFLATORS, HOSES, BACKPACKS ETC.

SAK04PIN	Power Inflator w.Pin (fits SubGear)	1,835
UPI201	Power Inflator w. blue button	2,075
UPI208	Compact 2 Power Inflator w. yellow button	2,075
UCL201	Cam Lock	310
UOV181	Aquatec Over Pressure Device, 53mm OD	395
UTP201	Tank Pack complete	2,155
UTB201	Tank Band Assembly	775
UNS234	Anti-Slip Pad for Tank Band	87
UOV1811	Pull Ball for Dump Valve	60
SAK04-9	Saekodive Nipple for Inflator	180
UNP01	Aquatec Nipple for Inflator	185
MA59	Schrader Valve for Inflator	27

SCUBAPRO

XZ21.703.x03	Bladder, T-One - XXS to XXL	10,275
X20.135.005	Super Chinch Tank band Assy., metal	2,720
XZ21.200.003	Scubapro BCD Over Pressure Valve Kit	750
X01.030.118	Hose, corrugated 11", Scubapro Classic BCD	800
X01.030.113	Hose, corrugated 14", S'pro Ladyhawk,Nighthawk,Plus,Accent,Propac	855
X01.030.114	Hose, corrugated 16", Scubapro Classic Plus/Unlimited BCD	855

SEAC

B75020	Corrugated Hose Seac	2,525
B75038	Complete Quick Exhaust Unit	3,970
B75039	Inflator unit Seac	2,865
B75040	Complete Inflator Unit with corrugated hose	7,750
B77454	Piston Power Inflator Unit Seac	10,235
B55006	Overpressure Valve Seac	2,000

BCD BUCKLES

BS75073	Buckle Male 40mm	205
BS75074	Buckle Female 40mm	205
BS75075	Buckle Male 50mm	205
BS75076	Buckle Female 50mm	265
BS75106	Buckle Male 25mm	140
BS75107	Buckle Female 25mm	190

WEIGHTBELTS ETC.

S4001	Weightbelt Buckle plastic - K, Y	135
UBK304	Weightbelt Buckle stainless steel, 3 slots	260
UBK504	DeLuxe Weightbelt Buckle stainless steel, 3 slots	350
M1999-1.	Weightbelt webbing 1 meter - B, K, Y	70
M1999-1.4	Weightbelt webbing 1.4 meter - B, K, Y	100
M1998	Roll of Weightbelt webbing (50m) - B, K, Y	2,490
M1999+Buc	Weightbelt 1.4m with Deluxe Stainless Buckle - B, K, Y	450
X23.029.100	Weightbelt Scubapro, with stainless Buckle - Black	1,565
X23.030.100	Weightbelt Scubapro, with nylon Buckle - Black	855
SAW02	Weightbelt Saekodive with stainless buckle, 1.45m - B, K, Y	600
DB5000	Soft Weightbelt Deep Blue, 3-pocket, w/o buckle - Black	590
DB5001	Soft Weightbelt Deep Blue, 4-pocket, w/o buckle - Black	640
B1971	Rubber Weightbelt SEAC, with stainless buckle, 1.3m	1,455
B198	Rubber Weightbelt SEAC, with nylon buckle, 1.3m	1,015
SAW03	Weightbelt keeper, plastic	27
SAW06	Weightbelt keeper, stainless	71
SAW07	Weightbelt keeper, stainless, corrugated edge	80
SS-928	D-Ring, stainless, 50mm for weightbelt	170
SS-929B	D-Ring, Bent, stainless, 50mm for weightbelt	180
SS103	Weightbelt keeper with D-Ring, stainless	255

ITEM #	DESCRIPTION	RETAIL in. VAT
--------	-------------	-------------------

WEIGHTS

M6000-S	Lead weight, small 0.8kg	250
M6000-B	Lead weight, large 1.5kg	470

LUBRICANTS

SAS03	Silicone Lube Container 15 gram / 1/2oz.	140
TLP25	Zipper Lube Stick	285
TNT60	Christo Lube 129 Container 7 gram / 1/4oz for Nitrox	625
SAS01	Silicone Lube Container 60 gram	370
TLP27	Silicone Lube Pump 8 oz (227 gram)	615
TSA66	Silicone Lube Container 16 oz (450 gram)	4,995
TNT79	Valve Silicone & Sealant Container 2oz (60 gram)	675
TNT72	Christo Lube 129 Tube 2oz (60 gram) for Nitrox	2,510
DBSY1	Cristo Lube, in preloaded syringe	260
MOLY111	Molykote 111 Grease, for cylinder threads	2,000

LIQUIDS & CLEANING SOLUTIONS

TFA20	Dry Ear Solution for Swimmers/Divers Ear	580
TLP81	Defog, 2oz. Bottle	330
TLP85	Fog Off Original	530
TLP80	Silicone Defog Spray 2oz.	695
TLP75	New Mask Cleaner 1oz.	415
TSA65-1000	Ultrasonic Solution (1 kg)	NEW ***
TSA65-500	Ultrasonic Solution (500 gram)	***

MISCELLANEOUS - REGULATOR ACCESSORIES

SAS-16	360 Degree swivel for Regulator	1,670
SAD02	Dust Cap plastic, first stage	88
SAD01	Dust Cap rubber, first stage	120
TA140	Delrin machined DIN plug 1st Stage	635
TA143	Delrin Cap DIN 200 Bar	755
XZ10.101.211	Dust Cap Scubapro DIN first stage	275
XZ10.101.212	Dust Cap Scubapro INT first stage	275
BS2011	DIN Protection Cap Seac	1,035

TOOLS & VARIOUS WORKSHOP NEEDS

S7402	Multitool stainless steel with 12 Tools	1,005
S7407	Multitool stainless steel with 9 Tools	1,075
DBBRT00L	Stainless Multipurpose Tool, card size	695
SAS12K	Saekodive Neoprene Glue, 90ml tube, Black	330
TPA60	Brite Mark Paint Marker - Black, Red, White, Yellow	505
TS105	Diver's Deluxe Tool Kit in zippered folder	2,630
TYK34	Vinyl Repair Kit	555
MJP030	Ultrasonic Cleaning Device, 4.5 liter, 180W	18,905
SAP-0001	Intermediate Pressure Tester	785
SAP-0003A	Tank Pressure Checker INT	3,500
SAP0004A	Tank Pressure Checker DIN, 300bar	3,425
SAP-0003A1	Gauge for High Pressure Checker	1,140
M2310	Dwyer Magnehelic Pressure Gauge, Range 5-0-5" WC	10,520
SAP-0002A	Adjusting Tool 2nd. Stage with gauge	2,950
M2ST-TOOL	Adjusting Tool 2nd. Stage balanced	***
WMDMT-610	2nd Stage Inline Adjust Tool With Gauge	NEW ***
SAA01	Air Nozzle, stainless steel	565
SAA06	Air Nozzle, rubber	620
M51	First stage holding tool (stainless)	***
SAT-19	Tire Inflator, heavy duty, stainless	580
SAT-20	Tire Inflator, stainless, mixed colors	415

ITEM #	DESCRIPTION	RETAIL in. VAT
--------	-------------	-------------------

TOOLS & VARIOUS WORKSHOP NEEDS

TDA79	O-Ring Tool Kit + Silicone	2,665
TSA05	Hose Protector Installation Tool	2,610
TSA99	Tank Valve Knob Removing Tool	1,100
TSA58	Schrader Valve Tool	425
MSocket-6mm	Extension for yoke nut tool 3/8	980
V622-278.T10	Screwdriver ESD TX10	870
V622 261P 0-50	Philips screwdriver 0*50	560
V622 261P 1-60	Philips screwdriver 1*60	670
V64602 6S	Bulkhead Fitting Stainless	2,450
VTR6/10/6LES	T-Piece Stainless	3,110
TFA64	Silicone Rescue Tape, 1" wide, C, G, K, O, R	590
F100013031	TORX Screwdriver T6x40	805
MO2decantwhip	O2 decanting whip with gauge	88,000

TOOLS - SCUBAPRO

XZ43.040.000	Universal Tool for Scubapro Regulators	5,590
XZ43.191.107	Yoke Nut Socket	4,255
XZ43.018.000	Hose Protector Installation Tool	2,490
XZ43.300.108	Brass Piston Bullet	1,150
XZ43.300.210	HP-Seat Tool Mark2	1,385
XZ43.300.225	Flow Vane Extractor Tool - 2nd Stages	1,925
XZ43.300.226	MK20/25 Bushing Assembly Tool	2,045
XZ43.300.998	Torque Wrench 5 - 35N	25,315
XZ43.403.000	Regulator Cover Tool - R295, S600, Air2	975
XZ41.496.101	Plastic Syringe	150
XZ43.300.002	Nut Driver 1/4"	1,540
XZ43.300.003	Nut driver 5.5mm	1,770
XZ43.300.017	Brass O-ring Pick Set	2,435
XZ43.300.107	Double Hook O-ring Pick Plastic/St.Steel	415
XZ43.300.101	Air 2 Seat Slider Tool	2,275
XZ43.300.119	Air 2 Spider Tool	5,010
XZ43.117.130	MK17/19 Dry Chamber Socket	9,810
XZ43.300.240	MK16/18 Balance Chamber Tool	3,015

PROMOTION ITEMS

SAEKODIVE

SAD07	Alu tank Key Ring w. O-rings	425
SAD08	Alu tank Key Ring w. Brass Pick & O-rings	460

SCUBAPRO

X001.	Scubapro DS T-Shirt , unisex, 4S - XXXL	295
X002.	Scubapro "Deep Down" T-Shirt, unisex, 2XS - 4XL	250
X003.xx	Scubapro "Love" T-Shirt, unisex, 2XS - 4XL, Blue Print	270
X004.xx	Scubapro "Love" T-Shirt, unisex, 2XS - 4XL, Pink Print	270
XZ50.792.000	Scubapro Baseball Cap	605
XZ50.793.000	Scubapro Snapback Cap	570
XZ51.906.000	Scubapro USB Flash Drive, Camo Jet Fin, 32 GB	1,725
XZ50.920.000	Scubapro Coffee Mug, Color Changing	360
XZ50.900.100	Scubapro Pen, Metal	115
XZ47.106.000	Scubapro Key Ring, Nova Seawing, Black/White/Blue/Pink/Purple/Orange/Grey	105
XZ50.910.260	Scubapro Umbrella, 69cm w. windproof shaft	715
XZ47.301.000	Scubapro Beach Umbrella, 240cm, without base	2,010
XZ47.301.005	Base for Scubapro Beach Umbrella	920
XZ47.100.005	Scubapro Sail (small), Complete with Stand, 50cm x 250cm	3,235
XZ47.100.007	Scubapro Sail only, 50cm x 250cm, without stand	NEW 2,045
XZ47.100.020	Scubapro Sail (large) Complete with Stand, 70cm x 340cm	NEW 4,240
XZ47.100.025	Scubapro Sail only, 70cm x 340cm, without stand	NEW 2,700
XZ51.010.200	Scubapro floor mat with Boot sizes	390

PROMOTION ITEMS

SCUBAPRO

X53.381.200	Scubapro non-woven Bag Small - 26 x 38 x 10cm	185
X53.381.300	Scubapro non-woven Bag Large - 45 x 38 x 12cm	215

DEEP BLUE, DIVE SUPPLY, etc.

DB004-NOTE	Dive Supply Notepad, A6 (10.5cm x 14.8cm)	23
DB005-PEN	Promo Pen, DIVE SUPPLY, SCUBAPRO, SUUNTO	50
DB003C-SU	SUUNTO Cap	375
DB003C-SC	SCUBAPRO Cap, Deep Down	375
DB004-LAN	Lanayard with Scubapro, Suunto, Deep Blue	75
DB005-WR	Silicone Wristband, Scubapro, Suunto, Deep Blue	30
DB006TH	TRASH HERO Water Bottle, Stainless Steel, 750ml	220
DB007SP-B/K	Scubapro Dry Bag, 10L, 2 Straps, Black, Blue	595
DB007SU-K	Suunto Dry Bag, 10L, 2 Straps, Black only	595
DB008-BAG	Non Woven Bag, Dive Supply, Scubapro	60
FZ001.xx	Suunto "D5" T-Shirt, unisex, 2XS - 4XL	270
F1000Z	Suunto sail flag & stand	6,750
F1000Z1	Suunto sail only	870
F1000Z2	Suunto stand only	5,700
MANQ-F	Mannequin torso, Female	560
MANQ-M	Mannequin torso, Male	1,040

COMPUTER SPARE PARTS - SUUNTO

BATTERY KITS

FSS011412000	DX / D9tx Battery Kit	460
FSS011629000	D9 Battery Kit	460
FSS012607000	D6, D6i Battery Kit	460
FSS014337000	D4, D4i Battery Kit	460
FSS055506000	Spyder/Stinger Battery Kit	535
FSS055507000	Zoop/HelO2/Vytec/Vyper/Cobra/Gekko Battery Kit	460
FSS021766000	Zoop NOVO/Vyper NOVO Battery Kit	460
FSS055003000	Mosquito/D3 Battery Kit	660
FSS055505000	Eon/ Favor Air LUX Battery Kit	1,285
FSS055509000	Transmitter Battery Kit	1,230
FSS020308000	Tank Pod Battery Kit (EON Steel)	1,230

BATTERIES ONLY

F100020896	Solution/Favor LUX, 3.6V Battery ONLY	1,065
F1000K5546	Favor /Companion / Octopus, 3.0V Battery ONLY	1,065

DISPLAY SHIELDS

FSS005508000	Sol/Favor/Companion Display Shield Set (2 pcs)	490
FSS0V5850000	Cobra Display Shield	810
FSS013145000	Cobra2/3 Display Shield Kit	810
FSS0V5875000	Zoop/Vytec/Vyper/Gekko Display Shield	810
FSS021769000	Zoop NOVO/Vyper NOVO Display Shield	1,050
FSS013126000	HelO2/Vyper2/Vyper Air Display Shield	810
FSS005501000	Spyder/Stinger/Mosquito/D3 Display Shield (2 pcs)	810
FSS012605000	D6, D6i Display Shield Kit	770

REPLACEMENT STRAPS

FSS020311000	EON Steel Elastomer Strap Replacement Kit	2,615
FSS022768000	EON CORE Elastomer Strap Replacement Kit	2,615
FSS021320000	DX Black Elastomer Strap Replacement Kit	2,615
FSS019554000	DX Black Titanium Bracelet Kit	14,890
FSS018204000	DX Silver/D9tx Titanium Bracelet Kit	12,860
FSS021263000	DX Silver/D9tx Elastomer Strap Replacement Kit	2,615

COMPUTER SPARE PARTS - SUUNTO

REPLACEMENT STRAPS

F100019616	D9tx Titanium Strap Buckle	3,060
F100011129	D9 Strap Elastomer	995
FSS022221000	D6i Novo STONE Strap Kit	2,615
FSS022222000	D6i Novo STEALTH Strap Kit	2,615
FSS022223000	D6i Novo WHITE Strap Kit	2,615
FSS022225000	D6i Novo BLACK Strap Kit	2,615
FSS022816000	D6i Novo BLACK ZULU Strap with Adapter	5,970
FSS022818000	D6i Novo STEALTH ZULU Strap with Adapter	5,970
FSS022817000	D6i Novo BLUE ZULU Strap with Adapter	5,970

D5 STRAPS (DESIGNED FOR DIVING)

FSS050208000	D5 DIVE 1 Silicone Strap, Lime/Black, M	2,045
FSS050206000	D5 DIVE 1 Silicone Strap, Black/Steel, M	2,045
FSS050207000	D5 DIVE 1 Silicone Strap, White/Steel, M	2,045
FSS050240000	D5 DIVE 1 Silicone Strap, Blue/Black, M	2,045
FSS050241000	D5 DIVE 1 Silicone Strap, Sakura/Black, M	2,045
FSS050242000	D5 DIVE 1 Silicone Strap, Ocean/Black, M	2,045
FSS050243000	D5 DIVE 1 Silicone Strap, Coral/Black, M	2,045
FSS050244000	D5 DIVE 1 Silicone Strap, Amber/Black, M	2,045
FSS050264000	D5 DIVE 2 Textile Zulu Strap, Stealth/Black, L	3,035
FSS050263000	D5 DIVE 2 Textile Zulu Strap, Black/Black, L	3,035
FSS050265000	D5 DIVE 2 Textile Zulu Strap, Blue/Black, L	3,035
FSS050228000	D5 EXPLORE 2 Textile Strap, Black/Black, M+L	2,795
FSS050229000	D5 EXPLORE 2 Textile Strap, Foliage/Grey, M+L	2,795
FSS050230000	D5 EXPLORE 2 Textile Strap, Concrete/Black, M+L	2,730

D5 STRAPS (DESIGNED FOR EVERYDAY WEAR)

FSS050012000	D5 EXPLORE 1 Silicone Strap, Amber/Gray, M	2,005
FSS050220000	D5 EXPLORE 1 Silicone Strap, Coral/Gray, M	2,005
FSS050221000	D5 EXPLORE 1 Silicone Strap, Black/Black, M	2,005
FSS050222000	D5 EXPLORE 1 Silicone Strap, Graphite/Gray, M	2,005
FSS050223000	D5 EXPLORE 1 Silicone Strap, Sandstone/Gray, M	2,005
FSS050158000	D5 EXPLORE 2 Silicone Strap, Black/Black, M	2,005
FSS050013000	D5 EXPLORE 3 Silicone Strap, Stealth/Black, M	2,005
FSS050155000	D5 ATHLETIC 3 Silicone Strap, Black/Steel, M	2,005
FSS050156000	D5 ATHLETIC 3 Silicone Strap, White/Steel, M	2,005
FSS050157000	D5 ATHLETIC 3 Silicone Strap, Lime/Black, M	2,005
FSS023313000	D5 ATHLETIC 4 Silicone Strap, Black/Copper, M	2,005
FSS023314000	D5 ATHLETIC 4 Silicone Strap, Forest/Copper, M	2,005
FSS023485000	D5 ATHLETIC 4 Silicone Strap, White/Gold, M	2,005
FSS050231000	D5 URBAN 2 Leather Strap, Black/Black, M	3,195
FSS050232000	D5 URBAN 2 Leather Strap, Brown/Black, M	3,195
FSS020442000	D4i NOVO Strap Black	2,205
FSS020443000	D4i NOVO Strap Blue	2,205
FSS020444000	D4i NOVO Strap Lime	2,205
FSS020447000	D4i NOVO Strap White	2,205
FSS020446000	D4i NOVO Strap Pink	2,205
FSS021124000	D4i NOVO Strap Gray	2,205
FSS022629000	D4i NOVO Strap Ocean	2,205
FSS022630000	D4i NOVO Strap Sakura	2,205
FSS022631000	D4i NOVO Strap Sun	2,205
FSS050170000	D4i NOVO Strap COPPER	2,205
FSS050169000	D4i NOVO Strap LIGHT GOLD	2,205
FSS0L5838000	Stinger / Spyder Elastomer Strap/grey - incl. Extension Strap	1,765

COMPUTER SPARE PARTS - SUUNTO

D5 STRAPS (DESIGNED FOR EVERYDAY WEAR)

FSS021765000	Zoop NOVO/Vyper NOVO - Strap kit	1,765
FSS0V5841000	Zoop/HelO2/Vyper/Gekko Strap complete (incl. Buckle + 3 Springbars)	1,765
FSS013194000	Vyper2 / Vyper Air, Strap Set	1,765
FSS0K5512000	Elastomer Strap, SK8/ SK7/ SK6/ SM-16/ Solution/ Favor/ Octopus	915
FSS0K5140000	Textile Strap SM-16 / SK6 / SK7	675

BOOTS, MOUNTS, ETC.

FSS020309000	Bungee Adapter EON Steel	1,500
FSS023283000	Bungee Adapter Kit EON Core	1,025
FSS020310000	Boot for EON Steel (Does not fit EON Core)	1,025
FSS020627000	Boot with Bungee Cord for SK-7/SK-8 Diving Compass	1,500
FSS020628000	Suunto Dive Computer Boot (NOT for Zoop Novo, Vyper Novo)	1,500
FSS0K6018000	Wrist Mount Boot for SK-7/SK-8	545
FSS021768000	Zoop NOVO/Vyper NOVO - Boot for CB (combo)	1,025
FSS021767000	Zoop NOVO/Vyper NOVO - Rubber boot for computer	1,025
FSS021886000	Zoop NOVO/Vyper NOVO - Bungee adaptor kit	1,025
FSS018799000	SUUNTO Charger	690

COMPUTER SPARE PARTS - SCUBAPRO / UWATEC

XZ06.201.920	Battery kit w. O-ring - Smart/Galileo Transmitter	860
X06.204.071	Battery kit w. O-ring - Smart+ (05.055.020) / AirZ+ Transmitter (05.055.010)	1,255
XZ06.202.872	Battery kit w. O-ring - Galileo	1,135
XZ06.007.710	Battery kit w. O-ring - Aladin Pro (Grey)	2,080
XZ06.203.586	Battery kit w. O-ring - XP10 / Alad.Prime	400
XZ06.200.266	Aladin Battery SL-760/PT, 3-Pin	1,160
XZ06.200.265	Aladin Battery SL-760/T 2-Pin, for Smart Pro, Air Z	1,160
XZ06.201.615	Battery Cap - Aladins	700
XZ06.203.053	Battery Cover - Galileo	990
XZ06.050.586	Xp10/Prime O-ring	23

REGULATOR SERVICE KITS - SCUBAPRO

XZ10.042.045	Service Kit Mark 2	730
XZ10.063.045	Service Kit Mark 2 Evo	875
XZ10.062.032	Service Kit Mark 2 Nitrox	2,200
XZ10.105.045	Service Kit Mark 5	830
XZ10.500.045	Service Kit Mark 10	830
XZ10.550.045	Service Kit Mark 10 Plus	830
XZ10.707.045	Service Kit Mark 11	1,415
XZ10.705.045	Service Kit Mark 14	680
XZ10.600.041	Service Kit Mark 15	1,415
XZ10.117.045	Service Kit Mark 17 / 19	1,515
XZ10.756.045	Service Kit Mark 16 / 18 / 18 UL	1,810
XZ10.721.045	Service Kit Mark 21	975
XZ10.750.045	Service Kit Mark 25 Evo / 25 / 20	975
XZ10.712.032	Service Kit Mark 20 / 25 Nitrox	2,395
XZ11.300.045	Service Kit R190 / R295/ R395 / R380 / HP	680
XZ11.361.045	Service Kit C300 / C200	870
XZ11.012.045	Service Kit D300 / 350 / 400	1,220
XZ11.420.045	Service Kit D420	NEW 2,105
XZ11.109.045	Service Kit G200 / Adjustable / M50	780
XZ11.261.045	Service Kit G250V/G260	680
XZ11.254.045	Service Kit S600 / G250	975
XZ11.620.045	Service Kit S620Ti	875
XZ11.650.045	Service Kit X650	975
XZ11.700.045	Service Kit A700	975

ITEM #	DESCRIPTION	RETAIL in. VAT
--------	-------------	-------------------

REGULATOR SERVICE KITS - SCUBAPRO

XZ21.009.041	Service Kit Air 2 - 1st Generation	745
XZ21.080.041	Service Kit Air 2 - 2nd Generation	730
XZ21.085.045	Service Kit Air 2 - 3rd & 4th Generation	875
XZ21.090.045	Service Kit Air 2 - 5th Generation	925
XZ21.626.045	Service Kit Balanced Inflator	585
XZ10.500.047	Upgrade Kit Mark 10 to Mark 10 Plus	3,280
XZ10.116.030	Upgrade Kit Mark 16 to Mark 18	1,025
XZ10.062.030	Conversion Kit Mark 2 to Mark 2 Nitrox	2,300
XZ10.063.033	Conversion Kit Mk2Evo to Mk2Evo Nitrox	2,790
XZ10.712.030	Conversion Kit Mark 25 to Mark 25 Nitrox	2,790
XZ10.712.033	Conversion Kit Mark 25Evo to Mark 25Evo Nitrox	3,035
XZ10.500.021	Conversion Kit Mark 10 Nitrox	1,270

REGULATOR SERVICE KITS - SUBGEAR

GZ810.042.045	Service Kit Aruba/SG100, 1st Stage	685
GZ810.117.045	Service Kit Cayman/SG1000, 1st Stage	1,420
GZ811.551.045	Service Kit - Cayman/SG1000 2nd Stage	915
GZ821.601.000	Service Kit Drift Inflator	325
GZ821.200.001	Service Kit Drift Dump Valve	315

REGULATOR SERVICE KITS - SEAC

BS8412	Service Kit 1st Stage X-5P / P-Synchro	1,010
BS8422	Service Kit 2nd Stage X-5 / Synchro	560
BS8512	Service Kit 1st & 2nd Stage D-Syn/X-10/PRO/X-5	2,185

ITEM #	DESCRIPTION	RETAIL in. VAT
--------	-------------	-------------------

TANKS

LL19	Luxfer S19 w/o valve	5,490
LL40	Luxfer S40 w/o valve	7,250
LL50	Luxfer S50 w/o valve	7,790
LL63	Luxfer S63 w/o valve	7,990
LL80	Luxfer S80 w/o valve	7,990
LL100	Luxfer S100 w/o valve	11,990

VALVES

LVCA4030	Thermo K Valve	2,190
LVCA4035	Thermo valve PRO (DIN/INT, EAN ready)	2,190

MODULAR VALVES

LVCA8044LH	Modular Valve Left Hand	4,850
LVCA8044RH	Modular Valve Right Hand	4,850
LVCA8033CTR	Modular Valve Centre	4,850
LVCA5420	Thermo Twin Isolation Valve Complete Set	14,545
L VH200L-N	Thermo Pro H Adapter Left	4,830
L VH200R-N	Thermo Pro H Adapter Right	4,830

ACCESSORIES

SA05	Tank Valve cap - Rubber - K	48
TRP66	Cupped Tank valve cap with ring - B, G, K, Y	72
LVC-K	Tank Cap PRO Valve - Rubber - K	89
SAT01	Tank Boot - Rubber	490
SAT02	Tankboot for Steeltank 12L, 7.25"	550
SAT03	Tankboot for Steeltank 15L, 8"	700
TA56	Tank Boot - Plastic, for LL50 (6.9L) 7.25"	740
TA65-K	Tank Mesh - Black	400
TA65-Y	Tank Mesh - Fluoro Yellow	400
TDS07	Nitrox tank fill tape with %'s of mix	1,825

NITROX EQUIPMENT

DBFM400	Flowmaster 400 Continuous Blending System	67,500
MR217P42	MaxO2 [®] +A Oxygen Analyzer (Incl. Internal Sensor & OxyKnob)	21,890
MR217P52	MaxO2 [®] +AE Oxygen Analyzer (Incl. External Sensor & OxyKnob)	27,175
MR125P01-011	MAX-250+ Internal Oxygen Sensor for MAXO2+A	5,815
MR125P03-004	MAX-250E External Oxygen Sensor for MAXO2+AE	5,815
MR217P24	Replacement cable for Maxtec analyser MR217P52	4,680
MRP11P28	BC Adapter	2,115
MR207P17	Barbed Adapter with Tubing	635
MR218P19	OxyKnob, Scuba Adaptor	635
XA11.452	Oxy Spy Sensor	5,470
OX-SNSR	OMS Analyzer O2 Fuel Cell (New replacement cell)	7,335
M99997	Oxygen Sticker for Tank (10cm x 25cm)	75
M99998	Oxygen clean sticker (6cm x 6cm)	23
M99999	Nitrox Sticker for Tank (16cm x 60cm)	105

HOSES ETC.

SAH-03-K-75	Low Pressure Regulator Hose 75cm - Black	650
SAH-03-K-150	Low Pressure Regulator Hose 150cm - Black	975
SAH-03-K-210	Low Pressure Regulator Hose 210cm - Black	1,165
SAH-03-K-95	Low Pressure Octopus Hose 95cm - Black	695
SAH-03-Y-95	Low Pressure Octopus Hose 95cm - Yellow	695
SAH-04-K-65	Low Pressure Inflator Hose 65cm - Black	660
ULP350-02	Low Pressure Inflator Hose Air 2, 60cm - Black (350psi/23.8Bar)	785
DBT30017-01	High Pressure Hose (made in Italy) 6" / 15cm, dia 12.5mm	1,080
F100019631	MIFlex High Pressure Hose 33" / 83cm, dia 8mm	1,780
DBT30016-01	High Pressure Hose (made in Italy) 31.5" / 80cm, dia 10.8mm	1,335
X01.044.031	Scubapro High Pressure Hose 80cm, dia 10.8mm	2,260
XZ01.310.026	Scubapro LP Hose 2nd Stage 65cm	1,530
XZ01.309.035	Scubapro LP Hose 2nd Stage 75cm	1,755
XZ21.626.013	Scubapro Adapter, BPI Quick Disconnect	845
XZ01.310.040	Scubapro Octopus Hose 100cm	1,895
XZ01.045.006	Scubapro HP Hose 15cm	1,845
XZ11.700.010	Hose Protector Scubapro - Black	200
XZ11.700.030	Hose Protector Scubapro - Yellow	205
XZ11.700.050	Hose Protector Scubapro - Green	180
XZ11.700.019	Hose Protector Scubapro - Hydros Purple	285
XZ11.700.223	Hose Protector Scubapro - Hydros Blue	285
XZ11.700.225	Hose Protector Scubapro - Hydros Yellow	285
XZ11.700.226	Hose Protector Scubapro - Hydros Orange	285
XZ11.700.227	Hose Protector Scubapro - Hydros Pink	285
XZ01.040.330	Mouthpiece & Hose protector kit - Hydros Blue	1,095
XZ01.040.360	Mouthpiece & Hose protector kit - Hydros Yellow	1,095
XZ01.040.370	Mouthpiece & Hose protector kit - Hydros Pink	1,095
XZ01.040.390	Mouthpiece & Hose protector kit - Hydros Orange	1,095
XZ01.040.019	Mouthpiece & Hose protector kit - Purple	1,095
XZ01.040.080	Mouthpiece & Hose protector kit - White	1,095
XZ01.334.005	HP-Hose Quick connector "Scubapro"	1,665
SAH01	Hose clamp - K, Y	52
SAH09	Hose clamp for 2 different hose sizes - B, K, Y	91
SAH02	Hose wrap - B, G, Y	110
S4004	Hose Protector Saekodive large diameter - B, K, Y	52
M20070-07	Hose Protector Deep Blue - K, Y	50
DBT30018	Hose Protector Deep Blue - Black	110
SAH23	Saekodive Ergonomic Swivel Hose Clip, K	170
DBYPC001	Deep Blue Ergonomic Swivel Hose Clip, Pi, W, Y	NEW 195
UHH07	Double Hose Clip - G, K	67

HP SWIVELS

F1000V5593	Suunto HP-Swivel with O-rings	230
XZ06.203.548	Scubapro HP-Swivel with O-rings, Uwatec/Subgear	310
XZ28.132.305	Scubapro Swivel with 2x Viton O-rings	335
DBT30019	Deep Blue HP-Swivel with disc and Viton O-rings	190

ITEM #	DESCRIPTION	RETAIL in. VAT
--------	-------------	-------------------

SPAREPARTS - Genesis/SMT VALVE

LGVP00-AIR	Service Kit for SMT Valve	704
LCV04-A	1. Complete Stem Assembly Incl. 7, 2x8, 9, 10	1,240
LGVP45	2. HP-Seat SMT Valve, Oxygen ready	540
LGVP07	7. Gasket	60
LGR010E	8. O-Ring Stem	14
LGVP09	9. Backup Ring	48
LGRM075E	10. O-Ring Bonnet	14
LGVP20	20. Handwheel - Black	395
LGVP22	22. Handwheel Nut	36
TR014	23. O-Ring Valve Outlet	12
LGR014P9	23. Viton O-Ring Outlet	26
LCV26-30	25.&26. Safety Plug & Burst Disk 3,000 psi (5,000 burst)	655
LGVP28	28. Dip Tube	350

SPAREPARTS - SHERWOOD VALVES

L350620-AIR	Overhaul Kit for Sherwood Valve (MA015, L35067, L35018, L350610, L35069)	875
L5203-7P	1. Handwheel Nut, EAN ready	145
L350611A	2. Spring - Sherwood valve	260
L60002	3. Handwheel Sherwood - Black	425
L1413	4. Handwheel Washer, Sherwood valve	92
L5270-4PN	5. Bonnet Nut, EAN ready	340
L350610	6. Copper Gasket	315
L35067	7. Thick Teflon ring (new style seal)	200
L350618	8. Thin Teflon ring (new style seal)	60
L9350612	9. Stem/Spindle	225
L35069	10. Plug Assembly HP-Seat, for Sherwood valve	285
L400012048	12. Safety Plug Assembly 3,000 psi	565

SPAREPARTS - THERMO VALVE

LVK01-AIR	Overhaul Kit for Thermo K-Valves (Air) (MA015, L35069-K, L5270-16N, L3100-9, L5270-5N)	545
LVK01-EAN	Overhaul Kit Thermo INT/DIN Valves (Nitrox) (MA015V, L35069-K, L5270-16N, L3100-9E, L5270-5N)	575
L3990-5000N	1. Safety Assembly (3,000 psi), EAN ready	355
TR014	23. O-Ring Valve Outlet (NBR)	12
TR014S	23. O-Ring Valve Outlet (Polyurethane)	64
LGR014P9	23. Viton O-Ring Outlet	26
MA015	3. O-Ring Tank Neck	14
MA015V	3. Viton O-Ring Tank Neck	47
L5270-15N	4. Dip Tube plated (VP04 Pre 10/09), EAN ready	200
LVX04	4. Dip Tube plated (VX04 Post 10/09), EAN ready	200
L35069-K	5. Thermo Plug Assembly HP-Seat O2 ready	340
L5270-16N	6. Bonnet Gasket, EAN ready	85
L5270-8PN	7. Stem EAN ready	340
L3100-9	8. O-Ring for Stem, Thermo Valve, AIR	27
L3100-9E	8. Viton O-Ring Stem Thermo	28
L5270-5N	9. Stem Packing, Ean ready	75
L5270-4PN	10. Bonnet Nut, EAN ready	340
L5240-10	11. Handwheel Washer, EAN ready	85
L5240-6A	12. Handwheel - Black	425
L5270-6N	12. Handwheel - Green	470
L5240-9	13. Spring EAN ready	85
L5203-7P	14. Handwheel Nut, EAN ready	145
LVP15V	15. Viton O-Ring (Thick) Outlet DIN/INT -Thermo Pro Valve	33
MP31B	15. O-Ring (Thick) Outlet DIN/INT - Thermo Pro Valve	26
L5440-23	16. DIN / K Insert w. Viton O-rings, EAN ready	660

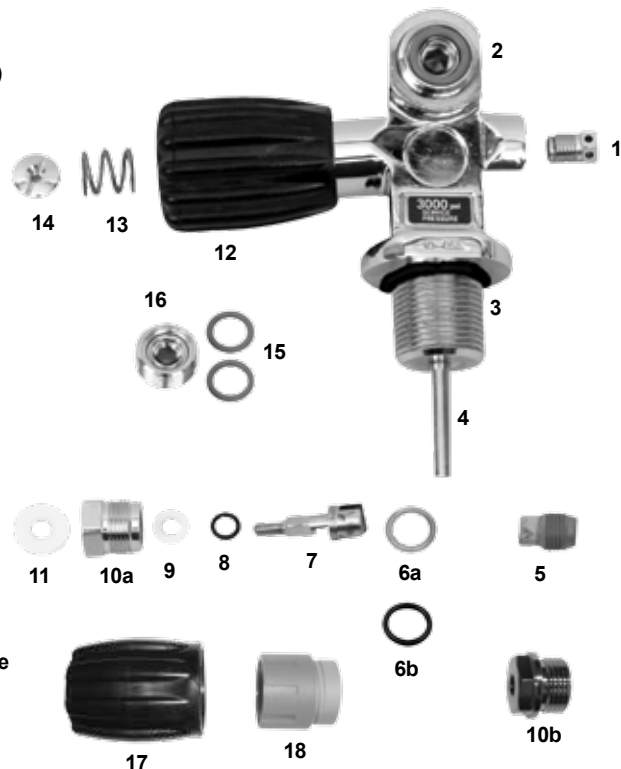
SPAREPARTS - XS SCUBA VALVE

LVX10	Bonnet XS Scuba	280
LVX22	Safety Handwheel only (no inserts) - Black	735
LVX20	Inserts for Safety Handwheel (pair, green & red)	735
LVX17-E	6. (New) O-Ring EPDM (Bonnet) (for XS Scuba valve)	85

THERMO & XS SCUBA VALVE PARTS

LVK01-AIR	Overhaul Kit Thermo K-Valves (Air) (MA015-U, L35069-K, L5270-16N, L3100-9-U, L5270-5N)
LVK01-EAN	Overhaul Kit Thermo INT/DIN Valves (Nitrox) (MA015V-U, L35069-K, L5270-16N, L3100-9E-U, L5270-5N)
L3990-5000N	1. Safety Assembly (3,000 psi), EAN ready
TR014	2. O-Ring Valve Outlet
TR014S	2. O-Ring Valve Outlet Polyurethane
LGR014P9	2. O-Ring Valve Outlet Viton
MA015	3. O-Ring Tank Neck
MA015V	3. Viton O-Ring Tank Neck
L5270-15N	4. Dip Tube plated (VP04 Pre 10/09), EAN ready
LVX04	4. Dip Tube plated (VX04 Post 10/09), EAN ready
L35069-K	5. HP-seat, O2 ready
L5270-16N	6a. Bonnet Gasket, EAN ready
LVX17-E	6b. O-Ring EPDM (Bonnet)XS Scuba
L5270-8PN	7. Stem EAN ready
L3100-9	8. O-Ring for Stem, Thermo Valve, AIR
L3100-9E	8. Viton O-Ring Stem Thermo
L5270-5N	9. Stem Packing, Ean ready
L5270-4PN	10a. Bonnet Nut, (same as Sherwood) EAN ready
LVX10	10b. Bonnet Nut, XS Scuba
L5240-10	11. Handwheel Washer, EAN ready
L5240-6A	12. Handwheel - Black
L5270-6N	12. Handwheel - Green
L5240-9	13. Spring EAN ready
L5203-7P	14. Handwheel Nut, EAN ready
LVP15V	15. Viton O-Ring (Thick) Outlet DIN/INT -Thermo Pro Valve
MP31B	15. O-Ring (Thick) Outlet DIN/INT - Thermo Pro Valve
L5440-23	16. DIN / K Insert w. Viton O-rings, EAN ready
LVX20	17. Safety Hand Wheel insert Red&Grn XS Scuba
LVX22	18. Safety Handwheel only - black XS scuba

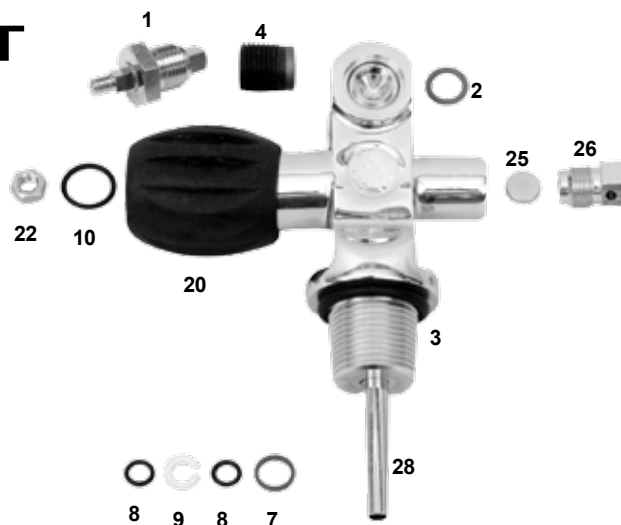
THERMO 



 **SMT**

SMT VALVE PARTS

LGVP00-AIR	Service Kit SMT Valve (LGVP07/09/45, MA015-U, 2 x LGR010E-U, LGRM075E-U)
LCV04-A	1. Complete Stem Assembly Incl. 7, 2x8, 9, 10
LGVP45	4. HP-Seat SMT Valve, Oxygen ready
LGVP07	7. Gasket
LGR010E	8. O-Ring Stem
LGVP09	9. Backup Ring
LGRM075E-U	10. O-Ring Bonnet
LGVP20	20. Handwheel elastomer
LGVP22	22. Handwheel Nut
LCV26-30	25.&26. Safety Plug & Burst Disk 3,000 psi (5,000 burst)
LGVP28	28. Dip Tube
	2. See Thermo valve parts above
	3. See Thermo valve parts above

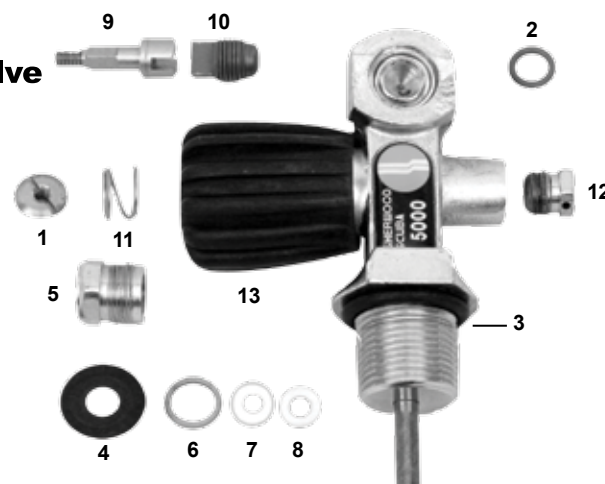


SHERWOOD VALVE PARTS



Sherwood Valve

L350620-AIR	Overhaul Kit Sherwood Valve (MA015-U, L350067, L350069, L350610, L350618)
L5203-7P	1. Handwheel Nut (same as Thermo), EAN ready
L350611A	11. Spring - Sherwood valve
L60002	13. Handwheel Sherwood - Black
L1413	4. Handwheel Washer, Sherwood valve
L5270-4PN	5. Bonnet Nut (same as Thermo), EAN ready
L350610	6. Copper Gasket
L35067	7. Thick Teflon ring (new style seal)
L350618	8. Thin Teflon ring (new style seal)
L9350612	9. Stem/Spindle
L35069	10. Plug Assembly HP-Seat (same as Thermo)
L35069-K	10. Plug Assembly HP-Seat (same as Thermo) O2 ready
L400012048	12. Safety Plug Assembly 3,000 psi
	2. See Thermo valve parts above
	3. See Thermo valve parts above



ITEM #	DESCRIPTION	RETAIL in. VAT
--------	-------------	-------------------

O-RINGS

L3100-9	O-Ring for Stem, Thermo Valve, AIR	27
LGR010E	O-Ring Stem, SMT Valve, Air	14
LGRM075E	O-Ring Bonnet, SMT Valve, Air	14
M011	O-Ring, Inflator Nipple/Quick Connect w. 3 Balls	7
MA015	O-Ring Tank Neck	14
M30102	O-Ring HP-Swivel	15
MP31B	O-Ring Valve Outlet	26
TR014	O-Ring Valve Outlet	12
TR014S	O-Ring Tank Neck	64
XZ01.050.138	O-Ring HP-hose/Quick Connect 4 balls, 7.65x1.78	16
XZ01.050.132	O-Ring Scubapro EPDM (Ethylene-Propylene)	16
XZ01.050.193	O-Ring DIN Regulator Scubapro 10.77 x 2.62	47
XZ01.050.428	O-Ring DIN Regulator Scubapro 10.77 x 2.63, Polyurethane	105
TD601	Mini O-ring Kit	140
TD602	Save a Dive O-Ring Kit 40 pcs.+silicone	575
UZ2460-O	O-ring Aquastar LED torch	25

VITON O-RINGS

LGR014P9	Viton O-ring Outlet	26
L3100-9E	Viton O-Ring Stem Thermo	28
LVP15V	Viton O-Ring (Thick) Outlet DIN/INT-Thermo pro Valve	33
MA015V	Viton O-Ring Tank Neck	47
M30102V	Viton O-Ring HP-swivel	50
XZ01.050.126	O-Ring 4.5x1.8 Sh85 VT	19
XZ01.050.143	Viton O-Ring HP-hose/Quick Connect 4 balls, 7.65x1.78	50
XZ01.050.195	Viton O-Ring DIN Regulator Scubapro 10.77x2.62	26
XZ01.050.394	8. Viton O-Ring Stem Thermo	28
TD603	Viton O-ring Kit, 10 pcs.	545
TD604	Viton O-ring Kit, 20 pcs.	720
LVP25V	Viton O-ring, Modular Access Plug	11

BAUER COMPRESSORS PORTABLE MODELS up to 330 Bar / 4780 psig**Compact Line**

QJ2E	Junior 2 E, 400V	100ltr/min / B-Timer / P21	218,580
QJ2W	Junior 2 W, 230V	100ltr/min / B-Timer / P21	218,580
QJ2B	Junior 2 B, Petrol	100ltr/min / B-Timer / P21	221,415
QOC-E	Oceanus E, 400V	140ltr/min / B-Timer / P21	***
QOC-W	Oceanus W, 230V	140ltr/min / B-Timer / P21	***
QOC-B	Oceanus B, Petrol	140ltr/min / B-Timer / P21	***

Profi Line

QC140E	Capitano 140 E	140ltr/min / P21	***
QC140B	Capitano 140 B	140ltr/min / P21	***
QM200E/P21	Mariner 200 E	200ltr/min / P21	***
QM200B/P21	Mariner 200 B	200ltr/min / P21	***
QM200B/P31	Mariner 200 B w.P-31 Filter & B-Timer	200ltr/min / B-Timer / P31	***
QM250E/P31	Mariner 250 E	250ltr/min / P31	***
QM250E/P41	Mariner 250 E	250ltr/min / P41	***
QM250E/P41/ACD	Mariner 250 E	250ltr/min / P41 / ACD Half Auto	***
QM250E/P41/ACD	Mariner 250 E	250ltr/min / P41 / ACD Full Auto	***
QM250E/P41-Sec/ACD	Mariner 250 E ("PURE AIR" ready)	250ltr/min / P41 / ACD / Securus	***
QM250B/P31	Mariner 250 B	250ltr/min / P31	***
QM250B/P41	Mariner 250 B	250ltr/min / P41	***
QM250B/P41/ACD	Mariner 250 B	250ltr/min / P41 / ACD Half Auto	***
QM320E/P31	Mariner 320 E	320 ltr/min / B-Timer / P31	***
QM320E/P41	Mariner 320 E	320 ltr/min / B-Timer / P41	***
QM320E/P41/ACD	Mariner 320 E	320 ltr/min /B-Timer /P41 /ACD Half Auto	***
QM320E/P41/ACD	Mariner 320 E	320 ltr/min /B-Timer /P41 /ACD Full Auto	***
QM320E/P41-Sec/ACD	Mariner 320 E ("PURE AIR" ready)	320 ltr/min /B-Timer / P41 /ACD /Securus	***
QM320B/P31	Mariner 320 B	320 ltr/min / B-Timer / P31	***
QM320B/P41	Mariner 320 B	320 ltr/min / B-Timer / P41	***
QM320B/P41/ACD	Mariner 320 B	320 ltr/min /B-Timer /P41 /ACD Half Auto	***

Profi Line - Diesel driven units

QC140D/P21	Capitano 140 D, Hatz Diesel	140ltr/min / P21	***
QM170D/P31	Mariner 170 D, Hatz Diesel	170ltr/min / P21	***

Prices for units up to 420 Bar upon request**POSEIDON EDITION PORTABLE MODELS max. 330 Bar / 4780 psig****TE-Range**

QPE100-TE/P11	Poseidon 100 E, 400V	100 ltr/min / P11	159,040
QPE100-TW/P11	Poseidon 100 W, 220V	100 ltr/min / P11	173,480
QPE100-TB/P11	Poseidon 100 B, Petrol	100 ltr/min / P11	176,330
QPE100-TE-SH/P11	Poseidon 100 E, Shooting Version 230V	100 ltr/min / P11	177,025
QPE200-TE/P21	Poseidon 200 E	200 ltr/min / P21	***
QPE250-TE/P21	Poseidon 250 E	250 ltr/min / P21	***
QPE250-TE/P31	Poseidon 250 E	250 ltr/min / P31	***
QPE300-TE/P21	Poseidon 300 E / P21	300 ltr/min / P21	***
QPE300-TE/P31	Poseidon 300 E / P31	300 ltr/min / P31	***
QPE300-TE/P41	Poseidon 300 E / P41	300 ltr/min / P41	***
QPE300-TE/P42	Poseidon 300 E / P42	300 ltr/min / P42	***

TB-Range

QPE200-TB/P21	Poseidon 200 B, Petrol / P21	200 ltr/min / P21	***
QPE250-TB/P31	Poseidon 250 B, Petrol / P31	250 ltr/min / P31	***
QPE300-TB/P31	Poseidon 300 B, Petrol / P31	300 ltr/min / P31	***
QPE300-TB/P41	Poseidon 300 B, Petrol / P41	300 ltr/min / P41	***

BAUER COMPRESSORS STATIONARY MODELS up to 330 Bar / 4780 psig**Mini Verticus - soundproof**

QMV150/P41	Mini Verticus MV150	150 ltr/min / P41	***
QMV200/P41	Mini Verticus MV200	200 ltr/min / P41	***
QMV250/P41	Mini Verticus MV250	250 ltr/min / P41	***
QMV320/P41	Mini Verticus MV320	320 ltr/min / P41	***

Verticus Range (up to 350 Bar)

QV450/P61	V450	450 ltr/min / P61	***
QV540/P61	V540	540 ltr/min / P61	***
QV680/P61	V680	680 ltr/min / P61	***

Prices for 420 Bar Mini Verticus and Verticus upon request

POSEIDON EDITION STATIONARY MODELS max. 330 Bar / 4780 psig**HE-Range**

QPE250-HE/P31	Poseidon 250 E	250 ltr/min / P31	***
QPE250-HE/P42	Poseidon 250 E	250 ltr/min / P42	***
QPE300-HE/P31	Poseidon 300 E	300 ltr/min / P31	***
QPE300-HE/P42	Poseidon 300 E	300 ltr/min / P42	***

PE-MVE Range

QPE250-MVE/P31	Poseidon 250 MVE, w. Silent Housing, P31	250 - 350 ltr/min / 225 or 330 Bar	***
QPE300-MVE/P31	Poseidon 300 MVE, w. Silent Housing, P31	250 - 350 ltr/min / 225 or 330 Bar	***
QPE250-MVE/P41	Poseidon 250 MVE, w. Silent Housing, P41	250 - 350 ltr/min / 225 or 330 Bar	***
QPE300-MVE/P41	Poseidon 300 MVE, w. Silent Housing, P41	250 - 350 ltr/min / 225 or 330 Bar	***

QPE 300-VE open	Poseidon 300	300 ltr/min / P41	***
QPE 400-VE open	Poseidon 400	400 ltr/min / P41	***
QPE 550-VE open	Poseidon 550	550 ltr/min / P41	***
QPE 700-VE open	Poseidon 700	700 ltr/min / P61	***
QPE 850-VE open	Poseidon 850	850 ltr/min / P61	***

PE-Range, open, 420Bar, 4/5 stages

QPE320-VE-open	Poseidon 320	320 ltr/min / P41	***
QPE500-VE-open	Poseidon 500	500 ltr/min / P41	***
QPE600-VE-open	Poseidon 600	680 ltr/min / P61	***

QPE-Super Silent	For Super Silent Version add		***
------------------	------------------------------	--	-----

POSEIDON EDITION NITROX MODELS

PE NITROX 320A	Poseidon Nitrox 320A, Custom, Variable O2 Content/Flow, up to 40%	40% O2 330 ltr/min; 32% O2 680 ltr/min	***
PE NITROX 320B	Poseidon Nitrox 320B, up to 40% O2	40% O2 330 ltr/min; 32% O2 680 ltr/min	***

B-KOOL 350 / 500 Bar

QB-KOOL2-680i	B-KOOL II 680i, 350 Bar / 500 Bar (integrated - for New Mini Verticus & Verticus only) Super Silent version		***
QB-KOOL680i	B-KOOL 680i, 350 Bar / 500 Bar (integrated - to be mounted on V5 or PE-VE Silent)		***
QB-KOOL680s	B-KOOL 680s, 350 Bar / 500 Bar (stand alone version)		***

Mounting Kits for Integrated B-Kool (680i)

Q129xxx	Mounting Kit B-Kool II 680i for P41/P61, New Mini Verticus & Verticus only, 350Bar		***
Q129016	Mounting Kit B-Kool 680i for P41/P61, Verticus 5 / PE-VE, 350Bar		***

ITEM #	DESCRIPTION	RETAIL in. VAT
--------	-------------	-------------------

B-KOOL 350 / 500 Bar

Mounting Kits for Stand Alone B-Kool (680s)

Q160028	Mounting Kit B-Kool 680s for P41/P61, Mini Verticus & Verticus, 365Bar	***
Q129018	Mounting Kit B-Kool 680s for P41/P61, PE-VE, 350Bar	***
Q129021	Mounting Kit B-Kool 680s for P41, Mariner 200/250/320, 350Bar	***

AERO - GUARD

CO2 absorber for breathing air

	Aero-Guard-S, 100-150 l/min	100 - 150 ltr/min	***
	Aero-Guard-M, 160-230 l/min	160 - 230 ltr/min	***
	Aero-Guard-L, 240-320 l/min	140 - 320 ltr/min	***
	Aero-Guard-XL, 330-450 l/min	330 - 450 ltr/min	***
	Aero-Guard-XXL, 460-680 l/min	460 - 680 ltr/min	***
	Aero-Guard-Duo, 650-1,000 l/min	460 - 680 ltr/min	***

AEROTEST SIMULTAN

QN31565	Aerotest HP Simultan Impactor, max. pressure 300 Bar	***
QN25535	Water Vapour (H2O)	***
QN15521	Oil contents	***
QN15522	Carbon Dioxide (CO2)	***
QN15523	Carbon Monoxide (CO)	***
QN31184	Impactor-adaptor	***
QN31173	Impactors	***

B-SAFE

QBSAFE300	B Safe 300, 300 Bar, w solenoid valve, filling hoses & self-venting filling valves	***
QBSAFE300-OX	B Safe 300, 200 Bar, NITROX version, w filling hoses & self-venting filling valves	***

OPTIONAL EQUIPMENT - COMPACT LINE (Junior & Oceanus) PRICES ONLY VALID w. NEW COMPRESSOR

	Base frame stainless steel Junior (Oceanus included as standard)	***	
	Trolley	***	
	Switch Over Device 200/300Bar Junior, Oceanus	***	
	Auto Cond. Drain f. Junior2E, Oceanus E	w. final pressure switch-off, 1 range	***
	Auto Cond. Drain f. Junior2W, Oceanus-W	w. final pressure switch-off, 1 range	***
	Auto Cond. Drain f. Junior2B, Oceanus-B	w. final pressure switch-off, 1 range	***
	RETRO FIT KIT: AutoCond. Drain f. Junior2E, Oceanus-E	w. final pressure switch-off, 1 range	***
	RETRO FIT KIT: AutoCond. Drain f. Junior2W, Oceanus-W	w. final pressure switch-off, 1 range	***
	RETRO FIT KIT: AutoCond. Drain f. Junior2B, Oceanus-B	w. final pressure switch-off, 1 range	***
Q180050	Intake Manifold, for Compact Line (Junior, Oceanus, PE100)	***	
Q181833	Condensate Tank, Compact Line (Junior, Oceanus, PE100)	***	

OPTIONAL EQUIPMENT - PROFI LINE (Capitano 140 & Mariner 200 / 250 / 320) PRICES ONLY VALID w. NEW COMPRESSOR

	Trolley, Capitano/Mariner	***	
	Crash frame Capitano (needed to mount add. accessories)	***	
	Telescopic intake tube f. Capitano140 /Mariner200	***	
	Switch Over Device 200/300Bar Capitano 140	1 x 200Bar / 1 x 300Bar	***
	Switch Over Device 200/300Bar Mariner 200/250	1 x 200Bar / 1 x 300Bar	***
	Switch Over Device 200/300Bar Mariner 320	2 x 200Bar / 2 x 300Bar	***
	Additional filling devices 4 x 200Bar Mariner 200/250	***	
	Additional filling devices 4 x 300Bar Mariner 200/250	***	
	Additional Separator after 1st stage Capitano/Mariner	***	

OPTIONAL EQUIPMENT - PROFI LINE (Capitano 140 & Mariner 200 / 250 / 320) PRICES ONLY VALID w. NEW COMPRESSOR

	Electr. Control w. Auto Cond. Drain Capitano 140E	10L Tank, Auto Stop (HALF Auto)	***
	Electr. Control w. Auto Cond. Drain Mariner200E/250E	10L Tank, Auto Stop (HALF Auto)	***
	Electr. Control w. Auto Cond. Drain Mariner200E/250E	10L Tank, Auto Stop (FULL Auto)	***
	Electr. Control w. Auto Cond. Drain Mariner200B/250B	10L Tank, Auto Stop (HALF Auto)	***
	Electr. Control w. Auto Cond. Drain Mariner 320E	10L Tank, Auto Stop (HALF Auto)	***
	Electr. Control w. Auto Cond. Drain Mariner 320E	10L Tank, Auto Stop (FULL Auto)	***
	Electr. Control w. Auto Cond. Drain Mariner 320B	10L Tank, Auto Stop (HALF Auto)	***
	Auto Cond. Drain when separator after 1st Stage		***
	B-Timer (Not possible with Securus, upgrade possible)		***
	Filter P31 instead of P21, Capitano, Mariner 200		***
	Filter P41 instead of P21, Mariner 200		***
	Filter P41 instead of P31, Mariner 250 / 320		***
	SECURUS Control unit for Mariner 200E, 250E, 320E		***

MAINTENANCE KITS

500 Hours	Junior II / Poseidon 100		***
500 Hours	Oceanus		***
500 Hours	Capitano 140 B / E		***
500 Hours	Mariner 200 / 250 - B / E; Poseidon 200/250/300		***
500 Hours	Mariner 320 B / E		***
1000 Hours	Junior II / Oceanus / Poseidon 100		***
1000 Hours	Capitano 140 B / E / D		***
1000 Hours	Mariner 200 / 250 - B / E / D		***
1000 Hours	Mariner 320 B / E		***
2000 Hours	Junior II / Oceanus / Poseidon 100		***
2000 Hours	Capitano 140 B / E / D		***
2000 Hours	Mariner 200 / 250 - B / E / D		***
2000 Hours	Mariner 320 B / E		***
QN15052	Maint. Kit for Condensate Separator, Capitano, Mariner 200 / 250		***
QN26544	Maint. Kit for Condensate, Separator Mariner 320		***

OPTIONAL EQUIPMENT - MINI VERTICUS PRICES ONLY VALID w. NEW COMPRESSOR

	Set of 4 filling devices w. hoses, 200Bar or 300Bar		***
	Set of 4 filling devices w. hoses, switch 200 / 300Bar		***
	B-SECURUS monitoring		***
	Separator after 1st Stage		***
	Filter system P61/350Bar instead of P41/350Bar, Mini Verticus		***
	Set of intermediate pressure gauges		***

OPTIONAL EQUIPMENT - VERTICUS PRICES ONLY VALID w. NEW COMPRESSOR

	Separator after 1st stage		***
PN 200 bar / PN 300 bar	Set of 4 filling devices w. hoses, 200Bar or 300Bar		***
PN 300/200	Set of 4 filling devices w. hoses, switch 200 / 300Bar		***
	075034 Filling Panel		***
	Filter system P81/350Bar instead of P61/350Bar		***
	Set of intermediate pressure gauges		***
	B-SECURUS monitoring		***
	Condensate Collecting Tank 60L (external)		***
	Safety Valve with TÜV Setting, 330Bar, 420Bar		***
	Super Silent for Verticus		***
QVert-Silent Kit	Retrofit Kit Super Silent for Verticus		***

Equipment for Super-Silent Compressor Units:

	Exhaust air duct		***
	Exhaust air duct with cover		***

OPTIONAL EQUIPMENT - POSEIDON LINE PRICES ONLY VALID w. NEW COMPRESSOR

PE100TE	Motor protection switch incl. cable & plug	***
TE-Range	V1. Motor protection switch incl. cable PE200-TE	***
TE-Range	V1. Motor protection switch incl. cable PE250-TE	***
TE-Range	V1. Motor protection switch incl. cable PE300-TE	***
TE-Range	V2. Electric control incl. cable	***
TE-Range	V3. Electric control compl. w. automatic condensate drain and final pressure switch off	***
PE300-TE	V4. Electric control compl. w. automatic condensate drain, final pressure switch off and Securus	***
TE-Range	Condensate collecting tank 10L	***
TE-Range	Additional filling device 200Bar	***
TE-Range	Additional filling device 300Bar	***
TE-Range	Filter P31 instead of P21, PE250-TE / PE300-TE	***
TE-Range	Filter P42 instead of P21, PE300-TE	***
TE-Range	Filter P41 instead of P21, PE300-TE	***
TB-Range	Filter P41 instead of P31, PE300-TB	***
HE-Range	Filter P41 instead of P31, PE250-HE / PE300-HE	***
TE/HE-Range	B-Timer	***
HE-Range	Securus	***
HE-Range	Filling device 2 x 200 Bar (hose connections)	***
HE-Range	Filling device 2 x 300 Bar (hose connections)	***
HE-Range	Filling device 4 x 200 Bar (hose connections)	***
HE-Range	Filling device 4 x 300 Bar (hose connections)	***
HE-Range	Filling device 2 x 200 Bar / 2 x 300 Bar, with pressure reducer (hose connections)	***
HE-Range	Filling device 4 x 200 Bar (direct connection)	***
HE-Range	Filling device 4 x 300 Bar (direct connection)	***
HE-Range	Filling device 2 x 200 Bar / 2 x 300 Bar, with pressure reducer (direct connection)	***

OPTIONAL EQUIPMENT - POSEIDON VE-RANGE PRICES ONLY VALID w. NEW COMPRESSOR

VE-300/400/550/700	Filling device 4 x 200 Bar (hose connections)	***
VE-300/400/550/700	Filling device 4 x 300 Bar (hose connections)	***
VE-300/400/550/700	Filling device 2 x 200 Bar / 2 x 300 Bar, with pressure reducer (hose connections)	***
VE-300/400/550/700	Filling device 4 x 200 Bar (direct connection)	***
VE-300/400/550/700	Filling device 4 x 300 Bar (direct connection)	***
VE-300/400/550/700	Filling device 2 x 200 Bar / 2 x 300 Bar, with pressure reducer (direct connection)	***
VE-Range	B-SECURUS Monitoring	***
VE-Range	Condensate collecting tank 60 L	***
VE-Range	Super Silent for open PE models	***
QPE-Silent Kit	Upgrade Kit Super Silent for open PE models	***

VARIOUS ORIGINAL COMPRESSOR PARTS BAUER

QN28355-1	Synthetic Compressor Oil original Bauer 1 Liter	840
QN28355-3	Synthetic Compressor Oil original Bauer 3 Liter	2,420
QN28355-5	Synthetic Compressor Oil original Bauer 5 Liter	4,010
Q057679	P21 Filter Cartridge (for units with E-motor)	***
Q059183	P21 Filter Cartridge with CO removal (for units with Petrol motor)	***
Q80100	P31 Filter Cartridge	***
Q80114	P31 Filter Cartridge with CO removal	***
Q062565	P41 / P42 Filter Cartridge 20"	***
Q067224	P41 / P42 Filter Cartridge 20" with CO removal	***
Q061686	P41 / P42 Filter Cartridge 20" SECURUS	***
Q061687	P41 / P42 Filter Cartridge 20" SECURUS with CO removal	***
Q058826	P61 Filter Cartridge 27"	***
Q060036	P61 Filter Cartridge 27" SECURUS	***
Q060037	P61 Filter Cartridge 27" SECURUS with CO removal	***
QN4823	Air Intake Filter Cartridge Junior, Poseidon 100	***

ITEM #	DESCRIPTION	RETAIL in. VAT
--------	-------------	-------------------

VARIOUS ORIGINAL COMPRESSOR PARTS BAUER

QN70	Air Intake Filter Profiline I (Old models)	***
QN25950	Air Intake Filter Profi Line II (New Models)	***
QN25326	Oil Filter Element Profi Line II (New Models)	***
Q071343	Filling valve with gauge, 200Bar	***
Q071344	Filling valve with gauge, 300Bar	***
Q071744	Filling valve without gauge, 200Bar	***
Q071743	Filling valve without gauge, 300Bar	***
QN1315	Filling gauge, stainless steel, 315Bar, G1/4" tapered	***
Q073080-KD	Distributor incl. fitting (for connecting two filling hoses)	***
Q059410-225	Bauer generic safety valve, G3/8", 225Bar	***
Q059410-330	Bauer generic safety valve, G3/8", 330Bar	***

EXTERNAL PURIFICATION SYSTEMS

P80 / 350 Bar Purification System	P80 / 350 Bar Purification System	***
Included:	2 x P81 Filter housings	Complete w. 1 set of P81 filter cartridges
	Oil & Water separator with Microfilter Cartridge	
	Condensate valve, manual drain	
	Combined pressure maintaining / non-return valve	
	Filter Key for Cartridge replacement	
NOT Included:	Safety valve	***

COMPRESSOR PARTS L & W

M109	Felt for LW 260 + 450 (5 pack)	280
M110	Felt for LW 160-245 (5 pack)	185

COMPRESSOR PARTS GENERAL

MM01	Mineral Compressor Oil Shell Corena S2 P150 - 1 Liter	450
MM03	Mineral Compressor Oil Shell Corena S2 P150 - 3 Liter	1,300
MM05	Mineral Compressor Oil Shell Corena S2 P150 - 5 Liter	2,125
M100-C	Activated Carbon 500gr.	310
M100-S	Molecular Sieve 1000gr.	640
M100-Pack	Pack 1000gr. Molecular Sieve & 500gr. Activated Carbon	950
M105	Felt, one sqm (1m x 1m)	1,185
M107	Felt for Filter P41, (5 set)	550
M108	Felt for Filter P31, (5 set)	520
M111	Felt for Filter P21 (5 set)	90
M106	Felt for Coltri 40mm (20 pcs)	185

FILLING VALVES, ADAPTERS & GAUGES

SDY-1	DIN Adaptor Saekodive	1,405
SDY-2	Tank Yoke DIN Adaptor 300Bar Saekodive	***
SDY-3	Tank Filling Valve w/o Gauge, Saekodive	***
SAP00122	Tank Filler Assembly, push button bleeder, Saekodive	***
SDY-3F#1	Yoke Knob for SDY-3 and SDY-1	***
M400	Tank Yoke Filling Connector	***
V1117	Filling gauge, stainless steel, oil filled, G1/4" straight	***
V784 28079B	Filling gauge, stainless steel, oil filled, G1/4" tapered	***
V949 61051	Gauge protection boot	***
MAB174	Brass filling connector 4 port	***
MAB170	Bleeding Manifold Brass (w/o. valves)	***
Q068870-M	Adapter, Bauer filling valve w std filling hose (non-swivel, local)	***
V784R121G	Pressure Gauge, Panel Mount, 100mm, 16 Bar, G 1/2"	***

ITEM #	DESCRIPTION	RETAIL in. VAT
--------	-------------	-------------------

FILLING VALVES, ADAPTERS & GAUGES

MAQ504	Safety valve, 0 - 6,000 PSI relief pressure	***
MAQ415600	Reducing Regulator, 0 - 6,000 PSI out, 1/4" FNPT	***
MAQ657	Regulator mount bracket	***

FILLING HOSES

M120	0.7m Filling hose 300Bar, TUV tested, Made in Germany	***
M117	4m Filling hose 225 Bar (steel connector)	***
M118	5m Filling hose 225 Bar (steel connector)	***
M112SS	1m Filling hose 225 Bar (stainless steel connector)	***
M113SS	1.5m Filling hose 225 Bar (stainless steel connector)	***
M114SS	2m Filling hose 225 Bar (stainless steel connector)	***
M115SS	3m Filling hose 225 Bar (stainless steel connector)	***
M117SS	4m Filling hose 225 Bar (stainless steel connector)	***
M118SS	5m Filling hose 225 Bar (stainless steel connector)	***
MFLEX-O2-SS	1.5m O2 Hose (1/4" tapered stainless steel connector)	***

STORAGE BOTTLES AND PARTS

MAB1	Pressure Vessel 50 ltr. 300/450Bar w. DIN valve & cap	***
MAB900	Valve for Pressure Vessel 300 Bar	1,775
MAB149	Valve Connector Brass, G 5/8" outside, G 1/4" inside 300 Bar	***
MAB6	High pressure Pipe 6mm stainless steel (per meter)	***
MAB8	High pressure Pipe 8mm stainless steel (per meter)	***
MAB10	High pressure Pipe 10mm stainless steel (per meter)	***

ข้อกำหนดและเงื่อนไขของบริษัท ไต้ฟซัพพลาย จำกัด

ตัวแทนจำหน่ายของเรามีความแข็งแกร่ง - ยินดีต้อนรับผู้การเป็นส่วนหนึ่งของบริษัท ไต้ฟซัพพลาย

ข้อกำหนดทั่วไป

ในการเป็นตัวแทนจำหน่ายและรับสิทธิประโยชน์จากราคาค่าส่งจากบริษัท ไต้ฟซัพพลาย คุณต้องมีคุณสมบัติอย่างน้อย 1 ข้อดังต่อไปนี้:

- ร้านค้าหรือสำนักงานพร้อมสินค้าที่จัดแสดงสำหรับธุรกิจค้าปลีก
- ผู้ประกอบการเรือ Live-aboard หรือ Day-Trip
- Course Director หรืออาจารย์ผู้สอนดำน้ำ (Instructor Trainer)
- ผู้ประกอบการบริษัททัวร์ หรือ Snorkeling
- ผู้ประกอบการโรงแรมหรือรีสอร์ท
- บริษัทจดทะเบียนในไทย

การเปิดบัญชีตัวแทนจำหน่ายรายใหม่จะต้องเป็นไปตามข้อกำหนดของตัวแทนจำหน่าย กรอกใบสมัครตัวแทนจำหน่ายและส่งสำเนาหนังสือรับรองบริษัท บุคคลที่ไม่เป็นไปตามข้อกำหนดข้างต้นไม่สามารถซื้อสินค้าในราคาขายส่งจากไต้ฟซัพพลายได้

ตัวแทนจำหน่ายของไต้ฟซัพพลายจะต้องมียอดใช้จ่ายไม่ต่ำกว่า 40,000 บาทต่อปี เพื่อรักษาสถานะการเป็นตัวแทนจำหน่ายของไต้ฟซัพพลายและสิทธิการเข้าถึงราคาขายส่ง

เงื่อนไขการชำระเงิน

การสั่งซื้อในครั้งแรกของตัวแทนจำหน่ายรายใหม่จะต้องชำระเงินล่วงหน้าก่อนจัดส่งสินค้า หรือ ชำระเงินด้วยเงินสดเมื่อได้รับของทันที สำหรับบัญชีตัวแทน

จำหน่ายที่มียอดใช้จ่ายเกินวงเงิน บริษัทไต้ฟซัพพลายจะไม่ดำเนินการจัดส่งสินค้า จนกว่าจะได้รับการชำระเงินเต็มจำนวน

เงื่อนไขจะขึ้นอยู่กับวันที่ของใบเสร็จ/ใบกำกับภาษี ในกรณีเกิดการชำระล่าช้าบริษัทจะคิดค่าธรรมเนียมตามอัตราร้อยละสูงสุดที่กฎหมายบังคับใช้นับจากวันที่ออกใบเสร็จ/ใบกำกับภาษี

นโยบายการคืนสินค้า

การรับคืนสินค้าได้ก็ตาม (นอกเหนือจากการคืนสินค้าที่เกี่ยวข้องกับการร้องขอการรับประกัน) จะถูกจำกัดเฉพาะสินค้าที่ผลิตในปัจจุบัน กล่องและป้ายราคาจะต้องอยู่ในสภาพเดิมและอยู่ในสภาพที่ขายได้ ภายในระยะเวลา 21 วัน นับจากวันที่ออกใบเสร็จ/ใบกำกับภาษี เครดิตหรือการแลกเปลี่ยนสินค้าขึ้นอยู่กับดุลยพินิจของบริษัทไต้ฟซัพพลาย แต่เพียงผู้เดียว เครดิตใด ๆ ที่ออกโดยบริษัทไต้ฟซัพพลาย จะเป็นราคาซื้อเดิมของสินค้าบวกกับค่าธรรมเนียมการบรรจุสินค้าใหม่ 15% ของราคาซื้อเดิม จะต้องได้รับการอนุมัติจากบริษัทไต้ฟซัพพลาย และต้องมีหมายเลขการอนุมัติการส่งคืนเท่านั้น (RA #) บริษัทไต้ฟซัพพลายจะไม่รับผิดชอบสำหรับการสูญหายหรือความเสียหายที่เกิดขึ้นในระหว่างการขนส่งสินค้าไปยัง บริษัทไต้ฟซัพพลาย

นโยบายการจัดส่ง

หลังจากที่สินค้าถูกส่งออกจากคลังสินค้าของบริษัทไปแล้ว บริษัทไต้ฟซัพพลาย จะไม่รับผิดชอบต่อความเสียหายหรือการฉีกขาดซึ่งเกิดจากผู้ให้บริการขนส่ง สินค้าที่ได้รับความเสียหายและการชำระจะต้องส่งถึงบริษัทไต้ฟซัพพลาย ภายใน 48 ชั่วโมงหลังจากได้รับสินค้า

นโยบายการสั่งซื้อสินค้าในขณะที่สินค้าหมด (Back Order)

คำสั่งซื้อสินค้าที่ไม่มีอยู่ในคลังสินค้า ณ ขณะนั้น ทางบริษัทจะทำการเก็บเงินไว้ เมื่อสินค้าพร้อมจะถูกจัดส่งโดยอัตโนมัติวันแต่จะตกลงเป็นอย่างอื่น

นโยบายราคาและส่วนลด

ราคาของบริษัทไต้ฟซัพพลาย อาจมีการเปลี่ยนแปลงโดยไม่ต้องแจ้งให้ทราบล่วงหน้า

เพื่อประโยชน์ของผู้เข้าร่วมตลาดทุกคน ไต้ฟซัพพลายไม่แนะนำให้ขายสินค้าในราคาขายส่งหรือราคาที่บวกเพิ่มเพียงเล็กน้อย เว้นแต่จะได้รับอนุมัติล่วงหน้าจากไต้ฟซัพพลาย:

- ราคาขั้นต่ำที่สามารถโฆษณาในรายการปกติใดๆ จะต้องมีส่วนลดไม่เกิน 20% จากราคาขายปลีกที่เราแนะนำ (RRP)
- ผู้ค้าจะต้องไม่โฆษณาส่วนลดหรือของขวัญเพิ่มเติมพร้อมกับการซื้อ (GWP) ด้วยโปรโมชั่นปัจจุบันใดๆ ที่ดำเนินการโดยบริษัทไต้ฟซัพพลาย
- มูลค่ารวมของส่วนลดและ GWP ต้องไม่เกิน 20% ส่วนลดจาก RRP

ไต้ฟซัพพลายขอสงวนสิทธิ์ในการยุติการจำหน่ายสินค้าให้กับลูกค้าที่ไม่ปฏิบัติตามกฎเหล่านี้และได้กระทำผิดซ้ำๆ เพื่อยกเลิกข้อตกลงทางธุรกิจ

การรับประกัน

1. บริษัทไต้ฟซัพพลายรับประกันสินค้า 1 ปีหลังจากวันที่สั่งซื้อ ผลิตภัณฑ์แต่ละชิ้นของบริษัทไต้ฟซัพพลาย และที่ซื้อจากตัวแทนจำหน่ายของบริษัทไต้ฟซัพพลาย ที่ได้รับอนุญาตจะต้องอยู่ในสภาพสมบูรณ์ และมีการบำรุงรักษาที่เหมาะสม มิฉะนั้นแล้วจะไม่รับประกัน
2. อาจมีกฎระเบียบเพิ่มเติมหรือข้อบังคับพิเศษสำหรับสินค้าแบรนด์ต่างๆ ตามข้อกำหนดและเงื่อนไขการรับประกันเฉพาะของซัพพลายเออร์ของบริษัทไต้ฟซัพพลาย
3. การรับประกันนี้ไม่ครอบคลุมถึงสินค้าที่อาจมีการล่องละเมิดในทางที่ผิด การติดตั้งที่ไม่เหมาะสม การเปลี่ยนแปลง การบำรุงรักษาที่ไม่เหมาะสมเลยในการดูแล หรือการบำรุงรักษาและการรับบริการซ่อมแซมที่ดำเนินการโดยผู้อื่นที่ไม่ใช่ตัวแทนจำหน่ายผู้ที่ได้รับมอบอำนาจของบริษัทไต้ฟซัพพลาย หรือช่างเทคนิคของไต้ฟซัพพลาย
4. สำหรับลูกค้าที่ซื้อสินค้า และได้รับการรับประกัน สินค้าที่ได้รับความเสียหาย จะต้องส่งมอบให้กับตัวแทนจำหน่ายของบริษัทไต้ฟซัพพลายที่ซื้อสินค้านั้นๆ พร้อมกับหลักฐานการซื้อ ตัวแทนจำหน่ายของบริษัทไต้ฟซัพพลายจะต้องส่งสินค้าคืนมาให้กับ บริษัทไต้ฟซัพพลาย ตามที่อยู่ 88/5 ม.10 ถ.ปฎัก ต.ฉลอง อ.เมือง จ.ภูเก็ต 83130 สำหรับการตรวจสอบว่าสินค้าได้รับการรับประกันตามข้อกำหนดและเงื่อนไขที่ระบุมาข้างต้นหรือไม่ การคืนสินค้าทุกกรณี อยู่ภายใต้บทบัญญัติของนโยบายการคืนสินค้า
5. ในกรณีที่บริษัทไต้ฟซัพพลาย กำหนดว่าการรับประกันที่กำหนดไว้ข้างต้นมีผลบังคับใช้กับสินค้าใดๆ วิธีการซ่อมแซม การเปลี่ยนชิ้นส่วน เป็นดุลยพินิจของบริษัทไต้ฟซัพพลายแต่เพียงผู้เดียว บริษัทไต้ฟซัพพลายจะออกเครดิตให้กับตัวแทนจำหน่ายไม่เกินราคาของสินค้าที่ได้ทำการสั่งซื้อสำหรับสินค้าที่ได้รับผลกระทบ ไม่ว่าในกรณีใดๆ บริษัทไต้ฟซัพพลาย จะไม่รับผิดชอบต่อตัวแทนจำหน่ายหรือผู้ซื้อสำหรับความเสียหายอื่นๆ จากอุบัติเหตุหรือความเสียหายที่ตามมา
6. การเรียกร้องการรับประกันทั้งหมดจะต้องแนบสำเนาใบเสร็จใบเสร็จ/ใบกำกับภาษีของสินค้านั้นมาด้วย

ราคาอาจเปลี่ยนแปลงได้โดยไม่ต้องแจ้งให้ทราบล่วงหน้า

DIVE SUPPLY HISTORY

Diving & Snorkeling Equipment Wholesale Specialist

Dive Supply is the leading distributors and wholesalers of major brand names in South East Asia and is the exclusive distributor for Scubapro, Suunto, Deep Blue Products, Seac, Pelican, Saekodive, Bauer, Luxfer, Tovatec, Olympus, Divevolk and Maxtec.

We operate from our 1,500 sqm custom built warehouse in Chalong, Phuket, where we have a fully equipped service center.

If you are looking for the leading brands in Diving and Snorkeling Equipment along with value for money and excellent customer service then Dive Supply is the place to come.

We have a product portfolio which is second to none and we are the main distributor for PADI materials throughout Thailand.



sales@divesupply.com
www.divesupply.com
facebook/DiveSupply



Dive Supply Co., Ltd.
88/5 Moo10 Patak Road,
Chalong,Phuket,Thailand



Tel : +66 (0) 76 383 414-6
Fax : +66 (0) 76 281 525



“new ways to contact us”



DIVE SUPPLY TERMS AND CONDITIONS

OUR DEALERS ARE OUR STRENGTH – WELCOME TO THE DIVE SUPPLY COMMUNITY

GENERAL TERMS

To become a DIVE SUPPLY Dealer and benefit from DIVE SUPPLY Trade prices, you must be one of the following:

- Shop or office with goods on display for retail business
- Live-aboard or day-trip boat operator
- Course Director or Instructor Trainer
- Snorkeling or tour operator
- Hotel or resort operator
- Thai registered company

New accounts must meet the dealer requirements, complete a dealership application and submit a copy of the company registration. Individuals who do not meet the above requirements are strictly prohibited from purchasing at trade prices from DIVE SUPPLY. A dealer's annual purchases from DIVE SUPPLY must exceed 40,000 Baht to qualify for continued dealer status and access to Trade prices.

PAYMENT TERMS

First orders to new dealers will only be shipped prepaid or cash on delivery. For overdue accounts DIVE SUPPLY will not ship goods until full payment is received. Terms are based on date of invoice. A finance charge based on the maximum percentage permitted by the applicable law shall be added to late payments calculated from the date the invoice was issued.

RETURN POLICY

DIVE SUPPLY may, but is not obligated to, accept return of goods. For a 21 day period after date of invoice, any such returns (other than returns requested by DIVE SUPPLY in connection with warranty claims) will be limited to goods of current manufacture, in original packaging and in sellable condition. Credit or exchange of the merchandise is at the sole discretion of DIVE SUPPLY, any credits issued by DIVE SUPPLY will be for the original purchase price of the goods, PLUS a restocking charge of 15% of the original purchase price of the goods. Merchandise may not be returned without prior approval from DIVE SUPPLY and a Return Authorization number (RA#). DIVE SUPPLY will assume no responsibility for losses or damages incurred on merchandise in transit to DIVE SUPPLY.

SHIPPING POLICY

All prices are ex warehouse and shipments will not be insured by DIVE SUPPLY. DIVE SUPPLY shall not be held responsible for any damage or shortage, which is caused by the carrier. Shortages or damage claims to the carrier and to DIVE SUPPLY must be made within 48 hours upon receipt of goods.

BACK ORDER POLICY

Back orders shall automatically be shipped unless agreed otherwise.

PRICE POLICY AND DISCOUNTS

DIVE SUPPLY prices are subject to change without prior notice.

In the interest of all market participants DIVE SUPPLY does not endorse the sale or passing on of our products to third parties at trade price or slightly above.

Unless pre-approved by DIVE SUPPLY:

- The Minimum Advertized Price on any regular stock item must NOT exceed 20% discount from our recommended retail price (RRP).
- Dealers must NOT advertize additional discount or gifts with purchase (GWP) with any current promotion being conducted by DIVE SUPPLY.
- The total value of discounts and GWP must NOT exceed 20% discount from the RRP.

DIVE SUPPLY reserves the right to discontinue the supply of certain product lines to customers who do not follow these rules and in repeated cases, to terminate the business agreement.

WARRANTY

1. DIVE SUPPLY warrants to the original consumer purchaser that, for the period of one year from date of purchase, each DIVE SUPPLY product not otherwise warranted and purchased from an authorized DIVE SUPPLY dealer will be free from defects in materials and workmanship under normal use and with reasonable maintenance.

2. Additional or special regulations may apply to different brands according to the specific warranty terms and conditions of DIVE SUPPLY's suppliers.

3. The warranty does not apply to goods that have been subject to abuse, misuse, improper installation, alteration, improper maintenance, neglect of care or maintenance or repair service performed by someone other than an authorized DIVE SUPPLY dealer or technician.

4. For the original consumer purchaser to obtain warranty service, the affected product must be delivered to the DIVE SUPPLY dealer it was purchased from, together with proof of purchase. The DIVE SUPPLY dealer is required to return the goods to DIVE SUPPLY at 88/5 Moo 10, Patak Road, T. Chalong, A. Muang, Phuket 83130, for verification that the warranty set forth in these terms and conditions is applicable. Any such returns are subject to the provisions in the RETURN POLICY section.

5. In the event DIVE SUPPLY determines that the warranty set forth above is applicable to any goods, DIVE SUPPLY shall, as the sole remedy, replace, repair or at DIVE SUPPLY's sole discretion, issue to the dealer a credit for an amount not to exceed the original purchase price paid by the dealer for the affected goods. In no event shall DIVE SUPPLY be liable to the dealer or the original consumer purchaser for any special, incidental or consequential damages.

6. All warranty claims must be accompanied by a copy of the original purchase invoice.

PRICES ARE SUBJECT TO CHANGE WITHOUT PRIOR NOTICE

Dive Supply Main Office (Phuket)

sales@divesupply.com

Tel : +66 (0) 76 383 414-6

Fax : +66 (0) 76 281 525

Koh Tao Dive Supply

info@kohtaodivesupply.com

Tel : +66 (0) 77 456 162

Fax : +66 (0) 77 456 163

Bangkok Dive Supply

contact@divesupplybkk.com

Tel : +66 (0) 2 354 4815

Fax : +66 (0) 2 354 4819

Samui Dive Supply

info@samuidivesupply.com

Tel : +66 (0) 77 230 063

Fax : +66 (0) 77 230 186

Koh Chang Dive Supply

info@kohchangdivesupply.com

Tel : +66 (0) 39 551 518

Fax : +66 (0) 39 551 519