

PRICE LIST

DIVE SUPPLY

Diving, Snorkeling
& Water Sports Equipment

2023



Dive Supply Main Office (Phuket)

sales@divesupply.com
Tel : +66 (0) 76 383 414-6
Fax : +66 (0) 76 281 525

Dive Supply Bangkok

contact@divesupplybkk.com
Tel : +66 (0) 2 354 4815
Fax : +66 (0) 2 354 4819

Dive Supply Koh Tao

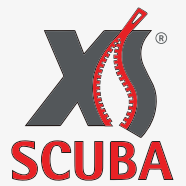
kohtao@divesupply.com
Tel : +66 (0) 95 424 4273

Koh Chang Dive Supply

info@kohchangdivesupply.com
Tel : +66 (0) 39 551 518
Fax : +66 (0) 39 551 519



DIVE SUPPLY



INDEX

2023

DIVING & SNORKELLING EQUIPMENT

School Sets & Rental Equipment	■	5
Regulators	■	7
BCDs	■	8
Technical Diving Equipment	■	8
Instruments: • Consoles • Gauges • Compasses	■	10
Dive Computers: • SUUNTO • Scubapro	■	11
Masks • Snorkels • Snorkelling Sets	■	12
Fins	■	16
Boots • Gloves	■	17
Wetsuits • Lycra • Rashguards	■	17
Life Vests • First Aid Equipment • Oxygen Kits • CPR Manikins	■	19
Log Books • Log Binders • Log Inserts	■	19
Marine Guides • Fish ID Cards • Slates	■	19
Pelican Cases • Dry Bags	■	20
Gear Bags • Lift Bags	■	21
Cameras • Lights • Torches • Knives	■	21
Signalling Devices • Surface Markers, Floats & Buoys	■	24
Mouthpieces • Mask & Snorkel Parts • Fin Straps, Buckles & Parts	■	25
Other Straps • Clips, Hooks & Coils • Retractors • Reels	■	27
BCD Parts • Weight Belts • Weights	■	29
Liquids & Cleaning Solutions • Regulator Accessories	■	30
Tools • Workshop Needs • Computer Batteries	■	31
Suunto Spare Parts • Regulator Service Kits	■	32
Nitrox Equipment • Hoses • HP Swivels	■	35
Promotion Items	■	36

TANKS & VALVES including PARTS, ACCESSORIES

Tanks • Valves	■	38
Valve Spare Parts	■	38
Valve Parts: • THERMO • Deep Blue • SMT • SHERWOOD • XS Scuba	■	39
O-Rings • Viton O-Rings	■	42

COMPRESSORS including PARTS, ACCESSORIES

Portable Models: • Bauer Junior • Capitano • Mariner • Poseidon	■	43
Stationary Models: • Mini Verticus • Verticus • Poseidon	■	44
B-Kool • B-Virus • Aero-Guard • Aerotest • B-Safe	■	45
Optional Equipment Compact, Profi Line, Mini Verticus & Verticus	■	46
Optional Equipment Poseidon • Maintenance Kits	■	47
Various Parts Bauer • External Purification Systems	■	48
Parts General • Filling Valves, Adapters & Gauges • Filling Hoses	■	49
Storage Bottles & Parts	■	50

SERVICE, RENTAL & CUSTOM CHARGES

Service & Rental Charges	■	51
Custom Prints & Embroidery	■	53

Color Codes:

B = Blue

Gp = Graphite

O = Orange

Ti = Titanium

BL = Blue Lagoon

Gy = Grey

Pi = Pink

Tq = Turquoise

C = Clear

K = Black

PD = Pink Diva

Y = Yellow

Ci = Citrus

KO = Black Orange

Pu = Purple

YM = Yellow Mango

Co = Cobalt

KS = Black Silicone

R = Red

W = White

G = Green

Li = Lime

T = Teal

Si = Silver

T after any color code indicates Transparent (example BT = Blue Transparent)

DIVE CENTRE GEAR

DIVE SUPPLY SCHOOL SETS



SCUBAPRO T-ONE BCD



SCUBAPRO MK2EVO/R095 SET



SCUBAPRO R095 OCTOPUS



DEEP BLUE PRESSURE GAUGE



SCUBAPRO PRESSURE GAUGE



DEEP BLUE MINI 2K PG/DG



SCUBAPRO U-LINE 2 PG/DG



SUUNTO ZOOP RENTAL

DEEP BLUE WETSUITS



DEEP BLUE SPORTFLEX PRO SHORTY



DEEP BLUE SPORTFLEX SHORTY



DEEP BLUE SPORTFLEX SHORTY



DEEP BLUE SPORTFLEX PRO STEAMER

FINS



SCUBAPRO GO RENTAL



SEAC F100

GEAR BAG



DEEP BLUE GEAR BAG



DEEP BLUE LARGE GEAR BAG



DEEP BLUE MESH BAG

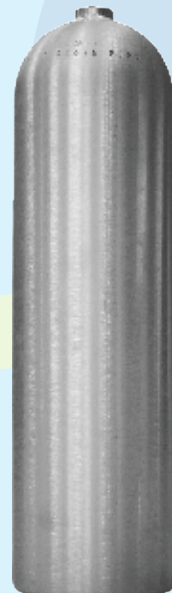
TANKS & VALVES



DEEP BLUE K



DEEP BLUE PRO



LUXFER S80

TORCHES



DEEP BLUE TORNADO



DEEP BLUE STORM



TOVATEC COMPACT

MASKS & SNORKELS



DEEP BLUE BORA



DEEP BLUE COVERT



SAEKODIVE RUNNER



DEEP BLUE STINGRAY



DEEP BLUE MARLIN

COMPLETE SCHOOL SETS w. DEEP BLUE INSTRUMENTS - includes Inflator Hose and Hose Protector

SchoolSet-DB 1	T-One BCD, MK2 Evo/R095/R095 Octopus/Deep Blue Metal PG	
	1+ Complete Sets	34,655
	5 + Complete Sets	
	10 + Complete Sets	
SchoolSet-DB 2	T-One BCD, MK2 Evo/R095/R095 Octopus /Deep Blue Console PG/DG	
	1+ Complete Sets	36,613
	5 + Complete Sets	
	10 + Complete Sets	

COMPLETE SCHOOL SETS w. SCUBAPRO INSTRUMENTS - includes Inflator Hose and Hose Protector

SchoolSet-SP 1	T-One BCD, MK2 Evo/R095/R095 Octopus/Scubapro Metal PG	
	1+ Complete Sets	36,236
	5 + Complete Sets	
	10 + Complete Sets	
SchoolSet-SP 2	T-One BCD, MK2 Evo/R095/R095 Octopus /Scubapro U-Line Console PG/DG	
	1+ Complete Sets	38,425
	5 + Complete Sets	
	10 + Complete Sets	

SCUBAPRO REGULATOR SCHOOL SET with DEEP BLUE INSTRUMENTS

RegSet-DB 1	MK2 Evo/R095/R095 Octopus, Deep Blue Metal PG	
	1+ Complete Sets	18,633
	5 + Complete Sets	
	10 + Complete Sets	
RegSet-DB 2	MK2 Evo/R095/R095 Octopus, Deep Blue PG/DG Set	
	1+ Complete Sets	20,808
	5 + Complete Sets	
	10 + Complete Sets	

SCUBAPRO REGULATOR SCHOOL SETS with SCUBAPRO INSTRUMENTS

RegSet-SP 1	MK2 Evo/R095/R095 Octopus, Scubapro Metal PG	
	1+ Complete Sets	20,808
	5 + Complete Sets	
	10 + Complete Sets	
RegSet-SP 2	MK2 Evo/R095/R095 Octopus, Scubapro U-Line PG/DG Set	
	1+ Complete Sets	22,838
	5 + Complete Sets	
	10 + Complete Sets	

SCUBAPRO - SCHOOL BCD

X21.723x00	SCUBAPRO T-One BCD (includes FREE GENUINE SCUBAPRO Inflator Hose)	
	1+ Scubapro T-One BCD, sizes 2XS to 2XL	15,805
	5+ Scubapro T-One BCD, sizes 2XS to 2XL	
	10+ Scubapro T-One BCD, sizes 2XS to 2XL	

SCHOOL Packages:

- BCD T-One
- 1st Stage MK2 Evo
- 2nd Stage R095 (Primary & Octopus)
- Console 4 options:
 - Deep Blue Metal PG
 - Scubapro Metal PG
 - Deep Blue PG/DG Set
 - Scubapro U-Line Console PG/DG



SUUNTO RENTAL COMPUTERS

FSS022692000	Zoop NOVO Wrist RENTAL, Lime	Best Rental	***
--------------	------------------------------	-------------	-----

DEEP BLUE RENTAL WETSUITS

DBADS01	Sportflex Pro Shorty 3mm, CR-Foam, Black, sizes 2XS to 3XL	Best Rental	2,290
DBADS02	Sportflex Shorty 3mm, SBR-Foam, Black/Blue, sizes S to XL	Best Rental	1,990
DBADS04	Sportflex Shorty 3mm, SBR-Foam, Black, sizes 2XS to 3XL	Best Rental	1,990
DBADS03	Sportflex Pro Steamer 3mm, CR-Foam, Black, sizes XS to 3XL	Best Rental	3,490

Custom printing available

RENTAL MASKS, SNORKELS & FINS

DB1MA36+	Bora Plus Mask, 2 Lens - BT, K, KK, KY, O, Y	Best Rental	690
S1083KS	Runner Mask, fits most faces - BT, C, G, K, Y	Optical Lens	990
S1083OP-1	Optical Lenses for Runner Mask S1083, -1.0 to -7.0 (per lens)		975
DBSA105	Stingray Snorkel, w. purge - BT, C, K, KK, Y	Best Rental	470
DBSA91	Marlin Snorkel J-style - BT, C, K, KK, Y	Best Rental	250
X25.743.x00	GO Rental Fin, Black, 6 sizes, color coded straps	Best Rental	3,150
B9290	F-100 PRO full foot Fins, 6 sizes - B, K, Pi, R, Y	Best Rental	2,590

DEEP BLUE RENTAL GEAR BAGS

DB8010	Deep Blue Gearbag, large (60 liter) - Blue, Black	Best Rental	935
DB8020	Deep Blue Gearbag, oversize (90 liter) - Blue, Black, Red	Best Rental	1,275
DBBL3176	Deep Blue Mesh Gearbag 63cm - Black	Best Rental	1,140



REGULATOR - SCUBAPRO**REGULATOR SETS - SOLD AS SETS ONLY**

X12.105.000	MK2 Evo/R105	ETA Feb'23	14,990
X12.105.300	MK2 Evo DIN/R105	ETA Feb'23	14,990
X12.719.500	MK19 Evo BT/G260 Carbon BT		53,265
X12.719.600	MK19 Evo BT DIN 300/G260 Carbon BT		53,265
X12.771.500	MK25 Evo BT/G260 BT		34,805
X12.771.550	MK25 Evo BT/G260 Carbon BT		53,265
X12.771.650	MK25 Evo BT DIN/G260 Carbon BT		53,265
X12.770.700	MK25 Evo BT/A700 Carbon BT		57,340
X12.620.400	MK25T Evo/S620X Ti		99,805

REGULATOR SETS (combine any 1st & 2nd Stage)

X12.096.000	MK2 Evo/R095	Best Rental	10,875
X12.127.000	MK2 Evo/S270	ETA Feb'23	17,795
X12.177.000	MK11/S270		22,255
X12.175.000	MK11/C370		23,540
X12.425.000	MK19 Evo/D420		39,015
X12.425.300	MK19 Evo DIN/D420		39,015
X12.255.010	MK19 Evo/G260		33,720
X12.252.010	MK25 Evo/G260		34,330
X12.252.030	MK25 Evo DIN/G260		34,330
X12.420.000	MK25 Evo/D420		39,625
X12.420.300	MK25 Evo DIN 300/D420		39,625
X12.971.050	MK25 Evo/S600		36,370
X12.971.070	MK25 Evo DIN/S600		36,370
X12.620.000	MK25 Evo/S620 Ti		40,440
X12.770.040	MK25 Evo/A700		42,885

First Stages

X10.063.000	MK2 Evo		7,105
X10.063.300	MK2 Evo DIN		8,310
X10.708.000	MK11		11,565
X10.708.300	MK11 DIN		11,565
X10.714.010	MK17 Evo		14,420
X10.714.030	MK17 Evo DIN		14,420
X10.719.010	MK19 Evo		17,675
X10.719.030	MK19 Evo DIN		17,675
X10.713.010	MK25 Evo		18,285
X10.713.030	MK25 Evo DIN		18,285

Second Stages

X11.330.600	R095		5,440
X11.270.000	S270	ETA Feb'23	10,690
X11.263.000	G260		16,045
X11.370.000	C370		11,975
X11.420.000	D420		21,340
X11.603.000	S600		18,085
X11.620.000	S620 Ti		22,155
X11.700.000	A700		24,600

Octopus

X11.330.400	R095 Octopus w/39" Hose	Best Rental	5,585
X11.332.200	R105 Octopus w/39" Hose	ETA Feb'23	8,310
X11.331.200	R195 Octopus w/100cm Hose		9,530
X11.270.200	S270 Octopus w/100cm Hose		10,755

Accessories

X10.045.030	DIN Conversion Kit Universal		2,180
X10.019.100	DIN to Yoke Adapter		5,820
X41.300.020	Adjustable Kit MK 25		940
X41.300.010	Adjustable Kit MK 25T / TA		2,800

REGULATOR - SCUBAPRO (Continued)**Accessories**

X50.080.000	Scubapro Neoprene Regulator Shield 2nd Stage Cover	650
X11.602.036	Purge Cover S600 - Black	405
X11.602.03xP	Purge Cover S600 - Red, White	585
X11.602.04xP	Purge Cover S600 - Hydros Blue, Orange, Pink, Purple, Yellow	630
X01.097.134	Octopus retainer "Scubapro" (Mouthpiece plug), Yellow	360

BCD - SCUBAPRO

X21.723.x00	Scubapro T-One BCD, sizes 2XS to 2XL, incl. FREE Scubapro Inflator Hose	Best Rental	15,805
X21.621.x00	Level, weight integrated, sizes XS to XL		25,325
X21.730.x00	Hydros Pro Men, sizes S to 2XL - Black		40,760
X21.736.x00	Hydros Pro Women, sizes XS to L - White		40,760
X21.900.x00	Hydros X Men, sizes S to XXL		47,345
X21.901.x00	Hydros X Women, sizes XS to L		47,345
X22.285.x20	Glide , sizes XS - XL, Black/Grey		27,985
X22.142.x10	Seahawk 2, sizes 2XS to XL		26,655
X21.224.010	Kids BCD - Rebel V2		21,085
X21.090.000	Air 2 Black, 5th generation		9,915
X21.090.000U	Air 2 Black, 5th generation, upgrade on BCD	NEW	5,435
X21.610.000	Scubapro Power Inflator		5,475
X21.600.100	Scubapro Power Inflator (old version)		4,410

BCD Accessories

X21.745.xx0	Color Kit - Hydros Pro, A. Green, Turquoise, White, Yellow, Blue, Orange, Pink, Purple	2,135
X21.745.100	Color Kit - Hydros Pro, Black	1,390
X21.746.001	Knife & Accessory Plate	850
X21.746.002	Mini D-Ring Set	850
X21.746.400	Accessory Bungee Set - M	755
X21.746.500	Accessory Bungee Set - L	755
X21.746.005	Hydros Ninja Pocket	1,995
X21.746.006	Hydros Cargo Thigh Pocket	2,135
X21.788.300	Hydros Trav. Tek Strap, - M	2,590
X21.572.000	Weight Pockets - Rebel Kids V2	3,095

SIDEMOUNT

X12.252.060	Sidemount Regulator Kit	76,720
X21.726.001	Sidemount Harness Backpad System	16,400
X21.726.200	Sidemount Wing 12L	15,070
X21.726.117	Sidemount Wing cover	2,195
X21.726.008	Weight Strap	575

SCUBAPRO X-TEK

X22.193.113	X-Tek Donut Bladder 13 kg	3,880
X23.804.000	X-Tek PURE Harness Straps w/o Backplate & w/o crotch strap	2,325
X23.806.000	X-Tek FORM Harness Straps w/o Backplate & w/o crotch strap	8,895
X23.800.000	X-Tek Backplate - S. Steel	5,865
X23.801.000	X-Tek Backplate - Aluminium	4,400
X23.807.000	Soft Travel Backplate	3,530
X23.803.000	X-Tek Access - Weight Pocket System w D-ring	2,795
X23.808.000	X-Tek Access - Backplate storage pack	2,590
X23.809.000	X-Tek Access - Shoulder Pads - Pair	920

NEW SCUBAPRO S-TEK**PURE HARNESS SETS**

X22.247.030	S-TEK Donut Wing 30 w. S-TEK PURE Harness, ALU backplate (No S.T.A)	34,985
X22.247.040	S-TEK Donut Wing 40 w. S-TEK PURE Harness, ALU backplate (No S.T.A)	36,760
X22.247.060	S-TEK Donut Wing 60 w. S-TEK PURE Harness, ALU backplate (No S.T.A)	37,205
X22.248.030	S-TEK Donut Wing 30 w. S-TEK PURE Harness, SS backplate & Single Tank Adapter	37,860
X22.248.040	S-TEK Donut Wing 40 w. S-TEK PURE Harness, SS backplate (No.S.T.A)	33,115
X22.248.060	S-TEK Donut Wing 60 w. S-TEK PURE Harness, SS backplate (No S.T.A)	33,560

PURE PLUS HARNESS SETS

X22.241.095A	S-TEK Donut Wing 30 w. S-TEK PURE PLUS Harness, ALU backplate & Single Tank Adapter	49,705
X22.241.095S	S-TEK Donut Wing 30 w. S-TEK PURE PLUS Harness, SS backplate & Single Tank Adapter	42,255

PRO HARNESS SETS

X22.250.030	S-TEK Donut Wing 30 w. S-TEK PRO Harness, ALU backplate (No S.T.A)	39,420
X22.250.040	S-TEK Donut Wing 40 w. S-TEK PRO Harness, ALU backplate (No S.T.A)	41,195
X22.250.060	S-TEK Donut Wing 60 w. S-TEK PRO Harness, ALU backplate (No S.T.A)	41,640
X22.249.030	S-TEK Donut Wing 30 w. S-TEK PRO Harness, SS backplate & Single Tank Adapter	42,065
X22.249.040	S-TEK Donut Wing 40 w. S-TEK PRO Harness, SS backplate (No S.T.A)	37,360
X22.249.060	S-TEK Donut Wing 60 w. S-TEK PRO Harness, SS backplate (No S.T.A)	37,805

HARNESS

X22.241.001	S-TEK PURE Harness - SS Backplate, crotch strap, continuous webbing	14,740
X22.241.002	S-TEK PURE Harness - ALU Backplate, crotch strap, continuous webbing	14,740
X22.241.090	S-TEK PURE Plus Harness - SS Backplate, crotch strap, adjustable webbing	19,620
X22.242.001	S-TEK PRO Harness - SS Backplate, crotch strap, adjustable webbing	19,175
X22.242.002	S-TEK PRO Harness - ALU Backplate, crotch strap, adjustable webbing	19,175

WINGS

X22.240.030	S-TEK Donut Wing 30, 13kg	20,250
X22.240.040	S-TEK Donut Wing 40, 18kg	22,025
X22.240.060	S-TEK Donut Wing 60, 27kg	22,465

BACK PLATES

X22.246.102	S-Tek Backplate - Aluminium	9,980
X24.246.101	S-Tek Backplate - Stainless Steel	9,980

ACCESSORIES

X21.615.000	S-Tek K-Style balanced Inflator	4,405
X23.607.000	S-TEK Single Tank Adapter (S.T.A)	7,145
X23.601.000	S-Tek Weight System Fluid-Form	7,015
X23.609.000	S-TEK Trim Weight Pocket Kit	2,365
X23.614.000	S-TEK Expedition Thigh Pocket	2,545
X22.245.103	S-TEK Crotch Strap	2,015
X01.012.000	S-TEK Bungee Necklace	505
X40.202.050	S-TEK Spinner Sool 50ft / 15m	3,210
X40.202.100	S-TEK Spinner Spool 100ft / 30m	3,500
X40.202.150	S-TEK Spinner Spool 150ft / 45m	3,730
X40.203.00x	S-TEK Spool Color Kit, W, Y, B, Tu, ArG, O, Pi	715
X40.201.330	S-TEK Expedition Reel 330ft / 100m	13,035
X40.201.660	S-TEK Expedition Reel 660ft / 200m	14,780
X40.204.001	S-TEK Cookie Monster (10 pack incl. Bungee/bolt snap)	1,665
X40.204.002	S-TEK Arrow Monster (10 pack incl. Bungee/bolt snap)	1,665
X01.130.000	Trigger Snap, 1/2" / 13mm	755
X01.131.010	Bolt Snap, XS, 3/8" / 10mm	755
X01.131.014	Bolt Snap, S, 1/2" / 14mm	755
X01.131.025	Bolt Snap, L, 1" / 25mm	755
X01.132.105	Bolt Snap, DBL, M, 4"/105mm	800
X01.132.125	Bolt Snap, DBL, L, 5"/125mm	800
X01.133.025	Bolt Snap, Flateye, 1" / 25mm	800
X01.134.036	Bolt Snap, Bigeye, 1.4" / 36mm	800
X01.080.190	D-Ring - Stainless, 5x50mm, Pre-Bent	410
X01.080.191	D-Ring - Stainless, 5x50mm, Straight	410

NEW SCUBAPRO S-TEK (Continued)**ACCESSORIES**

X01.082.050	Tri-Glide Stainless - 50mm		410
X01.087.050	Quad-Glide Stainless - 50mm		410
X23.612.040	S-Tek Stage Kit LOW PROFILE 40		3,075
X23.612.080	S-Tek Stage Kit LOW PROFILE 80		3,160
X23.613.040	S-Tek Stage Kit COLD WATER 40		3,160
X23.613.080	S-Tek Stage Kit LOW PROFILE 80		3,385
X23.620.125	Band Stage Kit 125mm set		1,300
X23.620.180	Band Stage Kit 180mm set		1,520
X23.611.00x	S-Tek Back Pad Kit - K,W, Y, B, Tu, ArG, O, Pi		2,320
X23.616.00x	S-Tek Harness - Shoulder & Waist Pad Kit - K, W, Y, B, Tu, ArG, O, Pi		2,320

INSTRUMENTS - SCUBAPRO

X05.023.112	U-Line PG Compact, metal, complete w. Hose & Boot, Metric	Best Rental	5,040
X05.012.210	U-Line Console 2 -DG/PG, U-Line, Metric	Best Rental	7,395
X05.023.210	Console 2 -PG/DG Metal, "Fishball", Metric		10,265
X05.011.753	Console 3 Slim - PG/DG, FS-2 Compass, Metric		14,700
X05.011.724	Console 3 Slim - PGpsi/DGft, FS-1.5 Compass, Imperial		11,950
X05.014.110	Pressure Gauge Digital 330, w wrist mount, Metric		9,975
X05.022.012	Capsule Pressure Gauge for Compact, metal - Metric		3,725
X05.012.012	Capsule Pressure Gauge for U-Line - Metric		3,520
X28.039.302	Capsule Pressure Gauge for Compact (orig.) - Metric		3,805
X05.014.010	Capsule for Pressure Gauge Digital 330 - Metric		9,165
X28.152.002	Capsule for Pressure Gauge, Black Dial, dia. 52mm - Metric		3,440
X28.163.202	Capsule for Pressure Gauge, White Dial, dia. 63mm - Metric		3,440
X28.152.202	Capsule for Pressure Gauge, White Dial, dia. 52mm - Metric		3,440
X28.860.005	Capsule Depth Gauge for Compact (orig.), Non-magnetic - Metric		4,205
X05.012.011	Capsule Depth Gauge for U-Line - Metric		4,125
X06.203.621	Housing for U-Line PG, empty		1,090
X06.204.370	Housing for Compact metal PG, empty		1,090
X06.204.348	Housing for Mako Pressure Gauge, empty		1,310
X06.203.622	Housing for Console 2 U-Line (UPG + UDG), empty		1,310
X06.204.400	Housing for Console 2 (CompactPG + UDG), empty		1,220
X28.039.021	Housing for Compact Pressure Gauge, empty		470
X28.042.101	Housing for Compact Console 2, empty		955
X05.017.111	Compass North FS-2 w retractor mount		4,530
X05.017.121	Compass North FS-2 w retractor mount & retractor		6,545
X05.017.001	Capsule for Compass North FS-2 - Analogue		4,125

INSTRUMENTS - SEAC / SAEKODIVE

SAP-0018	Miniature SPG (Pony Gauge)		1,390
----------	----------------------------	--	-------

INSTRUMENTS - DEEP BLUE

DBT30030	Deep Blue Console 2 - Slimline, DG/PG, Metric		5,075
DBT30026	Deep Blue Console 2 - Mini 2K, DG/PG, Metric		5,075
DBT30013	SPG Mini 2K complete w. Hose & Boot, 52mm/2", brass body		2,990
DBT30038-K	SPG 2010 Mini 2K complete w. Hose & Boot, 52mm/2", brass body		2,990
DBT30038-KK	SPG 2010 Mini 2K black dial, complete w. Hose & Boot, 52mm/2", brass body		3,150
DBT30038-W	SPG 2010 Mini 2K complete w. Hose & White Boot, 52mm/2", brass body		3,150
DBT130050/02	SPG 2K Line - Side Mount w. 200 mm Hose		2,990
DBT30012	Pressure Gauge Capsule for Mini 2K - 48mm dia.		2,065
DBT30039NS	Pressure Gauge Capsule for Slimline - 52mm dia.		2,065

INSTRUMENTS - DEEP BLUE (Continued)

DBT30007	Depth Gauge Capsule for Mini 2K	2,155
DBT30040C	Depth Gauge Capsule for Slimline	2,155
DBT30026E	Housing for Console Mini 2K - empty	650
DBT30038E	Housing for SPG Mini 2K - empty	590
DBT30030E	Housing for Console Slimline - empty	650
DBT30002	Deep Blue Pro Wrist Compass, 56mm dia.	1,700
DBT30008	Deep Blue Standard Wrist Compass, 60mm dia.	1,550
DBT30001	Capsule only, Deep Blue Pro Wrist Compass, 56mm dia.	1,590
DBT30009	Capsule only, Deep Blue Standard Wrist Compass, 60mm dia.	1,275
DBT30044-PRO	Wrist Strap & Housing for Deep Blue Pro Compass	435
DBT30044-STD	Wrist Strap & Housing for Deep Blue Standard Compass	435

PRESSURE & DEPTH GAUGES - SUUNTO

FSS005240200	CB-One SM-36 Pressure Gauge 300 Bar	5,665
FSS005249220	CB-Two in Line/300/70 Combo	8,790
FSS05040M010	SM-16/45 Depth Module / round	4,010
FSS05040M020	SM-16/70 Depth Module / round	4,010
FSS05108M200	SM-36/300 Pressure Module	3,620

COMPASS - SUUNTO

FSS004102011	Clipper Compass NH	790
FSS020981000	SK-8 Wrist Compass, NH	3,180
FSS020982000	SK-8 Wrist Compass, SH	3,180
FSS021122000	SK-8 Compass, Front mount on Standard Console, NH	3,180
FSS021160000	SK-8 Compass, Front mount on Standard Console, SH	3,180
FSS021123000	SK-8 Compass, Back mount for Double Sided Console, NH	3,180
FSS021161000	SK-8 Compass, Back mount for Double Sided Console, SH	3,180
FSS021118000	SK-8 Compass, Bungee Mount, NH	3,180
FSS021119000	SK-8 Compass, Bungee Mount, SH	3,180
FSS021120000	SK-8 Capsule NH	1,515
FSS021121000	SK-8 Capsule SH	1,515

WRISTOP COMPUTER - SUUNTO

FSS022617000	D6i Novo Black ZULU with USB	32,100
FSS022910000	D6i Novo INSTRUCTOR BLUE ZULU with USB	32,100
FSS021956000	D6i Novo BLACK with USB	30,650
FSS050181000	D5 - White with USB	22,990
FSS050190000	D5 - Black with USB	22,990
FSS050191000	D5 - Black Lime with USB	24,990
FSS050192000	D5 - All Black with USB	24,990
FSS050569000	D5 - Copper with USB	24,990
FSS050277000	D4i Black Silicone without USB cable	15,500
FSS050279000	D4i Lime Silicone without USB cable	15,500
FSS050278000	D4i White Silicone without USB cable	15,500
FSS020306000	Tank POD Transmitter for D5, Eon Core & Eon Steel	12,560
FSS019098000	Wireless Transmitter for Di Series, Vyper Novo, Zoop Novo	10,675
FSS023588000	Air Flow Restrictor Transmitter Kit	1,060
FSS023614000	Air Flow Restrictor Tank Pod Kit	1,060
FSS021027000	EON Steel Scratch Guard (1 Piece)	555
FSS022769000	EON Core Scratch Guard (1 Piece)	555
FSS050199000	D5 Scratch Guard (2 Pieces)	555
FSS013587000	D4i Scratch Guard (2 Pieces) - hard type	555
F100013462	D Series Scratch Guard (1 Piece)	140

CONSOLES WITH COMPUTER - SUUNTO

FSS022217000	CB-2 INL/300/Zoop NOVO Lime	14,585
FSS022218000	CB-2 INL/300/Zoop NOVO Black	14,585
FSS005502000	Quick Release, complete	3,355

OTHER DIVE COMPUTERS - SUUNTO

FSS022692000	Zoop NOVO Wrist RENTAL, Lime	Best Rental	***
FSS021643000	Zoop NOVO Wrist, Lime		9,990
FSS021644000	Zoop NOVO Wrist, Blue		9,990
FSS021645000	Zoop NOVO Wrist, Black		9,990
FSS050434000	Vyper NOVO GRAPHITE w/o USB		12,500
FSS050433000	Vyper NOVO WHITE w/o USB		12,500
FSS022740000	EON CORE BLACK		27,300
FSS023081000	EON CORE WHITE		27,300
FSS023082000	EON CORE LIME		27,300
FSS050558000	EON Steel Black w.Boot & USB		41,250

DIVE MANAGER / PC-INTERFACE

FSS018214000	D, Di & Novo-series USB Interface	2,595
FSS011350000	Dive Manager-USB for HelO2/Cobra/Vyper/Zoop	2,595
FSS020307000	USB Interface Cable EON Steel	1,135
FSS022993000	Magnetic Black USB Cable - Eon Core & D5	1,735
FSS023087000	Magnetic White USB Cable - Eon Core & D5	1,735

DIVE COMPUTERS - SCUBAPRO

X05.110.901	Galileo HUD no transmitter (new model, inline change)	50,070
X05.064.101	Aladin A1	23,225
X05.064.201	Aladin A2	33,305
X05.046.110	Aladin Sport Matrix, LCD, Bluetooth & Digital Compass	18,390
X05.045.110	Aladin One Matrix Wrist	15,170
X05.045.230	Aladin One Matrix + PG, Console 2	19,000
X05.045.010	Aladin One Matrix Capsule	14,360
X05.080.901	Galileo G2 Wrist Only (new, inline change)	44,600

ACCESSORIES

X05.055.030	Transmitter LED Smart+	16,380
X06.205.315	USB Cable, G2	2,190
X05.060.011	Mantis1/Meridian Rubber Strap w. pin, Black	1,005
X05.061.002	Chromis Wrist Strap - Black	1,005
X06.203.027	Galileo Wrist Strap , 2-part	1,385
X06.205.261	Protection Film - G2	525
X06.202.514	Protection Shield - Galileo	1,075
X06.202.362	Protection cover soft 3M - Aladins	295
X06.202.927	Protection Shield - Aladins	800

FULL FACE MASK with SNORKEL

DBFfaceS-B	Deep Blue Full Face Snorkelling Mask, S, Blue	890
DBFfaceS-Pi	Deep Blue Full Face Snorkelling Mask, S, Pink	890
DBFfaceL-B	Deep Blue Full Face Snorkelling Mask, L, Blue	890
DBFfaceL-Pi	Deep Blue Full Face Snorkelling Mask, L, Blue	890

MASKS - DEEP BLUE

	No Mask Boxes included		
DB1MA36+	Bora Plus Mask, 2 Lens - BT, K, KK, KO, KY, Y	Best Rental	690
DB3MD05P	Hawaii Mask - BT, Y		475
DBMC23-Y	Mako Mask, clear skirt - Y	Reduced	640
DBMC23-BT	Mako Mask, clear skirt - BT		870
DBMC23-KK	Mako Mako, black skirt - KK		870
DBMG01-KY	Accent Mask, black skirt - Yellow		870
DBMA69-KK	Bali Mask, frameless, Black Skirt - K		870
DBM282	Xtreme Mask - KS/Y, KS/W, Clear/B, Clear/Pi		870
DBME60	Maui Mask, frameless, Skirt Black/Blue/Pink/White/Yellow		870
DBMC24-KK	Covert Mask, 2 lens, low volume - Black Skirt - Black	Free Diving	1,200
DBMC24-KB/KPi/KW	Covert Mask, 2 lens, low volume - Black Skirt - inserts B/Pi/W	Free Diving	1,200
DBMC24-CA	Covert Mask, 2 lens, low volume - Black Skirt - CAMO	Free Diving	1,200
DBMC24-WW	Covert Mask, 2 lens, low volume - White Skirt - White	Free Diving	1,200
DBMD56-KK	Vyper Mask, Frameless - KK		1,250
DBMD89-B	Orca Mask, Elastic strap - Blue		1,350
DBMD89-Pi	Orca Mask, Elastic strap - Pink		1,350
DBMD89-KY	Orca Mask, Elastic strap - Black skirt - Y		1,350

Junior Masks

DB4MB52P	Fiji Mask, Single Lens, for Kids - BT, GT, PiT, Y		475
DB8MB52	Fiji Mask, Single Lens, for Kids - BT, PiT, Y		825
DB8MB52CL	Fiji Mask, in Clamshell, for Kids - BT, PiT, Y		840
DBMcoral	Coral Mask, Single Lens, for Kids - Multi-colour		790
DBS1	*** for Mask Box add 45 Baht ***		90

SNORKELS - DEEP BLUE

DB3SB35	Mako Snorkel PVC, w. Purge Valve - BT, KK, Y		210
DBSA91	Marlin Snorkel (Silicone Mouthpiece) J-style - BT, C, K, Y	Best Rental	250
DBSA91-KSK	Marlin Snorkel (Black Silicone Mouthpiece & Black Tube), J-Style	Best Rental	250
DB1SA106	Manta Plus Snorkel (Purge Valve, Silicone Mouthpiece) - BT, KK, Y, KO, KY	Best Rental	440
DBSD95	Bali Snorkel, w. purge - Diva Pink, Mango Yellow	Reduced	350
DBSE90	Stealth Purge Snorkel, Blue, Black, Red, Yellow	NEW	450
DBSE13-KK	Covert Snorkel, Black Mouthpiece, Black		450
DBSE29-CA	Covert Snorkel, CAMO		450
DBSE13-WW	Covert Snorkel, White Mouthpiece, White		450
DBSA105-KK	Stingray Snorkel, Black Mouthpiece w. purge	Best Rental	470
DBSA105	Stingray Snorkel, w. purge - BT, C, K, Y	Best Rental	470
DBSB47	Sharky Snorkel - BT, C, K, Y		470
DBSN134	Xtreme Snorkel, w. purge - KS/Y, KS/W, Clear/B, Clear/Pi		525
DBSE42	Orca Snorkel - Blue, Pink		590
DBSE42-KY	Orca Snorkel - Black silicone/Yellow		590

Junior Snorkels

DBSB36	Goby Snorkel Junior PVC - BT, GT, Pi, Y		195
DB8SA102	Damsel Snorkel Junior, w. Purge Valve - BT, PiT, Y		340
DBScoral	Coral Snorkel, w. Purge, Semi-dry - Multicolor		490

MASK & SNORKEL SETS - DEEP BLUE

DB1SP3 (Speed3)	Bora Plus Mask, Manta Plus Snorkel & Speed3 Fins Mesh Bag Set - BT, K, KY, O, Y (Fin Sizes available : S/M & L/XL, 2 sizes)		2,400
DB2Bag	Bora Plus Mask & Manta Plus Snorkel Mesh Bag Set - BT, K, KY, O, Y		1,250
DB2Clam	Bora Plus Mask & Manta Plus Snorkel Clamshell Set - BT, K, KY, O, Y		1,250
DB3Bag	Hawaii Mask & Mako Snorkel PVC Mesh Bag Set - BT, YT		805
DBMakoB-Y	Mako Mask & Snorkel Mesh Bag Set - Y only*	Reduced	790
DBMakoC-Y	Mako Mask & Snorkel Clamshell Set - Y only*	Reduced	790
DBMakoB	Mako Mask & Snorkel Mesh Bag Set - BT & KK		1,200
DBMakoC	Mako Mask & Snorkel Clamshell Set - BT & KK		1,200

MASK & SNORKEL SETS - DEEP BLUE (Continued)

DBXtrB-	Xtreme Mask & Snorkel Mesh Bag Set - KS/Y, KS/W, Clear/B, Clear/Pi	1,515
DBXtrC-	Xtreme Mask & Snorkel Clamshell Set - KS/Y, KS/W, Clear/B, Clear/Pi	1,515
DBCvtB-	Covert Mask & Snorkel Mesh Bag Set - CA, KB, KK, KPi, KW, WW	1,770
DBCvtC-	Covert Mask & Snorkel Clamshell Set - CA, KB, KK, KPi, KW, WW	1,770
DBOrcB-	Orca Mask & Snorkel Mesh Bag Set - KS/Y, Clear/B, Clear/Pi	2,060
DBOrcC-	Orca Mask & Snorkel Clamshell Set - KS/Y, Clear/B, Clear/Pi	2,060

Junior Sets

DB4Bag	Fiji Mask & Goby Snorkel Junior PVC Mesh Bag Set - BT, PiT, YT	690
DB8Bag	Fiji Mask & Damsel Snorkel Junior Mesh Bag Set - BT, PiT, Y	1,150
DB8Clam	Fiji Mask & Damsel Snorkel Junior Clamshell Set - BT, PiT, Y	1,150
DBCoralB	Coral Mask & Snorkel Junior Mesh Bag Set - Multicolor	1,340
DBCoralC	Coral Mask & Snorkel Junior Clamshell Set - Multicolor	1,340
DBS1	*** for Mask Box add 45 Baht ***	90

MASKS - SAEKODIVE

SM205KS-K	No Mask Boxes included Stealth Freediving Mask, curved polycarbonate lenses	Free Diving	1,255
SMS102	Runner Junior Mask - BT, G, Y		1,080
SMM108KS-K	Wide Vision Mask, Large - Black Silicone - K		1,480
S1083S	Runner Mask, fits most faces - BT, C, K, Y	Best Rental	990
S1083KS	Runner Mask "B", fits most faces, Black Silicone - BT, G, K, Y	Optical Lens	990
SMM107KS	Frameless Mask, Black Silicone		1,365
MPE10	Mask Pro Ear 2000		3,490
DBS1	*** for Mask Box add 45 Baht ***		90

OPTICAL LENSES

S1083OP-1	Myopia Lens (Near-sighted) for Runner Mask 1083 , -1.0 to -7.0, per piece		975
S1083OP-8	Myopia Lens (Near-sighted) for Runner Mask 1083 , -8.0 to -10.0, per piece		1,155
S1083P6L	Bi-focal Presbyopia Lens, Upper (Myopia) Lens -1.0 to -3.0; Lower (Presbyopia) Lens +1.0 to +3.0; per piece, Left or Right		1,415
TFM93	Stickon-Optx, flexible lens kit, per set, sizes +1.5 to +3.0	NEW	2,200
TFM98	Dive-Optx, flexible lens kit, per set, sizes +1.0 to +3.0		2,325

SNORKEL - SAEKODIVE

S1052	Snorkel with Rubber Mouthpiece, standard - K, Y	335
-------	---	-----

SWIMMING ARTICLES - SAEKODIVE

SS5	Swim Goggles for Children, Silicone - B, K, Y	385
S1281AS-	Swim Goggles for Adults, Antifog, B, BL, K	675
SK5UV	Swim Goggle Mariner UV protection - B, K	1,165
SN2	Nose Clip	130
SE4	Ear Plug Silicone / Pair	115

MASKS - SEAC

B939	Extreme Mask - B, Y	1,485
B936KS-K	Extreme Mask, Black Silicone - K	1,485
B9420	Capri Mask - B, K	1,185
B9421KS-K	Capri Mask, Black Silicone - K	1,185
B9426	Marina Mask - B, Pi, Y	675

SWIMMING ARTICLES - SEAC

B9908	Vision HD Swimming Goggles, Blue, Red	890
-------	---------------------------------------	-----

MASKS - SCUBAPRO

X24.156.100	Trinidad 3 Mask, Frameless, Black Silicone - K		1,810
X24.849.110	Solo Mask, Black Skirt, Black		2,645
X24.350.110	Frameless Mask, Black Skirt, Black		3,280
X24.108.100	Apnea Steel Com Double Lens Mask, Black	Free Diving	2,595
X24.108.600	Apnea Steel Com Double LensMask, White	Free Diving	2,595
X24.855.110	Crystal Vu Mask, Metallic, Black skirt - Black/Silver frame		3,425
X24.855.810	Crystal Vu Mask, Metallic, Black skirt - Black/Orange frame		3,425
X24.855.200	Crystal Vu Mask, Metallic, Clear skirt - Met. Blue		3,425
X24.855.300	Crystal Vu Mask, Metallic, Clear skirt - Met. Red		3,425
X24.855.500	Crystal Vu Mask, Metallic, Clear skirt - Met. Yellow		3,425
X24.855.700	Crystal Vu Mask, Metallic, Clear skirt - White		3,425
X24.847.230	Spectra Mask, Black Skirt, Solid Blue		2,245
X24.847.130	Spectra Mask, Black Skirt, Silver Subf, - K		2,545
X24.847.100	Spectra Mask, Black Skirt, Full Black		2,545
X24.847.830	Spectra Mask, Black Skirt, Bronze		2,545
X24.847.140	Spectra Mask, Black Skirt, Mirror Lens, Black/Silver		3,035
X24.847.840	Spectra Mask, Black Skirt, Mirror Lens, Bronze		3,035
X24.713.140	Synergy Twin Mask, Black Skirt, Mirror Lens - Black/Silver		3,720
X24.713.310	Synergy Twin Mask, Black Skirt - Black/Red		3,130
X24.813.140	Synergy Twin Mask, Black Skirt, Mirror Lens - Black/Silver, w. Comfort Strap		4,500
X24.813.130	Synergy Twin Mask, Black Skirt, Black/Silver, w. Comfort Strap		3,915
X24.813.230	Synergy Twin Mask, Black Skirt - Turquoise, w. Comfort Strap		3,915
X24.813.310	Synergy Twin Mask, Black Skirt - Black/Red, w. Comfort Strap		3,915
X24.813.510	Synergy Twin Mask, Black Skirt - Black/Yellow, w. Comfort Strap		3,915
X24.813.730	Synergy Twin Mask, Black Skirt - Solid Pink, w. Comfort Strap		3,915
X24.839.140	Synergy 2 Mask, w. Comfort Strap, Black Skirt w. mirror lens - Silver		4,500
X24.839.130	Synergy 2 Mask, w. Ccomfort Strap, Black Skirt - Silver		3,915
X24.839.310	Synergy 2 Mask, w. Comfort Strap, Black Skirt - Red		3,915
X24.839.200	Synergy 2 Mask, w. Comfort Strap, Clear Skirt - Blue		3,915
X24.839.500	Synergy 2 Mask, w. Comfort Strap, Clear Skirt - Yellow		3,915
X24.839.700	Synergy 2 Mask, w. Comfort Strap, Clear Skirt - Pink		3,915
X24.157.001	Zoom Mask, Black skirt, Black/Silver	Optical Lens	2,300
X24.157.002	Zoom Mask, Black skirt, Blue/Silver	Optical Lens	2,300
X24.157.005	Zoom Mask, Black skirt, Yellow/Black	Optical Lens	2,300
X24.157.006	Zoom Mask, Black skirt, Red/Black	Optical Lens	2,300
X24.157.007	Zoom Mask, Black skirt, Pink/Black	Optical Lens	2,300
X24.157.011	Zoom Mask, White skirt, White/Silver	Optical Lens	2,300
X24.157.1xx	Color Kit f. Zoom Mask - see Catalogue		540
X24.595.4xx	Prescription Lens Left or Right side for Zoom Mask -1.0 to -8.0, per piece		1,375
X24.595.200	BIFOCUS LENS FINO/ZOOM Masks - Left side only, +1.00		965
X24.595.203	BIFOCUS LENS FINO/ZOOM Masks - Left side only, +2.00		965
X24.595.204	BIFOCUS LENS FINO/ZOOM Masks - Left side only, +3.00		965
X24.595.300	BIFOCUS LENS FINO/ZOOM Masks - Right side only, +1.00		965
X24.595.303	BIFOCUS LENS FINO/ZOOM Masks - Right side only, +2.00		965
X24.595.304	BIFOCUS LENS FINO/ZOOM Masks - Right side only, +3.00		965
X24.250.300	D Mask, Black w. Blue Subframe, HUD Adapter, Comfort Strap	Optical Lens	5,725
X24.252.10x	Color Kit for D Mask - Black, Blue, Pink, Turquoise, Yellow		510
X24.254.0xx	Prescription Lens fit Left, D-Masks, -1.5 to -5.0		1,540
X24.254.1xx	Prescription Lens fit Right, D-Masks, -1.5 to -5.0		1,540
X24.255.0xx	Bifocus Lens fit Left, D-Masks, +1.0 to +3.0		1,050
X24.255.1xx	Bifocus Lens fit Right, D-Masks, +1.0 to +3.0		1,050
X24.150.000	Full Face Mask - Black Silicone Skirt		26,035
X24.150.030	Octopus Kit for Full Face Mask		1,175

SNORKELS - SCUBAPRO

X26.070.000	Trinidad - K		925
X26.130.000	Apnea Snorkel - Soft tube, Black	Free Diving	705
X26.130.600	Apnea Snorkel - Soft tube, White	Free Diving	705
X26.706.130	Spectra semi dry - Black w. Silver		1,130
X26.706.220	Spectra semi dry - Clear w. Blue		1,130
X26.706.600	Spectra semi dry - Clear w. White		1,130
X26.706.720	Spectra semi dry - Clear w. Pink		1,130
X26.706.830	Spectra semi dry - Black w. Bronze		1,130
X26.722.130	Spectra dry - Black w. Silver		1,605
X26.810.220	Nexus semi dry - Clear w. Metallic Blue	Reduced	990

FINS - DEEP BLUE

DBF770-S/M	Speed1 Snorkeling Fins S/M - B, K, Y	Best Rental	940
DBF770-ML/XL	Speed1 Snorkeling Fins L/XL - B, K, Y	Best Rental	940
DBF367(5XS-4XS)	Speed2 Fins 5XS (26/28), 4XS (29/31) - Blue, Yellow	Reduced	650
DBF367(3XS)	Speed2 Fins 3XS (32/34) - Blue, Yellow	Reduced	650
DBF367(2XS-S)	Speed2 Fins XXS (34/36), XS (36/37), S (38/39) - Blue, Yellow, Black		890
DBF367M-XL	Speed2 Fins M (40/42), L (43/44), XL (45/46) - Blue, Yellow, Black		990
DBFB86	Speed3 Snorkeling Fins S/M (36/42) - BT, K, O, YT	Best Rental	940
DBFB85	Speed3 Snorkeling Fins L/XL (43/48) - BT, K, O, YT	Best Rental	940
DBFA22 & 23	Speed1 Junior Fins S/M, ML/XL - GT, PiT, YT		740
DBFB87	Speed3 Junior Snorkeling Fins S/M (27/31) - BT, PiT, YT		750
DBFB88	Speed3 Junior Snorkeling Fins M/L (31/36) - BT, PiT, YT		750
DBFB89	Speed3 Junior Snorkeling Fins LG (37/41) - BT, PiT, YT		750

FINS - SAEKODIVE

S2030	Saekodive Jet Fins, Rubber Strap, OH, XL - Black	Reduced	2,400
S2031	Saekodive Jet Fins, Rubber Strap, OH, L - Black	Reduced	2,400
S2032	Saekodive Jet Fins, Rubber Strap, OH, M - Black	Reduced	2,400
S2950	Tattoo Freediving Fin, sizes XXS to L, 35-46, Black, White	NEW	4,490

FINS - SEAC

B9290	F-100 PRO full foot Fins 36/37 - B, Pi, R, Y (no black)	Best Rental	2,590
B9291	F-100 PRO full foot Fins 38/39 - B, Pi, R, Y (no black)	Best Rental	2,590
B9292	F-100 PRO full foot Fins 40/41 - B, K, Pi, R, Y	Best Rental	2,590
B9293	F-100 PRO full foot Fins 42/43 - B, K, R, Y	Best Rental	2,590
B9294	F-100 PRO full foot Fins 44/45 - B, K, R, Y	Best Rental	2,590
B9295	F-100 PRO full foot Fins 46/47 - B, K, R, Y	Best Rental	2,590
B538	Propulsion S (sling strap) open heel Fins S/M - B, K, P, Y		3,990
B539	Propulsion S (sling strap) open heel Fins M/L - B, K, Y		3,990
B540	Propulsion S (sling strap) open heel Fins L/XL - B, K, Y		3,990
B71043...	Propulsion S (sling strap) open heel Fins S/M, M/L, L/XL - B, K, Y, W		3,990

FINS - SCUBAPRO

X25.743.090-3XS	GO Rental Fin, Black, size 3XS, Strap Purple	Best Rental	3,150
X25.743.000-2XS	GO Rental Fin, Black, size 2XS, Strap Green	Best Rental	3,150
X25.743.150-XS/S	GO Rental Fin, Black, size XS-S, Strap Blue	Best Rental	3,150
X25.743.300-M/L	GO Rental Fin, Black, size M-L, Strap Yellow	Best Rental	3,150
X25.743.500-XL	GO Rental Fin, Black, size XL, Strap Orange	Best Rental	3,150
X25.743.600-2XL	GO Rental Fin, Black, size 2XL, Strap Grey	Best Rental	3,375

FINS - SCUBAPRO (Continued)

X25.760.001	Name Plate Holder, Go Fin, Pair		280
X25.7xx.xx0	Fin Strap, GO Bungee, size MINI - B, G, K, O, Pu, Y		900
X25.7xx.xx0	Fin Strap, GO Bungee, size MIDI - B, G, K, O, Pu, Y		900
X25.761.x00	GO SPORT Fins, OH, sizes XS to XL, Black		4,875
X25.762.x00	GO SPORT Fins, OH, sizes XS to XL, White		4,875
X25.763.x00	GO SPORT Fins, OH, sizes XS to XL, Yellow		4,875
X25.764.x00	GO SPORT Fins, OH, sizes XS to XL, Blue		4,875
X25.765.x00	GO SPORT Fins, OH, sizes XS to XL, Turquoise		4,875
X25.766.x00	GO SPORT Fins, OH, sizes XS to XL, Pink		4,875
X25.328.xxx	Go Sport Scuba Skegs, Set, 4 units/set - Army Green, G, Si, Pu, K, Tu, B, O, Y, Pi		285
X25.365.x00	Jet Fins, OH, sizes M to 2XL, Black - spring strap only		6,810
X25.731.x00	Seawing Nova Fins, Open Heel, sizes XS to XL - Black		8,735
X25.732.x00	Seawing Nova Fins, Open Heel, sizes XS to XL - White		8,735
X25.735.x00	Seawing Nova Fins, Open Heel, sizes M to XL - Pink		8,735
X25.505.x00	Seawing Supernova Fins, Open Heel, sizes XS to XL, Black	NEW	9,405
X25.506.x00	Seawing Supernova Fins, Open Heel, sizes XS to XL, White	NEW	9,405
X25.555.x00	FF Foot Pocket MFS, sizes XS to XL, Black	NEW	2,565
X25.556.x00	FF Foot Pocket MFS, sizes XS to XL, White	NEW	2,565
X25.557.001	Fin Strap, HD Bungee, MIDI, Black (Pair)		1,480
X25.558.001	Lock Plate Set, MFS, Black		380
X25.550.001	MFS Multi-Tool Supernova		610

Special Order ONLY - limited availability - please enquire

X25.362.x00	Jet Fins, OH, with spring strap, Camo Army Green/Black, M to 2XL		7,820
X25.396.x00	Jet Fins, OH, with spring strap, sizes L, XL - Camo Dark Blue 4 color mix		9,425
X25.397.x00	Jet Fins, OH, with spring strap, sizes M, L, XL - Camo White/Blue 4 color mix		9,425

BOOTS & GLOVES - DEEP BLUE

DBG01	Glove Deep Blue, 1.5 mm, sizes XS to XL		650
DBB01B	Classic Boot, 5mm, sizes 2XS to 2XL, with orange insert	Best Rental	1,490
DBB01C	Nautilus Boot, 5mm, sizes 2XS to XL, w blue lining		1,490
DBB02A	Reef Half Boot, 3 mm, sizes 2XS to 2XL, with pull-cord		990
DBB03	Neoprene Sock, 2mm (non slip surface), sizes 2XS to 2XL		490
DBB04	Aloha Beach Walker, Black w. Orange, sizes 30 to 46		425
DBB05	Aloha Beach Walker, Black w. Blue, sizes 30 to 46		425
DBB06	Aloha Beach Walker, Black w. Blue trim, sizes 35 to 45		425

BOOTS & GLOVES - SCUBAPRO

X58.325.x00	Tropic Gloves, 1.5 mm, sizes XL, 2XL only, Black/Grey		1,325
X58.326.x00	Tropic Gloves, 1.5 mm, sizes XS, XL, XXL only, Black		1,325
X58.035.x00	Tropic Gloves, 1.5 mm, sizes XS to XL, Black		2,140
X58.034.x00	Tropic Gloves 1.5mm, Flamingo, sizes 2XS to XL		2,300
X58.032.x00	Tropic Gloves 1.5mm, Aegean, sizes 2XS to XL		2,300
X58.031.x00	Tropic Gloves 1.5mm, Graphite, sizes 2XS to XL		2,300
X58.000.x00	Seamless Gloves 1.5mm, sizes XS to XL		2,665
X57.166.x00	Delta Short Boots, 3 mm, sizes 3XS/4 to 2XL/11, Black		1,910
X57.138.x00	Delta Club Boots, 5 mm, sizes 3XS/4 to 3XL/12, Black		3,080

WETSUIT & LYCRA - DEEP BLUE

DBADS01	Sportflex Pro Shorty 3mm, CR-Foam, Black, sizes 2XS to 3XL	Best Rental	2,290
DBADS02	Sportflex Shorty 3mm, SBR-Foam, Black/Blue, sizes S to XL	Best Rental	1,990
DBADS04	Sportflex Shorty 3mm, SBR-Foam, Black, sizes 2XS to 3XL	Best Rental	1,990

WETSUIT & LYCRA - DEEP BLUE (Continued)

DBADS03	Sportflex Pro Steamer 3mm, CR-Foam, Black, sizes XS to 3XL	Best Rental	3,490
DBLR1K	Icon Rash Guard Black, sizes 2XS to 2XL		990
DBLR1KGy	Icon Rash Guard Black/Grey, sizes 2XS to 2XL		990
DBLR1KB	Icon Rash Guard Black/Blue, sizes 2XS to 2XL		990
DBLR2K	Icon Rash Guard Black, Blue Logo, sizes M to 2XL		990
DBLRLF	Icon Loose Fit Rash Guard, Black, sizes XS to XL		1,150

WETSUIT & LYCRA - SCUBAPRO**Rash Guards for Men**

X62.031.x00	Rash Guard LS Men, UPF50, Chlorine Resistant, Black, sizes XS to 2XL		1,765
X65.031.x00	Rash Guard LS Men, UPF50, Black, sizes XS to 2XL		2,390
X65.032x00	Rash Guard LS Men, UPF50, Graphite, sizes XS to 2XL		3,390
X65.033.x00	Rash Guard LS Men, UPF50, Aegean, sizes XS to 2XL		3,390
X65.231.x00	T-Flex Rash Guard - LS - Men, Black, UPF 80, sizes XS to 2XL		3,440
X65.232.x00	T-Flex Rash Guard - LS - Men, Graphite, UPF 80, sizes XS to 2XL		3,440

Rash Guards for Ladies

X65.736.x00	T-Flex Rash Guard - LS - Lady, Onyx, UPF 80, sizes XS to XL		3,020
X657351/XS	T-Flex Rash Guard LS Lady, UPF80, Caribbean, size XS only	Reduced	1,750
X65775	T-Flex Legging Lady, UPF80, Caribbean, sizes XS and S available	Reduced	1,750
X657791/XS	T-Flex Legging Lady, UPF80, Jewel, size XS only	Reduced	1,750

Unisex

X636602/S	Camo Rash Guard, 1 mm - LS - Unisex, size S only	Reduced	1,960
X65.353.x00	Hybrid Shorts w cargo pockets & belt, sizes S to 2XL		5,730

Hybrids for Men

X65.331.x00	Hybrid Thermal Top Men, 1mm, Black, sizes XS to 2XL	NEW	4,540
X63.420.x00	Everflex Top Men, 1.5mm, Long Sleeve, sizes XS to 2XL	NEW	9,415
X63.433.x00	Everflex Pant Men, 1.5mm, sizes XS to 2XL	NEW	8,630

Wetsuits for Men

X63.713.x00	Oneflex Shorty Men, 2.5mm, Fzip, sizes S to XL	NEW	6,205
X63.652.x00	Sport Steamer Men, 0,5mm, Black, sizes S to XL	NEW	7,150
X63.930.x00	Definition Men, 3mm, Black/Yellow, with W&A zippers, size 2XL only		14,545
X634826/XXL	Everflex Steamer Men, 3mm, Black, no W/A zips, size 2XL only		17,135
X63.766.x00	Yulex Everflex Steamer Men, 3/2mm, sizes S to 2XL	NEW	22,935

Wetsuits for Ladies

X63447/XXS	Profile Women, 0.5mm, Black/Grey/White, size 2XS only	Reduced	5,290
X63354	E'flex Stmr Women, 3mm, Black/White, no W/A zips, sizes 2XS and L available	Reduced	9,490
X634810/XXS	Everflex Steamer Women, 3mm, Black/White, no W/A zips, size 2XS only		17,135
X63.931.x00	Definition Women, 3mm, Black/Pink, with W&A zippers, sizes 2XS to L		14,545
X63.767.x00	Yulex Steamer Women, 3/2mm, sizes 2XS to L	NEW	22,935
X64464XL	Thermal Tec Women, 5mm, with W&A zippers, Black, size XL only	Reduced	7,900

Hoods & Vests

X64.062.x00	Scubapro Hooded Vest 2.5/0.5mm, sizes 2XS to 3XL		4,625
X70.018.x00	Scubapro Hooded Vest Men, w. front zip, 3.0mm, Asian sizes S to 2XL		7,350
X70.019.x00	Scubapro Hooded Vest Lady w. front zip, 3.0mm, Asian sizes S to XL		7,350
X67.115.x00	Hood - Everflex 5/3mm w. face seal, sizes XS to 2XL	NEW	2,315

WETSUIT & LYCRA - SUBGEAR

G863.890.086	Harmony Rebel Rash Guard 86cm - Girls	Reduced	590
--------------	---------------------------------------	----------------	-----

OTHER SCUBAPRO PRODUCTS

X50.582.000	Scubapro Microfiber Towel - Large (160cm x 80cm), Blue		2,175
-------------	--	--	-------

WETSUIT ACCESSORIES

SAH06	Universal Hanger Saekodive - B, K, Y	415
-------	--------------------------------------	-----

LIFE VESTS

DBJ02	Life Jacket Adult, Thai Govt. appr. with collar, 1 size, fits S to XXL	790
DBJ03	Life Jacket Adult, SEAMASTER STD, TH Gov. appr. w/o collar, 1 size, fits S to XXL	790
DBL309-XS	Lifevest Junior XS	560
DBL309-S	Lifevest Junior S	560
DBL302-M	Lifevest Adult M	690
DBL302-L	Lifevest Adult L	690
DBL302-XL	Lifevest Adult XL	840
DBL302-XXL	Lifevest Adult XXL	840
DBLSTRAP-A	Crotch Strap for Lifevest, fits XS, S, M, L	140
DBLSTRAP-B	Crotch Strap for Lifevest, fits XL, XXL	155

FIRST AID & OXYGEN KITS

MO2Kit	Oxygen Field Kit including: 1 Scubapro 1st Stage pressure reducer, 1 demand valve w. hose, 2 flow restrictors, 1 DIN/Bullnose Adaptor, 1 pocket mask, 1 constant flow mask w. reservoir, 1 transport bag	***
MO2Kit-1	Oxygen Field Kit including: 1 Pin-Index pressure reducer, 1 demand valve w. hose, 1 Pin-Index/DIN Adaptor, 1 DIN/Bullnose Adapter, 1 pocket mask, 1 constant flow mask w. reservoir, 1 transport bag	***
MO2Kit-2	Oxygen Field Kit including: 1 O2 tank (2L), 1 Pin-Index pressure reducer, 1 constant flow mask w. reservoir, 1 Pin-Index/Bullnose (CGA 540) Adaptor, 1 transport bag	***
MO2Reg1	Oxygen Regulator 1st Stage, Pin-index, 0-25LPM	2,380
MO2RegW	Brass/Viton Washer for Oxy Reg	85
MO2FILL	Pin-Index to CGA 540 Adaptor	1,315
SAA08	DIN to Pin-Index Adaptor, Saekodive	4,615
DA1016	Laerdal Little Anne Manikin	29,985
DA20300	Laerdal Airway Complete, Little Anne	570
DA310210	Laerdal Face Skin for Little Anne, Pack of 6	12,900
DA310211	Laerdal Face Skin for Little Anne, 1 only	3,790
DA1015	Non-rebreather mask	525
SAR10	CPR Pocket size Resuscitator Mask (L)	595
SAR20	CPR Pocket size Resuscitator Mask (S) w/Key Ring	265

LOG BOOKS, LOG INSERTS & GUIDE BOOKS

DB8005	Cordura Log Binder "Dive Log" incl. 3 sets logbook pages	550
DB8005-C	Cordura Log Binder "...your logo..." Binder only, add logo cost	550
DB8006	Cordura Log Binder "Dive now...work later"	550
DB8007	Cordura Log Binder "Born to dive...forced to work"	550
DBS9010	Divers Logbook 12 x 15cm	100
DBS9011	Divers Logbook 14.5 x 20.5cm	120
DBS9020	Logbinder Inserts "Logpage"	80

MARINE BOOKS & FISH - ID SLATES

KP107	Indian Ocean Marine PictoLife book; Eng, Fre, Ger, Ita, Spa	990
KP109	West. Trop. Pacific Marine PictoLife book; Eng, Fre, Ger, Ita, Spa	990
KP113	Asia Pacific Marine PictoLife book; Chi, Jap, Kor, Tha, Rus	990
K1105	Indian Ocean Reefguide (E)	1,990
KBD13	Ultimate Dive Guide Koh Tao	625
MPD01	Guidebook - Similan Islands (Pocket Divesite)	1,250
M21001	Fish Card - Fish & Nudibranchs	250
M21002	Fish Card - Fish & Corals	250

OTHER SLATES

DBWR1	Slate w. quick connector & pencil 15cm x 13cm	300
SAW13	Slate A4 Size	695
SAW15	3 Page Wrist Slate	870
TSL05	Quest Magnetic Slate	4,305
TSL19-Y	Slate & Graphite Pencil	2,220
TSL13-Y	Super Pencil -Graphite	1,060

PELICAN MICRO CASES w/o FOAM (L x W x H)

N1010	Micro Case 11.1 x 7.3 x 4.3 cm (internal) - B, K	780
N1020	Micro Case 13.5 x 9 x 4.3 cm (internal) - B, K, R	1,020
N1030	Micro Case 16.2 x 6.7 x 5.2 cm (internal) - B, R	1,070

PELICAN CASES WITH FOAM INSERT (L x W x H)

N1120	Case 21 x 17 x 9 cm (external)	2,040
N1150	Case 23 x 20 x 11 cm (external)	2,340
N1170	Case 30 x 21 x 10 cm (external)	3,180
N1200	Case 27 x 25 x 12 cm (external)	3,420
N1300	Case 27 x 25 x 17 cm (external)	4,200
N1400	Case 34 x 30 x 15 cm (external)	5,580
N1450	Case 41 x 33 x 18 cm (external)	7,980
N1500	Case 47 x 36 x 18 cm (external)	9,360
N1510	Case 56 x 35 x 23 cm (external)	12,300
N1520	Case 50 x 40 x 19 cm (external)	10,620
N1560	Case 56 x 46 x 27 cm (external)	13,680
N1600	Case 62x 49 x 22 cm (external)	14,460
N1610	Case 63 x 50 x 30 cm (external)	18,360
N1620	Case 62 x 49 x 35 cm (external)	19,740
N1506TSA	Pelican Cable Padlock	840

DRYBAGS - DEEP BLUE**Dry Pack Range: Square Logo**

DBBA01	Adventure Dry Pouch 1.5 L (w. snap-on clip & shoulder strap) - O, Ci, BL	295
DBBA02	Adventure Dry Pack 1.5 L. (incl. shoulder strap) - B, BL, Ci, K, O, Pi, Pu, R, Y	295
DBBA03	Adventure Dry Pack 3 L. (incl. shoulder strap) - B, BL, Ci, K, O, Pi, Pu, R, Y	380
DBBA05	Adventure Dry Pack 5 L. (incl. shoulder strap) - B, BL, Ci, K, O, Pi, Pu, R, Y	440
DBBA10	Adventure Dry Pack 10 L. (incl. shoulder strap) - B, BL, Ci, K, O, Pi, Pu, R, Y	500
DBBA15	Adventure Dry Pack 15 L. (incl. shoulder strap) - B, BL, Ci, K, O, Pi, R, Y	580
DBBA20	Adventure Dry Pack 20 L. (incl. shoulder strap) - B, K, R, Y	680
DBBA30	Adventure Dry Pack 30 L. (incl. shoulder strap) - B, K, R, Y	820
DBBA40	Adventure Dry Pack 40 L. (incl. shoulder strap) - B, K, R, Y	950

Dry Pack Range: Vertical Logo - Ideal for Custom Printing

DBBV05	Adventure Dry Pack 5 L. (incl. shoulder strap) - B, BL, Ci, K, O, Pi, Pu, R, Y	440
DBBV10	Adventure Dry Pack 10 L. (incl. shoulder strap) - B, BL, Ci, K, O, Pi, Pu, R, Y	500
DBBV15	Adventure Dry Pack 15 L. (incl. shoulder strap) - B, BL, Ci, K, O, Pi, R, Y	580

Destination Printed Range: KRABI

DBBC05Kr	Adventure Dry Pack 5 L, KRABI (incl. 2 shoulder straps) - BL, Ci, O, Y	Special Price	270
DBBC10Kr	Adventure Dry Pack 10 L, KRABI (incl. 2 shoulder straps) - BL, Ci, O, Y	Special Price	295

Destination Printed Range: Koh LIPE

DBBC05Li	Adventure Dry Pack 5 L, LIPE (incl. 2 shoulder straps) - Ci, O, Y	Special Price	270
DBBC10Li	Adventure Dry Pack 10 L, LIPE (incl. 2 shoulder straps) - BL, Ci, O, Y	Special Price	295

Destination Printed Range: PHUKET

DBBC05Ph	Adventure Dry Pack 5 L, PHUKET (incl. 2 shoulder straps) - BL, Ci, O, Y	Special Price	270
DBBC10Ph	Adventure Dry Pack 10 L, PHUKET (incl. 2 shoulder straps) - Ci, O, Y	Special Price	295

DRYBAGS - DEEP BLUE (Continued)**Branded promotional Bags**

DB007SP-B/K	Scubapro Dry Bag, 10L, 2 Straps, Black, Blue	500
DB007SU-K	Suunto Dry Bag, 10L, 2 Straps, Black only	500

Straps

DB8200-S	Strap for Dry Bag 1" wide (2.5cm), for 1.5L to 10L	50
DB8200-L	Strap for Dry Bag 1.5" wide (3.8cm), for 15L & 20L	60

Dry BACKPACK Range

DBBACK1-B	Deep Blue Adventure Backpack, Blue	1,490
DBBACK1-BL	Deep Blue Adventure Backpack, SkyBlue	1,490
DBBACK1-Ci	Deep Blue Adventure Backpack, Citrus	1,490
DBBACK1-Y	Deep Blue Adventure Backpack, Yellow	1,490
DBBACK1-K	Deep Blue Adventure Backpack, Black	1,490
DBNCA-L	Deep Blue Waterproof Bag for Smartphone, Wallet, etc., Large	Reduced 125
DBNEARP	Deep Blue Waterproof Earphone w Microphone	Reduced 290
DBNEARP2	Deep Blue Waterproof Earphone w/o Microphone	Reduced 99

BAGS - DEEP BLUE

DB8001	Deep Blue Regulator Bag	665
DB8010	Deep Blue Gearbag, large size (~60 liter) - B, K, R	Best Rental 935
DB8020	Deep Blue Gearbag, oversize (~90 liter) - B, K, R	Best Rental 1,275
DBBL3176	Deep Blue Mesh Gearbag 63cm - Black	Best Rental 1,140
DB8044	Document Pouch Splashproof A4	225
DB8044-C	Doc. Pouch Splashproof "...your logo..." *Pouch only, add logo cost*	225
DB8004	Safety Balloon Bag "Dive Supply"	155
DB8040	Snorkeling bag	665
DB8063	Meshbag with String (Mask & Snorkel)	60
DB8065-B,Y	Mesh Bag for Mask + Snorkel Set - B, Y	120
DB8066-B	Bag for Mask + Snorkel + Fin Set - B	225

BAGS - SCUBAPRO

X53.309.000	Regulator Bag with Instrument bag, Black, 0.42kg, 9L	2,025
X53.309.100	Travel Regulator Bag "Vintage", 0.75kg, 10L	2,510
X53.379.000	Mesh Bag	2,635
X53.369.000	Mesh Sack Backpack, 80L	2,345
X53.350.120	Caravan Bag, 4.7kg, 105L	11,200
X53.360.170	Dive-n-Roll Bag LITE, 4.0kg, 84L	14,265
X53.310.190	Porter Bag, 2.5kg, 174L	8,550
X53.365.170	Cabin Bag, with 4 wheels, 3.18kg, 37L	7,270
X53.399.180	'Dry45' Bag, with Backpack Strap, 45 liter, 76x33x20cm	4,415
X53.339.190	Duffle Bag HD w side handles	4,060
X53.338.190	Carry-on Foldable Bag, 0.2kg, 28L	1,155

LIFT BAGS

TLS15	Lift Bag 35 Kg (w. dump valve)	4,440
TLS20	Lift Bag 75 Kg (w. dump valve)	5,985
B1900	Lift Bag Seac 100kg	12,140

CAMERAS - INTOVA**Intova Accessories: Mounts & Grips**

MSSP1-INTPOD	Intova Pod - Flexible 50cm Arm Mount	695
MSSP1EXT	Extension Pole for SP1	Reduced 990
MSSFMG01	Floating Multi Grip	740
MSSP1-CHS	Camera Hand Strap	660
MSSP1-CS	Chest Mount - Twist lock	1,070

CAMERAS - INTOVA (Continued)**Intova Accessories: Mounts & Grips**

MSSP1-HBM	Handle Bar/Pole Mount	925
MSSP1-HELM	Helmet Mount w.Strap & Quick Release	925
MSSTMA	Tripod Mount Adapter (allows SP1 to use GoPro mounts)	400

Intova Accessories: Filters

MSSFRED52	Intova Red Filter 52mm - IC16 & IC14	1,515
-----------	--------------------------------------	-------

Intova Accessories: Care & Maintenance

MSSCCK	Camera Care Kit	660
MSSTKR	Silica Sticker - 5 pack	375

CAMERAS - OLYMPUS**CAMERA & HOUSING PACKAGE**

OL-TG6Set-K@	OLYMPUS TG-6 Tough Black with U/W Housing	29,990
OL-TG6Set-R@	OLYMPUS TG-6 Tough Red with U/W Housing	29,990

"PROMOTIONAL PACKAGE" (must be bought with SET above)

OL-M2500	M2500 WSRBA Smart Focus Video Light - PROMO price	PROMO	9,950
----------	---	-------	-------

Cameras & Housings

OL-TG6-K	OLYMPUS TG-6 STYLUS Tough Camera, Black	18,490
OL-TG6-R	OLYMPUS TG-6 STYLUS Tough Camera, Red	18,490
OL-PT059	U/W housing for TG-6	12,490

Olympus - Strobe & Accessories

OL-UFL3	UFL-3 Underwater Strobe	18,990
OL-UC92	Lithium-Ion Battery Charger for LI-92B (Fast: 5 Hrs)	2,790
OL-L192B	Spare Battery	1,690
OL-FCA01	Fiber Optic Cable Adapter for TG series	790
OL-POL058	O-Ring TG5/TG6	690

SEA&SEA Strobe & Fiber Optic

OL-YSD3	YS-D3 Strobe	25,990
OL-5012B	Fibre Optic Cable II/M (Length 453mm/17.8 inch)	2,690

X-Adventurer - Light & Accessories

OL-M2500	M2500 WSRBA Smart Focus Video Light	10,550
OL-TR03	Handle Tray Set	2,990
OL-L06	Double Ball Arm 6"	1,290
OL-L09	Double Ball Arm 9"	1,490
OL-L12	Double Ball Arm 12"	1,850
OL-CL01	Aluminium Clamp (Black)	950

Aoi - Wide Angle Wet Lens & Accessories

OL-QRS	Quick Release System for AO1 UWL-400a	6,480
--------	---------------------------------------	-------

INON - Accessories

OL-Shoe	Shoe Base Ball	1,090
OL-I3946	Float Arm ML (Buoyancy: 210g Effective length 260mm/10.2in.)	2,990

CAMERA ACCESSORIES - NAUTICAM**Nauticam Light Mounting System**

ONAU.71206	Easitray II with left handle (with 2pcs 1/4" screws)	4,880
ONAU.71207	Flexitray II with left handle (with 2pcs 1/4" screws)	6,830
ONAU.71208	Adjustable right handle II (for Easitray II & Flexitray II)	2,080
ONAU.71311	Strobe mounting ball for Easitray & Flexitray	780
ONAU.72204	200mm double ball arm	2,410
ONAU.72205	300mm double ball arm	2,540
ONAU.72301	50mm single ball arm	1,290

CAMERA ACCESSORIES - NAUTICAM (Continued)**Nauticam Light Mounting System**

ONAU.72501	Standard clamp	1,690
ONAU.72503	Long standard clamp	2,020
ONAU.72505	Triple Clamp	2,280
ONAU.25311	Strobe mounting ball for cold shoe	1,890
ONAU.25312	Light mounting stem for cold shoe	1,890
ONAU.25411	18cm lanyard with 2 snap hooks	1,890
ONAU.25412	23cm lanyard with 2 snap hooks	1,890
ONAU.25321	Long strobe mounting ball for cold shoe	2,080
ONAU.25322	Long light mounting stem for cold shoe	2,080
ONAU.25016	Nauticam lubricant (Christo Lube)	780

WATERPROOF DIVE LIGHTS**DEEP BLUE**

DBBSD01	DB Signal Light, incl. AAA Battery	690
DBBRDIV18	DB Compact, 630Lm/1hr, 180Lm/1.3hrs, AA Battery - or 14500Battery & Charger optional	1,500
DBBRDIV05	DB Storm, 1050 Lm/2hrs, 1*18650 battery&charger	2,700
DBBRDIV12S	DB Tornado, 1000Lm/2hrs - 150Lm/15hrs, 1*18650 battery&charger	2,800
DBBDIV08W	DB Video Light, 1500Lm/2.0hrs - 200Lm/25hrs, 1*26650 battery&charger	NEW 5,400
DBBRDIV15S	DB Typhoon Torch, 3800Lm/1.5hrs, 1300Lm/3.5hrs, 2*26650 battery&charger	10,900
DBBRDIV20S	DB Cave Master, 1500Lm/7hrs, 500Lm/17hrs, 8*18650 battery&charger	16,500

DEEP BLUE Light Parts

DBZDIV18Mount	Mask Mount for DB Compact	NEW 380
DBZJ18	Camera mounting Ball for DB Storm and Tornado	NEW 630
DBZDIV05Driver	Replacement Driver (PC board) for Storm Torch	560
DBZDIV05Led	Replacement LED bulb & base for Storm Torch	435
DBZDIV05Ref	Replacement Reflector for Storm Torch	315
DBZDIV05Lens	Replacement Lens for Storm Torch	180
DBZDIV05Oring	Replacement Head & Tail O-rings for Storm Torch (pair)	63
DBZDIV05Mod	Replacement Module Stopper for Storm Torch	120
DBZDIV12Driver	Replacement Driver (PC board) for Tornado Torch	685
DBZDIV12Led	Replacement LED bulb & base for Tornado Torch	435
DBZDIV12Switch	Replacement Switch for Tornado Torch	370
DBZDIV12Ref	Replacement Reflector for Tornado Torch	210
DBZDIV12Lens	Replacement Lens for Tornado Torch	155
DBZDIV12Oring	Replacement Head & Tail O-rings for Tornado Torch (pair)	63
DBZDIV12Mod	Replacement Module Stopper for Tornado Torch	120

TOVATEC

MSSTORCH-HL1	Tovatec Sea Squirt Torch, 5 LEDs, 4 x AAA	585
MSSICOM-II	Tovatec Aluminium Compact Torch, 285 Lumens, 3 x AAA	3,210
MSSFus400	Fusion 400 Flashlight 400 Lumens, w. Zoom, Rechargeable & 2 x AA	4,485
MSSFus1050	Fusion 1050 Video/Flashlight 1,050 Lumens, w. Zoom, Rechargeable & 3 x AAA	5,360
MSSFus1500	Fusion 1500 Video/Flashlight 1,500 Lumens, w. Zoom, Rechargeable & 3 x AA	6,870

TOVATEC Parts

MSSZ01	Replacement Switch for ICOM	890
MSSZ06	Replacement Switch for Fusion, ICOM II	325
MSSZ02	Battery Holder for ICOM	505

SAEKODIVE

SAL02-FY	Saekodive LED Light w/o batt, 150 Lu, 60m (2 x AA battery)	1,165
----------	--	-------

SCUBAPRO

X30.224.000	Nova 250 Light w/o batt, 250 Lu, 120m (1 x CR123)	3,940
X30.226.100	Nova 850 Tec Light, 850 Lu, 150m (3 x C-cell battery)	7,675
X30.228.002	Nova 850R Light, 850 Lu, 150m, rechargeable (1 x 18650) w/o batt & chr	8,820

WATERPROOF DIVE LIGHTS (Continued)**Batteries**

MAA2	AA Battery, Energizer MAX (2-Pack)	75
MAA4	AA Battery, Energizer MAX (4-Pack)	150
MAAR2	AA Rechargeable Battery 2.300 mAh, Energizer (2-Pack)	NEW 450
MAAA4	AAA Battery, Energizer MAX (4-Pack)	150
MAAAR2	AAA Rechargeable Battery 800 mAh, Energizer (2-Pack)	NEW 450
MSSIT123	CR123 Battery, Lithium 3.0V 14000MA Panasonic	240
DBZ14500BAT	Rech. Battery 14500 - 1000 mAh (Compact)	255
DBZ18650BAT	Rech. Battery 18650 - 3000 mAh (Storm/Tornado/Canister)	285
DBZ26650BAT	Rech. Battery 26650 - 5000mAh (... ..)	735
DBZ18650CHR	Charger for 14500, 18650, 26650 Batteries	285
DBZ26650CHR	Dual charger for 2 pcs 26650 Batteries	825

KNIVES - SAEKODIVE & OTHER

S3006	Dive Knife, 304 Stainless Steel Blade 14cm	2,015
S3006T	Dive Knife, Titanium Blade 13.8cm, sharp tip	3,945
S3007	Knife w/plastic sheath for BCD, Blade 8cm, sharp tip - B, C, G, K, Y	940
S3008	Folding Knife, SS Blade 9.1cm, sharp tip	865
S3008T	Folding Knife Titanium, Blade 9.1cm, sharp tip	2,080
S3118	Folding Knife, Black SS Blade, 9.1cm, Handle B, G, K, O, Pi, Pu, Y	1,290
SAS11N	Sea Snip w. Nylon Sheet	500
SAC03	Line Cutter incl. two extra blades	405
SAH12	Nylon Sheath for Knife S3008	355
UKN100	Galaxy Mini folding knife, 402 Stainless 9.5cm, Blade 2.8cm	1,490

KNIVES - SCUBAPRO

X32.022.000	Mako Knife 8.5cm - Titanium	6,000
X32.023.000	Mako Knife 8.5cm - S. Steel	3,100
X32.002.000	White Tip Knife 6.5cm - S.Steel	3,000
X32.065.000	Mesh Cutter	2,985
X32.006.100	K 6 Knife - Stainless Steel, 15.5cm Blade	6,250
X32.009.100	TK 15, Stainless Steel, 15cm Blade	10,605
X32.225.100	JAWZ TI Standard - Black/Yellow	16,010
X32.225.200	JAWZ TI Military - Black	17,015

SIGNALLING DEVICES

UAH150-01	Sub Alert, standard fitting (surface and U/W)	2,345
UAH380-01	Duo Alert (Surface&Underwater) Standard Fitting	2,735
SAW10	High-Pitch Whistle	300
SAW11	Whistle standard	45
TD611	Wind Storm whistle - K, O, Y	585
TDA14	SOS Boaters Whistle, Orange	360
DBYWH001	Deep Blue SOS Whistle, Pi, Y	180
TTA20	Tank Banger - G, K, Pi, Y	620
DB6700	U/W-Rattler, Aluminium - B, K, R, Y	585
SAT-29	Underwater Pointer, Stainless Steel	585
DBYP001	Underwater Pointer, Aluminium, Gy, Pi, W, Y	580
SAL-11SS-FY	Saekodive U/W Laser Pointer, Magnetic spring switch, 2 AA - FY	NEW 1,730
SAL-73	LED Flash Light (Strobe Light) Green	415
SAL15A	Saekodive LED Strobe Light, 3 AA, Orange	2,490
TDL27	Underwater Kinetics Beacon, cyalume light, 2 x AAA	2,600

SURFACE MARKERS, FLOATS & BUOYS

DB6690	Safety Balloon, 2m long	350
DB6691	Safety Balloon with Bag	490
DB530	Diver Surface Float yellow w. flag	890

SURFACE MARKERS, FLOATS & BUOYS (Continued)

DBSM01	Deep Blue Pocket Dive Marker	1,350
DBSM02	Deep Blue Dive Marker with Webbing & Bag	1,990
DBSM03	Deep Blue Webbing Strap for Dive Marker	995
DBSM04	Deep Blue Dive Marker without Webbing	1,360
X40.312.001	Scubapro SMB 210D Nylon, 140cm x 18cm (4.5 ft) open end, Orange	3,305
X40.316.000	Scubapro SMB 210D Nylon, 180cm x 18cm (6 ft) open end, Orange	3,535
SB-02	Saekodive Survival Sausage (no Pouch), 13cm dia x 114cm L	1,510
DBYSMB1	Deep Blue Dive Marker (no Pouch), 180cm x 18cm (6 ft), dump, open end - Pi, FY	2,690
SB-06	Saekodive Survival Sausage w. Pouch, 15cm dia x 180cm L	3,360
DBYFB005	Deep Blue inflatable surface/rescue float, 70cm	6,550

MOUTHPIECES & MOUTHPIECE HOLDERS

DBZ1463S	Deep Blue Mouthpiece for Regulator, Clear Silicone w. Dots	90
DBZ1463KS	Deep Blue Mouthpiece for Regulator, Black Silicone w. Dots	120
S1063	Mouthpiece Rubber	105
S1063KS	Mouthpiece Black Silicone	170
S1163S	Mouthpiece Clear Silicone w/Bridge	185
S1163KS	Mouthpiece Black Silicone w/Bridge	185
S1363S	Mouthpiece Clear Silicone, Small Size	175
S1563S	Mouthpiece Clear Silicone long bite	205
S1563KS	Mouthpiece Black Silicone long bite	205
S1663KS-O	Mouthpiece Silicone Black/Orange	230
S1663KS-Y	Mouthpiece Silicone Black/Yellow	230
S1763	Moldable Mouthpiece - Silicone - Clear, Black	805
S1863	Moldable Mouthpiece - Silicone - BT, PT, YT, W	585
SAM-02	Mouthpiece cover round - G, Y	155
SAM-050	Mouthpiece holder for Comfi-Bite - O	125
X01.040.051	Mouthpiece Scubapro, Silicone Supercomfort	645
X01.040.120	Mouthpiece Scubapro, Silicone Supercomfort, black	455
X01.040.131	Mouthpiece Scubapro, Vinyl (extra durable)	245
X01.040.216	Mouthpiece BPI, Grey	195
X01.040.133	Mouthpiece Air2, 4th Generation	265
X01.040.090	Mouthpiece Air2, 5th Generation	230
X01.040.123	Junior Mouthpiece (for Kids Regulators)	650
X01.040.025	Reusable Clip Scubapro	315
X01.040.026	Reusable Clip Scubapro, Light	210
M97	Cabletie 4.8mm x 250mm, Pack of 100 pcs.	740
M99	Cabletie 3.5mm x 150mm, Pack of 100 pcs.	285
TSA83	Tie strap installation gun	4,830

MASK STRAPS & MASK STRAP COVERS**DEEP BLUE**

DB6688	Neoprene Mask Strap with Velcro strap (w/o Print) KK, KB, KR, KY	190
DB6688-1	Neoprene Mask Strap with Velcro strap (with Print), KK, KB, KR, KY	195
DB6689	Neoprene Maskstrap Cover (w/o Print) - KK, KB, KY	190
DB6689-1	Neoprene Maskstrap Cover (with Print) - KK, KB, KY	195
DBZ30	Mask Strap 16mm Clear Silicone for UNO Mask	150
DBZ31	Mask Strap 16mm Black Silicone for COVERT Mask	150
DBZ32	Mask Strap 16mm Black Silicone for BALI Mask	165
DBZ33-C	Mask Strap 22mm Clear Silicone for BORA Mask	180
DBZ33-KS	Mask Strap 22mm Black Silicone for BORA Mask	180

SCUBAPRO & SUBGEAR

X24.730.060	Scubapro Comfort Strap - Black Logo on Black	1,380
X24.730.0x0	Scubapro Comfort Strap - B, K, K/Y, Pi/Pu, Tq	1,230
X24.700.xx0	Mask Strap Cover Neoprene 2.5mm - Black with B, Gy, K, O, Pi, Pu, W, Y	665
X24.811.103	Mask Strap 22mm Black (Crystal Vu/Vu2)	610
X24.845.10x	Mask Strap 16mm Black Clear or Black (Spectra/Marin)	355
G824.151.125	Mask Strap 16mm Black (Zoom)	240

Reduced

MASK STRAPS & MASK STRAP COVERS (Continued)

SEAC		
BZSTRAP1-K	Mask Strap for Iena, 16.5 mm, Black	525
SAEKODIVE		
S1072	Mask Strap 20mm - Rubber	150
S1073S	Mask Strap 20mm - Silicone	230
S1074S	Mask Strap 20mm Clear Silicone for Mask SMM107	270
S1074KS	Mask Strap 20mm Black Silicone for Mask SMM107	270
S1079S	Mask Strap 17mm Clear Silicone for Mask SMM105	185
S1079KS	Mask Strap 17mm Black Silicone for Mask SMM105	185

MASK STRAP RETAINERS

DBZ01-K	Mask Strap Retainer for 22mm Strap - Black	20
SHLT	Mask Strap Retainer	20
X26.021.002	Quick Clip Assembly Scubapro	Reduced 190

MASK BUCKLES & OTHER MASK PARTS

DEEP BLUE		
DBZ06	BORA Mask Buckle, 3 pce for 1 side only (L or R)	50
DBZ06-QR	BORA PLUS Mask Buckle Quick-Release, pair, 6 pce (L & R) - Black	100
DBZ06-QR-O	BORA PLUS Mask Buckle Quick-Release, pair, 6 pce (L & R) - Orange	100
DBZ19	BORA PLUS Roller pin for mask buckle, 1 pce	15
DBZ07	FIJI Quick-Rel. Mask Buckle & Housing, pair, 6 pce (L & R)	130
DBZ12-K	FIJI Mask Buckle (w/o housing), pair, 2 pce (L & R)	65
DBZ12-O	CORAL Mask buckle (w/o housing), pair (L & R)	65
DBZ14	ANDAMAN Mask Buckle, pair, 6 pce (L & R)	95
DBZ15	NEW BALI: Mask Buckle, single, 2 pce asy (5 pcs) for 1 side only (L or R)	70
DBZ16	HAWAII, MAKO Mask Buckle for 16mm Strap, single, 1 pce (L or R)	35
DBZ17	COVERT MC24, Mask buckle, pair, 4 pce per side (L & R)	140
DBZ18	UNO MC25, Mask buckle, pair, 5 pce per side (L & R)	140
DBZ22	ACCENT MG01, Mask buckle, pair (L & R)	95
SCUBAPRO & SUBGEAR		
X24.855.00x	Crystal Vu new version: Mask Buckle, pair, Clear or Black	525
X24.999.102	Clear Vu2, Crystal Vu (orig. model): Mask Buckle, single (for 1 side only)	115
X24.847.00x	Spectra, Trinidad: Mask Buckles, pair, Clear or Black	525
X24.080.002	Frameless Mask Buckle Set (L+R)	440
X24.592.101	Fino Mask Buckle, pair, Black	310
SAEKODIVE		
S083	Runner Mask Buckle w. Pin, single, per side (L or R) - Black, Clear	60
SMM107-Buckle	Frameless SMM107: Mask Buckle complete incl. Pins, single, per side (L or R)	110
SMM107-Pin	Frameless SMM107: Small Metal Pin for buckle, single	35

SNORKEL MOUTHPIECES & SNORKEL PARTS

DEEP BLUE		
DBZ03-C	Mouthpiece for J Snorkel, Silicone, Clear	90
DBZ02-K	Mouthpiece for J Snorkel, Silicone, Black	110
DBZ04-C	Curved Mouthpiece for MANTA/SHARKY/STINGRAY Snorkel, PVC, Clear	50
DBZ04-K	Curved Mouthpiece for MANTA/SHARKY/STINGRAY Snorkel, PVC, Black	50
DBZ05-C	Curved Mouthpiece for MANTA/SHARKY/STINGRAY Snorkel, Silicone, Clear	110
DBZ09-K	Mouthpiece for COVERT Snorkel, Silicone, Black	120
DBZ08	Snorkel Retainer Plastic, Black	30
DBZ20	Snorkel Holder Silicone, Black or Clear	40
DBZ13	Exhaust Valve, for MANTA Snorkel, Silicone, Clear	20
DBZ21	Snorkel Corrugated Hose, Silicone, Black	155
SCUBAPRO		
X01.040.705	Mouthpiece Scubapro, Escape Snorkel, Silicone Clear	215

SNORKEL MOUTHPIECES & SNORKEL PARTS (Continued)**SAEKODIVE**

S1052MS	Snorkel mouthpiece 1052, Silicone, Clear	200
S1052MR	Snorkel mouthpiece 1052, Rubber, Black	135
S1156MS	Snorkel mouthpiece 1156, Silicone, Clear	295
S1156MR	Snorkel mouthpiece 1156, Rubber, Clear	180
S1052MP	Snorkel Mouthpiece 1052, PVC, Clear	50
S1156MP	Snorkel Mouthpiece 1156, PVC, Clear	40
S1060	Snorkel holder Plastic, Black	65
S1055	Snorkel Valve Membrane, Silicone	20

FIN STRAPS, BUCKLES & Other FIN PARTS**DEEP BLUE**

DBF770STRAP	Fin Strap for SF770	85
DBF770BUCKLE	Fin Buckle for SF770	90
DBF770Kit	Strap Kit for F770 Fin (1 Strap, 2 Buckles)	235
DBZ50	Fin Strap for Speed3 (Adult/Junior, same size)	115
DBZ51	Fin Buckle Speed3 (1 buckle, 2 parts) L or R	45
DBZ52	Fin Strap Kit for Speed3 (1 Strap & 2 Buckles)	200

SCUBAPRO

X25.378.005	Jet Fin - Rubber Strap - Black (pair)	1,855
X01.080.001	Jet Fin - Metal Buckle, single (US made)	185
X25.378.025	Jet Fin - Buckle Set for rubber strap (pair)	1,350
X01.075.119	Twin Jet - Metal Pin	160
X25.078.000	Twin Jet Max - Buckle/Strap Kit (1 strap & 2 Buckles)	885
X25.878.101	Strap Buckle Assy - Jet Sport Fins XS / S	660
X25.878.103	Strap Buckle Assy - Jet Sport Fins MS / L / XL	660
X25.365.x05	Spring Heel Straps for Jet Fin, M, L, XL, XXL (Pair)	2,200
X21.782.009	PinTri-Bungee,HydrosPro(GoFin)	130
X25.061.010	Buckle Kit -Veloce/Twin Speed*	224
X25.712.001	Buckle Cover Pair-Seawing Nova	295
X25.712.002	Buckle Body Pair-Seawing Nova	340
X25.712.305	Complete Strap Set Seawing M	2,530
X25.712.405	Complete Strap Set Seawing L	2,530
X25.712.505	CompleteStrapSet Pr SeawingXL	2,530

SEAC

BZ07001	SPRINT Fin Strap SEAC, 1 pce, XXS/S	470
BZ07002	SPRINT Fin Strap SEAC, 1 pce, S/XL	470
BZ512	PROPULSION/VELA Fin Strap SEAC	590
B730023	Sling Strap, size S, for Propulsion fins size S/M (per strap)	675
B730024	Sling Strap, size R, for Propulsion fins size M/L and L/XL (per strap)	675

SAEKODIVE

S271	Quick release Fin Buckle - Black/ 1 Piece	150
S1075	Fin Strap, Rubber / 1 Piece	240
SA004A	Fin Strap Jet Fin "Saekodive" / 1 Piece	225
S1775	EZ Spring Fins Strap w. Buckles / Pair Saekodive, S, M, L, XL	1,525
S1875	EZ Spring Fins Strap w. Clip / Pair Saekodive, S,M,L,XL - Black	1,290
S1875-R/W/Y	EZ Spring Fins Strap w. Clip / Pair Saekodive, S,M,L,XL - R/W/Y	1,340

SUNGLASS & EYEWEAR STRAPS

TDA03-1	NECKZ Latex Eyewear Strap, K, O, Pi, Y	185
TDA03-6	NECKZ Latex Eyewear 6 Straps, K, O, Pi, Y	***
TDA02-72	NECKZ Latex Eyewear Display w. 72 Straps	***
TDA93-1	Eyeglass Holder Strap	230

WATCH & WRIST STRAPS

TDA69	Velcro Wrist Band with Flag, Black	380
TWA53	Australian Outback Safety Watch Strap; 20mm, 22mm, 24 mm	1,045

KNIFE STRAPS

S1077	Knife Strap - Rubber	225
S1077-2	Quick Release Knife Strap - Rubber	245
TKN02	Knife Strap with Spring Buckle	640

MASK BOX

DBS1	Plastic Mask Box	90
------	------------------	----

CLIPS, HOOKS, COILS ETC.

S4002-95	Brass Clip small hook, S	320
S4003-88	Brass Clip small ring, S	270
S4002-120	Brass Clip large hook, L, 120mm	425
S4003-120	Brass Clip large ring, L, 120mm	430
SAC01A	Equip. Connector - Female end & Looped end	140
SAC01B	Equip. Connector - Swivel plastic hook & Looped end	160
SAC01D	Equip. Connector - Octopus Holder, FY, K	235
SAC01E	Equip. Connector - Fin Holder	255
SAC06	Magnetic Octopus Holder	850
SAC06A	Non-Magnetic Octopus Holder	690
SAS-12DF-5	Snap Hook Aluminium 50mm length	68
SAS-12DF-6	Snap Hook Aluminium 60mm length	77
SAS-12DF-7	Snap Hook Aluminium 70mm length	95
SAS-12DF-8	Snap Hook Aluminium 80mm length	115
S2450-80	Snap Hook Stainless Steel 80mm length	385
SS243-6	Stainless Steel Spring Hook 60mm length	225
SS243-8	Stainless Steel Spring Hook 80mm length	365
SS161-90	Double ended snap hook, 304 Stainless, 90mm	445
SS162-100	Double ended snap hook, 304 Stainless, 100mm	525
SS163-115	Double ended snap hook, 304 Stainless, 115mm	545
SS225-92	Swivel bolt snap, 304 Stainless, 92mm	425
SAL21	Lanyard Saeko	96
TRP08	Deluxe Stretch Lanyard	405
TRP09	Camera Lanyard w/brass clip	535
TDF82	Reef Drift Diver J-Hook	925
SAR-0-2	Key Ring Stainless Steel	25

SEA SPRINGS

THA83	Sea Spring Retainer Expands from 9.5' to 18 ft (25cm)	500
THA84	Sea Spring Retainer Expands from 13" to 23 ft (34cm)	550

RETRACTORS, REELS ETC.

SAR-0	Retractor - coil snap	590
SAR-03A	Retractor - auto lock	835
SAR-03C	Retractor 3m	960
SAR-13A	Small Retractor	650
SAR-13C	Small Retractor	635
SAR07	Regulator Necklace	350
SAR08	Quick Release Coil Lanyard - B, K	650
SAR09	Cable Wire Coil Lanyard	860

RETRACTORS, REELS ETC. (Continued)

SAR06	Finger Reel Large, 45m, reel K, line White, w.SS bolt snap	730
SAR06-O/Y	Finger Reel Large, 45m, reel O, line Yellow, w.SS bolt snap	870
SAR06-Y/O	Finger Reel Large, 45m, reel Y, line Orange, w.SS bolt snap	870
SAR16	Finger Reel Medium, 30m, reel K, line White, w.SS bolt snap	675
SAR16-O/Y	Finger Reel Medium, 30m, reel O, line Yellow, w.SS bolt snap	770
SAR16-Y/O	Finger Reel Medium, 30m, reel Y, line Orange, w.SS bolt snap	770
SAR16S-O	Finger Reel Medium, 30m, Stainless reel, line Orange, w.SS bolt snap	1,180
SAR16S-Y	Finger Reel Medium, 30m, Stainless reel, line Yellow, w.SS bolt snap	1,180
DBYAR02	Finger Reel Aluminium, 30m flat line, w.SS bolt snap - B, K, LB, Pi, Pu, R	1,320
SAR26	Finger Reel Small, 15m, reel K, line White, w.SS bolt snap	620
SAR26-O/Y	Finger Reel Small, 15m, reel O, line Yellow, w.SS bolt snap	660
SAR26-Y/O	Finger Reel Small, 15m, reel Y, line Orange, w.SS bolt snap	660
SAR26S-O	Finger Reel Medium, 15m, Stainless reel, line Orange, w.SS bolt snap	1,080
SAR26S-Y	Finger Reel Medium, 15m, Stainless reel, line Yellow, w.SS bolt snap	1,080
DBYAR01	Finger Reel Aluminium, 15m flat line, w.SS bolt snap - B, Co, G, Gy, K, LB, Go, Pi, Pu, R, Si	1,225
SAR05	Wreck Reel w. auto stop 83m	2,130
SAR14	Wreck Reel 45meter	2,145
SAR15	Wreck Reel w. auto stop 45m	1,985
X40.122.000	Reel Multifunction, Scubapro, w. 80m line	6,250

BACKPACKS, INFLATORS, BCD HOSES, ETC.

UTP201	Tank Pack complete	2,560
SAK04PIN	Power Inflator w.Pin (fits SubGear)	2,090
UPI201	Power Inflator w. blue button	1,885
UPI208	Compact 2 Power Inflator w. yellow button	1,885
UCL201	Cam Lock	365
S91034	Saekodive BCD Over Pressure Device, 54mm OD	695
UOV1811	Pull Ball for Dump Valve	79
SAK04-9	Saekodive Nipple for Inflator	235
MA59	Schrader Valve for Inflator	29

SCUBAPRO

X21.703.x03	Bladder, T-One - XXS to XXL	10,950
X20.135.005	Super Chinch Tank band Assy., metal	2,400
X21.200.003	Scubapro BCD Over Pressure Valve Kit	705
X01.030.115	Hose, corrugated 14", S'pro Ladyhawk,Nighthawk,Plus,Accent,Propac	820
X01.030.114	Hose, corrugated 16", Scubapro Classic Plus/Unlimited BCD	820

SEAC

B75020	Corrugated Hose Seac	2,530
B75038	Complete Quick Exhaust Unit	3,975
B75039	Inflator unit Seac	2,870
B75040	Complete Inflator Unit with corrugated hose	7,755
B77454	Piston Power Inflator Unit Seac	3,420
B55006	Overpressure Valve Seac	2,005

BCD BUCKLES

BS75073	Buckle Male 40mm	205
BS75074	Buckle Female 40mm	205
BS75075	Buckle Male 50mm	205
BS75076	Buckle Female 50mm	265
BS75106	Buckle Male 25mm	140
BS75107	Buckle Female 25mm	190

WEIGHTBELTS ETC.

S4001	Weightbelt Buckle plastic - K, Y	175
UBK304	Weightbelt Buckle stainless steel, 3 slots	290
UBK504	DeLuxe Weightbelt Buckle stainless steel, 3 slots	350
M1998	Roll of Weightbelt webbing (50m) - B, K, Y	3,250

WEIGHTBELTS ETC. (Continued)

M1999-1.	Weightbelt webbing 1 meter - B, K, Y		75
M1999-1.4	Weightbelt webbing 1.4 meter - B, K, Y		100
M1999+Buc	Weightbelt 1.4m with Stainless Buckle - B, K, Y		390
X23.029.100	Weightbelt Scubapro, with stainless Buckle - Black		1,680
X23.030.100	Weightbelt Scubapro, with nylon Buckle - Black		1,175
SAW02	Weightbelt Saekodive with stainless buckle, 1.45m - B, K, Y		735
DB5000	Soft Weightbelt Deep Blue, 3-pocket, w/o buckle - Black		590
DB5001	Soft Weightbelt Deep Blue, 4-pocket, w/o buckle - Black		640
B1971	Rubber Weightbelt SEAC, with stainless buckle, 1.3m		1,235
B198	Rubber Weightbelt SEAC, with nylon buckle, 1.3m		970
SAW03	Weightbelt keeper, plastic		35
SAW06	Weightbelt keeper, stainless		86
SAW07	Weightbelt keeper, stainless, corrugated edge		97
SS-928	D-Ring, stainless, 6mm/50mm for weightbelt		225
SS-929B	D-Ring, Bent, stainless, 6mm/50mm for weightbelt		235
SS-934	D-Ring, stainless, 5mm/50mm for weightbelt	NEW	205
SS-934B	D-Ring, Bent, stainless, 5mm/50mm for weightbelt	NEW	215
SS103	Weightbelt keeper with D-Ring, stainless		315

WEIGHTS

M6000-SRD	Round Weight for Belt 800g.		250
M6000-BRD	Round Weight for Belt 1,500g.		470
M6000-SSQ	Square Weight for Belt 800g.		250
M6000-BSQ	Square Weight for Belt 1,500g.		470

LUBRICANTS

SAS03	Silicone Lube Container 15 gram / 1/2oz.		185
TLP25	Zipper Lube Stick		320
TNT60	Christo Lube 129 Container 7 gram / 1/4oz for Nitrox		945
TNT72	Christo Lube 129 Tube 2oz (60 gram) for Nitrox		3,520
SAS01	Silicone Lube Container 60 gram		485
TLP27	Silicone Lube Pump 8 oz (227 gram)		1,045
TSA66	Silicone Lube Container 16 oz (450 gram)		6,035
TNT79	Valve Silicone & Sealant Container 2oz (60 gram)		1,110
DBSY1	Cristo Lube, in preloaded syringe		390
MOLY111	Molykote 111 Grease, for cylinder threads		2,000

LIQUIDS & CLEANING SOLUTIONS

TFA20	Dry Ear Solution for Swimmers/Divers Ear		665
TLP81	Defog, 2oz. Bottle		510
TLP85	Fog Off Original		810
TLP80	Silicone Defog Spray 2oz.		905
TLP75	New Mask Cleaner 1oz.		565
TSA65-1000	Ultrasonic Solution (1 kg)		***
TSA65-500	Ultrasonic Solution (500 gram)		***
DBESAFE-3	Disinfectant for Equipment, Environmentally Safe, 3 kg (makes 60 liters)		***
DBESAFE-5	Disinfectant for Equipment, Environmentally Safe, 5 kg (makes 100 liters)		***

MISCELLANEOUS - REGULATOR ACCESSORIES

SAS-16	360 Degree swivel for Regulator		2,150
WMDAB-05	LP 90deg. Adapter	NEW	1,910
WMDAB-07	LP 110deg. Adapter	NEW	1,910
SAD02	Dust Cap plastic, first stage		135
SAD01	Dust Cap rubber, first stage		165
TA140	Delrin machined DIN plug 1st Stage		820
TA143	Delrin Cap DIN 200 Bar		960

MISCELLANEOUS - REGULATOR ACCESSORIES (Continued)

X10.101.211	Dust Cap Scubapro DIN first stage	255
X10.101.212	Dust Cap Scubapro INT first stage	255
BS2011	DIN Protection Cap Seac	1,185
S4007	Regulator Inspection Hose Sleeve	NEW 125

TOOLS & VARIOUS WORKSHOP NEEDS

S7402	Multitool stainless steel with 12 Tools	1,245
S7407	Multitool stainless steel with 9 Tools	1,330
DBBRTOOL	Stainless Multipurpose Tool, card size	810
SAS12K	Saekodive Neoprene Glue, 90ml tube, Black	420
MPA60	Paint Marker - Black, Red, White, Yellow	230
TS105	Diver's Deluxe Tool Kit in zippered folder	2,995
TYK34	Vinyl Repair Kit	765
MJP030	Ultrasonic Cleaning Device, 4.5 liter, 180W	16,830
SAP-0001	Intermediate Pressure Tester	1,130
SAP-0003A	Tank Pressure Checker INT	4,370
SAP0004A	Tank Pressure Checker DIN, 300bar	4,040
SAP-0003A1	Gauge for High Pressure Checker	1,335
M2310	Dwyer Magnehelic Pressure Gauge, Range 5-0-5" WC	10,770
SAP-0002A	Adjusting Tool 2nd. Stage with gauge	4,000
WMDMT-610	2nd Stage Inline Adjust Tool With Gauge	***
SAA01	Air Nozzle, stainless steel	690
SAA06	Air Nozzle, rubber	650
M51	First stage holding tool (stainless)	***
SAT19	Tire Inflator, heavy duty, stainless	690
SAT20	Tire Inflator, stainless, mixed colors	485
TDA79	O-Ring Tool Kit + Silicone	3,070
TSA05	Hose Protector Installation Tool	3,010
TSA99	Tank Valve Knob Removing Tool	1,340
TSA58	Schrader Valve Tool	515
MSocket-6mm	Extension for yoke nut tool 3/8	980
V622-278.T10	Screwdriver ESD TX10	810
V622 261P 0-50	Philips screwdriver 0*50	520
V622 261P 1-60	Philips screwdriver 1*60	625
V64602 6S	Bulkhead Fitting Stainless	2,280
VTR6/10/6LES	T-Piece Stainless	2,895
TFA64	Silicone Rescue Tape, 1" wide, C, K, O, R	590
F100013031	TORX Screwdriver T6x40	750

TOOLS - SCUBAPRO

X43.040.000	Universal Tool for Scubapro Regulators	5,625
X43.191.107	Yoke Nut Socket	1,740
X43.018.000	Hose Protector Installation Tool	3,695
X43.300.108	Brass Piston Bullet	1,025
X43.300.210	HP-Seat Tool Mark2	1,340
X43.300.225	Flow Vane Extractor Tool - 2nd Stages	1,725
X43.300.226	MK20/25 Bushing Assembly Tool	1,985
X43.300.998	Torque Wrench 5 - 35N	16,890
X43.403.000	Regulator Cover Tool - R295, S600, Air2	870
X41.496.101	Plastic Syringe	100
X43.300.002	Nut Driver 1/4"	1,170
X43.300.003	Nut driver 5.5mm	1,170
X43.300.017	Brass O-ring Pick Set	2,110
X43.300.107	Double Hook O-ring Pick Plastic/St.Steel	465
X43.300.101	Air 2 Seat Slider Tool	1,985
X43.300.119	Air 2 Spider Tool	4,340
X43.117.130	MK17/19 Dry Chamber Socket	8,990
X43.300.240	MK16/18 Balance Chamber Tool	2,970

COMPUTER BATTERIES

MCR2BAT	Battery CR2, Lithium Panasonic (for Strobes / Range Finders)	465
---------	--	-----

COMPUTER SPARE PARTS - SUUNTO**BATTERY KITS**

FSS011412000	Battery Kit DX/D9tx	460
FSS011629000	Battery Kit D9	460
FSS012607000	Battery Kit D6/D6i	460
FSS014337000	Battery Kit D4/D4i	460
FSS055506000	Battery Kit Spyder/Stinger	460
FSS055507000	Battery Kit Zoop/HelO2/Vytec/Vyper/Cobra/Gekko	460
FSS021766000	Battery Kit Zoop NOVO/Vyper NOVO	460
FSS055003000	Battery Kit Mosquito/D3	460
FSS055509000	Battery Kit Transmitter	1,230
FSS020308000	Battery Kit Tank Pod (EON Steel)	1,230

BATTERIES ONLY

F100020896	Solution/Favor LUX, 3.6V Battery ONLY	1,065
F1000K5546	Favor /Companion / Octopus, 3.0V Battery ONLY	1,065

DISPLAY SHIELDS

FSS005508000	Sol/Favor/Companion Display Shield Set (2 pcs)	490
FSS0V5850000	Cobra Display Shield	640
FSS013145000	Cobra2/3 Display Shield Kit	640
FSS0V5875000	Zoop/Vytec/Vyper/Gekko Display Shield	640
FSS013126000	HelO2/Vyper2/Vyper Air Display Shield	640
FSS021769000	Zoop NOVO/Vyper NOVO Display Shield Guard	835
FSS005501000	Spyder/Stinger/Mosquito/D3 Display Shield (2 pcs)	640
FSS012605000	D6, D6i Display Shield Kit	610

REPLACEMENT STRAPS

FSS050562000	EON Steel Elastomer Strap Replacement Kit LIME	2,705
FSS050680000	EON Steel Elastomer Strap Replacement Kit BLACK	2,705
FSS020311000	EON Steel Elastomer Strap Replacement Kit	2,705
FSS022768000	EON CORE Elastomer Strap Replacement Kit	2,705
FSS021320000	DX Black Elastomer Strap Replacement Kit	2,705
FSS019554000	DX Black Titanium Bracelet Kit	15,425
FSS018204000	DX Silver/D9tx Titanium Bracelet Kit	13,320
F100019616	D9tx Titanium Strap Buckle	3,170
FSS021263000	DX Silver/D9tx Elastomer Strap Replacement Kit	2,705
FSS022221000	D6i Novo STONE Strap Kit	2,705
FSS022223000	D6i Novo WHITE Strap Kit	2,705
FSS022225000	D6i Novo BLACK Strap Kit	2,705
FSS022816000	D6i Novo BLACK ZULU Strap with Adapter	6,185
FSS022818000	D6i Novo STEALTH ZULU Strap with Adapter	6,185
FSS022817000	D6i Novo BLUE ZULU Strap with Adapter	6,185

D5 STRAPS (DESIGNED FOR DIVING)

FSS050208000	D5 DIVE 1 Silicone Strap, Lime/Black, M	2,040
FSS050206000	D5 DIVE 1 Silicone Strap, Black/Steel, M	2,040
FSS050207000	D5 DIVE 1 Silicone Strap, White/Steel, M	2,040
FSS050240000	D5 DIVE 1 Silicone Strap, Blue/Black, M	2,040
FSS050241000	D5 DIVE 1 Silicone Strap, Sakura/Black, M	2,040
FSS050242000	D5 DIVE 1 Silicone Strap, Ocean/Black, M	2,040
FSS050243000	D5 DIVE 1 Silicone Strap, Coral/Black, M	2,040
FSS050244000	D5 DIVE 1 Silicone Strap, Amber/Black, M	2,040
FSS050264000	D5 DIVE 2 Textile Zulu Strap, Stealth/Black, L	3,030
FSS050263000	D5 DIVE 2 Textile Zulu Strap, Black/Black, L	3,030
FSS050265000	D5 DIVE 2 Textile Zulu Strap, Blue/Black, L	3,030
FSS050228000	D5 EXPLORE 2 Textile Strap, Black/Black, M+L	2,795
FSS050229000	D5 EXPLORE 2 Textile Strap, Foliage/Grey, M+L	2,795
FSS050230000	D5 EXPLORE 2 Textile Strap, Con/Black, M+L	2,795

COMPUTER SPARE PARTS - SUUNTO (Continued)**D5 STRAP EXTENSIONS**

FSS050196000	Strap Extension D5 Dive1 Sil., Black, XL	1,420
FSS050198000	Strap Extension D5 Dive1 Sil., Lime, XL	1,420

D5 STRAPS (DESIGNED FOR EVERYDAY WEAR)

FSS050012000	D5 EXPLORE 1 Silicone Strap, Amber/Gray, M	2,000
FSS050220000	D5 EXPLORE 1 Silicone Strap, Coral/Gray, M	2,000
FSS050221000	D5 EXPLORE 1 Silicone Strap, Black/Black, M	2,000
FSS050222000	D5 EXPLORE 1 Silicone Strap, Graphite/Gray, M	2,000
FSS050223000	D5 EXPLORE 1 Silicone Strap, Sandstone/Gray, M	2,000
FSS050158000	D5 EXPLORE 2 Silicone Strap, Black/Black, M	2,000
FSS050013000	D5 EXPLORE 3 Silicone Strap, Stealth/Black, M	2,000
FSS050224000	D5 ATHLETIC 1 Silicone Strap, White/Steel, S+M	2,000
FSS050225000	D5 ATHLETIC 1 Silicone Strap, Black/Black, S+M	2,000
FSS050226000	D5 ATHLETIC 1 Silicone Strap, Lime/Black, S+M	2,000
FSS050155000	D5 ATHLETIC 3 Silicone Strap, Black/Steel, M	2,000
FSS050156000	D5 ATHLETIC 3 Silicone Strap, White/Steel, M	2,000
FSS050157000	D5 ATHLETIC 3 Silicone Strap, Lime/Black, M	2,000
FSS023313000	D5 ATHLETIC 4 Silicone Strap, Black/Copper, M	2,000
FSS023314000	D5 ATHLETIC 4 Silicone Strap, Forest/Copper, M	2,000
FSS023485000	D5 ATHLETIC 4 Silicone Strap, White/Gold, M	2,000
FSS050231000	D5 URBAN 2 Leather Strap, Black/Black, M	3,190
FSS050232000	D5 URBAN 2 Leather Strap, Brown/Black, M	3,190
FSS050545000	URBAN 3 Silicone Strap 24mm, Black/Lime, M	2,000
FSS050547000	URBAN 3 Silicone Strap 24mm, Sandstone/Rosegold, M	2,000
FSS050546000	URBAN 3 Silicone Strap 24mm, White/Burgundy, M	2,000
FSS020442000	D4i NOVO Strap Black	2,285
FSS020443000	D4i NOVO Strap Blue	2,285
FSS020444000	D4i NOVO Strap Lime	2,285
FSS020447000	D4i NOVO Strap White	2,285
FSS020446000	D4i NOVO Strap Pink	2,285
FSS021124000	D4i NOVO Strap Gray	2,285
FSS022629000	D4i NOVO Strap Ocean	2,285
FSS022630000	D4i NOVO Strap Sakura	2,285
FSS022631000	D4i NOVO Strap Sun	2,285
FSS050170000	D4i NOVO Strap COPPER	2,285
FSS050169000	D4i NOVO Strap LIGHT GOLD	2,285
FSS0L5838000	Stinger / Spyder Elastomer Strap/grey - incl. Extension Strap	1,830
FSS021765000	Zoop NOVO/Vyper NOVO - Strap kit	1,830
FSS0V5841000	Zoop/HelO2/Vyper/Gekko Strap complete (incl. Buckle + 3 Springbars)	1,830
FSS013194000	Vyper2 / Vyper Air, Strap Set	1,830
FSS0K512000	Elastomer Strap, SK8/ SK7/ SK6/ SM-16/ Solution/ Favor/ Octopus	950
FSS0K5140000	Textile Strap SM-16 / SK6 / SK7	700

BOOTS, MOUNTS, ETC.

FSS050679000	Bungee Adapter EON Steel LIME	2,800
FSS020309000	Bungee Adapter EON Steel BLACK	1,500
FSS023283000	Bungee Adapter Kit EON Core	995
FSS020310000	Boot for EON Steel (Does not fit EON Core)	995
FSS020627000	Boot with Bungee Cord for SK-7/SK-8 Diving Compass	1,450
FSS020628000	Suunto Dive Computer Boot (NOT for Zoop Novo, Vyper Novo)	1,450
FSS0K6018000	Wrist Mount Boot for SK-7/SK-8	530
FSS021768000	Zoop NOVO/Vyper NOVO - Boot for CB (combo)	995
FSS021767000	Zoop NOVO/Vyper NOVO - Rubber boot for computer	995
FSS021886000	Zoop NOVO/Vyper NOVO - Bungee adaptor kit	995
FSS018799000	SUUNTO Charger	670

COMPUTER SPARE PARTS - SCUBAPRO / UWATEC

XZ06.201.920	Battery kit w. O-ring - Smart/Galileo Transmitter	1,100
XZ06.204.071	Battery kit w. O-ring - Smart+ (05.055.020) / AirZ+ Transmitter (05.055.010)	1,705
XZ06.202.872	Battery kit w. O-ring - Galileo	1,805
XZ06.007.710	Battery kit w. O-ring - Aladin Pro (Grey)	2,815
XZ06.203.586	Battery kit w. O-ring - XP10 / Alad.Prime	465
XZ06.200.266	Battery SL-760/PT, 3-Pin for Aladin	1,440
XZ06.200.265	Battery SL-760/T 2-Pin, for Aladin Smart Pro, Air Z	1,440
XZ27.730.107	Battery CR2032 for Xtender/Meridian/Chromis/Mantis)	75
XZ06.201.615	Battery Cap - Aladins	795
XZ06.203.053	Battery Cover - Galileo	1,065
XZ06.050.586	Xp10/Prime O-ring	22

REGULATOR SERVICE KITS - SCUBAPRO

XZ10.042.045	Service Kit Mark 2	825
XZ10.063.045	Service Kit Mark 2 Evo	1,020
XZ10.105.045	Service Kit Mark 5	925
XZ10.500.045	Service Kit Mark 10	925
XZ10.550.045	Service Kit Mark 10 Plus	925
XZ10.707.045	Service Kit Mark 11	1,560
XZ10.705.045	Service Kit Mark 14	775
XZ10.117.045	Service Kit Mark 17 / 19	1,755
XZ10.719.045	Service Kit Mark 19 Evo	NEW 1,905
XZ10.756.045	Service Kit Mark 16 / 18 / 18 UL	2,000
XZ10.721.045	Service Kit Mark 21	1,070
XZ10.750.045	Service Kit Mark 25 Evo / 25 / 20	1,120
XZ10.712.032	Service Kit Mark 20 / 25 Nitrox	2,980
XZ11.300.045	Service Kit R190 / R295/ R395 / R380 / HP	775
XZ11.361.045	Service Kit C300 / C200	975
XZ11.012.045	Service Kit D300 / 350 / 400	1,415
XZ11.420.045	Service Kit D420	2,245
XZ11.109.045	Service Kit G200 / Adjustable / M50	875
XZ11.261.045	Service Kit G250V/G260	775
XZ11.254.045	Service Kit S600 / G250	1,120
XZ11.620.045	Service Kit S620Ti	975
XZ11.650.045	Service Kit X650	1,120
XZ11.700.045	Service Kit A700	1,120
XZ21.009.041	Service Kit Air 2 - 1st Generation	745
XZ21.080.041	Service Kit Air 2 - 2nd Generation	730
XZ21.085.045	Service Kit Air 2 - 3rd & 4th Generation	925
XZ21.090.045	Service Kit Air 2 - 5th Generation	975
XZ21.626.045	Service Kit Balanced Inflator	630
XZ10.500.047	Upgrade Kit Mark 10 to Mark 10 Plus	3,565
XZ10.116.030	Upgrade Kit Mark 16 to Mark 18	1,020
XZ10.062.030	Conversion Kit Mark 2 to Mark 2 Nitrox	2,490
XZ10.063.033	Conversion Kit Mk2Evo to Mk2Evo Nitrox	3,075
XZ10.712.030	Conversion Kit Mark 25 to Mark 25 Nitrox	2,835
XZ10.712.033	Conversion Kit Mark 25Evo to Mark 25Evo Nitrox	3,370
XZ10.500.021	Conversion Kit Mark 10 Nitrox	1,265

REGULATOR SERVICE KITS - SUBGEAR

GZ810.042.045	Service Kit Aruba/SG100, 1st Stage	790
GZ810.117.045	Service Kit Cayman/SG1000, 1st Stage	1,640
GZ811.551.045	Service Kit - Cayman/SG1000 2nd Stage	1,055
GZ821.601.000	Service Kit Drift Inflator	325

REGULATOR SERVICE KITS - SEAC

BS8412	Service Kit 1st Stage X-5P / P-Synchro	1,190
BS8422	Service Kit 2nd Stage X-5 / Synchro	625
BS8512	Service Kit 1st & 2nd Stage D-Syn/X-10/PRO/X-5	2,370

NITROX EQUIPMENT

MO2decantwhip	O2 decanting whip with gauge	45,000
DBFM400	Flowmaster 400 Continuous Blending System	67,500
MR217P42-INT	Oxygen Analyzer (Incl. Internal Sensor & OxyKnob) MAXO2+A-INT	21,895
MR217P52-EXT	Oxygen Analyzer (Incl. External Sensor & OxyKnob) MAX)2+AE-Ext	27,175
MR217P24	Replacement cable for Maxtec analyser MR217P52	5,025
MR125P02-INT	Oxygen Sensor, Internal for MAXO2+A-Int	5,820
MR125P03-Ext	Oxygen Sensor, External for MAXO2+AE-Ext	5,820
MR207P17	Barbed Adapter with Tubing	885
MR217P06-002	Case MaxO2+ Top cool Grey	585
MR217P09-002	Overlay MaxO2+ Scuba Mylar Film	225
MR218P19	OxyKnob, Scuba Adaptor	1,185
MRP11P28	BC Adapter	2,115
XA11.452	Oxy Spy Sensor	5,475
OX-SNSR	OMS Analyzer O2 Fuel Cell (New replacement cell)	7,335
M99997	Oxygen Sticker for Tank (10cm x 25cm)	75
M99998	Oxygen clean sticker (6cm x 6cm)	23
M99999	Nitrox Sticker for Tank (16cm x 60cm)	105

HOSES ETC.

SAH-03-K-75	Deep Blue LP Hose, 2nd Stage 75cm - Black	750
SAH-03-K-150	Deep Blue LP Hose, 2nd Stage 150cm - Black	975
SAH-03-K-210	Deep Blue LP Hose, 2nd Stage 210cm - Black	1,185
SAH-03-Y-5M	Deep Blue LP Hose, 2nd Stage 5 meter - Yellow	NEW 3,010
SAH-03-Y-10M	Deep Blue LP Hose, 2nd Stage 10 meter - Yellow	NEW 5,690
SAH-03-Y-15M	Deep Blue LP Hose, 2nd Stage 15 meter - Yellow	NEW 6,940
SAH-03-Y-20M	Deep Blue LP Hose, 2nd Stage 20 meter - Yellow	NEW 9,875
SAH-03-K-95	Deep Blue LP Hose Octopus, 95cm - Black	735
SAH-03-Y-95	Deep Blue LP Hose, Octopus 95cm - Yellow	810
SAH-04-K-68	Deep Blue LP Hose, Inflator 68cm - Black	825
SAH-04-K-20	Deep Blue LP Hose, Inflator 20cm - Black	NEW 640
ULP350-02	Deep Blue LP Hose, Inflator Air 2, 60cm - Black (350psi/23.8Bar)	790
X01.310.026	Scubapro LP Hose 2nd Stage 65cm	1,920
X01.309.040	Scubapro LP Hose 2nd Stage 75cm	2,095
X01.310.027	Scubapro LP Inflator Hose w/Quick connector	2,315
X01.309.020	Scubapro LP Hose w. female quick fitting, 20cm (for sidemount)	2,050
X01.309.080	Scubapro LP Hose, Superflow, 210cm	3,065
X01.310.040	Scubapro LP Octopus Hose 100cm, Black	2,270
X01.310.039	Scubapro LP Octopus Hose 100cm, Yellow	2,445
X21.626.013	Scubapro Adapter, BPI Quick Disconnect	920
DBT30017-01	Deep Blue HP Hose (made in Italy) 6" / 15cm, dia 12.5mm	1,250
DBT30016-01	Deep Blue HP Hose (made in Italy) 32" / 80cm, dia 10.8mm	1,590
X05.004.060	Scubapro HP Hose 60cm	3,035
X01.044.031	Scubapro HP Hose 80cm, dia 10.8mm	2,265
X01.045.006	Scubapro HP Hose, Thermal Plastic, 15cm	1,960
X05.003.090	Scubapro HP Hose w. Quick Connector, 90cm	4,300
F100019631	MIFlex HP Hose 33" / 83cm, dia 8mm	1,735
X11.700.010	Hose Protector Scubapro - Black	200
X11.700.050	Hose Protector Scubapro - Green	180
X11.700.018	Hose Protector Scubapro - Hydros Purple	285
X11.700.019	Hose Protector Scubapro - Hydros Purple	285
X11.700.223	Hose Protector Scubapro - Hydros Blue	285

HOSES ETC. (Continued)

X11.700.225	Hose Protector Scubapro - Hydros Yellow	285
X11.700.226	Hose Protector Scubapro - Hydros Orange	285
X11.700.227	Hose Protector Scubapro - Hydros Pink	285
X01.040.019	Mouthpiece & Hose protector kit - Purple	1,160
X01.040.080	Mouthpiece & Hose protector kit - White	1,160
X01.040.330	Mouthpiece & Hose protector kit - Hydros Blue	1,160
X01.040.360	Mouthpiece & Hose protector kit - Hydros Yellow	1,160
X01.040.370	Mouthpiece & Hose protector kit - Hydros Pink	1,160
X01.040.390	Mouthpiece & Hose protector kit - Hydros Orange	1,160
X01.334.005	HP-Hose Quick Connector Scubapro	1,920
SAH01	Hose Clamp Saekodive - K, Y	70
SAH09	Hose clamp for 2 different hose sizes - B, K, Y	110
SAH02	Hose Wrap Saekodive - B, G, Y	145
S4004	Hose Protector Saekodive large diameter - B, K, Y	90
DB20070-07	Hose Protector Standard - Deep Blue - K, Y	90
DBT30018	Hose Protector Pro - Deep Blue - K	120
SAH23	Ergonomic Swivel Hose Clip Saekodive - Black	245
DBYPC001	Ergonomic Swivel Hose Clip Deep Blue - Pi, W, Y	215
UHH07	Double Hose Clip - K, Pi, Y	70

HP SWIVELS

F1000V5593	Suunto HP-Swivel with O-rings	215
X06.203.548	Scubapro HP-Swivel with O-rings, Uwatec/Subgear	300
X28.132.305	Scubapro Swivel with 2x Viton O-rings	350
DBT30019	Deep Blue HP-Swivel with disc and Viton O-rings	190

PROMOTION ITEMS**SAEKODIVE**

SAD07	Alu tank Key Ring w. O-rings	450
SAD08	Alu tank Key Ring w. Brass Pick & O-rings	560

SCUBAPRO

X50.792.000	Scubapro Baseball Cap	675
X50.793.000	Scubapro Snapback Cap	675
X50.920.000	Scubapro Coffee Mug, Color Changing	375
X50.900.100	Scubapro Pen, Metal	105
X47.106.00x	Scubapro Key Ring, Nova Seawing, Black/White/Blue/Pink/Purple/Orange/Grey	98
X47.107.00x	Scubapro Key Ring, GO Sport, Black/White/Blue/Turquoise/Yellow ETA Mar'20	98
X50.910.260	Scubapro Umbrella, 69cm w. windproof shaft	735
X47.301.005	Base for Scubapro Beach Umbrella	900
X47.100.005	Scubapro Sail (small), Complete with Stand, 50cm x 250cm	3,085
X51.010.100	Scubapro Counter Mat w. O-Rings	635
X51.010.200	Scubapro floor mat with Boot sizes	375

DEEP BLUE, DIVE SUPPLY, etc.

X002.	Scubapro "Deep Down" T-Shirt, unisex, 2XS - 4XL	295
X003.xx	Scubapro "Love" T-Shirt, unisex, 2XS - 4XL, Blue Print	295
X004.xx	Scubapro "Love" T-Shirt, unisex, 2XS - 4XL, Pink Print	295
FZ001.xx	Suunto "D5" T-Shirt, unisex, 2XS - 4XL	295
DB004-NOTE	Dive Supply Notepad, A6 (10.5cm x 14.8cm)	25
DB005-PEN	Promo Pen, DIVE SUPPLY, SCUBAPRO, SUUNTO	25
DB003C-SU	SUUNTO Cap	400
DB003C-SC	SCUBAPRO Cap, Deep Down	400
DB004-LAN	Lanyard with Scubapro, Suunto, Deep Blue	50
DB005-WR	Silicone Wristband, Scubapro, Suunto, Deep Blue	25
DB008-BAG	Non Woven Bag, Dive Supply, Scubapro	45
F1000Z1	Suunto sail only	500
F1000Z2	Suunto stand only	4,000

PROMOTION ITEMS (Continued)**DEEP BLUE, DIVE SUPPLY, etc.**

MANQ-F	Mannequin torso, Female	400
MANQ-M	Mannequin torso, Male	750

PROMOTIONAL DISPLAYS - SUUNTO

FSS050326000	D4i Black Silicone Dummy Metric	***
FSS050327000	D4i White Silicone Dummy Metric	***
FSS050328000	D4i Lime Silicone Dummy Metric	***
FSS050182000	D5 Black Dummy Metric	***
FSS050183000	D5 White Dummy Metric	***
FSS050184000	D5 Black Lime Dummy Metric	***
FSS050185000	D5 All Black Dummy Metric	***
FSS050570000	D5 Copper Dummy Metric	***
FSS022256000	D6i Novo Black Dummy Metric	***
FSS02177x000	Zoop Novo Dummy Metric, Black, Blue, Lime	***
FSS02177x000	Vyper Novo Dummy Metric, Graphite, White	***
FSS022772000	EON CORE Black Dummy Metric	***
FSS023083000	EON CORE White Dummy Metric	***
FSS023085000	EON CORE Lime Dummy Metric	***
FSS050562000	EON Steel Black Dummy Metric	***

In-Store Display Range

DBCube40	Ice Cube 40x40x40mm	***
DBCube60	Ice Cube 40x40x60mm	***
DBCube80	Ice Cube 40x40x80mm	***
FZS020298000	Logo Graphics XL, 462mm x 220mm	***
FZS020297000	Logo Graphics Large, 330mm x 220mm	***
FZS020296000	Logo Graphics Small, 132mm x 220mm	***



TANKS

LL40	Metal Impact S40 w/o valve	7,490
LL50	Metal Impact S50 w/o valve	8,190
LL63	Metal Impact S63 w/o valve	8,990
LL80	Metal Impact S80 w/o valve	9,990
LL100	Metal Impact S100 w/o valve	13,990

VALVES

LVCA4030	Thermo K Valve	2,450
LVCA4035	Thermo PRO valve (DIN/INT, EAN ready)	2,590
L5440-23	Thermo DIN / K Insert w. Viton O-rings, EAN ready	435
DBMV4030	Deep Blue K Valve (EAN ready; Thermo compatible parts)	2,290
DBMV4035	Deep Blue PRO valve (EAN ready; DIN/INT; Thermo compatible parts)	2,450
L5440-23	Deep Blue IN / K Insert w. Viton O-rings, EAN ready	435
VSRESERVE	SAN-O-SUB J-Valve w. Reserve	NEW 8,990

MODULAR VALVES

LVCA8044LH	Thermo Modular Valve, Left Hand	5,475
LVCA8044RH	Thermo Modular Valve, Right Hand	5,475
LVCA8033CTR	Thermo Modular Valve, Centre	5,475
LVCA5420	Thermo Twin Isolation Valve, Complete Set	16,425
DBMV-1L	Deep Blue Modular Valve, Left Hand (EAN Ready)	3,750
DBMV-1R	Deep Blue Modular Valve, Right Hand (EAN Ready)	3,750
DBMV-CTR	Deep Blue Modular Valve, Centre (EAN Ready)	3,750
DBMV-Set	Deep Blue Twin Isolation Valve Complete Set (EAN ready)	11,250
LVH200L-N	Thermo Pro H Adapter Left	4,800
LVH200R-N	Thermo Pro H Adapter Right	4,800

ACCESSORIES

WMD-801A	Twin Tank Bands, 304 Stainless with Rubber	NEW 12,785
SAT-30C	Tank Band Assembly	855
SAP0026	Anti-Slip Pad for Tank Band	130
SA05	Tank Valve cap - Rubber - K	56
TRP66	Cupped Tank valve cap - B, G, K, Y	135
LVC-K	Tank Valve Cap PRO Valve - K	91
SAT01	Tank Boot - Rubber	660
SAT02	Tankboot for Steeltank 12L, 7.25"	660
SAT03	Tankboot for Steeltank 15L, 8"	840
TTA56	Tank Boot - Plastic, for LL50 (6.9L) 7.25"	1,115
TTA60-K	Tank Mesh - Black	640
TTA60-Y	Tank Mesh - Fluoro Yellow	640
TDS07	Nitrox tank fill tape with %'s of mix	2,745

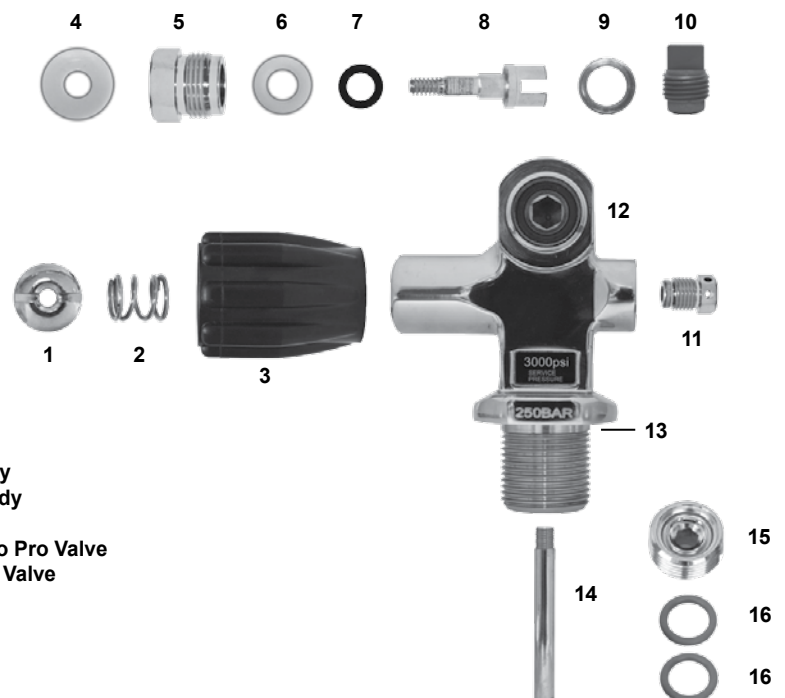
PARTS FOR THERMO & DEEP BLUE VALVES

LVK01-AIR	Service Kit for Thermo & Deep Blue Valve (LA015, L35069-K, L5270-16N, L3100-9, L5270-5N)	580
LVK01-EAN	Service Kit for Thermo & Deep Blue Valve, DIN/INT, EAN (LA015V, L35069-K, L5270-16N, L3100-9E, L5270-5N)	610
L5203-7P	1. Handwheel Nut, EAN ready	145
L5240-9	2. Spring EAN ready	85
L5240-6A	3. Handwheel - Black	430
L5270-6N	3. Handwheel - Green	475
L5240-10	4. Handwheel Washer, EAN ready	85
L5270-4PN	5. Bonnet Nut, EAN ready	345
L5270-5N	6. Stem Packing, EAN ready	75
L3100-9	7. O-Ring for Stem, Thermo & Deep Blue, AIR	27
L3100-9E	7. Viton O-Ring Stem, Thermo & Deep Blue, EAN	28
L5270-8PN	8. Stem EAN ready	345
L5270-16N	9. Bonnet Gasket, EAN ready	85
L35069-K	10. Thermo Plug Assembly HP-Seat O2 ready	375
L3990-5000N	11. Safety Assembly (3,000 psi), EAN ready	355
LA014	12. O-Ring Valve Outlet (NBR)	12
LA014S	12. O-Ring Valve Outlet (Polyurethane)	64
LGR014P9	12. Viton O-Ring Outlet	26
LA015	13. O-Ring Tank Neck	14
LA015V	13. Viton O-Ring Tank Neck	47
L5270-15N	14. Dip Tube plated (VP04 Pre 10/09), EAN ready	205
LVX04	14. Dip Tube plated (VX04 Post 10/09), EAN ready	205
L5440-23	15. DIN / K Insert w. Viton O-rings, EAN ready	435
LVP15V	16. Viton O-Ring (Thick) Outlet DIN/INT -Thermo Pro Valve	33
LP31B	16. O-Ring (Thick) Outlet DIN/INT - Thermo Pro Valve	26

THERMO & DEEP BLUE VALVE PARTS

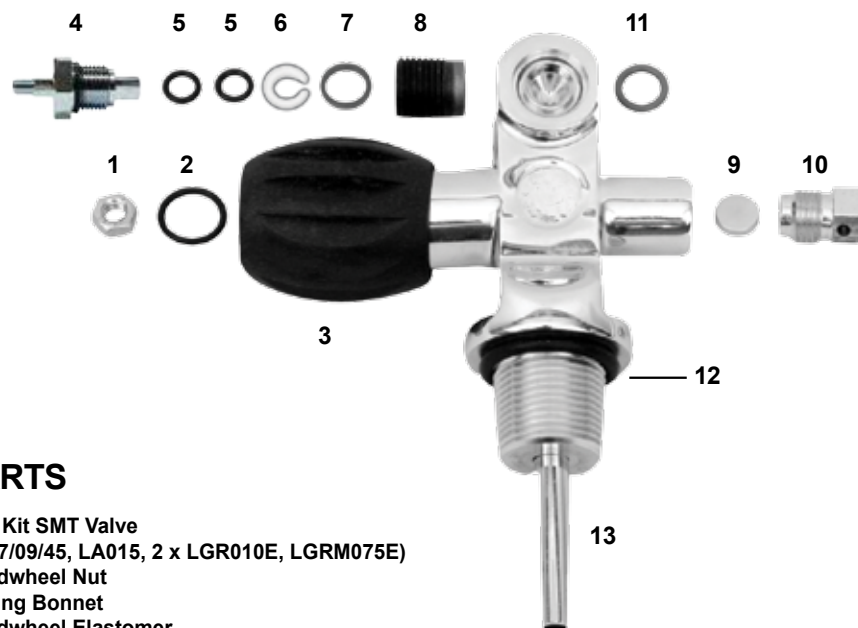
LVK01-AIR	Service Kit Thermo & Deep Blue valve (LA015-U, L35069-K, L5270-16N, L3100-9, L5270-5N)
LVK01-EAN	Service Kit Thermo & Deep Blue valve, DIN/INT EAN (LA015V-U, L35069-K, L5270-16N, L3100-9E, L5270-5N)
L5203-7P	1. Handwheel Nut, EAN ready
L5240-9	2. Spring EAN ready
L5240-6A	3. Handwheel - Black
L5270-6N	3. Handwheel - Green
L5240-10	4. Handwheel Washer, EAN ready
L5270-4PN	5. Bonnet Nut, (same as Sherwood) EAN ready
L5270-5N	6. Stem Packing, Ean ready
L3100-9	7. O-Ring for Stem, Thermo Valve, AIR
L3100-9E	7. Viton O-Ring Stem Thermo
L5270-8PN	8. Stem EAN ready
L5270-16N	9. Bonnet Gasket, EAN ready
L35069-K	10. HP-seat, O2 ready
L3990-5000N	11. Safety Assembly (3,000 psi), EAN ready
LA014	12. O-Ring Valve Outlet
LA014S	12. O-Ring Valve Outlet Polyurethane
LGR014P9	12. Viton O-Ring Valve Outlet
LA015	13. O-Ring Tank Neck
LA015V	13. Viton O-Ring Tank Neck
L5270-15N	14. Dip Tube plated (VP04 Pre 10/09), EAN ready
LVX04	14. Dip Tube plated (VX04 Post 10/09), EAN ready
L5440-23	15. DIN / K Insert w. Viton O-rings, EAN ready
LVP15V	16. Viton O-Ring (Thick) Outlet DIN/INT -Thermo Pro Valve
LP31B	16. O-Ring (Thick) Outlet DIN/INT - Thermo Pro Valve

THERMO



SPAREPARTS for Genesis/SMT VALVE

LGVP00-AIR	Service Kit for SMT Valve (LGVP07/09/45, LA015, 2 x LGR010E, LGRM075E)	729
LGVP22	1. Handwheel Nut	33
LGRM075E	2. O-Ring Bonnet	14
LGVP20	3. Handwheel - Black	400
LCV04-A	4. Complete Stem Assembly Incl. 7, 2x8, 9, 10	1,240
LGR010E	5. O-Ring Stem	14
LGVP09	6. Backup Ring	48
LGVP07	7. Gasket	60
LGVP45	8. HP-Seat SMT Valve, Oxygen ready	565
LCV26-30	9.&10. Safety Plug & Burst Disk 3,000 psi (5,000 burst)	660
LA014	11. O-Ring Valve Outlet (NBR)	12
LGR014P9	11. Viton O-Ring Outlet	26
LA015	12. O-Ring Tank Neck	14
LA015V	12. Viton O-Ring Tank Neck	47
LGVP28	13. Dip Tube	355

**SMT VALVE PARTS**

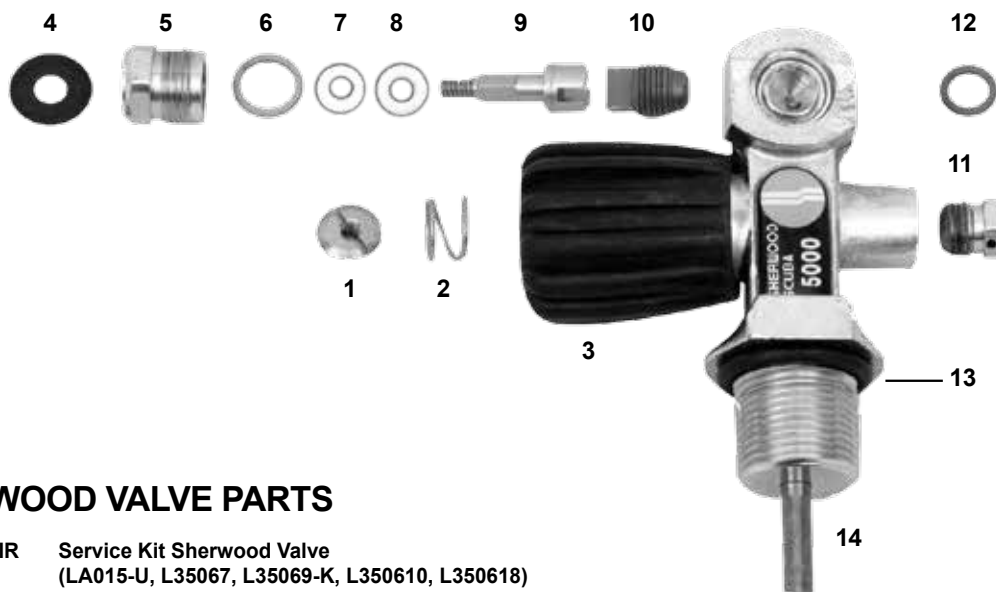
LGVP00-AIR	Service Kit SMT Valve (LGVP07/09/45, LA015, 2 x LGR010E, LGRM075E)
LGVP22	1. Handwheel Nut
LGRM075E-U	2. O-Ring Bonnet
LGVP20	3. Handwheel Elastomer
LCV04-A	4. Complete Stem Assembly
LGR010E	5. O-Ring Stem
LGVP09	6. Backup Ring
LGVP07	7. Gasket
LGVP45	8. HP-Seat SMT Valve, Oxygen ready
LCV26-30	9.&10. Safety Plug & Burst Disk 3,000 psi (5,000 burst)
LA014	11. O-Ring Valve Outlet
LA014S	11. O-Ring Valve Outlet Polyurethane
LGR014P9	11. Viton O-Ring Valve Outlet
LA015	12. O-Ring Tank Neck
LA015V	12. Viton O-Ring Tank Neck
LGVP28	13. Dip Tube

SPAREPARTS for SHERWOOD VALVES

L350620-AIR	Overhaul Kit for Sherwood Valve (LA015, L35067, L35018, L350610, L35069-K)	695
L5203-7P	1. Handwheel Nut, EAN ready	145
L350611A	2. Spring - Sherwood valve	135
L60002	3. Handwheel Sherwood - Black	415
L1413	4. Handwheel Washer, Sherwood valve	60
L5270-4PN	5. Bonnet Nut, EAN ready	345
L350610	6. Copper Gasket	120
L35067	7. Thick Teflon ring (new style seal)	115
L350618	8. Thin Teflon ring (new style seal)	68
L9350612	9. Stem/Spindle	415
L35069-K	10. Plug Assembly HP-Seat O2 ready (Thermo/Sherwood)	375
L400012048	11. Safety Plug Assembly 3,000 psi	525
LA014	12. O-Ring Valve Outlet (NBR)	12
LA014S	12. O-Ring Valve Outlet (Polyurethane)	64
LGR014P9	12. Viton O-Ring Outlet	26
LA015	13. O-Ring Tank Neck	14
LA015V	13. Viton O-Ring Tank Neck	47



Sherwood Valve



SHERWOOD VALVE PARTS

L350620-AIR	Service Kit Sherwood Valve (LA015-U, L35067, L35069-K, L350610, L350618)
L5203-7P	1. Handwheel Nut, EAN ready
L350611A	2. Spring - Sherwood valve
L60002	3. Handwheel Sherwood - Black
L1413	4. Handwheel Washer, Sherwood valve
L5270-4PN	5. Bonnet Nut, EAN ready
L350610	6. Copper Gasket
L35067	7. Thick Teflon ring (new style seal)
L350618	8. Thin Teflon ring (new style seal)
L9350612	9. Stem/Spindle
L35069-K	10. Plug Assembly HP-Seat O2 ready
L400012048	11. Safety Plug Assembly 3,000 psi
LA014	12. O-Ring Valve Outlet
LA014S	12. O-Ring Valve Outlet Polyurethane
LGR014P9	12. Viton O-Ring Valve Outlet
LA015	13. O-Ring Tank Neck
LA015V	13. Viton O-Ring Tank Neck
L5270-15N	14. Dip Tube plated (VP04 Pre 10/09), EAN ready

SPAREPARTS for XS SCUBA VALVE

LVX10	Bonnet XS Scuba	285
LVX22	Safety Handwheel only (no inserts) - Black	735
LVX20	Inserts for Safety Handwheel (pair, green & red)	735
LVX17-E	6. (New) O-Ring EPDM (Bonnet) (for XS Scuba valve)	85

O-RINGS

L3100-9	O-Ring for Stem, Thermo Valve, AIR	27
LGR010E	O-Ring Stem, SMT Valve, Air	14
LGRM075E	O-Ring Bonnet, SMT Valve, Air	14
M011	O-Ring, Inflator Nipple/Quick Connect w. 3 Balls	7
LA015	O-Ring Tank Neck	14
M30102	O-Ring HP-Swivel	15
LP31B	O-Ring Valve Outlet	26
LA014	O-Ring Valve Outlet	12
LA014S	O-Ring Tank Neck	64
XZ01.050.138	O-Ring HP-hose/Quick Connect 4 balls, 7.65x1.78	16
XZ01.050.132	O-Ring Scubapro EPDM (Ethylene-Propylene)	16
TD601	Mini O-ring Kit	145
TD602	Save a Dive O-Ring Kit 40 pcs.+silicone	715
UZ2460-O	O-ring Aquastar LED torch	25

VITON O-RINGS

LGR014P9	Viton O-ring Outlet	26
L3100-9E	Viton O-Ring Stem Thermo	28
LVP15V	Viton O-Ring (Thick) Outlet DIN/INT-Thermo pro Valve	33
LA015V	Viton O-Ring Tank Neck	47
M30102V	Viton O-Ring HP-swivel	50
XZ01.050.126	O-Ring 4.5x1.8 Sh85 VT	19
XZ01.050.143	Viton O-Ring HP-hose/Quick Connect 4 balls, 7.65x1.78	50
XZ01.050.195	Viton O-Ring DIN Regulator Scubapro 10.77x2.62	26
L3100-9E	7. Viton O-Ring Stem, Thermo & Deep Blue, EAN	28
TD603	Viton O-ring Kit, 10 pcs.	675
TD604	Viton O-ring Kit, 20 pcs.	885
LVP25V	Viton O-ring, Modular Access Plug	20



BAUER COMPRESSORS PORTABLE MODELS up to 330 Bar / 4780 psig**Compact Line 100-140ltr/min**

QJ2E	Junior 2 E, 400V	100ltr/min / B-Timer / P21	232,500
QJ2W	Junior 2 W, 230V	100ltr/min / B-Timer / P21	232,500
QJ2B	Junior 2 B, Petrol	100ltr/min / B-Timer / P21	236,000
QPE100-TE/P11	Poseidon 100 E, 400V	100 ltr/min / P11	174,500
QPE100-TW/P11	Poseidon 100 W, 220V	100 ltr/min / P11	190,000
QPE100-TB/P11	Poseidon 100 B, Petrol	100 ltr/min / P11	194,000
QPE100-TE-SH/P11	Poseidon 100 E, Shooting Version 230V	100 ltr/min / P11	194,500
QOC-E	Oceanus E, 400V	140ltr/min / B-Timer / P21	***
QOC-W	Oceanus W, 230V	140ltr/min / B-Timer / P21	***
QOC-B	Oceanus B, Petrol	140ltr/min / B-Timer / P21	***

Profi Line 140-250ltr/min

QC140E	Capitano 140 E	140ltr/min / P21	***
QC140B	Capitano 140 B	140ltr/min / P21	***
QM200E/P21	Mariner 200 E	200ltr/min / P21	***
QM200B/P21	Mariner 200 B	200ltr/min / P21	***
QM200B/P31	Mariner 200 B	200ltr/min / P31	***
QM250E/P31	Mariner 250 E	250ltr/min / P31	***
QM250E/P41	Mariner 250 E	250ltr/min / P41	***
QM250E/P41/ACD	Mariner 250 E	250ltr/min / P41 / ACD Half Auto	***
QM250E/P41/ACD	Mariner 250 E	250ltr/min / P41 / ACD Full Auto	***
QM250E/P41-Sec/ACD	Mariner 250 E ("PURE AIR" ready)	250ltr/min / P41 / ACD / Securus	***
QM250B/P31	Mariner 250 B	250ltr/min / P31	***
QM250B/P41	Mariner 250 B	250ltr/min / P41	***
QM250B/P41/ACD	Mariner 250 B	250ltr/min / P41 / ACD Half Auto	***

TE-Range

QPE200-TE/P21	Poseidon 200 E	200 ltr/min / P21	***
QPE250-TE/P21	Poseidon 250 E	250 ltr/min / P21	***
QPE250-TE/P31	Poseidon 250 E	250 ltr/min / P31	***

TB-Range

QPE200-TB/P21	Poseidon 200 B, Petrol	200 ltr/min / P21	***
QPE250-TB/P31	Poseidon 250 B, Petrol	250 ltr/min / P31	***

Profi Line 300-320ltr/min

QM320E/P31	Mariner 320 E	320 ltr/min / B-Timer / P31	***
QM320E/P41	Mariner 320 E	320 ltr/min / B-Timer / P41	***
QM320E/P41/ACD	Mariner 320 E	320 ltr/min / B-Timer / P41 / ACD Half Auto	***
QM320E/P41/ACD	Mariner 320 E	320 ltr/min / B-Timer / P41 / ACD Full Auto	***
QM320E/P41-Sec/ACD	Mariner 320 E ("PURE AIR" ready)	320 ltr/min / B-Timer / P41 / ACD / Securus	***
QM320B/P31	Mariner 320 B	320 ltr/min / B-Timer / P31	***
QM320B/P41	Mariner 320 B	320 ltr/min / B-Timer / P41	***
QM320B/P41/ACD	Mariner 320 B	320 ltr/min / B-Timer / P41 / ACD Half Auto	***

TE-Range

QPE300-TE/P21	Poseidon 300 E	300 ltr/min / P21	***
QPE300-TE/P31	Poseidon 300 E	300 ltr/min / P31	***
QPE300-TE/P41	Poseidon 300 E	300 ltr/min / P41	***

TB-Range

QPE300-TB/P31	Poseidon 300 B, Petrol	300 ltr/min / P31	***
QPE300-TB/P41	Poseidon 300 B, Petrol	300 ltr/min / P41	***

Profi Line - Diesel driven units

QC140D/P21	Capitano 140 D, Hatz Diesel	140ltr/min / P21	***
QM170D/P31	Mariner 170 D, Hatz Diesel	170ltr/min / P21	***

Prices for units up to 420 Bar upon request

BAUER COMPRESSORS STATIONARY MODELS up to 330 Bar / 4780 psig**Mini Verticus w/o Fill Connections**

QMV150/P41	Mini Verticus MV150	150 ltr/min / P41	***
QMV200/P41	Mini Verticus MV200	200 ltr/min / P41	***
QMV250/P41	Mini Verticus MV250	250 ltr/min / P41	***
QMV320/P41	Mini Verticus MV320	320 ltr/min / P41	***

PE-HE-Range

QPE250-HE/P31	Poseidon 250 E	250 ltr/min / P31	***
QPE250-HE/P41	Poseidon 250 E	250 ltr/min / P41	***
QPE300-HE/P31	Poseidon 300 E	300 ltr/min / P31	***
QPE300-HE/P41	Poseidon 300 E	300 ltr/min / P41	***

PE-MVE Range

QPE250-MVE/P31	Poseidon 250 MVE, w. Silent Housing	250 ltr/min / P31 / 225 or 330 Bar	***
QPE250-MVE/P41	Poseidon 250 MVE, w. Silent Housing	250 ltr/min / P41 / 225 or 330 Bar	***
QPE300-MVE/P31	Poseidon 300 MVE, w. Silent Housing	300 ltr/min / P31 / 225 or 330 Bar	***
QPE300-MVE/P41	Poseidon 300 MVE, w. Silent Housing	300 ltr/min / P41 / 225 or 330 Bar	***

Verticus Range w/o Fill Connections

QV450/P61	V450	450 ltr/min / P61	***
QV540/P61	V540	540 ltr/min / P61	***
QV680/P61	V680	680 ltr/min / P61	***

PE-VE Range w/o Fill Connections

QPE 300-VE open	Poseidon 300	300 ltr/min / P41	***
QPE 400-VE open	Poseidon 400	400 ltr/min / P41	***
QPE 550-VE open	Poseidon 550	550 ltr/min / P41	***
QPE 700-VE open	Poseidon 700	700 ltr/min / P61	***
QPE 850-VE open	Poseidon 850	850 ltr/min / P61	***

PE-Range, open, 420Bar, 4/5 stages

QPE250-VE-open	Poseidon 250	250 ltr/min / P41	***
QPE320-VE-open	Poseidon 320	320 ltr/min / P41	***
QPE500-VE-open	Poseidon 500	500 ltr/min / P41	***
QPE600-VE-open	Poseidon 600	680 ltr/min / P61	***

QV-Super Silent	For Super Silent Version add		***
-----------------	------------------------------	--	-----

BAUER NITROX COMPRESSORS

QM320E-OX	Mariner 320-E-OX, O2 Content/Flow up to 40%	320 ltr/min	***
QMV260-OX	Mini Vertikus 260-OX, O2 Content/Flow up to 40%	260 ltr/min	***
QMV320-OX	Mini Vertikus 232-OX, O2 Content/Flow up to 40%	320 ltr/min	***
QV450-OX	Vertikus 450-OX, O2 Content/Flow up to 40%	450 ltr/min	***
QPE NITROX 320-VE-OX	Poseidon Nitrox 320-VE-OX, O2 Content/Flow up to 40%	320 ltr/min	***
QPE NITROX 550-VE-OX	Poseidon Nitrox 550-VE-OX, O2 Content/Flow up to 40%	550 ltr/min	***
QPE NITROX 700-VE-OX	Poseidon Nitrox 700-VE-OX, O2 Content/Flow up to 40%	700 ltr/min	***

B-NITROX BLENDING SYSTEMS

QM320E-OX	Mariner 320-E-OX, O2 Content/Flow up to 40%	320 ltr/min	***
QMV260-OX	Mini Vertikus 260-OX, O2 Content/Flow up to 40% , incl. Mixing Panel & B-Control	260 ltr/min	***
QMV320-OX	Mini Vertikus 232-OX, O2 Content/Flow up to 40%, incl. Mixing Panel & B-Control	320 ltr/min	***
QV450-OX	Vertikus 450-OX, O2 Content/Flow up to 40%, incl. Mixing Panel & B-Control	450 ltr/min	***

B-KOOL 350 / 500 Bar

QB-KOOL2-680i	B-KOOL II 680i, 350 Bar / 500 Bar (integrated - for New Mini Verticus & Verticus only) Super Silent version	***
QB-KOOL680i	B-KOOL 680i, 350 Bar / 500 Bar (integrated - to be mounted on V5 or PE-VE Silent)	***
QB-KOOL680s	B-KOOL 680s, 350 Bar / 500 Bar (stand alone version)	***

Mounting Kits for Integrated B-Kool (680i)

Q129xxx	Mounting Kit B-Kool II 680i for P41/P61, New Mini Verticus & Verticus, 365 & 420Bar	***
Q129016	Mounting Kit B-Kool 680i for P41/P61, Verticus 5 / PE-VE, 350 & 420Bar	***

Mounting Kits for Stand Alone B-Kool (680s)

Q160028	Mounting Kit B-Kool 680s for P41/P61, Mini Verticus & Verticus, 365Bar	***
Q129018	Mounting Kit B-Kool 680s for P41/P61, PE-VE, 350Bar	***
Q129021	Mounting Kit B-Kool 680s for P41, Mariner 200/250/320, 350Bar	***

B-VIRUS FREE PRICES ONLY VALID w. NEW COMPRESSOR

QB-VIRUSF-S	Filter 100-230 liter/min, incl. UV lamp	Excl. connecting hoses	***
QB-VIRUSF-M	Filter 240-350 liter/min, incl. UV lamp	Excl. connecting hoses	***
QB-VIRUSF-L	Filter 360-550 liter/min, incl. UV lamp	Excl. connecting hoses	***
QB-VIRUSF-XL	Filter 560-850 liter/min, incl. UV lamp	Excl. connecting hoses	***

Mobile versions with foldable stand

QB-VIRUSF-Mob-S	Filter 100-230 liter/min, incl. UV lamp	Excl. connecting hoses	***
QB-VIRUSF-Mob-M	Filter 240-350 liter/min, incl. UV lamp	Excl. connecting hoses	***

B-VIRUS FREE RETROFIT PRICES IF ORDERED AS RETROFIT (Must supply Serial no.)

QB-VIRUSF-S	Filter 100-230 liter/min, incl. UV lamp, RETROFIT	Excl. hoses & Retrofit Seal Kit	***
QB-VIRUSF-M	Filter 240-350 liter/min, incl. UV lamp, RETROFIT	Excl. hoses & Retrofit Seal Kit	***
QB-VIRUSF-L	Filter 360-550 liter/min, incl. UV lamp, RETROFIT	Excl. hoses & Retrofit Seal Kit	***
QB-VIRUSF-XL	Filter 560-850 liter/min, incl. UV lamp, RETROFIT	Excl. hoses & Retrofit Seal Kit	***

Mobile versions with foldable stand

QB-VIRUSF-Mob-S	Filter 100-230 liter/min, incl. UV lamp, RETROFIT	Excl. connecting hoses	***
QB-VIRUSF-Mob-M	Filter 240-350 liter/min, incl. UV lamp, RETROFIT	Excl. connecting hoses	***

AERO - GUARD**CO2 absorber for breathing air**

	Aero-Guard-S, 100-150 l/min	***
	Aero-Guard-M, 160-230 l/min	***
	Aero-Guard-L, 240-320 l/min	***
	Aero-Guard-XL, 330-450 l/min	***
	Aero-Guard-XXL, 460-680 l/min	***
	Aero-Guard-Duo, 650-1,000 l/min	***

AEROTEST SIMULTAN

QN31565	Aerotest HP Simultan Impactor, max. pressure 300 Bar	***
QN25535	Water Vapour (H2O)	***
QN15522	Carbon Dioxide (CO2)	***
QN15523	Carbon Monoxide (CO)	***
QN31173	Impactors - Oil	***
QN31184	Impactor-adaptor	***

B-SAFE

QBSAFE300	B Safe 300, 300 Bar, w solenoid valve, filling hoses & self-venting filling valves	***
QBSAFE300-OX	B Safe 300, 200 Bar, NITROX version, w filling hoses & self-venting filling valves	***

OPTIONAL EQUIPMENT - COMPACT LINE (Junior & Oceanus) PRICES ONLY VALID W. NEW COMPRESSOR

	Base frame stainless steel Junior (Oceanus included as standard)		***
	Trolley		***
	Switch Over Device 200/300Bar Junior, Oceanus		***
	Auto Cond. Drain f. Junior2E, Oceanus E	w. final pressure switch-off, 1 range	***
	Auto Cond. Drain f. Junior2W, Oceanus-W	w. final pressure switch-off, 1 range	***
	Auto Cond. Drain f. Junior2B, Oceanus-B	w. final pressure switch-off, 1 range	***
	Auto Cond. Drain 2 ranges all models *Add to above 1 range prices*	w. final pressure switch-off, 2 ranges	***
Q180050	Intake Manifold (Junior, Oceanus, PE100) E, W-versions		***
Q180050	Intake Manifold (Junior, Oceanus, PE100) B-Verions incl. 3m hose		***
Q181833	Condensate Tank, Compact Line (Junior, Oceanus, PE100)		***
	RETRO FIT KIT:Auto Cond. Drain f. Junior2E,Oceanus-E	w. final pressure switch-off, 1 range	***
Q168088-JII-F01	RETRO FIT KIT:Auto Cond. Drain f. Junior2W,Oceanus-W	w. final pressure switch-off, 1 range	***
	RETRO FIT KIT:Auto Cond. Drain f. Junior2B,Oceanus-B	w. final pressure switch-off, 1 range	***
	Auto Cond. Drain 2 ranges all models *Add to above 1 range prices*	w. final pressure switch-off, 2 ranges	***

OPTIONAL EQUIPMENT - COMPACT LINE (Junior & Oceanus) SPARE PART ONLY

	RETRO FIT KIT:Auto Cond. Drain f. Junior2E,Oceanus-E	w. final pressure switch-off, 2 ranges	***
	RETRO FIT KIT:Auto Cond. Drain f. Junior2W,Oceanus-W	w. final pressure switch-off, 2 ranges	***
	RETRO FIT KIT:Auto Cond. Drain f. Junior2B,Oceanus-B	w. final pressure switch-off, 2 ranges	***
	Auto Cond. Drain 2 ranges all models *Add to above 1 range prices*	w. final pressure switch-off, 2 ranges	***

OPTIONAL EQUIPMENT - PROFI LINE (Capitano 140 & Mariner200 / 250 / 320) ONLY VALID W. NEW COMPRESSOR

	Trolley		***
	Switch Over Device 200/300Bar Capitano 140		***
	Switch Over Device 200/300Bar Mariner 200/250	1 x 200Bar / 1 x 300Bar	***
	Switch Over Device 200/300Bar Mariner 200/250	2 x 200Bar / 2 x 300Bar	***
	Switch Over Device 200/300Bar Mariner 320	2 x 200Bar / 2 x 300Bar	***
	Additional filling devices 2 x 200Bar Capitano		***
	Additional filling devices 2 x 300Bar Capitano		***
	Additional filling devices 4 x 200Bar Mariner 200/250		***
	Additional filling devices 4 x 300Bar Mariner 200/250		***
	Additional Separator after 1st stage Capitano/Mariner		***
	Electr. Control w. Auto Cond. Drain Capitano 140E	10L Tank, Auto Stop (HALF Auto)	***
	Electr. Control w. Auto Cond. Drain Mariner 200E/250E	10L Tank, Auto Stop (HALF Auto)	***
	Electr. Control w. Auto Cond. Drain Mariner 200E/250E	10L Tank, Auto Stop (FULL Auto)	***
	Electr. Control w. Auto Cond. Drain Mariner 200B/250B	10L Tank, Auto Stop (HALF Auto)	***
	Electr. Control w. Auto Cond. Drain Mariner 320E	10L Tank, Auto Stop (HALF Auto)	***
	Electr. Control w. Auto Cond. Drain Mariner 320E	10L Tank, Auto Stop (FULL Auto)	***
	Electr. Control w. Auto Cond. Drain Mariner 320B	10L Tank, Auto Stop (HALF Auto)	***
	Auto Cond. Drain when separator after 1st Stage		***
	B-Timer (Not possible with Securus, upgrade possible)		***
	Filter P31 instead of P21, Capitano, Mariner 200		***
	Filter P41 instead of P21, Mariner 200		***
	Filter P41 instead of P31, Mariner 250 / 320		***
	SECURUS Control unit for Mariner 200E, 250E, 320E		***

OPTIONAL EQUIPMENT - MINI VERTICUS PRICES ONLY VALID WITH NEW COMPRESSOR

	Set of 4 filling devices w. hoses, 200Bar or 300Bar		***
	Set of 4 filling devices w. hoses, switch 200 / 300Bar		***
	B-SECURUS monitoring		***
	Separator after 1st Stage		***
	Filter system P61/350Bar instead of P41/350Bar, Mini Verticus		***
	Set of intermediate pressure gauges		***

OPTIONAL EQUIPMENT - VERTICUS PRICES ONLY VALID WITH NEW COMPRESSOR

	Separator after 1st stage	***
PN 200 bar / PN 300 bar	Set of 4 filling devices w. hoses, 200Bar or 300Bar	***
PN 300/200	Set of 4 filling devices w. hoses, switch 200 / 300Bar	***
	Filter system P81/350Bar instead of P61/350Bar	***
	Set of intermediate pressure gauges	***
	B-SECURUS monitoring	***
	Condensate Collecting Tank 60L (external)	***
	Safety Valve with T?V Setting, 330Bar, 420Bar	***
QVert-Silent Kit	Retrofit Kit Super Silent for Verticus	***
	Equipment for Super-Silent Compressor Units:	
	Exhaust air duct	***
	Exhaust air duct with cover	***

OPTIONAL EQUIPMENT - POSEIDON LINE PRICES ONLY VALID WITH NEW COMPRESSOR

PE100TE	Motor protection switch incl. cable & plug	***
	Trolley TB-Range	***
	Carrying Handles	***
TE-Range	V1. Motor protection switch incl. cable PE200-TE	***
TE-Range	V1. Motor protection switch incl. cable PE250-TE	***
TE-Range	V1. Motor protection switch incl. cable PE300-TE	***
TE-Range	V2. Electric control incl. cable	***
TE-Range	V3. Electric control compl. w. automatic condensate drain and final pressure switch off	***
PE250TE & PE300TE	V4. Electric control compl. w. automatic condensate drain, final pressure switch off and Securus	***
TE-Range	Condensate collecting tank 10L	***
TE-Range	Additional filling device 200Bar	***
TE-Range	Additional filling device 300Bar	***
TE-Range	Filter P31 instead of P21, PE250-TE / PE300-TE	***
TE-Range	Filter P41 instead of P21, PE300-TE	***
TB-Range	Filter P41 instead of P31, PE300-TB	***
HE-Range	Filter P41 instead of P31, PE250-HE / PE300-HE	***
TE/HE-Range	B-Timer	***
HE-Range	Securus	***
HE-Range	Filling device 2 x 200 Bar (hose connections)	***
HE-Range	Filling device 2 x 300 Bar (hose connections)	***
HE-Range	Filling device 4 x 200 Bar (hose connections)	***
HE-Range	Filling device 4 x 300 Bar (hose connections)	***
HE-Range	Filling device 2 x 200 Bar / 2 x 300 Bar, with pressure reducer (hose connections)	***
HE-Range	Filling device 4 x 200 Bar (direct connection)	***
HE-Range	Filling device 4 x 300 Bar (direct connection)	***
HE-Range	Filling device 2 x 200 Bar / 2 x 300 Bar, with pressure reducer (direct connection)	***

OPTIONAL EQUIPMENT - POSEIDON VE-RANGE PRICES ONLY VALID WITH NEW COMPRESSOR

VE-300/400/550/700	Filling device 4 x 200 Bar (hose connections)	***
VE-300/400/550/700	Filling device 4 x 300 Bar (hose connections)	***
VE-300/400/550/700	Filling device 2 x 200 Bar / 2 x 300 Bar, with pressure reducer (hose connections)	***
VE-300/400/550/700	Filling device 4 x 200 Bar (direct connection)	***
VE-300/400/550/700	Filling device 4 x 300 Bar (direct connection)	***
VE-300/400/550/700	Filling device 2 x 200 Bar / 2 x 300 Bar, with pressure reducer (direct connection)	***
VE-Range	B-SECURUS Monitoring	***
VE-Range	Condensate collecting tank 60 L	***
VE-Range	Super Silent for open PE models	***
QPE-Silent Kit	Upgrade Kit Super Silent for open PE models	***

MAINTENANCE KITS

QA-JuniorII-F4-a1	500 Hour Service Kit-Junior II / Poseidon 100	***
QA-Oceanus-F1-a1	500 Hour Service Kit-Oceanus	***
QA-100II-F7-a1	500 Hour Service Kit - Capitano 140 B / E	***
QA-120II-F7-a1	500 Hour Service Kit- Mariner 200 / 250; Poseidon 200/250/300	***
QA-12.14II-F4/6-a1	500 Hour Service Kit- Mariner 320 B / E	***
QA-JuniorII-F4-ab1	1000 Hour Service Kit -Junior II / Poseidon 100	***
QA-Oceanus-F1-ab1	1000 Hour Service Kit-Oceanus	***
QA-100II-F7-ab1	1000 Hour Service Kit-Capitano 140 B / E / D	***
QA-120II-F7-ab1	1000 Hour Service Kit-Mariner 200 / 250 - B / E / D	***
QA-12.14II-F4/6-ab1	1000 Hour Service Kit-Mariner 320 B / E	***
QA-JuniorII-F4-abc1	2000 Hour Service Kit-Junior II / Poseidon 100	***
QA-Oceanus-F1-abc1	2000 Hour Service Kit-Oceanus	***
QA-100II-F7-abc1	2000 Hour Service Kit-Capitano 140 B / E / D	***
QA-120II-F7-abc1	2000 Hour Service Kit-Mariner 200 / 250 - B / E / D	***
QA-12.14II-F4/6-abc1	2000 Hour Service Kit-Mariner 320 B / E	***
QN15052	Maint. Kit for Condensate Separator, Capitano, Mariner 200 / 250	***
QN26544	Maint. Kit for Condensate, Separator Mariner 320	***

VARIOUS ORIGINAL COMPRESSOR PARTS BAUER

QN28355-1	Synthetic Compressor Oil original Bauer 1 Liter	1,485
QN28355-3	Synthetic Compressor Oil original Bauer 3 Liter	4,455
QN28355-5	Synthetic Compressor Oil original Bauer 5 Liter	7,425
QN28355-20	Synthetic Compressor Oil original Bauer 20 Liter	26,730
Q057679	P21 Filter Cartridge (for units with E-motor)	***
Q059183	P21 Filter Cartridge with CO removal (for units with Petrol motor)	***
Q80100	P31 Filter Cartridge	***
Q80114	P31 Filter Cartridge with CO removal	***
Q062565	P41 / P42 Filter Cartridge 20"	***
Q067224	P41 / P42 Filter Cartridge 20" with CO removal	***
Q061686	P41 / P42 Filter Cartridge 20" SECURUS	***
Q061687	P41 / P42 Filter Cartridge 20" SECURUS with CO removal	***
Q058826	P61 Filter Cartridge 27"	***
Q060036	P61 Filter Cartridge 27" SECURUS	***
Q060037	P61 Filter Cartridge 27" SECURUS with CO removal	***
QN4823	Air Intake Filter Cartridge Junior, Poseidon 100	***
QN70	Air Intake Filter Profiline I (Old models)	***
QN25950	Air Intake Filter Profi Line II (New Models)	***
QN37236	LP Air Filter	***
Q112104	Air-Oil separating Element	***
QN25326	Oil Filter Element Profi Line II (New Models)	***
Q075034	075034 Filling Panel	***
Q071343	Filling valve with gauge, 200Bar	***
Q071344	Filling valve with gauge, 300Bar	***
Q071744	Filling valve without gauge, 200Bar	***
Q071743	Filling valve without gauge, 300Bar	***
QN1315	Filling gauge, stainless steel, 315Bar, G1/4" tapered	***
Q073080-KD	Distributor incl. fitting (for connecting two filling hoses)	***
Q059410-225	Bauer generic safety valve, G3/8", 225Bar	***
Q059410-330	Bauer generic safety valve, G3/8", 330Bar	***

EXTERNAL P-PURIFICATION SYSTEMS

P80 / 350 Bar Purification	P80 / 350 Bar Purification System	***
	2 x P80 Filter housings	
	Oil & Water separator with Microfilter Cartridge	
	Condensate valve, manual drain	
	Combined pressure maintaining / non-return valve	
	Filter Key for Cartridge replacement	
NOT Included:	Safety valve	***

COMPRESSOR PARTS L & W

M109	Felt for LW 260 + 450 (5 pack)	345
M110	Felt for LW 160-245 (5 pack)	225

COMPRESSOR PARTS GENERAL

MM01	Mineral Compressor Oil Shell Corena S2 P150 - 1 Liter	660
MM03	Mineral Compressor Oil Shell Corena S2 P150 - 3 Liter	1,935
MM05	Mineral Compressor Oil Shell Corena S2 P150 - 5 Liter	3,150
M100-C	Activated Carbon 500gr.	440
M100-S	Molecular Sieve 1000gr.	740
M100-Pack	Pack 1000gr. Molecular Sieve & 500gr. Activated Carbon	1,180
M105	Felt, one sqm (1m x 1m)	1,465
M107	Felt for Filter P41, (5 set)	675
M108	Felt for Filter P31, (5 set)	640
M111	Felt for Filter P21 (5 set)	105
M106	Felt for Coltri 40mm (20 pcs)	225

FILLING VALVES, ADAPTERS, GAUGES, ETC.

SDY-1	DIN Adaptor Saekodive	2,260
SDY-2	Tank Yoke DIN Adaptor 300Bar Saekodive	1,995
SDY-3	Tank Filling Valve w/o Gauge, Saekodive	3,945
MFV3500A	Tank Filling Valve w/o Gauge	2,980
SAP00122	Tank Filler Assembly, push button bleeder, Saekodive	6,775
SDY-3F#1	Yoke Knob for SDY-3 and SDY-1	590
M400	Tank Yoke Filling Connector	2,700
V1117	Filling gauge, stainless steel, oil filled, G1/4" straight	1,070
V784 28079B	Filling gauge, stainless steel, oil filled, G1/4" tapered	930
V949 61051	Gauge protection boot	345
MAB-Brass	Brass per Kg	965
MAB180@	300/200 bar Brass filling adaptor	NEW 8,100
MAB174	Brass filling connector 4 port	3,885
MAB170	Bleeding Manifold Brass (w/o. valves)	1,785
Q068870-M	Adapter, Bauer filling valve w std filling hose (non-swivel, local)	3,285
V784R121G	Pressure Gauge, Panel Mount, 100mm, 16 Bar, G 1/2"	7,485
MAQ504	Safety valve, 0 - 6,000 PSI relief pressure	5,175
MAQ415600	Reducing Regulator, 0 - 6,000 PSI out, 1/4" FNPT	22,240
MAQ657	Regulator mount bracket	2,445

FILLING HOSES

M120	0.7m Filling hose 300Bar, TUV tested, Made in Germany	2,475
M117	4m Filling hose 225 Bar (steel connector)	2,540
M118	5m Filling hose 225 Bar (steel connector)	3,050
M112SS	1m Filling hose 225 Bar (stainless steel connector)	2,290
M113SS	1.5m Filling hose 225 Bar (stainless steel connector)	2,625
M114SS	2m Filling hose 225 Bar (stainless steel connector)	2,960
M115SS	3m Filling hose 225 Bar (stainless steel connector)	3,630
M117SS	4m Filling hose 225 Bar (stainless steel connector)	4,270
M118SS	5m Filling hose 225 Bar (stainless steel connector)	4,975
MFLEX-O2-SS	1.5m O2 Hose (1/4" tapered stainless steel connector)	4,275

ORIGINAL BAUER STORAGE BOTTLES AND PARTS

QB80-L	80 Liter Storage Cylinder, upright, loose, 330 Bar	***
QB80-W	80 Liter Storage Cylinder, upright, with wall mounting, 330 Bar	***
QB80-C	80 Liter Storage Cylinder, mounted on Console, 330 Bar	***
QB50-C	50 Liter Storage Cylinder, mounted on Console, 420 Bar	***
	Connecting Tube 8 x 1.5mm (to connect 2 storage cylinders)	***
	Safety Valve 225 Bar or 330 Bar and pressure Gauge, loose	***
	Safety Valve 225 Bar, 330 Bar, 350 Bar or 365 Bar and pressure Gauge, mounted on Conole	***
	Safety Valve 420 Bar and pressure Gauge, mounted on Conole (only B50)	***
	Safety Valve additionally with T?V certificate	***

OTHER STORAGE BOTTLES AND PARTS

MAB1	Pressure Vessel 50 ltr. 300/450Bar w. DIN valve & cap	***
MAB900	Valve for Pressure Vessel 300 Bar	***
MAB149	Valve Connector Brass, G 5/8" outside, G 1/4" inside 300 Bar	***
MAB6	High pressure Pipe 6mm stainless steel (per meter)	***
MAB8	High pressure Pipe 8mm stainless steel (per meter)	***
MAB10	High pressure Pipe 10mm stainless steel (per meter)	***



**SCUBA EQUIPMENT
SERVICE AND RENTAL**

REGULATOR SERVICE

1020	Regulator 1st Stage	600
1021	Regulator 2nd Stage / Octopus	500
1022	Regulator full set service (1st Stage, 2nd Stage, Octopus)	1,400
1040	Inflator Service	400
1050	Scubapro Air2	600
1060	Pressure Gauge (incl. new O-Rings)	250
1025	Regulator First Stage O2 cleaning/Nitrox Conversion	1,500

NOTE: Brands NOT supplied by Dive Supply will incur a 20% surcharge on the above Regulator Service Charges

Regulator Service Kit

XZ10.042.045	Service Kit Mark 2	825
XZ10.063.045	Service Kit Mark 2 Evo	1,020
XZ11.300.045	Service Kit R190 / R295/ R395 / R380 / HP	775
XZ21.626.045	Service Kit Balanced Inflator	630

COMPUTER SERVICE**Battery Replacement & Service fee does not include parts or batteries**

1000	Battery Replacement & Service Suunto D-series, Spyder/Stinger	900
1010	Battery Replacement & Service - all other Suunto Computers	300
1001	Battery Replacement & Service - all watches	900
1002	Battery Replacement & Service - Scubapro Xtender	1,050
1003	Battery Repl. & Service - AladinPro/Sport/Ultra/SmartPro/SmartCom/Z/AladinAir/Air Z family	1,800
1010	Battery Replacement & Service - Aladin One, Prime, Tec, Tec 2G, Galileo family	450

All Battery changes include pressure test

CYLINDER & VALVE SERVICE

1100	Tank Valve removal/replacement (incl. new O-Rings)	200
1110	Tank Visual Inspection	200
1111	Tank internal cleaning 1 hour	200
1117	Tank Valve Service	250
1112	Hydrostatic Test (incl. free visual inspection)	600
1113	Full Tank Service include all the above + tank air fill (1-9, per tank)	900
1113	Full Tank Service include all the above + tank air fill (10+, per tank)	900
1116	Tank Neck cutting	900
1118	Tank Non Destructive Test NDT	300
1095	Tank O2 cleaning for Nitrox use	400
1096	Valve O2 cleaning for Nitrox use	200

AIRBANK OXYGEN CYLINDER TESTING

1081	Hydrostatic Test	xxx
1091	Tank internal cleaning	xxx
1101	Tank Visual Inspection	xxx

FILLING CHARGES

1123	Tank Filling per Tank Air	100
1124	Oxygen fill, per 3L tank	400

RENTAL CHARGES

1121	Tank Luxfer S80 - Air	200
1121	Tank Luxfer S19 - Air	200
1121	Tank Luxfer S19 - Oxygen	500
1125	DPV Underwater Vehicle (Scooter)	1,600
1125	Compressor per day - minimum 3 days; deposit required	4,700
1125	Bailout System (including S30 Tank & Regulator)	850

All Rental Charges must be paid at pick-up

COMPRESSORS

1149	L&W 225/245 Annual Service charges (normal condition)	12,000
1149-1	L&W 225/245 Annual Service charges (if very rusty)	16,000
1150	Bauer Junior, Utilus, Capitano, Oceanus incl. Paint	10,000
1150-1	Bauer Mariner 2 incl. Paint	12,000
1151	Bauer Junior, Utilus, Capitano, Oceanus, incl. Paint and if very rusty	12,000
1151-1	Bauer Mariner 2, incl. Paint and if very rusty	14,000
1152	Bauer Mini Verticus, Kap 14, Verticus, Mariner III	17,000
1152-1	Bauer Mini Verticus, Kap 14, Verticus, Mariner III incl. Paint and if very rusty	19,000
1600	Compressor Air Test + Certification for pure air	4,250
1500	Service charge per hour (minimum charge 450 Baht)	1,500

Mobilization Fee for our technician

1210	Khao Lak	xxx
1220	Krabi	xxx
1230	Phi Phi	xxx
1240	Koh Lanta	xxx
1250	Koh Tao / Koh Phangan	xxx
1260	Bangkok / Koh Samui	xxx
1270	Pattaya / Koh Chang	xxx

Mobilization fee does not include hourly service charge or accommodation.

Where deemed necessary by our technician, accommodation must be provided at customer's expense

Service Charges do not include parts



Dive Supply offers SCUBAPRO Technical Training at Dive Supply Phuket Head office regularly throughout the year. (Please visit www.divesupply.com for scheduled course dates)

SCUBAPRO Technician Level 1 for beginners/instructors - duration 1.5 days
Content: Non-Balanced systems - MK2/R295, R095, R195, R395, BPI.

The program covers theory & mechanical operation of Scubapro dive equipment, including related dive physics, repair, test, service skills & procedures.

Prerequisite: Dive Master, Dive Instructor or Service Technician

Language: English

Location of Training: Dive Supply Phuket, Chalong

Duration: 1.5 Days 9:30 - 18:00 & 9:30 - 13:00

Certificate: Upon successful completion of the program, participants will receive a certificate from SCUBAPRO authorizing them to provide technical servicing on SCUBAPRO rental equipment covered during the training (MK2/R295) under the supervision of a SCUBAPRO authorized dealer.

Seminar Fee for each participant: 5,000 Baht

Please contact: Service@divesupply.com or your local Dive Supply Branch to reserve a space on our next SCUBAPRO Technical's course

WETSUIT PRINTS

1141	Block for one color printing (only payable first time)	xxx
1141	Block per extra color	xxx
1139	Logo Print (one color)	xxx
1139	Logo Print (more than 1 color; per extra color)	xxx
1139	Size Print (one color)	xxx
1139	Number Print (one color)	xxx

LOG BINDER STITCHING

	Logo Stitching (per binder)	50 - 100:	xxx
	FREE embroidery for orders of 100+	Over 100:	xxx

Note: Detailed embroidery or multiple colors may attract additional factory charges - please ask for details Minimum Order 50 binders

GEAR BAG PRINT (DB8010 / DB8020)

1141	Block for one color printing (only payable first time)	xxx
1141	Block per extra color	xxx
1139	Logo Print (one color)	xxx
1139	Logo Print (more than 1 color; per extra color)	xxx
1139	Number Print (one color)	xxx

DRY BAG CUSTOM PRINT (5L, 10L & 15L bags only)

1141	Block for one color printing (only payable first time)	xxx
1141	Block per extra color	xxx
1139	Logo Print (one color, per bag):	1 - 100: xxx Over 100: xxx
1139	Logo Print (more than 1 color; per extra color, per bag):	1 - 100: xxx Over 100: xxx
	Max. Print size:	
		5L: 12cm(W) x 14cm(H)
		10L: 12cm(W) x 18cm(H)
		15L: 15cm(W) x 18cm(H)

Lead time: 2 -3 weeks

Note: NO MINIMUM ORDER - order 1 custom printed bag if you like

WATERPROOF POUCH 38 x 30CM PRINT

1141	Block for one color printing (only payable first time)	xxx
1141	Block per extra color	xxx
1139	Logo Print (one color)	xxx
1139	Logo Print (more than 1 color; per extra color)	xxx
	Minimum Order: 100 pouches	

MASK STRAP PRINT

1141	Block for one color printing (only payable first time)	xxx
1139	Logo Print (one color)	xxx
1139	Logo Print (more than 1 color; per extra color)	xxx
	Order 100+ units & receive two-color printing free of charge	xxx



SHORTY 3MM WETSUIT
ITEM CODE: DBADS01



SHORTY 3MM WETSUIT
ITEM CODE: DBADS04



SHORTY 3MM WETSUIT
ITEM CODE: DBADS02



STEAMER 3MM WETSUIT
ITEM CODE: DBADS03



WATERPROOF POUCH
ITEM CODE: DB8044

WE CAN PRINT YOUR COMPANY LOGO ON THESE ITEMS



MASK STRAP
ITEM CODE: DB6688



LOG BINDERS
ITEM CODE: DB8005 - DB8007



DEEP BLUE: ADVENTURE DRY PACK
ITEM CODE: DBBV05, DBBV10, DBBV15



MASK STRAP COVER
ITEM CODE: DB6689



GEAR BAG - 65 LITERS
ITEM CODE: DB8010
(BLACK, BLUE & RED)



GEAR BAG - 90 LITERS
ITEM CODE: DB8020
(BLACK, BLUE & RED)

ข้อกำหนดและเงื่อนไขของบริษัท ไدفซ์พพลาย จำกัด

ตัวแทนจำหน่ายของเราที่มีความแข็งแกร่ง - ยินดีต้อนรับผู้การเป็นส่วนหนึ่งของบริษัท ไدفซ์พพลาย

ข้อกำหนดทั่วไป

ในการเป็นตัวแทนจำหน่ายและรับสิทธิประโยชน์จากราคาค่าส่งจากบริษัท ไدفซ์พพลาย คุณต้องมีคุณสมบัติอย่างน้อย 1 ข้อดังต่อไปนี้:

- ร้านค้าหรือสำนักงานพร้อมสินค้าที่จัดแสดงสำหรับธุรกิจค้าปลีก
- ผู้ประกอบการเรือ Live-aboard หรือ Day-Trip
- Course Director หรืออาจารย์ผู้สอนดำน้ำ (Instructor Trainer)
- ผู้ประกอบการบริษัททัวร์ หรือ Snorkeling
- ผู้ประกอบการโรงแรมหรือรีสอร์ท
- บริษัทจดทะเบียนในไทย

การเปิดบัญชีตัวแทนจำหน่ายรายใหม่จะต้องเป็นไปตามข้อกำหนดของตัวแทนจำหน่าย กรอกใบสมัครตัวแทนจำหน่ายและส่งสำเนาหนังสือรับรองบริษัท บุคคลที่ไม่เป็นไปตามข้อกำหนดข้างต้นไม่สามารถซื้อสินค้าในราคาขายส่งจากไدفซ์พพลายได้

ตัวแทนจำหน่ายของไدفซ์พพลายจะต้องมียอดใช้จ่ายไม่ต่ำกว่า 40,000 บาทต่อปี เพื่อรักษาสถานะการเป็นตัวแทนจำหน่ายของไدفซ์พพลายและสิทธิการเข้าถึงราคาขายส่ง

เงื่อนไขการชำระเงิน

การสั่งซื้อในครั้งแรกของตัวแทนจำหน่ายรายใหม่จะต้องชำระเงินล่วงหน้าก่อนจัดส่งสินค้า หรือ ชำระเงินด้วยเงินสดเมื่อได้รับของทันที สำหรับบัญชีตัวแทนจำหน่ายที่มียอดใช้จ่ายเกินวงเงิน บริษัทไدفซ์พพลายจะไม่ดำเนินการจัดส่งสินค้า จนกว่าจะได้รับการชำระเงินเต็มจำนวน

เงื่อนไขจะขึ้นอยู่กับวันที่ของใบเสร็จ/ใบกำกับภาษี ในกรณีเกิดการชำระล่าช้าบริษัทจะคิดค่าธรรมเนียมตามอัตราร้อยละสูงสุดที่กฎหมายบังคับใช้นับจากวันที่ออกใบเสร็จ/ใบกำกับภาษี

นโยบายการคืนสินค้า

การรับคืนสินค้าใดก็ตาม (นอกเหนือจากการคืนสินค้าที่เกี่ยวข้องกับการร้องขอการรับประกัน) จะถูกจำกัดเฉพาะสินค้าที่ผลิตในปัจจุบัน กล่องและป้ายราคาจะต้องอยู่ในสภาพเดิมและอยู่ในสภาพที่ขายได้ ภายในระยะเวลา 21 วัน นับจากวันที่ออกใบเสร็จ/ใบกำกับภาษี เครดิตหรือการแลกเปลี่ยนสินค้าขึ้นอยู่กับดุลยพินิจของบริษัทไدفซ์พพลาย แต่เพียงผู้เดียว เครดิตใด ๆ ที่ออกโดยบริษัทไدفซ์พพลาย จะเป็นราคาซื้อเดิมของสินค้าบวกกับค่าธรรมเนียมการบรรจุสินค้าใหม่ 15% ของราคาซื้อเดิม จะต้องได้รับการอนุมัติจากบริษัทไدفซ์พพลาย และต้องมีหมายเลขการอนุมัติการส่งคืนเท่านั้น (RA #) บริษัทไدفซ์พพลายจะไม่รับผิดชอบสำหรับการสูญหายหรือความเสียหายที่เกิดขึ้นในระหว่างการขนส่งสินค้าไปยัง บริษัทไدفซ์พพลาย

นโยบายการจัดส่ง

หลังจากที่สินค้าถูกส่งออกจากคลังสินค้าของบริษัทไปแล้ว บริษัทไدفซ์พพลาย จะไม่รับผิดชอบต่อความเสียหายหรือการฉีกขาดซึ่งเกิดจากผู้ให้บริการขนส่ง สินค้าที่ได้รับการขนส่งและการชำระจะต้องส่งถึงบริษัทไدفซ์พพลาย ภายใน 48 ชั่วโมงหลังจากได้รับสินค้า

นโยบายการสั่งซื้อสินค้าในขณะที่สินค้าหมด (Back Order)

คำสั่งซื้อสินค้าที่ไม่มีอยู่ในคลังสินค้า ณ ขณะนั้น ทางบริษัทจะทำการเก็บบันทึกไว้ เมื่อสินค้าพร้อมจะถูกจัดส่งโดยอัตโนมัติเว้นแต่จะตกลงเป็นอย่างอื่น

นโยบายราคาและส่วนลด

ราคาของบริษัทไدفซ์พพลาย อาจมีการเปลี่ยนแปลงโดยไม่ต้องแจ้งให้ทราบล่วงหน้า

เพื่อประโยชน์ของผู้เข้าร่วมตลาดทุกคน ไدفซ์พพลายไม่แนะนำให้ขายสินค้าในราคาขายส่งหรือราคาที่บวกเพิ่มเพียงเล็กน้อย เว้นแต่จะได้รับการอนุมัติล่วงหน้าจากไدفซ์พพลาย:

- ราคาขั้นต่ำที่สามารถโฆษณาในรายการปกติใดๆ จะต้องมีส่วนลดไม่เกิน 15% จากราคาขายปลีกที่เราแนะนำ (RRP)
- ผู้ค้าจะต้องไม่โฆษณาส่วนลดหรือของขวัญเพิ่มเติมพร้อมกับการซื้อ (GWP) ด้วยโปรโมชั่นปัจจุบันใดๆ ที่ดำเนินการโดยบริษัทไدفซ์พพลาย
- มูลค่ารวมของส่วนลดและ GWP ต้องไม่เกิน 15% ส่วนลดจาก RRP

ไدفซ์พพลายขอสงวนสิทธิ์ในการยุติการจำหน่ายสินค้าให้กับลูกค้าที่ไม่ปฏิบัติตามกฎเหล่านี้และได้กระทำผิดซ้ำๆ เพื่อยกเลิกข้อตกลงทางธุรกิจ

การรับประกัน

1. บริษัทไدفซ์พพลายรับประกันสินค้า 1 ปีหลังจากวันที่สั่งซื้อ ผลิตภัณฑ์แต่ละชิ้นของบริษัทไدفซ์พพลาย และที่ซื้อจากตัวแทนจำหน่ายของบริษัทไدفซ์พพลาย ที่ได้รับอนุญาตจะต้องอยู่ในสภาพสมบูรณ์ และมีการบำรุงรักษาที่เหมาะสม มิฉะนั้นแล้วจะไม่รับประกัน
2. อาจมีกฎระเบียบเพิ่มเติมหรือข้อบังคับพิเศษสำหรับสินค้าแบรนด์ต่างๆ ตามข้อกำหนดและเงื่อนไขการรับประกันเฉพาะของซัพพลายเออร์ของบริษัทไدفซ์พพลาย
3. การรับประกันนี้ไม่ครอบคลุมถึงสินค้าที่อาจมีการลวงละเมิดในทางที่ผิด การติดตั้งที่ไม่เหมาะสม การเปลี่ยนแปลง การบำรุงรักษาที่ไม่เหมาะสมละเลยในการดูแล หรือการบำรุงรักษาและการบริการซ่อมแซมที่ดำเนินการโดยผู้อื่นที่ไม่ใช่ตัวแทนจำหน่ายผู้ที่ได้รับมอบอำนาจของบริษัทไدفซ์พพลาย หรือช่างเทคนิคของไدفซ์พพลาย
4. สำหรับลูกค้าที่ซื้อสินค้า และได้รับการรับประกัน สินค้าที่ได้รับความเสียหาย จะต้องส่งมอบให้กับตัวแทนจำหน่ายของบริษัทไدفซ์พพลายที่ซื้อสินค้านั้นๆ พร้อมกับหลักฐานการซื้อ ตัวแทนจำหน่ายของบริษัทไدفซ์พพลายจะต้องส่งสินค้าคืนมาให้กับ บริษัทไدفซ์พพลาย ตามที่อยู่ 88/5 ม.10 ถ.ปฏัก ต.ฉลอง อ.เมือง จ.ภูเก็ต 83130 สำหรับการตรวจสอบว่าสินค้าได้รับการรับประกันตามข้อกำหนดและเงื่อนไขที่ระบุมาข้างต้นหรือไม่ การคืนสินค้าทุกกรณี อยู่ภายใต้บทบัญญัติของนโยบายการคืนสินค้า
5. ในกรณีที่บริษัทไدفซ์พพลาย กำหนดว่าการรับประกันที่กำหนดไว้ข้างต้นมีผลบังคับใช้กับสินค้าใดๆ วิธีการซ่อมแซม การเปลี่ยนชิ้นส่วน เป็นดุลยพินิจของบริษัทไدفซ์พพลายแต่เพียงผู้เดียว บริษัทไدفซ์พพลายจะออกเครดิตให้กับตัวแทนจำหน่ายไม่เกินราคาของสินค้าที่ได้ทำการสั่งซื้อสำหรับสินค้าที่ได้รับผลกระทบ ไม่ว่าในกรณีใดๆ บริษัทไدفซ์พพลาย จะไม่รับผิดชอบต่อตัวแทนจำหน่ายหรือผู้ซื้อสำหรับความเสียหายอื่นๆ จากอุบัติเหตุหรือความเสียหายที่ตามมา
6. การเรียกร้องการรับประกันทั้งหมดจะต้องแนบสำเนาใบเสร็จใบเสร็จ/ใบกำกับภาษีของสินค้ามาด้วย

ราคาอาจเปลี่ยนแปลงได้โดยไม่ต้องแจ้งให้ทราบล่วงหน้า

TERMS AND CONDITIONS

OUR DEALERS ARE OUR STRENGTH – WELCOME TO THE DIVE SUPPLY COMMUNITY

GENERAL TERMS

To become a DIVE SUPPLY Dealer and benefit from DIVE SUPPLY Trade prices, you must be one of the following:

- Shop or office with goods on display for retail business
- Live-aboard or day-trip boat operator
- Course Director or Instructor Trainer
- Snorkeling or tour operator
- Hotel or resort operator
- Thai registered company

New accounts must meet the dealer requirements, complete a dealership application and submit a copy of the company registration. Individuals who do not meet the above requirements are strictly prohibited from purchasing at trade prices from DIVE SUPPLY. A dealer's annual purchases from DIVE SUPPLY must exceed 40,000 Baht to qualify for continued dealer status and access to Trade prices.

PAYMENT TERMS

First orders to new dealers will only be shipped prepaid or cash on delivery. For overdue accounts DIVE SUPPLY will not ship goods until full payment is received. Terms are based on date of invoice. A finance charge based on the maximum percentage permitted by the applicable law shall be added to late payments calculated from the date the invoice was issued.

RETURN POLICY

DIVE SUPPLY may, but is not obligated to, accept return of goods. For a 21 day period after date of invoice, any such returns (other than returns requested by DIVE SUPPLY in connection with warranty claims) will be limited to goods of current manufacture, in original packaging and in sellable condition. Credit or exchange of the merchandise is at the sole discretion of DIVE SUPPLY, any credits issued by DIVE SUPPLY will be for the original purchase price of the goods, PLUS a restocking charge of 15% of the original purchase price of the goods. Merchandise may not be returned without prior approval from DIVE SUPPLY and a Return Authorization number (RA#). DIVE SUPPLY will assume no responsibility for losses or damages incurred on merchandise in transit to DIVE SUPPLY.

SHIPPING POLICY

All prices are ex warehouse and shipments will not be insured by DIVE SUPPLY. DIVE SUPPLY shall not be held responsible for any damage or shortage, which is caused by the carrier. Shortages or damage claims to the carrier and to DIVE SUPPLY must be made within 48 hours upon receipt of goods.

BACK ORDER POLICY

Back orders shall automatically be shipped unless agreed otherwise.

PRICE POLICY AND DISCOUNTS

DIVE SUPPLY prices are subject to change without prior notice.

In the interest of all market participants DIVE SUPPLY does not endorse the sale or passing on of our products to third parties at trade price or slightly above.

Unless pre-approved by DIVE SUPPLY:

- The Minimum Advertized Price on any regular stock item must NOT exceed 15% discount from our recommended retail price (RRP).
- Dealers must NOT advertise additional discount or gifts with purchase (GWP) with any current promotion being conducted by DIVE SUPPLY.
- The total value of discounts and GWP must NOT exceed 15% discount from the RRP.

DIVE SUPPLY reserves the right to discontinue the supply of certain product lines to customers who do not follow these rules and in repeated cases, to terminate the business agreement.

WARRANTY

1. DIVE SUPPLY warrants to the original consumer purchaser that, for the period of one year from date of purchase, each DIVE SUPPLY product not otherwise warranted and purchased from an authorized DIVE SUPPLY dealer will be free from defects in materials and workmanship under normal use and with reasonable maintenance.
2. Additional or special regulations may apply to different brands according to the specific warranty terms and conditions of DIVE SUPPLY's suppliers.
3. The warranty does not apply to goods that have been subject to abuse, misuse, improper installation, alteration, improper maintenance, neglect of care or maintenance or repair service performed by someone other than an authorized DIVE SUPPLY dealer or technician.
4. For the original consumer purchaser to obtain warranty service, the affected product must be delivered to the DIVE SUPPLY dealer it was purchased from, together with proof of purchase. The DIVE SUPPLY dealer is required to return the goods to DIVE SUPPLY at 88/5 Moo 10, Patak Road, T. Chalong, A. Muang, Phuket 83130, for verification that the warranty set forth in these terms and conditions is applicable. Any such returns are subject to the provisions in the RETURN POLICY section.
5. In the event DIVE SUPPLY determines that the warranty set forth above is applicable to any goods, DIVE SUPPLY shall, as the sole remedy, replace, repair or at DIVE SUPPLY's sole discretion, issue to the dealer a credit for an amount not to exceed the original purchase price paid by the dealer for the affected goods. In no event shall DIVE SUPPLY be liable to the dealer or the original consumer purchaser for any special, incidental or consequential damages.
6. All warranty claims must be accompanied by a copy of the original purchase invoice.

PRICES ARE SUBJECT TO CHANGE WITHOUT PRIOR NOTICE

A New & Easier Way to Pay at **Dive Supply**

Phuket

Introducing QR Payment


NO BANK FEE

*“ When you scan our QR Code
with any mobile banking app ”*

We now have 3 bank accounts for you to choose



ธนาคารกสิกรไทย
开泰银行 KASIKORNBANK
038-1-59704-0
BRANCH : HA YAEK CHALONG



ธนาคารกรุงเทพ
Bangkok Bank
563-0-29234-9
BRANCH : PATONG



ธนาคารไทยพาณิชย์
SIAM COMMERCIAL BANK
601-2-74757-1
BRANCH : PATONG

Contact us

sales@divesupply.com

www.divesupply.com

076-383414-6

Follow us on
LINE



Follow us on
Facebook



บริษัท ไดฟ์ ซัพพลาย จำกัด
DIVE SUPPLY CO.,LTD.

1  QR Code

Mobile PIN

● ● ● ● ● ●

Select “QR code”
on the menu

2 

Scan QR code

3 **Confirm**

Account	XXX-X-XXXX-X
Mobile No.	XXX-XXX-XXXX
Recipient's Mobile Phone No. PromptPay	
Amount (฿)	X,XXX.XX

Check Account Name
and amount

4 

You have successfully
transferred

Done!



DIVE SUPPLY HISTORY

Diving & Snorkeling Equipment Wholesale Specialist

Dive Supply is the leading distributor and wholesaler of major brand names scuba diving and water sports equipment in South East Asia and is the exclusive distributor for Scubapro, Suunto, Deep Blue Products, Seac, Pelican, Saekodive, Bauer, Luxfer, Tovatec, Olympus, Divevolk and Maxtec.

We operate from our 1,500 sqm custom built warehouse in Chalong, Phuket, where we have a fully equipped service center.

If you are looking for the leading brands in Diving and Snorkeling Equipment along with value for money and excellent customer service then Dive Supply is the place to come.

We have a product portfolio which is second to none and we are the main distributor for PADI materials throughout Thailand.



sales@divesupply.com
www.divesupply.com
[facebook/DiveSupply](https://facebook.com/DiveSupply)



Dive Supply Co., Ltd.
88/5 Moo10 Patak Road,
Chalong,Phuket,Thailand



Tel : +66 (0) 76 383 414-6
Fax : +66 (0) 76 281 525





DIVE
S U P P L Y

www.divesupply.com



Dive Supply Main Office (Phuket)

sales@divesupply.com

Tel : +66 (0) 76 383 414-6

Fax : +66 (0) 76 281 525

Dive Supply Bangkok

contact@divesupplybkk.com

Tel : +66 (0) 2 354 4815

Fax : +66 (0) 2 354 4819

Dive Supply Koh Tao

kohtao@divesupply.com

Tel : +66 (0) 95 424 4273

Koh Chang Dive Supply

info@kohchangdivesupply.com

Tel : +66 (0) 39 551 518

Fax : +66 (0) 39 551 519