

DELUMPER® BAGSTATION™

Convenient Bag Dump System with Built-In DELUMPER®

DELUMPER® BAGSTATION™
is a convenient bag dump and product conditioning system.

The DELUMPER BAGSTATION is a pre-engineered bag dump system designed for efficient unloading, de-agglomerating and freshening of lumpy bagged solids while efficiently introducing them into a production process. These units are designed to facilitate convenient manual opening of small to medium sized bags without creating a dusty environment. But what's more, this system incorporates a built-in DELUMPER® processor to reduce agglomerates and lumps and facilitate uniform product flow while the bags are being emptied.

The units are provided in several optional configurations to fit specific application requirements.

■ **Stand-alone Controls or interfaced into your system**

■ **Optional Built-In Air Filtration**

■ **Introduce and Condition Ingredients Simultaneously**

This BAGSTATION features durable stainless steel construction, a bag grating platform, discharge hopper, DELUMPER processor and control system. Options include a built-in dust collector, big slitting knives, variable frequency drive, special polish, bag compactor and explosion-proof components.



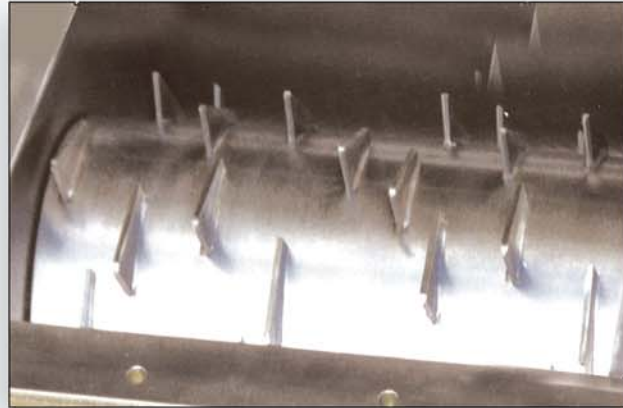
The optional air filtration system employs a blower powered by a 1 HP 3ph TEFC motor to draw the air into polyester filter cartridge elements. The filter has an automatic timed collector cleaning system using reverse air jets.

This bag dump station can handle bags up to 21-1/2" x 43" x 7-3/4" thick. Other models can be provided for larger bags. The overall dimensions of the unit are 51" X 72" x 101". The bottom discharge flange dimensions are 12" x 12". The unit can also be provided without the DELUMPER on special request.

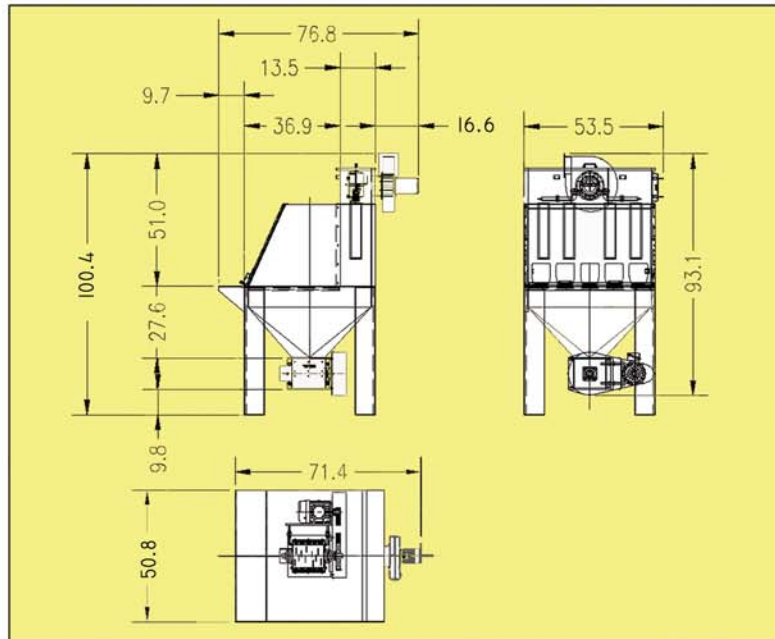
**Franklin
Miller®**
www.franklinmiller.com

DUMP AND CONDITION

The BAGSTATION includes a built in DELUMPER Crusher solids conditioner. This quality unit features heavy body construction with 12" x 12" throat opening, a 5HP 230/460 v. 3phase motor and drive, smooth interior finish, and smooth effective operation. Units can be supplied without the crusher as well.



The S250 controller provides full system operation, an emergency shut-off switch, an optional vfd a choice of enclosures, selector switch and on/off led indicators.



Contact Franklin Miller for certified drawings



www.franklinmiller.com