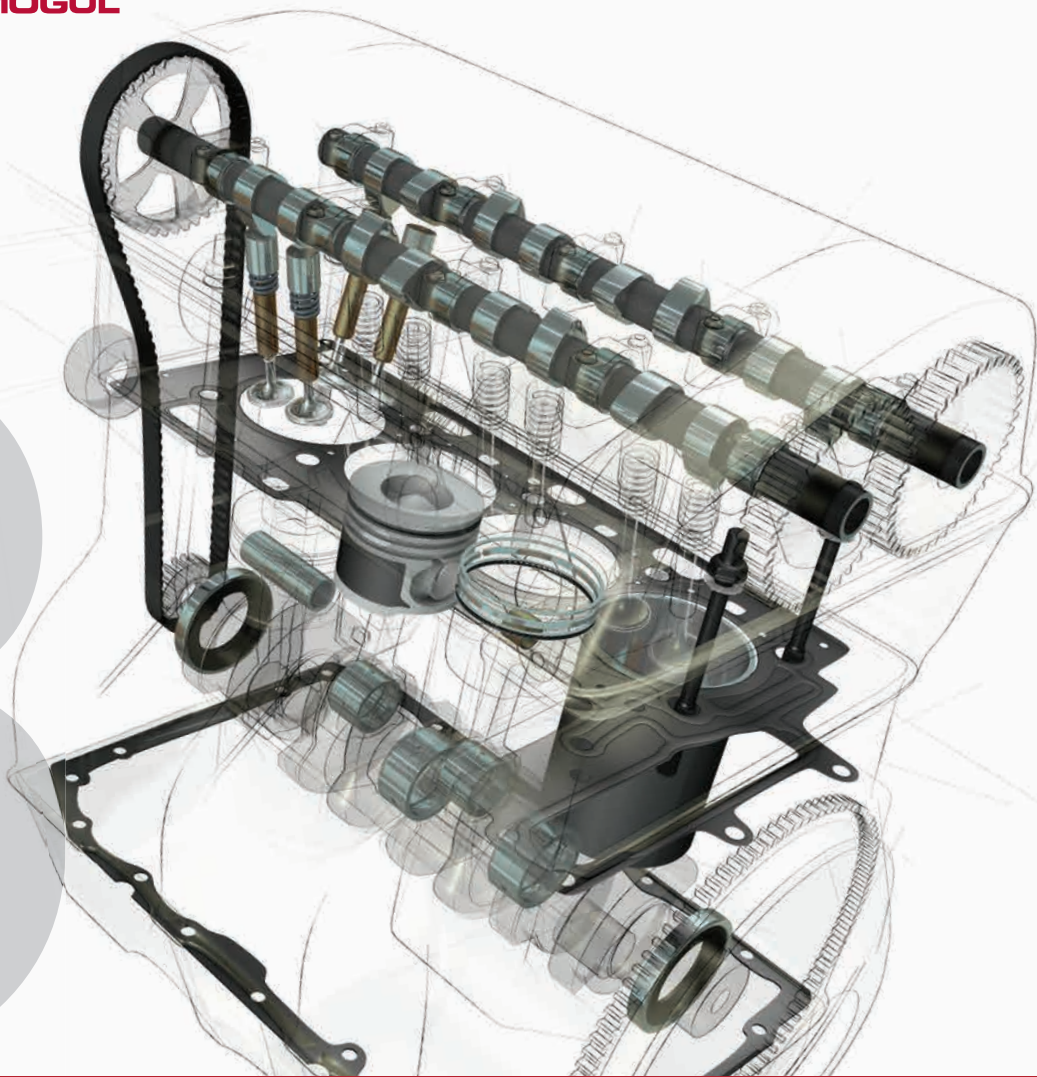


ENGINE EXPERTISE

BY  **FEDERAL-MOGUL**
MOTORPARTS

3



BMW / Mini
Mercedes-Benz / Smart
Porsche

CATMX1403



2015-2016





Use our know-how to hone your skills

With each diagnosis, each revision, your engine expertise becomes richer. Your skills get broader and deeper. And it's just the same at Federal-Mogul. That's why people rely on you. For example, your eye for detail and your feel for precise cylinder liner honing guarantee optimum engine performance. Your expertise helps us understand which parts you need, and how we can give you even more support to make it easier for you to achieve perfection with each engine job.

Because our engine expertise... is based on yours.



ENGINE EXPERTISE
BY  **FEDERAL-MOGUL**
MOTORPARTS



 **GLYCO**

 **GOETZE**

Niral

 **Payen**

INTRODUCTION

Dear Federal-Mogul Motorparts partner,

Welcome to the third volume of the *Federal-Mogul Motorparts Engine Expertise catalogue*. All engine and sealing parts for BMW, Mini, Mercedes-Benz, Smart and Porsche engines are covered in this catalogue, which is compiled to meet the requirements and increase the efficiency of engine rebuilders and service technicians working on these vehicles.

Federal-Mogul is an innovative and diversified global supplier of quality products, trusted brands and creative solutions for the OE market. We prioritise value creation through technology and innovation in products, processes and services, which makes us the preferred supplier to the global OE market.

The complete service for German engine rebuild specialists

Federal-Mogul Motorparts's new catalogue provides specialists rebuilding German engines with the latest, trusted OE specification technologies from a one-stop-shop. Our customers get to feel the benefit of Federal-Mogul's extensive experience in developing innovative products and also its range of expert brands that include: AE[®] for valvetrain, camtrain and belts; Payen[®] gaskets, sets, seals and headbolts; Nüral[®] pistons and assemblies; Goetze[®] piston rings and liners; and Glyco[®] engine bearings. All manufactured to exacting OE specification.

Future successes and reduced emissions

Federal-Mogul focuses on the quality and innovation that helps our global vehicle manufacturer customers continue to increase durability and drive down harmful CO₂ emissions. This proven expertise recognized through our brands is highly regarded by engine rebuild specialists worldwide.

Federal-Mogul's established business partnerships provide a reliable support network committed to servicing the needs of the automotive market, which helps optimise businesses' working practices and results in customer satisfaction.

We hope you enjoy the benefits of this catalogue!

Mark Whitehead,
Global Product Director Engine



Alexis Goslin,
Business Director Sealing & Engine EMEA



CONTENT

EN

Content	II
How to use this catalogue	IV - VII
Terms of business	XXXVI
Engine index	XXXVIII - LI
Top engine applications	1
Bottom engine applications	221
Numerical parts list	524
OE interchange	555
Valve guides	559
Oil seals	561
Cylinder headbolts	562
Technical notes	564

DE

Inhaltsverzeichnis	II
So benutzen Sie diesen Katalog	VIII - XI
Geschäftsbedingungen	XXXVI
Motorindex	XXXVIII - LI
Zylinderkopfanwendungen	1
Motorblockanwendungen	221
Nummerische Teileliste	524
OE-Entsprechungen	555
Ventilführungen	559
Wellendichtringe	561
Zylinderkopfschrauben	562
Technische Hinweise	565

IT

Contenuto	II
Come si utilizza il catalogo	XII - XV
Condizioni generali	XXXVI
Indice motore	XXXVIII - LI
Applicazioni parte alta del motore	1
Applicazioni bassa inferiore del motore	221
Elenco riferimenti	524
Intercambio OE	555
Guidavalvole	559
Paraoli	561
Viti testa cilindro	562
Note tecniche	566

FR

Contenu	II
Comment se servir de ce catalogue	XVI - XIX
Conditions générales de vente	XXXVI
Index moteur	XXXVIII - LI
Applications haut moteur	1
Applications bas moteur	221
Liste numérique des références	524
Liste d'équivalence Première Monte (OE)	555
Guides de soupape	559
Bagues d'étanchéité	561
Vis de culasse	562
Notes techniques	567

CONTENT

ES

Índice	III
Cómo utilizar este catálogo	XX - XXIII
Condiciones de venta	XXXVII
Índice de motores	XXXVIII - LI
Aplicaciones para la parte superior del motor	1
Aplicaciones para la parte inferior del motor	221
Lista de referencias	524
Cruce de referencias de equipo original	555
Guías de válvula	559
Retenes de aceite	561
Tornillos de culata	562
Notas técnicas	568

PL

Spis treści	III
Jak używać tego katalogu	XXIV - XXVII
Warunki współpracy	XXXVII
Indeksy silników	XXXVIII - LI
Góra silnika	1
Dół silnika	221
Lista części	524
Zamienniki OE	555
Prowadnice zaworów	559
Uszczelnienia olejowe	561
Śruby do głowicy cylindrów	562
Notatki techniczne	569

RU

Содержание	III
Как пользоваться каталогом	XXVIII - XXXI
Условия делового сотрудничества	XXXVII
Указатель двигателей	XXXVIII - LI
Детали верхней части двигателя	1
Детали нижней части двигателя	221
Список номеров деталей	524
Взаимозаменяемость с оригинальными деталями	555
Направляющие клапанов	559
Сальники	561
Болты ГБЦ	562
Технические примечания	570

AR

III	المحتوى
XXXV - XXXII	كيفية استخدام هذا الكatalog
XXXVII	شروط العمل
LI - XXXVIII	مؤشر المحرك
1	تطبيقات المحرك العلوية
221	تطبيقات المحرك السفلية
524	قائمة القطع المرقمة
555	تبادل المعدة الأصلية
559	موجهات الصمامات
561	لعمود الكام
562	مسامير رأس الأسطوانة
571	المنذرة التقنية

HOW TO USE THIS CATALOGUE

EN










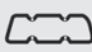





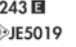



BMW/MINI					
2	1	75.00	Diesel		
9HZ (DV6TED4)	3	4 Cyl.	17.5:1	1560cc	80kW (109)PS
			Turbo Intercooled		5 TD20982
MINI (R56)	4	03/07 →	MINI CLUBMAN (R55)		10/07 →
	7		8		9
TB724 137x25.4	TBK302 Component No:TB724; AE1164GP;AE1163GP	CAM746	CAM747	KIT 10	
				FOL184 (x16)	FOL152 (x16)
	13 B x C x D	OE		MAT.	
V94960	14	16		19	23 E x F x G
25.60 x 5.50 x 96.35	15	11 34 7 805 969	45°	20	VAG96119
V94961	14		45°	21	25
23.40 x 5.50 x 96.50				ss	
			17	18	24
			MB cr	H	
			MG cr	H	


- 1** Panel no.
- 2** Bore size
- 3** Engine detail
- 4** Model detail
- 5** TecDoc / F-M engine no.
- 6** Corresponding bottom engine panel number
- 7** Timing belt references
No. of teeth x belt width
- 8** Timing belt kit references
- 9** Camshaft references
- 10** Camkit references
- 11** Rocker arm references
(required engine quantity in brackets)
- 12** Tappet & Thrust pad references
(required engine quantity in brackets)
- 13** Valve references
- 14** Fitting position
- 15** Valve dimensions
- 16** Valve OE reference
- 17** Material code
- 18** Valve stem coating
- 19** Cotter design
- 20** Seat angle
- 21** Seat treatment
- 22** Tip treatment
- 23** Valve guide references
- 24** Valve guide shape
- 25** Valve guide dimensions










MATERIAL CODE	TYPE	HEAD	STEM	SUITABLE FOR
MB	Mono-Metal	Martensitic chrome-silicon alloy steel	n/a	Petrol & diesel inlet valves and for stems in bimetallic exhaust valves
MD	Mono-Metal	Austenitic chrome-manganese-nickel steel	n/a	Exhaust valves operating up to 750°C
ME	Bi-Metal	Austenitic chrome-manganese-nickel steel with added niobium, tungsten and nitrogen	MB	Heavy duty exhaust valves, operating up to 780°C
MF	Bi-Metal	Nimonic™, nickel based super alloy with added chromium, cobalt and titanium	MB	Exhaust valves; good mechanical strength, resistance to fatigue, erosion & corrosion. Operating up to 820°C
MG	Bi-Metal	MD	MB	Exhaust valves operating up to 750°C

FEATURE CODE	DESCRIPTION
cr	Chrome layer on valve stem
tu	Tufrided /Nitrided valve
ss	Stellite welded seat
Y	Hardened valve seat
st	Stellite welded tip
H	Hardened valve tip

HOW TO USE THIS CATALOGUE

BMW/MINI							
1 31	 84.00	2 Petrol					
M 40 B 16	3 4 Cyl.	9:1	1596cc	73kW (99)PS	5 TD5255	437 6	
3 (E30)	4 09/87→06/94	3 (E36)	09/90→02/98				
 7	 8	 9	 10	 11	 12	 13	 14
BR830 Fibre Composite	DR830		HBS069  M10x1.50x95.00mm (x10)	JD189  (x2) JD283  (x1) JD243  JE5019 	JN698	HR646 	NB799 38.00x50.00x7.00mm FPM
 BR830							

- 1** Panel no.
- 2** Bore size
- 3** Engine detail
- 4** Model detail
- 5** TecDoc / F-M engine no.
- 6** Corresponding bottom engine panel number
- 7** **CYLINDER HEAD GASKET**
 - = Left
 - = Right
 -  = Piston protrusion
 - 0.50mm = Thickness
 - 1 hole = Identification mark
- 8** **HEAD SET**
 - ▲ = Without cylinder head gasket
 - = Without seals
 - ☒ = Without valve cover gasket
 - = Without valve stem seals
- 9** **FULL SET**
 - ▲ = Without cylinder head gasket
 - = Without seals
 - ☒ = Without valve cover gasket
 - = Without valve stem seals

- 10** **HEADBOLT SET**
 -  Headbolt shape
 -  Male hex
 -  Female hex
 -  Male star
 -  Female star
 -  Male torx
 -  Female torx
 -  Hexagon Collar
 -  Female Splined (Ribe-CV)*

*Ribe-CV® is a registered trademark of Richard Bergner GmbH & Co.

- 11** **MANIFOLD GASKET**
 - Left = ■
 - Right = ■
 - Set = S
 - Inlet = I
 - Exhaust = E
 - Upper = ■
 - Lower = ■
- 12** **VALVE COVER GASKET**
 - Left = ■
 - Right = ■
 - Inlet = I
 - Exhaust = E
 - Set = S
- 13** **VALVE STEM SEAL**
 - Set = S
 - Inlet = I
 - Exhaust = E
- 14** **CAMSHAFT OIL SEALS**
 - Front = F
 - Rear = R

HOW TO USE THIS CATALOGUE

EN



MERCEDES-BENZ/SMART

1 629	2 87.00	Diesel							
3 OM 601.913	4 Cyl.	22:1	1997cc	55kW (75)PS	5 TD2208	6 210			
4 C-CLASS (W202)	03/93 → 05/00								
<p>7</p> <p>87-743600-10 [11] [13] STD 87-743607-10 [11] [13] 0.50mm</p> <p>A 44.85 B- 9.05 C 1.25 C 1.05 D 74.85 26x55</p> <p>RT</p> <p>11</p> <p>08753B</p>		<p>8</p> <p>08-743600-00 STD 08-743607-00 0.50mm</p> <p>2.50 CR P 2.00 P 3.00 CR P</p>		<p>9 10</p> <p>14-026240-00 D B 90.11 C 148.50 D 92.57 E 4.70</p>		<p>12</p> <p>88-743600-10 87-743600-10 + 14-026240-00</p>			
13 [11] Conrod gap 22.15mm [13] Conrod guided in Piston		[11] Distance entre bielle 22.15mm [13] Bielle guidée dans le piston		[11] Distanza dalla biella 22.15mm [13] Billea montata sul pistone		[11] Distancia del biela 22.15mm [13] Biela montada en el pistòn			
14	15	16	17	18	19	20	21	22	23
BE/PL	1	47.950/47.965	51.600/51.619	21.800	1.812	0.020/0.070	AL-LF	01-3584	01-3584 STD 0.25 0.50
MB/HL 1-5	5	57.950/57.965	62.500/62.519	17.500	2.261	0.020/0.072	AL-LF	02-3585	H997/5 STD 0.25 0.50
TW/A	2	65.800	81.000		2.200		AL-LF	04-3586	A129/4 STD 0.10
TW/A	2	65.800	81.000		2.200		AL-LF	04-3587	
SE/PB	1	26.995/27.000	29.500/29.521	24.000			BC	55-3588	55-3588 SEMI
SE/PB	1	25.995/26.000	28.500/28.521	21.900			BC	55-3625	55-3625 SEMI

- 1** Panel no.
- 2** Bore size
- 3** Engine detail
- 4** Model detail
- 5** TecDoc / F-M engine no.
- 6** Corresponding top engine panel number
- 7** Piston reference
 - A = Compression height
 - B = Bowl depth / Crown height
 - BØ = Bowl diameter
 - C = Valve pocket depth
 - D = Length
 - RT = Alfin insert
 - KK = Oil cooling gallery
 - AK = Oil jet cut-out
 - HA = hard anodised coating on crown
 - NB = Bronze pin bush
 - TP = Trapezoidal Conrod
- 8** Ring set reference
 - Ring width
 - Ring design
 - Ring surface treatment
- 9** Liner reference
 - B = Outer diameter
 - C = Overall length
 - D = Flange diameter
 - E = Flange width
 - F = Firelip height
- 10** Liner type
 - D = Dry
 - WH = Wet Honed
 - DH = Dry Honed
- 11** Piston image and casting number (if applicable)
- 12** Kitset assembly reference
- 13** [] = Technical note

HOW TO USE THIS CATALOGUE



EN

- 14** Bearing type and position
BE/PL = Connecting rod (big end) bearing
MB/HL = Main bearing
TW/A = Thrust washer
SE/PB = Piston pin (small end) bushing
CB/NWB = Camshaft bushing
BU = Other bushings
- 15** Set composition
- 16** Minimum and maximum standard journal diameter
- 17** Minimum and maximum housing bore diameter
- 18** Maximum bearing width
- 19** Maximum standard wall thickness
- 20** Oil clearance
- 21** Bearing material codes
AL = Steel back aluminium.....Bi-/Trimetallic
B = Brass
BB = Steel back babbit.....Bimetallic
BC = Steel back cast bronze – no overlay.....Bimetallic
BS = Steel back sintered bronze – no overlay.....Bi-/Trimetallic
EC = Steel back bronze – electrocoated.....Trimetallic
SP = Steel back bronze – Sputter.....Trimetallic
IX = Steel back aluminium – Polymer
-LF= Lead-free
- 22** Component reference
- 23** Glyco set reference and available undersizes
H = Main bearing
N = Camshaft bushing
A = Thrust washer
.../4 = Number of pairs (bearings) or pieces (washers / bushings) per set
...H = Thrust (flange) bearing



BMW/MINI								
419	80.00	Diesel						
M 41 D 18	4 Cyl.	22:1	1665cc	66kW (89)PS	Turbo Intercooled	TD452	10	
3 (E36)		01/95→08/00						
23 EY270	24 JJ614 JJ614		25 NF637 48.00x65.00x10.00mm, FPM NB431 90.00x110.00x12.00mm, FPM					

- 23** **CONVERSION SET**
▲ = Without cylinder head gasket
■ = Without seals
☒ = Without valve cover gasket
● = Without valve stem seals

- 24** **SUMP GASKET**
Set = **S**

- 25** **CRANKSHAFT SEAL**
Front = **F**
Rear = **R**



SO BENUTZEN SIE DIESEN KATALOG

DE



BMW/MINI				
2 1	75.00 2	Diesel		
9HZ (DV6TED4) 3	4 Cyl.	17.5:1	1560cc	80kW (109)PS
				Turbo Intercooled
MINI (R56) 4	03/07 →	MINI CLUBMAN (R55)	10/07 →	
7	8	9	10	11
TB724 137x25.4	TBK302 Component No:TB724; AE1164GP;AE1163GP	CAM746 ■ CAM747 ■	FOL184 (x16)	FOL152 (x16)
13 B x C x D	OE	MAT.	23 E x F x G	
V94960 ■ 14 25.60 x 5.50 x 96.35 15	16 11 34 7 805 969	19 MB cr	20 45°	21 ss
V94961 ■ 14 23.40 x 5.50 x 96.50		17 18 MG cr	22 H	24
			25 41.50 x 6.03 x 10.54	

- 1** Infotafel
- 2** Bohrung
- 3** Motordetails
- 4** Modellangaben
- 5** TecDoc-Nr. / F-M Motornummer
- 6** Entsprechende Infotafel für Motorblock
- 7** Steuerriemen, Teilenummern
Anzahl der Zähne x Riemenbreite
- 8** Steuerriemensätze, Teilenummern
- 9** Nockenwellen, Teilenummern
- 10** Nockenwellensätze, Teilenummern

- 11** Kipphebel, Teilenummern
(erforderliche Anzahl pro Motor in Klammern)
- 12** Stößel und Druckstücke,
Teilenummern
(erforderliche Anzahl pro Motor in Klammern)
- 13** Ventile, Teilenummern
- 14** Einbauseite
- 15** Ventilabmessungen
- 16** Ventil-OE-Bezeichnung
- 17** Materialcode


















- 18** Ventilschaftbeschichtung
- 19** Kegelstückkonstruktion
- 20** Sitzwinkel
- 21** Sitzbehandlung
- 22** Ventilenendenbehandlung
- 23** Ventilführungsbezeichnungen
- 24** Ventilführungsform
- 25** Ventilführungsabmessungen


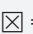
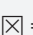
MATERIALCODE	BAUART	KOPF	SCHAFT	PASSEND FÜR
MB	Monometall	Martensitischer Chrom-Silizium-Legierungsstahl	k. A.	Einlassventile (für Otto- und Dieselmotoren) und für Schäfte in bimetalischen Auslassventile
MD	Monometall	Austenitischer Chrom-Mangan-Nickel-Stahl	k. A.	Auslassventile, Einsatz bis max. 750 °C
ME	Bimetall	Austenitischer Chrom-Mangan-Nickel-Stahl mit Zusatz von Niobium, Wolfram und Stickstoff	MB	Hochleistungs-Auslassventile, Einsatz bis max. 780 °C
MF	Bimetall	Nimonic™, nickelbasierte Superlegierung mit Zusatz von Chrom, Cobalt und Titan	MB	Auslassventile; gute mechanische Festigkeit, Ermüdungsfestigkeit, Erosions- und Korrosionsbeständigkeit Einsatz bis max. 820 °C
MG	Bimetall	MD	MB	Auslassventile, Einsatz bis max. 750 °C

KURZZEICHEN AUSSTATTUNG	BESCHREIBUNG
cr	Chrombeschichteter Ventilschaft
tu	Tufride-behandelter/nitrierter Schaft
ss	Geschweißter Stellitventilsitz
Y	Gehärteter Ventilsitz
st	Geschweißte Stellitspitze
H	Gehärtete Ventilspitze

SO BENUTZEN SIE DIESEN KATALOG

BMW/MINI

1 31	 84.00	2 Petrol					
M 40 B 16 3	4 Cyl.	9:1	1596cc	73kW (99)PS	5 TD5255	437 6	
3 (E30) 4	09/87→06/94	3 (E36)	09/90→02/98				
 7	 8	 9	 10	 11	 12	 13	 14
BR830 Fibre Composite	DR830		HBS069  M10x1.50x95.00mm (x10)	JD189  (x2) JD283  (x1) JD243  JE5019 	JN698	HR646 	NB799 38.00x50.00x7.00mm FPM
 BR830							

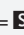

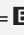
- 1** Infotafel
- 2** Bohrung
- 3** Motordetails
- 4** Modellangaben
- 5** TecDoc-Nr. / F-M Motornummer
- 6** Entsprechende Infotafel für Motorblock
- 7** **ZYLINDERKOPFDICHTUNG**
 - = Links
 - = Rechts
 -  = Kolbenüberstand
 - 0,50 mm = Dicke
 - 1 Öffnung = Kennzeichnung
- 8** **ZYLINDERKOPFDICHTUNGSSATZ**
 - ▲ = Ohne Zylinderkopfdichtung
 - = Ohne Dichtringe
 -  = Ohne Ventildeckeldichtung
 - = Ohne Ventilschaftdichtringe
- 9** **VOLLSTÄNDIGER SATZ**
 - ▲ = Ohne Zylinderkopfdichtung
 - = Ohne Dichtringe
 -  = Ohne Ventildeckeldichtung
 - = Ohne Ventilschaftdichtringe

10 ZYLINDERKOPFSCHRAUBENSATZ


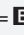
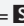
- ⊕ Zylinderkopfschrauben-Form
- ⊕ Außensechskant ⊕ Innensechskant
- ⊕ Außenvielzahn ⊕ Innenvielzahn
- ⊕ Außentorx ⊕ Innentorx
- ⊕ Sechskantbund ⊕ Außensechskant-Keilzahn (Ribe-CV®)*

*Ribe-CV® ist ein eingetragenes Warenzeichen der Richard Bergner GmbH & Co.




11 AUSPUFFKRÜMMERDICHTUNG

- Links = ■
- Rechts = ■
- Satz = 
- Einlass = 
- Auslass = 
- Oben = ■
- Unten = ■



12 VENTILDECKELDICHTUNG

- Links = ■
- Rechts = ■
- Einlass = 
- Auslass = 
- Satz = 

13 VENTILSCHAFTDICHTUNG

- Satz = 
- Einlass = 
- Auslass = 

14 NOCKENWELLEN-ÖLDICHTUNGEN

- Vorn = 
- Hinten = 

SO BENUTZEN SIE DIESEN KATALOG

DE



MERCEDES-BENZ/SMART

1 **629**



87.00

2 Diesel



OM 601.913

3 4 Cyl.

22:1

1997cc

55kW (75)PS

5 TD2208

210 6

C-CLASS (W202)

4 03/93→05/00

<p>87-743600-10 [11] [13] STD 87-743607-10 [11] [13] 0.50mm</p> <p>7</p> <p>A 44.85 B- 9.05 C 1.25 C 1.05 D 74.85 E 26x55</p> <p>RT</p> <p>13</p>	<p>11</p> <p>08-743600-00 STD 08-743607-00 0.50mm</p> <p>8</p> <p>2.50 CR P 2.00 P 3.00 CR P</p>	<p>9 10</p> <p>14-026240-00 D B 90.11 C 148.50 D 92.57 E 4.70</p>	<p>12</p> <p>88-743600-10 87-743600-10 + 14-026240-00</p>

[11] Conrod gap 22.15mm [11] Distance entre bielle 22.15mm [11] Distanza dalla biella 22.15mm [11] Distancia del biela 22.15mm
[13] Conrod guided in Piston [13] Bielle guidée dans le piston [13] Billea montata sul pistone [13] Biela montada en el pistòn

BE/PL	1	47.950/47.965	51.600/51.619	21.800	1.812	0.020/0.070	AL-LF	01-3584	01-3584 STD 0.25 0.50
MB/HL 1-5	5	57.950/57.965	62.500/62.519	17.500	2.261	0.020/0.072	AL-LF	02-3585	H997/5 STD 0.25 0.50
TW/A	2	65.800	81.000		2.200		AL-LF	04-3586	A129/4 STD 0.10
TW/A	2	65.800	81.000		2.200		AL-LF	04-3587	
SE/PB	1	26.995/27.000	29.500/29.521	24.000			BC	55-3588	55-3588 SEMI
SE/PB	1	25.995/26.000	28.500/28.521	21.900			BC	55-3625	55-3625 SEMI

- 1 Infotafel
- 2 Bohrung
- 3 Motordetails
- 4 Modellangaben
- 5 TecDoc-Nr. / F-M Motornummer
- 6 Entsprechende Infotafel für Zylinderkopf
- 7 Kolben, Teilnummern
 - A = Kompressionshöhe
 - B = Muldentiefe/Bodenhöhe
 - BØ = Muldendurchmesser
 - C = Ventiltaschentiefe
 - D = Länge
 - RT = Alfin-Einsatz
 - KK = Ölkühlkanal
 - AK = Öldüsenausparung
 - HA = Hartanodisierter Kolbenboden
 - NB = Bolzenbuchse aus Bronze
 - TP = Trapezleuel
- 8 Kolbenringsätze, Teilnummern
 - Ringhöhe
 - Ringbauart
 - Ring-Oberflächenbehandlung
- 9 Laufbuchsen, Teilnummern
 - B = Außendurchmesser
 - C = Gesamtlänge
 - D = Bunddurchmesser
 - E = Bundbreite
 - F = Feuersteghöhe
- 10 Laufbuchsentyp
 - D = trocken
 - WH = nass, gehont
 - DH = trocken, gehont
- 11 Kolbenabbildung und Kokille (falls zutreffend)
- 12 Artikelnummer Einbausatz
- 13 [] = Technischer Hinweis

SO BENUTZEN SIE DIESEN KATALOG



DE

- 14** Gleitlager, Art und Position
BE/PL = Pleuel(fuß)lager
MB/HL = Hauptlager
TW/A = Druckscheibe
SE/PB = Pleuel(kopf)buchse
CB/NWB = Nockenwellenbuchse
BU = Andere Buchsen
- 15** Satzbestandteile
- 16** Min. und max. Standard-Zapfendurchmesser
- 17** Min. und max. Gehäusebohrungsdurchmesser
- 18** Max. Gleitlagerbreite
- 19** Max. Standardwandstärke
- 20** Ölspalt
- 21** Gleitlagermaterial-Abkürzungen
AL = Stahlrücken Aluminium.....Bi-/Trimetall
B = Messing
BB = Stahlrücken Babbit.....Bimetall
BC = Stahlrücken Gussbronze – ohne Auflage.....Bimetall
BS = Stahlrücken Sinterbronze – ohne Auflage.....Bi-/Trimetall
EC = Stahlrücken Bronze – galvanisiert.....Trimetall
SP = Stahlrücken Bronze – Sputter.....Trimetall
IX = Stahlrücken Aluminium – Polymer
-LF= Bleifrei
- 22** Bauteile, Teilenummern
- 23** Glyco-Satz-Teilenummern und erhältliche Untergrößen
H = Hauptlager
N = Nockenwellenbuchse
A = Druckscheibe
.../4 = Anzahl Paare (Gleitlager) oder Stück (Scheiben/
Buchsen) pro Satz
...H = Axial(flansch)lager



BMW/MINI							
419		80.00	Diesel				
M 41 D 18	4 Cyl.	22:1	1665cc	66kW (89)PS	Turbo Intercooled	TD452	10
3 (E36)		01/95→08/00					
23		24		25			
EY270		JJ614		NF637 48.00x65.00x10.00mm, FPM NB431 90.00x110.00x12.00mm, FPM			
		24					
		24					
		JJ614					

- 22** **KURBELGEHÄUSESATZ**
▲ = Ohne Zylinderkopfdichtung
■ = Ohne Dichtringe
☒ = Ohne Ventildeckeldichtung
● = Ohne Ventilschaftdichtringe

- 24** **ÖLWANNENDICHTUNG**
Satz =

- 25** **KURBELWELLEN-DICHTRING**
Vorn =
Hinten =

COME SI UTILIZZA IL CATALOGO

IT




















BMW/MINI				
2 1	75.00 2	Diesel		
9HZ (DV6TED4) 3	4 Cyl.	17.5:1	1560cc	80kW (109)PS
				Turbo Intercooled
MINI (R56) 4	03/07 →	MINI CLUBMAN (R55)	10/07 →	5 TD20982 414 6
TB724 137x25.4	TBK302 Component No:TB724; AE1164GP;AE1163GP	CAM746 CAM747	FOL184 (x16)	FOL152 (x16)
13 B x C x D	OE	MAT.	45°	23 E x F x G
V94960	16		45°	VAG96119
25.60 x 5.50 x 96.35 15	11 34 7 805 969	MB cr 19	20	41.50 x 6.03 x 10.54 25
V94961		MG cr 17 18	45°	
23.40 x 5.50 x 96.50			ss 21	24
			H 22	
			H	

- 1** N. Pannello
- 2** Alesaggio
- 3** Dati motore
- 4** Dati modello
- 5** TecDoc / F-M N. motore
- 6** Numero pannello corrispondente alla parte bassa motore
- 7** Riferimenti cinghia di distribuzione N.di denti x larghezza cinghia
- 8** Riferimenti kit cinghia di distribuzione
- 9** Riferimenti albero a camme
- 10** Riferimenti kit albero a camme
- 11** Riferimenti bilanciere (tra parentesi quantità richiesta per motore)
- 12** Riferimenti punterie e piattelli (tra parentesi quantità richiesta per motore)
- 13** Riferimenti valvola
- 14** Posizione di montaggio
- 15** Dimensioni valvola
- 16** Riferimento OE valvola
- 17** Codice materiale
- 18** Rivestimento stelo valvola
- 19** Design coppiglia
- 20** Angolo sede
- 21** Trattamento sede
- 22** Trattamento puntale
- 23** Riferimenti guidaavvola
- 24** Forma guidaavvola
- 25** Dimensioni guidaavvola

CODICE MATERIALE	TIPO	TESTA	STELO ADATTO A
MB	Monometallo	Acciaio martensitico cromo-silicio	n/d Valvole di aspirazione diesel e benzina e per steli in valvole di aspirazione bimetalliche
MD	Monometallo	Acciaio nichel-manganese-cromo Austenitico	n/d Valvole di scarico per temperature fino a 750°C
ME	Bimetallo	Acciaio nichel-manganese-cromo Austenitico con niobio, tungsteno e azoto in lega	MB Valvole di scarico per applicazioni pesanti per temperature fino a 780°C
MF	Bimetallo	Nimonic™, lega super a base di nichel con cromo, cobalto e titanio in lega	MB Valvole di scarico; buona resistenza meccanica, resistenza a fatica, erosione e corrosione. Per temperature fino a 820°C
MG	Bimetallo	MD	MB Valvole di scarico per temperature fino a 750°C

CODICE CARATTERISTICHE	DESCRIZIONE
cr	Strato di cromo sullo stelo di valvola
tu	Valvola Carbotritura
ss	Sede saldata in stellite
Y	Sede valvola rinforzata
st	Puntale saldato in Stellite
H	Puntale valvola rinforzato

COME SI UTILIZZA IL CATALOGO

BMW/MINI							
1 31	 84.00	2 Petrol					
M 40 B 16	3 4 Cyl.	9:1	1596cc	73kW (99)PS	5 TD5255	437 6	
3 (E30)	4 09/87→06/94	3 (E36)	09/90→02/98				
 7	 8	 9	 10	 11	 12	 13	
BR830 Fibre Composite	DR830		HBS069  M10x1.50x95.00mm (x10)	JD189   (x2) JD283   (x1) JD243   JE5019	JN698	HR646 	NB799 38.00x50.00x7.00mm FPM
 BR830							

1 N. Pannello

2 Alesaggio

3 Dati motore

4 Dati modello


5 TecDoc / F-M N. motore

6 Numero pannello corrispondente alla parte superiore del motore

7 **GUARNIZIONE TESTA CILINDRO**

■ = Sinistra

■ = Destra

 = Sporgenza pistone

0.50mm = spessore

1 foro = segno di identificazione

8 **KIT TESTA**

▲ = Senza guarnizione testa cilindro

■ = Senza guarnizioni

☒ = Senza guarnizione coperchio valvola

○ = Senza guarnizioni stelo valvola

9 **KIT COMPLETO**

▲ = Senza guarnizione testa cilindro

■ = Senza guarnizioni

☒ = Senza guarnizione coperchio valvola

○ = Senza guarnizioni stelo valvola

10 **KIT VITI TESTA**

⊕ Forma viti testa



⊕ Maschio esagonale



⊕ Femmina esagonale



⊕ Maschio a stella



⊕ Femmina a stella



⊕ Torx maschio



⊕ Torx femmina



⊕ Collare esagonale



⊕ Femmina scanalata (Ribe-CV®)*

*Ribe-CV® è un marchio registrato di Richard Bergner GmbH & Co.

11 **GUARNIZIONE COLLETTORE**

Sinistra = ■

Destra = ■

Kit = **S**

Aspirazione = **I**

Scarico = **E**

Superiore = ■

Inferiore = ■

12 **GUARNIZIONE COPERCHIO VALVOLA**

Sinistra = ■

Destra = ■

Aspirazione = **I**

Scarico = **E**

Kit = **S**

13 **GUARNIZIONE STELO VALVOLA**

Kit = **S**

Aspirazione = **I**

Scarico = **E**

14 **PARAOLIO ALBERO A CAMME**

Anteriore = **F**

Posteriore = **R**

COME SI UTILIZZA IL CATALOGO

IT



MERCEDES-BENZ/SMART										
1 629		2 87.00		Diesel						
3 OM 601.913		4 Cyl.		22:1		1997cc		55kW (75)PS		5 TD2208 210 6
4 C-CLASS (W202)		03/93→05/00								
 7 87-743600-10 [11] [13] STD 87-743607-10 [11] [13] 0.50mm 7 A 44.85 B- 9.05 C 1.25 C 1.05 D 74.85 KK 26x55 RT 08753B		 8 08-743600-00 STD 08-743607-00 0.50mm 8 2.50 2.00 P 3.00 CR P		 9 10 14-026240-00 D B 90.11 C 148.50 D 92.57 E 4.70 		 12 88-743600-10 87-743600-10 + 14-026240-00				
13		[11] Conrod gap 22.15mm		[11] Distance entre bielle 22.15mm		[11] Distanza dalla biella 22.15mm		[11] Distancia del biela 22.15mm		
[13] Conrod guided in Piston		[13] Bielle guidée dans le piston		[13] Billea montata sul pistone		[13] Biela montada en el pistòn				
BE/PL	1	47.950/47.965	51.600/51.619	21.800	1.812	0.020/0.070	AL-LF	01-3584	01-3584 STD 0.25 0.50	
MB/HL 1-5	5	57.950/57.965	62.500/62.519	17.500	2.261	0.020/0.072	AL-LF	02-3585	H997/5 STD 0.25 0.50	
TW/A	2	65.800	81.000		2.200		AL-LF	04-3586	A129/4 STD 0.10	
TW/A	2	65.800	81.000		2.200		AL-LF	04-3587		
SE/PB	1	26.995/27.000	29.500/29.521	24.000			BC	55-3588	55-3588 SEMI	
SE/PB	1	25.995/26.000	28.500/28.521	21.900			BC	55-3625	55-3625 SEMI	

- 1** N. Pannello
- 2** Alesaggio
- 3** Dati motore
- 4** Dati modello
- 5** TecDoc / F-M N. motore
- 6** Numero pannello corrispondente alla parte superiore del motore
- 7** Codice Pistone
 - A = altezza di compressione
 - B = profondità camera di combustione /sporgenza testa
 - BØ = diametro camera di combustione
 - C = profondità sede valvola
 - D = Lunghezza
 - RT = inserto Alfin
 - KK = galleria di raffreddamento olio
 - AK = nicchia getto olio
 - HA = rivestimento anodizzato sul cielo
 - NB = boccola foro spinotto
 - TP = biella trapezoidale

- 8** Codice set segmenti
 - Larghezza segmento
 - Forma segmento
 - Trattamento superficiale segmento
- 9** Codice canna
 - B = diametro esterno
 - C = lunghezza totale
 - D = diametro flangia
 - E = larghezza flangia
 - F = altezza parafiamma fiamma
- 10** Tipo canna
 - D = A Secco
 - WH = Riportata in Umido
 - DH = Riportata a Secco
- 11** Immagine pistone e numero di fusione (dove applicabile)
- 12** Codice gruppo kit
- 13** [] = Note tecniche

COME SI UTILIZZA IL CATALOGO



IT

- 14** Tipo e posizione cuscinetto
 BE/PL = Cuscinetto (testa di) biella
 MB/HL = Cuscinetto di banco
 TW/A = Spallamenti
 SE/PB = Boccola spinotto pistone (piede di biella)
 CB/NWB = Boccola albero a camme
 BU = Altre boccole
- 15** Composizione set
- 16** Diametro perno di banco standard minimo e massimo
- 17** Diametro alesaggio sede minimo e massimo
- 18** Larghezza massima del cuscinetto
- 19** Spessore parete standard massimo
- 20** Passaggio olio
- 21** Codici materiale cuscinetti
 AL = Alluminio su supporto in acciaio.....Bi-/Trimetallico
 B = Ottone
 BB = Lega antiattrito fondo acciaio.....Bimetallico
 BC = Bronzo su supporto in acciaio -
 no rivestimento.....Bimetallico
 BS = Bronzo sinterizzato con supporto in acciaio -
 no rivestimento.....Bi-/Trimetallico
 EC = Bronzo su supporto in acciaio -
 elettrodepostoTrimetallico

- SP = Bronzo su supporto in acciaio -
 processo sputter.....Trimetallico
- IX = Alluminio su supporto in acciaio - Polimerico
 -LF= Senza piombo
- 22** Codice componente
- 23** Codice kit Glyco e misure (sottodimensionate) disponibili
 H = Cuscinetto di banco
 N = Boccola albero a camme
 A = Spallamento
 .../4 = Numero coppie (di cuscinetti) o pezzi (spallamenti/
 boccole) per ciascun set
 ...H = Cuscinetto di spinta (flangiato)



BMW/MINI								
419	80.00	Diesel						
M 41 D 18	4 Cyl.	22:1	1665cc	66kW (89)PS	Turbo Intercooled	TD452	10	
3 (E36)	01/95→08/00							
23	24	25						
EY270	JJ614	NF637 48.00x65.00x10.00mm, FPM NB431 90.00x110.00x12.00mm, FPM						
	JJ614							

- 23** **SERIE COMPLEMENTARE**
 ▲ = Senza guarnizione testa cilindro
 ■ = Senza guarnizioni
 ☒ = Senza guarnizione coperchio
 valvola
 ● = Senza guarnizioni stelo valvola

- 24** **GUARNIZIONE COPPA OLIO**
 Kit =

- 25** **GUARNIZIONE ALBERO MOTORE**
 Anteriore =
 Posteriore =

COMMENT SE SERVIR DE CE CATALOGUE

FR



BMW/MINI				
2 1	75.00 2	Diesel		
9HZ (DV6TED4) 3	4 Cyl.	17.5:1	1560cc	80kW (109)PS Turbo Intercooled 5 TD20982 414 6
MINI (R56) 4	03/07 →	MINI CLUBMAN (R55)	10/07 →	
7	8	9	10	11
TB724 137x25.4	TBK302 Component No:TB724; AE1164GP;AE1163GP	CAM746 ■ CAM747 ■		FOL184 (x16) FOL152 (x16)
13	OE	MAT.	20	23
V94960 ■ 14 25.60 x 5.50 x 96.35 15	16	MB cr 19	45° 21	VAG96119 ■ ■ 14 41.50 x 6.03 x 10.54 25
V94961 ■ 14 23.40 x 5.50 x 96.50	11 34 7 805 969	MG cr 17 18	45° ss 22	24

- 1 N° d'encadré
- 2 Taille d'alésage
- 3 Détail du moteur
- 4 Détail du modèle
- 5 Numéro moteur F-M / Numéro TecDoc
- 6 N° d'encadré bas moteur correspondant
- 7 Références de courroie de distribution
Nbre de dents x largeur courroie
- 8 Références de kits de courroie de distribution
- 9 Références d'arbres à came
- 10 Références de kit d'arbres à came
- 11 Références de culbuteur
(quantité moteur exigée entre parenthèses)
- 12 Références patin de butée et poussoir à tige
(quantité moteur exigée entre parenthèses)
- 13 Référence de soupape
- 14 Position de montage
- 15 Dimensions de soupape
- 16 Référence OE de soupape
- 17 Code du matériau
- 18 Revêtement de la tige de soupape
- 19 Modèle à goupille
- 20 Angle du siège
- 21 Traitement du siège
- 22 Traitement de pointe
- 23 Référence du guide de soupape
- 24 Forme du guide de soupape
- 25 Dimensions du guide de soupape

CODE DU MATÉRIAU	TYPE	TÊTE	TIGE	VALABLE POUR
MB	Mono-métallique	Acier d'alliage silicone-chrome martensitique	S/O	Soupapes d'admission essence et diesel, et pour tiges des soupapes d'échappement bimétallique
MD	Mono-métallique	Acier nickel - manganèse - chrome austénitique	S/O	Soupapes d'échappement fonctionnant jusqu'à 750 °C
ME	Bimétallique	Acier nickel - manganèse - chrome austénitique avec niobium, tungstène et azote ajouté.	MB	Soupapes d'échappement haut de gamme fonctionnant jusqu'à 780 °C
MF	Bimétallique	Nimonic™, super alliage à base de nickel avec ajout de chrome, cobalt et titane.	MB	Soupapes d'échappement ; bonne résistance mécanique, à la fatigue, à l'érosion et à la corrosion. Fonctionnant jusqu'à 820 °C
MG	Bimétallique	MD	MB	Soupapes d'échappement fonctionnant jusqu'à 750 °C

CODE CARACTÉRISTIQUE	DESCRIPTION
cr	Couche de chrome sur tige de soupape
tu	Soupape Nitrurée
ss	Siège soudé Stellite
Y	Siège de soupape durci
st	Pointe soudée Stellite
H	Pointe de soupape durcie

COMMENT SE SERVIR DE CE CATALOGUE



FR

BMW/MINI

1 31	2 84.00	Petrol		
M 40 B 16 3	4 Cyl.	9:1	1596cc	73kW (99)PS 5 TD5255 437 6
3 (E30) 4	09/87→06/94	3 (E36)	09/90→02/98	
7	8	9	10	11
BR830 Fibre Composite	DR830		HBS069 M10x1.50x95.00mm (x10)	JD189 (x2) JD283 (x1) JD243 JE5019
			JN698	HR646
				NB799 38.00x50.00x7.00mm FPM
BR830				

- 1** N° d'encadré
- 2** Taille d'alésage
- 3** Détail du moteur
- 4** Détail du modèle
- 5** Numéro moteur F-M / Numéro TecDoc
- 6** N° d'encadré bas moteur correspondant
- 7** **JOINT DE CULASSE**
 - = Gauche
 - = Droite
 - = Saillie piston
 - 0,50 mm = épaisseur
 - 1 trou = marque d'identification
- 8** **ENSEMBLE CULASSE**
 - ▲ = Sans joint de culasse
 - = Sans bagues d'étanchéité
 - ☒ = Sans joint de couvre culasse
 - = Sans joints de tige de soupape
- 9** **ENSEMBLE COMPLET**
 - ▲ = Sans joint de culasse
 - = Sans bagues d'étanchéité
 - ☒ = Sans joint de couvre culasse
 - = Sans joints de tige de soupape

- 10** **JEU VIS DE CULASSE**
 - ⊕ Forme de vis de culasse
 - Hexagonale
 - Hexagonale type "Allen"
 - Cannelée
 - Cannelée intérieure / femelle
 - Etoile "Tork" mâle
 - Etoile "Tork" intérieure / femelle
 - Vis hexagonale à embase
 - Femelle à cannelure (Ribe-CV®)*

- 11** **JOINT COLLECTEUR**
 - Gauche = ■
 - Droite = ■
 - Jeu = **S**
 - Admission = **I**
 - Échappement = **E**
 - Supérieur = ■
 - Inférieur = ■
- 12** **JOINT DE COUVRE CULASSE**
 - Gauche = ■
 - Droite = ■
 - Admission = **I**
 - Échappement = **E**
 - Jeu = **S**
- 13** **JOINT DE TIGE DE SOUPAPE**
 - Jeu = **S**
 - Admission = **I**
 - Échappement = **E**
- 14** **BAGUES D'ÉTANCHÉITÉ D'ARBRE À CAMES**
 - Avant = **F**
 - Arrière = **R**

*Ribe-CV® est une marque enregistrée de Richard Bergner GmbH & Co.

COMMENT SE SERVIR DE CE CATALOGUE

FR



MERCEDES-BENZ/SMART

1 629	2 87.00	Diesel			
3 OM 601.913	4 Cyl.	22:1	1997cc	55kW (75)PS	5 TD2208 6 210
4 C-CLASS (W202)	03/93 → 05/00				

<p>7</p> <p>87-743600-10 [11] [13] STD 87-743607-10 [11] [13] 0.50mm</p> <p>A 44.85 B- 9.05 C 1.25 C 1.05 D 74.85 26x55</p> <p>RT</p> <p>11</p> <p>08753B</p>	<p>8</p> <p>08-743600-00 STD 08-743607-00 0.50mm</p> <p>2.50 CR P 2.00 P 3.00 CR P</p>	<p>9 10</p> <p>14-026240-00 D B 90.11 C 148.50 D 92.57 E 4.70</p>	<p>12</p> <p>88-743600-10 87-743600-10 + 14-026240-00</p>
---	--	---	---

13 [11] Conrod gap 22.15mm [11] Distance entre bielle 22.15mm [11] Distanza dalla biella 22.15mm [11] Distancia del biela 22.15mm
 [13] Conrod guided in Piston [13] Bielle guidée dans le piston [13] Billea montata sul pistone [13] Biela montada en el pistòn

BE/PL	1	47.950/47.965	51.600/51.619	21.800	1.812	0.020/0.070	AL-LF	01-3584	01-3584 STD 0.25 0.50
MB/HL 1-5	5	57.950/57.965	62.500/62.519	17.500	2.261	0.020/0.072	AL-LF	02-3585	H997/5 STD 0.25 0.50
TW/A	2	65.800	81.000		2.200		AL-LF	04-3586	A129/4 STD 0.10
TW/A	2	65.800	81.000		2.200		AL-LF	04-3587	
SE/PB	1	26.995/27.000	29.500/29.521	24.000			BC	55-3588	55-3588 SEMI
SE/PB	1	25.995/26.000	28.500/28.521	21.900			BC	55-3625	55-3625 SEMI

- 1** N° d'encadré
- 2** Taille d'alésage
- 3** Détail du moteur
- 4** Détail du modèle
- 5** Numéro moteur F-M / Numéro TecDoc
- 6** N° d'encadré haut moteur correspondant
- 7** Référence du piston
 - A = Hauteur d'axe
 - B = Profondeur de la chambre / Hauteur du bossage
 - BØ = Diamètre de la chambre du piston
 - C = Passage de la soupape
 - D = Longueur totale
 - RT = Piston à porte-segments
 - KK = Canal de refroidissement
 - AK = Dégagement pour gicleur d'huile de refroidissement
 - HA = Tête endurcie par oxydation
 - NB = Bague en bronze
 - TP = Bielle trapézoïdale
- 8** Référence du jeu de segments
 - Largeur de segment
 - Schémas des segments
 - Traitement de surface
- 9** Référence de chemise
 - B = Diamètre extérieur
 - C = Longueur totale
 - D = Diamètre bride
 - E = Largeur de collerette
 - F = Hauteur de parefeu
- 10** Type chemise
 - D = Sèche
 - WH = Traitée au sable humide
 - DH = Traitée au sable sec
- 11** Image piston et numéro coquille (le cas échéant)
- 12** Référence du kit d'assemblage
- 13** [] = Note technique

COMMENT SE SERVIR DE CE CATALOGUE



FR

- 14** Type et emplacement du coussinet
BE/PL = Coussinet de bielle (tête de bielle)
MB/HL = Coussinet de palier
TW/A = Flasque de butée
SE/PB = Bague de bielle
CB/NWB = Bague d'arbre à cames
BU = Autres bagues
- 15** Composition du jeu de coussinet
- 16** Diamètre minimum et maximum de maneton standard
- 17** Diamètre minimum et maximum d'alésage du logement
- 18** Largeur maximale de coussinet
- 19** Épaisseur maximale de standard
- 20** Jeu de fonctionnement
- 21** Codification des matériaux de coussinets
AL = Aluminium sur support acier..... Bi/trimétallique
B = Laiton
BB = Etain-plomb sur support acier..... Bimétallique
BC = Bronze coulé sur support acier - sans revêtement..... Bimétallique
BS = Bronze fritté sur support acier - sans revêtement..... Bi/trimétallique
EC = Bronze sur support acier - électrolytique..... Trimétallique
- SP = Bronze sur support acier - pulvérisé..... Trimétallique
IX = Aluminium sur support acier - polymère
-LF= Sans plomb
- 22** Référence du composant
- 23** Référence du jeu Glyco et cotes réparation disponibles
H = Coussinet de palier
N = Bague d'arbre à cames
A = Flasque de butée
.../4 = Paires (coussinets) ou pièces (flasques de butées/ bagues) par jeu
...H = Roulement de butée (à bride)



BMW/MINI								
419	80.00	Diesel						
M 41 D 18	4 Cyl.	22:1	1665cc	66kW (89)PS	Turbo Intercooled	TD452	10	
3 (E36)	01/95→08/00							
23	24	25						
EY270	JJ614	NF637 48.00x65.00x10.00mm, FPM NB431 90.00x110.00x12.00mm, FPM						
	JJ614							

- 24** **POCHETTE COMPLÉMENT**
▲ = Sans joint de culasse
■ = Sans bagues d'étanchéité
☒ = Sans joint de couvre culasse
● = Sans joints de tige de soupape

- 25** **JOINT DE CARTER D'HUILE**
Pochette =

- 27** **BAGUE D'ÉTANCHÉITÉ DE VILEBREQUIN**
Avant =
Arrière =

CÓMO UTILIZAR ESTE CATÁLOGO

ES



BMW/MINI				
2 1	75.00 2	Diesel		
9HZ (DV6TED4) 3	4 Cyl.	17.5:1	1560cc	80kW (109)PS Turbo Intercooled 5 TD20982 414 6
MINI (R56) 4	03/07 →	MINI CLUBMAN (R55)		10/07 →
7	8	9	10	11
TB724 137x25.4	TBK302 Component No:TB724; AE1164GP;AE1163GP	CAM746 ■ CAM747 ■		FOL184 (x16) FOL152 (x16)
13	OE	MAT.	20	23
V94960 ■ 14 25.60 x 5.50 x 96.35 15	16	19	45° 21	VAG96119 ■ ■ ■ 14 41.50 x 6.03 x 10.54 25
V94961 ■ 14 23.40 x 5.50 x 96.50	11 34 7 805 969	17	45° 22	24
		18	ss 22	
			H	

- 1 N.º panel
- 2 Diámetro del cilindro
- 3 Datos del motor
- 4 Datos del modelo
- 5 Número motor F-M / TecDoc
- 6 Número de panel del motor correspondiente
- 7 Referencias de las correas de distribución
N.º de dientes x anchura de la correa
- 8 Referencias del kit de correas de distribución
- 9 Referencias del árbol de levas
- 10 Referencias del kit de levas
- 11 Referencias de balancín (cantidad necesaria para el motor, entre paréntesis)
- 12 Referencias de pastillas de empuje y taqués (cantidad necesaria para el motor, entre paréntesis)
- 13 Referencias de válvula
- 14 Posición de montaje
- 15 Dimensiones de válvula
- 16 Referencia de equipo original de la válvula
- 17 Referencias
- 18 Revestimiento del vástago de la válvula
- 19 Diseño de la chaveta
- 20 Ángulo del asiento
- 21 Tratamiento del asiento
- 22 Tratamiento de la punta del vástago
- 23 Referencias de la guía de válvula
- 24 Forma de la guía de válvula
- 25 Dimensiones de la guía de válvula

REFERENCIA	TIPO	CULATA	VÁSTAGO	ADECUADO PARA
MB	Monometálico	Aleación de acero al cromo-silicio martensítico	N/D	Válvulas de admisión de gasolina y diésel para vástagos de válvulas de escape bimetalicas
MD	Monometálico	Acero austenítico al cromo-manganeso-níquel	N/D	Válvulas de escape que soportan hasta 750 °C
ME	Bimetálico	Acero austenítico al cromo-manganeso-níquel con niobio, tungsteno y nitrógeno	MB	Válvulas de escape para vehículos pesados, rango de temperatura de trabajo de hasta 780 °C
MF	Bimetálico	Nimonic™, superaleación al níquel con cromo, cobalto y titanio	MB	Válvulas de escape de buena resistencia mecánica, con resistencia a la fatiga, la erosión y la corrosión; Rango de temperatura de hasta 820 °C
MG	Bimetálico	MD	MB	Válvulas de escape con rango de temperatura hasta 750 °C

CÓDIGO DE CARACTERÍSTICA	DESCRIPCIÓN
cr	Capa de cromo en el vástago de la válvula
tu	Válvula nitrurada / nitrocarbuzada
ss	Asiento Stellite soldado
Y	Asiento de válvula endurecido
st	Punta Stellite soldada
H	Punta de válvula endurecida

CÓMO UTILIZAR ESTE CATÁLOGO



ES

BMW/MINI

1 31	2 84.00	Petrol					
M 40 B 16 3	4 Cyl.	9:1	1596cc	73kW (99)PS	5 TD5255	6 437	
4 3 (E30)	09/87→06/94	3 (E36)	09/90→02/98				
7	8	9	10	11	12	13	
BR830 Fibre Composite	DR830		HBS069 M10x1.50x95.00mm (x10)	JD189 (x2) JD283 (x1) JD243 JE5019	JN698	HR646	NB799 38.00x50.00x7.00mm FPM
BR830							

- 1** N.º panel
- 2** Diámetro del cilindro
- 3** Datos del motor
- 4** Datos del modelo
- 5** Número motor F-M / TecDoc
- 6** Número de panel de la parte inferior del motor correspondiente
- 7** **JUNTA DE CULATA**
 - = Izquierda
 - = Derecha
 - = Protrusión del pistón
 - 0.50 mm = Grosor
 - 1 orificio = Marca de identificación
- 8** **CONJUNTO DE CULATA**
 - ▲ = Sin junta de culata
 - = Sin juntas
 - ☒ = Sin junta de cubierta de la válvula
 - = Sin juntas del vástago de la válvula
- 9** **CONJUNTO COMPLETO**
 - ▲ = Sin junta de culata
 - = Sin juntas
 - ☒ = Sin junta de cubierta de la válvula
 - = Sin juntas del vástago de la válvula

10 CONJUNTO DE TORNILLOS DE CULATA

- ⊕ Forma de tornillos



*Ribe-CV® es una marca comercial registrada de Richard Bergner GmbH & Co.

11 JUNTA DEL COLECTOR

- Izquierda = ■
- Derecha = ■
- Conjunto = S
- Admisión = I
- Escape = E
- Parte superior = ■
- Parte inferior = ■

12 JUNTA DE CUBIERTA DE LA VÁLVULA

- Izquierda = ■
- Derecha = ■
- Admisión = I
- Escape = E
- Conjunto = S

13 JUNTA DEL VÁSTAGO DE LA VÁLVULA

- Conjunto = S
- Admisión = I
- Escape = E

14 RETENES DE ACEITE DEL ÁRBOL DE LEVAS

- Parte delantera = F
- Parte trasera = R

CÓMO UTILIZAR ESTE CATÁLOGO

ES



MERCEDES-BENZ/SMART

1 629	2 87.00	Diesel			
3 OM 601.913	4 Cyl.	22:1	1997cc	55kW (75)PS	5 TD2208 6 210
4 C-CLASS (W202)	03/93 → 05/00				

<p>7</p> <p>87-743600-10 [11] [13] STD 87-743607-10 [11] [13] 0.50mm</p> <p>A 44.85 B- 9.05 C 1.25 C 1.05 D 74.85 26x55</p> <p>RT</p> <p>11</p> <p>08753B</p>	<p>8</p> <p>08-743600-00 STD 08-743607-00 0.50mm</p> <p>2.50 CR P 2.00 P 3.00 CR P</p>	<p>9 10</p> <p>14-026240-00 D B 90.11 C 148.50 D 92.57 E 4.70</p>	<p>12</p> <p>88-743600-10 87-743600-10 + 14-026240-00</p>
---	--	---	---

13 [11] Conrod gap 22.15mm [11] Distance entre bielle 22.15mm [11] Distanza dalla biella 22.15mm [11] Distancia del biela 22.15mm
 [13] Conrod guided in Piston [13] Bielle guidée dans le piston [13] Billea montata sul pistone [13] Biela montada en el pistòn

BE/PL	1	47.950/47.965	51.600/51.619	21.800	1.812	0.020/0.070	AL-LF	01-3584	01-3584 STD 0.25 0.50
MB/HL 1-5	5	57.950/57.965	62.500/62.519	17.500	2.261	0.020/0.072	AL-LF	02-3585	H997/5 STD 0.25 0.50
TW/A	2	65.800	81.000		2.200		AL-LF	04-3586	A129/4 STD 0.10
TW/A	2	65.800	81.000		2.200		AL-LF	04-3587	
SE/PB	1	26.995/27.000	29.500/29.521	24.000			BC	55-3588	55-3588 SEMI
SE/PB	1	25.995/26.000	28.500/28.521	21.900			BC	55-3625	55-3625 SEMI

- 1** N.º panel
- 2** Diámetro del cilindro
- 3** Datos del motor
- 4** Datos del modelo
- 5** Número motor F-M / TecDoc
- 6** Número de panel de la parte superior del motor correspondiente
- 7** Referencia del pistón
 - A = Altura de compresión
 - B = Profundidad de la cabeza / Altura de la corona
 - BØ = Diámetro de la cabeza
 - C = Profundidad asiento de válvula
 - D = Longitud
 - RT = Inserción alfin
 - KK = Conductos de refrigeración de aceite
 - AK = Corte del inyector de aceite
 - HA = Revestimiento duro anodizado en la corona
 - NB = Perno de bronce
 - TP = Cabeza de biela trapezoidal
- 8** Referencia del conjunto de segmentos
 - Anchura del segmento
 - Diseño del segmento
 - Tratamiento de la superficie del segmento
- 9** Referencia de la camisa
 - B = Diámetro exterior
 - C = Longitud general
 - D = Diámetro de la brida
 - E = Anchura de la brida
 - F = Altura cortafuego
- 10** Tipo de camisa
 - D = Seca
 - WH = Pulida húmeda
 - DH = Pulida seca
- 11** Número de moldeado e imagen del pistón (si procede)
- 12** Referencia del conjunto del kit
- 13** [] = Nota técnica

CÓMO UTILIZAR ESTE CATÁLOGO



ES

- 14** Tipo de cojinete y posición
 BE/PL = Cojinete de biela
 MB/HL = Cojinete principal
 TW/A = Arandela de empuje
 SE/PB = Casquillo del bulón
 CB/NWB = Casquillo del árbol de levas
 BU = Otros casquillos
- 15** Composición del conjunto
- 16** Diámetro de la muñequilla estándar mínimo y máximo
- 17** Diámetro mínimo y máximo de la carcasa
- 18** Anchura máxima del cojinete
- 19** Grosor estándar máximo de la pared
- 20** Paso de aceite
- 21** Códigos del material del cojinete
 AL = Aluminio con acero.....Bi/trimetálico
 B = Latón
 BB = Antifricción con acero.....Bimetálico
 BC = Bronce fundido con acero -
 sin superposición.....Bimetálico
 BS = Bronce aglomerado con acero -
 sin superposición.....Bi/trimetálico
 EC = Bronce con acero -
 revestimiento electrónico.....Trimetálico

- SP = Bronce con acero -
 pulverización catódica.....Trimetálico
 IX = Aluminio con acero - polímero
 -LF= Sin plomo
- 22** Referencia del componente
- 23** Referencia del conjunto de Glyco y dimensiones disponibles por debajo de la estándar
 H = Cojinete de bancada
 N = Casquillo del árbol de levas
 A = Arandela de empuje
 .../4 = Número de pares (cojinetes) o piezas (arandelas/casquillos) por conjunto
 ...H = Cojinete (brida) de empuje



BMW/MINI							
419	80.00	Diesel					
M 41 D 18	4 Cyl.	22:1	1665cc	66kW (89)PS	Turbo Intercooled	TD452	10
3 (E36)	01/95→08/00						
23	24	25					
EY270	JJ614	NF637 48.00x65.00x10.00mm, FPM NB431 90.00x110.00x12.00mm, FPM					
	JJ614						

- 23** **JUEGO DE PARTE BAJA**
 ▲ = Sin junta de culata
 ■ = Sin retenes
 ☒ = Sin junta de tapa de válvulas
 ● = Sin retenes de válvula

- 24** **JUNTA DEL CÁRTER**
 Conjunto =

- 25** **RETÉN DEL CIGÜEÑAL**
 Delantero = **F**
 Trasero = **R**

JAK UŻYWAĆ TEGO KATALOGU

PL



















BMW/MINI					
2	1	75.00	Diesel		
9HZ (DV6TED4)	3	4 Cyl.	17.5:1	1560cc	80kW (109)PS
					Turbo Intercooled
5	TD20982	414	6		
MINI (R56)	4	03/07 →	MINI CLUBMAN (R55)	10/07 →	
	7		8		9
TB724	TBK302	CAM746	KIT 10		11
137x25.4	Component No:TB724; AE1164GP;AE1163GP	CAM747			12
	13	B x C x D	OE		14
V94960	14	25.60 x 5.50 x 96.35	16		19
V94961	14	23.40 x 5.50 x 96.50	11 34 7 805 969		20
					21
					22
					23
					24
					25
					26

- 1** Numer
- 2** Średnica cylindra
- 3** Dane silnika
- 4** Model samochodu
- 5** Nr silnika F-M/TecDoc
- 6** Odpowiadający numer dołu silnika
- 7** Referencje paska rozrządu
Liczba zębów x szerokość paska
- 8** Referencje zestawu paska rozrządu
- 9** Referencje wałka rozrządu
- 10** Referencje zestawu krzywek rozrządu
- 11** Referencje dźwigienników zaworowych (wymagane ilości na silnik w nawiasach)
- 12** Referencje popychaczy i płytek oporowych (wymagane ilości na silnik w nawiasach)
- 13** Referencje zaworów
- 14** Pozycja montażu
- 15** Wymiary zaworu
- 16** Referencje OE zaworu
- 17** Kod materiału
- 18** Powłoka trzpienia zaworu
- 19** Typ klina poprzecznego
- 20** Kąt gniazda
- 21** Obróbka gniazda
- 22** Obróbka końcówki
- 23** Referencje przewodnicy zaworu
- 24** Kształt przewodnicy zaworu
- 25** Wymiary przewodnicy zaworu

KOD MATERIAŁU	TYP	GŁOWICA	TRZPIEŃ	ZASTOSOWANIE
MB	Monometal	Martensytyczna stal chromowokorzeniowa	nd	Zawory dolotowe w silnikach benzynowych i wysokoprężnych oraz do trzpieni w bimetalicznych zaworach wylotowych
MD	Monometal	Austenityczna stal chromowo-niklowo-manganowa	nd	Zawory wydechowe pracujące w temperaturze do 750°C
ME	Bimetal	Austenityczna stal chromowo-niklowo-manganowa z dodatkiem niobu, wolframu i azotu	MB	Bardzo trwałe zawory wydechowe, pracujące w temperaturze do 780°C
MF	Bimetal	Nimonic™, superstop na bazie niklu z dodatkiem chromu, kobaltu i tytanu	MB	Zawory wydechowe, dobra wytrzymałość mechaniczna, odporność na zmęczenie, erozję i korozję. Praca w temperaturze do 820°C
MG	Bimetal	MD	MB	Zawory wydechowe pracujące w temperaturze do 750°C

KOD CECHY	OPIS
cr	Warstwa chromu na trzpieniu zaworu
tu	Zawór węglazotowany (w procesie Tufftride)/azotowany
ss	Spawane stellite gniazdo
Y	Utwardzone gniazdo zaworu
st	Spawana końcówka stellite
H	Hartowana końcówka zaworu

JAK UŻYWAĆ TEGO KATALOGU

BMW/MINI							
1 31	 84.00	2 Petrol					
M 40 B 16	3 4 Cyl.	9:1	1596cc	73kW (99)PS	5 TD5255	6 437	
3 (E30)	4 09/87→06/94	3 (E36)	09/90→02/98				
 7	 8	 9	 10	 11	 12	 14	
BR830 Fibre Composite	DR830		HBS069  M10x1.50x95.00mm (x10)	JD189  (x2) JD283  (x1) JD243  JE5019 	JN698	HR646 	NB799 38.00x50.00x7.00mm FPM
 BR830							

1 Numer

2 Średnica cylindra

3 Dane silnika

4 Model samochodu


5 Nr silnika F-M/TecDoc

6 Odpowiadający numer dotu silnika

7 **USZCZELKA POD GŁOWICĘ**

■ = Lewa

■ = Prawa

 = Występ tłoka

0,50 mm = grubość

1 otwór = oznaczenie identyfikacyjne

8 **ZESTAW GŁOWICY**

▲ = Bez uszczelki głowicy cylindra

■ = Bez uszczelnień

☒ = Bez uszczelki pokrywy zaworów

● = Bez uszczelniaczy zaworowych

9 **PEŁNY ZESTAW**

▲ = Bez uszczelki głowicy cylindra

■ = Bez uszczelnień

☒ = Bez uszczelki pokrywy zaworów

● = Bez uszczelniaczy zaworowych

10 **ZESTAW ŚRUB DO GŁOWICY**

⊕ Kształt śruby do głowicy



⊕ Sześciokątna wypustowa



⊕ Sześciokątna gniazdowa



⊕ Gwiazdowa wypustowa



⊕ Gwiazdowa gniazdowa



⊕ Torx wypustowa



⊕ Torx gniazdowa



⊕ Sześciokątna kotnierzowa



⊕ Wieloklinowa gniazdowa (Ribe-CV®)*

* Ribe-CV® jest zastrzeżonym znakiem handlowym firmy Richard Bergner GmbH & Co.

11 **USZCZELKA KOLEKTORA**

Lewa = ■

Prawa = ■

Zestaw = **S**

Dolotowe = **I**

Wydechowe = **E**

Górne = ■

Dolne = ■

12 **USZCZELKA POKRYWY ZAWORÓW**

Lewa = ■

Prawa = ■

Dolotowe = **I**

Wydechowe = **E**

Zestaw = **S**

13 **USZCZELNIACZ ZAWORU**

Zestaw = **S**

Dolotowe = **I**

Wydechowe = **E**

14 **USZCZELNIENIA OLEJOWE WĄŁKA ROZRZĄDU**

Przód = **F**

Tył = **R**

JAK UŻYWAĆ TEGO KATALOGU

PL



MERCEDES-BENZ/SMART

1 629 **87.00** **2 Diesel**

OM 601.913 **3** 4 Cyl. 22:1 1997cc **55kW (75)PS** **5 TD2208** **210** **6**

C-CLASS (W202) **4** 03/93→05/00

87-743600-10 [11] [13] STD 87-743607-10 [11] [13] 0.50mm 7 A 44.85 B- 9.05 C 1.25 C 1.05 D 74.85 26x55 RT 13 [11] Conrod gap 22.15mm [13] Conrod guided in Piston 08753B	08-743600-00 STD 08-743607-00 0.50mm 8 2.50 CR P 2.00 P 3.00 CR P	9 10 14-026240-00 D B 90.11 C 148.50 D 92.57 E 4.70 	88-743600-10 87-743600-10 + 14-026240-00 12

[11] Distance entre bielle 22.15mm [11] Distanza dalla biella 22.15mm [11] Distancia del biela 22.15mm
 [13] Bielle guidée dans le piston [13] Billea montata sul pistone [13] Biela montada en el pistòn

BE/PL	1	47.950/47.965	51.600/51.619	21.800	1.812	0.020/0.070	AL-LF	01-3584	01-3584 STD 0.25 0.50
MB/HL 1-5	5	57.950/57.965	62.500/62.519	17.500	2.261	0.020/0.072	AL-LF	02-3585	H997/5 STD 0.25 0.50
TW/A	2	65.800	81.000		2.200		AL-LF	04-3586	A129/4 STD 0.10
TW/A	2	65.800	81.000		2.200		AL-LF	04-3587	
SE/PB	1	26.995/27.000	29.500/29.521	24.000			BC	55-3588	55-3588 SEMI
SE/PB	1	25.995/26.000	28.500/28.521	21.900			BC	55-3625	55-3625 SEMI

- 1** Numer
- 2** Średnica cylindra
- 3** Dane silnika
- 4** Model samochodu
- 5** Nr silnika F-M/TecDoc
- 6** Odpowiadający numer góry silnika
- 7** Dane tłoka
 - A = Wysokość kompresji
 - B = Głębokość czaszy/Wysokość korony
 - BØ = Średnica czaszy
 - C = Głębokość kieszeni zaworu
 - D = Długość
 - RT = Wkładka alinowa
 - KK = Kanat chłodzenia oleju
 - AK = Wycięcie głowicy olejowej
 - HA = Twarda powłoka anodowana na koronie
 - NB = Tuleja sworznia z brązu
 - TP = Korbwódt trapezowy
- 8** Referencja zestawu pierścieni
 - Szerokość pierścienia
 - Typ pierścienia
 - Obróbka powierzchni pierścienia
- 9** Referencja tulei
 - B = Średnica zewnętrzna
 - C = Długość całkowita
 - D = Średnica kotnierza
 - E = Szerokość kotnierza
 - F = Wysokość krawędzi termicznej
- 10** Typ tulei
 - D = Sucha
 - WH = Honowana na mokro
 - DH = Honowana na sucho
- 11** Obraz tłoka i numer odlewu (jeśli dotyczy)
- 12** Nr referencyjny zestawu
- 13** [] = Uwaga techniczna

JAK UŻYWAĆ TEGO KATALOGU



PL

- 14** Typ i pozycja łożyska
 BE/PL = Łożysko stopy korbowodu
 MB/HL = Łożysko główne
 TW/A = Podkładka oporowa
 SE/PB = Panewka sworznia korbowodu
 CB/NWB = Panewka wałka rozrządu
 BU = Inne panewki
- 15** Skład zestawu
- 16** Minimalna i maksymalna standardowa średnica czopu
- 17** Minimalna i maksymalna średnica otworu obudowy
- 18** Maksymalna szerokość łożyska
- 19** Maksymalna standardowa grubość ścianki
- 20** Szczelina olejowa
- 21** Kody materiału łożyska
 AL = Stal z aluminium.....Bi-/trimetaliczne
 B = Mosiądz
 BB = Stal z babbitem.....Bimetaliczne
 BC = Stal z odlewem z brązu – bez pokrycia...Bimetaliczne
 BS = Stal z brązem spiekany –
 bez pokrycia.....Bi-/trimetaliczne
 EC = Stal z brązem – powłokanie galwaniczne...Trimetallic
 SP = Stal z brązem – Sputter.....Trimetallic
 IX = Stal z aluminium - polimer
 -LF= Bezołowiowe
- 22** Referencje składników
- 23** Referencje zestawu Glyco i dostępne podwymiary
 H = Łożysko główne
 N = Panewka wałka rozrządu
 A = Podkładka oporowa
 .../4 = Liczba par (łożysk) lub elementów (podkładek/
 panewek) na zestaw
 ...H = Łożysko oporowe (kotnierzowe)



BMW/MINI							
419		80.00		Diesel			
M 41 D 18	4 Cyl.	22:1	1665cc	66kW (89)PS	Turbo Intercooled	TD452	10
3 (E36)		01/95→08/00					
EY270		JJ614		NF637 48.00x65.00x10.00mm, FPM NB431 90.00x110.00x12.00mm, FPM			
		JJ614					

- 23** ZESTAW USZCZELEK – DÓŁ SILNIKA
 ▲ = Bez uszczelki podgłowicowej
 ■ = Bez uszczelnień
 ☒ = Bez uszczelki pokrywy zaworów
 ○ = Bez uszczelnień trzonka zaworu

- 24** USZCZELKA MISKI
 OLEJOWEJ
 Komplet = **S**

- 25** USZCZELNIENIE
 WAŁU KORBOWEGO
 Przedni = **F**
 Tylny = **R**

КАК ПОЛЬЗОВАТЬСЯ КАТАЛОГОМ

RU



BMW/MINI

2 1 **75.00** 2 **Diesel**

9HZ (DV6TED4) 3 4 Cyl. 17.5:1 1560cc 80kW (109)PS Turbo Intercooled 5 TD20982 414 6

MINI (R56) 4 03/07 → MINI CLUBMAN (R55) 10/07 →

7	8	9	10	11	12
TB724 137x25.4	TBK302 Component No:TB724; AE1164GP;AE1163GP	CAM746 ■ CAM747 ■		FOL184 (x16)	FOL152 (x16)

13 B x C x D	OE	MAT.	45°	H	23 E x F x G
V94960 ■ 14 25.60 x 5.50 x 96.35 15	16 11 34 7 805 969	MB cr 19	20 45°	21 ss	VAG96119 ■ ■ 14 41.50 x 6.03 x 10.54 25
V94961 ■ 14 23.40 x 5.50 x 96.50		MG cr 17 18	22 H	24	

- | | | |
|--|--|--|
| <p>1 № секции</p> <p>2 Диаметр цилиндра</p> <p>3 Информация о двигателе</p> <p>4 Информация о модели</p> <p>5 TecDoc / FM номер двигателя</p> <p>6 Соответствующий номер информационной секции для нижней части двигателя</p> <p>7 Номер ремня привода газораспределительного механизма Кол-во зубцов x ширина ремня</p> <p>8 Номер комплекта ремня привода газораспределительного механизма</p> | <p>9 Номер распределительного вала</p> <p>10 Номер комплекта распределительного вала</p> <p>11 Номер клапанного коромысла (в скобках - требуемое количество на двигатель)</p> <p>12 Номер толкателя клапана и упорной шайбы (в скобках - требуемое количество на двигатель)</p> <p>13 Номер клапана</p> <p>14 Положение установки</p> <p>15 Размеры клапана</p> <p>16 Оригинальный номер клапана</p> | <p>17 Код материала</p> <p>18 Покрытие штока клапана</p> <p>19 Конструкция сухаря клапана</p> <p>20 Угол седла</p> <p>21 Обработка седла</p> <p>22 Обработка конца штока клапана</p> <p>23 Номер направляющей втулки клапана</p> <p>24 Форма направляющей втулки клапана</p> <p>25 Размеры направляющей втулки клапана</p> |
|--|--|--|

КОД МАТЕРИАЛА	ТИП	ГОЛОВКА	ШТОК	ПОДХОДИТ ДЛЯ
MB	Монометаллический	Мартенситная хромо-кремнистая сталь	нет	Впускные клапаны бензиновых и дизельных двигателей, штоки в биметаллических выпускных клапанах
MD	Монометаллический	Аустенитная хромо-марганцево-никелевая сталь	нет	Выпускные клапаны, функционирующие при температуре до 750°C
ME	Биметаллический	Аустенитная хромо-марганцево-никелевая сталь с добавлением ниобия, вольфрама и азота	MB	Выпускные клапаны для двигателей высокой мощности, функционирующие при температуре до 780°C
MF	Биметаллический	Nitonic™, жаропрочный сплав на основе никеля с добавлением хрома, кобальта и титана	MB	Выпускные клапаны; высокая механическая прочность, сопротивление усталости, эрозии и коррозии. Функционирование при температуре до 820°C
MG	Биметаллический	MD	MB	Выпускные клапаны, функционирующие при температуре до 750°C

ИДЕНТИФИЦИРУЮЩИЙ КОД	ОПИСАНИЕ
cr	Хромовое покрытие штока клапана
tu	Клапан, обработанный газовым нитрированием / азотированием
ss	Стеллитовое седло
Y	Закаленное седло клапана
st	Стеллитовый наконечник
H	Закаленный наконечник клапана

КАК ПОЛЬЗОВАТЬСЯ КАТАЛОГОМ



RU

BMW/MINI

1 31	2 84.00	Petrol					
M 40 B 16 3	4 Cyl.	9:1	1596cc	73kW (99)PS 5 TD5255 437 6			
3 (E30) 4	09/87→06/94	3 (E36)	09/90→02/98				
BR830 Fibre Composite	DR830		HBS069 M10x1.50x95.00mm (x10)	JD189 (x2) JD283 (x1) JD243 JE5019	JN698	HR646	NB799 38.00x50.00x7.00mm FPM
BR830							

1 № секции

2 Диаметр цилиндра

3 Информация о двигателе

4 Информация о модели

5 TecDoc / FM номер двигателя

6 Соответствующий номер информационной секции для нижней части двигателя

7 **ПРОКЛАДКА ГОЛОВКИ БЛОКА ЦИЛИНДРОВ**

■ = Левый

■ = Правый

= Выступ поршня

0,50 мм = толщина

1 отверстие = идентификационная метка

8 **КОМПЛЕКТ ГОЛОВКИ БЛОКА ЦИЛИНДРОВ**

▲ = Без прокладки головки блока цилиндров

■ = Без сальников

= Без прокладки крышки клапанного механизма

○ = Без сальников клапанов

9 **ПОЛНЫЙ КОМПЛЕКТ**

▲ = Без прокладки головки блока цилиндров

■ = Без сальников

= Без прокладки крышки клапанного механизма

○ = Без сальников клапанов

10 **КОМПЛЕКТ БОЛТОВ ГОЛОВКИ БЛОКА ЦИЛИНДРОВ**

Форма болта головки



Шестигранный с наружной резьбой



Шестигранный с внутренней резьбой



Наружная головка-звездочка



Внутренняя головка-звездочка



Наружная головка TORX



Внутренняя головка TORX



Шестигранная головка с цилиндрическим буртом



Головка с шлицевым углублением (Ribe-CV®)*

*Ribe-CV® является зарегистрированной торговой маркой Richard Bergner GmbH & Co.

11 **ПРОКЛАДКА КОЛЛЕКТОРА**

Левый = ■

Правый = ■

Комплект = **S**

Впуск = **I**

Выпуск = **E**

Верхний = ■

Нижний = ■

12 **ПРОКЛАДКА КРЫШКИ КЛАПАННОГО МЕХАНИЗМА**

Левый = ■

Правый = ■

Впуск = **I**

Выпуск = **E**

Комплект = **S**

13 **САЛЬНИКИ КЛАПАНОВ**

Комплект = **S**

Впуск = **I**

Выпуск = **E**

14 **САЛЬНИКИ РАСПРЕДЕЛИТЕЛЬНОГО ВАЛА**

Передний = **F**

Задний = **R**

КАК ПОЛЬЗОВАТЬСЯ КАТАЛОГОМ

RU



MERCEDES-BENZ/SMART

1 629	2 87.00	Diesel			
3 OM 601.913	4 Cyl.	22:1	1997cc	55kW (75)PS	5 TD2208 210 6
4 C-CLASS (W202)	03/93 → 05/00				

 87-743600-10 [11] [13] STD 87-743607-10 [11] [13] 0.50mm 7 A 44.85 B- 9.05 C 1.25 C 1.05 D 74.85 26x55 RT 08753B	 08-743600-00 STD 08-743607-00 0.50mm 8 2.50 CR P 2.00 P 3.00 CR P	 9 10 14-026240-00 D B 90.11 C 148.50 D 92.57 E 4.70 	 88-743600-10 87-743600-10 + 14-026240-00 12
--	--	--	--

13 [11] Conrod gap 22.15mm [11] Distance entre bielle 22.15mm [11] Distanza dalla biella 22.15mm [11] Distancia del biela 22.15mm
 [13] Conrod guided in Piston [13] Bielle guidée dans le piston [13] Billea montata sul pistone [13] Biela montada en el pistòn

BE/PL	1	47.950/47.965	51.600/51.619	21.800	1.812	0.020/0.070	AL-LF	01-3584	01-3584 STD 0.25 0.50
MB/HL 1-5	5	57.950/57.965	62.500/62.519	17.500	2.261	0.020/0.072	AL-LF	02-3585	H997/5 STD 0.25 0.50
TW/A	2	65.800	81.000		2.200		AL-LF	04-3586	A129/4 STD 0.10
TW/A	2	65.800	81.000		2.200		AL-LF	04-3587	
SE/PB	1	26.995/27.000	29.500/29.521	24.000			BC	55-3588	55-3588 SEMI
SE/PB	1	25.995/26.000	28.500/28.521	21.900			BC	55-3625	55-3625 SEMI

- 1** № секции
- 2** Диаметр цилиндра
- 3** Информация о двигателе
- 4** Информация о модели
- 5** TecDoc / FM номер двигателя
- 6** Соответствующий номер информационной секции для верхней части двигателя
- 7** Артикул и спецификация поршня
 A = высота сжатия
 B = глубина выемки / высота головки
 B∅ = диаметр выемки
 C = глубина выемки под клапан
 D = длина
 RT = с усилителем канавки верхнего поршневого кольца Alfin
 KK = с каналом масляного охлаждения
 AK = с пазом/фаской для масляной форсунки
 HA = головка с твердым анодированным покрытием
 NB = с бронзовой втулкой поршневого пальца
 TP = трапециевидный шатун
- 8** Информация о комплекте колец
 Ширина кольца
 Конструкция кольца
 Обработка поверхности кольца
- 9** Информация о гильзе
 B = внешний диаметр
 C = общая длина
 D = диаметр фланца
 E = ширина фланца
 F = высота огнезащитного уплотнения
- 10** Тип гильзы
 D = "сухая"
 WH = "мокрая" с хонинговкой
 DH = "сухая" с хонинговкой
- 11** Изображение поршня и номер отливки (если есть)
- 12** Артикул комплекта
- 13** [] = Техническое

КАК ПОЛЬЗОВАТЬСЯ КАТАЛОГОМ



RU

- 14** Тип подшипника скольжения и его положение
BE/PL = Шатунный вкладыш (большая головка шатуна)
MB/HL = Коренной вкладыш
TW/A = Упорная шайба
SE/PB = Втулка поршневого пальца (малая головка шатуна)
CB/NWB = Втулка распределительного вала
BU = Другие втулки
- 15** Состав комплекта
- 16** Диаметр шейки вала (стандартный): приведены размеры минимального и максимального диаметра шейки вала
- 17** Диаметр постели подшипника: приведены размеры минимального и максимального диаметра постели подшипника
- 18** Максимальная ширина подшипника
- 19** Максимальное значение стандартной толщины стенки
- 20** Масляный зазор
- 21** Коды материала подшипников скольжения
AL = Алюминий на стальной подложке.....Би-/триметаллический
B = Латунь
BB = Баббит на стальной подложке.....Биметаллический
BC = Литая бронза на стальной подложке – без покрытия.....Биметаллический
BS = Спеченная бронза на стальной подложке – без покрытия.....Би-/триметаллический
EC = Бронза на стальной подложке - покрытие методом электроосаждения.....Триметаллический
SP = Бронза на стальной подложке со спаттерным напылением.....Триметаллический
IX = Алюминий на стальной подложке – с полимерным покрытием
-LF= Не содержит свинец
- 22** Номер детали
- 23** Номер комплекта Glyco и доступные ремонтные размеры
H = Коренной вкладыш
N = Втулка распределительного вала
A = Упорная шайба
.../4 = Количество пар (подшипников скольжения) или штук (шайб/втулок) в комплекте
...H = Упорный (фланцевый) подшипник скольжения



BMW/MINI					
419	80.00	Diesel			
M 41 D 18	4 Cyl.	22:1	1665cc	66kW (89)PS	Turbo Intercooled TD452 10
3 (E36)	01/95→08/00				
23	24	25			
EY270	JJ614	NF637 48.00x65.00x10.00mm, FPM NB431 90.00x110.00x12.00mm, FPM			
	JJ614				

- 23** **КОМПЛЕКТ БЛОКА ЦИЛИНДРОВ**
▲ Без прокладки головки блока цилиндров
■ Без сальников
☒ Без прокладки крышки клапанного механизма
● Без сальников клапанов
- 24** **ПРОКЛАДКА ПОДДОНА КАРТЕРА**
Комплект =
- 25** **САЛЬНИК КОЛЕНВАЛА**
Передние = **F**
Задние = **R**

كيفية استخدام هذا الكتالوج

AR



BMW/MINI					
2	1	75.00	2	Diesel	
9HZ (DV6TED4)	3	4 Cyl.	17.5:1	1560cc	80kW (109)PS
Turbo Intercooled			5	TD20982	414
6	MINI (R56)	4	03/07 →	MINI CLUBMAN (R55)	10/07 →
	7		8		9
TB724	TBK302	CAM746	KIT	FOL184 (x16)	FOL152 (x16)
137x25.4	Component No:TB724; AE1164GP;AE1163GP	CAM747			
	13	OE	MAT.		23
B x C x D	V94960	14	19	45°	H
25.60 x 5.50 x 96.35	15	16	20	45°	H
V94961	14	17	21	ss	H
23.40 x 5.50 x 96.50	18	11 34 7 805 969	22		
			24		
			25		
			26		
			27		
			28		
			29		
			30		
			31		
			32		
			33		
			34		
			35		
			36		
			37		
			38		
			39		
			40		
			41		
			42		
			43		
			44		
			45		
			46		
			47		
			48		
			49		
			50		
			51		
			52		
			53		
			54		
			55		
			56		
			57		
			58		
			59		
			60		
			61		
			62		
			63		
			64		
			65		
			66		
			67		
			68		
			69		
			70		
			71		
			72		
			73		
			74		
			75		
			76		
			77		
			78		
			79		
			80		
			81		
			82		
			83		
			84		
			85		
			86		
			87		
			88		
			89		
			90		
			91		
			92		
			93		
			94		
			95		
			96		
			97		
			98		
			99		
			100		

- 18 تغطية ساق الصمام
- تصميم الإسفين
- 20 زاوية المقعد
- 21 معالجة المقعد
- 22 معالجة الرأس
- 23 مرجع موجه الصمام
- 24 شكل موجه الصمام
- 25 أبعاد موجه الصمام

- 10 مراجع طاقم الكامات
- 11 مراجع ذراع مترجحة
- (حجم المحرك المطلوب في الدعامات)
- مراجعة مخدة الصمام والغمازة
- (حجم المحرك المطلوب في الدعامات)
- مراجع الصمام
- 14 وضع التثبيت
- 15 أبعاد الصمام
- مرجع صمام المعدات الأصلية
- كود المادة

- 1 رقم اللوحة
- 2 حجم التجوي
- 3 تفاصيل المح
- 4 تفاصيل الطر
- 5 مستند المواصفات / رقم محرك FM
- رقم لوحة المحركة السفلية المطاب
- 7 مراجع حزام التوقي
- عدد الأسنان × عرض الحزام
- 8 مراجع طاقم حزام التوقي
- 9 مراجع عمود الكامات

الوصف	الخاصية	كود
طبقة الكروم في ساق الصمام	cr	
صمامات التروجين / الطف البركاني	tu	
مقعد ملحوم بالإستيلايت	ss	
مقعد صمام مقوى	Y	
رأس ملحوم بالإستيلايت	st	
رأس صمام مقوى	H	

كود المواد	نوع	الرأس	الساق	مناسب من أجل
MB	المعدن الأحادي	سبيكة فولاذية من الكروم مارتينيسي	غير مطبق	صمامات سحب الديزل والبنزول وسيقان صمامات العادم ثنائية المعدن
MD	المعدن الأحادي	صمامات سحب الديزل والبنزول وسيقان صمامات العادم ثنائية المعدن	غير مطبق	صمامات العادم التي تعمل عند درجة حرارة 750 درجة مئوية
ME	المعدن الثنائي	سبيكة فولاذية من الكروم والنيكل والمنجنيز الأوستيني مع النيوبيوم والتنجستن والتروجين المضاف	MB	صمامات عوادم الخدمة الشاقة التي تعمل عند درجة حرارة 780 درجة مئوية
MF	المعدن الثنائي	هي سبيكة ممتازة من Nimonic™ سبيكة النيكل مع الكروم والكوبالت والتيتانيوم	MB	صمامات العوادم، القوة الميكانيكية الجيدة، مقاومة الكلال والتآكل والصدأ، تعمل عند درجة حرارة 820 درجة مئوية
MG	المعدن الثنائي	MD	MB	صمامات العادم التي تعمل عند درجة حرارة 750 درجة مئوية

كيفية استخدام هذا الكتالوج



AR

BMW/MINI

1 31	2 84.00	Petrol					
M 40 B 16 3	4 Cyl.	9:1	1596cc	73kW (99)PS	5 TD5255	6 437	
4 3 (E30)	09/87→06/94	3 (E36)	09/90→02/98				
7	8	9	10	11	12	13	
BR830 Fibre Composite	DR830		HBS069 M10x1.50x95.00mm (x10)	JD189 (x2) JD283 (x1) JD243 JE5019	JN698	HR646	NB799 38.00x50.00x7.00mm FPM
BR830							

- 11** جوان المجمع
 = أيسر
 = أيمن
 = مجموعة
 = السحب
 العادم
 = العلوي
 = السفلي
12 حشية غطاء الصمام
 = أيسر
 = أيمن
 = السحب
 = العادم
 = مجموعة
13 سدادة ساق الصمام
 = مجموعة
 = السحب
 = العادم
14 سدادات زيت عمود الكامات
 = الأمامية
 = الخلفية

- 10** مجموعة مسمار ذو ر
 شكل مسمار الرأس



*Ribe-CV®

هي علامة تجارية مسجلة لصالح شركة

Richard Bergner GmbH & Co.

- 1** رقم اللوحة
2 حجم التجويف
3 تفاصيل المحرك
4 تفاصيل الطراز
5 F-M مستند المواصفات / رقم محرك
 رقم لوحة المحرك السفلية المطابقة
7 حشية رأس الأسطوانة
 = أيسر
 = أيمن
 = بروز الكباس
 سمك = مم
 علامة التعريف 1 = فتحة
8 مجموعة الرأس
 = بدون حشية رأس الأسطوانة
 = بدون السدادات
 = بدون حشية غطاء الصمام
 = بدون سدادات ساق الصمام
9 مجموعة كاملة
 = بدون حشية رأس الأسطوانة
 = بدون السدادات
 = بدون حشية غطاء الصمام
 = بدون سدادات ساق الصمام

كيفية استخدام هذا الكتالوج

AR



MERCEDES-BENZ/SMART

1 629	2 87.00	Diesel			
OM 601.913 3	4 Cyl.	22:1	1997cc	55kW (75)PS	5 TD2208 210 6
4 C-CLASS (W202)		03/93 → 05/00			

<p>7</p> <p>87-743600-10 [11] [13] STD 87-743607-10 [11] [13] 0.50mm</p> <p>A 44.85 B- 9.05 C 1.25 C 1.05 D 74.85 E 26x55</p> <p>RT</p> <p>11</p> <p>08753B</p>	<p>8</p> <p>08-743600-00 STD 08-743607-00 0.50mm</p> <p>2.50 CR P 2.00 P 3.00 CR P</p>	<p>9 10</p> <p>14-026240-00 D B 90.11 C 148.50 D 92.57 E 4.70</p> <p>12</p>	<p>88-743600-10 87-743600-10 + 14-026240-00</p>
--	---	---	--

13 [11] Conrod gap 22.15mm [11] Distance entre bielle 22.15mm [11] Distanza dalla biella 22.15mm [11] Distancia del biela 22.15mm
[13] Conrod guided in Piston [13] Bielle guidée dans le piston [13] Billea montata sul pistone [13] Biela montada en el pistòn

BE/PL	1	47.950/47.965	51.600/51.619	21.800	1.812	0.020/0.070	AL-LF	01-3584	01-3584 STD 0.25 0.50
MB/HL 1-5	5	57.950/57.965	62.500/62.519	17.500	2.261	0.020/0.072	AL-LF	02-3585	H997/5 STD 0.25 0.50
TW/A	2	65.800	81.000		2.200		AL-LF	04-3586	A129/4 STD 0.10
TW/A	2	65.800	81.000		2.200		AL-LF	04-3587	
SE/PB	1	26.995/27.000	29.500/29.521	24.000			BC	55-3588	55-3588 SEMI
SE/PB	1	25.995/26.000	28.500/28.521	21.900			BC	55-3625	55-3625 SEMI

- 8** مرجع مجموعة الحلقة
عرض الحلقة
تصميم الحلقة
معالجة سطح الحلقة
9 مرجع البطانة
=B القطر الخارجي
=C الطول الكلي
=D قطر الشفة
=E عرض الشفة
=F طول شفة الحماية من النيران
10 نوع البطانة
=D جاف
=WH حجر شحذ رطب
=DH حجر شحذ جاف
11 (صورة الكباس ورقم السيكة) إن وجد
12 رقم مجموعى المكابس
13 [=] = المذكرة التقنية

- 1** رقم اللوحة
2 حجم التجوي
3 تفاصيل المح
4 تفاصيل الطر
5 مستند المواصفات / رقم محرك FM
رقم لوحة المحركة السفلية المطاب
7 مراجع حزام التوقي
=A ارتفاع الضغط
=B عمق الغرفة/ارتفاع التاج
=BØ قطر الغرفة
=C عمق جيب الصمام
=D الطول
=RT إدراج ألفين
=KK منصة تبريد الزيت
=AK قطع نفت الزيت
=HA بطانة مؤكسدة قوية على التاج
=NB جلبة بنز برونزي
=TP أبعاد شبه المنحرف

كيفية استخدام هذا الكتالوج



AR

- 21 رموز مواد المحم
 =AL ثنائي/ثلاثي المعدن ألومنيوم مظهر بالصلب
 =B نحاس حاس
 =BB ثنائي المعدن بابت مظهر بالصلب
 =BC ثنائي المعدن برونز مصبوب مظهر بالصلب - غير مطلي
 =BS ثنائي المعدن برونز مصبوب مظهر بالصلب - غير مطلي
 =EC ثنائي/ثلاثي المعدن برونز مظهر بالصلب - مطلي بالكهرباء
 =SP ثنائي المعدن بابت مظهر بالصلب
 =IX ألومنيوم مظهر بالصلب - بوليمر
 =-LF خالية من الرصاص
 22 مرجع المركب
 23 والأحجام الأقل المتوفرة Glyco مرجع مجموعة
 =H محمل رئيسي
 =N جلبة عمود الكومات
 =A حلقة دفع
 .../ = عدد الأزواج (المحامل) أو القطع (الحلقات/الجلب) لكل مجموعة
 ...H محمل (شفة) الدفع
- 14 نوع المحمل وموضعه
 =BE/PL محمل (ذو طرف كبير) قضيب التوصيل
 =MB/HL المحمل الرئيسي
 =TW/A حلقة دفع
 =SE/PB جلبة (ذات طرف صغير) مسامير الكباس
 =CB/NWB جلبة عمود الكامات
 =BU الجلب الأخرى
 15 مجموعة التركيب
 16 الحد الأدنى والأقصى لقطر المرتكز القياسي
 17 الحد الأدنى والأقصى للقطر الداخلي لتجويف الحو
 18 الحد الأقصى لعرض المح
 19 الحد الأقصى لسماك الحائط القيا
 20 خلوص الزيت



BMW/MINI							
419	80.00	Diesel					
M 41 D 18	4 Cyl.	22:1	1665cc	66kW (89)PS	Turbo Intercooled	TD452	10
3 (E36)	01/95→08/00						
EY270	JJ614	JJ614	NF637 48.00x65.00x10.00mm, FPM NB431 90.00x110.00x12.00mm, FPM				

- 25 مانع تسريب عمود الكرنك
 =F الأمامية
 =R الخلفية

- 24 حشية الحوض
 =S مجموعة

- 23 مجموعة التحويل
 ▲ بدون حشية رأس الأسطوانة
 ■ بدون السدادات
 ☒ بدون حشية غطاء الصمام
 ● بدون سدادات ساق الصمام

TERMS OF BUSINESS

IMPORTANT

EN

Reproduction of this catalogue or parts thereof is only allowed with our explicit permission in writing. Pictorial representations and design are copyrighted. Claims for damages, of any form whatsoever, resulting from details made in this catalogue or from incorrect use, application, storage or handling, are explicitly excluded. Contractual rights and any resulting or related claims based thereon, irrespective of form, initially come into being on the basis of a separate written agreement, in particular on the basis of our general terms of sale and delivery.

All former statements lose their validity with the publication of this catalogue.

The catalogue is not an operating manual for the use and installation of the engine and sealing parts. It does not contain any advice in a legal sense. The catalogue neither replaces the constantly applicable technical regulations - particularly for tolerances - nor the installation and maintenance stipulations of the individual engine manufacturer.

Also, it is not possible to forego the expertise of those carrying out the installation and application. The individual references made in this catalogue for the installation and the application of the engine and sealing parts are instructions solely for the technically qualified specialist and are to be checked and verified by them for their suitability in each case. Federal-Mogul accepts no responsibility for application decisions.

The contents of the catalogue are not intended to create or substitute any contractual agreement which has to be reserved exclusively to a separate agreement between 2 identified parties, whereby seller can be only one of our Federal-Mogul entities as mentioned on the back cover page.

The right is retained to correct errors and alterations, particularly with regard to amendments in the engine manufacturers details and stipulations.

GESCHÄFTSBEDINGUNGEN – WICHTIGE HINWEISE

DE

Nachdruck, auch auszugsweise, ist nur mit unserer ausdrücklichen schriftlichen Zustimmung gestattet. Die bildlichen Darstellungen und Ausstattungen sind geschützt. Ersatzansprüche, gleich welcher Art, aufgrund der Angaben in diesem Katalog oder auf Grund unsachgemäßem Umgang, unsachgemäßer Verwendung, Lagerung oder Handhabung der angebotenen Produkte, sind ausdrücklich ausgeschlossen. Vertragliche Ansprüche und daraus abgeleitete oder darauf beruhende Ansprüche, gleich welcher Art, kommen erst auf Grund einer besonderen schriftlichen Vereinbarung, insbesondere auf der Grundlage unserer allgemeinen Verkaufs- und Lieferbedingungen, zustande.

Der Katalog ist keine Einbauanleitung für Motorenteile und Dichtungen.

Er enthält keine Beratung im Rechtssinne. Der Katalog ersetzt weder die immer vorrangigen technischen Vorschriften, insbesondere für Toleranzen, sowie die Einbau- und Wartungsvorschriften des jeweiligen Motorenherstellers, noch kann auf das notwendige Fachwissen des die Montage und die Verwendung Durchführenden verzichtet werden. Die in diesem Katalog jeweils gegebenen Hinweise für Einbau und Verwendung der Motorenteile und Dichtungen sind Hinweise ausschließlich für den technisch ausgebildeten und versierten Fachmann, die von ihm im jeweiligen Anwendungsfall auf ihre Eignung geprüft und entschieden werden müssen. Eine Haftung wird von Federal-Mogul für Anwendungsentscheidungen nicht übernommen.

Die Inhalte dieses Katalogs sind nicht dazu bestimmt eine vertragliche Verpflichtung zu begründen oder zu ersetzen, was ausschliesslich einer gesonderten Vereinbarung zwischen 2 konkret bezeichneten Parteien vorbehalten bleibt, wobei der Verkäufer eine unserer Federal-Mogul Gesellschaften sein wird, wie auf der Rückseite des Kataloges.

Die Korrektur von Irrtümern und Änderungen, in besondere auf Grund von geänderten Angaben und Vorschriften der Motorenhersteller, bleibt vorbehalten.

CONDIZIONI GENERALI – IMPORTANTE

IT

La riproduzione di questo catalogo, anche parziale, è permessa soltanto in seguito ad una autorizzazione scritta. I grafici ed i disegni sono marchio depositato. Reclami per difetti, di qualsiasi natura essi siano, relativi al contenuto di questo catalogo, o all'uso improprio di esso, verranno respinti. Le pretese avanzate od i reclami dovranno essere in conformità con le nostre condizioni generali di vendita.

Il presente catalogo annulla e sostituisce tutte le edizioni precedenti.

Il catalogo non è un manuale per l'utilizzo ed il montaggio delle ricambi motore e tenute. Non contiene indicazioni in questo senso. Esso non sostituisce le descrizioni tecniche, sempre prioritarie, in particolare per le tolleranze, né le istruzioni relative al montaggio ed alla manutenzione date dai costruttori dei rispettivi motori. Non può in nessun caso essere paragonato alla conoscenza professionale necessaria per il montaggio e l'utilizzo. Le considerazioni sul montaggio delle ricambi motore e tenute, fatte su questo catalogo, sono destinate esclusivamente a professionisti con formazione tecnica i quali verificheranno l'esattezza della informazioni, in ogni caso.

Le responsabilità derivanti dall'utilizzo improprio dello stesso non potranno essere addebitate alla Federal-Mogul.

I contenuti del catalogo non sostituiscono in alcun modo gli accordi contrattuali che sono riservati esclusivamente a due contraenti definiti; come venditore si intende una delle società Federal Mogul menzionate sul retro del catalogo.

Ci riserviamo di apportare correzioni e modifiche, relative, in particolare, a dati o istruzioni ricevute dal costruttore del motore.

CONDITIONS GÉNÉRALES DE VENTE – IMPORTANT

FR

La reproduction de ce catalogue, même partielle, n'est autorisée qu'avec notre accord préalable et par écrit. Les illustrations graphiques et la présentation font l'objet d'un copyright. Nous excluons toutes réclamations ayant pour objet ce catalogue ou pouvant résulter de son incompréhension, portant sur de mauvaises utilisations, manipulations, manutentions ou mauvais stockage. Des droits contractuels et des droits dérivés, de quelque nature qu'ils soient, ne peuvent résulter que d'un accord écrit, particulièrement sur la base de nos conditions générales de ventes et de livraisons.

Ce catalogue annule et remplace toute édition antérieure.

Le catalogue n'est pas une notice d'utilisation et de montage des pièces moteur et joints. Il ne contient pas de directives en tant que telles. Le catalogue ne remplace ni les prescriptions techniques, toujours prioritaires, particulièrement pour les tolérances, ni les prescriptions de montage et d'entretien des constructeurs des moteurs figurant dans ce catalogue. Il ne peut en aucun cas remplacer les connaissances professionnelles nécessaires pour le montage et l'utilisation. Les remarques données pour le montage et l'utilisation des pièces moteur et joints sont exclusivement destinées au professionnel averti et de formation technique, à qui il appartiendra de vérifier la conformité des indications pour chaque cas. La responsabilité des décisions d'utilisation ne peut être prise en charge par Federal-Mogul.

Le contenu de ce catalogue ne peut constituer ou remplacer un contrat qui doit faire l'objet d'un document séparé établi entre 2 parties, dont l'une doit être une entité légale de Federal-Mogul dont la liste figure sur la couverture arrière.

Nous nous réservons le droit d'apporter toutes corrections d'erreurs et modifications, suite notamment à de nouvelles données fournies par les constructeurs.

TERMS OF BUSINESS

CONDICIONES DE VENTA – IMPORTANTE

ES

Queda totalmente prohibida la reproducción, total o parcial, del contenido de este catálogo, salvo previa autorización nuestra, realizada por escrito. Están, asimismo, reservados todos los derechos sobre el diseño y presentación del catálogo. No se aceptará ningún tipo de reclamación que esté basada en la interpretación de los datos contenidos en este catálogo, así como en el incorrecto uso, manipulación o almacenaje de nuestras piezas. Únicamente se aceptarán reclamaciones que estén basadas en derechos contractuales o en los motivos arriba indicados, siempre que exista un acuerdo especial y por escrito basado en nuestras condiciones generales de venta y suministro.

Con la edición de este catálogo queda anulada toda la información contenida en catálogos anteriores.

El catálogo no es un manual para el uso e instalación de los piezas de motor y sellado, y no representa una asesoría técnica, en el sentido legal. Los datos del catálogo no sustituyen, en ningún caso, a las especificaciones técnicas, tanto en lo que se refiere a tolerancias como a las instrucciones de instalación y mantenimiento, indicadas por los fabricantes de los motores, especificaciones que serán siempre prioritarias. Se entiende que el uso y montaje de estas piezas está encomendado a personal debidamente cualificado. Las indicaciones sobre uso y montaje de los piezas de motor y sellado contenidas en este catálogo, están exclusivamente dirigidas a profesionales con la debida capacitación y formación técnica, que deben decidir en cada caso sobre la exactitud de las mismas. La responsabilidad de estas decisiones no puede ser, en ningún caso, achacada a Federal-Mogul.

La información facilitada en el catálogo no representa o sustituye ningún tipo de acuerdo, quedando a tal efecto, el acuerdo por separado entre dos partes donde sólo entidades de Federal-Mogul, pueden ser identificadas como la parte vendedora como se menciona en la contraportada.

Los datos e instrucciones contenidos en este catálogo podrán ser corregidos o modificados sin previo aviso.

WARUNKI PROWADZENIA BIZNESU – WAŻNE

PL

Reprodukcja tego katalogu lub jego części jest możliwa tylko za wyraźną zgodą na piśmie. Ilustracje i grafika są chronione prawem autorskim. Roszczenia dotyczące szkód, niezależnie od formy, wynikających z przedstawionych w tym katalogu treści lub z nieprawidłowego użycia, zastosowania, przechowywania lub obsługi są w sposób wyraźny wyłączone. Prawa umowne i inne wynikające lub związane z roszczeniami na nimi opartymi, niezależnie od formy, są tworzone na podstawie oddzielnej umowy pisemnej, w szczególności na podstawie naszych ogólnych warunków sprzedaży i dostawy. Wszystkie wcześniejsze oświadczenia tracą ważność wraz z opublikowaniem tego katalogu.

Katalog nie jest instrukcją użytkownika i montażu części silnikowych i uszczelnień. Nie zawiera porad w sensie prawnym. Katalog nie zastępuje obowiązujących uregulowań technicznych – zwłaszcza w zakresie tolerancji – ani opisów montażu i konserwacji poszczególnych producentów silników. Nie jest również możliwe pominięcie doświadczenia osob dokonujących doboru i przeprowadzających montaż części. Poszczególne odniesienia zawarte w tym katalogu, a dotyczące doboru, montażu i stosowania części silnikowych i uszczelnień, są instrukcjami wyłączone dla wykwalifikowanego technicznie specjalisty, który w każdym przypadku musi je sprawdzić i zweryfikować ich przydatność. Federal-Mogul nie przyjmuje odpowiedzialności za decyzje dotyczące zastosowania.

Zawartość tego katalogu nie stanowi ani nie zastępuje umowy, która może być zawarta jedynie jako oddzielny dokument podpisany przez dwie strony, przy czym sprzedawcą może być tylko jedna z jednostek koncernu Federal-Mogul, zgodnie z opisem na wewnętrznej stronie tylnej okładki.

Zachowane zostaje prawo korygowania błędów i wprowadzania zmian, zwłaszcza odnośnie zmian dotyczących parametrów i warunków pracy określonych przez producentów silników.

УСЛОВИЯ ДЕЛОВОГО СОТРУДНИЧЕСТВА – ВАЖНО

RU

Копирование данного каталога или его частей допускается исключительно при получении нашего разрешения в письменной форме. Иллюстрации и дизайн защищены авторским правом. Требования о возмещении ущерба любой формы, исходя из содержания каталога или из-за неправильного использования, хранения или обращения, абсолютно исключены. Договорные права и любые результирующие или связанные с этим требования, независимо от их формы, должны являться частью отдельного письменного соглашения и основываться на наших общих условиях продаж и поставок.

Все прежние утверждения теряют свою юридическую силу с момента публикации данного каталога.

Каталог не является руководством пользователя и инструкцией по установке деталей двигателя и уплотнения. Он не содержит советов в юридическом понимании этого слова. Каталог не является заменой для издаваемых производителями двигателей технических инструкций по ремонту, в особенности для допусков технических величин, а также инструкций по монтажу и регламентному обслуживанию. Отдельные ссылки для установки и замены деталей двигателя и уплотнения, приведенные в этом каталоге, являются инструкциями исключительно для технически компетентного специалиста и в каждом случае должны быть проверены им на предмет их пригодности. Federal-Mogul не несет ответственность за ремонтные работы.

Содержимое каталога не предназначено для создания или замены любого контрактного соглашения, которое может быть оформлено только в виде отдельного соглашения между двумя установленными сторонами, где продавцом может являться только одно из юридических лиц Federal-Mogul, как упомянуто на внутренней стороне обложки каталога. Federal-Mogul оставляет за собой право вносить исправления и изменения в частности в отношении поправок по деталям изготовителей двигателей и их условиям.

AR

هام

يخطر نسخ أي جزء من هذا الكatalog دون موافقة صريحة كتابية منا. جميع حقوق التصوير والتصميم محفوظة. إن المطالبات بالتعويض عن أي تلفيات من أي نوع مهما كانت، والتي تنتج عن التفاصيل المقدمة بهذا الكatalog أو عن الاستخدام غير الصحيح، أو التطبيق غير السليم أو التخزين أو التعامل مستبعدة هنا بوضوح. تأتي حقوق التعاقد أو أي متطلبات ناتجة أو ذات صلة بالاعتماد على ذلك - بغض النظر عن النموذج - أولاً كي تكون على أساس اتفاق مكتوب منفصل، وعلى وجه الخصوص، على أساس الشروط العامة للبيع والتوصيل

تصبح جميع البيانات السابقة لاغية في حالة نشر هذا الكatalog

ولا يعد هذا الكatalog دليل تشغيل لاستخدام وتركيب المحرك وقطع غيار الحشية، ولا ينطوي على أي نصيحة ذات معنى قانوني. كما أن هذا الكatalog لا يحل محل التنظيمات الفنية سارية المفعول بصفة دائمة - وبصفة خاصة قدرات التحمل - ولا اشتراطات التركيب والصيانة المحددة من قبل جهة تصنيع المحرك







كما أنه ليس ممكناً الامتناع عن تقديم الخبرة للفاين بعملية التركيب والتطبيق. إن الإشارات الفردية المقدمة في هذا الكatalog بشأن التركيب والتطبيق المحرك وقطع غيار الحشية وهي إرشادات فقط للمتخصصين المؤهلين فنياً وبنبغي أي مسؤولية تتعلق بمسائل الاستعمال Federal-Mogul عليه مراجعتها والتحقق منها لمناسبتها لكل حالة. لا تتحمل شركة







كما هو مدون على صفحة الغلاف Federal-Mogul لا تستهدف محتويات الكatalog إبرام أي اتفاق تعاقدي يجب الاحتفاظ به أو تبديله باستثناء الاتفاق المنفصل بين الطرفين المحددين، وبناءً عليه لا يكون البائع إلا أحد كيانات شركة الخلفية

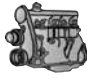





الحقوق محفوظة لتصحيح الأخطاء وعمليات التغيير، خاصة فيما يتعلق بالتعديلات الطارئة على تفاصيل واشتراطات جهات تصنيع المحركات







© Federal-Mogul Corporation 2014







The contents of this publication are the copyright of Federal-Mogul Corporation. Unauthorised reproduction in whole or in part is expressly forbidden.







		ccm	X 				9
1ND	73.00	1364	4	Diesel	1		413
1ND-TV	73.00	1364	4	Diesel	1		413
9HZ (DV6TED4)	75.00	1560	4	Diesel	2		414
616.15	82.50	1582	4	Petrol	373		797
616.16	82.50	1582	4	Petrol			797
616.36	82.50	1582	4	Petrol			797
616.39	82.50	1582	4	Petrol			798
616.40	82.50	1582	4	Petrol			798
901.01	80.00	1990	6	Petrol	372		795
901.02	80.00	1990	6	Petrol			795
901.03	80.00	1990	6	Petrol	372		795
901.05	80.00	1990	6	Petrol			795
901.07	80.00	1991	6	Petrol			796
901.08	80.00	1991	6	Petrol			796
901.09	80.00	1990	6	Petrol			795
901.10	80.00	1990	6	Petrol			795
901.11	80.00	1990	6	Petrol			795
901.13	80.00	1990	6	Petrol	372		795
901.14	80.00	1991	6	Petrol			796
901.17	80.00	1991	6	Petrol			796
901.36	80.00	1990	6	Petrol			795
901.37	80.00	1990	6	Petrol			795
911.01	84.00	2179	6	Petrol	375		800
911.02	84.00	2179	6	Petrol	375		801
911.04	84.00	2179	6	Petrol	375		800
911.06	84.00	2195	6	Petrol			802
911.07	84.00	2195	6	Petrol			802
911.08	84.00	2195	6	Petrol			802
911.41	90.00	2687	6	Petrol			811
911.42	90.00	2687	6	Petrol			812
911.43	90.00	2687	6	Petrol			811
911.46	90.00	2687	6	Petrol			811
911.47	90.00	2687	6	Petrol			812
911.48	90.00	2687	6	Petrol			811
911.52	84.00	2341	6	Petrol			804
911.53	84.00	2341	6	Petrol			805
911.62	84.00	2311	6	Petrol			803
911.63	84.00	2311	6	Petrol			803
911.81	90.00	2687	6	Petrol			813
911.82	90.00	2687	6	Petrol			813
911.83	90.00	2687	6	Petrol			814
911.84	90.00	2687	6	Petrol			813
911.85	90.00	2687	6	Petrol			813
911.86	90.00	2687	6	Petrol			813
911.89	90.00	2687	6	Petrol			813
911.90	90.00	2687	6	Petrol			813
911.92	90.00	2687	6	Petrol			811
911.93	90.00	2687	6	Petrol	383		812
911.94	90.00	2687	6	Petrol			813
911.97	90.00	2687	6	Petrol			811
911.98	90.00	2687	6	Petrol			812
911.99	90.00	2687	6	Petrol			813
930.02	95.00	2993	6	Petrol			819
930.03	95.00	2993	6	Petrol			820
930.09	95.00	2993	6	Petrol			820
930.10	95.00	2993	6	Petrol			821
930.12	95.00	2993	6	Petrol			822
930.13	95.00	2993	6	Petrol			820
930.19	95.00	2993	6	Petrol			821
930.20	95.00	3164	6	Petrol	386		824
930.21	95.00	3164	6	Petrol			824
930.25	95.00	3164	6	Petrol	386		824
930.26	95.00	3164	6	Petrol			824
930.50	95.00	2993	6	Petrol			823
930.52	95.00	2993	6	Petrol	385		823
930.60	97.00	3299	6	Petrol	389		831
930.66/68	97.00	3299	6	Petrol	389		831
930.68	97.00	3299	6	Petrol			832
A 70NV	80.30	1767	4	Petrol	156		
AN	93.00	1795	4	Petrol			815
GB	94.00	1971	4	Petrol	384		818
M02.2Y	84.00	3189	6	Petrol	376		806
M 05.9D	83.00	2967	6	Diesel	374		799
M 05.9E	83.00	2967	6	Diesel			799
M 10 B 15	82.00	1499	4	Petrol	26		432
M 10 B 16	84.00	1574	4	Petrol	30		436
M 10 B 18	89.00	1766	4	Petrol	111		512
M 10 B 20	89.00	1990	4	Petrol			513







		ccm				
M 10 B 20	89.00	1991	4	Petrol	112	513
M 20 B 20	80.00	1991	6	Petrol	11	420
M 20 B 23 L	80.00	2316	6	Petrol	19	420
M 20 B 25	84.00	2494	6	Petrol	57	463
M 20 B 27	84.00	2693	6	Petrol	65	473
M 21 D 24	80.00	2443	6	Diesel	20	427
M 21 D 24 W	80.00	2443	6	Diesel	21	428
M 21 D 24 WA	80.00	2443	6	Diesel	21	428
M 28.01	95.00	4474	6	Petrol		825
M 28.02	95.00	4474	6	Petrol		825
M 28.03	95.00	4474	8	Petrol		825
M 28.04	95.00	4474	8	Petrol		825
M 28.09	95.00	4474	6	Petrol		825
M 28.10	95.00	4474	8	Petrol	387	826
M 28.11	97.00	4664	8	Petrol	392	833
M 28.12	97.00	4664	8	Petrol	392	833
M 28.13	95.00	4474	8	Petrol		825
M 28.14	95.00	4474	8	Petrol		825
M 28.15	95.00	4474	6	Petrol		825
M 28.16	95.00	4474	6	Petrol		825
M 28.17	95.00	4474	6	Petrol		825
M 28.18	95.00	4474	6	Petrol		825
M 28.19	97.00	4664	8	Petrol		833
M 28.20	97.00	4664	8	Petrol		833
M 28.21	97.00	4664	8	Petrol	393	833
M 28.22	97.00	4664	8	Petrol	393	833
M 28.41	100.00	4957	8	Petrol	406	843
M 28.42	100.00	4957	8	Petrol	406	843
M 28.43	100.00	4957	8	Petrol		843
M 28.44	100.00	4957	8	Petrol		843
M 28.45	100.00	4957	8	Petrol	407	843
M 28.46	100.00	4957	8	Petrol	407	843
M 28.47	100.00	4957	8	Petrol	406	843
M 28.49	100.00	5397	8	Petrol	408	844
M 28.50	100.00	5397	8	Petrol	408	844
M 30 B 25	86.00	2494	6	Petrol	105	507
M 30 B 28	86.00	2788	6	Petrol	106	507
M 30 B 30	89.00	2988	6	Petrol	113	514
M 30 B 32	89.00	3153	6	Petrol	114	515
M 30 B 32	89.00	3210	6	Petrol	115	516
M 30 B 32	89.25	3153	6	Petrol	118	519
M 30 B 33	89.00	3300	6	Petrol	116	517
M 30 B 35	92.00	3430	6	Petrol	119	523
M 30 B 35	92.00	3430	6	Petrol	120	520
M 30 B 35	92.00	3430	6	Petrol	121	522
M 30 B 35	92.00	3430	6	Petrol	122	524
M 30 B 35	92.00	3430	6	Petrol	123	521
M 30 B 35	93.40	3453	6	Petrol	131	534
M 30 B 35	93.40	3453	6	Petrol	132	534
M 30.69	97.00	3299	6	Petrol	390	831
M 30.69S	97.00	3299	6	Petrol	391	831
M 31.01	86.50	1984	4	Petrol	379	808
M 31.03	86.50	1984	4	Petrol	380	808
M 31.50	86.50	1984	4	Petrol	380	808
M 40 B 16	84.00	1596	4	Petrol	31	437
M 40 B 16 C	84.00	1596	4	Petrol	32	438
M 40 B 18	84.00	1796	4	Petrol	38	438
M 40 B 18 C	84.00	1796	4	Petrol	32	443
M 41 D 18	80.00	1665	4	Diesel	10	419
M 42 B 18	84.00	1796	4	Petrol	39	444
M 43 194 E1	85.00	1895	4	Petrol	97	500
M 43 B 16	84.00	1596	4	Petrol	33	439
M 43 B 16	84.00	1596	4	Petrol	34	440
M 43 B 18	84.00	1796	4	Petrol	40	445
M 43 B 19	85.00	1895	4	Petrol	94	500
M 43 B 19	85.00	1895	4	Petrol	95	501
M 43 B 19 TU	85.00	1895	4	Petrol	94	500
M 44 B 19	85.00	1895	4	Petrol	96	502
M 44.01	100.00	2479	4	Petrol	394	834
M 44.02	100.00	2479	4	Petrol	395	834
M 44.03	100.00	2479	4	Petrol	396	834
M 44.04	100.00	2479	4	Petrol		834
M 44.05	100.00	2479	4	Petrol	397	835
M 44.06	100.00	2479	4	Petrol	396	834
M 44.07	100.00	2479	4	Petrol	398	834
M 44.08	100.00	2479	4	Petrol	398	834
M 44.09	100.00	2479	4	Petrol	394	836
M 44.10	100.00	2479	4	Petrol	394	836








		ccm					9
M 44.11	104.00	2681	4	Petrol	409	847	
M 44.12	104.00	2681	4	Petrol	409	847	
M 44.40	100.00	2479	4	Petrol	399	836	
M 44.41	104.00	2990	4	Petrol	410	848	
M 44.43	104.00	2990	4	Petrol	411	848	
M 44.44	104.00	2990	4	Petrol	412	848	
M 44.50	100.00	2479	4	Petrol	395	836	
M 44.51	100.00	2479	4	Petrol	400	836	
M 44.52	100.00	2479	4	Petrol	395	836	
M 46.20	96.00	3605	6	Petrol		830	
M 46.40	96.00	3605	6	Petrol		830	
M 47 204 D1	84.00	1951	4	Diesel	44	450	
M 47 D 20	84.00	1951	4	Diesel	43	447	
M 47 D 20	84.00	1951	4	Diesel	44	448	
M 47 D 20 TU	84.00	1951	4	Diesel	45	449	
M 47 N 204 D4	84.00	1995	4	Diesel	43	451	
M 47 N 204 D5	84.00	1995	4	Diesel	43	452	
M 48.00	93.00	4511	8	Petrol		816	
M 48.02	96.00	4806	8	Petrol		830	
M 48.10	84.00	3189	6	Petrol	377	807	
M 48.20	96.00	4806	8	Petrol		830	
M 48.40	96.00	4806	8	Petrol		830	
M 48.50	93.00	4511	8	Petrol		816	
M 48.50S	93.00	4511	8	Petrol		817	
M 50 B	80.00	1991	6	Petrol	12	422	
M 50 B	80.00	1991	6	Petrol	13	421	
M 50 B 20	80.00	1991	6	Petrol	14	421	
M 50 B 20 TU	80.00	1991	6	Petrol	14	423	
M 50 B 25	84.00	2494	6	Petrol	58	465	
M 50 B 25	84.00	2494	6	Petrol	59	464	
M 50 B 25 TU	84.00	2494	6	Petrol	58	466	
M 51 D 25	80.00	2497	6	Diesel	22	429	
M 51 D 25	80.00	2498	6	Diesel	25	429	
M 52 B	80.00	1991	6	Petrol	15	424	
M 52 B	80.00	1991	6	Petrol	16	424	
M 52 B 20	80.00	1991	6	Petrol	17	424	
M 52 B 25	84.00	2494	6	Petrol	60	467	
M 52 B 25 TU	84.00	2494	6	Petrol	61	468	
M 52 B 28	84.00	2793	6	Petrol	66	467	
M 52 B 28 TU	84.00	2793	6	Petrol	67	468	
M 54 226 S1	80.00	2171	6	Petrol	18	426	
M 54 256 S3	84.00	2494	6	Petrol	63		
M 54 256 S5	84.00	2494	6	Petrol	63	471	
M 54 306 S3	84.00	2979	6	Petrol	69	471	
M 54 B 22	80.00	2171	6	Petrol	18	425	
M 54 B 25	84.00	2494	6	Petrol		469	
M 54 B 25	84.00	2494	6	Petrol	62	470	
M 54 B 30	84.00	2979	6	Petrol	69	476	
M 57 306 D3	84.00	2993	6	Diesel	78	487	
M 57 306 D4	84.00	2993	6	Diesel	64	488	
M 57 306 D5	84.00	2993	6	Diesel	77	489	
M 57 D 25	80.00	2497	6	Diesel	23	430	
M 57 D 25 TU	80.00	2497	6	Diesel	24	431	
M 57 D 30	84.00	2926	6	Diesel		474	
M 57 D 30	84.00	2926	6	Diesel	68	475	
M 57 D 30	84.00	2993	6	Diesel	72	479	
M 57 D 30	84.00	2993	6	Diesel	73	480	
M 57 D 30	84.00	2993	6	Diesel	73	481	
M 57 D30 TU2	84.00	2993	6	Diesel	74	482	
M 57 N2 306 D2	84.00	2993	6	Diesel	75	483	
M 57 N2 306 D3	84.00	2993	6	Diesel	76	484	
M 57 N 256 D4	84.00	2497	6	Diesel	64	472	
M 57 N 306 D2	84.00	2993	6	Diesel	64	485	
M 57 N 306 D4	84.00	2993	6	Diesel	64	486	
M 57 N 306 D5	84.00	2993	6	Diesel	77	481	
M 60 B 30	84.00	2997	8	Petrol	85	494	
M 60 B 40	89.00	3982	8	Petrol	117	518	
M 62 448 S2	92.00	4398	8	Petrol	126	527	
M 62 B	84.00	3498	8	Petrol	86	495	
M 62 B	84.00	3498	8	Petrol	87	495	
M 62 B 35	84.00	3498	8	Petrol	88	496	
M 62 B 35 TU	84.00	3498	8	Petrol	86	496	
M 62 B 44	92.00	4398	8	Petrol	124	525	
M 62 B 44 A	92.00	4398	8	Petrol	125	526	
M 62 B 44 TU	92.00	4398	8	Petrol	124	527	
M 62 B 46	93.00	4619	8	Petrol	127	530	
M 64.01	100.00	3598	6	Petrol	401	837	
M 64.02	100.00	3598	6	Petrol	401	837	







		ccm	X 			9	
M 64.05	100.00	3600	6	Petrol	403		840
M 64.05S	100.00	3600	6	Petrol			841
M 64.06	100.00	3600	6	Petrol			840
M 64.06S	100.00	3600	6	Petrol			841
M 64.07	100.00	3600	6	Petrol	403		840
M 64.08	100.00	3600	6	Petrol			840
M 64.20	102.00	3746	6	Petrol			845
M 64.21	100.00	3600	6	Petrol	404		840
M 64.21S	100.00	3800	6	Petrol			841
M 64.22	100.00	3600	6	Petrol	404		840
M 64.23	100.00	3600	6	Petrol			840
M 64.24	100.00	3600	6	Petrol			840
M 64.50	100.00	3600	6	Petrol	405		837
M 64.60	100.00	3598	6	Petrol	402		838
M 64.60R	100.00	3600	6	Petrol			841
M 67 468 S1	94.30	4619	8	Petrol	135		539
M 67 D 39	84.00	3901	8	Diesel	90		497
M 70 B 50	84.00	4988	12	Petrol	92		499
M 70 B 56	86.00	5576	12	Petrol	108		509
M 73 B 54	85.00	5379	12	Petrol	103		506
M 96.01	96.00	3387	6	Petrol	388		827
M 96.02	96.00	3387	6	Petrol	388		827
M 96.03	96.00	3598	6	Petrol			829
M 96.04	96.00	3387	6	Petrol	388		827
M 96.05	96.00	3596	6	Petrol			829
M 96.20	85.50	2480	6	Petrol	378		
M 96.70	100.00	3600	6	Petrol			842
M 96.76	100.00	3598	6	Petrol			839
M 96.79	100.00	3598	6	Petrol			839
M 97.21	96.00	3387	6	Petrol			828
M 97.22	96.00	3387	6	Petrol			828
M 97.70	100.00	3600	6	Petrol			842
M 97.70S	100.00	3600	6	Petrol			842
M 97.77	102.70	3797	6	Petrol			846
M 97.77R	102.70	3797	6	Petrol			846
M 102.910	89.00	1797	4	Petrol	256		685
M 102.919	89.00	1797	4	Petrol	257		686
M 102.920	89.00	1997	4	Petrol	258		688
M 102.921	89.00	1997	4	Petrol	259		688
M 102.922	89.00	1997	4	Petrol	260		689
M 102.924	89.00	1997	4	Petrol	261		689
M 102.938	89.00	1997	4	Petrol			690
M 102.939	89.00	1997	4	Petrol	258		691
M 102.942	95.50	2298	4	Petrol	342		763
M 102.943	95.50	2299	4	Petrol	343		763
M 102.945	95.50	2299	4	Petrol	344		764
M 102.946	95.50	2299	4	Petrol	345		763
M 102.955	95.50	2299	4	Petrol	346		
M 102.958	95.50	2299	4	Petrol	347		763
M 102.959	95.50	2299	4	Petrol	348		765
M 102.961	89.00	1997	4	Petrol	262		692
M 102.962	89.00	1997	4	Petrol	263		693
M 102.963	89.00	1997	4	Petrol	264		694
M 102.964	89.00	1997	4	Petrol			695
M 102.965	89.00	1996	4	Petrol			687
M 102.979	95.50	2299	4	Petrol	349		766
M 102.980	95.50	2299	4	Petrol	350		767
M 102.981	95.50	2299	4	Petrol	351		768
M 102.982	95.50	2299	4	Petrol	352		769
M 102.983	95.50	2299	4	Petrol	353		770
M 102.985	95.50	2299	4	Petrol	352		771
M 102.987	95.50	2299	4	Petrol	354		768
M 102.989	95.50	2299	4	Petrol	354		772
M 102.990	95.50	2499	4	Petrol	357		776
M 102.991	95.50	2499	4	Petrol	357		776
M 102.992	95.50	2498	4	Petrol	357		775
M 102.996	95.50	2299	4	Petrol	349		773
M 102.997	95.50	2299	4	Petrol	355		774
M 102.998	95.50	2299	4	Petrol	356		763
M 103.940	82.90	2599	6	Petrol	170		578
M 103.941	82.90	2599	6	Petrol	170		578
M 103.942	82.90	2599	6	Petrol	170		578
M 103.943	82.90	2599	6	Petrol	170		578
M 103.980	88.50	2962	6	Petrol	254		684
M 103.981	88.50	2962	6	Petrol	255		684
M 103.982	88.50	2962	6	Petrol	254		684
M 103.983	88.50	2962	6	Petrol	254		684
M 103.984	88.50	2962	6	Petrol	254		684







		ccm					9
M 103.985	88.50	2962	6	Petrol	254	684	
M 103.987	88.50	2962	6	Petrol	254	684	
M 104.900	89.90	2792	6	Petrol	297	715	
M 104.941	89.90	2799	6	Petrol	298	716	
M 104.941 (AMG 3.6)	91.00	3606	6	Petrol	326	747	
M 104.942	89.90	2799	6	Petrol	299	716	
M 104.943	89.90	2799	6	Petrol	298	716	
M 104.944	89.90	2799	6	Petrol	298	716	
M 104.945	89.90	2799	6	Petrol	298	716	
M 104.980	88.50	2960	6	Petrol	253	683	
M 104.981	88.50	2960	6	Petrol	253	683	
M 104.990	89.90	3199	6	Petrol	300	718	
M 104.991	89.90	3199	6	Petrol	298	718	
M 104.992	89.90	3199	6	Petrol	301	718	
M 104.992 (AMG 3.6)	91.00	3606	6	Petrol	327	747	
M 104.994	89.90	3199	6	Petrol	302	718	
M 104.995	89.90	3199	6	Petrol	303	718	
M 104.996	89.90	3199	6	Petrol	298	718	
M 108.920	82.00	2497	6	Petrol	168	573	
M 108.924	82.00	2496	6	Petrol	168		
M 110.921	86.00	2746	6	Petrol	194	610	
M 110.922	86.00	2746	6	Petrol	194	610	
M 110.923	86.00	2746	6	Petrol	194	610	
M 110.924	86.00	2746	6	Petrol	195	611	
M 110.926	86.00	2746	6	Petrol	195	611	
M 110.931	86.00	2746	6	Petrol	196	612	
M 110.932	86.00	2746	6	Petrol	196	612	
M 110.981	86.00	2746	6	Petrol	194	610	
M 110.982	86.00	2746	6	Petrol	194	610	
M 110.983	86.00	2746	6	Petrol	194	610	
M 110.984	86.00	2746	6	Petrol	194	610	
M 110.985	86.00	2746	6	Petrol	196	610	
M 110.986	86.00	2746	6	Petrol	194	610	
M 110.987	86.00	2746	6	Petrol	195	611	
M 110.988	86.00	2746	6	Petrol	197	610	
M 110.989	86.00	2746	6	Petrol	195	611	
M 110.990	86.00	2746	6	Petrol	197	610	
M 110.991	86.00	2746	6	Petrol	196	612	
M 110.992	86.00	2746	6	Petrol	196	612	
M 110.993	86.00	2746	6	Petrol		613	
M 110.994	86.00	2746	6	Petrol	195	614	
M 111	85.30	1799	4	Petrol		607	
M 111.920	85.30	1799	4	Petrol	190	607	
M 111.921	85.30	1799	4	Petrol	191	607	
M 111.940	89.90	1998	4	Petrol	284	710	
M 111.941	89.90	1998	4	Petrol	284	710	
M 111.942	89.90	1998	4	Petrol	285	710	
M 111.943	89.90	1998	4	Petrol	286	710	
M 111.944	89.90	1998	4	Petrol	287	710	
M 111.945	89.90	1998	4	Petrol	285	710	
M 111.946	89.90	1998	4	Petrol	285	710	
M 111.947	89.90	1998	4	Petrol	286	710	
M 111.948	89.90	1998	4	Petrol	288	710	
M 111.950	89.90	1998	4	Petrol	289	711	
M 111.951	89.90	1998	4	Petrol	290	710	
M 111.952	89.90	1998	4	Petrol	290	710	
M 111.955	89.90	1998	4	Petrol	291	710	
M 111.956	89.90	1998	4	Petrol	292	710	
M 111.957	89.90	1998	4	Petrol	291	711	
M 111.958	89.90	1998	4	Petrol	291	711	
M 111.960	89.90	2199	4	Petrol	293	712	
M 111.961	89.90	2199	4	Petrol	293	712	
M 111.970	90.90	2295	4	Petrol	306	722	
M 111.973	90.90	2295	4	Petrol	307	723	
M 111.974	90.90	2295	4	Petrol	308	722	
M 111.975	90.90	2295	4	Petrol	309	723	
M 111.977	90.90	2295	4	Petrol	306	724	
M 111.978	90.90	2295	4	Petrol	310	723	
M 111.979	90.90	2295	4	Petrol	311	725	
M 111.980	90.90	2295	4	Petrol	312	724	
M 111.981	90.90	2295	4	Petrol	313	726	
M 111.982	90.90	2295	4	Petrol	313	726	
M 111.983	90.90	2295	4	Petrol	313	726	
M 111.984	90.90	2295	4	Petrol	314	722	
M 112.910	83.20	2398	6	Petrol	183	598	
M 112.911	83.20	2398	6	Petrol	184	598	
M 112.912	89.90	2398	6	Petrol	294	713	
M 112.913	89.90	2398	6	Petrol	295	713	







		ccm	X 			9	
M 112.914	89.90	2398	6	Petrol	295		713
M 112.915	89.90	2597	6	Petrol	295		714
M 112.916	89.90	2597	6	Petrol	296		714
M 112.917	89.90	2597	6	Petrol	295		714
M 112.920	89.90	2799	6	Petrol	295		717
M 112.921	89.90	2799	6	Petrol	295		717
M 112.922	89.90	2799	6	Petrol	295		717
M 112.923	89.90	2799	6	Petrol	295		717
M 112.925	89.90	2799	6	Petrol	295		717
M 112.940	89.90	3199	6	Petrol	295		719
M 112.941	89.90	3199	6	Petrol	295		719
M 112.942	89.90	3199	6	Petrol	295		719
M 112.943	89.90	3199	6	Petrol	295		719
M 112.944	89.90	3199	6	Petrol	295		719
M 112.945	89.90	3199	6	Petrol	295		719
M 112.946	89.90	3199	6	Petrol	295		719
M 112.947	89.90	3199	6	Petrol	295		719
M 112.949	89.90	3199	6	Petrol	295		719
M 112.951	89.90	3199	6	Petrol	295		714
M 112.953	89.90	3199	6	Petrol	295		714
M 112.954	89.90	3199	6	Petrol	295		714
M 112.955	89.90	3199	6	Petrol	295		714
M 112.960	89.90	3199	6	Petrol	295		720
M 112.961	89.90	3199	6	Petrol	295		720
M 112.970	97.00	3724	6	Petrol	365		786
M 112.972	97.00	3724	6	Petrol	365		786
M 112.973	97.00	3724	6	Petrol	365		787
M 112.975	97.00	3724	6	Petrol	365		786
M 112.976	97.00	3724	6	Petrol	365		786
M 113.940	89.90	4266	8	Petrol	304		721
M 113.941	89.90	4266	8	Petrol	305		721
M 113.942	89.90	4266	8	Petrol	305		721
M 113.943	89.90	4266	8	Petrol	305		721
M 113.944	89.90	4266	8	Petrol	305		721
M 113.948	89.90	4266	8	Petrol	305		714
M 113.960	97.00	4966	8	Petrol	366		787
M 113.961	97.00	4966	8	Petrol	367		786
M 113.962	97.00	4966	8	Petrol	367		786
M 113.963	97.00	4966	8	Petrol	367		786
M 113.964	97.00	4966	8	Petrol	366		787
M 113.965	97.00	4966	8	Petrol	366		787
M 113.966	97.00	4966	8	Petrol	366		787
M 113.967	97.00	4966	8	Petrol	366		787
M 113.968	97.00	4966	8	Petrol	366		787
M 113.969	97.00	4966	8	Petrol	366		787
M 113.971	97.00	4966	8	Petrol	366		787
M 113.980	97.00	5439	8	Petrol	366		787
M 113.981	97.00	5439	8	Petrol	366		787
M 113.982	97.00	5439	8	Petrol	366		788
M 113.984	97.00	5439	8	Petrol	366		787
M 113.985	97.00	5439	8	Petrol	368		789
M 113.986	97.00	5439	8	Petrol	366		788
M 113.987	97.00	5439	8	Petrol	366		789
M 113.988	97.00	5439	8	Petrol	366		788
M 113.989	97.00	5439	8	Petrol	366		788
M 113.990	97.00	5439	8	Petrol	366		789
M 113.991	97.00	5439	8	Petrol	366		789
M 113.992	97.00	5439	8	Petrol	366		789
M 113.993	97.00	5439	8	Petrol			789
M 113.995	97.00	5439	8	Petrol	366		789
M 114.920	82.00	2497	6	Petrol	168		575
M 114.923	82.00	2496	6	Petrol	169		574
M 114.980	82.00	2497	6	Petrol	168		575
M 114.981	82.00	2496	6	Petrol	168		574
M 115.I	87.00	1990	4	Petrol	204		
M 115.II	87.00	1990	4	Petrol	204		
M 115.900	87.00	2197	4	Petrol	204		632
M 115.920	87.00	2197	4	Petrol	205		633
M 115.921	87.00	2197	4	Petrol	205		633
M 115.922	87.00	2197	4	Petrol	205		633
M 115.923	87.00	1988	4	Petrol	205		622
M 115.924	87.00	2197	4	Petrol	205		633
M 115.926	87.00	1988	4	Petrol	205		622
M 115.927	87.00	2197	4	Petrol	205		633
M 115.928	87.00	2197	4	Petrol	205		633
M 115.929	87.00	2197	4	Petrol	205		633
M 115.932	87.00	2197	4	Petrol	204		633
M 115.933	87.00	2197	4	Petrol	204		633







		ccm					9
M 115.934	87.00	2197	4	Petrol	204	633	
M 115.935	87.00	2197	4	Petrol	204	633	
M 115.938	87.00	1988	4	Petrol	205	622	
M 115.939	87.00	1988	4	Petrol	205	622	
M 115.951	93.75	2308	4	Petrol	340	762	
M 115.952	93.75	2307	4	Petrol	340	761	
M 115.954	93.75	2308	4	Petrol	340	762	
M 115.955	93.75	2308	4	Petrol	340	762	
M 115.970	93.75	2307	4	Petrol	340	761	
M 115.971	93.75	2307	4	Petrol	340	761	
M 115.972	93.75	2308	4	Petrol	340	762	
M 115.973	93.75	2308	4	Petrol	340	762	
M 115.974	93.75	2307	4	Petrol	341	761	
M 116.960	92.00	3818	8	Petrol	330	750	
M 116.961	88.00	3839	8	Petrol	250	681	
M 116.962	88.00	3839	8	Petrol	251	682	
M 116.963	88.00	3839	8	Petrol	252	682	
M 116.964	92.00	4196	8	Petrol	331	751	
M 116.965	92.00	4196	8	Petrol	331	751	
M 116.980	92.00	3499	8	Petrol	328	748	
M 116.981	92.00	3499	8	Petrol	328	748	
M 116.982	92.00	3499	8	Petrol	328	748	
M 116.983	92.00	3499	8	Petrol	328	748	
M 116.984	92.00	3499	8	Petrol	328	748	
M 116.985	92.00	3499	8	Petrol	328	748	
M 116.990	92.00	3499	8	Petrol	329	749	
M 116.991	92.00	3499	8	Petrol	329	749	
M 116.992	92.00	3499	8	Petrol	329	749	
M 116.993	92.00	3499	8	Petrol	329	749	
M 117.960	96.50	4973	8	Petrol	358	777	
M 117.961	96.50	4973	8	Petrol	358	777	
M 117.962	96.50	4973	8	Petrol	359	778	
M 117.963	96.50	4973	8	Petrol	359	777	
M 117.964	96.50	4973	8	Petrol	359	779	
M 117.965	96.50	4973	8	Petrol	359	780	
M 117.967	96.50	5547	8	Petrol	363	784	
M 117.968	96.50	5547	8	Petrol	364	785	
M 117.981	92.00	4520	8	Petrol	336	749	
M 117.982	92.00	4520	8	Petrol	328	748	
M 117.983	92.00	4520	8	Petrol	337	748	
M 117.984	92.00	4520	8	Petrol	336	749	
M 117.985	92.00	4520	8	Petrol	337	755	
M 117.986	92.00	4520	8	Petrol	337	748	
M 117.992	92.00	4520	8	Petrol	329	749	
M 117.993	92.00	4520	8	Petrol	329	749	
M 119.960	96.50	4973	8	Petrol	360	781	
M 119.970	96.50	4973	8	Petrol	360	782	
M 119.971	92.00	4196	8	Petrol	332	752	
M 119.972	96.50	4973	8	Petrol	360	783	
M 119.974	96.50	4973	8	Petrol	360	782	
M 119.975	92.00	4196	8	Petrol	333	753	
M 119.980	96.50	4973	8	Petrol	361	782	
M 119.981	92.00	4196	8	Petrol	334	754	
M 119.982	96.50	4973	8	Petrol	361	782	
M 119.985	92.00	4196	8	Petrol	335	753	
M 119.985 (AMG 5.0)	96.50	4973	8	Petrol	362	782	
M 120.980	89.00	5987	12	Petrol	282	709	
M 120.981	89.00	5987	12	Petrol	282	709	
M 120.982	89.00	5987	12	Petrol	283		
M 120.983	89.00	5987	12	Petrol	282	709	
M 121.920	85.00	1898	4	Petrol	188	605	
M 121.922	85.00	1897	4	Petrol	188	604	
M 121.924	85.00	1898	4	Petrol	188	606	
M 121.926	85.00	1897	4	Petrol	189		
M 121.929	85.00	1897	4	Petrol	189		
M 121.940	87.00	1988	4	Petrol	204	623	
M 121.941	87.00	1988	4	Petrol	206		
M 121.942	87.00	1988	4	Petrol	206		
M 121.944	87.00	1988	4	Petrol	204		
M 122.981	100.00	5956	8	Petrol	371		
M 123.920	86.00	2525	6	Petrol	192	608	
M 123.921	86.00	2527	6	Petrol	193	609	
M 127.980	80.00	2180	6	Petrol		560	
M 127.981	82.00	2307	6	Petrol		573	
M 127.982	80.00	2180	6	Petrol	155	560	
M 127.984	80.00	2180	6	Petrol	155	560	
M 129.980	82.00	2497	6	Petrol	168	573	
M 129.981	82.00	2497	6	Petrol	168	573	







		ccm					
M 129.982	82.00	2497	6	Petrol	168		573
M 130.920	86.50	2750	6	Petrol	199		618
M 130.921	86.50	2778	6	Petrol	201		620
M 130.922	86.50	2778	6	Petrol	202		620
M 130.923	86.50	2750	6	Petrol	199		619
M 130.924	86.50	2778	6	Petrol	199		620
M 130.925	86.50	2778	6	Petrol	199		620
M 130.933	86.50	2778	6	Petrol	199		620
M 130.980	86.50	2750	6	Petrol	200		618
M 130.981	86.50	2750	6	Petrol	200		618
M 130.983	86.50	2750	6	Petrol	200		618
M 130.984	86.50	2778	6	Petrol	200		618
M 132.910	72.00	999	3	Petrol	145		
M 132.930	72.00	999	3	Petrol	145		
M 134.910	75.00	1124	3	Petrol	146		
M 134.911	75.00	1124	3	Petrol	146		
M 135.930	75.00	1332	4	Petrol	147		553
M 135.950	75.50	1499	4	Petrol	148		555
M 137.970	84.00	5786	12	Petrol			601
M 137.980	84.50	6258	12	Petrol			603
M 152.980	98.00	5461	8	Petrol			791
M 155.980	97.00	5439	8	Petrol			789
M 156.980	102.20	6208	8	Petrol			794
M 156.981	102.00	6208	12	Petrol			793
M 156.982	102.20	6208	8	Petrol			794
M 156.983	102.20	6208	8	Petrol			794
M 156.984	102.20	6208	8	Petrol			794
M 156.985	102.00	6208	8	Petrol			793
M 157.980	98.00	5461	8	Petrol			791
M 157.981	98.00	5461	8	Petrol			791
M 157.983	98.00	5461	8	Petrol			791
M 159.980	102.20	6208	8	Petrol			794
M 160 E6AL B03	63.50	599	3	Petrol	138		542
M 160 E6AL B03	63.50	599	3	Petrol	139		542
M 160 E6AL B04	63.50	599	3	Petrol	139		542
M 160 E6AL B04	63.50	599	3	Petrol	139		542
M 160 E6AL B05	63.50	599	3	Petrol	139		542
M 160 E6AL B05	63.50	599	3	Petrol	139		543
M 160.910	66.50	599	3	Petrol	143		550
M 160.920	66.50	698	3	Petrol	144		551
M 160.921	66.50	698	3	Petrol			552
M 160.922	66.50	698	3	Petrol			552
M 160.923	66.50	698	3	Petrol			552
M 161.971	90.90	2295	4	Petrol	315		727
M 166.940	80.00	1397	4	Petrol	149		556
M 166.960	80.00	1598	4	Petrol	149		556
M 166.961	80.00	1598	4	Petrol	150		557
M 166.990	80.00	1898	4	Petrol	153		559
M 166.991	84.00	1898	4	Petrol	185		599
M 166.995	84.00	2084	4	Petrol	186		600
M 180.921	80.00	2171	6	Petrol	154		
M 180.922	80.00	2195	6	Petrol	154		
M 180.924	80.00	2180	6	Petrol			560
M 180.926	80.00	2195	6	Petrol	154		
M 180.927	80.00	2195	6	Petrol	154		
M 180.928	80.00	2195	6	Petrol	154		
M 180.929	80.00	2195	6	Petrol	154		
M 180.940	80.00	2180	6	Petrol	154		560
M 180.941	80.00	2180	6	Petrol	154		561
M 180.942	80.00	2195	6	Petrol	154		
M 180.943	80.00	2195	6	Petrol	154		
M 180.945	81.75	2293	6	Petrol	158		563
M 180.947	81.50	2281	6	Petrol	157		562
M 180.949	81.75	2293	6	Petrol	159		563
M 180.950	81.75	2293	6	Petrol	159		563
M 180.951	82.00	2306	6	Petrol	169		
M 180.954	81.75	2293	6	Petrol	159		563
M 180.955	82.00	2292	6	Petrol	168		
M 180.958	80.00	2196	6	Petrol	154		
M 266.920	83.00	1498	4	Petrol	172		580
M 266.940	83.00	1699	4	Petrol	173		581
M 266.960	83.00	2034	4	Petrol	176		583
M 266.980	83.00	2034	4	Petrol	177		584
M 271.820	82.00	1796	4	Petrol			566
M 271.860	82.00	1796	4	Petrol			567
M 271.861	82.00	1796	4	Petrol			567
M 271.910	82.00	1597	4	Petrol	160		564
M 271.911	82.00	1597	4	Petrol	160		564







		ccm					9
M 271.921	82.00	1796	4	Petrol	161	565	
M 271.940	82.00	1796	4	Petrol	161	565	
M 271.941	82.00	1796	4	Petrol	161	565	
M 271.942	82.00	1796	4	Petrol	162	568	
M 271.944	82.00	1795	4	Petrol	161	565	
M 271.946	82.00	1796	4	Petrol	163	565	
M 271.948	82.00	1796	4	Petrol	161	569	
M 271.950	82.00	1796	4	Petrol	164	565	
M 271.951	82.00	1796	4	Petrol	164	570	
M 271.952	82.00	1796	4	Petrol	165	571	
M 271.954	82.00	1796	4	Petrol	160	571	
M 271.955	82.00	1796	4	Petrol	166	571	
M 271.956	82.00	1796	4	Petrol	167	571	
M 271.957	82.00	1796	4	Petrol	160	564	
M 271.958	82.00	1796	4	Petrol / Gas (bifuel)		572	
M 272.911	88.00	2496	6	Petrol	240	669	
M 272.920	88.00	2496	6	Petrol	240	669	
M 272.921	88.00	2496	6	Petrol	240	669	
M 272.922	88.00	2496	6	Petrol	240	669	
M 272.940	88.00	2996	6	Petrol	247	676	
M 272.941	88.00	2996	6	Petrol	247	676	
M 272.942	88.00	2996	6	Petrol	247	676	
M 272.943	88.00	2996	6	Petrol	247	676	
M 272.944	88.00	2996	6	Petrol		677	
M 272.945	88.00	2996	6	Petrol	247	676	
M 272.946	88.00	2996	6	Petrol		678	
M 272.947	88.00	2996	6	Petrol	247	676	
M 272.948	88.00	2996	6	Petrol	247	676	
M 272.949	88.00	2996	6	Petrol	247	676	
M 272.952	88.00	2996	6	Petrol	247	679	
M 272.960	92.90	3498	6	Petrol	338	756	
M 272.961	92.90	3498	6	Petrol		756	
M 272.962	92.90	3498	6	Petrol		756	
M 272.963	92.90	3498	6	Petrol	338	756	
M 272.964	92.90	3498	6	Petrol	338	756	
M 272.965	92.90	3498	6	Petrol	338	756	
M 272.966	92.90	3498	6	Petrol	338	756	
M 272.967	92.90	3498	6	Petrol	338	756	
M 272.968	92.90	3498	6	Petrol		756	
M 272.969	92.90	3498	6	Petrol		756	
M 272.970	92.90	3498	6	Petrol	338	756	
M 272.971	92.90	3498	6	Petrol	338	756	
M 272.972	92.90	3498	6	Petrol	338	756	
M 272.974	92.90	3498	6	Petrol	338	757	
M 272.975	92.90	3498	6	Petrol	338	756	
M 272.977	92.90	3498	6	Petrol	338	757	
M 272.978	92.90	3498	6	Petrol	338	756	
M 272.979	92.90	3498	6	Petrol	338	756	
M 272.980	92.90	3498	6	Petrol	338	757	
M 272.982	92.90	3498	6	Petrol	338	757	
M 272.983	92.90	3498	6	Petrol	338	757	
M 272.984	92.90	3498	6	Petrol	338	756	
M 272.985	92.90	3498	6	Petrol	338	756	
M 272.988	92.90	3498	6	Petrol		758	
M 272.991	92.90	3498	6	Petrol	338	759	
M 273.922	92.90	4663	8	Petrol		756	
M 273.923	92.90	4663	8	Petrol	339	756	
M 273.924	92.90	4663	8	Petrol		760	
M 273.960	97.20	5461	8	Petrol	369	790	
M 273.961	97.20	5461	8	Petrol	369	790	
M 273.962	98.00	5461	8	Petrol	370	792	
M 273.963	98.00	5461	8	Petrol	370	792	
M 273.965	98.00	5461	8	Petrol	370	792	
M 273.966	98.00	5461	8	Petrol	370	792	
M 273.967	98.00	5461	8	Petrol	370	792	
M 273.968	98.00	5461	8	Petrol	370	792	
M 273.970	98.00	5461	8	Petrol	370	791	
M 273.971	98.00	5461	8	Petrol	370	791	
M 275.950	82.00	5513	12	Petrol		576	
M 275.951	82.00	5513	12	Petrol		576	
M 275.953	82.00	5513	12	Petrol		576	
M 275.954	82.00	5513	12	Petrol		576	
M 275.980	82.60	5980	12	Petrol		577	
M 275.981	82.60	5980	12	Petrol		577	
M 275.982	82.60	5980	12	Petrol		577	
M 276.952	92.90	3498	6	Petrol	338	759	
M 276.956	92.90	3498	6	Petrol		760	
M 276.957	92.90	3498	6	Petrol		759	

		ccm	X 			9	
M 276.958	92.90	3498	6	Petrol			760
M 278.920	92.90	4663	8	Petrol			760
M 278.922	92.90	4663	8	Petrol			760
M 278.927	92.90	4663	8	Petrol			760
M 278.932	92.90	4663	8	Petrol			760
N 12 B 14 A	77.00	1397	4	Petrol	3		
N 12 B 16 A	77.00	1598	4	Petrol	3		
N 13 B 16	86.00	1596	4	Petrol	104		
N 14 B 16 A	77.00	1598	4	Petrol	4		
N 14 B 16 C	77.00	1598	4	Petrol	4		
N 16 B 16 A	77.00	1598	4	Petrol	5		
N 18 B 16 A	77.00	1598	4	Petrol	6		415
N 20 B 20	84.00	1997	4	Petrol			460
N 20 B 20 A	84.00	1997	4	Petrol			461
N 26 B 20 A	84.00	1997	4	Petrol			462
N 40 B 16 A	84.00	1596	4	Petrol	35		441
N 42 B 18	84.00	1796	4	Petrol	41		446
N 42 B 20	84.00	1995	4	Petrol	46		453
N 42 B 20 A	84.00	1995	4	Petrol	47		441
N 42 B 20 B	84.00	1995	4	Petrol	48		441
N 43 B 16 A	82.00	1597	4	Petrol	27		433
N 43 B 20 A	84.00	1995	4	Petrol	49		454
N 45 B 16	84.00	1596	4	Petrol	36		442
N 45 B 16 A	84.00	1596	4	Petrol	36		442
N 45 B 16 TU2	84.00	1596	4	Petrol	37		441
N 45 B 20 A	85.00	1997	4	Petrol			503
N 46 B 18	84.00	1796	4	Petrol	42		441
N 46 B 18 A	84.00	1796	4	Petrol	42		441
N 46 B 20	84.00	1995	4	Petrol			455
N 46 B 20	84.00	1995	4	Petrol			455
N 46 B 20	84.00	1995	4	Petrol			456
N 46 B 20	84.00	1995	4	Petrol	50		442
N 46 B 20 A	84.00	1995	4	Petrol	50		442
N 46 B 20 B	84.00	1995	4	Petrol	48		442
N 46 B 20 C	84.00	1995	4	Petrol	51		442
N 46 N B 20 B	84.00	1995	4	Petrol	52		442
N 47 C 16 A	78.00	1598	4	Diesel	9		418
N 47 C 20 A	84.00	1995	4	Diesel	53		457
N 47 D 16 A	78.00	1598	4	Diesel	9		
N 47 D 20 A	84.00	1995	4	Diesel	54		458
N 47 D 20 B	84.00	1995	4	Diesel	55		458
N 47 D 20 C	84.00	1995	4	Diesel	56		458
N 47 D 20 D	84.00	1995	4	Diesel	55		459
N 47 S D 20 D	84.00	1995	4	Diesel	55		458
N 51 B 30 A	85.00	2996	6	Petrol			504
N 52 B 25	82.00	2497	6	Petrol	28		434
N 52 B 25 A	82.00	2497	6	Petrol	28		434
N 52 B 25 C	82.00	2497	6	Petrol	28		434
N 52 B 30	85.00	2996	6	Petrol			504
N 52 B 30	85.00	2996	6	Petrol	98		504
N 52 B 30	85.00	2996	6	Petrol	99		505
N 52 B 30 A	85.00	2996	6	Petrol	99		505
N 52 B 30 BF	85.00	2996	6	Petrol	98		504
N 52 N B 25 A	82.00	2497	6	Petrol	28		435
N 52 N B 30 A	85.00	2996	6	Petrol	100		505
N 52 N B 30 B	85.00	2996	6	Petrol	101		505
N 53 B 25 A	82.00	2497	6	Petrol	29		435
N 53 B 30	85.00	2996	6	Petrol	101		505
N 53 B 30 A	85.00	2996	6	Petrol	102		505
N 54 B 30 A	84.00	2996	6	Petrol	70		477
N 54 B 30 B	84.00	2979	6	Petrol	70		477
N 55 B 30 A	84.00	2979	6	Petrol	71		478
N 57 306 D 2	84.00	2993	6	Diesel	84		493
N 57 306 D 3	84.00	2993	6	Diesel	82		457
N 57 D 30 A	84.00	2993	6	Diesel	79		490
N 57 D 30 B	84.00	2993	6	Diesel	79		459
N 57 D 30 C	84.00	2993	6	Diesel	80		
N 57 N 306 D 2	84.00	2993	6	Diesel	81		491
N 57 N 306 D 3	84.00	2993	6	Diesel	82		457
N 57 N 306 D 5	84.00	2993	6	Diesel	83		492
N 57 S D 30 B	84.00	2993	6	Diesel	79		459
N 62 B 36	84.00	3600	8	Petrol	89		
N 62 B 40 A	84.10	4000	8	Petrol	93		
N 62 B 44	92.00	4398	8	Petrol	125		528
N 62 B 48 A	93.00	4799	8	Petrol	128		
N 62 B 48 B	93.00	4799	8	Petrol	128		
N 67 398 D 1	84.00	3901	8	Diesel	91		498
N 67 N 448 D 2	87.00	4423	8	Diesel	110		

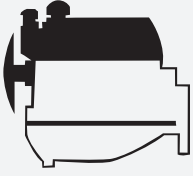
		ccm					9
OM 601A.970	89.00	2299	4	Diesel	270	700	
OM 601.911	87.00	1978	4	Diesel	203	621	
OM 601.912	87.00	1978	4	Diesel	203	621	
OM 601.913	87.00	1997	4	Diesel	210	629	
OM 601.915	87.00	1997	4	Diesel		630	
OM 601.921	87.00	2197	4	Diesel	213	634	
OM 601.940	89.00	2299	4	Diesel	267	697	
OM 601.941	89.00	2299	4	Diesel	268	698	
OM 601.942	89.00	2299	4	Diesel	269	699	
OM 601.943	89.00	2299	4	Diesel	269	699	
OM 602A.962	87.00	2497	5	Diesel	215	642	
OM 602A.993	87.00	2497	5	Diesel	217	643	
OM 602.911	87.00	2497	5	Diesel	214	639	
OM 602.912	87.00	2497	5	Diesel	215	639	
OM 602.930	87.00	2497	5	Diesel	215	639	
OM 602.931	87.00	2497	5	Diesel	215	640	
OM 602.938	87.00	2497	5	Diesel	216	640	
OM 602.939	87.00	2497	5	Diesel	215	640	
OM 602.940	89.00	2874	5	Diesel	272	702	
OM 602.942	89.00	2874	5	Diesel	272	703	
OM 602.946	89.00	2874	5	Diesel	273	702	
OM 602.947	89.00	2874	5	Diesel	274	702	
OM 602.961	87.00	2497	5	Diesel	215	641	
OM 602.980	89.00	2874	5	Diesel	275	704	
OM 602.982	89.00	2874	5	Diesel	276	704	
OM 602.983	89.00	2874	5	Diesel	275	704	
OM 602.984	89.00	2874	5	Diesel	276	704	
OM 602.985	89.00	2874	5	Diesel	276	704	
OM 602.986	89.00	2874	5	Diesel	277	705	
OM 602.991	89.00	2874	5	Diesel	272	702	
OM 603A.960	87.00	2996	6	Diesel	222	651	
OM 603A.963	87.00	2996	6	Diesel	222	651	
OM 603A.970	89.00	3449	6	Diesel	279	707	
OM 603A.971	89.00	3449	6	Diesel	280	708	
OM 603A.972	89.00	3449	6	Diesel	281	708	
OM 603.912	87.00	2996	6	Diesel	221	646	
OM 603.913	87.00	2996	6	Diesel	221	646	
OM 603.931	87.00	2996	6	Diesel	221	647	
OM 603.950	87.00	2996	6	Diesel	222	648	
OM 603.961	87.00	2996	6	Diesel	223	649	
OM 603.962	87.00	2996	6	Diesel	224	650	
OM 604.910	89.00	2155	4	Diesel	265	696	
OM 604.912	89.00	2155	4	Diesel	266	696	
OM 604.915	87.00	1997	4	Diesel	211	631	
OM 604.917	87.00	1997	4	Diesel	212	631	
OM 605.910	87.00	2497	5	Diesel	218	644	
OM 605.911	87.00	2497	5	Diesel	219	644	
OM 605.912	87.00	2497	5	Diesel	219	644	
OM 605.960	87.00	2497	5	Diesel	220	645	
OM 605.962	87.00	2497	5	Diesel	220	645	
OM 606.910	87.00	2996	6	Diesel	225	652	
OM 606.912	87.00	2996	6	Diesel	226	652	
OM 606.961	87.00	2996	6	Diesel	227	653	
OM 606.962	87.00	2996	6	Diesel	227	653	
OM 606.964	87.00	2996	6	Diesel	227	653	
OM 611A	88.00	2148	4	Diesel	231	657	
OM 611LA	88.00	2148	4	Diesel	231	658	
OM 611.960	88.00	2151	4	Diesel	239	668	
OM 611.961	88.00	2148	4	Diesel	228	654	
OM 611.962	88.00	2148	4	Diesel	229	655	
OM 611.980	88.00	2151	4	Diesel	230	654	
OM 611.981	88.00	2148	4	Diesel	230	655	
OM 611.987	88.00	2148	4	Diesel	230	656	
OM 612.961	88.00	2688	5	Diesel	241	670	
OM 612.962	88.00	2685	5	Diesel	241	670	
OM 612.963	88.00	2685	5	Diesel	241	671	
OM 612.965	88.00	2685	5	Diesel	242	672	
OM 612.966	88.00	2685	5	Diesel	241	670	
OM 612.967	88.00	2685	5	Diesel	243	670	
OM 612.981	88.00	2685	5	Diesel	244	670	
OM 612.990	88.00	2950	5	Diesel	246	675	
OM 613.960	88.00	3222	6	Diesel	248	680	
OM 613.961	88.00	3226	6	Diesel	248	680	
OM 615.914	87.00	2197	4	Diesel	207	635	
OM 615.916	87.00	2197	4	Diesel	207	636	
OM 615.918	87.00	2197	4	Diesel		637	
OM 615.930	87.00	2197	4	Diesel	207	636	
OM 615.932	87.00	2197	4	Diesel	207	638	

		ccm	X 			9	
OM 615.936	87.00	2197	4	Diesel	207		637
OM 615.938	87.00	2197	4	Diesel	208		636
OM 615.942	87.00	1988	4	Diesel	207		624
OM 615.943	87.00	1988	4	Diesel	207		625
OM 615.944	87.00	1988	4	Diesel	209		626
OM 615.960	87.00	1988	4	Diesel	207		627
OM 615.961	87.00	1988	4	Diesel	207		624
OM 615.963	87.00	1988	4	Diesel	207		624
OM 615.964	87.00	1988	4	Diesel	207		624
OM 615.965	87.00	1988	4	Diesel	207		624
OM 615.966	87.00	1988	4	Diesel	207		624
OM 615.967	87.00	1988	4	Diesel	207		624
OM 615.968	87.00	1988	4	Diesel	207		624
OM 615.969	87.00	1988	4	Diesel	207		624
OM 615.970	87.00	1988	4	Diesel	207		628
OM 616	91.00	2404	4	Diesel	324		741
OM 616.910	90.90	2399	4	Diesel	316		729
OM 616.912	91.00	2404	4	Diesel	323		742
OM 616.913	90.90	2398	4	Diesel	316		728
OM 616.914	90.90	2399	4	Diesel	316		728
OM 616.916	91.00	2404	4	Diesel	323		743
OM 616.917	91.00	2404	4	Diesel	323		742
OM 616.930	90.90	2399	4	Diesel	317		730
OM 616.933	90.90	2399	4	Diesel	318		731
OM 616.934	90.90	2399	4	Diesel	316		729
OM 616.936	90.90	2399	4	Diesel	316		728
OM 616.937	90.90	2399	4	Diesel	316		732
OM 616.938	90.90	2399	4	Diesel	316		733
OM 616.939	90.90	2399	4	Diesel	316		728
OM 616.940	90.90	2399	4	Diesel	316		733
OM 616.944	91.00	2404	4	Diesel	324		744
OM 616.960	91.00	2399	4	Diesel	323		740
OM 616.961	91.00	2399	4	Diesel	323		740
OM 616.963	90.90	2399	4	Diesel	319		734
OM 617.910	91.00	3005	5	Diesel	325		745
OM 617.912	91.00	3005	5	Diesel	325		746
OM 617.913	90.90	2998	5	Diesel	320		735
OM 617.931	90.90	3005	5	Diesel	320		735
OM 617.932	90.90	2998	5	Diesel	321		736
OM 617.933	90.90	2998	5	Diesel			737
OM 617.950	90.90	2998	5	Diesel	322		738
OM 617.951	90.90	2998	5	Diesel	322		738
OM 617.952	90.90	3005	5	Diesel	320		739
OM 621.910	84.50	1884	4	Diesel	187		602
OM 621.915	87.00	1988	4	Diesel	208		
OM 621.919	87.00	1988	4	Diesel	208		
OM 621.930	87.00	1988	4	Diesel	208		
OM 628.960	86.00	3996	8	Diesel	198		615
OM 628.961	86.00	3996	8	Diesel	198		616
OM 628.962	86.00	3996	8	Diesel	198		616
OM 628.963	86.00	3996	8	Diesel	198		616
OM 629.910	86.00	3996	8	Diesel	198		617
OM 629.911	86.00	3996	8	Diesel	198		617
OM 629.912	86.00	3996	8	Diesel	198		617
OM 636	75.00	1767	4	Diesel			554
OM 636.930	75.00	1767	4	Diesel			554
OM 636.931	75.00	1767	4	Diesel			554
OM 639.939	83.00	1493	3	Diesel			579
OM 639.939	83.00	1493	3	Diesel	171		579
OM 640.940	83.00	1991	4	Diesel	175		582
OM 640.941	83.00	1991	4	Diesel	175		582
OM 640.942	83.00	1991	4	Diesel	175		582
OM 642.820	83.00	2987	6	Diesel	178		588
OM 642.822	83.00	2987	6	Diesel	178		589
OM 642.826	83.00	2987	6	Diesel			590
OM 642.830	83.00	2987	6	Diesel	178		588
OM 642.832	83.00	2987	6	Diesel	178		588
OM 642.834	83.00	2987	6	Diesel			591
OM 642.835	83.00	2987	6	Diesel			590
OM 642.836	83.00	2987	6	Diesel	179		589
OM 642.838	83.00	2987	6	Diesel			592
OM 642.850	83.00	2987	6	Diesel	179		588
OM 642.852	83.00	2987	6	Diesel			593
OM 642.853	83.00	2987	6	Diesel			592
OM 642.854	83.00	2987	6	Diesel			592
OM 642.856	83.00	2987	6	Diesel	179		588
OM 642.858	83.00	2987	6	Diesel			594
OM 642.861	83.00	2987	6	Diesel			590

		ccm					9
OM 642.862	83.00	2987	6	Diesel			592
OM 642.868	83.00	2987	6	Diesel			594
OM 642.870	83.00	2987	6	Diesel	179		588
OM 642.872	83.00	2987	6	Diesel			594
OM 642.884	83.00	2987	6	Diesel			595
OM 642.886	83.00	2987	6	Diesel			591
OM 642.890	83.00	2987	6	Diesel			590
OM 642.896	83.00	2987	6	Diesel	179		596
OM 642.898	83.00	2987	6	Diesel	179		596
OM 642.910	83.00	2987	6	Diesel	180		596
OM 642.920	83.00	2987	6	Diesel	179		596
OM 642.921	83.00	2987	6	Diesel	179		596
OM 642.930	83.00	2987	6	Diesel	181		596
OM 642.932	83.00	2987	6	Diesel	179		597
OM 642.940	83.00	2987	6	Diesel	181		596
OM 642.950	83.00	2987	6	Diesel	181		589
OM 642.960	83.00	2987	6	Diesel	180		596
OM 642.961	83.00	2987	6	Diesel	182		596
OM 642.970	83.00	2987	6	Diesel	181		596
OM 642.990	83.00	2987	6	Diesel	181		589
OM 642.992	83.00	2987	6	Diesel	181		596
OM 642.993	83.00	2987	6	Diesel	179		596
OM 646.811	88.00	2148	4	Diesel	232		659
OM 646.812	88.00	2148	4	Diesel	232		659
OM 646.820	88.00	2148	4	Diesel	232		659
OM 646.821	88.00	2148	4	Diesel	232		660
OM 646.951	88.00	2148	4	Diesel	233		661
OM 646.961	88.00	2148	4	Diesel	233		661
OM 646.962	88.00	2148	4	Diesel	233		661
OM 646.963	88.00	2148	4	Diesel	234		661
OM 646.966	88.00	2148	4	Diesel	235		662
OM 646.980	88.00	2148	4	Diesel	236		663
OM 646.981	88.00	2148	4	Diesel	236		664
OM 646.982	88.00	2148	4	Diesel	237		665
OM 646.983	88.00	2148	4	Diesel	236		665
OM 646.984	88.00	2148	4	Diesel	236		660
OM 646.985	88.00	2148	4	Diesel	236		664
OM 646.986	88.00	2148	4	Diesel	236		666
OM 646.989	88.00	2148	4	Diesel	238		667
OM 646.990	88.00	2148	4	Diesel	236		660
OM 647.961	88.00	2685	5	Diesel	245		673
OM 647.981	88.00	2685	5	Diesel	238		674
OM 648.960	88.00	3222	6	Diesel	249		665
OM 648.961	88.00	3222	6	Diesel	249		665
OM 651.901	83.00	1796	4	Diesel	174		585
OM 651.911	83.00	2143	4	Diesel	174		585
OM 651.912	83.00	2143	4	Diesel	174		585
OM 651.913	83.00	2143	4	Diesel	174		586
OM 651.916	83.00	2143	4	Diesel	174		586
OM 651.921	83.00	2143	4	Diesel			587
OM 651.924	83.00	2143	4	Diesel	174		585
OM 651.925	83.00	2143	4	Diesel	174		586
OM 651.930	83.00	2143	4	Diesel			585
OM 651.940	83.00	2143	4	Diesel	174		586
OM 651.955	83.00	2143	4	Diesel	174		586
OM 651.956	83.00	2143	4	Diesel	174		586
OM 651.957	83.00	2143	4	Diesel	174		586
OM 651.960	83.00	2143	4	Diesel	174		585
OM 651.961	83.00	2143	4	Diesel	174		585
OM 651.980	83.00	2143	4	Diesel	174		585
OM 660 DE 8LA	65.50	799	3	Diesel	142		548
OM 660 DE 8LA	65.50	799	3	Diesel	142		549
OM 660.940	65.50	799	3	Diesel	140		544
OM 660.950	65.50	799	3	Diesel			545
OM 660.950	65.50	799	3	Diesel	141		546
OM 660.951	65.50	799	3	Diesel			547
OM 661.911	89.00	2299	4	Diesel	271		701
OM 662.911	89.00	2874	5	Diesel	278		706
OM 668.914	80.00	1689	4	Diesel	151		558
OM 668.940	80.00	1689	4	Diesel	152		558
OM 668.941	80.00	1689	4	Diesel	152		558
OM 668.942	80.00	1689	4	Diesel	152		558
S 14 B 20	93.40	1990	4	Petrol	129		531
S 14 B 23	93.40	2303	4	Petrol	130		533
S 14 B 23	93.40	2303	4	Petrol	130		533
S 14 B 23 (EVO I)	93.40	2302	4	Petrol	130		532
S 14 B 25	95.00	2467	4	Petrol	137		541
S 38 B 35	93.40	3453	6	Petrol	133		535

		ccm	X 			9 
S 38 B 35	93.40	3453	6	Petrol	133	536
S 38 B 36	93.40	3535	6	Petrol		537
S 38 B 38	94.60	3795	6	Petrol	136	540
S 38 B 49	94.00	4941	8	Petrol	134	538
S 50 B 30	86.00	2990	6	Petrol	107	508
S 50 B 32	86.40	3201	6	Petrol	109	510
S 54 326 S4	87.00	3246	6	Petrol		511
S 54 B 32	87.00	3246	6	Petrol		511
S 54 B 32	87.00	3246	6	Petrol		511
S 54 N 326 S4	87.00	3246	6	Petrol		511
S 62 B 50	94.00	4941	8	Petrol	134	538
S 85 B 50 A	92.00	4999	10	Petrol		529
W	90.00	1679	4	Petrol	382	810
W 10 B 16 A	77.00	1598	4	Petrol	7	416
W 11 B 16 A	77.00	1598	4	Petrol	8	417
XJ	86.50	1984	4	Petrol	381	809
XK	86.50	1984	4	Petrol	381	

TOP ENGINE APPLICATIONS



ZYLINDERKOPFANWENDUNGEN

APPLICAZIONI PARTE ALTA DEL MOTORE

APPLICATIONS HAUT MOTEUR



APLICACIONES PARA LA PARTE SUPERIOR DEL MOTOR

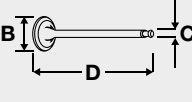
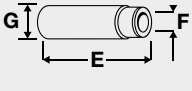
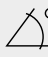



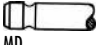
GÓRA SILNIKA






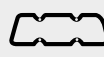

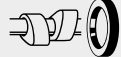
ДЕТАЛИ ВЕРХНЕЙ ЧАСТИ ДВИГАТЕЛЯ



تطبيقات المحرك العلوية









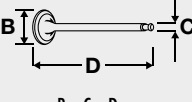
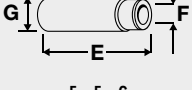
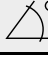


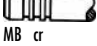

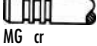
1	 73.00	Diesel					
1ND	4 Cyl.	1364cc	55kW (75)PS	TD18565	413		
1ND-TV	4 Cyl.	17.5:1	1364cc	55-65kW (75-88)PS	Turbo Intercooled	TD22098	413
MINI (R50, R53)	06/03→09/06						






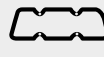

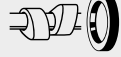
						
B x C x D	OE	MAT.				Ex F x G
V94670 ■	11 34 7 791 054		45°	H		
30.70 x 6.00 x 100.00		MB				
V94671 ■	13715-33040		45°			
28.00 x 6.00 x 99.70		MD				

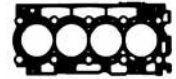
							
AG7600 MLS, 0.850mm →09/05	CG7600 ▲ →09/05	FG7600 ▲ →09/05	HBS490 ☉ M12x1.75x180.00mm (x10)	JD5959 ■ MLS	JM5288		
AG7610 MLS, 0.900mm →09/05							
AG7620 MLS, 0.950mm							

2	 75.00	Diesel					
9HZ (DV6TED4)	4 Cyl.	17.5:1	1560cc	80kW (109)PS	Turbo Intercooled	TD20982	414
MINI (R56)	03/07→					MINI CLUBMAN (R55)	10/07→

					
TB724	TBK302	CAM746 ■	KIT	FOL184 (x16)	FOL152 (x16)
137x25.4	Component No:TB724; AE1164GP;AE1163GP	CAM747 ■			

						
B x C x D	OE	MAT.				Ex F x G
V94960 ■			45°	H		VAG96119 ■ ■ ■ 41.50 x 6.03 x 10.54
25.60 x 5.50 x 96.35		MB cr				
V94961 ■	11 34 7 805 969		45°	ss	H	
23.40 x 5.50 x 96.50		MG cr				

							
AD5130 MLS, 1.250mm, 2 Notches	CD5140 ▲		HBS359 ☉	JD5830 ■ ■ ■	JM7034		NA5258
AD5140 MLS, 1.300mm, 3 Notches				HA5031 ■ ■ ■	(Elastomer)		27.00x47.00x7.00mm PTFE
AD5150 MLS, 1.350mm, 1 Notch				■			
AD5160 MLS, 1.400mm, 4 Notches				HA5030 ■ ■ ■			
AD5170 MLS, 1.450mm, 5 Notches				■			
				JD5829 ■			



AD5130, AD5140, AD5150, AD5160, AD5170

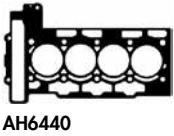


3	77.00	Petrol			
N 12 B 14 A	4 Cyl.	11:1	1397cc	55-70kW (75-95)PS	TD24547
N 12 B 16 A	4 Cyl.		1598cc	85-88kW (116-120)PS	TD20893
MINI (R56)	10/06→	MINI CLUBMAN (R55)	10/07→	MINI Convertible (R57)	03/09→

					FOL185 (x8) FOL191 (x8)

	OE				
V95035			45°	H	
30.00 x 5.00 x 97.00		MB			
V95036			45°	H	
25.10 x 5.00 x 110.65		MG			

AH6440 MLS, 0.900mm	CH6440 MLS 01/01→		HBS522 [Ⓢ] 01/06→	JD6034 (x4) (Elastomer)			

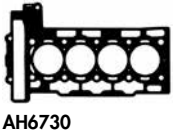


4	77.00	Petrol			
N 14 B 16 A	4 Cyl.	1598cc	120-128kW (163-174)PS	TD24546	
N 14 B 16 C	4 Cyl.	1598cc	155kW (211)PS	Bi-Turbo Intercooled	TD25562
MINI (R56)	10/06→	MINI CLUBMAN (R55)	10/07→	MINI Convertible (R57)	03/08→
MINI Coupe (R58)	09/11→	MINI Roadster (R59)	02/12→		

					FOL185 (x16)

	OE				
V95037			45°	H	
28.80 x 5.00 x 105.70		MB			
V95038			45°	H	
26.25 x 5.00 x 110.10		MG			

AH6730 MLS, 0.9mm	CH6730 MLS		HBS522 [Ⓢ] 01/06→			



5	77.00	Petrol	
N 16 B 16 A	4 Cyl.	1598cc	90kW (122)PS
			TD25563
MINI (R56)	03/10→	MINI CLUBMAN (R55)	10/07→
MINI Convertible (R57)	03/09→	MINI COUNTRYMAN (R60)	06/10→
MINI PACEMAN (R61)	04/12→	MINI Roadster (R59)	02/12→
		MINI CLUBVAN (R55)	12/12→
		MINI Coupe (R58)	09/11→

	.KIT		KIT		
					FOL185 (x8) FOL191 (x8)

B x C x D	OE	MAT.	45°	H	E x F x G
V95035		MB			
30.00 x 5.00 x 97.00					
V95036		MG			
25.10 x 5.00 x 110.65					

AH6440 MLS, 0.900mm	CH6440 MLS		HBS522	JD6034 (x4) (Elastomer)			
AH6440							

6	77.00	Petrol	
N 18 B 16 A	4 Cyl.	1598cc	135kW (184)PS
			Turbocharged
			TD25564 415
MINI (R56)	03/10→	MINI CLUBMAN (R55)	03/10→
MINI COUNTRYMAN (R60)	06/10→	MINI Coupe (R58)	09/11→
MINI Roadster (R59)	02/12→		
		MINI Convertible (R57)	03/10→
		MINI PACEMAN (R61)	04/12→

	.KIT		KIT		
					FOL185 (x8) FOL191 (x8)

B x C x D	OE	MAT.	45°	H	E x F x G
V95038		MG			
26.25 x 5.00 x 110.10					

AH6730 MLS, 0.9mm			HBS522				
AH6730							

7	77.00	Petrol	
W 10 B 16 A	4 Cyl.	1598cc	66/85kW (90/116)PS
MINI (R50, R53)	06/01→09/06	MINI Convertible (R52)	07/04→11/07
			TD18563 416

B x C x D	E x F x G
OE	MAT.
V94349	1134 1 485 585
30.30 x 6.00 x 109.00	
V94350	1134 7 829 943
23.20 x 6.00 x 117.80	

AC5920 MLS, 0.650mm	CC5920	HBS496	JD5826 (Elastomer) JD5827 (Steel Elastomer)	JMS119 (Elastomer)	HR5061



AC5920

8	77.00	Petrol	
W 11 B 16 A	4 Cyl.	1598cc	120/125kW (163/170)PS
MINI (R50, R53)	03/02→09/06	MINI Convertible (R52)	07/04→11/07
			TD18564 417

			FOL185 (x16)

AC5920 MLS, 0.650mm	CC5921	HBS496	JD5827 (Steel Elastomer)	JMS119 (Elastomer)	HR5061





AC5920

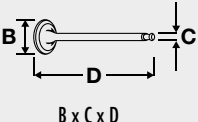
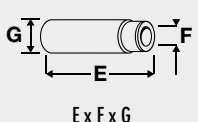


9	78.00	Diesel	
N 47 C 16 A	4 Cyl.	17:1	1598cc
N 47 D 16 A Euro 5	4 Cyl.	16.5:1	1598cc
			66-82kW (90-112)PS
			Turbo Intercooled
			TD26136 418








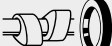
1 (F20)	10/12→	1 (F21)	12/11→	MINI (R56)	06/10→
MINI CLUBMAN (R55)	03/10→	MINI CLUBVAN (R55)	12/12→	MINI Convertible (R57)	06/10→
MINI COUNTRYMAN (R60)	06/10→	MINI PACEMAN (R61)	09/12→		

HBS544	HR5110

10	 80.00	Diesel					
M 41 D 18	4 Cyl.	22:1	1665cc	66kW (89)PS	Turbo Intercooled	TD452	419
3 (E36)	01/95→08/00						



					
					FOL129 (x8)







	
B x C x D	E x F x G
OE	
MAT.	
	
45°	ss
H	
V94526 ■	VAG96148B ■ ■ ■
1134 2 244 814	39.50 x 6.00 x 103.70
V94555 ■	
1134 2 244 815	39.50 x 6.00 x 12.57
30.90 x 6.00 x 103.50	
MG cr	
MG cr	

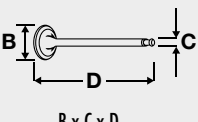
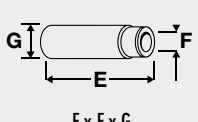


							
AY270 Fibre Composite, 1.680mm, 2 Holes	CY270 ▲		HBS121 ☉	JD612 ■ (x4)	JP078	PA5041 (x8)	
AY280 Fibre Composite, 1.870mm, 3 Holes			M12x1.50x146.50mm (x10)	JD275 ■ (x2)		6.00/12.20x10.00 (FPM)	
						HR817 ■	













AY270, AY280

11	 80.00	Petrol				
M 20 B 20	6 Cyl.	9.2:1	1991cc	90kW (122)PS	TD5117	420
3 (E21)	09/77→08/82	3 (E30)	09/82→10/93	5 (E12)	09/77→05/81	
5 (E28)	06/81→12/87	5 (E34)	01/88→08/91			

					
TBK337 Component No:TB241; AE1019TP		CAM410	CKS8410	FOL132 (x12)	

	
B x C x D	E x F x G
OE	
MAT.	
	
45°	Y
H	
V91189 ■	VAG92303B ■ ■ ■
1134 1 267 721	45.00 x 6.98 x 102.70
V91190 ■	VAG92347B ■ ■ ■
1134 1 280 643	45.00 x 6.96 x 102.70
34.00 x 6.96 x 102.70	VAG96143B ■ ■ ■
MB	45.00 x 7.02 x 13.05
MG cr	45.00 x 7.02 x 13.14
	45.00 x 7.02 x 13.24

							
BD630 Fibre Composite	DD630		HBS041 ☉	JD239 ■	JN297	HR662 ■	NB799
BR841 Fibre Composite, 2.08mm	DD631		M10x1.50x150.00mm (x14)	 JE5074			38.00x50.00x7.00mm FPM
				 JE555 (x2)[46]			



BD630



BR841

[46] for left-hand drive vehicles

[46] pour véhicules avec direction à gauche

[46] per veicolo con guida a Sx

[46] para vehic. dirección izquierda

12



80.00

Petrol



M 50 B

6 Cyl.

10.5:1

1991cc

110kW (150)PS

TD4227

422

3 (E36)

09/90→04/99

5 (E34)

09/89→01/97

					FOL129 (x24)

	OE	MAT.			
B x C x D			45°	Y H	E x F x G
V91420	1134 1 722 910		45°	Y H	VAG96042B
29.90 x 7.00 x 107.70 →08/92					43.50 x 7.00 x 12.55 →08/92
V94008	1134 1 738 220		45°	Y H	VAG96043B
30.00 x 5.98 x 107.15 09/92→					43.50 x 6.01 x 12.56 09/92→
V91421	1134 1 722 911		45°	H	
26.90 x 7.00 x 106.80 →08/92					
V94009	1134 7 502 351		45°	H	
27.00 x 5.96 x 106.20 09/92→					

BT680 Fibre Composite	DT680 →09/92 DT681 09/92→		HBS068 [40] M10x1.50x95.00mm (x14)	NC052 (x6) HA5023 JD561 (x3)	HL734 →09/92 HL735 09/92→	HR662 (x2) →09/92 HR280 (x2) 09/92→	



BT680

[40] Cast Steel

[40] Fonte

[40] Acciaio fuso

[40] Acero fundido



M 50 B 6 Cyl. 10.5:1 1991cc 110kW (150)PS TD10027 421

3 (E36) 09/90→04/99 **5 (E34)** 09/89→01/97

					FOL129 (x24) →09/94 FOL131 (x24) 09/94→

 B x C x D	OE	MAT.	 45° Y H	 45° Y H	 45° H	 E x F x G
V91420 ■ 29.90 x 7.00 x 107.70 →08/92	1134 1 722 910		45° Y H			VAG96042B ■ ■ ■ 43.50 x 7.00 x 12.55 →08/92
V94008 ■ 30.00 x 5.98 x 107.15 09/92→	1134 1 738 220		45° Y H			VAG96043B ■ ■ ■ 43.50 x 6.01 x 12.56 09/92→
V91421 ■ 26.90 x 7.00 x 106.80 →08/92	1134 1 722 911		45° H			
V94009 ■ 27.00 x 5.96 x 106.20 09/92→	1134 7 502 351		45° H			

BT680 Fibre Composite	DT680 →09/92 DT681 09/92→		HBS068 [40] M10x1.50x95.00mm (x14)	NC052 ■ (x6) HA5023 ■ ■ ■ JD561 ■ (x3)	HL734 ■ →09/92 HL735 ■ 09/92→	HR662 ■ (x2) →09/92 HR280 ■ (x2) 09/92→	


BT680

[40] Cast Steel

[40] Fonte

[40] Acciaio fuso

[40] Acero fundido

14



80.00

Petrol



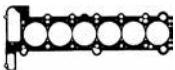
M 50 B 20	6 Cyl.	10.5:1	1991cc	110kW (150)PS	TD21402	421
M 50 B 20 TU	6 Cyl.	11:1	1991cc	110kW (150)PS	TD21239	423

3 (E36)	09/90→10/99	5 (E34)	09/89→01/97
----------------	-------------	----------------	-------------

					FOL125 (x24) →09/92 FOL129 (x24) 09/92→09/94 FOL131 (x24) 09/94→

	OE	MAT.				
B x C x D						E x F x G
V91420	1134 1 722 910		45°	Y	H	VAG96042B
29.90 x 7.00 x 107.70 →08/92		MB cr				43.50 x 7.00 x 12.55 →08/92
V94008	1134 1 738 220		45°	Y	H	VAG96043B
30.00 x 5.98 x 107.15 09/92→		MB				43.50 x 6.01 x 12.56 09/92→
V91421	1134 1 722 911		45°		H	
26.90 x 7.00 x 106.80 →08/92		MG cr				
V94009	1134 7 502 351		45°		H	
27.00 x 5.96 x 106.20 09/92→		MG cr				

BT680 Fibre Composite	DT680 →09/92 DT681 09/92→		HBS068 [40] M10x1.50x95.00mm (x14)	NC052 (x6) HA5023 JD561	HL734 →09/92 HL735 09/92→	HR662 (x2) →09/92 HR280 (x2) 09/92→	



BT680

[40] Cast Steel

[40] Fonte

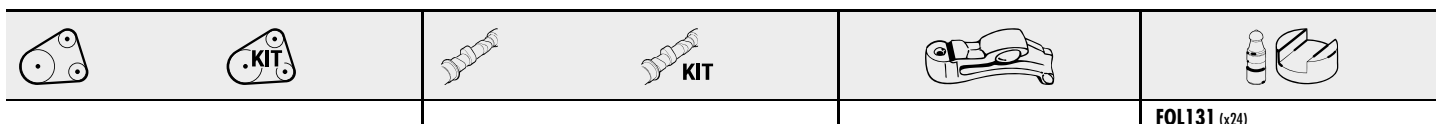
[40] Acciaio fuso

[40] Acero fundido



M 52 B 6 Cyl. 11:1 1991cc 100-110kW (136-150)PS TD460 424

3 (E36) 09/90→10/99 3 (E46) 03/98→09/00 5 (E39) 01/96→05/04



FOL131 (x24)

B x C x D	OE	MAT.	45°	Y	H	E x F x G
V91420 ■ 29.90 x 7.00 x 107.70 →08/92	1134 1 722 910	MB cr	45°	Y	H	VAG96042B ■ ■ ■ 43.50 x 7.00 x 12.55 →08/92
V94008 ■ 30.00 x 5.98 x 107.15 09/92→	1134 1 738 220	MB	45°	Y	H	VAG96043B ■ ■ ■ 43.50 x 6.01 x 12.56 09/92→
V91421 ■ 26.90 x 7.00 x 106.80 →08/92	1134 1 722 911	MG cr	45°		H	
V94009 ■ 27.00 x 5.96 x 106.20 09/92→	1134 7 502 351	MG cr	45°		H	



BT680 Fibre Composite →09/98	DY570 →09/95	HBS413 [42] M10x1.50x110.00mm (x14)	JD492 ■ (x2) NC052 ■ (x6) HA5023 ■ ■ ■ JD497 ■ (x2) →08/98 JD5916 ■ 09/98→ ⊙ JF191	HL735 ■ →08/95 HL736 ■ 09/95→	PA5041 (x24) 6.00/12.20x10.00 (FPM) HR280 ■ (x2)
AC5310 MLS 09/98→	DY571 ■ 09/95→				



AC5310 **BT680**

[42] Engine Block Material: Aluminium

[42] Matériel pour bloc-moteur: aluminium

[42] Materiale blocco motore: Alluminio

[42] Material bloque: aluminio

16



80.00

Petrol



M 52 B 6 Cyl. 11:1 1991cc 110kW (150)PS TD14610 424

3 (E46) 08/99→09/00 5 (E39) 01/96→09/00 Z3 (E36) 04/99→01/03

					FOL131 (x24)

B x C x D	E x F x G
OE	
MAT.	
45° Y H	
V94008 ■	VAG96043B ■ ■
1134 1 738 220	43.50 x 6.01 x 12.56
30.00 x 5.98 x 107.15	
V94009 ■	
1134 7 502 351	
27.00 x 5.96 x 106.20	
MG cr	

BT680 Fibre Composite →09/98	DY570 →09/95		HBS413 [42] M10x1.50x110.00mm (x14)	JD492 ■ (x2) NC052 ■ (x6) HA5023 ■ ■ JD497 ■ (x2) →09/98 JD5916 ■ 09/98→ ◀ JF191 (x2)	HL735 ■ →08/95 HL736 ■ 09/95→	PA5041 (x24) 6.00/12.20x10.00 (FPM) HR280 ■ (x2)	
AC5310 MLS 09/98→	DY571 ■ 09/95→						



AC5310
[42] Engine Block Material: Aluminium



BT680
[42] Matériel pour bloc-moteur: aluminium

[42] Materiale blocco motore: Alluminio

[42] Material bloque: aluminio



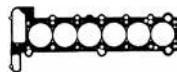
M 52 B 20 6 Cyl. 11:1 1991cc 110kW (150)PS TD21403 424

3 (E36) 09/90→10/99 3 (E46) 03/98→09/00 5 (E39) 01/96→09/00

Z3 (E36) 04/99→01/03

 B x C x D			OE	MAT.	 45°	 Y	 H	 E x F x G		
V91420 ■ 29.90 x 7.00 x 107.70 →08/92	1134 1 722 910							VAG96042B ■ ■ ■ 43.50 x 7.00 x 12.55 →08/92		
V94008 ■ 30.00 x 5.98 x 107.15 09/92→	1134 1 738 220							VAG96043B ■ ■ ■ 43.50 x 6.01 x 12.56 09/92→		
V91421 ■ 26.90 x 7.00 x 106.80 →08/92	1134 1 722 911									
V94009 ■ 27.00 x 5.96 x 106.20 09/92→	1134 7 502 351									

BT680 Fibre Composite →09/98	DY570 →09/95		HBS413 [42] M10x1.50x110.00mm (x14)	JD492 ■ (x2)	HL735 ■ →08/95	PA5041 (x24) 6.00/12.20x10.00 (FPM)	
AC5310 MLS 09/98→	DY571 ■ 09/95→			NC052 ■ (x6)	HL736 ■ 10/95→	HR280 ■ (x2)	
				HA5023 ■ ■ ■			
				JD497 ■ (x2) →09/98			
				JD5916 ■ (x2) 09/98→			
				JF191 (x2)			



AC5310

BT680

[42] Engine Block Material: Aluminium

[42] Matériel pour bloc-moteur: aluminium

[42] Materiale blocco motore: Alluminio

[42] Material bloque: aluminio

18



80.00

Petrol



M 54 226 S1	6 Cyl.	10.8:1	2171cc	125kW (170)PS	TD17522	426
M 54 B 22	6 Cyl.		2171cc	125kW (170)PS	TD15969	425

5 (E39) 09/00→06/03

					FOL131 (x24)	

B x C x D	E x F x G
V94008 30.00 x 5.98 x 107.15 V94009 27.00 x 5.96 x 106.20	VAG96043B 43.50 x 6.01 x 12.56

AC5310 MLS	CC5310 ▲ →09/02 CC5901 10/02→		HBS068 [40] M10x1.50x95.00mm (x14) HBS413 [42] M10x1.50x110.00mm (x14)	HA5023 JD5916 JE5012	HM5069	PA5041 (x24) 6.00/12.20x10.00 (FPM) HR280 (x2)	



AC5310

[40] Cast Steel

[42] Engine Block Material: Aluminium

[40] Fonte

[42] Matériel pour bloc-moteur: aluminium

[40] Acciaio fuso

[42] Materiale blocco motore: Alluminio

[40] Acero fundido

[42] Material bloque: aluminio



M 20 B 23 L

6 Cyl.

9.8:1

2316cc

102-110kW (139-150)PS

TD5259

420

3 (E21)

01/78→08/82

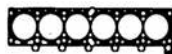
3 (E30)

09/82→08/86

TBK337 Component No:TB241; AE1019TP		CAM407 →09/87 CAM410 10/87→		FOL132 (x12)	

	OE	MAT.				
V91189 ■ 40.00 x 6.98 x 102.70	1134 1 267 721		45°	Y	H	VAG92303B ■ ■ ■ 45.00 x 7.02 x 13.05
V91190 ■ 34.00 x 6.96 x 102.70	1134 1 280 643		45°		H	VAG92347B ■ ■ ■ 45.00 x 7.02 x 13.14
						VAG96143B ■ ■ ■ 45.00 x 7.02 x 13.24

BD630 Fibre Composite BR841 Fibre Composite, 2.08mm	DD631	HBS041 ⊕ M10x1.50x150.00mm (x14)	JD239 ■ ⊖ JE5074 ⊖ JE555 (x2) [46]	JN297	HR602 ■	NB799 38.00x50.00x7.00mm FPM



BD630

BR841

[46] for left-hand drive vehicles

[46] pour véhicules avec direction à gauche

[46] per veicolo con guida a Sx

[46] para vehic. dirección izquierda

20



80.00

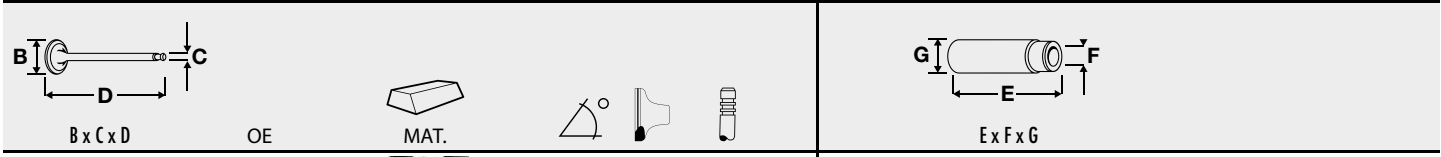
Diesel



M 21 D 24 6 Cyl. 22:1 2443cc **85kW (115)PS** **Turbocharged** **TD5263** **427**

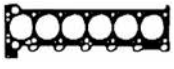
3 (E30) 09/87→06/93 **5 (E28)** 09/83→12/87 **5 (E34)** 03/88→09/95

CAM423					



<p>V91423 </p> <p>30.90 x 7.00 x 114.10</p>	<p>1134 2 242 623</p> <p></p>	<p>45°</p>	<p>ss</p>	<p>VAG92347B </p> <p>45.00 x 7.02 x 13.14</p> <p>VAG96167 </p> <p>45.00 x 7.02 x 13.34</p> <p>VAG96189B </p> <p>45.00 x 7.02 x 13.07</p> <p>VAG96086B </p> <p>52.00 x 7.02 x 13.07</p>
--	-------------------------------	------------	-----------	--

BR420 Fibre Composite, 1.550mm, 1 Hole			HBS065	JD275	JN578	HR662	NB799
BR430 Fibre Composite, 1.680mm, 2 Holes			M11x1.50x140.00mm (x14)				38.00x50.00x7.00mm FPM
BR440 Fibre Composite, 1.870mm, 3 Holes							



BR420, BR430, BR440

21



80.00

Diesel



M 21 D 24 W	6 Cyl.	23:1	2443cc	63kW (86)PS		TD5165	428
M 21 D 24 WA	6 Cyl.	23:1	2443cc	85kW (116)PS	Turbocharged	TD443	428

3 (E30)	09/85→06/93	5 (E28)	09/83→12/87	5 (E34)	03/88→09/95
----------------	-------------	----------------	-------------	----------------	-------------

TB344 138x28.5	TBK061 Component No:TB344; AE1060TP	CAM423	

V91423	1134 2 242 623	MAT.	45°	ss	VAG92347B	45.00 x 7.02 x 13.14	
30.90 x 7.00 x 114.10		MF cr			VAG96167	45.00 x 7.02 x 13.34	
					VAG96189B	45.00 x 7.02 x 13.07	
					VAG96086B	52.00 x 7.02 x 13.07	

BR420 Fibre Composite, 1.550mm, 1 Hole	BR430 Fibre Composite, 1.680mm, 2 Holes	BR440 Fibre Composite, 1.870mm, 3 Holes	HBS065	JD275 (x6) 	JN578	HR662 (x2)	NB799 38.00x50.00x7.00mm FPM

BR420, BR430, BR440

22



80.00

Diesel



M 51 D 25 6 Cyl. 22:1 2497cc 85kW (115)PS Turbocharged TD4229 429

3 (E36) 09/91→02/98 5 (E34) 03/93→01/97 5 (E39) 01/97→06/03

CAM458			FOL129 (x12)		

B x C x D	OE	MAT.	45°	ss	H
V94526 ■	1134 2 244 814		45°	ss	H
35.90 x 6.00 x 103.70		MG cr			
V94555 ■	1134 2 244 815		45°	ss	H
30.90 x 6.00 x 103.50		MG cr			

--	--	--	--	--	--	--	--

BW730 Fibre Composite, 1.680mm, 2 Holes →01/94	DW730 ▲ →08/92	HBS066 ⊕ M12x1.50x146.50mm (x14)	JD274 ■ (x6) →08/95	JN955 →01/96	PA5041 (x12) 6.00/12.20x10.00
BW740 Fibre Composite, 1.870mm, 3 Holes →01/94	DW731 ▲ 09/92→		JD612 ■ 09/95→	JM5063 (Elastomer)	(FPM)
BZ120 Fibre Composite, 1.870mm, 3 Holes 01/94→	DZ121 ▲ 09/95→		JD275 ■ (x4) →08/92	01/96→	09/92→
BZ111 Fibre Composite, 1.680mm, 2 Holes 02/94→			JD5134 ■ 09/92→		HR280 ■ (x2) 09/92→

BW730, BW740	BZ111	BZ120				



M 57 D 25 6 Cyl. 17.5:1 2497cc 120kW (163)PS Turbo Intercooled TD21233 430

5 (E39) 02/00 → 05/04

			KIT		
				FOL186 (x24)	FOL152 (x24)

B x C x D	E x F x G
<p>V94086 </p> <p>1134 2 247 077</p> <p>26.00 x 6.00 x 99.90</p> <p>V94086 </p> <p>1134 2 247 077</p> <p>26.00 x 6.00 x 99.90</p>	<p>VAG96266B </p> <p>39.00 x 6.00 x 11.54</p>

<p>AC5320 MLS, 1.450mm, 1 Hole</p> <p>AC5330 MLS, 1.550mm, 2 Holes</p> <p>AC5340 MLS, 1.650mm, 3 Holes</p> <p>AB5990 MLS, 1.800mm</p>	DZ660	HBS066	JD5108	JM5106 (Elastomer)	PA5041 (x24)		
M12x1.50x146.50mm (x14)					6.00/12.20x10.00 (FPM)		
AB5990	AC5320, AC5330	AC5340					



M 57 D 25 TU 6 Cyl. 17.5:1 2497cc 130kW (177)PS Turbo Intercooled TD21234 431

5 (E60) 06/04 → 03/10 5 (E61) 06/04 →

			KIT		
				FOL186 (x24)	FOL152 (x24)

B x C x D	E x F x G
<p>V94086 </p> <p>1134 2 247 077</p> <p>26.00 x 6.00 x 99.90</p> <p>V94086 </p> <p>1134 2 247 077</p> <p>26.00 x 6.00 x 99.90</p>	<p>VAG96266B </p> <p>39.00 x 6.00 x 11.54</p>

<p>AG9000 MLS, 1.450mm, 1 Hole</p> <p>AG9010 MLS, 1.550mm, 2 Holes</p> <p>AG9020 MLS, 1.650mm, 3 Holes</p>	CG9000	HBS066	JD5108	JM5106 (Elastomer)	PA5016 (x24)		
M12x1.50x146.50mm (x14)							
AG9000	AG9010	AG9020					

25



80.00

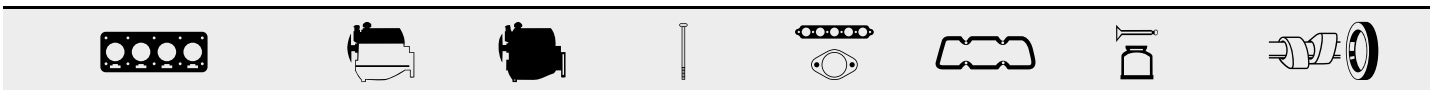
Diesel



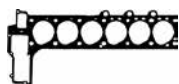
M 51 D 25	6 Cyl.	22:1	2498cc	105kW (143)PS	Turbo Intercooled	TD5285	429
3 (E36)	05/93→10/99		5 (E34)	09/91→01/97	5 (E39)		01/96→05/04
7 (E38)	04/96→11/01						

		CAM458			FOL129 (x12)

 B x C x D	OE	MAT.				 E x F x G
V94089	1134 2 246 524	 MB cr	45°	Y	H	VAG96148B
35.90 x 6.00 x 103.70						39.50 x 6.00 x 12.57
V94526	1134 2 244 814	 MG cr	45°	ss	H	
35.90 x 6.00 x 103.70						
V94090	1134 2 246 525	 MG cr	45°		H	
30.90 x 6.00 x 103.50						
V94555	1134 2 244 815	 MG cr	45°	ss	H	
30.90 x 6.00 x 103.50						



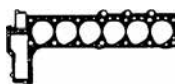
BW730 Fibre Composite, 1.680mm, 2 Holes →01/94	DW730 ▲ →09/92		HBS066 M12x1.50x146.50mm (x14)	JD274 (x6) →08/95	JN955 →01/96	PA5041 (x12) 6.00/12.20x10.00
BW740 Fibre Composite, 1.870mm, 3 Holes →01/94	DW731 ▲ 09/92→			JD5270	JM5063 (Elastomer)	(FPM)
BZ111 Fibre Composite, 1.680mm, 2 Holes 02/94→	DZ121 ▲ 09/95→			JD612 (x6) 09/95→	01/96→	09/92→
BZ120 Fibre Composite, 1.870mm, 3 Holes 02/94→				JD275 (x4) →08/92		HR280 (x2) 09/92→
				JD276 (x1)		
				JD5134		
				09/92→		



BW730, BW740



BZ111



BZ120

26

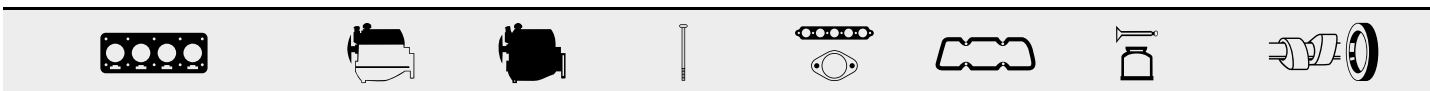


82.00

Petrol



M 10 B 15	4 Cyl.	8.2:1	1499cc	59kW (80)PS		TD5168	432
1500-2000	10/62→07/66						



BC910 Fibre Composite			HBS070 M12x1.75x157.00mm (x10)		JN299	
------------------------------	--	--	--	--	--------------	--



BC910

27	82.00	Petrol			
N 43 B 16 A	4 Cyl.	1597cc	89-90kW (121-122)PS	TD20844	433
1 (E81)	03/07→09/12	1 (E87)	11/03→09/12	3 (E90)	09/07→12/11
3 (E91)	05/08→05/12	3 (E92)	09/07→		

			HBS467	JD5909 (x4)			

28	82.00	Petrol				
N 52 B 25	6 Cyl.	11:1	2497cc	130-160kW (177-218)PS	TD21408	434
N 52 B 25 A	6 Cyl.		2497cc	130-160kW (177-218)PS	TD18517	434
N 52 B 25 C	6 Cyl.	11:1	2497cc	160kW (218)PS	TD18169	434
N 52 N B 25 A	6 Cyl.		2497cc	130kW (177)PS	TD20960	435
3 (E90)	01/05→	3 (E91)	09/05→	3 (E92)	09/06→	
3 (E93)	03/07→	5 (E60)	07/05→03/10	5 (E61)	07/05→	
5 (F10, F18)	03/10→	X3 (E83)	07/06→	Z4 (E85)	01/06→	
Z4 (E89)	05/09→					

B x C x D	OE	MAT.	45°	H	E x F x G		
V95045 	1134 7 539 919		45°	H			
32.20 x 5.00 x 104.50		MB					
V95046 	1134 7 553 774		45°	H			
27.00 x 6.00 x 110.40		MG					

AG9540 MLS, 1.200mm	CG9540		HBS468	JD5864 (x6)	HM5288		
AG9550 MLS, 1.500mm				JD5909			
				JE5058			
				Fibre Composite			

29	82.00	Petrol				
N 53 B 25 A	6 Cyl.		2497cc	140kW (190)PS	TD20588	435
5 (E60)	01/07→03/10	5 (E61)		01/07→		

B x C x D	OE	MAT.	45°	H	E x F x G		
V95045 	1134 7 539 919		45°	H			
32.20 x 5.00 x 104.50		MB					
V95046 	1134 7 553 774		45°	H			
27.00 x 6.00 x 110.40		MG					

				JD5909			

30



84.00

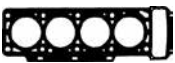
Petrol



M 10 B 16	4 Cyl.	8.0-9.5:1	1574cc	55-77kW (75-105)PS	TD5170	436
02 (E10)	09/67→07/77		02 (E6)	05/71→04/73	3 (E21)	08/75→03/84
3 (E30)	09/82→12/91		1500-2000	09/63→04/68	1600 GT	10/67→05/69

<p>B x C x D</p>	OE	MAT.			<p>E x F x G</p>
V34335	1134 1 251 879		45°	H	VAG92170B 50.00 x 8.02 x 14.06 VAG96176B 50.00 x 8.02 x 14.24

BC910 Fibre Composite	HBS070 M12x1.75x157.00mm (x10)	JN299	HR363



BC910

31



84.00

Petrol



M 40 B 16	4 Cyl.	9:1	1596cc	73kW (99)PS	TD5255	437
3 (E30)	09/87→06/94		3 (E36)	09/90→02/98		

TB242 110x21	TBK074 →08/90 Component No:TB242; AE1038TP;AE1003GP; AE1002GP TBK108 Component No:TB242; AE1039TP;AE1003GP; AE1002GP	CAM403	CKS9403	FOL80 (x8)	FOL79 (x8)

<p>B x C x D</p>	OE	MAT.				<p>E x F x G</p>
V91418	1134 1 727 358		45°	Y	H	VAG96042B 43.50 x 7.00 x 12.55 VAG96235B 43.50 x 7.02 x 12.65
V91955	1134 1 727 352		45°	ss	H	

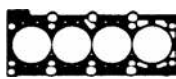
BR830 Fibre Composite	DR830	HBS069 M10x1.50x95.00mm (x10)	JD189 (x2) JD283 (x1) JD243 	JN698	HR646	NB799 38.00x50.00x7.00mm FPM



BR830

32	84.00	Petrol				
M 40 B 16 C	4 Cyl.	9:1	1596cc	73kW (99)PS	TD21160	438
M 40 B 18 C	4 Cyl.	8.8:1	1796cc	103kW (140)PS	TD19662	443

BR830 Fibre Composite	DR830		HBS069 M10x1.50x95.00mm (x10)	JD189 (x2) JD283 (x1) JD243 JE5019	JN698	HR646	NB799 38.00x50.00x7.00mm FPM

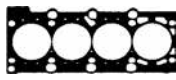


BR830

33	84.00	Petrol				
M 43 B 16	4 Cyl.	9.7:1	1596cc	77kW (105)PS	TD17055	439
3 (E46)	04/00→					

B x C x D	E x F x G
OE	
MAT.	
V94087 42.00 x 7.00 x 104.00	VAG96042B 43.50 x 7.00 x 12.55
V94088 35.90 x 7.00 x 103.00	VAG96196 43.50 x 7.02 x 12.77
	VAG96235B 43.50 x 7.02 x 12.65

BR830 Fibre Composite			HBS069 M10x1.50x95.00mm (x10)	JD5156 JD5858 JD243 JE5019	JP079 (Elastomer)	HR646	

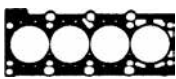


BR830

34	84.00	Petrol				
M 43 B 16	4 Cyl.	9.7:1	1596cc	75kW (102)PS	TD455	440
3 (E36)	09/90→08/00	3 (E46)	04/00→02/05			
TB242 110x21	TBK108 Component No:TB242; AE1039TP;AE1003GP; AE1002GP					FOL79 (x8)

B x C x D	E x F x G
V94087	VAG96042B
42.00 x 7.00 x 104.00	43.50 x 7.00 x 12.55
V94088	VAG96196
35.90 x 7.00 x 103.00	43.50 x 7.02 x 12.77
	VAG96235B
	43.50 x 7.02 x 12.65

BR830 Fibre Composite	DR831	HBS069 M10x1.50x95.00mm (x10)	JD283 (x1) JD608 (x2) →09/95 JD611 (x2) 09/95→ JD243 JE5019	JP079 (Elastomer)	HR646				



BR830

35	84.00	Petrol				
N 40 B 16 A	4 Cyl.	10.2:1	1596cc	85kW (115)PS	TD18037	441
3 (E46)	06/02→02/05					
AC5440 MLS, 0.400mm AC5470 MLS, 0.700mm	CC5441	HBS467	HA5024 JD5428 JE5039	HM5150		



AC5440

36



84.00

Petrol



N 45 B 16	4 Cyl.	10.2:1	1596cc	85kW (115)PS	TD21404	442
N 45 B 16 A	4 Cyl.	10.2:1	1596cc	85kW (115)PS	TD18358	442
1 (E81)	03/07→09/12	1 (E87)	11/03→09/12	3 (E46)	06/02→	
3 (E90)	02/06→12/11					

 B x C x D	OE	MAT.		 E x F x G
V94957 ■ 35.00 x 6.00 x 100.00	1134 1 435 461	 MB	45° H	
V94403 ■ 29.00 x 6.00 x 100.10	1134 7 503 839	 MG cr	45° ss H	

AC5440 MLS, 0.400mm →12/06 AC5470 MLS, 0.700mm AH6220 MLS, 0.800mm 01/07→	CC5441	HBS467 ☉	JD6024 ■ (x4) HA5024 ■ ■ JD5428 ■ JE5050 1.300mm	HM5150 ■
 AC5440	 AH6220			

37



84.00

Petrol



N 45 B 16 TU2	4 Cyl.	10.2:1	1596cc	85-90kW (115-122)PS	TD21221	441
3 (E90)	02/06→12/11					

AC5440 MLS, 0.400mm →12/06 AH6220 MLS, 0.800mm 01/07→	CC5441	HBS467 ☉	JD6024 ■ (x4) HA5024 ■ ■ JD5428 ■ JE5050 1.300mm	HM5150 ■
 AC5440	 AH6220			

38



84.00

Petrol



M 40 B 18

4 Cyl.

8.8:1

1796cc

83kW (113)PS

TD4224

438

3 (E30)

09/87→06/94

3 (E36)

12/90→10/93

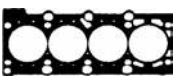
5 (E34)

08/89→09/95

TB242 110x21	TBK074 →11/90 Component No:TB242; AE1038TP;AE1003GP; AE1002GP TBK108 Component No:TB242; AE1039TP;AE1003GP; AE1002GP	CAM403	CKS9403	FOL80 (x8)	FOL79 (x8)

B x C x D	E x F x G
OE	
MAT.	
V91418	VAG96042B
41.90 x 7.00 x 102.10	43.50 x 7.00 x 12.55
V91955	VAG96196
35.90 x 7.00 x 101.10	43.50 x 7.02 x 12.77
	VAG96235B
	43.50 x 7.02 x 12.65

BR830 Fibre Composite	DR830		HBS069 M10x1.50x95.00mm (x10)	JD189 (x2) JD283 (x1) JD243 	JN698	HR646	NB799 38.00x50.00x7.00mm FPM



BR830

39



84.00

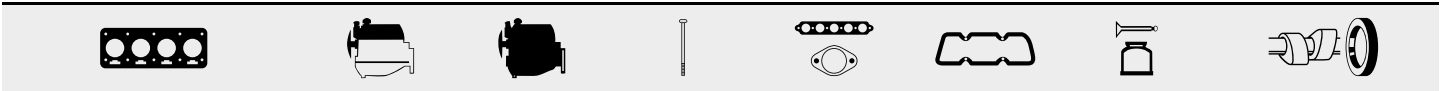
Petrol



M 42 B 18 4 Cyl. 10:1 1796cc 103kW (140)PS TD454 444

3 (E30) 09/89→08/91 3 (E36) 03/92→02/98

 B x C x D					 E x F x G		
OE	MAT.	Angle	Material	Height			
V91925 ■	1134 1 739 822		45°	H	VAG96043B ■ ■ ■		
32.90 x 6.00 x 106.10					43.50 x 6.01 x 12.56		
V91926 ■	1134 1 739 823		45°	ss H	VAG96044B ■ ■ ■		
30.50 x 6.00 x 105.70					43.50 x 6.00 x 12.77		



BY560 Fibre Composite	DY542 →09/92 DY541 09/92→09/93 DY520 09/93→		HBS069 ☉ M10x1.50x95.00mm (x10)	JD490 ■ ■ ■ JD561 ■ (x2)	JP027 JP032 JP077 ■ (x3) [41] HL733 ■	HR646 ■ →09/92 HR817 ■ (x2) 09/92→	
-----------------------	--	--	------------------------------------	-----------------------------	--	---	--



BY560
 [41] to engine cylinder: 1,3,4 [41] sous cylindre moteur: 1,3,4 [41] Al cilindro del motore: 1,3,4 [41] A cilindro de motor: 1,3,4

40



84.00

Petrol

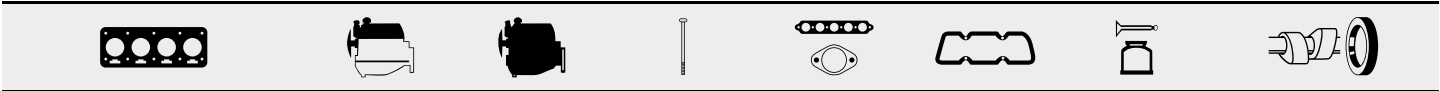


M 43 B 18 4 Cyl. 9.7:1 1796cc 85kW (116)PS TD456 445

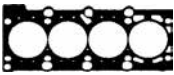
3 (E36) 10/93→10/99 5 (E34) 08/89→01/97 Z3 (E36) 10/95→10/98

					FOL79 (x8)	

 B x C x D					 E x F x G		
OE	MAT.	Angle	Material	Height			
V94087 ■	1134 1 739 658		45°	Y H	VAG96042B ■ ■ ■		
42.00 x 7.00 x 104.00					43.50 x 7.00 x 12.55		
V94088 ■	1134 1 739 665		45°	ss H	VAG96196 ■ ■ ■		
35.90 x 7.00 x 103.00					43.50 x 7.02 x 12.77		



BR830 Fibre Composite	DR831		HBS069 ☉ M10x1.50x95.00mm (x10)	JD283 ■ (x1) JD608 ■ (x2) →09/95 JD611 ■ (x2) 09/95→ JD243 ■ JE5019	JP079 (Elastomer)	HR646 ■	
-----------------------	-------	--	------------------------------------	---	----------------------	---------	--



BR830

41


84.00
Petrol


N 42 B 18	4 Cyl.	10.5:1	1796cc	85kW (115)PS	TD17054	446
------------------	--------	--------	--------	---------------------	----------------	------------

3 (E46)	06/01→02/05
----------------	-------------

	OE	MAT.				
B x C x D						E x F x G
V94402	1134 1 440 304		45°	Y	H	
32.00 x 6.00 x 100.00		MB				
V94403	1134 7 503 839		45°	ss	H	
29.00 x 6.00 x 100.10		MG cr				

AC5440 MLS, 0.400mm	CC5440	HBS467	JD6024 (x4)	HA5024	HM5160	
AC5470 MLS, 0.700mm			HA5024	JE5039		


AC5440

42


84.00
Petrol


N 46 B 18	4 Cyl.	10.25:1	1796cc	85kW (115)PS	TD21405	441
------------------	--------	---------	--------	---------------------	----------------	------------

N 46 B 18 A	4 Cyl.	10.25:1	1796cc	85kW (115)PS	TD20538	441
--------------------	--------	---------	--------	---------------------	----------------	------------

3 (E46)	06/01→02/05
----------------	-------------

	OE	MAT.				
B x C x D						E x F x G
V94402	1134 1 440 304		45°	Y	H	
32.00 x 6.00 x 100.00		MB				
V94403	1134 7 503 839		45°	ss	H	
29.00 x 6.00 x 100.10		MG cr				

AC5440 MLS, 0.400mm	CC5440	HBS467	JD6024 (x4)	HA5024	HM5160	
AC5470 MLS, 0.700mm			HA5024	JE5039		


AC5440

43	84.00	Diesel			
M 47 D 20	4 Cyl.	17:1	1951cc	85-130kW (116-177)PS	TD27472 447
M 47 N 204 D4 Euro 4	4 Cyl.	17:1	1995cc	85-120kW (116-163)PS	Turbo Intercooled TD17523 451
M 47 N 204 D5	4 Cyl.	17:1	1995cc	120kW (163)PS	Turbo Intercooled TD18171 452
1 (E81)	09/06→09/12	1 (E87)	11/03→09/12	3 (E46)	09/01→
3 (E90)	01/05→12/11	3 (E91)	09/05→	5 (E60)	07/05→03/10
5 (E61)	07/05→	X3 (E83)	10/04→		

	KIT		KIT		
				FOL186 (x16)	FOL152 (x16)

B x C x D	OE	MAT.	45°	H	E x F x G
V94086 ■	1134 2 247 077		45°	H	VAG96266B ■ ■ ■
26.00 x 6.00 x 99.90		MF cr			39.00 x 6.00 x 11.54
V94086 ■	1134 2 247 077		45°	H	
26.00 x 6.00 x 99.90		MF cr			

--	--	--	--	--	--	--	--

AC5410 MLS, 1.450mm, 1 Hole	CC5410 ■▲	HBS121 ☉	JD5108 ■	JM5167	PA5016 (x16)
AC5420 MLS, 1.550mm, 2 Holes		M12x1.50x146.50mm (x10)	JD5183 ■	(Elastomer)	HR5045 ■
AC5430 MLS, 1.650mm, 3 Holes					




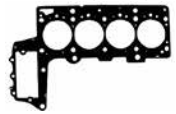
44	84.00	Diesel			
M 47 204 D1	4 Cyl.	19:1	1951cc	85-100kW (116-136)PS	Turbo Intercooled TD18305 450
M 47 D 20	4 Cyl.	19:1	1951cc	100kW (136)PS	Turbo Intercooled TD9521 448
3 (E46)	02/98→04/05	5 (E39)	02/00→09/03		



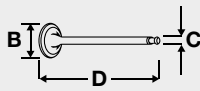
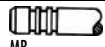
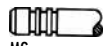



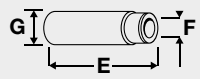
	KIT		KIT		
				FOL186 (x16)	FOL152 (x16)


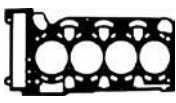
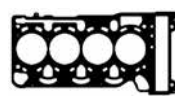
B x C x D	OE	MAT.	45°	H	E x F x G
V94086 ■	1134 2 247 077		45°	H	VAG96266B ■ ■ ■
26.00 x 6.00 x 99.90		MF cr			39.00 x 6.00 x 11.54
V94086 ■	1134 2 247 077		45°	H	
26.00 x 6.00 x 99.90		MF cr			

--	--	--	--	--	--	--	--

BZ500 MLS, 1.450mm, 1 Hole	DZ661 ▲	HBS121 ☉	JD5108 ■	JM5118	PA5016 (x16)
BZ510 MLS, 1.550mm, 2 Holes		M12x1.50x146.50mm (x10)	JD5107 ■ ■ ■		HR5045 ■
BZ520 MLS, 1.650mm, 3 Holes			JD5183 ■ (x1)		

45	 84.00	Diesel					
M 47 D 20 TU	4 Cyl.	19:1	1951cc	85-110kW (116-150)PS	Turbo Intercooled	TD21236	449
 AC5410 MLS, 1.450mm, 1 Hole AC5420 MLS, 1.550mm, 2 Holes AC5430 MLS, 1.650mm, 3 Holes 	CC5410 ■▲		HBS121 Ⓢ M12x1.50x146.50mm (x10)	JD5108 ■ JD5183 ■	JMS167 (Elastomer)	PA5016 (x16) HR5045 ■	
AC5410, AC5420, AC5430							

46	 84.00	Petrol					
N 42 B 20	4 Cyl.	10.2:1	1995cc	105kW (143)PS		TD17052	453
3 (E46)	09/01 →						
 B x C x D V94402 ■ 32.00 x 6.00 x 100.00 V94403 ■ 29.00 x 6.00 x 100.10	OE 1134 1 440 304 1134 7 503 839	MAT.  MB  MG cr	 45° 45°	 Y ss	 H H	 E x F x G	

 AC5440 MLS, 0.400mm →12/06 AC5470 MLS, 0.700mm →12/06 AH6220 MLS, 0.800mm 01/07 →  AC5440  AH6220	CC5440 →12/06		HBS467 Ⓢ	JD6024 ■ (x4) HA5024 ■ ■ JE5039 ■	JMS118 HM5160 ■		
---	-------------------------	--	-----------------	--	----------------------------------	--	--

47


84.00
Petrol

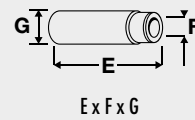
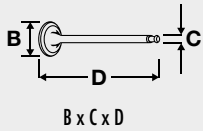
N 42 B 20 A

4 Cyl.

10.5:1

1995cc

110kW (150)PS

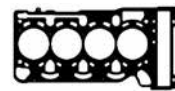
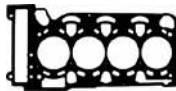
TD18038
441


	OE	MAT.			
V94402 ■ 32.00 x 6.00 x 100.00	1134 1 440 304	 MB	45°	Y	H
V94403 ■ 29.00 x 6.00 x 100.10	1134 7 503 839	 MG cr	45°	ss	H

	E x F x G



AC5440 MLS, 0.400mm →12/06	CC5440 →12/06	HBS467 ☉	JD6024 ■ (x4) HA5024 ■ ■ ■ JD5428 ■ ☉ JE5050 1.300mm	HM5160 ■
AC5470 MLS, 0.700mm →12/06				
AH6220 MLS, 0.800mm 01/07→				



AC5440 AH6220

48


84.00
Petrol

N 42 B 20 B

4 Cyl.

10.5:1

1995cc

95kW (129)PS

TD18304
441
N 46 B 20 B

4 Cyl.

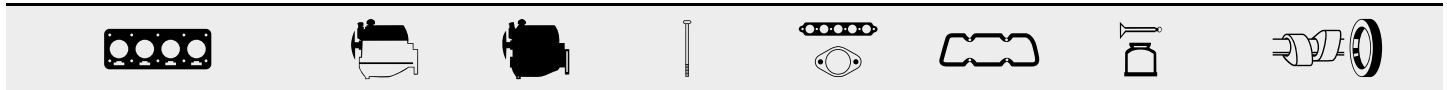
10.5:1

1995cc

95kW (129)PS

TD18945
442

1 (E81)	09/06→09/12	1 (E82)	09/09→	1 (E87)	11/03→09/12
1 (E88)	03/08→	3 (E46)	02/05→	3 (E90)	01/05→12/11
3 (E91)	01/06→	3 (E92)	06/07→	3 (E93)	03/07→
5 (E60)	04/06→12/09	X1 (E84)	03/09→	X3 (E83)	07/05→
Z4 (E85)	04/05→				



AC5440 MLS, 0.400mm →12/06	CC5440 →12/06	HBS467 ☉	JD6024 ■ (x4) HA5024 ■ ■ ■ JD5428 ■ ☉ JE5050 1.300mm	HM5160 ■
AC5470 MLS, 0.700mm →12/06				
AH6220 MLS, 0.800mm 01/07→				



AC5440 AH6220

49



84.00

Petrol



N 43 B 20 A	4 Cyl.	1995cc	96-125kW (131-170)PS	TD20584	454
1 (E81)	09/06→09/12	1 (E82)	09/09→	1 (E87)	11/03→09/12
1 (E88)	03/08→	3 (E90)	03/07→12/11	3 (E91)	09/07→
3 (E92)	01/07→	3 (E93)	01/07→	5 (E60)	12/06→03/10
5 (E61)	07/07→				

B x C x D	OE	MAT.
V95047 ■	1134 7 548 280	45° H
31.40 x 6.00 x 106.65		MB
V95048 ■	1134 7 573 840	45° H
28.00 x 6.00 x 114.65		MG cr

AC5440 MLS, 0.400mm →12/06	CC5440 →12/06		HBS467 Ⓢ	JD5864 ■ (x4) JD5909 ■ (x4)			
AC5470 MLS, 0.700mm →12/06							
AH6220 MLS, 0.800mm 01/07→							
AC5440	AH6220						

50



84.00

Petrol



N 46 B 20	4 Cyl.	10.5:1	1995cc	95-110kW (129-150)PS	TD21406	442
N 46 B 20 A	4 Cyl.	10.5:1	1995cc	110kW (150)PS	TD18167	442
1 (E87)	11/03→09/12	3 (E46)	09/01→	3 (E90)	01/05→03/07	
3 (E91)	09/05→	3 (E92)	11/06→06/07	3 (E93)	03/07→08/07	
X3 (E83)	07/05→	Z4 (E85)	04/05→			

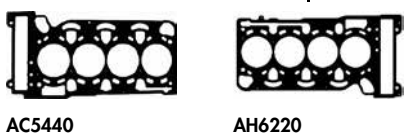
B x C x D	OE	MAT.
V94402 ■	1134 1 440 304	45° Y H
32.00 x 6.00 x 100.00		MB
V94403 ■	1134 7 503 839	45° ss H
29.00 x 6.00 x 100.10		MG cr

AC5440 MLS, 0.400mm →12/06	CC5440 →12/06		HBS467 Ⓢ	JD6024 ■ (x4) HA5024 ■ ■ JE5039 ■	HM5160 ■		
AC5470 MLS, 0.700mm →12/06							
AH6220 MLS, 0.800mm 01/07→							
AC5440	AH6220						

51	84.00	Petrol				
N 46 B 20 C	4 Cyl.	10.5:1	1995cc	110kW (150)PS	TD18168	442
1 (E81)	09/06→09/12	1 (E87)	11/03→09/12	1 (E88)	03/08→	
3 (E90)	01/05→03/07	3 (E91)	09/05→			

B x C x D	E x F x G			
V95047	1134 7 548 280		45°	H
31.40 x 6.00 x 106.65		MB		
V95048	1134 7 573 840		45°	H
28.00 x 6.00 x 114.65		MG cr		

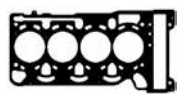
AC5440 MLS, 0.400mm →12/06	CC5440 →12/06	HBS467	JD6024 (x4) HA5024 JD5428	HM5160
AC5470 MLS, 0.700mm →12/06				
AH6220 MLS, 0.800mm 01/07→				



AC5440 AH6220

52	84.00	Petrol			
N 46 N B 20 B	4 Cyl.	1995cc	110kW (150)PS	TD20962	442
3 (E92)	11/06→06/07	3 (E93)	03/07→08/07		

AH6220 MLS, 0.800mm 01/07→	JD6024 (x4) HA5024 JD5428 JE5050 1.300mm	HM5368



AH6220

53



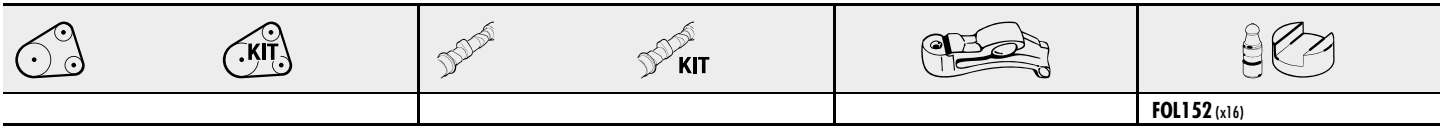
84.00

Diesel



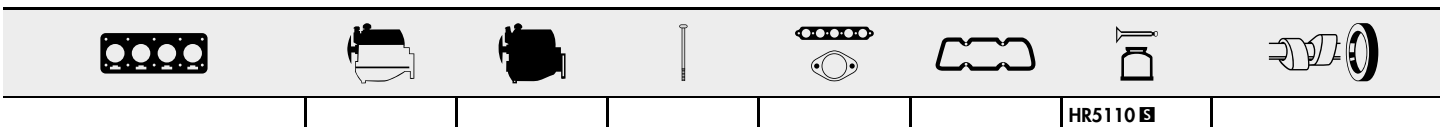
N 47 C 20 A 4 Cyl. 17:1 1995cc **82-105kW (112-143)PS** Turbo Intercooled **TD25060** **457**

MINI (R56) 02/11→	MINI CLUBMAN (R55) 02/11→	MINI Convertible (R57) 02/11→
MINI COUNTRYMAN (R60) 02/11→	MINI Coupe (R58) 09/11→	MINI PACEMAN (R61) 10/12→
MINI Roadster (R59) 02/12→		



FOL152 (x16)

	OE	MAT.			
B x C x D			45°	H	E x F x G
V95040 ■ 27.20 x 5.00 x 94.00	1112 7 797 711		45°	H	
V95041 ■ 24.60 x 5.00 x 94.00	1134 8 511 622		45°	H	



HR5110 ■

54



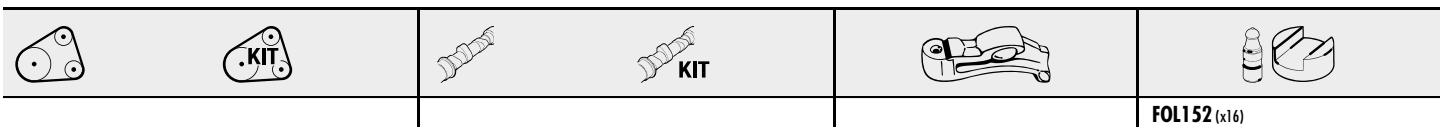
84.00

Diesel



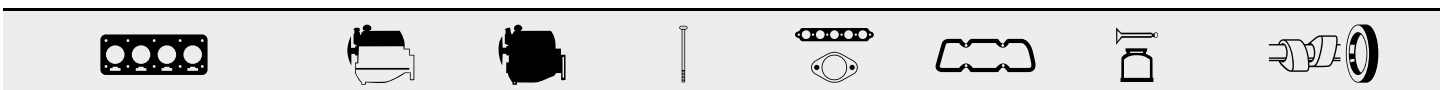
N 47 D 20 A 4 Cyl. 17:1 1995cc **120-85kW (163-116)PS** Turbo Intercooled **TD19922** **458**

1 (E81) 09/06→09/12	1 (E82) 10/07→	1 (E87) 11/03→09/12
1 (E88) 03/08→	3 (E90) 09/05→12/11	3 (E91) 09/05→
3 (E92) 03/07→	3 (E93) 03/07→	5 (E60) 07/05→03/10
5 (E61) 07/05→	X3 (E83) 09/07→	



FOL152 (x16)

	OE	MAT.			
B x C x D			45°	H	E x F x G
V95040 ■ 27.20 x 5.00 x 94.00	1112 7 797 711		45°	H	
V95041 ■ 24.60 x 5.00 x 94.00	1134 8 511 622		45°	H	



AG5010 MLS, 1.460mm, 1 Notch	CG5011	HBS544 ⊕ 03/07→	JD5991 ■ (x4) (FPM)	JM5167 (Elastomer)	HR5110 ■
AG5020 MLS, 1.560mm, 2 Notches					
AG5030 MLS, 1.660mm, 3 Notches					
AG5010	AG5020	AG5030			

55



84.00

Diesel



N 47 D 20 B	4 Cyl.	16:1	1995cc	150kW (204)PS	Turbo Intercooled	TD20845	458
N 47 D 20 D	4 Cyl.	16.5:1	1995cc	155-160kW (211-218)PS	Turbo Intercooled	TD26347	459
N 47 S D 20 D	4 Cyl.	16.1:1	1995cc	150kW (204)PS	Bi-Turbo Intercooled	TD24642	458

1 (E81)	03/07→09/12	1 (E82)	10/07→	1 (E87)	03/07→09/12
1 (E88)	09/08→	1 (F20)	08/11→	1 (F21)	12/11→
2 (F22)	01/14→	3 (F30, F35)	10/11→	3 (F31)	03/13→
3 (F34)	03/13→	4 (F32)	01/14→	5 (F10, F18)	09/11→
5 (F11)	09/11→	X1 (E84)	10/09→	X5 (F15)	01/13→

					FOL152 (x16)

B x C x D	E x F x G
OE	
MAT.	
V95040 ■	11127 797 711
27.20 x 5.00 x 94.00	
V95041 ■	1134 8 511 622
24.60 x 5.00 x 94.00	

--	--	--	--	--	--	--	--

AG5010 MLS, 1.460mm, 1 Notch			HBS544 ☉	JD5991 ■ (x4) (FPM)		HR5110 ■	
AG5020 MLS, 1.560mm, 2 Notches							
AG5030 MLS, 1.660mm, 3 Notches							
AG5010	AG5020	AG5030					

56



84.00

Diesel



N 47 D 20 C	4 Cyl.	16:1	1995cc	85-135kW (116-184)PS	Turbo Intercooled	TD24405	458
1 (E81)	09/06→09/12	1 (E82)	10/07→	1 (E87)	11/03→09/12		
1 (E88)	03/08→	1 (F20)	12/10→	1 (F21)	12/11→		
2 (F22)	10/13→	3 (E90)	01/05→12/11	3 (E91)	09/05→		
3 (E92)	01/07→	3 (E93)	03/07→	3 (F30, F35)	10/11→		
3 (F31)	10/11→	3 (F34)	03/13→	4 (F32)	07/13→		
4 (F33)	10/13→	4 Gran (F36)	03/14→	5 (E60)	07/05→03/10		
5 (E61)	07/05→	5 (F07)	10/11→	5 (F10, F18)	03/10→		
5 (F11)	09/10→	X1 (E84)	03/09→	X3 (E83)	09/08→		
X3 (F25)	09/10→						

					FOL152 (x16)

B x C x D	E x F x G			
OE	MAT.			
V95040 ■	1112 7 797 711		45°	H
27.20 x 5.00 x 94.00		MB cr		
V95041 ■	1134 8 511 622		45°	H
24.60 x 5.00 x 94.00		MG		

AG5010 MLS, 1.460mm, 1 Notch	CG5011		HBS544 ⊕	JD5991 ■ (x4) (FPM)		HR5110 ■	
AG5020 MLS, 1.560mm, 2 Notches							
AG5030 MLS, 1.660mm, 3 Notches							
AG5010	AG5020	AG5030					



M 20 B 25	6 Cyl.	9.7:1	2494cc	126kW (171)PS	TD439	463
-----------	--------	-------	--------	---------------	-------	-----

3 (E30)	09/83→10/93	5 (E34)	01/88→08/91	Z1	06/88→06/91
---------	-------------	---------	-------------	----	-------------

	TBK337 →09/90 Component No:TB241; AE1019TP	CAM435	CKS8435	FOL132 (x12)	

B x C x D	E x F x G
OE	MAT.
V91187 ■	45° Y H
42.00 x 6.98 x 102.70	MB
V91188 ■	45° H
36.00 x 6.96 x 102.50	MG cr
1134 1 720 827	VAG92303B ■ ■
	45.00 x 7.02 x 13.05
1134 1 720 828	VAG92347B ■ ■
	45.00 x 7.02 x 13.14
	VAG96143B ■ ■
	45.00 x 7.02 x 13.24

BL680 Fibre Composite	DL681		HBS041 ⊕	JD239 ■	JN297	HR662 ■ (x2)	NB799
			M10x1.50x150.00mm (x14)	⊕ JE5074			38.00x50.00x7.00mm FPM



BL680







58

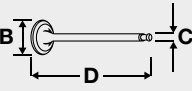
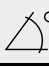


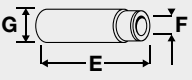




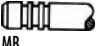


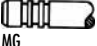




 **84.00**






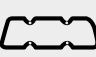




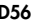




Petrol

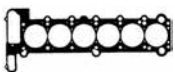


M 50 B 25	6 Cyl.	10.2:1	2494cc	141kW (192)PS	TD18476	465
M 50 B 25 TU	6 Cyl.	10.5:1	2494cc	141kW (192)PS	TD21240	466
3 (E36)	09/90→04/99	5 (E34)	09/89→01/97			

					
					FOL125 (x24) →09/92 FOL129 (x24) 09/92→09/94 FOL131 (x24) 09/94→

	OE	MAT.				
B x C x D						E x F x G
V91410 	1134 1 722 908	 MB	45°	Y	H	VAG96042B  43.50 x 7.00 x 12.55 →08/92
V91925 	1134 1 739 822	 MB	45°		H	VAG96196  43.50 x 7.02 x 12.77 →08/92
V91411 	1134 1 726 903	 MG	45°	ss	H	VAG96043B  43.50 x 6.01 x 12.56 09/92→
V91926 	1134 1 739 823	 MG	45°	ss	H	VAG96044B  43.50 x 6.00 x 12.77 09/92→

							
BT691	DT691 09/92→		HBS068  [40] M10x1.50x95.00mm (x14)	JD493  (x6) JD561  (x3)  JF191	HL734  →09/92 HL735  10/92→	PA5041 (x24) 6.00/12.20x10.00 (FPM) 10/92→ HR5062  10/92→	



BT691

[40] Cast Steel

[40] Fonte

[40] Acciaio fuso

[40] Acero fundido



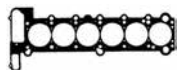
M 50 B 25 6 Cyl. 10:1 2494cc 141kW (192)PS TD4228 464

3 (E36) 09/90→04/99 5 (E34) 09/89→01/97

					FOL125 (x24) →09/92 FOL129 (x24) 09/92→09/94 FOL131 (x24) 09/94→

	OE	MAT.				
B x C x D						E x F x G
V91410 ■ 33.10 x 6.98 x 106.70 →08/92	1134 1 722 908	 MB	45°	Y	H	VAG96042B ■ ■ ■ 43.50 x 7.00 x 12.55 →08/92
V91925 ■ 32.90 x 6.00 x 106.10 09/92→	1134 1 739 822	 MB	45°		H	VAG96196 ■ ■ ■ 43.50 x 7.02 x 12.77 →08/92
V91411 ■ 30.40 x 6.96 x 106.40 →08/92	1134 1 726 903	 MG	45°	ss	H	VAG96043B ■ ■ ■ 43.50 x 6.01 x 12.56 09/92→
V91926 ■ 30.50 x 6.00 x 105.70 09/92→	1134 1 739 823	 MG	45°	ss	H	VAG96044B ■ ■ ■ 43.50 x 6.00 x 12.77 09/92→

BT691	DT691 10/92→		HBS068 [40] M10x1.50x95.00mm (x14)	JD493 ■ (x6) JD561 ■ (x3) JF191	HL734 ■ →09/92 HL735 ■ 10/92→	PA5041 (x24) 6.00/12.20x10.00 (FPM) 10/92→ HR5062 ■ 10/92→	



BT691

[40] Cast Steel

[40] Fonte

[40] Acciaio fuso

[40] Acero fundido

60



84.00

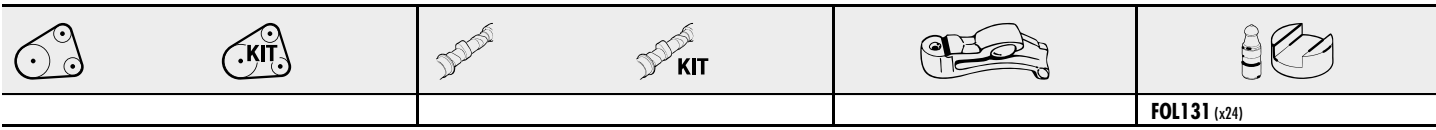
Petrol



M 52 B 25 6 Cyl. 10.2-10.5:1 2494cc 125-141kW (170-192)PS TD4230 467

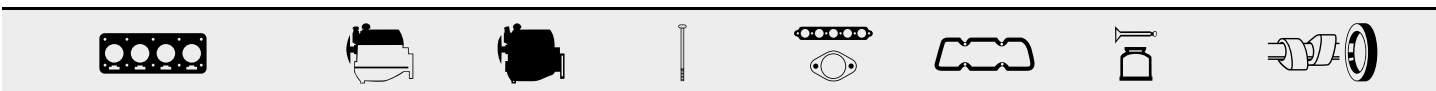
3 (E36) 03/95→08/00 3 (E46) 03/98→09/00 5 (E34) 09/89→01/97

5 (E39) 11/95→09/00



FOL131 (x24)

 B x C x D			OE	MAT.	 E x F x G
V91410 ■ 33.10 x 6.98 x 106.70 →08/92	1134 1 722 908	 MB	45°	Y H	VAG96042B ■ ■ ■ 43.50 x 7.00 x 12.55 →08/92
V91925 ■ 32.90 x 6.00 x 106.10 09/92→	1134 1 739 822	 MB	45°	H	VAG96196 ■ ■ ■ 43.50 x 7.02 x 12.77 →08/92
V91411 ■ 30.40 x 6.96 x 106.40 →08/92	1134 1 726 903	 MG	45°	ss H	VAG96043B ■ ■ ■ 43.50 x 6.01 x 12.56 09/92→
V91926 ■ 30.50 x 6.00 x 105.70 09/92→	1134 1 739 823	 MG	45°	ss H	VAG96044B ■ ■ ■ 43.50 x 6.00 x 12.77 09/92→



BT691 →08/98 AC5900 MLS, 0.700mm 09/98→ AF5190 MLS, 1.000mm 09/98→	DT693 ■ ○ →09/95 DT692 ■ 09/95→08/98	HBS067 ⊕ [42] M10x1.50x110.00mm (x14) HBS068 ⊕ [40] M10x1.50x95.00mm (x14)	JD492 ■ (x2) HA5023 ■ ■ ■ JD497 ■ (x2) JD5916 ■ ⊕ JF191 (x2)	HL735 ■ →09/95 HL736 ■ 10/95→	PA5041 (x24) 6.00/12.20x10.00 (FPM) HR5062 ■
--	---	---	---	--	---



AC5900, AF5190 **BT691**

[40] Cast Steel [40] Fonte [40] Acciaio fuso [40] Acero fundido

[42] Engine Block Material: Aluminium [42] Matériel pour bloc-moteur: aluminium [42] Materiale blocco motore: Alluminio [42] Material bloque: aluminio

61



84.00

Petrol



M 52 B 25 TU

6 Cyl.

10.5:1

2494cc

125kW (170)PS

TD21241

468

3 (E46)

03/98→09/00

5 (E39)

11/95→09/00

					FOL131 (x24)

	OE	MAT.				
B x C x D						E x F x G

V91925	1134 1 739 822		45°		H	VAG96043B	
32.90 x 6.00 x 106.10						43.50 x 6.01 x 12.56	
V91926	1134 1 739 823		45°	ss	H	VAG96044B	
30.50 x 6.00 x 105.70						43.50 x 6.00 x 12.77	

--	--	--	--	--	--	--	--

AC5900 MLS, 0.700mm AF5190 MLS, 1.000mm	CC5900	HBS067 [42] M10x1.50x110.00mm (x14) HBS068 [40] M10x1.50x95.00mm (x14)	JD492 (x2) HA5023 JD497 JD5916 JF191	HL736	PA5041 (x24) 6.00/12.20x10.00 (FPM) HR5062
--	---------------	---	---	--------------	---



AC5900 [40] Cast Steel [42] Engine Block Material: Aluminium	AF5190 [40] Fonte [42] Matériel pour bloc-moteur: aluminium	HBS067 [42] Acciaio fuso [42] Materiale blocco motore: Alluminio	JD492 [42] Acero fundido [42] Material bloque: aluminio
---	--	---	--

62



84.00

Petrol



M 54 B 25

6 Cyl.

10.5:1

2494cc

125/141kW (170P/192S)PS

TD20048

470

5 (E39)

09/00→06/03

					FOL131 (x24)

	OE	MAT.				
B x C x D						E x F x G

V94594	1134 1 438 284		45°	Y	H	VAG96043B	
33.00 x 6.00 x 106.10						43.50 x 6.01 x 12.56	
V94595	1134 7 505 704		45°		H		
30.40 x 6.00 x 105.70							

--	--	--	--	--	--	--	--

AC5900 MLS, 0.700mm AF5190 MLS, 1.000mm	CC5310 ▲ →09/02 CC5901 10/02→	HBS413 [42] M10x1.50x110.00mm (x14)	HA5023 JD5916 JE5012	HM5069	PA5041 (x24) 6.00/12.20x10.00 (FPM) HR5062
--	---	---	---	---------------	---



AC5900 [42] Engine Block Material: Aluminium	AF5190 [42] Matériel pour bloc-moteur: aluminium	HBS413 [42] Materiale blocco motore: Alluminio	PA5041 [42] Material bloque: aluminio
--	--	--	---

63



84.00

Petrol



M 54 256 S3	6 Cyl.	10.5:1	2494cc	141kW (192)PS	TD18846
M 54 256 S5	6 Cyl.	10.5:1	2494cc	141kW (192)PS	TD17516 471

5 (E39) 09/00→06/03

					FOL131 (x24)

B x C x D	OE	MAT.					E x F x G
V91925	1134 1 739 822		45°	H			VAG96043B
32.90 x 6.00 x 106.10		MB					43.50 x 6.01 x 12.56
V91926	1134 1 739 823		45°	ss	H		VAG96044B
30.50 x 6.00 x 105.70		MG					43.50 x 6.00 x 12.77

AC5900 MLS, 0.700mm	CC5310 ▲		HBS413 [42]	HA5023	HM5069	PA5041 (x24)	
AF5190 MLS, 1.000mm	→09/02		M10x1.50x110.00mm (x14)	JD5916		6.00/12.20x10.00	
	CC5901			JE5012		(FPM)	
	10/02→					HR5062	



AC5900 **AF5190**

[42] Engine Block Material: Aluminium [42] Matériel pour bloc-moteur: aluminium [42] Materiale blocco motore: Alluminio [42] Material bloque: aluminio

64



84.00

Diesel



M 57 306 D4	6 Cyl.	16.5:1	2993cc	200kW (272)PS	Bi-Turbo Intercooled	TD18035	488
M 57 N 256 D4	6 Cyl.	17:1	2497cc	130kW (177)PS	Turbo Intercooled	TD18033	472
M 57 N 306 D2 Euro 4	6 Cyl.	17:1	2993cc	150kW (204)PS	Turbo Intercooled	TD17525	485
M 57 N 306 D4	6 Cyl.		2993cc	160kW (218)PS	Turbo Intercooled	TD18306	486

5 (E60)	06/04 → 03/10	5 (E61)	06/04 →	X5 (E53)	12/03 →
----------------	---------------	----------------	---------	-----------------	---------

			KIT		
				FOL186 (x24)	FOL152 (x24)

B x C x D	E x F x G
V94086	VAG96266B
26.00 x 6.00 x 99.90	39.00 x 6.00 x 11.54
V94086	
26.00 x 6.00 x 99.90	
OE: 1134 2 247 077	MAT. MF cr
	45°
	H

--	--	--	--	--	--	--	--

AG9000 MLS, 1.450mm, 1 Hole	CG9000	HB5066	JD5108	JM5106 (Elastomer)	PA5016 (x24)
AG9010 MLS, 1.550mm, 2 Holes		M12x1.50x146.50mm (x14)	JD5107		
AG9020 MLS, 1.650mm, 3 Holes			JD5183		

AG9000	AG9010	AG9020

65



84.00

Petrol



M 20 B 27

6 Cyl.

11.1:1

2693cc

90-95kW (122-129)PS

TD5269

473

3 (E30)

10/83→12/88

5 (E28)

09/81→12/87

<p>TBK337 Component No:TB241; AE1019TP</p>					

	OE	MAT.	
B x C x D			E x F x G
V91189	1134 1 267 721		VAG92303B
40.00 x 6.98 x 102.70		45° Y H	45.00 x 7.02 x 13.05
V91190	1134 1 280 643		VAG92347B
34.00 x 6.96 x 102.70		45° H	45.00 x 7.02 x 13.14
			VAG96143B
			45.00 x 7.02 x 13.24

BL680 Fibre Composite	DL681		HBS041	JE5074	JN297	HR662	NB799
			M10x1.50x150.00mm (x14)				38.00x50.00x7.00mm FPM



BL680

66



84.00

Petrol



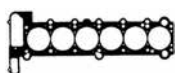
M 52 B 28 6 Cyl. 10.2:1 2793cc 142kW (193)PS TD4231 467

3 (E36) 01/95→10/99 3 (E46) 02/98→06/00 5 (E39) 11/95→09/00
 7 (E38) 08/95→11/01 Z3 (E36) 04/97→06/00

					FOL131 (x24)

B x C x D	OE	MAT.			E x F x G
V91925 ■ 32.90 x 6.00 x 106.10	1134 1 739 822	MB	45°	H	VAG96043B ■ ■ ■ 43.50 x 6.01 x 12.56
V91926 ■ 30.50 x 6.00 x 105.70	1134 1 739 823	MG	45° ss	H	VAG96044B ■ ■ ■ 43.50 x 6.00 x 12.77

BT691 →08/98 AC5900 MLS, 0.700mm 09/98 → AF5190 MLS, 1.000mm 09/98 →	DT693 ■ ○ →09/95 DT692 ■ 09/95→08/98 CC5900 09/98 →		HBS068 ⊕ [40] M10x1.50x95.00mm (x14) HBS413 ⊕ [42] M10x1.50x110.00mm (x14) 09/98 →	JD492 ■ (x2) →08/98 HA5023 ■ ■ ■ 08/98 → JD497 ■ (x2) →09/98 JD5916 ■ JF191 (x2)	HL735 ■ →09/95 HL736 ■ 09/95 →	PA5041 (x24) 6.00/12.20x10.00 (FPM) HR5062 ■	



AC5900, AF5190

BT691

[40] Cast Steel

[40] Fonte

[40] Acciaio fuso

[40] Acero fundido

[42] Engine Block Material: Aluminium

[42] Matériel pour bloc-moteur: aluminium

[42] Materiale blocco motore: Alluminio

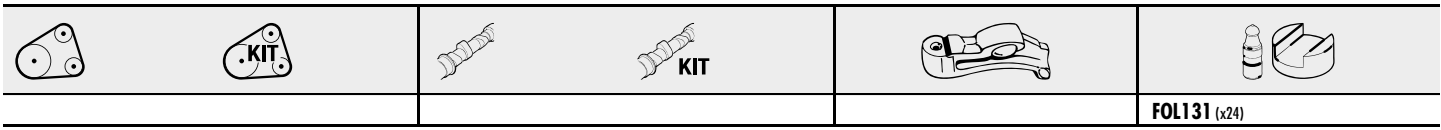
[42] Material bloque: aluminio

67


84.00
Petrol

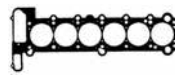

M 52 B 28 TU	6 Cyl.	10.2:1	2793cc	142kW (193)PS	TD21242	468
---------------------	--------	--------	--------	---------------	----------------	------------

3 (E36)	01/95→10/99	5 (E39)	11/95→09/00	7 (E38)	08/95→11/01
Z3 (E36)	04/97→06/00				



 B x C x D	OE	MAT.	 45°	 H	 E x F x G
V91925 ■ 32.90 x 6.00 x 106.10	1134 1 739 822	 MB	45°	H	VAG96043B ■ ■ ■ 43.50 x 6.01 x 12.56
V91926 ■ 30.50 x 6.00 x 105.70	1134 1 739 823	 MG	45°	ss H	VAG96044B ■ ■ ■ 43.50 x 6.00 x 12.77

BT691 →08/98 AC5900 MLS, 0.700mm 09/98 → AF5190 MLS, 1.000mm 09/98 →	DT693 ■ ○ →09/95 DT692 ■ 09/95 →09/98 CC5900 09/98 →		HBS068 ⊕ [40] M10x1.50x95.00mm (x14) HBS413 ⊕ [42] M10x1.50x110.00mm (x14) 09/98 →	JD492 ■ (x2) →08/98 HA5023 ■ ■ ■ 08/98 → JD497 ■ (x2) →09/98 JD5916 ■ ⊕ JF191 (x2)	HL735 ■ →09/95 HL736 ■ 09/95 →	PA5041 (x24) 6.00/12.20x10.00 (FPM) HR5062 ■		


AC5900, AF5190
BT691

[40] Cast Steel

[40] Fonte

[40] Acciaio fuso

[40] Acero fundido

[42] Engine Block Material: Aluminium

[42] Matériel pour bloc-moteur: aluminium

[42] Materiale blocco motore: Alluminio

[42] Material bloque: aluminio

68



84.00

Diesel

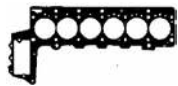


M 57 D 30	6 Cyl.	18:1	2926cc	135kW (184)PS	Turbo Intercooled	TD12288	475
3 (E46)	10/99→02/05	5 (E39)	08/98→06/03	7 (E38)	08/98→04/00		

				FOL186 (x24)	FOL152 (x24)

	OE	MAT.			
B x C x D					E x F x G
V94086 ■ 26.00 x 6.00 x 99.90	1134 2 247 077		45°	H	VAG96266B ■ ■ ■ 39.00 x 6.00 x 11.54
V94086 ■ 26.00 x 6.00 x 99.90	1134 2 247 077		45°	H	

BZ660 MLS, 1.450mm, 1 Hole BZ670 MLS, 1.550mm, 2 Holes BZ680 MLS, 1.650mm, 3 Holes AB5980 MLS, 1.800mm	DZ660 ▲		HBS066 ☉ M12x1.50x146.50mm (x14)	JD5108 ■ (x6) JD5107 ■ ■ ■ JD5183 ■	JM5106 (Elastomer)	PA5016 (x24)	



AB5980, BZ660, BZ670, BZ680

69



84.00

Petrol



M 54 306 S3	6 Cyl.	10.2:1	2979cc	163-170kW (222-231)PS	TD17517	471
M 54 B 30	6 Cyl.	10.2:1	2979cc	170kW (231)PS	TD21235	476

3 (E46)	06/00→	5 (E39)	09/00→06/03	X5 (E53)	05/00→		
---------	--------	---------	-------------	----------	--------	--	--

					FOL131 (x24)

	OE	MAT.			
B x C x D					E x F x G
V91925 ■ 32.90 x 6.00 x 106.10	1134 1 739 822		45°	H	VAG96043B ■ ■ ■ 43.50 x 6.01 x 12.56
V91926 ■ 30.50 x 6.00 x 105.70	1134 1 739 823		45°	ss H	

AC5900 MLS, 0.700mm AF5190 MLS, 1.000mm	CC5310 ▲ →09/02 CC5901 10/02→		HBS413 ☉ [42] M10x1.50x110.00mm (x14)	HA5023 ■ ■ ■	HM5069 ■	PA5041 (x24) 6.00/12.20x10.00 (FPM)	HR5062 ■



AC5900

AF5190

[42] Engine Block Material: Aluminium

[42] Matériel pour bloc-moteur: aluminium

[42] Materiale blocco motore: Alluminio

[42] Material bloque: aluminio

70

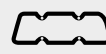


84.00

Petrol



N 54 B 30 A	6 Cyl.	10.2:1	2996cc	200kW (272)PS	Bi-Turbo Intercooled	TD20342	477
N 54 B 30 B	6 Cyl.	10.2:1	2979cc	225kW (306)PS	Bi-Turbo Intercooled	TD20586	477
1 (E82)	10/07→		1 (E88)	03/08→	3 (E90)	09/06→12/11	
3 (E91)	09/06→		3 (E92)	09/06→	3 (E93)	03/07→	
5 (E60)	08/05→03/10		7 (F01, F02, F03, F04)	10/08→	X6 (E71, E72)	05/08→	
Z4 (E89)	05/09→						

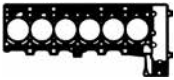


AH5120 MLS

HBS542

JD5864 (x6)

JM7098
(ACM)



AH5120

71



84.00

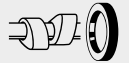
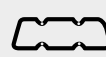
Petrol



N 55 B30 A	V6 Cyl.	10.2:1	2979cc	200-225kW (272-306)PS	Turbo Intercooled	TD24624	478
1 (E82)	10/07→		1 (E88)	03/08→	1 (F20)	11/11→	
1 (F21)	12/11→		2 (F22)	10/13→	3 (E90)	09/06→12/11	
3 (E91)	09/06→		3 (E92)	09/06→	3 (E93)	03/07→	
3 (F30, F35)	10/11→		3 (F31)	03/13→	3 (F34)	03/13→	
4 (F32)	07/13→		4 (F33)	10/13→	5 (F07)	10/09→	
5 (F10, F18)	03/10→		5 (F11)	09/10→	6 (F12)	03/11→	
6 (F13)	11/10→		6 Gran (F06)	09/11→	7 (F01, F02, F03, F04)	07/12→	
X3 (F25)	09/10→		X4 (F26)	04/14→	X5 (E70)	09/10→	
X5 (F15)	01/13→		X6 (E71, E72)	09/08→			



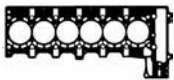
FOL152 (x24)



AH6420 MLS, 1.195mm

HBS542

JD5864 (x6)



AH6420

72



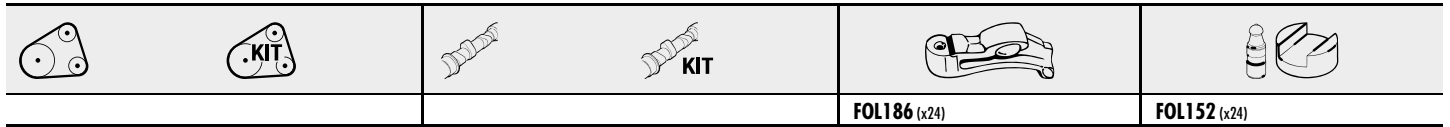
84.00

Diesel



M 57 D 30 6 Cyl. 17:1 2993cc 145-173kW (197-235)PS TD27267 479

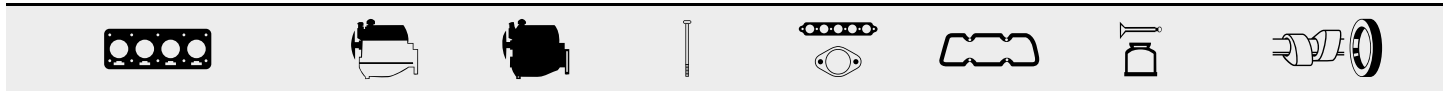
3 (E90)	09/06→12/11	3 (E91)	09/06→	3 (E92)	03/07→
3 (E93)	01/07→	5 (E60)	07/03→03/10	5 (E61)	11/05→
7 (E65, E66, E67)	10/02→	X3 (E83)	01/04→	X5 (E70)	02/07→09/08
X6 (E71, E72)	09/10→				



FOL186 (x24)

FOL152 (x24)

B x C x D	OE	MAT.	45°	H	G x F x G
V94086 ■ 26.00 x 6.00 x 99.90	1134 2 247 077	MF cr	45°	H	
V94086 ■ 26.00 x 6.00 x 99.90	1134 2 247 077	MF cr	45°	H	



AH5920 MLS, 1.470mm, 1 Hole AH5930 MLS, 1.570mm, 2 Holes AH5940 MLS, 1.670mm, 3 Holes AH5950 MLS, 1.770mm	CG9000 ▲	HBS543 ☉	JD5108 ■ JD5107 ■■ JD5183 ■	JM5106 (Elastomer)	PA5016 (x24)
AH5920	AH5930	AH5940	AH5950		

73



84.00

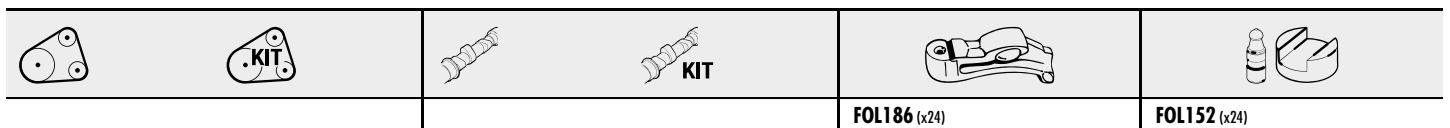
Diesel



M 57 D 30 6 Cyl. 17:1 2993cc 150-160kW (204-218)PS TD27248 480

M 57 D 30 6 Cyl. 16.5:1 2993cc 210-221kW (286-301)PS TD28387 481

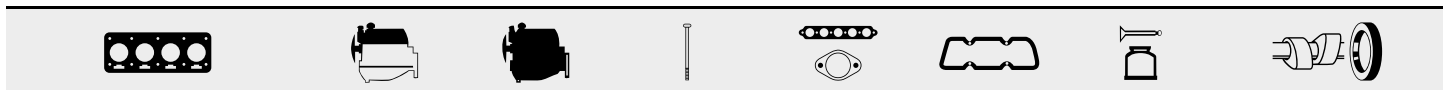
3 (E46)	03/03→	3 (E90)	09/06→12/11	3 (E91)	09/06→
3 (E92)	09/06→	5 (E60)	07/03→03/10	5 (E61)	06/04→
6 (E63)	07/07→	6 (E64)	07/07→	7 (E65, E66, E67)	10/02→
X3 (E83)	01/04→	X5 (E53)	12/03→	X5 (E70)	09/07→02/09
X6 (E71, E72)	05/08→				



FOL186 (x24)

FOL152 (x24)

B x C x D	OE	MAT.	45°	H	G x F x G
V94086 ■ 26.00 x 6.00 x 99.90	1134 2 247 077	MF cr	45°	H	
V94086 ■ 26.00 x 6.00 x 99.90	1134 2 247 077	MF cr	45°	H	



HBS543 ☉

PA5016 (x24)

74



84.00

Diesel



M 57 D30 TU2 Euro 4 6 Cyl. 17:1 2993cc 145-173kW (197-235)PS Turbo Intercooled TD20843 482

3 (E90) 09/05→12/11 3 (E91) 09/05→ 3 (E92) 09/06→

				FOL186 (x24)	FOL152 (x24)

B x C x D	OE	MAT.	45°	H	E x F x G
V95042	1134 7 799 612		45°	H	VAG96266B
27.40 x 6.00 x 99.80		MB cr			39.00 x 6.00 x 11.54
V94086	1134 2 247 077		45°	H	
26.00 x 6.00 x 99.90		MF cr			

AH5920 MLS, 1.470mm, 1 Hole 03/06→	CG9000 ▲		HBS543 ☉	JD5108 JD5107 JD5183	JM5106 (Elastomer)	PA5016 (x24)
AH5930 MLS, 1.570mm, 2 Holes						
AH5940 MLS, 1.670mm, 3 Holes						
AH5950 MLS, 1.770mm						
AH5920	AH5930	AH5940	AH5950			

75



84.00

Diesel



M 57 N2 306 D2 Euro 4 6 Cyl. 2993cc 160kW (218)PS Turbo Intercooled TD20589 483

				FOL186 (x24)	FOL152 (x24)

B x C x D	OE	MAT.	45°	H	E x F x G
V95042	1134 7 799 612		45°	H	VAG96266B
27.40 x 6.00 x 99.80		MB cr			39.00 x 6.00 x 11.54
V94086	1134 2 247 077		45°	H	
26.00 x 6.00 x 99.90		MF cr			

AH5920 MLS, 1.470mm, 1 Hole 02/06→	CG9000 ▲		HBS543 ☉	JD5108 JD5183	JM5106 (Elastomer)	PA5016 (x24)
AH5930 MLS, 1.570mm, 2 Holes						
AH5940 MLS, 1.670mm, 3 Holes						
AH5950 MLS, 1.770mm						
AH5920	AH5930	AH5940	AH5950			

76



84.00

Diesel



M 57 N2 306 D3	6 Cyl.	17:1	2993cc	150-180kW (204-245)PS	Turbo Intercooled	TD24615	484
3 (E90)	01/09→12/11		3 (E91)	01/09→	3 (E92)	01/09→	
3 (E93)	01/09→		X6 (E71, E72)	05/08→			

			KIT		
				FOL186 (x24)	FOL152 (x24)

B x C x D	OE	MAT.	45°	H	E x F x G
V95042 ■	1134 7 799 612		45°	H	VAG96266B ■ ■ ■
27.40 x 6.00 x 99.80		MB cr			39.00 x 6.00 x 11.54
V94086 ■	1134 2 247 077		45°	H	
26.00 x 6.00 x 99.90		MF cr			

AH5920 MLS, 1.470mm, 1 Hole 03/06→			HBS543 ☉	JD5108 ■ JD5183 ■	JM5106 (Elastomer)	PA5016 (x24)	
AH5930 MLS, 1.570mm, 2 Holes							
AH5940 MLS, 1.670mm, 3 Holes							
AH5950 MLS, 1.770mm							
AH5920	AH5930	AH5940	AH5950				

77



84.00

Diesel



M 57 306 D5	6 Cyl.	16.5:1	2993cc	210kW (286)PS	Bi-Turbo Intercooled	TD24380	489
M 57 N 306 D5	6 Cyl.		2993cc	210kW (286)PS		TD20581	481
X5 (E70)	09/08→						

			KIT		
				FOL186 (x24)	FOL152 (x24)

B x C x D	OE	MAT.	45°	H	E x F x G
V94086 ■	1134 2 247 077		45°	H	VAG96266B ■ ■ ■
26.00 x 6.00 x 99.90		MF cr			39.00 x 6.00 x 11.54
V94086 ■	1134 2 247 077		45°	H	
26.00 x 6.00 x 99.90		MF cr			

AH5920 MLS, 1.470mm, 1 Hole			HBS543 ☉	JD5108 ■ JD5107 ■ ■ ■ JD5183 ■	JM5106 (Elastomer)	PA5016 (x24)	
AH5930 MLS, 1.570mm, 2 Holes							
AH5940 MLS, 1.670mm, 3 Holes							
AH5950 MLS, 1.770mm							
AH5920	AH5930	AH5940	AH5950				

78



84.00

Diesel



M 57 306 D3	6 Cyl.	2993cc	170kW (231)PS	Turbo Intercooled	TD18985	487
3 (E90)	09/05→12/11	3 (E91)	09/05→	3 (E92)	09/06→	
5 (E60)	07/03→03/10	5 (E61)	07/05→			

			KIT	FOL186 (x24)	FOL152 (x24)

B x C x D	OE	MAT.	45°	H	E x F x G
V94086 ■ 26.00 x 6.00 x 99.90	1134 2 247 077	 MF cr	45°	H	VAG96266B ■ ■ ■ 39.00 x 6.00 x 11.54
V94086 ■ 26.00 x 6.00 x 99.90	1134 2 247 077	 MF cr	45°	H	

AH5920 MLS, 1.470mm, 1 Hole AH5930 MLS, 1.570mm, 2 Holes AH5940 MLS, 1.670mm, 3 Holes AH5950 MLS, 1.770mm	CG9000 ▲		HBS543 ⊕	JD5108 ■ JD5107 ■ ■ ■ JD5183 ■	JM5106 (Elastomer)	PA5016 (x24)	
AH5920	AH5930	AH5940	AH5950				

79



84.00

Diesel



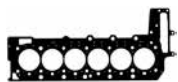
N 57 D 30 B	6 Cyl.	16.5:1	2993cc	220-230kW (299-313)PS	Turbo Intercooled	TD26305	459
N 57 D30 A	6 Cyl.	16.5:1	2993cc	150-180kW (204-245)PS	Turbo Intercooled	TD24613	490
N 57 S D 30 B	6 Cyl.	16.5:1	2993cc	220-225kW (299-306)PS	Turbo Intercooled	TD24635	459

3 (E90)	01/09→12/11	3 (E91)	01/09→	3 (E92)	01/09→
3 (E93)	01/09→	3 (F30, F35)	01/12→	3 (F31)	06/12→
3 (F34)	01/14→	4 (F32)	11/13→	5 (F07)	10/09→
5 (F10, F18)	03/10→	5 (F11)	09/10→	6 (F12)	09/11→
6 (F13)	11/10→	6 Gran (F06)	09/11→	7 (F01, F02, F03, F04)	10/08→
X3 (F25)	05/11→	X4 (F26)	04/14→	X5 (E70)	09/08→
X5 (F15)	11/12→	X6 (E71, E72)	09/08→		

					FOL152 (x24)

	OE	MAT.			
B x C x D					E x F x G
V95040	1112 7 797 711		45°	H	
27.20 x 5.00 x 94.00		MB cr			
V95041	1134 8 511 622		45°	H	
24.60 x 5.00 x 94.00		MG			

AH7100 MLS, 1.3mm						HR5107	



AH7100

80



84.00

Diesel



N 57 D 30 C	6 Cyl.	16.5:1	2993cc	280kW (381)PS	Turbo Intercooled	TD26349	
5 (F10, F18)	01/12→	5 (F11)	01/12→	7 (F01, F02, F03, F04)	07/12→		
X5 (E70)	08/11→	X5 (F15)	11/12→	X6 (E71, E72)	08/11→		

					FOL152 (x24)

	OE	MAT.			
B x C x D					E x F x G
V95040	1112 7 797 711		45°	H	
27.20 x 5.00 x 94.00		MB cr			
V95041	1134 8 511 622		45°	H	
24.60 x 5.00 x 94.00		MG			

81



84.00

Diesel



N 57 N 306 D2 6 Cyl. 2993cc 170kW (231)PS Turbo Intercooled TD20592 491

7 (E65, E66, E67) 07/05→



FOL152 (x24)

 B x C x D					 E x F x G		
OE	MAT.	Angle	Part	Part			
V95040 ■	1112 7 797 711	MB cr	45°	H			
27.20 x 5.00 x 94.00							
V95041 ■	1134 8 511 622	MG	45°	H			
24.60 x 5.00 x 94.00							

AG9000	CG9000 ▲	HBS066	JD5108 ■	JM5106	PA5016 (x24)	
AG9010 MLS, 1.550mm, 2 Holes		M12x1.50x146.50mm (x14)	JD5107 ■■	(Elastomer)		
AG9020 MLS, 1.650mm, 3 Holes			JD5183 ■			
AG9000	AG9010	AG9020				

82



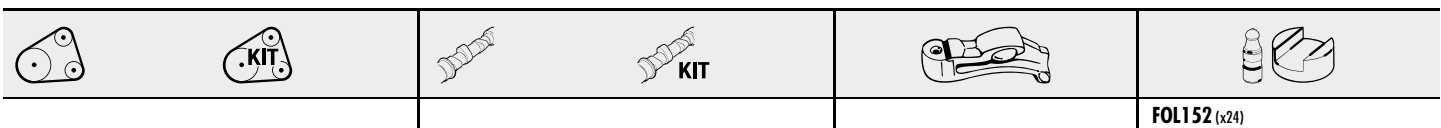
84.00

Diesel



N 57 306 D3 6 Cyl. 2993cc 145kW (197)PS TD20587 457

N 57 N 306 D3 6 Cyl. 2993cc 145-170kW (197-231)PS TD20583 457



FOL152 (x24)

 B x C x D					 E x F x G		
OE	MAT.	Angle	Part	Part			
V95040 ■	1112 7 797 711	MB cr	45°	H			
27.20 x 5.00 x 94.00							
V95041 ■	1134 8 511 622	MG	45°	H			
24.60 x 5.00 x 94.00							

AH5920	AH5930	AH5940	AH5950	CG9000 ▲	HBS543	JD5108 ■	JM5106	PA5016 (x24)
AH5930 MLS, 1.570mm, 2 Holes						JD5107 ■■	(Elastomer)	
AH5940 MLS, 1.670mm, 3 Holes						JD5183 ■		
AH5950 MLS, 1.770mm								
AH5920	AH5930	AH5940	AH5950					

83



84.00

Diesel



N 57 N 306 D5

6 Cyl.

2993cc

210kW (286)PS

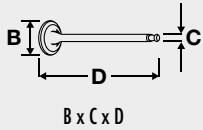
TD20595

492

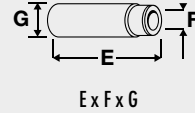


FOL186 (x24)

FOL152 (x24)

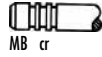


OE



V95040 ■
27.20 x 5.00 x 94.00

1112 7 797 711

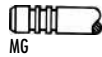


45°

H

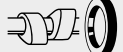
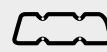
V95041 ■
24.60 x 5.00 x 94.00

1134 8 511 622



45°

H



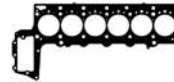
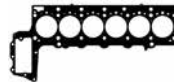
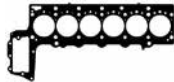
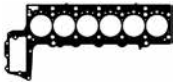
AH5920 MLS, 1.470mm, 1 Hole
AH5930 MLS, 1.570mm, 2 Holes
AH5940 MLS, 1.670mm, 3 Holes
AH5950 MLS, 1.770mm

HBS543 ☉

JD5108 ■
JD5107 ■ ■
JD5183 ■

JM5106
(Elastomer)

PA5016 (x24)



AH5920

AH5930

AH5940

AH5950

84



84.00

Diesel



N 57 306 D 2 Euro 4

6 Cyl.

2993cc

160kW (218)PS

Turbo Intercooled

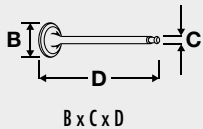
TD18307

493

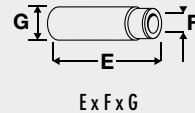
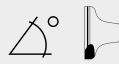


FOL186 (x24)

FOL152 (x24)

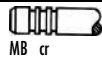


OE



V95040 ■
27.20 x 5.00 x 94.00

1112 7 797 711

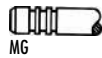


45°

H

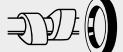
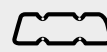
V95041 ■
24.60 x 5.00 x 94.00

1134 8 511 622



45°

H



AG9000 MLS, 1.450mm, 1 Hole
AG9010 MLS, 1.550mm, 2 Holes
AG9020 MLS, 1.650mm, 3 Holes

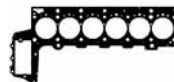
CG9000 ▲

HBS066 ☉
M12x1.50x146.50mm (x14)

JD5108 ■
JD5107 ■ ■
JD5183 ■

JM5106
(Elastomer)

PA5016 (x24)



AG9000

AG9010

AG9020

85



84.00

Petrol



M 60 B 30 V8 Cyl. 10.5:1 2997cc 160kW (218)PS TD4232 494

5 (E34) 09/92→01/97 7 (E32) 04/92→09/94 7 (E38) 10/94→11/01

					FOL125 (x32)

B x C x D	E x F x G
OE	
MAT.	
45°	H
45° ss	H

V95059

1134 1 736 567



45°

H

32.00 x 5.97 x 104.10



V95060

1134 1 736 576

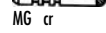


45°

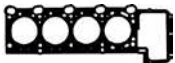
ss

H

28.45 x 5.96 x 103.60



BX240 Fibre Composite			HBS519	JD5146 [43]	JM5109 (Steel Elastomer)	JM5108 (Steel Elastomer)	JM5107 (Steel Elastomer)
					PA5041 (x32) 6.00/12.20x10.00 (FPM)	HR791 (x2)	



BX240

[43] to engine cylinder: 1,2,5 - 8

[43] sous cylindre moteur: 1,2,5 - 8

[43] Al cilindro del motore: 1,2,5 - 8

[43] A cilindro de motor: 1,2,5 - 8

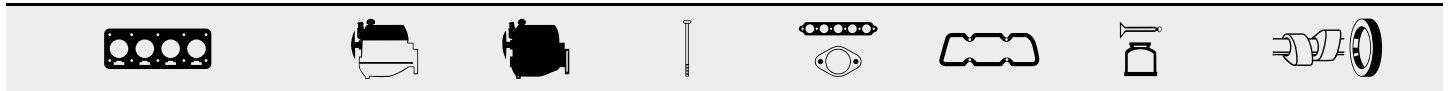
86


84.00
Petrol


M 62 B	V8 Cyl.	10:1	3498cc	180kW (245)PS	TD14608	495
M 62 B 35 TU	V8 Cyl.	10:1	3498cc	175-180kW (238-245)PS	TD21244	496

5 (E39) 04/99 → 06/03

<p>B x C x D</p>	OE	MAT.				<p>E x F x G</p>
V95059 ■ 32.00 x 5.97 x 104.10	1134 1 736 567		45°		H	
V95060 ■ 28.45 x 5.96 x 103.60	1134 1 736 576		45°	ss	H	



AC5640 MLS, 1.740mm ■	CC5350 ■▲		HB5519 ☉	JD5146 ■ [43]	JM5109 ■ (Steel Elastomer) →09/98 JM5107 (Steel Elastomer) →09/98 JM5108 ■ (Steel Elastomer) →09/98 HM5067 ■■ [44] 09/98 → HM5066 ■■ [45] 09/98 →	PA5041 (x32) 6.00/12.20x10.00 (FPM) HR791 ■ (x2)
AC5650 MLS, 1.740mm ■						


AC5640
AC5650

[43] to engine cylinder: 1,2,5 - 8

[43] sous cylindre moteur: 1,2,5 - 8

[43] Al cilindro del motore: 1,2,5 - 8

[43] A cilindro de motor: 1,2,5 - 8

[45] to engine cylinder: 1 - 4

[45] sous cylindre moteur: 1 - 4

[45] Al cilindro del motore: 1 - 4

[45] A cilindro de motor: 1 - 4

[44] to engine cylinder: 5 - 8

[44] sous cylindre moteur: 5 - 8

[44] Al cilindro del motore: 5 - 8

[44] A cilindro de motor: 5 - 8

87


84.00
Petrol


M 62 B	V8 Cyl.	10:1	3498cc	173kW (235)PS	TD4234	495
---------------	---------	------	--------	----------------------	---------------	------------

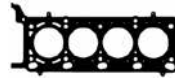
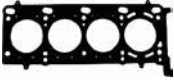
5 (E39)	04/96→03/99	7 (E38)	01/96→11/01
----------------	-------------	----------------	-------------



B x C x D	E x F x G
OE	
MAT.	
V95059 ■	1134 1 736 567
32.00 x 5.97 x 104.10	
V95060 ■	1134 1 736 576
28.45 x 5.96 x 103.60	
MB	MG cr
45°	45° ss
H	H



AC5640 MLS, 1.740mm ■	CC5350 ■▲	HBS519 ⊕	JD5146 ■ [43]	JM5109 ■	PA5041 (x32)
→09/97				(Steel Elastomer)	6.00/12.20x10.00
AC5650 MLS, 1.740mm ■				→09/98	(FPM)
				JM5108 ■	HR791 ■ (x2)
				(Steel Elastomer)	
				→09/98	
				JM5107 ■ (x2)	
				(Steel Elastomer)	
				→09/98	
				HM5067 ■■ [44]	
				09/98→	
				HM5066 ■■ [45]	
				09/98→	



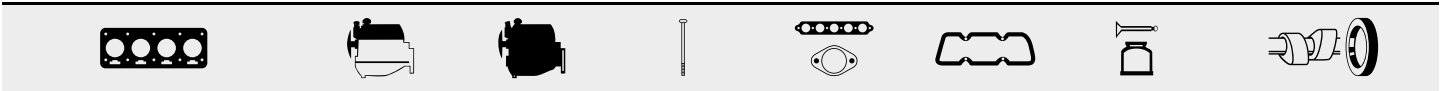
AC5640	AC5650				
[43] to engine cylinder: 1,2,5 - 8	[43] sous cylindre moteur: 1,2,5 - 8	[43] Al cilindro del motore: 1,2,5 - 8	[43] A cilindro de motor: 1,2,5 - 8		
[45] to engine cylinder: 1 - 4	[45] sous cylindre moteur: 1 - 4	[45] Al cilindro del motore: 1 - 4	[45] A cilindro de motor: 1 - 4		
[44] to engine cylinder: 5 - 8	[44] sous cylindre moteur: 5 - 8	[44] Al cilindro del motore: 5 - 8	[44] A cilindro de motor: 5 - 8		

88

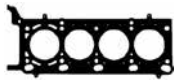

84.00
Petrol

M 62 B 35 V8 Cyl. 10:1 3498cc **173kW (235)PS** **TD21243** **496**
5 (E39) 04/96→03/99 **7 (E38)** 01/96→11/01

B x C x D	OE	MAT.				E x F x G
V95059 ■ 32.00 x 5.97 x 104.10	1134 1 736 567		45°		H	
V95060 ■ 28.45 x 5.96 x 103.60	1134 1 736 576		45°	ss	H	



AC5640 MLS, 1.740mm ■ →09/97	CC5350 ■▲		HB5519 ⊕	JD5146 ■ [43]	JM5109 ■ (Steel Elastomer) →09/98	PA5041 (x32) 6.00/12.20x10.00 (FPM)
AC5650 MLS, 1.740mm ■					JM5107 (x2) (Steel Elastomer) →09/98	HR791 ■ (x2)
					JM5108 ■ (Steel Elastomer) →09/98	
					HM5067 ■■ [44] →09/98	
					HM5066 ■■ [45] →09/98	



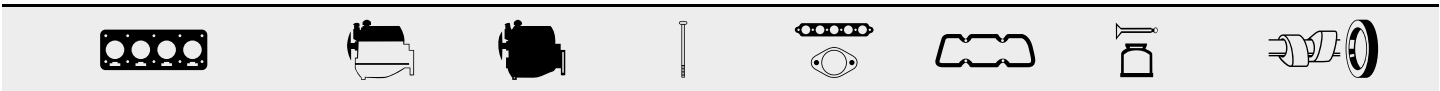
AC5640	AC5650					
[43] to engine cylinder: 1,2,5 - 8	[43] sous cylindre moteur: 1,2,5 - 8	[43] Al cilindro del motore: 1,2,5 - 8	[43] A cilindro de motor: 1,2,5 - 8			
[45] to engine cylinder: 1 - 4	[45] sous cylindre moteur: 1 - 4	[45] Al cilindro del motore: 1 - 4	[45] A cilindro de motor: 1 - 4			
[44] to engine cylinder: 5 - 8	[44] sous cylindre moteur: 5 - 8	[44] Al cilindro del motore: 5 - 8	[44] A cilindro de motor: 5 - 8			

89




84.00
Petrol







N 62 B 36 V8 Cyl. 10.2:1 3600cc **175kW (238)PS** **TD16267**
7 (E65, E66, E67) 11/01→

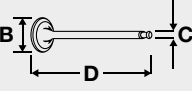
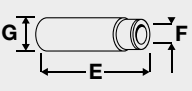

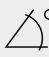
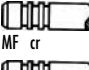
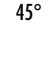
B x C x D	OE	MAT.				E x F x G
V94403 ■ 29.00 x 6.00 x 100.10	1134 7 503 839		45°	ss	H	






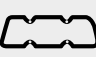




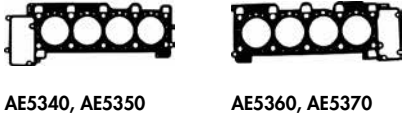
				HM5296 ■ [45]		
				HM5297 ■ [44]		
[45] to engine cylinder: 1 - 4	[45] sous cylindre moteur: 1 - 4	[45] Al cilindro del motore: 1 - 4	[45] A cilindro de motor: 1 - 4			
[44] to engine cylinder: 5 - 8	[44] sous cylindre moteur: 5 - 8	[44] Al cilindro del motore: 5 - 8	[44] A cilindro de motor: 5 - 8			



90	 84.00	Diesel					
M 67 D 39	V8 Cyl.	18:1	3901cc	180kW (245)PS	Turbo Intercooled	TD16525	497
7 (E38)	05/99→11/01						



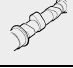



					
				FOL186 (x32)	FOL152 (x32)






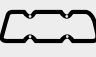


	
B x C x D	E x F x G
OE	MAT.
	
V94086 II	45°
26.00 x 6.00 x 99.90	H
	
V94086 I	45°
26.00 x 6.00 x 99.90	H

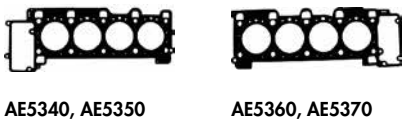
							
AE5360 MLS, 1.520mm, 2 Holes <input checked="" type="checkbox"/>						PA5016 (x32)	
AE5370 MLS, 1.620mm, 3 Holes <input checked="" type="checkbox"/>						HR5045 <input checked="" type="checkbox"/> (x2)	
AE5340 MLS, 1.520mm, 2 Holes <input checked="" type="checkbox"/>							
AE5350 MLS, 1.620mm, 3 Holes <input checked="" type="checkbox"/>							



91	 84.00	Diesel				
N 67 398 D 1	V8 Cyl.	18:1	3901cc	190kW (258)PS	TD17546	498

					
				FOL186 (x32)	FOL152 (x32)

							
AE5360 MLS, 1.520mm, 2 Holes <input checked="" type="checkbox"/>						PA5016 (x32)	
AE5370 MLS, 1.620mm, 3 Holes <input checked="" type="checkbox"/>						HR5045 <input checked="" type="checkbox"/> (x2)	
AE5340 MLS, 1.520mm, 2 Holes <input checked="" type="checkbox"/>							
AE5350 MLS, 1.620mm, 3 Holes <input checked="" type="checkbox"/>							



92


84.00
Petrol

M 70 B 50 V12 Cyl. 8.8:1 4988cc **220kW (300)PS** **TD4236** **499**
7 (E32) 09/87→09/94 **8 (E31)** 04/90→10/94

	.KIT		KIT		
				FOL80 (x24) [36]	FOL79 (x24)

[36] Mechanical [36] Mécanique [36] Meccanico [36] Mecánico

B x C x D	OE	MAT.	45°	Y	H
V91418 ■	1134 1 727 358	MB	45°	ss	H
41.90 x 7.00 x 102.10					
V91955 ■	1134 1 727 352	MG cr	45°	ss	H
35.90 x 7.00 x 101.10					
01/88→					
					VAG96042B ■ ■ ■
					43.50 x 7.00 x 12.55
					VAG96196 ■ ■ ■
					43.50 x 7.02 x 12.77
					VAG96235B ■ ■ ■
					43.50 x 7.02 x 12.65

								HR662 ■

93


84.10
Petrol

N 62 B 40 A V8 Cyl. 4000cc **225kW (306)PS** **TD18516**
5 (E60) 07/05→03/10 **7 (E65, E66, E67)** 07/05→

B x C x D	OE	MAT.	45°	ss	H
V94403 ■	1134 7 503 839	MG cr	45°	ss	H
29.00 x 6.00 x 100.10					

				JD5986 ■ (x2) (Steel Elastomer)	HM5296 ■ [45] HM5297 ■ [44]
--	--	--	--	---	--

 [45] to engine cylinder: 1 - 4
 [44] to engine cylinder: 5 - 8

 [45] sous cylindre moteur: 1 - 4
 [44] sous cylindre moteur: 5 - 8

 [45] Al cilindro del motore: 1 - 4
 [44] Al cilindro del motore: 5 - 8

 [45] A cilindro de motor: 1 - 4
 [44] A cilindro de motor: 5 - 8

94



85.00

Petrol



M 43 B 19	4 Cyl.	9.7:1	1895cc	87kW (118)PS	TD13608	500
M 43 B 19 TU	4 Cyl.	9.7:1	1895cc	77-87kW (105-118)PS	TD21238	500

3 (E46) 02/98→09/01

					FOL79 (x8)

B x C x D	OE	MAT.	E x F x G
V94087	1134 1 739 658	 MB	VAG96042B
42.00 x 7.00 x 104.00		45° Y H	43.50 x 7.00 x 12.55
V94088	1134 1 739 665	 MG cr	
35.90 x 7.00 x 103.00		45° ss H	

AB5660 Fibre Composite	CB5660		HBS069	JD5858	JP079	HR646	
			M10x1.50x95.00mm (x10)	JD243	(Elastomer)		
				JE5019			



AB5660

95



85.00

Petrol



M 43 B 19	4 Cyl.	9.7:1	1895cc	85-87kW (116-118)PS	TD27701	501
-----------	--------	-------	--------	---------------------	---------	-----

3 (E36) 12/98→08/00 3 (E46) 09/98→02/05 Z3 (E36) 07/98→01/03

B x C x D	OE	MAT.	E x F x G
V94087	1134 1 739 658	 MB	VAG96042B
42.00 x 7.00 x 104.00		45° Y H	43.50 x 7.00 x 12.55
V94088	1134 1 739 665	 MG cr	
35.90 x 7.00 x 103.00		45° ss H	

AB5660 Fibre Composite	CB5660		HBS069	JD5858	JP079	HR646	
			M10x1.50x95.00mm (x10)	JD243	(Elastomer)		
				JE5019			



AB5660

96	85.00	Petrol				
M 44 B 19	4 Cyl.	10:1	1895cc	103kW (140)PS	TD4226	502
3 (E36)	07/95→08/00	Z3 (E36)	10/95→03/99			

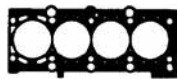
	.KIT		KIT			
					FOL79 (x16)	

B x C x D	OE	MAT.				

V91925	1134 1 739 822		45°	H	VAG96043B		
32.90 x 6.00 x 106.10		MB			43.50 x 6.01 x 12.56		
V91926	1134 1 739 823		45°	ss	H	VAG96044B	
30.50 x 6.00 x 105.70		MG			43.50 x 6.00 x 12.77		

--	--	--	--	--	--	--	--

BZ130 Fibre Composite	DZ130	HBS069	JD611 (x2)	JP027	PA5041 (x16)
		M10x1.50x95.00mm (x10)		JP032	6.00/12.20x10.00
				JP077 (x3) [41]	(FPM)
				HL733	HR817 (x2)



BZ130
 [41] to engine cylinder: 1,3,4 [41] sous cylindre moteur: 1,3,4 [41] Al cilindro del motore: 1,3,4 [41] A cilindro de motor: 1,3,4

97	85.00	Petrol			
M 43 194 E1	4 Cyl.	1895cc	85-87kW (116-118)PS	TD18439	500

--	--	--	--	--	--	--	--

AB5660 Fibre Composite	CB5660	HBS069	JD5858	JP079	HR646
		M10x1.50x95.00mm (x10)	JD243	(Elastomer)	
			JE5019		



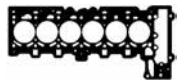
AB5660

98	85.00	Petrol				
N 52 B 30	6 Cyl.	12:1	2996cc	190-195kW (258-265)PS	TD26670	504
N 52 B 30 BF	6 Cyl.	10.7:1	2996cc	190kW (258)PS	TD26306	504

1 (E81)	09/06→09/12	1 (E87)	03/05→09/12	7 (F01, F02, F03, F04)	06/08→
----------------	-------------	----------------	-------------	-------------------------------	--------

--	--	--	--	--	--	--	--

AH6210 MLS, 1.160mm	CG9540	HBS468	JD5864 (x6)	HM5288
AG9290 MLS, 1.200mm			JD5909	



AH6210, AG9290

99



85.00

Petrol

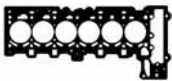


N 52 B 30	6 Cyl.	10.7:1	2996cc	190-200kW (258-272)PS	TD21409	505
N 52 B 30 A	6 Cyl.	10.7:1	2996cc	190-195kW (258-265)PS	TD18170	505

1 (E81)	09/06→09/12	1 (E82)	10/07→	1 (E87)	03/05→09/12
1 (E88)	03/08→	3 (E90)	01/05→12/11	3 (E91)	09/05→
3 (E92)	09/06→	3 (E93)	03/07→	5 (E60)	03/05→03/10
5 (E61)	07/05→	6 (E63)	09/04→	6 (E64)	09/04→
7 (E65, E66, E67)	03/05→	7 (F01, F02, F03, F04)	06/08→	X1 (E84)	10/09→
X3 (E83)	09/06→	X3 (F25)	04/11→	X5 (E70)	02/07→03/10
Z4 (E85)	01/06→	Z4 (E86)	03/06→	Z4 (E89)	05/09→

B x C x D	OE	MAT.				E x F x G
V95043	1134 7 553 771		45°	Y	H	
34.20 x 5.00 x 104.50						
V95044	1134 7 553 772		45°		H	
29.00 x 6.00 x 110.55						

AH6210 MLS, 1.160mm	CG9540		HBS468	JD5864 (x6)	HM5288		
AG9290 MLS, 1.200mm				JD5909			



AH6210, AG9290

100



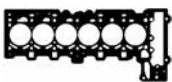
85.00

Petrol



N 52 N B30 A	6 Cyl.		2996cc	187kW (254)PS	TD20582	505
3 (E90)	07/05→11/07					

AH6210 MLS, 1.160mm	CG9540		HBS468	JD5864 (x6)	HM5278		
AG9290 MLS, 1.200mm				JD5909			



AH6210, AG9290

101



85.00

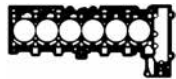
Petrol



N 52 N B 30 B	6 Cyl.		2996cc	190kW (258)PS	TD20961	505
N 53 B 30	6 Cyl.	12:1	2996cc	160-200kW (218-272)PS	TD21410	505
3 (E90)	09/07→12/11		3 (E91)	09/07→	3 (E92)	09/07→
3 (E93)	03/07→		5 (E60)	01/07→03/10	5 (E61)	01/07→
6 (E63)	07/07→		6 (E64)	07/07→		

B x C x D	OE	MAT.				E x F x G
V95043 ■	1134 7 553 771		45°	Y	H	
34.20 x 5.00 x 104.50		MB				
V95044 ■	1134 7 553 772		45°		H	
29.00 x 6.00 x 110.55		MG				

AH6210 MLS, 1.160mm	CG9540	HBS468 ☉	JD5864 ■ (x6)	HM5278 ■	
AG9290 MLS, 1.200mm			JD5909 ■		



AH6210, AG9290

102



85.00

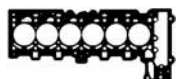
Petrol



N 53 B 30 A	6 Cyl.	12:1	2996cc	160-200kW (218-272)PS	TD20585	505
3 (E90)	09/07→12/11		3 (E91)	09/07→	3 (E92)	09/06→
3 (E93)	10/06→		5 (E60)	01/07→03/10	5 (E61)	01/07→
5 (F10, F18)	03/10→		5 (F11)	09/10→		

B x C x D	OE	MAT.				E x F x G
V95043 ■	1134 7 553 771		45°	Y	H	
34.20 x 5.00 x 104.50		MB				
V95044 ■	1134 7 553 772		45°		H	
29.00 x 6.00 x 110.55		MG				

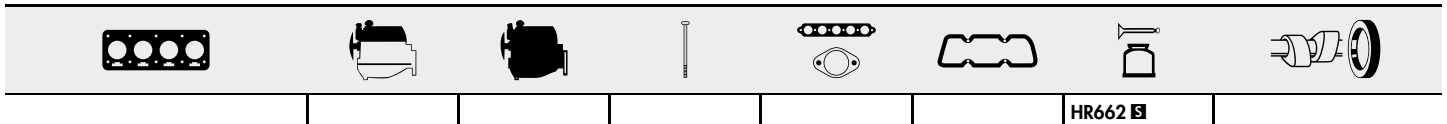
AH6210 MLS, 1.160mm	CG9540	HBS468 ☉	JD5864 ■ (x6)	JD5909 ■



AH6210

103	85.00	Petrol				
M 73 B 54	V12 Cyl.	10:1	5379cc	240kW (326)PS	TD466	506
7 (E38)	12/94→11/01	8 (E31)	09/94→12/99			

B x C x D	Ex F x G
V94087 1134 1 739 658	VAG96196 43.50 x 7.02 x 12.77
42.00 x 7.00 x 104.00	
V94088 1134 1 739 665	
35.90 x 7.00 x 103.00	



104	86.00	Petrol			
N 13 B 16	4 Cyl.	10.5:1	1596cc	75-127kW (102-173)PS	TD26581
1 (F20)	11/10→	1 (F21)	12/11→	3 (F30, F35)	02/12→
3 (F31)	03/13→				

B x C x D	Ex F x G
V95038 1134 7 547 187	FOL185 (x16)
26.25 x 5.00 x 110.10	FOL191 (x16)

B x C x D	Ex F x G
V95038 1134 7 547 187	
26.25 x 5.00 x 110.10	

105	86.00	Petrol				
M 30 B 25	6 Cyl.	9:1	2494cc	107-110kW (145-150)PS	TD5204	507
5 (E12)	08/73→05/81	7 (E23)	07/77→06/86	2000 (E9)	09/74→03/76	
2500 (E3)	10/68→04/77					

B x C x D	Ex F x G
VAG92170B 50.00 x 8.02 x 14.06	

B x C x D	Ex F x G
JC929 (x6)	JN300
JE555 (x2) [46]	JM5109 (Steel Elastomer)
	JM5108 (Steel Elastomer)

[46] for left-hand drive vehicles [46] pour véhicules avec direction à gauche [46] per veicolo con guida a Sx [46] para vehic. dirección izquierda

106	86.00	Petrol				
M 30 B 28	6 Cyl.	9:1	2788cc	121kW (165)PS	TD5215	507
5 (E12)	01/75→05/81	5 (E28)	06/81→12/87	6 (E24)	09/79→08/87	
7 (E23)	05/77→08/86	2000 (E9)	01/69→04/71	2500 (E3)	10/68→04/77	

	OE	MAT.		
B x C x D				Ex F x G
				VAG92170B E 50.00 x 8.02 x 14.06

			HBS071 M12x1.75x157.00mm (x14)	JE5074 JE555 (x2) [46]	JN300		
[46] for left-hand drive vehicles		[46] pour véhicules avec direction à gauche		[46] per veicolo con guida a Sx			[46] para vehic. dirección izquierda

107	86.00	Petrol				
S 50 B 30	6 Cyl.	10.8:1	2990cc	210kW (286)PS	TD4241	508
3 (E36)	10/92→10/95					








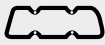



	OE	MAT.		
B x C x D				Ex F x G
V94776 34.00 x 7.00 x 119.70	1134 1 401 104	MG cr	45° ss H	
V94774 30.50 x 7.00 x 121.30	1134 1 401 105	MG cr	45° ss H	









108	86.00	Petrol				
M 70 B 56	V12 Cyl.	9.8:1	5576cc	280kW (380)PS	TD4237	509
8 (E31)	04/93→12/96					



	KIT		KIT				FOL79 (x24)

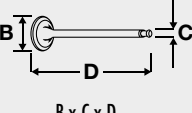
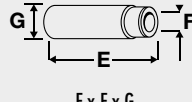





	OE	MAT.		
B x C x D				Ex F x G
V94087 42.00 x 7.00 x 104.00	1134 1 739 658	MB	45° Y H	VAG96042B E 43.50 x 7.00 x 12.55
V94088 35.90 x 7.00 x 103.00	1134 1 739 665	MG cr	45° ss H	






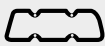

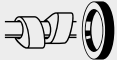

						HR662	

109		86.40	Petrol				
S 50 B 32	6 Cyl.	11.3:1	3201cc	236kW (321)PS	TD4242	510	
3 (E36)	09/95→04/99	Z3 (E36)	03/97→06/01				
							
			HBS507 				

110		87.00	Diesel			
N 67 N 448 D2	V8 Cyl.		4423cc	242kW (329)PS	TD20593	
7 (E65, E66, E67)	07/05→					
						
			KIT	FOL186 (x32)	FOL152 (x32)	

111		89.00	Petrol			
M 10 B 18	4 Cyl.	8.6:1	1766cc	66kW (89)PS	TD5174	512
02 (E10)	05/71→07/75	02 (E6)	05/71→07/75	3 (E21)	08/75→08/82	
3 (E30)	09/82→12/90	5 (E12)	07/74→05/81	5 (E28)	06/81→12/87	
1500-2000	07/69→11/72					

	
B x C x D	E x F x G
OE	
MAT.	
	
45°	
V90333 	VAG92170B 
1134 1 251 063	50.00 x 8.02 x 14.06
38.00 x 8.00 x 104.30	VAG96176B 
	50.00 x 8.02 x 14.24

							
BP610 Fibre Composite	DC921		HBS070 		JN299		
	DC929		M12x1.75x157.00mm (x10)				



BP610

112



89.00

Petrol



M 10 B 20	4 Cyl.	10:1	1991cc	80kW (109)PS		TD432	513
02 (E10)	02/68→07/75		02 (E6)	01/71→07/75	3 (E21)	06/75→08/82	
5 (E12)	08/72→09/79		1500-2000	01/66→07/72	2000 (E9)	10/65→06/70	

TB567 111x25.4 Driven unit: camshaft For OE no:12655244 TB343 110x25.4 For OE no:1717215					

B x C x D	OE	MAT.	45°	E x F x G	

V90333	1134 1 251 063		45°	VAG92170B	50.00 x 8.02 x 14.06
38.00 x 8.00 x 104.30				VAG96176B	50.00 x 8.02 x 14.24

113



89.00

Petrol



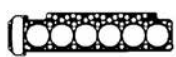
M 30 B 30	6 Cyl.	9:1	2988cc	145kW (197)PS		TD5276	514
5 (E34)	01/88→08/91		6 (E24)	04/76→08/79	7 (E23)	05/77→08/79	
7 (E32)	12/86→09/94		2000 (E9)	05/71→03/76	2500 (E3)	05/71→04/77	

		CAM394			



B x C x D	OE	MAT.	45°	E x F x G	







VAG92170B	50.00 x 8.02 x 14.06	
VAG96176B	50.00 x 8.02 x 14.24	

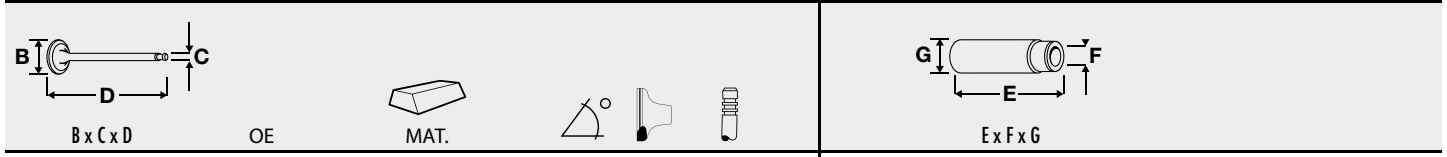
BS320 Fibre Composite, 1.250mm			HBS071	JC929	JN542	HR569	
			M12x1.75x157.00mm (x14)	(x6)			








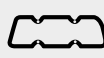

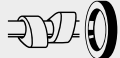



BS320

114	 89.00	Petrol				
M 30 B 32	6 Cyl.	9.5:1	3153cc	152kW (206)PS	TD5208	515
2000 (E9)	01/74→12/75					

					
CAM394					











 <p>MAT.</p>		
 <p>VAG92170B  </p> <p>50.00 x 8.02 x 14.06</p>	 <p>VAG96176B  </p> <p>50.00 x 8.02 x 14.24</p>	

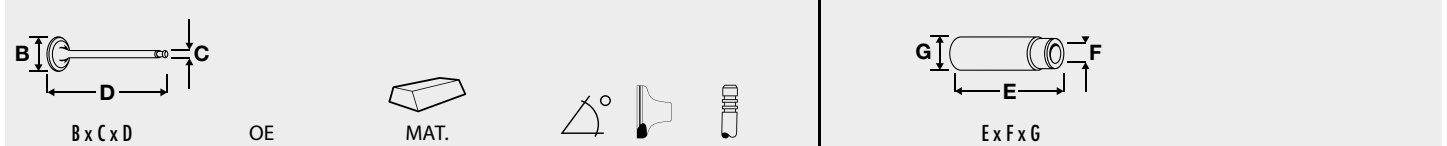
							
BC940 Fibre Composite				JC929  (x6)  JE5074  JE555 (x2) [46]	JN300		








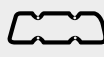

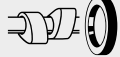
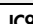


BC940
 [46] for left-hand drive vehicles [46] pour véhicules avec direction à gauche [46] per veicolo con guida a Sx [46] para vehic. dirección izquierda

115	 89.00	Petrol					
M 30 B 32	6 Cyl.	7.5:1	3210cc	185kW (252)PS	Turbocharged	TD5253	516
7 (E23)	04/80→04/83						

					
CAM394					



 <p>MAT.</p>		
 <p>VAG92170B  </p> <p>50.00 x 8.02 x 14.06</p>	 <p>VAG96176B  </p> <p>50.00 x 8.02 x 14.24</p>	

							
				JC929  (x6)  JE5074  JE555 [46]	JN300		

[46] for left-hand drive vehicles [46] pour véhicules avec direction à gauche [46] per veicolo con guida a Sx [46] para vehic. dirección izquierda

116



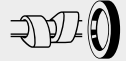
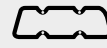
89.00

Petrol



M 30 B 33 6 Cyl. 9:1 3300cc 140/147kW (190/200)PS TD5213 517

2500 (E3) 01/74→09/76



BC940 Fibre Composite



BC940

117



89.00

Petrol



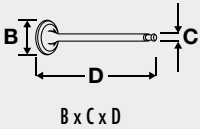
M 60 B 40 V8 Cyl. 10:1 3982cc 210kW (286)PS TD4233 518

5 (E34) 09/92→01/97 7 (E32) 04/92→09/94 7 (E38) 10/94→11/01

8 (E31) 02/93→02/96



FOL125 (x32)



OE



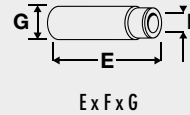
MAT.



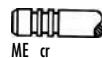
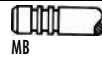
45°

ss

H

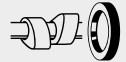
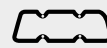


V94091 ■ 1134 1 736 549



35.00 x 6.00 x 104.10
V94092 ■ 1134 1 741 231

VAG96043B ■ ■ ■ 43.50 x 6.01 x 12.56



BX281 Fibre Composite, 1.74mm [94]
BX300 Fibre Composite, 2.07mm [94]
BX270 Fibre Composite, 1.74mm [87]
BX290 Fibre Composite, 2.07mm [87]

HB5519 ☉

JD5146 ■ [43]

JM5109 ■

(Steel Elastomer)

JM5108 ■

(Steel Elastomer)

JM5107 ■ (x2)

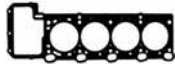
(Steel Elastomer)

PA5041 (x32)

6.00/12.20x10.00

(FPM)

HR791 ■ (x2)



BX270, BX290

[43] to engine cylinder: 1,2,5 - 8

[45] to engine cylinder: 1 - 4

[44] to engine cylinder: 5 - 8

BX281, BX300

[43] sous cylindre moteur: 1,2,5 - 8

[45] sous cylindre moteur: 1 - 4

[44] sous cylindre moteur: 5 - 8

[43] Al cilindro del motore: 1,2,5 - 8

[45] Al cilindro del motore: 1 - 4

[44] Al cilindro del motore: 5 - 8

[43] A cilindro de motor: 1,2,5 - 8

[45] A cilindro de motor: 1 - 4

[44] A cilindro de motor: 5 - 8

118	89.25	Petrol				
M 30 B 32	6 Cyl.	9.3:1	3153cc	145kW (197)PS	TD4220	519
6 (E24)	09/78→08/84	7 (E23)	05/77→08/86			

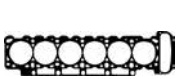
<p>B x C x D</p>	<p>MAT.</p>	<p>45°</p>	<p>E x F x G</p>
OE			<p>VAG92170B </p> <p>50.00 x 8.02 x 14.06</p> <p>VAG96176B </p> <p>50.00 x 8.02 x 14.24</p>

119	92.00	Petrol				
M 30 B 35	6 Cyl.	9.2-9.3:1	3430cc	141-162kW (192-220)PS	TD5272	523
5 (E28)	01/85→12/87	7 (E23)	04/85→08/86			

		CAM394			

<p>B x C x D</p>	OE	<p>MAT.</p>	<p>45°</p>	<p>E x F x G</p>
<p>V94521 </p> <p>46.90 x 8.00 x 106.50</p>	1134 1 705 560	<p>MB cr</p>	Y H	<p>VAG92170B </p> <p>50.00 x 8.02 x 14.06</p> <p>VAG96176B </p> <p>50.00 x 8.02 x 14.24</p>

BL690 Fibre Composite	DL690 DL691 06/87→		HBS071 M12x1.75x157.00mm (x14)	JC929 →06/87 JD315 08/87→ JE5074	JN542 JN300 01/78→09/80		



BL690

120



92.00

Petrol



M 30 B 35 6 Cyl. 9.2:1 3430cc 162kW (220)PS TD5278 520

7 (E32) 09/86→12/87

.KIT		KIT					
		CAM394					

BL690 Fibre Composite	DL691		HBS071 (M12x1.75x157.00mm (x14))	JC929 (x6) →06/87 JD315 (x6) JE5074	JN542 JN300 01/78→09/80		



BL690

121



92.00

Petrol



M 30 B 35 6 Cyl. 10:1 3430cc 160kW (218)PS TD5246 522

6 (E24) 06/78→08/88 7 (E23) 09/79→08/86

.KIT		KIT					
		CAM394					

B x C x D	OE	MAT.	45°	Y	H	E x F x G	

V94521 46.90 x 8.00 x 106.50	1134 1 705 560	MB cr		VAG92170B 50.00 x 8.02 x 14.06		VAG96176B 50.00 x 8.02 x 14.24	
-------------------------------	----------------	-------	--	----------------------------------	--	----------------------------------	--

BL690 Fibre Composite	DL690 →06/87 DL691 06/87→		HBS071 (M12x1.75x157.00mm (x14))	JC929 (x6) →06/87 JD315 (x6) 08/87→ JE5074	JN542 JN300 01/78→09/80		



BL690

122	92.00	Petrol					
M 30 B 35	6 Cyl.	8:1	3430cc	185kW (252)PS	Turbocharged	TD4221	524
5 (E28)	01/85→12/87		5 (E34)	01/88→09/95	6 (E24)	04/85→09/90	
7 (E23)	05/83→08/86		7 (E32)	09/86→09/92			

CAM394					

	B x C x D	OE		MAT.		E x F x G
				VAG92170B 50.00 x 8.02 x 14.06 VAG96176B 50.00 x 8.02 x 14.24		

BL690 Fibre Composite	DL690 →06/86 DL691 06/86→		HBS071 M12x1.75x157.00mm (x14)	JC929 (x6) JD315 (x6) JE5074	JN300 JN542		



BL690

123	92.00	Petrol				
M 30 B 35	6 Cyl.	8:1	3430cc	136kW (185)PS	TD5248	521
6 (E24)	01/85→05/89		7 (E23)	01/85→08/86		

CAM394					

	B x C x D	OE		MAT.		E x F x G
				VAG92170B 50.00 x 8.02 x 14.06 VAG96176B 50.00 x 8.02 x 14.24		

BL690 Fibre Composite	DL690 →06/87 DL691 06/87→		HBS071 M12x1.75x157.00mm (x14)	JC929 (x6) →06/87 JD315 (x6) 08/87→ JE5074	JN300 JN542		



BL690

124

92.00

Petrol



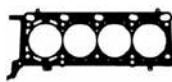
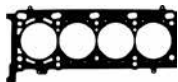
M 62 B 44	V8 Cyl.	10.1:1	4398cc	210/255kW (286/347)PS	TD4235	525
M 62 B 44 TU	V8 Cyl.	10:1	4398cc	210kW (286)PS	TD21245	527

8 (E31)	01/96→12/99	X5 (E53)	05/00→
----------------	-------------	-----------------	--------

						FOL131 (x32)	

B x C x D	OE	MAT.				E x F x G	
V94091 ■	1134 1 736 549		45°	H		VAG96043B ■ ■ ■	
35.00 x 6.00 x 104.10		MB				43.50 x 6.01 x 12.56	
V94092 ■	1134 1 741 231		45°	ss	H	VAG96044B ■ ■ ■	
30.50 x 6.00 x 103.60		ME cr				43.50 x 6.00 x 12.77	

AC5380 Fibre Composite, 1.74mm ■ [94] →09/97	CC5350 ■ ■ ■ 09/98→		HBS519 ⊕	JD5146 ■ (x3) [43]	JM5109 ■ (Steel Elastomer) →09/98	PA5041 (x32) 6.00/12.20x10.00 (FPM)	
AC5370 Fibre Composite, 1.74mm ■ [87] →09/97					JM5107 (x2) (Steel Elastomer) →09/98	HR791 ■ (x2)	
AC5360 MLS, 1.74mm ■ [94] 09/97→					JM5108 ■ (Steel Elastomer) →09/98		
AC5350 MLS, 1.74mm ■ [87]					HM5067 ■ ■ ■ [44] 09/98→		
					HM5066 ■ ■ [45] 09/98→		



AC5370, AC5350

[43] to engine cylinder: 1,2,5 - 8
[45] to engine cylinder: 1 - 4
[44] to engine cylinder: 5 - 8

AC5380, AC5360

[43] sous cylindre moteur: 1,2,5 - 8
[45] sous cylindre moteur: 1 - 4
[44] sous cylindre moteur: 5 - 8

[43] Al cilindro del motore: 1,2,5 - 8
[45] Al cilindro del motore: 1 - 4
[44] Al cilindro del motore: 5 - 8

[43] A cilindro de motor: 1,2,5 - 8
[45] A cilindro de motor: 1 - 4
[44] A cilindro de motor: 5 - 8

125



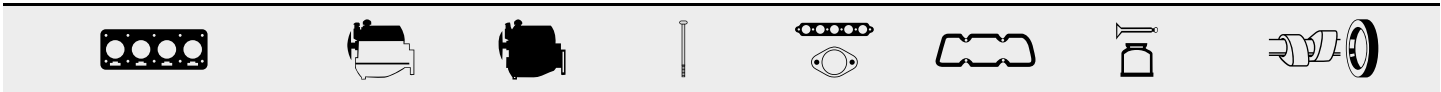
92.00

Petrol



M 62 B 44 A	V8 Cyl.	10:1	4398cc	235-245kW (320-333)PS	TD18546	526
N 62 B 44	V8 Cyl.	10:1	4398cc	240kW (326)PS	TD16268	528
5 (E60)	09/03→03/10	5 (E61)	06/04→	6 (E63)	01/04→	
6 (E64)	04/04→	7 (E65, E66, E67)	11/01→	X5 (E53)	12/03→	

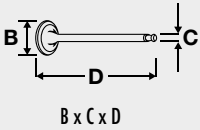
	OE	MAT.			
B x C x D			45°	H	E x F x G
V94957 35.00 x 6.00 x 100.00	1134 1 435 461	 MB	45°	H	
V94403 29.00 x 6.00 x 100.10	1134 7 503 839	 MG cr	45°	ss	



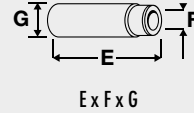
	CC5350			JD5986 (x2) (Steel Elastomer) JD5146 (x3) [43]	JM5097 [44] (Elastomer) JM5096 [45] (Elastomer) HM5296 [45] HM5297 [44]	PA5041 (x32) 6.00/12.20x10.00 (FPM) HR791 (x2)
[43] to engine cylinder: 1,2,5 - 8	[43] sous cylindre moteur: 1,2,5 - 8	[43] Al cilindro del motore: 1,2,5 - 8	[43] A cilindro de motor: 1,2,5 - 8	[44] Al cilindro del motore: 5 - 8	[44] A cilindro de motor: 5 - 8	[44] A cilindro de motor: 5 - 8
[44] to engine cylinder: 5 - 8	[44] sous cylindre moteur: 5 - 8	[44] Al cilindro del motore: 5 - 8	[44] A cilindro de motor: 5 - 8	[45] to engine cylinder: 1 - 4	[45] Al cilindro del motore: 1 - 4	[45] A cilindro de motor: 1 - 4
[45] to engine cylinder: 1 - 4	[45] sous cylindre moteur: 1 - 4	[45] Al cilindro del motore: 1 - 4	[45] A cilindro de motor: 1 - 4			



FOL131 (x32)

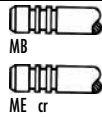


OE



V94091 ■
35.00 x 6.00 x 104.10
V94092 ■
30.50 x 6.00 x 103.60

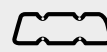
1134 1 736 549
1134 1 741 231



45°

ss

H



AC5380 Fibre Composite, 1.74mm [94]
→09/97
AC5370 Fibre Composite, 1.74mm [87]
→09/97
AC5360 MLS, 1.74mm [94]
09/97→
AC5350 MLS, 1.74mm [87]

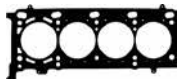
CC5350 ■▲
09/98→

HBS519 ☉

JD5146 ■ (x3) [43]

JM5097 ■ [44]
(Elastomer)
JM5109 ■
(Steel Elastomer)
→09/98
JM5098
(Elastomer)
JM5107 (x2)
(Steel Elastomer)
→09/98
JM5096 ■ [45]
(Elastomer)
JM5108 ■
(Steel Elastomer)
→09/98
HM5067 ■ [44]
09/98→
HM5066 ■ [45]
09/98→

PA5041 (x32)
6.00/12.20x10.00
(FPM)
HR791 ■ (x2)

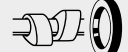
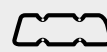


AC5370, AC5350
[43] to engine cylinder: 1,2,5 - 8
[44] to engine cylinder: 5 - 8
[45] to engine cylinder: 1 - 4

AC5380, AC5360
[43] sous cylindre moteur: 1,2,5 - 8
[44] sous cylindre moteur: 5 - 8
[45] sous cylindre moteur: 1 - 4

[43] Al cilindro del motore: 1,2,5 - 8
[44] Al cilindro del motore: 5 - 8
[45] Al cilindro del motore: 1 - 4

[43] A cilindro de motor: 1,2,5 - 8
[44] A cilindro de motor: 5 - 8
[45] A cilindro de motor: 1 - 4



CC5350 ■▲

HBS519 ☉

JD5146 ■ (x3) [43]

JM5097 ■ [44]
(Elastomer)
JM5096 ■ [45]
(Elastomer)
HM5067 ■ [44]
HM5066 ■ [45]

PA5041 (x32)
6.00/12.20x10.00
(FPM)
HR791 ■ (x2)

[43] to engine cylinder: 1,2,5 - 8
[44] to engine cylinder: 5 - 8
[45] to engine cylinder: 1 - 4

[43] sous cylindre moteur: 1,2,5 - 8
[44] sous cylindre moteur: 5 - 8
[45] sous cylindre moteur: 1 - 4

[43] Al cilindro del motore: 1,2,5 - 8
[44] Al cilindro del motore: 5 - 8
[45] Al cilindro del motore: 1 - 4

[43] A cilindro de motor: 1,2,5 - 8
[44] A cilindro de motor: 5 - 8
[45] A cilindro de motor: 1 - 4

128	93.00	Petrol			
N 62 B 48 A	V8 Cyl.	10.5:1	4799cc	265kW (360)PS	TD18034
N 62 B 48 B	V8 Cyl.	10.5:1	4799cc	270kW (367)PS	TD18515
5 (E60)	07/05→03/10	5 (E61)	07/05→	6 (E63)	07/05→
6 (E64)	07/05→	7 (E65, E66, E67)	07/05→	X5 (E53)	04/04→
X5 (E70)	02/07→				

				JD5986 (x2) (Steel Elastomer) JD5146 (x3)[43]	HM5296 [45] HM5297 [44]		
[43] to engine cylinder: 1,2,5 - 8	[43] sous cylindre moteur: 1,2,5 - 8	[43] Al cilindro del motore: 1,2,5 - 8	[43] A cilindro de motor: 1,2,5 - 8				
[45] to engine cylinder: 1 - 4	[45] sous cylindre moteur: 1 - 4	[45] Al cilindro del motore: 1 - 4	[45] A cilindro de motor: 1 - 4				
[44] to engine cylinder: 5 - 8	[44] sous cylindre moteur: 5 - 8	[44] Al cilindro del motore: 5 - 8	[44] A cilindro de motor: 5 - 8				

129	93.40	Petrol			
S 14 B 20	4 Cyl.	1990cc	141kW (192)PS	TD18440	531
3 (E30)	05/88→12/90				

						HR599	

130	93.40	Petrol				
S 14 B 23	4 Cyl.	9.6:1	2303cc	143-162kW (195-220)PS	TD4238	533
S 14 B 23	4 Cyl.	10.5:1	2303cc	147kW (200)PS	TD470	533
S 14 B 23 (EVO I)	4 Cyl.	11:1	2302cc	162kW (220)PS	TD5265	532
3 (E30)	07/86→06/91					

B x C x D	OE	MAT.					E x F x G
V94275	1134 1 309 343		45°	ss	H		
36.95 x 7.00 x 121.40		MG cr					
V94276	1134 1 309 487		45°	ss	H		
31.95 x 7.00 x 123.80		MF cr					

						HR599	

131



93.40

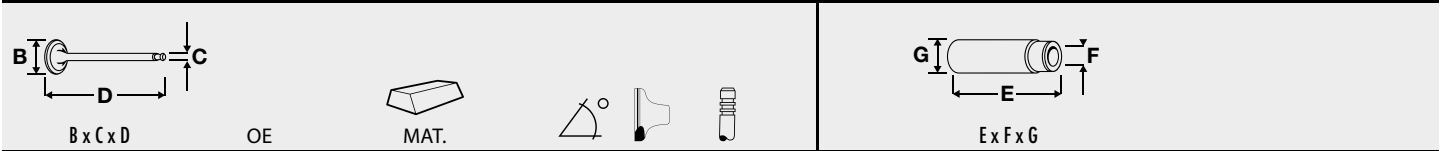
Petrol



M 30 B 35 6 Cyl. 9.3:1 3453cc 160kW (218)PS TD447 534

5 (E12) 06/80→08/81 6 (E24) 06/78→08/88 7 (E23) 09/79→08/86

			CAM394		



VAG92170B
50.00 x 8.02 x 14.06

VAG96176B
50.00 x 8.02 x 14.24



BL690 Fibre Composite	DL690 →06/87 DL691 06/87→	HBS071 M12x1.75x157.00mm (x14)	JC929 (x6) →06/87 JD315 (x6) 08/87→ JE5074	JN300 →09/80 JN542		
------------------------------	--	--	---	--	--	--



BL690

132



93.40

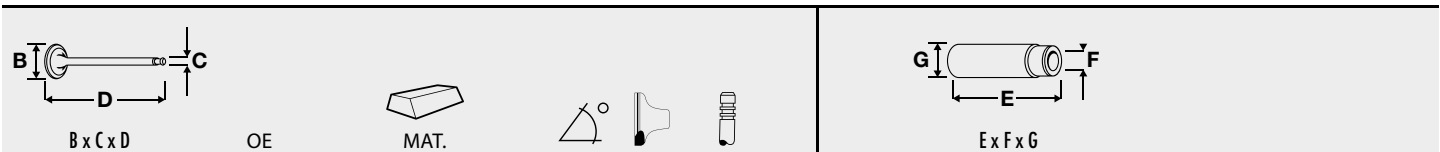
Petrol



M 30 B 35 6 Cyl. 10:1 3453cc 160kW (218)PS TD5245 534

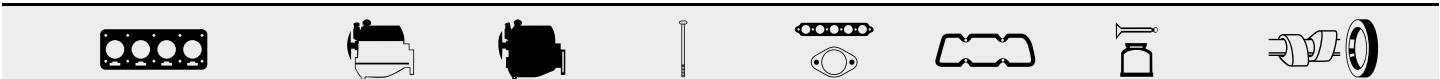
6 (E24) 06/78→08/88

			CAM394		



VAG92170B
50.00 x 8.02 x 14.06



VAG96176B
50.00 x 8.02 x 14.24

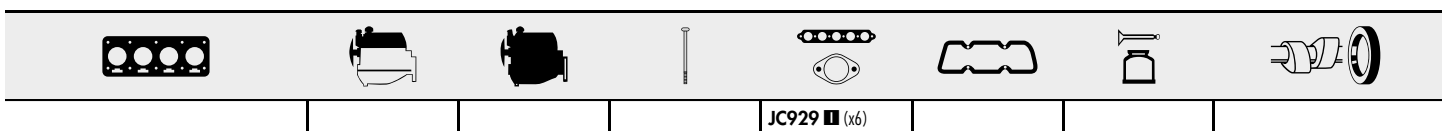



BL690 Fibre Composite	DL690 →06/87 DL691 06/87→	HBS071 M12x1.75x157.00mm (x14)	JC929 (x6) →06/87 JD315 (x6) 08/87→ JE5074	JN542 JN300 01/78→09/80		
------------------------------	--	--	---	---	--	--

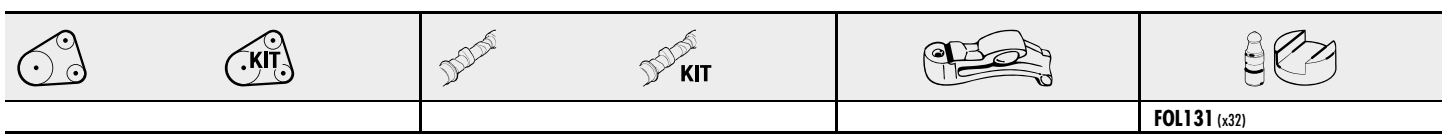




BL690

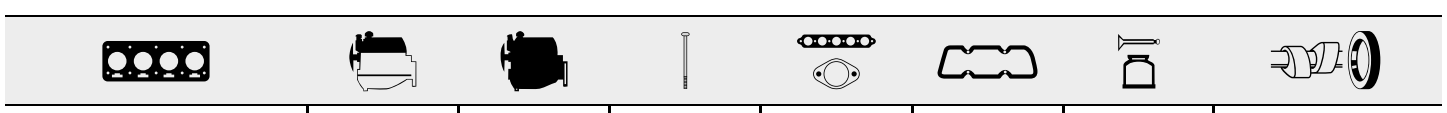
133		93.40	Petrol			
S 38 B 35	6 Cyl.	10.5:1	3453cc	211kW (287)PS	TD472	536
S 38 B 35	6 Cyl.	9.8:1	3453cc	191kW (260)PS	TD5250	535
6 (E24)	03/84→05/89					



				JC929  (x6)		
--	--	--	--	--	--	--



134		94.00	Petrol			
S 38 B 49	V8 Cyl.		4941cc	294kW (400)PS	TD13568	538
S 62 B 50	V8 Cyl.	11:1	4941cc	294kW (400)PS	TD18842	538
5 (E39)	10/98→06/03		Z8 (E52)	06/00→06/03		





						FOL131 (x32)
--	--	--	--	--	--	--------------



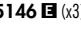


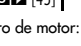
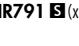
[43] to engine cylinder: 1,2,5 - 8
 [43] sous cylindre moteur: 1,2,5 - 8
 [43] Al cilindro del motore: 1,2,5 - 8
 [43] A cilindro de motor: 1,2,5 - 8

[45] to engine cylinder: 1 - 4
 [45] sous cylindre moteur: 1 - 4
 [45] Al cilindro del motore: 1 - 4
 [45] A cilindro de motor: 1 - 4

[44] to engine cylinder: 5 - 8
 [44] sous cylindre moteur: 5 - 8
 [44] Al cilindro del motore: 5 - 8
 [44] A cilindro de motor: 5 - 8

135		94.30	Petrol			
M 67 468 S1	V8 Cyl.		4619cc	255kW (347)PS	TD18401	539

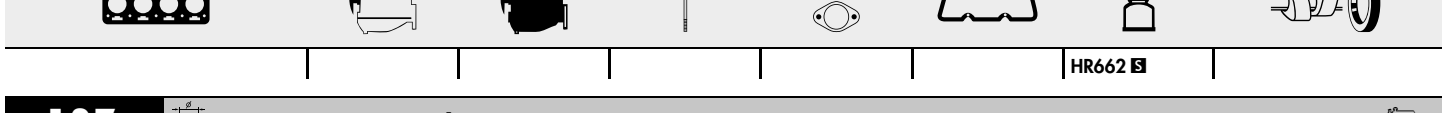




	CC5350 		HBS519 	JD5146  (x3) [84]	JM5096  [45] (Elastomer) HM5067  [44] HM5066  [45]	HR791  (x2)
--	---	--	---	---	---	---

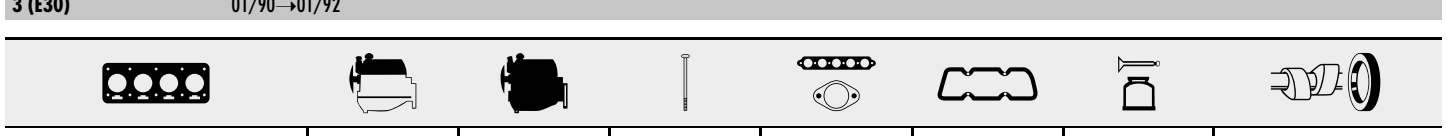
[43] to engine cylinder: 1,2,5 - 8
 [43] sous cylindre moteur: 1,2,5 - 8
 [43] Al cilindro del motore: 1,2,5 - 8
 [43] A cilindro de motor: 1,2,5 - 8


[45] to engine cylinder: 1 - 4
 [45] sous cylindre moteur: 1 - 4
 [45] Al cilindro del motore: 1 - 4
 [45] A cilindro de motor: 1 - 4

[44] to engine cylinder: 5 - 8
 [44] sous cylindre moteur: 5 - 8
 [44] Al cilindro del motore: 5 - 8
 [44] A cilindro de motor: 5 - 8



136		94.60	Petrol			
S 38 B 38	6 Cyl.	10.5:1	3795cc	250kW (340)PS	TD4240	540
5 (E34)	03/92→01/97					



						HR662 
--	--	--	--	--	--	---



137		95.00	Petrol			
S 14 B 25	4 Cyl.	10.2:1	2467cc	175kW (238)PS	TD471	541
3 (E30)	01/90→01/92					



MERCEDES-BENZ/SMART

138



63.50

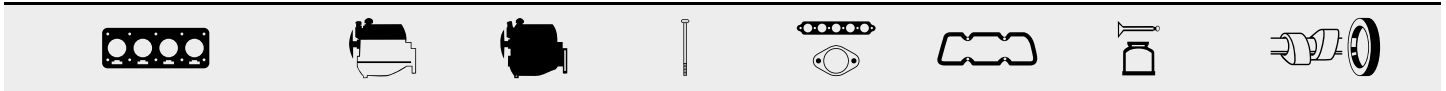
Petrol



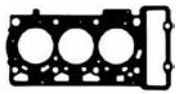
M 160 E6AL B03	3 Cyl.	9.5:1	599cc	40kW (55)PS	Turbo Intercooled	TD22902	542
----------------	--------	-------	-------	-------------	-------------------	---------	-----

CABRIO (450)	03/00→01/04	CITY-COUPE (450)	07/98→01/04
--------------	-------------	------------------	-------------

	OE				
B x C x D		MAT.	45°	H	E x F x G
V94803	160 053 00 01		45°	H	
30.00 x 6.00 x 89.35		MB cr			
V94804	160 050 00 27		45°	ss	
25.00 x 6.00 x 89.20		MD cr			



AC5660 MLS	CC5661	HBS349	HA5034	HR397	HL5002
		M9x1.25x145.00mm (x8)	JD5205		



AC5660

139



63.50

Petrol



M 160 E6AL B03	3 Cyl.	9.5:1	599cc	40kW (54)PS	Turbo Intercooled	TD9520	542
----------------	--------	-------	-------	-------------	-------------------	--------	-----

M 160 E6AL B04	3 Cyl.	9.5:1	599cc	33kW (45)PS	Turbo Intercooled	TD16490	542
----------------	--------	-------	-------	-------------	-------------------	---------	-----

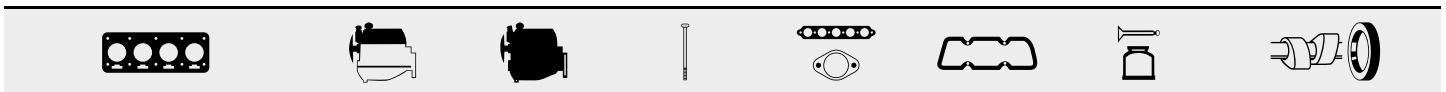
M 160 E6AL B04	3 Cyl.	9.5:1	599cc	33kW (45)PS	Turbo Intercooled	TD22903	542
----------------	--------	-------	-------	-------------	-------------------	---------	-----

M 160 E6AL B05	3 Cyl.	9.5:1	599cc	45kW (61)PS		TD16491	543
----------------	--------	-------	-------	-------------	--	---------	-----

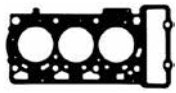
M 160 E6AL B05	3 Cyl.	9.5:1	599cc	45kW (61)PS	Turbo Intercooled	TD22901	542
----------------	--------	-------	-------	-------------	-------------------	---------	-----

CABRIO (450)	01/01→01/04	CITY-COUPE (450)	07/98→01/04
--------------	-------------	------------------	-------------








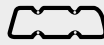

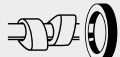



	OE				
B x C x D		MAT.	45°	H	E x F x G
V94803	160 053 00 01		45°	H	
30.00 x 6.00 x 89.35		MB cr			
V94804	160 050 00 27		45°	ss	
25.00 x 6.00 x 89.20		MD cr			



AC5660 MLS	CC5661	HBS349	HA5034	HL5002
		M9x1.25x145.00mm (x8)	JD5205	








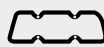

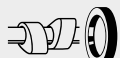




AC5660

140	 65.50	Diesel					
OM 660.940	3 Cyl.	799cc	30kW (41)PS	TD26302	544		
CABRIO (450)	03/01→01/04	CITY-COUPE (450)	11/99→01/04	FORTWO (450)	01/04→01/07		
							
AC5070 Fibre Composite, 1.350mm, 2 Notches ⊕→(0.653) mm	CC5670		HBS460  M10x1.50x154.00mm (x8)	JD5823  (Elastomer) JD5206 	JM5162 (Steel Elastomer)		








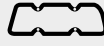

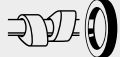





AC5070

141	 65.50	Diesel					
OM 660.950	3 Cyl.	18:1	799cc	33kW (45)PS	Turbo Intercooled	TD20946	546
FORTWO (451)	01/07→						
							
AC5670 MLS	CC5670		HBS460  M10x1.50x154.00mm (x8)	JD5823  (Elastomer)	JM5162 (Steel Elastomer)	PA5041 (x6) 6.00/12.20x10.00 (FPM)	



AC5670

142	 65.50	Diesel					
OM 660 DE 8LA	3 Cyl.		799cc	30kW (41)PS		TD16492	548
OM 660 DE 8LA	3 Cyl.		799cc	30kW (41)PS	Turbo Intercooled	TD22900	549
CABRIO (450)	03/01→01/04	CITY-COUPE (450)	11/99→01/04	FORTWO (450)	01/04→01/07		
							
AC5670 MLS	CC5670		HBS460  M10x1.50x154.00mm (x8)	JD5823  (Elastomer) JD5206 	JM5162 (Steel Elastomer)	PA5041 (x6) 6.00/12.20x10.00 (FPM)	



AC5670

MERCEDES-BENZ/SMART

143



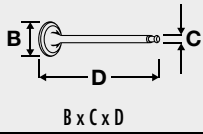
66.50

Petrol



M 160.910 3 Cyl. 599cc 33-55kW (45-75)PS TD26102 550

CABRIO (450) 01/03→01/04 CITY-COUPE (450) 01/03→01/04 FORTWO (450) 01/04→01/07



B x C x D

OE



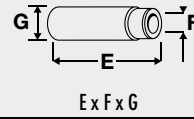
MAT.



45°

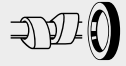
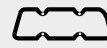
ss

H



E x F x G

V94803	160 053 00 01		45°	H			
30.00 x 6.00 x 89.35		MB cr					
V94804	160 050 00 27		45°	ss			
25.00 x 6.00 x 89.20		MD cr					



AG8990 MLS			HB5349 M9x1.25x145.00mm (x8)	HA5034 JD5205		PA5041 (x6) 6.00/12.20x10.00 (FPM)	
------------	--	--	--	--------------------------------	--	---	--



AG8990

144



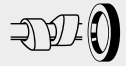
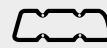
66.50

Petrol



M 160.920 3 Cyl. 9:1 698cc 37kW (50)PS TD26103 551

CABRIO (450) 03/00→01/04 CITY-COUPE (450) 07/98→01/04 CROSSBLADE (450) 06/02→12/03



AC5660 MLS	CC5661		HB5349 M9x1.25x145.00mm (x8)	HA5034 JD5205		HL5002	
------------	---------------	--	--	--------------------------------	--	---------------	--



AC5660

145



72.00

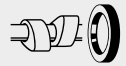
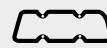
Petrol



M 132.910 3 Cyl. 999cc 45-52kW (61-71)PS TD20948

M 132.930 3 Cyl. 999cc 62-72kW (84-98)PS Turbocharged TD20947



FORTWO (451) 01/07→






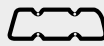

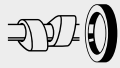





AH6000 MLS						PA5025 (x12)	
------------	--	--	--	--	--	---------------------	--













AH6000






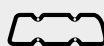


146	 75.00	Petrol			
M 134.910	3 Cyl.	1124cc	55kW (75)PS	TD25557	
M 134.911	3 Cyl.	1124cc	47kW (64)PS	TD25556	
FORFOUR (454) 01/04 → 06/06					

							
AH7130 MLS				JD6031 ■ (x4) (Elastomer)		PA5025 (x12)	
							
AH7130							

147	 75.00	Petrol					
M 135.930	4 Cyl.	10.5:1	1332cc	70kW (95)PS	Turbo Intercooled	TD25844	553
FORFOUR (454) 01/04 → 06/06							

							
AG9920 MLS			HBS537 ⓧ	JD6031 ■ (x4) (Elastomer) JD5905 ■ MLS	JM7124 (ACM)	HR5048 ■	

148	 75.50	Petrol					
M 135.950	4 Cyl.	10.5:1	1499cc	80kW (109)PS	TD22717	555	
FORFOUR (454) 01/04 → 06/06							

							
AG9920 MLS			HBS537 ⓧ	JD6031 ■ (x4) (Elastomer) JD5905 ■ MLS	JM7124 (ACM)	HR5048 ■	

MERCEDES-BENZ/SMART

149



80.00

Petrol



M 166.940	4 Cyl.	11:1	1397cc	60kW (81)PS	TD9445	556
M 166.960	4 Cyl.	11:1	1598cc	75kW (102)PS	TD9446	556

A-CLASS (W168) 07/97→08/04

 B x C x D				 E x F x G		
OE	MAT.	Angle	Material	Part	Part	Part
V94394 ■ 40.00 x 6.00 x 103.00	166 053 0101 MB	45°	H	VAG96095 ■ 37.60 x 6.00 x 12.55		
V94395 ■ 34.00 x 7.00 x 102.70	166 050 0327 MD	45°	ss	VAG96096 ■ 37.60 x 7.00 x 12.55		

AB5550 MLS	CB5550		HBS457 ☉ M10x1.50x180.00mm (x10)	JD5804 ■ JD5135 ■	JM5163 (Elastomer)	PA5041 ■ (x4) 6.00/12.20x10.00 (FPM) HR5097 ■	



AB5550

150



80.00

Petrol



M 166.961	4 Cyl.	11:1	1598cc	60-75kW (82-102)PS	TD18174	557
-----------	--------	------	--------	--------------------	---------	-----



Vaneo (414) 02/02→07/05






 B x C x D				 E x F x G		
OE	MAT.	Angle	Material	Part	Part	Part
V94394 ■ 40.00 x 6.00 x 103.00	166 053 0101 MB	45°	H	VAG96095 ■ 37.60 x 6.00 x 12.55		
V94395 ■ 34.00 x 7.00 x 102.70	166 050 0327 MD	45°	ss	VAG96096 ■ 37.60 x 7.00 x 12.55		

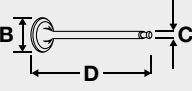
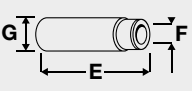
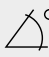


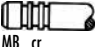
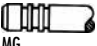
AB5550 MLS	CB5550 07/97→		HBS457 ☉ M10x1.50x180.00mm (x10)	JD5804 ■ JD5135 ■	JM5163 (Elastomer)	PA5041 ■ (x4) 6.00/12.20x10.00 (FPM) HR5097 ■	






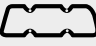




AB5550

151	 80.00	Diesel					
OM 668.914	4 Cyl.	19.5:1	1689cc	55-67kW (75-91)PS	Turbocharged	TD18173	558
Vaneo (414)		02/02 → 07/05					



					
				FOL162 (x16)	



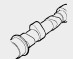



						
B x C x D	OE	MAT.				E x F x G
V94400 ■ 29.60 x 6.00 x 105.20	668 053 03 01	 MB cr	45°		H	VAG96098 ■ 47.50 x 6.00 x 11.55
V94401 ■ 24.60 x 7.00 x 105.00	668 050 02 27	 MG	45°		H	VAG96099 ■ 47.50 x 7.02 x 11.58

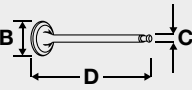
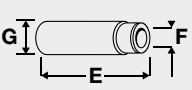
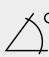


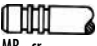
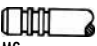
							
AB5560 MLS, 1.200mm	CB5560 01/98 →		HBS291 ☉ M12x1.75x185.00mm (x10)	JD5834 ■ JD5136 ■	JMS165 ☒ (Elastomer)	PA5041 ■ (x8) 6.00/12.20x10.00 (FPM)	
			HBS457 ☉ M10x1.50x180.00mm (x10)		JMS164 ☒ (Elastomer)		





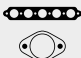
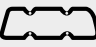




AB5560

152	 80.00	Diesel					
OM 668.940	4 Cyl.	19.5:1	1689cc	60-70kW (82-95)PS	Turbo Intercooled	TD10647	558
OM 668.941	4 Cyl.	19:1	1689cc	44/55kW (60/75)PS	Turbo Intercooled	TD10648	558
OM 668.942	4 Cyl.	19.5:1	1689cc	60-70kW (82-95)PS	Turbo Intercooled	TD17001	558
A-CLASS (W168)		07/98 → 08/04					

					
				FOL162 (x16)	

						
B x C x D	OE	MAT.				E x F x G
V94400 ■ 29.60 x 6.00 x 105.20	668 053 03 01	 MB cr	45°		H	VAG96098 ■ 47.50 x 6.00 x 11.55
V94401 ■ 24.60 x 7.00 x 105.00	668 050 02 27	 MG	45°		H	VAG96099 ■ 47.50 x 7.02 x 11.58

							
AB5560 MLS, 1.200mm	CB5560		HBS291 ☉ M12x1.75x185.00mm (x10)	JD5834 ■ JD5136 ■	JMS165 ☒ (Elastomer)	PA5041 ■ (x8) 6.00/12.20x10.00 (FPM)	
			HBS457 ☉ M10x1.50x180.00mm (x10)		JMS164 ☒ (Elastomer)	HR5056 ■	



AB5560

MERCEDES-BENZ/SMART

153



80.00

Petrol



M 166.990	4 Cyl.	11:1	1898cc	92kW (125)PS	TD15448	559
-----------	--------	------	--------	--------------	---------	-----

A-CLASS (W168) 03/99→08/04

<p>B x C x D</p>	OE	MAT.		<p>E x F x G</p>
V94396 ■ 43.00 x 6.00 x 103.00 V94397 ■ 36.00 x 7.00 x 102.70	166 053 0201 166 050 0427	 	45° H 45° ss	VAG96095 ■ 37.60 x 6.00 x 12.55 VAG96096 ■ 37.60 x 7.00 x 12.55

AB5570 MLS, 0.700mm	CB5570		HBS457 M10x1.50x180.00mm (x10)	JD5135 ■	JM5163 (Elastomer)	PA5041 ■ (x4) 6.00/12.20x10.00 (FPM) HR5097 ■	



AB5570

154



80.00

Petrol



M 180.921	6 Cyl.	8.7:1	2171cc	63kW (86)PS	TD9958	
M 180.922	6 Cyl.	8.7:1	2195cc	70kW (95)PS	TD22718	
M 180.926	6 Cyl.	8.7:1	2195cc	70kW (95)PS	TD22719	
M 180.927	6 Cyl.	8.7:1	2195cc	70kW (95)PS	TD22720	
M 180.928	6 Cyl.	8.7:1	2195cc	70kW (95)PS	TD22721	
M 180.929	6 Cyl.	8.7:1	2195cc	70kW (95)PS	TD22722	
M 180.940	6 Cyl.	8.7:1	2180cc	70kW (95)PS	TD9949	560
M 180.941	6 Cyl.	8.7:1	2180cc	81kW (110)PS	TD9950	561
M 180.942	6 Cyl.	8.7:1	2195cc	70kW (95)PS	TD22724	
M 180.943	6 Cyl.	8.7:1	2195cc	70kW (95)PS	TD22725	
M 180.958	6 Cyl.	7:1	2196cc	60kW (81)PS	TD16997	

HECKFLOSSE (W111, W112) 08/59→08/65 PONTON (W180) 01/54→12/56

<p>B x C x D</p>	OE	MAT.		<p>E x F x G</p>
V94536 ■ 35.10 x 10.00 x 112.70	180 053 15 05		45° ss H	

155



80.00



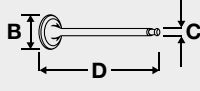

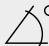


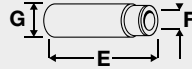

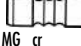

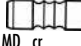
Petrol



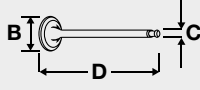

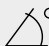




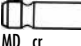






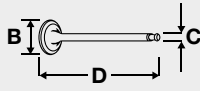

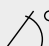


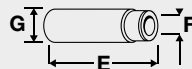

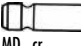
M 127.982	6 Cyl.	8.7:1	2180cc	88kW (120)PS	TD9951	560
M 127.984	6 Cyl.	8.7:1	2180cc	88kW (120)PS	TD9987	560



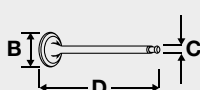

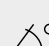


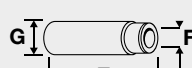




COUPE (W111) 01/61→12/65 HECKFLOSSE (W111, W112) 08/59→08/65

<p>B x C x D</p>	OE	MAT.		<p>E x F x G</p>
V94535 ■ 44.20 x 9.00 x 128.00 V94536 ■ 35.10 x 10.00 x 112.70	121 053 00 01 180 053 15 05		45° H 45° ss H	



156	 80.30	Petrol			
A 70NV	4 Cyl.	9.3:1	1767cc	51kW (69)PS	TD5239
HENSCHEL 2-1 02/73→12/77					
					
B x C x D	OE	MAT.	45°	ss	H
V91325 	74 84 801		45°	ss	H
32.10 x 6.97 x 108.30		MG cr			
V91366 			45°	ss	H
29.10 x 6.97 x 108.30		MD cr			

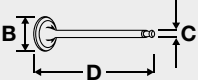
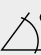


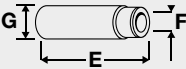
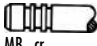
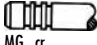
157	 81.50	Petrol			
M 180.947	6 Cyl.	9:1	2281cc	88kW (120)PS	TD9952 562
HECKFLOSSE (W111, W112) 07/65→01/68					
					
B x C x D	OE	MAT.	45°	ss	H
V95096 	115 050 00 27		45°	ss	
37.00 x 10.95 x 113.20		MD cr			
					VAG51028B 
					55.00 x 9.02 x 14.06
					VAG92200B 
					45.00 x 11.02 x 15.06



158	 81.75	Petrol			
M 180.945	6 Cyl.	9:1	2293cc	77kW (105)PS	TD9964 563
HECKFLOSSE (W110) 07/65→02/68					
					
B x C x D	OE	MAT.	45°	ss	H
V95096 	115 050 00 27		45°	ss	
37.00 x 10.95 x 113.20		MD cr			

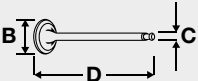
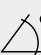


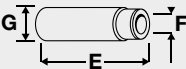
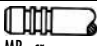
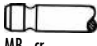
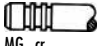
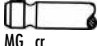
159	 81.75	Petrol			
M 180.949	6 Cyl.	9:1	2293cc	77kW (105)PS	TD9965 563
M 180.950	6 Cyl.	9:1	2293cc	88kW (120)PS	TD9953 563
M 180.954	6 Cyl.	9:1	2293cc	88kW (120)PS	TD2201 563
/8 (W114)	01/68→11/76	HECKFLOSSE (W110)	07/65→02/68	HECKFLOSSE (W111, W112)	07/65→01/68
					
B x C x D	OE	MAT.	45°	ss	H
V95096 	115 050 00 27		45°	ss	
37.00 x 10.95 x 113.20		MD cr			
					VAG51028B 
					55.00 x 9.02 x 14.06
					VAG92200B 
					45.00 x 11.02 x 15.06





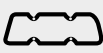

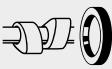
MERCEDES-BENZ/SMART

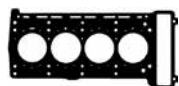
160		 82.00	Petrol			
M 271.910	4 Cyl.	10:1	1597cc	105-115kW (143-156)PS	Compressor	TD23992 564
M 271.911	4 Cyl.	10:1	1597cc	95kW (129)PS		TD23993 564
M 271.954	4 Cyl.	9.5:1	1796cc	135kW (184)PS		TD21027 571
M 271.957	4 Cyl.	9.3:1	1796cc	120-135kW (163-184)PS	Compressor	TD23994 564
C-CLASS (S204)	01/08→		C-CLASS (W204)	01/08→	CLC-CLASS (CL203)	05/08→06/11
SLK (R171)	01/08→02/11					

	B x C x D	OE	MAT.				
							E x F x G
V95075 ■	271 053 06 01		45°	H			
30.50 x 5.96 x 105.35		MB cr					
V95076 ■	271 050 06 27		45°	ss	H		
27.00 x 5.96 x 109.20		MG cr					

161		 82.00	Petrol			
M 271.921	4 Cyl.	1796cc	90kW (122)PS	Supercharged	TD18424 565	
M 271.940	4 Cyl.	9.5:1	1796cc	120kW (163)PS	Supercharged	TD16883 565
M 271.941	4 Cyl.	9.5:1	1796cc	120kW (163)PS	Supercharged	TD17329 565
M 271.944	4 Cyl.	9.5:1	1795cc	120kW (163)PS	Supercharged	TD17432 565
M 271.948	4 Cyl.	10.5:1	1796cc	141kW (192)PS	Supercharged	TD17434 569
C-CLASS (CL203)	05/02→05/08		C-CLASS (S203)	05/02→08/07	C-CLASS (W203)	05/02→02/07
CLK (A209)	02/03→03/10		CLK (C209)	09/02→05/09	E-CLASS (S211)	03/03→07/09
E-CLASS (W211)	11/02→12/08		SLK (R171)	03/04→02/11		

	B x C x D	OE	MAT.				
							E x F x G
V95075 ■	271 053 06 01		45°	H			
30.50 x 5.96 x 105.35		MB cr					
V98068 ■	271 053 00 01		45°				
30.50 x 7.00 x 105.40		MB cr					
V95076 ■	271 050 06 27		45°	ss	H		
27.00 x 5.96 x 109.20		MG cr					
V98069 ■	271 050 04 27		45°	ss			
27.00 x 7.00 x 109.20		MG cr					

						
AG8790 MLS	CG8790	HBS459 ☉ M10x1.50x165.00mm (x10)	JD5835 ■ (FPM) JD5801 ■	JM7026 (Elastomer)	PA5041 (x16) 6.00/12.20x10.00 (FPM) 08/05→	

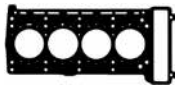


AG8790

162	82.00	Petrol					
M 271.942	4 Cyl.	10.5:1	1796cc	125kW (170)PS	Supercharged	TD16392	568
C-CLASS (CL203)	03/03→05/08	C-CLASS (S203)	07/03→08/07	C-CLASS (W203)	07/03→02/07		
CLK (A209)	07/03→03/10	CLK (C209)	07/03→05/09				

	OE	MAT.			
B x C x D					E x F x G
V95075	271 053 06 01		45°	H	
30.50 x 5.96 x 105.35		MB cr			
V98068	271 053 00 01		45°		
30.50 x 7.00 x 105.40		MB cr			
V95076	271 050 06 27		45°	ss	H
27.00 x 5.96 x 109.20		MG cr			
V98069	271 050 04 27		45°	ss	
27.00 x 7.00 x 109.20		MG cr			

AG8790 MLS		HBS459 M10x1.50x165.00mm (x10)	JD5801	JM7026 (Elastomer)	

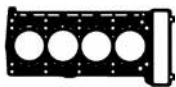


AG8790

163	82.00	Petrol					
M 271.946	4 Cyl.	9.5:1	1796cc	105-125kW (143-170)PS	Supercharged	TD17433	565
C-CLASS (CL203)	05/02→05/08	C-CLASS (S203)	05/02→08/07	C-CLASS (W203)	05/02→02/07		
CLC-CLASS (CL203)	05/08→06/11	E-CLASS (W211)	11/02→12/08				

	OE	MAT.			
B x C x D					E x F x G
V95075	271 053 06 01		45°	H	
30.50 x 5.96 x 105.35		MB cr			
V98068	271 053 00 01		45°		
30.50 x 7.00 x 105.40		MB cr			
V95076	271 050 06 27		45°	ss	H
27.00 x 5.96 x 109.20		MG cr			
V98069	271 050 04 27		45°	ss	
27.00 x 7.00 x 109.20		MG cr			

AG8790 MLS	CG8790 DZ881	HBS459 M10x1.50x165.00mm (x10)	JD5835 (FPM) JD5801	JM7026 (Elastomer)	HR5055



AG8790

MERCEDES-BENZ/SMART

164



82.00

Petrol

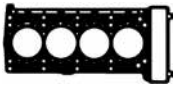


M 271.950	4 Cyl.	9.5:1	1796cc	120kW (163)PS	TD20359	565
M 271.951	4 Cyl.	9.5:1	1796cc	115kW (156)PS	TD23995	570

C-CLASS (S204)	08/07→	C-CLASS (W204)	01/07→	SPRINTER 3-t (906)	09/08→
SPRINTER 5-t (906)	09/08→	SPRINTER 3,5 (906)	09/08→		

B x C x D	OE	MAT.	
V95075 ■	271 053 06 01		45° H
30.50 x 5.96 x 105.35			
V95076 ■	271 050 06 27		45° ss H
27.00 x 5.96 x 109.20			

AG8790 MLS	CG8790		HBS459 ⊕ M10x1.50x165.00mm (x10)	JD5835 ■ (FPM) JD5801 ■	JM7026 (Elastomer)	PA5041 (x16) 6.00/12.20x10.00 (FPM)	



AG8790

165



82.00

Petrol

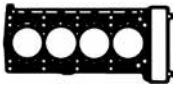


M 271.952	4 Cyl.	9.5:1	1796cc	115kW (156)PS	TD20358	571
-----------	--------	-------	--------	---------------	---------	------------

C-CLASS (S204)	08/07→	C-CLASS (W204)	01/07→		
----------------	--------	----------------	--------	--	--

B x C x D	OE	MAT.	
V95075 ■	271 053 06 01		45° H
30.50 x 5.96 x 105.35			
V95076 ■	271 050 06 27		45° ss H
27.00 x 5.96 x 109.20			

AG8790 MLS	CG8790				JM7026 (Elastomer)	PA5041 (x16) 6.00/12.20x10.00 (FPM)	

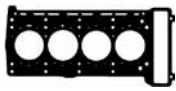


AG8790

166	82.00	Petrol					
M 271.955	4 Cyl.	9.3:1	1796cc	135kW (184)PS	Supercharged	TD20858	571
CLK (A209)	10/06→03/10	CLK (C209)	10/06→05/09				

B x C x D	OE	MAT.				E x F x G
V95075 ■ 30.50 x 5.96 x 105.35	271 053 06 01	 MB cr	45°		H	
V95076 ■ 27.00 x 5.96 x 109.20	271 050 06 27	 MG cr	45°	ss	H	

AG8790 MLS			HBS459 ⊕ M10x1.50x165.00mm (x10)			PA5041 (x16) 6.00/12.20x10.00 (FPM)	

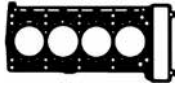


AG8790

167	82.00	Petrol					
M 271.956	4 Cyl.	8.9:1	1796cc	135kW (184)PS	Supercharged	TD22141	571
E-CLASS (S211)	04/06→07/09	E-CLASS (W211)	04/06→12/08				

B x C x D	OE	MAT.				E x F x G
V95075 ■ 30.50 x 5.96 x 105.35	271 053 06 01	 MB cr	45°		H	
V98068 ■ 30.50 x 7.00 x 105.40	271 053 00 01	 MB cr	45°			
V95076 ■ 27.00 x 5.96 x 109.20	271 050 06 27	 MG cr	45°	ss	H	
V98069 ■ 27.00 x 7.00 x 109.20	271 050 04 27	 MG cr	45°	ss		

AG8790 MLS			HBS459 ⊕ M10x1.50x165.00mm (x10)	JD5835 ■ (FPM)	JM7026 (Elastomer)		

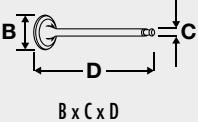
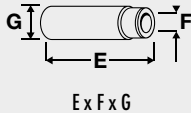


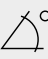








AG8790

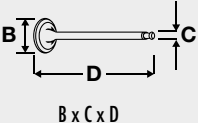
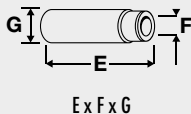


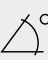


MERCEDES-BENZ/SMART

168	 82.00	Petrol			
M 108.920	6 Cyl.	9:1	2497cc	96kW (131)PS	TD9962 573
M 108.924	6 Cyl.	9:1	2496cc	85kW (116)PS	TD19045
M 114.920	6 Cyl.	9.5:1	2497cc	85-96kW (116-130)PS	TD2136 575
M 114.980	6 Cyl.	9.5:1	2497cc	110kW (150)PS	TD2137 575
M 114.981	6 Cyl.	9.5:1	2496cc	105-110kW (143-150)PS	TD2138 574
M 129.980	6 Cyl.	9.3:1	2497cc	110kW (150)PS	TD9963 573
M 129.981	6 Cyl.	9.3:1	2497cc	110kW (150)PS	TD9988 573
M 129.982	6 Cyl.	9.3:1	2497cc	110kW (150)PS	TD9955 573
M 180.955	6 Cyl.	9:1	2292cc	88kW (120)PS	TD19238

/8 (W114)	01/68→08/72	COUPE (W111)	01/65→12/67	PAGODE (W113)	01/66→01/68
S-CLASS (W108, W109)	01/66→12/69				

	
<p>V95096  115 050 00 27</p> <p>37.00 x 10.95 x 113.20</p> <p>MAT.    </p> <p>MD cr</p>	<p>VAG51028B  55.00 x 9.02 x 14.06</p> <p>VAG92200B  45.00 x 11.02 x 15.06</p> <p>Ex F x G</p>

169	 82.00	Petrol			
M 114.923	6 Cyl.	9:1	2496cc	85kW (116)PS	TD22704 574
M 180.951	6 Cyl.	9:1	2306cc	79kW (107)PS	TD22726

	
<p>V95096  115 050 00 27</p> <p>37.00 x 10.95 x 113.20</p> <p>MAT.    </p> <p>MD cr</p>	<p>Ex F x G</p>

170	82.90	Petrol				
M 103.940	6 Cyl.	8:1	2599cc	117kW (159)PS	TD9435	578
M 103.941	6 Cyl.	9.2:1	2599cc	117kW (159)PS	TD2096	578
M 103.942	6 Cyl.	9.2:1	2599cc	117kW (159)PS	TD2097	578
M 103.943	6 Cyl.	9/9.2:1	2599cc	118kW (160)PS	TD2098	578
190 (W201)	10/82→08/93	E-CLASS (W124)	09/85→08/92	KOMBI (S124)	09/85→08/92	
S-CLASS (W126)	09/85→06/91					

		CAM408			FOL82 (x12)

B x C x D	OE	MAT.			H	E x F x G
V94284 ■ 40.00 x 8.00 x 110.20	103 053 23 01		45°		H	VAG92380B ■ 42.00 x 8.00 x 14.04
V94285 ■ 35.00 x 9.00 x 110.90	103 050 13 27		45°	ss	H	VAG96138B ■ 42.00 x 8.02 x 14.05
						VAG92342B ■ 48.00 x 9.00 x 14.04
						VAG96162B ■ 38.00 x 9.02 x 13.56

			HBS146 ⊕ M12x1.75x102.00mm (x14)	JD121 ■ (x5) Soft Material Gasket	JN623	HR759 ■	NC065 30.00x40.00x7.00mm FPM

171	83.00	Diesel				
OM 639.939 Euro 4	3 Cyl.	18:1	1493cc	50-70kW (58-95)PS	TD23800	579
FORFOUR (454)	09/04→06/06					

			HBS521 ⊕				

MERCEDES-BENZ/SMART

172



83.00

Petrol



M 266.920 4 Cyl. 11:1 1498cc **70kW (95)PS** TD18148 **580**

A-CLASS (W169) 09/04→06/12 B-CLASS (W245) 03/05→11/11

 B x C x D				OE	MAT.	 45°	 H	 E x F x G	
V94396 ■	166 053 0201		45°	H	VAG96095 ■			37.60 x 6.00 x 12.55	
43.00 x 6.00 x 103.00		MB			VAG96287 ■			37.50 x 6.00 x 12.76	
V94397 ■	166 050 0427		45°	ss	VAG96096 ■			37.60 x 7.00 x 12.55	
36.00 x 7.00 x 102.70		MD			VAG96178 ■			37.50 x 7.02 x 12.76	
V98070 ■	266 050 00 27		45°						
35.00 x 7.00 x 102.70		ME							



AG8500 Steel Elastomer CG8500 HBS457 M10x1.50x180.00mm (x10) JD5799 ■ JD5802 ■ HR397 HR5097 ■



AG8500

173



83.00

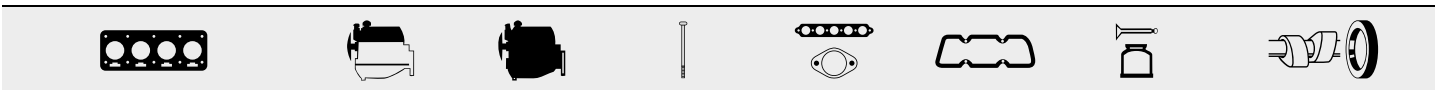
Petrol



M 266.940 4 Cyl. 11:1 1699cc **85kW (116)PS** TD18149 **581**

A-CLASS (W169) 09/04→06/12 B-CLASS (W245) 03/05→11/11

 B x C x D				OE	MAT.	 45°	 H	 E x F x G	
V94396 ■	166 053 0201		45°	H	VAG96095 ■			37.60 x 6.00 x 12.55	
43.00 x 6.00 x 103.00		MB			VAG96287 ■			37.50 x 6.00 x 12.76	
V94397 ■	166 050 0427		45°	ss	VAG96096 ■			37.60 x 7.00 x 12.55	
36.00 x 7.00 x 102.70		MD			VAG96178 ■			37.50 x 7.02 x 12.76	
V98070 ■	266 050 00 27		45°						
35.00 x 7.00 x 102.70		ME							

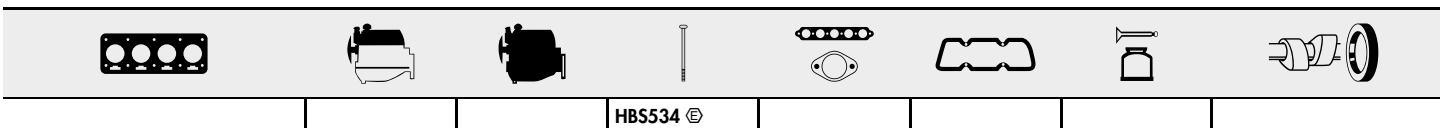


AG8500 Steel Elastomer CG8500 HBS457 M10x1.50x180.00mm (x10) JD5799 ■ JD5802 ■ HR5097 ■





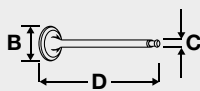
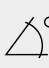
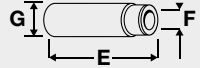

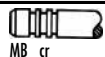

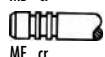
AG8500






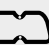
174		 83.00	Diesel			
OM 651.901	4 Cyl.	16.2:1	1796cc	80-100kW (109-136)PS		TD25819
OM 651.911	4 Cyl.	16.2:1	2143cc	125-150kW (170-204)PS	Turbocharged	TD23727 585
OM 651.912	4 Cyl.	16.2:1	2143cc	120-150kW (163-204)PS	Turbocharged	TD23754 585
OM 651.913	4 Cyl.	16.2:1	2143cc	100-105kW (136-143)PS	Turbo Intercooled	TD24407 586
OM 651.916	4 Cyl.	16.2:1	2143cc	120-125kW (163-170)PS	Turbocharged	TD23755 586
OM 651.924	4 Cyl.	16.2:1	2143cc	120-150kW (163-204)PS	Turbocharged	TD23782 585
OM 651.925	4 Cyl.	16.2:1	2143cc	100kW (136)PS	Turbocharged	TD23783 586
OM 651.940	4 Cyl.	16.2:1	2143cc	100-120kW (136-163)PS	Turbocharged	TD25280 586
OM 651.955	4 Cyl.	16.2:1	2143cc	70kW (95)PS	Turbocharged	TD24545 586
OM 651.956	4 Cyl.	16.2:1	2143cc	95kW (129)PS	Turbo Intercooled	TD25279 586
OM 651.957	4 Cyl.	16.2:1	2143cc	120kW (163)PS	Turbo Intercooled	TD24544 586
OM 651.960	4 Cyl.	16.2:1	2143cc	150kW (204)PS	Turbocharged	TD26549 585
OM 651.961	4 Cyl.	16.2:1	2143cc	150kW (204)PS	Turbocharged	TD25277 585
OM 651.980	4 Cyl.	16.2:1	2143cc	150kW (204)PS	Turbocharged	TD26369 585
A-CLASS (W176)	06/12→		B-CLASS (W246)	11/11→	C-CLASS (C204)	06/11→
C-CLASS (S204)	12/08→		C-CLASS (W204)	01/07→	CLS (C218)	04/11→
CLS (X218)	10/12→		E-CLASS (A207)	01/10→	E-CLASS (C207)	01/09→
E-CLASS (S212)	11/09→		E-CLASS (W212)	01/09→	GLK-CLASS (X204)	12/08→
M-CLASS (W166)	06/11→		S-CLASS (W221)	01/11→	SLK (R172)	01/12→
SPRINTER 3-t (906)	06/06→		SPRINTER 5-t (906)	06/06→	SPRINTER 3,5 (906)	06/06→
SPRINTER 4,6-t (906)	03/09→		VIANO (W639)	07/10→	VITO (W639)	09/10→
VITO / MIXTO (W639)	09/10→					



HBS534 

175		 83.00	Diesel			
OM 640.940	4 Cyl.	18:1	1991cc	80kW (109)PS	Turbocharged	TD18151 582
OM 640.941	4 Cyl.	18:1	1991cc	103kW (140)PS	Turbo Intercooled	TD18152 582
OM 640.942	4 Cyl.	18:1	1991cc	60kW (81)PS	Turbocharged	TD18153 582
A-CLASS (W169)	09/04→06/12		B-CLASS (W245)	03/05→11/11		

 B x C x D		OE	MAT.	 45°	 E x F x G	
V98071 	642 053 04 01		45°			
28.50 x 6.00 x 102.30						
V98072 	642 050 05 27		45°			
25.40 x 6.00 x 102.30						

AG8501 	CG8501 	HBS458  M12x1.75x115.00mm (x10)	JD5800  JD5803 	JM7027 (Elastomer) HM5286 	PA5041 (x16) 6.00/12.20x10.00 (PPM)
--	--	---	--	---	---



AG8501

MERCEDES-BENZ/SMART

176



83.00

Petrol



M 266.960 4 Cyl. 11:1 2034cc 100kW (136)PS TD18150 583

A-CLASS (W169) 09/04→06/12 B-CLASS (W245) 03/05→11/11

 B x C x D					 E x F x G				
OE	MAT.	Angle	Part	Part	OE	MAT.	Angle	Part	Part
V94396 ■ 43.00 x 6.00 x 103.00	166 053 0201	MB	45°	H	VAG96095 ■ 37.60 x 6.00 x 12.55	■			
V98070 ■ 35.00 x 7.00 x 102.70	266 050 00 27	ME	45°		VAG96287 ■ 37.50 x 6.00 x 12.76	■			
					VAG96096 ■ 37.60 x 7.00 x 12.55	■			
					VAG96178 ■ 37.50 x 7.02 x 12.76	■			

AH5000 MLS			HBS457 ☉ M10x1.50x180.00mm (x10)	JD5799 ■ JD5802 ■		PA5041 ■ (x4) 6.00/12.20x10.00 (FPM) HR5097 ■	

177



83.00

Petrol





M 266.980 4 Cyl. 11:1 2034cc 142kW (193)PS Turbocharged TD18415 584

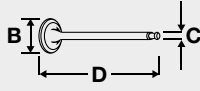

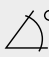


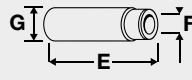

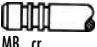

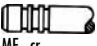
A-CLASS (W169) 09/05→06/12 B-CLASS (W245) 03/05→11/11






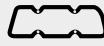





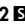
 B x C x D					 E x F x G				
OE	MAT.	Angle	Part	Part	OE	MAT.	Angle	Part	Part
V94396 ■ 43.00 x 6.00 x 103.00	166 053 0201	MB	45°	H	VAG96095 ■ 37.60 x 6.00 x 12.55	■			
V98070 ■ 35.00 x 7.00 x 102.70	266 050 00 27	ME	45°		VAG96287 ■ 37.50 x 6.00 x 12.76	■			
					VAG96096 ■ 37.60 x 7.00 x 12.55	■			
					VAG96178 ■ 37.50 x 7.02 x 12.76	■			

AH5000 MLS			HBS457 ☉ M10x1.50x180.00mm (x10)	JD5799 ■		PA5041 ■ (x4) 6.00/12.20x10.00 (FPM) HR5097 ■	

178	 83.00	Diesel					
OM 642.820	V6 Cyl.	18:1	2987cc	155kW (211)PS	Turbo Intercooled	TD23810	588
OM 642.822	V6 Cyl.	17.7:1	2987cc	165kW (224)PS	Turbo Intercooled	TD19207	589
OM 642.830	V6 Cyl.	17.7:1	2987cc	170kW (231)PS	Turbo Intercooled	TD23772	588
OM 642.832	V6 Cyl.	17.7:1	2987cc	155-170kW (211-231)PS	Turbo Intercooled	TD23751	588

C-CLASS (S204)	08/07→	C-CLASS (W204)	10/09→	GL-CLASS (X164)	12/09→
GLK-CLASS (X204)	07/09→05/10	M-CLASS (W164)	09/09→		

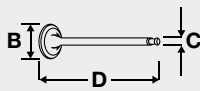




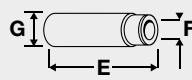

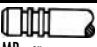

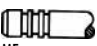
					
B x C x D	OE	MAT.	45°		E x F x G
V98071 	642 053 04 01		45°		
28.50 x 6.00 x 102.30		MB cr			
V98072 	642 050 05 27		45°		
25.40 x 6.00 x 102.30		ME cr			






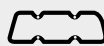






							
AH5010 			HBS474 			PA5041 (x24)	
AH5020 			M12x1.75x205.00mm (x16)			6.00/12.20x10.00 (FPM)	
						HR5062 	

179	 83.00	Diesel	
------------	--	---------------	---

OM 642.836	V6 Cyl.	15.5:1	2987cc	170kW (231)PS	Turbocharged	TD23723	589
OM 642.850	V6 Cyl.	16.5:1	2987cc	155-170kW (211-231)PS	Turbocharged	TD23781	588
OM 642.856	V6 Cyl.	15.5:1	2987cc	170kW (231)PS	Turbocharged	TD23790	588
OM 642.870	V6 Cyl.	15.5:1	2987cc	155kW (211)PS	Turbo Intercooled	TD24810	588
OM 642.896	V6 Cyl.	16.5:1	2987cc	155kW (211)PS	Turbo Intercooled	TD25841	596
OM 642.898	V6 Cyl.	16.5:1	2987cc	150kW (204)PS	Turbo Intercooled	TD25843	596
OM 642.920	V6 Cyl.	18:1	2987cc	140-165kW (190-224)PS	Turbo Intercooled	TD18431	596
OM 642.921	V6 Cyl.	18:1	2987cc	140kW (190)PS	Turbo Intercooled	TD18428	596
OM 642.932	V6 Cyl.	17.7:1	2987cc	173kW (235)PS	Turbo Intercooled	TD23761	597
OM 642.993	V6 Cyl.	18:1	2987cc	135kW (184)PS	Turbo Intercooled	TD25661	596

CLS (C219)	01/05→12/10	E-CLASS (A207)	01/10→	E-CLASS (C207)	01/09→
E-CLASS (S211)	03/05→07/09	E-CLASS (S212)	11/09→	E-CLASS (W211)	03/05→12/08
E-CLASS (W212)	01/09→	R-CLASS (W251, V251)	01/06→	S-CLASS (W221)	10/06→
SPRINTER 3-t (906)	06/06→	SPRINTER 5-t (906)	06/06→	SPRINTER 3,5 (906)	06/06→
SPRINTER 4,6-t (906)	06/06→				

					
B x C x D	OE	MAT.	45°		E x F x G
V98071 	642 053 04 01		45°		
28.50 x 6.00 x 102.30		MB cr			
V98072 	642 050 05 27		45°		
25.40 x 6.00 x 102.30		ME cr			

							
AH5010 			HBS474 	JD5902  (x2)	HR397	PA5041 (x24)	
AH5020 			M12x1.75x205.00mm (x16)	MLS		6.00/12.20x10.00 (FPM)	

MERCEDES-BENZ/SMART

180



83.00

Diesel



OM 642.910	6 Cyl.	17.7:1	2987cc	165kW (224)PS	Turbo Intercooled	TD18416	596
OM 642.960	V6 Cyl.	17.7:1	2987cc	165kW (224)PS	Turbo Intercooled	TD20361	596
C-CLASS (S203)	06/05→08/07	C-CLASS (S204)	08/07→	C-CLASS (W203)	01/05→02/07		
C-CLASS (W204)	01/07→	CLK (A209)	03/05→03/10	CLK (C209)	01/05→05/09		
E-CLASS (W211)	03/05→12/08						

B x C x D	OE	E x F x G
V98071 ■	642 053 04 01	JD5902 ■ (x2)
28.50 x 6.00 x 102.30		MLS
V98072 ■	642 050 05 27	
25.40 x 6.00 x 102.30		

AH5010 MLS ■	CH5010	HBS474 ☉	JD5902 ■ (x2)	HR397	PA5041 (x24)		
AH5020 MLS ■		M12x1.75x205.00mm (x16)	MLS		6.00/12.20x10.00 (FPM)		
					HR5062 ■		

181



83.00

Diesel



OM 642.930	V6 Cyl.	17.7:1	2987cc	173kW (235)PS	Turbo Intercooled	TD19213	596
OM 642.940	V6 Cyl.	18:1	2987cc	140-165kW (190-224)PS	Turbo Intercooled	TD18197	596
OM 642.950	V6 Cyl.	17.7:1	2987cc	140kW (190)PS	Turbo Intercooled	TD19206	589
OM 642.970	V6 Cyl.	18:1	2987cc	165kW (224)PS	Turbo Intercooled	TD20729	596
OM 642.990	V6 Cyl.	18:1	2987cc	150kW (204)PS	Turbo Intercooled	TD22148	589
OM 642.992	V6 Cyl.	18:1	2987cc	135kW (184)PS	Turbo Intercooled	TD22149	596

G-CLASS (W463)	09/06→	GL-CLASS (X164)	09/06→	M-CLASS (W164)	07/05→		
R-CLASS (W251, V251)	01/06→	S-CLASS (W221)	10/05→	SPRINTER 3-t (906)	06/06→		
SPRINTER 5-t (906)	06/06→	SPRINTER 3,5 (906)	06/06→	SPRINTER 4,6-t (906)	06/06→		
VIANO (W639)	03/06→	VITO (W639)	07/06→	VITO / MIXTO (W639)	07/06→		

B x C x D	OE	E x F x G
V98071 ■	642 053 04 01	JD5902 ■ (x2)
28.50 x 6.00 x 102.30		MLS
V98072 ■	642 050 05 27	
25.40 x 6.00 x 102.30		

AH5010 MLS ■	CH5010	HBS474 ☉	JD5902 ■ (x2)	HR397	PA5041 (x24)		
AH5020 MLS ■		M12x1.75x205.00mm (x16)	MLS		6.00/12.20x10.00 (FPM)		
					HR5062 ■		

182	83.00	Diesel					
OM 642.961	V6 Cyl.	17.7:1	2987cc	165kW (224)PS	Turbo Intercooled	TD20986	596
C-CLASS (S204)	08/07→	C-CLASS (W204)	07/07→	GLK-CLASS (X204)	06/08→		
AH5010 AH5020	CH5010		HBS474 M12x1.75x205.00mm (x16)	JD5902 (x2) MLS JE5067 JE5068	HR397	PA5041 (x24) 6.00/12.20x10.00 (FPM) HR5062	

183	83.20	Petrol					
M 112.910	V6 Cyl.	10:1	2398cc	125kW (170)PS	TD9420	598	
C-CLASS (S202)	06/97→09/00	C-CLASS (W202)	06/97→05/00				
	OE	MAT.	45°	H		E x F x G	
V94388 30.00 x 7.00 x 120.60	113 053 0001	MB	45°		VAG96097 50.00 x 7.03 x 12.76		
V94389 30.00 x 7.00 x 121.60	113 050 0127	MD	45° ss				

AE5730 AE5760 (x6) AE5740 MLS , 0.650mm, 2 Notches	CE5740 [37] MLS		HBS463 M11x1.50x141.00mm (x8)	JD5385 (x2) JD5386	JM5236 (Elastomer) JM5237 (Elastomer)		



AE5730
[37] Fitting Position: Left and right

AE5740, AE5760
[37] Endroit d'assemblage: côté conducteur + passager av.

[37] Lato montaggio: Bilaterale

[37] Lado mont.: ambos lados

MERCEDES-BENZ/SMART

184


83.20
Petrol


M 112.911	V6 Cyl.	9.8:1	2398cc	125kW (170)PS	TD9887	598
-----------	---------	-------	--------	---------------	--------	-----

E-CLASS (S210)	06/97→03/03	E-CLASS (W210)	06/97→08/00
----------------	-------------	----------------	-------------

 B x C x D				 E x F x G	
OE	MAT.	Angle	Head	Head	Head
V94388 ■	113 053 0001	45°	H	VAG96097 ■ ■	
30.00 x 7.00 x 120.60	MB			50.00 x 7.03 x 12.76	
V94389 ■	113 050 0127	45°	ss		
30.00 x 7.00 x 121.60	MD				

 B x C x D		 E x F x G	
AE5730 MLS, 0.650mm, 2 Notches ■	CE5740 [37]	JD5385 ■ (x2)	JM5236 ■
AE5740 MLS, 0.650mm, 2 Notches ■	MLS	JD5386 ■	(Elastomer)
			JM5237 ■
			(Elastomer)

AE5730	AE5740	[37] Endroit d'assemblage: côté conducteur + passager av.	[37] Lato montaggio: Bilaterale	[37] Lado mont.: ambos lados
[37] Fitting Position: Left and right				

185


84.00
Petrol




M 166.991	4 Cyl.	10.8:1	1898cc	92kW (125)PS	TD18176	599
-----------	--------	--------	--------	--------------	---------	-----

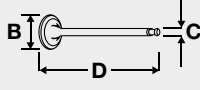

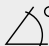


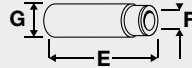


Vaneo (414)	02/02→07/05
-------------	-------------





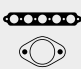
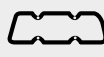


 B x C x D				 E x F x G	
OE	MAT.	Angle	Head	Head	Head
V94396 ■	166 053 0201	45°	H	VAG96095 ■	
43.00 x 6.00 x 103.00	MB			37.60 x 6.00 x 12.55	
V94397 ■	166 050 0427	45°	ss	VAG96096 ■	
36.00 x 7.00 x 102.70	MD			37.60 x 7.00 x 12.55	

 B x C x D		 E x F x G	
AB5570 MLS, 0.700mm	CB5570	HBS457 ☉	JM5163
	03/99→	M10x1.50x180.00mm (x10)	(Elastomer)
			PA5041 ■ (x4)
			6.00/12.20x10.00
			(FPM)
			HR5097 ■


AB5570



186	 84.00	Petrol				
M 166.995	4 Cyl.	11:1	2084cc	103kW (140)PS	TD16882	600
A-CLASS (W168)		03/02→08/04				





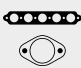
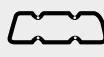


 B x C x D	OE	 MAT.				 E x F x G
V94396 ■ 43.00 x 6.00 x 103.00	166 053 0201	 MB	45°		H	VAG96095 ■ 37.60 x 6.00 x 12.55
V94397 ■ 36.00 x 7.00 x 102.70	166 050 0427	 MD	45°	ss		VAG96096 ■ 37.60 x 7.00 x 12.55



							
AB5570 MLS, 0.700mm	CB5570		HBS457 ⊕ M10x1.50x180.00mm (x10)	JD5135 ■	JMS163 (Elastomer)	PA5041 ■ (x4) 6.00/12.20x10.00 (FPM)	HR5097 ■



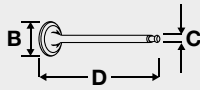

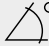


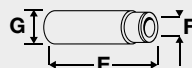
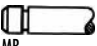
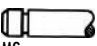
AB5570



187	 84.50	Diesel				
OM 621.910	4 Cyl.	21:1	1884cc	37kW (50)PS	TD9961	602
PONTON (W121)		01/59→12/61				

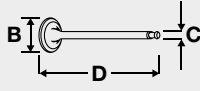

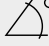


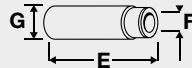
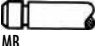
							
					JM848		

188	 85.00	Petrol				
M 121.920	4 Cyl.	8.5:1	1898cc	59kW (80)PS	TD9957	605
M 121.922	4 Cyl.	8.5:1	1897cc	48kW (65)PS	TD17787	604
M 121.924	4 Cyl.	8.8:1	1898cc	59kW (80)PS	TD9947	606

HECKFLOSSE (W110)	04/61→08/65	PONTON (W121)	06/59→12/61
--------------------------	-------------	----------------------	-------------

 B x C x D	OE	 MAT.				 E x F x G
V94535 ■ 44.20 x 9.00 x 128.00	121 053 00 01	 MB	45°		H	
V94536 ■ 35.10 x 10.00 x 112.70	180 053 15 05	 MG	45°	ss	H	

189	 85.00	Petrol				
M 121.926	4 Cyl.	8.8:1	1897cc	50kW (68)PS	TD22712	
M 121.929	4 Cyl.	8.8:1	1897cc	59kW (80)PS	TD22713	

 B x C x D	OE	 MAT.				 E x F x G
V94535 ■ 44.20 x 9.00 x 128.00	121 053 00 01	 MB	45°		H	

MERCEDES-BENZ/SMART

190



85.30

Petrol



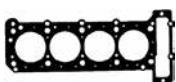
M 111.920 4 Cyl. 1799cc 90kW (122)PS TD2131 607

C-CLASS (S202) 06/96→09/00 C-CLASS (W202) 03/93→05/00

	KIT		KIT		
		CAM693 ■ CAM694 ■			FOL147 (x16)

 B x C x D	OE	MAT.				 E x F x G
V95011 ■ 33.00 x 7.00 x 101.40	111 053 04 01	 MB cr	45°	H		VAG96096 ■ ■ ■ 37.60 x 7.00 x 12.55
V94792 ■ 29.00 x 6.96 x 103.50	111 050 06 27	 MG cr	45°	H		VAG96149 ■ ■ ■ 37.50 x 7.02 x 12.59
V95012 ■ 29.00 x 7.00 x 103.45	111 050 06 27	 MG cr	45°	H		VAG96178 ■ ■ ■ 37.50 x 7.02 x 12.76

BZ850 Fibre Composite	DV820		HBS150 ⊙ M12x1.75x102.00mm (x10)	JD160 ■ JD161 ■	JN911	HR5056 ■ (x2)	



BZ850

191



85.30

Petrol



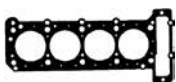
M 111.921 4 Cyl. 8.8:1 1799cc 90kW (122)PS TD5235 607

C-CLASS (S202) 06/96→09/00 C-CLASS (W202) 03/93→05/00



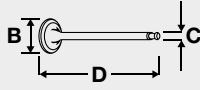
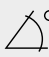

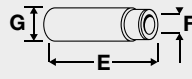

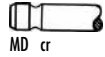
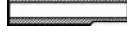
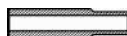
	KIT		KIT		
		CAM693 ■ CAM694 ■			FOL147 (x16)



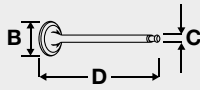
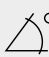

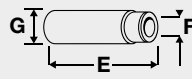

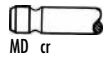
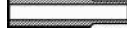

 B x C x D	OE	MAT.				 E x F x G
V95011 ■ 33.00 x 7.00 x 101.40	111 053 04 01	 MB cr	45°	H		VAG96096 ■ ■ ■ 37.60 x 7.00 x 12.55
V94792 ■ 29.00 x 6.96 x 103.50	111 050 06 27	 MG cr	45°	H		VAG96149 ■ ■ ■ 37.50 x 7.02 x 12.59
V95012 ■ 29.00 x 7.00 x 103.45	111 050 06 27	 MG cr	45°	H		VAG96178 ■ ■ ■ 37.50 x 7.02 x 12.76






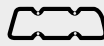


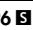
BZ850 Fibre Composite	DV820		HBS150 ⊙ M12x1.75x102.00mm (x10)	JD160 ■ JD5226 ■ (x2) JD161 ■	JN911	HR5056 ■ (x2)	





BZ850

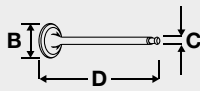
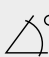

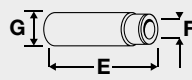

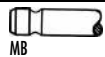



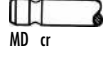

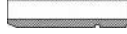
192	 86.00	Petrol				
M 123.920	6 Cyl.	8.7:1	2525cc	95-103kW (129-140)PS	TD18724	608
	B x C x D	OE	MAT.	 		E x F x G
V95096 	115 050 00 27		45°	ss	VAG51028B 	55.00 x 9.02 x 14.06
37.00 x 10.95 x 113.20		MD cr			VAG92200B 	45.00 x 11.02 x 15.06






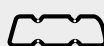



193	 86.00	Petrol				
M 123.921	6 Cyl.	8.7:1	2527cc	95-103kW (129-140)PS	TD2194	609
KOMBI (S123)	05/78→08/82	SALOON (W123)	02/76→07/85			
	B x C x D	OE	MAT.	 		E x F x G
V95096 	115 050 00 27		45°	ss	VAG51028B 	55.00 x 9.02 x 14.06
37.00 x 10.95 x 113.20		MD cr			VAG92200B 	45.00 x 11.02 x 15.06

							
						HL196 	

194	 86.00	Petrol				
M 110.921	6 Cyl.	8.7/9:1	2746cc	115kW (156)PS	TD2115	610
M 110.922	6 Cyl.	8.7/9:1	2746cc	115kW (156)PS	TD2116	610
M 110.923	6 Cyl.	8.7/9:1	2746cc	115kW (156)PS	TD2117	610
M 110.981	6 Cyl.	9:1	2746cc	136kW (185)PS	TD2120	610
M 110.982	6 Cyl.	9:1	2746cc	136kW (185)PS	TD2121	610
M 110.983	6 Cyl.	9:1	2746cc	136kW (185)PS	TD2122	610
M 110.984	6 Cyl.	9:1	2746cc	136kW (185)PS	TD4659	610
M 110.986	6 Cyl.	9:1	2746cc	136kW (185)PS	TD2125	610

/8 (W114)	06/72→02/77	COUPE (C123)	03/77→03/80	S-CLASS (W116)	08/72→07/80
SL (C107)	08/74→09/81	SL (R107)	08/74→07/85	STUFENHECK (W123)	02/76→11/85

	B x C x D	OE	MAT.	 		E x F x G
V95071 	110 050 07 26		45°	H	VAG92171B 	51.50 x 9.02 x 14.06
45.25 x 8.97 x 115.00		MB			VAG96152 	51.50 x 9.02 x 14.05
V95072 	110 050 00 27		45°	ss	VAG92172B 	54.30 x 11.02 x 15.06
37.10 x 10.95 x 118.00		MD cr			VAG92414B 	54.00 x 9.02 x 15.06

							
					PB251 (Elastomer)		HL659 

MERCEDES-BENZ/SMART

195	86.00	Petrol			
M 110.924	6 Cyl.	8.7/9:1	2746cc	115kW (156)PS	TD2118 611
M 110.926	6 Cyl.	8.7/9:1	2746cc	115kW (156)PS	TD2119 611
M 110.987	6 Cyl.	9:1	2746cc	136kW (185)PS	TD2126 611
M 110.989	6 Cyl.	9:1	2746cc	136kW (185)PS	TD2128 611
M 110.994	6 Cyl.	8:1	2746cc	110-115kW (150-156)PS	TD2130 614

G-CLASS (W460) 11/79 → 08/89 S-CLASS (W126) 10/79 → 07/85



	OE	MAT.			
B x C x D					E x F x G
V95071 ■ 45.25 x 8.97 x 115.00	110 050 07 26	 MB	45°	H	VAG92171B ■ 51.50 x 9.02 x 14.06 VAG96152 ■ 51.50 x 9.02 x 14.05 VAG92172B ■ 54.30 x 11.02 x 15.06 VAG92414B ■ 54.00 x 9.02 x 15.06

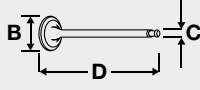
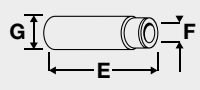
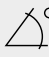






					PB251 (Elastomer)		
					HL659 ■		



196	86.00	Petrol			
M 110.931	6 Cyl.	8:1	2746cc	107kW (145)PS	TD17796 612
M 110.932	6 Cyl.	8:1	2746cc	105kW (143)PS	TD17726 612
M 110.985	6 Cyl.	9:1	2746cc	136kW (185)PS	TD2124 610
M 110.991	6 Cyl.	8:1	2746cc	125kW (170)PS	TD17797 612
M 110.992	6 Cyl.	8:1	2746cc	125kW (170)PS	TD17798 612

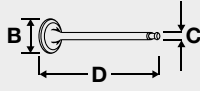
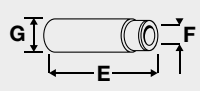
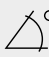




S-CLASS (W116) 08/72 → 07/80






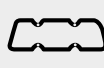



	OE	MAT.			
B x C x D					E x F x G
V95071 ■ 45.25 x 8.97 x 115.00	110 050 07 26	 MB	45°	H	VAG92171B ■ 51.50 x 9.02 x 14.06 VAG96152 ■ 51.50 x 9.02 x 14.05 VAG92172B ■ 54.30 x 11.02 x 15.06 VAG92414B ■ 54.00 x 9.02 x 15.06
V95072 ■ 37.10 x 10.95 x 118.00	110 050 00 27	 MD cr	45°	ss	

197	 86.00	Petrol				
M 110.988	6 Cyl.	9:1	2746cc	136kW (185)PS	TD2127	610
M 110.990	6 Cyl.	9:1	2746cc	136kW (185)PS	TD2129	610
COUPE (C123)	03/77→11/85	KOMBI (S123)	09/77→11/85	SL (C107)	08/74→09/81	
SL (R107)	08/74→07/85	STUFENHECK (W123)	02/76→11/85			



	
B x C x D	Ex F x G
OE	
MAT.	
	
45°	H
V95071 	VAG92171B 
110 050 07 26	51.50 x 9.02 x 14.06
45.25 x 8.97 x 115.00	VAG96152 
	51.50 x 9.02 x 14.05
	VAG92172B 
	54.30 x 11.02 x 15.06
	VAG92414B 
	54.00 x 9.02 x 15.06

198	 86.00	Diesel					
OM 628.960	V8 Cyl.	18.5:1	3996cc	184-191kW (250-260)PS	Turbo Intercooled	TD15462	615
OM 628.961	V8 Cyl.	18.5:1	3996cc	191kW (260)PS	Turbo Intercooled	TD17545	616
OM 628.962	V8 Cyl.	18.5:1	3996cc	184kW (250)PS	Turbo Intercooled	TD15459	616
OM 628.963	V8 Cyl.	18.5:1	3996cc	184kW (250)PS	Turbo Intercooled	TD17010	616
OM 629.910	V8 Cyl.	16.7:1	3996cc	231kW (314)PS	Turbo Intercooled	TD19144	617
OM 629.911	V8 Cyl.	17:1	3996cc	235kW (320)PS	Turbo Intercooled	TD20332	617
OM 629.912	V8 Cyl.	17:1	3996cc	225kW (306)PS	Turbo Intercooled	TD19208	617
E-CLASS (W211)	02/03→12/08	G-CLASS (W463)	12/00→	GL-CLASS (X164)	09/06→		
M-CLASS (W163)	09/01→06/05	M-CLASS (W164)	02/06→	S-CLASS (W220)	06/00→08/05		
S-CLASS (W221)	10/06→						

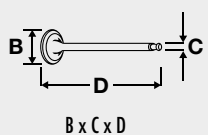



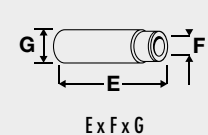

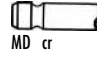


	
B x C x D	Ex F x G
OE	
MAT.	
	
45°	
V98066 	VAG96241 
628 053 00 01	37.50 x 7.02 x 12.58
28.70 x 7.00 x 104.10	
V98067 	
628 053 00 05	
26.20 x 7.00 x 104.50	



							
				JD5380 			
				MLS			

MERCEDES-BENZ/SMART

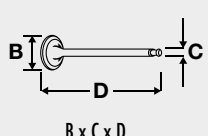



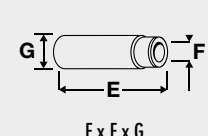




199	 86.50	Petrol				
M 130.920	6 Cyl.	8.7/9.1:1	2750cc	103kW (140)PS	TD2195	618
M 130.923	6 Cyl.	8.7/9.1:1	2750cc	96kW (131)PS	TD2196	619
M 130.924	6 Cyl.	9.5:1	2778cc	89kW (121)PS	TD17793	620
M 130.925	6 Cyl.	9.5:1	2778cc	81kW (110)PS	TD16996	620
M 130.933	6 Cyl.	8.7:1	2778cc	87kW (118)PS	TD17794	620

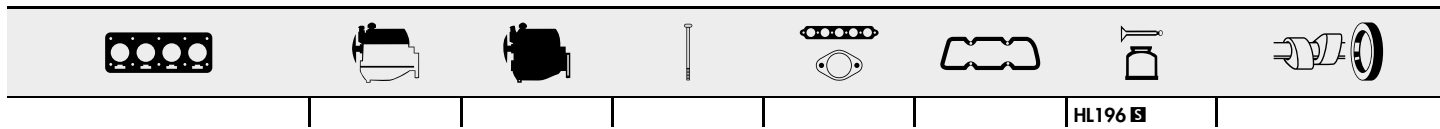
/8 (W114) 06/72 → 11/76 **S-CLASS (W108, W109)** 10/67 → 07/72



 B x C x D	OE	 MAT.	 45°	 ss	 E x F x G
V95096  37.00 x 10.95 x 113.20	115 050 00 27	 MD cr			VAG51028B  55.00 x 9.02 x 14.06 VAG92200B  45.00 x 11.02 x 15.06

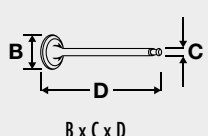



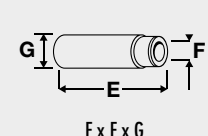

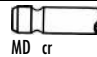


200	 86.50	Petrol				
M 130.980	6 Cyl.	8.7/9.1:1	2750cc	118kW (160)PS	TD2197	618
M 130.981	6 Cyl.	8.7/9.1:1	2750cc	118kW (160)PS	TD4673	618
M 130.983	6 Cyl.	8.7/9.1:1	2750cc	125kW (170)PS	TD2200	618
M 130.984	6 Cyl.	9.5:1	2778cc	118kW (160)PS	TD9989	618

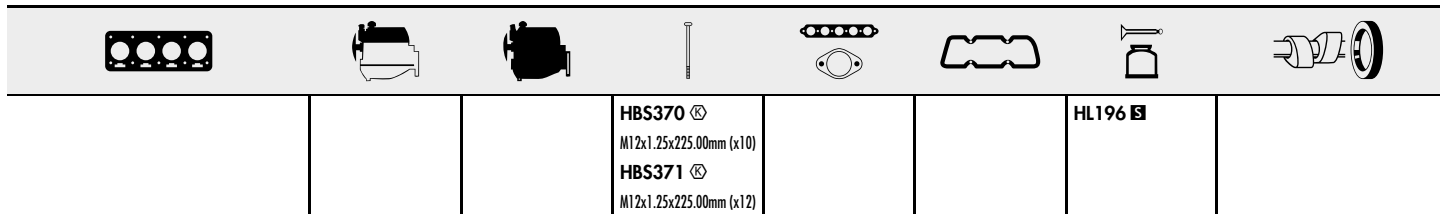
COUPE (W111) 01/67 → 12/71 **PAGODE (W113)** 01/68 → 03/71 **S-CLASS (W108, W109)** 01/68 → 08/72



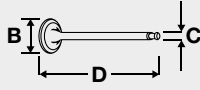

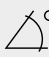

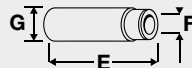

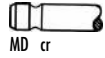
 B x C x D	OE	 MAT.	 45°	 ss	 E x F x G
V95096  37.00 x 10.95 x 113.20	115 050 00 27	 MD cr			VAG51028B  55.00 x 9.02 x 14.06 VAG92200B  45.00 x 11.02 x 15.06





201	 86.50	Petrol				
M 130.921	6 Cyl.	8.7:1	2778cc	92kW (125)PS	TD17792	620

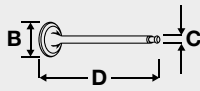

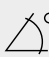

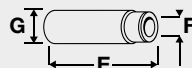

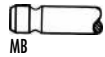



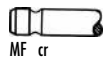
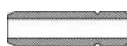

 B x C x D	OE	 MAT.	 45°	 ss	 E x F x G
V95096  37.00 x 10.95 x 113.20	115 050 00 27	 MD cr			VAG51028B  55.00 x 9.02 x 14.06 VAG92200B  45.00 x 11.02 x 15.06






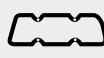

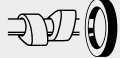
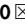






202	 86.50	Petrol					
M 130.922	6 Cyl.	9.5:1	2778cc	125kW (170)PS	TD22714	620	
	B x C x D	OE	 MAT.	 45°	 ss		E x F x G
V95096 	115 050 00 27	 MD cr					
37.00 x 10.95 x 113.20							

203	 87.00	Diesel				
OM 601.911	4 Cyl.	22:1	1978cc	53-55kW (72)PS	TD2206	621
OM 601.912	4 Cyl.	22:1	1978cc	53-55kW (72)PS	TD2207	621
190 (W201)	08/83→08/93	E-CLASS (W124)	12/84→06/95	KOMBI (S124)	09/85→08/91	

	 .KIT		 KIT		
		CAM627			FOL84 (x8)

	B x C x D	OE	 MAT.	 45°	 H		E x F x G
V91181 	601 053 17 01	 MB		45°	H	VAG92297 	39.50 x 8.00 x 14.05
38.10 x 7.97 x 106.50						VAG96214 	39.50 x 8.02 x 14.25
V91182 	601 050 25 27	 MF cr		45°	H	VAG92298 	37.50 x 9.00 x 14.05
35.10 x 8.96 x 106.50						VAG96204 	37.50 x 9.02 x 14.25

							
BT540 Fibre Composite	DT540  DT541 HL654	HBS058  M10x1.50x115.00mm (x5)	JD158  JD159 	JN572 [38] JN619 [39]	HR757 		





BT540
 [38] for vehicles without ride height control
 [39] for vehicles with ride height control

[38] pour véhicules sans réglage de niveau
 [39] pour véhicules avec correcteur d'assiette

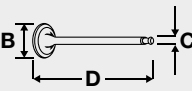
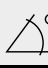


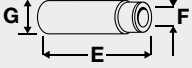
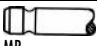
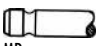
[38] per veicoli senza impianto correzione altezza
 [39] per veicoli con impianto correzione altezza



[38] para vehículos sin regulación de nivel
 [39] para vehículos con regulación de nivel

MERCEDES-BENZ/SMART

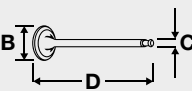
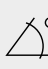


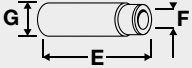
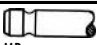
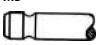
204	 87.00	Petrol			
M 115.900	4 Cyl.	9:1	2197cc	40kW (54)PS	TD22705 632
M 115.932	4 Cyl.	9:1	2197cc	48kW (65)PS	TD17785 633
M 115.933	4 Cyl.	9:1	2197cc	62kW (84)PS	TD17800 633
M 115.934	4 Cyl.	9:1	2197cc	55kW (75)PS	TD17801 633
M 115.935	4 Cyl.	9:1	2197cc	55kW (75)PS	TD17802 633
M 115.I	4 Cyl.	9:1	1990cc	63kW (85)PS	TD2156
M 115.II	4 Cyl.	9:1	1990cc	55kW (75)PS	TD2157
M 121.940	4 Cyl.	9:1	1988cc	61kW (82)PS	TD9948 623
M 121.944	4 Cyl.	9:1	1988cc	59kW (80)PS	TD17791






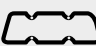


HECKFLOSSE (W110) 07/65→02/68 **T2/L** 01/68→12/72

 B x C x D	OE	MAT.				 E x F x G
V94750 ■ 44.20 x 9.00 x 128.00	121 053 04 01	 MB	45°		H	VAG51028B ■ 55.00 x 9.02 x 14.06
V95096 ■ 37.00 x 10.95 x 113.20	115 050 00 27	 MD cr	45°	ss		VAG92200B ■ 45.00 x 11.02 x 15.06

205	 87.00	Petrol			
M 115.920	4 Cyl.	9:1	2197cc	77kW (105)PS	TD2139 633
M 115.921	4 Cyl.	9:1	2197cc	63kW (85)PS	TD2140 633
M 115.922	4 Cyl.	9:1	2197cc	62kW (84)PS	TD17799 633
M 115.923	4 Cyl.	9:1	1988cc	62-70kW (85-95)PS	TD2141 622
M 115.924	4 Cyl.	9:1	2197cc	66kW (89)PS	TD2142 633
M 115.926	4 Cyl.	9:1	1988cc	62-70kW (85-95)PS	TD2143 622
M 115.927	4 Cyl.	9:1	2197cc	63kW (85)PS	TD2144 633
M 115.928	4 Cyl.	9:1	2197cc	55kW (75)PS	TD2145 633
M 115.929	4 Cyl.	9:1	2197cc	55kW (75)PS	TD2146 633
M 115.938	4 Cyl.	9:1	1988cc	62-70kW (84-95)PS	TD2147 622
M 115.939	4 Cyl.	9:1	1988cc	62-70kW (84-95)PS	TD2148 622



/8 (W115) 01/68→01/77 **HECKFLOSSE (W110)** 07/65→02/68 **STUFENHECK (W123)** 02/76→08/80
T2/L 01/68→12/74

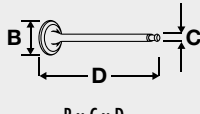




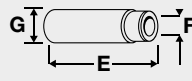

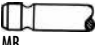


 B x C x D	OE	MAT.				 E x F x G
V94750 ■ 44.20 x 9.00 x 128.00	121 053 04 01	 MB	45°		H	VAG51028B ■ 55.00 x 9.02 x 14.06
V95096 ■ 37.00 x 10.95 x 113.20	115 050 00 27	 MD cr	45°	ss		VAG92200B ■ 45.00 x 11.02 x 15.06



							
BC870 Fibre Composite					JM850	HL196 ■	



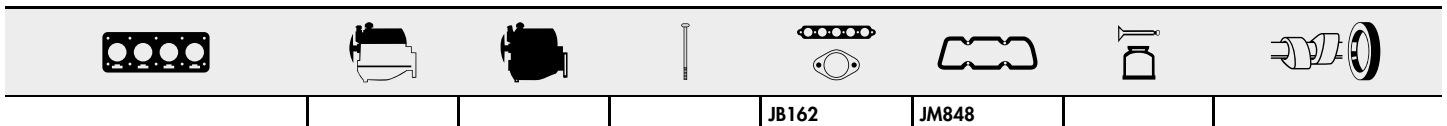
BC870



206		 87.00	Petrol			
M 121.941	4 Cyl.	9:1	1988cc	59kW (80)PS		TD17788
M 121.942	4 Cyl.	9:1	1988cc	50kW (68)PS		TD17789

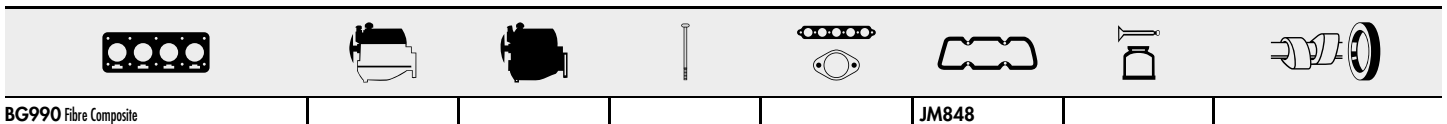
	OE		MAT.				
V94750 	121 053 04 01		MB	45°	H		VAG51028B 
44.20 x 9.00 x 128.00							VAG92200B 
							55.00 x 9.02 x 14.06
							45.00 x 11.02 x 15.06

207		 87.00	Diesel			
OM 615.914	4 Cyl.	21:1	2197cc	40kW (54)PS		TD7972 635
OM 615.916	4 Cyl.	21:1	2197cc	40kW (55)PS		TD22823 636
OM 615.930	4 Cyl.	21:1	2197cc	38kW (52)PS		TD22825 636
OM 615.932	4 Cyl.	21:1	2197cc	44kW (60)PS		TD7989 638
OM 615.936	4 Cyl.	21:1	2197cc	37kW (50)PS		TD20151 637
OM 615.942	4 Cyl.	21:1	1988cc	40kW (54)PS		TD22827 624
OM 615.943	4 Cyl.	21:1	1988cc	40kW (54)PS		TD2240 625
OM 615.960	4 Cyl.	21:1	1988cc	44kW (60)PS		TD22828 627
OM 615.961	4 Cyl.	21:1	1988cc	44kW (60)PS		TD22829 624
OM 615.963	4 Cyl.	21:1	1988cc	43kW (58)PS		TD2242 624
OM 615.964	4 Cyl.	21:1	1988cc	40kW (54)PS		TD22830 624
OM 615.965	4 Cyl.	21:1	1988cc	40kW (54)PS		TD22831 624
OM 615.966	4 Cyl.	21:1	1988cc	40kW (54)PS		TD22832 624
OM 615.967	4 Cyl.	21:1	1988cc	40kW (54)PS		TD22833 624
OM 615.968	4 Cyl.	21:1	1988cc	40kW (54)PS		TD22834 624
OM 615.969	4 Cyl.	21:1	1988cc	40kW (54)PS		TD22835 624
OM 615.970	4 Cyl.	21:1	1988cc	43-46kW (58-62)PS		TD2243 628

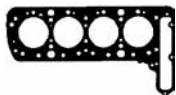
100 (631) 04/88 → 04/96



208		 87.00	Diesel			
OM 615.938	4 Cyl.	21:1	2197cc	44kW (60)PS		TD22826 636
OM 621.915	4 Cyl.	21:1	1988cc	40kW (54)PS		TD22837
OM 621.919	4 Cyl.	21:1	1988cc	40kW (54)PS		TD22838
OM 621.930	4 Cyl.	21:1	1988cc	40kW (54)PS		TD22839



BG990 Fibre Composite



BG990

MERCEDES-BENZ/SMART

209



87.00

Diesel



OM 615.944

4 Cyl.

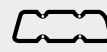
21:1

1988cc

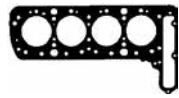
40kW (54)PS

TD2241

626



BG990 Fibre Composite



JB162

JM848

BG990

210



87.00

Diesel



OM 601.913

4 Cyl.

22:1

1997cc

55kW (75)PS

TD2208

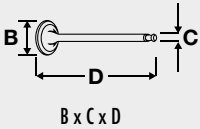
629

C-CLASS (W202)

03/93→05/00



FOL84 (x8)



OE



MAT.



45°



H

V91181 ■
38.10 x 7.97 x 106.50

601 053 17 01



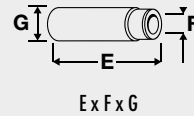
MB

V91182 ■
35.10 x 8.96 x 106.50

601 050 25 27



MF cr

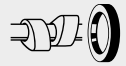
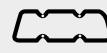


VAG92297 ■
39.50 x 8.00 x 14.05

VAG96214 ■
39.50 x 8.02 x 14.25

VAG92298 ■
37.50 x 9.00 x 14.05

VAG96204 ■
37.50 x 9.02 x 14.25



BT540 Fibre Composite

DT540 ☒

DT541

HL654

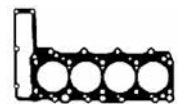
JD158 ■

JD159 ■

JN572 [38]

JN619 [39]

HR757 ■



BT540

[38] for vehicles without ride height control

[39] for vehicles with ride height control

[38] pour véhicules sans réglage de niveau

[39] pour véhicules avec correcteur d'assiette

[38] per veicoli senza impianto correzione altezza

[39] per veicoli con impianto correzione altezza

[38] para vehículos sin regulación de nivel

[39] para vehículos con regulación de nivel

211	87.00	Diesel				
OM 604.915	4 Cyl.	22:1	1997cc	65kW (88)PS	TD4677	631
C-CLASS (S202)	10/96→03/01	C-CLASS (W202)	10/96→05/00			

	.KIT		KIT			FOL84 (x16)

B x C x D	OE	MAT.				E x F x G
V94278 ■ 28.90 x 6.00 x 105.40	606 053 11 01	MB	45°	H		VAG96095 ■ 37.60 x 6.00 x 12.55
V94290 ■ 29.00 x 6.00 x 105.40	606 053 07 01	MB cr	45°	H		VAG96287 ■ 37.50 x 6.00 x 12.76
V94279 ■ 26.00 x 6.00 x 105.70	606 053 07 05	MD cr	45°			VAG96149 ■ 37.50 x 7.02 x 12.59
V94280 ■ 26.00 x 7.00 x 105.70	606 050 14 27	MD cr	45°			
V94291 ■ 26.00 x 6.00 x 105.70	606 053 03 05	MG cr	45°	H		

			HBS061 ⊕ M10x1.50x115.00mm (x4)	JD475 ■			

212	87.00	Diesel				
OM 604.917	4 Cyl.	22:1	1997cc	65kW (88)PS	TD9424	631
E-CLASS (W210)	01/96→03/02					

B x C x D	OE	MAT.				E x F x G
V94278 ■ 28.90 x 6.00 x 105.40	606 053 11 01	MB	45°	H		VAG96095 ■ 37.60 x 6.00 x 12.55
V94290 ■ 29.00 x 6.00 x 105.40	606 053 07 01	MB cr	45°	H		VAG96287 ■ 37.50 x 6.00 x 12.76
V94279 ■ 26.00 x 6.00 x 105.70	606 053 07 05	MD cr	45°			VAG96149 ■ 37.50 x 7.02 x 12.59
V94280 ■ 26.00 x 7.00 x 105.70	606 050 14 27	MD cr	45°			
V94291 ■ 26.00 x 6.00 x 105.70	606 053 03 05	MG cr	45°	H		

			HBS061 ⊕ M10x1.50x115.00mm (x4)	JD475 ■			

MERCEDES-BENZ/SMART

213



87.00

Diesel



OM 601.921

4 Cyl.

22:1

2197cc

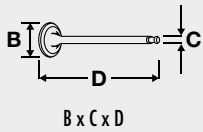
54kW (73)PS

TD2209

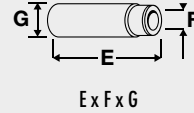
634



FOL84 (x8)

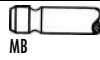


OE



V91181 ■
38.10 x 7.97 x 106.50
V91182 ■
35.10 x 8.96 x 106.50

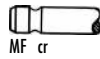
601 053 17 01



45°

H

601 050 25 27



45°

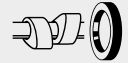
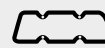
H

VAG92297 ■
39.50 x 8.00 x 14.05

VAG96214 ■
39.50 x 8.02 x 14.25

VAG92298 ■
37.50 x 9.00 x 14.05

VAG96204 ■
37.50 x 9.02 x 14.25



HBS058 Ⓞ
M10x1.50x115.00mm (x5)

JD158 ■
JD159 ■

JN572

214



87.00

Diesel



OM 602.911

5 Cyl.

22:1

2497cc

66-69kW (90-94)PS

TD2211

639

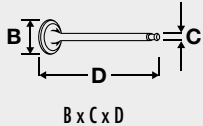
190 (W201)

04/85 → 08/93

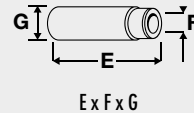


CAM414

FOL84 (x10)

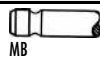


OE



V91181 ■
38.10 x 7.97 x 106.50
V91182 ■
35.10 x 8.96 x 106.50
V94287 ■
35.00 x 9.00 x 106.40

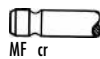
601 053 17 01



45°

H

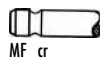
601 050 25 27



45°

H

601 050 23 27



45°

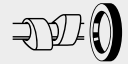
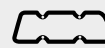
H

VAG92297 ■
39.50 x 8.00 x 14.05

VAG96214 ■
39.50 x 8.02 x 14.25

VAG92298 ■
37.50 x 9.00 x 14.05

VAG96204 ■
37.50 x 9.02 x 14.25

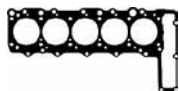


BN720 Fibre Composite, 1.740mm

JD298 ■
JD299 ■

JN621 [39]
JN622 [38]

HR758 ■



BN720

[38] for vehicles without ride height control
[39] for vehicles with ride height control

[38] pour véhicules sans réglage de niveau
[39] pour véhicules avec correcteur d'assiette

[38] per veicoli senza impianto correzione altezza
[39] per veicoli con impianto correzione altezza

[38] para vehículos sin regulación de nivel
[39] para vehículos con regulación de nivel

215







 87.00

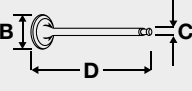
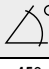


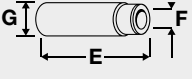


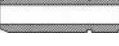

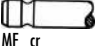



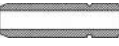

Diesel






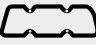

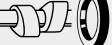






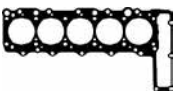
OM 602.912	5 Cyl.	22:1	2497cc	66-69kW (90-94)PS		TD2212	639
OM 602.930	5 Cyl.	22:1	2497cc	62-69kW (84-94)PS		TD2213	639
OM 602.931	5 Cyl.	22:1	2497cc	69kW (93)PS		TD2214	640
OM 602.939	5 Cyl.	22:1	2497cc	68kW (92)PS		TD9422	640
OM 602.961	5 Cyl.	22:1	2497cc	90-93kW (122-126)PS	Turbocharged	TD2216	641
OM 602A.962	5 Cyl.	22:1	2497cc	93kW (126)PS	Turbocharged	TD2217	642

190 (W201)	02/88→08/93	E-CLASS (S124)	06/93→06/96	E-CLASS (W124)	04/85→06/95
G-CLASS (W460)	10/87→12/92	G-CLASS (W461)	02/90→	G-CLASS (W463)	06/90→
KOMBI (S124)	09/85→07/93				

					
		CAM414	KIT		FOL84 (x10)

	OE	MAT.				
B x C x D						E x F x G
V91181 	601 053 17 01		45°	H		VAG92297 
38.10 x 7.97 x 106.50		MB				39.50 x 8.00 x 14.05
V91182 	601 050 25 27		45°	H		VAG96214 
35.10 x 8.96 x 106.50		MF cr				39.50 x 8.02 x 14.25
V94287 	601 050 23 27		45°	H		VAG92298 
35.00 x 9.00 x 106.40		MF cr				37.50 x 9.00 x 14.05
						VAG96204 
						37.50 x 9.02 x 14.25

							
BN720 Fibre Composite, 1,740mm			HBS059  M10x1.50x115.00mm (x6)	JD298  JD299 	JN621 [39] JN622 [38]	HR758 	



BN720

[38] for vehicles without ride height control
[39] for vehicles with ride height control

[38] pour véhicules sans réglage de niveau
[39] pour véhicules avec correcteur d'assiette

[38] per veicoli senza impianto correzione altezza
[39] per veicoli con impianto correzione altezza

[38] para vehículos sin regulación de nivel
[39] para vehículos con regulación de nivel

MERCEDES-BENZ/SMART

216



87.00

Diesel



OM 602.938

5 Cyl.

22:1

2497cc

68kW (92)PS

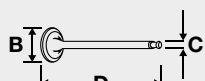
TD17816

640



CAM414

FOL84 (x10)

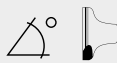


B x C x D

OE



MAT.

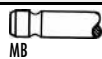


45°

H

V91181 ■
38.10 x 7.97 x 106.50

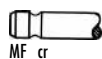
601 053 17 01



MB

V91182 ■
35.10 x 8.96 x 106.50

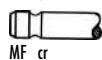
601 050 25 27



MF cr

V94287 ■
35.00 x 9.00 x 106.40

601 050 23 27



MF cr



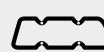
E x F x G

VAG92297 ■
39.50 x 8.00 x 14.05

VAG96214 ■
39.50 x 8.02 x 14.25

VAG92298 ■
37.50 x 9.00 x 14.05

VAG96204 ■
37.50 x 9.02 x 14.25



BN720 Fibre Composite, 1,740mm

DN722 [39]

HBS059 Ⓞ

M10x1.50x115.00mm (x6)

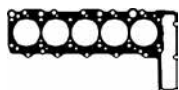
JD298 ■

JD299 ■

JN621 [39]

JN622 [38]

HR758 ■



BN720

[38] for vehicles without ride height control
[39] for vehicles with ride height control

[38] pour véhicules sans réglage de niveau
[39] pour véhicules avec correcteur d'assiette

[38] per veicoli senza impianto correzione altezza
[39] per veicoli con impianto correzione altezza

[38] para vehículos sin regulación de nivel
[39] para vehículos con regulación de nivel

217



87.00

Diesel



OM 602A.993

5 Cyl.

22:1

2497cc

93kW (126)PS

Turbocharged

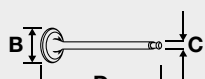
TD17821

643



CAM414

FOL84 (x10)

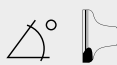


B x C x D

OE



MAT.

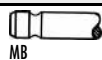


45°

H

V91181 ■
38.10 x 7.97 x 106.50

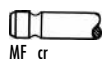
601 053 17 01



MB

V91182 ■
35.10 x 8.96 x 106.50

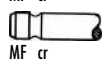
601 050 25 27



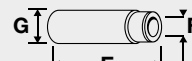
MF cr

V94287 ■
35.00 x 9.00 x 106.40

601 050 23 27



MF cr



E x F x G

VAG92297 ■
39.50 x 8.00 x 14.05

VAG96214 ■
39.50 x 8.02 x 14.25

VAG92298 ■
37.50 x 9.00 x 14.05

VAG96204 ■
37.50 x 9.02 x 14.25



BN720 Fibre Composite, 1,740mm

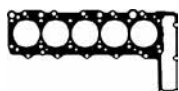
DN722

JD298 ■

JD299 ■

JN622

HR758 ■



BN720

218

 **87.00**

Diesel



OM 605.910

5 Cyl.

22:1

2497cc







83kW (113)PS

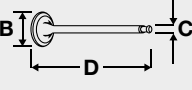
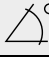


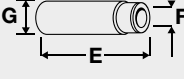
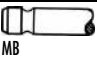
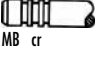
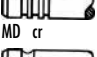
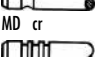
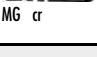
TD2228






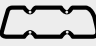

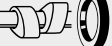
644

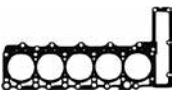
C-CLASS (W202)

05/93→05/00

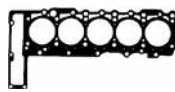
					
		CAM661 ■ CAM663 ■			

	OE	MAT.				
B x C x D						E x F x G
V94278 ■ 28.90 x 6.00 x 105.40	606 053 11 01	 MB	45°		H	VAG96095 ■ 37.60 x 6.00 x 12.55
V94290 ■ 29.00 x 6.00 x 105.40	606 053 07 01	 MB cr	45°		H	VAG96287 ■ 37.50 x 6.00 x 12.76
V94279 ■ 26.00 x 6.00 x 105.70	606 053 07 05	 MD cr	45°			VAG96149 ■ 37.50 x 7.02 x 12.59
V94280 ■ 26.00 x 7.00 x 105.70	606 050 14 27	 MD cr	45°			
V94291 ■ 26.00 x 6.00 x 105.70	606 053 03 05	 MG cr	45°		H	

							
BY590 Fibre Composite BZ870 MLS	DY590 ☒ ○		HBS062 ☉ M10x1.50x115.00mm (x5)	JD475 ■ (x10) JD476 ■	JM5157 (Elastomer) JP022 (x1)	PA5041 ■ (x10) 6.00/12.20x10.00 (FPM) HR804 ■	



BY590



BZ870

MERCEDES-BENZ/SMART

219



87.00

Diesel



OM 605.911	5 Cyl.	22:1	2497cc	83kW (113)PS	TD2229	644
OM 605.912	5 Cyl.	22:1	2497cc	83kW (113)PS	TD4678	644

E-CLASS (S124)	06/93→06/96	E-CLASS (S210)	06/96→07/99	E-CLASS (W124)	07/93→06/95
E-CLASS (W210)	06/95→07/99				

		CAM661 ■			
		CAM663 ■			

 B x C x D	OE	MAT.			 E x F x G
V94278 ■	606 053 11 01		45°	H	VAG96095 ■
28.90 x 6.00 x 105.40		MB			37.60 x 6.00 x 12.55
V94290 ■	606 053 07 01		45°	H	VAG96287 ■
29.00 x 6.00 x 105.40		MB cr			37.50 x 6.00 x 12.76
V94279 ■	606 053 07 05		45°		VAG96149 ■
26.00 x 6.00 x 105.70		MD cr			37.50 x 7.02 x 12.59
V94280 ■	606 050 14 27		45°		
26.00 x 7.00 x 105.70		MD cr			
V94291 ■	606 053 03 05		45°	H	
26.00 x 6.00 x 105.70		MG cr			

BY590 Fibre Composite	DY590 ☒ ○		HBS062 ⊕ M10x1.50x115.00mm (x5)	JD475 ■ (x10) JD476 ■	JM5157 (Elastomer) JPO22 (x1)	PA5041 ■ (x10) 6.00/12.20x10.00 (FPM) HR804 ■	



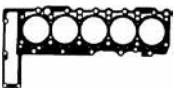
BY590

220	87.00	Diesel					
OM 605.960	5 Cyl.	22:1	2497cc	110kW (150)PS	Turbo Intercooled	TD4679	645
OM 605.962	5 Cyl.	22:1	2497cc	110kW (150)PS	Turbo Intercooled	TD9892	645
C-CLASS (S202)	06/96→03/01	C-CLASS (W202)	10/95→05/00	E-CLASS (S210)	06/97→07/99		
E-CLASS (W210)	06/97→07/99						

	KIT		KIT		
		CAM662 ■			
		CAM663 ■			

	OE	MAT.			
B x C x D					E x F x G
V94278 ■	606 053 11 01		45°	H	VAG96095 ■
28.90 x 6.00 x 105.40		MB			37.60 x 6.00 x 12.55
V94290 ■	606 053 07 01		45°	H	VAG96287 ■
29.00 x 6.00 x 105.40		MB cr			37.50 x 6.00 x 12.76
V94279 ■	606 053 07 05		45°		VAG96149 ■
26.00 x 6.00 x 105.70		MD cr			37.50 x 7.02 x 12.59
V94280 ■	606 050 14 27		45°		
26.00 x 7.00 x 105.70		MD cr			
V94291 ■	606 053 03 05		45°	H	
26.00 x 6.00 x 105.70		MG cr			

BZ870 MLS	DZ870 ○		HBS062 ⊕	JD475 ■ (x10)	JM5157	PA5041 ■ (x10)	
			M10x1.50x115.00mm (x5)	JD476 ■	(Elastomer)	6.00/12.20x10.00	
					JPO22 (x1)	(FPM)	
						HR804 ■	



BZ870

MERCEDES-BENZ/SMART

221



87.00

Diesel



OM 603.912	6 Cyl.	22:1	2996cc	80/83kW (109/113)PS	TD2218	646
OM 603.913	6 Cyl.	22:1	2996cc	80/83kW (109/113)PS	TD2219	646
OM 603.931	6 Cyl.	22:1	2996cc	80/83kW (109/113)PS	TD2220	647

E-CLASS (W124)	12/84→06/93	G-CLASS (W460)	03/79→07/93	G-CLASS (W463)	09/89→
KOMBI (S124)	09/86→06/93				

					FOL84 (x12)

	OE	MAT.				
B x C x D			45°			E x F x G
V91181 ■ 38.10 x 7.97 x 106.50	601 053 17 01	 MB	45°		H	VAG92297 ■ 39.50 x 8.00 x 14.05
V91182 ■ 35.10 x 8.96 x 106.50	601 050 25 27	 MF cr	45°		H	VAG96214 ■ 39.50 x 8.02 x 14.25
V94287 ■ 35.00 x 9.00 x 106.40	601 050 23 27	 MF cr	45°		H	VAG92298 ■ 37.50 x 9.00 x 14.05
						VAG96204 ■ 37.50 x 9.02 x 14.25

BT550 Fibre Composite			HBS060 Ⓢ M10x1.50x115.00mm (x7)	JD301 ■	JN851 [38] JN852 [39]	HR760 ■	





BT550

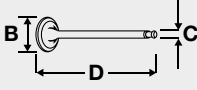
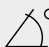


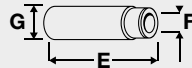







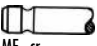


[38] for vehicles without ride height control
[39] for vehicles with ride height control






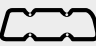





[38] pour véhicules sans réglage de niveau
[39] pour véhicules avec correcteur d'assiette

[38] per veicoli senza impianto correzione altezza
[39] per veicoli con impianto correzione altezza

[38] para vehículos sin regulación de nivel
[39] para vehículos con regulación de nivel



222	 87.00	Diesel					
OM 603.950	6 Cyl.	22:1	2996cc	100-105kW (136-143)PS	Turbocharged	TD21143	648
OM 603A.960	6 Cyl.	22:1	2996cc	105-108kW (143-147)PS	Turbocharged	TD2221	651
OM 603A.963	6 Cyl.	22:1	2996cc	105-108kW (143-147)PS	Turbocharged	TD2223	651
E-CLASS (S124)	06/93→06/96	E-CLASS (W124)	09/86→06/95	KOMBI (S124)	09/86→06/93		

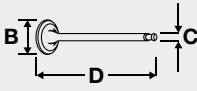
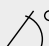


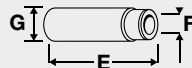

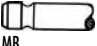


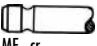


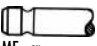


 B x C x D	OE	MAT.				 E x F x G
V91181 	601 053 17 01	 MB	45°	H		VAG92297 
38.10 x 7.97 x 106.50						39.50 x 8.00 x 14.05
V91182 	601 050 25 27	 MF cr	45°	H		VAG96214 
35.10 x 8.96 x 106.50						39.50 x 8.02 x 14.25
V94287 	601 050 23 27	 MF cr	45°	H		VAG92298 
35.00 x 9.00 x 106.40						37.50 x 9.00 x 14.05
						VAG96204 
						37.50 x 9.02 x 14.25






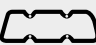





							
BT550 Fibre Composite			HBS060  M10x1.50x115.00mm (x7)	JD301 	JN851 [38] JN852 [39]	HR760 	



BT550
 [38] for vehicles without ride height control [38] pour véhicules sans réglage de niveau [38] per veicoli senza impianto correzione altezza [38] para vehículos sin regulación de nivel
 [39] for vehicles with ride height control [39] pour véhicules avec correcteur d'assiette [39] per veicoli con impianto correzione altezza [39] para vehículos con regulación de nivel

223	 87.00	Diesel					
OM 603.961	6 Cyl.	22:1	2996cc	107-110kW (143-148)PS	Turbocharged	TD2222	649

 B x C x D	OE	MAT.				 E x F x G
V91181 	601 053 17 01	 MB	45°	H		VAG92297 
38.10 x 7.97 x 106.50						39.50 x 8.00 x 14.05
V91182 	601 050 25 27	 MF cr	45°	H		VAG96214 
35.10 x 8.96 x 106.50						39.50 x 8.02 x 14.25
V94287 	601 050 23 27	 MF cr	45°	H		VAG92298 
35.00 x 9.00 x 106.40						37.50 x 9.00 x 14.05
						VAG96204 
						37.50 x 9.02 x 14.25

							
BT550 Fibre Composite			HBS060  M10x1.50x115.00mm (x7)	JD301 	JN851	HR760 	



BT550

MERCEDES-BENZ/SMART

224



87.00

Diesel



OM 603.962

6 Cyl.

22:1

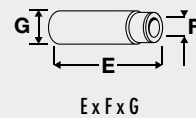
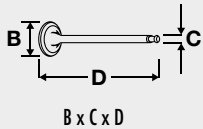
2996cc

105kW (143)PS

Turbocharged

TD21144

650



B x C x D	OE	MAT.	45°	H	E x F x G
V91181 ■ 38.10 x 7.97 x 106.50	601 053 17 01	 MB	45°	H	VAG92297 ■ 39.50 x 8.00 x 14.05
V91182 ■ 35.10 x 8.96 x 106.50	601 050 25 27	 MF cr	45°	H	VAG96214 ■ 39.50 x 8.02 x 14.25
V94287 ■ 35.00 x 9.00 x 106.40	601 050 23 27	 MF cr	45°	H	VAG92298 ■ 37.50 x 9.00 x 14.05
					VAG96204 ■ 37.50 x 9.02 x 14.25

BT550 Fibre Composite				JD301 ■	JN851 JN852	HR760 ■	



BT550

225



87.00

Diesel



OM 606.910

6 Cyl.

22:1

2996cc

130kW (177)PS

TD2230

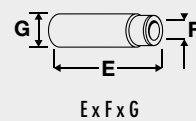
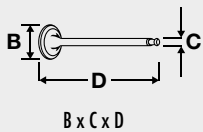
652

E-CLASS (S124)

06/93→06/96

E-CLASS (W124)

07/93→06/95



B x C x D	OE	MAT.	45°	H	E x F x G
V94278 ■ 28.90 x 6.00 x 105.40	606 053 11 01	 MB	45°	H	VAG96095 ■ 37.60 x 6.00 x 12.55
V94290 ■ 29.00 x 6.00 x 105.40	606 053 07 01	 MB cr	45°	H	VAG96287 ■ 37.50 x 6.00 x 12.76
V94279 ■ 26.00 x 6.00 x 105.70	606 053 07 05	 MD cr	45°		VAG96149 ■ 37.50 x 7.02 x 12.59
V94280 ■ 26.00 x 7.00 x 105.70	606 050 14 27	 MD cr	45°		
V94291 ■ 26.00 x 6.00 x 105.70	606 053 03 05	 MG cr	45°	H	

BY580 Fibre Composite	DY580 ☒ ○		HBS063 ⊕ M10x1.50x115.00mm (x6)	JD478 ■	JM5157 (Elastomer)	HR5057 ■ Eng.0.007550;2.014564→	



BY580

226



87.00

Diesel



OM 606.912 6 Cyl. 22:1 2996cc 100kW (136)PS TD4680 652

E-CLASS (W210) 06/95→06/97

 B x C x D					 E x F x G		
OE	MAT.						
V94278 ■	606 053 11 01		45°	H	VAG96095 ■		
28.90 x 6.00 x 105.40		MB			37.60 x 6.00 x 12.55		
V94290 ■	606 053 07 01		45°	H	VAG96287 ■		
29.00 x 6.00 x 105.40		MB cr			37.50 x 6.00 x 12.76		
V94279 ■	606 053 07 05		45°		VAG96149 ■		
26.00 x 6.00 x 105.70		MD cr			37.50 x 7.02 x 12.59		
V94280 ■	606 050 14 27		45°				
26.00 x 7.00 x 105.70		MD cr					
V94291 ■	606 053 03 05		45°	H			
26.00 x 6.00 x 105.70		MG cr					

BY580 Fibre Composite	DY580 ☒○	HBS063 ☉ M10x1.50x115.00mm (x6)	JD478 ■	JMS157 (Elastomer)	HR5057 ■



BY580

227



87.00

Diesel



OM 606.961 6 Cyl. 22:1 2996cc 130kW (177)PS Turbo Intercooled TD5238 653

OM 606.962 6 Cyl. 22:1 2996cc 130kW (177)PS Turbo Intercooled TD9416 653

OM 606.964 6 Cyl. 22:1 2996cc 130kW (177)PS Turbo Intercooled TD9425 653

E-CLASS (S210) 12/96→07/99 E-CLASS (W210) 12/96→07/99 G-CLASS (W463) 08/96→

S-CLASS (W140) 05/96→10/98

 B x C x D					 E x F x G		
OE	MAT.						
V94278 ■	606 053 11 01		45°	H	VAG96095 ■		
28.90 x 6.00 x 105.40		MB			37.60 x 6.00 x 12.55		
V94290 ■	606 053 07 01		45°	H	VAG96287 ■		
29.00 x 6.00 x 105.40		MB cr			37.50 x 6.00 x 12.76		
V94279 ■	606 053 07 05		45°		VAG96149 ■		
26.00 x 6.00 x 105.70		MD cr			37.50 x 7.02 x 12.59		
V94280 ■	606 050 14 27		45°				
26.00 x 7.00 x 105.70		MD cr					
V94291 ■	606 053 03 05		45°	H			
26.00 x 6.00 x 105.70		MG cr					

BY580 Fibre Composite	DY580 ☒○	HBS063 ☉ M10x1.50x115.00mm (x6)	JD478 ■	JMS157 (Elastomer)	HR5057 ■



BY580

MERCEDES-BENZ/SMART

228



88.00

Diesel

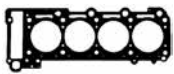


OM 611.961 4 Cyl. 18:1 2148cc 75-105kW (102-143)PS Turbo Intercooled TD17005 **654**

E-CLASS (S210) 06/98→03/03 E-CLASS (W210) 06/98→03/02

B x C x D	OE	MAT.	45°	H	E x F x G
V94398 ■ 30.20 x 7.00 x 104.00	611 053 04 01		45°	H	VAG96241 ■ ■ ■ 37.50 x 7.02 x 12.58
V94399 ■ 28.40 x 7.00 x 104.30	611 053 01 05		45°		

AC5620 MLS, 1.200mm	CC5620	HBS292 ☉ M12x1.75x102.00mm (x10)	JD5380 ■ MLS	HM5170 ■	HR5085 ■ (x4)



AC5620

229



88.00

Diesel

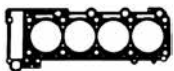


OM 611.962 4 Cyl. 18:1 2148cc 85-105kW (116-143)PS Turbo Intercooled TD15449 **655**



C-CLASS (CL203) 03/01→05/08 C-CLASS (S203) 03/01→08/07 C-CLASS (W203) 05/00→02/07

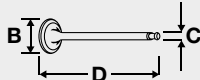
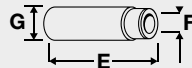
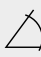
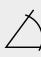









B x C x D	OE	MAT.	45°	H	E x F x G
V94398 ■ 30.20 x 7.00 x 104.00	611 053 04 01		45°	H	VAG96241 ■ ■ ■ 37.50 x 7.02 x 12.58
V94399 ■ 28.40 x 7.00 x 104.30	611 053 01 05		45°		





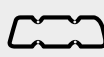

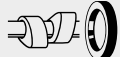




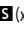
AC5620 MLS, 1.200mm	CC5620	HBS292 ☉ M12x1.75x102.00mm (x10)	JD5378 ■ JD5380 ■ MLS	JD5380 ■	HM5170 ■	HR5085 ■ (x4)

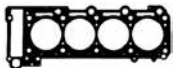


AC5620



230	 88.00	Diesel				
OM 611.980 Euro 3	4 Cyl.	18:1	2151cc	85/115kW (116/156)PS	Turbo Intercooled	TD14350 654
OM 611.981 Euro 3	4 Cyl.	18:1	2148cc	80-95kW (109-129)PS	Turbo Intercooled	TD17729 655
OM 611.987 Euro 3	4 Cyl.	18:1	2148cc	60kW (81)PS	Turbo Intercooled	TD17730 656
SPRINTER 2-t (901, 902)	04/00→05/06	SPRINTER 3-t (903)	04/00→05/06	SPRINTER 4-t (904)	04/00→05/06	
V-CLASS (638/2)	03/99→07/03	VITO (638)	03/99→07/03			







	
B x C x D	E x F x G
OE	
MAT.	
	
	
	
V94398 	VAG96241 
611 053 04 01	37.50 x 7.02 x 12.58
30.20 x 7.00 x 104.00	
V94399 	
611 053 01 05	
28.40 x 7.00 x 104.30	
	
	

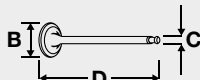
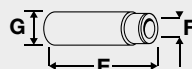











						
AC5620 MLS, 1.200mm	CC5620	HBS292  M12x1.75x102.00mm (x10)	JD5379  (Elastomer) JD5380  MLS	HM5170 	HR5085  (x4)	





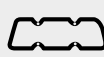

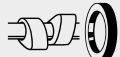
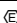






AC5620

231	 88.00	Diesel				
OM 611A (60 KW CDI)	4 Cyl.		2148cc	60kW (81)PS		TD14348 657
OM 611LA (75 KW CDI)	4 Cyl.		2148cc	75-110kW (102-150)PS		TD14349 658
VITO (638)	03/99→07/03					

					
			KIT		FOL153 (x16)

	
B x C x D	E x F x G
OE	
MAT.	
	
	
	
V94398 	VAG96241 
611 053 04 01	37.50 x 7.02 x 12.58
30.20 x 7.00 x 104.00	
V94399 	
611 053 01 05	
28.40 x 7.00 x 104.30	
	
	

						
AC5620 MLS, 1.200mm	CC5620	HBS292  M12x1.75x102.00mm (x10)	JD5379  (Elastomer) JD5380  MLS	HM5170 	HR5085  (x4)	



AC5620

MERCEDES-BENZ/SMART

232



88.00

Diesel



OM 646.811	4 Cyl.	17.5:1	2148cc	125-100kW (170-136)PS	Turbo Intercooled	TD20360	659
OM 646.812	4 Cyl.	17.5:1	2148cc	100kW (136)PS	Turbo Intercooled	TD22694	659
OM 646.820	4 Cyl.	17.5:1	2148cc	100kW (136)PS	Turbo Intercooled	TD20362	659
OM 646.821	4 Cyl.	17.5:1	2148cc	100kW (136)PS	Turbo Intercooled	TD20334	660

C-CLASS (S204)	08/07→	C-CLASS (W204)	01/07→	E-CLASS (S211)	03/03→07/09
E-CLASS (W211)	03/03→12/08				

B x C x D	OE	E x F x G	
V98066 ■	628 053 00 01	VAG96241 ■ ■ ■	
28.70 x 7.00 x 104.10		37.50 x 7.02 x 12.58	
V98067 ■	628 053 00 05		
26.20 x 7.00 x 104.50			

AH7030 MLS, 1.1mm				JD5379 ■ (Elastomer)		HR5085 ■ (x4)	
AH6460 MLS, 1.200mm, 2 Holes 09/03→							
AH6470 MLS, 1.400mm, 1 Hole							
AH6450 MLS, 1.400mm, 3 Holes							



AH6450, AH6460, AH6470 AH7030

233



88.00

Diesel

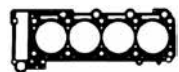


OM 646.951	4 Cyl.	18:1	2148cc	75-90kW (102-122)PS	Turbo Intercooled	TD18129	661
OM 646.961	4 Cyl.	18:1	2148cc	110kW (150)PS	Turbo Intercooled	TD17007	661
OM 646.962	4 Cyl.	18:1	2148cc	75-90kW (102-122)PS	Turbo Intercooled	TD17542	661

C-CLASS (CL203)	03/03→05/08	C-CLASS (S203)	03/01→08/07	C-CLASS (W203)	02/01→02/07
CLC-CLASS (CL203)	05/08→06/11	E-CLASS (S211)	03/03→07/09	E-CLASS (W211)	03/02→12/08

B x C x D	OE	E x F x G	
V98066 ■	628 053 00 01	VAG96241 ■ ■ ■	
28.70 x 7.00 x 104.10		37.50 x 7.02 x 12.58	
V98067 ■	628 053 00 05		
26.20 x 7.00 x 104.50			

AC5620 MLS, 1.200mm			HBS292 ☉ M12x1.75x102.00mm (x10)	JD5380 ■ MLS	HM5170 ■	HR5085 ■ (x4)	

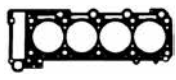


AC5620

234	88.00	Diesel					
OM 646.963	4 Cyl.	18:1	2148cc	110kW (150)PS	Turbo Intercooled	TD17543	661
C-CLASS (CL203)	02/04→05/08	C-CLASS (S203)	02/04→08/07	C-CLASS (W203)	02/04→02/07		
CLC-CLASS (CL203)	05/08→06/11						

B x C x D	E x F x G
V98066 MB	VAG96241 VAG
628 053 00 01	37.50 x 7.02 x 12.58
28.70 x 7.00 x 104.10	
V98067 ME	
628 053 00 05	
26.20 x 7.00 x 104.50	

AC5620 MLS, 1.200mm	CC5620	HBS292 ML M12x1.75x102.00mm (x10)	JD5380 ML MLS	HM5170 ML	HR5085 ML (x4)



AC5620

235	88.00	Diesel					
OM 646.966	4 Cyl.	18:1	2148cc	110kW (150)PS	Turbo Intercooled	TD22844	662
CLK (C209)	01/05→05/09						

B x C x D	E x F x G
V98066 MB	VAG96241 VAG
628 053 00 01	37.50 x 7.02 x 12.58
28.70 x 7.00 x 104.10	
V98067 ME	
628 053 00 05	
26.20 x 7.00 x 104.50	

AC5620 MLS, 1.200mm	CC5620	HBS292 ML M12x1.75x102.00mm (x10)	JD5380 ML MLS	HR5085 ML (x4)



AC5620

MERCEDES-BENZ/SMART

236



88.00

Diesel



OM 646.980	4 Cyl.	18:1	2148cc	70kW (95)PS	Turbo Intercooled	TD24573	663
OM 646.981	4 Cyl.	18:1	2148cc	70kW (95)PS	Turbo Intercooled	TD20984	664
OM 646.983	4 Cyl.	18.1:1	2148cc	65kW (88)PS	Turbo Intercooled	TD20921	665
OM 646.984	4 Cyl.	18.1:1	2148cc	65kW (88)PS	Turbo Intercooled	TD22140	660
OM 646.985	4 Cyl.	18:1	2148cc	80kW (109)PS	Turbo Intercooled	TD20730	664
OM 646.986 Euro 4	4 Cyl.	18:1	2148cc	95-110kW (129-150)PS	Turbo Intercooled	TD23620	666
OM 646.990	4 Cyl.	18:1	2148cc	110kW (150)PS	Turbo Intercooled	TD23618	660

SPRINTER 3-t (906)	06/06→	SPRINTER 5-t (906)	06/06→	SPRINTER 3,5 (906)	06/06→
SPRINTER 4,6-t (906)	06/06→	VITO (W639)	09/03→	VITO / MIXTO (W639)	09/03→

<p>B x C x D</p>	OE	MAT.		<p>E x F x G</p>
V98066 ■ 28.70 x 7.00 x 104.10 V98067 ■ 26.20 x 7.00 x 104.50	628 053 00 01 628 053 00 05	 	45° 45°	VAG96241 ■ ■ 37.50 x 7.02 x 12.58

AH6460 MLS, 1.200mm, 2 Holes 09/03→ AH6470 MLS, 1.400mm, 1 Hole AH6450 MLS, 1.400mm, 3 Holes			HBS292 ☉ M12x1.75x102.00mm (x10)	JD5380 ■ MLS	HR5085 ■ (x4)
<p>AH6450</p>	<p>AH6460</p>	<p>AH6470</p>			

237



88.00

Diesel





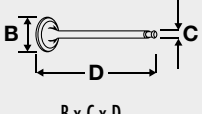




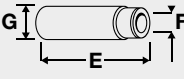




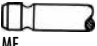
OM 646.982 Euro 4	4 Cyl.	18:1	2148cc	80-110kW (109-150)PS	Turbo Intercooled	TD18289	665
-------------------	--------	------	--------	----------------------	-------------------	---------	-----






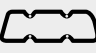





VIANO (W639)	09/03→	VITO (W639)	09/03→	VITO / MIXTO (W639)	09/03→
--------------	--------	-------------	--------	---------------------	--------

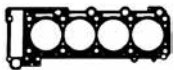
<p>B x C x D</p>	OE	MAT.		<p>E x F x G</p>
V98066 ■ 28.70 x 7.00 x 104.10 V98067 ■ 26.20 x 7.00 x 104.50	628 053 00 01 628 053 00 05	 	45° 45°	VAG96241 ■ ■ 37.50 x 7.02 x 12.58

AC5620 MLS, 1.200mm AH6460 MLS, 1.200mm, 2 Holes 09/03→ AH6470 MLS, 1.400mm, 1 Hole AH6450 MLS, 1.400mm, 3 Holes			HBS292 ☉ M12x1.75x102.00mm (x10)	JD5380 ■ MLS	HR5085 ■ (x4)
<p>AC5620, AH6450, AH6460</p>	<p>AH6470</p>				



238	 88.00	Diesel					
OM 646.989	4 Cyl.	18:1	2148cc	110kW (150)PS	Turbo Intercooled	TD26257	667
OM 647.981	5 Cyl.	18:1	2685cc	60-130kW (82-177)PS	Turbo Intercooled	TD21142	674
SPRINTER 3-t (906)	06/06→	SPRINTER 5-t (906)		06/06→	SPRINTER 3,5 (906)		06/06→
SPRINTER 4,6-t (906)	06/06→						

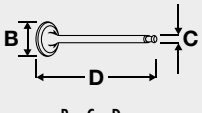

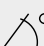


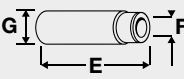

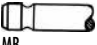


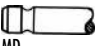
 B x C x D	OE	 MAT.	 45°			 E x F x G
V98066  28.70 x 7.00 x 104.10	628 053 00 01	 MB	45°			VAG96241  37.50 x 7.02 x 12.58
V98067  26.20 x 7.00 x 104.50	628 053 00 05	 ME	45°			






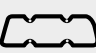

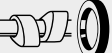





							
AC5620 MLS, 1.200mm			HBS292  M12x1.75x102.00mm (x10)	JD5380  MLS		HR5085  (x4)	

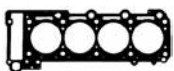


AC5620

239	 88.00	Diesel					
OM 611.960	4 Cyl.	18:1	2151cc	85/115kW (116/156)PS	Turbo Intercooled	TD9529	668
C-CLASS (S202)	09/97→03/01	C-CLASS (W202)		09/97→05/00			

 B x C x D	OE	 MAT.	 45°			 E x F x G
V94398  30.20 x 7.00 x 104.00	611 053 04 01	 MB	45°		H	VAG96241  37.50 x 7.02 x 12.58
V94399  28.40 x 7.00 x 104.30	611 053 01 05	 MD	45°			






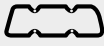








							
AC5620 MLS, 1.200mm	CC5620		HBS292  M12x1.75x102.00mm (x10)	JD5377  JD5380  MLS	HM5170 	HR5085  (x4)	









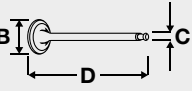



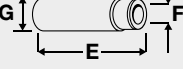






AC5620





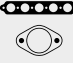
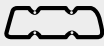









MERCEDES-BENZ/SMART



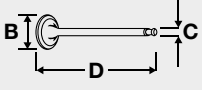

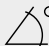


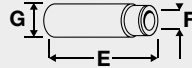





240		88.00		Petrol			
M 272.911	V6 Cyl.	11.2:1	2496cc	150kW (204)PS		TD22142	669
M 272.920	V6 Cyl.	11.2:1	2496cc	150kW (204)PS		TD18425	669
M 272.921	V6 Cyl.	11.2:1	2496cc	150kW (204)PS		TD20357	669
M 272.922	V6 Cyl.	11.2:1	2496cc	150kW (204)PS		TD22143	669
C-CLASS (CL203)	01/05→05/08	C-CLASS (S203)	01/05→08/07	C-CLASS (S204)	08/07→		
C-CLASS (W203)	01/05→02/07	C-CLASS (W204)	01/07→	CLC-CLASS (CL203)	05/08→06/11		
E-CLASS (S211)	05/07→07/09	E-CLASS (W211)	09/07→12/08				



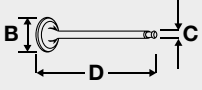

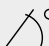


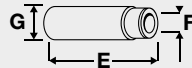




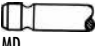
							
AG8400 MLS  AG8390 MLS 			HBS511 			PA5041 (x24) 6.00/12.20x10.00 (FPM) HR5055 	
							
AG8390	AG8400						






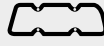

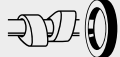




241		88.00		Diesel			
OM 612.961	5 Cyl.	18:1	2688cc	125kW (170)PS	Turbo Intercooled	TD15455	670
OM 612.962	5 Cyl.	18:1	2685cc	125kW (170)PS	Turbo Intercooled	TD15451	670
OM 612.963	5 Cyl.	18:1	2685cc	120kW (163)PS	Turbo Intercooled	TD17009	671
OM 612.966	5 Cyl.	18:1	2685cc	115kW (156)PS	Turbo Intercooled	TD16895	670
C-CLASS (S203)	03/01→08/07	C-CLASS (W203)	12/00→02/07	CLK (C209)	10/02→05/09		
E-CLASS (S210)	07/99→03/03	E-CLASS (W210)	07/99→03/02	G-CLASS (W461)	01/03→		
M-CLASS (W163)	12/99→06/05						

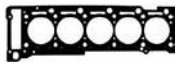
						
			KIT			FOL153 (x20)
						
B x C x D	OE	MAT.	45°	H	E x F x G	
V94398  30.20 x 7.00 x 104.00	611 053 04 01	 MB	45°	H	VAG96241   37.50 x 7.02 x 12.58	
V94399  28.40 x 7.00 x 104.30	611 053 01 05	 MD	45°			

							
AD5720 MLS, 1.200mm	CD5720 		HBS293  M12x1.75x102.00mm (x12)	JD5378  (x5) JD5797  JD5798 	JM7028 (Elastomer) HM5274  Eng.50813931→		
							
AD5720							

242	 88.00	Diesel					
OM 612.965	5 Cyl.	19:1	2685cc	115-120kW (156-163)PS	Turbo Intercooled	TD21145	672
G-CLASS (W463) 10/01→							
							
B x C x D	OE	MAT.	45°		H	Ex F x G	
V94398 	611 053 04 01		45°		H	VAG96241 	
30.20 x 7.00 x 104.00		MB				37.50 x 7.02 x 12.58	
V94399 	611 053 01 05		45°				
28.40 x 7.00 x 104.30		MD					

243	 88.00	Diesel					
OM 612.967	5 Cyl.	18:1	2685cc	125kW (170)PS	Turbo Intercooled	TD17323	670
CLK (C209) 10/02→05/09							
							
B x C x D	OE	MAT.	45°		H	Ex F x G	
V94398 	611 053 04 01		45°		H	VAG96241 	
30.20 x 7.00 x 104.00		MB				37.50 x 7.02 x 12.58	
V94399 	611 053 01 05		45°				
28.40 x 7.00 x 104.30		MD					

							
AD5720 MLS, 1.200mm	CD5720 		HBS293  M12x1.75x102.00mm (x12)	JD5798 	JM7028 (Elastomer) HM5274  Eng.50813931→		



AD5720

MERCEDES-BENZ/SMART

244



88.00

Diesel

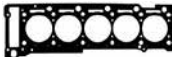


OM 612.981 5 Cyl. 18:1 2685cc 110-115kW (150-156)PS Turbo Intercooled TD17731 670

SPRINTER (905) 04/01→ SPRINTER 2-t (901, 902) 04/00→05/06 SPRINTER 3-t (903) 04/00→05/06
 SPRINTER 4-t (904) 04/00→05/06 SPRINTER 5-t (905) 04/01→05/06

B x C x D	OE	MAT.			E x F x G
V94398 ■ 30.20 x 7.00 x 104.00	611 053 04 01		45°	H	VAG96241 ■ ■ ■ 37.50 x 7.02 x 12.58
V94399 ■ 28.40 x 7.00 x 104.30	611 053 01 05		45°		

AD5720 MLS, 1.200mm	CD5720 ☒		HBS293 ☉ M12x1.75x102.00mm (x12)	JD5797 ■ JD5798 ■	JM7028 (Elastomer) HM5274 ■ Eng.50813931→		



AD5720

245



88.00

Diesel

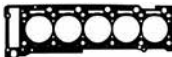


OM 647.961 5 Cyl. 18:1 2685cc 130kW (177)PS Turbo Intercooled TD17008 673



E-CLASS (S211) 03/03→07/09 E-CLASS (W211) 03/02→12/08

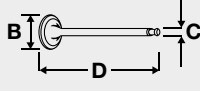
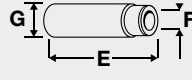
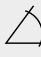








B x C x D	OE	MAT.			E x F x G
V98066 ■ 28.70 x 7.00 x 104.10	628 053 00 01		45°		VAG96241 ■ ■ ■ 37.50 x 7.02 x 12.58
V98067 ■ 26.20 x 7.00 x 104.50	628 053 00 05		45°		






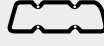

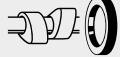


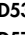
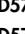
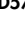

AD5720 MLS, 1.200mm	CD5720 ☒		HBS293 ☉ M12x1.75x102.00mm (x12)	JD5378 ■ (x5) JD5797 ■ JD5798 ■ JE5032 ■ MLS	JM7028 (Elastomer) HM5274 ■ Eng.50813931→		

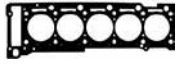


AD5720

246	 88.00	Diesel					
OM 612.990	5 Cyl.	16.5:1	2950cc	170kW (231)PS	Turbo Intercooled	TD17544	675
C-CLASS (CL203)	09/02→05/08	C-CLASS (S203)	01/03→08/07	C-CLASS (W203)	01/03→02/07		

	
B x C x D	E x F x G
OE	
MAT.	
	
	
V94398 	VAG96241 
611 053 04 01	37.50 x 7.02 x 12.58
30.20 x 7.00 x 104.00	
V94399 	
611 053 01 05	
28.40 x 7.00 x 104.30	
	
	

							
AD5720 <small>MLS, 1.200mm</small>	CD5720 		HBS293  <small>M12x1.75x102.00mm (x12)</small>	JD5378  (x5) JD5797  JD5798 	JM7028 <small>(Elastomer)</small> HM5274  <small>Eng.50813931→</small>		






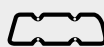






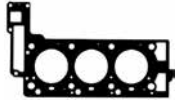
AD5720

247	 88.00	Petrol	
------------	--	---------------	---

M 272.940	V6 Cyl.	11.3:1	2996cc	170kW (231)PS	TD18420	676
M 272.941	V6 Cyl.	11.3:1	2996cc	170kW (231)PS	TD18423	676
M 272.942	V6 Cyl.	11.3:1	2996cc	170kW (231)PS	TD18427	676
M 272.943	V6 Cyl.	11.1:1	2996cc	170kW (231)PS	TD18430	676
M 272.945	V6 Cyl.	11.1:1	2996cc	170kW (231)PS	TD20570	676
M 272.947	V6 Cyl.	11.3:1	2996cc	170kW (231)PS	TD20356	676
M 272.948	V6 Cyl.	11.3:1	2996cc	170kW (231)PS	TD22968	676
M 272.949	6 Cyl.	11.1:1	2996cc	170kW (231)PS	TD20863	676
M 272.952	V6 Cyl.	11.1:1	2996cc	170kW (231)PS	TD25212	679

C-CLASS (S203)	01/05→08/07	C-CLASS (S204)	08/07→	C-CLASS (W203)	01/05→02/07
C-CLASS (W204)	01/07→	CLK (A209)	01/05→03/10	CLK (C209)	01/05→05/09
CLS (C219)	07/08→12/10	E-CLASS (S211)	03/05→07/09	E-CLASS (S212)	11/09→
E-CLASS (W211)	03/05→12/08	E-CLASS (W212)	01/09→	GLK-CLASS (X204)	06/08→04/11
R-CLASS (W251, V251)	01/07→	SL (R230)	03/08→01/12	SLK (R171)	01/05→02/11

							
AG8400 <small>MLS</small> 			HBS511 		HR397		



AG8390



AG8400

MERCEDES-BENZ/SMART

248



88.00

Diesel



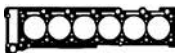
OM 613.960	6 Cyl.	18:1	3222cc	145kW (197)PS	Turbo Intercooled	TD15461	680
OM 613.961	6 Cyl.	18:1	3226cc	145kW (197)PS	Turbo Intercooled	TD15454	680

E-CLASS (S210)	07/99→03/03	E-CLASS (W210)	07/99→03/02	S-CLASS (W220)	08/99→09/02
----------------	-------------	----------------	-------------	----------------	-------------

			KIT				FOL153 (x24)

B x C x D	OE	MAT.	45°	H	E x F x G		
V94398 ■	611 053 04 01		45°		VAG96241 ■ ■		
30.20 x 7.00 x 104.00		MB			37.50 x 7.02 x 12.58		
V94399 ■	611 053 01 05		45°				
28.40 x 7.00 x 104.30		MD					

AG8490 MLS			HBS294 ☉	JE5032 ■		HR5055 ■	
			M12x1.75x102.00mm (x14)	MLS			



AG8490

249



88.00

Diesel



OM 648.960	6 Cyl.	18:1	3222cc	150kW (204)PS	Turbo Intercooled	TD17187	665
OM 648.961	6 Cyl.	18:1	3222cc	130-150kW (177-204)PS	Turbo Intercooled	TD17328	665

E-CLASS (S211)	03/03→07/09	E-CLASS (W211)	11/02→12/08	S-CLASS (W220)	09/02→08/05
----------------	-------------	----------------	-------------	----------------	-------------

B x C x D	OE	MAT.	45°	H	E x F x G		
V98066 ■	628 053 00 01		45°		VAG96241 ■ ■		
28.70 x 7.00 x 104.10		MB			37.50 x 7.02 x 12.58		
V98067 ■	628 053 00 05		45°				
26.20 x 7.00 x 104.50		ME					

AG8490 MLS			HBS294 ☉	JE5032 ■		HR5055 ■	
			M12x1.75x102.00mm (x14)	MLS			



AG8490

250	88.00	Petrol				
M 116.961	V8 Cyl.	9:1	3839cc	120-160kW (163-218)PS	TD2159	681
S-CLASS (W126) 12/85→12/86						

	.KIT		KIT		FOL148 (x16)	FOL144 (x16)

 B x C x D	OE	MAT.				 E x F x G
V94257	116 050 01 26	 MB cr	45°	Y	H	VAG96144B
44.20 x 9.00 x 117.00						47.50 x 9.02 x 14.05
V94333	116 050 04 26	 MB	45°	Y	H	VAG96139B
39.10 x 9.00 x 117.00						50.50 x 9.02 x 15.05
V94254	116 050 00 27	 ME cr	45°	ss	H	VAG96233B
37.10 x 9.00 x 118.20						50.50 x 9.02 x 15.05

						JE5031			

251	88.00	Petrol				
M 116.962	V8 Cyl.	9.4:1	3839cc	150kW (204)PS	TD2160	682
SL (R107) 09/80→08/85						

	.KIT		KIT		FOL148 (x16)	FOL144 (x16)

 B x C x D	OE	MAT.				 E x F x G
V94333	116 050 04 26	 MB	45°	Y	H	VAG96144B
39.10 x 9.00 x 117.00						47.50 x 9.02 x 14.05
V94254	116 050 00 27	 ME cr	45°	ss	H	VAG96139B
37.10 x 9.00 x 118.20						50.50 x 9.02 x 15.05
						VAG96233B
						50.50 x 9.02 x 15.05

						JE5031			

MERCEDES-BENZ/SMART

252



88.00

Petrol



M 116.963 V8 Cyl. 9.4:1 3839cc 150kW (204)PS TD4669 682

S-CLASS (C126) 10/81→07/85 S-CLASS (W126) 12/79→08/85 SL (C107) 08/81→08/84

	KIT		KIT		
		CAM637		FOL148 (x16)	FOL144 (x16)
		CAM638			

B x C x D	OE	MAT.		E x F x G	
V94333	116 050 04 26		45° Y H	VAG96144B	
39.10 x 9.00 x 117.00		MB		47.50 x 9.02 x 14.05	
V94254	116 050 00 27		45° ss H	VAG96139B	
37.10 x 9.00 x 118.20		ME cr		50.50 x 9.02 x 15.05	
				VAG96233B	
				50.50 x 9.02 x 15.05	

				JE5031				

253



88.50

Petrol



M 104.980 6 Cyl. 10:1 2960cc 162/170kW (220/231)PS TD2110 683

M 104.981 6 Cyl. 10:1 2960cc 162/170kW (220/231)PS TD2111 683

CABRIOLET (A124)	04/92→06/93	COUPE (C124)	09/89→12/92	E-CLASS (S124)	06/93→06/96
E-CLASS (W124)	09/88→08/92	KOMBI (S124)	09/89→08/92	SALOON (W124)	09/88→08/92
SL (R129)	03/89→07/93				

	KIT		KIT		
		CAM659			FOL124 (x24)
		CAM683			Eng: →008693
					FOL147 (x24)
					Eng: 008694 →

B x C x D	OE	MAT.		E x F x G	
V94533	104 053 10 01		45° H	VAG96170B	
35.00 x 8.00 x 101.50		MB		35.50 x 8.02 x 13.56	
V94563	104 050 14 27		45° H	VAG96162B	
31.00 x 9.00 x 103.50		MF cr		38.00 x 9.02 x 13.56	





AC5520 Fibre Composite	CC5520	HBS152	JE5018	JM5113 (Elastomer)	HR5055	NC065	
AE5330 Fibre Composite, 1.240mm		M12x1.75x160.00mm (x14)	JD169	JM5115 (x6) (Elastomer)		30.00x40.00x7.00mm FPM	

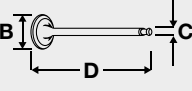



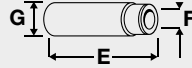

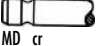









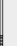

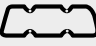

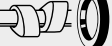

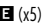
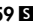
AC5520, AE5330

254	 88.50	Petrol				
M 103.980	6 Cyl.	9/10:1	2962cc	132/140kW (180/190)PS	TD2099	684
M 103.982	6 Cyl.	9/10:1	2962cc	132/140kW (180/190)PS	TD9444	684
M 103.983	6 Cyl.	9/10:1	2962cc	132/140kW (180/190)PS	TD9437	684
M 103.984	6 Cyl.	9/10:1	2962cc	132/140kW (180/190)PS	TD2103	684
M 103.985	6 Cyl.	9/10:1	2962cc	132/140kW (180/190)PS	TD2104	684
M 103.987	6 Cyl.	9/10:1	2962cc	132/140kW (180/190)PS	TD2105	684

COUPE (C124)	03/87→05/93	E-CLASS (S124)	06/93→06/96	E-CLASS (W124)	01/85→06/95
G-CLASS (W463)	09/89→	KOMBI (S124)	01/86→06/93	SL (R107)	09/85→08/89
SL (R129)	03/89→08/93				

					
		CAM408	KIT		FOL82 (x12)

				
B x C x D	OE	MAT.	45°	E x F x G
V91447 	103 050 17 27			VAG92380B 
39.00 x 8.96 x 110.90		MD cr		42.00 x 8.00 x 14.04
				VAG96138B 
				42.00 x 8.02 x 14.05
				VAG92342B 
				48.00 x 9.00 x 14.04
				VAG96162B 
				38.00 x 9.02 x 13.56

							
BN740 Fibre Composite	HL657		HBS146 	JD121  (x5) Soft Material Gasket	JN623	HR759 	NC065 30.00x40.00x7.00mm FPM



BN740

MERCEDES-BENZ/SMART

255



88.50

Petrol



M 103.981

6 Cyl.

9/10:1

2962cc

132/140kW (180/190)PS

TD9436

684

S-CLASS (W126)

09/85→06/91

CAM408			FOL82 (x12)		

B x C x D	OE	MAT.	45°		E x F x G

V91447	103 050 17 27		45°	VAG92380B	
39.00 x 8.96 x 110.90		MD cr		42.00 x 8.00 x 14.04	
				VAG96138B	
				42.00 x 8.02 x 14.05	
				VAG92342B	
				48.00 x 9.00 x 14.04	
				VAG96162B	
				38.00 x 9.02 x 13.56	

--	--	--	--	--	--	--	--

BN740 Fibre Composite	HL657	HB5046	JD121 (x5) Soft Material Gasket	JN623	HR759	NC065 30.00x40.00x7.00mm FPM
------------------------------	--------------	---------------	---	--------------	--------------	--



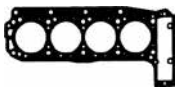
BN740

256	89.00	Petrol							
M 102.910	4 Cyl.	9:1	1797cc	77/80kW (105/109)PS				TD2061	685
190 (W201)	04/90→08/93								

		CAM377			FOL82 (x8)

	OE	MAT.					
B x C x D			45°	H		E x F x G	
V91441 ■ 43.00 x 8.00 x 114.90	102 053 18 01	 MB cr	45°	H		VAG92378B ■ 46.00 x 8.00 x 14.05	
V91958 ■ 39.00 x 9.00 x 115.80	102 050 03 27	 MD cr	45°			VAG96154B ■ 46.00 x 8.02 x 14.05	
						VAG92379B ■ 51.00 x 9.00 x 14.05	
						VAG96153B ■ 51.00 x 9.02 x 14.05	

BH870 Fibre Composite	DH873 DH876 [38]		HBS047 ⊕ M12x1.75x120.00mm (x10)	JD182 ■ JD292 ■ (x3) JD293 ■ (x1)	JN454 [39] JN607 [38]	HR756 ■	



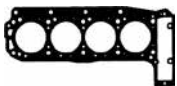
BH870
 [38] for vehicles without ride height control [38] pour véhicules sans réglage de niveau [38] per veicoli senza impianto correzione altezza [38] para vehículos sin regulación de nivel
 [39] for vehicles with ride height control [39] pour véhicules avec correcteur d'assiette [39] per veicoli con impianto correzione altezza [39] para vehículos con regulación de nivel

257	89.00	Petrol							
M 102.919	4 Cyl.	9.1:1	1797cc	77kW (105)PS				TD2062	686

					FOL82 (x8)

	OE	MAT.					
B x C x D			45°	H		E x F x G	
V91441 ■ 43.00 x 8.00 x 114.90	102 053 18 01	 MB cr	45°	H		VAG92378B ■ 46.00 x 8.00 x 14.05	
V91958 ■ 39.00 x 9.00 x 115.80	102 050 03 27	 MD cr	45°			VAG96154B ■ 46.00 x 8.02 x 14.05	
						VAG92379B ■ 51.00 x 9.00 x 14.05	
						VAG96153B ■ 51.00 x 9.02 x 14.05	

BH870 Fibre Composite	DH873		HBS047 ⊕ M12x1.75x120.00mm (x10)	JD292 ■ (x3) JD293 ■ (x1)	JN454 JN607	HR756 ■	



BH870

MERCEDES-BENZ/SMART

258







 **89.00**

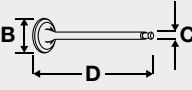
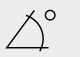

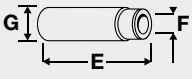
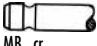
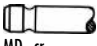
Petrol





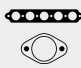
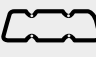




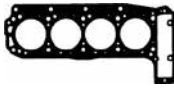
M 102.920	4 Cyl.	9:1	1997cc	66/77kW (90/105)PS	TD2063	688
M 102.939	4 Cyl.	9.1:1	1997cc	62/93kW (84/126)PS	TD2069	691

E-CLASS (W123)	06/80→11/85	KOMBI (S123)	11/80→11/85
-----------------------	-------------	---------------------	-------------

					
		CAM633			FOL82 (x8)

 B x C x D	OE	MAT.			 E x F x G
V91441 ■ 43.00 x 8.00 x 114.90	102 053 18 01	 MB cr	45°	H	VAG92378B ■ 46.00 x 8.00 x 14.05
V91958 ■ 39.00 x 9.00 x 115.80	102 050 03 27	 MD cr	45°		VAG96154B ■ 46.00 x 8.02 x 14.05
					VAG92379B ■ 51.00 x 9.00 x 14.05
					VAG96153B ■ 51.00 x 9.02 x 14.05

							
BH870 Fibre Composite	DH870		HB5047 ⊕ M12x1.75x120.00mm (x10)	JD291 ■ JD292 ■ (x4) ⊕ JE5026	JN454 [39] JN607 [38]	HR756 ■	





BH870

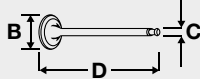
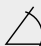


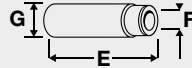
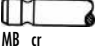
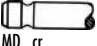
[38] for vehicles without ride height control
[39] for vehicles with ride height control






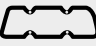

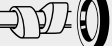
[38] pour véhicules sans réglage de niveau
[39] pour véhicules avec correcteur d'assiette

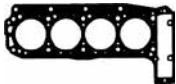
[38] per veicoli senza impianto correzione altezza
[39] per veicoli con impianto correzione altezza

[38] para vehículos sin regulación de nivel
[39] para vehículos con regulación de nivel

259	 89.00	Petrol							
M 102.921	4 Cyl.	9:1	1997cc	66/77kW (90/105)PS				TD2064	688
190 (W201)	10/82→10/84								

	OE	MAT.				
B x C x D						E x F x G
V91441 ■ 43.00 x 8.00 x 114.90	102 053 18 01	 MB cr	45°		H	VAG92378B ■ 46.00 x 8.00 x 14.05
V91958 ■ 39.00 x 9.00 x 115.80	102 050 03 27	 MD cr	45°			VAG96154B ■ 46.00 x 8.02 x 14.05
						VAG92379B ■ 51.00 x 9.00 x 14.05
						VAG96153B ■ 51.00 x 9.02 x 14.05

							
BH870 Fibre Composite	DH870		HBS047 Ⓢ M12x1.75x120.00mm (x10)	JD291 ■ JD292 ■ (x4) JE5026	JN454 [39] JN607 [38]	HR756 ■	



BH870
 [38] for vehicles without ride height control
 [39] for vehicles with ride height control

[38] pour véhicules sans réglage de niveau
 [39] pour véhicules avec correcteur d'assiette

[38] per veicoli senza impianto correzione altezza
 [39] per veicoli con impianto correzione altezza

[38] para vehículos sin regulación de nivel
 [39] para vehículos con regulación de nivel

MERCEDES-BENZ/SMART

260



89.00

Petrol



M 102.922

4 Cyl.

9.1:1

1997cc

62/93kW (84/126)PS

TD2065

689

E-CLASS (W124)

12/85→05/90

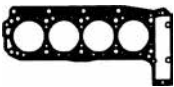
KOMBI (S124)

09/85→05/90

	.KIT		KIT		
		CAM633 →12/84 CAM377 01/85→			FOL82 (x8)

B x C x D	E x F x G
OE	
MAT.	
V91441 ■	VAG92378B ■
43.00 x 8.00 x 114.90	46.00 x 8.00 x 14.05
V91958 ■	VAG96154B ■
39.00 x 9.00 x 115.80	46.00 x 8.02 x 14.05
	VAG92379B ■
	51.00 x 9.00 x 14.05
	VAG96153B ■
	51.00 x 9.02 x 14.05

BH870 Fibre Composite	CB5570		HBS047 Ⓢ M12x1.75x120.00mm (x10)	JD291 ■ JD292 ■ (x3) JD293 ■ (x1)	JN454 [39] JN607 [38]	HR756 ■	



BH870

[38] for vehicles without ride height control
[39] for vehicles with ride height control

[38] pour véhicules sans réglage de niveau
[39] pour véhicules avec correcteur d'assiette

[38] per veicoli senza impianto correzione altezza
[39] per veicoli con impianto correzione altezza

[38] para vehículos sin regulación de nivel
[39] para vehículos con regulación de nivel

261	89.00	Petrol	
M 102.924	4 Cyl.	9.1:1	1997cc
			62/93kW (84/126)PS
			TD4653 689
190 (W201)	09/84→05/90		
		CAM633 →12/84 CAM377 01/85→	FOL82 (x8)

B x C x D	OE	MAT.	45°	H	E x F x G
V91441 ■ 43.00 x 8.00 x 114.90	102 053 18 01	MB cr	45°	H	VAG92378B ■ 46.00 x 8.00 x 14.05
V91958 ■ 39.00 x 9.00 x 115.80	102 050 03 27	MD cr	45°		VAG96154B ■ 46.00 x 8.02 x 14.05
					VAG92379B ■ 51.00 x 9.00 x 14.05
					VAG96153B ■ 51.00 x 9.02 x 14.05

BH870 Fibre Composite	CB5570		HBS047 Ⓢ M12x1.75x120.00mm (x10)	JD291 ■ JD292 ■ (x3) JD293 ■ (x1) ⓈJE5026	JN454 [39] JN607 [38]	HR756 ■	



BH870
 [38] for vehicles without ride height control [38] pour véhicules sans réglage de niveau [38] per veicoli senza impianto correzione altezza [38] para vehículos sin regulación de nivel
 [39] for vehicles with ride height control [39] pour véhicules avec correcteur d'assiette [39] per veicoli con impianto correzione altezza [39] para vehículos con regulación de nivel

MERCEDES-BENZ/SMART

262



89.00

Petrol



M 102.961

4 Cyl.

9.1:1

1997cc

62/93kW (84/126)PS

TD5050

692

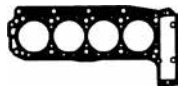
190 (W201)

10/82→06/93

		CAM633 →12/84 CAM377 01/85→			FOL82 (x8)

B x C x D	E x F x G
OE	
MAT.	
V91441 ■	VAG92378B ■
102 053 18 01	46.00 x 8.00 x 14.05
43.00 x 8.00 x 114.90	VAG96154B ■
V91958 ■	46.00 x 8.02 x 14.05
102 050 03 27	VAG92379B ■
39.00 x 9.00 x 115.80	51.00 x 9.00 x 14.05
	VAG96153B ■
	51.00 x 9.02 x 14.05

BH870 Fibre Composite			HBS047 Ⓢ M12x1.75x120.00mm (x10)	JD182 ■ JD292 ■ (x4) ⓈJE5026	JN454 [39] JN607 [38]	HR756 ■	



BH870

[38] for vehicles without ride height control
[39] for vehicles with ride height control

[38] pour véhicules sans réglage de niveau
[39] pour véhicules avec correcteur d'assiette

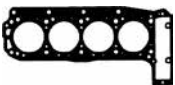
[38] per veicoli senza impianto correzione altezza
[39] per veicoli con impianto correzione altezza

[38] para vehículos sin regulación de nivel
[39] para vehículos con regulación de nivel

263	89.00	Petrol				
M 102.962	4 Cyl.	9.1:1	1997cc	62/93kW (84/126)PS	TD4655	693
190 (W201)	10/82→08/93	KOMBI (S124)	09/88→12/89			
		CAM633 →12/84 CAM377 01/85→				FOL82 (x8)

	OE	MAT.			
B x C x D					E x F x G
V91441	102 053 18 01		45°	H	VAG92378B
43.00 x 8.00 x 114.90		MB cr			46.00 x 8.00 x 14.05
V91958	102 050 03 27		45°		VAG96154B
39.00 x 9.00 x 115.80		MD cr			46.00 x 8.02 x 14.05
					VAG92379B
					51.00 x 9.00 x 14.05
					VAG96153B
					51.00 x 9.02 x 14.05

BH870 Fibre Composite	DH873 DH876 [38]	HBS047 M12x1.75x120.00mm (x10)	JD182 JD292 (x3) JD293 (x1) 	JN454 [39] JN607 [38]	HR756



BH870
 [38] for vehicles without ride height control [38] pour véhicules sans réglage de niveau [38] per veicoli senza impianto correzione altezza [38] para vehículos sin regulación de nivel
 [39] for vehicles with ride height control [39] pour véhicules avec correcteur d'assiette [39] per veicoli con impianto correzione altezza [39] para vehículos con regulación de nivel

MERCEDES-BENZ/SMART

264



89.00

Petrol



M 102.963

4 Cyl.

9.1:1

1997cc

62/93kW (84/126)PS

TD2078

694

E-CLASS (W124)

09/88→08/92

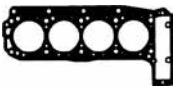
KOMBI (S124)

09/88→08/92

	KIT		KIT		FOL82 (x8)
		CAM633 →12/84			
		CAM377 01/85→			

B x C x D	E x F x G
OE	
MAT.	
V91441 ■	VAG92378B ■
102 053 18 01	46.00 x 8.00 x 14.05
43.00 x 8.00 x 114.90	VAG96154B ■
V91958 ■	46.00 x 8.02 x 14.05
102 050 03 27	VAG92379B ■
39.00 x 9.00 x 115.80	51.00 x 9.00 x 14.05
	VAG96153B ■
	51.00 x 9.02 x 14.05

BH870 Fibre Composite	DH873 DH876 [38]		HBS047 Ⓢ M12x1.75x120.00mm (x10)	JD182 ■ JD292 ■ (x3) JD293 ■ (x1)	JN454 [39] JN607 [38]	HR756 ■	



BH870

[38] for vehicles without ride height control
[39] for vehicles with ride height control

[38] pour véhicules sans réglage de niveau
[39] pour véhicules avec correcteur d'assiette

[38] per veicoli senza impianto correzione altezza
[39] per veicoli con impianto correzione altezza

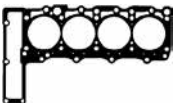
[38] para vehículos sin regulación de nivel
[39] para vehículos con regulación de nivel

265	89.00	Diesel			
OM 604.910	4 Cyl.	22:1	2155cc	55-70kW (75-95)PS	TD2227 696
C-CLASS (S202)		06/96→03/01	C-CLASS (W202)		08/93→05/00

					FOL84 (x16)

	OE	MAT.			
B x C x D					E x F x G
V94278 ■ 28.90 x 6.00 x 105.40	606 053 11 01	 MB	45°	H	VAG96095 ■ 37.60 x 6.00 x 12.55
V94290 ■ 29.00 x 6.00 x 105.40	606 053 07 01	 MB cr	45°	H	VAG96287 ■ 37.50 x 6.00 x 12.76
V94279 ■ 26.00 x 6.00 x 105.70	606 053 07 05	 MD cr	45°		VAG96149 ■ 37.50 x 7.02 x 12.59
V94280 ■ 26.00 x 7.00 x 105.70	606 050 14 27	 MD cr	45°		
V94291 ■ 26.00 x 6.00 x 105.70	606 053 03 05	 MG cr	45°	H	

BZ860 Fibre Composite	DZ860 ○		HBS061 ⊙ M10x1.50x115.00mm (x4)	JD475 ■ (x8) JD5225 ■		HR5056 ■ →Eng.0.031329;2.006455	

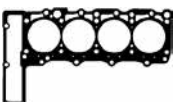


BZ860

266	89.00	Diesel			
OM 604.912	4 Cyl.	22:1	2155cc	55-70kW (75-95)PS	TD4676 696
E-CLASS (W210)		06/95→03/02			

	OE	MAT.			
B x C x D					E x F x G
V94278 ■ 28.90 x 6.00 x 105.40	606 053 11 01	 MB	45°	H	VAG96095 ■ 37.60 x 6.00 x 12.55
V94290 ■ 29.00 x 6.00 x 105.40	606 053 07 01	 MB cr	45°	H	VAG96287 ■ 37.50 x 6.00 x 12.76
V94279 ■ 26.00 x 6.00 x 105.70	606 053 07 05	 MD cr	45°		VAG96149 ■ 37.50 x 7.02 x 12.59
V94280 ■ 26.00 x 7.00 x 105.70	606 050 14 27	 MD cr	45°		
V94291 ■ 26.00 x 6.00 x 105.70	606 053 03 05	 MG cr	45°	H	

BZ860 Fibre Composite	DZ860 ○		HBS061 ⊙ M10x1.50x115.00mm (x4)	JD475 ■ (x8) JD5225 ■		HR5056 ■	



BZ860

MERCEDES-BENZ/SMART

267



89.00

Diesel



OM 601.940

4 Cyl.

22:1

2299cc

58-60kW (79-82)PS

TD2210

697

T1 (601)

10/88→02/96

T1 (602)

11/88→02/96

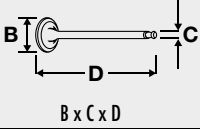
T1/TN

11/88→06/95



CAM627

FOL84 (x8)



OE



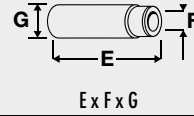
MAT.



45°

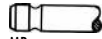


H



V91181 ■
38.10 x 7.97 x 106.50

601 053 17 01

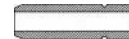


MB

45°

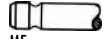
H

VAG92297 ■
39.50 x 8.00 x 14.05



V91182 ■
35.10 x 8.96 x 106.50

601 050 25 27



MF cr

45°

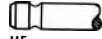
H

VAG96214 ■
39.50 x 8.02 x 14.25



V94287 ■
35.00 x 9.00 x 106.40

601 050 23 27



MF cr

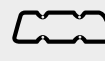
45°

H

VAG92298 ■
37.50 x 9.00 x 14.05



VAG96204 ■
37.50 x 9.02 x 14.25



BW370 Fibre Composite

DW370 ☒○

DW372 [38]

DW373 [39]

JD158 ■

JD159 ■

JN572 [38]

JN619 [39]

HR757 ■



BW370

[38] for vehicles without ride height control

[39] for vehicles with ride height control

[38] pour véhicules sans réglage de niveau

[39] pour véhicules avec correcteur d'assiette

[38] per veicoli senza impianto correzione altezza

[39] per veicoli con impianto correzione altezza

[38] para vehículos sin regulación de nivel

[39] para vehículos con regulación de nivel

268

 **89.00**

Diesel



OM 601.941

4 Cyl.

22:1

2299cc

58-60kW (79-82)PS

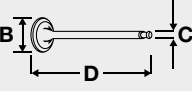
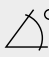

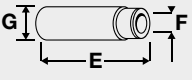

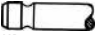
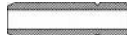





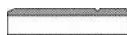

TD8041






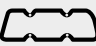

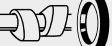





698

T2/LN1

03/89→12/94

					
CAM627			FOL84 (x8)		

	OE	MAT.			
B x C x D					E x F x G
V91181 	601 053 17 01	 MB	45°	H	VAG92297 
38.10 x 7.97 x 106.50					39.50 x 8.00 x 14.05
V91182 	601 050 25 27	 MF cr	45°	H	VAG96214 
35.10 x 8.96 x 106.50					39.50 x 8.02 x 14.25
V94287 	601 050 23 27	 MF cr	45°	H	VAG92298 
35.00 x 9.00 x 106.40					37.50 x 9.00 x 14.05
					VAG96204 
					37.50 x 9.02 x 14.25

							
BW370 Fibre Composite	DW370 		HBS058  M10x1.50x115.00mm (x5)	JD158  JD159 	JN572 [38] JN619 [39]	HR757 	



BW370

[38] for vehicles without ride height control
[39] for vehicles with ride height control

[38] pour véhicules sans réglage de niveau
[39] pour véhicules avec correcteur d'assiette

[38] per veicoli senza impianto correzione altezza
[39] per veicoli con impianto correzione altezza

[38] para vehículos sin regulación de nivel
[39] para vehículos con regulación de nivel

MERCEDES-BENZ/SMART

269



89.00

Diesel



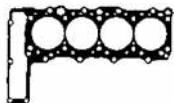
OM 601.942	4 Cyl.	22:1	2299cc	58kW (79)PS	TD5398	699
OM 601.943	4 Cyl.	22:1	2299cc	58kW (79)PS	TD5400	699

SPRINTER 2-t (901, 902)	01/95→04/00	SPRINTER 3-t (903)	02/95→04/00	SPRINTER 4-t (904)	02/96→05/06
VITO (638)	02/96→07/03				

CAM627			FOL84 (x8)		

 B x C x D	OE	MAT.				 E x F x G
V91181 ■ 38.10 x 7.97 x 106.50	601 053 17 01	 MB	45°	H		VAG92297 ■ 39.50 x 8.00 x 14.05
V91182 ■ 35.10 x 8.96 x 106.50	601 050 25 27	 MF cr	45°	H		VAG96214 ■ 39.50 x 8.02 x 14.25
V94287 ■ 35.00 x 9.00 x 106.40	601 050 23 27	 MF cr	45°	H		VAG92298 ■ 37.50 x 9.00 x 14.05
						VAG96204 ■ 37.50 x 9.02 x 14.25

BW370 Fibre Composite	DW370 ☒ ○ DW372 [101] DW373 [102]	HBS058 ⊕ M10x1.50x115.00mm (x5)	JD158 ■ JD159 ■	JN572 [38] JN619 [39]	HR757 ■		



BW370
 [38] for vehicles without ride height control [38] pour véhicules sans réglage de niveau [38] per veicoli senza impianto correzione altezza [38] para vehículos sin regulación de nivel
 [39] for vehicles with ride height control [39] pour véhicules avec correcteur d'assiette [39] per veicoli con impianto correzione altezza [39] para vehículos con regulación de nivel

270



89.00

Diesel



OM 601A.970	4 Cyl.	22:1	2299cc	72kW (98)PS	Turbo Intercooled	TD4674	700
--------------------	--------	------	--------	--------------------	--------------------------	---------------	------------

V-CLASS (638/2)	09/96→07/03	VITO (638)	02/96→07/03
------------------------	-------------	-------------------	-------------

CAM627			FOL84 (x8)		

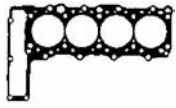
 B x C x D	OE	MAT.				 E x F x G
V91181 ■ 38.10 x 7.97 x 106.50	601 053 17 01	 MB	45°	H		VAG92297 ■ 39.50 x 8.00 x 14.05
V91182 ■ 35.10 x 8.96 x 106.50	601 050 25 27	 MF cr	45°	H		VAG96214 ■ 39.50 x 8.02 x 14.25
V94287 ■ 35.00 x 9.00 x 106.40	601 050 23 27	 MF cr	45°	H		VAG92298 ■ 37.50 x 9.00 x 14.05
						VAG96204 ■ 37.50 x 9.02 x 14.25

			HBS058 ⊕ M10x1.50x115.00mm (x5)	JD158 ■ JD159 ■	JN572	HR757 ■	

271	89.00	Diesel				
OM 661.911	4 Cyl.	21:1	2299cc	57kW (77)PS	TD8942	701



BW370 Fibre Composite	DW370 DW373	HBS058 M10x1.50x115.00mm (x5)	JD158 JD159	JN619	HR757
-----------------------	----------------	----------------------------------	----------------	-------	-------



BW370

272	89.00	Diesel	
------------	--------------	---------------	--

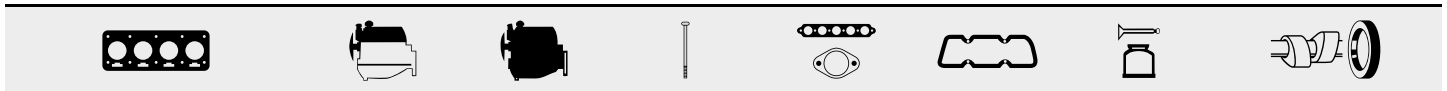
OM 602.940	5 Cyl.	22:1	2874cc	70-72kW (9598)PS	TD2215	702
OM 602.942	5 Cyl.	22:1	2874cc	70-72kW (95-98)PS	TD2054	703
OM 602.991	5 Cyl.	21:1	2874cc	70kW (95)PS	TD17820	702

G-CLASS (W461)	04/92→	T1 (601)	10/88→02/96	T1 (602)	06/89→02/96
T1/TN	11/88→06/95				

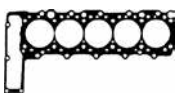


B x C x D	OE	MAT.	45°	H	E x F x G

V91181	601 053 17 01		45°	H	VAG92297	
38.10 x 7.97 x 106.50		MB			39.50 x 8.00 x 14.05	
V91182	601 050 25 27		45°	H	VAG96214	
35.10 x 8.96 x 106.50		MF cr			39.50 x 8.02 x 14.25	
V94287	601 050 23 27		45°	H	VAG92298	
35.00 x 9.00 x 106.40		MF cr			37.50 x 9.00 x 14.05	
					VAG96204	
					37.50 x 9.02 x 14.25	



BW380 Fibre Composite, 1.800mm	DW380	HBS059 M10x1.50x115.00mm (x6)	JD298 JD299	JN621	HR758
--------------------------------	-------	----------------------------------	----------------	-------	-------



BW380

MERCEDES-BENZ/SMART

273



89.00

Diesel



OM 602.946

5 Cyl.

21:1

2874cc

70kW (95)PS

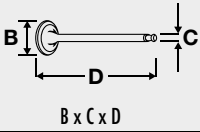
TD17817

702



CAM414

FOL84 (x10)



OE



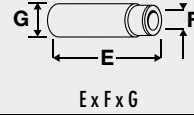
MAT.



45°

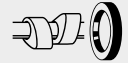
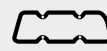


H



V91181 ■	601 053 17 01		45°	H
38.10 x 7.97 x 106.50		MB		
V91182 ■	601 050 25 27		45°	H
35.10 x 8.96 x 106.50		MF cr		
V94287 ■	601 050 23 27		45°	H
35.00 x 9.00 x 106.40		MF cr		

VAG92297 ■	
39.50 x 8.00 x 14.05	
VAG96214 ■	
39.50 x 8.02 x 14.25	
VAG92298 ■	
37.50 x 9.00 x 14.05	
VAG96204 ■	
37.50 x 9.02 x 14.25	



BW380 Fibre Composite, 1.800mm

DW380

HBS059
M10x1.50x115.00mm (x6)

JD298 ■
JD299 ■

HR758 ■



BW380

274



89.00

Diesel



OM 602.947

5 Cyl.

21:1

2874cc

72kW (98)PS

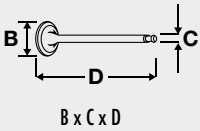
TD17818

702



CAM414

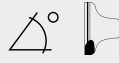
FOL84 (x10)



OE



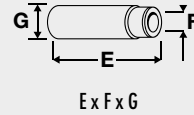
MAT.



45°

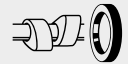
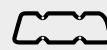


H



V91181 ■	601 053 17 01		45°	H
38.10 x 7.97 x 106.50		MB		
V91182 ■	601 050 25 27		45°	H
35.10 x 8.96 x 106.50		MF cr		
V94287 ■	601 050 23 27		45°	H
35.00 x 9.00 x 106.40		MF cr		

VAG92297 ■	
39.50 x 8.00 x 14.05	
VAG96214 ■	
39.50 x 8.02 x 14.25	
VAG92298 ■	
37.50 x 9.00 x 14.05	
VAG96204 ■	
37.50 x 9.02 x 14.25	



BW380 Fibre Composite, 1.800mm

DW380

JD298 ■
JD299 ■

HR758 ■



BW380

275







 **89.00**

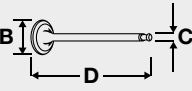
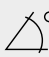


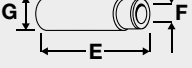
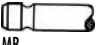

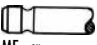

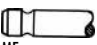

Diesel






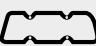




OM 602.980	5 Cyl.	22:1	2874cc	75-90kW (102-122)PS	Turbo Intercooled	TD8032	704
OM 602.983	5 Cyl.	22:1	2874cc	88kW (120)PS	Turbo Intercooled	TD12910	704

G-CLASS (W461)	07/97→	SPRINTER 2-t (901, 902)	02/95→04/00	SPRINTER 3-t (903)	02/95→08/02
SPRINTER 4-t (904)	02/96→05/06				

					
		CAM414			FOL84 (x10)

	OE	MAT.				
B x C x D						E x F x G
V91181 ■ 38.10 x 7.97 x 106.50	601 053 17 01	 MB	45°		H	VAG92297 ■ 39.50 x 8.00 x 14.05
V91182 ■ 35.10 x 8.96 x 106.50	601 050 25 27	 MF cr	45°		H	VAG96214 ■ 39.50 x 8.02 x 14.25
V94287 ■ 35.00 x 9.00 x 106.40	601 050 23 27	 MF cr	45°		H	VAG92298 ■ 37.50 x 9.00 x 14.05
						VAG96204 ■ 37.50 x 9.02 x 14.25

							
BW380 Fibre Composite, 1.800mm	DW381 ☒ ○		HBS059 ⊕ M10x1.50x115.00mm (x6)	JD298 ■ JD299 ■	JN622	HR758 ■	



BW380

MERCEDES-BENZ/SMART

276



89.00

Diesel



OM 602.982	5 Cyl.	22:1	2874cc	95kW (129)PS	Turbo Intercooled	TD4675	704
OM 602.984	5 Cyl.	19.5:1	2874cc	90kW (122)PS	Turbo Intercooled	TD5682	704
OM 602.985	5 Cyl.	19.5:1	2874cc	90kW (122)PS	Turbo Intercooled	TD6020	704

E-CLASS (S210)	06/96→07/99	E-CLASS (W210)	03/96→07/99	VARIO	09/96→
----------------	-------------	----------------	-------------	-------	--------

						FOL84 (x10)	

 B x C x D	OE	MAT.				 E x F x G
V91181 ■ 38.10 x 7.97 x 106.50	601 053 17 01	 MB	45°	H		VAG92297 ■ 39.50 x 8.00 x 14.05
V91182 ■ 35.10 x 8.96 x 106.50	601 050 25 27	 MF cr	45°	H		VAG96214 ■ 39.50 x 8.02 x 14.25
V94287 ■ 35.00 x 9.00 x 106.40	601 050 23 27	 MF cr	45°	H		VAG92298 ■ 37.50 x 9.00 x 14.05
						VAG96204 ■ 37.50 x 9.02 x 14.25

BW380 Fibre Composite, 1.800mm	DW381 ☒○		HBS059 ⊙ M10x1.50x115.00mm (x6)	JD298 ■ JD299 ■	JN622	HR758 ■	



BW380

277



89.00

Diesel





OM 602.986	5 Cyl.	19.5:1	2874cc	75-90kW (102-122)PS	Turbocharged	TD9459	705
------------	--------	--------	--------	---------------------	--------------	--------	-----

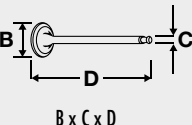
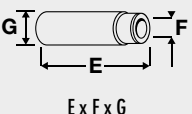
						FOL84 (x10)	

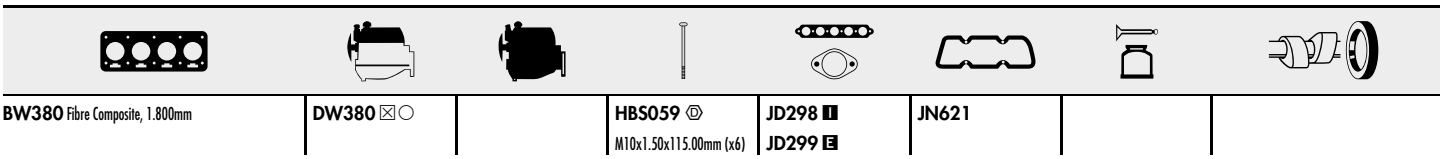
 B x C x D	OE	MAT.				 E x F x G
V91181 ■ 38.10 x 7.97 x 106.50	601 053 17 01	 MB	45°	H		VAG92297 ■ 39.50 x 8.00 x 14.05
V91182 ■ 35.10 x 8.96 x 106.50	601 050 25 27	 MF cr	45°	H		VAG96214 ■ 39.50 x 8.02 x 14.25
V94287 ■ 35.00 x 9.00 x 106.40	601 050 23 27	 MF cr	45°	H		VAG92298 ■ 37.50 x 9.00 x 14.05
						VAG96204 ■ 37.50 x 9.02 x 14.25

	DW381 ☒○		HBS059 ⊙ M10x1.50x115.00mm (x6)	JD298 ■ JD299 ■	JN622	HR758 ■	

278  **89.00** **Diesel** 
OM 662.911 5 Cyl. 21:1 2874cc **70kW (95)PS** **TD22700** **706**





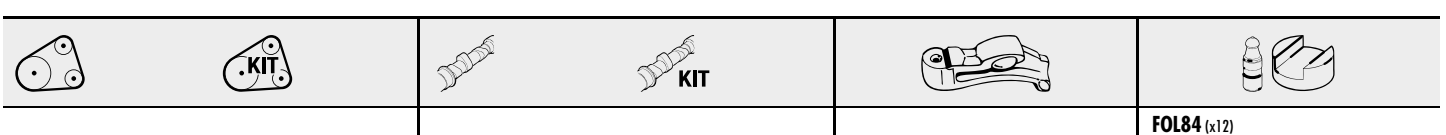
 B x C x D					 E x F x G				
OE	MAT.	Angle	Profile	Part No.	OE	MAT.	Angle	Profile	Part No.
V91181 ■	601 053 17 01	MB	45°	H	VAG92297 ■				
38.10 x 7.97 x 106.50					39.50 x 8.00 x 14.05				
V91182 ■	601 050 25 27	MF cr	45°	H	VAG96214 ■				
35.10 x 8.96 x 106.50					39.50 x 8.02 x 14.25				
V94287 ■	601 050 23 27	MF cr	45°	H	VAG92298 ■				
35.00 x 9.00 x 106.40					37.50 x 9.00 x 14.05				
					VAG96204 ■				
					37.50 x 9.02 x 14.25				

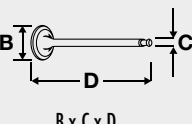
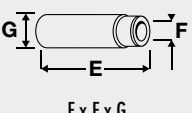


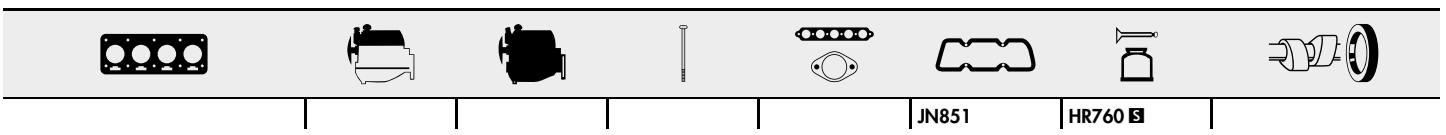
BW380 Fibre Composite, 1.800mm **DW380** **HBS059**  M10x1.50x115.00mm (x6) **JD298** ■ **JD299** ■ **JN621**

BW380

279  **89.00** **Diesel** 
OM 603A.970 6 Cyl. 22:1 3449cc **100kW (136)PS** **Turbocharged** **TD2224** **707**



 B x C x D					 E x F x G				
OE	MAT.	Angle	Profile	Part No.	OE	MAT.	Angle	Profile	Part No.
V91181 ■	601 053 17 01	MB	45°	H	VAG92297 ■				
38.10 x 7.97 x 106.50					39.50 x 8.00 x 14.05				
V91182 ■	601 050 25 27	MF cr	45°	H	VAG96214 ■				
35.10 x 8.96 x 106.50					39.50 x 8.02 x 14.25				
V94287 ■	601 050 23 27	MF cr	45°	H	VAG92298 ■				
35.00 x 9.00 x 106.40					37.50 x 9.00 x 14.05				
					VAG96204 ■				
					37.50 x 9.02 x 14.25				



JN851 **HR760** ■

MERCEDES-BENZ/SMART

280



89.00

Diesel



OM 603A.971

6 Cyl.

22:1

3449cc

110kW (150)PS

Turbocharged

TD2225

708

S-CLASS (W140)

01/93→10/98

					FOL84 (x12)

 B x C x D	OE	MAT.				 E x F x G
V91181 ■ 38.10 x 7.97 x 106.50	601 053 17 01	 MB	45°	H		VAG92297 ■ 39.50 x 8.00 x 14.05
V91182 ■ 35.10 x 8.96 x 106.50	601 050 25 27	 MF cr	45°	H		VAG96214 ■ 39.50 x 8.02 x 14.25
V94287 ■ 35.00 x 9.00 x 106.40	601 050 23 27	 MF cr	45°	H		VAG92298 ■ 37.50 x 9.00 x 14.05
						VAG96204 ■ 37.50 x 9.02 x 14.25

	DY601 ☒ ○		HBS060 ☉ M10x1.50x115.00mm (x7)	JD301 ■	JN851	HR760 ■		

281



89.00

Diesel



OM 603A.972

6 Cyl.

22:1

3449cc

100kW (136)PS

Turbocharged

TD2226

708

G-CLASS (W463)

09/91→

					FOL84 (x12)

 B x C x D	OE	MAT.				 E x F x G
V91181 ■ 38.10 x 7.97 x 106.50	601 053 17 01	 MB	45°	H		VAG92297 ■ 39.50 x 8.00 x 14.05
V91182 ■ 35.10 x 8.96 x 106.50	601 050 25 27	 MF cr	45°	H		VAG96214 ■ 39.50 x 8.02 x 14.25
V94287 ■ 35.00 x 9.00 x 106.40	601 050 23 27	 MF cr	45°	H		VAG92298 ■ 37.50 x 9.00 x 14.05
						VAG96204 ■ 37.50 x 9.02 x 14.25

			HBS060 ☉ M10x1.50x115.00mm (x7)	JD301 ■	JN851	HR760 ■		

282







 **89.00**

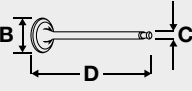
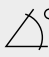


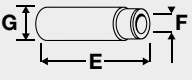

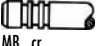


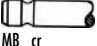
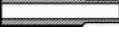




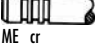


Petrol






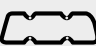


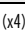


M 120.980	V12 Cyl.	10:1	5987cc	290-300kW (394-408)PS	TD2192	709
M 120.981	V12 Cyl.	10:1	5987cc	280-290kW (381-394)PS	TD2193	709
M 120.983	V12 Cyl.	10:1	5987cc	290kW (394)PS	TD11496	709

S-CLASS (C140)	09/92→02/99	S-CLASS (W140)	04/91→10/98	SL (R129)	07/92→10/01
-----------------------	-------------	-----------------------	-------------	------------------	-------------

			 KIT		
					FOL124 (x48) Eng: →016879 FOL147 (x48) Eng: 016880→

 B x C x D	OE	MAT.				 E x F x G
V94480  35.00 x 6.97 x 101.50 Eng.→02676	111 053 02 01	 MB cr	45°	Y	H	VAG96142B  35.50 x 7.02 x 13.55
V94288  35.00 x 7.00 x 101.50 Eng.02677→	104 053 14 01	 MB cr	45°		H	VAG96096  37.60 x 7.00 x 12.55
V94370  35.00 x 7.00 x 101.50 Eng.02677→	111 053 11 01	 MB	45°		H	VAG96178  37.50 x 7.02 x 12.76
V94377  31.00 x 7.00 x 103.50 Eng.→02676	111 050 05 27	 ME cr	45°	ss	H	
V94371  31.00 x 7.00 x 103.50 Eng.02677→	611 050 01 27	 MD	45°	ss		

							
				JD169  (x4)			NC065 30.00x40.00x7.00mm FPM

MERCEDES-BENZ/SMART

283



89.00

Petrol



M 120.982

V12 Cyl.

10:1

5987cc

290-300kW (394-408)PS

TD20347

S-CLASS (C140)

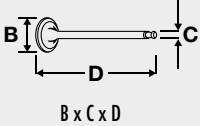
09/92→02/99

S-CLASS (W140)

04/91→10/98



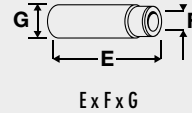
FOL147 (x48)



OE

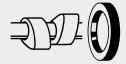
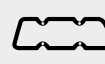


MAT.



B x C x D	OE	MAT.	45°	Y	H
V94480 ■ 35.00 x 6.97 x 101.50 Eng.→02676	111 053 02 01	MB cr	45°	Y	H
V94288 ■ 35.00 x 7.00 x 101.50 Eng.02677→	104 053 14 01	MB cr	45°		H
V94370 ■ 35.00 x 7.00 x 101.50 Eng.02677→	111 053 11 01	MB	45°		H
V94377 ■ 31.00 x 7.00 x 103.50 Eng.→02676	111 050 05 27	ME cr	45°	ss	H
V94371 ■ 31.00 x 7.00 x 103.50 Eng.02677→	611 050 01 27	MD	45°	ss	

VAG96142B ■ 35.50 x 7.02 x 13.55	
VAG96096 ■ ■ 37.60 x 7.00 x 12.55	
VAG96178 ■ ■ 37.50 x 7.02 x 12.76	



NC065

30.00x40.00x7.00mm FPM

284

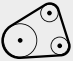





 **89.90**

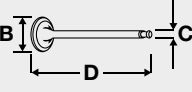
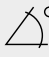


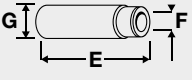
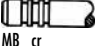
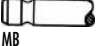
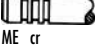

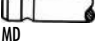
Petrol






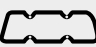




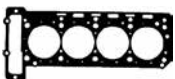
M 111.940	4 Cyl.	9.6:1	1998cc	100kW (136)PS	TD2132	710
M 111.941	4 Cyl.	10.4:1	1998cc	100kW (136)PS	TD2133	710

C-CLASS (S202)	06/96→03/01	C-CLASS (W202)	01/94→05/00	CLK (A208)	03/98→03/02
E-CLASS (A124)	06/93→03/98	E-CLASS (C124)	06/93→06/97	E-CLASS (S124)	06/93→06/96
E-CLASS (W124)	10/92→06/95	KOMBI (S124)	05/86→06/93		

					
		CAM693 ■			FOL147 (x16)
		CAM694 ■			

 B x C x D	OE	MAT.				 E x F x G
V94480 ■ 35.00 x 6.97 x 101.50 →12/95	111 053 02 01	 MB cr	45°	Y	H	VAG96096 ■ ■ ■ 37.60 x 7.00 x 12.55
V94370 ■ 35.00 x 7.00 x 101.50 01/96→	111 053 1101	 MB	45°		H	VAG96149 ■ ■ ■ 37.50 x 7.02 x 12.59
V94377 ■ 31.00 x 7.00 x 103.50 →12/95	111 050 0527	 ME cr	45°	ss	H	VAG96178 ■ ■ ■ 37.50 x 7.02 x 12.76
V94371 ■ 31.00 x 7.00 x 103.50 01/96→	611 050 0127	 MD	45°	ss		
V94502 ■ 31.00 x 7.00 x 103.50 01/96→	111 050 14 27	 MD	45°	ss		

							
BZ880 Fibre Composite	DV810 □ ○		HBS150 ⊕ M12x1.75x102.00mm (x10)	JD160 ■ JD161 ■	JN911 HM5057 ■	HR5055 ■	



BZ880

MERCEDES-BENZ/SMART

285







 **89.90**

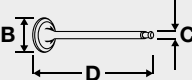
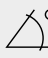


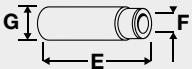

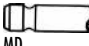

Petrol






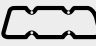




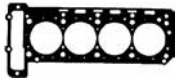
M 111.942	4 Cyl.		1998cc	100kW (136)PS	TD4660	710
M 111.945	4 Cyl.	10.4:1	1998cc	100kW (136)PS	TD5236	710
M 111.946	4 Cyl.	10.4:1	1998cc	100kW (136)PS	TD4663	710

C-CLASS (S202)	06/96→03/01	C-CLASS (W202)	01/94→05/00	CLK (A208)	03/98→03/02
CLK (C208)	06/97→06/02	E-CLASS (S210)	06/96→08/00	E-CLASS (W210)	06/95→08/00
SLK (R170)	09/96→03/00				



					
		CAM693 ■			FOL147 (x16)
		CAM694 ■			



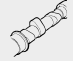



 B x C x D	OE	MAT.				 E x F x G
V94370 ■	111 053 1101		45°		H	VAG96096 ■ ■
35.00 x 7.00 x 101.50		MB				37.60 x 7.00 x 12.55
V94371 ■	611 050 0127		45°	ss		VAG96149 ■ ■
31.00 x 7.00 x 103.50		MD				37.50 x 7.02 x 12.59
V94502 ■	111 050 14 27		45°	ss		VAG96178 ■ ■
31.00 x 7.00 x 103.50		MD				37.50 x 7.02 x 12.76

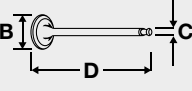
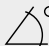


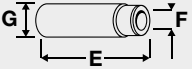
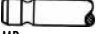
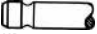
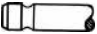
							
BZ880 Fibre Composite	DZ881 ■ ○		HBS150 ⊕ M12x1.75x102.00mm (x10)	JD5226 ■ (x2) JD161 ■	JN911	HR5055 ■	






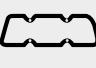




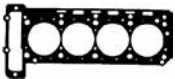
BZ880

286	 89.90	Petrol					
M 111.943	4 Cyl.	8.5:1	1998cc	132-141kW (180-192)PS	Supercharged	TD4661	710
M 111.947	4 Cyl.	8.5-10	1998cc	137kW (186)PS	Supercharged	TD9419	710
E-CLASS (S210)	06/97→03/03	E-CLASS (W210)	06/97→03/02	SLK (R170)	10/96→03/00		

					
		CAM693 ■ CAM694 ■		FOL147 (x16)	

 B x C x D	OE	MAT.				 E x F x G
V94370 ■	111 053 1101		45°		H	VAG96096 ■ ■
35.00 x 7.00 x 101.50		MB				37.60 x 7.00 x 12.55
V94371 ■	611 050 0127		45°	ss		VAG96149 ■ ■
31.00 x 7.00 x 103.50		MD				37.50 x 7.02 x 12.59
V94502 ■	111 050 14 27		45°	ss		VAG96178 ■ ■
31.00 x 7.00 x 103.50		MD				37.50 x 7.02 x 12.76

							
BZ880 Fibre Composite	DZ881 ☒ ○		HBS150 Ⓞ M12x1.75x102.00mm (x10)	JD5226 ■ (x2) JD161 ■	HM5057 ■	HR5055 ■	



BZ880

MERCEDES-BENZ/SMART

287



89.90

Petrol



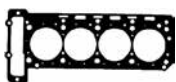
M 111.944 4 Cyl. 8.5:1 1998cc 132-141kW (180-192)PS Supercharged TD4662 710

C-CLASS (S202) 11/96→03/01 C-CLASS (W202) 10/95→05/00 CLK (A208) 03/98→06/00
 CLK (C208) 06/97→06/00

		CAM693 ■ CAM694 ■			FOL147 (x16)

 B x C x D	OE	MAT.				 E x F x G
V94370 ■ 35.00 x 7.00 x 101.50	111 053 1101		45°	H		VAG96096 ■ ■ 37.60 x 7.00 x 12.55
V94371 ■ 31.00 x 7.00 x 103.50	611 050 0127		45°	ss		VAG96149 ■ ■ 37.50 x 7.02 x 12.59
V94502 ■ 31.00 x 7.00 x 103.50	111 050 1427		45°	ss		VAG96178 ■ ■ 37.50 x 7.02 x 12.76

BZ880 Fibre Composite	DV810 ☒○		HBS150 ☉ M12x1.75x102.00mm (x10)	JD160 ■ (x1) JD5226 ■ (x2) JD161 ■	JN911 HM5057 ■	HR5055 ■		



BZ880

288



89.90

Petrol



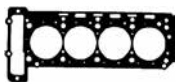
M 111.948 4 Cyl. 9.6:1 1998cc 95kW (129)PS TD5399 710

V-CLASS (638/2) 02/97→07/03 VITO (638) 02/96→07/03

		CAM693 ■ CAM694 ■			FOL147 (x16)

 B x C x D	OE	MAT.				 E x F x G
V94370 ■ 35.00 x 7.00 x 101.50	111 053 1101		45°	H		VAG96096 ■ ■ 37.60 x 7.00 x 12.55
V94371 ■ 31.00 x 7.00 x 103.50	611 050 0127		45°	ss		VAG96149 ■ ■ 37.50 x 7.02 x 12.59
V94502 ■ 31.00 x 7.00 x 103.50	111 050 1427		45°	ss		VAG96178 ■ ■ 37.50 x 7.02 x 12.76

BZ880 Fibre Composite	DV810 ☒○		HBS150 ☉ M12x1.75x102.00mm (x10)	JD160 ■ JD161 ■	HM5057 ■	HR5055 ■		



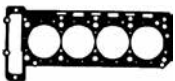
BZ880

289	89.90	Petrol				
M 111.950	4 Cyl.	9.6:1	1998cc	95kW (129)PS	TD22702	711
V-CLASS (638/2)		02/97→07/03	VITO (638)		02/96→07/03	

					FOL147 (x16)

	OE	MAT.			
B x C x D					E x F x G
V94370	111 053 1101		45°	H	VAG96096
35.00 x 7.00 x 101.50		MB			37.60 x 7.00 x 12.55
V94371	611 050 0127		45°	ss	VAG96149
31.00 x 7.00 x 103.50		MD			37.50 x 7.02 x 12.59
V94502	111 050 14 27		45°	ss	VAG96178
31.00 x 7.00 x 103.50		MD			37.50 x 7.02 x 12.76

BZ880 Fibre Composite	DV810		HBS150 M12x1.75x102.00mm (x10)	JD160 JD161	HM5057	HR5055	



BZ880

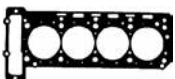
290	89.90	Petrol				
M 111.951	4 Cyl.	10.6:1	1998cc	95kW (129)PS	TD17002	710
M 111.952	4 Cyl.	10.6:1	1998cc	95kW (129)PS	TD17003	710

C-CLASS (CL203)	03/01→05/02	C-CLASS (S202)	09/00→03/01	C-CLASS (S203)	03/01→05/02
C-CLASS (W203)	10/00→05/02				

					FOL147 (x16)
					CAM693 CAM694

	OE	MAT.			
B x C x D					E x F x G
V94370	111 053 1101		45°	H	VAG96096
35.00 x 7.00 x 101.50		MB			37.60 x 7.00 x 12.55
V94371	611 050 0127		45°	ss	VAG96149
31.00 x 7.00 x 103.50		MD			37.50 x 7.02 x 12.59
V94502	111 050 14 27		45°	ss	VAG96178
31.00 x 7.00 x 103.50		MD			37.50 x 7.02 x 12.76

BZ880 Fibre Composite	DZ881		HBS150 M12x1.75x102.00mm (x10)	JD161		HR5055	



BZ880

MERCEDES-BENZ/SMART

291







 **89.90**

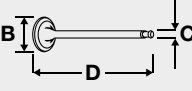
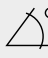

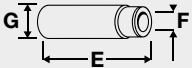

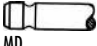
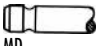
Petrol





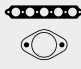
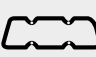

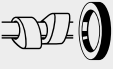


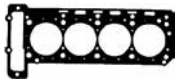
M 111.955	4 Cyl.	9.5:1	1998cc	120kW (163)PS	Supercharged	TD14751	710
M 111.957	4 Cyl.	9.5:1	1998cc	120kW (163)PS	Supercharged	TD15456	711
M 111.958	4 Cyl.	9.5:1	1998cc	120kW (163)PS	Supercharged	TD14749	711

C-CLASS (CL203)	03/01→05/02	C-CLASS (S203)	03/01→05/02	C-CLASS (W203)	05/00→06/02
E-CLASS (S210)	08/00→03/03	E-CLASS (W210)	08/00→03/02	SLK (R170)	03/00→04/04

					
		CAM693 ■ CAM694 ■		FOL147 (x16)	

	OE	MAT.			
B x C x D					E x F x G
V94370 ■	111 053 1101	 MB	45°	H	VAG96096 ■ ■ ■ 37.60 x 7.00 x 12.55
V94371 ■	611 050 0127	 MD	45°	ss	VAG96149 ■ ■ ■ 37.50 x 7.02 x 12.59
V94502 ■	111 050 14 27	 MD	45°	ss	VAG96178 ■ ■ ■ 37.50 x 7.02 x 12.76

							
BZ880 Fibre Composite	DZ881 ☒ ○		HBS150 ⊕ M12x1.75x102.00mm (x10)		HM5057 ■	HR5055 ■	

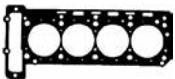


BZ880

292	89.90	Petrol					
M 111.956	4 Cyl.	9.5:1	1998cc	120kW (163)PS	Supercharged	TD16488	710
C-CLASS (S202)	09/00→03/01	CLK (A208)	06/00→03/02	CLK (C208)	06/00→06/02		
		CAM693 ■ CAM694 ■				FOL147 (x16)	

	OE	MAT.				
B x C x D						E x F x G
V94370 ■	111 053 1101		45°		H	VAG96096 ■ ■
35.00 x 7.00 x 101.50		MB				37.60 x 7.00 x 12.55
V94371 ■	611 050 0127		45°	ss		VAG96149 ■ ■
31.00 x 7.00 x 103.50		MD				37.50 x 7.02 x 12.59
V94502 ■	111 050 1427		45°	ss		VAG96178 ■ ■
31.00 x 7.00 x 103.50		MD				37.50 x 7.02 x 12.76

BZ880 Fibre Composite	DZ881 ☒ ○		HBS150 ☉ M12x1.75x102.00mm (x10)	JD5402 ■	HM5057 ■	HR5055 ■	



BZ880

MERCEDES-BENZ/SMART

293



89.90

Petrol

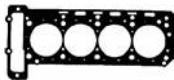


M 111.960	4 Cyl.	9.8:1	2199cc	110kW (150)PS	TD2134	712
M 111.961	4 Cyl.	9.8:1	2199cc	110kW (150)PS	TD2135	712
C-CLASS (W202)	03/93→05/00		COUPE (C124)	10/92→05/93	E-CLASS (A124)	06/93→03/98
E-CLASS (C124)	06/93→06/97		E-CLASS (S124)	06/93→06/96	E-CLASS (W124)	10/92→06/95
KOMBI (S124)	10/92→05/93					

CAM694			FOL147 (x16)		

	OE	MAT.				
B x C x D						E x F x G
V94480	111 053 02 01		45°	Y	H	VAG96096
35.00 x 6.97 x 101.50 →12/95		MB cr				37.60 x 7.00 x 12.55
V94370	111 053 11 01		45°		H	VAG96149
35.00 x 7.00 x 101.50 01/96→		MB				37.50 x 7.02 x 12.59
V94377	111 050 05 27		45°	ss	H	VAG96178
31.00 x 7.00 x 103.50 →12/95		ME cr				37.50 x 7.02 x 12.76
V94371	611 050 01 27		45°	ss		
31.00 x 7.00 x 103.50 01/96→		MD				
V94502	111 050 14 27		45°	ss		
31.00 x 7.00 x 103.50 01/96→		MD				

BZ880 Fibre Composite	DV810	HBS150	JD160	JN911	HR5055
		M12x1.75x102.00mm (x10)	JD161	HM5057	



BZ880

294

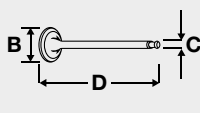
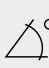


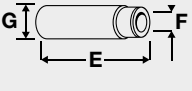

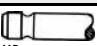


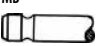
 **89.90**






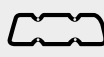

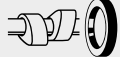







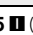



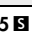
Petrol

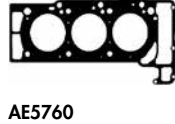
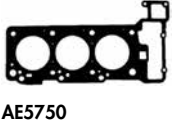


M 112.912 V6 Cyl. 10.5:1 2398cc 125kW (170)PS TD15450 **713**

C-CLASS (S203) 03/01→08/07 C-CLASS (W203) 05/00→02/07 CLK (A209) 02/03→03/10
 CLK (C209) 06/02→05/09

 B x C x D	OE	MAT.				 E x F x G
V94390  36.00 x 7.00 x 119.40	113 053 05 01	 MB	45°		H	VAG96097  50.00 x 7.03 x 12.76
V94391  41.00 x 7.00 x 122.30	113 050 0227	 MD	45°	ss		

							
AE5750  MLS  AE5760  MLS 	CE5760  		HBS463  M11x1.50x141.00mm (x8)	JD5385  (x2) JD5386 	JM5236  (Elastomer) JM5237  (Elastomer)	HR5055 	



MERCEDES-BENZ/SMART

295

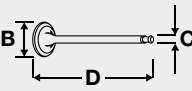
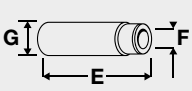
 **89.90**




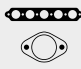
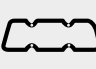


Petrol



M 112.913	V6 Cyl.	10:1	2398cc	125kW (170)PS	TD17155	713
M 112.914	V6 Cyl.	10.5:1	2398cc	125kW (170)PS	TD15458	713
M 112.915	V6 Cyl.	10.5:1	2597cc	125kW (170)PS	TD17004	714
M 112.917	V6 Cyl.	10.5:1	2597cc	130kW (177)PS	TD16893	714
M 112.920	V6 Cyl.	10:1	2799cc	145-150kW (197-204)PS	TD9421	717
M 112.921	V6 Cyl.	10:1	2799cc	150kW (204)PS	TD9417	717
M 112.922	V6 Cyl.	10:1	2799cc	150kW (204)PS	TD11490	717
M 112.923	V6 Cyl.	10:1	2799cc	150kW (204)PS	TD10888	717
M 112.925	V6 Cyl.	10:1	2799cc	150kW (204)PS	TD15463	717
M 112.940	V6 Cyl.	10:1	3199cc	160-162kW (218-220)PS	TD9407	719
M 112.941	V6 Cyl.	10:1	3199cc	165kW (224)PS	TD9418	719
M 112.942	V6 Cyl.	10:1	3199cc	160kW (218)PS	TD9898	719
M 112.943	V6 Cyl.	10:1	3199cc	165kW (224)PS	TD11494	719
M 112.944	V6 Cyl.	10:1	3199cc	165kW (224)PS	TD11491	719
M 112.945	V6 Cyl.	10:1	3199cc	158kW (215)PS	TD9888	719
M 112.946	V6 Cyl.	10:1	3199cc	160kW (218)PS	TD15452	719
M 112.947	V6 Cyl.	10:1	3199cc	160kW (218)PS	TD14773	719
M 112.949	V6 Cyl.	10:1	3199cc	165kW (224)PS	TD16894	719
M 112.951	V6 Cyl.	10:1	3199cc	140-160kW (190-218)PS	TD18435	714
M 112.953	V6 Cyl.	10:1	3199cc	160kW (218)PS	TD17535	714
M 112.954	V6 Cyl.	10:1	3199cc	165kW (224)PS	TD17331	714
M 112.955	V6 Cyl.	10:1	3199cc	160kW (218)PS	TD16885	714
M 112.960	V6 Cyl.	10:1	3199cc	260kW (354)PS	TD15464	720
M 112.961	V6 Cyl.	9:1	3199cc	260kW (354)PS	TD15453	720

C-CLASS (CL203)	05/02→05/08	C-CLASS (S202)	06/97→03/01	C-CLASS (S203)	03/01→08/07
C-CLASS (W202)	06/97→05/00	C-CLASS (W203)	05/00→02/07	CLK (A208)	03/98→03/02
CLK (A209)	02/03→03/10	CLK (C208)	06/97→06/02	CLK (C209)	06/02→05/09
E-CLASS (S210)	12/96→03/03	E-CLASS (S211)	03/03→07/09	E-CLASS (W210)	12/96→03/02
E-CLASS (W211)	03/02→12/08	G-CLASS (W463)	07/97→	M-CLASS (W163)	02/98→08/02
S-CLASS (W220)	10/98→08/05	SL (R129)	05/98→10/01	SLK (R170)	03/00→04/04
VIANO (W639)	09/03→	VITO (W639)	09/03→	VITO / MIXTO (W639)	09/03→

			
B x C x D	OE	E x F x G	
V94390 ■	113 053 05 01	VAG96097 ■ ■ ■	
36.00 x 7.00 x 119.40		50.00 x 7.03 x 12.76	
V94391 ■	113 050 0227		
41.00 x 7.00 x 122.30			

						
AE5750 MLS ■ AE5760 MLS ■	CE5760 ■ ■ ■	HBS463 ⊕ M11x1.50x141.00mm (x8)	JD5385 ■ (x2) JD5386 ■	JM5236 ■ (Elastomer) JM5237 ■ (Elastomer)		



AE5750

AE5760

296	89.90	Petrol							
M 112.916	V6 Cyl.	10.5:1	2597cc	125kW (170)PS					TD17533 714
C-CLASS (S203)	07/02→08/07	C-CLASS (W203)	07/02→02/07						

B x C x D	OE	MAT.		45°		H	E x F x G
V94390	113 053 05 01			45°		H	VAG96097
36.00 x 7.00 x 119.40		MB					50.00 x 7.03 x 12.76
V94391	113 050 0227			45°	ss		
41.00 x 7.00 x 122.30		MD					

AE5750	CE5760				JD5385 (x2)	JM5236	
AE5760					JD5386	(Elastomer)	
						JM5237	(Elastomer)



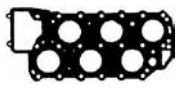
AE5750 AE5760

297	89.90	Petrol							
M 104.900	6 Cyl.	10.1:1	2792cc	128kW (174)PS					TD8023 715
V-CLASS (638/2)	08/97→07/03								

	KIT		KIT				
							FOL124 (x12)
							Eng: →000018
							FOL147 (x12)
							Eng: 000019→

B x C x D	OE	MAT.		45°		H	E x F x G
V94145				45°		H	VAG96157B
39.10 x 7.00 x 106.00		MB					38.00 x 7.00 x 12.00
V94306				45°	ss	H	
34.20 x 7.00 x 107.00		MG					

AA5430 Fibre Composite	CA5430		HBS077				HR662
			M11x1.50x144.00mm (x3)				



AA5430

MERCEDES-BENZ/SMART

298







 **89.90**

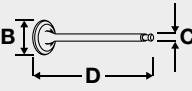
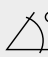


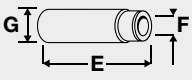

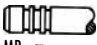

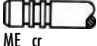
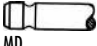
Petrol






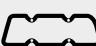




M 104.941	6 Cyl.	10:1	2799cc	142kW (193)PS	TD2106	716
M 104.943	6 Cyl.	10:1	2799cc	142-150kW (193-204)PS	TD2108	716
M 104.944	6 Cyl.	10:1	2799cc	142-145kW (193-197)PS	TD2109	716
M 104.945	6 Cyl.	10:1	2799cc	142kW (193)PS	TD9423	716
M 104.991	6 Cyl.	10:1	3199cc	170kW (231)PS	TD2113	718
M 104.996	6 Cyl.	9.2:1	3199cc	155kW (211)PS	TD11251	718

C-CLASS (W202)	05/93→05/00	E-CLASS (W210)	01/96→06/97	G-CLASS (W463)	09/94→12/97
S-CLASS (W140)	01/93→10/98	SL (R129)	08/93→10/01		

					
		CAM659 ■	KIT		FOL147 (x24)
		CAM683 ■			

 B x C x D	OE	MAT.				 E x F x G
V94370 ■	111 053 1101		45°		H	VAG96096 ■ ■ ■
35.00 x 7.00 x 101.50		MB				37.60 x 7.00 x 12.55
V94480 ■	111 053 02 01		45°	Y	H	VAG96149 ■ ■ ■
35.00 x 6.97 x 101.50		MB cr				37.50 x 7.02 x 12.59
V94371 ■	611 050 0127		45°	ss		VAG96178 ■ ■ ■
31.00 x 7.00 x 103.50		MD				37.50 x 7.02 x 12.76
V94377 ■	111 050 0527		45°	ss	H	
31.00 x 7.00 x 103.50		ME cr				
V94502 ■	111 050 14 27		45°	ss		
31.00 x 7.00 x 103.50		MD				

							
AE5330 Fibre Composite, 1.240mm	CE5330 ○		HBS152 ⊕ M12x1.75x160.00mm (x14)	JD167 ■ (x6) JD169 ■ (x2)	JM5114 (Elastomer)	HR5055 ■	



AE5330

299







 **89.90**

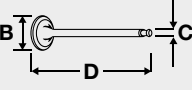
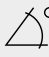


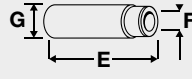

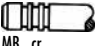
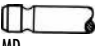
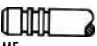
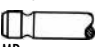
Petrol






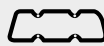

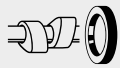


M 104.942 6 Cyl. 10:1 2799cc 142-145kW (193-197)PS TD2107 **716**

E-CLASS (S124) 06/93→06/96 **E-CLASS (W124)** 10/92→06/95 **KOMBI (S124)** 10/92→06/93

					
		CAM659 ■ CAM683 ■			FOL124 (x24) Eng: →000018 FOL147 (x24) Eng: 000019→

 B x C x D	OE	MAT.				 E x F x G
V94370 ■ 35.00 x 7.00 x 101.50	111 053 1101	 MB	45°		H	VAG96096 ■ ■ 37.60 x 7.00 x 12.55
V94480 ■ 35.00 x 6.97 x 101.50	111 053 02 01	 MB cr	45°	Y	H	VAG96149 ■ ■ 37.50 x 7.02 x 12.59
V94371 ■ 31.00 x 7.00 x 103.50	611 050 0127	 MD	45°	ss		VAG96178 ■ ■ 37.50 x 7.02 x 12.76
V94377 ■ 31.00 x 7.00 x 103.50	111 050 0527	 ME cr	45°	ss	H	
V94502 ■ 31.00 x 7.00 x 103.50	111 050 14 27	 MD	45°	ss		

							
AE5330 Fibre Composite, 1.240mm	CE5330 ○		HBS152 ⊕ M12x1.75x160.00mm (x14)	JD167 ■ (x6) JD169 ■ (x2)	JM5114 (Elastomer)	HR5055 ■	



AE5330

MERCEDES-BENZ/SMART

300



89.90

Petrol



M 104.990

6 Cyl.

10:1

3199cc

170kW (231)PS

TD2112

718

S-CLASS (W140)

03/91→10/98

		CAM659 ■ CAM683 ■			FOL124 (x24) Eng: →000024 FOL147 (x24) Eng: 000025→

B x C x D	OE	MAT.				E x F x G	
V94288 ■ 35.00 x 7.00 x 101.50	104 053 14 01	 MB cr	45°		H	VAG96142B ■ 35.50 x 7.02 x 13.55	
V94289 ■ 31.00 x 8.00 x 103.50	104 050 17 27	 ME cr	45°	ss	H	VAG96141B ■ 38.00 x 8.02 x 13.56	

AE5330 Fibre Composite, 1.240mm	CE5330 ○ CE5331		HBS152 ⊙ M12x1.75x160.00mm (x14)	JE5028 ■ JD169 ■ (x2)	JM5113 (Elastomer) JM5115 (x6) (Elastomer)	HR5055 ■	



AE5330

301	89.90	Petrol					
M 104.992	6 Cyl.	10:1	3199cc	162kW (220)PS		TD2114	718
COUPE (C124)	10/92→05/93	E-CLASS (A124)	06/93→03/98	E-CLASS (C124)	06/93→06/97		
E-CLASS (S124)	06/93→06/96	E-CLASS (W124)	10/92→06/95	KOMBI (S124)	10/92→06/93		

		CAM659 ■ CAM683 ■			FOL124 (x24) Eng: →000024 FOL147 (x24) Eng: 000025→

B x C x D	OE	MAT.				E x F x G
V94370 ■	111 053 1101		45°		H	VAG96096 ■ ■
35.00 x 7.00 x 101.50		MB				37.60 x 7.00 x 12.55
V94480 ■	111 053 02 01		45°	Y	H	VAG96149 ■ ■
35.00 x 6.97 x 101.50		MB cr				37.50 x 7.02 x 12.59
V94371 ■	611 050 0127		45°	ss		VAG96178 ■ ■
31.00 x 7.00 x 103.50		MD				37.50 x 7.02 x 12.76
V94377 ■	111 050 0527		45°	ss	H	
31.00 x 7.00 x 103.50		ME cr				
V94502 ■	111 050 14 27		45°	ss		
31.00 x 7.00 x 103.50		MD				

AE5330 Fibre Composite, 1.240mm	CE5330 ○		HBS152 ⊕ M12x1.75x160.00mm (x14)	JD167 ■ (x6) JD169 ■ (x2)	JM5114 (Elastomer)	HR5055 ■	



AE5330

MERCEDES-BENZ/SMART

302

89.90

Petrol



M 104.994

6 Cyl.

10:1

3199cc

170kW (231)PS

TD11250

718

S-CLASS (W140)

03/91→10/98

		CAM659 ■ CAM683 ■			FOL124 (x24) [34] Eng: →000129 FOL147 (x24) [34] Eng: 000130→ FOL124 [35] Eng: →000024 FOL147 [35] Eng: 000025→

[34] Automatic Transmission

[34] Boîte automatique

[34] Cambio automatico

[34] Transmisión automática

[35] Manual Transmission

[35] Boîte de vitesses manuelle

[35] Cambio

[35] Caja de cambios

	OE	MAT.			
B x C x D					E x F x G
V94370 ■	111 053 1101		45°	H	VAG96096 ■ ■
35.00 x 7.00 x 101.50		MB			37.60 x 7.00 x 12.55
V94480 ■	111 053 02 01		45°	Y	VAG96149 ■ ■
35.00 x 6.97 x 101.50		MB cr			37.50 x 7.02 x 12.59
V94371 ■	611 050 0127		45°	ss	VAG96178 ■ ■
31.00 x 7.00 x 103.50		MD			37.50 x 7.02 x 12.76
V94377 ■	111 050 0527		45°	ss	
31.00 x 7.00 x 103.50		ME cr		H	
V94502 ■	111 050 14 27		45°	ss	
31.00 x 7.00 x 103.50		MD			

AE5330 Fibre Composite, 1.240mm	CE5330 ○ CE5331	HBS152 ⊙ M12x1.75x160.00mm (x14)	JD167 ■ (x6) JD169 ■ (x2)	JM5113 (Elastomer) JM5115 (x6) (Elastomer)	HR5055 ■



AE5330

303	89.90	Petrol				
M 104.995	6 Cyl.	10:1	3199cc	162kW (220)PS	TD4658	718
E-CLASS (A124)	06/93→03/98	E-CLASS (W210)	06/95→06/97			
		CAM659 ■ CAM683 ■				FOL124 (x24) Eng: →000024 FOL147 (x24) Eng: 000025→

B x C x D	OE	MAT.				E x F x G
V94370 ■	111 053 1101	MB	45°		H	VAG96096 ■ ■
35.00 x 7.00 x 101.50						37.60 x 7.00 x 12.55
V94480 ■	111 053 02 01	MB cr	45°	Y	H	VAG96149 ■ ■
35.00 x 6.97 x 101.50						37.50 x 7.02 x 12.59
V94371 ■	611 050 0127	MD	45°	ss		VAG96178 ■ ■
31.00 x 7.00 x 103.50						37.50 x 7.02 x 12.76
V94377 ■	111 050 0527	ME cr	45°	ss	H	
31.00 x 7.00 x 103.50						
V94502 ■	111 050 14 27	MD	45°	ss		
31.00 x 7.00 x 103.50						

AE5330 Fibre Composite, 1.240mm	CE5330 ○		HBS152 ⊕ M12x1.75x160.00mm (x14)	JD167 ■ JD169 ■		HR5055 ■	



AE5330

304	89.90	Petrol				
M 113.940	V8 Cyl.	9.8:1	4266cc	205kW (279)PS	TD9889	721
E-CLASS (S210)	06/97→03/03	E-CLASS (W210)	06/97→03/02			
B x C x D	OE	MAT.				E x F x G
V94390 ■	113 053 05 01	MB	45°		H	VAG96097 ■ ■
36.00 x 7.00 x 119.40						50.00 x 7.03 x 12.76
V94391 ■	113 050 0227	MD	45°	ss		
41.00 x 7.00 x 122.30						
					JD5386 ■	

MERCEDES-BENZ/SMART

305	89.90	Petrol				
M 113.941	V8 Cyl.	9.8:1	4266cc	205kW (279)PS	TD11492	721
M 113.942	V8 Cyl.	9.8:1	4266cc	199kW (271)PS	TD10949	721
M 113.943	V8 Cyl.	9.8:1	4266cc	205kW (279)PS	TD10947	721
M 113.944	V8 Cyl.	9.8:1	4266cc	225kW (306)PS	TD11489	721
M 113.948	V8 Cyl.	10:1	4266cc	205kW (279)PS	TD17188	714

C-CLASS (S202)	08/97→03/01	C-CLASS (W202)	08/97→05/00	CLK (A208)	09/98→03/02
CLK (C208)	07/98→06/02	M-CLASS (W163)	02/98→06/05	S-CLASS (W220)	10/98→08/05

B x C x D	E x F x G					
OE	MAT.					
V94390 ■	113 053 05 01		45°	H	VAG96097 ■ ■ ■	
36.00 x 7.00 x 119.40		MB			50.00 x 7.03 x 12.76	
V94391 ■	113 050 0227		45°	ss		
41.00 x 7.00 x 122.30		MD				

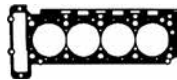
306	90.90	Petrol				
M 111.970	4 Cyl.	10.4:1	2295cc	110kW (150)PS	TD4664	722
M 111.977	4 Cyl.	10.4:1	2295cc	110kW (150)PS	TD10948	724

E-CLASS (S210)	06/96→06/97	E-CLASS (W210)	06/95→06/97	M-CLASS (W163)	02/98→06/05
-----------------------	-------------	-----------------------	-------------	-----------------------	-------------

	KIT		KIT		FOL147 (x16)
		CAM694 ■			

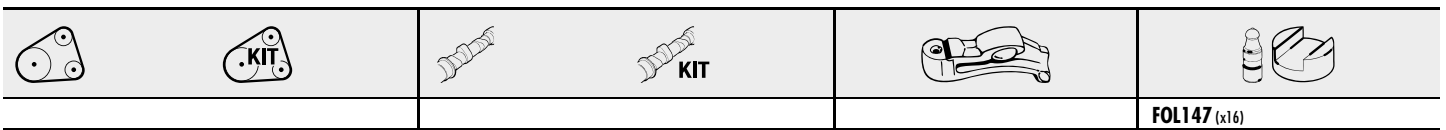
B x C x D	E x F x G					
OE	MAT.					
V94370 ■	111 053 1101		45°	H	VAG96096 ■ ■ ■	
35.00 x 7.00 x 101.50		MB			37.60 x 7.00 x 12.55	
V94371 ■	611 050 0127		45°	ss	VAG96149 ■ ■ ■	
31.00 x 7.00 x 103.50		MD			37.50 x 7.02 x 12.59	
V94502 ■	111 050 1427		45°	ss	VAG96178 ■ ■ ■	
31.00 x 7.00 x 103.50		MD			37.50 x 7.02 x 12.76	

BZ900 Fibre Composite	DZ900 ○	HBS150 ⊕	JD5226 ■ (x2)	JN911	HR5055 ■
		M12x1.75x102.00mm (x10)	JD161 ■		



BZ900

307	90.90	Petrol			
M 111.973	4 Cyl.	8.8:1	2295cc	142kW (193)PS	Supercharged TD4665 723
CLK (A208)	03/98→06/00	CLK (C208)	06/97→06/00	SLK (R170)	09/96→03/00

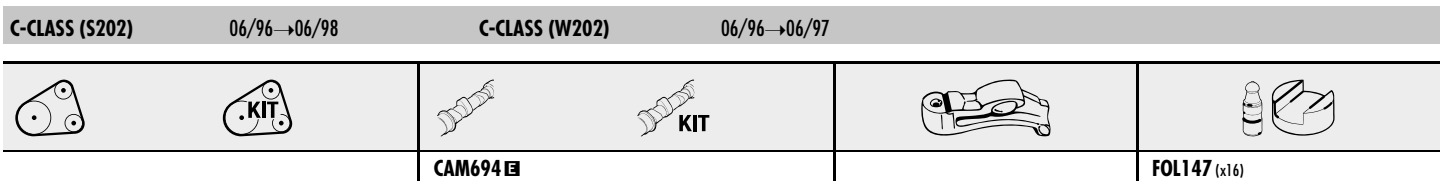


FOL147 (x16)

B x C x D	OE	MAT.	45°	H	G x F x E
V94370	111 053 1101	MB	45°	H	VAG96096
35.00 x 7.00 x 101.50					37.60 x 7.00 x 12.55
V94371	611 050 0127	MD	45°	ss	VAG96149
31.00 x 7.00 x 103.50					37.50 x 7.02 x 12.59
V94502	111 050 1427	MD	45°	ss	VAG96178
31.00 x 7.00 x 103.50					37.50 x 7.02 x 12.76

			HBS150 M12x1.75x102.00mm (x10)	JD5226 (x2) JD161	JN911 HM5057	HR5055	

308	90.90	Petrol			
M 111.974	4 Cyl.	10.4:1	2295cc	110kW (150)PS	TD4666 722
C-CLASS (S202)	06/96→06/98	C-CLASS (W202)	06/96→06/97		

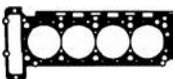


CAM694

FOL147 (x16)

B x C x D	OE	MAT.	45°	H	G x F x E
V94370	111 053 1101	MB	45°	H	VAG96096
35.00 x 7.00 x 101.50					37.60 x 7.00 x 12.55
V94371	611 050 0127	MD	45°	ss	VAG96149
31.00 x 7.00 x 103.50					37.50 x 7.02 x 12.59
V94502	111 050 1427	MD	45°	ss	VAG96178
31.00 x 7.00 x 103.50					37.50 x 7.02 x 12.76

BZ900 Fibre Composite	DZ900		HBS150 M12x1.75x102.00mm (x10)	JD5226 (x2) JD161	JN911 HM5057	HR5055	



BZ900

MERCEDES-BENZ/SMART

309



90.90

Petrol



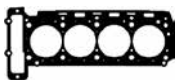
M 111.975 4 Cyl. 8.8:1 2295cc 142kW (193)PS Supercharged TD4667 723

C-CLASS (S202) 06/97→09/00 C-CLASS (W202) 10/95→05/00 CLK (A208) 03/98→06/00
 CLK (C208) 06/97→06/00

CAM694			FOL147 (x16)		

 B x C x D	OE	MAT.				 E x F x G
V94370	111 053 1101		45°	H		VAG96096
35.00 x 7.00 x 101.50		MB				37.60 x 7.00 x 12.55
V94371	611 050 0127		45°	ss		VAG96149
31.00 x 7.00 x 103.50		MD				37.50 x 7.02 x 12.59
V94502	111 050 14 27		45°	ss		VAG96178
31.00 x 7.00 x 103.50		MD				37.50 x 7.02 x 12.76

BZ890 Fibre Composite	DZ891		HBS150 M12x1.75x102.00mm (x10)	JD160 (x1) JD5226 (x2) JD161	JN911 HM5057	HR5055	



BZ890

310



90.90

Petrol



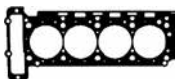
M 111.978 4 Cyl. 8.8:1 2295cc 105kW (143)PS TD4668 723

V-CLASS (638/2) 10/96→07/03 VITO (638) 12/96→07/03

CAM694			FOL147 (x16)		

 B x C x D	OE	MAT.				 E x F x G
V94370	111 053 1101		45°	H		VAG96096
35.00 x 7.00 x 101.50		MB				37.60 x 7.00 x 12.55
V94371	611 050 0127		45°	ss		VAG96149
31.00 x 7.00 x 103.50		MD				37.50 x 7.02 x 12.59
V94502	111 050 14 27		45°	ss		VAG96178
31.00 x 7.00 x 103.50		MD				37.50 x 7.02 x 12.76

BZ900 Fibre Composite	DZ160		HBS150 M12x1.75x102.00mm (x10)	JD160 JD161	JN911 HM5057	HR5055	



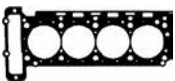
BZ900

311	90.90	Petrol				
M 111.979	4 Cyl.	8.8:1	2295cc	105kW (143)PS	TD5241	725
SPRINTER 2-t (901, 902)	02/95→05/06	SPRINTER 3-t (903)	02/95→05/06	SPRINTER 4-t (904)	02/96→05/06	

CAM694			FOL147 (x16)		

	OE	MAT.			
B x C x D					E x F x G
V94370	111 053 1101		45°	H	VAG96096
35.00 x 7.00 x 101.50		MB			37.60 x 7.00 x 12.55
V94371	611 050 0127		45°	ss	VAG96149
31.00 x 7.00 x 103.50		MD			37.50 x 7.02 x 12.59
V94502	111 050 14 27		45°	ss	VAG96178
31.00 x 7.00 x 103.50		MD			37.50 x 7.02 x 12.76

BZ900 Fibre Composite	DZ160		HBS150 M12x1.75x102.00mm (x10)	JD160 JD161	JN911 HM5274 Eng.50813931 →	HR5055	



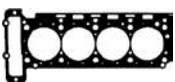
BZ900

312	90.90	Petrol				
M 111.980	4 Cyl.	8.8:1	2295cc	105kW (143)PS	TD22703	724

					FOL147 (x16)

	OE	MAT.			
B x C x D					E x F x G
V94370	111 053 1101		45°	H	VAG96096
35.00 x 7.00 x 101.50		MB			37.60 x 7.00 x 12.55
V94371	611 050 0127		45°	ss	VAG96149
31.00 x 7.00 x 103.50		MD			37.50 x 7.02 x 12.59
V94502	111 050 14 27		45°	ss	VAG96178
31.00 x 7.00 x 103.50		MD			37.50 x 7.02 x 12.76

BZ900 Fibre Composite	DZ160		HBS150 M12x1.75x102.00mm (x10)	JD160 JD161	HM5057	HR5055	



BZ900

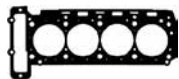
MERCEDES-BENZ/SMART

313	90.90	Petrol					
M 111.981	4 Cyl.	9:1	2295cc	145kW (197)PS			TD17177 726
M 111.982	4 Cyl.	9:1	2295cc	142kW (193)PS	Supercharged		TD16884 726
M 111.983	4 Cyl.	9:1	2295cc	145kW (197)PS	Supercharged		TD14750 726
C-CLASS (CL203)	03/01→05/02	CLK (A208)	06/00→03/02	CLK (C208)	06/00→06/02		
SLK (R170)	03/00→04/04						

					FOL147 (x16)

	OE	MAT.			
B x C x D					E x F x G
V94370	111 053 1101		45°	H	VAG96096
35.00 x 7.00 x 101.50		MB			37.60 x 7.00 x 12.55
V94371	611 050 0127		45°	ss	VAG96149
31.00 x 7.00 x 103.50		MD			37.50 x 7.02 x 12.59
V94502	111 050 14 27		45°	ss	VAG96178
31.00 x 7.00 x 103.50		MD			37.50 x 7.02 x 12.76

BZ890 Fibre Composite	DZ891		HBS150	JD161	HM5057	HR5055	
			M12x1.75x102.00mm (x10)				



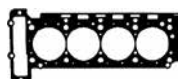
BZ890

314	90.90	Petrol					
M 111.984	4 Cyl.	8.8:1	2295cc	92-105kW (125-143)PS			TD17850 722
SPRINTER 2-t (901, 902)	02/95→05/06	SPRINTER 3-t (903)	02/95→05/06				

					FOL147 (x16)

	OE	MAT.			
B x C x D					E x F x G
V94370	111 053 1101		45°	H	VAG96096
35.00 x 7.00 x 101.50		MB			37.60 x 7.00 x 12.55
V94371	611 050 0127		45°	ss	VAG96149
31.00 x 7.00 x 103.50		MD			37.50 x 7.02 x 12.59
V94502	111 050 14 27		45°	ss	VAG96178
31.00 x 7.00 x 103.50		MD			37.50 x 7.02 x 12.76

BZ900 Fibre Composite	DZ160		HBS150	JD160		HR5055
Eng.000 740;003 501→			M12x1.75x102.00mm (x10)			



BZ900

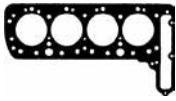
315	90.90	Petrol					
M 161.971	4 Cyl.	8.8:1	2295cc	105-110kW (143-150)PS		TD23184	727
	DZ160 ○			JD160 ■			
				JD161 ■			

316	90.90	Diesel					
OM 616.910	4 Cyl.	21:1	2399cc	48kW (65)PS		TD2245	729
OM 616.913	4 Cyl.	21:1	2398cc	53kW (72)PS		TD2247	728
OM 616.914	4 Cyl.	21:1	2399cc	53kW (72)PS		TD8040	728
OM 616.934	4 Cyl.	21:1	2399cc	48kW (65)PS		TD2250	729
OM 616.936	4 Cyl.	21:1	2399cc	53kW (72)PS		TD2251	728
OM 616.937	4 Cyl.	21:1	2399cc	53kW (72)PS		TD2252	732
OM 616.938	4 Cyl.	21:1	2399cc	53kW (72)PS		TD17733	733
OM 616.939	4 Cyl.	21:1	2399cc	53kW (72)PS		TD2253	728
OM 616.940	4 Cyl.	21:1	2399cc	53kW (72)PS		TD22836	733

G-CLASS (W460)	03/79→08/87	T1 (601)	05/77→01/90	T1 (602)	04/77→01/90
T1/TN	07/81→01/89	T2/L	01/75→12/88	T2/LN1	04/86→04/89

B x C x D	OE	MAT.			E x F x G
V90225 ■	616 053 03 01		30°		VAG92108 ■
39.90 x 9.94 x 131.69		MB			61.00 x 9.98 x 14.02
V35018 ■	616 050 05 27		30°	H	VAG92109 ■
34.39 x 9.94 x 131.19		MG			48.51 x 9.98 x 14.01
V94256 ■	617 050 00 27		30°	H	
34.20 x 10.00 x 131.50		MF cr			

BC790 Fibre Composite	DC790	GC790	HBS045 ⊙	JB162	JM848		
			M12x1.75x145.00mm (x6)				



BC790

MERCEDES-BENZ/SMART

317



90.90

Diesel



OM 616.930

4 Cyl.

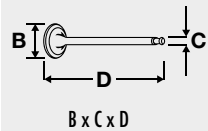
21:1

2399cc

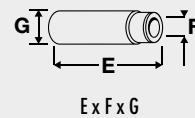
44kW (60)PS

TD5677

730

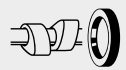
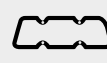


OE



V90225	616 053 03 01		30°	
39.90 x 9.94 x 131.69		MB		
V35018	616 050 05 27		30°	H
34.39 x 9.94 x 131.19		MG		
V94256	617 050 00 27		30°	H
34.20 x 10.00 x 131.50		MF cr		

VAG92108	
61.00 x 9.98 x 14.02	
VAG92109	
48.51 x 9.98 x 14.01	



BC790 Fibre Composite

JB162

JM7095 [47]
(Elastomer)
JM848



BC790

[47] Tappet Cover Material: Plastic

[47] Matériel de housse de la culasse: plastique

[47] Materiale testata cilindri: Plastico

[47] Material culata: plástico

318



90.90

Diesel



OM 616.933

4 Cyl.

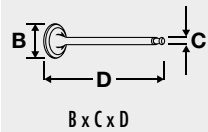
21:1

2399cc

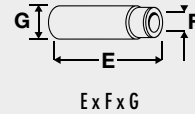
44kW (60)PS

TD16998

731

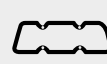


OE



V90225	616 053 03 01		30°	
39.90 x 9.94 x 131.69		MB		
V35018	616 050 05 27		30°	H
34.39 x 9.94 x 131.19		MG		
V94256	617 050 00 27		30°	H
34.20 x 10.00 x 131.50		MF cr		

VAG92108	
61.00 x 9.98 x 14.02	
VAG92109	
48.51 x 9.98 x 14.01	



BC790 Fibre Composite



DC790

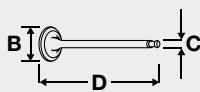
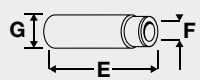
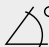





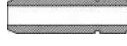





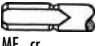
JB162






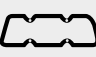



JM848

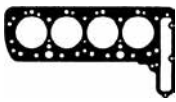


BC790



319	 90.90	Diesel				
OM 616.963	4 Cyl.	21:1	2399cc	53-56kW (72-76)PS	TD2257	734
100 (631)	02/88→02/96					

 B x C x D				 E x F x G			
OE	MAT.						
V90225 	616 053 03 01		30°		VAG92108 		
39.90 x 9.94 x 131.69		MB			61.00 x 9.98 x 14.02		
V35018 	616 050 05 27		30°	H	VAG92109 		
34.39 x 9.94 x 131.19		MG			48.51 x 9.98 x 14.01		
V94256 	617 050 00 27		30°	H			
34.20 x 10.00 x 131.50		MF cr					

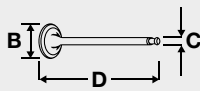
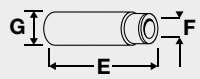
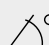





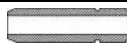





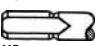
							
BC790 Fibre Composite	DC790		HBS045 	JB162	JM848		
			M12x1.75x145.00mm (x6)				






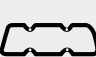






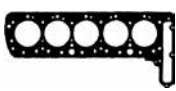
BC790

320	 90.90	Diesel					
OM 617.913	5 Cyl.	21:1	2998cc	65kW (88)PS	TD2261	735	
OM 617.931	5 Cyl.	21:1	3005cc	65kW (88)PS	TD2262	735	
OM 617.952	5 Cyl.	21:1	3005cc	92kW (125)PS	Turbocharged	TD2265	739

COUPE (C123)	09/81→07/85	G-CLASS (W460)	12/79→12/91	KOMBI (S123)	10/80→11/85
STUFENHECK (W123)	08/81→07/85	T1 (601)	12/82→01/90	T1 (602)	10/82→01/90
T1/TN	04/82→01/89				

 B x C x D				 E x F x G			
OE	MAT.						
V90225 	616 053 03 01		30°		VAG92108 		
39.90 x 9.94 x 131.69		MB			61.00 x 9.98 x 14.02		
V35018 	616 050 05 27		30°	H	VAG92109 		
34.39 x 9.94 x 131.19		MG			48.51 x 9.98 x 14.01		
V94256 	617 050 00 27		30°	H			
34.20 x 10.00 x 131.50		MF cr					

							
BC800 Fibre Composite	DC800		HBS046 	JD297 	JN273		
			M12x1.75x145.00mm (x8)				



BC800

MERCEDES-BENZ/SMART

321



90.90

Diesel



OM 617.932

5 Cyl.

21:1

2998cc

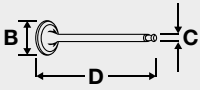
65kW (88)PS

TD17743

736



FOL167 (x10)



B x C x D

OE



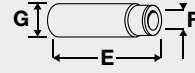
MAT.



30°



H



E x F x G

V90225 ■
39.90 x 9.94 x 131.69

616 053 03 01



MB

V35018 ■
34.39 x 9.94 x 131.19

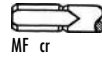
616 050 05 27



MG

V94256 ■
34.20 x 10.00 x 131.50

617 050 00 27

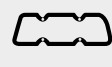
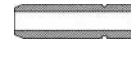


MF cr

VAG92108 ■
61.00 x 9.98 x 14.02



VAG92109 ■
48.51 x 9.98 x 14.01



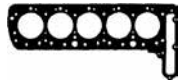
BC800 Fibre Composite

DC800

HBS046 ©
M12x1.75x145.00mm (x8)

JD297 ■

JN273



BC800

322



90.90

Diesel



OM 617.950

5 Cyl.

21.5:1

2998cc

85-92kW (116-125)PS

Turbocharged

TD2263

738

OM 617.951

5 Cyl.

21.5:1

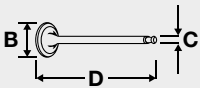
2998cc

92kW (125)PS

Turbocharged

TD2264

738



B x C x D

OE



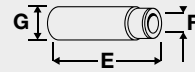
MAT.



30°



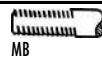
H



E x F x G

V90225 ■
39.90 x 9.94 x 131.69

616 053 03 01



MB

V35018 ■
34.39 x 9.94 x 131.19

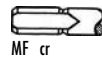
616 050 05 27



MG

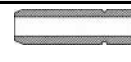
V94256 ■
34.20 x 10.00 x 131.50

617 050 00 27

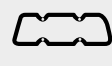


MF cr

VAG92108 ■
61.00 x 9.98 x 14.02



VAG92109 ■
48.51 x 9.98 x 14.01

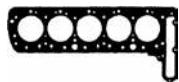


BC800 Fibre Composite



HBS046 ©
M12x1.75x145.00mm (x8)

JD297 ■

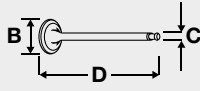
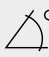

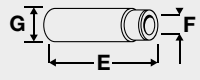







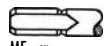
JN273






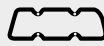

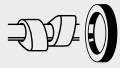



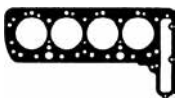
BC800

323	 91.00	Diesel				
OM 616.912	4 Cyl.	21:1	2404cc	46/53kW (63/72)PS	TD9432	742
OM 616.916	4 Cyl.	21:1	2404cc	48kW (65)PS	TD2248	743
OM 616.917	4 Cyl.	21:1	2404cc	48kW (65)PS	TD2249	742
OM 616.960	4 Cyl.	21:1	2399cc	53kW (72)PS	TD2255	740
OM 616.961	4 Cyl.	21:1	2399cc	53kW (72)PS	TD2256	740



/8 (W115)	08/73→01/77	KOMBI (S123)	09/77→12/85	STUFENHECK (W123)	02/76→11/85
T1 (601)	04/77→12/82	T1 (602)	01/77→12/90	T2/L	01/75→12/88

 B x C x D	OE	MAT.			 E x F x G
V90225  39.90 x 9.94 x 131.69	616 053 03 01		30°		VAG92108  61.00 x 9.98 x 14.02
V35018  34.39 x 9.94 x 131.19	616 050 05 27		30°	H	VAG92109  48.51 x 9.98 x 14.01
V94256  34.20 x 10.00 x 131.50	617 050 00 27		30°	H	

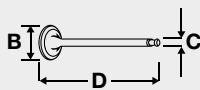


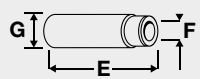







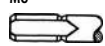
							
BC790 Fibre Composite	DC790	GC790	HBS045  M12x1.75x145.00mm (x6)	JB162	JM848		






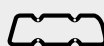





BC790

324	 91.00	Diesel				
OM 616	4 Cyl.	21:1	2404cc	41-55kW (56-75)PS	TD2244	741
OM 616.944	4 Cyl.	21:1	2404cc	44kW (60)PS	TD16937	744

100 (631)	12/90→02/96
------------------	-------------

 B x C x D	OE	MAT.			 E x F x G
V90225  39.90 x 9.94 x 131.69			30°		VAG92108  61.00 x 9.98 x 14.02
V35018  34.39 x 9.94 x 131.19			30°	H	VAG92109  48.51 x 9.98 x 14.01
V94256  34.20 x 10.00 x 131.50			30°	H	

							
BC790 Fibre Composite	DC790		HBS045  M12x1.75x145.00mm (x6)	JB162	JM848		

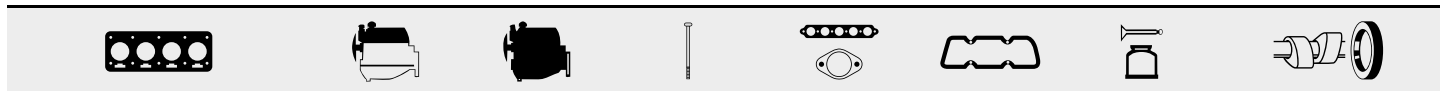


BC790

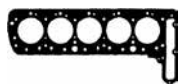
MERCEDES-BENZ/SMART

325	91.00	Diesel				
OM 617.910	5 Cyl.	21:1	3005cc	59kW (80)PS	TD2259	745
OM 617.912	5 Cyl.	21:1	3005cc	59-65kW (80-88)PS	TD2260	746
/8 (W115)	08/74→11/76	KOMBI (S123)	09/77→11/85	STUFENHECK (W123)	02/76→11/85	

B x C x D	OE	MAT.		E x F x G
V90225	616 053 03 01		30°	VAG92108
39.90 x 9.94 x 131.69		MB		61.00 x 9.98 x 14.02
V35018	616 050 05 27		30° H	VAG92109
34.39 x 9.94 x 131.19		MG		48.51 x 9.98 x 14.01
V94256	617 050 00 27		30° H	
34.20 x 10.00 x 131.50		MF cr		



BC800 Fibre Composite	DC800	HBS046	JD297	JN273
		M12x1.75x145.00mm (x8)		

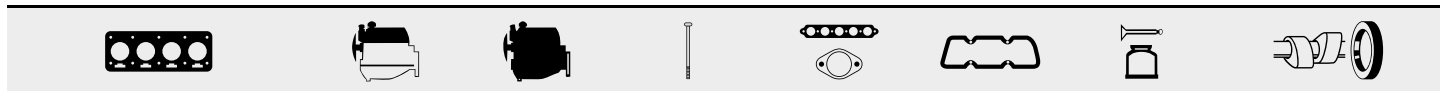


BC800

326	91.00	Petrol				
M 104.941 (AMG 3.6)	6 Cyl.	10.5:1	3606cc	206kW (280)PS	TD9439	747
C-CLASS (W202)	05/94→05/00					

	.KIT	KIT			
	CAM659	CAM683		FOL147 (x24)	

B x C x D	OE	MAT.		E x F x G
V94370	111 053 1101		45° H	VAG96096
35.00 x 7.00 x 101.50		MB		37.60 x 7.00 x 12.55
V94480	111 053 02 01		45° Y H	VAG96149
35.00 x 6.97 x 101.50		MB cr		37.50 x 7.02 x 12.59
V94371	611 050 0127		45° ss	VAG96178
31.00 x 7.00 x 103.50		MD		37.50 x 7.02 x 12.76
V94377	111 050 0527		45° ss H	
31.00 x 7.00 x 103.50		ME cr		
V94502	111 050 14 27		45° ss	
31.00 x 7.00 x 103.50		MD		



AE5330 Fibre Composite, 1.240mm	CE5330	HBS152	JD167	JM5114	HR5055
		M12x1.75x160.00mm (x14)	JD169	(Elastomer)	



AE5330

327



91.00

Petrol



M 104.992 (AMG 3.6) 6 Cyl. 10:1 3606cc 195-200kW (265-272)PS TD9434 747

E-CLASS (A124) 05/94→03/98 E-CLASS (C124) 06/93→06/97 E-CLASS (S124) 05/94→06/96
 E-CLASS (W124) 07/94→01/95

		CAM659 ■ CAM683 ■			FOL124 (x24) Eng: →000024 FOL147 (x24) Eng: 000025→

 B x C x D	OE	MAT.				 E x F x G
V94370 ■ 35.00 x 7.00 x 101.50	111 053 1101	 MB	45°		H	VAG96096 ■ ■ 37.60 x 7.00 x 12.55
V94480 ■ 35.00 x 6.97 x 101.50	111 053 02 01	 MB cr	45°	Y	H	VAG96149 ■ ■ 37.50 x 7.02 x 12.59
V94371 ■ 31.00 x 7.00 x 103.50	611 050 0127	 MD	45°	ss		VAG96178 ■ ■ 37.50 x 7.02 x 12.76
V94377 ■ 31.00 x 7.00 x 103.50	111 050 0527	 ME cr	45°	ss	H	
V94502 ■ 31.00 x 7.00 x 103.50	111 050 14 27	 MD	45°	ss		

AE5330 Fibre Composite, 1.240mm	CE5330 ○		HBS152 ⊕ M12x1.75x160.00mm (x14)	JD167 ■ JD169 ■	JM5114 (Elastomer)	HR5055 ■	



AE5330

MERCEDES-BENZ/SMART

328	92.00	Petrol			
M 116.980	V8 Cyl.	9.5:1	3499cc	147kW (200)PS	TD2164 748
M 116.981	V8 Cyl.	9.5:1	3499cc	147kW (200)PS	TD2165 748
M 116.982	V8 Cyl.	9.5:1	3499cc	143-147kW (194-200)PS	TD2166 748
M 116.983	V8 Cyl.	9.5:1	3499cc	147kW (200)PS	TD2167 748
M 116.984	V8 Cyl.	9:1	3499cc	143-147kW (194-200)PS	TD2168 748
M 116.985	V8 Cyl.	9.5:1	3499cc	143-152kW (195-205)PS	TD2169 748
M 117.982	V8 Cyl.	8.8:1	4520cc	143-165kW (195-225)PS	TD4671 748

CABRIOLET (W111)	01/69→12/71	COUPE (W111)	01/69→12/71	S-CLASS (W108, W109)	01/70→08/72
S-CLASS (W116)	08/72→03/80	SL (C107)	01/72→02/80	SL (R107)	05/71→10/80

				FOL148 (x16)	FOL144 (x16)

	OE	MAT.					
B x C x D			45°	Y	H		E x F x G
V94257 ■ 44.20 x 9.00 x 117.00	116 050 01 26		45°	Y	H		VAG96144B ■ 47.50 x 9.02 x 14.05
V95072 ■ 37.10 x 10.95 x 118.00	110 050 00 27		45°	ss			

							JE5031 ■

329	92.00	Petrol			
M 116.990	V8 Cyl.	9:1	3499cc	132kW (180)PS	TD22706 749
M 116.991	V8 Cyl.	9.5:1	3499cc	147kW (200)PS	TD22707 749
M 116.992	V8 Cyl.	9:1	3499cc	132kW (180)PS	TD22708 749
M 116.993	V8 Cyl.	9:1	3499cc	132kW (180)PS	TD22709 749
M 117.992	V8 Cyl.	8:1	4520cc	140kW (190)PS	TD22710 749
M 117.993	V8 Cyl.	8:1	4520cc	140kW (190)PS	TD22711 749

	OE	MAT.					
B x C x D			45°	Y	H		E x F x G
V94257 ■ 44.20 x 9.00 x 117.00	116 050 01 26		45°	Y	H		VAG96144B ■ 47.50 x 9.02 x 14.05
V95072 ■ 37.10 x 10.95 x 118.00	110 050 00 27		45°	ss			

330	92.00	Petrol				
M 116.960	V8 Cyl.	9:1	3818cc	160kW (218)PS	TD2158	750
S-CLASS (W126)	08/80→08/84	SL (C107)	07/80→08/81	SL (R107)	09/80→08/81	
				FOL148 (x16)	FOL144 (x16)	

B x C x D	OE	MAT.				E x F x G
V94257	116 050 01 26	MB cr	45°	Y	H	VAG96144B
44.20 x 9.00 x 117.00						47.50 x 9.02 x 14.05
V94333	116 050 04 26	MB	45°	Y	H	VAG96139B
39.10 x 9.00 x 117.00						50.50 x 9.02 x 15.05
V94254	116 050 00 27	ME cr	45°	ss	H	VAG96233B
37.10 x 9.00 x 118.20						50.50 x 9.02 x 15.05

				JE5031			

331	92.00	Petrol				
M 116.964	V8 Cyl.	9:1	4196cc	150-160kW (204-218)PS	TD2162	751
M 116.965	V8 Cyl.	10:1	4196cc	150-170kW (204-231)PS	TD2163	751
S-CLASS (C126)	10/85→06/91	S-CLASS (W126)	10/85→06/91	SL (R107)	01/86→08/89	
				FOL148 (x16)	FOL144 (x16)	

B x C x D	OE	MAT.				E x F x G
V94257	116 050 01 26	MB cr	45°	Y	H	VAG96144B
44.20 x 9.00 x 117.00						47.50 x 9.02 x 14.05
						VAG96139B
						50.50 x 9.02 x 15.05

				JE5031	JE5073		

MERCEDES-BENZ/SMART

332	92.00	Petrol			
M 119.971	V8 Cyl.	11:1	4196cc	205kW (279)PS	TD2188 752
S-CLASS (C140)		10/94→02/99		S-CLASS (W140)	02/91→10/98

	OE	MAT.			
V94532 ■ 38.00 x 7.00 x 95.80	119 053 18 01		45°	H	VAG96142B ■ 35.50 x 7.02 x 13.55 VAG96169B ■ 40.50 x 7.02 x 13.56 VAG96096 ■ ■ 37.60 x 7.00 x 12.55 VAG96178 ■ ■ 37.50 x 7.02 x 12.76

							HR5055 ■ (x2)	NC065 30.00x40.00x7.00mm FPM

333	92.00	Petrol			
M 119.975	V8 Cyl.	11:1	4196cc	205kW (279)PS	TD2191 753
E-CLASS (W124)		06/93→06/95		STUFENHECK (W124)	10/92→06/93

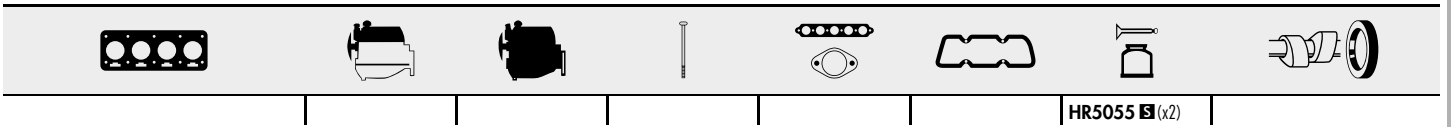
			KIT		FOL124 (x32) FOL147 (x32)

	OE	MAT.			
V94532 ■ 38.00 x 7.00 x 95.80	119 053 18 01		45°	H	VAG96142B ■ 35.50 x 7.02 x 13.55 VAG96169B ■ 40.50 x 7.02 x 13.56 VAG96096 ■ ■ 37.60 x 7.00 x 12.55 VAG96178 ■ ■ 37.50 x 7.02 x 12.76
V94534 ■ 33.00 x 7.00 x 102.60	119 050 10 27		45°	ss H	

							HR5055 ■ (x2)	NC065 30.00x40.00x7.00mm FPM

334		92.00	Petrol			
M 119.981	V8 Cyl.	11:1	4196cc	205kW (279)PS	TD19046	754
S-CLASS (C140)		10/94→02/99				

B x C x D	OE	MAT.				E x F x G
V94532	119 053 18 01		45°		H	VAG96142B
38.00 x 7.00 x 95.80						35.50 x 7.02 x 13.55
						VAG96169B
						40.50 x 7.02 x 13.56
						VAG96096
						37.60 x 7.00 x 12.55
						VAG96178
						37.50 x 7.02 x 12.76

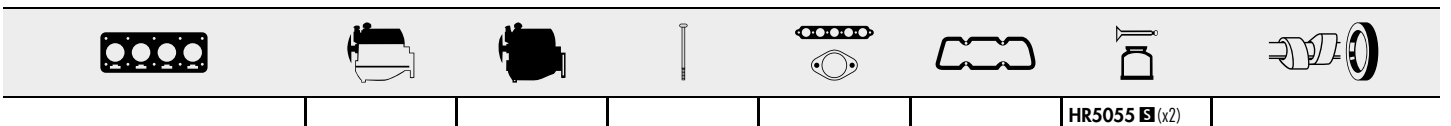


HR5055 (x2)

335		92.00	Petrol			
M 119.985	V8 Cyl.	11:1	4196cc	205kW (279)PS	TD4672	753
E-CLASS (S210)		06/96→06/97		E-CLASS (W210) 01/96→06/97		

	.KIT		KIT			
						FOL124 (x32)
						FOL147 (x32)

B x C x D	OE	MAT.				E x F x G
V94532	119 053 18 01		45°		H	VAG96142B
38.00 x 7.00 x 95.80						35.50 x 7.02 x 13.55
V94534	119 050 10 27		45°	ss	H	VAG96169B
33.00 x 7.00 x 102.60						40.50 x 7.02 x 13.56
						VAG96096
						37.60 x 7.00 x 12.55
						VAG96178
						37.50 x 7.02 x 12.76

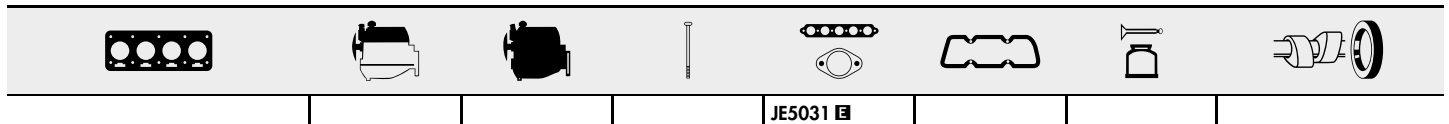


HR5055 (x2)

MERCEDES-BENZ/SMART

336	92.00	Petrol			
M 117.981	V8 Cyl.	8.8:1	4520cc	143kW (195)PS	TD2180 749
M 117.984	V8 Cyl.	8:1	4520cc	144kW (196)PS	TD2183 749

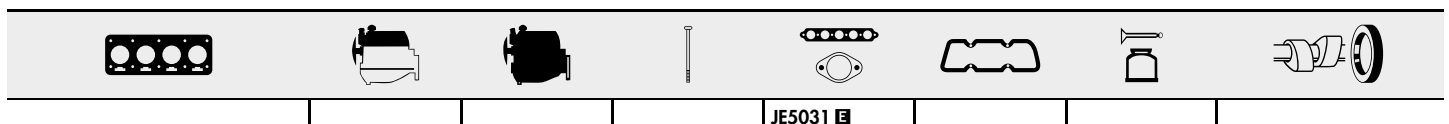
B x C x D	OE	MAT.	45°	Y	H	E x F x G
V94257 ■ 44.20 x 9.00 x 117.00	116 050 01 26	 MB cr	45°	Y	H	VAG96144B ■ 47.50 x 9.02 x 14.05
V95072 ■ 37.10 x 10.95 x 118.00	110 050 00 27	 MD cr	45°	ss		





337	92.00	Petrol			
M 117.983	V8 Cyl.	8:1	4520cc	143-165kW (195-225)PS	TD2182 748
M 117.985	V8 Cyl.	8.8:1	4520cc	143-165kW (195-225)PS	TD5051 755
M 117.986	V8 Cyl.	8.8:1	4520cc	143-165kW (195-225)PS	TD2185 748

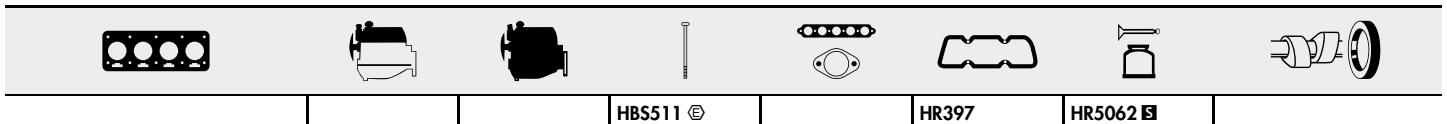
S-CLASS (W116)	08/72→04/80	SL (C107)	01/73→08/79	SL (R107)	10/72→10/80
	.KIT		KIT		
					FOL144 (x16) FOL147 (x16)

B x C x D	OE	MAT.	45°	Y	H	E x F x G
V94257 ■ 44.20 x 9.00 x 117.00	116 050 01 26	 MB cr	45°	Y	H	VAG96144B ■ 47.50 x 9.02 x 14.05
V95072 ■ 37.10 x 10.95 x 118.00	110 050 00 27	 MD cr	45°	ss		





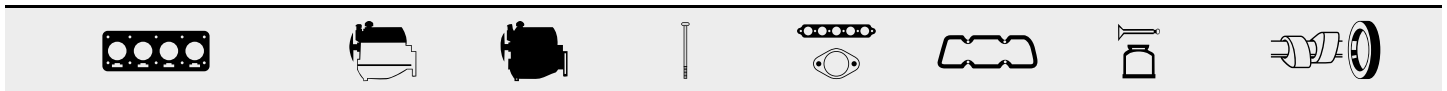
338	 92.90	Petrol			
M 272.960	V6 Cyl.	10.5:1	3498cc	200kW (272)PS	TD18417 756
M 272.963	V6 Cyl.	10.7:1	3498cc	200kW (272)PS	TD18434 756
M 272.964	V6 Cyl.	10.7:1	3498cc	200kW (272)PS	TD18429 756
M 272.965	V6 Cyl.	10.7:1	3498cc	200kW (272)PS	TD19146 756
M 272.966	V6 Cyl.	10.7:1	3498cc	200kW (272)PS	TD20926 756
M 272.967	V6 Cyl.	10.7:1	3498cc	200kW (272)PS	TD19148 756
M 272.970	V6 Cyl.	10.7:1	3498cc	200kW (272)PS	TD18418 756
M 272.971	V6 Cyl.	10.7:1	3498cc	200kW (272)PS	TD22145 756
M 272.972	V6 Cyl.	10.7:1	3498cc	200kW (272)PS	TD19145 756
M 272.974	V6 Cyl.	10.7:1	3498cc	200-205kW (272-279)PS	TD24808 757
M 272.975	V6 Cyl.	10.7:1	3498cc	200kW (272)PS	TD23759 756
M 272.977	V6 Cyl.	10.7:1	3498cc	200kW (272)PS	TD23775 757
M 272.978	6 Cyl.	10:1	3498cc	190kW (258)PS	TD20983 756
M 272.979	6 Cyl.	10.7:1	3498cc	190kW (258)PS	TD23619 756
M 272.980	V6 Cyl.	12.2:1	3498cc	200kW (272)PS	TD25144 757
M 272.982	V6 Cyl.	12.2:1	3498cc	215kW (292)PS	TD23777 757
M 272.983	V6 Cyl.	12.2:1	3498cc	215kW (292)PS	TD23778 757
M 272.984	V6 Cyl.	12.2:1	3498cc	215kW (292)PS	TD23726 756
M 272.985	6 Cyl.	12.2:1	3498cc	215kW (292)PS	TD19889 756
M 272.991	V6 Cyl.	12.2:1	3498cc	200kW (272)PS	TD25531 759
M 276.952	V6 Cyl.	12.2:1	3498cc	185-225kW (252-306)PS	TD26060 759



C-CLASS (CL203)	01/05→05/08	C-CLASS (S203)	01/05→08/07	C-CLASS (W203)	01/05→02/07
C-CLASS (W204)	07/07→	CLC-CLASS (CL203)	05/08→06/11	CLK (A209)	01/05→03/10
CLK (C209)	01/05→05/09	CLS (C218)	01/11→	CLS (C219)	10/04→12/10
CLS (X218)	10/12→	E-CLASS (A207)	01/10→	E-CLASS (C207)	01/09→
E-CLASS (S211)	03/05→07/09	E-CLASS (S212)	08/09→	E-CLASS (W211)	03/05→12/08
E-CLASS (W212)	01/09→	GLK-CLASS (X204)	06/08→	R-CLASS (W251, V251)	01/06→
S-CLASS (W221)	10/05→	SL (R230)	03/06→01/12	SLK (R171)	06/04→02/11
SPRINTER 3-t (906)	06/06→	SPRINTER 5-t (906)	06/06→	SPRINTER 3,5 (906)	06/06→
SPRINTER 4,6-t (906)	06/06→	VIANO (W639)	09/07→	VITO (W639)	09/07→
VITO / MIXTO (W639)	09/07→				



HBS511  | HR397 | HR5062 

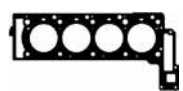
339	 92.90	Petrol			
M 273.923	V8 Cyl.	10.7:1	4663cc	250kW (340)PS	TD19210 756
GL-CLASS (X164)	09/06→				



AG8470  





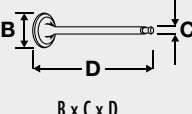
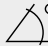

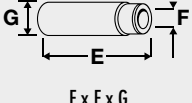
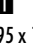


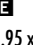
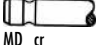






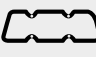




AG8470



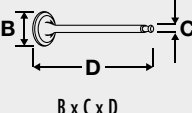
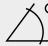

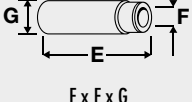
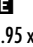








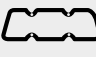






AG8480

MERCEDES-BENZ/SMART

340	 93.75	Petrol				
M 115.951	4 Cyl.	9:1	2308cc	81kW (110)PS	TD2149	762
M 115.952	4 Cyl.	8:1	2307cc	66kW (89)PS	TD2150	761
M 115.954	4 Cyl.	9:1	2308cc	80kW (109)PS	TD2151	762
M 115.955	4 Cyl.	9:1	2308cc	62-63kW (84-86)PS	TD2152	762
M 115.970	4 Cyl.	8:1	2307cc	66kW (89)PS	TD2153	761
M 115.971	4 Cyl.	8:1	2307cc	66kW (89)PS	TD17786	761
M 115.972	4 Cyl.	9:1	2308cc	62-63kW (84-86)PS	TD2154	762
M 115.973	4 Cyl.	9:1	2308cc	66-75kW (90-102)PS	TD2155	762
/8 (W115)		08/73→12/76	COUPE (C123)	05/77→04/80	G-CLASS (W460)	03/79→07/93
KOMBI (S123)		09/77→03/80	STUFENHECK (W123)	02/76→03/81	T1 (601)	04/77→10/89
T2/L		01/75→08/82				

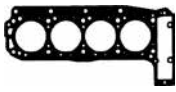
	OE	MAT.			
B x C x D					E x F x G
V35015 	115 050 02 26		45°	ss	VAG51028B 
46.96 x 8.95 x 128.62		MD			55.00 x 9.02 x 14.06
V95096 	115 050 00 27		45°	ss	VAG92200B 
37.00 x 10.95 x 113.20		MD cr			45.00 x 11.02 x 15.06
       					
 					

341	 93.75	Petrol				
M 115.974	4 Cyl.	8:1	2307cc	66kW (89)PS	TD17727	761
		OE	MAT.			
B x C x D						E x F x G
V95096 	115 050 00 27		45°	ss	VAG51028B 	
37.00 x 10.95 x 113.20		MD cr			55.00 x 9.02 x 14.06	
					VAG92200B 	
					45.00 x 11.02 x 15.06	
       						
 						

342	95.50	Petrol				
M 102.942	4 Cyl.	2298cc	70kW (95)PS	TD2070	763	
T1 (601)	04/77→02/96	T1 (602)	01/82→02/96	T1/TN	08/82→06/95	
		CAM633 →12/84 CAM377 01/85→				FOL82 (x8)

B x C x D	OE	MAT.				E x F x G
V91441 ■ 43.00 x 8.00 x 114.90	102 053 18 01	 MB cr	45°	H		VAG92378B ■ 46.00 x 8.00 x 14.05
V91958 ■ 39.00 x 9.00 x 115.80	102 050 03 27	 MD cr	45°			VAG96154B ■ 46.00 x 8.02 x 14.05
						VAG92379B ■ 51.00 x 9.00 x 14.05
						VAG96153B ■ 51.00 x 9.02 x 14.05

BH880 Fibre Composite	DH882 ☒		HBS047 Ⓞ M12x1.75x120.00mm (x10)	JD292 ■ (x4)	JN454 [39] JN607 [38]	HR756 ■	



BH880
 [38] for vehicles without ride height control [38] pour véhicules sans réglage de niveau [38] per veicoli senza impianto correzione altezza [38] para vehículos sin regulación de nivel
 [39] for vehicles with ride height control [39] pour véhicules avec correcteur d'assiette [39] per veicoli con impianto correzione altezza [39] para vehículos con regulación de nivel

MERCEDES-BENZ/SMART

343



95.50

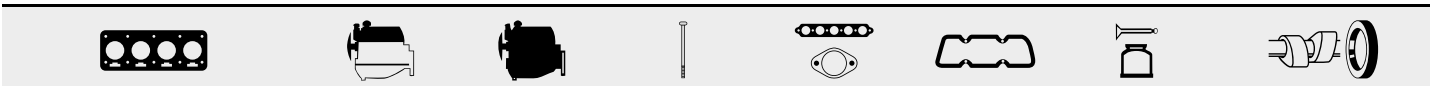
Petrol



M 102.943 4 Cyl. 8:1 2299cc 70kW (95)PS TD2071 763

T2/L 08/82→12/88

 B x C x D					 E x F x G					
OE	MAT.									
V91441 ■ 43.00 x 8.00 x 114.90	102 053 18 01 MB cr	45°	H		VAG92378B ■ 46.00 x 8.00 x 14.05					
V91445 ■ 46.10 x 7.97 x 114.90	102 053 17 01 MB cr	45°	H		VAG96154B ■ 46.00 x 8.02 x 14.05					
V91958 ■ 39.00 x 9.00 x 115.80	102 050 03 27 MD cr	45°			VAG92379B ■ 51.00 x 9.00 x 14.05					
					VAG96153B ■ 51.00 x 9.02 x 14.05					



BH880 Fibre Composite			HBS047 M12x1.75x120.00mm (x10)	JD292 ■ (x4)	JN454 [39] JN607 [38]	HR756 ■	
-----------------------	--	--	-----------------------------------	--------------	--------------------------	---------	--



BH880
 [38] for vehicles without ride height control [38] pour véhicules sans réglage de niveau [38] per veicoli senza impianto correzione altezza [38] para vehículos sin regulación de nivel
 [39] for vehicles with ride height control [39] pour véhicules avec correcteur d'assiette [39] per veicoli con impianto correzione altezza [39] para vehículos con regulación de nivel

344



95.50

Petrol

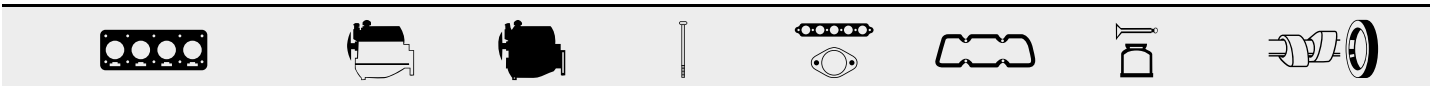


M 102.945 4 Cyl. 8:1 2299cc 77kW (105)PS TD2072 764

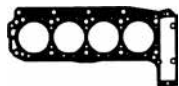
T1 (601) 05/89→02/96 T1/TN 08/82→06/95

		CAM377			FOL82 (x8)

 B x C x D					 E x F x G					
OE	MAT.									
V91441 ■ 43.00 x 8.00 x 114.90	102 053 18 01 MB cr	45°	H		VAG92378B ■ 46.00 x 8.00 x 14.05					
V91958 ■ 39.00 x 9.00 x 115.80	102 050 03 27 MD cr	45°			VAG96154B ■ 46.00 x 8.02 x 14.05					
					VAG92379B ■ 51.00 x 9.00 x 14.05					
					VAG96153B ■ 51.00 x 9.02 x 14.05					



BH880 Fibre Composite	DH882		HBS047 M12x1.75x120.00mm (x10)	JD292 ■ (x4)	JN454 [39] JN607 [38]	HR756 ■	
-----------------------	-------	--	-----------------------------------	--------------	--------------------------	---------	--

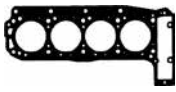


BH880
 [38] for vehicles without ride height control [38] pour véhicules sans réglage de niveau [38] per veicoli senza impianto correzione altezza [38] para vehículos sin regulación de nivel
 [39] for vehicles with ride height control [39] pour véhicules avec correcteur d'assiette [39] per veicoli con impianto correzione altezza [39] para vehículos con regulación de nivel

345	95.50	Petrol			
M 102.946	4 Cyl.	8:1	2299cc	70kW (95)PS	TD5397 763
T1 (601)	07/82→02/96	T2/LN1	04/86→12/94		
		CAM633 →12/84			FOL82 (x8)
		CAM377 01/85→			

B x C x D	OE	MAT.			E x F x G
V91441 ■ 43.00 x 8.00 x 114.90	102 053 18 01	 MB cr	45°	H	VAG92378B ■ 46.00 x 8.00 x 14.05
V91958 ■ 39.00 x 9.00 x 115.80	102 050 03 27	 MD cr	45°		VAG96154B ■ 46.00 x 8.02 x 14.05
					VAG92379B ■ 51.00 x 9.00 x 14.05
					VAG96153B ■ 51.00 x 9.02 x 14.05

BH880 Fibre Composite			HBS047 Ⓢ M12x1.75x120.00mm (x10)	JD292 ■ (x4)	JN454 [39]	HR756 ■	JN607 [38]



BH880
 [38] for vehicles without ride height control [38] pour véhicules sans réglage de niveau [38] per veicoli senza impianto correzione altezza [38] para vehículos sin regulación de nivel
 [39] for vehicles with ride height control [39] pour véhicules avec correcteur d'assiette [39] per veicoli con impianto correzione altezza [39] para vehículos con regulación de nivel

346	95.50	Petrol			
M 102.955	4 Cyl.	8:1	2299cc	63kW (86)PS	TD5240
B x C x D	OE	MAT.			E x F x G
V91325 ■ 32.10 x 6.97 x 108.30	74 84 801	 MG cr	45°	ss H	
V91366 ■ 29.10 x 6.97 x 108.30		 MD cr	45°	ss H	

MERCEDES-BENZ/SMART

347	95.50	Petrol				
M 102.958	4 Cyl.	8:1	2299cc	79kW (107)PS	TD17756	763
CAM633				FOL82 (x8)		

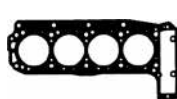
B x C x D	E x F x G
V91445	VAG92378B
102 053 17 01	46.00 x 8.00 x 14.05
46.10 x 7.97 x 114.90	VAG92379B
V91958	51.00 x 9.00 x 14.05
102 050 03 27	
39.00 x 9.00 x 115.80	

						HR756		

348	95.50	Petrol				
M 102.959	4 Cyl.		2299cc	70kW (95)PS	TD17795	765
CAM633				FOL82 (x8)		

B x C x D	E x F x G
V91445	VAG92378B
102 053 17 01	46.00 x 8.00 x 14.05
46.10 x 7.97 x 114.90	VAG92379B
V91958	51.00 x 9.00 x 14.05
102 050 03 27	
39.00 x 9.00 x 115.80	

BH880 Fibre Composite				JD292 (x4)	JN454 [39]	HR756		
					JN607 [38]			



BH880
 [38] for vehicles without ride height control
 [39] for vehicles with ride height control

[38] pour véhicules sans réglage de niveau
 [39] pour véhicules avec correcteur d'assiette

[38] per veicoli senza impianto correzione altezza
 [39] per veicoli con impianto correzione altezza

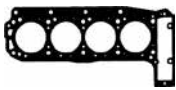
[38] para vehículos sin regulación de nivel
 [39] para vehículos con regulación de nivel

349	95.50	Petrol					
M 102.979	4 Cyl.	9:1	2299cc	90kW (122)PS		TD2081	766
M 102.996	4 Cyl.	9:1	2299cc	92kW (125)PS		TD11249	773
G-CLASS (W460)	05/87→08/92	G-CLASS (W461)	02/93→				

	.KIT		KIT		
		CAM377			FOL82 (x8)

B x C x D	E x F x G
V91445 ■	VAG92378B ■
102 053 17 01	46.00 x 8.00 x 14.05
46.10 x 7.97 x 114.90	
V91958 ■	VAG92379B ■
102 050 03 27	51.00 x 9.00 x 14.05
39.00 x 9.00 x 115.80	

BH880 Fibre Composite			HBS047 ⊕	JD182 ■	JN607	HR756 ■	
			M12x1.75x120.00mm (x10)	JD292 ■ (x4)			



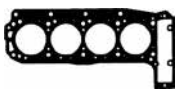
BH880

350	95.50	Petrol					
M 102.980	4 Cyl.	9:1	2299cc	100kW (136)PS		TD2082	767
COUPE (C123)	04/80→12/85	E-CLASS (W123)	04/80→12/85	KOMBI (S123)	04/80→11/85		

	.KIT		KIT		
		CAM633			FOL82 (x8)

B x C x D	E x F x G
V91445 ■	VAG92378B ■
102 053 17 01	46.00 x 8.00 x 14.05
46.10 x 7.97 x 114.90	
V91958 ■	VAG92379B ■
102 050 03 27	51.00 x 9.00 x 14.05
39.00 x 9.00 x 115.80	

BH880 Fibre Composite			HBS047 ⊕	JD182 ■	JN454 [39]	HR756 ■	
			M12x1.75x120.00mm (x10)	JD292 ■ (x4)	JN607 [38]		
				JE5026			



BH880

[38] for vehicles without ride height control [38] pour véhicules sans réglage de niveau [38] per veicoli senza impianto correzione altezza [38] para vehículos sin regulación de nivel
 [39] for vehicles with ride height control [39] pour véhicules avec correcteur d'assiette [39] per veicoli con impianto correzione altezza [39] para vehículos con regulación de nivel

MERCEDES-BENZ/SMART

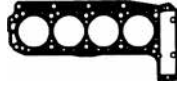
351	95.50	Petrol				
M 102.981	4 Cyl.	9:1	2299cc	92kW (125)PS	TD2083	768
G-CLASS (W460) 04/82→08/92						

CAM633			FOL82 (x8)		

B x C x D	E x F x G
V91445 ■ 46.10 x 7.97 x 114.90	VAG92378B ■ 46.00 x 8.00 x 14.05
V91958 ■ 39.00 x 9.00 x 115.80	VAG92379B ■ 51.00 x 9.00 x 14.05

--	--	--	--	--	--	--	--

BH880 Fibre Composite		HBS047 ⊕ M12x1.75x120.00mm (x10)	JD182 ■ JD292 ■ (x4)	JN454 [39] JN607 [38]	HR756 ■
------------------------------	--	--	---------------------------------------	--	----------------



BH880
 [38] for vehicles without ride height control [38] pour véhicules sans réglage de niveau [38] per veicoli senza impianto correzione altezza [38] para vehículos sin regulación de nivel
 [39] for vehicles with ride height control [39] pour véhicules avec correcteur d'assiette [39] per veicoli con impianto correzione altezza [39] para vehículos con regulación de nivel

352	95.50	Petrol				
M 102.982	4 Cyl.	9:1	2299cc	97-100kW (132-136)PS	TD4656	769
M 102.985	4 Cyl.	9:1	2299cc	92/100kW (125/136)PS	TD4657	771

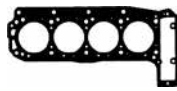
190 (W201) KOMBI (S124)	10/82→08/93 09/85→08/92	COUPE (C124)	03/87→12/92	E-CLASS (W124)	12/84→06/93
--	----------------------------	---------------------	-------------	-----------------------	-------------

CAM377			FOL82 (x8)		

B x C x D	E x F x G
V91445 ■ 46.10 x 7.97 x 114.90	VAG92378B ■ 46.00 x 8.00 x 14.05
V91958 ■ 39.00 x 9.00 x 115.80	VAG92379B ■ 51.00 x 9.00 x 14.05

--	--	--	--	--	--	--	--

BH880 Fibre Composite	DH882 ☒	HBS047 ⊕ M12x1.75x120.00mm (x10)	JD182 ■ JD292 ■ (x3) JD293 ■ (x1)	JN454 [39] JN607 [38]	HR756 ■
------------------------------	----------------	--	--	--	----------------



BH880
 [38] for vehicles without ride height control [38] pour véhicules sans réglage de niveau [38] per veicoli senza impianto correzione altezza [38] para vehículos sin regulación de nivel
 [39] for vehicles with ride height control [39] pour véhicules avec correcteur d'assiette [39] per veicoli con impianto correzione altezza [39] para vehículos con regulación de nivel

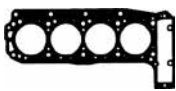
353	95.50	Petrol							
M 102.983	4 Cyl.	10.5:1	2299cc	92kW (125)PS				TD2086	770
190 (W201)	04/84→08/88								

B x C x D	OE	MAT.				E x F x G	
V94283 ■	102 053 14 01		45°		H	VAG96224B ■	
38.00 x 7.00 x 111.70		MB				45.50 x 7.02 x 13.05	
V94376 ■	102 050 11 27		45°	ss	H	VAG96227B ■	
33.00 x 8.00 x 111.50		ME cr				43.00 x 8.02 x 13.05	
			HBS047 ⊕				
			M12x1.75x120.00mm (x10)				
			HBS149 ⊕				
			M12x1.75x110.00mm (x10)				
			Eng.791→				
			→Eng.790				

354	95.50	Petrol							
M 102.987	4 Cyl.	9:1	2299cc	90-92kW (122-125)PS				TD2089	768
M 102.989	4 Cyl.	9:1	2299cc	93kW (126)PS				TD2091	772

G-CLASS (W460)	04/82→08/92	G-CLASS (W463)	06/90→06/93						
		CAM377						FOL82 (x8)	

B x C x D	OE	MAT.				E x F x G	
V91445 ■	102 053 17 01		45°		H	VAG92378B ■	
46.10 x 7.97 x 114.90		MB cr				46.00 x 8.00 x 14.05	
V91958 ■	102 050 03 27		45°			VAG92379B ■	
39.00 x 9.00 x 115.80		MD cr				51.00 x 9.00 x 14.05	
BH880 Fibre Composite			HBS047 ⊕			JD182 ■	
			M12x1.75x120.00mm (x10)			JD292 ■ (x4)	
						JN454 [39]	
						JN607 [38]	
						HR756 ■	



BH880
 [38] for vehicles without ride height control [38] pour véhicules sans réglage de niveau [38] per veicoli senza impianto correzione altezza [38] para vehículos sin regulación de nivel
 [39] for vehicles with ride height control [39] pour véhicules avec correcteur d'assiette [39] per veicoli con impianto correzione altezza [39] para vehículos con regulación de nivel

MERCEDES-BENZ/SMART

355	95.50	Petrol			
M 102.997	4 Cyl.	9:1	2299cc	92kW (125)PS	TD17724 774
G-CLASS (W461) 06/93→					

	.KIT		KIT		
CAM377			FOL82 (x8)		

	OE	MAT.			
B x C x D			45°	H	E x F x G
V91445 ■	102 053 17 01		45°	H	VAG92378B ■
46.10 x 7.97 x 114.90		MB cr			46.00 x 8.00 x 14.05
V91958 ■	102 050 03 27		45°		VAG92379B ■
39.00 x 9.00 x 115.80		MD cr			51.00 x 9.00 x 14.05

--	--	--	--	--	--	--	--	--

BH880 Fibre Composite						HR756 ■	
BH880							

356	95.50	Petrol			
M 102.998	4 Cyl.	8:1	2299cc	92kW (125)PS	TD17725 763

	.KIT		KIT		
CAM377			FOL82 (x8)		

	OE	MAT.			
B x C x D			45°	H	E x F x G
V91445 ■	102 053 17 01		45°	H	VAG92378B ■
46.10 x 7.97 x 114.90		MB cr			46.00 x 8.00 x 14.05
V91958 ■	102 050 03 27		45°		VAG92379B ■
39.00 x 9.00 x 115.80		MD cr			51.00 x 9.00 x 14.05

--	--	--	--	--	--	--	--

BH880 Fibre Composite				JD182 ■	JN454 [39]	HR756 ■	
				JD292 ■ (x4)	JN607 [38]		
BH880							

[38] for vehicles without ride height control [38] pour véhicules sans réglage de niveau [38] per veicoli senza impianto correzione altezza [38] para vehículos sin regulación de nivel
 [39] for vehicles with ride height control [39] pour véhicules avec correcteur d'assiette [39] per veicoli con impianto correzione altezza [39] para vehículos con regulación de nivel

357	95.50	Petrol				
M 102.990	4 Cyl.	9.7:1	2499cc	143kW (195)PS	TD2092	776
M 102.991	4 Cyl.	9.7:1	2499cc	143kW (195)PS	TD2093	776
M 102.992	4 Cyl.	9.7:1	2498cc	173kW (235)PS	TD2094	775
190 (W201)	09/88→08/93					

B x C x D	OE	MAT.				E x F x G
V94283	102 053 14 01		45°		H	VAG96224B
38.00 x 7.00 x 111.70		MB				45.50 x 7.02 x 13.05
V94376	102 050 11 27		45°	ss	H	VAG96227B
33.00 x 8.00 x 111.50		ME cr				43.00 x 8.02 x 13.05
HBS150 M12x1.75x102.00mm (x10)						

358	96.50	Petrol				
M 117.960	V8 Cyl.	8.8:1	4973cc	138-195kW (187-265)PS	TD2170	777
M 117.961	V8 Cyl.	8.8:1	4973cc	138-195kW (187-265)PS	TD2172	777
S-CLASS (W126)	12/79→08/85	SL (C107)	06/78→02/80	SL (R107)	05/80→08/89	

B x C x D	OE	MAT.				E x F x G
V94257	116 050 01 26		45°	Y	H	VAG96144B
44.20 x 9.00 x 117.00		MB cr				47.50 x 9.02 x 14.05
V94286	117 050 01 26		45°	Y	H	VAG96139B
46.20 x 9.00 x 117.00		MB cr				50.50 x 9.02 x 15.05
						VAG96147B
						54.00 x 9.02 x 15.05

359	96.50	Petrol				
M 117.962	V8 Cyl.	9.2:1	4973cc	170kW (231)PS	TD17728	778
M 117.963	V8 Cyl.	9.2:1	4973cc	138-195kW (187-265)PS	TD2174	777
M 117.964	V8 Cyl.	9.2:1	4973cc	138-195kW (187-265)PS	TD2175	779
M 117.965	V8 Cyl.		4973cc	138-195kW (187-265)PS	TD4670	780
G-CLASS (W463)	09/93→	S-CLASS (C126)	08/80→06/91	S-CLASS (W126)	12/79→06/91	
SL (R107)	01/86→08/89					

B x C x D	OE	MAT.				E x F x G
V94257	116 050 01 26		45°	Y	H	VAG96144B
44.20 x 9.00 x 117.00		MB cr				47.50 x 9.02 x 14.05
V94286	117 050 01 26		45°	Y	H	VAG96139B
46.20 x 9.00 x 117.00		MB cr				50.50 x 9.02 x 15.05
						VAG96147B
						54.00 x 9.02 x 15.05

MERCEDES-BENZ/SMART

360	96.50	Petrol				
M 119.960	V8 Cyl.	10:1	4973cc	235-240kW (320-326)PS	TD2186	781
M 119.970	V8 Cyl.	10:1	4973cc	235kW (320)PS	TD2187	782
M 119.972	V8 Cyl.		4973cc	235-240kW (320-326)PS	TD2189	783
M 119.974	V8 Cyl.	10:1	4973cc	235-240kW (320-326)PS	TD2190	782
E-CLASS (W124)	06/93→06/95	S-CLASS (C140)	10/92→02/99	S-CLASS (W140)	02/91→10/98	
SL (R129)	09/89→10/01	STUFENHECK (W124)	01/91→06/93			

	.KIT.		KIT		
					FOL124 (x32) FOL147 (x32)

 B x C x D	OE	MAT.				 G x F x G
V94532	119 053 18 01		45°		H	VAG96142B
38.00 x 7.00 x 95.80						35.50 x 7.02 x 13.55
V94534	119 050 10 27		45°	ss	H	VAG96169B
33.00 x 7.00 x 102.60						40.50 x 7.02 x 13.56
						VAG96096
						37.60 x 7.00 x 12.55
						VAG96178
						37.50 x 7.02 x 12.76

					HR5055 (x2)	NC065	30.00x40.00x7.00mm FPM

361	96.50	Petrol				
M 119.980	V8 Cyl.	10:1	4973cc	235kW (320)PS	TD19044	782
M 119.982	V8 Cyl.	10:1	4973cc	235kW (320)PS	TD20346	782
S-CLASS (W140)	01/93→10/98	SL (R129)	09/92→10/01			

	.KIT.		KIT		
					FOL124 (x32) FOL147 (x32)

 B x C x D	OE	MAT.				 G x F x G
V94532	119 053 18 01		45°		H	VAG96142B
38.00 x 7.00 x 95.80						35.50 x 7.02 x 13.55
V94534	119 050 10 27		45°	ss	H	VAG96169B
33.00 x 7.00 x 102.60						40.50 x 7.02 x 13.56
						VAG96096
						37.60 x 7.00 x 12.55
						VAG96178
						37.50 x 7.02 x 12.76

362		96.50	Petrol		
M 119.985 (AMG 5.0)	V8 Cyl.	11:1	4973cc	255kW (347)PS	TD9891
E-CLASS (W210)		02/96→08/97			

B x C x D	OE	MAT.	45°	H	E x F x G	
V94532 ■	119 053 18 01		45°	H	VAG96142B ■	
38.00 x 7.00 x 95.80		MB cr			35.50 x 7.02 x 13.55	
					VAG96169B ■	
					40.50 x 7.02 x 13.56	
					VAG96096 ■ ■	
					37.60 x 7.00 x 12.55	
					VAG96178 ■ ■	
					37.50 x 7.02 x 12.76	

363		96.50	Petrol		
M 117.967	V8 Cyl.	10:1	5547cc	178kW (242)PS	TD2177 784



B x C x D	OE	MAT.	45°	Y	H	E x F x G	
V94257 ■	116 050 01 26		45°	Y	H	VAG96144B ■	
44.20 x 9.00 x 117.00		MB cr				47.50 x 9.02 x 14.05	
V94286 ■	117 050 01 26		45°	Y	H	VAG96139B ■	
46.20 x 9.00 x 117.00		MB cr				50.50 x 9.02 x 15.05	

364		96.50	Petrol		
M 117.968	V8 Cyl.	10:1	5547cc	178-220kW (242-300)PS	TD2178 785

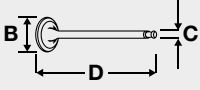




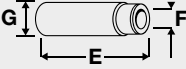

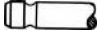



B x C x D	OE	MAT.	45°	Y	H	E x F x G	
V94257 ■	116 050 01 26		45°	Y	H	VAG96144B ■	
44.20 x 9.00 x 117.00		MB cr				47.50 x 9.02 x 14.05	
V94286 ■	117 050 01 26		45°	Y	H	VAG96139B ■	
46.20 x 9.00 x 117.00		MB cr				50.50 x 9.02 x 15.05	






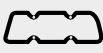







								JE5073



MERCEDES-BENZ/SMART

365	 97.00	Petrol				
M 112.970	V6 Cyl.	10:1	3724cc	173-180kW (235-245)PS	TD17532	786
M 112.972	V6 Cyl.	10:1	3724cc	180kW (245)PS	TD17189	786
M 112.973	V6 Cyl.	10:1	3724cc	180kW (245)PS	TD17537	787
M 112.975	V6 Cyl.	10:1	3724cc	180kW (245)PS	TD17190	786
M 112.976	V6 Cyl.	10:1	3724cc	170kW (231)PS	TD18426	786

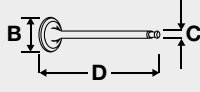

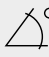


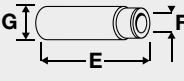




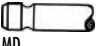
M-CLASS (W163)	08/02 → 06/05	S-CLASS (W220)	09/02 → 08/05	SL (R230)	03/03 → 01/12
VIANO (W639)	06/04 →	VITO (W639)	06/04 →	VITO / MIXTO (W639)	06/04 → 07/08

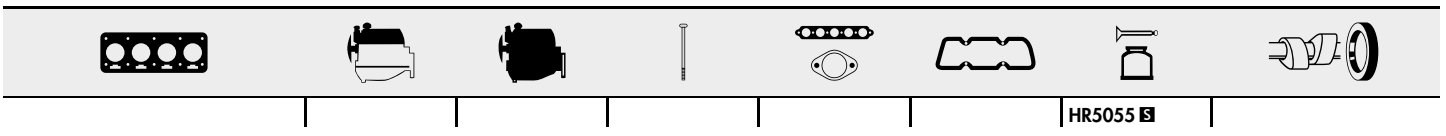
						
B x C x D	OE	MAT.				E x F x G
V94392 	113 053 0201	 MB	45°		H	VAG96097 
38.00 x 7.00 x 119.10						50.00 x 7.03 x 12.76
V94393 	113 050 0327	 MD	45°	ss		
43.00 x 7.00 x 121.80						


							
			HBS463  M11x1.50x141.00mm (x8)	JD5385  (x2) JD5386 	JM5236  (Elastomer) JM5237  (Elastomer)		

366	 97.00	Petrol				
M 113.960	V8 Cyl.	10:1	4966cc	220kW (299)PS	TD11493	787
M 113.964	V8 Cyl.	10:1	4966cc	220kW (299)PS	TD17011	787
M 113.965	V8 Cyl.	10:1	4966cc	215kW (292)PS	TD17308	787
M 113.966	V8 Cyl.	10:1	4966cc	225kW (306)PS	TD17191	787
M 113.967	V8 Cyl.	10:1	4966cc	220kW (299)PS	TD17006	787
M 113.968	V8 Cyl.	10:1	4966cc	220kW (299)PS	TD16887	787
M 113.969	V8 Cyl.	10:1	4966cc	225kW (306)PS	TD17332	787
M 113.971	V8 Cyl.	10:1	4966cc	225kW (306)PS	TD18972	787
M 113.980	V8 Cyl.	10:1	5439cc	260kW (354)PS	TD9890	787
M 113.981	V8 Cyl.	10:1	5439cc	255kW (347)PS	TD14889	787
M 113.982	V8 Cyl.	10.5:1	5439cc	260kW (354)PS	TD16896	788
M 113.984	V8 Cyl.	10:1	5439cc	255kW (347)PS	TD15457	787
M 113.986	V8 Cyl.	10.5:1	5439cc	265kW (360)PS	TD16891	788
M 113.987	V8 Cyl.	11:1	5439cc	270kW (367)PS	TD16890	789
M 113.988	V8 Cyl.	11:1	5439cc	270kW (367)PS	TD17931	788
M 113.989	V8 Cyl.	10.5:1	5439cc	265kW (360)PS	TD18433	788
M 113.990	V8 Cyl.	9:1	5439cc	350kW (476)PS	Supercharged TD17330	789
M 113.991	V8 Cyl.	9:1	5439cc	368kW (500)PS	Supercharged TD17193	789
M 113.992	V8 Cyl.	9:1	5439cc	350-368kW (476-500)PS	Supercharged TD16889	789
M 113.995	V8 Cyl.	9:1	5439cc	380kW (517)PS	Supercharged TD23757	789

C-CLASS (S203)	02/04→08/07	C-CLASS (W203)	02/04→02/07	CLK (A208)	01/00→03/02
CLK (A209)	02/03→03/10	CLK (C208)	08/99→06/02	CLK (C209)	06/02→05/09
CLS (C219)	10/04→12/10	E-CLASS (S210)	08/97→03/03	E-CLASS (S211)	07/03→07/09
E-CLASS (W210)	08/97→03/02	E-CLASS (W211)	03/02→12/08	G-CLASS (W463)	04/99→
M-CLASS (W163)	02/00→06/05	M-CLASS (W164)	07/05→	R-CLASS (W251, V251)	01/06→
S-CLASS (C215)	03/99→03/06	S-CLASS (W220)	10/98→08/05	SL (R230)	10/01→01/12
SLK (R171)	06/04→02/11				

 B x C x D	OE	 MAT.	 45°	 ss	 H	 E x F x G
V94392 	113 053 0201	 MB	45°		H	VAG96097  50.00 x 7.03 x 12.76
V94393 	113 050 0327	 MD	45°	ss		



HR5055 

MERCEDES-BENZ/SMART

367	97.00	Petrol			
M 113.961	V8 Cyl.	10:1	4966cc	220kW (299)PS	TD11495 786
M 113.962	V8 Cyl.	10:1	4966cc	220kW (299)PS	TD12027 786
M 113.963	V8 Cyl.	10:1	4966cc	220kW (299)PS	TD16886 786
G-CLASS (W463)	04/98→	SL (R129)	05/98→10/01	SL (R230)	10/01→01/12

B x C x D	OE	MAT.	45°	H	E x F x G
V94392 38.00 x 7.00 x 119.10	113 053 0201	MB	45°		VAG96097 50.00 x 7.03 x 12.76
V94393 43.00 x 7.00 x 121.80	113 050 0327	MD	45° ss		

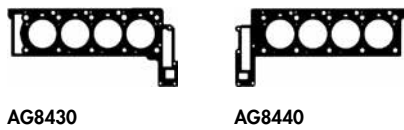
				JD5386		HR5055	

368	97.00	Petrol			
M 113.985	V8 Cyl.	10.5:1	5439cc	260kW (354)PS	TD16888 789
SL (R129)	03/00→10/01				

				JD5386			

369	97.20	Petrol			
M 273.960	V8 Cyl.	10.7:1	5461cc	285kW (388)PS	TD20737 790
M 273.961	V8 Cyl.	10.7:1	5461cc	285kW (388)PS	TD19147 790
CLS (C219)	04/06→	E-CLASS (S211)	04/06→07/09	E-CLASS (W211)	04/06→12/08
S-CLASS (C216)	06/06→	S-CLASS (W221)	10/05→		

AG8440 AG8430			HBS511		HR397	HR791	



370	98.00	Petrol			
M 273.962	V8 Cyl.	10.7:1	5461cc	285kW (388)PS	TD20990 792
M 273.963	V8 Cyl.	10.7:1	5461cc	285kW (388)PS	TD19209 792
M 273.965	V8 Cyl.	10.7:1	5461cc	285kW (388)PS	TD19212 792
M 273.966	V8 Cyl.	10.7:1	5461cc	285kW (388)PS	TD23725 792
M 273.967	V8 Cyl.	10.7:1	5461cc	285kW (388)PS	TD21180 792
M 273.968	V8 Cyl.	10.7:1	5461cc	285kW (388)PS	TD20908 792
M 273.970	V8 Cyl.	10.7:1	5461cc	285kW (388)PS	TD23779 791
M 273.971	V8 Cyl.	10.7:1	5461cc	285kW (388)PS	TD23780 791

CLK (A209)	06/06→03/10	CLK (C209)	06/06→05/09	E-CLASS (A207)	01/10→
E-CLASS (C207)	01/09→	E-CLASS (S211)	04/06→07/09	E-CLASS (S212)	11/09→
E-CLASS (W211)	04/06→12/08	E-CLASS (W212)	01/09→	G-CLASS (W463)	05/08→
GL-CLASS (X164)	09/06→	M-CLASS (W164)	12/07→	R-CLASS (W251, V251)	01/07→
S-CLASS (C216)	02/08→	S-CLASS (W221)	10/05→	SL (R230)	03/06→01/12

AG8440 MLS	AG8430 MLS	HBS511	HR397	HR791
AG8430	AG8440			

371	100.00	Petrol			
M 122.981	8 Cyl.	5956cc	280kW (381)PS	TD24543	
SL (R129)	05/97→10/01				

B x C x D	OE	MAT.	E x F x G
V94288	104 053 14 01	 MB	VAG96149
35.00 x 7.00 x 101.50			37.50 x 7.02 x 12.59
V94370	111 053 11 01	 MB	
35.00 x 7.00 x 101.50			
V94371	611 050 01 27	 MD	
31.00 x 7.00 x 103.50			

372	80.00	Petrol				
901.01	6 Cyl.	9.8:1	1990cc	81/96/118kW (110/130/160)PS	TD10287	795
901.03	6 Cyl.	9.8:1	1990cc	81/96/118kW (110/130/160)PS	TD5409	795
901.13	6 Cyl.	10:1	1990cc	81/96/118kW (110/130/160)PS	TD5410	795
911	01/63→02/72					

<p>B x C x D</p>	OE	MAT.		<p>E x F x G</p>
				VAG96168B III E 51.00 x 9.02 x 13.07

373	82.50	Petrol				
616.15	4 Cyl.	9.3:1	1582cc	55kW (75)PS	TD20989	797
356	01/55→12/65					

<p>B x C x D</p>	OE	MAT.		<p>E x F x G</p>
V94263 III 38.00 x 9.99 x 118.00	616.105.402.00		45° Y H	
V94264 E 34.00 x 10.00 x 128.50	616.105.406.01		45° ss	

374	83.00	Diesel				
M 05.9D	V6 Cyl.	2967cc	176kW (239)PS	TD27056	799	
CAYENNE (955)	02/09→					

									NA5001 32.00x47.00x10.00mm FPM

375	84.00	Petrol				
911.01	6 Cyl.	9:1	2179cc	114kW (155)PS	TD5411	800
911.02	6 Cyl.	9.8:1	2179cc	132kW (180)PS	TD5413	801
911.04	6 Cyl.	9:1	2179cc	114kW (155)PS	TD5412	800
911	09/69→02/72					

<p>B x C x D</p>	OE	MAT.		<p>E x F x G</p>
V94266 III 46.00 x 9.00 x 114.60	911.105.411.20		45° Y H	VAG96168B III E 51.00 x 9.02 x 13.07
V94267 E 40.00 x 9.00 x 113.50	911.105.415.20		45° ss H	

376	84.00	Petrol				
M02.2Y	V6 Cyl.	11.5:1	3189cc	177-184kW (241-250)PS	TD23319	806
CAYENNE (955)	10/03→					

B x C x D	Ex F x G				
OE	MAT.				
V95085	022 109 601G		45°	Y	H
33.20 x 5.98 x 102.40		MB			
V95086	022 109 611N		45°	ss	H
30.20 x 5.97 x 102.20		MG cr			

AG9610 MLS	CG9610			JD5874	JM7045	PA5041 (x24)	
				(FPM)	(Elastomer)	6.00/12.20x10.00	(FPM)

377	84.00	Petrol				
M 48.10	V6 Cyl.	11.5:1	3189cc	184kW (250)PS	TD18467	807

AG9610 MLS	CG9610			JD5874			
				(FPM)			

378	85.50	Petrol				
M 96.20	6 Cyl.	11:1	2480cc	150kW (204)PS	TD5460	














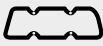


						PA5041 (x24)	
						6.00/12.20x10.00	(FPM)
						HR5055	














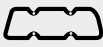


379	86.50	Petrol					
M 31.01	4 Cyl.	7.5:1	1984cc	125kW (170)PS	Turbocharged	TD2972	808



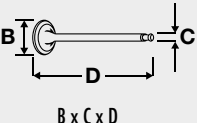
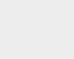

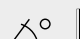

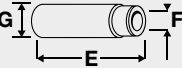

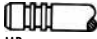


TB108	TBK016						
121x18	Component No:TB108; AE1015TP						



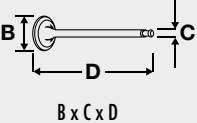
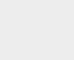

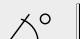

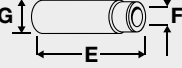



							NA5001
							32.00x47.00x10.00mm FPM



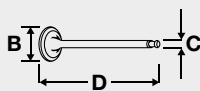
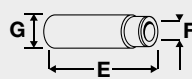


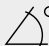


PORSCHE



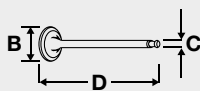
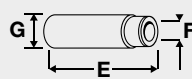




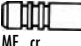
380	 86.50	Petrol					
M 31.03	4 Cyl.	8.5:1	1984cc	130kW (177)PS	Turbocharged	TD2973	808
M 31.50	4 Cyl.		1984cc	154kW (210)PS	Turbo Intercooled	TD2974	808
924	06/80 → 10/86						
							
TB108 121x18	TBK016 →07/85 Component No:TB108; AE1015TP						
							
							NA5001 32.00x47.00x10.00mm FPM



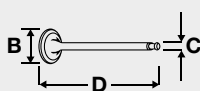
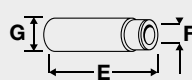




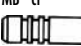
381	 86.50	Petrol					
XJ	4 Cyl.	9.3:1	1984cc	92kW (125)PS		TD2994	809
XK	4 Cyl.	9.3:1	1984cc	92kW (125)PS		TD2995	
924	11/75 → 08/89						
							
TB108 121x18 →07/85, Driven unit: camshaft	TBK016 →07/85 Driven unit: camshaft Component No:TB108; AE1015TP						
							
							NA5001 32.00x47.00x10.00mm FPM









382	 90.00	Petrol					
W	4 Cyl.	8.2:1	1679cc	59kW (80)PS		TD18881	810
914	01/69 → 12/73						
							
V94546  39.20 x 8.00 x 117.05	OE 021 109 601	MAT.  MB	30°	H	VAG96228B  66.50 x 9.02 x 13.05		



383	 90.00	Petrol					
911.93	6 Cyl.		2687cc	129kW (175)PS		TD5419	812
911	08/73 → 01/76						
							
V94546  39.20 x 8.00 x 117.05	OE	MAT.	30°	H	VAG96168B  51.00 x 9.02 x 13.07		





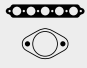
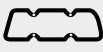

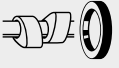

384	 94.00	Petrol				
GB	4 Cyl.	8:1	1971cc	74kW (100)PS	TD18879	818
914	01/72 → 12/75					
 <p>B x C x D</p>			 <p>E x F x G</p>			
V34410 	022 109 612E		45°			
33.00 x 8.91 x 117.20		MD				



385	 95.00	Petrol					
930.52	6 Cyl.	6.5:1	2993cc	191kW (260)PS	Turbocharged	TD21395	823
911	01/75 → 12/77						
 <p>B x C x D</p>			 <p>E x F x G</p>				
V94270 	930.105.409.02		45°	ss	H	VAG96168B 	
49.90 x 9.00 x 110.10		MG cr				51.00 x 9.02 x 13.07	
V94269 	930.105.419.03		45°	ss	H		
41.50 x 9.00 x 108.40		ME cr					

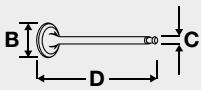



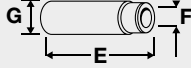

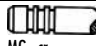

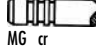

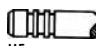




386	 95.00	Petrol				
930.20	6 Cyl.	10.3:1	3164cc	170kW (231)PS	TD2944	824
930.25	6 Cyl.	10:1	3164cc	160kW (218)PS	TD2946	824
911	08/83 → 08/89					
 <p>B x C x D</p>			 <p>E x F x G</p>			
V94268 	930.105.409.01		45°	Y	H	VAG96168B 
49.00 x 9.00 x 110.10		MB cr				51.00 x 9.02 x 13.07
V94265 	930.105.419.08		45°	ss	H	
41.50 x 9.00 x 108.40		MG cr				



387	 95.00	Petrol				
M 28.10	V8 Cyl.	10:1	4474cc	177kW (240)PS	TD18880	826
928	09/77 → 08/82					
 		  <p>KIT</p>				
TB600	219x25.4					
→ 12/81, Driven unit: camshaft						







388	 96.00	Petrol				
M 96.01	6 Cyl.	11.3:1	3387cc	221kW (300)PS	TD9460	827
M 96.02	6 Cyl.	11.3:1	3387cc	221kW (301)PS	TD17343	827
M 96.04	6 Cyl.	11.3:1	3387cc	221kW (300)PS	TD17342	827
911 (996)	09/97→09/01					

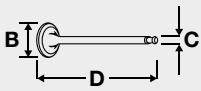



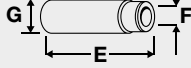

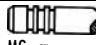

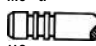




							
						PA5041 (x24) 6.00/12.20x10.00 (FPM) HR5055 	



389	 97.00	Petrol					
930.60	6 Cyl.		3299cc	221/243kW (300/330)PS	Turbo Intercooled	TD2948	831
930.66/68	6 Cyl.	7.1:1	3299cc	210-221kW (282-300)PS	Turbo Intercooled	TD2949	831
911	09/77→11/90						







					
B x C x D	OE	MAT.	45°	ss	H
V94270 	930.105.409.02	 MG cr	45°	ss	H
49.90 x 9.00 x 110.10					
V94265 	930.105.419.08	 MG cr	45°	ss	H
41.50 x 9.00 x 108.40					
01/86→					
V94269 	930.105.419.03	 ME cr	45°	ss	H
41.50 x 9.00 x 108.40					
					VAG96168B  
					51.00 x 9.02 x 13.07
					VAG96177B  
					51.00 x 9.02 x 13.06



390	 97.00	Petrol					
M 30.69	6 Cyl.	7:1	3299cc	235/261kW (320/355)PS	Turbo Intercooled	TD2934	831
911 (964)	08/90→09/93						







					
TB526			KIT		
78x20					

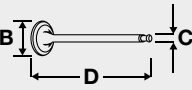
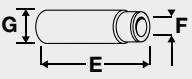

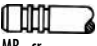


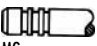

					
B x C x D	OE	MAT.	45°	ss	H
V94270 	930.105.409.02	 MG cr	45°	ss	H
49.90 x 9.00 x 110.10					
V94265 	930.105.419.08	 MG cr	45°	ss	H
41.50 x 9.00 x 108.40					
					VAG96168B  
					51.00 x 9.02 x 13.07
					VAG96177B  
					51.00 x 9.02 x 13.06



391	 97.00	Petrol					
M 30.69S	6 Cyl.		3299cc	235/261kW (320/355)PS	Turbo Intercooled	TD5406	831
911 (964)	06/91→12/92						

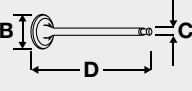
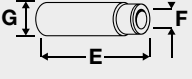




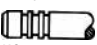

					
TB526			KIT		
78x20					
Driven unit: power-steering pump					



392	 97.00	Petrol				
M 28.11	V8 Cyl.	10:1	4664cc	221kW (300)PS	TD2954	833
M 28.12	V8 Cyl.	10:1	4664cc	221kW (300)PS	TD2955	833
928	09/79 → 07/83					







					
TB600 219x25.4 →12/81					

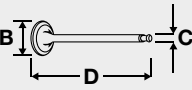
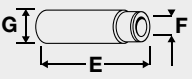

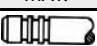

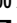
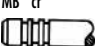

						
B x C x D	OE	MAT.	45°	Y	H	E x F x G
V94335 	928.105.409.03		45°	Y	H	VAG96183B 
45.00 x 9.00 x 111.50		MB cr				40.50 x 9.02 x 13.08
V94408 	928.105.410.04		45°	ss	H	
40.00 x 9.00 x 112.30		MG cr				

393	 97.00	Petrol				
M 28.21	V8 Cyl.	10:1	4664cc	228kW (310)PS	TD2960	833
M 28.22	V8 Cyl.	10:1	4664cc	228kW (310)PS	TD2961	833
928	08/83 → 07/86					



						
B x C x D	OE	MAT.	45°	Y	H	E x F x G
V94335 	928.105.409.03		45°	Y	H	VAG96183B 
45.00 x 9.00 x 111.50		MB cr				40.50 x 9.02 x 13.08
V94408 	928.105.410.04		45°	ss	H	
40.00 x 9.00 x 112.30		MG cr				







394	 100.00	Petrol				
M 44.01	4 Cyl.	10.6:1	2479cc	120kW (163)PS	TD2975	834
M 44.09	4 Cyl.		2479cc	118kW (160)PS	TD2983	836
M 44.10	4 Cyl.		2479cc	118kW (160)PS	TD2984	836
924	10/81 → 07/88		944	06/81 → 12/90		



					
TB498 110x15 Driven unit: balance shaft					
TB499 117x19 Driven unit: camshaft					

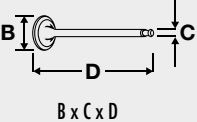




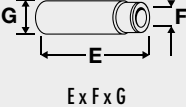

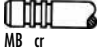



						
B x C x D	OE	MAT.	45°	Y	H	E x F x G
V94335 	928.105.409.03		45°	Y	H	VAG96183B 
45.00 x 9.00 x 111.50		MB cr				40.50 x 9.02 x 13.08
V94408 	928.105.410.04		45°	ss	H	
40.00 x 9.00 x 112.30		MG cr				



PORSCHE







395	 100.00	Petrol					
M 44.02	4 Cyl.	2479cc	110kW (150)PS	TD2976	834		
M 44.50	4 Cyl.	8:1	2479cc	162kW (220)PS	Turbo Intercooled	TD2991	836
M 44.52	4 Cyl.	2479cc	184kW (250)PS	Turbo Intercooled	TD2993	836	
944	01/85 → 07/91						

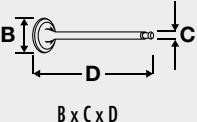




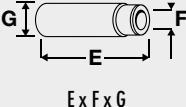

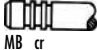



					
TB498 110x15 Driven unit: balance shaft					
TB499 117x19 Driven unit: camshaft					



396	 100.00	Petrol				
M 44.03	4 Cyl.	2479cc	120kW (163)PS	TD2977	834	
M 44.06	4 Cyl.	10.6:1	2479cc	120kW (163)PS	TD2980	834
924	10/81 → 12/84					
	944	06/81 → 07/87				







	OE		MAT.				
V94335 	928.105.409.03		MB cr	45°	Y	H	VAG96183B   
45.00 x 9.00 x 111.50							40.50 x 9.02 x 13.08

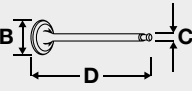
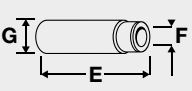
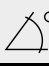



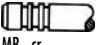

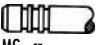
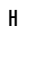
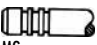





397	 100.00	Petrol			
M 44.05	4 Cyl.	2479cc	118-120kW (160-163)PS	TD2979	835
944	06/81 → 12/90				



					
TB498 110x15 Driven unit: balance shaft					
TB499 117x19 Driven unit: camshaft					







	OE		MAT.				
V94335 	928.105.409.03		MB cr	45°	Y	H	VAG96183B   
45.00 x 9.00 x 111.50							40.50 x 9.02 x 13.08

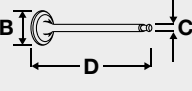
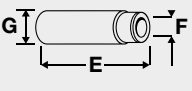




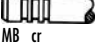
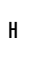
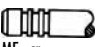



398	 100.00	Petrol				
M 44.07	4 Cyl.	9.7:1	2479cc	110kW (150)PS	TD2981	834
M 44.08	4 Cyl.	9.7:1	2479cc	110kW (150)PS	TD2982	834
924	09/85→07/87	944	01/85→07/87			






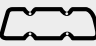

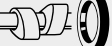
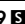
					
TB498 110x15 Driven unit: balance shaft					
TB499 117x19 Driven unit: camshaft					



	
B x C x D	E x F x G
OE	
MAT.	
	
	
	
	
	
V94335 	VAG96183B 
45.00 x 9.00 x 111.50	40.50 x 9.02 x 13.08
V94408 	
40.00 x 9.00 x 112.30	
V94544 	
40.00 x 9.00 x 112.40	







399	 100.00	Petrol				
M 44.40	4 Cyl.	10.9:1	2479cc	140kW (190)PS	TD2987	836
944	08/86→07/88					

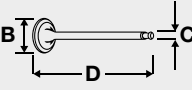
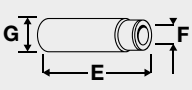
					
TB502 119x25.4					
TB498 110x15					
Driven unit: balance shaft					



	
B x C x D	E x F x G
OE	
MAT.	
	
	
	
	
V94295 	
37.00 x 7.00 x 114.70	
V94296 	
33.00 x 7.00 x 113.60	







							
						HR599 	

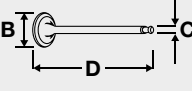
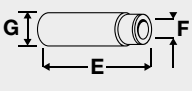
400	 100.00	Petrol					
M 44.51	4 Cyl.	8:1	2479cc	162kW (220)PS	Turbo Intercooled	TD2992	836
944	08/85→07/88						



					
TB498 110x15 Driven unit: balance shaft	TB499 117x19 Driven unit: camshaft		KIT		

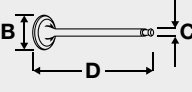
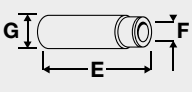
	
B x C x D	Ex F x G
OE	MAT.
V94271 ■ 45.00 x 9.00 x 111.50	951.105.415.00 ME cr 45° ss H
V94297 ■ 40.00 x 9.00 x 112.40	951.105.416.07 MF cr 45° ss H



401	 100.00	Petrol				
M 64.01	6 Cyl.		3598cc	184kW (250)PS	TD2935	837
M 64.02	6 Cyl.		3598cc	184kW (250)PS	TD2936	837
911 (964)	12/88→06/94					







					
TB526 78x20 Driven unit: power-steering pump			KIT		



	
B x C x D	Ex F x G
OE	MAT.
V94545 ■ 49.00 x 9.00 x 110.10	964.105.409.05 MG cr 45° ss H
V94300 ■ 42.50 x 9.00 x 109.00	964.105.419.04 MG cr 45° ss H
	VAG96177B ■ ■ ■ 51.00 x 9.02 x 13.06

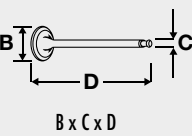




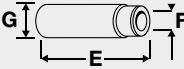

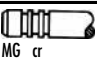
402	 100.00	Petrol					
M 64.60	6 Cyl.	8:1	3598cc	264/300kW (359/408)PS	Turbo Intercooled	TD5456	838
911 (993)	03/95→09/97						



	
B x C x D	Ex F x G
OE	MAT.
V94300 ■ 42.50 x 9.00 x 109.00	964.105.419.04 MG cr 45° ss H
	VAG96177B ■ ■ ■ 51.00 x 9.02 x 13.06



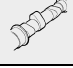



403	 100.00	Petrol				
M 64.05	6 Cyl.	3600cc	200kW (272)PS	TD2938	840	
M 64.07	6 Cyl.	11.3:1	3600cc	200kW (272)PS	TD16161	840
911 (993)	10/93 → 08/95					

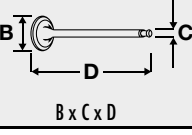




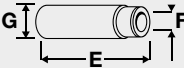

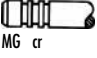
					
TB526 78x20 Driven unit: power-steering pump					

404	 100.00	Petrol				
M 64.21	6 Cyl.	11.3:1	3600cc	210kW (286)PS	TD5451	840
M 64.22	6 Cyl.	12.3:1	3600cc	210kW (286)PS	TD5452	840
911 (993)	08/95 → 09/97					



						
V94726 	993.105.419.06		45°	ss	H	E x F x G
43.45 x 8.00 x 108.85						

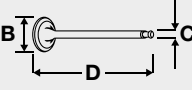
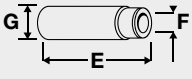


405	 100.00	Petrol				
M 64.50	6 Cyl.	3600cc	265kW (360)PS	Turbo Intercooled	TD5477	837
911 (964)	01/93 → 09/93					

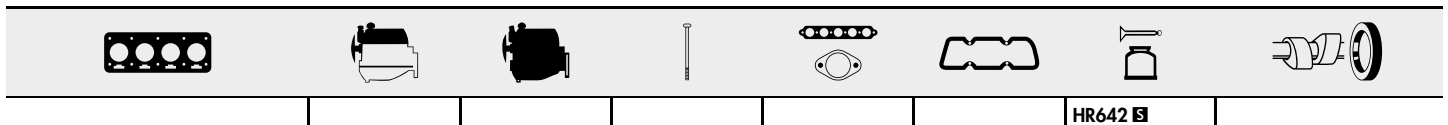
					
TB526 78x20 Driven unit: power-steering pump					



						
V94545 	964.105.409.05		45°	ss	H	E x F x G
49.00 x 9.00 x 110.10						

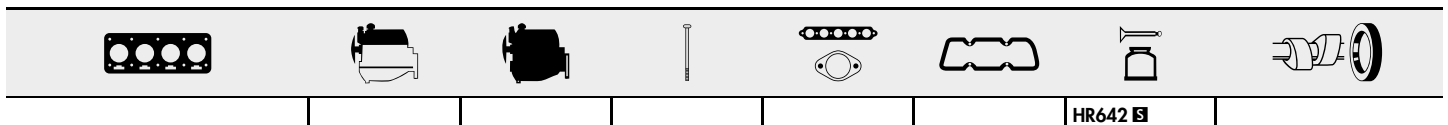
PORSCHE



406		 100.00	Petrol			
M 28.41	V8 Cyl.	10:1	4957cc	235kW (320)PS	Turbocharged	TD2963 843
M 28.42	V8 Cyl.		4957cc	235kW (320)PS		TD2964 843
M 28.47	V8 Cyl.	10:1	4957cc	243kW (330)PS	Turbocharged	TD2969 843
928		08/86 → 07/91				

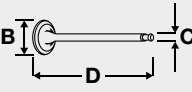
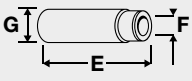


	
B x C x D	Ex F x G
OE	MAT.
	
V94295 ■	45° Y H
37.00 x 7.00 x 114.70	
V94296 ■	45° ss H
33.00 x 7.00 x 113.60	











407		 100.00	Petrol			
M 28.45	V8 Cyl.		4957cc	212kW (288)PS		TD2967 843
M 28.46	V8 Cyl.		4957cc	212kW (288)PS		TD2968 843
928		09/85 → 12/86				





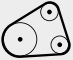





408		 100.00	Petrol			
M 28.49	V8 Cyl.	10.4:1	5397cc	257kW (350)PS		TD2970 844
M 28.50	V8 Cyl.	10.4:1	5397cc	257kW (350)PS		TD2971 844
928		08/91 → 11/95				

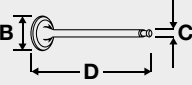
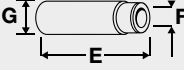
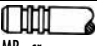


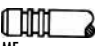
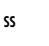
	
B x C x D	Ex F x G
OE	MAT.
	
V94295 ■	45° Y H
37.00 x 7.00 x 114.70	
V94296 ■	45° ss H
33.00 x 7.00 x 113.60	



409		 104.00	Petrol			
M 44.11	4 Cyl.	11.3:1	2681cc	121kW (165)PS		TD2985 847
M 44.12	4 Cyl.	11.3:1	2681cc	121kW (165)PS		TD2986 847
944		11/88 → 08/89				







					
TB498			KIT		
110x15					
Driven unit: balance shaft					
TB499					
117x19					
Driven unit: camshaft					

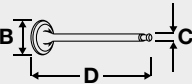
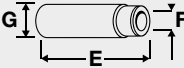
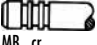


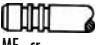
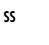
410	 104.00	Petrol				
M 44.41	4 Cyl.	10.9:1	2990cc	155kW (211)PS	TD2988	848
944	12/88→07/91					

					
TB502 119x25.4					
TB498 110x15					
Driven unit: balance shaft					

			
B x C x D	OE	MAT.	Ex F x G
V94295 	928.105.641.05	 45°	Y H
37.00 x 7.00 x 114.70			
V94296 	928.105.642.05	45°	ss H
33.00 x 7.00 x 113.60			

411	 104.00	Petrol				
M 44.43	4 Cyl.	11:1	2990cc	176kW (240)PS	TD2989	848
968	06/91→11/95					

					
TB498 110x15					
Driven unit: balance shaft					
TB502 119x25.4					
Driven unit: camshaft					

			
B x C x D	OE	MAT.	Ex F x G
V94298 	928.105.641.06	 45°	Y H
39.00 x 7.00 x 114.70			
V94299 	928.105.642.06	45°	ss H
33.00 x 7.00 x 113.60			

412



104.00

Petrol



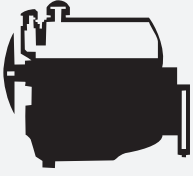
M 44.44 4 Cyl. 11:1 2990cc 176kW (240)PS TD2990 848

968 06/91→11/95

TB498 110x15 →07/95 Driven unit: balance shaft					
TB502 119x25.4 →07/95, Driven unit: camshaft					

 B x C x D	OE	 E x F x G
V94298 ■ 39.00 x 7.00 x 114.70	928.105.641.06	■ 45° Y H
V94299 ■ 33.00 x 7.00 x 113.60	928.105.642.06	■ 45° ss H

BOTTOM ENGINE APPLICATIONS



MOTORBLOCKANWENDUNGEN

APPLICAZIONI PARTE BASSA DEL MOTORE

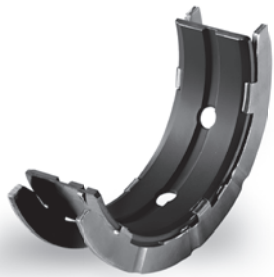
APPLICATIONS BAS MOTEUR

APLICACIONES PARA LA PARTE INFERIOR DEL MOTOR

DÓŁ SILNIKA

ДЕТАЛИ НИЖНЕЙ ЧАСТИ ДВИГАТЕЛЯ

تطبيقات المحرك السفلية



 **GLYCO**[®]



 **GOETZE**[®]



Niral[®]
FITTED WITH  **GOETZE**[®] RINGS



 **Payen**[®]

413

73.00

Diesel



1ND	4 Cyl.		1364cc	55kW (75)PS		TD18565	1
1ND-TV	4 Cyl.	17.5:1	1364cc	55-65kW (75-88)PS	Turbo Intercooled	TD22098	1

MINI (R50, R53) 06/03 → 09/06

87-898400-02 87-898407-02 STD 0.50mm A 41.94 B- 14.70 BØ 36.50 C 0.90 C 0.90 D 64.35 27x59 KK RT		08-898400-00 STD 08-898407-00 0.50mm 1.50 NT [22] 1.50 CR P 3.00 NT [22]					
[22] Steel	[22] Acier	[22] Acciaio	[22] Acero				
				NA5260 38.00x50.00x6.00mm, FPM			

414

75.00






Diesel



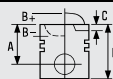
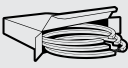



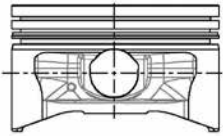






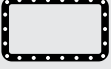




9HZ (DV6TED4)	4 Cyl.	17.5:1	1560cc	80kW (109)PS	Turbo Intercooled	TD20982	2
---------------	--------	--------	--------	--------------	-------------------	---------	---









MINI (R56) 03/07 → MINI CLUBMAN (R55) 10/07 →






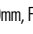
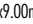
87-424000-00 87-424008-00 STD 0.60mm A 41.70 B- 13.25 BØ 41.80 C 1.20 D 65.30 26x61 AK KK RT TP		08-424000-00 STD 08-424007-00 0.50mm 08-424008-00 0.60mm 3.00 CK P 1.95 P 2.50 CR P 	14-020900-00 D B 78.00 C 142.00 D 79.50 F 5.00 				
MB/HL 1-5 5 49.962/49.981 53.655/53.674 19.900 1.833 0.008/0.046 AL 02-4244 H1066/5 STD 0.30 0.50	TW/A 2 55.200/55.480 71.350/71.700 19.980 2.460 AL 04-4245 A217/2 STD	SE/PB 1 26.000 29.000/29.021 BS 55-4102 55-4102 SEMI					
ED5130		HR397		NA5259 40.00x55.00x6.40mm, PTFE NA5325 85.00x105.00x8.80mm, PTFE			



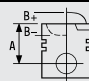
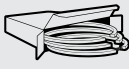


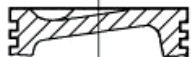
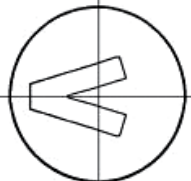

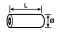
415	 77.00	Petrol				
N 18 B 16 A	4 Cyl.	1598cc	135kW (184)PS	Turbocharged	TD25564	6
MINI (R56)	03/10→	MINI CLUBMAN (R55)	03/10→	MINI Convertible (R57)	03/10→	
MINI COUNTRYMAN (R60)	06/10→	MINI Coupe (R58)	09/11→	MINI PACEMAN (R61)	04/12→	
MINI Roadster (R59)	02/12→					
						
		PA349 22.00x16.00x2.000mm				



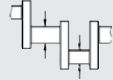
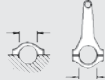





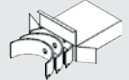
416	 77.00	Petrol			
W 10 B 16 A	4 Cyl.	1598cc	66/85kW (90/116)PS	TD18563	7
MINI (R50, R53)	06/01→09/06	MINI Convertible (R52)	07/04→11/07		
					
87-433500-00 STD 87-433505-00 0.25mm 87-433507-00 0.50mm A 24.90 D 45.05  19x54 TP	 08-433500-00 STD 08-433505-00 0.25mm 08-433507-00 0.50mm 1.20  NT [22] 1.20  P 2.50  CR [22]				
[22] Steel	[22] Acier	[22] Acciaio	[22] Acero		







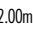
		
EC5921 →07/04	JH5051  JH5051	NA5139  32.00x45.00x6.00mm, FPM NA5140  91.00x111.00x10.00mm, FPM

417	 77.00	Petrol			
W 11 B 16 A	4 Cyl.	1598cc	120/125kW (163/170)PS	TD18564	8
MINI (R50, R53)	03/02→09/06	MINI Convertible (R52)	07/04→11/07		
					
EC5921 →07/04	JH5051  JH5051	NA5139  32.00x45.00x6.00mm, FPM NA5140  91.00x111.00x10.00mm, FPM			

418	 78.00	Diesel					
N 47 C 16 A	4 Cyl.	17:1	1598cc	66-82kW (90-112)PS	Turbo Intercooled	TD26136	9
MINI (R56)	06/10→	MINI CLUBMAN (R55)	03/10→	MINI CLUBVAN (R55)	12/12→		
MINI Convertible (R57)	06/10→	MINI COUNTRYMAN (R60)	06/10→	MINI PACEMAN (R61)	09/12→		
							
		NA5299  55.0x68.0x8.0mm, FPM NA5298  90.00x104.00x9.00mm, FPM					

419	 80.00	Diesel					
M 41 D 18	4 Cyl.	22:1	1665cc	66kW (89)PS	Turbo Intercooled	TD452	10
3 (E36) 01/95→08/00							
							
87-704500-00 STD 87-704507-00 0.50mm   08034X	08-704500-00 STD 08-704507-00 0.50mm  3.00 CR P 1.75 P 3.00 CR P						
A 39.45 B- 2.50 D 62.45  27x63 AK KK RT							

									
BE/PL	4	44.975/44.991	48.000/48.016	18.000	1.497	0.020/0.072	SP	71-3704	71-3704/4 [29] STD 0.25
MB/HL 1,2,4,5	4	59.971/59.990	65.000/65.019	20.000	2.498	0.020/0.063	AL-LF	02-3646	H023/5 STD 0.25
MB/HL 3	1	59.971/59.990	65.000/65.019	24.940	2.498	0.020/0.082	AL-LF	02-3647H	
		02-3647H	STD	25,020/.9853" - 25,053/.9863"					
			0.25MM	25,220/.9929" - 25,253/.9942"					
			0.50MM	25,420/1.0008" - 25,453/1.0021"					
SE/PB	1	26.995/27.000	29.000/29.021	22.200			BC	55-3705	55-3705 SEMI
BU	1	17.466/17.484	20.000/20.021	26.000			BC	56-3423	56-3423 SEMI

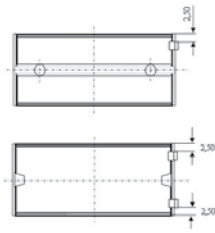
		
 EY270	JJ614  JJ614	NF637  48.00x65.00x10.00mm, FPM NB431  90.00x110.00x12.00mm, FPM

420	80.00	Petrol				
M 20 B 20	6 Cyl.	9.2:1	1991cc	90kW (122)PS	TD5117	11
M 20 B 23 L	6 Cyl.	9.8:1	2316cc	102-110kW (139-150)PS	TD5259	19
3 (E21)	09/77→08/82	3 (E30)	09/82→10/93	5 (E12)	09/77→05/81	
5 (E28)	06/81→12/87	5 (E34)	01/88→08/91			

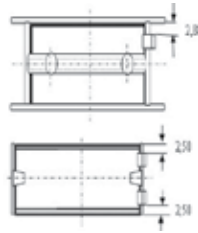
	08-131300-00 STD 08-131305-00 0.25mm 08-131307-00 0.50mm 1.50 CR P 2.00 P 3.50 P		

BE/PL	6	44.975/44.991	48.000/48.016	18.000	1.493	0.023/0.080	EC	71-3419	71-3419/6 STD 0.25 0.50
MB/HL 1-5, 7	6	59.971/59.990	65.000/65.019	20.000	2.498	0.020/0.063	AL-LF	02-3646	H023/7 STD 0.25 0.50
MB/HL 6	1	59.971/59.990	65.000/65.019	24.940	2.498	0.020/0.082	AL-LF	02-3647H	
02-3647H		STD	25,020/.9853" - 25,053/.9863"						
		0.25MM	25,220/.9929" - 25,253/.9942"						
		0.50MM	25,420/1.0008" - 25,453/1.0021"						
MB/HL 1-5, 7	6	59.971/59.990	65.000/65.019	20.000	2.490	0.030/0.093	EC	72-3420	H948/7 STD 0.25
MB/HL 6	1	59.971/59.990	65.000/65.019	24.940	2.490	0.030/0.093	EC	72-3421H	
72-3421H		STD	25,020/.9853" - 25,053/.9863"						
		0.25MM	25,220/.9929" - 25,253/.9942"						
		0.50MM	25,420/1.0008" - 25,453/1.0021"						

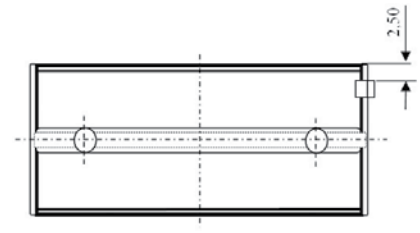
02-3646



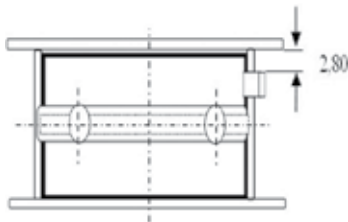
02-3647H



72-3420





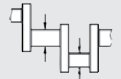
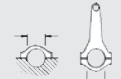






72-3421H



BMW/MINI

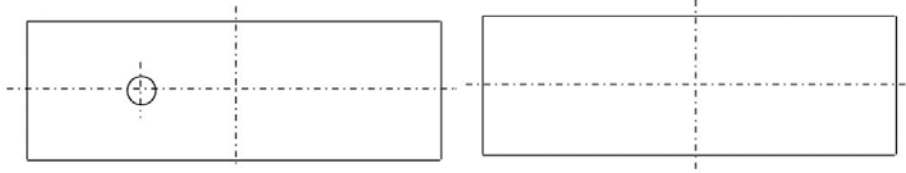
...Continued

420 80.00 Petrol

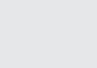


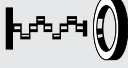



									
SE/PB	1	22.000	24.000/24.021	22.000			BC	55-3422	55-3422 SEMI
SE/PB	1	22.000	24.000/24.031	22.000			BC	55-3648	55-3648 SEMI

55-3422

55-3648





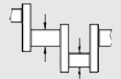
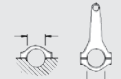






BU	1	17.466/17.484	20.000/20.021	26.000			BC	56-3423	56-3423 SEMI
----	---	---------------	---------------	--------	--	--	----	---------	------------------------

			
EX932	JJ104	NF637  48.00x65.00x10.00mm, FPM	NB431  90.00x110.00x12.00mm, FPM
			
	JJ104		

421 80.00 Petrol

M 50 B	6 Cyl.	10.5:1	1991cc	110kW (150)PS	TD10027	13
M 50 B 20	6 Cyl.	10.5:1	1991cc	110kW (150)PS	TD21402	14

3 (E36) 09/90→10/99 5 (E34) 09/89→01/97

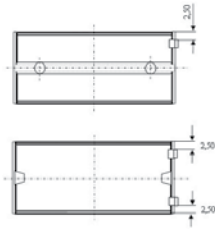
									
BE/PL	6	44.975/44.991	48.000/48.016	18.000	1.493	0.023/0.080	EC	71-3419	71-3419/6 STD 0.25 0.50
MB/HL 1-5, 7	6	59.971/59.990	65.000/65.019	20.000	2.498	0.020/0.063	AL-LF	02-3646	H023/7 STD 0.25 0.50
MB/HL 6	1	59.971/59.990	65.000/65.019	24.940	2.498	0.020/0.082	AL-LF	02-3647H	
		02-3647H	STD 0.25MM 0.50MM	25,020/.9853" - 25,053/.9863" 25,220/.9929" - 25,253/.9942" 25,420/1.0008" - 25,453/1.0021"					
MB/HL 1-5, 7	6	59.971/59.990	65.000/65.019	20.000	2.490	0.030/0.093	EC	72-3420	H948/7 STD 0.25
MB/HL 6	1	59.971/59.990	65.000/65.019	24.940	2.490	0.030/0.093	EC	72-3421H	
		72-3421H	STD 0.25MM 0.50MM	25,020/.9853" - 25,053/.9863" 25,220/.9929" - 25,253/.9942" 25,420/1.0008" - 25,453/1.0021"					

...Continued

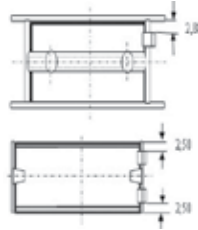
421  **80.00** **Petrol**



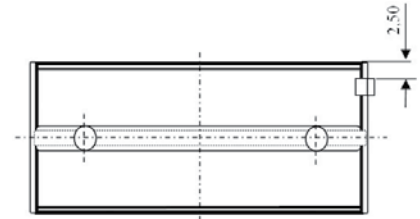
02-3646



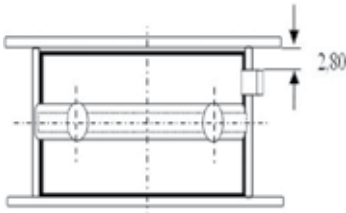
02-3647H



72-3420



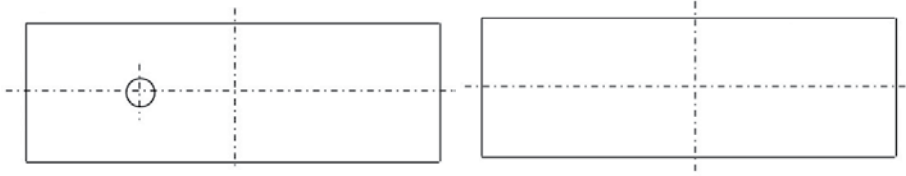
72-3421H



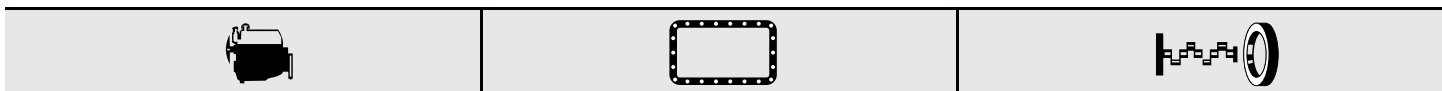
SE/PB	1	22.000	24.000/24.021	22.000		BC	55-3422	55-3422 SEMI
SE/PB	1	22.000	24.000/24.031	22.000		BC	55-3648	55-3648 SEMI

55-3422

55-3648

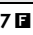



BU	1	17.466/17.484	20.000/20.021	26.000		BC	56-3423	56-3423 SEMI
----	---	---------------	---------------	--------	--	----	---------	-----------------



 **ET681**

JJ611

NF637  48.00x65.00x10.00mm, FPM
NB431  90.00x110.00x12.00mm, FPM



JJ611

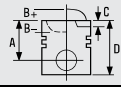
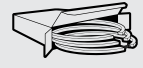
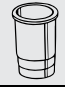







422



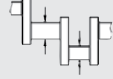
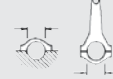




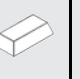
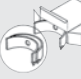


 80.00

Petrol

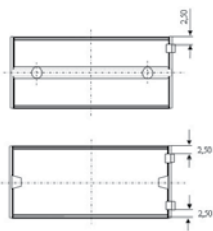


M 50 B	6 Cyl.	10.5:1	1991cc	110kW (150)PS	TD4227	12
3 (E36)	09/90→04/99	5 (E34)	09/89→01/97			

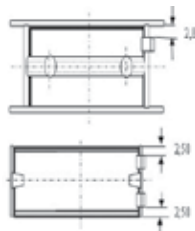
				08-704900-00 STD →05/92
				1.50  CR P 1.75  P 3.00  P
				08-705000-00 STD 08-705007-00 0.50mm 05/92→
				1.50  CR P 1.50  P 2.00  P

											
BE/PL	6	44.975/44.991	48.000/48.016	18.000	1.493	0.023/0.080	EC	71-3419	71-3419/6 STD 0.25 0.50		
MB/HL 1-5, 7	6	59.971/59.990	65.000/65.019	20.000	2.498	0.020/0.063	AL-LF	02-3646	H023/7 STD 0.25 0.50		
MB/HL 6	1	59.971/59.990	65.000/65.019	24.940	2.498	0.020/0.082	AL-LF	02-3647H			
02-3647H		STD	25,020/.9853" - 25,053/.9863"								
		0.25MM	25,220/.9929" - 25,253/.9942"								
		0.50MM	25,420/1.0008" - 25,453/1.0021"								
MB/HL 1-5, 7	6	59.971/59.990	65.000/65.019	20.000	2.490	0.030/0.093	EC	72-3420	H948/7 STD 0.25		
MB/HL 6	1	59.971/59.990	65.000/65.019	24.940	2.490	0.030/0.093	EC	72-3421H			
72-3421H		STD	25,020/.9853" - 25,053/.9863"								
		0.25MM	25,220/.9929" - 25,253/.9942"								
		0.50MM	25,420/1.0008" - 25,453/1.0021"								

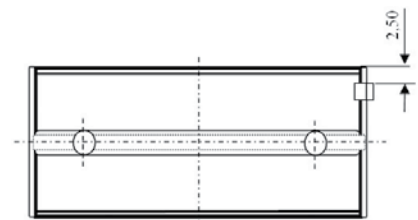
02-3646



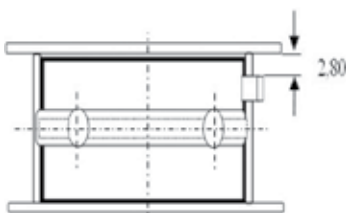
02-3647H



72-3420



72-3421H



SE/PB	1	22.000	24.000/24.021	22.000		BC	55-3422	55-3422 SEMI
SE/PB	1	22.000	24.000/24.031	22.000		BC	55-3648	55-3648 SEMI

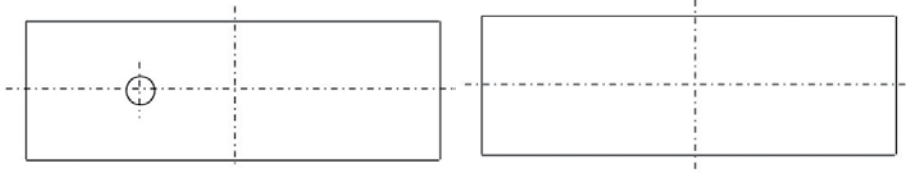
...Continued

422  **80.00** **Petrol**

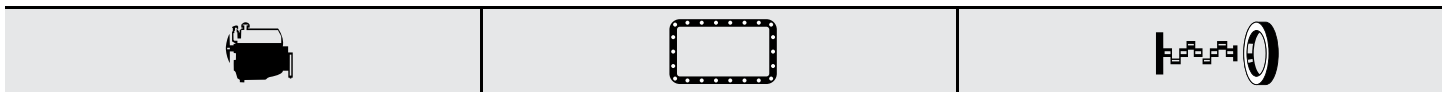


55-3422

55-3648





BU	1	17.466/17.484	20.000/20.021	26.000		BC	56-3423	56-3423 SEMI
----	---	---------------	---------------	--------	--	----	---------	-----------------



 ET681

JJ611

NF637  48.00x65.00x10.00mm, FPM
NB431  90.00x110.00x12.00mm, FPM

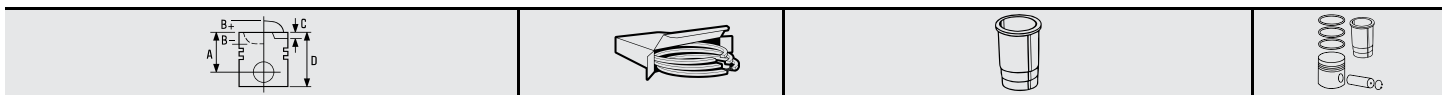


JJ611

423  **80.00** **Petrol** 

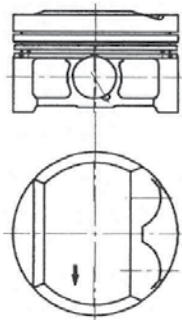
M 50 B 20 TU 6 Cyl. 11:1 1991cc 110kW (150)PS TD21239 14


3 (E36) 09/90 → 10/99 5 (E34) 09/89 → 01/97



87-705000-00
87-705007-00
08/92 → 12/95

STD
0.50mm



A 31.64
B+ 1.86
C 2.94
D 51.00
 22x51

08-705000-00 STD
08-705007-00 0.50mm
05/92 →

1.50  CR P
1.50  P
2.00  P

08-704900-00 STD
→05/92



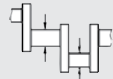
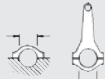





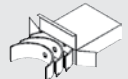
1.50  CR P
1.75  P
3.00  P



BE/PL	6	44.975/44.991	48.000/48.016	18.000	1.493	0.023/0.080	EC	71-3419	71-3419/6 STD 0.25 0.50
MB/HL 1-5, 7	6	59.971/59.990	65.000/65.019	20.000	2.498	0.020/0.063	AL-LF	02-3646	H023/7 STD 0.25 0.50
MB/HL 6	1	59.971/59.990	65.000/65.019	24.940	2.498	0.020/0.082	AL-LF	02-3647H	

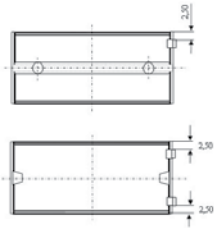
02-3647H	STD	25,020/9853" - 25,053/9863"
	0.25MM	25,220/9929" - 25,253/9942"
	0.50MM	25,420/1.0008" - 25,453/1.0021"

423  **80.00** **Petrol**

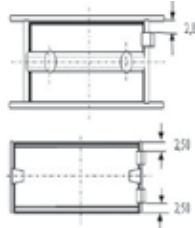
									
MB/HL 1-5, 7	6	59.971/59.990	65.000/65.019	20.000	2.490	0.030/0.093	EC	72-3420	H948/7 STD 0.25
MB/HL 6	1	59.971/59.990	65.000/65.019	24.940	2.490	0.030/0.093	EC	72-3421H	

72-3421H	STD	25,020/.9853" - 25,053/.9863"
	0.25MM	25,220/.9929" - 25,253/.9942"
	0.50MM	25,420/1.0008" - 25,453/1.0021"

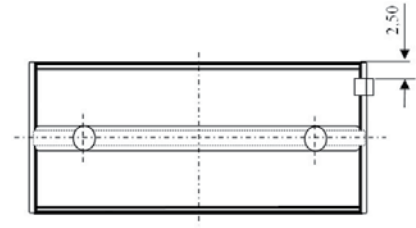
02-3646



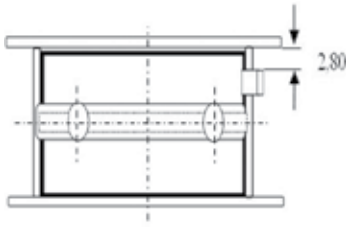
02-3647H



72-3420



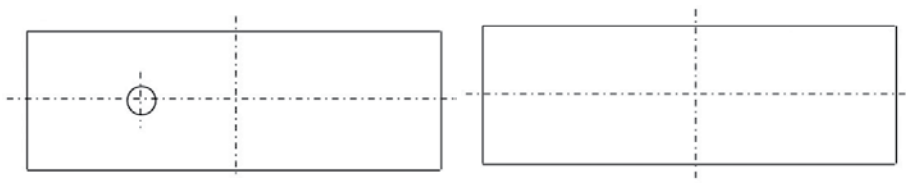
72-3421H



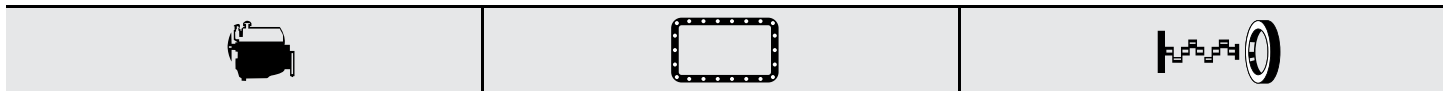
SE/PB	1	22.000	24.000/24.021	22.000		BC	55-3422	55-3422 SEMI
SE/PB	1	22.000	24.000/24.031	22.000		BC	55-3648	55-3648 SEMI

55-3422

55-3648





BU	1	17.466/17.484	20.000/20.021	26.000		BC	56-3423	56-3423 SEMI
----	---	---------------	---------------	--------	--	----	---------	------------------------





 **ET681**



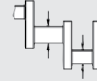



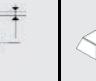



JJ611

NF637  48.00x65.00x10.00mm, FPM
NB431  90.00x110.00x12.00mm, FPM

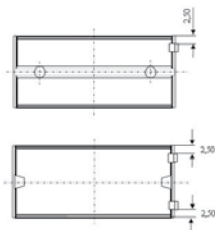


JJ611

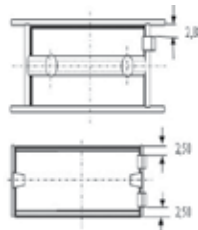
424	 80.00	Petrol				
M 52 B	6 Cyl.	11:1	1991cc	100-110kW (136-150)PS	TD460	15
M 52 B	6 Cyl.	11:1	1991cc	110kW (150)PS	TD14610	16
M 52 B 20	6 Cyl.	11:1	1991cc	110kW (150)PS	TD21403	17
3 (E36)	09/90→10/99	3 (E46)	03/98→09/00	5 (E39)	01/96→05/04	
Z3 (E36)	04/99→01/03					

									
BE/PL	6	44.975/44.991	48.000/48.016	18.000	1.493	0.023/0.080	EC	71-3419	71-3419/6 STD 0.25 0.50
MB/HL 1-5, 7	6	59.971/59.990	65.000/65.019	20.000	2.498	0.020/0.063	AL-LF	02-3646	H023/7 STD 0.25 0.50
MB/HL 6	1	59.971/59.990	65.000/65.019	24.940	2.498	0.020/0.082	AL-LF	02-3647H	
02-3647H		STD	25,020/.9853" - 25,053/.9863"						
		0.25MM	25,220/.9929" - 25,253/.9942"						
		0.50MM	25,420/1.0008" - 25,453/1.0021"						
MB/HL 1-5, 7	6	59.971/59.990	65.000/65.019	20.000	2.490	0.030/0.093	EC	72-3420	H948/7 STD 0.25
MB/HL 6	1	59.971/59.990	65.000/65.019	24.940	2.490	0.030/0.093	EC	72-3421H	
72-3421H		STD	25,020/.9853" - 25,053/.9863"						
		0.25MM	25,220/.9929" - 25,253/.9942"						
		0.50MM	25,420/1.0008" - 25,453/1.0021"						

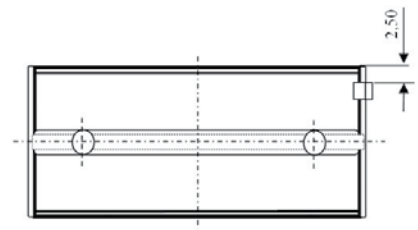
02-3646



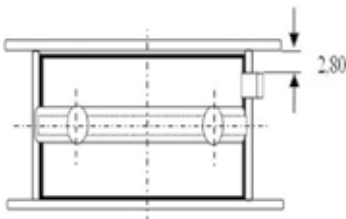
02-3647H



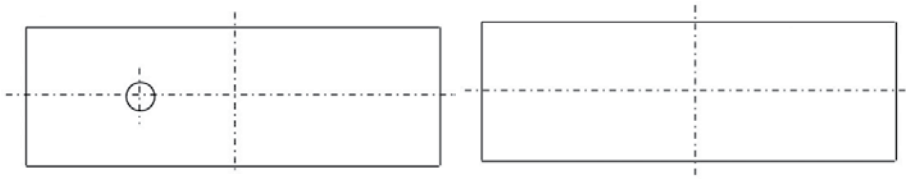
72-3420



72-3421H

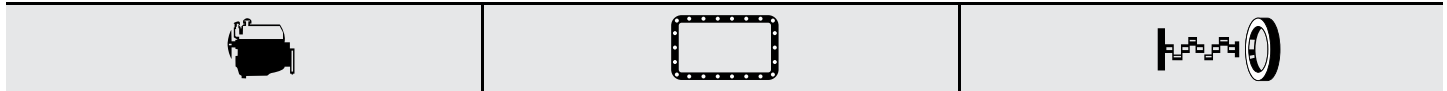


SE/PB	1	22.000	24.000/24.021	22.000		BC	55-3422	55-3422 SEMI
SE/PB	1	22.000	24.000/24.031	22.000		BC	55-3648	55-3648 SEMI
		55-3422		55-3648				





BU	1	17.466/17.484	20.000/20.021	26.000		BC	56-3423	56-3423 SEMI
----	---	---------------	---------------	--------	--	----	---------	------------------------

424  **80.00** **Petrol**



EY571
→09/98
EW802
09/98→

JJ611

NF637  48.00x65.00x10.00mm, FPM
NB431  90.00x110.00x12.00mm, FPM

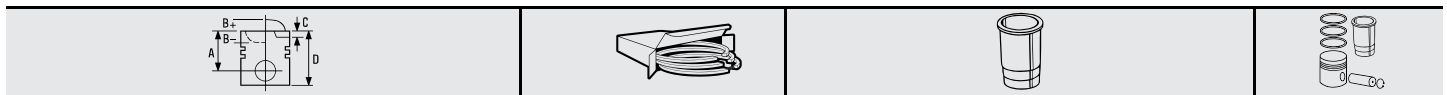


JJ611

425  **80.00** **Petrol** 

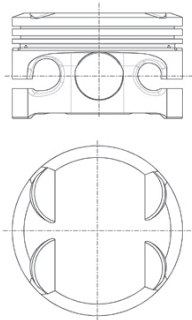
M 54 B 22 **6 Cyl.** **2171cc** **125kW (170)PS** **TD15969** **18**

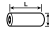
5 (E39) **09/00→06/03**



87-422200-10
87-422207-10




STD
0.50mm





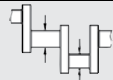







A 29.60
C 2.90
C 3.40
D 49.50
 22x51

08-422200-00
08-422207-00

STD
0.50mm

1.20  **CK [22]**
1.50  **P**
2.00  **P**

[22] Steel [22] Acier [22] Acciaio [22] Acero

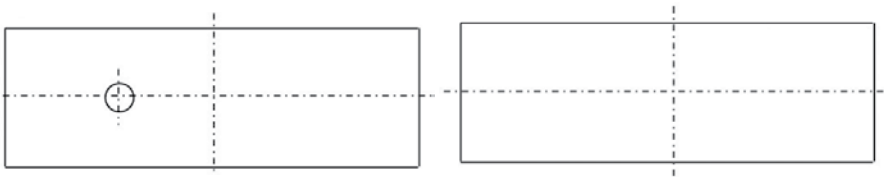
									
BE/PL	6	44.975/44.991	48.000/48.016	18.000	1.493	0.023/0.080	EC	71-3419	71-3419/6 STD 0.25 0.50
MB/HL 1-5, 7	6	59.971/59.990	65.000/65.019	20.000	2.498	0.020/0.063	AL-LF	02-3646	H023/7 STD 0.25 0.50
MB/HL 6	1	59.971/59.990	65.000/65.019	24.940	2.498	0.020/0.082	AL-LF	02-3647H	

02-3647H STD 25,020/.9853" - 25,053/.9863"
0.25MM 25,220/.9929" - 25,253/.9942"
0.50MM 25,420/1.0008" - 25,453/1.0021"


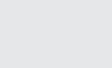





SE/PB	1	22.000	24.000/24.021	22.000			BC	55-3422	55-3422 SEMI
SE/PB	1	22.000	24.000/24.031	22.000			BC	55-3648	55-3648 SEMI



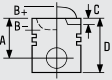







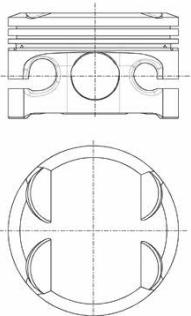
55-3422







55-3648



...Continued

425  80.00 Petrol		
		
EW802	JJ611	NA5105  48.00x65.00x10.00mm, PTFE NA5104  90.00x110.00x12.00mm, PTFE
		
	JJ611	

426  80.00 Petrol			
M 54 226 S1	6 Cyl.	10.8:1	2171cc
			125kW (170)PS
			TD17522 18
			
87-422200-10 STD	08-422200-00 STD		
87-422207-10 0.50mm	08-422207-00 0.50mm		
A 29.60	1.20  CK [22]		
C 2.90	1.50  P		
C 3.40	2.00  P		
D 49.50			
 22x51			
			
[22] Steel	[22] Acier	[22] Acciaio	[22] Acero

			
EW802	JJ611	NA5105  48.00x65.00x10.00mm, PTFE NA5104  90.00x110.00x12.00mm, PTFE	
			
	JJ611		

427	80.00	Diesel					
M 21 D 24	6 Cyl.	22:1	2443cc	85kW (115)PS	Turbocharged	TD5263	20
3 (E30)	09/87→06/93	5 (E28)	09/83→12/87	5 (E34)	03/88→09/95		

BE/PL	6	44.975/44.991	48.000/48.016	18.000	1.498	0.020/0.070	EC	71-3573	71-3573/6 STD 0.25	
BE/PL	6	44.975/44.991	48.000/48.016	18.000	1.497	0.020/0.072	SP	71-3704	71-3704/6 STD	[29]
MB/HL 1-5, 7	6	59.971/59.990	65.000/65.019	20.000	2.498	0.020/0.063	AL-LF	02-3646	H023/7 STD 0.25 0.50	
MB/HL 6	1	59.971/59.990	65.000/65.019	24.940	2.498	0.020/0.082	AL-LF	02-3647H		
02-3647H		STD	25,020/.9853" - 25,053/.9863"							
		0.25MM	25,220/.9929" - 25,253/.9942"							
		0.50MM	25,420/1.0008" - 25,453/1.0021"							
SE/PB	1	26.000	28.000/28.021	22.000			BC	55-3576	55-3576 SEMI	
BU	1	17.466/17.484	20.000/20.021	26.000			BC	56-3423	56-3423 SEMI	

EX934	JJ104	NF637 48.00x65.00x10.00mm, FPM NB431 90.00x110.00x12.00mm, FPM
	JJ104	

428	80.00	Diesel					
M 21 D 24 W	6 Cyl.	23:1	2443cc	63kW (86)PS	TD5165	21	
M 21 D 24 WA	6 Cyl.	23:1	2443cc	85kW (116)PS	Turbocharged	TD443	21
3 (E30)	09/85→06/93	5 (E28)	09/83→12/87	5 (E34)	03/88→09/95		

87-133100-00	STD	08-133100-10	STD		
87-133107-00	0.50mm	08-133105-10	0.25mm		
		08-133107-10	0.50mm		
A 46.40		2.50		CR P	
B- 2.00		2.00		P	
D 76.30		3.50		CR P	
AK KK RT					
	08099B				

...Continued



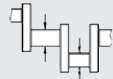
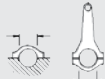





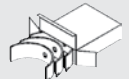
428		80.00	Diesel							
BE/PL	6	44.975/44.991	48.000/48.016	18.000	1.498	0.020/0.070	EC	71-3573	71-3573/6 STD 0.25	
BE/PL	6	44.975/44.991	48.000/48.016	18.000	1.497	0.020/0.072	SP	71-3704	71-3704/6 STD [29]	
MB/HL 1-5, 7	6	59.971/59.990	65.000/65.019	20.000	2.498	0.020/0.063	AL-LF	02-3646	H023/7 STD 0.25 0.50	
MB/HL 6	1	59.971/59.990	65.000/65.019	24.940	2.498	0.020/0.082	AL-LF	02-3647H		
02-3647H		STD	25,020/.9853" - 25,053/.9863"							
		0.25MM	25,220/.9929" - 25,253/.9942"							
		0.50MM	25,420/1.0008" - 25,453/1.0021"							
SE/PB	1	26.000	28.000/28.021	22.000			BC	55-3576	55-3576 SEMI	
BU	1	17.466/17.484	20.000/20.021	26.000			BC	56-3423	56-3423 SEMI	



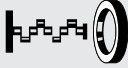
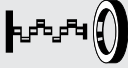
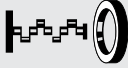
EX934	JJ104	NF637 48.00x65.00x10.00mm, FPM NB431 90.00x110.00x12.00mm, FPM
	JJ104	

429		80.00	Diesel			
M 51 D 25	6 Cyl.	22:1	2497cc	85kW (115)PS	Turbocharged	TD4229 22
M 51 D 25	6 Cyl.	22:1	2498cc	105kW (143)PS	Turbo Intercooled	TDS285 25
3 (E36)	09/91→10/99	5 (E34)	09/91→01/97	5 (E39)	01/96→05/04	
7 (E38)	04/96→11/01					

87-704500-00 87-704507-00	STD 0.50mm	08-704500-00 08-704507-00	STD 0.50mm
A 39.45 B- 2.50 D 62.45 27x63		3.00 CR P 1.75 P 3.00 CR P	
AK KK RT			
	08034X		

429  **80.00 Diesel**

									
BE/PL	6	44.975/44.991	48.000/48.016	18.000	1.498	0.020/0.070	EC	71-3573	71-3573/6 STD 0.25
BE/PL	6	44.975/44.991	48.000/48.016	18.000	1.497	0.020/0.072	SP	71-3704	71-3704/6 STD [29]
MB/HL 1-5, 7	6	59.971/59.990	65.000/65.019	20.000	2.498	0.020/0.063	AL-LF	02-3646	H023/7 STD 0.25 0.50
MB/HL 6	1	59.971/59.990	65.000/65.019	24.940	2.498	0.020/0.082	AL-LF	02-3647H	
02-3647H		STD	25,020/.9853" - 25,053/.9863"						
		0.25MM	25,220/.9929" - 25,253/.9942"						
		0.50MM	25,420/1.0008" - 25,453/1.0021"						
SE/PB	1	26.995/27.000	29.000/29.021	22.200			BC	55-3705	55-3705 SEMI
BU	1	17.466/17.484	20.000/20.021	26.000			BC	56-3423	56-3423 SEMI

		
EW730 →01/94 EY280 02/94→	JJ536	NF637  48.00x65.00x10.00mm, FPM NB431  90.00x110.00x12.00mm, FPM

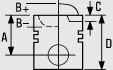
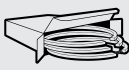

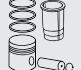








JJ536

430  **80.00 Diesel** 

M 57 D 25 6 Cyl. 17.5:1 2497cc **120kW (163)PS** **Turbo Intercooled** **TD21233** **23**

5 (E39) 02/00→05/04

			
	<p>08-134200-00 [17] STD</p> <p>2.50  CK P 2.00  P 3.00  CR P</p> <p>08-135400-00 [18] STD</p> <p>3.00  CK P 2.00  P 3.00  NT</p>		

[17] For Mahle OE piston

[17] Pour les pistones d'origine Mahle

[17] Per pistoni Mahle OE

[17] Para pistones originales Mahle




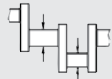
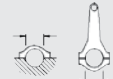






[18] For Nüräl OE piston








[18] Pour les pistones d'origine Nüräl








[18] Per pistoni Nüräl OE




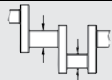
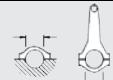






[18] Para pistones originales Nüräl




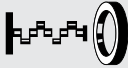




...Continued



430		 80.00	Diesel							
										
BE/PL	6	44.975/44.991	48.000/48.016	18.000	1.497	0.020/0.072	SP	71-3704	71-3704/6 STD	[29]
MB/HL 1-5, 7	6	59.971/59.990	65.000/65.019	20.000	2.498	0.020/0.063	AL-LF	02-3646	H023/7 STD 0.25 0.50	
MB/HL 6	1	59.971/59.990	65.000/65.019	24.940	2.498	0.020/0.082	AL-LF	02-3647H		
02-3647H		STD 0.25MM 0.50MM	25,020/.9853" - 25,053/.9863" 25,220/.9929" - 25,253/.9942" 25,420/1.0008" - 25,453/1.0021"							
SE/PB	1	29.995/30.000	31.995/32.025	22.200			BC	55-3937	55-3937 SEMI	



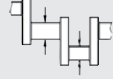
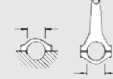






			
EZ660	JH5110 (Steel Elastomer)	NA5103  55.00x68.00x8.00mm, PTFE NA5104  90.00x110.00x12.00mm, PTFE	
			
	JH5110		





431		 80.00	Diesel							
M 57 D 25 TU	6 Cyl.	17.5:1	2497cc	130kW (177)PS	Turbo Intercooled	TD21 234	24			
5 (E60)	06/04 → 03/10	5 (E61)	06/04 →							
										
	JH5110 (Steel Elastomer)	NA5103  55.00x68.00x8.00mm, PTFE LK5007  [27] 90.00x173.00x24.00mm, PTFE								
										
	JH5110									
[27] Specification: Oil Seal in housing	[27] Caractéristiques: Bague d'étanchéité dans son logement	[27] Specifica: Paraolio in sede cubierta	[27] Especificación: Retenes de aceite con							



432		 82.00	Petrol							
M 10 B 15	4 Cyl.	8.2:1	1499cc	59kW (80)PS	TD5168	26				
1500-2000	10/62 → 07/66									
										
BE/PL	4	47.975/47.991	52.000/52.015	20.000	1.993	0.023/0.078	EC	71-2182	71-2182/4 STD 0.25 0.50	
MB/HL 1,2,4,5	4	54.971/54.990	60.000/60.019	24.000	2.490	0.030/0.093	EC	72-2183	H629/5 STD 0.25	
MB/HL 3	1	54.971/54.990	60.000/60.019	29.900	2.490	0.030/0.093	EC	72-2184H		
72-2184H		STD 0.25MM 0.50MM	30,025/1.1821" - 30,064/1.1836" 30,225/1.1900" - 30,264/1.1915" 30,425/1.1978" - 30,464/1.1994"							
SE/PB	1	22.000	24.000/24.021	24.000			BC	55-2528	55-2528 SEMI	

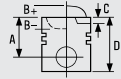
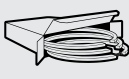

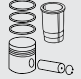



432	 82.00	Petrol
		
 EX931	JJ089	NB432  35.00x55.00x12.00mm, ACM NB431  90.00x110.00x12.00mm, FPM
		
	JJ089	

433	 82.00	Petrol			
N 43 B 16 A	4 Cyl.	1597cc	89-90kW (121-122)PS	TD20844	27
1 (E81)	03/07→09/12	1 (E87)	11/03→09/12	3 (E90)	09/07→12/11
3 (E91)	05/08→05/12	3 (E92)	09/07→		

									
BE/PL	2	49.981/49.997	53.600/53.616	17.550	1.797	0.025/0.083	EC	71-4806	71-4807/2 STD [33]
BE/PL	2	49.975/49.991	53.600/53.616	17.550	1.795	0.026/0.082	EC	71-4807	
SE/PB	1	20.000	21.995/22.031	21.300			BC	55-4808	55-4808 SEMI





		
 EC5440		



434	 82.00	Petrol				
N 52 B 25	6 Cyl.	11:1	2497cc	130-160kW (177-218)PS	TD21408	28
N 52 B 25 A	6 Cyl.		2497cc	130-160kW (177-218)PS	TD18517	28
N 52 B 25 C	6 Cyl.	11:1	2497cc	160kW (218)PS	TD18169	28
3 (E90)	01/05→	3 (E91)	09/05→	3 (E92)	09/06→	
3 (E93)	03/07→	5 (E60)	07/05→03/10	5 (E61)	07/05→	
5 (F10, F18)	03/10→	X3 (E83)	07/06→	Z4 (E85)	01/06→	
Z4 (E89)	05/09→					



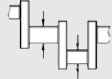
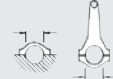






			
	08-440700-00 STD		
	1.20  NT [22]		
	1.50  P		
	2.00  NT [22]		
[22] Steel	[22] Acier	[22] Acciaio	[22] Acero





									
BE/PL	6	49.981/49.997	53.600/53.616	17.550	1.797	0.025/0.083	EC	71-4806	71-4806/6 STD
SE/PB	1	20.000	21.995/22.031	21.300			BC	55-4808	55-4808 SEMI



...Continued

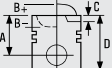
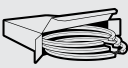
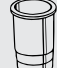
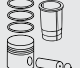



434	 82.00	Petrol		
 EG9540	JH5103			

435	 82.00	Petrol			
N 52 N B 25 A	6 Cyl.	2497cc	130kW (177)PS	TD20960	28
N 53 B 25 A	6 Cyl.	2497cc	140kW (190)PS	TD20588	29
3 (E90)	04/06→12/11	3 (E91)	04/06→06/07	5 (E60)	01/07→03/10
5 (E61)	01/07→				

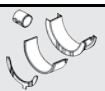

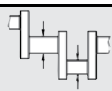
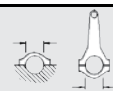


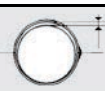

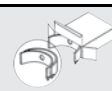
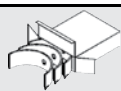
									
BE/PL	6	49.981/49.997	53.600/53.616	17.550	1.797	0.025/0.083	EC	71-4806	71-4806/6 STD
SE/PB	1	20.000	21.995/22.031	21.300			BC	55-4808	55-4808 SEMI

		
 EG9540	JH5103	



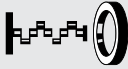




436	 84.00	Petrol				
M 10 B 16	4 Cyl.	8.0-9.5:1	1574cc	55-77kW (75-105)PS	TD5170	30
02 (E10)	09/67→07/77	02 (E6)	05/71→04/73	3 (E21)	08/75→03/84	
3 (E30)	09/82→12/91	1500-2000	09/63→04/68	1600 GT	10/67→05/69	

			
	08-128200-10 STD 08-128205-10 0.25mm 08-128207-10 0.50mm 1.75  CR P 2.00  P 4.00  CR [22]		

[22] Steel [22] Acier [22] Acciaio [22] Acero

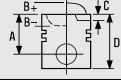
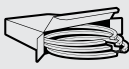



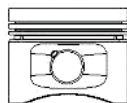
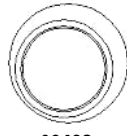






									
BE/PL	4	47.975/47.991	52.000/52.015	20.000	1.993	0.023/0.078	EC	71-2182	71-2182/4 STD 0.25 0.50
MB/HL 1,2,4,5	4	54.971/54.990	60.000/60.019	24.000	2.490	0.030/0.093	EC	72-2183	H629/5 STD 0.25
MB/HL 3	1	54.971/54.990	60.000/60.019	29.900	2.490	0.030/0.093	EC	72-2184H	
		72-2184H	STD 0.25MM 0.50MM	30,025/1.1821" - 30,064/1.1836" 30,225/1.1900" - 30,264/1.1915" 30,425/1.1978" - 30,464/1.1994"					
SE/PB	1	22.000	24.000/24.021	24.000			BC	55-2528	55-2528 SEMI

436  **84.00** **Petrol**

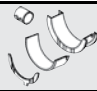

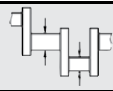
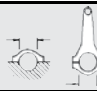




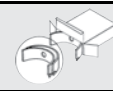
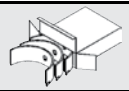
		
 EX931	JJ089  JJ089	NB432  35.00x55.00x12.00mm, ACM NB431  90.00x110.00x12.00mm, FPM



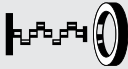

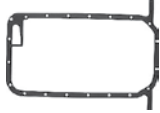


437  **84.00** **Petrol** 



M 40 B 16	4 Cyl.	9:1	1596cc	73kW (99)PS	TD5255	31
3 (E30)	09/87→06/94	3 (E36)	09/90→02/98			

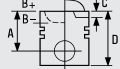
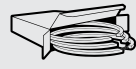
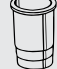







			
87-702605-00 01/88→12/92 A 41.15 B- 2.75 BØ 70.00 D 67.15  22x54	0.25mm   08432	08-702600-00 STD 08-702605-00 0.25mm 08-702607-00 0.50mm 1.50  CR P 1.75  P 3.00  CR [22] 08-106500-00 STD 08-106507-00 0.50mm 1.50  CR P 1.75  P 3.00  P	

[22] Steel [22] Acier [22] Acciaio [22] Acero



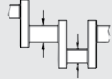
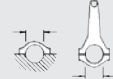






									
BE/PL	4	44.975/44.991	48.000/48.016	18.000	1.493	0.023/0.080	EC	71-3419	71-3419/4 STD 0.25 0.50
MB/HL	5	59.971/59.990	65.000/65.019	20.000	2.498	0.020/0.063	AL-LF	02-3646L	H007/5 STD 0.25
MB/HL	4	59.971/59.990	65.000/65.019	20.000	2.498	0.020/0.063	AL-LF	02-3646U	
MB/HL	1	59.971/59.990	65.000/65.019	24.940	2.498	0.020/0.082	AL-LF	02-3647HU	
SE/PB	1	22.000	24.000/24.031	22.000			BC	55-3648	55-3648 SEMI



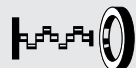




		
 ER830	JJ537  JJ537	NB980  42.00x52.00x7.50mm, FPM NB431  90.00x110.00x12.00mm, FPM

438	 84.00	Petrol				
M 40 B 16 C	4 Cyl.	9:1	1596cc	73kW (99)PS	TD21160	32
M 40 B 18	4 Cyl.	8.8:1	1796cc	83kW (113)PS	TD4224	38
3 (E30)	09/87→06/94	3 (E36)	12/90→10/93	5 (E34)	08/89→09/95	

			
	<p>08-106500-00 STD 08-106507-00 0.50mm</p> <p>1.50  CR P 1.75  P 3.00  P</p> <hr/> <p>08-702600-00 STD 08-702605-00 0.25mm 08-702607-00 0.50mm</p> <p>1.50  CR P 1.75  P 3.00  CR [22]</p>		

[22] Steel [22] Acier [22] Acciaio [22] Acero

									
BE/PL	4	44.975/44.991	48.000/48.016	18.000	1.493	0.023/0.080	EC	71-3419	71-3419/4 STD 0.25 0.50
MB/HL	5	59.971/59.990	65.000/65.019	20.000	2.498	0.020/0.063	AL-LF	02-3646L	H007/5 STD 0.25
MB/HL	4	59.971/59.990	65.000/65.019	20.000	2.498	0.020/0.063	AL-LF	02-3646U	
MB/HL	1	59.971/59.990	65.000/65.019	24.940	2.498	0.020/0.082	AL-LF	02-3647HU	
SE/PB	1	22.000	24.000/24.031	22.000			BC	55-3648	55-3648 SEMI

		
 ER830	JJ537  JJ537	NB980  42.00x52.00x7.50mm, FPM NB431  90.00x110.00x12.00mm, FPM

439	84.00	Petrol					
M 43 B 16	4 Cyl.	9.7:1	1596cc	77kW (105)PS		TD17055	33
3 (E46)	04/00→						

	08-704200-00 STD 08-704207-00 0.50mm 1.50 CR P 1.50 P 2.00 CR [22]		

[22] Steel [22] Acier [22] Acciaio [22] Acero

BE/PL	4	44.975/44.991	48.000/48.016	18.000	1.493	0.023/0.080	EC	71-3419	71-3419/4 STD 0.25 0.50
MB/HL	5	59.971/59.990	65.000/65.019	20.000	2.498	0.020/0.063	AL-LF	02-3646L	H007/5 STD 0.25
MB/HL	4	59.971/59.990	65.000/65.019	20.000	2.498	0.020/0.063	AL-LF	02-3646U	
MB/HL	1	59.971/59.990	65.000/65.019	24.940	2.498	0.020/0.082	AL-LF	02-3647HU	
SE/PB	1	22.000	24.000/24.031	22.000			BC	55-3648	55-3648 SEMI

EB5660	JH5050	NA5099 44.00x60.00x10.00mm, PTFE NA5104 90.00x110.00x12.00mm, PTFE
	JH5050	

440	84.00	Petrol					
M 43 B 16	4 Cyl.	9.7:1	1596cc	75kW (102)PS		TD455	34
3 (E36)	09/90→08/00		3 (E46)	04/00→02/05			

	08-704200-00 STD 08-704207-00 0.50mm 1.50 CR P 1.50 P 2.00 CR [22]		

[22] Steel [22] Acier [22] Acciaio [22] Acero

...Continued

440		84.00	Petrol							
BE/PL	4	44.975/44.991	48.000/48.016	18.000	1.493	0.023/0.080	EC	71-3419	71-3419/4 STD 0.25 0.50	
MB/HL	5	59.971/59.990	65.000/65.019	20.000	2.498	0.020/0.063	AL-LF	02-3646L	H007/5 STD 0.25	
MB/HL	4	59.971/59.990	65.000/65.019	20.000	2.498	0.020/0.063	AL-LF	02-3646U		
MB/HL	1	59.971/59.990	65.000/65.019	24.940	2.498	0.020/0.082	AL-LF	02-3647HU		
SE/PB	1	22.000	24.000/24.031	22.000			BC	55-3648	55-3648 SEMI	

EB5660	JJ537 →08/95 JJ612 08/95→ JJ537 JJ612	NA5099 44.00x60.00x10.00mm, PTFE NA5104 90.00x110.00x12.00mm, PTFE

441		84.00	Petrol							
N 40 B 16 A	4 Cyl.	10.2:1	1596cc	85kW (115)PS		TD18037	35			
N 42 B 20 A	4 Cyl.	10.5:1	1995cc	110kW (150)PS		TD18038	47			
N 42 B 20 B	4 Cyl.	10.5:1	1995cc	95kW (129)PS		TD18304	48			
N 45 B 16 TU2	4 Cyl.	10.2:1	1596cc	85-90kW (115-122)PS		TD21221	37			
N 46 B 18	4 Cyl.	10.25:1	1796cc	85kW (115)PS		TD21405	42			
N 46 B 18 A	4 Cyl.	10.25:1	1796cc	85kW (115)PS		TD20538	42			

3 (E46)	06/01→02/05	3 (E90)	02/06→12/11
EC5440			NA5104 90.00x110.00x12.00mm, PTFE

442	84.00	Petrol			
N 45 B 16	4 Cyl.	10.2:1	1596cc	85kW (115)PS	TD21404 36
N 45 B 16 A	4 Cyl.	10.2:1	1596cc	85kW (115)PS	TD18358 36
N 46 B 20	4 Cyl.	10.5:1	1995cc	95-110kW (129-150)PS	TD21406 50
N 46 B 20 A	4 Cyl.	10.5:1	1995cc	110kW (150)PS	TD18167 50
N 46 B 20 B	4 Cyl.	10.5:1	1995cc	95kW (129)PS	TD18945 48
N 46 B 20 C	4 Cyl.	10.5:1	1995cc	110kW (150)PS	TD18168 51
N 46 N B 20 B	4 Cyl.		1995cc	110kW (150)PS	TD20962 52

1 (E81)	09/06→09/12	1 (E82)	09/09→	1 (E87)	11/03→09/12
1 (E88)	03/08→	3 (E46)	09/01→	3 (E90)	01/05→12/11
3 (E91)	09/05→	3 (E92)	11/06→	3 (E93)	03/07→
5 (E60)	04/06→12/09	X1 (E84)	03/09→	X3 (E83)	07/05→
Z4 (E85)	04/05→				

	08-425700-00 STD 08-425707-00 0.50mm 11/05→ 1.20 NT [22] 1.50 P 2.00 NT [22]		

[22] Steel [22] Acier [22] Acciaio [22] Acero









BE/PL	4	49.981/49.997	53.600/53.616	17.550	1.797	0.025/0.083	EC	71-4806	71-4806/4 STD
SE/PB	1	20.000	21.995/22.031	21.300			BC	55-4808	55-4808 SEMI



EC5440		NA5104 90.00x110.00x12.00mm, PTFE

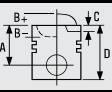
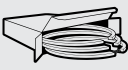





443	84.00	Petrol			
M 40 B 18 C	4 Cyl.	8.8:1	1796cc	103kW (140)PS	TD19662 32



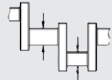







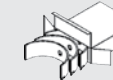
BE/PL	4	44.975/44.991	48.000/48.016	18.000	1.493	0.023/0.080	EC	71-3419	71-3419/4 STD 0.25 0.50
MB/HL	5	59.971/59.990	65.000/65.019	20.000	2.498	0.020/0.063	AL-LF	02-3646L	H007/5 STD 0.25
MB/HL	4	59.971/59.990	65.000/65.019	20.000	2.498	0.020/0.063	AL-LF	02-3646U	
MB/HL	1	59.971/59.990	65.000/65.019	24.940	2.498	0.020/0.082	AL-LF	02-3647HU	
SE/PB	1	22.000	24.000/24.031	22.000			BC	55-3648	55-3648 SEMI









...Continued

443	 84.00	Petrol
		
 ER830	JJ537  JJ537	NB980  42.00x52.00x7.50mm, FPM NB431  90.00x110.00x12.00mm, FPM

444	 84.00	Petrol				
M 42 B 18	4 Cyl.	10:1	1796cc	103kW (140)PS	TD454	39
3 (E30)	09/89→08/91	3 (E36)	03/92→02/98			

			
	08-704200-00 STD 08-704207-00 0.50mm 1.50  CR P 1.50  P 2.00  CR [22]		
[22] Steel	[22] Acier	[22] Acciaio	[22] Accero

										
BE/PL	4	44.975/44.991	48.000/48.016	18.000	1.493	0.023/0.080	EC	71-3419	71-3419/4 STD 0.25 0.50	
MB/HL	5	59.971/59.990	65.000/65.019	20.000	2.498	0.020/0.063	AL-LF	02-3646L	H007/5 STD 0.25	
MB/HL	4	59.971/59.990	65.000/65.019	20.000	2.498	0.020/0.063	AL-LF	02-3646U		
MB/HL	1	59.971/59.990	65.000/65.019	24.940	2.498	0.020/0.082	AL-LF	02-3647HU		
SE/PB	1	22.000	24.000/24.031	22.000			BC	55-3648	55-3648 SEMI	

		
	JJ537  JJ537	NA5099  44.00x60.00x10.00mm, PTFE NC015  44.00x60.00x10.00mm, FPM NA5104  90.00x110.00x12.00mm, PTFE NB431  90.00x110.00x12.00mm, FPM

445	84.00	Petrol	
M 43 B 18	4 Cyl.	9.7:1	1796cc
			85kW (116)PS
			TD456 40
3 (E36)	10/93→10/99	5 (E34)	08/89→01/97
		Z3 (E36)	10/95→10/98

87-704200-10 87-704207-10	STD 0.50mm	08-704200-00 08-704207-00	STD 0.50mm
A 31.65 B- 3.03 BØ 70.30 D 57.65 22x54		1.50 CR P 1.50 P 2.00 CR [22]	
[22] Steel	[22] Acier	[22] Acciaio	[22] Acero




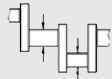
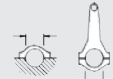












BE/PL	MB/HL	MB/HL	MB/HL	SE/PB	EC	AL-LF	AL-LF	AL-LF	BC	71-3419	71-3419/4 STD 0.25 0.50 H007/5 STD 0.25
4	5	4	1	1							
44.975/44.991	59.971/59.990	59.971/59.990	59.971/59.990	22.000							
48.000/48.016	65.000/65.019	65.000/65.019	65.000/65.019	24.000/24.031							
18.000	20.000	20.000	24.940	22.000							
1.493	2.498	2.498	2.498								
0.023/0.080	0.020/0.063	0.020/0.063	0.020/0.082								










JJ537 →09/95 JJ612 08/95→		NA5099 44.00x60.00x10.00mm, PTFE NC015 44.00x60.00x10.00mm, FPM NA5104 90.00x110.00x12.00mm, PTFE NB431 90.00x110.00x12.00mm, FPM			
JJ537	JJ612				



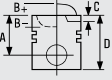
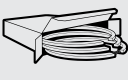
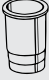

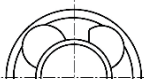
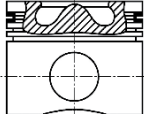







446	84.00	Petrol	
N 42 B 18	4 Cyl.	10.5:1	1796cc
			85kW (115)PS
			TD17054 41
3 (E46)	06/01→02/05		

08-429800-00	STD		
1.20 NT [22] 1.50 P 2.00 CR [22]			
[22] Steel	[22] Acier	[22] Acciaio	[22] Acero

...Continued

446		 84.00	Petrol							
										
BE/PL	4	49.981/49.997	53.600/53.616	17.550	1.797	0.025/0.083	EC	71-4806	71-4806/4 STD	
SE/PB	1	20.000	21.995/22.031	21.300			BC	55-4808	55-4808 SEMI	
										
 EC5440			JH5070  JH5070			NA5104  90.00x110.00x12.00mm, PTFE				

447		 84.00	Diesel							
M 47 D 20	4 Cyl.	17:1	1951cc	85-130kW (116-177)PS			TD27472 43			
1 (E81)	09/06→09/12		1 (E87)	11/03→09/12		3 (E46)	09/01→			
3 (E90)	01/05→12/11		3 (E91)	09/05→		5 (E60)	07/05→03/10			
5 (E61)	07/05→		X3 (E83)	10/04→						
										
 EC5410			JH5070  JH5070			NA5103  55.00x68.00x8.00mm, PTFE LK5007  [27] 90.00x173.00x24.00mm, PTFE				
[27] Specification: Oil Seal in housing			[27] Caractéristiques: Bague d'étanchéité dans son logement			[27] Specifica: Paraolio in sede			[27] Especificación: Retenes de aceite con cubierta	

448		 84.00	Diesel									
M 47 D 20	4 Cyl.	19:1	1951cc	100kW (136)PS		Turbo Intercooled		TD9521 44				
3 (E46)	04/98→02/05		5 (E39)	02/00→09/03								
												
87-114400-00	STD				08-114400-00	STD						
87-114405-00	0.25mm				08-114405-00	0.25mm						
A	47.00				3.00		CK P					
B-	15.05				2.00		P					
BØ	41.70				3.00		CR P					
C	1.30				08-114400-10					STD		
D	71.00									01/01→		
	30x66	3.00		CK P	2.00		P	3.00		NT [22]		
KK RT		[22] Steel			[22] Acier			[22] Acciaio		[22] Acero		

448		84.00		Diesel					
BE/PL	4	44.975/44.991	48.000/48.016	18.000	1.497	0.020/0.072	SP	71-3704	71-3704/4 [29] STD 0.25
MB/HL 1,2,4,5	4	59.971/59.990	65.000/65.019	20.000	2.498	0.020/0.063	AL-LF	02-3646	H023/5 STD 0.25
MB/HL 3	1	59.971/59.990	65.000/65.019	24.940	2.498	0.020/0.082	AL-LF	02-3647H	
02-3647H		STD	25,020/.9853" - 25,053/.9863"						
		0.25MM	25,220/.9929" - 25,253/.9942"						
		0.50MM	25,420/1.0008" - 25,453/1.0021"						
SE/PB	1	29.995/30.000	31.995/32.025	22.200			BC	55-3937	55-3937 SEMI
EZ800			HR397			NA5105 48.00x65.00x10.00mm, PTFE NA5104 90.00x110.00x12.00mm, PTFE			

449		84.00		Diesel					
M 47 D 20 TU		4 Cyl.	19:1	1951cc	85-110kW (116-150)PS		Turbo Intercooled		TD21236 45
BE/PL	4	44.975/44.991	48.000/48.016	18.000	1.497	0.020/0.072	SP	71-3704	71-3704/4 [29] STD 0.25
MB/HL 1,2,4,5	4	59.971/59.990	65.000/65.019	20.000	2.498	0.020/0.063	AL-LF	02-3646	H023/5 STD 0.25
MB/HL 3	1	59.971/59.990	65.000/65.019	24.940	2.498	0.020/0.082	AL-LF	02-3647H	
02-3647H		STD	25,020/.9853" - 25,053/.9863"						
		0.25MM	25,220/.9929" - 25,253/.9942"						
		0.50MM	25,420/1.0008" - 25,453/1.0021"						
SE/PB	1	29.995/30.000	31.995/32.025	22.200			BC	55-3937	55-3937 SEMI
EC5410			JH5070			NA5103 55.00x68.00x8.00mm, PTFE LK5007 [27] 90.00x173.00x24.00mm, PTFE			



JH5070

[27] Specification: Oil Seal in housing

[27] Caractéristiques: Bague d'étanchéité dans son logement

[27] Specifica: Paraolio in sede

[27] Especificación: Retenes de aceite con cubierta

450	84.00	Diesel	
M 47 204 D1	4 Cyl.	1951cc	85-100kW (116-136)PS
3 (E46)	02/98→04/05	5 (E39)	02/00→09/03
			Turbo Intercooled
			TD18305 44

87-114400-30 [15] STD 87-114405-30 [15] 0.25mm 03/01→ A 44.87 B- 13.50 BØ 46.90 C 1.40 D 70.62 30x66 AK KK NB RT 08408-F105	08-114400-00 STD 08-114405-00 0.25mm 3.00 CK P 2.00 P 3.00 CR P		
87-114400-40 [16] [19] STD 87-114405-40 [16] [19] 0.25mm A 44.87 B- 14.50 BØ 47.50 C 1.00 D 70.62 30x66 AK KK NB RT 08408U105	08-114400-40 STD 08-114405-40 0.25mm 3.00 CK P 2.00 P 2.00 CK P 08-114400-10 STD 01/01→ 3.00 CK P 2.00 P 3.00 NT [22]		

[15] Euro 3

[16] Euro 4

[19] Only for engines with parallel conrod

[19] Seulement pour moteurs équipés de têtes de bielle parallèles

[19] solo per motori con bielle in parallelo

[19] Sólo para motores con bielas paralelas

[22] Steel

[22] Acier

[22] Acciaio

[22] Acero

BE/PL	4	44.975/44.991	48.000/48.016	18.000	1.497	0.020/0.072	SP	71-3704	71-3704/4 STD 0.25	[29]
MB/HL 1,2,4,5	4	59.971/59.990	65.000/65.019	20.000	2.498	0.020/0.063	AL-LF	02-3646	H023/5 STD 0.25	
MB/HL 3	1	59.971/59.990	65.000/65.019	24.940	2.498	0.020/0.082	AL-LF	02-3647H		
02-3647H	STD	25,020/.9853" - 25,053/.9863"								
	0.25MM	25,220/.9929" - 25,253/.9942"								
	0.50MM	25,420/1.0008" - 25,453/1.0021"								
SE/PB	1	29.995/30.000	31.995/32.025	22.200			BC-LF	55-4572	55-4572 SEMI	[32]

EZ800	HR397	NA5105 48.00x65.00x10.00mm, PTFE NA5104 90.00x110.00x12.00mm, PTFE

451

84.00

Diesel



M 47 N 204 D4 Euro 4

4 Cyl.

17:1

1995cc

85-120kW (116-163)PS

Turbo Intercooled

TD17523

43

3 (E91)

09/05 →

<p>87-114400-40 [19] STD 87-114405-40 [19] 0.25mm</p> <p>A 44.87 B- 14.50 BØ 47.50 C 1.00 D 70.62 30x66</p> <p>AK KK NB RT</p>	<p>08408U105</p>	<p>08-114400-40 STD 08-114405-40 0.25mm</p> <p>3.00 CK P 2.00 P 2.00 CK P</p>	
		<p>08-114400-45 01/08 →</p> <p>3.00 CK P 2.00 P 2.00 CR P</p> <p style="text-align: center;">LKZ-Ring®</p>	

[19] Only for engines with parallel conrod

[19] Seulement pour moteurs équipés de têtes de bielle parallèles

[19] solo per motori con bielle in parallelo

[19] Sólo para motores con bielas paralelas

BE/PL	4	44.975/44.991	48.000/48.016	18.000	1.497	0.020/0.072	SP	71-3704	71-3704/4 STD 0.25	[29]
MB/HL 1,2,4,5	4	59.971/59.990	65.000/65.019	20.000	2.498	0.020/0.063	AL-LF	02-3646	H023/5 STD 0.25	
MB/HL 3	1	59.971/59.990	65.000/65.019	24.940	2.498	0.020/0.082	AL-LF	02-3647H		
02-3647H	STD	25,020/.9853" - 25,053/.9863"								
	0.25MM	25,220/.9929" - 25,253/.9942"								
	0.50MM	25,420/1.0008" - 25,453/1.0021"								
SE/PB	1	29.995/30.000	31.995/32.025	22.200			BC-LF	55-4572	55-4572 SEMI	[32]

EC5410	JH5070	NA5103 55.00x68.00x8.00mm, PTFE LK5007 [27] 90.00x173.00x24.00mm, PTFE
	<p>JH5070</p>	

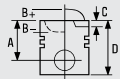
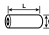






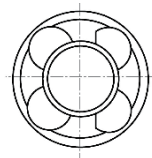
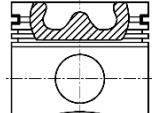
[27] Specification: Oil Seal in housing



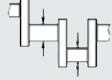
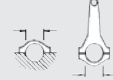









[27] Caractéristiques: Bague d'étanchéité dans son logement

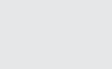

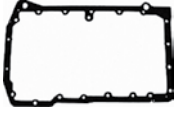



[27] Specifica: Paraolio in sede

[27] Especificación: Retenes de aceite con cubierta

452	84.00	Diesel								
M 47 N 204 D5	4 Cyl.	17:1	1995cc	120kW (163)PS	Turbo Intercooled	TD18171	43			
3 (E91)	09/05 →									

 <p>87-114400-60 STD 87-114405-60 0.25mm</p> <p>A 44.87 B- 14.50 BØ 47.50 C 1.48 D 70.37  30x66</p> <p>AK KK RT TP</p>	 <p>08-114400-40 STD 08-114405-40 0.25mm</p> <p>3.00  CK P 2.00  P 2.00  CK P</p>		
  08487 E103			

																							
BE/PL	MB/HL 1,2,4,5	MB/HL 3	02-3647H	SE/PB				BC-LF	55-4572	55-4572 SEMI	[29]	[32]											
4	4	1	STD 0.25MM 0.50MM	1	44.975/44.991	59.971/59.990	59.971/59.990	29.995/30.000	18.000	20.000	24.940	25,020/.9853" - 25,053/.9863" 25,220/.9929" - 25,253/.9942" 25,420/1.0008" - 25,453/1.0021"	48.000/48.016	65.000/65.019	65.000/65.019	31.995/32.025	22.200			SP	71-3704	71-3704/4 STD 0.25 H023/5 STD 0.25	

 <p>EC5410</p>	 <p>JH5070</p>  <p>JH5070</p>	 <p>NA5103  55.00x68.00x8.00mm, PTFE LK5007  [27] 90.00x173.00x24.00mm, PTFE</p>
--	---	---

[27] Specification: Oil Seal in housing

[27] Caractéristiques: Bague d'étanchéité dans son logement

[27] Specifica: Paraolio in sede

[27] Especificación: Retenes de aceite con cubierta

453	84.00	Petrol	
N 42 B 20	4 Cyl.	10.2:1	1995cc
			105kW (143)PS
			TD17052
			46
3 (E46)	09/01 →		

BE/PL	4	49.981/49.997	53.600/53.616	17.550	1.797	0.025/0.083	EC	71-4806	71-4806/4	STD
SE/PB	1	20.000	21.995/22.031	21.300			BC	55-4808	55-4808	SEMI

--	--	--

EC5440

JH5070

NAS104 90.00x110.00x12.00mm, PTFE



JH5070

454	84.00	Petrol					
N 43 B 20 A	4 Cyl.	1995cc	96-125kW (131-170)PS				
			TD20584				
			49				
1 (E81)	09/06 → 09/12		1 (E82)	09/09 →	1 (E87)	11/03 → 09/12	
1 (E88)	03/08 →		3 (E90)	03/07 → 12/11	3 (E91)	09/07 →	
3 (E92)	01/07 →		3 (E93)	01/07 →	5 (E60)	12/06 → 03/10	
5 (E61)	07/07 →						

BE/PL	2	49.981/49.997	53.600/53.616	17.550	1.797	0.025/0.083	EC	71-4806	71-4807/2	[33]
BE/PL	2	49.975/49.991	53.600/53.616	17.550	1.795	0.026/0.082	EC	71-4807		
SE/PB	1	20.000	21.995/22.031	21.300			BC	55-4808	55-4808	SEMI

--	--	--

EC5440

455	84.00	Petrol	
N 46 B 20	4 Cyl.	10.5:1	1995cc
			95-125kW (129-170)PS
			TD27476
N 46 B 20	4 Cyl.	10.5:1	1995cc
			95-125kW (129-170)PS
			TD27477

1 (E87)	11/03 → 09/12		
----------------	---------------	--	--

	08-425700-00 STD		
	08-425707-00 0.50mm		
	11/05 →		
	1.20	NT [22]	
	1.50	P	
	2.00	NT [22]	




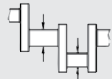
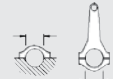


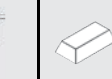







[22] Steel


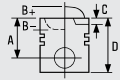
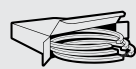
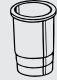




[22] Acier


[22] Acciaio



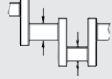
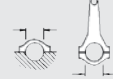











[22] Acero

...Continued

455		 84.00	Petrol							
										
BE/PL	4	49.981/49.997	53.600/53.616	17.550	1.797	0.025/0.083	EC	71-4806	71-4806/4 STD	
SE/PB	1	20.000	21.995/22.031	21.300			BC	55-4808	55-4808 SEMI	
										
										

456		 84.00	Petrol								
N 46 B 20		4 Cyl.	10.5:1	1995cc	95-125kW (129-170)PS			TD27479			
1 (E87)		11/03→09/12									
											
			08-425700-00 STD 08-425707-00 0.50mm 11/05→ 1.20  NT [22] 1.50  P 2.00  NT [22]								
[22] Steel		[22] Acier		[22] Acciaio		[22] Acero					

457		 84.00	Diesel								
N 47 C 20 A		4 Cyl.	17:1	1995cc	82-105kW (112-143)PS		Turbo Intercooled		TD25060	53	
N 57 306 D3		6 Cyl.		2993cc	145kW (197)PS				TD20587	82	
N 57 N 306 D3		6 Cyl.		2993cc	145-170kW (197-231)PS				TD20583	82	
MINI (R56)		02/11→		MINI CLUBMAN (R55)		02/11→		MINI Convertible (R57)		02/11→	
MINI COUNTRYMAN (R60)		02/11→		MINI Coupe (R58)		09/11→		MINI PACEMAN (R61)		10/12→	
MINI Roadster (R59)		02/12→									

										
BE/PL	1	49.975/49.991	53.600/53.619	18.300	1.803	0.026/0.086	SP-LF	71-4805	71-4805 STD [29]	
MB/HL	6	54.971/54.990	60.000/60.019	18.800	2.498	0.023/0.086	EC-LF	72-4803	H1298/7 STD	
MB/HL	1	54.971/54.990	60.000/60.019	23.500	2.498	0.023/0.086	EC-LF	72-4804H		
										
						NA5103  55.00x68.00x8.00mm, PTFE LK5007  [27] 90.00x173.00x24.00mm, PTFE				

[27] Specification: Oil Seal in housing

[27] Caractéristiques: Bague d'étanchéité dans son logement

[27] Specifica: Paraolio in sede

[27] Especificación: Retenes de aceite con cubierta

458

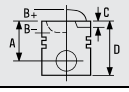
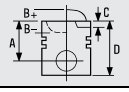
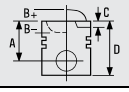
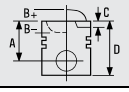
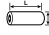
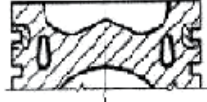
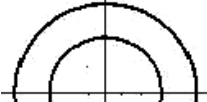





 **84.00**



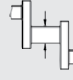







Diesel















N 47 D 20 A	4 Cyl.	17:1	1995cc	120-85kW (163-116)PS	Turbo Intercooled	TD19922	54
N 47 D 20 B	4 Cyl.	16:1	1995cc	150kW (204)PS	Turbo Intercooled	TD20845	55
N 47 D 20 C	4 Cyl.	16:1	1995cc	85-135kW (116-184)PS	Turbo Intercooled	TD24405	56
N 47 S D 20 D	4 Cyl.	16.1:1	1995cc	150kW (204)PS	Bi-Turbo Intercooled	TD24642	55



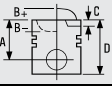



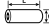
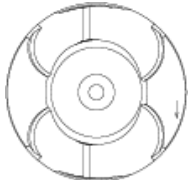



1 (E81)	09/06→09/12	1 (E82)	10/07→	1 (E87)	11/03→09/12
1 (E88)	03/08→	1 (F20)	12/10→	1 (F21)	12/11→
2 (F22)	10/13→	3 (E90)	01/05→12/11	3 (E91)	09/05→
3 (E92)	01/07→	3 (E93)	03/07→	3 (F30, F35)	10/11→
3 (F31)	10/11→	3 (F34)	03/13→	4 (F32)	07/13→
4 (F33)	10/13→	4 Gran (F36)	03/14→	5 (E60)	07/05→03/10
5 (E61)	07/05→	5 (F07)	10/11→	5 (F10, F18)	03/10→
5 (F11)	09/10→	X1 (E84)	03/09→	X3 (E83)	09/07→
X3 (F25)	09/10→				

			
87-432200-00 STD A 47.00 B- 14.50 BØ 47.50 D 73.00  32x63 AK KK RT TP	  0840BB	08-432200-00 STD 1.75  GDC P 1.75  P 2.00  CR [22]	 
[22] Steel	[22] Acier	[22] Acciaio	[22] Acero

									
BE/PL	1	49.975/49.991	53.600/53.619	18.300	1.803	0.026/0.086	SP-LF	71-4805	71-4805 STD [29]
MB/HL	4	54.971/54.990	60.000/60.019	18.800	2.498	0.023/0.086	EC-LF	72-4803	H1298/5 STD
MB/HL	1	54.971/54.990	60.000/60.019	23.500	2.498	0.023/0.086	EC-LF	72-4804H	

		
		NA5299  55.0x68.0x8.0mm, FPM NA5298  90.00x104.00x9.00mm, FPM

459	 84.00	Diesel					
N 47 D 20 D	4 Cyl.	16.5:1	1995cc	155-160kW (211-218)PS	Turbo Intercooled	TD26347	55
N 57 D 30 B	6 Cyl.	16.5:1	2993cc	220-230kW (299-313)PS	Turbo Intercooled	TD26305	79
N 57 S D 30 B	6 Cyl.	16.5:1	2993cc	220-225kW (299-306)PS	Turbo Intercooled	TD24635	79
1 (E81)	03/07→09/12	1 (E82)	10/07→	1 (E87)	03/07→09/12		
1 (E88)	09/08→	1 (F20)	08/11→	1 (F21)	12/11→		
2 (F22)	01/14→	3 (F30, F35)	10/11→	3 (F31)	03/13→		
3 (F34)	03/13→	4 (F32)	11/13→	5 (F07)	09/10→		
5 (F10, F18)	09/10→	5 (F11)	09/10→	6 (F12)	09/11→		
6 (F13)	11/10→	6 Gran (F06)	09/11→	7 (F01, F02, F03, F04)	09/09→		
X1 (E84)	10/09→	X3 (F25)	09/11→	X4 (F26)	04/14→		
X5 (E70)	09/10→	X5 (F15)	01/13→	X6 (E71, E72)	10/10→		
							
		NA5299  55.0x68.0x8.0mm, FPM NA5298  90.00x104.00x9.00mm, FPM					

460	 84.00	Petrol			
N 20 B 20	4 Cyl.	1997cc	134-135kW (182-184)PS	TD26908	
3 (F31)	06/12→	3 (F34)	03/13→	4 (F32)	11/13→
4 Gran (F36)	03/14→				
					
87-434600-10	STD	08-434600-00	STD		
A 32.40 B- 4.20 B+ 4.20 BØ 47.63 C 3.16 C 3.09 D 51.10  22x48	 0841WA307	1.20  NT [22] 1.50  P 2.00  NT [22]			
TP	ECOTOUGH				
[22] Steel	[22] Acier	[22] Acciaio	[22] Acero		

461	84.00	Petrol	
N 20 B 20 A	4 Cyl.	10:1	1997cc
			180kW (245)PS
			Bi-Turbo Intercooled
			TD25629

1 (F20)	08/11→	1 (F21)	12/11→	3 (F30, F35)	10/11→
3 (F31)	06/12→	3 (F34)	03/13→	4 (F32)	07/13→
4 (F33)	10/13→	4 Gran (F36)	03/14→	5 (F10, F18)	09/11→
5 (F11)	09/11→	X1 (E84)	04/11→	X3 (F25)	08/11→
X4 (F26)	04/14→	Z4 (E89)	09/11→		

87-434600-00 STD	08-434600-00 STD		
A 32.40 B- 3.73 BØ 52.50 C 3.09 C 3.16 D 51.10 22x51	1.20 NT [22] 1.50 P 2.00 NT [22]		
TP ECOTOUGH			
[22] Steel	[22] Acier	[22] Acciaio	[22] Acero

462	84.00	Petrol	
N 26 B 20 A	4 Cyl.	1997cc	180kW (245)PS
			Bi-Turbo Intercooled
			TD26337

3 (F30, F35)	10/11→	4 (F32)	07/13→	4 (F33)	10/13→
---------------------	--------	----------------	--------	----------------	--------

	08-434600-00 STD		
	1.20 NT [22] 1.50 P 2.00 NT [22]		
[22] Steel	[22] Acier	[22] Acciaio	[22] Acero

463

84.00

Petrol



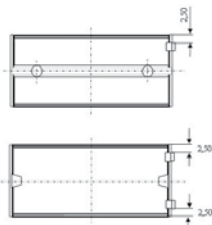
M 20 B 25	6 Cyl.	9.7:1	2494cc	126kW (171)PS	TD439	57
3 (E30)	09/83→10/93	5 (E34)	01/88→08/91	Z1	06/88→06/91	

<p>08-106500-00 STD</p> <p>08-106507-00 0.50mm</p> <p>1.50 CR P</p> <p>1.75 P</p> <p>3.00 P</p>	<p>08-702600-00 STD</p> <p>08-702605-00 0.25mm</p> <p>08-702607-00 0.50mm</p> <p>1.50 CR P</p> <p>1.75 P</p> <p>3.00 CR [22]</p>		

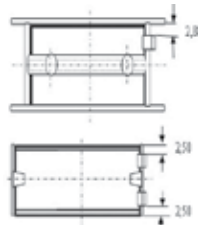
[22] Steel [22] Acier [22] Acciaio [22] Acero

BE/PL	6	44.975/44.991	48.000/48.016	18.000	1.493	0.023/0.080	EC	71-3419	71-3419/6 STD 0.25 0.50
MB/HL 1-5, 7	6	59.971/59.990	65.000/65.019	20.000	2.498	0.020/0.063	AL-LF	02-3646	H023/7 STD 0.25 0.50
MB/HL 6	1	59.971/59.990	65.000/65.019	24.940	2.498	0.020/0.082	AL-LF	02-3647H	
02-3647H		STD	25,020/.9853" - 25,053/.9863"						
		0.25MM	25,220/.9929" - 25,253/.9942"						
		0.50MM	25,420/1.0008" - 25,453/1.0021"						
MB/HL 1-5, 7	6	59.971/59.990	65.000/65.019	20.000	2.490	0.030/0.093	EC	72-3420	H948/7 STD 0.25
MB/HL 6	1	59.971/59.990	65.000/65.019	24.940	2.490	0.030/0.093	EC	72-3421H	
72-3421H		STD	25,020/.9853" - 25,053/.9863"						
		0.25MM	25,220/.9929" - 25,253/.9942"						
		0.50MM	25,420/1.0008" - 25,453/1.0021"						

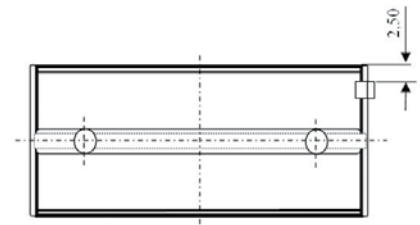
02-3646



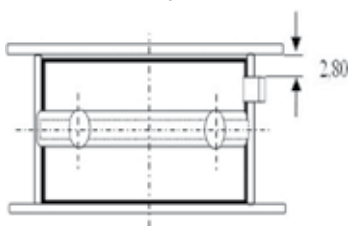
02-3647H





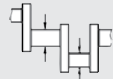
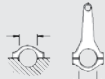





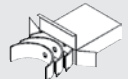
72-3420



72-3421H

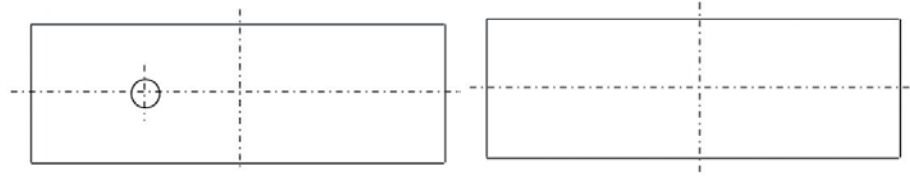


463  **84.00** **Petrol**



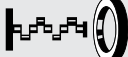
									
SE/PB	1	22.000	24.000/24.021	22.000			BC	55-3422	55-3422 SEMI
SE/PB	1	22.000	24.000/24.031	22.000			BC	55-3648	55-3648 SEMI

55-3422

55-3648





BU	1	17.466/17.484	20.000/20.021	26.000			BC	56-3423	56-3423 SEMI
----	---	---------------	---------------	--------	--	--	----	---------	------------------------

		
---	---	---

EX932

JJ104

NF637  48.00x65.00x10.00mm, FPM
NB431  90.00x110.00x12.00mm, FPM

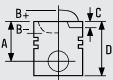
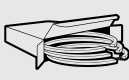



JJ104

464  **84.00** **Petrol** 

M 50 B 25	6 Cyl.	10:1	2494cc	141kW (192)PS	TD4228	59
-----------	--------	------	--------	---------------	--------	----


3 (E36)	09/90→04/99	5 (E34)	09/89→01/97
---------	-------------	---------	-------------

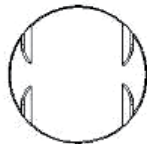
			
---	---	---	---

87-705100-00
87-705107-00

STD
0.50mm



A 32.55
C 8.70
C 2.24
D 50.05
 22x54






[22] Steel

[22] Acier

[22] Acciaio



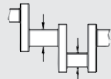
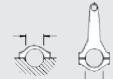





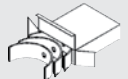
08-705100-00 STD
08-705107-00 0.50mm

1.50  CK P
1.50  P
2.00  CR [22]

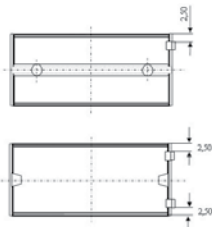
[22] Acero

...Continued

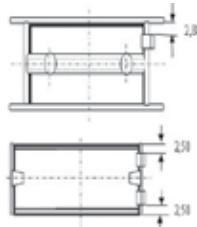
464  **84.00** **Petrol**

									
BE/PL	6	44.975/44.991	48.000/48.016	18.000	1.493	0.023/0.080	EC	71-3419	71-3419/6 STD 0.25 0.50
MB/HL 1-5, 7	6	59.971/59.990	65.000/65.019	20.000	2.498	0.020/0.063	AL-LF	02-3646	H023/7 STD 0.25 0.50
MB/HL 6	1	59.971/59.990	65.000/65.019	24.940	2.498	0.020/0.082	AL-LF	02-3647H	
02-3647H		STD	25,020/.9853" - 25,053/.9863"						
		0.25MM	25,220/.9929" - 25,253/.9942"						
		0.50MM	25,420/1.0008" - 25,453/1.0021"						
MB/HL 1-5, 7	6	59.971/59.990	65.000/65.019	20.000	2.490	0.030/0.093	EC	72-3420	H948/7 STD 0.25
MB/HL 6	1	59.971/59.990	65.000/65.019	24.940	2.490	0.030/0.093	EC	72-3421H	
72-3421H		STD	25,020/.9853" - 25,053/.9863"						
		0.25MM	25,220/.9929" - 25,253/.9942"						
		0.50MM	25,420/1.0008" - 25,453/1.0021"						

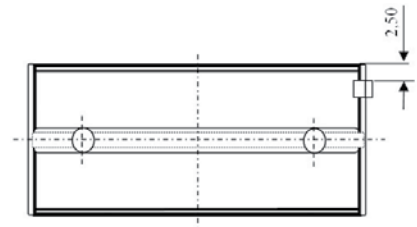
02-3646



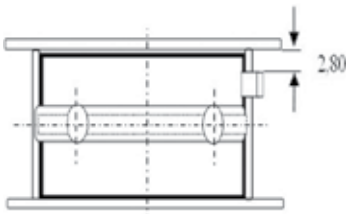
02-3647H



72-3420



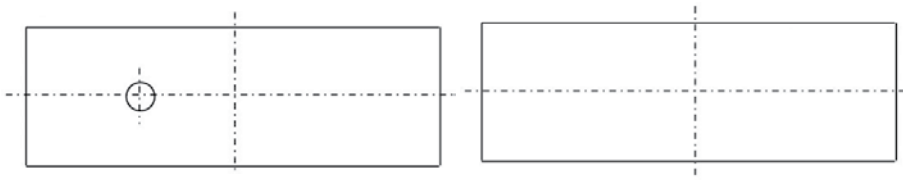
72-3421H



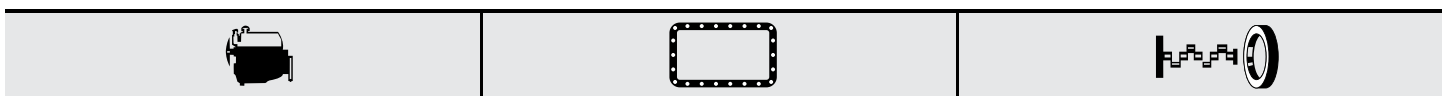
SE/PB	1	22.000	24.000/24.021	22.000		BC	55-3422	55-3422 SEMI
SE/PB	1	22.000	24.000/24.031	22.000		BC	55-3648	55-3648 SEMI

55-3422

55-3648





BU	1	17.466/17.484	20.000/20.021	26.000		BC	56-3423	56-3423 SEMI
----	---	---------------	---------------	--------	--	----	---------	------------------------



 ET681

JJ611

NF637  48.00x65.00x10.00mm, FPM
NB431  90.00x110.00x12.00mm, FPM



JJ611

465

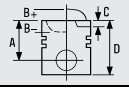
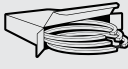
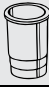




 **84.00**

Petrol



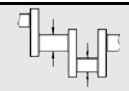
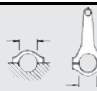


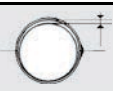

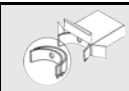
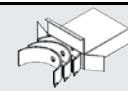


M 50 B 25 6 Cyl. 10.2:1 2494cc **141kW (192)PS** **TD18476** **58**

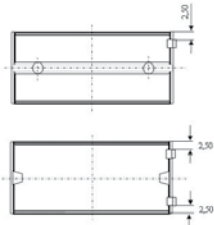
3 (E36) 09/90 → 04/99

			
	<p>08-705200-00 STD</p> <p>08-705207-00 0.50mm</p> <p>1.50  P PS</p> <p>1.50  P</p> <p>2.00  CR [22]</p>		

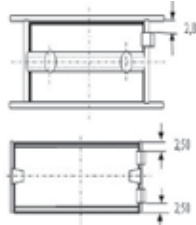
[22] Steel [22] Acier [22] Acciaio [22] Acero

									
BE/PL	6	44.975/44.991	48.000/48.016	18.000	1.493	0.023/0.080	EC	71-3419	71-3419/6 STD 0.25 0.50
MB/HL 1-5, 7	6	59.971/59.990	65.000/65.019	20.000	2.498	0.020/0.063	AL-LF	02-3646	H023/7 STD 0.25 0.50
MB/HL 6	1	59.971/59.990	65.000/65.019	24.940	2.498	0.020/0.082	AL-LF	02-3647H	
02-3647H		STD	25,020/.9853" - 25,053/.9863"						
		0.25MM	25,220/.9929" - 25,253/.9942"						
		0.50MM	25,420/1.0008" - 25,453/1.0021"						
MB/HL 1-5, 7	6	59.971/59.990	65.000/65.019	20.000	2.490	0.030/0.093	EC	72-3420	H948/7 STD 0.25
MB/HL 6	1	59.971/59.990	65.000/65.019	24.940	2.490	0.030/0.093	EC	72-3421H	
72-3421H		STD	25,020/.9853" - 25,053/.9863"						
		0.25MM	25,220/.9929" - 25,253/.9942"						
		0.50MM	25,420/1.0008" - 25,453/1.0021"						

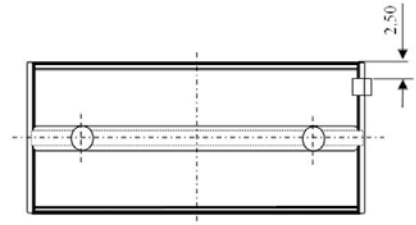
02-3646



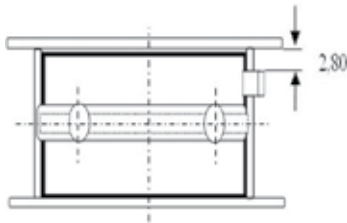
02-3647H



72-3420



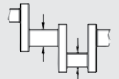
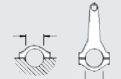




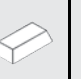




72-3421H



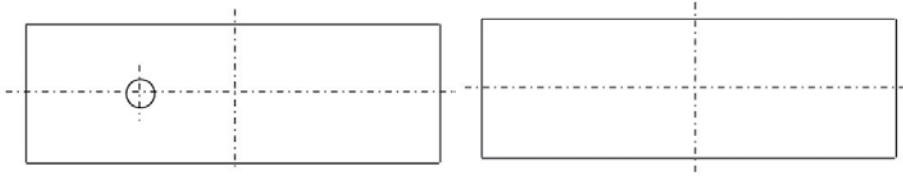
...Continued

465  **84.00** **Petrol**







										
SE/PB	1	22.000	24.000/24.021	22.000			BC	55-3422	55-3422 SEMI	
SE/PB	1	22.000	24.000/24.031	22.000			BC	55-3648	55-3648 SEMI	

55-3422

55-3648





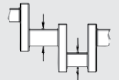
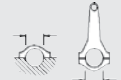




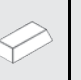


BU	1	17.466/17.484	20.000/20.021	26.000			BC	56-3423	56-3423 SEMI
----	---	---------------	---------------	--------	--	--	----	---------	------------------------

		
ET681	JJ611	NF637  48.00x65.00x10.00mm, FPM NB431  90.00x110.00x12.00mm, FPM
		
	JJ611	

466  **84.00** **Petrol** 

M 50 B 25 TU 6 Cyl. 10.5:1 2494cc 141kW (192)PS TD21240 58

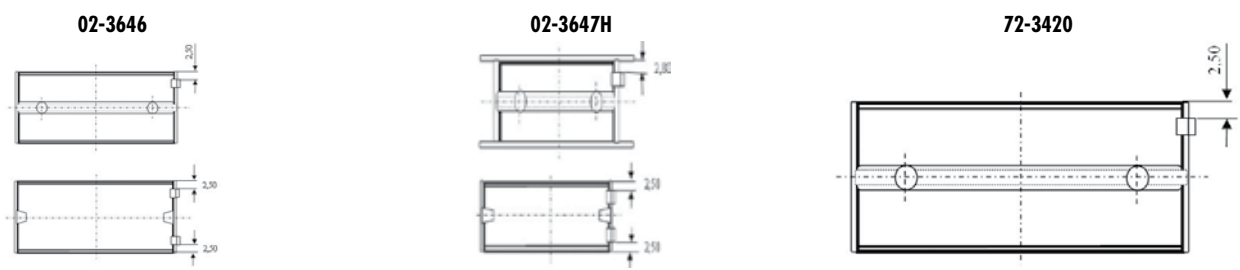
3 (E36) 09/90→04/99 5 (E34) 09/89→01/97

										
BE/PL	6	44.975/44.991	48.000/48.016	18.000	1.493	0.023/0.080	EC	71-3419	71-3419/6 STD 0.25 0.50	
MB/HL 1-5, 7	6	59.971/59.990	65.000/65.019	20.000	2.498	0.020/0.063	AL-LF	02-3646	H023/7 STD 0.25 0.50	
MB/HL 6	1	59.971/59.990	65.000/65.019	24.940	2.498	0.020/0.082	AL-LF	02-3647H		

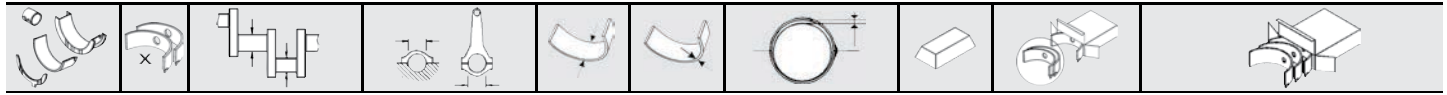
02-3647H STD 25,020/.9853" - 25,053/.9863"
0.25MM 25,220/.9929" - 25,253/.9942"
0.50MM 25,420/1.0008" - 25,453/1.0021"

MB/HL 1-5, 7	6	59.971/59.990	65.000/65.019	20.000	2.490	0.030/0.093	EC	72-3420	H948/7 STD 0.25
MB/HL 6	1	59.971/59.990	65.000/65.019	24.940	2.490	0.030/0.093	EC	72-3421H	

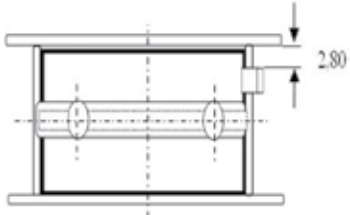
72-3421H STD 25,020/.9853" - 25,053/.9863"
0.25MM 25,220/.9929" - 25,253/.9942"
0.50MM 25,420/1.0008" - 25,453/1.0021"



466  **84.00** **Petrol**



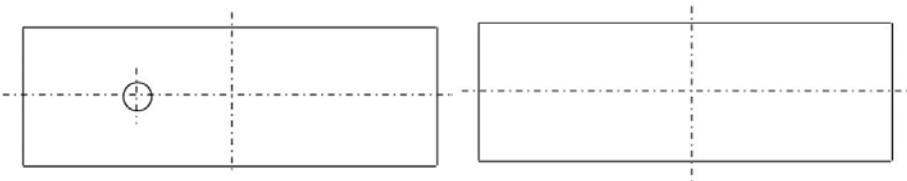
72-3421H



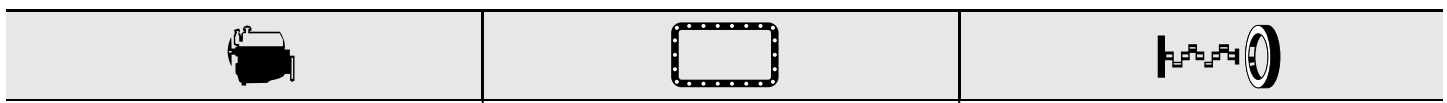
SE/PB	1	22.000	24.000/24.021	22.000		BC	55-3422	55-3422 SEMI
SE/PB	1	22.000	24.000/24.031	22.000		BC	55-3648	55-3648 SEMI

55-3422

55-3648

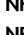



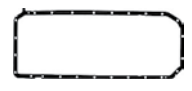
BU	1	17.466/17.484	20.000/20.021	26.000		BC	56-3423	56-3423 SEMI
----	---	---------------	---------------	--------	--	----	---------	------------------------



ET681

JJ611

NF637  48.00x65.00x10.00mm, FPM
NB431  90.00x110.00x12.00mm, FPM

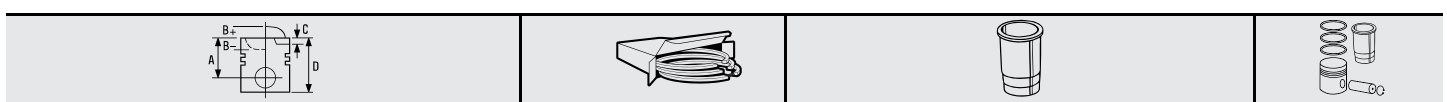


JJ611




467  **84.00** **Petrol** 

M 52 B 25	6 Cyl.	10.2-10.5:1	2494cc	125-141kW (170-192)PS	TD4230	60
M 52 B 28	6 Cyl.	10.2:1	2793cc	142kW (193)PS	TD4231	66

3 (E36)	01/95→08/00	3 (E46)	02/98→09/00	5 (E34)	09/89→01/97
5 (E39)	11/95→09/00	7 (E38)	08/95→11/01	Z3 (E36)	04/97→06/00





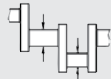
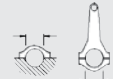





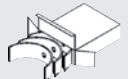
08-705100-00 STD
08-705107-00 0.50mm

1.50		CK P
1.50		P
2.00		CR [22]

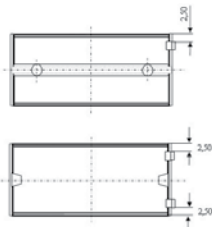
[22] Steel [22] Acier [22] Acciaio [22] Acero

...Continued

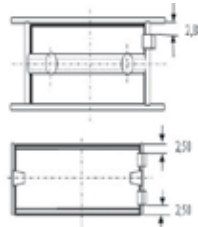
467  **84.00** **Petrol**

									
BE/PL	6	44.975/44.991	48.000/48.016	18.000	1.493	0.023/0.080	EC	71-3419	71-3419/6 STD 0.25 0.50
MB/HL 1-5, 7	6	59.971/59.990	65.000/65.019	20.000	2.498	0.020/0.063	AL-LF	02-3646	H023/7 STD 0.25 0.50
MB/HL 6	1	59.971/59.990	65.000/65.019	24.940	2.498	0.020/0.082	AL-LF	02-3647H	
02-3647H		STD	25,020/.9853" - 25,053/.9863"						
		0.25MM	25,220/.9929" - 25,253/.9942"						
		0.50MM	25,420/1.0008" - 25,453/1.0021"						
MB/HL 1-5, 7	6	59.971/59.990	65.000/65.019	20.000	2.490	0.030/0.093	EC	72-3420	H948/7 STD 0.25
MB/HL 6	1	59.971/59.990	65.000/65.019	24.940	2.490	0.030/0.093	EC	72-3421H	
72-3421H		STD	25,020/.9853" - 25,053/.9863"						
		0.25MM	25,220/.9929" - 25,253/.9942"						
		0.50MM	25,420/1.0008" - 25,453/1.0021"						

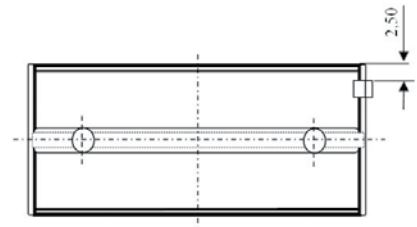
02-3646



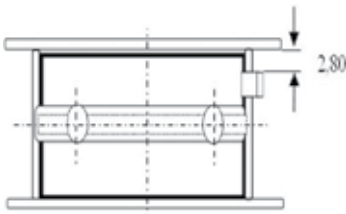
02-3647H



72-3420



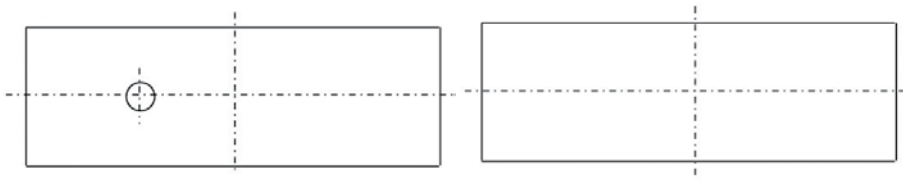
72-3421H



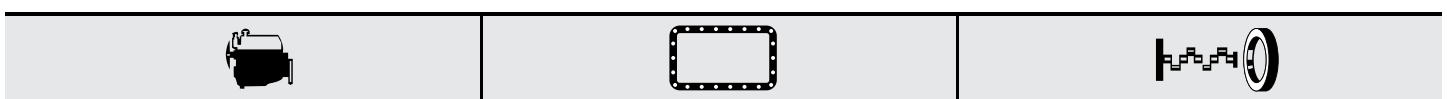
SE/PB	1	22.000	24.000/24.021	22.000		BC	55-3422	55-3422 SEMI
SE/PB	1	22.000	24.000/24.031	22.000		BC	55-3648	55-3648 SEMI


55-3422

55-3648





BU	1	17.466/17.484	20.000/20.021	26.000		BC	56-3423	56-3423 SEMI
----	---	---------------	---------------	--------	--	----	---------	------------------------



 **EW802**
09/98 →

JJ611

NA5105  48.00x65.00x10.00mm, PTFE
NA5104  90.00x110.00x12.00mm, PTFE



JJ611

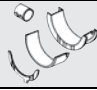

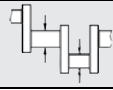
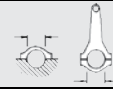




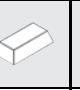
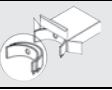
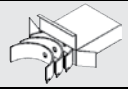
468

 **84.00**

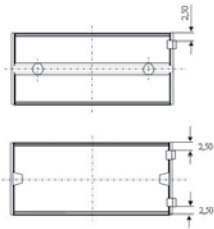
Petrol



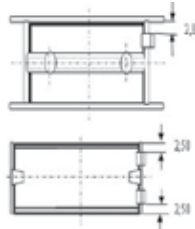
M 52 B 25 TU	6 Cyl.	10.5:1	2494cc	125kW (170)PS	TD21241	61
M 52 B 28 TU	6 Cyl.	10.2:1	2793cc	142kW (193)PS	TD21242	67
3 (E36)	01/95→10/99	3 (E46)	03/98→09/00	5 (E39)	11/95→09/00	
7 (E38)	08/95→11/01	Z3 (E36)	04/97→06/00			

										
BE/PL	6	44.975/44.991	48.000/48.016	18.000	1.493	0.023/0.080	EC	71-3419	71-3419/6 STD 0.25 0.50	
MB/HL 1-5, 7	6	59.971/59.990	65.000/65.019	20.000	2.498	0.020/0.063	AL-LF	02-3646	H023/7 STD 0.25 0.50	
MB/HL 6	1	59.971/59.990	65.000/65.019	24.940	2.498	0.020/0.082	AL-LF	02-3647H		
02-3647H		STD	25,020/.9853" - 25,053/.9863"							
		0.25MM	25,220/.9929" - 25,253/.9942"							
		0.50MM	25,420/1.0008" - 25,453/1.0021"							
MB/HL 1-5, 7	6	59.971/59.990	65.000/65.019	20.000	2.490	0.030/0.093	EC	72-3420	H948/7 STD 0.25	
MB/HL 6	1	59.971/59.990	65.000/65.019	24.940	2.490	0.030/0.093	EC	72-3421H		
72-3421H		STD	25,020/.9853" - 25,053/.9863"							
		0.25MM	25,220/.9929" - 25,253/.9942"							
		0.50MM	25,420/1.0008" - 25,453/1.0021"							

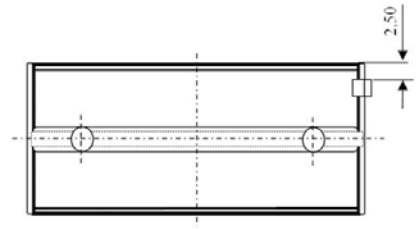
02-3646



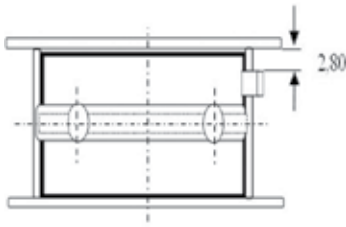
02-3647H



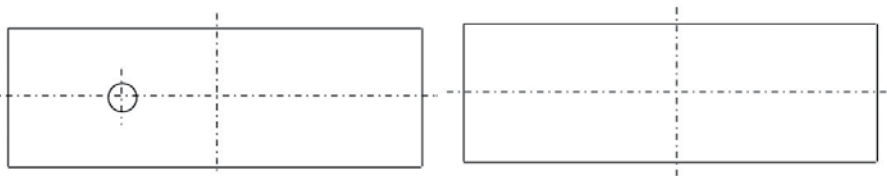
72-3420



72-3421H













SE/PB	1	22.000	24.000/24.021	22.000		BC	55-3422	55-3422 SEMI
SE/PB	1	22.000	24.000/24.031	22.000		BC	55-3648	55-3648 SEMI
			55-3422				55-3648	



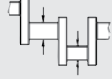

















BU	1	17.466/17.484	20.000/20.021	26.000		BC	56-3423	56-3423 SEMI
----	---	---------------	---------------	--------	--	----	---------	------------------------



...Continued

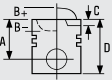






468	 84.00	Petrol
		
 EW802 09/98 →	JJ611  JJ611	NA5105  48.00x65.00x10.00mm, PTFE NA5104  90.00x110.00x12.00mm, PTFE

469	 84.00	Petrol			
M 54 B 25	6 Cyl.	10.5:1	2494cc	137-141kW (186-192)PS	TD28217
3 (E46)	09/00 →	5 (E39)	09/00 → 05/04	5 (E60)	09/03 → 03/10
5 (E61)	06/04 →	X3 (E83)	01/04 →	Z4 (E85)	02/03 →

										
BE/PL	6	44.975/44.991	48.000/48.016	18.000	1.493	0.023/0.080	EC	71-3419	71-3419/6 STD 0.25 0.50 H023/7 STD 0.25 0.50	
MB/HL 1-5, 7	6	59.971/59.990	65.000/65.019	20.000	2.498	0.020/0.063	AL-LF	02-3646		
MB/HL 6	1	59.971/59.990	65.000/65.019	24.940	2.498	0.020/0.082	AL-LF	02-3647H		
02-3647H		STD	25,020/.9853" - 25,053/.9863"							
		0.25MM	25,220/.9929" - 25,253/.9942"							
		0.50MM	25,420/1.0008" - 25,453/1.0021"							

		
 EW802	JJ611  JJ611	NA5105  48.00x65.00x10.00mm, PTFE NA5104  90.00x110.00x12.00mm, PTFE

470	 84.00	Petrol				
M 54 B 25	6 Cyl.	10.5:1	2494cc	125/141kW (170P/192S)PS	TD20048	62
5 (E39)	09/00 → 06/03					

			
	08-425300-00 STD 1.20  NT [22] 1.50  P 2.00  P		



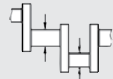
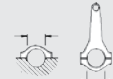





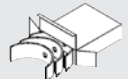
[22] Steel

[22] Acier

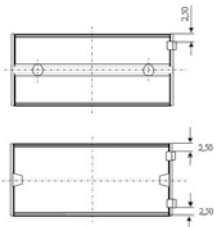
[22] Acciaio

[22] Acero

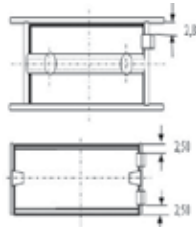
470  **84.00** **Petrol**

									
BE/PL	6	44.975/44.991	48.000/48.016	18.000	1.493	0.023/0.080	EC	71-3419	71-3419/6 STD 0.25 0.50
MB/HL 1-5, 7	6	59.971/59.990	65.000/65.019	20.000	2.498	0.020/0.063	AL-LF	02-3646	H023/7 STD 0.25 0.50
MB/HL 6	1	59.971/59.990	65.000/65.019	24.940	2.498	0.020/0.082	AL-LF	02-3647H	
02-3647H		STD	25,020/.9853" - 25,053/.9863"						
		0.25MM	25,220/.9929" - 25,253/.9942"						
		0.50MM	25,420/1.0008" - 25,453/1.0021"						
MB/HL 1-5, 7	6	59.971/59.990	65.000/65.019	20.000	2.490	0.030/0.093	EC	72-3420	H948/7 STD 0.25
MB/HL 6	1	59.971/59.990	65.000/65.019	24.940	2.490	0.030/0.093	EC	72-3421H	
72-3421H		STD	25,020/.9853" - 25,053/.9863"						
		0.25MM	25,220/.9929" - 25,253/.9942"						
		0.50MM	25,420/1.0008" - 25,453/1.0021"						

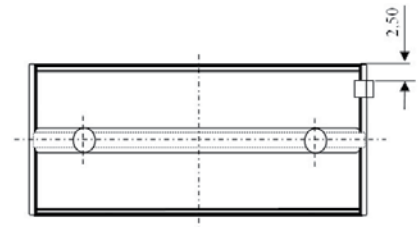
02-3646



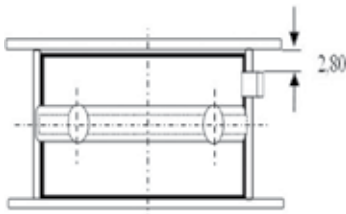
02-3647H



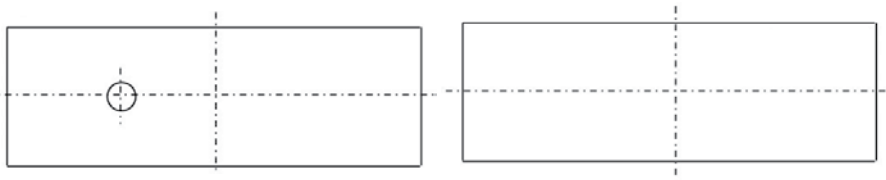
72-3420



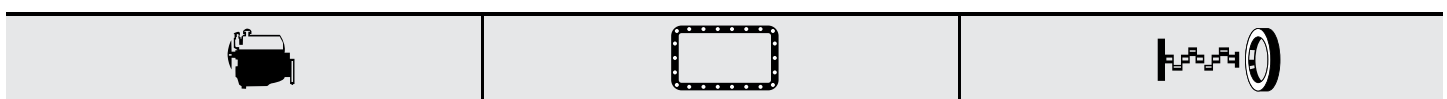
72-3421H



SE/PB	1	22.000	24.000/24.021	22.000		BC	55-3422	55-3422 SEMI
SE/PB	1	22.000	24.000/24.031	22.000		BC	55-3648	55-3648 SEMI
		55-3422		55-3648				



BU	1	17.466/17.484	20.000/20.021	26.000		BC	56-3423	56-3423 SEMI
----	---	---------------	---------------	--------	--	----	---------	------------------------





EW802





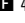


JJ611



NA5105 48.00x65.00x10.00mm, PTFE
NA5104 90.00x110.00x12.00mm, PTFE



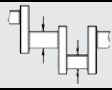
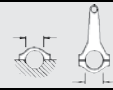




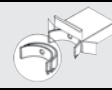
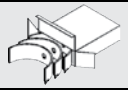








JJ611

471	 84.00	Petrol				
M 54 256 S5	6 Cyl.	10.5:1	2494cc	141kW (192)PS	TD17516	63
M 54 306 S3	6 Cyl.	10.2:1	2979cc	163-170kW (222-231)PS	TD17517	69
3 (E46)	06/00→	5 (E39)	09/00→06/03	X5 (E53)	05/00→	

		
 EW802	JJ611	NA5105  48.00x65.00x10.00mm, PTFE NA5104  90.00x110.00x12.00mm, PTFE
		
	JJ611	

472	 84.00	Diesel					
M 57 N 256 D4	6 Cyl.	17:1	2497cc	130kW (177)PS	Turbo Intercooled	TD18033	64
5 (E60)	06/04→03/10	5 (E61)	06/04→				

									
BE/PL	6	44.975/44.991	48.000/48.016	18.000	1.497	0.020/0.072	SP	71-3704	71-3704/6 [29] STD
MB/HL	6	59.971/59.990	65.000/65.019	20.000	2.502		EC	72-4525	H1238/7 STD
MB/HL	1	59.971/59.990	65.000/65.019	24.890	2.502		EC	72-4526H	



		
	JH5110 (Steel Elastomer)	NA5103  55.00x68.00x8.00mm, PTFE LK5007  [27] 90.00x173.00x24.00mm, PTFE
		
	JH5110	

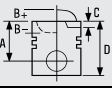
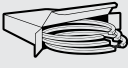





[27] Specification: Oil Seal in housing

[27] Caractéristiques: Bague d'étanchéité dans son logement

[27] Specifica: Paraolio in sede

[27] Especificación: Retenes de aceite con cubierta

473	 84.00	Petrol				
M 20 B 27	6 Cyl.	11.1:1	2693cc	90-95kW (122-129)PS	TD5269	65
3 (E30)	10/83→12/88	5 (E28)	09/81→12/87			

			
	08-133200-10 STD		
	1.50  CR P		
	2.00  P		
	4.00  CR [22]		



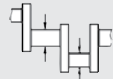
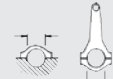





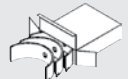
[22] Steel

[22] Acier

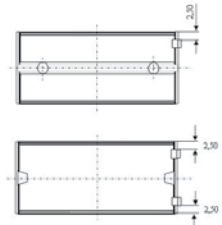
[22] Acciaio

[22] Acero

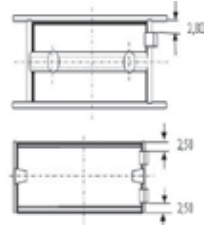
473  **84.00** **Petrol**

									
BE/PL	6	44.975/44.991	48.000/48.016	18.000	1.493	0.023/0.080	EC	71-3419	71-3419/6 STD 0.25 0.50
MB/HL 1-5, 7	6	59.971/59.990	65.000/65.019	20.000	2.498	0.020/0.063	AL-LF	02-3646	H023/7 STD 0.25 0.50
MB/HL 6	1	59.971/59.990	65.000/65.019	24.940	2.498	0.020/0.082	AL-LF	02-3647H	
02-3647H		STD	25,020/.9853" - 25,053/.9863"						
		0.25MM	25,220/.9929" - 25,253/.9942"						
		0.50MM	25,420/1.0008" - 25,453/1.0021"						
MB/HL 1-5, 7	6	59.971/59.990	65.000/65.019	20.000	2.490	0.030/0.093	EC	72-3420	H948/7 STD 0.25
MB/HL 6	1	59.971/59.990	65.000/65.019	24.940	2.490	0.030/0.093	EC	72-3421H	
72-3421H		STD	25,020/.9853" - 25,053/.9863"						
		0.25MM	25,220/.9929" - 25,253/.9942"						
		0.50MM	25,420/1.0008" - 25,453/1.0021"						

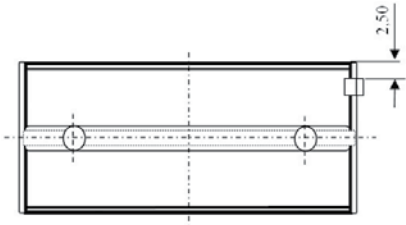
02-3646



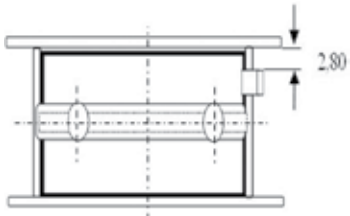
02-3647H



72-3420



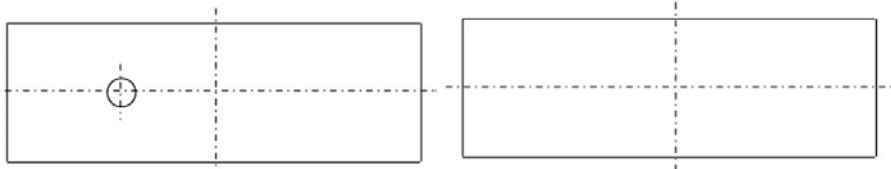
72-3421H



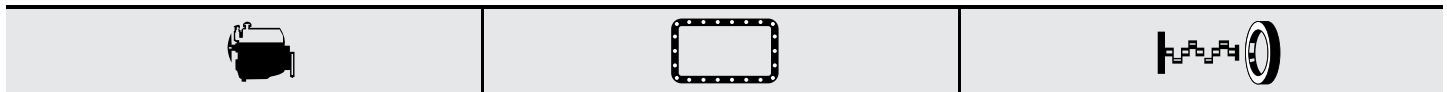
SE/PB	1	22.000	24.000/24.021	22.000		BC	55-3422	55-3422 SEMI
SE/PB	1	22.000	24.000/24.031	22.000		BC	55-3648	55-3648 SEMI

55-3422

55-3648


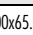


BU	1	17.466/17.484	20.000/20.021	26.000		BC	56-3423	56-3423 SEMI
----	---	---------------	---------------	--------	--	----	---------	------------------------









EX932



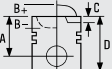
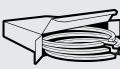
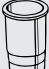
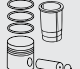
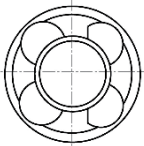

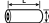
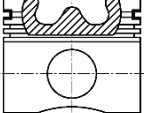

JJ104

NF637  48.00x65.00x10.00mm, FPM
NB431  90.00x110.00x12.00mm, FPM



JJ104

474		84.00	Diesel		
M 57 D 30	6 Cyl.	17:1	2926cc	135-142kW (184-193)PS	TD27992
3 (E46)	10/99→02/05	5 (E39)	09/00→05/04	7 (E38)	04/00→11/01
X5 (E53)	05/01→				
			NA5104  90.00x110.00x12.00mm, PTFE		

475		84.00	Diesel				
M 57 D 30	6 Cyl.	18:1	2926cc	135kW (184)PS	Turbo Intercooled	TD12288	68
3 (E46)	10/99→02/05	5 (E39)	08/98→06/03	7 (E38)	08/98→04/00		
							
87-114400-10 [15] 87-114405-10 [15]	STD 0.25mm		08-114400-00 STD 08-114405-00 0.25mm				
A 47.00 B- 16.55 BØ 41.60 C 1.40 D 71.10  30x66		08-114400-10 STD 01/01→					
AK KK RT	08452-L165	3.00 CK P 2.00 P 3.00 CR P	3.00 CK P 2.00 P 3.00 NT [22]				



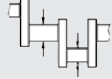







[15] Euro 3







[22] Steel

[22] Acier

[22] Acciaio

[22] Acero

									
BE/PL	6	44.975/44.991	48.000/48.016	18.000	1.497	0.020/0.072	SP	71-3704	71-3704/6 [29] STD
MB/HL 1-5, 7	6	59.971/59.990	65.000/65.019	20.000	2.498	0.020/0.063	AL-LF	02-3646	H023/7 STD 0.25 0.50
MB/HL 6	1	59.971/59.990	65.000/65.019	24.940	2.498	0.020/0.082	AL-LF	02-3647H	
02-3647H	STD	25,020/.9853" - 25,053/.9863"							
	0.25MM	25,220/.9929" - 25,253/.9942"							
	0.50MM	25,420/1.0008" - 25,453/1.0021"							
SE/PB	1	29.995/30.000	31.995/32.025	22.200			BC	55-3937	55-3937 SEMI

		
EZ660	JH5110 (Steel Elastomer)	NA5103  55.00x68.00x8.00mm, PTFE NA5104  90.00x110.00x12.00mm, PTFE
		
	JH5110	

476	84.00	Petrol							
M 54 B 30	6 Cyl.	10.2:1	2979cc	170kW (231)PS		TD21235		69	
5 (E39)	09/00 → 06/03								

	08-425300-00 STD		
	1.20 NT [22]		
	1.50 P		
	2.00 P		

[22] Steel [22] Acier [22] Acciaio [22] Acero

BE/PL	6	44.975/44.991	48.000/48.016	18.000	1.493	0.023/0.080	EC	71-3419	71-3419/6 STD 0.25 0.50
MB/HL 1-5, 7	6	59.971/59.990	65.000/65.019	20.000	2.498	0.020/0.063	AL-LF	02-3646	H023/7 STD 0.25 0.50
MB/HL 6	1	59.971/59.990	65.000/65.019	24.940	2.498	0.020/0.082	AL-LF	02-3647H	
	02-3647H	STD	25,020/.9853" - 25,053/.9863"						
		0.25MM	25,220/.9929" - 25,253/.9942"						
		0.50MM	25,420/1.0008" - 25,453/1.0021"						
SE/PB	1	22.000	24.000/24.031	22.000			BC	55-3648	55-3648 SEMI



EW802	JJ611	NA5105 48.00x65.00x10.00mm, PTFE NA5104 90.00x110.00x12.00mm, PTFE
	JJ611	




477	84.00	Petrol							
N 54 B 30 A	6 Cyl.	10.2:1	2996cc	200kW (272)PS		Bi-Turbo Intercooled		TD20342	70
N 54 B 30 B	6 Cyl.	10.2:1	2979cc	225kW (306)PS		Bi-Turbo Intercooled		TD20586	70



1 (E82)	10/07 →	1 (E88)	03/08 →	3 (E90)	09/06 → 12/11
3 (E91)	09/06 →	3 (E92)	09/06 →	3 (E93)	03/07 →
5 (E60)	08/05 → 03/10	7 (F01, F02, F03, F04)	10/08 →	X6 (E71, E72)	05/08 →
Z4 (E89)	05/09 →				

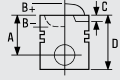

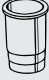






BE/PL	2	49.981/49.997	53.600/53.616	17.550	1.797	0.025/0.083	EC	71-4806	71-4807/2 [33] STD
BE/PL	2	49.975/49.991	53.600/53.616	17.550	1.795	0.026/0.082	EC	71-4807	

JH5103		

478	 84.00	Petrol					
N 55 B30 A	V6 Cyl.	10.2:1	2979cc	200-225kW (272-306)PS	Turbo Intercooled	TD24624	71
1 (E82)	10/07→	1 (E88)	03/08→	1 (F20)	11/11→		
1 (F21)	12/11→	2 (F22)	10/13→	3 (E90)	09/06→12/11		
3 (E91)	09/06→	3 (E92)	09/06→	3 (E93)	03/07→		
3 (F30, F35)	10/11→	3 (F31)	03/13→	3 (F34)	03/13→		
4 (F32)	07/13→	4 (F33)	10/13→	5 (F07)	10/09→		
5 (F10, F18)	03/10→	5 (F11)	09/10→	6 (F12)	03/11→		
6 (F13)	11/10→	6 Gran (F06)	09/11→	7 (F01, F02, F03, F04)	07/12→		
X3 (F25)	09/10→	X4 (F26)	04/14→	X5 (E70)	09/10→		
X5 (F15)	01/13→	X6 (E71, E72)	09/08→				

		
	JH5103	

479	 84.00	Diesel					
M 57 D 30	6 Cyl.	17:1	2993cc	145-173kW (197-235)PS	TD27267	72	
3 (E90)	09/06→12/11	3 (E91)	09/06→	3 (E92)	03/07→		
3 (E93)	01/07→	5 (E60)	07/03→03/10	5 (E61)	11/05→		
7 (E65, E66, E67)	10/02→	X3 (E83)	01/04→	X5 (E70)	02/07→09/08		
X6 (E71, E72)	09/10→						







			
	08-421800-00 [17][25] STD 2.50  GDC P 2.00  P 2.00  CR P		
	 		

[17] For Mahle OE piston
[25] TU2

[17] Pour les pistons d'origine Mahle

[17] Per pistoni Mahle OE

[17] Para pistones originales Mahle

		
	JH5110 (Steel Elastomer)	NA5103  55.00x68.00x8.00mm, PTFE LK5007  [27] 90.00x173.00x24.00mm, PTFE
		
	JH5110	

[27] Specification: Oil Seal in housing

[27] Caractéristiques: Bague d'étanchéité dans son logement

[27] Specifica: Paraolio in sede

[27] Especificación: Retenes de aceite con cubierta

480	84.00	Diesel				
M 57 D 30	6 Cyl.	17:1	2993cc	150-160kW (204-218)PS	TD27248	73
3 (E46)	03/03→	5 (E60)	07/03→03/10	5 (E61)	06/04→	
7 (E65, E66, E67)	10/02→	X3 (E83)	01/04→	X5 (E53)	12/03→	

87-114400-40 [19] STD 87-114405-40 [19] 0.25mm A 44.87 B- 14.50 BØ 47.50 C 1.00 D 70.62 30x66 AK KK NB RT	08-114400-40 STD 08-114405-40 0.25mm 3.00 CK P 2.00 P 2.00 CK P 08408U105		

[19] Only for engines with parallel conrod

[19] Seulement pour moteurs équipés de têtes de bielle parallèles

[19] solo per motori con bielle in parallelo

[19] Sólo para motores con bielas paralelas

	JH5110 (Steel Elastomer) JH5110	NA5103 55.00x68.00x8.00mm, PTFE LK5007 [27] 90.00x173.00x24.00mm, PTFE

[27] Specification: Oil Seal in housing

[27] Caractéristiques: Bague d'étanchéité dans son logement

[27] Specifica: Paraolio in sede

[27] Especificación: Retenes de aceite con cubierta

481	84.00	Diesel				
M 57 D 30	6 Cyl.	16.5:1	2993cc	210-221kW (286-301)PS	TD28387	73
M 57 N 306 D5	6 Cyl.		2993cc	210kW (286)PS	TD20581	77
3 (E90)	09/06→12/11	3 (E91)	09/06→	3 (E92)	09/06→	
5 (E60)	01/07→03/10	5 (E61)	01/07→	6 (E63)	07/07→	
6 (E64)	07/07→	X3 (E83)	09/06→	X5 (E70)	09/07→	
X6 (E71, E72)	05/08→					

	08-114400-45 STD 3.00 CK P 2.00 P 2.00 CR P 		

482



84.00

Diesel



M 57 D30 TU2 Euro 4 6 Cyl. 17:1 2993cc **145-173kW (197-235)PS** **Turbo Intercooled** **TD20843** **74**

3 (E90) 09/05→12/11 **3 (E91)** 09/05→ **3 (E92)** 09/06→

	<p>08-421800-00 [17] [25] STD</p> <p>2.50 GDC P 2.00 P 2.00 CR P</p> <p>GDC LKZ-Ring®</p>		

[17] For Mahle OE piston

[17] Pour les pistones d'origine Mahle

[17] Per pistoni Mahle OE

[17] Para pistones originales Mahle

[25] TU2

BE/PL	6	44.975/44.991	48.000/48.016	18.000	1.497	0.020/0.072	SP	71-3704	71-3704/6 STD	[29]
MB/HL	6	59.971/59.990	65.000/65.019	20.000	2.502		EC	72-4525	H1238/7 STD	
MB/HL	1	59.971/59.990	65.000/65.019	24.890	2.502		EC	72-4526H		
SE/PB	1	29.995/30.000	31.995/32.025	22.200			BC	55-3937	55-3937 SEMI	



	<p>JH5110 (Steel Elastomer)</p> <p></p> <p>JH5110</p>	<p>NA5103 55.00x68.00x8.00mm, PTFE LK5007 [27] 90.00x173.00x24.00mm, PTFE</p>

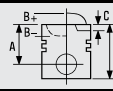
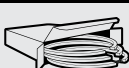

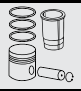



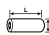
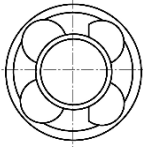
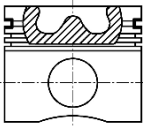





[27] Specification: Oil Seal in housing

[27] Caractéristiques: Bague d'étanchéité dans son logement

[27] Specifica: Paraolio in sede







[27] Especificación: Retenes de aceite con cubierta



483	 84.00	Diesel	
M 57 N2 306 D2 Euro 4	6 Cyl.	2993cc	160kW (218)PS
			Turbo Intercooled
			TD20589 75

			
87-114400-40 [19] STD 87-114405-40 [19] 0.25mm	08-114400-40 STD 08-114405-40 0.25mm 3.00  CK P 2.00  P 2.00  CK P		
A 44.87 B- 14.50 BØ 47.50 C 1.00 D 70.62  30x66 AK KK NB RT	  08408U105	08-421800-00 [17] [25] STD 2.50  GDC P 2.00  P 2.00  CR P	
 			

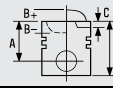
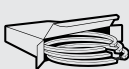
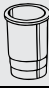






[17] For Mahle OE piston [17] Pour les pistones d'origine Mahle [17] Per pistoni Mahle OE [17] Para pistones originales Mahle
 [19] Only for engines with parallel conrod [19] Seulement pour moteurs équipés de têtes de bielle parallèles [19] solo per motori con bielle in parallelo [19] Sólo para motores con bielas paralelas

[25] TU2

			
	JH5110 (Steel Elastomer)	NA5103  55.00x68.00x8.00mm, PTFE LK5007  [27] 90.00x173.00x24.00mm, PTFE	
	 JH5110		
[27] Specification: Oil Seal in housing	[27] Caractéristiques: Bague d'étanchéité dans son logement	[27] Specifica: Paraolio in sede	[27] Especificación: Retenes de aceite con cubierta

484	 84.00	Diesel	
M 57 N2 306 D3	6 Cyl.	17:1	150-180kW (204-245)PS
			Turbo Intercooled
			TD24615 76

3 (E90)	01/09→12/11	3 (E91)	01/09→	3 (E92)	01/09→
3 (E93)	01/09→	X6 (E71, E72)	05/08→		

			
	08-421800-00 [17] [25] STD 2.50  GDC P 2.00  P 2.00  CR P		
 			

[17] For Mahle OE piston [17] Pour les pistones d'origine Mahle [17] Per pistoni Mahle OE [17] Para pistones originales Mahle
 [25] TU2

486

84.00

Diesel



M 57 N 306 D4

6 Cyl.

2993cc

160kW (218)PS

Turbo Intercooled

TD18306

64

X5 (E53)

12/03 →

87-114400-40 [19] 87-114405-40 [19] with DPF, →06/06 A 44.87 B- 14.50 BØ 47.50 C 1.00 D 70.62 30x66 AK KK NB RT	STD 0.25mm 	08-114400-40 STD 08-114405-40 0.25mm 3.00 CK P 2.00 P 2.00 CK P							
08408U105									
87-114400-60 87-114405-60 06/06 → A 44.87 B- 14.50 BØ 47.50 C 1.48 D 70.37 30x66 AK KK RT TP	STD 0.25mm 	08-114400-40 STD 08-114405-40 0.25mm 3.00 CK P 2.00 P 2.00 CK P 08-421800-00 [17][25] STD 2.50 GDC P 2.00 P 2.00 CR P							
08487 E103									



[17] For Mahle OE piston

[17] Pour les pistons d'origine Mahle

[17] Per pistoni Mahle OE

[17] Para pistones originales Mahle

[19] Only for engines with parallel conrod

[19] Seulement pour moteurs équipés

[19] solo per motori con bielle in parallelo



[19] Sólo para motores con bielas paralelas

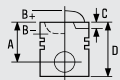
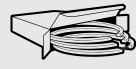
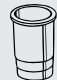






de têtes de bielle parallèles

[25] TU2

BE/PL	6	44.975/44.991	48.000/48.016	18.000	1.497	0.020/0.072	SP	71-3704	71-3704/6 STD	[29]
MB/HL 1-5, 7	6	59.971/59.990	65.000/65.019	20.000	2.498	0.020/0.063	AL-LF	02-3646	H023/7 STD 0.25 0.50	
MB/HL 6	1	59.971/59.990	65.000/65.019	24.940	2.498	0.020/0.082	AL-LF	02-3647H		
02-3647H	STD	25,020/.9853" - 25,053/.9863"								
	0.25MM	25,220/.9929" - 25,253/.9942"								
	0.50MM	25,420/1.0008" - 25,453/1.0021"								

	JH5110 (Steel Elastomer)	NA5103 55.00x68.00x8.00mm, PTFE LK5007 [27] 90.00x173.00x24.00mm, PTFE
	JH5110	
[27] Specification: Oil Seal in housing	[27] Caractéristiques: Bague d'étanchéité dans son logement	[27] Specifica: Paraolio in sede
		[27] Especificación: Retenes de aceite con cubierta

487	 84.00	Diesel				
M 57 306 D3	6 Cyl.	2993cc	170kW (231)PS	Turbo Intercooled	TD18985	78
3 (E90)	09/05→12/11	3 (E91)	09/05→	3 (E92)	09/06→	
5 (E60)	07/03→03/10	5 (E61)	07/05→			



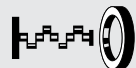
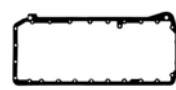

			
	08-421800-00 [17] [25] STD 2.50  GDC P 2.00  P 2.00  CR P  		



[17] For Mahle OE piston
[25] TU2

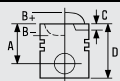
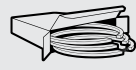
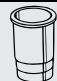



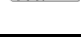





[17] Pour les pistones d'origine Mahle

[17] Per pistoni Mahle OE

[17] Para pistones originales Mahle

		
	JH5110 (Steel Elastomer)  JH5110	NA5103  55.00x68.00x8.00mm, PTFE

488	 84.00	Diesel					
M 57 306 D4	6 Cyl.	16.5:1	2993cc	200kW (272)PS	Bi-Turbo Intercooled	TD18035	64



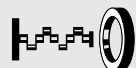


			
	08-114400-40 STD 08-114405-40 0.25mm 3.00  CK P 2.00  P 2.00  CK P 08-421800-00 [17] [25] STD 2.50  GDC P 2.00  P 2.00  CR P  		

[17] For Mahle OE piston
[25] TU2

[17] Pour les pistones d'origine Mahle

[17] Per pistoni Mahle OE

[17] Para pistones originales Mahle

		
	JH5110 (Steel Elastomer)  JH5110	NA5103  55.00x68.00x8.00mm, PTFE

489	84.00	Diesel					
M 57 306 D5	6 Cyl.	16.5:1	2993cc	210kW (286)PS	Bi-Turbo Intercooled	TD24380	77

	08-114400-45 STD		
	3.00 CK P		
	2.00 P		
	2.00 CR P		

	JH5110 (Steel Elastomer)	NA5103 55.00x68.00x8.00mm, PTFE
	JH5110	

490	84.00	Diesel					
N 57 D30 A	6 Cyl.	16.5:1	2993cc	150-180kW (204-245)PS	Turbo Intercooled	TD24613	79

3 (E90)	01/09→12/11	3 (E91)	01/09→	3 (E92)	01/09→
3 (E93)	01/09→	3 (F30, F35)	01/12→	3 (F31)	06/12→
3 (F34)	01/14→	4 (F32)	11/13→	5 (F07)	10/09→
5 (F10, F18)	03/10→	5 (F11)	09/10→	7 (F01, F02, F03, F04)	10/08→
X3 (F25)	05/11→	X4 (F26)	04/14→	X5 (E70)	09/08→
X5 (F15)	11/12→	X6 (E71, E72)	09/08→		

MB/HL	6	54.971/54.990	60.000/60.019	18.800	2.498	0.023/0.086	EC-LF	72-4803	H1298/7 STD
MB/HL	1	54.971/54.990	60.000/60.019	23.500	2.498	0.023/0.086	EC-LF	72-4804H	

		NA5299 55.0x68.0x8.0mm, FPM
		NA5298 90.00x104.00x9.00mm, FPM

491	84.00	Diesel	
N 57 N 306 D2	6 Cyl.	2993cc	170kW (231)PS
7 (E65, E66, E67)	07/05 →	Turbo Intercooled	TD20592 81

	<p>08-114400-40 STD</p> <p>08-114405-40 0.25mm</p> <p>3.00 CK P</p> <p>2.00 P</p> <p>2.00 CK P</p> <hr/> <p>08-421800-00 [17] [25] STD</p> <p>2.50 GDC P</p> <p>2.00 P</p> <p>2.00 CR P</p>		

[17] For Mahle OE piston
[25] TU2

[17] Pour les pistons d'origine Mahle

[17] Per pistoni Mahle OE

[17] Para pistones originales Mahle

BE/PL	1	49.975/49.991	53.600/53.619	18.300	1.803	0.026/0.086	SP-LF	71-4805	71-4805 STD [29]	
MB/HL	6	54.971/54.990	60.000/60.019	18.800	2.498	0.023/0.086	EC-LF	72-4803	H1298/7 STD	
MB/HL	1	54.971/54.990	60.000/60.019	23.500	2.498	0.023/0.086	EC-LF	72-4804H		

	<p>JH5110 (Steel Elastomer)</p>	<p>NA5103 55.00x68.00x8.00mm, PTFE</p> <p>LK5007 [27] 90.00x173.00x24.00mm, PTFE</p>

[27] Specification: Oil Seal in housing

[27] Caractéristiques: Bague d'étanchéité dans son logement

[27] Specifica: Paraolio in sede

[27] Especificación: Retenes de aceite con cubierta

492	84.00	Diesel	
N 57 N 306 D5	6 Cyl.	2993cc	210kW (286)PS
			TD20595 83

	08-114400-45 STD 3.00 CK P 2.00 P 2.00 CR P 		

BE/PL	1	49.975/49.991	53.600/53.619	18.300	1.803	0.026/0.086	SP-LF	71-4805	71-4805 STD [29]
MB/HL	6	54.971/54.990	60.000/60.019	18.800	2.498	0.023/0.086	EC-LF	72-4803	H1298/7 STD
MB/HL	1	54.971/54.990	60.000/60.019	23.500	2.498	0.023/0.086	EC-LF	72-4804H	

--	--	--

NA5103 55.00x68.00x8.00mm, PTFE
LK5007 [27] 90.00x173.00x24.00mm, PTFE




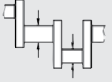
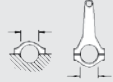


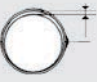


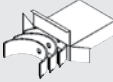
[27] Specification: Oil Seal in housing [27] Caractéristiques: Bague d'étanchéité dans son logement [27] Specifica: Paraolio in sede [27] Especificación: Retenes de aceite con cubierta

493	84.00	Diesel	
N 57 306 D 2 Euro 4	6 Cyl.	2993cc	160kW (218)PS
			Turbo Intercooled TD18307 84

87-114400-40 [19] STD 87-114405-40 [19] 0.25mm A 44.87 B- 14.50 BØ 47.50 C 1.00 D 70.62 30x66 AK KK NB RT 08408U105	08-114400-40 STD 08-114405-40 0.25mm 3.00 CK P 2.00 P 2.00 CK P 08-421800-00 [17][25] STD 2.50 GDC P 2.00 P 2.00 CR P 		

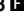

[17] For Mahle OE piston [17] Pour les pistons d'origine Mahle [17] Per pistoni Mahle OE [17] Para pistones originales Mahle
 [19] Only for engines with parallel conrod [19] Seulement pour moteurs équipés de têtes de bielle parallèles [19] solo per motori con bielle in parallelo [19] Solo para motores con bielas paralelas
 [25] TU2

...Continued

493	 84.00	Diesel								
										
BE/PL	1	49.975/49.991	53.600/53.619	18.300	1.803	0.026/0.086	SP-LF	71-4805	71-4805 STD [29]	
MB/HL	6	54.971/54.990	60.000/60.019	18.800	2.498	0.023/0.086	EC-LF	72-4803	H1298/7 STD	
MB/HL	1	54.971/54.990	60.000/60.019	23.500	2.498	0.023/0.086	EC-LF	72-4804H		



JH5110
(Steel Elastomer)

NA5103  55.00x68.00x8.00mm, PTFE
LK5007  [27] 90.00x173.00x24.00mm, PTFE




JH5110

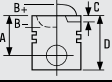






[27] Specification: Oil Seal in housing



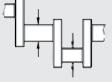
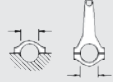


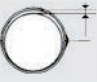


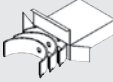
[27] Caractéristiques: Bague d'étanchéité dans son logement

[27] Specifica: Paraolio in sede

[27] Especificación: Retenes de aceite con cubierta



494	 84.00	Petrol								
M 60 B 30	V8 Cyl.	10.5:1	2997cc	160kW (218)PS				TD4232	85	
5 (E34)	09/92→01/97	7 (E32)	04/92→09/94	7 (E38)	10/94→11/01					





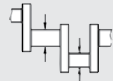
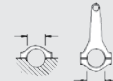




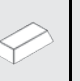





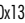
			
	08-704800-00 STD		
	1.50  P		
	1.50  P		
	3.00  P		



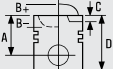
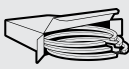

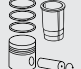






									
BE/PL	8	47.975/47.991	52.000/52.013	17.000	1.997	0.020/0.069	EC	71-3706	71-3706/8 STD
MB/HL 1-5	5	69.971/69.990	75.000/75.019	24.000	2.505	0.020/0.063	AL-LF	02-3707	H033/5 STD





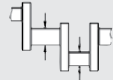





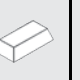



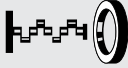

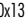
JH5115
JH5116



NF637  48.00x65.00x10.00mm, FPM
NA5132  100.00x125.00x13.00mm, FPM

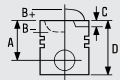

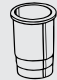







495	 84.00	Petrol								
M 62 B	V8 Cyl.	10:1	3498cc	180kW (245)PS				TD14608	86	
M 62 B	V8 Cyl.	10:1	3498cc	173kW (235)PS				TD4234	87	
5 (E39)	04/96→06/03		7 (E38)		01/96→11/01					
										
BE/PL	8	47.975/47.991	52.000/52.013	17.000	1.997	0.020/0.069	EC	71-3706	71-3706/8 STD	
MB/HL 1-5	5	69.971/69.990	75.000/75.019	24.000	2.505	0.020/0.063	AL-LF	02-3707	H033/5 STD	
										
			JH5115 JH5116				NF637  48.00x65.00x10.00mm, FPM NA5132  100.00x125.00x13.00mm, FPM			

496	 84.00	Petrol								
M 62 B 35	V8 Cyl.	10:1	3498cc	173kW (235)PS				TD21243	88	
M 62 B 35 TU	V8 Cyl.	10:1	3498cc	175-180kW (238-245)PS				TD21244	86	
5 (E39)	04/96→06/03		7 (E38)		01/96→11/01					
										
			08-109900-00 STD 04/96→09/98 1.50  P 1.50  CR [22] 2.00  CR [22]							
			08-110700-00 STD 09/98→ 1.50  NT [22] 1.50  P 2.00  CR [22]							



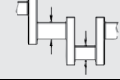







[22] Steel [22] Acier [22] Acciaio [22] Acero






										
BE/PL	8	47.975/47.991	52.000/52.013	17.000	1.997	0.020/0.069	EC	71-3706	71-3706/8 STD	
MB/HL 1-5	5	69.971/69.990	75.000/75.019	24.000	2.505	0.020/0.063	AL-LF	02-3707	H033/5 STD	
										
			JH5115 JH5116				NF637  48.00x65.00x10.00mm, FPM NA5132  100.00x125.00x13.00mm, FPM			



497	 84.00	Diesel					
M 67 D 39	V8 Cyl.	18:1	3901cc	180kW (245)PS	Turbo Intercooled	TD16525	90
7 (E38)	05/99 → 11/01						



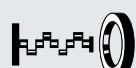

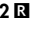
			
	08-114400-00 STD 08-114405-00 0.25mm 3.00  CK P 2.00  P 3.00  CR P 08-114400-10 STD 01/01 → 3.00  CK P 2.00  P 3.00  NT [22]		



[22] Steel [22] Acier [22] Acciaio [22] Acero

									
BE/PL	8	53.971/53.990	57.600/57.616	14.000	1.795	0.020/0.080	SP	71-3878	71-3878/8 [29] STD
SE/PB	1	29.995/30.000	31.995/32.021	36.000			BC	55-3881	55-3881 SEMI

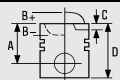
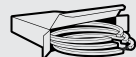
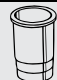




		
	JH5115 JH5116	NF637  48.00x65.00x10.00mm, FPM NA5132  100.00x125.00x13.00mm, FPM




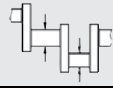
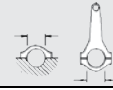




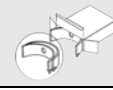
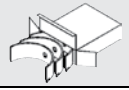
498	 84.00	Diesel				
N 67 398 D 1	V8 Cyl.	18:1	3901cc	190kW (258)PS	TD17546	91



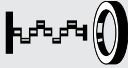

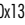
		
		NF637  48.00x65.00x10.00mm, FPM NA5132  100.00x125.00x13.00mm, FPM



499	 84.00	Petrol				
M 70 B 50	V12 Cyl.	8.8:1	4988cc	220kW (300)PS	TD4236	92

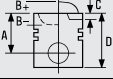
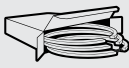
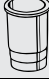

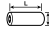
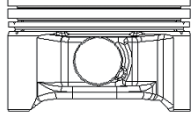



7 (E32) 09/87 → 09/94 **8 (E31)** 04/90 → 10/94



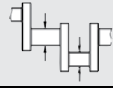
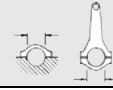




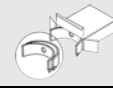
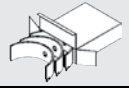
			
	08-702800-00 STD 1.75  CR P 1.75  P 3.00  CR P		


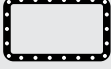




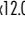
499	 84.00	Petrol							
									
MB/HL	6	74.971/74.990	80.000/80.016	22.600	2.505	0.020/0.060	EC	72-3681	H017/7 STD
MB/HL	1	74.971/74.990	80.000/80.016	30.940	2.505	0.020/0.060	EC	72-3682H	
72-3682H		STD	31,025/1.2215" - 31,064/1.2230"						
SE/PB	1	22.000	24.000/24.031	22.000			BC	55-3648	55-3648 SEMI



		
	JH5056 JH5111	NA5267  55.00x72.00x10.00mm, FPM NA5132  100.00x125.00x13.00mm, FPM








500	 85.00	Petrol								
M 43 194 E1	4 Cyl.		1895cc	85-87kW (116-118)PS				TD18439	97	
M 43 B 19	4 Cyl.	9.7:1	1895cc	87kW (118)PS				TD13608	94	
M 43 B 19 TU	4 Cyl.	9.7:1	1895cc	77-87kW (105-118)PS				TD21238	94	
3 (E46)		02/98 → 09/01								



			
87-425700-00 87-425707-00	STD 0.50mm	08-142200-00	STD
A 30.40 B- 4.00 BØ 70.00 D 53.90  22x54		1.20  CK [22] 1.50  P 2.00  CR [22]	
[22] Steel	[22] Acier	[22] Acciaio	[22] Accero

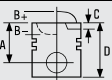

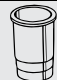
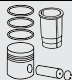



									
BE/PL	4	44.975/44.991	48.000/48.016	18.000	1.493	0.023/0.080	EC	71-3419	71-3419/4 STD 0.25 0.50
MB/HL	5	59.971/59.990	65.000/65.019	20.000	2.498	0.020/0.063	AL-LF	02-3646L	H007/5 STD 0.25
MB/HL	4	59.971/59.990	65.000/65.019	20.000	2.498	0.020/0.063	AL-LF	02-3646U	
MB/HL	1	59.971/59.990	65.000/65.019	24.940	2.498	0.020/0.082	AL-LF	02-3647HU	
SE/PB	1	22.000	24.000/24.031	22.000			BC	55-3648	55-3648 SEMI



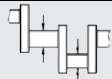
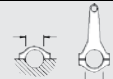






		
 EB5660	JH5050  JH5050	NA5099  44.00x60.00x10.00mm, PTFE NA5104  90.00x110.00x12.00mm, PTFE






501	 85.00	Petrol				
M 43 B 19	4 Cyl.	9.7:1	1895cc	85-87kW (116-118)PS	TD27701	95
3 (E36)	12/98→08/00	3 (E46)	09/98→02/05	Z3 (E36)	07/98→01/03	



		
 EB5660	JH5050  JH5050	NA5099  44.00x60.00x10.00mm, PTFE NA5104  90.00x110.00x12.00mm, PTFE



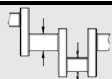
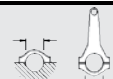






502	 85.00	Petrol				
M 44 B 19	4 Cyl.	10:1	1895cc	103kW (140)PS	TD4226	96
3 (E36)	07/95→08/00	Z3 (E36)	10/95→03/99			

			
	08-137200-00 STD 1.20  NT [22] 1.50  P 2.00  CR [22]		
[22] Steel	[22] Acier	[22] Acciaio	[22] Acero

									
BE/PL	4	44.975/44.991	48.000/48.016	18.000	1.493	0.023/0.080	EC	71-3419	71-3419/4 STD 0.25 0.50
MB/HL	5	59.971/59.990	65.000/65.019	20.000	2.498	0.020/0.063	AL-LF	02-3646L	H007/5 STD 0.25
MB/HL	4	59.971/59.990	65.000/65.019	20.000	2.498	0.020/0.063	AL-LF	02-3646U	
MB/HL	1	59.971/59.990	65.000/65.019	24.940	2.498	0.020/0.082	AL-LF	02-3647HU	
SE/PB	1	22.000	24.000/24.031	22.000			BC	55-3648	55-3648 SEMI

		
		NC015  44.00x60.00x10.00mm, FPM NB431  90.00x110.00x12.00mm, FPM

503	 85.00	Petrol				
N 45 B 20 A	4 Cyl.		1997cc	127kW (173)PS	TD20580	
3 (E90)	05/06→12/11					

									
BE/PL	4	49.981/49.997	53.600/53.616	17.550	1.797	0.025/0.083	EC	71-4806	71-4806/4 STD
SE/PB	1	20.000	21.995/22.031	21.300			BC	55-4808	55-4808 SEMI

504	85.00	Petrol				
N 51 B 30 A	6 Cyl.		2996cc	172kW (234)PS	TD25630	
N 52 B 30	6 Cyl.	10.7:1	2996cc	179-195kW (243-265)PS	TD27482	
N 52 B 30	6 Cyl.	12:1	2996cc	190-195kW (258-265)PS	TD26670	98
N 52 B 30 BF	6 Cyl.	10.7:1	2996cc	190kW (258)PS	TD26306	98

1 (E81)	09/06→09/12	1 (E87)	03/05→09/12	3 (E91)	09/08→
3 (E92)	09/07→	3 (E93)	03/07→	7 (F01, F02, F03, F04)	06/08→

	08-427300-00 STD		
	1.20 NT [22]		
	1.50 P		
	2.00 NT [22]		

[22] Steel [22] Acier [22] Acciaio [22] Acero

EG9540	JH5103	

505	85.00	Petrol				
N 52 B 30	6 Cyl.	10.7:1	2996cc	190-200kW (258-272)PS	TD21409	99
N 52 B 30 A	6 Cyl.	10.7:1	2996cc	190-195kW (258-265)PS	TD18170	99
N 52 N B 30 B	6 Cyl.		2996cc	190kW (258)PS	TD20961	101
N 52 N B30 A	6 Cyl.		2996cc	187kW (254)PS	TD20582	100
N 53 B 30	6 Cyl.	12:1	2996cc	160-200kW (218-272)PS	TD21410	101
N 53 B 30 A	6 Cyl.	12:1	2996cc	160-200kW (218-272)PS	TD20585	102





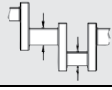
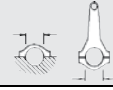


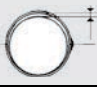

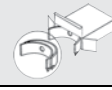
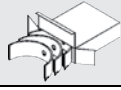





1 (E81)	09/06→09/12	1 (E82)	10/07→	1 (E87)	03/05→09/12
1 (E88)	03/08→	3 (E90)	01/05→12/11	3 (E91)	09/05→
3 (E92)	09/06→	3 (E93)	10/06→	5 (E60)	03/05→03/10
5 (E61)	07/05→	5 (F10, F18)	03/10→	5 (F11)	09/10→
6 (E63)	09/04→	6 (E64)	09/04→	7 (E65, E66, E67)	03/05→
7 (F01, F02, F03, F04)	06/08→	X1 (E84)	10/09→	X3 (E83)	09/06→
X3 (F25)	04/11→	X5 (E70)	02/07→03/10	Z4 (E85)	01/06→
Z4 (E86)	03/06→	Z4 (E89)	05/09→		



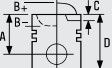
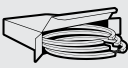
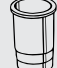
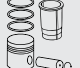





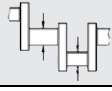
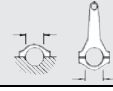


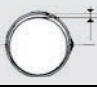

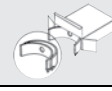
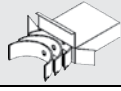



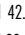
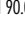
	08-427300-00 STD		
	1.20 NT [22]		
	1.50 P		
	2.00 NT [22]		



[22] Steel [22] Acier [22] Acciaio [22] Acero



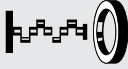


BE/PL	6	49.981/49.997	53.600/53.616	17.550	1.797	0.025/0.083	EC	71-4806	71-4806/6
SE/PB	1	20.000	21.995/22.031	21.300			BC	55-4808	55-4808
									STD
									SEMI



EG9540	JH5103	



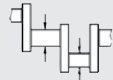







506		85.00	Petrol						
M 73 B 54	V12 Cyl.	10:1	5379cc	240kW (326)PS	TD466	103			
7 (E38)	12/94→11/01	8 (E31)	09/94→12/99						
									
MB/HL 1-7	7	74.971/74.990	80.000/80.019	22.600	2.505	0.020/0.063	AL-LF	02-3788	H053/7 0.25
SE/PB	1	22.000	24.000/24.031	22.000			BC	55-3648	55-3648 SEMI
									
	JH5111		NA5267  55.00x72.00x10.00mm, FPM			NA5132  100.00x125.00x13.00mm, FPM			



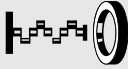


507		86.00	Petrol						
M 30 B 25	6 Cyl.	9:1	2494cc	107-110kW (145-150)PS	TD5204	105			
M 30 B 28	6 Cyl.	9:1	2788cc	121kW (165)PS	TD5215	106			
5 (E12)	08/73→05/81	5 (E28)	06/81→12/87	6 (E24)	09/79→08/87				
7 (E23)	05/77→08/86	2000 (E9)	01/69→03/76	2500 (E3)	10/68→04/77				
									
	08-129500-00 STD 08-129505-00 0.25mm 08-129507-00 0.50mm 1.75  CR P 2.00  P 4.00  P								
									
BE/PL	6	47.975/47.991	52.000/52.015	20.000	1.993	0.023/0.078	EC	71-2182	71-2182/6 STD 0.25 0.50
MB/HL 1-3, 5-7	6	59.971/59.990	65.000/65.019	24.000	2.490	0.030/0.093	EC	72-3498	H973/7 STD 0.25
MB/HL 4	1	59.971/59.990	65.000/65.019	29.940	2.490	0.030/0.093	EC	72-3499H	
	72-3499H	STD 0.25MM	30,025/1.1821" - 30,064/1.1836" 30,225/1.1900" - 30,264/1.1915"						
SE/PB	1	22.000	24.000/24.021	24.000			BC	55-2528	55-2528 SEMI
									
	HR397		NB792  42.00x62.00x12.00mm, FPM			NB431  90.00x110.00x12.00mm, FPM			



508		86.00	Petrol			
S 50 B 30	6 Cyl.	10.8:1	2990cc	210kW (286)PS	TD4241	107
3 (E36)	10/92 → 10/95					



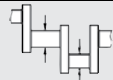







		
		NA5105  48.00x65.00x10.00mm, PTFE NA5104  90.00x110.00x12.00mm, PTFE



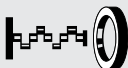


509		86.00	Petrol			
M 70 B 56	V12 Cyl.	9.8:1	5576cc	280kW (380)PS	TD4237	108
8 (E31)	04/93 → 12/96					

									
MB/HL	6	74.971/74.990	80.000/80.016	22.600	2.505	0.020/0.060	EC	72-3681	H017/7 STD
MB/HL	1	74.971/74.990	80.000/80.016	30.940	2.505	0.020/0.060	EC	72-3682H	
72-3682H		STD	31,025/1.2215" - 31,064/1.2230"						
SE/PB	1	22.000	24.000/24.031	22.000			BC	55-3648	55-3648 SEMI

		
		JH5111 NA5267  55.00x72.00x10.00mm, FPM NA5132  100.00x125.00x13.00mm, FPM

510		86.40	Petrol			
S 50 B 32	6 Cyl.	11.3:1	3201cc	236kW (321)PS	TD4242	109
3 (E36)	09/95 → 04/99		Z3 (E36)	03/97 → 06/01		

									
MB/HL 1-3, 5-7	6	59.971/59.990	65.000/65.019	24.000	2.490	0.030/0.093	EC	72-3498	H973/7 STD 0.25
MB/HL 4	1	59.971/59.990	65.000/65.019	29.940	2.490	0.030/0.093	EC	72-3499H	
72-3499H		STD	30,025/1.1821" - 30,064/1.1836"						
		0.25MM	30,225/1.1900" - 30,264/1.1915"						

		
		NA5105  48.00x65.00x10.00mm, PTFE NA5104  90.00x110.00x12.00mm, PTFE

511	87.00	Petrol			
S 54 326 S4	6 Cyl.	11.5:1	3246cc	239-252kW (325-343)PS	TD17518
S 54 B 32	6 Cyl.	11.5:1	3246cc	239-265kW (325-360)PS	TD21412
S 54 B 32	6 Cyl.	11.5:1	3246cc	239kW (325)PS	TD17051
S 54 N 326 S4	6 Cyl.		3246cc	265kW (360)PS	TD18402
3 (E46)	06/00 →	Z3 (E36)	06/01 → 06/03	Z4 (E85)	03/06 →
Z4 (E86)	03/06 →				

	JJ611	NA5105 48.00x65.00x10.00mm, PTFE NA5104 90.00x110.00x12.00mm, PTFE
	JJ611	

512	89.00	Petrol				
M 10 B 18	4 Cyl.	8.6:1	1766cc	66kW (89)PS	TD5174	111
02 (E10)	05/71 → 07/75	02 (E6)	05/71 → 07/75	3 (E21)	08/75 → 08/82	
3 (E30)	09/82 → 12/90	5 (E12)	07/74 → 05/81	5 (E28)	06/81 → 12/87	
1500-2000	07/69 → 11/72					

	08-132900-00 STD 08-132905-00 0.25mm 08-132907-00 0.50mm 1.75 CR P 2.00 P 4.00 CR P		

BE/PL	4	47.975/47.991	52.000/52.015	20.000	1.993	0.023/0.078	EC	71-2182	71-2182/4 STD 0.25 0.50
MB/HL 1,2,4,5	4	54.971/54.990	60.000/60.019	24.000	2.490	0.030/0.093	EC	72-2183	H629/5 STD 0.25
MB/HL 3	1	54.971/54.990	60.000/60.019	29.900	2.490	0.030/0.093	EC	72-2184H	
		72-2184H	STD	30,025/1.1821" - 30,064/1.1836"					
			0.25MM	30,225/1.1900" - 30,264/1.1915"					
			0.50MM	30,425/1.1978" - 30,464/1.1994"					
SE/PB	1	22.000	24.000/24.021	24.000			BC	55-2528	55-2528 SEMI

EX931	JJ089	NB432 35.00x55.00x12.00mm, ACM NB431 90.00x110.00x12.00mm, FPM
	JJ089	

513	89.00	Petrol				
M 10 B 20	4 Cyl.	10:1	1991cc	80kW (109)PS	TD432	112
M 10 B 20	4 Cyl.	6.9:1	1990cc	125kW (170)PS	Turbocharged	TD5198
02 (E10)	02/68→07/75	02 (E6)	01/71→07/75	3 (E21)	06/75→08/82	
5 (E12)	08/72→09/79	1500-2000	01/66→07/72	2000 (E9)	10/65→06/70	

BE/PL	4	47.975/47.991	52.000/52.015	20.000	1.993	0.023/0.078	EC	71-2182	71-2182/4 STD 0.25 0.50
MB/HL 1,2,4,5	4	54.971/54.990	60.000/60.019	24.000	2.490	0.030/0.093	EC	72-2183	H629/5 STD 0.25
MB/HL 3	1	54.971/54.990	60.000/60.019	29.900	2.490	0.030/0.093	EC	72-2184H	
72-2184H		STD 0.25MM 0.50MM	30,025/1.1821" - 30,064/1.1836" 30,225/1.1900" - 30,264/1.1915" 30,425/1.1978" - 30,464/1.1994"						
SE/PB	1	22.000	24.000/24.021	24.000			BC	55-2528	55-2528 SEMI





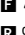


EX931	JJ089	NB432 35.00x55.00x12.00mm, ACM NB431 90.00x110.00x12.00mm, FPM
	JJ089	



514	89.00	Petrol				
M 30 B 30	6 Cyl.	9:1	2988cc	145kW (197)PS	TD5276	113
5 (E34)	01/88→08/91	6 (E24)	04/76→08/79	7 (E23)	05/77→08/79	
7 (E32)	12/86→09/94	2000 (E9)	05/71→03/76	2500 (E3)	05/71→04/77	

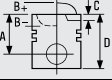

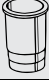




			08-700200-00	STD				
			1.50		CR P			
			2.00		P			
			3.50		CR [22]			
[22] Steel	[22] Acier	[22] Acciaio	[22] Acero					



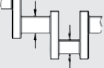







BE/PL	6	47.975/47.991	52.000/52.015	20.000	1.993	0.023/0.078	EC	71-2182	71-2182/6 STD 0.25 0.50
MB/HL 1-3, 5-7	6	59.971/59.990	65.000/65.019	24.000	2.490	0.030/0.093	EC	72-3498	H973/7 STD 0.25
MB/HL 4	1	59.971/59.990	65.000/65.019	29.940	2.490	0.030/0.093	EC	72-3499H	
72-3499H		STD 0.25MM	30,025/1.1821" - 30,064/1.1836" 30,225/1.1900" - 30,264/1.1915"						
SE/PB	1	22.000	24.000/24.021	24.000			BC	55-2528	55-2528 SEMI






...Continued



514	 89.00	Petrol
		
	JJ538	NB792  42.00x62.00x12.00mm, FPM NB431  90.00x110.00x12.00mm, FPM
		
	JJ538	



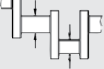







515	 89.00	Petrol				
M 30 B 32	6 Cyl.	9.5:1	3153cc	152kW (206)PS	TD5208	114
2000 (E9)	01/74 → 12/75					




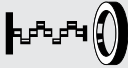
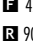

			
	08-132900-00 STD 08-132905-00 0.25mm 08-132907-00 0.50mm 1.75  CR P 2.00  P 4.00  CR P		



									
BE/PL	6	47.975/47.991	52.000/52.015	20.000	1.993	0.023/0.078	EC	71-2182	71-2182/6 STD 0.25 0.50



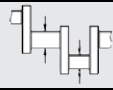
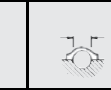
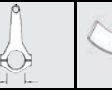


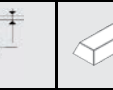
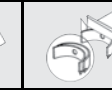

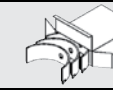
		
	HR397	NB792  42.00x62.00x12.00mm, FPM NB431  90.00x110.00x12.00mm, FPM



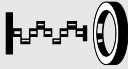
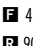

516	 89.00	Petrol					
M 30 B 32	6 Cyl.	7.5:1	3210cc	185kW (252)PS	Turbocharged	TD5253	115
7 (E23)	04/80 → 04/83						



									
BE/PL	6	47.975/47.991	52.000/52.015	20.000	1.993	0.023/0.078	EC	71-2182	71-2182/6 STD 0.25 0.50
MB/HL 1-3, 5-7	6	59.971/59.990	65.000/65.019	24.000	2.490	0.030/0.093	EC	72-3498	H973/7 STD 0.25
MB/HL 4	1	59.971/59.990	65.000/65.019	29.940	2.490	0.030/0.093	EC	72-3499H	
	72-3499H	STD 0.25MM	30,025/1.1821" - 30,064/1.1836" 30,225/1.1900" - 30,264/1.1915"						
SE/PB	1	22.000	24.000/24.021	24.000			BC	55-2528	55-2528 SEMI

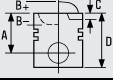
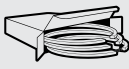

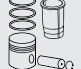



516		89.00	Petrol
			
	HR397	NB792  42.00x62.00x12.00mm, FPM	NB431  90.00x110.00x12.00mm, FPM

517		89.00	Petrol			
M 30 B 33	6 Cyl.	9:1	3300cc	140/147kW (190/200)PS	TD5213	116
2500 (E3)	01/74 → 09/76					



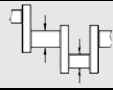
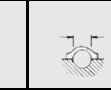
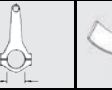


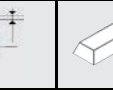


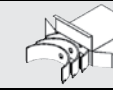
										
BE/PL	6	47.975/47.991	52.000/52.015	20.000	1.993	0.023/0.078	EC	71-2182	71-2182/6 STD 0.25 0.50	
MB/HL 1-3, 5-7	6	59.971/59.990	65.000/65.019	24.000	2.490	0.030/0.093	EC	72-3498	H973/7 STD 0.25	
MB/HL 4	1	59.971/59.990	65.000/65.019	29.940	2.490	0.030/0.093	EC	72-3499H		
72-3499H		STD 0.25MM	30,025/1.1821" - 30,064/1.1836" 30,225/1.1900" - 30,264/1.1915"							
SE/PB	1	22.000	24.000/24.021	24.000			BC	55-2528	55-2528 SEMI	



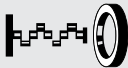
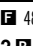
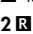
			
		NB792  42.00x62.00x12.00mm, FPM	NB431  90.00x110.00x12.00mm, FPM

518		89.00	Petrol			
M 60 B 40	V8 Cyl.	10:1	3982cc	210kW (286)PS	TD4233	117
5 (E34)	09/92 → 01/97	7 (E32)	04/92 → 09/94	7 (E38)	10/94 → 11/01	
8 (E31)	02/93 → 02/96					

			
	08-127300-00 STD		
	1.50  P		
	1.50  P		
	2.00  [22]		

[22] Steel [22] Acier [22] Acciaio [22] Acero

										
BE/PL	8	47.975/47.991	52.000/52.013	17.000	1.997	0.020/0.069	EC	71-3706	71-3706/8 STD	
MB/HL 1-5	5	69.971/69.990	75.000/75.019	24.000	2.505	0.020/0.063	AL-LF	02-3707	H033/5 STD	

			
	JH5115 JH5116	NF637  48.00x65.00x10.00mm, FPM	NA5132  100.00x125.00x13.00mm, FPM

519	89.25	Petrol				
M 30 B 32	6 Cyl.	9.3:1	3153cc	145kW (197)PS	TD4220	118
6 (E24)	09/78→08/84	7 (E23)	05/77→08/86			

BE/PL	6	47.975/47.991	52.000/52.015	20.000	1.993	0.023/0.078	EC	71-2182	71-2182/6 STD 0.25 0.50
MB/HL 1-3, 5-7	6	59.971/59.990	65.000/65.019	24.000	2.490	0.030/0.093	EC	72-3498	H973/7 STD 0.25
MB/HL 4	1	59.971/59.990	65.000/65.019	29.940	2.490	0.030/0.093	EC	72-3499H	
72-3499H		STD 0.25MM	30,025/1.1821" - 30,064/1.1836" 30,225/1.1900" - 30,264/1.1915"						
SE/PB	1	22.000	24.000/24.021	24.000			BC	55-2528	55-2528 SEMI

		NB792 42.00x62.00x12.00mm, FPM NB431 90.00x110.00x12.00mm, FPM




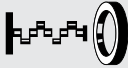



520	92.00	Petrol				
M 30 B 35	6 Cyl.	9.2:1	3430cc	162kW (220)PS	TD5278	120
7 (E32)	09/86→12/87					



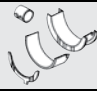

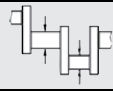
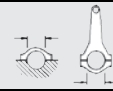




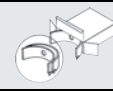
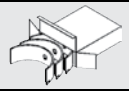


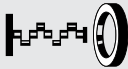


87-133900-10	STD		08-133900-00	STD				
08-133907-00	0.50mm		1.50		CR P			
			2.00		P			
			3.50		CR P			
A 39.85 B+ 2.00 D 70.35 22x60								
		09231E						





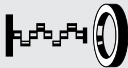


BE/PL	6	47.975/47.991	52.000/52.015	20.000	1.993	0.023/0.078	EC	71-2182	71-2182/6 STD 0.25 0.50
MB/HL 1-3, 5-7	6	59.971/59.990	65.000/65.019	24.000	2.490	0.030/0.093	EC	72-3498	H973/7 STD 0.25
MB/HL 4	1	59.971/59.990	65.000/65.019	29.940	2.490	0.030/0.093	EC	72-3499H	
72-3499H		STD 0.25MM	30,025/1.1821" - 30,064/1.1836" 30,225/1.1900" - 30,264/1.1915"						
SE/PB	1	22.000	24.000/24.021	24.000			BC	55-2528	55-2528 SEMI



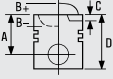
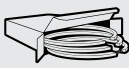
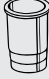
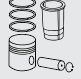







BMW/MINI

...Continued




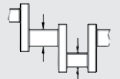












520	 92.00	Petrol							
									
		JJ538		NB792  42.00x62.00x12.00mm, FPM					
				NB431  90.00x110.00x12.00mm, FPM					
		JJ538							



521	 92.00	Petrol							
M 30 B 35	6 Cyl.	8:1	3430cc	136kW (185)PS					TD5248 123
6 (E24)	01/85→05/89	7 (E23)	01/85→08/86						
									
BE/PL	6	47.975/47.991	52.000/52.015	20.000	1.993	0.023/0.078	EC	71-2182	71-2182/6 STD 0.25 0.50
									
				NB792  42.00x62.00x12.00mm, FPM					
				NB431  90.00x110.00x12.00mm, FPM					

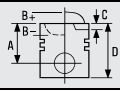
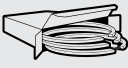

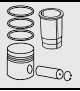








522	 92.00	Petrol							
M 30 B 35	6 Cyl.	10:1	3430cc	160kW (218)PS					TD5246 121
6 (E24)	06/78→08/88	7 (E23)	09/79→08/86						
									
		HR397		NB792  42.00x62.00x12.00mm, FPM					
				NB431  90.00x110.00x12.00mm, FPM					



523	 92.00	Petrol							
M 30 B 35	6 Cyl.	9.2-9.3:1	3430cc	141-162kW (192-220)PS					TD5272 119
5 (E28)	01/85→12/87	7 (E23)	04/85→08/86						
									
87-133900-10	STD			08-133900-00 STD					
A 39.85				08-133907-00 0.50mm					
B+ 2.00				1.50  CR P					
D 70.35				2.00  P					
 22x60				3.50  CR P					
		09231E							

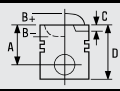
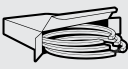





...Continued



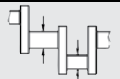








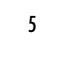
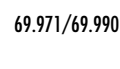
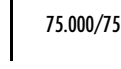
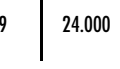
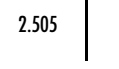
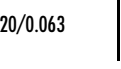

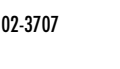






523  92.00 Petrol									
									
									
						NB792  42.00x62.00x12.00mm, FPM NB431  90.00x110.00x12.00mm, FPM			

524  92.00 Petrol 									
M 30 B 35	6 Cyl.	8:1	3430cc	185kW (252)PS		Turbocharged		TD4221	122
5 (E28)	01/85→12/87	5 (E34)		01/88→09/95		6 (E24)		04/85→09/90	
7 (E23)	05/83→08/86	7 (E32)		09/86→09/92					

			
	08-133900-00 STD 08-133907-00 0.50mm 1.50  CR P 2.00  P 3.50  CR P		
			
		NB792  42.00x62.00x12.00mm, FPM NB431  90.00x110.00x12.00mm, FPM	

525  92.00 Petrol 									
M 62 B 44	V8 Cyl.	10.1:1	4398cc	210/255kW (286/347)PS				TD4235	124
8 (E31)	01/96→12/99	X5 (E53)		05/00→					

			
	08-109600-00 STD 1.50  P 1.50  [22] 2.00  [22]		
[22] Steel	[22] Acier	[22] Acciaio	[22] Acero








									
									
									
		JH5115 JH5116				NF637  48.00x65.00x10.00mm, FPM NA5132  100.00x125.00x13.00mm, FPM			



526		92.00	Petrol	
M 62 B 44 A	V8 Cyl.	10:1	4398cc	235-245kW (320-333)PS
				TD18546 125
5 (E60)	09/03→03/10	5 (E61)	06/04→	6 (E63)
6 (E64)	04/04→	7 (E65, E66, E67)	11/01→	X5 (E53)
				NF637 48.00x65.00x10.00mm, FPM
				NA5132 100.00x125.00x13.00mm, FPM

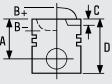

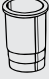




527		92.00	Petrol	
M 62 448 S2	8 Cyl.	10:1	4398cc	210kW (286)PS
				TD20846 126
M 62 B 44 TU	V8 Cyl.	10:1	4398cc	210kW (286)PS
				TD21245 124
8 (E31)	01/96→12/99	X5 (E53)	05/00→	
				JH5115
				JH5116
				NF637 48.00x65.00x10.00mm, FPM
				NA5132 100.00x125.00x13.00mm, FPM





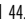
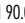
528		92.00	Petrol	
N 62 B 44	V8 Cyl.	10:1	4398cc	240kW (326)PS
				TD16268 125
6 (E63)	01/04→	6 (E64)	04/04→	7 (E65, E66, E67)
X5 (E53)	12/03→			
				08-432600-00 STD
				1.20 NT [22]
				1.50 P
				2.00 NT [22]
[22] Steel	[22] Acier	[22] Acciaio	[22] Accero	
				NF637 48.00x65.00x10.00mm, FPM
				NA5132 100.00x125.00x13.00mm, FPM



529		92.00	Petrol	
S 85 B 50 A	V10 Cyl.	12:1	4999cc	373kW (507)PS
				TD18036
5 (E60)	09/04→03/10	5 (E61)	02/07→	6 (E63)
6 (E64)	07/06→			
				NA5105 48.00x65.00x10.00mm, PTFE



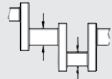
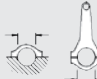






530	 93.00	Petrol				
M 62 B 46	V8 Cyl.	10.5:1	4619cc	255kW (347)PS	TD21232	127
			NA5103  55.00x68.00x8.00mm, PTFE NA5132  100.00x125.00x13.00mm, FPM			


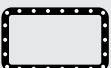



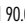
531	 93.40	Petrol				
S 14 B 20	4 Cyl.		1990cc	141kW (192)PS	TD18440	129
3 (E30)	05/88 → 12/90					

			
	08-704400-00 STD 1.50  MOL P 1.50  P 3.00  CR P		

		
	JJ089  JJ089	NC015  44.00x60.00x10.00mm, FPM NB431  90.00x110.00x12.00mm, FPM

532	 93.40	Petrol				
S 14 B 23 (EVO I)	4 Cyl.	11:1	2302cc	162kW (220)PS	TD5265	130
3 (E30)	10/88 → 10/90					

									
BE/PL	1	47.970/47.990	52.000/52.010	20.000	1.986	0.024/0.064	EC	71-3652	71-3652 STD

		
	JJ089  JJ089	NC015  44.00x60.00x10.00mm, FPM NB431  90.00x110.00x12.00mm, FPM

533	93.40	Petrol				
S 14 B 23	4 Cyl.	10.5:1	2303cc	147kW (200)PS	TD470	130
S 14 B 23	4 Cyl.	9.6:1	2303cc	143-162kW (195-220)PS	TD4238	130
3 (E30)	07/86→06/91					

	08-704400-00 STD		
	1.50 MOL P		
	1.50 P		
	3.00 CR P		

BE/PL	1	47.970/47.990	52.000/52.010	20.000	1.986	0.024/0.064	EC	71-3652	71-3652 STD

JJ089		NCO15 44.00x60.00x10.00mm, FPM NB431 90.00x110.00x12.00mm, FPM
JJ089		

534	93.40	Petrol				
M 30 B 35	6 Cyl.	10:1	3453cc	160kW (218)PS	TD5245	132
M 30 B 35	6 Cyl.	9.3:1	3453cc	160kW (218)PS	TD447	131
5 (E12)	06/80→08/81	6 (E24)	06/78→08/88	7 (E23)	09/79→08/86	

	08-133300-10 STD 07/78→05/81		
	1.75 MOL P		
	2.50 MO P		
	4.00 CR P		
	08-700100-00 STD 07/78→05/81		
	1.50 CR P		
	2.00 CR P		
	3.50 CR [22]		





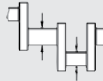
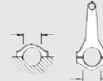





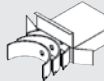





[22] Steel [22] Acier [22] Acciaio [22] Acero




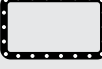




...Continued








534		93.40		Petrol					
BE/PL	6	47.975/47.991	52.000/52.015	20.000	1.993	0.023/0.078	EC	71-2182	71-2182/6 STD 0.25 0.50
MB/HL 1-3, 5-7	6	59.971/59.990	65.000/65.019	24.000	2.490	0.030/0.093	EC	72-3498	H973/7 STD 0.25
MB/HL 4	1	59.971/59.990	65.000/65.019	29.940	2.490	0.030/0.093	EC	72-3499H	
72-3499H		STD 0.25MM	30,025/1.1821" - 30,064/1.1836" 30,225/1.1900" - 30,264/1.1915"						
SE/PB	1	22.000	24.000/24.021	24.000			BC	55-2528	55-2528 SEMI
			HR397			NB792 42.00x62.00x12.00mm, FPM NB431 90.00x110.00x12.00mm, FPM			








535		93.40		Petrol						
S 38 B 35		6 Cyl.	9.8:1	3453cc	191kW (260)PS		TD5250		133	
6 (E24)		10/86 → 10/88								
			08-704400-00 STD 1.50 MOL P 1.50 P 3.00 CR P							
BE/PL	6	47.975/47.991	52.000/52.015	20.000	1.993	0.023/0.078	EC	71-2182	71-2182/6 STD 0.25 0.50	
MB/HL 1-3, 5-7	6	59.971/59.990	65.000/65.019	24.000	2.490	0.030/0.093	EC	72-3498	H973/7 STD 0.25	
MB/HL 4	1	59.971/59.990	65.000/65.019	29.940	2.490	0.030/0.093	EC	72-3499H		
72-3499H		STD 0.25MM	30,025/1.1821" - 30,064/1.1836" 30,225/1.1900" - 30,264/1.1915"							
SE/PB	1	22.000	24.000/24.021	24.000			BC	55-2528	55-2528 SEMI	
			HR397			NB792 42.00x62.00x12.00mm, FPM NB431 90.00x110.00x12.00mm, FPM				



BMW/MINI







536		93.40	Petrol						
S 38 B 35	6 Cyl.	10.5:1	3453cc	211kW (287)PS	TD472	133			
6 (E24)		03/84 → 05/89							
									
BE/PL	6	47.975/47.991	52.000/52.015	20.000	1.993	0.023/0.078	EC	71-2182	71-2182/6 STD 0.25 0.50 H973/7 STD 0.25
MB/HL 1-3, 5-7	6	59.971/59.990	65.000/65.019	24.000	2.490	0.030/0.093	EC	72-3498	
MB/HL 4	1	59.971/59.990	65.000/65.019	29.940	2.490	0.030/0.093	EC	72-3499H	
72-3499H		STD 0.25MM	30,025/1.1821" - 30,064/1.1836" 30,225/1.1900" - 30,264/1.1915"						
SE/PB	1	22.000	24.000/24.021	24.000			BC	55-2528	55-2528 SEMI
									
		HR397		NB792  42.00x62.00x12.00mm, FPM NB431  90.00x110.00x12.00mm, FPM					



537		93.40	Petrol						
S 38 B 36	6 Cyl.	10:1	3535cc	232kW (315)PS	TD5283				
5 (E34)		12/87 → 05/92							
									
		JJ538		NF637  48.00x65.00x10.00mm, FPM NB431  90.00x110.00x12.00mm, FPM					
				JJ538					






538		94.00	Petrol						
S 38 B 49	V8 Cyl.		4941cc	294kW (400)PS	TD13568	134			
S 62 B 50	V8 Cyl.	11:1	4941cc	294kW (400)PS	TD18842	134			
5 (E39)		10/98 → 06/03		Z8 (E52) 06/00 → 06/03					
									
				NF637  48.00x65.00x10.00mm, FPM NA5132  100.00x125.00x13.00mm, FPM					

539		94.30	Petrol						
M 67 468 S1	V8 Cyl.		4619cc	255kW (347)PS	TD18401	135			
									
				NF637  48.00x65.00x10.00mm, FPM NA5132  100.00x125.00x13.00mm, FPM					

540	 94.60	Petrol				
S 38 B 38	6 Cyl.	10.5:1	3795cc	250kW (340)PS	TD4240	136
5 (E34)	03/92 → 01/97					

		
	JJ538	NB792  42.00x62.00x12.00mm, FPM NB431  90.00x110.00x12.00mm, FPM
		
	JJ538	

541	 95.00	Petrol				
S 14 B 25	4 Cyl.	10.2:1	2467cc	175kW (238)PS	TD471	137
3 (E30)	01/90 → 01/92					

		
	JJ089	NC015  44.00x60.00x10.00mm, FPM
		

MERCEDES-BENZ/SMART

542	63.50	Petrol					
M 160 E6AL B03	3 Cyl.	9.5:1	599cc	40kW (54)PS	Turbo Intercooled	TD9520	139
M 160 E6AL B03	3 Cyl.	9.5:1	599cc	40kW (55)PS	Turbo Intercooled	TD22902	138
M 160 E6AL B04	3 Cyl.	9.5:1	599cc	33kW (45)PS	Turbo Intercooled	TD16490	139
M 160 E6AL B04	3 Cyl.	9.5:1	599cc	33kW (45)PS	Turbo Intercooled	TD22903	139
M 160 E6AL B05	3 Cyl.	9.5:1	599cc	45kW (61)PS	Turbo Intercooled	TD22901	139

CABRIO (450)	03/00→01/04	CITY-COUPE (450)	07/98→01/04
---------------------	-------------	-------------------------	-------------

87-136700-00 STD 87-136705-00 0.25mm 87-136707-00 0.50mm	08-136700-00 STD 08-136705-00 0.25mm 08-136707-00 0.50mm	1.20 CR [22] 1.50 P 2.50 CR [22]		
A 27.00 B- 2.75 BØ 50.00 D 43.50 16x48				
[22] Steel	[22] Acier	[22] Acciaio	[22] Acero	

BE/PL	3	37.940/37.965	41.600/41.616	17.000	1.813	0.020/0.075	EC	71-3882	71-3882/3 STD 0.25
MB/HL 1-4	4	44.950/44.965	51.000/51.019	16.000	3.030	0.025/0.034	AL-LF	02-3883	H072/4 STD 0.25
TW/A	2	52.500/52.750	68.250/68.500		3.200		AL-LF	04-3884	A154/2 STD

EC5660	NA5109 40.00x62.00x8.00mm, PTFE	NA5118 80.00x100.00x9.00mm, PTFE

543	63.50	Petrol				
M 160 E6AL B05	3 Cyl.	9.5:1	599cc	45kW (61)PS	TD16491	139

BE/PL	3	37.940/37.965	41.600/41.616	17.000	1.813	0.020/0.075	EC	71-3882	71-3882/3 STD 0.25
MB/HL 1-4	4	44.950/44.965	51.000/51.019	16.000	3.030	0.025/0.034	AL-LF	02-3883	H072/4 STD 0.25
TW/A	2	52.500/52.750	68.250/68.500		3.200		AL-LF	04-3884	A154/2 STD

EC5660	NA5109 40.00x62.00x8.00mm, PTFE	NA5118 80.00x100.00x9.00mm, PTFE

544		65.50	Diesel	
OM 660.940	3 Cyl.	799cc	30kW (41)PS	TD26302 140
CABRIO (450)	03/01→01/04	CITY-COUPE (450)	11/99→01/04	FORTWO (450) 01/04→01/07
			NA5118 80.00x100.00x9.00mm, PTFE	

545		65.50	Diesel								
OM 660.950	3 Cyl.	18:1	799cc	33kW (45)PS	Turbo Intercooled	TD23765					
MB/HL 1-4	4	44.950/44.965	51.000/51.019	16.000	3.022	0.020/0.050	SP	72-3970	H093/4 STD	[31]	
TW/A	2	52.500/52.750	68.250/68.500		3.200		AL-LF	04-3884	A154/2 STD		
SE/PB	1	22.983/22.994	25.500/25.521	17.000			BC-LF	55-3971	55-3971 SEMI	[32]	

546		65.50	Diesel			
OM 660.950	3 Cyl.	18:1	799cc	33kW (45)PS	Turbo Intercooled	TD20946 141
FORTWO (451)	01/07→					
				NA5332 40.00x62.00x8.00mm, FPM	NA5118 80.00x100.00x9.00mm, PTFE	

87-140600-00	STD		08-140600-00	STD							
A 36.00	B- 11.10	BØ 38.70	C 0.95	C 0.95	D 60.00						
D 23x53											
RT											
MB/HL 1-4	4	44.950/44.965	51.000/51.019	16.000	3.022	0.020/0.050	SP	72-3970	H093/4 STD	[31]	
TW/A	2	52.500/52.750	68.250/68.500		3.200		AL-LF	04-3884	A154/2 STD		
SE/PB	1	22.983/22.994	25.500/25.521	17.000			BC-LF	55-3971	55-3971 SEMI	[32]	

MERCEDES-BENZ/SMART

547	65.50	Diesel				
OM 660.951	3 Cyl.	18:1	799cc	40kW (54)PS	Turbo Intercooled	TD24475
FORTWO (451)		08/09→				

87-140600-00 STD	08-140600-00 STD		
A 36.00 B- 11.10 BØ 38.70 C 0.95 C 0.95 D 60.00 23x53 RT	 1.50 CK P 1.50 P 2.50 CR P		

		NA5332 40.00x62.00x8.00mm, FPM NA5118 80.00x100.00x9.00mm, PTFE

548	65.50	Diesel			
OM 660 DE 8LA	3 Cyl.	799cc	30kW (41)PS	TD16492	142




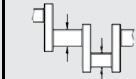
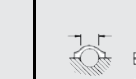



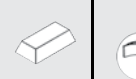

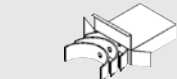
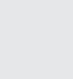
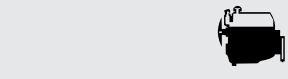
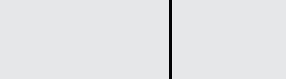
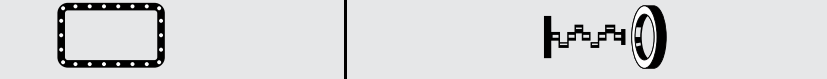


MB/HL 1-4	4	44.950/44.965	51.000/51.019	16.000	3.022	0.020/0.050	SP	72-3970	H093/4 STD [31]
TW/A	2	52.500/52.750	68.250/68.500		3.200		AL-LF	04-3884	A154/2 STD
SE/PB	1	22.983/22.994	25.500/25.521	17.000			BC-LF	55-3971	55-3971 SEMI [32]


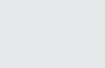
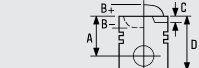
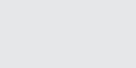

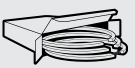
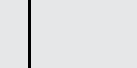

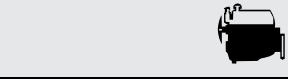
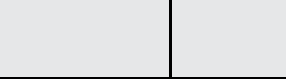
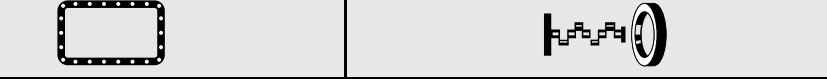

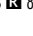
EC5670		NA5332 40.00x62.00x8.00mm, FPM NA5118 80.00x100.00x9.00mm, PTFE


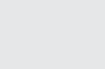

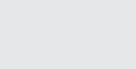
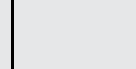

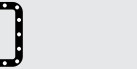



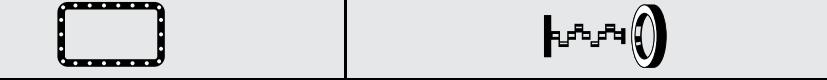


549	65.50	Diesel				
OM 660 DE 8LA	3 Cyl.	799cc	30kW (41)PS	Turbo Intercooled	TD22900	142
CABRIO (450)	03/01→01/04	CITY-COUPE (450)	11/99→01/04	FORTWO (450)	01/04→01/07	

	08-140600-00 STD		
	 1.50 CK P 1.50 P 2.50 CR P		

...Continued

549		 65.50	Diesel							
										
MB/HL 1-4	4	44.950/44.965	51.000/51.019	16.000	3.022	0.020/0.050	SP	72-3970	H093/4 STD	[31]
TW/A	2	52.500/52.750	68.250/68.500		3.200		AL-LF	04-3884	A154/2 STD	
SE/PB	1	22.983/22.994	25.500/25.521	17.000			BC-LF	55-3971	55-3971 SEMI	[32]
										
EC5670					NA5332  40.00x62.00x8.00mm, FPM NA5118  80.00x100.00x9.00mm, PTFE					

550		 66.50	Petrol							
M 160.910		3 Cyl.	599cc	33-55kW (45-75)PS		TD26102		143		
CABRIO (450)		01/03→01/04	CITY-COUPE (450)		01/03→01/04	FORTWO (450)		01/04→01/07		
										
87-427100-00		STD		0.25mm		08-427100-00		STD		0.25mm
87-427105-00		0.25mm		0.50mm		08-427105-00		0.25mm		0.50mm
87-427107-00		0.50mm				1.20				NT [22]
A 25.20		B- 3.30		BØ 54.50		D 41.70		⑥ 16x52		TP
[22] Steel		[22] Acier		[22] Acciaio		[22] Acero				
										
EC5660					NA5109  40.00x62.00x8.00mm, PTFE NA5118  80.00x100.00x9.00mm, PTFE					

551		 66.50	Petrol							
M 160.920		3 Cyl.	9:1	698cc	37kW (50)PS		TD26103		144	
CABRIO (450)		03/00→01/04	CITY-COUPE (450)		07/98→01/04	CROSSBLADE (450)		06/02→12/03		
										
87-427100-00		STD		0.25mm		08-427100-00		STD		0.25mm
87-427105-00		0.25mm		0.50mm		08-427105-00		0.25mm		0.50mm
87-427107-00		0.50mm				1.20				NT [22]
A 25.20		B- 3.30		BØ 54.50		D 41.70		⑥ 16x52		TP
[22] Steel		[22] Acier		[22] Acciaio		[22] Acero				
										
EC5660					NA5109  40.00x62.00x8.00mm, PTFE NA5118  80.00x100.00x9.00mm, PTFE					

MERCEDES-BENZ/SMART

552	66.50	Petrol				
M 160.921	3 Cyl.	9:1	698cc	45kW (61)PS	Turbo Intercooled	TD22100
M 160.922	3 Cyl.	9:1	698cc	45kW (61)PS	Turbo Intercooled	TD26301
M 160.923	3 Cyl.	9:1	698cc	74kW (101)PS		TD26104

ROADSTER (452) 04/03→11/05

87-427100-00 STD 87-427105-00 0.25mm 87-427107-00 0.50mm A 25.20 B- 3.30 BØ 54.50 D 41.70 16x52 TP	08-427100-00 STD 08-427105-00 0.25mm 08-427107-00 0.50mm 1.20 NT [22] 1.20 NT [22] 2.50 NT [22]		
[22] Steel	[22] Acier	[22] Acciaio	[22] Acero

		NA5332 40.00x62.00x8.00mm, FPM NA5118 80.00x100.00x9.00mm, PTFE



553	75.00	Petrol					
M 135.930	4 Cyl.	10.5:1	1332cc	70kW (95)PS	Turbo Intercooled	TD25844	147
FORFOUR (454) 01/04→06/06							




	HR397	



554	75.00	Diesel				
OM 636.930	4 Cyl.	19:1	1767cc	32kW (44)PS		TD2279
OM 636.931	4 Cyl.	19:1	1767cc	29kW (39)PS		TD9968
OM 636	4 Cyl.		1767cc			FM1112

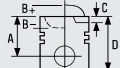

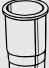
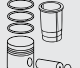



170 (W170) 07/53→02/58 170 D 01/49→12/63 180 D 01/54→12/63
 PONTON (W120) 01/53→07/59 UNIMOG 01/51→



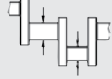
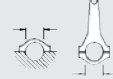






	08-163500-00 STD 08-163511-00 1.00mm 2.00 CR P 2.00 P 2.00 P 5.00 P 5.00 P		




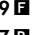
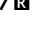
555	 75.50	Petrol				
M 135.950	4 Cyl.	10.5:1	1499cc	80kW (109)PS	TD22717	148
FORFOUR (454) 01/04 → 06/06						



		
HR397		

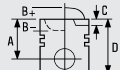


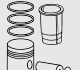



556	 80.00	Petrol				
M 166.940	4 Cyl.	11:1	1397cc	60kW (81)PS	TD9445	149
M 166.960	4 Cyl.	11:1	1598cc	75kW (102)PS	TD9446	149
A-CLASS (W168) 07/97 → 08/04						



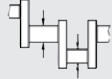
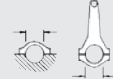






			
	08-101200-00 STD		
	1.20  NT [22]		
	1.75  CR P		
	3.00  CR [22]		
[22] Steel	[22] Acier	[22] Acciaio	[22] Acero






									
MB/HL 1-5	5	54.940/54.965	59.000/59.019	17.000	2.012	0.020/0.080	AL-LF	02-3843	H065/5 STD

		
EB5550	HR397	NA5109  40.00x62.00x8.00mm, PTFE NA5107  90.00x167.00x10.50mm, PTFE



557	 80.00	Petrol				
M 166.961	4 Cyl.	11:1	1598cc	60-75kW (82-102)PS	TD18174	150
VANEO (414) 02/02 → 07/05						

			
	08-101200-00 STD		
	1.20  NT [22]		
	1.75  CR P		
	3.00  CR [22]		
[22] Steel	[22] Acier	[22] Acciaio	[22] Acero

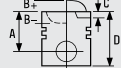
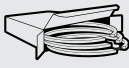





									
MB/HL 1-5	5	54.940/54.965	59.000/59.019	17.000	2.012	0.020/0.080	AL-LF	02-3843	H065/5 STD

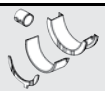

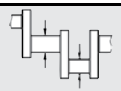
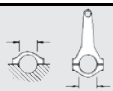




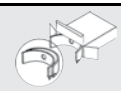
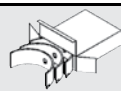
		
EB5550 07/97 →	HR397	NA5109  40.00x62.00x8.00mm, PTFE NA5107  90.00x167.00x10.50mm, PTFE




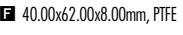
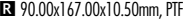
MERCEDES-BENZ/SMART



558	 80.00	Diesel					
OM 668.914	4 Cyl.	19.5:1	1689cc	55-67kW (75-91)PS	Turbocharged	TD18173	151
OM 668.940	4 Cyl.	19.5:1	1689cc	60-70kW (82-95)PS	Turbo Intercooled	TD10647	152
OM 668.941	4 Cyl.	19:1	1689cc	44/55kW (60/75)PS	Turbo Intercooled	TD10648	152
OM 668.942	4 Cyl.	19.5:1	1689cc	60-70kW (82-95)PS	Turbo Intercooled	TD17001	152

A-CLASS (W168) 07/98 → 08/04 **VANEO (414)** 02/02 → 07/05


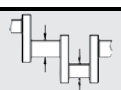
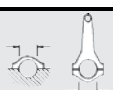


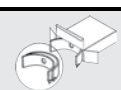
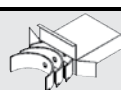
			
	08-105400-00 STD		
	2.00  CK P		
	2.00  P		
	3.00  CR P		


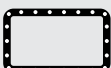

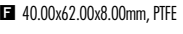
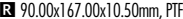
									
BE/PL	4	45.940/45.965	49.600/49.616	18.900	1.813	0.020/0.075	SP	71-3861	71-3861/4 [29] STD
MB/HL 1-5	5	54.940/54.965	59.000/59.019	17.000	2.012	0.020/0.080	AL-LF	02-3843	H065/5 STD
SE/PB	1	28.000	30.500/30.525	18.900			BC-LF	55-3865	55-3865 [32] SEMI



		
		NA5109  40.00x62.00x8.00mm, PTFE
		NA5107  90.00x167.00x10.50mm, PTFE



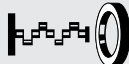


559	 80.00	Petrol				
M 166.990	4 Cyl.	11:1	1898cc	92kW (125)PS	TD15448	153



A-CLASS (W168) 03/99 → 08/04



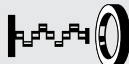


									
MB/HL 1-5	5	54.940/54.965	59.000/59.019	17.000	2.012	0.020/0.080	AL-LF	02-3843	H065/5 STD
SE/PB	1	20.000	22.500/22.521	18.900			BC	55-3896	55-3896 SEMI



		
EB5550		NA5109  40.00x62.00x8.00mm, PTFE
		NA5107  90.00x167.00x10.50mm, PTFE



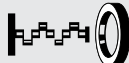


560	 80.00	Petrol				
M 127.980	6 Cyl.	9:1	2180cc	88kW (120)PS	TD9960	
M 127.982	6 Cyl.	8.7:1	2180cc	88kW (120)PS	TD9951	155
M 127.984	6 Cyl.	8.7:1	2180cc	88kW (120)PS	TD9987	155
M 180.924	6 Cyl.	8.7:1	2180cc	78kW (106)PS	TD9959	
M 180.940	6 Cyl.	8.7:1	2180cc	70kW (95)PS	TD9949	154
COUPE (W111)	01/61→12/65	HECKFLOSSE (W111, W112) 08/59→08/65		PONTON (W128)	01/58→08/59	
PONTON (W180)	01/56→12/59					



		
		NA5264  45.00x67.00x13.00mm, FPM PA815  78.00x94.00x8.00mm

561	 80.00	Petrol				
M 180.941	6 Cyl.	8.7:1	2180cc	81kW (110)PS	TD9950	154
HECKFLOSSE (W111, W112)		08/59→08/65				



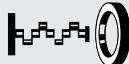


		
		NA5264  45.00x67.00x13.00mm, FPM PA815  78.00x94.00x8.00mm

562	 81.50	Petrol				
M 180.947	6 Cyl.	9:1	2281cc	88kW (120)PS	TD9952	157
HECKFLOSSE (W111, W112)		07/65→01/68				

		
		NA5264  45.00x67.00x13.00mm, FPM PA815  78.00x94.00x8.00mm

563	 81.75	Petrol				
M 180.945	6 Cyl.	9:1	2293cc	77kW (105)PS	TD9964	158
M 180.949	6 Cyl.	9:1	2293cc	77kW (105)PS	TD9965	159
M 180.950	6 Cyl.	9:1	2293cc	88kW (120)PS	TD9953	159
M 180.954	6 Cyl.	9:1	2293cc	88kW (120)PS	TD2201	159

/8 (W114)	01/68→11/76	HECKFLOSSE (W110)	07/65→02/68	HECKFLOSSE (W111, W112)	07/65→01/68
-----------	-------------	-------------------	-------------	-------------------------	-------------

		
		NA5264  45.00x67.00x13.00mm, FPM PA815  78.00x94.00x8.00mm

MERCEDES-BENZ/SMART

564	82.00	Petrol					
M 271.910	4 Cyl.	10:1	1597cc	105-115kW (143-156)PS	Compressor	TD23992	160
M 271.911	4 Cyl.	10:1	1597cc	95kW (129)PS		TD23993	160
M 271.957	4 Cyl.	9.3:1	1796cc	120-135kW (163-184)PS	Compressor	TD23994	160

C-CLASS (S204)	01/08→	C-CLASS (W204)	01/08→	CLC-CLASS (CL203)	05/08→06/11
-----------------------	--------	-----------------------	--------	--------------------------	-------------

	08-427600-10 [17] STD		
	1.20 NT [22]		
	1.50 P		
	2.50 NT [22]		

[17] For Mahle OE piston [17] Pour les pistones d'origine Mahle [17] Per pistoni Mahle OE [17] Para pistones originales Mahle
 [22] Steel [22] Acier [22] Acciaio [22] Acero

			NA5131 45.00x67.00x8.00mm, PTFE
--	--	--	--

565	82.00	Petrol					
M 271.921	4 Cyl.		1796cc	90kW (122)PS	Supercharged	TD18424	161
M 271.940	4 Cyl.	9.5:1	1796cc	120kW (163)PS	Supercharged	TD16883	161
M 271.941	4 Cyl.	9.5:1	1796cc	120kW (163)PS	Supercharged	TD17329	161
M 271.944	4 Cyl.	9.5:1	1795cc	120kW (163)PS	Supercharged	TD17432	161
M 271.946	4 Cyl.	9.5:1	1796cc	105-125kW (143-170)PS	Supercharged	TD17433	163
M 271.950	4 Cyl.	9.5:1	1796cc	120kW (163)PS		TD20359	164

C-CLASS (CL203)	05/02→05/08	C-CLASS (S203)	05/02→08/07	C-CLASS (S204)	08/07→
C-CLASS (W203)	05/02→02/07	C-CLASS (W204)	01/07→	CLC-CLASS (CL203)	05/08→06/11
CLK (A209)	02/03→03/10	CLK (C209)	09/02→05/09	E-CLASS (S211)	03/03→07/09
E-CLASS (W211)	11/02→12/08	SLK (R171)	03/04→02/11		





	08-427600-10 [17] STD		
	1.20 NT [22]		
	1.50 P		
	2.50 NT [22]		



[17] For Mahle OE piston [17] Pour les pistones d'origine Mahle [17] Per pistoni Mahle OE [17] Para pistones originales Mahle
 [22] Steel [22] Acier [22] Acciaio [22] Acero

BE/PL	4	47.941/47.965	51.600/51.619	20.000	1.815	0.020/0.072	EC	71-4002	71-4002/4 STD
MB/HL 1-5	5	54.940/54.965	59.000/59.019	20.000	2.019	0.019/0.072	AL-LF	02-4003	H1002/5 STD
TW/A	2	61.250	76.750		2.200		AL-LF	04-4004	A163/4 STD
TW/A	2	61.250	76.750		2.200		AL-LF	04-4005	
SE/PB	1	20.000	22.500/22.521	19.900			BC	55-4006	55-4006 SEMI



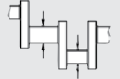
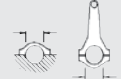






...Continued





565  **82.00** **Petrol** 

		
EG8790		NA5131  45.00x67.00x8.00mm, PTFE

566  **82.00** **Petrol** 





M 271.820	4 Cyl.	9.3:1	1796cc	135kW (184)PS	Turbocharged	TD23776
C-CLASS (C204)	06/11→		C-CLASS (S204)	08/07→	C-CLASS (W204)	01/07→
E-CLASS (A207)	01/10→		E-CLASS (C207)	01/10→	E-CLASS (S212)	11/09→
E-CLASS (W212)	08/09→					

									
BE/PL	4	47.941/47.965	51.600/51.619	20.000	1.815	0.020/0.072	EC	71-4002	71-4002/4 STD

		
		NA5131  45.00x67.00x8.00mm, PTFE

567  **82.00** **Petrol** 

M 271.860	4 Cyl.	9.3:1	1796cc	135-150kW (184-204)PS	Turbocharged	TD23724
M 271.861	4 Cyl.	9.3:1	1796cc	135-150kW (184-204)PS	Turbo Intercooled	TD25100
C-CLASS (C204)	06/11→		C-CLASS (S204)	08/07→	C-CLASS (W204)	07/09→
E-CLASS (A207)	01/10→		E-CLASS (C207)	01/09→	E-CLASS (S212)	11/09→
E-CLASS (W212)	01/09→		SLK (R172)	02/11→		

		
		NA5131  45.00x67.00x8.00mm, PTFE

MERCEDES-BENZ/SMART

568



82.00

Petrol



M 271.942 4 Cyl. 10.5:1 1796cc 125kW (170)PS Supercharged TD16392 162

C-CLASS (CL203) 03/03→05/08 C-CLASS (S203) 07/03→08/07 C-CLASS (W203) 07/03→02/07
 CLK (A209) 07/03→03/10 CLK (C209) 07/03→05/09

	<p>08-427600-00 [18] STD</p> <p>1.20 NT [22] 1.50 P 2.50 NT [22]</p>		

[18] For Nüräl OE piston
 [22] Steel

[18] Pour les pistones d'origine Nüräl
 [22] Acier

[18] Per pistoni Nüräl OE
 [22] Acciaio

[18] Para pistones originales Nüräl
 [22] Acero

BE/PL	4	47.941/47.965	51.600/51.619	20.000	1.815	0.020/0.072	EC	71-4002	71-4002/4 STD
MB/HL 1-5	5	54.940/54.965	59.000/59.019	20.000	2.019	0.019/0.072	AL-LF	02-4003	H1002/5 STD
TW/A	2	61.250	76.750		2.200		AL-LF	04-4004	A163/4 STD
TW/A	2	61.250	76.750		2.200		AL-LF	04-4005	
SE/PB	1	20.000	22.500/22.521	19.900			BC	55-4006	55-4006 SEMI

EG8790		NA5131 45.00x67.00x8.00mm, PTFE

569



82.00

Petrol



M 271.948 4 Cyl. 10.5:1 1796cc 141kW (192)PS Supercharged TD17434 161

C-CLASS (CL203) 05/02→05/08 C-CLASS (S203) 02/04→08/07 C-CLASS (W203) 02/04→02/07

<p>87-427600-10</p> <p>A 29.90 B- 4.61 BØ 71.20 C 1.00 C 4.00 D 50.90 20x56</p>	<p>08-427600-10 [17] STD</p> <p>1.20 NT [22] 1.50 P 2.50 NT [22]</p>		




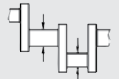
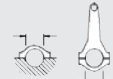





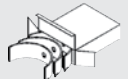



[17] For Mahle OE piston
 [22] Steel


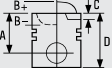
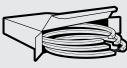
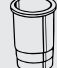
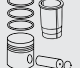






[17] Pour les pistones d'origine Mahle
 [22] Acier


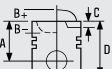
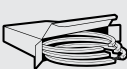





[17] Per pistoni Mahle OE
 [22] Acciaio

[17] Para pistones originales Mahle
 [22] Acero

...Continued




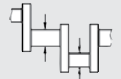
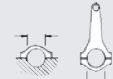








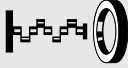

569	 82.00	Petrol								
										
BE/PL	4	47.941/47.965	51.600/51.619	20.000	1.815	0.020/0.072	EC	71-4002	71-4002/4 STD	
MB/HL 1-5	5	54.940/54.965	59.000/59.019	20.000	2.019	0.019/0.072	AL-LF	02-4003	H1002/5 STD	
TW/A	2	61.250	76.750		2.200		AL-LF	04-4004	A163/4 STD	
TW/A	2	61.250	76.750		2.200		AL-LF	04-4005		
SE/PB	1	20.000	22.500/22.521	19.900			BC	55-4006	55-4006 SEMI	
										
EG8790							NA5131 45.00x67.00x8.00mm, PTFE			


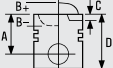
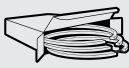

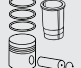





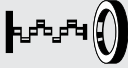

570	 82.00	Petrol								
M 271.951	4 Cyl.	9.5:1	1796cc	115kW (156)PS				TD23995	164	
SPRINTER 3-t (906)	09/08 →	SPRINTER 5-t (906)		09/08 →	SPRINTER 3,5 (906)		09/08 →			
										
			08-427600-10 [17] STD							
			1.20		NT [22]					
			1.50		P					
			2.50		NT [22]					
[17] For Mahle OE piston	[17] Pour les pistones d'origine Mahle	[17] Per pistoni Mahle OE	[17] Para pistones originales Mahle							
[22] Steel	[22] Acier	[22] Acciaio	[22] Acero							
										
EG8790							NA5131 45.00x67.00x8.00mm, PTFE			




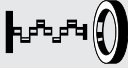
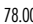
571	 82.00	Petrol								
M 271.952	4 Cyl.	9.5:1	1796cc	115kW (156)PS				TD20358	165	
M 271.954	4 Cyl.	9.5:1	1796cc	135kW (184)PS				TD21027	160	
M 271.955	4 Cyl.	9.3:1	1796cc	135kW (184)PS		Supercharged		TD20858	166	
M 271.956	4 Cyl.	8.9:1	1796cc	135kW (184)PS		Supercharged		TD22141	167	
C-CLASS (S204)	08/07 →	C-CLASS (W204)		01/07 →	CLK (A209)		10/06 →03/10			
CLK (C209)	10/06 →05/09	E-CLASS (S211)		04/06 →07/09	E-CLASS (W211)		04/06 →12/08			
SLK (R171)	01/08 →02/11									
										
			08-427600-10 [17] STD							
			1.20		NT [22]					
			1.50		P					
			2.50		NT [22]					
[17] For Mahle OE piston	[17] Pour les pistones d'origine Mahle	[17] Per pistoni Mahle OE	[17] Para pistones originales Mahle							
[22] Steel	[22] Acier	[22] Acciaio	[22] Acero							





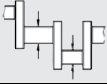
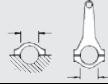






MERCEDES-BENZ/SMART






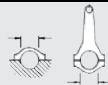





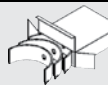
...Continued



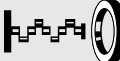


571		 82.00	Petrol							
										
BE/PL	4	47.941/47.965	51.600/51.619	20.000	1.815	0.020/0.072	EC	71-4002	71-4002/4 STD	
MB/HL 1-5	5	54.940/54.965	59.000/59.019	20.000	2.019	0.019/0.072	AL-LF	02-4003	H1002/5 STD	
TW/A	2	61.250	76.750		2.200		AL-LF	04-4004	A163/4 STD	
TW/A	2	61.250	76.750		2.200		AL-LF	04-4005		
SE/PB	1	20.000	22.500/22.521	19.900			BC	55-4006	55-4006 SEMI	
										
NA5131  45.00x67.00x8.00mm, PTFE										

572		 82.00	Petrol / Gas (bifuel)							
M 271.958	4 Cyl.	9.5:1	1796cc	120-135kW (163-184)PS	Compressor	TD25260				
E-CLASS (W212) 03/11 →										
										
				08-427600-10 [17] STD						
				1.20  NT [22]						
				1.50  P						
				2.50  NT [22]						
[17] For Mahle OE piston	[17] Pour les pistones d'origine Mahle	[17] Per pistoni Mahle OE	[17] Para pistones originales Mahle							
[22] Steel	[22] Acier	[22] Acciaio	[22] Accero							
										
NA5131  45.00x67.00x8.00mm, PTFE										



573		 82.00	Petrol							
M 108.920	6 Cyl.	9:1	2497cc	96kW (131)PS	TD9962	168				
M 127.981	6 Cyl.	9.3:1	2307cc	110kW (150)PS	TD9954					
M 129.980	6 Cyl.	9.3:1	2497cc	110kW (150)PS	TD9963	168				
M 129.981	6 Cyl.	9.3:1	2497cc	110kW (150)PS	TD9988	168				
M 129.982	6 Cyl.	9.3:1	2497cc	110kW (150)PS	TD9955	168				
COUPE (W111)		01/65 → 12/67	PAGODE (W113)		01/63 → 01/68	S-CLASS (W108, W109)		01/66 → 12/69		
										
PA815  78.00x94.00x8.00mm										

574		 82.00	Petrol							
M 114.923	6 Cyl.	9:1	2496cc	85kW (116)PS		TD22704	169			
M 114.981	6 Cyl.	9.5:1	2496cc	105-110kW (143-150)PS		TD2138	168			
										
BE/PL	6	47.955/47.965	51.600/51.619	22.000	1.810	0.015/0.064	EC	71-2974	71-2974/6 0.75	
01/70 →										
MB/HL 1,2, 5-7	5	59.955/59.965	67.000/67.019	22.500	3.505	0.025/0.079	EC	72-2753	H859/7 STD 0.25 0.50	
MB/HL 3	1	59.955/59.965	67.000/67.019	28.900	3.505	0.025/0.079	EC	72-2754H		
MB/HL 4	1	59.955/59.965	67.000/67.019	22.500	3.505	0.025/0.079	EC	72-3015		
01/71 →										
72-2754H	STD	29,000/1.1417" - 29,021/1.1426"								
	0.25MM	29,200/1.1496" - 29,221/1.1504"								
	0.50MM	29,200/1.1496" - 29,221/1.1504"								
SE/PB	1	25.000	28.000	27.600			BC	55-2784	55-2784 SEMI	






575		 82.00	Petrol							
M 114.920	6 Cyl.	9.5:1	2497cc	85-96kW (116-130)PS		TD2136	168			
M 114.980	6 Cyl.	9.5:1	2497cc	110kW (150)PS		TD2137	168			
/8 (W114) 01/68 → 08/72										
										
BE/PL	6	47.955/47.965	51.600/51.619	22.000	1.810	0.015/0.064	EC	71-2974	71-2974/6 0.75	
01/70 →										
MB/HL 1,2, 5-7	5	59.955/59.965	67.000/67.019	22.500	3.505	0.025/0.079	EC	72-2753	H859/7 STD 0.25 0.50	
MB/HL 3	1	59.955/59.965	67.000/67.019	28.900	3.505	0.025/0.079	EC	72-2754H		
MB/HL 4	1	59.955/59.965	67.000/67.019	22.500	3.505	0.025/0.079	EC	72-3015		
01/71 →										
72-2754H	STD	29,000/1.1417" - 29,021/1.1426"								
	0.25MM	29,200/1.1496" - 29,221/1.1504"								
	0.50MM	29,200/1.1496" - 29,221/1.1504"								
SE/PB	1	25.000	28.000	27.600			BC	55-2784	55-2784 SEMI	



		
		NA5264  45.00x67.00x13.00mm, FPM
		PA815  78.00x94.00x8.00mm

MERCEDES-BENZ/SMART






576	 82.00	Petrol				
M 275.950	V12 Cyl.	9:1	5513cc	368kW (500)PS	Turbo Intercooled	TD17192
M 275.951	V12 Cyl.	9:1	5513cc	368kW (500)PS		TD17538
M 275.953	V12 Cyl.	9:1	5513cc	380kW (517)PS		TD19263
M 275.954	V12 Cyl.	9:1	5513cc	380kW (517)PS		TD24809



S-CLASS (C215)	09/02→03/06	S-CLASS (C216)	05/06→	S-CLASS (W220)	09/02→08/05
S-CLASS (W221)	12/05→	SL (R230)	04/03→01/12		

		
		NA5131  45.00x67.00x8.00mm, PTFE NA5168  93.00x114.00x11.50mm, PTFE

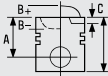
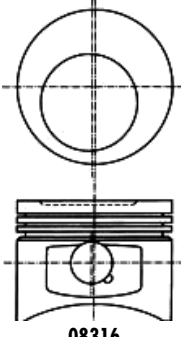


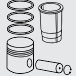
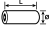



577	 82.60	Petrol			
M 275.980	V12 Cyl.	9:1	5980cc	450kW (612)PS	TD17536
M 275.981	V12 Cyl.	9:1	5980cc	450kW (612)PS	TD17832
M 275.982	V12 Cyl.	9:1	5980cc	450kW (612)PS	TD20333

S-CLASS (C215)	09/03→03/06	S-CLASS (C216)	10/06→	S-CLASS (W220)	03/04→08/05
S-CLASS (W221)	12/05→	SL (R230)	03/04→01/12		




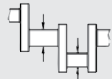
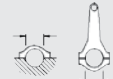




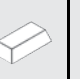

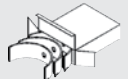





		
		NA5131  45.00x67.00x8.00mm, PTFE NA5168  93.00x114.00x11.50mm, PTFE


578	 82.90	Petrol				
M 103.940	6 Cyl.	8:1	2599cc	117kW (159)PS	TD9435	170
M 103.941	6 Cyl.	9.2:1	2599cc	117kW (159)PS	TD2096	170
M 103.942	6 Cyl.	9.2:1	2599cc	117kW (159)PS	TD2097	170
M 103.943	6 Cyl.	9/9.2:1	2599cc	118kW (160)PS	TD2098	170

190 (W201)	10/82→08/93	E-CLASS (W124)	09/85→08/92	KOMBI (S124)	09/85→08/92
S-CLASS (W126)	09/85→06/91				

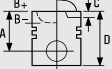
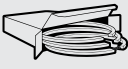


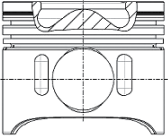
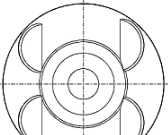




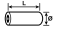
				
87-183100-00 STD 87-183107-00 0.50mm 87-183111-00 1.00mm A 33.00 B- 1.00 BØ 52.38 D 65.00  22x52	08316	08-183100-00 STD 08-183107-00 0.50mm 08-183111-00 1.00mm 1.50  CK P 1.75  P 3.00  CR P		



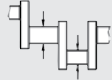
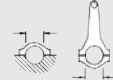




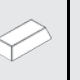

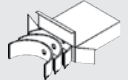
...Continued

578		 82.90	Petrol								
											
BE/PL	6	47.950/47.965	51.600/51.619	21.800	1.814	0.020/0.064	EC	71-3817	71-3817/6 STD 0.25 0.50		
MB/HL 1-7	7	57.950/57.965	62.500/62.519	17.500	2.261	0.020/0.072	AL-LF	02-3585	H997/7 STD 0.25 0.50		
TW/A	2	65.800	81.000		2.200		AL-LF	04-3586	A129/4 STD 0.10		
TW/A	2	65.800	81.000		2.200		AL-LF	04-3587			
SE/PB	1	21.995/22.000	24.500/24.521	21.900			BC	55-3603	55-3603 SEMI		
											
			JJ491				NB971  45.00x67.00x10.00mm, FPM NB974  93.00x114.00x13.00mm, FPM				

579		 83.00	Diesel							
OM 639.939 Euro 4		3 Cyl.	18:1	1493cc	50-70kW (58-95)PS		TD23799			
OM 639.939 Euro 4		3 Cyl.	18:1	1493cc	50-70kW (58-95)PS		TD23800		171	

FORFOUR (454) 09/04 → 06/06

								
87-427500-00	STD		08-427500-00	STD				
87-427507-00	0.50mm		08-427507-00	0.50mm				
A 45.65			2.00		CK			
B- 14.65			2.00		P			
BØ 43.40			2.00		CR P			
C 1.18								
C 1.02								
D 71.65								
 30x66								
AK KK RT		8340A						

										
BE/PL	1	49.940/49.965	53.600/53.614	20.400	1.813	0.020/0.072	SP	71-4013	71-4013 STD	[29]
MB/HL	1	54.940/54.965	59.000/59.019	18.000	2.018	0.020/0.077	SP	72-4014	72-4014 STD	[31]
TW/A	2	61.250	76.750		2.200		AL-LF	04-4004	A163/4 STD	
TW/A	2	61.250	76.750		2.200		AL-LF	04-4005		

MERCEDES-BENZ/SMART

580

83.00

Petrol



M 266.920 4 Cyl. 11:1 1498cc **70kW (95)PS** **TD18148** **172**

A-CLASS (W169) 09/04→06/12 **B-CLASS (W245)** 03/05→11/11

	08-437100-00 STD		
	1.20 NT [22]		
	1.75 P		
	2.00 NT [22]		

[22] Steel [22] Acier [22] Acciaio [22] Acero

BE/PL	4	45.940/45.965	49.600/49.614	19.900	1.813	0.019/0.082	EC	71-3998	71-3998/4 STD
MB/HL 1-5	5	54.950/54.975	59.000/59.019	20.000	2.004	0.023/0.087	AL-LF	02-3999	H1001/5 STD
TW/A	2	61.250	76.750		2.200		AL-LF	04-4004	A163/4 STD
TW/A	2	61.250	76.750		2.200		AL-LF	04-4005	
SE/PB	1	19.000	21.500/21.521	19.900			BC	55-4000	55-4000 SEMI

EG8500	HR397	NA5332 40.00x62.00x8.00mm, FPM

581

83.00

Petrol



M 266.940 4 Cyl. 11:1 1699cc **85kW (116)PS** **TD18149** **173**







A-CLASS (W169) 09/04→06/12 **B-CLASS (W245)** 03/05→11/11



	08-437100-00 STD		
	1.20 NT [22]		
	1.75 P		
	2.00 NT [22]		

[22] Steel [22] Acier [22] Acciaio [22] Acero

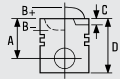
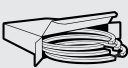


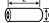
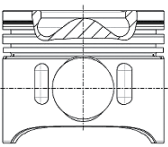
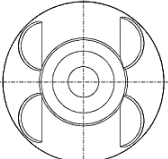




BE/PL	4	45.940/45.965	49.600/49.614	19.900	1.813	0.019/0.082	EC	71-3998	71-3998/4 STD
MB/HL 1-5	5	54.950/54.975	59.000/59.019	20.000	2.004	0.023/0.087	AL-LF	02-3999	H1001/5 STD
TW/A	2	61.250	76.750		2.200		AL-LF	04-4004	A163/4 STD
TW/A	2	61.250	76.750		2.200		AL-LF	04-4005	
SE/PB	1	19.000	21.500/21.521	19.900			BC	55-4000	55-4000 SEMI

...Continued





581	 83.00	Petrol
		
 EG8500		NA5332  40.00x62.00x8.00mm, FPM



582	 83.00	Diesel					
OM 640.940	4 Cyl.	18:1	1991cc	80kW (109)PS	Turbocharged	TD18151	175
OM 640.941	4 Cyl.	18:1	1991cc	103kW (140)PS	Turbo Intercooled	TD18152	175
OM 640.942	4 Cyl.	18:1	1991cc	60kW (81)PS	Turbocharged	TD18153	175

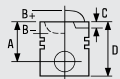
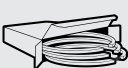
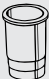
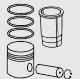



A-CLASS (W169)	09/04 → 06/12	B-CLASS (W245)	03/05 → 11/11
----------------	---------------	----------------	---------------

			
87-427500-00 87-427507-00	STD 0.50mm	87-427500-00 87-427507-00	STD 0.50mm
A 45.65 B- 14.65 BØ 43.40 C 1.18 C 1.02 D 71.65  30x66	 	2.00  CK 2.00  P 2.00  CR P	
AK KK RT	8340A		

									
BE/PL	1	49.940/49.965	53.600/53.614	20.400	1.813	0.020/0.072	SP	71-4013	71-4013 STD [29]
MB/HL	1	54.940/54.965	59.000/59.019	18.000	2.018	0.020/0.077	SP	72-4014	72-4014 STD [31]




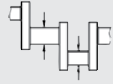
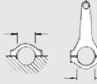








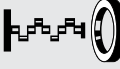
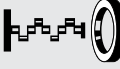
		
		NA5332  40.00x62.00x8.00mm, FPM





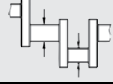
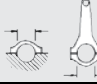








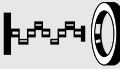
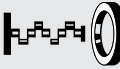
583	 83.00	Petrol				
M 266.960	4 Cyl.	11:1	2034cc	100kW (136)PS	TD18150	176
A-CLASS (W169)	09/04 → 06/12	B-CLASS (W245)	03/05 → 11/11			



			
	08-437100-00	STD	
	1.20 	NT [22]	
	1.75 	P	
	2.00 	NT [22]	
[22] Steel	[22] Acier	[22] Acciaio	[22] Acero

MERCEDES-BENZ/SMART

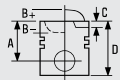
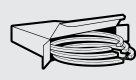
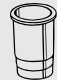
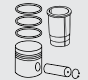




...Continued



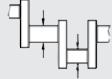
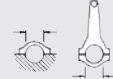






583		 83.00	Petrol							
										
BE/PL	4	45.940/45.965	49.600/49.614	19.900	1.813	0.019/0.082	EC	71-3998	71-3998/4 STD	
MB/HL 1-5	5	54.950/54.975	59.000/59.019	20.000	2.004	0.023/0.087	AL-LF	02-3999	H1001/5 STD	
TW/A	2	61.250	76.750		2.200		AL-LF	04-4004	A163/4 STD	
TW/A	2	61.250	76.750		2.200		AL-LF	04-4005		
SE/PB	1	20.000	22.500/22.521	19.900			BC	55-4001	55-4001 SEMI	
										
EG8500							NA5332  40.00x62.00x8.00mm, FPM			

584		 83.00	Petrol							
M 266.980		4 Cyl.	11:1	2034cc	142kW (193)PS		Turbocharged		TD18415 177	
A-CLASS (W169)			09/05→06/12		B-CLASS (W245)		03/05→11/11			
										
BE/PL	4	45.940/45.965	49.600/49.614	19.900	1.813	0.019/0.082	EC	71-3998	71-3998/4 STD	
MB/HL 1-5	5	54.950/54.975	59.000/59.019	20.000	2.004	0.023/0.087	AL-LF	02-3999	H1001/5 STD	
TW/A	2	61.250	76.750		2.200		AL-LF	04-4004	A163/4 STD	
TW/A	2	61.250	76.750		2.200		AL-LF	04-4005		
SE/PB	1	20.000	22.500/22.521	19.900			BC	55-4001	55-4001 SEMI	
										
EG8500							NA5332  40.00x62.00x8.00mm, FPM			

585	 83.00	Diesel					
OM 651.911	4 Cyl.	16.2:1	2143cc	125-150kW (170-204)PS	Turbocharged	TD23727	174
OM 651.912	4 Cyl.	16.2:1	2143cc	120-150kW (163-204)PS	Turbocharged	TD23754	174
OM 651.924	4 Cyl.	16.2:1	2143cc	120-150kW (163-204)PS	Turbocharged	TD23782	174
OM 651.930	4 Cyl.	16.2:1	2143cc	100-125kW (136-170)PS		TD26817	
OM 651.960	4 Cyl.	16.2:1	2143cc	150kW (204)PS	Turbocharged	TD26549	174
OM 651.961	4 Cyl.	16.2:1	2143cc	150kW (204)PS	Turbocharged	TD25277	174
OM 651.980	4 Cyl.	16.2:1	2143cc	150kW (204)PS	Turbocharged	TD26369	174

A-CLASS (W176)	09/12→	B-CLASS (W246)	11/11→	C-CLASS (C204)	06/11→
C-CLASS (S204)	12/08→	C-CLASS (W204)	01/07→	CLA (C117)	01/13→
CLS (C218)	04/11→	CLS (X218)	10/12→	E-CLASS (A207)	01/10→
E-CLASS (C207)	01/09→	E-CLASS (S212)	11/09→	E-CLASS (W212)	01/09→
GLA-CLASS (X156)	12/13→	GLK-CLASS (X204)	12/08→	M-CLASS (W166)	06/11→
S-CLASS (W221)	01/11→	SLK (R172)	01/12→		

			
	08-433400-00 STD 08-433405-00 0.25mm 08-433407-00 0.50mm 2.00  GDC P 1.75  P 2.00  CR P 		

									
BE/PL	1	51.940/51.965	55.600/55.614	20.500	1.809	0.027/0.091	SP-LF	71-4724	71-4724 STD [29]
MB/HL	1	59.940/59.965	64.000/64.019	20.500	2.008	0.028/0.096	SP-LF	72-4725	72-4725 STD [31]
MB/HL	1	59.940/59.965	64.000/64.019	26.240	2.008	0.028/0.096	SP-LF	72-4726H	72-4726H STD [31]

MERCEDES-BENZ/SMART

586	83.00	Diesel					
OM 651.913	4 Cyl.	16.2:1	2143cc	100-105kW (136-143)PS	Turbo Intercooled	TD24407	174
OM 651.916	4 Cyl.	16.2:1	2143cc	120-125kW (163-170)PS	Turbocharged	TD23755	174
OM 651.925	4 Cyl.	16.2:1	2143cc	100kW (136)PS	Turbocharged	TD23783	174
OM 651.940	4 Cyl.	16.2:1	2143cc	100-120kW (136-163)PS	Turbocharged	TD25280	174
OM 651.955	4 Cyl.	16.2:1	2143cc	70kW (95)PS	Turbocharged	TD24545	174
OM 651.956	4 Cyl.	16.2:1	2143cc	95kW (129)PS	Turbo Intercooled	TD25279	174
OM 651.957	4 Cyl.	16.2:1	2143cc	120kW (163)PS	Turbo Intercooled	TD24544	174

C-CLASS (S204)	08/10→	C-CLASS (W204)	01/11→	E-CLASS (S212)	11/09→
E-CLASS (W212)	01/09→	GLK-CLASS (X204)	12/08→	SPRINTER 3-t (906)	06/06→
SPRINTER 5-t (906)	06/06→	SPRINTER 3,5 (906)	06/06→	SPRINTER 4,6-t (906)	03/09→
VIANO (W639)	07/10→	VITO (W639)	09/10→	VITO / MIXTO (W639)	09/10→

	87-433400-00 [1] STD 87-433405-00 [1] 0.25mm 87-433407-00 [1] 0.50mm		08-433400-00 STD 08-433405-00 0.25mm 08-433407-00 0.50mm		
A 48.50 B- 13.25 BØ 49.40 D 75.50 30x66		2.00 GDC P 1.75 P 2.00 CR P			



AK KK RT

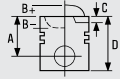
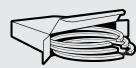
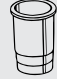









[1] → 120kW



BE/PL	1	51.940/51.965	55.600/55.614	20.500	1.809	0.027/0.091	SP-LF	71-4724	71-4724 STD	[29]
MB/HL	1	59.940/59.965	64.000/64.019	20.500	2.008	0.028/0.096	SP-LF	72-4725	72-4725 STD	[31]
MB/HL	1	59.940/59.965	64.000/64.019	26.240	2.008	0.028/0.096	SP-LF	72-4726H	72-4726H STD	[31]

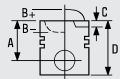
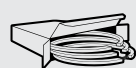
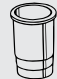
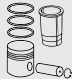






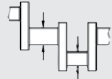
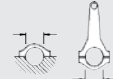





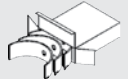




587	83.00	Diesel		
OM 651.921	4 Cyl.	2143cc	120-150kW (163-204)PS	TD28575
C-CLASS (W205)	12/13→	S-CLASS (W222)	02/14→	

	08-433400-00 STD 08-433405-00 0.25mm 08-433407-00 0.50mm		2.00 GDC P 1.75 P 2.00 CR P		



588	 83.00	Diesel					
OM 642.820	V6 Cyl.	18:1	2987cc	155kW (211)PS	Turbo Intercooled	TD23810	178
OM 642.830	V6 Cyl.	17.7:1	2987cc	170kW (231)PS	Turbo Intercooled	TD23772	178
OM 642.832	V6 Cyl.	17.7:1	2987cc	155-170kW (211-231)PS	Turbo Intercooled	TD23751	178
OM 642.850	V6 Cyl.	16.5:1	2987cc	155-170kW (211-231)PS	Turbocharged	TD23781	179
OM 642.856	V6 Cyl.	15.5:1	2987cc	170kW (231)PS	Turbocharged	TD23790	179
OM 642.870	V6 Cyl.	15.5:1	2987cc	155kW (211)PS	Turbo Intercooled	TD24810	179
C-CLASS (S204)	08/07→	C-CLASS (W204)	10/09→	E-CLASS (S212)	11/09→		
E-CLASS (W212)	01/09→	GL-CLASS (X164)	12/09→	GLK-CLASS (X204)	07/09→05/10		
M-CLASS (W164)	09/09→	R-CLASS (W251, V251)	01/06→				

			
	08-427400-00 STD 08-427407-00 0.50mm 2.00  CK P 2.00  P 2.00  CR P 		
			
	HR397	NA5131  45.00x67.00x8.00mm, PTFE	



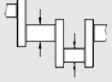
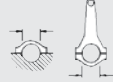





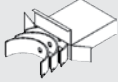
589	 83.00	Diesel					
OM 642.822	V6 Cyl.	17.7:1	2987cc	165kW (224)PS	Turbo Intercooled	TD19207	178
OM 642.836	V6 Cyl.	15.5:1	2987cc	170kW (231)PS	Turbocharged	TD23723	179
OM 642.950	V6 Cyl.	17.7:1	2987cc	140kW (190)PS	Turbo Intercooled	TD19206	181
OM 642.990	V6 Cyl.	18:1	2987cc	150kW (204)PS	Turbo Intercooled	TD22148	181
E-CLASS (A207)	01/10→	E-CLASS (C207)	01/09→	GL-CLASS (X164)	10/10→		
R-CLASS (W251, V251)	01/06→	VIANO (W639)	03/06→	VITO (W639)	07/06→		
VITO / MIXTO (W639)	07/06→						



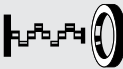

									
	08-427400-00 STD 08-427407-00 0.50mm 2.00  CK P 2.00  P 2.00  CR P 								
									
BE/PL	1	63.940/63.965	67.600/67.614	16.800	1.812	0.030/0.102	SP-LF	71-4809	71-4809 [29] STD
MB/HL	1	75.940/75.965	80.500/80.522	23.000	2.256	0.027/0.098	SP-LF	72-4810	72-4810 [31] STD
									
	HR397	NA5131  45.00x67.00x8.00mm, PTFE							



MERCEDES-BENZ/SMART

590	 83.00	Diesel			
OM 642.826	V6 Cyl.	18:1	2987cc	190kW (258)PS	TD26600
OM 642.835	V6 Cyl.		2987cc	195kW (265)PS	TD26840
OM 642.861	V6 Cyl.	15.5:1	2987cc	190kW (258)PS	TD27896
OM 642.890	V6 Cyl.	16.5:1	2987cc	165kW (224)PS	TD27268

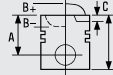







GL-CLASS (X166)	07/12→	GLK-CLASS (X204)	07/12→	M-CLASS (W166)	06/11→
S-CLASS (W222)	05/13→	VITO (W639)	09/10→	VITO / MIXTO (W639)	09/10→



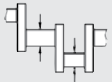
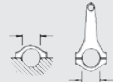





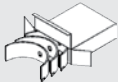
									
BE/PL	1	63.940/63.965	67.600/67.614	16.800	1.812	0.030/0.102	SP-LF	71-4809	71-4809 STD [29]
MB/HL	1	75.940/75.965	80.500/80.522	23.000	2.256	0.027/0.098	SP-LF	72-4810	72-4810 STD [31]



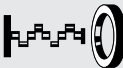

		
NA5131  45.00x67.00x8.00mm, PTFE		



591	 83.00	Diesel				
OM 642.834	V6 Cyl.	17.7:1	2987cc	195kW (265)PS	Turbo Intercooled	TD26036
OM 642.886	V6 Cyl.	16.5:1	2987cc	155kW (211)PS		TD28072

C-CLASS (S204)	06/11→	C-CLASS (W204)	06/11→	G-CLASS (W463)	07/11→
----------------	--------	----------------	--------	----------------	--------

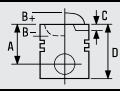
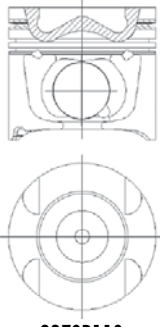
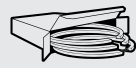



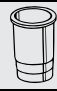

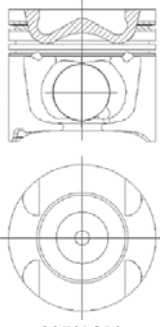



			
	08-427400-00 STD 08-427407-00 0.50mm 2.00  CK P 2.00  P 2.00  CR P 		

									
BE/PL	1	63.940/63.965	67.600/67.614	16.800	1.812	0.030/0.102	SP-LF	71-4809	71-4809 STD [29]
MB/HL	1	75.940/75.965	80.500/80.522	23.000	2.256	0.027/0.098	SP-LF	72-4810	72-4810 STD [31]



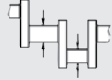
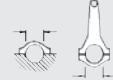






		
NA5131  45.00x67.00x8.00mm, PTFE		




592	 83.00	Diesel			
OM 642.838	V6 Cyl.	15.5:1	2987cc	185-195kW (252-265)PS	TD26599
OM 642.853	V6 Cyl.	15.5:1	2987cc	195kW (265)PS	Turbocharged TD26065
OM 642.854	V6 Cyl.	15.5:1	2987cc	195kW (265)PS	Turbocharged TD26045
OM 642.862	V6 Cyl.	15.5:1	2987cc	190kW (258)PS	Turbocharged TD26082

CLS (C218)	01/11 →	CLS (X218)	10/12 →	E-CLASS (A207)	04/11 →
E-CLASS (C207)	04/11 →	S-CLASS (W221)	04/11 →		

 <p>87-427400-20 [14] [23] STD</p> <p>A 45.65 B- 15.51 BØ 47.10 C 1.49 C 1.33 D 71.65 30x65</p> <p>AK KK NB RT TP</p>  <p>8370B110</p> <p>DuraBowl®</p>	 <p>08-427400-00 STD 08-427407-00 0.50mm</p> <p>2.00  CK P 2.00  P 2.00  CR P</p> <p>LKZ-Ring®</p>		
<p>87-427400-30 [14] [24] STD</p> <p>A 45.65 B- 15.51 BØ 47.10 C 1.49 C 1.33 D 71.65 30x65</p> <p>AK KK NB RT TP</p>  <p>8370B210</p> <p>DuraBowl®</p>	<p>08-427400-00 STD 08-427407-00 0.50mm</p> <p>2.00  CK P 2.00  P 2.00  CR P</p> <p>LKZ-Ring®</p>		

[14] Durabowl Design
 [23] to cylinder 1 - 3 [23] sous cylindre 1 - 3 [23] al cilindro 1 - 3 [23] A cilindro 1 - 3
 [24] to cylinder 4 - 6 [24] sous cylindre 4 - 6 [24] al cilindro 4 - 6 [24] A cilindro 4 - 6

									
BE/PL	1	63.940/63.965	67.600/67.614	16.800	1.812	0.030/0.102	SP-LF	71-4809	71-4809 STD [29]
MB/HL	1	75.940/75.965	80.500/80.522	23.000	2.256	0.027/0.098	SP-LF	72-4810	72-4810 STD [31]

		
		NA5131 45.00x67.00x8.00mm, PTFE

MERCEDES-BENZ/SMART

593	83.00	Diesel				
OM 642.852	V6 Cyl.	15.5:1	2987cc	170kW (231)PS	Turbocharged	TD23792
CLS (C218)	11/12→	E-CLASS (S212)	11/09→	E-CLASS (W212)	03/11→	
	08-427400-00 STD 08-427407-00 0.50mm 2.00 CK P 2.00 P 2.00 CR P 					
			NA5131 45.00x67.00x8.00mm, PTFE			

594	83.00	Diesel				
OM 642.858	V6 Cyl.	15.5:1	2987cc	170kW (231)PS	Turbocharged	TD23791
OM 642.868	V6 Cyl.	15.5:1	2987cc	190kW (258)PS	Turbocharged	TD25099
OM 642.872	V6 Cyl.	15.5:1	2987cc	195kW (265)PS	Turbo Intercooled	TD25098
CLS (C218)	11/12→	E-CLASS (S212)	07/11→	E-CLASS (W212)	03/11→	
R-CLASS (W251, V251)	05/06→	S-CLASS (W221)	04/11→			
87-427400-20 [14] [23] STD A 45.65 B- 15.51 BØ 47.10 C 1.49 C 1.33 D 71.65 30x65 AK KK NB RT TP 8370B110	08-427400-00 STD 08-427407-00 0.50mm 2.00 CK P 2.00 P 2.00 CR P 					
87-427400-30 [14] [24] STD A 45.65 B- 15.51 BØ 47.10 C 1.49 C 1.33 D 71.65 30x65 AK KK NB RT TP 8370B210 DuraBowl®	08-427400-00 STD 08-427407-00 0.50mm 2.00 CK P 2.00 P 2.00 CR P 					

[14] Durabowl Design

[23] to cylinder 1 - 3

[23] sous cylindre 1 - 3

[23] al cilindro 1 - 3

[23] A cilindro 1 - 3

[24] to cylinder 4 - 6

[24] sous cylindre 4 - 6

[24] al cilindro 4 - 6

[24] A cilindro 4 - 6

...Continued

594	83.00	Diesel			
NA5131 45.00x67.00x8.00mm, PTFE					

595	83.00	Diesel			
OM 642.884	V6 Cyl.	16.5:1	2987cc	135kW (184)PS	Turbo Intercooled
G-CLASS (W461) 04/09 →					
TD25842					

87-427400-00 [23] STD 87-427407-00 [23] 0.50mm A 45.65 B- 14.65 B0 43.40 C 1.49 C 1.33 D 71.65 30x65 AK KK RT	08-427400-00 STD 08-427407-00 0.50mm 2.00 CK P 2.00 P 2.00 CR P 		
87-427400-10 [24] STD 87-427407-10 [24] 0.50mm A 45.65 B- 14.65 B0 43.40 C 1.49 C 1.33 D 71.65 30x65 AK KK RT	08-427400-00 STD 08-427407-00 0.50mm 2.00 CK P 2.00 P 2.00 CR P 		

[23] to cylinder 1 - 3 [23] sous cylindre 1 - 3 [23] al cilindro 1 - 3 [23] A cilindro 1 - 3
 [24] to cylinder 4 - 6 [24] sous cylindre 4 - 6 [24] al cilindro 4 - 6 [24] A cilindro 4 - 6

BE/PL	1	63.940/63.965	67.600/67.614	16.800	1.812	0.030/0.102	SP-LF	71-4809	71-4809 STD	[29]
MB/HL	1	75.940/75.965	80.500/80.522	23.000	2.256	0.027/0.098	SP-LF	72-4810	72-4810 STD	[31]

NA5131 45.00x67.00x8.00mm, PTFE		

MERCEDES-BENZ/SMART

596	83.00	Diesel					
OM 642.896	V6 Cyl.	16.5:1	2987cc	155kW (211)PS	Turbo Intercooled	TD25841	179
OM 642.898	V6 Cyl.	16.5:1	2987cc	150kW (204)PS	Turbo Intercooled	TD25843	179
OM 642.910	6 Cyl.	17.7:1	2987cc	165kW (224)PS	Turbo Intercooled	TD18416	180
OM 642.920	V6 Cyl.	18:1	2987cc	140-165kW (190-224)PS	Turbo Intercooled	TD18431	179
OM 642.921	V6 Cyl.	18:1	2987cc	140kW (190)PS	Turbo Intercooled	TD18428	179
OM 642.930	V6 Cyl.	17.7:1	2987cc	173kW (235)PS	Turbo Intercooled	TD19213	181
OM 642.940	V6 Cyl.	18:1	2987cc	140-165kW (190-224)PS	Turbo Intercooled	TD18197	181
OM 642.960	V6 Cyl.	17.7:1	2987cc	165kW (224)PS	Turbo Intercooled	TD20361	180
OM 642.961	V6 Cyl.	17.7:1	2987cc	165kW (224)PS	Turbo Intercooled	TD20986	182
OM 642.970	V6 Cyl.	18:1	2987cc	165kW (224)PS	Turbo Intercooled	TD20729	181
OM 642.992	V6 Cyl.	18:1	2987cc	135kW (184)PS	Turbo Intercooled	TD22149	181
OM 642.993	V6 Cyl.	18:1	2987cc	135kW (184)PS	Turbo Intercooled	TD25661	179

C-CLASS (S203)	06/05→08/07	C-CLASS (S204)	08/07→	C-CLASS (W203)	01/05→02/07
C-CLASS (W204)	01/07→	CLK (A209)	03/05→03/10	CLK (C209)	01/05→05/09
CLS (C219)	01/05→12/10	E-CLASS (S211)	03/05→07/09	E-CLASS (W211)	03/05→12/08
G-CLASS (W463)	09/06→	GL-CLASS (X164)	09/06→	GLK-CLASS (X204)	06/08→
M-CLASS (W164)	07/05→	S-CLASS (W221)	10/05→	SPRINTER 3-t (906)	06/06→
SPRINTER 5-t (906)	06/06→	SPRINTER 3,5 (906)	06/06→	SPRINTER 4,6-t (906)	06/06→

87-427400-00 [23] STD 87-427407-00 [23] 0.50mm A 45.65 B- 14.65 Bø 43.40 C 1.49 C 1.33 D 71.65 30x65 AK KK RT 08340F111	 08-427400-00 STD 08-427407-00 0.50mm 2.00 CK P 2.00 P 2.00 CR P LKZ-Ring®		
87-427400-10 [24] STD 87-427407-10 [24] 0.50mm A 45.65 B- 14.65 Bø 43.40 C 1.49 C 1.33 D 71.65 30x65 AK KK RT 08340F111	 08-427400-00 STD 08-427407-00 0.50mm 2.00 CK P 2.00 P 2.00 CR P LKZ-Ring®		

[23] to cylinder 1 - 3
 [24] to cylinder 4 - 6






[23] sous cylindre 1 - 3
 [24] sous cylindre 4 - 6



[23] al cilindro 1 - 3
 [24] al cilindro 4 - 6

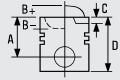
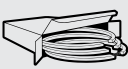


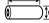
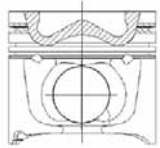
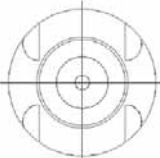




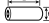
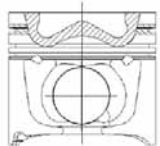
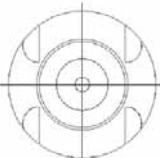




[23] A cilindro 1 - 3
 [24] A cilindro 4 - 6





BE/PL	1	63.940/63.965	67.600/67.614	16.800	1.812	0.030/0.102	SP-LF	71-4809	71-4809 STD	[29]
MB/HL	1	75.940/75.965	80.500/80.522	23.000	2.256	0.027/0.098	SP-LF	72-4810	72-4810 STD	[31]

...Continued

596	 83.00	Diesel
		
	HR397	NA5131  45.00x67.00x8.00mm, PTFE

597	 83.00	Diesel	
OM 642.932	V6 Cyl.	17.7:1	2987cc
		173kW (235)PS	Turbo Intercooled
			TD23761 179
S-CLASS (W221) 10/06 →			

			
87-427400-00 [23] STD 87-427407-00 [23] 0.50mm A 45.65 B- 14.65 B0 43.40 C 1.49 C 1.33 D 71.65  30x65 AK KK RT	  08340F111	08-427400-00 STD 08-427407-00 0.50mm 2.00  CK P 2.00  P 2.00  CR P 	
87-427400-10 [24] STD 87-427407-10 [24] 0.50mm A 45.65 B- 14.65 B0 43.40 C 1.49 C 1.33 D 71.65  30x65 AK KK RT	  08340F111	08-427400-00 STD 08-427407-00 0.50mm 2.00  CK P 2.00  P 2.00  CR P 	
[23] to cylinder 1 - 3 [24] to cylinder 4 - 6	[23] sous cylindre 1 - 3 [24] sous cylindre 4 - 6	[23] al cilindro 1 - 3 [24] al cilindro 4 - 6	[23] A cilindro 1 - 3 [24] A cilindro 4 - 6

		
	HR397	NA5131  45.00x67.00x8.00mm, PTFE

MERCEDES-BENZ/SMART

598	83.20	Petrol					
M 112.910	V6 Cyl.	10:1	2398cc	125kW (170)PS		TD9420	183
M 112.911	V6 Cyl.	9.8:1	2398cc	125kW (170)PS		TD9887	184
C-CLASS (S202)	06/97→09/00	C-CLASS (W202)		06/97→05/00	E-CLASS (S210)		06/97→03/03
E-CLASS (W210)	06/97→08/00						

		08-421700-00 STD							
		1.50		NT [22]					
		1.75		P					
		3.00		NT [22]					

[22] Steel [22] Acier [22] Acciaio [22] Acero

BE/PL	6	51.940/51.965	55.600/55.614	19.600	1.814	0.020/0.071	EC	71-3857	71-3857/6 STD
MB/HL 1-4	4	63.940/63.965	68.500/68.519	19.000	2.263	0.020/0.078	AL-LF	02-3858	H069/4 STD

		NA5131 45.00x67.00x8.00mm, PTFE NA5168 93.00x114.00x11.50mm, PTFE

599	84.00	Petrol					
M 166.991	4 Cyl.	10.8:1	1898cc	92kW (125)PS		TD18176	185
VANEO (414)	02/02→07/05						

MB/HL 1-5	5	54.940/54.965	59.000/59.019	17.000	2.012	0.020/0.080	AL-LF	02-3843	H065/5 STD
SE/PB	1	20.000	22.500/22.521	18.900			BC	55-3896	55-3896 SEMI






EB5550 07/97→		NA5109 40.00x62.00x8.00mm, PTFE NA5107 90.00x167.00x10.50mm, PTFE

600	84.00	Petrol					
M 166.995	4 Cyl.	11:1	2084cc	103kW (140)PS		TD16882	186
A-CLASS (W168)	03/02→08/04						

MB/HL 1-5	5	54.940/54.965	59.000/59.019	17.000	2.012	0.020/0.080	AL-LF	02-3843	H065/5 STD
SE/PB	1	20.000	22.500/22.521	18.900			BC	55-3896	55-3896 SEMI

...Continued






600  **84.00** **Petrol** 

		
		NA5109  40.00x62.00x8.00mm, PTFE NA5107  90.00x167.00x10.50mm, PTFE

601  **84.00** **Petrol** 

M 137.970	V12 Cyl.	10:1	5786cc	270kW (367)PS	TD15460
------------------	----------	------	--------	----------------------	----------------




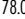
S-CLASS (C215)	03/99→03/06	S-CLASS (W220)	01/00→08/05
-----------------------	-------------	-----------------------	-------------

		
		NA5131  45.00x67.00x8.00mm, PTFE NA5168  93.00x114.00x11.50mm, PTFE

602  **84.50** **Diesel** 

OM 621.910	4 Cyl.	21:1	1884cc	37kW (50)PS	TD9961 187
-------------------	--------	------	--------	--------------------	--------------------------






PONTON (W121)	01/59→12/61
----------------------	-------------

		
		PA815  78.00x94.00x8.00mm

603  **84.50** **Petrol** 

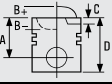







M 137.980	V12 Cyl.	10:1	6258cc	326kW (444)PS	TD16892
------------------	----------	------	--------	----------------------	----------------

S-CLASS (C215)	09/01→03/06	S-CLASS (W220)	09/01→08/05
-----------------------	-------------	-----------------------	-------------



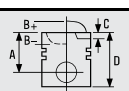
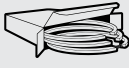

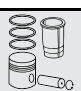





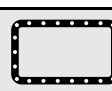

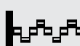
		
		NA5131  45.00x67.00x8.00mm, PTFE NA5168  93.00x114.00x11.50mm, PTFE



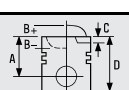
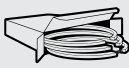

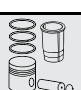





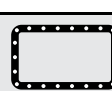
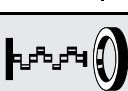

604  **85.00** **Petrol** 



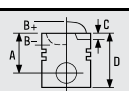
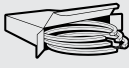

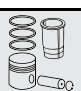



M 121.922	4 Cyl.	8.5:1	1897cc	48kW (65)PS	TD17787 188
------------------	--------	-------	--------	--------------------	---------------------------

			
	08-163600-00 STD 2.00  CR P 2.50  P 3.00  P 5.00  P		

MERCEDES-BENZ/SMART



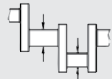
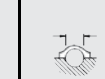







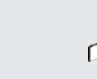
605	 85.00	Petrol				
M 121.920	4 Cyl.	8.5:1	1898cc	59kW (80)PS	TD9957	188
PONTON (W121) 06/59→12/61						
						
	08-163600-00 STD					
	2.00  CR P					
	2.50  P					
	3.00  P					
	5.00  P					
						
		PA815  78.00x94.00x8.00mm				

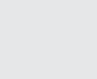

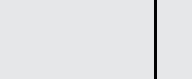

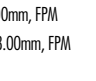

606	 85.00	Petrol				
M 121.924	4 Cyl.	8.8:1	1898cc	59kW (80)PS	TD9947	188
HECKFLOSSE (W110) 04/61→08/65						
						
	08-163600-00 STD					
	2.00  CR P					
	2.50  P					
	3.00  P					
	5.00  P					
						
		PA815  78.00x94.00x8.00mm				



607	 85.30	Petrol				
M 111.920	4 Cyl.		1799cc	90kW (122)PS	TD2131	190
M 111.921	4 Cyl.	8.8:1	1799cc	90kW (122)PS	TD5235	191
M 111	4 Cyl.		1799cc		FM6169	
C-CLASS (S202) 06/96→09/00						
C-CLASS (W202) 03/93→05/00						
C 180 06/93→						
						
	08-287900-00 STD					
	1.50  CR P					
	1.75  P					
	3.00  CR P					

...Continued



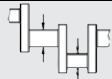
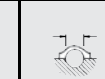







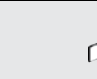
607  **85.30** **Petrol**





											
BE/PL	4	47.950/47.965	51.600/51.619	21.800	1.814	0.020/0.064	EC	71-3817	71-3817/4 STD 0.25 0.50		
MB/HL 1-5	5	57.950/57.965	62.500/62.519	17.500	2.261	0.020/0.072	AL-LF	02-3585	H997/5 STD 0.25 0.50		
TW/A	2	65.800	81.000		2.200		AL-LF	04-3586	A129/4 STD 0.10		
TW/A	2	65.800	81.000		2.200		AL-LF	04-3587			
SE/PB	1	21.995/22.000	24.500/24.521	21.900			BC	55-3603	55-3603 SEMI		



		
EV810	JJ499	NB973  45.00x67.00x8.00mm, FPM NB974  93.00x114.00x13.00mm, FPM
		
	JJ499	

608  **86.00** **Petrol** 

M 123.920 6 Cyl. 8.7:1 2525cc 95-103kW (129-140)PS TD18724 192

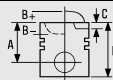
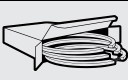
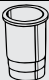
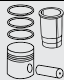



											
BE/PL	6	47.955/47.965	51.600/51.619	22.000	1.814	0.020/0.062	EC	71-2995	71-2995/6 STD 0.25 0.50 0.75 1.00		
SE/PB	1	23.000	26.000/26.021	27.600			BC	55-2996	55-2996 SEMI		

		
		NA5264  45.00x67.00x13.00mm, FPM

609  **86.00** **Petrol** 




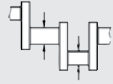
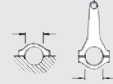





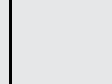




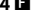

M 123.921 6 Cyl. 8.7:1 2527cc 95-103kW (129-140)PS TD2194 193


KOMBI (S123) 05/78 → 08/82 SALOON (W123) 02/76 → 07/85

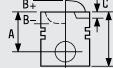
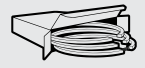
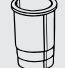

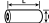
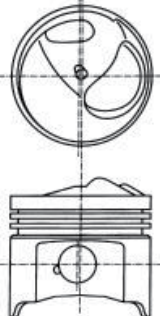



			
	08-176600-00 STD 08-176607-00 0.50mm 08-176611-00 1.00mm		
	1.75  MOL P 2.50  P 4.00  CR P		

MERCEDES-BENZ/SMART

...Continued




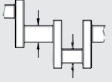
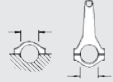




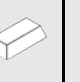


609		 86.00	Petrol								
											
BE/PL	6	47.955/47.965	51.600/51.619	22.000	1.814	0.020/0.062	EC	71-2995	71-2995/6 STD 0.25 0.50 0.75 1.00		
SE/PB	1	23.000	26.000/26.021	27.600			BC	55-2996	55-2996 SEMI		
											
						NA5264  45.00x67.00x13.00mm, FPM PA815  78.00x94.00x8.00mm					



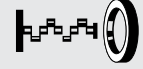
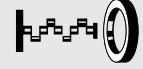
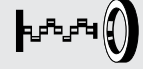
610		 86.00	Petrol							
M 110.921	6 Cyl.	8.7/9:1	2746cc	115kW (156)PS	TD2115	194				
M 110.922	6 Cyl.	8.7/9:1	2746cc	115kW (156)PS	TD2116	194				
M 110.923	6 Cyl.	8.7/9:1	2746cc	115kW (156)PS	TD2117	194				
M 110.981	6 Cyl.	9:1	2746cc	136kW (185)PS	TD2120	194				
M 110.982	6 Cyl.	9:1	2746cc	136kW (185)PS	TD2121	194				
M 110.983	6 Cyl.	9:1	2746cc	136kW (185)PS	TD2122	194				
M 110.984	6 Cyl.	9:1	2746cc	136kW (185)PS	TD4659	194				
M 110.985	6 Cyl.	9:1	2746cc	136kW (185)PS	TD2124	196				
M 110.986	6 Cyl.	9:1	2746cc	136kW (185)PS	TD2125	194				
M 110.988	6 Cyl.	9:1	2746cc	136kW (185)PS	TD2127	197				
M 110.990	6 Cyl.	9:1	2746cc	136kW (185)PS	TD2129	197				
/8 (W114)	06/72→02/77	COUPE (C123)	03/77→11/85	KOMBI (S123)	09/77→11/85					
S-CLASS (W116)	08/72→07/80	SL (C107)	08/74→09/81	SL (R107)	08/74→07/85					
STUFENHECK (W123)	02/76→11/85									


			
87-176600-00 STD 87-176607-00 [3] 0.50mm 87-176611-00 [3] 1.00mm A 42.70 B+ 14.90 D 89.60  23x69	 08614A	08-176600-00 STD 08-176607-00 0.50mm 08-176611-00 1.00mm 1.75  MOL P 2.50  P 4.00  CR P	

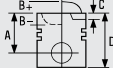
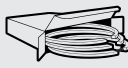

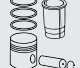
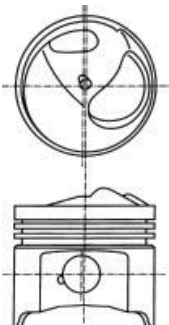




[3] A = 41.900

...Continued

610		 86.00	Petrol							
										
BE/PL	6	47.955/47.965	51.600/51.619	22.000	1.814	0.020/0.062	EC	71-2995	71-2995/6 STD 0.25 0.50 0.75 1.00	
MB/HL 1,2, 5-7	5	59.955/59.965	67.000/67.019	22.500	3.505	0.025/0.079	EC	72-2753	H859/7 STD 0.25 0.50	
MB/HL 3	1	59.955/59.965	67.000/67.019	28.900	3.505	0.025/0.079	EC	72-2754H		
MB/HL 4	1	59.955/59.965	67.000/67.019	22.500	3.505	0.025/0.079	EC	72-3015		
→12/76										
72-2754H		STD	29,000/1.1417" - 29,021/1.1426"							
		0.25MM	29,200/1.1496" - 29,221/1.1504"							
		0.50MM	29,200/1.1496" - 29,221/1.1504"							
MB/HL 4	1	59.955/59.965	67.000/67.019	22.500	3.505	0.025/0.079	EC	72-3015	H956/7 STD	
MB/HL 1,2, 5-7	5	59.955/59.965	67.000/67.019	22.500	3.505	0.025/0.079	EC	72-3322		
MB/HL 3	1	59.955/59.965	67.000/67.019	28.900	3.505	0.025/0.079	EC	72-3323H		
01/77→										
72-3323H		STD	29,000/1.1417" - 29,021/1.1426"							
		0.25MM	29,200/1.1496" - 29,221/1.1504"							
SE/PB	1	23.000	26.000/26.021	27.600			BC	55-2996	55-2996 SEMI	

		
		NA5264  45.00x67.00x13.00mm, FPM
		PA815  (x1) 78.00x94.00x8.00mm




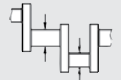
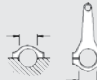








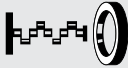


611		 86.00	Petrol								
M 110.924	6 Cyl.	8.7/9:1	2746cc	115kW (156)PS	TD2118	195					
M 110.926	6 Cyl.	8.7/9:1	2746cc	115kW (156)PS	TD2119	195					
M 110.987	6 Cyl.	9:1	2746cc	136kW (185)PS	TD2126	195					
M 110.989	6 Cyl.	9:1	2746cc	136kW (185)PS	TD2128	195					
S-CLASS (W126) 10/79→07/85											



			
87-176600-00	STD	08-176600-00	STD
87-176607-00 [3]	0.50mm	08-176607-00	0.50mm
87-176611-00 [3]	1.00mm	08-176611-00	1.00mm
A 42.70		1.75 	MOL P
B+ 14.90		2.50 	P
D 89.60		4.00 	CR P
 23x69		08614A	



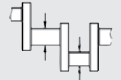
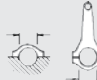






[3] A = 41.900



MERCEDES-BENZ/SMART



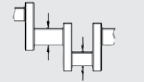
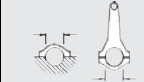






...Continued

611		 86.00	Petrol							
										
BE/PL	6	47.955/47.965	51.600/51.619	22.000	1.814	0.020/0.062	EC	71-2995	71-2995/6 STD 0.25 0.50 0.75 1.00	
MB/HL 4	1	59.955/59.965	67.000/67.019	22.500	3.505	0.025/0.079	EC	72-3015	H956/7 STD	
MB/HL 1,2, 5-7	5	59.955/59.965	67.000/67.019	22.500	3.505	0.025/0.079	EC	72-3322		
MB/HL 3	1	59.955/59.965	67.000/67.019	28.900	3.505	0.025/0.079	EC	72-3323H		
72-3323H		STD 0.25MM	29,000/1.1417" - 29,021/1.1426" 29,200/1.1496" - 29,221/1.1504"							
SE/PB	1	23.000	26.000/26.021	27.600			BC	55-2996	55-2996 SEMI	
										
							NA5264  45.00x67.00x13.00mm, FPM PA815  (x1) 78.00x94.00x8.00mm			

612		 86.00	Petrol							
M 110.931	6 Cyl.	8:1	2746cc	107kW (145)PS					TD17796	196
M 110.932	6 Cyl.	8:1	2746cc	105kW (143)PS					TD17726	196
M 110.991	6 Cyl.	8:1	2746cc	125kW (170)PS					TD17797	196
M 110.992	6 Cyl.	8:1	2746cc	125kW (170)PS					TD17798	196



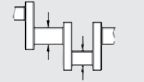
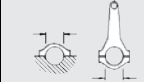








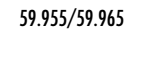
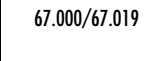
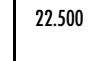
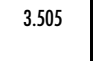
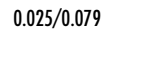

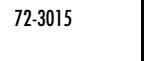

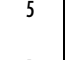
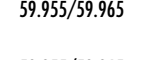
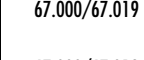


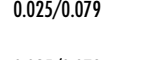



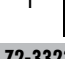
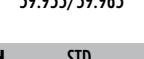
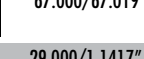
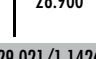
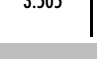
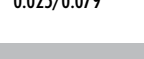

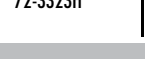

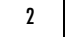
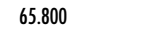

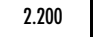
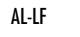
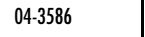

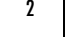
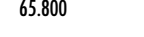
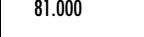
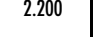
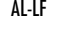
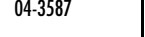
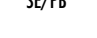
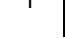
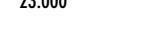
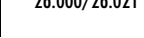
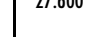
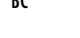
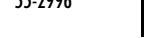
									
BE/PL	6	47.955/47.965	51.600/51.619	22.000	1.814	0.020/0.062	EC	71-2995	71-2995/6 STD 0.25 0.50 0.75 1.00
MB/HL 1,2, 5-7	5	59.955/59.965	67.000/67.019	22.500	3.505	0.025/0.079	EC	72-2753	H859/7 STD 0.25 0.50
MB/HL 3	1	59.955/59.965	67.000/67.019	28.900	3.505	0.025/0.079	EC	72-2754H	
MB/HL 4	1	59.955/59.965	67.000/67.019	22.500	3.505	0.025/0.079	EC	72-3015	
->12/76									
72-2754H		STD 0.25MM 0.50MM	29,000/1.1417" - 29,021/1.1426" 29,200/1.1496" - 29,221/1.1504" 29,200/1.1496" - 29,221/1.1504"						
MB/HL 4	1	59.955/59.965	67.000/67.019	22.500	3.505	0.025/0.079	EC	72-3015	H956/7 STD
MB/HL 1,2, 5-7	5	59.955/59.965	67.000/67.019	22.500	3.505	0.025/0.079	EC	72-3322	
MB/HL 3	1	59.955/59.965	67.000/67.019	28.900	3.505	0.025/0.079	EC	72-3323H	
01/77->									
72-3323H		STD 0.25MM	29,000/1.1417" - 29,021/1.1426" 29,200/1.1496" - 29,221/1.1504"						
SE/PB	1	23.000	26.000/26.021	27.600			BC	55-2996	55-2996 SEMI



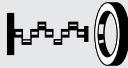


613  **86.00** **Petrol** 
M 110.993 6 Cyl. 8:1 2746cc **90-125kW (122-170)PS** **TD23183**



									
BE/PL	6	47.955/47.965	51.600/51.619	22.000	1.814	0.020/0.062	EC	71-2995	71-2995/6 STD 0.25 0.50 0.75 1.00

614  **86.00** **Petrol** 
M 110.994 6 Cyl. 8:1 2746cc **110-115kW (150-156)PS** **TD2130 195**

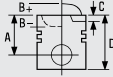

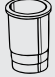




G-CLASS (W460) 11/79→08/89



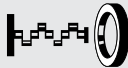


									
BE/PL	6	47.955/47.965	51.600/51.619	22.000	1.814	0.020/0.062	EC	71-2995	71-2995/6 STD 0.25 0.50 0.75 1.00
									H956/7 STD
MB/HL 4	1	59.955/59.965	67.000/67.019	22.500	3.505	0.025/0.079	EC	72-3015	
									
MB/HL 1,2,5-7	5	59.955/59.965	67.000/67.019	22.500	3.505	0.025/0.079	EC	72-3322	
									
MB/HL 3	1	59.955/59.965	67.000/67.019	28.900	3.505	0.025/0.079	EC	72-3323H	
		72-3323H	STD	29,000/1.1417" - 29,021/1.1426"					
			0.25MM	29,200/1.1496" - 29,221/1.1504"					
									A129/4 STD 0.10
TW/A	2	65.800	81.000		2.200		AL-LF	04-3586	
									
TW/A	2	65.800	81.000		2.200		AL-LF	04-3587	
									55-2996 SEMI
SE/PB	1	23.000	26.000/26.021	27.600			BC	55-2996	

		
		NA5264  45.00x67.00x13.00mm, FPM PA815  (x1) 78.00x94.00x8.00mm



615  **86.00** **Diesel** 
OM 628.960 V8 Cyl. 18.5:1 3996cc **184-191kW (250-260)PS** **Turbo Intercooled** **TD15462 198**

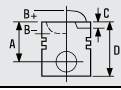
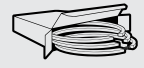
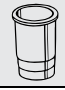







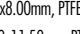
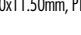
S-CLASS (W220) 06/00→08/05



			
	08-136300-00 STD		
	2.50  CK P		
	2.00  P		
	3.00  CR P		





		
	HR397	NA5131  45.00x67.00x8.00mm, PTFE NA5168  93.00x114.00x11.50mm, PTFE



MERCEDES-BENZ/SMART

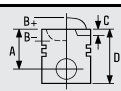
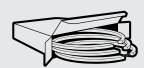

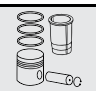



616	 86.00	Diesel					
OM 628.961	V8 Cyl.	18.5:1	3996cc	191kW (260)PS	Turbo Intercooled	TD17545	198
OM 628.962	V8 Cyl.	18.5:1	3996cc	184kW (250)PS	Turbo Intercooled	TD15459	198
OM 628.963	V8 Cyl.	18.5:1	3996cc	184kW (250)PS	Turbo Intercooled	TD17010	198
E-CLASS (W211)	02/03→12/08	G-CLASS (W463)	12/00→	M-CLASS (W163)	09/01→06/05		

			
	08-136300-00 STD		
	2.50  CK P		
	2.00  P		
	3.00  CR P		
			
		NA5131  45.00x67.00x8.00mm, PTFE	
		NA5168  93.00x114.00x11.50mm, PTFE	

617	 86.00	Diesel					
OM 629.910	V8 Cyl.	16.7:1	3996cc	231kW (314)PS	Turbo Intercooled	TD19144	198
OM 629.911	V8 Cyl.	17:1	3996cc	235kW (320)PS	Turbo Intercooled	TD20332	198
OM 629.912	V8 Cyl.	17:1	3996cc	225kW (306)PS	Turbo Intercooled	TD19208	198
E-CLASS (W211)	01/06→12/08	GL-CLASS (X164)	09/06→	M-CLASS (W164)	02/06→		
S-CLASS (W221)	10/06→						

			
		NA5131  45.00x67.00x8.00mm, PTFE	

618	 86.50	Petrol					
M 130.920	6 Cyl.	8.7/9.1:1	2750cc	103kW (140)PS		TD2195	199
M 130.980	6 Cyl.	8.7/9.1:1	2750cc	118kW (160)PS		TD2197	200
M 130.981	6 Cyl.	8.7/9.1:1	2750cc	118kW (160)PS		TD4673	200
M 130.983	6 Cyl.	8.7/9.1:1	2750cc	125kW (170)PS		TD2200	200
M 130.984	6 Cyl.	9.5:1	2778cc	118kW (160)PS		TD9989	200
COUPE (W111)	01/67→12/71	PAGODE (W113)	01/68→03/71	S-CLASS (W108, W109)	10/67→08/72		



			
	08-181500-10 STD		
	2.00  MOL P		
	2.50  MO P		
	4.00  MOL P		



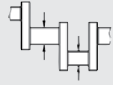
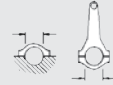





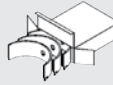
...Continued



618		86.50		Petrol						
01/70 →										
MB/HL 1,2, 5-7	5	59.955/59.965	67.000/67.019	22.500	3.505	0.025/0.079	EC	72-2753	H859/7 STD 0.25 0.50	
MB/HL 3	1	59.955/59.965	67.000/67.019	28.900	3.505	0.025/0.079	EC	72-2754H		
MB/HL 4	1	59.955/59.965	67.000/67.019	22.500	3.505	0.025/0.079	EC	72-3015		
01/71 →										
72-2754H		STD	29,000/1.1417" - 29,021/1.1426"							
		0.25MM	29,200/1.1496" - 29,221/1.1504"							
		0.50MM	29,200/1.1496" - 29,221/1.1504"							
SE/PB	1	25.000	28.000	27.600			BC	55-2784	55-2784 SEMI	
							NA5264 45.00x67.00x13.00mm, FPM PA815 78.00x94.00x8.00mm			

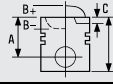
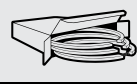


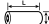
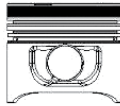
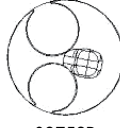



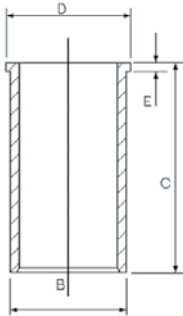



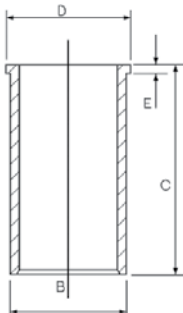
619		86.50		Petrol						
M 130.923		6 Cyl.		8.7/9.1:1		2750cc		96kW (131)PS		TD2196 199
/8 (W114) 06/72 → 11/76										
			08-181500-10 STD 2.00 MOL P 2.50 MO P 4.00 MOL P							
MB/HL 1,2, 5-7	5	59.955/59.965	67.000/67.019	22.500	3.505	0.025/0.079	EC	72-2753	H859/7 STD 0.25 0.50	
MB/HL 3	1	59.955/59.965	67.000/67.019	28.900	3.505	0.025/0.079	EC	72-2754H		
MB/HL 4	1	59.955/59.965	67.000/67.019	22.500	3.505	0.025/0.079	EC	72-3015		
72-2754H		STD	29,000/1.1417" - 29,021/1.1426"							
		0.25MM	29,200/1.1496" - 29,221/1.1504"							
		0.50MM	29,200/1.1496" - 29,221/1.1504"							
SE/PB	1	25.000	28.000	27.600			BC	55-2784	55-2784 SEMI	
							NA5264 45.00x67.00x13.00mm, FPM PA815 78.00x94.00x8.00mm			

MERCEDES-BENZ/SMART

620		 86.50	Petrol				
M 130.921	6 Cyl.	8.7:1	2778cc	92kW (125)PS	TD17792	201	
M 130.922	6 Cyl.	9.5:1	2778cc	125kW (170)PS	TD22714	202	
M 130.924	6 Cyl.	9.5:1	2778cc	89kW (121)PS	TD17793	199	
M 130.925	6 Cyl.	9.5:1	2778cc	81kW (110)PS	TD16996	199	
M 130.933	6 Cyl.	8.7:1	2778cc	87kW (118)PS	TD17794	199	

									
BE/PL	6	47.955/47.965	51.600/51.619	22.000	1.810	0.015/0.064	EC	71-2974	71-2974/6 0.75
01/70 →									
MB/HL 1,2, 5-7	5	59.955/59.965	67.000/67.019	22.500	3.505	0.025/0.079	EC	72-2753	H859/7 STD 0.25 0.50
MB/HL 3	1	59.955/59.965	67.000/67.019	28.900	3.505	0.025/0.079	EC	72-2754H	
MB/HL 4	1	59.955/59.965	67.000/67.019	22.500	3.505	0.025/0.079	EC	72-3015	
01/71 →									
72-2754H	STD	29,000/1.1417" - 29,021/1.1426"							
	0.25MM	29,200/1.1496" - 29,221/1.1504"							
	0.50MM	29,200/1.1496" - 29,221/1.1504"							
SE/PB	1	25.000	28.000	27.600			BC	55-2784	55-2784 SEMI

621		 87.00	Diesel				
OM 601.911	4 Cyl.	22:1	1978cc	53-55kW (72)PS	TD2206	203	
OM 601.912	4 Cyl.	22:1	1978cc	53-55kW (72)PS	TD2207	203	
190 (W201)	08/83→08/93	E-CLASS (W124)	12/84→06/95	KOMBI (S124)	09/85→08/91		

			
87-743600-10 [11] [13] STD 87-743607-10 [11] [13] 0.50mm A 44.85 B- 9.05 C 1.25 C 1.05 D 74.85  26x55 RT	  08753B	08-743600-00 STD 08-743607-00 0.50mm 08/89→ 2.50  CR P 2.00  P 3.00  CR P	14-026240-00 D B 90.11 C 148.50 D 92.57 E 4.70 
		08-183200-00 STD 08-183207-00 0.50mm →07/89 2.00  CR P 2.00  P 3.00  CR P	14-026241-00 D B 90.20 C 148.50 D 92.75 E 4.70 

[11] Conrod gap 22.15mm
[13] Conrod guided in Piston



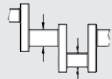
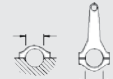





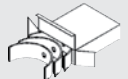
[11] Distance entre bielle 22.15mm
[13] Bielle guidée dans le piston

[11] Distanza dalla biella 22.15mm
[13] Billea montata sul pistone

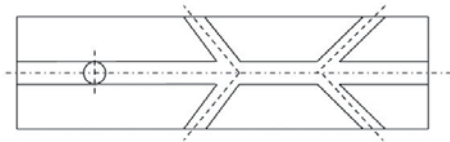
[11] Distancia del biela 22.15mm
[13] Biela montada en el pistón


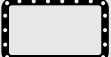
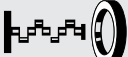
...Continued

621  **87.00** **Diesel**

									
BE/PL	1	47.950/47.965	51.600/51.619	21.800	1.812	0.020/0.070	AL-LF	01-3584	01-3584 STD 0.25 0.50
MB/HL 1-5	5	57.950/57.965	62.500/62.519	17.500	2.261	0.020/0.072	AL-LF	02-3585	H997/5 STD 0.25 0.50
TW/A	2	65.800	81.000		2.200		AL-LF	04-3586	A129/4 STD 0.10
TW/A	2	65.800	81.000		2.200		AL-LF	04-3587	
SE/PB	1	26.995/27.000	29.500/29.521	24.000			BC	55-3588	55-3588 SEMI
SE/PB	1	25.995/26.000	28.500/28.521	21.900			BC	55-3625	55-3625 SEMI



55-3625



		
--	--	--

 EM720

JJ498

NB973  45.00x67.00x8.00mm, FPM
NB974  93.00x114.00x13.00mm, FPM



JJ498

MERCEDES-BENZ/SMART

622

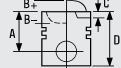
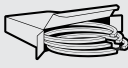


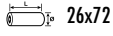
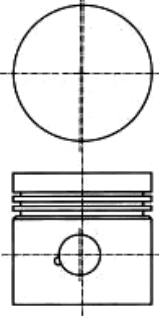






 **87.00**

Petrol



M 115.923	4 Cyl.	9:1	1988cc	62-70kW (85-95)PS	TD2141	205
M 115.926	4 Cyl.	9:1	1988cc	62-70kW (85-95)PS	TD2143	205
M 115.938	4 Cyl.	9:1	1988cc	62-70kW (84-95)PS	TD2147	205
M 115.939	4 Cyl.	9:1	1988cc	62-70kW (84-95)PS	TD2148	205

/8 (W115) 01/68→01/77 **HECKFLOSSE (W110)** 07/65→02/68 **STUFENHECK (W123)** 02/76→08/80

			
87-181607-00 [6] 0.50mm A 51.60 D 83.60  26x72  08725	08-181600-10 [18] STD 08-181607-10 [18] 0.50mm 08-181611-10 [18] 1.00mm 1.75  MOL P 2.50  P 4.00  CR P 08-175500-00 STD 08-175507-00 0.50mm 08-175511-00 1.00mm 1.50  MO P 2.50  P 4.00  CR P		



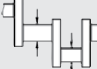







[6] A = 51.600, D = 83.600

[18] For Nüräl OE piston

[18] Pour les pistones d'origine Nüräl

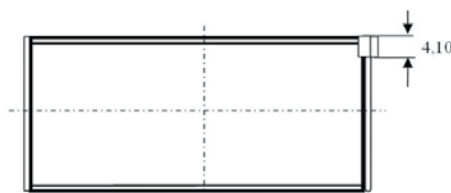
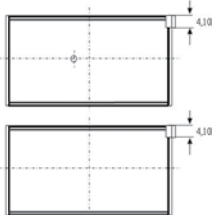
[18] Per pistoni Nüräl OE

[18] Para pistones originales Nüräl

									
BE/PL	4	51.955/51.965	55.600/55.619	26.000	1.805	0.025/0.079	EC	71-2773	71-2773/4 STD 0.25 0.50 0.75
BE/PL	4	51.955/51.965	55.600/55.619	26.000	1.805	0.025/0.079	EC	71-3227	71-3227/4 STD 0.75

71-2773







71-3227



MB/HL 1,2,4,5	4	69.955/69.965	74.500/74.519	27.000	2.255	0.025/0.079	EC	72-1460	H796/5 STD 0.25 0.50 0.75 1.00
MB/HL 3	1	69.955/69.965	74.500/74.519	33.900	2.255	0.025/0.079	EC	72-2774H	
72-2774H		STD	34,000/1.3386" - 34,025/1.3396"						
		0.25MM	34,200/1.3465" - 34,225/1.3474"						
		0.50MM	34,200/1.3465" - 34,225/1.3474"						
MB/HL 1,2,4,5	4	69.955/69.965	74.500/74.519	27.000	2.255	0.025/0.079	AL-LF	02-1460	H914/5 STD 0.25 0.50 0.75 1.00
MB/HL 3	1	69.955/69.965	74.500/74.519	33.900	2.255	0.025/0.079	AL-LF	02-2774H	
02-2774H		STD	34,000/1.3386" - 34,025/1.3396"						
SE/PB	1	26.000	29.000/29.021	31.800			BC	55-2532	55-2532 SEMI





...Continued

622  **87.00** **Petrol**

		
	JH683  JH683	NB975  45.00x74.50x12.00mm, FPM PA815  (x1) 78.00x94.00x8.00mm

623  **87.00** **Petrol** 

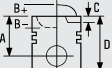
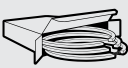
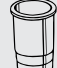
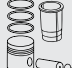



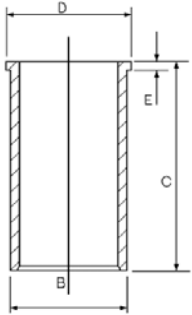
M 121.940	4 Cyl.	9:1	1988cc	61kW (82)PS	TD9948	204
HECKFLOSSE (W110)		07/65→02/68				

		
		PA815  78.00x94.00x8.00mm

624  **87.00** **Diesel** 

OM 615.942	4 Cyl.	21:1	1988cc	40kW (54)PS	TD22827	207
OM 615.961	4 Cyl.	21:1	1988cc	44kW (60)PS	TD22829	207
OM 615.963	4 Cyl.	21:1	1988cc	43kW (58)PS	TD2242	207
OM 615.964	4 Cyl.	21:1	1988cc	40kW (54)PS	TD22830	207
OM 615.965	4 Cyl.	21:1	1988cc	40kW (54)PS	TD22831	207
OM 615.966	4 Cyl.	21:1	1988cc	40kW (54)PS	TD22832	207
OM 615.967	4 Cyl.	21:1	1988cc	40kW (54)PS	TD22833	207
OM 615.968	4 Cyl.	21:1	1988cc	40kW (54)PS	TD22834	207
OM 615.969	4 Cyl.	21:1	1988cc	40kW (54)PS	TD22835	207



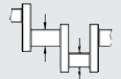
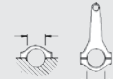





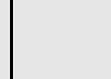
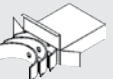
100 (631) 04/88→08/93






			
	08-170700-10 STD 08-170707-10 0.50mm 08-170711-10 1.00mm 2.00  CR P 2.00  P 4.00  CR P	14-022190-00 D B 90.00 C 158.40 D 92.00 E 4.70 	

MERCEDES-BENZ/SMART

...Continued

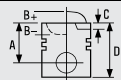

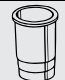




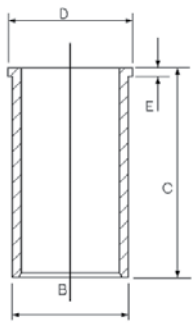
624 87.00 Diesel

										
BE/PL	4	51.955/51.965	55.600/55.619	26.000	1.805	0.025/0.079	AL-LF	01-3040	01-3040/4 STD 0.25 0.50 0.75 1.00	
MB/HL 1,2,4,5	4	69.955/69.965	74.500/74.519	27.000	2.255	0.025/0.079	AL-LF	02-1460	H914/5 STD 0.25 0.50 0.75 1.00	
MB/HL 3	1	69.955/69.965	74.500/74.519	33.900	2.255	0.025/0.079	AL-LF	02-2774H		
→12/78										
02-2774H STD 34,000/1.3386" - 34,025/1.3396"										
MB/HL 1,2,4,5	4	69.955/69.965	74.500/74.519	27.000	2.255	0.025/0.079	AL-LF	02-1460	H951/5 STD 0.25 0.50 0.75 1.00	
MB/HL 3	1	69.955/69.965	74.500/74.519	27.000	2.255	0.025/0.079	AL-LF	02-3435		
01/79→										
TW/A	2	78.025	91.500		2.200		AL-LF	04-3436	A113/4 STD 0.10 0.20	
TW/A	2	78.025	91.500		2.200		AL-LF	04-3437		
01/79→										
SE/PB	1	26.000	29.000/29.021	31.800			BC	55-2532	55-2532 SEMI	
BU	1	30.000	36.000/36.025	18.000	3.000		BC	57-3049	57-3049 STD	




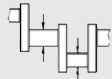
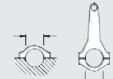






		
		NB975  45.00x74.50x12.00mm, FPM PA815  78.00x94.00x8.00mm


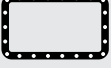




625 87.00 Diesel


OM 615.943 4 Cyl. 21:1 1988cc 40kW (54)PS TD2240 207

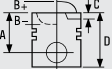
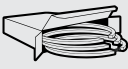
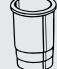
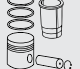



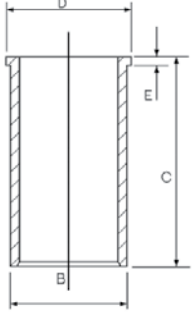
			
	08-170700-10 STD 08-170707-10 0.50mm 08-170711-10 1.00mm 2.00  CR P 2.00  P 4.00  CR P	14-022190-00 D B 90.00 C 158.40 D 92.00 E 4.70 	

...Continued

625		 87.00	Diesel							
										
BE/PL	4	51.955/51.965	55.600/55.619	26.000	1.805	0.025/0.079	AL-LF	01-3040	01-3040/4 STD 0.25 0.50 0.75 1.00	
MB/HL 1,2,4,5	4	69.955/69.965	74.500/74.519	27.000	2.255	0.025/0.079	AL-LF	02-1460	H914/5 STD 0.25 0.50 0.75 1.00	
MB/HL 3	1	69.955/69.965	74.500/74.519	33.900	2.255	0.025/0.079	AL-LF	02-2774H		
→12/78										
02-2774H		STD	34,000/1.3386" - 34,025/1.3396"							
MB/HL 1,2,4,5	4	69.955/69.965	74.500/74.519	27.000	2.255	0.025/0.079	AL-LF	02-1460	H951/5 STD 0.25 0.50 0.75 1.00	
MB/HL 3	1	69.955/69.965	74.500/74.519	27.000	2.255	0.025/0.079	AL-LF	02-3435		
01/79→										
TW/A	2	78.025	91.500		2.200		AL-LF	04-3436	A113/4 STD 0.10 0.20	
TW/A	2	78.025	91.500		2.200		AL-LF	04-3437		
01/79→										
SE/PB	1	26.000	29.000/29.021	31.800			BC	55-2532	55-2532 SEMI	
BU	1	30.000	36.000/36.025	18.000	3.000		BC	57-3049	57-3049 STD	

		
	JH683	NB975  45.00x74.50x12.00mm, FPM PA815  78.00x94.00x8.00mm
	 JH683	

626		 87.00	Diesel							
OM 615.944	4 Cyl.	21:1	1988cc	40kW (54)PS						TD2241 209



			
	08-170700-10 STD 08-170707-10 0.50mm 08-170711-10 1.00mm 2.00  CR P 2.00  P 4.00  CR P	14-022190-00 D B 90.00 C 158.40 D 92.00 E 4.70 	



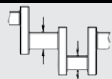








MERCEDES-BENZ/SMART






...Continued



626		87.00		Diesel						
BE/PL	4	51.955/51.965	55.600/55.619	26.000	1.805	0.025/0.079	AL-LF	01-3040	01-3040/4 STD 0.25 0.50 0.75 1.00	
MB/HL 1,2,4,5	4	69.955/69.965	74.500/74.519	27.000	2.255	0.025/0.079	AL-LF	02-1460	H914/5 STD 0.25 0.50 0.75 1.00	
MB/HL 3	1	69.955/69.965	74.500/74.519	33.900	2.255	0.025/0.079	AL-LF	02-2774H		
→12/78										
02-2774H		STD	34,000/1.3386" - 34,025/1.3396"							
MB/HL 1,2,4,5	4	69.955/69.965	74.500/74.519	27.000	2.255	0.025/0.079	AL-LF	02-1460	H951/5 STD 0.25 0.50 0.75 1.00	
MB/HL 3	1	69.955/69.965	74.500/74.519	27.000	2.255	0.025/0.079	AL-LF	02-3435		
01/79→										
TW/A	2	78.025	91.500		2.200		AL-LF	04-3436	A113/4 STD 0.10 0.20	
TW/A	2	78.025	91.500		2.200		AL-LF	04-3437		
01/79→										
SE/PB	1	26.000	29.000/29.021	31.800			BC	55-2532	55-2532 SEMI	
BU	1	30.000	36.000/36.025	18.000	3.000		BC	57-3049	57-3049 STD	

	JH683	NB975 45.00x74.50x12.00mm, FPM PA815 (x1) 78.00x94.00x8.00mm
	JH683	

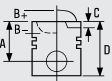
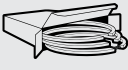
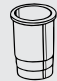




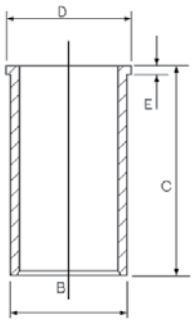
627  **87.00 Diesel** 
OM 615.960 4 Cyl. 21:1 1988cc **44kW (60)PS** **TD22828** **207**

										
BE/PL	4	51.955/51.965	55.600/55.619	26.000	1.805	0.025/0.079	AL-LF	01-3040	01-3040/4 STD 0.25 0.50 0.75 1.00	
MB/HL 1,2,4,5	4	69.955/69.965	74.500/74.519	27.000	2.255	0.025/0.079	AL-LF	02-1460	H914/5 STD 0.25 0.50 0.75 1.00	
MB/HL 3	1	69.955/69.965	74.500/74.519	33.900	2.255	0.025/0.079	AL-LF	02-2774H		
→12/78										
02-2774H STD 34,000/1.3386" - 34,025/1.3396"										
MB/HL 1,2,4,5	4	69.955/69.965	74.500/74.519	27.000	2.255	0.025/0.079	AL-LF	02-1460	H951/5 STD 0.25 0.50 0.75 1.00	
MB/HL 3	1	69.955/69.965	74.500/74.519	27.000	2.255	0.025/0.079	AL-LF	02-3435		
01/79→										
TW/A	2	78.025	91.500		2.200		AL-LF	04-3436	A113/4 STD 0.10 0.20	
TW/A	2	78.025	91.500		2.200		AL-LF	04-3437		
01/79→										
SE/PB	1	26.000	29.000/29.021	31.800			BC	55-2532	55-2532 SEMI	
BU	1	30.000	36.000/36.025	18.000	3.000		BC	57-3049	57-3049 STD	

		
		NB975  45.00x74.50x12.00mm, FPM PA815  78.00x94.00x8.00mm

628  **87.00 Diesel** 
OM 615.970 4 Cyl. 21:1 1988cc **43-46kW (58-62)PS** **TD2243** **207**

100 (631) 04/88→04/96

			
	08-170700-10 STD 08-170707-10 0.50mm 08-170711-10 1.00mm 2.00  CR P 2.00  P 4.00  CR P	14-022190-00 D B 90.00 C 158.40 D 92.00 E 4.70 	

MERCEDES-BENZ/SMART

...Continued

628		87.00		Diesel					
BE/PL	4	51.955/51.965	55.600/55.619	26.000	1.805	0.025/0.079	AL-LF	01-3040	01-3040/4 STD 0.25 0.50 0.75 1.00
MB/HL 1,2,4,5	4	69.955/69.965	74.500/74.519	27.000	2.255	0.025/0.079	AL-LF	02-1460	H951/5 STD 0.25 0.50 0.75 1.00
MB/HL 3	1	69.955/69.965	74.500/74.519	27.000	2.255	0.025/0.079	AL-LF	02-3435	
TW/A	2	78.025	91.500		2.200		AL-LF	04-3436	A113/4 STD 0.10 0.20
TW/A	2	78.025	91.500		2.200		AL-LF	04-3437	
SE/PB	1	26.000	29.000/29.021	31.800			BC	55-2532	55-2532 SEMI
BU	1	30.000	36.000/36.025	18.000	3.000		BC	57-3049	57-3049 STD

		NB975 45.00x74.50x12.00mm, FPM PA815 78.00x94.00x8.00mm

629		87.00		Diesel			
OM 601.913	4 Cyl.	22:1	1997cc	55kW (75)PS		TD2208	210
C-CLASS (W202)		03/93→05/00					

87-743600-10 [11] [13] STD		08-743600-00 STD		14-026240-00 D		88-743600-10	
87-743607-10 [11] [13] 0.50mm		08-743607-00 0.50mm		B 90.11 C 148.50 D 92.57 E 4.70		87-743600-10 +	14-026240-00
A 44.85		2.50	CR P				
B- 9.05		2.00	P				
C 1.25		3.00	CR P				
C 1.05							
D 74.85							
26x55	08753B						
RT				14-026241-00 D			
				B 90.20 C 148.50 D 92.75 E 4.70			

[11] Conrod gap 22.15mm

[11] Distance entre bielle 22.15mm

[11] Distanza dalla biella 22.15mm

[11] Distancia del biela 22.15mm

[13] Conrod guided in Piston



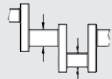
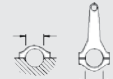





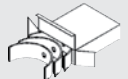
[13] Bielle guidée dans le piston

[13] Billea montata sul pistone

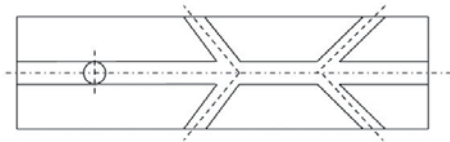
[13] Biela montada en el piston


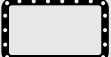
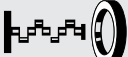
...Continued

629  **87.00** **Diesel**

									
BE/PL	1	47.950/47.965	51.600/51.619	21.800	1.812	0.020/0.070	AL-LF	01-3584	01-3584 STD 0.25 0.50
MB/HL 1-5	5	57.950/57.965	62.500/62.519	17.500	2.261	0.020/0.072	AL-LF	02-3585	H997/5 STD 0.25 0.50
TW/A	2	65.800	81.000		2.200		AL-LF	04-3586	A129/4 STD 0.10
TW/A	2	65.800	81.000		2.200		AL-LF	04-3587	
SE/PB	1	26.995/27.000	29.500/29.521	24.000			BC	55-3588	55-3588 SEMI
SE/PB	1	25.995/26.000	28.500/28.521	21.900			BC	55-3625	55-3625 SEMI



55-3625



		
--	--	--

 EM720

JJ498

NB973  45.00x67.00x8.00mm, FPM
NB974  93.00x114.00x13.00mm, FPM



JJ498

MERCEDES-BENZ/SMART

630

87.00

Diesel



OM 601.915

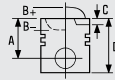
4 Cyl.

22:1

1997cc

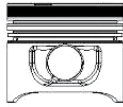
55kW (75)PS

TD5237

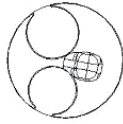


87-743600-10 [11] [13] STD
87-743607-10 [11] [13] 0.50mm

STD
 0.50mm



A 44.85
B- 9.05
C 1.25
C 1.05
D 74.85
 26x55



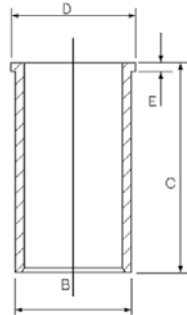
08753B

RT

08-743600-00 STD
08-743607-00 0.50mm

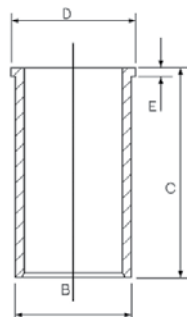
2.50 CR P
 2.00 P
 3.00 CR P

14-026240-00 D
B 90.11 **C** 148.50 **D** 92.57 **E** 4.70



88-743600-10
 87-743600-10 +
 14-026240-00

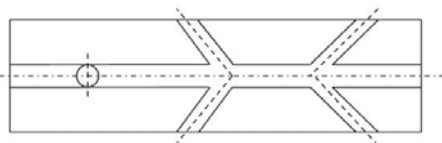
14-026241-00 D
B 90.20 **C** 148.50 **D** 92.75 **E** 4.70





[11] Conrod gap 22.15mm [11] Distance ente bielle 22.15mm [11] Distanza dalla biella 22.15mm [11] Distancia del biela 22.15mm
 [13] Conrod guided in Piston [13] Bielle guidée dans le piston [13] Billea montata sul pistone [13] Biela montada en el piston

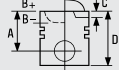
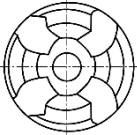
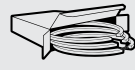
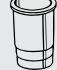

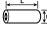



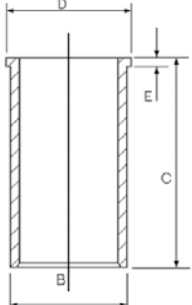
BE/PL	1	47.950/47.965	51.600/51.619	21.800	1.812	0.020/0.070	AL-LF	01-3584	01-3584 STD 0.25 0.50	
MB/HL 1-5	5	57.950/57.965	62.500/62.519	17.500	2.261	0.020/0.072	AL-LF	02-3585	H997/5 STD 0.25 0.50	
TW/A	2	65.800	81.000		2.200		AL-LF	04-3586	A129/4 STD 0.10	
TW/A	2	65.800	81.000		2.200		AL-LF	04-3587		
SE/PB	1	26.995/27.000	29.500/29.521	24.000			BC	55-3588	55-3588 SEMI	
SE/PB	1	25.995/26.000	28.500/28.521	21.900			BC	55-3625	55-3625 SEMI	



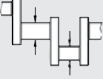
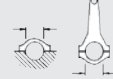






55-3625

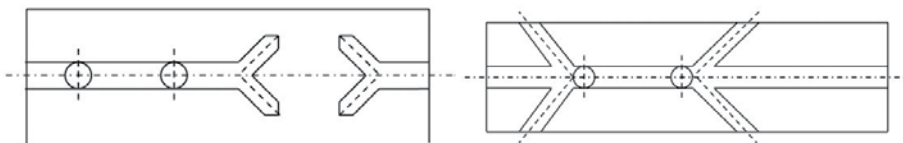







NB973 45.00x67.00x8.00mm, FPM
NB974 93.00x114.00x13.00mm, FPM

631	 87.00	Diesel				
OM 604.915	4 Cyl.	22:1	1997cc	65kW (88)PS	TD4677	211
OM 604.917	4 Cyl.	22:1	1997cc	65kW (88)PS	TD9424	212
C-CLASS (S202)	10/96→03/01	C-CLASS (W202)	10/96→05/00	E-CLASS (W210)	01/96→03/02	





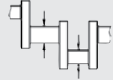
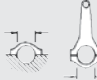





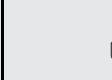
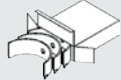
				
87-743600-00 STD 87-743607-00 0.50mm A 44.90 B- 4.60 B+ 1.32 C 2.26 C 2.41 D 76.22  26x55 RT	08-743600-00 STD 08-743607-00 0.50mm 2.50  CR P 2.00  P 3.00  CR P	14-026240-00 D B 90.11 C 148.50 D 92.57 E 4.70 14-026241-00 D B 90.20 C 148.50 D 92.75 E 4.70 		



									
BE/PL	1	47.950/47.965	51.600/51.619	21.800	1.812	0.020/0.070	AL-LF	01-3771	01-3771 STD 0.25 0.50
MB/HL 1-5	5	57.950/57.965	62.500/62.519	17.500	2.261	0.020/0.072	AL-LF	02-3585	H997/5 STD 0.25 0.50
TW/A	2	65.800	81.000		2.200		AL-LF	04-3586	A129/4 STD 0.10
TW/A	2	65.800	81.000		2.200		AL-LF	04-3587	
SE/PB	1		30.500/30.521	21.900			BC-LF	55-3830	55-3830 SEMI
SE/PB	1		28.500/28.521	21.900			BC-LF	55-3831	55-3831 SEMI
55-3830			55-3831						





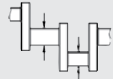
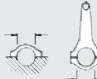





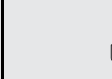
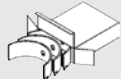
		
		NB973  45.00x67.00x8.00mm, FPM NB974  93.00x114.00x13.00mm, FPM

MERCEDES-BENZ/SMART








632		 87.00		Petrol						
M 115.900		4 Cyl.	9:1	2197cc	40kW (54)PS				TD22705	204
										
BE/PL	4	51.955/51.965	55.600/55.619	26.000	1.805	0.025/0.079	EC	71-2773	71-2773/4 STD 0.25 0.50 0.75	
MB/HL 1,2,4,5	4	69.955/69.965	74.500/74.519	27.000	2.255	0.025/0.079	EC	72-1460	H796/5 STD 0.25 0.50 0.75 1.00	
MB/HL 3	1	69.955/69.965	74.500/74.519	33.900	2.255	0.025/0.079	EC	72-2774H		
72-2774H		STD	34,000/1.3386" - 34,025/1.3396"							
		0.25MM	34,200/1.3465" - 34,225/1.3474"							
		0.50MM	34,200/1.3465" - 34,225/1.3474"							
MB/HL 1,2,4,5	4	69.955/69.965	74.500/74.519	27.000	2.255	0.025/0.079	AL-LF	02-1460	H914/5 STD 0.25 0.50 0.75 1.00	
MB/HL 3	1	69.955/69.965	74.500/74.519	33.900	2.255	0.025/0.079	AL-LF	02-2774H		
02-2774H		STD	34,000/1.3386" - 34,025/1.3396"							
SE/PB	1	26.000	29.000/29.021	31.800			BC	55-2532	55-2532 SEMI	



633		 87.00		Petrol						
M 115.920	4 Cyl.	9:1	2197cc	77kW (105)PS				TD2139	205	
M 115.921	4 Cyl.	9:1	2197cc	63kW (85)PS				TD2140	205	
M 115.922	4 Cyl.	9:1	2197cc	62kW (84)PS				TD17799	205	
M 115.924	4 Cyl.	9:1	2197cc	66kW (89)PS				TD2142	205	
M 115.927	4 Cyl.	9:1	2197cc	63kW (85)PS				TD2144	205	
M 115.928	4 Cyl.	9:1	2197cc	55kW (75)PS				TD2145	205	
M 115.929	4 Cyl.	9:1	2197cc	55kW (75)PS				TD2146	205	
M 115.932	4 Cyl.	9:1	2197cc	48kW (65)PS				TD17785	204	
M 115.933	4 Cyl.	9:1	2197cc	62kW (84)PS				TD17800	204	
M 115.934	4 Cyl.	9:1	2197cc	55kW (75)PS				TD17801	204	
M 115.935	4 Cyl.	9:1	2197cc	55kW (75)PS				TD17802	204	



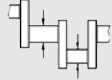
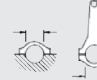





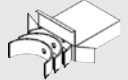
/8 (W115) 01/68→07/73 **T2/L** 01/68→12/74

										
BE/PL	4	51.955/51.965	55.600/55.619	26.000	1.805	0.025/0.079	EC	71-2773	71-2773/4 STD 0.25 0.50 0.75	
MB/HL 1,2,4,5	4	69.955/69.965	74.500/74.519	27.000	2.255	0.025/0.079	EC	72-1460	H796/5 STD 0.25 0.50 0.75 1.00	
MB/HL 3	1	69.955/69.965	74.500/74.519	33.900	2.255	0.025/0.079	EC	72-2774H		
72-2774H		STD	34,000/1.3386" - 34,025/1.3396"							
		0.25MM	34,200/1.3465" - 34,225/1.3474"							
		0.50MM	34,200/1.3465" - 34,225/1.3474"							
MB/HL 1,2,4,5	4	69.955/69.965	74.500/74.519	27.000	2.255	0.025/0.079	AL-LF	02-1460	H914/5 STD 0.25 0.50 0.75 1.00	
MB/HL 3	1	69.955/69.965	74.500/74.519	33.900	2.255	0.025/0.079	AL-LF	02-2774H		
02-2774H		STD	34,000/1.3386" - 34,025/1.3396"							
SE/PB	1	26.000	29.000/29.021	31.800			BC	55-2532	55-2532 SEMI	

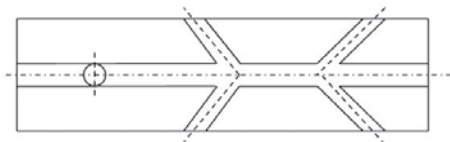
...Continued

633	 87.00	Petrol
		
<p style="text-align: center;">JH683</p>  <p style="text-align: center;">JH683</p>		<p>NB975  45.00x74.50x12.00mm, FPM</p> <p>PA815  (x1) 78.00x94.00x8.00mm</p>

634	 87.00	Diesel				
OM 601.921	4 Cyl.	22:1	2197cc	54kW (73)PS	TD2209	213

									
BE/PL	1	47.950/47.965	51.600/51.619	21.800	1.812	0.020/0.070	AL-LF	01-3584	01-3584 STD 0.25 0.50
MB/HL 1-5	5	57.950/57.965	62.500/62.519	17.500	2.261	0.020/0.072	AL-LF	02-3585	H997/5 STD 0.25 0.50
TW/A	2	65.800	81.000		2.200		AL-LF	04-3586	A129/4 STD 0.10
TW/A	2	65.800	81.000		2.200		AL-LF	04-3587	
SE/PB	1	26.995/27.000	29.500/29.521	24.000			BC	55-3588	55-3588 SEMI
SE/PB	1	25.995/26.000	28.500/28.521	21.900			BC	55-3625	55-3625 SEMI

55-3625



MERCEDES-BENZ/SMART

635

 **87.00**

Diesel



OM 615.914

4 Cyl.

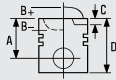
21:1

2197cc

40kW (54)PS

TD7972

207



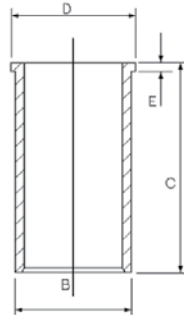
08-170600-10 STD
08-170607-10 0.50mm
08-170611-10 1.00mm
 10/67 → 08/73



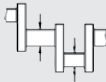
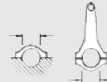





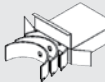
3.00  MOL P
 2.00  P
 4.00  CR P

08-170700-10 STD
08-170707-10 0.50mm
08-170711-10 1.00mm
 09/73 → 12/85



2.00  CR P
 2.00  P
 4.00  CR P



14-022190-00 D
B 90.00 C 158.40 D 92.00 E 4.70

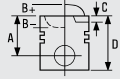
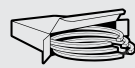
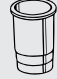




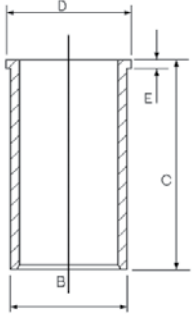







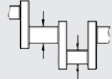








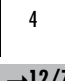
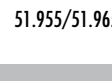







									
BE/PL	4	51.955/51.965	55.600/55.619	26.000	1.805	0.025/0.079	EC	71-2773	71-2773/4 STD 0.25 0.50 0.75
MB/HL 1,2,4,5	4	69.955/69.965	74.500/74.519	27.000	2.255	0.025/0.079	AL-LF	02-1460	H914/5 STD 0.25 0.50 0.75 1.00
MB/HL 3	1	69.955/69.965	74.500/74.519	33.900	2.255	0.025/0.079	AL-LF	02-2774H	
02-2774H		STD	34,000/1.3386" - 34,025/1.3396"						
SE/PB	1	26.000	29.000/29.021	31.800			BC	55-2532	55-2532 SEMI
BU	1	30.000	36.000/36.025	18.000	3.000		BC	57-3049	57-3049 STD

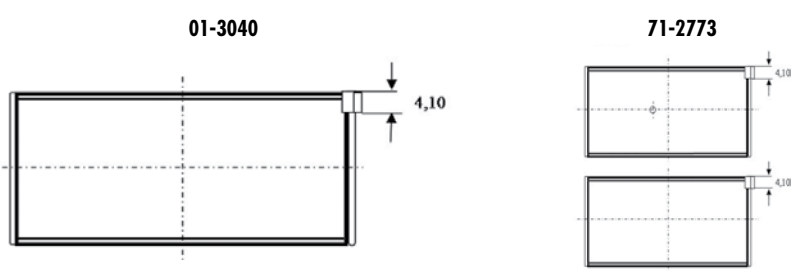



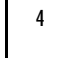
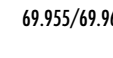
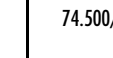
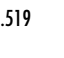

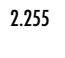
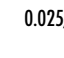







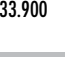




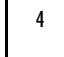
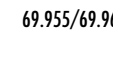
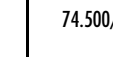
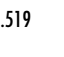

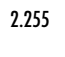
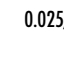



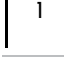
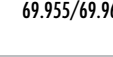
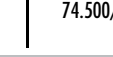


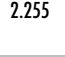
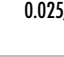


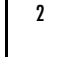
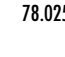


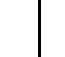



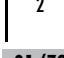
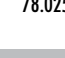



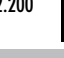

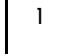


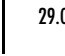
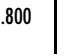


NB975  45.00x74.50x12.00mm, FPM
PA815  78.00x94.00x8.00mm

636	 87.00	Diesel				
OM 615.916	4 Cyl.	21:1	2197cc	40kW (55)PS	TD22823	207
OM 615.930	4 Cyl.	21:1	2197cc	38kW (52)PS	TD22825	207
OM 615.938	4 Cyl.	21:1	2197cc	44kW (60)PS	TD22826	208

			
	<p>08-170600-10 STD</p> <p>08-170607-10 0.50mm</p> <p>08-170611-10 1.00mm</p> <p>10/67→08/73</p> <p>3.00  MOL P</p> <p>2.00  P</p> <p>4.00  CR P</p>	<p>14-022190-00 D</p> <p>B 90.00 C 158.40 D 92.00 E 4.70</p> 	
	<p>08-170700-10 STD</p> <p>08-170707-10 0.50mm</p> <p>08-170711-10 1.00mm</p> <p>09/73→12/85</p> <p>2.00  CR P</p> <p>2.00  P</p> <p>4.00  CR P</p>		




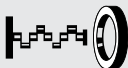
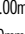

										01-3040/4 STD 0.25 0.50 0.75 1.00
01/74→										
										71-2773/4 STD 0.25 0.50 0.75
→12/73										





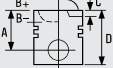
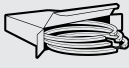

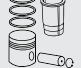



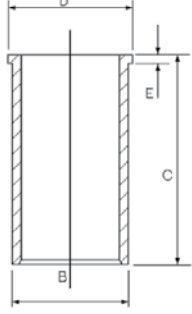
										H914/5 STD 0.25 0.50 0.75 1.00
										
02-2774H STD 34,000/1.3386" - 34,025/1.3396"										
										H951/5 STD 0.25 0.50 0.75 1.00
										
01/79→										
										A113/4 STD 0.10 0.20
										
01/79→										
										55-2532 SEMI



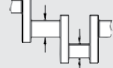







MERCEDES-BENZ/SMART

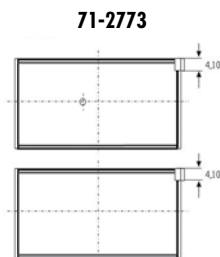
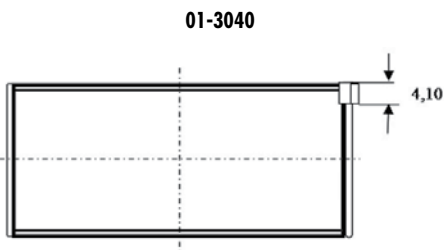
...Continued

636		87.00	Diesel						
BU	1	30.000	36.000/36.025	18.000	3.000		BC	57-3049	57-3049 STD
									
						NB975  45.00x74.50x12.00mm, FPM PA815  78.00x94.00x8.00mm			







637		87.00	Diesel							
OM 615.918	4 Cyl.	21:1	2197cc	40kW (55)PS				TD22824		
OM 615.936	4 Cyl.	21:1	2197cc	37kW (50)PS				TD20151	207	


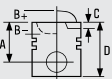

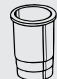
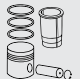
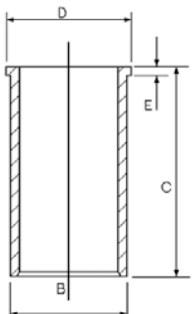






			
	08-170700-10 STD 08-170707-10 0.50mm 08-170711-10 1.00mm 2.00  CR P 2.00  P 4.00  CR P	14-022190-00 D B 90.00 C 158.40 D 92.00 E 4.70 	

									
BE/PL	4	51.955/51.965	55.600/55.619	26.000	1.805	0.025/0.079	AL-LF	01-3040	01-3040/4 STD 0.25 0.50 0.75 1.00
01/74 →									
BE/PL	4	51.955/51.965	55.600/55.619	26.000	1.805	0.025/0.079	EC	71-2773	71-2773/4 STD 0.25 0.50 0.75
→12/73									



...Continued



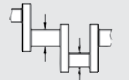






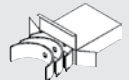
637		 87.00	Diesel							
MB/HL 1,2,4,5	4	69.955/69.965	74.500/74.519	27.000	2.255	0.025/0.079	AL-LF	02-1460	H914/5 STD 0.25 0.50 0.75 1.00	
MB/HL 3	1	69.955/69.965	74.500/74.519	33.900	2.255	0.025/0.079	AL-LF	02-2774H		
02-2774H		STD	34,000/1.3386" - 34,025/1.3396"							
MB/HL 1,2,4,5	4	69.955/69.965	74.500/74.519	27.000	2.255	0.025/0.079	AL-LF	02-1460	H951/5 STD 0.25 0.50 0.75 1.00	
MB/HL 3	1	69.955/69.965	74.500/74.519	27.000	2.255	0.025/0.079	AL-LF	02-3435		
01/79 →										
TW/A	2	78.025	91.500		2.200		AL-LF	04-3436	A113/4 STD 0.10 0.20	
TW/A	2	78.025	91.500		2.200		AL-LF	04-3437		
01/79 →										
SE/PB	1	26.000	29.000/29.021	31.800			BC	55-2532	55-2532 SEMI	
BU	1	30.000	36.000/36.025	18.000	3.000		BC	57-3049	57-3049 STD	
										
				NB975  45.00x74.50x12.00mm, FPM PA815  78.00x94.00x8.00mm						

638		 87.00	Diesel							
OM 615.932		4 Cyl.	21:1	2197cc	44kW (60)PS	TD7989 207				
										
		08-170600-10 STD 08-170607-10 0.50mm 08-170611-10 1.00mm 10/67→08/73		14-022190-00 D B 90.00 C 158.40 D 92.00 E 4.70						
		3.00  MOL P 2.00  P 4.00  CR P								
		08-170700-10 STD 08-170707-10 0.50mm 08-170711-10 1.00mm 09/73→12/85		2.00  CR P 2.00  P 4.00  CR P						

MERCEDES-BENZ/SMART

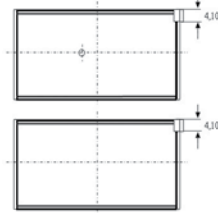
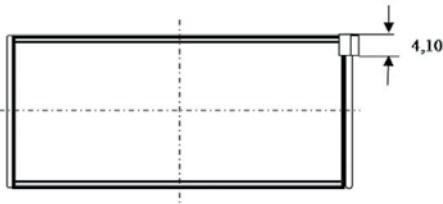
...Continued

638 87.00 Diesel

									
BE/PL	4	51.955/51.965	55.600/55.619	26.000	1.805	0.025/0.079	AL-LF	01-3040	01-3040/4 STD 0.25 0.50 0.75 1.00
01/74 →									
BE/PL	4	51.955/51.965	55.600/55.619	26.000	1.805	0.025/0.079	EC	71-2773	71-2773/4 STD 0.25 0.50 0.75
→ 12/73									



01-3040



71-2773

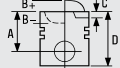
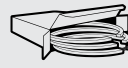
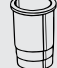

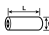
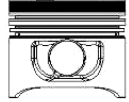
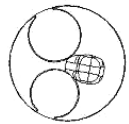



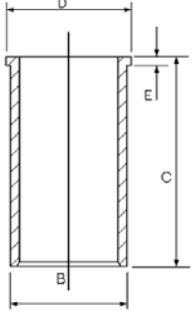



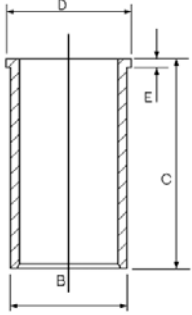


MB/HL 1,2,4,5	4	69.955/69.965	74.500/74.519	27.000	2.255	0.025/0.079	AL-LF	02-1460	H914/5 STD 0.25 0.50 0.75 1.00
MB/HL 3	1	69.955/69.965	74.500/74.519	33.900	2.255	0.025/0.079	AL-LF	02-2774H	
02-2774H		STD	34,000/1.3386" - 34,025/1.3396"						
MB/HL 1,2,4,5	4	69.955/69.965	74.500/74.519	27.000	2.255	0.025/0.079	AL-LF	02-1460	H951/5 STD 0.25 0.50 0.75 1.00
MB/HL 3	1	69.955/69.965	74.500/74.519	27.000	2.255	0.025/0.079	AL-LF	02-3435	
01/79 →									
TW/A	2	78.025	91.500		2.200		AL-LF	04-3436	A113/4 STD 0.10 0.20
TW/A	2	78.025	91.500		2.200		AL-LF	04-3437	
01/79 →									
SE/PB	1	26.000	29.000/29.021	31.800			BC	55-2532	55-2532 SEMI
BU	1	30.000	36.000/36.025	18.000	3.000		BC	57-3049	57-3049 STD



NB975  45.00x74.50x12.00mm, FPM
PA815  78.00x94.00x8.00mm

639	 87.00	Diesel				
OM 602.911	5 Cyl.	22:1	2497cc	66-69kW (90-94)PS	TD2211	214
OM 602.912	5 Cyl.	22:1	2497cc	66-69kW (90-94)PS	TD2212	215
OM 602.930	5 Cyl.	22:1	2497cc	62-69kW (84-94)PS	TD2213	215
190 (W201)	04/85→08/93	E-CLASS (W124)	04/85→06/93	G-CLASS (W460)	10/87→12/92	
KOMBI (S124)	09/85→06/93					



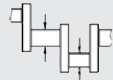
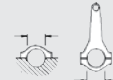





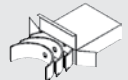
			
<p>87-743600-10 [11] [13] STD 87-743607-10 [11] [13] 0.50mm</p> <p>A 44.85 B- 9.05 C 1.25 D 74.85  26x55</p> <p>RT</p>   <p>08753B</p>	<p>08-743600-00 STD 08-743607-00 0.50mm 08/89→</p> <p>2.50  CR P 2.00  P 3.00  CR P</p>	<p>14-026240-00 D B 90.11 C 148.50 D 92.57 E 4.70</p> 	<p>88-743600-10 87-743600-10 + 14-026240-00</p>
	<p>08-183200-00 STD 08-183207-00 0.50mm →07/89</p> <p>2.00  CR P 2.00  P 3.00  CR P</p>	<p>14-026241-00 D B 90.20 C 148.50 D 92.75 E 4.70</p> 	

[11] Conrod gap 22.15mm [11] Distance entre bielle 22.15mm [11] Distanza dalla biella 22.15mm [11] Distancia del biela 22.15mm
 [13] Conrod guided in Piston [13] Bielle guidée dans le piston [13] Billea montata sul pistone [13] Biela montada en el piston

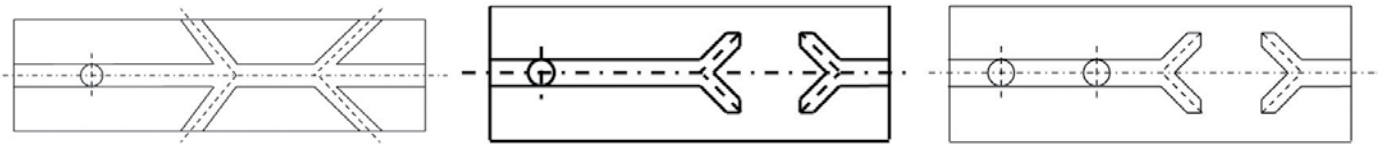
MERCEDES-BENZ/SMART


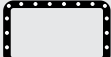
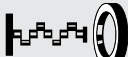




...Continued



639  **87.00** **Diesel**

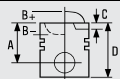

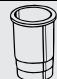


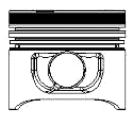
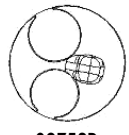



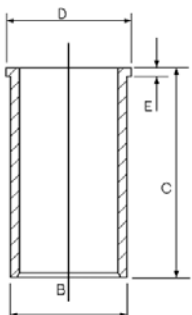
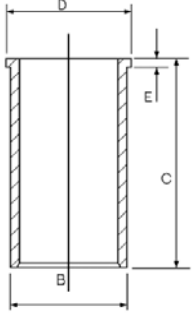
									
BE/PL	1	47.950/47.965	51.600/51.619	21.800	1.812	0.020/0.070	AL-LF	01-3584	01-3584 STD 0.25 0.50
MB/HL 1-6	6	57.950/57.965	62.500/62.519	17.500	2.261	0.020/0.072	AL-LF	02-3585	H997/6 STD 0.25 0.50
TW/A	2	65.800	81.000		2.200		AL-LF	04-3586	A129/4 STD 0.10
TW/A	2	65.800	81.000		2.200		AL-LF	04-3587	
SE/PB	1	25.995/26.000	28.500/28.521	21.900			BC	55-3625	55-3625 SEMI
SE/PB	1	27.995/28.000	30.500/30.525	21.900			BC	55-3635	55-3635 SEMI
SE/PB	1		30.500/30.521	21.900			BC-LF	55-3830	55-3830 SEMI
55-3625			55-3635			55-3830			

[32]



		
 EN720	JJ543  JJ543	NB973  45.00x67.00x8.00mm, FPM NB974  93.00x114.00x13.00mm, FPM

640	 87.00	Diesel				
OM 602.931	5 Cyl.	22:1	2497cc	69kW (93)PS	TD2214	215
OM 602.938	5 Cyl.	22:1	2497cc	68kW (92)PS	TD17816	216
OM 602.939	5 Cyl.	22:1	2497cc	68kW (92)PS	TD9422	215
G-CLASS (W461)	02/90 →	G-CLASS (W463)	06/90 →			



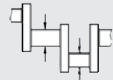
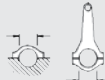





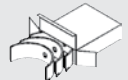
			
<p>87-743600-10 [11] [13] STD 87-743607-10 [11] [13] 0.50mm</p> <p>A 44.85 B- 9.05 C 1.25 C 1.05 D 74.85  26x55</p> <p>RT</p>   <p>08753B</p>	<p>08-743600-00 STD 08-743607-00 0.50mm</p> <p>2.50  CR P 2.00  P 3.00  CR P</p>	<p>14-026240-00 D B 90.11 C 148.50 D 92.57 E 4.70</p> 	<p>88-743600-10 87-743600-10 + 14-026240-00</p>
<p>14-026241-00 D B 90.20 C 148.50 D 92.75 E 4.70</p> 			

[11] Conrod gap 22.15mm [11] Distance entre bielle 22.15mm [11] Distanza dalla biella 22.15mm [11] Distancia del biela 22.15mm
 [13] Conrod guided in Piston [13] Bielle guidée dans le piston [13] Billea montata sul pistone [13] Biela montada en el piston

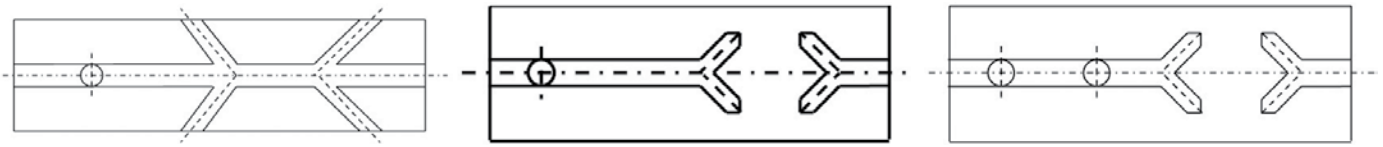
MERCEDES-BENZ/SMART


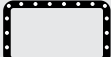
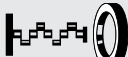

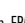

...Continued

640  **87.00** Diesel

									
BE/PL	1	47.950/47.965	51.600/51.619	21.800	1.812	0.020/0.070	AL-LF	01-3584	01-3584 STD 0.25 0.50
MB/HL 1-6	6	57.950/57.965	62.500/62.519	17.500	2.261	0.020/0.072	AL-LF	02-3585	H997/6 STD 0.25 0.50
TW/A	2	65.800	81.000		2.200		AL-LF	04-3586	A129/4 STD 0.10
TW/A	2	65.800	81.000		2.200		AL-LF	04-3587	
SE/PB	1	25.995/26.000	28.500/28.521	21.900			BC	55-3625	55-3625 SEMI
SE/PB	1	27.995/28.000	30.500/30.525	21.900			BC	55-3635	55-3635 SEMI
SE/PB	1		30.500/30.521	21.900			BC-LF	55-3830	55-3830 SEMI
		55-3625		55-3635		55-3830			

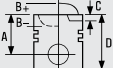
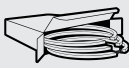

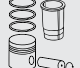



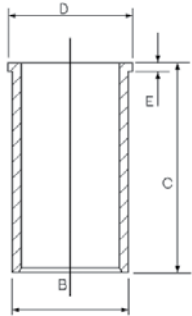
[32]



		
EN720	JJ543	NB973  45.00x67.00x8.00mm, FPM NB974  93.00x114.00x13.00mm, FPM
	 JJ543	

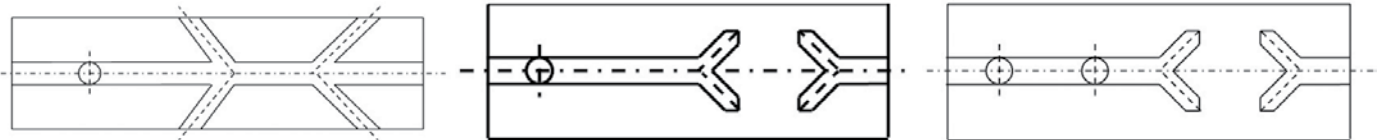
641  **87.00** Diesel 

OM 602.961	5 Cyl.	22:1	2497cc	90-93kW (122-126)PS	Turbocharged	TD2216	215
190 (W201)		02/88 → 08/93					

			
	08-183300-00 STD 08-183307-00 0.50mm 2.50  P PS 2.00  P PS 3.00  CR P	14-026240-00 D B 90.11 C 148.50 D 92.57 E 4.70 14-026241-00 D B 90.20 C 148.50 D 92.75 E 4.70	
			

...Continued

641		87.00	Diesel							
BE/PL	1	47.950/47.965	51.600/51.619	21.800	1.812	0.020/0.070	SP	71-3645	71-3645 STD 0.25 0.50	[29]
MB/HL 1-6	6	57.950/57.965	62.500/62.519	17.500	2.261	0.020/0.072	AL-LF	02-3585	H997/6 STD 0.25 0.50	
TW/A	2	65.800	81.000		2.200		AL-LF	04-3586	A129/4 STD 0.10	
TW/A	2	65.800	81.000		2.200		AL-LF	04-3587		
SE/PB	1	25.995/26.000	28.500/28.521	21.900			BC	55-3625	55-3625 SEMI	
SE/PB	1	27.995/28.000	30.500/30.525	21.900			BC	55-3635	55-3635 SEMI	
SE/PB	1		30.500/30.521	21.900			BC-LF	55-3830	55-3830 SEMI	[32]
55-3625			55-3635			55-3830				



EN720	JJ543	NB973 45.00x67.00x8.00mm, FPM NB974 93.00x114.00x13.00mm, FPM
	JJ543	

642		87.00	Diesel				
OM 602A.962	5 Cyl.	22:1	2497cc	93kW (126)PS	Turbocharged	TD2217	215
E-CLASS (S124)	06/93→06/96	E-CLASS (W124)	09/88→06/95	KOMBI (S124)	03/88→07/93		

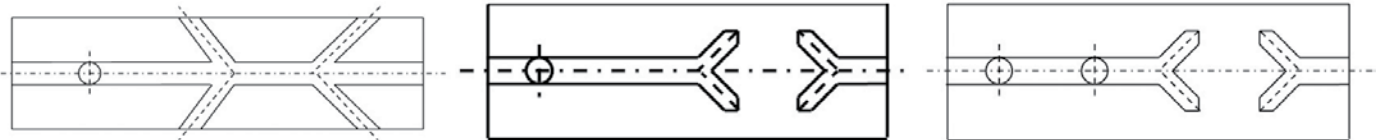
87-183300-00 [13] STD 87-183307-00 [13] 0.50mm A 44.85 B- 9.10 C 1.05 C 1.25 D 74.85 28x70 HA KK RT	 08762P	08-183300-00 STD 08-183307-00 0.50mm 2.50 P PS 2.00 P PS 3.00 CR P	14-026240-00 D B 90.11 C 148.50 D 92.57 E 4.70 14-026241-00 D B 90.20 C 148.50 D 92.75 E 4.70

[13] Conrod guided in Piston [13] Bielle guidée dans le piston [13] Billea montata sul pistone [13] Biela montada en el piston

MERCEDES-BENZ/SMART

...Continued

642		87.00	Diesel							
BE/PL	1	47.950/47.965	51.600/51.619	21.800	1.812	0.020/0.070	SP	71-3645	71-3645 STD 0.25 0.50	[29]
MB/HL 1-6	6	57.950/57.965	62.500/62.519	17.500	2.261	0.020/0.072	AL-LF	02-3585	H997/6 STD 0.25 0.50	
TW/A	2	65.800	81.000		2.200		AL-LF	04-3586	A129/4 STD 0.10	
TW/A	2	65.800	81.000		2.200		AL-LF	04-3587		
SE/PB	1	25.995/26.000	28.500/28.521	21.900			BC	55-3625	55-3625 SEMI	
SE/PB	1	27.995/28.000	30.500/30.525	21.900			BC	55-3635	55-3635 SEMI	
SE/PB	1		30.500/30.521	21.900			BC-LF	55-3830	55-3830 SEMI	[32]
55-3625			55-3635			55-3830				



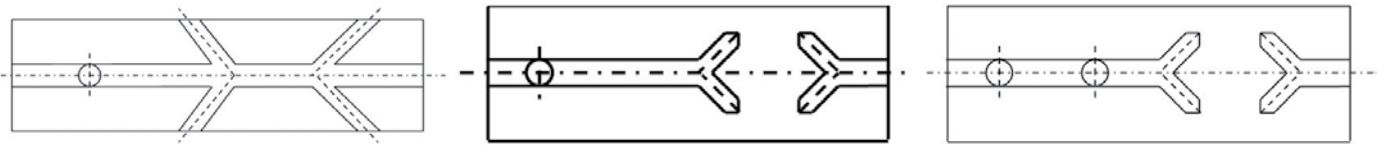
EN720	JJ543	NB973 45.00x67.00x8.00mm, FPM NB974 93.00x114.00x13.00mm, FPM
	 JJ543	

643		87.00	Diesel				
OM 602A.993	5 Cyl.	22:1	2497cc	93kW (126)PS	Turbocharged	TD17821	217

		14-026240-00 D B 90.11 C 148.50 D 92.57 E 4.70 14-026241-00 D B 90.20 C 148.50 D 92.75 E 4.70	

...Continued

643		87.00		Diesel						
BE/PL	1	47.950/47.965	51.600/51.619	21.800	1.812	0.020/0.070	SP	71-3645	71-3645 STD 0.25 0.50	[29]
MB/HL 1-6	6	57.950/57.965	62.500/62.519	17.500	2.261	0.020/0.072	AL-LF	02-3585	H997/6 STD 0.25 0.50	
TW/A	2	65.800	81.000		2.200		AL-LF	04-3586	A129/4 STD 0.10	
TW/A	2	65.800	81.000		2.200		AL-LF	04-3587		
SE/PB	1	25.995/26.000	28.500/28.521	21.900			BC	55-3625	55-3625 SEMI	
SE/PB	1	27.995/28.000	30.500/30.525	21.900			BC	55-3635	55-3635 SEMI	
SE/PB	1		30.500/30.521	21.900			BC-LF	55-3830	55-3830 SEMI	[32]
55-3625			55-3635			55-3830				



EN720		NB973 45.00x67.00x8.00mm, FPM NB974 93.00x114.00x13.00mm, FPM
[28] Oil Pan Material: Steel	[28] Matériel pour carter d'huile: acier	[28] Materiale coppa olio: Acciaio [28] Material cárter: Acero

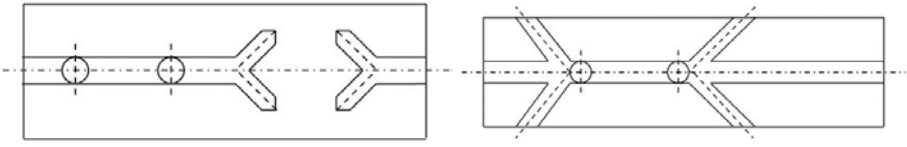
644		87.00		Diesel			
OM 605.910	5 Cyl.	22:1	2497cc	83kW (113)PS	TD2228	218	
OM 605.911	5 Cyl.	22:1	2497cc	83kW (113)PS	TD2229	219	
OM 605.912	5 Cyl.	22:1	2497cc	83kW (113)PS	TD4678	219	
C-CLASS (W202)	05/93→05/00	E-CLASS (S124)	06/93→06/96	E-CLASS (S210)	06/96→07/99		
E-CLASS (W124)	07/93→06/95	E-CLASS (W210)	06/95→07/99				

87-743600-00 87-743607-00	STD 0.50mm		
87-743600-00 87-743607-00	STD 0.50mm		
14-026240-00 D B 90.11 C 148.50 D 92.57 E 4.70 14-026241-00 D B 90.20 C 148.50 D 92.75 E 4.70			
A 44.90 B- 4.60 B+ 1.32 C 2.26 C 2.41 D 76.22 		2.50	CR P P 3.00
RT			

MERCEDES-BENZ/SMART

...Continued

644		87.00		Diesel						
BE/PL	1	47.950/47.965	51.600/51.619	21.800	1.812	0.020/0.070	AL-LF	01-3771	01-3771 STD 0.25 0.50	
MB/HL 1-6	6	57.950/57.965	62.500/62.519	17.500	2.261	0.020/0.072	AL-LF	02-3585	H997/6 STD 0.25 0.50	
TW/A	2	65.800	81.000		2.200		AL-LF	04-3586	A129/4 STD 0.10	
TW/A	2	65.800	81.000		2.200		AL-LF	04-3587		
SE/PB	1		30.500/30.521	21.900			BC-LF	55-3830	55-3830 SEMI	[32]
SE/PB	1		28.500/28.521	21.900			BC-LF	55-3831	55-3831 SEMI	[32]
			55-3830				55-3831			





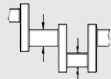
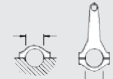






EY590	JJ543	NB973 45.00x67.00x8.00mm, FPM NB974 93.00x114.00x13.00mm, FPM
	 JJ543	

645		87.00		Diesel			
OM 605.960	5 Cyl.	22:1	2497cc	110kW (150)PS	Turbo Intercooled	TD4679	220
OM 605.962	5 Cyl.	22:1	2497cc	110kW (150)PS	Turbo Intercooled	TD9892	220
C-CLASS (S202)	06/96→03/01	C-CLASS (W202)	10/95→05/00	E-CLASS (S210)	06/97→07/99		
E-CLASS (W210)	06/97→07/99						

	08-183300-00 STD 08-183307-00 0.50mm 2.50 P PS 2.00 P PS 3.00 CR P	14-026240-00 D B 90.11 C 148.50 D 92.57 E 4.70 14-026241-00 D B 90.20 C 148.50 D 92.75 E 4.70	

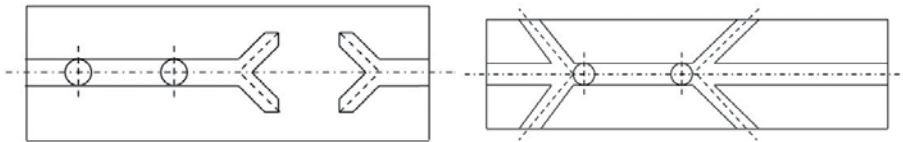
...Continued




645  **87.00** **Diesel**

									
BE/PL	1	47.950/47.965	51.600/51.619	21.800	1.812	0.020/0.070	SP	71-3645	71-3645 STD 0.25 0.50 [29]
MB/HL 1-6	6	57.950/57.965	62.500/62.519	17.500	2.261	0.020/0.072	AL-LF	02-3585	H997/6 STD 0.25 0.50
TW/A	2	65.800	81.000		2.200		AL-LF	04-3586	A129/4 STD 0.10
TW/A	2	65.800	81.000		2.200		AL-LF	04-3587	
SE/PB	1		30.500/30.521	21.900			BC-LF	55-3830	55-3830 SEMI [32]
SE/PB	1		28.500/28.521	21.900			BC-LF	55-3831	55-3831 SEMI [32]

55-3830



55-3831

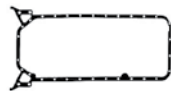


		
--	--	--

EY590

JJ543

NB973  45.00x67.00x8.00mm, FPM
NB974  93.00x114.00x13.00mm, FPM



JJ543

MERCEDES-BENZ/SMART

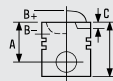

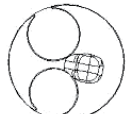
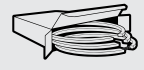
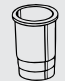




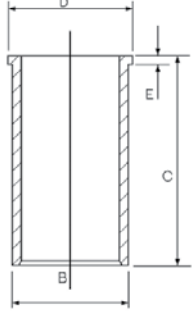
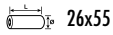



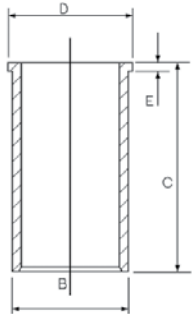
646

 **87.00**



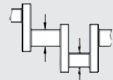
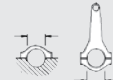






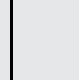
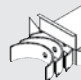
Diesel

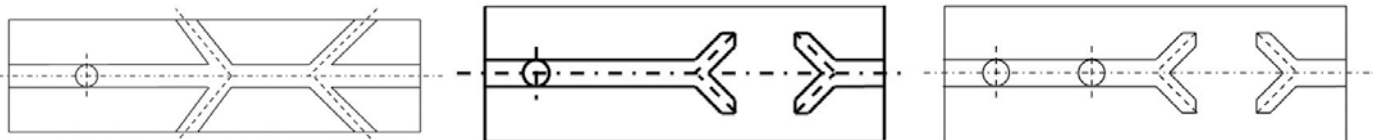


OM 603.912	6 Cyl.	22:1	2996cc	80/83kW (109/113)PS	TD2218	221
OM 603.913	6 Cyl.	22:1	2996cc	80/83kW (109/113)PS	TD2219	221
E-CLASS (W124)	12/84→06/93	G-CLASS (W460)	03/79→07/93	KOMBI (S124)	09/86→06/93	








 87-743600-10 [11] [13] STD 87-743607-10 [11] [13] 0.50mm	  08753B	 08-743600-00 STD 08-743607-00 0.50mm 08/89→	 14-026240-00 D B 90.11 C 148.50 D 92.57 E 4.70	 88-743600-10 87-743600-10 + 14-026240-00
		2.50  CR P 2.00  P 3.00  CR P		
A 44.85 B- 9.05 C 1.25 C 1.05 D 74.85  26x55 RT		08-183200-00 STD 08-183207-00 0.50mm →07/89	14-026241-00 D B 90.20 C 148.50 D 92.75 E 4.70	
		2.00  CR P 2.00  P 3.00  CR P		



[11] Conrod gap 22.15mm [11] Distance entre bielle 22.15mm [11] Distanza dalla biella 22.15mm [11] Distancia del biela 22.15mm
 [13] Conrod guided in Piston [13] Bielle guidée dans le piston [13] Billea montata sul pistone [13] Biela montada en el pistón

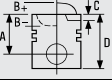

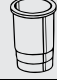

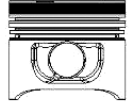
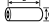
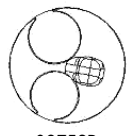



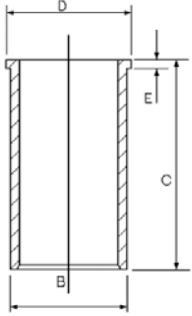

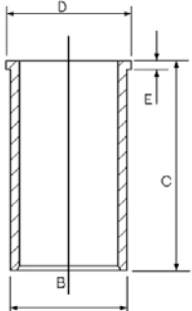
											
BE/PL	MB/HL 1-7	TW/A	SE/PB	SE/PB	SE/PB	SE/PB	SE/PB	SE/PB	SE/PB	SE/PB	SE/PB
1	7	2	1	1	1	1	1	1	1	1	1
47.950/47.965	57.950/57.965	65.800	25.995/26.000	27.995/28.000	30.500/30.521	21.900	21.812	0.020/0.070	AL-LF	01-3584	01-3584 STD 0.25 0.50
51.600/51.619	62.500/62.519	81.000	28.500/28.521	30.500/30.525	21.900	1.812	0.020/0.072	AL-LF	02-3585	H997/7 STD 0.25 0.50	
21.800	17.500	2.200	21.900	21.900	21.900	2.200		AL-LF	04-3586	A129/4 STD 0.10	
2.200	2.200	2.200	BC	BC	BC	BC	BC	BC	55-3625	55-3625 SEMI	
BC	BC	BC-LF	55-3635	55-3635	55-3830	55-3635	55-3635	55-3830	55-3635	55-3635 SEMI	
BC-LF	BC-LF	BC-LF	55-3830	55-3830	55-3830	55-3830	55-3830	55-3830	55-3830	55-3830 SEMI	
55-3625	55-3635	55-3830									[32]



...Continued

646	 87.00	Diesel
		
JJ500		NB973  45.00x67.00x8.00mm, FPM NB974  93.00x114.00x13.00mm, FPM
		
JJ500		

647	 87.00	Diesel	
OM 603.931	6 Cyl.	22:1	2996cc
		80/83kW (109/113)PS	TD2220
G-CLASS (W463)		09/89→	
221			

			
87-743600-10 [11] [13] STD 87-743607-10 [11] [13] 0.50mm		08-743600-00 STD 08-743607-00 0.50mm	14-026240-00 D B 90.11 C 148.50 D 92.57 E 4.70
A 44.85 B- 9.05 C 1.25 C 1.05 D 74.85  26x55		2.50  CR P 2.00  P 3.00  CR P	
RT			88-743600-10 87-743600-10 + 14-026240-00
	08753B		14-026241-00 D B 90.20 C 148.50 D 92.75 E 4.70
			

[11] Conrod gap 22.15mm

[11] Distance entre bielle 22.15mm

[11] Distanza dalla biella 22.15mm

[11] Distancia del biela 22.15mm

[13] Conrod guided in Piston

[13] Bielle guidée dans le piston



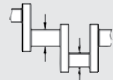
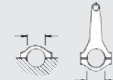





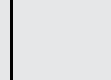
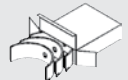
[13] Billea montata sul pistone

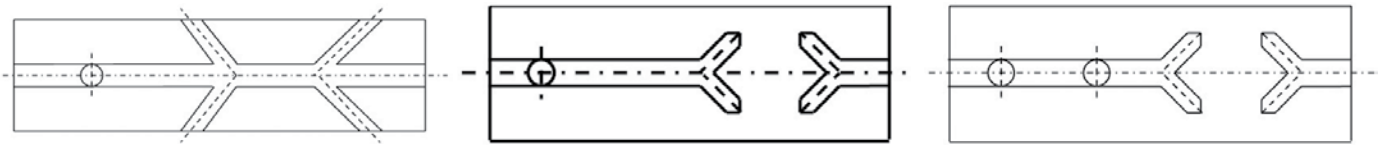
[13] Biela montada en el piston


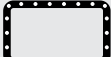
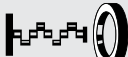



MERCEDES-BENZ/SMART



...Continued



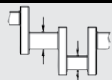






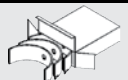
647  **87.00** **Diesel**

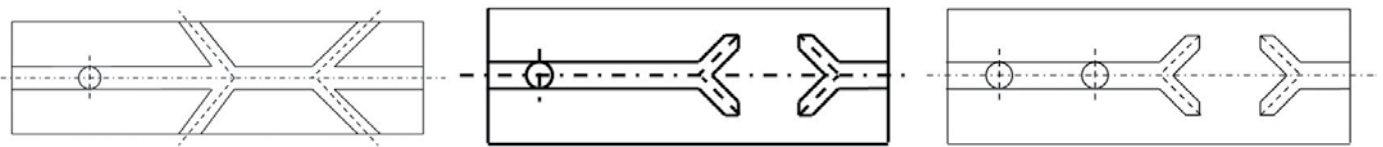
										
BE/PL	1	47.950/47.965	51.600/51.619	21.800	1.812	0.020/0.070	AL-LF	01-3584	01-3584 STD 0.25 0.50	
MB/HL 1-7	7	57.950/57.965	62.500/62.519	17.500	2.261	0.020/0.072	AL-LF	02-3585	H997/7 STD 0.25 0.50	
TW/A	2	65.800	81.000		2.200		AL-LF	04-3586	A129/4 STD 0.10	
TW/A	2	65.800	81.000		2.200		AL-LF	04-3587		
SE/PB	1	25.995/26.000	28.500/28.521	21.900			BC	55-3625	55-3625 SEMI	
SE/PB	1	27.995/28.000	30.500/30.525	21.900			BC	55-3635	55-3635 SEMI	
SE/PB	1		30.500/30.521	21.900			BC-LF	55-3830	55-3830 SEMI	[32]
55-3625			55-3635			55-3830				











		
	JJ500	NB973  45.00x67.00x8.00mm, FPM NB974  93.00x114.00x13.00mm, FPM
	 JJ500	

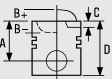
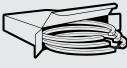
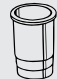




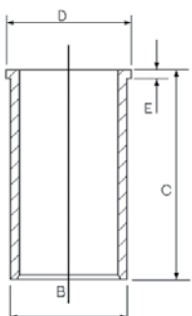
648	 87.00	Diesel					
OM 603.950	6 Cyl.	22:1	2996cc	100-105kW (136-143)PS	Turbocharged	TD21143	222

										
BE/PL	1	47.950/47.965	51.600/51.619	21.800	1.812	0.020/0.070	SP	71-3645	71-3645 STD 0.25 0.50	[29]
MB/HL 1-7	7	57.950/57.965	62.500/62.519	17.500	2.261	0.020/0.072	AL-LF	02-3585	H997/7 STD 0.25 0.50	
TW/A	2	65.800	81.000		2.200		AL-LF	04-3586	A129/4 STD 0.10	
TW/A	2	65.800	81.000		2.200		AL-LF	04-3587		
SE/PB	1	25.995/26.000	28.500/28.521	21.900			BC	55-3625	55-3625 SEMI	
SE/PB	1	27.995/28.000	30.500/30.525	21.900			BC	55-3635	55-3635 SEMI	
SE/PB	1		30.500/30.521	21.900			BC-LF	55-3830	55-3830 SEMI	[32]
55-3625			55-3635			55-3830				



		
	JJ500	NB973  45.00x67.00x8.00mm, FPM NB974  93.00x114.00x13.00mm, FPM
		
	JJ500	



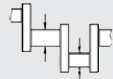
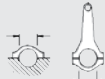





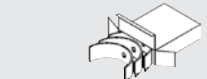
649	 87.00	Diesel					
OM 603.961	6 Cyl.	22:1	2996cc	107-110kW (143-148)PS	Turbocharged	TD2222	223

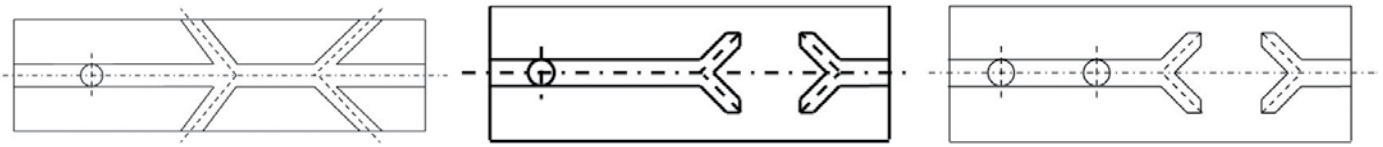
			
	08-183300-00 STD 08-183307-00 0.50mm	14-026240-00 D B 90.11 C 148.50 D 92.57 E 4.70 14-026241-00 D B 90.20 C 148.50 D 92.75 E 4.70	
	2.50  P PS 2.00  P PS 3.00  CR P		






MERCEDES-BENZ/SMART

...Continued

649 87.00 Diesel




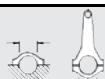






										
BE/PL	1	47.950/47.965	51.600/51.619	21.800	1.812	0.020/0.070	SP	71-3645	71-3645 STD 0.25 0.50	[29]
MB/HL 1-7	7	57.950/57.965	62.500/62.519	17.500	2.261	0.020/0.072	AL-LF	02-3585	H997/7 STD 0.25 0.50	
TW/A	2	65.800	81.000		2.200		AL-LF	04-3586	A129/4 STD 0.10	
TW/A	2	65.800	81.000		2.200		AL-LF	04-3587		
SE/PB	1	25.995/26.000	28.500/28.521	21.900			BC	55-3625	55-3625 SEMI	
SE/PB	1	27.995/28.000	30.500/30.525	21.900			BC	55-3635	55-3635 SEMI	
SE/PB	1		30.500/30.521	21.900			BC-LF	55-3830	55-3830 SEMI	[32]
55-3625			55-3635			55-3830				

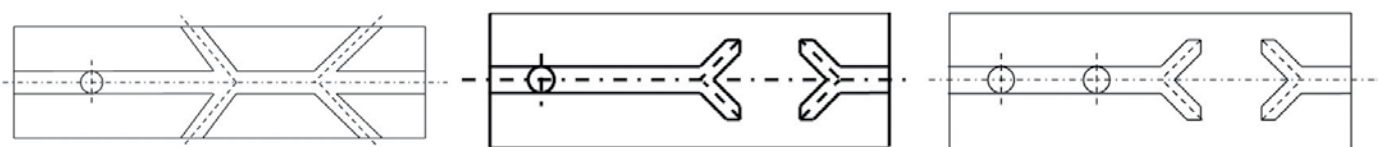


		
		NB973  45.00x67.00x8.00mm, FPM NB974  93.00x114.00x13.00mm, FPM







650 87.00 Diesel



OM 603.962 6 Cyl. 22:1 2996cc 105kW (143)PS Turbocharged TD21144 224

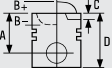
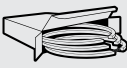
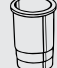
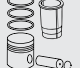
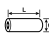



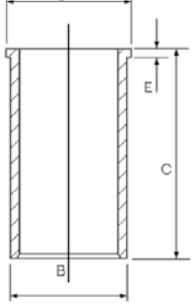
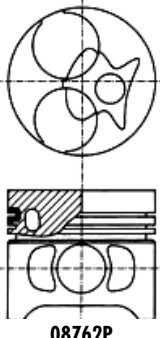
										
BE/PL	1	47.950/47.965	51.600/51.619	21.800	1.812	0.020/0.070	SP	71-3645	71-3645 STD 0.25 0.50	[29]
MB/HL 1-7	7	57.950/57.965	62.500/62.519	17.500	2.261	0.020/0.072	AL-LF	02-3585	H997/7 STD 0.25 0.50	
TW/A	2	65.800	81.000		2.200		AL-LF	04-3586	A129/4 STD 0.10	
TW/A	2	65.800	81.000		2.200		AL-LF	04-3587		
SE/PB	1	25.995/26.000	28.500/28.521	21.900			BC	55-3625	55-3625 SEMI	
SE/PB	1	27.995/28.000	30.500/30.525	21.900			BC	55-3635	55-3635 SEMI	
SE/PB	1		30.500/30.521	21.900			BC-LF	55-3830	55-3830 SEMI	[32]
55-3625			55-3635			55-3830				





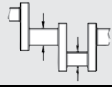

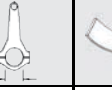


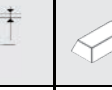
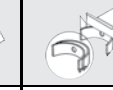
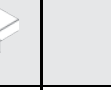
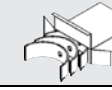
...Continued

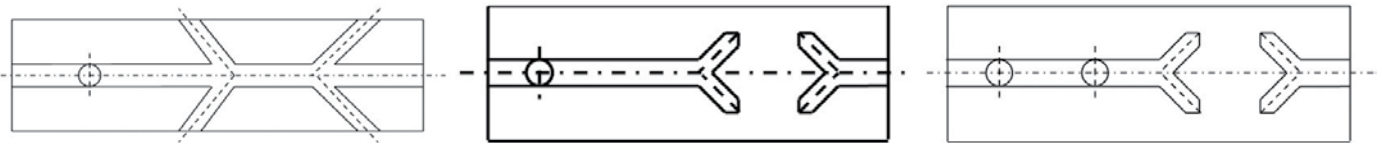
650	 87.00	Diesel
		
		NB973  45.00x67.00x8.00mm, FPM NB974  93.00x114.00x13.00mm, FPM

651	 87.00	Diesel					
OM 603A.960	6 Cyl.	22:1	2996cc	105-108kW (143-147)PS	Turbocharged	TD2221	222
OM 603A.963	6 Cyl.	22:1	2996cc	105-108kW (143-147)PS	Turbocharged	TD2223	222
E-CLASS (S124)	06/93→06/96	E-CLASS (W124)	09/86→06/95	KOMBI (S124)	09/86→06/93		

			
87-183300-00 [13] STD 87-183307-00 [13] 0.50mm A 44.85 B- 9.10 C 1.05 C 1.25 D 74.85  28x70 HA KK RT	08-183300-00 STD 08-183307-00 0.50mm 2.50  P PS 2.00  P PS 3.00  CR P	14-026240-00 D B 90.11 C 148.50 D 92.57 E 4.70 14-026241-00 D B 90.20 C 148.50 D 92.75 E 4.70 	
 08762P			

[13] Conrod guided in Piston [13] Bielle guidée dans le piston [13] Billea montata sul pistone [13] Biela montada en el pistón

										
BE/PL	1	47.950/47.965	51.600/51.619	21.800	1.812	0.020/0.070	SP	71-3645	71-3645 STD 0.25 0.50	[29]
MB/HL 1-7	7	57.950/57.965	62.500/62.519	17.500	2.261	0.020/0.072	AL-LF	02-3585	H997/7 STD 0.25 0.50	
TW/A	2	65.800	81.000		2.200		AL-LF	04-3586	A129/4 STD 0.10	
TW/A	2	65.800	81.000		2.200		AL-LF	04-3587		
SE/PB	1	25.995/26.000	28.500/28.521	21.900			BC	55-3625	55-3625 SEMI	
SE/PB	1	27.995/28.000	30.500/30.525	21.900			BC	55-3635	55-3635 SEMI	
SE/PB	1		30.500/30.521	21.900			BC-LF	55-3830	55-3830 SEMI	[32]
55-3625			55-3635			55-3830				



MERCEDES-BENZ/SMART

...Continued

651	87.00	Diesel
JJ500		NB973 45.00x67.00x8.00mm, FPM NB974 93.00x114.00x13.00mm, FPM
JJ500		

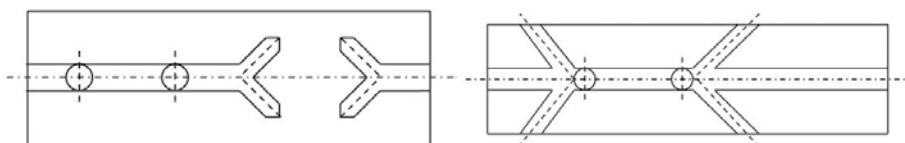
652	87.00	Diesel				
OM 606.910	6 Cyl.	22:1	2996cc	130kW (177)PS	TD2230	225
OM 606.912	6 Cyl.	22:1	2996cc	100kW (136)PS	TD4680	226
E-CLASS (S124)	06/93→06/96	E-CLASS (W124)	07/93→06/95	E-CLASS (W210)	06/95→06/97	

87-743600-00 STD 87-743607-00 0.50mm A 44.90 B- 4.60 B+ 1.32 C 2.26 C 2.41 D 76.22 26x55 RT	08-743600-00 STD 08-743607-00 0.50mm 2.50 CR P 2.00 P 3.00 CR P	14-026240-00 D B 90.11 C 148.50 D 92.57 E 4.70 14-026241-00 D B 90.20 C 148.50 D 92.75 E 4.70 		








BE/PL	1	47.950/47.965	51.600/51.619	21.800	1.812	0.020/0.070	AL-LF	01-3771	01-3771 STD 0.25 0.50	
MB/HL 1-7	7	57.950/57.965	62.500/62.519	17.500	2.261	0.020/0.072	AL-LF	02-3585	H997/7 STD 0.25 0.50	
TW/A	2	65.800	81.000		2.200		AL-LF	04-3586	A129/4 STD 0.10	
TW/A	2	65.800	81.000		2.200		AL-LF	04-3587		
SE/PB	1		30.500/30.521	21.900			BC-LF	55-3830	55-3830 SEMI	[32]
SE/PB	1		28.500/28.521	21.900			BC-LF	55-3831	55-3831 SEMI	[32]



55-3830

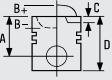






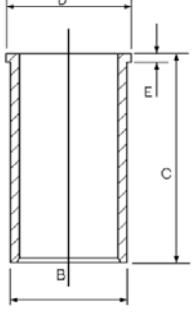
55-3831



...Continued

652	 87.00	Diesel
		
EY580	JJ500	NB973  45.00x67.00x8.00mm, FPM NB974  93.00x114.00x13.00mm, FPM
		
	JJ500	



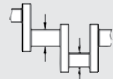
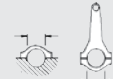





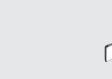
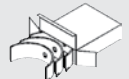
653	 87.00	Diesel					
OM 606.961	6 Cyl.	22:1	2996cc	130kW (177)PS	Turbo Intercooled	TD5238	227
OM 606.962	6 Cyl.	22:1	2996cc	130kW (177)PS	Turbo Intercooled	TD9416	227
OM 606.964	6 Cyl.	22:1	2996cc	130kW (177)PS	Turbo Intercooled	TD9425	227
E-CLASS (S210)	12/96→07/99	E-CLASS (W210)	12/96→07/99	G-CLASS (W463)	08/96→		
S-CLASS (W140)	05/96→10/98						

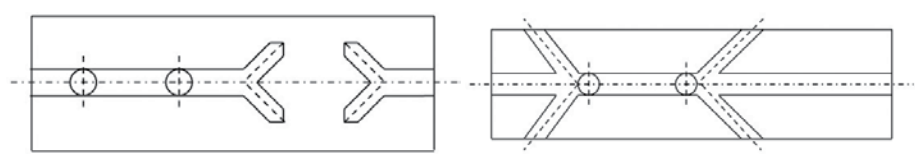
			
	08-183300-00 STD 08-183307-00 0.50mm 2.50  P PS 2.00  P PS 3.00  CR P	14-026240-00 D B 90.11 C 148.50 D 92.57 E 4.70 14-026241-00 D B 90.20 C 148.50 D 92.75 E 4.70	
			



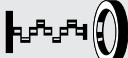
MERCEDES-BENZ/SMART

...Continued

653  **87.00** **Diesel**

										
BE/PL	1	47.950/47.965	51.600/51.619	21.800	1.812	0.020/0.070	SP	71-3645	71-3645 STD 0.25 0.50	[29]
MB/HL 1-7	7	57.950/57.965	62.500/62.519	17.500	2.261	0.020/0.072	AL-LF	02-3585	H997/7 STD 0.25 0.50	
TW/A	2	65.800	81.000		2.200		AL-LF	04-3586	A129/4 STD 0.10	
TW/A	2	65.800	81.000		2.200		AL-LF	04-3587		
SE/PB	1		30.500/30.521	21.900			BC-LF	55-3830	55-3830 SEMI	[32]
SE/PB	1		28.500/28.521	21.900			BC-LF	55-3831	55-3831 SEMI	[32]
55-3830										
			55-3831							



		
--	--	--

 EY580	JJ500	NB973  45.00x67.00x8.00mm, FPM NB974  93.00x114.00x13.00mm, FPM
	 JJ500	

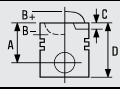
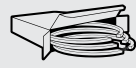
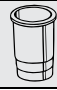

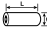

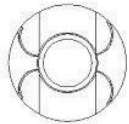



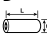
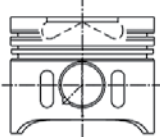
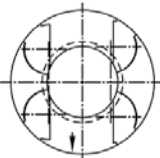



654



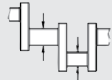
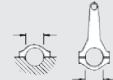






 **88.00**







Diesel



OM 611.961	4 Cyl.	18:1	2148cc	75-105kW (102-143)PS	Turbo Intercooled	TD17005	228
OM 611.980 Euro 3	4 Cyl.	18:1	2151cc	85/115kW (116/156)PS	Turbo Intercooled	TD14350	230
E-CLASS (S210)	06/98→03/03	E-CLASS (W210)		06/98→03/02	V-CLASS (638/2)		03/99→07/03
VITO (638)	03/99→07/03						

							
87-117900-10 87-117907-10 →12/99 A 42.30 B- 13.30 BØ 43.10 C 2.48 D 72.30  28x68 AK KK RT	STD 0.50mm   08853-110	08-117900-00 STD 08-117907-00 0.50mm 2.50  CK P 2.00  P 3.00  CR P					
87-117900-20 87-117907-20 A 42.30 B- 13.80 BØ 43.50 C 2.48 D 72.30  30x70 AK KK RT TP	STD 0.50mm   08854-209	08-117900-00 STD 08-117907-00 0.50mm 2.50  CK P 2.00  P 3.00  CR P					

									
BE/PL	1	47.950/47.965	51.600/51.619	21.800	1.812	0.020/0.070	SP	71-3876	71-3876 STD 0.25 0.50 0.75 [29]
MB/HL	1	57.940/57.965	62.500/62.519	17.500	2.265	0.020/0.074	SP	72-3856	72-3856 STD 0.25 [31]
TW/A	2	65.800	81.000		2.200		AL-LF	04-3586	A129/4 STD 0.10
TW/A	2	65.800	81.000		2.200		AL-LF	04-3587	
SE/PB	1		32.500/32.521	21.900			BC-LF	55-3898	55-3898 SEMI [32]

		
EC5620	JH5082 [28] Steel 	NA5131  45.00x67.00x8.00mm, PTFE NA5074  93.00x133.50x15.50mm, PTFE
[28] Oil Pan Material: Steel	[28] Matériel pour carter d'huile: acier	[28] Materiale coppa olio: Acciaio

[28] Oil Pan Material: Steel

[28] Matériel pour carter d'huile: acier

[28] Materiale coppa olio: Acciaio

[28] Material cárter: Acero

MERCEDES-BENZ/SMART

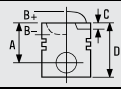

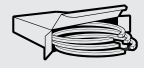



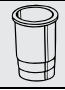

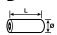




655



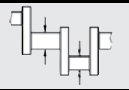




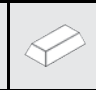


 **88.00**



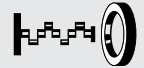

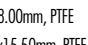

Diesel



OM 611.962	4 Cyl.	18:1	2148cc	85-105kW (116-143)PS	Turbo Intercooled	TD15449	229
OM 611.981 Euro 3	4 Cyl.	18:1	2148cc	80-95kW (109-129)PS	Turbo Intercooled	TD17729	230
C-CLASS (CL203)	03/01→05/08	C-CLASS (S203)	03/01→08/07	C-CLASS (W203)	05/00→02/07		
SPRINTER 2-t (901, 902)	04/00→05/06	SPRINTER 3-t (903)	04/00→05/06	SPRINTER 4-t (904)	04/00→05/06		

 <p>87-117900-00 STD 87-117907-00 0.50mm</p> <p>A 42.30 B- 13.80 BØ 43.10 C 2.48 D 72.30  30x70</p> <p>AK KK RT</p> <p>08851-106</p>	 <p>08-117900-00 STD 08-117907-00 0.50mm</p> <p>2.50  CK P 2.00  P 3.00  CR P</p>		
<p>87-117900-20 STD 87-117907-20 0.50mm 01/03→</p> <p>A 42.30 B- 13.80 BØ 43.50 C 2.48 D 72.30  30x70</p> <p>AK KK RT TP</p> <p>08854-209</p>	 <p>08-117900-00 STD 08-117907-00 0.50mm</p> <p>2.50  CK P 2.00  P 3.00  CR P</p>		

									
BE/PL	1	47.950/47.965	51.600/51.619	21.800	1.812	0.020/0.070	SP	71-3876	71-3876 [29] STD 0.25 0.50 0.75
MB/HL	1	57.940/57.965	62.500/62.519	17.500	2.265	0.020/0.074	SP	72-3856	72-3856 [31] STD 0.25
TW/A	2	65.800	81.000		2.200		AL-LF	04-3586	A129/4 STD 0.10
TW/A	2	65.800	81.000		2.200		AL-LF	04-3587	
SE/PB	1		32.500/32.521	21.900			BC-LF	55-3898	55-3898 [32] SEMI

		
EC5620	JH5082 [28] Steel 	NA5131  45.00x67.00x8.00mm, PTFE NA5074  93.00x133.50x15.50mm, PTFE
[28] Oil Pan Material: Steel	[28] Matériel pour carter d'huile: acier	[28] Materiale coppa olio: Acciaio

656	88.00	Diesel							
OM 611.987 Euro 3	4 Cyl.	18:1	2148cc	60kW (81)PS	Turbo Intercooled	TD17730	230		
SPRINTER 2-t (901, 902)	04/00→05/06	SPRINTER 3-t (903)	04/00→05/06	SPRINTER 4-t (904)	04/00→05/06				

87-117900-20 87-117907-20	STD 0.50mm		08-117900-00 08-117907-00	STD 0.50mm					
A 42.30 B- 13.80 BØ 43.50 C 2.48 D 72.30 			2.50 CK P 2.00 P 3.00 CR P						
AK KK RT TP		08854-209							

BE/PL	1	47.950/47.965	51.600/51.619	21.800	1.812	0.020/0.070	SP	71-3876	71-3876 STD 0.25 0.50 0.75 [29]
MB/HL	1	57.940/57.965	62.500/62.519	17.500	2.265	0.020/0.074	SP	72-3856	72-3856 STD 0.25 [31]
TW/A	2	65.800	81.000		2.200		AL-LF	04-3586	A129/4 STD 0.10
TW/A	2	65.800	81.000		2.200		AL-LF	04-3587	
SE/PB	1		32.500/32.521	21.900			BC-LF	55-3898	55-3898 SEMI [32]

EC5620			JH5082 [28] Steel					NA5131 45.00x67.00x8.00mm, PTFE NA5074 93.00x133.50x15.50mm, PTFE	
			JH5082						

[28] Oil Pan Material: Steel [28] Matériel pour carter d'huile: acier [28] Materiale coppa olio: Acciaio [28] Material cárter: Acero



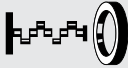



657	88.00	Diesel							
OM 611A (60 KW CDI)	4 Cyl.		2148cc	60kW (81)PS					TD14348 231
VITO (638)	03/99→07/03								

BE/PL	1	47.950/47.965	51.600/51.619	21.800	1.812	0.020/0.070	SP	71-3876	71-3876 STD 0.25 0.50 0.75 [29]
MB/HL	1	57.940/57.965	62.500/62.519	17.500	2.265	0.020/0.074	SP	72-3856	72-3856 STD 0.25 [31]
TW/A	2	65.800	81.000		2.200		AL-LF	04-3586	A129/4 STD 0.10
TW/A	2	65.800	81.000		2.200		AL-LF	04-3587	
SE/PB	1		32.500/32.521	21.900			BC-LF	55-3898	55-3898 SEMI [32]

MERCEDES-BENZ/SMART

...Continued

657 88.00 Diesel

		
EC5620	JH5082 [28] Steel	NA5131  45.00x67.00x8.00mm, PTFE NA5074  93.00x133.50x15.50mm, PTFE
		

[28] Oil Pan Material: Steel

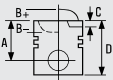
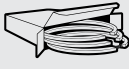





[28] Matériel pour carter d'huile: acier




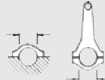






[28] Materiale coppa olio: Acciaio







[28] Material cárter: Acero

658 88.00 Diesel

OM 611LA (75 KW CDI)	4 Cyl.	2148cc	75-110kW (102-150)PS	TD14349	231
VITO (638)	03/99 → 07/03				

			
	08-117900-00 STD 08-117907-00 0.50mm		
	2.50  CK P 2.00  P 3.00  CR P		

									
BE/PL	1	47.950/47.965	51.600/51.619	21.800	1.812	0.020/0.070	SP	71-3876	71-3876 [29] STD 0.25 0.50 0.75
MB/HL	1	57.940/57.965	62.500/62.519	17.500	2.265	0.020/0.074	SP	72-3856	72-3856 [31] STD 0.25
TW/A	2	65.800	81.000		2.200		AL-LF	04-3586	A129/4 STD 0.10
TW/A	2	65.800	81.000		2.200		AL-LF	04-3587	
SE/PB	1		32.500/32.521	21.900			BC-LF	55-3898	55-3898 [32] SEMI

		
EC5620	JH5082 [28] Steel	NA5131  45.00x67.00x8.00mm, PTFE NA5074  93.00x133.50x15.50mm, PTFE
		

[28] Oil Pan Material: Steel

[28] Matériel pour carter d'huile: acier

[28] Materiale coppa olio: Acciaio

[28] Material cárter: Acero

659	88.00	Diesel					
OM 646.811	4 Cyl.	17.5:1	2148cc	125-100kW (170-136)PS	Turbo Intercooled	TD20360	232
OM 646.812	4 Cyl.	17.5:1	2148cc	100kW (136)PS	Turbo Intercooled	TD22694	232
OM 646.820	4 Cyl.	17.5:1	2148cc	100kW (136)PS	Turbo Intercooled	TD20362	232

C-CLASS (S204)	08/07→	C-CLASS (W204)	01/07→	E-CLASS (W211)	04/06→12/08
-----------------------	--------	-----------------------	--------	-----------------------	-------------

	08-136400-10 STD		
	2.50 GDC P		
	2.00 CR P		
	3.00 CR P		

BE/PL	1	47.950/47.965	51.600/51.619	21.800	1.812	0.020/0.070	SP	71-3876	71-3876 STD 0.25 0.50 0.75 [29]
MB/HL	1	57.940/57.965	62.500/62.519	17.500	2.265	0.020/0.074	SP	72-3856	72-3856 STD 0.25 [31]
TW/A	2	65.800	81.000		2.200		AL-LF	04-3586	A129/4 STD 0.10
TW/A	2	65.800	81.000		2.200		AL-LF	04-3587	
SE/PB	1		32.500/32.521	21.900			BC-LF	55-3898	55-3898 SEMI [32]

	JH5082 Steel	NA5131 45.00x67.00x8.00mm, PTFE NA5074 93.00x133.50x15.50mm, PTFE
	JH5082	




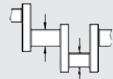
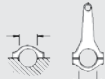





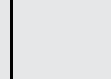
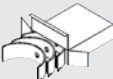


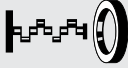


660	88.00	Diesel					
OM 646.821	4 Cyl.	17.5:1	2148cc	100kW (136)PS	Turbo Intercooled	TD20334	232
OM 646.984	4 Cyl.	18.1:1	2148cc	65kW (88)PS	Turbo Intercooled	TD22140	236
OM 646.990	4 Cyl.	18:1	2148cc	110kW (150)PS	Turbo Intercooled	TD23618	236


E-CLASS (S211)	03/03→07/09	E-CLASS (W211)	03/03→12/08	SPRINTER 3-t (906)	06/06→
SPRINTER 5-t (906)	06/06→	SPRINTER 3,5 (906)	06/06→	SPRINTER 4,6-t (906)	06/06→

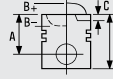

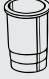




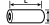
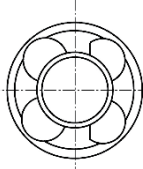
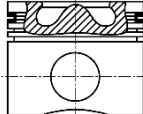
	08-136400-10 STD		
	2.50 GDC P		
	2.00 CR P		
	3.00 CR P		



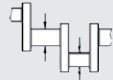
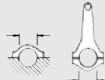




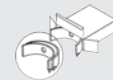
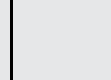
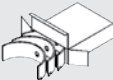
MERCEDES-BENZ/SMART

...Continued

660		 88.00	Diesel							
										
BE/PL	1	47.950/47.965	51.600/51.619	21.800	1.812	0.020/0.070	SP	71-3876	71-3876 STD 0.25 0.50 0.75	[29]
MB/HL	1	57.940/57.965	62.500/62.519	17.500	2.265	0.020/0.074	SP	72-3856	72-3856 STD 0.25	[31]
TW/A	2	65.800	81.000		2.200		AL-LF	04-3586	A129/4 STD 0.10	
TW/A	2	65.800	81.000		2.200		AL-LF	04-3587		
SE/PB	1		32.500/32.521	21.900			BC-LF	55-3898	55-3898 SEMI	[32]
										
						NA5131  45.00x67.00x8.00mm, PTFE NA5074  93.00x133.50x15.50mm, PTFE				








661		 88.00	Diesel								
OM 646.951	4 Cyl.	18:1	2148cc	75-90kW (102-122)PS	Turbo Intercooled	TD18129	233				
OM 646.961	4 Cyl.	18:1	2148cc	110kW (150)PS	Turbo Intercooled	TD17007	233				
OM 646.962	4 Cyl.	18:1	2148cc	75-90kW (102-122)PS	Turbo Intercooled	TD17542	233				
OM 646.963	4 Cyl.	18:1	2148cc	110kW (150)PS	Turbo Intercooled	TD17543	234				
C-CLASS (CL203)	03/03→05/08		C-CLASS (S203)	03/01→08/07		C-CLASS (W203)	02/01→02/07				
CLC-CLASS (CL203)	05/08→06/11		E-CLASS (S211)	03/03→07/09		E-CLASS (W211)	03/02→12/08				

							
87-136400-00	STD	08-136400-00	STD				
87-136407-00	0.50mm	08-136407-00	0.50mm				
A 42.30		2.50		CK P			
B- 14.10		2.00		P			
BØ 46.00		3.00		CR P			
C 2.29							
D 72.30							
 30x70							
KK RT TP							
							
							
	08854-108						

										
BE/PL	1	47.950/47.965	51.600/51.619	21.800	1.812	0.020/0.070	SP	71-3876	71-3876 STD 0.25 0.50 0.75	[29]
MB/HL	1	57.940/57.965	62.500/62.519	17.500	2.265	0.020/0.074	SP	72-3856	72-3856 STD 0.25	[31]
TW/A	2	65.800	81.000		2.200		AL-LF	04-3586	A129/4 STD 0.10	
TW/A	2	65.800	81.000		2.200		AL-LF	04-3587		
SE/PB	1		32.500/32.521	21.900			BC-LF	55-3898	55-3898 SEMI	[32]

...Continued

661  **88.00** **Diesel**

		
 EC5620	JH5082 [28] Steel 	NA5131  45.00x67.00x8.00mm, PTFE NA5074  93.00x133.50x15.50mm, PTFE

[28] Oil Pan Material: Steel

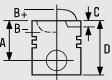
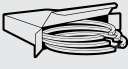






[28] Matériel pour carter d'huile: acier



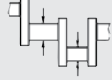
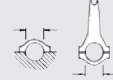






[28] Materiale coppa olio: Acciaio







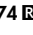
[28] Material cárter: Acero

662  **88.00** **Diesel** 

OM 646.966	4 Cyl.	18:1	2148cc	110kW (150)PS	Turbo Intercooled	TD22844	235
CLK (C209)	01/05→05/09						



			
	08-136400-10 STD 2.50  GDC P 2.00  CR P 3.00  CR P 		

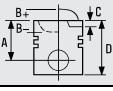
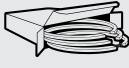







									
BE/PL	1	47.950/47.965	51.600/51.619	21.800	1.812	0.020/0.070	SP	71-3876	71-3876 [29] STD 0.25 0.50 0.75
MB/HL	1	57.940/57.965	62.500/62.519	17.500	2.265	0.020/0.074	SP	72-3856	72-3856 [31] STD 0.25
TW/A	2	65.800	81.000		2.200		AL-LF	04-3586	A129/4 STD 0.10
TW/A	2	65.800	81.000		2.200		AL-LF	04-3587	
SE/PB	1		32.500/32.521	21.900			BC-LF	55-3898	55-3898 [32] SEMI






		
 EC5620	JH5082 Steel 	NA5131  45.00x67.00x8.00mm, PTFE NA5074  93.00x133.50x15.50mm, PTFE



JH5082

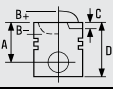
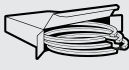

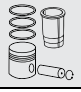





MERCEDES-BENZ/SMART



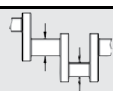
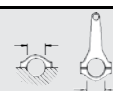



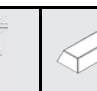


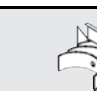
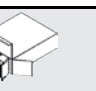
663	 88.00	Diesel					
OM 646.980	4 Cyl.	18:1	2148cc	70kW (95)PS	Turbo Intercooled	TD24573	236
VITO (W639)	09/06→						






			
	08-428700-00 STD 08-428707-00 0.50mm 2.50  GDC P 2.00  CR P 2.00  CR P		
	 		



		
		NA5131  45.00x67.00x8.00mm, PTFE NA5074  93.00x133.50x15.50mm, PTFE

664	 88.00	Diesel					
OM 646.981	4 Cyl.	18:1	2148cc	70kW (95)PS	Turbo Intercooled	TD20984	236
OM 646.985	4 Cyl.	18:1	2148cc	80kW (109)PS	Turbo Intercooled	TD20730	236
SPRINTER 3-t (906)	06/06→			SPRINTER 5-t (906)	06/06→	SPRINTER 3,5 (906)	06/06→
SPRINTER 4,6-t (906)	06/09→			VITO (W639)	09/07→	VITO / MIXTO (W639)	08/06→

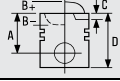
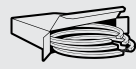
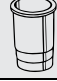
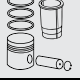
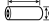
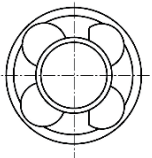
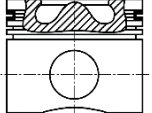



			
	08-428700-00 STD 08-428707-00 0.50mm 2.50  GDC P 2.00  CR P 2.00  CR P		
	 		



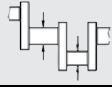
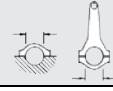


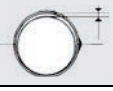

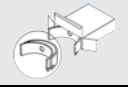
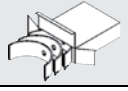
											
BE/PL	1	47.950/47.965	51.600/51.619	21.800	1.812	0.020/0.070	SP	71-3876	71-3876 STD 0.25 0.50 0.75	[29]	
MB/HL	1	57.940/57.965	62.500/62.519	17.500	2.265	0.020/0.074	SP	72-3856	72-3856 STD 0.25	[31]	
TW/A	2	65.800	81.000		2.200		AL-LF	04-3586	A129/4 STD 0.10		
TW/A	2	65.800	81.000		2.200		AL-LF	04-3587			
SE/PB	1		32.500/32.521	21.900			BC-LF	55-3898	55-3898 SEMI	[32]	






		
		NA5131  45.00x67.00x8.00mm, PTFE NA5074  93.00x133.50x15.50mm, PTFE

665	 88.00	Diesel					
OM 646.982 Euro 4	4 Cyl.	18:1	2148cc	80-110kW (109-150)PS	Turbo Intercooled	TD18289	237
OM 646.983	4 Cyl.	18.1:1	2148cc	65kW (88)PS	Turbo Intercooled	TD20921	236
OM 648.960	6 Cyl.	18:1	3222cc	150kW (204)PS	Turbo Intercooled	TD17187	249
OM 648.961	6 Cyl.	18:1	3222cc	130-150kW (177-204)PS	Turbo Intercooled	TD17328	249



E-CLASS (S211)	03/03→07/09	E-CLASS (W211)	11/02→12/08	S-CLASS (W220)	09/02→08/05
VIANO (W639)	09/03→	VITO (W639)	09/03→	VITO / MIXTO (W639)	09/03→

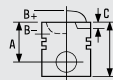


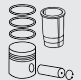




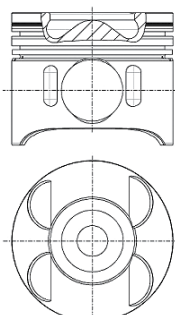
			
87-136400-00 STD 87-136407-00 0.50mm	08-136400-00 STD 08-136407-00 0.50mm		
A 42.30 B- 14.10 BØ 46.00 C 2.29 D 72.30  30x70	  08854-108	2.50  CK P 2.00  P 3.00  CR P	
KK RT TP			

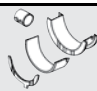

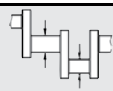
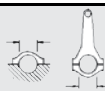




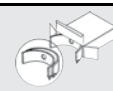
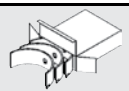
									
BE/PL	1	47.950/47.965	51.600/51.619	21.800	1.812	0.020/0.070	SP	71-3876	71-3876 STD 0.25 0.50 0.75 [29]
MB/HL	1	57.940/57.965	62.500/62.519	17.500	2.265	0.020/0.074	SP	72-3856	72-3856 STD 0.25 [31]
TW/A	2	65.800	81.000		2.200		AL-LF	04-3586	A129/4 STD 0.10
TW/A	2	65.800	81.000		2.200		AL-LF	04-3587	
SE/PB	1		32.500/32.521	21.900			BC-LF	55-3898	55-3898 SEMI [32]




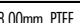

		
		NA5131  45.00x67.00x8.00mm, PTFE NA5074  93.00x133.50x15.50mm, PTFE



MERCEDES-BENZ/SMART

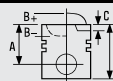






666	 88.00	Diesel					
OM 646.986 Euro 4	4 Cyl.	18:1	2148cc	95-110kW (129-150)PS	Turbo Intercooled	TD23620	236
SPRINTER 3-t (906)	06/06→	SPRINTER 5-t (906)	06/06→	SPRINTER 3,5 (906)	06/06→		
SPRINTER 4,6-t (906)	06/06→						

			
87-428700-00 STD	08-428700-00 STD 08-428707-00 0.50mm		
A 42.30 B- 14.10 BØ 46.00 C 2.03 C 1.78 D 72.30  30x70	 2.50 GDC P 2.00 CR P 2.00 CR P		
KK NB RT TP	 		
	8867A-101		




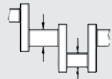
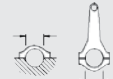






									
BE/PL	1	47.950/47.965	51.600/51.619	21.800	1.812	0.020/0.070	SP	71-3876	71-3876 [29] STD 0.25 0.50 0.75
MB/HL	1	57.940/57.965	62.500/62.519	17.500	2.265	0.020/0.074	SP	72-3856	72-3856 [31] STD 0.25
TW/A	2	65.800	81.000		2.200		AL-LF	04-3586	A129/4 STD 0.10
TW/A	2	65.800	81.000		2.200		AL-LF	04-3587	
SE/PB	1		32.500/32.521	21.900			BC-LF	55-3898	55-3898 [32] SEMI


		
		NA5131  45.00x67.00x8.00mm, PTFE NA5074  93.00x133.50x15.50mm, PTFE

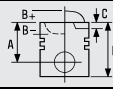
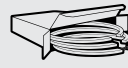


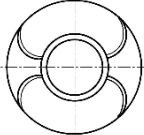
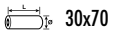
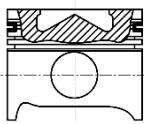




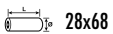
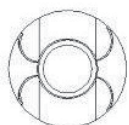



667	 88.00	Diesel					
OM 646.989	4 Cyl.	18:1	2148cc	110kW (150)PS	Turbo Intercooled	TD26257	238
SPRINTER 3-t (906)	06/06→	SPRINTER 5-t (906)	06/06→	SPRINTER 3,5 (906)	06/06→		
SPRINTER 4,6-t (906)	06/06→						



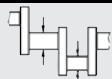







			
	08-428700-00 STD 08-428707-00 0.50mm		
	 2.50 GDC P 2.00 CR P 2.00 CR P		
	 		

...Continued

667		 88.00	Diesel							
										
BE/PL	1	47.950/47.965	51.600/51.619	21.800	1.812	0.020/0.070	SP	71-3876	71-3876 STD 0.25 0.50 0.75	[29]
MB/HL	1	57.940/57.965	62.500/62.519	17.500	2.265	0.020/0.074	SP	72-3856	72-3856 STD 0.25	[31]
TW/A	2	65.800	81.000		2.200		AL-LF	04-3586	A129/4 STD 0.10	
TW/A	2	65.800	81.000		2.200		AL-LF	04-3587		
SE/PB	1		32.500/32.521	21.900			BC-LF	55-3898	55-3898 SEMI	[32]

668		 88.00	Diesel							
OM 611.960		4 Cyl.	18:1	2151cc	85/115kW (116/156)PS		Turbo Intercooled		TD9529	239
C-CLASS (S202)		09/97 → 03/01		C-CLASS (W202)		09/97 → 05/00				



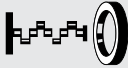



				
87-117900-00 87-117907-00	STD 0.50mm		08-117900-00 STD 08-117907-00 0.50mm	
A 42.30 B- 13.80 BØ 43.10 C 2.48 D 72.30  30x70			2.50  CK P 2.00  P 3.00  CR P	
AK KK RT		08851-106		
87-117900-10 87-117907-10 →12/99	STD 0.50mm		08-117900-00 STD 08-117907-00 0.50mm	
A 42.30 B- 13.30 BØ 43.10 C 2.48 D 72.30  28x68			2.50  CK P 2.00  P 3.00  CR P	
AK KK RT		08853-110		

										
BE/PL	1	47.950/47.965	51.600/51.619	21.800	1.812	0.020/0.070	SP	71-3876	71-3876 STD 0.25 0.50 0.75	[29]
MB/HL	1	57.940/57.965	62.500/62.519	17.500	2.265	0.020/0.074	SP	72-3856	72-3856 STD 0.25	[31]
TW/A	2	65.800	81.000		2.200		AL-LF	04-3586	A129/4 STD 0.10	
TW/A	2	65.800	81.000		2.200		AL-LF	04-3587		
SE/PB	1		32.500/32.521	21.900			BC-LF	55-3898	55-3898 SEMI	[32]

MERCEDES-BENZ/SMART

...Continued

668 88.00 Diesel

		
EC5620	JH5082 [28] Steel	NA5131  45.00x67.00x8.00mm, PTFE NA5074  93.00x133.50x15.50mm, PTFE
		

[28] Oil Pan Material: Steel

[28] Matériel pour carter d'huile: acier

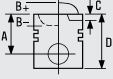

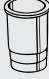
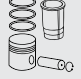



[28] Materiale coppa olio: Acciaio

[28] Material cárter: Acero

669 88.00 Petrol

M 272.911	V6 Cyl.	11.2:1	2496cc	150kW (204)PS	TD22142	240
M 272.920	V6 Cyl.	11.2:1	2496cc	150kW (204)PS	TD18425	240
M 272.921	V6 Cyl.	11.2:1	2496cc	150kW (204)PS	TD20357	240
M 272.922	V6 Cyl.	11.2:1	2496cc	150kW (204)PS	TD22143	240

C-CLASS (CL203)	01/05→05/08	C-CLASS (S203)	01/05→08/07	C-CLASS (S204)	08/07→
C-CLASS (W203)	01/05→02/07	C-CLASS (W204)	01/07→	CLC-CLASS (CL203)	05/08→06/11
E-CLASS (S211)	05/07→07/09	E-CLASS (W211)	09/07→12/08		



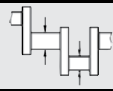
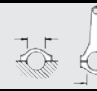




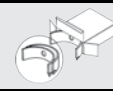
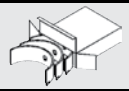
			
	08-440900-00 STD		
	1.50  NT [22]		
	1.75  P		
	2.50  NT [22]		



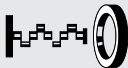

[22] Steel

[22] Acier

[22] Acciaio

[22] Acero

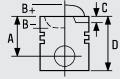
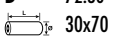
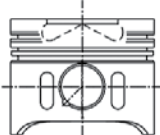
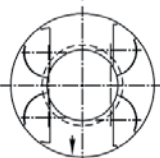
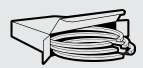



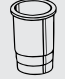

									
BE/PL	6	51.945/51.965	55.600/55.614	19.600	1.813	0.020/0.067	EC	71-4007	71-4007/6 STD
MB/HL	3	63.945/63.965	68.500/68.519	20.600	2.267	0.020/0.064	AL-LF	02-4008	H1003/4 STD
MB/HL	1	63.945/63.965	68.500/68.519	24.000	2.267	0.020/0.064	AL-LF	02-4009	
TW/A	2	72.250	84.000		1.900		AL-LF	04-4010	A164/4 STD
TW/A	2	72.250	84.000		1.900		AL-LF	04-4011	
SE/PB	1	22.000	24.500/24.521	19.900			BC	55-4012	55-4012 SEMI



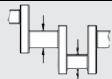
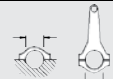





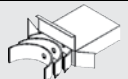
		
		NA5131  45.00x67.00x8.00mm, PTFE






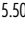
670  **88.00** **Diesel** 

OM 612.961	5 Cyl.	18:1	2688cc	125kW (170)PS	Turbo Intercooled	TD15455	241
OM 612.962	5 Cyl.	18:1	2685cc	125kW (170)PS	Turbo Intercooled	TD15451	241
OM 612.966	5 Cyl.	18:1	2685cc	115kW (156)PS	Turbo Intercooled	TD16895	241
OM 612.967	5 Cyl.	18:1	2685cc	125kW (170)PS	Turbo Intercooled	TD17323	243
OM 612.981	5 Cyl.	18:1	2685cc	110-115kW (150-156)PS	Turbo Intercooled	TD17731	244

C-CLASS (S203)	03/01→08/07	C-CLASS (W203)	12/00→02/07	CLK (C209)	10/02→05/09
E-CLASS (S210)	07/99→03/03	E-CLASS (W210)	07/99→03/02	G-CLASS (W461)	01/03→
SPRINTER (905)	04/01→	SPRINTER 2-t (901, 902)	04/00→05/06	SPRINTER 3-t (903)	04/00→05/06
SPRINTER 4-t (904)	04/00→05/06	SPRINTER 5-t (905)	04/01→05/06		

 <p>87-117900-20 87-117907-20</p> <p>STD 0.50mm</p> <p>A 42.30 B- 13.80 BØ 43.50 C 2.48 D 72.30  30x70</p> <p>AK KK RT TP</p>	  <p>08854-209</p>	 <p>08-117900-00 STD 08-117907-00 0.50mm</p> <p>2.50  CK P 2.00  P 3.00  CR P</p>		
--	---	---	---	---

									
BE/PL	1	47.950/47.965	51.600/51.619	21.800	1.812	0.020/0.070	SP	71-3876	71-3876 [29] STD 0.25 0.50 0.75
MB/HL	1	57.940/57.965	62.500/62.519	17.500	2.265	0.020/0.074	SP	72-3856	72-3856 [31] STD 0.25
TW/A	2	65.800	81.000		2.200		AL-LF	04-3586	A129/4 STD 0.10
TW/A	2	65.800	81.000		2.200		AL-LF	04-3587	
SE/PB	1		32.500/32.521	21.900			BC-LF	55-3898	55-3898 [32] SEMI

 <p>ED5720</p>	 <p>JJ543</p>  <p>JJ543</p>	 <p>NA5131  45.00x67.00x8.00mm, PTFE NA5074  93.00x133.50x15.50mm, PTFE</p>
--	---	--

MERCEDES-BENZ/SMART

671

 **88.00**

Diesel



OM 612.963

5 Cyl.

18:1

2685cc

120kW (163)PS

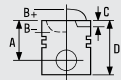
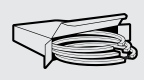
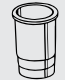

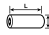
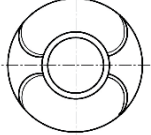
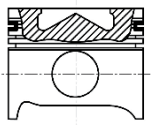



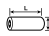
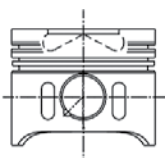
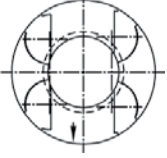



Turbo Intercooled



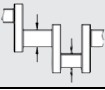
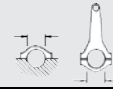




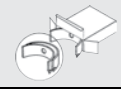
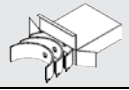
TD17009







241

M-CLASS (W163)

12/99→06/05

							
<p>87-117900-00 87-117907-00</p> <p>STD 0.50mm</p> <p>A 42.30 B- 13.80 BØ 43.10 C 2.48 D 72.30  30x70</p> <p>AK KK RT</p>	  <p>08851-106</p>	<p>08-117900-00 STD 08-117907-00 0.50mm</p> <p>2.50  CK P 2.00  P 3.00  CR P</p>					
<p>87-117900-20 87-117907-20 01/03→</p> <p>STD 0.50mm</p> <p>A 42.30 B- 13.80 BØ 43.50 C 2.48 D 72.30  30x70</p> <p>AK KK RT TP</p>	  <p>08854-209</p>	<p>08-117900-00 STD 08-117907-00 0.50mm</p> <p>2.50  CK P 2.00  P 3.00  CR P</p>					

									
BE/PL	1	47.950/47.965	51.600/51.619	21.800	1.812	0.020/0.070	SP	71-3876	71-3876 STD 0.25 0.50 0.75 [29]
MB/HL	1	57.940/57.965	62.500/62.519	17.500	2.265	0.020/0.074	SP	72-3856	72-3856 STD 0.25 [31]
TW/A	2	65.800	81.000		2.200		AL-LF	04-3586	A129/4 STD 0.10
TW/A	2	65.800	81.000		2.200		AL-LF	04-3587	
SE/PB	1		32.500/32.521	21.900			BC-LF	55-3898	55-3898 SEMI [32]

		
ED5720	JJ543  JJ543	NA5131  45.00x67.00x8.00mm, PTFE NA5074  93.00x133.50x15.50mm, PTFE

672	88.00	Diesel					
OM 612.965	5 Cyl.	19:1	2685cc	115-120kW (156-163)PS	Turbo Intercooled	TD21145	242
G-CLASS (W463)		10/01 →					

BE/PL	1	47.950/47.965	51.600/51.619	21.800	1.812	0.020/0.070	SP	71-3876	71-3876 STD 0.25 0.50 0.75	[29]
MB/HL	1	57.940/57.965	62.500/62.519	17.500	2.265	0.020/0.074	SP	72-3856	72-3856 STD 0.25	[31]
TW/A	2	65.800	81.000		2.200		AL-LF	04-3586	A129/4 STD 0.10	
TW/A	2	65.800	81.000		2.200		AL-LF	04-3587		
SE/PB	1		32.500/32.521	21.900			BC-LF	55-3898	55-3898 SEMI	[32]

ED5720	JJ543	NA5131 45.00x67.00x8.00mm, PTFE NA5074 93.00x133.50x15.50mm, PTFE
	JJ543	




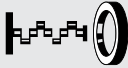




673	88.00	Diesel					
OM 647.961	5 Cyl.	18:1	2685cc	130kW (177)PS	Turbo Intercooled	TD17008	245
E-CLASS (S211)		03/03 → 07/09		E-CLASS (W211)		03/02 → 12/08	



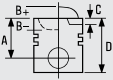


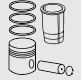



87-136400-00 87-136407-00	STD 0.50mm	08-136400-00 08-136407-00	STD 0.50mm
A 42.30 B- 14.10 BØ 46.00 C 2.29 D 72.30 30x70		2.50 CK P 2.00 P 3.00 CR P	
KK RT TP	08854-108		



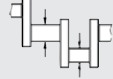
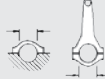






BE/PL	1	47.950/47.965	51.600/51.619	21.800	1.812	0.020/0.070	SP	71-3876	71-3876 STD 0.25 0.50 0.75	[29]
MB/HL	1	57.940/57.965	62.500/62.519	17.500	2.265	0.020/0.074	SP	72-3856	72-3856 STD 0.25	[31]
TW/A	2	65.800	81.000		2.200		AL-LF	04-3586	A129/4 STD 0.10	
TW/A	2	65.800	81.000		2.200		AL-LF	04-3587		
SE/PB	1		32.500/32.521	21.900			BC-LF	55-3898	55-3898 SEMI	[32]








MERCEDES-BENZ/SMART



...Continued







673	 88.00	Diesel
		
 ED5720	JJ543  JJ543	NA5131  45.00x67.00x8.00mm, PTFE NA5074  93.00x133.50x15.50mm, PTFE



674	 88.00	Diesel					
OM 647.981	5 Cyl.	18:1	2685cc	60-130kW (82-177)PS	Turbo Intercooled	TD21142	238
							
	08-136400-00 STD 08-136407-00 0.50mm 2.50  CK P 2.00  P 3.00  CR P						

									
BE/PL	1	47.950/47.965	51.600/51.619	21.800	1.812	0.020/0.070	SP	71-3876	71-3876 STD 0.25 0.50 0.75 [29]
MB/HL	1	57.940/57.965	62.500/62.519	17.500	2.265	0.020/0.074	SP	72-3856	72-3856 STD 0.25 [31]
TW/A	2	65.800	81.000		2.200		AL-LF	04-3586	A129/4 STD 0.10
TW/A	2	65.800	81.000		2.200		AL-LF	04-3587	
SE/PB	1		32.500/32.521	21.900			BC-LF	55-3898	55-3898 SEMI [32]

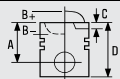
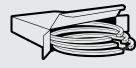
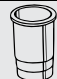




		
 ED5720	JJ543  JJ543	NA5131  45.00x67.00x8.00mm, PTFE NA5074  93.00x133.50x15.50mm, PTFE

675	 88.00	Diesel					
OM 612.990	5 Cyl.	16.5:1	2950cc	170kW (231)PS	Turbo Intercooled	TD17544	246
C-CLASS (CL203)	09/02→05/08	C-CLASS (S203)	01/03→08/07	C-CLASS (W203)	01/03→02/07		



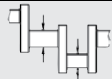







		
ED5720	JJ543	NA5131  45.00x67.00x8.00mm, PTFE NA5074  93.00x133.50x15.50mm, PTFE
		
	JJ543	





676	 88.00	Petrol				
M 272.940	V6 Cyl.	11.3:1	2996cc	170kW (231)PS	TD18420	247
M 272.941	V6 Cyl.	11.3:1	2996cc	170kW (231)PS	TD18423	247
M 272.942	V6 Cyl.	11.3:1	2996cc	170kW (231)PS	TD18427	247
M 272.943	V6 Cyl.	11.1:1	2996cc	170kW (231)PS	TD18430	247
M 272.945	V6 Cyl.	11.1:1	2996cc	170kW (231)PS	TD20570	247
M 272.947	V6 Cyl.	11.3:1	2996cc	170kW (231)PS	TD20356	247
M 272.948	V6 Cyl.	11.3:1	2996cc	170kW (231)PS	TD22968	247
M 272.949	6 Cyl.	11.1:1	2996cc	170kW (231)PS	TD20863	247

C-CLASS (S203)	01/05→08/07	C-CLASS (S204)	08/07→	C-CLASS (W203)	01/05→02/07
C-CLASS (W204)	01/07→	CLK (A209)	01/05→03/10	CLK (C209)	01/05→05/09
CLS (C219)	07/08→12/10	E-CLASS (S211)	03/05→07/09	E-CLASS (W211)	03/05→12/08
GLK-CLASS (X204)	06/08→04/11	R-CLASS (W251, V251)	01/07→	SL (R230)	03/08→01/12
SLK (R171)	01/05→02/11				



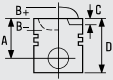


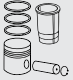





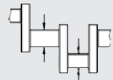
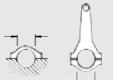





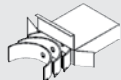
			
	08-440900-00 STD		
	1.50  NT [22]		
	1.75  P		
	2.50  NT [22]		



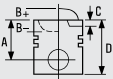


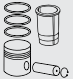





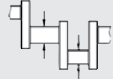
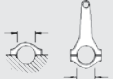





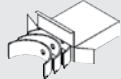
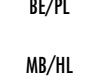
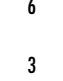
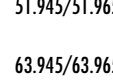
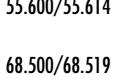
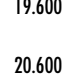
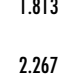
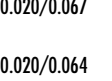
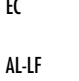
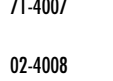


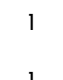
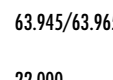
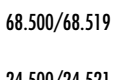
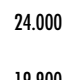

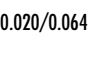
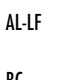
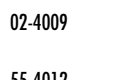


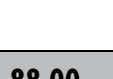





[22] Steel [22] Acier [22] Acciaio [22] Acero



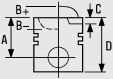


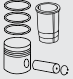



									
BE/PL	6	51.945/51.965	55.600/55.614	19.600	1.813	0.020/0.067	EC	71-4007	71-4007/6 STD
MB/HL	3	63.945/63.965	68.500/68.519	20.600	2.267	0.020/0.064	AL-LF	02-4008	H1003/4 STD
MB/HL	1	63.945/63.965	68.500/68.519	24.000	2.267	0.020/0.064	AL-LF	02-4009	
TW/A	2	72.250	84.000		1.900		AL-LF	04-4010	A164/4 STD
TW/A	2	72.250	84.000		1.900		AL-LF	04-4011	
SE/PB	1	22.000	24.500/24.521	19.900			BC	55-4012	55-4012 SEMI

		
HR397		NA5131  45.00x67.00x8.00mm, PTFE

MERCEDES-BENZ/SMART

677		88.00	Petrol						
M 272.944	V6 Cyl.	11.1:1	2996cc	170kW (231)PS	TD23758				
									
		08-440900-00 STD							
		1.50  NT [22]							
		1.75  P							
		2.50  NT [22]							
[22] Steel	[22] Acier	[22] Acciaio	[22] Acero						
									
BE/PL	6	51.945/51.965	55.600/55.614	19.600	1.813	0.020/0.067	EC	71-4007	71-4007/6 STD

678		88.00	Petrol						
M 272.946	V6 Cyl.	11.1:1	2996cc	170kW (231)PS	TD26966				
S-CLASS (W221)		08/06 →							
									
		08-440900-00 STD							
		1.50  NT [22]							
		1.75  P							
		2.50  NT [22]							
[22] Steel	[22] Acier	[22] Acciaio	[22] Acero						
									
BE/PL	6	51.945/51.965	55.600/55.614	19.600	1.813	0.020/0.067	EC	71-4007	71-4007/6 STD
									
MB/HL	3	63.945/63.965	68.500/68.519	20.600	2.267	0.020/0.064	AL-LF	02-4008	H1003/4 STD
									
MB/HL	1	63.945/63.965	68.500/68.519	24.000	2.267	0.020/0.064	AL-LF	02-4009	
									
SE/PB	1	22.000	24.500/24.521	19.900			BC	55-4012	55-4012 SEMI

679		88.00	Petrol			
M 272.952	V6 Cyl.	11.1:1	2996cc	170kW (231)PS	TD25212	247
E-CLASS (S212)		11/09 →		E-CLASS (W212)		01/09 →
						
		08-440900-00 STD				
		1.50  NT [22]				
		1.75  P				
		2.50  NT [22]				
[22] Steel	[22] Acier	[22] Acciaio	[22] Acero			




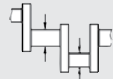
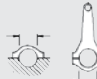








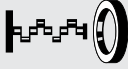


...Continued


679		88.00		Petrol							
BE/PL	6	51.945/51.965	55.600/55.614	19.600	1.813	0.020/0.067	EC	71-4007	71-4007/6 STD		
MB/HL	3	63.945/63.965	68.500/68.519	20.600	2.267	0.020/0.064	AL-LF	02-4008	H1003/4 STD		
MB/HL	1	63.945/63.965	68.500/68.519	24.000	2.267	0.020/0.064	AL-LF	02-4009			
SE/PB	1	26.000	29.000/29.021	19.980			BS	55-4102	55-4102 SEMI		
				HR397							
								NA5131 45.00x67.00x8.00mm, PTFE			

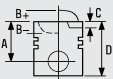


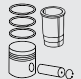



680		88.00		Diesel					
OM 613.960		6 Cyl.	18:1	3222cc	145kW (197)PS	Turbo Intercooled	TD15461	248	
OM 613.961		6 Cyl.	18:1	3226cc	145kW (197)PS	Turbo Intercooled	TD15454	248	
E-CLASS (S210)		07/99→03/03	E-CLASS (W210)	07/99→03/02	S-CLASS (W220)	08/99→09/02			
87-117900-00	STD			08-117900-00	STD				
87-117907-00	0.50mm			08-117907-00	0.50mm				
A	42.30			2.50		CK P			
B-	13.80			2.00		P			
BØ	43.10			3.00		CR P			
C	2.48								
D	72.30								
	30x70								
AK KK RT		08851-106							
87-117900-20	STD			08-117900-00	STD				
87-117907-20	0.50mm			08-117907-00	0.50mm				
01/03→				2.50		CK P			
A	42.30			2.00		P			
B-	13.80			3.00		CR P			
BØ	43.50								
C	2.48								
D	72.30								
	30x70								
AK KK RT TP		08854-209							



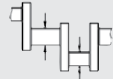
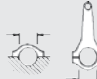






MERCEDES-BENZ/SMART




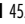

...Continued



680		 88.00	Diesel							
										
BE/PL	1	47.950/47.965	51.600/51.619	21.800	1.812	0.020/0.070	SP	71-3876	71-3876 STD 0.25 0.50 0.75 [29]	
MB/HL	1	57.940/57.965	62.500/62.519	17.500	2.265	0.020/0.074	SP	72-3856	72-3856 STD 0.25 [31]	
TW/A	2	65.800	81.000		2.200		AL-LF	04-3586	A129/4 STD 0.10	
TW/A	2	65.800	81.000		2.200		AL-LF	04-3587		
SE/PB	1		32.500/32.521	21.900			BC-LF	55-3898	55-3898 SEMI [32]	
										
							NA5131  45.00x67.00x8.00mm, PTFE NA5074  93.00x133.50x15.50mm, PTFE			

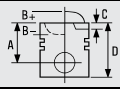
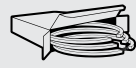
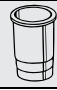



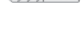
681		 88.00	Petrol						
M 116.961	V8 Cyl.	9:1	3839cc	120-160kW (163-218)PS				TD2159	250
S-CLASS (W126)		12/85 → 12/86							

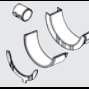

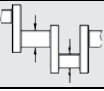
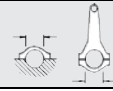




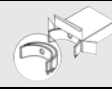
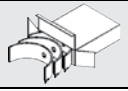
			
	08-182900-00 STD 08-182907-00 0.50mm 1.50  CR P 2.00  CR P 3.50  CR P		

									
BE/PL	8	47.945/47.965	51.600/51.619	22.000	1.810	0.020/0.079	EC	71-3477	71-3477/8 STD 0.75
MB/HL	4	63.955/63.965	68.500/68.519	21.000	2.254	0.027/0.081	EC	72-2787	H801/5 STD 0.25
MB/HL	1	63.955/63.965	68.500/68.519	26.900	2.254	0.027/0.081	EC	72-2788H	
		72-2788H	STD	27,000/1.0630" - 27,021/1.0638"					
			0.25MM	27,200/1.0709" - 27,221/1.0717"					
			0.50MM	27,200/1.0709" - 27,221/1.0717"					
SE/PB	1	26.000	29.000	27.600			BC	55-2789	55-2789 SEMI
SE/PB	1	23.000	26.000	27.600			BC	55-3525	55-3525 SEMI

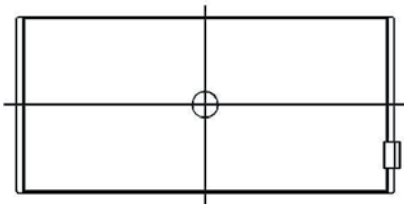
										
			JH5113				NB973  45.00x67.00x8.00mm, FPM NB974  93.00x114.00x13.00mm, FPM			

682	 88.00	Petrol				
M 116.962	V8 Cyl.	9.4:1	3839cc	150kW (204)PS	TD2160	251
M 116.963	V8 Cyl.	9.4:1	3839cc	150kW (204)PS	TD4669	252
S-CLASS (C126)	10/81→07/85	S-CLASS (W126)	12/79→08/85	SL (C107)	08/81→08/84	
SL (R107)	09/80→08/85					






			
	08-182900-00 STD 08-182907-00 0.50mm 1.50  CR P 2.00  CR P 3.50  CR P		

									
BE/PL	8	51.945/51.965	55.600/55.619	22.000	1.810	0.020/0.079	EC	71-3476	71-3476/8 STD
→12/80									
BE/PL	8	47.945/47.965	51.600/51.619	22.000	1.810	0.020/0.079	EC	71-3477	71-3477/8 STD 0.75
01/81→									

71-3477



MB/HL	4	63.955/63.965	68.500/68.519	21.000	2.254	0.027/0.081	EC	72-2787	H801/5 STD 0.25
MB/HL	1	63.955/63.965	68.500/68.519	26.900	2.254	0.027/0.081	EC	72-2788H	
72-2788H		STD	27,000/1.0630" - 27,021/1.0638"						
		0.25MM	27,200/1.0709" - 27,221/1.0717"						
		0.50MM	27,200/1.0709" - 27,221/1.0717"						
SE/PB	1	26.000	29.000	27.600			BC	55-2789	55-2789 SEMI
SE/PB	1	23.000	26.000	27.600			BC	55-3525	55-3525 SEMI

		
	JH5113	NB973  45.00x67.00x8.00mm, FPM NB974  93.00x114.00x13.00mm, FPM

MERCEDES-BENZ/SMART

683

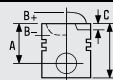
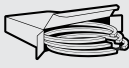





 **88.50**

Petrol



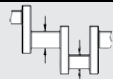
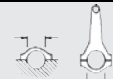





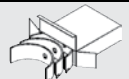




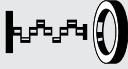



M 104.980	6 Cyl.	10:1	2960cc	162/170kW (220/231)PS	TD2110	253
M 104.981	6 Cyl.	10:1	2960cc	162/170kW (220/231)PS	TD2111	253

CABRIOLET (A124)	04/92→06/93	COUPE (C124)	09/89→12/92	E-CLASS (S124)	06/93→06/96
E-CLASS (W124)	09/88→08/92	KOMBI (S124)	09/89→08/92	SALOON (W124)	09/88→08/92
SL (R129)	03/89→07/93				

			
	08-287700-00 STD		
	1.50  NT [22]		
	1.75  P		
	3.00  CR P		

[22] Steel [22] Acier [22] Acciaio [22] Acero

									
BE/PL	6	47.950/47.965	51.600/51.619	21.800	1.814	0.020/0.064	EC	71-3817	71-3817/6 STD 0.25 0.50
MB/HL 1-7	7	57.950/57.965	62.500/62.519	17.500	2.261	0.020/0.072	AL-LF	02-3585	H997/7 STD 0.25 0.50
TW/A	2	65.800	81.000		2.200		AL-LF	04-3586	A129/4 STD 0.10
TW/A	2	65.800	81.000		2.200		AL-LF	04-3587	
SE/PB	1	21.995/22.000	24.500/24.521	21.900			BC	55-3603	55-3603 SEMI

		
	JJ500	NB973  45.00x67.00x8.00mm, FPM NB974  93.00x114.00x13.00mm, FPM
		
	JJ500	

684	88.50	Petrol				
M 103.980	6 Cyl.	9/10:1	2962cc	132/140kW (180/190)PS	TD2099	254
M 103.981	6 Cyl.	9/10:1	2962cc	132/140kW (180/190)PS	TD9436	255
M 103.982	6 Cyl.	9/10:1	2962cc	132/140kW (180/190)PS	TD9444	254
M 103.983	6 Cyl.	9/10:1	2962cc	132/140kW (180/190)PS	TD9437	254
M 103.984	6 Cyl.	9/10:1	2962cc	132/140kW (180/190)PS	TD2103	254
M 103.985	6 Cyl.	9/10:1	2962cc	132/140kW (180/190)PS	TD2104	254
M 103.987	6 Cyl.	9/10:1	2962cc	132/140kW (180/190)PS	TD2105	254

COUPE (C124)	03/87→05/93	E-CLASS (S124)	06/93→06/96	E-CLASS (W124)	01/85→06/95
G-CLASS (W463)	09/89→	KOMBI (S124)	01/86→06/93	S-CLASS (W126)	09/85→06/91
SL (R107)	09/85→08/89	SL (R129)	03/89→08/93		

87-183000-00 STD 87-183007-00 [7] 0.50mm 87-183011-00 [8] 1.00mm A 33.00 B- 2.70 C 0.82 C 2.02 D 63.00 22x52 08942A/08946A	08-183000-00 STD 08-183007-00 0.50mm 1.50 CK P 1.75 P 3.00 CR P		

[7] B = 3.300
 [8] B = 3.600

BE/PL	6	47.950/47.965	51.600/51.619	21.800	1.814	0.020/0.064	EC	71-3817	71-3817/6 STD 0.25 0.50
MB/HL 1-7	7	57.950/57.965	62.500/62.519	17.500	2.261	0.020/0.072	AL-LF	02-3585	H997/7 STD 0.25 0.50
TW/A	2	65.800	81.000		2.200		AL-LF	04-3586	A129/4 STD 0.10
TW/A	2	65.800	81.000		2.200		AL-LF	04-3587	
SE/PB	1	21.995/22.000	24.500/24.521	21.900			BC	55-3603	55-3603 SEMI

	JJ491	NB973 45.00x67.00x8.00mm, FPM NB974 93.00x114.00x13.00mm, FPM

MERCEDES-BENZ/SMART

685

 **89.00**

Petrol



M 102.910

4 Cyl.

9:1

1797cc

77/80kW (105/109)PS

TD2061

256



190 (W201)

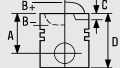
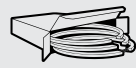
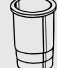
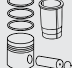






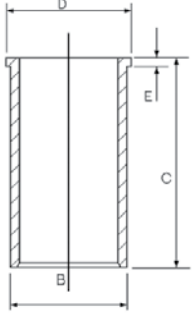
04/90→08/93

<p>08-179500-00 STD 08-179505-00 0.25mm 08-179507-00 0.50mm 08-179511-00 1.00mm 01/89→</p>			
<p>1.75 CR P 2.00 P 3.50 CR P</p>			
<p>08-181400-10 STD 08-181407-10 0.50mm →12/88</p>			
<p>1.75 MOL P 2.00 P 3.50 CR P</p>			

BE/PL	4	47.950/47.965	51.600/51.619	21.800	1.814	0.020/0.064	EC	71-3817	71-3817/4 STD 0.25 0.50
MB/HL 1-5	5	57.950/57.965	62.500/62.519	17.500	2.261	0.020/0.072	AL-LF	02-3585	H997/5 STD 0.25 0.50
TW/A	2	65.800	81.000		2.200		AL-LF	04-3586	A129/4 STD 0.10
TW/A	2	65.800	81.000		2.200		AL-LF	04-3587	
TW/A	2	65.800	81.000		4.200		AL-LF	04-3642	A132/4 STD
TW/A	2	65.800	81.000		4.200		AL-LF	04-3643	
SE/PB	1	21.995/22.000	24.500/24.521	21.900			BC	55-3603	55-3603 SEMI

<p>EH872</p>	<p>JJ488</p>	<p>NB973 45.00x67.00x8.00mm, FPM NB974 93.00x114.00x13.00mm, FPM</p>
	<p>JJ488</p>	

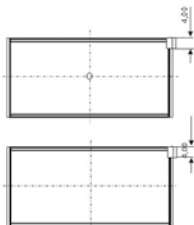
686	 89.00	Petrol				
M 102.919	4 Cyl.	9.1:1	1797cc	77kW (105)PS	TD2062	257

			
	<p>08-179500-00 STD</p> <p>08-179505-00 0.25mm</p> <p>08-179507-00 0.50mm</p> <p>08-179511-00 1.00mm</p> <p>01/89 →</p> <p>1.75  CR P</p> <p>2.00  P</p> <p>3.50  CR P</p> <hr/> <p>08-181400-10 STD</p> <p>08-181407-10 0.50mm</p> <p>→12/88</p> <p>1.75  MOL P</p> <p>2.00  P</p> <p>3.50  CR P</p>	<p>14-025480-00 D</p> <p>B 92.02 C 165.00 D 95.05 E 4.10</p> 	

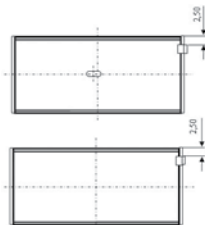
										
--	---	---	---	---	---	---	--	---	---	---

BE/PL	4	47.955/47.965	51.600/51.619	22.000	1.814	0.020/0.062	EC	71-2995	71-2995/4 STD 0.25 0.50
→12/83									
BE/PL	4	47.950/47.965	51.600/51.619	21.800	1.814	0.020/0.064	EC	71-3817	71-3817/4 STD 0.25 0.50
01/84 →									

71-2995






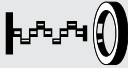
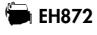



71-3817





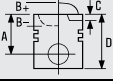









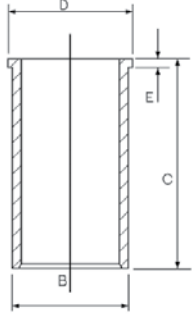
MB/HL 1-5	5	57.950/57.965	62.500/62.519	21.400	2.261	0.020/0.072	AL-LF	02-3513	H977/5 STD 0.25 0.50 0.75
→12/85									
MB/HL 1-5	5	57.950/57.965	62.500/62.519	17.500	2.261	0.020/0.072	AL-LF	02-3585	H997/5 STD 0.25 0.50
01/86 →									
TW/A	2	65.800	81.000		2.200		AL-LF	04-3586	A129/4 STD 0.10
TW/A	2	65.800	81.000		2.200		AL-LF	04-3587	
TW/A	2	65.800	81.000		4.200		AL-LF	04-3642	A132/4 STD
TW/A	2	65.800	81.000		4.200		AL-LF	04-3643	
SE/PB	1	24.000	27.000/27.021	27.600			BC	55-3516	55-3516 SEMI
→12/82									
SE/PB	1	21.995/22.000	24.500/24.521	21.900			BC	55-3603	55-3603 SEMI
01/83 →									



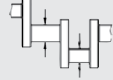
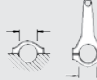





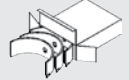
MERCEDES-BENZ/SMART

...Continued

686	 89.00	Petrol
		
 EH872	JJ488 	NB973  45.00x67.00x8.00mm, FPM NB974  93.00x114.00x13.00mm, FPM
	JJ488	

687	 89.00	Petrol			
M 102.965	4 Cyl.	9:1	1996cc	80kW (109)PS	TD2080
G-CLASS (W463) 01/90→07/93					

			
	<p>08-179500-00 STD 08-179505-00 0.25mm 08-179507-00 0.50mm 08-179511-00 1.00mm 01/89→</p> <p>1.75  CR P 2.00  P 3.50  CR P</p> <p>08-181400-10 STD 08-181407-10 0.50mm →12/88</p> <p>1.75  MOL P 2.00  P 3.50  CR P</p>	<p>14-025480-00 D B 92.02 C 165.00 D 95.05 E 4.10</p> 	

									
BE/PL	4	47.950/47.965	51.600/51.619	21.800	1.814	0.020/0.064	EC	71-3817	71-3817/4 STD 0.25 0.50
MB/HL 1-5	5	57.950/57.965	62.500/62.519	17.500	2.261	0.020/0.072	AL-LF	02-3585	H997/5 STD 0.25 0.50
TW/A	2	65.800	81.000		2.200		AL-LF	04-3586	A129/4 STD 0.10
TW/A	2	65.800	81.000		2.200		AL-LF	04-3587	
TW/A	2	65.800	81.000		4.200		AL-LF	04-3642	A132/4 STD
TW/A	2	65.800	81.000		4.200		AL-LF	04-3643	
SE/PB	1	21.995/22.000	24.500/24.521	21.900			BC	55-3603	55-3603 SEMI

...Continued

687	89.00	Petrol
EH872	JJ488	NB973 45.00x67.00x8.00mm, FPM NB974 93.00x114.00x13.00mm, FPM
	 JJ488	

688	89.00	Petrol				
M 102.920	4 Cyl.	9:1	1997cc	66/77kW (90/105)PS	TD2063	258
M 102.921	4 Cyl.	9:1	1997cc	66/77kW (90/105)PS	TD2064	259
190 (W201)	10/82→10/84	E-CLASS (W123)	06/80→11/85	KOMBI (S123)	11/80→11/85	

87-179500-10 [10] [21] STD 87-179507-10 [10] [5] 0.50mm 87-179511-10 [10] [5] 1.00mm A 43.20 BØ 50.00 C 2.15 C 1.62 D 71.20 22x56	08941/08937A 08-179500-00 STD 08-179505-00 0.25mm 08-179507-00 0.50mm 08-179511-00 1.00mm 01/89 → 1.75 CR P 2.00 P 3.50 CR P	14-025480-00 D B 92.02 C 165.00 D 95.05 E 4.10 08-181400-10 STD 08-181407-10 0.50mm →12/88 1.75 MOL P 2.00 P 3.50 CR P	

[5] A = 42.900, D = 70.900, B = 1.100

[10] Conrod gap 22.00mm

[21] Std Piston no combustion cavity

[10] Distance entre bielle 22.00mm

[21] Piston de contrepression, sans cavité

[10] Distanza dalla biella 22.00mm

[21] Pistoni standard senza cavità di combustione



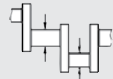
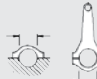





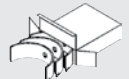
[10] Distancia del biela 22.00mm

[21] Pistón estándar sin concavidad

MERCEDES-BENZ/SMART

...Continued

688	 89.00	Petrol
------------	--	---------------

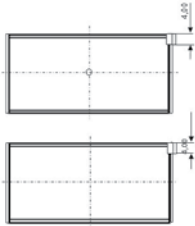
									
BE/PL	4	47.955/47.965	51.600/51.619	22.000	1.814	0.020/0.062	EC	71-2995	71-2995/4 STD 0.25 0.50

→12/83

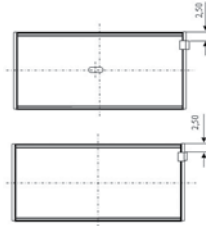
BE/PL	4	47.950/47.965	51.600/51.619	21.800	1.814	0.020/0.064	EC	71-3817	71-3817/4 STD 0.25 0.50
-------	---	---------------	---------------	--------	-------	-------------	----	---------	-----------------------------------

01/84→

71-2995



71-3817






MB/HL 1-5	5	57.950/57.965	62.500/62.519	21.400	2.261	0.020/0.072	AL-LF	02-3513	H977/5 STD 0.25 0.50 0.75
TW/A	2	65.800	81.000		2.200		AL-LF	04-3586	A129/4 STD 0.10
TW/A	2	65.800	81.000		2.200		AL-LF	04-3587	
TW/A	2	65.800	81.000		4.200		AL-LF	04-3642	A132/4 STD
TW/A	2	65.800	81.000		4.200		AL-LF	04-3643	
SE/PB	1	24.000	27.000/27.021	27.600			BC	55-3516	55-3516 SEMI

→12/82



SE/PB	1	21.995/22.000	24.500/24.521	21.900			BC	55-3603	55-3603 SEMI
-------	---	---------------	---------------	--------	--	--	----	---------	------------------------

01/83→

		
---	---	---

EH872

JJ488

NB971  45.00x67.00x10.00mm, FPM
NB972  93.00x117.00x12.00mm, FPM



JJ488

689	89.00	Petrol				
M 102.922	4 Cyl.	9.1:1	1997cc	62/93kW (84/126)PS	TD2065	260
M 102.924	4 Cyl.	9.1:1	1997cc	62/93kW (84/126)PS	TD4653	261
190 (W201)	09/84→05/90	E-CLASS (W124)	12/85→05/90	KOMBI (S124)	09/85→05/90	

87-179500-10 [10] [21] STD 87-179507-10 [10] [5] 0.50mm 87-179511-10 [10] [5] 1.00mm A 43.20 BØ 50.00 C 2.15 C 1.62 D 71.20 22x56 	08-179500-00 STD 08-179505-00 0.25mm 08-179507-00 0.50mm 08-179511-00 1.00mm 01/89→ 1.75 CR P 2.00 P 3.50 CR P 08-181400-10 STD 08-181407-10 0.50mm →12/88 1.75 MOL P 2.00 P 3.50 CR P 08941/08937A	14-025480-00 D B 92.02 C 165.00 D 95.05 E 4.10 	

[5] A = 42.900, D = 70.900, B- = 1.100

[10] Conrod gap 22.00mm

[10] Distance entre bielle 22.00mm

[10] Distanza dalla biella 22.00mm

[10] Distancia del biela 22.00mm

[21] Std Piston no combustion cavity

[21] Piston de contrepresion, sans cavité

[21] Pistoni standard senza cavità di combustione

[21] Pistón estándar sin concavidad

BE/PL	4	47.950/47.965	51.600/51.619	21.800	1.814	0.020/0.064	EC	71-3817	71-3817/4 STD 0.25 0.50	
MB/HL 1-5	5	57.950/57.965	62.500/62.519	21.400	2.261	0.020/0.072	AL-LF	02-3513	H977/5 STD 0.25 0.50 0.75	
→12/85										
MB/HL 1-5	5	57.950/57.965	62.500/62.519	17.500	2.261	0.020/0.072	AL-LF	02-3585	H997/5 STD 0.25 0.50	
01/86→										
TW/A	2	65.800	81.000		2.200		AL-LF	04-3586	A129/4 STD 0.10	
TW/A	2	65.800	81.000		2.200		AL-LF	04-3587		
TW/A	2	65.800	81.000		4.200		AL-LF	04-3642	A132/4 STD	
TW/A	2	65.800	81.000		4.200		AL-LF	04-3643		
SE/PB	1	21.995/22.000	24.500/24.521	21.900			BC	55-3603	55-3603 SEMI	

EH872	JJ488	NB973 45.00x67.00x8.00mm, FPM NB974 93.00x114.00x13.00mm, FPM
	JJ488	

MERCEDES-BENZ/SMART

690

 **89.00**

Petrol



M 102.938



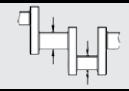





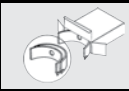
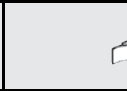
4 Cyl.

8:1

1997cc

63kW (86)PS

TD22701

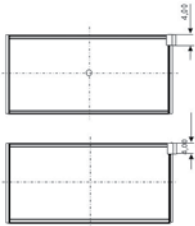
									
BE/PL	4	47.955/47.965	51.600/51.619	22.000	1.814	0.020/0.062	EC	71-2995	71-2995/4 STD 0.25 0.50

→12/83

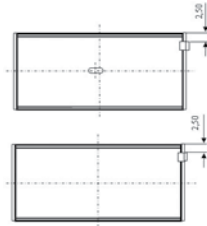
BE/PL	4	47.950/47.965	51.600/51.619	21.800	1.814	0.020/0.064	EC	71-3817	71-3817/4 STD 0.25 0.50
-------	---	---------------	---------------	--------	-------	-------------	----	---------	-----------------------------------

01/84→

71-2995



71-3817



MB/HL 1-5	5	57.950/57.965	62.500/62.519	21.400	2.261	0.020/0.072	AL-LF	02-3513	H977/5 STD 0.25 0.50 0.75
--------------	---	---------------	---------------	--------	-------	-------------	-------	---------	-------------------------------------

→12/85

MB/HL 1-5	5	57.950/57.965	62.500/62.519	17.500	2.261	0.020/0.072	AL-LF	02-3585	H997/5 STD 0.25 0.50
--------------	---	---------------	---------------	--------	-------	-------------	-------	---------	--------------------------------


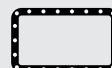

01/86→


TW/A	2	65.800	81.000		2.200		AL-LF	04-3586	A129/4 STD 0.10
TW/A	2	65.800	81.000		2.200		AL-LF	04-3587	
TW/A	2	65.800	81.000		4.200		AL-LF	04-3642	A132/4 STD
TW/A	2	65.800	81.000		4.200		AL-LF	04-3643	
SE/PB	1	24.000	27.000/27.021	27.600			BC	55-3516	55-3516 SEMI

→12/82

SE/PB	1	21.995/22.000	24.500/24.521	21.900			BC	55-3603	55-3603 SEMI
-------	---	---------------	---------------	--------	--	--	----	---------	------------------------

01/83→

		
---	---	---

NB971  45.00x67.00x10.00mm, FPM

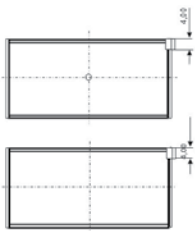
NB972  93.00x117.00x12.00mm, FPM

691	89.00	Petrol	
M 102.939	4 Cyl.	9.1:1	1997cc
			62/93kW (84/126)PS
			TD2069 258
E-CLASS (W123)	06/80→11/85	KOMBI (S123)	11/80→11/85

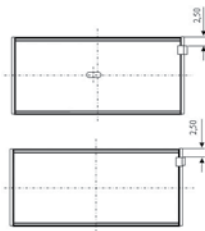
	08-179500-00 STD 08-179505-00 0.25mm 08-179507-00 0.50mm 08-179511-00 1.00mm 01/89 → 1.75 CR P 2.00 P 3.50 CR P	14-025480-00 D B 92.02 C 165.00 D 95.05 E 4.10 	
	08-181400-10 STD 08-181407-10 0.50mm →12/88 1.75 MOL P 2.00 P 3.50 CR P		

BE/PL	4	47.955/47.965	51.600/51.619	22.000	1.814	0.020/0.062	EC	71-2995	71-2995/4 STD 0.25 0.50
→12/83									
BE/PL	4	47.950/47.965	51.600/51.619	21.800	1.814	0.020/0.064	EC	71-3817	71-3817/4 STD 0.25 0.50
01/84 →									

71-2995






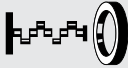
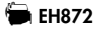



71-3817





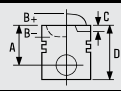
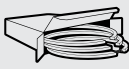


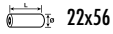
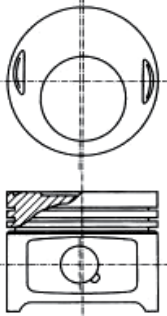
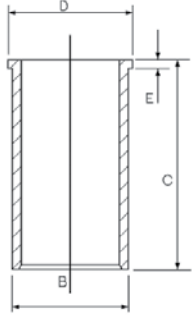






MB/HL 1-5	5	57.950/57.965	62.500/62.519	21.400	2.261	0.020/0.072	AL-LF	02-3513	H977/5 STD 0.25 0.50 0.75
TW/A	2	65.800	81.000		2.200		AL-LF	04-3586	A129/4 STD 0.10
TW/A	2	65.800	81.000		2.200		AL-LF	04-3587	
TW/A	2	65.800	81.000		4.200		AL-LF	04-3642	A132/4 STD
TW/A	2	65.800	81.000		4.200		AL-LF	04-3643	
SE/PB	1	24.000	27.000/27.021	27.600			BC	55-3516	55-3516 SEMI
→12/82									
SE/PB	1	21.995/22.000	24.500/24.521	21.900			BC	55-3603	55-3603 SEMI
01/83 →									

MERCEDES-BENZ/SMART

...Continued

691	 89.00	Petrol
		
 EH872	JJ488	NB973  45.00x67.00x8.00mm, FPM NB974  93.00x114.00x13.00mm, FPM
		
	JJ488	

692	 89.00	Petrol				
M 102.961	4 Cyl.	9.1:1	1997cc	62/93kW (84/126)PS	TD5050	262
190 (W201)	10/82→06/93					

			
87-179500-10 [10] [21] STD 87-179507-10 [10] [5] 0.50mm 87-179511-10 [10] [5] 1.00mm	08-179500-00 STD 08-179505-00 0.25mm 08-179507-00 0.50mm 08-179511-00 1.00mm 01/89→	14-025480-00 D B 92.02 C 165.00 D 95.05 E 4.10	
A 43.20 BØ 50.00 C 2.15 C 1.62 D 71.20  22x56	 08941/08937A		
	1.75  CR P 2.00  P 3.50  CR P		
	08-181400-10 STD 08-181407-10 0.50mm →12/88		
	1.75  MOL P 2.00  P 3.50  CR P		

[5] A = 42.900, D = 70.900, B = 1.100

[10] Conrod gap 22.00mm

[10] Distance entre bielle 22.00mm

[10] Distanza dalla biella 22.00mm



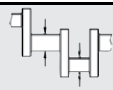
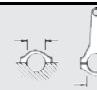




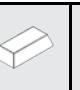

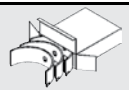
[10] Distancia del biela 22.00mm

[21] Std Piston no combustion cavity

[21] Piston de contrepression, sans cavité

[21] Pistoni standard senza cavità di combustione

[21] Pistón estándar sin concavidad

										
BE/PL	4	47.950/47.965	51.600/51.619	21.800	1.814	0.020/0.064	EC	71-3817	71-3817/4 STD 0.25 0.50	
MB/HL 1-5	5	57.950/57.965	62.500/62.519	21.400	2.261	0.020/0.072	AL-LF	02-3513	H977/5 STD 0.25 0.50 0.75	
→12/85										
MB/HL 1-5	5	57.950/57.965	62.500/62.519	17.500	2.261	0.020/0.072	AL-LF	02-3585	H997/5 STD 0.25 0.50	
01/86→										
TW/A	2	65.800	81.000		2.200		AL-LF	04-3586	A129/4 STD 0.10	
TW/A	2	65.800	81.000		2.200		AL-LF	04-3587		
TW/A	2	65.800	81.000		4.200		AL-LF	04-3642	A132/4 STD	
TW/A	2	65.800	81.000		4.200		AL-LF	04-3643		
SE/PB	1	21.995/22.000	24.500/24.521	21.900			BC	55-3603	55-3603 SEMI	

...Continued

692	89.00	Petrol
JJ488		NB971 45.00x67.00x10.00mm, FPM NB972 93.00x117.00x12.00mm, FPM
JJ488		

693	89.00	Petrol	
M 102.962	4 Cyl.	9.1:1	1997cc
		62/93kW (84/126)PS	TD4655 263
190 (W201)	10/82→08/93	KOMBI (S124)	09/88→12/89

<p>87-179500-10 [10] [21] STD</p> <p>87-179507-10 [10] [5] 0.50mm</p> <p>87-179511-10 [10] [5] 1.00mm</p> <p>A 43.20</p> <p>BØ 50.00</p> <p>C 2.15</p> <p>C 1.62</p> <p>D 71.20</p> <p> 22x56</p>	<p style="text-align: center;"></p> <p style="text-align: center;">08941/08937A</p> <p>08-179500-00 STD</p> <p>08-179505-00 0.25mm</p> <p>08-179507-00 0.50mm</p> <p>08-179511-00 1.00mm</p> <p>01/89→</p> <p>1.75 CR P</p> <p>2.00 P</p> <p>3.50 CR P</p> <p>08-181400-10 STD</p> <p>08-181407-10 0.50mm</p> <p>→12/88</p> <p>1.75 MOL P</p> <p>2.00 P</p> <p>3.50 CR P</p>	<p>14-025480-00 D</p> <p>B 92.02 C 165.00 D 95.05 E 4.10</p> <p style="text-align: center;"></p>	

[5] A = 42.900, D = 70.900, B- = 1.100

[10] Conrod gap 22.00mm

[21] Std Piston no combustion cavity

[10] Distance entre bielle 22.00mm

[21] Piston de contrepression, sans cavité

[10] Distanza dalla biella 22.00mm

[21] Pistoni standard senza cavità di combustione



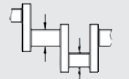
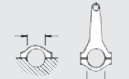





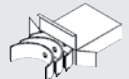
[10] Distancia del biela 22.00mm

[21] Pistón estándar sin concavidad


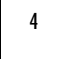
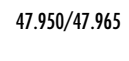
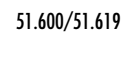

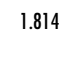

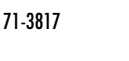

MERCEDES-BENZ/SMART

...Continued

693	 89.00	Petrol
------------	--	---------------

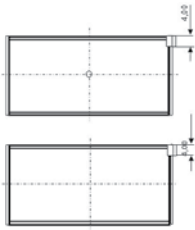
									
--	---	---	---	---	---	---	--	---	---

→12/83

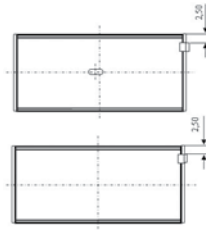
									
--	---	---	---	---	---	---	--	---	---


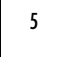
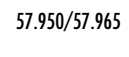
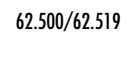
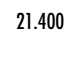
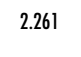
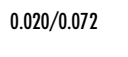

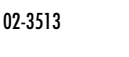
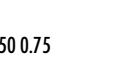
01/84→

71-2995


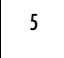
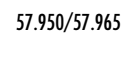
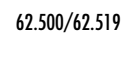

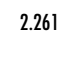
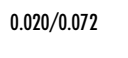

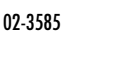



71-3817


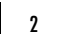



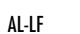
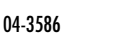


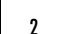
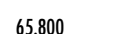
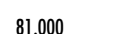

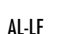
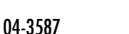

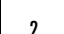



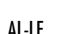
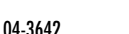


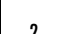



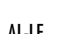
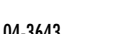

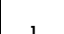

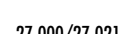

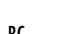
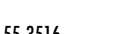



									
--	---	---	---	---	---	---	--	---	---

→12/85

									
--	---	---	---	---	---	---	--	---	---




01/86→

→12/82



							
--	---	---	---	---	--	---	---

01/83→

		
---	---	---

EH872

JJ488

NB973  45.00x67.00x8.00mm, FPM
NB974  93.00x114.00x13.00mm, FPM



JJ488

694	89.00	Petrol	
M 102.963	4 Cyl.	9.1:1	1997cc
			62/93kW (84/126)PS
			TD2078 264
E-CLASS (W124)	09/88→08/92	KOMBI (S124)	09/88→08/92

 87-179500-10 [10] [21] STD 87-179507-10 [10] [5] 0.50mm 87-179511-10 [10] [5] 1.00mm A 43.20 BØ 50.00 C 2.15 C 1.62 D 71.20 22x56 08941/08937A	 08-179500-00 STD 08-179505-00 0.25mm 08-179507-00 0.50mm 08-179511-00 1.00mm 01/89→ 1.75 CR P 2.00 P 3.50 CR P 08-181400-10 STD 08-181407-10 0.50mm →12/88 1.75 MOL P 2.00 P 3.50 CR P	 14-025480-00 D B 92.02 C 165.00 D 95.05 E 4.10 	
--	---	--	--

[5] A = 42.900, D = 70.900, B = 1.100

[10] Conrod gap 22.00mm

[10] Distance entre bielle 22.00mm

[10] Distanza dalla biella 22.00mm

[10] Distancia del biela 22.00mm

[21] Std Piston no combustion cavity

[21] Piston de contrepression, sans cavité

[21] Pistoni standard senza cavità di combustione

[21] Pistón estándar sin concavidad

BE/PL	4	47.950/47.965	51.600/51.619	21.800	1.814	0.020/0.064	EC	71-3817	71-3817/4 STD 0.25 0.50
MB/HL 1-5	5	57.950/57.965	62.500/62.519	17.500	2.261	0.020/0.072	AL-LF	02-3585	H997/5 STD 0.25 0.50
TW/A	2	65.800	81.000		2.200		AL-LF	04-3586	A129/4 STD 0.10
TW/A	2	65.800	81.000		2.200		AL-LF	04-3587	
TW/A	2	65.800	81.000		4.200		AL-LF	04-3642	A132/4 STD
TW/A	2	65.800	81.000		4.200		AL-LF	04-3643	
SE/PB	1	21.995/22.000	24.500/24.521	21.900			BC	55-3603	55-3603 SEMI

EH872	JJ488	NB973 45.00x67.00x8.00mm, FPM NB974 93.00x114.00x13.00mm, FPM
	JJ488	

MERCEDES-BENZ/SMART

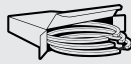
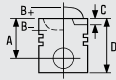
695

 **89.00**

Petrol



M 102.964 4 Cyl. 9.1:1 1997cc **80kW (109)PS** **TD17723**



08-179500-00 STD
08-179505-00 0.25mm
08-179507-00 0.50mm
08-179511-00 1.00mm
 01/89→

1.75  CR P
 2.00  P
 3.50  CR P

08-181400-10 STD
08-181407-10 0.50mm
 →12/88

1.75  MOL P
 2.00  P
 3.50  CR P



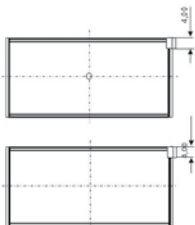
BE/PL	4	47.955/47.965	51.600/51.619	22.000	1.814	0.020/0.062	EC	71-2995	71-2995/4 STD 0.25 0.50
-------	---	---------------	---------------	--------	-------	-------------	----	---------	-----------------------------------

→12/83

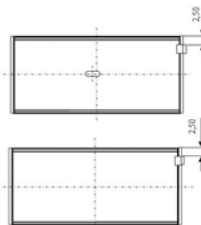
BE/PL	4	47.950/47.965	51.600/51.619	21.800	1.814	0.020/0.064	EC	71-3817	71-3817/4 STD 0.25 0.50
-------	---	---------------	---------------	--------	-------	-------------	----	---------	-----------------------------------

01/84→

71-2995



71-3817



MB/HL 1-5	5	57.950/57.965	62.500/62.519	21.400	2.261	0.020/0.072	AL-LF	02-3513	H977/5 STD 0.25 0.50 0.75
--------------	---	---------------	---------------	--------	-------	-------------	-------	---------	-------------------------------------

→12/85

MB/HL 1-5	5	57.950/57.965	62.500/62.519	17.500	2.261	0.020/0.072	AL-LF	02-3585	H997/5 STD 0.25 0.50
--------------	---	---------------	---------------	--------	-------	-------------	-------	---------	--------------------------------

01/86→







TW/A	2	65.800	81.000		2.200		AL-LF	04-3586	A129/4 STD 0.10
TW/A	2	65.800	81.000		2.200		AL-LF	04-3587	
TW/A	2	65.800	81.000		4.200		AL-LF	04-3642	A132/4 STD
TW/A	2	65.800	81.000		4.200		AL-LF	04-3643	
SE/PB	1	24.000	27.000/27.021	27.600			BC	55-3516	55-3516 SEMI



→12/82

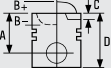
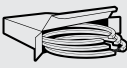
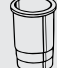
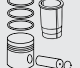
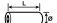
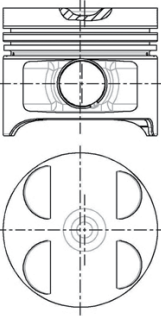



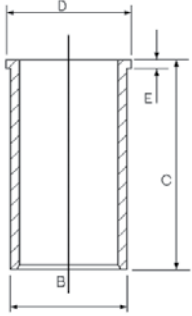
SE/PB	1	21.995/22.000	24.500/24.521	21.900			BC	55-3603	55-3603 SEMI
-------	---	---------------	---------------	--------	--	--	----	---------	------------------------



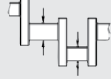
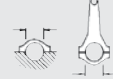





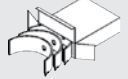
01/83→

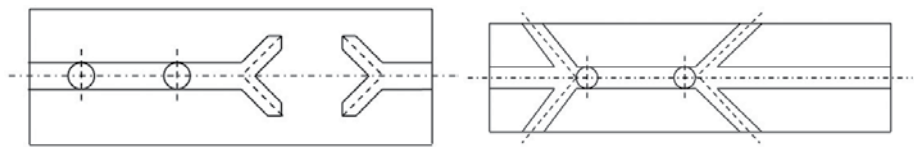
...Continued

695	 89.00	Petrol
		
		NB973  45.00x67.00x8.00mm, FPM NB974  93.00x114.00x13.00mm, FPM

696	 89.00	Diesel				
OM 604.910	4 Cyl.	22:1	2155cc	55-70kW (75-95)PS	TD2227	265
OM 604.912	4 Cyl.	22:1	2155cc	55-70kW (75-95)PS	TD4676	266
C-CLASS (S202)	06/96→03/01	C-CLASS (W202)	08/93→05/00	E-CLASS (W210)	06/95→03/02	




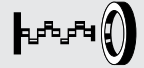




			
87-743100-30 STD 87-743107-30 0.50mm A 43.55 B- 4.55 C 2.35 D 73.55  26x55 KK RT  08976G	08-743100-00 STD 08-743107-00 0.50mm 08-743120-00 0.70mm 2.50  CR P 2.00  P 3.00  CR P	14-027210-00 D B 91.50 C 156.50 D 94.05 E 4.70 	



									
BE/PL	1	47.950/47.965	51.600/51.619	21.800	1.812	0.020/0.070	AL-LF	01-3771	01-3771 STD 0.25 0.50
MB/HL 1-5	5	57.950/57.965	62.500/62.519	17.500	2.261	0.020/0.072	AL-LF	02-3585	H997/5 STD 0.25 0.50
TW/A	2	65.800	81.000		2.200		AL-LF	04-3586	A129/4 STD 0.10
TW/A	2	65.800	81.000		2.200		AL-LF	04-3587	
SE/PB	1		30.500/30.521	21.900			BC-LF	55-3830	55-3830 SEMI [32]
SE/PB	1		28.500/28.521	21.900			BC-LF	55-3831	55-3831 SEMI [32]
55-3830			55-3831						

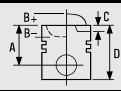
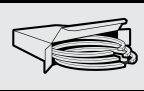
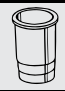


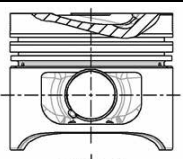
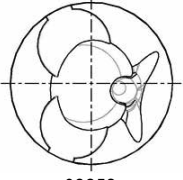



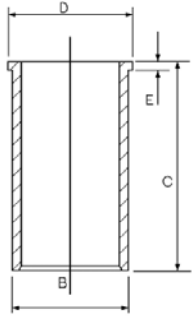
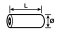
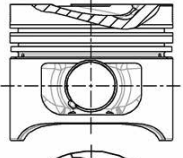
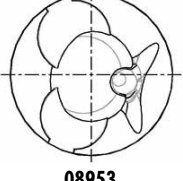





MERCEDES-BENZ/SMART

...Continued

696	 89.00	Diesel
		
 HC5005	JJ498  JJ498	NB973  45.00x67.00x8.00mm, FPM NB974  93.00x114.00x13.00mm, FPM

697	 89.00	Diesel				
OM 601.940	4 Cyl.	22:1	2299cc	58-60kW (79-82)PS	TD2210	267
T1 (601)	10/88→02/96	T1 (602)	11/88→02/96	T1/TN	11/88→06/95	

			
87-743100-10 [13] STD 87-743107-10 [13] 0.50mm 87-743120-10 [13] 0.70mm A 44.65 B- 8.25 C 1.25 C 1.50 D 74.65  26x62 AK RT   08953	08-743100-00 STD 08-743107-00 0.50mm 08-743120-00 0.70mm 2.50  CR P 2.00  P 3.00  CR P	14-026380-00 D B 91.50 C 156.50 D 96.55 E 4.70 14-027210-00 D B 91.50 C 156.50 D 94.05 E 4.70 	
87-743120-20 [13] 0.70mm A 44.45 B- 8.25 C 1.50 C 1.25 D 74.45  26x62 AK RT   08953	08-743100-00 STD 08-743107-00 0.50mm 08-743120-00 0.70mm 2.50  CR P 2.00  P 3.00  CR P		

[13] Conrod guidé in Piston



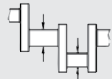
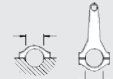





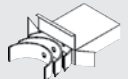
[13] Bielle guidée dans le piston

[13] Billea montata sul pistone

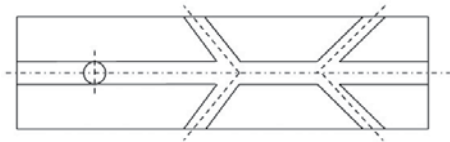
[13] Biela montada en el pistón


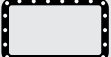
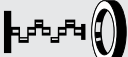
...Continued

697  **89.00** **Diesel**

									
BE/PL	1	47.950/47.965	51.600/51.619	21.800	1.812	0.020/0.070	AL-LF	01-3771	01-3771 STD 0.25 0.50
MB/HL 1-5	5	57.950/57.965	62.500/62.519	17.500	2.261	0.020/0.072	AL-LF	02-3585	H997/5 STD 0.25 0.50
TW/A	2	65.800	81.000		2.200		AL-LF	04-3586	A129/4 STD 0.10
TW/A	2	65.800	81.000		2.200		AL-LF	04-3587	
SE/PB	1	26.995/27.000	29.500/29.521	24.000			BC	55-3588	55-3588 SEMI
SE/PB	1	25.995/26.000	28.500/28.521	21.900			BC	55-3625	55-3625 SEMI

55-3625



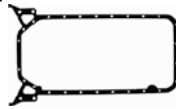
		
--	--	--

 EM720

JH5082

Steel

JJ498




JH5082



JJ498

NA5131  45.00x67.00x8.00mm, PTFE

NB974  93.00x114.00x13.00mm, FPM

MERCEDES-BENZ/SMART

698

 **89.00**

Diesel



OM 601.941

4 Cyl.

22:1

2299cc

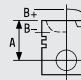

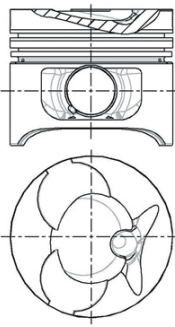
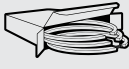



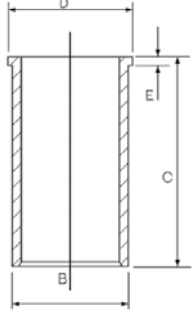


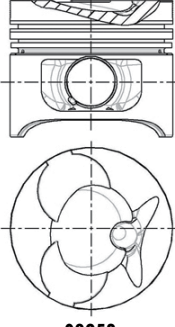



58-60kW (79-82)PS

TD8041

268

T2/LN1

03/89 → 12/94



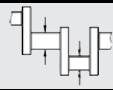
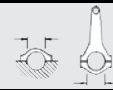


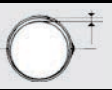


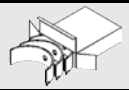
 <p>87-743100-10 [13] STD 87-743107-10 [13] 0.50mm 87-743120-10 [13] 0.70mm</p> <p>A 44.65 B- 8.25 C 1.25 C 1.50 D 74.65  26x62</p> <p>AK RT</p>  <p>08953</p>	 <p>08-743100-00 STD 08-743107-00 0.50mm 08-743120-00 0.70mm</p> <p>2.50  CR P 2.00  P 3.00  CR P</p>	 <p>14-026380-00 D B 91.50 C 156.50 D 96.55 E 4.70 14-027210-00 D B 91.50 C 156.50 D 94.05 E 4.70</p>	
<p>87-743120-20 [13] 0.70mm</p> <p>A 44.45 B- 8.25 C 1.50 C 1.25 D 74.45  26x62</p> <p>AK RT</p>  <p>08953</p>	<p>08-743100-00 STD 08-743107-00 0.50mm 08-743120-00 0.70mm</p> <p>2.50  CR P 2.00  P 3.00  CR P</p>		

[13] Conrod guided in Piston

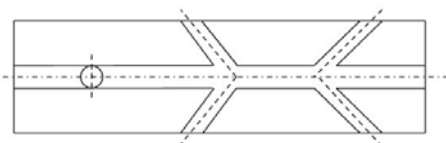
[13] Bielle guidée dans le piston

[13] Billea montata sul pistone

[13] Biela montada en el piston

									
BE/PL	1	47.950/47.965	51.600/51.619	21.800	1.812	0.020/0.070	AL-LF	01-3771	01-3771 STD 0.25 0.50
MB/HL 1-5	5	57.950/57.965	62.500/62.519	17.500	2.261	0.020/0.072	AL-LF	02-3585	H997/5 STD 0.25 0.50
TW/A	2	65.800	81.000		2.200		AL-LF	04-3586	A129/4 STD 0.10
TW/A	2	65.800	81.000		2.200		AL-LF	04-3587	
SE/PB	1	26.995/27.000	29.500/29.521	24.000			BC	55-3588	55-3588 SEMI
SE/PB	1	25.995/26.000	28.500/28.521	21.900			BC	55-3625	55-3625 SEMI

55-3625



...Continued

698	89.00	Diesel
EM720	 JJ498	 NA5131 45.00x67.00x8.00mm, PTFE NB974 93.00x114.00x13.00mm, FPM
	 JJ498	

699	89.00	Diesel				
OM 601.942	4 Cyl.	22:1	2299cc	58kW (79)PS	TD5398	269
OM 601.943	4 Cyl.	22:1	2299cc	58kW (79)PS	TD5400	269
SPRINTER 2-t (901, 902)	01/95→04/00	SPRINTER 3-t (903)	02/95→04/00	SPRINTER 4-t (904)	02/96→05/06	
VITO (638)	02/96→07/03					

 87-743100-10 [13] STD 87-743107-10 [13] 0.50mm 87-743120-10 [13] 0.70mm A 44.65 B- 8.25 C 1.25 C 1.50 D 74.65 26x62 AK RT	 08953	 08-743100-00 STD 08-743107-00 0.50mm 08-743120-00 0.70mm 2.50 CR P 2.00 P 3.00 CR P	 14-026380-00 D B 91.50 C 156.50 D 96.55 E 4.70 14-027210-00 D B 91.50 C 156.50 D 94.05 E 4.70 	
87-743120-20 [13] 0.70mm A 44.45 B- 8.25 C 1.50 C 1.25 D 74.45 26x62 AK RT	 08953	08-743100-00 STD 08-743107-00 0.50mm 08-743120-00 0.70mm 2.50 CR P 2.00 P 3.00 CR P		

[13] Conrod guided in Piston

[13] Bielle guidée dans le piston



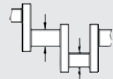
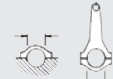





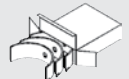
[13] Billea montata sul pistone

[13] Biela montada en el piston

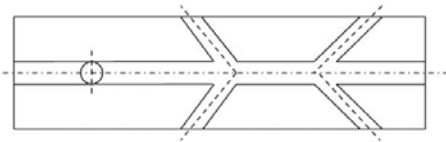
MERCEDES-BENZ/SMART


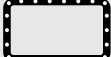
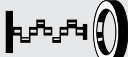
...Continued

699  **89.00** **Diesel**

									
BE/PL	1	47.950/47.965	51.600/51.619	21.800	1.812	0.020/0.070	AL-LF	01-3771	01-3771 STD 0.25 0.50
MB/HL 1-5	5	57.950/57.965	62.500/62.519	17.500	2.261	0.020/0.072	AL-LF	02-3585	H997/5 STD 0.25 0.50
TW/A	2	65.800	81.000		2.200		AL-LF	04-3586	A129/4 STD 0.10
TW/A	2	65.800	81.000		2.200		AL-LF	04-3587	
SE/PB	1	26.995/27.000	29.500/29.521	24.000			BC	55-3588	55-3588 SEMI
SE/PB	1	25.995/26.000	28.500/28.521	21.900			BC	55-3625	55-3625 SEMI


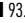

55-3625

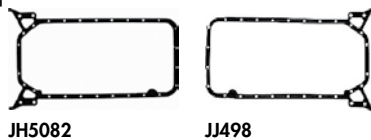


EM720

JH5082
Steel
JJ498

NA5131  45.00x67.00x8.00mm, PTFE
NB974  93.00x114.00x13.00mm, FPM
→Eng.710392
NA5074  93.00x133.50x15.50mm, PTFE
Eng.710393→



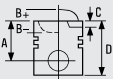
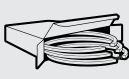

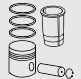
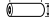
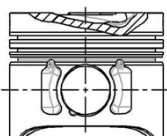




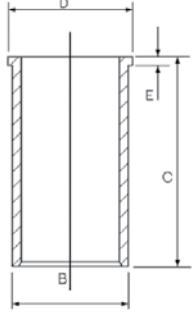
JH5082

JJ498

700  **89.00** **Diesel** 



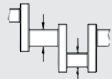
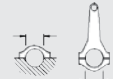





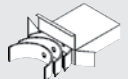
OM 601A.970 4 Cyl. 22:1 2299cc 72kW (98)PS Turbo Intercooled TD4674 270

V-CLASS (638/2) 09/96→07/03 VITO (638) 02/96→07/03

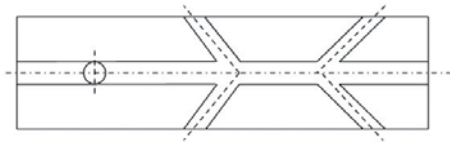
			
87-743100-40 87-743107-40	STD 0.50mm	08-743100-00 STD 08-743107-00 0.50mm 08-743120-00 0.70mm	14-026380-00 D B 91.50 C 156.50 D 96.55 E 4.70 14-027210-00 D B 91.50 C 156.50 D 94.05 E 4.70
A 44.65 B- 8.25 C 1.05 C 1.25 D 74.65  28x70 KK RT	  08981	2.50  CR P 2.00  P 3.00  CR P	



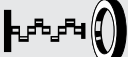
...Continued

700  **89.00** **Diesel**

										
BE/PL	1	47.950/47.965	51.600/51.619	21.800	1.812	0.020/0.070	SP	71-3645	71-3645 STD 0.25 0.50	[29]
MB/HL 1-5	5	57.950/57.965	62.500/62.519	17.500	2.261	0.020/0.072	AL-LF	02-3585	H997/5 STD 0.25 0.50	
TW/A	2	65.800	81.000		2.200		AL-LF	04-3586	A129/4 STD 0.10	
TW/A	2	65.800	81.000		2.200		AL-LF	04-3587		
SE/PB	1	26.995/27.000	29.500/29.521	24.000			BC	55-3588	55-3588 SEMI	
SE/PB	1	25.995/26.000	28.500/28.521	21.900			BC	55-3625	55-3625 SEMI	

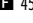
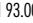

55-3625



EM720

JH5082
Steel
JJ498

NA5131  45.00x67.00x8.00mm, PTFE
NB974  93.00x114.00x13.00mm, FPM
→Eng.710392
NA5074  93.00x133.50x15.50mm, PTFE
Eng.710393→



JH5082

JJ498

701  **89.00** **Diesel** 

OM 661.911

4 Cyl.

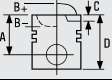
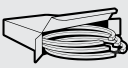
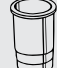

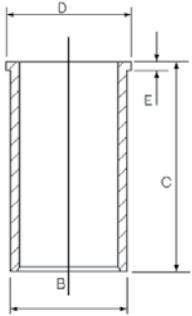
21:1

2299cc

57kW (77)PS

TD8942

271

			
		<p>14-026380-00 D B 91.50 C 156.50 D 96.55 E 4.70 14-027210-00 D B 91.50 C 156.50 D 94.05 E 4.70</p> 	

MERCEDES-BENZ/SMART

...Continued

701		89.00	Diesel							
BE/PL	1	47.950/47.965	51.600/51.619	21.800	1.812	0.020/0.070	AL-LF	01-3771	01-3771 STD 0.25 0.50	
MB/HL 1-5	5	57.950/57.965	62.500/62.519	17.500	2.261	0.020/0.072	AL-LF	02-3585	H997/5 STD 0.25 0.50	
TW/A	2	65.800	81.000		2.200		AL-LF	04-3586	A129/4 STD 0.10	
TW/A	2	65.800	81.000		2.200		AL-LF	04-3587		
SE/PB	1		30.500/30.521	21.900			BC-LF	55-3830	55-3830 SEMI	[32]

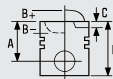
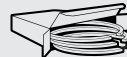
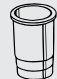
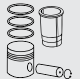
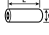
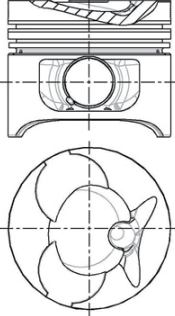



JJ499	JJ499	NB973 45.00x67.00x8.00mm, FPM NB974 93.00x114.00x13.00mm, FPM
JJ499		

702		89.00	Diesel			
OM 602.940	5 Cyl.	22:1	2874cc	70-72kW (9598)PS	TD2215	272
OM 602.946	5 Cyl.	21:1	2874cc	70kW (95)PS	TD17817	273
OM 602.947	5 Cyl.	21:1	2874cc	72kW (98)PS	TD17818	274
OM 602.991	5 Cyl.	21:1	2874cc	70kW (95)PS	TD17820	272
T1 (601)	10/88 → 02/96	T1 (602)	06/89 → 02/96	T1/TN	11/88 → 06/95	

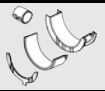

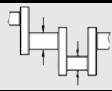
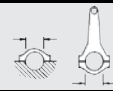





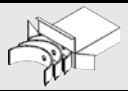
<p>87-743100-10 [13] STD</p> <p>87-743107-10 [13] 0.50mm</p> <p>87-743120-10 [13] 0.70mm</p> <p>A 44.65</p> <p>B- 8.25</p> <p>C 1.25</p> <p>C 1.50</p> <p>D 74.65</p> <p> 26x62</p> <p>AK RT</p>	<p>08-743100-00 STD</p> <p>08-743107-00 0.50mm</p> <p>08-743120-00 0.70mm</p> <p>2.50 CR P</p> <p>2.00 P</p> <p>3.00 CR P</p> <p></p> <p>08953</p>	<p>14-026380-00 D</p> <p>B 91.50 C 156.50 D 96.55 E 4.70</p> <p>14-027210-00 D</p> <p>B 91.50 C 156.50 D 94.05 E 4.70</p> <p></p> <p></p>	

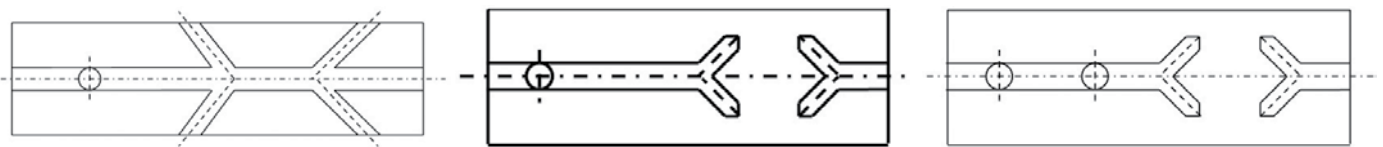
...Continued




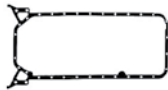


702  **89.00** **Diesel**

			
<p>87-743120-20 [13] 0.70mm</p> <p>A 44.45 B- 8.25 C 1.50 C 1.25 D 74.45  26x62</p> <p>AK RT</p>  <p>08953</p>	<p>08-743100-00 STD 08-743107-00 0.50mm 08-743120-00 0.70mm</p> <p>2.50  CR P 2.00  P 3.00  CR P</p>		

[13] Conrod guided in Piston [13] Bielle guidée dans le piston [13] Billea montata sul pistone [13] Biela montada en el piston

									
BE/PL	1	47.950/47.965	51.600/51.619	21.800	1.812	0.020/0.070	AL-LF	01-3771	01-3771 STD 0.25 0.50
MB/HL 1-6	6	57.950/57.965	62.500/62.519	17.500	2.261	0.020/0.072	AL-LF	02-3585	H997/6 STD 0.25 0.50
TW/A	2	65.800	81.000		2.200		AL-LF	04-3586	A129/4 STD 0.10
TW/A	2	65.800	81.000		2.200		AL-LF	04-3587	
SE/PB	1	25.995/26.000	28.500/28.521	21.900			BC	55-3625	55-3625 SEMI
SE/PB	1	27.995/28.000	30.500/30.525	21.900			BC	55-3635	55-3635 SEMI
SE/PB	1		30.500/30.521	21.900			BC-LF	55-3830	55-3830 SEMI
		55-3625			55-3635			55-3830	[32]



		
<p>EN720</p>	<p>JJ543</p>  <p>JJ543</p>	<p>NB973  45.00x67.00x8.00mm, FPM NB974  93.00x114.00x13.00mm, FPM</p>

MERCEDES-BENZ/SMART

703

89.00

Diesel



OM 602.942

5 Cyl.

22:1

2874cc

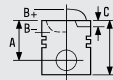
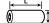
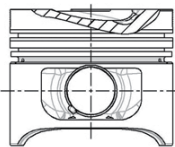
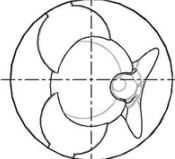




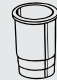
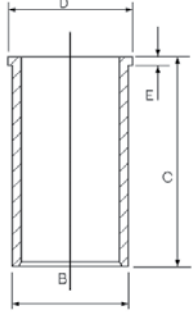

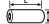
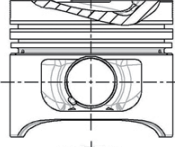
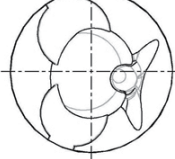



70-72kW (95-98)PS

TD2054

272

G-CLASS (W461)

04/92 →



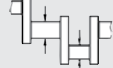







 <p>87-743100-10 [13] STD 87-743107-10 [13] 0.50mm 87-743120-10 [13] 0.70mm</p> <p>A 44.65 B- 8.25 C 1.25 C 1.50 D 74.65  26x62</p> <p>AK RT</p>   <p>08953</p>	 <p>08-743100-00 STD 08-743107-00 0.50mm 08-743120-00 0.70mm</p> <p>2.50  CR P 2.00  P 3.00  CR P</p>	 <p>14-026380-00 D B 91.50 C 156.50 D 96.55 E 4.70 14-027210-00 D B 91.50 C 156.50 D 94.05 E 4.70</p> 	
<p>87-743120-20 [13] 0.70mm</p> <p>A 44.45 B- 8.25 C 1.50 C 1.25 D 74.45  26x62</p> <p>AK RT</p>   <p>08953</p>	<p>08-743100-00 STD 08-743107-00 0.50mm 08-743120-00 0.70mm</p> <p>2.50  CR P 2.00  P 3.00  CR P</p>		

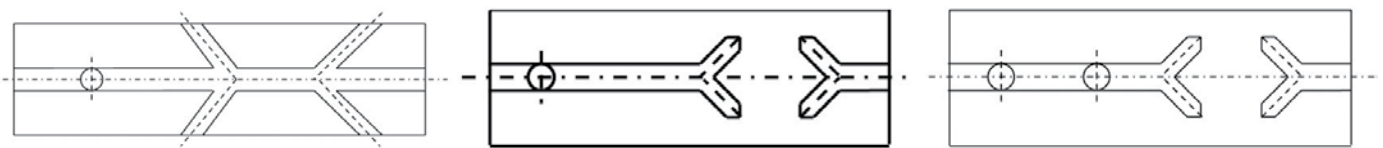
[13] Conrod guided in Piston

[13] Bielle guidée dans le piston

[13] Billea montata sul pistone

[13] Biela montada en el pistòn

									
BE/PL	1	47.950/47.965	51.600/51.619	21.800	1.812	0.020/0.070	AL-LF	01-3771	01-3771 STD 0.25 0.50
MB/HL 1-6	6	57.950/57.965	62.500/62.519	17.500	2.261	0.020/0.072	AL-LF	02-3585	H997/6 STD 0.25 0.50
TW/A	2	65.800	81.000		2.200		AL-LF	04-3586	A129/4 STD 0.10
TW/A	2	65.800	81.000		2.200		AL-LF	04-3587	
SE/PB	1	25.995/26.000	28.500/28.521	21.900			BC	55-3625	55-3625 SEMI
SE/PB	1	27.995/28.000	30.500/30.525	21.900			BC	55-3635	55-3635 SEMI
SE/PB	1		30.500/30.521	21.900			BC-LF	55-3830	55-3830 SEMI
		55-3625		55-3635				55-3830	[32]



...Continued

703	89.00	Diesel
EN720		
EN720	JJ543 	NA5131 45.00x67.00x8.00mm, PTFE NB974 93.00x114.00x13.00mm, FPM
	JJ543	




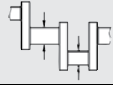
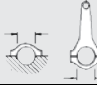





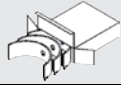
704	89.00	Diesel					
OM 602.980	5 Cyl.	22:1	2874cc	75-90kW (102-122)PS	Turbo Intercooled	TD8032	275
OM 602.982	5 Cyl.	22:1	2874cc	95kW (129)PS	Turbo Intercooled	TD4675	276
OM 602.983	5 Cyl.	22:1	2874cc	88kW (120)PS	Turbo Intercooled	TD12910	275
OM 602.984	5 Cyl.	19.5:1	2874cc	90kW (122)PS	Turbo Intercooled	TD5682	276
OM 602.985	5 Cyl.	19.5:1	2874cc	90kW (122)PS	Turbo Intercooled	TD6020	276

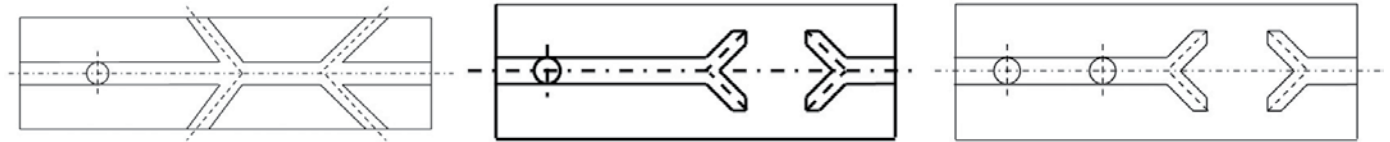
E-CLASS (S210)	06/96→07/99	E-CLASS (W210)	03/96→07/99	G-CLASS (W461)	07/97→
SPRINTER 2-t (901, 902)	02/95→04/00	SPRINTER 3-t (903)	02/95→08/02	SPRINTER 4-t (904)	02/96→05/06
VARIO	09/96→				



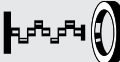

87-743100-00 87-743107-00	STD 0.50mm		
A 44.75 B- 16.74 BØ 42.00 C 0.60 C 0.30 D 74.75 28x70	08980C	08-743100-00 STD 08-743107-00 0.50mm 08-743120-00 0.70mm	14-026380-00 D B 91.50 C 156.50 D 96.55 E 4.70 14-027210-00 D B 91.50 C 156.50 D 94.05 E 4.70
KK RT			
87-743107-50	0.50mm	08-743100-00 STD 08-743107-00 0.50mm 08-743120-00 0.70mm	
A 44.55 B- 16.74 BØ 42.00 C 0.30 C 0.60 D 74.55 28x70	08980C		
KK RT			



MERCEDES-BENZ/SMART

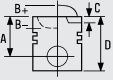






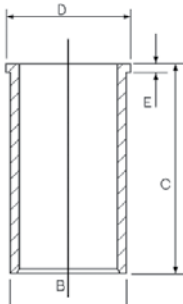
...Continued

704		 89.00	Diesel							
										
BE/PL	1	47.950/47.965	51.600/51.619	21.800	1.812	0.020/0.070	SP	71-3645	71-3645 STD 0.25 0.50	[29]
MB/HL 1-6	6	57.950/57.965	62.500/62.519	17.500	2.261	0.020/0.072	AL-LF	02-3585	H997/6 STD 0.25 0.50	
TW/A	2	65.800	81.000		2.200		AL-LF	04-3586	A129/4 STD 0.10	
TW/A	2	65.800	81.000		2.200		AL-LF	04-3587		
SE/PB	1	25.995/26.000	28.500/28.521	21.900			BC	55-3625	55-3625 SEMI	
SE/PB	1	27.995/28.000	30.500/30.525	21.900			BC	55-3635	55-3635 SEMI	
SE/PB	1		30.500/30.521	21.900			BC-LF	55-3830	55-3830 SEMI	[32]
55-3625			55-3635			55-3830				




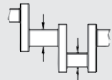
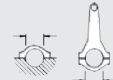





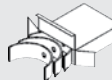


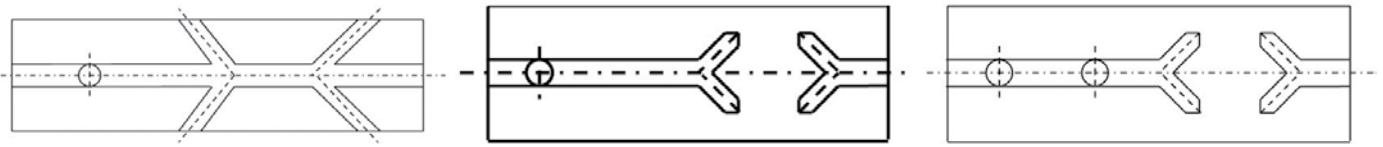
		
EN720	JJ543	NB973 45.00x67.00x8.00mm, FPM NB974 93.00x114.00x13.00mm, FPM
	 JJ543	




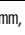

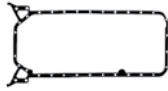
705		 89.00	Diesel					
OM 602.986	5 Cyl.	19.5:1	2874cc	75-90kW (102-122)PS	Turbocharged		TD9459 277	



			
	08-743100-00 STD 08-743107-00 0.50mm 08-743120-00 0.70mm 2.50  CR P 2.00  P 3.00  CR P	14-026380-00 D B 91.50 C 156.50 D 96.55 E 4.70 14-027210-00 D B 91.50 C 156.50 D 94.05 E 4.70	
			

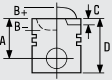

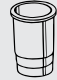

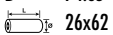
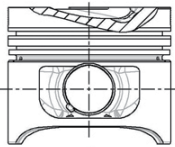
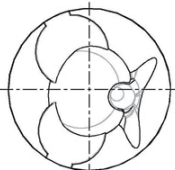
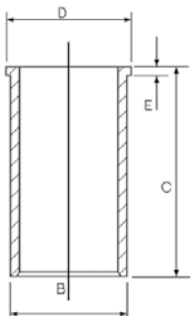

...Continued

705		 89.00	Diesel							
										
BE/PL	1	47.950/47.965	51.600/51.619	21.800	1.812	0.020/0.070	SP	71-3645	71-3645 STD 0.25 0.50	[29]
MB/HL 1-6	6	57.950/57.965	62.500/62.519	17.500	2.261	0.020/0.072	AL-LF	02-3585	H997/6 STD 0.25 0.50	
TW/A	2	65.800	81.000		2.200		AL-LF	04-3586	A129/4 STD 0.10	
TW/A	2	65.800	81.000		2.200		AL-LF	04-3587		
SE/PB	1	25.995/26.000	28.500/28.521	21.900			BC	55-3625	55-3625 SEMI	
SE/PB	1	27.995/28.000	30.500/30.525	21.900			BC	55-3635	55-3635 SEMI	
SE/PB	1		30.500/30.521	21.900			BC-LF	55-3830	55-3830 SEMI	[32]
		55-3625			55-3635			55-3830		



		
EN720	JJ543	NA5131  45.00x67.00x8.00mm, PTFE NA5074  93.00x133.50x15.50mm, PTFE
	 JJ543	

706		 89.00	Diesel				
OM 662.911	5 Cyl.	21:1	2874cc	70kW (95)PS			TD22700 278

			
87-743100-10 [13] STD 87-743107-10 [13] 0.50mm 87-743120-10 [13] 0.70mm A 44.65 B- 8.25 C 1.25 C 1.50 D 74.65  26x62 AK RT	  08953	14-026380-00 D B 91.50 C 156.50 D 96.55 E 4.70 14-027210-00 D B 91.50 C 156.50 D 94.05 E 4.70 	

MERCEDES-BENZ/SMART

...Continued

706



89.00

Diesel

<p>87-743120-20 [13] 0.70mm</p> <p>A 44.45 B- 8.25 C 1.50 C 1.25 D 74.45</p> <p> 26x62</p> <p>AK RT</p> <p>08953</p>			

[13] Conrod guidé in Piston

[13] Bielle guidée dans le piston

[13] Billea montata sul pistone

[13] Biela montada en el pistón

BE/PL	1	47.950/47.965	51.600/51.619	21.800	1.812	0.020/0.070	AL-LF	01-3771	01-3771 STD 0.25 0.50	
MB/HL 1-5	5	57.950/57.965	62.500/62.519	17.500	2.261	0.020/0.072	AL-LF	02-3585	H997/5 STD 0.25 0.50	
TW/A	2	65.800	81.000		2.200		AL-LF	04-3586	A129/4 STD 0.10	
TW/A	2	65.800	81.000		2.200		AL-LF	04-3587		
SE/PB	1		30.500/30.521	21.900			BC-LF	55-3830	55-3830 SEMI	[32]

<p> EN720</p>	<p>JJ543 =KJ779</p> <p>JJ543</p>	<p>NB973 45.00x67.00x8.00mm, FPM</p> <p>NB974 93.00x114.00x13.00mm, FPM</p>

707

 **89.00**

Diesel



OM 603A.970

6 Cyl.

22:1

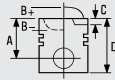
3449cc

100kW (136)PS

Turbocharged

TD2224

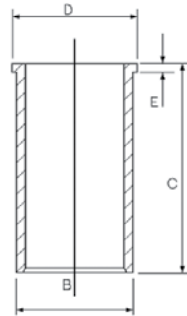
279



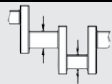
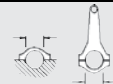





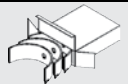


08-743100-00 STD
08-743107-00 0.50mm
08-743120-00 0.70mm

2.50  CR P
 2.00  P
 3.00  CR P

14-026380-00 D
B 91.50 C 156.50 D 96.55 E 4.70
14-027210-00 D
B 91.50 C 156.50 D 94.05 E 4.70

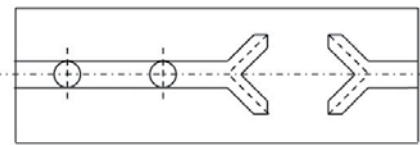
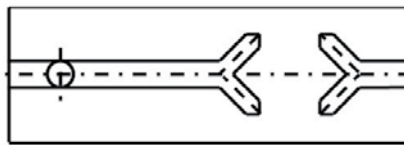
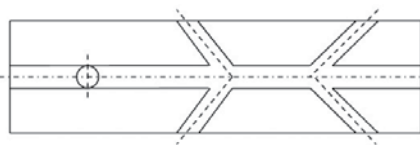


									
BE/PL	1	47.950/47.965	51.600/51.619	21.800	1.812	0.020/0.070	SP	71-3645	71-3645 STD 0.25 0.50 [29]
MB/HL 1-7	7	57.950/57.965	62.500/62.519	17.500	2.261	0.020/0.072	AL-LF	02-3585	H997/7 STD 0.25 0.50
TW/A	2	65.800	81.000		2.200		AL-LF	04-3586	A129/4 STD 0.10
TW/A	2	65.800	81.000		2.200		AL-LF	04-3587	
SE/PB	1	25.995/26.000	28.500/28.521	21.900			BC	55-3625	55-3625 SEMI
SE/PB	1	27.995/28.000	30.500/30.525	21.900			BC	55-3635	55-3635 SEMI
SE/PB	1		30.500/30.521	21.900			BC-LF	55-3830	55-3830 SEMI [32]



55-3625

55-3635

55-3830



JJ500

NB973  45.00x67.00x8.00mm, FPM
NB974  93.00x114.00x13.00mm, FPM



JJ500

MERCEDES-BENZ/SMART

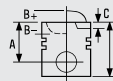
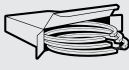

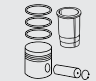
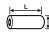
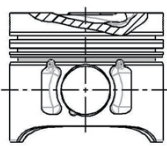




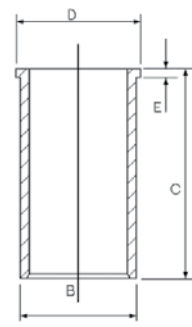
708



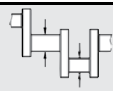
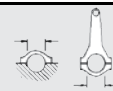







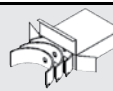
 **89.00**

Diesel



OM 603A.971	6 Cyl.	22:1	3449cc	110kW (150)PS	Turbocharged	TD2225	280
OM 603A.972	6 Cyl.	22:1	3449cc	100kW (136)PS	Turbocharged	TD2226	281
G-CLASS (W463)		09/91→		S-CLASS (W140)		01/93→10/98	

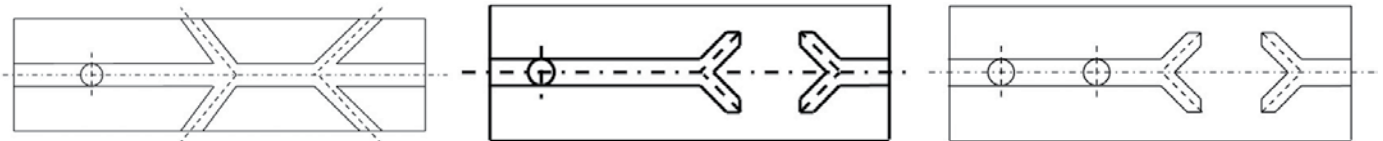
							
<p>87-743100-40</p> <p>87-743107-40</p> <p>STD</p> <p>0.50mm</p> <p>A 44.65</p> <p>B- 8.25</p> <p>C 1.05</p> <p>C 1.25</p> <p>D 74.65</p> <p> 28x70</p> <p>KK RT</p>	  <p>08981</p>	<p>08-743100-00 STD</p> <p>08-743107-00 0.50mm</p> <p>08-743120-00 0.70mm</p> <p>2.50  CR P</p> <p>2.00  P</p> <p>3.00  CR P</p>	<p>14-026380-00 D</p> <p>B 91.50 C 156.50 D 96.55 E 4.70</p> <p>14-027210-00 D</p> <p>B 91.50 C 156.50 D 94.05 E 4.70</p> 				




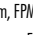
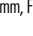
											
BE/PL	1	47.950/47.965	51.600/51.619	21.800	1.812	0.020/0.070	SP	71-3645	71-3645	[29]	
MB/HL	7	57.950/57.965	62.500/62.519	17.500	2.261	0.020/0.072	AL-LF	02-3585	STD 0.25 0.50		
TW/A	2	65.800	81.000		2.200		AL-LF	04-3586	H997/7		
TW/A	2	65.800	81.000		2.200		AL-LF	04-3587	STD 0.25 0.50		
SE/PB	1	25.995/26.000	28.500/28.521	21.900			BC	55-3625	A129/4		
SE/PB	1	27.995/28.000	30.500/30.525	21.900			BC	55-3635	STD 0.10		
SE/PB	1		30.500/30.521	21.900			BC-LF	55-3830	55-3625		
									SEMI		
									55-3635		
									SEMI		
									55-3830	[32]	
									SEMI		



55-3625

55-3635

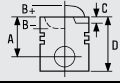
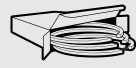
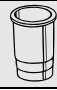
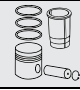



55-3830



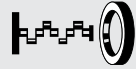




		
JJ500	JJ500	<p>NB973  45.00x67.00x8.00mm, FPM</p> <p>NB974  93.00x114.00x13.00mm, FPM</p>

709	 89.00	Petrol				
M 120.980	V12 Cyl.	10:1	5987cc	290-300kW (394-408)PS	TD2192	282
M 120.981	V12 Cyl.	10:1	5987cc	280-290kW (381-394)PS	TD2193	282
M 120.983	V12 Cyl.	10:1	5987cc	290kW (394)PS	TD11496	282

S-CLASS (C140)	09/92 → 02/99	S-CLASS (W140)	04/91 → 10/98	SL (R129)	07/92 → 10/01
-----------------------	---------------	-----------------------	---------------	------------------	---------------

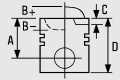
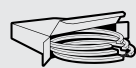
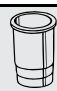




			
	08-287400-00 STD 1.50  NT [22] 2.00  CR P 3.00  CR P		

		
		NB973  45.00x67.00x8.00mm, FPM NB974  93.00x114.00x13.00mm, FPM

710	 89.90	Petrol	
------------	--	---------------	---

M 111.940	4 Cyl.	9.6:1	1998cc	100kW (136)PS		TD2132	284
M 111.941	4 Cyl.	10.4:1	1998cc	100kW (136)PS		TD2133	284
M 111.942	4 Cyl.		1998cc	100kW (136)PS		TD4660	285
M 111.943	4 Cyl.	8.5:1	1998cc	132-141kW (180-192)PS	Supercharged	TD4661	286
M 111.944	4 Cyl.	8.5:1	1998cc	132-141kW (180-192)PS	Supercharged	TD4662	287
M 111.945	4 Cyl.	10.4:1	1998cc	100kW (136)PS		TD5236	285
M 111.946	4 Cyl.	10.4:1	1998cc	100kW (136)PS		TD4663	285
M 111.947	4 Cyl.	8.5-10	1998cc	137kW (186)PS	Supercharged	TD9419	286
M 111.948	4 Cyl.	9.6:1	1998cc	95kW (129)PS		TD5399	288
M 111.951	4 Cyl.	10.6:1	1998cc	95kW (129)PS		TD17002	290
M 111.952	4 Cyl.	10.6:1	1998cc	95kW (129)PS		TD17003	290
M 111.955	4 Cyl.	9.5:1	1998cc	120kW (163)PS	Supercharged	TD14751	291
M 111.956	4 Cyl.	9.5:1	1998cc	120kW (163)PS	Supercharged	TD16488	292




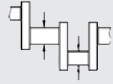
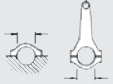






C-CLASS (CL203)	03/01 → 05/02	C-CLASS (S202)	06/96 → 03/01	C-CLASS (S203)	03/01 → 05/02
C-CLASS (W202)	01/94 → 05/00	C-CLASS (W203)	05/00 → 06/02	CLK (A208)	03/98 → 03/02
CLK (C208)	06/97 → 06/02	E-CLASS (A124)	06/93 → 03/98	E-CLASS (C124)	06/93 → 06/97
E-CLASS (S124)	06/93 → 06/96	E-CLASS (S210)	06/96 → 03/03	E-CLASS (W124)	10/92 → 06/95
E-CLASS (W210)	06/95 → 03/02	KOMBI (S124)	05/86 → 06/93	SLK (R170)	09/96 → 03/00
V-CLASS (638/2)	02/97 → 07/03	VITO (638)	02/96 → 07/03		


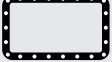
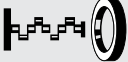



			
	08-287500-00 STD 08-287505-00 0.25mm 08-287507-00 0.50mm 1.50  NT [22] 1.75  P 3.00  CR P		


[22] Steel [22] Acier [22] Acciaio [22] Acero

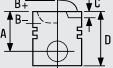
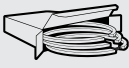





MERCEDES-BENZ/SMART

...Continued




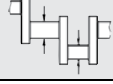
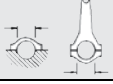




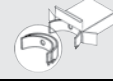
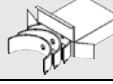
710		 89.90	Petrol						
									
BE/PL	4	47.950/47.965	51.600/51.619	21.800	1.814	0.020/0.064	EC	71-3817	71-3817/4 STD 0.25 0.50
MB/HL 1-5	5	57.950/57.965	62.500/62.519	17.500	2.261	0.020/0.072	AL-LF	02-3585	H997/5 STD 0.25 0.50
TW/A	2	65.800	81.000		2.200		AL-LF	04-3586	A129/4 STD 0.10
TW/A	2	65.800	81.000		2.200		AL-LF	04-3587	
SE/PB	1	21.995/22.000	24.500/24.521	21.900			BC	55-3603	55-3603 SEMI

		
EV810	JJ499	NB973  45.00x67.00x8.00mm, FPM NB974  93.00x114.00x13.00mm, FPM
		
	JJ499	

711		 89.90	Petrol						
M 111.950	4 Cyl.	9.6:1	1998cc	95kW (129)PS				TD22702	289
M 111.957	4 Cyl.	9.5:1	1998cc	120kW (163)PS	Supercharged			TD15456	291
M 111.958	4 Cyl.	9.5:1	1998cc	120kW (163)PS	Supercharged			TD14749	291
E-CLASS (S210)	08/00→03/03	E-CLASS (W210)	08/00→03/02	SLK (R170)	03/00→04/04				
V-CLASS (638/2)	02/97→07/03	VITO (638)	02/96→07/03						







			
	08-287500-00 STD 08-287505-00 0.25mm 08-287507-00 0.50mm 1.50  NT [22] 1.75  P 3.00  CR P		

[22] Steel [22] Acier [22] Acciaio [22] Acero

711		 89.90	Petrol						
									
BE/PL	4	47.950/47.965	51.600/51.619	21.800	1.814	0.020/0.064	EC	71-3817	71-3817/4 STD 0.25 0.50
MB/HL 1-5	5	57.950/57.965	62.500/62.519	17.500	2.261	0.020/0.072	AL-LF	02-3585	H997/5 STD 0.25 0.50
TW/A	2	65.800	81.000		2.200		AL-LF	04-3586	A129/4 STD 0.10
TW/A	2	65.800	81.000		2.200		AL-LF	04-3587	
SE/PB	1	21.995/22.000	24.500/24.521	21.900			BC	55-3603	55-3603 SEMI

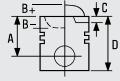
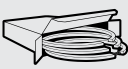
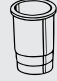

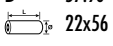
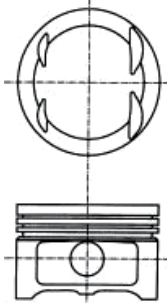
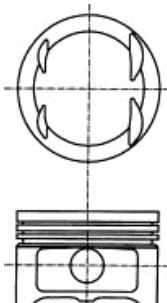






...Continued

711  **89.90** **Petrol**

		
EV810	JH5082 Steel 	NB973  45.00x67.00x8.00mm, FPM NB974  93.00x114.00x13.00mm, FPM

712  **89.90** **Petrol**

M 111.960	4 Cyl.	9.8:1	2199cc	110kW (150)PS	TD2134	293
M 111.961	4 Cyl.	9.8:1	2199cc	110kW (150)PS	TD2135	293
C-CLASS (W202)	03/93→05/00	COUPE (C124)	10/92→05/93	E-CLASS (A124)	06/93→03/98	
E-CLASS (C124)	06/93→06/97	E-CLASS (S124)	06/93→06/96	E-CLASS (W124)	10/92→06/95	
KOMBI (S124)	10/92→05/93					

			
87-287500-00 [20] STD	08-287500-00 STD 08-287505-00 0.25mm 08-287507-00 0.50mm	87-287500-40 [20] STD 87-287507-40 [20] 0.50mm	
A 32.90 B- 4.80 BØ 74.00 C 2.98 C 1.53 D 57.90  22x56	 09032	 09025-/09027	
	1.50  NT [22] 1.75  P 3.00  CR P		
	1.50  NT [22] 1.75  P 3.00  CR P		

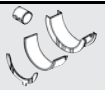

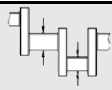
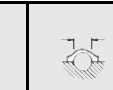
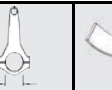


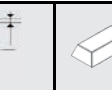
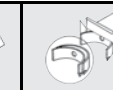

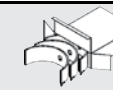
[20] Elastoval

[22] Steel

[22] Acier




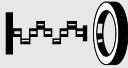




[22] Acciaio



[22] Acero



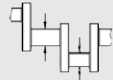










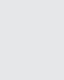

										
BE/PL	4	47.950/47.965	51.600/51.619	21.800	1.814	0.020/0.064	EC	71-3817	71-3817/4 STD 0.25 0.50	
MB/HL 1-5	5	57.950/57.965	62.500/62.519	17.500	2.261	0.020/0.072	AL-LF	02-3585	H997/5 STD 0.25 0.50	
TW/A	2	65.800	81.000		2.200		AL-LF	04-3586	A129/4 STD 0.10	
TW/A	2	65.800	81.000		2.200		AL-LF	04-3587		
SE/PB	1	21.995/22.000	24.500/24.521	21.900			BC	55-3603	55-3603 SEMI	



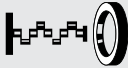


MERCEDES-BENZ/SMART



...Continued



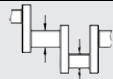










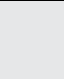

712	 89.90	Petrol	
			
 EV810		JJ499 	NB973  45.00x67.00x8.00mm, FPM NB974  93.00x114.00x13.00mm, FPM
		JJ499	



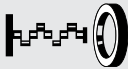


713	 89.90	Petrol					
M 112.912	V6 Cyl.	10.5:1	2398cc	125kW (170)PS		TD15450	294
M 112.913	V6 Cyl.	10:1	2398cc	125kW (170)PS		TD17155	295
M 112.914	V6 Cyl.	10.5:1	2398cc	125kW (170)PS		TD15458	295
C-CLASS (S203)	03/01→08/07	C-CLASS (W203)	05/00→02/07	CLK (A209)	02/03→03/10		
CLK (C209)	06/02→05/09	E-CLASS (S210)	08/00→03/03	E-CLASS (S211)	03/03→07/09		
E-CLASS (W210)	08/00→03/02	E-CLASS (W211)	03/02→12/08				



														
BE/PL	6	51.940/51.965	55.600/55.614	19.600	1.814	0.020/0.071	EC	71-3857	71-3857/6 STD					
MB/HL 1-4	4	63.940/63.965	68.500/68.519	19.000	2.263	0.020/0.078	AL-LF	02-3858	H069/4 STD					




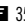


			
			NA5131  45.00x67.00x8.00mm, PTFE NA5168  93.00x114.00x11.50mm, PTFE



714	 89.90	Petrol					
M 112.915	V6 Cyl.	10.5:1	2597cc	125kW (170)PS		TD17004	295
M 112.916	V6 Cyl.	10.5:1	2597cc	125kW (170)PS		TD17533	296
M 112.917	V6 Cyl.	10.5:1	2597cc	130kW (177)PS		TD16893	295
M 112.951	V6 Cyl.	10:1	3199cc	140-160kW (190-218)PS		TD18435	295
M 112.953	V6 Cyl.	10:1	3199cc	160kW (218)PS		TD17535	295
M 112.954	V6 Cyl.	10:1	3199cc	165kW (224)PS		TD17331	295
M 112.955	V6 Cyl.	10:1	3199cc	160kW (218)PS		TD16885	295
M 113.948	V8 Cyl.	10:1	4266cc	205kW (279)PS		TD17188	305
C-CLASS (S202)	09/00→03/01	C-CLASS (S203)	07/02→08/07	C-CLASS (W203)	07/02→02/07		
CLK (A209)	02/03→03/10	CLK (C209)	06/02→05/09	E-CLASS (S211)	07/03→07/09		
E-CLASS (W211)	03/02→12/08	S-CLASS (W220)	09/02→08/05	VIANO (W639)	09/03→		
VITO (W639)	09/03→	VITO / MIXTO (W639)	09/03→				

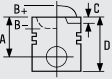
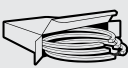


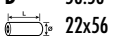



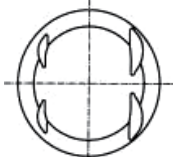
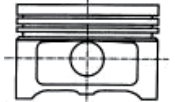
														
BE/PL	6	51.940/51.965	55.600/55.614	19.600	1.814	0.020/0.071	EC	71-3857	71-3857/6 STD					
MB/HL 1-4	4	63.940/63.965	68.500/68.519	19.000	2.263	0.020/0.078	AL-LF	02-3858	H069/4 STD					

			
		HR397	NA5131  45.00x67.00x8.00mm, PTFE NA5168  93.00x114.00x11.50mm, PTFE

715	 89.90	Petrol				
M 104.900	6 Cyl.	10.1:1	2792cc	128kW (174)PS	TD8023	297
V-CLASS (638/2) 08/97→07/03						

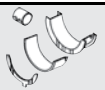

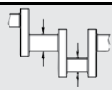
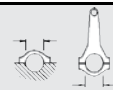





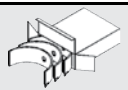
		
	JH5018	NB716  35.00x48.00x10.00mm, FPM NA5133  85.00x105.00x11.00mm, FPM
		
	JH5018	

716	 89.90	Petrol				
M 104.941	6 Cyl.	10:1	2799cc	142kW (193)PS	TD2106	298
M 104.942	6 Cyl.	10:1	2799cc	142-145kW (193-197)PS	TD2107	299
M 104.943	6 Cyl.	10:1	2799cc	142-150kW (193-204)PS	TD2108	298
M 104.944	6 Cyl.	10:1	2799cc	142-145kW (193-197)PS	TD2109	298
M 104.945	6 Cyl.	10:1	2799cc	142kW (193)PS	TD9423	298
C-CLASS (W202)	05/93→05/00	E-CLASS (S124)	06/93→06/96	E-CLASS (W124)	10/92→06/95	
E-CLASS (W210)	01/96→06/97	KOMBI (S124)	10/92→06/93	S-CLASS (W140)	01/93→10/98	
SL (R129)	08/93→10/01					

			
87-287500-20 STD 87-287507-20 [2] 0.50mm	08-287500-00 STD 08-287505-00 0.25mm 08-287507-00 0.50mm		
A 32.38 B- 2.54 BØ 59.00 C 1.20 D 58.58  22x56	1.50  NT [22] 1.75  P 3.00  CR P		
  09029			




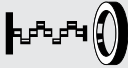



[2] A = 32.075, D = 58.075



[22] Steel [22] Acier [22] Acciaio [22] Acero

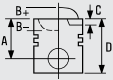






									
BE/PL	6	47.950/47.965	51.600/51.619	21.800	1.814	0.020/0.064	EC	71-3817	71-3817/6 STD 0.25 0.50
MB/HL 1-7	7	57.950/57.965	62.500/62.519	17.500	2.261	0.020/0.072	AL-LF	02-3585	H997/7 STD 0.25 0.50
TW/A	2	65.800	81.000		2.200		AL-LF	04-3586	A129/4 STD 0.10
TW/A	2	65.800	81.000		2.200		AL-LF	04-3587	
SE/PB	1	21.995/22.000	24.500/24.521	21.900			BC	55-3603	55-3603 SEMI



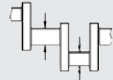
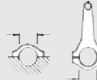





MERCEDES-BENZ/SMART



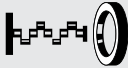


...Continued

716	 89.90	Petrol
		
	JJ500	NB973  45.00x67.00x8.00mm, FPM NB974  93.00x114.00x13.00mm, FPM
		
	JJ500	

717	 89.90	Petrol				
M 112.920	V6 Cyl.	10:1	2799cc	145-150kW (197-204)PS	TD9421	295
M 112.921	V6 Cyl.	10:1	2799cc	150kW (204)PS	TD9417	295
M 112.922	V6 Cyl.	10:1	2799cc	150kW (204)PS	TD11490	295
M 112.923	V6 Cyl.	10:1	2799cc	150kW (204)PS	TD10888	295
M 112.925	V6 Cyl.	10:1	2799cc	150kW (204)PS	TD15463	295
C-CLASS (S202)	06/97 → 03/01	C-CLASS (W202)	06/97 → 05/00	E-CLASS (S210)	12/96 → 03/03	
E-CLASS (W210)	12/96 → 03/02	S-CLASS (W220)	10/98 → 08/05	SL (R129)	05/98 → 10/01	

			
	08-119000-00 STD 08-119005-00 0.25mm 08-119007-00 0.50mm 1.50  NT [22] 1.75  P 3.00  CR [22]		
[22] Steel	[22] Acier	[22] Acciaio	[22] Acero

									
BE/PL	6	51.940/51.965	55.600/55.614	19.600	1.814	0.020/0.071	EC	71-3857	71-3857/6 STD
MB/HL 1-4	4	63.940/63.965	68.500/68.519	19.000	2.263	0.020/0.078	AL-LF	02-3858	H069/4 STD

		
		NA5131  45.00x67.00x8.00mm, PTFE NA5168  93.00x114.00x11.50mm, PTFE

718	89.90	Petrol				
M 104.990	6 Cyl.	10:1	3199cc	170kW (231)PS	TD2112	300
M 104.991	6 Cyl.	10:1	3199cc	170kW (231)PS	TD2113	298
M 104.992	6 Cyl.	10:1	3199cc	162kW (220)PS	TD2114	301
M 104.994	6 Cyl.	10:1	3199cc	170kW (231)PS	TD11250	302
M 104.995	6 Cyl.	10:1	3199cc	162kW (220)PS	TD4658	303
M 104.996	6 Cyl.	9.2:1	3199cc	155kW (211)PS	TD11251	298
COUPE (C124)	10/92→05/93	E-CLASS (A124)	06/93→03/98	E-CLASS (C124)	06/93→06/97	
E-CLASS (S124)	06/93→06/96	E-CLASS (W124)	10/92→06/95	E-CLASS (W210)	06/95→06/97	
G-CLASS (W463)	09/94→12/97	KOMBI (S124)	10/92→06/93	S-CLASS (W140)	03/91→10/98	
SL (R129)	09/93→10/01					

87-287500-10 STD 87-287505-10 0.25mm A 31.12 B- 3.25 BØ 70.00 C 2.60 D 56.12 22x55	09034 	08-287500-00 STD 08-287505-00 0.25mm 08-287507-00 0.50mm 1.50 NT [22] 1.75 P 3.00 CR P	
87-287500-30 [20] STD 87-287505-30 [20] 0.25mm 87-287507-30 [20] 0.50mm A 31.12 B- 2.60 BØ 74.00 C 1.30 C 1.80 D 56.10 22x56	09024 	08-287500-00 STD 08-287505-00 0.25mm 08-287507-00 0.50mm 1.50 NT [22] 1.75 P 3.00 CR P	

[20] Elastoval
 [22] Steel [22] Acier [22] Acciaio [22] Acero

BE/PL	6	47.950/47.965	51.600/51.619	21.800	1.814	0.020/0.064	EC	71-3817	71-3817/6 STD 0.25 0.50
MB/HL 1-7	7	57.950/57.965	62.500/62.519	17.500	2.261	0.020/0.072	AL-LF	02-3585	H997/7 STD 0.25 0.50
TW/A	2	65.800	81.000		2.200		AL-LF	04-3586	A129/4 STD 0.10
TW/A	2	65.800	81.000		2.200		AL-LF	04-3587	
SE/PB	1	21.995/22.000	24.500/24.521	21.900			BC	55-3603	55-3603 SEMI

JJ500	JJ500	NB973 45.00x67.00x8.00mm, FPM NB974 93.00x114.00x13.00mm, FPM
	JJ500	

MERCEDES-BENZ/SMART

719

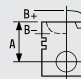
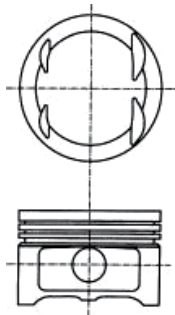
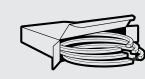





 **89.90**

Petrol



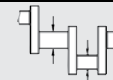













M 112.940	V6 Cyl.	10:1	3199cc	160-162kW (218-220)PS	TD9407	295
M 112.941	V6 Cyl.	10:1	3199cc	165kW (224)PS	TD9418	295
M 112.942	V6 Cyl.	10:1	3199cc	160kW (218)PS	TD9898	295
M 112.943	V6 Cyl.	10:1	3199cc	165kW (224)PS	TD11494	295
M 112.944	V6 Cyl.	10:1	3199cc	165kW (224)PS	TD11491	295
M 112.945	V6 Cyl.	10:1	3199cc	158kW (215)PS	TD9888	295
M 112.946	V6 Cyl.	10:1	3199cc	160kW (218)PS	TD15452	295
M 112.947	V6 Cyl.	10:1	3199cc	160kW (218)PS	TD14773	295
M 112.949	V6 Cyl.	10:1	3199cc	165kW (224)PS	TD16894	295

C-CLASS (CL203)	09/02→05/08	C-CLASS (S203)	03/01→08/07	C-CLASS (W203)	05/00→02/07
CLK (A208)	03/98→03/02	CLK (C208)	06/97→06/02	E-CLASS (S210)	12/96→03/03
E-CLASS (S211)	03/03→07/09	E-CLASS (W210)	06/97→03/02	E-CLASS (W211)	03/02→12/08
G-CLASS (W463)	07/97→	M-CLASS (W163)	02/98→08/02	S-CLASS (W220)	10/98→08/05
SL (R129)	05/98→10/01	SLK (R170)	03/00→04/04		

	 <p>09044</p>	 <p>08-119000-00 STD 08-119005-00 0.25mm 08-119007-00 0.50mm</p> <p>1.50  NT [22] 1.75  P 3.00  CR [22]</p>		
---	--	---	---	---

[22] Steel [22] Acier [22] Acciaio [22] Acero

									
BE/PL	6	51.940/51.965	55.600/55.614	19.600	1.814	0.020/0.071	EC	71-3857	71-3857/6 STD
MB/HL 1-4	4	63.940/63.965	68.500/68.519	19.000	2.263	0.020/0.078	AL-LF	02-3858	H069/4 STD

	 <p>HR397</p>	 <p>NA5131  45.00x67.00x8.00mm, PTFE NA5168  93.00x114.00x11.50mm, PTFE</p>
---	---	---

720	89.90	Petrol				
M 112.960	V6 Cyl.	10:1	3199cc	260kW (354)PS	TD15464	295
M 112.961	V6 Cyl.	9:1	3199cc	260kW (354)PS	TD15453	295
C-CLASS (CL203)	05/02→05/08	C-CLASS (S203)	03/01→08/07	C-CLASS (W203)	02/01→02/07	
SLK (R170)	03/01→04/04					

	HR397	NA5131 45.00x67.00x8.00mm, PTFE NA5168 93.00x114.00x11.50mm, PTFE

721	89.90	Petrol				
M 113.940	V8 Cyl.	9.8:1	4266cc	205kW (279)PS	TD9889	304
M 113.941	V8 Cyl.	9.8:1	4266cc	205kW (279)PS	TD11492	305
M 113.942	V8 Cyl.	9.8:1	4266cc	199kW (271)PS	TD10949	305
M 113.943	V8 Cyl.	9.8:1	4266cc	205kW (279)PS	TD10947	305
M 113.944	V8 Cyl.	9.8:1	4266cc	225kW (306)PS	TD11489	305
C-CLASS (S202)	08/97→03/01	C-CLASS (W202)	08/97→05/00	CLK (A208)	09/98→03/02	
CLK (C208)	07/98→06/02	E-CLASS (S210)	06/97→03/03	E-CLASS (W210)	06/97→03/02	
M-CLASS (W163)	02/98→06/05	S-CLASS (W220)	10/98→08/05			

87-119000-00	STD	08-119000-00 STD	
A 31.30		08-119005-00 0.25mm	
B- 2.42		08-119007-00 0.50mm	
BØ 65.82		1.50	NT [22]
C 1.82		1.75	P
D 53.30		3.00	CR [22]
	09044		
[22] Steel	[22] Acier	[22] Acciaio	[22] Acero

BE/PL	8	51.940/51.965	55.600/55.614	19.600	1.814	0.020/0.071	EC	71-3857	71-3857/8
MB/HL	5	63.940/63.965	68.500/68.519	19.000	2.263	0.020/0.078	AL-LF	02-3858	STD
1-5									H069/5
									STD

		NA5131 45.00x67.00x8.00mm, PTFE NA5168 93.00x114.00x11.50mm, PTFE

MERCEDES-BENZ/SMART

722



90.90

Petrol



M 111.970	4 Cyl.	10.4:1	2295cc	110kW (150)PS	TD4664	306
M 111.974	4 Cyl.	10.4:1	2295cc	110kW (150)PS	TD4666	308
M 111.984	4 Cyl.	8.8:1	2295cc	92-105kW (125-143)PS	TD17850	314

C-CLASS (S202)	06/96→06/98	C-CLASS (W202)	06/96→06/97	E-CLASS (S210)	06/96→06/97
E-CLASS (W210)	06/95→06/97	SPRINTER 2-t (901, 902)	02/95→05/06	SPRINTER 3-t (903)	02/95→05/06

<p>87-109100-00 STD 87-109107-00 [9] 0.50mm</p> <p>A 30.00 B+ 2.90 C 1.00 D 57.90 22x56</p> <p>09128</p>	<p>08-109100-00 STD 08-109107-00 0.50mm</p> <p>1.50 NT [22] 1.75 NT [22] 3.00 NT [22]</p>		
<p>87-109100-10 STD 87-109107-10 0.50mm 01/96→</p> <p>A 30.00 B- 1.10 BØ 70.00 C 0.85 D 55.00 22x56</p> <p>09130</p>	<p>08-109100-00 STD 08-109107-00 0.50mm</p> <p>1.50 NT [22] 1.75 NT [22] 3.00 NT [22]</p>		

[9] B+ = 1.700

[22] Steel

[22] Acier

[22] Acciaio

[22] Acero

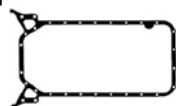
BE/PL	4	47.950/47.965	51.600/51.619	21.800	1.814	0.020/0.064	EC	71-3817	71-3817/4 STD 0.25 0.50
MB/HL 1-5	5	57.950/57.965	62.500/62.519	17.500	2.261	0.020/0.072	AL-LF	02-3585	H997/5 STD 0.25 0.50
TW/A	2	65.800	81.000		2.200		AL-LF	04-3586	A129/4 STD 0.10
TW/A	2	65.800	81.000		2.200		AL-LF	04-3587	
SE/PB	1	21.995/22.000	24.500/24.521	21.900			BC	55-3603	55-3603 SEMI

--	--	--

EV810

JJ499

NB973 45.00x67.00x8.00mm, FPM
NB974 93.00x114.00x13.00mm, FPM



JJ499

723	90.90	Petrol					
M 111.973	4 Cyl.	8.8:1	2295cc	142kW (193)PS	Supercharged	TD4665	307
M 111.975	4 Cyl.	8.8:1	2295cc	142kW (193)PS	Supercharged	TD4667	309
M 111.978	4 Cyl.	8.8:1	2295cc	105kW (143)PS		TD4668	310
C-CLASS (S202)	06/97→09/00	C-CLASS (W202)	10/95→05/00	CLK (A208)	03/98→06/00		
CLK (C208)	06/97→06/00	SLK (R170)	09/96→03/00	V-CLASS (638/2)	10/96→07/03		
VITO (638)	12/96→07/03						

87-109100-10 87-109107-10	STD 0.50mm	08-109100-00 08-109107-00	STD 0.50mm
A 30.00 B- 1.10 BØ 70.00 C 0.85 D 55.00 22x56		1.50 NT [22] 1.75 NT [22] 3.00 NT [22]	
09130			
[22] Steel	[22] Acier	[22] Acciaio	[22] Acero

BE/PL	4	47.950/47.965	51.600/51.619	21.800	1.814	0.020/0.064	EC	71-3817	71-3817/4 STD 0.25 0.50
MB/HL 1-5	5	57.950/57.965	62.500/62.519	17.500	2.261	0.020/0.072	AL-LF	02-3585	H997/5 STD 0.25 0.50
TW/A	2	65.800	81.000		2.200		AL-LF	04-3586	A129/4 STD 0.10
TW/A	2	65.800	81.000		2.200		AL-LF	04-3587	
SE/PB	1	21.995/22.000	24.500/24.521	21.900			BC	55-3603	55-3603 SEMI

EV810	JJ499	NB973 45.00x67.00x8.00mm, FPM NB974 93.00x114.00x13.00mm, FPM
	JJ499	

MERCEDES-BENZ/SMART

724

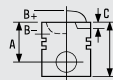


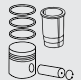
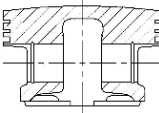
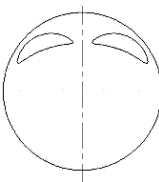



 **90.90**

Petrol



M 111.977	4 Cyl.	10.4:1	2295cc	110kW (150)PS	TD10948	306
M 111.980	4 Cyl.	8.8:1	2295cc	105kW (143)PS	TD22703	312

M-CLASS (W163) 02/98 → 06/05

			
87-109100-00 STD 87-109107-00 [9] 0.50mm   09128	08-109100-00 STD 08-109107-00 0.50mm 1.50  NT [22] 1.75  NT [22] 3.00  NT [22]		



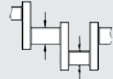
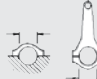





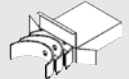
[9] B+ = 1.700







[22] Steel

[22] Acier

[22] Acciaio

[22] Acero

									
BE/PL	4	47.950/47.965	51.600/51.619	21.800	1.814	0.020/0.064	EC	71-3817	71-3817/4 STD 0.25 0.50
MB/HL 1-5	5	57.950/57.965	62.500/62.519	17.500	2.261	0.020/0.072	AL-LF	02-3585	H997/5 STD 0.25 0.50
TW/A	2	65.800	81.000		2.200		AL-LF	04-3586	A129/4 STD 0.10
TW/A	2	65.800	81.000		2.200		AL-LF	04-3587	
SE/PB	1	21.995/22.000	24.500/24.521	21.900			BC	55-3603	55-3603 SEMI

		
EV810	JJ499  JJ499	NB973  45.00x67.00x8.00mm, FPM NB974  93.00x114.00x13.00mm, FPM

725

90.90

Petrol



M 111.979 4 Cyl. 8.8:1 2295cc 105kW (143)PS TD5241 311

SPRINTER 2-t (901, 902) 02/95→05/06 SPRINTER 3-t (903) 02/95→05/06 SPRINTER 4-t (904) 02/96→05/06

87-109100-00 87-109107-00 [9]	STD 0.50mm	08-109100-00 08-109107-00	STD 0.50mm	87-109100-10 87-109107-10	STD 0.50mm	08-109100-00 08-109107-00	STD 0.50mm		
A 30.00 B+ 2.90 C 1.00 D 57.90 22x56		1.50 NT [22] 1.75 NT [22] 3.00 NT [22]		A 30.00 B- 1.10 BØ 70.00 C 0.85 D 55.00 22x56		1.50 NT [22] 1.75 NT [22] 3.00 NT [22]			
09128				09130					

[9] B+ = 1.700

[22] Steel [22] Acier [22] Acciaio [22] Acero

BE/PL	MB/HL 1-5	TW/A	TW/A	SE/PB	JB	JB	JB	JB	JB	JB
4	5	2	2	1	47.950/47.965	51.600/51.619	21.800	1.814	0.020/0.064	EC
					57.950/57.965	62.500/62.519	17.500	2.261	0.020/0.072	AL-LF
					65.800	81.000	2.200	2.200		AL-LF
					65.800	81.000	2.200	2.200		AL-LF
					21.995/22.000	24.500/24.521	21.900			BC
										71-3817
										71-3817/4 STD 0.25 0.50
										H997/5 STD 0.25 0.50
										A129/4 STD 0.10
										55-3603 SEMI

<p>EV810</p>	<p>JJ499</p> <p>JJ499</p>	<p>NB973 45.00x67.00x8.00mm, FPM</p> <p>NB974 93.00x114.00x13.00mm, FPM</p>
---------------------	---	---

MERCEDES-BENZ/SMART

726

90.90

Petrol



M 111.981	4 Cyl.	9:1	2295cc	145kW (197)PS		TD17177	313
M 111.982	4 Cyl.	9:1	2295cc	142kW (193)PS	Supercharged	TD16884	313
M 111.983	4 Cyl.	9:1	2295cc	145kW (197)PS	Supercharged	TD14750	313



C-CLASS (CL203)	03/01 → 05/02	CLK (A208)	06/00 → 03/02	CLK (C208)	06/00 → 06/02
SLK (R170)	03/00 → 04/04				

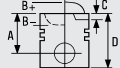
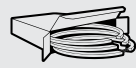
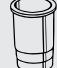
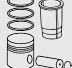



87-109100-10 87-109107-10 STD 0.50mm A 30.00 B- 1.10 BØ 70.00 C 0.85 D 55.00 22x56	08-109100-00 08-109107-00 STD 0.50mm 1.50 NT [22] 1.75 NT [22] 3.00 NT [22]		

[22] Steel [22] Acier [22] Acciaio [22] Acero



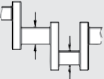
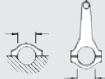






BE/PL	4	47.950/47.965	51.600/51.619	21.800	1.814	0.020/0.064	EC	71-3817	71-3817/4 STD 0.25 0.50
MB/HL 1-5	5	57.950/57.965	62.500/62.519	17.500	2.261	0.020/0.072	AL-LF	02-3585	H997/5 STD 0.25 0.50
TW/A	2	65.800	81.000		2.200		AL-LF	04-3586	A129/4 STD 0.10
TW/A	2	65.800	81.000		2.200		AL-LF	04-3587	
SE/PB	1	21.995/22.000	24.500/24.521	21.900			BC	55-3603	55-3603 SEMI








JJ499 	JJ499 	NB973 45.00x67.00x8.00mm, FPM NB974 93.00x114.00x13.00mm, FPM

727	 90.90	Petrol				
M 161.971	4 Cyl.	8.8:1	2295cc	105-110kW (143-150)PS	TD23184	315

			
	08-109100-00 STD 08-109107-00 0.50mm 1.50  NT [22] 1.75  NT [22] 3.00  NT [22]		

[22] Steel [22] Acier [22] Acciaio [22] Acero

									
BE/PL	4	47.950/47.965	51.600/51.619	21.800	1.814	0.020/0.064	EC	71-3817	71-3817/4 STD 0.25 0.50
MB/HL 1-5	5	57.950/57.965	62.500/62.519	17.500	2.261	0.020/0.072	AL-LF	02-3585	H997/5 STD 0.25 0.50
TW/A	2	65.800	81.000		2.200		AL-LF	04-3586	A129/4 STD 0.10
TW/A	2	65.800	81.000		2.200		AL-LF	04-3587	
SE/PB	1	21.995/22.000	24.500/24.521	21.900			BC	55-3603	55-3603 SEMI

		
 EV810	JJ499  JJ499	NB973  45.00x67.00x8.00mm, FPM NB974  93.00x114.00x13.00mm, FPM

MERCEDES-BENZ/SMART

728	90.90	Diesel				
OM 616.913	4 Cyl.	21:1	2398cc	53kW (72)PS	TD2247	316
OM 616.914	4 Cyl.	21:1	2399cc	53kW (72)PS	TD8040	316
OM 616.936	4 Cyl.	21:1	2399cc	53kW (72)PS	TD2251	316
OM 616.939	4 Cyl.	21:1	2399cc	53kW (72)PS	TD2253	316

G-CLASS (W460)	03/79→08/87	T1 (601)	06/82→01/90	T1 (602)	06/82→01/90
T1/TN	07/81→01/89	T2/LN1	04/86→04/89		

87-176700-00 STD 87-176708-00 0.60mm A 48.35 B- 8.75 C 1.15 D 79.65 26x74 RT	08-176700-00 STD 08-176707-00 0.50mm 08-176708-00 0.60mm 08-176711-00 1.00mm 08/78→ 3.00 MOL P 2.00 P 4.00 CR P	14-021350-00 D B 94.00 C 158.40 D 96.00 E 4.70 	

BE/PL	MB/HL 1,2,4,5	TW/A	SE/PB	BU	AL-LF	BC	01-3040	01-3040/4	01-3040/4
4	4	2	1	1	AL-LF	BC	02-1460	STD 0.25 0.50 0.75 1.00	STD 0.25 0.50 0.75 1.00
51.955/51.965	69.955/69.965	78.025	26.000	30.000	AL-LF	BC	02-3435	H951/5	STD 0.25 0.50 0.75 1.00
55.600/55.619	74.500/74.519	91.500	29.000/29.021	36.000/36.025	AL-LF	BC	04-3436	A113/4	STD 0.10 0.20
26.000	27.000	2.200	31.800	18.000	AL-LF	BC	04-3437	55-2532	SEMI
1.805	2.255	2.200	3.000		AL-LF	BC	55-2532	57-3049	STD
0.025/0.079	0.025/0.079	0.025/0.079			AL-LF	BC	57-3049		

EC790	JH683	NB975 45.00x74.50x12.00mm, FPM
		PA815 (x1) 78.00x94.00x8.00mm
	JH683	

729	90.90	Diesel				
OM 616.910	4 Cyl.	21:1	2399cc	48kW (65)PS	TD2245	316
OM 616.934	4 Cyl.	21:1	2399cc	48kW (65)PS	TD2250	316
T1 (601)	05/77→12/82	T2/L	01/75→12/88			

87-176700-00 STD 87-176708-00 0.60mm A 48.35 B- 8.75 C 1.15 D 79.65 26x74 RT		09105H/09113C 08-176700-00 STD 08-176707-00 0.50mm 08-176708-00 0.60mm 08-176711-00 1.00mm 08/78→ 3.00 MOL P 2.00 P 4.00 CR P 08-173800-00 STD 08-173805-00 0.25mm 08-173807-00 0.50mm 08-173811-00 1.00mm →07/78 3.00 MO P 2.00 P 4.00 CR P	14-021350-00 D B 94.00 C 158.40 D 96.00 E 4.70

BE/PL	4	51.955/51.965	55.600/55.619	26.000	1.805	0.025/0.079	AL-LF	01-3040	01-3040/4 STD 0.25 0.50 0.75 1.00
MB/HL 1,2,4,5	4	69.955/69.965	74.500/74.519	27.000	2.255	0.025/0.079	AL-LF	02-1460	H914/5 STD 0.25 0.50 0.75 1.00
MB/HL 3	1	69.955/69.965	74.500/74.519	33.900	2.255	0.025/0.079	AL-LF	02-2774H	
→12/78									
02-2774H	STD	34,000/1.3386" - 34,025/1.3396"							
MB/HL 1,2,4,5	4	69.955/69.965	74.500/74.519	27.000	2.255	0.025/0.079	AL-LF	02-1460	H951/5 STD 0.25 0.50 0.75 1.00
MB/HL 3	1	69.955/69.965	74.500/74.519	27.000	2.255	0.025/0.079	AL-LF	02-3435	
01/79→									
TW/A	2	78.025	91.500		2.200		AL-LF	04-3436	A113/4 STD 0.10 0.20
TW/A	2	78.025	91.500		2.200		AL-LF	04-3437	
01/79→									
SE/PB	1	26.000	29.000/29.021	31.800			BC	55-2532	55-2532 SEMI
BU	1	30.000	36.000/36.025	18.000	3.000		BC	57-3049	57-3049 STD

--	--	--

EC790

JH683

NB975 45.00x74.50x12.00mm, FPM
PA815 (x1) 78.00x94.00x8.00mm



JH683

MERCEDES-BENZ/SMART

730

 **90.90**

Diesel



OM 616.930

4 Cyl.

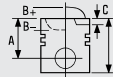
21:1

2399cc

44kW (60)PS

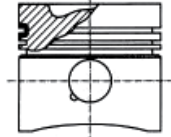
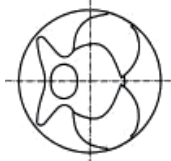
TD5677

317

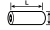


87-176700-00
87-176708-00

STD
0.60mm

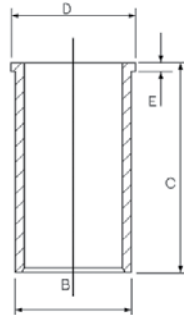




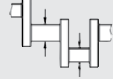
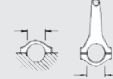






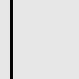

09105H/09113C

A 48.35
B- 8.75
C 1.15
D 79.65
 26x74

RT



14-021350-00 D
B 94.00 C 158.40 D 96.00 E 4.70



											
BE/PL	4	51.955/51.965	55.600/55.619	26.000	1.805	0.025/0.079	AL-LF	01-3040	01-3040/4 STD 0.25 0.50 0.75 1.00		
MB/HL 1,2,4,5	4	69.955/69.965	74.500/74.519	27.000	2.255	0.025/0.079	AL-LF	02-1460	H914/5 STD 0.25 0.50 0.75 1.00		
MB/HL 3	1	69.955/69.965	74.500/74.519	33.900	2.255	0.025/0.079	AL-LF	02-2774H			
→12/78											
02-2774H	STD	34,000/1.3386" - 34,025/1.3396"									
MB/HL 1,2,4,5	4	69.955/69.965	74.500/74.519	27.000	2.255	0.025/0.079	AL-LF	02-1460	H951/5 STD 0.25 0.50 0.75 1.00		
MB/HL 3	1	69.955/69.965	74.500/74.519	27.000	2.255	0.025/0.079	AL-LF	02-3435			
01/79 →											
TW/A	2	78.025	91.500		2.200		AL-LF	04-3436	A113/4 STD 0.10 0.20		
TW/A	2	78.025	91.500		2.200		AL-LF	04-3437			
01/79 →											
SE/PB	1	26.000	29.000/29.021	31.800			BC	55-2532	55-2532 SEMI		
BU	1	30.000	36.000/36.025	18.000	3.000		BC	57-3049	57-3049 STD		





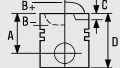
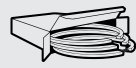
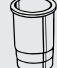
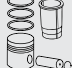



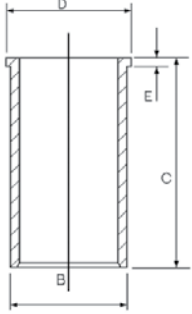



JH683



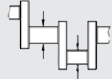
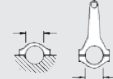






NB975  45.00x74.50x12.00mm, FPM
PA815  78.00x94.00x8.00mm









JH683

731	 90.90	Diesel	
OM 616.933	4 Cyl.	21:1	2399cc
			44kW (60)PS
			TD16998 318

			
	<p>08-173800-00 STD</p> <p>08-173805-00 0.25mm</p> <p>08-173807-00 0.50mm</p> <p>08-173811-00 1.00mm</p> <p>→07/78</p> <p>3.00  MO P</p> <p>2.00  P</p> <p>4.00  CR P</p>	<p>14-021350-00 D</p> <p>B 94.00 C 158.40 D 96.00 E 4.70</p> 	
	<p>08-176700-00 STD</p> <p>08-176707-00 0.50mm</p> <p>08-176708-00 0.60mm</p> <p>08-176711-00 1.00mm</p> <p>08/78 →</p> <p>3.00  MOL P</p> <p>2.00  P</p> <p>4.00  CR P</p>		

									
BE/PL	4	51.955/51.965	55.600/55.619	26.000	1.805	0.025/0.079	AL-LF	01-3040	01-3040/4 STD 0.25 0.50 0.75 1.00
MB/HL 1,2,4,5	4	69.955/69.965	74.500/74.519	27.000	2.255	0.025/0.079	AL-LF	02-1460	H914/5 STD 0.25 0.50 0.75 1.00
MB/HL 3	1	69.955/69.965	74.500/74.519	33.900	2.255	0.025/0.079	AL-LF	02-2774H	
→12/78									
	02-2774H	STD	34,000/1.3386" - 34,025/1.3396"						
MB/HL 1,2,4,5	4	69.955/69.965	74.500/74.519	27.000	2.255	0.025/0.079	AL-LF	02-1460	H951/5 STD 0.25 0.50 0.75 1.00
MB/HL 3	1	69.955/69.965	74.500/74.519	27.000	2.255	0.025/0.079	AL-LF	02-3435	
01/79 →									
TW/A	2	78.025	91.500		2.200		AL-LF	04-3436	A113/4 STD 0.10 0.20
TW/A	2	78.025	91.500		2.200		AL-LF	04-3437	
01/79 →									
SE/PB	1	26.000	29.000/29.021	31.800			BC	55-2532	55-2532 SEMI
BU	1	30.000	36.000/36.025	18.000	3.000		BC	57-3049	57-3049 STD

		
EC797	JH683	NB975  45.00x74.50x12.00mm, FPM PA815  (x1) 78.00x94.00x8.00mm
	 JH683	

MERCEDES-BENZ/SMART

732

 **90.90**

Diesel



OM 616.937

4 Cyl.

21:1

2399cc

53kW (72)PS

TD2252

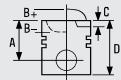
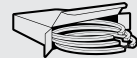
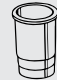

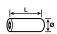
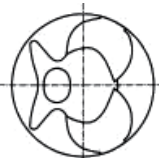
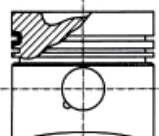



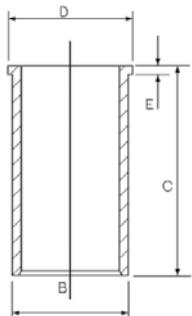
316



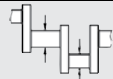
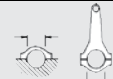






T1 (601)





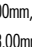
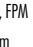
12/77→01/90



T1 (602)

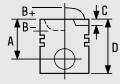
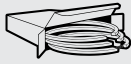
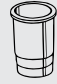




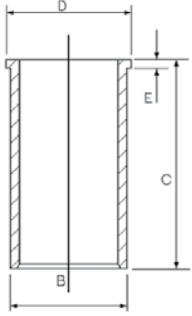
04/77→01/90



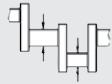






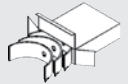
							
<p>87-176700-00 STD 87-176708-00 0.60mm</p> <p>A 48.35 B- 8.75 C 1.15 D 79.65  26x74</p> <p>RT</p>	  <p>09105H/09113C</p>		<p>08-176700-00 STD 08-176707-00 0.50mm 08-176708-00 0.60mm 08-176711-00 1.00mm 08/78→</p> <p>3.00  MOL P 2.00  P 4.00  CR P</p>	<p>14-021350-00 D B 94.00 C 158.40 D 96.00 E 4.70</p> 			




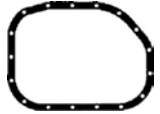

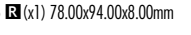
									
BE/PL	4	51.955/51.965	55.600/55.619	26.000	1.805	0.025/0.079	AL-LF	01-3040	01-3040/4 STD 0.25 0.50 0.75 1.00
MB/HL 1,2,4,5	4	69.955/69.965	74.500/74.519	27.000	2.255	0.025/0.079	AL-LF	02-1460	H914/5 STD 0.25 0.50 0.75 1.00
MB/HL 3	1	69.955/69.965	74.500/74.519	33.900	2.255	0.025/0.079	AL-LF	02-2774H	
→12/78									
02-2774H	STD	34,000/1.3386" - 34,025/1.3396"							
MB/HL 1,2,4,5	4	69.955/69.965	74.500/74.519	27.000	2.255	0.025/0.079	AL-LF	02-1460	H951/5 STD 0.25 0.50 0.75 1.00
MB/HL 3	1	69.955/69.965	74.500/74.519	27.000	2.255	0.025/0.079	AL-LF	02-3435	
01/79→									
TW/A	2	78.025	91.500		2.200		AL-LF	04-3436	A113/4 STD 0.10 0.20
TW/A	2	78.025	91.500		2.200		AL-LF	04-3437	
01/79→									
SE/PB	1	26.000	29.000/29.021	31.800			BC	55-2532	55-2532 SEMI
BU	1	30.000	36.000/36.025	18.000	3.000		BC	57-3049	57-3049 STD

		
EC790	JH683  JH683	NB975  45.00x74.50x12.00mm, FPM PA815  (x1) 78.00x94.00x8.00mm

733	 90.90	Diesel				
OM 616.938	4 Cyl.	21:1	2399cc	53kW (72)PS	TD17733	316
OM 616.940	4 Cyl.	21:1	2399cc	53kW (72)PS	TD22836	316

			
	08-176700-00 STD 08-176707-00 0.50mm 08-176708-00 0.60mm 08-176711-00 1.00mm 08/78 → 3.00  MOL P 2.00  P 4.00  CR P	14-021350-00 D B 94.00 C 158.40 D 96.00 E 4.70 	

									
BE/PL	4	51.955/51.965	55.600/55.619	26.000	1.805	0.025/0.079	AL-LF	01-3040	01-3040/4 STD 0.25 0.50 0.75 1.00
MB/HL 1,2,4,5	4	69.955/69.965	74.500/74.519	27.000	2.255	0.025/0.079	AL-LF	02-1460	H914/5 STD 0.25 0.50 0.75 1.00
MB/HL 3	1	69.955/69.965	74.500/74.519	33.900	2.255	0.025/0.079	AL-LF	02-2774H	
→12/78									
	02-2774H	STD	34,000/1.3386" - 34,025/1.3396"						
MB/HL 1,2,4,5	4	69.955/69.965	74.500/74.519	27.000	2.255	0.025/0.079	AL-LF	02-1460	H951/5 STD 0.25 0.50 0.75 1.00
MB/HL 3	1	69.955/69.965	74.500/74.519	27.000	2.255	0.025/0.079	AL-LF	02-3435	
01/79 →									
TW/A	2	78.025	91.500		2.200		AL-LF	04-3436	A113/4 STD 0.10 0.20
TW/A	2	78.025	91.500		2.200		AL-LF	04-3437	
01/79 →									
SE/PB	1	26.000	29.000/29.021	31.800			BC	55-2532	55-2532 SEMI
BU	1	30.000	36.000/36.025	18.000	3.000		BC	57-3049	57-3049 STD

		
EC790	JH683  JH683	NB975  45.00x74.50x12.00mm, FPM PA815  (x1) 78.00x94.00x8.00mm

MERCEDES-BENZ/SMART

734

 **90.90**

Diesel



OM 616.963

4 Cyl.

21:1

2399cc

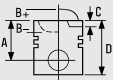

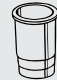
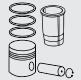
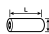
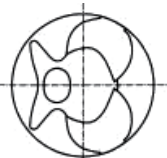
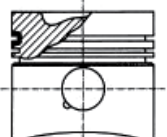
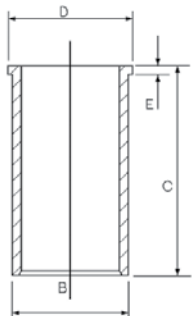
53-56kW (72-76)PS

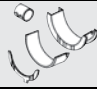

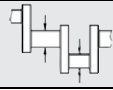
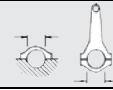




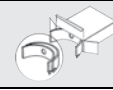
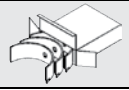
TD2257






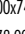
319



100 (631)

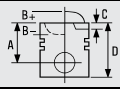
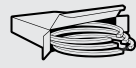
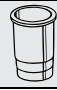

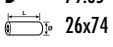
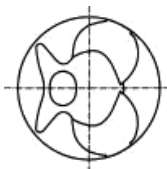
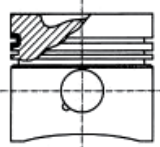



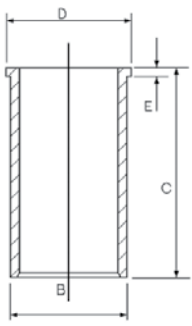
02/88 → 02/96

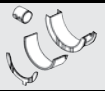

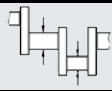




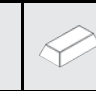
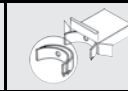

			
<p>87-176700-00 87-176708-00</p> <p>STD 0.60mm</p> <p>A 48.35 B- 8.75 C 1.15 D 79.65  26x74</p> <p>RT</p> <p>  09105H/09113C</p>		<p>14-021350-00 D B 94.00 C 158.40 D 96.00 E 4.70</p> 	





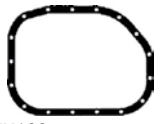

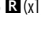
									
BE/PL	4	51.955/51.965	55.600/55.619	26.000	1.805	0.025/0.079	AL-LF	01-3040	01-3040/4 STD 0.25 0.50 0.75 1.00
MB/HL 1,2,4,5	4	69.955/69.965	74.500/74.519	27.000	2.255	0.025/0.079	AL-LF	02-1460	H951/5 STD 0.25 0.50 0.75 1.00
MB/HL 3	1	69.955/69.965	74.500/74.519	27.000	2.255	0.025/0.079	AL-LF	02-3435	
TW/A	2	78.025	91.500		2.200		AL-LF	04-3436	A113/4 STD 0.10 0.20
TW/A	2	78.025	91.500		2.200		AL-LF	04-3437	
SE/PB	1	26.000	29.000/29.021	31.800			BC	55-2532	55-2532 SEMI
BU	1	30.000	36.000/36.025	18.000	3.000		BC	57-3049	57-3049 STD

		
<p>EC797</p>	<p>JH683</p>  <p>JH683</p>	<p>NB975  45.00x74.50x12.00mm, FPM</p> <p>PA815  (x1) 78.00x94.00x8.00mm</p>

735	 90.90	Diesel				
OM 617.913	5 Cyl.	21:1	2998cc	65kW (88)PS	TD2261	320
OM 617.931	5 Cyl.	21:1	3005cc	65kW (88)PS	TD2262	320
G-CLASS (W460)	12/79→12/91	T1 (601)	12/82→01/90	T1 (602)	10/82→01/90	
T1/TN	04/82→01/89					

			
87-176700-00 STD 87-176708-00 0.60mm A 48.35 B- 8.75 C 1.15 D 79.65  26x74 RT	  09105H/09113C	08-176700-00 STD 08-176707-00 0.50mm 08-176708-00 0.60mm 08-176711-00 1.00mm 08/78→ 3.00  MOL P 2.00  P 4.00  CR P	14-021350-00 D B 94.00 C 158.40 D 96.00 E 4.70 

									
BE/PL	5	51.955/51.965	55.600/55.619	26.000	1.805	0.025/0.079	AL-LF	01-3040	01-3040/5 STD 0.25 0.50 0.75 1.00
MB/HL 1,2, 4-6	5	69.955/69.965	74.500/74.519	27.000	2.255	0.025/0.079	AL-LF	02-1460	H951/6 STD 0.50
MB/HL 3	1	69.955/69.965	74.500/74.519	27.000	2.255	0.025/0.079	AL-LF	02-3435	
TW/A	2	78.025	91.500		2.200		AL-LF	04-3436	A113/4 STD 0.10 0.20
TW/A	2	78.025	91.500		2.200		AL-LF	04-3437	
SE/PB	1	26.000	29.000/29.021	31.800			BC	55-2532	55-2532 SEMI
BU	1	30.000	36.000/36.025	18.000	3.000		BC	57-3049	57-3049 STD

		
 EC791	JH683  JH683	NB975  45.00x74.50x12.00mm, FPM PA815  (x1) 78.00x94.00x8.00mm

MERCEDES-BENZ/SMART

736

 **90.90**

Diesel



OM 617.932

5 Cyl.

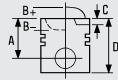
21:1

2998cc

65kW (88)PS

TD17743

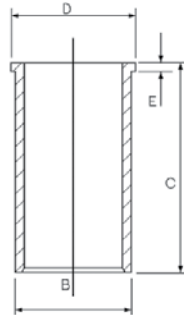
321



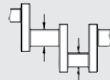
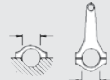





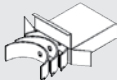


08-176700-00 STD
08-176707-00 0.50mm
08-176708-00 0.60mm
08-176711-00 1.00mm
 08/78 →

3.00  MOL P
 2.00  P
 4.00  CR P

14-021350-00 D
B 94.00 C 158.40 D 96.00 E 4.70



									
BE/PL	5	51.955/51.965	55.600/55.619	26.000	1.805	0.025/0.079	AL-LF	01-3040	01-3040/5 STD 0.25 0.50 0.75 1.00
MB/HL 1,2, 4-6	5	69.955/69.965	74.500/74.519	27.000	2.255	0.025/0.079	AL-LF	02-1460	H914/6 STD 0.25 0.50
MB/HL 3	1	69.955/69.965	74.500/74.519	33.900	2.255	0.025/0.079	AL-LF	02-2774H	
→12/78									
	02-2774H	STD	34,000/1.3386" - 34,025/1.3396"						
MB/HL 1,2, 4-6	5	69.955/69.965	74.500/74.519	27.000	2.255	0.025/0.079	AL-LF	02-1460	H951/6 STD 0.50
MB/HL 3	1	69.955/69.965	74.500/74.519	27.000	2.255	0.025/0.079	AL-LF	02-3435	
01/79 →									
TW/A	2	78.025	91.500		2.200		AL-LF	04-3436	A113/4 STD 0.10 0.20
TW/A	2	78.025	91.500		2.200		AL-LF	04-3437	
01/79 →									
SE/PB	1	26.000	29.000/29.021	31.800			BC	55-2532	55-2532 SEMI
BU	1	30.000	36.000/36.025	18.000	3.000		BC	57-3049	57-3049 STD



EC791


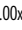


JH683



JH683



NB975  45.00x74.50x12.00mm, FPM
PA815  (x1) 78.00x94.00x8.00mm

737

90.90

Diesel



OM 617.933

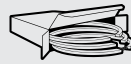
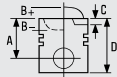
5 Cyl.

21:1

2998cc

65kW (88)PS

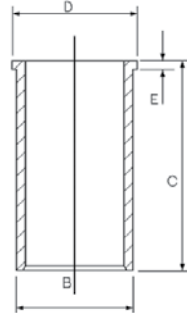
TD26550



08-176700-00 STD
08-176707-00 0.50mm
08-176708-00 0.60mm
08-176711-00 1.00mm
 08/78 →

3.00 MOL P
 2.00 P
 4.00 CR P

14-021350-00 D
B 94.00 C 158.40 D 96.00 E 4.70



BE/PL	5	51.955/51.965	55.600/55.619	26.000	1.805	0.025/0.079	AL-LF	01-3040	01-3040/5 STD 0.25 0.50 0.75 1.00
MB/HL 1,2, 4-6	5	69.955/69.965	74.500/74.519	27.000	2.255	0.025/0.079	AL-LF	02-1460	H951/6 STD 0.50
MB/HL 3	1	69.955/69.965	74.500/74.519	27.000	2.255	0.025/0.079	AL-LF	02-3435	
TW/A	2	78.025	91.500		2.200		AL-LF	04-3436	A113/4 STD 0.10
TW/A	2	78.025	91.500		2.200		AL-LF	04-3437	
SE/PB	1	26.000	29.000/29.021	31.800			BC	55-2532	55-2532 SEMI
BU	1	30.000	36.000/36.025	18.000	3.000		BC	57-3049	57-3049 STD



EC791

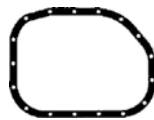


JH683



NB975 45.00x74.50x12.00mm, FPM

PA815 78.00x94.00x8.00mm



JH683

MERCEDES-BENZ/SMART

738

 **90.90**

Diesel



OM 617.950	5 Cyl.	21.5:1	2998cc	85-92kW (116-125)PS	Turbocharged	TD2263	322
OM 617.951	5 Cyl.	21.5:1	2998cc	92kW (125)PS	Turbocharged	TD2264	322

	<p>08-176700-00 STD 08-176707-00 0.50mm 08-176708-00 0.60mm 08-176711-00 1.00mm 08/78 →</p>	<p>14-021350-00 D B 94.00 C 158.40 D 96.00 E 4.70</p>	
	<p>3.00 MOL P 2.00 P 4.00 CR P</p>		

BE/PL	5	51.955/51.965	55.600/55.619	26.000	1.805	0.025/0.079	EC	71-3227	71-3227/5 STD
MB/HL 1,2, 4-6	5	69.955/69.965	74.500/74.519	27.000	2.255	0.025/0.079	AL-LF	02-1460	H951/6 STD 0.50
MB/HL 3	1	69.955/69.965	74.500/74.519	27.000	2.255	0.025/0.079	AL-LF	02-3435	
TW/A	2	78.025	91.500		2.200		AL-LF	04-3436	A113/4 STD 0.10 0.20
TW/A	2	78.025	91.500		2.200		AL-LF	04-3437	
SE/PB	1	28.000	31.000/31.025	27.900			BC	55-3523	55-3523 SEMI
BU	1	30.000	36.000/36.025	18.000	3.000		BC	57-3049	57-3049 STD

		<p>NB975 45.00x74.50x12.00mm, FPM PA815 (x1) 78.00x94.00x8.00mm</p>

739

90.90

Diesel



OM 617.952 5 Cyl. 21:1 3005cc 92kW (125)PS Turbocharged TD2265 320

COUPE (C123) 09/81→07/85 KOMBI (S123) 10/80→11/85 STUFENHECK (W123) 08/81→07/85

	<p>08-176700-00 STD 08-176707-00 0.50mm 08-176708-00 0.60mm 08-176711-00 1.00mm 08/78 →</p> <p>3.00 MOL P 2.00 P 4.00 CR P</p>	<p>14-021350-00 D B 94.00 C 158.40 D 96.00 E 4.70</p>	

BE/PL	5	51.955/51.965	55.600/55.619	26.000	1.805	0.025/0.079	EC	71-3227	71-3227/5 STD
MB/HL 1,2, 4-6	5	69.955/69.965	74.500/74.519	27.000	2.255	0.025/0.079	AL-LF	02-1460	H951/6 STD 0.50
MB/HL 3	1	69.955/69.965	74.500/74.519	27.000	2.255	0.025/0.079	AL-LF	02-3435	
TW/A	2	78.025	91.500		2.200		AL-LF	04-3436	A113/4 STD 0.10 0.20
TW/A	2	78.025	91.500		2.200		AL-LF	04-3437	
SE/PB	1	28.000	31.000/31.025	27.900			BC	55-3523	55-3523 SEMI
BU	1	30.000	36.000/36.025	18.000	3.000		BC	57-3049	57-3049 STD

EC791	JH683	NB975 45.00x74.50x12.00mm, FPM PA815 (x1) 78.00x94.00x8.00mm
	<p>JH683</p>	

MERCEDES-BENZ/SMART

740	91.00	Diesel			
OM 616.960	4 Cyl.	21:1	2399cc 53kW (72)PS	TD2255	323
OM 616.961	4 Cyl.	21:1	2399cc 53kW (72)PS	TD2256	323

		14-021350-00 D B 94.00 C 158.40 D 96.00 E 4.70	

BE/PL	4	51.955/51.965	55.600/55.619	26.000	1.805	0.025/0.079	AL-LF	01-3040	01-3040/4 STD 0.25 0.50 0.75 1.00
MB/HL 1,2,4,5	4	69.955/69.965	74.500/74.519	27.000	2.255	0.025/0.079	AL-LF	02-1460	H951/5 STD 0.25 0.50 0.75 1.00
MB/HL 3	1	69.955/69.965	74.500/74.519	27.000	2.255	0.025/0.079	AL-LF	02-3435	
TW/A	2	78.025	91.500		2.200		AL-LF	04-3436	A113/4 STD 0.10 0.20
TW/A	2	78.025	91.500		2.200		AL-LF	04-3437	
SE/PB	1	26.000	29.000/29.021	31.800			BC	55-2532	55-2532 SEMI
BU	1	30.000	36.000/36.025	18.000	3.000		BC	57-3049	57-3049 STD

EC797	JH683	NB975 45.00x74.50x12.00mm, FPM PA815 (x1) 78.00x94.00x8.00mm
	JH683	

741	91.00	Diesel			
OM 616	4 Cyl.	21:1	2404cc 41-55kW (56-75)PS	TD2244	324
100 (631)	12/90→02/96				

EC797		NB975 45.00x74.50x12.00mm, FPM PA815 78.00x94.00x8.00mm

742


91.00
Diesel




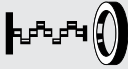


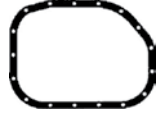

OM 616.912	4 Cyl.	21:1	2404cc	46/53kW (63/72)PS	TD9432	323
OM 616.917	4 Cyl.	21:1	2404cc	48kW (65)PS	TD2249	323
KOMBI (S123)	09/77→12/85	STUFENHECK (W123)	02/76→11/85	T1 (601)	04/77→12/82	
T1 (602)	01/77→12/90	T2/L	01/75→12/88			



87-173800-10 87-173807-10 02/73→07/78 A 48.35 B- 6.25 D 79.65 26x74 RT	STD 0.50mm 09105-/09113	08-173800-00 STD 08-173805-00 0.25mm 08-173807-00 0.50mm 08-173811-00 1.00mm →07/78 3.00 MO P 2.00 P 4.00 CR P	14-021350-00 D B 94.00 C 158.40 D 96.00 E 4.70 	87-176700-00 87-176708-00 08/78→ A 48.35 B- 8.75 C 1.15 D 79.65 26x74 RT	STD 0.60mm 09105H/09113C	08-176700-00 STD 08-176707-00 0.50mm 08-176708-00 0.60mm 08-176711-00 1.00mm 08/78→ 3.00 MOL P 2.00 P 4.00 CR P			

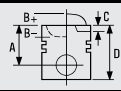

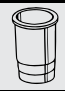

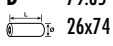
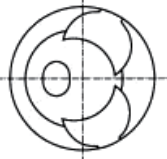



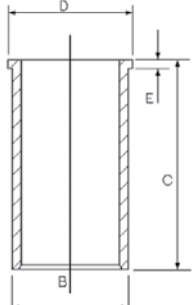
BE/PL	4	51.955/51.965	55.600/55.619	26.000	1.805	0.025/0.079	AL-LF	01-3040	01-3040/4 STD 0.25 0.50 0.75 1.00	
MB/HL 1,2,4,5	4	69.955/69.965	74.500/74.519	27.000	2.255	0.025/0.079	AL-LF	02-1460	H914/5 STD 0.25 0.50 0.75 1.00	
MB/HL 3	1	69.955/69.965	74.500/74.519	33.900	2.255	0.025/0.079	AL-LF	02-2774H		
→12/78										
	02-2774H	STD	34,000/1.3386" - 34,025/1.3396"							
MB/HL 1,2,4,5	4	69.955/69.965	74.500/74.519	27.000	2.255	0.025/0.079	AL-LF	02-1460	H951/5 STD 0.25 0.50 0.75 1.00	
MB/HL 3	1	69.955/69.965	74.500/74.519	27.000	2.255	0.025/0.079	AL-LF	02-3435		
01/79→										
TW/A	2	78.025	91.500		2.200		AL-LF	04-3436	A113/4 STD 0.10 0.20	
TW/A	2	78.025	91.500		2.200		AL-LF	04-3437		
01/79→										
SE/PB	1	26.000	29.000/29.021	31.800			BC	55-2532	55-2532 SEMI	
BU	1	30.000	36.000/36.025	18.000	3.000		BC	57-3049	57-3049 STD	



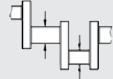
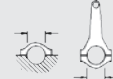





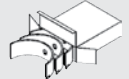
MERCEDES-BENZ/SMART







...Continued



742	 91.00	Diesel
		
EC790	JH683	NB975  45.00x74.50x12.00mm, FPM PA815  (x1) 78.00x94.00x8.00mm
		
	JH683	

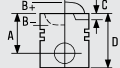
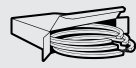
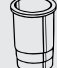
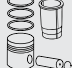



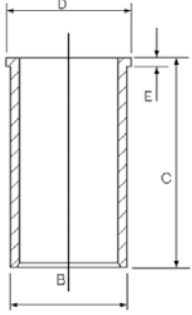
743	 91.00	Diesel	
OM 616.916	4 Cyl.	21:1	2404cc
			48kW (65)PS
/8 (W115)	08/73→01/77		TD2248 323



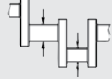
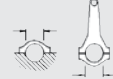






			
87-173800-10 87-173807-10 02/73→07/78	STD 0.50mm	08-173800-00 STD 08-173805-00 0.25mm 08-173807-00 0.50mm 08-173811-00 1.00mm →07/78	14-021350-00 D B 94.00 C 158.40 D 96.00 E 4.70
A 48.35 B- 6.25 D 79.65  26x74		3.00  MO P 2.00  P 4.00  CR P	
RT	09105-/09113		



									
BE/PL	4	51.955/51.965	55.600/55.619	26.000	1.805	0.025/0.079	AL-LF	01-3040	01-3040/4 STD 0.25 0.50 0.75 1.00
MB/HL 1,2,4,5	4	69.955/69.965	74.500/74.519	27.000	2.255	0.025/0.079	AL-LF	02-1460	H914/5 STD 0.25 0.50 0.75 1.00
MB/HL 3	1	69.955/69.965	74.500/74.519	33.900	2.255	0.025/0.079	AL-LF	02-2774H	
	02-2774H	STD	34,000/1.3386" - 34,025/1.3396"						
SE/PB	1	26.000	29.000/29.021	31.800			BC	55-2532	55-2532 SEMI
BU	1	30.000	36.000/36.025	18.000	3.000		BC	57-3049	57-3049 STD

		
EC790	JH683	NB975  45.00x74.50x12.00mm, FPM PA815  (x1) 78.00x94.00x8.00mm
		
	JH683	

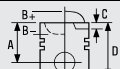
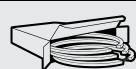


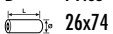



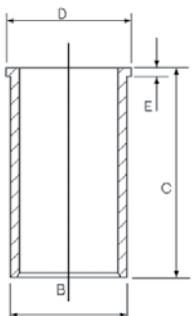
744	 91.00	Diesel				
OM 616.944	4 Cyl.	21:1	2404cc	44kW (60)PS	TD16937	324

			
	08-176700-00 STD 08-176707-00 0.50mm 08-176708-00 0.60mm 08-176711-00 1.00mm 08/78 → 3.00  MOL P 2.00  P 4.00  CR P	14-021350-00 D B 94.00 C 158.40 D 96.00 E 4.70 	

									
BE/PL	4	51.955/51.965	55.600/55.619	26.000	1.805	0.025/0.079	AL-LF	01-3040	01-3040/4 STD 0.25 0.50 0.75 1.00
MB/HL 1,2,4,5	4	69.955/69.965	74.500/74.519	27.000	2.255	0.025/0.079	AL-LF	02-1460	H951/5 STD 0.25 0.50 0.75 1.00
MB/HL 3	1	69.955/69.965	74.500/74.519	27.000	2.255	0.025/0.079	AL-LF	02-3435	
TW/A	2	78.025	91.500		2.200		AL-LF	04-3436	A113/4 STD 0.10 0.20
TW/A	2	78.025	91.500		2.200		AL-LF	04-3437	
SE/PB	1	26.000	29.000/29.021	31.800			BC	55-2532	55-2532 SEMI
BU	1	30.000	36.000/36.025	18.000	3.000		BC	57-3049	57-3049 STD




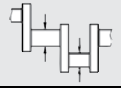
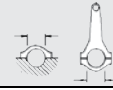




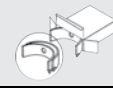

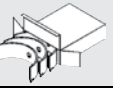
745	 91.00	Diesel				
OM 617.910	5 Cyl.	21:1	3005cc	59kW (80)PS	TD2259	325







/8 (W115) 08/74 → 11/76



			
87-173800-10 STD 87-173807-10 0.50mm 02/73 → 07/78 A 48.35 B- 6.25 D 79.65  26x74 RT	08-173800-00 STD 08-173805-00 0.25mm 08-173807-00 0.50mm 08-173811-00 1.00mm → 07/78 3.00  MO P 2.00  P 4.00  CR P	14-021350-00 D B 94.00 C 158.40 D 96.00 E 4.70 	

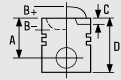
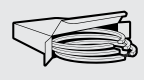
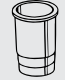
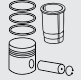
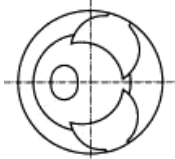

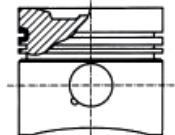



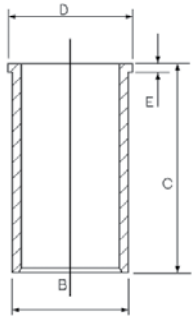
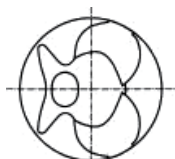
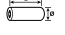
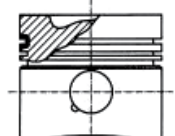



MERCEDES-BENZ/SMART

...Continued




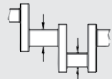
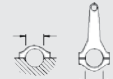




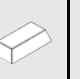


745	 91.00	Diesel								
										
BE/PL	5	51.955/51.965	55.600/55.619	26.000	1.805	0.025/0.079	AL-LF	01-3040	01-3040/5 STD 0.25 0.50 0.75 1.00	
MB/HL 1,2, 4-6	5	69.955/69.965	74.500/74.519	27.000	2.255	0.025/0.079	AL-LF	02-1460	H914/6 STD 0.25 0.50	
MB/HL 3	1	69.955/69.965	74.500/74.519	33.900	2.255	0.025/0.079	AL-LF	02-2774H		
02-2774H		STD	34,000/1.3386" - 34,025/1.3396"							
SE/PB	1	26.000	29.000/29.021	31.800				BC	55-2532	55-2532 SEMI
BU	1	30.000	36.000/36.025	18.000	3.000			BC	57-3049	57-3049 STD


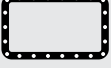



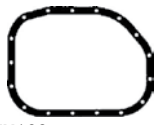
		
EC791	JH683	NB975  45.00x74.50x12.00mm, FPM PA815  (x1) 78.00x94.00x8.00mm
		
JH683		



746	 91.00	Diesel						
OM 617.912	5 Cyl.	21:1	3005cc	59-65kW (80-88)PS				TD2260 325
KOMBI (S123)	09/77 → 11/85	STUFENHECK (W123)		02/76 → 11/85				







			
87-173800-10 87-173807-10 02/73 → 07/78	STD 0.50mm		08-173800-00 STD 08-173805-00 0.25mm 08-173807-00 0.50mm 08-173811-00 1.00mm → 07/78
A 48.35 B- 6.25 D 79.65  26x74			3.00  MO P 2.00  P 4.00  CR P
RT		09105-/09113	14-021350-00 D B 94.00 C 158.40 D 96.00 E 4.70
			
87-176700-00 87-176708-00 08/78 →	STD 0.60mm		08-176700-00 STD 08-176707-00 0.50mm 08-176708-00 0.60mm 08-176711-00 1.00mm 08/78 →
A 48.35 B- 8.75 C 1.15 D 79.65  26x74			3.00  MOL P 2.00  P 4.00  CR P
RT		09105H/09113C	

...Continued



746		 91.00	Diesel							
										
BE/PL	5	51.955/51.965	55.600/55.619	26.000	1.805	0.025/0.079	AL-LF	01-3040	01-3040/5 STD 0.25 0.50 0.75 1.00	
MB/HL 1,2, 4-6	5	69.955/69.965	74.500/74.519	27.000	2.255	0.025/0.079	AL-LF	02-1460	H914/6 STD 0.25 0.50	
MB/HL 3	1	69.955/69.965	74.500/74.519	33.900	2.255	0.025/0.079	AL-LF	02-2774H		
→12/78										
02-2774H STD 34,000/1.3386" - 34,025/1.3396"										
MB/HL 1,2, 4-6	5	69.955/69.965	74.500/74.519	27.000	2.255	0.025/0.079	AL-LF	02-1460	H951/6 STD 0.50	
MB/HL 3	1	69.955/69.965	74.500/74.519	27.000	2.255	0.025/0.079	AL-LF	02-3435		
01/79→										
TW/A	2	78.025	91.500		2.200		AL-LF	04-3436	A113/4 STD 0.10 0.20	
TW/A	2	78.025	91.500		2.200		AL-LF	04-3437		
01/79→										
SE/PB	1	26.000	29.000/29.021	31.800			BC	55-2532	55-2532 SEMI	
BU	1	30.000	36.000/36.025	18.000	3.000		BC	57-3049	57-3049 STD	

		
EC791	JH683	NB975  45.00x74.50x12.00mm, FPM PA815  (x1) 78.00x94.00x8.00mm
	 JH683	

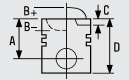
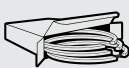





747		 91.00	Petrol				
M 104.941 (AMG 3.6)	6 Cyl.	10.5:1	3606cc	206kW (280)PS		TD9439 326	
M 104.992 (AMG 3.6)	6 Cyl.	10:1	3606cc	195-200kW (265-272)PS		TD9434 327	
C-CLASS (W202)	05/94→05/00	E-CLASS (A124)	05/94→03/98	E-CLASS (C124)		06/93→06/97	
E-CLASS (S124)	05/94→06/96	E-CLASS (W124)	07/94→01/95				



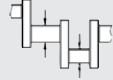






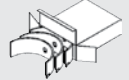
		
	JJ500	NB973  (xNB975) 45.00x67.00x8.00mm, FPM NB974  93.00x114.00x13.00mm, FPM
	 JJ500	



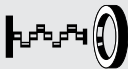


MERCEDES-BENZ/SMART



748	 92.00	Petrol				
M 116.980	V8 Cyl.	9.5:1	3499cc	147kW (200)PS	TD2164	328
M 116.981	V8 Cyl.	9.5:1	3499cc	147kW (200)PS	TD2165	328
M 116.982	V8 Cyl.	9.5:1	3499cc	143-147kW (194-200)PS	TD2166	328
M 116.983	V8 Cyl.	9.5:1	3499cc	147kW (200)PS	TD2167	328
M 116.984	V8 Cyl.	9:1	3499cc	143-147kW (194-200)PS	TD2168	328
M 116.985	V8 Cyl.	9.5:1	3499cc	143-152kW (195-205)PS	TD2169	328
M 117.982	V8 Cyl.	8.8:1	4520cc	143-165kW (195-225)PS	TD4671	328
M 117.983	V8 Cyl.	8:1	4520cc	143-165kW (195-225)PS	TD2182	337
M 117.986	V8 Cyl.	8.8:1	4520cc	143-165kW (195-225)PS	TD2185	337



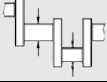
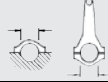





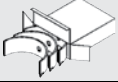
CABRIOLET (W111)	01/69→12/71	COUPE (W111)	01/69→12/71	S-CLASS (W108, W109)	01/70→08/72
S-CLASS (W116)	08/72→04/80	SL (C107)	01/72→02/80	SL (R107)	05/71→10/80



			
	08-178500-10 STD →08/79		
	1.75  MOL P		
	2.50  MO P		
	4.00  CR P		

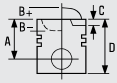
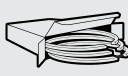





									
BE/PL	8	51.945/51.965	55.600/55.619	22.000	1.810	0.020/0.079	EC	71-3476	71-3476/8 STD
MB/HL	4	63.955/63.965	68.500/68.519	21.000	2.254	0.027/0.081	EC	72-2787	H801/5 STD 0.25
MB/HL	1	63.955/63.965	68.500/68.519	26.900	2.254	0.027/0.081	EC	72-2788H	
	72-2788H	STD	27,000/1.0630" - 27,021/1.0638"						
		0.25MM	27,200/1.0709" - 27,221/1.0717"						
		0.50MM	27,200/1.0709" - 27,221/1.0717"						
SE/PB	1	26.000	29.000	27.600			BC	55-2789	55-2789 SEMI
SE/PB	1	23.000	26.000	27.600			BC	55-3525	55-3525 SEMI



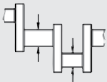
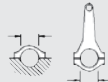





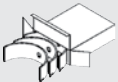
		
	JH5113	NB973  45.00x67.00x8.00mm, FPM NA5268  100.00x124.00x13.00mm, FPM

749	 92.00	Petrol				
M 116.990	V8 Cyl.	9:1	3499cc	132kW (180)PS	TD22706	329
M 116.991	V8 Cyl.	9.5:1	3499cc	147kW (200)PS	TD22707	329
M 116.992	V8 Cyl.	9:1	3499cc	132kW (180)PS	TD22708	329
M 116.993	V8 Cyl.	9:1	3499cc	132kW (180)PS	TD22709	329
M 117.981	V8 Cyl.	8.8:1	4520cc	143kW (195)PS	TD2180	336
M 117.984	V8 Cyl.	8:1	4520cc	144kW (196)PS	TD2183	336
M 117.992	V8 Cyl.	8:1	4520cc	140kW (190)PS	TD22710	329
M 117.993	V8 Cyl.	8:1	4520cc	140kW (190)PS	TD22711	329

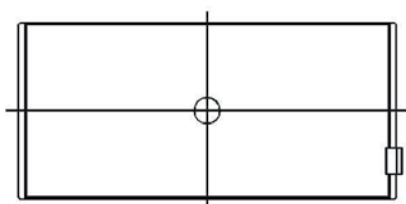
									
BE/PL	8	51.945/51.965	55.600/55.619	22.000	1.810	0.020/0.079	EC	71-3476	71-3476/8 STD
MB/HL	4	63.955/63.965	68.500/68.519	21.000	2.254	0.027/0.081	EC	72-2787	H801/5 STD 0.25
MB/HL	1	63.955/63.965	68.500/68.519	26.900	2.254	0.027/0.081	EC	72-2788H	
72-2788H STD 0.25MM 27,000/1.0630" - 27,021/1.0638" 0.50MM 27,200/1.0709" - 27,221/1.0717" 27,200/1.0709" - 27,221/1.0717"									
SE/PB	1	26.000	29.000	27.600			BC	55-2789	55-2789 SEMI
SE/PB	1	23.000	26.000	27.600			BC	55-3525	55-3525 SEMI

750	 92.00	Petrol				
M 116.960	V8 Cyl.	9:1	3818cc	160kW (218)PS	TD2158	330
S-CLASS (W126)	08/80 → 08/84	SL (C107)	07/80 → 08/81	SL (R107)	09/80 → 08/81	

			
	08-182800-00 STD →08/81 1.75  CR P 2.00  P 3.50  CR P		




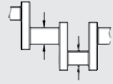
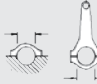











									
BE/PL	8	51.945/51.965	55.600/55.619	22.000	1.810	0.020/0.079	EC	71-3476	71-3476/8 STD
→12/80									
BE/PL	8	47.945/47.965	51.600/51.619	22.000	1.810	0.020/0.079	EC	71-3477	71-3477/8 STD 0.75
01/81 →									


71-3477

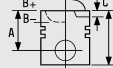
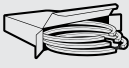
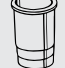






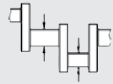
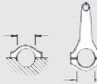










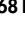


MERCEDES-BENZ/SMART

...Continued

750		 92.00	Petrol							
										
MB/HL	4	63.955/63.965	68.500/68.519	21.000	2.254	0.027/0.081	EC	72-2787	H801/5 STD 0.25	
MB/HL	1	63.955/63.965	68.500/68.519	26.900	2.254	0.027/0.081	EC	72-2788H		
72-2788H		STD	27,000/1.0630" - 27,021/1.0638"							
		0.25MM	27,200/1.0709" - 27,221/1.0717"							
		0.50MM	27,200/1.0709" - 27,221/1.0717"							
SE/PB	1	26.000	29.000	27.600			BC	55-2789	55-2789 SEMI	
SE/PB	1	23.000	26.000	27.600			BC	55-3525	55-3525 SEMI	
										
			JH51 13				NB973  45.00x67.00x8.00mm, FPM NB974  93.00x114.00x13.00mm, FPM			

751		 92.00	Petrol							
M 116.964	V8 Cyl.	9:1	4196cc	150-160kW (204-218)PS				TD2162	331	
M 116.965	V8 Cyl.	10:1	4196cc	150-170kW (204-231)PS				TD2163	331	
S-CLASS (C126)	10/85→06/91	S-CLASS (W126)		10/85→06/91	SL (R107)		01/86→08/89			

										
			08-741100-00 STD 09/85→08/91							
			1.50  CR P							
			2.00  CR P							
			3.50  CR P							
										
BE/PL	8	47.945/47.965	51.600/51.619	22.000	1.810	0.020/0.079	EC	71-3477	71-3477/8 STD 0.75	
MB/HL	4	63.955/63.965	68.500/68.519	21.000	2.254	0.027/0.081	EC	72-2787	H801/5 STD 0.25	
MB/HL	1	63.955/63.965	68.500/68.519	26.900	2.254	0.027/0.081	EC	72-2788H		
72-2788H		STD	27,000/1.0630" - 27,021/1.0638"							
		0.25MM	27,200/1.0709" - 27,221/1.0717"							
		0.50MM	27,200/1.0709" - 27,221/1.0717"							
SE/PB	1	26.000	29.000	27.600			BC	55-2789	55-2789 SEMI	
SE/PB	1	23.000	26.000	27.600			BC	55-3525	55-3525 SEMI	
										
			JH51 13				NB973  45.00x67.00x8.00mm, FPM NA5268  100.00x124.00x13.00mm, FPM			

752	92.00	Petrol				
M 119.971	V8 Cyl.	11:1	4196cc	205kW (279)PS	TD2188	332
S-CLASS (C140)	10/94→02/99	S-CLASS (W140)	02/91→10/98			

	<p>08-124200-00 STD 08/91→10/92</p> <p>1.50 CR P 2.00 CR P 3.50 CR P</p> <p>08-287800-00 STD 10/92→</p> <p>1.50 CR P 1.75 P 3.00 CR [22]</p> <p>08-741100-00 STD 08/91→10/92</p> <p>1.50 CR P 2.00 CR P 3.50 CR P</p>		

[22] Steel [22] Acier [22] Acciaio [22] Acero

		<p>NB973 45.00x67.00x8.00mm, FPM</p> <p>NA5268 100.00x124.00x13.00mm, FPM</p>

753	92.00	Petrol				
M 119.975	V8 Cyl.	11:1	4196cc	205kW (279)PS	TD2191	333
M 119.985	V8 Cyl.	11:1	4196cc	205kW (279)PS	TD4672	335
E-CLASS (S210)	06/96→06/97	E-CLASS (W124)	06/93→06/95	E-CLASS (W210)	01/96→06/97	
STUFENHECK (W124)	10/92→06/93					

	<p>08-287800-00 STD</p> <p>1.50 CR P 1.75 P 3.00 CR [22]</p>		

[22] Steel [22] Acier [22] Acciaio [22] Acero

	JH5113	<p>NB973 45.00x67.00x8.00mm, FPM</p> <p>NA5268 100.00x124.00x13.00mm, FPM</p>

MERCEDES-BENZ/SMART

754	92.00	Petrol							
M 119.981	V8 Cyl.	11:1	4196cc	205kW (279)PS			TD19046	334	
S-CLASS (C140)		10/94 → 02/99							

	08-287800-00 STD		
	1.50 CR P		
	1.75 P		
	3.00 CR [22]		

[22] Steel [22] Acier [22] Acciaio [22] Acero

BE/PL	8	47.950/47.965	51.600/51.619	21.800	1.814	0.020/0.064	EC	71-3817	71-3817/8 STD 0.25 0.50

		NB973 45.00x67.00x8.00mm, FPM NA5268 100.00x124.00x13.00mm, FPM



755	92.00	Petrol							
M 117.985	V8 Cyl.	8.8:1	4520cc	143-165kW (195-225)PS			TD5051	337	
S-CLASS (W116)		12/75 → 04/80	SL (C107)	01/73 → 08/79	SL (R107)	10/72 → 10/80			

BE/PL	8	51.945/51.965	55.600/55.619	22.000	1.810	0.020/0.079	EC	71-3476	71-3476/8 STD
MB/HL	4	63.955/63.965	68.500/68.519	21.000	2.254	0.027/0.081	EC	72-2787	H801/5 STD 0.25
MB/HL	1	63.955/63.965	68.500/68.519	26.900	2.254	0.027/0.081	EC	72-2788H	



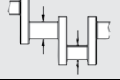







72-2788H	STD	27,000/1.0630" - 27,021/1.0638"
	0.25MM	27,200/1.0709" - 27,221/1.0717"
	0.50MM	27,200/1.0709" - 27,221/1.0717"





SE/PB	1	26.000	29.000	27.600			BC	55-2789	55-2789 SEMI
SE/PB	1	23.000	26.000	27.600			BC	55-3525	55-3525 SEMI

		NB973 45.00x67.00x8.00mm, FPM NA5268 100.00x124.00x13.00mm, FPM

756	 92.90	Petrol				
M 272.960	V6 Cyl.	10.5:1	3498cc	200kW (272)PS	TD18417	338
M 272.961	V6 Cyl.	10.5:1	3498cc	200kW (272)PS	TD22144	
M 272.962	V6 Cyl.	10.7:1	3498cc	200kW (272)PS	TD18195	
M 272.963	V6 Cyl.	10.7:1	3498cc	200kW (272)PS	TD18434	338
M 272.964	V6 Cyl.	10.7:1	3498cc	200kW (272)PS	TD18429	338
M 272.965	V6 Cyl.	10.7:1	3498cc	200kW (272)PS	TD19146	338
M 272.966	V6 Cyl.	10.7:1	3498cc	200kW (272)PS	TD20926	338
M 272.967	V6 Cyl.	10.7:1	3498cc	200kW (272)PS	TD19148	338
M 272.968	6 Cyl.	11.7:1	3498cc	232kW (316)PS	TD20861	
M 272.969	6 Cyl.	11.7:1	3498cc	224kW (305)PS	TD21028	
M 272.970	V6 Cyl.	10.7:1	3498cc	200kW (272)PS	TD18418	338
M 272.971	V6 Cyl.	10.7:1	3498cc	200kW (272)PS	TD22145	338
M 272.972	V6 Cyl.	10.7:1	3498cc	200kW (272)PS	TD19145	338
M 272.975	V6 Cyl.	10.7:1	3498cc	200kW (272)PS	TD23759	338
M 272.978	6 Cyl.	10:1	3498cc	190kW (258)PS	TD20983	338
M 272.979	6 Cyl.	10.7:1	3498cc	190kW (258)PS	TD23619	338
M 272.984	V6 Cyl.	12.2:1	3498cc	215kW (292)PS	TD23726	338
M 272.985	6 Cyl.	12.2:1	3498cc	215kW (292)PS	TD19889	338
M 273.922	V8 Cyl.	10.5:1	4663cc	250kW (340)PS	TD22146	
M 273.923	V8 Cyl.	10.7:1	4663cc	250kW (340)PS	TD19210	339

C-CLASS (CL203)	01/05→05/08	C-CLASS (S203)	01/05→08/07	C-CLASS (S204)	08/07→
C-CLASS (W203)	01/05→02/07	C-CLASS (W204)	01/07→	CLC-CLASS (CL203)	05/08→06/11
CLK (A209)	01/05→03/10	CLK (C209)	01/05→05/09	CLS (C219)	10/04→12/10
E-CLASS (A207)	01/10→	E-CLASS (C207)	01/09→	E-CLASS (S211)	03/05→07/09
E-CLASS (W211)	03/05→12/08	GL-CLASS (X164)	09/06→	GLK-CLASS (X204)	06/08→04/11
R-CLASS (W251, V251)	01/06→	S-CLASS (W221)	10/05→	SL (R230)	03/06→01/12
SLK (R171)	06/04→02/11	SPRINTER 3-t (906)	06/06→	SPRINTER 5-t (906)	06/06→
SPRINTER 3,5 (906)	06/06→	SPRINTER 4,6-t (906)	06/06→	VIANO (W639)	09/07→
VITO (W639)	09/07→	VITO / MIXTO (W639)	09/07→		

									
BE/PL	6	51.945/51.965	55.600/55.614	19.600	1.813	0.020/0.067	EC	71-4007	71-4007/6 STD
MB/HL	3	63.945/63.965	68.500/68.519	20.600	2.267	0.020/0.064	AL-LF	02-4008	H1003/4 STD
MB/HL	1	63.945/63.965	68.500/68.519	24.000	2.267	0.020/0.064	AL-LF	02-4009	
TW/A	2	72.250	84.000		1.900		AL-LF	04-4010	A164/4 STD
TW/A	2	72.250	84.000		1.900		AL-LF	04-4011	
SE/PB	1	22.000	24.500/24.521	19.900			BC	55-4012	55-4012 SEMI

		
HR397		NA5131  45.00x67.00x8.00mm, PTFE

MERCEDES-BENZ/SMART

757		92.90	Petrol			
M 272.974	V6 Cyl.	10.7:1	3498cc	200-205kW (272-279)PS	TD24808	338
M 272.977	V6 Cyl.	10.7:1	3498cc	200kW (272)PS	TD23775	338
M 272.980	V6 Cyl.	12.2:1	3498cc	200kW (272)PS	TD25144	338
M 272.982	V6 Cyl.	12.2:1	3498cc	215kW (292)PS	TD23777	338
M 272.983	V6 Cyl.	12.2:1	3498cc	215kW (292)PS	TD23778	338

C-CLASS (W204)	09/08→	E-CLASS (A207)	01/10→	E-CLASS (C207)	01/09→
E-CLASS (S212)	08/09→	E-CLASS (W212)	01/09→	S-CLASS (W221)	01/09→

BE/PL	6	51.945/51.965	55.600/55.614	19.600	1.813	0.020/0.067	EC	71-4007	71-4007/6 STD

HR397	NA5131	45.00x67.00x8.00mm, PTFE

758		92.90	Petrol		
M 272.988	V6 Cyl.	12.2:1	3498cc	215kW (292)PS	TD25593

E-CLASS (C207)	05/11→
----------------	--------



BE/PL	6	51.945/51.965	55.600/55.614	19.600	1.813	0.020/0.067	EC	71-4007	71-4007/6 STD
MB/HL	3	63.945/63.965	68.500/68.519	20.600	2.267	0.020/0.064	AL-LF	02-4008	H1003/4 STD
MB/HL	1	63.945/63.965	68.500/68.519	24.000	2.267	0.020/0.064	AL-LF	02-4009	
SE/PB	1	22.000	24.500/24.521	19.900			BC	55-4012	55-4012 SEMI

759		92.90	Petrol			
M 272.991	V6 Cyl.	12.2:1	3498cc	200kW (272)PS	TD25531	338
M 276.952	V6 Cyl.	12.2:1	3498cc	185-225kW (252-306)PS	TD26060	338
M 276.957	V6 Cyl.	12.2:1	3498cc	225kW (306)PS	TD25532	





C-CLASS (C204)	06/11→	C-CLASS (S204)	06/11→	C-CLASS (W204)	01/11→
CLS (C218)	01/11→	CLS (X218)	10/12→	E-CLASS (A207)	04/11→
E-CLASS (C207)	04/11→	E-CLASS (S212)	07/11→	E-CLASS (W212)	07/11→
GLK-CLASS (X204)	06/08→				



BE/PL	6	51.945/51.965	55.600/55.614	19.600	1.813	0.020/0.067	EC	71-4007	71-4007/6 STD
MB/HL	3	63.945/63.965	68.500/68.519	20.600	2.267	0.020/0.064	AL-LF	02-4008	H1003/4 STD
MB/HL	1	63.945/63.965	68.500/68.519	24.000	2.267	0.020/0.064	AL-LF	02-4009	
SE/PB	1	22.000	24.500/24.521	19.900			BC	55-4012	55-4012 SEMI

HR397	NA5131	45.00x67.00x8.00mm, PTFE



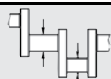
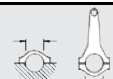





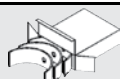
760	 92.90	Petrol				
M 273.924	V8 Cyl.	10.7:1	4663cc	250kW (340)PS		TD23760
M 276.956	V6 Cyl.	12.2:1	3498cc	225kW (306)PS		TD26081
M 276.958	V6 Cyl.	12.2:1	3498cc	225kW (306)PS		TD26365
M 278.920 Euro 5	V8 Cyl.	10.5:1	4663cc	320kW (435)PS	Bi-Turbo Intercooled	TD25072
M 278.922 Euro 5	V8 Cyl.	10.5:1	4663cc	320kW (435)PS	Bi-Turbo Intercooled	TD25516
M 278.927 Euro 5	V8 Cyl.	10.5:1	4663cc	320kW (435)PS	Bi-Turbo Intercooled	TD26366
M 278.932 Euro 5	V8 Cyl.	10.5:1	4663cc	320kW (435)PS	Bi-Turbo Intercooled	TD26083

CLS (C218)	02/11→	CLS (X218)	10/12→	E-CLASS (A207)	09/11→
E-CLASS (C207)	09/11→	E-CLASS (S212)	09/11→	E-CLASS (W212)	09/11→
R-CLASS (W251, V251)	01/06→	S-CLASS (C216)	02/11→	S-CLASS (W221)	12/05→
SL (R231)	01/12→	SLK (R172)	02/11→		

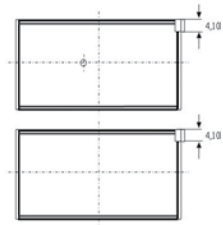
		
NA5131  45.00x67.00x8.00mm, PTFE		

761	 93.75	Petrol				
M 115.952	4 Cyl.	8:1	2307cc	66kW (89)PS		TD2150 340
M 115.970	4 Cyl.	8:1	2307cc	66kW (89)PS		TD2153 340
M 115.971	4 Cyl.	8:1	2307cc	66kW (89)PS		TD17786 340
M 115.974	4 Cyl.	8:1	2307cc	66kW (89)PS		TD17727 341

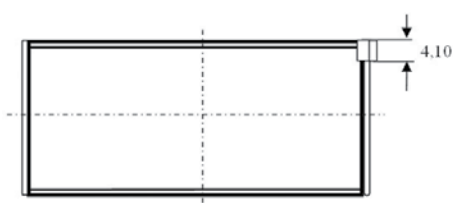
T2/L 01/75→08/82

									
BE/PL	4	51.955/51.965	55.600/55.619	26.000	1.805	0.025/0.079	EC	71-2773	71-2773/4 STD 0.25 0.50 0.75
BE/PL	4	51.955/51.965	55.600/55.619	26.000	1.805	0.025/0.079	EC	71-3227	71-3227/4 STD 0.75

71-2773






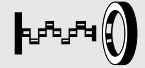
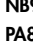
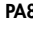

71-3227





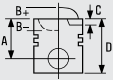

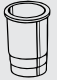




MB/HL 1,2,4,5	4	69.955/69.965	74.500/74.519	27.000	2.255	0.025/0.079	EC	72-1460	H796/5 STD 0.25 0.50 0.75 1.00
MB/HL 3	1	69.955/69.965	74.500/74.519	33.900	2.255	0.025/0.079	EC	72-2774H	
72-2774H		STD	34,000/1.3386" - 34,025/1.3396"						
		0.25MM	34,200/1.3465" - 34,225/1.3474"						
		0.50MM	34,200/1.3465" - 34,225/1.3474"						
MB/HL 1,2,4,5	4	69.955/69.965	74.500/74.519	27.000	2.255	0.025/0.079	AL-LF	02-1460	H914/5 STD 0.25 0.50 0.75 1.00
MB/HL 3	1	69.955/69.965	74.500/74.519	33.900	2.255	0.025/0.079	AL-LF	02-2774H	
02-2774H		STD	34,000/1.3386" - 34,025/1.3396"						
SE/PB	1	26.000	29.000/29.021	31.800			BC	55-2532	55-2532 SEMI



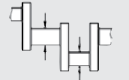






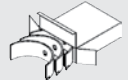
MERCEDES-BENZ/SMART

...Continued

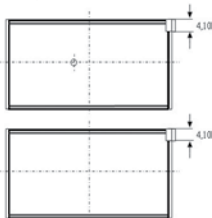
761	 93.75	Petrol
		
	JH683	NB975  45.00x74.50x12.00mm, FPM PA815  (x1) 78.00x94.00x8.00mm
		
	JH683	

762	 93.75	Petrol				
M 115.951	4 Cyl.	9:1	2308cc	81kW (110)PS	TD2149	340
M 115.954	4 Cyl.	9:1	2308cc	80kW (109)PS	TD2151	340
M 115.955	4 Cyl.	9:1	2308cc	62-63kW (84-86)PS	TD2152	340
M 115.972	4 Cyl.	9:1	2308cc	62-63kW (84-86)PS	TD2154	340
M 115.973	4 Cyl.	9:1	2308cc	66-75kW (90-102)PS	TD2155	340
/8 (W115)	08/73→12/76	COUPE (C123)	05/77→04/80	G-CLASS (W460)	03/79→07/93	
KOMBI (S123)	09/77→03/80	STUFENHECK (W123)	02/76→03/81	T1 (601)	04/77→10/89	

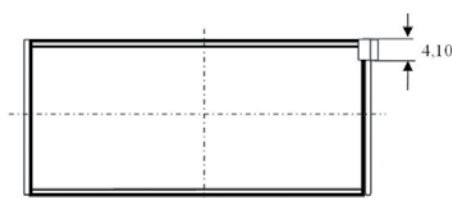
			
	08-178900-10 STD 08-178906-10 0.40mm 08-178910-10 0.80mm 08-178911-10 1.00mm		
1.75 	MOL P		
2.50 	MO P		
4.00 	CR P		

									
BE/PL	4	51.955/51.965	55.600/55.619	26.000	1.805	0.025/0.079	EC	71-2773	71-2773/4 STD 0.25 0.50 0.75
BE/PL	4	51.955/51.965	55.600/55.619	26.000	1.805	0.025/0.079	EC	71-3227	71-3227/4 STD 0.75

71-2773




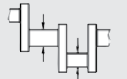
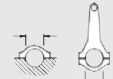















71-3227





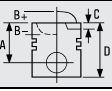
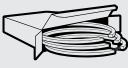








MB/HL 1,2,4,5	4	69.955/69.965	74.500/74.519	27.000	2.255	0.025/0.079	EC	72-1460	H796/5 STD 0.25 0.50 0.75 1.00
MB/HL 3	1	69.955/69.965	74.500/74.519	33.900	2.255	0.025/0.079	EC	72-2774H	
72-2774H	STD	34,000/1.3386" - 34,025/1.3396"							
	0.25MM	34,200/1.3465" - 34,225/1.3474"							
	0.50MM	34,200/1.3465" - 34,225/1.3474"							

...Continued

762		 93.75	Petrol							
										
MB/HL 1,2,4,5	4	69.955/69.965	74.500/74.519	27.000	2.255	0.025/0.079	AL-LF	02-1460	H914/5 STD 0.25 0.50 0.75 1.00	
MB/HL 3	1	69.955/69.965	74.500/74.519	33.900	2.255	0.025/0.079	AL-LF	02-2774H		
02-2774H		STD	34,000/1.3386" - 34,025/1.3396"							
SE/PB	1	26.000	29.000/29.021	31.800			BC	55-2532	55-2532 SEMI	

		
JH683		NB975  45.00x74.50x12.00mm, FPM PA815  (x1) 78.00x94.00x8.00mm
		
JH683		



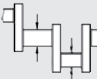
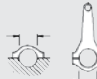





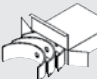
763		 95.50	Petrol				
M 102.942	4 Cyl.		2298cc	70kW (95)PS	TD2070	342	
M 102.943	4 Cyl.	8:1	2299cc	70kW (95)PS	TD2071	343	
M 102.946	4 Cyl.	8:1	2299cc	70kW (95)PS	TD5397	345	
M 102.958	4 Cyl.	8:1	2299cc	79kW (107)PS	TD17756	347	
M 102.998	4 Cyl.	8:1	2299cc	92kW (125)PS	TD17725	356	
T1 (601)	04/77 → 02/96	T1 (602)	01/82 → 02/96	T1/TN	08/82 → 06/95		
T2/L	08/82 → 12/88	T2/LN1	04/86 → 12/94				

			
	08-179700-00 STD 08-179707-00 0.50mm 08-179711-00 1.00mm →08/89 1.75  MOL P 2.00  P 3.50  CR P		
	08-289700-00 STD 08/89 → 1.75  CK P 2.00  P 3.50  CR P		

MERCEDES-BENZ/SMART

...Continued

763  **95.50** **Petrol**

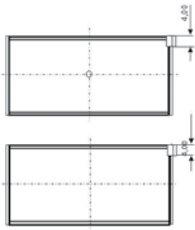
									
BE/PL	4	47.955/47.965	51.600/51.619	22.000	1.814	0.020/0.062	EC	71-2995	71-2995/4 STD 0.25 0.50

→12/83

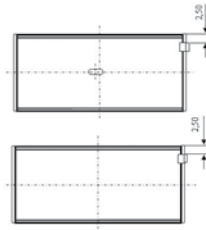
BE/PL	4	47.950/47.965	51.600/51.619	21.800	1.814	0.020/0.064	EC	71-3817	71-3817/4 STD 0.25 0.50
-------	---	---------------	---------------	--------	-------	-------------	----	---------	-----------------------------------

01/84→

71-2995



71-3817



MB/HL 1-5	5	57.950/57.965	62.500/62.519	21.400	2.261	0.020/0.072	AL-LF	02-3513	H977/5 STD 0.25 0.50 0.75
--------------	---	---------------	---------------	--------	-------	-------------	-------	---------	-------------------------------------

→12/85

MB/HL 1-5	5	57.950/57.965	62.500/62.519	17.500	2.261	0.020/0.072	AL-LF	02-3585	H997/5 STD 0.25 0.50
--------------	---	---------------	---------------	--------	-------	-------------	-------	---------	--------------------------------

01/86→

TW/A	2	65.800	81.000		2.200		AL-LF	04-3586	A129/4 STD 0.10
------	---	--------	--------	--	-------	--	-------	---------	---------------------------

TW/A	2	65.800	81.000		2.200		AL-LF	04-3587	
------	---	--------	--------	--	-------	--	-------	---------	--

TW/A	2	65.800	81.000		4.200		AL-LF	04-3642	A132/4 STD
------	---	--------	--------	--	-------	--	-------	---------	----------------------




TW/A	2	65.800	81.000		4.200		AL-LF	04-3643	
------	---	--------	--------	--	-------	--	-------	---------	--

SE/PB	1	24.000	27.000/27.021	27.600			BC	55-3516	55-3516 SEMI
-------	---	--------	---------------	--------	--	--	----	---------	------------------------



→12/82

SE/PB	1	21.995/22.000	24.500/24.521	21.900			BC	55-3603	55-3603 SEMI
-------	---	---------------	---------------	--------	--	--	----	---------	------------------------

01/83→

		
---	---	---

JJ488

NB973  45.00x67.00x8.00mm, FPM
NB974  93.00x114.00x13.00mm, FPM



JJ488

764

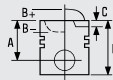
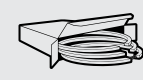
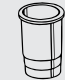







 95.50

Petrol



M 102.945 4 Cyl. 8:1 2299cc 77kW (105)PS TD2072 344

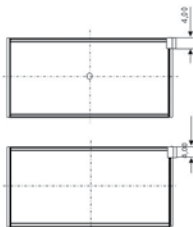
T1 (601) 05/89→02/96 T1/TN 08/82→06/95

			
	<p>08-179700-00 STD 08-179707-00 0.50mm 08-179711-00 1.00mm →08/89</p> <p>1.75  MOL P 2.00  P 3.50  CR P</p> <p>08-289700-00 STD 08/89→</p> <p>1.75  CK P 2.00  P 3.50  CR P</p>		

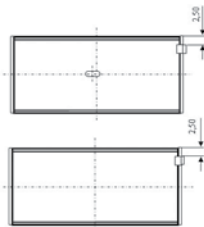
									
--	---	---	---	---	---	---	--	---	---

BE/PL	4	47.955/47.965	51.600/51.619	22.000	1.814	0.020/0.062	EC	71-2995	71-2995/4 STD 0.25 0.50 0.75
→12/83									
BE/PL	4	47.950/47.965	51.600/51.619	21.800	1.814	0.020/0.064	EC	71-3817	71-3817/4 STD 0.25 0.50
01/84→									

71-2995






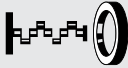



71-3817







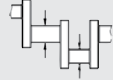
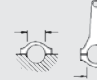






MB/HL 1-5	5	57.950/57.965	62.500/62.519	21.400	2.261	0.020/0.072	AL-LF	02-3513	H977/5 STD 0.25 0.50 0.75
→12/85									
MB/HL 1-5	5	57.950/57.965	62.500/62.519	17.500	2.261	0.020/0.072	AL-LF	02-3585	H997/5 STD 0.25 0.50
01/86→									
TW/A	2	65.800	81.000		2.200		AL-LF	04-3586	A129/4 STD 0.10
TW/A	2	65.800	81.000		2.200		AL-LF	04-3587	
TW/A	2	65.800	81.000		4.200		AL-LF	04-3642	A132/4 STD
TW/A	2	65.800	81.000		4.200		AL-LF	04-3643	
SE/PB	1	24.000	27.000/27.021	27.600			BC	55-3516	55-3516 SEMI
→12/82									
SE/PB	1	21.995/22.000	24.500/24.521	21.900			BC	55-3603	55-3603 SEMI
01/83→									

MERCEDES-BENZ/SMART

...Continued

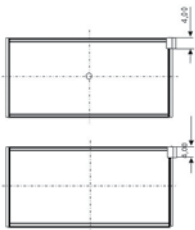
764	 95.50	Petrol
		
	JJ488	NB973  45.00x67.00x8.00mm, FPM NB974  93.00x114.00x13.00mm, FPM
		
	JJ488	

765	 95.50	Petrol	
M 102.959	4 Cyl.	2299cc	70kW (95)PS
			TD17795 348

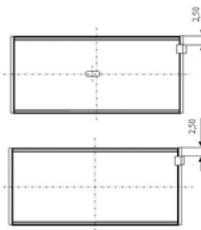
									
BE/PL	4	47.955/47.965	51.600/51.619	22.000	1.814	0.020/0.062	EC	71-2995	71-2995/4 STD 0.25 0.50
→12/83									
BE/PL	4	47.950/47.965	51.600/51.619	21.800	1.814	0.020/0.064	EC	71-3817	71-3817/4 STD 0.25 0.50

01/84→

71-2995



71-3817



MB/HL 1-5	5	57.950/57.965	62.500/62.519	21.400	2.261	0.020/0.072	AL-LF	02-3513	H977/5 STD 0.25 0.50 0.75
--------------	---	---------------	---------------	--------	-------	-------------	-------	---------	-------------------------------------

→12/85

MB/HL 1-5	5	57.950/57.965	62.500/62.519	17.500	2.261	0.020/0.072	AL-LF	02-3585	H997/5 STD 0.25 0.50
--------------	---	---------------	---------------	--------	-------	-------------	-------	---------	--------------------------------

01/86→

TW/A	2	65.800	81.000		2.200		AL-LF	04-3586	A129/4 STD 0.10
TW/A	2	65.800	81.000		2.200		AL-LF	04-3587	
TW/A	2	65.800	81.000		4.200		AL-LF	04-3642	A132/4 STD
TW/A	2	65.800	81.000		4.200		AL-LF	04-3643	
SE/PB	1	24.000	27.000/27.021	27.600			BC	55-3516	55-3516 SEMI

→12/82

SE/PB	1	21.995/22.000	24.500/24.521	21.900			BC	55-3603	55-3603 SEMI
-------	---	---------------	---------------	--------	--	--	----	---------	------------------------

01/83→

...Continued

765	95.50	Petrol
JJ488		NB973 45.00x67.00x8.00mm, FPM NB974 93.00x114.00x13.00mm, FPM
 JJ488		

766	95.50	Petrol			
M 102.979	4 Cyl.	9:1	2299cc	90kW (122)PS	TD2081 349
G-CLASS (W460)	05/87→08/92	G-CLASS (W461)	02/93→		

87-179700-10 [10] STD 87-179707-10 [10] [4] 0.50mm 87-179711-10 [10] [4] 1.00mm A 43.20 B- 1.85 BØ 70.00 C 3.46 C 1.53 D 78.70 22x56		08-179700-00 STD 08-179707-00 0.50mm 08-179711-00 1.00mm →08/89 1.75 MOL P 2.00 P 3.50 CR P	08-289700-00 STD 08/89→ 1.75 CK P 2.00 P 3.50 CR P	

[4] A = 42.850, B = 1.500, D = 75.850

[10] Conrod gap 22.00mm

[10] Distance entre bielle 22.00mm

[10] Distanza dalla biella 22.00mm

[10] Distancia del biela 22.00mm

BE/PL	4	47.950/47.965	51.600/51.619	21.800	1.814	0.020/0.064	EC	71-3817	71-3817/4 STD 0.25 0.50
MB/HL 1-5	5	57.950/57.965	62.500/62.519	17.500	2.261	0.020/0.072	AL-LF	02-3585	H997/5 STD 0.25 0.50
TW/A	2	65.800	81.000		2.200		AL-LF	04-3586	A129/4 STD 0.10
TW/A	2	65.800	81.000		2.200		AL-LF	04-3587	
TW/A	2	65.800	81.000		4.200		AL-LF	04-3642	A132/4 STD
TW/A	2	65.800	81.000		4.200		AL-LF	04-3643	
SE/PB	1	21.995/22.000	24.500/24.521	21.900			BC	55-3603	55-3603 SEMI

EH872		NB973 45.00x67.00x8.00mm, FPM NB974 93.00x114.00x13.00mm, FPM

MERCEDES-BENZ/SMART

767



95.50

Petrol



M 102.980 4 Cyl. 9:1 2299cc 100kW (136)PS TD2082 350

COUPE (C123) 04/80→12/85 E-CLASS (W123) 04/80→12/85 KOMBI (S123) 04/80→11/85

87-179700-00 [12] STD 87-179707-00 [12] 0.50mm 87-179711-00 [12] 1.00mm →12/83 A 43.20 B- 1.85 BØ 70.00 C 2.33 C 1.53 D 83.20 		08-179700-00 STD 08-179707-00 0.50mm 08-179711-00 1.00mm →08/89 1.75 MOL P 2.00 P 3.50 CR P					
87-179700-10 [10] STD 87-179707-10 [10] [4] 0.50mm 87-179711-10 [10] [4] 1.00mm 09/83→ A 43.20 B- 1.85 BØ 70.00 C 3.46 C 1.53 D 78.70 		08-179700-00 STD 08-179707-00 0.50mm 08-179711-00 1.00mm →08/89 1.75 MOL P 2.00 P 3.50 CR P					
08-289700-00 STD 08/89→ 1.75 CK P 2.00 P 3.50 CR P							

[4] A = 42.850, B = 1.500, D = 75.850

[10] Conrod gap 22.00mm

[10] Distance entre bielle 22.00mm

[10] Distanza dalla biella 22.00mm

[10] Distancia del biela 22.00mm

[12] Conrod gap 31.00mm

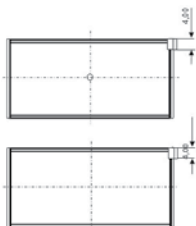
[12] Distance entre bielle 31.00mm

[12] Distanza dalla biella 31.00mm

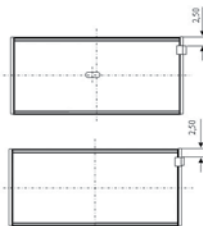
[12] Distancia del biela 31.00mm

BE/PL	4	47.955/47.965	51.600/51.619	22.000	1.814	0.020/0.062	EC	71-2995	71-2995/4 STD 0.25 0.50
→12/83									
BE/PL	4	47.950/47.965	51.600/51.619	21.800	1.814	0.020/0.064	EC	71-3817	71-3817/4 STD 0.25 0.50
01/84→									




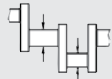
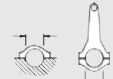






71-2995











71-3817



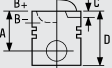
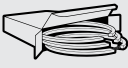

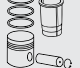
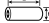
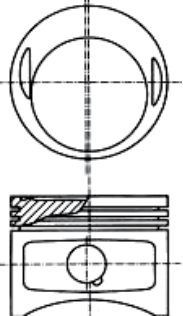


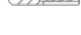



...Continued

767		 95.50		Petrol					
									
MB/HL 1-5	5	57.950/57.965	62.500/62.519	21.400	2.261	0.020/0.072	AL-LF	02-3513	H977/5 STD 0.25 0.50 0.75
TW/A	2	65.800	81.000		2.200		AL-LF	04-3586	A129/4 STD 0.10
TW/A	2	65.800	81.000		2.200		AL-LF	04-3587	
TW/A	2	65.800	81.000		4.200		AL-LF	04-3642	A132/4 STD
TW/A	2	65.800	81.000		4.200		AL-LF	04-3643	
SE/PB	1	24.000	27.000/27.021	27.600			BC	55-3516	55-3516 SEMI
→12/82									
SE/PB	1	21.995/22.000	24.500/24.521	21.900			BC	55-3603	55-3603 SEMI
01/83 →									

		
EH872	JJ488	NB973  45.00x67.00x8.00mm, FPM NB974  93.00x114.00x13.00mm, FPM
	 JJ488	

768		 95.50		Petrol			
M 102.981	4 Cyl.	9:1	2299cc	92kW (125)PS	TD2083	351	
M 102.987	4 Cyl.	9:1	2299cc	90-92kW (122-125)PS	TD2089	354	

G-CLASS (W460) 04/82 → 08/92

			
87-179700-10 [10] STD 87-179707-10 [10] [4] 0.50mm 87-179711-10 [10] [4] 1.00mm A 43.20 B- 1.85 BØ 70.00 C 3.46 C 1.53 D 78.70  22x56	 09596	08-179700-00 STD 08-179707-00 0.50mm 08-179711-00 1.00mm →08/89 1.75  MOL P 2.00  P 3.50  CR P 08-289700-00 STD 08/89 → 1.75  CK P 2.00  P 3.50  CR P	

[4] A = 42.850, B = 1.500, D = 75.850

[10] Conrod gap 22.00mm

[10] Distance entre bielle 22.00mm



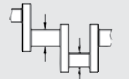







[10] Distanza dalla biella 22.00mm

[10] Distancia del biela 22.00mm



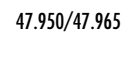
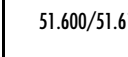
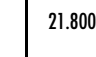
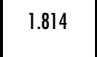
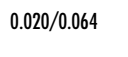
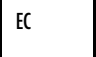
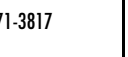
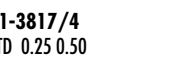
MERCEDES-BENZ/SMART

...Continued

768	 95.50	Petrol
------------	--	---------------

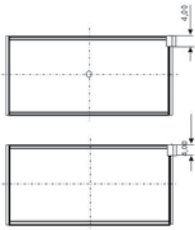
									
--	---	---	---	---	---	---	--	---	---

→12/83

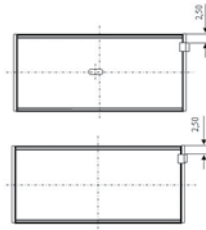
									
--	---	---	---	---	---	---	--	---	---


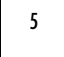
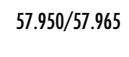
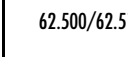
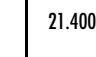
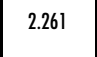
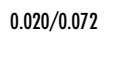

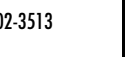

01/84→

71-2995



71-3817


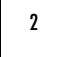



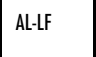
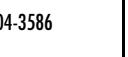


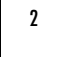


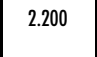
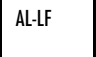
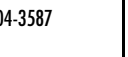

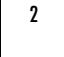

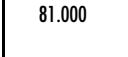

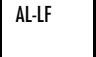
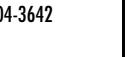


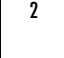


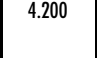

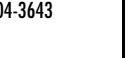

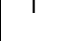
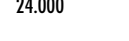
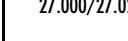
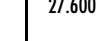

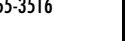



									
--	---	---	---	---	---	---	--	---	---

→12/85

									
--	---	---	---	---	---	---	--	---	---




01/86→



							
							
							
							
							

→12/82

							
--	---	---	---	---	--	---	---

01/83→

		
---	---	---

NB973  45.00x67.00x8.00mm, FPM
NB974  93.00x114.00x13.00mm, FPM

769

95.50

Petrol



M 102.982 4 Cyl. 9:1 2299cc 97-100kW (132-136)PS TD4656 352

COUPE (C124) 03/87→12/92 E-CLASS (W124) 12/84→06/93 KOMBI (S124) 09/85→08/92

<p>87-179700-10 [10] STD 87-179707-10 [10] [4] 0.50mm 87-179711-10 [10] [4] 1.00mm</p> <p>A 43.20 B- 1.85 BØ 70.00 C 3.46 C 1.53 D 78.70 22x56</p>	<p>09596</p>	<p>08-179700-00 STD 08-179707-00 0.50mm 08-179711-00 1.00mm →08/89</p> <p>1.75 MOL P 2.00 P 3.50 CR P</p>	<p>08-289700-00 STD 08/89→</p> <p>1.75 CK P 2.00 P 3.50 CR P</p>

[4] A = 42.850, B = 1.500, D = 75.850

[10] Conrod gap 22.00mm

[10] Distance entre bielle 22.00mm

[10] Distanza dalla biella 22.00mm

[10] Distancia del biela 22.00mm

BE/PL	4	47.950/47.965	51.600/51.619	21.800	1.814	0.020/0.064	EC	71-3817	71-3817/4 STD 0.25 0.50
MB/HL 1-5	5	57.950/57.965	62.500/62.519	21.400	2.261	0.020/0.072	AL-LF	02-3513	H977/5 STD 0.25 0.50 0.75
→12/85									
MB/HL 1-5	5	57.950/57.965	62.500/62.519	17.500	2.261	0.020/0.072	AL-LF	02-3585	H997/5 STD 0.25 0.50
01/86→									
TW/A	2	65.800	81.000		2.200		AL-LF	04-3586	A129/4 STD 0.10
TW/A	2	65.800	81.000		2.200		AL-LF	04-3587	
TW/A	2	65.800	81.000		4.200		AL-LF	04-3642	A132/4 STD
TW/A	2	65.800	81.000		4.200		AL-LF	04-3643	
SE/PB	1	21.995/22.000	24.500/24.521	21.900			BC	55-3603	55-3603 SEMI

EH872	JJ488	NB973 45.00x67.00x8.00mm, FPM NB974 93.00x114.00x13.00mm, FPM
	<p>JJ488</p>	

MERCEDES-BENZ/SMART

770

 **95.50**

Petrol



M 102.983

4 Cyl.

10.5:1

2299cc

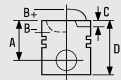

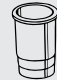
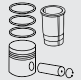



92kW (125)PS



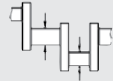







TD2086



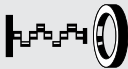



353

190 (W201)

04/84→08/88

			
	08-182400-10 STD		
	1.50  P PS		
	1.75  P		
	3.50  CR P		

									
BE/PL	4	47.950/47.965	51.600/51.619	21.800	1.814	0.020/0.064	EC	71-3817	71-3817/4 STD 0.25 0.50
MB/HL 1-5	5	57.950/57.965	62.500/62.519	21.400	2.261	0.020/0.072	AL-LF	02-3513	H977/5 STD 0.25 0.50 0.75
→12/85									
MB/HL 1-5	5	57.950/57.965	62.500/62.519	17.500	2.261	0.020/0.072	AL-LF	02-3585	H997/5 STD 0.25 0.50
01/86→									
TW/A	2	65.800	81.000		2.200		AL-LF	04-3586	A129/4 STD 0.10
TW/A	2	65.800	81.000		2.200		AL-LF	04-3587	
TW/A	2	65.800	81.000		4.200		AL-LF	04-3642	A132/4 STD
TW/A	2	65.800	81.000		4.200		AL-LF	04-3643	
SE/PB	1	21.995/22.000	24.500/24.521	21.900			BC	55-3603	55-3603 SEMI

		
	JJ488	NB973  45.00x67.00x8.00mm, FPM NB974  93.00x114.00x13.00mm, FPM
		
	JJ488	

771

95.50

Petrol



M 102.985	4 Cyl.	9:1	2299cc	92/100kW (125/136)PS	TD4657	352
190 (W201)	10/82 → 08/93					

87-179700-10 [10] STD 87-179707-10 [10] [4] 0.50mm 87-179711-10 [10] [4] 1.00mm A 43.20 B- 1.85 BØ 70.00 C 3.46 C 1.53 D 78.70 22x56	08-179700-00 STD 08-179707-00 0.50mm 08-179711-00 1.00mm →08/89 1.75 MOL P 2.00 P 3.50 CR P	08-289700-00 STD 08/89 → 1.75 CK P 2.00 P 3.50 CR P	

[4] A = 42.850, B = 1.500, D = 75.850

[10] Conrod gap 22.00mm

[10] Distance entre bielle 22.00mm

[10] Distanza dalla biella 22.00mm

[10] Distancia del biela 22.00mm

									71-2995/4 STD 0.25 0.50
--	--	--	--	--	--	--	--	--	-----------------------------------

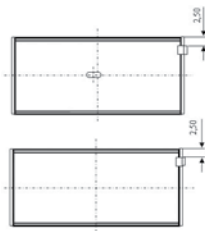
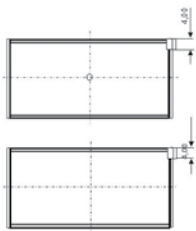
→12/83

									71-3817/4 STD 0.25 0.50
--	--	--	--	--	--	--	--	--	-----------------------------------

01/84 →

71-2995

71-3817



MB/HL 1-5	5								H977/5 STD 0.25 0.50 0.75
---------------------	---	--	--	--	--	--	--	--	-------------------------------------

→12/85

MB/HL 1-5	5								H997/5 STD 0.25 0.50
---------------------	---	--	--	--	--	--	--	--	--------------------------------


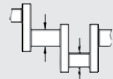



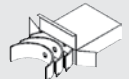
01/86 →

TW/A	2								A129/4 STD 0.10
TW/A	2								
TW/A	2								A132/4 STD
TW/A	2								
SE/PB	1								55-3516 SEMI




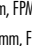


→12/82


MERCEDES-BENZ/SMART

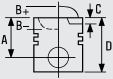









...Continued



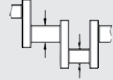
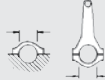





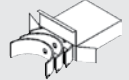
771	 95.50	Petrol							
									
SE/PB	1	21.995/22.000	24.500/24.521	21.900			BC	55-3603	55-3603 SEMI

01/83→







		
EH872	JJ488	NB973  45.00x67.00x8.00mm, FPM NB974  93.00x114.00x13.00mm, FPM
		
	JJ488	



772	 95.50	Petrol							
M 102.989	4 Cyl.	9:1	2299cc	93kW (126)PS				TD2091	354
G-CLASS (W460)	04/82→08/92	G-CLASS (W463)		06/90→06/93					

			
	08-179700-00 STD 08-179707-00 0.50mm 08-179711-00 1.00mm →08/89 1.75  MOL P 2.00  P 3.50  CR P		
	08-289700-00 STD 08/89→ 1.75  CK P 2.00  P 3.50  CR P		

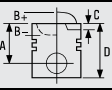
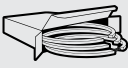








									
BE/PL	4	47.950/47.965	51.600/51.619	21.800	1.814	0.020/0.064	EC	71-3817	71-3817/4 STD 0.25 0.50
MB/HL 1-5	5	57.950/57.965	62.500/62.519	17.500	2.261	0.020/0.072	AL-LF	02-3585	H997/5 STD 0.25 0.50
TW/A	2	65.800	81.000		2.200		AL-LF	04-3586	A129/4 STD 0.10
TW/A	2	65.800	81.000		2.200		AL-LF	04-3587	
TW/A	2	65.800	81.000		4.200		AL-LF	04-3642	A132/4 STD
TW/A	2	65.800	81.000		4.200		AL-LF	04-3643	
SE/PB	1	21.995/22.000	24.500/24.521	21.900			BC	55-3603	55-3603 SEMI



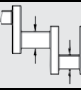

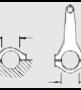




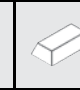


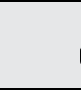
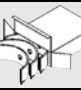
...Continued





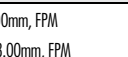
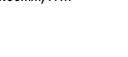
772	 95.50	Petrol
		
EH872		NB973  45.00x67.00x8.00mm, FPM NB974  93.00x114.00x13.00mm, FPM

773	 95.50	Petrol				
M 102.996	4 Cyl.	9:1	2299cc	92kW (125)PS	TD11249	349

G-CLASS (W461) 06/93 →


			
	<p>08-179700-00 STD 08-179707-00 0.50mm 08-179711-00 1.00mm →08/89</p> <p>1.75  MOL P 2.00  P 3.50  CR P</p> <p>08-289700-00 STD 08/89 →</p> <p>1.75  CK P 2.00  P 3.50  CR P</p>		

													
BE/PL	4	47.950/47.965	51.600/51.619	21.800	1.814	0.020/0.064	EC	71-3817	71-3817/4 STD 0.25 0.50				
MB/HL 1-5	5	57.950/57.965	62.500/62.519	17.500	2.261	0.020/0.072	AL-LF	02-3585	H997/5 STD 0.25 0.50				
TW/A	2	65.800	81.000		2.200		AL-LF	04-3586	A129/4 STD 0.10				
TW/A	2	65.800	81.000		2.200		AL-LF	04-3587					
TW/A	2	65.800	81.000		4.200		AL-LF	04-3642	A132/4 STD				
TW/A	2	65.800	81.000		4.200		AL-LF	04-3643					
SE/PB	1	21.995/22.000	24.500/24.521	21.900			BC	55-3603	55-3603 SEMI				

		
EH872	JJ488  JJ488	NB973  45.00x67.00x8.00mm, FPM NB974  93.00x114.00x13.00mm, FPM

MERCEDES-BENZ/SMART

774

 **95.50**

Petrol



M 102.997

4 Cyl.

9:1

2299cc

92kW (125)PS

TD17724

355

G-CLASS (W461)

06/93→

<p>08-179700-00 STD 08-179707-00 0.50mm 08-179711-00 1.00mm →08/89</p>			
<p>1.75 MOL P 2.00 P 3.50 CR P</p>			
<p>08-289700-00 STD 08/89→</p>			
<p>1.75 CK P 2.00 P 3.50 CR P</p>			

BE/PL	4	47.950/47.965	51.600/51.619	21.800	1.814	0.020/0.064	EC	71-3817	71-3817/4 STD 0.25 0.50
MB/HL 1-5	5	57.950/57.965	62.500/62.519	17.500	2.261	0.020/0.072	AL-LF	02-3585	H997/5 STD 0.25 0.50
TW/A	2	65.800	81.000		2.200		AL-LF	04-3586	A129/4 STD 0.10
TW/A	2	65.800	81.000		2.200		AL-LF	04-3587	
TW/A	2	65.800	81.000		4.200		AL-LF	04-3642	A132/4 STD
TW/A	2	65.800	81.000		4.200		AL-LF	04-3643	
SE/PB	1	21.995/22.000	24.500/24.521	21.900			BC	55-3603	55-3603 SEMI



--	--	--



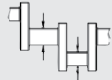
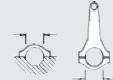






JJ488






NB973 45.00x67.00x8.00mm, FPM
NB974 93.00x114.00x13.00mm, FPM





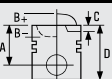
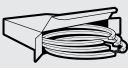





JJ488



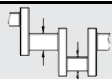
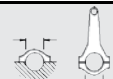





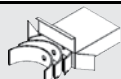
775	 95.50	Petrol				
M 102.992	4 Cyl.	9.7:1	2498cc	173kW (235)PS	TD2094	357
190 (W201)	05/90 → 08/93					

									
BE/PL	4	47.950/47.965	51.600/51.619	21.800	1.814	0.020/0.064	EC	71-3817	71-3817/4 STD 0.25 0.50
MB/HL 1-5	5	57.950/57.965	62.500/62.519	17.500	2.261	0.020/0.072	AL-LF	02-3585	H997/5 STD 0.25 0.50
TW/A	2	65.800	81.000		2.200		AL-LF	04-3586	A129/4 STD 0.10
TW/A	2	65.800	81.000		2.200		AL-LF	04-3587	
TW/A	2	65.800	81.000		4.200		AL-LF	04-3642	A132/4 STD
TW/A	2	65.800	81.000		4.200		AL-LF	04-3643	
SE/PB	1	21.995/22.000	24.500/24.521	21.900			BC	55-3603	55-3603 SEMI

		
		NB973  45.00x67.00x8.00mm, FPM NB974  93.00x114.00x13.00mm, FPM




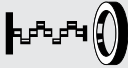



776	 95.50	Petrol				
M 102.990	4 Cyl.	9.7:1	2499cc	143kW (195)PS	TD2092	357
M 102.991	4 Cyl.	9.7:1	2499cc	143kW (195)PS	TD2093	357
190 (W201)	09/88 → 08/93					



			
	08-182400-10 STD 1.50  P PS 1.75  P 3.50  CR P		

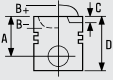
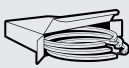

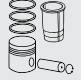



									
BE/PL	4	47.950/47.965	51.600/51.619	21.800	1.814	0.020/0.064	EC	71-3817	71-3817/4 STD 0.25 0.50
MB/HL 1-5	5	57.950/57.965	62.500/62.519	17.500	2.261	0.020/0.072	AL-LF	02-3585	H997/5 STD 0.25 0.50
TW/A	2	65.800	81.000		2.200		AL-LF	04-3586	A129/4 STD 0.10
TW/A	2	65.800	81.000		2.200		AL-LF	04-3587	
TW/A	2	65.800	81.000		4.200		AL-LF	04-3642	A132/4 STD
TW/A	2	65.800	81.000		4.200		AL-LF	04-3643	
SE/PB	1	21.995/22.000	24.500/24.521	21.900			BC	55-3603	55-3603 SEMI



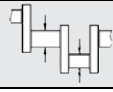
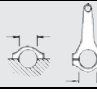




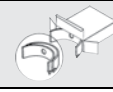
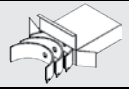
MERCEDES-BENZ/SMART

...Continued

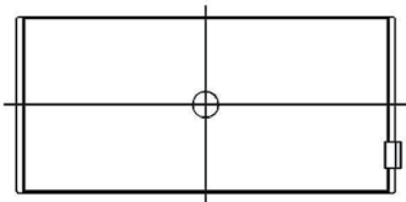
776	 95.50	Petrol
		
	JJ488	NB973  45.00x67.00x8.00mm, FPM NB974  93.00x114.00x13.00mm, FPM
		
	JJ488	

777	 96.50	Petrol				
M 117.960	V8 Cyl.	8.8:1	4973cc	138-195kW (187-265)PS	TD2170	358
M 117.961	V8 Cyl.	8.8:1	4973cc	138-195kW (187-265)PS	TD2172	358
M 117.963	V8 Cyl.	9.2:1	4973cc	138-195kW (187-265)PS	TD2174	359
S-CLASS (C126)	08/80→08/85	S-CLASS (W126)	12/79→08/85	SL (C107)	06/78→02/80	
SL (R107)	05/80→08/89					

			
	08-182700-00 STD 08-182707-00 0.50mm 08-182711-00 1.00mm		
	1.75  CR P 2.00  CR P 3.50  CR P		







									
BE/PL	8	51.945/51.965	55.600/55.619	22.000	1.810	0.020/0.079	EC	71-3476	71-3476/8 STD
→12/80									
BE/PL	8	47.945/47.965	51.600/51.619	22.000	1.810	0.020/0.079	EC	71-3477	71-3477/8 STD 0.75
01/81→									



71-3477



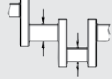

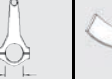





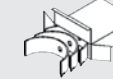


MB/HL	4	63.955/63.965	68.500/68.519	21.000	2.254	0.027/0.081	EC	72-2787	H801/5 STD 0.25
MB/HL	1	63.955/63.965	68.500/68.519	26.900	2.254	0.027/0.081	EC	72-2788H	
72-2788H	STD		27,000/1.0630" - 27,021/1.0638"						
	0.25MM		27,200/1.0709" - 27,221/1.0717"						
	0.50MM		27,200/1.0709" - 27,221/1.0717"						
SE/PB	1	26.000	29.000	27.600			BC	55-2789	55-2789 SEMI
SE/PB	1	23.000	26.000	27.600			BC	55-3525	55-3525 SEMI

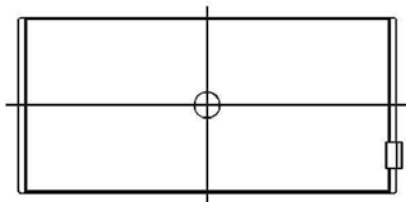
...Continued

777	 96.50	Petrol
		
	JH5113	NB973  45.00x67.00x8.00mm, FPM NA5268  100.00x124.00x13.00mm, FPM




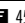

778	 96.50	Petrol				
M 117.962	V8 Cyl.	9.2:1	4973cc	170kW (231)PS	TD17728	359

										
BE/PL	8	51.945/51.965	55.600/55.619	22.000	1.810	0.020/0.079	EC	71-3476	71-3476/8 STD	
→12/80										
BE/PL	8	47.945/47.965	51.600/51.619	22.000	1.810	0.020/0.079	EC	71-3477	71-3477/8 STD 0.75	
01/81→										

71-3477



MB/HL	4	63.955/63.965	68.500/68.519	21.000	2.254	0.027/0.081	EC	72-2787	H801/5 STD 0.25	
MB/HL	1	63.955/63.965	68.500/68.519	26.900	2.254	0.027/0.081	EC	72-2788H		
72-2788H		STD	27,000/1.0630" - 27,021/1.0638"							
		0.25MM	27,200/1.0709" - 27,221/1.0717"							
		0.50MM	27,200/1.0709" - 27,221/1.0717"							
SE/PB	1	26.000	29.000	27.600			BC	55-2789	55-2789 SEMI	
SE/PB	1	23.000	26.000	27.600			BC	55-3525	55-3525 SEMI	

		
	JH5113	NB973  45.00x67.00x8.00mm, FPM NA5268  100.00x124.00x13.00mm, FPM

MERCEDES-BENZ/SMART

779	96.50	Petrol				
M 117.964	V8 Cyl.	9.2:1	4973cc	138-195kW (187-265)PS	TD2175	359
S-CLASS (W126)	09/85→06/91	SL (R107)	01/86→08/89			

	08-182700-00 STD 08-182707-00 0.50mm 08-182711-00 1.00mm 1.75 CR P 2.00 CR P 3.50 CR P		

BE/PL	8	47.945/47.965	51.600/51.619	22.000	1.810	0.020/0.079	EC	71-3477	71-3477/8 STD 0.75
MB/HL	4	63.955/63.965	68.500/68.519	21.000	2.254	0.027/0.081	EC	72-2787	H801/5 STD 0.25
MB/HL	1	63.955/63.965	68.500/68.519	26.900	2.254	0.027/0.081	EC	72-2788H	
72-2788H		STD	27,000/1.0630" - 27,021/1.0638"						
		0.25MM	27,200/1.0709" - 27,221/1.0717"						
		0.50MM	27,200/1.0709" - 27,221/1.0717"						
SE/PB	1	26.000	29.000	27.600			BC	55-2789	55-2789 SEMI
SE/PB	1	23.000	26.000	27.600			BC	55-3525	55-3525 SEMI

	JH51 13		NB973 45.00x67.00x8.00mm, FPM NA5268 100.00x124.00x13.00mm, FPM

780	96.50	Petrol				
M 117.965	V8 Cyl.		4973cc	138-195kW (187-265)PS	TD4670	359
G-CLASS (W463)	09/93→	S-CLASS (C126)	09/85→06/91	S-CLASS (W126)	09/85→06/91	

BE/PL	8	47.945/47.965	51.600/51.619	22.000	1.810	0.020/0.079	EC	71-3477	71-3477/8 STD 0.75
MB/HL	4	63.955/63.965	68.500/68.519	21.000	2.254	0.027/0.081	EC	72-2787	H801/5 STD 0.25
MB/HL	1	63.955/63.965	68.500/68.519	26.900	2.254	0.027/0.081	EC	72-2788H	
72-2788H		STD	27,000/1.0630" - 27,021/1.0638"						
		0.25MM	27,200/1.0709" - 27,221/1.0717"						
		0.50MM	27,200/1.0709" - 27,221/1.0717"						
SE/PB	1	26.000	29.000	27.600			BC	55-2789	55-2789 SEMI
SE/PB	1	23.000	26.000	27.600			BC	55-3525	55-3525 SEMI

	JH51 13		NB973 45.00x67.00x8.00mm, FPM NA5268 100.00x124.00x13.00mm, FPM

781	96.50	Petrol				
M 119.960	V8 Cyl.	10:1	4973cc	235-240kW (320-326)PS	TD2186	360
SL (R129)	09/89 → 08/92					

	08-182700-00 STD 08-182707-00 0.50mm 08-182711-00 1.00mm 1.75 CR P 2.00 CR P 3.50 CR P		

BE/PL	8	47.945/47.965	51.600/51.619	22.000	1.810	0.020/0.079	EC	71-3477	71-3477/8 STD 0.75
MB/HL	4	63.955/63.965	68.500/68.519	21.000	2.254	0.027/0.081	EC	72-2787	H801/5 STD 0.25
MB/HL	1	63.955/63.965	68.500/68.519	26.900	2.254	0.027/0.081	EC	72-2788H	
72-2788H		STD	27,000/1.0630" - 27,021/1.0638"						
		0.25MM	27,200/1.0709" - 27,221/1.0717"						
		0.50MM	27,200/1.0709" - 27,221/1.0717"						

		NB973 45.00x67.00x8.00mm, FPM NA5268 100.00x124.00x13.00mm, FPM



782	96.50	Petrol				
M 119.970	V8 Cyl.	10:1	4973cc	235kW (320)PS	TD2187	360
M 119.974	V8 Cyl.	10:1	4973cc	235-240kW (320-326)PS	TD2190	360
M 119.980	V8 Cyl.	10:1	4973cc	235kW (320)PS	TD19044	361
M 119.982	V8 Cyl.	10:1	4973cc	235kW (320)PS	TD20346	361

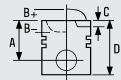


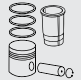



E-CLASS (W124)	06/93 → 06/95	S-CLASS (C140)	10/92 → 02/99	S-CLASS (W140)	02/91 → 10/98
SL (R129)	09/92 → 10/01	STUFENHECK (W124)	01/91 → 06/93		



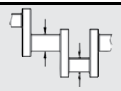
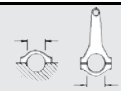


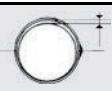


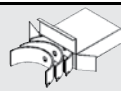
	08-182700-00 STD 08-182707-00 0.50mm 08-182711-00 1.00mm 1.75 CR P 2.00 CR P 3.50 CR P		



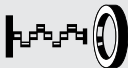


		NB973 45.00x67.00x8.00mm, FPM NA5268 100.00x124.00x13.00mm, FPM



MERCEDES-BENZ/SMART

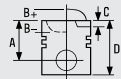


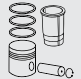



783	 96.50	Petrol	
M 119.972	V8 Cyl.	4973cc	235-240kW (320-326)PS
SL (R129)	09/89→10/01		TD2189 360



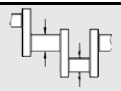
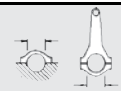


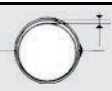


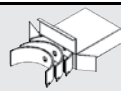

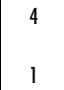
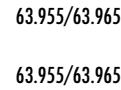
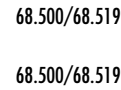
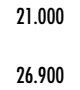
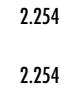
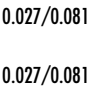
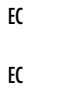
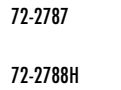


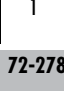
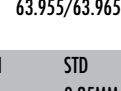
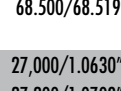
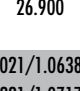

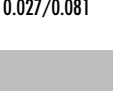
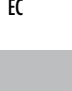

			
	08-182700-00 STD 08-182707-00 0.50mm 08-182711-00 1.00mm 1.75  CR P 2.00  CR P 3.50  CR P		

									
BE/PL	8	47.950/47.965	51.600/51.619	21.800	1.814	0.020/0.064	EC	71-3817	71-3817/8 STD 0.25 0.50

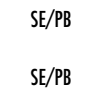
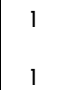
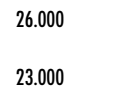
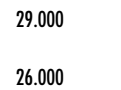
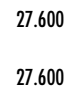
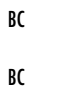
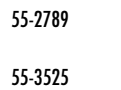






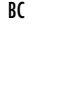
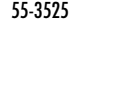

		
		NB973  45.00x67.00x8.00mm, FPM NA5268  100.00x124.00x13.00mm, FPM



784	 96.50	Petrol	
M 117.967	V8 Cyl.	10:1	5547cc
			178kW (242)PS
			TD2177 363

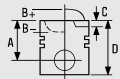

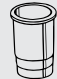




			
	08-182700-00 STD 08-182707-00 0.50mm 08-182711-00 1.00mm 1.75  CR P 2.00  CR P 3.50  CR P		

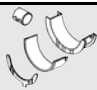

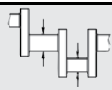
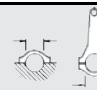




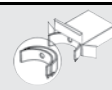
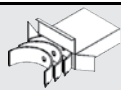
									
BE/PL	8	47.945/47.965	51.600/51.619	22.000	1.810	0.020/0.079	EC	71-3477	71-3477/8 STD 0.75
									
MB/HL	4	63.955/63.965	68.500/68.519	21.000	2.254	0.027/0.081	EC	72-2787	H801/5 STD 0.25
									
MB/HL	1	63.955/63.965	68.500/68.519	26.900	2.254	0.027/0.081	EC	72-2788H	



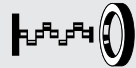

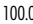
72-2788H	STD	27,000/1.0630" - 27,021/1.0638"
	0.25MM	27,200/1.0709" - 27,221/1.0717"
	0.50MM	27,200/1.0709" - 27,221/1.0717"



									
SE/PB	1	26.000	29.000	27.600			BC	55-2789	55-2789 SEMI
									
SE/PB	1	23.000	26.000	27.600			BC	55-3525	55-3525 SEMI

785	 96.50	Petrol				
M 117.968	V8 Cyl.	10:1	5547cc	178-220kW (242-300)PS	TD2178	364
S-CLASS (C126)	10/85→06/91	S-CLASS (W126)	10/85→06/91			

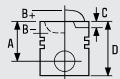

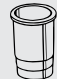




			
	08-182700-00 STD 08-182707-00 0.50mm 08-182711-00 1.00mm 1.75  CR P 2.00  CR P 3.50  CR P		

									
BE/PL	8	47.945/47.965	51.600/51.619	22.000	1.810	0.020/0.079	EC	71-3477	71-3477/8 STD 0.75
MB/HL	4	63.955/63.965	68.500/68.519	21.000	2.254	0.027/0.081	EC	72-2787	H801/5 STD 0.25
MB/HL	1	63.955/63.965	68.500/68.519	26.900	2.254	0.027/0.081	EC	72-2788H	
	72-2788H	STD 0.25MM 0.50MM	27,000/1.0630" - 27,021/1.0638" 27,200/1.0709" - 27,221/1.0717" 27,200/1.0709" - 27,221/1.0717"						
SE/PB	1	26.000	29.000	27.600			BC	55-2789	55-2789 SEMI
SE/PB	1	23.000	26.000	27.600			BC	55-3525	55-3525 SEMI

		
		NB973  45.00x67.00x8.00mm, FPM NA5268  100.00x124.00x13.00mm, FPM

786	 97.00	Petrol				
M 112.970	V6 Cyl.	10:1	3724cc	173-180kW (235-245)PS	TD17532	365
M 112.972	V6 Cyl.	10:1	3724cc	180kW (245)PS	TD17189	365
M 112.975	V6 Cyl.	10:1	3724cc	180kW (245)PS	TD17190	365
M 112.976	V6 Cyl.	10:1	3724cc	170kW (231)PS	TD18426	365
M 113.961	V8 Cyl.	10:1	4966cc	220kW (299)PS	TD11495	367
M 113.962	V8 Cyl.	10:1	4966cc	220kW (299)PS	TD12027	367
M 113.963	V8 Cyl.	10:1	4966cc	220kW (299)PS	TD16886	367




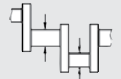
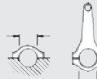









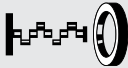


G-CLASS (W463)	04/98→	M-CLASS (W163)	08/02→06/05	S-CLASS (W220)	09/02→08/05
SL (R129)	05/98→10/01	SL (R230)	10/01→01/12	VIANO (W639)	06/04→
VITO (W639)	06/04→	VITO / MIXTO (W639)	06/04→07/08		


			
	08-106300-00 STD 1.20  NT [22] 1.50  P 2.00  CR [22]		

[22] Steel [22] Acier [22] Acciaio [22] Acero

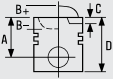


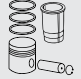



MERCEDES-BENZ/SMART



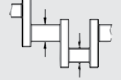
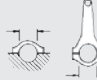








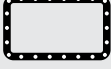



...Continued



786		 97.00	Petrol								
											
BE/PL	6	51.940/51.965	55.600/55.614	19.600	1.814	0.020/0.071	EC	71-3857	71-3857/6 STD		
MB/HL 1-4	4	63.940/63.965	68.500/68.519	19.000	2.263	0.020/0.078	AL-LF	02-3858	H069/4 STD		
											
			HR397				NA5131  45.00x67.00x8.00mm, PTFE NA5168  93.00x114.00x11.50mm, PTFE				

787	 97.00	Petrol									
M 112.973	V6 Cyl.	10:1	3724cc	180kW (245)PS						TD17537	365
M 113.960	V8 Cyl.	10:1	4966cc	220kW (299)PS						TD11493	366
M 113.964	V8 Cyl.	10:1	4966cc	220kW (299)PS						TD17011	366
M 113.965	V8 Cyl.	10:1	4966cc	215kW (292)PS						TD17308	366
M 113.966	V8 Cyl.	10:1	4966cc	225kW (306)PS						TD17191	366
M 113.967	V8 Cyl.	10:1	4966cc	220kW (299)PS						TD17006	366
M 113.968	V8 Cyl.	10:1	4966cc	220kW (299)PS						TD16887	366
M 113.969	V8 Cyl.	10:1	4966cc	225kW (306)PS						TD17332	366
M 113.971	V8 Cyl.	10:1	4966cc	225kW (306)PS						TD18972	366
M 113.980	V8 Cyl.	10:1	5439cc	260kW (354)PS						TD9890	366
M 113.981	V8 Cyl.	10:1	5439cc	255kW (347)PS						TD14889	366
M 113.984	V8 Cyl.	10:1	5439cc	255kW (347)PS						TD15457	366



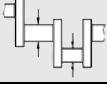
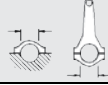





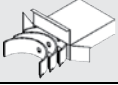
CLK (A208)	01/00 → 03/02	CLK (A209)	02/03 → 03/10	CLK (C208)	08/99 → 06/02
CLK (C209)	06/02 → 05/09	CLS (C219)	10/04 → 12/10	E-CLASS (S210)	08/97 → 03/03
E-CLASS (S211)	10/03 → 07/09	E-CLASS (W210)	08/97 → 03/02	E-CLASS (W211)	03/02 → 12/08
M-CLASS (W163)	02/00 → 06/05	M-CLASS (W164)	07/05 →	R-CLASS (W251, V251)	01/06 →
S-CLASS (C215)	03/99 → 03/06	S-CLASS (W220)	10/98 → 08/05	SL (R230)	03/03 → 01/12



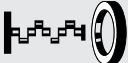


			
	08-106300-00 STD 1.20  NT [22] 1.50  P 2.00  CR [22]		
[22] Steel	[22] Acier	[22] Acciaio	[22] Acero



											
BE/PL	6	51.940/51.965	55.600/55.614	19.600	1.814	0.020/0.071	EC	71-3857	71-3857/6 STD		
MB/HL 1-4	4	63.940/63.965	68.500/68.519	19.000	2.263	0.020/0.078	AL-LF	02-3858	H069/4 STD		
											
							NA5131  45.00x67.00x8.00mm, PTFE NA5168  93.00x114.00x11.50mm, PTFE				

788	 97.00	Petrol				
M 113.982	V8 Cyl.	10.5:1	5439cc	260kW (354)PS	TD16896	366
M 113.986	V8 Cyl.	10.5:1	5439cc	265kW (360)PS	TD16891	366
M 113.988	V8 Cyl.	11:1	5439cc	270kW (367)PS	TD17931	366
M 113.989	V8 Cyl.	10.5:1	5439cc	265kW (360)PS	TD18433	366



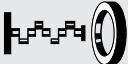


C-CLASS (S203)	02/04→08/07	C-CLASS (W203)	02/04→02/07	G-CLASS (W463)	04/99→
S-CLASS (C215)	10/99→03/06	S-CLASS (W220)	04/99→08/05	SLK (R171)	06/04→02/11

									
BE/PL	8	51.940/51.965	55.600/55.614	19.600	1.814	0.020/0.071	EC	71-3857	71-3857/8 STD
MB/HL 1-5	5	63.940/63.965	68.500/68.519	19.000	2.263	0.020/0.078	AL-LF	02-3858	H069/5 STD

		
		NA5131  45.00x67.00x8.00mm, PTFE
		NA5168  93.00x114.00x11.50mm, PTFE

789	 97.00	Petrol					
M 113.985	V8 Cyl.	10.5:1	5439cc	260kW (354)PS	TD16888	368	
M 113.987	V8 Cyl.	11:1	5439cc	270kW (367)PS	TD16890	366	
M 113.990	V8 Cyl.	9:1	5439cc	350kW (476)PS	Supercharged	TD17330	366
M 113.991	V8 Cyl.	9:1	5439cc	368kW (500)PS	Supercharged	TD17193	366
M 113.992	V8 Cyl.	9:1	5439cc	350-368kW (476-500)PS	Supercharged	TD16889	366
M 113.993	V8 Cyl.	9:1	5439cc	350kW (476)PS		TD18368	
M 113.995	V8 Cyl.	9:1	5439cc	380kW (517)PS	Supercharged	TD23757	366
M 155.980	V8 Cyl.	8.8:1	5439cc	460kW (626)PS		TD17435	

CLK (A209)	02/03→03/10	CLK (C209)	09/02→05/09	CLS (C219)	01/05→12/10
E-CLASS (S211)	07/03→07/09	E-CLASS (W211)	10/02→12/08	G-CLASS (W463)	06/04→
S-CLASS (C215)	06/02→03/06	S-CLASS (W220)	06/02→08/05	SL (R129)	03/00→10/01
SL (R230)	10/01→01/12	SLR (R199)	04/04→		

		
		NA5131  45.00x67.00x8.00mm, PTFE
		NA5168  93.00x114.00x11.50mm, PTFE

MERCEDES-BENZ/SMART



790	97.20	Petrol			
M 273.960	V8 Cyl.	10.7:1	546lcc	285kW (388)PS	TD20737 369
M 273.961	V8 Cyl.	10.7:1	546lcc	285kW (388)PS	TD19147 369
CLS (C219)	04/06→	E-CLASS (S211)	04/06→07/09	E-CLASS (W211)	04/06→12/08
S-CLASS (C216)	06/06→	S-CLASS (W221)	10/05→		

BE/PL	8	51.945/51.965	55.600/55.614	19.600	1.813	0.020/0.067	EC	71-4007	71-4007/8 STD	
MB/HL	4	63.945/63.965	68.500/68.519	20.600	2.267	0.020/0.064	AL-LF	02-4008	H1003/5 STD	
MB/HL	1	63.945/63.965	68.500/68.519	24.000	2.267	0.020/0.064	AL-LF	02-4009		
TW/A	2	72.250	84.000		1.900		AL-LF	04-4010	A164/4 STD	
TW/A	2	72.250	84.000		1.900		AL-LF	04-4011		
SE/PB	1	22.000	24.500/24.521	19.900			BC	55-4012	55-4012 SEMI	



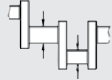
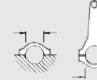






	HR397	NA5131 45.00x67.00x8.00mm, PTFE





791	98.00	Petrol			
M 152.980	V8 Cyl.		546lcc	310kW (422)PS	TD26368
M 157.980	V8 Cyl.		546lcc	386-400kW (525-544)PS	TD25145
M 157.981	V8 Cyl.		546lcc	386-400kW (525-544)PS	TD25146
M 157.983	V8 Cyl.		546lcc	395-415kW (537-564)PS	TD26367
M 273.970	V8 Cyl.	10.7:1	546lcc	285kW (388)PS	TD23779 370
M 273.971	V8 Cyl.	10.7:1	546lcc	285kW (388)PS	TD23780 370
CLS (C218)	01/11→	CLS (X218)	10/12→	E-CLASS (S212)	11/09→
E-CLASS (W212)	01/09→	G-CLASS (W463)	05/12→	M-CLASS (W166)	11/11→
S-CLASS (C216)	01/10→	S-CLASS (W221)	03/11→	SL (R231)	01/12→
SLK (R172)	01/12→				



	HR397	NA5131 45.00x67.00x8.00mm, PTFE






792	 98.00	Petrol				
M 273.962	V8 Cyl.	10.7:1	5461cc	285kW (388)PS	TD20990	370
M 273.963	V8 Cyl.	10.7:1	5461cc	285kW (388)PS	TD19209	370
M 273.965	V8 Cyl.	10.7:1	5461cc	285kW (388)PS	TD19212	370
M 273.966	V8 Cyl.	10.7:1	5461cc	285kW (388)PS	TD23725	370
M 273.967	V8 Cyl.	10.7:1	5461cc	285kW (388)PS	TD21180	370
M 273.968	V8 Cyl.	10.7:1	5461cc	285kW (388)PS	TD20908	370

CLK (A209)	06/06→03/10	CLK (C209)	06/06→05/09	E-CLASS (A207)	01/10→
E-CLASS (C207)	01/09→	E-CLASS (S211)	04/06→07/09	E-CLASS (W211)	04/06→12/08
G-CLASS (W463)	05/08→	GL-CLASS (X164)	09/06→	M-CLASS (W164)	12/07→
R-CLASS (W251, V251)	01/07→	S-CLASS (C216)	02/08→	S-CLASS (W221)	10/05→
SL (R230)	03/06→01/12				



									
BE/PL	8	51.945/51.965	55.600/55.614	19.600	1.813	0.020/0.067	EC	71-4007	71-4007/8 STD
MB/HL	4	63.945/63.965	68.500/68.519	20.600	2.267	0.020/0.064	AL-LF	02-4008	H1003/5 STD
MB/HL	1	63.945/63.965	68.500/68.519	24.000	2.267	0.020/0.064	AL-LF	02-4009	
TW/A	2	72.250	84.000		1.900		AL-LF	04-4010	A164/4 STD
TW/A	2	72.250	84.000		1.900		AL-LF	04-4011	
SE/PB	1	22.000	24.500/24.521	19.900			BC	55-4012	55-4012 SEMI






		
	HR397	NA5131  45.00x67.00x8.00mm, PTFE



793	 102.00	Petrol				
M 156.981	12 Cyl.	11.3:1	6208cc	386kW (525)PS	TD20862	
M 156.985	8 Cyl.	11.3:1	6208cc	336kW (457)PS	TD20860	
C-CLASS (C204)	06/11→	C-CLASS (S204)	02/08→	C-CLASS (W204)	02/08→	
E-CLASS (S212)	08/09→	E-CLASS (W212)	12/09→	SL (R230)	03/08→01/12	

		
		NA5131  45.00x67.00x8.00mm, PTFE NA5168  93.00x114.00x11.50mm, PTFE

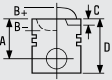
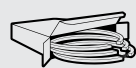
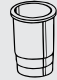




MERCEDES-BENZ/SMART



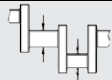







794	 102.20	Petrol			
M 156.980	V8 Cyl.		6208cc	375kW (510)PS	TD19211
M 156.982	V8 Cyl.	11.3:1	6208cc	354kW (481)PS	TD20736
M 156.983	8 Cyl.	11.3:1	6208cc	378kW (514)PS	TD19890
M 156.984	V8 Cyl.		6208cc	386kW (525)PS	TD20331
M 159.980	V8 Cyl.	11.3:1	6208cc	420kW (571)PS	TD25407
CLK (A209)	04/06→03/10	CLK (C209)	04/06→05/09	CLS (C219)	04/06→12/10
E-CLASS (S211)	03/06→07/09	E-CLASS (W211)	03/06→12/08	M-CLASS (W164)	01/06→
R-CLASS (W251, V251)	02/06→	S-CLASS (C216)	10/06→	S-CLASS (W221)	10/06→
SLS (C197)	03/10→				



		
		NA5131  45.00x67.00x8.00mm, PTFE NA5168  93.00x114.00x11.50mm, PTFE

795		 80.00	Petrol		
901.01	6 Cyl.	9.8:1	1990cc	81/96/118kW (110/130/160)PS	TD10287 372
901.02	6 Cyl.	9.8:1	1990cc	81/96/118kW (110/130/160)PS	TD10289
901.03	6 Cyl.	9.8:1	1990cc	81/96/118kW (110/130/160)PS	TD5409 372
901.05	6 Cyl.	9.8:1	1990cc	81/96/118kW (110/130/160)PS	TD10288
901.09	6 Cyl.	9.8:1	1990cc	81/96/118kW (110/130/160)PS	TD5407
901.10	6 Cyl.	9.8:1	1990cc	81/96/118kW (110/130/160)PS	TD10290
901.11	6 Cyl.	9.8:1	1990cc	81/96/118kW (110/130/160)PS	TD5408
901.13	6 Cyl.	10:1	1990cc	81/96/118kW (110/130/160)PS	TD5410 372
901.36	6 Cyl.	10:1	1990cc	81/96/118kW (110/130/160)PS	TD5403
901.37	6 Cyl.	10:1	1990cc	81/96/118kW (110/130/160)PS	TD5404



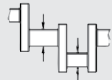







911	01/63→02/72	914	11/69→12/73
------------	-------------	------------	-------------



			
	08-320700-10 STD		
	1.50  P		
	2.00  P		
	4.00 		

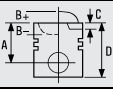
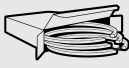
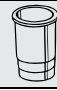
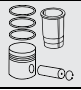





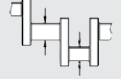
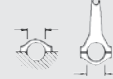





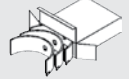
									
BE/PL	6	56.971/56.990	61.000/61.019	17.800	1.990	0.030/0.093	EC	71-2349	71-2349/6 STD
MB/HL 1	1	56.971/56.990	62.000/62.019	27.890	2.500	0.020/0.073	EC	72-2350H	H688/7 STD
MB/HL 2-7	6	56.971/56.990	62.000/62.019	18.000	2.500	0.020/0.073	EC	72-2351	
72-2350H		STD	28,000/1.1024" - 28,052/1.1044"						
SE/PB	1	22.000	25.000/25.021	25.000			BC	55-3280	55-3280 SEMI
BU	1	17.989/18.000	20.000/20.013	25.500			BC	56-2698	56-2698 SEMI



796		 80.00	Petrol		
901.07	6 Cyl.		1991cc	96kW (131)PS	TD27892
901.08	6 Cyl.	9.8:1	1991cc	118kW (160)PS	TD27891
901.14	6 Cyl.		1991cc	96kW (131)PS	TD27893
901.17	6 Cyl.		1991cc	96kW (131)PS	TD27894

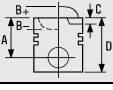
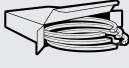

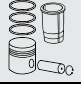



911	01/63→11/68
------------	-------------



									
BE/PL	6	56.971/56.990	61.000/61.019	17.800	1.990	0.030/0.093	EC	71-2349	71-2349/6 STD
MB/HL 1	1	56.971/56.990	62.000/62.019	27.890	2.500	0.020/0.073	EC	72-2350H	H688/7 STD
MB/HL 2-7	6	56.971/56.990	62.000/62.019	18.000	2.500	0.020/0.073	EC	72-2351	
72-2350H		STD	28,000/1.1024" - 28,052/1.1044"						
SE/PB	1	22.000	25.000/25.021	25.000			BC	55-3280	55-3280 SEMI
BU	1	17.989/18.000	20.000/20.013	25.500			BC	56-2698	56-2698 SEMI



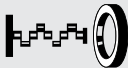


797	 82.50	Petrol				
616.15	4 Cyl.	9.3:1	1582cc	55kW (75)PS	TD20989	373
616.16	4 Cyl.	9.3:1	1582cc	66kW (90)PS	TD20955	
616.36	4 Cyl.	9.3:1	1582cc	66kW (90)PS	TD20956	
356	01/55→12/65	912	01/65→02/70			



									
	08-320600-10 STD								
	1.50  P								
	2.00  P								
	4.00 								
									
BE/PL	4	52.987/53.000	56.980/56.999	16.000	1.975	0.030/0.087	EC	71-1971	71-1971/4 STD

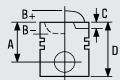
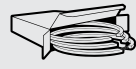
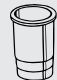




798	 82.50	Petrol				
616.39	4 Cyl.	9.3:1	1582cc	66kW (90)PS	TD27907	
616.40	4 Cyl.	9.3:1	1582cc	66kW (90)PS	TD27908	
912	01/65→02/70					

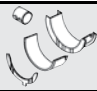

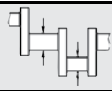
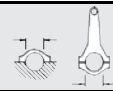


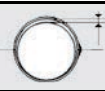

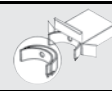
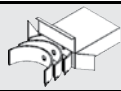
			
	08-320600-10 STD		
	1.50  P		
	2.00  P		
	4.00 		



799	 83.00	Diesel			
M 05.9D	V6 Cyl.	2967cc	176kW (239)PS	TD27056	374
M 05.9E	V6 Cyl.	2967cc	176kW (239)PS	Turbocharged	TD25678
CAYENNE (955)	02/09→	CAYENNE	06/10→		

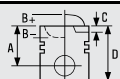
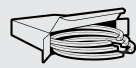

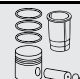



		
	HR397	NA5329  55.00x70.00x8.00mm, PTFE NA5325  85.00x105.00x8.80mm, PTFE



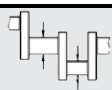
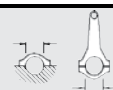


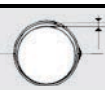

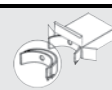
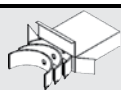
800	 84.00	Petrol				
911.01	6 Cyl.	9:1	2179cc	114kW (155)PS	TD5411	375
911.04	6 Cyl.	9:1	2179cc	114kW (155)PS	TD5412	375
911	09/69 → 02/72					

			
08-319500-10 STD 1.50  P 2.00  P 4.00  P			



									
BE/PL	6	56.971/56.990	61.000/61.019	17.800	1.990	0.030/0.093	EC	71-2349	71-2349/6 STD
MB/HL 1	1	56.971/56.990	62.000/62.019	27.890	2.500	0.020/0.073	EC	72-2350H	H688/7 STD
MB/HL 2-7	6	56.971/56.990	62.000/62.019	18.000	2.500	0.020/0.073	EC	72-2351	
72-2350H		STD	28,000/1.1024" - 28,052/1.1044"						
SE/PB	1	22.000	25.000/25.021	25.000			BC	55-3280	55-3280 SEMI
BU	1	17.989/18.000	20.000/20.013	25.500			BC	56-2698	56-2698 SEMI

801	 84.00	Petrol				
911.02	6 Cyl.	9.8:1	2179cc	132kW (180)PS	TD5413	375
911	09/69 → 02/72					

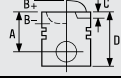


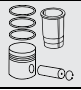



			
08-319600-10 STD 1.50  P 1.50  P 4.00  P			



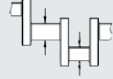
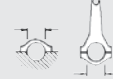





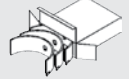
									
BE/PL	6	56.971/56.990	61.000/61.019	17.800	1.990	0.030/0.093	EC	71-2349	71-2349/6 STD
MB/HL 1	1	56.971/56.990	62.000/62.019	27.890	2.500	0.020/0.073	EC	72-2350H	H688/7 STD
MB/HL 2-7	6	56.971/56.990	62.000/62.019	18.000	2.500	0.020/0.073	EC	72-2351	
72-2350H		STD	28,000/1.1024" - 28,052/1.1044"						
SE/PB	1	22.000	25.000/25.021	25.000			BC	55-3280	55-3280 SEMI
BU	1	17.989/18.000	20.000/20.013	25.500			BC	56-2698	56-2698 SEMI



PORSCHE

802	 84.00	Petrol			
911.06	6 Cyl.	8.6:1	2195cc	92kW (125)PS	TD20957
911.07	6 Cyl.	8.6:1	2195cc	92kW (125)PS	TD20958
911.08	6 Cyl.	8.6:1	2195cc	92kW (125)PS	TD20959

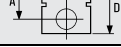






911 01/70 → 12/72



			
	08-325300-00 STD		
	1.50  P		
	2.00  P		
	5.00  P		

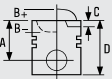
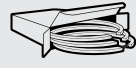
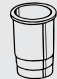
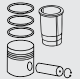





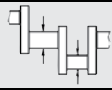
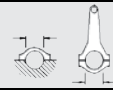


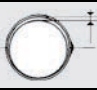


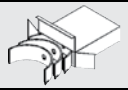
									
BE/PL	6	56.971/56.990	61.000/61.019	17.800	1.990	0.030/0.093	EC	71-2349	71-2349/6 STD
MB/HL 1	1	56.971/56.990	62.000/62.019	27.890	2.500	0.020/0.073	EC	72-2350H	H688/7 STD
MB/HL 2-7	6	56.971/56.990	62.000/62.019	18.000	2.500	0.020/0.073	EC	72-2351	
72-2350H		STD	28,000/1.1024" - 28,052/1.1044"						
SE/PB	1	22.000	25.000/25.021	25.000			BC	55-3280	55-3280 SEMI
BU	1	17.989/18.000	20.000/20.013	25.500			BC	56-2698	56-2698 SEMI



803	 84.00	Petrol			
911.62	6 Cyl.		2311cc	121kW (165)PS	TD5417
911.63	6 Cyl.		2311cc	140kW (190)PS	TD5415

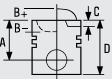
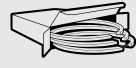
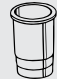
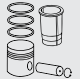





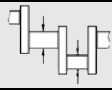
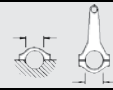


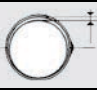


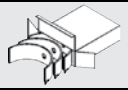
911 08/71 → 01/76

			
	08-319600-10 STD		
	1.50  P		
	1.50  P		
	4.00  P		

804	 84.00	Petrol	
911.52	6 Cyl.	2341cc	121kW (165)PS
911	08/71→12/73		

									
		08-319600-10 STD							
		1.50  P							
		1.50  P							
		4.00  P							
									
BE/PL	6	51.971/51.990	56.000/56.019	19.800	1.990	0.030/0.093	EC	71-3014	71-3014/6 STD 0.25 0.50
MB/HL 1	1	56.971/56.990	62.000/62.019	27.890	2.500	0.020/0.073	EC	72-2350H	H688/7 STD
MB/HL 2-7	6	56.971/56.990	62.000/62.019	18.000	2.500	0.020/0.073	EC	72-2351	
72-2350H		STD	28,000/1.1024" - 28,052/1.1044"						
SE/PB	1	22.000	25.000/25.021	25.000			BC	55-3280	55-3280 SEMI
BU	1	17.989/18.000	20.000/20.013	25.500			BC	56-2698	56-2698 SEMI

805	 84.00	Petrol	
911.53	6 Cyl.	2341cc	140kW (190)PS
911	08/71→01/76		

									
		08-319600-10 STD							
		1.50  P							
		1.50  P							
		4.00  P							
									
BE/PL	6	51.971/51.990	56.000/56.019	19.800	1.990	0.030/0.093	EC	71-3014	71-3014/6 STD 0.25 0.50
MB/HL 1	1	56.971/56.990	62.000/62.019	27.890	2.500	0.020/0.073	EC	72-2350H	H688/7 STD
MB/HL 2-7	6	56.971/56.990	62.000/62.019	18.000	2.500	0.020/0.073	EC	72-2351	
→12/73									
72-2350H		STD	28,000/1.1024" - 28,052/1.1044"						
MB/HL 1	1	56.971/56.990	62.000/62.019	27.890	2.500	0.020/0.073	EC	72-2350H	H928/7 STD
MB/HL 2-7	6	56.971/56.990	62.000/62.019	18.000	2.500	0.020/0.073	EC	72-3303	
01/74→									
72-2350H		STD	28,000/1.1024" - 28,052/1.1044"						
SE/PB	1	22.000	25.000/25.021	25.000			BC	55-3280	55-3280 SEMI
BU	1	17.989/18.000	20.000/20.013	25.500			BC	56-2698	56-2698 SEMI

806	84.00	Petrol				
M02.2Y	V6 Cyl.	11.5:1	3189cc	177-184kW (241-250)PS	TD23319	376
CAYENNE (955) 10/03→						

	08-137400-00 STD		
	1.20 NT [22]		
	1.50 P		
	2.00 CR [22]		



[22] Steel [22] Acier [22] Acciaio [22] Acero

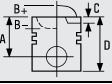

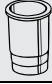




BE/PL	6	53.958/53.978	56.800/56.819	17.000	1.406	0.020/0.074	AL-LF	01-3841	01-3841/6 STD 0.25
MB/HL 1-7	7	59.958/59.978	65.000/65.010	17.000	2.501	0.020/0.075	AL-LF	02-3716	H035/7 STD 0.25
TW/A	2	65.450	80.000		1.723		AL-LF	04-3717	A139/4 STD
TW/A	2	65.450	80.000		1.723		AL-LF	04-3718	
SE/PB	1		23.000/23.052	20.000			BC	55-3719	55-3719 SEMI
BU	1	42.959/42.975	46.055/46.095	15.000			AL-LF	07-3088	07-3088 STD SEMI [30]
BU	1	14.473/14.484	17.500/17.518	20.000			BB	17-3720	17-3720 SEMI [30]



		NA5106 35.00x48.00x10.00mm, PTFE
		NA5305 [26]

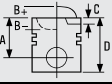

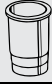




807	84.00	Petrol				
M 48.10	V6 Cyl.	11.5:1	3189cc	184kW (250)PS	TD18467	377



BE/PL	6	53.958/53.978	56.800/56.819	17.000	1.406	0.020/0.074	AL-LF	01-3841	01-3841/6 STD 0.25
MB/HL 1-7	7	59.958/59.978	65.000/65.010	17.000	2.501	0.020/0.075	AL-LF	02-3716	H035/7 STD 0.25
TW/A	2	65.450	80.000		1.723		AL-LF	04-3717	A139/4 STD
TW/A	2	65.450	80.000		1.723		AL-LF	04-3718	
SE/PB	1		23.000/23.052	20.000			BC	55-3719	55-3719 SEMI
BU	1	42.959/42.975	46.055/46.095	15.000			AL-LF	07-3088	07-3088 STD SEMI [30]
BU	1	14.473/14.484	17.500/17.518	20.000			BB	17-3720	17-3720 SEMI [30]






808	 86.50	Petrol					
M 31.01	4 Cyl.	7.5:1	1984cc	125kW (170)PS	Turbocharged	TD2972	379
M 31.03	4 Cyl.	8.5:1	1984cc	130kW (177)PS	Turbocharged	TD2973	380
M 31.50	4 Cyl.		1984cc	154kW (210)PS	Turbo Intercooled	TD2974	380
924	11/78 → 10/86						

			
	08-320500-10 STD 1.50  CR P 1.75  P 3.00  CR P		

809	 86.50	Petrol					
XJ	4 Cyl.	9.3:1	1984cc	92kW (125)PS	TD2994	381	
924	11/75 → 08/89						

			
	08-399700-10 STD 08-399707-10 0.50mm 2.00  CR P 2.50  P 5.00  CR P		

810	 90.00	Petrol					
W	4 Cyl.	8.2:1	1679cc	59kW (80)PS	TD18881	382	
914	01/69 → 12/73						

		
		NA5272  42.00x62.00x10.00mm, ACM NB953  75.00x95.00x12.00mm, FPM



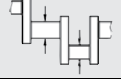
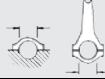








811

 90.00



911.41	6 Cyl.	2687cc	110kW (150)PS	TD27881
911.43	6 Cyl.	2687cc	121kW (165)PS	TD27883
911.46	6 Cyl.	2687cc	110kW (150)PS	TD27882
911.48	6 Cyl.	2687cc	121kW (165)PS	TD27884
911.92	6 Cyl.	2687cc	110kW (150)PS	TD27879
911.97	6 Cyl.	2687cc	110kW (150)PS	TD27880

911 09/73→06/77

											
BE/PL	6	51.971/51.990	56.000/56.019	19.800	1.990	0.030/0.093	EC	71-3014	71-3014/6 STD 0.25 0.50		
MB/HL 1	1	56.971/56.990	62.000/62.019	27.890	2.500	0.020/0.073	EC	72-2350H	H688/7 STD		
MB/HL 2-7	6	56.971/56.990	62.000/62.019	18.000	2.500	0.020/0.073	EC	72-2351			
→12/73											
72-2350H STD 28,000/1.1024" - 28,052/1.1044"											
MB/HL 1	1	56.971/56.990	62.000/62.019	27.890	2.500	0.020/0.073	EC	72-2350H	H928/7 STD		
MB/HL 2-7	6	56.971/56.990	62.000/62.019	18.000	2.500	0.020/0.073	EC	72-3303			
01/74→											
72-2350H STD 28,000/1.1024" - 28,052/1.1044"											
SE/PB	1	22.000	25.000/25.021	25.000			BC	55-3280	55-3280 SEMI		
BU	1	17.989/18.000	20.000/20.013	25.500			BC	56-2698	56-2698 SEMI		

812

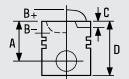
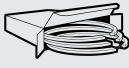

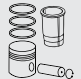



 90.00




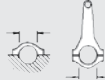






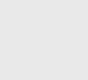
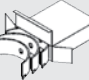
Petrol



911.42	6 Cyl.	2687cc	129kW (175)PS	TD5421
911.47	6 Cyl.	2687cc	129kW (175)PS	TD5422
911.93	6 Cyl.	2687cc	129kW (175)PS	TD5419 383
911.98	6 Cyl.	2687cc	129kW (175)PS	TD5420

911 08/73→01/76




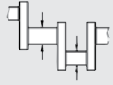
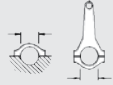





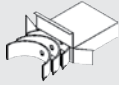
			
08-319800-10 STD			
1.50		P	
1.75		P	
4.00		P	


											
BE/PL	6	51.971/51.990	56.000/56.019	19.800	1.990	0.030/0.093	EC	71-3014	71-3014/6 STD 0.25 0.50		
MB/HL 1	1	56.971/56.990	62.000/62.019	27.890	2.500	0.020/0.073	EC	72-2350H	H688/7 STD		
MB/HL 2-7	6	56.971/56.990	62.000/62.019	18.000	2.500	0.020/0.073	EC	72-2351			



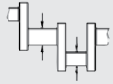
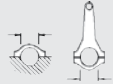





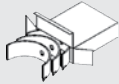
→12/73



72-2350H STD 28,000/1.1024" - 28,052/1.1044"

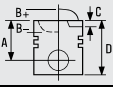
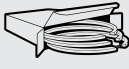
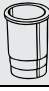




...Continued



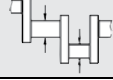
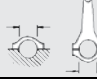





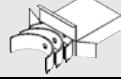
812		 90.00	Petrol							
										
MB/HL 1	1	56.971/56.990	62.000/62.019	27.890	2.500	0.020/0.073	EC	72-2350H	H928/7 STD	
MB/HL 2-7	6	56.971/56.990	62.000/62.019	18.000	2.500	0.020/0.073	EC	72-3303		
01/74 →										
72-2350H		STD	28,000/1.1024" - 28,052/1.1044"							
SE/PB	1	22.000	25.000/25.021	25.000			BC	55-3280	55-3280 SEMI	
BU	1	17.989/18.000	20.000/20.013	25.500			BC	56-2698	56-2698 SEMI	

813		 90.00								
911.81	6 Cyl.	2687cc	121kW (165)PS							TD27898
911.82	6 Cyl.	2687cc	121kW (165)PS							TD27899
911.84	6 Cyl.	2687cc	121kW (165)PS							TD27900
911.85	6 Cyl.	2687cc	121kW (165)PS							TD27901
911.86	6 Cyl.	2687cc	121kW (165)PS							TD27902
911.89	6 Cyl.	2687cc	121kW (165)PS							TD27903
911.90	6 Cyl.	2687cc	121kW (165)PS							TD27904
911.94	6 Cyl.	2687cc	121kW (165)PS							TD27905
911.99	6 Cyl.	2687cc	121kW (165)PS							TD27906
911		09/75 → 06/77								

									
BE/PL	6	51.971/51.990	56.000/56.019	19.800	1.990	0.030/0.093	EC	71-3014	71-3014/6 STD 0.25 0.50
MB/HL 1	1	56.971/56.990	62.000/62.019	27.890	2.500	0.020/0.073	EC	72-2350H	H928/7 STD
MB/HL 2-7	6	56.971/56.990	62.000/62.019	18.000	2.500	0.020/0.073	EC	72-3303	
72-2350H		STD	28,000/1.1024" - 28,052/1.1044"						
SE/PB	1	22.000	25.000/25.021	25.000			BC	55-3280	55-3280 SEMI
BU	1	17.989/18.000	20.000/20.013	25.500			BC	56-2698	56-2698 SEMI

814	 90.00	Petrol	
911.83	6 Cyl.	2687cc	154kW (210)PS
911	08/72 → 01/79		

			
08-319700-10 STD 1.50  P 1.50  P 4.00  P			

									
BE/PL	6	51.971/51.990	56.000/56.019	19.800	1.990	0.030/0.093	EC	71-3014	71-3014/6 STD 0.25 0.50
MB/HL 1	1	56.971/56.990	62.000/62.019	27.890	2.500	0.020/0.073	EC	72-2350H	H688/7 STD
MB/HL 2-7	6	56.971/56.990	62.000/62.019	18.000	2.500	0.020/0.073	EC	72-2351	

→12/73



72-2350H STD 28,000/1.1024" - 28,052/1.1044"

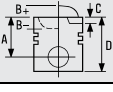
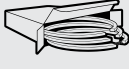
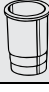
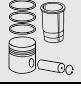



MB/HL 1	1	56.971/56.990	62.000/62.019	27.890	2.500	0.020/0.073	EC	72-2350H	H928/7 STD
MB/HL 2-7	6	56.971/56.990	62.000/62.019	18.000	2.500	0.020/0.073	EC	72-3303	

01/74 →






72-2350H STD 28,000/1.1024" - 28,052/1.1044"

SE/PB	1	22.000	25.000/25.021	25.000			BC	55-3280	55-3280 SEMI
BU	1	17.989/18.000	20.000/20.013	25.500			BC	56-2698	56-2698 SEMI

815	 93.00	Petrol	
AN	4 Cyl.	1795cc	63kW (85)PS
914	08/73 → 02/76		

			
08-398800-00 STD 2.00  P 2.00  P 4.00  CR [22]			

[22] Steel [22] Acier [22] Acciaio [22] Acero

		
		NA5272  42.00x62.00x10.00mm, ACM NB953  75.00x95.00x12.00mm, FPM

816		93.00	Petrol		
M 48.00	V8 Cyl.	11.5:1	4511cc	250kW (340)PS	TD18464
M 48.50	V8 Cyl.	9.5:1	4511cc	331kW (450)PS	TD18465
CAYENNE (955) 09/02 →					

BE/PL	8	53.971/53.990	57.600/57.619	18.800	1.796	0.020/0.080	EC	71-4026	71-4026/8 STD	[32]
TW/A	2	70.250	83.750		1.930		AL-LF	04-4028	A166/2 STD	
SE/PB	1	23.000	25.500/25.521	22.200			BC-LF	55-4029	55-4029 SEMI	

817		93.00	Petrol		
M 48.50S	V8 Cyl.	9.5:1	4511cc	368kW (500)PS	TD18466
CAYENNE (955) 01/04 →					



			08-431200-00 STD						
			1.20	NT [22]					
			1.50	P					
			2.00	[22]					

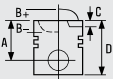


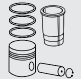





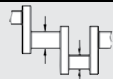
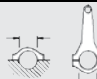





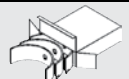
[22] Steel [22] Acier [22] Acciaio [22] Acero



BE/PL	8	53.971/53.990	57.600/57.619	18.800	1.796	0.020/0.080	EC	71-4026	71-4026/8 STD	[32]
TW/A	2	70.250	83.750		1.930		AL-LF	04-4028	A166/2 STD	
SE/PB	1	23.000	25.500/25.521	22.200			BC-LF	55-4029	55-4029 SEMI	

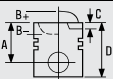








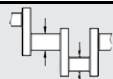
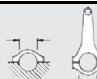




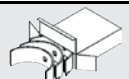
818		94.00	Petrol		
GB	4 Cyl.	8:1	1971cc	74kW (100)PS	TD18879 384
914 01/72 → 12/75					



			08-318600-10 STD						
			1.50	P					
			1.75	P					
			4.00	P					
			08-399100-00 STD	0.25mm					
			08-399105-00	0.50mm					
			08-399107-00	1.00mm					
			08-399111-00						
			1.75	P					
			2.00	P					
			4.00	P					



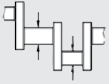
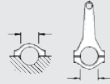





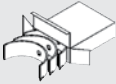
819	 95.00	Petrol			
930.02	6 Cyl.	8.5:1	2993cc	147kW (200)PS	TD21393
911	09/75 → 06/77				



									
		08-320000-10 STD							
		1.50  P							
		1.75  P							
		4.00  P							
									
BE/PL	6	51.971/51.990	56.000/56.019	19.800	1.990	0.030/0.093	EC	71-3014	71-3014/6 STD 0.25 0.50
MB/HL 1	1	56.971/56.990	62.000/62.019	27.890	2.500	0.020/0.073	EC	72-2350H	H928/7 STD
MB/HL 2-7	6	56.971/56.990	62.000/62.019	18.000	2.500	0.020/0.073	EC	72-3303	
72-2350H		STD	28,000/1.1024" - 28,052/1.1044"						
SE/PB	1	22.000	25.000/25.021	25.000			BC	55-3280	55-3280 SEMI
BU	1	17.989/18.000	20.000/20.013	25.500			BC	56-2698	56-2698 SEMI



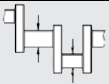
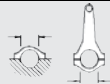





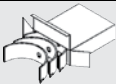
820	 95.00	Petrol			
930.03	6 Cyl.	8.5:1	2993cc	132kW (180)PS	TD28033
930.09	6 Cyl.	8.6:1	2993cc	138kW (188)PS	TD21394
930.13	6 Cyl.	8.5:1	2993cc	132kW (180)PS	TD28034
911	07/77 → 06/80				



									
		08-320000-10 STD							
		1.50  P							
		1.75  P							
		4.00  P							
									
BE/PL	6	52.971/52.990	56.000/56.019	17.800	1.490	0.030/0.093	EC	71-3426	71-3426/6 STD
MB/HL 1	1	59.971/59.990	65.000/65.019	27.890	2.500	0.020/0.073	EC	72-3428H	H949/7 STD 0.25
MB/HL 2-7	6	59.971/59.990	65.000/65.019	17.000	2.500	0.020/0.073	EC	72-3429	
72-3428H		STD	28,000/1.1024" - 28,052/1.1044"						
		0.25MM	28,000/1.1024" - 28,052/1.1044"						
SE/PB	1	22.000	25.000/25.021	25.000			BC	55-3280	55-3280 SEMI
BU	1	17.989/18.000	20.000/20.013	25.500			BC	56-2698	56-2698 SEMI

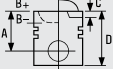
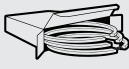

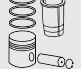



821		95.00	Petrol		
930.10	6 Cyl.	8.5:1	2993cc	150kW (204)PS	TD27912
930.19	6 Cyl.	8.6:1	2993cc	138kW (188)PS	TD27913
911	09/79 → 07/83				



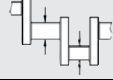







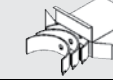
									
BE/PL	6	52.971/52.990	56.000/56.019	17.800	1.490	0.030/0.093	EC	71-3426	71-3426/6 STD
MB/HL 1	1	59.971/59.990	65.000/65.019	27.890	2.500	0.020/0.073	EC	72-3428H	H949/7 STD 0.25
MB/HL 2-7	6	59.971/59.990	65.000/65.019	17.000	2.500	0.020/0.073	EC	72-3429	
72-3428H		STD 0.25MM	28,000/1.1024" - 28,052/1.1044" 28,000/1.1024" - 28,052/1.1044"						
SE/PB	1	22.000	25.000/25.021	25.000			BC	55-3280	55-3280 SEMI
BU	1	17.989/18.000	20.000/20.013	25.500			BC	56-2698	56-2698 SEMI



822		95.00	Petrol		
930.12	6 Cyl.	8.5:1	2993cc	147kW (200)PS	TD27910
911	09/75 → 06/77				

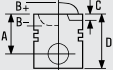
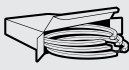

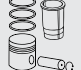



									
BE/PL	6	51.971/51.990	56.000/56.019	19.800	1.990	0.030/0.093	EC	71-3014	71-3014/6 STD 0.25 0.50
MB/HL 1	1	56.971/56.990	62.000/62.019	27.890	2.500	0.020/0.073	EC	72-2350H	H928/7 STD
MB/HL 2-7	6	56.971/56.990	62.000/62.019	18.000	2.500	0.020/0.073	EC	72-3303	
72-2350H		STD	28,000/1.1024" - 28,052/1.1044"						
SE/PB	1	22.000	25.000/25.021	25.000			BC	55-3280	55-3280 SEMI
BU	1	17.989/18.000	20.000/20.013	25.500			BC	56-2698	56-2698 SEMI



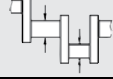







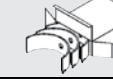
823	 95.00	Petrol					
930.50	6 Cyl.		2993cc	184kW (250)PS	Turbocharged	TD10048	
930.52	6 Cyl.	6.5:1	2993cc	191kW (260)PS	Turbocharged	TD21395	385
911	01/75 → 12/77						



			
08-319900-10 STD 1.50  P 1.50  P 4.00  P			

										
BE/PL	6	51.971/51.990	56.000/56.019	19.800	1.990	0.030/0.093	EC	71-3014	71-3014/6 STD 0.25 0.50	
MB/HL 1	1	56.971/56.990	62.000/62.019	27.890	2.500	0.020/0.073	EC	72-2350H	H928/7 STD	
MB/HL 2-7	6	56.971/56.990	62.000/62.019	18.000	2.500	0.020/0.073	EC	72-3303		
72-2350H		STD	28,000/1.1024" - 28,052/1.1044"							
SE/PB	1	22.000	25.000/25.021	25.000			BC	55-3280	55-3280 SEMI	
BU	1	17.989/18.000	20.000/20.013	25.500			BC	56-2698	56-2698 SEMI	



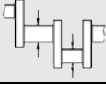



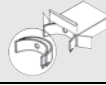
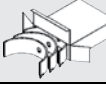
824	 95.00	Petrol					
930.20	6 Cyl.	10.3:1	3164cc	170kW (231)PS		TD2944	386
930.21	6 Cyl.	9.5:1	3164cc	152kW (207)PS		TD2945	
930.25	6 Cyl.	10:1	3164cc	160kW (218)PS		TD2946	386
930.26	6 Cyl.	10.3:1	3164cc	170kW (231)PS		TD2947	
911	08/83 → 08/89						



			
08-320900-10 STD 08/80 → 1.50  P 1.75  P 3.50  P			

										
BE/PL	6	54.971/54.990	58.000/58.019	17.800	1.497	0.020/0.079	EC	71-3427	71-3427/6 STD	
MB/HL 1	1	59.971/59.990	65.000/65.019	27.890	2.500	0.020/0.073	EC	72-3428H	H949/7 STD 0.25	
MB/HL 2-7	6	59.971/59.990	65.000/65.019	17.000	2.500	0.020/0.073	EC	72-3429		
72-3428H		STD	28,000/1.1024" - 28,052/1.1044"							
		0.25MM	28,000/1.1024" - 28,052/1.1044"							
SE/PB	1	22.000	25.000/25.021	25.000			BC	55-3280	55-3280 SEMI	
BU	1	17.989/18.000	20.000/20.013	25.500			BC	56-2698	56-2698 SEMI	

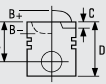
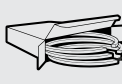

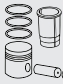






825		 95.00	Petrol			
M 28.01	V6 Cyl.	10:1	4474cc	177kW (241)PS	TD27764	
M 28.02	V6 Cyl.	10:1	4474cc	177kW (241)PS	TD27765	
M 28.03	V8 Cyl.	8.5:1	4474cc	169kW (230)PS	TD2952	
M 28.04	V8 Cyl.	8.5:1	4474cc	169kW (230)PS	TD2953	
M 28.09	V6 Cyl.	10:1	4474cc	177kW (241)PS	TD27766	
M 28.13	V8 Cyl.	10:1	4474cc	170kW (231)PS	TD2956	
M 28.14	V8 Cyl.	10:1	4474cc	170kW (231)PS	TD2957	
M 28.15	V6 Cyl.	10:1	4474cc	170kW (231)PS	TD27767	
M 28.16	V6 Cyl.	10:1	4474cc	170kW (231)PS	TD27768	
M 28.17	V6 Cyl.	10:1	4474cc	170kW (231)PS	TD27769	
M 28.18	V6 Cyl.	10:1	4474cc	170kW (231)PS	TD27770	



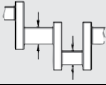
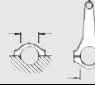



928 09/77 → 08/82



									
BE/PL	8	51.971/51.990	55.000/55.019	24.000	1.497	0.020/0.079	EC	71-3431	71-3431/8 STD
SE/PB	1	24.000	26.500/26.521	29.400			BC	55-3434	55-3434 SEMI

826		 95.00	Petrol			
M 28.10	V8 Cyl.	10:1	4474cc	177kW (240)PS	TD18880	387

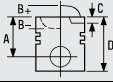






928 09/77 → 08/82

			
	<p>08-320000-10 STD →07/79</p> <p>1.50  P 1.75  P 4.00  P</p> <p>08-321700-00 STD 08/79 →</p> <p>1.50  P 1.75  P 3.00  P</p>		



									
BE/PL	8	51.971/51.990	55.000/55.019	24.000	1.497	0.020/0.079	EC	71-3431	71-3431/8 STD
SE/PB	1	24.000	26.500/26.521	29.400			BC	55-3434	55-3434 SEMI

827	 96.00	Petrol				
M 96.01	6 Cyl.	11.3:1	3387cc	221kW (300)PS	TD9460	388
M 96.02	6 Cyl.	11.3:1	3387cc	221kW (301)PS	TD17343	388
M 96.04	6 Cyl.	11.3:1	3387cc	221kW (300)PS	TD17342	388

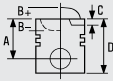


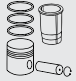



911 (996) 09/97 → 09/01

			
	08-431400-00 STD		
	1.20  NT [22]		
	1.50  P		
	2.00  NT [22]		



[22] Steel [22] Acier [22] Acciaio [22] Acero

828	 96.00	Petrol				
M 97.21	6 Cyl.	11:1	3387cc	217kW (295)PS	TD23314	
M 97.22	6 Cyl.		3387cc	223kW (303)PS	TD23322	

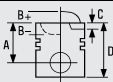


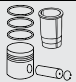



BOXSTER (987) 07/06 → **CAYMAN (987)** 11/05 →

			
	08-441000-00 STD		
	1.20  NT [22]		
	1.50  P		
	2.00  NT [22]		



[22] Steel [22] Acier [22] Acciaio [22] Acero

829	 96.00	Petrol				
M 96.03	6 Cyl.	11.3:1	3598cc	184kW (250)PS	TD17344	
M 96.05	6 Cyl.	11.3:1	3596cc	235-239kW (320-325)PS	TD18566	

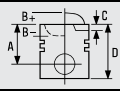
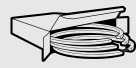
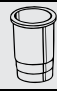
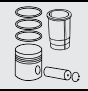




911 (996) 10/01 → 08/05 **911 (997)** 07/04 →

			
	08-428500-00 STD		
	1.20  NT [22]		
	1.50  P		
	2.00  NT [22]		

[22] Steel [22] Acier [22] Acciaio [22] Acero

830	 96.00	Petrol		
M 46.20	V6 Cyl.	3605cc	220kW (300)PS	TD25179
M 46.40	V6 Cyl.	3605cc	220kW (300)PS	TD25180
M 48.02	V8 Cyl.	4806cc	294kW (400)PS	TD25178
M 48.20	V8 Cyl.	4806cc	294kW (400)PS	TD25181
M 48.40	V8 Cyl.	4806cc	294kW (400)PS	TD25182

CAYENNE	06/10 →	PANAMERA	09/09 →
----------------	---------	-----------------	---------



			
	08-428200-00 STD		
	1.20  DLC [22]		
	1.50  CR		
	2.00  CR		
			

[22] Steel

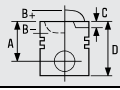
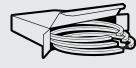
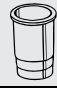




[22] Acier



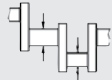
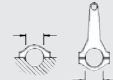





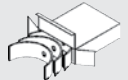
[22] Acciaio





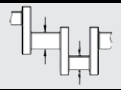
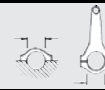





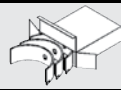
[22] Acero



831	 97.00	Petrol				
930.60	6 Cyl.	3299cc	221/243kW (300/330)PS	Turbo Intercooled	TD2948	389
930.66/68	6 Cyl.	7.1:1 3299cc	210-221kW (282-300)PS	Turbo Intercooled	TD2949	389
M 30.69	6 Cyl.	7:1 3299cc	235/261kW (320/355)PS	Turbo Intercooled	TD2934	390
M 30.69S	6 Cyl.	3299cc	235/261kW (320/355)PS	Turbo Intercooled	TD5406	391

911	09/77 → 11/90	911 (964)	08/90 → 09/93
------------	---------------	------------------	---------------

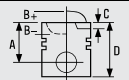
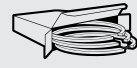





			
	08-320300-10 STD		
	1.50  P		
	1.50  P		
	3.50  P		



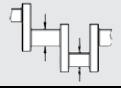
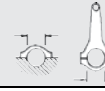


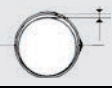

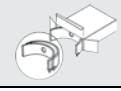
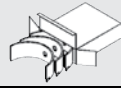
									
BE/PL	6	54.971/54.990	58.000/58.019	17.800	1.497	0.020/0.079	EC	71-3427	71-3427/6 STD H949/7 STD 0.25
MB/HL 1	1	59.971/59.990	65.000/65.019	27.890	2.500	0.020/0.073	EC	72-3428H	
MB/HL 2-7	6	59.971/59.990	65.000/65.019	17.000	2.500	0.020/0.073	EC	72-3429	
	72-3428H	STD 0.25MM	28,000/1.1024" - 28,052/1.1044" 28,000/1.1024" - 28,052/1.1044"						
SE/PB	1	23.000	26.000/26.021	25.000			BC	55-3430	55-3430 SEMI
BU	1	17.989/18.000	20.000/20.013	25.500			BC	56-2698	56-2698 SEMI



832		 97.00	Petrol							
930.68		6 Cyl.	3299cc	210kW (282)PS		Turbo Intercooled			TD2950	
										
BE/PL	6	54.971/54.990	58.000/58.019	17.800	1.497	0.020/0.079	EC	71-3427	71-3427/6 STD	
MB/HL 1	1	59.971/59.990	65.000/65.019	27.890	2.500	0.020/0.073	EC	72-3428H	H949/7 STD 0.25	
MB/HL 2-7	6	59.971/59.990	65.000/65.019	17.000	2.500	0.020/0.073	EC	72-3429		
72-3428H		STD 0.25MM	28,000/1.1024" - 28,052/1.1044" 28,000/1.1024" - 28,052/1.1044"							
SE/PB	1	23.000	26.000/26.021	25.000			BC	55-3430	55-3430 SEMI	
BU	1	17.989/18.000	20.000/20.013	25.500			BC	56-2698	56-2698 SEMI	

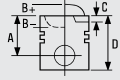

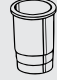
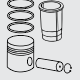



833		 97.00	Petrol							
M 28.11	V8 Cyl.	10:1	4664cc	221kW (300)PS					TD2954	392
M 28.12	V8 Cyl.	10:1	4664cc	221kW (300)PS					TD2955	392
M 28.19	V8 Cyl.	10:1	4664cc	178-200kW (242-272)PS					TD2958	
M 28.20	V8 Cyl.	10:1	4664cc	178-200kW (242-272)PS					TD2959	
M 28.21	V8 Cyl.	10:1	4664cc	228kW (310)PS					TD2960	393
M 28.22	V8 Cyl.	10:1	4664cc	228kW (310)PS					TD2961	393

928 09/79 → 07/86

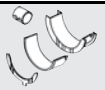

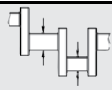
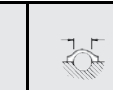





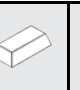


			
	08-321200-00 STD		
	1.50  P		
	1.75  P		
	3.00  CR [22]		
[22] Steel	[22] Acier	[22] Acciaio	[22] Acero



									
BE/PL	8	51.971/51.990	55.000/55.019	24.000	1.497	0.020/0.079	EC	71-3431	71-3431/8 STD
SE/PB	1	24.000	26.500/26.521	29.400			BC	55-3434	55-3434 SEMI

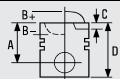

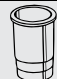







834	 100.00	Petrol				
M 44.01	4 Cyl.	10.6:1	2479cc	120kW (163)PS	TD2975	394
M 44.02	4 Cyl.		2479cc	110kW (150)PS	TD2976	395
M 44.03	4 Cyl.		2479cc	120kW (163)PS	TD2977	396
M 44.04	4 Cyl.		2479cc	110kW (150)PS	TD2978	
M 44.06	4 Cyl.	10.6:1	2479cc	120kW (163)PS	TD2980	396
M 44.07	4 Cyl.	9.7:1	2479cc	110kW (150)PS	TD2981	398
M 44.08	4 Cyl.	9.7:1	2479cc	110kW (150)PS	TD2982	398
924	10/81→07/87	944	06/81→07/87			

			
	08-320400-10 STD 1.50  P 1.75  P 3.00  CR [22]		




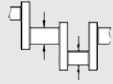
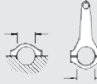






[22] Steel [22] Acier [22] Acciaio [22] Acero


											
BE/PL	4	51.971/51.990	55.000/55.019	24.000	1.497	0.020/0.079	EC	71-3431	71-3431/4 STD		
MB/HL 3	1	69.971/69.990	75.000/75.019	29.890	2.498	0.020/0.077	EC	72-3433H	H006/5 STD		
MB/HL 1	1	69.971/69.990	75.000/75.019	25.000	2.500	0.010/0.073	EC	72-3534			
MB/HL 2,4,5	3	69.971/69.990	75.000/75.019	25.000	2.498	0.014/0.077	EC	72-3607			
72-3433H		STD	30,000/1.1811" - 30,052/1.1831"								
SE/PB	1	24.000	26.500/26.521	29.400			BC	55-3434	55-3434 SEMI		

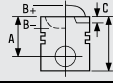






835	 100.00	Petrol				
M 44.05	4 Cyl.		2479cc	118-120kW (160-163)PS	TD2979	397
944	06/81→12/90					



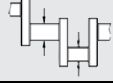
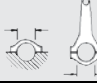




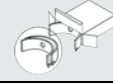
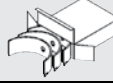
			
	08-320400-10 STD →07/87 1.50  P 1.75  P 3.00  CR [22]		
	08-323300-00 STD 08/87→ 1.50  CR P 1.75  P 3.00  CR P		



[22] Steel [22] Acier [22] Acciaio [22] Acero

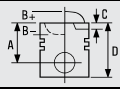
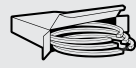
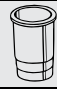




835		 100.00	Petrol							
										
BE/PL	4	51.971/51.990	55.000/55.019	24.000	1.497	0.020/0.079	EC	71-3431	71-3431/4 STD	
MB/HL 3	1	69.971/69.990	75.000/75.019	29.890	2.498	0.020/0.077	EC	72-3433H	H006/5 STD	
MB/HL 1	1	69.971/69.990	75.000/75.019	25.000	2.500	0.010/0.073	EC	72-3534		
MB/HL 2,4,5	3	69.971/69.990	75.000/75.019	25.000	2.498	0.014/0.077	EC	72-3607		
72-3433H		STD	30,000/1.1811" - 30,052/1.1831"							
SE/PB	1	24.000	26.500/26.521	29.400			BC	55-3434	55-3434 SEMI	



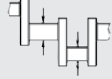
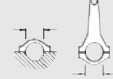





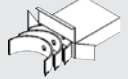
836		 100.00	Petrol							
M 44.09	4 Cyl.		2479cc			118kW (160)PS			TD2983	394
M 44.10	4 Cyl.		2479cc			118kW (160)PS			TD2984	394
M 44.40	4 Cyl.	10.9:1	2479cc			140kW (190)PS			TD2987	399
M 44.50	4 Cyl.	8:1	2479cc			162kW (220)PS	Turbo Intercooled		TD2991	395
M 44.51	4 Cyl.	8:1	2479cc			162kW (220)PS	Turbo Intercooled		TD2992	400
M 44.52	4 Cyl.		2479cc			184kW (250)PS	Turbo Intercooled		TD2993	395
924	08/87 → 07/88		944			08/85 → 07/91				



			
08-323300-00 STD			
1.50		CR P	
1.75		P	
3.00		CR P	

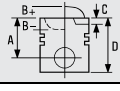
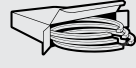
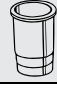
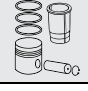



									
BE/PL	4	51.971/51.990	55.000/55.019	24.000	1.497	0.020/0.079	EC	71-3431	71-3431/4 STD
MB/HL 3	1	69.971/69.990	75.000/75.019	29.890	2.498	0.020/0.077	EC	72-3433H	H006/5 STD
MB/HL 1	1	69.971/69.990	75.000/75.019	25.000	2.500	0.010/0.073	EC	72-3534	
MB/HL 2,4,5	3	69.971/69.990	75.000/75.019	25.000	2.498	0.014/0.077	EC	72-3607	
72-3433H		STD	30,000/1.1811" - 30,052/1.1831"						
SE/PB	1	24.000	26.500/26.521	29.400			BC	55-3434	55-3434 SEMI



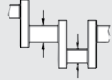
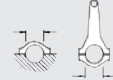





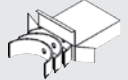
837		100.00	Petrol	
M 64.01	6 Cyl.	3598cc	184kW (250)PS	TD2935 401
M 64.02	6 Cyl.	3598cc	184kW (250)PS	TD2936 401
M 64.50	6 Cyl.	3600cc	265kW (360)PS	Turbo Intercooled TD5477 405
911 (964)	12/88 → 06/94			



			
08-325100-00 STD 1.50  P 1.75  P 3.00  P			

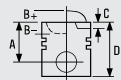
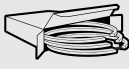





									
BE/PL	6	54.971/54.990	58.000/58.019	17.800	1.497	0.020/0.079	EC	71-3427	71-3427/6 STD
MB/HL 1	1	59.971/59.990	65.000/65.019	27.890	2.500	0.020/0.073	EC	72-3428H	H949/7 STD 0.25
MB/HL 2-7	6	59.971/59.990	65.000/65.019	17.000	2.500	0.020/0.073	EC	72-3429	
72-3428H		STD 0.25MM	28,000/1.1024" - 28,052/1.1044" 28,000/1.1024" - 28,052/1.1044"						
SE/PB	1	23.000	26.000/26.021	25.000			BC	55-3430	55-3430 SEMI
BU	1	17.989/18.000	20.000/20.013	25.500			BC	56-2698	56-2698 SEMI



838		100.00	Petrol			
M 64.60	6 Cyl.	8:1	3598cc	264/300kW (359/408)PS	Turbo Intercooled	TD5456 402
911 (993)	03/95 → 09/97					

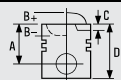
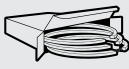








			
08-326200-00 STD 01/95 → 1.75  P 1.75  P 2.00  P			

									
BE/PL	6	54.971/54.990	58.000/58.019	14.800	1.499	0.020/0.075	EC	71-3775	71-3775/6 STD 0.25
MB/HL 1	1	59.971/59.990	65.000/65.019	27.890	2.500	0.020/0.073	EC	72-3428H	H949/7 STD 0.25
MB/HL 2-7	6	59.971/59.990	65.000/65.019	17.000	2.500	0.020/0.073	EC	72-3429	
72-3428H		STD 0.25MM	28,000/1.1024" - 28,052/1.1044" 28,000/1.1024" - 28,052/1.1044"						
BU	1	17.989/18.000	20.000/20.013	25.500			BC	56-2698	56-2698 SEMI



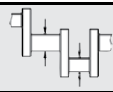
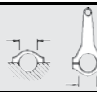




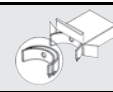
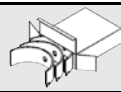
839	 100.00	Petrol			
M 96.76	6 Cyl.	11.3:1	3598cc	265kW (360)PS	TD13628
M 96.79	6 Cyl.	11.7:1	3598cc	280kW (381)PS	TD20764
911 (996)	03/99 → 08/05				



			
	08-115700-00 STD 1.20  NT 1.75  P 2.00  P		

840	 100.00	Petrol				
M 64.05	6 Cyl.		3600cc	200kW (272)PS	TD2938	403
M 64.06	6 Cyl.	11.3:1	3600cc	200kW (272)PS	TD2939	
M 64.07	6 Cyl.	11.3:1	3600cc	200kW (272)PS	TD16161	403
M 64.08	6 Cyl.	11.3:1	3600cc	200kW (272)PS	TD16162	
M 64.21	6 Cyl.	11.3:1	3600cc	210kW (286)PS	TD5451	404
M 64.22	6 Cyl.	12.3:1	3600cc	210kW (286)PS	TD5452	404
M 64.23	6 Cyl.	12.3:1	3600cc	210kW (286)PS	TD16159	
M 64.24	6 Cyl.	12.3:1	3600cc	210kW (286)PS	TD16160	
911 (993)	10/93 → 09/97					


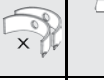
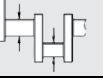
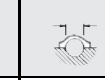
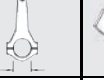



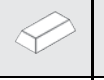

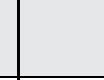
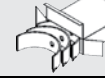
			
	08-112500-00 STD 1.20  MO [22] 1.75  P 2.00  P 08-326100-00 STD 1.50  P 1.75  P 2.00  P		



[22] Steel [22] Acier [22] Acciaio [22] Acero

									
BE/PL	6	54.971/54.990	58.000/58.019	14.800	1.499	0.020/0.075	EC	71-3775	71-3775/6 STD 0.25 H949/7 STD 0.25
MB/HL 1	1	59.971/59.990	65.000/65.019	27.890	2.500	0.020/0.073	EC	72-3428H	
MB/HL 2-7	6	59.971/59.990	65.000/65.019	17.000	2.500	0.020/0.073	EC	72-3429	
72-3428H		STD	28,000/1.1024" - 28,052/1.1044"		0.25MM				
BU	1	17.989/18.000	20.000/20.013	25.500			BC	56-2698	56-2698 SEMI

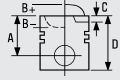
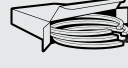
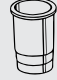




841		 100.00	Petrol		
M 64.05S	6 Cyl.		3600cc	210kW (286)PS	TD5453
M 64.06S	6 Cyl.		3600cc	210kW (286)PS	TD5454
M 64.21S	6 Cyl.		3800cc	221kW (300)PS	TD5455
M 64.60R	6 Cyl.		3600cc	316kW (430)PS	Bi-Turbo Intercooled TD5457



911 (993) 03/95 → 09/97

											
BE/PL	6	54.971/54.990	58.000/58.019	14.800	1.499	0.020/0.075	EC	71-3775	71-3775/6 STD 0.25		
MB/HL 1	1	59.971/59.990	65.000/65.019	27.890	2.500	0.020/0.073	EC	72-3428H	H949/7 STD 0.25		
MB/HL 2-7	6	59.971/59.990	65.000/65.019	17.000	2.500	0.020/0.073	EC	72-3429			
72-3428H		STD 0.25MM	28,000/1.1024" - 28,052/1.1044" 28,000/1.1024" - 28,052/1.1044"								
BU	1	17.989/18.000	20.000/20.013	25.500			BC	56-2698	56-2698 SEMI		


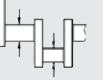
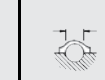
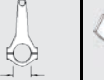





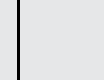
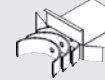
842		 100.00	Petrol				
M 96.70	6 Cyl.		9.4:1	3600cc	309kW (420)PS	Turbo Intercooled	TD16158
M 97.70	6 Cyl.			3600cc	353kW (480)PS	Bi-Turbo Intercooled	TD21272
M 97.70S	6 Cyl.			3600cc	390kW (530)PS		TD21273



911 (996) 06/00 → 08/05 **911 (997)** 03/06 →

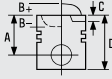


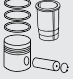



			
	08-425100-00 STD		
	1.20  NT		
	1.75  P		
	2.00  NT		






843		 100.00	Petrol				
M 28.41	V8 Cyl.		10:1	4957cc	235kW (320)PS	Turbocharged	TD2963 406
M 28.42	V8 Cyl.			4957cc	235kW (320)PS		TD2964 406
M 28.43	V8 Cyl.		9.3:1	4957cc	200-212kW (272-288)PS		TD2965
M 28.44	V8 Cyl.		9.3:1	4957cc	200-212kW (272-288)PS		TD2966
M 28.45	V8 Cyl.			4957cc	212kW (288)PS		TD2967 407
M 28.46	V8 Cyl.			4957cc	212kW (288)PS		TD2968 407
M 28.47	V8 Cyl.		10:1	4957cc	243kW (330)PS	Turbocharged	TD2969 406



928 09/85 → 07/91

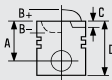


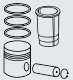






											
BE/PL	8	51.971/51.990	55.000/55.019	24.000	1.497	0.020/0.079	EC	71-3431	71-3431/8 STD		
SE/PB	1	24.000	26.500/26.521	29.400			BC	55-3434	55-3434 SEMI		



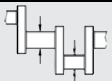
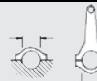






844	 100.00	Petrol				
M 28.49	V8 Cyl.	10.4:1	5397cc	257kW (350)PS	TD2970	408
M 28.50	V8 Cyl.	10.4:1	5397cc	257kW (350)PS	TD2971	408
928	08/91 → 11/95					



			
08-323300-00 STD 1.50  CR P 1.75  P 3.00  CR P			

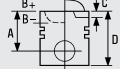
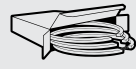
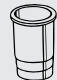




									
BE/PL	8	51.971/51.990	55.000/55.019	24.000	1.497	0.020/0.079	EC	71-3431	71-3431/8 STD
SE/PB	1	24.000	26.500/26.521	29.400			BC	55-3434	55-3434 SEMI



845	 102.00	Petrol				
M 64.20	6 Cyl.		3746cc	221kW (300)PS	TD4851	
911 (993)	06/95 → 09/97					

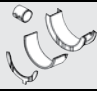

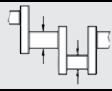
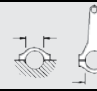





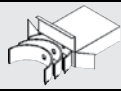
			
08-125700-00 STD 1.20  MO P 1.75  P 2.00  P			
08-325900-00 STD 1.50  P 1.75  P 3.00  P			

									
BE/PL	6	54.971/54.990	58.000/58.019	14.800	1.499	0.020/0.075	EC	71-3775	71-3775/6 STD 0.25
MB/HL 1	1	59.971/59.990	65.000/65.019	27.890	2.500	0.020/0.073	EC	72-3428H	H949/7 STD 0.25
MB/HL 2-7	6	59.971/59.990	65.000/65.019	17.000	2.500	0.020/0.073	EC	72-3429	
72-3428H STD 28,000/1.1024" - 28,052/1.1044" 0.25MM 28,000/1.1024" - 28,052/1.1044"									
BU	1	17.989/18.000	20.000/20.013	25.500			BC	56-2698	56-2698 SEMI

846	 102.70	Petrol			
M 97.77	6 Cyl.	12.2:1	3797cc	331kW (450)PS	TD24404
M 97.77R	6 Cyl.	12.2:1	3797cc	331kW (450)PS	TD25670
911 (997)	05/09 →				

			
	08-439200-00 STD		
	1.00  NT [22]		
	1.20  P		
	2.00  P		
[22] Steel	[22] Acier	[22] Acciaio	[22] Acero

847	 104.00	Petrol				
M 44.11	4 Cyl.	11.3:1	2681cc	121kW (165)PS	TD2985	409
M 44.12	4 Cyl.	11.3:1	2681cc	121kW (165)PS	TD2986	409
944	11/88 → 08/89					

									
BE/PL	4	51.971/51.990	55.000/55.019	24.000	1.497	0.020/0.079	EC	71-3431	71-3431/4 STD
MB/HL 3	1	69.971/69.990	75.000/75.019	29.890	2.498	0.020/0.077	EC	72-3433H	H006/5 STD
MB/HL 1	1	69.971/69.990	75.000/75.019	25.000	2.500	0.010/0.073	EC	72-3534	
MB/HL 2,4,5	3	69.971/69.990	75.000/75.019	25.000	2.498	0.014/0.077	EC	72-3607	
72-3433H		STD	30,000/1.1811" - 30,052/1.1831"						
SE/PB	1	24.000	26.500/26.521	29.400			BC	55-3434	55-3434 SEMI

848



104.00

Petrol



M 44.41	4 Cyl.	10.9:1	2990cc	155kW (211)PS	TD2988	410
M 44.43	4 Cyl.	11:1	2990cc	176kW (240)PS	TD2989	411
M 44.44	4 Cyl.	11:1	2990cc	176kW (240)PS	TD2990	412

944	12/88 → 07/91	968	06/91 → 11/95
-----	---------------	-----	---------------

	<p>08-324500-00 STD</p> <p>1.75 CR P</p> <p>2.00 CR P</p> <p>3.00 CR P</p>		

BE/PL	4	51.971/51.990	55.000/55.019	24.000	1.497	0.020/0.079	EC	71-3431	71-3431/4 STD H006/5 STD
MB/HL 3	1	69.971/69.990	75.000/75.019	29.890	2.498	0.020/0.077	EC	72-3433H	
MB/HL 1	1	69.971/69.990	75.000/75.019	25.000	2.500	0.010/0.073	EC	72-3534	
MB/HL 2,4,5	3	69.971/69.990	75.000/75.019	25.000	2.498	0.014/0.077	EC	72-3607	
72-3433H		STD	30,000/1.1811" - 30,052/1.1831"						
SE/PB	1	24.000	26.500/26.521	29.400			BC	55-3434	55-3434 SEMI

NUMERICAL PARTS LIST


Nummerische Teilenummernliste • Elenco riferimenti
Liste des références produits


		9
01-3040/4	343	624
01-3040/4	344	625
01-3040/4	345	626
01-3040/4	347	627
01-3040/4	347	628
01-3040/4	355	636
01-3040/4	356	637
01-3040/4	357	638
01-3040/4	444	728
01-3040/4	445	729
01-3040/4	446	730
01-3040/4	447	731
01-3040/4	448	732
01-3040/4	449	733
01-3040/4	450	734
01-3040/4	456	740
01-3040/4	457	742
01-3040/4	458	743
01-3040/4	459	744
01-3040/5	451	735
01-3040/5	452	736
01-3040/5	453	737
01-3040/5	459	745
01-3040/5	460	746
01-3584	340	621
01-3584	348	629
01-3584	350	630
01-3584	353	634
01-3584	359	639
01-3584	361	640
01-3584	368	646
01-3584	369	647
01-3771	351	631
01-3771	365	644
01-3771	374	652
01-3771	413	696
01-3771	414	697
01-3771	416	698
01-3771	417	699
01-3771	419	701
01-3771	420	702
01-3771	422	703
01-3771	425	706
01-3841/6	502	806
01-3841/6	502	807
07-3088	502	806
07-3088	502	807
08-101200-00	307	556
08-101200-00	307	557
08-105400-00	308	558
08-106300-00	491	786
08-106300-00	492	787
08-106500-00	240	437
08-106500-00	241	438
08-106500-00	257	463
08-106507-00	240	437
08-106507-00	241	438
08-106507-00	257	463
08-109100-00	438	722
08-109100-00	439	723


		9
08-109100-00	440	724
08-109100-00	441	725
08-109100-00	442	726
08-109100-00	443	727
08-109107-00	438	722
08-109107-00	439	723
08-109107-00	440	724
08-109107-00	441	725
08-109107-00	442	726
08-109107-00	443	727
08-109600-00	295	525
08-109900-00	282	496
08-110700-00	282	496
08-112500-00	518	840
08-114400-00	247	448
08-114400-00	249	450
08-114400-00	269	475
08-114400-00	283	497
08-114400-10	247	448
08-114400-10	249	450
08-114400-10	269	475
08-114400-10	283	497
08-114400-40	249	450
08-114400-40	250	451
08-114400-40	251	452
08-114400-40	272	480
08-114400-40	274	483
08-114400-40	275	485
08-114400-40	276	486
08-114400-40	277	488
08-114400-40	279	491
08-114400-40	280	493
08-114400-45	250	451
08-114400-45	272	481
08-114400-45	278	489
08-114400-45	280	492
08-114400-55	275	485
08-114405-00	247	448
08-114405-00	249	450
08-114405-00	269	475
08-114405-00	283	497
08-114405-40	249	450
08-114405-40	250	451
08-114405-40	251	452
08-114405-40	272	480
08-114405-40	274	483
08-114405-40	275	485
08-114405-40	276	486
08-114405-40	277	488
08-114405-40	279	491
08-115700-00	518	839
08-117900-00	377	654
08-117900-00	378	655
08-117900-00	379	656
08-117900-00	380	658
08-117900-00	387	668
08-117900-00	389	670
08-117900-00	390	671
08-117900-00	395	680


		9
08-117907-00	377	654
08-117907-00	378	655
08-117907-00	379	656
08-117907-00	380	658
08-117907-00	387	668
08-117907-00	389	670
08-117907-00	390	671
08-117907-00	395	680
08-119000-00	434	717
08-119000-00	436	719
08-119000-00	437	721
08-119005-00	434	717
08-119005-00	436	719
08-119005-00	437	721
08-119007-00	434	717
08-119007-00	436	719
08-119007-00	437	721
08-124200-00	465	752
08-125700-00	520	845
08-127300-00	292	518
08-128200-10	239	436
08-128205-10	239	436
08-128207-10	239	436
08-129500-00	287	507
08-129505-00	287	507
08-129507-00	287	507
08-131300-00	225	420
08-131305-00	225	420
08-131307-00	225	420
08-132900-00	289	512
08-132900-00	291	515
08-132905-00	289	512
08-132905-00	291	515
08-132907-00	289	512
08-132907-00	291	515
08-133100-10	234	428
08-133105-10	234	428
08-133107-10	234	428
08-133200-10	267	473
08-133300-10	298	534
08-133900-00	293	520
08-133900-00	294	523
08-133900-00	295	524
08-133907-00	293	520
08-133907-00	294	523
08-133907-00	295	524
08-134200-00	236	430
08-135400-00	236	430
08-136300-00	337	615
08-136300-00	338	616
08-136400-00	382	661
08-136400-00	385	665
08-136400-00	391	673
08-136400-00	392	674
08-136400-10	381	659
08-136400-10	381	660
08-136400-10	383	662
08-136407-00	382	661
08-136407-00	385	665
08-136407-00	391	673

		9
08-136407-00	392	674
08-136700-00	302	542
08-136705-00	302	542
08-136707-00	302	542
08-137200-00	285	502
08-137400-00	502	806
08-140600-00	303	546
08-140600-00	304	547
08-140600-00	304	549
08-142200-00	284	500
08-163500-00	306	554
08-163511-00	306	554
08-163600-00	331	604
08-163600-00	332	605
08-163600-00	332	606
08-170600-10	354	635
08-170600-10	355	636
08-170600-10	357	638
08-170607-10	354	635
08-170607-10	355	636
08-170607-10	357	638
08-170611-10	354	635
08-170611-10	355	636
08-170611-10	357	638
08-170700-10	343	624
08-170700-10	344	625
08-170700-10	345	626
08-170700-10	347	628
08-170700-10	347	628
08-170700-10	347	628
08-170700-10	345	626
08-170700-10	354	635
08-170700-10	355	636
08-170700-10	356	637
08-170700-10	357	638
08-170707-10	343	624
08-170707-10	344	625
08-170707-10	345	626
08-170707-10	347	628
08-170707-10	354	635
08-170707-10	355	636
08-170707-10	356	637
08-170707-10	357	638
08-170711-10	343	624
08-170711-10	344	625
08-170711-10	345	626
08-170711-10	347	628
08-170711-10	354	635
08-170711-10	355	636
08-170711-10	356	637
08-170711-10	357	638
08-173800-00	445	729
08-173800-00	447	731
08-173800-00	457	742
08-173800-00	458	743
08-173800-00	459	745
08-173800-00	460	746
08-173805-00	445	729
08-173805-00	447	731
08-173805-00	457	742
08-173805-00	458	743
08-173805-00	459	745
08-173805-00	460	746

 9		
08-173807-00	445	729
08-173807-00	447	731
08-173807-00	457	742
08-173807-00	458	743
08-173807-00	459	745
08-173807-00	460	746
08-173811-00	445	729
08-173811-00	447	731
08-173811-00	457	742
08-173811-00	458	743
08-173811-00	459	745
08-173811-00	460	746
08-175500-00	342	622
08-175507-00	342	622
08-175511-00	342	622
08-176600-00	333	609
08-176600-00	334	610
08-176600-00	335	611
08-176607-00	333	609
08-176607-00	334	610
08-176607-00	335	611
08-176611-00	333	609
08-176611-00	334	610
08-176611-00	335	611
08-176700-00	444	728
08-176700-00	445	729
08-176700-00	447	731
08-176700-00	448	732
08-176700-00	449	733
08-176700-00	451	735
08-176700-00	452	736
08-176700-00	453	737
08-176700-00	454	738
08-176700-00	455	739
08-176700-00	457	742
08-176700-00	459	744
08-176700-00	460	746
08-176707-00	444	728
08-176707-00	445	729
08-176707-00	447	731
08-176707-00	448	732
08-176707-00	449	733
08-176707-00	451	735
08-176707-00	452	736
08-176707-00	453	737
08-176707-00	454	738
08-176707-00	455	739
08-176707-00	457	742
08-176707-00	459	744
08-176707-00	460	746
08-176708-00	444	728
08-176708-00	445	729
08-176708-00	447	731
08-176708-00	448	732
08-176708-00	449	733
08-176708-00	451	735
08-176708-00	452	736
08-176708-00	453	737
08-176708-00	454	738
08-176708-00	455	739


 9		
08-176708-00	457	742
08-176708-00	459	744
08-176708-00	460	746
08-176711-00	444	728
08-176711-00	445	729
08-176711-00	447	731
08-176711-00	448	732
08-176711-00	449	733
08-176711-00	451	735
08-176711-00	452	736
08-176711-00	453	737
08-176711-00	454	738
08-176711-00	455	739
08-176711-00	457	742
08-176711-00	459	744
08-176711-00	460	746
08-178500-10	462	748
08-178900-10	470	762
08-178906-10	470	762
08-178910-10	470	762
08-178911-10	470	762
08-179500-00	400	685
08-179500-00	401	686
08-179500-00	402	687
08-179500-00	403	688
08-179500-00	405	689
08-179500-00	407	691
08-179500-00	408	692
08-179500-00	409	693
08-179500-00	411	694
08-179500-00	412	695
08-179505-00	400	685
08-179505-00	401	686
08-179505-00	402	687
08-179505-00	403	688
08-179505-00	405	689
08-179505-00	407	691
08-179505-00	408	692
08-179505-00	409	693
08-179505-00	411	694
08-179505-00	412	695
08-179507-00	400	685
08-179507-00	401	686
08-179507-00	402	687
08-179507-00	403	688
08-179507-00	405	689
08-179507-00	407	691
08-179507-00	408	692
08-179507-00	409	693
08-179507-00	411	694
08-179507-00	412	695
08-179511-00	400	685
08-179511-00	401	686
08-179511-00	402	687
08-179511-00	403	688
08-179511-00	405	689
08-179511-00	407	691
08-179511-00	408	692
08-179511-00	409	693
08-179511-00	411	694
08-179511-00	412	695
08-179511-00	400	685
08-179511-00	401	686
08-179511-00	402	687
08-179511-00	403	688
08-179511-00	405	689
08-179511-00	407	691
08-179511-00	408	692
08-179511-00	409	693
08-179511-00	411	694


 9		
08-179511-00	412	695
08-179700-00	471	763
08-179700-00	473	764
08-179700-00	475	766
08-179700-00	476	767
08-179700-00	477	768
08-179700-00	479	769
08-179700-00	481	771
08-179700-00	482	772
08-179700-00	483	773
08-179700-00	484	774
08-179707-00	471	763
08-179707-00	473	764
08-179707-00	475	766
08-179707-00	476	767
08-179707-00	477	768
08-179707-00	479	769
08-179707-00	481	771
08-179707-00	482	772
08-179707-00	483	773
08-179707-00	484	774
08-179711-00	471	763
08-179711-00	473	764
08-179711-00	475	766
08-179711-00	476	767
08-179711-00	477	768
08-179711-00	479	769
08-179711-00	481	771
08-179711-00	482	772
08-179711-00	483	773
08-179711-00	484	774
08-181400-10	400	685
08-181400-10	401	686
08-181400-10	402	687
08-181400-10	403	688
08-181400-10	405	689
08-181400-10	407	691
08-181400-10	408	692
08-181400-10	409	693
08-181400-10	411	694
08-181400-10	412	695
08-181407-10	400	685
08-181407-10	401	686
08-181407-10	402	687
08-181407-10	403	688
08-181407-10	405	689
08-181407-10	407	691
08-181407-10	408	692
08-181407-10	409	693
08-181407-10	411	694
08-181407-10	412	695
08-181500-10	338	618
08-181500-10	339	619
08-181600-10	342	622
08-181607-10	342	622
08-181611-10	342	622
08-182400-10	480	770
08-182400-10	485	776
08-182700-00	486	777
08-182700-00	488	779


 9		
08-182700-00	489	781
08-182700-00	489	782
08-182700-00	490	783
08-182700-00	490	784
08-182700-00	491	785
08-182707-00	486	777
08-182707-00	488	779
08-182707-00	489	781
08-182707-00	489	782
08-182707-00	490	783
08-182707-00	490	784
08-182707-00	491	785
08-182711-00	486	777
08-182711-00	488	779
08-182711-00	489	781
08-182711-00	489	782
08-182711-00	490	783
08-182711-00	490	784
08-182711-00	491	785
08-182800-00	463	750
08-182800-00	396	681
08-182900-00	397	682
08-182907-00	396	681
08-182907-00	397	682
08-183000-00	399	684
08-183007-00	399	684
08-183100-00	316	578
08-183107-00	316	578
08-183111-00	316	578
08-183200-00	340	621
08-183200-00	359	639
08-183200-00	368	646
08-183207-00	340	621
08-183207-00	359	639
08-183207-00	368	646
08-183300-00	362	641
08-183300-00	363	642
08-183300-00	366	645
08-183300-00	371	649
08-183300-00	373	651
08-183300-00	375	653
08-183307-00	362	641
08-183307-00	363	642
08-183307-00	366	645
08-183307-00	371	649
08-183307-00	373	651
08-183307-00	375	653
08-287400-00	429	709
08-287500-00	429	710
08-287500-00	430	711
08-287500-00	431	712
08-287500-00	433	716
08-287500-00	435	718
08-287505-00	429	710
08-287505-00	430	711
08-287505-00	431	712
08-287505-00	433	716
08-287505-00	435	718
08-287507-00	429	710
08-287507-00	430	711


NUMERICAL PARTS LIST

Nummerische Teilenummernliste • Elenco riferimenti
Liste des références produits

 9		
08-287507-00	431	712
08-287507-00	433	716
08-287507-00	435	718
08-287700-00	398	683
08-287800-00	465	752
08-287800-00	465	753
08-287800-00	466	754
08-287900-00	332	607
08-289700-00	471	763
08-289700-00	473	764
08-289700-00	475	766
08-289700-00	476	767
08-289700-00	477	768
08-289700-00	479	769
08-289700-00	481	771
08-289700-00	482	772
08-289700-00	483	773
08-289700-00	484	774
08-318600-10	507	818
08-319500-10	499	800
08-319600-10	499	801
08-319600-10	500	803
08-319600-10	501	804
08-319600-10	501	805
08-319700-10	506	814
08-319800-10	504	812
08-319900-10	510	823
08-320000-10	508	819
08-320000-10	508	820
08-320000-10	511	826
08-320300-10	513	831
08-320400-10	515	834
08-320400-10	515	835
08-320500-10	503	808
08-320600-10	498	797
08-320600-10	498	798
08-320700-10	497	795
08-320900-10	510	824
08-321200-00	514	833
08-321700-00	511	826
08-323300-00	515	835
08-323300-00	516	836
08-323300-00	520	844
08-324500-00	522	848
08-325100-00	517	837
08-325300-00	500	802
08-325900-00	520	845
08-326100-00	518	840
08-326200-00	517	838
08-398800-00	506	815
08-399100-00	507	818
08-399105-00	507	818
08-399107-00	507	818
08-399111-00	507	818
08-399700-10	503	809
08-399707-10	503	809
08-421700-00	330	598
08-421800-00	271	479
08-421800-00	273	482
08-421800-00	274	483

 9		
08-421800-00	274	484
08-421800-00	276	486
08-421800-00	277	487
08-421800-00	277	488
08-421800-00	279	491
08-421800-00	280	493
08-422200-00	232	425
08-422200-00	233	426
08-422207-00	232	425
08-422207-00	233	426
08-424000-00	222	414
08-424007-00	222	414
08-424008-00	222	414
08-425100-00	519	842
08-425300-00	265	470
08-425300-00	270	476
08-425700-00	244	442
08-425700-00	252	455
08-425700-00	253	456
08-425707-00	252	455
08-425707-00	253	456
08-427100-00	305	550
08-427100-00	306	552
08-427105-00	305	550
08-427105-00	306	552
08-427107-00	305	550
08-427107-00	306	552
08-427300-00	286	504
08-427300-00	286	505
08-427400-00	323	588
08-427400-00	323	589
08-427400-00	324	591
08-427400-00	325	592
08-427400-00	326	593
08-427400-00	326	594
08-427400-00	327	595
08-427400-00	328	596
08-427400-00	329	597
08-427407-00	323	588
08-427407-00	323	589
08-427407-00	324	591
08-427407-00	325	592
08-427407-00	326	593
08-427407-00	326	594
08-427407-00	327	595
08-427407-00	328	596
08-427407-00	329	597
08-427500-00	317	579
08-427500-00	319	582
08-427507-00	317	579
08-427507-00	319	582
08-427600-00	312	568
08-427600-10	310	564
08-427600-10	310	565
08-427600-10	312	569
08-427600-10	313	570
08-427600-10	313	571
08-427600-10	314	572
08-428200-00	513	830

 9		
08-428500-00	512	829
08-428700-00	384	663
08-428700-00	384	664
08-428700-00	386	666
08-428700-00	386	667
08-428707-00	384	663
08-428707-00	384	664
08-428707-00	386	666
08-428707-00	386	667
08-429800-00	246	446
08-431200-00	507	817
08-431400-00	512	827
08-432200-00	254	458
08-432600-00	296	528
08-433400-00	321	585
08-433400-00	322	586
08-433400-00	322	587
08-433405-00	321	585
08-433405-00	322	586
08-433405-00	322	587
08-433407-00	321	585
08-433407-00	322	586
08-433407-00	322	587
08-433500-00	223	416
08-433505-00	223	416
08-433507-00	223	416
08-434600-00	255	460
08-434600-00	256	461
08-434600-00	256	462
08-437100-00	318	580
08-437100-00	318	581
08-437100-00	319	583
08-439200-00	521	846
08-440700-00	238	434
08-440900-00	388	669
08-440900-00	393	676
08-440900-00	394	677
08-440900-00	394	678
08-440900-00	394	679
08-441000-00	512	828
08-700100-00	298	534
08-700200-00	290	514
08-702600-00	240	437
08-702600-00	241	438
08-702600-00	257	463
08-702605-00	240	437
08-702605-00	241	438
08-702605-00	257	463
08-702607-00	240	437
08-702607-00	241	438
08-702607-00	257	463
08-702800-00	283	499
08-704200-00	242	439
08-704200-00	242	440
08-704200-00	245	444
08-704200-00	246	445
08-704207-00	242	439
08-704207-00	242	440
08-704207-00	245	444
08-704207-00	246	445

 9		
08-704400-00	297	531
08-704400-00	298	533
08-704400-00	299	535
08-704500-00	224	419
08-704500-00	235	429
08-704507-00	224	419
08-704507-00	235	429
08-704800-00	281	494
08-704900-00	228	422
08-704900-00	229	423
08-705000-00	228	422
08-705000-00	229	423
08-705007-00	228	422
08-705007-00	229	423
08-705100-00	258	464
08-705100-00	262	467
08-705107-00	258	464
08-705107-00	262	467
08-705200-00	260	465
08-705207-00	260	465
08-741100-00	464	751
08-741100-00	465	752
08-743100-00	413	696
08-743100-00	414	697
08-743100-00	416	698
08-743100-00	417	699
08-743100-00	418	700
08-743100-00	420	702
08-743100-00	422	703
08-743100-00	423	704
08-743100-00	424	705
08-743100-00	427	707
08-743100-00	428	708
08-743107-00	413	696
08-743107-00	414	697
08-743107-00	416	698
08-743107-00	417	699
08-743107-00	418	700
08-743107-00	420	702
08-743107-00	422	703
08-743107-00	423	704
08-743107-00	424	705
08-743107-00	427	707
08-743107-00	428	708
08-743120-00	413	696
08-743120-00	414	697
08-743120-00	416	698
08-743120-00	417	699
08-743120-00	418	700
08-743120-00	420	702
08-743120-00	422	703
08-743120-00	423	704
08-743120-00	424	705
08-743120-00	427	707
08-743120-00	428	708
08-743600-00	340	621
08-743600-00	348	629
08-743600-00	350	630
08-743600-00	351	631
08-743600-00	359	639

		9	
08-743600-00	361	640	
08-743600-00	365	644	
08-743600-00	368	646	
08-743600-00	369	647	
08-743600-00	374	652	
08-743607-00	340	621	
08-743607-00	348	629	
08-743607-00	350	630	
08-743607-00	351	631	
08-743607-00	359	639	
08-743607-00	361	640	
08-743607-00	365	644	
08-743607-00	368	646	
08-743607-00	369	647	
08-743607-00	374	652	
08-898400-00	222	413	
08-898407-00	222	413	
14-020900-00	222	414	
14-021350-00	444	728	
14-021350-00	445	729	
14-021350-00	446	730	
14-021350-00	447	731	
14-021350-00	448	732	
14-021350-00	449	733	
14-021350-00	450	734	
14-021350-00	451	735	
14-021350-00	452	736	
14-021350-00	453	737	
14-021350-00	454	738	
14-021350-00	455	739	
14-021350-00	456	740	
14-021350-00	457	742	
14-021350-00	458	743	
14-021350-00	459	744	
14-021350-00	459	745	
14-021350-00	460	746	
14-022190-00	343	624	
14-022190-00	344	625	
14-022190-00	345	626	
14-022190-00	347	628	
14-022190-00	354	635	
14-022190-00	355	636	
14-022190-00	356	637	
14-022190-00	357	638	
14-025480-00	401	686	
14-025480-00	402	687	
14-025480-00	403	688	
14-025480-00	405	689	
14-025480-00	407	691	
14-025480-00	408	692	
14-025480-00	409	693	
14-025480-00	411	694	
14-026240-00	340	621	
14-026240-00	348	629	
14-026240-00	350	630	
14-026240-00	351	631	
14-026240-00	359	639	
14-026240-00	361	640	
14-026240-00	362	641	
14-026240-00	363	642	
14-026240-00	364	643	
14-026240-00	365	644	
14-026240-00	366	645	
14-026240-00	368	646	
14-026240-00	369	647	
14-026240-00	371	649	
14-026240-00	373	651	
14-026240-00	374	652	
14-026240-00	375	653	
14-026240-00	375	653	
14-026241-00	340	621	
14-026241-00	348	629	
14-026241-00	350	630	
14-026241-00	351	631	
14-026241-00	359	639	
14-026241-00	361	640	
14-026241-00	362	641	
14-026241-00	363	642	
14-026241-00	364	643	
14-026241-00	365	644	
14-026241-00	366	645	
14-026241-00	368	646	
14-026241-00	369	647	
14-026241-00	371	649	
14-026241-00	373	651	
14-026241-00	374	652	
14-026241-00	375	653	
14-026380-00	414	697	
14-026380-00	416	698	
14-026380-00	417	699	
14-026380-00	418	700	
14-026380-00	419	701	
14-026380-00	420	702	
14-026380-00	422	703	
14-026380-00	423	704	
14-026380-00	424	705	
14-026380-00	425	706	
14-026380-00	427	707	
14-026380-00	428	708	
14-027210-00	413	696	
14-027210-00	414	697	
14-027210-00	416	698	
14-027210-00	417	699	
14-027210-00	418	700	
14-027210-00	419	701	
14-027210-00	420	702	
14-027210-00	422	703	
14-027210-00	423	704	
14-027210-00	423	704	
14-027210-00	424	705	
14-027210-00	424	705	
14-027210-00	425	706	
14-027210-00	425	706	
14-027210-00	427	707	
14-027210-00	427	707	
14-027210-00	428	708	
14-027210-00	428	708	
17-3720	502	806	
17-3720	502	807	
55-2528	237	432	
55-2528	239	436	
55-2528	287	507	
55-2528	289	512	
55-2528	290	513	
55-2528	290	514	
55-2528	291	516	


		9	
55-2528	292	517	
55-2528	293	519	
55-2528	293	520	
55-2528	298	534	
55-2528	299	535	
55-2528	300	536	
55-2532	342	622	
55-2532	343	624	
55-2532	344	625	
55-2532	345	626	
55-2532	347	627	
55-2532	347	628	
55-2532	352	632	
55-2532	352	633	
55-2532	354	635	
55-2532	355	636	
55-2532	356	637	
55-2532	357	638	
55-2532	444	728	
55-2532	445	729	
55-2532	446	730	
55-2532	447	731	
55-2532	448	732	
55-2532	449	733	
55-2532	450	734	
55-2532	451	735	
55-2532	452	736	
55-2532	453	737	
55-2532	456	740	
55-2532	457	742	
55-2532	458	743	
55-2532	459	744	
55-2532	459	745	
55-2532	460	746	
55-2532	469	761	
55-2532	470	762	
55-2784	315	574	
55-2784	315	575	
55-2784	338	618	
55-2784	339	619	
55-2784	340	620	
55-2789	396	681	
55-2789	397	682	
55-2789	462	748	
55-2789	463	749	
55-2789	463	750	
55-2789	464	751	
55-2789	466	755	
55-2789	486	777	
55-2789	487	778	
55-2789	488	779	
55-2789	488	780	
55-2789	490	784	
55-2789	491	785	
55-2996	333	608	
55-2996	333	609	
55-2996	334	610	
55-2996	335	611	
55-2996	336	612	
55-2996	337	614	


		9	
55-3280	497	795	
55-3280	497	796	
55-3280	499	800	
55-3280	499	801	
55-3280	500	802	
55-3280	501	804	
55-3280	501	805	
55-3280	504	811	
55-3280	504	812	
55-3280	505	813	
55-3280	506	814	
55-3280	508	819	
55-3280	508	820	
55-3280	509	821	
55-3280	509	822	
55-3280	510	823	
55-3280	510	824	
55-3422	225	420	
55-3422	226	421	
55-3422	228	422	
55-3422	229	423	
55-3422	231	424	
55-3422	232	425	
55-3422	257	463	
55-3422	258	464	
55-3422	260	465	
55-3422	261	466	
55-3422	262	467	
55-3422	264	468	
55-3422	265	470	
55-3422	267	473	
55-3430	513	831	
55-3430	514	832	
55-3430	517	837	
55-3434	511	825	
55-3434	511	826	
55-3434	514	833	
55-3434	515	834	
55-3434	515	835	
55-3434	516	836	
55-3434	519	843	
55-3434	520	844	
55-3434	521	847	
55-3434	522	848	
55-3516	401	686	
55-3516	403	688	
55-3516	406	690	
55-3516	407	691	
55-3516	409	693	
55-3516	412	695	
55-3516	471	763	
55-3516	473	764	
55-3516	474	765	
55-3516	476	767	
55-3516	477	768	
55-3516	481	771	
55-3523	454	738	
55-3523	455	739	
55-3525	396	681	
55-3525	397	682	


		9	
55-3280	497	795	
55-3280	497	796	
55-3280	499	800	
55-3280	499	801	
55-3280	500	802	
55-3280	501	804	
55-3280	501	805	
55-3280	504	811	
55-3280	504	812	
55-3280	505	813	
55-3280	506	814	
55-3280	508	819	
55-3280	508	820	
55-3280	509	821	
55-3280	509	822	
55-3280	510	823	
55-3280	510	824	
55-3422	225	420	
55-3422	226	421	
55-3422	228	422	
55-3422	229	423	
55-3422	231	424	
55-3422	232	425	
55-3422	257	463	
55-3422	258	464	
55-3422	260	465	
55-3422	261	466	
55-3422	262	467	
55-3422	264	468	
55-3422	265	470	
55-3422	267	473	
55-3430	513	831	
55-3430	514	832	
55-3430	517	837	
55-3434	511	825	
55-3434	511	826	
55-3434	514	833	
55-3434	515	834	
55-3434	515	835	
55-3434	516	836	
55-3434	519	843	
55-3434	520	844	
55-3434	521	847	
55-3434	522	848	
55-3516	401	686	
55-3516	403	688	
55-3516	406	690	
55-3516	407	691	
55-3516	409	693	
55-3516	412	695	
55-3516	471	763	
55-3516	473	764	
55-3516	474	765	
55-3516	476	767	
55-3516	477	768	
55-3516	481	771	
55-3523	454	738	
55-3523	455	739	
55-3525	396	681	
55-3525	397	682	


NUMERICAL PARTS LIST


Numerische Teilenummernliste • Elenco riferimenti
Liste des références produits


 9		
55-3525	462	748
55-3525	463	749
55-3525	463	750
55-3525	464	751
55-3525	466	755
55-3525	486	777
55-3525	487	778
55-3525	488	779
55-3525	488	780
55-3525	490	784
55-3525	491	785
55-3576	234	427
55-3576	234	428
55-3588	340	621
55-3588	348	629
55-3588	350	630
55-3588	353	634
55-3588	353	634
55-3588	414	697
55-3588	416	698
55-3588	417	699
55-3588	418	700
55-3603	316	578
55-3603	332	607
55-3603	398	683
55-3603	399	684
55-3603	400	685
55-3603	401	686
55-3603	402	687
55-3603	403	688
55-3603	405	689
55-3603	406	690
55-3603	407	691
55-3603	408	692
55-3603	409	693
55-3603	411	694
55-3603	412	695
55-3603	429	710
55-3603	430	711
55-3603	431	712
55-3603	433	716
55-3603	435	718
55-3603	438	722
55-3603	439	723
55-3603	440	724
55-3603	441	725
55-3603	442	726
55-3603	443	727
55-3603	471	763
55-3603	473	764
55-3603	474	765
55-3603	475	766
55-3603	476	767
55-3603	477	768
55-3603	479	769
55-3603	480	770
55-3603	481	771
55-3603	482	772
55-3603	483	773
55-3603	484	774
55-3603	485	775


 9		
55-3603	485	776
55-3625	340	621
55-3625	348	629
55-3625	350	630
55-3625	353	634
55-3625	359	639
55-3625	361	640
55-3625	362	641
55-3625	363	642
55-3625	364	643
55-3625	368	646
55-3625	369	647
55-3625	371	648
55-3625	371	649
55-3625	372	650
55-3625	373	651
55-3625	414	697
55-3625	416	698
55-3625	417	699
55-3625	418	700
55-3625	420	702
55-3625	422	703
55-3625	423	704
55-3625	424	705
55-3625	427	707
55-3625	428	708
55-3635	359	639
55-3635	361	640
55-3635	362	641
55-3635	363	642
55-3635	364	643
55-3635	368	646
55-3635	369	647
55-3635	371	648
55-3635	371	649
55-3635	372	650
55-3635	373	651
55-3635	420	702
55-3635	422	703
55-3635	423	704
55-3635	424	705
55-3635	427	707
55-3635	428	708
55-3648	225	420
55-3648	226	421
55-3648	228	422
55-3648	229	423
55-3648	231	424
55-3648	232	425
55-3648	240	437
55-3648	241	438
55-3648	242	439
55-3648	242	440
55-3648	244	443
55-3648	245	444
55-3648	246	445
55-3648	257	463
55-3648	258	464
55-3648	260	465
55-3648	261	466


 9		
55-3648	262	467
55-3648	264	468
55-3648	265	470
55-3648	267	473
55-3648	270	476
55-3648	283	499
55-3648	284	500
55-3648	285	502
55-3648	287	506
55-3648	288	509
55-3705	224	419
55-3705	235	429
55-3719	502	806
55-3719	502	807
55-3830	351	631
55-3830	359	639
55-3830	361	640
55-3830	362	641
55-3830	363	642
55-3830	364	643
55-3830	365	644
55-3830	366	645
55-3830	368	646
55-3830	369	647
55-3830	371	648
55-3830	371	649
55-3830	372	650
55-3830	373	651
55-3830	374	652
55-3830	375	653
55-3830	413	696
55-3830	419	701
55-3830	420	702
55-3830	422	703
55-3830	423	704
55-3830	424	705
55-3830	425	706
55-3830	427	707
55-3830	428	708
55-3831	351	631
55-3831	365	644
55-3831	366	645
55-3831	374	652
55-3831	375	653
55-3831	413	696
55-3865	308	558
55-3881	283	497
55-3896	308	559
55-3896	330	599
55-3896	330	600
55-3898	377	654
55-3898	378	655
55-3898	379	656
55-3898	379	657
55-3898	380	658
55-3898	381	659
55-3898	381	660
55-3898	382	661
55-3898	383	662
55-3898	384	664

 9		
55-3898	385	665
55-3898	386	666
55-3898	386	667
55-3898	387	668
55-3898	389	670
55-3898	390	671
55-3898	391	672
55-3898	391	673
55-3898	392	674
55-3898	395	680
55-3937	236	430
55-3937	247	448
55-3937	248	449
55-3937	269	475
55-3937	273	482
55-3971	303	545
55-3971	303	546
55-3971	304	548
55-3971	304	549
55-4000	318	580
55-4000	318	581
55-4001	319	583
55-4001	320	584
55-4006	310	565
55-4006	312	568
55-4006	312	569
55-4006	313	571
55-4012	388	669
55-4012	393	676
55-4012	394	678
55-4012	467	756
55-4012	468	758
55-4012	468	759
55-4012	494	790
55-4012	495	792
55-4029	507	816
55-4029	507	817
55-4102	222	414
55-4102	394	679
55-4572	249	450
55-4572	250	451
55-4572	251	452
55-4808	238	433
55-4808	238	434
55-4808	239	435
55-4808	243	441
55-4808	244	442
55-4808	246	446
55-4808	252	453
55-4808	252	454
55-4808	252	455
55-4808	285	503
55-4808	286	505
56-2698	497	795
56-2698	497	796
56-2698	499	800
56-2698	499	801
56-2698	500	802
56-2698	501	804
56-2698	501	805

 9		
56-2698	504	811
56-2698	504	812
56-2698	505	813
56-2698	506	814
56-2698	508	819
56-2698	508	820
56-2698	509	821
56-2698	509	822
56-2698	510	823
56-2698	510	824
56-2698	513	831
56-2698	514	832
56-2698	517	837
56-2698	517	838
56-2698	518	840
56-2698	519	841
56-2698	520	845
56-3423	224	419
56-3423	225	420
56-3423	226	421
56-3423	228	422
56-3423	229	423
56-3423	231	424
56-3423	234	427
56-3423	234	428
56-3423	235	429
56-3423	257	463
56-3423	258	464
56-3423	260	465
56-3423	261	466
56-3423	262	467
56-3423	264	468
56-3423	265	470
56-3423	267	473
57-3049	343	624
57-3049	344	625
57-3049	345	626
57-3049	347	627
57-3049	347	628
57-3049	354	635
57-3049	355	636
57-3049	356	637
57-3049	357	638
57-3049	444	728
57-3049	445	729
57-3049	446	730
57-3049	447	731
57-3049	448	732
57-3049	449	733
57-3049	450	734
57-3049	451	735
57-3049	452	736
57-3049	453	737
57-3049	454	738
57-3049	455	739
57-3049	456	740
57-3049	457	742
57-3049	458	743
57-3049	459	744
57-3049	459	745


 9		
57-3049	460	746
71-1971/4	498	797
71-2182/4	237	432
71-2182/4	239	436
71-2182/4	289	512
71-2182/4	290	513
71-2182/6	287	507
71-2182/6	290	514
71-2182/6	291	515
71-2182/6	291	516
71-2182/6	292	517
71-2182/6	293	519
71-2182/6	293	520
71-2182/6	294	521
71-2182/6	294	523
71-2182/6	298	534
71-2182/6	299	535
71-2182/6	300	536
71-2349/6	497	795
71-2349/6	497	796
71-2349/6	499	800
71-2349/6	499	801
71-2349/6	500	802
71-2773/4	342	622
71-2773/4	352	632
71-2773/4	352	633
71-2773/4	354	635
71-2773/4	355	636
71-2773/4	356	637
71-2773/4	357	638
71-2773/4	469	761
71-2773/4	470	762
71-2974/6	315	574
71-2974/6	315	575
71-2974/6	338	618
71-2974/6	339	619
71-2974/6	340	620
71-2995/4	401	686
71-2995/4	403	688
71-2995/4	406	690
71-2995/4	407	691
71-2995/4	409	693
71-2995/4	412	695
71-2995/4	471	763
71-2995/4	473	764
71-2995/4	474	765
71-2995/4	476	767
71-2995/4	477	768
71-2995/4	481	771
71-2995/6	333	608
71-2995/6	333	609
71-2995/6	334	610
71-2995/6	335	611
71-2995/6	336	612
71-2995/6	337	613
71-2995/6	337	614
71-3014/6	501	804
71-3014/6	501	805
71-3014/6	504	811
71-3014/6	504	812


 9		
71-3014/6	505	813
71-3014/6	506	814
71-3014/6	508	819
71-3014/6	509	822
71-3014/6	510	823
71-3227/4	342	622
71-3227/4	469	761
71-3227/4	470	762
71-3227/5	454	738
71-3227/5	455	739
71-3419/4	240	437
71-3419/4	241	438
71-3419/4	242	439
71-3419/4	242	440
71-3419/4	244	443
71-3419/4	245	444
71-3419/4	246	445
71-3419/4	284	500
71-3419/4	285	502
71-3419/6	225	420
71-3419/6	226	421
71-3419/6	228	422
71-3419/6	229	423
71-3419/6	231	424
71-3419/6	232	425
71-3419/6	257	463
71-3419/6	258	464
71-3419/6	260	465
71-3419/6	261	466
71-3419/6	262	467
71-3419/6	264	468
71-3419/6	265	469
71-3419/6	265	470
71-3419/6	267	473
71-3419/6	270	476
71-3426/6	508	820
71-3426/6	509	821
71-3427/6	510	824
71-3427/6	513	831
71-3427/6	514	832
71-3427/6	517	837
71-3431/4	515	834
71-3431/4	515	835
71-3431/4	516	836
71-3431/4	521	847
71-3431/4	522	848
71-3431/8	511	825
71-3431/8	511	826
71-3431/8	514	833
71-3431/8	519	843
71-3431/8	520	844
71-3476/8	397	682
71-3476/8	462	748
71-3476/8	463	749
71-3476/8	463	750
71-3476/8	466	755
71-3476/8	486	777
71-3476/8	487	778
71-3477/8	396	681
71-3477/8	397	682


 9		
71-3477/8	463	750
71-3477/8	464	751
71-3477/8	486	777
71-3477/8	487	778
71-3477/8	488	779
71-3477/8	488	780
71-3477/8	489	781
71-3477/8	490	784
71-3477/8	491	785
71-3573/6	234	427
71-3573/6	234	428
71-3573/6	235	429
71-3645	362	641
71-3645	363	642
71-3645	364	643
71-3645	366	645
71-3645	371	648
71-3645	371	649
71-3645	372	650
71-3645	373	651
71-3645	375	653
71-3645	418	700
71-3645	423	704
71-3645	424	705
71-3645	427	707
71-3645	428	708
71-3652	297	532
71-3652	298	533
71-3704/4	224	419
71-3704/4	247	448
71-3704/4	248	449
71-3704/4	249	450
71-3704/4	250	451
71-3704/4	251	452
71-3704/6	234	427
71-3704/6	234	428
71-3704/6	235	429
71-3704/6	236	430
71-3704/6	267	472
71-3704/6	269	475
71-3704/6	273	482
71-3704/6	275	485
71-3704/6	276	486
71-3706/8	281	494
71-3706/8	282	495
71-3706/8	282	496
71-3706/8	292	518
71-3706/8	295	525
71-3706/8	296	527
71-3775/6	517	838
71-3775/6	518	840
71-3775/6	519	841
71-3775/6	520	845
71-3817/4	332	607
71-3817/4	400	685
71-3817/4	401	686
71-3817/4	402	687
71-3817/4	403	688
71-3817/4	405	689
71-3817/4	406	690


NUMERICAL PARTS LIST


Nummerische Teilenummernliste • Elenco riferimenti
Liste des références produits


 9		
71-3817/4	407	691
71-3817/4	408	692
71-3817/4	409	693
71-3817/4	411	694
71-3817/4	412	695
71-3817/4	429	710
71-3817/4	430	711
71-3817/4	431	712
71-3817/4	438	722
71-3817/4	439	723
71-3817/4	440	724
71-3817/4	441	725
71-3817/4	442	726
71-3817/4	443	727
71-3817/4	471	763
71-3817/4	473	764
71-3817/4	474	765
71-3817/4	475	766
71-3817/4	476	767
71-3817/4	477	768
71-3817/4	479	769
71-3817/4	480	770
71-3817/4	481	771
71-3817/4	482	772
71-3817/4	483	773
71-3817/4	484	774
71-3817/4	485	775
71-3817/4	485	776
71-3817/6	316	578
71-3817/6	398	683
71-3817/6	399	684
71-3817/6	433	716
71-3817/6	435	718
71-3817/8	466	754
71-3817/8	490	783
71-3857/6	330	598
71-3857/6	432	713
71-3857/6	432	714
71-3857/6	434	717
71-3857/6	436	719
71-3857/6	491	786
71-3857/6	492	787
71-3857/8	437	721
71-3857/8	493	788
71-3861/4	308	558
71-3876	377	654
71-3876	378	655
71-3876	379	656
71-3876	379	657
71-3876	380	658
71-3876	381	659
71-3876	381	660
71-3876	382	661
71-3876	383	662
71-3876	384	664
71-3876	385	665
71-3876	386	666
71-3876	386	667
71-3876	387	668
71-3876	389	670


 9		
71-3876	390	671
71-3876	391	672
71-3876	391	673
71-3876	392	674
71-3876	395	680
71-3878/8	283	497
71-3882/3	302	542
71-3882/3	302	543
71-3998/4	318	580
71-3998/4	318	581
71-3998/4	319	583
71-3998/4	320	584
71-4002/4	310	565
71-4002/4	311	566
71-4002/4	312	568
71-4002/4	312	569
71-4002/4	313	571
71-4007/6	388	669
71-4007/6	393	676
71-4007/6	394	677
71-4007/6	394	678
71-4007/6	394	679
71-4007/6	467	756
71-4007/6	468	757
71-4007/6	468	758
71-4007/6	468	759
71-4007/8	494	790
71-4007/8	495	792
71-4013	317	579
71-4013	319	582
71-4026/8	507	816
71-4026/8	507	817
71-4724	321	585
71-4724	322	586
71-4805	253	457
71-4805	254	458
71-4805	279	491
71-4805	280	492
71-4805	280	493
71-4806/4	243	441
71-4806/4	244	442
71-4806/4	246	446
71-4806/4	252	453
71-4806/4	252	455
71-4806/4	285	503
71-4806/6	238	434
71-4806/6	239	435
71-4806/6	286	505
71-4807/2	238	433
71-4807/2	252	454
71-4807/2	270	477
71-4809	323	589
71-4809	324	590
71-4809	324	591
71-4809	325	592
71-4809	327	595
71-4809	328	596
72-3856	377	654
72-3856	378	655
72-3856	379	656


 9		
72-3856	379	657
72-3856	380	658
72-3856	381	659
72-3856	381	660
72-3856	382	661
72-3856	383	662
72-3856	384	664
72-3856	385	665
72-3856	386	666
72-3856	386	667
72-3856	387	668
72-3856	389	670
72-3856	390	671
72-3856	391	672
72-3856	391	673
72-3856	392	674
72-3856	395	680
72-4014	317	579
72-4014	319	582
72-4725	321	585
72-4725	322	586
72-4726H	321	585
72-4726H	322	586
72-4810	323	589
72-4810	324	590
72-4810	324	591
72-4810	325	592
72-4810	327	595
72-4810	328	596
87-109100-00	438	722
87-109100-00	440	724
87-109100-00	441	725
87-109100-10	438	722
87-109100-10	439	723
87-109100-10	441	725
87-109100-10	442	726
87-109107-00	438	722
87-109107-00	440	724
87-109107-00	441	725
87-109107-10	438	722
87-109107-10	439	723
87-109107-10	441	725
87-109107-10	442	726
87-114400-00	247	448
87-114400-10	269	475
87-114400-30	249	450
87-114400-40	249	450
87-114400-40	250	451
87-114400-40	272	480
87-114400-40	274	483
87-114400-40	275	485
87-114400-40	276	486
87-114400-40	280	493
87-114400-60	251	452
87-114400-60	276	486
87-114405-00	247	448
87-114405-10	269	475
87-114405-30	249	450
87-114405-40	249	450
87-114405-40	250	451

 9		
87-114405-40	272	480
87-114405-40	274	483
87-114405-40	275	485
87-114405-40	276	486
87-114405-40	280	493
87-114405-60	251	452
87-114405-60	276	486
87-117900-00	378	655
87-117900-00	387	668
87-117900-00	390	671
87-117900-00	395	680
87-117900-10	377	654
87-117900-10	387	668
87-117900-20	377	654
87-117900-20	378	655
87-117900-20	379	656
87-117900-20	389	670
87-117900-20	390	671
87-117900-20	395	680
87-117900-00	378	655
87-117907-00	387	668
87-117907-00	390	671
87-117907-00	395	680
87-117907-10	377	654
87-117907-10	387	668
87-117907-20	377	654
87-117907-20	378	655
87-117907-20	379	656
87-117907-20	389	670
87-117907-20	390	671
87-117907-20	395	680
87-119000-00	436	719
87-119000-00	437	721
87-133100-00	234	428
87-133107-00	234	428
87-133900-10	293	520
87-133900-10	294	523
87-136400-00	382	661
87-136400-00	385	665
87-136400-00	391	673
87-136407-00	382	661
87-136407-00	385	665
87-136407-00	391	673
87-136700-00	302	542
87-136705-00	302	542
87-136707-00	302	542
87-140600-00	303	546
87-140600-00	304	547
87-173800-10	457	742
87-173800-10	458	743
87-173800-10	459	745
87-173800-10	460	746
87-173807-10	457	742
87-173807-10	458	743
87-173807-10	459	745
87-173807-10	460	746
87-176600-00	334	610
87-176600-00	335	611
87-176607-00	334	610
87-176607-00	335	611

		9
87-176611-00	334	610
87-176611-00	335	611
87-176700-00	444	728
87-176700-00	445	729
87-176700-00	446	730
87-176700-00	448	732
87-176700-00	450	734
87-176700-00	451	735
87-176700-00	457	742
87-176700-00	460	746
87-176708-00	444	728
87-176708-00	445	729
87-176708-00	446	730
87-176708-00	448	732
87-176708-00	450	734
87-176708-00	451	735
87-176708-00	457	742
87-176708-00	460	746
87-179500-10	403	688
87-179500-10	405	689
87-179500-10	408	692
87-179500-10	409	693
87-179500-10	411	694
87-179507-10	403	688
87-179507-10	405	689
87-179507-10	408	692
87-179507-10	409	693
87-179507-10	411	694
87-179511-10	403	688
87-179511-10	405	689
87-179511-10	408	692
87-179511-10	409	693
87-179511-10	411	694
87-179700-00	476	767
87-179700-10	475	766
87-179700-10	476	767
87-179700-10	477	768
87-179700-10	479	769
87-179700-10	481	771
87-179707-00	476	767
87-179707-10	475	766
87-179707-10	476	767
87-179707-10	477	768
87-179707-10	479	769
87-179707-10	481	771
87-179711-00	476	767
87-179711-10	475	766
87-179711-10	476	767
87-179711-10	477	768
87-179711-10	479	769
87-179711-10	481	771
87-181607-00	342	622
87-183000-00	399	684
87-183007-00	399	684
87-183011-00	399	684
87-183100-00	316	578
87-183107-00	316	578
87-183111-00	316	578
87-183300-00	363	642
87-183300-00	373	651


		9
87-183307-00	363	642
87-183307-00	373	651
87-287500-00	431	712
87-287500-10	435	718
87-287500-20	433	716
87-287500-30	435	718
87-287500-40	431	712
87-287505-10	435	718
87-287505-30	435	718
87-287507-20	433	716
87-287507-30	435	718
87-287507-40	431	712
87-422200-10	232	425
87-422200-10	233	426
87-422207-10	232	425
87-422207-10	233	426
87-424000-00	222	414
87-424008-00	222	414
87-425700-00	284	500
87-425707-00	284	500
87-427100-00	305	550
87-427100-00	306	552
87-427105-00	305	550
87-427105-00	306	552
87-427107-00	305	550
87-427107-00	306	552
87-427400-00	327	595
87-427400-00	328	596
87-427400-00	329	597
87-427400-10	327	595
87-427400-10	328	596
87-427400-10	329	597
87-427400-20	325	592
87-427400-20	326	594
87-427400-30	325	592
87-427400-30	326	594
87-427407-00	327	595
87-427407-00	328	596
87-427407-00	329	597
87-427407-10	327	595
87-427407-10	328	596
87-427407-10	329	597
87-427500-00	317	579
87-427500-00	319	582
87-427507-00	317	579
87-427507-00	319	582
87-427600-10	312	569
87-428700-00	386	666
87-432200-00	254	458
87-433400-00	322	586
87-433405-00	322	586
87-433407-00	322	586
87-433500-00	223	416
87-433505-00	223	416
87-433507-00	223	416
87-434600-00	256	461
87-434600-10	255	460
87-702605-00	240	437
87-704200-10	246	445
87-704207-10	246	445


		9
87-704500-00	224	419
87-704500-00	235	429
87-704507-00	224	419
87-704507-00	235	429
87-705000-00	229	423
87-705007-00	229	423
87-705100-00	258	464
87-705107-00	258	464
87-743100-00	423	704
87-743100-10	414	697
87-743100-10	416	698
87-743100-10	417	699
87-743100-10	420	702
87-743100-10	422	703
87-743100-10	425	706
87-743100-30	413	696
87-743100-40	418	700
87-743100-40	428	708
87-743107-00	423	704
87-743107-10	414	697
87-743107-10	416	698
87-743107-10	417	699
87-743107-10	420	702
87-743107-10	422	703
87-743107-10	425	706
87-743107-30	413	696
87-743107-40	418	700
87-743107-40	428	708
87-743107-50	423	704
87-743120-10	414	697
87-743120-10	416	698
87-743120-10	417	699
87-743120-10	420	702
87-743120-10	422	703
87-743120-10	425	706
87-743120-20	414	697
87-743120-20	416	698
87-743120-20	417	699
87-743120-20	420	702
87-743120-20	422	703
87-743120-20	425	706
87-743600-00	351	631
87-743600-00	365	644
87-743600-00	374	652
87-743600-10	340	621
87-743600-10	348	629
87-743600-10	350	630
87-743600-10	359	639
87-743600-10	361	640
87-743600-10	368	646
87-743600-10	369	647
87-743607-00	351	631
87-743607-00	365	644
87-743607-00	374	652
87-743607-10	340	621
87-743607-10	348	629
87-743607-10	350	630
87-743607-10	359	639
87-743607-10	361	640
87-743607-10	368	646


		9
87-743607-10	369	647
87-898400-02	222	413
87-898407-02	222	413
88-743600-10	340	621
88-743600-10	348	629
88-743600-10	350	630
88-743600-10	359	639
88-743600-10	361	640
88-743600-10	368	646
88-743600-10	369	647
A113/4	343	624
A113/4	344	625
A113/4	345	626
A113/4	347	627
A113/4	347	628
A113/4	355	636
A113/4	356	637
A113/4	357	638
A113/4	444	728
A113/4	445	729
A113/4	446	730
A113/4	447	731
A113/4	448	732
A113/4	449	733
A113/4	450	734
A113/4	451	735
A113/4	452	736
A113/4	453	737
A113/4	454	738
A113/4	455	739
A113/4	456	740
A113/4	457	742
A113/4	459	744
A113/4	460	746
A129/4	316	578
A129/4	332	607
A129/4	337	614
A129/4	340	621
A129/4	348	629
A129/4	350	630
A129/4	351	631
A129/4	353	634
A129/4	359	639
A129/4	361	640
A129/4	362	641
A129/4	363	642
A129/4	364	643
A129/4	365	644
A129/4	366	645
A129/4	368	646
A129/4	369	647
A129/4	371	648
A129/4	371	649
A129/4	372	650
A129/4	373	651
A129/4	374	652
A129/4	375	653
A129/4	377	654
A129/4	378	655
A129/4	379	656


NUMERICAL PARTS LIST


Numerische Teilenummernliste • Elenco riferimenti
Liste des références produits


 9		
A129/4	379	657
A129/4	380	658
A129/4	381	659
A129/4	381	660
A129/4	382	661
A129/4	383	662
A129/4	384	664
A129/4	385	665
A129/4	386	666
A129/4	386	667
A129/4	387	668
A129/4	389	670
A129/4	390	671
A129/4	391	672
A129/4	391	673
A129/4	392	674
A129/4	395	680
A129/4	398	683
A129/4	399	684
A129/4	400	685
A129/4	401	686
A129/4	402	687
A129/4	403	688
A129/4	405	689
A129/4	406	690
A129/4	407	691
A129/4	408	692
A129/4	409	693
A129/4	411	694
A129/4	412	695
A129/4	413	696
A129/4	414	697
A129/4	416	698
A129/4	417	699
A129/4	418	700
A129/4	419	701
A129/4	420	702
A129/4	422	703
A129/4	423	704
A129/4	424	705
A129/4	425	706
A129/4	427	707
A129/4	428	708
A129/4	429	710
A129/4	430	711
A129/4	431	712
A129/4	433	716
A129/4	435	718
A129/4	438	722
A129/4	439	723
A129/4	440	724
A129/4	441	725
A129/4	442	726
A129/4	443	727
A129/4	471	763
A129/4	473	764
A129/4	474	765
A129/4	475	766
A129/4	476	767
A129/4	477	768


 9		
A129/4	479	769
A129/4	480	770
A129/4	481	771
A129/4	482	772
A129/4	483	773
A129/4	484	774
A129/4	485	775
A129/4	485	776
A132/4	400	685
A132/4	401	686
A132/4	402	687
A132/4	403	688
A132/4	405	689
A132/4	406	690
A132/4	407	691
A132/4	408	692
A132/4	409	693
A132/4	411	694
A132/4	412	695
A132/4	471	763
A132/4	473	764
A132/4	474	765
A132/4	475	766
A132/4	476	767
A132/4	477	768
A132/4	479	769
A132/4	480	770
A132/4	481	771
A132/4	482	772
A132/4	483	773
A132/4	484	774
A132/4	485	775
A132/4	485	776
A139/4	502	806
A139/4	502	807
A154/2	302	542
A154/2	302	543
A154/2	303	545
A154/2	303	546
A154/2	304	548
A154/2	304	549
A163/4	310	565
A163/4	312	568
A163/4	312	569
A163/4	313	571
A163/4	317	579
A163/4	318	580
A163/4	318	581
A163/4	319	583
A163/4	320	584
A164/4	388	669
A164/4	393	676
A164/4	467	756
A164/4	494	790
A164/4	495	792
A166/2	507	816
A166/2	507	817
A217/2	222	414
AA5430	167	297
AB5550	84	149


 9		
AB5550	84	150
AB5560	85	151
AB5560	85	152
AB5570	86	153
AB5570	100	185
AB5570	101	186
AB5660	61	94
AB5660	61	95
AB5660	62	97
AB5980	46	68
AB5990	18	23
AC5070	81	140
AC5310	10	15
AC5310	11	16
AC5310	12	17
AC5310	13	18
AC5320	18	23
AC5330	18	23
AC5340	18	23
AC5350	74	124
AC5350	76	126
AC5360	74	124
AC5360	76	126
AC5370	74	124
AC5370	76	126
AC5380	74	124
AC5380	76	126
AC5410	28	43
AC5410	29	45
AC5420	28	43
AC5420	29	45
AC5430	28	43
AC5430	29	45
AC5440	23	35
AC5440	24	36
AC5440	24	37
AC5440	27	41
AC5440	27	42
AC5440	29	46
AC5440	30	47
AC5440	30	48
AC5440	31	49
AC5440	31	50
AC5440	32	51
AC5470	23	35
AC5470	24	36
AC5470	27	41
AC5470	27	42
AC5470	29	46
AC5470	30	47
AC5470	30	48
AC5470	31	49
AC5470	31	50
AC5470	32	51
AC5520	134	253
AC5620	122	228
AC5620	122	229
AC5620	123	230
AC5620	123	231
AC5620	124	233

 9		
AC5620	125	234
AC5620	125	235
AC5620	126	237
AC5620	127	238
AC5620	127	239
AC5640	56	86
AC5640	57	87
AC5640	58	88
AC5650	56	86
AC5650	57	87
AC5650	58	88
AC5660	80	138
AC5660	80	139
AC5660	82	144
AC5670	81	141
AC5670	81	142
AC5900	39	60
AC5900	40	61
AC5900	40	62
AC5900	41	63
AC5900	44	66
AC5900	45	67
AC5900	46	69
AC5920	5	7
AC5920	5	8
AD5130	2	2
AD5140	2	2
AD5150	2	2
AD5160	2	2
AD5170	2	2
AD5720	128	241
AD5720	129	243
AD5720	130	244
AD5720	130	245
AD5720	131	246
AE5330	134	253
AE5330	168	298
AE5330	169	299
AE5330	170	300
AE5330	171	301
AE5330	172	302
AE5330	173	303
AE5330	184	326
AE5330	185	327
AE5340	59	90
AE5340	59	91
AE5350	59	90
AE5350	59	91
AE5360	59	90
AE5360	59	91
AE5370	59	90
AE5370	59	91
AE5730	99	183
AE5730	100	184
AE5740	99	183
AE5740	100	184
AE5750	165	294
AE5750	166	295
AE5750	167	296
AE5760	99	183

		9
AE5760	165	294
AE5760	166	295
AE5760	167	296
AF5190	39	60
AF5190	40	61
AF5190	40	62
AF5190	41	63
AF5190	44	66
AF5190	45	67
AF5190	46	69
AG5010	33	54
AG5010	34	55
AG5010	35	56
AG5020	33	54
AG5020	34	55
AG5020	35	56
AG5030	33	54
AG5030	34	55
AG5030	35	56
AG7600	2	1
AG7610	2	1
AG7620	2	1
AG8390	128	240
AG8390	131	247
AG8400	128	240
AG8400	131	247
AG8430	206	369
AG8430	207	370
AG8440	206	369
AG8440	207	370
AG8470	191	339
AG8480	191	339
AG8490	132	248
AG8490	132	249
AG8500	94	172
AG8500	94	173
AG8501	95	175
AG8790	88	161
AG8790	89	162
AG8790	89	163
AG8790	90	164
AG8790	90	165
AG8790	91	166
AG8790	91	167
AG8990	82	143
AG9000	18	24
AG9000	42	64
AG9000	53	81
AG9000	54	84
AG9010	18	24
AG9010	42	64
AG9010	53	81
AG9010	54	84
AG9020	18	24
AG9020	42	64
AG9020	53	81
AG9020	54	84
AG9290	62	98
AG9290	63	99
AG9290	63	100


		9
AG9290	64	101
AG9540	20	28
AG9550	20	28
AG9610	209	376
AG9610	209	377
AG9920	83	147
AG9920	83	148
AH5000	96	176
AH5000	96	177
AH5010	97	178
AH5010	97	179
AH5010	98	180
AH5010	98	181
AH5010	99	182
AH5020	97	178
AH5020	97	179
AH5020	98	180
AH5020	98	181
AH5020	99	182
AH5120	47	70
AH5920	48	72
AH5920	49	74
AH5920	49	75
AH5920	50	76
AH5920	50	77
AH5920	51	78
AH5920	53	82
AH5920	54	83
AH5930	48	72
AH5930	49	74
AH5930	49	75
AH5930	50	76
AH5930	50	77
AH5930	51	78
AH5930	53	82
AH5930	54	83
AH5940	48	72
AH5940	49	74
AH5940	49	75
AH5940	50	76
AH5940	50	77
AH5940	51	78
AH5940	53	82
AH5940	54	83
AH5950	48	72
AH5950	49	74
AH5950	49	75
AH5950	50	76
AH5950	50	77
AH5950	51	78
AH5950	53	82
AH5950	54	83
AH6000	82	145
AH6210	62	98
AH6210	63	99
AH6210	63	100
AH6210	64	101
AH6210	64	102
AH6220	24	36
AH6220	24	37


		9
AH6220	29	46
AH6220	30	47
AH6220	30	48
AH6220	31	49
AH6220	31	50
AH6220	32	51
AH6220	32	52
AH6420	47	71
AH6440	3	3
AH6440	4	5
AH6450	124	232
AH6450	126	236
AH6450	126	237
AH6460	124	232
AH6460	126	236
AH6460	126	237
AH6470	124	232
AH6470	126	236
AH6470	126	237
AH6730	3	4
AH6730	4	6
AH7030	124	232
AH7100	52	79
AH7130	83	146
AY270	6	10
AY280	6	10
BC790	179	316
BC790	180	317
BC790	180	318
BC790	181	319
BC790	183	323
BC790	183	324
BC800	181	320
BC800	182	321
BC800	182	322
BC800	184	325
BC870	108	205
BC910	19	26
BC910	21	30
BC940	69	114
BC940	70	116
BD630	6	11
BD630	14	19
BG990	109	208
BG990	110	209
BH870	137	256
BH870	137	257
BH870	138	258
BH870	139	259
BH870	140	260
BH870	141	261
BH870	142	262
BH870	143	263
BH870	144	264
BH880	193	342
BH880	194	343
BH880	194	344
BH880	195	345
BH880	196	348
BH880	197	349


		9
BH880	197	350
BH880	198	351
BH880	198	352
BH880	199	354
BH880	200	355
BH880	200	356
BL680	36	57
BL680	43	65
BL690	71	119
BL690	72	120
BL690	72	121
BL690	73	122
BL690	73	123
BL690	78	131
BL690	78	132
BN720	112	214
BN720	113	215
BN720	114	216
BN720	114	217
BN740	135	254
BN740	136	255
BP610	67	111
BR420	15	20
BR420	16	21
BR430	15	20
BR430	16	21
BR440	15	20
BR440	16	21
BR830	21	31
BR830	22	32
BR830	22	33
BR830	23	34
BR830	25	38
BR830	26	40
BR841	6	11
BR841	14	19
BS320	68	113
BT540	107	203
BT540	110	210
BT550	118	221
BT550	119	222
BT550	119	223
BT550	120	224
BT680	7	12
BT680	8	13
BT680	9	14
BT680	10	15
BT680	11	16
BT680	12	17
BT691	37	58
BT691	38	59
BT691	39	60
BT691	44	66
BT691	45	67
BW370	146	267
BW370	147	268
BW370	148	269
BW370	149	271
BW380	149	272
BW380	150	273


NUMERICAL PARTS LIST



Nummerische Teilenummernliste • Elenco riferimenti
Liste des références produits



 9		
BW380	150	274
BW380	151	275
BW380	152	276
BW380	153	278
BW730	17	22
BW730	19	25
BW740	17	22
BW740	19	25
BX240	55	85
BX270	70	117
BX281	70	117
BX290	70	117
BX300	70	117
BY560	26	39
BY580	120	225
BY580	121	226
BY580	121	227
BY590	115	218
BY590	116	219
BZ111	17	22
BZ111	19	25
BZ120	17	22
BZ120	19	25
BZ130	62	96
BZ500	28	44
BZ510	28	44
BZ520	28	44
BZ660	46	68
BZ670	46	68
BZ680	46	68
BZ850	102	190
BZ850	102	191
BZ860	145	265
BZ860	145	266
BZ870	115	218
BZ870	117	220
BZ880	157	284
BZ880	158	285
BZ880	159	286
BZ880	160	287
BZ880	160	288
BZ880	161	289
BZ880	161	290
BZ880	162	291
BZ880	163	292
BZ880	164	293
BZ890	176	309
BZ890	178	313
BZ900	174	306
BZ900	175	308
BZ900	176	310
BZ900	177	311
BZ900	177	312
BZ900	178	314
CA5430	167	297
CAM377	137	256
CAM377	140	260
CAM377	141	261
CAM377	142	262
CAM377	143	263



 9		
CAM377	144	264
CAM377	193	342
CAM377	194	344
CAM377	195	345
CAM377	197	349
CAM377	198	352
CAM377	199	354
CAM377	200	355
CAM377	200	356
CAM394	68	113
CAM394	69	114
CAM394	69	115
CAM394	71	119
CAM394	72	120
CAM394	72	121
CAM394	73	122
CAM394	73	123
CAM394	78	131
CAM394	78	132
CAM403	21	31
CAM403	25	38
CAM407	14	19
CAM408	93	170
CAM408	135	254
CAM408	136	255
CAM410	6	11
CAM410	14	19
CAM414	112	214
CAM414	113	215
CAM414	114	216
CAM414	114	217
CAM414	149	272
CAM414	150	273
CAM414	150	274
CAM414	151	275
CAM414	152	277
CAM414	153	278
CAM423	15	20
CAM423	16	21
CAM435	36	57
CAM458	17	22
CAM458	19	25
CAM627	107	203
CAM627	146	267
CAM627	147	268
CAM627	148	269
CAM627	148	270
CAM628	203	363
CAM628	203	364
CAM629	203	363
CAM629	203	364
CAM633	138	258
CAM633	140	260
CAM633	141	261
CAM633	142	262
CAM633	143	263
CAM633	144	264
CAM633	193	342
CAM633	195	345
CAM633	196	347



 9		
CAM633	196	348
CAM633	197	350
CAM633	198	351
CAM637	134	252
CAM638	134	252
CAM659	134	253
CAM659	168	298
CAM659	169	299
CAM659	170	300
CAM659	171	301
CAM659	172	302
CAM659	173	303
CAM659	184	326
CAM659	185	327
CAM661	115	218
CAM661	116	219
CAM662	117	220
CAM663	115	218
CAM663	116	219
CAM663	117	220
CAM683	134	253
CAM683	168	298
CAM683	169	299
CAM683	170	300
CAM683	171	301
CAM683	172	302
CAM683	173	303
CAM683	184	326
CAM683	185	327
CAM693	102	190
CAM693	102	191
CAM693	157	284
CAM693	158	285
CAM693	159	286
CAM693	160	287
CAM693	160	288
CAM693	161	290
CAM693	162	291
CAM693	163	292
CAM694	102	190
CAM694	102	191
CAM694	157	284
CAM694	158	285
CAM694	159	286
CAM694	160	287
CAM694	160	288
CAM694	161	290
CAM694	162	291
CAM694	163	292
CAM694	164	293
CAM694	174	306
CAM694	175	308
CAM694	176	309
CAM694	176	310
CAM694	177	311
CAM746	2	2
CAM747	2	2
CB5550	84	149
CB5550	84	150
CB5560	85	151

 9		
CB5560	85	152
CB5570	86	153
CB5570	100	185
CB5570	101	186
CB5570	140	260
CB5570	141	261
CB5660	61	94
CB5660	61	95
CB5660	62	97
CC5310	13	18
CC5310	40	62
CC5310	41	63
CC5310	46	69
CC5350	56	86
CC5350	57	87
CC5350	58	88
CC5350	74	124
CC5350	75	125
CC5350	76	126
CC5350	76	127
CC5350	79	135
CC5410	28	43
CC5410	29	45
CC5440	27	41
CC5440	27	42
CC5440	29	46
CC5440	30	47
CC5440	30	48
CC5440	31	49
CC5440	31	50
CC5440	32	51
CC5441	23	35
CC5441	24	36
CC5441	24	37
CC5520	134	253
CC5620	122	228
CC5620	122	229
CC5620	123	230
CC5620	123	231
CC5620	125	234
CC5620	125	235
CC5620	127	239
CC5661	80	138
CC5661	80	139
CC5661	82	144
CC5670	81	140
CC5670	81	141
CC5670	81	142
CC5900	40	61
CC5900	44	66
CC5900	45	67
CC5901	13	18
CC5901	40	62
CC5901	41	63
CC5901	46	69
CC5920	5	7
CC5921	5	8
CD5140	2	2
CD5720	128	241
CD5720	129	243

		
CD5720	130	244
CD5720	130	245
CD5720	131	246
CE5330	168	298
CE5330	169	299
CE5330	170	300
CE5330	171	301
CE5330	172	302
CE5330	173	303
CE5330	184	326
CE5330	185	327
CE5331	170	300
CE5331	172	302
CE5740	99	183
CE5740	100	184
CE5760	165	294
CE5760	166	295
CE5760	167	296
CG5011	33	54
CG5011	35	56
CG7600	2	1
CG8500	94	172
CG8500	94	173
CG8501	95	175
CG8790	88	161
CG8790	89	163
CG8790	90	164
CG8790	90	165
CG9000	18	24
CG9000	42	64
CG9000	48	72
CG9000	49	74
CG9000	49	75
CG9000	51	78
CG9000	53	81
CG9000	53	82
CG9000	54	84
CG9540	20	28
CG9540	62	98
CG9540	63	99
CG9540	63	100
CG9540	64	101
CG9540	64	102
CG9610	209	376
CG9610	209	377
CH5010	98	180
CH5010	98	181
CH5010	99	182
CH6440	3	3
CH6440	4	5
CH6730	3	4
CK58410	6	11
CK58435	36	57
CK59403	21	31
CK59403	25	38
CY270	6	10
DC790	179	316
DC790	180	318
DC790	181	319
DC790	183	323


		
DC790	183	324
DC800	181	320
DC800	182	321
DC800	184	325
DC921	67	111
DC929	67	111
DD630	6	11
DD631	6	11
DD631	14	19
DH870	138	258
DH870	139	259
DH873	137	256
DH873	137	257
DH873	143	263
DH873	144	264
DH876	137	256
DH876	143	263
DH876	144	264
DH882	193	342
DH882	194	344
DH882	198	352
DL681	36	57
DL681	43	65
DL690	71	119
DL690	72	121
DL690	73	122
DL690	73	123
DL690	78	131
DL690	78	132
DL691	71	119
DL691	72	120
DL691	72	121
DL691	73	122
DL691	73	123
DL691	78	131
DL691	78	132
DN722	114	216
DN722	114	217
DR830	21	31
DR830	22	32
DR830	25	38
DR831	23	34
DR831	26	40
DT540	107	203
DT540	110	210
DT541	107	203
DT541	110	210
DT680	7	12
DT680	8	13
DT680	9	14
DT681	7	12
DT681	8	13
DT681	9	14
DT691	37	58
DT691	38	59
DT692	39	60
DT692	44	66
DT692	45	67
DT693	39	60
DT693	44	66


		
DT693	45	67
DV810	157	284
DV810	160	287
DV810	160	288
DV810	161	289
DV810	164	293
DV820	102	190
DV820	102	191
DW370	146	267
DW370	147	268
DW370	148	269
DW370	149	271
DW372	146	267
DW372	148	269
DW373	146	267
DW373	148	269
DW373	149	271
DW380	149	272
DW380	150	273
DW380	150	274
DW380	153	278
DW381	151	275
DW381	152	276
DW381	152	277
DW730	17	22
DW730	19	25
DW731	17	22
DW731	19	25
DY520	26	39
DY541	26	39
DY542	26	39
DY570	10	15
DY570	11	16
DY570	12	17
DY571	10	15
DY571	11	16
DY571	12	17
DY580	120	225
DY580	121	226
DY580	121	227
DY590	115	218
DY590	116	219
DY601	154	280
DZ121	17	22
DZ121	19	25
DZ130	62	96
DZ160	176	310
DZ160	177	311
DZ160	177	312
DZ160	178	314
DZ160	179	315
DZ660	18	23
DZ660	46	68
DZ661	28	44
DZ860	145	265
DZ860	145	266
DZ870	117	220
DZ881	89	163
DZ881	158	285
DZ881	159	286


		
DZ881	161	290
DZ881	162	291
DZ881	163	292
DZ891	176	309
DZ891	178	313
DZ900	174	306
DZ900	175	308
EB5550	307	556
EB5550	307	557
EB5550	308	559
EB5550	330	599
EB5660	242	439
EB5660	242	440
EB5660	284	500
EB5660	285	501
EC790	444	728
EC790	445	729
EC790	448	732
EC790	449	733
EC790	457	742
EC790	458	743
EC791	451	735
EC791	452	736
EC791	453	737
EC791	455	739
EC791	459	745
EC791	460	746
EC797	447	731
EC797	450	734
EC797	456	740
EC797	456	741
EC5410	247	447
EC5410	248	449
EC5410	250	451
EC5410	251	452
EC5440	238	433
EC5440	243	441
EC5440	244	442
EC5440	246	446
EC5440	252	453
EC5440	252	454
EC5440	252	455
EC5620	377	654
EC5620	378	655
EC5620	379	656
EC5620	379	657
EC5620	380	658
EC5620	382	661
EC5620	383	662
EC5620	387	668
EC5660	302	542
EC5660	302	543
EC5660	305	551
EC5670	303	544
EC5670	303	546
EC5670	304	548
EC5670	304	549
EC5921	223	416
EC5921	223	417
ED5130	222	414


NUMERICAL PARTS LIST


Nummerische Teilenummernliste • Elenco riferimenti
Liste des références produits


 9		
ED5720	389	670
ED5720	390	671
ED5720	391	672
ED5720	391	673
ED5720	392	674
ED5720	393	675
EG8500	318	580
EG8500	318	581
EG8500	319	583
EG8500	320	584
EG8790	310	565
EG8790	312	568
EG8790	312	569
EG8790	313	570
EG9540	238	434
EG9540	239	435
EG9540	286	504
EG9540	286	505
EH872	400	685
EH872	401	686
EH872	402	687
EH872	403	688
EH872	405	689
EH872	407	691
EH872	409	693
EH872	411	694
EH872	475	766
EH872	476	767
EH872	479	769
EH872	481	771
EH872	482	772
EH872	483	773
EM720	340	621
EM720	348	629
EM720	414	697
EM720	416	698
EM720	417	699
EM720	418	700
EN720	359	639
EN720	361	640
EN720	362	641
EN720	363	642
EN720	364	643
EN720	420	702
EN720	422	703
EN720	423	704
EN720	424	705
EN720	425	706
ER830	240	437
ER830	241	438
ER830	244	443
ET681	226	421
ET681	228	422
ET681	229	423
ET681	258	464
ET681	260	465
ET681	261	466
EV810	332	607
EV810	429	710
EV810	430	711


 9		
EV810	431	712
EV810	438	722
EV810	439	723
EV810	440	724
EV810	441	725
EV810	443	727
EW730	235	429
EW802	231	424
EW802	232	425
EW802	233	426
EW802	262	467
EW802	264	468
EW802	265	469
EW802	265	470
EW802	267	471
EW802	270	476
EX931	237	432
EX931	239	436
EX931	289	512
EX931	290	513
EX932	225	420
EX932	257	463
EX932	267	473
EX934	234	427
EX934	234	428
EY270	224	419
EY280	235	429
EY571	231	424
EY580	374	652
EY580	375	653
EY590	365	644
EY590	366	645
EZ660	236	430
EZ660	269	475
EZ800	247	448
EZ800	249	450
FG7600	2	1
FOL79	21	31
FOL79	23	34
FOL79	25	38
FOL79	26	40
FOL79	60	92
FOL79	61	94
FOL79	62	96
FOL79	66	108
FOL80	21	31
FOL80	25	38
FOL80	60	92
FOL82	93	170
FOL82	135	254
FOL82	136	255
FOL82	137	256
FOL82	137	257
FOL82	138	258
FOL82	140	260
FOL82	141	261
FOL82	142	262
FOL82	143	263
FOL82	144	264
FOL82	193	342


 9		
FOL82	194	344
FOL82	195	345
FOL82	196	347
FOL82	196	348
FOL82	197	349
FOL82	197	350
FOL82	198	351
FOL82	198	352
FOL82	199	354
FOL82	200	355
FOL82	200	356
FOL84	107	203
FOL84	110	210
FOL84	111	211
FOL84	112	213
FOL84	112	214
FOL84	113	215
FOL84	114	216
FOL84	114	217
FOL84	118	221
FOL84	145	265
FOL84	146	267
FOL84	147	268
FOL84	148	269
FOL84	148	270
FOL84	149	272
FOL84	150	273
FOL84	150	274
FOL84	151	275
FOL84	152	276
FOL84	152	277
FOL84	153	278
FOL84	153	279
FOL84	154	280
FOL84	154	281
FOL124	134	253
FOL124	155	282
FOL124	167	297
FOL124	169	299
FOL124	170	300
FOL124	171	301
FOL124	172	302
FOL124	173	303
FOL124	185	327
FOL124	188	333
FOL124	189	335
FOL124	202	360
FOL124	202	361
FOL125	9	14
FOL125	37	58
FOL125	38	59
FOL125	55	85
FOL125	70	117
FOL129	6	10
FOL129	7	12
FOL129	8	13
FOL129	9	14
FOL129	17	22
FOL129	19	25
FOL129	37	58

 9		
FOL129	38	59
FOL131	8	13
FOL131	9	14
FOL131	10	15
FOL131	11	16
FOL131	13	18
FOL131	37	58
FOL131	38	59
FOL131	39	60
FOL131	40	61
FOL131	40	62
FOL131	41	63
FOL131	44	66
FOL131	45	67
FOL131	46	69
FOL131	57	87
FOL131	74	124
FOL131	76	126
FOL131	79	134
FOL132	6	11
FOL132	14	19
FOL132	36	57
FOL144	133	250
FOL144	133	251
FOL144	134	252
FOL144	186	328
FOL144	187	330
FOL144	187	331
FOL144	190	337
FOL144	203	363
FOL144	203	364
FOL147	102	190
FOL147	102	191
FOL147	134	253
FOL147	155	282
FOL147	156	283
FOL147	157	284
FOL147	158	285
FOL147	159	286
FOL147	160	287
FOL147	160	288
FOL147	161	289
FOL147	161	290
FOL147	162	291
FOL147	163	292
FOL147	164	293
FOL147	167	297
FOL147	168	298
FOL147	169	299
FOL147	170	300
FOL147	171	301
FOL147	172	302
FOL147	173	303
FOL147	174	306
FOL147	175	307
FOL147	175	308
FOL147	176	309
FOL147	176	310
FOL147	177	311
FOL147	177	312

			9
FOL147	178	313	
FOL147	178	314	
FOL147	184	326	
FOL147	185	327	
FOL147	188	333	
FOL147	189	335	
FOL147	190	337	
FOL147	202	360	
FOL147	202	361	
FOL148	133	250	
FOL148	133	251	
FOL148	134	252	
FOL148	186	328	
FOL148	187	330	
FOL148	187	331	
FOL148	203	363	
FOL148	203	364	
FOL152	2	2	
FOL152	18	23	
FOL152	18	24	
FOL152	28	43	
FOL152	28	44	
FOL152	33	53	
FOL152	33	54	
FOL152	34	55	
FOL152	35	56	
FOL152	42	64	
FOL152	46	68	
FOL152	47	71	
FOL152	48	72	
FOL152	48	73	
FOL152	49	74	
FOL152	49	75	
FOL152	50	76	
FOL152	50	77	
FOL152	51	78	
FOL152	52	79	
FOL152	52	80	
FOL152	53	81	
FOL152	53	82	
FOL152	54	83	
FOL152	54	84	
FOL152	59	90	
FOL152	59	91	
FOL152	67	110	
FOL153	123	231	
FOL153	128	241	
FOL153	132	248	
FOL162	85	151	
FOL162	85	152	
FOL167	182	321	
FOL184	2	2	
FOL185	3	3	
FOL185	3	4	
FOL185	4	5	
FOL185	4	6	
FOL185	5	8	
FOL185	65	104	
FOL186	18	23	
FOL186	18	24	


			9
FOL186	28	43	
FOL186	28	44	
FOL186	42	64	
FOL186	46	68	
FOL186	48	72	
FOL186	48	73	
FOL186	49	74	
FOL186	49	75	
FOL186	50	76	
FOL186	50	77	
FOL186	51	78	
FOL186	54	83	
FOL186	54	84	
FOL186	59	90	
FOL186	59	91	
FOL186	67	110	
FOL191	3	3	
FOL191	4	5	
FOL191	4	6	
FOL191	65	104	
GC790	179	316	
GC790	183	323	
H006/5	515	834	
H006/5	515	835	
H006/5	516	836	
H006/5	521	847	
H006/5	522	848	
H007/5	240	437	
H007/5	241	438	
H007/5	242	439	
H007/5	242	440	
H007/5	244	443	
H007/5	245	444	
H007/5	246	445	
H007/5	284	500	
H007/5	285	502	
H017/7	283	499	
H017/7	288	509	
H023/5	224	419	
H023/5	247	448	
H023/5	248	449	
H023/5	249	450	
H023/5	250	451	
H023/5	251	452	
H023/7	225	420	
H023/7	226	421	
H023/7	228	422	
H023/7	229	423	
H023/7	231	424	
H023/7	232	425	
H023/7	234	427	
H023/7	234	428	
H023/7	235	429	
H023/7	236	430	
H023/7	257	463	
H023/7	258	464	
H023/7	260	465	
H023/7	261	466	
H023/7	262	467	
H023/7	264	468	


			9
H023/7	265	469	
H023/7	265	470	
H023/7	267	473	
H023/7	269	475	
H023/7	270	476	
H023/7	275	485	
H023/7	276	486	
H033/5	281	494	
H033/5	282	495	
H033/5	282	496	
H033/5	292	518	
H033/5	295	525	
H033/5	296	527	
H035/7	502	806	
H035/7	502	807	
H053/7	287	506	
H065/5	307	556	
H065/5	307	557	
H065/5	308	558	
H065/5	308	559	
H065/5	330	599	
H065/5	330	600	
H069/4	330	598	
H069/4	432	713	
H069/4	432	714	
H069/4	434	717	
H069/4	436	719	
H069/4	491	786	
H069/4	492	787	
H069/5	437	721	
H069/5	493	788	
H072/4	302	542	
H072/4	302	543	
H093/4	303	545	
H093/4	303	546	
H093/4	304	548	
H093/4	304	549	
H629/5	237	432	
H629/5	239	436	
H629/5	289	512	
H629/5	290	513	
H688/7	497	795	
H688/7	497	796	
H688/7	499	800	
H688/7	499	801	
H688/7	500	802	
H688/7	501	804	
H688/7	501	805	
H688/7	504	811	
H688/7	504	812	
H688/7	506	814	
H796/5	342	622	
H796/5	352	632	
H796/5	352	633	
H796/5	469	761	
H796/5	470	762	
H801/5	396	681	
H801/5	397	682	
H801/5	462	748	
H801/5	463	749	


			9
H801/5	463	750	
H801/5	464	751	
H801/5	466	755	
H801/5	486	777	
H801/5	487	778	
H801/5	488	779	
H801/5	488	780	
H801/5	489	781	
H801/5	490	784	
H801/5	491	785	
H859/7	315	574	
H859/7	315	575	
H859/7	334	610	
H859/7	336	612	
H859/7	338	618	
H859/7	339	619	
H859/7	340	620	
H914/5	342	622	
H914/5	343	624	
H914/5	344	625	
H914/5	345	626	
H914/5	347	627	
H914/5	352	632	
H914/5	352	633	
H914/5	354	635	
H914/5	355	636	
H914/5	356	637	
H914/5	357	638	
H914/5	445	729	
H914/5	446	730	
H914/5	447	731	
H914/5	448	732	
H914/5	449	733	
H914/5	457	742	
H914/5	458	743	
H914/5	469	761	
H914/5	470	762	
H914/6	452	736	
H914/6	459	745	
H914/6	460	746	
H928/7	501	805	
H928/7	504	811	
H928/7	504	812	
H928/7	505	813	
H928/7	506	814	
H928/7	508	819	
H928/7	509	822	
H928/7	510	823	
H948/7	225	420	
H948/7	226	421	
H948/7	228	422	
H948/7	229	423	
H948/7	231	424	
H948/7	257	463	
H948/7	258	464	
H948/7	260	465	
H948/7	261	466	
H948/7	262	467	
H948/7	264	468	
H948/7	265	470	


NUMERICAL PARTS LIST


Numerische Teilenummernliste • Elenco riferimenti
Liste des références produits


 9		
H948/7	267	473
H949/7	508	820
H949/7	509	821
H949/7	510	824
H949/7	513	831
H949/7	514	832
H949/7	517	837
H949/7	517	838
H949/7	518	840
H949/7	519	841
H949/7	520	845
H951/5	343	624
H951/5	344	625
H951/5	345	626
H951/5	347	627
H951/5	347	628
H951/5	355	636
H951/5	356	637
H951/5	357	638
H951/5	444	728
H951/5	445	729
H951/5	446	730
H951/5	447	731
H951/5	448	732
H951/5	449	733
H951/5	450	734
H951/5	456	740
H951/5	457	742
H951/5	459	744
H951/6	451	735
H951/6	452	736
H951/6	453	737
H951/6	454	738
H951/6	455	739
H951/6	460	746
H956/7	334	610
H956/7	335	611
H956/7	336	612
H956/7	337	614
H973/7	287	507
H973/7	288	510
H973/7	290	514
H973/7	291	516
H973/7	292	517
H973/7	293	519
H973/7	293	520
H973/7	298	534
H973/7	299	535
H973/7	300	536
H977/5	401	686
H977/5	403	688
H977/5	405	689
H977/5	406	690
H977/5	407	691
H977/5	408	692
H977/5	409	693
H977/5	412	695
H977/5	471	763
H977/5	473	764
H977/5	474	765


 9		
H977/5	476	767
H977/5	477	768
H977/5	479	769
H977/5	480	770
H977/5	481	771
H997/5	332	607
H997/5	340	621
H997/5	348	629
H997/5	350	630
H997/5	351	631
H997/5	353	634
H997/5	400	685
H997/5	401	686
H997/5	402	687
H997/5	405	689
H997/5	406	690
H997/5	408	692
H997/5	409	693
H997/5	411	694
H997/5	412	695
H997/5	413	696
H997/5	414	697
H997/5	416	698
H997/5	417	699
H997/5	418	700
H997/5	419	701
H997/5	425	706
H997/5	429	710
H997/5	430	711
H997/5	431	712
H997/5	438	722
H997/5	439	723
H997/5	440	724
H997/5	441	725
H997/5	442	726
H997/5	443	727
H997/5	471	763
H997/5	473	764
H997/5	474	765
H997/5	475	766
H997/5	477	768
H997/5	479	769
H997/5	480	770
H997/5	481	771
H997/5	482	772
H997/5	483	773
H997/5	484	774
H997/5	485	775
H997/5	485	776
H997/6	359	639
H997/6	361	640
H997/6	362	641
H997/6	363	642
H997/6	364	643
H997/6	365	644
H997/6	366	645
H997/6	420	702
H997/6	422	703
H997/6	423	704
H997/6	424	705


 9		
H997/7	316	578
H997/7	368	646
H997/7	369	647
H997/7	371	648
H997/7	371	649
H997/7	372	650
H997/7	373	651
H997/7	374	652
H997/7	375	653
H997/7	398	683
H997/7	399	684
H997/7	427	707
H997/7	428	708
H997/7	433	716
H997/7	435	718
H1001/5	318	580
H1001/5	318	581
H1001/5	319	583
H1001/5	320	584
H1002/5	310	565
H1002/5	312	568
H1002/5	312	569
H1002/5	313	571
H1003/4	388	669
H1003/4	393	676
H1003/4	394	678
H1003/4	394	679
H1003/4	467	756
H1003/4	468	758
H1003/4	468	759
H1003/5	494	790
H1003/5	495	792
H1066/5	222	414
H1238/7	267	472
H1238/7	273	482
H1298/5	254	458
H1298/7	253	457
H1298/7	278	490
H1298/7	279	491
H1298/7	280	492
H1298/7	280	493
HA5023	7	12
HA5023	8	13
HA5023	9	14
HA5023	10	15
HA5023	11	16
HA5023	12	17
HA5023	13	18
HA5023	39	60
HA5023	40	61
HA5023	40	62
HA5023	41	63
HA5023	44	66
HA5023	45	67
HA5023	46	69
HA5024	23	35
HA5024	24	36
HA5024	24	37
HA5024	27	41
HA5024	27	42

 9		
HA5024	29	46
HA5024	30	47
HA5024	30	48
HA5024	31	50
HA5024	32	51
HA5024	32	52
HA5030	2	2
HA5031	2	2
HA5034	80	138
HA5034	80	139
HA5034	82	143
HA5034	82	144
HBS041	6	11
HBS041	14	19
HBS041	36	57
HBS041	43	65
HBS045	179	316
HBS045	181	319
HBS045	183	323
HBS045	183	324
HBS046	136	255
HBS046	181	320
HBS046	182	321
HBS046	182	322
HBS046	184	325
HBS047	137	256
HBS047	137	257
HBS047	138	258
HBS047	139	259
HBS047	140	260
HBS047	141	261
HBS047	142	262
HBS047	143	263
HBS047	144	264
HBS047	193	342
HBS047	194	343
HBS047	194	344
HBS047	195	345
HBS047	197	349
HBS047	197	350
HBS047	198	351
HBS047	198	352
HBS047	199	353
HBS047	199	354
HBS058	107	203
HBS058	112	213
HBS058	147	268
HBS058	148	269
HBS058	148	270
HBS058	149	271
HBS059	113	215
HBS059	114	216
HBS059	149	272
HBS059	150	273
HBS059	151	275
HBS059	152	276
HBS059	152	277
HBS059	153	278
HBS060	118	221
HBS060	119	222

		9
HBS060	119	223
HBS060	154	280
HBS060	154	281
HBS061	111	211
HBS061	111	212
HBS061	145	265
HBS061	145	266
HBS062	115	218
HBS062	116	219
HBS062	117	220
HBS063	120	225
HBS063	121	226
HBS063	121	227
HBS065	15	20
HBS065	16	21
HBS066	17	22
HBS066	18	23
HBS066	18	24
HBS066	19	25
HBS066	42	64
HBS066	46	68
HBS066	53	81
HBS066	54	84
HBS067	39	60
HBS067	40	61
HBS068	7	12
HBS068	8	13
HBS068	9	14
HBS068	13	18
HBS068	37	58
HBS068	38	59
HBS068	39	60
HBS068	40	61
HBS068	44	66
HBS068	45	67
HBS069	21	31
HBS069	22	32
HBS069	22	33
HBS069	23	34
HBS069	25	38
HBS069	26	39
HBS069	26	40
HBS069	61	94
HBS069	61	95
HBS069	62	96
HBS069	62	97
HBS070	19	26
HBS070	21	30
HBS070	67	111
HBS071	66	106
HBS071	68	113
HBS071	71	119
HBS071	72	120
HBS071	72	121
HBS071	73	122
HBS071	73	123
HBS071	78	131
HBS071	78	132
HBS077	167	297
HBS121	6	10


		9
HBS121	28	43
HBS121	28	44
HBS121	29	45
HBS146	93	170
HBS146	135	254
HBS149	199	353
HBS150	102	190
HBS150	102	191
HBS150	157	284
HBS150	158	285
HBS150	159	286
HBS150	160	287
HBS150	160	288
HBS150	161	289
HBS150	161	290
HBS150	162	291
HBS150	163	292
HBS150	164	293
HBS150	174	306
HBS150	175	307
HBS150	175	308
HBS150	176	309
HBS150	176	310
HBS150	177	311
HBS150	177	312
HBS150	178	313
HBS150	178	314
HBS150	201	357
HBS152	134	253
HBS152	168	298
HBS152	169	299
HBS152	170	300
HBS152	171	301
HBS152	172	302
HBS152	173	303
HBS152	184	326
HBS152	185	327
HBS291	85	151
HBS291	85	152
HBS292	122	228
HBS292	122	229
HBS292	123	230
HBS292	123	231
HBS292	124	233
HBS292	125	234
HBS292	125	235
HBS292	126	236
HBS292	126	237
HBS292	127	238
HBS292	127	239
HBS293	128	241
HBS293	129	243
HBS293	130	244
HBS293	130	245
HBS293	131	246
HBS294	132	248
HBS294	132	249
HBS349	80	138
HBS349	80	139
HBS349	82	143


		9
HBS349	82	144
HBS359	2	2
HBS370	106	201
HBS371	106	201
HBS413	10	15
HBS413	11	16
HBS413	12	17
HBS413	13	18
HBS413	40	62
HBS413	41	63
HBS413	44	66
HBS413	45	67
HBS413	46	69
HBS457	84	149
HBS457	84	150
HBS457	85	151
HBS457	85	152
HBS457	86	153
HBS457	94	172
HBS457	94	173
HBS457	96	176
HBS457	96	177
HBS457	100	185
HBS457	101	186
HBS458	95	175
HBS459	88	161
HBS459	89	162
HBS459	89	163
HBS459	90	164
HBS459	91	166
HBS459	91	167
HBS460	81	140
HBS460	81	141
HBS460	81	142
HBS463	99	183
HBS463	165	294
HBS463	166	295
HBS463	204	365
HBS467	20	27
HBS467	23	35
HBS467	24	36
HBS467	24	37
HBS467	27	41
HBS467	27	42
HBS467	29	46
HBS467	30	47
HBS467	30	48
HBS467	31	49
HBS467	31	50
HBS467	32	51
HBS468	20	28
HBS468	62	98
HBS468	63	99
HBS468	63	100
HBS468	64	101
HBS468	64	102
HBS474	97	178
HBS474	97	179
HBS474	98	180
HBS474	98	181


		9
HBS474	99	182
HBS490	2	1
HBS496	5	7
HBS496	5	8
HBS507	67	109
HBS511	128	240
HBS511	131	247
HBS511	191	338
HBS511	206	369
HBS511	207	370
HBS519	55	85
HBS519	56	86
HBS519	57	87
HBS519	58	88
HBS519	70	117
HBS519	74	124
HBS519	76	126
HBS519	76	127
HBS519	79	135
HBS521	93	171
HBS522	3	3
HBS522	3	4
HBS522	4	5
HBS522	4	6
HBS534	95	174
HBS537	83	147
HBS537	83	148
HBS542	47	70
HBS542	47	71
HBS543	48	72
HBS543	48	73
HBS543	49	74
HBS543	49	75
HBS543	50	76
HBS543	50	77
HBS543	51	78
HBS543	53	82
HBS543	54	83
HBS544	5	9
HBS544	33	54
HBS544	34	55
HBS544	35	56
HC5005	413	696
HL196	103	193
HL196	106	200
HL196	106	201
HL196	108	205
HL196	192	340
HL196	192	341
HL654	107	203
HL654	110	210
HL657	135	254
HL657	136	255
HL659	103	194
HL659	104	195
HL733	26	39
HL733	62	96
HL734	7	12
HL734	8	13
HL734	9	14


NUMERICAL PARTS LIST


Nummerische Teilenummernliste • Elenco riferimenti
Liste des références produits


 9		
HL734	37	58
HL734	38	59
HL735	7	12
HL735	8	13
HL735	9	14
HL735	10	15
HL735	11	16
HL735	12	17
HL735	37	58
HL735	38	59
HL735	39	60
HL735	44	66
HL735	45	67
HL736	10	15
HL736	11	16
HL736	12	17
HL736	39	60
HL736	40	61
HL736	44	66
HL736	45	67
HL5002	80	138
HL5002	80	139
HL5002	82	144
HM5057	157	284
HM5057	159	286
HM5057	160	287
HM5057	160	288
HM5057	161	289
HM5057	162	291
HM5057	163	292
HM5057	164	293
HM5057	175	307
HM5057	175	308
HM5057	176	309
HM5057	176	310
HM5057	177	312
HM5057	178	313
HM5066	56	86
HM5066	57	87
HM5066	58	88
HM5066	74	124
HM5066	76	126
HM5066	76	127
HM5066	79	135
HM5067	56	86
HM5067	57	87
HM5067	58	88
HM5067	74	124
HM5067	76	126
HM5067	76	127
HM5067	79	135
HM5069	13	18
HM5069	40	62
HM5069	41	63
HM5069	46	69
HM5150	23	35
HM5150	24	36
HM5150	24	37
HM5160	27	41
HM5160	27	42


 9		
HM5160	29	46
HM5160	30	47
HM5160	30	48
HM5160	31	50
HM5160	32	51
HM5170	122	228
HM5170	122	229
HM5170	123	230
HM5170	123	231
HM5170	124	233
HM5170	125	234
HM5170	127	239
HM5274	128	241
HM5274	129	243
HM5274	130	244
HM5274	130	245
HM5274	131	246
HM5274	177	311
HM5278	63	100
HM5278	64	101
HM5286	95	175
HM5288	20	28
HM5288	62	98
HM5288	63	99
HM5296	58	89
HM5296	60	93
HM5296	75	125
HM5296	77	128
HM5297	58	89
HM5297	60	93
HM5297	75	125
HM5297	77	128
HM5368	32	52
HR280	7	12
HR280	8	13
HR280	9	14
HR280	10	15
HR280	11	16
HR280	12	17
HR280	13	18
HR280	17	22
HR280	19	25
HR363	21	30
HR397	80	138
HR397	94	172
HR397	97	179
HR397	98	180
HR397	98	181
HR397	99	182
HR397	131	247
HR397	191	338
HR397	206	369
HR397	207	370
HR397	222	414
HR397	247	448
HR397	249	450
HR397	287	507
HR397	291	515
HR397	291	516
HR397	294	522


 9		
HR397	298	534
HR397	299	535
HR397	300	536
HR397	306	553
HR397	307	555
HR397	307	556
HR397	307	557
HR397	318	580
HR397	323	588
HR397	323	589
HR397	328	596
HR397	329	597
HR397	337	615
HR397	393	676
HR397	394	679
HR397	432	714
HR397	436	719
HR397	437	720
HR397	467	756
HR397	468	757
HR397	468	759
HR397	491	786
HR397	494	790
HR397	494	791
HR397	495	792
HR397	498	799
HR569	68	113
HR599	77	129
HR599	77	130
HR599	79	137
HR599	215	399
HR602	14	19
HR642	218	406
HR642	218	407
HR646	21	31
HR646	22	32
HR646	22	33
HR646	23	34
HR646	25	38
HR646	26	39
HR646	26	40
HR646	61	94
HR646	61	95
HR646	62	97
HR662	6	11
HR662	7	12
HR662	8	13
HR662	9	14
HR662	15	20
HR662	16	21
HR662	36	57
HR662	43	65
HR662	60	92
HR662	65	103
HR662	66	108
HR662	79	136
HR662	167	297
HR756	137	256
HR756	137	257
HR756	138	258

 9		
HR756	139	259
HR756	140	260
HR756	141	261
HR756	142	262
HR756	143	263
HR756	144	264
HR756	193	342
HR756	194	343
HR756	194	344
HR756	195	345
HR756	196	347
HR756	196	348
HR756	197	349
HR756	197	350
HR756	198	351
HR756	198	352
HR756	199	354
HR756	200	355
HR756	200	356
HR757	107	203
HR757	110	210
HR757	146	267
HR757	147	268
HR757	148	269
HR757	148	270
HR757	149	271
HR758	112	214
HR758	113	215
HR758	114	216
HR758	114	217
HR758	149	272
HR758	150	273
HR758	150	274
HR758	151	275
HR758	152	276
HR758	152	277
HR759	93	170
HR759	135	254
HR759	136	255
HR760	118	221
HR760	119	222
HR760	119	223
HR760	120	224
HR760	153	279
HR760	154	280
HR760	154	281
HR791	55	85
HR791	56	86
HR791	57	87
HR791	58	88
HR791	70	117
HR791	74	124
HR791	75	125
HR791	76	126
HR791	76	127
HR791	79	135
HR791	206	369
HR791	207	370
HR804	115	218
HR804	116	219

		9
HR804	117	220
HR817	6	10
HR817	26	39
HR817	62	96
HR5045	28	43
HR5045	28	44
HR5045	29	45
HR5045	59	90
HR5045	59	91
HR5048	83	147
HR5048	83	148
HR5055	89	163
HR5055	128	240
HR5055	132	248
HR5055	132	249
HR5055	134	253
HR5055	157	284
HR5055	158	285
HR5055	159	286
HR5055	160	287
HR5055	160	288
HR5055	161	289
HR5055	161	290
HR5055	162	291
HR5055	163	292
HR5055	164	293
HR5055	165	294
HR5055	168	298
HR5055	169	299
HR5055	170	300
HR5055	171	301
HR5055	172	302
HR5055	173	303
HR5055	174	306
HR5055	175	307
HR5055	175	308
HR5055	176	309
HR5055	176	310
HR5055	177	311
HR5055	177	312
HR5055	178	313
HR5055	178	314
HR5055	184	326
HR5055	185	327
HR5055	188	332
HR5055	188	333
HR5055	189	334
HR5055	189	335
HR5055	202	360
HR5055	205	366
HR5055	206	367
HR5055	209	378
HR5055	212	388
HR5056	85	152
HR5056	102	190
HR5056	102	191
HR5056	145	265
HR5056	145	266
HR5057	120	225
HR5057	121	226


		9
HR5057	121	227
HR5061	5	7
HR5061	5	8
HR5062	37	58
HR5062	38	59
HR5062	39	60
HR5062	40	61
HR5062	40	62
HR5062	41	63
HR5062	44	66
HR5062	45	67
HR5062	46	69
HR5062	97	178
HR5062	98	180
HR5062	98	181
HR5062	99	182
HR5062	191	338
HR5085	122	228
HR5085	122	229
HR5085	123	230
HR5085	123	231
HR5085	124	232
HR5085	124	233
HR5085	125	234
HR5085	125	235
HR5085	126	236
HR5085	126	237
HR5085	127	238
HR5085	127	239
HR5097	84	149
HR5097	84	150
HR5097	86	153
HR5097	94	172
HR5097	94	173
HR5097	96	176
HR5097	96	177
HR5097	100	185
HR5097	101	186
HR5107	52	79
HR5110	5	9
HR5110	33	53
HR5110	33	54
HR5110	34	55
HR5110	35	56
JB162	109	207
JB162	110	209
JB162	179	316
JB162	180	317
JB162	180	318
JB162	181	319
JB162	183	323
JB162	183	324
JC929	65	105
JC929	68	113
JC929	69	114
JC929	69	115
JC929	71	119
JC929	72	120
JC929	72	121
JC929	73	122


		9
JC929	73	123
JC929	78	131
JC929	78	132
JC929	79	133
JD121	93	170
JD121	135	254
JD121	136	255
JD158	107	203
JD158	110	210
JD158	112	213
JD158	146	267
JD158	147	268
JD158	148	269
JD158	148	270
JD158	149	271
JD159	107	203
JD159	110	210
JD159	112	213
JD159	146	267
JD159	147	268
JD159	148	269
JD159	148	270
JD159	149	271
JD160	102	190
JD160	102	191
JD160	157	284
JD160	160	287
JD160	160	288
JD160	161	289
JD160	164	293
JD160	176	309
JD160	176	310
JD160	177	311
JD160	177	312
JD160	178	314
JD160	179	315
JD161	102	190
JD161	102	191
JD161	157	284
JD161	158	285
JD161	159	286
JD161	160	287
JD161	160	288
JD161	161	289
JD161	161	290
JD161	164	293
JD161	174	306
JD161	175	307
JD161	175	308
JD161	176	309
JD161	176	310
JD161	177	311
JD161	177	312
JD161	178	313
JD161	179	315
JD167	168	298
JD167	169	299
JD167	171	301
JD167	172	302
JD167	173	303


		9
JD167	184	326
JD167	185	327
JD169	134	253
JD169	155	282
JD169	168	298
JD169	169	299
JD169	170	300
JD169	171	301
JD169	172	302
JD169	173	303
JD169	184	326
JD169	185	327
JD182	137	256
JD182	142	262
JD182	143	263
JD182	144	264
JD182	197	349
JD182	197	350
JD182	198	351
JD182	198	352
JD182	199	354
JD182	200	356
JD189	21	31
JD189	22	32
JD189	25	38
JD239	6	11
JD239	14	19
JD239	36	57
JD243	21	31
JD243	22	32
JD243	22	33
JD243	23	34
JD243	25	38
JD243	26	40
JD243	61	94
JD243	61	95
JD243	62	97
JD274	17	22
JD274	19	25
JD275	6	10
JD275	15	20
JD275	16	21
JD275	17	22
JD275	19	25
JD276	19	25
JD283	21	31
JD283	22	32
JD283	23	34
JD283	25	38
JD283	26	40
JD291	138	258
JD291	139	259
JD291	140	260
JD291	141	261
JD292	137	256
JD292	137	257
JD292	138	258
JD292	139	259
JD292	140	260
JD292	141	261


NUMERICAL PARTS LIST


Numerische Teilenummernliste • Elenco riferimenti
Liste des références produits


 9		
JD292	142	262
JD292	143	263
JD292	144	264
JD292	193	342
JD292	194	343
JD292	194	344
JD292	195	345
JD292	196	348
JD292	197	349
JD292	197	350
JD292	198	351
JD292	198	352
JD292	199	354
JD292	200	356
JD293	137	256
JD293	137	257
JD293	140	260
JD293	141	261
JD293	143	263
JD293	144	264
JD293	198	352
JD297	181	320
JD297	182	321
JD297	182	322
JD297	184	325
JD298	112	214
JD298	113	215
JD298	114	216
JD298	114	217
JD298	149	272
JD298	150	273
JD298	150	274
JD298	151	275
JD298	152	276
JD298	152	277
JD298	153	278
JD299	112	214
JD299	113	215
JD299	114	216
JD299	114	217
JD299	149	272
JD299	150	273
JD299	150	274
JD299	151	275
JD299	152	276
JD299	152	277
JD299	153	278
JD301	118	221
JD301	119	222
JD301	119	223
JD301	120	224
JD301	154	280
JD301	154	281
JD315	71	119
JD315	72	120
JD315	72	121
JD315	73	122
JD315	73	123
JD315	78	131
JD315	78	132


 9		
JD475	111	211
JD475	111	212
JD475	115	218
JD475	116	219
JD475	117	220
JD475	145	265
JD475	145	266
JD476	115	218
JD476	116	219
JD476	117	220
JD478	120	225
JD478	121	226
JD490	26	39
JD492	10	15
JD492	11	16
JD492	12	17
JD492	39	60
JD492	40	61
JD492	44	66
JD492	45	67
JD493	37	58
JD493	38	59
JD497	10	15
JD497	11	16
JD497	12	17
JD497	39	60
JD497	40	61
JD497	44	66
JD497	45	67
JD561	7	12
JD561	8	13
JD561	9	14
JD561	26	39
JD561	37	58
JD561	38	59
JD608	23	34
JD608	26	40
JD611	23	34
JD611	26	40
JD611	62	96
JD612	6	10
JD612	17	22
JD612	19	25
JD5107	18	23
JD5107	18	24
JD5107	28	44
JD5107	42	64
JD5107	46	68
JD5107	48	72
JD5107	49	74
JD5107	50	77
JD5107	51	78
JD5107	53	81
JD5107	53	82
JD5107	54	83
JD5107	54	84
JD5107	54	84
JD5107	54	84
JD5108	18	23
JD5108	18	24
JD5108	28	43
JD5108	28	44
JD5108	28	43
JD5108	28	44


 9		
JD5108	29	45
JD5108	42	64
JD5108	46	68
JD5108	48	72
JD5108	49	74
JD5108	49	75
JD5108	50	76
JD5108	50	77
JD5108	51	78
JD5108	53	81
JD5108	53	82
JD5108	54	83
JD5108	54	84
JD5134	17	22
JD5134	19	25
JD5135	84	149
JD5135	84	150
JD5135	86	153
JD5135	101	186
JD5136	85	151
JD5136	85	152
JD5146	55	85
JD5146	56	86
JD5146	57	87
JD5146	58	88
JD5146	70	117
JD5146	74	124
JD5146	75	125
JD5146	76	126
JD5146	76	127
JD5146	77	128
JD5146	79	135
JD5156	22	33
JD5183	18	23
JD5183	28	43
JD5183	28	44
JD5183	29	45
JD5183	42	64
JD5183	46	68
JD5183	48	72
JD5183	49	74
JD5183	49	75
JD5183	50	76
JD5183	50	77
JD5183	51	78
JD5183	53	81
JD5183	53	82
JD5183	54	83
JD5183	54	84
JD5205	80	138
JD5205	80	139
JD5205	82	143
JD5205	82	144
JD5206	81	140
JD5206	81	142
JD5225	145	265
JD5225	145	266
JD5226	102	191
JD5226	158	285
JD5226	159	286

 9		
JD5226	160	287
JD5226	174	306
JD5226	175	307
JD5226	175	308
JD5226	176	309
JD5270	19	25
JD5377	127	239
JD5378	122	229
JD5378	128	241
JD5378	130	245
JD5378	131	246
JD5379	123	230
JD5379	123	231
JD5379	124	232
JD5380	105	198
JD5380	122	228
JD5380	122	229
JD5380	123	230
JD5380	123	231
JD5380	124	233
JD5380	125	234
JD5380	125	235
JD5380	126	236
JD5380	126	237
JD5380	127	238
JD5380	127	239
JD5385	99	183
JD5385	100	184
JD5385	165	294
JD5385	166	295
JD5385	167	296
JD5385	204	365
JD5386	99	183
JD5386	100	184
JD5386	165	294
JD5386	166	295
JD5386	167	296
JD5386	173	304
JD5386	204	365
JD5386	206	367
JD5386	206	368
JD5402	163	292
JD5428	23	35
JD5428	24	36
JD5428	24	37
JD5428	30	47
JD5428	30	48
JD5428	32	51
JD5428	32	52
JD5797	128	241
JD5797	130	244
JD5797	130	245
JD5797	131	246
JD5798	128	241
JD5798	129	243
JD5798	130	244
JD5798	130	245
JD5798	131	246
JD5799	94	172
JD5799	94	173

		9
JD5799	96	176
JD5799	96	177
JD5800	95	175
JD5801	88	161
JD5801	89	162
JD5801	89	163
JD5801	90	164
JD5802	94	172
JD5802	94	173
JD5802	96	176
JD5803	95	175
JD5804	84	149
JD5804	84	150
JD5823	81	140
JD5823	81	141
JD5823	81	142
JD5826	5	7
JD5827	5	7
JD5827	5	8
JD5829	2	2
JD5830	2	2
JD5834	85	151
JD5834	85	152
JD5835	88	161
JD5835	89	163
JD5835	90	164
JD5835	91	167
JD5858	22	33
JD5858	61	94
JD5858	61	95
JD5858	62	97
JD5864	20	28
JD5864	31	49
JD5864	47	70
JD5864	47	71
JD5864	62	98
JD5864	63	99
JD5864	63	100
JD5864	64	101
JD5864	64	102
JD5874	209	376
JD5874	209	377
JD5902	97	179
JD5902	98	180
JD5902	98	181
JD5902	99	182
JD5905	83	147
JD5905	83	148
JD5909	20	27
JD5909	20	28
JD5909	20	29
JD5909	31	49
JD5909	62	98
JD5909	63	99
JD5909	63	100
JD5909	64	101
JD5909	64	102
JD5916	10	15
JD5916	11	16
JD5916	12	17


		9
JD5916	13	18
JD5916	39	60
JD5916	40	61
JD5916	40	62
JD5916	41	63
JD5916	44	66
JD5916	45	67
JD5959	2	1
JD5986	60	93
JD5986	75	125
JD5986	77	128
JD5991	33	54
JD5991	34	55
JD5991	35	56
JD6024	24	36
JD6024	24	37
JD6024	27	41
JD6024	27	42
JD6024	29	46
JD6024	30	47
JD6024	30	48
JD6024	31	50
JD6024	32	51
JD6024	32	52
JD6031	83	146
JD6031	83	147
JD6031	83	148
JD6034	3	3
JD6034	4	5
JE555	6	11
JE555	14	19
JE555	65	105
JE555	66	106
JE555	69	114
JE555	69	115
JE5012	13	18
JE5012	40	62
JE5012	41	63
JE5018	134	253
JE5019	21	31
JE5019	22	32
JE5019	22	33
JE5019	23	34
JE5019	25	38
JE5019	26	40
JE5019	61	94
JE5019	61	95
JE5019	62	97
JE5026	138	258
JE5026	139	259
JE5026	141	261
JE5026	142	262
JE5026	143	263
JE5026	197	350
JE5028	170	300
JE5031	133	250
JE5031	133	251
JE5031	134	252
JE5031	186	328
JE5031	187	330


		9
JE5031	187	331
JE5031	190	336
JE5031	190	337
JE5032	130	245
JE5032	132	248
JE5032	132	249
JE5039	23	35
JE5039	27	41
JE5039	29	46
JE5039	31	50
JE5050	24	36
JE5050	24	37
JE5050	30	47
JE5050	30	48
JE5050	32	52
JE5058	20	28
JE5067	98	180
JE5067	99	182
JE5068	98	180
JE5068	99	182
JE5073	187	331
JE5073	201	359
JE5073	203	364
JE5074	6	11
JE5074	14	19
JE5074	15	20
JE5074	16	21
JE5074	36	57
JE5074	43	65
JE5074	66	106
JE5074	69	114
JE5074	69	115
JE5074	71	119
JE5074	72	120
JE5074	72	121
JE5074	73	122
JE5074	73	123
JE5074	78	131
JE5074	78	132
JF191	10	15
JF191	11	16
JF191	12	17
JF191	37	58
JF191	38	59
JF191	39	60
JF191	40	61
JF191	44	66
JF191	45	67
JH683	342	622
JH683	344	625
JH683	345	626
JH683	352	633
JH683	444	728
JH683	445	729
JH683	446	730
JH683	447	731
JH683	448	732
JH683	449	733
JH683	450	734
JH683	451	735


		9
JH683	452	736
JH683	453	737
JH683	455	739
JH683	456	740
JH683	457	742
JH683	458	743
JH683	459	745
JH683	460	746
JH683	469	761
JH683	470	762
JH5018	433	715
JH5050	242	439
JH5050	284	500
JH5050	285	501
JH5051	223	416
JH5051	223	417
JH5056	283	499
JH5070	246	446
JH5070	247	447
JH5070	248	449
JH5070	250	451
JH5070	251	452
JH5070	252	453
JH5082	377	654
JH5082	378	655
JH5082	379	656
JH5082	379	657
JH5082	380	658
JH5082	381	659
JH5082	382	661
JH5082	383	662
JH5082	387	668
JH5082	414	697
JH5082	417	699
JH5082	418	700
JH5082	430	711
JH5103	238	434
JH5103	239	435
JH5103	270	477
JH5103	271	478
JH5103	286	504
JH5103	286	505
JH5110	236	430
JH5110	237	431
JH5110	267	472
JH5110	269	475
JH5110	271	479
JH5110	272	480
JH5110	273	482
JH5110	274	483
JH5110	275	485
JH5110	276	486
JH5110	277	487
JH5110	277	488
JH5110	278	489
JH5110	279	491
JH5110	280	493
JH5111	283	499
JH5111	287	506
JH5111	288	509


NUMERICAL PARTS LIST


Numerische Teilenummernliste • Elenco riferimenti
Liste des références produits


				9
JH5113	396	681		
JH5113	397	682		
JH5113	462	748		
JH5113	463	750		
JH5113	464	751		
JH5113	465	753		
JH5113	486	777		
JH5113	487	778		
JH5113	488	779		
JH5113	488	780		
JH5115	281	494		
JH5115	282	495		
JH5115	282	496		
JH5115	283	497		
JH5115	292	518		
JH5115	295	525		
JH5115	296	527		
JH5116	281	494		
JH5116	282	495		
JH5116	282	496		
JH5116	283	497		
JH5116	292	518		
JH5116	295	525		
JH5116	296	527		
JJ089	237	432		
JJ089	239	436		
JJ089	289	512		
JJ089	290	513		
JJ089	297	531		
JJ089	297	532		
JJ089	298	533		
JJ089	301	541		
JJ104	225	420		
JJ104	234	427		
JJ104	234	428		
JJ104	257	463		
JJ104	267	473		
JJ488	400	685		
JJ488	401	686		
JJ488	402	687		
JJ488	403	688		
JJ488	405	689		
JJ488	407	691		
JJ488	408	692		
JJ488	409	693		
JJ488	411	694		
JJ488	471	763		
JJ488	473	764		
JJ488	474	765		
JJ488	476	767		
JJ488	479	769		
JJ488	480	770		
JJ488	481	771		
JJ488	483	773		
JJ488	484	774		
JJ488	485	776		
JJ491	316	578		
JJ491	399	684		
JJ498	340	621		
JJ498	348	629		


				9
JJ498	413	696		
JJ498	414	697		
JJ498	416	698		
JJ498	417	699		
JJ498	418	700		
JJ499	332	607		
JJ499	419	701		
JJ499	429	710		
JJ499	431	712		
JJ499	438	722		
JJ499	439	723		
JJ499	440	724		
JJ499	441	725		
JJ499	442	726		
JJ499	443	727		
JJ500	368	646		
JJ500	369	647		
JJ500	371	648		
JJ500	373	651		
JJ500	374	652		
JJ500	375	653		
JJ500	398	683		
JJ500	427	707		
JJ500	428	708		
JJ500	433	716		
JJ500	435	718		
JJ500	461	747		
JJ536	235	429		
JJ537	240	437		
JJ537	241	438		
JJ537	242	440		
JJ537	244	443		
JJ537	245	444		
JJ537	246	445		
JJ538	290	514		
JJ538	293	520		
JJ538	300	537		
JJ538	301	540		
JJ543	359	639		
JJ543	361	640		
JJ543	362	641		
JJ543	363	642		
JJ543	365	644		
JJ543	366	645		
JJ543	389	670		
JJ543	390	671		
JJ543	391	672		
JJ543	391	673		
JJ543	392	674		
JJ543	393	675		
JJ543	420	702		
JJ543	422	703		
JJ543	423	704		
JJ543	424	705		
JJ543	425	706		
JJ611	226	421		
JJ611	228	422		
JJ611	229	423		
JJ611	231	424		
JJ611	232	425		


				9
JJ611	233	426		
JJ611	258	464		
JJ611	260	465		
JJ611	261	466		
JJ611	262	467		
JJ611	264	468		
JJ611	265	469		
JJ611	265	470		
JJ611	267	471		
JJ611	270	476		
JJ611	289	511		
JJ612	242	440		
JJ612	246	445		
JJ614	224	419		
JM848	101	187		
JM848	109	207		
JM848	109	208		
JM848	110	209		
JM848	179	316		
JM848	180	317		
JM848	180	318		
JM848	181	319		
JM848	183	323		
JM848	183	324		
JM850	108	205		
JM850	192	340		
JM850	192	341		
JM5063	17	22		
JM5063	19	25		
JM5096	75	125		
JM5096	76	126		
JM5096	76	127		
JM5096	79	135		
JM5097	75	125		
JM5097	76	126		
JM5097	76	127		
JM5098	76	126		
JM5106	18	23		
JM5106	18	24		
JM5106	42	64		
JM5106	46	68		
JM5106	48	72		
JM5106	49	74		
JM5106	49	75		
JM5106	50	76		
JM5106	50	77		
JM5106	51	78		
JM5106	53	81		
JM5106	53	82		
JM5106	54	83		
JM5106	54	84		
JM5107	55	85		
JM5107	56	86		
JM5107	57	87		
JM5107	58	88		
JM5107	70	117		
JM5107	74	124		
JM5107	76	126		
JM5108	55	85		
JM5108	56	86		

				9
JM5108	57	87		
JM5108	58	88		
JM5108	65	105		
JM5108	70	117		
JM5108	74	124		
JM5108	76	126		
JM5109	55	85		
JM5109	56	86		
JM5109	57	87		
JM5109	58	88		
JM5109	65	105		
JM5109	70	117		
JM5109	74	124		
JM5109	76	126		
JM5113	134	253		
JM5113	170	300		
JM5113	172	302		
JM5114	168	298		
JM5114	169	299		
JM5114	171	301		
JM5114	184	326		
JM5114	185	327		
JM5115	134	253		
JM5115	170	300		
JM5115	172	302		
JM5118	28	44		
JM5118	29	46		
JM5119	5	7		
JM5119	5	8		
JM5157	115	218		
JM5157	116	219		
JM5157	117	220		
JM5157	120	225		
JM5157	121	226		
JM5157	121	227		
JM5162	81	140		
JM5162	81	141		
JM5162	81	142		
JM5163	84	149		
JM5163	84	150		
JM5163	86	153		
JM5163	100	185		
JM5163	101	186		
JM5164	85	151		
JM5164	85	152		
JM5165	85	151		
JM5165	85	152		
JM5167	28	43		
JM5167	29	45		
JM5167	33	54		
JM5236	99	183		
JM5236	100	184		
JM5236	165	294		
JM5236	166	295		
JM5236	167	296		
JM5236	204	365		
JM5237	99	183		
JM5237	100	184		
JM5237	165	294		
JM5237	166	295		

		9
JM5237	167	296
JM5237	204	365
JM5288	2	1
JM7026	88	161
JM7026	89	162
JM7026	89	163
JM7026	90	164
JM7026	90	165
JM7026	91	167
JM7027	95	175
JM7028	128	241
JM7028	129	243
JM7028	130	244
JM7028	130	245
JM7028	131	246
JM7034	2	2
JM7045	209	376
JM7095	180	317
JM7098	47	70
JM7124	83	147
JM7124	83	148
JN273	181	320
JN273	182	321
JN273	182	322
JN273	184	325
JN297	6	11
JN297	14	19
JN297	36	57
JN297	43	65
JN299	19	26
JN299	21	30
JN299	67	111
JN300	65	105
JN300	66	106
JN300	69	114
JN300	69	115
JN300	71	119
JN300	72	120
JN300	72	121
JN300	73	122
JN300	73	123
JN300	78	131
JN300	78	132
JN454	137	256
JN454	137	257
JN454	138	258
JN454	139	259
JN454	140	260
JN454	141	261
JN454	142	262
JN454	143	263
JN454	144	264
JN454	193	342
JN454	194	343
JN454	194	344
JN454	195	345
JN454	196	348
JN454	197	350
JN454	198	351
JN454	198	352


		9
JN454	199	354
JN454	200	356
JN542	68	113
JN542	71	119
JN542	72	120
JN542	72	121
JN542	73	122
JN542	73	123
JN542	78	131
JN542	78	132
JN572	107	203
JN572	110	210
JN572	112	213
JN572	146	267
JN572	147	268
JN572	148	269
JN572	148	270
JN578	15	20
JN578	16	21
JN607	137	256
JN607	137	257
JN607	138	258
JN607	139	259
JN607	140	260
JN607	141	261
JN607	142	262
JN607	143	263
JN607	144	264
JN607	193	342
JN607	194	343
JN607	194	344
JN607	195	345
JN607	196	348
JN607	197	349
JN607	197	350
JN607	198	351
JN607	198	352
JN607	199	354
JN607	200	356
JN619	107	203
JN619	110	210
JN619	146	267
JN619	147	268
JN619	148	269
JN619	149	271
JN621	112	214
JN621	113	215
JN621	114	216
JN621	149	272
JN621	153	278
JN622	112	214
JN622	113	215
JN622	114	216
JN622	114	217
JN622	151	275
JN622	152	276
JN622	152	277
JN623	93	170
JN623	135	254
JN623	136	255


		9
JN698	21	31
JN698	22	32
JN698	25	38
JN851	118	221
JN851	119	222
JN851	119	223
JN851	120	224
JN851	153	279
JN851	154	280
JN851	154	281
JN852	118	221
JN852	119	222
JN852	120	224
JN911	102	190
JN911	102	191
JN911	157	284
JN911	158	285
JN911	160	287
JN911	164	293
JN911	174	306
JN911	175	307
JN911	175	308
JN911	176	309
JN911	176	310
JN911	177	311
JN955	17	22
JN955	19	25
JP022	115	218
JP022	116	219
JP022	117	220
JP027	26	39
JP027	62	96
JP032	26	39
JP032	62	96
JP077	26	39
JP077	62	96
JP078	6	10
JP079	22	33
JP079	23	34
JP079	26	40
JP079	61	94
JP079	61	95
JP079	62	97
LK5007	237	431
LK5007	247	447
LK5007	248	449
LK5007	250	451
LK5007	251	452
LK5007	253	457
LK5007	267	472
LK5007	271	479
LK5007	272	480
LK5007	273	482
LK5007	274	483
LK5007	275	485
LK5007	276	486
LK5007	277	487
LK5007	277	488
LK5007	278	489
LK5007	279	491
LK5007	280	492
LK5007	280	493
LK5007	280	492
NA5001	208	374


		9
NA5001	209	379
NA5001	210	380
NA5001	210	381
NA5074	377	654
NA5074	378	655
NA5074	379	656
NA5074	379	657
NA5074	380	658
NA5074	381	659
NA5074	381	660
NA5074	382	661
NA5074	383	662
NA5074	384	663
NA5074	384	664
NA5074	385	665
NA5074	386	666
NA5074	387	668
NA5074	389	670
NA5074	390	671
NA5074	391	672
NA5074	391	673
NA5074	392	674
NA5074	393	675
NA5074	395	680
NA5074	417	699
NA5074	418	700
NA5074	424	705
NA5099	242	439
NA5099	242	440
NA5099	245	444
NA5099	246	445
NA5099	284	500
NA5099	285	501
NA5103	236	430
NA5103	237	431
NA5103	247	447
NA5103	248	449
NA5103	250	451
NA5103	251	452
NA5103	253	457
NA5103	267	472
NA5103	269	475
NA5103	271	479
NA5103	272	480
NA5103	273	482
NA5103	274	483
NA5103	275	485
NA5103	276	486
NA5103	277	487
NA5103	277	488
NA5103	278	489
NA5103	279	491
NA5103	280	492
NA5103	280	493
NA5103	297	530
NA5104	232	425
NA5104	233	426
NA5104	236	430
NA5104	242	439
NA5104	242	440


NUMERICAL PARTS LIST


Numerische Teilenummernliste • Elenco riferimenti
Liste des références produits


 9		
NA5104	243	441
NA5104	244	442
NA5104	245	444
NA5104	246	445
NA5104	246	446
NA5104	247	448
NA5104	249	450
NA5104	252	453
NA5104	262	467
NA5104	264	468
NA5104	265	469
NA5104	265	470
NA5104	267	471
NA5104	269	474
NA5104	269	475
NA5104	270	476
NA5104	284	500
NA5104	285	501
NA5104	288	508
NA5104	288	510
NA5104	289	511
NA5105	232	425
NA5105	233	426
NA5105	247	448
NA5105	249	450
NA5105	262	467
NA5105	264	468
NA5105	265	469
NA5105	265	470
NA5105	267	471
NA5105	270	476
NA5105	288	508
NA5105	288	510
NA5105	289	511
NA5105	296	529
NA5106	502	806
NA5107	307	556
NA5107	307	557
NA5107	308	558
NA5107	308	559
NA5107	330	599
NA5107	330	600
NA5109	302	542
NA5109	302	543
NA5109	305	550
NA5109	305	551
NA5109	307	556
NA5109	307	557
NA5109	308	558
NA5109	308	559
NA5109	330	599
NA5109	330	600
NA5118	302	542
NA5118	302	543
NA5118	303	544
NA5118	303	546
NA5118	304	547
NA5118	304	548
NA5118	304	549
NA5118	305	550


 9		
NA5118	305	551
NA5118	306	552
NA5131	310	564
NA5131	310	565
NA5131	311	566
NA5131	311	567
NA5131	312	568
NA5131	312	569
NA5131	313	570
NA5131	313	571
NA5131	314	572
NA5131	316	576
NA5131	316	577
NA5131	323	588
NA5131	323	589
NA5131	324	590
NA5131	324	591
NA5131	325	592
NA5131	326	593
NA5131	326	594
NA5131	327	595
NA5131	328	596
NA5131	329	597
NA5131	330	598
NA5131	331	601
NA5131	331	603
NA5131	337	615
NA5131	338	616
NA5131	338	617
NA5131	377	654
NA5131	378	655
NA5131	379	656
NA5131	379	657
NA5131	380	658
NA5131	381	659
NA5131	381	660
NA5131	382	661
NA5131	383	662
NA5131	384	663
NA5131	384	664
NA5131	385	665
NA5131	386	666
NA5131	387	668
NA5131	388	669
NA5131	389	670
NA5131	390	671
NA5131	391	672
NA5131	391	673
NA5131	392	674
NA5131	393	675
NA5131	393	676
NA5131	394	679
NA5131	395	680
NA5131	414	697
NA5131	416	698
NA5131	417	699
NA5131	418	700
NA5131	422	703
NA5131	424	705
NA5131	432	713


 9		
NA5131	432	714
NA5131	434	717
NA5131	436	719
NA5131	437	720
NA5131	437	721
NA5131	467	756
NA5131	468	757
NA5131	468	759
NA5131	469	760
NA5131	491	786
NA5131	492	787
NA5131	493	788
NA5131	493	789
NA5131	494	790
NA5131	494	791
NA5131	495	792
NA5131	495	793
NA5131	496	794
NA5132	281	494
NA5132	282	495
NA5132	282	496
NA5132	283	497
NA5132	283	498
NA5132	283	499
NA5132	287	506
NA5132	288	509
NA5132	292	518
NA5132	295	525
NA5132	296	526
NA5132	296	527
NA5132	296	528
NA5132	297	530
NA5132	300	538
NA5132	300	539
NA5133	433	715
NA5139	223	416
NA5139	223	417
NA5140	223	416
NA5140	223	417
NA5168	316	576
NA5168	316	577
NA5168	330	598
NA5168	331	601
NA5168	331	603
NA5168	337	615
NA5168	338	616
NA5168	432	713
NA5168	432	714
NA5168	434	717
NA5168	436	719
NA5168	437	720
NA5168	437	721
NA5168	491	786
NA5168	492	787
NA5168	493	788
NA5168	493	789
NA5168	495	793
NA5168	496	794
NA5258	2	2
NA5259	222	414

 9		
NA5260	222	413
NA5264	309	560
NA5264	309	561
NA5264	309	562
NA5264	309	563
NA5264	315	575
NA5264	333	608
NA5264	333	609
NA5264	334	610
NA5264	335	611
NA5264	337	614
NA5264	338	618
NA5264	339	619
NA5267	283	499
NA5267	287	506
NA5267	288	509
NA5268	462	748
NA5268	464	751
NA5268	465	752
NA5268	465	753
NA5268	466	754
NA5268	466	755
NA5268	486	777
NA5268	487	778
NA5268	488	779
NA5268	488	780
NA5268	489	781
NA5268	489	782
NA5268	490	783
NA5268	491	785
NA5272	503	810
NA5272	506	815
NA5298	224	418
NA5298	254	458
NA5298	255	459
NA5298	278	490
NA5299	224	418
NA5299	254	458
NA5299	255	459
NA5299	278	490
NA5305	502	806
NA5325	222	414
NA5325	498	799
NA5329	498	799
NA5332	303	546
NA5332	304	547
NA5332	304	548
NA5332	304	549
NA5332	306	552
NA5332	318	580
NA5332	318	581
NA5332	319	582
NA5332	319	583
NA5332	320	584
NB431	224	419
NB431	225	420
NB431	226	421
NB431	228	422
NB431	229	423
NB431	231	424

			9
NB431	234	427	
NB431	234	428	
NB431	235	429	
NB431	237	432	
NB431	239	436	
NB431	240	437	
NB431	241	438	
NB431	244	443	
NB431	245	444	
NB431	246	445	
NB431	257	463	
NB431	258	464	
NB431	260	465	
NB431	261	466	
NB431	267	473	
NB431	285	502	
NB431	287	507	
NB431	289	512	
NB431	290	513	
NB431	290	514	
NB431	291	515	
NB431	291	516	
NB431	292	517	
NB431	293	519	
NB431	293	520	
NB431	294	521	
NB431	294	522	
NB431	294	523	
NB431	295	524	
NB431	297	531	
NB431	297	532	
NB431	298	533	
NB431	298	534	
NB431	299	535	
NB431	300	536	
NB431	300	537	
NB431	301	540	
NB432	237	432	
NB432	239	436	
NB432	289	512	
NB432	290	513	
NB716	433	715	
NB792	287	507	
NB792	290	514	
NB792	291	515	
NB792	291	516	
NB792	292	517	
NB792	293	519	
NB792	293	520	
NB792	294	521	
NB792	294	522	
NB792	294	523	
NB792	295	524	
NB792	298	534	
NB792	299	535	
NB792	300	536	
NB792	301	540	
NB799	6	11	
NB799	14	19	
NB799	15	20	


			9
NB799	16	21	
NB799	21	31	
NB799	22	32	
NB799	25	38	
NB799	36	57	
NB799	43	65	
NB953	503	810	
NB953	506	815	
NB971	316	578	
NB971	403	688	
NB971	406	690	
NB971	408	692	
NB972	403	688	
NB972	406	690	
NB972	408	692	
NB973	332	607	
NB973	340	621	
NB973	348	629	
NB973	350	630	
NB973	351	631	
NB973	359	639	
NB973	361	640	
NB973	362	641	
NB973	363	642	
NB973	364	643	
NB973	365	644	
NB973	366	645	
NB973	368	646	
NB973	369	647	
NB973	371	648	
NB973	371	649	
NB973	372	650	
NB973	373	651	
NB973	374	652	
NB973	375	653	
NB973	396	681	
NB973	397	682	
NB973	398	683	
NB973	399	684	
NB973	400	685	
NB973	401	686	
NB973	402	687	
NB973	405	689	
NB973	407	691	
NB973	409	693	
NB973	411	694	
NB973	412	695	
NB973	413	696	
NB973	419	701	
NB973	420	702	
NB973	423	704	
NB973	425	706	
NB973	427	707	
NB973	428	708	
NB973	429	709	
NB973	429	710	
NB973	430	711	
NB973	431	712	
NB973	433	716	
NB973	435	718	


			9
NB973	438	722	
NB973	439	723	
NB973	440	724	
NB973	441	725	
NB973	442	726	
NB973	443	727	
NB973	461	747	
NB973	462	748	
NB973	463	750	
NB973	464	751	
NB973	465	752	
NB973	465	753	
NB973	466	754	
NB973	466	755	
NB973	471	763	
NB973	473	764	
NB973	474	765	
NB973	475	766	
NB973	476	767	
NB973	477	768	
NB973	479	769	
NB973	480	770	
NB973	481	771	
NB973	482	772	
NB973	483	773	
NB973	484	774	
NB973	485	775	
NB973	485	776	
NB973	486	777	
NB973	487	778	
NB973	488	779	
NB973	488	780	
NB973	489	781	
NB973	489	782	
NB973	490	783	
NB973	491	785	
NB974	316	578	
NB974	332	607	
NB974	340	621	
NB974	348	629	
NB974	350	630	
NB974	351	631	
NB974	359	639	
NB974	361	640	
NB974	362	641	
NB974	363	642	
NB974	364	643	
NB974	365	644	
NB974	366	645	
NB974	368	646	
NB974	369	647	
NB974	371	648	
NB974	371	649	
NB974	372	650	
NB974	373	651	
NB974	374	652	
NB974	375	653	
NB974	396	681	
NB974	397	682	
NB974	398	683	


			9
NB974	399	684	
NB974	400	685	
NB974	401	686	
NB974	402	687	
NB974	405	689	
NB974	407	691	
NB974	409	693	
NB974	411	694	
NB974	412	695	
NB974	413	696	
NB974	414	697	
NB974	416	698	
NB974	417	699	
NB974	418	700	
NB974	419	701	
NB974	420	702	
NB974	422	703	
NB974	423	704	
NB974	425	706	
NB974	427	707	
NB974	428	708	
NB974	429	709	
NB974	429	710	
NB974	430	711	
NB974	431	712	
NB974	433	716	
NB974	435	718	
NB974	438	722	
NB974	439	723	
NB974	440	724	
NB974	441	725	
NB974	442	726	
NB974	443	727	
NB974	461	747	
NB974	463	750	
NB974	471	763	
NB974	473	764	
NB974	474	765	
NB974	475	766	
NB974	476	767	
NB974	477	768	
NB974	479	769	
NB974	480	770	
NB974	481	771	
NB974	482	772	
NB974	483	773	
NB974	484	774	
NB974	485	775	
NB974	485	776	
NB974	486	777	
NB974	487	778	
NB974	488	779	
NB974	488	780	
NB974	489	781	
NB974	489	782	
NB974	490	783	
NB974	491	785	
NB974	473	764	
NB974	474	765	
NB974	475	766	
NB974	476	767	
NB974	477	768	
NB974	479	769	
NB974	480	770	
NB974	481	771	
NB974	482	772	
NB974	483	773	
NB974	484	774	
NB974	485	775	
NB974	485	776	
NB974	485	776	
NB975	342	622	
NB975	343	624	
NB975	344	625	
NB975	345	626	
NB975	347	627	
NB975	347	628	
NB975	352	633	
NB975	354	635	
NB975	355	636	
NB975	356	637	
NB975	357	638	


NUMERICAL PARTS LIST


Numerische Teilenummernliste • Elenco riferimenti
Liste des références produits


 9		
NB975	444	728
NB975	445	729
NB975	446	730
NB975	447	731
NB975	448	732
NB975	449	733
NB975	450	734
NB975	451	735
NB975	452	736
NB975	453	737
NB975	454	738
NB975	455	739
NB975	456	740
NB975	456	741
NB975	457	742
NB975	458	743
NB975	459	745
NB975	460	746
NB975	469	761
NB975	470	762
NB980	240	437
NB980	241	438
NB980	244	443
NC015	245	444
NC015	246	445
NC015	285	502
NC015	297	531
NC015	297	532
NC015	298	533
NC015	301	541
NC052	7	12
NC052	8	13
NC052	9	14
NC052	10	15
NC052	11	16
NC052	12	17
NC065	93	170
NC065	134	253
NC065	135	254
NC065	136	255
NC065	155	282
NC065	156	283
NC065	188	332
NC065	188	333
NC065	202	360
NF637	224	419
NF637	225	420
NF637	226	421
NF637	228	422
NF637	229	423
NF637	231	424
NF637	234	427
NF637	234	428
NF637	235	429
NF637	257	463
NF637	258	464
NF637	260	465
NF637	261	466
NF637	267	473
NF637	281	494


 9		
NF637	282	495
NF637	282	496
NF637	283	497
NF637	283	498
NF637	292	518
NF637	295	525
NF637	296	526
NF637	296	527
NF637	296	528
NF637	300	537
NF637	300	538
NF637	300	539
PA349	223	415
PA815	309	560
PA815	309	561
PA815	309	562
PA815	309	563
PA815	314	573
PA815	315	575
PA815	331	602
PA815	332	605
PA815	332	606
PA815	333	609
PA815	334	610
PA815	335	611
PA815	337	614
PA815	338	618
PA815	339	619
PA815	342	622
PA815	343	623
PA815	343	624
PA815	344	625
PA815	345	626
PA815	347	627
PA815	347	628
PA815	352	633
PA815	354	635
PA815	355	636
PA815	356	637
PA815	357	638
PA815	444	728
PA815	445	729
PA815	446	730
PA815	447	731
PA815	448	732
PA815	449	733
PA815	450	734
PA815	451	735
PA815	452	736
PA815	453	737
PA815	454	738
PA815	455	739
PA815	456	740
PA815	456	741
PA815	457	742
PA815	458	743
PA815	459	745
PA815	460	746
PA815	469	761
PA815	470	762


 9		
PA5016	18	24
PA5016	28	43
PA5016	28	44
PA5016	29	45
PA5016	42	64
PA5016	46	68
PA5016	48	72
PA5016	48	73
PA5016	49	74
PA5016	49	75
PA5016	50	76
PA5016	50	77
PA5016	51	78
PA5016	53	81
PA5016	53	82
PA5016	54	83
PA5016	54	84
PA5016	59	90
PA5016	59	91
PA5025	82	145
PA5025	83	146
PA5041	6	10
PA5041	10	15
PA5041	11	16
PA5041	12	17
PA5041	13	18
PA5041	17	22
PA5041	18	23
PA5041	19	25
PA5041	37	58
PA5041	38	59
PA5041	39	60
PA5041	40	61
PA5041	40	62
PA5041	41	63
PA5041	44	66
PA5041	45	67
PA5041	46	69
PA5041	55	85
PA5041	56	86
PA5041	57	87
PA5041	58	88
PA5041	62	96
PA5041	70	117
PA5041	74	124
PA5041	75	125
PA5041	76	126
PA5041	76	127
PA5041	81	141
PA5041	81	142
PA5041	82	143
PA5041	84	149
PA5041	84	150
PA5041	85	151
PA5041	85	152
PA5041	86	153
PA5041	88	161
PA5041	90	164
PA5041	90	165
PA5041	91	166

 9		
PA5041	95	175
PA5041	96	176
PA5041	96	177
PA5041	97	178
PA5041	97	179
PA5041	98	180
PA5041	98	181
PA5041	99	182
PA5041	100	185
PA5041	101	186
PA5041	115	218
PA5041	116	219
PA5041	117	220
PA5041	128	240
PA5041	209	376
PA5041	209	378
PA5041	212	388
PB251	103	194
PB251	104	195
TB108	209	379
TB108	210	380
TB108	210	381
TB242	21	31
TB242	23	34
TB242	25	38
TB343	68	112
TB344	16	21
TB498	213	394
TB498	214	395
TB498	214	397
TB498	215	398
TB498	215	399
TB498	216	400
TB498	218	409
TB498	219	410
TB498	219	411
TB498	220	412
TB499	213	394
TB499	214	395
TB499	214	397
TB499	215	398
TB499	216	400
TB499	218	409
TB502	215	399
TB502	219	410
TB502	219	411
TB502	220	412
TB526	212	390
TB526	212	391
TB526	216	401
TB526	217	403
TB526	217	405
TB567	68	112
TB600	211	387
TB600	213	392
TB724	2	2
TBK016	209	379
TBK016	210	380
TBK016	210	381
TBK061	16	21

			9
TBK074	21	31	
TBK074	25	38	
TBK108	21	31	
TBK108	23	34	
TBK108	25	38	
TBK302	2	2	
TBK337	6	11	
TBK337	14	19	
TBK337	36	57	
TBK337	43	65	
V34335	21	30	
V34410	211	384	
V35015	192	340	
V35018	179	316	
V35018	180	317	
V35018	180	318	
V35018	181	319	
V35018	181	320	
V35018	182	321	
V35018	182	322	
V35018	183	323	
V35018	183	324	
V35018	184	325	
V90225	179	316	
V90225	180	317	
V90225	180	318	
V90225	181	319	
V90225	181	320	
V90225	182	321	
V90225	182	322	
V90225	183	323	
V90225	183	324	
V90225	184	325	
V90333	67	111	
V90333	68	112	
V91181	107	203	
V91181	110	210	
V91181	112	213	
V91181	112	214	
V91181	113	215	
V91181	114	216	
V91181	114	217	
V91181	118	221	
V91181	119	222	
V91181	119	223	
V91181	120	224	
V91181	146	267	
V91181	147	268	
V91181	148	269	
V91181	148	270	
V91181	149	272	
V91181	150	273	
V91181	150	274	
V91181	151	275	
V91181	152	276	
V91181	152	277	
V91181	153	278	
V91181	153	279	
V91181	154	280	
V91181	154	281	
V91187	36	57	
V91188	36	57	
V91189	6	11	
V91189	14	19	
V91189	43	65	
V91190	6	11	
V91190	14	19	
V91190	43	65	
V91325	87	156	
V91325	195	346	
V91366	87	156	
V91366	195	346	
V91410	37	58	
V91410	38	59	
V91410	39	60	
V91411	37	58	
V91411	38	59	
V91411	39	60	
V91418	21	31	
V91418	25	38	
V91418	60	92	
V91420	7	12	
V91420	8	13	
V91420	9	14	
V91420	10	15	
V91420	12	17	
V91421	7	12	
V91421	8	13	
V91421	9	14	
V91421	10	15	
V91421	12	17	
V91423	15	20	
V91423	16	21	
V91441	137	256	
V91441	137	257	


			9
V91182	107	203	
V91182	110	210	
V91182	112	213	
V91182	112	214	
V91182	113	215	
V91182	114	216	
V91182	114	217	
V91182	118	221	
V91182	119	222	
V91182	119	223	
V91182	120	224	
V91182	146	267	
V91182	147	268	
V91182	148	269	
V91182	148	270	
V91182	149	272	
V91182	150	273	
V91182	150	274	
V91182	151	275	
V91182	152	276	
V91182	152	277	
V91182	153	278	
V91182	153	279	
V91182	154	280	
V91182	154	281	
V91187	36	57	
V91188	36	57	
V91189	6	11	
V91189	14	19	
V91189	43	65	
V91190	6	11	
V91190	14	19	
V91190	43	65	
V91325	87	156	
V91325	195	346	
V91366	87	156	
V91366	195	346	
V91410	37	58	
V91410	38	59	
V91410	39	60	
V91411	37	58	
V91411	38	59	
V91411	39	60	
V91418	21	31	
V91418	25	38	
V91418	60	92	
V91420	7	12	
V91420	8	13	
V91420	9	14	
V91420	10	15	
V91420	12	17	
V91421	7	12	
V91421	8	13	
V91421	9	14	
V91421	10	15	
V91421	12	17	
V91423	15	20	
V91423	16	21	
V91441	137	256	
V91441	137	257	


			9
V91441	138	258	
V91441	139	259	
V91441	140	260	
V91441	141	261	
V91441	142	262	
V91441	143	263	
V91441	144	264	
V91441	193	342	
V91441	194	343	
V91441	194	344	
V91441	195	345	
V91445	194	343	
V91445	196	347	
V91445	196	348	
V91445	197	349	
V91445	197	350	
V91445	198	351	
V91445	198	352	
V91445	198	352	
V91445	198	352	
V91445	199	354	
V91445	200	355	
V91445	200	356	
V91445	200	356	
V91447	135	254	
V91447	136	255	
V91925	26	39	
V91925	37	58	
V91925	38	59	
V91925	39	60	
V91925	40	61	
V91925	41	63	
V91925	44	66	
V91925	45	67	
V91925	46	69	
V91925	62	96	
V91926	26	39	
V91926	37	58	
V91926	38	59	
V91926	39	60	
V91926	40	61	
V91926	41	63	
V91926	44	66	
V91926	45	67	
V91926	46	69	
V91926	62	96	
V91955	21	31	
V91955	25	38	
V91955	60	92	
V91958	137	256	
V91958	137	257	
V91958	138	258	
V91958	139	259	
V91958	140	260	
V91958	141	261	
V91958	142	262	
V91958	143	263	
V91958	144	264	
V91958	193	342	
V91958	194	343	
V91958	194	344	
V91958	195	345	
V91958	196	347	


			9
V91958	196	348	
V91958	197	349	
V91958	197	350	
V91958	198	351	
V91958	198	352	
V91958	199	354	
V91958	200	355	
V91958	200	356	
V94008	7	12	
V94008	8	13	
V94008	9	14	
V94008	10	15	
V94008	11	16	
V94008	12	17	
V94008	13	18	
V94009	7	12	
V94009	8	13	
V94009	9	14	
V94009	10	15	
V94009	11	16	
V94009	12	17	
V94009	13	18	
V94086	18	23	
V94086	18	24	
V94086	28	43	
V94086	28	44	
V94086	42	64	
V94086	46	68	
V94086	48	72	
V94086	48	73	
V94086	49	74	
V94086	49	75	
V94086	50	76	
V94086	50	77	
V94086	51	78	
V94086	59	90	
V94087	22	33	
V94087	23	34	
V94087	26	40	
V94087	61	94	
V94087	61	95	
V94087	65	103	
V94087	66	108	
V94088	22	33	
V94088	23	34	
V94088	26	40	
V94088	61	94	
V94088	61	95	
V94088	65	103	
V94088	66	108	
V94089	19	25	
V94090	19	25	
V94091	70	117	
V94091	74	124	
V94091	76	126	
V94092	70	117	
V94092	74	124	
V94092	76	126	
V94145	167	297	
V94254	133	250	


NUMERICAL PARTS LIST


Nummerische Teilenummernliste • Elenco riferimenti
Liste des références produits


 9		
V94254	133	251
V94254	134	252
V94254	187	330
V94256	179	316
V94256	180	317
V94256	180	318
V94256	181	319
V94256	181	320
V94256	182	321
V94256	182	322
V94256	183	323
V94256	183	324
V94256	184	325
V94257	133	250
V94257	186	328
V94257	186	329
V94257	187	330
V94257	187	331
V94257	190	336
V94257	190	337
V94257	201	358
V94257	201	359
V94257	203	363
V94257	203	364
V94263	208	373
V94264	208	373
V94265	211	386
V94265	212	389
V94265	212	390
V94266	208	375
V94267	208	375
V94268	211	386
V94269	211	385
V94269	212	389
V94270	211	385
V94270	212	389
V94270	212	390
V94271	216	400
V94275	77	130
V94276	77	130
V94278	111	211
V94278	111	212
V94278	115	218
V94278	116	219
V94278	117	220
V94278	120	225
V94278	121	226
V94278	121	227
V94278	145	265
V94278	145	266
V94279	111	211
V94279	111	212
V94279	115	218
V94279	116	219
V94279	117	220
V94279	120	225
V94279	121	226
V94279	145	265
V94279	145	266
V94279	120	225
V94279	121	226
V94279	145	265
V94279	145	266
V94279	111	211
V94279	111	212
V94279	115	218
V94279	116	219
V94279	117	220
V94279	145	265
V94279	145	266


 9		
V94280	111	211
V94280	111	212
V94280	115	218
V94280	116	219
V94280	117	220
V94280	120	225
V94280	121	226
V94280	121	227
V94280	145	265
V94280	145	266
V94283	199	353
V94283	201	357
V94284	93	170
V94285	93	170
V94286	201	358
V94286	201	359
V94286	203	363
V94286	203	364
V94287	112	214
V94287	113	215
V94287	114	216
V94287	114	217
V94287	118	221
V94287	119	222
V94287	119	223
V94287	120	224
V94287	146	267
V94287	147	268
V94287	148	269
V94287	148	270
V94287	149	272
V94287	150	273
V94287	150	274
V94287	151	275
V94287	152	276
V94287	152	277
V94287	153	278
V94287	153	279
V94287	154	280
V94287	154	281
V94288	155	282
V94288	156	283
V94288	170	300
V94288	207	371
V94289	170	300
V94290	111	211
V94290	111	212
V94290	115	218
V94290	116	219
V94290	117	220
V94290	120	225
V94290	121	226
V94290	121	227
V94290	145	265
V94290	145	266
V94291	111	211
V94291	111	212
V94291	115	218
V94291	116	219
V94291	117	220


 9		
V94291	120	225
V94291	121	226
V94291	121	227
V94291	145	265
V94291	145	266
V94295	215	399
V94295	218	406
V94295	218	408
V94295	219	410
V94296	215	399
V94296	218	406
V94296	218	408
V94296	219	410
V94297	216	400
V94298	219	411
V94298	220	412
V94299	219	411
V94299	220	412
V94300	216	401
V94300	216	402
V94306	167	297
V94333	133	250
V94333	133	251
V94333	134	252
V94333	187	330
V94335	213	392
V94335	213	393
V94335	213	394
V94335	214	396
V94335	214	397
V94335	215	398
V94349	5	7
V94350	5	7
V94370	155	282
V94370	156	283
V94370	157	284
V94370	158	285
V94370	159	286
V94370	160	287
V94370	160	288
V94370	161	289
V94370	161	290
V94370	162	291
V94370	163	292
V94370	164	293
V94370	168	298
V94370	169	299
V94370	171	301
V94370	172	302
V94370	173	303
V94370	174	306
V94370	175	307
V94370	175	308
V94370	176	309
V94370	176	310
V94370	177	311
V94370	177	312
V94370	178	313
V94370	178	314
V94370	184	326

 9		
V94370	185	327
V94370	207	371
V94371	155	282
V94371	156	283
V94371	157	284
V94371	158	285
V94371	159	286
V94371	160	287
V94371	160	288
V94371	161	289
V94371	161	290
V94371	162	291
V94371	163	292
V94371	164	293
V94371	168	298
V94371	169	299
V94371	171	301
V94371	172	302
V94371	173	303
V94371	174	306
V94371	175	307
V94371	175	308
V94371	176	309
V94371	176	310
V94371	177	311
V94371	177	312
V94371	178	313
V94371	178	314
V94371	184	326
V94376	199	353
V94376	201	357
V94377	155	282
V94377	156	283
V94377	157	284
V94377	164	293
V94377	168	298
V94377	169	299
V94377	171	301
V94377	172	302
V94377	173	303
V94377	184	326
V94377	185	327
V94388	99	183
V94388	100	184
V94389	99	183
V94389	100	184
V94390	165	294
V94390	166	295
V94390	167	296
V94390	173	304
V94390	174	305
V94391	165	294
V94391	166	295
V94391	167	296
V94391	173	304
V94391	174	305
V94392	204	365
V94392	205	366

			9
V94392	206	367	
V94393	204	365	
V94393	205	366	
V94393	206	367	
V94394	84	149	
V94394	84	150	
V94395	84	149	
V94395	84	150	
V94396	86	153	
V94396	94	172	
V94396	94	173	
V94396	96	176	
V94396	96	177	
V94396	100	185	
V94396	101	186	
V94397	86	153	
V94397	94	172	
V94397	94	173	
V94397	100	185	
V94397	101	186	
V94398	122	228	
V94398	122	229	
V94398	123	230	
V94398	123	231	
V94398	127	239	
V94398	128	241	
V94398	129	242	
V94398	129	243	
V94398	130	244	
V94398	131	246	
V94398	132	248	
V94399	122	228	
V94399	122	229	
V94399	123	230	
V94399	123	231	
V94399	127	239	
V94399	128	241	
V94399	129	242	
V94399	129	243	
V94399	130	244	
V94399	131	246	
V94399	132	248	
V94400	85	151	
V94400	85	152	
V94401	85	151	
V94401	85	152	
V94402	27	41	
V94402	27	42	
V94402	29	46	
V94402	30	47	
V94402	31	50	
V94403	24	36	
V94403	27	41	
V94403	27	42	
V94403	29	46	
V94403	30	47	
V94403	31	50	
V94403	58	89	
V94403	60	93	
V94403	75	125	


			9
V94408	213	392	
V94408	213	393	
V94408	213	394	
V94408	215	398	
V94480	155	282	
V94480	156	283	
V94480	157	284	
V94480	164	293	
V94480	168	298	
V94480	169	299	
V94480	171	301	
V94480	172	302	
V94480	173	303	
V94480	184	326	
V94480	185	327	
V94502	157	284	
V94502	158	285	
V94502	159	286	
V94502	160	287	
V94502	160	288	
V94502	161	289	
V94502	161	290	
V94502	162	291	
V94502	163	292	
V94502	164	293	
V94502	168	298	
V94502	169	299	
V94502	171	301	
V94502	172	302	
V94502	173	303	
V94502	174	306	
V94502	175	307	
V94502	175	308	
V94502	176	309	
V94502	176	310	
V94502	177	311	
V94502	177	312	
V94502	178	313	
V94502	178	314	
V94502	184	326	
V94502	185	327	
V94521	71	119	
V94521	72	121	
V94521	73	123	
V94526	6	10	
V94526	17	22	
V94526	19	25	
V94532	188	332	
V94532	188	333	
V94532	189	334	
V94532	189	335	
V94532	202	360	
V94532	202	361	
V94532	203	362	
V94533	134	253	
V94534	188	333	
V94534	189	335	
V94534	202	360	
V94534	202	361	
V94535	86	155	


			9
V94535	101	188	
V94535	101	189	
V94536	86	154	
V94536	86	155	
V94536	101	188	
V94544	215	398	
V94545	216	401	
V94545	217	405	
V94546	210	382	
V94555	6	10	
V94555	17	22	
V94555	19	25	
V94563	134	253	
V94594	40	62	
V94595	40	62	
V94670	2	1	
V94671	2	1	
V94726	217	404	
V94750	108	204	
V94750	108	205	
V94750	109	206	
V94774	66	107	
V94776	66	107	
V94792	102	190	
V94792	102	191	
V94797	79	136	
V94803	80	138	
V94803	80	139	
V94803	82	143	
V94804	80	138	
V94804	80	139	
V94804	82	143	
V94957	24	36	
V94957	75	125	
V94960	2	2	
V94961	2	2	
V95011	102	190	
V95011	102	191	
V95012	102	190	
V95012	102	191	
V95035	3	3	
V95035	4	5	
V95036	3	3	
V95036	4	5	
V95037	3	4	
V95038	3	4	
V95038	4	6	
V95038	65	104	
V95040	33	53	
V95040	33	54	
V95040	34	55	
V95040	35	56	
V95040	52	79	
V95040	52	80	
V95040	53	81	
V95040	53	82	
V95040	54	83	
V95040	54	84	
V95041	33	53	
V95041	33	54	


			9
V95041	34	55	
V95041	35	56	
V95041	52	79	
V95041	52	80	
V95041	53	81	
V95041	53	82	
V95041	54	83	
V95041	54	84	
V95042	49	74	
V95042	49	75	
V95042	50	76	
V95043	63	99	
V95043	64	101	
V95043	64	102	
V95044	63	99	
V95044	64	101	
V95044	64	102	
V95045	20	28	
V95045	20	29	
V95046	20	28	
V95046	20	29	
V95047	31	49	
V95047	32	51	
V95048	31	49	
V95048	32	51	
V95059	55	85	
V95059	56	86	
V95059	57	87	
V95059	58	88	
V95060	55	85	
V95060	56	86	
V95060	57	87	
V95060	58	88	
V95071	103	194	
V95071	104	195	
V95071	104	196	
V95071	105	197	
V95072	103	194	
V95072	104	196	
V95072	186	328	
V95072	186	329	
V95072	190	336	
V95072	190	337	
V95075	88	160	
V95075	88	161	
V95075	89	162	
V95075	89	163	
V95075	90	164	
V95075	90	165	
V95075	91	166	
V95075	91	167	
V95076	88	160	
V95076	88	161	
V95076	89	162	
V95076	89	163	
V95076	90	164	
V95076	90	165	
V95076	91	166	
V95076	91	167	
V95085	209	376	


NUMERICAL PARTS LIST


Nummerische Teilenummernliste • Elenco riferimenti
Liste des références produits


 9		
V95086	209	376
V95096	87	157
V95096	87	158
V95096	87	159
V95096	92	168
V95096	92	169
V95096	103	192
V95096	103	193
V95096	106	199
V95096	106	200
V95096	106	201
V95096	107	202
V95096	108	204
V95096	108	205
V95096	192	340
V95096	192	341
V98066	105	198
V98066	124	232
V98066	124	233
V98066	125	234
V98066	125	235
V98066	126	236
V98066	126	237
V98066	127	238
V98066	130	245
V98066	132	249
V98067	105	198
V98067	124	232
V98067	124	233
V98067	125	234
V98067	125	235
V98067	126	236
V98067	126	237
V98067	127	238
V98067	130	245
V98067	132	249
V98068	88	161
V98068	89	162
V98068	89	163
V98068	91	167
V98069	88	161
V98069	89	162
V98069	89	163
V98069	91	167
V98070	94	172
V98070	94	173
V98070	96	176
V98070	96	177
V98071	95	175
V98071	97	178
V98071	97	179
V98071	98	180
V98071	98	181
V98072	95	175
V98072	97	178
V98072	97	179
V98072	98	180
V98072	98	181
VAG51028B	87	157
VAG51028B	87	159


 9		
VAG51028B	92	168
VAG51028B	103	192
VAG51028B	103	193
VAG51028B	106	199
VAG51028B	106	200
VAG51028B	106	201
VAG51028B	108	204
VAG51028B	108	205
VAG51028B	109	206
VAG51028B	192	340
VAG51028B	192	341
VAG92108	179	316
VAG92108	180	317
VAG92108	180	318
VAG92108	181	319
VAG92108	181	320
VAG92108	182	321
VAG92108	182	322
VAG92108	183	323
VAG92108	183	324
VAG92108	184	325
VAG92109	179	316
VAG92109	180	317
VAG92109	180	318
VAG92109	181	319
VAG92109	181	320
VAG92109	182	321
VAG92109	182	322
VAG92109	183	323
VAG92109	183	324
VAG92109	184	325
VAG92170B	21	30
VAG92170B	65	105
VAG92170B	66	106
VAG92170B	67	111
VAG92170B	68	112
VAG92170B	68	113
VAG92170B	69	114
VAG92170B	69	115
VAG92170B	71	118
VAG92170B	71	119
VAG92170B	72	121
VAG92170B	73	122
VAG92170B	73	123
VAG92170B	78	131
VAG92170B	78	132
VAG92171B	103	194
VAG92171B	104	195
VAG92171B	104	196
VAG92171B	105	197
VAG92172B	103	194
VAG92172B	104	195
VAG92172B	104	196
VAG92172B	105	197
VAG92200B	87	157
VAG92200B	87	159
VAG92200B	92	168
VAG92200B	103	192
VAG92200B	103	193
VAG92200B	106	199


 9		
VAG92200B	106	200
VAG92200B	106	201
VAG92200B	108	204
VAG92200B	108	205
VAG92200B	109	206
VAG92200B	192	340
VAG92200B	192	341
VAG92297	107	203
VAG92297	110	210
VAG92297	112	213
VAG92297	112	214
VAG92297	113	215
VAG92297	114	216
VAG92297	114	217
VAG92297	118	221
VAG92297	119	222
VAG92297	119	223
VAG92297	120	224
VAG92297	146	267
VAG92297	147	268
VAG92297	148	269
VAG92297	148	270
VAG92297	149	272
VAG92297	150	273
VAG92297	150	274
VAG92297	151	275
VAG92297	152	276
VAG92297	152	277
VAG92297	153	278
VAG92297	153	279
VAG92297	154	280
VAG92297	154	281
VAG92298	107	203
VAG92298	110	210
VAG92298	112	213
VAG92298	112	214
VAG92298	113	215
VAG92298	114	216
VAG92298	114	217
VAG92298	118	221
VAG92298	119	222
VAG92298	119	223
VAG92298	120	224
VAG92298	146	267
VAG92298	147	268
VAG92298	148	269
VAG92298	148	270
VAG92298	149	272
VAG92298	150	273
VAG92298	150	274
VAG92298	150	275
VAG92298	150	276
VAG92298	150	277
VAG92298	151	278
VAG92298	151	279
VAG92298	152	276
VAG92298	152	277
VAG92298	153	278
VAG92298	153	279
VAG92298	154	280
VAG92298	154	281
VAG92303B	6	11
VAG92303B	14	19
VAG92303B	36	57

 9		
VAG92303B	43	65
VAG92342B	93	170
VAG92342B	135	254
VAG92342B	136	255
VAG92347B	6	11
VAG92347B	14	19
VAG92347B	15	20
VAG92347B	16	21
VAG92347B	36	57
VAG92347B	43	65
VAG92378B	137	256
VAG92378B	137	257
VAG92378B	138	258
VAG92378B	139	259
VAG92378B	140	260
VAG92378B	141	261
VAG92378B	142	262
VAG92378B	143	263
VAG92378B	144	264
VAG92378B	193	342
VAG92378B	194	343
VAG92378B	194	344
VAG92378B	195	345
VAG92378B	196	347
VAG92378B	196	348
VAG92378B	197	349
VAG92378B	197	350
VAG92378B	198	351
VAG92378B	198	352
VAG92378B	199	354
VAG92378B	200	355
VAG92378B	200	356
VAG92379B	137	256
VAG92379B	137	257
VAG92379B	138	258
VAG92379B	139	259
VAG92379B	140	260
VAG92379B	141	261
VAG92379B	142	262
VAG92379B	143	263
VAG92379B	144	264
VAG92379B	193	342
VAG92379B	194	343
VAG92379B	194	344
VAG92379B	195	345
VAG92379B	196	347
VAG92379B	196	348
VAG92379B	197	349
VAG92379B	197	350
VAG92379B	198	351
VAG92379B	198	352
VAG92379B	199	354
VAG92379B	200	355
VAG92379B	200	356
VAG92380B	93	170
VAG92380B	135	254
VAG92380B	136	255
VAG92414B	103	194
VAG92414B	104	195
VAG92414B	104	196

		 9	
VAG92414B	105	197	
VAG96042B	7	12	
VAG96042B	8	13	
VAG96042B	9	14	
VAG96042B	10	15	
VAG96042B	12	17	
VAG96042B	21	31	
VAG96042B	22	33	
VAG96042B	23	34	
VAG96042B	25	38	
VAG96042B	26	40	
VAG96042B	37	58	
VAG96042B	38	59	
VAG96042B	39	60	
VAG96042B	60	92	
VAG96042B	61	94	
VAG96042B	61	95	
VAG96042B	66	108	
VAG96043B	7	12	
VAG96043B	8	13	
VAG96043B	9	14	
VAG96043B	10	15	
VAG96043B	11	16	
VAG96043B	12	17	
VAG96043B	13	18	
VAG96043B	26	39	
VAG96043B	37	58	
VAG96043B	38	59	
VAG96043B	39	60	
VAG96043B	40	61	
VAG96043B	40	62	
VAG96043B	41	63	
VAG96043B	44	66	
VAG96043B	45	67	
VAG96043B	46	69	
VAG96043B	62	96	
VAG96043B	70	117	
VAG96043B	74	124	
VAG96044B	26	39	
VAG96044B	37	58	
VAG96044B	38	59	
VAG96044B	39	60	
VAG96044B	40	61	
VAG96044B	41	63	
VAG96044B	44	66	
VAG96044B	45	67	
VAG96044B	62	96	
VAG96044B	74	124	
VAG96086B	15	20	
VAG96086B	16	21	
VAG96095	84	149	
VAG96095	84	150	
VAG96095	86	153	
VAG96095	94	172	
VAG96095	94	173	
VAG96095	96	176	
VAG96095	96	177	
VAG96095	100	185	
VAG96095	101	186	
VAG96095	102	190	
VAG96095	102	191	
VAG96095	155	282	
VAG96095	156	283	
VAG96095	157	284	
VAG96095	158	285	
VAG96095	159	286	
VAG96095	160	287	
VAG96095	160	288	
VAG96095	161	289	
VAG96095	161	290	
VAG96095	162	291	
VAG96095	163	292	
VAG96095	164	293	
VAG96095	168	298	
VAG96095	169	299	
VAG96095	171	301	
VAG96095	172	302	
VAG96095	173	303	
VAG96095	174	306	
VAG96095	175	307	
VAG96095	175	308	
VAG96095	176	309	
VAG96095	176	310	
VAG96095	177	311	
VAG96095	177	312	
VAG96095	178	313	
VAG96095	178	314	
VAG96095	184	326	
VAG96095	185	327	
VAG96095	188	332	
VAG96095	188	333	
VAG96095	189	334	
VAG96095	189	335	
VAG96095	202	360	
VAG96095	202	361	
VAG96095	203	362	
VAG96095	99	183	
VAG96097	100	184	
VAG96097	165	294	
VAG96097	166	295	
VAG96097	167	296	


		 9	
VAG96095	111	212	
VAG96095	115	218	
VAG96095	116	219	
VAG96095	117	220	
VAG96095	120	225	
VAG96095	121	226	
VAG96095	121	227	
VAG96095	145	265	
VAG96095	145	266	
VAG96096	84	149	
VAG96096	84	150	
VAG96096	86	153	
VAG96096	94	172	
VAG96096	94	173	
VAG96096	96	176	
VAG96096	96	177	
VAG96096	100	185	
VAG96096	101	186	
VAG96096	102	190	
VAG96096	102	191	
VAG96096	155	282	
VAG96096	156	283	
VAG96096	157	284	
VAG96096	158	285	
VAG96096	159	286	
VAG96096	160	287	
VAG96096	160	288	
VAG96096	161	289	
VAG96096	161	290	
VAG96096	162	291	
VAG96096	163	292	
VAG96096	164	293	
VAG96096	168	298	
VAG96096	169	299	
VAG96096	171	301	
VAG96096	172	302	
VAG96096	173	303	
VAG96096	174	306	
VAG96096	175	307	
VAG96096	175	308	
VAG96096	176	309	
VAG96096	176	310	
VAG96096	177	311	
VAG96096	177	312	
VAG96096	178	313	
VAG96096	178	314	
VAG96096	184	326	
VAG96096	185	327	
VAG96096	188	332	
VAG96096	188	333	
VAG96096	189	334	
VAG96096	189	335	
VAG96096	202	360	
VAG96096	202	361	
VAG96096	203	362	
VAG96097	99	183	
VAG96097	100	184	
VAG96097	165	294	
VAG96097	166	295	
VAG96097	167	296	


		 9	
VAG96097	173	304	
VAG96097	174	305	
VAG96097	204	365	
VAG96097	205	366	
VAG96097	206	367	
VAG96098	85	151	
VAG96098	85	152	
VAG96099	85	151	
VAG96099	85	152	
VAG96119	2	2	
VAG96138B	93	170	
VAG96138B	135	254	
VAG96138B	136	255	
VAG96139B	133	250	
VAG96139B	133	251	
VAG96139B	134	252	
VAG96139B	187	330	
VAG96139B	187	331	
VAG96139B	201	358	
VAG96139B	201	359	
VAG96139B	203	363	
VAG96139B	203	364	
VAG96141B	170	300	
VAG96142B	155	282	
VAG96142B	156	283	
VAG96142B	170	300	
VAG96142B	188	332	
VAG96142B	188	333	
VAG96142B	189	334	
VAG96142B	189	335	
VAG96142B	202	360	
VAG96142B	202	361	
VAG96142B	203	362	
VAG96143B	6	11	
VAG96143B	14	19	
VAG96143B	36	57	
VAG96143B	43	65	
VAG96144B	133	250	
VAG96144B	133	251	
VAG96144B	134	252	
VAG96144B	186	328	
VAG96144B	186	329	
VAG96144B	187	330	
VAG96144B	187	331	
VAG96144B	190	336	
VAG96144B	190	337	
VAG96144B	201	358	
VAG96144B	201	359	
VAG96144B	203	363	
VAG96144B	203	364	
VAG96147B	201	358	
VAG96147B	201	359	
VAG96148B	6	10	
VAG96148B	17	22	
VAG96148B	19	25	
VAG96149	102	190	
VAG96149	102	191	
VAG96149	111	211	
VAG96149	111	212	
VAG96149	115	218	


		 9	
VAG96149	116	219	
VAG96149	117	220	
VAG96149	120	225	
VAG96149	121	226	
VAG96149	121	227	
VAG96149	145	265	
VAG96149	145	266	
VAG96149	157	284	
VAG96149	158	285	
VAG96149	159	286	
VAG96149	160	287	
VAG96149	160	288	
VAG96149	161	289	
VAG96149	161	290	
VAG96149	162	291	
VAG96149	163	292	
VAG96149	164	293	
VAG96149	168	298	
VAG96149	169	299	
VAG96149	171	301	
VAG96149	172	302	
VAG96149	173	303	
VAG96149	174	306	
VAG96149	175	307	
VAG96149	175	308	
VAG96149	176	309	
VAG96149	176	310	
VAG96149	177	311	
VAG96149	177	312	
VAG96149	178	313	
VAG96149	178	314	
VAG96149	184	326	
VAG96149	185	327	
VAG96149	207	371	
VAG96152	103	194	
VAG96152	104	195	
VAG96152	104	196	
VAG96152	105	197	
VAG96153B	137	256	
VAG96153B	137	257	
VAG96153B	138	258	
VAG96153B	139	259	
VAG96153B	140	260	
VAG96153B	141	261	
VAG96153B	142	262	
VAG96153B	143	263	
VAG96153B	144	264	
VAG96153B	193	342	
VAG96153B	194	343	
VAG96153B	194	344	
VAG96153B	195	345	
VAG96154B	137	256	
VAG96154B	137	257	
VAG96154B	138	258	
VAG96154B	139	259	
VAG96154B	140	260	
VAG96154B	141	261	
VAG96154B	142	262	
VAG96154B	143	263	
VAG96154B	144	264	


NUMERICAL PARTS LIST

Numerische Teilenummernliste • Elenco riferimenti
Liste des références produits

 9		
VAG96154B	193	342
VAG96154B	194	343
VAG96154B	194	344
VAG96154B	195	345
VAG96157B	167	297
VAG96162B	93	170
VAG96162B	134	253
VAG96162B	135	254
VAG96162B	136	255
VAG96167	15	20
VAG96167	16	21
VAG96168B	208	372
VAG96168B	208	375
VAG96168B	210	383
VAG96168B	211	385
VAG96168B	211	386
VAG96168B	212	389
VAG96168B	212	390
VAG96169B	188	332
VAG96169B	188	333
VAG96169B	189	334
VAG96169B	189	335
VAG96169B	189	335
VAG96169B	202	360
VAG96169B	202	361
VAG96169B	203	362
VAG96170B	134	253
VAG96176B	21	30
VAG96176B	67	111
VAG96176B	68	112
VAG96176B	68	113
VAG96176B	69	114
VAG96176B	69	115
VAG96176B	71	118
VAG96176B	71	119
VAG96176B	72	121
VAG96176B	73	122
VAG96176B	73	123
VAG96176B	78	131
VAG96176B	78	132
VAG96177B	212	389
VAG96177B	212	390
VAG96177B	216	401
VAG96177B	216	402
VAG96178	94	172
VAG96178	94	173
VAG96178	96	176
VAG96178	96	177
VAG96178	102	190
VAG96178	102	191
VAG96178	155	282
VAG96178	156	283
VAG96178	157	284
VAG96178	158	285
VAG96178	159	286
VAG96178	160	287
VAG96178	160	288
VAG96178	161	289
VAG96178	161	290
VAG96178	162	291
VAG96178	163	292

 9		
VAG96178	164	293
VAG96178	168	298
VAG96178	169	299
VAG96178	171	301
VAG96178	172	302
VAG96178	173	303
VAG96178	174	306
VAG96178	175	307
VAG96178	175	308
VAG96178	176	309
VAG96178	176	310
VAG96178	177	311
VAG96178	177	312
VAG96178	178	313
VAG96178	178	314
VAG96178	184	326
VAG96178	185	327
VAG96178	188	332
VAG96178	188	333
VAG96178	189	334
VAG96178	189	335
VAG96178	202	360
VAG96178	202	361
VAG96178	203	362
VAG96183B	213	392
VAG96183B	213	393
VAG96183B	213	394
VAG96183B	214	396
VAG96183B	214	397
VAG96183B	215	398
VAG96189B	15	20
VAG96189B	16	21
VAG96196	22	33
VAG96196	23	34
VAG96196	25	38
VAG96196	26	40
VAG96196	37	58
VAG96196	38	59
VAG96196	39	60
VAG96196	60	92
VAG96196	65	103
VAG96204	107	203
VAG96204	110	210
VAG96204	112	213
VAG96204	112	214
VAG96204	113	215
VAG96204	114	216
VAG96204	114	217
VAG96204	118	221
VAG96204	119	222
VAG96204	119	223
VAG96204	120	224
VAG96204	146	267
VAG96204	147	268
VAG96204	148	269
VAG96204	148	270
VAG96204	149	272
VAG96204	150	273
VAG96204	150	274
VAG96204	151	275
VAG96204	152	276
VAG96204	152	277
VAG96204	153	278
VAG96204	153	279
VAG96204	154	280
VAG96204	154	281
VAG96204	155	282
VAG96204	156	283
VAG96204	157	284
VAG96204	158	285
VAG96204	159	286
VAG96204	160	287
VAG96204	160	288
VAG96204	161	289
VAG96204	161	290
VAG96204	162	291
VAG96204	163	292

 9		
VAG96204	152	276
VAG96204	152	277
VAG96204	153	278
VAG96204	153	279
VAG96204	154	280
VAG96204	154	281
VAG96214	107	203
VAG96214	110	210
VAG96214	112	213
VAG96214	112	214
VAG96214	113	215
VAG96214	114	216
VAG96214	114	217
VAG96214	118	221
VAG96214	119	222
VAG96214	119	223
VAG96214	120	224
VAG96214	146	267
VAG96214	147	268
VAG96214	148	269
VAG96214	148	270
VAG96214	149	272
VAG96214	150	273
VAG96214	150	274
VAG96214	151	275
VAG96214	152	276
VAG96214	152	277
VAG96214	153	278
VAG96214	153	279
VAG96214	154	280
VAG96214	154	281
VAG96224B	199	353
VAG96224B	201	357
VAG96227B	199	353
VAG96227B	201	357
VAG96228B	210	382
VAG96233B	133	250
VAG96233B	133	251
VAG96233B	134	252
VAG96233B	187	330
VAG96235B	21	31
VAG96235B	22	33
VAG96235B	23	34
VAG96235B	25	38
VAG96235B	60	92
VAG96241	105	198
VAG96241	122	228
VAG96241	122	229
VAG96241	123	230
VAG96241	123	231
VAG96241	124	232
VAG96241	124	233
VAG96241	125	234
VAG96241	125	235
VAG96241	126	236
VAG96241	126	237
VAG96241	127	238
VAG96241	127	239
VAG96241	128	241
VAG96241	129	242

 9		
VAG96241	129	243
VAG96241	130	244
VAG96241	130	245
VAG96241	131	246
VAG96241	132	248
VAG96241	132	249
VAG96266B	18	23
VAG96266B	18	24
VAG96266B	28	43
VAG96266B	28	44
VAG96266B	42	64
VAG96266B	46	68
VAG96266B	49	74
VAG96266B	49	75
VAG96266B	50	76
VAG96266B	50	77
VAG96266B	51	78
VAG96287	94	172
VAG96287	94	173
VAG96287	96	176
VAG96287	96	177
VAG96287	111	211
VAG96287	111	212
VAG96287	115	218
VAG96287	116	219
VAG96287	117	220
VAG96287	120	225
VAG96287	121	226
VAG96287	121	227
VAG96287	145	265
VAG96287	145	266

OE	OE	OE	OE	OE	OE				
000 053 45 58	PA5041	0239978447	NA5131	103 142 14 80	JD121	11 34 7 548 281	V95048	1110161221	JN911
000 053 46 58	PA5041	046671398	NA5139	1030100180	HL657	11 34 7 553 771	V95043	1110161320	BZ850
000 053 47 58	PA5041	05080084AA	JM7028	1030100280	HL657	11 34 7 553 772	V95044	1110161420	BZ880
0000160069 x8	HBS521	07131487226 x10	HBS496	1030105420	HL657	11 34 7 553 774	V95046	1110161520	BZ900
0000530022	HR599	102 050 00 27	V91958	1030140422	JJ491	11 34 7 573 840	V95048	1110161620	BZ890
0000534558	PA5041	102 050 03 27	V91958	1030160221	JN623	11 34 7 791 054	V94670	1110161720	BZ890
0000534658	PA5041	102 050 05 27	V94376	1030160421	JN623	11 34 7 791 055	V94671	1110162420	BZ850
0000534758	PA5041	102 050 05 62	VAG96153B	1030161920	BN740	11 34 7 797 712	V95041	1110162620	BZ880
0001421V003	JM5162	102 050 06 27	V94376	1030162120	BN740	11 34 7 799 612	V95042	1110162720	BZ880
000160320	AA5430	102 050 07 27	V94376	1030500058	HR760	11 34 7 805 968	V94960	1110162820	BZ900
0003086V003	AC5660	102 050 08 27	V94376	1030500080	FOL82	11 34 7 805 969	V94961	1110162920	BZ890
0003093V001000000	HA5034	102 050 09 27	V94376	1030500158	HR759	11 34 7 812 615	V95041	1110163020	BZ890
0004551V000	HBS460	102 050 10 27	V94376	1030502224	VAG96138B	11 34 8 511 622	V95041	1110501801	CAM693
0004553	CC5350	102 050 11 27	V94376	1030506401	CAM408	11 61 1 247 478	JD611	1110501901	CAM694
0004572V001000000	FOL152	102 050 17 24	VAG92378B	104 050 08 27	V94563	11 61 1 717 259	JD493	11110394505	EC5410
0007189V001000000	JD5823	102 050 18 24	VAG92379B	104 050 10 27	V94289	11 61 1 721 763	JD490	11111432478	EW802
0009660V001000000	NA5118	102 053 10 01	V94283	104 050 14 27	V94563	11 61 1 726 012	JD239	11111485171	NA5139
001 997 74 47	PA815	102 053 13 01	V91441	104 050 17 27	V94289	11 61 1 726 016	JD315	11111492244	NA5140
0019970847	NB975	102 053 14 01	V94283	104 050 3724	VAG96170B	11 61 1 734 684	JD490	11111712981	EB5660
0019971241	PA815	102 053 15 01	V91445	104 050 57 24	VAG96169B	11 61 1 739 545	JD608	11111740981	EY571
0029571	HR5061	102 053 16 01	V91441	104 053 08 01	V94533	11 61 1 740 069	JD492	11112243888	EX934
0029903722	HBS349	102 053 17 01	V91445	104 053 10 01	V94533	11 62 1 744 252	JD497	11112244327	EY730
0029970847	NB975	102 053 18 01	V91441	104 053 12 01	V94288	11 62 7 806 008	JD5829	11112245749	EW820
0039902522	HBS474	102 141 27 80	JD182	104 053 14 01	V94288	110 016 03 21	PB251	11112246703	EY270
0039970347	NA5264	1020101180	EH872	1040100630	JM5113	110 016 07 21	PB251	11112247511	EZ800
0049976647	NA5264	1020103305	EH872	1040101920	CE5331	110 050 00 27	V95072	11112248975	EZ660
0049976846	NB975	1020103405	EH872	1040102020	CE5520	110 050 07 26	V95071	1111410480	JD160
0059972747	NA5268	1020106141	DH873	1040103220	CE5330	110 050 41 24	VAG92414B	1111410680	JD160
0059973846	NB975	1020106141	DH876	1040103620	CE5331	110 050 53 24	VAG96152	1111410780	JD160
0059978347	NA5268	1020106241	DH882	1040103720	CE5330	110 050 54 24	VAG92171B	1111410880	JD5226
0059979047	NB975	1020107741	DH873	104012020	CE5520	110 050 65 24	VAG92172B	1111411280	JD5226
0069971247	NB971	1020107741	DH876	1040160021	JM5115	1100100830	HL659	1111420380	JD161
0069975347	NC065	1020107841	DH882	1040160321	JM5113	11001260662	EX932	1111420580	JD161
0069978046	NB975	1020107941	DH870	1040160821	JM5114	11001260671	EX931	11117511529	EC5440
007603016303	PA349	1020140722	JJ488	1040161620	AC5520	11001287579	EX934	11117548101	EG9540
0089971547	NB975	1020160321	JN454	1040162820	AE5330	1100310181	NB975	11117802665	NA5299
0089971647	NB975	1020160421	JN454	1040500258	HR5055	1100505824	VAG96147B	11117805946	NA5325
0089972346	NB975	1020160421	JN607	1040501025	FOL124	111 050 0527	V94377	11119059257	ER830
0089972547	NB972	1020160520	BH870	1040501225	FOL147	111 050 06 27	V94792	11119063134	EX932
0089972647	NB972	1020160521	JN607	1040504724	VAG96141B	111 050 06 27	V95012	11119064460	ET681
0089974047	NA5264	1020160620	BH870	1040505224	VAG96142B	111 050 12 27	V94371	11119066462	EW730
0089975247	NB971	1020161121	JN454	1040507401	CAM659	111 050 14 27	V94371	1112 1 263 642	VAG92170B
0099973547	NB971	1020161221	JN607	1040508501	CAM683	111 050 14 27	V94502	1112 1 266 761	VAG96176B
0099973647	NB972	1020162220	BH870	1041410580	JE5018	111 053 01 01	V94480	1112 1 267 676	VAG92347B
0099974547	NB975	1020162320	BH870	1041410980	JE5028	111 053 02 01	V94480	1112 1 267 677	VAG96143B
0099978547	NB975	1020162420	BH880	1041411080	JD167	111 053 03 01	V95011	1112 1 280 523	VAG92303B
0099978947	NB973	1020162520	BH880	1041420380	JD169	111 053 04 01	V95011	1112 1 715 373	VAG96042B
00A103085A	NB973	1020163220	BH880	1041420780	JD169	111 053 10 29	VAG96096	1112 1 735 534	VAG96043B
010 997 34 47	NB972	1020500058	HR757	1060162720	BH870	111 053 11 29	VAG96178	1112 7 797 711	V95040
0109970947	NB973	1020500067	HR756	108 050 05 24	VAG92200B	111 053 1101	V94370	11120004553	CC5350
0109973347	NB973	1020500158	HR756	11 12 1 280 523	VAG96189B	1110100430	HM5057	11120030496	HM5069
0109973447	NB971	1020500201	CAM633	11 12 1 740 065 14x	HBS413	1110100430	JN911	11120031987	HM5150
0109976147	NC065	1020503101	CAM377	11 12 2 244 464	VAG96148B	1110102820	DV810	11120032224	HM5160
0109978247	NB972	1020503724	VAG96227B	11 12 2 247 056	FOL186	1110102920	DV820	11120035738	HM5368
0109978947	NB971	1020504024	VAG96224B	11 12 7 560 274	HBS522	1110103108	EV810	11120141055	CC5901
0109979047	NB975	1020504501	CAM377	11 12 7 797 711	V95040	1110103920	DZ160	11120143667	CC5441
0139259	JH5070	1020504801	CAM377	11 12 7 805 927	JM7034	1110104120	DZ900	11120147561	CC5921
0139973746	NA5332	1020505501	CAM377	11 33 7 549 632	FOL185	1110105020	DZ881	11120147641	CC5921
0139976847	NB971	1020508924	VAG96154B	11 33 7 549 633	FOL191	1110105120	DZ891	11120150670	CG9000
0179977447	NB974	1021413480	JD291	11 34 1 251 063	V90333	1110106220	DZ881	11120621144	HBS070
0189975247	NB973	1021421480	JD292	11 34 1 433 483	V95060	1110106220	DZ891	11120621144	HBS071
0189977947	NC065	1021421580	JD293	11 34 1 435 476	V95059	1110106420	DZ891	11121059238	DL691
0209.ER	AH6730	1029900810	HBS146	11 34 1 731 642	V95059	1110140022	JJ499	11121265919	BC940
021 109 601	V94546	1029900810	HBS150	11 34 1 736 567	V95059	1110140122	JJ499	11121265919	BC940
021 109 601K	V94145	103 050 03 24	VAG92380B	11 34 1 736 576	V95060	1110140222	JJ499	11121260673	DC929
021 109 611D	V94306	103 050 07 24	VAG92342B	11 34 1 736 916	PA5041	1110160221	JN911	11121262571	HR397
0219971847	NA5131	103 050 13 27	V94285	11 34 1 741 230	V95060	1110160420	BZ900	11121265108	JN297
0219977647	NA5131	103 050 17 27	V91447	11 34 2 245 151	PA5041	1110160620	BZ900	11121265404	BC910
022 109 601G	V95085	103 050 2724	VAG96162B	11 34 7 539 915	V95043	1110160720	BZ850	11121265417	BC940
022 109 611N	V95086	103 053 21 01	V94284	11 34 7 539 919	V95045	1110160921	JN911	11121265422	BC940
022 109 612E	V34410	103 053 23 01	V94284	11 34 7 548 280	V95047	1110161220	BZ900	11121266208	BD630

OE INTERCHANGE

OE-Vergleichsliste • Intercambio con OE
Références croisées 1ère Monte

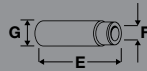
OE	OE	OE	OE	OE					
11121266759	DD630	11121729246	HBS519	11122245355	BZ111	11127788651	AE5340	11141255014	NB432
11121267136	JN299	11121729247 x10	HBS519	11122245356	BZ120	11127788652	AE5350	11141265431	NF637
11121267138	JN300	11121730217	BS320	11122245426	BZ111	11127788656	AE5360	11141271081	NF637
11121268816	BC910	11121730220	BS320	11122245427	BZ120	11127788657	AE5370	11141274346	NF637
11121269235	BR841	11121730223	BL690	11122245483	BW730	11127790052	AC5410	11141275293	NB431
11121269252	BC940	11121730226	BL690	11122245484	BW740	11127790053	AC5420	11141275466	NF637
11121269253	BC940	11121730229	JN297	11122245547	AY270	11127790054	AC5430	11141278108	NB432
11121269493	DC929	11121730231	JN542	11122245548	AY280	11127790954	AG7600	11141308342	NC015
11121277779	DL690	11121730252	DR831	11122245599	JP078	11127790955	AG7610	11141439570	NA5099
11121278303	BC940	11121730252	DT680	11122245686	JM5063	11127790956	AG7620	11141706785	NB431
11121278305	BL680	11121730253	DT691	11122246092	AY280	11127794495	JM5167	11141706999	NB431
11121278306	BL690	11121730780	DL690	11122246093	AY270	11127794857	AH5950	11141709632	NB432
11121285609	NB799	11121730876	DD631	11122246704	CY270	11127796378	JM5106	11141710247	NA5132
11121285620	NB799	11121730934	JN300	11122246996	JM5118	11127798532	HBS543	11141713722	NA5267
11121285973	JN578	11121730935	JN300	11122247029	BZ500	11127801698	AH5920	11141713730	NA5132
11121286335	DD631	11121730936	JN300	11122247030	BZ510	11127801699	AH5930	11141714617	NB980
11121287450	BR420	11121730950	BC940	11122247031	BZ520	11127801700	AH5940	11141715100	NB792
11121287451	BR430	11121733966	JM5107	11122247447	JM5106	11127807293	CG5011	11141715101	NB792
11121287452	BR440	11121733967	JM5109	11122247498	BZ500	11127807294	HBS544	11141721560	NC015
11121287686	BL690	11121733968	JM5108	11122247499	BZ510	11127809755	AH7100	11141725994	NA5267
11121287834	BD630	11121734030	JN299	11122247500	BZ520	11128506128	AG5010	11142245364	NB431
11121287934	BC910	11121734115	DC929	11122247501	DZ661	11128506129	AG5020	11142249532	NA5105
11121317979 x14	HBS507	11121734214	BP610	11122247677	BZ660	11128506130	AG5030	11142249533	NA5104
11121427825	DY571	11121734215	JN299	11122247678	BZ670	11129058467	DL681	11142249534	NA5103
11121427826	DT692	11121734267	DR830	11122247679	BZ680	11129059238	DL691	11147787262	LK5007
11121432885	JP079	11121734276	JN299	11122248982	BZ660	11129059240	DL681	11147797490	NA5298
11121433463	AC5640	11121734280	BP610	11122248983	BZ670	11129059248	DD630	1117582245	HM5278
11121433467	AC5650	11121734624	JP079	11122248984	BZ680	11129063330	DY542	1120160120	AE5730
11121433473	AC5350	11121734613	JM5109	11122248985	DZ660	11129063333	DY542	1120160220	AE5740
11121433477	AC5360	11121736114	JM5108	11122354013	AC5320	11129064466	DT681	1120160221	JM5236
11121433950	BZ130	11121736115	JM5107	11122354014	AC5330	11129064467	DT691	1120160320	AE5750
11121435586	AC5310	11121736315	BX270	11122354015	AC5340	11129064467	DT693	1120160321	JM5237
11121436760	JM5096	11121736316	BX281	11127501304	AC5900	11129065439	DY541	1120160420	AE5760
11121436761	JM5097	11121736317	BX270	11127501305	AF5190	11129065638	BC940	1121412080	JD5385
11121436822	CC5900	11121736318	BX281	11127504631	BR830	11129065653	BC910	1121420180	JY5386
11121437343	JM5098	11121736319	BX290	11127506983	AC5310	11129065718	DC921	1129970046	NA5168
11121485838	JM5119	11121736340	BX300	11127507597	CC5310	11129066434	DY520	1129970146	NA5168
11121708891	BL680	11121736341	BX290	11127508543	AC5920	11129066452	DR831	1129970246	NA5168
11121712309	CB5660	11121736342	BX300	11127508545	CC5920	11129067790	HBS066	1129970346	NA5168
11121715181	JN698	11121736348	BX240	11127508936	HBS359	11129067792	HBS121	1129970446	NA5168
11121715452	BR830	11121739331	BR830	11127509710	AC5440	11129070058	DW731	113 050 0127	V94389
11121716223	BL690	11121739334	BR830	11127509711	AC5470	11129070530	HL734	113 050 0227	V94391
11121716226	BS320	11121739849	BZ130	11127511534	HBS467	11129070531	HL735	113 050 0327	V94393
11121716228	DL691	11121740982	DY570	11127511535	CC5440	11129070532	HL736	113 053 0001	V94388
11121718931	HBS041	11121740984	DT693	11127513194	HM5296	11129070615	DZ130	113 053 0101	V94390
11121721335	ER830	11121741468	AC5370	11127513195	HM5297	11129070622	DZ121	113 053 0201	V94392
11121721336	DR830	11121741469	AC5370	11127536785	HM5288	11129071589	HM5066	113 053 03 29	VAG96097
11121721476	JP077	11121741470	AC5380	11127548799	HBS468	11129071590	HM5067	113 053 05 01	V94390
11121721495	BR830	11121741471	AC5380	11127548921	CG9540	11130139259	JH5070	11311244466	CAM458
11121721546	BY560	11121743114	BR830	11127553209	AH6210	11130149329	JH5110	11311275802	CAM423
11121721547	BY560	11121743375	DZ130	11127555755	AG9540	11130607100	JJ089	11311287139	CAM423
11121721659	TB242	11121743704	AB5660	11127555756	AG9550	11131280901	JJ104	11311287606	CAM394
11121721875	JP077	11121747021	JM5109	11127555757	AG9290	11131315154	JJ538	11311289228	CAM407
11121721938	HBS068	11121747022	JM5108	11127557265	AH5120	111313739592	JJ537	11311709580	CAM403
11121721939	HBS069	11121747023	JM5107	11127559311	HM5278	11131432109	JH5050	11311716138	CAM435
11121722021	HBS041	11122241051	BR420	11127560271	AH6440	11131436324	JH5116	11311716139	CAM410
11121722388	JN297	11122241052	BR430	11127561437	HBS542	11131437237	JJ611	11311721699	TB242
11121722389	JN542	11122241053	BR440	11127565286	JM7098	11131487221	JH5051	11311734608	TB242
11121722390	JN297	11122242959	BR420	11127570859	AH6440	11131702047	JH5111	11312240863	CAM423
11121722725	BD630	11122242960	BR430	11127574303	HBS542	11131722695	JJ538	11317805957	TB724
11121722727	BD630	11122242961	BR440	11127578093	AH6220	11131727974	JJ089	11319058572	CAM407
11121722728	BD630	11122243143	HBS065	11127591482	AH6420	11131730234	JJ104	11321440256	FOL131
11121722734	BL680	11122243203	JN955	11127595139	AH6440	11131739592	JJ537	11321717798	FOL125
11121726	HBS041	11122244327	EW730	11127599212	AH6420	11131742109	JH5115	11321727471	FOL125
11121726478	HBS041	11122244328	DW730	11127787074	JM5167	11132245174	JJ536	11321727993	FOL125
11121726617	BT691	11122244398	JN955	11127788072	CC5410	11137548031	JH5103	11321734341	FOL125
11121726618	BT691	11122244727	BR420	11127788587	AG9000	11139063331	JJ536	11321739299	FOL129
11121726623	BT680	11122244728	BR430	11127788588	AG9010	11139066503	JJ536	11321748880	FOL131
11121726624	BT680	11122244729	BR440	11127788589	AG9020	11139067655	JJ614	11321748881	FOL131
11121727726	JN698	11122244920	BW730	11127788640	AB5990	11141255010	NB792	11331271429	FOL132
11121729246	HBS067	11122244921	BW740	11127788642	AB5980	11141255012	NB431	11331709063	FOL80

OE		OE		OE		OE		OE	
11331715458	FOL79	1134 7 505 704	V94595	11612244391	JD274	1436761	JM5097	18307506779	JE5039
11332248878	FOL186	1134 7 533 884	V95035	11612245438	JD612	1436822	CC5900	18307540797	JD5428
11332249817	FOL152	1134 7 533 884	V95036	11612246944	JD5108	1437237	JJ611	18307540798	JE5050
11337549632	FOL185	1134 7 539 919	V95045	11612246945	JD5107	1437343	JM5098	18407530606	JD5909
11337805973	FOL184	1134 7 547 187	V95038	1161420280	JE5031	1437384	JD5858	2243781	JD275
1134 1 251 063	V90333	1134 7 548 280	V95047	11617503215	HA5024	1439570	NA5099	2244328	DW730
1134 1 251 879	V34335	1134 7 553 771	V95043	11617513044	JD5826	1485838	JM5119	2244384	JD274
1134 1 265 453	V91189	1134 7 553 772	V95044	11617521181	JD5986	1487220	HR5061	2244398	JN955
1134 1 267 721	V91189	1134 7 553 774	V95046	11617528584	JD6024	1487221	JH5051	2244568	JD276
1134 1 267 722	V91190	1134 7 573 840	V95048	11617530703	HA5024	1487226 x10	HBS496	2244899	JD5270
1134 1 280 643	V91190	1134 7 587 470	V95037	11617547242	JD5864	1492244	NA5140	2245426	BZ111
1134 1 309 343	V94275	1134 7 799 612	V95042	11617790198	JD5108	160 050 00 27	V94804	2245427	BZ120
1134 1 309 487	V94276	1134 7 805 968	V94960	11617801438	JD5991	160 053 00 01	V94803	2245438	JD612
1134 1 315 508	V94797	1134 7 829 943	V94350	11621174968	JD5827	1600160120	AC5660	2245483	BW730
1134 1 401 104	V94776	1134 8 511 622	V95041	11621728981	JD561	1600160320	AG8990	2245484	BW740
1134 1 401 105	V94774	11340029571	HR5061	11621728983	JD561	1600500027	V94804	2245599	JP078
1134 1 433 480	V94091	11341273501	HR569	11621732969	JD5916	1600530001	V94803	2245686	JM5063
1134 1 433 481	V94092	11341285249	HR569	11621743620	JD243	1601420280	JD5205	2245749	EY280
1134 1 435 461	V94957	11341288544	HR599	11621743719	JD243	1609970146	NA5118	2246093	AY270
1134 1 438 284	V94594	11341288544	HR646	11622243781	JD275	1609970246	NA5118	2246174	JD5134
1134 1 438 381	V94008	11341289948	PA815	11622243782	JD275	166 050 00 58	HR5097	2246703	EY270
1134 1 438 449	V94008	11341435461	V94957	11622244568	JD276	166 050 0327	V94395	2246704	CY270
1134 1 440 304	V94402	11341461679	PA5041	11622244569	JD276	166 050 0427	V94397	2246944	JD5108
1134 1 485 585	V94349	11341706580	HR599	11622246174	JD5134	166 053 0101	V94394	2246945	JD5107
1134 1 705 560	V94521	11341706707	HR599	11622248287	JD5183	166 053 0201	V94396	2246996	JM5118
1134 1 707 519	V94403	11341721274	TB242	11627505789	JD5146	166 140 02 34	JD5135	2247030	BZ510
1134 1 708 895	V91187	11341736916	PA5041	11627787630	JD5183	1660100014	NA5107	2247447	JM5106
1134 1 708 896	V91188	11342245151	PA5041	1169970246	NA5268	1660160120	AB5550	2247498	BZ500
1134 1 709 941	V91418	11342247171	PA5016	1169970346	NA5268	1660160220	AB5570	2247499	BZ510
1134 1 720 827	V91187	11347533884	V95035	117 050 01 26	V94286	1660180088	JM5163	2247500	BZ520
1134 1 720 828	V91188	11347533885	V95036	1170500624	VAG96233B	1661400134	JD5135	2247501	DZ661
1134 1 722 892	V91410	11347547187	V95038	1170511801	CAM628	1661400234	JD5135	2247511	EZ800
1134 1 722 893	V91411	11347587470	V95037	1170512601	CAM628	1661410080	JD5804	2248975	EZ660
1134 1 722 896	V91420	11347807347	HR5110	1170512701	CAM629	1669970246	NA5109	2248982	BZ660
1134 1 722 908	V91410	11347812926	HR5107	11712244899	JD5270	17065804	HR599	2248983	BZ670
1134 1 722 909	V91411	11349059169	HR363	11761711717	JE5074	17067073	HR599	2248984	BZ680
1134 1 722 910	V91420	11349059169	HR569	119 050 09 27	V94534	1712309	CB5660	2248985	DZ660
1134 1 722 911	V91421	11349059171	HR646	119 050 10 27	V94534	1712981	EB5660	2249532	NA5105
1134 1 726 903	V91411	11349059172	HR602	119 053 18 01	V94532	1721547	BY560	2249533	NA5104
1134 1 727 352	V91955	11349059172	HR662	119001727703	NB792	17215604	NC015	2249534	NA5103
1134 1 727 358	V91418	11349063193	HR791	1190140822	JH5113	17218103	NC015	23540139	AC5320
1134 1 731 640	V94091	11349065438	HR817	1200310181	NB975	1722734	BL680	23540159	AC5340
1134 1 736 549	V94091	11349070982	HR5045	1209970246	NA5268	1723843	JE555	266 016 06 20	AG8500
1134 1 736 558	V94092	11422249532	NA5105	1209970346	NB973	1726016	JD315	266 050 00 27	V98070
1134 1 736 567	V95059	115 050 00 27	V95096	121 053 00 01	V94535	1726617	BT691	266 141 00 80	JD5799
1134 1 736 568	V94092	115 050 02 26	V35015	121 053 04 01	V94750	1726623	BT680	266 142 00 80	JD5802
1134 1 736 576	V95060	1150140122	JH683	123 050 00 67	HL196	1730217	BS320	2660160720	AH5000
1134 1 738 214	V94008	1150160180	JM850	123 050 18 24	VAG92171B	1730226	BL690	2660500027	V98070
1134 1 738 215	V94009	1150162620	BC870	1234920380	JE5026	1734280	BP610	271 016 05 20	AG8790
1134 1 738 220	V94008	1150163320	BC870	1239900412	HBS149	1734608	TB242	271 050 00 27	V98069
1134 1 738 221	V94009	1150163520	BC870	1247478	JD611	1736317	BX270	271 050 04 27	V98069
1134 1 739 114	V94087	1150163820	BC870	126907123	JM7095	1736318	BX281	271 050 06 27	V95076
1134 1 739 658	V94087	1150164020	BC870	126907123	JM848	1736319	BX290	271 053 00 01	V98068
1134 1 739 665	V94088	116 050 00 27	V94254	1269970041	JE5073	1736340	BX300	271 053 05 01	V95075
1134 1 739 820	V91925	116 050 01 26	V94257	1273501	PA815	1736348	BX240	271 053 06 01	V95075
1134 1 739 821	V91926	116 050 04 26	V94333	1288544	HR646	1736916	PA5041	2710160320	AG8790
1134 1 739 822	V91925	1160500480	FOL144	129 053 01 05	V95096	1739545	JD608	2710160921	JM7026
1134 1 739 823	V91926	1160504724	VAG96144B	130 050 01 24	VAG51028B	1739849	BZ130	2710530001	V98068
1134 1 741 231	V94092	1160505324	VAG96139B	1315154	JJ538	1740982	DY570	2711410880	JD5835
1134 2 242 622	V91423	1160516201	CAM637	1320160120	AH6000	1741468	AC5370	2711420380	JD5801
1134 2 242 623	V91423	1160516301	CAM638	135 053 00 58	HR5048	1741470	AC5380	2720160269 x16	HB5511
1134 2 244 814	V94526	1160551001	FOL148	1351420280	JD5905	1743719	JD243	2720160720	AG8390
1134 2 244 815	V94555	11611436631	HA5023	13715-33040	V94671	180 053 11 05	V94536	2720160820	AG8400
1134 2 246 524	V94089	11611437383	JD5156	1427825	DY571	180 053 15 05	V94536	2730160620	AG8480
1134 2 246 525	V94090	11611437384	JD5858	1432109	JH5050	18107502346	JE5012	2730160720	AG8470
1134 2 247 077	V94086	11611720740	NC052	1432478	EW802	18107549447	JE5058	2730160820	AG8430
1134 4 457 287	V94403	11611721344	JD283	1433463	AC5640	18111101192	JE555	2730160920	AG8440
1134 7 502 173	V94009	11611721346	JD189	1433467	AC5650	18111723843	JE555	2730161220	AG8480
1134 7 502 351	V94009	11611730788	JC929	1433473	AC5350	18301711968	JE5019	2730161320	AG8470
1134 7 503 738	V94403	11611734401	JD283	1433477	AC5360	18301728208	JE5019	27559311	HM5278
1134 7 503 839	V94403	11612244384	JD274	1436760	JM5096	18301728410	JE5019	32415240	VAG96086B

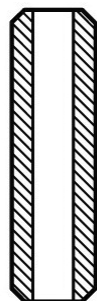
OE INTERCHANGE

OE-Vergleichsliste • Intercambio con OE
Références croisées 1ère Monte

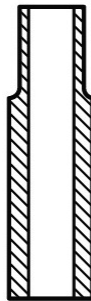
OE	OE	OE	OE	OE	OE	OE	OE		
4696011	JN911	6030107320	DY601	611 053 0329	VAG96241	628 053 00 05	V98067	7789978	AC5420
5410140322	JH5018	6030140822	JJ500	611 053 04 01	V94398	6280530001	V98066	7789979	AC5430
59979047	NB975	6030160221	JN851	6110100114	NA5074	6280530005	V98067	7790052	AC5410
601 050 03 25	FOL84	6030160321	JN852	6110100605	EC5620	640 016 03 21	JM7027	7790053	AC5420
601 050 06 24	VAG92297	6030163220	BT550	6110104520	CC5620	640 016 07 20	AG8501	7790054	AC5430
601 050 08 25	FOL84	6031420080	JD301	6110140222	JH5082	640 098 06 80	JD5800	7794495	JM5167
601 050 09 24	VAG92298	6039900110	HBS058	6110160121	HM5170	640 142 05 80	JD5803	9059169	HR363
601 050 12 27	V91182	6039900110	HBS059	6110160520	AC5620	6400160321	HM5286	9059169	HR569
601 050 19 27	V91182	6039900110	HBS060	6110160620	AC5620	6410161720	AH7030	9063193	HR791
601 050 21 27	V91182	6039900210	HBS058	6110161020	AC5620	642 050 05 27	V98072	9064457	HR280
601 050 23 27	V91182	6039900210	HBS059	6110500225	FOL153	642 053 04 01	V98071	9064460	ET681
601 050 25 27	V94287	6039900210	HBS060	6110940080	JD5378	6420162120	AH5020	9065438	HR817
601 050 25 27	V91182	6039900210	HBS061	6110980380	JD5379	6420162220	AH5010	9065439	DY541
601 053 04 01	V91181	6039900210	HBS062	6111410180	JD5377	6420500527	V98072	9065638	BC940
601 053 12 01	V91181	6039900210	HBS063	6111420780	JD5380	6420530401	V98071	9066452	DR831
601 053 15 01	V91181	6039900310	HBS058	6119900322	HBS292	6421420080	JD5902	9066462	EW730
601 053 17 01	V91181	6039900310	HBS059	6119900322	HBS293	6421421280	JE5067	9066503	JJ536
6010100180	EM720	6039900310	HBS060	6119900322	HBS294	6421421380	JE5068	9067655	JJ614
6010100280	DT540	6039900310	HBS061	6120101405	ED5720	642533	PA5041	9070058	DW731
6010103320	DT541	6039900310	HBS062	6120101820	CD5720	6460160520	AD5720	9070530	HL734
6010103620	DW370	6039900310	HBS063	6120160020	AD5720	6460161920	AH6450	9070531	HL735
6010104720	HL654	6040100620	DZ860	6120160021	JM7028	6460162020	AH6470	9070532	HL736
6010104805	EM720	6040100805	HC5005	6120160320	AD5720	6460162120	AH6460	9070615	DZ130
6010104820	DW370	6040140022	JJ498	6120500058	HR5055	6470140022	JJ543	9070622	DZ121
6010104820	DW373	6040160420	BZ860	6120500058	HR5085	6470160121	HM5274	9070982	HR5045
601042022	JJ498	6040500058	HR791	6121410180	JD5797	6470160620	AD5720	911.105.411.00	V94266
601060320	BT540	6040500158	HR5056	6121420380	JD5798	6480160320	AG8490	911.105.411.20	V94266
601060420	BT540	6041410160	JD475	6131420380	JE5032	6505239AA 10x	HBS496	911.105.415.00	V94267
601060421	JN572	6041420280	JD5225	6131420480	JE5032	651 016 04 69	HBS534	911.105.415.20	V94267
601060521	JN619	6050100605	EY590	6150160080	JM7095	6600100030	JM5162	915035000028	PA349
601060621	JN572	6050101220	DY590	6150160080	JM848	6600160020	AC5670	928 104 328 02	VAG96183B
601060721	JN619	6050102420	DZ870	6150162020	BG990	6601420080	JD5206	928.105.409.02	V94335
601061920	BT540	6050140022	JJ543	6151420580	JB162	668 050 02 27	V94401	928.105.409.03	V94335
601062320	BW370	6050140122	JJ543	6159900112	HBS045	668 053 02 29	VAG96098	928.105.410.02	V94544
601062520	BW370	6050160221	JP022	6159900212	HBS045	668 053 02 30	VAG96099	928.105.410.04	V94408
601062920	BT540	6050160420	BY590	6159900212	HBS047	668 053 03 01	V94400	928.105.641.05	V94295
601063320	BW370	6050160520	BZ870	6159900312	HBS045	6680160120	AB5560	928.105.641.06	V94298
6010500724	VAG96214	6050160720	BZ870	6159900312	HBS046	6680160221	JM5165	928.105.642.05	V94296
6010500801	CAM627	6050500158	HR804	616 050 00 27	V94256	6680160421	JM5164	928.105.642.06	V94299
6010501024	VAG96204	6050500401	CAM663	616 050 01 27	V35018	6680500227	V94401	92810460100	HR599
6011410280	JD158	6050501301	CAM661	616 050 01 27	V94256	6680500233	FOL162	930 104 321 00	VAG96168B
6011410580	JD158	6050501601	CAM662	616 050 05 27	V35018	6680500433	FOL162	930 105 409 13	V94268
6011420280	JD159	6051420080	JD476	616 050 05 27	V94256	6680500533	FOL162	930.105.409.01	V94268
6020100080	EN720	606 050 05 27	V94291	616 053 03 01	V90225	668050080	FOL152	930.105.409.02	V94270
6020104220	DW380	606 050 11 27	V94280	616 053 03 29	VAG92108	6680530301	V94400	930.105.419.03	V94269
6020104320	DN722	606 050 14 27	V94280	616.105.402.00	V94263	6680980065	JD5834	930.105.419.08	V94265
6020105505	EN720	606 053 01 05	V94291	616.105.406.01	V94264	66801420380	JD5136	94410221902	TB498
6020106720	DW380	606 053 0230	VAG96149	6160100380	EC790	6689900122	HBS291	94410221904	TB498
6020107520	DW381	606 053 03 05	V94291	6160105221	GC790	7 549 632	FOL185	94410515703	TB499
6020140322	JJ543	606 053 05 01	V94290	6160105506	EC790	7 549 633	FOL191	94410515704	TB499
6020160121	JN621	606 053 06 01	V94290	6160105606	EC797	7 560 274	HBS522	94410515706	TB502
6020160221	JN622	606 053 06 05	V94279	6160140122	JH683	74 84 801	V91325	94410532300	TB502
6020160321	JN621	606 053 07 01	V94290	6160160920	BC790	7501304	AC5900	94410532301	TB502
6020160420	BN720	606 053 07 05	V94279	6160161220	BC790	7502346	JE5012	94410532302	TB502
6020162220	BW380	606 053 11 01	V94278	6160161420	BC790	7506983	AC5310	951.105.415.00	V94271
6020162320	BW380	606 053 12 29	VAG96095	6160161520	BC790	7508543	AC5920	951.105.416.07	V94297
6020162420	BW380	606 053 13 29	VAG96287	6160162020	BC790	7508545	CC5920	955.101.052.00	NA5329
6020162620	BN720	6060101305	EY580	6165860390	GC790	7509717	AC5440	95510438300	AG9610
6020163020	BN720	6060101320	DY580	6165860490	DC790	7511535	CC5440	964 104 321 00	VAG96177B
6020163120	BN720	6060140022	JJ500	6165860990	DC790	7582245	HM5278	964.105.409.05	V94545
6020163520	BW380	6060160120	BY580	6165861290	DC790	7591482	AH6420	964.105.419.00	V94300
6020163920	BW380	6060160221	JM5157	617 050 00 27	V94256	7787262	LK5007	964.105.419.03	V94300
6020500058	HR758	6060160320	BY580	6170100380	EC791	7787630	JD5183	964.105.419.04	V94300
6020500501	CAM414	6060500058	HR5062	6170101105	EC791	7788072	CC5410	96414718702	TB526
6020500801	CAM414	6060500158	HR5057	6170160180	JN273	7788640	AB5990	96414718703	TB526
6021410080	JD299	6061410080	JD478	6170160680	BC800	7788642	AB5980	993.105.419.06	V94726
6021410280	JD298	611 010 01 74	NA5074	6170160720	BC800	7788651	AE5340	A1150500226	V35015
6021410680	JD298	611 050 01 27	V94399	6170160820	BC800	7788652	AE5350	GU802501	VAG96086B
6021410780	JD298	611 050 0127	V94371	6171420780	JD297	7788656	AE5360	MN158200	JM7124
6021410880	JD298	611 053 01 01	V94398	6175860390	DC800	7788657	AE5370		
6021420080	JD299	611 053 01 05	V94399	628 053 00 01	V98066	7789977	AC5410		



	F (mm)	G (mm)	E (mm)	
VAG96266B	6.000	11.540	39.000	VG1
VAG96098	6.000	11.550	47.500	VG3
VAG96095	6.000	12.550	37.600	VG3
VAG96287	6.000	12.760	37.500	VG3
VAG96148B	6.004	12.565	39.500	VG3
VAG96044B	6.004	12.765	43.500	VG3
VAG96043B	6.010	12.560	43.500	VG3
VAG96119	6.030	10.540	41.500	VG1
VAG96157B	7.000	12.000	38.000	VG5
VAG96096	7.000	12.550	37.600	VG3
VAG96042B	7.000	12.550	43.500	VG3
VAG96241	7.015	12.580	37.500	VG3
VAG96149	7.015	12.585	37.500	VG3
VAG96235B	7.015	12.645	43.500	VG3
VAG96196	7.015	12.765	43.500	VG3
VAG96224B	7.015	13.054	45.500	VG3
VAG96189B	7.015	13.074	45.000	VG3
VAG96086B	7.015	13.074	52.000	VG3
VAG96143B	7.015	13.244	45.000	VG3
VAG96167	7.015	13.344	45.000	VG3
VAG96142B	7.015	13.551	35.500	VG3
VAG96099	7.020	11.580	47.500	VG3
VAG96178	7.020	12.760	37.500	VG1
VAG92303B	7.020	13.050	45.000	VG5
VAG92347B	7.020	13.140	45.000	VG3
VAG96169B	7.020	13.560	40.500	VG1
VAG96097	7.030	12.760	50.000	VG3
VAG92380B	8.000	14.040	42.000	VG3
VAG92297	8.000	14.050	39.500	VG5
VAG92378B	8.000	14.050	46.000	VG3



VG1



VG3



VG5

VALVE GUIDES

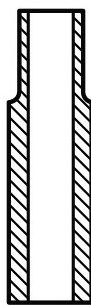
Ventil Führung • Guia De Valvulas • Guides De Soupape
 Guide Valvola • Prowadnice zaworów
 Направляющие Клапанов • دليل الصمام



	F (mm)	G (mm)	E (mm)	
VAG96227B	8.015	13.054	43.000	VG3
VAG96170B	8.015	13.560	35.500	VG3
VAG96141B	8.015	13.560	38.000	VG3
VAG96138B	8.015	14.054	42.000	VG3
VAG96154B	8.015	14.054	46.000	VG3
VAG96176B	8.015	14.244	50.000	VG3
VAG92170B	8.020	14.060	50.000	VG3
VAG96214	8.020	14.250	39.500	VG3
VAG92342B	9.000	14.040	48.000	VG3
VAG92298	9.000	14.050	37.500	VG5
VAG92379B	9.000	14.050	51.000	VG3
VAG96228B	9.015	13.049	66.500	VG5
VAG96177B	9.015	13.061	51.000	VG1
VAG96183B	9.015	13.080	40.500	VG3
VAG96144B	9.015	14.054	47.501	VG3
VAG96153B	9.015	14.054	51.000	VG3
VAG96152	9.015	14.054	51.500	VG3
VAG96233B	9.015	15.054	50.500	VG3
VAG96139B	9.015	15.054	50.501	VG3
VAG96147B	9.015	15.054	54.000	VG3
VAG96168B	9.020	13.070	51.000	VG1
VAG96162B	9.020	13.560	38.000	VG5
VAG92171B	9.020	14.060	51.500	VG3
VAG51028B	9.020	14.060	55.000	VG3
VAG96204	9.020	14.250	37.500	VG3
VAG92414B	9.020	15.060	54.000	VG5
VAG92109	9.980	14.010	48.510	VG5
VAG92108	9.980	14.020	61.000	VG5
VAG92200B	11.020	15.060	45.000	VG3
VAG92172B	11.020	15.060	54.300	VG3



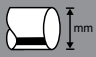






VG1



VG3



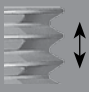





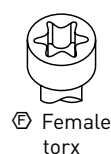
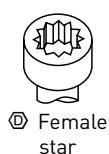
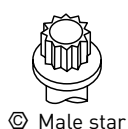
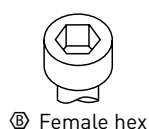
VG5

													
27.00	x	47.00	x	7.00	PTFE	827S RD W	↻					NA5258	
30.00	x	40.00	x	7.00	FPM	827S RD W	↻					NC065	
32.00	x	45.00	x	6.00	FPM	829S RD	↻					NA5139	
32.00	x	47.00	x	10.00	FPM	827S DD W	↻					NA5001	
35.00	x	48.00	x	10.00	FPM	827S RD W	↻					NB716	
35.00	x	48.00	x	10.00	PTFE / ACM	827S RD W	↻					NA5106	
35.00	x	48.00	x	10.00	PTFE	827S RD W	↻					NA5106	
35.00	x	55.00	x	12.00	ACM	827S RD W	↻					NB432	
38.00	x	50.00	x	6.00	FPM	827S RD W	↻					NA5260	
38.00	x	50.00	x	7.00	FPM	827S DD W	↻					NB799	
40.00	x	55.00	x	4.00	PTFE	827S RD W	↻					NA5259	
40.00	x	62.00	x	8.00	FPM	ASW	↻					NA5332	
40.00	x	62.00	x	8.00	PTFE	827S RD W	↻					NA5109	
42.00	x	52.00	x	7.50	FPM	829S RD W	↻					NB980	
42.00	x	62.00	x	10.00	ACM	829S RD W	↻					NA5272	
42.00	x	62.00	x	12.00	FPM	829S RD W	↻					NB792	
44.00	x	60.00	x	10.00	PTFE	829S RD W	↻					NA5099	
44.00	x	60.00	x	10.00	FPM	827S RD W	↻					NC015	
45.00	x	67.00	x	8.00	FPM	829S RD W	↻					NB973	
45.00	x	67.00	x	8.00	PTFE	827S RD W	↻					NA5131	
45.00	x	67.00	x	10.00	FPM	829S RD W	↻					NB971	
45.00	x	67.00	x	13.00	FPM	827 SSPRD	↻					NA5264	
45.00	x	74.50	x	12.00	FPM	827SRDWSP	↻					NB975	
48.00	x	65.00	x	10.00	PTFE	829S RD W	↻					NA5105	
48.00	x	65.00	x	10.00	FPM	829S RD W	↻					NF637	
55.00	x	68.00	x	8.00	FPM	829S RD W	↻					NA5299	
55.00	x	68.00	x	8.00	PTFE	829S RD W	↻					NA5103	
55.00	x	70.00	x	8.00	PTFE	827S RD W	↻					NA5329	
55.00	x	72.00	x	10.00	FPM	829S RD W	↻					NA5267	
75.00	x	95.00	x	12.00	FPM	827 N	↻					NB953	
78.00	x	94.00	x	8.00			↻					PA815	
80.00	x	100.00	x	9.00	PTFE	827S DD W	↻					NA5118	
85.00	x	105.00	x	11.00	PTFE	829S LD W	↻					NA5305	
85.00	x	105.00	x	8.80	PTFE	827S LD W	↻					NA5325	
85.00	x	105.00	x	11.00	FPM	829S LD W	↻					NA5133	
90.00	x	104.00	x	9.00	FPM	829 LD W	↻					NA5298	
90.00	x	110.00	x	12.00	FPM	829S LD W	↻					NB431	
90.00	x	110.00	x	12.00	PTFE	829S LD W	↻					NA5104	
90.00	x	167.00	x	10.50	PTFE	841S LD SP	↻					NA5107	
90.00	x	173.00	x	24.00	PTFE	841S	↻					LK5007	
91.00	x	111.00	x	10.00	FPM	823S LD	↻					NA5140	
93.00	x	114.00	x	11.50	PTFE	827S LD W	↻					NA5168	
93.00	x	114.00	x	13.00	FPM	827S LD W	↻					NB974	
93.00	x	117.00	x	12.00	FPM	823S LD	↻					NB972	
93.00	x	133.50	x	15.50	PTFE	841S LD SP	↻					NA5074	
100.00	x	124.00	x	13.00	FPM	829S LD W	↻					NA5268	
100.00	x	125.00	x	13.00	FPM	829S LD W	↻					NA5132	



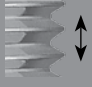



CYLINDER HEADBOLTS

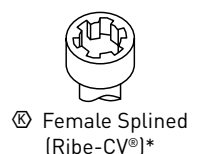
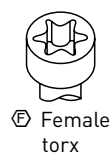
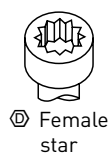
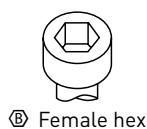
Zylinderkopfschrauben • Viti testa Cilindro • Vis de culasse
Tornillo • Śruba głowicowa
Болты ГБЦ • مسمار الرأس

	Component Reference				QTY		
HBS041	HB050-BA	M10	1.50	150.00	14	Ⓔ	
HBS045	HB059-BA	M12	1.75	119.00	8	Ⓓ	
HBS045	HB060-BA	M12	1.75	104.00	4	Ⓓ	
HBS045	HB061-BA	M12	1.75	144.00	6	Ⓓ	
HBS046	HB059-BA	M12	1.75	119.00	9	Ⓓ	✓
HBS046	HB060-BA	M12	1.75	104.00	5	Ⓓ	
HBS046	HB061-BA	M12	1.75	144.00	8	Ⓓ	
HBS047	HB059-BA	M12	1.75	119.00	10	Ⓓ	✓
HBS058	HB072-BA	M10	1.50	80.00	4	Ⓓ	
HBS058	HB073-BA	M10	1.50	102.00	9	Ⓓ	
HBS058	HB074-BA	M10	1.50	115.00	5	Ⓓ	
HBS059	HB072-BA	M10	1.50	80.00	5	Ⓓ	
HBS059	HB073-BA	M10	1.50	102.00	11	Ⓓ	
HBS059	HB074-BA	M10	1.50	115.00	6	Ⓓ	
HBS060	HB072-BA	M10	1.50	80.00	6	Ⓓ	
HBS060	HB073-BA	M10	1.50	102.00	13	Ⓓ	
HBS060	HB074-BA	M10	1.50	115.00	7	Ⓓ	
HBS061	HB073-BA	M10	1.50	102.00	14	Ⓓ	
HBS061	HB074-BA	M10	1.50	115.00	4	Ⓓ	
HBS062	HB073-BA	M10	1.50	102.00	17	Ⓓ	
HBS062	HB074-BA	M10	1.50	115.00	5	Ⓓ	
HBS063	HB073-BA	M10	1.50	102.00	20	Ⓓ	
HBS063	HB074-BA	M10	1.50	115.00	6	Ⓓ	
HBS065	HB051-BA	M11	1.50	140.00	14	Ⓔ	
HBS066	HB066-BA	M12	1.50	146.50	14	Ⓔ	
HBS067	HB067-BA	M10	1.50	110.00	14	Ⓔ	
HBS068	HB099-BA	M10	1.50	95.00	14	Ⓔ	
HBS069	HB099-BA	M10	1.50	95.00	10	Ⓔ	
HBS070	HB049-BA	M12	1.75	157.00	10	Ⓐ	
HBS071	HB049-BA	M12	1.75	157.00	14	Ⓐ	
HBS077	HB155-BA	M11	1.50	119.00	10	Ⓓ	
HBS077	HB156-BA	M11	1.50	85.00	7	Ⓓ	
HBS077	HB157-BA	M11	1.50	144.00	3	Ⓓ	
HBS121	HB121-BA	M12	1.50	146.50	10	Ⓔ	
HBS146	HB078-BA	M12	1.75	102.00	14	Ⓓ	
HBS149	HB284-BA	M12	1.75	110.00	10	Ⓓ	
HBS150	HB078-BA	M12	1.75	102.00	10	Ⓓ	
HBS152	HB189-BA	M12	1.75	160.00	14	Ⓓ	
HBS291	HB322-BA	M12	1.75	185.00	10	Ⓔ	
HBS292	HB489-BA	M12	1.75	102.00	10	Ⓔ	
HBS293	HB490-BA	M12	1.75	102.00	12	Ⓔ	
HBS294	HB491-BA	M12	1.75	102.00	14	Ⓔ	
HBS349	HB337-BA	M9	1.25	145.00	8	Ⓔ	
HBS359	HB341-BA	M11	1.50	147.00	10	Ⓔ	
HBS370	HB354-BA	M12	1.25	225.00	10	Ⓚ	
HBS371	HB354-BA	M12	1.25	225.00	12	Ⓚ	



*Ribe-CV® is a registered trademark of Richard Bergner GmbH & Co.

	Component Reference				QTY		
HBS413	HB504-BA	M10	1.50	110.00	14	E	
HBS457	HB412-BA	M10	1.50	180.00	10	E	
HBS458	HB413-BA	M12	1.75	115.00	10	E	
HBS459	HB414-BA	M10	1.50	165.00	10	E	
HBS460	HB415-BA	M10	1.50	154.00	8	E	
HBS463	HB421-BA	M11	1.50	141.00	8	E	
HBS467	HB467-BA	M10	1.50	170.00	6	E	
HBS467	HB468-BA	M8	1.25	125.00	3	E	
HBS467	HB469-BA	M8	1.25	95.00	3	E	
HBS468	HB470-BA	M10	1.50	125.00	10	E	
HBS468	HB471-BA	M9	1.25	95.00	1	E	
HBS468	HB472-BA	M9	1.25	125.00	3	E	
HBS474	HB474-BA	M12	1.75	205.00	16	E	
HBS490	HB537-BA	M12	1.75	180.00	10	C	
HBS496	HB443-BA	M10	1.50	149.00	10	A	
HBS507	HB458-BA	M11	1.50	103.00	14	E	
HBS511	HB462-BA	M11	1.50	260.00	16	E	
HBS519	HB067-BA	M10	1.50	110.00	10	E	
HBS521	HB413-BA	M12	1.75	115.00	8	E	
HBS522	HB544-BA	M10	1.50	151.00	10	E	
HBS534	HB551-BA	M12	1.50	225.00	10	E	
HBS537	HB554-BA	M9	1.25	143.00	10	K	
HBS542	HB558-BA	M11	1.5	134	10	F	
HBS542	HB570-BA	M9	1.25	124.5	4	F	
HBS543	HB559-BA	M12	1.5	217	14	E	
HBS544	HB560-BA	M12	1.5	201.50	10	E	



*Ribe-CV® is a registered trademark of Richard Bergner GmbH & Co.

1	→ 120kW
2	A = 32.075, D = 58.075
3	A = 41.900
4	A = 42.850, B = 1.500, D = 75.850
5	A = 42.900, D = 70.900, B- = 1.100
6	A = 51.600, D = 83.600
7	B- = 3.300
8	B- = 3.600
9	B+ = 1.700
10	Conrod gap 22.00mm
11	Conrod gap 22.15mm
12	Conrod gap 31.00mm
13	Conrod guided in Piston
14	DuraBowl ®
15	Euro 3
16	Euro 4
17	For Mahle OE piston
18	For Nüral OE piston
19	Only for engines with parallel conrod
20	Elastoval ®
21	Std Piston no combustion cavity
22	Steel
23	to cylinder 1 - 3
24	to cylinder 4 - 6
25	TU2
26	Outer Diameter 1 [mm]: 105.00
27	Specification: Oil Seal in housing
28	Oil Pan Material: Steel
29	"SPUTTER" upper half bearing
30	The O.E. procedure requires that the intermediate shaft bushings are machined once fitted to optimize clearance, centring, and alignment. We therefore recommend our 'semi' bushings and to follow the same procedure.
31	"SPUTTER" lower half bearing
32	G-149
33	G-188
34	Automatic Transmission
35	Manual Transmission
36	Mechanical
37	Fitting Position: Left and right
38	for vehicles without ride height control
39	for vehicles with ride height control
40	Cast Steel
41	to engine cylinder: 1,3,4
42	Engine Block Material: Aluminium
43	to engine cylinder: 1,2,5 - 8
44	to engine cylinder: 5 - 8
45	to engine cylinder: 1 - 4
46	for left-hand drive vehicles
47	Tappet Cover Material: Plastic

Deutsch

1	→ 120kW
2	A = 32.075, D = 58.075
3	A = 41.900
4	A = 42.850, B = 1.500, D = 75.850
5	A = 42.900, D = 70.900, B- = 1.100
6	A = 51.600, D = 83.600
7	B- = 3.300
8	B- = 3.600
9	B+ = 1.700
10	Pleuelaugenabstand 22.00mm
11	Pleuelaugenabstand 22.15mm
12	Pleuelaugenabstand 31.00mm
13	Kolbengeführtes Pleuel
14	DuraBowl ®
15	Euro 3
16	Euro 4
17	Für OE-Kolben von Mahle
18	Für OE-Kolben von Nüral
19	Nur für Motoren mit paralleler Pleuelstange
20	Elastoval ®
21	Std Kolben-keine Mulde
22	Stahl
23	zu zylinder: 1 - 3
24	zu zylinder: 4 - 6
25	TU2
26	Aussendurchmesser 1 [mm]: 105.00
27	Spezifikation: Wellendichtring im Gehäuse
28	Ölwannenmaterial: Stahl
29	"SPUTTER" obere Lagerhälfte
30	Bei der Erstausrüstung werden die Zwischenwellenbuchsen nach dem Einpressen fertigbearbeitet, um Spiel, Verzug und Flucht zu optimieren. Deshalb empfehlen wir die Verwendung unserer 'Semi' Buchsen und die gleiche Vorgehensweise.
31	"SPUTTER" untere Lagerhälfte
32	G-149
33	G-188
34	Automatikgetriebe
35	Schaltgetriebe
36	mechanisch
37	Einbauort: beidseitig
38	für Fahrzeuge ohne Niveauregulierung
39	für Fahrzeuge mit Niveauregulierung
40	Stahlguß
41	zu Motorzylinder: 1,3,4
42	Motorblockmaterial: Aluminium
43	zu Motorzylinder: 1,2,5 - 8
44	zu Motorzylinder: 5 - 8
45	zu Motorzylinder: 1 - 4
46	für Linkslenker
47	Zylinderkopfhaubenmaterial: plastisch

1	→ 120kW
2	A = 32.075, D = 58.075
3	A = 41.900
4	A = 42.850, B = 1.500, D = 75.850
5	A = 42.900, D = 70.900, B- = 1.100
6	A = 51.600, D = 83.600
7	B- = 3.300
8	B- = 3.600
9	B+ = 1.700
10	Distanza dalla biella 22.00mm
11	Distanza dalla biella 22.15mm
12	Distanza dalla biella 31.00mm
13	Biella montata sul pistone
14	DuraBowl ®
15	Euro 3
16	Euro 4
17	Per pistoni Mahle OE
18	Per pistoni Nüral OE
19	solo per motori con bielle in parallelo
20	Elastoval ®
21	Pistoni standard senza camera di combustione
22	Acciaio
23	Cilindri 1 - 3
24	Cilindri 4 - 6
25	TU2
26	Diametro esterno 1 [mm]: 105.00
27	Specifica: alloggiamento paraolio
28	Materiale coppa olio: Acciaio
29	Semicuscinetto superiore "SPUTTER"
30	L' OE suggerisce per l'installazione che le boccole dell'albero intermedio di distribuzione siano lavorate e finite con centratura e allineamento nei corretti valori di tolleranza. Vi consigliamo le nostre boccole 'semifinite' e di seguire la stessa procedura.
31	Semicuscinetto inferiore "SPUTTER"
32	G-149
33	G-188
34	Cambio automatico
35	Cambio
36	Meccanico
37	Lato montaggio: Bilaterale
38	per veicoli senza impianto correzione altezza
39	per veicoli con impianto correzione altezza
40	Fusione in acciaio
41	Al cilindro del motore: 1,3,4
42	Materiale blocco motore: Alluminio
43	Al cilindro: 1,2,5 - 8
44	Al cilindro: 5 - 8
45	Al cilindro: 1 - 4
46	per veicolo con guida a Sx
47	Materiale coperto testata: Plastico

Français

- | | |
|----|--|
| 1 | → 120kW |
| 2 | A = 32.075, D = 58.075 |
| 3 | A = 41.900 |
| 4 | A = 42.850, B = 1.500, D = 75.850 |
| 5 | A = 42.900, D = 70.900, B- = 1.100 |
| 6 | A = 51.600, D = 83.600 |
| 7 | B- = 3.300 |
| 8 | B- = 3.600 |
| 9 | B+ = 1.700 |
| 10 | Distance entre bielle 22.00mm |
| 11 | Distance entre bielle 22.15mm |
| 12 | Distance entre bielle 31.00mm |
| 13 | Bielle guidée dans le piston |
| 14 | DuraBowl ® |
| 15 | Euro 3 |
| 16 | Euro 4 |
| 17 | Pour les pistons d'origine Mahle |
| 18 | Pour les pistons d'origine Nüral |
| 19 | Seulement pour moteurs équipés de têtes de bielle parallèles |
| 20 | Elastoval ® |
| 21 | Piston Std, sans chambre de combustion |
| 22 | Acier |
| 23 | Vers cylindre 1 - 3 |
| 24 | Vers cylindre 4 - 6 |
| 25 | TU2 |
| 26 | Diamètre extérieur 1 [mm]: 105.00 |
| 27 | Caractéristiques: Bague d'étanchéité dans son logement |
| 28 | Matériau du carter d'huile: acier |
| 29 | Demi-coussinet supérieur "SPUTTER" |
| 30 | En première monte, les bagues d'arbre intermédiaire sont usinées après montage pour optimiser le jeu, le centrage, et l'alignement. De ce fait, nous recommandons d'utiliser nos bagues 'semi' et de suivre la même procédure. |
| 31 | Demi-coussinet inférieur "SPUTTER" |
| 32 | G-149 |
| 33 | G-188 |
| 34 | Boîte automatique |
| 35 | Boîte de vitesses manuelle |
| 36 | Mécanique |
| 37 | Endroit d'assemblage: Côté gauche et droit |
| 38 | Pour véhicules sans réglage de niveau |
| 39 | Pour véhicules avec correcteur d'assiette |
| 40 | Fonte |
| 41 | Sous cylindre moteur: 1,3,4 |
| 42 | Matériau du bloc-moteur: aluminium |
| 43 | Vers cylindre: 1,2,5 - 8 |
| 44 | Vers cylindre: 5 - 8 |
| 45 | Vers cylindre: 1 - 4 |
| 46 | Pour véhicules avec direction à gauche |
| 47 | Matériau de la cache culbuteurs : plastique |

1	→ 120kW
2	A = 32.075, D = 58.075
3	A = 41.900
4	A = 42.850, B = 1.500, D = 75.850
5	A = 42.900, D = 70.900, B- = 1.100
6	A = 51.600, D = 83.600
7	B- = 3.300
8	B- = 3.600
9	B+ = 1.700
10	Distancia de la biela 22.00mm
11	Distancia de la biela 22.15mm
12	Distancia de la biela 31.00mm
13	Biela montada en el pistón
14	DuraBowl ®
15	Euro 3
16	Euro 4
17	Para pistones originales Mahle
18	Para pistones originales Nüral
19	Sólo para motores con bielas paralelas
20	Elastoval ®
21	Pistón estándar sin concavidad
22	Acero
23	A cilindro 1 - 3
24	A cilindro 4 - 6
25	TU2
26	Diámetro exterior 1[mm]: 105.00
27	Especificación: Retenes de aceite con cubierta
28	Material cárter: Acero
29	Medio cojinete superior "SPUTTER"
30	El procedimiento de Equipo Original requiere que los casquillos del árbol de levas intermedio sean mecanizados una vez montados para optimizar la holgura, el centrado y la alineación. Por ello recomendamos nuestros casquillos 'semi' y seguir el mismo procedimiento.
31	Medio cojinete inferior "SPUTTER"
32	G-149
33	G-188
34	Transmisión automática
35	Caja de cambios
36	Mecánico
37	Lado mont.: ambos lados
38	para vehículos sin regulación de nivel
39	para vehículos con regulación de nivel
40	Acero fundido
41	A cilindro de motor: 1,3,4
42	Material bloque: aluminio
43	A cilindro de motor: 1,2,5 - 8
44	A cilindro de motor: 5 - 8
45	A cilindro de motor: 1 - 4
46	para vehic. dirección izquierda
47	Material culata: plástico

Polski

- | | |
|----|---|
| 1 | → 120kW |
| 2 | A = 32.075, D = 58.075 |
| 3 | A = 41.900 |
| 4 | A = 42.850, B = 1.500, D = 75.850 |
| 5 | A = 42.900, D = 70.900, B- = 1.100 |
| 6 | A = 51.600, D = 83.600 |
| 7 | B- = 3.300 |
| 8 | B- = 3.600 |
| 9 | B+ = 1.700 |
| 10 | Wnęka w tłoku na główkę korbowodu 22,00mm |
| 11 | Wnęka w tłoku na główkę korbowodu 22,15mm |
| 12 | Wnęka w tłoku na główkę korbowodu 31,00mm |
| 13 | Korbowód prowadzony w tłoku |
| 14 | DuraBowl ® |
| 15 | Euro 3 |
| 16 | Euro 4 |
| 17 | Dla tłoka OE Mahle |
| 18 | Dla tłoka OE Nüral |
| 19 | Tylko do silników z równoległymi powierzchniami główki korbowodu |
| 20 | Elastoval ® |
| 21 | Tłok std bez komory spalania w denku |
| 22 | Stal |
| 23 | do cylindra: 1 - 3 |
| 24 | do cylindra: 4 - 6 |
| 25 | TU2 |
| 26 | średnica zewnętrzna 1 [mm]: 105.00 |
| 27 | Specyfikacja: uszczelnienie olejowe w obudowie |
| 28 | Materiał miski olejowej: Stal |
| 29 | Górna półpanewka typu "SPUTTER" |
| 30 | Procedury OE wymagają, żeby tuleje wałka pośredniego były obrobione po zamontowaniu w celu zoptymalizowania luzu, centrowania i współosiowości. Z tego powodu oferujemy tuleje typu "semi" i zalecamy przestrzeganie tych procedur. |
| 31 | Dolna półpanewka typu "SPUTTER" |
| 32 | G-149 |
| 33 | G-188 |
| 34 | Skrzynia biegów automatyczna |
| 35 | Skrzynia biegów manualna |
| 36 | Mechaniczny |
| 37 | Miejsce zabudowy: lewa i prawa |
| 38 | dla pojazdów bez systemu poziomującego nadwozie |
| 39 | dla pojazdów z regulacją poziomu nadwozia |
| 40 | odlew stalowy |
| 41 | do cylindra silnika: 1,3,4 |
| 42 | Materiał bloku silnikowego: aluminium |
| 43 | do cylindra silnika: 1,2,5 - 8 |
| 44 | do cylindra silnika: 5 - 8 |
| 45 | do cylindra silnika: 1 - 4 |
| 46 | dla pojazdu z kierownicą z lewej strony |
| 47 | Materiał pokrywy głowicy: plastikowy |

1	→ 120кВт
2	A = 32.075, D = 58.075
3	A = 41.900
4	A = 42.850, B = 1.500, D = 75.850
5	A = 42.900, D = 70.900, B- = 1.100
6	A = 51.600, D = 83.600
7	B- = 3.300
8	B- = 3.600
9	B+ = 1.700
10	Расстояние между внутр.торцами бобышек поршня 22.00 мм
11	Расстояние между внутр.торцами бобышек поршня 22.15 мм
12	Расстояние между внутр.торцами бобышек поршня 31.00 мм
13	Шатун с осевой фиксацией в бобышках поршня
14	DuraBowl ®
15	Euro 3
16	Euro 4
17	Для оригинального поршня Mahle
18	Для оригинального поршня Nüral
19	Только для двигателей с поршнями с параллельными внутренними торцами бобышек
20	Elastoval ®
21	Станд. поршень без камеры сгорания
22	сталь
23	к цилиндру: 1 - 3
24	к цилиндру: 4 - 6
25	TU2
26	Наружный диаметр 1 [мм]: 105.00
27	Спецификация: Сальник в корпусе
28	Материал маслянного поддона (картера): сталь
29	Верхняя половинка вкладыша - со спаттерным напылением "SPUTTER"
30	Спецификация OE требует проведения расточки промежуточных втулок распредвала после их установки для обеспечения оптимизации зазора и соосности. Поэтому мы рекомендуем использовать наши "полуготовые" ('semi') втулки, следуя этим же процедурам.
31	Нижняя половинка вкладыша - со спаттерным напылением "SPUTTER"
32	G-149
33	G-188
34	Автоматическая коробка передач
35	Механическая коробка передач
36	механический
37	Место установки: с обеих сторон
38	для автомобилей без системы регулировки дорожного просвета
39	для автомобилей с системой регулировки дорожного просвета
40	Литая сталь
41	к цилиндру двигателя: 1,3,4
42	Материал блока цилиндров двигателя: алюминиевый
43	к цилиндрам двигателя: 1,2,5 - 8
44	к цилиндрам двигателя: 5 - 8
45	к цилиндрам двигателя: 1 - 4
46	для автомобилей с левосторонним управлением
47	Материал крышки толкателей: Пластик

اللغة العربية

1	كيلو وات 120 →
2	أ = 32.075, د = 58.075
3	أ = 41.900
4	أ = 42.850, ب = 1.500, د = 75.850
5	أ = 42.900, د = 70.900, ب = -1.100
6	أ = 51.600, د = 83.600
7	ب = -3.300
8	ب = -3.600
9	ب = +1.700
10	فتحة كونيروود 22.00 مم
11	فتحة كونيروود 22.15 مم
12	فتحة كونيروود 31.00 مم
13	كونيروود الموجهة في الكباس
14	DuraBowl®
15	بورو 3
16	بورو 4
17	بالنسبة لكباس ذات جودة المعدات الأصلية من Mahle
18	بالنسبة لكباس ذات جودة المعدات الأصلية من نوع Nüral
19	للمحركات ذات الكونيروود الموازي فقط
20	Elastoval ®
21	كباس قياسي لا يحتوي على تجويف احتراق
22	الفولاذ
23	للاسطوانة 3 - 1
24	للاسطوانة 6 - 4
25	TU2
26	القطر الخارجي 1 [ملم]: 105.00
27	المواصفات: سداة الزيت داخل التجويف
28	مادة حوض الزيت: صلب
29	"SPUTTER" محمل النصف العلوي للرشاش
30	يستلزم إجراء المعدات الأصلية تصنيع جلب عمود الوسط بمجرد ملاءمتها لضبط مسافة الخلوص والمركز والمحاذة، لذا ننصح باستخدام الجلب الشبيهة الخاصة بنا واتباع نفس الإجراء
31	"SPUTTER" محمل النصف السفلي للرشاش
32	G-149
33	G-188
34	نقل حركة تلقائي
35	نقل حركة يدوي
36	ميكانيكي
37	وضع التثبيت: يسار ويمين
38	للمركبات بدون وحدة تحكم في ارتفاع الركوب
39	للمركبات ذات وحدة تحكم في ارتفاع الركوب
40	صلب مصبوب
41	إلى اسطوانة المحرك: 1,3,4
42	مادة تصنيع مجموعة المحرك: الألومنيوم
43	إلى اسطوانة المحرك: 1,2,5 - 8
44	إلى اسطوانة المحرك: 5 - 8
45	إلى اسطوانة المحرك: 1 - 4
46	للمركبات ذات نظام القيادة الأيسر
47	مادة غطاء عماز: بلاستيك

Keep it real. Keep out counterfeit.



The authenticity of all our engine and sealing products is protected by the MAPP Code (Manufacturers Against Product Piracy) and the PrioSpot® Authentication device, featured on a special Anti-Counterfeit label on the packaging. In this way you can be sure of our trusted Federal-Mogul quality!

How to check the authenticity of your products

1 - Check if the packaging is closed and the label is intact

2 - Verify the unique alphanumeric code and data matrix code

- Type in the alphanumeric code at www.fmecat.eu or
- Read the Data Matrix Code with a 2-D scanner or
- Read the Data Matrix Code on your smartphone with a barcode reader app

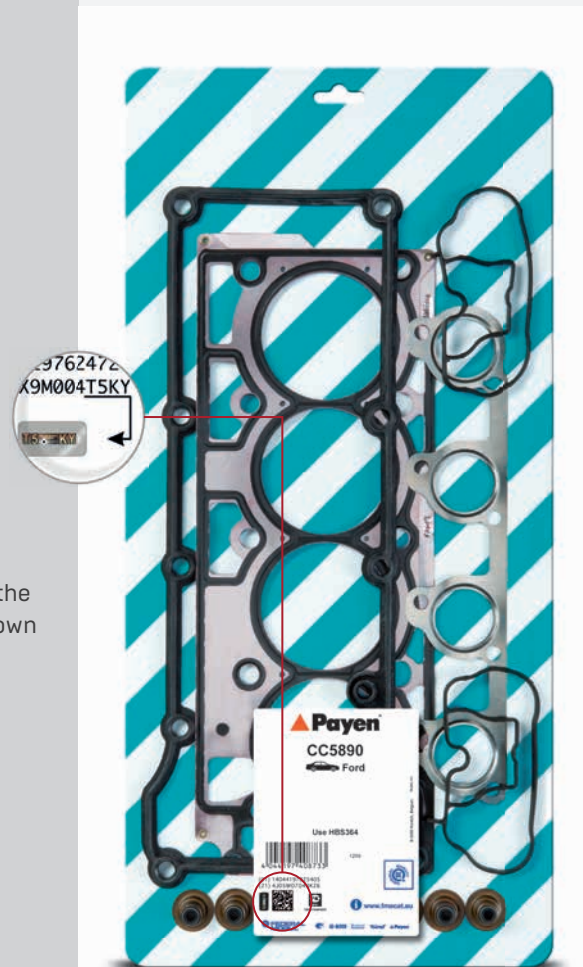


3 - Verify the unique security code on the PrioSpot® Label

- Different code on each packaging



- Code contains the last 4 digits of the alphanumeric code
- The code and the Federal-Mogul logo shimmer in rainbow colours only in direct light
- Only in direct light a digit, repeating the last digit of the security code, is visible. This digit will move up and down when you change the angle of the PrioSpot®



Federal-Mogul Global Aftermarket EMEA bvba

Prins Boudewijnlaan 5 • B-2550 Kontich • Belgium

Central Distribution Centre

Prins Boudewijnlaan 7 • B-2550 Kontich • Belgium

Phone +32 (0) 3450 83 10 • Fax +32 (0) 3450 83 38

Federal-Mogul Italy Srl**Aftermarket Division**

Via Enrico Fermi 8 • 37135 Verona • Italy

Phone +39 045 828 13 11 • Fax +39 045 828 14 00

Federal-Mogul Germany GmbH

Albert-Ruprecht-Strasse 2 • 71636 Ludwigsburg • Germany

Phone +49 (0) 7141-64865-8230 • Fax +49 (0) 7141-64865-8390

Federal-Mogul Aftermarket UK Limited

Greyhound Drive • Bradford • BD7 1NQ • England

Phone +49 (0) 7141-64865-8230 • Fax: +49 (0) 7141-64865-8390

Federal-Mogul Ibérica, S.L.**Federal-Mogul Aftermarket España, S.A.**

Calle Alcarria, nº 2 • 28823 Coslada • Madrid • Spain

Phone: + 34 91 746 1900 • Fax: + 34 91 746 18 90

Federal-Mogul Aftermarket France

60-62, rue Danjou • 92517 Boulogne-Billancourt Cedex • France

Phone +33 (0) 1 46 94 27 00 • Fax +33 (0) 1 46 94 27 01

Service Commande de stock :

Phone +33 (0) 810 000 029 • Fax +32 34 50 80 26

Service Commande express :

Phone +33 (0) 810 000 029 • Fax +32 34 50 80 26

Federal-Mogul Aftermarket**Southern Africa (PTY) Ltd**

33 Western Boulevard • City West • Johannesburg • South Africa

Phone +27 11 630 3000 • Fax +27 11 630 3040

Federal-Mogul Aftermarket Turkey

Meclis-i Mebusan Cad. No: 53 Dereli İş Merkezi 34427 • Fındıklı / İstanbul • Türkiye

Phone +90 212 292 6313 • Fax +90 212 292 6260

Federal-Mogul Aftermarket Russia Ltd

Smolnaya street 24D, 13th floor • 125445 Moscow • Russia

Phone +7 495 221 50 60 • Fax +7 495 221 50 64



